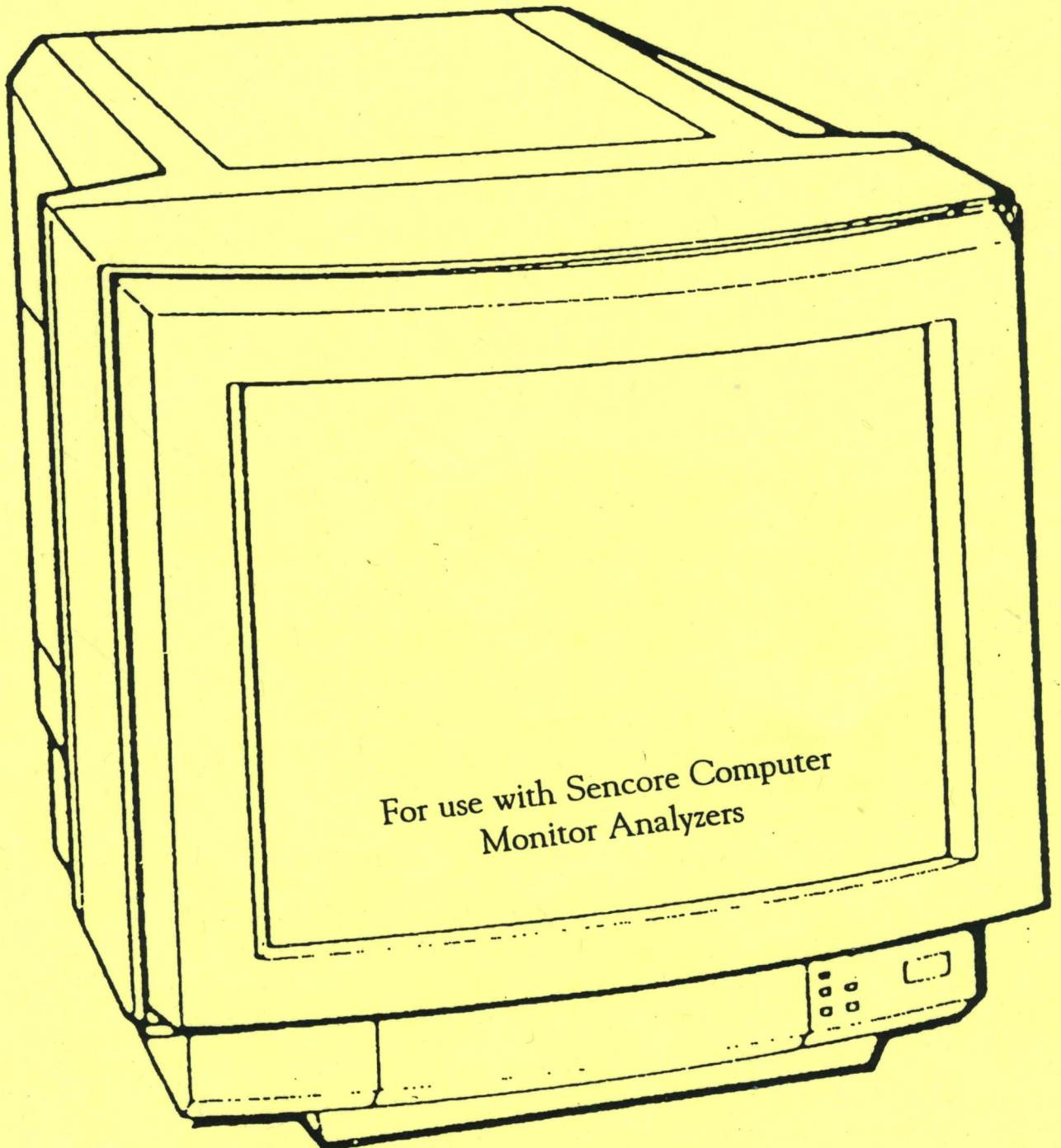


Computer Monitor Reference Guide



SENCORE

3200 Sencore Drive, Sioux Falls, South Dakota 57107
Call 1-800-SENCORE (736-2673)

Price: \$29.95

Form 5531
Printed in USA

Table of Contents

| | |
|---|-------------------|
| About This Reference book | Page 2 |
| What is a Computer Monitor? | Page 3 |
| Computer Monitor Types | Page 3 |
| Digital Monitors | Page 3 |
| ECL Monitors | Page 3 |
| Analog Monitors | Page 4 |
| High Resolution Monitors | Page 4 |
| Resolution | Page 5 |
| Bandwidth | Page 5 |
| Dot Pitch | Page 6 |
| Refresh Rate. | Page 6 |
| Scan Method. | Page 6 |
| Connecting Your Computer Monitor Analyzer to a Monitor | Page 7 |
| Determining The Format | Page 7 |
| Selecting The Adapter. | Page 8 |
| Programming The Parameters. | Page 8 |
| Pre-Programmed Parameters | Page 8 |
| Non-Programmed Parameters. | Page 9 |
| Storing Setup Parameters. | Page 10 |
| Understanding The Setup Parameters | Page 11 |
| Horizontal Scan Frequency. | Page 11 |
| Vertical scan frequency. | Page 11 |
| Timing parameters. | Page 11 |
| Horizontal and Vertical Pixels. | Page 11 |
| Video Type. | Page 12 |
| Signal Polarity | Page 12 |
| Sync Adder. | Page 12 |
| Scan type. | Page 13 |
| Modifying Pre-Programmed Parameters. | Page 13 |
| Computer Monitor Setups. | Page 14 |
| Explanation of Sample Setup. | Page 14 |
| | |
| Parameters of Stored Setups | Appendix A |
| | |
| Monitor Manufacturers. | Appendix B |
| | |
| Parts & Schematic Sources. | Appendix C |
| | |
| Block Diagrams. | Appendix D |
| | |
| Trouble Trees. | Appendix E |

About This Reference Book

Computer monitor repair is a very lucrative business for many service centers. As the number of PCs in use continues to grow, so does the need for computer monitor service. With this expanding service business comes the need for service equipment and service information.

Most computer monitors operate at scan frequencies other than the NTSC television format (15.75 kHz horizontal, and 60 Hz vertical). Monitors also have different resolutions (pixels) and non-standard timing parameters.

Sencore introduced the first complete monitor analyzer (the CM2000) to answer the need for monitor test equipment.

In this Reference Guide you will find:

- How computer monitors compare to television receivers
- Identifying common monitor formats and setups
- Simplified information on connecting your Computer Monitor Analyzer
- Setup information for monitor formats not included in the Computer Monitor Analyzer's pre-programmed setups
- Helpful service information
- Universal Monitor Block Diagrams
- Simplified Troubleshooting Trouble Trees

This reference guide is not intended to replace the Operators Manual for your Sencore Computer Monitor Analyzer. Instead, it provides additional information to help you test monitors having formats that are not pre-programmed in to the Computer Monitor Analyzer.

Sencore's Computer Monitor Analyzers provide a programmable video generator that adapts to whatever parameters are needed by the monitor. Special tests, video patterns and drive signals allow you to quickly isolate defects.

The second need in monitor servicing is determining the parameters needed to operate the monitor. At times this service information for computer monitors may be difficult to obtain. This booklet was put together as a service aid for technicians who service computer monitors. We've included all the necessary parameters and setup information for many computer monitors.

Even if you don't own or use a Sencore Computer Monitor Analyzer, you will find the information very useful and helpful and you service computer monitors.

What is a Computer Monitor?

Very simply, a computer monitor is much like a television receiver without a tuner, IF section, or color demodulator. Instead of receiving an RF signal, converting it to an IF frequency and uncovering the information with a video detector, a computer monitor receives video information directly from the computer through separate red, green and blue (RGB) lines (or through a single video line if monochrome). Horizontal and vertical sync pulses are supplied by the computer to lock the picture. A computer monitor contains a horizontal and vertical output stage to deflect the electron beam.

Do not confuse a computer monitor with a composite video monitor. Composite video monitors accept NTSC composite video (luminance and encoded color) through a single input. They must separate the chroma portion of the signal into separate red, green and blue signals and combine them with the luminance to produce a picture. While composite video monitors offer better resolution than television receivers, they fall far short of the performance provided by computer monitors.

Computer Monitor Types

There are three major types of computer monitors - digital, ECL, and analog. For all types, however, a monitor receives an input signal from the computer and converts the signal to a visual image which you can view on a CRT.

Digital Monitors

A digital monitor receives TTL logic level signals from the computer. Monochrome digital monitors may have 1 or 2 video lines. Monitors having 2 video lines produce two shades of amber, green or B&W.

Digital color monitors produce colors by combinations of logic "1's" and "0's" on the video lines, as shown in Figure 1.

These color digital monitors may use 3 (Red, Green, Blue) 4 (R,G,B and Intensity) or 6 (R,G,B and RI, GI, BI) video lines. The intensity lines are used to vary the color saturation, which effectively produces a second set of colors.

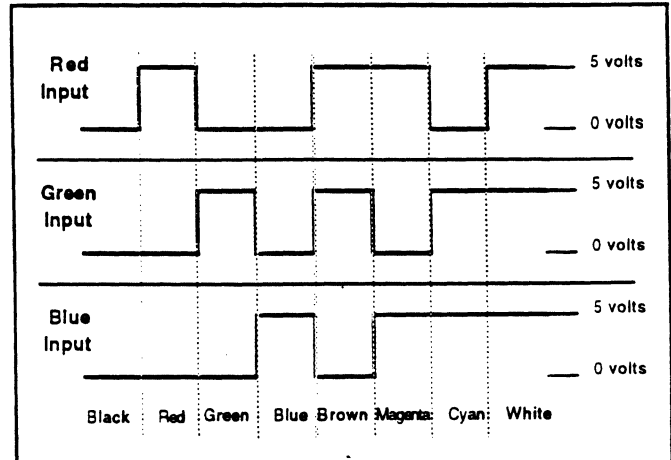


Fig. 1 - Combinations of TTL logic levels produce color in digital monitors.

Color monitors can therefore display 8 (3 input lines), 16 (4 inputs) or 64 (6 inputs) colors depending on the number of input lines. But, as you can see, digital monitors are limited in the number of colors they can display.

ECL Monitors

ECL monitors are a special type of digital monitors. Like TTL digital monitors, ECL monitors operate from combinations of logic "1's" and "0's" on the video lines.

Instead of operating at TTL levels (1 = >3.5 volts and 0 = <2 volts), ECL monitors operate at ECL logic levels. Typical ECL logic levels are -0.9 volts LOW; -1.6 volts HIGH.

Analog Monitors

Analog monitors can produce nearly an infinite number of colors or shades of gray since the video signal can be any level between 0.0 and 0.70 volts. A monochrome analog monitor uses only a single video line, while color Analog monitors use three video lines - Red, Green and Blue.

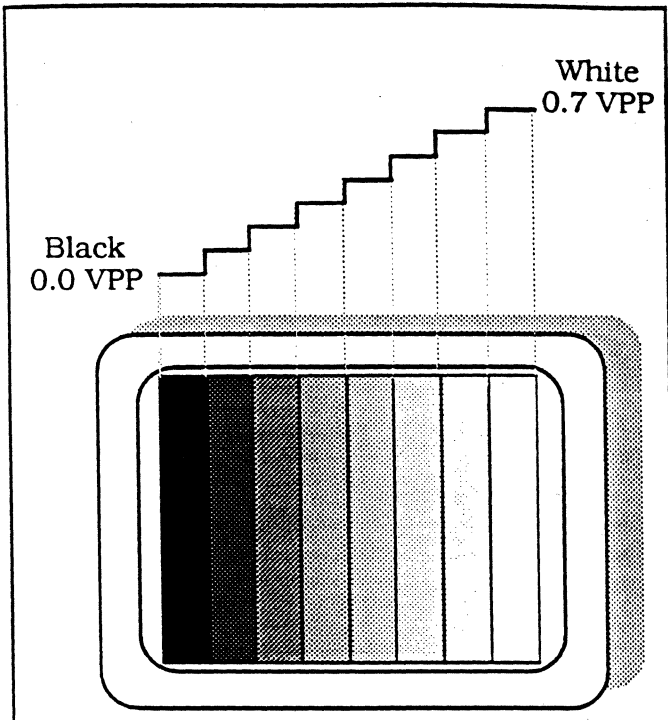


Fig. 2 - Analog monitors use varying voltages from 0.0 to 0.7 volts and can produce an infinite range of gray shades or colors.

High Resolution Monitors

The primary advantage of computer monitors is resolution. But early computer monitors had very poor resolution by today's standards and suffered from poor picture quality and clarity. High resolution analog and digital monitors were developed to improve picture quality.

Today's computer monitors operate at higher scanning frequencies and display many more pixels than early monitors. Figure 3 shows a comparison of several typical monitor formats. The VGA format, introduced in 1986, was the first of the "high resolution" formats.

Resolution

Resolution is a measure of the maximum number of light-to-dark transitions that a monitor is able to produce. This is expressed in pixels or lines. A pixel (picture element) is the smallest spot of light or dark that the monitor can produce on the CRT screen. (A line is the same size as a pixel, and gets its name from a scan line.)

Horizontal resolution is almost always defined in pixels, while vertical resolution may be specified in either pixels or in lines of resolution. The number of pixels displayed from the top to the bottom of the screen is vertical resolution, and the pixels displayed from left to right is horizontal resolution.

Four factors contribute to resolution:

- Bandwidth
- Dot Pitch
- Refresh Rate
- Scanning method (interlace or progressive)

| Mode | | Horizontal Frequency (kHz) | Vertical Frequency (kHz) | Horizontal Resolution (Pixels) | Horizontal Resolution (Pixels) |
|-----------------|------------------------------------|----------------------------|--------------------------|--------------------------------|--------------------------------|
| Lo Resolution | CGA (Color Graphics Adapter) | 15.7 | 60 | 640 | 200 |
| | MDA (Monochrome Display Adapter) | 18.4 | 50 | 720 | 350 |
| | HGC (Hercules Graphics Card) | 18.4 | 50 | 720 | 350 |
| | EGA (Enhanced Graphics Adapter) | 21.8 | 60 | 640 | 350 |
| High Resolution | VGA (Video Graphics Array) mode #1 | 31.5 | 70 | 640 | 350 |
| | mode #2 | 31.5 | 60 | 640 | 480 |
| | mode #3 | 31.5 | 70 | 720 | 400 |
| | Apple MAC II | 35.5 | 67 | 640 | 480 |
| | Super VGA | 35.2 | 56 | 800 | 600 |
| | 8514A | 35.2 | 87 | 1024 | 768 |
| | XGA (Extended Graphics Array) | 35.2 | 87 | 1024 | 768 |

Fig. 3 - High resolution monitors use higher scan rates and display more pixels to achieve improved performance.

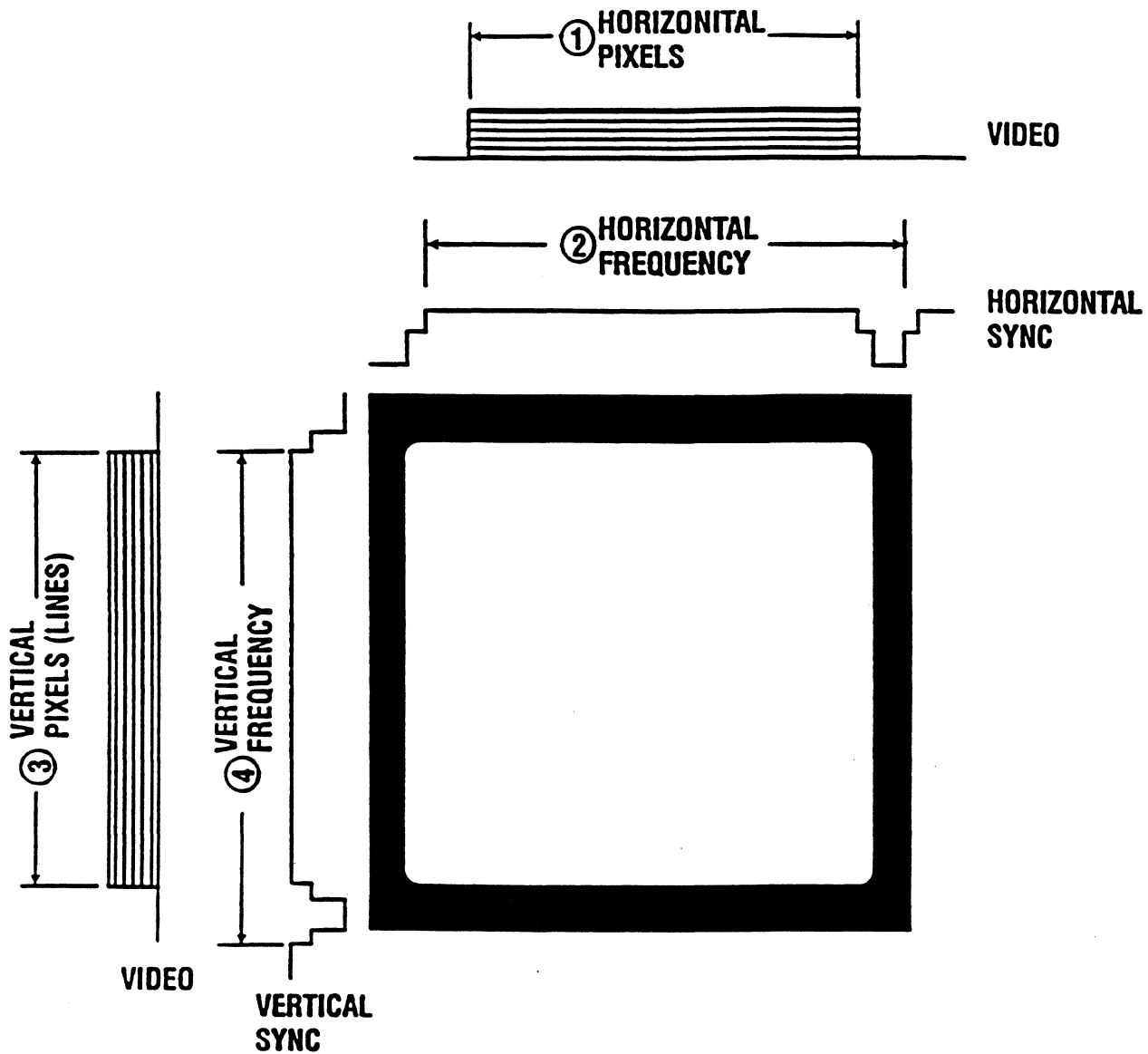


Fig. 4 - Resolution is defined in vertical pixels or lines, and horizontal pixels.

Bandwidth

Bandwidth is the maximum frequency that the video circuits can pass. This frequency response determines the fine detail of the picture. If the frequency response of the circuits decrease, small images and fast transitions will appear blurry or out of focus.

Dot Pitch

Dot pitch is the distance between a phosphor dot and the next nearest dot of the same color in a CRT, expressed in millimeters. This is illustrated in Figure 5.

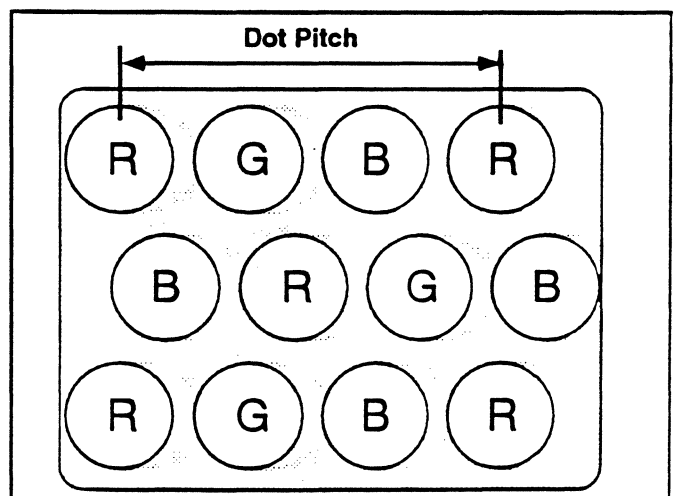


Fig. 5 - Dot pitch is the distance between phosphors of like colors.

Dot pitch applies only to color monitors. It determines the smallest size pixel a color CRT can produce. The CRT's electron beam hits one or more phosphor dots to create a pixel. The smaller the dot pitch the smaller and sharper the visual image. Typical dot pitch values range between 0.26 and 0.54 mm.

Refresh Rate

Refresh rate is the amount of time to display one full frame of video information. Depending on the type of scan, one frame may be scanned for every vertical deflection cycle (progressive scan), or one frame may consist of two vertical cycles called fields (interlace scan). If the refresh rate of a monitor is 60 Hz, for example, one complete frame will be displayed every 1/60 second.

Scan Method

As we've already stated, two types of vertical scan are used in computer monitors: progressive scan and interlace scan. Each method has certain advantages and disadvantages.

In progressive scan a complete frame of video information is drawn on the CRT for every vertical deflection cycle. Progressive scan monitors require higher scanning frequencies (and therefore higher video circuit bandwidth) to keep flicker at an acceptable level. (Flicker occurs because the scanned portions of the picture begin to fade immediately after the electron beam has passed over them).

When interlace scanning is used the frame is divided into two parts called fields. One vertical scan cycle produces half of the frame (the odd-numbered scan lines) and the second vertical scan cycle produces the other half (even-numbered lines). Interlace scanning allows higher resolution with lower bandwidth requirements than progressive scanning. However, interlace scanning results in vertical jitter and is not widely used in high resolution monitors.

Connecting Your Computer Monitor Analyzer to a Monitor

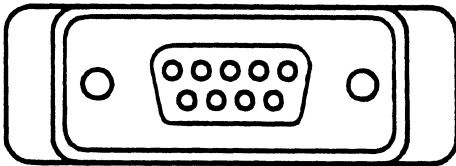
Connecting your Computer Monitor Analyzer to a monitor involves three main parts:

- 1) determining the monitor's format
- 2) selecting the right adapter
- 3) programming the proper parameters

Determining The Format

Often you will know the format of the monitor you are servicing, such as CGA, EGA or VGA. Usually the customer will be able to tell you this information, or you will know the format based on the computer system the monitor is used with. Of course, sometimes a monitor may not be a common format. If you find this to be the case you will need to refer to the manufacturer's service literature for the necessary information.

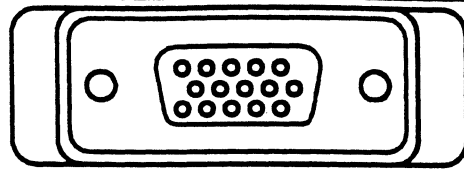
If you don't know what format the monitor is, several key points will help you identify the type and format: input connector, screen size, color or monochrome, manufacturer, and model number.



Connector: 9 Pin

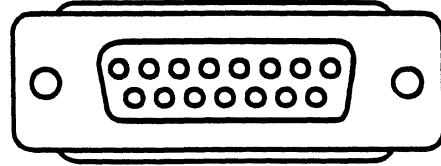
Formats: CGA, MDA, Hercules, EGA, PGC, ECL

- Tips:**
- MDA and Hercules are monochrome
 - EGA monitors have 2 vertical size controls
 - CGA monitors have a single vertical size control
 - PGC monitors are color, but very few were made
 - A 9 pin connector on large monochrome monitors (19" or 21") usually indicates ECL type.



Connector: 15 pin, high density

Formats: VGA, SVGA, XGA, PS/2™



Connector: 15 pin D

Formats: Apple™, Macintosh™

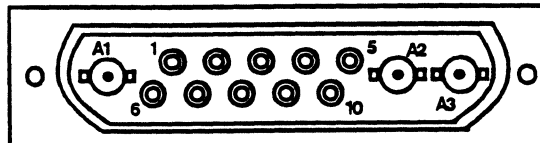
Tip: may be male or female



Connector: BNC or RCA

Formats: high resolution

Tip: always indicates analog type.



Connector: 13W3

Format: high resolution

Tip: always indicates analog type

If you can not determine the monitor's format from the input connector or by the computer system it is used with, you will need to obtain information from the manufacturer's technical support line. To do this you will of course need the manufacturer's name and model

Selecting The Adapter

Once you have identified the monitor format, the adapter to use with the Computer Monitor Analyzer is usually established, since the adapter is part of the format standard. Figure 6 shows the adapter to use for each of the standard monitor formats.

Figure 6 also shows the wiring of these standard format connectors. If the mechanical fit and wiring match, you can use one of the Computer Monitor Analyzer's adapters to connect to the monitor.

If you are unable to match an adapter, use the Universal Adapter cable supplied with your Computer Monitor Analyzer.

Note: Some connections will require the use of a "Gender Changer". These adapters reverse the male and female type connections, and wired straight through. Ready-made gender changers are available at most computer stores.

Programming The Parameters

In order for a monitor to properly display the video information, the signals supplied by the source must match the parameters which the monitor expects. The following parameters are required to set your Computer Monitor Analyzer for a proper display :

1. Horizontal scan frequency
2. Vertical scan frequency
3. Timing parameters (front porch, sync, back porch)
4. Horizontal pixels
5. Vertical pixels
6. Video type (analog/digital/ECL)
7. Signal polarity
8. Sync Adder
9. Scan type (interlace/non-interlace)

Pre-Programmed Parameters

Parameters for many of the most common monitor formats are stored in the Computer Monitor Analyzer for fast recall. These are listed in Figure 7. **If you are testing a format that is listed you do not need to enter each parameter separately. Instead, simply recall the number that appears under "Recall #".**

| Computer Monitor Analyzer Connectors & Pinout | | | | | | | |
|---|----------------------|-----------------------|--------|--------|------------------------|--------------------------|------------------------------|
| Signal: | Analyzer Output Jack | #1 CGA, MDA Hercules™ | #2 EGA | #3 PGC | #4 VGA, SVGA PS/2™ XGA | #5, 5F Apple™ Macintosh™ | Universal adapts to any type |
| Red | 1 | 3 | 3 | 1 | 1 | 2 | Brown |
| Green | 2 | 7,4 | 4 | 2 | 2 | 5 | Red |
| Blue | 3 | 5 | 5 | 3 | 3 | 9 | Orange |
| Intensity | 4 | 6 | 2 | NC | NC | NC | Pink |
| Intensity | 5 | NC | 6 | NC | NC | NC | Yellow |
| H Sync | 6 | 8 | 8 | NC | 13 | NC | Green |
| Comp Sync | 7 | NC | NC | 4 | NC | 3 | Light Green |
| GND | 8 | 1 | 1 | 8 | 4,5 | 11 | Blue |
| Red GND | 9 | NC | NC | 6 | 6 | 1 | Purple |
| Green GND | 10 | NC | NC | 7 | 7 | 6 | Slate |
| Blue GND | 11 | NC | NC | 8 | 8 | 13 | White |
| Intensity | 12 | NC | 7 | NC | NC | NC | Black |
| GND | 13 | 2 | NC | NC | 10,11 | 14 | Brown/White |
| V Sync | 14 | 9 | 9 | NC | 14 | NC | Red/White |
| + 5 volts | 15 | NC | NC | NC | NC | NC | Black/White |

Fig. 6 - Computer Monitor Analyzer adapters and pinouts for standard monitor formats.

| Setup Storage Locations | | |
|-----------------------------------|----------|-----------|
| Format | Recall # | Adapter # |
| CGA, EGA Lo | 0 | 1 |
| Hercules, MDA | 1 | 1 |
| EGA Hi | 2 | 2 |
| PGC1 | 3 | 3 |
| PGC2 | 4 | 3 |
| VGA 1 | 5 | 4 |
| VGA 2, MCGA1 | 6 | 4 |
| VGA 3, MCGA 2, | 7 | 4 |
| SVGA | 8 | 4 |
| 8514 A, XGA | 9 | 4 |
| Mac | 10 | 5, 5F |
| generic | 11 | 4 |
| Apollo | 12 | 6 (BNC) |
| DEC | 13 | 6 (BNC) |
| Sun | 14 | 6 (BNC) |
| IBM, Apollo | 15 | 6 (BNC) |
| Apollo | 16 | 6 (BNC) |
| IBM 8508 | 17 | 6 (BNC) |
| Apollo | 18 | 6 (BNC) |
| Radius | 19 | 6 (BNC) |
| Radius/MAC | 20 | 6 (BNC) |
| Radius/MAC | 21 | |
| Radius | 22 | |
| Apollo ECL | 23 | |
| Sun ECL | 24 | |
| MAC | 25 | |
| SuperMac | 26 | |
| NTSC mono | 27 | |
| VESA | 28 | |
| VESA | 29 | |
| VESA | 30 | |
| VESA | 31 | |
| VESA | 32 | |
| XGA-2 | 33 | |
| XGA-2 | 34 | |
| XGA-2 | 35 | |
| XGA-2 | 36 | |
| Sony | 37 | |
| Sony | 38 | |
| Sony 1601, 1901, 1930, 1932, 1950 | 39 | |
| Samsung | 40 | |
| DEC | 41 | |
| DEC | 42 | |
| user definable | 43-69 | |
| 15 sec. pattern sequence | 99 | |

CM2000 supports recalls 0-19

Fig. 7 - Computer Monitor Analyzer setup recalls for standard monitor formats.

Notes: 1) The CM2000 Computer Monitor Analyzer is pre-programmed only with recalls 0-19. 2) Refer to Appendix A for a complete listing of the parameters for each recall storage location.

To recall a stored setup:

1. Find the format of the monitor you are testing in Figure 7, and note the corresponding number in the "Recall #" column.
2. Press the "RECALL" button located at the bottom of the Computer Monitor Analyzer's *Parameters* keypad.
3. Press the "Storage Location" number identified in step 2. This number will appear in the right-hand LCD display on the Computer Monitor Analyzer.
4. Press the ENTER button located at the bottom of the Computer Monitor Analyzer's *Parameters* keypad.

Non Pre-Programmed Parameters

Because of the wide variety of monitor parameters and the uniqueness of others, we are unable to pre-program all setups into the Computer Monitor Analyzer. If you are testing a monitor whose format is not listed in Figure 7, you will need to enter the necessary parameters. The listings beginning after page 14 show setups for many of these monitors. The following steps explain how to enter these parameters.

To set:

Horizontal Frequency, Vertical Frequency, Horizontal Pixels or Vertical Pixels

1. Press the corresponding button on the *Parameters* keypad (*H FREQ*, *H PIXEL*, *V FREQ*, or *V PIXEL*)
2. Enter the desired numeric value.
3. Press "ENTER".
4. Repeat steps 1 - 3 for each parameter.

When you program non-standard format horizontal and vertical frequencies in to the Computer Monitor Analyzer, the timing parameters automatically default to 80% active video and 20% blanking. (The blanking time is divided evenly between front porch, sync, and back porch). This will usually produce a locked-in display on the computer monitor. However, if the monitor does not use an 80/20 time ratio, the displayed picture will not be centered. You can center the display by altering the corresponding timing parameters. Refer to the next section, "Understanding The Setup Parameters" for more information about the vertical and horizontal timing parameters.

To set: Video Type, Signal Polarities, Sync Adder and Scan Type

1. Find the corresponding button on the *Video Format* Keypad.
2. The LED indicates the current setting of the Computer Monitor's output.
3. To change the setting press the corresponding button to turn the LED on or off.

To set: Horizontal & Vertical Timing Parameters (front porch, sync, back porch)

1. Press "STORE" "8" "0" "ENTER".
This places the Computer Monitor Analyzer into its programming mode.
2. Enter the Vertical Timing Parameters using the following key sequence:
(insert the correct numerical value for "Time")
 - a. **Vertical Front Porch time:**
"STORE" "8" "1" "ENTER" "Time" "ENTER"
 - b. **Vertical Back Porch time:**
"STORE" "8" "2" "ENTER" "Time" "ENTER"
 - c. **Vertical Sync time:**
"STORE" "8" "3" "ENTER" "Time" "ENTER"

Note: You must enter all three vertical timing parameters.

3. Enter the Horizontal Timing Parameters using the following key sequence:
(insert the correct numerical value for "Time")

a. **Horizontal Front Porch time:**
"STORE" "8" "4" "ENTER" "Time" "ENTER"

b. **Horizontal Back Porch time :**
"STORE" "8" "5" "ENTER" "Time" "ENTER"

c. **Horizontal Sync time:**
"STORE" "8" "6" "ENTER" "Time" "ENTER"

Note: You must enter all three horizontal timing parameters.

Storing Setup Parameters

The setup parameters you program into the Computer Monitor Analyzer using the above procedure can be stored in to non-volatile memory for quick recall at any time. Storage locations 20-39 are available for user setups in the CM2000, and 43-69 are available in the newer model Computer Monitor Analyzers.

To store setup parameters:

1. Press "STORE".
2. Enter the number of the desired storage location.
3. Press "ENTER".

Understanding The Setup Parameters

Note: The following information is provided to help you better understand the setup parameters. If you do not know the format of a computer monitor, and cannot find it listed in the setup listing, we recommend you call the manufacturer and obtain the necessary information. Although it is very unlikely that you will damage a monitor with the wrong setup parameters, our experience has proven that you can waste a lot of time trying to develop a setup!

- no display
- display “rolls” vertically
- multiple displays
- bending or weaving

*Note: Incorrect **vertical timing** problems may cause similar symptoms.*

Horizontal Scan Frequency

The horizontal scan frequency is the number of times per second that the electron beam travels horizontally across the CRT from left to right (trace) and back (retrace). The horizontal frequency is established by the horizontal sync pulses coming from the computer or Computer Monitor Analyzer. Figure 8 illustrates the horizontal frequency.

A wrong horizontal frequency may affect the display several ways:

- no display
- display “rolls” horizontally
- multiple displays side-by-side
- bending or weaving, especially at the top or bottom

*Note: Incorrect **horizontal timing** problems may cause similar symptoms.*

Vertical Scan Frequency

The vertical scan frequency is the number of times per second that the electron beam travels from the top of the CRT to the bottom (trace) and back (retrace). The vertical frequency is established by the frequency of the vertical sync pulses, as shown in Figure 8.

A wrong vertical frequency may affect the display several ways:

Timing parameters (front porch, sync, back porch, active video)

The horizontal and vertical sync pulses synchronize the horizontal and vertical oscillators to the incoming video signal. The oscillators in turn feed the driver and output stages which deflect the electron beam vertically and horizontally around the CRT. The timing of the sync signals in relationship to the video determines the actual position of the picture that is displayed on the CRT.

The timing parameters are illustrated in Figure 8. The combination of front porch, sync, and back porch times makes up what is collectively called blanking. Blanking time plus active video time equals total scan time.

Incorrect timing parameters may cause the display to be the wrong size, or to be shifted horizontally or vertically. Incorrect timing may also cause symptoms that look like wrong vertical or horizontal frequency. This interaction between sync frequency and timing makes determining unknown setup parameters difficult for some monitors.

Horizontal and Vertical Pixels

Pixels are a measure of a monitor's resolution. They specify the maximum number of light-to-dark transitions that a monitor is able to produce.

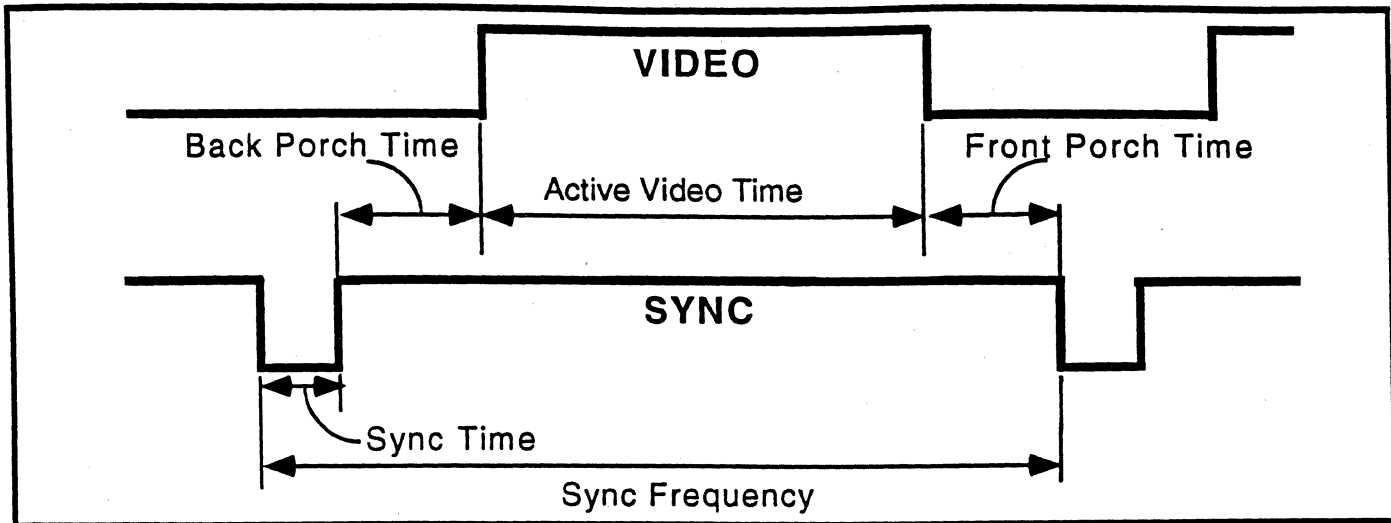


Fig. 8 - Relationship of sync frequency, sync time, front porch time, back porch time and active video time.

The number of pixels, the timing parameters, and the sync frequency all interact. Depending on how these variables add up, you may or may not notice an affect on the display, or the Computer Monitor Analyzer may automatically adjust to maintain a valid output.

An incorrect horizontal pixel setting may have these affects:

- no visible affect
- the display may be too narrow
- the Computer Monitor Analyzer may not accept the number and will default to the highest possible pixel count for the entered horizontal frequency.

An incorrect vertical pixel setting may have these affects :

- The Computer Monitor Analyzer may not accept the number and will default to the highest possible pixel count for the entered horizontal and vertical frequencies.

Video Type

The Video Type parameter toggles the video signal between analog and digital. Selecting the wrong video type will have the most noticeable affect on the Staircase video pattern:

- glaring bright display if "Digital" type is applied to an analog monitor
- no or dim display if "Analog" type is applied to a digital monitor

Signal Polarity

The polarity parameters establish the polarity of the video and sync signals.

Incorrect video polarity may produce :

- negative display (blacks will be white and whites will be black.

Incorrect sync polarity:

- may have no effect
- may cause loss of sync
- may cause multimode monitors to select the wrong mode

Sync Adder

The sync adder parameters specify if vertical and horizontal sync pulses are applied to the monitor on one of the RGB video lines.

Adding sync to a video line when it is not needed may:

- have no visible effect
- change the background color
- cause picture distortion

Not adding sync to a video line when needed:

- results in an out-of sync raster

Scan type

Selecting the type of scan applies either interlaced or a non-interlaced signals to the monitor. Most monitors are non-interlaced.

Selecting the wrong scan type results in:

- no visible effect
- loss of vertical sync
- raster distortion

Modifying Pre-Programmed Parameters

Appendix A shows the parameters that are pre-programmed into the Computer Monitor Analyzer. You can recall and modify any of these parameters using the procedures explained in the section "Non Pre-Programmed Parameters" on page 9.

The pre-programmed parameters are stored in permanent memory. If you make any changes to an existing setup you must save the new setup in a "User Defined" location, otherwise the changes you made will be lost when power is turned off, or when you recall another setup. To save your changes, enter your new setup into one of the User Setup Locations in your Computer Monitor Analyzer as explained earlier.

Note: Attempting to modify the pre-programmed parameters to work for another monitor format may become time consuming due to the interaction of the timing and sync frequency parameters. We strongly recommend that you call the manufacturer and obtain the necessary setup information.

Computer Monitor Setups

Many RGB computer monitors are a common setup, such as CGA, EGA, VGA or SVGA. These monitors are quickly identified, and can be tested using the pre-programmed recalls listed on page 9.

The following listings are for monitors whose setup is not pre-programmed in the Computer Monitor Analyzer.

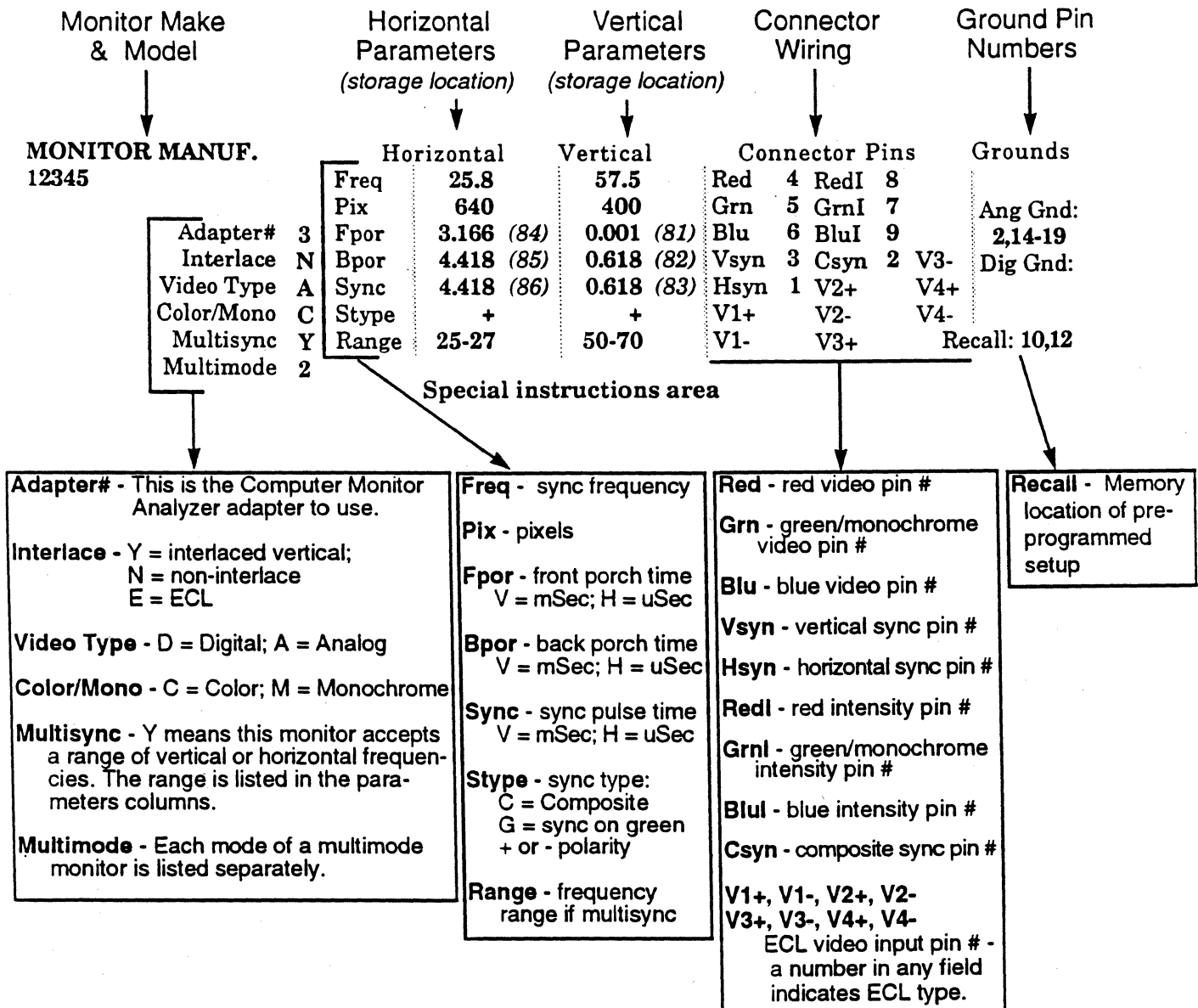
We have made our best effort to insure that this information is correct. However, since the information is compiled from several sources, **we can not guarantee**

the accuracy or completeness of these setups. If you should find an error, please notify the Sencore Application Engineering Department so that we can make the necessary corrections. Likewise, we would greatly appreciate your input on any setup information for monitors which are not listed.

Please forward your corrections or new setup information to:

Sencore Application Engineering
1-800-736-2673
or FAX (605) 339-0432.

Explanation of Sample Setup



| COMPAQ | | Horizontal | Vertical | Connector Pins | | | Grounds |
|-------------|------------------|------------|------------|-----------------------|--------|-----|-------------------|
| 430 | Freq | 53.96 | 66.1 | Red | RedI | | |
| | Pix | 1024 | 768 | Grn | GrnI | | Ang Gnd: |
| Adapter# | 4 Fpor | 0.223 (84) | 0.148 (81) | Blu | BluI | | |
| Interlace | N Bpor | 1.563 (85) | 0.667 (82) | Vsyn | Csyn | V3- | Dig Gnd: |
| Video Type | A Sync | 2.456 (86) | 0.074 (83) | Hsyn | V2+ | V4+ | |
| Color/Mono | C Stype | | | V1+ | V2- | V4- | |
| Multisync | Range | | | V1- | V3+ | | Recall: |
| Multimode | 1 | | | | | | |
| | | | | | | | |
| COMPAQ | | Horizontal | Vertical | Connector Pins | | | Grounds |
| 430 | Freq | 31.47 | 59.9 | Red | RedI | | |
| | Pix | 640 | 480 | Grn | GrnI | | Ang Gnd: |
| Adapter# | 4 Fpor | 0.318 (84) | 0.095 (81) | Blu | BluI | | |
| Interlace | N Bpor | 1.589 (85) | 0.763 (82) | Vsyn | Csyn | V3- | Dig Gnd: |
| Video Type | A Sync | 3.813 (86) | 0.064 (83) | Hsyn | V2+ | V4+ | |
| Color/Mono | C Stype | | | V1+ | V2- | V4- | |
| Multisync | Range | | | V1- | V3+ | | Recall: |
| Multimode | 2 | | | | | | |
| | | | | | | | |
| COMPAQ | | Horizontal | Vertical | Connector Pins | | | Grounds |
| 440 | Freq | | | Red | RedI | | |
| QVISION 150 | Pix | 1024 | 768 | Grn | GrnI | | Ang Gnd: |
| Adapter# | 4,6 Fpor | (84) | (81) | Blu | BluI | | |
| Interlace | N Bpor | (85) | (82) | Vsyn | Csyn | V3- | Dig Gnd: |
| Video Type | A Sync | (86) | (83) | Hsyn | V2+ | V4+ | |
| Color/Mono | C Stype | | | V1+ | V2- | V4- | |
| Multisync | Y Range | 31.5-58 | 50-100 | V1- | V3+ | | Recall: 4,6,35 |
| Multimode | N XGA,PGC,VGA,+ | | | | | | |
| | | | | | | | |
| COMPAQ | | Horizontal | Vertical | Connector Pins | | | Grounds |
| 450 | Freq | | | Red | RedI | | |
| QVISION 170 | Pix | 1024 | 768 | Grn | GrnI | | Ang Gnd: |
| Adapter# | 4,6 Fpor | (84) | (81) | Blu | BluI | | |
| Interlace | N Bpor | (85) | (82) | Vsyn | Csyn | V3- | Dig Gnd: |
| Video Type | A Sync | (86) | (83) | Hsyn | V2+ | V4+ | |
| Color/Mono | C Stype | | | V1+ | V2- | V4- | |
| Multisync | Y Range | 31.5-58 | 50-100 | V1- | V3+ | | Recall: 4,6,30,35 |
| Multimode | N VESA,XGA,PGC,V | | | | | | |
| | | | | | | | |
| COMPAQ | | Horizontal | Vertical | Connector Pins | | | Grounds |
| 450 | Freq | | | Red | RedI | | |
| QVISION 170 | Pix | 1024 | 768 | Grn | GrnI | | Ang Gnd:. |
| Adapter# | 4,6 Fpor | (84) | (81) | Blu | BluI | | |
| Interlace | N Bpor | (85) | (82) | Vsyn | Csyn | V3- | Dig Gnd: |
| Video Type | A Sync | (86) | (83) | Hsyn | V2+ | V4+ | |
| Color/Mono | C Stype | | | V1+ | V2- | V4- | |
| Multisync | Y Range | 31.5/58 | 50-100 | V1- | V3+ | | Recall: 7,30,35 |
| Multimode | Y | | | | | | |
| | | | | | | | |
| CONRAC | | Horizontal | Vertical | Connector Pins | | | Grounds |
| 2680 | Freq | | 60.0 | Red | RedI | | |
| 10 | Pix | 700 | 524 | Grn | GrnI | | Ang Gnd: |
| Adapter# | Fpor | (84) | (81) | Blu | BluI | | |
| Interlace | N Bpor | (85) | (82) | Vsyn | Csyn | V3- | Dig Gnd: |
| Video Type | A Sync | (86) | (83) | Hsyn | V2+ | V4+ | |
| Color/Mono | M Stype | | | V1+ | V2- | V4- | |
| Multisync | N Range | | | V1- | V3+ | | Recall: |
| Multimode | N | | | | | | |
| | | | | | | | |
| CONRAC | | Horizontal | Vertical | Connector Pins | | | Grounds |
| 7250 | Freq | | | Red 1 | RedI | | 6-9 |
| | Pix | 1024 | 1024 | Grn 2 | GrnI | | Ang Gnd: |
| Adapter# | 3 Fpor | (84) | (81) | Blu 3 | BluI | | |
| Interlace | N Bpor | (85) | (82) | Vsyn 5 | Csyn 4 | V3- | Dig Gnd: |
| Video Type | A Sync | (86) | (83) | Hsyn 4 | V2+ | V4+ | |
| Color/Mono | C Stype | | | V1+ | V2- | V4- | |
| Multisync | Y Range | 15.75-37 | 47-80 | V1- | V3+ | | Recall: 0-8,10 |
| Multimode | 1 | | | ANALOG/TTL SWITCHABLE | | | |

| CONRAC | | Horizontal | Vertical | Connector Pins | | | Grounds |
|------------|---------|-----------------------|----------|----------------|--------|-----|----------------|
| 7250 | Freq | | | Red 3 | RedI | | 1 |
| | Pix | 1024 | 1024 | Grn 4 | GrnI 6 | | Ang Gnd: |
| Adapter# | 2 Fpor | (84) | (81) | Blu 5 | BluI | | |
| Interlace | N Bpor | (85) | (82) | Vsyn 9 | Csyn 8 | V3- | Dig Gnd: |
| Video Type | D Sync | (86) | (83) | Hsyn 8 | V2+ | V4+ | |
| Color/Mono | C Stype | | | V1+ | V2- | V4- | |
| Multisync | Y Range | 15.75-37 | 47-80 | V1- | V3+ | | Recall: 0-8,10 |
| Multimode | 2 | ANALOG/TTL SWITCHABLE | | | | | |

| CONRAC | | Horizontal | Vertical | Connector Pins | | | Grounds |
|------------|---------|------------|------------|----------------|------|-----|----------|
| 7351 | Freq | 64.00 | 60.0 | Red | RedI | | |
| | Pix | 1280 | 1024 | Grn | GrnI | | Ang Gnd: |
| Adapter# | 6 Fpor | 0.37 (84) | 0.094 (81) | Blu | BluI | | |
| Interlace | N Bpor | 2.25 (85) | 0.499 (82) | Vsyn | Csyn | V3- | Dig Gnd: |
| Video Type | A Sync | 1 (86) | 0.047 (83) | Hsyn | V2+ | V4+ | |
| Color/Mono | C Stype | | | V1+ | V2- | V4- | |
| Multisync | N Range | | | V1- | V3+ | | Recall: |
| Multimode | N | | | | | | |

| CORNERSTONE | | Horizontal | Vertical | Connector Pins | | | Grounds |
|-------------|---------|------------|----------|----------------|------|-----|----------|
| COLOR 17 | Freq | | | Red | RedI | | |
| | Pix | | | Grn | GrnI | | Ang Gnd: |
| Adapter# | Fpor | (84) | (81) | Blu | BluI | | |
| Interlace | N Bpor | (85) | (82) | Vsyn | Csyn | V3- | Dig Gnd: |
| Video Type | A Sync | (86) | (83) | Hsyn | V2+ | V4+ | |
| Color/Mono | C Stype | C | C | V1+ | V2- | V4- | |
| Multisync | Y Range | 22-79 | 55-90 | V1- | V3+ | | Recall: |
| Multimode | N | | | | | | |

| CORNERSTONE | | Horizontal | Vertical | Connector Pins | | | Grounds |
|-------------|---------|------------|----------|----------------|------|-----|----------|
| COLOR 21 | Freq | | | Red | RedI | | |
| | Pix | | | Grn | GrnI | | Ang Gnd: |
| Adapter# | Fpor | (84) | (81) | Blu | BluI | | |
| Interlace | N Bpor | (85) | (82) | Vsyn | Csyn | V3- | Dig Gnd: |
| Video Type | A Sync | (86) | (83) | Hsyn | V2+ | V4+ | |
| Color/Mono | C Stype | C | C | V1+ | V2- | V4- | |
| Multisync | Y Range | 22-79 | 55-90 | V1- | V3+ | | Recall: |
| Multimode | N | | | | | | |

| CORNERSTONE | | Horizontal | Vertical | Connector Pins | | | Grounds |
|---------------|---------|------------|-----------|----------------|------|-----|----------|
| DUAL PAGE 120 | Freq | 104.97 | 76.1 | Red | RedI | | |
| | Pix | 1664 | 1340 | Grn | GrnI | | Ang Gnd: |
| Adapter# | Fpor | 0 (84) | 0.01 (81) | Blu | BluI | | |
| Interlace | N Bpor | 2.21 (85) | 0.3 (82) | Vsyn | Csyn | V3- | Dig Gnd: |
| Video Type | A Sync | 0.98 (86) | 0.07 (83) | Hsyn | V2+ | V4+ | |
| Color/Mono | C Stype | | | V1+ | V2- | V4- | |
| Multisync | N Range | | | V1- | V3+ | | Recall: |
| Multimode | N | | | | | | |

| CORNERSTONE | | Horizontal | Vertical | Connector Pins | | | Grounds |
|--------------|----------|------------|----------|----------------|-------|-------|------------|
| DUALPAGE 120 | Freq | 105.00 | 76.0 | Red | RedI | | 11,12,15-2 |
| | Pix | 1600 | 1280 | Grn | GrnI | | Ang Gnd: |
| Adapter# | ECL Fpor | (84) | (81) | Blu | BluI | | |
| Interlace | N Bpor | (85) | (82) | Vsyn 10 | Csyn | V3- 3 | Dig Gnd: |
| Video Type | E Sync | (86) | (83) | Hsyn 13 | V2+ 5 | V4+ 1 | |
| Color/Mono | M Stype | + | + | V1+ 8 | V2- 6 | V4- 2 | |
| Multisync | N Range | | | V1- 7 | V3+ 4 | | Recall: |
| Multimode | N | ECL VIDEO | | | | | |

| CORNERSTONE | | Horizontal | Vertical | Connector Pins | | | Grounds |
|--------------|----------|------------|----------|----------------|-------|-------|------------|
| DUALPAGE 150 | Freq | 105.00 | 67.0 | Red | RedI | | 11,12,15-2 |
| | Pix | 2048 | 1536 | Grn | GrnI | | Ang Gnd: |
| Adapter# | ECL Fpor | (84) | (81) | Blu | BluI | | |
| Interlace | N Bpor | (85) | (82) | Vsyn 10 | Csyn | V3- 3 | Dig Gnd: |
| Video Type | E Sync | (86) | (83) | Hsyn 13 | V2+ 5 | V4+ 1 | |
| Color/Mono | M Stype | + | + | V1+ 8 | V2- 6 | V4- 2 | |
| Multisync | N Range | | | V1- 7 | V3+ 4 | | Recall: |
| Multimode | N | ECL VIDEO | | | | | |

| CORNERSTONE | | Horizontal | Vertical | Connector Pins | | | Grounds |
|----------------------|-----|------------------|----------|----------------|-------|-----|----------|
| SINGLEPAGE XL | | Freq 73.40 | 70.0 | Red | RedI | | 3,4,5 |
| | | Pix 768 | 1008 | Grn | GrnI | | Ang Gnd: |
| Adapter# | ECL | Fpor (84) | (81) | Blu | BluI | | |
| Interlace | N | Bpor (85) | (82) | Vsyn 9 | Csyn | V3- | Dig Gnd: |
| Video Type | E | Sync (86) | (83) | Hsyn 8 | V2+ 2 | V4+ | |
| Color/Mono | M | Stype | | V1+ 1 | V2- 7 | V4- | |
| Multisync | N | Range | | V1- 6 | V3+ | | Recall: |
| Multimode | N | ECL VIDEO | | | | | |

| CTX | | Horizontal | Vertical | Connector Pins | | | Grounds |
|-------------------|---|--|----------|----------------|------|-----|-------------------|
| 1451/ES/GM | | Freq | | Red | RedI | | |
| | | Pix 1024 | 768 | Grn | GrnI | | Ang Gnd: |
| Adapter# | 4 | Fpor (84) | (81) | Blu | BluI | | |
| Interlace | Y | Bpor (85) | (82) | Vsyn | Csyn | V3- | Dig Gnd: |
| Video Type | A | Sync (86) | (83) | Hsyn | V2+ | V4+ | |
| Color/Mono | C | Stype | | V1+ | V2- | V4- | |
| Multisync | Y | Range30-50 | 50-90 | V1- | V3+ | | Recall:7-9,28-30, |
| Multimode | N | VGA,SVGA,8514AINTERLACED IN 8514A ONLY. | | | | | |

| CTX | | Horizontal | Vertical | Connector Pins | | | Grounds |
|----------------|---|---|----------|----------------|------|-----|----------|
| 1451/LR | | Freq | | Red | RedI | | |
| | | Pix 1024 | 768 | Grn | GrnI | | Ang Gnd: |
| Adapter# | 4 | Fpor (84) | (81) | Blu | BluI | | |
| Interlace | Y | Bpor (85) | (82) | Vsyn | Csyn | V3- | Dig Gnd: |
| Video Type | A | Sync (86) | (83) | Hsyn | V2+ | V4+ | |
| Color/Mono | C | Stype | | V1+ | V2- | V4- | |
| Multisync | Y | Range30-50 | 50-90 | V1- | V3+ | | Recall: |
| Multimode | N | VGA,SVGA,XGA,VINTERLACED IN 8514A MODE | | | | | |

| CTX | | Horizontal | Vertical | Connector Pins | | | Grounds |
|----------------|---|---|----------|----------------|------|-----|----------|
| 1461/LR | | Freq | | Red | RedI | | |
| | | Pix 1024 | 768 | Grn | GrnI | | Ang Gnd: |
| Adapter# | 4 | Fpor (84) | (81) | Blu | BluI | | |
| Interlace | Y | Bpor (85) | (82) | Vsyn | Csyn | V3- | Dig Gnd: |
| Video Type | A | Sync (86) | (83) | Hsyn | V2+ | V4+ | |
| Color/Mono | C | Stype | | V1+ | V2- | V4- | |
| Multisync | Y | Range30-60 | 50-90 | V1- | V3+ | | Recall: |
| Multimode | N | VGA,SVGA,XGA,VINTERLACED IN 8514A MODE | | | | | |

| CTX | | Horizontal | Vertical | Connector Pins | | | Grounds |
|------------------|---|--|----------|----------------|------|-----|-------------------|
| 1462ES/GM | | Freq | | Red | RedI | | |
| | | Pix 1024 | 768 | Grn | GrnI | | Ang Gnd: |
| Adapter# | 4 | Fpor (84) | (81) | Blu | BluI | | |
| Interlace | Y | Bpor (85) | (82) | Vsyn | Csyn | V3- | Dig Gnd: |
| Video Type | A | Sync (86) | (83) | Hsyn | V2+ | V4+ | |
| Color/Mono | C | Stype | | V1+ | V2- | V4- | |
| Multisync | Y | Range30-62 | 50-90 | V1- | V3+ | | Recall:7-9,28-30, |
| Multimode | N | VGA,SVGA,8514AINTERLACED IN 8514A ONLY. | | | | | |

| CTX | | Horizontal | Vertical | Connector Pins | | | Grounds |
|----------------|----|---|----------|----------------|------|-----|----------|
| 1560/LR | | Freq | | Red | RedI | | |
| | | Pix 1024 | 768 | Grn | GrnI | | Ang Gnd: |
| Adapter# | 4F | Fpor (84) | (81) | Blu | BluI | | |
| Interlace | Y | Bpor (85) | (82) | Vsyn | Csyn | V3- | Dig Gnd: |
| Video Type | A | Sync (86) | (83) | Hsyn | V2+ | V4+ | |
| Color/Mono | C | Stype | | V1+ | V2- | V4- | |
| Multisync | Y | Range30-60 | 50-90 | V1- | V3+ | | Recall: |
| Multimode | N | VGA,SVGA,XGA,VINTERLACED IN 8514A MODE | | | | | |

| CTX | | Horizontal | Vertical | Connector Pins | | | Grounds |
|----------------|---|---|----------|----------------|------|-----|----------|
| 1561/LR | | Freq | | Red | RedI | | |
| | | Pix 1024 | 768 | Grn | GrnI | | Ang Gnd: |
| Adapter# | 4 | Fpor (84) | (81) | Blu | BluI | | |
| Interlace | Y | Bpor (85) | (82) | Vsyn | Csyn | V3- | Dig Gnd: |
| Video Type | A | Sync (86) | (83) | Hsyn | V2+ | V4+ | |
| Color/Mono | C | Stype | | V1+ | V2- | V4- | |
| Multisync | Y | Range30-60 | 50-90 | V1- | V3+ | | Recall: |
| Multimode | N | VGA,SVGA,XGA,VINTERLACED IN 8514A MODE | | | | | |

| CTX | | Horizontal | Vertical | Connector Pins | | | Grounds |
|------------|-----|---|----------|----------------|------|------|----------------|
| 1562 ES/GM | | Freq | | Red | RedI | | |
| | Pix | 1280 | 1024 | Grn | GrnI | | Ang Gnd: |
| Adapter# | 4 | Fpor | (84) | (81) | Blu | BluI | |
| Interlace | Y | Bpor | (85) | (82) | Vsyn | Csyn | V3- |
| Video Type | A | Sync | (86) | (83) | Hsyn | V2+ | V4+ |
| Color/Mono | C | Stype | | | V1+ | V2- | V4- |
| Multisync | Y | Range | 30-62 | 50-90 | V1- | V3+ | Recall: 7-9,26 |
| Multimode | N | VGA, SVGA, 8514A INTERLACED IN 8514A & 1280X1024 MODES. | | | | | |

| CTX | | Horizontal | Vertical | Connector Pins | | | Grounds |
|------------|-----|--|----------|----------------|------|------|----------------|
| 1565 ES/GM | | Freq | | Red | RedI | | |
| | Pix | 1280 | 1024 | Grn | GrnI | | Ang Gnd: |
| Adapter# | 4 | Fpor | (84) | (81) | Blu | BluI | |
| Interlace | Y | Bpor | (85) | (82) | Vsyn | Csyn | V3- |
| Video Type | A | Sync | (86) | (83) | Hsyn | V2+ | V4+ |
| Color/Mono | C | Stype | | | V1+ | V2- | V4- |
| Multisync | Y | Range | | | V1- | V3+ | Recall: 7-9,26 |
| Multimode | N | VGA, SVGA, 8514A INTERLACED IN 8514A ONLY. | | | | | |

| CTX | | Horizontal | Vertical | Connector Pins | | | Grounds |
|------------|-----|---|----------|----------------|------|------|----------|
| 1760DF/LR | | Freq | | Red | RedI | | |
| | Pix | 1280 | 1024 | Grn | GrnI | | Ang Gnd: |
| Adapter# | 4F | Fpor | (84) | (81) | Blu | BluI | |
| Interlace | Y | Bpor | (85) | (82) | Vsyn | Csyn | V3- |
| Video Type | A | Sync | (86) | (83) | Hsyn | V2+ | V4+ |
| Color/Mono | C | Stype | | | V1+ | V2- | V4- |
| Multisync | Y | Range | 30-65 | 50-90 | V1- | V3+ | Recall: |
| Multimode | N | VGA, SVGA, XGA, VINTERLACED IN 8514A MODE | | | | | |

| CTX | | Horizontal | Vertical | Connector Pins | | | Grounds |
|------------|-----|--|----------|----------------|------|------|----------------|
| 1765 GM | | Freq | | Red | RedI | | |
| | Pix | 1280 | 1024 | Grn | GrnI | | Ang Gnd: |
| Adapter# | 4 | Fpor | (84) | (81) | Blu | BluI | |
| Interlace | Y | Bpor | (85) | (82) | Vsyn | Csyn | V3- |
| Video Type | A | Sync | (86) | (83) | Hsyn | V2+ | V4+ |
| Color/Mono | C | Stype | | | V1+ | V2- | V4- |
| Multisync | Y | Range | 30-65 | 50-90 | V1- | V3+ | Recall: 7-9,26 |
| Multimode | N | VGA, SVGA, 8514A INTERLACED IN 8514A ONLY. | | | | | |

| CTX | | Horizontal | Vertical | Connector Pins | | | Grounds |
|------------|-----|--|----------|----------------|------|------|----------------|
| 1785 GM | | Freq | | Red | RedI | | |
| | Pix | 1280 | 1024 | Grn | GrnI | | Ang Gnd: |
| Adapter# | 4 | Fpor | (84) | (81) | Blu | BluI | |
| Interlace | Y | Bpor | (85) | (82) | Vsyn | Csyn | V3- |
| Video Type | A | Sync | (86) | (83) | Hsyn | V2+ | V4+ |
| Color/Mono | C | Stype | | | V1+ | V2- | V4- |
| Multisync | Y | Range | 30-85 | 50-90 | V1- | V3+ | Recall: 7-9,26 |
| Multimode | N | VGA, SVGA, 8514A INTERLACED IN 8514A ONLY. | | | | | |

| CTX | | Horizontal | Vertical | Connector Pins | | | Grounds |
|------------|---|------------|----------|----------------|------|------|----------|
| 5432/5439 | | Freq | 31.46 | Red | RedI | | |
| VGA | | Pix | 640 | Grn | GrnI | | Ang Gnd: |
| Adapter# | | Fpor | (84) | (81) | Blu | BluI | |
| Interlace | N | Bpor | (85) | (82) | Vsyn | Csyn | V3- |
| Video Type | A | Sync | (86) | (83) | Hsyn | V2+ | V4+ |
| Color/Mono | C | Stype | | | V1+ | V2- | V4- |
| Multisync | N | Range | | | V1- | V3+ | Recall: |
| Multimode | Y | VGA | | | | | |

| CTX | | Horizontal | Vertical | Connector Pins | | | Grounds |
|------------|-----|---|----------|----------------|------|------|-------------|
| 5439A | | Freq | | Red | RedI | | |
| | Pix | 1024 | 768 | Grn | GrnI | | Ang Gnd: |
| Adapter# | 4 | Fpor | (84) | (81) | Blu | BluI | |
| Interlace | Y | Bpor | (85) | (82) | Vsyn | Csyn | V3- |
| Video Type | A | Sync | (86) | (83) | Hsyn | V2+ | V4+ |
| Color/Mono | C | Stype | | | V1+ | V2- | V4- |
| Multisync | Y | Range | 30-35 | 50-90 | V1- | V3+ | Recall: 5-9 |
| Multimode | N | VGA, SVGA, 8514A INTERLACED IN 8514A MODE | | | | | |

| CTX | | Horizontal | Vertical | Connector Pins | | | Grounds |
|------------|------|--|----------|----------------|------|-----|-------------|
| 6439/ES | Freq | 1024 | 768 | Red | RedI | | |
| | Pix | | | Grn | GrnI | | Ang Gnd: |
| Adapter# | 4 | Fpor (84) | (81) | Blu | BluI | | |
| Interlace | Y | Bpor (85) | (82) | Vsyn | Csyn | V3- | Dig Gnd: |
| Video Type | A | Sync (86) | (83) | Hsyn | V2+ | V4+ | |
| Color/Mono | C | Stype | | V1+ | V2- | V4- | |
| Multisync | Y | Range30-35 | 50-90 | V1- | V3+ | | Recall: 7-9 |
| Multimode | N | VGA, SVGA, 8514A INTERLACED IN 8514A ONLY. | | | | | |

| CTX | | Horizontal | Vertical | Connector Pins | | | Grounds |
|------------|------|--|----------|----------------|------|-----|----------------------|
| 6468/ES/GM | Freq | 1024 | 768 | Red | RedI | | |
| | Pix | | | Grn | GrnI | | Ang Gnd: |
| Adapter# | 4 | Fpor (84) | (81) | Blu | BluI | | |
| Interlace | Y | Bpor (85) | (82) | Vsyn | Csyn | V3- | Dig Gnd: |
| Video Type | A | Sync (86) | (83) | Hsyn | V2+ | V4+ | |
| Color/Mono | C | Stype | | V1+ | V2- | V4- | |
| Multisync | Y | Range30-38 | 50-90 | V1- | V3+ | | Recall: 7-9, 28, 28, |
| Multimode | N | VGA, SVGA, 8514A INTERLACED IN 8514A ONLY. | | | | | |

| CTX | | Horizontal | Vertical | Connector Pins | | | Grounds |
|------------|------|---------------------------|----------|----------------|------|-----|--------------|
| CPS-1460 | Freq | 1024 | 768 | Red | RedI | | |
| | Pix | | | Grn | GrnI | | Ang Gnd: |
| Adapter# | 4,5 | Fpor (84) | (81) | Blu | BluI | | |
| Interlace | N | Bpor (85) | (82) | Vsyn | Csyn | V3- | Dig Gnd: |
| Video Type | A | Sync (86) | (83) | Hsyn | V2+ | V4+ | |
| Color/Mono | C | Stype | | V1+ | V2- | V4- | |
| Multisync | Y | Range30-60 | 50-100 | V1- | V3+ | | Recall: 7-10 |
| Multimode | N | SVGA, VGA, 8514/14" COLOR | | | | | |

| CTX | | Horizontal | Vertical | Connector Pins | | | Grounds |
|------------|------|---------------------------|----------|----------------|------|-----|--------------|
| CPS-1560 | Freq | 1024 | 768 | Red | RedI | | |
| | Pix | | | Grn | GrnI | | Ang Gnd: |
| Adapter# | 4,5 | Fpor (84) | (81) | Blu | BluI | | |
| Interlace | N | Bpor (85) | (82) | Vsyn | Csyn | V3- | Dig Gnd: |
| Video Type | A | Sync (86) | (83) | Hsyn | V2+ | V4+ | |
| Color/Mono | C | Stype | | V1+ | V2- | V4- | |
| Multisync | Y | Range30-60 | 50-100 | V1- | V3+ | | Recall: 7-10 |
| Multimode | N | SVGA, VGA, 8514/15" COLOR | | | | | |

| CTX | | Horizontal | Vertical | Connector Pins | | | Grounds |
|------------|------|---------------------------|----------|----------------|------|-----|--------------|
| CPS-1760 | Freq | 1280 | 1024 | Red | RedI | | |
| | Pix | | | Grn | GrnI | | Ang Gnd: |
| Adapter# | 4,5 | Fpor (84) | (81) | Blu | BluI | | |
| Interlace | N | Bpor (85) | (82) | Vsyn | Csyn | V3- | Dig Gnd: |
| Video Type | A | Sync (86) | (83) | Hsyn | V2+ | V4+ | |
| Color/Mono | C | Stype | | V1+ | V2- | V4- | |
| Multisync | Y | Range30-65 | 50-100 | V1- | V3+ | | Recall: 7-10 |
| Multimode | N | SVGA, VGA, 8514/17" COLOR | | | | | |

| CTX | | Horizontal | Vertical | Connector Pins | | | Grounds |
|------------|------|---------------------------|----------|----------------|------|-----|--------------|
| CPS-1760 | Freq | 1280 | 1024 | Red | RedI | | |
| | Pix | | | Grn | GrnI | | Ang Gnd: |
| Adapter# | 4,5 | Fpor (84) | (81) | Blu | BluI | | |
| Interlace | N | Bpor (85) | (82) | Vsyn | Csyn | V3- | Dig Gnd: |
| Video Type | A | Sync (86) | (83) | Hsyn | V2+ | V4+ | |
| Color/Mono | C | Stype | | V1+ | V2- | V4- | |
| Multisync | Y | Range30-65 | 50-100 | V1- | V3+ | | Recall: 7-10 |
| Multimode | N | SVGA, VGA, 8514/21" COLOR | | | | | |

| CTX | | Horizontal | Vertical | Connector Pins | | | Grounds |
|------------|------|--|----------|----------------|------|-----|-----------------|
| CTX-5468 | Freq | 1024 | 768 | Red | RedI | | |
| | Pix | | | Grn | GrnI | | Ang Gnd: |
| Adapter# | 4 | Fpor (84) | (81) | Blu | BluI | | |
| Interlace | | Bpor (85) | (82) | Vsyn | Csyn | V3- | Dig Gnd: |
| Video Type | A | Sync (86) | (83) | Hsyn | V2+ | V4+ | |
| Color/Mono | C | Stype | | V1+ | V2- | V4- | |
| Multisync | Y | Range28-38 | 50-90 | V1- | V3+ | | Recall: 7, 8, 9 |
| Multimode | N | SVGA, VGA, 8514/INTERLACED IN 1280 X 1024 MODE ONLY. | | | | | |

| CTX | | Horizontal | Vertical | Connector Pins | | | Grounds | |
|-------------|---------|--|----------|----------------|------|-----|---------------|--|
| CTX-5468-LR | Freq | | | Red | RedI | | | |
| | Pix | 1024 | 768 | Grn | GrnI | | Ang Gnd: | |
| Adapter# | 4 Fpor | (84) | (81) | Blu | BluI | | | |
| Interlace | N Bpor | (85) | (82) | Vsyn | Csyn | V3- | Dig Gnd: | |
| Video Type | A Sync | (86) | (83) | Hsyn | V2+ | V4+ | | |
| Color/Mono | C Stype | | | V1+ | V2- | V4- | | |
| Multisync | Y Range | 28-38 | 50-90 | V1- | V3+ | | Recall: 7,8,9 | |
| Multimode | N | SVGA, VGA, 8514/INTERLACED IN 1280 X 1024 MODE ONLY. | | | | | | |

| CTX | | Horizontal | Vertical | Connector Pins | | | Grounds | |
|-------------|---------|------------------|----------|----------------|------|-----|------------------|--|
| CTX-5468-NI | Freq | | | Red | RedI | | | |
| | Pix | 1024 | 768 | Grn | GrnI | | Ang Gnd: | |
| Adapter# | 4 Fpor | (84) | (81) | Blu | BluI | | | |
| Interlace | N Bpor | (85) | (82) | Vsyn | Csyn | V3- | Dig Gnd: | |
| Video Type | A Sync | (86) | (83) | Hsyn | V2+ | V4+ | | |
| Color/Mono | C Stype | | | V1+ | V2- | V4- | | |
| Multisync | Y Range | 28-50 | 50-90 | V1- | V3+ | | Recall: 7,8,9,29 | |
| Multimode | N | SVGA, VGA, 8514/ | | | | | | |

| CTX | | Horizontal | Vertical | Connector Pins | | | Grounds | |
|------------|---------|--|----------|----------------|------|-----|------------------|--|
| CTX-5468A | Freq | | | Red | RedI | | | |
| | Pix | 1024 | 768 | Grn | GrnI | | Ang Gnd: | |
| Adapter# | 4 Fpor | (84) | (81) | Blu | BluI | | | |
| Interlace | N Bpor | (85) | (82) | Vsyn | Csyn | V3- | Dig Gnd: | |
| Video Type | A Sync | (86) | (83) | Hsyn | V2+ | V4+ | | |
| Color/Mono | C Stype | | | V1+ | V2- | V4- | | |
| Multisync | Y Range | 28-38 | 50-90 | V1- | V3+ | | Recall: 7,8,9,29 | |
| Multimode | N | SVGA, VGA, 8514/INTERLACED IN 1280 X 1024 MODE ONLY. | | | | | | |

| CTX | | Horizontal | Vertical | Connector Pins | | | Grounds | |
|------------|---------|--|----------|----------------|------|-----|----------|--|
| 3436 | Freq | | | Red | RedI | | | |
| MULTISCAN | Pix | 1024 | 768 | Grn | GrnI | | Ang Gnd: | |
| Adapter# | Fpor | (84) | (81) | Blu | BluI | | | |
| Interlace | Y Bpor | (85) | (82) | Vsyn | Csyn | V3- | Dig Gnd: | |
| Video Type | A Sync | (86) | (83) | Hsyn | V2+ | V4+ | | |
| Color/Mono | C Stype | | | V1+ | V2- | V4- | | |
| Multisync | Range | | | V1- | V3+ | | Recall: | |
| Multimode | | MDA, CGA, EGA, 85INTERLACED IN 8514A MODE. | | | | | | |

| CTX-MODES | | Horizontal | Vertical | Connector Pins | | | Grounds | |
|----------------|--------|------------|-----------|----------------|------|-----|-----------|--|
| MODE 0 | Freq | 31.50 | 70.0 | Red | RedI | | | |
| VARIOUS MODELS | Pix | 640 | 350 | Grn | GrnI | | Ang Gnd: | |
| Adapter# | Fpor | 0.64 (84) | 1.18 (81) | Blu | BluI | | | |
| Interlace | N Bpor | 1.91 (85) | 1.91 (82) | Vsyn | Csyn | V3- | Dig Gnd: | |
| Video Type | A Sync | 3.81 (86) | 0.06 (83) | Hsyn | V2+ | V4+ | | |
| Color/Mono | Stype | + | - | V1+ | V2- | V4- | | |
| Multisync | Range | | | V1- | V3+ | | Recall: 5 | |
| Multimode | | VGA - 350 | | | | | | |

| CTX-MODES | | Horizontal | Vertical | Connector Pins | | | Grounds | |
|----------------|--------|------------|-----------|----------------|------|-----|----------|--|
| MODE 1 | Freq | 31.50 | 70.0 | Red | RedI | | | |
| VARIOUS MODELS | Pix | 640 | 400 | Grn | GrnI | | Ang Gnd: | |
| Adapter# | Fpor | 0.64 (84) | 0.39 (81) | Blu | BluI | | | |
| Interlace | N Bpor | 1.91 (85) | 1.11 (82) | Vsyn | Csyn | V3- | Dig Gnd: | |
| Video Type | A Sync | 3.81 (86) | 0.06 (83) | Hsyn | V2+ | V4+ | | |
| Color/Mono | Stype | - | + | V1+ | V2- | V4- | | |
| Multisync | Range | | | V1- | V3+ | | Recall: | |
| Multimode | | VGA - 400 | | | | | | |

| CTX-MODES | | Horizontal | Vertical | Connector Pins | | | Grounds | |
|----------------|--------|------------|------------|----------------|------|-----|----------|--|
| MODE 11 | Freq | 37.80 | 84.0 | Red | RedI | | | |
| VARIOUS MODELS | Pix | 720 | 400 | Grn | GrnI | | Ang Gnd: | |
| Adapter# | Fpor | 0.75 (84) | 0.238 (81) | Blu | BluI | | | |
| Interlace | N Bpor | 4.5 (85) | 0.981 (82) | Vsyn | Csyn | V3- | Dig Gnd: | |
| Video Type | A Sync | 1.25 (86) | 0.08 (83) | Hsyn | V2+ | V4+ | | |
| Color/Mono | Stype | + | - | V1+ | V2- | V4- | | |
| Multisync | Range | | | V1- | V3+ | | Recall: | |
| Multimode | | VESA-400 | | | | | | |

| CTX-MODES | | Horizontal | Vertical | Connector Pins | | | Grounds |
|----------------|---|-----------------|------------|----------------|------|-----|----------|
| MODE 12 | | Freq 37.90 | 72.8 | Red | RedI | | |
| VARIOUS MODELS | | Pix 640 | 480 | Grn | GrnI | | Ang Gnd: |
| Adapter# | | Fpor 0.763 (84) | 0.238 (81) | Blu | BluI | | |
| Interlace | N | Bpor 4.063 (85) | 0.74 (82) | Vsyn | Csyn | V3- | Dig Gnd: |
| Video Type | A | Sync 1.27 (86) | 0.079 (83) | Hsyn | V2+ | V4+ | |
| Color/Mono | | Stype - | - | V1+ | V2- | V4- | |
| Multisync | | Range | | V1- | V3+ | | Recall: |
| Multimode | | VESA-480 | | | | | |

| CTX-MODES | | Horizontal | Vertical | Connector Pins | | | Grounds |
|----------------|---|----------------|------------|----------------|------|-----|----------|
| MODE 13 | | Freq 35.00 | 66.7 | Red | RedI | | |
| VARIOUS MODELS | | Pix 783 | 480 | Grn | GrnI | | Ang Gnd: |
| Adapter# | | Fpor 1.77 (84) | 0.094 (81) | Blu | BluI | | |
| Interlace | N | Bpor 3.2 (85) | 1.12 (82) | Vsyn | Csyn | V3- | Dig Gnd: |
| Video Type | A | Sync 2.1 (86) | 0.086 (83) | Hsyn | V2+ | V4+ | |
| Color/Mono | | Stype | | V1+ | V2- | V4- | |
| Multisync | | Range | | V1- | V3+ | | Recall: |
| Multimode | | MAC-II | | | | | |

| CTX-MODES | | Horizontal | Vertical | Connector Pins | | | Grounds |
|----------------|---|-----------------|------------|----------------|------|-----|----------|
| MODE 14 | | Freq 63.70 | 60.0 | Red | RedI | | |
| VARIOUS MODELS | | Pix 1306 | 1024 | Grn | GrnI | | Ang Gnd: |
| Adapter# | | Fpor 0.732 (84) | 0.001 (81) | Blu | BluI | | |
| Interlace | N | Bpor 2 (85) | 0.581 (82) | Vsyn | Csyn | V3- | Dig Gnd: |
| Video Type | A | Sync 1.018 (86) | 0.079 (83) | Hsyn | V2+ | V4+ | |
| Color/Mono | | Stype + | + | V1+ | V2- | V4- | |
| Multisync | | Range | | V1- | V3+ | | Recall: |
| Multimode | | COLOR 64K | | | | | |

| CTX-MODES | | Horizontal | Vertical | Connector Pins | | | Grounds |
|----------------|---|----------------|-----------|----------------|------|-----|-----------|
| MODE 2 | | Freq 31.50 | 60.0 | Red | RedI | | |
| VARIOUS MODELS | | Pix 640 | 480 | Grn | GrnI | | Ang Gnd: |
| Adapter# | | Fpor 0.64 (84) | 0.32 (81) | Blu | BluI | | |
| Interlace | N | Bpor 1.91 (85) | 1.05 (82) | Vsyn | Csyn | V3- | Dig Gnd: |
| Video Type | A | Sync 3.81 (86) | 0.06 (83) | Hsyn | V2+ | V4+ | |
| Color/Mono | | Stype - | - | V1+ | V2- | V4- | |
| Multisync | | Range | | V1- | V3+ | | Recall: 7 |
| Multimode | | VGA - 480 | | | | | |

| CTX-MODES | | Horizontal | Vertical | Connector Pins | | | Grounds |
|----------------|---|-----------------|------------|----------------|------|-----|-----------|
| MODE 3 | | Freq 35.20 | 56.3 | Red | RedI | | |
| VARIOUS MODELS | | Pix 800 | 600 | Grn | GrnI | | Ang Gnd: |
| Adapter# | | Fpor 0.666 (84) | 0.028 (81) | Blu | BluI | | |
| Interlace | N | Bpor 3.556 (85) | 0.626 (82) | Vsyn | Csyn | V3- | Dig Gnd: |
| Video Type | A | Sync 2 (86) | 0.057 (83) | Hsyn | V2+ | V4+ | |
| Color/Mono | | Stype - | - | V1+ | V2- | V4- | |
| Multisync | | Range | | V1- | V3+ | | Recall: 8 |
| Multimode | | SVGA-I | | | | | |

| CTX-MODES | | Horizontal | Vertical | Connector Pins | | | Grounds |
|----------------|---|----------------|-----------|----------------|------|-----|----------|
| MODE 4 | | Freq 35.50 | 87.0 | Red | RedI | | |
| VARIOUS MODELS | | Pix 1024 | 768 | Grn | GrnI | | Ang Gnd: |
| Adapter# | | Fpor 0.24 (84) | 0.03 (81) | Blu | BluI | | |
| Interlace | N | Bpor 1.15 (85) | 0.56 (82) | Vsyn | Csyn | V3- | Dig Gnd: |
| Video Type | A | Sync 3.91 (86) | 0.11 (83) | Hsyn | V2+ | V4+ | |
| Color/Mono | | Stype + | + | V1+ | V2- | V4- | |
| Multisync | | Range | | V1- | V3+ | | Recall: |
| Multimode | | 8514A | | | | | |

| CTX-MODES | | Horizontal | Vertical | Connector Pins | | | Grounds |
|----------------|---|-----------------|------------|----------------|------|-----|----------|
| MODE 5 | | Freq 48.40 | 60.0 | Red | RedI | | |
| VARIOUS MODELS | | Pix 1024 | 768 | Grn | GrnI | | Ang Gnd: |
| Adapter# | | Fpor 0.369 (84) | 0.063 (81) | Blu | BluI | | |
| Interlace | N | Bpor 2.462 (85) | 0.6 (82) | Vsyn | Csyn | V3- | Dig Gnd: |
| Video Type | A | Sync 2.092 (86) | 0.124 (83) | Hsyn | V2+ | V4+ | |
| Color/Mono | | Stype - | - | V1+ | V2- | V4- | |
| Multisync | | Range | | V1- | V3+ | | Recall: |
| Multimode | | 8514NI | | | | | |

| CTX-MODES | | Horizontal | Vertical | Connector Pins | | | Grounds |
|----------------|--------|------------|------------|----------------|------|-----|----------|
| MODE 6 | Freq | 56.50 | 70.1 | Red | RedI | | |
| VARIOUS MODELS | Pix | 1024 | 768 | Grn | GrnI | | Ang Gnd: |
| Adapter# | Fpor | 0.321 (84) | 0.054 (81) | Blu | BluI | | |
| Interlace | N Bpor | 1.92 (85) | 0.513 (82) | Vsyn | Csyn | V3- | Dig Gnd: |
| Video Type | A Sync | 1.813 (86) | 0.106 (83) | Hsyn | V2+ | V4+ | |
| Color/Mono | Stype | - | - | V1+ | V2- | V4- | |
| Multisync | Range | | | V1- | V3+ | | Recall: |
| Multimode | VESA | 1024 | | | | | |

| CTX-MODES | | Horizontal | Vertical | Connector Pins | | | Grounds |
|----------------|---------|------------|------------|----------------|------|-----|----------|
| MODE 7 | Freq | 37.90 | 60.3 | Red | RedI | | |
| VARIOUS MODELS | Pix | 800 | 600 | Grn | GrnI | | Ang Gnd: |
| Adapter# | Fpor | 1 (84) | 0.026 (81) | Blu | BluI | | |
| Interlace | N Bpor | 2.2 (85) | 0.607 (82) | Vsyn | Csyn | V3- | Dig Gnd: |
| Video Type | A Sync | 3.2 (86) | 0.106 (83) | Hsyn | V2+ | V4+ | |
| Color/Mono | Stype | + | + | V1+ | V2- | V4- | |
| Multisync | Range | | | V1- | V3+ | | Recall: |
| Multimode | SVGA-II | | | | | | |

| CTX-MODES | | Horizontal | Vertical | Connector Pins | | | Grounds |
|----------------|----------|------------|------------|----------------|------|-----|----------|
| MODE 8 | Freq | 48.10 | 72.2 | Red | RedI | | |
| VARIOUS MODELS | Pix | 800 | 600 | Grn | GrnI | | Ang Gnd: |
| Adapter# | Fpor | 1.12 (84) | 0.77 (81) | Blu | BluI | | |
| Interlace | N Bpor | 1.28 (85) | 0.478 (82) | Vsyn | Csyn | V3- | Dig Gnd: |
| Video Type | A Sync | 2.4 (86) | 0.125 (83) | Hsyn | V2+ | V4+ | |
| Color/Mono | Stype | + | + | V1+ | V2- | V4- | |
| Multisync | Range | | | V1- | V3+ | | Recall: |
| Multimode | SVGA-III | | | | | | |

| CTX-MODES | | Horizontal | Vertical | Connector Pins | | | Grounds |
|----------------|----------|------------|------------|----------------|------|-----|----------|
| MODE 9 | Freq | 37.90 | 84.1 | Red | RedI | | |
| VARIOUS MODELS | Pix | 640 | 350 | Grn | GrnI | | Ang Gnd: |
| Adapter# | Fpor | 0.763 (84) | 0.925 (81) | Blu | BluI | | |
| Interlace | N Bpor | 4.063 (85) | 1.638 (82) | Vsyn | Csyn | V3- | Dig Gnd: |
| Video Type | A Sync | 1.27 (86) | 0.079 (83) | Hsyn | V2+ | V4+ | |
| Color/Mono | Stype | + | - | V1+ | V2- | V4- | |
| Multisync | Range | | | V1- | V3+ | | Recall: |
| Multimode | VESA-350 | | | | | | |

| DAEWOO | | Horizontal | Vertical | Connector Pins | | | Grounds |
|---------------|---------|------------|----------|----------------|------|-----|-------------|
| CMC-1412A/13A | Freq | 31.50 | | Red | RedI | | |
| | Pix | 640 | 480 | Grn | GrnI | | Ang Gnd: |
| Adapter# | 4 Fpor | (84) | (81) | Blu | BluI | | |
| Interlace | N Bpor | (85) | (82) | Vsyn | Csyn | V3- | Dig Gnd: |
| Video Type | A Sync | (86) | (83) | Hsyn | V2+ | V4+ | |
| Color/Mono | C Stype | | | V1+ | V2- | V4- | |
| Multisync | N Range | | 50-70 | V1- | V3+ | | Recall: 5-7 |
| Multimode | Y VGA | | | | | | |

| DAEWOO | | Horizontal | Vertical | Connector Pins | | | Grounds | |
|-----------------|--------------------|---------------------------|----------|----------------|------|-----|-------------|--|
| CMC-1412AD/13AD | Freq | | | Red | RedI | | | |
| | Pix | 1024 | 768 | Grn | GrnI | | Ang Gnd: | |
| Adapter# | 4 Fpor | (84) | (81) | Blu | BluI | | | |
| Interlace | N Bpor | (85) | (82) | Vsyn | Csyn | V3- | Dig Gnd: | |
| Video Type | A Sync | (86) | (83) | Hsyn | V2+ | V4+ | | |
| Color/Mono | C Stype | | | V1+ | V2- | V4- | | |
| Multisync | N Range | 31.5/35.6 | 50-90 | V1- | V3+ | | Recall: 5-9 | |
| Multimode | Y VGA, SVGA, 8514A | INTERLACED IN 8514A MODE. | | | | | | |

| DAEWOO | | Horizontal | Vertical | Connector Pins | | | Grounds |
|---------------|---------|------------|----------|----------------|------|-----|-------------|
| CMC-1414A/15A | Freq | 31.50 | | Red | RedI | | |
| | Pix | 640 | 480 | Grn | GrnI | | Ang Gnd: |
| Adapter# | 4 Fpor | (84) | (81) | Blu | BluI | | |
| Interlace | N Bpor | (85) | (82) | Vsyn | Csyn | V3- | Dig Gnd: |
| Video Type | A Sync | (86) | (83) | Hsyn | V2+ | V4+ | |
| Color/Mono | C Stype | | | V1+ | V2- | V4- | |
| Multisync | N Range | | 50-70 | V1- | V3+ | | Recall: 5-7 |
| Multimode | Y VGA | | | | | | |

| DAEWOO | | Horizontal | Vertical | Connector Pins | | | Grounds |
|------------------------|-----|--|-----------|----------------|------|------|--------------|
| CMC-1414AD/15AD | | Freq | | Red | RedI | | |
| | Pix | 1024 | 768 | Grn | GrnI | | Ang Gnd: |
| Adapter# | 4 | Fpor | (84) | (81) | Blu | BluI | |
| Interlace | N | Bpor | (85) | (82) | Vsyn | Csyn | V3- Dig Gnd: |
| Video Type | A | Sync | (86) | (83) | Hsyn | V2+ | V4+ |
| Color/Mono | C | Stype | | | V1+ | V2- | V4- |
| Multisync | N | Range | 31.5/35.6 | 50-90 | V1- | V3+ | Recall: 5-9 |
| Multimode | Y | VGA, SVGA, 8514A INTERLACED IN 8514A MODE. | | | | | |

| DAEWOO | | Horizontal | Vertical | Connector Pins | | | Grounds |
|-------------------|-----|------------|----------|----------------|------|------|--------------|
| CMC-1417AE | | Freq | | Red | RedI | | |
| | Pix | 640 | 480 | Grn | GrnI | | Ang Gnd: |
| Adapter# | 4 | Fpor | (84) | (81) | Blu | BluI | |
| Interlace | N | Bpor | (85) | (82) | Vsyn | Csyn | V3- Dig Gnd: |
| Video Type | A | Sync | (86) | (83) | Hsyn | V2+ | V4+ |
| Color/Mono | C | Stype | | | V1+ | V2- | V4- |
| Multisync | N | Range | | 50-70 | V1- | V3+ | Recall: 5-7 |
| Multimode | Y | VGA | | | | | |

| DAEWOO | | Horizontal | Vertical | Connector Pins | | | Grounds |
|------------------|-----|--|-----------|----------------|------|------|--------------|
| CMC-1418S | | Freq | | Red | RedI | | |
| | Pix | 1024 | 768 | Grn | GrnI | | Ang Gnd: |
| Adapter# | 4 | Fpor | (84) | (81) | Blu | BluI | |
| Interlace | N | Bpor | (85) | (82) | Vsyn | Csyn | V3- Dig Gnd: |
| Video Type | A | Sync | (86) | (83) | Hsyn | V2+ | V4+ |
| Color/Mono | C | Stype | | | V1+ | V2- | V4- |
| Multisync | N | Range | 31.5/35.6 | 50-90 | V1- | V3+ | Recall: 5-9 |
| Multimode | Y | VGA, SVGA, 8514A INTERLACED IN 8514A MODE. | | | | | |

| DAEWOO | | Horizontal | Vertical | Connector Pins | | | Grounds |
|------------------|-----|--|----------|----------------|------|------|--------------|
| CMC-2100M | | Freq | | Red | RedI | | |
| | Pix | 1280 | 1024 | Grn | GrnI | | Ang Gnd: |
| Adapter# | 4 | Fpor | (84) | (81) | Blu | BluI | |
| Interlace | Y | Bpor | (85) | (82) | Vsyn | Csyn | V3- Dig Gnd: |
| Video Type | A | Sync | (86) | (83) | Hsyn | V2+ | V4+ |
| Color/Mono | C | Stype | | | V1+ | V2- | V4- |
| Multisync | Y | Range | 30-65 | 50-90 | V1- | V3+ | Recall: 5-10 |
| Multimode | N | VGA, SVGA, 8514A INTERLACED IN 8514A MODE. | | | | | |

| DAEWOO | | Horizontal | Vertical | Connector Pins | | | Grounds |
|------------------|-----|----------------|----------|----------------|------|------|--------------|
| CMC-2100M | | Freq | | Red | RedI | | |
| | Pix | 1280 | 1024 | Grn | GrnI | | Ang Gnd: |
| Adapter# | 4 | Fpor | (84) | (81) | Blu | BluI | |
| Interlace | N | Bpor | (85) | (82) | Vsyn | Csyn | V3- Dig Gnd: |
| Video Type | A | Sync | (86) | (83) | Hsyn | V2+ | V4+ |
| Color/Mono | C | Stype | | | V1+ | V2- | V4- |
| Multisync | Y | Range | 60-65 | 50-85 | V1- | V3+ | Recall: 5-10 |
| Multimode | N | VARIOUS 1280X1 | | | | | |

| DARIUS | | Horizontal | Vertical | Connector Pins | | | Grounds |
|-----------------|-----|---|----------|----------------|------|------|-----------------|
| VGA-1726 | | Freq | | Red | RedI | | |
| | Pix | 1280 | 1024 | Grn | GrnI | | Ang Gnd: |
| Adapter# | 4 | Fpor | (84) | (81) | Blu | BluI | |
| Interlace | Y | Bpor | (85) | (82) | Vsyn | Csyn | V3- Dig Gnd: |
| Video Type | A | Sync | (86) | (83) | Hsyn | V2+ | V4+ |
| Color/Mono | C | Stype | | | V1+ | V2- | V4- |
| Multisync | Y | Range | 30-65 | 50-90 | V1- | V3+ | Recall: 5-10, + |
| Multimode | N | VGA, SVGA, XGA, 8 INTERLACED IN 8514A MODE. | | | | | |

| DAYTEK | | Horizontal | Vertical | Connector Pins | | | Grounds |
|-------------------|-----|---|-----------|----------------|------|------|--------------|
| DT-148V2/3 | | Freq | | Red | RedI | | |
| | Pix | 1024 | 768 | Grn | GrnI | | Ang Gnd: |
| Adapter# | | Fpor | (84) | (81) | Blu | BluI | |
| Interlace | Y | Bpor | (85) | (82) | Vsyn | Csyn | V3- Dig Gnd: |
| Video Type | A | Sync | (86) | (83) | Hsyn | V2+ | V4+ |
| Color/Mono | C | Stype | | | V1+ | V2- | V4- |
| Multisync | Y | Range | 31.5/35.5 | 50-90 | V1- | V3+ | Recall: |
| Multimode | Y | VGA, SVGA, 8514A INTERLACED IN 8514A MODE | | | | | |

| DAYTEK | | Horizontal | Vertical | Connector Pins | | | Grounds |
|----------------|---|-------------|----------|----------------|------|-----|----------|
| DT-14TF | | Freq | | Red | RedI | | |
| | | Pix | 720 | Grn | GrnI | | Ang Gnd: |
| Adapter# | | Fpor | (84) | Blu | BluI | | |
| Interlace | N | Bpor | (85) | Vsyn | Csyn | V3- | Dig Gnd: |
| Video Type | D | Sync | (86) | Hsyn | V2+ | V4+ | |
| Color/Mono | C | Stype | | V1+ | V2- | V4- | |
| Multisync | Y | Range | 18-20 | V1- | V3+ | | Recall: |
| Multimode | Y | CGA,MDA,EGA | | | | | |

| DAYTEK | | Horizontal | Vertical | Connector Pins | | | Grounds |
|----------------|---|------------|----------|----------------|------|-----|----------|
| DT-14VN | | Freq | 31.50 | Red | RedI | | |
| | | Pix | 640 | Grn | GrnI | | Ang Gnd: |
| Adapter# | | Fpor | (84) | Blu | BluI | | |
| Interlace | N | Bpor | (85) | Vsyn | Csyn | V3- | Dig Gnd: |
| Video Type | A | Sync | (86) | Hsyn | V2+ | V4+ | |
| Color/Mono | C | Stype | | V1+ | V2- | V4- | |
| Multisync | N | Range | 50/60/70 | V1- | V3+ | | Recall: |
| Multimode | Y | VGA | | | | | |

| DAYTEK | | Horizontal | Vertical | Connector Pins | | | Grounds |
|-----------------|---|------------|----------|----------------|------|-----|----------|
| DT-14WN4 | | Freq | 31.50 | Red | RedI | | |
| | | Pix | 640 | Grn | GrnI | | Ang Gnd: |
| Adapter# | | Fpor | (84) | Blu | BluI | | |
| Interlace | N | Bpor | (85) | Vsyn | Csyn | V3- | Dig Gnd: |
| Video Type | A | Sync | (86) | Hsyn | V2+ | V4+ | |
| Color/Mono | C | Stype | | V1+ | V2- | V4- | |
| Multisync | N | Range | 60/70 | V1- | V3+ | | Recall: |
| Multimode | Y | VGA | | | | | |

| DAYTEK | | Horizontal | Vertical | Connector Pins | | | Grounds |
|----------------|---|--|----------|----------------|------|-----|----------|
| DT-14XV | | Freq | | Red | RedI | | |
| | | Pix | 1024 | Grn | GrnI | | Ang Gnd: |
| Adapter# | | Fpor | (84) | Blu | BluI | | |
| Interlace | Y | Bpor | (85) | Vsyn | Csyn | V3- | Dig Gnd: |
| Video Type | A | Sync | (86) | Hsyn | V2+ | V4+ | |
| Color/Mono | C | Stype | | V1+ | V2- | V4- | |
| Multisync | Y | Range | 30-60 | V1- | V3+ | | Recall: |
| Multimode | N | VGA,SVGA,8514AINTERLACED IN 8514A MODE | | | | | |

| DAYTEK | | Horizontal | Vertical | Connector Pins | | | Grounds |
|----------------|---|--|----------|----------------|------|-----|----------|
| DT-1730 | | Freq | | Red | RedI | | |
| | | Pix | 1280 | Grn | GrnI | | Ang Gnd: |
| Adapter# | | Fpor | (84) | Blu | BluI | | |
| Interlace | Y | Bpor | (85) | Vsyn | Csyn | V3- | Dig Gnd: |
| Video Type | A | Sync | (86) | Hsyn | V2+ | V4+ | |
| Color/Mono | C | Stype | | V1+ | V2- | V4- | |
| Multisync | Y | Range | 30-65 | V1- | V3+ | | Recall: |
| Multimode | N | VGA,SVGA,8514AINTERLACED IN 8514A MODE | | | | | |

| DEC | | Horizontal | Vertical | Connector Pins | | | Grounds |
|-----------------|---|--|------------|----------------|------|-----|----------|
| GDM-1960 | | Freq | 70.66 | Red | RedI | | |
| | | Pix | 1280 | Grn | GrnI | | Ang Gnd: |
| Adapter# | 6 | Fpor | 0.267 (84) | Blu | BluI | | |
| Interlace | N | Bpor | 1.87 (85) | Vsyn | Csyn | V3- | Dig Gnd: |
| Video Type | A | Sync | 1.33 (86) | Hsyn | V2+ | V4+ | |
| Color/Mono | C | Stype | - | V1+ | V2- | V4- | |
| Multisync | Y | Range | 50-90 | V1- | V3+ | | Recall: |
| Multimode | N | VGA,SVGA,8514AINTERLACED IN 8514A MODE | | | | | |

| DEC | | Horizontal | Vertical | Connector Pins | | | Grounds |
|-----------------|---|------------|-----------|----------------|------|-----|----------|
| GDM-1961 | | Freq | 76.95 | Red | RedI | | |
| | | Pix | 1280 | Grn | GrnI | | Ang Gnd: |
| Adapter# | 6 | Fpor | 0.25 (84) | Blu | BluI | | |
| Interlace | N | Bpor | 1.75 (85) | Vsyn | Csyn | V3- | Dig Gnd: |
| Video Type | A | Sync | 1.22 (86) | Hsyn | V2+ | V4+ | |
| Color/Mono | C | Stype | | V1+ | V2- | V4- | |
| Multisync | Y | Range | | V1- | V3+ | | Recall: |
| Multimode | N | | | | | | |

| DEC | | Horizontal | Vertical | Connector Pins | | | Grounds |
|------------|---------|------------|----------|----------------|------|-----|----------|
| VR150 | Freq | 54.00 | 60.0 | Red | RedI | | |
| | Pix | 1024 | 864 | Grn | GrnI | | Ang Gnd: |
| Adapter# | Fpor | (84) | (81) | Blu | BluI | | |
| Interlace | N Bpor | (85) | (82) | Vsyn | Csyn | V3- | Dig Gnd: |
| Video Type | A Sync | (86) | (83) | Hsyn | V2+ | V4+ | |
| Color/Mono | M Stype | | | V1+ | V2- | V4- | |
| Multisync | Range | | | V1- | V3+ | | Recall: |
| Multimode | | | | | | | |

| DEC | | Horizontal | Vertical | Connector Pins | | | Grounds |
|------------|---------|------------|----------|----------------|------|-----|----------|
| VR241 | Freq | 15.72 | 60.5 | Red | RedI | | |
| | Pix | 800 | 240 | Grn | GrnI | | Ang Gnd: |
| Adapter# | 6 Fpor | (84) | (81) | Blu | BluI | | |
| Interlace | N Bpor | (85) | (82) | Vsyn | Csyn | V3- | Dig Gnd: |
| Video Type | A Sync | (86) | (83) | Hsyn | V2+ | V4+ | |
| Color/Mono | C Stype | - | - | V1+ | V2- | V4- | |
| Multisync | Range | | | V1- | V3+ | | Recall: |
| Multimode | | | | | | | |

| DEC | | Horizontal | Vertical | Connector Pins | | | Grounds |
|------------|---------|------------|------------|----------------|------|-----|----------|
| VR260 | Freq | 54.00 | 60.0 | Red | RedI | | |
| | Pix | 1024 | 864 | Grn | GrnI | | Ang Gnd: |
| Adapter# | 6 Fpor | 0.16 (84) | 0.001 (81) | Blu | BluI | | |
| Interlace | N Bpor | 1.68 (85) | 0.629 (82) | Vsyn | Csyn | V3- | Dig Gnd: |
| Video Type | A Sync | 1.85 (86) | 0.056 (83) | Hsyn | V2+ | V4+ | |
| Color/Mono | M Stype | - | - | V1+ | V2- | V4- | |
| Multisync | Range | | | V1- | V3+ | | Recall: |
| Multimode | | | | | | | |

| DEC | | Horizontal | Vertical | Connector Pins | | | Grounds |
|------------|---------|------------|------------|----------------|------|-----|----------|
| VR262 | Freq | 54.00 | 60.0 | Red | RedI | | |
| | Pix | 1024 | 864 | Grn | GrnI | | Ang Gnd: |
| Adapter# | Fpor | 0.16 (84) | 0.001 (81) | Blu | BluI | | |
| Interlace | N Bpor | 1.69 (85) | 0.629 (82) | Vsyn | Csyn | V3- | Dig Gnd: |
| Video Type | A Sync | 1.85 (86) | 0.056 (83) | Hsyn | V2+ | V4+ | |
| Color/Mono | M Stype | | | V1+ | V2- | V4- | |
| Multisync | Range | | | V1- | V3+ | | Recall: |
| Multimode | | | | | | | |

| DEC | | Horizontal | Vertical | Connector Pins | | | Grounds |
|------------|---------|------------|------------|----------------|------|-----|----------|
| VR290 | Freq | 54.00 | 60.0 | Red | RedI | | |
| | Pix | 1024 | 864 | Grn | GrnI | | Ang Gnd: |
| Adapter# | 6 Fpor | 0.16 (84) | 0.001 (81) | Blu | BluI | | |
| Interlace | N Bpor | 1.68 (85) | 0.629 (82) | Vsyn | Csyn | V3- | Dig Gnd: |
| Video Type | A Sync | 1.85 (86) | 0.056 (83) | Hsyn | V2+ | V4+ | |
| Color/Mono | C Stype | G | G | V1+ | V2- | V4- | |
| Multisync | Range | | | V1- | V3+ | | Recall: |
| Multimode | | | | | | | |

| DEC | | Horizontal | Vertical | Connector Pins | | | Grounds |
|------------|---------|------------|----------|----------------|------|-----|----------|
| VR295 | Freq | 54.00 | 60.0 | Red | RedI | | |
| | Pix | 1024 | 864 | Grn | GrnI | | Ang Gnd: |
| Adapter# | Fpor | (84) | (81) | Blu | BluI | | |
| Interlace | N Bpor | (85) | (82) | Vsyn | Csyn | V3- | Dig Gnd: |
| Video Type | A Sync | (86) | (83) | Hsyn | V2+ | V4+ | |
| Color/Mono | C Stype | | | V1+ | V2- | V4- | |
| Multisync | Range | | | V1- | V3+ | | Recall: |
| Multimode | | | | | | | |

| DEC | | Horizontal | Vertical | Connector Pins | | | Grounds |
|------------|---------|------------|----------|----------------|------|-----|----------|
| VR297 | Freq | 54.00 | 60.0 | Red | RedI | | |
| | Pix | 1024 | 864 | Grn | GrnI | | Ang Gnd: |
| Adapter# | Fpor | (84) | (81) | Blu | BluI | | |
| Interlace | N Bpor | (85) | (82) | Vsyn | Csyn | V3- | Dig Gnd: |
| Video Type | A Sync | (86) | (83) | Hsyn | V2+ | V4+ | |
| Color/Mono | C Stype | | | V1+ | V2- | V4- | |
| Multisync | Range | | | V1- | V3+ | | Recall: |
| Multimode | | | | | | | |

| DEC | | Horizontal | Vertical | Connector Pins | | | Grounds |
|------------|---|----------------|------------|----------------|------|-----|----------|
| VR299 | | Freq 54.00 | 60.0 | Red | RedI | | |
| | | Pix 1024 | 864 | Grn | GrnI | | Ang Gnd: |
| Adapter# | 6 | Fpor 0.16 (84) | 0.001 (81) | Blu | BluI | | |
| Interlace | N | Bpor 1.68 (85) | 0.629 (82) | Vsyn | Csyn | V3- | Dig Gnd: |
| Video Type | A | Sync 1.85 (86) | 0.056 (83) | Hsyn | V2+ | V4+ | |
| Color/Mono | | Stype | | V1+ | V2- | V4- | |
| Multisync | | Range | | V1- | V3+ | | Recall: |
| Multimode | | | | | | | |

| DEC | | Horizontal | Vertical | Connector Pins | | | Grounds |
|------------|---|----------------|------------|----------------|------|-----|----------|
| VR319CA | | Freq 70.66 | 66.5 | Red | RedI | | |
| | | Pix 1280 | 1024 | Grn | GrnI | | Ang Gnd: |
| Adapter# | 6 | Fpor 0.27 (84) | 0.042 (81) | Blu | BluI | | |
| Interlace | N | Bpor 1.87 (85) | 0.467 (82) | Vsyn | Csyn | V3- | Dig Gnd: |
| Video Type | A | Sync 1.34 (86) | 0.042 (83) | Hsyn | V2+ | V4+ | |
| Color/Mono | | Stype | | V1+ | V2- | V4- | |
| Multisync | | Range | | V1- | V3+ | | Recall: |
| Multimode | | | | | | | |

| DEC | | Horizontal | Vertical | Connector Pins | | | Grounds |
|------------|---|----------------|------------|----------------|------|-----|----------|
| VR319DA | | Freq 77.17 | 72.6 | Red | RedI | | |
| | | Pix 1280 | 1024 | Grn | GrnI | | Ang Gnd: |
| Adapter# | 6 | Fpor 0.24 (84) | 0.039 (81) | Blu | BluI | | |
| Interlace | N | Bpor 1.71 (85) | 0.428 (82) | Vsyn | Csyn | V3- | Dig Gnd: |
| Video Type | A | Sync 1.22 (86) | 0.039 (83) | Hsyn | V2+ | V4+ | |
| Color/Mono | | Stype | | V1+ | V2- | V4- | |
| Multisync | | Range | | V1- | V3+ | | Recall: |
| Multimode | | | | | | | |

| DEC | | Horizontal | Vertical | Connector Pins | | | Grounds |
|------------|---|------------|----------|----------------|------|-----|----------|
| VR320DA | | Freq 76.00 | 72.0 | Red | RedI | | |
| | | Pix 1280 | 1024 | Grn | GrnI | | Ang Gnd: |
| Adapter# | | Fpor (84) | (81) | Blu | BluI | | |
| Interlace | N | Bpor (85) | (82) | Vsyn | Csyn | V3- | Dig Gnd: |
| Video Type | A | Sync (86) | (83) | Hsyn | V2+ | V4+ | |
| Color/Mono | | Stype | | V1+ | V2- | V4- | |
| Multisync | | Range | | V1- | V3+ | | Recall: |
| Multimode | 1 | | | | | | |

| DEC | | Horizontal | Vertical | Connector Pins | | | Grounds |
|------------|---|------------|----------|----------------|------|-----|----------|
| VR320DA | | Freq 70.00 | 66.0 | Red | RedI | | |
| | | Pix 1280 | 1024 | Grn | GrnI | | Ang Gnd: |
| Adapter# | | Fpor (84) | (81) | Blu | BluI | | |
| Interlace | N | Bpor (85) | (82) | Vsyn | Csyn | V3- | Dig Gnd: |
| Video Type | A | Sync (86) | (83) | Hsyn | V2+ | V4+ | |
| Color/Mono | | Stype | | V1+ | V2- | V4- | |
| Multisync | | Range | | V1- | V3+ | | Recall: |
| Multimode | 2 | | | | | | |

| DEC | | Horizontal | Vertical | Connector Pins | | | Grounds |
|------------|---|-----------------|-------------|----------------|------|-----|----------|
| VRM17 | | Freq 77.12 | 72.6 | Red | RedI | | |
| | | Pix 1280 | 1024 | Grn | GrnI | | Ang Gnd: |
| Adapter# | 6 | Fpor 0.245 (84) | 0.0389 (81) | Blu | BluI | | |
| Interlace | N | Bpor 1.712 (85) | 0.4278 (82) | Vsyn | Csyn | V3- | Dig Gnd: |
| Video Type | A | Sync 1.223 (86) | 0.0389 (83) | Hsyn | V2+ | V4+ | |
| Color/Mono | | Stype | | V1+ | V2- | V4- | |
| Multisync | | Range | | V1- | V3+ | | Recall: |
| Multimode | 1 | | | | | | |

| DEC | | Horizontal | Vertical | Connector Pins | | | Grounds |
|------------|---|-----------------|-------------|----------------|------|-----|----------|
| VRM17 | | Freq 57.38 | 72.0 | Red | RedI | | |
| | | Pix 1024 | 768 | Grn | GrnI | | Ang Gnd: |
| Adapter# | 6 | Fpor 0.215 (84) | 0.0174 (81) | Blu | BluI | | |
| Interlace | N | Bpor 1.72 (85) | 0.3834 (82) | Vsyn | Csyn | V3- | Dig Gnd: |
| Video Type | A | Sync 1.72 (86) | 0.105 (83) | Hsyn | V2+ | V4+ | |
| Color/Mono | | Stype | | V1+ | V2- | V4- | |
| Multisync | | Range | | V1- | V3+ | | Recall: |
| Multimode | 2 | | | | | | |

| DEC | | Horizontal | Vertical | Connector Pins | | | Grounds |
|-----------------|---|-----------------|-------------|----------------|------|-----|----------|
| VRT16 | | Freq 70.70 | 66.5 | Red | RedI | | |
| | | Pix 1280 | 1024 | Grn | GrnI | | Ang Gnd: |
| Adapter# | 6 | Fpor 0.258 (84) | 0.042 (81) | Blu | BluI | | |
| Interlace | N | Bpor 1.87 (85) | 0.467 (82) | Vsyn | Csyn | V3- | Dig Gnd: |
| Video Type | A | Sync 1.34 (86) | 0.042 (83) | Hsyn | V2+ | V4+ | |
| Color/Mono | C | Stype | | V1+ | V2- | V4- | |
| Multisync | | Range | | V1- | V3+ | | Recall: |
| Multimode | | | | | | | |
| DEC | | Horizontal | Vertical | Connector Pins | | | Grounds |
| VRT19-HA | | Freq 77.17 | 72.6 | Red | RedI | | |
| GD | | Pix 1280 | 1024 | Grn | GrnI | | Ang Gnd: |
| Adapter# | 6 | Fpor 0.245 (84) | 0.039 (81) | Blu | BluI | | |
| Interlace | N | Bpor 1.71 (85) | 0.428 (82) | Vsyn | Csyn | V3- | Dig Gnd: |
| Video Type | A | Sync 1.223 (86) | 0.039 (83) | Hsyn | V2+ | V4+ | |
| Color/Mono | | Stype G | G | V1+ | V2- | V4- | |
| Multisync | | Range | | V1- | V3+ | | Recall: |
| Multimode | 1 | | | | | | |
| DEC | | Horizontal | Vertical | Connector Pins | | | Grounds |
| VRT19-HA | | Freq 70.66 | 66.5 | Red | RedI | | |
| GD | | Pix 1280 | 1024 | Grn | GrnI | | Ang Gnd: |
| Adapter# | 6 | Fpor 0.267 (84) | 0.0424 (81) | Blu | BluI | | |
| Interlace | N | Bpor 1.87 (85) | 0.467 (82) | Vsyn | Csyn | V3- | Dig Gnd: |
| Video Type | A | Sync 1.34 (86) | 0.042 (83) | Hsyn | V2+ | V4+ | |
| Color/Mono | | Stype G | G | V1+ | V2- | V4- | |
| Multisync | | Range | | V1- | V3+ | | Recall: |
| Multimode | 2 | | | | | | |
| DEC | | Horizontal | Vertical | Connector Pins | | | Grounds |
| VT241 | | Freq 14.76 | 60.0 | Red | RedI | | |
| | | Pix | 225 | Grn | GrnI | | Ang Gnd: |
| Adapter# | 6 | Fpor 2.96 (84) | 0.174 (81) | Blu | BluI | | |
| Interlace | | Bpor 5.9 (85) | 0.992 (82) | Vsyn | Csyn | V3- | Dig Gnd: |
| Video Type | A | Sync 4.87 (86) | 0.183 (83) | Hsyn | V2+ | V4+ | |
| Color/Mono | C | Stype | | V1+ | V2- | V4- | |
| Multisync | | Range | | V1- | V3+ | | Recall: |
| Multimode | | | | | | | |
| DEC | | Horizontal | Vertical | Connector Pins | | | Grounds |
| VT340 | | Freq 31.50 | 60.0 | Red | RedI | | |
| | | Pix | | Grn | GrnI | | Ang Gnd: |
| Adapter# | | Fpor (84) | (81) | Blu | BluI | | |
| Interlace | N | Bpor (85) | (82) | Vsyn | Csyn | V3- | Dig Gnd: |
| Video Type | A | Sync (86) | (83) | Hsyn | V2+ | V4+ | |
| Color/Mono | C | Stype | | V1+ | V2- | V4- | |
| Multisync | | Range | | V1- | V3+ | | Recall: |
| Multimode | | | | | | | |
| DEC | | Horizontal | Vertical | Connector Pins | | | Grounds |
| 160 | | Freq 54.00 | 60.0 | Red | RedI | | |
| | | Pix 1024 | 864 | Grn | GrnI | | Ang Gnd: |
| Adapter# | | Fpor (84) | (81) | Blu | BluI | | |
| Interlace | N | Bpor (85) | (82) | Vsyn | Csyn | V3- | Dig Gnd: |
| Video Type | A | Sync (86) | (83) | Hsyn | V2+ | V4+ | |
| Color/Mono | C | Stype | | V1+ | V2- | V4- | |
| Multisync | | Range | | V1- | V3+ | | Recall: |
| Multimode | | | | | | | |
| DELL | | Horizontal | Vertical | Connector Pins | | | Grounds |
| GPD-16C | | Freq 63.60 | 59.6 | Red | RedI | | |
| | | Pix 1280 | 1024 | Grn | GrnI | | Ang Gnd: |
| Adapter# | 6 | Fpor (84) | (81) | Blu | BluI | | |
| Interlace | N | Bpor (85) | (82) | Vsyn | Csyn | V3- | Dig Gnd: |
| Video Type | A | Sync (86) | (83) | Hsyn | V2+ | V4+ | |
| Color/Mono | C | Stype - | - | V1+ | V2- | V4- | |
| Multisync | | Range | | V1- | V3+ | | Recall: |
| Multimode | 1 | | | | | | 12 |

| DELL | | Horizontal | Vertical | Connector Pins | | | Grounds |
|------------|---|------------|----------|----------------|------|-----|------------|
| GPD-16C | | Freq 49.90 | 60.0 | Red | RedI | | |
| | | Pix 1024 | 768 | Grn | GrnI | | Ang Gnd: |
| Adapter# | 6 | Fpor (84) | (81) | Blu | BluI | | |
| Interlace | M | Bpor (85) | (82) | Vsyn | Csyn | V3- | Dig Gnd: |
| Video Type | A | Sync (86) | (83) | Hsyn | V2+ | V4+ | |
| Color/Mono | C | Stype - | - | V1+ | V2- | V4- | |
| Multisync | | Range | | V1- | V3+ | | Recall: 11 |
| Multimode | 2 | | | | | | |

| DELL | | Horizontal | Vertical | Connector Pins | | | Grounds |
|------------|---|------------|----------|----------------|------|-----|---------------|
| GPD-16C | | Freq 31.50 | 60.0 | Red | RedI | | |
| | | Pix 640 | 480 | Grn | GrnI | | Ang Gnd: |
| Adapter# | 6 | Fpor (84) | (81) | Blu | BluI | | |
| Interlace | M | Bpor (85) | (82) | Vsyn | Csyn | V3- | Dig Gnd: |
| Video Type | A | Sync (86) | (83) | Hsyn | V2+ | V4+ | |
| Color/Mono | C | Stype - | - | V1+ | V2- | V4- | |
| Multisync | | Range | | V1- | V3+ | | Recall: 5,6,7 |
| Multimode | 3 | | | | | | |

| DELL | | Horizontal | Vertical | Connector Pins | | | Grounds |
|------------|---|--------------|------------|----------------|------|-----|----------|
| GPD-19C | | Freq | | Red | RedI | | |
| | | Pix 1280 MAX | 1024 MAX | Grn | GrnI | | Ang Gnd: |
| Adapter# | | Fpor (84) | (81) | Blu | BluI | | |
| Interlace | N | Bpor (85) | (82) | Vsyn | Csyn | V3- | Dig Gnd: |
| Video Type | D | Sync (86) | (83) | Hsyn | V2+ | V4+ | |
| Color/Mono | C | Stype C | C | V1+ | V2- | V4- | |
| Multisync | Y | Range 30-64 | 50-90 AUTO | V1- | V3+ | | Recall: |
| Multimode | N | | | | | | |

| DOTRONIX | | Horizontal | Vertical | Connector Pins | | | Grounds |
|---------------|-----|------------|----------|----------------|------|-----|----------|
| 9VM1030/31/51 | | Freq 15.73 | 59.9 | Red | RedI | | |
| | | Pix 325 | 242 | Grn | GrnI | | Ang Gnd: |
| Adapter# | BMC | Fpor (84) | (81) | Blu | BluI | | |
| Interlace | N | Bpor (85) | (82) | Vsyn | Csyn | V3- | Dig Gnd: |
| Video Type | A | Sync (86) | (83) | Hsyn | V2+ | V4+ | |
| Color/Mono | M | Stype - | - | V1+ | V2- | V4- | |
| Multisync | N | Range | | V1- | V3+ | | Recall: |
| Multimode | N | | | | | | |

| DOTRONIX | | Horizontal | Vertical | Connector Pins | | | Grounds |
|---------------------------|---|-----------------|----------|----------------|------|-----|-----------------------------------|
| VPIx14CD/CE "EGA MODE" | | Freq | | Red | RedI | | |
| | | Pix 720 | 350 | Grn | GrnI | | Ang Gnd: |
| Adapter# | 2 | Fpor (84) | (81) | Blu | BluI | | |
| Interlace | N | Bpor (85) | (82) | Vsyn | Csyn | V3- | Dig Gnd: |
| Video Type | D | Sync (86) | (83) | Hsyn | V2+ | V4+ | |
| Color/Mono | C | Stype | | V1+ | V2- | V4- | |
| Multisync | Y | Range 21.8/15.8 | 60 | V1- | V3+ | | Recall: 2 |
| Multimode | Y | EGA | | | | | THIS MONITOR ALSO HAS A VGA MODE. |

| DOTRONIX | | Horizontal | Vertical | Connector Pins | | | Grounds |
|---------------------------|---|--------------|----------|----------------|------|-----|------------------------------------|
| VPIx14CD/CV "VGA MODE" | | Freq | | Red | RedI | | |
| | | Pix 640 | 480 | Grn | GrnI | | Ang Gnd: |
| Adapter# | 4 | Fpor (84) | (81) | Blu | BluI | | |
| Interlace | M | Bpor (85) | (82) | Vsyn | Csyn | V3- | Dig Gnd: |
| Video Type | A | Sync (86) | (83) | Hsyn | V2+ | V4+ | |
| Color/Mono | C | Stype | | V1+ | V2- | V4- | |
| Multisync | N | Range 31.468 | 50/60/70 | V1- | V3+ | | Recall: 5,7 |
| Multimode | Y | VGA | | | | | THIS MONITOR ALSO HAS AN EGA MODE. |

| DOTRONIX | | Horizontal | Vertical | Connector Pins | | | Grounds |
|---------------------------|---|--------------|----------|----------------|------|-----|---------------------------------|
| VPIx14MD/MV "VGA MODE" | | Freq | | Red | RedI | | |
| | | Pix 720 | 400 | Grn | GrnI | | Ang Gnd: |
| Adapter# | 4 | Fpor (84) | (81) | Blu | BluI | | |
| Interlace | N | Bpor (85) | (82) | Vsyn | Csyn | V3- | Dig Gnd: |
| Video Type | A | Sync (86) | (83) | Hsyn | V2+ | V4+ | |
| Color/Mono | M | Stype | | V1+ | V2- | V4- | |
| Multisync | Y | Range 31.468 | 47-50 | V1- | V3+ | | Recall: 6 |
| Multimode | Y | VGA | | | | | MD MONITOR ALSO HAS A MGA MODE. |

| E-MACHINE | | Horizontal | Vertical | Connector Pins | | | Grounds |
|------------|-------|---|-----------|----------------|------|-----|----------|
| 1108-DE16 | | Freq 60.20 | 74.9 | Red | RedI | | |
| | | Pix 1024 | 768 | Grn | GrnI | | Ang Gnd: |
| Adapter# | 5 | Fpor 0.4 (84) | 0.05 (81) | Blu | BluI | | |
| Interlace | N | Bpor 2.2 (85) | 0.5 (82) | Vsyn | Csyn | V3- | Dig Gnd: |
| Video Type | A | Sync 1.2 (86) | 0.05 (83) | Hsyn | V2+ | V4+ | |
| Color/Mono | M | Stype - | - | V1+ | V2- | V4- | |
| Multisync | Range | | | V1- | V3+ | | Recall: |
| Multimode | | needs gender changer; same as Super Mac VCX | | | | | |

| E-MACHINE | | Horizontal | Vertical | Connector Pins | | | Grounds |
|------------|-------|---------------|------------|----------------|------|-----|----------|
| 3008-CP15 | | Freq 41.67 | 67.4 | Red | RedI | | |
| | | Pix 768 | 576 | Grn | GrnI | | Ang Gnd: |
| Adapter# | 5? | Fpor 1 (84) | 0.024 (81) | Blu | BluI | | |
| Interlace | N | Bpor 2.2 (85) | 0.89 (82) | Vsyn | Csyn | V3- | Dig Gnd: |
| Video Type | A | Sync 1.6 (86) | 0.096 (83) | Hsyn | V2+ | V4+ | |
| Color/Mono | | Stype | | V1+ | V2- | V4- | |
| Multisync | Range | | | V1- | V3+ | | Recall: |
| Multimode | | | | | | | |

| E-MACHINE | | Horizontal | Vertical | Connector Pins | | | Grounds |
|------------|---|------------|----------|----------------|------|-----|------------|
| GDM-1670 | | Freq 35.00 | 67.0 | Red | RedI | | |
| | | Pix 640 | 480 | Grn | GrnI | | Ang Gnd: |
| Adapter# | 6 | Fpor (84) | (81) | Blu | BluI | | |
| Interlace | N | Bpor (85) | (82) | Vsyn | Csyn | V3- | Dig Gnd: |
| Video Type | A | Sync (86) | (83) | Hsyn | V2+ | V4+ | |
| Color/Mono | C | Stype G | G | V1+ | V2- | V4- | |
| Multisync | N | Range | | V1- | V3+ | | Recall: 10 |
| Multimode | 1 | | | | | | |

| E-MACHINE | | Horizontal | Vertical | Connector Pins | | | Grounds |
|------------|---|------------|----------|----------------|------|-----|----------|
| GDM-1670 | | Freq 50.00 | 75.0 | Red | RedI | | |
| | | Pix 832 | 624 | Grn | GrnI | | Ang Gnd: |
| Adapter# | 6 | Fpor (84) | (81) | Blu | BluI | | |
| Interlace | N | Bpor (85) | (82) | Vsyn | Csyn | V3- | Dig Gnd: |
| Video Type | A | Sync (86) | (83) | Hsyn | V2+ | V4+ | |
| Color/Mono | C | Stype G | G | V1+ | V2- | V4- | |
| Multisync | N | Range | | V1- | V3+ | | Recall: |
| Multimode | 2 | | | | | | |

| E-MACHINE | | Horizontal | Vertical | Connector Pins | | | Grounds |
|------------|---|------------|----------|----------------|------|-----|----------|
| GDM-1670 | | Freq 61.00 | 75.0 | Red | RedI | | |
| | | Pix 1024 | 768 | Grn | GrnI | | Ang Gnd: |
| Adapter# | 6 | Fpor (84) | (81) | Blu | BluI | | |
| Interlace | N | Bpor (85) | (82) | Vsyn | Csyn | V3- | Dig Gnd: |
| Video Type | A | Sync (86) | (83) | Hsyn | V2+ | V4+ | |
| Color/Mono | C | Stype G | G | V1+ | V2- | V4- | |
| Multisync | N | Range | | V1- | V3+ | | Recall: |
| Multimode | 3 | | | | | | |

| E-MACHINE | | Horizontal | Vertical | Connector Pins | | | Grounds |
|------------|-------|------------|----------|----------------|------|-----|------------|
| I-21 | | Freq 68.40 | 69.0 | Red A2 | RedI | | |
| | | Pix 1152 | 864 | Grn | GrnI | | Ang Gnd: |
| Adapter# | | Fpor (84) | (81) | Blu | BluI | | 4,5,6,9,10 |
| Interlace | N | Bpor (85) | (82) | Vsyn 1 | Csyn | V3- | Dig Gnd: |
| Video Type | A | Sync (86) | (83) | Hsyn 2 | V2+ | V4+ | |
| Color/Mono | M | Stype | | V1+ | V2- | V4- | |
| Multisync | Range | | | V1- | V3+ | | Recall: |
| Multimode | 1 | | | | | | |

| E-MACHINE | | Horizontal | Vertical | Connector Pins | | | Grounds |
|------------|-------|------------|----------|----------------|------|-----|------------|
| I-21 | | Freq 68.40 | 76.0 | Red A2 | RedI | | |
| | | Pix 1280 | 960 | Grn | GrnI | | Ang Gnd: |
| Adapter# | | Fpor (84) | (81) | Blu | BluI | | 4,5,6,9,10 |
| Interlace | N | Bpor (85) | (82) | Vsyn 1 | Csyn | V3- | Dig Gnd: |
| Video Type | A | Sync (86) | (83) | Hsyn 2 | V2+ | V4+ | |
| Color/Mono | M | Stype | | V1+ | V2- | V4- | |
| Multisync | Range | | 69 or 76 | V1- | V3+ | | Recall: |
| Multimode | 2 | | | | | | |

| E-MACHINE | | Horizontal | Vertical | Connector Pins | | | Grounds |
|------------|-----|------------|----------|----------------|------|-----|----------|
| 1008 | | Freq 50.50 | 60.0 | Red | RedI | | |
| | | Pix 1024 | 808 | Grn | GrnI | | Ang Gnd: |
| Adapter# | ECL | Fpor (84) | (81) | Blu | BluI | | 3,7 |
| Interlace | N | Bpor (85) | (82) | Vsyn 5 | Csyn | V3- | Dig Gnd: |
| Video Type | E | Sync (86) | (83) | Hsyn 4 | V2+ | V4+ | |
| Color/Mono | M | Stype | | V1+ 1 | V2- | V4- | |
| Multisync | | Range | | V1- 2 | V3+ | | Recall: |
| Multimode | | | | | | | |

| EHMAN | | Horizontal | Vertical | Connector Pins | | | Grounds |
|------------|-----|-----------------|------------|----------------|------|-----|----------|
| 19MGM2 | | Freq 63.98 | 79.0 | Red | RedI | | |
| | | Pix 1033 | 769 | Grn | GrnI | | Ang Gnd: |
| Adapter# | ECL | Fpor 0.432 (84) | 0.015 (81) | Blu | BluI | | 7,8 |
| Interlace | N | Bpor 2.59 (85) | 0.433 (82) | Vsyn 4 | Csyn | V3- | Dig Gnd: |
| Video Type | E | Sync 0.8 (86) | 0.124 (83) | Hsyn 3 | V2+ | V4+ | |
| Color/Mono | M | Stype | | V1+ 1 | V2- | V4- | |
| Multisync | | Range | | V1- 6 | V3+ | | Recall: |
| Multimode | | | | | | | |

| EHMAN | | Horizontal | Vertical | Connector Pins | | | Grounds |
|-------------|-----|------------|----------|----------------|------|-----|----------|
| DM60-19A-09 | | Freq 63.90 | 64.0 | Red | RedI | | |
| | | Pix 1280 | 960 | Grn | GrnI | | Ang Gnd: |
| Adapter# | ECL | Fpor (84) | (81) | Blu | BluI | | 7,8 |
| Interlace | N | Bpor (85) | (82) | Vsyn 4 | Csyn | V3- | Dig Gnd: |
| Video Type | E | Sync (86) | (83) | Hsyn 3 | V2+ | V4+ | |
| Color/Mono | M | Stype | | V1+ 1 | V2- | V4- | |
| Multisync | | Range | | V1- 6 | V3+ | | Recall: |
| Multimode | | | | | | | |

Same as Hyundadai HMM-1900

| ELECTROHOME | | Horizontal | Vertical | Connector Pins | | | Grounds |
|-------------|---|------------------|------------|----------------|------|-----|----------|
| ECM1311U | | Freq | 60.0 | Red | RedI | | |
| | | Pix 645 | 480 | Grn | GrnI | | Ang Gnd: |
| Adapter# | 6 | Fpor 1.6 (84) | 0.38 (81) | Blu | BluI | | |
| Interlace | N | Bpor 1.6 (85) | 0.982 (82) | Vsyn | Csyn | V3- | Dig Gnd: |
| Video Type | A | Sync 3.2 (86) | 0.095 (83) | Hsyn | V2+ | V4+ | |
| Color/Mono | | Stype | | V1+ | V2- | V4- | |
| Multisync | | Range 15.75-31.5 | | V1- | V3+ | | Recall: |
| Multimode | | | | | | | |

| ETC | | Horizontal | Vertical | Connector Pins | | | Grounds |
|---------------|---|---|----------|----------------|------|-----|----------------------|
| CA-1460 | | Freq | | Red | RedI | | |
| 14" NON-GLARE | | Pix 1024 | 768 | Grn | GrnI | | Ang Gnd: |
| Adapter# | 4 | Fpor (84) | (81) | Blu | BluI | | |
| Interlace | Y | Bpor (85) | (82) | Vsyn | Csyn | V3- | Dig Gnd: |
| Video Type | A | Sync (86) | (83) | Hsyn | V2+ | V4+ | |
| Color/Mono | C | Stype | | V1+ | V2- | V4- | |
| Multisync | Y | Range 30-60 | 52-90 | V1- | V3+ | | Recall: 6-9, 11, 28, |
| Multimode | N | VGA, SVGA, 8514A INTERLACED IN 8514A ONLY | | | | | |

| ETC | | Horizontal | Vertical | Connector Pins | | | Grounds |
|----------------|---|---|----------|----------------|------|-----|----------------------|
| CA-1460L | | Freq | | Red | RedI | | |
| 14" ANTISTATIC | | Pix 1024 | 768 | Grn | GrnI | | Ang Gnd: |
| Adapter# | 4 | Fpor (84) | (81) | Blu | BluI | | |
| Interlace | Y | Bpor (85) | (82) | Vsyn | Csyn | V3- | Dig Gnd: |
| Video Type | A | Sync (86) | (83) | Hsyn | V2+ | V4+ | |
| Color/Mono | C | Stype | | V1+ | V2- | V4- | |
| Multisync | Y | Range 30-60 | 52-90 | V1- | V3+ | | Recall: 6-9, 11, 28, |
| Multimode | N | VGA, SVGA, 8514A INTERLACED IN 8514A ONLY | | | | | |

| ETC | | Horizontal | Vertical | Connector Pins | | | Grounds |
|--------------------|---|---|----------|----------------|------|-----|----------------------|
| CA-1464 | | Freq | | Red | RedI | | |
| 14" MICRO-CONTROLL | | Pix 1280 | 1024 | Grn | GrnI | | Ang Gnd: |
| Adapter# | 4 | Fpor (84) | (81) | Blu | BluI | | |
| Interlace | Y | Bpor (85) | (82) | Vsyn | Csyn | V3- | Dig Gnd: |
| Video Type | A | Sync (86) | (83) | Hsyn | V2+ | V4+ | |
| Color/Mono | C | Stype | | V1+ | V2- | V4- | |
| Multisync | Y | Range 30-60 | 52-100 | V1- | V3+ | | Recall: 6-9, 11, 28, |
| Multimode | N | VGA, SVGA, 8514A INTERLACED IN 8514A ONLY | | | | | |

| ETC | | Horizontal | Vertical | Connector Pins | | | Grounds |
|--------------------|------|--|----------|----------------|------|------|-------------------|
| CA-1464 | Freq | | | Red | RedI | | |
| | Pix | 1280 | 1024 | Grn | GrnI | | Ang Gnd: |
| Adapter# | 4 | Fpor | (84) | (81) | Blu | BluI | |
| Interlace | Y | Bpor | (85) | (82) | Vsyn | Csyn | V3- Dig Gnd: |
| Video Type | A | Sync | (86) | (83) | Hsyn | V2+ | V4+ |
| Color/Mono | C | Stype | | | V1+ | V2- | V4- |
| Multisync | Y | Range30-65 | | 52-120 | V1- | V3+ | Recall:6-9,28-32 |
| Multimode | N | VGA, SVGA, VESA, INTERLACED IN 8514A MODE | | | | | |
| ETC | | Horizontal | Vertical | Connector Pins | | | Grounds |
| CA-1464E/SP | Freq | | | Red | RedI | | |
| VIEWMAGIC | Pix | 1280 | 1024 | Grn | GrnI | | Ang Gnd: |
| Adapter# | 4 | Fpor | (84) | (81) | Blu | BluI | |
| Interlace | Y | Bpor | (85) | (82) | Vsyn | Csyn | V3- Dig Gnd: |
| Video Type | A | Sync | (86) | (83) | Hsyn | V2+ | V4+ |
| Color/Mono | C | Stype | | | V1+ | V2- | V4- |
| Multisync | Y | Range30-61 | | 50-120 | V1- | V3+ | Recall:6-9,28-32 |
| Multimode | N | VGA, SVGA, VESA, INTERLACED IN 8514A MODE. | | | | | |
| ETC | | Horizontal | Vertical | Connector Pins | | | Grounds |
| CA-1464L | Freq | | | Red | RedI | | |
| | Pix | 1280 | 1024 | Grn | GrnI | | Ang Gnd: |
| Adapter# | 4 | Fpor | (84) | (81) | Blu | BluI | |
| Interlace | Y | Bpor | (85) | (82) | Vsyn | Csyn | V3- Dig Gnd: |
| Video Type | A | Sync | (86) | (83) | Hsyn | V2+ | V4+ |
| Color/Mono | C | Stype | | | V1+ | V2- | V4- |
| Multisync | Y | Range30-65 | | 52-120 | V1- | V3+ | Recall:6-9,28-32 |
| Multimode | N | VGA, SVGA, VESA, INTERLACED IN 8514A MODE | | | | | |
| ETC | | Horizontal | Vertical | Connector Pins | | | Grounds |
| CA-1560 | Freq | | | Red | RedI | | |
| 15" NON-GLARE | Pix | 1024 | 768 | Grn | GrnI | | Ang Gnd: |
| Adapter# | 4 | Fpor | (84) | (81) | Blu | BluI | |
| Interlace | Y | Bpor | (85) | (82) | Vsyn | Csyn | V3- Dig Gnd: |
| Video Type | A | Sync | (86) | (83) | Hsyn | V2+ | V4+ |
| Color/Mono | C | Stype | | | V1+ | V2- | V4- |
| Multisync | Y | Range30-60 | | 52-90 | V1- | V3+ | Recall:6-9,11,28, |
| Multimode | N | VGA, SVGA, 8514A INTERLACED IN 8514A ONLY | | | | | |
| ETC | | Horizontal | Vertical | Connector Pins | | | Grounds |
| CA-1560L | Freq | | | Red | RedI | | |
| 15" ANTISTATIC | Pix | 1024 | 768 | Grn | GrnI | | Ang Gnd: |
| Adapter# | 4 | Fpor | (84) | (81) | Blu | BluI | |
| Interlace | Y | Bpor | (85) | (82) | Vsyn | Csyn | V3- Dig Gnd: |
| Video Type | A | Sync | (86) | (83) | Hsyn | V2+ | V4+ |
| Color/Mono | C | Stype | | | V1+ | V2- | V4- |
| Multisync | Y | Range30-60 | | 52-90 | V1- | V3+ | Recall:6-9,11,28, |
| Multimode | N | VGA, SVGA, 8514A INTERLACED IN 8514A ONLY | | | | | |
| ETC | | Horizontal | Vertical | Connector Pins | | | Grounds |
| CA-1565 | Freq | | | Red | RedI | | |
| 15" MICRO-CONTROLL | Pix | 1280 | 1024 | Grn | GrnI | | Ang Gnd: |
| Adapter# | 4 | Fpor | (84) | (81) | Blu | BluI | |
| Interlace | Y | Bpor | (85) | (82) | Vsyn | Csyn | V3- Dig Gnd: |
| Video Type | A | Sync | (86) | (83) | Hsyn | V2+ | V4+ |
| Color/Mono | C | Stype | | | V1+ | V2- | V4- |
| Multisync | Y | Range30-65 | | 52-100 | V1- | V3+ | Recall:6-9,11,28, |
| Multimode | N | VGA, SVGA, 8514A INTERLACED IN 8514A ONLY | | | | | |
| ETC | | Horizontal | Vertical | Connector Pins | | | Grounds |
| CA-1565 | Freq | | | Red | RedI | | |
| | Pix | 1280 | 1024 | Grn | GrnI | | Ang Gnd: |
| Adapter# | 4 | Fpor | (84) | (81) | Blu | BluI | |
| Interlace | Y | Bpor | (85) | (82) | Vsyn | Csyn | V3- Dig Gnd: |
| Video Type | A | Sync | (86) | (83) | Hsyn | V2+ | V4+ |
| Color/Mono | C | Stype | | | V1+ | V2- | V4- |
| Multisync | Y | Range30-65 | | 52-120 | V1- | V3+ | Recall:6-9,28-32 |
| Multimode | N | VGA, SVGA, VESA, INTERLACED IN 8514A MODE | | | | | |

| ETC | | Horizontal | Vertical | Connector Pins | | | Grounds |
|-------------------|---|---|----------|----------------|------|-----|-------------------|
| CA-1565C/E | | Freq | | Red | RedI | | |
| VIEWMAGIC | | Pix | 1280 | Grn | GrnI | | Ang Gnd: |
| Adapter# | 4 | Fpor | (84) | (81) Blu | BluI | | |
| Interlace | Y | Bpor | (85) | (82) Vsyn | Csyn | V3- | Dig Gnd: |
| Video Type | A | Sync | (86) | (83) Hsyn | V2+ | V4+ | |
| Color/Mono | C | Stype | | V1+ | V2- | V4- | |
| Multisync | Y | Range30-65 | | 50-120 | V1- | V3+ | Recall:6-9,12,28- |
| Multimode | N | VGA, SVGA, VESA, INTERLACED IN 8514A MODE. | | | | | |

| ETC | | Horizontal | Vertical | Connector Pins | | | Grounds |
|---------------------|---|---|----------|----------------|------|-----|-------------------|
| CA-1565CP/SP | | Freq | | Red | RedI | | |
| VIEWMAGIC | | Pix | 1280 | Grn | GrnI | | Ang Gnd: |
| Adapter# | 4 | Fpor | (84) | (81) Blu | BluI | | |
| Interlace | Y | Bpor | (85) | (82) Vsyn | Csyn | V3- | Dig Gnd: |
| Video Type | A | Sync | (86) | (83) Hsyn | V2+ | V4+ | |
| Color/Mono | C | Stype | | V1+ | V2- | V4- | |
| Multisync | Y | Range30-65 | | 50-120 | V1- | V3+ | Recall:6-9,12,28- |
| Multimode | N | VGA, SVGA, VESA, INTERLACED IN 8514A MODE. | | | | | |

| ETC | | Horizontal | Vertical | Connector Pins | | | Grounds |
|------------------|---|--|----------|----------------|------|-----|------------------|
| CA-1565L | | Freq | | Red | RedI | | |
| VIEWMAGIC | | Pix | 1280 | Grn | GrnI | | Ang Gnd: |
| Adapter# | 4 | Fpor | (84) | (81) Blu | BluI | | |
| Interlace | Y | Bpor | (85) | (82) Vsyn | Csyn | V3- | Dig Gnd: |
| Video Type | A | Sync | (86) | (83) Hsyn | V2+ | V4+ | |
| Color/Mono | C | Stype | | V1+ | V2- | V4- | |
| Multisync | Y | Range30-65 | | 52-120 | V1- | V3+ | Recall:6-9,28-32 |
| Multimode | N | VGA, SVGA, VESA, INTERLACED IN 8514A MODE | | | | | |

| ETC | | Horizontal | Vertical | Connector Pins | | | Grounds |
|---------------------|---|---|----------|----------------|------|-----|-------------------|
| CA-1765CP/SP | | Freq | | Red | RedI | | |
| VIEWMAGIC | | Pix | 1280 | Grn | GrnI | | Ang Gnd: |
| Adapter# | 4 | Fpor | (84) | (81) Blu | BluI | | |
| Interlace | Y | Bpor | (85) | (82) Vsyn | Csyn | V3- | Dig Gnd: |
| Video Type | A | Sync | (86) | (83) Hsyn | V2+ | V4+ | |
| Color/Mono | C | Stype | | V1+ | V2- | V4- | |
| Multisync | Y | Range30-65 | | 50-120 | V1- | V3+ | Recall:6-9,12,28- |
| Multimode | N | VGA, SVGA, VESA, INTERLACED IN 8514A MODE. | | | | | |

| ETC | | Horizontal | Vertical | Connector Pins | | | Grounds |
|-----------------------|---|---|----------|----------------|------|-----|----------------|
| CD-1035 | | Freq | | Red | RedI | | |
| VIEWMAGIC, 10" | | Pix | 1024 | Grn | GrnI | | Ang Gnd: |
| Adapter# | 4 | Fpor | (84) | (81) Blu | BluI | | |
| Interlace | Y | Bpor | (85) | (82) Vsyn | Csyn | V3- | Dig Gnd: |
| Video Type | A | Sync | (86) | (83) Hsyn | V2+ | V4+ | |
| Color/Mono | C | Stype | | V1+ | V2- | V4- | |
| Multisync | Y | Range31.5/35.5 | | 50-90 | V1- | V3+ | Recall: 6-9,29 |
| Multimode | Y | VGA, SVGA, VESA, INTERLACED IN 8514A MODE. | | | | | |

| EXEL | | Horizontal | Vertical | Connector Pins | | | Grounds |
|--------------|---|------------|-----------|----------------|------|-----|----------|
| 2400 | | Freq | 33.33 | Red | RedI | | |
| ELITE | | Pix | 632 | Grn | GrnI | | Ang Gnd: |
| Adapter# | 6 | Fpor | 0.75 (84) | 0.3 (81) Blu | BluI | | |
| Interlace | N | Bpor | 3 (85) | 0.84 (82) Vsyn | Csyn | V3- | Dig Gnd: |
| Video Type | A | Sync | 2.55 (86) | 0.09 (83) Hsyn | V2+ | V4+ | |
| Color/Mono | M | Stype | C | C | V1+ | V2- | V4- |
| Multisync | N | Range | | V1- | V3+ | | Recall: |
| Multimode | N | | | | | | |

| FOREFRONT | | Horizontal | Vertical | Connector Pins | | | Grounds |
|------------------|---|---|----------|----------------|------|-----|-------------------|
| MTS-9438 | | Freq | | Red | RedI | | |
| VIEWMAGIC | | Pix | 1024 | Grn | GrnI | | Ang Gnd: |
| Adapter# | 4 | Fpor | (84) | (81) Blu | BluI | | |
| Interlace | Y | Bpor | (85) | (82) Vsyn | Csyn | V3- | Dig Gnd: |
| Video Type | A | Sync | (86) | (83) Hsyn | V2+ | V4+ | |
| Color/Mono | C | Stype | | V1+ | V2- | V4- | |
| Multisync | Y | Range30-38 | | 50-100 | V1- | V3+ | Recall:5-10,29,30 |
| Multimode | N | VGA, SVGA, VESA, INTERLACED IN 8514A MODE. | | | | | |

| FOREFRONT | | Horizontal | Vertical | Connector Pins | | | Grounds |
|-----------------|-----|--|----------|----------------|------|------|-------------------|
| MTS-9450 | | Freq | | Red | RedI | | |
| | Pix | 1024 | 768 | Grn | GrnI | | Ang Gnd: |
| Adapter# | 4 | Fpor | (84) | (81) | Blu | BluI | |
| Interlace | Y | Bpor | (85) | (82) | Vsyn | Csyn | V3- |
| Video Type | A | Sync | (86) | (83) | Hsyn | V2+ | V4+ |
| Color/Mono | C | Stype | | | V1+ | V2- | V4- |
| Multisync | Y | Range | 30-50 | 50-100 | V1- | V3+ | Recall:5-10,29-32 |
| Multimode | N | VGA, SVGA, VESA, INTERLACED IN 8514A MODE. | | | | | |

| FOREFRONT | | Horizontal | Vertical | Connector Pins | | | Grounds |
|-----------------|-----|--|----------|----------------|------|------|-------------------|
| MTS-9457 | | Freq | | Red | RedI | | |
| | Pix | 1024 | 768 | Grn | GrnI | | Ang Gnd: |
| Adapter# | 4 | Fpor | (84) | (81) | Blu | BluI | |
| Interlace | Y | Bpor | (85) | (82) | Vsyn | Csyn | V3- |
| Video Type | A | Sync | (86) | (83) | Hsyn | V2+ | V4+ |
| Color/Mono | C | Stype | | | V1+ | V2- | V4- |
| Multisync | Y | Range | 30-57 | 50-100 | V1- | V3+ | Recall:5-10,29-32 |
| Multimode | N | VGA, SVGA, VESA, INTERLACED IN 8514A MODE. | | | | | |

| FOREFRONT | | Horizontal | Vertical | Connector Pins | | | Grounds |
|-----------------------|-----|--|----------|----------------|------|------|-------------------|
| MTS-9564, 9764 | | Freq | | Red | RedI | | |
| | Pix | 1280 | 1024 | Grn | GrnI | | Ang Gnd: |
| Adapter# | 4 | Fpor | (84) | (81) | Blu | BluI | |
| Interlace | Y | Bpor | (85) | (82) | Vsyn | Csyn | V3- |
| Video Type | A | Sync | (86) | (83) | Hsyn | V2+ | V4+ |
| Color/Mono | C | Stype | | | V1+ | V2- | V4- |
| Multisync | Y | Range | 30-64 | 50-100 | V1- | V3+ | Recall:5-10,15,29 |
| Multimode | N | VGA, SVGA, VESA, INTERLACED IN 8514A MODE. | | | | | |

| GATEWAY 2000 | | Horizontal | Vertical | Connector Pins | | | Grounds |
|--------------------------|---|------------|----------|----------------|------|------|-------------------|
| CS1572 FS | | Freq | | Red | RedI | | |
| CRYSTAL SCAN 1572 | | Pix | 1280 | 1024 | Grn | GrnI | Ang Gnd: |
| Adapter# | 4 | Fpor | (84) | (81) | Blu | BluI | |
| Interlace | Y | Bpor | (85) | (82) | Vsyn | Csyn | V3- |
| Video Type | A | Sync | (86) | (83) | Hsyn | V2+ | V4+ |
| Color/Mono | C | Stype | | | V1+ | V2- | V4- |
| Multisync | Y | Range | 30-64 | 50-100 | V1- | V3+ | Recall:5-15,28-36 |
| Multimode | N | | | | | | |

| GATEWAY 2000 | | Horizontal | Vertical | Connector Pins | | | Grounds |
|------------------------------|---|----------------|----------|----------------|------|------|------------------|
| PVM-1448 | | Freq | | Red | RedI | | |
| CRYSTAL SCAN 1024-Pix | | Pix | 1024 | 768 | Grn | GrnI | Ang Gnd: |
| Adapter# | 4 | Fpor | (84) | (81) | Blu | BluI | |
| Interlace | N | Bpor | (85) | (82) | Vsyn | Csyn | V3- |
| Video Type | A | Sync | (86) | (83) | Hsyn | V2+ | V4+ |
| Color/Mono | C | Stype | | | V1+ | V2- | V4- |
| Multisync | N | Range | | | V1- | V3+ | Recall:5-7,30,31 |
| Multimode | Y | VGA, 48 kHz HI | | | | | |

| GOLDSTAR | | Horizontal | Vertical | Connector Pins | | | Grounds |
|-------------|-----|------------|----------|----------------|------|------|----------|
| 1423 | | Freq | 31.50 | | Red | RedI | |
| | Pix | 640 | 480 | Grn | GrnI | | Ang Gnd: |
| Adapter# | 4 | Fpor | (84) | (81) | Blu | BluI | |
| Interlace | Y | Bpor | (85) | (82) | Vsyn | Csyn | V3- |
| Video Type | A | Sync | (86) | (83) | Hsyn | V2+ | V4+ |
| Color/Mono | C | Stype | | | V1+ | V2- | V4- |
| Multisync | N | Range | | 60/70 | V1- | V3+ | Recall: |
| Multimode | Y | VGA | | | | | |

| GOLDSTAR | | Horizontal | Vertical | Connector Pins | | | Grounds |
|-------------|-----|---|-----------|----------------|------|------|----------|
| 1453 | | Freq | | Red | RedI | | |
| | Pix | 1024 | 768 | Grn | GrnI | | Ang Gnd: |
| Adapter# | 4 | Fpor | (84) | (81) | Blu | BluI | |
| Interlace | Y | Bpor | (85) | (82) | Vsyn | Csyn | V3- |
| Video Type | A | Sync | (86) | (83) | Hsyn | V2+ | V4+ |
| Color/Mono | C | Stype | | | V1+ | V2- | V4- |
| Multisync | N | Range | 31.5/35.5 | 56/87 | V1- | V3+ | Recall: |
| Multimode | Y | VGA, SVGA, 8514A INTERLACED IN 8514A MODE | | | | | |

| GOLDSTAR | | Horizontal | Vertical | Connector Pins | | | Grounds | |
|------------|---------|---|----------|----------------|------|-----|----------|--|
| 1460 | Freq | | | Red | RedI | | | |
| | Pix | 1024 | 768 | Grn | GrnI | | Ang Gnd: | |
| Adapter# | Fpor | (84) | (81) | Blu | BluI | | | |
| Interlace | Y Bpor | (85) | (82) | Vsyn | Csyn | V3- | Dig Gnd: | |
| Video Type | A Sync | (86) | (83) | Hsyn | V2+ | V4+ | | |
| Color/Mono | C Stype | | | V1+ | V2- | V4- | | |
| Multisync | N Range | 31.5/35.5 | 56/87 | V1- | V3+ | | Recall: | |
| Multimode | Y | VGA, SVGA, 8514A INTERLACED IN 8514A MODE | | | | | | |

| GOLDSTAR | | Horizontal | Vertical | Connector Pins | | | Grounds | |
|------------|---------|---|----------|----------------|------|-----|----------|--|
| 1465 | Freq | | | Red | RedI | | | |
| | Pix | 1280 | 1024 | Grn | GrnI | | Ang Gnd: | |
| Adapter# | 4 Fpor | (84) | (81) | Blu | BluI | | | |
| Interlace | Y Bpor | (85) | (82) | Vsyn | Csyn | V3- | Dig Gnd: | |
| Video Type | A Sync | (86) | (83) | Hsyn | V2+ | V4+ | | |
| Color/Mono | C Stype | | | V1+ | V2- | V4- | | |
| Multisync | N Range | 31.5/48 | 56/87 | V1- | V3+ | | Recall: | |
| Multimode | Y | VGA, SVGA, 8514A INTERLACED IN 8514A MODE | | | | | | |

| GOLDSTAR | | Horizontal | Vertical | Connector Pins | | | Grounds | |
|------------|---------|---|----------|----------------|------|-----|----------|--|
| 1490 | Freq | | | Red | RedI | | | |
| | Pix | 1280 | 1024 | Grn | GrnI | | Ang Gnd: | |
| Adapter# | 4 Fpor | (84) | (81) | Blu | BluI | | | |
| Interlace | Y Bpor | (85) | (82) | Vsyn | Csyn | V3- | Dig Gnd: | |
| Video Type | A Sync | (86) | (83) | Hsyn | V2+ | V4+ | | |
| Color/Mono | C Stype | | | V1+ | V2- | V4- | | |
| Multisync | Y Range | 30-64 | 50-120 | V1- | V3+ | | Recall: | |
| Multimode | N | VGA, SVGA, 8514A INTERLACED IN 8514A MODE | | | | | | |

| GOLDSTAR | | Horizontal | Vertical | Connector Pins | | | Grounds | |
|------------|---------|---|----------|----------------|------|-----|----------|--|
| 1510 | Freq | | | Red | RedI | | | |
| | Pix | 1024 | 768 | Grn | GrnI | | Ang Gnd: | |
| Adapter# | 4 Fpor | (84) | (81) | Blu | BluI | | | |
| Interlace | Y Bpor | (85) | (82) | Vsyn | Csyn | V3- | Dig Gnd: | |
| Video Type | A Sync | (86) | (83) | Hsyn | V2+ | V4+ | | |
| Color/Mono | C Stype | | | V1+ | V2- | V4- | | |
| Multisync | Y Range | 30-60 | 50-120 | V1- | V3+ | | Recall: | |
| Multimode | N | VGA, SVGA, 8514A INTERLACED IN 8514A MODE | | | | | | |

| GOLDSTAR | | Horizontal | Vertical | Connector Pins | | | Grounds | |
|------------|---------|---|----------|----------------|------|-----|----------|--|
| 1620 | Freq | | | Red | RedI | | | |
| | Pix | 1024 | 768 | Grn | GrnI | | Ang Gnd: | |
| Adapter# | 4 Fpor | (84) | (81) | Blu | BluI | | | |
| Interlace | Y Bpor | (85) | (82) | Vsyn | Csyn | V3- | Dig Gnd: | |
| Video Type | A Sync | (86) | (83) | Hsyn | V2+ | V4+ | | |
| Color/Mono | C Stype | | | V1+ | V2- | V4- | | |
| Multisync | Y Range | 30-50 | 50-90 | V1- | V3+ | | Recall: | |
| Multimode | N | VGA, SVGA, 8514A INTERLACED IN 8514A MODE | | | | | | |

| GOLDSTAR | | Horizontal | Vertical | Connector Pins | | | Grounds | |
|------------|---------|---|----------|----------------|------|-----|----------|--|
| 1710 | Freq | | | Red | RedI | | | |
| | Pix | 1024 | 768 | Grn | GrnI | | Ang Gnd: | |
| Adapter# | Fpor | (84) | (81) | Blu | BluI | | | |
| Interlace | Y Bpor | (85) | (82) | Vsyn | Csyn | V3- | Dig Gnd: | |
| Video Type | A Sync | (86) | (83) | Hsyn | V2+ | V4+ | | |
| Color/Mono | C Stype | | | V1+ | V2- | V4- | | |
| Multisync | Y Range | 30-65 | 50-120 | V1- | V3+ | | Recall: | |
| Multimode | N | VGA, SVGA, 8514A INTERLACED IN 8514A MODE | | | | | | |

| GOLDSTAR | | Horizontal | Vertical | Connector Pins | | | Grounds | |
|------------|---------|---|----------|----------------|------|-----|----------|--|
| 1720 | Freq | | | Red | RedI | | | |
| | Pix | 1280 | 1024 | Grn | GrnI | | Ang Gnd: | |
| Adapter# | 6 Fpor | (84) | (81) | Blu | BluI | | | |
| Interlace | Y Bpor | (85) | (82) | Vsyn | Csyn | V3- | Dig Gnd: | |
| Video Type | A Sync | (86) | (83) | Hsyn | V2+ | V4+ | | |
| Color/Mono | C Stype | | | V1+ | V2- | V4- | | |
| Multisync | Y Range | 30-65 | 50-90 | V1- | V3+ | | Recall: | |
| Multimode | Y | VGA, SVGA, 8514A INTERLACED IN 8514A MODE | | | | | | |

| HITACHI | | Horizontal | Vertical | Connector Pins | | | Grounds |
|---------|------------|------------|-----------|----------------|------|-----|----------|
| CM1528 | | Freq | | Red | RedI | | |
| | Adapter# | Pix | 1280 | Grn | GrnI | | Ang Gnd: |
| | Interlace | Fpor | (84) | Blu | BluI | | |
| | Video Type | Bpor | (85) | Vsyn | Csyn | V3- | Dig Gnd: |
| | Color/Mono | Sync | (86) | Hsyn | V2+ | V4+ | |
| | Multisync | Stype | | V1+ | V2- | V4- | |
| | Multimode | Range | 28-64 | V1- | V3+ | | Recall: |
| | | | 47-104 | | | | |
| | | | 15" COLOR | | | | |

| HITACHI | | Horizontal | Vertical | Connector Pins | | | Grounds |
|----------|------------|------------|------------------|----------------|------|-----|---------------------------|
| CM1586MU | | Freq | | Red | RedI | | |
| | Adapter# | Pix | 1280 | Grn | GrnI | | Ang Gnd: |
| | Interlace | Fpor | (84) | Blu | BluI | | |
| | Video Type | Bpor | (85) | Vsyn | Csyn | V3- | Dig Gnd: |
| | Color/Mono | Sync | (86) | Hsyn | V2+ | V4+ | |
| | Multisync | Stype | | V1+ | V2- | V4- | |
| | Multimode | Range | 30-64 | V1- | V3+ | | Recall: |
| | | | 50-100 | | | | |
| | | | VGA, SVGA, 8514A | | | | INTERLACED IN 8514A ONLY. |

| HITACHI | | Horizontal | Vertical | Connector Pins | | | Grounds |
|-----------|------------|------------|------------------|----------------|------|-----|---------------------------|
| CM1797MUZ | | Freq | | Red | RedI | | |
| | Adapter# | Pix | 1600 | Grn | GrnI | | Ang Gnd: |
| | Interlace | Fpor | (84) | Blu | BluI | | |
| | Video Type | Bpor | (85) | Vsyn | Csyn | V3- | Dig Gnd: |
| | Color/Mono | Sync | (86) | Hsyn | V2+ | V4+ | |
| | Multisync | Stype | | V1+ | V2- | V4- | |
| | Multimode | Range | 30-82 | V1- | V3+ | | Recall: |
| | | | 55-120 | | | | |
| | | | VGA, SVGA, 8514A | | | | INTERLACED IN 8514A ONLY. |

| HITACHI | | Horizontal | Vertical | Connector Pins | | | Grounds |
|---------|------------|------------|------------|----------------|------|-----|----------|
| CM2073A | | Freq | 63.90 | Red | RedI | | |
| | Adapter# | Pix | 1280 | Grn | GrnI | | Ang Gnd: |
| | Interlace | Fpor | 0.242 (84) | Blu | BluI | | |
| | Video Type | Bpor | 1.12 (85) | Vsyn | Csyn | V3- | Dig Gnd: |
| | Color/Mono | Sync | 2.37 (86) | Hsyn | V2+ | V4+ | |
| | Multisync | Stype | | V1+ | V2- | V4- | |
| | Multimode | Range | | V1- | V3+ | | Recall: |

| HITACHI | | Horizontal | Vertical | Connector Pins | | | Grounds |
|---------------|------------|------------|------------|----------------|------|-----|----------|
| CM2073A-5-515 | | Freq | 48.80 | Red | RedI | | |
| | Adapter# | Pix | 1024 | Grn | GrnI | | Ang Gnd: |
| | Interlace | Fpor | 0.344 (84) | Blu | BluI | | |
| | Video Type | Bpor | 2.6 (85) | Vsyn | Csyn | V3- | Dig Gnd: |
| | Color/Mono | Sync | 1.5 (86) | Hsyn | V2+ | V4+ | |
| | Multisync | Stype | | V1+ | V2- | V4- | |
| | Multimode | Range | | V1- | V3+ | | Recall: |

| HITACHI | | Horizontal | Vertical | Connector Pins | | | Grounds |
|---------------|------------|------------|------------|----------------|------|-----|----------|
| CM2073A-5-517 | | Freq | 49.70 | Red | RedI | | |
| | Adapter# | Pix | 1024 | Grn | GrnI | | Ang Gnd: |
| | Interlace | Fpor | 0.686 (84) | Blu | BluI | | |
| | Video Type | Bpor | 3.03 (85) | Vsyn | Csyn | V3- | Dig Gnd: |
| | Color/Mono | Sync | 1.77 (86) | Hsyn | V2+ | V4+ | |
| | Multisync | Stype | | V1+ | V2- | V4- | |
| | Multimode | Range | | V1- | V3+ | | Recall: |

| HITACHI | | Horizontal | Vertical | Connector Pins | | | Grounds |
|-------------|------------|------------|----------|----------------|------|-----|------------|
| CM2086A-3SG | | Freq | 64.00 | Red | RedI | | |
| | Adapter# | Pix | 1280 | Grn | GrnI | | Ang Gnd: |
| | Interlace | Fpor | (84) | Blu | BluI | | |
| | Video Type | Bpor | (85) | Vsyn | Csyn | V3- | Dig Gnd: |
| | Color/Mono | Sync | (86) | Hsyn | V2+ | V4+ | |
| | Multisync | Stype | | V1+ | V2- | V4- | |
| | Multimode | Range | | V1- | V3+ | | Recall: 12 |

| HITACHI | | Horizontal | Vertical | Connector Pins | | | Grounds |
|----------------------|---|------------|-----------|----------------|------|------|--------------|
| CM2086A-A-LUX | | Freq | 48.80 | 60.0 | Red | RedI | |
| | | Pix | 1024 | 768 | Grn | GrnI | Ang Gnd: |
| Adapter# | 6 | Fpor | 0.35 (84) | 0.123 (81) | Blu | BluI | |
| Interlace | N | Bpor | 2.6 (85) | 0.675 (82) | Vsyn | Csyn | V3- Dig Gnd: |
| Video Type | A | Sync | 1.5 (86) | 0.123 (83) | Hsyn | V2+ | V4+ |
| Color/Mono | | Stype | | | V1+ | V2- | V4- |
| Multisync | | Range | | | V1- | V3+ | Recall: |
| Multimode | | | | | | | |

| HITACHI | | Horizontal | Vertical | Connector Pins | | | Grounds |
|------------------------|---|--|----------|----------------|------|------|--------------|
| CM2087MU | | Freq | | | Red | RedI | |
| SUPERSCAN PRO20 | | Pix | 1280 | 1024 | Grn | GrnI | Ang Gnd: |
| Adapter# | | Fpor | (84) | (81) | Blu | BluI | |
| Interlace | Y | Bpor | (85) | (82) | Vsyn | Csyn | V3- Dig Gnd: |
| Video Type | A | Sync | (86) | (83) | Hsyn | V2+ | V4+ |
| Color/Mono | C | Stype | | | V1+ | V2- | V4- |
| Multisync | Y | Range | 30-78 | 55-120 | V1- | V3+ | Recall: |
| Multimode | N | VGA, SVGA, 8514A INTERLACED IN 8514A ONLY. | | | | | |

| HITACHI | | Horizontal | Vertical | Connector Pins | | | Grounds |
|----------------------|---|--|----------|----------------|------|------|--------------|
| CM2095MU | | Freq | | | Red | RedI | |
| SUPERSCAN 20S | | Pix | 1280 | 1024 | Grn | GrnI | Ang Gnd: |
| Adapter# | | Fpor | (84) | (81) | Blu | BluI | |
| Interlace | Y | Bpor | (85) | (82) | Vsyn | Csyn | V3- Dig Gnd: |
| Video Type | A | Sync | (86) | (83) | Hsyn | V2+ | V4+ |
| Color/Mono | C | Stype | | | V1+ | V2- | V4- |
| Multisync | Y | Range | 30-69 | 50-100 | V1- | V3+ | Recall: |
| Multimode | N | VGA, SVGA, 8514A INTERLACED IN 8514A ONLY. | | | | | |

| HITACHI | | Horizontal | Vertical | Connector Pins | | | Grounds |
|-------------------------|---|--|----------|----------------|------|------|--------------|
| CM2187MU-514/515 | | Freq | | | Red | RedI | |
| | | Pix | 1600 | 1200 | Grn | GrnI | Ang Gnd: |
| Adapter# | | Fpor | (84) | (81) | Blu | BluI | |
| Interlace | Y | Bpor | (85) | (82) | Vsyn | Csyn | V3- Dig Gnd: |
| Video Type | A | Sync | (86) | (83) | Hsyn | V2+ | V4+ |
| Color/Mono | C | Stype | | | V1+ | V2- | V4- |
| Multisync | Y | Range | 30-78 | 50-100 | V1- | V3+ | Recall: |
| Multimode | N | VGA, SVGA, 8514A INTERLACED IN 8514A ONLY. | | | | | |

| HITACHI | | Horizontal | Vertical | Connector Pins | | | Grounds |
|--------------------------|---|--|----------|----------------|------|------|--------------|
| CM2188MU-511 | | Freq | | | Red | RedI | |
| SUPERSCAN ELITE21 | | Pix | 1600 | 1200 | Grn | GrnI | Ang Gnd: |
| Adapter# | | Fpor | (84) | (81) | Blu | BluI | |
| Interlace | Y | Bpor | (85) | (82) | Vsyn | Csyn | V3- Dig Gnd: |
| Video Type | A | Sync | (86) | (83) | Hsyn | V2+ | V4+ |
| Color/Mono | C | Stype | | | V1+ | V2- | V4- |
| Multisync | Y | Range | 30-85 | 50-150 | V1- | V3+ | Recall: |
| Multimode | N | VGA, SVGA, 8514A INTERLACED IN 8514A ONLY. | | | | | |

| HITACHI | | Horizontal | Vertical | Connector Pins | | | Grounds |
|----------------------|---|------------|----------|----------------|------|------|--------------|
| HM-4115-FBA-0 | | Freq | | 60.0 | Red | RedI | |
| | | Pix | 1280 | 1024 | Grn | GrnI | Ang Gnd: |
| Adapter# | 6 | Fpor | (84) | (81) | Blu | BluI | |
| Interlace | N | Bpor | (85) | (82) | Vsyn | Csyn | V3- Dig Gnd: |
| Video Type | A | Sync | (86) | (83) | Hsyn | V2+ | V4+ |
| Color/Mono | | Stype | | | V1+ | V2- | V4- |
| Multisync | | Range | 61-64 | | V1- | V3+ | Recall: |
| Multimode | | | | | | | |

| HITACHI | | Horizontal | Vertical | Connector Pins | | | Grounds |
|----------------|---|------------|----------|----------------|------|------|--------------|
| HM-4119 | | Freq | 63.70 | 60.0 | Red | RedI | |
| | | Pix | 1280 | 1024 | Grn | GrnI | Ang Gnd: |
| Adapter# | 6 | Fpor | 0.2 (84) | 0.001 (81) | Blu | BluI | |
| Interlace | N | Bpor | 2 (85) | 0.534 (82) | Vsyn | Csyn | V3- Dig Gnd: |
| Video Type | A | Sync | 1.6 (86) | 0.047 (83) | Hsyn | V2+ | V4+ |
| Color/Mono | C | Stype | | | V1+ | V2- | V4- |
| Multisync | N | Range | | | V1- | V3+ | Recall: |
| Multimode | N | | | | | | |

| HITACHI | | Horizontal | Vertical | Connector Pins | | | Grounds |
|----------------|-------|------------|----------|----------------|------|-----|----------|
| HM-4119-D-DA-0 | Freq | 63.70 | 60.0 | Red | RedI | | |
| | Pix | 1280 | 1024 | Grn | GrnI | | Ang Gnd: |
| Adapter# | Fpor | (84) | (81) | Blu | BluI | | |
| Interlace | Bpor | (85) | (82) | Vsyn | Csyn | V3- | Dig Gnd: |
| Video Type | Sync | (86) | (83) | Hsyn | V2+ | V4+ | |
| Color/Mono | Stype | | | V1+ | V2- | V4- | |
| Multisync | Range | | | V1- | V3+ | | Recall: |
| Multimode | | | | | | | |

| HITACHI | | Horizontal | Vertical | Connector Pins | | | Grounds |
|----------------|-------|------------|------------|----------------|------|-----|----------|
| HM-4119-D-DA-0 | Freq | 63.70 | 60.0 | Red | RedI | | |
| | Pix | 1280 | 1024 | Grn | GrnI | | Ang Gnd: |
| Adapter# | Fpor | 0.2 (84) | 0.001 (81) | Blu | BluI | | |
| Interlace N | Bpor | 2 (85) | 0.534 (82) | Vsyn | Csyn | V3- | Dig Gnd: |
| Video Type A | Sync | 1.6 (86) | 0.047 (83) | Hsyn | V2+ | V4+ | |
| Color/Mono | Stype | - | - | V1+ | V2- | V4- | |
| Multisync | Range | | | V1- | V3+ | | Recall: |
| Multimode | | | | | | | |

| HITACHI | | Horizontal | Vertical | Connector Pins | | | Grounds |
|----------------|-------|------------|------------|----------------|------|-----|----------|
| HM-4119-D-DL-0 | Freq | 48.80 | 60.0 | Red | RedI | | |
| | Pix | 1024 | 768 | Grn | GrnI | | Ang Gnd: |
| Adapter# | Fpor | 1 (84) | 0.123 (81) | Blu | BluI | | |
| Interlace N | Bpor | 1.5 (85) | 0.676 (82) | Vsyn | Csyn | V3- | Dig Gnd: |
| Video Type A | Sync | 2 (86) | 0.123 (83) | Hsyn | V2+ | V4+ | |
| Color/Mono C | Stype | - | - | V1+ | V2- | V4- | |
| Multisync N | Range | | | V1- | V3+ | | Recall: |
| Multimode N | | | | | | | |

| HITACHI | | Horizontal | Vertical | Connector Pins | | | Grounds |
|----------------|-------|------------|----------|----------------|------|-----|----------|
| HM-4119-D-DL-0 | Freq | 48.80 | 60.0 | Red | RedI | | |
| | Pix | 1024 | 768 | Grn | GrnI | | Ang Gnd: |
| Adapter# | Fpor | (84) | (81) | Blu | BluI | | |
| Interlace | Bpor | (85) | (82) | Vsyn | Csyn | V3- | Dig Gnd: |
| Video Type | Sync | (86) | (83) | Hsyn | V2+ | V4+ | |
| Color/Mono | Stype | | | V1+ | V2- | V4- | |
| Multisync | Range | | | V1- | V3+ | | Recall: |
| Multimode | | | | | | | |

| HITACHI | | Horizontal | Vertical | Connector Pins | | | Grounds |
|---------------|-------|------------|------------|----------------|------|-----|-----------|
| HM-4119-FDL-0 | Freq | 48.78 | 59.5 | Red | RedI | | |
| | Pix | 1024 | 768 | Grn | GrnI | | Ang Gnd:' |
| Adapter# 6 | Fpor | 1 (84) | 0.123 (81) | Blu | BluI | | |
| Interlace N | Bpor | 1.5 (85) | 0.676 (82) | Vsyn | Csyn | V3- | Dig Gnd: |
| Video Type A | Sync | 2 (86) | 0.123 (83) | Hsyn | V2+ | V4+ | |
| Color/Mono C | Stype | | | V1+ | V2- | V4- | |
| Multisync N | Range | | | V1- | V3+ | | Recall: |
| Multimode N | | | | | | | |

| HITACHI | | Horizontal | Vertical | Connector Pins | | | Grounds |
|-----------------|-------|------------|------------|----------------|------|-----|----------|
| HM-4119-S-AA-01 | Freq | 63.70 | 60.0 | Red | RedI | | |
| | Pix | 1280 | 1024 | Grn | GrnI | | Ang Gnd: |
| Adapter# | Fpor | 0.23 (84) | 0.031 (81) | Blu | BluI | | |
| Interlace N | Bpor | 1.5 (85) | 0.518 (82) | Vsyn | Csyn | V3- | Dig Gnd: |
| Video Type | Sync | 2 (86) | 0.094 (83) | Hsyn | V2+ | V4+ | |
| Color/Mono | Stype | | | V1+ | V2- | V4- | |
| Multisync | Range | | | V1- | V3+ | | Recall: |
| Multimode | | | | | | | |

| HITACHI | | Horizontal | Vertical | Connector Pins | | | Grounds |
|--------------|-------|------------|------------|----------------|------|-----|----------|
| HM-4419-D | Freq | 63.70 | 60.0 | Red | RedI | | |
| | Pix | 1280 | 1024 | Grn | GrnI | | Ang Gnd: |
| Adapter# 6 | Fpor | 0.2 (84) | 0.001 (81) | Blu | BluI | | |
| Interlace N | Bpor | 2 (85) | 0.533 (82) | Vsyn | Csyn | V3- | Dig Gnd: |
| Video Type A | Sync | 1.6 (86) | 0.047 (83) | Hsyn | V2+ | V4+ | |
| Color/Mono | Stype | - | - | V1+ | V2- | V4- | |
| Multisync | Range | | | V1- | V3+ | | Recall: |
| Multimode | | | | | | | |

| HITACHI | | Horizontal | Vertical | Connector Pins | | | Grounds |
|-------------------|-----------------|------------|------------|----------------|------|-----|----------|
| HM-4619-***A-***W | | Freq 63.70 | 60.0 | Red | RedI | | |
| | Pix 1280 | | 1024 | Grn | GrnI | | Ang Gnd: |
| Adapter# | Fpor 0.2 (84) | | 0.001 (81) | Blu | BluI | | |
| Interlace | N Bpor 2 (85) | | 0.534 (82) | Vsyn | Csyn | V3- | Dig Gnd: |
| Video Type | A Sync 1.6 (86) | | 0.047 (83) | Hsyn | V2+ | V4+ | |
| Color/Mono | Stype | | - | V1+ | V2- | V4- | |
| Multisync | Range61-65 | | 55-65 | V1- | V3+ | | Recall: |
| Multimode | 1 | | | | | | |

| HITACHI | | Horizontal | Vertical | Connector Pins | | | Grounds |
|-------------------|-----------------|------------|------------|----------------|------|-----|----------|
| HM-4619-***A-***W | | Freq 63.70 | 60.0 | Red | RedI | | |
| | Pix 1024 | | 1024 | Grn | GrnI | | Ang Gnd: |
| Adapter# | Fpor 0.4 (84) | | 0.001 (81) | Blu | BluI | | |
| Interlace | N Bpor 2.7 (85) | | 0.534 (82) | Vsyn | Csyn | V3- | Dig Gnd: |
| Video Type | A Sync 1.6 (86) | | 0.047 (83) | Hsyn | V2+ | V4+ | |
| Color/Mono | Stype | | - | V1+ | V2- | V4- | |
| Multisync | Range61-65 | | 55-65 | V1- | V3+ | | Recall: |
| Multimode | 2 | | | | | | |

| HITACHI | | Horizontal | Vertical | Connector Pins | | | Grounds |
|-------------------|-----------------|------------|-----------|----------------|------|-----|----------|
| HM-4619-***C-***W | | Freq 50.00 | 62.4 | Red | RedI | | |
| | Pix 1024 | | 768 | Grn | GrnI | | Ang Gnd: |
| Adapter# | Fpor 0.5 (84) | | 0.04 (81) | Blu | BluI | | |
| Interlace | N Bpor 2 (85) | | 0.56 (82) | Vsyn | Csyn | V3- | Dig Gnd: |
| Video Type | A Sync 1.5 (86) | | 0.06 (83) | Hsyn | V2+ | V4+ | |
| Color/Mono | Stype | | - | V1+ | V2- | V4- | |
| Multisync | N Range48-52 | | 55-65 | V1- | V3+ | | Recall: |
| Multimode | N | | | | | | |

| HITACHI | | Horizontal | Vertical | Connector Pins | | | Grounds |
|------------|------------------|------------|------------|----------------|------|-----|---|
| HM3719A | | Freq 32.00 | 60.7 | Red | RedI | | |
| | Pix 1024 | | 800 | Grn | GrnI | | Ang Gnd: |
| Adapter# | 6 Fpor 0.25 (84) | | 0.094 (81) | Blu | BluI | | |
| Interlace | Y Bpor 2.2 (85) | | 0.75 (82) | Vsyn | Csyn | V3- | Dig Gnd: |
| Video Type | A Sync 1.5 (86) | | 0.094 (83) | Hsyn | V2+ | V4+ | |
| Color/Mono | Stype | | - | V1+ | V2- | V4- | |
| Multisync | Y Range | | 58-82 | V1- | V3+ | | Recall: |
| Multimode | | | | | | | H Backporch = 2.2 to 4.75 uSec; H sync = 1.5 to 4 uSe |

| HITACHI | | Horizontal | Vertical | Connector Pins | | | Grounds |
|------------|--------------|------------|----------|----------------|------|-----|----------|
| HM4320 | | Freq | | Red | RedI | | |
| | Pix 1024 | | 768 | Grn | GrnI | | Ang Gnd: |
| Adapter# | 6 Fpor (84) | | (81) | Blu | BluI | | |
| Interlace | N Bpor (85) | | (82) | Vsyn | Csyn | V3- | Dig Gnd: |
| Video Type | A Sync (86) | | (83) | Hsyn | V2+ | V4+ | |
| Color/Mono | C Stype | | - | V1+ | V2- | V4- | |
| Multisync | Y Range47-52 | | 55-80 | V1- | V3+ | | Recall: |
| Multimode | | | | | | | |

| HITACHI | | Horizontal | Vertical | Connector Pins | | | Grounds |
|------------|--------------|------------|----------|----------------|------|-----|----------|
| HM4320 | | Freq | | Red | RedI | | |
| | Pix 1280 | | 1024 | Grn | GrnI | | Ang Gnd: |
| Adapter# | 6 Fpor (84) | | (81) | Blu | BluI | | |
| Interlace | N Bpor (85) | | (82) | Vsyn | Csyn | V3- | Dig Gnd: |
| Video Type | A Sync (86) | | (83) | Hsyn | V2+ | V4+ | |
| Color/Mono | C Stype | | - | V1+ | V2- | V4- | |
| Multisync | Y Range60-65 | | 55-80 | V1- | V3+ | | Recall: |
| Multimode | | | | | | | |

| HITACHI | | Horizontal | Vertical | Connector Pins | | | Grounds |
|------------|--------------|------------|----------|----------------|------|-----|----------|
| HM4320 | | Freq | | Red | RedI | | |
| | Pix | | | Grn | GrnI | | Ang Gnd: |
| Adapter# | 6 Fpor (84) | | (81) | Blu | BluI | | |
| Interlace | N Bpor (85) | | (82) | Vsyn | Csyn | V3- | Dig Gnd: |
| Video Type | A Sync (86) | | (83) | Hsyn | V2+ | V4+ | |
| Color/Mono | C Stype | | - | V1+ | V2- | V4- | |
| Multisync | Y Range30-36 | | 55-80 | V1- | V3+ | | Recall: |
| Multimode | | | | | | | |

| HITACHI | | Horizontal | Vertical | Connector Pins | | | Grounds |
|------------|---|--|----------|----------------|------|------|--------------|
| HM4420-R | | Freq | 63.70 | 60.0 | Red | RedI | |
| | | Pix | 1280 | 1024 | Grn | GrnI | Ang Gnd: |
| Adapter# | 6 | Fpor | 0.2 (84) | 0.001 (81) | Blu | BluI | |
| Interlace | N | Bpor | 2 (85) | 0.533 (82) | Vsyn | Csyn | V3- Dig Gnd: |
| Video Type | A | Sync | 1.6 (86) | 0.047 (83) | Hsyn | V2+ | V4+ |
| Color/Mono | | Stype | - | - | V1+ | V2- | V4- |
| Multisync | | Range | | | V1- | V3+ | Recall: |
| Multimode | | used on all 4400 series Hitachi monitors | | | | | |

| HITACHI | | Horizontal | Vertical | Connector Pins | | | Grounds |
|------------|---|------------------|----------|----------------|------|------|--------------|
| PS-20 | | Freq | | | Red | RedI | |
| | | Pix | 1600 | 1280 | Grn | GrnI | Ang Gnd: |
| Adapter# | | Fpor | (84) | (81) | Blu | BluI | |
| Interlace | | Bpor | (85) | (82) | Vsyn | Csyn | V3- Dig Gnd: |
| Video Type | A | Sync | (86) | (83) | Hsyn | V2+ | V4+ |
| Color/Mono | C | Stype | | | V1+ | V2- | V4- |
| Multisync | Y | Range | 30-82 | 60-120 | V1- | V3+ | Recall: |
| Multimode | N | VGA, SVGA, VESA, | | | | | |

| HITACHI | | Horizontal | Vertical | Connector Pins | | | Grounds |
|------------|---|---------------------------|----------|----------------|------|------|--------------|
| 2110 | | Freq | 68.68 | 75.0 | Red | RedI | |
| | | Pix | 1152 | 870 | Grn | GrnI | Ang Gnd: |
| Adapter# | 6 | Fpor | (84) | (81) | Blu | BluI | |
| Interlace | N | Bpor | (85) | (82) | Vsyn | Csyn | V3- Dig Gnd: |
| Video Type | A | Sync | (86) | (83) | Hsyn | V2+ | V4+ |
| Color/Mono | M | Stype | | | V1+ | V2- | V4- |
| Multisync | | Range | | | V1- | V3+ | Recall: |
| Multimode | | Rastor outputs gray scale | | | | | |

| HP | | Horizontal | Vertical | Connector Pins | | | Grounds |
|------------|---|------------------------------|------------|----------------|------|------|--------------|
| 008398-001 | | Freq | 50.52 | 60.0 | Red | RedI | |
| | | Pix | 1024 | 800 | Grn | GrnI | Ang Gnd: |
| Adapter# | 6 | Fpor | 0.942 (84) | 0.079 (81) | Blu | BluI | |
| Interlace | N | Bpor | 1.88 (85) | 0.079 (82) | Vsyn | Csyn | V3- Dig Gnd: |
| Video Type | A | Sync | 1.88 (86) | 0.673 (83) | Hsyn | V2+ | V4+ |
| Color/Mono | C | Stype | G | G | V1+ | V2- | V4- |
| Multisync | | Range | | | V1- | V3+ | Recall: |
| Multimode | | Also 38 JFG36X/B, 48JFJ50X/B | | | | | |

| HP | | Horizontal | Vertical | Connector Pins | | | Grounds |
|------------|---|------------|-----------|----------------|------|------|--------------|
| 008399-003 | | Freq | 62.50 | 66.8 | Red | RedI | |
| | | Pix | 1152 | 900 | Grn | GrnI | Ang Gnd: |
| Adapter# | | Fpor | (84) | (81) | Blu | BluI | |
| Interlace | N | Bpor | (85) | (82) | Vsyn | Csyn | V3- Dig Gnd: |
| Video Type | | Sync | 1.28 (86) | 0.16 (83) | Hsyn | V2+ | V4+ |
| Color/Mono | | Stype | + | + | V1+ | V2- | V4- |
| Multisync | | Range | | | V1- | V3+ | Recall: |
| Multimode | | | | | | | |

| HP | | Horizontal | Vertical | Connector Pins | | | Grounds |
|------------|---|------------|------------|----------------|------|------|--------------|
| 10700-XXX | | Freq | 73.70 | 68.2 | Red | RedI | |
| | | Pix | 1280 | 1024 | Grn | GrnI | Ang Gnd: |
| Adapter# | | Fpor | 0.256 (84) | 0.0407 (81) | Blu | BluI | |
| Interlace | N | Bpor | 1.536 (85) | 0.678 (82) | Vsyn | Csyn | V3- Dig Gnd: |
| Video Type | | Sync | 1.536 (86) | 0.0407 (83) | Hsyn | V2+ | V4+ |
| Color/Mono | | Stype | | | V1+ | V2- | V4- |
| Multisync | | Range | | | V1- | V3+ | Recall: |
| Multimode | | | | | | | |

| HP | | Horizontal | Vertical | Connector Pins | | | Grounds |
|------------|---|------------|-----------|----------------|------|------|--------------|
| 35721A | | Freq | 24.90 | 60.0 | Red | RedI | |
| | | Pix | 720 | 390 | Grn | GrnI | Ang Gnd: |
| Adapter# | | Fpor | 3.26 (84) | 0.043 (81) | Blu | BluI | |
| Interlace | N | Bpor | 3.96 (85) | 0.647 (82) | Vsyn | Csyn | V3- Dig Gnd: |
| Video Type | A | Sync | 3.14 (86) | 0.324 (83) | Hsyn | V2+ | V4+ |
| Color/Mono | | Stype | | | V1+ | V2- | V4- |
| Multisync | | Range | | | V1- | V3+ | Recall: |
| Multimode | | | | | | | |

| HP | | Horizontal | Vertical | Connector Pins | | | Grounds |
|------------|---------|------------|------------|----------------|------|-----|----------|
| 35741A | Freq | 24.90 | 60.0 | Red | RedI | | |
| | Pix | 640 | 400 | Grn | GrnI | | Ang Gnd: |
| Adapter# | 6 Fpor | 3.57 (84) | 0.118 (81) | Blu | BluI | | |
| Interface | M Bpor | 4.28 (85) | 0.744 (82) | Vsyn | Csyn | V3- | Dig Gnd: |
| Video Type | A Sync | 2.85 (86) | 0.118 (83) | Hsyn | V2+ | V4+ | |
| Color/Mono | M Stype | - | - | V1+ | V2- | V4- | |
| Multisync | N Range | | | V1- | V3+ | | Recall: |
| Multimode | | | | | | | |

| HP | | Horizontal | Vertical | Connector Pins | | | Grounds |
|------------|---------|------------|------------|----------------|------|-----|----------|
| 78510B | Freq | 69.40 | 55.0 | Red | RedI | | |
| | Pix | | 1200 | Grn | GrnI | | Ang Gnd: |
| Adapter# | 6 Fpor | 0.001 (84) | 0.001 (81) | Blu | BluI | | |
| Interface | M Bpor | 0.001 (85) | 0.23 (82) | Vsyn | Csyn | V3- | Dig Gnd: |
| Video Type | A Sync | 2.7 (86) | 0.691 (83) | Hsyn | V2+ | V4+ | |
| Color/Mono | M Stype | | | V1+ | V2- | V4- | |
| Multisync | N Range | | | V1- | V3+ | | Recall: |
| Multimode | N | | | | | | |

REVERSE VERT AND HORIZ SYNC LINES

| HP | | Horizontal | Vertical | Connector Pins | | | Grounds |
|------------|---------|------------|------------|----------------|------|-----|----------|
| 8398-XXX | Freq | 68.20 | 64.0 | Red | RedI | | |
| | Pix | 1280 | 1024 | Grn | GrnI | | Ang Gnd: |
| Adapter# | Fpor | 0.407 (84) | 0.059 (81) | Blu | BluI | | |
| Interface | N Bpor | 1.9 (85) | 0.498 (82) | Vsyn | Csyn | V3- | Dig Gnd: |
| Video Type | A Sync | 1.49 (86) | 0.059 (83) | Hsyn | V2+ | V4+ | |
| Color/Mono | M Stype | | | V1+ | V2- | V4- | |
| Multisync | N Range | | | V1- | V3+ | | Recall: |
| Multimode | | | | | | | |

| HP | | Horizontal | Vertical | Connector Pins | | | Grounds |
|------------|---------|------------|----------|----------------|------|-----|----------|
| 97060A | Freq | 29.30 | 60.0 | Red | RedI | | |
| | Pix | | | Grn | GrnI | | Ang Gnd: |
| Adapter# | Fpor | (84) | (81) | Blu | BluI | | |
| Interface | M Bpor | (85) | (82) | Vsyn | Csyn | V3- | Dig Gnd: |
| Video Type | A Sync | (86) | (83) | Hsyn | V2+ | V4+ | |
| Color/Mono | C Stype | | | V1+ | V2- | V4- | |
| Multisync | N Range | | | V1- | V3+ | | Recall: |
| Multimode | | | | | | | |

| HP | | Horizontal | Vertical | Connector Pins | | | Grounds |
|------------|---------|------------|----------|----------------|------|-----|----------|
| 97062A | Freq | 29.30 | 60.0 | Red | RedI | | |
| | Pix | | | Grn | GrnI | | Ang Gnd: |
| Adapter# | Fpor | (84) | (81) | Blu | BluI | | |
| Interface | M Bpor | (85) | (82) | Vsyn | Csyn | V3- | Dig Gnd: |
| Video Type | A Sync | (86) | (83) | Hsyn | V2+ | V4+ | |
| Color/Mono | C Stype | | | V1+ | V2- | V4- | |
| Multisync | N Range | | | V1- | V3+ | | Recall: |
| Multimode | | | | | | | |

| HP | | Horizontal | Vertical | Connector Pins | | | Grounds |
|------------|---------|------------|----------|----------------|------|-----|----------|
| 98543 | Freq | 25.50 | 60.0 | Red | RedI | | |
| | Pix | | | Grn | GrnI | | Ang Gnd: |
| Adapter# | Fpor | (84) | (81) | Blu | BluI | | |
| Interface | M Bpor | (85) | (82) | Vsyn | Csyn | V3- | Dig Gnd: |
| Video Type | A Sync | (86) | (83) | Hsyn | V2+ | V4+ | |
| Color/Mono | C Stype | | | V1+ | V2- | V4- | |
| Multisync | N Range | | | V1- | V3+ | | Recall: |
| Multimode | | | | | | | |

| HP | | Horizontal | Vertical | Connector Pins | | | Grounds |
|------------|---------|------------|------------|----------------|------|-----|----------|
| 98753A | Freq | 47.70 | 60.0 | Red | RedI | | |
| | Pix | 1024 | 768 | Grn | GrnI | | Ang Gnd: |
| Adapter# | Fpor | 1 (84) | 0.063 (81) | Blu | BluI | | |
| Interface | N Bpor | 2 (85) | 0.419 (82) | Vsyn | Csyn | V3- | Dig Gnd: |
| Video Type | A Sync | 2 (86) | 0.084 (83) | Hsyn | V2+ | V4+ | |
| Color/Mono | C Stype | | | V1+ | V2- | V4- | |
| Multisync | N Range | | | V1- | V3+ | | Recall: |
| Multimode | N | | | | | | |

| HP | | Horizontal | Vertical | Connector Pins | | | Grounds |
|------------|---------|------------|------------|----------------|------|-----|----------|
| 98754A | Freq | 63.34 | 60.0 | Red | RedI | | |
| | Pix | 1280 | 1024 | Grn | GrnI | | Ang Gnd: |
| Adapter# | 6 Fpor | 0.407 (84) | 0.047 (81) | Blu | BluI | | |
| Interlace | N Bpor | 1.85 (85) | 0.41 (82) | Vsyn | Csyn | V3- | Dig Gnd: |
| Video Type | A Sync | 1.7 (86) | 0.047 (83) | Hsyn | V2+ | V4+ | |
| Color/Mono | M Stype | | | V1+ | V2- | V4- | |
| Multisync | N Range | | | V1- | V3+ | | Recall: |
| Multimode | N | | | | | | |

| HP | | Horizontal | Vertical | Connector Pins | | | Grounds |
|------------|---------|------------|------------|----------------|------|-----|----------|
| 98774A | Freq | 78.13 | 72.0 | Red | RedI | | |
| | Pix | 1280 | 1024 | Grn | GrnI | | Ang Gnd: |
| Adapter# | 6 Fpor | 0.474 (84) | 0.038 (81) | Blu | BluI | | |
| Interlace | N Bpor | 1.42 (85) | 0.704 (82) | Vsyn | Csyn | V3- | Dig Gnd: |
| Video Type | A Sync | 1.42 (86) | 0.038 (83) | Hsyn | V2+ | V4+ | |
| Color/Mono | M Stype | G | G | V1+ | V2- | V4- | |
| Multisync | N Range | | | V1- | V3+ | | Recall: |
| Multimode | N | | | | | | |

| HP | | Horizontal | Vertical | Connector Pins | | | Grounds |
|------------|---------|------------|------------|----------------|------|-----|----------|
| 98785A | Freq | 47.70 | 60.0 | Red | RedI | | |
| | Pix | 1024 | 768 | Grn | GrnI | | Ang Gnd: |
| Adapter# | Fpor | 1 (84) | 0.063 (81) | Blu | BluI | | |
| Interlace | N Bpor | 2 (85) | 0.419 (82) | Vsyn | Csyn | V3- | Dig Gnd: |
| Video Type | A Sync | 2 (86) | 0.084 (83) | Hsyn | V2+ | V4+ | |
| Color/Mono | C Stype | | | V1+ | V2- | V4- | |
| Multisync | N Range | | | V1- | V3+ | | Recall: |
| Multimode | N | | | | | | |

| HP | | Horizontal | Vertical | Connector Pins | | | Grounds |
|------------|---------|------------|------------|----------------|------|-----|----------|
| 98786A | Freq | 47.70 | 60.0 | Red | RedI | | |
| | Pix | 1024 | 768 | Grn | GrnI | | Ang Gnd: |
| Adapter# | Fpor | 1 (84) | 0.063 (81) | Blu | BluI | | |
| Interlace | N Bpor | 2 (85) | 0.419 (82) | Vsyn | Csyn | V3- | Dig Gnd: |
| Video Type | A Sync | 2 (86) | 0.084 (83) | Hsyn | V2+ | V4+ | |
| Color/Mono | M Stype | | | V1+ | V2- | V4- | |
| Multisync | N Range | | | V1- | V3+ | | Recall: |
| Multimode | N | | | | | | |

| HP | | Horizontal | Vertical | Connector Pins | | | Grounds |
|------------|---------|------------|------------|----------------|------|-----|----------|
| 98788A | Freq | 63.34 | 60.0 | Red | RedI | | |
| | Pix | 1280 | 1024 | Grn | GrnI | | Ang Gnd: |
| Adapter# | Fpor | 0.407 (84) | 0.047 (81) | Blu | BluI | | |
| Interlace | N Bpor | 1.85 (85) | 0.41 (82) | Vsyn | Csyn | V3- | Dig Gnd: |
| Video Type | A Sync | 1.7 (86) | 0.047 (83) | Hsyn | V2+ | V4+ | |
| Color/Mono | M Stype | | | V1+ | V2- | V4- | |
| Multisync | N Range | | | V1- | V3+ | | Recall: |
| Multimode | N | | | | | | |

| HP | | Horizontal | Vertical | Connector Pins | | | Grounds |
|------------|---------|------------|------------|----------------|------|-----|----------|
| 98789A | Freq | 63.34 | 60.0 | Red | RedI | | |
| | Pix | 1280 | 1024 | Grn | GrnI | | Ang Gnd: |
| Adapter# | Fpor | 0.407 (84) | 0.047 (81) | Blu | BluI | | |
| Interlace | N Bpor | 1.85 (85) | 0.41 (82) | Vsyn | Csyn | V3- | Dig Gnd: |
| Video Type | A Sync | 1.7 (86) | 0.047 (83) | Hsyn | V2+ | V4+ | |
| Color/Mono | C Stype | | | V1+ | V2- | V4- | |
| Multisync | N Range | | | V1- | V3+ | | Recall: |
| Multimode | N | | | | | | |

| HP | | Horizontal | Vertical | Connector Pins | | | Grounds |
|------------|---------|------------|------------|----------------|------|-----|------------|
| A1097 | Freq | 78.10 | 72.0 | Red | RedI | | |
| | Pix | 1280 | 1024 | Grn | GrnI | | Ang Gnd: |
| Adapter# | 6 Fpor | 0.474 (84) | 0.038 (81) | Blu | BluI | | |
| Interlace | N Bpor | 1.42 (85) | 0.704 (82) | Vsyn | Csyn | V3- | Dig Gnd: |
| Video Type | A Sync | 1.42 (86) | 0.038 (83) | Hsyn | V2+ | V4+ | |
| Color/Mono | C Stype | | | V1+ | V2- | V4- | |
| Multisync | N Range | | | V1- | V3+ | | Recall: 45 |
| Multimode | N | | | | | | |

| HP | | Horizontal | Vertical | Connector Pins | | | Grounds |
|------------|---------|------------|------------|----------------|------|-----|----------|
| A1497 | Freq | 62.90 | 74.9 | Red | RedI | | |
| | Pix | 1024 | 768 | Grn | GrnI | | Ang Gnd: |
| Adapter# | Fpor | 0.756 (84) | 0.064 (81) | Blu | BluI | | |
| Interlace | N Bpor | 1.51 (85) | 1.02 (82) | Vsyn | Csyn | V3- | Dig Gnd: |
| Video Type | A Sync | 1.51 (86) | 0.064 (83) | Hsyn | V2+ | V4+ | |
| Color/Mono | C Stype | | | V1+ | V2- | V4- | |
| Multisync | N Range | | | V1- | V3+ | | Recall: |
| Multimode | N | | | | | | |

| HP | | Horizontal | Vertical | Connector Pins | | | Grounds |
|------------|---------|------------|------------|----------------|------|-----|----------|
| A2088A | Freq | 78.10 | 72.0 | Red | RedI | | |
| | Pix | 1280 | 1024 | Grn | GrnI | | Ang Gnd: |
| Adapter# | Fpor | 0.474 (84) | 0.038 (81) | Blu | BluI | | |
| Interlace | N Bpor | 1.42 (85) | 0.704 (82) | Vsyn | Csyn | V3- | Dig Gnd: |
| Video Type | A Sync | 1.42 (86) | 0.038 (83) | Hsyn | V2+ | V4+ | |
| Color/Mono | M Stype | | | V1+ | V2- | V4- | |
| Multisync | Range | | | V1- | V3+ | | Recall: |
| Multimode | | | | | | | |

| HP | | Horizontal | Vertical | Connector Pins | | | Grounds |
|------------|---------|------------|------------|----------------|------|-----|----------|
| A2094 | Freq | 78.10 | 72.0 | Red | RedI | | |
| | Pix | 1280 | 1024 | Grn | GrnI | | Ang Gnd: |
| Adapter# | Fpor | 0.474 (84) | 0.038 (81) | Blu | BluI | | |
| Interlace | N Bpor | 1.42 (85) | 0.704 (82) | Vsyn | Csyn | V3- | Dig Gnd: |
| Video Type | A Sync | 1.42 (86) | 0.038 (83) | Hsyn | V2+ | V4+ | |
| Color/Mono | C Stype | | | V1+ | V2- | V4- | |
| Multisync | Range | | | V1- | V3+ | | Recall: |
| Multimode | | | | | | | |

| HP | | Horizontal | Vertical | Connector Pins | | | Grounds |
|------------|---------|------------|------------|----------------|------|-----|----------|
| A2287 | Freq | 62.90 | 74.9 | Red | RedI | | |
| | Pix | 1024 | 768 | Grn | GrnI | | Ang Gnd: |
| Adapter# | Fpor | 0.756 (84) | 0.064 (81) | Blu | BluI | | |
| Interlace | N Bpor | 1.51 (85) | 1.02 (82) | Vsyn | Csyn | V3- | Dig Gnd: |
| Video Type | A Sync | 1.51 (86) | 0.064 (83) | Hsyn | V2+ | V4+ | |
| Color/Mono | C Stype | | | V1+ | V2- | V4- | |
| Multisync | N Range | | | V1- | V3+ | | Recall: |
| Multimode | N | | | | | | |

| HP | | Horizontal | Vertical | Connector Pins | | | Grounds |
|------------|-------|------------|----------|----------------|------|-----|----------|
| DN560 | Freq | 33.80 | 78.0 | Red | RedI | | |
| | Pix | | | Grn | GrnI | | Ang Gnd: |
| Adapter# | Fpor | (84) | (81) | Blu | BluI | | |
| Interlace | Bpor | (85) | (82) | Vsyn | Csyn | V3- | Dig Gnd: |
| Video Type | Sync | (86) | (83) | Hsyn | V2+ | V4+ | |
| Color/Mono | Stype | | | V1+ | V2- | V4- | |
| Multisync | Range | | | V1- | V3+ | | Recall: |
| Multimode | | | | | | | |

| HP | | Horizontal | Vertical | Connector Pins | | | Grounds |
|------------|-------|------------|----------|----------------|------|-----|----------|
| DM600 | Freq | 32.60 | 60.0 | Red | RedI | | |
| | Pix | | | Grn | GrnI | | Ang Gnd: |
| Adapter# | Fpor | (84) | (81) | Blu | BluI | | |
| Interlace | Bpor | (85) | (82) | Vsyn | Csyn | V3- | Dig Gnd: |
| Video Type | Sync | (86) | (83) | Hsyn | V2+ | V4+ | |
| Color/Mono | Stype | | | V1+ | V2- | V4- | |
| Multisync | Range | | | V1- | V3+ | | Recall: |
| Multimode | | | | | | | |

| HP | | Horizontal | Vertical | Connector Pins | | | Grounds |
|------------|---------|------------|----------|----------------|------|-----|----------|
| HP-150A | Freq | 23.60 | 60.0 | Red | RedI | | |
| | Pix | | | Grn | GrnI | | Ang Gnd: |
| Adapter# | Fpor | (84) | (81) | Blu | BluI | | |
| Interlace | Bpor | (85) | (82) | Vsyn | Csyn | V3- | Dig Gnd: |
| Video Type | Sync | (86) | (83) | Hsyn | V2+ | V4+ | |
| Color/Mono | M Stype | | | V1+ | V2- | V4- | |
| Multisync | Range | | | V1- | V3+ | | Recall: |
| Multimode | | | | | | | |

| HP | | Horizontal | Vertical | Connector Pins | | | Grounds |
|------------|---|------------|----------|----------------|------|-----|----------|
| HP-150II | | Freq 25.50 | 60.0 | Red | RedI | | |
| | | Pix | | Grn | GrnI | | Ang Gnd: |
| Adapter# | | Fpor (84) | (81) | Blu | BluI | | |
| Interlace | | Bpor (85) | (82) | Vsyn | Csyn | V3- | Dig Gnd: |
| Video Type | | Sync (86) | (83) | Hsyn | V2+ | V4+ | |
| Color/Mono | M | Stype | | V1+ | V2- | V4- | |
| Multisync | | Range | | V1- | V3+ | | Recall: |
| Multimode | | | | | | | |

| HP | | Horizontal | Vertical | Connector Pins | | | Grounds |
|------------|---|------------|----------|----------------|------|-----|----------|
| HP-2392AM | | Freq 24.20 | 60.0 | Red | RedI | | |
| | | Pix | | Grn | GrnI | | Ang Gnd: |
| Adapter# | | Fpor (84) | (81) | Blu | BluI | | |
| Interlace | | Bpor (85) | (82) | Vsyn | Csyn | V3- | Dig Gnd: |
| Video Type | | Sync (86) | (83) | Hsyn | V2+ | V4+ | |
| Color/Mono | M | Stype | | V1+ | V2- | V4- | |
| Multisync | | Range | | V1- | V3+ | | Recall: |
| Multimode | | | | | | | |

| HP | | Horizontal | Vertical | Connector Pins | | | Grounds |
|------------|---|------------|----------|----------------|------|-----|----------|
| HP-2394A | | Freq 24.20 | 60.0 | Red | RedI | | |
| | | Pix | | Grn | GrnI | | Ang Gnd: |
| Adapter# | | Fpor (84) | (81) | Blu | BluI | | |
| Interlace | | Bpor (85) | (82) | Vsyn | Csyn | V3- | Dig Gnd: |
| Video Type | | Sync (86) | (83) | Hsyn | V2+ | V4+ | |
| Color/Mono | M | Stype | | V1+ | V2- | V4- | |
| Multisync | | Range | | V1- | V3+ | | Recall: |
| Multimode | | | | | | | |

| HP | | Horizontal | Vertical | Connector Pins | | | Grounds |
|------------|---|------------|----------|----------------|------|-----|----------|
| HP-2397A | | Freq 31.50 | 60.0 | Red | RedI | | |
| | | Pix | | Grn | GrnI | | Ang Gnd: |
| Adapter# | | Fpor (84) | (81) | Blu | BluI | | |
| Interlace | | Bpor (85) | (82) | Vsyn | Csyn | V3- | Dig Gnd: |
| Video Type | | Sync (86) | (83) | Hsyn | V2+ | V4+ | |
| Color/Mono | C | Stype | | V1+ | V2- | V4- | |
| Multisync | | Range | | V1- | V3+ | | Recall: |
| Multimode | | | | | | | |

| HP | | Horizontal | Vertical | Connector Pins | | | Grounds |
|------------|---|------------|----------|----------------|------|-----|----------|
| HP-2621 | | Freq 24.90 | 60.0 | Red | RedI | | |
| | | Pix | | Grn | GrnI | | Ang Gnd: |
| Adapter# | | Fpor (84) | (81) | Blu | BluI | | |
| Interlace | | Bpor (85) | (82) | Vsyn | Csyn | V3- | Dig Gnd: |
| Video Type | | Sync (86) | (83) | Hsyn | V2+ | V4+ | |
| Color/Mono | M | Stype | | V1+ | V2- | V4- | |
| Multisync | | Range | | V1- | V3+ | | Recall: |
| Multimode | | | | | | | |

| HP | | Horizontal | Vertical | Connector Pins | | | Grounds |
|------------|---|------------|----------|----------------|------|-----|----------|
| HP-2627 | | Freq 31.50 | 60.0 | Red | RedI | | |
| | | Pix | | Grn | GrnI | | Ang Gnd: |
| Adapter# | | Fpor (84) | (81) | Blu | BluI | | |
| Interlace | | Bpor (85) | (82) | Vsyn | Csyn | V3- | Dig Gnd: |
| Video Type | | Sync (86) | (83) | Hsyn | V2+ | V4+ | |
| Color/Mono | C | Stype | | V1+ | V2- | V4- | |
| Multisync | | Range | | V1- | V3+ | | Recall: |
| Multimode | | | | | | | |

| HP | | Horizontal | Vertical | Connector Pins | | | Grounds |
|------------|---|------------|----------|----------------|------|-----|----------|
| HP-2645 | | Freq 18.70 | 60.0 | Red | RedI | | |
| | | Pix | | Grn | GrnI | | Ang Gnd: |
| Adapter# | | Fpor (84) | (81) | Blu | BluI | | |
| Interlace | | Bpor (85) | (82) | Vsyn | Csyn | V3- | Dig Gnd: |
| Video Type | | Sync (86) | (83) | Hsyn | V2+ | V4+ | |
| Color/Mono | M | Stype | | V1+ | V2- | V4- | |
| Multisync | | Range | | V1- | V3+ | | Recall: |
| Multimode | | | | | | | |

| HP | | Horizontal | Vertical | Connector Pins | | | Grounds |
|------------|---|------------|----------|----------------|------|-----|----------|
| HP-340 | | Freq 64.50 | 60.0 | Red | RedI | | |
| | | Pix | | Grn | GrnI | | Ang Gnd: |
| Adapter# | | Fpor (84) | (81) | Blu | BluI | | |
| Interface | | Bpor (85) | (82) | Vsyn | Csyn | V3- | Dig Gnd: |
| Video Type | | Sync (86) | (83) | Hsyn | V2+ | V4+ | |
| Color/Mono | C | Stype | | V1+ | V2- | V4- | |
| Multisync | | Range | | V1- | V3+ | | Recall: |
| Multimode | | | | | | | |

| HP | | Horizontal | Vertical | Connector Pins | | | Grounds |
|------------|--|------------|----------|----------------|------|-----|----------|
| HP-45 | | Freq 29.10 | 60.0 | Red | RedI | | |
| | | Pix | | Grn | GrnI | | Ang Gnd: |
| Adapter# | | Fpor (84) | (81) | Blu | BluI | | |
| Interface | | Bpor (85) | (82) | Vsyn | Csyn | V3- | Dig Gnd: |
| Video Type | | Sync (86) | (83) | Hsyn | V2+ | V4+ | |
| Color/Mono | | Stype | | V1+ | V2- | V4- | |
| Multisync | | Range | | V1- | V3+ | | Recall: |
| Multimode | | | | | | | |

| HP | | Horizontal | Vertical | Connector Pins | | | Grounds |
|------------|---|------------|----------|----------------|------|-----|----------|
| 360 | | Freq 64.00 | 78.4 | Red | RedI | | |
| | | Pix | | Grn | GrnI | | Ang Gnd: |
| Adapter# | | Fpor (84) | (81) | Blu | BluI | | |
| Interface | N | Bpor (85) | (82) | Vsyn | Csyn | V3- | Dig Gnd: |
| Video Type | | Sync (86) | (83) | Hsyn | V2+ | V4+ | |
| Color/Mono | C | Stype | | V1+ | V2- | V4- | |
| Multisync | | Range | | V1- | V3+ | | Recall: |
| Multimode | | | | | | | |

| HP | | Horizontal | Vertical | Connector Pins | | | Grounds |
|------------|---|------------|----------|----------------|------|-----|----------|
| 2500 | | Freq 64.00 | 64.8 | Red | RedI | | |
| | | Pix | | Grn | GrnI | | Ang Gnd: |
| Adapter# | | Fpor (84) | (81) | Blu | BluI | | |
| Interface | N | Bpor (85) | (82) | Vsyn | Csyn | V3- | Dig Gnd: |
| Video Type | | Sync (86) | (83) | Hsyn | V2+ | V4+ | |
| Color/Mono | M | Stype | | V1+ | V2- | V4- | |
| Multisync | | Range | | V1- | V3+ | | Recall: |
| Multimode | | | | | | | |

| HP | | Horizontal | Vertical | Connector Pins | | | Grounds |
|------------|---|------------|----------|----------------|------|-----|----------|
| 3500 | | Freq 64.00 | | Red | RedI | | |
| | | Pix | | Grn | GrnI | | Ang Gnd: |
| Adapter# | | Fpor (84) | (81) | Blu | BluI | | |
| Interface | | Bpor (85) | (82) | Vsyn | Csyn | V3- | Dig Gnd: |
| Video Type | | Sync (86) | (83) | Hsyn | V2+ | V4+ | |
| Color/Mono | C | Stype | | V1+ | V2- | V4- | |
| Multisync | | Range | 60-70 | V1- | V3+ | | Recall: |
| Multimode | | | | | | | |

| HP | | Horizontal | Vertical | Connector Pins | | | Grounds |
|------------|---|------------|----------|----------------|------|-----|----------|
| 3500 | | Freq 64.00 | | Red | RedI | | |
| | | Pix | | Grn | GrnI | | Ang Gnd: |
| Adapter# | | Fpor (84) | (81) | Blu | BluI | | |
| Interface | | Bpor (85) | (82) | Vsyn | Csyn | V3- | Dig Gnd: |
| Video Type | | Sync (86) | (83) | Hsyn | V2+ | V4+ | |
| Color/Mono | M | Stype | | V1+ | V2- | V4- | |
| Multisync | | Range | 60-70 | V1- | V3+ | | Recall: |
| Multimode | | | | | | | |

| HP | | Horizontal | Vertical | Connector Pins | | | Grounds |
|------------|---|------------|----------|----------------|------|-----|----------|
| 3550 | | Freq 64.00 | | Red | RedI | | |
| | | Pix | | Grn | GrnI | | Ang Gnd: |
| Adapter# | | Fpor (84) | (81) | Blu | BluI | | |
| Interface | | Bpor (85) | (82) | Vsyn | Csyn | V3- | Dig Gnd: |
| Video Type | | Sync (86) | (83) | Hsyn | V2+ | V4+ | |
| Color/Mono | C | Stype | | V1+ | V2- | V4- | |
| Multisync | | Range | 60-64 | V1- | V3+ | | Recall: |
| Multimode | | | | | | | |

| HP | | Horizontal | Vertical | Connector Pins | | | Grounds |
|------------|---|------------|----------|----------------|------|-----|----------|
| 3550 | | Freq 64.00 | | Red | RedI | | |
| | | Pix | | Grn | GrnI | | Ang Gnd: |
| Adapter# | | Fpor (84) | (81) | Blu | BluI | | |
| Interlace | | Bpor (85) | (82) | Vsyn | Csyn | V3- | Dig Gnd: |
| Video Type | | Sync (86) | (83) | Hsyn | V2+ | V4+ | |
| Color/Mono | M | Stype | | V1+ | V2- | V4- | |
| Multisync | | Range | 60-64 | V1- | V3+ | | Recall: |
| Multimode | | | | | | | |

| HP | | Horizontal | Vertical | Connector Pins | | | Grounds |
|------------|---|------------|----------|----------------|------|-----|----------|
| 4500 | | Freq 64.00 | | Red | RedI | | |
| | | Pix | | Grn | GrnI | | Ang Gnd: |
| Adapter# | | Fpor (84) | (81) | Blu | BluI | | |
| Interlace | | Bpor (85) | (82) | Vsyn | Csyn | V3- | Dig Gnd: |
| Video Type | | Sync (86) | (83) | Hsyn | V2+ | V4+ | |
| Color/Mono | C | Stype | | V1+ | V2- | V4- | |
| Multisync | | Range | 60-76 | V1- | V3+ | | Recall: |
| Multimode | | | | | | | |

| HP | | Horizontal | Vertical | Connector Pins | | | Grounds |
|------------|---|------------|----------|----------------|------|-----|----------|
| 4500 | | Freq 64.00 | | Red | RedI | | |
| | | Pix | | Grn | GrnI | | Ang Gnd: |
| Adapter# | | Fpor (84) | (81) | Blu | BluI | | |
| Interlace | | Bpor (85) | (82) | Vsyn | Csyn | V3- | Dig Gnd: |
| Video Type | | Sync (86) | (83) | Hsyn | V2+ | V4+ | |
| Color/Mono | M | Stype | | V1+ | V2- | V4- | |
| Multisync | | Range | 60-76 | V1- | V3+ | | Recall: |
| Multimode | | | | | | | |

| HP | | Horizontal | Vertical | Connector Pins | | | Grounds |
|------------|---|-----------------|----------------|----------------|------|-----|----------|
| 8399 | | Freq 68.20 | 64.0 | Red | RedI | | |
| | | Pix 1280 | 1024 | Grn | GrnI | | Ang Gnd: |
| Adapter# | | Fpor 0.407 (84) | 0.0586 (81) | Blu | BluI | | |
| Interlace | N | Bpor 1.9 (85) | 0.498 (82) | Vsyn | Csyn | V3- | Dig Gnd: |
| Video Type | D | Sync 1.49 (86) | 0.0586 (83) | Hsyn | V2+ | V4+ | |
| Color/Mono | M | Stype + | + | V1+ | V2- | V4- | |
| Multisync | N | Range | | V1- | V3+ | | Recall: |
| Multimode | N | | APOLLO 19" ECL | | | | |

| HP | | Horizontal | Vertical | Connector Pins | | | Grounds |
|------------|---|------------|----------|----------------|------|-----|----------|
| 10000 | | Freq 64.00 | 60.0 | Red | RedI | | |
| | | Pix | | Grn | GrnI | | Ang Gnd: |
| Adapter# | | Fpor (84) | (81) | Blu | BluI | | |
| Interlace | | Bpor (85) | (82) | Vsyn | Csyn | V3- | Dig Gnd: |
| Video Type | | Sync (86) | (83) | Hsyn | V2+ | V4+ | |
| Color/Mono | C | Stype | | V1+ | V2- | V4- | |
| Multisync | | Range | | V1- | V3+ | | Recall: |
| Multimode | | | | | | | |

| HP | | Horizontal | Vertical | Connector Pins | | | Grounds |
|------------|---|------------|----------|----------------|------|-----|----------|
| 10000 | | Freq 64.00 | 60.0 | Red | RedI | | |
| | | Pix | | Grn | GrnI | | Ang Gnd: |
| Adapter# | | Fpor (84) | (81) | Blu | BluI | | |
| Interlace | | Bpor (85) | (82) | Vsyn | Csyn | V3- | Dig Gnd: |
| Video Type | | Sync (86) | (83) | Hsyn | V2+ | V4+ | |
| Color/Mono | M | Stype | | V1+ | V2- | V4- | |
| Multisync | | Range | | V1- | V3+ | | Recall: |
| Multimode | | | | | | | |

| HP | | Horizontal | Vertical | Connector Pins | | | Grounds |
|------------|---|-----------------|-----------|----------------|------|-----|----------|
| 15177 | | Freq 75.00 | 70.0 | Red | RedI | | |
| | | Pix 1280 | 1024 | Grn | GrnI | | Ang Gnd: |
| Adapter# | | Fpor 0.256 (84) | 0.04 (81) | Blu | BluI | | |
| Interlace | N | Bpor 1.536 (85) | 0.56 (82) | Vsyn | Csyn | V3- | Dig Gnd: |
| Video Type | | Sync 1.28 (86) | 0.04 (83) | Hsyn | V2+ | V4+ | |
| Color/Mono | | Stype | | V1+ | V2- | V4- | |
| Multisync | | Range | | V1- | V3+ | | Recall: |
| Multimode | | | | | | | |

| HP | | Horizontal | Vertical | Connector Pins | | | Grounds |
|------------|---------|------------|--------------|----------------|------|-----|----------|
| | Freq | 64.00 | 75.9 | Red | RedI | | |
| | Pix | 1024 | 800 | Grn | GrnI | | Ang Gnd: |
| Adapter# | Fpor | 0.745 (84) | 0.0625 (81) | Blu | BluI | | |
| Interlace | N Bpor | 1.489 (85) | 0.5316 (82) | Vsyn | Csyn | V3- | Dig Gnd: |
| Video Type | D Sync | 1.489 (86) | 0.06254 (83) | Hsyn | V2+ | V4+ | |
| Color/Mono | M Stype | | | V1+ | V2- | V4- | |
| Multisync | N Range | | | V1- | V3+ | | Recall: |
| Multimode | N | APOLLO 15" | | | | | |

| HYUNDAI | | Horizontal | Vertical | Connector Pins | | | Grounds |
|------------|----------|------------|----------|----------------|------|-----|----------|
| HMM-1900 | Freq | 63.90 | 64.0 | Red | RedI | | |
| | Pix | 1280 | 960 | Grn | GrnI | | Ang Gnd: |
| Adapter# | ECL Fpor | (84) | (81) | Blu | BluI | | 7,8 |
| Interlace | N Bpor | (85) | (82) | Vsyn 4 | Csyn | V3- | Dig Gnd: |
| Video Type | E Sync | (86) | (83) | Hsyn 3 | V2+ | V4+ | |
| Color/Mono | M Stype | | | V1+ 1 | V2- | V4- | |
| Multisync | N Range | | | V1- 6 | V3+ | | Recall: |
| Multimode | N | | | | | | |

| HYUNDAI | | Horizontal | Vertical | Connector Pins | | | Grounds |
|------------|---------|---------------|----------|----------------|------|-----|-----------|
| HMM1401 | Freq | 18.40 | 50.0 | Red | RedI | | |
| | Pix | 720 | 350 | Grn | GrnI | | Ang Gnd: |
| Adapter# | 1 Fpor | (84) | (81) | Blu | BluI | | |
| Interlace | N Bpor | (85) | (82) | Vsyn | Csyn | V3- | Dig Gnd: |
| Video Type | D Sync | (86) | (83) | Hsyn | V2+ | V4+ | |
| Color/Mono | M Stype | | | V1+ | V2- | V4- | |
| Multisync | N Range | | | V1- | V3+ | | Recall: 1 |
| Multimode | N | MDA, HERCULES | | | | | |

| HYUNDAI | | Horizontal | Vertical | Connector Pins | | | Grounds |
|------------|---------|---------------|----------|----------------|------|-----|-----------|
| HMM1404 | Freq | 18.40 | 50.0 | Red | RedI | | |
| | Pix | 720 | 350 | Grn | GrnI | | Ang Gnd: |
| Adapter# | 1 Fpor | (84) | (81) | Blu | BluI | | |
| Interlace | N Bpor | (85) | (82) | Vsyn | Csyn | V3- | Dig Gnd: |
| Video Type | D Sync | (86) | (83) | Hsyn | V2+ | V4+ | |
| Color/Mono | M Stype | | | V1+ | V2- | V4- | |
| Multisync | N Range | | | V1- | V3+ | | Recall: 1 |
| Multimode | N | MDA, HERCULES | | | | | |

| IBM | | Horizontal | Vertical | Connector Pins | | | Grounds |
|------------|---------|---|----------|----------------|------|-----|-------------------|
| 14P/PT | Freq | | | Red | RedI | | |
| 14" COLOR | Pix | 1024 | 768 | Grn | GrnI | | Ang Gnd: |
| Adapter# | 4 Fpor | (84) | (81) | Blu | BluI | | |
| Interlace | Y Bpor | (85) | (82) | Vsyn | Csyn | V3- | Dig Gnd: |
| Video Type | A Sync | (86) | (83) | Hsyn | V2+ | V4+ | |
| Color/Mono | C Stype | | | V1+ | V2- | V4- | |
| Multisync | Y Range | 30-64 | 50-90 | V1- | V3+ | | Recall:6-9,11,31, |
| Multimode | N | VGA, SVGA, XGA, 8INTERLACED IN 8514A MODE. PT = TOUCH SCREEN. | | | | | |

| IBM | | Horizontal | Vertical | Connector Pins | | | Grounds |
|------------|---------|--|----------|----------------|------|-----|-------------------|
| 14V | Freq | | | Red | RedI | | |
| 14" COLOR | Pix | 1024 | 768 | Grn | GrnI | | Ang Gnd: |
| Adapter# | 4 Fpor | (84) | (81) | Blu | BluI | | |
| Interlace | Y Bpor | (85) | (82) | Vsyn | Csyn | V3- | Dig Gnd: |
| Video Type | A Sync | (86) | (83) | Hsyn | V2+ | V4+ | |
| Color/Mono | C Stype | | | V1+ | V2- | V4- | |
| Multisync | Y Range | 30-64 | 50-90 | V1- | V3+ | | Recall:6-9,11,31, |
| Multimode | N | VGA, SVGA, XGA, 8INTERLACED IN 8514A MODE. | | | | | |

| IBM | | Horizontal | Vertical | Connector Pins | | | Grounds |
|------------|---------|---|----------|----------------|------|-----|-------------------|
| 15P/PT | Freq | | | Red | RedI | | |
| 15" COLOR | Pix | 1024 | 768 | Grn | GrnI | | Ang Gnd: |
| Adapter# | 4 Fpor | (84) | (81) | Blu | BluI | | |
| Interlace | Y Bpor | (85) | (82) | Vsyn | Csyn | V3- | Dig Gnd: |
| Video Type | A Sync | (86) | (83) | Hsyn | V2+ | V4+ | |
| Color/Mono | C Stype | | | V1+ | V2- | V4- | |
| Multisync | Y Range | 30-64 | 50-90 | V1- | V3+ | | Recall:6-9,11,31, |
| Multimode | N | VGA, SVGA, XGA, 8INTERLACED IN 8514A MODE. PT = TOUCH SCREEN. | | | | | |

| IBM | | Horizontal | Vertical | Connector Pins | | | Grounds | |
|------------|---------|--|----------|----------------|------|-----|-------------------|--|
| 17P/PT | Freq | | | Red | RedI | | | |
| 17" COLOR | Pix | 1280 | 1024 | Grn | GrnI | | Ang Gnd: | |
| Adapter# | 4 Fpor | (84) | (81) | Blu | BluI | | | |
| Interlace | Y Bpor | (85) | (82) | Vsyn | Csyn | V3- | Dig Gnd: | |
| Video Type | A Sync | (86) | (83) | Hsyn | V2+ | V4+ | | |
| Color/Mono | C Stype | | | V1+ | V2- | V4- | | |
| Multisync | Y Range | 30-82 | 50-90 | V1- | V3+ | | Recall:6-9,11,31, | |
| Multimode | N | VGA,SVGA,XGA,8INTERLACED IN 8514A MODE. PT= TOUCH SCREEN | | | | | | |

| IBM | | Horizontal | Vertical | Connector Pins | | | Grounds | |
|------------|---------|---|----------|----------------|------|-----|-------------------|--|
| 17V | Freq | | | Red | RedI | | | |
| 17" COLOR | Pix | 1024 | 768 | Grn | GrnI | | Ang Gnd: | |
| Adapter# | 4 Fpor | (84) | (81) | Blu | BluI | | | |
| Interlace | Y Bpor | (85) | (82) | Vsyn | Csyn | V3- | Dig Gnd: | |
| Video Type | A Sync | (86) | (83) | Hsyn | V2+ | V4+ | | |
| Color/Mono | C Stype | | | V1+ | V2- | V4- | | |
| Multisync | Y Range | 30-64 | 50-90 | V1- | V3+ | | Recall:6-9,11,31, | |
| Multimode | N | VGA,SVGA,XGA,8INTERLACED IN 8514A MODE. | | | | | | |

| IBM | | Horizontal | Vertical | Connector Pins | | | Grounds | |
|------------|---------|--|----------|----------------|------|-----|-------------------|--|
| 21P/PT | Freq | | | Red | RedI | | | |
| 21" COLOR | Pix | 1280 | 1024 | Grn | GrnI | | Ang Gnd: | |
| Adapter# | 4 Fpor | (84) | (81) | Blu | BluI | | | |
| Interlace | Y Bpor | (85) | (82) | Vsyn | Csyn | V3- | Dig Gnd: | |
| Video Type | A Sync | (86) | (83) | Hsyn | V2+ | V4+ | | |
| Color/Mono | C Stype | | | V1+ | V2- | V4- | | |
| Multisync | Y Range | 30-82 | 50-90 | V1- | V3+ | | Recall:6-9,11,31, | |
| Multimode | N | VGA,SVGA,XGA,8INTERLACED IN 8514A MODE. PT= TOUCH SCREEN | | | | | | |

| IBM | | Horizontal | Vertical | Connector Pins | | | Grounds | |
|------------|---------|------------|-----------|----------------|------|-----|----------|--|
| 3179-2 | Freq | 25.50 | 60.5 | Red | RedI | | | |
| | Pix | 640 | 362 | Grn | GrnI | | Ang Gnd: | |
| Adapter# | Fpor | 1.5 (84) | 0.6 (81) | Blu | BluI | | | |
| Interlace | N Bpor | 1.96 (85) | 1.26 (82) | Vsyn | Csyn | V3- | Dig Gnd: | |
| Video Type | A Sync | 4.29 (86) | 0.47 (83) | Hsyn | V2+ | V4+ | | |
| Color/Mono | M Stype | | | V1+ | V2- | V4- | | |
| Multisync | N Range | | | V1- | V3+ | | Recall: | |
| Multimode | N | | | | | | | |

| IBM | | Horizontal | Vertical | Connector Pins | | | Grounds | |
|------------|---------|------------|----------|----------------|------|-----|----------|--|
| 3179G | Freq | 25.00 | 60.0 | Red | RedI | | | |
| | Pix | | | Grn | GrnI | | Ang Gnd: | |
| Adapter# | Fpor | (84) | (81) | Blu | BluI | | | |
| Interlace | N Bpor | (85) | (82) | Vsyn | Csyn | V3- | Dig Gnd: | |
| Video Type | A Sync | (86) | (83) | Hsyn | V2+ | V4+ | | |
| Color/Mono | C Stype | | | V1+ | V2- | V4- | | |
| Multisync | Range | | | V1- | V3+ | | Recall: | |
| Multimode | N | | | | | | | |

| IBM | | Horizontal | Vertical | Connector Pins | | | Grounds | |
|------------|---------|------------|----------|----------------|------|-----|----------|--|
| 3192G | Freq | 26.60 | 60.0 | Red 15 | RedI | | | |
| | Pix | | | Grn 16 | GrnI | | Ang Gnd: | |
| Adapter# | Fpor | (84) | (81) | Blu 17 | BluI | | 1,2,3 | |
| Interlace | N Bpor | (85) | (82) | Vsyn 22 | Csyn | V3- | Dig Gnd: | |
| Video Type | A Sync | (86) | (83) | Hsyn 21 | V2+ | V4+ | | |
| Color/Mono | C Stype | | | V1+ | V2- | V4- | | |
| Multisync | Range | | | V1- | V3+ | | Recall: | |
| Multimode | N | | | | | | | |

| IBM | | Horizontal | Vertical | Connector Pins | | | Grounds | |
|------------|---------|------------|----------|----------------|---------|-----|----------|--|
| 3193C | Freq | 50.60 | 80.0 | Red 23 | RedI 24 | | | |
| | Pix | | | Grn | GrnI | | Ang Gnd: | |
| Adapter# | Fpor | (84) | (81) | Blu | BluI | | 7 | |
| Interlace | Y Bpor | (85) | (82) | Vsyn 22 | Csyn | V3- | Dig Gnd: | |
| Video Type | A Sync | (86) | (83) | Hsyn 21 | V2+ | V4+ | | |
| Color/Mono | M Stype | | | V1+ | V2- | V4- | | |
| Multisync | Range | | | V1- | V3+ | | Recall: | |
| Multimode | | | | | | | | |

| IBM | | Horizontal | Vertical | Connector Pins | | | Grounds |
|------------|---|------------|----------|----------------|---------|-----|----------|
| 3193M | | Freq 50.60 | 80.0 | Red 23 | RedI 24 | | |
| | | Pix | | Grn | GrnI | | Ang Gnd: |
| Adapter# | | Fpor (84) | (81) | Blu | BluI | | 7 |
| Interlace | Y | Bpor (85) | (82) | Vsyn 22 | Csyn | V3- | Dig Gnd: |
| Video Type | | Sync (86) | (83) | Hsyn 21 | V2+ | V4+ | |
| Color/Mono | M | Stype | | V1+ | V2- | V4- | |
| Multisync | | Range | | V1- | V3+ | | Recall: |
| Multimode | | | | | | | |

| IBM | | Horizontal | Vertical | Connector Pins | | | Grounds |
|------------|---|------------|----------|----------------|------|-----|----------|
| 3194M | | Freq 24.00 | 60.0 | Red | RedI | | |
| | | Pix | | Grn | GrnI | | Ang Gnd: |
| Adapter# | | Fpor (84) | (81) | Blu | BluI | | |
| Interlace | | Bpor (85) | (82) | Vsyn | Csyn | V3- | Dig Gnd: |
| Video Type | | Sync (86) | (83) | Hsyn | V2+ | V4+ | |
| Color/Mono | M | Stype | | V1+ | V2- | V4- | |
| Multisync | | Range | | V1- | V3+ | | Recall: |
| Multimode | | | | | | | |

| IBM | | Horizontal | Vertical | Connector Pins | | | Grounds |
|------------|--|------------|----------|----------------|------|-----|----------|
| 3197C | | Freq 27.70 | 65.0 | Red 15 | RedI | | 2 |
| | | Pix | | Grn 16 | GrnI | | Ang Gnd: |
| Adapter# | | Fpor (84) | (81) | Blu 17 | BluI | | 10 |
| Interlace | | Bpor (85) | (82) | Vsyn 22 | Csyn | V3- | Dig Gnd: |
| Video Type | | Sync (86) | (83) | Hsyn 21 | V2+ | V4+ | |
| Color/Mono | | Stype | | V1+ | V2- | V4- | |
| Multisync | | Range | | V1- | V3+ | | Recall: |
| Multimode | | | | | | | |

| IBM | | Horizontal | Vertical | Connector Pins | | | Grounds |
|------------|--|------------|----------|----------------|------|-----|----------|
| 3197D | | Freq 33.80 | 60.0 | Red 15 | RedI | | 10 |
| | | Pix | | Grn 16 | GrnI | | Ang Gnd: |
| Adapter# | | Fpor (84) | (81) | Blu 17 | BluI | | 2 |
| Interlace | | Bpor (85) | (82) | Vsyn 22 | Csyn | V3- | Dig Gnd: |
| Video Type | | Sync (86) | (83) | Hsyn 21 | V2+ | V4+ | |
| Color/Mono | | Stype | | V1+ | V2- | V4- | |
| Multisync | | Range | | V1- | V3+ | | Recall: |
| Multimode | | | | | | | |

If Monochrome video signal on pin #16

| IBM | | Horizontal | Vertical | Connector Pins | | | Grounds |
|------------|---|------------|----------|----------------|------|-----|----------|
| 3270PC | | Freq 23.60 | 63.0 | Red | RedI | | |
| | | Pix | | Grn | GrnI | | Ang Gnd: |
| Adapter# | | Fpor (84) | (81) | Blu | BluI | | |
| Interlace | N | Bpor (85) | (82) | Vsyn | Csyn | V3- | Dig Gnd: |
| Video Type | | Sync (86) | (83) | Hsyn | V2+ | V4+ | |
| Color/Mono | | Stype | | V1+ | V2- | V4- | |
| Multisync | | Range | | V1- | V3+ | | Recall: |
| Multimode | N | | | | | | |

| IBM | | Horizontal | Vertical | Connector Pins | | | Grounds |
|------------|---|------------|----------|----------------|------|-----|----------|
| 3270PCAT | | Freq 23.50 | 63.0 | Red | RedI | | |
| | | Pix | | Grn | GrnI | | Ang Gnd: |
| Adapter# | | Fpor (84) | (81) | Blu | BluI | | |
| Interlace | N | Bpor (85) | (82) | Vsyn | Csyn | V3- | Dig Gnd: |
| Video Type | | Sync (86) | (83) | Hsyn | V2+ | V4+ | |
| Color/Mono | | Stype | | V1+ | V2- | V4- | |
| Multisync | | Range | | V1- | V3+ | | Recall: |
| Multimode | N | | | | | | |

| IBM | | Horizontal | Vertical | Connector Pins | | | Grounds |
|------------|---|------------|----------|----------------|------|-----|----------|
| 3270PCG | | Freq 24.00 | 82.0 | Red | RedI | | |
| | | Pix | | Grn | GrnI | | Ang Gnd: |
| Adapter# | | Fpor (84) | (81) | Blu | BluI | | |
| Interlace | | Bpor (85) | (82) | Vsyn | Csyn | V3- | Dig Gnd: |
| Video Type | | Sync (86) | (83) | Hsyn | V2+ | V4+ | |
| Color/Mono | C | Stype | | V1+ | V2- | V4- | |
| Multisync | | Range | | V1- | V3+ | | Recall: |
| Multimode | | | | | | | |

| IBM | | Horizontal | Vertical | Connector Pins | | | Grounds |
|------------|-------|------------|----------|----------------|------|-----|----------|
| 3270PCGX | Freq | 60.90 | 57.3 | Red | RedI | | |
| | Pix | | | Grn | GrnI | | Ang Gnd: |
| Adapter# | Fpor | (84) | (81) | Blu | BluI | | |
| Interlace | Bpor | (85) | (82) | Vsyn | Csyn | V3- | Dig Gnd: |
| Video Type | Sync | (86) | (83) | Hsyn | V2+ | V4+ | |
| Color/Mono | Stype | | | V1+ | V2- | V4- | |
| Multisync | Range | | | V1- | V3+ | | Recall: |
| Multimode | | | | | | | |

| IBM | | Horizontal | Vertical | Connector Pins | | | Grounds |
|----------------|---------|------------|------------|----------------|---------|-----|----------|
| 3279-(3A) (3B) | Freq | 15.70 | 69.2 | Red | 15 RedI | | |
| | Pix | 712 | 433 | Grn | 17 GrnI | | Ang Gnd: |
| Adapter# | 6 Fpor | 3.25 (84) | 0.191 (81) | Blu | 19 BluI | | |
| Interlace | Y Bpor | 6.2 (85) | 0.954 (82) | Vsyn | 1 Csyn | V3- | Dig Gnd: |
| Video Type | A Sync | 3.25 (86) | 0.191 (83) | Hsyn | 5 V2+ | V4+ | |
| Color/Mono | C Stype | | | V1+ | V2- | V4- | |
| Multisync | Range | | | V1- | V3+ | | Recall: |
| Multimode | | | | | | | |

| IBM | | Horizontal | Vertical | Connector Pins | | | Grounds |
|------------|---------|------------|----------|----------------|------|-----|----------|
| 6091-016 | Freq | 61.10 | 75.8 | Red | RedI | | |
| | Pix | 1024 | 768 | Grn | GrnI | | Ang Gnd: |
| Adapter# | Fpor | (84) | (81) | Blu | BluI | | |
| Interlace | N Bpor | (85) | (82) | Vsyn | Csyn | V3- | Dig Gnd: |
| Video Type | A Sync | (86) | (83) | Hsyn | V2+ | V4+ | |
| Color/Mono | C Stype | | | V1+ | V2- | V4- | |
| Multisync | Range | | | V1- | V3+ | | Recall: |
| Multimode | 1 | XGA75 mode | | | | | |

| IBM | | Horizontal | Vertical | Connector Pins | | | Grounds |
|------------|---------|---------------------|----------|----------------|------|-----|----------|
| 6091-016 | Freq | 63.16 | 73.4 | Red | RedI | | |
| | Pix | 1104 | 828 | Grn | GrnI | | Ang Gnd: |
| Adapter# | Fpor | (84) | (81) | Blu | BluI | | |
| Interlace | N Bpor | (85) | (82) | Vsyn | Csyn | V3- | Dig Gnd: |
| Video Type | A Sync | (86) | (83) | Hsyn | V2+ | V4+ | |
| Color/Mono | C Stype | | | V1+ | V2- | V4- | |
| Multisync | Range | | | V1- | V3+ | | Recall: |
| Multimode | 2 | DOUBLE DOT VGA mode | | | | | |

| IBM | | Horizontal | Vertical | Connector Pins | | | Grounds |
|------------|---------|--|----------|----------------|------|-----|----------|
| 6091-016 | Freq | 63.63 | 60.3 | Red | RedI | | |
| | Pix | 1280 | 1024 | Grn | GrnI | | Ang Gnd: |
| Adapter# | Fpor | (84) | (81) | Blu | BluI | | |
| Interlace | N Bpor | (85) | (82) | Vsyn | Csyn | V3- | Dig Gnd: |
| Video Type | A Sync | (86) | (83) | Hsyn | V2+ | V4+ | |
| Color/Mono | C Stype | | | V1+ | V2- | V4- | |
| Multisync | Range | | | V1- | V3+ | | Recall: |
| Multimode | 3 | 6090, RS/6000, and ISTATION 120,130 mode | | | | | |

| IBM | | Horizontal | Vertical | Connector Pins | | | Grounds |
|------------|---------|---------------------------------|----------|----------------|------|-----|----------|
| 6091-016 | Freq | 81.32 | 77.0 | Red | RedI | | |
| | Pix | 1280 | 1024 | Grn | GrnI | | Ang Gnd: |
| Adapter# | Fpor | (84) | (81) | Blu | BluI | | |
| Interlace | Bpor | (85) | (82) | Vsyn | Csyn | V3- | Dig Gnd: |
| Video Type | Sync | (86) | (83) | Hsyn | V2+ | V4+ | |
| Color/Mono | C Stype | | | V1+ | V2- | V4- | |
| Multisync | Range | | | V1- | V3+ | | Recall: |
| Multimode | 4 | ISO-COMPATIBLE 1280 X 1024 mode | | | | | |

| IBM | | Horizontal | Vertical | Connector Pins | | | Grounds |
|------------|---------|------------|----------|----------------|------|-----|----------|
| 3101 | Freq | 15.10 | 70.0 | Red | RedI | | |
| | Pix | | | Grn | GrnI | | Ang Gnd: |
| Adapter# | Fpor | (84) | (81) | Blu | BluI | | |
| Interlace | Y Bpor | (85) | (82) | Vsyn | Csyn | V3- | Dig Gnd: |
| Video Type | Sync | (86) | (83) | Hsyn | V2+ | V4+ | |
| Color/Mono | Stype | | | V1+ | V2- | V4- | |
| Multisync | N Range | | | V1- | V3+ | | Recall: |
| Multimode | N | | | | | | |

| IBM | | Horizontal | Vertical | Connector Pins | | | Grounds |
|------------|---|------------|----------|----------------|------|-----|----------|
| 3104 | | Freq 15.10 | 70.0 | Red | RedI | | |
| | | Pix | | Grn | GrnI | | Ang Gnd: |
| Adapter# | | Fpor (84) | (81) | Blu | BluI | | |
| Interlace | Y | Bpor (85) | (82) | Vsyn | Csyn | V3- | Dig Gnd: |
| Video Type | | Sync (86) | (83) | Hsyn | V2+ | V4+ | |
| Color/Mono | | Stype | | V1+ | V2- | V4- | |
| Multisync | | Range | | V1- | V3+ | | Recall: |
| Multimode | M | | | | | | |

| IBM | | Horizontal | Vertical | Connector Pins | | | Grounds |
|------------|---|------------|----------|----------------|------|-----|----------|
| 3151 | | Freq 27.60 | 67.5 | Red | RedI | | |
| | | Pix | | Grn | GrnI | | Ang Gnd: |
| Adapter# | | Fpor (84) | (81) | Blu | BluI | | |
| Interlace | | Bpor (85) | (82) | Vsyn | Csyn | V3- | Dig Gnd: |
| Video Type | | Sync (86) | (83) | Hsyn | V2+ | V4+ | |
| Color/Mono | M | Stype | | V1+ | V2- | V4- | |
| Multisync | | Range | | V1- | V3+ | | Recall: |
| Multimode | | | | | | | |

| IBM | | Horizontal | Vertical | Connector Pins | | | Grounds |
|------------|---|------------|----------|----------------|------|-----|----------|
| 3161 | | Freq 27.60 | 64.8 | Red | RedI | | |
| | | Pix | | Grn | GrnI | | Ang Gnd: |
| Adapter# | | Fpor (84) | (81) | Blu | BluI | | |
| Interlace | | Bpor (85) | (82) | Vsyn | Csyn | V3- | Dig Gnd: |
| Video Type | | Sync (86) | (83) | Hsyn | V2+ | V4+ | |
| Color/Mono | M | Stype | | V1+ | V2- | V4- | |
| Multisync | | Range | | V1- | V3+ | | Recall: |
| Multimode | | | | | | | |

| IBM | | Horizontal | Vertical | Connector Pins | | | Grounds |
|------------|---|------------|----------|----------------|------|-----|----------|
| 3162 | | Freq 25.70 | 64.9 | Red | RedI | | |
| | | Pix | | Grn | GrnI | | Ang Gnd: |
| Adapter# | | Fpor (84) | (81) | Blu | BluI | | |
| Interlace | | Bpor (85) | (82) | Vsyn | Csyn | V3- | Dig Gnd: |
| Video Type | | Sync (86) | (83) | Hsyn | V2+ | V4+ | |
| Color/Mono | M | Stype | | V1+ | V2- | V4- | |
| Multisync | | Range | | V1- | V3+ | | Recall: |
| Multimode | | | | | | | |

| IBM | | Horizontal | Vertical | Connector Pins | | | Grounds |
|------------|---|------------|----------|----------------|------|-----|----------|
| 3163 | | Freq 27.60 | 64.8 | Red | RedI | | |
| | | Pix | | Grn | GrnI | | Ang Gnd: |
| Adapter# | | Fpor (84) | (81) | Blu | BluI | | |
| Interlace | | Bpor (85) | (82) | Vsyn | Csyn | V3- | Dig Gnd: |
| Video Type | | Sync (86) | (83) | Hsyn | V2+ | V4+ | |
| Color/Mono | M | Stype | | V1+ | V2- | V4- | |
| Multisync | | Range | | V1- | V3+ | | Recall: |
| Multimode | | | | | | | |

| IBM | | Horizontal | Vertical | Connector Pins | | | Grounds |
|------------|---|------------|----------|----------------|------|-----|----------|
| 3164 | | Freq 27.80 | 65.0 | Red | RedI | | |
| | | Pix | | Grn | GrnI | | Ang Gnd: |
| Adapter# | | Fpor (84) | (81) | Blu | BluI | | |
| Interlace | | Bpor (85) | (82) | Vsyn | Csyn | V3- | Dig Gnd: |
| Video Type | | Sync (86) | (83) | Hsyn | V2+ | V4+ | |
| Color/Mono | C | Stype | | V1+ | V2- | V4- | |
| Multisync | | Range | | V1- | V3+ | | Recall: |
| Multimode | | | | | | | |

| IBM | | Horizontal | Vertical | Connector Pins | | | Grounds |
|------------|---|------------|----------|----------------|------|-----|----------|
| 3178 | | Freq 15.40 | 70.0 | Red | RedI | | |
| | | Pix | | Grn | GrnI | | Ang Gnd: |
| Adapter# | | Fpor (84) | (81) | Blu | BluI | | |
| Interlace | Y | Bpor (85) | (82) | Vsyn | Csyn | V3- | Dig Gnd: |
| Video Type | | Sync (86) | (83) | Hsyn | V2+ | V4+ | |
| Color/Mono | | Stype | | V1+ | V2- | V4- | |
| Multisync | | Range | | V1- | V3+ | | Recall: |
| Multimode | M | | | | | | |

| IBM | | Horizontal | Vertical | Connector Pins | | | Grounds |
|------------|---|------------|----------|----------------|------|-----|-----------|
| 3179 | | Freq 23.00 | 60.0 | Red 24 | RedI | | 4,5,10-12 |
| MODEL 2 | | Pix 640 | 350 | Grn 23 | GrnI | | Ang Gnd: |
| Adapter# | | Fpor (84) | (81) | Blu 22 | BluI | | |
| Interlace | N | Bpor (85) | (82) | Vsyn 17 | Csyn | V3- | Dig Gnd: |
| Video Type | A | Sync (86) | (83) | Hsyn 18 | V2+ | V4+ | |
| Color/Mono | C | Stype | | V1+ | V2- | V4- | |
| Multisync | | Range | | V1- | V3+ | | Recall: |
| Multimode | | | | | | | |

| IBM | | Horizontal | Vertical | Connector Pins | | | Grounds |
|------------|---|------------|----------|----------------|------|-----|----------|
| 3180 | | Freq 20.00 | 83.0 | Red | RedI | | |
| | | Pix | | Grn | GrnI | | Ang Gnd: |
| Adapter# | | Fpor (84) | (81) | Blu | BluI | | |
| Interlace | | Bpor (85) | (82) | Vsyn | Csyn | V3- | Dig Gnd: |
| Video Type | | Sync (86) | (83) | Hsyn | V2+ | V4+ | |
| Color/Mono | M | Stype | | V1+ | V2- | V4- | |
| Multisync | | Range | | V1- | V3+ | | Recall: |
| Multimode | | | | | | | |

| IBM | | Horizontal | Vertical | Connector Pins | | | Grounds |
|------------|---|------------|----------|----------------|------|-----|----------|
| 3191 | | Freq 27.60 | 64.9 | Red 16 | RedI | | |
| | | Pix | | Grn | GrnI | | Ang Gnd: |
| Adapter# | | Fpor (84) | (81) | Blu | BluI | | 1 |
| Interlace | | Bpor (85) | (82) | Vsyn 22 | Csyn | V3- | Dig Gnd: |
| Video Type | | Sync (86) | (83) | Hsyn 21 | V2+ | V4+ | |
| Color/Mono | M | Stype | | V1+ | V2- | V4- | |
| Multisync | | Range | | V1- | V3+ | | Recall: |
| Multimode | | | | | | | |

| IBM | | Horizontal | Vertical | Connector Pins | | | Grounds |
|------------|---|------------|----------|----------------|---------|-----|----------|
| 3192 | | Freq 33.30 | 60.0 | Red | RedI | | |
| | | Pix | | Grn 16 | GrnI 15 | | Ang Gnd: |
| Adapter# | | Fpor (84) | (81) | Blu | BluI | | 3 |
| Interlace | | Bpor (85) | (82) | Vsyn 22 | Csyn | V3- | Dig Gnd: |
| Video Type | | Sync (86) | (83) | Hsyn 21 | V2+ | V4+ | |
| Color/Mono | M | Stype | | V1+ | V2- | V4- | |
| Multisync | | Range | | V1- | V3+ | | Recall: |
| Multimode | | | | | | | |

Monochrome monitor

| IBM | | Horizontal | Vertical | Connector Pins | | | Grounds |
|------------|---|------------|----------|----------------|------|-----|----------|
| 3192 | | Freq 33.30 | 60.0 | Red 15 | RedI | | |
| | | Pix | | Grn 16 | GrnI | | Ang Gnd: |
| Adapter# | | Fpor (84) | (81) | Blu 17 | BluI | | 1,2,3 |
| Interlace | | Bpor (85) | (82) | Vsyn 22 | Csyn | V3- | Dig Gnd: |
| Video Type | | Sync (86) | (83) | Hsyn 21 | V2+ | V4+ | |
| Color/Mono | C | Stype | | V1+ | V2- | V4- | |
| Multisync | | Range | | V1- | V3+ | | Recall: |
| Multimode | | | | | | | |

Color monitor

| IBM | | Horizontal | Vertical | Connector Pins | | | Grounds |
|------------|---|------------|----------|----------------|---------|-----|----------|
| 3194 | | Freq 24.00 | 60.0 | Red 2 | RedI 9 | | |
| | | Pix | | Grn 4 | GrnI 6 | | Ang Gnd: |
| Adapter# | | Fpor (84) | (81) | Blu 13 | BluI 15 | | 5,7 |
| Interlace | | Bpor (85) | (82) | Vsyn 10 | Csyn | V3- | Dig Gnd: |
| Video Type | D | Sync (86) | (83) | Hsyn 11 | V2+ | V4+ | |
| Color/Mono | C | Stype | | V1+ | V2- | V4- | |
| Multisync | | Range | | V1- | V3+ | | Recall: |
| Multimode | | | | | | | |

| IBM | | Horizontal | Vertical | Connector Pins | | | Grounds |
|------------|---|------------|----------|----------------|------|-----|----------|
| 3196 | | Freq 27.60 | 65.0 | Red | RedI | | |
| | | Pix | | Grn 16 | GrnI | | Ang Gnd: |
| Adapter# | | Fpor (84) | (81) | Blu | BluI | | 1 |
| Interlace | | Bpor (85) | (82) | Vsyn 22 | Csyn | V3- | Dig Gnd: |
| Video Type | D | Sync (86) | (83) | Hsyn 21 | V2+ | V4+ | |
| Color/Mono | | Stype | | V1+ | V2- | V4- | |
| Multisync | | Range | | V1- | V3+ | | Recall: |
| Multimode | | | | | | | |

| IBM | | Horizontal | Vertical | Connector Pins | | | Grounds |
|------------|---|------------|----------|----------------|------|-----|----------|
| 3241 | | Freq 28.00 | 65.0 | Red | RedI | | |
| | | Pix | | Grn | GrnI | | Ang Gnd: |
| Adapter# | | Fpor (84) | (81) | Blu | BluI | | |
| Interlace | | Bpor (85) | (82) | Vsyn | Csyn | V3- | Dig Gnd: |
| Video Type | | Sync (86) | (83) | Hsyn | V2+ | V4+ | |
| Color/Mono | | Stype | | V1+ | V2- | V4- | |
| Multisync | | Range | | V1- | V3+ | | Recall: |
| Multimode | N | | | | | | |

| IBM | | Horizontal | Vertical | Connector Pins | | | Grounds |
|------------|---|------------|----------|----------------|------|-----|----------|
| 3276 | | Freq 16.40 | 80.0 | Red | RedI | | |
| | | Pix | | Grn | GrnI | | Ang Gnd: |
| Adapter# | | Fpor (84) | (81) | Blu | BluI | | |
| Interlace | Y | Bpor (85) | (82) | Vsyn | Csyn | V3- | Dig Gnd: |
| Video Type | | Sync (86) | (83) | Hsyn | V2+ | V4+ | |
| Color/Mono | | Stype | | V1+ | V2- | V4- | |
| Multisync | | Range | | V1- | V3+ | | Recall: |
| Multimode | N | | | | | | |

| IBM | | Horizontal | Vertical | Connector Pins | | | Grounds |
|------------|---|------------|----------|----------------|------|-----|----------|
| 3277 | | Freq 11.30 | 50.0 | Red | RedI | | |
| | | Pix | | Grn | GrnI | | Ang Gnd: |
| Adapter# | | Fpor (84) | (81) | Blu | BluI | | |
| Interlace | N | Bpor (85) | (82) | Vsyn | Csyn | V3- | Dig Gnd: |
| Video Type | | Sync (86) | (83) | Hsyn | V2+ | V4+ | |
| Color/Mono | | Stype | | V1+ | V2- | V4- | |
| Multisync | | Range | | V1- | V3+ | | Recall: |
| Multimode | N | | | | | | |

| IBM | | Horizontal | Vertical | Connector Pins | | | Grounds |
|------------|---|------------|----------|----------------|------|-----|----------|
| 3278 | | Freq 16.40 | 80.0 | Red | RedI | | |
| | | Pix | | Grn | GrnI | | Ang Gnd: |
| Adapter# | | Fpor (84) | (81) | Blu | BluI | | |
| Interlace | Y | Bpor (85) | (82) | Vsyn | Csyn | V3- | Dig Gnd: |
| Video Type | | Sync (86) | (83) | Hsyn | V2+ | V4+ | |
| Color/Mono | | Stype | | V1+ | V2- | V4- | |
| Multisync | | Range | | V1- | V3+ | | Recall: |
| Multimode | N | | | | | | |

| IBM | | Horizontal | Vertical | Connector Pins | | | Grounds |
|------------|---|------------|----------|----------------|------|-----|----------|
| 3279 | | Freq 15.70 | 92.0 | Red | RedI | | |
| | | Pix | | Grn | GrnI | | Ang Gnd: |
| Adapter# | | Fpor (84) | (81) | Blu | BluI | | |
| Interlace | Y | Bpor (85) | (82) | Vsyn | Csyn | V3- | Dig Gnd: |
| Video Type | | Sync (86) | (83) | Hsyn | V2+ | V4+ | |
| Color/Mono | | Stype | | V1+ | V2- | V4- | |
| Multisync | | Range | | V1- | V3+ | | Recall: |
| Multimode | N | | | | | | |

| IBM | | Horizontal | Vertical | Connector Pins | | | Grounds |
|------------|---|------------|----------|----------------|---------|-----|----------|
| 3290 | | Freq 24.00 | 60.0 | Red 2 | RedI 9 | | |
| | | Pix | | Grn 4 | GrnI 6 | | Ang Gnd: |
| Adapter# | | Fpor (84) | (81) | Blu 13 | BluI 15 | | 5,7 |
| Interlace | | Bpor (85) | (82) | Vsyn 10 | Csyn | V3- | Dig Gnd: |
| Video Type | | Sync (86) | (83) | Hsyn 11 | V2+ | V4+ | |
| Color/Mono | C | Stype | | V1+ | V2- | V4- | |
| Multisync | | Range | | V1- | V3+ | | Recall: |
| Multimode | | | | | | | |

| IBM | | Horizontal | Vertical | Connector Pins | | | Grounds |
|------------|---|------------|----------|----------------|---------|-----|----------|
| 3291 | | Freq 24.00 | 60.0 | Red 2 | RedI 9 | | |
| | | Pix | | Grn 4 | GrnI 6 | | Ang Gnd: |
| Adapter# | | Fpor (84) | (81) | Blu 13 | BluI 15 | | 5,7 |
| Interlace | | Bpor (85) | (82) | Vsyn 10 | Csyn | V3- | Dig Gnd: |
| Video Type | D | Sync (86) | (83) | Hsyn 11 | V2+ | V4+ | |
| Color/Mono | C | Stype | | V1+ | V2- | V4- | |
| Multisync | | Range | | V1- | V3+ | | Recall: |
| Multimode | | | | | | | |

| IBM | | Horizontal | Vertical | Connector Pins | | | Grounds |
|------------|---|------------|----------|----------------|---------|-----|----------|
| 3472 | | Freq 38.00 | 68.0 | Red 26 | RedI 25 | | 9-13 |
| | | Pix | | Grn 28 | GrnI 27 | | Ang Gnd: |
| Adapter# | | Fpor (84) | (81) | Blu 24 | BluI 23 | | |
| Interlace | N | Bpor (85) | (82) | Vsyn 22 | Csyn | V3- | Dig Gnd: |
| Video Type | | Sync (86) | (83) | Hsyn 20 | V2+ | V4+ | |
| Color/Mono | | Stype - | - | V1+ | V2- | V4- | |
| Multisync | | Range | | V1- | V3+ | | Recall: |
| Multimode | N | | | | | | |

| IBM | | Horizontal | Vertical | Connector Pins | | | Grounds |
|------------|---|------------|----------|----------------|------|-----|----------|
| 3476 | | Freq 28.00 | 65.0 | Red | RedI | | |
| | | Pix | | Grn | GrnI | | Ang Gnd: |
| Adapter# | | Fpor (84) | (81) | Blu | BluI | | |
| Interlace | N | Bpor (85) | (82) | Vsyn | Csyn | V3- | Dig Gnd: |
| Video Type | | Sync (86) | (83) | Hsyn | V2+ | V4+ | |
| Color/Mono | | Stype | | V1+ | V2- | V4- | |
| Multisync | | Range | | V1- | V3+ | | Recall: |
| Multimode | N | | | | | | |

| IBM | | Horizontal | Vertical | Connector Pins | | | Grounds |
|------------|---|------------|----------|----------------|---------|-----|----------|
| 3477 | | Freq 38.00 | 65.0 | Red 26 | RedI 25 | | 9-13 |
| | | Pix | | Grn 28 | GrnI 27 | | Ang Gnd: |
| Adapter# | | Fpor (84) | (81) | Blu 24 | BluI 23 | | |
| Interlace | N | Bpor (85) | (82) | Vsyn 22 | Csyn | V3- | Dig Gnd: |
| Video Type | | Sync (86) | (83) | Hsyn 20 | V2+ | V4+ | |
| Color/Mono | | Stype - | - | V1+ | V2- | V4- | |
| Multisync | | Range | | V1- | V3+ | | Recall: |
| Multimode | N | | | | | | |

| IBM | | Horizontal | Vertical | Connector Pins | | | Grounds |
|------------|---|------------|----------|----------------|------|-----|----------|
| 4704 | | Freq 21.20 | 60.0 | Red | RedI | | |
| | | Pix | | Grn | GrnI | | Ang Gnd: |
| Adapter# | | Fpor (84) | (81) | Blu | BluI | | |
| Interlace | | Bpor (85) | (82) | Vsyn | Csyn | V3- | Dig Gnd: |
| Video Type | | Sync (86) | (83) | Hsyn | V2+ | V4+ | |
| Color/Mono | M | Stype | | V1+ | V2- | V4- | |
| Multisync | | Range | | V1- | V3+ | | Recall: |
| Multimode | | | | | | | |

| IBM | | Horizontal | Vertical | Connector Pins | | | Grounds |
|------------|---|------------|----------|----------------|------|-----|----------|
| 4863 | | Freq 15.75 | 60.0 | Red | RedI | | |
| | | Pix 640 | 200 | Grn | GrnI | | Ang Gnd: |
| Adapter# | | Fpor (84) | (81) | Blu | BluI | | |
| Interlace | N | Bpor (85) | (82) | Vsyn | Csyn | V3- | Dig Gnd: |
| Video Type | D | Sync (86) | (83) | Hsyn | V2+ | V4+ | |
| Color/Mono | C | Stype | | V1+ | V2- | V4- | |
| Multisync | N | Range | | V1- | V3+ | | Recall: |
| Multimode | N | | | | | | |

| IBM | | Horizontal | Vertical | Connector Pins | | | Grounds |
|------------|---|------------|----------|----------------|------|-----|----------|
| 5080 | | Freq 69.90 | 50.0 | Red | RedI | | |
| | | Pix | | Grn | GrnI | | Ang Gnd: |
| Adapter# | | Fpor (84) | (81) | Blu | BluI | | |
| Interlace | | Bpor (85) | (82) | Vsyn | Csyn | V3- | Dig Gnd: |
| Video Type | | Sync (86) | (83) | Hsyn | V2+ | V4+ | |
| Color/Mono | C | Stype | | V1+ | V2- | V4- | |
| Multisync | | Range | | V1- | V3+ | | Recall: |
| Multimode | | | | | | | |

| IBM | | Horizontal | Vertical | Connector Pins | | | Grounds |
|---------------|---|-----------------|------------|----------------|------|-----|----------|
| 5081 | | Freq 63.36 | 60.0 | Red | RedI | | |
| Models 11, 12 | | Pix 1024 | 1024 | Grn | GrnI | | Ang Gnd: |
| Adapter# | 6 | Fpor 0.235 (84) | 0.047 (81) | Blu | BluI | | |
| Interlace | N | Bpor 2.275 (85) | 0.41 (82) | Vsyn | Csyn | V3- | Dig Gnd: |
| Video Type | A | Sync 1.794 (86) | 0.047 (83) | Hsyn | V2+ | V4+ | |
| Color/Mono | M | Stype G | G | V1+ | V2- | V4- | |
| Multisync | N | Range | | V1- | V3+ | | Recall: |
| Multimode | N | | | | | | |

| IBM | | Horizontal | Vertical | Connector Pins | | | Grounds |
|------------|---|----------------|------------|----------------|------|-----|----------|
| 5081 | | Freq 52.80 | 50.0 | Red | RedI | | |
| Models 1,2 | | Pix 1024 | 1024 | Grn | GrnI | | Ang Gnd: |
| Adapter# | 6 | Fpor 0.43 (84) | 0.057 (81) | Blu | BluI | | |
| Interlace | N | Bpor 2.58 (85) | 0.492 (82) | Vsyn | Csyn | V3- | Dig Gnd: |
| Video Type | A | Sync 2.15 (86) | 0.057 (83) | Hsyn | V2+ | V4+ | |
| Color/Mono | M | Stype G | G | V1+ | V2- | V4- | |
| Multisync | | Range | | V1- | V3+ | | Recall: |
| Multimode | | | | | | | |

| IBM | | Horizontal | Vertical | Connector Pins | | | Grounds |
|------------|---|------------|----------|----------------|------|-----|----------|
| 5144 | | Freq 15.75 | 60.0 | Red | RedI | | |
| | | Pix 640 | 200 | Grn | GrnI | | Ang Gnd: |
| Adapter# | | Fpor (84) | (81) | Blu | BluI | | |
| Interlace | N | Bpor (85) | (82) | Vsyn | Csyn | V3- | Dig Gnd: |
| Video Type | D | Sync (86) | (83) | Hsyn | V2+ | V4+ | |
| Color/Mono | M | Stype | | V1+ | V2- | V4- | |
| Multisync | N | Range | | V1- | V3+ | | Recall: |
| Multimode | N | | | | | | |

| IBM | | Horizontal | Vertical | Connector Pins | | | Grounds |
|------------|---|------------|----------|----------------|---------|-----|----------|
| 5145 | | Freq 15.70 | 60.0 | Red A5 | RedI A6 | | |
| | | Pix 320 | 200 | Grn A7 | GrnI | | Ang Gnd: |
| Adapter# | | Fpor (84) | (81) | Blu A4 | BluI | | A2, B5 |
| Interlace | | Bpor (85) | (82) | Vsyn B1 | Csyn | V3- | Dig Gnd: |
| Video Type | D | Sync (86) | (83) | Hsyn B3 | V2+ | V4+ | |
| Color/Mono | M | Stype | | V1+ | V2- | V4- | |
| Multisync | N | Range | | V1- | V3+ | | Recall: |
| Multimode | | | | | | | |

| IBM | | Horizontal | Vertical | Connector Pins | | | Grounds |
|------------|---|------------|----------|----------------|------|-----|-----------|
| 5151 | | Freq 18.43 | 50.0 | Red | RedI | | |
| | | Pix 720 | 350 | Grn | GrnI | | Ang Gnd: |
| Adapter# | 1 | Fpor (84) | (81) | Blu | BluI | | |
| Interlace | N | Bpor (85) | (82) | Vsyn | Csyn | V3- | Dig Gnd: |
| Video Type | D | Sync (86) | (83) | Hsyn | V2+ | V4+ | |
| Color/Mono | M | Stype | | V1+ | V2- | V4- | |
| Multisync | N | Range | | V1- | V3+ | | Recall: 1 |
| Multimode | N | MDA | | | | | |

| IBM | | Horizontal | Vertical | Connector Pins | | | Grounds |
|------------|---|------------|----------|----------------|------|-----|-----------|
| 5153 | | Freq 15.75 | 60.0 | Red | RedI | | |
| | | Pix 640 | 200 | Grn | GrnI | | Ang Gnd: |
| Adapter# | 1 | Fpor (84) | (81) | Blu | BluI | | |
| Interlace | N | Bpor (85) | (82) | Vsyn | Csyn | V3- | Dig Gnd: |
| Video Type | D | Sync (86) | (83) | Hsyn | V2+ | V4+ | |
| Color/Mono | C | Stype | | V1+ | V2- | V4- | |
| Multisync | N | Range | | V1- | V3+ | | Recall: 0 |
| Multimode | N | | | | | | |

| IBM | | Horizontal | Vertical | Connector Pins | | | Grounds |
|------------|---|------------|----------|----------------|------|-----|-----------|
| 5154 | | Freq 15.75 | 60.0 | Red | RedI | | |
| | | Pix 640 | 200 | Grn | GrnI | | Ang Gnd: |
| Adapter# | 2 | Fpor (84) | (81) | Blu | BluI | | |
| Interlace | N | Bpor (85) | (82) | Vsyn | Csyn | V3- | Dig Gnd: |
| Video Type | D | Sync (86) | (83) | Hsyn | V2+ | V4+ | |
| Color/Mono | C | Stype | | V1+ | V2- | V4- | |
| Multisync | N | Range | | V1- | V3+ | | Recall: 2 |
| Multimode | 1 | | | | | | |

| IBM | | Horizontal | Vertical | Connector Pins | | | Grounds |
|------------|---|------------|----------|----------------|------|-----|-----------|
| 5154 | | Freq 21.80 | 60.0 | Red | RedI | | |
| | | Pix 640 | 350 | Grn | GrnI | | Ang Gnd: |
| Adapter# | 2 | Fpor (84) | (81) | Blu | BluI | | |
| Interlace | N | Bpor (85) | (82) | Vsyn | Csyn | V3- | Dig Gnd: |
| Video Type | D | Sync (86) | (83) | Hsyn | V2+ | V4+ | |
| Color/Mono | C | Stype | | V1+ | V2- | V4- | |
| Multisync | N | Range | | V1- | V3+ | | Recall: 2 |
| Multimode | 2 | | | | | | |

| IBM | | Horizontal | Vertical | Connector Pins | | | Grounds |
|------------|---|------------|----------|----------------|------|---------|----------|
| 5175 | | Freq 30.12 | 60.0 | Red | RedI | | |
| | | Pix 640 | 480 | Grn | GrnI | | Ang Gnd: |
| Adapter# | 3 | Fpor (84) | (81) | Blu | BluI | | |
| Interlace | N | Bpor (85) | (82) | Vsyn | Csyn | V3- | Dig Gnd: |
| Video Type | A | Sync (86) | (83) | Hsyn | V2+ | V4+ | |
| Color/Mono | C | Stype | | V1+ | V2- | V4- | |
| Multisync | N | Range | | V1- | V3+ | Recall: | 4 |
| Multimode | N | | | | | | |

| IBM | | Horizontal | Vertical | Connector Pins | | | Grounds |
|------------|---|----------------|------------|----------------|------|---------|----------|
| 5272 | | Freq 23.61 | 63.0 | Red 7 | RedI | | 2,4 |
| | | Pix 720 | 350 | Grn 5 | GrnI | | Ang Gnd: |
| Adapter# | | Fpor 1.66 (84) | 0.169 (81) | Blu 6 | BluI | | |
| Interlace | N | Bpor 3.32 (85) | 0.762 (82) | Vsyn 9 | Csyn | V3- | Dig Gnd: |
| Video Type | D | Sync 4.15 (86) | 0.127 (83) | Hsyn 8 | V2+ | V4+ | |
| Color/Mono | C | Stype - | - | V1+ | V2- | V4- | |
| Multisync | | Range | | V1- | V3+ | Recall: | |
| Multimode | N | | | | | | |

| IBM | | Horizontal | Vertical | Connector Pins | | | Grounds |
|------------|---|-----------------|------------|----------------|------|---------|----------|
| 5279 | | Freq 24.01 | 86.2 | Red 1 | RedI | | 20-25 |
| | | Pix 720 | 263 | Grn 3 | GrnI | | Ang Gnd: |
| Adapter# | | Fpor 0.001 (84) | 0.007 (81) | Blu 5 | BluI | | |
| Interlace | Y | Bpor 1.73 (85) | 0.459 (82) | Vsyn 8 | Csyn | V3- | Dig Gnd: |
| Video Type | D | Sync 5.21 (86) | 0.166 (83) | Hsyn 9 | V2+ | V4+ | 27,28 |
| Color/Mono | C | Stype + | + | V1+ | V2- | V4- | |
| Multisync | | Range | | V1- | V3+ | Recall: | |
| Multimode | N | | | | | | |

Tie pin 11 to pin 12

| IBM | | Horizontal | Vertical | Connector Pins | | | Grounds |
|------------|---|------------|----------|----------------|------|---------|----------|
| 5291 | | Freq 18.40 | 50.0 | Red 10 | RedI | | |
| | | Pix | | Grn | GrnI | | Ang Gnd: |
| Adapter# | | Fpor (84) | (81) | Blu | BluI | | 2,15 |
| Interlace | N | Bpor (85) | (82) | Vsyn 12 | Csyn | V3- | Dig Gnd: |
| Video Type | D | Sync (86) | (83) | Hsyn 13 | V2+ | V4+ | |
| Color/Mono | M | Stype | | V1+ | V2- | V4- | |
| Multisync | | Range | | V1- | V3+ | Recall: | 1 |
| Multimode | | | | | | | |

| IBM | | Horizontal | Vertical | Connector Pins | | | Grounds |
|------------|---|------------|----------|----------------|------|---------|----------|
| 5540 | | Freq 29.50 | 74.4 | Red | RedI | | |
| | | Pix | | Grn | GrnI | | Ang Gnd: |
| Adapter# | | Fpor (84) | (81) | Blu | BluI | | |
| Interlace | | Bpor (85) | (82) | Vsyn | Csyn | V3- | Dig Gnd: |
| Video Type | | Sync (86) | (83) | Hsyn | V2+ | V4+ | |
| Color/Mono | C | Stype | | V1+ | V2- | V4- | |
| Multisync | | Range | | V1- | V3+ | Recall: | |
| Multimode | | | | | | | |

| IBM | | Horizontal | Vertical | Connector Pins | | | Grounds |
|------------|--|------------|----------|----------------|------|---------|----------|
| 5550 | | Freq 29.80 | 72.2 | Red | RedI | | |
| | | Pix | | Grn | GrnI | | Ang Gnd: |
| Adapter# | | Fpor (84) | (81) | Blu | BluI | | |
| Interlace | | Bpor (85) | (82) | Vsyn | Csyn | V3- | Dig Gnd: |
| Video Type | | Sync (86) | (83) | Hsyn | V2+ | V4+ | |
| Color/Mono | | Stype | | V1+ | V2- | V4- | |
| Multisync | | Range | | V1- | V3+ | Recall: | |
| Multimode | | | | | | | |

| IBM | | Horizontal | Vertical | Connector Pins | | | Grounds |
|------------|---|------------|----------|----------------|---------|---------|----------|
| 5560 | | Freq 29.50 | 74.5 | Red 2 | RedI 9 | | |
| | | Pix | | Grn 4 | GrnI 6 | | Ang Gnd: |
| Adapter# | | Fpor (84) | (81) | Blu 13 | BluI 15 | | 1,5,7 |
| Interlace | | Bpor (85) | (82) | Vsyn 10 | Csyn | V3- | Dig Gnd: |
| Video Type | | Sync (86) | (83) | Hsyn 11 | V2+ | V4+ | |
| Color/Mono | C | Stype | | V1+ | V2- | V4- | |
| Multisync | | Range | | V1- | V3+ | Recall: | |
| Multimode | | | | | | | |

| IBM | | Horizontal | Vertical | Connector Pins | | | Grounds |
|------------|---|------------|----------|----------------|------|-----|----------|
| 6153 | | Freq 25.00 | 92.0 | Red 8 | RedI | | |
| | | Pix | | Grn | GrnI | | Ang Gnd: |
| Adapter# | | Fpor (84) | (81) | Blu | BluI | | 15 |
| Interlace | | Bpor (85) | (82) | Vsyn 2 | Csyn | V3- | Dig Gnd: |
| Video Type | D | Sync (86) | (83) | Hsyn 16 | V2+ | V4+ | |
| Color/Mono | M | Stype | | V1+ | V2- | V4- | |
| Multisync | | Range | | V1- | V3+ | | Recall: |
| Multimode | | | | | | | |

| IBM | | Horizontal | Vertical | Connector Pins | | | Grounds |
|------------|---|------------|----------|----------------|---------|-----|----------|
| 6154 | | Freq 25.00 | 92.0 | Red 6 | RedI 4 | | |
| | | Pix | 250 | Grn 10 | GrnI 8 | | Ang Gnd: |
| Adapter# | | Fpor (84) | (81) | Blu 14 | BluI 12 | | |
| Interlace | ? | Bpor (85) | (82) | Vsyn 2 | Csyn | V3- | Dig Gnd: |
| Video Type | D | Sync (86) | (83) | Hsyn 16 | V2+ | V4+ | |
| Color/Mono | C | Stype | | V1+ | V2- | V4- | |
| Multisync | | Range | | V1- | V3+ | | Recall: |
| Multimode | | | | | | | |

| IBM | | Horizontal | Vertical | Connector Pins | | | Grounds |
|------------|---|------------|----------|----------------|------|-----|----------|
| 6155 | | Freq 49.10 | 59.8 | Red | RedI | | |
| | | Pix | | Grn | GrnI | | Ang Gnd: |
| Adapter# | | Fpor (84) | (81) | Blu | BluI | | |
| Interlace | | Bpor (85) | (82) | Vsyn | Csyn | V3- | Dig Gnd: |
| Video Type | | Sync (86) | (83) | Hsyn | V2+ | V4+ | |
| Color/Mono | M | Stype | | V1+ | V2- | V4- | |
| Multisync | | Range | | V1- | V3+ | | Recall: |
| Multimode | | | | | | | |

| IBM | | Horizontal | Vertical | Connector Pins | | | Grounds |
|------------|---|------------|----------|----------------|------|-----|---------------|
| 8503 | | Freq 35.59 | | Red | RedI | | 3,7 |
| | | Pix 640 | 480 | Grn 2 | GrnI | | Ang Gnd: |
| Adapter# | 4 | Fpor (84) | (81) | Blu | BluI | | |
| Interlace | N | Bpor (85) | (82) | Vsyn 14 | Csyn | V3- | Dig Gnd: |
| Video Type | A | Sync (86) | (83) | Hsyn 13 | V2+ | V4+ | |
| Color/Mono | M | Stype | | V1+ | V2- | V4- | |
| Multisync | | Range | 50-70 | V1- | V3+ | | Recall: 5,6,7 |
| Multimode | Y | | | | | | |

| IBM | | Horizontal | Vertical | Connector Pins | | | Grounds |
|------------|---|------------|----------|----------------|------|-----|---------------|
| 8504 | | Freq 35.59 | | Red | RedI | | |
| | | Pix 640 | 480 | Grn | GrnI | | Ang Gnd: |
| Adapter# | 4 | Fpor (84) | (81) | Blu | BluI | | |
| Interlace | N | Bpor (85) | (82) | Vsyn | Csyn | V3- | Dig Gnd: |
| Video Type | A | Sync (86) | (83) | Hsyn | V2+ | V4+ | |
| Color/Mono | M | Stype | | V1+ | V2- | V4- | |
| Multisync | | Range | 50-70 | V1- | V3+ | | Recall: 5,6,7 |
| Multimode | Y | | | | | | |

| IBM | | Horizontal | Vertical | Connector Pins | | | Grounds |
|------------|---|------------|----------|----------------|------|-----|----------|
| 8506 | | Freq 50.40 | 70.8 | Red | RedI | | |
| | | Pix 736 | 362 | Grn | GrnI | | Ang Gnd: |
| Adapter# | | Fpor (84) | (81) | Blu | BluI | | |
| Interlace | N | Bpor (85) | (82) | Vsyn | Csyn | V3- | Dig Gnd: |
| Video Type | A | Sync (86) | (83) | Hsyn | V2+ | V4+ | |
| Color/Mono | M | Stype | | V1+ | V2- | V4- | |
| Multisync | | Range | | V1- | V3+ | | Recall: |
| Multimode | 1 | | | | | | |

| IBM | | Horizontal | Vertical | Connector Pins | | | Grounds |
|------------|---|------------|----------|----------------|------|-----|----------|
| 8506 | | Freq 50.40 | 70.7 | Red | RedI | | |
| | | Pix 736 | 414 | Grn | GrnI | | Ang Gnd: |
| Adapter# | | Fpor (84) | (81) | Blu | BluI | | |
| Interlace | N | Bpor (85) | (82) | Vsyn | Csyn | V3- | Dig Gnd: |
| Video Type | A | Sync (86) | (83) | Hsyn | V2+ | V4+ | |
| Color/Mono | M | Stype | | V1+ | V2- | V4- | |
| Multisync | | Range | | V1- | V3+ | | Recall: |
| Multimode | 2 | | | | | | |

| IBM | | Horizontal | Vertical | Connector Pins | | | Grounds |
|------------|------|------------|----------|----------------|------|------|----------|
| 8508 | Freq | 70.70 | 93.5 | Red | RedI | | |
| | Pix | 736 | 724 | Grn | GrnI | | Ang Gnd: |
| Adapter# | 4 | Fpor | (84) | (81) | Blu | BluI | |
| Interlace | N | Bpor | (85) | (82) | Vsyn | Csyn | V3- |
| Video Type | A | Sync | (86) | (83) | Hsyn | V2+ | V4+ |
| Color/Mono | M | Stype | | | V1+ | V2- | V4- |
| Multisync | | Range | | | V1- | V3+ | Recall: |
| Multimode | 4 | | | | | | |

| IBM | | Horizontal | Vertical | Connector Pins | | | Grounds |
|------------|------|------------|----------|----------------|------|------|---------------|
| 8512 | Freq | 35.59 | | Red | RedI | | |
| | Pix | 640 | 480 | Grn | GrnI | | Ang Gnd: |
| Adapter# | 4 | Fpor | (84) | (81) | Blu | BluI | |
| Interlace | N | Bpor | (85) | (82) | Vsyn | Csyn | V3- |
| Video Type | A | Sync | (86) | (83) | Hsyn | V2+ | V4+ |
| Color/Mono | C | Stype | | | V1+ | V2- | V4- |
| Multisync | | Range | 50-70 | | V1- | V3+ | Recall: 5,6,7 |
| Multimode | Y | | | | | | |

| IBM | | Horizontal | Vertical | Connector Pins | | | Grounds |
|------------|------|------------|----------|----------------|------|------|---------------|
| 8513 | Freq | 35.59 | | Red | RedI | | |
| | Pix | 640 | 480 | Grn | GrnI | | Ang Gnd: |
| Adapter# | 4 | Fpor | (84) | (81) | Blu | BluI | |
| Interlace | N | Bpor | (85) | (82) | Vsyn | Csyn | V3- |
| Video Type | A | Sync | (86) | (83) | Hsyn | V2+ | V4+ |
| Color/Mono | C | Stype | | | V1+ | V2- | V4- |
| Multisync | | Range | 50-70 | | V1- | V3+ | Recall: 5,6,7 |
| Multimode | Y | | | | | | |

| IBM | | Horizontal | Vertical | Connector Pins | | | Grounds |
|------------|------|------------|----------|----------------|------|------|-----------|
| 8514 | Freq | 31.50 | 60.0 | Red | RedI | | |
| | Pix | 640 | 480 | Grn | GrnI | | Ang Gnd: |
| Adapter# | 4 | Fpor | (84) | (81) | Blu | BluI | |
| Interlace | N | Bpor | (85) | (82) | Vsyn | Csyn | V3- |
| Video Type | A | Sync | (86) | (83) | Hsyn | V2+ | V4+ |
| Color/Mono | C | Stype | | | V1+ | V2- | V4- |
| Multisync | N | Range | | | V1- | V3+ | Recall: 7 |
| Multimode | 1 | | | | | | |

| IBM | | Horizontal | Vertical | Connector Pins | | | Grounds |
|------------|------|------------|----------|----------------|------|------|-----------|
| 8514 | Freq | 35.59 | 87.0 | Red | RedI | | |
| | Pix | 1024 | 768 | Grn | GrnI | | Ang Gnd: |
| Adapter# | 4 | Fpor | (84) | (81) | Blu | BluI | |
| Interlace | Y | Bpor | (85) | (82) | Vsyn | Csyn | V3- |
| Video Type | A | Sync | (86) | (83) | Hsyn | V2+ | V4+ |
| Color/Mono | C | Stype | | | V1+ | V2- | V4- |
| Multisync | N | Range | | | V1- | V3+ | Recall: 9 |
| Multimode | 2 | | | | | | |

| IBM | | Horizontal | Vertical | Connector Pins | | | Grounds |
|------------|------|------------|----------|----------------|------|------|-----------|
| 8515 | Freq | 31.50 | 60.0 | Red | RedI | | |
| | Pix | 640 | 480 | Grn | GrnI | | Ang Gnd: |
| Adapter# | 4 | Fpor | (84) | (81) | Blu | BluI | |
| Interlace | N | Bpor | (85) | (82) | Vsyn | Csyn | V3- |
| Video Type | A | Sync | (86) | (83) | Hsyn | V2+ | V4+ |
| Color/Mono | C | Stype | | | V1+ | V2- | V4- |
| Multisync | N | Range | | | V1- | V3+ | Recall: 7 |
| Multimode | 1 | | | | | | |

| IBM | | Horizontal | Vertical | Connector Pins | | | Grounds |
|------------|------|------------|----------|----------------|------|------|-----------|
| 8515 | Freq | 35.59 | 87.0 | Red | RedI | | |
| | Pix | 1024 | 768 | Grn | GrnI | | Ang Gnd: |
| Adapter# | 4 | Fpor | (84) | (81) | Blu | BluI | |
| Interlace | Y | Bpor | (85) | (82) | Vsyn | Csyn | V3- |
| Video Type | A | Sync | (86) | (83) | Hsyn | V2+ | V4+ |
| Color/Mono | C | Stype | | | V1+ | V2- | V4- |
| Multisync | N | Range | | | V1- | V3+ | Recall: 9 |
| Multimode | 2 | | | | | | |

| IBM | | Horizontal | Vertical | Connector Pins | | | Grounds |
|------------|---|------------|----------|----------------|------|-----|----------|
| 8506 | | Freq 50.30 | 70.2 | Red | RedI | | |
| | | Pix 656 | 496 | Grn | GrnI | | Ang Gnd: |
| Adapter# | | Fpor (84) | (81) | Blu | BluI | | |
| Interlace | M | Bpor (85) | (82) | Vsyn | Csyn | V3- | Dig Gnd: |
| Video Type | A | Sync (86) | (83) | Hsyn | V2+ | V4+ | |
| Color/Mono | M | Stype | | V1+ | V2- | V4- | |
| Multisync | | Range | | V1- | V3+ | | Recall: |
| Multimode | 3 | | | | | | |

| IBM | | Horizontal | Vertical | Connector Pins | | | Grounds |
|------------|---|------------|----------|----------------|------|-----|----------|
| 8506 | | Freq 50.60 | 40.1 | Red | RedI | | |
| | | Pix 848 | 1200 | Grn | GrnI | | Ang Gnd: |
| Adapter# | | Fpor (84) | (81) | Blu | BluI | | |
| Interlace | Y | Bpor (85) | (82) | Vsyn | Csyn | V3- | Dig Gnd: |
| Video Type | A | Sync (86) | (83) | Hsyn | V2+ | V4+ | |
| Color/Mono | M | Stype | | V1+ | V2- | V4- | |
| Multisync | | Range | | V1- | V3+ | | Recall: |
| Multimode | 4 | | | | | | |

| IBM | | Horizontal | Vertical | Connector Pins | | | Grounds |
|------------|---|------------|----------|----------------|------|-----|-----------|
| 8507 | | Freq 35.59 | 87.0 | Red | RedI | | |
| | | Pix 1024 | 768 | Grn | GrnI | | Ang Gnd: |
| Adapter# | 4 | Fpor (84) | (81) | Blu | BluI | | |
| Interlace | Y | Bpor (85) | (82) | Vsyn | Csyn | V3- | Dig Gnd: |
| Video Type | A | Sync (86) | (83) | Hsyn | V2+ | V4+ | |
| Color/Mono | M | Stype | | V1+ | V2- | V4- | |
| Multisync | | Range | | V1- | V3+ | | Recall: 9 |
| Multimode | 1 | | | | | | |

| IBM | | Horizontal | Vertical | Connector Pins | | | Grounds |
|------------|---|------------|----------|----------------|------|-----|---------------|
| 8507 | | Freq 31.50 | 60,70.1 | Red | RedI | | |
| | | Pix 640 | 480 | Grn | GrnI | | Ang Gnd: |
| Adapter# | 4 | Fpor (84) | (81) | Blu | BluI | | |
| Interlace | N | Bpor (85) | (82) | Vsyn | Csyn | V3- | Dig Gnd: |
| Video Type | A | Sync (86) | (83) | Hsyn | V2+ | V4+ | |
| Color/Mono | M | Stype | | V1+ | V2- | V4- | |
| Multisync | | Range | | V1- | V3+ | | Recall: 5,6,7 |
| Multimode | 2 | VGA, 8514A | | | | | |

| IBM | | Horizontal | Vertical | Connector Pins | | | Grounds |
|------------|---|------------|----------|----------------|------|-----|----------|
| 8508 | | Freq 62.00 | 49.3 | Red | RedI | | |
| | | Pix 1600 | 1200 | Grn | GrnI | | Ang Gnd: |
| Adapter# | 4 | Fpor (84) | (81) | Blu | BluI | | |
| Interlace | Y | Bpor (85) | (82) | Vsyn | Csyn | V3- | Dig Gnd: |
| Video Type | A | Sync (86) | (83) | Hsyn | V2+ | V4+ | |
| Color/Mono | M | Stype | | V1+ | V2- | V4- | |
| Multisync | | Range | | V1- | V3+ | | Recall: |
| Multimode | 1 | | | | | | |

| IBM | | Horizontal | Vertical | Connector Pins | | | Grounds |
|------------|---|------------|----------|----------------|------|-----|----------|
| 8508 | | Freq 70.70 | 67.0 | Red | RedI | | |
| | | Pix 1300 | 1024 | Grn | GrnI | | Ang Gnd: |
| Adapter# | 4 | Fpor (84) | (81) | Blu | BluI | | |
| Interlace | N | Bpor (85) | (82) | Vsyn | Csyn | V3- | Dig Gnd: |
| Video Type | A | Sync (86) | (83) | Hsyn | V2+ | V4+ | |
| Color/Mono | M | Stype | | V1+ | V2- | V4- | |
| Multisync | | Range | | V1- | V3+ | | Recall: |
| Multimode | 2 | | | | | | |

| IBM | | Horizontal | Vertical | Connector Pins | | | Grounds |
|------------|---|------------|----------|----------------|------|-----|----------|
| 8508 | | Freq 70.70 | 82.2 | Red | RedI | | |
| | | Pix 736 | 828 | Grn | GrnI | | Ang Gnd: |
| Adapter# | 4 | Fpor (84) | (81) | Blu | BluI | | |
| Interlace | N | Bpor (85) | (82) | Vsyn | Csyn | V3- | Dig Gnd: |
| Video Type | A | Sync (86) | (83) | Hsyn | V2+ | V4+ | |
| Color/Mono | M | Stype | | V1+ | V2- | V4- | |
| Multisync | | Range | | V1- | V3+ | | Recall: |
| Multimode | 3 | | | | | | |

| IBM | | Horizontal | Vertical | Connector Pins | | | Grounds |
|------------|------|------------|----------|----------------|------|------|-----------|
| 8516 | Freq | 31.50 | 60.0 | Red | RedI | | |
| | Pix | 640 | 480 | Grn | GrnI | | Ang Gnd: |
| Adapter# | 4 | Fpor | (84) | (81) | Blu | BluI | |
| Interlace | N | Bpor | (85) | (82) | Vsyn | Csyn | V3- |
| Video Type | A | Sync | (86) | (83) | Hsyn | V2+ | V4+ |
| Color/Mono | C | Stype | | | V1+ | V2- | V4- |
| Multisync | N | Range | | | V1- | V3+ | Recall: 7 |
| Multimode | 1 | | | | | | |

| IBM | | Horizontal | Vertical | Connector Pins | | | Grounds |
|------------|------|------------|----------|----------------|------|------|-----------|
| 8516 | Freq | 35.59 | 87.0 | Red | RedI | | |
| | Pix | 1024 | 768 | Grn | GrnI | | Ang Gnd: |
| Adapter# | 4 | Fpor | (84) | (81) | Blu | BluI | |
| Interlace | Y | Bpor | (85) | (82) | Vsyn | Csyn | V3- |
| Video Type | A | Sync | (86) | (83) | Hsyn | V2+ | V4+ |
| Color/Mono | C | Stype | | | V1+ | V2- | V4- |
| Multisync | N | Range | | | V1- | V3+ | Recall: 9 |
| Multimode | 2 | | | | | | |

| IBM | | Horizontal | Vertical | Connector Pins | | | Grounds |
|------------|------|------------|----------|----------------|--------|---------|---|
| 8517 | Freq | 31.50 | 70.0 | Red | 1 RedI | | 6-8,10 |
| | Pix | 720 | 400 | Grn | 2 GrnI | | Ang Gnd: |
| Adapter# | | Fpor | (84) | (81) | Blu | 3 BluI | |
| Interlace | N | Bpor | (85) | (82) | Vsyn | 14 Csyn | V3- |
| Video Type | A | Sync | (86) | (83) | Hsyn | 13 V2+ | V4+ |
| Color/Mono | C | Stype | - | | V1+ | V2- | V4- |
| Multisync | | Range | | | V1- | V3+ | Recall: 6 |
| Multimode | 1 | | | | | | Do NOT use adapter #4; monitor uses sync return |

| IBM | | Horizontal | Vertical | Connector Pins | | | Grounds |
|------------|------|------------|----------|----------------|--------|---------|---|
| 8517 | Freq | 31.50 | 60.0 | Red | 1 RedI | | 6-8,10 |
| | Pix | 640 | 480 | Grn | 2 GrnI | | Ang Gnd: |
| Adapter# | | Fpor | (84) | (81) | Blu | 3 BluI | |
| Interlace | N | Bpor | (85) | (82) | Vsyn | 14 Csyn | V3- |
| Video Type | A | Sync | (86) | (83) | Hsyn | 13 V2+ | V4+ |
| Color/Mono | C | Stype | - | | V1+ | V2- | V4- |
| Multisync | | Range | | | V1- | V3+ | Recall: 7 |
| Multimode | 2 | | | | | | Do NOT use adapter #4; monitor uses sync return |

| IBM | | Horizontal | Vertical | Connector Pins | | | Grounds |
|------------|------|------------|----------|----------------|--------|---------|---|
| 8517 | Freq | 35.59 | 87.0 | Red | 1 RedI | | 6-8,10 |
| | Pix | 1024 | 768 | Grn | 2 GrnI | | Ang Gnd: |
| Adapter# | | Fpor | (84) | (81) | Blu | 3 BluI | |
| Interlace | Y | Bpor | (85) | (82) | Vsyn | 14 Csyn | V3- |
| Video Type | A | Sync | (86) | (83) | Hsyn | 13 V2+ | V4+ |
| Color/Mono | C | Stype | + | | V1+ | V2- | V4- |
| Multisync | | Range | | | V1- | V3+ | Recall: 9 |
| Multimode | 3 | | | | | | Do NOT use adapter #4; monitor uses sync return |

| IBM | | Horizontal | Vertical | Connector Pins | | | Grounds |
|------------|------|------------|----------|----------------|--------|---------|---|
| 8517 | Freq | 56.50 | 103.0 | Red | 1 RedI | | 6-8,10 |
| | Pix | 1360 | 1024 | Grn | 2 GrnI | | Ang Gnd: |
| Adapter# | | Fpor | (84) | (81) | Blu | 3 BluI | |
| Interlace | Y | Bpor | (85) | (82) | Vsyn | 14 Csyn | V3- |
| Video Type | A | Sync | (86) | (83) | Hsyn | 13 V2+ | V4+ |
| Color/Mono | C | Stype | - | | V1+ | V2- | V4- |
| Multisync | | Range | | | V1- | V3+ | Recall: |
| Multimode | 4 | | | | | | Do NOT use adapter #4; monitor uses sync return |

| IBM | | Horizontal | Vertical | Connector Pins | | | Grounds |
|------------|------|------------|----------|----------------|------|------|---------------|
| 8518 | Freq | 31.50 | | Red | RedI | | |
| | Pix | 640 | 480 | Grn | GrnI | | Ang Gnd: |
| Adapter# | 4 | Fpor | (84) | (81) | Blu | BluI | |
| Interlace | N | Bpor | (85) | (82) | Vsyn | Csyn | V3- |
| Video Type | A | Sync | (86) | (83) | Hsyn | V2+ | V4+ |
| Color/Mono | C | Stype | | | V1+ | V2- | V4- |
| Multisync | | Range | | | V1- | V3+ | Recall: 5,6,7 |
| Multimode | Y | | 50-70 | | | | |

| IBM | | Horizontal | Vertical | Connector Pins | | | Grounds |
|------------|---|------------|----------|----------------|------|-----|----------|
| 8775 | | Freq 20.40 | 77.0 | Red | RedI | | |
| | | Pix | | Grn | GrnI | | Ang Gnd: |
| Adapter# | | Fpor (84) | (81) | Blu | BluI | | |
| Interlace | N | Bpor (85) | (82) | Vsyn 14 | Csyn | V3- | Dig Gnd: |
| Video Type | | Sync (86) | (83) | Hsyn | V2+ | V4+ | |
| Color/Mono | | Stype | | V1+ | V2- | V4- | |
| Multisync | | Range | | V1- | V3+ | | Recall: |
| Multimode | N | | | | | | |

| IBM | | Horizontal | Vertical | Connector Pins | | | Grounds |
|------------|---|------------|----------|---|------|-----|------------|
| 9515 | | Freq 39.40 | 87.9 | Red 1 | RedI | | 6-8,10 |
| | | Pix 720 | 350 | Grn 2 | GrnI | | Ang Gnd: |
| Adapter# | | Fpor (84) | (81) | Blu 3 | BluI | | |
| Interlace | N | Bpor (85) | (82) | Vsyn 14 | Csyn | V3- | Dig Gnd: |
| Video Type | A | Sync (86) | (83) | Hsyn 13 | V2+ | V4+ | |
| Color/Mono | C | Stype + | - | V1+ | V2- | V4- | |
| Multisync | N | Range | | V1- | V3+ | | Recall: 33 |
| Multimode | 1 | | | Do NOT use adapter #4; monitor uses sync return | | | |

| IBM | | Horizontal | Vertical | Connector Pins | | | Grounds |
|------------|---|------------|----------|---|------|-----|------------|
| 9515 | | Freq 39.40 | 87.9 | Red 1 | RedI | | 6-8,10 |
| | | Pix 720 | 400 | Grn 2 | GrnI | | Ang Gnd: |
| Adapter# | | Fpor (84) | (81) | Blu 3 | BluI | | |
| Interlace | N | Bpor (85) | (82) | Vsyn 14 | Csyn | V3- | Dig Gnd: |
| Video Type | A | Sync (86) | (83) | Hsyn 13 | V2+ | V4+ | |
| Color/Mono | C | Stype - | + | V1+ | V2- | V4- | |
| Multisync | N | Range | | V1- | V3+ | | Recall: 34 |
| Multimode | 2 | | | Do NOT use adapter #4; monitor uses sync return | | | |

| IBM | | Horizontal | Vertical | Connector Pins | | | Grounds |
|------------|---|------------|----------|---|------|-----|------------|
| 9515 | | Freq 39.40 | 75.0 | Red 1 | RedI | | 6-8,10 |
| | | Pix 640 | 480 | Grn 2 | GrnI | | Ang Gnd: |
| Adapter# | | Fpor (84) | (81) | Blu 3 | BluI | | |
| Interlace | N | Bpor (85) | (82) | Vsyn 14 | Csyn | V3- | Dig Gnd: |
| Video Type | A | Sync (86) | (83) | Hsyn 13 | V2+ | V4+ | |
| Color/Mono | C | Stype - | - | V1+ | V2- | V4- | |
| Multisync | N | Range | | V1- | V3+ | | Recall: 35 |
| Multimode | 3 | | | Do NOT use adapter #4; monitor uses sync return | | | |

| IBM | | Horizontal | Vertical | Connector Pins | | | Grounds |
|------------|---|------------|----------|---|------|-----|------------|
| 9515 | | Freq 61.10 | 75.0 | Red 1 | RedI | | 6-8,10 |
| | | Pix 1024 | 768 | Grn 2 | GrnI | | Ang Gnd: |
| Adapter# | | Fpor (84) | (81) | Blu 3 | BluI | | |
| Interlace | N | Bpor (85) | (82) | Vsyn 14 | Csyn | V3- | Dig Gnd: |
| Video Type | A | Sync (86) | (83) | Hsyn 13 | V2+ | V4+ | |
| Color/Mono | C | Stype + | + | V1+ | V2- | V4- | |
| Multisync | N | Range | | V1- | V3+ | | Recall: 36 |
| Multimode | 4 | | | Do NOT use adapter #4; monitor uses sync return | | | |

| IBM | | Horizontal | Vertical | Connector Pins | | | Grounds |
|------------|---|------------|----------|---|------|-----|------------|
| 9517 | | Freq 39.40 | 87.9 | Red 1 | RedI | | 6-8,10 |
| | | Pix 720 | 350 | Grn 2 | GrnI | | Ang Gnd: |
| Adapter# | | Fpor (84) | (81) | Blu 3 | BluI | | |
| Interlace | N | Bpor (85) | (82) | Vsyn 14 | Csyn | V3- | Dig Gnd: |
| Video Type | A | Sync (86) | (83) | Hsyn 13 | V2+ | V4+ | |
| Color/Mono | C | Stype + | - | V1+ | V2- | V4- | |
| Multisync | N | Range | | V1- | V3+ | | Recall: 33 |
| Multimode | 1 | | | Do NOT use adapter #4; monitor uses sync return | | | |

| IBM | | Horizontal | Vertical | Connector Pins | | | Grounds |
|------------|---|------------|----------|---|------|-----|------------|
| 9517 | | Freq 39.40 | 87.9 | Red 1 | RedI | | 6-8,10 |
| | | Pix 720 | 400 | Grn 2 | GrnI | | Ang Gnd: |
| Adapter# | | Fpor (84) | (81) | Blu 3 | BluI | | |
| Interlace | N | Bpor (85) | (82) | Vsyn 14 | Csyn | V3- | Dig Gnd: |
| Video Type | A | Sync (86) | (83) | Hsyn 13 | V2+ | V4+ | |
| Color/Mono | C | Stype - | + | V1+ | V2- | V4- | |
| Multisync | N | Range | | V1- | V3+ | | Recall: 34 |
| Multimode | 2 | | | Do NOT use adapter #4; monitor uses sync return | | | |

| IBM | | Horizontal | Vertical | Connector Pins | | | Grounds |
|------------|---------|---|----------|----------------|------|-----|------------|
| 9517 | Freq | 39.40 | 75.0 | Red 1 | RedI | | 6-8,10 |
| | Pix | 640 | 480 | Grn 2 | GrnI | | Ang Gnd: |
| Adapter# | Fpor | (84) | (81) | Blu 3 | BluI | | |
| Interlace | N Bpor | (85) | (82) | Vsyn 14 | Csyn | V3- | Dig Gnd: |
| Video Type | A Sync | (86) | (83) | Hsyn 13 | V2+ | V4+ | |
| Color/Mono | C Stype | - | - | V1+ | V2- | V4- | |
| Multisync | N Range | | | V1- | V3+ | | Recall: 35 |
| Multimode | 3 | Do NOT use adapter #4; monitor uses sync return | | | | | |

| IBM | | Horizontal | Vertical | Connector Pins | | | Grounds |
|------------|---------|---|----------|----------------|------|-----|----------|
| 9517 | Freq | 58.10 | 72.0 | Red 1 | RedI | | 6-8,10 |
| | Pix | 1024 | 768 | Grn 2 | GrnI | | Ang Gnd: |
| Adapter# | Fpor | (84) | (81) | Blu 3 | BluI | | |
| Interlace | N Bpor | (85) | (82) | Vsyn 14 | Csyn | V3- | Dig Gnd: |
| Video Type | A Sync | (86) | (83) | Hsyn 13 | V2+ | V4+ | |
| Color/Mono | C Stype | + | + | V1+ | V2- | V4- | |
| Multisync | N Range | | | V1- | V3+ | | Recall: |
| Multimode | 4 | Do NOT use adapter #4; monitor uses sync return | | | | | |

| IBM | | Horizontal | Vertical | Connector Pins | | | Grounds |
|------------|---------|---|----------|----------------|------|-----|----------|
| 9517 | Freq | 58.10 | 106.0 | Red 1 | RedI | | 6-8,10 |
| | Pix | 1360 | 1024 | Grn 2 | GrnI | | Ang Gnd: |
| Adapter# | Fpor | (84) | (81) | Blu 3 | BluI | | |
| Interlace | Y Bpor | (85) | (82) | Vsyn 14 | Csyn | V3- | Dig Gnd: |
| Video Type | A Sync | (86) | (83) | Hsyn 13 | V2+ | V4+ | |
| Color/Mono | C Stype | - | + | V1+ | V2- | V4- | |
| Multisync | N Range | | | V1- | V3+ | | Recall: |
| Multimode | 5 | Do NOT use adapter #4; monitor uses sync return | | | | | |

| IBM | | Horizontal | Vertical | Connector Pins | | | Grounds |
|------------|---------|---|----------|----------------|------|-----|------------|
| 9518 | Freq | 39.40 | 87.9 | Red 1 | RedI | | 6-8,10 |
| | Pix | 720 | 350 | Grn 2 | GrnI | | Ang Gnd: |
| Adapter# | Fpor | (84) | (81) | Blu 3 | BluI | | |
| Interlace | N Bpor | (85) | (82) | Vsyn 14 | Csyn | V3- | Dig Gnd: |
| Video Type | A Sync | (86) | (83) | Hsyn 13 | V2+ | V4+ | |
| Color/Mono | C Stype | + | - | V1+ | V2- | V4- | |
| Multisync | N Range | | | V1- | V3+ | | Recall: 33 |
| Multimode | 1 | Do NOT use adapter #4; monitor uses sync return | | | | | |

| IBM | | Horizontal | Vertical | Connector Pins | | | Grounds |
|------------|---------|---|----------|----------------|------|-----|------------|
| 9518 | Freq | 39.40 | 87.9 | Red 1 | RedI | | 6-8,10 |
| | Pix | 720 | 400 | Grn 2 | GrnI | | Ang Gnd: |
| Adapter# | Fpor | (84) | (81) | Blu 3 | BluI | | |
| Interlace | N Bpor | (85) | (82) | Vsyn 14 | Csyn | V3- | Dig Gnd: |
| Video Type | A Sync | (86) | (83) | Hsyn 13 | V2+ | V4+ | |
| Color/Mono | C Stype | - | + | V1+ | V2- | V4- | |
| Multisync | N Range | | | V1- | V3+ | | Recall: 34 |
| Multimode | 2 | Do NOT use adapter #4; monitor uses sync return | | | | | |

| IBM | | Horizontal | Vertical | Connector Pins | | | Grounds |
|------------|---------|---|----------|----------------|------|-----|------------|
| 9518 | Freq | 39.40 | 75.0 | Red 1 | RedI | | 6-8,10 |
| | Pix | 640 | 480 | Grn 2 | GrnI | | Ang Gnd: |
| Adapter# | Fpor | (84) | (81) | Blu 3 | BluI | | |
| Interlace | N Bpor | (85) | (82) | Vsyn 14 | Csyn | V3- | Dig Gnd: |
| Video Type | A Sync | (86) | (83) | Hsyn 13 | V2+ | V4+ | |
| Color/Mono | C Stype | - | - | V1+ | V2- | V4- | |
| Multisync | N Range | | | V1- | V3+ | | Recall: 35 |
| Multimode | 3 | Do NOT use adapter #4; monitor uses sync return | | | | | |

| IDEK | | Horizontal | Vertical | Connector Pins | | | Grounds |
|------------|---------|------------|----------|----------------|------|-----|----------|
| MP5321 | Freq | | | Red | RedI | | |
| | Pix | 1280 | 1280 | Grn | GrnI | | Ang Gnd: |
| Adapter# | 6 Fpor | (84) | (81) | Blu | BluI | | |
| Interlace | N Bpor | (85) | (82) | Vsyn | Csyn | V3- | Dig Gnd: |
| Video Type | A Sync | (86) | (83) | Hsyn | V2+ | V4+ | |
| Color/Mono | C Stype | | | V1+ | V2- | V4- | |
| Multisync | Range | 30-80 | 50-90 | V1- | V3+ | | Recall: |
| Multimode | | | | | | | |

| IIYAMA | | Horizontal | Vertical | Connector Pins | | | Grounds |
|--------------|-----------|------------|----------|----------------|------|-----|----------|
| MF-8217 | Freq | | | Red | RedI | | |
| VISIONMASTER | Pix | 1280 | 1024 | Grn | GrnI | | Ang Gnd: |
| Adapter# | 4,6 Fpor | (84) | (81) | Blu | BluI | | |
| Interlace | Y Bpor | (85) | (82) | Vsyn | Csyn | V3- | Dig Gnd: |
| Video Type | A Sync | (86) | (83) | Hsyn | V2+ | V4+ | |
| Color/Mono | C Stype | | | V1+ | V2- | V4- | |
| Multisync | Y Range | 30-65 | 50-90 | V1- | V3+ | | Recall: |
| Multimode | N VARIOUS | | | | | | |

| IIYAMA | | Horizontal | Vertical | Connector Pins | | | Grounds |
|------------|-----------|------------|----------|----------------|------|-----|----------|
| MF-8317 | Freq | | | Red | RedI | | |
| | Pix | 1280 | 1024 | Grn | GrnI | | Ang Gnd: |
| Adapter# | Fpor | (84) | (81) | Blu | BluI | | |
| Interlace | Y Bpor | (85) | (82) | Vsyn | Csyn | V3- | Dig Gnd: |
| Video Type | A Sync | (86) | (83) | Hsyn | V2+ | V4+ | |
| Color/Mono | 4,6 Stype | | | V1+ | V2- | V4- | |
| Multisync | Y Range | 30-65 | 50-90 | V1- | V3+ | | Recall: |
| Multimode | N VARIOUS | | | | | | |

| IKEGAMI | | Horizontal | Vertical | Connector Pins | | | Grounds |
|------------|--------|------------|------------|----------------|------|-----|----------|
| DM2010A | Freq | 64.00 | 60.0 | Red | RedI | | |
| | Pix | 1280 | 1024 | Grn | GrnI | | Ang Gnd: |
| Adapter# | 6 Fpor | 0.5 (84) | 0.001 (81) | Blu | BluI | | |
| Interlace | N Bpor | 1 (85) | 0.609 (82) | Vsyn | Csyn | V3- | Dig Gnd: |
| Video Type | A Sync | 2.5 (86) | 0.047 (83) | Hsyn | V2+ | V4+ | |
| Color/Mono | Stype | - | - | V1+ | V2- | V4- | |
| Multisync | Range | | | V1- | V3+ | | Recall: |
| Multimode | 1 | | | | | | |

| IKEGAMI | | Horizontal | Vertical | Connector Pins | | | Grounds |
|------------|---------|-------------------|------------|----------------|---------|-----|----------|
| DM2010A | Freq | 53.57 | 66.1 | Red | RedI | | |
| | Pix | 1024 | 768 | Grn | GrnI | | Ang Gnd: |
| Adapter# | 6 Fpor | 0.888 (84) | 0.001 (81) | Blu | BluI | | 7,8 |
| Interlace | N Bpor | 2.22 (85) | 0.671 (82) | Vsyn 4 | Csyn | V3- | Dig Gnd: |
| Video Type | E Sync | 1.33 (86) | 0.111 (83) | Hsyn 3 | V2+ | V4+ | |
| Color/Mono | M Stype | - | - | V1+ 1 | V2- | V4- | |
| Multisync | Range | | | V1- 6 | V3+ | | Recall: |
| Multimode | 2 | same as Super MAC | | | STD9437 | | |

| IKEGAMI | | Horizontal | Vertical | Connector Pins | | | Grounds |
|------------|--------|------------|-------------|----------------|------|-----|----------|
| DM2010A | Freq | 48.80 | 60.0 | Red | RedI | | |
| | Pix | 1024 | 768 | Grn | GrnI | | Ang Gnd: |
| Adapter# | 6 Fpor | 0.91 (84) | 0.0615 (81) | Blu | BluI | | |
| Interlace | N Bpor | 2.09 (85) | 0.8 (82) | Vsyn | Csyn | V3- | Dig Gnd: |
| Video Type | A Sync | 1.5 (86) | 0.062 (83) | Hsyn | V2+ | V4+ | |
| Color/Mono | Stype | - | - | V1+ | V2- | V4- | |
| Multisync | Range | | | V1- | V3+ | | Recall: |
| Multimode | 3 | | | | | | |

| IKEGAMI | | Horizontal | Vertical | Connector Pins | | | Grounds |
|------------|---------|------------|------------|----------------|------|-----|----------|
| DM2010AD | Freq | 60.20 | 75.1 | Red | RedI | | |
| | Pix | 1024 | 768 | Grn | GrnI | | Ang Gnd: |
| Adapter# | 6 Fpor | 1 (84) | 0.05 (81) | Blu | BluI | | |
| Interlace | N Bpor | 1.8 (85) | 0.481 (82) | Vsyn | Csyn | V3- | Dig Gnd: |
| Video Type | A Sync | 1 (86) | 0.05 (83) | Hsyn | V2+ | V4+ | |
| Color/Mono | M Stype | | | V1+ | V2- | V4- | |
| Multisync | Range | | | V1- | V3+ | | Recall: |
| Multimode | | | | | | | |

| IKEGAMI | | Horizontal | Vertical | Connector Pins | | | Grounds |
|------------|---------|------------|------------|----------------|------|-----|----------|
| DM2060 | Freq | 48.70 | 60.0 | Red | RedI | | |
| | Pix | 1024 | 768 | Grn | GrnI | | Ang Gnd: |
| Adapter# | 6 Fpor | 0.875 (84) | 0.061 (81) | Blu | BluI | | |
| Interlace | N Bpor | 2.12 (85) | 0.799 (82) | Vsyn | Csyn | V3- | Dig Gnd: |
| Video Type | A Sync | 1.5 (86) | 0.061 (83) | Hsyn | V2+ | V4+ | |
| Color/Mono | C Stype | - | - | V1+ | V2- | V4- | |
| Multisync | Range | | | V1- | V3+ | | Recall: |
| Multimode | | | | | | | |

| IMAGE SYSTEMS | | Horizontal | Vertical | Connector Pins | | | Grounds |
|-----------------|-----|------------|-----------|-------------------------------------|-------|-------|----------|
| M24L MAX | | Freq | | Red | RedI | | |
| | | Pix | 1024-2048 | Grn | GrnI | | Ang Gnd: |
| Adapter# | ECL | Fpor | (84) | Blu | BluI | | 15-25 |
| Interlace | N | Bpor | (85) | Vsyn | Csyn | V3- 6 | Dig Gnd: |
| Video Type | E | Sync | (86) | Hsyn | V2+ 4 | V4+ 8 | |
| Color/Mono | M | Stype | | V1+ 1 | V2- 3 | V4- 7 | |
| Multisync | | Range | 48-96 | V1- 2 | V3+ 5 | | Recall: |
| Multimode | | | 60-80 | DB9 or BNC input equals analog type | | | |

| ITT | | Horizontal | Vertical | Connector Pins | | | Grounds |
|-------------|---|------------|----------|----------------|------|-----|----------|
| 1700 | | Freq | 18.90 | Red | RedI | | |
| | | Pix | | Grn | GrnI | | Ang Gnd: |
| Adapter# | | Fpor | (84) | Blu | BluI | | |
| Interlace | | Bpor | (85) | Vsyn | Csyn | V3- | Dig Gnd: |
| Video Type | | Sync | (86) | Hsyn | V2+ | V4+ | |
| Color/Mono | M | Stype | | V1+ | V2- | V4- | |
| Multisync | | Range | | V1- | V3+ | | Recall: |
| Multimode | | | | | | | |

| ITT | | Horizontal | Vertical | Connector Pins | | | Grounds |
|-------------|---|------------|----------|----------------|------|-----|----------|
| 1900 | | Freq | 25.00 | Red | RedI | | |
| | | Pix | | Grn | GrnI | | Ang Gnd: |
| Adapter# | | Fpor | (84) | Blu | BluI | | |
| Interlace | | Bpor | (85) | Vsyn | Csyn | V3- | Dig Gnd: |
| Video Type | | Sync | (86) | Hsyn | V2+ | V4+ | |
| Color/Mono | C | Stype | | V1+ | V2- | V4- | |
| Multisync | | Range | | V1- | V3+ | | Recall: |
| Multimode | | | | | | | |

| ITT | | Horizontal | Vertical | Connector Pins | | | Grounds |
|-------------|---|------------|----------|----------------|------|-----|----------|
| 2700 | | Freq | 18.90 | Red | RedI | | |
| | | Pix | | Grn | GrnI | | Ang Gnd: |
| Adapter# | | Fpor | (84) | Blu | BluI | | |
| Interlace | | Bpor | (85) | Vsyn | Csyn | V3- | Dig Gnd: |
| Video Type | | Sync | (86) | Hsyn | V2+ | V4+ | |
| Color/Mono | M | Stype | | V1+ | V2- | V4- | |
| Multisync | | Range | | V1- | V3+ | | Recall: |
| Multimode | | | | | | | |

| KDS | | Horizontal | Vertical | Connector Pins | | | Grounds |
|----------------|---|------------|-----------|--|------|-----|----------|
| KD-1440 | | Freq | | Red | RedI | | |
| | | Pix | 1024 | Grn | GrnI | | Ang Gnd: |
| Adapter# | | Fpor | (84) | Blu | BluI | | |
| Interlace | Y | Bpor | (85) | Vsyn | Csyn | V3- | Dig Gnd: |
| Video Type | A | Sync | (86) | Hsyn | V2+ | V4+ | |
| Color/Mono | C | Stype | | V1+ | V2- | V4- | |
| Multisync | Y | Range | 31.5/35.5 | V1- | V3+ | | Recall: |
| Multimode | Y | | 50-90 | VGA, SVGA, 8514A INTERLACED IN 8514A MODE. | | | |

| KDS | | Horizontal | Vertical | Connector Pins | | | Grounds |
|----------------|---|------------|----------|---|------|-----|----------|
| KD-1450 | | Freq | | Red | RedI | | |
| | | Pix | 1024 | Grn | GrnI | | Ang Gnd: |
| Adapter# | | Fpor | (84) | Blu | BluI | | |
| Interlace | Y | Bpor | (85) | Vsyn | Csyn | V3- | Dig Gnd: |
| Video Type | A | Sync | (86) | Hsyn | V2+ | V4+ | |
| Color/Mono | C | Stype | | V1+ | V2- | V4- | |
| Multisync | Y | Range | 31-52 | V1- | V3+ | | Recall: |
| Multimode | N | | 50-90 | VGA, SVGA, XGA, 8 INTERLACED IN 8514A MODE. | | | |

| KDS | | Horizontal | Vertical | Connector Pins | | | Grounds |
|----------------|---|------------|----------|---|------|-----|----------|
| KD-1460 | | Freq | | Red | RedI | | |
| | | Pix | 1280 | Grn | GrnI | | Ang Gnd: |
| Adapter# | | Fpor | (84) | Blu | BluI | | |
| Interlace | Y | Bpor | (85) | Vsyn | Csyn | V3- | Dig Gnd: |
| Video Type | A | Sync | (86) | Hsyn | V2+ | V4+ | |
| Color/Mono | C | Stype | | V1+ | V2- | V4- | |
| Multisync | Y | Range | 31.5-64 | V1- | V3+ | | Recall: |
| Multimode | N | | 50-90 | VGA, SVGA, XGA, 8 INTERLACED IN 8514A MODE. | | | |

| KDS | | Horizontal | Vertical | Connector Pins | | | Grounds | |
|----------------|------------------|---------------------------|----------|----------------|------|-----|----------|--|
| KD-1500 | Freq | | | Red | RedI | | | |
| | Pix | 1280 | 1024 | Grn | GrnI | | Ang Gnd: | |
| Adapter# | Fpor | (84) | (81) | Blu | BluI | | | |
| Interlace | Y Bpor | (85) | (82) | Vsyn | Csyn | V3- | Dig Gnd: | |
| Video Type | A Sync | (86) | (83) | Hsyn | V2+ | V4+ | | |
| Color/Mono | C Stype | | | V1+ | V2- | V4- | | |
| Multisync | Y Range | 30-66 | 50-90 | V1- | V3+ | | Recall: | |
| Multimode | N VGA,SVGA,XGA,8 | INTERLACED IN 8514A MODE. | | | | | | |

| KDS | | Horizontal | Vertical | Connector Pins | | | Grounds | |
|---------------------------|------------------|---------------------------|----------|----------------|------|-----|----------|--|
| KD-1700 | Freq | | | Red | RedI | | | |
| 17" ULTRA-VGA COLO | Pix | 1280 | 1024 | Grn | GrnI | | Ang Gnd: | |
| Adapter# | Fpor | (84) | (81) | Blu | BluI | | | |
| Interlace | Y Bpor | (85) | (82) | Vsyn | Csyn | V3- | Dig Gnd: | |
| Video Type | A Sync | (86) | (83) | Hsyn | V2+ | V4+ | | |
| Color/Mono | C Stype | | | V1+ | V2- | V4- | | |
| Multisync | Y Range | 30-78 | 50-90 | V1- | V3+ | | Recall: | |
| Multimode | N VGA,SVGA,XGA,8 | INTERLACED IN 8514A MODE. | | | | | | |

| KFC | | Horizontal | Vertical | Connector Pins | | | Grounds | |
|---------------|------------------|--------------------------|----------|----------------|------|-----|----------|--|
| CA1718 | Freq | | | Red | RedI | | | |
| | Pix | 1280 | 1024 | Grn | GrnI | | Ang Gnd: | |
| Adapter# | Fpor | (84) | (81) | Blu | BluI | | | |
| Interlace | Y Bpor | (85) | (82) | Vsyn | Csyn | V3- | Dig Gnd: | |
| Video Type | A Sync | (86) | (83) | Hsyn | V2+ | V4+ | | |
| Color/Mono | C Stype | | | V1+ | V2- | V4- | | |
| Multisync | Y Range | 30-65 | 50-90 | V1- | V3+ | | Recall: | |
| Multimode | N VGA,SVGA,8514A | INTERLACED IN 8514A MODE | | | | | | |

| LEADING EDGE | | Horizontal | Vertical | Connector Pins | | | Grounds | |
|-------------------|----------------|--------------------------|----------|----------------|------|-----|----------|--|
| CMON 1528V | Freq | | | Red | RedI | | | |
| | Pix | 1024 | 768 | Grn | GrnI | | Ang Gnd: | |
| Adapter# | Fpor | (84) | (81) | Blu | BluI | | | |
| Interlace | Y Bpor | (85) | (82) | Vsyn | Csyn | V3- | Dig Gnd: | |
| Video Type | A Sync | (86) | (83) | Hsyn | V2+ | V4+ | | |
| Color/Mono | C Stype | | | V1+ | V2- | V4- | | |
| Multisync | Range | 31.5/58 | 47-100 | V1- | V3+ | | Recall: | |
| Multimode | VGA,SVGA,XGA,8 | INTERLACED IN 8514A ONLY | | | | | | |

| LEADING EDGE | | Horizontal | Vertical | Connector Pins | | | Grounds | |
|-------------------|----------------|--------------------------|----------|----------------|------|-----|----------|--|
| CMON 1726V | Freq | | | Red | RedI | | | |
| | Pix | 1280 | 1024 | Grn | GrnI | | Ang Gnd: | |
| Adapter# | Fpor | (84) | (81) | Blu | BluI | | | |
| Interlace | Y Bpor | (85) | (82) | Vsyn | Csyn | V3- | Dig Gnd: | |
| Video Type | A Sync | (86) | (83) | Hsyn | V2+ | V4+ | | |
| Color/Mono | C Stype | | | V1+ | V2- | V4- | | |
| Multisync | Range | 31.5/48 | 50-90 | V1- | V3+ | | Recall: | |
| Multimode | VGA,SVGA,XGA,8 | INTERLACED IN 8514A ONLY | | | | | | |

| LEADING EDGE | | Horizontal | Vertical | Connector Pins | | | Grounds | |
|-------------------|----------------|--------------------------|----------|----------------|------|-----|----------|--|
| CMON 2128V | Freq | | | Red | RedI | | | |
| | Pix | 1280 | 1024 | Grn | GrnI | | Ang Gnd: | |
| Adapter# | Fpor | (84) | (81) | Blu | BluI | | | |
| Interlace | Y Bpor | (85) | (82) | Vsyn | Csyn | V3- | Dig Gnd: | |
| Video Type | A Sync | (86) | (83) | Hsyn | V2+ | V4+ | | |
| Color/Mono | C Stype | | | V1+ | V2- | V4- | | |
| Multisync | Range | 30/65 | 50-90 | V1- | V3+ | | Recall: | |
| Multimode | VGA,SVGA,XGA,8 | INTERLACED IN 8514A ONLY | | | | | | |

| LEADING EDGE | | Horizontal | Vertical | Connector Pins | | | Grounds | |
|------------------|-------------|--------------------------|----------|----------------|------|-----|---------------|--|
| CMON.28AD | Freq | | | Red | RedI | | | |
| | Pix | 1024 | 768 | Grn | GrnI | | Ang Gnd: | |
| Adapter# | 4 Fpor | (84) | (81) | Blu | BluI | | | |
| Interlace | Y Bpor | (85) | (82) | Vsyn | Csyn | V3- | Dig Gnd: | |
| Video Type | A Sync | (86) | (83) | Hsyn | V2+ | V4+ | | |
| Color/Mono | C Stype | | | V1+ | V2- | V4- | | |
| Multisync | N Range | 31.5/35.5 | 50-90 | V1- | V3+ | | Recall: 5-7,9 | |
| Multimode | Y VGA,8514A | INTERLACED IN 8514A ONLY | | | | | | |

| LEADING EDGE | | Horizontal | Vertical | Connector Pins | | | Grounds |
|-----------------|-----|---|----------|----------------|------|------|-------------|
| CMON.28N | | Freq | | Red | RedI | | |
| | Pix | 1024 | 768 | Grn | GrnI | | Ang Gnd: |
| Adapter# | 4 | Fpor | (84) | (81) | Blu | BluI | |
| Interlace | Y | Bpor | (85) | (82) | Vsyn | Csyn | V3- |
| Video Type | A | Sync | (86) | (83) | Hsyn | V2+ | V4+ |
| Color/Mono | C | Stype | | | V1+ | V2- | V4- |
| Multisync | N | Range | 31.5/48 | 50-90 | V1- | V3+ | Recall: 5-9 |
| Multimode | Y | VGA, SVGA, XGA, 8INTERLACED IN 8514A ONLY | | | | | |

| LEADING EDGE | | Horizontal | Vertical | Connector Pins | | | Grounds |
|------------------|-----|---|----------|----------------|------|------|----------|
| CMON.28NI | | Freq | | Red | RedI | | |
| | Pix | 1024 | 768 | Grn | GrnI | | Ang Gnd: |
| Adapter# | | Fpor | (84) | (81) | Blu | BluI | |
| Interlace | Y | Bpor | (85) | (82) | Vsyn | Csyn | V3- |
| Video Type | A | Sync | (86) | (83) | Hsyn | V2+ | V4+ |
| Color/Mono | C | Stype | | | V1+ | V2- | V4- |
| Multisync | N | Range | 31.5/58 | 50-90 | V1- | V3+ | Recall: |
| Multimode | | VGA, SVGA, XGA, 8INTERLACED IN 8514A ONLY | | | | | |

| LEADING EDGE | | Horizontal | Vertical | Connector Pins | | | Grounds |
|-------------------|-----|--------------------------------------|-----------|----------------|------|------|---------------|
| CMON.39ADV | | Freq | | Red | RedI | | |
| | Pix | 1024 | 768 | Grn | GrnI | | Ang Gnd: |
| Adapter# | 4 | Fpor | (84) | (81) | Blu | BluI | |
| Interlace | Y | Bpor | (85) | (82) | Vsyn | Csyn | V3- |
| Video Type | A | Sync | (86) | (83) | Hsyn | V2+ | V4+ |
| Color/Mono | C | Stype | | | V1+ | V2- | V4- |
| Multisync | N | Range | 31.5/35.5 | 50-90 | V1- | V3+ | Recall: 5-7,9 |
| Multimode | Y | VGA, 8514A INTERLACED IN 8514A ONLY. | | | | | |

| LEADING EDGE | | Horizontal | Vertical | Connector Pins | | | Grounds |
|------------------|-----|------------|----------|----------------|------|------|-------------|
| CMON.42GV | | Freq | 31.50 | Red | RedI | | |
| | Pix | 640 | 480 | Grn | GrnI | | Ang Gnd: |
| Adapter# | 4 | Fpor | (84) | (81) | Blu | BluI | |
| Interlace | N | Bpor | (85) | (82) | Vsyn | Csyn | V3- |
| Video Type | A | Sync | (86) | (83) | Hsyn | V2+ | V4+ |
| Color/Mono | C | Stype | | | V1+ | V2- | V4- |
| Multisync | N | Range | | 50-70 | V1- | V3+ | Recall: 5-7 |
| Multimode | Y | VGA | | | | | |

| LEADING EDGE | | Horizontal | Vertical | Connector Pins | | | Grounds |
|------------------|-----|------------|----------|----------------|------|------|-------------|
| CMON.51GV | | Freq | 31.50 | Red | RedI | | |
| | Pix | 640 | 480 | Grn | GrnI | | Ang Gnd: |
| Adapter# | 4 | Fpor | (84) | (81) | Blu | BluI | |
| Interlace | N | Bpor | (85) | (82) | Vsyn | Csyn | V3- |
| Video Type | A | Sync | (86) | (83) | Hsyn | V2+ | V4+ |
| Color/Mono | C | Stype | | | V1+ | V2- | V4- |
| Multisync | N | Range | | 50-70 | V1- | V3+ | Recall: 5-7 |
| Multimode | Y | VGA | | | | | |

| LINK | | Horizontal | Vertical | Connector Pins | | | Grounds |
|------------|-----|---|-----------|----------------|------|------|----------|
| MC5 | | Freq | 31.37 | 59.9 | Red | RedI | |
| | Pix | 1088 | 507 | Grn | GrnI | | Ang Gnd: |
| Adapter# | | Fpor | 1.36 (84) | 0.166 (81) | Blu | BluI | |
| Interlace | | Bpor | 1.36 (85) | 0.166 (82) | Vsyn | Csyn | V3- |
| Video Type | | Sync | 1.36 (86) | 0.166 (83) | Hsyn | V2+ | V4+ |
| Color/Mono | M | Stype | | | V1+ | V2- | V4- |
| Multisync | | Range | | | V1- | V3+ | Recall: |
| Multimode | | bypass D/A convertor and inject H, V, & video | | | | | |

| LOOP | | Horizontal | Vertical | Connector Pins | | | Grounds |
|----------------|-----|---------------|----------|----------------|------|------|----------|
| CT-1448 | | Freq | | Red | RedI | | |
| | Pix | 1024 | 768 | Grn | GrnI | | Ang Gnd: |
| Adapter# | 4 | Fpor | (84) | (81) | Blu | BluI | |
| Interlace | N | Bpor | (85) | (82) | Vsyn | Csyn | V3- |
| Video Type | A | Sync | (86) | (83) | Hsyn | V2+ | V4+ |
| Color/Mono | M | Stype | | | V1+ | V2- | V4- |
| Multisync | N | Range | 31/35 | 60/70/80 | V1- | V3+ | Recall: |
| Multimode | Y | MDA, HERCULES | | | | | |

| LOOP | | Horizontal | Vertical | Connector Pins | | | Grounds |
|------------|---|------------|----------|----------------|------|-----|--------------|
| CT-1458 | Freq | 1024 | 768 | Red | RedI | | |
| | Pix | | | Grn | GrnI | | Ang Gnd: |
| Adapter# | 1,4 Fpor | (84) | (81) | Blu | BluI | | |
| Interlace | Y Bpor | (85) | (82) | Vsyn | Csyn | V3- | Dig Gnd: |
| Video Type | A Sync | (86) | (83) | Hsyn | V2+ | V4+ | |
| Color/Mono | C Stype | | | V1+ | V2- | V4- | |
| Multisync | Y Range15-48 | | 47-100 | V1- | V3+ | | Recall: 0-10 |
| Multimode | N MDA, CGA, EGA, VGINTERLACED IN 8514A MODE | | | | | | |

| LOOP | | Horizontal | Vertical | Connector Pins | | | Grounds |
|------------|--|------------|----------|----------------|------|-----|-------------------|
| CT-1469 | Freq | 1024 | 768 | Red | RedI | | |
| | Pix | | | Grn | GrnI | | Ang Gnd: |
| Adapter# | 4 Fpor | (84) | (81) | Blu | BluI | | |
| Interlace | Bpor | (85) | (82) | Vsyn | Csyn | V3- | Dig Gnd: |
| Video Type | A Sync | (86) | (83) | Hsyn | V2+ | V4+ | |
| Color/Mono | C Stype | | | V1+ | V2- | V4- | |
| Multisync | N Range31/35 | | 60/70/87 | V1- | V3+ | | Recall: 5,6,7,8,9 |
| Multimode | Y VGA, SVGA, 8514AINTERLACED IN 8514A MODE | | | | | | |

| LOOP | | Horizontal | Vertical | Connector Pins | | | Grounds |
|------------|---|------------|----------|----------------|------|-----|-----------|
| CT-1969 | Freq | 1024 | 768 | Red | RedI | | |
| | Pix | | | Grn | GrnI | | Ang Gnd: |
| Adapter# | 1 Fpor | (84) | (81) | Blu | BluI | | |
| Interlace | Y Bpor | (85) | (82) | Vsyn | Csyn | V3- | Dig Gnd: |
| Video Type | A Sync | (86) | (83) | Hsyn | V2+ | V4+ | |
| Color/Mono | M Stype | | | V1+ | V2- | V4- | |
| Multisync | Y Range31-35 | | 60/70/87 | V1- | V3+ | | Recall: 1 |
| Multimode | Y VGA, SVGA, 8514AINTERLACED IN 8514A MODE. | | | | | | |

| LOOP | | Horizontal | Vertical | Connector Pins | | | Grounds |
|------------|-----------------|------------|----------|----------------|------|-----|-----------|
| CT-418P/A | Freq | 18.43 | | Red | RedI | | |
| | Pix | 720 | 350 | Grn | GrnI | | Ang Gnd: |
| Adapter# | 1 Fpor | (84) | (81) | Blu | BluI | | |
| Interlace | N Bpor | (85) | (82) | Vsyn | Csyn | V3- | Dig Gnd: |
| Video Type | D Sync | (86) | (83) | Hsyn | V2+ | V4+ | |
| Color/Mono | M Stype | + | - | V1+ | V2- | V4- | |
| Multisync | Y Range | | 47-63 | V1- | V3+ | | Recall: 1 |
| Multimode | N MDA, HERCULES | | | | | | |

| MAG | | Horizontal | Vertical | Connector Pins | | | Grounds |
|------------|--------------|------------|----------|----------------|------|-----|----------|
| MX14H | Freq | 1280 | 1024 | Red | RedI | | |
| | Pix | | | Grn | GrnI | | Ang Gnd: |
| Adapter# | Fpor | (84) | (81) | Blu | BluI | | |
| Interlace | N Bpor | (85) | (82) | Vsyn | Csyn | V3- | Dig Gnd: |
| Video Type | A Sync | (86) | (83) | Hsyn | V2+ | V4+ | |
| Color/Mono | C Stype | | | V1+ | V2- | V4- | |
| Multisync | Y Range30-64 | | 50-120 | V1- | V3+ | | Recall: |
| Multimode | N 14" COLOR | | | | | | |

| MAG | | Horizontal | Vertical | Connector Pins | | | Grounds |
|------------|--------------|------------|----------|----------------|------|-----|----------|
| MX14S | Freq | 1280 | 1024 | Red | RedI | | |
| | Pix | | | Grn | GrnI | | Ang Gnd: |
| Adapter# | Fpor | (84) | (81) | Blu | BluI | | |
| Interlace | N Bpor | (85) | (82) | Vsyn | Csyn | V3- | Dig Gnd: |
| Video Type | A Sync | (86) | (83) | Hsyn | V2+ | V4+ | |
| Color/Mono | C Stype | | | V1+ | V2- | V4- | |
| Multisync | Y Range30-64 | | 50-120 | V1- | V3+ | | Recall: |
| Multimode | N 14" COLOR | | | | | | |

| MAG | | Horizontal | Vertical | Connector Pins | | | Grounds |
|------------|--|------------|----------|----------------|------|-----|----------|
| MX14S | Freq | 1280 | 1024 | Red | RedI | | |
| | Pix | | | Grn | GrnI | | Ang Gnd: |
| Adapter# | Fpor | (84) | (81) | Blu | BluI | | |
| Interlace | Y Bpor | (85) | (82) | Vsyn | Csyn | V3- | Dig Gnd: |
| Video Type | A Sync | (86) | (83) | Hsyn | V2+ | V4+ | |
| Color/Mono | C Stype | | | V1+ | V2- | V4- | |
| Multisync | Y Range30-64 | | 50-120 | V1- | V3+ | | Recall: |
| Multimode | N VGA, SVGA, XGA, VINTERLACED IN 8514A ONLY. | | | | | | |

| MAG | | Horizontal | Vertical | Connector Pins | | | Grounds |
|--------------|--------------|------------|-----------|----------------|------|-----|----------|
| MX15F | Freq | | | Red | RedI | | |
| | Pix | 1280 | 1024 | Grn | GrnI | | Ang Gnd: |
| Adapter# | Fpor | (84) | (81) | Blu | BluI | | |
| Interlace | N Bpor | (85) | (82) | Vsyn | Csyn | V3- | Dig Gnd: |
| Video Type | A Sync | (86) | (83) | Hsyn | V2+ | V4+ | |
| Color/Mono | C Stype | | | V1+ | V2- | V4- | |
| Multisync | Y Range30-68 | | 50-120 | V1- | V3+ | | Recall: |
| Multimode | N | | 15" COLOR | | | | |

| MAG | | Horizontal | Vertical | Connector Pins | | | Grounds |
|--------------|--------------|------------|--|----------------|------|-----|----------|
| MX15F | Freq | | | Red | RedI | | |
| | Pix | 1280 | 1024 | Grn | GrnI | | Ang Gnd: |
| Adapter# | Fpor | (84) | (81) | Blu | BluI | | |
| Interlace | Y Bpor | (85) | (82) | Vsyn | Csyn | V3- | Dig Gnd: |
| Video Type | A Sync | (86) | (83) | Hsyn | V2+ | V4+ | |
| Color/Mono | C Stype | | | V1+ | V2- | V4- | |
| Multisync | Y Range30-68 | | 50-120 | V1- | V3+ | | Recall: |
| Multimode | N | | VGA, SVGA, XGA, VINTERLACED IN 8514A ONLY. | | | | |

| MAG | | Horizontal | Vertical | Connector Pins | | | Grounds |
|--------------|--------------|------------|-----------|----------------|------|-----|----------|
| MX17F | Freq | | | Red | RedI | | |
| | Pix | 1280 | 1024 | Grn | GrnI | | Ang Gnd: |
| Adapter# | Fpor | (84) | (81) | Blu | BluI | | |
| Interlace | N Bpor | (85) | (82) | Vsyn | Csyn | V3- | Dig Gnd: |
| Video Type | A Sync | (86) | (83) | Hsyn | V2+ | V4+ | |
| Color/Mono | C Stype | | | V1+ | V2- | V4- | |
| Multisync | Y Range30-68 | | 50-120 | V1- | V3+ | | Recall: |
| Multimode | N | | 17" COLOR | | | | |

| MAG | | Horizontal | Vertical | Connector Pins | | | Grounds |
|--------------|--------------|------------|--|----------------|------|-----|----------|
| MX17F | Freq | | | Red | RedI | | |
| | Pix | 1280 | 1024 | Grn | GrnI | | Ang Gnd: |
| Adapter# | Fpor | (84) | (81) | Blu | BluI | | |
| Interlace | Y Bpor | (85) | (82) | Vsyn | Csyn | V3- | Dig Gnd: |
| Video Type | A Sync | (86) | (83) | Hsyn | V2+ | V4+ | |
| Color/Mono | C Stype | | | V1+ | V2- | V4- | |
| Multisync | Y Range30-68 | | 50-120 | V1- | V3+ | | Recall: |
| Multimode | N | | VGA, SVGA, XGA, VINTERLACED IN 8514A ONLY. | | | | |

| MAG | | Horizontal | Vertical | Connector Pins | | | Grounds |
|--------------|--------------|------------|-----------|----------------|------|-----|----------|
| MX17S | Freq | | | Red | RedI | | |
| | Pix | 1280 | 1024 | Grn | GrnI | | Ang Gnd: |
| Adapter# | Fpor | (84) | (81) | Blu | BluI | | |
| Interlace | N Bpor | (85) | (82) | Vsyn | Csyn | V3- | Dig Gnd: |
| Video Type | A Sync | (86) | (83) | Hsyn | V2+ | V4+ | |
| Color/Mono | C Stype | | | V1+ | V2- | V4- | |
| Multisync | Y Range30-68 | | 50-120 | V1- | V3+ | | Recall: |
| Multimode | N | | 17" COLOR | | | | |

| MAG | | Horizontal | Vertical | Connector Pins | | | Grounds |
|----------------|--------------|------------|-----------|----------------|------|-----|----------|
| PMV1448 | Freq | | | Red | RedI | | |
| | Pix | 1024 | 768 | Grn | GrnI | | Ang Gnd: |
| Adapter# | Fpor | (84) | (81) | Blu | BluI | | |
| Interlace | N Bpor | (85) | (82) | Vsyn | Csyn | V3- | Dig Gnd: |
| Video Type | A Sync | (86) | (83) | Hsyn | V2+ | V4+ | |
| Color/Mono | C Stype | | | V1+ | V2- | V4- | |
| Multisync | Y Range30-49 | | 50-90 | V1- | V3+ | | Recall: |
| Multimode | N | | 14" COLOR | | | | |

| MAG | | Horizontal | Vertical | Connector Pins | | | Grounds |
|-----------------|--------------|------------|-----------|----------------|------|-----|----------|
| PMV14VC+ | Freq | | | Red | RedI | | |
| | Pix | 1024 | 768 | Grn | GrnI | | Ang Gnd: |
| Adapter# | Fpor | (84) | (81) | Blu | BluI | | |
| Interlace | Y Bpor | (85) | (82) | Vsyn | Csyn | V3- | Dig Gnd: |
| Video Type | A Sync | (86) | (83) | Hsyn | V2+ | V4+ | |
| Color/Mono | C Stype | | | V1+ | V2- | V4- | |
| Multisync | Y Range30-37 | | 50-90 | V1- | V3+ | | Recall: |
| Multimode | N | | 14" COLOR | | | | |

| MAGNAVOX | | Horizontal | Vertical | Connector Pins | | | Grounds |
|--------------|----------------------------------|------------|----------|----------------|------|-----|-----------------|
| 1720DC BE01 | Freq | | | Red | RedI | | |
| 17" AUTOSCAN | Pix | 1280 | 1024 | Grn | GrnI | | Ang Gnd: |
| Adapter# 4,5 | Fpor | (84) | (81) | Blu | BluI | | |
| Interlace N | Bpor | (85) | (82) | Vsyn | Csyn | V3- | Dig Gnd: |
| Video Type A | Sync | (86) | (83) | Hsyn | V2+ | V4+ | |
| Color/Mono C | Stype | + | + | V1+ | V2- | V4- | |
| Multisync Y | Range | 30-82 | 50-120 | V1- | V3+ | | Recall: 7-10,25 |
| Multimode Y | MOST COMMON + 12 MODE CAPABILITY | | | | | | |

| MAGNAVOX | | Horizontal | Vertical | Connector Pins | | | Grounds |
|--------------|---|------------|----------|----------------|------|-----|----------------|
| 20CM64 | Freq | | | Red | RedI | | |
| 20" AUTOSCAN | Pix | 1280 | 1024 | Grn | GrnI | | Ang Gnd: |
| Adapter# 4 | Fpor | (84) | (81) | Blu | BluI | | |
| Interlace Y | Bpor | (85) | (82) | Vsyn | Csyn | V3- | Dig Gnd: |
| Video Type A | Sync | (86) | (83) | Hsyn | V2+ | V4+ | |
| Color/Mono C | Stype | | | V1+ | V2- | V4- | |
| Multisync Y | Range | 30-64 | 50-90 | V1- | V3+ | | Recall: 5,7-10 |
| Multimode Y | VGA, SVGA, 8514A INTERLACED IN 8514A MODE | | | | | | |

| MAGNAVOX | | Horizontal | Vertical | Connector Pins | | | Grounds |
|------------------------|--|------------|----------|----------------|------|-----|----------------|
| 20CM64:BE0,074 | Freq | | | Red | RedI | | |
| 20" AUTOSCAN COLOR Pix | Pix | 1280 | 1024 | Grn | GrnI | | Ang Gnd: |
| Adapter# 4,5 | Fpor | (84) | (81) | Blu | BluI | | |
| Interlace Y | Bpor | (85) | (82) | Vsyn | Csyn | V3- | Dig Gnd: |
| Video Type A | Sync | (86) | (83) | Hsyn | V2+ | V4+ | |
| Color/Mono C | Stype | + | + | V1+ | V2- | V4- | |
| Multisync Y | Range | 30-64 | 50-90 | V1- | V3+ | | Recall: 5,7-10 |
| Multimode Y | VGA, SVGA, MACII=COMP. SYNC... INTERLACED IN 8514A ONLY. | | | | | | |

| MAGNAVOX | | Horizontal | Vertical | Connector Pins | | | Grounds |
|--------------|--------------------|------------|----------|----------------|------|-----|------------|
| 9CM080 | Freq | 35.50 | 66.7 | Red | RedI | | |
| | Pix | 640 | 480 | Grn | GrnI | | Ang Gnd: |
| Adapter# 5 | Fpor | (84) | (81) | Blu | BluI | | |
| Interlace N | Bpor | (85) | (82) | Vsyn | Csyn | V3- | Dig Gnd: |
| Video Type A | Sync | (86) | (83) | Hsyn | V2+ | V4+ | |
| Color/Mono C | Stype | | | V1+ | V2- | V4- | |
| Multisync Y | Range | | | V1- | V3+ | | Recall: 10 |
| Multimode Y | use gender changer | | | | | | |

| MAGNAVOX | | Horizontal | Vertical | Connector Pins | | | Grounds |
|-------------------|-----------|------------|----------|----------------|------|-----|-------------|
| CM1435LEBE01 | Freq | | | Red | RedI | | |
| 14" DUAL VGA/SVGA | Pix | 1024 | 768 | Grn | GrnI | | Ang Gnd: |
| Adapter# 4 | Fpor | (84) | (81) | Blu | BluI | | |
| Interlace N | Bpor | (85) | (82) | Vsyn | Csyn | V3- | Dig Gnd: |
| Video Type A | Sync | (86) | (83) | Hsyn | V2+ | V4+ | |
| Color/Mono C | Stype | | | V1+ | V2- | V4- | |
| Multisync Y | Range | 31.5-35.5 | 50-100 | V1- | V3+ | | Recall: 5-9 |
| Multimode Y | VGA, SVGA | | | | | | |

| MAGNAVOX | | Horizontal | Vertical | Connector Pins | | | Grounds |
|--------------|-------|------------|----------|----------------|------|-----|-------------|
| CM2039 | Freq | 31.48 | | Red | RedI | | |
| | Pix | 640 | 480 | Grn | GrnI | | Ang Gnd: |
| Adapter# 4 | Fpor | (84) | (81) | Blu | BluI | | |
| Interlace YN | Bpor | (85) | (82) | Vsyn | Csyn | V3- | Dig Gnd: |
| Video Type A | Sync | (86) | (83) | Hsyn | V2+ | V4+ | |
| Color/Mono C | Stype | | | V1+ | V2- | V4- | |
| Multisync Y | Range | | 60-70 | V1- | V3+ | | Recall: 6,7 |
| Multimode Y | | | | | | | |

| MAGNAVOX | | Horizontal | Vertical | Connector Pins | | | Grounds |
|--------------|-----------------------------|------------|----------|----------------|------|-----|----------|
| CM2079 | Freq | | | Red 1 | RedI | | |
| | Pix | 1024 | 768 | Grn 2 | GrnI | | Ang Gnd: |
| Adapter# 4 | Fpor | (84) | (81) | Blu 3 | BluI | | |
| Interlace N | Bpor | (85) | (82) | Vsyn 14 | Csyn | V3- | Dig Gnd: |
| Video Type A | Sync | (86) | (83) | Hsyn 13 | V2+ | V4+ | |
| Color/Mono C | Stype | | | V1+ | V2- | V4- | |
| Multisync Y | Range | 31.5/35.5 | 50-100 | V1- | V3+ | | Recall: |
| Multimode Y | VGA, SVGA 14" DUAL VGA/SVGA | | | | | | |

| MAGNAVOX | | Horizontal | Vertical | Connector Pins | | | Grounds |
|------------------------|---|------------|-------------------|----------------|--------|-----|--------------------|
| CM2079BE01 | Freq | 1024 | 768 | Red | RedI | | |
| 14" DUAL VGA/SVGA | Pix | | | Grn | GrnI | | Ang Gnd: |
| Adapter# | 4 Fpor | (84) | (81) | Blu | BluI | | |
| Interlace | N Bpor | (85) | (82) | Vsyn | Csyn | V3- | Dig Gnd: |
| Video Type | A Sync | (86) | (83) | Hsyn | V2+ | V4+ | |
| Color/Mono | C Stype | | | V1+ | V2- | V4- | |
| Multisync | Y Range | 31.5/35.5 | 50-100 | V1- | V3+ | | Recall: 5-9 |
| Multimode | Y VGA, SVGA | | | | | | |
| | | | | | | | |
| MAGNAVOX | | Horizontal | Vertical | Connector Pins | | | Grounds |
| CM2080 | Freq | 35.00 | 66.7 | Red | RedI | | |
| MAC COLOR DISPLAY | Pix | 640 | 480 | Grn | GrnI | | Ang Gnd: |
| Adapter# | 5 Fpor | (84) | (81) | Blu | BluI | | |
| Interlace | N Bpor | (85) | (82) | Vsyn | Csyn | V3- | Dig Gnd: |
| Video Type | A Sync | (86) | (83) | Hsyn | V2+ | V4+ | |
| Color/Mono | C Stype | | | V1+ | V2- | V4- | |
| Multisync | N Range | | | V1- | V3+ | | Recall: 10 |
| Multimode | N MAC | | | | | | |
| | | | | | | | |
| MAGNAVOX | | Horizontal | Vertical | Connector Pins | | | Grounds |
| CM2080GY01 | Freq | 35.00 | 66.7 | Red 2 | RedI | | 11,14 |
| | Pix | 640 | 480 | Grn 5 | GrnI | | Ang Gnd: |
| Adapter# | 5 Fpor | (84) | (81) | Blu 9 | BluI | | |
| Interlace | N Bpor | (85) | (82) | Vsyn | Csyn 3 | V3- | Dig Gnd: |
| Video Type | A Sync | (86) | (83) | Hsyn | V2+ | V4+ | |
| Color/Mono | C Stype | C | C | V1+ | V2- | V4- | |
| Multisync | N Range | | | V1- | V3+ | | Recall: |
| Multimode | N | | | | | | |
| | | | | | | | |
| MAGNAVOX | | Horizontal | Vertical | Connector Pins | | | Grounds |
| CM2089 | Freq | 1024 | 768 | Red 1 | RedI | | |
| | Pix | | | Grn 2 | GrnI | | Ang Gnd: |
| Adapter# | 4 Fpor | (84) | (81) | Blu 3 | BluI | | |
| Interlace | N Bpor | (85) | (82) | Vsyn 14 | Csyn | V3- | Dig Gnd: |
| Video Type | A Sync | (86) | (83) | Hsyn 13 | V2+ | V4+ | |
| Color/Mono | C Stype | | | V1+ | V2- | V4- | |
| Multisync | Y Range | 31.5/35.5 | 50-100 | V1- | V3+ | | Recall: |
| Multimode | N VGA, SVGA | | 14" DUAL VGA/SVGA | | | | |
| | | | | | | | |
| MAGNAVOX | | Horizontal | Vertical | Connector Pins | | | Grounds |
| CM2089BE01 | Freq | 1024 | 768 | Red | RedI | | |
| 14" DUAL VGA/SVGA | Pix | | | Grn | GrnI | | Ang Gnd: |
| Adapter# | 4 Fpor | (84) | (81) | Blu | BluI | | |
| Interlace | N Bpor | (85) | (82) | Vsyn | Csyn | V3- | Dig Gnd: |
| Video Type | A Sync | (86) | (83) | Hsyn | V2+ | V4+ | |
| Color/Mono | C Stype | | | V1+ | V2- | V4- | |
| Multisync | N Range | 31.5-35.5 | 50-100 | V1- | V3+ | | Recall: 5-9 |
| Multimode | Y VGA, SVGA | | | | | | |
| | | | | | | | |
| MAGNAVOX | | Horizontal | Vertical | Connector Pins | | | Grounds |
| CM2099 | Freq | 1024 | 768 | Red | RedI | | |
| | Pix | | | Grn | GrnI | | Ang Gnd: |
| Adapter# | 4 Fpor | (84) | (81) | Blu | BluI | | |
| Interlace | N Bpor | (85) | (82) | Vsyn | Csyn | V3- | Dig Gnd: |
| Video Type | A Sync | (86) | (83) | Hsyn | V2+ | V4+ | |
| Color/Mono | C Stype | | | V1+ | V2- | V4- | |
| Multisync | Y Range | 31.5/48.3 | 50-100 | V1- | V3+ | | Recall: 5,7,28-31 |
| Multimode | Y VGA, VESA | | | | | | |
| | | | | | | | |
| MAGNAVOX | | Horizontal | Vertical | Connector Pins | | | Grounds |
| CM4017 | Freq | 1024 | 768 | Red | RedI | | |
| 17" EVGA COLOR DISPLAY | Pix | | | Grn | GrnI | | Ang Gnd: |
| Adapter# | 4 Fpor | (84) | (81) | Blu | BluI | | |
| Interlace | Y Bpor | (85) | (82) | Vsyn | Csyn | V3- | Dig Gnd: |
| Video Type | A Sync | (86) | (83) | Hsyn | V2+ | V4+ | |
| Color/Mono | C Stype | | | V1+ | V2- | V4- | |
| Multisync | Y Range | 30-58 | 50-100 | V1- | V3+ | | Recall: 7-10,28-32 |
| Multimode | N VGA, SVGA, MACIIINTERLACED IN 8514A MODE. | | | | | | |

| MAGNAVOX | | Horizontal | Vertical | Connector Pins | | | Grounds |
|--------------|-------|------------|----------|-------------------------------|---------|-----|--------------------|
| CM4017BE01 | Freq | | | Red 1 | RedI | | |
| 17" AUTOSCAN | Pix | 1024 | 768 | Grn 2 | GrnI | | Ang Gnd: |
| Adapter# 4 | Fpor | (84) | (81) | Blu 3 | BluI | | |
| Interlace Y | Bpor | (85) | (82) | Vsyn 14 | Csyn 13 | V3- | Dig Gnd: |
| Video Type A | Sync | (86) | (83) | Hsyn 13 | V2+ | V4+ | |
| Color/Mono C | Stype | | | V1+ | V2- | V4- | |
| Multisync Y | Range | 30-58 | 50-100 | V1- | V3+ | | Recall: 9,5,6,31,3 |
| Multimode N | | | | INTERLACED ON 8514A MODE ONLY | | | |

| MAGNAVOX | | Horizontal | Vertical | Connector Pins | | | Grounds |
|--------------|-------|------------|----------|--------------------------------------|--------|-----|----------|
| CM8505 | Freq | 15.70 | 60.0 | Red 2 | RedI 5 | | |
| | Pix | 330 | 250 | Grn 3 | GrnI | | Ang Gnd: |
| Adapter# | Fpor | (84) | (81) | Blu 4 | BluI | | 6 |
| Interlace | Bpor | (85) | (82) | Vsyn 8 | Csyn | V3- | Dig Gnd: |
| Video Type D | Sync | (86) | (83) | Hsyn 7 | V2+ | V4+ | |
| Color/Mono C | Stype | | | V1+ | V2- | V4- | |
| Multisync | Range | | | V1- | V3+ | | Recall: |
| Multimode | | | | 8 pin for digital; 6 pin for analog; | | | |

| MAGNAVOX | | Horizontal | Vertical | Connector Pins | | | Grounds |
|--------------|-------|------------|----------|--------------------------------------|------|-----|----------|
| CM8505 | Freq | 15.70 | 60.0 | Red 4 | RedI | | |
| | Pix | 330 | 250 | Grn 1 | GrnI | | Ang Gnd: |
| Adapter# | Fpor | (84) | (81) | Blu 5 | BluI | | 3 |
| Interlace | Bpor | (85) | (82) | Vsyn 6 | Csyn | V3- | Dig Gnd: |
| Video Type A | Sync | (86) | (83) | Hsyn 2 | V2+ | V4+ | |
| Color/Mono C | Stype | | | V1+ | V2- | V4- | |
| Multisync | Range | | | V1- | V3+ | | Recall: |
| Multimode | | | | 8 pin for digital; 6 pin for analog; | | | |

| MAGNAVOX | | Horizontal | Vertical | Connector Pins | | | Grounds |
|--------------|-------|------------|----------|----------------|------|-----|----------|
| CM8562 | Freq | 15.70 | 60.0 | Red 2 | RedI | | |
| | Pix | 330 | 250 | Grn 3 | GrnI | | Ang Gnd: |
| Adapter# | Fpor | (84) | (81) | Blu 4 | BluI | | 6 |
| Interlace | Bpor | (85) | (82) | Vsyn 8 | Csyn | V3- | Dig Gnd: |
| Video Type D | Sync | (86) | (83) | Hsyn 7 | V2+ | V4+ | |
| Color/Mono C | Stype | | | V1+ | V2- | V4- | |
| Multisync | Range | | | V1- | V3+ | | Recall: |
| Multimode | CGA | | | | | | |

| MAGNAVOX | | Horizontal | Vertical | Connector Pins | | | Grounds |
|--------------|-------|------------|----------|----------------|------|-----|----------|
| CM8562 | Freq | 15.70 | 60.0 | Red 4 | RedI | | |
| | Pix | 330 | 250 | Grn 1 | GrnI | | Ang Gnd: |
| Adapter# | Fpor | (84) | (81) | Blu 5 | BluI | | 3 |
| Interlace | Bpor | (85) | (82) | Vsyn 6 | Csyn | V3- | Dig Gnd: |
| Video Type A | Sync | (86) | (83) | Hsyn 2 | V2+ | V4+ | |
| Color/Mono C | Stype | | | V1+ | V2- | V4- | |
| Multisync | Range | | | V1- | V3+ | | Recall: |
| Multimode | NTSC | | | | | | |

| MAGNAVOX | | Horizontal | Vertical | Connector Pins | | | Grounds |
|-------------------|-------|------------|----------|----------------|------|-----|------------|
| CM9214BE01 | Freq | 56.50 | 70.0 | Red 1 | RedI | | 4-8,11,12 |
| 14" EVGA AUTOSCAN | Pix | 1024 | 768 | Grn 2 | GrnI | | Ang Gnd: |
| Adapter# 4 | Fpor | (84) | (81) | Blu 3 | BluI | | |
| Interlace N | Bpor | (85) | (82) | Vsyn 14 | Csyn | V3- | Dig Gnd: |
| Video Type A | Sync | (86) | (83) | Hsyn 13 | V2+ | V4+ | |
| Color/Mono C | Stype | | | V1+ | V2- | V4- | |
| Multisync N | Range | | | V1- | V3+ | | Recall: 32 |
| Multimode N | | | | | | | |

| MATSUSHITA | | Horizontal | Vertical | Connector Pins | | | Grounds |
|---------------|-------|------------|----------|----------------|------|-----|----------|
| TX-14H8 | Freq | | | Red | RedI | | |
| VIEWPERFECT 3 | Pix | 1024 | 768 | Grn | GrnI | | Ang Gnd: |
| Adapter# | Fpor | (84) | (81) | Blu | BluI | | |
| Interlace | Bpor | (85) | (82) | Vsyn | Csyn | V3- | Dig Gnd: |
| Video Type A | Sync | (86) | (83) | Hsyn | V2+ | V4+ | |
| Color/Mono C | Stype | | | V1+ | V2- | V4- | |
| Multisync Y | Range | 15.5-36 | 50-100 | V1- | V3+ | | Recall: |
| Multimode N | | | | | | | |

| MEGAGRAPHERICS | | Horizontal | Vertical | Connector Pins | | | Grounds |
|----------------|-----|-----------------|------------|----------------|------|-----|----------|
| 19MGM2 | | Freq 64.70 | 75.0 | Red | RedI | | |
| | | Pix 1024 | 826 | Grn | GrnI | | Ang Gnd: |
| Adapter# | ECL | Fpor 0.432 (84) | 0.015 (81) | Blu | BluI | | 7,8,9 |
| Interlace | N | Bpor 2.59 (85) | 0.433 (82) | Vsyn 4 | Csyn | V3- | Dig Gnd: |
| Video Type | E | Sync 0.8 (86) | 0.124 (83) | Hsyn 3 | V2+ | V4+ | |
| Color/Mono | M | Stype | | V1+ 1 | V2- | V4- | |
| Multisync | | Range | | V1- 6 | V3+ | | Recall: |
| Multimode | | | | | | | |

| MEGAGRAPHERICS | | Horizontal | Vertical | Connector Pins | | | Grounds |
|----------------|---|----------------|------------|----------------|------|-----|----------|
| LD C6000-058 | | Freq 61.80 | 66.0 | Red | RedI | | |
| MEGASCREEN | | Pix 1152 | 900 | Grn | GrnI | | Ang Gnd: |
| Adapter# | | Fpor 0.17 (84) | 0.032 (81) | Blu | BluI | | |
| Interlace | N | Bpor 2.24 (85) | 0.5 (82) | Vsyn | Csyn | V3- | Dig Gnd: |
| Video Type | A | Sync 1.38 (86) | 0.064 (83) | Hsyn | V2+ | V4+ | |
| Color/Mono | C | Stype - | - | V1+ | V2- | V4- | |
| Multisync | N | Range | | V1- | V3+ | | Recall: |
| Multimode | N | | | | | | |

| MEGAGRAPHERICS | | Horizontal | Vertical | Connector Pins | | | Grounds |
|----------------|---|----------------|------------|----------------|------|-----|----------|
| M2400-301A | | Freq 53.30 | 62.0 | Red | RedI | | |
| MEGASCREEN | | Pix 800 | 640 | Grn | GrnI | | Ang Gnd: |
| Adapter# | | Fpor 0.72 (84) | 0.019 (81) | Blu | BluI | | |
| Interlace | N | Bpor 2.5 (85) | 0.431 (82) | Vsyn | Csyn | V3- | Dig Gnd: |
| Video Type | D | Sync 0.9 (86) | 0.02 (83) | Hsyn | V2+ | V4+ | |
| Color/Mono | M | Stype - | - | V1+ | V2- | V4- | |
| Multisync | N | Range | | V1- | V3+ | | Recall: |
| Multimode | N | | | | | | |

| MEGAGRAPHERICS | | Horizontal | Vertical | Connector Pins | | | Grounds |
|----------------|-----|-----------------|------------|----------------|------|-----|----------|
| M9000-038 | | Freq 63.90 | 78.0 | Red | RedI | | |
| MEGASCREEN | | Pix 1024 | 768 | Grn | GrnI | | Ang Gnd: |
| Adapter# | ECL | Fpor 0.356 (84) | 0.047 (81) | Blu | BluI | | 8,9 |
| Interlace | N | Bpor 2.67 (85) | 0.469 (82) | Vsyn 4 | Csyn | V3- | Dig Gnd: |
| Video Type | E | Sync 1.24 (86) | 0.125 (83) | Hsyn 3 | V2+ | V4+ | |
| Color/Mono | M | Stype + | + | V1+ 1 | V2- | V4- | |
| Multisync | | Range | | V1- 6 | V3+ | | Recall: |
| Multimode | | | | | | | |

| MICRO DISPLAY | | Horizontal | Vertical | Connector Pins | | | Grounds |
|---------------|---|------------|----------|----------------|------|-----|----------|
| VHR400 | | Freq 62.75 | 59.9 | Red 6 | RedI | | |
| Genius | | Pix 736 | 1008 | Grn | GrnI | | Ang Gnd: |
| Adapter# | | Fpor (84) | (81) | Blu | BluI | | 2,3,4 |
| Interlace | N | Bpor (85) | (82) | Vsyn 9 | Csyn | V3- | Dig Gnd: |
| Video Type | A | Sync (86) | (83) | Hsyn 8 | V2+ | V4+ | |
| Color/Mono | M | Stype | | V1+ | V2- | V4- | |
| Multisync | | Range | | V1- | V3+ | | Recall: |
| Multimode | | | | | | | |

| MIRROR | | Horizontal | Vertical | Connector Pins | | | Grounds |
|------------|---|------------|----------|----------------|--------|-----|----------|
| MIR1503A | | Freq 68.80 | 75.0 | Red 6 | RedI 7 | | |
| | | Pix 640 | 870 | Grn | GrnI | | Ang Gnd: |
| Adapter# | | Fpor (84) | (81) | Blu | BluI | | 3,4,5 |
| Interlace | N | Bpor (85) | (82) | Vsyn 9 | Csyn | V3- | Dig Gnd: |
| Video Type | D | Sync (86) | (83) | Hsyn 8 | V2+ | V4+ | |
| Color/Mono | M | Stype | | V1+ | V2- | V4- | |
| Multisync | | Range | | V1- | V3+ | | Recall: |
| Multimode | | | | | | | |

full page; pin 1 = sense; 2 = SNS2

| MIRROR | | Horizontal | Vertical | Connector Pins | | | Grounds |
|------------|-----|-----------------|------------|----------------|------|-----|----------|
| MR1511A | | Freq 63.92 | 79.0 | Red | RedI | | |
| | | Pix 1024 | 768 | Grn | GrnI | | Ang Gnd: |
| Adapter# | ECL | Fpor 0.356 (84) | 0.047 (81) | Blu | BluI | | 8,9 |
| Interlace | N | Bpor 2.67 (85) | 0.469 (82) | Vsyn 4 | Csyn | V3- | Dig Gnd: |
| Video Type | E | Sync 1.24 (86) | 0.125 (83) | Hsyn 3 | V2+ | V4+ | |
| Color/Mono | M | Stype | | V1+ 1 | V2- | V4- | |
| Multisync | | Range | | V1- 6 | V3+ | | Recall: |
| Multimode | | | | | | | |

| MIRROR TECH | | Horizontal | Vertical | Connector Pins | | | Grounds |
|-------------|-----|------------|------------|----------------|--------|------|----------|
| VCX-8108 | | Freq | 63.92 | 79.0 | Red | RedI | |
| | | Pix | 1024 | 768 | Grn | GrnI | Ang Gnd: |
| Adapter# | ECL | Fpor | 0.356 (84) | 0.047 (81) | Blu | BluI | 8,9 |
| Interlace | N | Bpor | 2.67 (85) | 0.469 (82) | Vsyn 4 | Csyn | Dig Gnd: |
| Video Type | E | Sync | 1.24 (86) | 0.125 (83) | Hsyn 3 | V2+ | V3- |
| Color/Mono | M | Stype | | | V1+ 1 | V2- | V4+ |
| Multisync | | Range | | | V1- 6 | V3+ | V4- |
| Multimode | | | | | | | Recall: |

| MIRROR TECH | | Horizontal | Vertical | Connector Pins | | | Grounds |
|-------------|-----|------------|------------|----------------|--------|------|----------|
| VCX-810A | | Freq | 63.92 | 79.0 | Red | RedI | |
| | | Pix | 1024 | 768 | Grn | GrnI | Ang Gnd: |
| Adapter# | ECL | Fpor | 0.356 (84) | 0.047 (81) | Blu | BluI | 8,9 |
| Interlace | N | Bpor | 2.67 (85) | 0.469 (82) | Vsyn 4 | Csyn | Dig Gnd: |
| Video Type | E | Sync | 1.24 (86) | 0.125 (83) | Hsyn 3 | V2+ | V3- |
| Color/Mono | M | Stype | | | V1+ 1 | V2- | V4+ |
| Multisync | | Range | | | V1- 6 | V3+ | V4- |
| Multimode | | | | | | | Recall: |

| MITSUBISHI | | Horizontal | Vertical | Connector Pins | | | Grounds |
|------------|---|------------|----------|----------------|------|------|----------|
| 6605ATK | | Freq | 63.60 | 59.6 | Red | RedI | |
| | | Pix | 1280- | 1024 | Grn | GrnI | Ang Gnd: |
| Adapter# | | Fpor | (84) | (81) | Blu | BluI | |
| Interlace | N | Bpor | (85) | (82) | Vsyn | Csyn | Dig Gnd: |
| Video Type | A | Sync | (86) | (83) | Hsyn | V2+ | V3- |
| Color/Mono | C | Stype | + | - | V1+ | V2- | V4+ |
| Multisync | N | Range | | | V1- | V3+ | V4- |
| Multimode | Y | VGA | | | | | Recall: |

| MITSUBISHI | | Horizontal | Vertical | Connector Pins | | | Grounds |
|------------|---|------------|----------|----------------|------|------|----------|
| AJ6905 | | Freq | | | Red | RedI | |
| | | Pix | 1280 | 1024 | Grn | GrnI | Ang Gnd: |
| Adapter# | 6 | Fpor | (84) | (81) | Blu | BluI | |
| Interlace | N | Bpor | (85) | (82) | Vsyn | Csyn | Dig Gnd: |
| Video Type | A | Sync | (86) | (83) | Hsyn | V2+ | V3- |
| Color/Mono | C | Stype | - | - | V1+ | V2- | V4+ |
| Multisync | Y | Range | 40-67 | 50-80 | V1- | V3+ | V4- |
| Multimode | | | | | | | Recall: |

| MITSUBISHI | | Horizontal | Vertical | Connector Pins | | | Grounds |
|------------|---|------------|----------|----------------|------|------|----------------|
| AM2751A | | Freq | | | Red | RedI | |
| | | Pix | 800 | 600 | Grn | GrnI | Ang Gnd: |
| Adapter# | 6 | Fpor | (84) | (81) | Blu | BluI | |
| Interlace | N | Bpor | (85) | (82) | Vsyn | Csyn | Dig Gnd: |
| Video Type | A | Sync | (86) | (83) | Hsyn | V2+ | V3- |
| Color/Mono | C | Stype | | | V1+ | V2- | V4+ |
| Multisync | Y | Range | 15.6-36 | 45-90 | V1- | V3+ | V4- |
| Multimode | | | | | | | Recall: 5-8,10 |

| MITSUBISHI | | Horizontal | Vertical | Connector Pins | | | Grounds |
|------------|---|------------|----------|----------------|------|------|-----------------|
| AUM1371A | | Freq | | | Red | RedI | |
| | | Pix | 800 | 600 | Grn | GrnI | Ang Gnd: |
| Adapter# | | Fpor | (84) | (81) | Blu | BluI | |
| Interlace | N | Bpor | (85) | (82) | Vsyn | Csyn | Dig Gnd: |
| Video Type | | Sync | (86) | (83) | Hsyn | V2+ | V3- |
| Color/Mono | | Stype | | | V1+ | V2- | V4+ |
| Multisync | Y | Range | 15-35 | 45-75 | V1- | V3+ | V4- |
| Multimode | | | | | | | Recall: 0,2,5-8 |

operates in digital & analog modes

| MITSUBISHI | | Horizontal | Vertical | Connector Pins | | | Grounds |
|------------|---|------------|----------|----------------|------|------|----------------|
| AUM1381A | | Freq | | | Red | RedI | |
| | | Pix | 800 | 600 | Grn | GrnI | Ang Gnd: |
| Adapter# | | Fpor | (84) | (81) | Blu | BluI | |
| Interlace | N | Bpor | (85) | (82) | Vsyn | Csyn | Dig Gnd: |
| Video Type | A | Sync | (86) | (83) | Hsyn | V2+ | V3- |
| Color/Mono | C | Stype | | | V1+ | V2- | V4+ |
| Multisync | Y | Range | 15.6-36 | 45-90 | V1- | V3+ | V4- |
| Multimode | | | | | | | Recall: 0-8,10 |

CGA, EGA, PS2, analog or digital

| MITSUBISHI | | Horizontal | Vertical | Connector Pins | | | Grounds |
|------------|------------|------------|-----------|----------------|------|-----|----------|
| C-3240 | | Freq | | Red | RedI | | |
| | Adapter# | Pix | 640 | Grn | GrnI | | Ang Gnd: |
| | Interlace | Fpor | 1.1 (84) | Blu | BluI | | |
| | Video Type | Bpor | 6.95 (85) | Vsyn | Csyn | V3- | Dig Gnd: |
| | Color/Mono | Sync | 4.7 (86) | Hsyn | V2+ | V4+ | |
| | Multisync | Stype | + | V1+ | V2- | V4- | |
| | Multimode | Range | 15.75 | V1- | V3+ | | Recall: |
| | | | | | | | |
| | | | 40-70 | | | | |

| MITSUBISHI | | Horizontal | Vertical | Connector Pins | | | Grounds |
|------------|------------|------------|-----------|----------------|------|-----|----------|
| C-3470 | | Freq | | Red | RedI | | |
| | Adapter# | Pix | 720 | Grn | GrnI | | Ang Gnd: |
| | Interlace | Fpor | 1.1 (84) | Blu | BluI | | |
| | Video Type | Bpor | 4.3 (85) | Vsyn | Csyn | V3- | Dig Gnd: |
| | Color/Mono | Sync | 4.75 (86) | Hsyn | V2+ | V4+ | |
| | Multisync | Stype | + | V1+ | V2- | V4- | |
| | Multimode | Range | 15.75 | V1- | V3+ | | Recall: |
| | | | | | | | |
| | | | 40-70 | | | | |

| MITSUBISHI | | Horizontal | Vertical | Connector Pins | | | Grounds |
|------------|------------|------------|----------|----------------|------|-----|----------|
| C-3479 | | Freq | | Red | RedI | | |
| | Adapter# | Pix | 720 | Grn | GrnI | | Ang Gnd: |
| | Interlace | Fpor | 0.7 (84) | Blu | BluI | | |
| | Video Type | Bpor | 4.4 (85) | Vsyn | Csyn | V3- | Dig Gnd: |
| | Color/Mono | Sync | 4 (86) | Hsyn | V2+ | V4+ | |
| | Multisync | Stype | + | V1+ | V2- | V4- | |
| | Multimode | Range | 15.75 | V1- | V3+ | | Recall: |
| | | | | | | | |
| | | | 40-70 | | | | |

| MITSUBISHI | | Horizontal | Vertical | Connector Pins | | | Grounds |
|------------|------------|------------|----------|----------------|------|-----|----------|
| C-3510 | | Freq | | Red | RedI | | |
| | Adapter# | Pix | 512 | Grn | GrnI | | Ang Gnd: |
| | Interlace | Fpor | (84) | Blu | BluI | | |
| | Video Type | Bpor | (85) | Vsyn | Csyn | V3- | Dig Gnd: |
| | Color/Mono | Sync | 5 (86) | Hsyn | V2+ | V4+ | |
| | Multisync | Stype | C | V1+ | V2- | V4- | |
| | Multimode | Range | 15-18 | V1- | V3+ | | Recall: |
| | | | | | | | |
| | | | 40-70 | | | | |

| MITSUBISHI | | Horizontal | Vertical | Connector Pins | | | Grounds |
|------------|------------|------------|----------|----------------|------|-----|----------|
| C-6479 | | Freq | 31.50 | Red | RedI | | |
| | Adapter# | Pix | 990 | Grn | GrnI | | Ang Gnd: |
| | Interlace | Fpor | 0.7 (84) | Blu | BluI | | |
| | Video Type | Bpor | 3.9 (85) | Vsyn | Csyn | V3- | Dig Gnd: |
| | Color/Mono | Sync | 2.3 (86) | Hsyn | V2+ | V4+ | |
| | Multisync | Stype | - | V1+ | V2- | V4- | |
| | Multimode | Range | | V1- | V3+ | | Recall: |
| | | | 40-70 | | | | |

| MITSUBISHI | | Horizontal | Vertical | Connector Pins | | | Grounds |
|------------|------------|------------|----------|----------------|------|-----|--|
| C-6922-AGK | | Freq | | Red | RedI | | |
| | Adapter# | Pix | 1024 | Grn | GrnI | | Ang Gnd: |
| | Interlace | Fpor | (84) | Blu | BluI | | |
| | Video Type | Bpor | (85) | Vsyn | Csyn | V3- | Dig Gnd: |
| | Color/Mono | Sync | (86) | Hsyn | V2+ | V4+ | |
| | Multisync | Stype | - | V1+ | V2- | V4- | |
| | Multimode | Range | 28-35 | V1- | V3+ | | Recall: |
| | | | 40-70 | | | | |
| | | | | | | | adjust H & V hold to lock to PGC setup |

| MITSUBISHI | | Horizontal | Vertical | Connector Pins | | | Grounds |
|--------------|------------|------------|-----------|----------------|------|-----|---|
| FA3415/25/35 | | Freq | | Red | RedI | | |
| | Adapter# | Pix | 1024 | Grn | GrnI | | Ang Gnd: |
| | Interlace | Fpor | (84) | Blu | BluI | | |
| | Video Type | Bpor | (85) | Vsyn | Csyn | V3- | Dig Gnd: |
| | Color/Mono | Sync | (86) | Hsyn | V2+ | V4+ | |
| | Multisync | Stype | | V1+ | V2- | V4- | |
| | Multimode | Range | 15.7-35.5 | V1- | V3+ | | Recall: |
| | | | 50-87 | | | | |
| | | | | | | | PS/2, VGA, 851 Analog or TTL; 3415 is DB9/15 pin input; 3425 & 3435 |

| MITSUBISHI | | Horizontal | Vertical | Connector Pins | | | Grounds |
|-------------------|---------|------------|----------|----------------|------|-----|----------|
| FC8652-AGK | | Freq | 60.0 | Red | RedI | | |
| | Pix | 1024 | 768 | Grn | GrnI | | Ang Gnd: |
| Adapter# | 6 Fpor | (84) | (81) | Blu | BluI | | |
| Interlace | N Bpor | (85) | (82) | Vsyn | Csyn | V3- | Dig Gnd: |
| Video Type | A Sync | (86) | (83) | Hsyn | V2+ | V4+ | |
| Color/Mono | C Stype | - | - | V1+ | V2- | V4- | |
| Multisync | Y Range | 47-52 | | V1- | V3+ | | Recall: |
| Multimode | | | | | | | |

| MITSUBISHI | | Horizontal | Vertical | Connector Pins | | | Grounds |
|---------------|---------|------------|------------|----------------|------|-----|----------|
| FG6600 | | Freq | 59.6 | Red | RedI | | |
| | Pix | 1280 | 1024 | Grn | GrnI | | Ang Gnd: |
| Adapter# | 6 Fpor | 0.36 (84) | 0.047 (81) | Blu | BluI | | |
| Interlace | N Bpor | 2 (85) | 0.456 (82) | Vsyn | Csyn | V3- | Dig Gnd: |
| Video Type | A Sync | 2 (86) | 0.047 (83) | Hsyn | V2+ | V4+ | |
| Color/Mono | C Stype | - | - | V1+ | V2- | V4- | |
| Multisync | Y Range | | | V1- | V3+ | | Recall: |
| Multimode | | | | | | | |

| MITSUBISHI | | Horizontal | Vertical | Connector Pins | | | Grounds |
|---------------|---------|------------|----------|----------------|------|-----|----------|
| FS6605 | | Freq | | Red | RedI | | |
| | Pix | 1280 | 1024 | Grn | GrnI | | Ang Gnd: |
| Adapter# | 6 Fpor | (84) | (81) | Blu | BluI | | |
| Interlace | N Bpor | (85) | (82) | Vsyn | Csyn | V3- | Dig Gnd: |
| Video Type | A Sync | (86) | (83) | Hsyn | V2+ | V4+ | |
| Color/Mono | C Stype | | | V1+ | V2- | V4- | |
| Multisync | Y Range | 30-64 | 50-130 | V1- | V3+ | | Recall: |
| Multimode | | | | | | | |

| MITSUBISHI | | Horizontal | Vertical | Connector Pins | | | Grounds |
|----------------|---------|------------|----------|----------------|------|-----|----------|
| GPD-16C | | Freq | 59.6 | Red | RedI | | |
| | Pix | 1280- | 1024 | Grn | GrnI | | Ang Gnd: |
| Adapter# | 6 Fpor | (84) | (81) | Blu | BluI | | |
| Interlace | N Bpor | (85) | (82) | Vsyn | Csyn | V3- | Dig Gnd: |
| Video Type | A Sync | (86) | (83) | Hsyn | V2+ | V4+ | |
| Color/Mono | C Stype | + | - | V1+ | V2- | V4- | |
| Multisync | N Range | | | V1- | V3+ | | Recall: |
| Multimode | Y VGA | | | | | | |

| MITSUBISHI | | Horizontal | Vertical | Connector Pins | | | Grounds |
|----------------|---------|------------|----------|----------------|------|-----|----------|
| GPD-16C | | Freq | 60.0 | Red | RedI | | |
| | Pix | 640 | 480 | Grn | GrnI | | Ang Gnd: |
| Adapter# | 6 Fpor | (84) | (81) | Blu | BluI | | |
| Interlace | N Bpor | (85) | (82) | Vsyn | Csyn | V3- | Dig Gnd: |
| Video Type | A Sync | (86) | (83) | Hsyn | V2+ | V4+ | |
| Color/Mono | C Stype | + | - | V1+ | V2- | V4- | |
| Multisync | N Range | | | V1- | V3+ | | Recall: |
| Multimode | Y VGA | | | | | | |

| MITSUBISHI | | Horizontal | Vertical | Connector Pins | | | Grounds |
|----------------|---------|------------|----------|----------------|------|-----|----------|
| GPD-16C | | Freq | 60.0 | Red | RedI | | |
| | Pix | 1024 | 768 | Grn | GrnI | | Ang Gnd: |
| Adapter# | 6 Fpor | (84) | (81) | Blu | BluI | | |
| Interlace | N Bpor | (85) | (82) | Vsyn | Csyn | V3- | Dig Gnd: |
| Video Type | A Sync | (86) | (83) | Hsyn | V2+ | V4+ | |
| Color/Mono | C Stype | + | - | V1+ | V2- | V4- | |
| Multisync | N Range | | | V1- | V3+ | | Recall: |
| Multimode | Y VGA | | | | | | |

| MITSUBISHI | | Horizontal | Vertical | Connector Pins | | | Grounds |
|----------------|---------|------------|------------|----------------|------|-----|----------|
| GPD-19C | | Freq | | Red | RedI | | |
| | Pix | 1280 MAX | 1024 MAX | Grn | GrnI | | Ang Gnd: |
| Adapter# | 6 Fpor | (84) | (81) | Blu | BluI | | |
| Interlace | N Bpor | (85) | (82) | Vsyn | Csyn | V3- | Dig Gnd: |
| Video Type | A Sync | (86) | (83) | Hsyn | V2+ | V4+ | |
| Color/Mono | C Stype | C | C | V1+ | V2- | V4- | |
| Multisync | Y Range | 30-64 | 50-90 AUTO | V1- | V3+ | | Recall: |
| Multimode | N | | | | | | |

| MITSUBISHI | | Horizontal | Vertical | Connector Pins | | | Grounds | | | |
|--------------------|-----|------------|-----------|----------------|-------|------|----------|----------|--|----------|
| HA3905 | | Freq | | Red | RedI | | | | | |
| | Pix | 1024 | 800 | Grn | GrnI | | Ang Gnd: | | | |
| Adapter# | 6 | Fpor | (84) | 0.001 | (81) | Blu | BluI | | | |
| Interlace | N | Bpor | (85) | 0.62 | (82) | Vsyn | Csyn | V3- | Dig Gnd: | |
| Video Type | A | Sync | 1-7 | (86) | .05-2 | (83) | Hsyn | V2+ | V4+ | |
| Color/Mono | C | Stype | | | | V1+ | V2- | V4- | | |
| Multisync | Y | Range | 15.7-35.5 | 45-80 | | V1- | V3+ | | Recall: | |
| Multimode | | | | | | | | | | |
| MITSUBISHI | | Horizontal | Vertical | Connector Pins | | | Grounds | | | |
| HA3905ADK | | Freq | | Red | RedI | | | | | |
| | Pix | 1024 | 1024 | Grn | GrnI | | Ang Gnd: | | | |
| Adapter# | 6 | Fpor | (84) | (81) | Blu | BluI | | | | |
| Interlace | Y | Bpor | (85) | (82) | Vsyn | Csyn | V3- | Dig Gnd: | | |
| Video Type | A | Sync | (86) | (83) | Hsyn | V2+ | V4+ | | | |
| Color/Mono | C | Stype | | | V1+ | V2- | V4- | | | |
| Multisync | Y | Range | 15.7-35.5 | 45-80 | | V1- | V3+ | | Recall: | |
| Multimode | | | | | | | | | | |
| MITSUBISHI | | Horizontal | Vertical | Connector Pins | | | Grounds | | | |
| HA3905L9ADK | | Freq | | Red | RedI | | | | | |
| | Pix | 1024 | 1024 | Grn | GrnI | | Ang Gnd: | | | |
| Adapter# | 6 | Fpor | (84) | (81) | Blu | BluI | | | | |
| Interlace | Y | Bpor | (85) | (82) | Vsyn | Csyn | V3- | Dig Gnd: | | |
| Video Type | A | Sync | (86) | (83) | Hsyn | V2+ | V4+ | | | |
| Color/Mono | C | Stype | | | V1+ | V2- | V4- | | | |
| Multisync | Y | Range | 15.7-35.5 | 45-80 | | V1- | V3+ | | Recall: | |
| Multimode | | | | | | | | | CGA, EGA, VGA, same as model HA3905ADK; Auto scans to CGA, EGA, VGA, P | |
| MITSUBISHI | | Horizontal | Vertical | Connector Pins | | | Grounds | | | |
| HC3905 | | Freq | | Red | RedI | | | | | |
| | Pix | 1024 | 768 | Grn | GrnI | | Ang Gnd: | | | |
| Adapter# | 6 | Fpor | (84) | (81) | Blu | BluI | | | | |
| Interlace | N | Bpor | (85) | (82) | Vsyn | Csyn | V3- | Dig Gnd: | | |
| Video Type | A | Sync | (86) | (83) | Hsyn | V2+ | V4+ | | | |
| Color/Mono | C | Stype | | | V1+ | V2- | V4- | | | |
| Multisync | Y | Range | 15.7-38 | 45-90 | | V1- | V3+ | | Recall: | |
| Multimode | | | | | | | | | Auto scans to CGA, EGA, VGA, 8514A, MACII | |
| MITSUBISHI | | Horizontal | Vertical | Connector Pins | | | Grounds | | | |
| HD6905 | | Freq | 48.56 | 60.0 | Red | RedI | | | | |
| | Pix | 1024 | 768 | Grn | GrnI | | Ang Gnd: | | | |
| Adapter# | 6 | Fpor | 0.98 | (84) | 0.157 | (81) | Blu | BluI | | |
| Interlace | N | Bpor | 3.24 | (85) | 0.588 | (82) | Vsyn | Csyn | V3- | Dig Gnd: |
| Video Type | A | Sync | 1.08 | (86) | 0.19 | (83) | Hsyn | V2+ | V4+ | |
| Color/Mono | C | Stype | | | | | V1+ | V2- | V4- | |
| Multisync | | Range | | | | | V1- | V3+ | | Recall: |
| Multimode | | | | | | | | | | |
| MITSUBISHI | | Horizontal | Vertical | Connector Pins | | | Grounds | | | |
| HP1400 | | Freq | | Red | RedI | | | | | |
| | Pix | 640 | 480 | Grn | GrnI | | Ang Gnd: | | | |
| Adapter# | 6 | Fpor | (84) | (81) | Blu | BluI | | | | |
| Interlace | N | Bpor | (85) | (82) | Vsyn | Csyn | V3- | Dig Gnd: | | |
| Video Type | A | Sync | (86) | (83) | Hsyn | V2+ | V4+ | | | |
| Color/Mono | C | Stype | - | - | | | V1+ | V2- | V4- | |
| Multisync | | Range | 15.5-20 | 40-70 | | | V1- | V3+ | | Recall: |
| Multimode | | | | | | | | | will not auto track - adjust H and V Hold controls wh | |
| MITSUBISHI | | Horizontal | Vertical | Connector Pins | | | Grounds | | | |
| HG6905BK | | Freq | | Red | RedI | | | | | |
| | Pix | 1280 | 1024 | Grn | GrnI | | Ang Gnd: | | | |
| Adapter# | 6 | Fpor | (84) | (81) | Blu | BluI | | | | |
| Interlace | N | Bpor | (85) | (82) | Vsyn | Csyn | V3- | Dig Gnd: | | |
| Video Type | A | Sync | (86) | (83) | Hsyn | V2+ | V4+ | | | |
| Color/Mono | C | Stype | - | - | | | V1+ | V2- | V4- | |
| Multisync | Y | Range | 40-67 | 50-75 | | | V1- | V3+ | | Recall: |
| Multimode | | | | | | | | | * 3 position plug inside to change frequency ranges | |

| MITSUBISHI | | Horizontal | Vertical | Connector Pins | | | Grounds |
|------------------|---|------------|----------|----------------|------|------|--------------|
| HJ6905STK | | Freq | 43.80 | 59.7 | Red | RedI | |
| | | Pix | 1903 | 695 | Grn | GrnI | Ang Gnd: |
| Adapter# | 6 | Fpor | 0.7 (84) | 0.068 (81) | Blu | BluI | |
| Interlace | N | Bpor | 3.3 (85) | 0.775 (82) | Vsyn | Csyn | V3- Dig Gnd: |
| Video Type | A | Sync | 1.5 (86) | 0.068 (83) | Hsyn | V2+ | V4+ |
| Color/Mono | C | Stype | - | - | V1+ | V2- | V4- |
| Multisync | | Range | | | V1- | V3+ | Recall: |
| Multimode | 1 | | | | | | |

| MITSUBISHI | | Horizontal | Vertical | Connector Pins | | | Grounds |
|------------------|---|------------|-----------|----------------|------|------|--------------|
| HJ6905STK | | Freq | 49.90 | 60.1 | Red | RedI | |
| | | Pix | 1654 | 799 | Grn | GrnI | Ang Gnd: |
| Adapter# | 6 | Fpor | 0.58 (84) | 0.06 (81) | Blu | BluI | |
| Interlace | N | Bpor | 3 (85) | 0.501 (82) | Vsyn | Csyn | V3- Dig Gnd: |
| Video Type | A | Sync | 1.42 (86) | 0.06 (83) | Hsyn | V2+ | V4+ |
| Color/Mono | C | Stype | - | - | V1+ | V2- | V4- |
| Multisync | | Range | | | V1- | V3+ | Recall: |
| Multimode | 2 | | | | | | |

| MITSUBISHI | | Horizontal | Vertical | Connector Pins | | | Grounds |
|------------------|---|------------|-----------|----------------|------|------|--------------|
| HJ6905STK | | Freq | 63.60 | 59.7 | Red | RedI | |
| | | Pix | 1273 | 1027 | Grn | GrnI | Ang Gnd: |
| Adapter# | 6 | Fpor | 0.36 (84) | 0.047 (81) | Blu | BluI | |
| Interlace | N | Bpor | 2.53 (85) | 0.519 (82) | Vsyn | Csyn | V3- Dig Gnd: |
| Video Type | A | Sync | 1.27 (86) | 0.047 (83) | Hsyn | V2+ | V4+ |
| Color/Mono | C | Stype | - | - | V1+ | V2- | V4- |
| Multisync | | Range | | | V1- | V3+ | Recall: |
| Multimode | 3 | | | | | | |

ONE OF 3 MODES

| MITSUBISHI | | Horizontal | Vertical | Connector Pins | | | Grounds |
|---------------|---|----------------|----------|----------------|------|------|--------------|
| HL6605 | | Freq | | | Red | RedI | |
| | | Pix | 1280 | 1024 | Grn | GrnI | Ang Gnd: |
| Adapter# | 6 | Fpor | (84) | (81) | Blu | BluI | |
| Interlace | N | Bpor | (85) | (82) | Vsyn | Csyn | V3- Dig Gnd: |
| Video Type | A | Sync | (86) | (83) | Hsyn | V2+ | V4+ |
| Color/Mono | C | Stype | | | V1+ | V2- | V4- |
| Multisync | N | Range | | | V1- | V3+ | Recall: 5-7 |
| Multimode | Y | VGA1,2,&3 PLUS | | | | | |

| MITSUBISHI | | Horizontal | Vertical | Connector Pins | | | Grounds |
|---------------|---|----------------|------------|----------------|------|------|--------------|
| HL6605 | | Freq | 63.30 | 59.9 | Red | RedI | |
| | | Pix | 1280 | 1024 | Grn | GrnI | Ang Gnd: |
| Adapter# | 6 | Fpor | 0.407 (84) | 0.047 (81) | Blu | BluI | |
| Interlace | N | Bpor | 3.957 (85) | 0.504 (82) | Vsyn | Csyn | V3- Dig Gnd: |
| Video Type | A | Sync | 1.7 (86) | 0.047 (83) | Hsyn | V2+ | V4+ |
| Color/Mono | C | Stype | | | V1+ | V2- | V4- |
| Multisync | N | Range | | | V1- | V3+ | Recall: |
| Multimode | 4 | VGA1,2,&3 PLUS | | | | | |

| MITSUBISHI | | Horizontal | Vertical | Connector Pins | | | Grounds |
|---------------|---|----------------|----------|----------------|------|------|--------------|
| HL6605 | | Freq | 47.70 | 60.0 | Red | RedI | |
| | | Pix | 1024 | 768 | Grn | GrnI | Ang Gnd: |
| Adapter# | 6 | Fpor | 1 (84) | 0.063 (81) | Blu | BluI | |
| Interlace | N | Bpor | 5 (85) | 0.566 (82) | Vsyn | Csyn | V3- Dig Gnd: |
| Video Type | A | Sync | 2 (86) | 0.084 (83) | Hsyn | V2+ | V4+ |
| Color/Mono | C | Stype | | | V1+ | V2- | V4- |
| Multisync | N | Range | | | V1- | V3+ | Recall: |
| Multimode | 5 | VGA1,2,&3 PLUS | | | | | |

| MITSUBISHI | | Horizontal | Vertical | Connector Pins | | | Grounds |
|---------------|---|----------------|-----------|----------------|------|------|--------------|
| HL6605 | | Freq | 35.00 | 66.7 | Red | RedI | |
| | | Pix | 640 | 480 | Grn | GrnI | Ang Gnd: |
| Adapter# | 6 | Fpor | 2.12 (84) | 0.084 (81) | Blu | BluI | |
| Interlace | N | Bpor | 7.45 (85) | 1.284 (82) | Vsyn | Csyn | V3- Dig Gnd: |
| Video Type | A | Sync | 2.12 (86) | 0.086 (83) | Hsyn | V2+ | V4+ |
| Color/Mono | C | Stype | | | V1+ | V2- | V4- |
| Multisync | N | Range | | | V1- | V3+ | Recall: |
| Multimode | 6 | VGA1,2,&3 PLUS | | | | | |

| MITSUBISHI | | Horizontal | Vertical | Connector Pins | | | Grounds |
|---------------|-----|------------|----------|----------------|------|------|--------------|
| HL6605 | | Freq | | Red | RedI | | |
| | Pix | 1280 | 1024 | Grn | GrnI | | Ang Gnd: |
| Adapter# | 6 | Fpor | (84) | (81) | Blu | BluI | |
| Interlace | N | Bpor | (85) | (82) | Vsyn | Csyn | V3- Dig Gnd: |
| Video Type | A | Sync | (86) | (83) | Hsyn | V2+ | V4+ |
| Color/Mono | C | Stype | | | V1+ | V2- | V4- |
| Multisync | Y | Range | 30-64 | | V1- | V3+ | Recall: |
| Multimode | | | | | | | |

| MITSUBISHI | | Horizontal | Vertical | Connector Pins | | | Grounds |
|------------------|-----|------------|----------|----------------|------|------|--------------|
| HL6605ATK | | Freq | 31.50 | 60.0 | Red | RedI | |
| | Pix | 640 | 480 | Grn | GrnI | | Ang Gnd: |
| Adapter# | | Fpor | (84) | (81) | Blu | BluI | |
| Interlace | N | Bpor | (85) | (82) | Vsyn | Csyn | V3- Dig Gnd: |
| Video Type | A | Sync | (86) | (83) | Hsyn | V2+ | V4+ |
| Color/Mono | C | Stype | + | - | V1+ | V2- | V4- |
| Multisync | N | Range | | | V1- | V3+ | Recall: |
| Multimode | Y | VGA | | | | | |

| MITSUBISHI | | Horizontal | Vertical | Connector Pins | | | Grounds |
|------------------|-----|------------|----------|----------------|------|------|--------------|
| HL6605ATK | | Freq | 49.90 | 60.0 | Red | RedI | |
| | Pix | 1024 | 768 | Grn | GrnI | | Ang Gnd: |
| Adapter# | | Fpor | (84) | (81) | Blu | BluI | |
| Interlace | N | Bpor | (85) | (82) | Vsyn | Csyn | V3- Dig Gnd: |
| Video Type | A | Sync | (86) | (83) | Hsyn | V2+ | V4+ |
| Color/Mono | C | Stype | + | - | V1+ | V2- | V4- |
| Multisync | N | Range | | | V1- | V3+ | Recall: |
| Multimode | Y | VGA | | | | | |

| MITSUBISHI | | Horizontal | Vertical | Connector Pins | | | Grounds |
|---------------|-----|------------|------------|----------------|------|------|--------------|
| HL6615 | | Freq | 63.30 | 60.0 | Red | RedI | |
| | Pix | 1280 | 1024 | Grn | GrnI | | Ang Gnd: |
| Adapter# | 6 | Fpor | 0.407 (84) | 0.047 (81) | Blu | BluI | |
| Interlace | N | Bpor | 3.96 (85) | 0.504 (82) | Vsyn | Csyn | V3- Dig Gnd: |
| Video Type | A | Sync | 1.7 (86) | 0.047 (83) | Hsyn | V2+ | V4+ |
| Color/Mono | C | Stype | | | V1+ | V2- | V4- |
| Multisync | | Range | | | V1- | V3+ | Recall: |
| Multimode | | | | | | | |

| MITSUBISHI | | Horizontal | Vertical | Connector Pins | | | Grounds |
|------------------|-----|------------|----------|----------------|------|------|--------------|
| HL6905 TK | | Freq | | | Red | RedI | |
| | Pix | 1280 MAX | 1024 MAX | Grn | GrnI | | Ang Gnd: |
| Adapter# | | Fpor | (84) | (81) | Blu | BluI | |
| Interlace | N | Bpor | (85) | (82) | Vsyn | Csyn | V3- Dig Gnd: |
| Video Type | D | Sync | (86) | (83) | Hsyn | V2+ | V4+ |
| Color/Mono | C | Stype | C | C | V1+ | V2- | V4- |
| Multisync | Y | Range | 30-64 | 50-90 AUTO | V1- | V3+ | Recall: |
| Multimode | N | | | | | | |

| MITSUBISHI | | Horizontal | Vertical | Connector Pins | | | Grounds |
|---------------------|-----|------------|----------|----------------|------|------|--------------|
| HL6905TK/ATK | | Freq | | | Red | RedI | |
| | Pix | 1280 | 1024 | Grn | GrnI | | Ang Gnd: |
| Adapter# | 6 | Fpor | (84) | (81) | Blu | BluI | |
| Interlace | N | Bpor | (85) | (82) | Vsyn | Csyn | V3- Dig Gnd: |
| Video Type | A | Sync | (86) | (83) | Hsyn | V2+ | V4+ |
| Color/Mono | C | Stype | | | V1+ | V2- | V4- |
| Multisync | Y | Range | 30-64 | 50-90 | V1- | V3+ | Recall: |
| Multimode | | | | | | | |

| MITSUBISHI | | Horizontal | Vertical | Connector Pins | | | Grounds |
|--------------------|-----|------------|----------|----------------|------|------|--|
| HL7965-KW5G | | Freq | | | Red | RedI | |
| | Pix | 1280 | 1024 | Grn | GrnI | | Ang Gnd: |
| Adapter# | | Fpor | (84) | (81) | Blu | BluI | |
| Interlace | | Bpor | (85) | (82) | Vsyn | Csyn | V3- Dig Gnd: |
| Video Type | A | Sync | (86) | (83) | Hsyn | V2+ | V4+ |
| Color/Mono | C | Stype | G | G | V1+ | V2- | V4- |
| Multisync | Y | Range | 30-78 | 50-130 | V1- | V3+ | Recall: |
| Multimode | Y | | | | | | SAME AS "SILICON-GRAPHICS" IRS 4D/70GT |

| MITSUBISHI | | Horizontal | Vertical | Connector Pins | | | Grounds |
|------------|---------|------------|----------|----------------|------|-----|----------------|
| UC-6922 | | Freq | | Red | RedI | | |
| | Pix | 1024 | 874 | Grn | GrnI | | Ang Gnd: |
| Adapter# | Fpor | (84) | (81) | Blu | BluI | | |
| Interlace | N Bpor | (85) | (82) | Vsyn | Csyn | V3- | Dig Gnd: |
| Video Type | A Sync | (86) | (83) | Hsyn | V2+ | V4+ | |
| Color/Mono | C Stype | - | - | V1+ | V2- | V4- | |
| Multisync | Y Range | 28-35 | 40-70 | V1- | V3+ | | Recall: 3-8,10 |
| Multimode | N | | | | | | |

| MITSUBISHI | | Horizontal | Vertical | Connector Pins | | | Grounds |
|-----------------|---------|------------|----------|----------------|------|-----|----------------|
| XC3315C | | Freq | | Red | RedI | | |
| DIAMOND SCAN 33 | | Pix | 800 | Grn | GrnI | | Ang Gnd: |
| Adapter# | 6 Fpor | (84) | (81) | Blu | BluI | | |
| Interlace | N Bpor | (85) | (82) | Vsyn | Csyn | V3- | Dig Gnd: |
| Video Type | A Sync | (86) | (83) | Hsyn | V2+ | V4+ | |
| Color/Mono | C Stype | | | V1+ | V2- | V4- | |
| Multisync | Y Range | 15-38 | 40-120 | V1- | V3+ | | Recall: 0-8,10 |
| Multimode | N | | | | | | |

| MITSUBISHI | | Horizontal | Vertical | Connector Pins | | | Grounds |
|------------|---------|------------|----------|----------------|------|-----|----------|
| 6922 | | Freq | 34.50 | Red | RedI | | |
| | Pix | 1024 | 874 | Grn | GrnI | | Ang Gnd: |
| Adapter# | 6 Fpor | (84) | (81) | Blu | BluI | | |
| Interlace | N Bpor | (85) | (82) | Vsyn | Csyn | V3- | Dig Gnd: |
| Video Type | A Sync | (86) | (83) | Hsyn | V2+ | V4+ | |
| Color/Mono | C Stype | + | + | V1+ | V2- | V4- | |
| Multisync | Y Range | | | V1- | V3+ | | Recall: |
| Multimode | | | | | | | |

also sync on Green

| MOBIUS | | Horizontal | Vertical | Connector Pins | | | Grounds |
|------------------|---------|------------|----------|----------------|------|-----|------------|
| 15MOM2 | | Freq | 68.80 | Red | RedI | | |
| ONE PAGE DISPLAY | | Pix | 640 | Grn | GrnI | | Ang Gnd: |
| Adapter# | Fpor | (84) | (81) | Blu | BluI | | |
| Interlace | N Bpor | (85) | (82) | Vsyn | Csyn | V3- | Dig Gnd: |
| Video Type | A Sync | (86) | (83) | Hsyn | V2+ | V4+ | |
| Color/Mono | M Stype | | | V1+ | V2- | V4- | |
| Multisync | N Range | | | V1- | V3+ | | Recall: 20 |
| Multimode | N | | | | | | |

| MOBIUS | | Horizontal | Vertical | Connector Pins | | | Grounds |
|---------------|---------|------------|----------|----------------|------|-----|----------|
| ONE PAGE DSPL | | Freq | 68.80 | Red | RedI | | |
| | Pix | 640 | 870 | Grn | GrnI | | Ang Gnd: |
| Adapter# | Fpor | (84) | (81) | Blu | BluI | | |
| Interlace | N Bpor | (85) | (82) | Vsyn | Csyn | V3- | Dig Gnd: |
| Video Type | A Sync | (86) | (83) | Hsyn | V2+ | V4+ | |
| Color/Mono | M Stype | | | V1+ | V2- | V4- | |
| Multisync | N Range | | | V1- | V3+ | | Recall: |
| Multimode | N | | | | | | |

| MOBIUS | | Horizontal | Vertical | Connector Pins | | | Grounds |
|------------------|----------|------------|----------|----------------|------|-----|----------|
| TWO PAGE DISPLAY | | Freq | 64.70 | Red | RedI | | |
| TWO PAGE DISPLAY | | Pix | 1024 | Grn | GrnI | | Ang Gnd: |
| Adapter# | ECL Fpor | (84) | (81) | Blu | BluI | | |
| Interlace | N Bpor | (85) | (82) | Vsyn | Csyn | V3- | Dig Gnd: |
| Video Type | E Sync | (86) | (83) | Hsyn | V2+ | V4+ | |
| Color/Mono | M Stype | | | V1+ | V2- | V4- | |
| Multisync | N Range | | | V1- | V3+ | | Recall: |
| Multimode | N | | | | | | |

| MOBIUS | | Horizontal | Vertical | Connector Pins | | | Grounds |
|---------------|----------|------------|----------|----------------|------|-----|----------|
| TWO PAGE DSPL | | Freq | 64.70 | Red | RedI | | |
| | Pix | 1024 | 826 | Grn | GrnI | | Ang Gnd: |
| Adapter# | ECL Fpor | (84) | (81) | Blu | BluI | | |
| Interlace | N Bpor | (85) | (82) | Vsyn | Csyn | V3- | Dig Gnd: |
| Video Type | E Sync | (86) | (83) | Hsyn | V2+ | V4+ | |
| Color/Mono | M Stype | | | V1+ | V2- | V4- | |
| Multisync | N Range | | | V1- | V3+ | | Recall: |
| Multimode | N | | | | | | |

| MONITERM | | Horizontal | Vertical | Connector Pins | | | Grounds |
|------------|-----|----------------|------------|---|------|-----|----------|
| 901-0196 | | Freq 53.50 | 66.1 | Red | RedI | | |
| | | Pix 1024 | 768 | Grn | GrnI | | Ang Gnd: |
| Adapter# | ECL | Fpor 1.2 (84) | 0.019 (81) | Blu | BluI | | 2,7,8, |
| Interlace | N | Bpor 2.75 (85) | 0.655 (82) | Vsyn 4 | Csyn | V3- | Dig Gnd: |
| Video Type | E | Sync 1.65 (86) | 0.112 (83) | Hsyn 3 | V2+ | V4+ | |
| Color/Mono | M | Stype - | - | V1+ 1 | V2- | V4- | |
| Multisync | | Range | | V1- 6 | V3+ | | Recall: |
| Multimode | | | | connect 100 OHM resistor from H-SYNC to ground if doe | | | |

| MONITERM | | Horizontal | Vertical | Connector Pins | | | Grounds |
|------------|-----|------------|----------|----------------|-------|-----|----------|
| 999-0116 | | Freq 66.43 | 66.0 | Red | RedI | | |
| | | Pix 1024 | 768 | Grn | GrnI | | Ang Gnd: |
| Adapter# | ECL | Fpor (84) | (81) | Blu | BluI | | 8 |
| Interlace | N | Bpor (85) | (82) | Vsyn 4 | Csyn | V3- | Dig Gnd: |
| Video Type | E | Sync (86) | (83) | Hsyn 3 | V2+ 6 | V4+ | |
| Color/Mono | M | Stype - | - | V1+ 1 | V2- 7 | V4- | |
| Multisync | | Range | | V1- 2 | V3+ | | Recall: |
| Multimode | | | | | | | |

| MONITERM | | Horizontal | Vertical | Connector Pins | | | Grounds |
|------------|---|------------|----------|----------------|------|-----|----------|
| 999-0149 | | Freq 47.25 | 59.7 | Red | RedI | | |
| | | Pix 1024 | 768 | Grn | GrnI | | Ang Gnd: |
| Adapter# | | Fpor (84) | (81) | Blu | BluI | | |
| Interlace | N | Bpor (85) | (82) | Vsyn | Csyn | V3- | Dig Gnd: |
| Video Type | D | Sync (86) | (83) | Hsyn | V2+ | V4+ | |
| Color/Mono | | Stype + | - | V1+ | V2- | V4- | |
| Multisync | | Range | | V1- | V3+ | | Recall: |
| Multimode | | | | | | | |

| MONITERM | | Horizontal | Vertical | Connector Pins | | | Grounds |
|------------|---|----------------|------------|----------------|------|-----|----------|
| 999-0218 | | Freq 48.80 | 60.0 | Red | RedI | | |
| | | Pix 1024 | 768 | Grn | GrnI | | Ang Gnd: |
| Adapter# | 6 | Fpor 1 (84) | 0.061 (81) | Blu | BluI | | |
| Interlace | N | Bpor 2.25 (85) | 0.799 (82) | Vsyn | Csyn | V3- | Dig Gnd: |
| Video Type | A | Sync 1.25 (86) | 0.061 (83) | Hsyn | V2+ | V4+ | |
| Color/Mono | C | Stype | | V1+ | V2- | V4- | |
| Multisync | | Range | | V1- | V3+ | | Recall: |
| Multimode | | | | | | | |

| MONITERM | | Horizontal | Vertical | Connector Pins | | | Grounds |
|------------|---|------------|----------|----------------|------|-----|----------|
| 999-0317 | | Freq 59.00 | 74.0 | Red | RedI | | |
| | | Pix 1024 | 768 | Grn | GrnI | | Ang Gnd: |
| Adapter# | | Fpor (84) | (81) | Blu | BluI | | |
| Interlace | | Bpor (85) | (82) | Vsyn | Csyn | V3- | Dig Gnd: |
| Video Type | A | Sync (86) | (83) | Hsyn | V2+ | V4+ | |
| Color/Mono | | Stype | | V1+ | V2- | V4- | |
| Multisync | | Range | | V1- | V3+ | | Recall: |
| Multimode | | | | | | | |

| MONITERM | | Horizontal | Vertical | Connector Pins | | | Grounds |
|------------|-----|------------|----------|----------------|------|-----|----------|
| 999-0322 | | Freq 86.60 | 70.0 | Red | RedI | | |
| | | Pix 1600 | 1200 | Grn | GrnI | | Ang Gnd: |
| Adapter# | ECL | Fpor (84) | (81) | Blu | BluI | | |
| Interlace | N | Bpor (85) | (82) | Vsyn | Csyn | V3- | Dig Gnd: |
| Video Type | E | Sync (86) | (83) | Hsyn | V2+ | V4+ | |
| Color/Mono | M | Stype | | V1+ | V2- | V4- | |
| Multisync | | Range | | V1- | V3+ | | Recall: |
| Multimode | | | | | | | |

| MONITERM | | Horizontal | Vertical | Connector Pins | | | Grounds |
|------------|---|------------|----------|----------------|------|-----|----------|
| 999-0333 | | Freq 69.44 | 78.5 | Red | RedI | | |
| | | Pix | | Grn | GrnI | | Ang Gnd: |
| Adapter# | | Fpor (84) | (81) | Blu | BluI | | |
| Interlace | Y | Bpor (85) | (82) | Vsyn | Csyn | V3- | Dig Gnd: |
| Video Type | E | Sync (86) | (83) | Hsyn | V2+ | V4+ | |
| Color/Mono | M | Stype + | + | V1+ | V2- | V4- | |
| Multisync | | Range | | V1- | V3+ | | Recall: |
| Multimode | | | | | | | |

H sync = blue wire; V sync = yellow wire

| MONITERM | | Horizontal | Vertical | Connector Pins | | | Grounds |
|------------|-----|------------|----------|----------------|------|-----|----------|
| 999-0358 | | Freq 59.00 | 73.0 | Red | RedI | | |
| | Pix | | | Grn | GrnI | | Ang Gnd: |
| Adapter# | 6 | Fpor (84) | (81) | Blu | BluI | | |
| Interlace | | Bpor (85) | (82) | Vsyn | Csyn | V3- | Dig Gnd: |
| Video Type | A | Sync (86) | (83) | Hsyn | V2+ | V4+ | |
| Color/Mono | M | Stype | | V1+ | V2- | V4- | |
| Multisync | | Range | | V1- | V3+ | | Recall: |
| Multimode | | | | | | | |

| MONITERM | | Horizontal | Vertical | Connector Pins | | | Grounds |
|------------|-----|------------|----------|----------------|------|-----|----------|
| 999-0370 | | Freq 59.00 | 74.0 | Red | RedI | | |
| | Pix | 1024 | 768 | Grn | GrnI | | Ang Gnd: |
| Adapter# | | Fpor (84) | (81) | Blu | BluI | | |
| Interlace | | Bpor (85) | (82) | Vsyn | Csyn | V3- | Dig Gnd: |
| Video Type | A | Sync (86) | (83) | Hsyn | V2+ | V4+ | |
| Color/Mono | | Stype | | V1+ | V2- | V4- | |
| Multisync | | Range | | V1- | V3+ | | Recall: |
| Multimode | | | | | | | |

| MONITERM | | Horizontal | Vertical | Connector Pins | | | Grounds |
|------------|-----|-----------------|------------|----------------|------|-----|----------|
| 999-0388 | | Freq 63.92 | 78.0 | Red | RedI | | |
| | Pix | 1024 | 768 | Grn | GrnI | | Ang Gnd: |
| Adapter# | ECL | Fpor 0.356 (84) | 0.047 (81) | Blu | BluI | | 8,9 |
| Interlace | N | Bpor 2.67 (85) | 0.469 (82) | Vsyn 4 | Csyn | V3- | Dig Gnd: |
| Video Type | E | Sync 1.24 (86) | 0.125 (83) | Hsyn 3 | V2+ | V4+ | |
| Color/Mono | M | Stype | | V1+ 1 | V2- | V4- | |
| Multisync | | Range | | V1- 6 | V3+ | | Recall: |
| Multimode | | | | | | | |

MACINTOSH MACAVENUE PROTEGE

| MONITERM | | Horizontal | Vertical | Connector Pins | | | Grounds |
|-------------|-----|-----------------|------------|----------------|-------|-----|----------|
| 999-0397-03 | | Freq 57.78 | 71.9 | Red | RedI | | 8 |
| | Pix | 1024 | 768 | Grn | GrnI | | Ang Gnd: |
| Adapter# | ECL | Fpor 0.356 (84) | 0.047 (81) | Blu | BluI | | |
| Interlace | N | Bpor 3.5 (85) | 0.469 (82) | Vsyn 4 | Csyn | V3- | Dig Gnd: |
| Video Type | E | Sync 1.24 (86) | 0.125 (83) | Hsyn 3 | V2+ 2 | V4+ | |
| Color/Mono | M | Stype | | V1+ 1 | V2- 7 | V4- | |
| Multisync | | Range | | V1- 6 | V3+ | | Recall: |
| Multimode | | | | | | | |

| MONITERM | | Horizontal | Vertical | Connector Pins | | | Grounds |
|------------|-----|-----------------|------------|----------------|------|-----|----------|
| CD-19 | | Freq 48.00 | 60.0 | Red | RedI | | |
| | Pix | 1024 | 768 | Grn | GrnI | | Ang Gnd: |
| Adapter# | 6 | Fpor 0.526 (84) | 0.041 (81) | Blu | BluI | | |
| Interlace | N | Bpor 1.58 (85) | 0.646 (82) | Vsyn | Csyn | V3- | Dig Gnd: |
| Video Type | A | Sync 1.84 (86) | 0.021 (83) | Hsyn | V2+ | V4+ | |
| Color/Mono | | Stype | | V1+ | V2- | V4- | |
| Multisync | | Range | | V1- | V3+ | | Recall: |
| Multimode | | | | | | | |

| MONITERM | | Horizontal | Vertical | Connector Pins | | | Grounds |
|------------|---|------------|----------|----------------|------|-----|----------|
| P20CU79/66 | | Freq 66.00 | 70.0 | Red | RedI | | |
| 20" | | Pix 1000 | 800 | Grn | GrnI | | Ang Gnd: |
| Adapter# | | Fpor (84) | (81) | Blu | BluI | | |
| Interlace | N | Bpor (85) | (82) | Vsyn | Csyn | V3- | Dig Gnd: |
| Video Type | A | Sync (86) | (83) | Hsyn | V2+ | V4+ | |
| Color/Mono | C | Stype | | V1+ | V2- | V4- | |
| Multisync | N | Range | | V1- | V3+ | | Recall: |
| Multimode | N | | | | | | |

| MONITERM | | Horizontal | Vertical | Connector Pins | | | Grounds |
|--------------|-----|------------|----------|----------------|------|-----|----------|
| VIKING 2 G/S | | Freq 50.00 | 60.0 | Red | RedI | | |
| | Pix | 1024 | 768 | Grn | GrnI | | Ang Gnd: |
| Adapter# | | Fpor (84) | (81) | Blu | BluI | | |
| Interlace | N | Bpor (85) | (82) | Vsyn | Csyn | V3- | Dig Gnd: |
| Video Type | A | Sync (86) | (83) | Hsyn | V2+ | V4+ | |
| Color/Mono | M | Stype | | V1+ | V2- | V4- | |
| Multisync | | Range | | V1- | V3+ | | Recall: |
| Multimode | | | | | | | |

| MONITERM | | Horizontal | Vertical | Connector Pins | | | Grounds |
|--------------|---|------------|----------|----------------|------|-----|----------|
| VIKING 2/115 | | Freq 66.00 | 70.0 | Red | RedI | | |
| | | Pix 1600 | 1200 | Grn | GrnI | | Ang Gnd: |
| Adapter# | | Fpor (84) | (81) | Blu | BluI | | |
| Interlace | N | Bpor (85) | (82) | Vsyn | Csyn | V3- | Dig Gnd: |
| Video Type | E | Sync (86) | (83) | Hsyn | V2+ | V4+ | |
| Color/Mono | M | Stype | | V1+ | V2- | V4- | |
| Multisync | | Range | | V1- | V3+ | | Recall: |
| Multimode | | | | | | | |

| MONITERM | | Horizontal | Vertical | Connector Pins | | | Grounds |
|-------------|---|------------|----------|----------------|------|-----|----------|
| VIKING 2/91 | | Freq 66.00 | 66.0 | Red | RedI | | |
| | | Pix 1280 | 960 | Grn | GrnI | | Ang Gnd: |
| Adapter# | | Fpor (84) | (81) | Blu | BluI | | |
| Interlace | N | Bpor (85) | (82) | Vsyn | Csyn | V3- | Dig Gnd: |
| Video Type | | Sync (86) | (83) | Hsyn | V2+ | V4+ | |
| Color/Mono | M | Stype | | V1+ | V2- | V4- | |
| Multisync | | Range | | V1- | V3+ | | Recall: |
| Multimode | | | | | | | |

| MONITERM | | Horizontal | Vertical | Connector Pins | | | Grounds |
|--------------|---|------------|----------|----------------|------|-----|----------|
| VIKING 21/91 | | Freq 66.00 | 66.0 | Red | RedI | | |
| | | Pix 1280 | 960 | Grn | GrnI | | Ang Gnd: |
| Adapter# | | Fpor (84) | (81) | Blu | BluI | | |
| Interlace | N | Bpor (85) | (82) | Vsyn | Csyn | V3- | Dig Gnd: |
| Video Type | | Sync (86) | (83) | Hsyn | V2+ | V4+ | |
| Color/Mono | C | Stype | | V1+ | V2- | V4- | |
| Multisync | | Range | | V1- | V3+ | | Recall: |
| Multimode | | | | | | | |

| MONITERM | | Horizontal | Vertical | Connector Pins | | | Grounds |
|-------------|---|------------|----------|----------------|------|-----|----------|
| VIKING 2400 | | Freq 66.00 | 66.0 | Red | RedI | | |
| | | Pix 1280 | 960 | Grn | GrnI | | Ang Gnd: |
| Adapter# | | Fpor (84) | (81) | Blu | BluI | | |
| Interlace | N | Bpor (85) | (82) | Vsyn | Csyn | V3- | Dig Gnd: |
| Video Type | | Sync (86) | (83) | Hsyn | V2+ | V4+ | |
| Color/Mono | M | Stype | | V1+ | V2- | V4- | |
| Multisync | | Range | | V1- | V3+ | | Recall: |
| Multimode | | | | | | | |

| MONITERM | | Horizontal | Vertical | Connector Pins | | | Grounds |
|-----------------|---|------------|----------|----------------|------|-----|----------|
| VIKING PORTRAIT | | Freq 82.00 | 63.0 | Red | RedI | | |
| | | Pix 960 | 1280 | Grn | GrnI | | Ang Gnd: |
| Adapter# | | Fpor (84) | (81) | Blu | BluI | | |
| Interlace | N | Bpor (85) | (82) | Vsyn | Csyn | V3- | Dig Gnd: |
| Video Type | | Sync (86) | (83) | Hsyn | V2+ | V4+ | |
| Color/Mono | M | Stype | | V1+ | V2- | V4- | |
| Multisync | | Range | | V1- | V3+ | | Recall: |
| Multimode | | | | | | | |

| MONITERM | | Horizontal | Vertical | Connector Pins | | | Grounds |
|------------|---|----------------|------------|----------------|------|-----|----------|
| VY-6155 | | Freq 47.30 | 59.7 | Red 1 | RedI | | |
| | | Pix 1026 | 725 | Grn | GrnI | | Ang Gnd: |
| Adapter# | | Fpor 0.9 (84) | 0.001 (81) | Blu | BluI | | 6,7,8 |
| Interlace | N | Bpor 1.19 (85) | 0.064 (82) | Vsyn 4 | Csyn | V3- | Dig Gnd: |
| Video Type | D | Sync 2.09 (86) | 1.35 (83) | Hsyn 3 | V2+ | V4+ | |
| Color/Mono | M | Stype + | - | V1+ | V2- | V4- | |
| Multisync | | Range | | V1- | V3+ | | Recall: |
| Multimode | | | | | | | |

| MONITERM | | Horizontal | Vertical | Connector Pins | | | Grounds |
|------------|-----|------------|----------|----------------|-------|-----|----------|
| VY1000 | | Freq 67.38 | 66.4 | Red | RedI | | |
| | | Pix 1280 | 960 | Grn | GrnI | | Ang Gnd: |
| Adapter# | ECL | Fpor (84) | (81) | Blu | BluI | | |
| Interlace | N | Bpor (85) | (82) | Vsyn 4 | Csyn | V3- | Dig Gnd: |
| Video Type | E | Sync (86) | (83) | Hsyn 3 | V2+ 2 | V4+ | 8 |
| Color/Mono | M | Stype | | V1+ 1 | V2- 7 | V4- | |
| Multisync | N | Range | | V1- 6 | V3+ | | Recall: |
| Multimode | N | | | | | | |

PIN #5=-10V, PIN #9=-10VR

| MONITRONIX AS1AR62 | | Horizontal | Vertical | Connector Pins | | | Grounds |
|-----------------------|---------|------------|------------|----------------|------|-----|------------|
| | Freq | 61.80 | 66.0 | Red | RedI | | |
| | Pix | 1152 | 900 | Grn | GrnI | | Ang Gnd: |
| Adapter# | 6 Fpor | 0.106 (84) | 0.001 (81) | Blu | BluI | | |
| Interlace | N Bpor | 2.38 (85) | 0.508 (82) | Vsyn | Csyn | V3- | Dig Gnd: |
| Video Type | A Sync | 2.13 (86) | 0.07 (83) | Hsyn | V2+ | V4+ | |
| Color/Mono | C Stype | | | V1+ | V2- | V4- | |
| Multisync | Range | | | V1- | V3+ | | Recall: 14 |
| Multimode | | | | | | | |

| MONITRONIX MX200 | | Horizontal | Vertical | Connector Pins | | | Grounds |
|---------------------|---------|------------|------------|----------------|------|-----|----------|
| | Freq | 48.80 | 60.0 | Red | RedI | | |
| | Pix | 1024 | 768 | Grn | GrnI | | Ang Gnd: |
| Adapter# | Fpor | 1 (84) | 0.062 (81) | Blu | BluI | | |
| Interlace | N Bpor | 2.25 (85) | 0.8 (82) | Vsyn | Csyn | V3- | Dig Gnd: |
| Video Type | A Sync | 1.25 (86) | 0.062 (83) | Hsyn | V2+ | V4+ | |
| Color/Mono | C Stype | - | - | V1+ | V2- | V4- | |
| Multisync | Range | | | V1- | V3+ | | Recall: |
| Multimode | | | | | | | |

| NANAO 8060,9060,9070 | | Horizontal | Vertical | Connector Pins | | | Grounds |
|-------------------------|---|------------|----------|----------------|------|-----|--------------|
| | Freq | | | Red | RedI | | |
| | Pix | 1280 | 1024 | Grn | GrnI | | Ang Gnd: |
| Adapter# | 4 Fpor | (84) | (81) | Blu | BluI | | |
| Interlace | Bpor | (85) | (82) | Vsyn | Csyn | V3- | Dig Gnd: |
| Video Type | A Sync | (86) | (83) | Hsyn | V2+ | V4+ | |
| Color/Mono | C Stype | | | V1+ | V2- | V4- | |
| Multisync | Y Range30-64 | | 50-90 | V1- | V3+ | | Recall: 5-10 |
| Multimode | N VGA,SVGA,8514/USE NANAO 9 PIN TO 15 PIN CABLE | | | | | | |

| NANAO 8060,9060,9070 | | Horizontal | Vertical | Connector Pins | | | Grounds |
|-------------------------|---------|------------|-----------|----------------|------|-----|----------|
| | Freq | 36.00 | 58.2 | Red | RedI | | |
| | Pix | 800 | 600 | Grn | GrnI | | Ang Gnd: |
| Adapter# | Fpor | 0.19 (84) | 0.05 (81) | Blu | BluI | | |
| Interlace | N Bpor | 4.25 (85) | 0.14 (82) | Vsyn | Csyn | V3- | Dig Gnd: |
| Video Type | A Sync | 1.22 (86) | 0.33 (83) | Hsyn | V2+ | V4+ | |
| Color/Mono | C Stype | | | V1+ | V2- | V4- | |
| Multisync | Range | | | V1- | V3+ | | Recall: |
| Multimode | 1 | | | | | | |

| NANAO 8060,9060,9070 | | Horizontal | Vertical | Connector Pins | | | Grounds |
|-------------------------|---------|------------|------------|----------------|------|-----|----------|
| | Freq | 47.62 | 59.5 | Red | RedI | | |
| | Pix | 1024 | 768 | Grn | GrnI | | Ang Gnd: |
| Adapter# | Fpor | 1.25 (84) | 0.126 (81) | Blu | BluI | | |
| Interlace | N Bpor | 2.3 (85) | 0.504 (82) | Vsyn | Csyn | V3- | Dig Gnd: |
| Video Type | A Sync | 1.45 (86) | 0.063 (83) | Hsyn | V2+ | V4+ | |
| Color/Mono | C Stype | | | V1+ | V2- | V4- | |
| Multisync | Range | | | V1- | V3+ | | Recall: |
| Multimode | 2 | | | | | | |

| NANAO 90658 FLEXSCAN 90658 | | Horizontal | Vertical | Connector Pins | | | Grounds |
|----------------------------------|------------------|------------|----------|----------------|------|-----|--------------|
| | Freq | | | Red | RedI | | |
| | Pix | 1024 | 768 | Grn | GrnI | | Ang Gnd: |
| Adapter# | 4 Fpor | (84) | (81) | Blu | BluI | | |
| Interlace | Bpor | (85) | (82) | Vsyn | Csyn | V3- | Dig Gnd: |
| Video Type | A Sync | (86) | (83) | Hsyn | V2+ | V4+ | |
| Color/Mono | C Stype | | | V1+ | V2- | V4- | |
| Multisync | Y Range30-49 | | 50-90 | V1- | V3+ | | Recall: 5-10 |
| Multimode | N VGA,SVGA,8514/ | | | | | | |

| NANAO 90658 FLEXSCAN 90658 | | Horizontal | Vertical | Connector Pins | | | Grounds |
|----------------------------------|---------|------------|-----------|----------------|------|-----|----------|
| | Freq | 36.00 | 58.2 | Red | RedI | | |
| | Pix | 800 | 600 | Grn | GrnI | | Ang Gnd: |
| Adapter# | 6 Fpor | 0.19 (84) | 0.05 (81) | Blu | BluI | | |
| Interlace | N Bpor | 4.25 (85) | 0.14 (82) | Vsyn | Csyn | V3- | Dig Gnd: |
| Video Type | A Sync | 1.12 (86) | 0.33 (83) | Hsyn | V2+ | V4+ | |
| Color/Mono | C Stype | | | V1+ | V2- | V4- | |
| Multisync | Y Range | | | V1- | V3+ | | Recall: |
| Multimode | 1 | | | | | | |

| | | Horizontal | Vertical | Connector Pins | | | Grounds | | | |
|-----------------------|--|------------|----------|----------------|-----------|------------|---------|----------|---------|----------|
| NANAO | | Freq | 47.62 | | 59.5 | Red | RedI | | | |
| 90658 | | Pix | 1024 | | 768 | Grn | GrnI | Ang Gnd: | | |
| FLEXSCAN 90658 | | Adapter# | 6 | Fpor | 1.25 (84) | 0.126 (81) | Blu | BluI | | |
| | | Interlace | N | Bpor | 2.3 (85) | 0.504 (82) | Vsyn | Csyn | V3- | Dig Gnd: |
| | | Video Type | A | Sync | 1.45 (86) | 0.063 (83) | Hsyn | V2+ | V4+ | |
| | | Color/Mono | C | Stype | - | - | V1+ | V2- | V4- | |
| | | Multisync | Y | Range | | | V1- | V3+ | Recall: | |
| | | Multimode | 2 | | | | | | | |

| | | Horizontal | Vertical | Connector Pins | | | Grounds | | | |
|-----------------------|--|------------|----------|---|-------|-------|---------|----------|--------------|----------|
| NANAO | | Freq | | | | Red | RedI | | | |
| 9080i | | Pix | 1280 | | 1024 | Grn | GrnI | Ang Gnd: | | |
| FLEXSCAN 9080I | | Adapter# | 4 | Fpor | (84) | (81) | Blu | BluI | | |
| | | Interlace | N | Bpor | (85) | (82) | Vsyn | Csyn | V3- | Dig Gnd: |
| | | Video Type | A | Sync | (86) | (83) | Hsyn | V2+ | V4+ | |
| | | Color/Mono | C | Stype | | | V1+ | V2- | V4- | |
| | | Multisync | Y | Range | 30-64 | 50-90 | V1- | V3+ | Recall: 5-10 | |
| | | Multimode | N | VGA, SVGA, 8514/USE NANAO 9 PIN TO 15 PIN CABLE | | | | | | |

| | | Horizontal | Vertical | Connector Pins | | | Grounds | | | |
|-----------------------|--|------------|----------|----------------|-----------|-----------|---------|----------|---------|----------|
| NANAO | | Freq | 36.00 | | 58.2 | Red | RedI | | | |
| 9080i | | Pix | 800 | | 600 | Grn | GrnI | Ang Gnd: | | |
| FLEXSCAN 9080I | | Adapter# | 6 | Fpor | 0.19 (84) | 0.05 (81) | Blu | BluI | | |
| | | Interlace | N | Bpor | 4.25 (85) | 0.14 (82) | Vsyn | Csyn | V3- | Dig Gnd: |
| | | Video Type | A | Sync | 1.12 (86) | 0.33 (83) | Hsyn | V2+ | V4+ | |
| | | Color/Mono | C | Stype | | | V1+ | V2- | V4- | |
| | | Multisync | Y | Range | | | V1- | V3+ | Recall: | |
| | | Multimode | 1 | | | | | | | |

| | | Horizontal | Vertical | Connector Pins | | | Grounds | | | |
|-----------------------|--|------------|----------|----------------|-----------|------------|---------|----------|---------|----------|
| NANAO | | Freq | 47.62 | | 59.5 | Red | RedI | | | |
| 9080i | | Pix | 1024 | | 768 | Grn | GrnI | Ang Gnd: | | |
| FLEXSCAN 9080I | | Adapter# | 6 | Fpor | 1.25 (84) | 0.126 (81) | Blu | BluI | | |
| | | Interlace | N | Bpor | 2.3 (85) | 0.504 (82) | Vsyn | Csyn | V3- | Dig Gnd: |
| | | Video Type | A | Sync | 1.45 (86) | 0.063 (83) | Hsyn | V2+ | V4+ | |
| | | Color/Mono | C | Stype | - | - | V1+ | V2- | V4- | |
| | | Multisync | Y | Range | | | V1- | V3+ | Recall: | |
| | | Multimode | 2 | | | | | | | |

| | | Horizontal | Vertical | Connector Pins | | | Grounds | | | |
|-----------------------|--|------------|----------|----------------|------------|------------|---------|----------|---------|----------|
| NANAO | | Freq | 59.50 | | 73.5 | Red | RedI | | | |
| 9080i | | Pix | 1024 | | 768 | Grn | GrnI | Ang Gnd: | | |
| FLEXSCAN 9080I | | Adapter# | 6 | Fpor | 0.775 (84) | 0.151 (81) | Blu | BluI | | |
| | | Interlace | N | Bpor | 1.63 (85) | 0.47 (82) | Vsyn | Csyn | V3- | Dig Gnd: |
| | | Video Type | A | Sync | 1.6 (86) | 0.084 (83) | Hsyn | V2+ | V4+ | |
| | | Color/Mono | C | Stype | - | - | V1+ | V2- | V4- | |
| | | Multisync | Y | Range | | | V1- | V3+ | Recall: | |
| | | Multimode | 3 | | | | | | | |

| | | Horizontal | Vertical | Connector Pins | | | Grounds | | | |
|-----------------------|--|------------|----------|----------------|------------|------------|---------|----------|---------|----------|
| NANAO | | Freq | 64.27 | | 60.0 | Red | RedI | | | |
| 9080i | | Pix | 1280 | | 1024 | Grn | GrnI | Ang Gnd: | | |
| FLEXSCAN 9080I | | Adapter# | 6 | Fpor | 0.296 (84) | 0.124 (81) | Blu | BluI | | |
| | | Interlace | N | Bpor | 2.82 (85) | 0.498 (82) | Vsyn | Csyn | V3- | Dig Gnd: |
| | | Video Type | A | Sync | 0.593 (86) | 0.078 (83) | Hsyn | V2+ | V4+ | |
| | | Color/Mono | C | Stype | G | G | V1+ | V2- | V4- | |
| | | Multisync | Y | Range | | | V1- | V3+ | Recall: | |
| | | Multimode | 4 | | | | | | | |

| | | Horizontal | Vertical | Connector Pins | | | Grounds | | | |
|--------------------------|--|------------|----------|------------------|-------|-------|---------|----------|--------------|----------|
| NANAO | | Freq | | | | Red | RedI | | | |
| 9400, 9400i, 9500 | | Pix | 1280 | | 1024 | Grn | GrnI | Ang Gnd: | | |
| | | Adapter# | 4 | Fpor | (84) | (81) | Blu | BluI | | |
| | | Interlace | N | Bpor | (85) | (82) | Vsyn | Csyn | V3- | Dig Gnd: |
| | | Video Type | A | Sync | (86) | (83) | Hsyn | V2+ | V4+ | |
| | | Color/Mono | C | Stype | | | V1+ | V2- | V4- | |
| | | Multisync | Y | Range | 30-65 | 55-90 | V1- | V3+ | Recall: 5-10 | |
| | | Multimode | N | VGA, SVGA, 8514/ | | | | | | |

| NANA0 | | Horizontal | Vertical | Connector Pins | | | Grounds |
|-----------------|---------|------------|-----------|----------------|------|-----|----------|
| 9400,9400i,9500 | Freq | 36.00 | 58.2 | Red | RedI | | |
| | Pix | 800 | 600 | Grn | GrnI | | Ang Gnd: |
| Adapter# | 6 Fpor | 0.19 (84) | 0.05 (81) | Blu | BluI | | |
| Interlace | N Bpor | 4.25 (85) | 0.14 (82) | Vsyn | Csyn | V3- | Dig Gnd: |
| Video Type | A Sync | 1.12 (86) | 0.33 (83) | Hsyn | V2+ | V4+ | |
| Color/Mono | C Stype | | | V1+ | V2- | V4- | |
| Multisync | Y Range | | | V1- | V3+ | | Recall: |
| Multimode | 1 | | | | | | |

| NANA0 | | Horizontal | Vertical | Connector Pins | | | Grounds |
|-----------------|---------|------------|------------|----------------|------|-----|----------|
| 9400,9400i,9500 | Freq | 47.62 | 59.5 | Red | RedI | | |
| | Pix | 1024 | 768 | Grn | GrnI | | Ang Gnd: |
| Adapter# | 6 Fpor | 1.25 (84) | 0.126 (81) | Blu | BluI | | |
| Interlace | N Bpor | 2.3 (85) | 0.504 (82) | Vsyn | Csyn | V3- | Dig Gnd: |
| Video Type | A Sync | 1.45 (86) | 0.063 (83) | Hsyn | V2+ | V4+ | |
| Color/Mono | C Stype | - | - | V1+ | V2- | V4- | |
| Multisync | Y Range | | | V1- | V3+ | | Recall: |
| Multimode | 2 | | | | | | |

| NANA0 | | Horizontal | Vertical | Connector Pins | | | Grounds |
|-----------------|---------|------------|------------|----------------|------|-----|----------|
| 9400,9400i,9500 | Freq | 59.50 | 73.5 | Red | RedI | | |
| | Pix | 1024 | 768 | Grn | GrnI | | Ang Gnd: |
| Adapter# | 6 Fpor | 0.775 (84) | 0.151 (81) | Blu | BluI | | |
| Interlace | N Bpor | 1.63 (85) | 0.47 (82) | Vsyn | Csyn | V3- | Dig Gnd: |
| Video Type | A Sync | 1.6 (86) | 0.084 (83) | Hsyn | V2+ | V4+ | |
| Color/Mono | C Stype | - | - | V1+ | V2- | V4- | |
| Multisync | Y Range | | | V1- | V3+ | | Recall: |
| Multimode | 3 | | | | | | |

| NANA0 | | Horizontal | Vertical | Connector Pins | | | Grounds |
|-----------------|---------|------------|------------|----------------|------|-----|----------|
| 9400,9400i,9500 | Freq | 64.27 | 60.0 | Red | RedI | | |
| | Pix | 1280 | 1024 | Grn | GrnI | | Ang Gnd: |
| Adapter# | 6 Fpor | 0.296 (84) | 0.124 (81) | Blu | BluI | | |
| Interlace | N Bpor | 2.82 (85) | 0.498 (82) | Vsyn | Csyn | V3- | Dig Gnd: |
| Video Type | A Sync | 0.593 (86) | 0.078 (83) | Hsyn | V2+ | V4+ | |
| Color/Mono | C Stype | G | G | V1+ | V2- | V4- | |
| Multisync | Y Range | | | V1- | V3+ | | Recall: |
| Multimode | 4 | | | | | | |

| NANA0 | | Horizontal | Vertical | Connector Pins | | | Grounds |
|---------------|---------|------------|---------------------------|----------------|------|-----|----------|
| F340IW | Freq | | | Red | RedI | | |
| FLEXISCAN 15" | Pix | 1024 | 768 | Grn | GrnI | | Ang Gnd: |
| Adapter# | Fpor | (84) | (81) | Blu | BluI | | |
| Interlace | Y Bpor | (85) | (82) | Vsyn | Csyn | V3- | Dig Gnd: |
| Video Type | A Sync | (86) | (83) | Hsyn | V2+ | V4+ | |
| Color/Mono | C Stype | | | V1+ | V2- | V4- | |
| Multisync | Y Range | 27-61.5 | 55-90 | V1- | V3+ | | Recall: |
| Multimode | N | MOST MODES | INTERLACED IN 8514A MODE. | | | | |

| NANA0 | | Horizontal | Vertical | Connector Pins | | | Grounds |
|---------------|---------|------------|---------------------------|----------------|------|-----|----------|
| F550I | Freq | | | Red | RedI | | |
| FLEXISCAN 17" | Pix | 1280 | 1024 | Grn | GrnI | | Ang Gnd: |
| Adapter# | Fpor | (84) | (81) | Blu | BluI | | |
| Interlace | Y Bpor | (85) | (82) | Vsyn | Csyn | V3- | Dig Gnd: |
| Video Type | A Sync | (86) | (83) | Hsyn | V2+ | V4+ | |
| Color/Mono | C Stype | | | V1+ | V2- | V4- | |
| Multisync | Y Range | 30-65 | 55-90 | V1- | V3+ | | Recall: |
| Multimode | N | MOST MODES | INTERLACED IN 8514A MODE. | | | | |

| NANA0 | | Horizontal | Vertical | Connector Pins | | | Grounds |
|----------------------|---------|------------------|----------|----------------|------|-----|--------------|
| F550I-W, F560I-W, F7 | Freq | | | Red | RedI | | |
| | Pix | 1280 | 1024 | Grn | GrnI | | Ang Gnd: |
| Adapter# | 4 Fpor | (84) | (81) | Blu | BluI | | |
| Interlace | Bpor | (85) | (82) | Vsyn | Csyn | V3- | Dig Gnd: |
| Video Type | A Sync | (86) | (83) | Hsyn | V2+ | V4+ | |
| Color/Mono | C Stype | | | V1+ | V2- | V4- | |
| Multisync | Y Range | 30-64 | 50-90 | V1- | V3+ | | Recall: 5-10 |
| Multimode | N | VGA, SVGA, 8514/ | | | | | |

| NANA0 | | Horizontal | Vertical | Connector Pins | | | Grounds |
|----------------------|---------|------------|-----------|----------------|------|-----|----------|
| F550I-W, F560I-W, F7 | Freq | 36.00 | 58.2 | Red | RedI | | |
| | Pix | 800 | 600 | Grn | GrnI | | Ang Gnd: |
| Adapter# | 6 Fpor | 0.19 (84) | 0.05 (81) | Blu | BluI | | |
| Interlace | N Bpor | 4.25 (85) | 0.14 (82) | Vsyn | Csyn | V3- | Dig Gnd: |
| Video Type | A Sync | 1.12 (86) | 0.33 (83) | Hsyn | V2+ | V4+ | |
| Color/Mono | C Stype | | | V1+ | V2- | V4- | |
| Multisync | Y Range | | | V1- | V3+ | | Recall: |
| Multimode | 1 | | | | | | |

| NANA0 | | Horizontal | Vertical | Connector Pins | | | Grounds |
|----------------------|---------|------------|------------|----------------|------|-----|----------|
| F550I-W, F560I-W, F7 | Freq | 47.62 | 59.5 | Red | RedI | | |
| | Pix | 1024 | 768 | Grn | GrnI | | Ang Gnd: |
| Adapter# | 6 Fpor | 1.25 (84) | 0.126 (81) | Blu | BluI | | |
| Interlace | N Bpor | 2.3 (85) | 0.504 (82) | Vsyn | Csyn | V3- | Dig Gnd: |
| Video Type | A Sync | 1.45 (86) | 0.063 (83) | Hsyn | V2+ | V4+ | |
| Color/Mono | C Stype | - | - | V1+ | V2- | V4- | |
| Multisync | Y Range | | | V1- | V3+ | | Recall: |
| Multimode | 2 | | | | | | |

| NANA0 | | Horizontal | Vertical | Connector Pins | | | Grounds |
|----------------------|---------|------------|------------|----------------|------|-----|----------|
| F550I-W, F560I-W, F7 | Freq | 59.50 | 73.5 | Red | RedI | | |
| | Pix | 1024 | 768 | Grn | GrnI | | Ang Gnd: |
| Adapter# | 6 Fpor | 0.775 (84) | 0.151 (81) | Blu | BluI | | |
| Interlace | N Bpor | 1.63 (85) | 0.47 (82) | Vsyn | Csyn | V3- | Dig Gnd: |
| Video Type | A Sync | 1.6 (86) | 0.084 (83) | Hsyn | V2+ | V4+ | |
| Color/Mono | C Stype | - | - | V1+ | V2- | V4- | |
| Multisync | Y Range | | | V1- | V3+ | | Recall: |
| Multimode | 3 | | | | | | |

| NANA0 | | Horizontal | Vertical | Connector Pins | | | Grounds |
|----------------------|---------|------------|------------|----------------|------|-----|----------|
| F550I-W, F560I-W, F7 | Freq | 64.27 | 60.0 | Red | RedI | | |
| | Pix | 1280 | 1024 | Grn | GrnI | | Ang Gnd: |
| Adapter# | 6 Fpor | 0.296 (84) | 0.124 (81) | Blu | BluI | | |
| Interlace | N Bpor | 2.82 (85) | 0.498 (82) | Vsyn | Csyn | V3- | Dig Gnd: |
| Video Type | A Sync | 0.593 (86) | 0.078 (83) | Hsyn | V2+ | V4+ | |
| Color/Mono | C Stype | G | G | V1+ | V2- | V4- | |
| Multisync | Y Range | | | V1- | V3+ | | Recall: |
| Multimode | 4 | | | | | | |

| NANA0 | | Horizontal | Vertical | Connector Pins | | | Grounds | |
|------------------------------|--------------|---------------------------|----------|----------------|------|-----|----------|--|
| F550IW (2ND) FLEXSCAN 17" | Freq | | | Red | RedI | | | |
| | Pix | 1024 | 768 | Grn | GrnI | | Ang Gnd: | |
| Adapter# | Fpor | (84) | (81) | Blu | BluI | | | |
| Interlace | Y Bpor | (85) | (82) | Vsyn | Csyn | V3- | Dig Gnd: | |
| Video Type | A Sync | (86) | (83) | Hsyn | V2+ | V4+ | | |
| Color/Mono | C Stype | | | V1+ | V2- | V4- | | |
| Multisync | Y Range27-65 | | 55-90 | V1- | V3+ | | Recall: | |
| Multimode | N MOST MODES | INTERLACED IN 8514A MODE. | | | | | | |

| NANA0 | | Horizontal | Vertical | Connector Pins | | | Grounds | |
|-----------------------|--------------|---------------------------|----------|----------------|------|-----|----------|--|
| F750I FLEXSCAN 21" | Freq | | | Red | RedI | | | |
| | Pix | 1280 | 1024 | Grn | GrnI | | Ang Gnd: | |
| Adapter# | Fpor | (84) | (81) | Blu | BluI | | | |
| Interlace | Y Bpor | (85) | (82) | Vsyn | Csyn | V3- | Dig Gnd: | |
| Video Type | A Sync | (86) | (83) | Hsyn | V2+ | V4+ | | |
| Color/Mono | C Stype | | | V1+ | V2- | V4- | | |
| Multisync | Y Range30-78 | | 55-90 | V1- | V3+ | | Recall: | |
| Multimode | N MOST MODES | INTERLACED IN 8514A MODE. | | | | | | |

| NANA0 | | Horizontal | Vertical | Connector Pins | | | Grounds | |
|------------------------------|--------------|---------------------------|----------|----------------|------|-----|----------|--|
| F760IW (2ND) FLEXSCAN 21" | Freq | | | Red | RedI | | | |
| | Pix | 1600 | 1200 | Grn | GrnI | | Ang Gnd: | |
| Adapter# | Fpor | (84) | (81) | Blu | BluI | | | |
| Interlace | Y Bpor | (85) | (82) | Vsyn | Csyn | V3- | Dig Gnd: | |
| Video Type | A Sync | (86) | (83) | Hsyn | V2+ | V4+ | | |
| Color/Mono | C Stype | | | V1+ | V2- | V4- | | |
| Multisync | Y Range30-78 | | 55-90 | V1- | V3+ | | Recall: | |
| Multimode | N MOST MODES | INTERLACED IN 8514A MODE. | | | | | | |

| NANA0 | | Horizontal | Vertical | Connector Pins | | | Grounds |
|------------|---------|------------------|----------|----------------|------|-----|----------|
| F780IW | Freq | | | Red | RedI | | |
| FLEXSCAN | Pix | 1600 | 1200 | Grn | GrnI | | Ang Gnd: |
| Adapter# | Fpor | (84) | (81) | Blu | BluI | | |
| Interlace | Bpor | (85) | (82) | Vsyn | Csyn | V3- | Dig Gnd: |
| Video Type | A Sync | (86) | (83) | Hsyn | V2+ | V4+ | |
| Color/Mono | C Stype | | | V1+ | V2- | V4- | |
| Multisync | Y Range | 45-100 | 55-120 | V1- | V3+ | | Recall: |
| Multimode | N | VGA, SVGA, 8514A | | | | | |

| NANA0 | | Horizontal | Vertical | Connector Pins | | | Grounds |
|--------------|---------|--------------------------------------|----------|----------------|------|-----|----------|
| T560I (3RD) | Freq | | | Red | RedI | | |
| FLEXSCAN 17" | Pix | 1280 | 1024 | Grn | GrnI | | Ang Gnd: |
| Adapter# | Fpor | (84) | (81) | Blu | BluI | | |
| Interlace | Y Bpor | (85) | (82) | Vsyn | Csyn | V3- | Dig Gnd: |
| Video Type | A Sync | (86) | (83) | Hsyn | V2+ | V4+ | |
| Color/Mono | C Stype | | | V1+ | V2- | V4- | |
| Multisync | Y Range | 30-82 | 55-90 | V1- | V3+ | | Recall: |
| Multimode | N | MOST MODES INTERLACED IN 8514A MODE. | | | | | |

| NANA0 | | Horizontal | Vertical | Connector Pins | | | Grounds |
|----------------------|---------|---|----------|----------------|------|-----|--------------|
| T560I, T660I (EARLY) | Freq | | | Red | RedI | | |
| | Pix | 1280 | 1024 | Grn | GrnI | | Ang Gnd: |
| Adapter# | 4 Fpor | (84) | (81) | Blu | BluI | | |
| Interlace | Bpor | (85) | (82) | Vsyn | Csyn | V3- | Dig Gnd: |
| Video Type | A Sync | (86) | (83) | Hsyn | V2+ | V4+ | |
| Color/Mono | C Stype | | | V1+ | V2- | V4- | |
| Multisync | Y Range | 30-64 | 50-90 | V1- | V3+ | | Recall: 5-10 |
| Multimode | N | VGA, SVGA, 8514/USE NANA0 9 PIN TO 15 PIN CABLE | | | | | |

| NANA0 | | Horizontal | Vertical | Connector Pins | | | Grounds |
|----------------------|---------|------------|-----------|----------------|------|-----|----------|
| T560I, T660I (EARLY) | Freq | 36.00 | 58.2 | Red | RedI | | |
| | Pix | 800 | 600 | Grn | GrnI | | Ang Gnd: |
| Adapter# | 6 Fpor | 0.19 (84) | 0.05 (81) | Blu | BluI | | |
| Interlace | N Bpor | 4.25 (85) | 0.14 (82) | Vsyn | Csyn | V3- | Dig Gnd: |
| Video Type | A Sync | 1.12 (86) | 0.33 (83) | Hsyn | V2+ | V4+ | |
| Color/Mono | C Stype | | | V1+ | V2- | V4- | |
| Multisync | Y Range | | | V1- | V3+ | | Recall: |
| Multimode | 1 | | | | | | |

| NANA0 | | Horizontal | Vertical | Connector Pins | | | Grounds |
|----------------------|---------|------------|------------|----------------|------|-----|----------|
| T560I, T660I (EARLY) | Freq | 47.62 | 59.5 | Red | RedI | | |
| | Pix | 1024 | 768 | Grn | GrnI | | Ang Gnd: |
| Adapter# | 6 Fpor | 1.25 (84) | 0.126 (81) | Blu | BluI | | |
| Interlace | N Bpor | 2.3 (85) | 0.504 (82) | Vsyn | Csyn | V3- | Dig Gnd: |
| Video Type | A Sync | 1.45 (86) | 0.063 (83) | Hsyn | V2+ | V4+ | |
| Color/Mono | C Stype | - | - | V1+ | V2- | V4- | |
| Multisync | Y Range | | | V1- | V3+ | | Recall: |
| Multimode | 2 | | | | | | |

| NANA0 | | Horizontal | Vertical | Connector Pins | | | Grounds |
|----------------------|---------|------------|------------|----------------|------|-----|----------|
| T560I, T660I (EARLY) | Freq | 59.50 | 73.5 | Red | RedI | | |
| | Pix | 1024 | 768 | Grn | GrnI | | Ang Gnd: |
| Adapter# | 6 Fpor | 0.775 (84) | 0.151 (81) | Blu | BluI | | |
| Interlace | N Bpor | 1.63 (85) | 0.47 (82) | Vsyn | Csyn | V3- | Dig Gnd: |
| Video Type | A Sync | 1.6 (86) | 0.084 (83) | Hsyn | V2+ | V4+ | |
| Color/Mono | C Stype | - | - | V1+ | V2- | V4- | |
| Multisync | Y Range | | | V1- | V3+ | | Recall: |
| Multimode | 3 | | | | | | |

| NANA0 | | Horizontal | Vertical | Connector Pins | | | Grounds |
|----------------------|---------|------------|------------|----------------|------|-----|----------|
| T560I, T660I (EARLY) | Freq | 64.27 | 60.0 | Red | RedI | | |
| | Pix | 1280 | 1024 | Grn | GrnI | | Ang Gnd: |
| Adapter# | 6 Fpor | 0.296 (84) | 0.124 (81) | Blu | BluI | | |
| Interlace | N Bpor | 2.82 (85) | 0.498 (82) | Vsyn | Csyn | V3- | Dig Gnd: |
| Video Type | A Sync | 0.593 (86) | 0.078 (83) | Hsyn | V2+ | V4+ | |
| Color/Mono | C Stype | G | G | V1+ | V2- | V4- | |
| Multisync | Y Range | | | V1- | V3+ | | Recall: |
| Multimode | 4 | | | | | | |

| NANA0 | | Horizontal | Vertical | Connector Pins | | | Grounds |
|----------------------------|-----|------------------|----------|----------------|------|------|--------------|
| T560I, T660I (LATE) | | Freq | | Red | RedI | | |
| | Pix | 1280 | 1024 | Grn | GrnI | | Ang Gnd: |
| Adapter# | 4 | Fpor | (84) | (81) | Blu | BluI | |
| Interlace | | Bpor | (85) | (82) | Vsyn | Csyn | V3- Dig Gnd: |
| Video Type | | Sync | (86) | (83) | Hsyn | V2+ | V4+ |
| Color/Mono | C | Stype | | | V1+ | V2- | V4- |
| Multisync | Y | Range | 30-64 | 50-90 | V1- | V3+ | Recall: 5-10 |
| Multimode | N | VGA, SVGA, 8514/ | | | | | |

| NANA0 | | Horizontal | Vertical | Connector Pins | | | Grounds |
|----------------------------|-----|------------|-----------|----------------|------|------|--------------|
| T560I, T660I (LATE) | | Freq | 36.00 | 58.2 | Red | RedI | |
| | Pix | 800 | 600 | Grn | GrnI | | Ang Gnd: |
| Adapter# | 4 | Fpor | 0.19 (84) | 0.05 (81) | Blu | BluI | |
| Interlace | N | Bpor | 4.25 (85) | 0.14 (82) | Vsyn | Csyn | V3- Dig Gnd: |
| Video Type | A | Sync | 1.12 (86) | 0.33 (83) | Hsyn | V2+ | V4+ |
| Color/Mono | C | Stype | | | V1+ | V2- | V4- |
| Multisync | Y | Range | | | V1- | V3+ | Recall: |
| Multimode | 1 | | | | | | |

| NANA0 | | Horizontal | Vertical | Connector Pins | | | Grounds |
|----------------------------|-----|------------|-----------|----------------|------|------|--------------|
| T560I, T660I (LATE) | | Freq | 47.62 | 59.5 | Red | RedI | |
| | Pix | 1024 | 768 | Grn | GrnI | | Ang Gnd: |
| Adapter# | 4 | Fpor | 1.25 (84) | 0.126 (81) | Blu | BluI | |
| Interlace | N | Bpor | 2.3 (85) | 0.504 (82) | Vsyn | Csyn | V3- Dig Gnd: |
| Video Type | A | Sync | 1.45 (86) | 0.063 (83) | Hsyn | V2+ | V4+ |
| Color/Mono | C | Stype | - | - | V1+ | V2- | V4- |
| Multisync | Y | Range | | | V1- | V3+ | Recall: |
| Multimode | 2 | | | | | | |

| NANA0 | | Horizontal | Vertical | Connector Pins | | | Grounds |
|----------------------------|-----|------------|------------|----------------|------|------|--------------|
| T560I, T660I (LATE) | | Freq | 59.50 | 73.5 | Red | RedI | |
| | Pix | 1024 | 768 | Grn | GrnI | | Ang Gnd: |
| Adapter# | 4 | Fpor | 0.775 (84) | 0.151 (81) | Blu | BluI | |
| Interlace | N | Bpor | 1.63 (85) | 0.47 (82) | Vsyn | Csyn | V3- Dig Gnd: |
| Video Type | A | Sync | 1.6 (86) | 0.084 (83) | Hsyn | V2+ | V4+ |
| Color/Mono | C | Stype | - | - | V1+ | V2- | V4- |
| Multisync | Y | Range | | | V1- | V3+ | Recall: |
| Multimode | 3 | | | | | | |

| NANA0 | | Horizontal | Vertical | Connector Pins | | | Grounds |
|----------------------------|-----|------------|------------|----------------|------|------|--------------|
| T560I, T660I (LATE) | | Freq | 64.27 | 60.0 | Red | RedI | |
| | Pix | 1280 | 1024 | Grn | GrnI | | Ang Gnd: |
| Adapter# | 4 | Fpor | 0.296 (84) | 0.124 (81) | Blu | BluI | |
| Interlace | N | Bpor | 2.82 (85) | 0.498 (82) | Vsyn | Csyn | V3- Dig Gnd: |
| Video Type | A | Sync | 0.593 (86) | 0.078 (83) | Hsyn | V2+ | V4+ |
| Color/Mono | C | Stype | G | G | V1+ | V2- | V4- |
| Multisync | Y | Range | | | V1- | V3+ | Recall: |
| Multimode | 4 | | | | | | |

| NANA0 | | Horizontal | Vertical | Connector Pins | | | Grounds |
|--------------------------------------|-----|------------|----------|---------------------------|------|------|--------------|
| T560IW (2ND) FLEXSCAN 17" | | Freq | | | Red | RedI | |
| | Pix | 1280 | 1024 | Grn | GrnI | | Ang Gnd: |
| Adapter# | | Fpor | (84) | (81) | Blu | BluI | |
| Interlace | | Bpor | (85) | (82) | Vsyn | Csyn | V3- Dig Gnd: |
| Video Type | | Sync | (86) | (83) | Hsyn | V2+ | V4+ |
| Color/Mono | C | Stype | | | V1+ | V2- | V4- |
| Multisync | Y | Range | 30-82 | 55-90 | V1- | V3+ | Recall: |
| Multimode | N | MOST MODES | | INTERLACED IN 8514A MODE. | | | |

| NANA0 | | Horizontal | Vertical | Connector Pins | | | Grounds |
|-------------------------------------|-----|------------|----------|---------------------------|------|------|--------------|
| T660I (3RD) FLEXSCAN 20" | | Freq | | | Red | RedI | |
| | Pix | 1280 | 1024 | Grn | GrnI | | Ang Gnd: |
| Adapter# | | Fpor | (84) | (81) | Blu | BluI | |
| Interlace | Y | Bpor | (85) | (82) | Vsyn | Csyn | V3- Dig Gnd: |
| Video Type | A | Sync | (86) | (83) | Hsyn | V2+ | V4+ |
| Color/Mono | C | Stype | | | V1+ | V2- | V4- |
| Multisync | Y | Range | 30-82 | 55-90 | V1- | V3+ | Recall: |
| Multimode | N | MOST MODES | | INTERLACED IN 8514A MODE. | | | |

| NANA0 | | Horizontal | Vertical | Connector Pins | | | Grounds |
|---|---|-----------------|----------------------|----------------|---------|-----|--------------|
| 6500 | | Freq | | Red | RedI | | |
| FLEISCAM 6500 | | Pix | 1600 | Grn | GrnI | | Ang Gnd: |
| Adapter# | 4 | Fpor | (84) | Blu | BluI | | |
| Interlace | | Bpor | (85) | Vsyn | Csyn | V3- | Dig Gnd: |
| Video Type | D | Sync | (86) | Hsyn | V2+ | V4+ | |
| Color/Mono | M | Stype | | V1+ | V2- | V4- | |
| Multisync | Y | Range | 31.5-80 | V1- | V3+ | | Recall: 5-8 |
| Multimode | Y | VGA, SVGA | | | | | |
| | | | | | | | |
| NANA0 | | Horizontal | Vertical | Connector Pins | | | Grounds |
| 6500 | | Freq | | Red | RedI | | |
| FLEISCAM 21" | | Pix | 1200 | Grn | GrnI | | Ang Gnd: |
| Adapter# | | Fpor | (84) | Blu | BluI | | |
| Interlace | N | Bpor | (85) | Vsyn | Csyn | V3- | Dig Gnd: |
| Video Type | | Sync | (86) | Hsyn | V2+ | V4+ | |
| Color/Mono | M | Stype | | V1+ | V2- | V4- | |
| Multisync | N | Range | 31.5/80 | V1- | V3+ | | Recall: |
| Multimode | Y | DIGITAL, ANALOG | DIGITAL, ANALOG, ECL | | | | |
| | | | | | | | |
| NCD | | Horizontal | Vertical | Connector Pins | | | Grounds |
| NCD 17c | | Freq | 56.26 | Red | 17 RedI | | |
| | | Pix | 1024 | Grn | 16 GrnI | | Ang Gnd: |
| Adapter# | | Fpor | 0.103 (84) | Blu | 15 BluI | | 7,9,25 |
| Interlace | N | Bpor | 1.65 (85) | Vsyn | 26 Csyn | V3- | Dig Gnd: |
| Video Type | A | Sync | 2.79 (86) | Hsyn | 18 V2+ | V4+ | 4,6,8,12 |
| Color/Mono | C | Stype | | V1+ | V2- | V4- | |
| Multisync | | Range | | V1- | V3+ | | Recall: |
| Multimode | | | | | | | |
| PINS #1,3,10,13,20, ARE 5V. PINS 5,22, ARE 12V. PIN | | | | | | | |
| | | | | | | | |
| NCR | | Horizontal | Vertical | Connector Pins | | | Grounds |
| 3295-0210 | | Freq | 23.60 | Red | 3 RedI | 6 | |
| | | Pix | 640 | Grn | 4 GrnI | | Ang Gnd: |
| Adapter# | | Fpor | (84) | Blu | 5 BluI | | 9 |
| Interlace | N | Bpor | (85) | Vsyn | 7 Csyn | V3- | Dig Gnd: |
| Video Type | D | Sync | (86) | Hsyn | 8 V2+ | V4+ | |
| Color/Mono | C | Stype | - | V1+ | V2- | V4- | |
| Multisync | | Range | | V1- | V3+ | | Recall: |
| Multimode | | | | | | | |
| | | | | | | | |
| NEC | | Horizontal | Vertical | Connector Pins | | | Grounds |
| 3FGS | | Freq | | Red | RedI | | |
| | | Pix | 1024 MAX | Grn | GrnI | | Ang Gnd: |
| Adapter# | | Fpor | (84) | Blu | BluI | | |
| Interlace | N | Bpor | (85) | Vsyn | Csyn | V3- | Dig Gnd: |
| Video Type | A | Sync | (86) | Hsyn | V2+ | V4+ | |
| Color/Mono | C | Stype | C | V1+ | V2- | V4- | |
| Multisync | Y | Range | 27-57 | V1- | V3+ | | Recall: |
| Multimode | N | | 55-90 | | | | |
| | | | | | | | |
| NEC | | Horizontal | Vertical | Connector Pins | | | Grounds |
| 4DS-JC1601VMA | | Freq | | Red | RedI | | |
| | | Pix | 1024 | Grn | GrnI | | Ang Gnd: |
| Adapter# | 6 | Fpor | (84) | Blu | BluI | | |
| Interlace | N | Bpor | (85) | Vsyn | Csyn | V3- | Dig Gnd: |
| Video Type | A | Sync | (86) | Hsyn | V2+ | V4+ | |
| Color/Mono | C | Stype | | V1+ | V2- | V4- | |
| Multisync | Y | Range | 27-57 | V1- | V3+ | | Recall: 5-11 |
| Multimode | | | 1024 x 768 at 70 Hz | | | | |
| | | | | | | | |
| NEC | | Horizontal | Vertical | Connector Pins | | | Grounds |
| 4FG | | Freq | | Red | RedI | | |
| | | Pix | 1024 MAX | Grn | GrnI | | Ang Gnd: |
| Adapter# | | Fpor | (84) | Blu | BluI | | |
| Interlace | N | Bpor | (85) | Vsyn | Csyn | V3- | Dig Gnd: |
| Video Type | A | Sync | (86) | Hsyn | V2+ | V4+ | |
| Color/Mono | C | Stype | C | V1+ | V2- | V4- | |
| Multisync | Y | Range | 27-57 | V1- | V3+ | | Recall: |
| Multimode | N | | 55-90 | | | | |

| NEC | | Horizontal | Vertical | Connector Pins | | | Grounds |
|------------|---------|------------|----------|----------------|------|-----|----------|
| 5D | Freq | | | Red | RedI | | |
| | Pix | 1280 | 1024 | Grn | GrnI | | Ang Gnd: |
| Adapter# | 6 Fpor | (84) | (81) | Blu | BluI | | |
| Interlace | N Bpor | (85) | (82) | Vsyn | Csyn | V3- | Dig Gnd: |
| Video Type | A Sync | (86) | (83) | Hsyn | V2+ | V4+ | |
| Color/Mono | C Stype | | | V1+ | V2- | V4- | |
| Multisync | Y Range | 30-66 | 50-90 | V1- | V3+ | | Recall: |
| Multimode | | | | | | | |

| NEC | | Horizontal | Vertical | Connector Pins | | | Grounds |
|------------|---------|------------|------------|----------------|------|-----|----------|
| JB-1611 | Freq | 76.00 | 70.0 | Red | RedI | | |
| | Pix | 1024 | 1024 | Grn | GrnI | | Ang Gnd: |
| Adapter# | Fpor | 0.5 (84) | 0.039 (81) | Blu | BluI | | 4,5 |
| Interlace | N Bpor | 2.6 (85) | 0.563 (82) | Vsyn 1 | Csyn | V3- | Dig Gnd: |
| Video Type | A Sync | 1 (86) | 0.209 (83) | Hsyn 2 | V2+ | V4+ | |
| Color/Mono | M Stype | | | V1+ | V2- | V4- | |
| Multisync | Range | | | V1- | V3+ | | Recall: |
| Multimode | | | | | | | |

Video input is on coax

| NEC | | Horizontal | Vertical | Connector Pins | | | Grounds |
|------------|---------|------------------|----------|----------------|------|-----|----------|
| JC-1431VMA | Freq | | | Red | RedI | | |
| SVGA | Pix | 1024 | 768 | Grn | GrnI | | Ang Gnd: |
| Adapter# | Fpor | (84) | (81) | Blu | BluI | | |
| Interlace | N Bpor | (85) | (82) | Vsyn | Csyn | V3- | Dig Gnd: |
| Video Type | A Sync | (86) | (83) | Hsyn | V2+ | V4+ | |
| Color/Mono | C Stype | | | V1+ | V2- | V4- | |
| Multisync | Range | 31.5/48 | 50-90 | V1- | V3+ | | Recall: |
| Multimode | | VGA, SVGA, VESA, | | | | | |

| NEC | | Horizontal | Vertical | Connector Pins | | | Grounds |
|-----------------------|----------|------------|----------|----------------|------|-----|----------|
| JC-1531 | Freq | | | Red | RedI | | |
| MULTISYNC 3FGS & 4Pix | 1024 MAX | | 768 | Grn | GrnI | | Ang Gnd: |
| Adapter# | Fpor | (84) | (81) | Blu | BluI | | |
| Interlace | N Bpor | (85) | (82) | Vsyn | Csyn | V3- | Dig Gnd: |
| Video Type | A Sync | (86) | (83) | Hsyn | V2+ | V4+ | |
| Color/Mono | C Stype | C | C | V1+ | V2- | V4- | |
| Multisync | Y Range | 27-57 | 55-90 | V1- | V3+ | | Recall: |
| Multimode | N | | | | | | |

| NEC | | Horizontal | Vertical | Connector Pins | | | Grounds |
|----------------|---------|---|----------|----------------|------|-----|----------|
| JC-1531VMA-3 | Freq | | | Red | RedI | | |
| MULTISYNC 4FGs | Pix | 1024 | 768 | Grn | GrnI | | Ang Gnd: |
| Adapter# | Fpor | (84) | (81) | Blu | BluI | | |
| Interlace | Y Bpor | (85) | (82) | Vsyn | Csyn | V3- | Dig Gnd: |
| Video Type | A Sync | (86) | (83) | Hsyn | V2+ | V4+ | |
| Color/Mono | C Stype | | | V1+ | V2- | V4- | |
| Multisync | Y Range | 31-62 | 55-90 | V1- | V3+ | | Recall: |
| Multimode | N | VGA, SVGA, VESA, INTERLACED IN 8514A ONLY | | | | | |

| NEC | | Horizontal | Vertical | Connector Pins | | | Grounds |
|----------------|---------|---|----------|----------------|------|-----|----------|
| JC-1532VMA-2 | Freq | | | Red | RedI | | |
| MULTISYNC 3FGs | Pix | 1024 | 768 | Grn | GrnI | | Ang Gnd: |
| Adapter# | Fpor | (84) | (81) | Blu | BluI | | |
| Interlace | Y Bpor | (85) | (82) | Vsyn | Csyn | V3- | Dig Gnd: |
| Video Type | A Sync | (86) | (83) | Hsyn | V2+ | V4+ | |
| Color/Mono | C Stype | | | V1+ | V2- | V4- | |
| Multisync | Y Range | 31-50 | 55-90 | V1- | V3+ | | Recall: |
| Multimode | Y | VGA, SVGA, VESA, INTERLACED IN 8514A ONLY | | | | | |

| NEC | | Horizontal | Vertical | Connector Pins | | | Grounds |
|--------------|---------|---|----------|----------------|------|-----|----------|
| JC-1535VMA | Freq | | | Red | RedI | | |
| MULTISYNC 3V | Pix | 1024 | 768 | Grn | GrnI | | Ang Gnd: |
| Adapter# | Fpor | (84) | (81) | Blu | BluI | | |
| Interlace | Y Bpor | (85) | (82) | Vsyn | Csyn | V3- | Dig Gnd: |
| Video Type | A Sync | (86) | (83) | Hsyn | V2+ | V4+ | |
| Color/Mono | C Stype | | | V1+ | V2- | V4- | |
| Multisync | Y Range | 31-50 | 55-90 | V1- | V3+ | | Recall: |
| Multimode | N | VGA, SVGA, VESA, INTERLACED IN 8514A ONLY | | | | | |

| NEC | | Horizontal | Vertical | Connector Pins | | | Grounds |
|---------------|---------|---|----------|----------------|------|-----|----------|
| JC-1731VMA-3 | Freq | | | Red | RedI | | |
| MULTISYNC 5FG | Pix | 1024 | 768 | Grn | GrnI | | Ang Gnd: |
| Adapter# | Fpor | | (84) | (81) Blu | BluI | | |
| Interlace | Y Bpor | | (85) | (82) Vsyn | Csyn | V3- | Dig Gnd: |
| Video Type | A Sync | | (86) | (83) Hsyn | V2+ | V4+ | |
| Color/Mono | C Stype | | | V1+ | V2- | V4- | |
| Multisync | Y Range | 31-62 | 55-90 | V1- | V3+ | | Recall: |
| Multimode | N | VGA, SVGA, VESA, INTERLACED IN 8514A ONLY | | | | | |

| NEC | | Horizontal | Vertical | Connector Pins | | | Grounds |
|----------------|---------|---|----------|----------------|------|-----|----------|
| JC-1741VMA-3 | Freq | | | Red | RedI | | |
| MULTISYNC 5FGp | Pix | 1280 | 1024 | Grn | GrnI | | Ang Gnd: |
| Adapter# | Fpor | | (84) | (81) Blu | BluI | | |
| Interlace | Y Bpor | | (85) | (82) Vsyn | Csyn | V3- | Dig Gnd: |
| Video Type | A Sync | | (86) | (83) Hsyn | V2+ | V4+ | |
| Color/Mono | C Stype | | | V1+ | V2- | V4- | |
| Multisync | Y Range | 27-79 | 55-90 | V1- | V3+ | | Recall: |
| Multimode | N | VGA, SVGA, VESA, INTERLACED IN 8514A ONLY | | | | | |

| NEC | | Horizontal | Vertical | Connector Pins | | | Grounds |
|----------------|---------|---|----------|----------------|------|-----|----------|
| JC-2141VMA-3 | Freq | | | Red | RedI | | |
| MULTISYNC 6FGp | Pix | 1280 | 1024 | Grn | GrnI | | Ang Gnd: |
| Adapter# | Fpor | | (84) | (81) Blu | BluI | | |
| Interlace | Y Bpor | | (85) | (82) Vsyn | Csyn | V3- | Dig Gnd: |
| Video Type | A Sync | | (86) | (83) Hsyn | V2+ | V4+ | |
| Color/Mono | C Stype | | | V1+ | V2- | V4- | |
| Multisync | Y Range | 27-79 | 55-90 | V1- | V3+ | | Recall: |
| Multimode | N | VGA, SVGA, VESA, INTERLACED IN 8514A ONLY | | | | | |

| NEC | | Horizontal | Vertical | Connector Pins | | | Grounds |
|------------|---------|----------------------------------|----------|----------------|------|-----|----------|
| JC1403 | Freq | 35.40 | 70.0 | Red | RedI | | |
| | Pix | 640 | 480 | Grn | GrnI | | Ang Gnd: |
| Adapter# | Fpor | | (84) | (81) Blu | BluI | | |
| Interlace | N Bpor | | (85) | (82) Vsyn | Csyn | V3- | Dig Gnd: |
| Video Type | A Sync | | (86) | (83) Hsyn | V2+ | V4+ | |
| Color/Mono | C Stype | | | V1+ | V2- | V4- | |
| Multisync | Range | | | V1- | V3+ | | Recall: |
| Multimode | VGA | WILL ALSO DO VGA; same as NEC 2A | | | | | |

| NEC | | Horizontal | Vertical | Connector Pins | | | Grounds |
|---------------|---------|-------------------|----------|----------------|------|-----|-----------------|
| PG2710 | Freq | | | Red | RedI | | |
| MULTISYNC 3PG | Pix | 640 | 480 | Grn | GrnI | | Ang Gnd: |
| Adapter# | Fpor | | (84) | (81) Blu | BluI | | |
| Interlace | N Bpor | | (85) | (82) Vsyn | Csyn | V3- | Dig Gnd: |
| Video Type | A Sync | | (86) | (83) Hsyn | V2+ | V4+ | |
| Color/Mono | C Stype | | | V1+ | V2- | V4- | |
| Multisync | Y Range | 15-38 | 40-100 | V1- | V3+ | | Recall: 0,2,5-7 |
| Multimode | N | NTSC, CGA, EGA, V | | | | | |

| NEC | | Horizontal | Vertical | Connector Pins | | | Grounds |
|---------------|---------|-------------------|----------|----------------|------|-----|------------------|
| PG6000 | Freq | | | Red | RedI | | |
| MULTISYNC 6PG | Pix | 1280 | 1024 | Grn | GrnI | | Ang Gnd: |
| Adapter# | Fpor | | (84) | (81) Blu | BluI | | |
| Interlace | N Bpor | | (85) | (82) Vsyn | Csyn | V3- | Dig Gnd: |
| Video Type | A Sync | | (86) | (83) Hsyn | V2+ | V4+ | |
| Color/Mono | C Stype | | | V1+ | V2- | V4- | |
| Multisync | Y Range | 15-61.1 | 30-150 | V1- | V3+ | | Recall: 0,2,5-12 |
| Multimode | N | NTSC, CGA, EGA, V | | | | | |

| NEC | | Horizontal | Vertical | Connector Pins | | | Grounds |
|---------------|---------|-------------------|----------|----------------|------|-----|------------------|
| PG9000 | Freq | | | Red | RedI | | |
| MULTISYNC 9PG | Pix | 1280 | 1024 | Grn | GrnI | | Ang Gnd: |
| Adapter# | Fpor | | (84) | (81) Blu | BluI | | |
| Interlace | Y Bpor | | (85) | (82) Vsyn | Csyn | V3- | Dig Gnd: |
| Video Type | A Sync | | (86) | (83) Hsyn | V2+ | V4+ | |
| Color/Mono | C Stype | | | V1+ | V2- | V4- | |
| Multisync | Y Range | 15-90 | 38-150 | V1- | V3+ | | Recall: 0,2,5-12 |
| Multimode | N | NTSC, CGA, EGA, V | | | | | |

| NIESHO | | Horizontal | Vertical | Connector Pins | | | Grounds |
|-------------------|---|------------|------------|----------------|------|------|--------------|
| CM2086A35G | | Freq | 64.00 | 60.0 | Red | RedI | |
| | | Pix | 1280 | 1024 | Grn | GrnI | Ang Gnd: |
| Adapter# | 6 | Fpor | 0.374 (84) | 0.047 (81) | Blu | BluI | |
| Interlace | N | Bpor | 2.24 (85) | 0.547 (82) | Vsyn | Csyn | V3- Dig Gnd: |
| Video Type | A | Sync | 1.12 (86) | 0.047 (83) | Hsyn | V2+ | V4+ |
| Color/Mono | | Stype | | | V1+ | V2- | V4- |
| Multisync | | Range | | | V1- | V3+ | Recall: |
| Multimode | | | | | | | |

| OGIVAR | | Horizontal | Vertical | Connector Pins | | | Grounds |
|----------------|---|------------|-----------|----------------|------|------|--------------|
| CH1413H | | Freq | | | Red | RedI | |
| | | Pix | 720 | 350 | Grn | GrnI | Ang Gnd: |
| Adapter# | 1 | Fpor | (84) | (81) | Blu | BluI | |
| Interlace | N | Bpor | (85) | (82) | Vsyn | Csyn | V3- Dig Gnd: |
| Video Type | D | Sync | (86) | (83) | Hsyn | V2+ | V4+ |
| Color/Mono | C | Stype | | | V1+ | V2- | V4- |
| Multisync | N | Range | 15.8/18.4 | 60.5/50 | V1- | V3+ | Recall: 0,1 |
| Multimode | Y | CGA,MDA | | | | | |

| OPTIQUEST | | Horizontal | Vertical | Connector Pins | | | Grounds |
|--------------|---|------------|----------|----------------|------|------|---------------|
| 1000D | | Freq | | | Red | RedI | |
| | | Pix | 1024 | 768 | Grn | GrnI | Ang Gnd: |
| Adapter# | 4 | Fpor | (84) | (81) | Blu | BluI | |
| Interlace | N | Bpor | (85) | (82) | Vsyn | Csyn | V3- Dig Gnd: |
| Video Type | A | Sync | (86) | (83) | Hsyn | V2+ | V4+ |
| Color/Mono | C | Stype | | | V1+ | V2- | V4- |
| Multisync | Y | Range | 31.5-48 | | V1- | V3+ | Recall: 11,30 |
| Multimode | N | IBM,VESA,+ | | | | | |

| OPTIQUEST | | Horizontal | Vertical | Connector Pins | | | Grounds |
|--------------|---|------------|----------|----------------|------|------|---------------|
| 1000S | | Freq | | | Red | RedI | |
| | | Pix | 1024 | 768 | Grn | GrnI | Ang Gnd: |
| Adapter# | 4 | Fpor | (84) | (81) | Blu | BluI | |
| Interlace | N | Bpor | (85) | (82) | Vsyn | Csyn | V3- Dig Gnd: |
| Video Type | A | Sync | (86) | (83) | Hsyn | V2+ | V4+ |
| Color/Mono | C | Stype | | | V1+ | V2- | V4- |
| Multisync | N | Range | 31.5/48 | | V1- | V3+ | Recall: 11,30 |
| Multimode | Y | IBM,VESA,+ | | | | | |

| OPTIQUEST | | Horizontal | Vertical | Connector Pins | | | Grounds |
|----------------------------|---|---|----------|----------------|------|------|--------------|
| 1500D | | Freq | | | Red | RedI | |
| 14" DIGITAL CONTROL | | Pix | 1280 | 1024 | Grn | GrnI | Ang Gnd: |
| Adapter# | | Fpor | (84) | (81) | Blu | BluI | |
| Interlace | Y | Bpor | (85) | (82) | Vsyn | Csyn | V3- Dig Gnd: |
| Video Type | A | Sync | (86) | (83) | Hsyn | V2+ | V4+ |
| Color/Mono | C | Stype | | | V1+ | V2- | V4- |
| Multisync | Y | Range | 30-65 | 50-110 | V1- | V3+ | Recall: |
| Multimode | N | VGA,SVGA,VESA,INTERLACED IN 8514A MODE. | | | | | |

| OPTIQUEST | | Horizontal | Vertical | Connector Pins | | | Grounds |
|---------------|---|---|----------|----------------|------|------|--------------|
| 2000DC | | Freq | | | Red | RedI | |
| 15" | | Pix | 1280 | 1024 | Grn | GrnI | Ang Gnd: |
| Adapter# | | Fpor | (84) | (81) | Blu | BluI | |
| Interlace | Y | Bpor | (85) | (82) | Vsyn | Csyn | V3- Dig Gnd: |
| Video Type | A | Sync | (86) | (83) | Hsyn | V2+ | V4+ |
| Color/Mono | C | Stype | | | V1+ | V2- | V4- |
| Multisync | Y | Range | 30-65 | 50-110 | V1- | V3+ | Recall: 5-9 |
| Multimode | N | VGA,SVGA,8514AINTERLACED IN 8514A ONLY. | | | | | |

| OPTIQUEST | | Horizontal | Vertical | Connector Pins | | | Grounds |
|---------------|---|------------|----------|----------------|------|------|---------------|
| 2000DX | | Freq | | | Red | RedI | |
| | | Pix | 1024 | 768 | Grn | GrnI | Ang Gnd: |
| Adapter# | 4 | Fpor | (84) | (81) | Blu | BluI | |
| Interlace | N | Bpor | (85) | (82) | Vsyn | Csyn | V3- Dig Gnd: |
| Video Type | A | Sync | (86) | (83) | Hsyn | V2+ | V4+ |
| Color/Mono | C | Stype | | | V1+ | V2- | V4- |
| Multisync | Y | Range | 31-60 | 50-90 | V1- | V3+ | Recall: 11,30 |
| Multimode | N | IBM,VESA,+ | | | | | |

| OPTIQUEST 4000D | | Horizontal | Vertical | Connector Pins | | | Grounds |
|--------------------|------|-------------------|----------|----------------|------|------|---------------|
| | Freq | | | Red | RedI | | |
| | Pix | 1024 | 768 | Grn | GrnI | | Ang Gnd: |
| Adapter# | 4 | Fpor | (84) | (81) | Blu | BluI | |
| Interlace | N | Bpor | (85) | (82) | Vsyn | Csyn | V3- Dig Gnd: |
| Video Type | A | Sync | (86) | (83) | Hsyn | V2+ | V4+ |
| Color/Mono | C | Stype | | | V1+ | V2- | V4- |
| Multisync | Y | Range | 31-64 | | V1- | V3+ | Recall: 5-9,+ |
| Multimode | N | VGA, SVGA, XGA, 8 | | | | | |

| OPTIQUEST 4000DX | | Horizontal | Vertical | Connector Pins | | | Grounds |
|---------------------|------|------------------|----------|----------------|------|------|---------------|
| | Freq | | | Red | RedI | | |
| | Pix | 1024 | 768 | Grn | GrnI | | Ang Gnd: |
| Adapter# | 4 | Fpor | (84) | (81) | Blu | BluI | |
| Interlace | N | Bpor | (85) | (82) | Vsyn | Csyn | V3- Dig Gnd: |
| Video Type | A | Sync | (86) | (83) | Hsyn | V2+ | V4+ |
| Color/Mono | C | Stype | | | V1+ | V2- | V4- |
| Multisync | Y | Range | 31-60 | | V1- | V3+ | Recall: 11,30 |
| Multimode | N | VGA, SVGA, 8514A | | | | | |

| OPTIQUEST 2000 15" COLOR | | Horizontal | Vertical | Connector Pins | | | Grounds |
|--------------------------------|------|------------------|---------------------------|----------------|------|------|---------------|
| | Freq | | | Red | RedI | | |
| | Pix | 1024 | 768 | Grn | GrnI | | Ang Gnd: |
| Adapter# | 4 | Fpor | (84) | (81) | Blu | BluI | |
| Interlace | Y | Bpor | (85) | (82) | Vsyn | Csyn | V3- Dig Gnd: |
| Video Type | A | Sync | (86) | (83) | Hsyn | V2+ | V4+ |
| Color/Mono | C | Stype | | | V1+ | V2- | V4- |
| Multisync | N | Range | 31.5/48 | | V1- | V3+ | Recall: 5-9,+ |
| Multimode | Y | VGA, SVGA, 8514A | INTERLACED IN 8514A MODE. | | | | |

| PACKARD BELL PB1518DT | | Horizontal | Vertical | Connector Pins | | | Grounds |
|--------------------------|------|------------|----------|----------------|------|------|--------------|
| | Freq | 62.75 | 60.0 | Red | RedI | | |
| | Pix | 1006 | 1048 | Grn | GrnI | | Ang Gnd: |
| Adapter# | | Fpor | (84) | (81) | Blu | BluI | |
| Interlace | N | Bpor | (85) | (82) | Vsyn | Csyn | V3- Dig Gnd: |
| Video Type | A | Sync | (86) | (83) | Hsyn | V2+ | V4+ |
| Color/Mono | M | Stype | | | V1+ | V2- | V4- |
| Multisync | | Range | | | V1- | V3+ | Recall: |
| Multimode | | | | | | | |

| PACKARD BELL PB8508VG | | Horizontal | Vertical | Connector Pins | | | Grounds |
|--------------------------|------|------------|----------|----------------|------|------|--------------|
| | Freq | 35.10 | | Red | RedI | | |
| | Pix | 720 | 400 | Grn | GrnI | | Ang Gnd: |
| Adapter# | | Fpor | (84) | (81) | Blu | BluI | |
| Interlace | N | Bpor | (85) | (82) | Vsyn | Csyn | V3- Dig Gnd: |
| Video Type | A | Sync | (86) | (83) | Hsyn | V2+ | V4+ |
| Color/Mono | C | Stype | | | V1+ | V2- | V4- |
| Multisync | | Range | | | V1- | V3+ | Recall: 5-7 |
| Multimode | | VGA | | | | | |

| PACKARD BELL PB8509VG | | Horizontal | Vertical | Connector Pins | | | Grounds |
|--------------------------|------|------------|----------|----------------|------|------|--------------|
| | Freq | 35.10 | | Red | RedI | | |
| | Pix | 720 | 400 | Grn | GrnI | | Ang Gnd: |
| Adapter# | 4 | Fpor | (84) | (81) | Blu | BluI | |
| Interlace | N | Bpor | (85) | (82) | Vsyn | Csyn | V3- Dig Gnd: |
| Video Type | A | Sync | (86) | (83) | Hsyn | V2+ | V4+ |
| Color/Mono | C | Stype | | | V1+ | V2- | V4- |
| Multisync | | Range | | | V1- | V3+ | Recall: 5-7 |
| Multimode | | VGA | | | | | |

| PACKARD BELL PB8528SVG | | Horizontal | Vertical | Connector Pins | | | Grounds |
|---------------------------|------|------------------|--------------------------|----------------|------|------|--------------|
| | Freq | | | Red | RedI | | |
| | Pix | 1024 | 768 | Grn | GrnI | | Ang Gnd: |
| Adapter# | 4 | Fpor | (84) | (81) | Blu | BluI | |
| Interlace | Y | Bpor | (85) | (82) | Vsyn | Csyn | V3- Dig Gnd: |
| Video Type | A | Sync | (86) | (83) | Hsyn | V2+ | V4+ |
| Color/Mono | C | Stype | | | V1+ | V2- | V4- |
| Multisync | | Range | 31.5-38.0 | | V1- | V3+ | Recall: 7-9 |
| Multimode | | VGA, SVGA, 8514/ | INTERLACED IN 8514A MODE | | | | |

| PACKARD BELL | | Horizontal | Vertical | Connector Pins | | | Grounds |
|-------------------|--|------------|--------------------------------|----------------|------|-----|------------------|
| PB8529VG | | Freq 35.10 | | Red | RedI | | |
| | Pix 720 | | 400 | Grn | GrnI | | Ang Gnd: |
| Adapter# | 4 Fpor | (84) | (81) | Blu | BluI | | |
| Interlace | N Bpor | (85) | (82) | Vsyn | Csyn | V3- | Dig Gnd: |
| Video Type | A Sync | (86) | (83) | Hsyn | V2+ | V4+ | |
| Color/Mono | C Stype | | | V1+ | V2- | V4- | |
| Multisync | Range | | 50-70 | V1- | V3+ | | Recall: 5-7 |
| Multimode | VGA | | | | | | |
| PB8538SVG | | Freq | | Red | RedI | | |
| | Pix 1024 | | 768 | Grn | GrnI | | Ang Gnd: |
| Adapter# | 4 Fpor | (84) | (81) | Blu | BluI | | |
| Interlace | Y Bpor | (85) | (82) | Vsyn | Csyn | V3- | Dig Gnd: |
| Video Type | A Sync | (86) | (83) | Hsyn | V2+ | V4+ | |
| Color/Mono | CX Stype | | | V1+ | V2- | V4- | |
| Multisync | Range | 31.5-38.0 | 55-87 | V1- | V3+ | | Recall: 7-9 |
| Multimode | VGA, SVGA, 8514/INTERLACED IN 8514A MODE | | | | | | |
| PB8538SVGA | | Freq | | Red 1 | RedI | | Grounds |
| | Pix 1024 | | 768 | Grn 2 | GrnI | | 4-8,10,11 |
| Adapter# | 4 Fpor | (84) | (81) | Blu 3 | BluI | | Ang Gnd: |
| Interlace | Y Bpor | (85) | (82) | Vsyn 14 | Csyn | V3- | Dig Gnd: |
| Video Type | A Sync | (86) | (83) | Hsyn 13 | V2+ | V4+ | |
| Color/Mono | C Stype | | | V1+ | V2- | V4- | |
| Multisync | Y Range | 31.5-35.5 | 50-90 | V1- | V3+ | | Recall:5,6,7,8,9 |
| Multimode | N SVGA | | INTERLACED IN 1024 X 768 ONLY. | | | | |
| PB8539V | | Freq 35.10 | | Red | RedI | | Grounds |
| | Pix 720 | | 400 | Grn | GrnI | | Ang Gnd: |
| Adapter# | Fpor | (84) | (81) | Blu | BluI | | |
| Interlace | N Bpor | (85) | (82) | Vsyn | Csyn | V3- | Dig Gnd: |
| Video Type | A Sync | (86) | (83) | Hsyn | V2+ | V4+ | |
| Color/Mono | C Stype | | | V1+ | V2- | V4- | |
| Multisync | Range | | 50-70 | V1- | V3+ | | Recall: 5-7 |
| Multimode | VGA | | | | | | |
| PB8542VG | | Freq 35.10 | | Red | RedI | | Grounds |
| | Pix 720 | | 400 | Grn | GrnI | | Ang Gnd: |
| Adapter# | Fpor | (84) | (81) | Blu | BluI | | |
| Interlace | N Bpor | (85) | (82) | Vsyn | Csyn | V3- | Dig Gnd: |
| Video Type | A Sync | (86) | (83) | Hsyn | V2+ | V4+ | |
| Color/Mono | C Stype | | | V1+ | V2- | V4- | |
| Multisync | Range | | 60-70 | V1- | V3+ | | Recall: 5-7 |
| Multimode | VGA | | | | | | |
| PB8551VG | | Freq 35.10 | | Red | RedI | | Grounds |
| | Pix 720 | | 400 | Grn | GrnI | | Ang Gnd: |
| Adapter# | Fpor | (84) | (81) | Blu | BluI | | |
| Interlace | N Bpor | (85) | (82) | Vsyn | Csyn | V3- | Dig Gnd: |
| Video Type | A Sync | (86) | (83) | Hsyn | V2+ | V4+ | |
| Color/Mono | C Stype | | | V1+ | V2- | V4- | |
| Multisync | Range | | 60-70 | V1- | V3+ | | Recall: 5-7 |
| Multimode | VGA | | | | | | |
| PANASONIC | | Horizontal | Vertical | Connector Pins | | | Grounds |
| A1497A,B | | Freq 62.90 | 74.9 | Red | RedI | | |
| TX | Pix 1024 | | 768 | Grn | GrnI | | Ang Gnd: |
| Adapter# | 6 Fpor | 0.756 (84) | 0.064 (81) | Blu | BluI | | |
| Interlace | N Bpor | 1.51 (85) | 1.02 (82) | Vsyn | Csyn | V3- | Dig Gnd: |
| Video Type | A Sync | 1.51 (86) | 0.064 (83) | Hsyn | V2+ | V4+ | |
| Color/Mono | C Stype | G | G | V1+ | V2- | V4- | |
| Multisync | Y Range | | | V1- | V3+ | | Recall: |
| Multimode | | | | | | | |

| PANASONIC | | Horizontal | Vertical | Connector Pins | | | Grounds |
|------------|-----------------|------------|----------|----------------|------|--|----------|
| TX-1213FH | | Freq 15.98 | 62.4 | Red | RedI | | |
| | | Pix 740 | 580 | Grn | GrnI | | Ang Gnd: |
| Adapter# | Fpor 4.3 (84) | 0.93 (81) | Blu | BluI | | | |
| Interlace | M Bpor 9.2 (85) | 2.1 (82) | Vsyn | Csyn | V3- | | Dig Gnd: |
| Video Type | D Sync 4.4 (86) | 0.5 (83) | Hsyn | V2+ | V4+ | | |
| Color/Mono | C Stype - | - | V1+ | V2- | V4- | | |
| Multisync | M Range | | V1- | V3+ | | | Recall: |
| Multimode | | | | | | | |

| PANASONIC | | Horizontal | Vertical | Connector Pins | | | Grounds |
|-----------------------|---------------|---|----------|----------------|------|--|----------------|
| TX-1703MAA | | Freq | | Red | RedI | | |
| FS DIGITAL MULTI-SPIX | | 1280 | 1024 | Grn | GrnI | | Ang Gnd: |
| Adapter# | 4,6 Fpor (84) | (81) | Blu | BluI | | | |
| Interlace | Y Bpor (85) | (82) | Vsyn | Csyn | V3- | | Dig Gnd: |
| Video Type | A Sync (86) | (83) | Hsyn | V2+ | V4+ | | |
| Color/Mono | C Stype | | V1+ | V2- | V4- | | |
| Multisync | Y Range30-64 | 50-90 | V1- | V3+ | | | Recall: 5,7-11 |
| Multimode N | | VGA, SVGA, 8514A INTERLACED IN 8514A MODE | | | | | |

| PANASONIC | | Horizontal | Vertical | Connector Pins | | | Grounds |
|-------------|---------------|---|----------|----------------|------|--|----------------|
| TX-2013MAA | | Freq | | Red | RedI | | |
| | | Pix 1280 | 1024 | Grn | GrnI | | Ang Gnd: |
| Adapter# | 4,6 Fpor (84) | (81) | Blu | BluI | | | |
| Interlace | Y Bpor (85) | (82) | Vsyn | Csyn | V3- | | Dig Gnd: |
| Video Type | A Sync (86) | (83) | Hsyn | V2+ | V4+ | | |
| Color/Mono | C Stype | | V1+ | V2- | V4- | | |
| Multisync | Y Range30-64 | 50-90 | V1- | V3+ | | | Recall: 5,7-11 |
| Multimode N | | VGA, SVGA, 8514A INTERLACED IN 8514A MODE | | | | | |

| PANASONIC-MODES | | Horizontal | Vertical | Connector Pins | | | Grounds |
|-----------------|------------------|------------|----------|----------------|------|--|-----------|
| 8514/A | | Freq 35.52 | 87.0 | Red | RedI | | |
| VARIOUS MODELS | | Pix 1024 | 768 | Grn | GrnI | | Ang Gnd: |
| Adapter# | Fpor 0.18 (84) | 0.014 (81) | Blu | BluI | | | |
| Interlace | Y Bpor 1.25 (85) | 0.577 (82) | Vsyn | Csyn | V3- | | Dig Gnd: |
| Video Type | A Sync 3.92 (86) | 0.113 (83) | Hsyn | V2+ | V4+ | | |
| Color/Mono | Stype + | + | V1+ | V2- | V4- | | |
| Multisync | Range | | V1- | V3+ | | | Recall: 9 |
| Multimode | | 8514/A | | | | | |

| PANASONIC-MODES | | Horizontal | Vertical | Connector Pins | | | Grounds |
|-----------------|------------------|------------|----------|----------------|------|--|------------|
| MACII | | Freq 35.00 | 66.7 | Red | RedI | | |
| VARIOUS MODELS | | Pix 640 | 480 | Grn | GrnI | | Ang Gnd: |
| Adapter# | Fpor 2.08 (84) | 0.086 (81) | Blu | BluI | | | |
| Interlace | N Bpor 3.25 (85) | 1.114 (82) | Vsyn | Csyn | V3- | | Dig Gnd: |
| Video Type | A Sync 2.08 (86) | 0.086 (83) | Hsyn | V2+ | V4+ | | |
| Color/Mono | Stype - | - | V1+ | V2- | V4- | | |
| Multisync | Range | | V1- | V3+ | | | Recall: 10 |
| Multimode | | MACII | | | | | |

| PANASONIC-MODES | | Horizontal | Vertical | Connector Pins | | | Grounds |
|-----------------|------------------|--------------|----------|----------------|------|--|------------|
| STD-1024x768 | | Freq 48.37 | 60.5 | Red | RedI | | |
| VARIOUS MODELS | | Pix 1024 | 768 | Grn | GrnI | | Ang Gnd: |
| Adapter# | Fpor 0.75 (84) | 0.021 (81) | Blu | BluI | | | |
| Interlace | N Bpor 1.99 (85) | 0.578 (82) | Vsyn | Csyn | V3- | | Dig Gnd: |
| Video Type | A Sync 1.99 (86) | 0.062 (83) | Hsyn | V2+ | V4+ | | |
| Color/Mono | Stype G | G | V1+ | V2- | V4- | | |
| Multisync | Range | | V1- | V3+ | | | Recall: 11 |
| Multimode | | STD-1024x768 | | | | | |

| PANASONIC-MODES | | Horizontal | Vertical | Connector Pins | | | Grounds |
|-----------------|------------------|---------------|----------|----------------|------|--|----------|
| STD-1280x1024 | | Freq 63.70 | 60.0 | Red | RedI | | |
| VARIOUS MODELS | | Pix 1280 | 1024 | Grn | GrnI | | Ang Gnd: |
| Adapter# | Fpor 0.4 (84) | 0.047 (81) | Blu | BluI | | | |
| Interlace | N Bpor 2.18 (85) | 0.502 (82) | Vsyn | Csyn | V3- | | Dig Gnd: |
| Video Type | A Sync 1.42 (86) | 0.047 (83) | Hsyn | V2+ | V4+ | | |
| Color/Mono | Stype G | G | V1+ | V2- | V4- | | |
| Multisync | Range | | V1- | V3+ | | | Recall: |
| Multimode | | STD-1280x1024 | | | | | |

| PANASONIC-MODES | | Horizontal | Vertical | Connector Pins | | | Grounds |
|-----------------|-------|------------|-----------|----------------|------|-----|-----------|
| SVGA | Freq | 35.16 | 56.2 | Red | RedI | | |
| VARIOUS MODELS | Pix | 800 | 600 | Grn | GrnI | | Ang Gnd: |
| Adapter# | Fpor | 0.67 (84) | 0.03 (81) | Blu | BluI | | |
| Interlace N | Bpor | 3.55 (85) | 0.63 (82) | Vsyn | Csyn | V3- | Dig Gnd: |
| Video Type A | Sync | 2 (86) | 0.06 (83) | Hsyn | V2+ | V4+ | |
| Color/Mono | Stype | + | + | V1+ | V2- | V4- | |
| Multisync | Range | | | V1- | V3+ | | Recall: 8 |
| Multimode | SVGA | | | | | | |

| PANASONIC-MODES | | Horizontal | Vertical | Connector Pins | | | Grounds |
|-----------------|-------------|------------|------------|----------------|------|-----|----------|
| VGA350-50HZ | Freq | 31.47 | 50.0 | Red | RedI | | |
| VARIOUS MODELS | Pix | 640 | 350 | Grn | GrnI | | Ang Gnd: |
| Adapter# | Fpor | 0.636 (84) | 4.035 (81) | Blu | BluI | | |
| Interlace N | Bpor | 1.907 (85) | 4.767 (82) | Vsyn | Csyn | V3- | Dig Gnd: |
| Video Type A | Sync | 3.813 (86) | 0.064 (83) | Hsyn | V2+ | V4+ | |
| Color/Mono | Stype | + | - | V1+ | V2- | V4- | |
| Multisync | Range | | | V1- | V3+ | | Recall: |
| Multimode | VGA350-50HZ | | | | | | |

| PANASONIC-MODES | | Horizontal | Vertical | Connector Pins | | | Grounds |
|-----------------|-------------|------------|------------|----------------|------|-----|----------|
| VGA350-60HZ | Freq | 31.47 | 60.0 | Red | RedI | | |
| VARIOUS MODELS | Pix | 640 | 350 | Grn | GrnI | | Ang Gnd: |
| Adapter# | Fpor | 0.636 (84) | 2.351 (81) | Blu | BluI | | |
| Interlace N | Bpor | 1.907 (85) | 3.147 (82) | Vsyn | Csyn | V3- | Dig Gnd: |
| Video Type A | Sync | 3.813 (86) | 0.064 (83) | Hsyn | V2+ | V4+ | |
| Color/Mono | Stype | + | - | V1+ | V2- | V4- | |
| Multisync | Range | | | V1- | V3+ | | Recall: |
| Multimode | VGA350-60HZ | | | | | | |

| PANASONIC-MODES | | Horizontal | Vertical | Connector Pins | | | Grounds |
|-----------------|-------------|------------|------------|----------------|------|-----|-----------|
| VGA350-70HZ | Freq | 31.47 | 70.0 | Red | RedI | | |
| VARIOUS MODELS | Pix | 640 | 350 | Grn | GrnI | | Ang Gnd: |
| Adapter# | Fpor | 0.636 (84) | 1.176 (81) | Blu | BluI | | |
| Interlace N | Bpor | 1.907 (85) | 1.906 (82) | Vsyn | Csyn | V3- | Dig Gnd: |
| Video Type A | Sync | 3.813 (86) | 0.064 (83) | Hsyn | V2+ | V4+ | |
| Color/Mono | Stype | + | - | V1+ | V2- | V4- | |
| Multisync | Range | | | V1- | V3+ | | Recall: 5 |
| Multimode | VGA350-70HZ | | | | | | |

| PANASONIC-MODES | | Horizontal | Vertical | Connector Pins | | | Grounds |
|-----------------|-------------|------------|------------|----------------|------|-----|----------|
| VGA400-50HZ | Freq | 31.47 | 50.0 | Red | RedI | | |
| VARIOUS MODELS | Pix | 640 | 400 | Grn | GrnI | | Ang Gnd: |
| Adapter# | Fpor | 0.636 (84) | 3.242 (81) | Blu | BluI | | |
| Interlace N | Bpor | 1.907 (85) | 3.972 (82) | Vsyn | Csyn | V3- | Dig Gnd: |
| Video Type A | Sync | 3.813 (86) | 0.064 (83) | Hsyn | V2+ | V4+ | |
| Color/Mono | Stype | - | + | V1+ | V2- | V4- | |
| Multisync | Range | | | V1- | V3+ | | Recall: |
| Multimode | VGA400-50HZ | | | | | | |

| PANASONIC-MODES | | Horizontal | Vertical | Connector Pins | | | Grounds |
|-----------------|-------------|------------|------------|----------------|------|-----|----------|
| VGA400-60HZ | Freq | 31.47 | 60.0 | Red | RedI | | |
| VARIOUS MODELS | Pix | 640 | 400 | Grn | GrnI | | Ang Gnd: |
| Adapter# | Fpor | 0.636 (84) | 1.557 (81) | Blu | BluI | | |
| Interlace N | Bpor | 1.907 (85) | 2.352 (82) | Vsyn | Csyn | V3- | Dig Gnd: |
| Video Type A | Sync | 3.813 (86) | 0.064 (83) | Hsyn | V2+ | V4+ | |
| Color/Mono | Stype | - | + | V1+ | V2- | V4- | |
| Multisync | Range | | | V1- | V3+ | | Recall: |
| Multimode | VGA400-60HZ | | | | | | |

| PANASONIC-MODES | | Horizontal | Vertical | Connector Pins | | | Grounds |
|-----------------|-------------|------------|------------|----------------|------|-----|----------|
| VGA400-70HZ | Freq | 31.47 | 70.0 | Red | RedI | | |
| VARIOUS MODELS | Pix | 640 | 400 | Grn | GrnI | | Ang Gnd: |
| Adapter# | Fpor | 0.636 (84) | 0.381 (81) | Blu | BluI | | |
| Interlace N | Bpor | 1.907 (85) | 1.112 (82) | Vsyn | Csyn | V3- | Dig Gnd: |
| Video Type A | Sync | 3.813 (86) | 0.064 (83) | Hsyn | V2+ | V4+ | |
| Color/Mono | Stype | - | + | V1+ | V2- | V4- | |
| Multisync | Range | | | V1- | V3+ | | Recall: |
| Multimode | VGA400-70HZ | | | | | | |

| PANASONIC-MODES | | Horizontal | Vertical | Connector Pins | | | Grounds |
|-----------------|---|-------------|------------|----------------|------|------|--------------|
| VGA480-50HZ | | Freq | 31.47 | 50.0 | Red | RedI | |
| VARIOUS MODELS | | Pix | 640 | 480 | Grn | GrnI | Ang Gnd: |
| Adapter# | | Fpor | 0.636 (84) | 1.97 (81) | Blu | BluI | |
| Interlace | N | Bpor | 1.907 (85) | 2.701 (82) | Vsyn | Csyn | V3- Dig Gnd: |
| Video Type | A | Sync | 3.813 (86) | 0.064 (83) | Hsyn | V2+ | V4+ |
| Color/Mono | | Stype | - | - | V1+ | V2- | V4- |
| Multisync | | Range | | | V1- | V3+ | Recall: |
| Multimode | | VGA480-50HZ | | | | | |

| PANASONIC-MODES | | Horizontal | Vertical | Connector Pins | | | Grounds |
|-----------------|---|-------------|------------|----------------|------|------|--------------|
| VGA480-60 | | Freq | 31.47 | 60.0 | Red | RedI | |
| VARIOUS MODELS | | Pix | 640 | 480 | Grn | GrnI | Ang Gnd: |
| Adapter# | | Fpor | 0.636 (84) | 0.318 (81) | Blu | BluI | |
| Interlace | N | Bpor | 1.907 (85) | 1.048 (82) | Vsyn | Csyn | V3- Dig Gnd: |
| Video Type | A | Sync | 3.813 (86) | 0.064 (83) | Hsyn | V2+ | V4+ |
| Color/Mono | | Stype | - | - | V1+ | V2- | V4- |
| Multisync | | Range | | | V1- | V3+ | Recall: 7 |
| Multimode | | VGA480-60HZ | | | | | |

| PHILIPS | | Horizontal | Vertical | Connector Pins | | | Grounds |
|------------|---|---|-----------|----------------|------|------|---------------|
| 1435LE | | Freq | | | Red | RedI | |
| | | Pix | 1024 | 768 | Grn | GrnI | Ang Gnd: |
| Adapter# | 4 | Fpor | (84) | (81) | Blu | BluI | |
| Interlace | Y | Bpor | (85) | (82) | Vsyn | Csyn | V3- Dig Gnd: |
| Video Type | A | Sync | (86) | (83) | Hsyn | V2+ | V4+ |
| Color/Mono | C | Stype | | | V1+ | V2- | V4- |
| Multisync | N | Range | 31.5/35.5 | 50-100 | V1- | V3+ | Recall: 5,7-9 |
| Multimode | Y | VGA, SVGA, 8514A INTERLACED IN 8514A ONLY | | | | | |

| PHILIPS | | Horizontal | Vertical | Connector Pins | | | Grounds |
|------------|---|--|----------|----------------|------|------|--------------|
| 1520AS | | Freq | | | Red | RedI | |
| | | Pix | 1024 | 768 | Grn | GrnI | Ang Gnd: |
| Adapter# | | Fpor | (84) | (81) | Blu | BluI | |
| Interlace | Y | Bpor | (85) | (82) | Vsyn | Csyn | V3- Dig Gnd: |
| Video Type | A | Sync | (86) | (83) | Hsyn | V2+ | V4+ |
| Color/Mono | C | Stype | | | V1+ | V2- | V4- |
| Multisync | Y | Range | 30-58 | 50-100 | V1- | V3+ | Recall: |
| Multimode | N | ALL VGA & 1024 INTERLACED IN 8514A MODE. | | | | | |

| PHILIPS | | Horizontal | Vertical | Connector Pins | | | Grounds |
|------------|---|--|----------|----------------|------|------|--------------|
| 1720DC | | Freq | | | Red | RedI | |
| | | Pix | 1280 | 1024 | Grn | GrnI | Ang Gnd: |
| Adapter# | | Fpor | (84) | (81) | Blu | BluI | |
| Interlace | Y | Bpor | (85) | (82) | Vsyn | Csyn | V3- Dig Gnd: |
| Video Type | A | Sync | (86) | (83) | Hsyn | V2+ | V4+ |
| Color/Mono | C | Stype | | | V1+ | V2- | V4- |
| Multisync | Y | Range | 30-82 | 50-120 | V1- | V3+ | Recall: |
| Multimode | N | VGA, SVGA, 8514A INTERLACED IN 8514A MODE. | | | | | |

| PHILIPS | | Horizontal | Vertical | Connector Pins | | | Grounds |
|------------|---|--|----------|----------------|------|------|--------------|
| 1762DT | | Freq | | | Red | RedI | |
| | | Pix | 1280 | 1024 | Grn | GrnI | Ang Gnd: |
| Adapter# | | Fpor | (84) | (81) | Blu | BluI | |
| Interlace | Y | Bpor | (85) | (82) | Vsyn | Csyn | V3- Dig Gnd: |
| Video Type | A | Sync | (86) | (83) | Hsyn | V2+ | V4+ |
| Color/Mono | C | Stype | | | V1+ | V2- | V4- |
| Multisync | Y | Range | 30-64 | 50-100 | V1- | V3+ | Recall: |
| Multimode | N | VGA, SVGA, 8514A INTERLACE IN 8514A ONLY | | | | | |

| PHILIPS | | Horizontal | Vertical | Connector Pins | | | Grounds |
|------------|---|--|----------|----------------|------|------|--------------|
| 2082DC | | Freq | | | Red | RedI | |
| | | Pix | 1280 | 1024 | Grn | GrnI | Ang Gnd: |
| Adapter# | | Fpor | (84) | (81) | Blu | BluI | |
| Interlace | Y | Bpor | (85) | (82) | Vsyn | Csyn | V3- Dig Gnd: |
| Video Type | A | Sync | (86) | (83) | Hsyn | V2+ | V4+ |
| Color/Mono | C | Stype | | | V1+ | V2- | V4- |
| Multisync | Y | Range | 30-82 | 50-160 | V1- | V3+ | Recall: |
| Multimode | N | VESA, MACII, SPA INTERLACED IN 8514A ONLY. | | | | | |

| PHILIPS FLC20HR | | Horizontal | Vertical | Connector Pins | | | Grounds |
|--------------------|---------|------------|------------|----------------|------|-----|----------|
| | Freq | 40.00 | 60.0 | Red | RedI | | |
| | Pix | 768 | 512 | Grn | GrnI | | Ang Gnd: |
| Adapter# | 6 Fpor | 0.4 (84) | 1.5 (81) | Blu | BluI | | |
| Interlace | Bpor | 3.2 (85) | 2.1 (82) | Vsyn | Csyn | V3- | Dig Gnd: |
| Video Type | A Sync | 2.4 (86) | 0.075 (83) | Hsyn | V2+ | V4+ | |
| Color/Mono | C Stype | | | V1+ | V2- | V4- | |
| Multisync | Range | | | V1- | V3+ | | Recall: |
| Multimode | | | | | | | |

| PHILIPS 8399 | | Horizontal | Vertical | Connector Pins | | | Grounds |
|-----------------|---------|------------|------------|----------------|------|-----|----------|
| | Freq | 68.20 | 64.0 | Red | RedI | | |
| | Pix | 1280 | 1024 | Grn | GrnI | | Ang Gnd: |
| Adapter# | Fpor | 0.407 (84) | 0.059 (81) | Blu | BluI | | |
| Interlace | N Bpor | 1.9 (85) | 0.498 (82) | Vsyn | Csyn | V3- | Dig Gnd: |
| Video Type | A Sync | 1.49 (86) | 0.059 (83) | Hsyn | V2+ | V4+ | |
| Color/Mono | M Stype | | | V1+ | V2- | V4- | |
| Multisync | N Range | | | V1- | V3+ | | Recall: |
| Multimode | N | | | | | | |

| PHILLIPS 1435L | | Horizontal | Vertical | Connector Pins | | | Grounds |
|-------------------|-------------|------------|---------------|----------------|------|-----|----------|
| | Freq | | | Red 1 | RedI | | |
| | Pix | 1024 | 768 | Grn 2 | GrnI | | Ang Gnd: |
| Adapter# | 4 Fpor | (84) | (81) | Blu 3 | BluI | | |
| Interlace | N Bpor | (85) | (82) | Vsyn 14 | Csyn | V3- | Dig Gnd: |
| Video Type | A Sync | (86) | (83) | Hsyn 13 | V2+ | V4+ | |
| Color/Mono | C Stype | | | V1+ | V2- | V4- | |
| Multisync | Y Range | 31.5-35.5 | 50-100 | V1- | V3+ | | Recall: |
| Multimode | N VGA, SVGA | 14" | DUAL VGA/SVGA | | | | |

| PRINCETON ULTRA 14 | | Horizontal | Vertical | Connector Pins | | | Grounds |
|-----------------------|---------|------------|----------|----------------|------|-----|----------|
| | Freq | | | Red | RedI | | |
| | Pix | 800 | 600 | Grn | GrnI | | Ang Gnd: |
| Adapter# | Fpor | (84) | (81) | Blu | BluI | | |
| Interlace | N Bpor | (85) | (82) | Vsyn | Csyn | V3- | Dig Gnd: |
| Video Type | A Sync | (86) | (83) | Hsyn | V2+ | V4+ | |
| Color/Mono | C Stype | | | V1+ | V2- | V4- | |
| Multisync | Range | 15-38 | 45-120 | V1- | V3+ | | Recall: |
| Multimode | | | | | | | |

| PRINCETON SR12 | | Horizontal | Vertical | Connector Pins | | | Grounds |
|-------------------|---------|------------|-----------|----------------|------|-----|----------|
| | Freq | 31.40 | 60.0 | Red | RedI | | |
| | Pix | 640 | 400 | Grn | GrnI | | Ang Gnd: |
| Adapter# | 1 Fpor | 0.55 (84) | 1.6 (81) | Blu | BluI | | |
| Interlace | Bpor | 6.56 (85) | 2.14 (82) | Vsyn | Csyn | V3- | Dig Gnd: |
| Video Type | D Sync | 2.38 (86) | 0.19 (83) | Hsyn | V2+ | V4+ | |
| Color/Mono | Stype | + | + | V1+ | V2- | V4- | |
| Multisync | Range | | | V1- | V3+ | | Recall: |
| Multimode | CGA/MDA | | CGA/MDA | | | | |

| RADIUS 0031 | | Horizontal | Vertical | Connector Pins | | | Grounds |
|-----------------|---------|------------|------------|----------------|------|-----|----------|
| | Freq | 64.80 | 70.4 | Red | RedI | | |
| 19" COLOR (MAC) | Pix | 1152 | 882 | Grn | GrnI | | Ang Gnd: |
| Adapter# | Fpor | 0.161 (84) | 0.001 (81) | Blu | BluI | | |
| Interlace | N Bpor | 1.93 (85) | 0.365 (82) | Vsyn | Csyn | V3- | Dig Gnd: |
| Video Type | A Sync | 1.77 (86) | 0.232 (83) | Hsyn | V2+ | V4+ | |
| Color/Mono | C Stype | C | C | V1+ | V2- | V4- | |
| Multisync | N Range | | | V1- | V3+ | | Recall: |
| Multimode | N | | | | | | |

| RADIUS 0194 | | Horizontal | Vertical | Connector Pins | | | Grounds |
|------------------|---------|------------|------------|----------------|------|-----|-----------------|
| | Freq | 64.10 | 66.9 | Red 1 | RedI | | |
| MONO PIVOT (MAC) | Pix | 640 | 864 | Grn | GrnI | | Ang Gnd: 2,3 |
| Adapter# | Fpor | 0.156 (84) | 0.25 (81) | Blu | BluI | | |
| Interlace | N Bpor | 0.156 (85) | 0.265 (82) | Vsyn 5 | Csyn | V3- | Dig Gnd: |
| Video Type | A Sync | 2.8 (86) | 0.499 (83) | Hsyn 4 | V2+ | V4+ | |
| Color/Mono | M Stype | | | V1+ | V2- | V4- | |
| Multisync | N Range | | | V1- | V3+ | | Recall: |
| Multimode | N | | | | | | |

| RADIUS | | Horizontal | Vertical | Connector Pins | | | Grounds |
|------------|---------|------------|------------|----------------|------|-----|----------|
| 0217 | Freq | 64.80 | 70.4 | Red | RedI | | |
| TPD/21 | Pix | 1152 | 882 | Grn | GrnI | | Ang Gnd: |
| Adapter# | 6 Fpor | 0.161 (84) | 0.001 (81) | Blu | BluI | | |
| Interlace | N Bpor | 1.93 (85) | 0.365 (82) | Vsyn | Csyn | V3- | Dig Gnd: |
| Video Type | A Sync | 1.77 (86) | 0.232 (83) | Hsyn | V2+ | V4+ | |
| Color/Mono | M Stype | C | C | V1+ | V2- | V4- | |
| Multisync | N Range | | | V1- | V3+ | | Recall: |
| Multimode | | | | | | | |

FOR MAC AND PC

| RADIUS | | Horizontal | Vertical | Connector Pins | | | Grounds |
|------------|---------|------------|------------|----------------|------|-----|------------|
| 0218 | Freq | 64.80 | 70.4 | Red | RedI | | |
| TPD/19 | Pix | 1152 | 882 | Grn | GrnI | | Ang Gnd: |
| Adapter# | 6 Fpor | 0.161 (84) | 0.001 (81) | Blu | BluI | | |
| Interlace | N Bpor | 1.93 (85) | 0.365 (82) | Vsyn | Csyn | V3- | Dig Gnd: |
| Video Type | A Sync | 1.77 (86) | 0.232 (83) | Hsyn | V2+ | V4+ | |
| Color/Mono | M Stype | C | C | V1+ | V2- | V4- | |
| Multisync | N Range | | | V1- | V3+ | | Recall: 43 |
| Multimode | | | | | | | |

FOR MAC AND PC

| RADIUS | | Horizontal | Vertical | Connector Pins | | | Grounds |
|------------|---------|------------|------------|----------------|------|-----|----------|
| 0220 | Freq | 64.80 | 65.0 | Red | RedI | | |
| TPD (PC) | Pix | 1280 | 960 | Grn | GrnI | | Ang Gnd: |
| Adapter# | Fpor | 0.214 (84) | 0.001 (81) | Blu | BluI | | |
| Interlace | N Bpor | 2 (85) | 0.339 (82) | Vsyn | Csyn | V3- | Dig Gnd: |
| Video Type | A Sync | 1.79 (86) | 0.247 (83) | Hsyn | V2+ | V4+ | |
| Color/Mono | M Stype | | | V1+ | V2- | V4- | |
| Multisync | Y Range | 64.8 | 65-73 | V1- | V3+ | | Recall: |
| Multimode | N | | | | | | |

| RADIUS | | Horizontal | Vertical | Connector Pins | | | Grounds |
|-------------------|---------|------------|------------|----------------|------|-----|----------|
| 0233 | Freq | 68.90 | 75.0 | Red | RedI | | |
| COLOR PIVOT (MAC) | Pix | 640 | 870 | Grn | GrnI | | Ang Gnd: |
| Adapter# | Fpor | 0.559 (84) | 0.044 (81) | Blu | BluI | | |
| Interlace | N Bpor | 1.4 (85) | 0.61 (82) | Vsyn | Csyn | V3- | Dig Gnd: |
| Video Type | A Sync | 1.4 (86) | 0.044 (83) | Hsyn | V2+ | V4+ | |
| Color/Mono | C Stype | | | V1+ | V2- | V4- | |
| Multisync | N Range | | | V1- | V3+ | | Recall: |
| Multimode | N | | | | | | |

| RADIUS | | Horizontal | Vertical | Connector Pins | | | Grounds |
|------------------|---------|------------|------------|----------------|------|-----|----------|
| 0276 | Freq | 68.50 | 75.0 | Red | RedI | | |
| MONO PIVOT (MAC) | Pix | 640 | 870 | Grn | GrnI | | Ang Gnd: |
| Adapter# | 5 Fpor | 1.13 (84) | 0.044 (81) | Blu | BluI | | |
| Interlace | N Bpor | 1.13 (85) | 0.54 (82) | Vsyn | Csyn | V3- | Dig Gnd: |
| Video Type | A Sync | 1.13 (86) | 0.044 (83) | Hsyn | V2+ | V4+ | |
| Color/Mono | M Stype | - | - | V1+ | V2- | V4- | |
| Multisync | Range | | | V1- | V3+ | | Recall: |
| Multimode | | | | | | | |

| RADIUS | | Horizontal | Vertical | Connector Pins | | | Grounds |
|-------------------|---------|------------|------------|----------------|------|-----|----------|
| 0277 | Freq | 68.90 | 75.0 | Red | RedI | | |
| COLOR PIVOT (MAC) | Pix | 640 | 870 | Grn | GrnI | | Ang Gnd: |
| Adapter# | Fpor | 0.559 (84) | 0.044 (81) | Blu | BluI | | |
| Interlace | N Bpor | 1.4 (85) | 0.61 (82) | Vsyn | Csyn | V3- | Dig Gnd: |
| Video Type | A Sync | 1.4 (86) | 0.044 (83) | Hsyn | V2+ | V4+ | |
| Color/Mono | C Stype | | | V1+ | V2- | V4- | |
| Multisync | N Range | | | V1- | V3+ | | Recall: |
| Multimode | N | | | | | | |

| RADIUS | | Horizontal | Vertical | Connector Pins | | | Grounds |
|-----------------|---------|------------|------------|----------------|------|-----|----------|
| 0287 | Freq | 64.80 | 71.0 | Red | RedI | | |
| 21" COLOR (MAC) | Pix | 1152 | 882 | Grn | GrnI | | Ang Gnd: |
| Adapter# | Fpor | 0.161 (84) | 0.001 (81) | Blu | BluI | | |
| Interlace | N Bpor | 1.93 (85) | 0.355 (82) | Vsyn | Csyn | V3- | Dig Gnd: |
| Video Type | A Sync | 1.93 (86) | 0.232 (83) | Hsyn | V2+ | V4+ | |
| Color/Mono | C Stype | C | C | V1+ | V2- | V4- | |
| Multisync | N Range | | | V1- | V3+ | | Recall: |
| Multimode | N | | | | | | |

| RADIUS | | Horizontal | Vertical | Connector Pins | | | Grounds |
|------------|---------|------------|------------|----------------|------|-----|----------|
| 0311 | Freq | 68.90 | 75.0 | Red | RedI | | |
| FPD (MAC) | Pix | 640 | 870 | Grn | GrnI | | Ang Gnd: |
| Adapter# | Fpor | 0.559 (84) | 0.044 (81) | Blu | BluI | | |
| Interlace | M Bpor | 1.4 (85) | 0.61 (82) | Vsyn | Csyn | V3- | Dig Gnd: |
| Video Type | A Sync | 1.4 (86) | 0.044 (83) | Hsyn | V2+ | V4+ | |
| Color/Mono | M Stype | | | V1+ | V2- | V4- | |
| Multisync | M Range | | | V1- | V3+ | | Recall: |
| Multimode | | | | | | | |

| RADIUS | | Horizontal | Vertical | Connector Pins | | | Grounds | |
|-----------------|---------|--------------------------|----------|----------------|------|-----|----------|--|
| 0320 | Freq | | | Red | RedI | | | |
| FULL PAGE PIVOT | Pix | 1024 | 768 | Grn | GrnI | | Ang Gnd: | |
| Adapter# | Fpor | (84) | (81) | Blu | BluI | | | |
| Interlace | Bpor | (85) | (82) | Vsyn | Csyn | V3- | Dig Gnd: | |
| Video Type | Sync | (86) | (83) | Hsyn | V2+ | V4+ | | |
| Color/Mono | C Stype | | | V1+ | V2- | V4- | | |
| Multisync | Y Range | 48 | 60-107 | V1- | V3+ | | Recall: | |
| Multimode | | 768 x 1024 landscape; PC | | | | | | |

| RADIUS | | Horizontal | Vertical | Connector Pins | | | Grounds | |
|--------------------|---------|---------------|----------|----------------|------|-----|--------------|--|
| 0322 | Freq | | | Red | RedI | | | |
| PRECISION COLOR/20 | Pix | 1280 | 1024 | Grn | GrnI | | Ang Gnd: | |
| Adapter# | Fpor | (84) | (81) | Blu | BluI | | | |
| Interlace | B Bpor | (85) | (82) | Vsyn | Csyn | V3- | Dig Gnd: | |
| Video Type | A Sync | (86) | (83) | Hsyn | V2+ | V4+ | | |
| Color/Mono | C Stype | | | V1+ | V2- | V4- | | |
| Multisync | Y Range | 30-71 | ?-75 | V1- | V3+ | | Recall: 5-12 | |
| Multimode | | FOR PC OR MAC | | | | | | |

| RADIUS | | Horizontal | Vertical | Connector Pins | | | Grounds | |
|------------------|---------|------------|----------|----------------|------|-----|----------|--|
| 0348 | Freq | 68.00 | 75.0 | Red | RedI | | | |
| COLOR DISPLAY/21 | Pix | 1152 | 870 | Grn | GrnI | | Ang Gnd: | |
| Adapter# | Fpor | (84) | (81) | Blu | BluI | | | |
| Interlace | M Bpor | (85) | (82) | Vsyn | Csyn | V3- | Dig Gnd: | |
| Video Type | A Sync | (86) | (83) | Hsyn | V2+ | V4+ | | |
| Color/Mono | C Stype | | | V1+ | V2- | V4- | | |
| Multisync | Range | | | V1- | V3+ | | Recall: | |
| Multimode | | FOR MAC | | | | | | |

| RADIUS | | Horizontal | Vertical | Connector Pins | | | Grounds | |
|--------------------|---------|---------------|----------|----------------|------|-----|----------|--|
| 0350 | Freq | | | Red | RedI | | | |
| PRECISION COLOR/19 | Pix | 1280 | 960 | Grn | GrnI | | Ang Gnd: | |
| Adapter# | Fpor | (84) | (81) | Blu | BluI | | | |
| Interlace | M Bpor | (85) | (82) | Vsyn | Csyn | V3- | Dig Gnd: | |
| Video Type | A Sync | (86) | (83) | Hsyn | V2+ | V4+ | | |
| Color/Mono | C Stype | | | V1+ | V2- | V4- | | |
| Multisync | Y Range | 30-67 | ?-72 | V1- | V3+ | | Recall: | |
| Multimode | | FOR MAC OR PC | | | | | | |

| RADIUS | | Horizontal | Vertical | Connector Pins | | | Grounds | |
|--------------------|---------|------------|----------|----------------|------|-----|----------|--|
| 0356 | Freq | | 72.0 | Red | RedI | | | |
| PRECISION COLOR PI | Pix | 1024 | 768 | Grn | GrnI | | Ang Gnd: | |
| Adapter# | Fpor | (84) | (81) | Blu | BluI | | | |
| Interlace | M Bpor | (85) | (82) | Vsyn | Csyn | V3- | Dig Gnd: | |
| Video Type | A Sync | (86) | (83) | Hsyn | V2+ | V4+ | | |
| Color/Mono | C Stype | - | - | V1+ | V2- | V4- | | |
| Multisync | Y Range | 30-60 | 50-90 | V1- | V3+ | | Recall: | |
| Multimode | N | FOR MAC | | | | | | |

| RADIUS | | Horizontal | Vertical | Connector Pins | | | Grounds | |
|--------------------|---------|------------|------------|----------------|------|-----|----------|--|
| 0356 | Freq | 35.00 | 66.7 | Red | RedI | | | |
| PRECISION COLOR PI | Pix | 640 | 480 | Grn | GrnI | | Ang Gnd: | |
| Adapter# | Fpor | 2.12 (84) | 0.086 (81) | Blu | BluI | | | |
| Interlace | N Bpor | 3.17 (85) | 1.11 (82) | Vsyn | Csyn | V3- | Dig Gnd: | |
| Video Type | Sync | 2.12 (86) | 0.086 (83) | Hsyn | V2+ | V4+ | | |
| Color/Mono | C Stype | | | V1+ | V2- | V4- | | |
| Multisync | N Range | | | V1- | V3+ | | Recall: | |
| Multimode | 1 | FOR MAC | | | | | | |

| RADIUS | | Horizontal | Vertical | Connector Pins | | | Grounds |
|-----------------|---------|------------|----------|----------------|------|-----|----------|
| 0356 | Freq | 48.00 | 72.0 | Red | RedI | | |
| PRECISION COLOR | PIPix | 832 | 624 | Grn | GrnI | | Ang Gnd: |
| Adapter# | Fpor | (84) | (81) | Blu | BluI | | |
| Interlace | N Bpor | (85) | (82) | Vsyn | Csyn | V3- | Dig Gnd: |
| Video Type | A Sync | (86) | (83) | Hsyn | V2+ | V4+ | |
| Color/Mono | C Stype | - | - | V1+ | V2- | V4- | |
| Multisync | Range | | | V1- | V3+ | | Recall: |
| Multimode | 2 | FOR MAC | | | | | |

| RADIUS | | Horizontal | Vertical | Connector Pins | | | Grounds |
|-----------------|---------|------------|------------|----------------|------|-----|----------|
| 0356 | Freq | 68.90 | 75.0 | Red | RedI | | |
| PRECISION COLOR | PIPix | 640 | 870 | Grn | GrnI | | Ang Gnd: |
| Adapter# | Fpor | 0.559 (84) | 0.044 (81) | Blu | BluI | | |
| Interlace | N Bpor | 1.4 (85) | 0.61 (82) | Vsyn | Csyn | V3- | Dig Gnd: |
| Video Type | A Sync | 1.4 (86) | 0.044 (83) | Hsyn | V2+ | V4+ | |
| Color/Mono | C Stype | | | V1+ | V2- | V4- | |
| Multisync | N Range | | | V1- | V3+ | | Recall: |
| Multimode | 3 | FOR MAC | | | | | |

| RADIUS | | Horizontal | Vertical | Connector Pins | | | Grounds |
|------------|---------|------------|----------|----------------|------|-----|----------|
| 0357 | Freq | 65.00 | 71.0 | Red | RedI | | |
| TPD/21E | Pix | 1152 | 870 | Grn | GrnI | | Ang Gnd: |
| Adapter# | Fpor | (84) | (81) | Blu | BluI | | |
| Interlace | N Bpor | (85) | (82) | Vsyn | Csyn | V3- | Dig Gnd: |
| Video Type | A Sync | (86) | (83) | Hsyn | V2+ | V4+ | |
| Color/Mono | M Stype | | | V1+ | V2- | V4- | |
| Multisync | N Range | | | V1- | V3+ | | Recall: |
| Multimode | N | | | | | | |

| RADIUS | | Horizontal | Vertical | Connector Pins | | | Grounds |
|------------------|---------|------------|------------|----------------|------|-----|----------|
| 0361 | Freq | 68.90 | 75.0 | Red | RedI | | |
| MONO PIVOT (MAC) | Pix | 640 | 870 | Grn | GrnI | | Ang Gnd: |
| Adapter# | Fpor | 0.559 (84) | 0.044 (81) | Blu | BluI | | |
| Interlace | N Bpor | 1.4 (85) | 0.61 (82) | Vsyn | Csyn | V3- | Dig Gnd: |
| Video Type | A Sync | 1.4 (86) | 0.044 (83) | Hsyn | V2+ | V4+ | |
| Color/Mono | M Stype | | | V1+ | V2- | V4- | |
| Multisync | N Range | | | V1- | V3+ | | Recall: |
| Multimode | N | | | | | | |

| RADIUS | | Horizontal | Vertical | Connector Pins | | | Grounds |
|------------|---------|------------|------------|----------------|------|-----|----------|
| 0362 | Freq | 68.90 | 75.0 | Red | RedI | | |
| FPD (MAC) | Pix | 640 | 870 | Grn | GrnI | | Ang Gnd: |
| Adapter# | Fpor | 0.559 (84) | 0.044 (81) | Blu | BluI | | |
| Interlace | N Bpor | 1.4 (85) | 0.61 (82) | Vsyn | Csyn | V3- | Dig Gnd: |
| Video Type | A Sync | 1.4 (86) | 0.044 (83) | Hsyn | V2+ | V4+ | |
| Color/Mono | M Stype | | | V1+ | V2- | V4- | |
| Multisync | N Range | | | V1- | V3+ | | Recall: |
| Multimode | | | | | | | |

| RADIUS | | Horizontal | Vertical | Connector Pins | | | Grounds |
|----------------|---------|--------------------------|----------|----------------|------|-----|----------|
| 0379 | Freq | 48.00 | 72.0 | Red | RedI | | |
| COLOR PIVOT/LE | Pix | 832 | 624 | Grn | GrnI | | Ang Gnd: |
| Adapter# | Fpor | (84) | (81) | Blu | BluI | | |
| Interlace | N Bpor | (85) | (82) | Vsyn | Csyn | V3- | Dig Gnd: |
| Video Type | A Sync | (86) | (83) | Hsyn | V2+ | V4+ | |
| Color/Mono | C Stype | | | V1+ | V2- | V4- | |
| Multisync | Range | | | V1- | V3+ | | Recall: |
| Multimode | | 624 x 832 landscape; MAC | | | | | |

| RADIUS | | Horizontal | Vertical | Connector Pins | | | Grounds |
|--------------------|---------|------------|----------|----------------|------|-----|-----------------------|
| 0381 | Freq | | | Red | RedI | | |
| INTELLICOLOR DISPL | Pix | 1600 | 1200 | Grn | GrnI | | Ang Gnd: |
| Adapter# | 5 Fpor | (84) | (81) | Blu | BluI | | |
| Interlace | N Bpor | (85) | (82) | Vsyn | Csyn | V3- | Dig Gnd: |
| Video Type | A Sync | (86) | (83) | Hsyn | V2+ | V4+ | |
| Color/Mono | C Stype | | | V1+ | V2- | V4- | |
| Multisync | Y Range | 30-85 | 50-160 | V1- | V3+ | | Recall: 10, 19, 21, 2 |
| Multimode | N | | | | | | |

| RADIUS | | Horizontal | Vertical | Connector Pins | | | Grounds |
|-----------------------|--------------|------------|----------|----------------|------|-----|-----------------------------------|
| 0427 | Freq | | | Red | RedI | | |
| PRECISION COLOR/20Pix | Pix | 1280 | 1024 | Grn | GrnI | | Ang Gnd: |
| Adapter# | 5 Fpor | (84) | (81) | Blu | BluI | | |
| Interlace | N Bpor | (85) | (82) | Vsyn | Csyn | V3- | Dig Gnd: |
| Video Type | A Sync | (86) | (83) | Hsyn | V2+ | V4+ | |
| Color/Mono | C Stype | | | V1+ | V2- | V4- | |
| Multisync | Y Range30-68 | | 50-90 | V1- | V3+ | | Recall:SEE NOTES |
| Multimode | N | | | | | | RECALLS 7,10,21,22,25,26,30,32,39 |

| RADIUS | | Horizontal | Vertical | Connector Pins | | | Grounds |
|------------|---------|------------|------------|----------------|------|-----|------------|
| 0436 | Freq | 68.70 | 75.0 | Red | RedI | | |
| TPD/20gs | Pix | 1152 | 870 | Grn | GrnI | | Ang Gnd: |
| Adapter# | 5 Fpor | 0.32 (84) | 0.044 (81) | Blu | BluI | | |
| Interlace | N Bpor | 1.44 (85) | 0.568 (82) | Vsyn | Csyn | V3- | Dig Gnd: |
| Video Type | A Sync | 1.28 (86) | 0.044 (83) | Hsyn | V2+ | V4+ | |
| Color/Mono | C Stype | | | V1+ | V2- | V4- | |
| Multisync | Y Range | | | V1- | V3+ | | Recall: 21 |
| Multimode | N | | | | | | |

| RADIUS | | Horizontal | Vertical | Connector Pins | | | Grounds |
|------------|---------|------------|------------|----------------|------|-----|------------|
| 0437 | Freq | 68.70 | 75.0 | Red | RedI | | |
| TPD/21gs | Pix | 1152 | 870 | Grn | GrnI | | Ang Gnd: |
| Adapter# | 5 Fpor | 0.32 (84) | 0.044 (81) | Blu | BluI | | |
| Interlace | N Bpor | 1.44 (85) | 0.568 (82) | Vsyn | Csyn | V3- | Dig Gnd: |
| Video Type | A Sync | 1.28 (86) | 0.044 (83) | Hsyn | V2+ | V4+ | |
| Color/Mono | C Stype | | | V1+ | V2- | V4- | |
| Multisync | Y Range | | | V1- | V3+ | | Recall: 21 |
| Multimode | N | | | | | | |

| RADIUS | | Horizontal | Vertical | Connector Pins | | | Grounds |
|------------|-----------------|------------|-------------|----------------|------|-----|-----------------|
| 15RAM1 | Freq | 64~68 | 69.0 (67.5) | Red 1 | RedI | | |
| Adapter# | 5 Fpor | 640 | 864 | Grn | GrnI | | Ang Gnd: 2,3 |
| Interlace | N Bpor | (84) | (81) | Blu | BluI | | |
| Video Type | N Sync | (85) | (82) | Vsyn 5 | Csyn | V3- | Dig Gnd: |
| Color/Mono | C Stype | (86) | (83) | Hsyn 4 | V2+ | V4+ | |
| Multisync | Y Range64 or 68 | - | + | V1+ | V2- | V4- | |
| Multimode | | | | V1- | V3+ | | Recall: 114 |

H freq. depends on serial number

| RADIUS | | Horizontal | Vertical | Connector Pins | | | Grounds |
|------------|-----------------|------------|----------|----------------|------|-----|----------------------------------|
| 15RAM3 | Freq | | 69.0 | Red 1 | RedI | | |
| FPD | Pix | 640 | 864 | Grn | GrnI | | Ang Gnd: 2,3 |
| Adapter# | 5 Fpor | (84) | (81) | Blu | BluI | | |
| Interlace | N Bpor | (85) | (82) | Vsyn 5 | Csyn | V3- | Dig Gnd: |
| Video Type | -D Sync | (86) | (83) | Hsyn 4 | V2+ | V4+ | |
| Color/Mono | C Stype | - | + | V1+ | V2- | V4- | |
| Multisync | Y Range64 or 68 | | | V1- | V3+ | | Recall: |
| Multimode | | | | | | | H freq. depends on serial number |

| RADIUS | | Horizontal | Vertical | Connector Pins | | | Grounds |
|------------|---------|------------|------------|----------------|------|-----|----------|
| FPD | Freq | 68.75 | 67.1 | Red | RedI | | |
| Adapter# | Pix | 640 | 864 | Grn | GrnI | | Ang Gnd: |
| Interlace | N Bpor | 0.145 (84) | 0.96 (81) | Blu | BluI | | |
| Video Type | A Sync | 0.145 (85) | 0.001 (82) | Vsyn | Csyn | V3- | Dig Gnd: |
| Color/Mono | C Stype | 2.62 (86) | 1.37 (83) | Hsyn | V2+ | V4+ | |
| Multisync | Y Range | C | C | V1+ | V2- | V4- | |
| Multimode | | | | V1- | V3+ | | Recall: |

| RADIUS | | Horizontal | Vertical | Connector Pins | | | Grounds |
|------------|---------|------------|------------|----------------|------|-----|----------|
| FPD | Freq | 64.10 | 69.0 | Red | RedI | | |
| Adapter# | Pix | 640 | 864 | Grn | GrnI | | Ang Gnd: |
| Interlace | N Bpor | 0.195 (84) | 0.25 (81) | Blu | BluI | | |
| Video Type | A Sync | 0.117 (85) | 0.265 (82) | Vsyn | Csyn | V3- | Dig Gnd: |
| Color/Mono | C Stype | 2.81 (86) | 0.499 (83) | Hsyn | V2+ | V4+ | |
| Multisync | Y Range | C | C | V1+ | V2- | V4- | |
| Multimode | | | | V1- | V3+ | | Recall: |

| RADIUS | | Horizontal | Vertical | Connector Pins | | | Grounds |
|------------|---|------------|-----------|----------------|------|------|--------------|
| GDM-1950 | | Freq | 61.90 | 67.7 | Red | RedI | |
| | | Pix | 1024 | 880 | Grn | GrnI | Ang Gnd: |
| Adapter# | 6 | Fpor | 0.35 (84) | 0.001 (81) | Blu | BluI | |
| Interlace | N | Bpor | 2.24 (85) | 0.468 (82) | Vsyn | Csyn | V3- Dig Gnd: |
| Video Type | A | Sync | 1.52 (86) | 0.048 (83) | Hsyn | V2+ | V4+ |
| Color/Mono | C | Stype | - | - | V1+ | V2- | V4- |
| Multisync | | Range | | | V1- | V3+ | Recall: |
| Multimode | | | | | | | |

| RADIUS | | Horizontal | Vertical | Connector Pins | | | Grounds |
|------------|---|------------|----------|----------------|------|------|--------------|
| GDM-1971 | | Freq | 64.80 | 71.0 | Red | RedI | |
| | | Pix | 1152 | 882 | Grn | GrnI | Ang Gnd: |
| Adapter# | 6 | Fpor | (84) | (81) | Blu | BluI | |
| Interlace | N | Bpor | (85) | (82) | Vsyn | Csyn | V3- Dig Gnd: |
| Video Type | A | Sync | (86) | (83) | Hsyn | V2+ | V4+ |
| Color/Mono | C | Stype | | | V1+ | V2- | V4- |
| Multisync | | Range | | | V1- | V3+ | Recall: |
| Multimode | | | | | | | |

| RADIUS | | Horizontal | Vertical | Connector Pins | | | Grounds |
|------------|---|----------------|----------|----------------|------|------|--------------|
| O217 | | Freq | 64.79 | 72.0 | Red | RedI | |
| | | Pix | 1152 | 882 | Grn | GrnI | Ang Gnd: |
| Adapter# | | Fpor | (84) | (81) | Blu | BluI | |
| Interlace | N | Bpor | (85) | (82) | Vsyn | Csyn | V3- Dig Gnd: |
| Video Type | A | Sync | (86) | (83) | Hsyn | V2+ | V4+ |
| Color/Mono | | Stype | | | V1+ | V2- | V4- |
| Multisync | | Range | | | V1- | V3+ | Recall: |
| Multimode | | TWO PAGE DSP/2 | | | | | |

| RADIUS | | Horizontal | Vertical | Connector Pins | | | Grounds |
|------------|---|----------------|----------|----------------|------|------|--------------|
| O218 | | Freq | 64.79 | 72.0 | Red | RedI | |
| | | Pix | 1152 | 882 | Grn | GrnI | Ang Gnd: |
| Adapter# | | Fpor | (84) | (81) | Blu | BluI | |
| Interlace | N | Bpor | (85) | (82) | Vsyn | Csyn | V3- Dig Gnd: |
| Video Type | A | Sync | (86) | (83) | Hsyn | V2+ | V4+ |
| Color/Mono | | Stype | | | V1+ | V2- | V4- |
| Multisync | | Range | | | V1- | V3+ | Recall: |
| Multimode | | TWO PAGE DSP/1 | | | | | |

| RADIUS | | Horizontal | Vertical | Connector Pins | | | Grounds |
|------------|---|------------|----------|----------------|------|------|--------------|
| O233 | | Freq | 68.98 | 75.0 | Red | RedI | |
| | | Pix | 640 | 870 | Grn | GrnI | Ang Gnd: |
| Adapter# | | Fpor | (84) | (81) | Blu | BluI | |
| Interlace | N | Bpor | (85) | (82) | Vsyn | Csyn | V3- Dig Gnd: |
| Video Type | A | Sync | (86) | (83) | Hsyn | V2+ | V4+ |
| Color/Mono | | Stype | | | V1+ | V2- | V4- |
| Multisync | | Range | | | V1- | V3+ | Recall: |
| Multimode | 1 | | | | | | |

| RADIUS | | Horizontal | Vertical | Connector Pins | | | Grounds |
|------------|---|------------|----------|----------------|------|------|--------------|
| O233 | | Freq | 68.85 | 85.0 | Red | RedI | |
| | | Pix | 560 | 760 | Grn | GrnI | Ang Gnd: |
| Adapter# | | Fpor | (84) | (81) | Blu | BluI | |
| Interlace | N | Bpor | (85) | (82) | Vsyn | Csyn | V3- Dig Gnd: |
| Video Type | A | Sync | (86) | (83) | Hsyn | V2+ | V4+ |
| Color/Mono | | Stype | | | V1+ | V2- | V4- |
| Multisync | | Range | | | V1- | V3+ | Recall: |
| Multimode | 2 | | | | | | |

| RADIUS | | Horizontal | Vertical | Connector Pins | | | Grounds |
|------------|---|------------|----------|----------------|------|------|--------------|
| O276 | | Freq | 68.85 | 75.0 | Red | RedI | |
| | | Pix | 640 | 870 | Grn | GrnI | Ang Gnd: |
| Adapter# | | Fpor | (84) | (81) | Blu | BluI | |
| Interlace | N | Bpor | (85) | (82) | Vsyn | Csyn | V3- Dig Gnd: |
| Video Type | A | Sync | (86) | (83) | Hsyn | V2+ | V4+ |
| Color/Mono | | Stype | | | V1+ | V2- | V4- |
| Multisync | | Range | | | V1- | V3+ | Recall: |
| Multimode | | | | | | | |

| RADIUS | | Horizontal | Vertical | Connector Pins | | | Grounds |
|------------|--------|---------------|----------|----------------|------|-----|----------|
| 0277 | Freq | 68.98 | 75.0 | Red | RedI | | |
| | Pix | 640 | 870 | Grn | GrnI | | Ang Gnd: |
| Adapter# | Fpor | (84) | (81) | Blu | BluI | | |
| Interlace | N Bpor | (85) | (82) | Vsyn | Csyn | V3- | Dig Gnd: |
| Video Type | A Sync | (86) | (83) | Hsyn | V2+ | V4+ | |
| Color/Mono | Stype | | | V1+ | V2- | V4- | |
| Multisync | Range | | | V1- | V3+ | | Recall: |
| Multimode | 1 | PIVOT DISPLAY | | | | | |

| RADIUS | | Horizontal | Vertical | Connector Pins | | | Grounds |
|------------|--------|---------------|----------|----------------|------|-----|----------|
| 0277 | Freq | 68.85 | 85.0 | Red | RedI | | |
| | Pix | 560 | 760 | Grn | GrnI | | Ang Gnd: |
| Adapter# | Fpor | (84) | (81) | Blu | BluI | | |
| Interlace | N Bpor | (85) | (82) | Vsyn | Csyn | V3- | Dig Gnd: |
| Video Type | A Sync | (86) | (83) | Hsyn | V2+ | V4+ | |
| Color/Mono | Stype | | | V1+ | V2- | V4- | |
| Multisync | Range | | | V1- | V3+ | | Recall: |
| Multimode | 2 | PIVOT DISPLAY | | | | | |

| RADIUS | | Horizontal | Vertical | Connector Pins | | | Grounds |
|------------|---------|----------------|----------|----------------|------|-----|----------|
| 0287 | Freq | 64.77 | 77.0 | Red | RedI | | |
| DSPLY/21 | Pix | 1056 | 807 | Grn | GrnI | | Ang Gnd: |
| Adapter# | Fpor | (84) | (81) | Blu | BluI | | |
| Interlace | N Bpor | (85) | (82) | Vsyn | Csyn | V3- | Dig Gnd: |
| Video Type | A Sync | (86) | (83) | Hsyn | V2+ | V4+ | |
| Color/Mono | C Stype | | | V1+ | V2- | V4- | |
| Multisync | Range | | | V1- | V3+ | | Recall: |
| Multimode | 1 | WYSIWYG MODE - | | | | | |

| RADIUS | | Horizontal | Vertical | Connector Pins | | | Grounds |
|------------|---------|---------------|----------|----------------|------|-----|----------|
| 0287 | Freq | 64.79 | 71.0 | Red | RedI | | |
| DSPLY/21 | Pix | 1152 | 882 | Grn | GrnI | | Ang Gnd: |
| Adapter# | Fpor | (84) | (81) | Blu | BluI | | |
| Interlace | N Bpor | (85) | (82) | Vsyn | Csyn | V3- | Dig Gnd: |
| Video Type | A Sync | (86) | (83) | Hsyn | V2+ | V4+ | |
| Color/Mono | C Stype | | | V1+ | V2- | V4- | |
| Multisync | Range | | | V1- | V3+ | | Recall: |
| Multimode | 2 | TWO PAGE MODE | | | | | |

| RADIUS | | Horizontal | Vertical | Connector Pins | | | Grounds |
|------------|--------|------------|----------|----------------|------|-----|----------|
| 0311 | Freq | 68.85 | 75.0 | Red | RedI | | |
| | Pix | 640 | 870 | Grn | GrnI | | Ang Gnd: |
| Adapter# | Fpor | (84) | (81) | Blu | BluI | | |
| Interlace | N Bpor | (85) | (82) | Vsyn | Csyn | V3- | Dig Gnd: |
| Video Type | A Sync | (86) | (83) | Hsyn | V2+ | V4+ | |
| Color/Mono | Stype | | | V1+ | V2- | V4- | |
| Multisync | Range | | | V1- | V3+ | | Recall: |
| Multimode | | | | | | | |

| RADIUS | | Horizontal | Vertical | Connector Pins | | | Grounds |
|------------|--------|---------------|----------|----------------|------|-----|----------|
| 0322 | Freq | 68.68 | 75.0 | Red | RedI | | |
| | Pix | 1152 | 870 | Grn | GrnI | | Ang Gnd: |
| Adapter# | Fpor | (84) | (81) | Blu | BluI | | |
| Interlace | N Bpor | (85) | (82) | Vsyn | Csyn | V3- | Dig Gnd: |
| Video Type | A Sync | (86) | (83) | Hsyn | V2+ | V4+ | |
| Color/Mono | Stype | | | V1+ | V2- | V4- | |
| Multisync | Range | | | V1- | V3+ | | Recall: |
| Multimode | 1 | TWO PAGE MODE | | | | | |

| RADIUS | | Horizontal | Vertical | Connector Pins | | | Grounds |
|------------|--------|----------------|----------|----------------|------|-----|----------|
| 0322 | Freq | 60.00 | 75.0 | Red | RedI | | |
| | Pix | 1024 | 768 | Grn | GrnI | | Ang Gnd: |
| Adapter# | Fpor | (84) | (81) | Blu | BluI | | |
| Interlace | N Bpor | (85) | (82) | Vsyn | Csyn | V3- | Dig Gnd: |
| Video Type | A Sync | (86) | (83) | Hsyn | V2+ | V4+ | |
| Color/Mono | Stype | | | V1+ | V2- | V4- | |
| Multisync | Range | | | V1- | V3+ | | Recall: |
| Multimode | 2 | WYSIWYG MODE - | | | | | |

| RADIUS | | Horizontal | Vertical | Connector Pins | | | Grounds |
|------------|--------|---------------|----------|----------------|------|-----|----------|
| 0348 | Freq | 68.68 | 75.0 | Red | RedI | | |
| DSPLY/21 | Pix | 1152 | 870 | Grn | GrnI | | Ang Gnd: |
| Adapter# | Fpor | (84) | (81) | Blu | BluI | | |
| Interlace | N Bpor | (85) | (82) | Vsyn | Csyn | V3- | Dig Gnd: |
| Video Type | A Sync | (86) | (83) | Hsyn | V2+ | V4+ | |
| Color/Mono | Stype | | | V1+ | V2- | V4- | |
| Multisync | Range | | | V1- | V3+ | | Recall: |
| Multimode | 1 | TWO PAGE MODE | | | | | |

| RADIUS | | Horizontal | Vertical | Connector Pins | | | Grounds |
|------------|--------|----------------|----------|----------------|------|-----|----------|
| 0348 | Freq | 68.38 | 80.0 | Red | RedI | | |
| DSPLY/21 | Pix | 1072 | 810 | Grn | GrnI | | Ang Gnd: |
| Adapter# | Fpor | (84) | (81) | Blu | BluI | | |
| Interlace | N Bpor | (85) | (82) | Vsyn | Csyn | V3- | Dig Gnd: |
| Video Type | A Sync | (86) | (83) | Hsyn | V2+ | V4+ | |
| Color/Mono | Stype | | | V1+ | V2- | V4- | |
| Multisync | Range | | | V1- | V3+ | | Recall: |
| Multimode | 2 | WYSIWYG MODE - | | | | | |

| RADIUS | | Horizontal | Vertical | Connector Pins | | | Grounds |
|------------|--------|---------------|----------|----------------|------|-----|----------|
| 0350 | Freq | 64.79 | 72.0 | Red | RedI | | |
| | Pix | 1152 | 870 | Grn | GrnI | | Ang Gnd: |
| Adapter# | Fpor | (84) | (81) | Blu | BluI | | |
| Interlace | N Bpor | (85) | (82) | Vsyn | Csyn | V3- | Dig Gnd: |
| Video Type | A Sync | (86) | (83) | Hsyn | V2+ | V4+ | |
| Color/Mono | Stype | | | V1+ | V2- | V4- | |
| Multisync | Range | | | V1- | V3+ | | Recall: |
| Multimode | 1 | TWO PAGE MODE | | | | | |

| RADIUS | | Horizontal | Vertical | Connector Pins | | | Grounds |
|------------|--------|----------------|----------|----------------|------|-----|----------|
| 0350 | Freq | 57.83 | 72.0 | Red | RedI | | |
| | Pix | 1024 | 768 | Grn | GrnI | | Ang Gnd: |
| Adapter# | Fpor | (84) | (81) | Blu | BluI | | |
| Interlace | N Bpor | (85) | (82) | Vsyn | Csyn | V3- | Dig Gnd: |
| Video Type | A Sync | (86) | (83) | Hsyn | V2+ | V4+ | |
| Color/Mono | Stype | | | V1+ | V2- | V4- | |
| Multisync | Range | | | V1- | V3+ | | Recall: |
| Multimode | 2 | WYSIWYG MODE - | | | | | |

| RADIUS | | Horizontal | Vertical | Connector Pins | | | Grounds |
|------------|--------|----------------|----------|----------------|------|-----|----------|
| 0356 | Freq | 49.73 | 75.0 | Red | RedI | | |
| | Pix | 832 | 624 | Grn | GrnI | | Ang Gnd: |
| Adapter# | Fpor | (84) | (81) | Blu | BluI | | |
| Interlace | N Bpor | (85) | (82) | Vsyn | Csyn | V3- | Dig Gnd: |
| Video Type | A Sync | (86) | (83) | Hsyn | V2+ | V4+ | |
| Color/Mono | Stype | | | V1+ | V2- | V4- | |
| Multisync | Range | | | V1- | V3+ | | Recall: |
| Multimode | | PRECISION COLO | | | | | |

| RADIUS | | Horizontal | Vertical | Connector Pins | | | Grounds |
|------------|--------|----------------|----------|----------------|------|-----|----------|
| 0357 | Freq | 64.79 | 72.0 | Red | RedI | | |
| | Pix | 1152 | 882 | Grn | GrnI | | Ang Gnd: |
| Adapter# | Fpor | (84) | (81) | Blu | BluI | | |
| Interlace | N Bpor | (85) | (82) | Vsyn | Csyn | V3- | Dig Gnd: |
| Video Type | A Sync | (86) | (83) | Hsyn | V2+ | V4+ | |
| Color/Mono | Stype | | | V1+ | V2- | V4- | |
| Multisync | Range | | | V1- | V3+ | | Recall: |
| Multimode | | TWO PAGE DSP/2 | | | | | |

| RADIUS | | Horizontal | Vertical | Connector Pins | | | Grounds |
|------------|--------|------------|----------|----------------|------|-----|----------|
| 0361 | Freq | 68.85 | 75.0 | Red | RedI | | |
| | Pix | 640 | 870 | Grn | GrnI | | Ang Gnd: |
| Adapter# | Fpor | (84) | (81) | Blu | BluI | | |
| Interlace | N Bpor | (85) | (82) | Vsyn | Csyn | V3- | Dig Gnd: |
| Video Type | A Sync | (86) | (83) | Hsyn | V2+ | V4+ | |
| Color/Mono | Stype | | | V1+ | V2- | V4- | |
| Multisync | Range | | | V1- | V3+ | | Recall: |
| Multimode | | | | | | | |

| RADIUS | | Horizontal | Vertical | Connector Pins | | | Grounds |
|------------|---|----------------|----------|----------------|------|-----|----------|
| 0362 | | Freq 68.85 | 75.0 | Red | RedI | | |
| | | Pix 640 | 870 | Grn | GrnI | | Ang Gnd: |
| Adapter# | | Fpor (84) | (81) | Blu | BluI | | |
| Interlace | N | Bpor (85) | (82) | Vsyn | Csyn | V3- | Dig Gnd: |
| Video Type | A | Sync (86) | (83) | Hsyn | V2+ | V4+ | |
| Color/Mono | | Stype | | V1+ | V2- | V4- | |
| Multisync | | Range | | V1- | V3+ | | Recall: |
| Multimode | | | | | | | |
| RADIUS | | Horizontal | Vertical | Connector Pins | | | Grounds |
| 0379 | | Freq 48.00 | 72.0 | Red | RedI | | |
| | | Pix 832 | 624 | Grn | GrnI | | Ang Gnd: |
| Adapter# | | Fpor (84) | (81) | Blu | BluI | | |
| Interlace | N | Bpor (85) | (82) | Vsyn | Csyn | V3- | Dig Gnd: |
| Video Type | A | Sync (86) | (83) | Hsyn | V2+ | V4+ | |
| Color/Mono | | Stype | | V1+ | V2- | V4- | |
| Multisync | | Range | | V1- | V3+ | | Recall: |
| Multimode | | 0379 MODE | | | | | |
| RADIUS | | Horizontal | Vertical | Connector Pins | | | Grounds |
| 0381 | | Freq 68.68 | 75.0 | Red | RedI | | |
| | | Pix 1152 | 870 | Grn | GrnI | | Ang Gnd: |
| Adapter# | | Fpor (84) | (81) | Blu | BluI | | |
| Interlace | N | Bpor (85) | (82) | Vsyn | Csyn | V3- | Dig Gnd: |
| Video Type | A | Sync (86) | (83) | Hsyn | V2+ | V4+ | |
| Color/Mono | | Stype | | V1+ | V2- | V4- | |
| Multisync | | Range | | V1- | V3+ | | Recall: |
| Multimode | 1 | INTELLICOLOR D | | | | | |
| RADIUS | | Horizontal | Vertical | Connector Pins | | | Grounds |
| 0381 | | Freq 60.00 | 75.0 | Red | RedI | | |
| | | Pix 1024 | 768 | Grn | GrnI | | Ang Gnd: |
| Adapter# | | Fpor (84) | (81) | Blu | BluI | | |
| Interlace | N | Bpor (85) | (82) | Vsyn | Csyn | V3- | Dig Gnd: |
| Video Type | A | Sync (86) | (83) | Hsyn | V2+ | V4+ | |
| Color/Mono | | Stype | | V1+ | V2- | V4- | |
| Multisync | | Range | | V1- | V3+ | | Recall: |
| Multimode | 2 | | | | | | |
| RADIUS | | Horizontal | Vertical | Connector Pins | | | Grounds |
| 0387 | | Freq 68.68 | 75.0 | Red | RedI | | |
| | | Pix 1152 | 882 | Grn | GrnI | | Ang Gnd: |
| Adapter# | | Fpor (84) | (81) | Blu | BluI | | |
| Interlace | N | Bpor (85) | (82) | Vsyn | Csyn | V3- | Dig Gnd: |
| Video Type | A | Sync (86) | (83) | Hsyn | V2+ | V4+ | |
| Color/Mono | | Stype | | V1+ | V2- | V4- | |
| Multisync | | Range | | V1- | V3+ | | Recall: |
| Multimode | 1 | TWO PAGE - 038 | | | | | |
| RADIUS | | Horizontal | Vertical | Connector Pins | | | Grounds |
| 0387 | | Freq 60.00 | 75.0 | Red | RedI | | |
| | | Pix 1024 | 768 | Grn | GrnI | | Ang Gnd: |
| Adapter# | | Fpor (84) | (81) | Blu | BluI | | |
| Interlace | N | Bpor (85) | (82) | Vsyn | Csyn | V3- | Dig Gnd: |
| Video Type | A | Sync (86) | (83) | Hsyn | V2+ | V4+ | |
| Color/Mono | | Stype | | V1+ | V2- | V4- | |
| Multisync | | Range | | V1- | V3+ | | Recall: |
| Multimode | 2 | WYSIWYG - 0387 | | | | | |
| RASTER OPS | | Horizontal | Vertical | Connector Pins | | | Grounds |
| 2060A | | Freq 48.80 | 60.0 | Red | RedI | | |
| CC | | Pix 1024 | 768 | Grn | GrnI | | Ang Gnd: |
| Adapter# | 6 | Fpor (84) | (81) | Blu | BluI | | |
| Interlace | N | Bpor (85) | (82) | Vsyn | Csyn | V3- | Dig Gnd: |
| Video Type | A | Sync (86) | (83) | Hsyn | V2+ | V4+ | |
| Color/Mono | | Stype | | V1+ | V2- | V4- | |
| Multisync | N | Range | | V1- | V3+ | | Recall: |
| Multimode | N | | | | | | |

| RASTER OPS | | Horizontal | Vertical | Connector Pins | | | Grounds |
|------------|---|------------|----------|----------------|------|-----|----------|
| 2060B | | Freq 60.20 | 75.0 | Red | RedI | | |
| CC | | Pix 1024 | 768 | Grn | GrnI | | Ang Gnd: |
| Adapter# | 6 | Fpor (84) | (81) | Blu | BluI | | |
| Interlace | | Bpor (85) | (82) | Vsyn | Csyn | V3- | Dig Gnd: |
| Video Type | | Sync (86) | (83) | Hsyn | V2+ | V4+ | |
| Color/Mono | | Stype | | V1+ | V2- | V4- | |
| Multisync | N | Range | | V1- | V3+ | | Recall: |
| Multimode | N | | | | | | |

| RASTER OPS | | Horizontal | Vertical | Connector Pins | | | Grounds |
|------------|---|----------------|------------|----------------|------|-----|----------|
| 708+ | | Freq 48.80 | 66.7 | Red | RedI | | |
| | | Pix 800 | 600 | Grn | GrnI | | Ang Gnd: |
| Adapter# | | Fpor 0.96 (84) | 0.983 (81) | Blu | BluI | | |
| Interlace | N | Bpor 1.6 (85) | 1.53 (82) | Vsyn | Csyn | V3- | Dig Gnd: |
| Video Type | | Sync 1.92 (86) | 0.123 (83) | Hsyn | V2+ | V4+ | |
| Color/Mono | C | Stype | | V1+ | V2- | V4- | |
| Multisync | N | Range | | V1- | V3+ | | Recall: |
| Multimode | 1 | | | | | | |

| RASTER OPS | | Horizontal | Vertical | Connector Pins | | | Grounds |
|------------|---|----------------|------------|----------------|------|-----|----------|
| 708+ | | Freq 35.00 | 66.7 | Red | RedI | | |
| | | Pix 640 | 480 | Grn | GrnI | | Ang Gnd: |
| Adapter# | | Fpor 2.12 (84) | 0.086 (81) | Blu | BluI | | |
| Interlace | N | Bpor 3.17 (85) | 1.11 (82) | Vsyn | Csyn | V3- | Dig Gnd: |
| Video Type | | Sync 2.12 (86) | 0.086 (83) | Hsyn | V2+ | V4+ | |
| Color/Mono | C | Stype | | V1+ | V2- | V4- | |
| Multisync | N | Range | | V1- | V3+ | | Recall: |
| Multimode | 2 | | | | | | |

| RASTER OPS | | Horizontal | Vertical | Connector Pins | | | Grounds |
|------------|---|-----------------|------------|----------------|------|-----|----------|
| 8/24 XLI | | Freq 70.20 | 76.5 | Red | RedI | | |
| | | Pix 640 | 870 | Grn | GrnI | | Ang Gnd: |
| Adapter# | | Fpor 0.838 (84) | 0.043 (81) | Blu | BluI | | |
| Interlace | N | Bpor 1.12 (85) | 0.599 (82) | Vsyn | Csyn | V3- | Dig Gnd: |
| Video Type | | Sync 1.12 (86) | 0.029 (83) | Hsyn | V2+ | V4+ | |
| Color/Mono | C | Stype | | V1+ | V2- | V4- | |
| Multisync | N | Range | | V1- | V3+ | | Recall: |
| Multimode | 1 | | | | | | |

| RASTER OPS | | Horizontal | Vertical | Connector Pins | | | Grounds |
|------------|---|----------------|------------|----------------|------|-----|----------|
| 8/24 XLI | | Freq 68.70 | 75.1 | Red | RedI | | |
| | | Pix 1152 | 870 | Grn | GrnI | | Ang Gnd: |
| Adapter# | | Fpor 0.32 (84) | 0.044 (81) | Blu | BluI | | |
| Interlace | N | Bpor 1.44 (85) | 0.568 (82) | Vsyn | Csyn | V3- | Dig Gnd: |
| Video Type | | Sync 1.28 (86) | 0.044 (83) | Hsyn | V2+ | V4+ | |
| Color/Mono | | Stype | | V1+ | V2- | V4- | |
| Multisync | | Range | | V1- | V3+ | | Recall: |
| Multimode | 2 | | | | | | |

| RASTER OPS | | Horizontal | Vertical | Connector Pins | | | Grounds |
|------------|---|-----------------|------------|----------------|------|-----|----------|
| 8/24 XLI | | Freq 48.80 | 60.1 | Red | RedI | | |
| | | Pix 1024 | 768 | Grn | GrnI | | Ang Gnd: |
| Adapter# | | Fpor 0.992 (84) | 0.123 (81) | Blu | BluI | | |
| Interlace | N | Bpor 1.98 (85) | 0.676 (82) | Vsyn | Csyn | V3- | Dig Gnd: |
| Video Type | | Sync 1.49 (86) | 0.123 (83) | Hsyn | V2+ | V4+ | |
| Color/Mono | | Stype | | V1+ | V2- | V4- | |
| Multisync | | Range | | V1- | V3+ | | Recall: |
| Multimode | 3 | | | | | | |

| RASTER OPS | | Horizontal | Vertical | Connector Pins | | | Grounds |
|------------|---|----------------|------------|----------------|------|-----|----------|
| 8/24 XLI | | Freq 48.40 | 66.7 | Red | RedI | | |
| | | Pix 800 | 600 | Grn | GrnI | | Ang Gnd: |
| Adapter# | | Fpor 1.28 (84) | 0.983 (81) | Blu | BluI | | |
| Interlace | N | Bpor 1.92 (85) | 1.62 (82) | Vsyn | Csyn | V3- | Dig Gnd: |
| Video Type | | Sync 1.28 (86) | 0.123 (83) | Hsyn | V2+ | V4+ | |
| Color/Mono | | Stype | | V1+ | V2- | V4- | |
| Multisync | | Range | | V1- | V3+ | | Recall: |
| Multimode | 4 | | | | | | |

| RASTER OPS | | Horizontal | Vertical | Connector Pins | | | Grounds |
|------------|---|----------------|------------|----------------|------|-----|----------|
| 8/24 XLI | | Freq 35.00 | 66.7 | Red | RedI | | |
| | | Pix 640 | 480 | Grn | GrnI | | Ang Gnd: |
| Adapter# | | Fpor 2.13 (84) | 0.086 (81) | Blu | BluI | | |
| Interlace | N | Bpor 3.2 (85) | 1.11 (82) | Vsyn | Csyn | V3- | Dig Gnd: |
| Video Type | | Sync 2.13 (86) | 0.086 (83) | Hsyn | V2+ | V4+ | |
| Color/Mono | | Stype | | V1+ | V2- | V4- | |
| Multisync | | Range | | V1- | V3+ | | Recall: |
| Multimode | 5 | | | | | | |

| RASTER OPS | | Horizontal | Vertical | Connector Pins | | | Grounds |
|------------|---|----------------|------------|----------------|------|-----|----------|
| GDM-1950 | | Freq 61.90 | 67.7 | Red | RedI | | |
| | | Pix 1024 | 880 | Grn | GrnI | | Ang Gnd: |
| Adapter# | 6 | Fpor 0.45 (84) | 0.001 (81) | Blu | BluI | | |
| Interlace | N | Bpor 2.24 (85) | 0.468 (82) | Vsyn | Csyn | V3- | Dig Gnd: |
| Video Type | A | Sync 1.52 (86) | 0.048 (83) | Hsyn | V2+ | V4+ | |
| Color/Mono | C | Stype | | V1+ | V2- | V4- | |
| Multisync | | Range | | V1- | V3+ | | Recall: |
| Multimode | | | | | | | |

| RASTER OPS | | Horizontal | Vertical | Connector Pins | | | Grounds |
|------------|---|----------------|------------|----------------|------|-----|----------|
| GSXL | | Freq 68.70 | 75.1 | Red | RedI | | |
| Clear Vue | | Pix 1152 | 870 | Grn | GrnI | | Ang Gnd: |
| Adapter# | | Fpor 0.32 (84) | 0.044 (81) | Blu | BluI | | |
| Interlace | N | Bpor 1.44 (85) | 0.568 (82) | Vsyn | Csyn | V3- | Dig Gnd: |
| Video Type | | Sync 1.28 (86) | 0.044 (83) | Hsyn | V2+ | V4+ | |
| Color/Mono | | Stype | | V1+ | V2- | V4- | |
| Multisync | | Range | | V1- | V3+ | | Recall: |
| Multimode | 1 | | | | | | |

| RASTER OPS | | Horizontal | Vertical | Connector Pins | | | Grounds |
|------------|---|---------------|------------|----------------|------|-----|----------|
| GSXL | | Freq 60.20 | 75.1 | Red | RedI | | |
| Clear Vue | | Pix 1024 | 768 | Grn | GrnI | | Ang Gnd: |
| Adapter# | | Fpor 0.4 (84) | 0.05 (81) | Blu | BluI | | |
| Interlace | N | Bpor 1.8 (85) | 0.48 (82) | Vsyn | Csyn | V3- | Dig Gnd: |
| Video Type | | Sync 1.6 (86) | 0.033 (83) | Hsyn | V2+ | V4+ | |
| Color/Mono | | Stype | | V1+ | V2- | V4- | |
| Multisync | | Range | | V1- | V3+ | | Recall: |
| Multimode | 2 | | | | | | |

| RASTER OPS | | Horizontal | Vertical | Connector Pins | | | Grounds |
|------------|---|-----------------|------------|----------------|------|-----|----------|
| GSXL | | Freq 70.19 | 76.5 | Red | RedI | | |
| | | Pix 640 | 870 | Grn | GrnI | | Ang Gnd: |
| Adapter# | | Fpor 0.838 (84) | 0.043 (81) | Blu | BluI | | |
| Interlace | N | Bpor 1.12 (85) | 0.598 (82) | Vsyn | Csyn | V3- | Dig Gnd: |
| Video Type | | Sync 1.12 (86) | 0.029 (83) | Hsyn | V2+ | V4+ | |
| Color/Mono | | Stype | | V1+ | V2- | V4- | |
| Multisync | | Range | | V1- | V3+ | | Recall: |
| Multimode | 3 | | | | | | |

| RASTER OPS | | Horizontal | Vertical | Connector Pins | | | Grounds |
|------------|---|---------------|-----------|----------------|------|-----|----------|
| 1649 | | Freq 49.70 | 75.0 | Red | RedI | | |
| SWEET 16 | | Pix 832 | 624 | Grn | GrnI | | Ang Gnd: |
| Adapter# | 5 | Fpor 0.8 (84) | 0.01 (81) | Blu | BluI | | |
| Interlace | N | Bpor 4.5 (85) | 0.6 (82) | Vsyn | Csyn | V3- | Dig Gnd: |
| Video Type | A | Sync 0.8 (86) | 0.4 (83) | Hsyn | V2+ | V4+ | |
| Color/Mono | C | Stype | | V1+ | V2- | V4- | |
| Multisync | | Range | | V1- | V3+ | | Recall: |
| Multimode | | | | | | | |

use gender changer

| RASTER OPS | | Horizontal | Vertical | Connector Pins | | | Grounds |
|------------|-----|------------|----------|----------------|------|-----|----------|
| 1902 | | Freq 63.98 | 72.0 | Red | RedI | | |
| | | Pix 1024 | 768 | Grn | GrnI | | Ang Gnd: |
| Adapter# | ECL | Fpor (84) | (81) | Blu | BluI | | 8,9 |
| Interlace | N | Bpor (85) | (82) | Vsyn 4 | Csyn | V3- | Dig Gnd: |
| Video Type | E | Sync (86) | (83) | Hsyn 3 | V2+ | V4+ | |
| Color/Mono | M | Stype | | V1+ 1 | V2- | V4- | |
| Multisync | | Range | | V1- 6 | V3+ | | Recall: |
| Multimode | | | | | | | |

| RASTER OPS | | Horizontal | Vertical | Connector Pins | | | Grounds |
|------------|--------|------------|------------|----------------|------|-----|----------|
| 7084 | Freq | 60.20 | 75.0 | Red | RedI | | |
| | Pix | 1024 | 768 | Grn | GrnI | | Ang Gnd: |
| Adapter# | Fpor | 1 (84) | 0.05 (81) | Blu | BluI | | |
| Interlace | N Bpor | 1.8 (85) | 0.482 (82) | Vsyn | Csyn | V3- | Dig Gnd: |
| Video Type | Sync | 1 (86) | 0.05 (83) | Hsyn | V2+ | V4+ | |
| Color/Mono | Stype | | | V1+ | V2- | V4- | |
| Multisync | Range | | | V1- | V3+ | | Recall: |
| Multimode | | | | | | | |

| RELISYS | | Horizontal | Vertical | Connector Pins | | | Grounds | |
|------------|---------------|---------------------------|----------|----------------|------|-----|------------------|--|
| RE1420 | Freq | | | Red | RedI | | | |
| | Pix | 1024 | 768 | Grn | GrnI | | Ang Gnd: | |
| Adapter# | 4 Fpor | (84) | (81) | Blu | BluI | | | |
| Interlace | Y Bpor | (85) | (82) | Vsyn | Csyn | V3- | Dig Gnd: | |
| Video Type | A Sync | (86) | (83) | Hsyn | V2+ | V4+ | | |
| Color/Mono | C Stype | | | V1+ | V2- | V4- | | |
| Multisync | Y Range30-40 | | 47-89 | V1- | V3+ | | Recall: 5-9,11,+ | |
| Multimode | N VARIOUS IBM | INTERLACED IN 8514A MODE. | | | | | | |

| RELISYS | | Horizontal | Vertical | Connector Pins | | | Grounds | |
|------------|----------------|----------------------------|----------|----------------|------|-----|----------|--|
| RE1422 | Freq | | | Red | RedI | | | |
| | Pix | 1024 | 768 | Grn | GrnI | | Ang Gnd: | |
| Adapter# | 4 Fpor | (84) | (81) | Blu | BluI | | | |
| Interlace | Y Bpor | (85) | (82) | Vsyn | Csyn | V3- | Dig Gnd: | |
| Video Type | A Sync | (86) | (83) | Hsyn | V2+ | V4+ | | |
| Color/Mono | C Stype | | | V1+ | V2- | V4- | | |
| Multisync | Y Range30-76 | | | V1- | V3+ | | Recall: | |
| Multimode | N VARIOUS IBM, | 8INTERLACED IN 8514A MODE. | | | | | | |

| RELISYS | | Horizontal | Vertical | Connector Pins | | | Grounds | |
|-------------|---------------|-------------------------|----------|----------------|------|-----|----------|--|
| RE1458/1558 | Freq | | | Red | RedI | | | |
| | Pix | 1280 | 1024 | Grn | GrnI | | Ang Gnd: | |
| Adapter# | 4 Fpor | (84) | (81) | Blu | BluI | | | |
| Interlace | Y Bpor | (85) | (82) | Vsyn | Csyn | V3- | Dig Gnd: | |
| Video Type | A Sync | (86) | (83) | Hsyn | V2+ | V4+ | | |
| Color/Mono | C Stype | | | V1+ | V2- | V4- | | |
| Multisync | Y Range30-58 | | 50-120 | V1- | V3+ | | Recall: | |
| Multimode | N VARIOUS IBM | INTERLACED IN 1280X1024 | | | | | | |

| RELISYS | | Horizontal | Vertical | Connector Pins | | | Grounds | |
|------------------|---------------|---------------------------|----------|----------------|------|-----|------------------|--|
| RE1776 | Freq | | | Red | RedI | | | |
| HI RES MULTISCAN | Pix | 1280 | 1024 | Grn | GrnI | | Ang Gnd: | |
| Adapter# | 4 Fpor | (84) | (81) | Blu | BluI | | | |
| Interlace | Y Bpor | (85) | (82) | Vsyn | Csyn | V3- | Dig Gnd: | |
| Video Type | A Sync | (86) | (83) | Hsyn | V2+ | V4+ | | |
| Color/Mono | C Stype | | | V1+ | V2- | V4- | | |
| Multisync | Y Range30-76 | | 40-120 | V1- | V3+ | | Recall: 5-9,11,+ | |
| Multimode | N VARIOUS IBM | INTERLACED IN 8514A MODE. | | | | | | |

| RELISYS | | Horizontal | Vertical | Connector Pins | | | Grounds | |
|------------|----------------|------------|----------|----------------|------|-----|----------|--|
| RE2058 | Freq | | | Red | RedI | | | |
| | Pix | 1024 | 768 | Grn | GrnI | | Ang Gnd: | |
| Adapter# | 4 Fpor | (84) | (81) | Blu | BluI | | | |
| Interlace | N Bpor | (85) | (82) | Vsyn | Csyn | V3- | Dig Gnd: | |
| Video Type | A Sync | (86) | (83) | Hsyn | V2+ | V4+ | | |
| Color/Mono | C Stype | | | V1+ | V2- | V4- | | |
| Multisync | Y Range31.5-58 | | | V1- | V3+ | | Recall: | |
| Multimode | N VARIOUS IBM | | | | | | | |

| RELISYS | | Horizontal | Vertical | Connector Pins | | | Grounds | |
|------------|---------------|------------|----------|----------------|------|-----|----------|--|
| RE2072 | Freq | | | Red | RedI | | | |
| | Pix | 1280 | 1024 | Grn | GrnI | | Ang Gnd: | |
| Adapter# | 4 Fpor | (84) | (81) | Blu | BluI | | | |
| Interlace | N Bpor | (85) | (82) | Vsyn | Csyn | V3- | Dig Gnd: | |
| Video Type | A Sync | (86) | (83) | Hsyn | V2+ | V4+ | | |
| Color/Mono | C Stype | | | V1+ | V2- | V4- | | |
| Multisync | Y Range28-72 | | | V1- | V3+ | | Recall: | |
| Multimode | N VARIOUS IBM | | | | | | | |

| RELISYS | | Horizontal | Vertical | Connector Pins | | | Grounds |
|---------------|---------|------------|----------|----------------|------|-----|-------------|
| RE9512 | | Freq 31.50 | | Red | RedI | | |
| | Pix 640 | | 480 | Grn | GrnI | | Ang Gnd: |
| Adapter# | 4 Fpor | (84) | (81) | Blu | BluI | | |
| Interlace | N Bpor | (85) | (82) | Vsyn | Csyn | V3- | Dig Gnd: |
| Video Type | A Sync | (86) | (83) | Hsyn | V2+ | V4+ | |
| Color/Mono | C Stype | | | V1+ | V2- | V4- | |
| Multisync | N Range | | | V1- | V3+ | | Recall: 6,7 |
| Multimode | N VGA | | | | | | |

| RELISYS | | Horizontal | Vertical | Connector Pins | | | Grounds |
|----------------|---------|------------|----------|----------------|------|-----|-------------|
| RE9513L | | Freq 31.50 | | Red | RedI | | |
| | Pix 640 | | 480 | Grn | GrnI | | Ang Gnd: |
| Adapter# | 4 Fpor | (84) | (81) | Blu | BluI | | |
| Interlace | N Bpor | (85) | (82) | Vsyn | Csyn | V3- | Dig Gnd: |
| Video Type | A Sync | (86) | (83) | Hsyn | V2+ | V4+ | |
| Color/Mono | C Stype | | | V1+ | V2- | V4- | |
| Multisync | N Range | | | V1- | V3+ | | Recall: 6,7 |
| Multimode | N VGA | | | | | | |

| RELISYS | | Horizontal | Vertical | Connector Pins | | | Grounds |
|---------------|---------|------------|----------|----------------|------|-----|-------------|
| RF5155 | | Freq 35.50 | 56.0 | Red | RedI | | |
| | Pix 800 | | 600 | Grn | GrnI | | Ang Gnd: |
| Adapter# | 1 Fpor | (84) | (81) | Blu | BluI | | |
| Interlace | N Bpor | (85) | (82) | Vsyn | Csyn | V3- | Dig Gnd: |
| Video Type | A Sync | (86) | (83) | Hsyn | V2+ | V4+ | |
| Color/Mono | C Stype | | | V1+ | V2- | V4- | |
| Multisync | Range | | | V1- | V3+ | | Recall: 5-8 |
| Multimode | | | | | | | |

| RELISYS | | Horizontal | Vertical | Connector Pins | | | Grounds |
|---------------|-----------|------------|-----------------|----------------|------|-----|-----------|
| RF5155 | | Freq 15.75 | 60.0 | Red | RedI | | |
| | Pix 640 | | 200 | Grn | GrnI | | Ang Gnd: |
| Adapter# | 1 Fpor | (84) | (81) | Blu | BluI | | |
| Interlace | N Bpor | (85) | (82) | Vsyn | Csyn | V3- | Dig Gnd: |
| Video Type | D Sync | (86) | (83) | Hsyn | V2+ | V4+ | |
| Color/Mono | C Stype | | | V1+ | V2- | V4- | |
| Multisync | Range | | | V1- | V3+ | | Recall: 0 |
| Multimode | VGA, SVGA | | also VGA & SVGA | | | | |

| RELISYS | | Horizontal | Vertical | Connector Pins | | | Grounds |
|----------------|---------|------------|----------|----------------|------|-----|-------------|
| RM-9502 | | Freq | | Red | RedI | | |
| | Pix 640 | | 480 | Grn | GrnI | | Ang Gnd: |
| Adapter# | 4 Fpor | (84) | (81) | Blu | BluI | | |
| Interlace | N Bpor | (85) | (82) | Vsyn | Csyn | V3- | Dig Gnd: |
| Video Type | A Sync | (86) | (83) | Hsyn | V2+ | V4+ | |
| Color/Mono | C Stype | | | V1+ | V2- | V4- | |
| Multisync | N Range | | | V1- | V3+ | | Recall: 6,7 |
| Multimode | N VGA | | | | | | |

| ROLAND | | Horizontal | Vertical | Connector Pins | | | Grounds |
|--------------|-----------------|------------|----------|----------------|--------|-----|----------|
| CD240 | | Freq | | Red 3 | RedI 6 | | |
| | Pix 720 | | 400 | Grn 4 | GrnI | | Ang Gnd: |
| Adapter# | Fpor | (84) | (81) | Blu 5 | BluI | | 1 |
| Interlace | Bpor | (85) | (82) | Vsyn 9 | Csyn | V3- | Dig Gnd: |
| Video Type | D Sync | (86) | (83) | Hsyn 8 | V2+ | V4+ | |
| Color/Mono | C Stype | | | V1+ | V2- | V4- | |
| Multisync | Y Range 24-26.5 | | 54-60 | V1- | V3+ | | Recall: |
| Multimode | | | | | | | |

| SAMPO | | Horizontal | Vertical | Connector Pins | | | Grounds |
|-----------------|----------|------------|------------|----------------|------|-----|----------|
| BDS-1902 | | Freq 64.00 | 60.0 | Red | RedI | | |
| | Pix 1280 | | 1024 | Grn | GrnI | | Ang Gnd: |
| Adapter# | ECL Fpor | 0.001 (84) | 0.004 (81) | Blu | BluI | | 8,9 |
| Interlace | N Bpor | 2.65 (85) | 0.546 (82) | Vsyn 4 | Csyn | V3- | Dig Gnd: |
| Video Type | E Sync | 1.18 (86) | 0.125 (83) | Hsyn 3 | V2+ | V4+ | |
| Color/Mono | M Stype | | | V1+ | V2- | V4- | |
| Multisync | Range | | | V1- | V3+ | | Recall: |
| Multimode | | | | | | | |

| SAMSUNG | | Horizontal | Vertical | Connector Pins | | | Grounds |
|--------------|-----------------|------------|----------|----------------|------|-----|----------|
| CC9511 | Freq | | | Red | RedI | | |
| DESIGNMASTER | Pix | 1280 | 1024 | Grn | GrnI | | Ang Gnd: |
| Adapter# | Fpor | (84) | (81) | Blu | BluI | | |
| Interlace | N Bpor | (85) | (82) | Vsyn | Csyn | V3- | Dig Gnd: |
| Video Type | A Sync | (86) | (83) | Hsyn | V2+ | V4+ | |
| Color/Mono | C Stype | | | V1+ | V2- | V4- | |
| Multisync | Y Range | 46-64 | 55-65 | V1- | V3+ | | Recall: |
| Multimode | N CAD, CAM, CAE | | | | | | |

| SAMSUNG | | Horizontal | Vertical | Connector Pins | | | Grounds |
|------------------|------------------|------------|----------|----------------|------|-----|----------|
| CCB7571 | Freq | | | Red | RedI | | |
| SYNCMaster 4PLUS | Pix | 1280 | 1024 | Grn | GrnI | | Ang Gnd: |
| Adapter# | Fpor | (84) | (81) | Blu | BluI | | |
| Interlace | N Bpor | (85) | (82) | Vsyn | Csyn | V3- | Dig Gnd: |
| Video Type | A Sync | (86) | (83) | Hsyn | V2+ | V4+ | |
| Color/Mono | C Stype | C | C | V1+ | V2- | V4- | |
| Multisync | Y Range | 30-65 | 45-90 | V1- | V3+ | | Recall: |
| Multimode | N VGA, SVGA, 851 | | | | | | |

| SAMSUNG | | Horizontal | Vertical | Connector Pins | | | Grounds |
|-------------------|---------|------------|----------|----------------|------|-----|---------------|
| CJ4681 | Freq | | | Red 1 | RedI | | 6-8,10,11 |
| VGA-GRAPHICMASTER | Pix | 720 | 400 | Grn 2 | GrnI | | Ang Gnd: |
| Adapter# | 4 Fpor | (84) | (81) | Blu 3 | BluI | | |
| Interlace | N Bpor | (85) | (82) | Vsyn 14 | Csyn | V3- | Dig Gnd: |
| Video Type | A Sync | (86) | (83) | Hsyn 13 | V2+ | V4+ | |
| Color/Mono | C Stype | | | V1+ | V2- | V4- | |
| Multisync | N Range | 31.5 | 60-70 | V1- | V3+ | | Recall: 5,6,7 |
| Multimode | N VGA | | | | | | |

| SAMSUNG | | Horizontal | Vertical | Connector Pins | | | Grounds |
|---------------|---------------|------------|----------|----------------|------|-----|-----------|
| CK4644/CK4656 | Freq | 15.75 | 60.0 | Red 1 | RedI | | 4-8,10,11 |
| | Pix | 640 | 200 | Grn 2 | GrnI | | Ang Gnd: |
| Adapter# | 1 Fpor | (84) | (81) | Blu 3 | BluI | | |
| Interlace | N Bpor | (85) | (82) | Vsyn 14 | Csyn | V3- | Dig Gnd: |
| Video Type | D Sync | (86) | (83) | Hsyn 13 | V2+ | V4+ | |
| Color/Mono | C Stype | | | V1+ | V2- | V4- | |
| Multisync | N Range | | | V1- | V3+ | | Recall: 1 |
| Multimode | Y CGA,MDA,HGC | 14" CGA | | | | | |

| SAMSUNG | | Horizontal | Vertical | Connector Pins | | | Grounds |
|--------------|---|------------|----------|----------------|------|-----|---------------|
| CM4531,93,92 | Freq | | | Red | RedI | | |
| | Pix | 640 | 350 | Grn | GrnI | | Ang Gnd: |
| Adapter# | 1,2 Fpor | (84) | (81) | Blu | BluI | | |
| Interlace | N Bpor | (85) | (82) | Vsyn | Csyn | V3- | Dig Gnd: |
| Video Type | D Sync | (86) | (83) | Hsyn | V2+ | V4+ | |
| Color/Mono | C Stype | | | V1+ | V2- | V4- | |
| Multisync | N Range | 15.7,21.8 | 50-60 | V1- | V3+ | | Recall: 0,1,2 |
| Multimode | Y EGA,CGA,MDA,HGUSE ADAPTER #2 FOR RECALL PRGM #2 | | | | | | |

| SAMSUNG | | Horizontal | Vertical | Connector Pins | | | Grounds |
|--------------|--|------------|----------|----------------|------|-----|------------------|
| CSA7571 | Freq | | | Red | RedI | | |
| SYNCMaster 4 | Pix | 1024 | 768 | Grn | GrnI | | Ang Gnd: |
| Adapter# | Fpor | (84) | (81) | Blu | BluI | | |
| Interlace | N Bpor | (85) | (82) | Vsyn | Csyn | V3- | Dig Gnd: |
| Video Type | A Sync | (86) | (83) | Hsyn | V2+ | V4+ | |
| Color/Mono | C Stype | | | V1+ | V2- | V4- | |
| Multisync | Y Range | 20-50 | 50-90 | V1- | V3+ | | Recall:0,1,2,5-7 |
| Multimode | N SVGA,VGA,EGA,CRCL 0&1=ADPT #1; RCL 2=#2; RCL 3&4=#3; RCL 5-8=#4. | | | | | | |

| SAMSUNG | | Horizontal | Vertical | Connector Pins | | | Grounds |
|---------------|------------------|------------|----------|----------------|------|-----|----------|
| CSF7487 | Freq | | | Red | RedI | | |
| SYNCMaster 5C | Pix | 1280 | 1024 | Grn | GrnI | | Ang Gnd: |
| Adapter# | Fpor | (84) | (81) | Blu | BluI | | |
| Interlace | N Bpor | (85) | (82) | Vsyn | Csyn | V3- | Dig Gnd: |
| Video Type | A Sync | (86) | (83) | Hsyn | V2+ | V4+ | |
| Color/Mono | C Stype | C | C | V1+ | V2- | V4- | |
| Multisync | Y Range | 30-65 | 45-90 | V1- | V3+ | | Recall: |
| Multimode | N VGA, SVGA, 851 | | | | | | |

| SAMSUNG | | Horizontal | Vertical | Connector Pins | | | Grounds |
|---------------|---|----------------|----------|----------------|------|-----|----------|
| CSG9511 | | Freq | | Red | RedI | | |
| SYNCMaster 6C | | Pix | 1280 | Grn | GrnI | | Ang Gnd: |
| Adapter# | | Fpor | (84) | Blu | BluI | | |
| Interlace | N | Bpor | (85) | Vsyn | Csyn | V3- | Dig Gnd: |
| Video Type | A | Sync | (86) | Hsyn | V2+ | V4+ | |
| Color/Mono | C | Stype | | V1+ | V2- | V4- | |
| Multisync | Y | Range | 30-78 | V1- | V3+ | | Recall: |
| Multimode | N | VGA, SVGA, EVG | | | | | |

| SAMSUNG | | Horizontal | Vertical | Connector Pins | | | Grounds |
|---------------|---|----------------|----------|----------------|------|-----|----------|
| CSJ4927A | | Freq | | Red | RedI | | |
| SYNCMaster 3N | | Pix | 1024 | Grn | GrnI | | Ang Gnd: |
| Adapter# | | Fpor | (84) | Blu | BluI | | |
| Interlace | N | Bpor | (85) | Vsyn | Csyn | V3- | Dig Gnd: |
| Video Type | A | Sync | (86) | Hsyn | V2+ | V4+ | |
| Color/Mono | C | Stype | | V1+ | V2- | V4- | |
| Multisync | Y | Range | 30-59 | V1- | V3+ | | Recall: |
| Multimode | N | VGA, SVGA, 851 | | | | | |

| SAMSUNG | | Horizontal | Vertical | Connector Pins | | | Grounds |
|----------------|---|----------------|----------|----------------|------|-----|----------|
| CSK5577 | | Freq | | Red | RedI | | |
| SYNCMaster 15C | | Pix | 1024 | Grn | GrnI | | Ang Gnd: |
| Adapter# | | Fpor | (84) | Blu | BluI | | |
| Interlace | N | Bpor | (85) | Vsyn | Csyn | V3- | Dig Gnd: |
| Video Type | A | Sync | (86) | Hsyn | V2+ | V4+ | |
| Color/Mono | C | Stype | | V1+ | V2- | V4- | |
| Multisync | Y | Range | 30-58 | V1- | V3+ | | Recall: |
| Multimode | N | VGA, SVGA, 851 | | | | | |

| SAMSUNG | | Horizontal | Vertical | Connector Pins | | | Grounds |
|------------|---|---|----------|----------------|------|-----|-----------------|
| CT4581 | | Freq | | Red | RedI | | |
| SYNCMaster | | Pix | 800 | Grn | GrnI | | Ang Gnd: |
| Adapter# | | Fpor | (84) | Blu | BluI | | |
| Interlace | N | Bpor | (85) | Vsyn | Csyn | V3- | Dig Gnd: |
| Video Type | A | Sync | (86) | Hsyn | V2+ | V4+ | |
| Color/Mono | C | Stype | | V1+ | V2- | V4- | |
| Multisync | Y | Range | 15-38 | V1- | V3+ | | Recall: 0-2,5-8 |
| Multimode | | SVGA, VGA, EGA, CRECALL 0&1 USES ADPT #1; RCL 2 = #2; RCL 5-8 = #4. | 47-73 | | | | |

| SAMSUNG | | Horizontal | Vertical | Connector Pins | | | Grounds |
|--------------|---|------------------|-----------|----------------|------|-----|-------------|
| CVB4581 | | Freq | | Red | RedI | | |
| SYNCMaster 2 | | Pix | 1024 | Grn | GrnI | | Ang Gnd: |
| Adapter# | 4 | Fpor | (84) | Blu | BluI | | |
| Interlace | N | Bpor | (85) | Vsyn | Csyn | V3- | Dig Gnd: |
| Video Type | A | Sync | (86) | Hsyn | V2+ | V4+ | |
| Color/Mono | C | Stype | | V1+ | V2- | V4- | |
| Multisync | Y | Range | 31.5-35.5 | V1- | V3+ | | Recall: 5-9 |
| Multimode | N | SVGA, 8514/A, VG | 56-86.8 | | | | |

| SAMSUNG | | Horizontal | Vertical | Connector Pins | | | Grounds |
|--------------|---|------------------|-----------|----------------|------|-----|-------------|
| CVB4587 | | Freq | | Red | RedI | | |
| SYNCMaster 3 | | Pix | 1024 | Grn | GrnI | | Ang Gnd: |
| Adapter# | 4 | Fpor | (84) | Blu | BluI | | |
| Interlace | N | Bpor | (85) | Vsyn | Csyn | V3- | Dig Gnd: |
| Video Type | A | Sync | (86) | Hsyn | V2+ | V4+ | |
| Color/Mono | C | Stype | | V1+ | V2- | V4- | |
| Multisync | Y | Range | 31.5-35.5 | V1- | V3+ | | Recall: 5-9 |
| Multimode | N | SVGA, 8514/A, VG | 56-86.8 | | | | |

| SAMSUNG | | Horizontal | Vertical | Connector Pins | | | Grounds |
|------------|---|------------|---------------|----------------|------|-----|----------|
| CVL4955 | | Freq | | Red | RedI | | |
| | | Pix | 720 | Grn | GrnI | | Ang Gnd: |
| Adapter# | | Fpor | (84) | Blu | BluI | | |
| Interlace | N | Bpor | (85) | Vsyn | Csyn | V3- | Dig Gnd: |
| Video Type | A | Sync | (86) | Hsyn | V2+ | V4+ | |
| Color/Mono | C | Stype | | V1+ | V2- | V4- | |
| Multisync | N | Range | 31.5 | V1- | V3+ | | Recall: |
| Multimode | Y | VGA | 14" VGA COLOR | | | | |

| SAMSUNG CVL4955 | | Horizontal | Vertical | Connector Pins | | | Grounds |
|--------------------|---------|------------|---------------|----------------|------|-----|----------|
| | Freq | | | Red | RedI | | |
| | Pix | 720 | 400 | Grn | GrnI | | Ang Gnd: |
| Adapter# | Fpor | (84) | (81) | Blu | BluI | | |
| Interlace | N Bpor | (85) | (82) | Vsyn | Csyn | V3- | Dig Gnd: |
| Video Type | A Sync | (86) | (83) | Hsyn | V2+ | V4+ | |
| Color/Mono | C Stype | | | V1+ | V2- | V4- | |
| Multisync | N Range | 31.5 | 60-70 | V1- | V3+ | | Recall: |
| Multimode | Y VGA | | 14" VGA COLOR | | | | |

| SAMSUNG CVL4955 | | Horizontal | Vertical | Connector Pins | | | Grounds |
|--------------------|---------|------------|---------------|----------------|------|-----|----------|
| | Freq | | | Red | RedI | | |
| | Pix | 640 | 480 | Grn | GrnI | | Ang Gnd: |
| Adapter# | Fpor | (84) | (81) | Blu | BluI | | |
| Interlace | N Bpor | (85) | (82) | Vsyn | Csyn | V3- | Dig Gnd: |
| Video Type | A Sync | (86) | (83) | Hsyn | V2+ | V4+ | |
| Color/Mono | C Stype | | | V1+ | V2- | V4- | |
| Multisync | N Range | 31.5 | 60-70 | V1- | V3+ | | Recall: |
| Multimode | Y VGA | | 14" VGA COLOR | | | | |

| SAMSUNG CVM4963T SYNCMaster 2 | | Horizontal | Vertical | Connector Pins | | | Grounds |
|-------------------------------------|-------------|------------|--|----------------|------|-----|----------|
| | Freq | | | Red | RedI | | |
| | Pix | 1024 | 768 | Grn | GrnI | | Ang Gnd: |
| Adapter# | Fpor | (84) | (81) | Blu | BluI | | |
| Interlace | Y Bpor | (85) | (82) | Vsyn | Csyn | V3- | Dig Gnd: |
| Video Type | A Sync | (86) | (83) | Hsyn | V2+ | V4+ | |
| Color/Mono | C Stype | | | V1+ | V2- | V4- | |
| Multisync | Y Range | 31.5-35.5 | 50-86.8 | V1- | V3+ | | Recall: |
| Multimode | N SVGA, VGA | | ONLY 1024 X 768 RESOLUTION IS INTERLACED | | | | |

| SAMSUNG CVM4967T SYNCMaster 3 | | Horizontal | Vertical | Connector Pins | | | Grounds |
|-------------------------------------|-------------|------------|--|----------------|------|-----|----------|
| | Freq | | | Red | RedI | | |
| | Pix | 1024 | 768 | Grn | GrnI | | Ang Gnd: |
| Adapter# | Fpor | (84) | (81) | Blu | BluI | | |
| Interlace | Y Bpor | (85) | (82) | Vsyn | Csyn | V3- | Dig Gnd: |
| Video Type | A Sync | (86) | (83) | Hsyn | V2+ | V4+ | |
| Color/Mono | C Stype | | | V1+ | V2- | V4- | |
| Multisync | Y Range | 31.5-35.5 | 50-86.8 | V1- | V3+ | | Recall: |
| Multimode | N SVGA, VGA | | ONLY 1024 X 768 RESOLUTION IS INTERLACED | | | | |

| SAMSUNG MA2565/MA2675 | | Horizontal | Vertical | Connector Pins | | | Grounds |
|--------------------------|-----------|------------|-----------|----------------|------|-----|-----------|
| | Freq | 18.43 | 50.0 | Red | RedI | | |
| | Pix | 720 | 350 | Grn | GrnI | | Ang Gnd: |
| Adapter# | 1 Fpor | (84) | (81) | Blu | BluI | | |
| Interlace | Bpor | (85) | (82) | Vsyn | Csyn | V3- | Dig Gnd: |
| Video Type | D Sync | (86) | (83) | Hsyn | V2+ | V4+ | |
| Color/Mono | M Stype | | | V1+ | V2- | V4- | |
| Multisync | N Range | | | V1- | V3+ | | Recall: 1 |
| Multimode | N HGC,MDA | | 12" AMBER | | | | |

| SAMSUNG MF4771 SYNCMaster | | Horizontal | Vertical | Connector Pins | | | Grounds |
|---------------------------------|---------------------|------------|--|----------------|------|-----|-------------|
| | Freq | | | Red | RedI | | |
| | Pix | 800 | 600 | Grn | GrnI | | Ang Gnd: |
| Adapter# | 1-4 Fpor | (84) | (81) | Blu | BluI | | |
| Interlace | N Bpor | (85) | (82) | Vsyn | Csyn | V3- | Dig Gnd: |
| Video Type | A Sync | (86) | (83) | Hsyn | V2+ | V4+ | |
| Color/Mono | M Stype | | | V1+ | V2- | V4- | |
| Multisync | Y Range | 15-38 | 48-72 | V1- | V3+ | | Recall: 0-8 |
| Multimode | N VGA,SVGA,EGA,CRCL | | 0&1=ADPT #1; RCL 2=#2; RCL 3&4=#3; RCL 5-8=#4. | | | | |

| SAMSUNG ML2611 | | Horizontal | Vertical | Connector Pins | | | Grounds |
|-------------------|---------|------------|---------------|----------------|------|-----|---------------|
| | Freq | | | Red 1 | RedI | | 4-8,10,11 |
| | Pix | 720 | 400 | Grn 2 | GrnI | | Ang Gnd: |
| Adapter# | 4 Fpor | (84) | (81) | Blu 3 | BluI | | |
| Interlace | N Bpor | (85) | (82) | Vsyn 14 | Csyn | V3- | Dig Gnd: |
| Video Type | A Sync | (86) | (83) | Hsyn 13 | V2+ | V4+ | |
| Color/Mono | M Stype | | | V1+ | V2- | V4- | |
| Multisync | n Range | 31.5 | 60-70 | V1- | V3+ | | Recall: 4,5,6 |
| Multimode | y VGA | | 12" WHITE VGA | | | | |

| SAMSUNG | | Horizontal | Vertical | Connector Pins | | | Grounds |
|------------|------|------------|---------------|----------------|---------|------|---------------|
| ML4571 | Freq | | | Red 1 | RedI | | 4-8,10,11 |
| | Pix | 720 | 400 | Grn 2 | GrnI | | Ang Gnd: |
| Adapter# | 4 | Fpor | (84) | (81) | Blu 3 | BluI | |
| Interlace | N | Bpor | (85) | (82) | Vsyn 14 | Csyn | V3- Dig Gnd: |
| Video Type | A | Sync | (86) | (83) | Hsyn 13 | V2+ | V4+ |
| Color/Mono | M | Stype | | | V1+ | V2- | V4- |
| Multisync | n | Range | 31.5 | 60-70 | V1- | V3+ | Recall: 4,5,6 |
| Multimode | y | VGA | 14" WHITE VGA | | | | |

| SAMSUNG | | Horizontal | Vertical | Connector Pins | | | Grounds |
|------------|------|------------|-----------|----------------|---------|------|--------------|
| MP5671 | Freq | 62.76 | 60.0 | Red 14 | RedI 15 | | |
| | Pix | 860 | 1006 | Grn | GrnI | | Ang Gnd: |
| Adapter# | | Fpor | 0.15 (84) | 0.001 (81) | Blu | BluI | 7-10 |
| Interlace | N | Bpor | 1.6 (85) | 0.541 (82) | Vsyn 2 | Csyn | V3- Dig Gnd: |
| Video Type | A | Sync | 1.8 (86) | 0.127 (83) | Hsyn 1 | V2+ | V4+ |
| Color/Mono | M | Stype | - | - | V1+ | V2- | V4- |
| Multisync | | Range | | | V1- | V3+ | Recall: |
| Multimode | | | | | | | |

| SAMSUNG | | Horizontal | Vertical | Connector Pins | | | Grounds |
|--------------------|------|------------|----------|----------------|------|------|--------------|
| MP5671/MP5771 | Freq | 62.75 | 59.9 | Red | RedI | | |
| PAGEMASTER/PGMSTR1 | Pix | 640 | 870 | Grn | GrnI | | Ang Gnd: |
| Adapter# | 1 | Fpor | (84) | (81) | Blu | BluI | |
| Interlace | N | Bpor | (85) | (82) | Vsyn | Csyn | V3- Dig Gnd: |
| Video Type | E | Sync | (86) | (83) | Hsyn | V2+ | V4+ |
| Color/Mono | M | Stype | | | V1+ | V2- | V4- |
| Multisync | N | Range | | | V1- | V3+ | Recall: 1 |
| Multimode | N | HGC | | | | | |

| SAMSUNG | | Horizontal | Vertical | Connector Pins | | | Grounds |
|------------|------|------------|----------------------|----------------|------|------|--------------|
| MP5671A | Freq | 62.75 | 59.8 | Red | RedI | | |
| | Pix | 1006 | 1048 | Grn | GrnI | | Ang Gnd: |
| Adapter# | | Fpor | (84) | (81) | Blu | BluI | |
| Interlace | N | Bpor | (85) | (82) | Vsyn | Csyn | V3- Dig Gnd: |
| Video Type | D | Sync | (86) | (83) | Hsyn | V2+ | V4+ |
| Color/Mono | M | Stype | | | V1+ | V2- | V4- |
| Multisync | N | Range | | | V1- | V3+ | Recall: |
| Multimode | N | HGC | 15" FULL PAGE, WHITE | | | | |

| SAMSUNG | | Horizontal | Vertical | Connector Pins | | | Grounds |
|------------|------|-----------------------------|----------|----------------|------|------|--------------|
| MU9511A | Freq | 66.00 | 63.0 | Red | RedI | | |
| | Pix | 1280 | 1024 | Grn | GrnI | | Ang Gnd: |
| Adapter# | | Fpor | (84) | (81) | Blu | BluI | |
| Interlace | N | Bpor | (85) | (82) | Vsyn | Csyn | V3- Dig Gnd: |
| Video Type | M | Sync | (86) | (83) | Hsyn | V2+ | V4+ |
| Color/Mono | M | Stype | | | V1+ | V2- | V4- |
| Multisync | N | Range | | | V1- | V3+ | Recall: |
| Multimode | N | DEPENDS ON VID20" DUAL PAGE | | | | | |

| SAMSUNG | | Horizontal | Vertical | Connector Pins | | | Grounds |
|---------------|------|-----------------------|-----------|----------------|------|------|--------------|
| M14571/M14575 | Freq | | | Red | RedI | | |
| | Pix | 720 | 350 | Grn | GrnI | | Ang Gnd: |
| Adapter# | 1 | Fpor | (84) | (81) | Blu | BluI | |
| Interlace | | Bpor | (85) | (82) | Vsyn | Csyn | V3- Dig Gnd: |
| Video Type | D | Sync | (86) | (83) | Hsyn | V2+ | V4+ |
| Color/Mono | M | Stype | | | V1+ | V2- | V4- |
| Multisync | N | Range | 15.7-18.4 | 50-60 | V1- | V3+ | Recall: 1 |
| Multimode | Y | HGC,MDA,CGA 14" AMBER | | | | | |

| SAMTRON | | Horizontal | Vertical | Connector Pins | | | Grounds |
|------------|------|---|----------|----------------|------|------|--------------|
| CDS5577 | Freq | | | Red | RedI | | |
| | Pix | 1024 | 768 | Grn | GrnI | | Ang Gnd: |
| Adapter# | 4 | Fpor | (84) | (81) | Blu | BluI | |
| Interlace | Y | Bpor | (85) | (82) | Vsyn | Csyn | V3- Dig Gnd: |
| Video Type | A | Sync | (86) | (83) | Hsyn | V2+ | V4+ |
| Color/Mono | C | Stype | | | V1+ | V2- | V4- |
| Multisync | Y | Range | 28-59 | 45-90 | V1- | V3+ | Recall: |
| Multimode | N | VGA,SVGA,8514AINTERLACED IN 8514A MODE. | | | | | |

| SAMTRON | | Horizontal | Vertical | Connector Pins | | | Grounds |
|------------------|-----|---|-----------|----------------|------|------|--------------------|
| SC-428TX | | Freq | | Red | RedI | | |
| | Pix | 1024 | 768 | Grn | GrnI | | Ang Gnd: |
| Adapter# | 4,5 | Fpor | (84) | (81) | Blu | BluI | |
| Interlace | | Bpor | (85) | (82) | Vsyn | Csyn | V3- Dig Gnd: |
| Video Type | A | Sync | (86) | (83) | Hsyn | V2+ | V4+ |
| Color/Mono | C | Stype | | | V1+ | V2- | V4- |
| Multisync | Y | Range | 31.5-48 | | V1- | V3+ | Recall: 5-10 |
| Multimode | NY | VGA, SVGA, 8514/RCL 5-9=ADPTR#4; RCL 10=ADPTR#5 | | | | | |
| SAMTRON | | Horizontal | Vertical | Connector Pins | | | Grounds |
| SC-428TX | | Freq | | Red | RedI | | |
| | Pix | 1024 | 768 | Grn | GrnI | | Ang Gnd: |
| Adapter# | 4 | Fpor | (84) | (81) | Blu | BluI | |
| Interlace | N | Bpor | (85) | (82) | Vsyn | Csyn | V3- Dig Gnd: |
| Video Type | A | Sync | (86) | (83) | Hsyn | V2+ | V4+ |
| Color/Mono | C | Stype | | | V1+ | V2- | V4- |
| Multisync | N | Range | 31.5/48 | | V1- | V3+ | Recall: 5-8, 28-31 |
| Multimode | Y | VGA, SVGA, XGA, V | | | | | |
| SAMTRON | | Horizontal | Vertical | Connector Pins | | | Grounds |
| SC-428TXL | | Freq | | Red | RedI | | |
| | Pix | 1024 | 768 | Grn | GrnI | | Ang Gnd: |
| Adapter# | 4 | Fpor | (84) | (81) | Blu | BluI | |
| Interlace | N | Bpor | (85) | (82) | Vsyn | Csyn | V3- Dig Gnd: |
| Video Type | A | Sync | (86) | (83) | Hsyn | V2+ | V4+ |
| Color/Mono | C | Stype | | | V1+ | V2- | V4- |
| Multisync | N | Range | 31.5/48 | | V1- | V3+ | Recall: 5-8, 28-31 |
| Multimode | Y | VGA, SVGA, XGA, V | | | | | |
| SAMTRON | | Horizontal | Vertical | Connector Pins | | | Grounds |
| SC-428UXL | | Freq | | Red | RedI | | |
| | Pix | 1024 | 768 | Grn | GrnI | | Ang Gnd: |
| Adapter# | 4 | Fpor | (84) | (81) | Blu | BluI | |
| Interlace | N | Bpor | (85) | (82) | Vsyn | Csyn | V3- Dig Gnd: |
| Video Type | A | Sync | (86) | (83) | Hsyn | V2+ | V4+ |
| Color/Mono | C | Stype | | | V1+ | V2- | V4- |
| Multisync | Y | Range | 30-62 | | V1- | V3+ | Recall: |
| Multimode | N | VGA, SVGA, XGA, V | | | | | |
| SAMTRON | | Horizontal | Vertical | Connector Pins | | | Grounds |
| SC-428V | | Freq | | Red | RedI | | |
| | Pix | 1024 | 768 | Grn | GrnI | | Ang Gnd: |
| Adapter# | 4 | Fpor | (84) | (81) | Blu | BluI | |
| Interlace | Y | Bpor | (85) | (82) | Vsyn | Csyn | V3- Dig Gnd: |
| Video Type | A | Sync | (86) | (83) | Hsyn | V2+ | V4+ |
| Color/Mono | C | Stype | | | V1+ | V2- | V4- |
| Multisync | Y | Range | 31.5-35.5 | | V1- | V3+ | Recall: 8,9 |
| Multimode | N | SVGA, 8514/A, MARECALL PRGM MAY VARY WITH VIDEO CARD USED | | | | | |
| SAMTRON | | Horizontal | Vertical | Connector Pins | | | Grounds |
| SC-428VS | | Freq | | Red | RedI | | |
| | Pix | 1027 | 768 | Grn | GrnI | | Ang Gnd: |
| Adapter# | 4 | Fpor | (84) | (81) | Blu | BluI | |
| Interlace | Y | Bpor | (85) | (82) | Vsyn | Csyn | V3- Dig Gnd: |
| Video Type | A | Sync | (86) | (83) | Hsyn | V2+ | V4+ |
| Color/Mono | C | Stype | | | V1+ | V2- | V4- |
| Multisync | Y | Range | 31.5-35.5 | | V1- | V3+ | Recall: 8,9 |
| Multimode | N | SVGA, 8514/A RECALL PRGM MAY VARY WITH VIDEO CARD USED | | | | | |
| SAMTRON | | Horizontal | Vertical | Connector Pins | | | Grounds |
| SC-428VS+ | | Freq | | Red | RedI | | |
| | Pix | 1024 | 768 | Grn | GrnI | | Ang Gnd: |
| Adapter# | 4 | Fpor | (84) | (81) | Blu | BluI | |
| Interlace | N | Bpor | (85) | (82) | Vsyn | Csyn | V3- Dig Gnd: |
| Video Type | A | Sync | (86) | (83) | Hsyn | V2+ | V4+ |
| Color/Mono | C | Stype | | | V1+ | V2- | V4- |
| Multisync | N | Range | 31.5/37.8 | | V1- | V3+ | Recall: |
| Multimode | Y | VGA, SVGA, XGA, V | | | | | |

| SAMTRON | | Horizontal | Vertical | Connector Pins | | | Grounds |
|-----------------|-----|------------|---|----------------|------|------|-----------|
| SC-428VX | | Freq | | Red | RedI | | |
| | Pix | 1027 | 768 | Grn | GrnI | | Ang Gnd: |
| Adapter# | 4 | Fpor | (84) | (81) | Blu | BluI | |
| Interlace | N | Bpor | (85) | (82) | Vsyn | Csyn | V3- |
| Video Type | A | Sync | (86) | (83) | Hsyn | V2+ | V4+ |
| Color/Mono | C | Stype | | | V1+ | V2- | V4- |
| Multisync | Y | Range | 31.5-48 | 43.5-70 | V1- | V3+ | Recall: 8 |
| Multimode | N | SVGA | RECALL PRGM MAY VARY WITH VIDEO CARD USED | | | | |

| SAMTRON | | Horizontal | Vertical | Connector Pins | | | Grounds |
|------------------|-----|------------|---|----------------|------|------|-----------|
| SC-428VXL | | Freq | | Red | RedI | | |
| | Pix | 1027 | 768 | Grn | GrnI | | Ang Gnd: |
| Adapter# | 4 | Fpor | (84) | (81) | Blu | BluI | |
| Interlace | N | Bpor | (85) | (82) | Vsyn | Csyn | V3- |
| Video Type | A | Sync | (86) | (83) | Hsyn | V2+ | V4+ |
| Color/Mono | C | Stype | | | V1+ | V2- | V4- |
| Multisync | Y | Range | 31.5-48 | 43.5-70 | V1- | V3+ | Recall: 8 |
| Multimode | N | SVGA, XGA | RECALL PRGM MAY VARY WITH VIDEO CARD USED | | | | |

| SAMTRON | | Horizontal | Vertical | Connector Pins | | | Grounds |
|------------------|-----|------------|---|----------------|------|------|-------------|
| SC-431VII | | Freq | | Red | RedI | | |
| | Pix | 640 | 480 | Grn | GrnI | | Ang Gnd: |
| Adapter# | 4 | Fpor | (84) | (81) | Blu | BluI | |
| Interlace | N | Bpor | (85) | (82) | Vsyn | Csyn | V3- |
| Video Type | A | Sync | (86) | (83) | Hsyn | V2+ | V4+ |
| Color/Mono | C | Stype | | | V1+ | V2- | V4- |
| Multisync | Y | Range | 31.5 | 60-70 | V1- | V3+ | Recall: 5,7 |
| Multimode | N | VGA | RECALL PRGM MAY VARY WITH VIDEO CARD USED | | | | |

| SAMTRON | | Horizontal | Vertical | Connector Pins | | | Grounds |
|-----------------|-----|--------------|---|----------------|------|------|-------------|
| SC-431VS | | Freq | | Red | RedI | | |
| | Pix | 1024 | 768 | Grn | GrnI | | Ang Gnd: |
| Adapter# | 4 | Fpor | (84) | (81) | Blu | BluI | |
| Interlace | Y | Bpor | (85) | (82) | Vsyn | Csyn | V3- |
| Video Type | A | Sync | (86) | (83) | Hsyn | V2+ | V4+ |
| Color/Mono | C | Stype | | | V1+ | V2- | V4- |
| Multisync | Y | Range | 31.5-35.5 | 43.5-70 | V1- | V3+ | Recall: 8,9 |
| Multimode | N | SVGA, 8514/A | RECALL PRGM MAY VARY WITH VIDEO CARD USED | | | | |

| SAMTRON | | Horizontal | Vertical | Connector Pins | | | Grounds |
|----------------|-----|------------|---|----------------|------|------|-------------|
| SC-441V | | Freq | | Red | RedI | | |
| | Pix | 640 | 480 | Grn | GrnI | | Ang Gnd: |
| Adapter# | 4 | Fpor | (84) | (81) | Blu | BluI | |
| Interlace | N | Bpor | (85) | (82) | Vsyn | Csyn | V3- |
| Video Type | A | Sync | (86) | (83) | Hsyn | V2+ | V4+ |
| Color/Mono | C | Stype | | | V1+ | V2- | V4- |
| Multisync | Y | Range | 31.5 | 60-70 | V1- | V3+ | Recall: 5,7 |
| Multimode | N | VGA | RECALL PRGM MAY VARY WITH VIDEO CARD USED | | | | |

| SAMTRON | | Horizontal | Vertical | Connector Pins | | | Grounds |
|----------------|-----|------------|---|----------------|------|------|-------------|
| SC-441V | | Freq | 31.50 | Red | RedI | | |
| | Pix | 640 | 480 | Grn | GrnI | | Ang Gnd: |
| Adapter# | 4 | Fpor | (84) | (81) | Blu | BluI | |
| Interlace | N | Bpor | (85) | (82) | Vsyn | Csyn | V3- |
| Video Type | A | Sync | (86) | (83) | Hsyn | V2+ | V4+ |
| Color/Mono | C | Stype | | | V1+ | V2- | V4- |
| Multisync | N | Range | | 60-70 | V1- | V3+ | Recall: 4,5 |
| Multimode | Y | VGA | RECALL PRGM MAY VARY WITH VIDEO CARD USED | | | | |

| SAMTRON | | Horizontal | Vertical | Connector Pins | | | Grounds |
|----------------|-----|------------|---|----------------|------|------|-------------|
| SC-452V | | Freq | | Red | RedI | | |
| | Pix | 640 | 480 | Grn | GrnI | | Ang Gnd: |
| Adapter# | 4 | Fpor | (84) | (81) | Blu | BluI | |
| Interlace | N | Bpor | (85) | (82) | Vsyn | Csyn | V3- |
| Video Type | A | Sync | (86) | (83) | Hsyn | V2+ | V4+ |
| Color/Mono | C | Stype | | | V1+ | V2- | V4- |
| Multisync | Y | Range | 31.5 | 60-70 | V1- | V3+ | Recall: 5,7 |
| Multimode | N | VGA | RECALL PRGM MAY VARY WITH VIDEO CARD USED | | | | |

| SAMTRON | | Horizontal | Vertical | Connector Pins | | | Grounds |
|------------|------|------------|----------|----------------|------|------|-------------|
| SC-470 | Freq | 31.50 | | Red | RedI | | |
| | Pix | 640 | 480 | Grn | GrnI | | Ang Gnd: |
| Adapter# | 4 | Fpor | (84) | (81) | Blu | BluI | |
| Interlace | N | Bpor | (85) | (82) | Vsyn | Csyn | V3- |
| Video Type | A | Sync | (86) | (83) | Hsyn | V2+ | V4+ |
| Color/Mono | M | Stype | | | V1+ | V2- | V4- |
| Multisync | N | Range | 60-70 | | V1- | V3+ | Recall: 4,5 |
| Multimode | Y | VGA | | | | | |

| SAMTRON | | Horizontal | Vertical | Connector Pins | | | Grounds |
|------------|------|---------------------|-----------------------------|----------------|------|------|--------------|
| SC-528DX | Freq | | | Red | RedI | | |
| | Pix | 1024 | 768 | Grn | GrnI | | Ang Gnd: |
| Adapter# | 4,5 | Fpor | (84) | (81) | Blu | BluI | |
| Interlace | N | Bpor | (85) | (82) | Vsyn | Csyn | V3- |
| Video Type | A | Sync | (86) | (83) | Hsyn | V2+ | V4+ |
| Color/Mono | C | Stype | | | V1+ | V2- | V4- |
| Multisync | Y | Range | 31.5-58 | 43.5-72 | V1- | V3+ | Recall: 5-10 |
| Multimode | N | VGA, SVGA, 8514/RCL | 5-9=ADPTR#4; RCL 10=ADPTR#5 | | | | |

| SAMTRON | | Horizontal | Vertical | Connector Pins | | | Grounds |
|------------|------|-------------------|-----------|----------------|------|------|--------------------|
| SC-528DXL | Freq | | | Red | RedI | | |
| | Pix | 1024 | 768 | Grn | GrnI | | Ang Gnd: |
| Adapter# | 4 | Fpor | (84) | (81) | Blu | BluI | |
| Interlace | N | Bpor | (85) | (82) | Vsyn | Csyn | V3- |
| Video Type | A | Sync | (86) | (83) | Hsyn | V2+ | V4+ |
| Color/Mono | C | Stype | | | V1+ | V2- | V4- |
| Multisync | N | Range | 31.5/56.4 | 56/72 | V1- | V3+ | Recall: 5-8, 28-32 |
| Multimode | Y | VGA, SVGA, XGA, V | | | | | |

| SAMTRON | | Horizontal | Vertical | Connector Pins | | | Grounds |
|------------|------|-------------------|----------|----------------|------|------|----------|
| SC-528MXL | Freq | | | Red | RedI | | |
| | Pix | 1280 | 1024 | Grn | GrnI | | Ang Gnd: |
| Adapter# | 4 | Fpor | (84) | (81) | Blu | BluI | |
| Interlace | N | Bpor | (85) | (82) | Vsyn | Csyn | V3- |
| Video Type | A | Sync | (86) | (83) | Hsyn | V2+ | V4+ |
| Color/Mono | C | Stype | | | V1+ | V2- | V4- |
| Multisync | Y | Range | 30-64 | 50-76 | V1- | V3+ | Recall: |
| Multimode | N | VGA, SVGA, XGA, V | | | | | |

| SAMTRON | | Horizontal | Vertical | Connector Pins | | | Grounds |
|------------|------|-------------------|----------|----------------|------|------|----------|
| SC-528UXL | Freq | | | Red | RedI | | |
| | Pix | 1280 | 1024 | Grn | GrnI | | Ang Gnd: |
| Adapter# | 4 | Fpor | (84) | (81) | Blu | BluI | |
| Interlace | N | Bpor | (85) | (82) | Vsyn | Csyn | V3- |
| Video Type | A | Sync | (86) | (83) | Hsyn | V2+ | V4+ |
| Color/Mono | C | Stype | | | V1+ | V2- | V4- |
| Multisync | Y | Range | 30-64 | 50-76 | V1- | V3+ | Recall: |
| Multimode | N | VGA, SVGA, XGA, V | | | | | |

| SAMTRON | | Horizontal | Vertical | Connector Pins | | | Grounds |
|------------|------|-------------------|----------|----------------|------|------|----------|
| SC-726MXL | Freq | | | Red | RedI | | |
| | Pix | 1280 | 1024 | Grn | GrnI | | Ang Gnd: |
| Adapter# | 4 | Fpor | (84) | (81) | Blu | BluI | |
| Interlace | N | Bpor | (85) | (82) | Vsyn | Csyn | V3- |
| Video Type | A | Sync | (86) | (83) | Hsyn | V2+ | V4+ |
| Color/Mono | C | Stype | | | V1+ | V2- | V4- |
| Multisync | Y | Range | 30-82 | 50-76 | V1- | V3+ | Recall: |
| Multimode | N | VGA, SVGA, XGA, V | | | | | |

| SAMTRON | | Horizontal | Vertical | Connector Pins | | | Grounds |
|------------|------|-------------------|----------|----------------|------|------|----------|
| SC-726UXL | Freq | | | Red | RedI | | |
| | Pix | 1280 | 1024 | Grn | GrnI | | Ang Gnd: |
| Adapter# | 4 | Fpor | (84) | (81) | Blu | BluI | |
| Interlace | N | Bpor | (85) | (82) | Vsyn | Csyn | V3- |
| Video Type | A | Sync | (86) | (83) | Hsyn | V2+ | V4+ |
| Color/Mono | C | Stype | | | V1+ | V2- | V4- |
| Multisync | Y | Range | 30-64 | 50-76 | V1- | V3+ | Recall: |
| Multimode | N | VGA, SVGA, XGA, V | | | | | |

| SAMTRON | | Horizontal | Vertical | Connector Pins | | | Grounds |
|----------------|-----|---|----------|----------------|------|------|--------------|
| SC-726V | | Freq | 1024 | 768 | Red | RedI | |
| | Pix | | | | Grn | GrnI | Ang Gnd: |
| Adapter# | 4,5 | Fpor | (84) | (81) | Blu | BluI | |
| Interlace | | Bpor | (85) | (82) | Vsyn | Csyn | V3- Dig Gnd: |
| Video Type | A | Sync | (86) | (83) | Hsyn | V2+ | V4+ |
| Color/Mono | | Stype | | | V1+ | V2- | V4- |
| Multisync | Y | Range | 31.5-58 | 43.5-72 | V1- | V3+ | Recall: 5-10 |
| Multimode | N | VGA, SVGA, 8514/RCL 5-9=ADPTR#4; RCL 10=ADPTR#5 | | | | | |

| SAMTRON | | Horizontal | Vertical | Connector Pins | | | Grounds |
|---------------|-----|---|----------|----------------|------|------|--------------|
| SM-460 | | Freq | 18.43 | 50.0 | Red | RedI | |
| | Pix | | | | Grn | GrnI | Ang Gnd: |
| Adapter# | | Fpor | (84) | (81) | Blu | BluI | |
| Interlace | | Bpor | (85) | (82) | Vsyn | Csyn | V3- Dig Gnd: |
| Video Type | D | Sync | (86) | (83) | Hsyn | V2+ | V4+ |
| Color/Mono | M | Stype | | | V1+ | V2- | V4- |
| Multisync | N | Range | | | V1- | V3+ | Recall: |
| Multimode | N | RECALL PRGM MAY VARY WITH VIDEO CARD USED | | | | | |

| SAMTRON | | Horizontal | Vertical | Connector Pins | | | Grounds |
|---------------|-----|---|----------|----------------|------|------|--------------|
| SM-470 | | Freq | | | Red | RedI | |
| | Pix | 640 | 480 | | Grn | GrnI | Ang Gnd: |
| Adapter# | | Fpor | (84) | (81) | Blu | BluI | |
| Interlace | | Bpor | (85) | (82) | Vsyn | Csyn | V3- Dig Gnd: |
| Video Type | A | Sync | (86) | (83) | Hsyn | V2+ | V4+ |
| Color/Mono | M | Stype | | | V1+ | V2- | V4- |
| Multisync | N | Range | | | V1- | V3+ | Recall: 7 |
| Multimode | N | RECALL PRGM MAY VARY WITH VIDEO CARD USED | | | | | |

| SAMTRON | | Horizontal | Vertical | Connector Pins | | | Grounds |
|---------------|-----|---|-------------|----------------|------|------|--------------|
| SM-480 | | Freq | 18.4, 15.75 | 5060.0 | Red | RedI | |
| | Pix | | | | Grn | GrnI | Ang Gnd: |
| Adapter# | | Fpor | (84) | (81) | Blu | BluI | |
| Interlace | | Bpor | (85) | (82) | Vsyn | Csyn | V3- Dig Gnd: |
| Video Type | D | Sync | (86) | (83) | Hsyn | V2+ | V4+ |
| Color/Mono | M | Stype | | | V1+ | V2- | V4- |
| Multisync | N | Range | | | V1- | V3+ | Recall: |
| Multimode | Y | RECALL PRGM MAY VARY WITH VIDEO CARD USED | | | | | |

| SCEPTRE | | Horizontal | Vertical | Connector Pins | | | Grounds |
|--------------|-----|--|----------|----------------|------|------|--------------|
| CC-6N | | Freq | | | Red | RedI | |
| | Pix | 1280 | 1024 | | Grn | GrnI | Ang Gnd: |
| Adapter# | 4 | Fpor | (84) | (81) | Blu | BluI | |
| Interlace | Y | Bpor | (85) | (82) | Vsyn | Csyn | V3- Dig Gnd: |
| Video Type | A | Sync | (86) | (83) | Hsyn | V2+ | V4+ |
| Color/Mono | C | Stype | | | V1+ | V2- | V4- |
| Multisync | Y | Range | 30-60 | 50-90 | V1- | V3+ | Recall: |
| Multimode | N | VGA, SVGA, 8514A INTERLACE IN 8514A ONLY | | | | | |

| SCEPTRE | | Horizontal | Vertical | Connector Pins | | | Grounds |
|--------------|-----|--|----------|----------------|------|------|--------------|
| CE-6N | | Freq | | | Red | RedI | |
| | Pix | 1024 | 768 | | Grn | GrnI | Ang Gnd: |
| Adapter# | | Fpor | (84) | (81) | Blu | BluI | |
| Interlace | Y | Bpor | (85) | (82) | Vsyn | Csyn | V3- Dig Gnd: |
| Video Type | A | Sync | (86) | (83) | Hsyn | V2+ | V4+ |
| Color/Mono | C | Stype | | | V1+ | V2- | V4- |
| Multisync | Y | Range | 30-48 | 50-90 | V1- | V3+ | Recall: |
| Multimode | N | VGA, SVGA, 8514A INTERLACE IN 8514A ONLY | | | | | |

| SCEPTRE | | Horizontal | Vertical | Connector Pins | | | Grounds |
|-------------|-----|-------------------|----------|----------------|------|------|--------------|
| CE-8 | | Freq | | | Red | RedI | |
| | Pix | 1024 | 768 | | Grn | GrnI | Ang Gnd: |
| Adapter# | 1-5 | Fpor | (84) | (81) | Blu | BluI | |
| Interlace | Y | Bpor | (85) | (82) | Vsyn | Csyn | V3- Dig Gnd: |
| Video Type | A | Sync | (86) | (83) | Hsyn | V2+ | V4+ |
| Color/Mono | C | Stype | | | V1+ | V2- | V4- |
| Multisync | Y | Range | 15-38 | 50-90 | V1- | V3+ | Recall: 0-10 |
| Multimode | Y | VGA, SVGA, MDA, C | | | | | |

| SCEPTRE | | Horizontal | Vertical | Connector Pins | | | Grounds |
|------------|---------|--|----------|----------------|------|-----|----------------------|
| CL-520 | | Freq | | Red | RedI | | |
| | Pix | 1280 | 1024 | Grn | GrnI | | Ang Gnd: |
| Adapter# | Fpor | (84) | (81) | Blu | BluI | | |
| Interlace | Bpor | (85) | (82) | Vsyn | Csyn | V3- | Dig Gnd: |
| Video Type | A Sync | (86) | (83) | Hsyn | V2+ | V4+ | |
| Color/Mono | C Stype | | | V1+ | V2- | V4- | |
| Multisync | Y Range | 30-58 | 50-90 | V1- | V3+ | | Recall: 5-10, 30, 32 |
| Multimode | N | VGA, SVGA, 8514/INTERLACED IN 1280 X 1024 MODE ONLY. | | | | | |

| SCEPTRE | | Horizontal | Vertical | Connector Pins | | | Grounds |
|------------|----------|---|----------|----------------|------|-----|--------------|
| CL-615 | | Freq | | Red | RedI | | |
| | Pix | 1024 | 768 | Grn | GrnI | | Ang Gnd: |
| Adapter# | 4,5 Fpor | (84) | (81) | Blu | BluI | | |
| Interlace | Bpor | (85) | (82) | Vsyn | Csyn | V3- | Dig Gnd: |
| Video Type | A Sync | (86) | (83) | Hsyn | V2+ | V4+ | |
| Color/Mono | C Stype | | | V1+ | V2- | V4- | |
| Multisync | Y Range | 31.5-56.5 | 50-90 | V1- | V3+ | | Recall: 5-10 |
| Multimode | N | VGA, SVGA, 8514/RCL 5-9=ADPTR #4; RCL 10=ADPTR #5 | | | | | |

| SCEPTRE | | Horizontal | Vertical | Connector Pins | | | Grounds |
|------------|---------|--|----------|----------------|------|-----|----------------------|
| CL-617 | | Freq | | Red | RedI | | |
| | Pix | 1280 | 1024 | Grn | GrnI | | Ang Gnd: |
| Adapter# | Fpor | (84) | (81) | Blu | BluI | | |
| Interlace | Y Bpor | (85) | (82) | Vsyn | Csyn | V3- | Dig Gnd: |
| Video Type | A Sync | (86) | (83) | Hsyn | V2+ | V4+ | |
| Color/Mono | C Stype | | | V1+ | V2- | V4- | |
| Multisync | Y Range | 30-66 | 50-90 | V1- | V3+ | | Recall: 5-10, 30, 32 |
| Multimode | N | VGA, SVGA, 8514/INTERLACED IN 1280 X 1024 MODE ONLY. | | | | | |

| SCEPTRE | | Horizontal | Vertical | Connector Pins | | | Grounds |
|------------|---------|------------------|----------|----------------|------|-----|-------------|
| CM-4Y | | Freq | | Red | RedI | | |
| | Pix | 1024 | 768 | Grn | GrnI | | Ang Gnd: |
| Adapter# | 4 Fpor | (84) | (81) | Blu | BluI | | |
| Interlace | Bpor | (85) | (82) | Vsyn | Csyn | V3- | Dig Gnd: |
| Video Type | A Sync | (86) | (83) | Hsyn | V2+ | V4+ | |
| Color/Mono | C Stype | | | V1+ | V2- | V4- | |
| Multisync | Y Range | 31.5-35.5 | 56-87 | V1- | V3+ | | Recall: 5-9 |
| Multimode | N | VGA, SVGA, 8514/ | | | | | |

| SCEPTRE | | Horizontal | Vertical | Connector Pins | | | Grounds |
|------------|---------|------------------|----------|----------------|------|-----|-------------|
| CM-6L | | Freq | | Red | RedI | | |
| | Pix | 1024 | 768 | Grn | GrnI | | Ang Gnd: |
| Adapter# | 4 Fpor | (84) | (81) | Blu | BluI | | |
| Interlace | Bpor | (85) | (82) | Vsyn | Csyn | V3- | Dig Gnd: |
| Video Type | A Sync | (86) | (83) | Hsyn | V2+ | V4+ | |
| Color/Mono | C Stype | | | V1+ | V2- | V4- | |
| Multisync | Y Range | 31.5-35.5 | 56-87 | V1- | V3+ | | Recall: 5-9 |
| Multimode | N | VGA, SVGA, 8514/ | | | | | |

| SCEPTRE | | Horizontal | Vertical | Connector Pins | | | Grounds |
|------------|---------|------------------|----------|----------------|------|-----|---------------------|
| CM-6N | | Freq | | Red | RedI | | |
| | Pix | 1024 | 768 | Grn | GrnI | | Ang Gnd: |
| Adapter# | 4 Fpor | (84) | (81) | Blu | BluI | | |
| Interlace | Bpor | (85) | (82) | Vsyn | Csyn | V3- | Dig Gnd: |
| Video Type | A Sync | (86) | (83) | Hsyn | V2+ | V4+ | |
| Color/Mono | C Stype | | | V1+ | V2- | V4- | |
| Multisync | Y Range | 31.5-48 | 50-90 | V1- | V3+ | | Recall: 5-9, 30, 31 |
| Multimode | N | VGA, SVGA, 8514/ | | | | | |

| SCEPTRE | | Horizontal | Vertical | Connector Pins | | | Grounds |
|------------|---------|------------------|----------|----------------|------|-----|-------------|
| CM-6Y | | Freq | | Red | RedI | | |
| | Pix | 1024 | 768 | Grn | GrnI | | Ang Gnd: |
| Adapter# | 4 Fpor | (84) | (81) | Blu | BluI | | |
| Interlace | Bpor | (85) | (82) | Vsyn | Csyn | V3- | Dig Gnd: |
| Video Type | A Sync | (86) | (83) | Hsyn | V2+ | V4+ | |
| Color/Mono | C Stype | | | V1+ | V2- | V4- | |
| Multisync | Y Range | 31.5-35.5 | 56-87 | V1- | V3+ | | Recall: 5-9 |
| Multimode | N | VGA, SVGA, 8514/ | | | | | |

| SCEPTRE | | Horizontal | Vertical | Connector Pins | | | Grounds | |
|---------------|--------------------|-------------------------|----------|----------------|------|-----|----------|--|
| CS-621 | | Freq | | Red | RedI | | | |
| | Pix | 1600 | 1280 | Grn | GrnI | | Ang Gnd: | |
| Adapter# | Fpor | (84) | (81) | Blu | BluI | | | |
| Interlace | Y Bpor | (85) | (82) | Vsyn | Csyn | V3- | Dig Gnd: | |
| Video Type | A Sync | (86) | (83) | Hsyn | V2+ | V4+ | | |
| Color/Mono | C Stype | | | V1+ | V2- | V4- | | |
| Multisync | Y Range30-82 | | 47-104 | V1- | V3+ | | Recall: | |
| Multimode | N VGA, SVGA, 8514A | INTERLACE IN 8514A ONLY | | | | | | |

| SCEPTRE | | Horizontal | Vertical | Connector Pins | | | Grounds | |
|--------------|--------------------|-------------------------|----------|----------------|------|-----|----------|--|
| CS-6N | | Freq | | Red | RedI | | | |
| | Pix | 1024 | 768 | Grn | GrnI | | Ang Gnd: | |
| Adapter# | 4 Fpor | (84) | (81) | Blu | BluI | | | |
| Interlace | Y Bpor | (85) | (82) | Vsyn | Csyn | V3- | Dig Gnd: | |
| Video Type | A Sync | (86) | (83) | Hsyn | V2+ | V4+ | | |
| Color/Mono | C Stype | | | V1+ | V2- | V4- | | |
| Multisync | Y Range30/50 | | 47-104 | V1- | V3+ | | Recall: | |
| Multimode | Y VGA, SVGA, 8514A | INTERLACE IN 8514A ONLY | | | | | | |

| SCEPTRE | | Horizontal | Vertical | Connector Pins | | | Grounds | |
|---------------|--------------------|-------------------------|----------|----------------|------|-----|----------|--|
| CS-717 | | Freq | | Red | RedI | | | |
| | Pix | 1600 | 1280 | Grn | GrnI | | Ang Gnd: | |
| Adapter# | 4 Fpor | (84) | (81) | Blu | BluI | | | |
| Interlace | Y Bpor | (85) | (82) | Vsyn | Csyn | V3- | Dig Gnd: | |
| Video Type | A Sync | (86) | (83) | Hsyn | V2+ | V4+ | | |
| Color/Mono | C Stype | | | V1+ | V2- | V4- | | |
| Multisync | Y Range30-82 | | 47-104 | V1- | V3+ | | Recall: | |
| Multimode | N VGA, SVGA, 8514A | INTERLACE IN 8514A ONLY | | | | | | |

| SCEPTRE | | Horizontal | Vertical | Connector Pins | | | Grounds | |
|--------------|-------------|------------|----------|----------------|------|------|-------------|--|
| CT-6G | | Freq | 31.50 | 60-70 | Red | RedI | | |
| | Pix | 640 | 480 | Grn | GrnI | | Ang Gnd: | |
| Adapter# | 4 Fpor | (84) | (81) | Blu | BluI | | | |
| Interlace | Bpor | (85) | (82) | Vsyn | Csyn | V3- | Dig Gnd: | |
| Video Type | A Sync | (86) | (83) | Hsyn | V2+ | V4+ | | |
| Color/Mono | C Stype | | | V1+ | V2- | V4- | | |
| Multisync | N Range | | | V1- | V3+ | | Recall: 6,7 | |
| Multimode | Y VGA, MCGA | | | | | | | |

| SCEPTRE | | Horizontal | Vertical | Connector Pins | | | Grounds | |
|--------------|------------------|------------|----------|----------------|------|-----|----------|--|
| ME-1W | | Freq | | Red | RedI | | | |
| | Pix | 720 | 350 | Grn | GrnI | | Ang Gnd: | |
| Adapter# | 1 Fpor | (84) | (81) | Blu | BluI | | | |
| Interlace | N Bpor | (85) | (82) | Vsyn | Csyn | V3- | Dig Gnd: | |
| Video Type | A Sync | (86) | (83) | Hsyn | V2+ | V4+ | | |
| Color/Mono | C Stype | | | V1+ | V2- | V4- | | |
| Multisync | N Range15.8/18.4 | | 50/60 | V1- | V3+ | | Recall: | |
| Multimode | Y CGA, TTL | | | | | | | |

| SCEPTRE | | Horizontal | Vertical | Connector Pins | | | Grounds | |
|--------------|--------------------|--------------------------|----------|----------------|------|-----|----------|--|
| ME-6W | | Freq | | Red | RedI | | | |
| | Pix | 1024 | 768 | Grn | GrnI | | Ang Gnd: | |
| Adapter# | 4 Fpor | (84) | (81) | Blu | BluI | | | |
| Interlace | Y Bpor | (85) | (82) | Vsyn | Csyn | V3- | Dig Gnd: | |
| Video Type | A Sync | (86) | (83) | Hsyn | V2+ | V4+ | | |
| Color/Mono | C Stype | | | V1+ | V2- | V4- | | |
| Multisync | Y Range31.5/85 | | 45-85 | V1- | V3+ | | Recall: | |
| Multimode | Y MCGA, VGA, 8514A | INTERLACE IN 8514A ONLY. | | | | | | |

| SCEPTRE | | Horizontal | Vertical | Connector Pins | | | Grounds | |
|--------------|-----------------|------------|----------|----------------|------|------|-----------|--|
| MM-1A | | Freq | 18.43 | 50.0 | Red | RedI | | |
| | Pix | 720 | 350 | Grn | GrnI | | Ang Gnd: | |
| Adapter# | 1 Fpor | (84) | (81) | Blu | BluI | | | |
| Interlace | Bpor | (85) | (82) | Vsyn | Csyn | V3- | Dig Gnd: | |
| Video Type | D Sync | (86) | (83) | Hsyn | V2+ | V4+ | | |
| Color/Mono | M Stype | | | V1+ | V2- | V4- | | |
| Multisync | N Range | | | V1- | V3+ | | Recall: 1 | |
| Multimode | N MDA, HERCULES | | | | | | | |

| SCEPTRE | | Horizontal | Vertical | Connector Pins | | | Grounds |
|------------|------------|------------|----------|----------------|------|-----|-------------|
| MM-6W | Freq | 31.47 | 50-70 | Red | RedI | | |
| | Pix | 720 | 400 | Grn | GrnI | | Ang Gnd: |
| Adapter# | 4 Fpor | (84) | (81) | Blu | BluI | | |
| Interlace | Bpor | (85) | (82) | Vsyn | Csyn | V3- | Dig Gnd: |
| Video Type | A Sync | (86) | (83) | Hsyn | V2+ | V4+ | |
| Color/Mono | M Stype | | | V1+ | V2- | V4- | |
| Multisync | N Range | | | V1- | V3+ | | Recall: 6,7 |
| Multimode | Y VGA,MCGA | | | | | | |

| SEIKO | | Horizontal | Vertical | Connector Pins | | | Grounds |
|------------|---------|------------|------------|----------------|------|-----|------------|
| CM-1445 | Freq | 35.00 | 66.7 | Red | RedI | | |
| | Pix | 640 | 480 | Grn | GrnI | | Ang Gnd: |
| Adapter# | 5F Fpor | 2.12 (84) | 0.086 (81) | Blu | BluI | | |
| Interlace | N Bpor | 3.18 (85) | 1.11 (82) | Vsyn | Csyn | V3- | Dig Gnd: |
| Video Type | A Sync | 2.12 (86) | 0.086 (83) | Hsyn | V2+ | V4+ | |
| Color/Mono | C Stype | | | V1+ | V2- | V4- | |
| Multisync | N Range | | | V1- | V3+ | | Recall: 10 |
| Multimode | N | | | | | | |

| SHAMROCK | | Horizontal | Vertical | Connector Pins | | | Grounds |
|------------|---|------------|----------|----------------|------|-----|----------------|
| SCR-1401 | Freq | | | Red | RedI | | |
| 14" COLOR | Pix | 1024 | 768 | Grn | GrnI | | Ang Gnd: |
| Adapter# | 4 Fpor | (84) | (81) | Blu | BluI | | |
| Interlace | Y Bpor | (85) | (82) | Vsyn | Csyn | V3- | Dig Gnd: |
| Video Type | A Sync | (86) | (83) | Hsyn | V2+ | V4+ | |
| Color/Mono | C Stype | | | V1+ | V2- | V4- | |
| Multisync | Y Range28-40 | | 47-90 | V1- | V3+ | | Recall: 5-10,+ |
| Multimode | N VARIOUS IBM, MINTERLACED IN 8514A MODE. | | | | | | |

| SHAMROCK | | Horizontal | Vertical | Connector Pins | | | Grounds |
|------------|---|------------|----------|----------------|------|-----|----------------|
| SCR-1402 | Freq | | | Red | RedI | | |
| 14" COLOR | Pix | 1024 | 768 | Grn | GrnI | | Ang Gnd: |
| Adapter# | 4 Fpor | (84) | (81) | Blu | BluI | | |
| Interlace | Y Bpor | (85) | (82) | Vsyn | Csyn | V3- | Dig Gnd: |
| Video Type | A Sync | (86) | (83) | Hsyn | V2+ | V4+ | |
| Color/Mono | C Stype | | | V1+ | V2- | V4- | |
| Multisync | Y Range28-50 | | 47-90 | V1- | V3+ | | Recall: 5-10,+ |
| Multimode | N VARIOUS IBM, MINTERLACED IN 8514A MODE. | | | | | | |

| SHAMROCK | | Horizontal | Vertical | Connector Pins | | | Grounds |
|------------|---|------------|----------|----------------|------|-----|----------------|
| SCR-1403 | Freq | | | Red | RedI | | |
| 14" COLOR | Pix | 1024 | 768 | Grn | GrnI | | Ang Gnd: |
| Adapter# | 4 Fpor | (84) | (81) | Blu | BluI | | |
| Interlace | Y Bpor | (85) | (82) | Vsyn | Csyn | V3- | Dig Gnd: |
| Video Type | A Sync | (86) | (83) | Hsyn | V2+ | V4+ | |
| Color/Mono | C Stype | | | V1+ | V2- | V4- | |
| Multisync | Y Range28-60 | | 47-104 | V1- | V3+ | | Recall: 5-10,+ |
| Multimode | N VARIOUS IBM, MINTERLACED IN 8514A MODE. | | | | | | |

| SHAMROCK | | Horizontal | Vertical | Connector Pins | | | Grounds |
|------------|---|------------|----------|----------------|------|-----|----------------|
| SCR-1481 | Freq | | | Red | RedI | | |
| 14" COLOR | Pix | 1024 | 768 | Grn | GrnI | | Ang Gnd: |
| Adapter# | 4 Fpor | (84) | (81) | Blu | BluI | | |
| Interlace | Y Bpor | (85) | (82) | Vsyn | Csyn | V3- | Dig Gnd: |
| Video Type | A Sync | (86) | (83) | Hsyn | V2+ | V4+ | |
| Color/Mono | C Stype | | | V1+ | V2- | V4- | |
| Multisync | Y Range28-40 | | 47-90 | V1- | V3+ | | Recall: 5-10,+ |
| Multimode | N VARIOUS IBM, MINTERLACED IN 8514A MODE. | | | | | | |

| SHAMROCK | | Horizontal | Vertical | Connector Pins | | | Grounds |
|------------|---|------------|----------|----------------|------|-----|----------------|
| SCR-1491 | Freq | | | Red | RedI | | |
| 14" COLOR | Pix | 1024 | 768 | Grn | GrnI | | Ang Gnd: |
| Adapter# | 4 Fpor | (84) | (81) | Blu | BluI | | |
| Interlace | Y Bpor | (85) | (82) | Vsyn | Csyn | V3- | Dig Gnd: |
| Video Type | A Sync | (86) | (83) | Hsyn | V2+ | V4+ | |
| Color/Mono | C Stype | | | V1+ | V2- | V4- | |
| Multisync | Y Range28-40 | | 47-90 | V1- | V3+ | | Recall: 5-10,+ |
| Multimode | N VARIOUS IBM, MINTERLACED IN 8514A MODE. | | | | | | |

| SHAMROCK | | Horizontal | Vertical | Connector Pins | | | Grounds |
|------------|---------|---|----------|----------------|------|-----|----------------|
| SCR-1501 | Freq | | | Red | RedI | | |
| 15" COLOR | Pix | 1024 | 768 | Grn | GrnI | | Ang Gnd: |
| Adapter# | 4 Fpor | (84) | (81) | Blu | BluI | | |
| Interlace | Y Bpor | (85) | (82) | Vsyn | Csyn | V3- | Dig Gnd: |
| Video Type | A Sync | (86) | (83) | Hsyn | V2+ | V4+ | |
| Color/Mono | C Stype | | | V1+ | V2- | V4- | |
| Multisync | Y Range | 28-60 | 47-104 | V1- | V3+ | | Recall: 5-10,+ |
| Multimode | N | VARIOUS IBM, MINTERLACED IN 8514A MODE. | | | | | |

| SHAMROCK | | Horizontal | Vertical | Connector Pins | | | Grounds |
|------------|---------|---|----------|----------------|------|-----|----------------|
| SCR-1701 | Freq | | | Red | RedI | | |
| 17" COLOR | Pix | 1280 | 1024 | Grn | GrnI | | Ang Gnd: |
| Adapter# | 4 Fpor | (84) | (81) | Blu | BluI | | |
| Interlace | Y Bpor | (85) | (82) | Vsyn | Csyn | V3- | Dig Gnd: |
| Video Type | A Sync | (86) | (83) | Hsyn | V2+ | V4+ | |
| Color/Mono | C Stype | | | V1+ | V2- | V4- | |
| Multisync | Y Range | 27-72 | 47-104 | V1- | V3+ | | Recall: 5-10,+ |
| Multimode | N | VARIOUS IBM, MINTERLACED IN 8514A MODE. | | | | | |

| SHAMROCK | | Horizontal | Vertical | Connector Pins | | | Grounds |
|------------|---------|---|----------|----------------|------|-----|----------------|
| SCR-1901 | Freq | | | Red | RedI | | |
| 19" COLOR | Pix | 1280 | 1024 | Grn | GrnI | | Ang Gnd: |
| Adapter# | 4 Fpor | (84) | (81) | Blu | BluI | | |
| Interlace | Y Bpor | (85) | (82) | Vsyn | Csyn | V3- | Dig Gnd: |
| Video Type | A Sync | (86) | (83) | Hsyn | V2+ | V4+ | |
| Color/Mono | C Stype | | | V1+ | V2- | V4- | |
| Multisync | Y Range | 27-72 | 47-104 | V1- | V3+ | | Recall: 5-10,+ |
| Multimode | N | VARIOUS IBM, MINTERLACED IN 8514A MODE. | | | | | |

| SHAMROCK | | Horizontal | Vertical | Connector Pins | | | Grounds |
|------------|---------|---|----------|----------------|------|-----|----------------|
| SCR-2101 | Freq | | | Red | RedI | | |
| 21" COLOR | Pix | 1280 | 1024 | Grn | GrnI | | Ang Gnd: |
| Adapter# | 4 Fpor | (84) | (81) | Blu | BluI | | |
| Interlace | Y Bpor | (85) | (82) | Vsyn | Csyn | V3- | Dig Gnd: |
| Video Type | A Sync | (86) | (83) | Hsyn | V2+ | V4+ | |
| Color/Mono | C Stype | | | V1+ | V2- | V4- | |
| Multisync | Y Range | 27-76 | 47-104 | V1- | V3+ | | Recall: 5-10,+ |
| Multimode | N | VARIOUS IBM, MINTERLACED IN 8514A MODE. | | | | | |

| SIEMENS | | Horizontal | Vertical | Connector Pins | | | Grounds |
|----------------|---------|------------|------------|----------------|------|-----|----------|
| MAGNETOM 13/63 | Freq | 64.00 | 60.0 | Red | RedI | | |
| | Pix | 1700 | 1024 | Grn | GrnI | | Ang Gnd: |
| Adapter# | Fpor | 0.282 (84) | 0.016 (81) | Blu | BluI | | |
| Interlace | N Bpor | 1.83 (85) | 0.625 (82) | Vsyn | Csyn | V3- | Dig Gnd: |
| Video Type | A Sync | 1.83 (86) | 0.016 (83) | Hsyn | V2+ | V4+ | |
| Color/Mono | M Stype | C | C | V1+ | V2- | V4- | |
| Multisync | N Range | | | V1- | V3+ | | Recall: |
| Multimode | N | | | | | | |

| SIGMA DESIGN | | Horizontal | Vertical | Connector Pins | | | Grounds |
|--------------|----------|------------|-------------|----------------|-------|-----|----------|
| L-VIEW | Freq | 74.63 | 81.6 | Red | RedI | | |
| | Pix | 1664 | 870 | Grn | GrnI | | Ang Gnd: |
| Adapter# | ECL Fpor | 0.001 (84) | 0.0134 (81) | Blu | BluI | | |
| Interlace | N Bpor | 0.8 (85) | 0.376 (82) | Vsyn 9 | Csyn | V3- | Dig Gnd: |
| Video Type | E Sync | 2.2 (86) | 0.214 (83) | Hsyn 5 | V2+ 3 | V4+ | 7,8 |
| Color/Mono | M Stype | - | - | V1+ 1 | V2- 2 | V4- | |
| Multisync | Range | | | V1- 6 | V3+ | | Recall: |
| Multimode | 1 | | | | | | |

| SIGMA DESIGN | | Horizontal | Vertical | Connector Pins | | | Grounds |
|--------------|----------|------------|------------|----------------|-------|-----|----------|
| L-VIEW | Freq | 74.63 | 91.8 | Red | RedI | | |
| | Pix | 1024 | 768 | Grn | GrnI | | Ang Gnd: |
| Adapter# | ECL Fpor | 0.001 (84) | 0.013 (81) | Blu | BluI | | |
| Interlace | N Bpor | 0.807 (85) | 0.375 (82) | Vsyn 9 | Csyn | V3- | Dig Gnd: |
| Video Type | E Sync | 2.26 (86) | 0.215 (83) | Hsyn 5 | V2+ 3 | V4+ | 7,8 |
| Color/Mono | M Stype | + | - | V1+ 1 | V2- 2 | V4- | |
| Multisync | Range | | | V1- 6 | V3+ | | Recall: |
| Multimode | 2 | | | | | | |

| SIGMA DESIGN | | Horizontal | Vertical | Connector Pins | | | Grounds |
|--------------|-----|------------|------------|----------------|--------|-------|----------|
| L-VIEW | | Freq | 74.63 | 74.2 | Red | RedI | |
| | | Pix | 1280 | 960 | Grn | GrnI | Ang Gnd: |
| Adapter# | ECL | Fpor | 0.001 (84) | 0.013 (81) | Blu | BluI | |
| Interlace | N | Bpor | 0.781 (85) | 0.375 (82) | Vsyn 9 | Csyn | V3- |
| Video Type | E | Sync | 2.15 (86) | 0.215 (83) | Hsyn 5 | V2+ 3 | V4+ |
| Color/Mono | M | Stype | - | + | V1+ 1 | V2- 2 | V4- |
| Multisync | | Range | | | V1- 6 | V3+ | Recall: |
| Multimode | 3 | | | | | | |

| SIGMA DESIGN | | Horizontal | Vertical | Connector Pins | | | Grounds |
|--------------|-----|------------|------------|----------------|--------|-------|----------|
| L-VIEW | | Freq | 74.63 | 60.0 | Red | RedI | |
| | | Pix | 1664 | 1200 | Grn | GrnI | Ang Gnd: |
| Adapter# | ECL | Fpor | 0.001 (84) | 0.0134 (81) | Blu | BluI | |
| Interlace | N | Bpor | 0.8 (85) | 0.375 (82) | Vsyn 9 | Csyn | V3- |
| Video Type | E | Sync | 2.2 (86) | 0.214 (83) | Hsyn 5 | V2+ 3 | V4+ |
| Color/Mono | M | Stype | + | + | V1+ 1 | V2- 2 | V4- |
| Multisync | | Range | | | V1- 6 | V3+ | Recall: |
| Multimode | 4 | | | | | | |

| SIGMA DESIGN | | Horizontal | Vertical | Connector Pins | | | Grounds |
|--------------|-----|------------|------------|----------------|--------|-------|----------|
| PAGE VIEW | | Freq | 78.70 | 80.1 | Red | RedI | |
| | | Pix | 784 | 940 | Grn | GrnI | Ang Gnd: |
| Adapter# | ECL | Fpor | 0.116 (84) | 0.038 (81) | Blu | BluI | |
| Interlace | N | Bpor | 0.001 (85) | 0.47 (82) | Vsyn 9 | Csyn | V3- |
| Video Type | E | Sync | 1.56 (86) | 0.038 (83) | Hsyn 5 | V2+ 3 | V4+ |
| Color/Mono | M | Stype | + | - | V1+ 1 | V2- 2 | V4- |
| Multisync | | Range | | | V1- 6 | V3+ | Recall: |
| Multimode | 1 | | | | | | |

| SIGMA DESIGN | | Horizontal | Vertical | Connector Pins | | | Grounds |
|--------------|-----|------------|------------|----------------|--------|-------|----------|
| PAGE VIEW | | Freq | 78.70 | 76.2 | Red | RedI | |
| | | Pix | 736 | 990 | Grn | GrnI | Ang Gnd: |
| Adapter# | ECL | Fpor | 0.11 (84) | 0.038 (81) | Blu | BluI | |
| Interlace | N | Bpor | 0.001 (85) | 0.47 (82) | Vsyn 9 | Csyn | V3- |
| Video Type | E | Sync | 2.4 (86) | 0.038 (83) | Hsyn 5 | V2+ 3 | V4+ |
| Color/Mono | M | Stype | + | + | V1+ 1 | V2- 2 | V4- |
| Multisync | | Range | | | V1- 6 | V3+ | Recall: |
| Multimode | 2 | | | | | | |

| SIGMA DESIGN | | Horizontal | Vertical | Connector Pins | | | Grounds |
|--------------|-----|------------|----------------|----------------|--------|-------|----------|
| PAGE VIEW | | Freq | 78.70 | 56.7 | Red | RedI | |
| | | Pix | 676 | 768 | Grn | GrnI | Ang Gnd: |
| Adapter# | ECL | Fpor | 0.141 (84) | 0.038 (81) | Blu | BluI | |
| Interlace | N | Bpor | 0.001.635 (85) | 0.47 (82) | Vsyn 9 | Csyn | V3- |
| Video Type | E | Sync | 0.635 (86) | 0.038 (83) | Hsyn 5 | V2+ 2 | V4+ |
| Color/Mono | M | Stype | - | - | V1+ 1 | V2- 3 | V4- |
| Multisync | | Range | | | V1- 6 | V3+ | Recall: |
| Multimode | 3 | | | | | | |

| SIGMA DESIGN | | Horizontal | Vertical | Connector Pins | | | Grounds |
|--------------|-----|------------|------------|----------------|--------|-------|----------|
| PAGE VIEW | | Freq | 78.70 | 86.2 | Red | RedI | |
| | | Pix | 640 | 870 | Grn | GrnI | Ang Gnd: |
| Adapter# | ECL | Fpor | 0.127 (84) | 0.038 (81) | Blu | BluI | |
| Interlace | N | Bpor | 0.001 (85) | 0.47 (82) | Vsyn 9 | Csyn | V3- |
| Video Type | E | Sync | 2.4 (86) | 0.038 (83) | Hsyn 5 | V2+ 3 | V4+ |
| Color/Mono | M | Stype | - | + | V1+ 1 | V2- 2 | V4- |
| Multisync | | Range | | | V1- 6 | V3+ | Recall: |
| Multimode | 4 | | | | | | |

| SIGMA DESIGN | | Horizontal | Vertical | Connector Pins | | | Grounds |
|--------------|---|------------|-----------|----------------|---------|------|----------|
| SILVER VIEW | | Freq | 66.49 | 72.9 | Red | RedI | |
| | | Pix | 1152 | 870 | Grn | GrnI | Ang Gnd: |
| Adapter# | | Fpor | 0.32 (84) | 0.015 (81) | Blu | BluI | 1,4,11 |
| Interlace | N | Bpor | 1.92 (85) | 0.572 (82) | Vsyn 10 | Csyn | V3- |
| Video Type | A | Sync | 1.28 (86) | 0.045 (83) | Hsyn 3 | V2+ | V4+ |
| Color/Mono | M | Stype | - | - | V1+ | V2- | V4- |
| Multisync | | Range | | | V1- | V3+ | Recall: |
| Multimode | 1 | | | | | | |

| SIGMA DESIGN | | Horizontal | Vertical | Connector Pins | | | Grounds |
|--------------|---|------------|-----------|----------------|------|---------|--------------|
| SILVER VIEW | | Freq | 86.80 | 72.3 | Red | 5 RedI | 6 |
| | | Pix | 864 | 1152 | Grn | GrnI | Ang Gnd: |
| Adapter# | | Fpor | 0.32 (84) | 0.012 (81) | Blu | BluI | 1,4,11 |
| Interlace | N | Bpor | 1.68 (85) | 0.507 (82) | Vsyn | 10 Csyn | V3- Dig Gnd: |
| Video Type | A | Sync | 0.88 (86) | 0.035 (83) | Hsyn | 3 V2+ | V4+ |
| Color/Mono | M | Stype | | | V1+ | V2- | V4- |
| Multisync | | Range | | | V1- | V3+ | Recall: |
| Multimode | 2 | | | | | | |

| SIGMA-DESIGNS | | Horizontal | Vertical | Connector Pins | | | Grounds |
|----------------|---|------------|--|----------------|------|------|--------------|
| POWER PORTRAIT | | Freq | 78.70 | 97.0 | Red | RedI | |
| | | Pix | 576 | 768 | Grn | GrnI | Ang Gnd: |
| Adapter# | | Fpor | (84) | (81) | Blu | BluI | |
| Interlace | | Bpor | (85) | (82) | Vsyn | Csyn | V3- Dig Gnd: |
| Video Type | | Sync | (86) | (83) | Hsyn | V2+ | V4+ |
| Color/Mono | M | Stype | | | V1+ | V2- | V4- |
| Multisync | N | Range | | | V1- | V3+ | Recall: |
| Multimode | Y | ALL MAC | RESOLUTIONS: 576X768, 640X870, 704X940 | | | | |

| SIGMA-DESIGNS | | Horizontal | Vertical | Connector Pins | | | Grounds |
|----------------|---|------------|----------|----------------|------|------|--------------|
| SILVERVIEW PRO | | Freq | 68.68 | 75.0 | Red | RedI | |
| SILVERVIEW PRO | | Pix | 1152 | 870 | Grn | GrnI | Ang Gnd: |
| Adapter# | | Fpor | (84) | (81) | Blu | BluI | |
| Interlace | | Bpor | (85) | (82) | Vsyn | Csyn | V3- Dig Gnd: |
| Video Type | | Sync | (86) | (83) | Hsyn | V2+ | V4+ |
| Color/Mono | M | Stype | | | V1+ | V2- | V4- |
| Multisync | N | Range | | | V1- | V3+ | Recall: |
| Multimode | Y | ALL MAC | | | | | |

| SOCOS | | Horizontal | Vertical | Connector Pins | | | Grounds |
|------------|---|--|----------|----------------|------|------|--------------|
| CM-1402 | | Freq | | | Red | RedI | |
| | | Pix | 1024 | 768 | Grn | GrnI | Ang Gnd: |
| Adapter# | 4 | Fpor | (84) | (81) | Blu | BluI | |
| Interlace | Y | Bpor | (85) | (82) | Vsyn | Csyn | V3- Dig Gnd: |
| Video Type | A | Sync | (86) | (83) | Hsyn | V2+ | V4+ |
| Color/Mono | C | Stype | | | V1+ | V2- | V4- |
| Multisync | Y | Range30-38 | | 50-90 | V1- | V3+ | Recall: 5-9 |
| Multimode | N | VGA, SVGA, VESA, INTERLACED IN 8514A MODE. | | | | | |

| SOCOS | | Horizontal | Vertical | Connector Pins | | | Grounds |
|------------|---|--|----------|----------------|------|------|--------------|
| CM-1402A | | Freq | | | Red | RedI | |
| | | Pix | 1024 | 768 | Grn | GrnI | Ang Gnd: |
| Adapter# | 4 | Fpor | (84) | (81) | Blu | BluI | |
| Interlace | Y | Bpor | (85) | (82) | Vsyn | Csyn | V3- Dig Gnd: |
| Video Type | A | Sync | (86) | (83) | Hsyn | V2+ | V4+ |
| Color/Mono | C | Stype | | | V1+ | V2- | V4- |
| Multisync | Y | Range30-38 | | 50-90 | V1- | V3+ | Recall: 5-9 |
| Multimode | N | VGA, SVGA, VESA, INTERLACED IN 8514A MODE. | | | | | |

| SOCOS | | Horizontal | Vertical | Connector Pins | | | Grounds |
|------------|---|-----------------|----------|----------------|------|------|--------------|
| CM-1403A | | Freq | | | Red | RedI | |
| | | Pix | 800 | 600 | Grn | GrnI | Ang Gnd: |
| Adapter# | 4 | Fpor | (84) | (81) | Blu | BluI | |
| Interlace | N | Bpor | (85) | (82) | Vsyn | Csyn | V3- Dig Gnd: |
| Video Type | A | Sync | (86) | (83) | Hsyn | V2+ | V4+ |
| Color/Mono | C | Stype | | | V1+ | V2- | V4- |
| Multisync | Y | Range30-38 | | 50-90 | V1- | V3+ | Recall: 5-8 |
| Multimode | N | VGA, SVGA, VESA | | | | | |

| SOCOS | | Horizontal | Vertical | Connector Pins | | | Grounds |
|------------|---|--|----------|----------------|------|------|--------------|
| CM-1448 | | Freq | | | Red | RedI | |
| | | Pix | 1024 | 768 | Grn | GrnI | Ang Gnd: |
| Adapter# | 4 | Fpor | (84) | (81) | Blu | BluI | |
| Interlace | Y | Bpor | (85) | (82) | Vsyn | Csyn | V3- Dig Gnd: |
| Video Type | A | Sync | (86) | (83) | Hsyn | V2+ | V4+ |
| Color/Mono | C | Stype | | | V1+ | V2- | V4- |
| Multisync | Y | Range30/50 | | 50-90 | V1- | V3+ | Recall: 5-9 |
| Multimode | N | VGA, SVGA, VESA, INTERLACED IN 8514A MODE. | | | | | |

| SOCOS | | Horizontal | Vertical | Connector Pins | | | Grounds |
|----------------|-----|--|----------|----------------|------|------|-------------|
| CM-1468 | | Freq | | Red | RedI | | |
| | Pix | 1024 | 768 | Grn | GrnI | | Ang Gnd: |
| Adapter# | 4 | Fpor | (84) | (81) | Blu | BluI | |
| Interlace | Y | Bpor | (85) | (82) | Vsyn | Csyn | V3- |
| Video Type | A | Sync | (86) | (83) | Hsyn | V2+ | V4+ |
| Color/Mono | C | Stype | | | V1+ | V2- | V4- |
| Multisync | Y | Range | 30-60 | 50-100 | V1- | V3+ | Recall: 5-9 |
| Multimode | N | VGA, SVGA, VESA, INTERLACED IN 8514A MODE. | | | | | |

| SOCOS | | Horizontal | Vertical | Connector Pins | | | Grounds |
|-----------------|-----|--|----------|----------------|------|------|-------------|
| DCM-1568 | | Freq | | Red | RedI | | |
| | Pix | 1280 | 1024 | Grn | GrnI | | Ang Gnd: |
| Adapter# | 4 | Fpor | (84) | (81) | Blu | BluI | |
| Interlace | Y | Bpor | (85) | (82) | Vsyn | Csyn | V3- |
| Video Type | A | Sync | (86) | (83) | Hsyn | V2+ | V4+ |
| Color/Mono | C | Stype | | | V1+ | V2- | V4- |
| Multisync | Y | Range | 30-65 | 50-100 | V1- | V3+ | Recall: 5-9 |
| Multimode | N | VGA, SVGA, VESA, INTERLACED IN 8514A MODE. | | | | | |

| SOCOS | | Horizontal | Vertical | Connector Pins | | | Grounds |
|-----------------|-----|--|----------|----------------|------|------|-------------|
| DCM-1588 | | Freq | | Red | RedI | | |
| | Pix | 1280 | 1024 | Grn | GrnI | | Ang Gnd: |
| Adapter# | 4 | Fpor | (84) | (81) | Blu | BluI | |
| Interlace | Y | Bpor | (85) | (82) | Vsyn | Csyn | V3- |
| Video Type | A | Sync | (86) | (83) | Hsyn | V2+ | V4+ |
| Color/Mono | C | Stype | | | V1+ | V2- | V4- |
| Multisync | Y | Range | 30-65 | 50-100 | V1- | V3+ | Recall: 5-9 |
| Multimode | N | VGA, SVGA, VESA, INTERLACED IN 8514A MODE. | | | | | |

| SOCOS | | Horizontal | Vertical | Connector Pins | | | Grounds |
|--------------------|-----|---|----------|----------------|------|------|---------------|
| DCM-1768/VA | | Freq | | Red | RedI | | |
| | Pix | 1280 | 1024 | Grn | GrnI | | Ang Gnd: |
| Adapter# | 4 | Fpor | (84) | (81) | Blu | BluI | |
| Interlace | Y | Bpor | (85) | (82) | Vsyn | Csyn | V3- |
| Video Type | A | Sync | (86) | (83) | Hsyn | V2+ | V4+ |
| Color/Mono | C | Stype | | | V1+ | V2- | V4- |
| Multisync | Y | Range | 30-65 | 50-100 | V1- | V3+ | Recall: 12,15 |
| Multimode | N | VGA, SVGA, VESA, INTERLACED IN 8514A ONLY | | | | | |

| SOCOS | | Horizontal | Vertical | Connector Pins | | | Grounds |
|-------------------|-----|--|----------|----------------|------|------|--------------|
| PCM-1768/A | | Freq | | Red | RedI | | |
| | Pix | 1280 | 1024 | Grn | GrnI | | Ang Gnd: |
| Adapter# | 4,5 | Fpor | (84) | (81) | Blu | BluI | |
| Interlace | Y | Bpor | (85) | (82) | Vsyn | Csyn | V3- |
| Video Type | A | Sync | (86) | (83) | Hsyn | V2+ | V4+ |
| Color/Mono | C | Stype | | | V1+ | V2- | V4- |
| Multisync | Y | Range | 30-66 | 50-100 | V1- | V3+ | Recall: 5-10 |
| Multimode | N | VGA, SVGA, VESA, INTERLACED IN 8514A MODE. | | | | | |

| SOCOS | | Horizontal | Vertical | Connector Pins | | | Grounds |
|-----------------|-----|--|----------|----------------|------|------|--------------|
| PCM-2068 | | Freq | | Red | RedI | | |
| | Pix | 1280 | 1024 | Grn | GrnI | | Ang Gnd: |
| Adapter# | 4,5 | Fpor | (84) | (81) | Blu | BluI | |
| Interlace | Y | Bpor | (85) | (82) | Vsyn | Csyn | V3- |
| Video Type | A | Sync | (86) | (83) | Hsyn | V2+ | V4+ |
| Color/Mono | C | Stype | | | V1+ | V2- | V4- |
| Multisync | Y | Range | 30-64 | 50-120 | V1- | V3+ | Recall: 5-10 |
| Multimode | N | VGA, SVGA, VESA, INTERLACED IN 8514A MODE. | | | | | |

| SOCOS | | Horizontal | Vertical | Connector Pins | | | Grounds |
|-------------------|-----|--|----------|----------------|------|------|--------------|
| SCM-1760VA | | Freq | | Red | RedI | | |
| | Pix | 1024 | 768 | Grn | GrnI | | Ang Gnd: |
| Adapter# | 4,5 | Fpor | (84) | (81) | Blu | BluI | |
| Interlace | Y | Bpor | (85) | (82) | Vsyn | Csyn | V3- |
| Video Type | A | Sync | (86) | (83) | Hsyn | V2+ | V4+ |
| Color/Mono | C | Stype | | | V1+ | V2- | V4- |
| Multisync | Y | Range | 28-57 | 50-87 | V1- | V3+ | Recall: 5-10 |
| Multimode | N | VGA, SVGA, VESA, INTERLACED IN 8514A MODE. | | | | | |

| SOCOS | | Horizontal | Vertical | Connector Pins | | | Grounds |
|-------------------|-----|--|----------|----------------|------|------|--------------|
| SCM-2070VA | | Freq | | Red | RedI | | |
| | Pix | 1280 | 1024 | Grn | GrnI | | Ang Gnd: |
| Adapter# | 4,5 | Fpor | (84) | (81) | Blu | BluI | |
| Interlace | Y | Bpor | (85) | (82) | Vsyn | Csyn | V3- |
| Video Type | A | Sync | (86) | (83) | Hsyn | V2+ | V4+ |
| Color/Mono | C | Stype | | | V1+ | V2- | V4- |
| Multisync | Y | Range | 30-71 | 50-120 | V1- | V3+ | Recall: 5-10 |
| Multimode | N | VGA, SVGA, VESA, INTERLACED IN 8514A MODE. | | | | | |

| SONY | | Horizontal | Vertical | Connector Pins | | | Grounds |
|-----------------|-----|--------------------|----------|----------------|------|------|----------|
| CPD-1302 | | Freq | | Red | 3 | RedI | |
| | Pix | 800 | 600 | Grn | 4 | GrnI | Ang Gnd: |
| Adapter# | 1 | Fpor | (84) | (81) | Blu | 5 | BluI |
| Interlace | N | Bpor | (85) | (82) | Vsyn | 9 | Csyn |
| Video Type | A | Sync | (86) | (83) | Hsyn | 8 | V2+ |
| Color/Mono | C | Stype | | | V1+ | V2- | V4- |
| Multisync | Y | Range | 15-36 | 50-100 | V1- | V3+ | Recall: |
| Multimode | | use gender changer | | | | | |

| SONY | | Horizontal | Vertical | Connector Pins | | | Grounds |
|-----------------|-----|------------|----------|----------------|------|------|----------|
| CPD-1304 | | Freq | | Red | 3 | RedI | |
| | Pix | 1024 | 768 | Grn | 4 | GrnI | Ang Gnd: |
| Adapter# | | Fpor | (84) | (81) | Blu | 5 | BluI |
| Interlace | N | Bpor | (85) | (82) | Vsyn | 9 | Csyn |
| Video Type | A | Sync | (86) | (83) | Hsyn | 8 | V2+ |
| Color/Mono | C | Stype | | | V1+ | V2- | V4- |
| Multisync | Y | Range | 28-50 | 50-87 | V1- | V3+ | Recall: |
| Multimode | | | | | | | |

| SONY | | Horizontal | Vertical | Connector Pins | | | Grounds |
|------------------|-----|------------|----------|----------------|------|------|-----------------|
| CPD-1304S | | Freq | | Red | 1 | RedI | |
| | Pix | 1024 | 768 | Grn | 2 | GrnI | Ang Gnd: |
| Adapter# | 4 | Fpor | (84) | (81) | Blu | 3 | BluI |
| Interlace | N | Bpor | (85) | (82) | Vsyn | 14 | Csyn |
| Video Type | A | Sync | (86) | (83) | Hsyn | 13 | V2+ |
| Color/Mono | C | Stype | - | - | V1+ | V2- | V4- |
| Multisync | Y | Range | 28-57 | 55-110 | V1- | V3+ | Recall: 5-11,32 |
| Multimode | N | | | | | | |

| SONY | | Horizontal | Vertical | Connector Pins | | | Grounds |
|-----------------|-----|---------------|----------|----------------|------|------|----------|
| CPD-1320 | | Freq | 31.50 | Red | | RedI | |
| | Pix | 640 | 480 | Grn | | GrnI | Ang Gnd: |
| Adapter# | 4 | Fpor | (84) | (81) | Blu | | BluI |
| Interlace | N | Bpor | (85) | (82) | Vsyn | | Csyn |
| Video Type | A | Sync | (86) | (83) | Hsyn | | V2+ |
| Color/Mono | C | Stype | | | V1+ | | V2- |
| Multisync | Y | Range | | 60-70 | V1- | | V3+ |
| Multimode | | Recall: 5,6,7 | | | | | |

| SONY | | Horizontal | Vertical | Connector Pins | | | Grounds |
|----------------------------|---|---------------------------|-----------|----------------|------|------|------------|
| CPD-1393 | | Freq | | Red | 1 | RedI | 6,7,8,10,1 |
| TRINITRON CHARACTER | | Pix | 1024 | 768 | Grn | 2 | GrnI |
| Adapter# | 4 | Fpor | 1.35 (84) | 0 (81) | Blu | 3 | BluI |
| Interlace | N | Bpor | 1.97 (85) | 0.6 (82) | Vsyn | 14 | Csyn |
| Video Type | A | Sync | 1.23 (86) | 0.06 (83) | Hsyn | 13 | V2+ |
| Color/Mono | C | Stype | + | + | V1+ | V2- | V4- |
| Multisync | Y | Range | 31.5-48.7 | 60-70 | V1- | V3+ | Recall: |
| Multimode | N | BLANKING TIMES FOR BORDER | | | | | |

| SONY | | Horizontal | Vertical | Connector Pins | | | Grounds |
|---------------------------|---|---|-----------|----------------|------|------|-------------------|
| CPD-1430 | | Freq | | Red | 1 | RedI | 4-8,10,11 |
| MULTISCAN COLOR MO | | Pix | 1024 | 768 | Grn | 2 | GrnI |
| Adapter# | 4 | Fpor | (84) | (81) | Blu | 3 | BluI |
| Interlace | N | Bpor | (85) | (82) | Vsyn | 14 | Csyn |
| Video Type | A | Sync | (86) | (83) | Hsyn | 13 | V2+ |
| Color/Mono | C | Stype | | | V1+ | V2- | V4- |
| Multisync | Y | Range | 31.5-49.7 | 60-87 | V1- | V3+ | Recall:5,7,9,32,3 |
| Multimode | N | INTERLACED IN 8514A MODE, HAS 8 ADDITIONAL MODES. | | | | | |

| SONY | | Horizontal | Vertical | Connector Pins | | | Grounds |
|-----------------|---------|------------|----------|----------------|------|-----|------------|
| CPD-1604 | Freq | | | Red 1 | RedI | | 4,6,7,8,10 |
| MULTISCAN COLOR | DI Pix | 1024 | 768 | Grn 2 | GrnI | | Ang Gnd: |
| Adapter# | 4 Fpor | (84) | (81) | Blu 3 | BluI | | |
| Interlace | N Bpor | (85) | (82) | Vsyn 14 | Csyn | V3- | Dig Gnd: |
| Video Type | D Sync | (86) | (83) | Hsyn 13 | V2+ | V4+ | |
| Color/Mono | C Stype | G | G | V1+ | V2- | V4- | |
| Multisync | Y Range | 28-57 | 50-87 | V1- | V3+ | | Recall: |
| Multimode | N | | | | | | |

| SONY | | Horizontal | Vertical | Connector Pins | | | Grounds |
|------------|---------|------------|-------------------------------|----------------|---------|-----|-------------------|
| CPD-1730 | Freq | | | Red 1 | RedI | | 4-8, 10,11 |
| MULTISCAN | Pix | 1024 | 768 | Grn 2 | GrnI | | Ang Gnd: |
| Adapter# | 4 Fpor | (84) | (81) | Blu 3 | BluI | | |
| Interlace | Y Bpor | (85) | (82) | Vsyn 14 | Csyn 13 | V3- | Dig Gnd: |
| Video Type | A Sync | (86) | (83) | Hsyn 13 | V2+ | V4+ | |
| Color/Mono | C Stype | | | V1+ | V2- | V4- | |
| Multisync | Y Range | 28-58 | 55-110 | V1- | V3+ | | Recall:5,6,7,9,10 |
| Multimode | N | | INTERLACE IN 1024 X 768 ONLY. | | | | |

| SONY | | Horizontal | Vertical | Connector Pins | | | Grounds |
|------------|---------|------------|------------|----------------|------|-----|----------|
| GDM-1601 | Freq | 63.34 | 60.0 | Red | RedI | | |
| | Pix | 1280 | 1024 | Grn | GrnI | | Ang Gnd: |
| Adapter# | 6 Fpor | 0.407 (84) | 0.047 (81) | Blu | BluI | | |
| Interlace | N Bpor | 1.05 (85) | 0.411 (82) | Vsyn | Csyn | V3- | Dig Gnd: |
| Video Type | A Sync | 1.7 (86) | 0.047 (83) | Hsyn | V2+ | V4+ | |
| Color/Mono | C Stype | - | - | V1+ | V2- | V4- | |
| Multisync | Range | | | V1- | V3+ | | Recall: |
| Multimode | | | | | | | |

| SONY | | Horizontal | Vertical | Connector Pins | | | Grounds |
|------------|---------|------------|------------|----------------|------|-----|----------|
| GDM-1602 | Freq | 48.78 | 60.0 | Red | RedI | | |
| | Pix | 1024 | 768 | Grn | GrnI | | Ang Gnd: |
| Adapter# | 6 Fpor | 1 (84) | 0.062 (81) | Blu | BluI | | |
| Interlace | N Bpor | 2 (85) | 0.8 (82) | Vsyn | Csyn | V3- | Dig Gnd: |
| Video Type | A Sync | 1.5 (86) | 0.062 (83) | Hsyn | V2+ | V4+ | |
| Color/Mono | C Stype | - | - | V1+ | V2- | V4- | |
| Multisync | N Range | | | V1- | V3+ | | Recall: |
| Multimode | N | | | | | | |

| SONY | | Horizontal | Vertical | Connector Pins | | | Grounds |
|------------|---------|------------|------------|----------------|--------|-----|----------|
| GDM-1662 | Freq | 61.80 | 66.0 | Red A1 | RedI | | |
| | Pix | 1152 | 900 | Grn A2 | GrnI | | Ang Gnd: |
| Adapter# | Fpor | 0.312 (84) | 0.032 (81) | Blu A3 | BluI | | 1,4,7,10 |
| Interlace | N Bpor | 2.1 (85) | 0.065 (82) | Vsyn 2 | Csyn 5 | V3- | Dig Gnd: |
| Video Type | A Sync | 1.38 (86) | 0.502 (83) | Hsyn 6 | V2+ | V4+ | |
| Color/Mono | C Stype | - | - | V1+ | V2- | V4- | |
| Multisync | Range | | | V1- | V3+ | | Recall: |
| Multimode | | | | | | | |

| SONY | | Horizontal | Vertical | Connector Pins | | | Grounds |
|------------|---------|------------|-----------|----------------|------|-----|----------|
| GDM-1901 | Freq | 63.34 | 60.0 | Red | RedI | | |
| | Pix | 1280 | 1024 | Grn | GrnI | | Ang Gnd: |
| Adapter# | 6 Fpor | 0.407 (84) | 0.05 (81) | Blu | BluI | | |
| Interlace | N Bpor | 1.85 (85) | 0.41 (82) | Vsyn | Csyn | V3- | Dig Gnd: |
| Video Type | A Sync | 1.7 (86) | 0.05 (83) | Hsyn | V2+ | V4+ | |
| Color/Mono | C Stype | - | - | V1+ | V2- | V4- | |
| Multisync | Range | | | V1- | V3+ | | Recall: |
| Multimode | | | | | | | |

| SONY | | Horizontal | Vertical | Connector Pins | | | Grounds |
|------------|---------|------------|------------|----------------|------|-----|----------|
| GDM-1930 | Freq | 63.34 | 60.0 | Red | RedI | | |
| | Pix | 1280 | 1024 | Grn | GrnI | | Ang Gnd: |
| Adapter# | 6 Fpor | 0.407 (84) | 0.047 (81) | Blu | BluI | | |
| Interlace | N Bpor | 1.85 (85) | 0.41 (82) | Vsyn | Csyn | V3- | Dig Gnd: |
| Video Type | A Sync | 1.7 (86) | 0.047 (83) | Hsyn | V2+ | V4+ | |
| Color/Mono | C Stype | - | - | V1+ | V2- | V4- | |
| Multisync | Range | | | V1- | V3+ | | Recall: |
| Multimode | 1 | | | | | | |

| SONY | | Horizontal | Vertical | Connector Pins | | | Grounds |
|-----------------|---|------------|------------|----------------|--------|--------|--------------|
| GDM-1930 | | Freq | 48.78 | 60.0 | Red | RedI | |
| | | Pix | 1024 | 768 | Grn | GrnI | Ang Gnd: |
| Adapter# | 6 | Fpor | 1 (84) | 0.062 (81) | Blu | BluI | |
| Interlace | N | Bpor | 1.5 (85) | 0.8 (82) | Vsyn | Csyn | V3- Dig Gnd: |
| Video Type | A | Sync | 2 (86) | 0.062 (83) | Hsyn | V2+ | V4+ |
| Color/Mono | | Stype | - | - | V1+ | V2- | V4- |
| Multisync | | Range | | | V1- | V3+ | Recall: |
| Multimode | 2 | | | | | | |
| SONY | | Horizontal | Vertical | Connector Pins | | | Grounds |
| GDM-1931 | | Freq | 48.78 | 60.0 | Red | RedI | |
| | | Pix | 1024 | 768 | Grn | GrnI | Ang Gnd: |
| Adapter# | 6 | Fpor | 1 (84) | 0.062 (81) | Blu | BluI | |
| Interlace | N | Bpor | 1.5 (85) | 0.8 (82) | Vsyn | Csyn | V3- Dig Gnd: |
| Video Type | A | Sync | 2 (86) | 0.062 (83) | Hsyn | V2+ | V4+ |
| Color/Mono | | Stype | - | - | V1+ | V2- | V4- |
| Multisync | | Range | | | V1- | V3+ | Recall: |
| Multimode | | | | | | | |
| SONY | | Horizontal | Vertical | Connector Pins | | | Grounds |
| GDM-1932 | | Freq | 63.34 | 60.0 | Red | RedI | |
| | | Pix | 1280 | 1024 | Grn | GrnI | Ang Gnd: |
| Adapter# | 6 | Fpor | 0.407 (84) | 0.047 (81) | Blu | BluI | |
| Interlace | N | Bpor | 1.85 (85) | 0.41 (82) | Vsyn | Csyn | V3- Dig Gnd: |
| Video Type | A | Sync | 1.7 (86) | 0.047 (83) | Hsyn | V2+ | V4+ |
| Color/Mono | | Stype | - | - | V1+ | V2- | V4- |
| Multisync | | Range | | | V1- | V3+ | Recall: |
| Multimode | | | | | | | |
| SONY | | Horizontal | Vertical | Connector Pins | | | Grounds |
| GDM-1934 | | Freq | 78.86 | 74.1 | Red | RedI | |
| | | Pix | 1280 | 1024 | Grn | GrnI | Ang Gnd: |
| Adapter# | | Fpor | 0.237 (84) | 0.03804 (81) | Blu | BluI | |
| Interlace | N | Bpor | 1.896 (85) | 0.4311 (82) | Vsyn | Csyn | V3- Dig Gnd: |
| Video Type | | Sync | 1.067 (86) | 0.038 (83) | Hsyn | V2+ | V4+ |
| Color/Mono | C | Stype | G | G | V1+ | V2- | V4- |
| Multisync | | Range | | | V1- | V3+ | Recall: |
| Multimode | | | | | | | |
| SONY | | Horizontal | Vertical | Connector Pins | | | Grounds |
| GDM-1950 | | Freq | 63.34 | 60.0 | Red | RedI | |
| | | Pix | 1280 | 1024 | Grn | GrnI | Ang Gnd: |
| Adapter# | 6 | Fpor | 0.407 (84) | 0.047 (81) | Blu | BluI | |
| Interlace | N | Bpor | 1.85 (85) | 0.411 (82) | Vsyn | Csyn | V3- Dig Gnd: |
| Video Type | A | Sync | 1.7 (86) | 0.047 (83) | Hsyn | V2+ | V4+ |
| Color/Mono | C | Stype | - | - | V1+ | V2- | V4- |
| Multisync | N | Range | | | V1- | V3+ | Recall: |
| Multimode | N | | | | | | |
| SONY | | Horizontal | Vertical | Connector Pins | | | Grounds |
| GDM-1952 | | Freq | 48.78 | 60.0 | Red | RedI | |
| | | Pix | 1024 | 768 | Grn | GrnI | Ang Gnd: |
| Adapter# | 6 | Fpor | 1 (84) | 0.062 (81) | Blu | BluI | |
| Interlace | N | Bpor | 2 (85) | 0.8 (82) | Vsyn | Csyn | V3- Dig Gnd: |
| Video Type | A | Sync | 1.5 (86) | 0.062 (83) | Hsyn | V2+ | V4+ |
| Color/Mono | | Stype | - | - | V1+ | V2- | V4- |
| Multisync | N | Range | | | V1- | V3+ | Recall: |
| Multimode | N | | | | | | |
| SONY | | Horizontal | Vertical | Connector Pins | | | Grounds |
| GDM-1962 | | Freq | 71.70 | 67.0 | Red A1 | RedI | |
| | | Pix | 1280 | 1024 | Grn A2 | GrnI | Ang Gnd: |
| Adapter# | | Fpor | (84) | (81) | Blu A3 | BluI | 1,4,7,10 |
| Interlace | N | Bpor | (85) | (82) | Vsyn 2 | Csyn 5 | V3- Dig Gnd: |
| Video Type | A | Sync | (86) | (83) | Hsyn 6 | V2+ | V4+ |
| Color/Mono | C | Stype | - | - | V1+ | V2- | V4- |
| Multisync | | Range | | | V1- | V3+ | Recall: |
| Multimode | 1 | | | | | | |

| SONY | | Horizontal | Vertical | Connector Pins | | | Grounds |
|-----------------|---------|------------|----------|----------------|--------|-----|----------|
| GDM-1962 | Freq | 71.70 | 76.0 | Red A1 | RedI | | |
| | Pix | 1152 | 900 | Grn A2 | GrnI | | Ang Gnd: |
| Adapter# | Fpor | (84) | (81) | Blu A3 | BluI | | 1,4,7,10 |
| Interlace | N Bpor | (85) | (82) | Vsyn 2 | Csyn 5 | V3- | Dig Gnd: |
| Video Type | A Sync | (86) | (83) | Hsyn 6 | V2+ | V4+ | |
| Color/Mono | C Stype | - | - | V1+ | V2- | V4- | |
| Multisync | Range | | | V1- | V3+ | | Recall: |
| Multimode | 2 | | | | | | |

| SONY | | Horizontal | Vertical | Connector Pins | | | Grounds |
|-----------------|---------|------------|------------|----------------|--------|-----|----------|
| GDM-1962 | Freq | 61.80 | 66.0 | Red A1 | RedI | | |
| | Pix | 1152 | 900 | Grn A2 | GrnI | | Ang Gnd: |
| Adapter# | Fpor | 0.312 (84) | 0.032 (81) | Blu A3 | BluI | | 1,4,7,10 |
| Interlace | N Bpor | 2.1 (85) | 0.502 (82) | Vsyn 2 | Csyn 5 | V3- | Dig Gnd: |
| Video Type | A Sync | 1.38 (86) | 0.065 (83) | Hsyn 6 | V2+ | V4+ | |
| Color/Mono | C Stype | - | - | V1+ | V2- | V4- | |
| Multisync | Range | | | V1- | V3+ | | Recall: |
| Multimode | 3 | | | | | | |

| SONY | | Horizontal | Vertical | Connector Pins | | | Grounds |
|-----------------|---------|------------|----------|----------------|--------|-----|----------|
| GDM-1962 | Freq | 71.70 | 76.0 | Red A1 | RedI | | |
| | Pix | 1076 | 824 | Grn A2 | GrnI | | Ang Gnd: |
| Adapter# | Fpor | (84) | (81) | Blu A3 | BluI | | 1,4,7,10 |
| Interlace | N Bpor | (85) | (82) | Vsyn 2 | Csyn 5 | V3- | Dig Gnd: |
| Video Type | A Sync | (86) | (83) | Hsyn 6 | V2+ | V4+ | |
| Color/Mono | C Stype | - | - | V1+ | V2- | V4- | |
| Multisync | Range | | | V1- | V3+ | | Recall: |
| Multimode | 4 | | | | | | |

| SONY | | Horizontal | Vertical | Connector Pins | | | Grounds |
|------------------------|---------|------------|----------|----------------|------|-----|-------------------|
| GDM-2038 | Freq | | | Red 1 | RedI | | |
| MULTISCAN COLOR | GRPix | 1280 | 1024 | Grn 2 | GrnI | | Ang Gnd: |
| Adapter# | 4 Fpor | (84) | (81) | Blu 3 | BluI | | Dig Gnd: |
| Interlace | N Bpor | (85) | (82) | Vsyn 14 | Csyn | V3- | |
| Video Type | A Sync | (86) | (83) | Hsyn 13 | V2+ | V4+ | |
| Color/Mono | C Stype | | | V1+ | V2- | V4- | |
| Multisync | Y Range | 28-85 | 50-160 | V1- | V3+ | | Recall:6,7,21,30, |
| Multimode | M | | | | | | |

| SONY | | Horizontal | Vertical | Connector Pins | | | Grounds |
|------------------------|---------|-------------|-------------------|----------------|--------|-----|----------------------|
| GVM-1300 | Freq | | | Red 3 | RedI | | 1 |
| TRINITRON COLOR | MO Pix | 1024 | 768 | Grn 4 | GrnI | | Ang Gnd: |
| Adapter# | 2 Fpor | 0.349 (84) | 0.64 (81) | Blu 5 | BluI | | Dig Gnd: |
| Interlace | N Bpor | 1.91 (85) | 1.017 (82) | Vsyn 9 | Csyn 8 | V3- | |
| Video Type | A Sync | 3.81 (86) | 0.06 (83) | Hsyn 8 | V2+ | V4+ | |
| Color/Mono | C Stype | C | C | V1+ | V2- | V4- | |
| Multisync | Y Range | 15-36 | 50-100 | V1- | V3+ | | Recall:0,2,5,6,7 |
| Multimode | N | VGA,CGA,EGA | ANALOG OR DIGITAL | | | | VIDEO, RGB=900 X 560 |

| SONY | | Horizontal | Vertical | Connector Pins | | | Grounds |
|------------------------|---------|-------------|-----------------|----------------|--------|-----|------------------|
| GVM-1305TS | Freq | | | Red 3 | RedI | | 1 |
| TRINITRON COLOR | VI Pix | 1024 | 768 | Grn 4 | GrnI | | Ang Gnd: |
| Adapter# | 2 Fpor | (84) | (81) | Blu 5 | BluI | | Dig Gnd: |
| Interlace | N Bpor | (85) | (82) | Vsyn 9 | Csyn 8 | V3- | |
| Video Type | A Sync | (86) | (83) | Hsyn 8 | V2+ | V4+ | |
| Color/Mono | C Stype | | | V1+ | V2- | V4- | |
| Multisync | Y Range | 15-36 | 50-100 | V1- | V3+ | | Recall:0,2,5,6,7 |
| Multimode | N | VGA,CGA,EGA | ANALOG/DIGITAL. | | | | |

| SONY | | Horizontal | Vertical | Connector Pins | | | Grounds |
|-------------------|---------|------------|----------|----------------|------|-----|-----------------------------|
| GVM-1305TS | Freq | | | Red | RedI | | |
| | Pix | | | Grn | GrnI | | Ang Gnd: |
| Adapter# | 2 Fpor | (84) | (81) | Blu | BluI | | Dig Gnd: |
| Interlace | N Bpor | (85) | (82) | Vsyn | Csyn | V3- | |
| Video Type | A Sync | (86) | (83) | Hsyn | V2+ | V4+ | |
| Color/Mono | C Stype | | | V1+ | V2- | V4- | |
| Multisync | Y Range | 15.0-36.0 | 50-100 | V1- | V3+ | | Recall: |
| Multimode | | | | | | | NTSC composite, Y/C and RGB |

| SONY | | Horizontal | Vertical | Connector Pins | Grounds |
|--------------------|--------------|--|----------|----------------|---------------|
| GVM-1311Q | Freq | | | Red 3 RedI | 1 |
| TRINITRON COLOR VI | Pix | 1024 | 768 | Grn 4 GrnI | Ang Gnd: |
| Adapter# | 2 Fpor | (84) | (81) | Blu 5 BluI | |
| Interlace | Y Bpor | (85) | (82) | Vsyn 9 Csyn 8 | V3- Dig Gnd: |
| Video Type | A Sync | (86) | (83) | Hsyn 8 V2+ | V4+ |
| Color/Mono | Stype | | | V1+ V2- | V4- |
| Multisync | Y Range15-36 | | 50-100 | V1- V3+ | Recall: 2,9,7 |
| Multimode | N | VGA,CGA,EGA, 1ANALOG/DIGITAL, INTERLACE ONLY ON 1024 X 768 | | | |

| SONY | | Horizontal | Vertical | Connector Pins | Grounds |
|-------------|---------|------------|------------|----------------|--------------|
| GVM-1316TSQ | Freq | 15.73 | 59.9 | Red 6 RedI | 16-24 |
| | Pix | 640 | 242 | Grn 5 GrnI | Ang Gnd: |
| Adapter# | Fpor | 1.5 (84) | 0.191 (81) | Blu 4 BluI | |
| Interlace | N Bpor | 3.2 (85) | 0.892 (82) | Vsyn 11 Csyn | V3- Dig Gnd: |
| Video Type | A Sync | 4.7 (86) | 0.191 (83) | Hsyn 3 V2+ | V4+ |
| Color/Mono | C Stype | - | - | V1+ V2- | V4- |
| Multisync | N Range | | | V1- V3+ | Recall: 27 |
| Multimode | N | | | | |

| SONY | | Horizontal | Vertical | Connector Pins | Grounds |
|--------------------|--------------|---|----------|----------------|---------------|
| GVM-1316TSQ | Freq | | | Red 3 RedI | 1 |
| TRINITRON COLOR VI | Pix | 1024 | 768 | Grn 4 GrnI | Ang Gnd: |
| Adapter# | 2 Fpor | (84) | (81) | Blu 5 BluI | |
| Interlace | Y Bpor | (85) | (82) | Vsyn 9 Csyn 8 | V3- Dig Gnd: |
| Video Type | A Sync | (86) | (83) | Hsyn 8 V2+ | V4+ |
| Color/Mono | C Stype | | | V1+ V2- | V4- |
| Multisync | Y Range15-36 | | 50-100 | V1- V3+ | Recall: 2,9,7 |
| Multimode | N | CGA,EGA,VGA,85ANALOG/DIGITAL, INTERLACE IN 1024 X 768 ONLY. | | | |

| SONY | | Horizontal | Vertical | Connector Pins | Grounds |
|--------------------|--------------|---|----------|----------------|---------------|
| GVM-1316TSQ | Freq | | | Red 3 RedI | 1 |
| TRINITRON COLOR VI | Pix | 1024 | 768 | Grn 4 GrnI | Ang Gnd: |
| Adapter# | 2 Fpor | (84) | (81) | Blu 5 BluI | |
| Interlace | Y Bpor | (85) | (82) | Vsyn 9 Csyn 8 | V3- Dig Gnd: |
| Video Type | A Sync | (86) | (83) | Hsyn 8 V2+ | V4+ |
| Color/Mono | Stype | | | V1+ V2- | V4- |
| Multisync | Y Range15-36 | | 50-100 | V1- V3+ | Recall: 2,7,9 |
| Multimode | N | CGA,EGA,VGA,85ANALOG/DIGITAL, INTERLACE IN 1024 X 768 ONLY. | | | |

| SONY | | Horizontal | Vertical | Connector Pins | Grounds |
|--------------------|-----------------|---|----------|----------------|--------------|
| GVM-2000 | Freq | | | Red RedI | 1 |
| TRINITRON COLOR VI | Pix | 720 | 480 | Grn GrnI | Ang Gnd: |
| Adapter# | 6 Fpor | (84) | (81) | Blu BluI | |
| Interlace | N Bpor | (85) | (82) | Vsyn Csyn | V3- Dig Gnd: |
| Video Type | A Sync | (86) | (83) | Hsyn V2+ | V4+ |
| Color/Mono | C Stype | | | V1+ V2- | V4- |
| Multisync | Y Range15.75-36 | | 50-100 | V1- V3+ | Recall: |
| Multimode | N | CGA, EGA, VGA, COMPATIBLE WITH CGA, EGA, VGA, MACII | | | |

| SONY | | Horizontal | Vertical | Connector Pins | Grounds |
|------------|---------|------------|------------|----------------|--------------|
| PVM-1270Q | Freq | 15.73 | 59.9 | Red 6 RedI | 16-24 |
| | Pix | 640 | 242 | Grn 5 GrnI | Ang Gnd: |
| Adapter# | Fpor | 1.5 (84) | 0.191 (81) | Blu 4 BluI | |
| Interlace | N Bpor | 3.2 (85) | 0.892 (82) | Vsyn 11 Csyn | V3- Dig Gnd: |
| Video Type | A Sync | 4.7 (86) | 0.191 (83) | Hsyn 3 V2+ | V4+ |
| Color/Mono | C Stype | - | - | V1+ V2- | V4- |
| Multisync | N Range | | | V1- V3+ | Recall: 27 |
| Multimode | N | | | | |

| SONY | | Horizontal | Vertical | Connector Pins | Grounds |
|------------|---------|--------------------|----------|----------------|--------------|
| PVM-1342Q | Freq | 15.70 | 60.0 | Red RedI | |
| | Pix | | | Grn GrnI | Ang Gnd: |
| Adapter# | 1 Fpor | (84) | (81) | Blu BluI | |
| Interlace | Bpor | (85) | (82) | Vsyn Csyn | V3- Dig Gnd: |
| Video Type | D Sync | (86) | (83) | Hsyn V2+ | V4+ |
| Color/Mono | C Stype | | | V1+ V2- | V4- |
| Multisync | N Range | | | V1- V3+ | Recall: 0 |
| Multimode | N | RCA input = analog | | | |

| SONY | | Horizontal | Vertical | Connector Pins | | | Grounds |
|-----------------|---|------------|----------|----------------|------|------|--------------|
| PVM-1910 | | Freq | 15.70 | 60.0 | Red | RedI | |
| | | Pix | 440 | 242 | Grn | GrnI | Ang Gnd: |
| Adapter# | 6 | Fpor | 1.5 (84) | 0.191 (81) | Blu | BluI | |
| Interlace | N | Bpor | 3.2 (85) | 0.892 (82) | Vsyn | Csyn | V3- Dig Gnd: |
| Video Type | A | Sync | 4.7 (86) | 0.191 (83) | Hsyn | V2+ | V4+ |
| Color/Mono | C | Stype | - | - | V1+ | V2- | V4- |
| Multisync | N | Range | | | V1- | V3+ | Recall: |
| Multimode | N | | | | | | |

NTSC, SWITCH ALL INPUTS TO 75 OHM TERM

| SONY | | Horizontal | Vertical | Connector Pins | | | Grounds |
|------------------|---|------------|----------|----------------|------|------|--------------|
| PVM-8041Q | | Freq | | | Red | RedI | |
| | | Pix | | | Grn | GrnI | Ang Gnd: |
| Adapter# | 6 | Fpor | (84) | (81) | Blu | BluI | |
| Interlace | | Bpor | (85) | (82) | Vsyn | Csyn | V3- Dig Gnd: |
| Video Type | | Sync | (86) | (83) | Hsyn | V2+ | V4+ |
| Color/Mono | C | Stype | | | V1+ | V2- | V4- |
| Multisync | N | Range | | | V1- | V3+ | Recall: 27 |
| Multimode | N | | | | | | |

NTSC composite color

| SONY | | Horizontal | Vertical | Connector Pins | | | Grounds |
|------------------|---|------------|----------|----------------|------|------|--------------|
| PVM-8044Q | | Freq | | | Red | RedI | |
| | | Pix | | | Grn | GrnI | Ang Gnd: |
| Adapter# | 6 | Fpor | (84) | (81) | Blu | BluI | |
| Interlace | | Bpor | (85) | (82) | Vsyn | Csyn | V3- Dig Gnd: |
| Video Type | | Sync | (86) | (83) | Hsyn | V2+ | V4+ |
| Color/Mono | C | Stype | | | V1+ | V2- | V4- |
| Multisync | N | Range | | | V1- | V3+ | Recall: 27 |
| Multimode | N | | | | | | |

NTSC composite color

| SONY | | Horizontal | Vertical | Connector Pins | | | Grounds |
|-----------------|---|------------|----------|----------------|------|----------|--------------|
| GDM-1604 | | Freq | 61.80 | 66.0 | Red | A1 RedI | |
| | | Pix | 1024 | 768 | Grn | A2 GrnI | Ang Gnd: |
| Adapter# | 6 | Fpor | (84) | (81) | Blu | A3 BluI | 1,4,7,10 |
| Interlace | N | Bpor | (85) | (82) | Vsyn | 2 Csyn 5 | V3- Dig Gnd: |
| Video Type | A | Sync | (86) | (83) | Hsyn | 6 V2+ | V4+ |
| Color/Mono | | Stype | - | - | V1+ | V2- | V4- |
| Multisync | | Range | | | V1- | V3+ | Recall: |
| Multimode | | | | | | | |

| SPERRY | | Horizontal | Vertical | Connector Pins | | | Grounds |
|----------------|---|------------|-----------|----------------|------|--------|--------------|
| TX1404S | | Freq | 23.80 | 60.0 | Red | 1 RedI | |
| | | Pix | 600 | 375 | Grn | 3 GrnI | Ang Gnd: |
| Adapter# | | Fpor | 1.63 (84) | 0.126 (81) | Blu | 5 BluI | 2,4,6, |
| Interlace | | Bpor | 2.74 (85) | 0.126 (82) | Vsyn | 1 Csyn | V3- Dig Gnd: |
| Video Type | D | Sync | 5.63 (86) | 0.672 (83) | Hsyn | 3 V2+ | V4+ |
| Color/Mono | C | Stype | | | V1+ | V2- | V4- |
| Multisync | | Range | | | V1- | V3+ | Recall: |
| Multimode | | | | | | | |

TERMINAL, VIDEO ON A4 PLUG, SYNC ON A5 PLUG

| SUN | | Horizontal | Vertical | Connector Pins | | | Grounds |
|------------------|---|------------|------------|----------------|------|------|--------------|
| 1024x1024 | | Freq | 65.30 | 61.4 | Red | RedI | |
| | | Pix | 1024 | 1024 | Grn | GrnI | Ang Gnd: |
| Adapter# | | Fpor | 0.344 (84) | 0.031 (81) | Blu | BluI | |
| Interlace | N | Bpor | 2.58 (85) | 0.506 (82) | Vsyn | Csyn | V3- Dig Gnd: |
| Video Type | A | Sync | 1.38 (86) | 0.061 (83) | Hsyn | V2+ | V4+ |
| Color/Mono | | Stype | - | - | V1+ | V2- | V4- |
| Multisync | | Range | | | V1- | V3+ | Recall: |
| Multimode | | | | | | | |

| SUN | | Horizontal | Vertical | Connector Pins | | | Grounds |
|-----------------|---|------------|------------|----------------|------|------|--------------|
| 360-1015 | | Freq | 61.80 | 66.0 | Red | RedI | |
| EM | | Pix | 1152 | 900 | Grn | GrnI | Ang Gnd: |
| Adapter# | 6 | Fpor | 0.312 (84) | 0.032 (81) | Blu | BluI | |
| Interlace | N | Bpor | 2.1 (85) | 0.502 (82) | Vsyn | Csyn | V3- Dig Gnd: |
| Video Type | A | Sync | 1.38 (86) | 0.065 (83) | Hsyn | V2+ | V4+ |
| Color/Mono | C | Stype | | | V1+ | V2- | V4- |
| Multisync | N | Range | | | V1- | V3+ | Recall: |
| Multimode | N | | | | | | |

| SUN | | Horizontal | Vertical | Connector Pins | | | Grounds |
|------------|---|------------|------------|----------------|------|------|--------------|
| 365-1000 | | Freq | 61.80 | | Red | RedI | |
| HM | | Pix | 1152 | | Grn | GrnI | Ang Gnd: |
| Adapter# | 6 | Fpor | 0.312 (84) | 0.032 (81) | Blu | BluI | |
| Interlace | N | Bpor | 2.1 (85) | 0.502 (82) | Vsyn | Csyn | V3- Dig Gnd: |
| Video Type | A | Sync | 1.38 (86) | 0.065 (83) | Hsyn | V2+ | V4+ |
| Color/Mono | C | Stype | C | C | V1+ | V2- | V4- |
| Multisync | N | Range | | | V1- | V3+ | Recall: |
| Multimode | N | | | | | | |

| SUN | | Horizontal | Vertical | Connector Pins | | | Grounds |
|------------|-----|------------|------------|----------------|------|------|--------------|
| 365-1005 | | Freq | 89.28 | | Red | RedI | |
| L7 | | Pix | 1600 | | Grn | GrnI | Ang Gnd: |
| Adapter# | ECL | Fpor | 0.014 (84) | 0.001 (81) | Blu | BluI | |
| Interlace | N | Bpor | 1.92 (85) | 0.493 (82) | Vsyn | Csyn | V3- Dig Gnd: |
| Video Type | E | Sync | 1.28 (86) | 0.112 (83) | Hsyn | V2+ | V4+ |
| Color/Mono | M | Stype | | | V1+ | V2- | V4- |
| Multisync | N | Range | | | V1- | V3+ | Recall: |
| Multimode | N | | | | | | |

| SUN | | Horizontal | Vertical | Connector Pins | | | Grounds |
|------------|-----|------------|------------|----------------|--------|------|--------------|
| 365-1016 | | Freq | 62.50 | | Red | RedI | 2,7-9 |
| M1 | | Pix | 1152 | | Grn | GrnI | Ang Gnd: |
| Adapter# | ECL | Fpor | 0.001 (84) | 0.001 (81) | Blu | BluI | |
| Interlace | N | Bpor | 3.28 (85) | 0.425 (82) | Vsyn 4 | Csyn | V3- Dig Gnd: |
| Video Type | E | Sync | 1.28 (86) | 0.16 (83) | Hsyn 3 | V2+ | V4+ |
| Color/Mono | M | Stype | | | V1+ 1 | V2- | V4- |
| Multisync | N | Range | | | V1- 6 | V3+ | Recall: |
| Multimode | N | | | | | | |

| SUN | | Horizontal | Vertical | Connector Pins | | | Grounds |
|------------|---|------------|------------|----------------|------|---------|--------------|
| 365-1038 | | Freq | 61.80 | | Red | A1 RedI | |
| GD | | Pix | 1152 | | Grn | A2 GrnI | Ang Gnd: |
| Adapter# | | Fpor | 0.312 (84) | 0.032 (81) | Blu | A3 BluI | |
| Interlace | N | Bpor | 2.1 (85) | 0.502 (82) | Vsyn | Csyn 5 | V3- Dig Gnd: |
| Video Type | A | Sync | 1.38 (86) | 0.065 (83) | Hsyn | V2+ | V4+ |
| Color/Mono | C | Stype | | | V1+ | V2- | V4- |
| Multisync | N | Range | | | V1- | V3+ | Recall: |
| Multimode | N | | | | | | |

| SUN | | Horizontal | Vertical | Connector Pins | | | Grounds |
|------------|-----|------------|------------|----------------|--------|------|--------------|
| 365-1051 | | Freq | 62.50 | | Red | RedI | 2,7-9 |
| M1 | | Pix | 1152 | | Grn | GrnI | Ang Gnd: |
| Adapter# | ECL | Fpor | 0.001 (84) | 0.001 (81) | Blu | BluI | |
| Interlace | N | Bpor | 3.28 (85) | 0.425 (82) | Vsyn 4 | Csyn | V3- Dig Gnd: |
| Video Type | E | Sync | 1.28 (86) | 0.16 (83) | Hsyn 3 | V2+ | V4+ |
| Color/Mono | M | Stype | | | V1+ 1 | V2- | V4- |
| Multisync | N | Range | | | V1- 6 | V3+ | Recall: |
| Multimode | N | | | | | | |

| SUN | | Horizontal | Vertical | Connector Pins | | | Grounds |
|------------|---|------------|----------|----------------|------|------|--------------|
| 365-1053 | | Freq | 61.80 | | Red | RedI | |
| | | Pix | 1076 | | Grn | GrnI | Ang Gnd: |
| Adapter# | | Fpor | (84) | (81) | Blu | BluI | |
| Interlace | N | Bpor | (85) | (82) | Vsyn | Csyn | V3- Dig Gnd: |
| Video Type | A | Sync | (86) | (83) | Hsyn | V2+ | V4+ |
| Color/Mono | M | Stype | | | V1+ | V2- | V4- |
| Multisync | | Range | | | V1- | V3+ | Recall: |
| Multimode | | | | | | | |

| SUN | | Horizontal | Vertical | Connector Pins | | | Grounds |
|------------|---|------------|------------|----------------|------|------|--------------|
| 365-1056 | | Freq | 61.80 | | Red | RedI | |
| HM | | Pix | 1152 | | Grn | GrnI | Ang Gnd: |
| Adapter# | 6 | Fpor | 0.312 (84) | 0.032 (81) | Blu | BluI | |
| Interlace | N | Bpor | 2.1 (85) | 0.502 (82) | Vsyn | Csyn | V3- Dig Gnd: |
| Video Type | A | Sync | 1.38 (86) | 0.065 (83) | Hsyn | V2+ | V4+ |
| Color/Mono | C | Stype | C | C | V1+ | V2- | V4- |
| Multisync | N | Range | | | V1- | V3+ | Recall: |
| Multimode | N | | | | | | |

| SUN | | Horizontal | Vertical | Connector Pins | | | Grounds |
|----------|------------|------------|------------|----------------|------|------|--------------|
| 365-1063 | | Freq | 61.80 | 66.0 | Red | RedI | |
| GD | | Pix | 1152 | 900 | Grn | GrnI | Ang Gnd: |
| | Adapter# | 6 Fpor | 0.312 (84) | 0.032 (81) | Blu | BluI | |
| | Interlace | M Bpor | 2.1 (85) | 0.502 (82) | Vsyn | Csyn | V3- Dig Gnd: |
| | Video Type | A Sync | 1.38 (86) | 0.065 (83) | Hsyn | V2+ | V4+ |
| | Color/Mono | C Stype | | | V1+ | V2- | V4- |
| | Multisync | N Range | | | V1- | V3+ | Recall: |
| | Multimode | N | | | | | |

| SUN | | Horizontal | Vertical | Connector Pins | | | Grounds |
|----------|------------|------------|------------|----------------|------|---------|--------------|
| 365-1065 | | Freq | 61.80 | 66.0 | Red | A1 RedI | |
| GD | | Pix | 1152 | 900 | Grn | A2 GrnI | Ang Gnd: |
| | Adapter# | Fpor | 0.312 (84) | 0.032 (81) | Blu | A3 BluI | |
| | Interlace | M Bpor | 2.1 (85) | 0.502 (82) | Vsyn | Csyn 5 | V3- Dig Gnd: |
| | Video Type | A Sync | 1.38 (86) | 0.065 (83) | Hsyn | V2+ | V4+ 4 |
| | Color/Mono | C Stype | | | V1+ | V2- | V4- |
| | Multisync | N Range | | | V1- | V3+ | Recall: |
| | Multimode | N | | | | | |

| SUN | | Horizontal | Vertical | Connector Pins | | | Grounds |
|----------|------------|------------|----------|----------------|------|------|--------------|
| 365-1071 | | Freq | 61.80 | 66.0 | Red | RedI | |
| M1 | | Pix | 1152 | 900 | Grn | GrnI | Ang Gnd: |
| | Adapter# | Fpor | (84) | (81) | Blu | BluI | |
| | Interlace | N Bpor | (85) | (82) | Vsyn | Csyn | V3- Dig Gnd: |
| | Video Type | A Sync | (86) | (83) | Hsyn | V2+ | V4+ |
| | Color/Mono | M Stype | | | V1+ | V2- | V4- |
| | Multisync | N Range | | | V1- | V3+ | Recall: |
| | Multimode | N | | | | | |

| SUN | | Horizontal | Vertical | Connector Pins | | | Grounds |
|----------|------------|------------|------------|----------------|------|------|--------------|
| 365-1073 | | Freq | 61.80 | 66.0 | Red | RedI | |
| EM | | Pix | 1152 | 900 | Grn | GrnI | Ang Gnd: |
| | Adapter# | 6 Fpor | 0.312 (84) | 0.032 (81) | Blu | BluI | |
| | Interlace | N Bpor | 2.1 (85) | 0.502 (82) | Vsyn | Csyn | V3- Dig Gnd: |
| | Video Type | A Sync | 1.38 (86) | 0.065 (83) | Hsyn | V2+ | V4+ |
| | Color/Mono | C Stype | C | C | V1+ | V2- | V4- |
| | Multisync | N Range | | | V1- | V3+ | Recall: |
| | Multimode | N | | | | | |

| SUN | | Horizontal | Vertical | Connector Pins | | | Grounds |
|----------|------------|------------|------------|----------------|--------|------|--------------|
| 365-1081 | | Freq | 62.50 | 66.7 | Red | RedI | 2,7-9 |
| M1 | | Pix | 1152 | 900 | Grn | GrnI | Ang Gnd: |
| | Adapter# | ECL Fpor | 0.001 (84) | 0.001 (81) | Blu | BluI | |
| | Interlace | N Bpor | 3.28 (85) | 0.425 (82) | Vsyn 4 | Csyn | V3- Dig Gnd: |
| | Video Type | E Sync | 1.28 (86) | 0.16 (83) | Hsyn 3 | V2+ | V4+ |
| | Color/Mono | M Stype | | | V1+ 1 | V2- | V4- |
| | Multisync | N Range | | | V1- 6 | V3+ | Recall: |
| | Multimode | N | | | | | |

| SUN | | Horizontal | Vertical | Connector Pins | | | Grounds |
|----------|------------|------------|------------|----------------|--------|------|--------------|
| 365-1086 | | Freq | 62.50 | 66.7 | Red | RedI | 2,7-9 |
| M1 | | Pix | 1152 | 900 | Grn | GrnI | Ang Gnd: |
| | Adapter# | ECL Fpor | 0.001 (84) | 0.001 (81) | Blu | BluI | |
| | Interlace | N Bpor | 3.28 (85) | 0.425 (82) | Vsyn 4 | Csyn | V3- Dig Gnd: |
| | Video Type | E Sync | 1.28 (86) | 0.16 (83) | Hsyn 3 | V2+ | V4+ |
| | Color/Mono | M Stype | | | V1+ 1 | V2- | V4- |
| | Multisync | N Range | | | V1- 6 | V3+ | Recall: |
| | Multimode | N | | | | | |

| SUN | | Horizontal | Vertical | Connector Pins | | | Grounds |
|----------|------------|------------|----------|----------------|------|------|--------------|
| 365-1094 | | Freq | 61.80 | 66.0 | Red | RedI | |
| 17 | | Pix | 1152 | 900 | Grn | GrnI | Ang Gnd: |
| | Adapter# | Fpor | (84) | (81) | Blu | BluI | |
| | Interlace | N Bpor | (85) | (82) | Vsyn | Csyn | V3- Dig Gnd: |
| | Video Type | A Sync | (86) | (83) | Hsyn | V2+ | V4+ |
| | Color/Mono | M Stype | | | V1+ | V2- | V4- |
| | Multisync | N Range | | | V1- | V3+ | Recall: |
| | Multimode | N | | | | | |

| SUN | | Horizontal | Vertical | Connector Pins | | | Grounds |
|---------------|---------|------------|-------------|----------------|---------|-------|----------|
| 365-1099 | Freq | 71.70 | 76.0 | Red | RedI | | |
| | Pix | 1152 | 900 | Grn | GrnI | | Ang Gnd: |
| Adapter# | Fpor | (84) | (81) | Blu | BluI | | |
| Interlace | N Bpor | (85) | (82) | Vsyn | Csyn | V3- | Dig Gnd: |
| Video Type | A Sync | (86) | (83) | Hsyn | V2+ | V4+ | |
| Color/Mono | M Stype | | | V1+ | V2- | V4- | |
| Multisync | Range | | | V1- | V3+ | | Recall: |
| Multimode | 1 | | | | | | |
| | | | | | | | |
| SUN | | Horizontal | Vertical | Connector Pins | | | Grounds |
| 365-1099 | Freq | 71.70 | 76.0 | Red | RedI | | |
| | Pix | 1076 | 824 | Grn | GrnI | | Ang Gnd: |
| Adapter# | Fpor | (84) | (81) | Blu | BluI | | |
| Interlace | N Bpor | (85) | (82) | Vsyn | Csyn | V3- | Dig Gnd: |
| Video Type | A Sync | (86) | (83) | Hsyn | V2+ | V4+ | |
| Color/Mono | M Stype | | | V1+ | V2- | V4- | |
| Multisync | Range | | | V1- | V3+ | | Recall: |
| Multimode | 2 | | | | | | |
| | | | | | | | |
| SUN | | Horizontal | Vertical | Connector Pins | | | Grounds |
| 365-1112 | Freq | 71.70 | 67.0 | Red | A1 RedI | | |
| GD | Pix | 1280 | 1024 | Grn | A2 GrnI | | Ang Gnd: |
| Adapter# | Fpor | (84) | (81) | Blu | A3 BluI | | 1,4,7,10 |
| Interlace | N Bpor | (85) | (82) | Vsyn | 2 Csyn | 5 V3- | Dig Gnd: |
| Video Type | A Sync | (86) | (83) | Hsyn | 6 V2+ | V4+ | |
| Color/Mono | C Stype | - | - | V1+ | V2- | V4- | |
| Multisync | Range | | | V1- | V3+ | | Recall: |
| Multimode | 1 | | | | | | |
| | | | | | | | |
| SUN | | Horizontal | Vertical | Connector Pins | | | Grounds |
| 365-1112 | Freq | 71.70 | 76.0 | Red | A1 RedI | | |
| GD | Pix | 1152 | 900 | Grn | A2 GrnI | | Ang Gnd: |
| Adapter# | Fpor | (84) | (81) | Blu | A3 BluI | | 1,4,7,10 |
| Interlace | N Bpor | (85) | (82) | Vsyn | 2 Csyn | 5 V3- | Dig Gnd: |
| Video Type | A Sync | (86) | (83) | Hsyn | 6 V2+ | V4+ | |
| Color/Mono | C Stype | - | - | V1+ | V2- | V4- | |
| Multisync | Range | | | V1- | V3+ | | Recall: |
| Multimode | 2 | | | | | | |
| | | | | | | | |
| SUN | | Horizontal | Vertical | Connector Pins | | | Grounds |
| 365-1112 | Freq | 61.80 | 66.0 | Red | A1 RedI | | |
| GD | Pix | 1152 | 900 | Grn | A2 GrnI | | Ang Gnd: |
| Adapter# | Fpor | 0.312 (84) | 0.032 (81) | Blu | A3 BluI | | 1,4,7,10 |
| Interlace | N Bpor | 2.1 (85) | 0.502 (82) | Vsyn | 2 Csyn | 5 V3- | Dig Gnd: |
| Video Type | A Sync | 1.38 (86) | 0.065 (83) | Hsyn | 6 V2+ | V4+ | |
| Color/Mono | C Stype | - | - | V1+ | V2- | V4- | |
| Multisync | Range | | | V1- | V3+ | | Recall: |
| Multimode | 3 | | | | | | |
| | | | | | | | |
| SUN | | Horizontal | Vertical | Connector Pins | | | Grounds |
| 365-1112 | Freq | 71.70 | 76.0 | Red | A1 RedI | | |
| GD | Pix | 1076 | 824 | Grn | A2 GrnI | | Ang Gnd: |
| Adapter# | Fpor | (84) | (81) | Blu | A3 BluI | | 1,4,7,10 |
| Interlace | N Bpor | (85) | (82) | Vsyn | 2 Csyn | 5 V3- | Dig Gnd: |
| Video Type | A Sync | (86) | (83) | Hsyn | 6 V2+ | V4+ | |
| Color/Mono | C Stype | - | - | V1+ | V2- | V4- | |
| Multisync | Range | | | V1- | V3+ | | Recall: |
| Multimode | 4 | | | | | | |
| | | | | | | | |
| OVERSCAN MODE | | | | | | | |
| SUN | | Horizontal | Vertical | Connector Pins | | | Grounds |
| 365-1113 | Freq | 76.71 | 72.2 | Red | RedI | | |
| | Pix | 1280 | 1024 | Grn | GrnI | | Ang Gnd: |
| Adapter# | Fpor | 0.296 (84) | 0.0261 (81) | Blu | BluI | | |
| Interlace | N Bpor | 2.37 (85) | 0.3781 (82) | Vsyn | Csyn | V3- | Dig Gnd: |
| Video Type | A Sync | 0.889 (86) | 0.1043 (83) | Hsyn | V2+ | V4+ | |
| Color/Mono | C Stype | C | C | V1+ | V2- | V4- | |
| Multisync | N Range | | | V1- | V3+ | | Recall: |
| Multimode | | | | | | | |

| SUM | | Horizontal | Vertical | Connector Pins | Grounds |
|----------|------------|-------------|----------|----------------|----------|
| 365-1130 | | Freq 71.70 | 67.0 | Red A1 RedI | |
| GD | | Pix 1280 | 1024 | Grn A2 GrnI | Ang Gnd: |
| | Adapter# | Fpor (84) | (81) | Blu A3 BluI | 1,4,7,10 |
| | Interlace | M Bpor (85) | (82) | Vsyn 2 Csyn 5 | Dig Gnd: |
| | Video Type | A Sync (86) | (83) | Hsyn 6 V2+ | V4+ |
| | Color/Mono | C Stype - | - | V1+ V2- | V4- |
| | Multisync | Range | | V1- V3+ | Recall: |
| | Multimode | 1 | | | |

| SUM | | Horizontal | Vertical | Connector Pins | Grounds |
|----------|------------|-------------|----------|----------------|----------|
| 365-1130 | | Freq 71.70 | 76.0 | Red A1 RedI | |
| GD | | Pix 1152 | 900 | Grn A2 GrnI | Ang Gnd: |
| | Adapter# | Fpor (84) | (81) | Blu A3 BluI | 1,4,7,10 |
| | Interlace | M Bpor (85) | (82) | Vsyn 2 Csyn 5 | Dig Gnd: |
| | Video Type | A Sync (86) | (83) | Hsyn 6 V2+ | V4+ |
| | Color/Mono | C Stype - | - | V1+ V2- | V4- |
| | Multisync | Range | | V1- V3+ | Recall: |
| | Multimode | 2 | | | |

| SUM | | Horizontal | Vertical | Connector Pins | Grounds |
|----------|------------|------------------|------------|----------------|----------|
| 365-1130 | | Freq 61.80 | 66.0 | Red A1 RedI | |
| GD | | Pix 1152 | 900 | Grn A2 GrnI | Ang Gnd: |
| | Adapter# | Fpor 0.312 (84) | 0.032 (81) | Blu A3 BluI | 1,4,7,10 |
| | Interlace | M Bpor 2.1 (85) | 0.502 (82) | Vsyn 2 Csyn 5 | Dig Gnd: |
| | Video Type | A Sync 1.38 (86) | 0.065 (83) | Hsyn 6 V2+ | V4+ |
| | Color/Mono | C Stype - | - | V1+ V2- | V4- |
| | Multisync | Range | | V1- V3+ | Recall: |
| | Multimode | 3 | | | |

| SUM | | Horizontal | Vertical | Connector Pins | Grounds |
|----------|------------|-------------|----------|----------------|----------|
| 365-1130 | | Freq 71.70 | 76.0 | Red A1 RedI | |
| GD | | Pix 1076 | 824 | Grn A2 GrnI | Ang Gnd: |
| | Adapter# | Fpor (84) | (81) | Blu A3 BluI | 1,4,7,10 |
| | Interlace | M Bpor (85) | (82) | Vsyn 2 Csyn 5 | Dig Gnd: |
| | Video Type | A Sync (86) | (83) | Hsyn 6 V2+ | V4+ |
| | Color/Mono | C Stype - | - | V1+ V2- | V4- |
| | Multisync | Range | | V1- V3+ | Recall: |
| | Multimode | 4 | | | |

| SUM | | Horizontal | Vertical | Connector Pins | Grounds |
|----------|------------|------------|----------|----------------|----------|
| 365-1140 | | Freq 71.70 | 76.0 | Red RedI | |
| M2 | | Pix 1076 | 824 | Grn GrnI | Ang Gnd: |
| | Adapter# | Fpor (84) | (81) | Blu BluI | Dig Gnd: |
| | Interlace | Bpor (85) | (82) | Vsyn Csyn | V3- |
| | Video Type | Sync (86) | (83) | Hsyn V2+ | V4+ |
| | Color/Mono | M Stype | | V1+ V2- | V4- |
| | Multisync | N Range | | V1- V3+ | Recall: |
| | Multimode | 1 | | | |

| SUM | | Horizontal | Vertical | Connector Pins | Grounds |
|----------|------------|------------------|------------|----------------|----------|
| 365-1143 | | Freq 61.80 | 66.0 | Red RedI | |
| C1 | | Pix 1152 | 900 | Grn GrnI | Ang Gnd: |
| | Adapter# | Fpor 0.312 (84) | 0.032 (81) | Blu BluI | Dig Gnd: |
| | Interlace | N Bpor 2.1 (85) | 0.502 (82) | Vsyn Csyn | V3- |
| | Video Type | A Sync 1.38 (86) | 0.065 (83) | Hsyn V2+ | V4+ |
| | Color/Mono | C Stype | | V1+ V2- | V4- |
| | Multisync | N Range | | V1- V3+ | Recall: |
| | Multimode | N | | | |

| SUM | | Horizontal | Vertical | Connector Pins | Grounds |
|----------|------------|---------------|----------|----------------|----------|
| 365-1145 | | Freq 71.70 | 76.0 | Red RedI | |
| | | Pix 1152 | 900 | Grn GrnI | Ang Gnd: |
| | Adapter# | ECL Fpor (84) | (81) | Blu BluI | Dig Gnd: |
| | Interlace | N Bpor (85) | (82) | Vsyn Csyn | V3- |
| | Video Type | E Sync (86) | (83) | Hsyn V2+ | V4+ |
| | Color/Mono | M Stype | | V1+ V2- | V4- |
| | Multisync | N Range | | V1- V3+ | Recall: |
| | Multimode | | | | |

| SUN | | Horizontal | Vertical | Connector Pins | | | Grounds |
|--|-----|-----------------|------------|----------------|-----|-----|-----------|
| 365-1286 | | Freq 61.80 | 66.0 | Red A1 RedI | | | |
| | | Pix 1152 | 900 | Grn A2 GrnI | | | Ang Gnd: |
| Adapter# | | Fpor 0.42 (84) | 0.032 (81) | Blu A3 BluI | | | 1,4,7,10 |
| Interlace | N | Bpor 2.2 (85) | 0.501 (82) | Vsyn 2 Csyn 5 | V3- | | Dig Gnd: |
| Video Type | A | Sync 1.36 (86) | 0.065 (83) | Hsyn 6 | V2+ | V4+ | |
| Color/Mono | C | Stype - | - | V1+ | V2- | V4- | |
| Multisync | | Range | | V1- | V3+ | | Recall: |
| Multimode | 1 | | | | | | |
| | | | | | | | |
| SUN | | Horizontal | Vertical | Connector Pins | | | Grounds |
| 365-1286 | | Freq 62.00 | 77.0 | Red A1 RedI | | | |
| | | Pix 1024 | 768 | Grn A2 GrnI | | | Ang Gnd: |
| Adapter# | | Fpor 0.38 (84) | 0.032 (81) | Blu A3 BluI | | | 1,4,7,10 |
| Interlace | N | Bpor 2.09 (85) | 0.5 (82) | Vsyn 2 Csyn 5 | V3- | | Dig Gnd: |
| Video Type | A | Sync 1.52 (86) | 0.065 (83) | Hsyn 6 | V2+ | V4+ | |
| Color/Mono | C | Stype - | - | V1+ | V2- | V4- | |
| Multisync | | Range | | V1- | V3+ | | Recall: |
| Multimode | 2 | | | | | | |
| | | | | | | | |
| SUN | | Horizontal | Vertical | Connector Pins | | | Grounds |
| 540-1062 | | Freq 61.80 | 66.0 | Red RedI | | | |
| | | Pix 1152 | 900 | Grn GrnI | | | Ang Gnd: |
| Adapter# | ECL | Fpor 0.44 (84) | 0.032 (81) | Blu BluI | | | 8,9 |
| Interlace | N | Bpor 1.96 (85) | 0.502 (82) | Vsyn 4 Csyn | V3- | | Dig Gnd: |
| Video Type | E | Sync 1.4 (86) | 0.064 (83) | Hsyn 3 | V2+ | V4+ | |
| Color/Mono | M | Stype | | V1+ 1 | V2- | V4- | |
| Multisync | | Range | | V1- 6 | V3+ | | Recall: |
| Multimode | | | | | | | |
| Horizontal back porch time may also be 4.7us | | | | | | | |
| | | | | | | | |
| SUN | | Horizontal | Vertical | Connector Pins | | | Grounds |
| 540-1094 | | Freq 61.80 | 66.0 | Red RedI | | | |
| HM | | Pix 1152 | 900 | Grn GrnI | | | Ang Gnd: |
| Adapter# | 6 | Fpor 0.312 (84) | 0.032 (81) | Blu BluI | | | |
| Interlace | N | Bpor 2.1 (85) | 0.502 (82) | Vsyn Csyn | V3- | | Dig Gnd: |
| Video Type | A | Sync 1.38 (86) | 0.065 (83) | Hsyn | V2+ | V4+ | |
| Color/Mono | C | Stype C | C | V1+ | V2- | V4- | |
| Multisync | N | Range | | V1- | V3+ | | Recall: |
| Multimode | N | | | | | | |
| | | | | | | | |
| SUN | | Horizontal | Vertical | Connector Pins | | | Grounds |
| 540-1240 | | Freq 61.80 | 66.0 | Red RedI | | | |
| M1 | | Pix 1152 | 900 | Grn GrnI | | | Ang Gnd: |
| Adapter# | ECL | Fpor (84) | (81) | Blu BluI | | | |
| Interlace | N | Bpor (85) | (82) | Vsyn Csyn | V3- | | Dig Gnd: |
| Video Type | E | Sync (86) | (83) | Hsyn | V2+ | V4+ | |
| Color/Mono | M | Stype | | V1+ | V2- | V4- | |
| Multisync | N | Range | | V1- | V3+ | | Recall: |
| Multimode | N | | | | | | |
| | | | | | | | |
| SUN | | Horizontal | Vertical | Connector Pins | | | Grounds |
| FC16AS | | Freq 61.80 | 66.0 | Red A1 RedI | | | |
| | | Pix 1152 | 900 | Grn A2 GrnI | | | Ang Gnd: |
| Adapter# | | Fpor 0.312 (84) | 0.032 (81) | Blu A3 BluI | | | 1,4,7,10 |
| Interlace | N | Bpor 2.1 (85) | 0.065 (82) | Vsyn 2 Csyn 5 | V3- | | Dig Gnd: |
| Video Type | A | Sync 1.38 (86) | 0.502 (83) | Hsyn 6 | V2+ | V4+ | |
| Color/Mono | C | Stype - | - | V1+ | V2- | V4- | |
| Multisync | | Range | | V1- | V3+ | | Recall: |
| Multimode | | | | | | | |
| | | | | | | | |
| SUN | | Horizontal | Vertical | Connector Pins | | | Grounds |
| M19P114 | | Freq 62.50 | 66.8 | Red 1 RedI 6 | | | 2-H,8-V,9 |
| | | Pix 1152 | 900 | Grn GrnI | | | Ang Gnd: |
| Adapter# | | Fpor 0.08 (84) | 0.001 (81) | Blu BluI | | | |
| Interlace | N | Bpor 3.28 (85) | 0.425 (82) | Vsyn 4 Csyn | V3- | | Dig Gnd: |
| Video Type | E | Sync 1.28 (86) | 0.16 (83) | Hsyn 3 | V2+ | V4+ | |
| Color/Mono | | Stype - | - | V1+ | V2- | V4- | |
| Multisync | N | Range | | V1- | V3+ | | Recall: |
| Multimode | | | | | | | |

| SUN | | Horizontal | Vertical | Connector Pins | | | Grounds |
|---------------------------------|-----|------------|------------|----------------|---------------|------------|----------|
| VCC2191 | | Freq | 76.70 | 72.1 | Red | RedI | |
| | | Pix | 1024 | 960 | Grn | GrnI | Ang Gnd: |
| Adapter# | 6 | Fpor | (84) | (81) | Blu | BluI | |
| Interlace | M | Bpor | (85) | (82) | Vsyn | Csyn * V3- | Dig Gnd: |
| Video Type | A | Sync | (86) | (83) | Hsyn | V2+ V4+ | |
| Color/Mono | C | Stype | | | V1+ V2- V4- | | |
| Multisync | | Range | | | V1- V3+ | Recall: | |
| Multimode | | | | | | | |
| * add composite sync to H-INPUT | | | | | | | |
| SUPER MAC | | Horizontal | Vertical | Connector Pins | | | Grounds |
| 19" | | Freq | 48.19 | 59.3 | Red | RedI | |
| | | Pix | 1024 | 768 | Grn | GrnI | Ang Gnd: |
| Adapter# | 6 | Fpor | 1.25 (84) | 0.228 (81) | Blu | BluI | |
| Interlace | M | Bpor | 2.25 (85) | 0.602 (82) | Vsyn | Csyn V3- | Dig Gnd: |
| Video Type | A | Sync | 1.25 (86) | 0.104 (83) | Hsyn | V2+ V4+ | |
| Color/Mono | | Stype | | | V1+ V2- V4- | | |
| Multisync | | Range | | | V1- V3+ | Recall: | |
| Multimode | | | | | | | |
| SUPER MAC | | Horizontal | Vertical | Connector Pins | | | Grounds |
| CM2086A3UY | | Freq | 60.24 | 75.0 | Red | RedI | |
| | | Pix | 1024 | 768 | Grn | GrnI | Ang Gnd: |
| Adapter# | 6 | Fpor | (84) | (81) | Blu | BluI | |
| Interlace | M | Bpor | (85) | (82) | Vsyn | Csyn V3- | Dig Gnd: |
| Video Type | A | Sync | (86) | (83) | Hsyn | V2+ V4+ | |
| Color/Mono | | Stype | | | V1+ V2- V4- | | |
| Multisync | | Range | | | V1- V3+ | Recall: 26 | |
| Multimode | | | | | | | |
| RECALL FOR CM2125 | | | | | | | |
| SUPER MAC | | Horizontal | Vertical | Connector Pins | | | Grounds |
| CM2186A3UY | | Freq | 68.68 | 75.0 | Red | RedI | |
| | | Pix | 1152 | 870 | Grn | GrnI | Ang Gnd: |
| Adapter# | 6 | Fpor | 0.32 (84) | 0.044 (81) | Blu | BluI | |
| Interlace | M | Bpor | 1.44 (85) | 0.716 (82) | Vsyn | Csyn V3- | Dig Gnd: |
| Video Type | A | Sync | 1.28 (86) | 0.044 (83) | Hsyn | V2+ V4+ | |
| Color/Mono | C | Stype | | | V1+ V2- V4- | | |
| Multisync | | Range | | | V1- V3+ | Recall: | |
| Multimode | | | | | | | |
| SUPER MAC | | Horizontal | Vertical | Connector Pins | | | Grounds |
| DM2060 | | Freq | 48.70 | 60.0 | Red | RedI | |
| I1 | | Pix | 1024 | 768 | Grn | GrnI | Ang Gnd: |
| Adapter# | 6 | Fpor | 0.875 (84) | 0.061 (81) | Blu | BluI | |
| Interlace | M | Bpor | 2.12 (85) | 0.799 (82) | Vsyn | Csyn V3- | Dig Gnd: |
| Video Type | A | Sync | 1.5 (86) | 0.061 (83) | Hsyn | V2+ V4+ | |
| Color/Mono | C | Stype | - | - | V1+ V2- V4- | | |
| Multisync | | Range | | | V1- V3+ | Recall: | |
| Multimode | | | | | | | |
| SUPER MAC | | Horizontal | Vertical | Connector Pins | | | Grounds |
| STD9430 | | Freq | 48.78 | 60.0 | Red | RedI | |
| | | Pix | 1024 | 768 | Grn | GrnI | Ang Gnd: |
| Adapter# | 6 | Fpor | (84) | (81) | Blu | BluI | |
| Interlace | M | Bpor | (85) | (82) | Vsyn | Csyn V3- | Dig Gnd: |
| Video Type | A | Sync | (86) | (83) | Hsyn | V2+ V4+ | |
| Color/Mono | C | Stype | | | V1+ V2- V4- | | |
| Multisync | | Range | | | V1- V3+ | Recall: | |
| Multimode | | | | | | | |
| SUPER MAC | | Horizontal | Vertical | Connector Pins | | | Grounds |
| STD9437 | | Freq | 53.37 | 66.1 | Red | RedI | |
| DM | | Pix | 1024 | 768 | Grn | GrnI | Ang Gnd: |
| Adapter# | ECL | Fpor | 0.888 (84) | 0.001 (81) | Blu | BluI | 7,8 |
| Interlace | N | Bpor | 2.22 (85) | 0.671 (82) | Vsyn 4 | Csyn V3- | Dig Gnd: |
| Video Type | E | Sync | 1.33 (86) | 0.111 (83) | Hsyn 3 | V2+ V4+ | |
| Color/Mono | M | Stype | - | - | V1+ 1 V2- V4- | | |
| Multisync | | Range | | | V1- 6 V3+ | Recall: | |
| Multimode | | | | | | | |

| SUPER MAC | | Horizontal | Vertical | Connector Pins | | | Grounds |
|-----------|------------|------------|----------|----------------|------|-----|-------------------|
| STD9730 | | Freq | | Red | RedI | | |
| | Adapter# | Pix | 1024 | Grn | GrnI | | Ang Gnd: |
| | Interface | Fpor | (84) | Blu | BluI | | |
| | Video Type | Bpor | (85) | Vsyn | Csyn | V3- | Dig Gnd: |
| | Color/Mono | Sync | (86) | Hsyn | V2+ | V4+ | |
| | Multisync | Stype | | V1+ | V2- | V4- | |
| | Multimode | Range | | V1- | V3+ | | Recall:5-8,10,25, |

| SUPER MAC | | Horizontal | Vertical | Connector Pins | | | Grounds |
|-----------|------------|------------|-----------|----------------|------|-----|----------|
| STD9750 | | Freq | 68.60 | Red | RedI | | |
| | Adapter# | Pix | 1152 | Grn | GrnI | | Ang Gnd: |
| | Interface | Fpor | 0.32 (84) | Blu | BluI | | |
| | Video Type | Bpor | 1.44 (85) | Vsyn | Csyn | V3- | Dig Gnd: |
| | Color/Mono | Sync | 1.28 (86) | Hsyn | V2+ | V4+ | |
| | Multisync | Stype | | V1+ | V2- | V4- | |
| | Multimode | Range | | V1- | V3+ | | Recall: |

| SUPER MAC | | Horizontal | Vertical | Connector Pins | | | Grounds |
|-----------|------------|------------|----------|----------------|------|-----|----------|
| STD9750 | | Freq | 60.24 | Red | RedI | | |
| | Adapter# | Pix | 1024 | Grn | GrnI | | Ang Gnd: |
| | Interface | Fpor | 0.4 (84) | Blu | BluI | | |
| | Video Type | Bpor | 2.2 (85) | Vsyn | Csyn | V3- | Dig Gnd: |
| | Color/Mono | Sync | 1.2 (86) | Hsyn | V2+ | V4+ | |
| | Multisync | Stype | | V1+ | V2- | V4- | |
| | Multimode | Range | | V1- | V3+ | | Recall: |

| SUPER MAC | | Horizontal | Vertical | Connector Pins | | | Grounds |
|-----------|------------|------------|-----------|----------------|------|-----|----------|
| STD9751 | | Freq | 68.60 | Red | RedI | | |
| | Adapter# | Pix | 1152 | Grn | GrnI | | Ang Gnd: |
| | Interface | Fpor | 0.32 (84) | Blu | BluI | | |
| | Video Type | Bpor | 1.44 (85) | Vsyn | Csyn | V3- | Dig Gnd: |
| | Color/Mono | Sync | 1.28 (86) | Hsyn | V2+ | V4+ | |
| | Multisync | Stype | | V1+ | V2- | V4- | |
| | Multimode | Range | | V1- | V3+ | | Recall: |

| SUPER MAC | | Horizontal | Vertical | Connector Pins | | | Grounds |
|-----------|------------|------------|----------|----------------|------|-----|----------|
| STD9751 | | Freq | 60.24 | Red | RedI | | |
| | Adapter# | Pix | 1024 | Grn | GrnI | | Ang Gnd: |
| | Interface | Fpor | 0.4 (84) | Blu | BluI | | |
| | Video Type | Bpor | 2.2 (85) | Vsyn | Csyn | V3- | Dig Gnd: |
| | Color/Mono | Sync | 1.2 (86) | Hsyn | V2+ | V4+ | |
| | Multisync | Stype | | V1+ | V2- | V4- | |
| | Multimode | Range | | V1- | V3+ | | Recall: |

| SUPER MAC | | Horizontal | Vertical | Connector Pins | | | Grounds |
|-----------|------------|------------|----------|----------------|------|-----|----------|
| STD9782 | | Freq | 60.24 | Red | RedI | | |
| CM | Adapter# | Pix | 1024 | Grn | GrnI | | Ang Gnd: |
| | Interface | Fpor | 0.4 (84) | Blu | BluI | | |
| | Video Type | Bpor | 2.2 (85) | Vsyn | Csyn | V3- | Dig Gnd: |
| | Color/Mono | Sync | 1.2 (86) | Hsyn | V2+ | V4+ | |
| | Multisync | Stype | | V1+ | V2- | V4- | |
| | Multimode | Range | | V1- | V3+ | | Recall: |

| SUPER MAC | | Horizontal | Vertical | Connector Pins | | | Grounds |
|-----------|------------|------------|----------|----------------|------|-----|----------|
| STD9790 | | Freq | 60.24 | Red | RedI | | |
| | Adapter# | Pix | 1024 | Grn | GrnI | | Ang Gnd: |
| | Interface | Fpor | 0.4 (84) | Blu | BluI | | |
| | Video Type | Bpor | 2.2 (85) | Vsyn | Csyn | V3- | Dig Gnd: |
| | Color/Mono | Sync | 1.2 (86) | Hsyn | V2+ | V4+ | |
| | Multisync | Stype | | V1+ | V2- | V4- | |
| | Multimode | Range | | V1- | V3+ | | Recall: |

| SUPER MAC | | Horizontal | Vertical | Connector Pins | | | Grounds |
|------------|---|---------------|------------|----------------|------|-----|----------|
| VCX | | Freq 60.24 | 74.9 | Red | RedI | | |
| 99 | | Pix 1024 | 768 | Grn | GrnI | | Ang Gnd: |
| Adapter# | 6 | Fpor 0.4 (84) | 0.05 (81) | Blu | BluI | | |
| Interlace | M | Bpor 2.2 (85) | 0.498 (82) | Vsyn | Csyn | V3- | Dig Gnd: |
| Video Type | A | Sync 1.2 (86) | 0.05 (83) | Hsyn | V2+ | V4+ | |
| Color/Mono | M | Stype G | G | V1+ | V2- | V4- | |
| Multisync | | Range | | V1- | V3+ | | Recall: |
| Multimode | 1 | | | | | | |

| SUPER MAC | | Horizontal | Vertical | Connector Pins | | | Grounds |
|------------|---|----------------|------------|----------------|------|-----|----------|
| VCX | | Freq 68.70 | 75.1 | Red | RedI | | |
| | | Pix 1152 | 870 | Grn | GrnI | | Ang Gnd: |
| Adapter# | 6 | Fpor 0.32 (84) | 0.044 (81) | Blu | BluI | | |
| Interlace | M | Bpor 1.44 (85) | 0.568 (82) | Vsyn | Csyn | V3- | Dig Gnd: |
| Video Type | A | Sync 1.28 (86) | 0.044 (83) | Hsyn | V2+ | V4+ | |
| Color/Mono | | Stype | | V1+ | V2- | V4- | |
| Multisync | | Range | | V1- | V3+ | | Recall: |
| Multimode | 2 | | | | | | |

| SUPERMAC | | Horizontal | Vertical | Connector Pins | | | Grounds |
|------------|---|---------------|------------|----------------|------|-----|----------|
| GDM-1952 | | Freq 48.78 | 60.0 | Red | RedI | | |
| | | Pix 1024 | 768 | Grn | GrnI | | Ang Gnd: |
| Adapter# | 6 | Fpor 1 (84) | 0.062 (81) | Blu | BluI | | |
| Interlace | M | Bpor 2 (85) | 0.8 (82) | Vsyn | Csyn | V3- | Dig Gnd: |
| Video Type | A | Sync 1.5 (86) | 0.062 (83) | Hsyn | V2+ | V4+ | |
| Color/Mono | | Stype - | - | V1+ | V2- | V4- | |
| Multisync | N | Range | | V1- | V3+ | | Recall: |
| Multimode | N | | | | | | |

| SYNCO | | Horizontal | Vertical | Connector Pins | | | Grounds |
|----------------|---|--|----------|----------------|------|-----|----------|
| CM-14WS | | Freq | | Red | RedI | | |
| 14", 90 DEGREE | | Pix 1024 | 768 | Grn | GrnI | | Ang Gnd: |
| Adapter# | 4 | Fpor (84) | (81) | Blu | BluI | | |
| Interlace | Y | Bpor (85) | (82) | Vsyn | Csyn | V3- | Dig Gnd: |
| Video Type | A | Sync (86) | (83) | Hsyn | V2+ | V4+ | |
| Color/Mono | C | Stype | | V1+ | V2- | V4- | |
| Multisync | Y | Range30-60 | 50-90 | V1- | V3+ | | Recall: |
| Multimode | N | VGA, SVGA, 8514A INTERLACED IN 8514A ONLY. | | | | | |

| SYNCO | | Horizontal | Vertical | Connector Pins | | | Grounds |
|----------------|---|--|----------|----------------|------|-----|--------------|
| CM-14XV | | Freq | | Red | RedI | | |
| 14", 90 DEGREE | | Pix 1024 | 768 | Grn | GrnI | | Ang Gnd: |
| Adapter# | 4 | Fpor (84) | (81) | Blu | BluI | | |
| Interlace | Y | Bpor (85) | (82) | Vsyn | Csyn | V3- | Dig Gnd: |
| Video Type | A | Sync (86) | (83) | Hsyn | V2+ | V4+ | |
| Color/Mono | C | Stype | | V1+ | V2- | V4- | |
| Multisync | Y | Range31.5/39 | 50-90 | V1- | V3+ | | Recall: 5-10 |
| Multimode | Y | VGA, SVGA, 8514A INTERLACED IN 8514A ONLY. | | | | | |

| SYNCO | | Horizontal | Vertical | Connector Pins | | | Grounds |
|-----------------|---|--|----------|----------------|------|-----|----------|
| CM-15GS | | Freq | | Red | RedI | | |
| 15", 90 DEGREES | | Pix 1280 | 1024 | Grn | GrnI | | Ang Gnd: |
| Adapter# | 4 | Fpor (84) | (81) | Blu | BluI | | |
| Interlace | Y | Bpor (85) | (82) | Vsyn | Csyn | V3- | Dig Gnd: |
| Video Type | A | Sync (86) | (83) | Hsyn | V2+ | V4+ | |
| Color/Mono | C | Stype | | V1+ | V2- | V4- | |
| Multisync | Y | Range30-64 | 50-90 | V1- | V3+ | | Recall: |
| Multimode | N | VGA, SVGA, 8514A INTERLACED IN 8514A ONLY. | | | | | |

| SYNCO | | Horizontal | Vertical | Connector Pins | | | Grounds |
|-----------------|---|--|----------|----------------|------|-----|----------|
| CM-17GS | | Freq | | Red | RedI | | |
| 17" FLAT SQUARE | | Pix 1280 | 1024 | Grn | GrnI | | Ang Gnd: |
| Adapter# | | Fpor (84) | (81) | Blu | BluI | | |
| Interlace | Y | Bpor (85) | (82) | Vsyn | Csyn | V3- | Dig Gnd: |
| Video Type | A | Sync (86) | (83) | Hsyn | V2+ | V4+ | |
| Color/Mono | C | Stype | | V1+ | V2- | V4- | |
| Multisync | Y | Range30-64 | 50-90 | V1- | V3+ | | Recall: |
| Multimode | N | VGA, SVGA, 8514A INTERLACED IN 8514A ONLY. | | | | | |

| SYNCO | | Horizontal | Vertical | Connector Pins | | | Grounds |
|---------------|---|---|----------|----------------|------|-----|----------|
| CM-20GS | | Freq | | Red | RedI | | |
| 20",90 DEGREE | | Pix | 1280 | Grn | GrnI | | Ang Gnd: |
| Adapter# | | Fpor | (84) | Blu | BluI | | |
| Interlace | Y | Bpor | (85) | Vsyn | Csyn | V3- | Dig Gnd: |
| Video Type | A | Sync | (86) | Hsyn | V2+ | V4+ | |
| Color/Mono | C | Stype | | V1+ | V2- | V4- | |
| Multisync | Y | Range | 30-64 | V1- | V3+ | | Recall: |
| Multimode | N | VGA,SVGA,8514AINTERLACED IN 8514A ONLY. | | | | | |

| SYNCO | | Horizontal | Vertical | Connector Pins | | | Grounds |
|---------------|---|---|----------|----------------|------|-----|----------|
| CM-20WS | | Freq | | Red | RedI | | |
| 20",90 DEGREE | | Pix | 1024 | Grn | GrnI | | Ang Gnd: |
| Adapter# | | Fpor | (84) | Blu | BluI | | |
| Interlace | Y | Bpor | (85) | Vsyn | Csyn | V3- | Dig Gnd: |
| Video Type | A | Sync | (86) | Hsyn | V2+ | V4+ | |
| Color/Mono | C | Stype | | V1+ | V2- | V4- | |
| Multisync | Y | Range | 30-60 | V1- | V3+ | | Recall: |
| Multimode | N | VGA,SVGA,8514AINTERLACED IN 8514A ONLY. | | | | | |

| SYNCO | | Horizontal | Vertical | Connector Pins | | | Grounds |
|------------|---|------------|----------|----------------|------|-----|----------|
| TM-14AS | | Freq | 18.43 | Red | RedI | | |
| | | Pix | 720 | Grn | GrnI | | Ang Gnd: |
| Adapter# | | Fpor | (84) | Blu | BluI | | |
| Interlace | N | Bpor | (85) | Vsyn | Csyn | V3- | Dig Gnd: |
| Video Type | A | Sync | (86) | Hsyn | V2+ | V4+ | |
| Color/Mono | M | Stype | | V1+ | V2- | V4- | |
| Multisync | N | Range | | V1- | V3+ | | Recall: |
| Multimode | N | | | | | | |

| SYNCO | | Horizontal | Vertical | Connector Pins | | | Grounds |
|------------|---|------------|----------|----------------|------|-----|----------|
| TM-14GT | | Freq | 18.43 | Red | RedI | | |
| | | Pix | 1000 | Grn | GrnI | | Ang Gnd: |
| Adapter# | | Fpor | (84) | Blu | BluI | | |
| Interlace | N | Bpor | (85) | Vsyn | Csyn | V3- | Dig Gnd: |
| Video Type | A | Sync | (86) | Hsyn | V2+ | V4+ | |
| Color/Mono | M | Stype | | V1+ | V2- | V4- | |
| Multisync | N | Range | 18.4/25 | V1- | V3+ | | Recall: |
| Multimode | N | | | | | | |

| SYSDYNE | | Horizontal | Vertical | Connector Pins | | | Grounds |
|------------|---|------------|----------|----------------|------|-----|----------|
| DTP 19PW | | Freq | | Red | RedI | | |
| | | Pix | | Grn | GrnI | | Ang Gnd: |
| Adapter# | | Fpor | (84) | Blu | BluI | | |
| Interlace | N | Bpor | (85) | Vsyn | Csyn | V3- | Dig Gnd: |
| Video Type | E | Sync | (86) | Hsyn | V2+ | V4+ | |
| Color/Mono | M | Stype | | V1+ | V2- | V4- | |
| Multisync | Y | Range | 63-68 | V1- | V3+ | | Recall: |
| Multimode | | 47-63 | | | | | |

| TANDY | | Horizontal | Vertical | Connector Pins | | | Grounds |
|------------|---|------------|-----------|----------------|------|-----|----------|
| 26-5112 | | Freq | 26.40 | Red | RedI | | |
| | | Pix | 640 | Grn | GrnI | | Ang Gnd: |
| Adapter# | | Fpor | 2.14 (84) | Blu | BluI | | |
| Interlace | N | Bpor | 4.29 (85) | Vsyn | Csyn | V3- | Dig Gnd: |
| Video Type | D | Sync | 2.86 (86) | Hsyn | V2+ | V4+ | |
| Color/Mono | | Stype | - | V1+ | V2- | V4- | |
| Multisync | | Range | | V1- | V3+ | | Recall: |
| Multimode | | | | | | | |

| TANDY | | Horizontal | Vertical | Connector Pins | | | Grounds |
|------------|---|------------|-----------|----------------|------|-----|----------|
| CM-1 | | Freq | 26.40 | Red | RedI | | |
| | | Pix | 640 | Grn | GrnI | | Ang Gnd: |
| Adapter# | | Fpor | 2.14 (84) | Blu | BluI | | |
| Interlace | N | Bpor | 4.29 (85) | Vsyn | Csyn | V3- | Dig Gnd: |
| Video Type | D | Sync | 2.86 (86) | Hsyn | V2+ | V4+ | |
| Color/Mono | | Stype | - | V1+ | V2- | V4- | |
| Multisync | | Range | | V1- | V3+ | | Recall: |
| Multimode | | | | | | | |

| TANDY | | Horizontal | Vertical | Connector Pins | | | Grounds |
|-------------------------|-------------|------------|----------|----------------------|------|-----|----------|
| TR80 2000 SERIES | | Freq 26.40 | 60.0 | Red 3 | RedI | | |
| | Pix 640 | | 400 | Grn | GrnI | | Ang Gnd: |
| Adapter# | Fpor (84) | | (81) | Blu | BluI | | 2 |
| Interlace | N Bpor (85) | | (82) | Vsyn 5 | Csyn | V3- | Dig Gnd: |
| Video Type | D Sync (86) | | (83) | Hsyn 4 | V2+ | V4+ | |
| Color/Mono | M Stype | | | V1+ | V2- | V4- | |
| Multisync | Range | | | V1- | V3+ | | Recall: |
| Multimode | | ALSO #JM1 | | V-SYNC MAY BE PIN #7 | | | |

| TATUNG | | Horizontal | Vertical | Connector Pins | | | Grounds |
|-----------------|--------------|---|----------|----------------|------|-----|--------------|
| CM-1495G | | Freq | | Red | RedI | | |
| | Pix 1024 | | 768 | Grn | GrnI | | Ang Gnd: |
| Adapter# | 1 Fpor (84) | | (81) | Blu | BluI | | |
| Interlace | Y Bpor (85) | | (82) | Vsyn | Csyn | V3- | Dig Gnd: |
| Video Type | A Sync (86) | | (83) | Hsyn | V2+ | V4+ | |
| Color/Mono | C Stype | | | V1+ | V2- | V4- | |
| Multisync | Y Range15-37 | | 40-120 | V1- | V3+ | | Recall: 0-10 |
| Multimode | N | VGA, SVGA, EGA, 8 INTERLACED IN 8514A MODE. | | | | | |

| TATUNG | | Horizontal | Vertical | Connector Pins | | | Grounds |
|----------------|--------------|---|----------|----------------|------|-----|---------------|
| CM-2000 | | Freq | | Red | RedI | | |
| | Pix 1280 | | 1024 | Grn | GrnI | | Ang Gnd: |
| Adapter# | 4 Fpor (84) | | (81) | Blu | BluI | | |
| Interlace | Y Bpor (85) | | (82) | Vsyn | Csyn | V3- | Dig Gnd: |
| Video Type | A Sync (86) | | (83) | Hsyn | V2+ | V4+ | |
| Color/Mono | C Stype | | | V1+ | V2- | V4- | |
| Multisync | Y Range21-65 | | 43-100 | V1- | V3+ | | Recall: 5-9,+ |
| Multimode | N | VGA, SVGA, 8514A INTERLACED IN 8514A MODE | | | | | |

| TATUNG | | Horizontal | Vertical | Connector Pins | | | Grounds |
|---------------|----------------|---|----------|----------------|------|-----|---------------|
| CM1400 | | Freq | | Red | RedI | | |
| | Pix 1024 | | 768 | Grn | GrnI | | Ang Gnd: |
| Adapter# | 4 Fpor (84) | | (81) | Blu | BluI | | |
| Interlace | Y Bpor (85) | | (82) | Vsyn | Csyn | V3- | Dig Gnd: |
| Video Type | A Sync (86) | | (83) | Hsyn | V2+ | V4+ | |
| Color/Mono | C Stype | | | V1+ | V2- | V4- | |
| Multisync | Y Range31.5-38 | | 55-90 | V1- | V3+ | | Recall: 5-9,+ |
| Multimode | Y | VGA, SVGA, 8514A INTERLACED IN 8514A MODE | | | | | |

| TATUNG | | Horizontal | Vertical | Connector Pins | | | Grounds |
|----------------|-------------|------------|----------|----------------|------|-----|---------------|
| CM1492V | | Freq 31.50 | | Red | RedI | | |
| | Pix 640 | | 480 | Grn | GrnI | | Ang Gnd: |
| Adapter# | 4 Fpor (84) | | (81) | Blu | BluI | | |
| Interlace | N Bpor (85) | | (82) | Vsyn | Csyn | V3- | Dig Gnd: |
| Video Type | A Sync (86) | | (83) | Hsyn | V2+ | V4+ | |
| Color/Mono | C Stype | | | V1+ | V2- | V4- | |
| Multisync | Range | | 50/60/70 | V1- | V3+ | | Recall: 5,6,7 |
| Multimode | VGA | | | | | | |

| TATUNG | | Horizontal | Vertical | Connector Pins | | | Grounds |
|----------------|--------------|--|----------|----------------|------|-----|------------------|
| CM1495H | | Freq | | Red | RedI | | |
| | Pix 1024 | | 768 | Grn | GrnI | | Ang Gnd: |
| Adapter# | 1 Fpor (84) | | (81) | Blu | BluI | | |
| Interlace | Y Bpor (85) | | (82) | Vsyn | Csyn | V3- | Dig Gnd: |
| Video Type | D Sync (86) | | (83) | Hsyn | V2+ | V4+ | |
| Color/Mono | C Stype | | | V1+ | V2- | V4- | |
| Multisync | N Range15-37 | | 40-120 | V1- | V3+ | | Recall: 2,7-9,28 |
| Multimode | Y | VGA, SVGA, MDA, 8 INTERLACED IN 8514A MODE. ALSO ANALOG. | | | | | |

| TATUNG | | Horizontal | Vertical | Connector Pins | | | Grounds |
|----------------|-------------|------------|----------|----------------|------|-----|---------------|
| CM1496V | | Freq 31.50 | | Red | RedI | | |
| | Pix 640 | | 480 | Grn | GrnI | | Ang Gnd: |
| Adapter# | 4 Fpor (84) | | (81) | Blu | BluI | | |
| Interlace | N Bpor (85) | | (82) | Vsyn | Csyn | V3- | Dig Gnd: |
| Video Type | A Sync (86) | | (83) | Hsyn | V2+ | V4+ | |
| Color/Mono | C Stype | | | V1+ | V2- | V4- | |
| Multisync | N Range | | 50/60/70 | V1- | V3+ | | Recall: 5,6,7 |
| Multimode | Y | VGA | | | | | |

| TATUNG | | Horizontal | Vertical | Connector Pins | | | Grounds |
|----------------|-----|---|----------|----------------|------|------|---------------|
| CM14SAE | | Freq | | Red | RedI | | |
| | Pix | 1024 | 768 | Grn | GrnI | | Ang Gnd: |
| Adapter# | 4 | Fpor | (84) | (81) | Blu | BluI | |
| Interlace | Y | Bpor | (85) | (82) | Vsyn | Csyn | V3- Dig Gnd: |
| Video Type | A | Sync | (86) | (83) | Hsyn | V2+ | V4+ |
| Color/Mono | C | Stype | | | V1+ | V2- | V4- |
| Multisync | Y | Range | 31.5-38 | 55-90 | V1- | V3+ | Recall: 5-9,+ |
| Multimode | Y | VGA, SVGA, 8514A INTERLACED IN 8514A MODE | | | | | |

| TATUNG | | Horizontal | Vertical | Connector Pins | | | Grounds |
|----------------|-----|--|----------|----------------|------|------|----------------|
| CM14SAM | | Freq | | Red | RedI | | |
| | Pix | 1024 | 768 | Grn | GrnI | | Ang Gnd: |
| Adapter# | 4 | Fpor | (84) | (81) | Blu | BluI | |
| Interlace | Y | Bpor | (85) | (82) | Vsyn | Csyn | V3- Dig Gnd: |
| Video Type | A | Sync | (86) | (83) | Hsyn | V2+ | V4+ |
| Color/Mono | C | Stype | | | V1+ | V2- | V4- |
| Multisync | | Range | | | V1- | V3+ | Recall: 7-9,28 |
| Multimode | | VGA, SVGA, 8514A INTERLACED IN 8514A MODE. | | | | | |

| TATUNG | | Horizontal | Vertical | Connector Pins | | | Grounds |
|----------------|-----|--|----------|----------------|------|------|----------------|
| CM14SAS | | Freq | | Red | RedI | | |
| | Pix | 1024 | 768 | Grn | GrnI | | Ang Gnd: |
| Adapter# | 4 | Fpor | (84) | (81) | Blu | BluI | |
| Interlace | Y | Bpor | (85) | (82) | Vsyn | Csyn | V3- Dig Gnd: |
| Video Type | A | Sync | (86) | (83) | Hsyn | V2+ | V4+ |
| Color/Mono | C | Stype | | | V1+ | V2- | V4- |
| Multisync | | Range | | | V1- | V3+ | Recall: 7-9,28 |
| Multimode | | VGA, SVGA, VESA, INTERLACED IN 8514A MODE. | | | | | |

| TATUNG | | Horizontal | Vertical | Connector Pins | | | Grounds |
|----------------|-----|---|----------|----------------|------|------|---------------|
| CM14UAS | | Freq | | Red | RedI | | |
| | Pix | 1024 | 768 | Grn | GrnI | | Ang Gnd: |
| Adapter# | 4 | Fpor | (84) | (81) | Blu | BluI | |
| Interlace | Y | Bpor | (85) | (82) | Vsyn | Csyn | V3- Dig Gnd: |
| Video Type | A | Sync | (86) | (83) | Hsyn | V2+ | V4+ |
| Color/Mono | C | Stype | | | V1+ | V2- | V4- |
| Multisync | Y | Range | 31.5/48 | 50-80 | V1- | V3+ | Recall: 5-9,+ |
| Multimode | Y | VGA, SVGA, 8514A INTERLACED IN 8514A MODE | | | | | |

| TATUNG | | Horizontal | Vertical | Connector Pins | | | Grounds |
|----------------|-----|---|----------|----------------|------|------|---------------|
| CM17MBD | | Freq | | Red | RedI | | |
| | Pix | 1280 | 1024 | Grn | GrnI | | Ang Gnd: |
| Adapter# | 4 | Fpor | (84) | (81) | Blu | BluI | |
| Interlace | Y | Bpor | (85) | (82) | Vsyn | Csyn | V3- Dig Gnd: |
| Video Type | A | Sync | (86) | (83) | Hsyn | V2+ | V4+ |
| Color/Mono | C | Stype | | | V1+ | V2- | V4- |
| Multisync | Y | Range | 29-65 | 50-90 | V1- | V3+ | Recall: 5-9,+ |
| Multimode | N | VGA, SVGA, 8514A INTERLACED IN 8514A MODE | | | | | |

| TATUNG | | Horizontal | Vertical | Connector Pins | | | Grounds |
|---------------|-----|------------|----------|----------------|------|------|---------------|
| MM1432 | | Freq | 31.50 | Red | RedI | | |
| | Pix | 640 | 480 | Grn | GrnI | | Ang Gnd: |
| Adapter# | 4 | Fpor | (84) | (81) | Blu | BluI | |
| Interlace | N | Bpor | (85) | (82) | Vsyn | Csyn | V3- Dig Gnd: |
| Video Type | A | Sync | (86) | (83) | Hsyn | V2+ | V4+ |
| Color/Mono | C | Stype | | | V1+ | V2- | V4- |
| Multisync | N | Range | | 50-70 | V1- | V3+ | Recall: 5,6,7 |
| Multimode | 3 | VGA | | | | | |

| TATUNG | | Horizontal | Vertical | Connector Pins | | | Grounds |
|----------------|-----|------------|----------|----------------|------|------|--------------|
| MM14SAE | | Freq | 37.90 | Red | RedI | | |
| | Pix | 640 | 480 | Grn | GrnI | | Ang Gnd: |
| Adapter# | 4 | Fpor | (84) | (81) | Blu | BluI | |
| Interlace | N | Bpor | (85) | (82) | Vsyn | Csyn | V3- Dig Gnd: |
| Video Type | A | Sync | (86) | (83) | Hsyn | V2+ | V4+ |
| Color/Mono | M | Stype | | | V1+ | V2- | V4- |
| Multisync | | Range | | | V1- | V3+ | Recall: 28 |
| Multimode | | VESA | | | | | |

| TATUNG | | Horizontal | Vertical | Connector Pins | | | Grounds |
|------------|-----|-------------------------|----------|----------------|------|------|-----------|
| MM1580 | | Freq | | Red | RedI | | |
| | Pix | | | Grn | GrnI | | Ang Gnd: |
| Adapter# | 4 | Fpor | (84) | (81) | Blu | BluI | |
| Interlace | M | Bpor | (85) | (82) | Vsyn | Csyn | V3- |
| Video Type | D | Sync | (86) | (83) | Hsyn | V2+ | V4+ |
| Color/Mono | M | Stype | | | V1+ | V2- | V4- |
| Multisync | | Range | | | V1- | V3+ | Recall: 7 |
| Multimode | | FULL PAGE DISPFULL PAGE | | | | | |

| TATUNG | | Horizontal | Vertical | Connector Pins | | | Grounds |
|------------|-----|------------|----------|----------------|------|------|-----------|
| 1401 | | Freq | 18.45 | 50.0 | Red | RedI | |
| | Pix | 720 | | 350 | Grn | GrnI | Ang Gnd: |
| Adapter# | 1 | Fpor | (84) | (81) | Blu | BluI | |
| Interlace | M | Bpor | (85) | (82) | Vsyn | Csyn | V3- |
| Video Type | D | Sync | (86) | (83) | Hsyn | V2+ | V4+ |
| Color/Mono | M | Stype | | | V1+ | V2- | V4- |
| Multisync | N | Range | | | V1- | V3+ | Recall: 1 |
| Multimode | N | MDA | | | | | |

| TAXAN | | Horizontal | Vertical | Connector Pins | | | Grounds |
|------------|-----|------------|----------|----------------|--------|------|----------|
| 650/635 | | Freq | 25.90 | 57.0 | Red 3 | RedI | |
| | Pix | 640 | | 400 | Grn 4 | GrnI | Ang Gnd: |
| Adapter# | 2 | Fpor | 2.5 (84) | 0.62 (81) | Blu 7 | BluI | 1 |
| Interlace | N | Bpor | 5.3 (85) | 0.93 (82) | Vsyn 9 | Csyn | V3- |
| Video Type | D | Sync | 1.6 (86) | 0.62 (83) | Hsyn 8 | V2+ | V4+ |
| Color/Mono | C | Stype | - | - | V1+ | V2- | V4- |
| Multisync | | Range | | | V1- | V3+ | Recall: |
| Multimode | | | | | | | |

| TAXAN | | Horizontal | Vertical | Connector Pins | | | Grounds |
|-----------------|-----|------------|----------|----------------|------|------|----------|
| 875 MULTIVISION | | Freq | | | Red | RedI | |
| | Pix | 1280 | | 1040 | Grn | GrnI | Ang Gnd: |
| Adapter# | 6 | Fpor | (84) | (81) | Blu | BluI | |
| Interlace | M | Bpor | (85) | (82) | Vsyn | Csyn | V3- |
| Video Type | A | Sync | (86) | (83) | Hsyn | V2+ | V4+ |
| Color/Mono | C | Stype | - | - | V1+ | V2- | V4- |
| Multisync | Y | Range | 30-75 | 50-90 | V1- | V3+ | Recall: |
| Multimode | | | | | | | |

| TAXAN | | Horizontal | Vertical | Connector Pins | | | Grounds |
|------------|-----|------------|----------|----------------|------|------|----------|
| KS12R401SU | | Freq | 24.75 | 56.0 | Red | RedI | |
| ## | Pix | 600 | | 400 | Grn | GrnI | Ang Gnd: |
| Adapter# | 1 | Fpor | 2.6 (84) | 0.64 (81) | Blu | BluI | |
| Interlace | N | Bpor | 5.3 (85) | 0.95 (82) | Vsyn | Csyn | V3- |
| Video Type | D | Sync | 1.9 (86) | 0.64 (83) | Hsyn | V2+ | V4+ |
| Color/Mono | | Stype | | | V1+ | V2- | V4- |
| Multisync | | Range | | | V1- | V3+ | Recall: |
| Multimode | | VISION 440 | | | | | |

| TAXAN | | Horizontal | Vertical | Connector Pins | | | Grounds |
|------------|-----|------------|----------|----------------|--------|--------|----------|
| 620 | | Freq | 15.70 | | Red 2 | RedI 5 | |
| | Pix | 640 | | 200 | Grn 3 | GrnI | Ang Gnd: |
| Adapter# | | Fpor | (84) | (81) | Blu 4 | BluI | 6 |
| Interlace | N | Bpor | (85) | (82) | Vsyn 8 | Csyn | V3- |
| Video Type | D | Sync | (86) | (83) | Hsyn 7 | V2+ | V4+ |
| Color/Mono | C | Stype | | | V1+ | V2- | V4- |
| Multisync | Y | Range | | 49-61 | V1- | V3+ | Recall: |
| Multimode | | | | | | | |

| TEKTRONIX | | Horizontal | Vertical | Connector Pins | | | Grounds |
|----------------|-----|------------|-------------|----------------|------|------|----------|
| 119-4409-01 | | Freq | 76.33 | 72.0 | Red | RedI | |
| 19" MONOCHROME | | Pix | 1280 | 1024 | Grn | GrnI | Ang Gnd: |
| Adapter# | BMC | Fpor | 0.2475 (84) | 0.001 (81) | Blu | BluI | |
| Interlace | N | Bpor | 1.734 (85) | 472.2 (82) | Vsyn | Csyn | V3- |
| Video Type | A | Sync | 1.2374 (86) | 52.467 (83) | Hsyn | V2+ | V4+ |
| Color/Mono | M | Stype | + | + | V1+ | V2- | V4- |
| Multisync | N | Range | | | V1- | V3+ | Recall: |
| Multimode | N | | | | | | |

| TOSHIBA | | Horizontal | Vertical | Connector Pins | | | Grounds |
|-------------|------|--|----------|----------------|------|------|--------------|
| P172665 | Freq | | | Red | RedI | | |
| OMNISYNC CT | Pix | 1280 | 1024 | Grn | GrnI | | Ang Gnd: |
| Adapter# | 4 | Fpor | (84) | (81) | Blu | BluI | |
| Interlace | | Bpor | (85) | (82) | Vsyn | Csyn | V3- Dig Gnd: |
| Video Type | A | Sync | (86) | (83) | Hsyn | V2+ | V4+ |
| Color/Mono | C | Stype | | | V1+ | V2- | V4- |
| Multisync | Y | Range30-65 | | 55-90 | V1- | V3+ | Recall: 5-9 |
| Multimode | N | VGA, SVGA, 8514/OTHER RECALL MODES MAY BE COMPATIBLE | | | | | |

| TOSHIBA | | Horizontal | Vertical | Connector Pins | | | Grounds |
|-------------|------|--|----------|----------------|------|------|--------------|
| P172680 | Freq | | | Red | RedI | | |
| OMNISYNC CW | Pix | 1600 | 1280 | Grn | GrnI | | Ang Gnd: |
| Adapter# | 4 | Fpor | (84) | (81) | Blu | BluI | |
| Interlace | | Bpor | (85) | (82) | Vsyn | Csyn | V3- Dig Gnd: |
| Video Type | A | Sync | (86) | (83) | Hsyn | V2+ | V4+ |
| Color/Mono | C | Stype | | | V1+ | V2- | V4- |
| Multisync | Y | Range30-80 | | 55-90 | V1- | V3+ | Recall: 5-9 |
| Multimode | N | VGA, SVGA, 8514/OTHER RECALL MODES MAY BE COMPATIBLE | | | | | |

| TOSHIBA | | Horizontal | Vertical | Connector Pins | | | Grounds |
|-------------|------|--|----------|----------------|------|------|--------------|
| P17CM01 | Freq | | 50-90 | Red | RedI | | |
| OMNISYNC CM | Pix | 1280 | 1024 | Grn | GrnI | | Ang Gnd: |
| Adapter# | 4 | Fpor | (84) | (81) | Blu | BluI | |
| Interlace | N | Bpor | (85) | (82) | Vsyn | Csyn | V3- Dig Gnd: |
| Video Type | A | Sync | (86) | (83) | Hsyn | V2+ | V4+ |
| Color/Mono | C | Stype | | | V1+ | V2- | V4- |
| Multisync | Y | Range30-65 | | 50-90 | V1- | V3+ | Recall: 5-9 |
| Multimode | N | VGA, SVGA, 8514/OTHER RECALL MODES MAY BE COMPATIBLE | | | | | |

| TOSHIBA | | Horizontal | Vertical | Connector Pins | | | Grounds |
|-------------|------|--|----------|----------------|------|------|--------------|
| P17CS01 | Freq | | | Red | RedI | | |
| OMNISYNC CS | Pix | 1280 | 1024 | Grn | GrnI | | Ang Gnd: |
| Adapter# | 4 | Fpor | (84) | (81) | Blu | BluI | |
| Interlace | | Bpor | (85) | (82) | Vsyn | Csyn | V3- Dig Gnd: |
| Video Type | A | Sync | (86) | (83) | Hsyn | V2+ | V4+ |
| Color/Mono | C | Stype | | | V1+ | V2- | V4- |
| Multisync | Y | Range30-65 | | 50-90 | V1- | V3+ | Recall: 5-9 |
| Multimode | N | VGA, SVGA, 8514/OTHER RECALL MODES MAY BE COMPATIBLE | | | | | |

| TOSHIBA | | Horizontal | Vertical | Connector Pins | | | Grounds |
|-------------|------|--|----------|----------------|------|------|--------------|
| P17CU01 | Freq | | | Red | RedI | | |
| OMNISYNC CU | Pix | 1024 | 768 | Grn | GrnI | | Ang Gnd: |
| Adapter# | 4 | Fpor | (84) | (81) | Blu | BluI | |
| Interlace | N | Bpor | (85) | (82) | Vsyn | Csyn | V3- Dig Gnd: |
| Video Type | A | Sync | (86) | (83) | Hsyn | V2+ | V4+ |
| Color/Mono | C | Stype | | | V1+ | V2- | V4- |
| Multisync | Y | Range30-57 | | 50-90 | V1- | V3+ | Recall: 5-9 |
| Multimode | N | VGA, SVGA, 8514/OTHER RECALL MODES MAY BE COMPATIBLE | | | | | |

| TOSHIBA | | Horizontal | Vertical | Connector Pins | | | Grounds |
|-------------|------|--|----------|----------------|------|------|--------------|
| P21CR00 | Freq | | | Red | RedI | | |
| OMNISYNC CR | Pix | 1280 | 1024 | Grn | GrnI | | Ang Gnd: |
| Adapter# | | Fpor | (84) | (81) | Blu | BluI | |
| Interlace | | Bpor | (85) | (82) | Vsyn | Csyn | V3- Dig Gnd: |
| Video Type | A | Sync | (86) | (83) | Hsyn | V2+ | V4+ |
| Color/Mono | C | Stype | | | V1+ | V2- | V4- |
| Multisync | Y | Range30-65 | | 50-90 | V1- | V3+ | Recall: |
| Multimode | N | VGA, SVGA, 8514/OTHER RECALL MODES MAY BE COMPATIBLE | | | | | |

| TRI-POLE | | Horizontal | Vertical | Connector Pins | | | Grounds | |
|----------------|------|------------|----------|----------------|------|------|----------|--------------|
| T1015AT-AR, AF | Freq | | | Red | RedI | | 5-9 | |
| | Pix | | | Grn | 1 | GrnI | Ang Gnd: | |
| Adapter# | | Fpor | (84) | (81) | Blu | BluI | | |
| Interlace | | Bpor | (85) | (82) | Vsyn | 4 | Csyn | V3- Dig Gnd: |
| Video Type | A | Sync | (86) | (83) | Hsyn | 3 | V2+ | V4+ |
| Color/Mono | M | Stype | - | - | V1+ | V2- | V4- | |
| Multisync | Y | Range60-75 | | 65-85 | V1- | V3+ | Recall: | |
| Multimode | | | | | | | | |

| TRI-POLE | | Horizontal | Vertical | Connector Pins | | | Grounds |
|---------------|----|-----------------|------------|----------------|--------|-----|----------|
| T1015AT-TR,TF | | Freq 68.85 | 75.0 | Red | RedI | | 1-5 |
| | | Pix 640 | 870 | Grn 7 | GrnI 6 | | Ang Gnd: |
| Adapter# | | Fpor 0.559 (84) | 0.044 (81) | Blu | BluI | | |
| Interlace | N | Bpor 1.12 (85) | 0.61 (82) | Vsyn 9 | Csyn | V3- | Dig Gnd: |
| Video Type | -D | Sync 1.68 (86) | 0.044 (83) | Hsyn 8 | V2+ | V4+ | |
| Color/Mono | M | Stype - | - | V1+ | V2- | V4- | |
| Multisync | Y | Range60-75 | 65-85 | V1- | V3+ | | Recall: |
| Multimode | N | | | | | | |

| TVM | | Horizontal | Vertical | Connector Pins | | | Grounds |
|--------------|---|------------|----------|----------------|------|-----|----------|
| MD-11 III+ | | Freq | | Red | RedI | | |
| MEDIASCAN 3+ | | Pix 1024 | 768 | Grn | GrnI | | Ang Gnd: |
| Adapter# | | Fpor (84) | (81) | Blu | BluI | | |
| Interlace | | Bpor (85) | (82) | Vsyn | Csyn | V3- | Dig Gnd: |
| Video Type | | Sync (86) | (83) | Hsyn | V2+ | V4+ | |
| Color/Mono | C | Stype | | V1+ | V2- | V4- | |
| Multisync | Y | Range15-38 | 46-100 | V1- | V3+ | | Recall: |
| Multimode | N | | | | | | |

| TVM | | Horizontal | Vertical | Connector Pins | | | Grounds |
|---------------|---|----------------|----------|----------------|------|-----|----------|
| MD-14 I+ | | Freq | | Red | RedI | | |
| MEDIASCAN 1A+ | | Pix 1024 | 768 | Grn | GrnI | | Ang Gnd: |
| Adapter# | | Fpor (84) | (81) | Blu | BluI | | |
| Interlace | | Bpor (85) | (82) | Vsyn | Csyn | V3- | Dig Gnd: |
| Video Type | | Sync (86) | (83) | Hsyn | V2+ | V4+ | |
| Color/Mono | C | Stype | | V1+ | V2- | V4- | |
| Multisync | Y | Range31.5-35.5 | 45-100 | V1- | V3+ | | Recall: |
| Multimode | N | | | | | | |

| TVM | | Horizontal | Vertical | Connector Pins | | | Grounds |
|------------------|---|----------------|----------|----------------|------|-----|----------|
| MD-14 III LR | | Freq | | Red | RedI | | |
| LOW RADIATION 3A | | Pix 1024 | 768 | Grn | GrnI | | Ang Gnd: |
| Adapter# | | Fpor (84) | (81) | Blu | BluI | | |
| Interlace | N | Bpor (85) | (82) | Vsyn | Csyn | V3- | Dig Gnd: |
| Video Type | A | Sync (86) | (83) | Hsyn | V2+ | V4+ | |
| Color/Mono | C | Stype | | V1+ | V2- | V4- | |
| Multisync | Y | Range31.5-35.5 | 50-100 | V1- | V3+ | | Recall: |
| Multimode | N | | | | | | |

| TVM | | Horizontal | Vertical | Connector Pins | | | Grounds |
|------------------|---|----------------|----------|----------------|------|-----|----------|
| MD-14 III LR | | Freq | | Red | RedI | | |
| LOW RADIATION 3P | | Pix 1024 | 768 | Grn | GrnI | | Ang Gnd: |
| Adapter# | | Fpor (84) | (81) | Blu | BluI | | |
| Interlace | N | Bpor (85) | (82) | Vsyn | Csyn | V3- | Dig Gnd: |
| Video Type | A | Sync (86) | (83) | Hsyn | V2+ | V4+ | |
| Color/Mono | M | Stype | | V1+ | V2- | V4- | |
| Multisync | Y | Range31.5-35.5 | 50-100 | V1- | V3+ | | Recall: |
| Multimode | N | | | | | | |

| TVM | | Horizontal | Vertical | Connector Pins | | | Grounds |
|---------------|---|--------------|----------|----------------|------|-----|----------|
| MD-14 IV+ | | Freq | | Red | RedI | | |
| MEDIASCAN 4A+ | | Pix 1024 | 768 | Grn | GrnI | | Ang Gnd: |
| Adapter# | | Fpor (84) | (81) | Blu | BluI | | |
| Interlace | | Bpor (85) | (82) | Vsyn | Csyn | V3- | Dig Gnd: |
| Video Type | | Sync (86) | (83) | Hsyn | V2+ | V4+ | |
| Color/Mono | C | Stype | | V1+ | V2- | V4- | |
| Multisync | Y | Range31.5-48 | 50-90 | V1- | V3+ | | Recall: |
| Multimode | N | | | | | | |

BOTH INTERLACED AND NON-INTERLACED

| TVM | | Horizontal | Vertical | Connector Pins | | | Grounds |
|--------------|---|--------------|----------|----------------|------|-----|----------|
| MD-15 | | Freq | | Red | RedI | | |
| MEDIASCAN 5A | | Pix 1024 | 768 | Grn | GrnI | | Ang Gnd: |
| Adapter# | | Fpor (84) | (81) | Blu | BluI | | |
| Interlace | | Bpor (85) | (82) | Vsyn | Csyn | V3- | Dig Gnd: |
| Video Type | | Sync (86) | (83) | Hsyn | V2+ | V4+ | |
| Color/Mono | C | Stype | | V1+ | V2- | V4- | |
| Multisync | Y | Range31.5-48 | 40-100 | V1- | V3+ | | Recall: |
| Multimode | N | | | | | | |

BOTH INTERLACED AND NON-INTERLACED

| TVM | | Horizontal | Vertical | Connector Pins | | | Grounds |
|-------------------|--------------|---------------------------------------|----------|----------------|------|-----|----------|
| MD-15+ LR | Freq | | | Red | RedI | | |
| LOW RADIATION 5A+ | Pix | 1024 | 768 | Grn | GrnI | | Ang Gnd: |
| Adapter# | Fpor | (84) | (81) | Blu | BluI | | |
| Interlace | N Bpor | (85) | (82) | Vsyn | Csyn | V3- | Dig Gnd: |
| Video Type | A Sync | (86) | (83) | Hsyn | V2+ | V4+ | |
| Color/Mono | C Stype | | | V1+ | V2- | V4- | |
| Multisync | Y Range27-57 | | 40-100 | V1- | V3+ | | Recall: |
| Multimode | N | BOTH INTERLACED AND NON-INTERLACED IN | | | | | |

| TVM | | Horizontal | Vertical | Connector Pins | | | Grounds |
|--------------|--------------|------------|----------|----------------|------|-----|----------|
| MD-17 | Freq | | | Red | RedI | | |
| MEDIASCAN 6A | Pix | 1280 | 1024 | Grn | GrnI | | Ang Gnd: |
| Adapter# | Fpor | (84) | (81) | Blu | BluI | | |
| Interlace | N Bpor | (85) | (82) | Vsyn | Csyn | V3- | Dig Gnd: |
| Video Type | A Sync | (86) | (83) | Hsyn | V2+ | V4+ | |
| Color/Mono | C Stype | | | V1+ | V2- | V4- | |
| Multisync | Y Range29-66 | | 50-90 | V1- | V3+ | | Recall: |
| Multimode | N | | | | | | |

| TVM | | Horizontal | Vertical | Connector Pins | | | Grounds |
|--------------|--------------|------------|----------|----------------|------|-----|----------|
| MD-20 | Freq | | | Red | RedI | | |
| MEDIASCAN 7A | Pix | 1280 | 1024 | Grn | GrnI | | Ang Gnd: |
| Adapter# | Fpor | (84) | (81) | Blu | BluI | | |
| Interlace | N Bpor | (85) | (82) | Vsyn | Csyn | V3- | Dig Gnd: |
| Video Type | A Sync | (86) | (83) | Hsyn | V2+ | V4+ | |
| Color/Mono | C Stype | | | V1+ | V2- | V4- | |
| Multisync | Y Range29-66 | | 50-90 | V1- | V3+ | | Recall: |
| Multimode | N | | | | | | |

| TYSTAR | | Horizontal | Vertical | Connector Pins | | | Grounds |
|------------|----------------|---------------------------------------|----------|----------------|------|-----|----------|
| TY-1415P | Freq | | | Red | RedI | | |
| | Pix | 1024 | 768 | Grn | GrnI | | Ang Gnd: |
| Adapter# | Fpor | (84) | (81) | Blu | BluI | | |
| Interlace | Y Bpor | (85) | (82) | Vsyn | Csyn | V3- | Dig Gnd: |
| Video Type | A Sync | (86) | (83) | Hsyn | V2+ | V4+ | |
| Color/Mono | C Stype | | | V1+ | V2- | V4- | |
| Multisync | Y Range31.5-38 | | 50-90 | V1- | V3+ | | Recall: |
| Multimode | N | ONLY INTERLACED IN 8514A DISPLAY MODE | | | | | |

| TYSTAR | | Horizontal | Vertical | Connector Pins | | | Grounds |
|------------|----------------|---------------------------------------|----------|----------------|------|-----|----------|
| TY-1415PH | Freq | | | Red | RedI | | |
| | Pix | 1024 | 768 | Grn | GrnI | | Ang Gnd: |
| Adapter# | Fpor | (84) | (81) | Blu | BluI | | |
| Interlace | Y Bpor | (85) | (82) | Vsyn | Csyn | V3- | Dig Gnd: |
| Video Type | A Sync | (86) | (83) | Hsyn | V2+ | V4+ | |
| Color/Mono | C Stype | | | V1+ | V2- | V4- | |
| Multisync | Y Range31.5-38 | | 43-100 | V1- | V3+ | | Recall: |
| Multimode | N | ONLY INTERLACED IN 8514A DISPLAY MODE | | | | | |

| TYSTAR | | Horizontal | Vertical | Connector Pins | | | Grounds |
|------------|--------------|------------|----------|----------------|------|-----|----------|
| TY-1448 | Freq | | | Red | RedI | | |
| | Pix | 1024 | 768 | Grn | GrnI | | Ang Gnd: |
| Adapter# | Fpor | (84) | (81) | Blu | BluI | | |
| Interlace | N Bpor | (85) | (82) | Vsyn | Csyn | V3- | Dig Gnd: |
| Video Type | A Sync | (86) | (83) | Hsyn | V2+ | V4+ | |
| Color/Mono | C Stype | | | V1+ | V2- | V4- | |
| Multisync | Y Range30-50 | | 50-90 | V1- | V3+ | | Recall: |
| Multimode | N | | | | | | |

| TYSTAR | | Horizontal | Vertical | Connector Pins | | | Grounds |
|------------|--------------|------------|----------|----------------|------|-----|----------|
| TY-1458 | Freq | | | Red | RedI | | |
| | Pix | 1024 | 768 | Grn | GrnI | | Ang Gnd: |
| Adapter# | Fpor | (84) | (81) | Blu | BluI | | |
| Interlace | N Bpor | (85) | (82) | Vsyn | Csyn | V3- | Dig Gnd: |
| Video Type | A Sync | (86) | (83) | Hsyn | V2+ | V4+ | |
| Color/Mono | C Stype | | | V1+ | V2- | V4- | |
| Multisync | Y Range30-60 | | 50-90 | V1- | V3+ | | Recall: |
| Multimode | N | 14" | | | | | |

| TYSTAR | | Horizontal | Vertical | Connector Pins | | | Grounds |
|------------|---------|------------|----------|----------------|------|-----|----------|
| TY-1764 | | Freq | | Red | RedI | | |
| | Pix | 1280 | 1024 | Grn | GrnI | | Ang Gnd: |
| Adapter# | Fpor | (84) | (81) | Blu | BluI | | |
| Interlace | N Bpor | (85) | (82) | Vsyn | Csyn | V3- | Dig Gnd: |
| Video Type | A Sync | (86) | (83) | Hsyn | V2+ | V4+ | |
| Color/Mono | C Stype | | | V1+ | V2- | V4- | |
| Multisync | Range | 30-65 | 47-90 | V1- | V3+ | | Recall: |
| Multimode | | | 17" | | | | |

| TYSTAR | | Horizontal | Vertical | Connector Pins | | | Grounds |
|------------|---------|------------|----------|----------------|------|-----|----------|
| TY-2064 | | Freq | | Red | RedI | | |
| | Pix | 1280 | 1024 | Grn | GrnI | | Ang Gnd: |
| Adapter# | Fpor | (84) | (81) | Blu | BluI | | |
| Interlace | N Bpor | (85) | (82) | Vsyn | Csyn | V3- | Dig Gnd: |
| Video Type | A Sync | (86) | (83) | Hsyn | V2+ | V4+ | |
| Color/Mono | C Stype | | | V1+ | V2- | V4- | |
| Multisync | Range | 30-65 | 48-90 | V1- | V3+ | | Recall: |
| Multimode | | | 20" | | | | |

| U.S. PIXEL | | Horizontal | Vertical | Connector Pins | | | Grounds |
|------------|----------|------------|----------|----------------|-------|------|----------|
| PX19-9 | | Freq | 74.63 | 60.0 | Red | RedI | |
| | Pix | 1600 | 1200 | Grn | GrnI | | Ang Gnd: |
| Adapter# | ECL Fpor | (84) | (81) | Blu | BluI | | 7,8 |
| Interlace | N Bpor | (85) | (82) | Vsyn 9 | Csyn | V3- | Dig Gnd: |
| Video Type | E Sync | (86) | (83) | Hsyn 5 | V2+ 3 | V4+ | |
| Color/Mono | M Stype | + | + | V1+ 1 | V2- 2 | V4- | |
| Multisync | Range | | | V1- 6 | V3+ | | Recall: |
| Multimode | | | | | | | |

Sync must be positive

| UNISYS | | Horizontal | Vertical | Connector Pins | | | Grounds |
|------------|---------|------------|------------|----------------|------|------|----------|
| UDC2-Q5A | | Freq | 47.26 | 59.2 | Red | RedI | |
| | Pix | 1024 | 768 | Grn | GrnI | | Ang Gnd: |
| Adapter# | 6 Fpor | 0.952 (84) | 0.001 (81) | Blu | BluI | | |
| Interlace | N Bpor | 1.89 (85) | 0.36 (82) | Vsyn | Csyn | V3- | Dig Gnd: |
| Video Type | A Sync | 1.81 (86) | 0.085 (83) | Hsyn | V2+ | V4+ | |
| Color/Mono | C Stype | - | - | V1+ | V2- | V4- | |
| Multisync | Range | | | V1- | V3+ | | Recall: |
| Multimode | 2 | | | | | | |

| UNISYS | | Horizontal | Vertical | Connector Pins | | | Grounds |
|------------|---------|------------|------------|----------------|------|------|----------|
| VDC2-Q5A | | Freq | 61.90 | 58.6 | Red | RedI | |
| | Pix | 1280 | 1024 | Grn | GrnI | | Ang Gnd: |
| Adapter# | 6 Fpor | 0.26 (84) | 0.016 (81) | Blu | BluI | | |
| Interlace | N Bpor | 2.17 (85) | 0.469 (82) | Vsyn | Csyn | V3- | Dig Gnd: |
| Video Type | A Sync | 1.52 (86) | 0.048 (83) | Hsyn | V2+ | V4+ | |
| Color/Mono | C Stype | - | - | V1+ | V2- | V4- | |
| Multisync | Range | | | V1- | V3+ | | Recall: |
| Multimode | 1 | | | | | | |

| UNISYS | | Horizontal | Vertical | Connector Pins | | | Grounds |
|------------|---------|------------|------------|----------------|------|------|----------|
| VDC2-Q5A | | Freq | 37.30 | 60.0 | Red | RedI | |
| | Pix | 800 | 600 | Grn | GrnI | | Ang Gnd: |
| Adapter# | 6 Fpor | 1.16 (84) | 0.08 (81) | Blu | BluI | | |
| Interlace | N Bpor | 2 (85) | 0.429 (82) | Vsyn | Csyn | V3- | Dig Gnd: |
| Video Type | A Sync | 2 (86) | 0.08 (83) | Hsyn | V2+ | V4+ | |
| Color/Mono | C Stype | - | - | V1+ | V2- | V4- | |
| Multisync | Range | | | V1- | V3+ | | Recall: |
| Multimode | 3 | | | | | | |

| USFO | | Horizontal | Vertical | Connector Pins | | | Grounds |
|------------|---------|--|----------|----------------|------|-----|-----------------|
| D-4NI | | Freq | | Red | RedI | | |
| | Pix | 1024 | 768 | Grn | GrnI | | Ang Gnd: |
| Adapter# | Fpor | (84) | (81) | Blu | BluI | | |
| Interlace | Y Bpor | (85) | (82) | Vsyn | Csyn | V3- | Dig Gnd: |
| Video Type | A Sync | (86) | (83) | Hsyn | V2+ | V4+ | |
| Color/Mono | C Stype | | | V1+ | V2- | V4- | |
| Multisync | Y Range | 30-50 | 50-90 | V1- | V3+ | | Recall: 9,28-31 |
| Multimode | N | VGA, SVGA, VESA, INTERLACED IN 8514A MODE. | | | | | |

| USFO | | Horizontal | Vertical | Connector Pins | | | Grounds |
|---------------------|--------------|--|------------|----------------|------|-----|--------------------|
| D-4ST | Freq | | | Red | RedI | | |
| | Pix | 1024 | 768 | Grn | GrnI | | Ang Gnd: |
| Adapter# | Fpor | (84) | (81) | Blu | BluI | | |
| Interlace | Y Bpor | (85) | (82) | Vsyn | Csyn | V3- | Dig Gnd: |
| Video Type | A Sync | (86) | (83) | Hsyn | V2+ | V4+ | |
| Color/Mono | C Stype | | | V1+ | V2- | V4- | |
| Multisync | Y Range30-50 | | 50-90 | V1- | V3+ | | Recall: 9,28-31 |
| Multimode | N | VGA, SVGA, VESA, INTERLACED IN 8514A MODE. | | | | | |
| D-4VS | Freq | | | Red | RedI | | |
| | Pix | 1280 | 1024 | Grn | GrnI | | Ang Gnd: |
| Adapter# | Fpor | (84) | (81) | Blu | BluI | | |
| Interlace | Y Bpor | (85) | (82) | Vsyn | Csyn | V3- | Dig Gnd: |
| Video Type | A Sync | (86) | (83) | Hsyn | V2+ | V4+ | |
| Color/Mono | C Stype | | | V1+ | V2- | V4- | |
| Multisync | Y Range30-64 | | 50-90 | V1- | V3+ | | Recall: 9,12,28-32 |
| Multimode | N | VGA, SVGA, VESA, INTERLACED IN 8514A MODE. | | | | | |
| D-5VS | Freq | | | Red | RedI | | |
| | Pix | 1280 | 1024 | Grn | GrnI | | Ang Gnd: |
| Adapter# | Fpor | (84) | (81) | Blu | BluI | | |
| Interlace | Y Bpor | (85) | (82) | Vsyn | Csyn | V3- | Dig Gnd: |
| Video Type | A Sync | (86) | (83) | Hsyn | V2+ | V4+ | |
| Color/Mono | C Stype | | | V1+ | V2- | V4- | |
| Multisync | Y Range30-64 | | 50-90 | V1- | V3+ | | Recall: 9,12,28-32 |
| Multimode | N | VGA, SVGA, VESA, INTERLACED IN 8514A MODE. | | | | | |
| D-7MP (F) | Freq | | | Red | RedI | | |
| | Pix | 1280 | 1024 | Grn | GrnI | | Ang Gnd: |
| Adapter# | Fpor | (84) | (81) | Blu | BluI | | |
| Interlace | N Bpor | (85) | (82) | Vsyn | Csyn | V3- | Dig Gnd: |
| Video Type | A Sync | (86) | (83) | Hsyn | V2+ | V4+ | |
| Color/Mono | C Stype | | | V1+ | V2- | V4- | |
| Multisync | Y Range31-70 | | 50-90 | V1- | V3+ | | Recall: 12,18,28-3 |
| Multimode | N | VGA, SVGA, VESA, | | | | | |
| D-7MP (N) | Freq | | | Red | RedI | | |
| | Pix | 1280 | 1024 | Grn | GrnI | | Ang Gnd: |
| Adapter# | Fpor | (84) | (81) | Blu | BluI | | |
| Interlace | N Bpor | (85) | (82) | Vsyn | Csyn | V3- | Dig Gnd: |
| Video Type | A Sync | (86) | (83) | Hsyn | V2+ | V4+ | |
| Color/Mono | C Stype | | | V1+ | V2- | V4- | |
| Multisync | Y Range31-70 | | 50-90 | V1- | V3+ | | Recall: 12,18,28-3 |
| Multimode | N | VGA, SVGA, VESA, | | | | | |
| C6000 | Freq | | | Red | RedI | | |
| | Pix | 1280 | 1200 | Grn | GrnI | | Ang Gnd: |
| Adapter# | Fpor | (84) | (81) | Blu | BluI | | |
| Interlace | N Bpor | (85) | (82) | Vsyn | Csyn | V3- | Dig Gnd: |
| Video Type | A Sync | (86) | (83) | Hsyn | V2+ | V4+ | |
| Color/Mono | C Stype | | | V1+ | V2- | V4- | |
| Multisync | Y Range30-68 | | 30-120 | V1- | V3+ | | Recall: |
| Multimode | N | CAD/CAM | | | | | |
| LD C6000-058 | Freq | 61.80 | 66.0 | Red | RedI | | |
| | Pix | 1152 | 900 | Grn | GrnI | | Ang Gnd: |
| Adapter# | Fpor | 0.17 (84) | 0.032 (81) | Blu | BluI | | |
| Interlace | N Bpor | 2.24 (85) | 0.5 (82) | Vsyn | Csyn | V3- | Dig Gnd: |
| Video Type | A Sync | 1.38 (86) | 0.064 (83) | Hsyn | V2+ | V4+ | |
| Color/Mono | C Stype | - | - | V1+ | V2- | V4- | |
| Multisync | N Range | | | V1- | V3+ | | Recall: |
| Multimode | N | | | | | | |

| VIEWSONIC | | Horizontal | Vertical | Connector Pins | | | Grounds |
|--------------|------|------------------|-----------|----------------|------|------|--------------|
| 4E | Freq | | | Red | RedI | | |
| VIEWSONIC 4E | Pix | 1024 | 768 | Grn | GrnI | | Ang Gnd: |
| Adapter# | 4 | Fpor | (84) | (81) | Blu | BluI | |
| Interlace | | Bpor | (85) | (82) | Vsyn | Csyn | V3- Dig Gnd: |
| Video Type | A | Sync | (86) | (83) | Hsyn | V2+ | V4+ |
| Color/Mono | | Stype | | | V1+ | V2- | V4- |
| Multisync | Y | Range | 31.5-35.5 | 50-90 | V1- | V3+ | Recall: 7-9 |
| Multimode | N | VGA, SVGA, 8514/ | | | | | |

| VIEWSONIC | | Horizontal | Vertical | Connector Pins | | | Grounds |
|--------------|------|------------------|----------|----------------|------|------|--------------|
| 5+ | Freq | | | Red | RedI | | |
| VIEWSONIC 5+ | Pix | 1024 | 768 | Grn | GrnI | | Ang Gnd: |
| Adapter# | 4 | Fpor | (84) | (81) | Blu | BluI | |
| Interlace | | Bpor | (85) | (82) | Vsyn | Csyn | V3- Dig Gnd: |
| Video Type | A | Sync | (86) | (83) | Hsyn | V2+ | V4+ |
| Color/Mono | | Stype | | | V1+ | V2- | V4- |
| Multisync | Y | Range | 31-57 | 50-90 | V1- | V3+ | Recall: 7-9 |
| Multimode | N | VGA, SVGA, 8514/ | | | | | |

| VIEWSONIC | | Horizontal | Vertical | Connector Pins | | | Grounds |
|--------------|------|------------------|----------|----------------|------|------|--------------|
| 5E | Freq | | | Red | RedI | | |
| VIEWSONIC 5E | Pix | 1024 | 768 | Grn | GrnI | | Ang Gnd: |
| Adapter# | 4 | Fpor | (84) | (81) | Blu | BluI | |
| Interlace | | Bpor | (85) | (82) | Vsyn | Csyn | V3- Dig Gnd: |
| Video Type | A | Sync | (86) | (83) | Hsyn | V2+ | V4+ |
| Color/Mono | | Stype | | | V1+ | V2- | V4- |
| Multisync | Y | Range | 31-60 | 50-90 | V1- | V3+ | Recall: 7-9 |
| Multimode | N | VGA, SVGA, 8514/ | | | | | |

| VIEWSONIC | | Horizontal | Vertical | Connector Pins | | | Grounds |
|--------------|------|------------------|----------|----------------|------|------|--------------|
| 6E | Freq | | | Red | RedI | | |
| VIEWSONIC 6E | Pix | 1024 | 768 | Grn | GrnI | | Ang Gnd: |
| Adapter# | 4 | Fpor | (84) | (81) | Blu | BluI | |
| Interlace | | Bpor | (85) | (82) | Vsyn | Csyn | V3- Dig Gnd: |
| Video Type | A | Sync | (86) | (83) | Hsyn | V2+ | V4+ |
| Color/Mono | | Stype | | | V1+ | V2- | V4- |
| Multisync | Y | Range | 31.5-48 | 50-90 | V1- | V3+ | Recall: 7-9 |
| Multimode | N | VGA, SVGA, 8514/ | | | | | |

| VIEWSONIC | | Horizontal | Vertical | Connector Pins | | | Grounds |
|---------------|------|---------------------|--------------------------------|----------------|------|------|--------------|
| 6FS | Freq | | | Red | RedI | | |
| VIEWSONIC 6FS | Pix | 1024 | 768 | Grn | GrnI | | Ang Gnd: |
| Adapter# | 4,5 | Fpor | (84) | (81) | Blu | BluI | |
| Interlace | | Bpor | (85) | (82) | Vsyn | Csyn | V3- Dig Gnd: |
| Video Type | A | Sync | (86) | (83) | Hsyn | V2+ | V4+ |
| Color/Mono | | Stype | | | V1+ | V2- | V4- |
| Multisync | Y | Range | 31-60 | 50-90 | V1- | V3+ | Recall: 7-10 |
| Multimode | N | VGA, SVGA, 8514/RCL | 7-9=ADPTR #4; RCL 10=ADPTR #5. | | | | |

| VIEWSONIC | | Horizontal | Vertical | Connector Pins | | | Grounds |
|-------------|------|------------|----------|----------------|------|------|--------------|
| 1 | Freq | | | Red | RedI | | |
| VIEWSONIC 1 | Pix | 640 | 480 | Grn | GrnI | | Ang Gnd: |
| Adapter# | 4 | Fpor | (84) | (81) | Blu | BluI | |
| Interlace | | Bpor | (85) | (82) | Vsyn | Csyn | V3- Dig Gnd: |
| Video Type | A | Sync | (86) | (83) | Hsyn | V2+ | V4+ |
| Color/Mono | | Stype | | | V1+ | V2- | V4- |
| Multisync | N | Range | 31.5 | 50-70 | V1- | V3+ | Recall: 7 |
| Multimode | Y | VGA | | | | | |

| VIEWSONIC | | Horizontal | Vertical | Connector Pins | | | Grounds |
|-------------|------|------------|----------|----------------|------|------|--------------|
| 2 | Freq | | | Red | RedI | | |
| VIEWSONIC 2 | Pix | 640 | 480 | Grn | GrnI | | Ang Gnd: |
| Adapter# | 4 | Fpor | (84) | (81) | Blu | BluI | |
| Interlace | | Bpor | (85) | (82) | Vsyn | Csyn | V3- Dig Gnd: |
| Video Type | A | Sync | (86) | (83) | Hsyn | V2+ | V4+ |
| Color/Mono | | Stype | | | V1+ | V2- | V4- |
| Multisync | N | Range | 31.5 | 50-70 | V1- | V3+ | Recall: 7 |
| Multimode | Y | VGA | | | | | |

| VIEWSONIC | | Horizontal | Vertical | Connector Pins | | | Grounds |
|-------------|------|------------------|----------|----------------|------|------|--------------|
| 6 | Freq | | | Red | RedI | | |
| VIEWSONIC 6 | Pix | 1024 | 768 | Grn | GrnI | | Ang Gnd: |
| Adapter# | 4 | Fpor | (84) | (81) | Blu | BluI | |
| Interlace | | Bpor | (85) | (82) | Vsyn | Csyn | V3- Dig Gnd: |
| Video Type | A | Sync | (86) | (83) | Hsyn | V2+ | V4+ |
| Color/Mono | | Stype | | | V1+ | V2- | V4- |
| Multisync | Y | Range | 30-50 | | V1- | V3+ | Recall: 7-9 |
| Multimode | N | VGA, SVGA, 8514/ | | | | | |

| VIEWSONIC | | Horizontal | Vertical | Connector Pins | | | Grounds |
|-------------|------|---------------------|--------------------------------|----------------|------|------|--------------|
| 7 | Freq | | | Red | RedI | | |
| VIEWSONIC 7 | Pix | 1280 | 1024 | Grn | GrnI | | Ang Gnd: |
| Adapter# | 4,5 | Fpor | (84) | (81) | Blu | BluI | |
| Interlace | | Bpor | (85) | (82) | Vsyn | Csyn | V3- Dig Gnd: |
| Video Type | A | Sync | (86) | (83) | Hsyn | V2+ | V4+ |
| Color/Mono | | Stype | | | V1+ | V2- | V4- |
| Multisync | Y | Range | 30-64 | | V1- | V3+ | Recall: 7-10 |
| Multimode | N | VGA, SVGA, 8514/RCL | 7-9=ADPTR #4; RCL 10=ADPTR #5. | | | | |

| VIEWSONIC | | Horizontal | Vertical | Connector Pins | | | Grounds |
|-------------|------|---------------------|--------------------------------|----------------|------|------|--------------|
| 8 | Freq | | | Red | RedI | | |
| VIEWSONIC 8 | Pix | 1280 | 1024 | Grn | GrnI | | Ang Gnd: |
| Adapter# | 4,5 | Fpor | (84) | (81) | Blu | BluI | |
| Interlace | | Bpor | (85) | (82) | Vsyn | Csyn | V3- Dig Gnd: |
| Video Type | A | Sync | (86) | (83) | Hsyn | V2+ | V4+ |
| Color/Mono | | Stype | | | V1+ | V2- | V4- |
| Multisync | Y | Range | 30-64 | | V1- | V3+ | Recall: 7-10 |
| Multimode | N | VGA, SVGA, 8514/RCL | 7-9=ADPTR #4; RCL 10=ADPTR #5. | | | | |

| VIEWSONIC | | Horizontal | Vertical | Connector Pins | | | Grounds |
|--------------|------|------------|----------|----------------|------|------|--------------|
| 21 | Freq | | | Red | RedI | | |
| VIEWSONIC 21 | Pix | 1600 | 1280 | Grn | GrnI | | Ang Gnd: |
| Adapter# | | Fpor | (84) | (81) | Blu | BluI | |
| Interlace | | Bpor | (85) | (82) | Vsyn | Csyn | V3- Dig Gnd: |
| Video Type | A | Sync | (86) | (83) | Hsyn | V2+ | V4+ |
| Color/Mono | N | Stype | | | V1+ | V2- | V4- |
| Multisync | Y | Range | 30-82 | | V1- | V3+ | Recall: |
| Multimode | N | PC, MAC | | | | | |

| WEN | | Horizontal | Vertical | Connector Pins | | | Grounds |
|------------|------|------------------|----------|----------------|------|------|--------------|
| JK1450 | Freq | | | Red | RedI | | |
| | Pix | 1024 | 768 | Grn | GrnI | | Ang Gnd: |
| Adapter# | | Fpor | (84) | (81) | Blu | BluI | |
| Interlace | N | Bpor | (85) | (82) | Vsyn | Csyn | V3- Dig Gnd: |
| Video Type | A | Sync | (86) | (83) | Hsyn | V2+ | V4+ |
| Color/Mono | C | Stype | | | V1+ | V2- | V4- |
| Multisync | Y | Range | 29.5-48 | | V1- | V3+ | Recall: |
| Multimode | N | VGA, SVGA, MACII | 48-90 | | | | |

| WEN | | Horizontal | Vertical | Connector Pins | | | Grounds |
|------------|------|------------------|----------|----------------|------|------|--------------|
| JK1770 | Freq | | | Red | RedI | | |
| | Pix | 1280 | 1024 | Grn | GrnI | | Ang Gnd: |
| Adapter# | | Fpor | (84) | (81) | Blu | BluI | |
| Interlace | N | Bpor | (85) | (82) | Vsyn | Csyn | V3- Dig Gnd: |
| Video Type | A | Sync | (86) | (83) | Hsyn | V2+ | V4+ |
| Color/Mono | C | Stype | | | V1+ | V2- | V4- |
| Multisync | Y | Range | 30-64 | | V1- | V3+ | Recall: |
| Multimode | N | VGA, SVGA, MACII | 50-90 | | | | |

| WESTINGHOUSE | | Horizontal | Vertical | Connector Pins | | | Grounds |
|--------------|------|------------|----------|----------------|------|------|--------------|
| 1642 | Freq | 15.70 | 60.0 | Red | RedI | | |
| | Pix | 640 | 200 | Grn | GrnI | | Ang Gnd: |
| Adapter# | | Fpor | (84) | (81) | Blu | BluI | |
| Interlace | | Bpor | (85) | (82) | Vsyn | Csyn | V3- Dig Gnd: |
| Video Type | A | Sync | (86) | (83) | Hsyn | V2+ | V4+ |
| Color/Mono | C | Stype | G | | V1+ | V2- | V4- |
| Multisync | N | Range | | | V1- | V3+ | Recall: 0 |
| Multimode | N | CGA | | | | | |

USE ANALOG & SYNC ON GREEN

| WYSE | | Horizontal | Vertical | Connector Pins | | | Grounds |
|------------|---------|------------|----------|----------------|------|-----|----------|
| 790M | Freq | | | Red | RedI | | |
| | Pix | 1280 | 1024 | Grn | GrnI | | Ang Gnd: |
| Adapter# | 6 Fpor | (84) | (81) | Blu | BluI | | |
| Interlace | N Bpor | (85) | (82) | Vsyn | Csyn | V3- | Dig Gnd: |
| Video Type | A Sync | (86) | (83) | Hsyn | V2+ | V4+ | |
| Color/Mono | C Stype | | | V1+ | V2- | V4- | |
| Multisync | Y Range | 42-70 | 58-80 | V1- | V3+ | | Recall: |
| Multimode | | | | | | | |

| WYSE | | Horizontal | Vertical | Connector Pins | | | Grounds |
|--------------------|---------|--|----------|----------------|------|-----|----------|
| WY-7500 | Freq | | | Red | RedI | | |
| GRAYSCALE GRAPHICS | Pix | 1280 | 1024 | Grn | GrnI | | Ang Gnd: |
| Adapter# | Fpor | (84) | (81) | Blu | BluI | | |
| Interlace | N Bpor | (85) | (82) | Vsyn | Csyn | V3- | Dig Gnd: |
| Video Type | A Sync | (86) | (83) | Hsyn | V2+ | V4+ | |
| Color/Mono | C Stype | C | C | V1+ | V2- | V4- | |
| Multisync | Y Range | 42-71 | 60-85 | V1- | V3+ | | Recall: |
| Multimode | N | VGA, EGA, CGA, MDTWO CONNECTORS FOR COLOR AND MONOCHROME | | | | | |

| WYSE | | Horizontal | Vertical | Connector Pins | | | Grounds |
|------------|---------|---------------------------------|------------|----------------|------|-----|----------|
| WY-790N | Freq | | | Red | RedI | | |
| | Pix | 1280 | 1024 | Grn | GrnI | | Ang Gnd: |
| Adapter# | Fpor | 0.726 (84) | 0.043 (81) | Blu | BluI | | |
| Interlace | N Bpor | 1.9 (85) | 0.429 (82) | Vsyn | Csyn | V3- | Dig Gnd: |
| Video Type | A Sync | 0.9 (86) | 0.043 (83) | Hsyn | V2+ | V4+ | |
| Color/Mono | M Stype | C | C | V1+ | V2- | V4- | |
| Multisync | Y Range | 42-71 | 60-85 | V1- | V3+ | | Recall: |
| Multimode | N | VGA, EGA, CGA, MD19" MONOCHROME | | | | | |

| WYSE | | Horizontal | Vertical | Connector Pins | | | Grounds |
|------------|---------|------------|----------|----------------|--------|-----|----------|
| WY700 | Freq | 32.00 | | Red 3 | RedI 4 | | |
| | Pix | 1024 | 800 | Grn | GrnI | | Ang Gnd: |
| Adapter# | Fpor | (84) | (81) | Blu | BluI | | 8,9 |
| Interlace | Y Bpor | (85) | (82) | Vsyn 2 | Csyn | V3- | Dig Gnd: |
| Video Type | D Sync | (86) | (83) | Hsyn 1 | V2+ | V4+ | |
| Color/Mono | M Stype | + | + | V1+ | V2- | V4- | |
| Multisync | N Range | | 69.4, 76 | V1- | V3+ | | Recall: |
| Multimode | | | | | | | |

| WYSE | | Horizontal | Vertical | Connector Pins | | | Grounds |
|------------|-------|------------|----------|----------------|------|-----|----------|
| 60 | Freq | 26.60 | 60.0 | Red | RedI | | |
| | Pix | 800 | 416 | Grn | GrnI | | Ang Gnd: |
| Adapter# | Fpor | (84) | (81) | Blu | BluI | | |
| Interlace | Bpor | (85) | (82) | Vsyn | Csyn | V3- | Dig Gnd: |
| Video Type | Sync | (86) | (83) | Hsyn | V2+ | V4+ | |
| Color/Mono | Stype | | | V1+ | V2- | V4- | |
| Multisync | Range | | | V1- | V3+ | | Recall: |
| Multimode | | | | | | | |

| ZENITH | | Horizontal | Vertical | Connector Pins | | | Grounds |
|------------|----------|------------|------------|----------------|------|-----|----------|
| 19MGM2 | Freq | 64.70 | 75.0 | Red | RedI | | |
| | Pix | 1024 | 826 | Grn | GrnI | | Ang Gnd: |
| Adapter# | ECL Fpor | 0.432 (84) | 0.015 (81) | Blu | BluI | | 8,9 |
| Interlace | N Bpor | 2.59 (85) | 0.433 (82) | Vsyn 4 | Csyn | V3- | Dig Gnd: |
| Video Type | E Sync | 0.8 (86) | 0.124 (83) | Hsyn 3 | V2+ | V4+ | |
| Color/Mono | M Stype | | | V1+ | V2- | V4- | |
| Multisync | Range | | | V1- | V3+ | | Recall: |
| Multimode | | | | | | | |

| <u>RECALL</u> | <u>FORMAT</u> | <u>HORIZ FREQ</u> (kHz) | <u>VERT FREQ</u> (Hz) | <u>HORIZ PIX</u> | <u>VERT PIX</u> | <u>VIDEO TYPE</u> | <u>INTER LACE</u> | <u>V FP</u> (81) | <u>V BP</u> (82) | <u>V S</u> (83) | <u>H FP</u> (84) | <u>H BP</u> (85) | <u>H S</u> (86) |
|---------------|---------------|--------------------------------|------------------------------|----------------------|---------------------|-----------------------|-----------------------|---------------------|---------------------|--------------------|---------------------|---------------------|--------------------|
| 0 | CGA, EGA LO | 640x200/60Hz | 15.8 | 60.5 | 640 X 200 | D | OFF | 1.580 | 2.150 | 0.190 | 6.600 | 7.200 | 4.200 |
| 1 | MDA, HERCULES | 720x350/50Hz | 18.4 | 50.0 | 720 X 350 | D | OFF | 0.001 | 0.200 | 0.900 | 0.600 | 1.100 | 8.300 |
| 2 | EGA HI | 640x350/60Hz | 21.8 | 60.0 | 640 X 350 | D | OFF | 0.001 | 0.080 | 0.600 | 0.001 | 1.600 | 4.900 |
| 3 | PGC 1 | 640x400/60Hz | 30.5 | 60.0 | 640 X 400 | A | OFF | 1.380 | 2.110 | 0.070 | 0.400 | 2.800 | 4.500 |
| 4 | PGC 2 | 640x480/60Hz | 30.5 | 60.0 | 640 X 480 | A | OFF | 0.070 | 0.790 | 0.070 | 0.400 | 2.800 | 4.500 |
| 5 | VGA 1 | 640x350/70Hz | 31.5 | 70.1 | 640 X 350 | A | OFF | 1.180 | 1.910 | 0.060 | 0.640 | 1.910 | 3.810 |
| 6 | VGA 2, MCGA 1 | 720x400/70Hz | 31.5 | 70.1 | 720 X 400 | A | OFF | 0.380 | 1.110 | 0.060 | 0.640 | 1.910 | 3.810 |
| 7 | VGA 3, MCGA 2 | 640x480/60Hz | 31.5 | 60.0 | 640 X 480 | A | OFF | 0.320 | 1.050 | 0.060 | 0.640 | 1.910 | 3.810 |
| 8 | SVGA | 800x600/56Hz | 35.2 | 56.0 | 800 X 600 | A | OFF | 0.030 | 0.630 | 0.060 | 0.670 | 3.560 | 2.000 |
| 9 | 8514A, XGA | 1024x768/87Hz | 35.5 | 87.0 | 1024 X 768 | A | ON | 0.030 | 0.563 | 0.113 | 0.180 | 1.250 | 3.920 |
| 10 | MAC | 640x480/67Hz | 35.0 | 67.0 | 640 X 480 | A | OFF | 0.086 | 1.120 | 0.086 | 2.120 | 3.170 | 2.120 |
| 11 | Generic | 1024x768/60Hz | 48.4 | 60.5 | 1024 X 768 | A | OFF | 0.020 | 0.540 | 0.080 | 0.750 | 2.600 | 1.000 |
| 12 | Apollo | 1280x1024/60Hz | 64.0 | 60.0 | 1280 X1024 | A | OFF | 0.020 | 0.580 | 0.080 | 0.750 | 2.000 | 1.000 |
| 13 | DEC | 1024x768/60Hz | 54.9 | 60.0 | 1024 X 874 | A | OFF | 0.042 | 0.644 | 0.055 | 0.378 | 1.120 | 2.130 |
| 14 | SUN | 1152x900/66Hz | 61.8 | 66.0 | 1152 X 900 | A | OFF | 0.001 | 0.508 | 0.065 | 0.106 | 2.380 | 1.500 |
| 15 | IBM, Apollo | 1280x1024/60Hz | 63.4 | 60.0 | 1280 X1024 | A | OFF | 0.051 | 0.411 | 0.048 | 0.240 | 2.250 | 1.880 |
| 16 | Apollo | 1024x800/76Hz | 64.0 | 76.0 | 1024 X 800 | A | OFF | 0.063 | 0.539 | 0.063 | 0.755 | 1.490 | 1.610 |
| 17 | IBM | 1360x1024/67Hz | 70.8 | 67.0 | 1360 X1024 | A | OFF | 0.001 | 0.354 | 0.113 | 0.383 | 1.370 | 1.880 |
| 18 | Apollo | 1280x1024/70Hz | 75.1 | 70.0 | 1280 X1024 | A | OFF | 0.040 | 0.562 | 0.046 | 0.261 | 1.490 | 1.380 |
| 19 | Radius | 1152x882/72Hz | 66.0 | 72.0 | 1152 X 882 | A | OFF | 0.001 | 0.380 | 0.200 | 0.138 | 2.420 | 1.280 |

| <u>RECALL</u> | <u>FORMAT</u> | <u>HORIZ</u> <u>FREQ</u> (kHz) | <u>VERT</u> <u>FREQ</u> (Hz) | <u>HORIZ</u> <u>PIX</u> | <u>VERT</u> <u>PIX</u> | <u>VIDEO</u> <u>TYPE</u> | <u>INTER</u> <u>LACE</u> | <u>V FP</u> (81) | <u>V BP</u> (82) | <u>V S</u> (83) | <u>H FP</u> (84) | <u>H BP</u> (85) | <u>H S</u> (86) |
|---------------|------------------------------|--------------------------------------|------------------------------------|----------------------------|---------------------------|-----------------------------|-----------------------------|---------------------|---------------------|--------------------|---------------------|---------------------|--------------------|
| 20 | Radius/MAC port.640x870/75Hz | 68.9 | 75.0 | 640 | 870 | A | OFF | 0.044 | 0.610 | 0.044 | 0.559 | 1.120 | 1.680 |
| 21 | Radius/MAC 1152x870/75Hz | 68.7 | 75.0 | 1152 | 870 | A | OFF | 0.044 | 0.716 | 0.044 | 0.320 | 1.440 | 1.280 |
| 22 | Radius 1152x870/72Hz | 64.8 | 72.0 | 1152 | 870 | A | OFF | 0.001 | 0.478 | 0.046 | 0.170 | 2.300 | 1.350 |
| 23 | Apollo 1280x1024/64Hz | 68.2 | 64.0 | 1280 | 1024 | D | OFF | 0.059 | 0.498 | 0.059 | 0.407 | 1.900 | 1.490 |
| 24 | Sun 1600x1280/67Hz | 89.2 | 66.9 | 1600 | 1280 | D | OFF | 0.011 | 0.471 | 0.112 | 0.001 | 1.400 | 2.030 |
| 25 | MAC 832x624/75Hz | 49.7 | 74.6 | 832 | 624 | A | OFF | 0.020 | 0.784 | 0.060 | 0.559 | 3.910 | 1.117 |
| 26 | SuperMac 1024x768/75Hz | 60.2 | 75.0 | 1024 | 768 | A | OFF | 0.050 | 0.498 | 0.050 | 0.420 | 2.200 | 1.200 |
| 27 | NTSC Mono Video Monitor | 15.8 | 60.0 | 640 | 242 | A | ON | 0.191 | 0.892 | 0.191 | 1.500 | 3.200 | 4.700 |
| 28 | VESA 640x480/72Hz | 37.9 | 72.0 | 640 | 480 | A | OFF | 0.238 | 0.740 | 0.079 | 0.762 | 4.063 | 1.270 |
| 29 | VESA 800x600/60Hz | 37.9 | 60.0 | 800 | 600 | A | OFF | 0.026 | 0.607 | 0.106 | 1.000 | 2.200 | 3.200 |
| 30 | VESA 800x600/72Hz | 48.1 | 72.0 | 800 | 600 | A | OFF | 0.770 | 0.478 | 0.125 | 1.120 | 1.280 | 2.400 |
| 31 | VESA 1024x768/60Hz | 48.4 | 60.0 | 1024 | 768 | A | OFF | 0.062 | 0.600 | 0.124 | 0.369 | 2.462 | 2.092 |
| 32 | VESA 1024x768/70Hz | 56.5 | 70.0 | 1024 | 768 | A | OFF | 0.053 | 0.513 | 0.106 | 0.321 | 1.920 | 1.813 |
| 33 | XGA-2 720x350/88Hz | 39.4 | 87.9 | 720 | 350 | A | OFF | 0.811 | 1.344 | 0.051 | 0.254 | 1.268 | 3.042 |
| 34 | XGA-2 720x400/88Hz | 39.4 | 87.9 | 720 | 400 | A | OFF | 0.152 | 0.685 | 0.051 | 0.254 | 1.268 | 3.042 |
| 35 | XGA-2 640x480/75Hz | 39.4 | 75.0 | 640 | 480 | A | OFF | 0.076 | 0.610 | 0.051 | 0.254 | 1.268 | 3.048 |
| 36 | XGA-2 1024x768/75Hz | 61.1 | 75.0 | 1024 | 768 | A | OFF | 0.001 | 0.491 | 0.131 | 0.093 | 0.651 | 3.721 |
| 37 | Sony 1024x768/60Hz | 48.8 | 60.0 | 1024 | 768 | A | OFF | 0.062 | 0.800 | 0.062 | 1.000 | 1.500 | 2.000 |
| 38 | Sony 1152x900/66Hz | 61.8 | 66.0 | 1152 | 900 | A | OFF | 0.032 | .0502 | 0.065 | 0.312 | 2.100 | 1.380 |
| 39 | Sony 1280x1024/60Hz | 63.3 | 60.0 | 1280 | 1024 | A | OFF | 0.047 | 0.411 | 0.047 | 0.407 | 1.050 | 1.700 |
| 40 | Samsung 1006x1048/60Hz | 62.8 | 59.8 | 1006 | 1048 | -D | OFF | 0.001 | 0.542 | 0.127 | 0.150 | 1.580 | 1.880 |
| 41 | DEC 1024x864/60Hz | 54.0 | 60.0 | 1024 | 864 | A | OFF | 0.001 | 0.629 | 0.056 | 0.160 | 1.680 | 1.850 |
| 42 | DEC 1280x1024/60Hz | 70.7 | 66.5 | 1280 | 1024 | A | OFF | 0.042 | 0.467 | 0.042 | 0.267 | 1.870 | 1.330 |

Appendix B - Monitor Manufacturers

We have made every effort to ensure the following telephone numbers are correct. However, telephone numbers change beyond our ability to track and we cannot be responsible for incorrect listings.

We have attempted to include information for as many monitor manufacturers as possible. If a manufacturer is omitted it is because we do not have sufficient information to list them.

Aamazing

(714) 255-1688

Acer

(408) 432-6200
(800) 733-8837

Action

(818) 813-1500

ADI

(408) 944-0100
(201) 334-0019

Amdek

(800) 800-9973

AOC

(615) 661-4366
(408) 954-0325

AST

(714) 727-4141

Apple

(800) 767-2775
(800) 776-2333 FAX

Atari

(408) 745-2000

Aydin

(215) 657-7510

Barco

(800) 992-5016
(404) 590-7900

Commodore

(800) 874-4811

Compaq

(713) 374-5392

Conrac

(818) 303-0095

Cornerstone

(408) 435-8900 Corporate
(408) 434-3300 FAX
(800) 562-2552

CTX

(714) 595-6146

Daewoo

(310) 774-1746
(312) 876-0255
(212) 909-8200

DEC

(800) 722-9332

Dell

(800) 624-9896 support
(800) 950-1329 FAX

Dotronics

(715) 834-7785

DTC/Qume

(408) 262-7700 support
(408) 942-4000 corporate

DTK

(818) 810-8880

E-Machine

(503) 646-6699

Electrohome

(519) 744-7111

ETC

(510) 226-6250

Essex

(713) 784-6632

Fimi

(508) 562-4803

Genius

(612) 437-2233
(800) 328-9524

Goldstar

(205) 772-8860
(800) 777-1192
(800) 777-1256
(800) 255-2550
(408) 432-1331

Hitachi

(510) 785-9770
(408) 720-1735
(800) 241-6558

HP/Apollo

(612) 649-4224
(800) 225-5290
(800) 323-2282
(800) 548-8833 Medical

Hyundai

(800) 289-4986
(416) 882-5255

IBM

(800) 426-3333
(800) 772-2227 support
(404) 835-6592 support
(800) 879-2755 manuals
(800) 426-4329 FAX

Ikegami

(310) 534-0050

Iiyama/ IDEK

(215) 957-6551

Image Systems

(612) 935-1171
(408) 734-5260

Intra

(408) 744-1706

Kaga (see Taxan)

KFC

(714) 546-0336

KTV, Korea Electronics

(201) 440-9090

Laser Data

(508) 649-4600

Leading Edge

(800) 874-3340

MAG

(714) 751-2008

Magnavox

(615) 521-4366
(615) 475-0219

Mirror Technology

(612) 633-4450
(612) 633-3136 FAX

Appendix B continued - Monitor Manufacturers

Mitsubishi

(800) 344-6352
(800) 843-2515
(714) 236-6453 FAX

Moniterm (see MPI below)

**Monitor Technology Inc. /
Moniterm**
(612) 551-1478

Nanao

(310) 325-5202
(800) 800-5202

NCR

(800) 543-9935

NEC

(508) 264-8000
(708) 860-9500

Nissei Sangyo

(617) 893-5700

Olivetti

(800) 255-4319

Packard Bell

(800) 733-4433

Panasonic

(800) 848-3979
(201) 348-9090

Philips

(615) 521-4316

Princeton Graphic

(800) 221-1490
(404) 664-4103 FAX

Qume (see DTC)

Radius

(408) 434-1012
(800) 227-2795
(800) 966-7360 FAX

RasterOps

(800) 729-2656

Relisys

(408) 945-9000

Sampo

(404) 449-6220

Samsung

(201) 691-6200
(310) 802-8425
(714) 522-1282
(201) 347-8650 FAX

Samtron

(310) 802-8425
(714) 522-1280

Seiko

(800) 553-5312
(408) 922-5900

Sony

(619) 673-2703 GDM units
(708) 773-6000 PVM units
(816) 891-7550 Natl. Parts

Sun

(415) 960-1300 Corporate
(408) 276-4959
(303) 290-1645
(612) 832-4155
(800) 873-7869

Super Mac

(408) 541-6100

Tandy

(817) 390-3861

Tatung

(402) 234-7954
(800) 827-2850
(310) 979-7055

Taxan

(408) 263-4900
(408) 946-3400

Tektronix

(800) 547-8949

Televideo Systems Inc.

(408) 954-8333

Toshiba

(708) 541-9400
(714) 455-2000

Tri-Pole

(714) 890-5332
(714) 890-5335 FAX

TVM

(714) 985-4788

Tystar

(816) 842-7900

Ultimate Display

(404) 664-1016

Unisys/Burroughs

(419) 866-2218

ViewSonic

(909) 869-7318

Video Monitors, Inc.

(715) 834-7785

Wyse

(408) 473-1200
(408) 435-2770 FAX
(800) 752-8557
(800) 800-9973

Zenith

(312) 745-5281
(708) 391-7864
(800) 227-3360

Appendix C - Parts & Schematic Sources

Note: The following list of parts sources is compiled with the input of many of our customers. Sencore makes no claims as

to its completeness or its accuracy, nor can we vouch for the service or the availability of parts from any of the vendors.

ADI

General parts
(408) 944-0100

Advantage

General parts
(800) 233-7041

AmcoTron

Flybacks, ICs, Samsung & Samtron
schematics.
(800) 344-3882

B & D Enterprises

ICs
(800) 458-6053
(201) 628-7373

CRC Manufacturer

General parts
(800) 366-1272

Computer Component Source

Flybacks, IC's (IBM) (Compaq)
(800) 356-1227

Comtest

PS/2, Compaq manuals
(201) 398-2665

Consolidated Electronics

Flybacks, ICs, some schematics
(800) 543-3568
(513) 252-5662

Dalbani Corporation

Flybacks, ICs, other
(800) 325-2264

Dalco

Flybacks: Apple, IBM, Goldstar, etc.
(800) 445-5342

Data Serv

Wyse (schematic)
IBM, Compaq (board level)
(800) 752-8557

Datatronics, Inc.

General parts
(713) 367-0562

Delbani

IC chips parts A/V
(800) 325-2264

Diamond Data

IBM used parts
(404) 928-0055

Digi-Key Corporation

ICs, other
(800) 344-4539

Directory of Parts Suppliers (Littleton, MA)

(508) 486-0388
(508) 486-0120 FAX

Egan Tech Services

Schematics
(612) 688-0098
(612) 688-7829 FAX

FOX International Limited

Flybacks, ICs, other
(800) 627-4368

Gates FA

Board level parts
(800) 322-2222

Hawkeye Picture Tube Co.

Rebuilt CRTs
(515) 288-8567

ICM

Flybacks
(800) 748-6232

J & J International

Flybacks, ICs, Samsung & Samtron
schematics.
(800) 627-4368

LEAD Electronics

Flybacks, ICs, other
(315) 699-6099

MAT Electronics

Flybacks, ICs, other
(800) 628-1118

M I Technologies

Schematics
(513) 335-4560
(513) 339-6344 FAX

Merisel Inc

Distributor
(310) 416-9600 (product info FAX)

Appendix C continued - Parts & Schematic Sources

Master Repair

Re-engineer monitors & draw schematics
(801) 568-2710

MCM Electronics

Flybacks, ICs, other
(800) 543-4330

Mouser Electronics

ICs, other
(800) 346-6873

Micro Doc

Apple & Mac
(503) 344-5335

Parts Port

IBM Parts
(800) 253-0515

Prelco Electronics

ICs, other
(908) 851-8600

Russel Industries

Flybacks
(800) 645-2202
(516) 536-5000

SPI Semiconductors

IBM chips
(818) 884-8000

Ultra-Spec Cable

Sun/Mac cables & connectors
(800) 622-2537

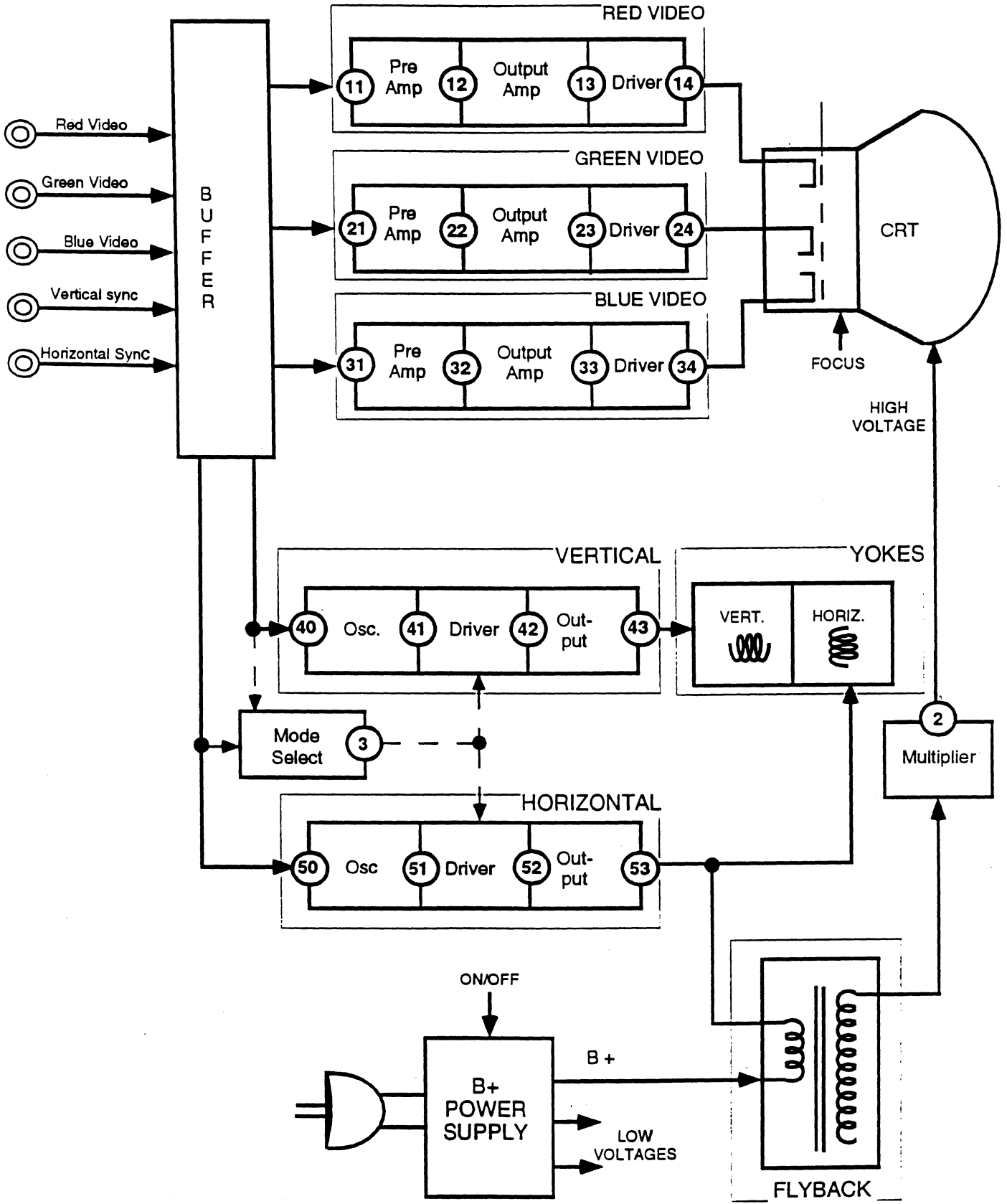
Video Display

CRT's & Flybacks
(800) 241-5005

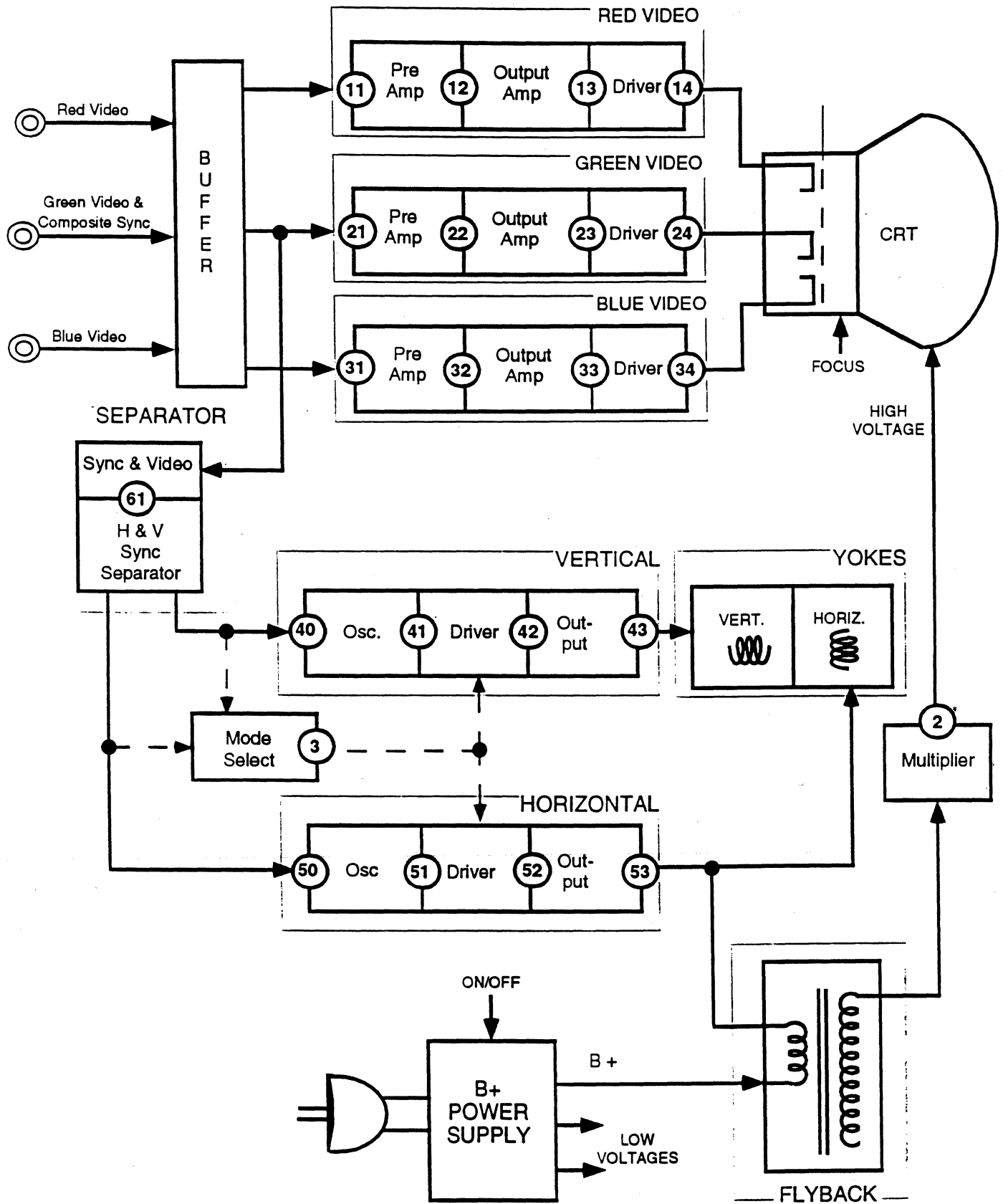
Wyse Guys

(800) 279-7312

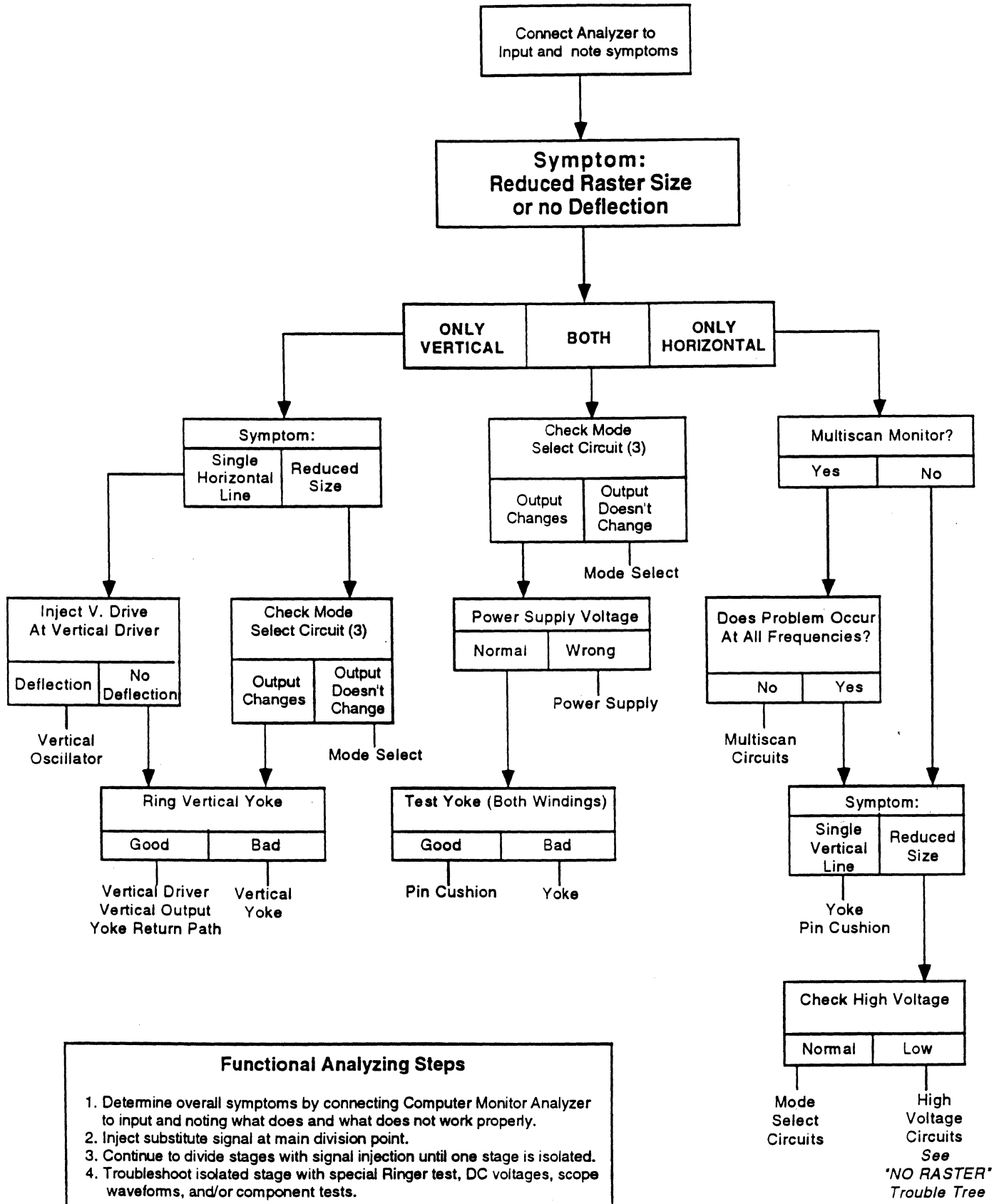
Separate V&H Sync Monitor



Composite Sync on Green Monitor

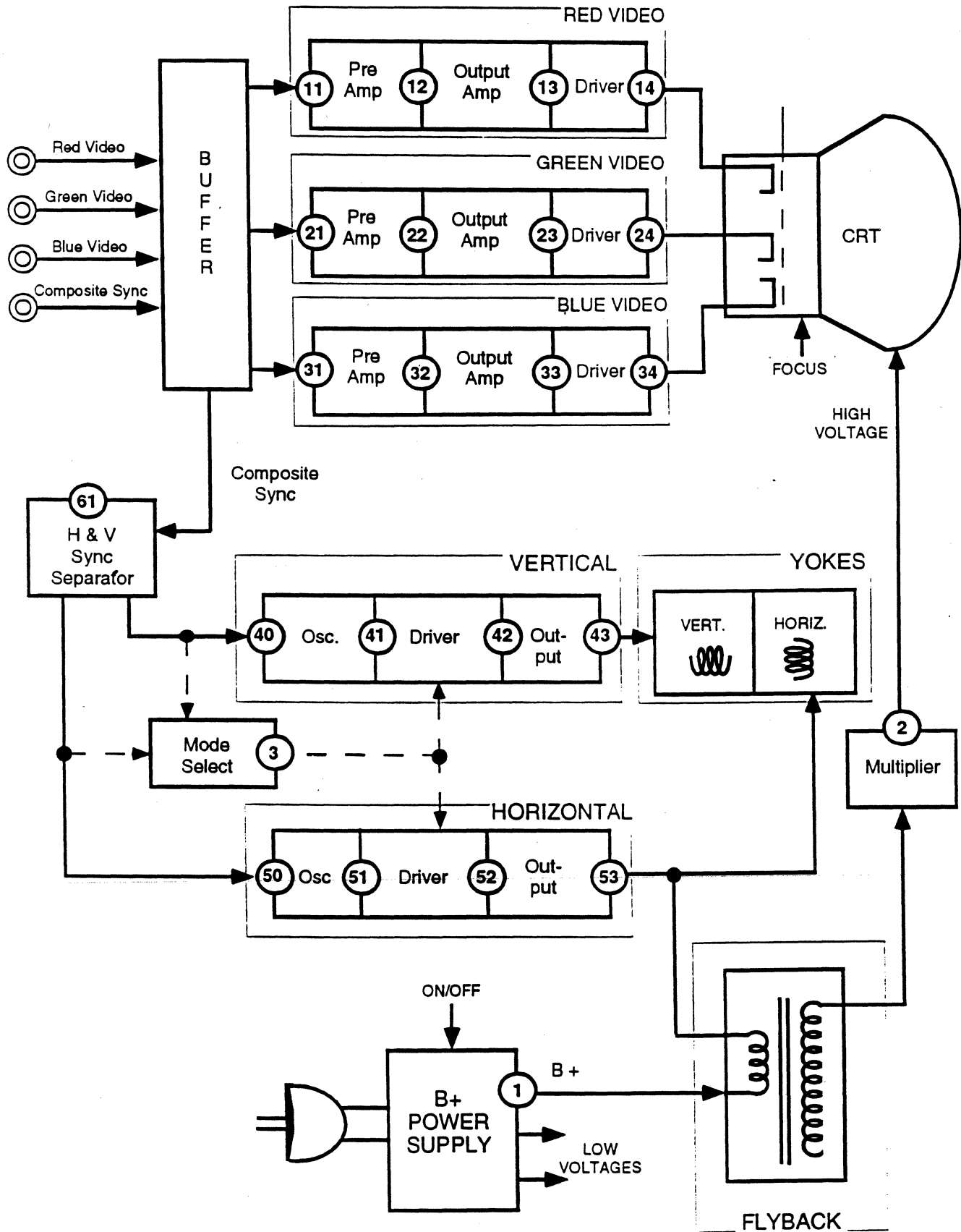


Monitor Analyzing Troubleshooting Guide

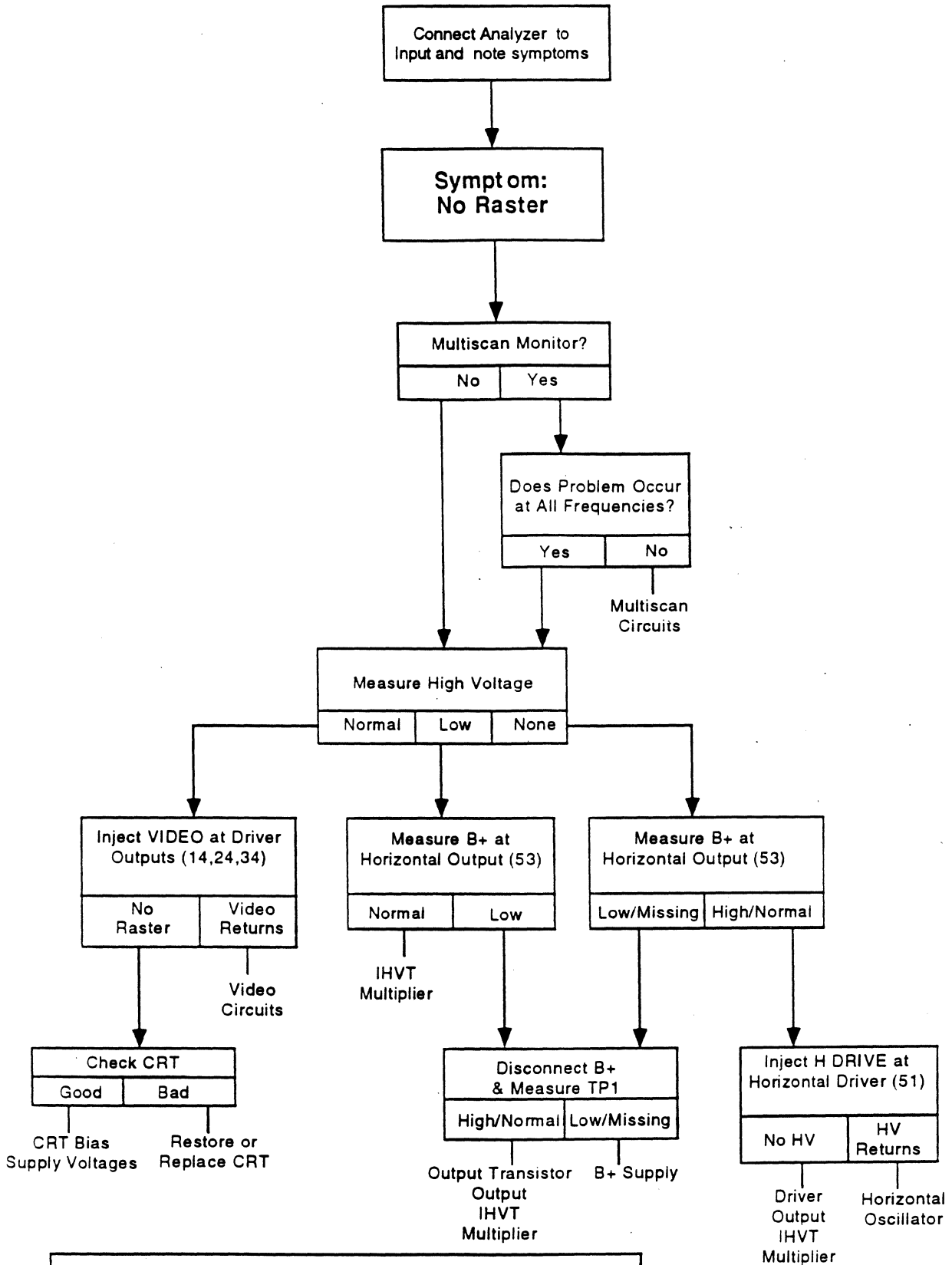


- Functional Analyzing Steps**
1. Determine overall symptoms by connecting Computer Monitor Analyzer to input and noting what does and what does not work properly.
 2. Inject substitute signal at main division point.
 3. Continue to divide stages with signal injection until one stage is isolated.
 4. Troubleshoot isolated stage with special Ringer test, DC voltages, scope waveforms, and/or component tests.

Composite Sync Monitor

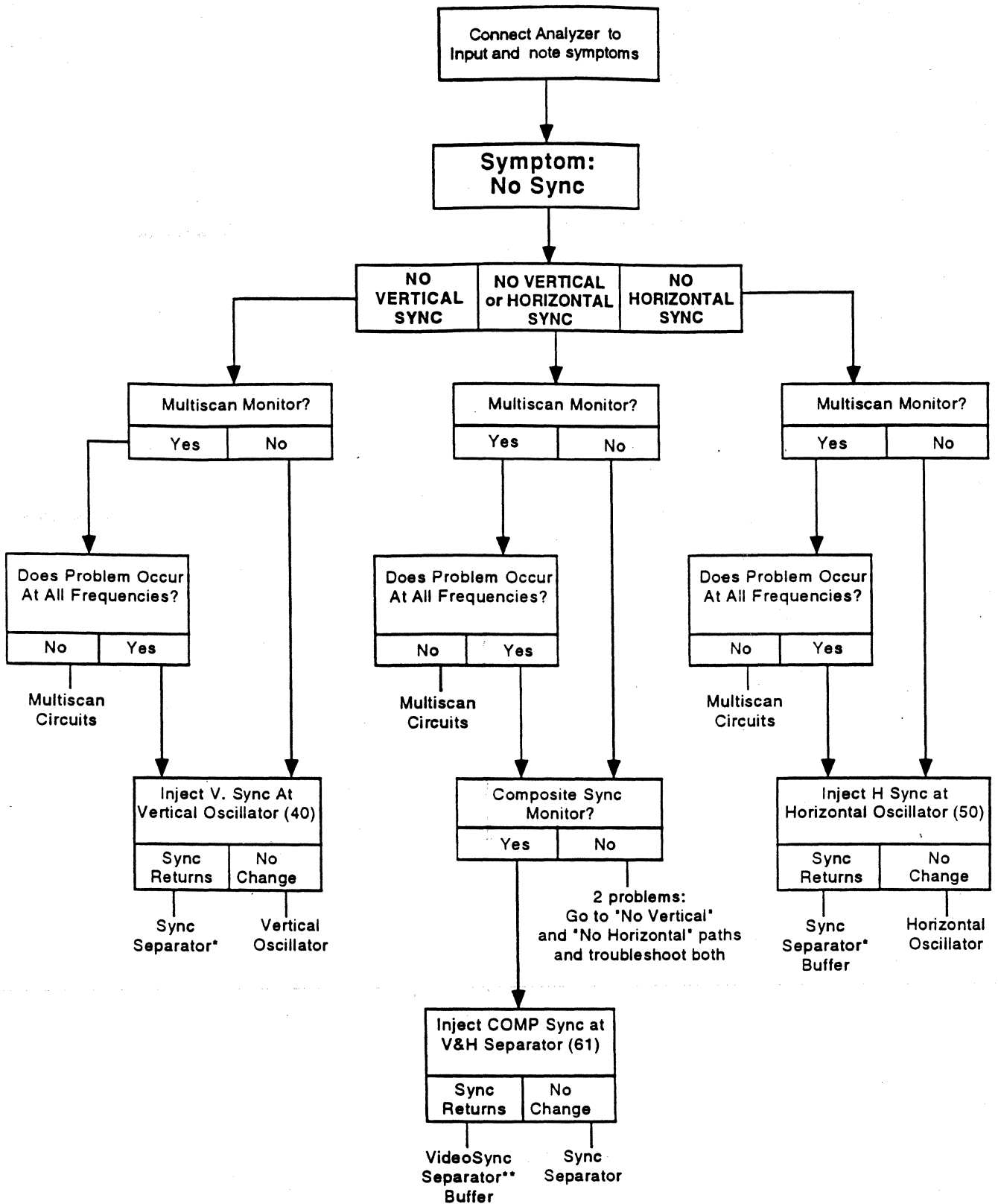


Monitor Analyzing Troubleshooting Guide



- Functional Analyzing Steps**
1. Determine overall symptoms by connecting Computer Monitor Analyzer to input and noting what does and what does not work properly.
 2. Inject substitute signal at main division point.
 3. Continue to divide stages with signal injection until one stage is isolated.
 4. Troubleshoot isolated stage with special Ringer test, DC voltages, scope waveforms, and/or component tests.

Monitor Analyzing Troubleshooting Guide



* COMPOSITE SYNC or SYNC ON GREEN type monitors
 ** SYNC ON GREEN type monitors

- Functional Analyzing Steps**
1. Determine overall symptoms by connecting Computer Monitor Analyzer to input and noting what does and what does not work properly.
 2. Inject substitute signal at main division point.
 3. Continue to divide stages with signal injection until one stage is isolated.
 4. Troubleshoot isolated stage with special Ringer test, DC voltages, scope waveforms, and/or component tests.