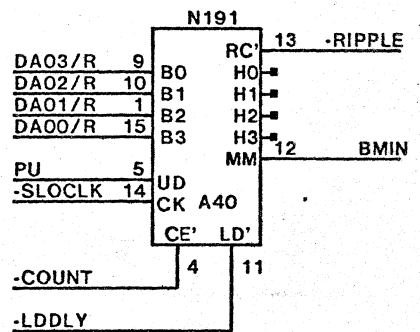
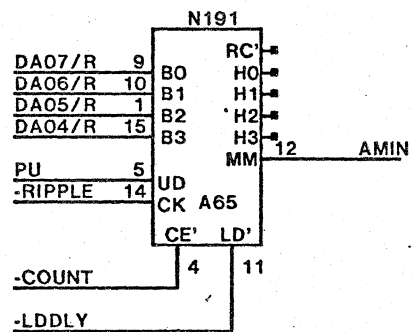
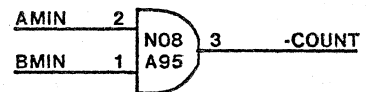
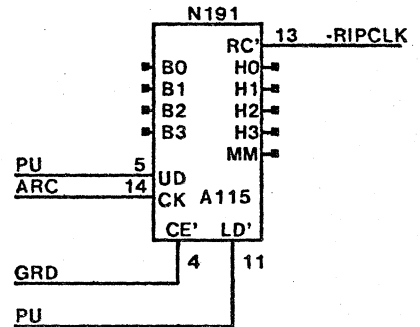
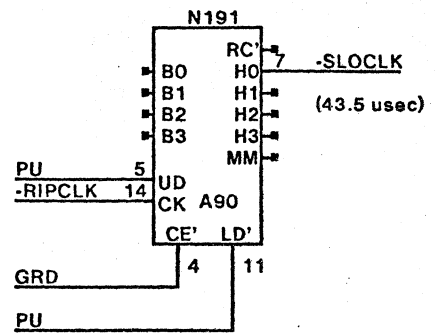
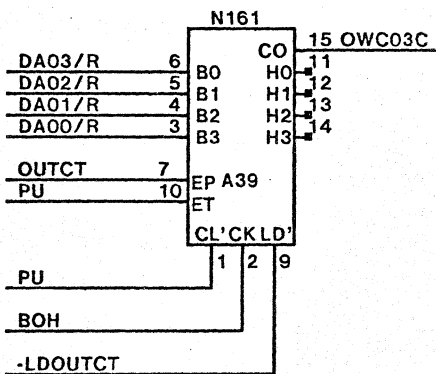
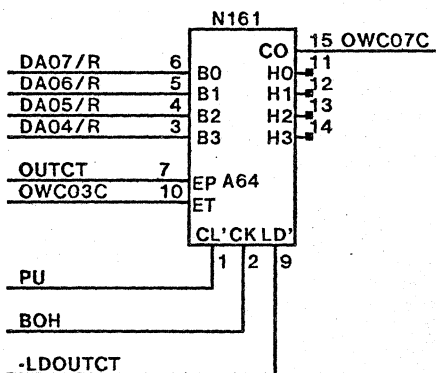
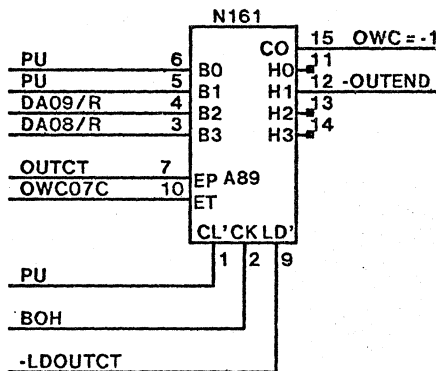
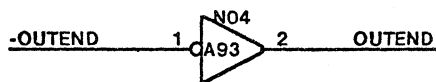
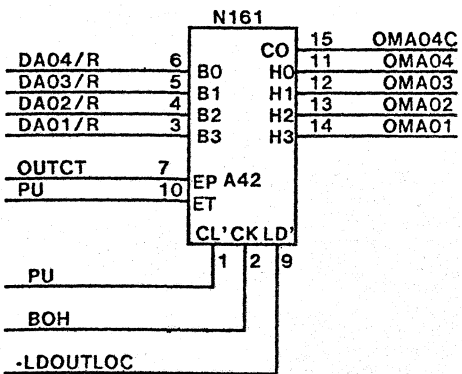
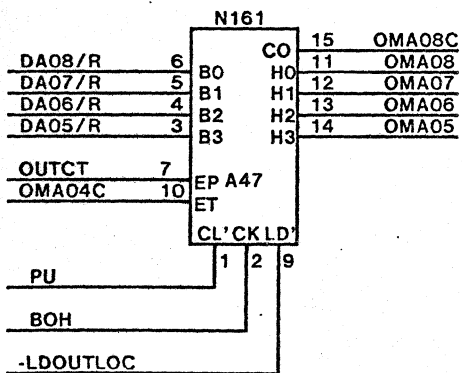
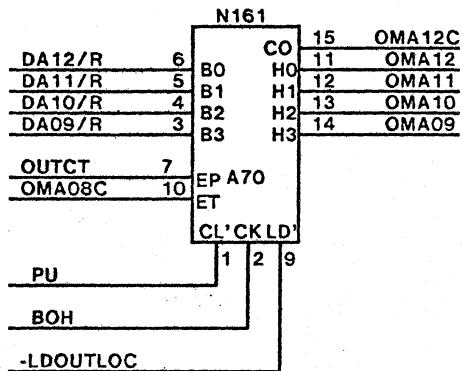
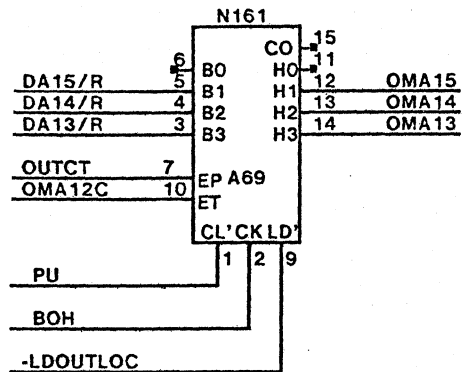


INPUT ADDRESS COUNTER

INPUT WORD COUNTER

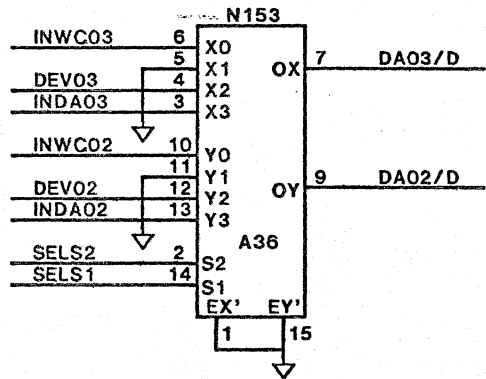
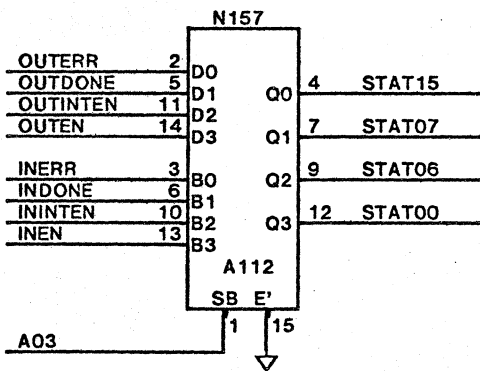
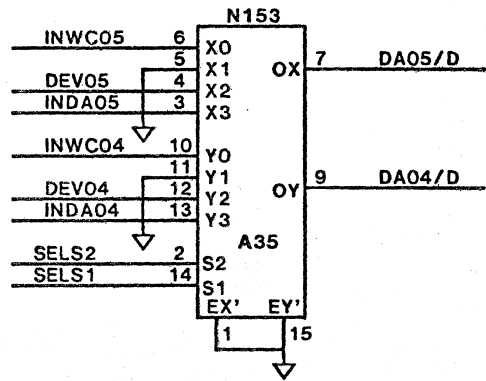
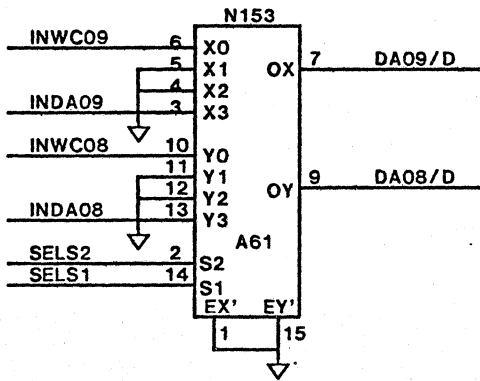
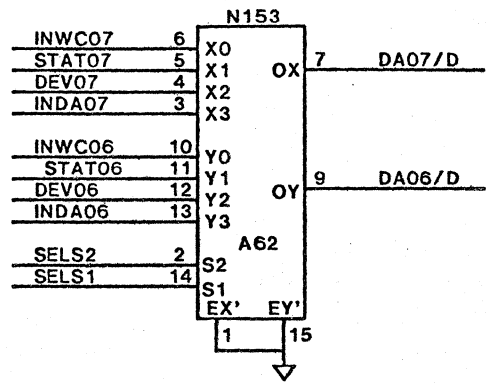
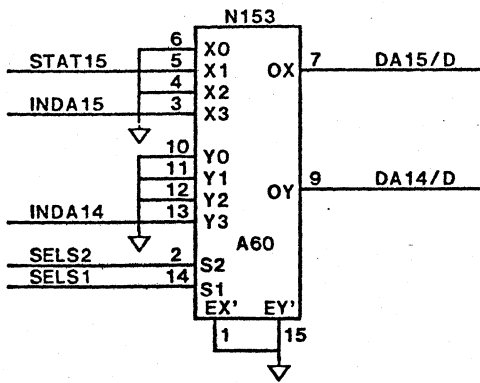
ADDRESS SELECTOR



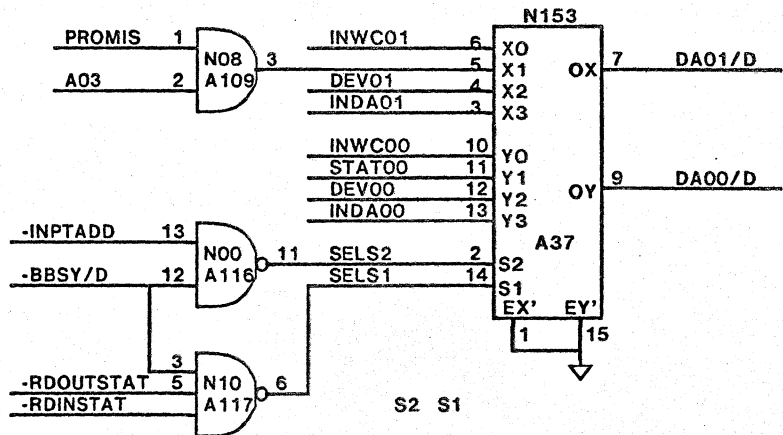
OUTPUT ADDRESS COUNTER

OUTPUT WORD COUNTER

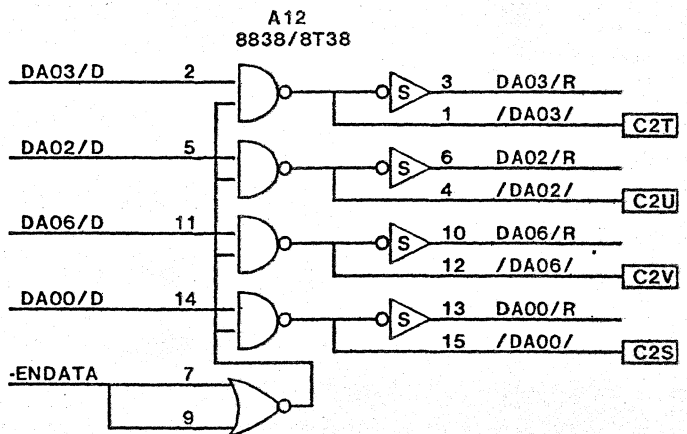
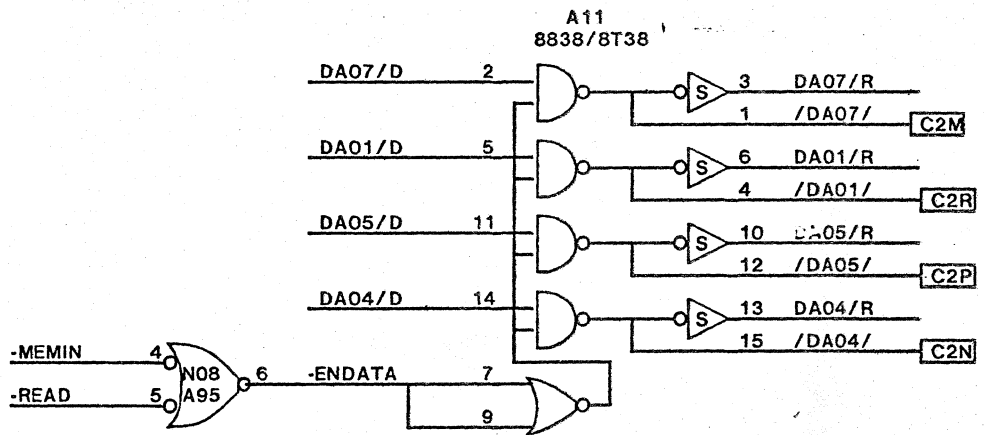
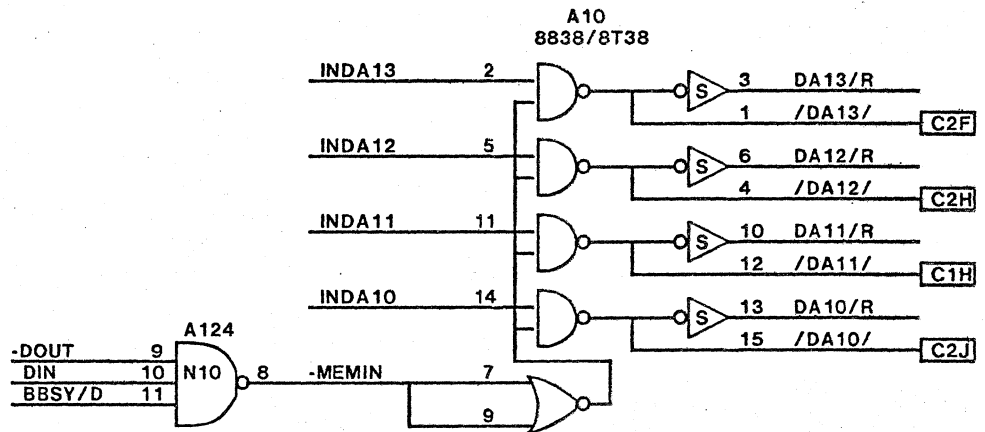
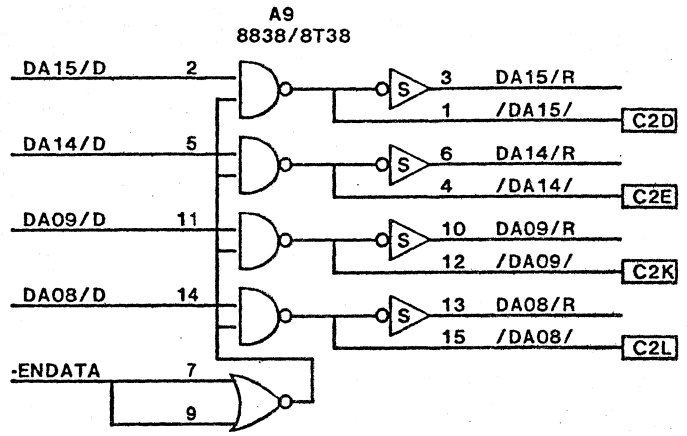
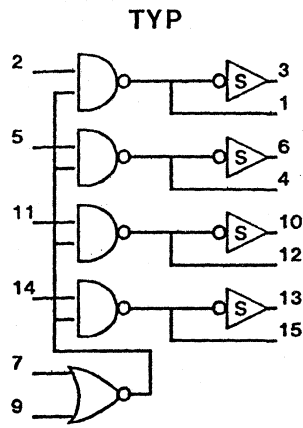
COLLISION DELAY

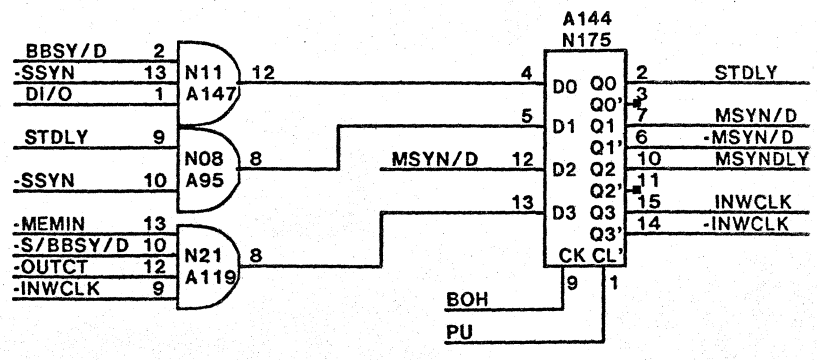
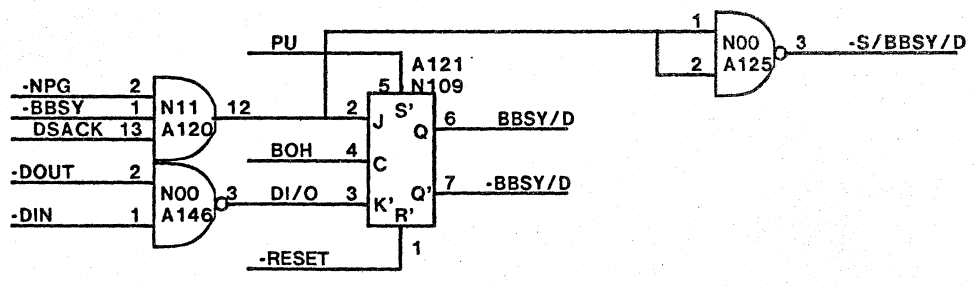
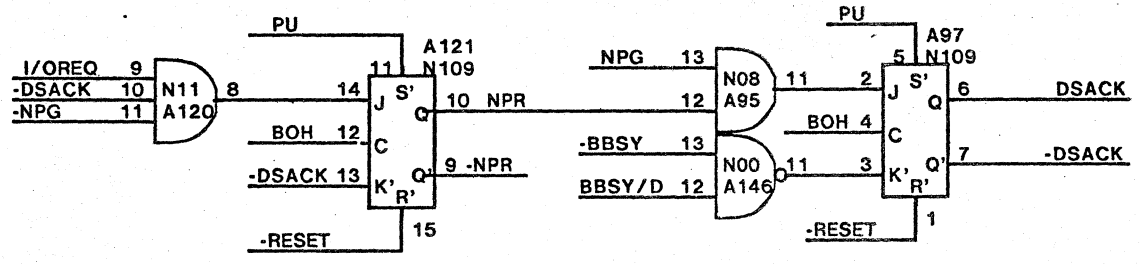
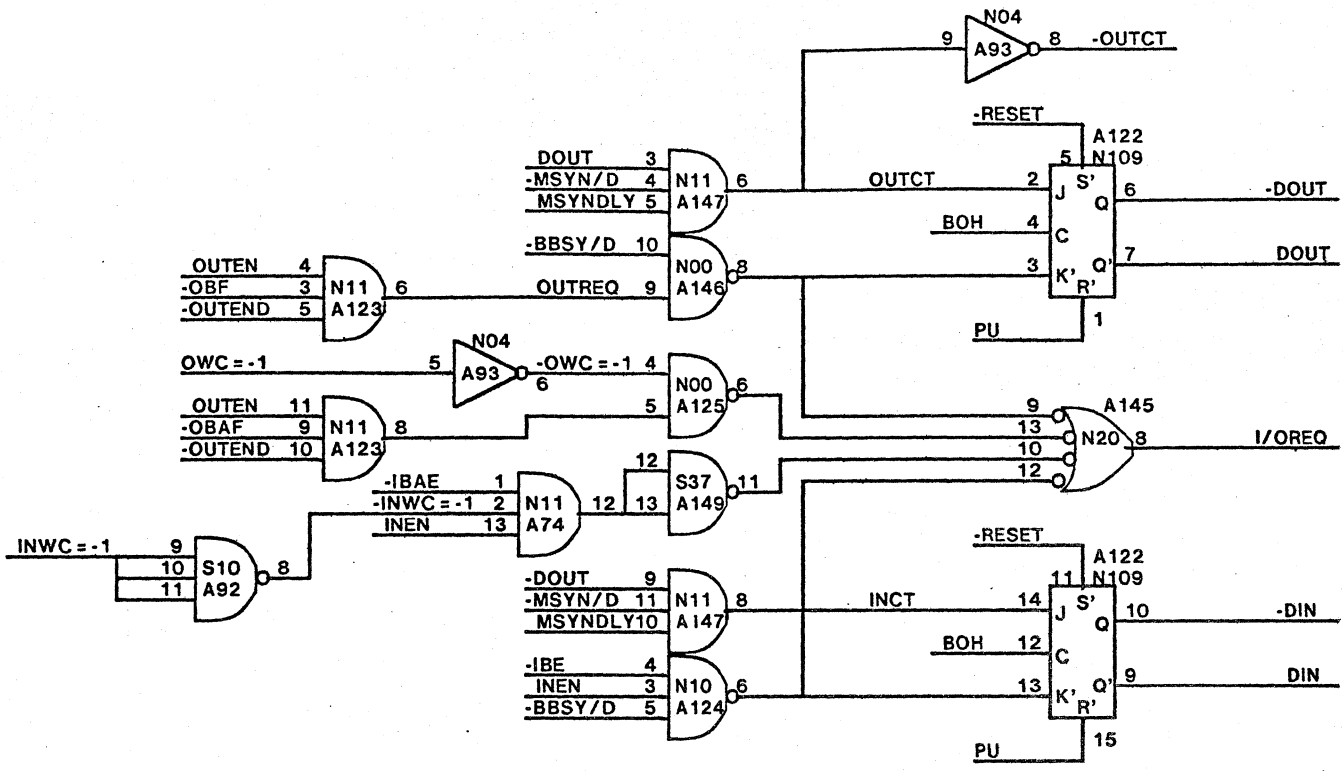


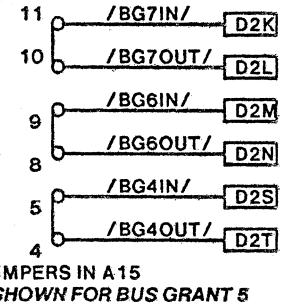
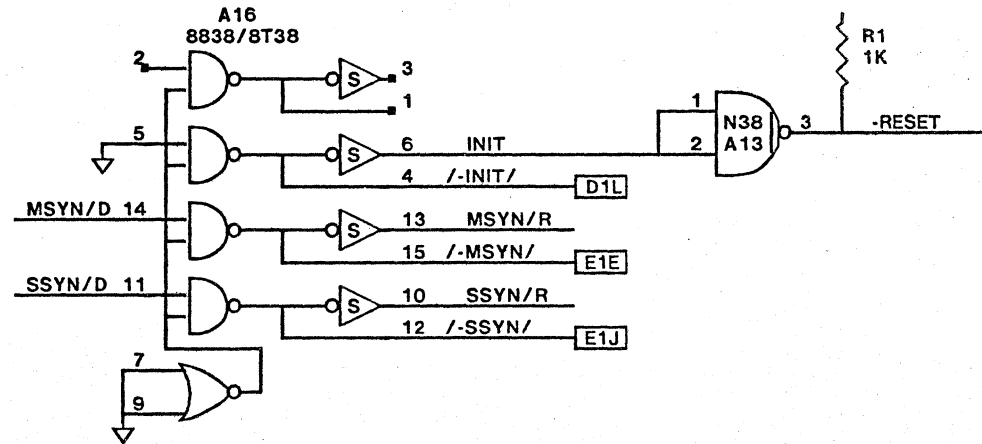
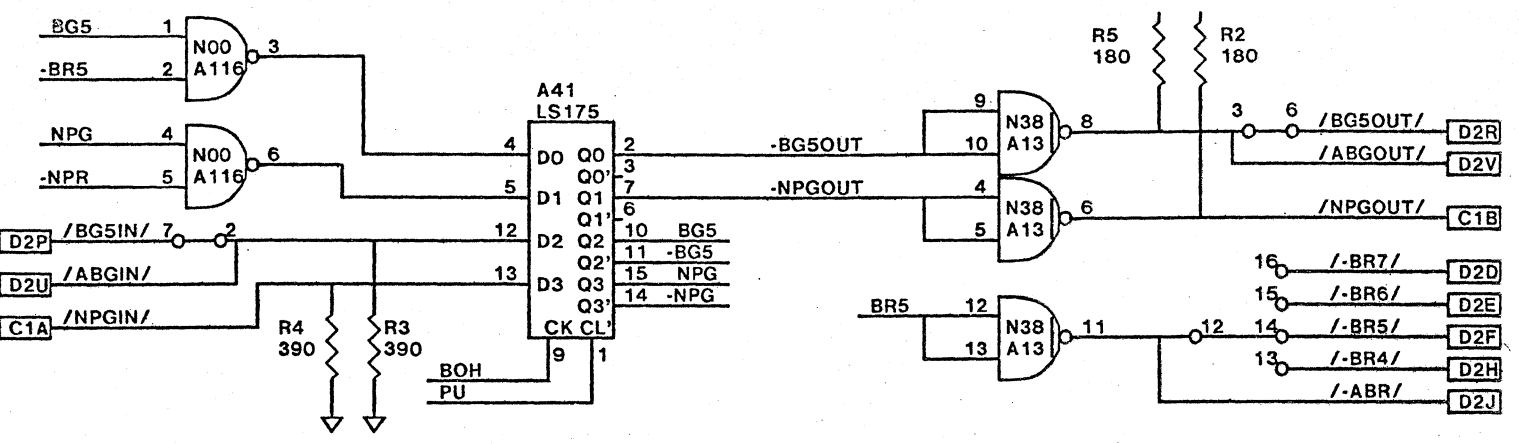
A03 SELECT  
 0 OUTPUT STATUS  
 1 INPUT STATUS



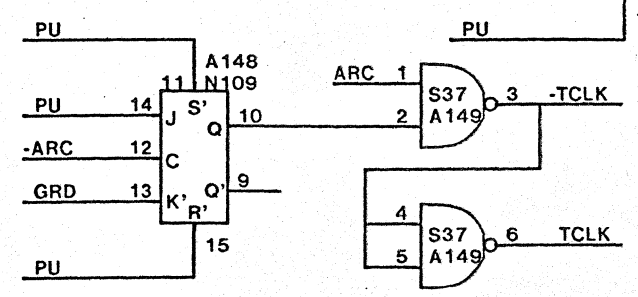
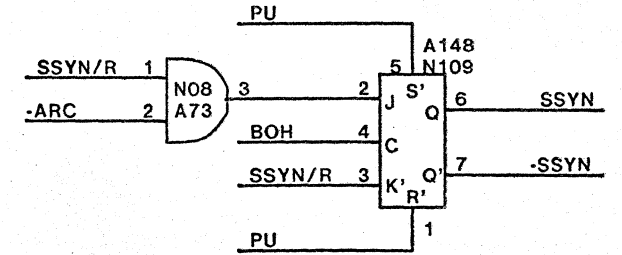
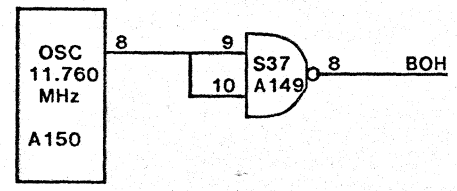
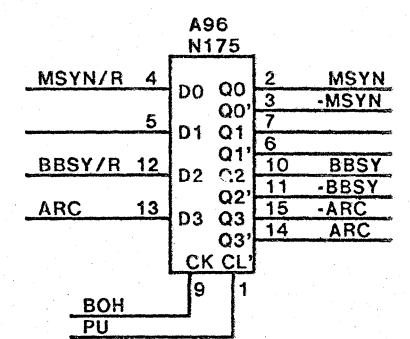
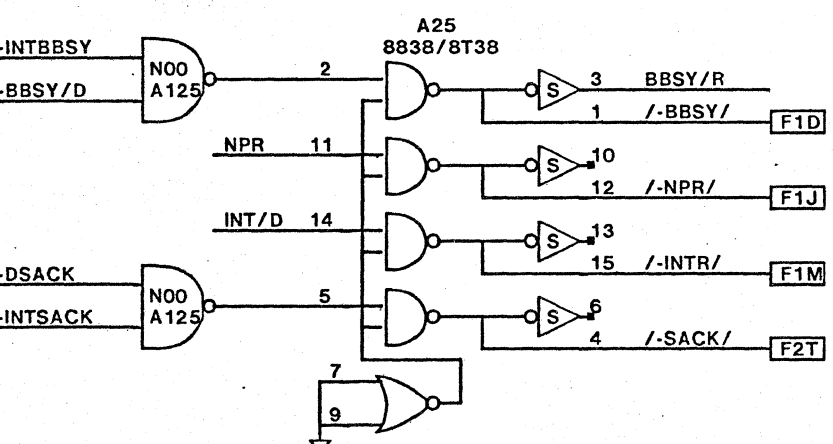
S2 S1  
 0 0 INWDCT  
 0 1 STATUS  
 1 0 DEV ADD  
 1 1 INPUT DATA

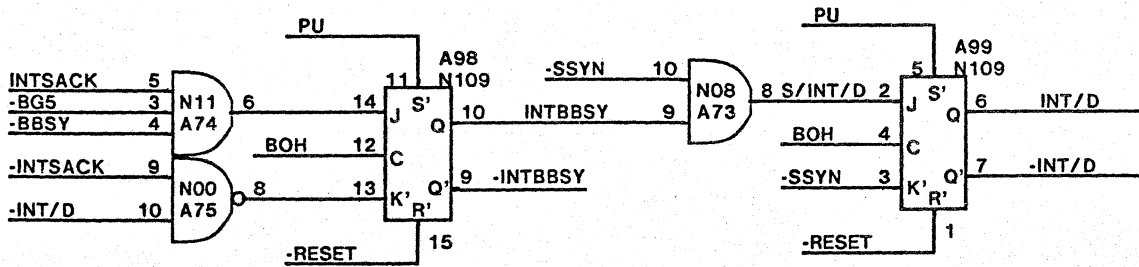
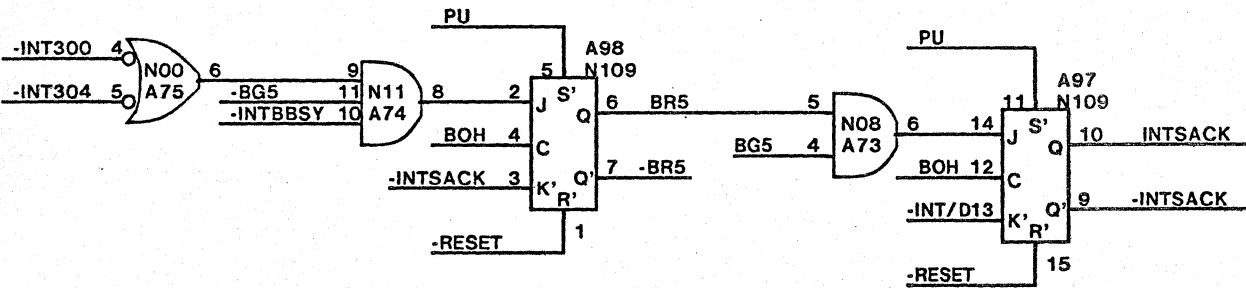
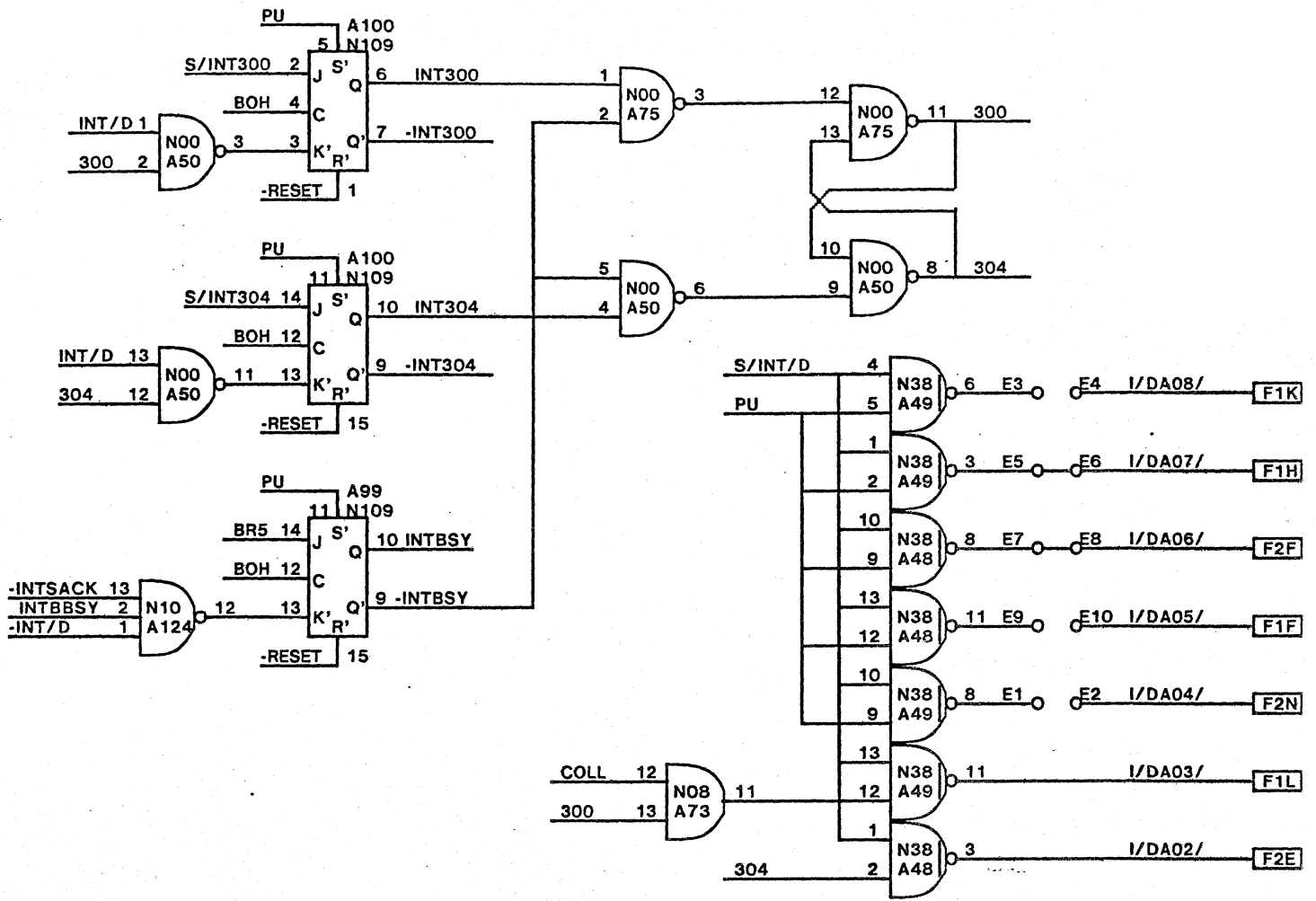




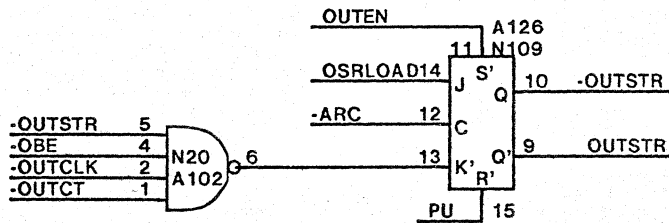
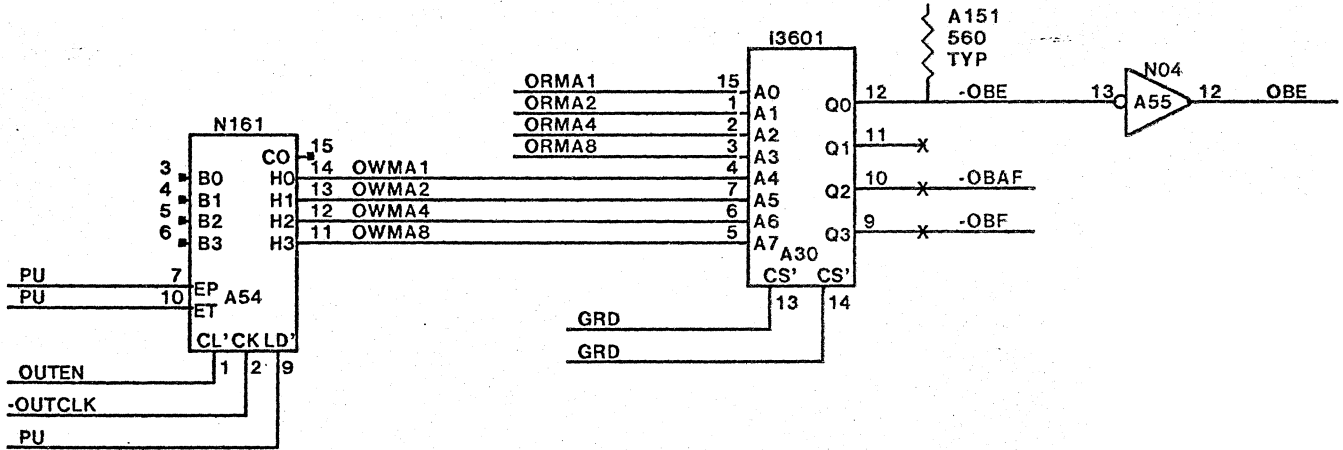
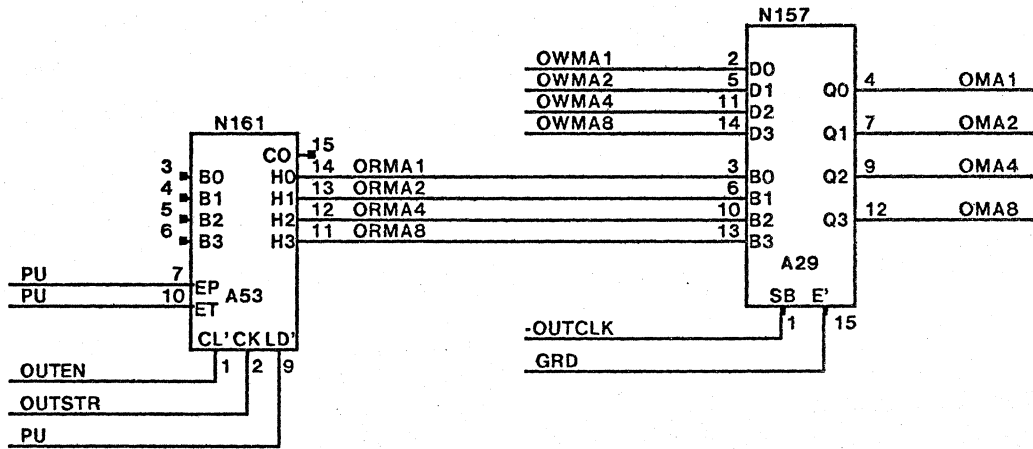


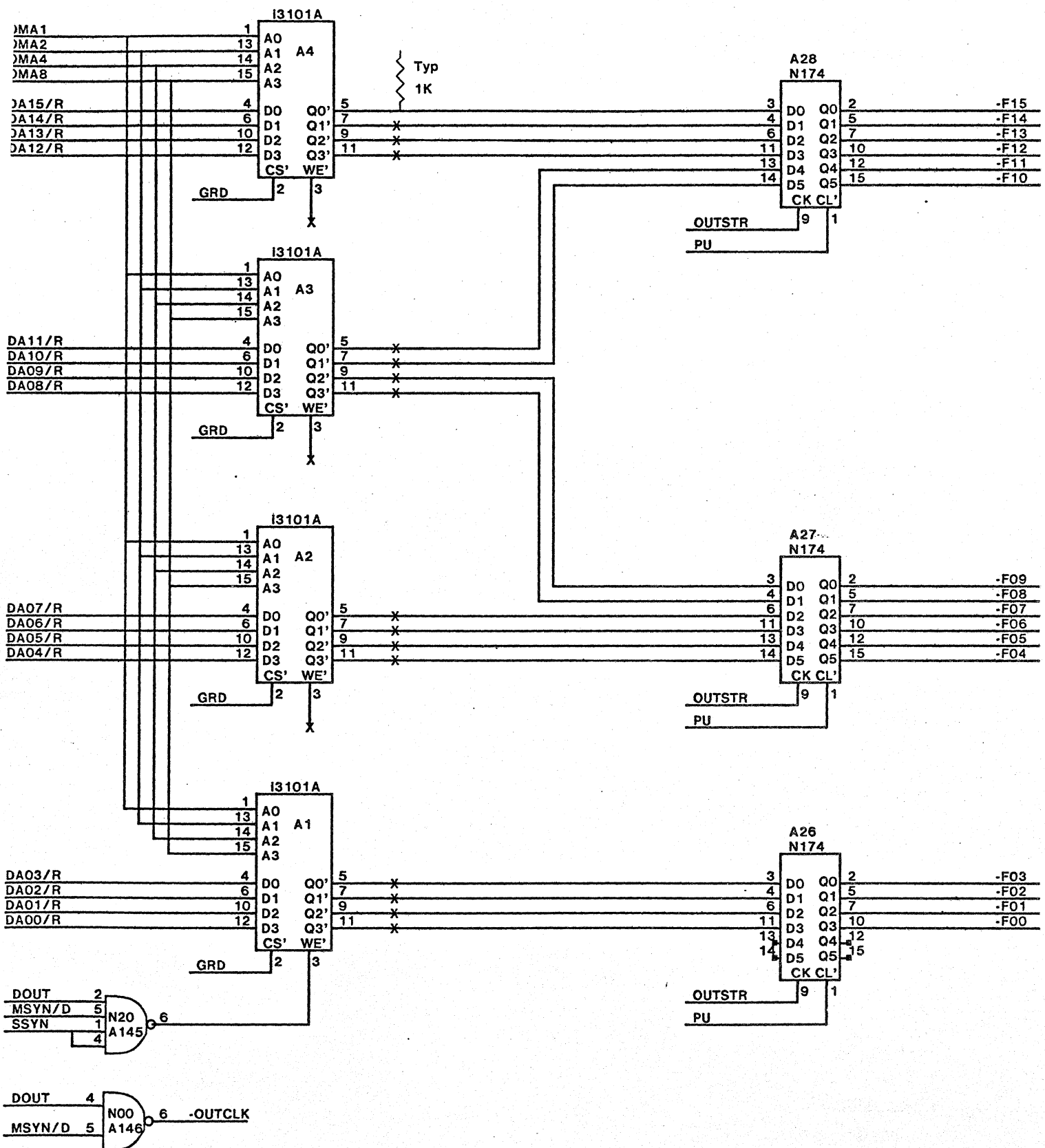
JUMPERS IN A15  
JUMPERS SHOWN FOR BUS GRANT 5

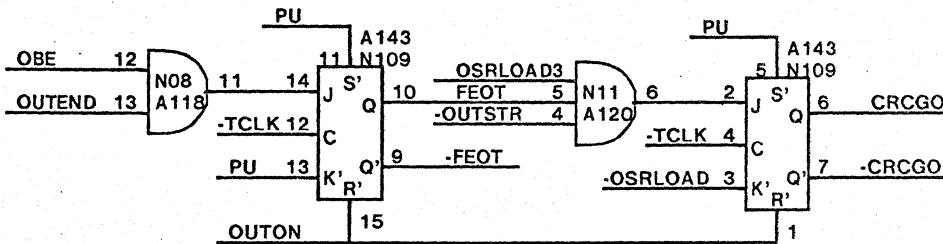
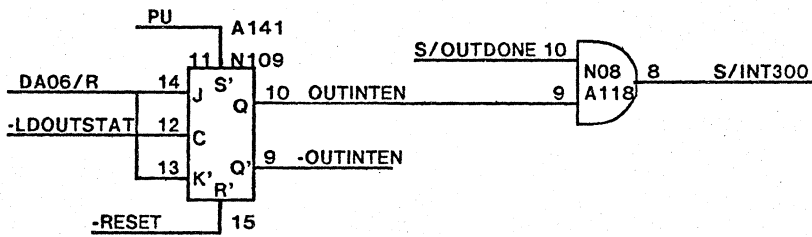
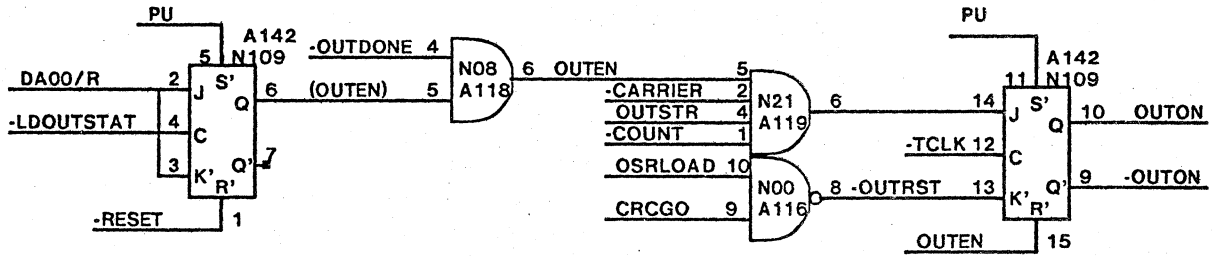
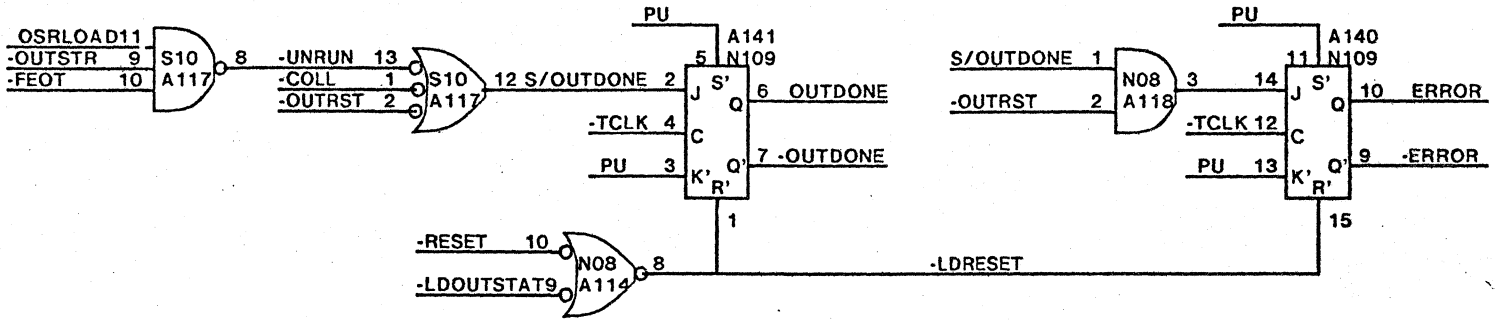


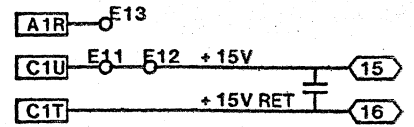
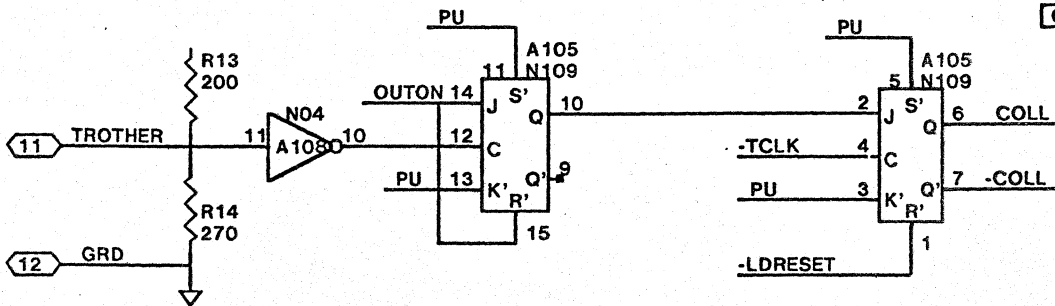
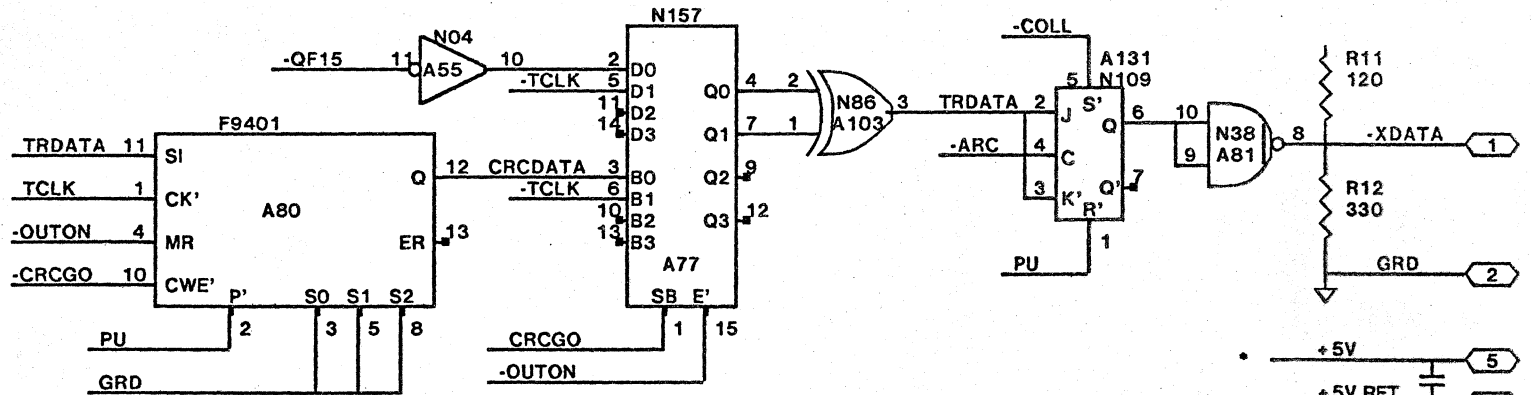
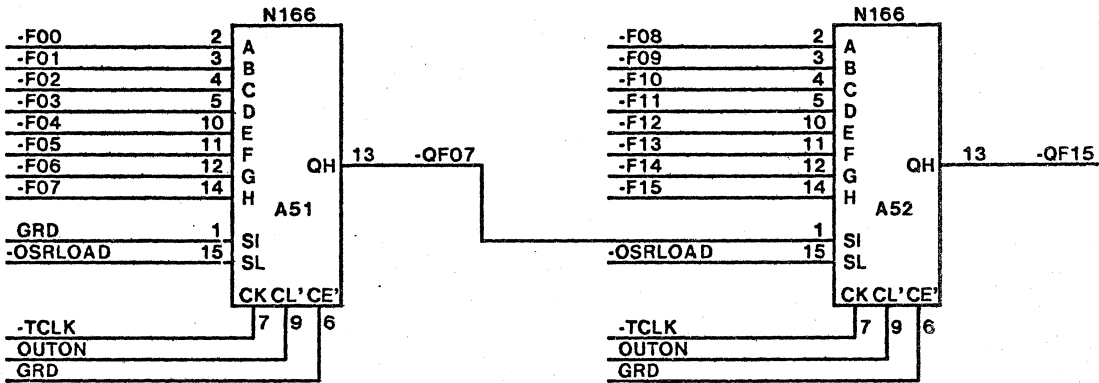
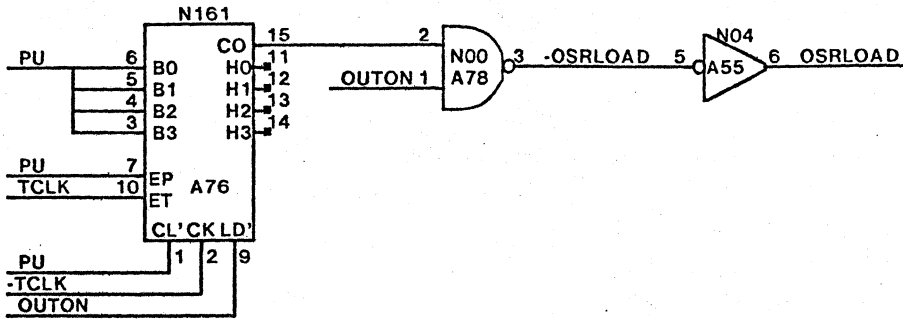




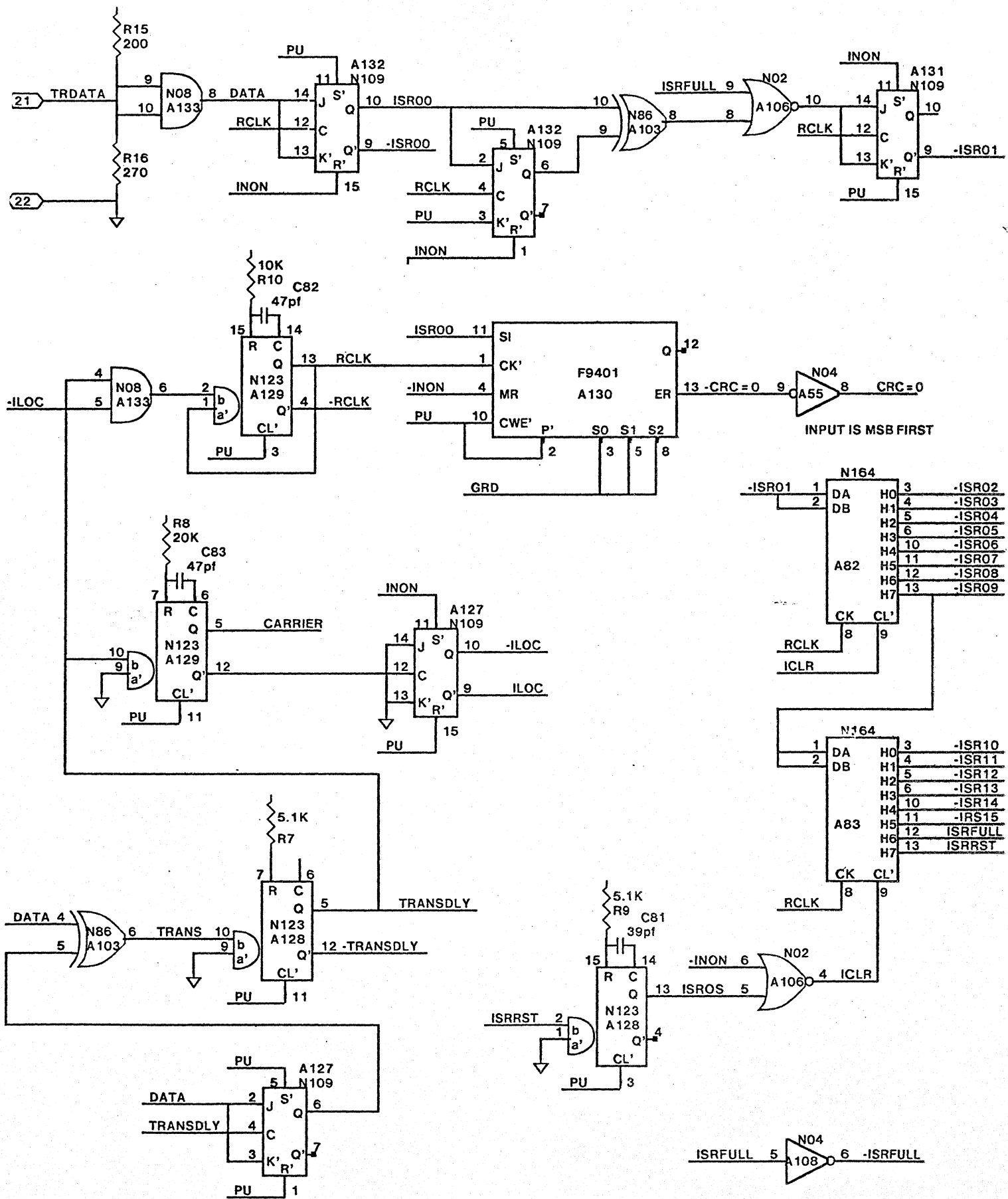




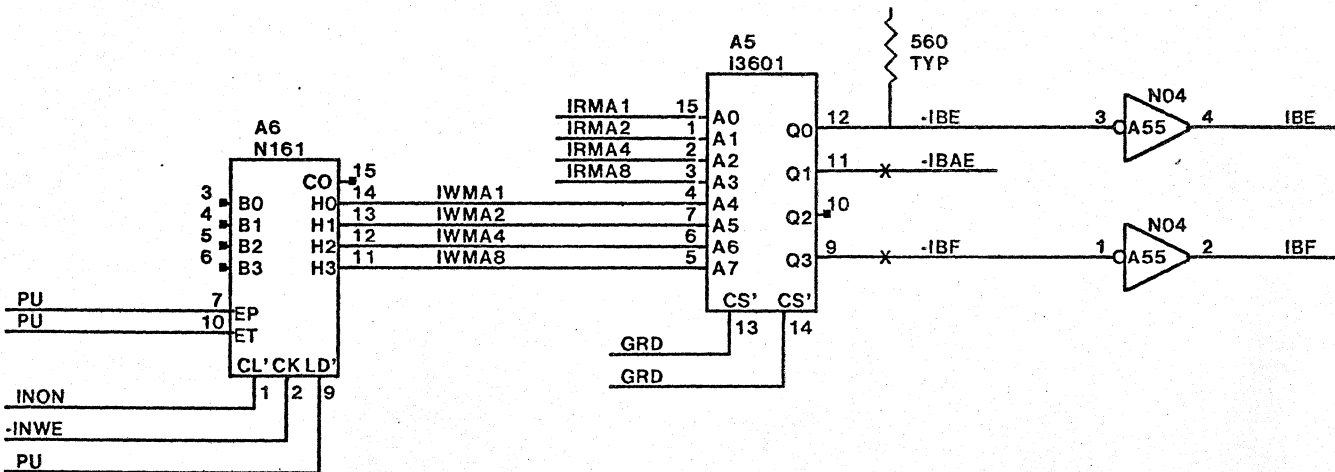
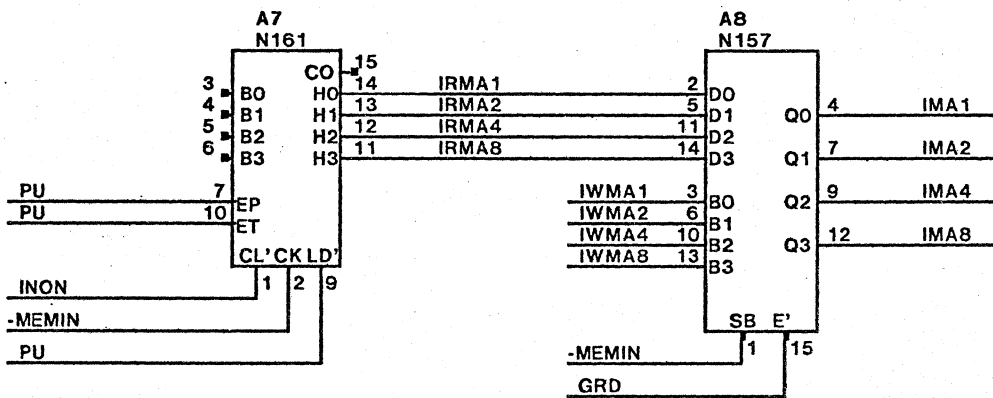
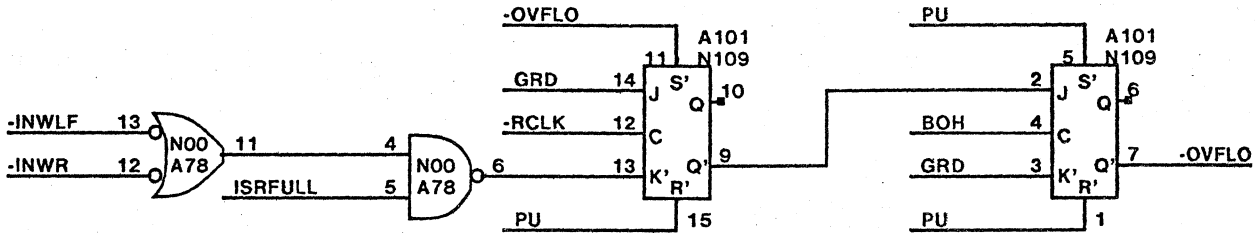
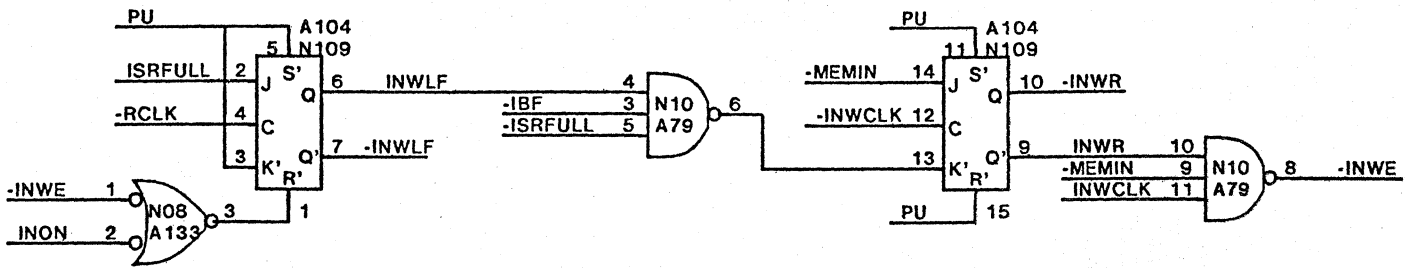


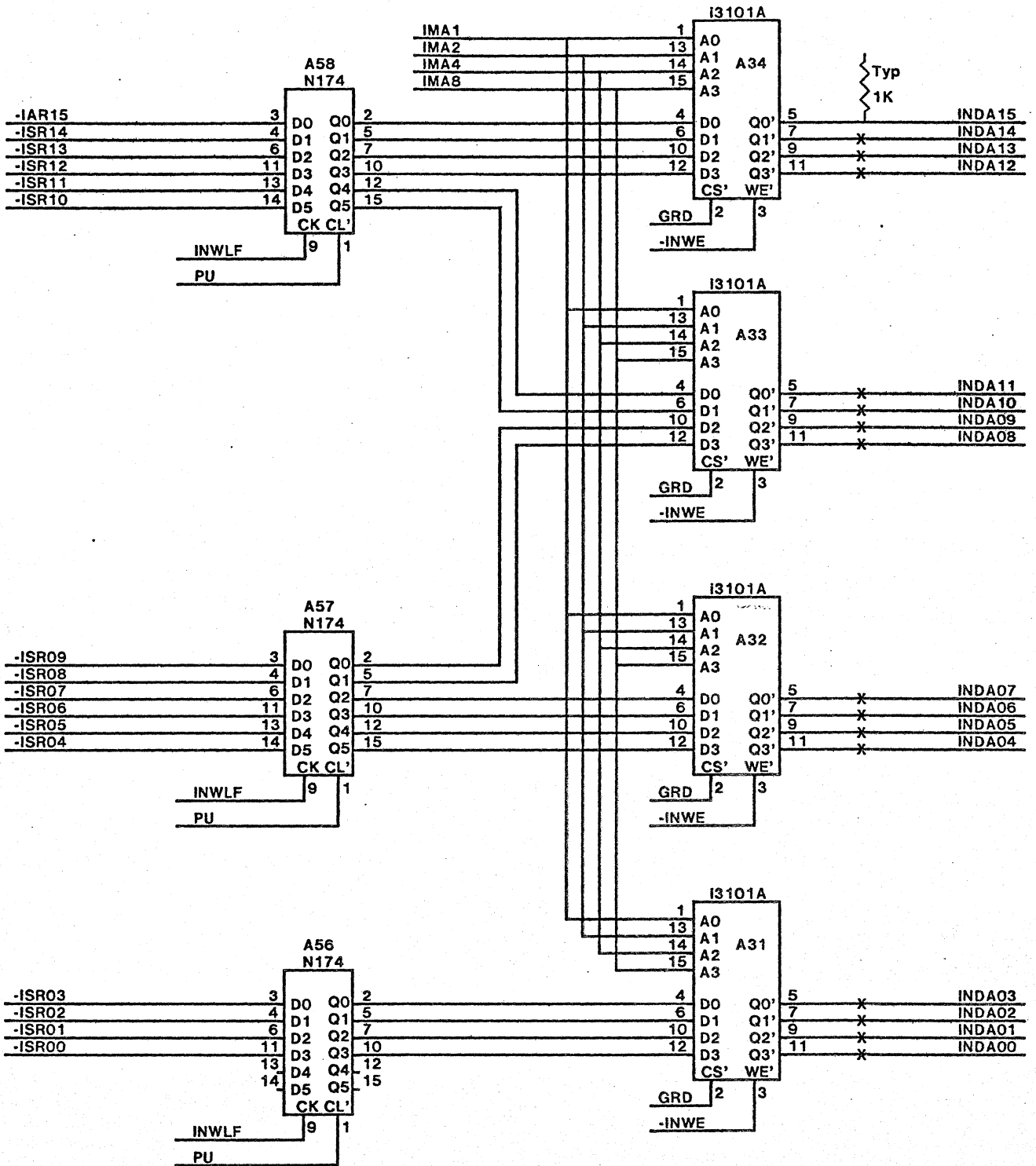


\* TERMINATE AT INPUT PIN  
CONNECTOR KEY AT PINS 17 AND 18











ML	Drawing No. 217391	Rev. C
----	-----------------------	-----------

**MATERIAL LIST**

Rev. Dwg. No.	Drawing Title	<p>These drawings and specifications, and the data contained therein, are the exclusive property of Xerox Corporation and or Rank Xerox, Ltd. issued in strict confidence and shall not, without the prior written permission of Xerox Corporation Rank Xerox, Ltd., be reproduced, copied or used for any purpose whatsoever, except the manufacture of articles for Xerox Corporation or Rank Xerox, Ltd.</p>
	<p><b>ASSEMBLY, PRINTED WIRING INTERFACE, PDP11 TO ETHERNET</b></p>	
FILED UNDER DECML1.SIL		Model No. _____ Date <b>3/8/79</b> Sheet <b>1</b> of <b>3</b>

Item No.	Drawing Title	Drawing No.	No. Req.	Remarks
1	BOARD, P. W.	217392		
2	SPEC., ASS'Y			
3				
4	MICROCIRCUIT 7400		7	A50,75,78,107,116 125,146
5	7402		1	A106
6	7404		3	A55,93,108
7	7408		6	A73,95,109,114,118 133
8	7410		3	A79,113,124
9	74S10		2	A92,117
10	7411		4	A74,120,123,147
11	7420		2	A102,145
12	7421		1	A119
13	7430		2	A14,84
14	74S37		1	A149
15	7438		4	A13,48,49,81
16	7486		1	A103
17	74109		21	A94,97-101,104,105 121,122,126,127,131 132,134,135,140-143 148
18	74123		2	A128,129
19	74153		7	A35-37,60-62,112
20	74155		2	A66,91
21	74157		7	A43-46,8,29,77
22	74161		19	A38,39,42,47,53,54 A6,7,63,67-72,76,88 64,89
23	74164		2	A82,83

ML	Drawing No. 217391	Rev. d
----	-----------------------	-----------

MATERIAL LIST

Rev.	Drawing Title		<p>These drawings and specifications, and the data contained therein, are the exclusive property of Xerox Corporation and or Rank Xerox, Ltd. Issued in strict confidence and shall not, without the prior written permission of Xerox Corporation Rank Xerox, Ltd., be reproduced, copied or used for any purpose whatsoever, except the manufacture of articles for Xerox Corporation or Rank Xerox, Ltd.</p>			
	Dwg. No.	ASSEMBLY, PRINTED WIRING INTERFACE, PDP11 TO ETHERNET				
FILED UNDER DECML2.sii		Model No.	Date 4/2/79	Sheet 2 of 3		
	Item No.	Drawing Title	Drawing No.	No. Req.	Remarks	
	24	MICROCIRCUIT 74166		2	A51,52	
	25	74174		6	A26-28,56-58	
ML	26	74175		3	A59,96,144	
	27	74LS175		1	A41	
	28	74191		4	A40,65,90,115	
	29	MICROCIRCUIT, CRC FAIRCHILD F9401		2	A80,130	
	30	MICROCIRCUIT, PROM SIGNETICS N82S126		2	A5,30	
		Blow using [OLY]<Markowski>DEC.Prom				
	31	MICROCIRCUIT INTEL M3101A		8	A1-4,31-34	
	32	MICROCIRCUIT SIGNETICS 8T38		11	A9-12,16-21,25	
		NATIONAL DM8838				
		MOTOROLA MC3438				
	33	MICROCIRCUIT NATIONAL DM8130		2	A22,85	
	34	MICROCIRCUIT, OSCILLATOR 11.760MHz		1	A150	
		MOTOROLA TYPE 1114A				
	35	CONNECTOR, RIGHT ANGLE		1	J2	
	ANSLEY #609-2602MR					
36	CAPACITOR, .01MFD@50V		74	C5-17,19-79		
	KEMET/AVX #C114K103K5X5C4					
37	CAPACITOR, TANTALUM 22MFD,35V		1	C85		
38	CAPACITOR, TANTALUM 22MFD,15V		5	C1-4,84		
39						
40	BRACKET,HOLD DOWN DEC # 12-10711-02		1			
41	RIVET, USM MFG. CO. # SE-45		12	Xerox # 100077-16		
42						
43						
44						
45						
46						





	25S	25P	15S	
1	13		3	XDATA
2	25		4	RET
3	12			
4	24			
5	11		10	+ 5 VOLTS
6	23		11	RET
7	10			
8	22			
9	9			
10	21			
11	8		7	TROTHER
12	20		15	RET
13	7			
14				
15	19		13	+ 15 VOLTS
16	6		14	RET
17	18			
18	5			
19	17			
20	4			
21	16		5	TRDATA
22	3		6	RET
23	15			
24	2			
25	14			
26	1			