

Beware: The bit numbering follows the Multibus conventions.

Bit 0 is the LSB. Bit F is the MSB.

That's backwards from the normal PARC style.

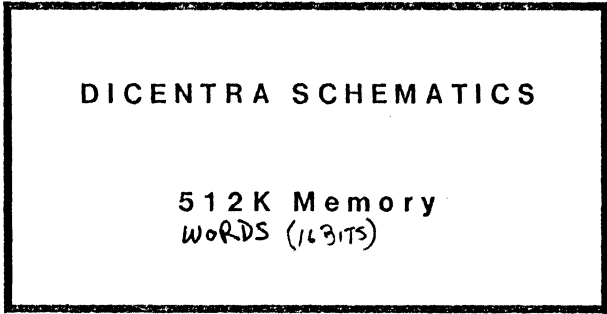


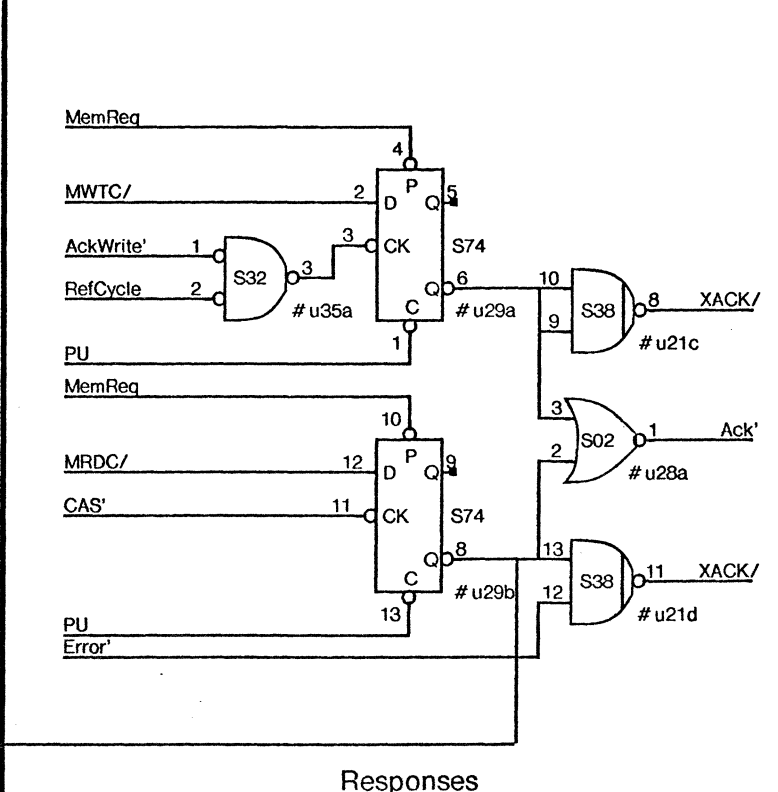
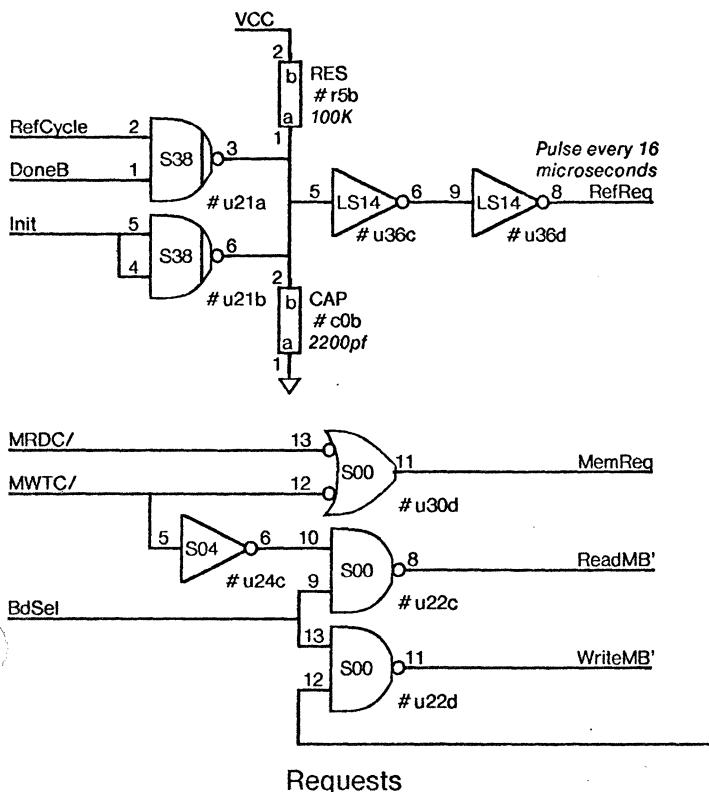
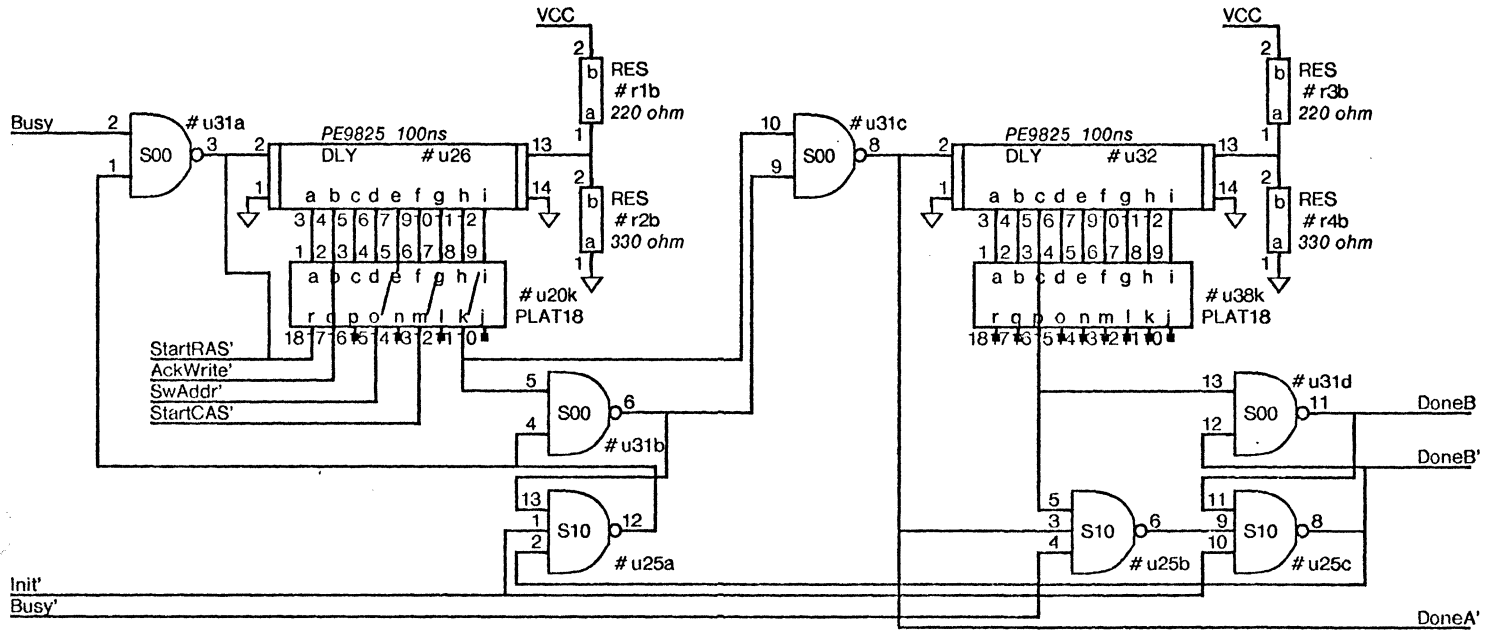
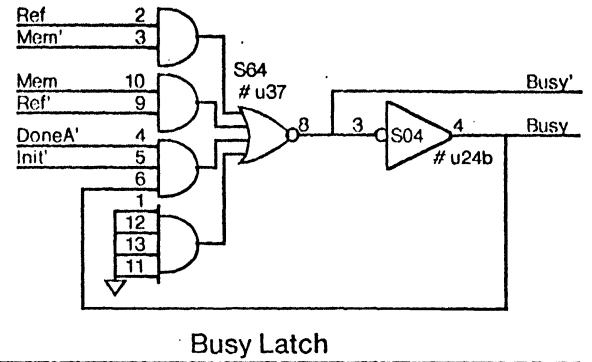
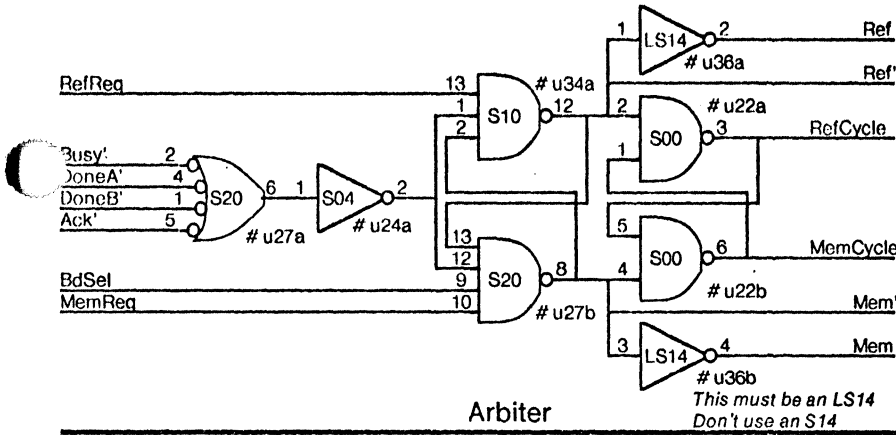
Table of contents

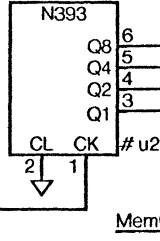
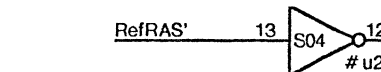
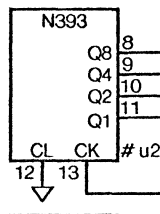
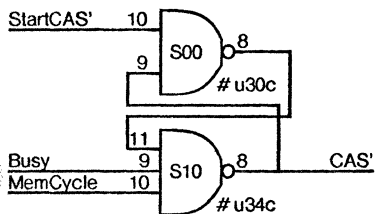
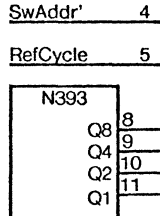
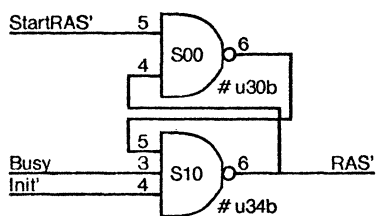
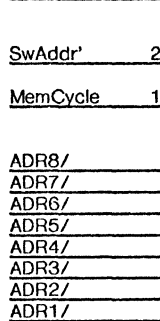
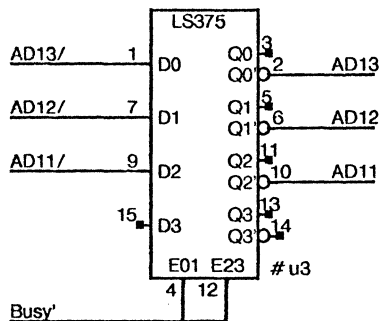
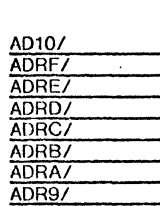
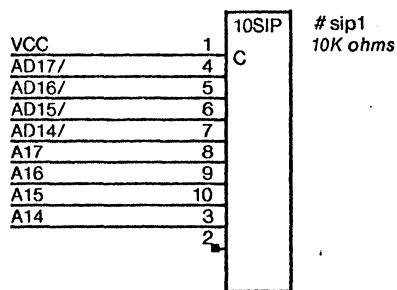
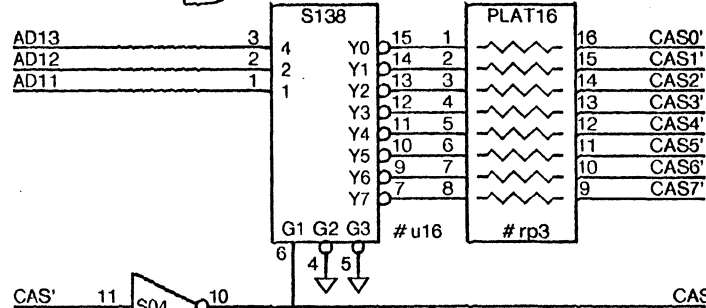
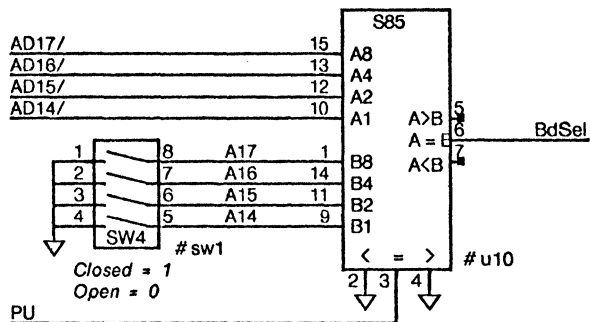
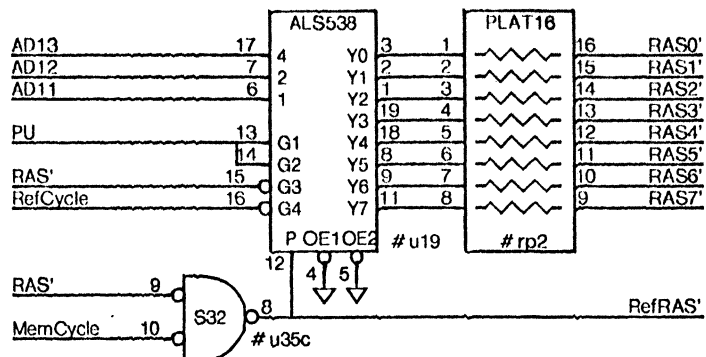
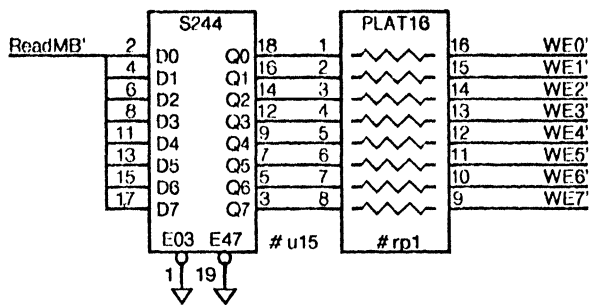
<u>TITLE</u>	<u>PAGE</u>
Control _____	1
Addressing _____	2
Data Bits 0-3 _____	3
Data Bits 4-7 _____	4
Data Bits 8-B _____	5
Data Bits C-F _____	6
Parity Bit _____	7
Array Bank 0 _____	8
Array Bank 1 _____	9
Array Bank 2 _____	10
Array Bank 3 _____	11
Array Bank 4 _____	12
Array Bank 5 _____	13
Array Bank 6 _____	14
Array Bank 7 _____	15
Bypass Capacitors _____	16
Odds & Ends _____	17
Connectors _____	18
Timing Diagram _____	19
PC Board Layout _____	20

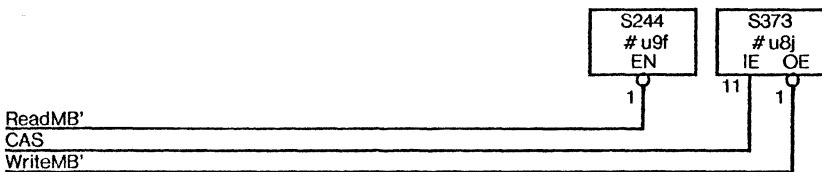
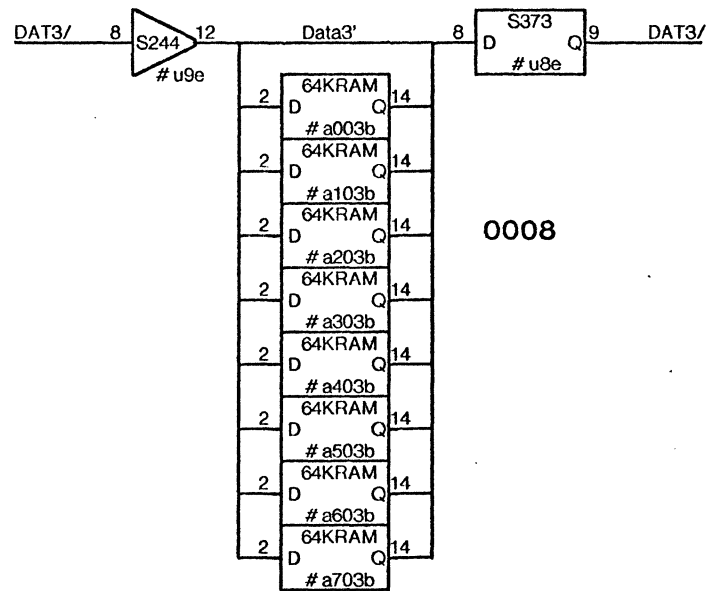
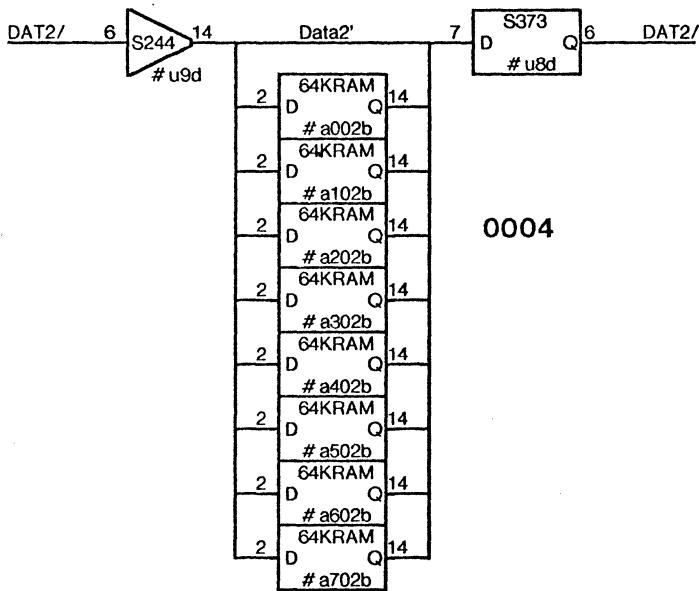
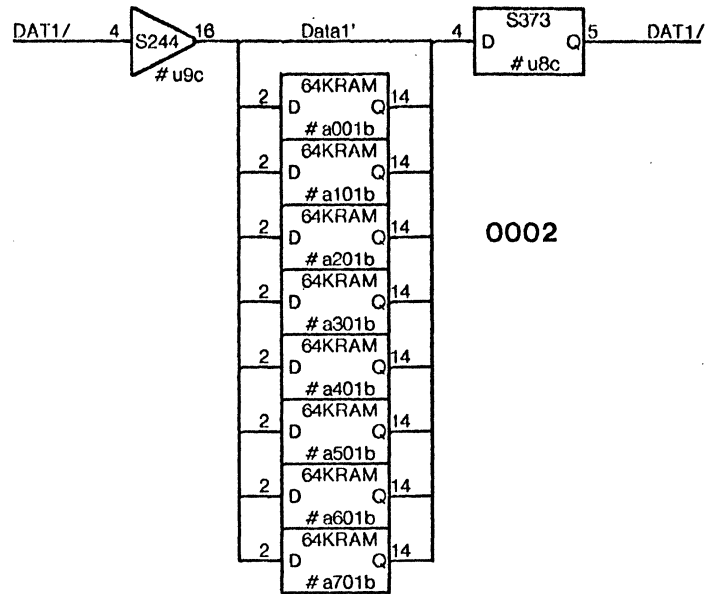
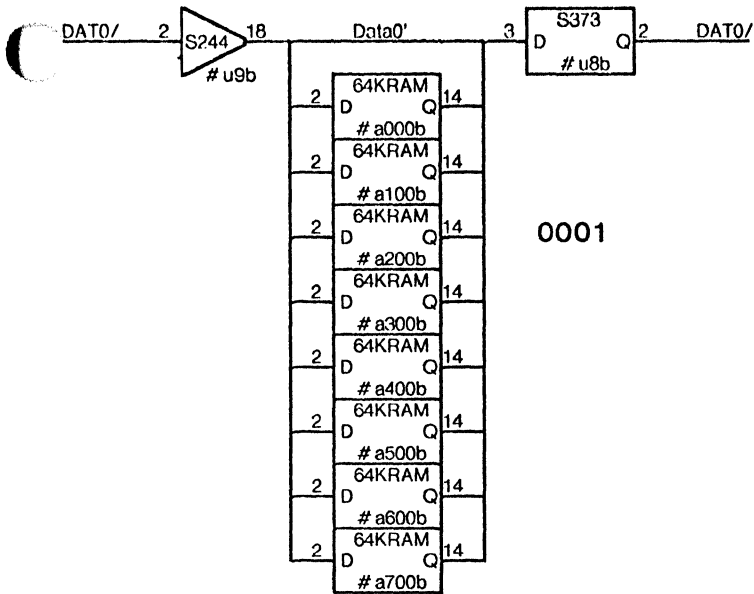
These drawings use the following [SIL] user.cm parameters:

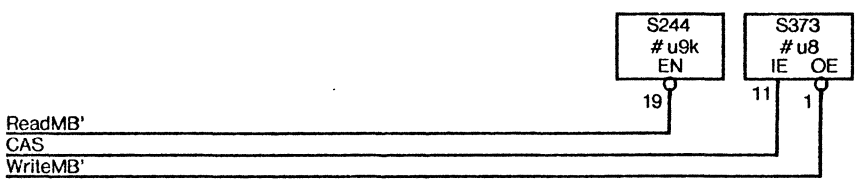
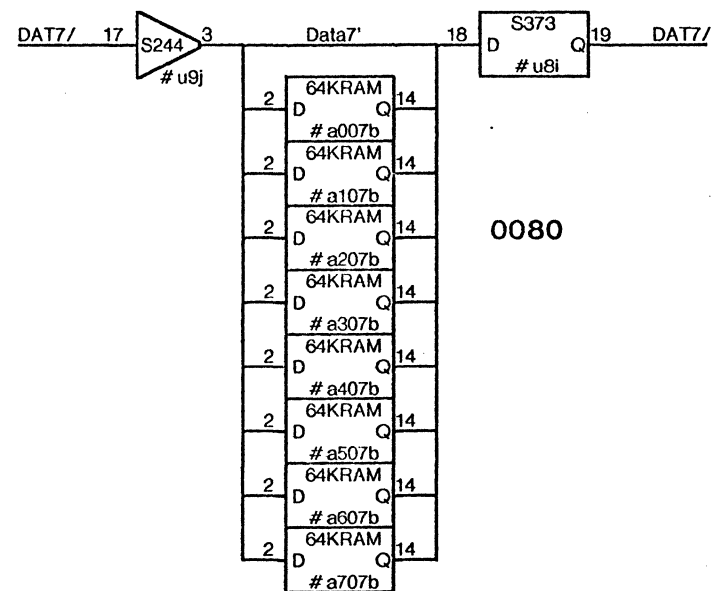
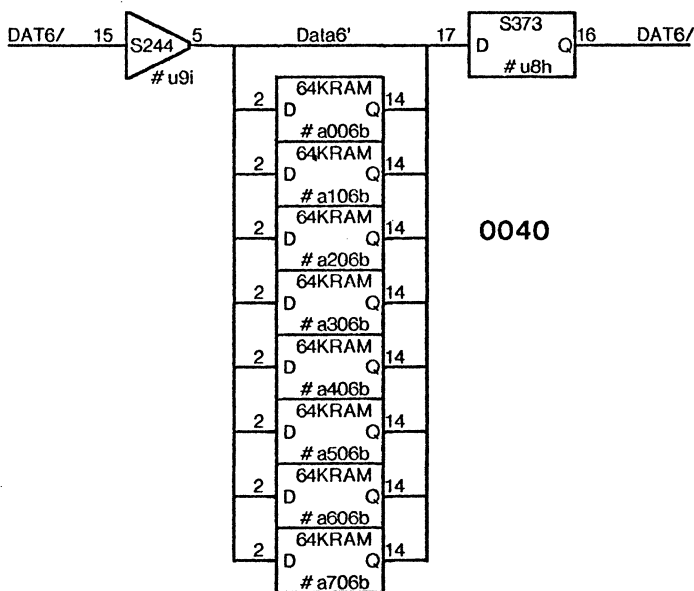
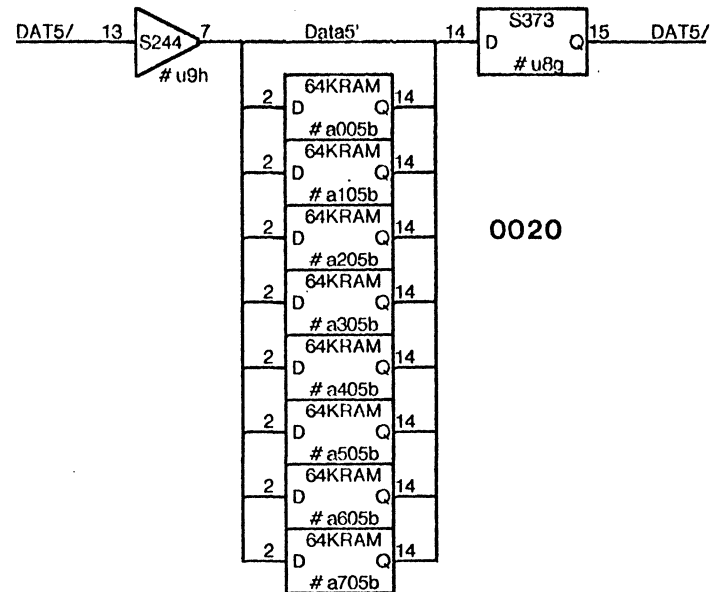
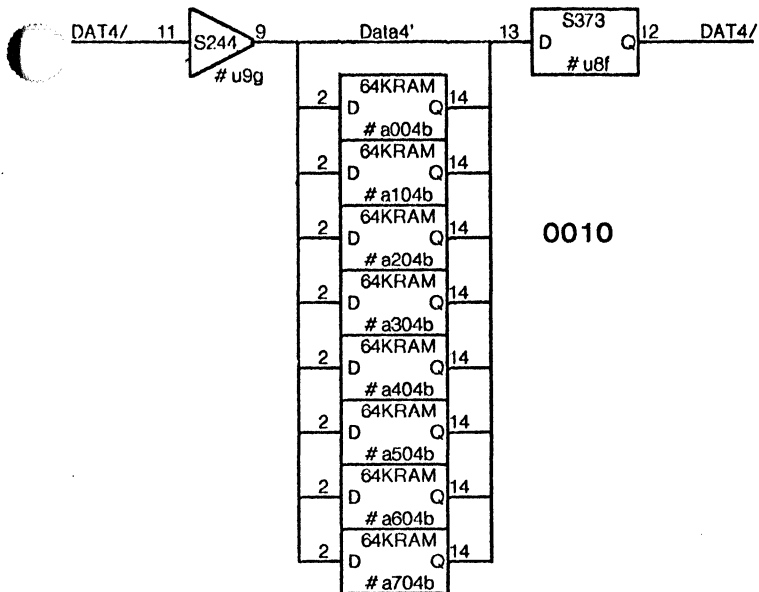
- 0: Helvetica10
- 1: Helvetica7
- 2: Template64
- 3: Gates32
- 5: Dicentra.lb5
- 6: Dicentra.lb6
- 7: Dicentra.lb7
- 8: Dicentra.lb8
- A: Dicentra.Analyze
- Y: 712

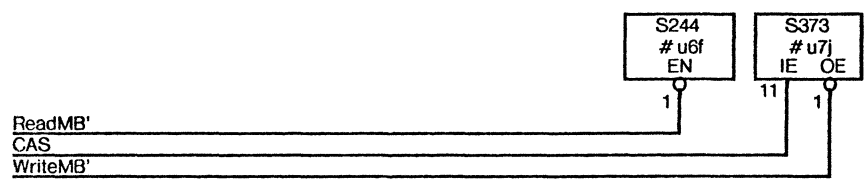
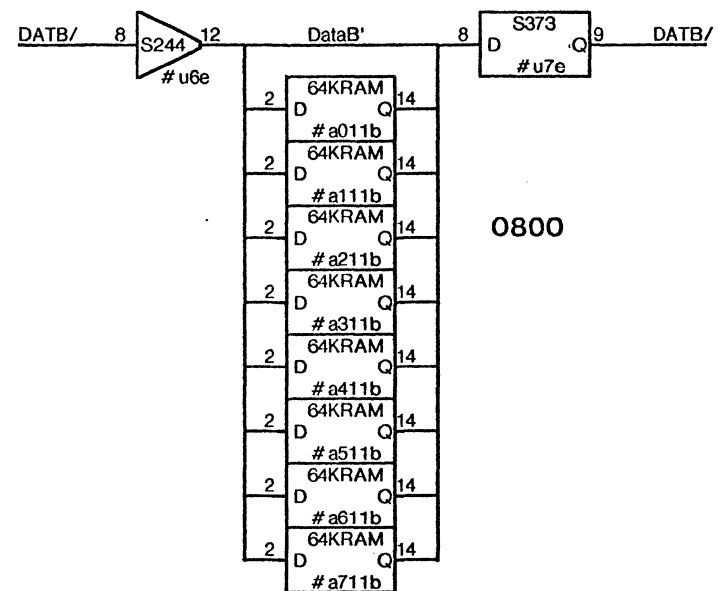
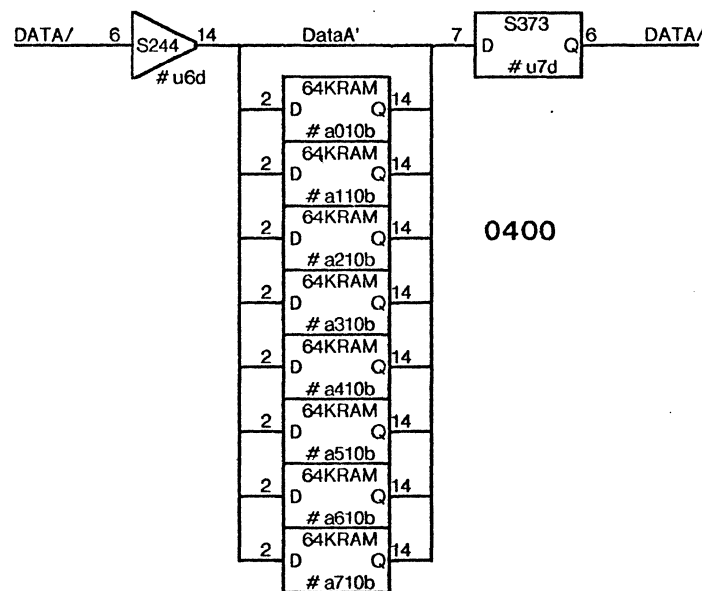
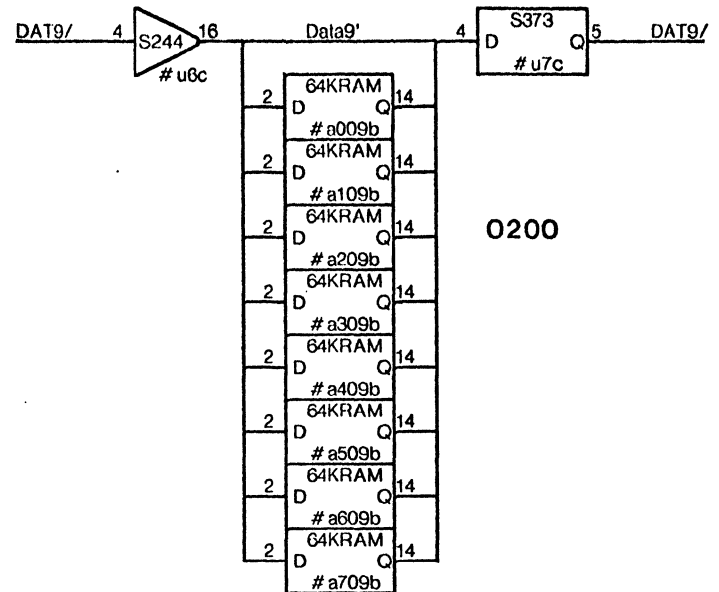
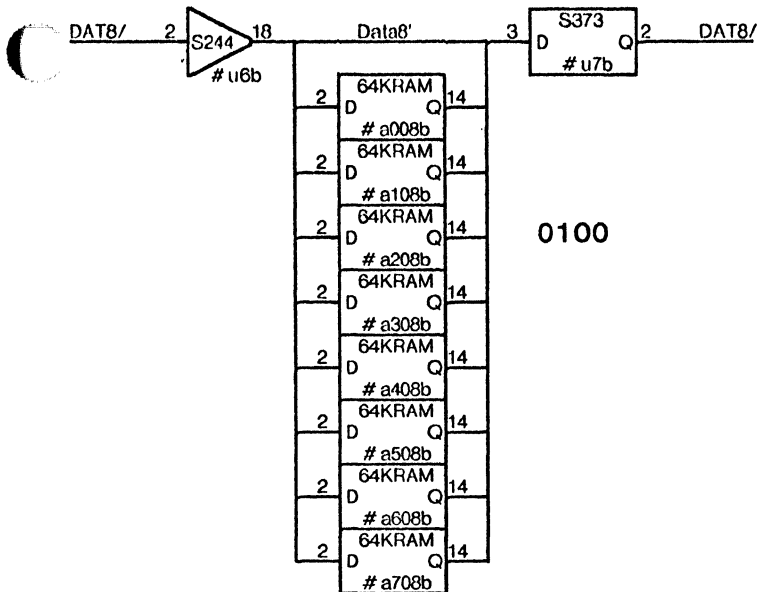
All files are kept on [Indigo]<Dicentra>

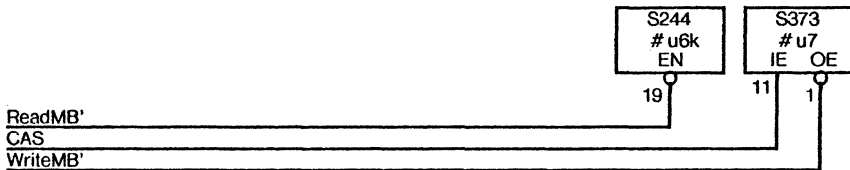
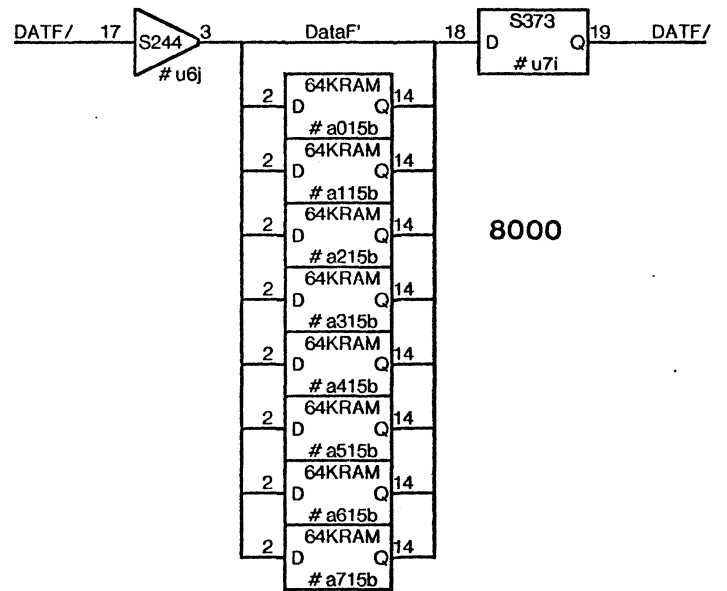
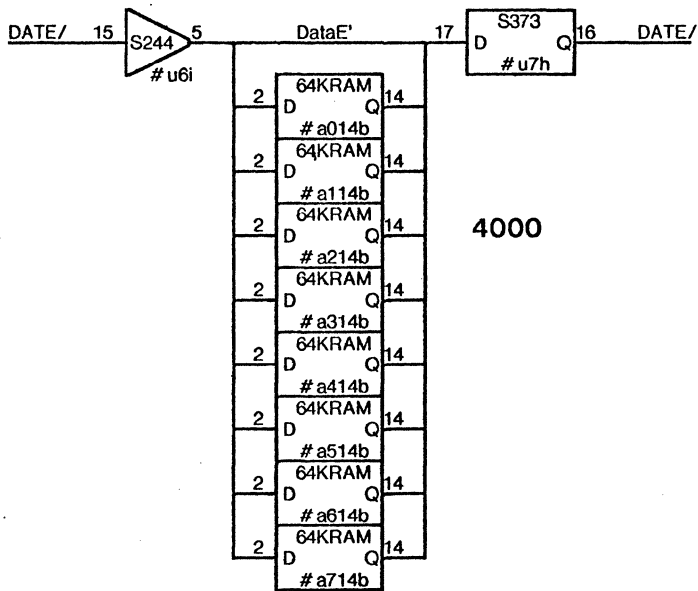
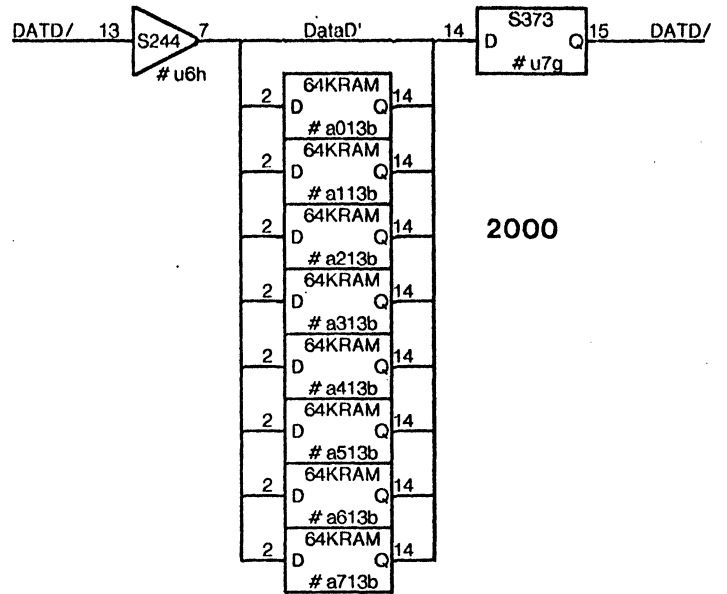
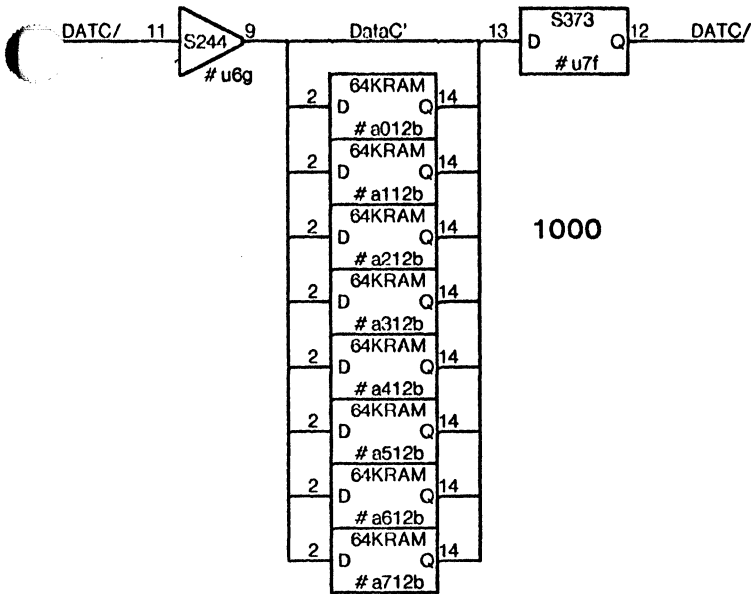


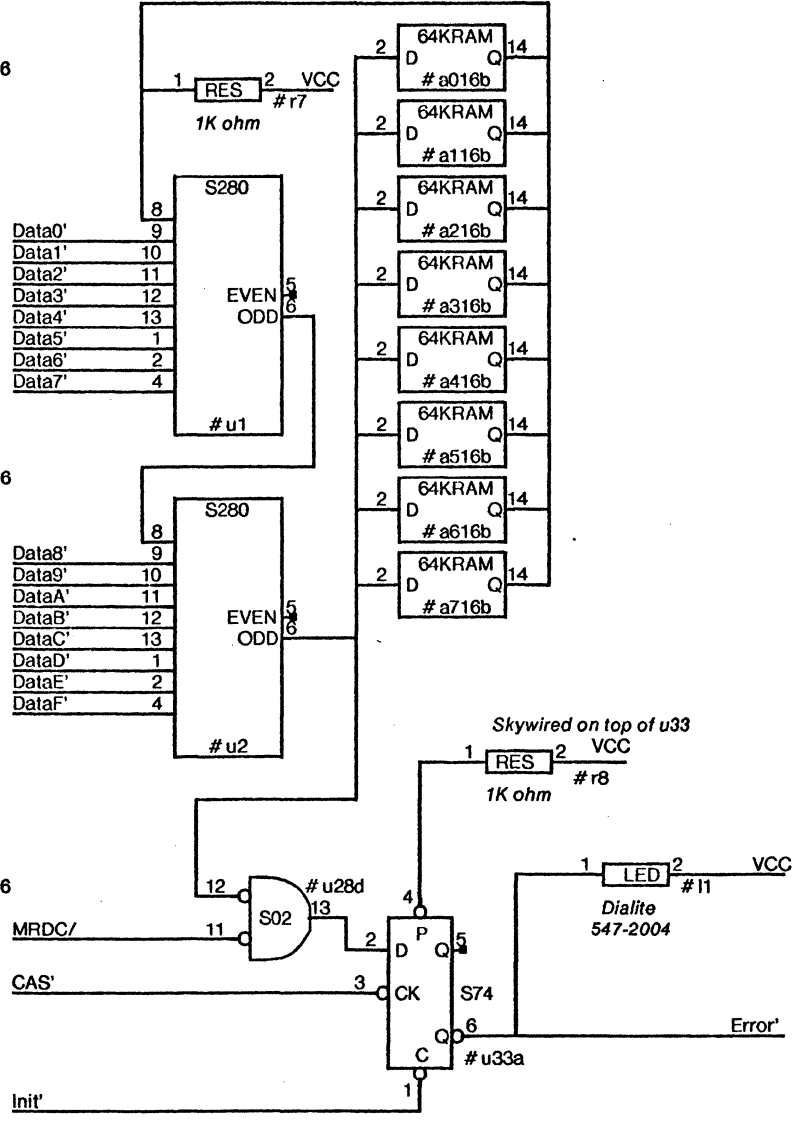
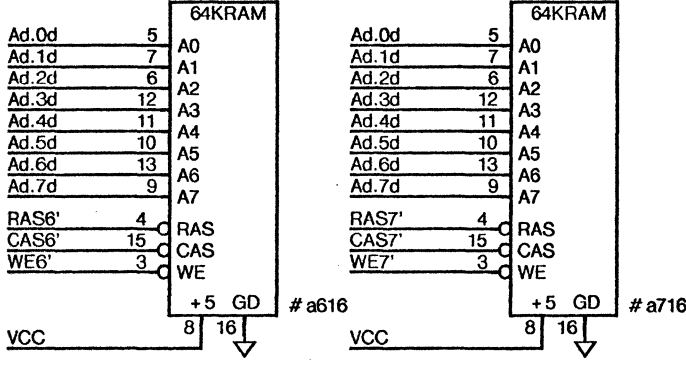
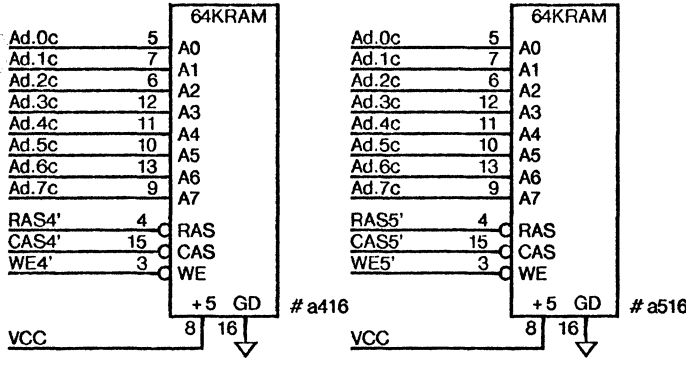
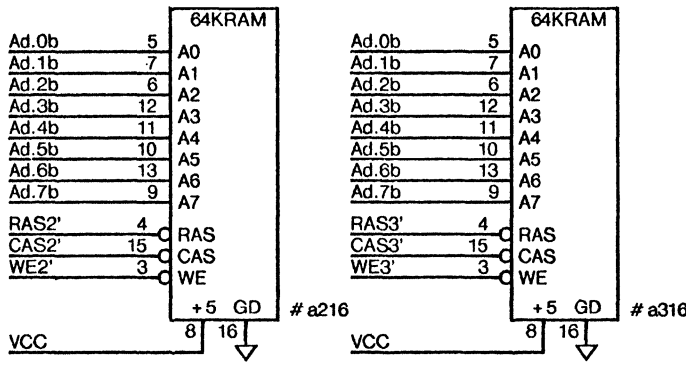
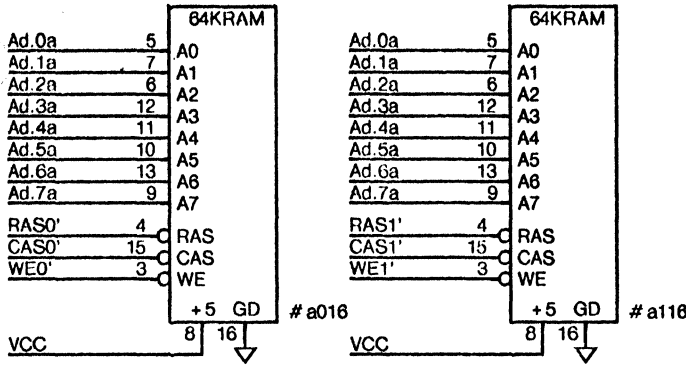


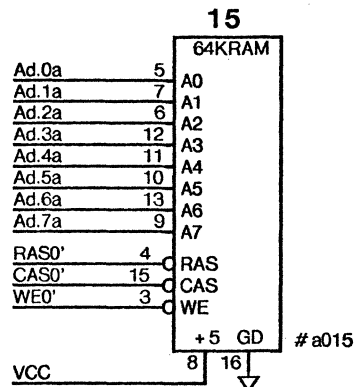
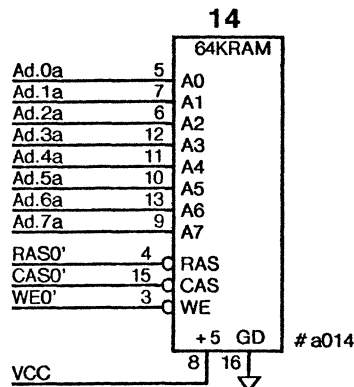
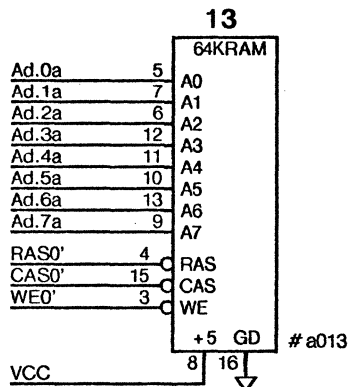
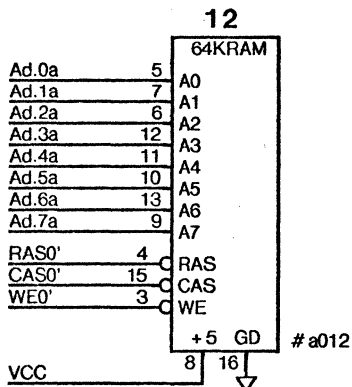
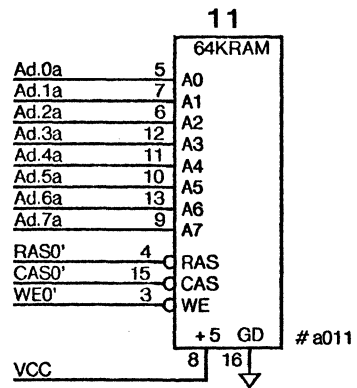
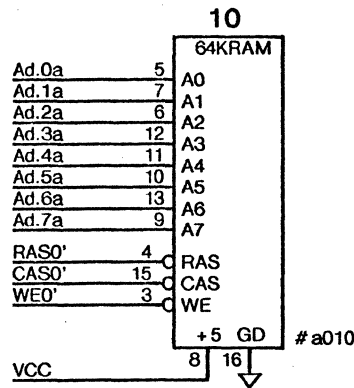
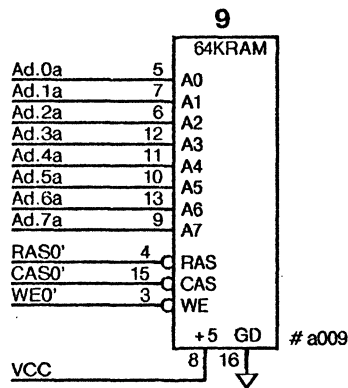
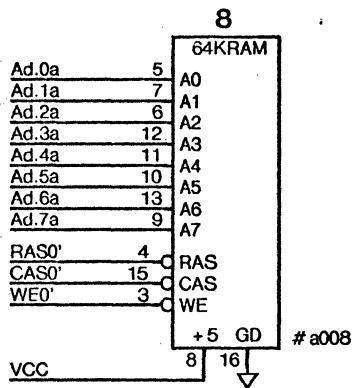
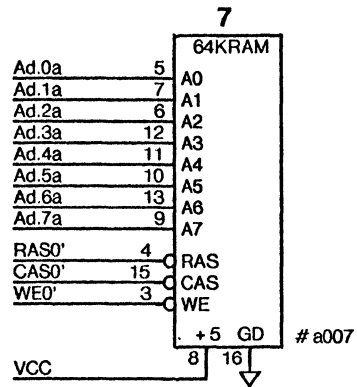
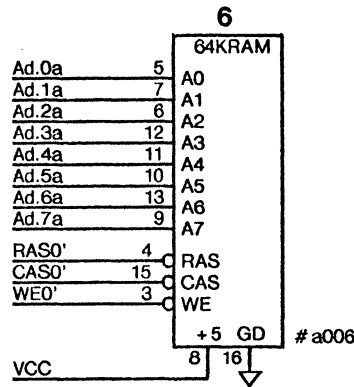
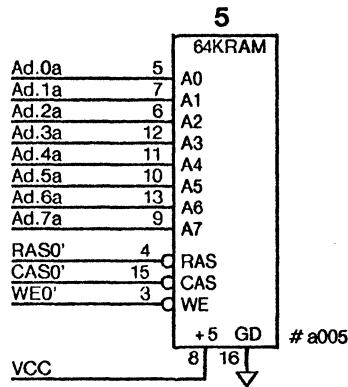
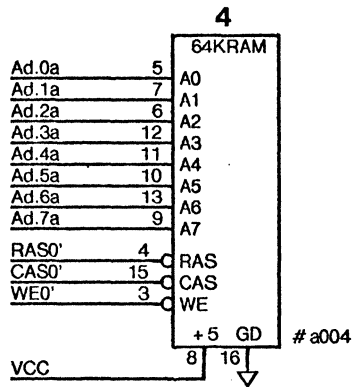
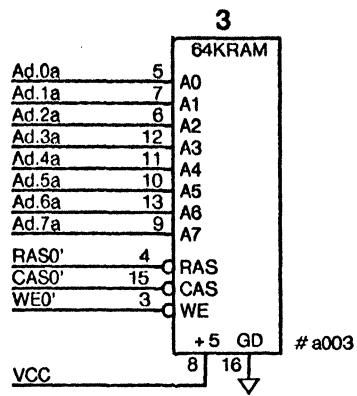
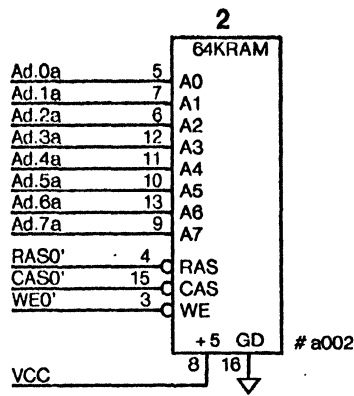
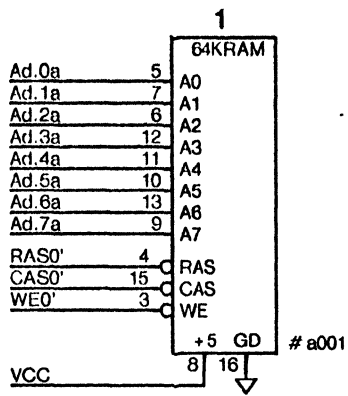
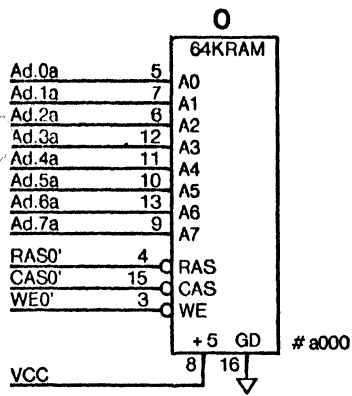


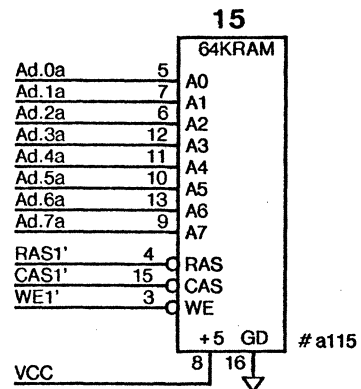
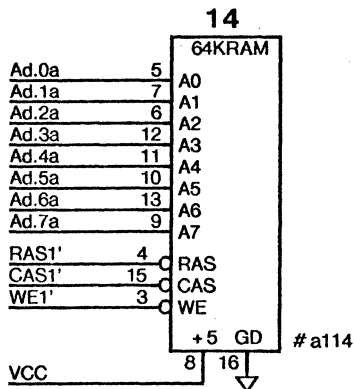
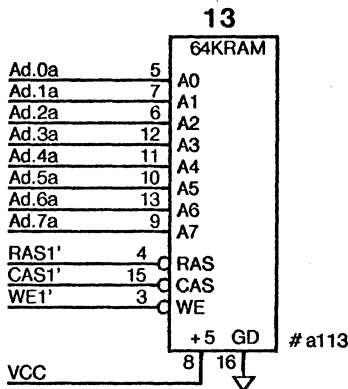
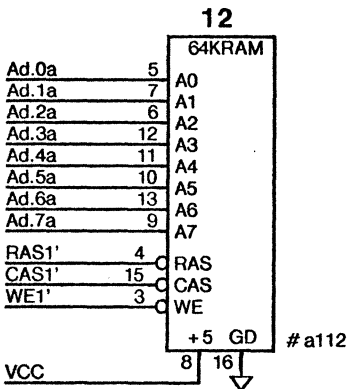
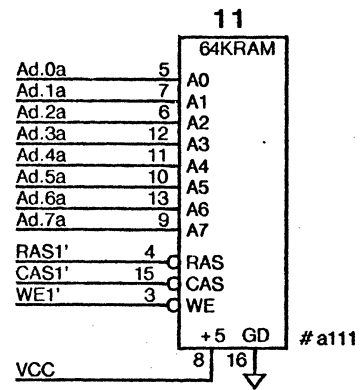
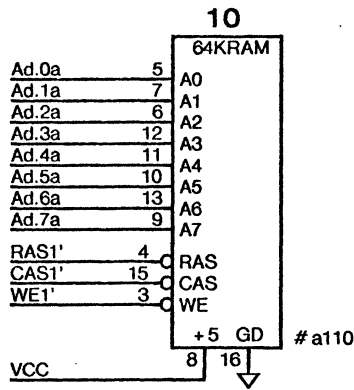
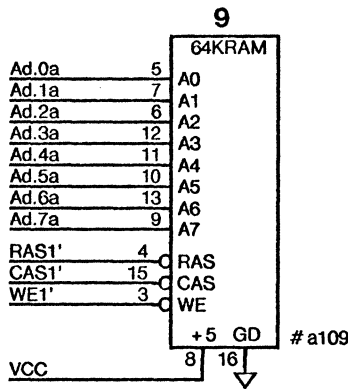
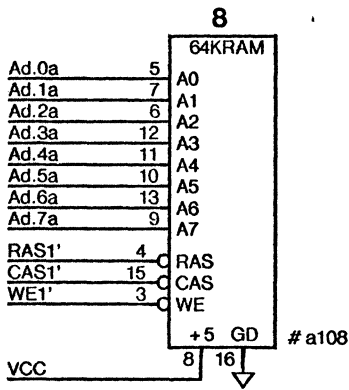
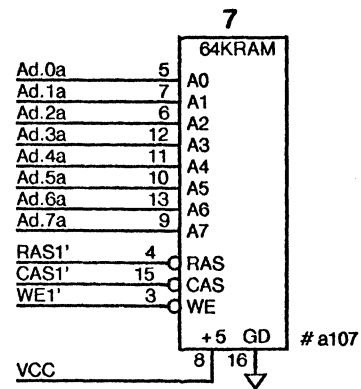
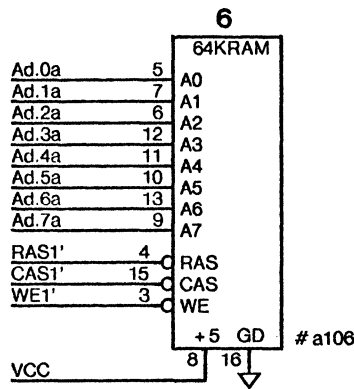
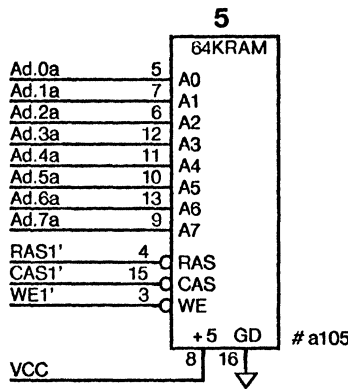
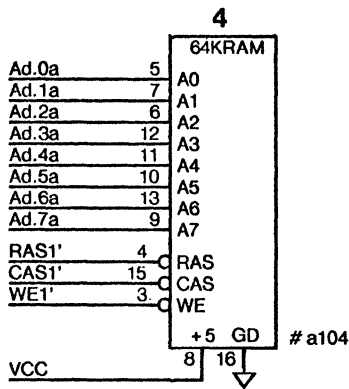
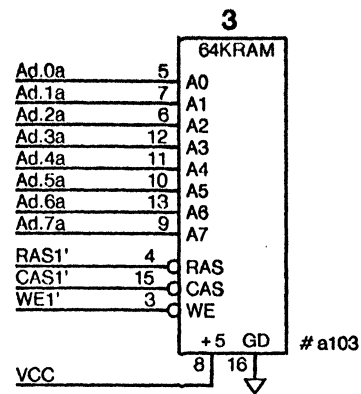
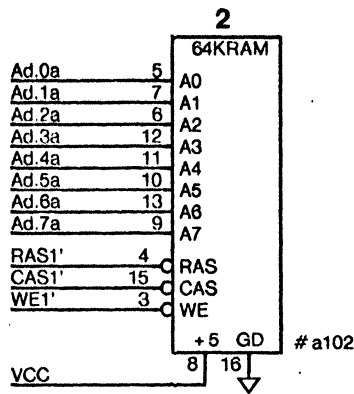
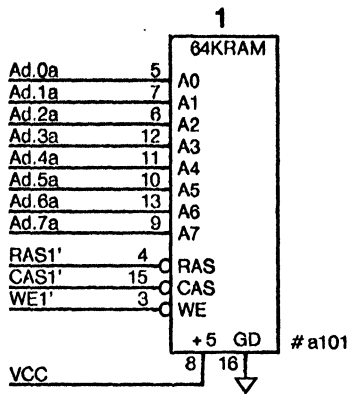
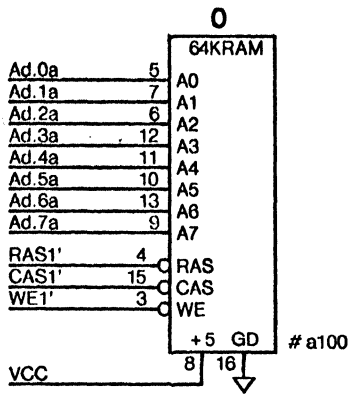


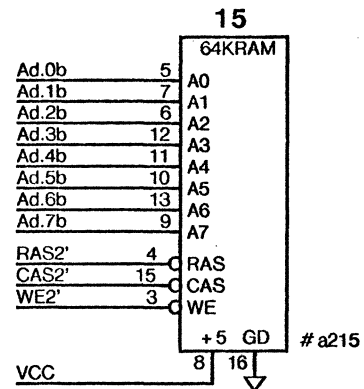
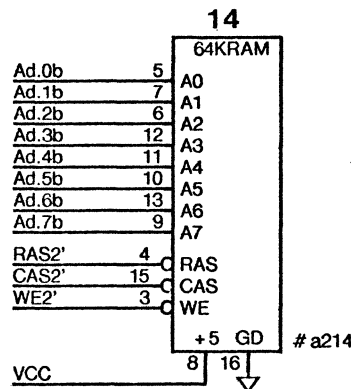
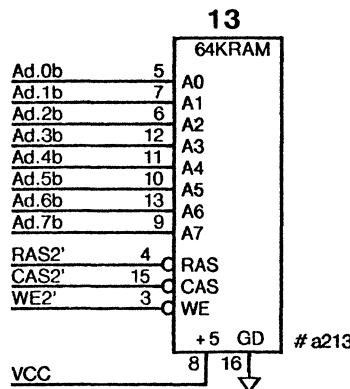
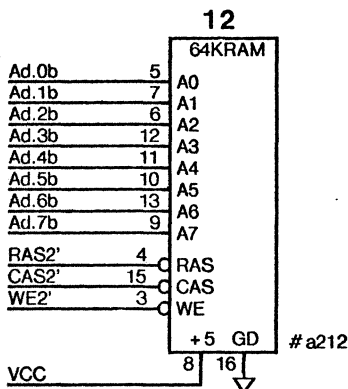
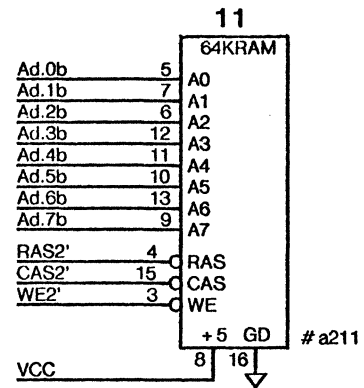
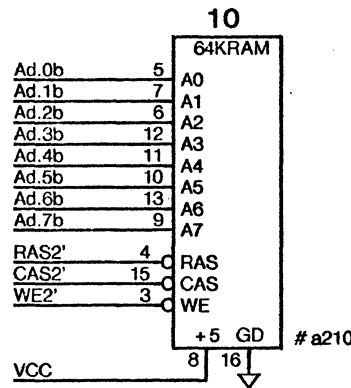
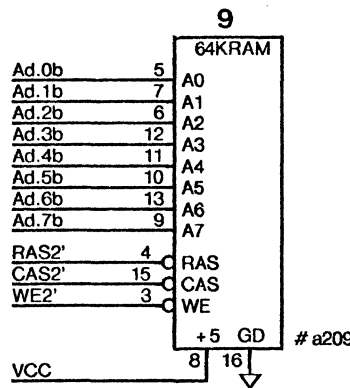
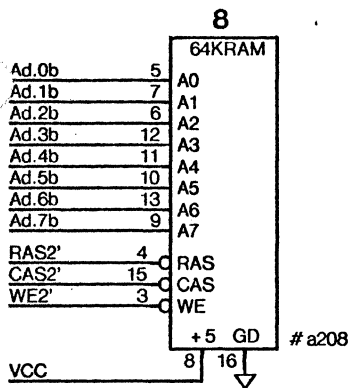
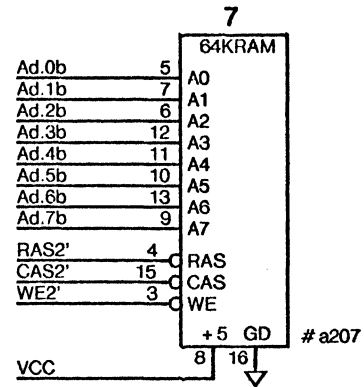
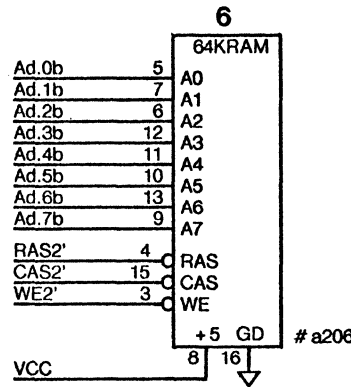
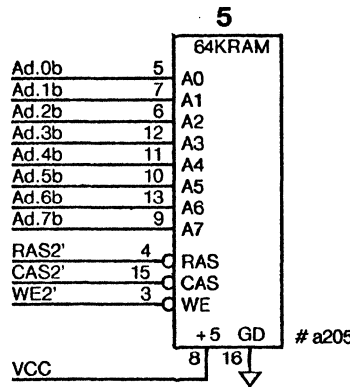
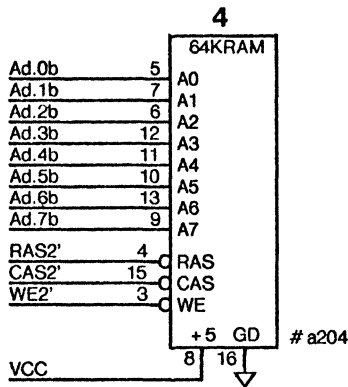
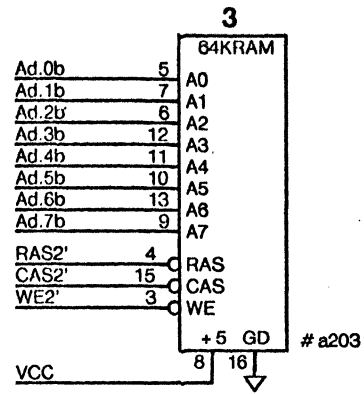
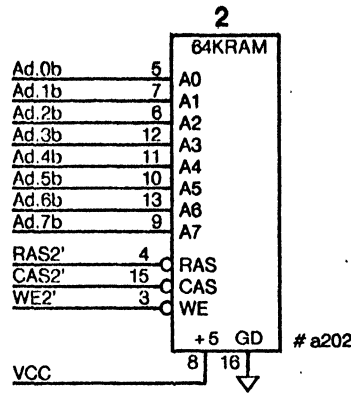
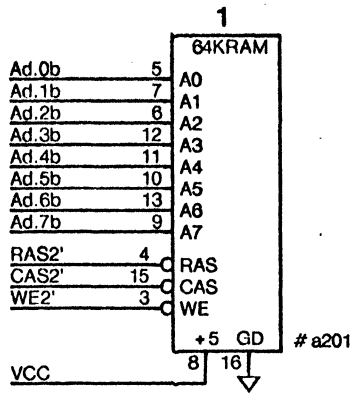
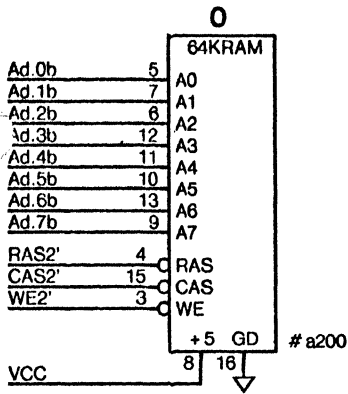


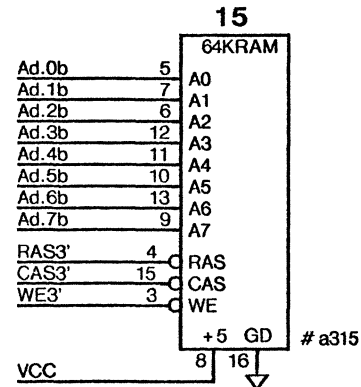
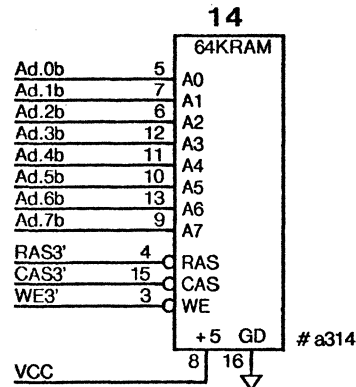
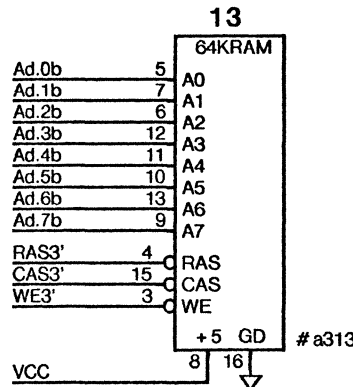
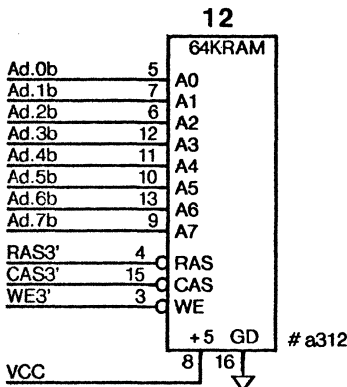
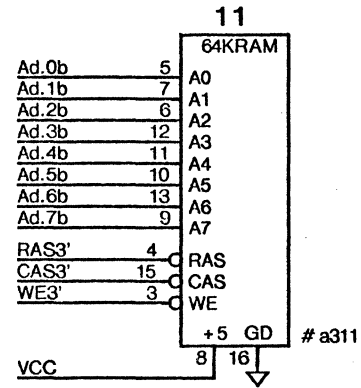
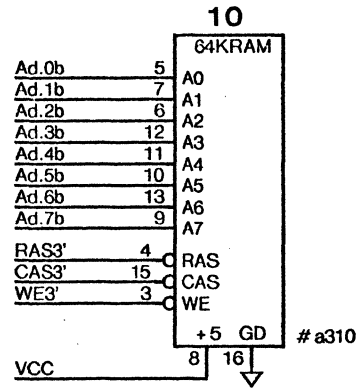
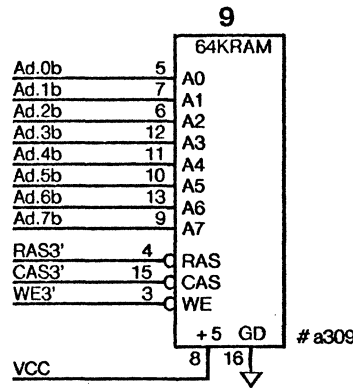
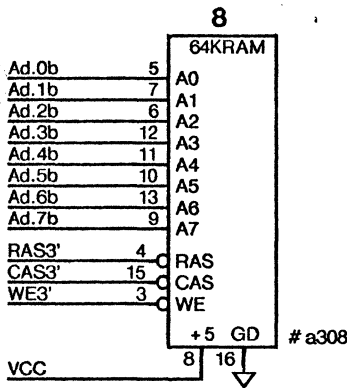
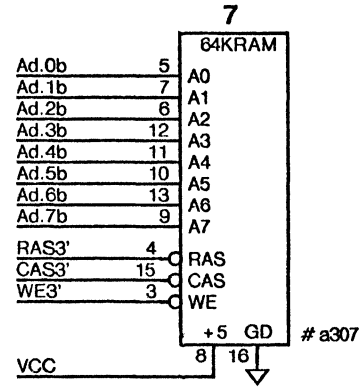
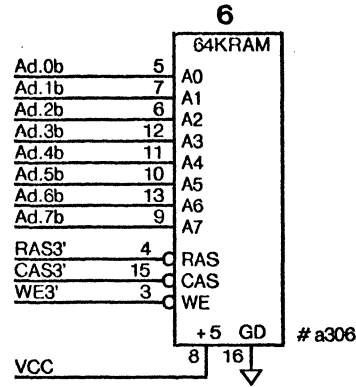
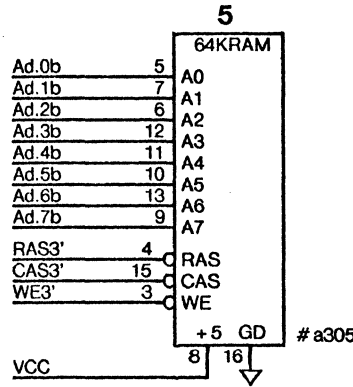
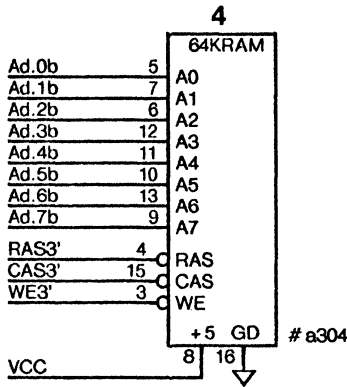
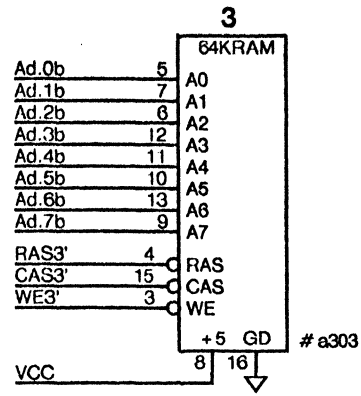
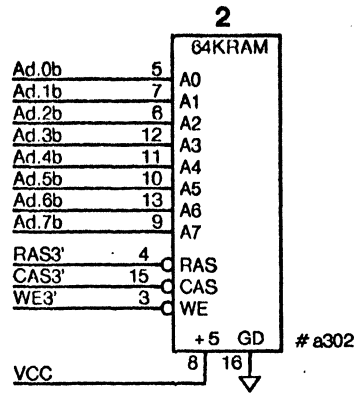
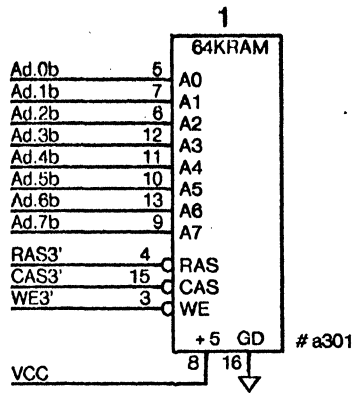
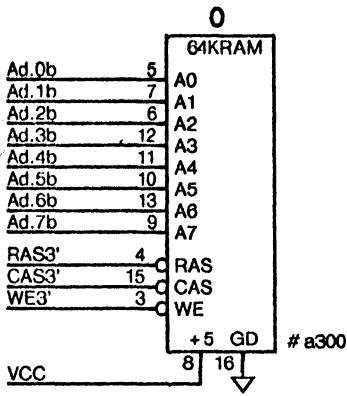


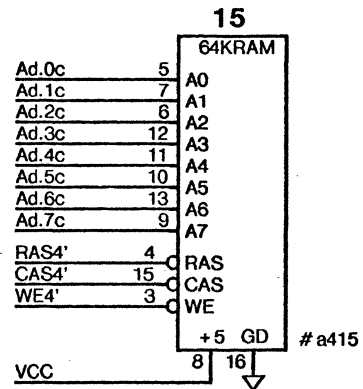
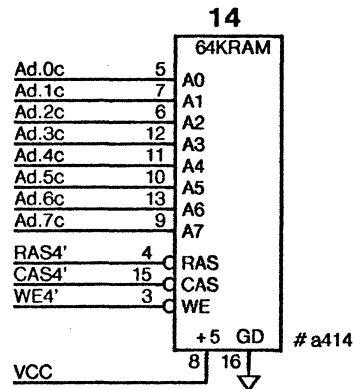
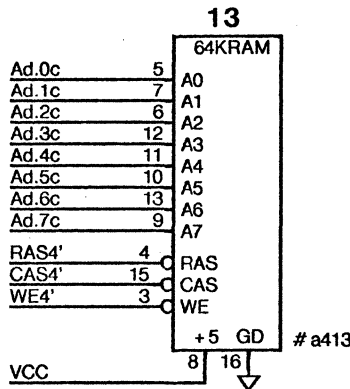
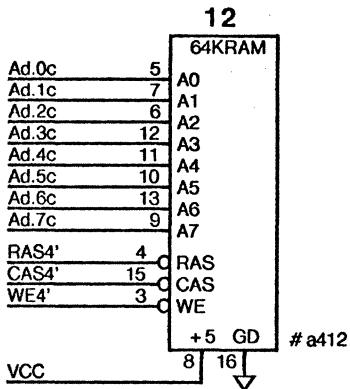
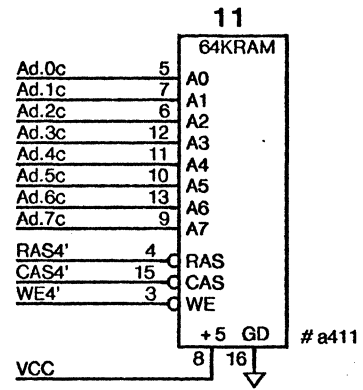
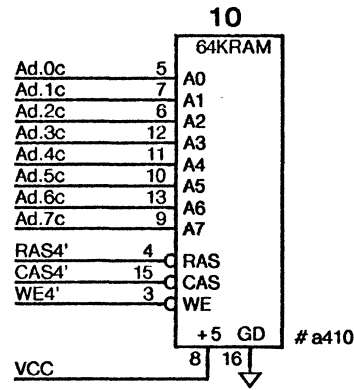
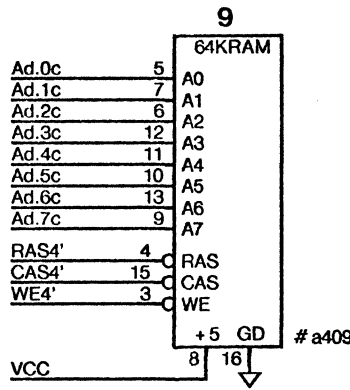
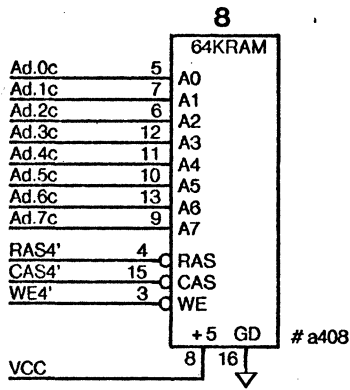
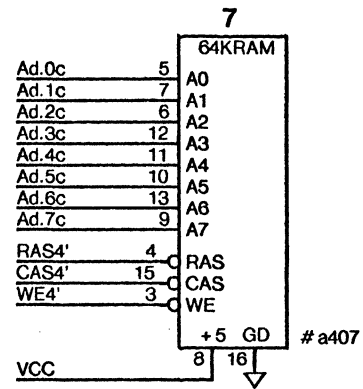
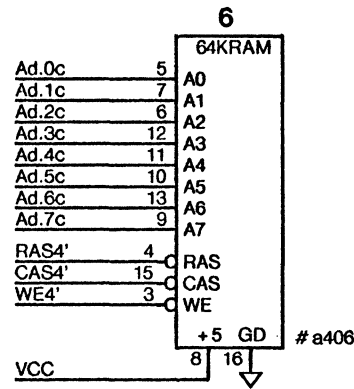
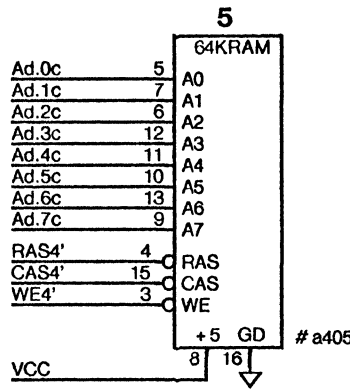
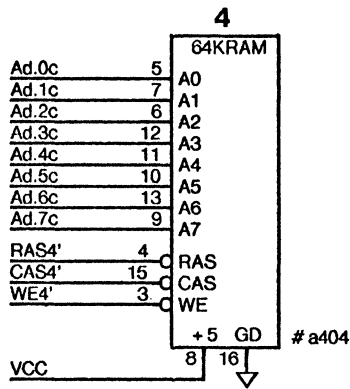
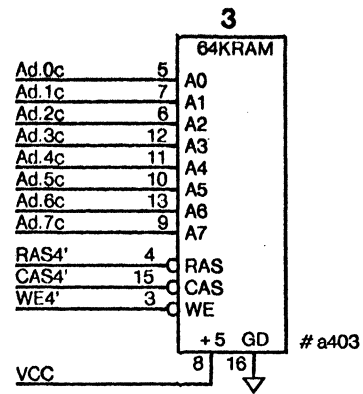
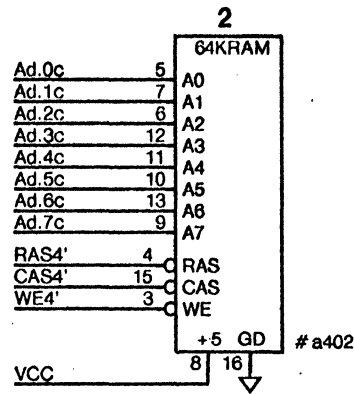
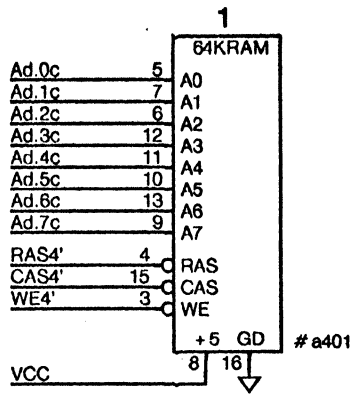
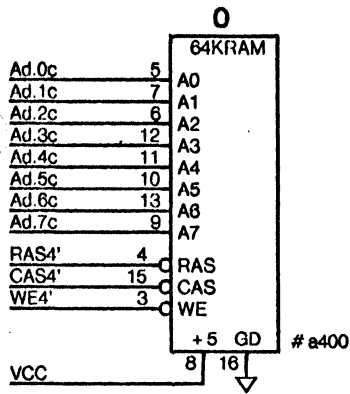


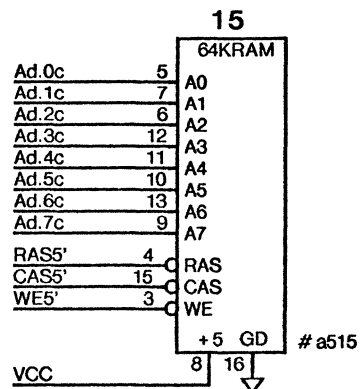
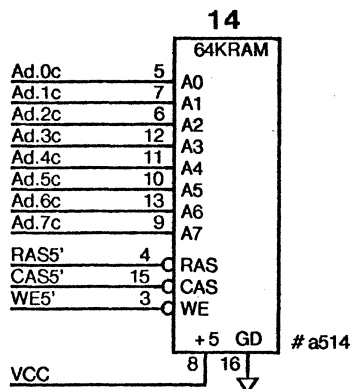
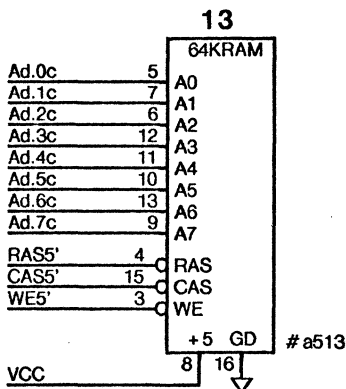
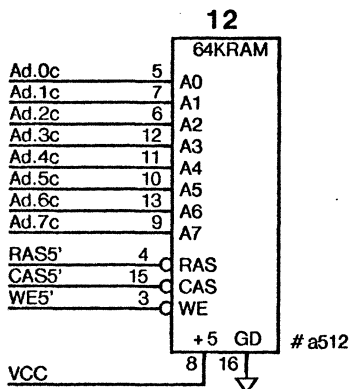
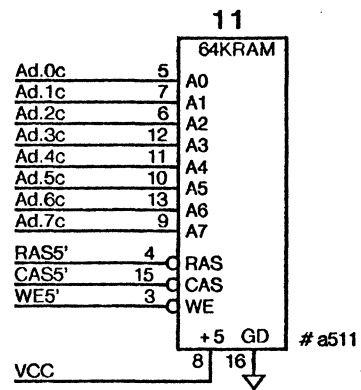
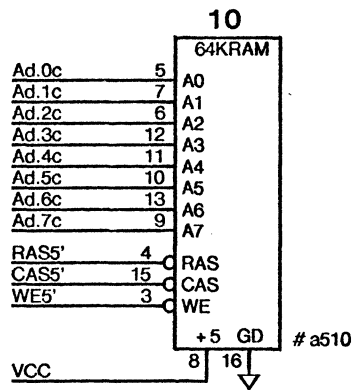
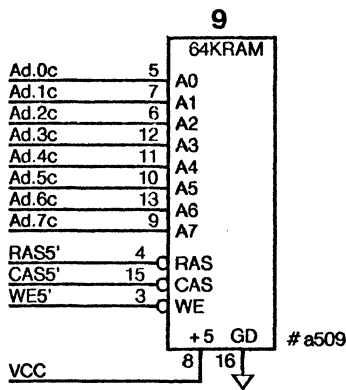
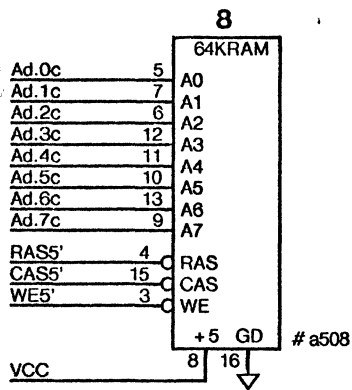
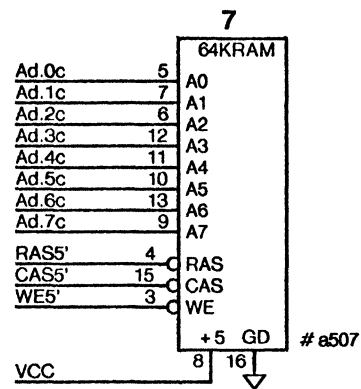
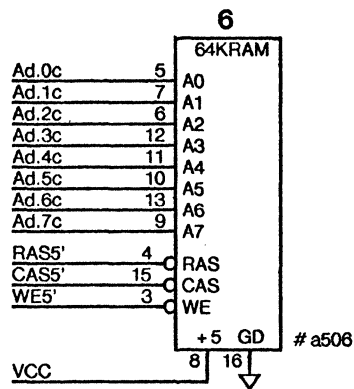
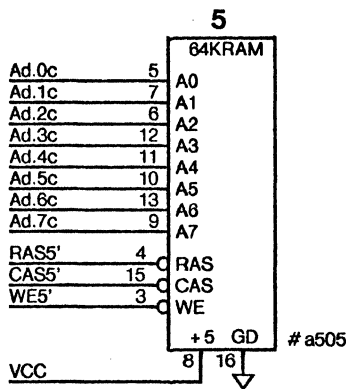
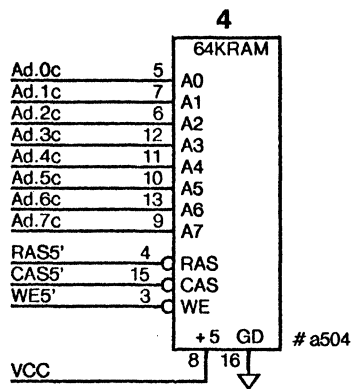
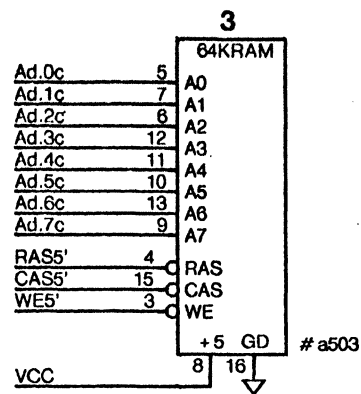
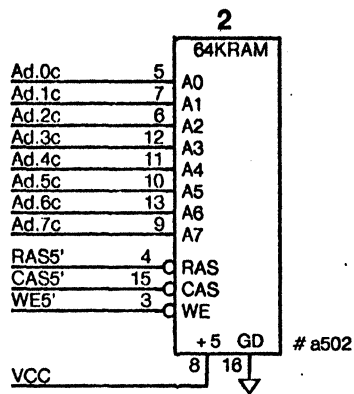
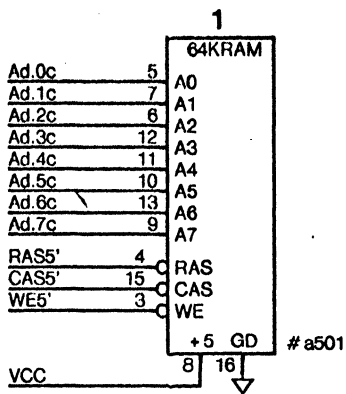
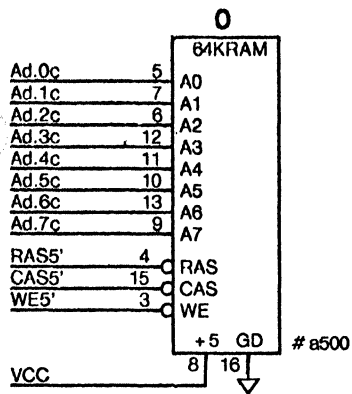


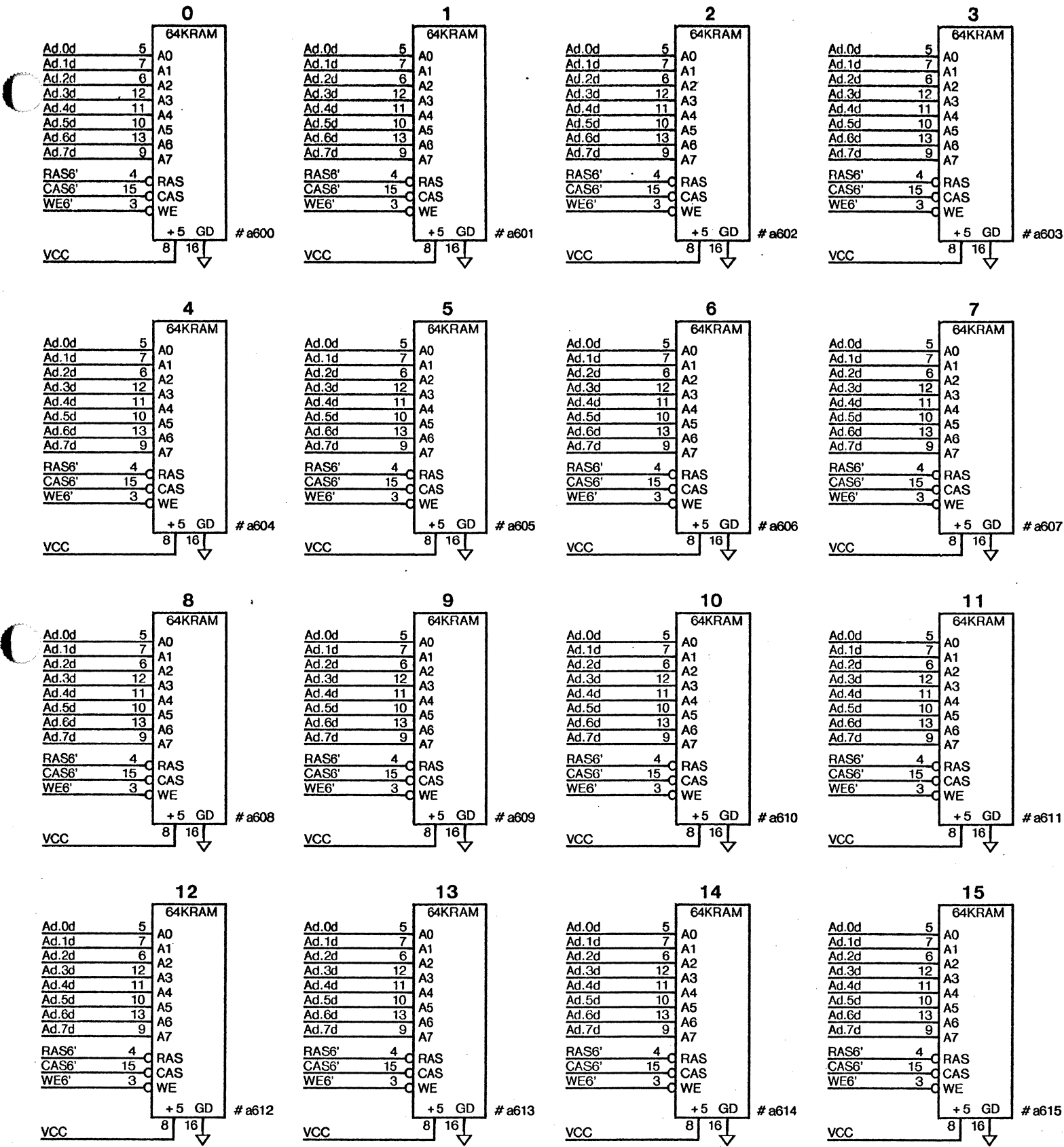


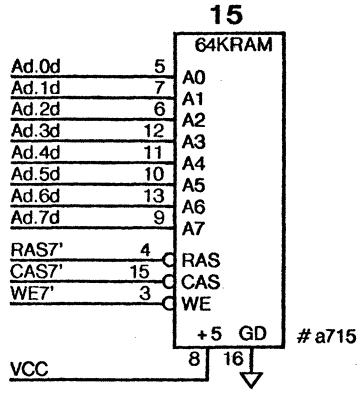
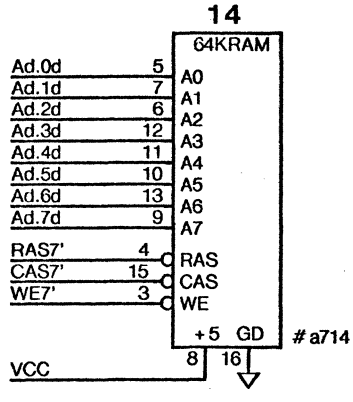
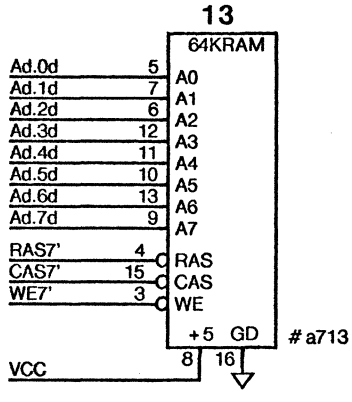
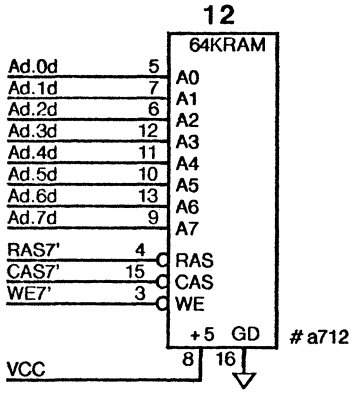
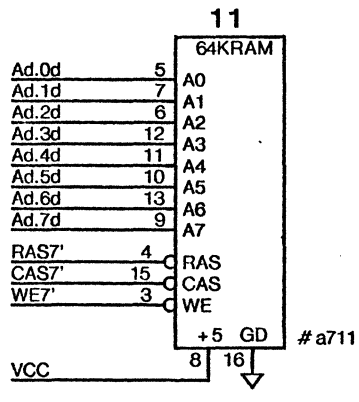
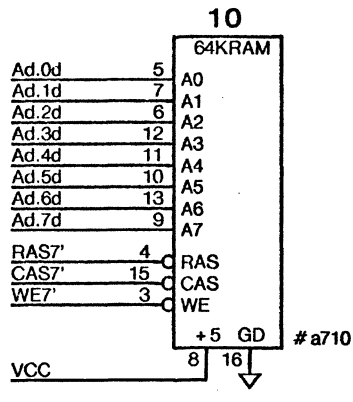
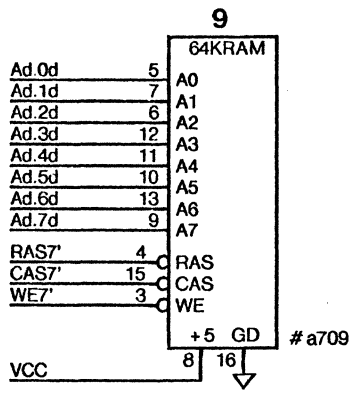
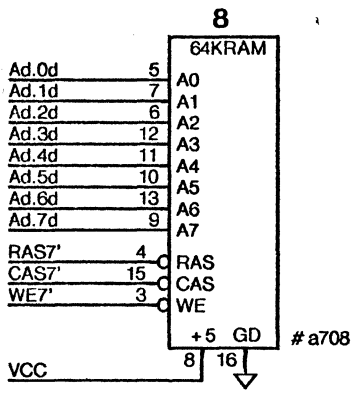
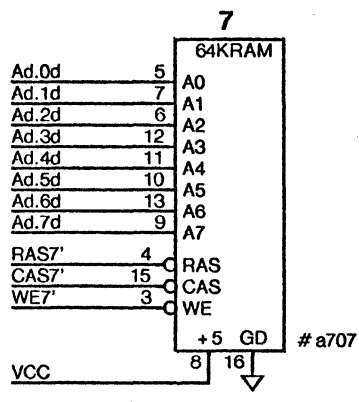
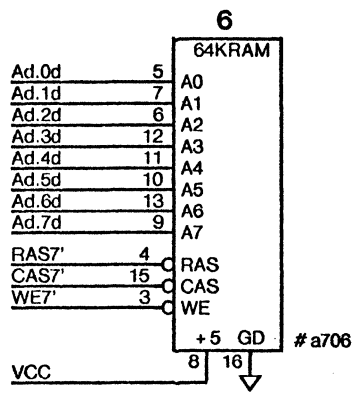
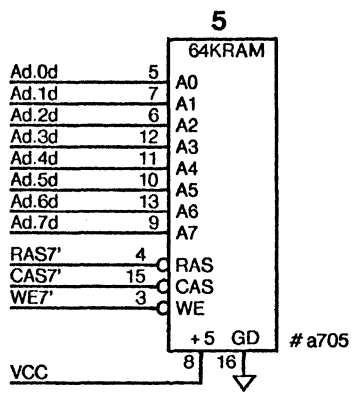
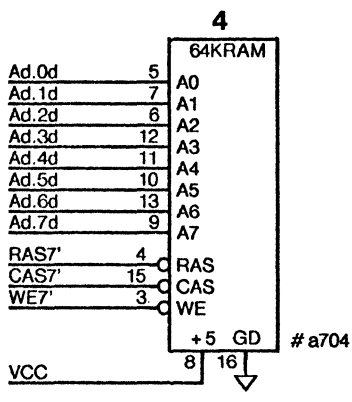
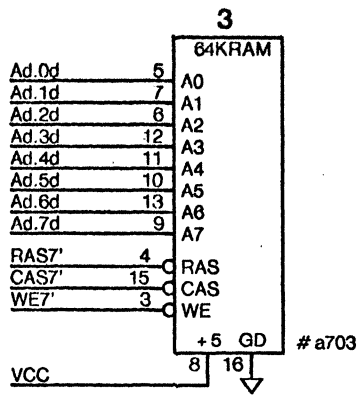
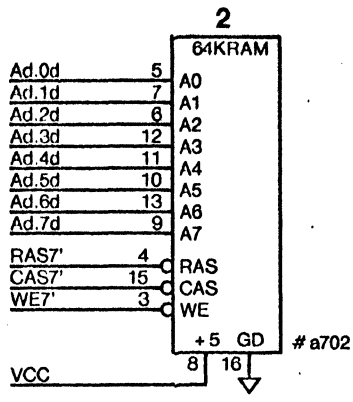
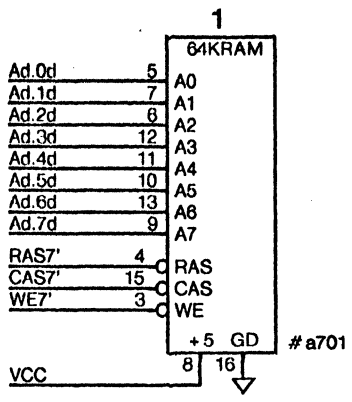
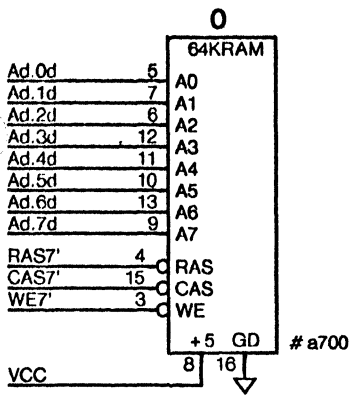


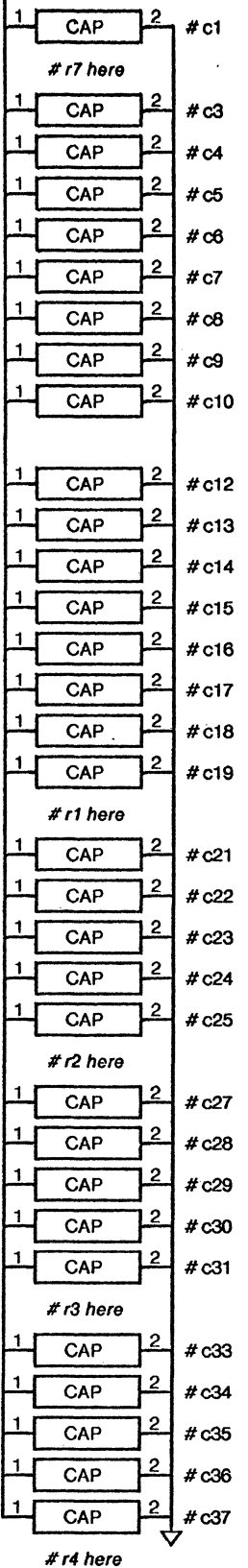
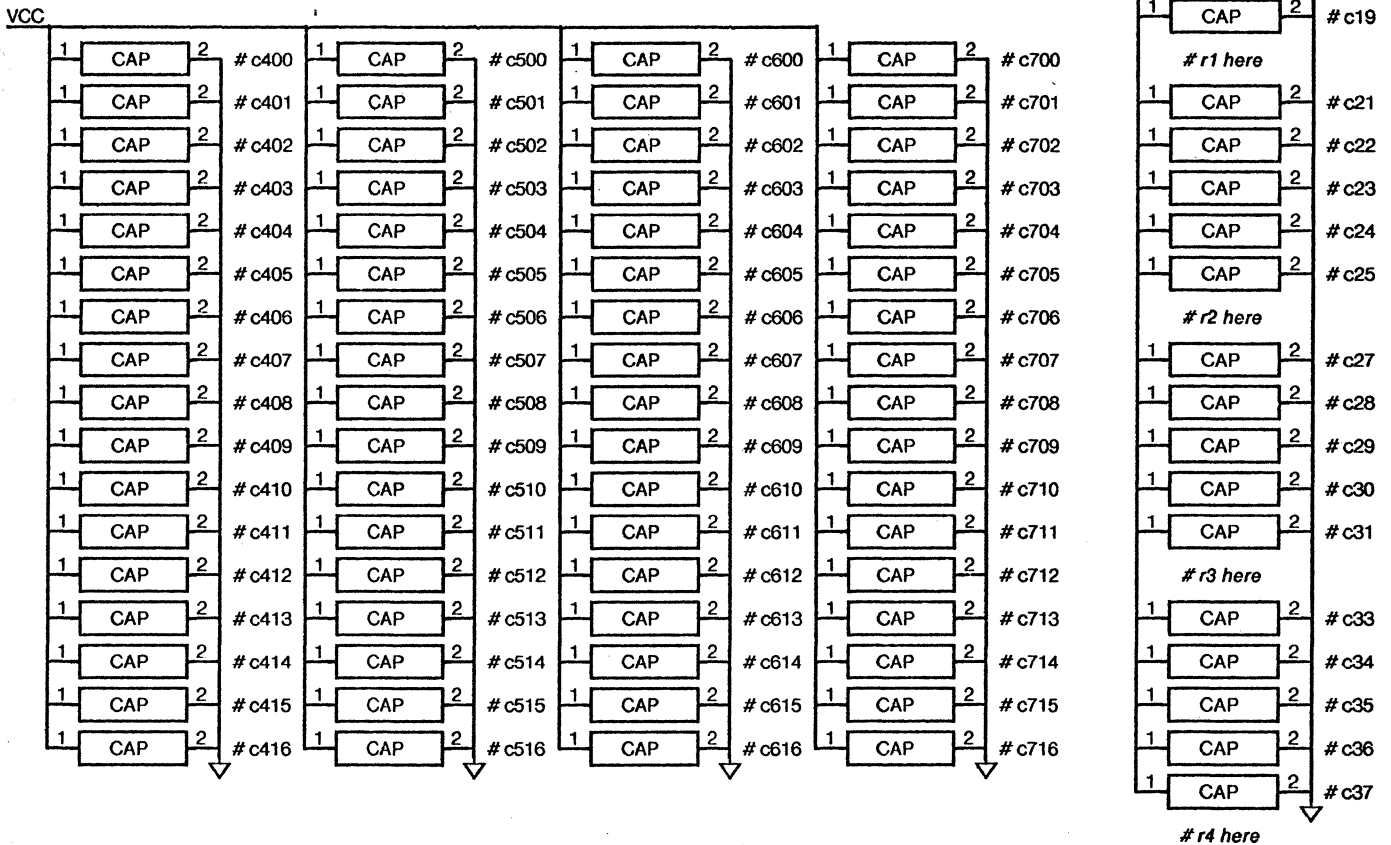
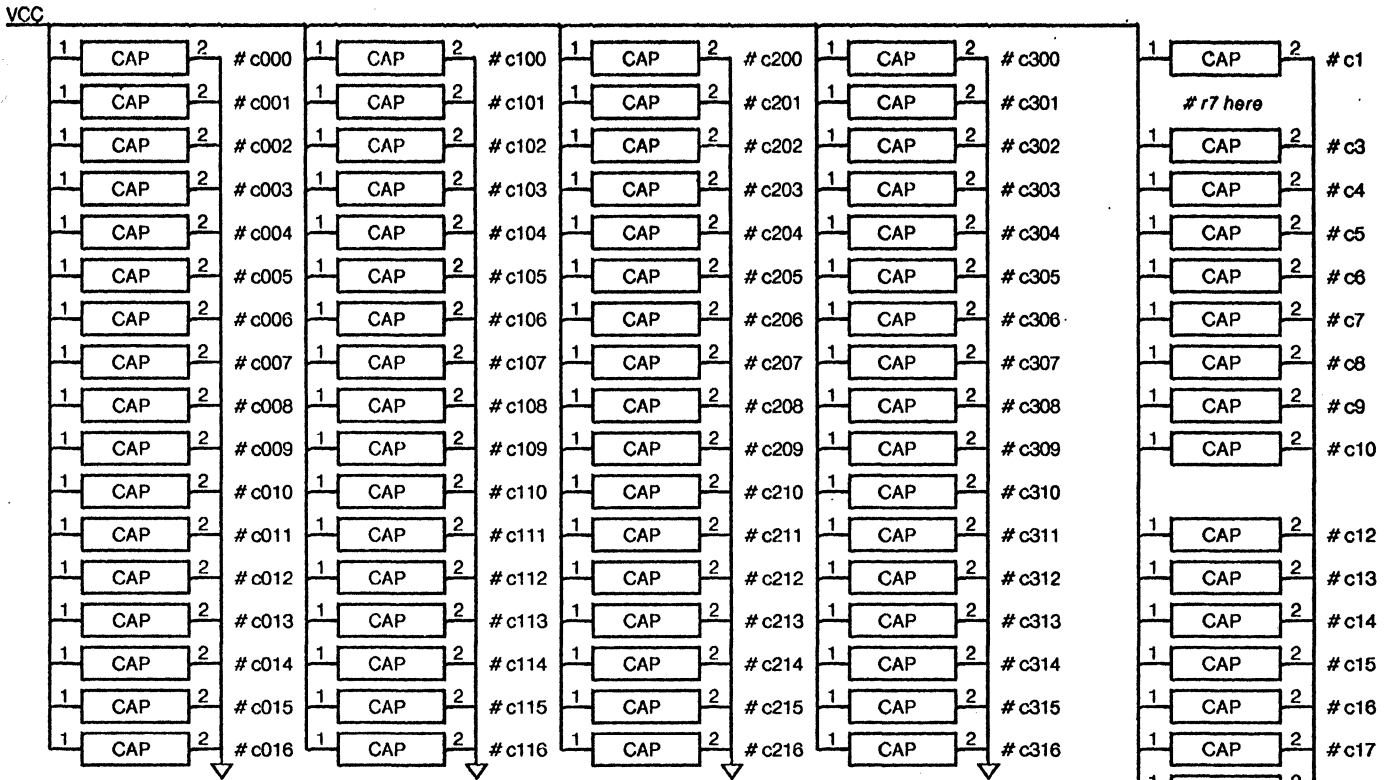




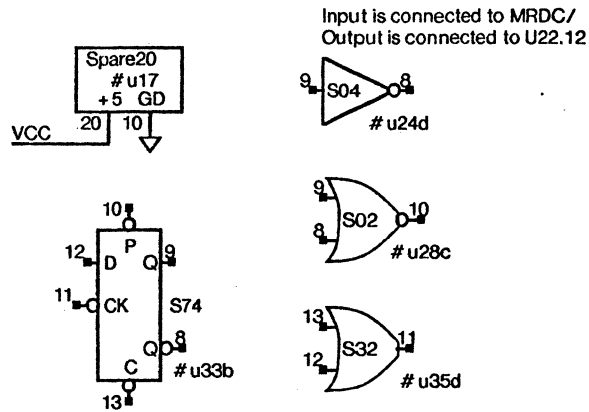
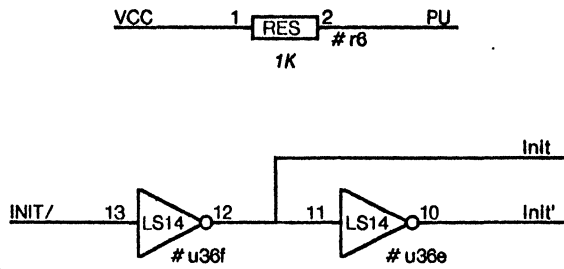


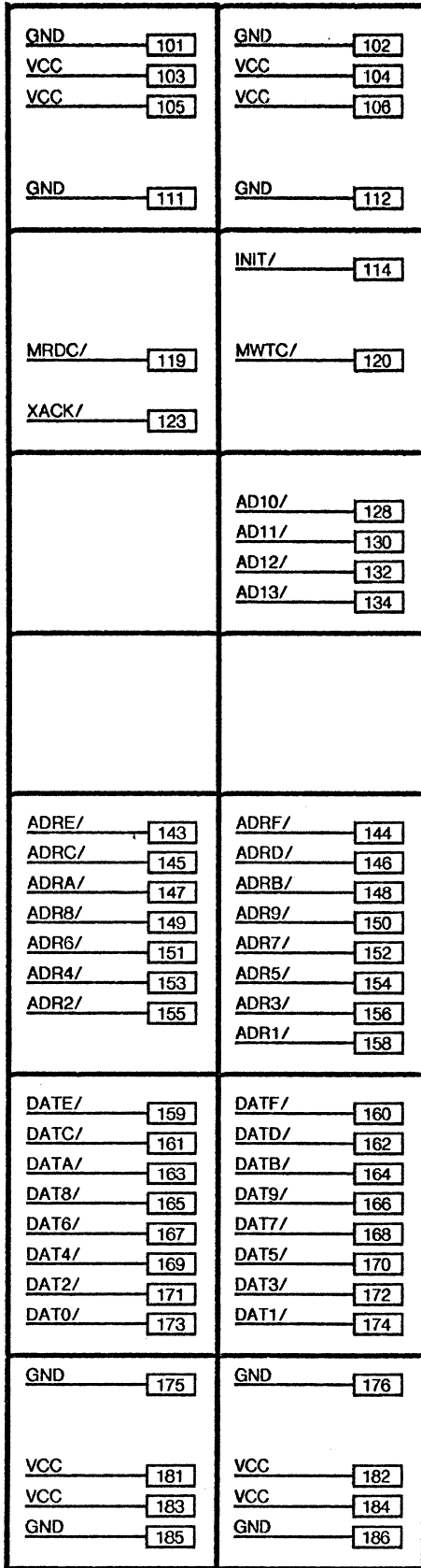






r5, # r6, # c0

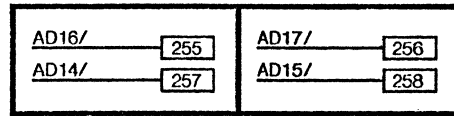




Component side

Solder side

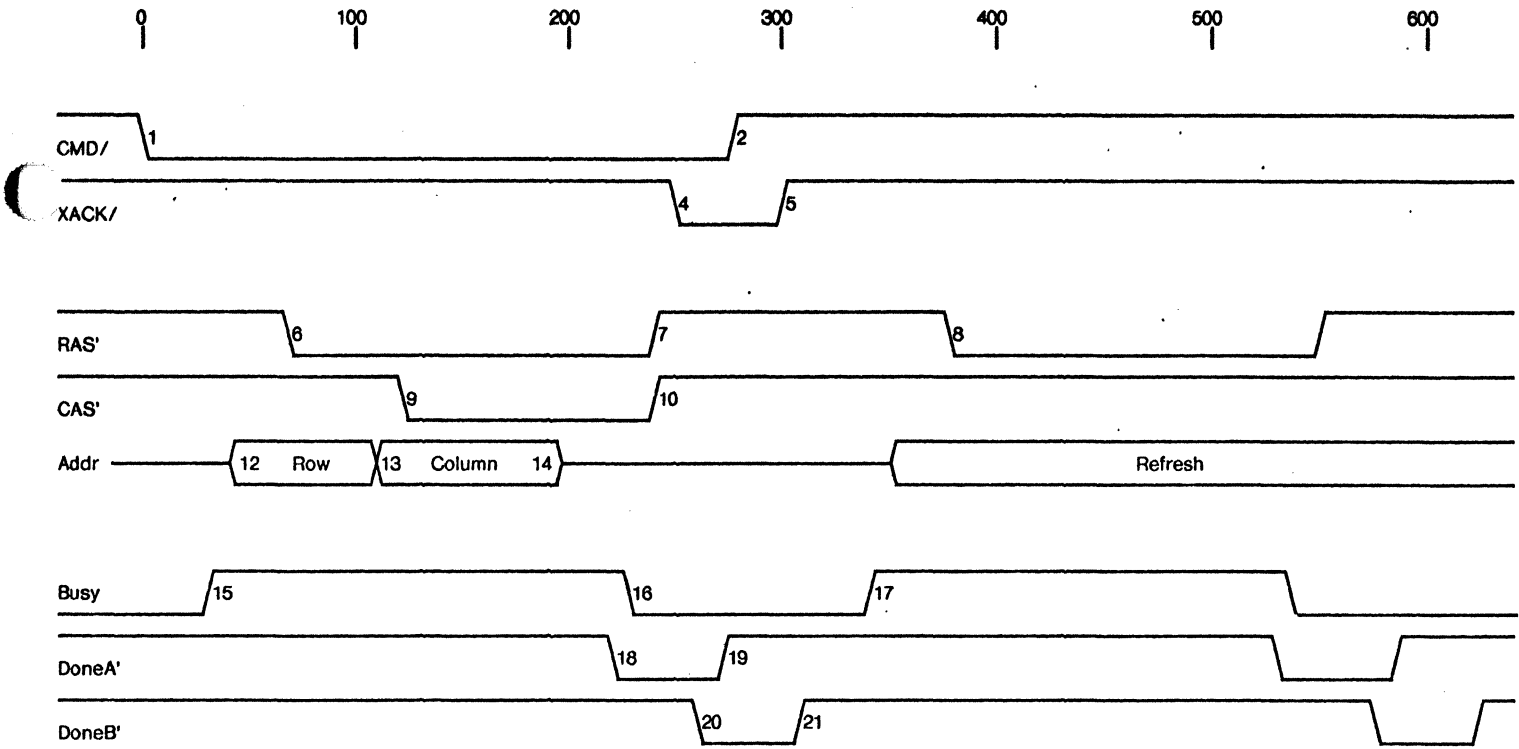
P1



Component side

Solder side

P2



Memory cycle followed by a refresh cycle

Edge	Time	Description
1-4	250	MRDC/ to XACK/ access time
1-4	170	MWTC/ to XACK/ access time
6-8	310	Cycle time
1-12	40	CMD/ to Row Address
1-6	68	CMD/ to RAS'
6-7	172	RAS' length
12-13	68	Row Address stable
7-8	138	Row precharge
1-13	108	CMD/ to Column Address
1-9	122	CMD/ to CAS'
9-10	118	CAS' length
13-14	88	Column Address stable
1-15	30	Arbiter & Busy latch delay
15-16	196	Busy Active
1-18	220	CMD/ to DoneA'
18-19	55	DoneA' width
1-20	260	CMD/ to DoneB'
20-21	48	DoneB' width

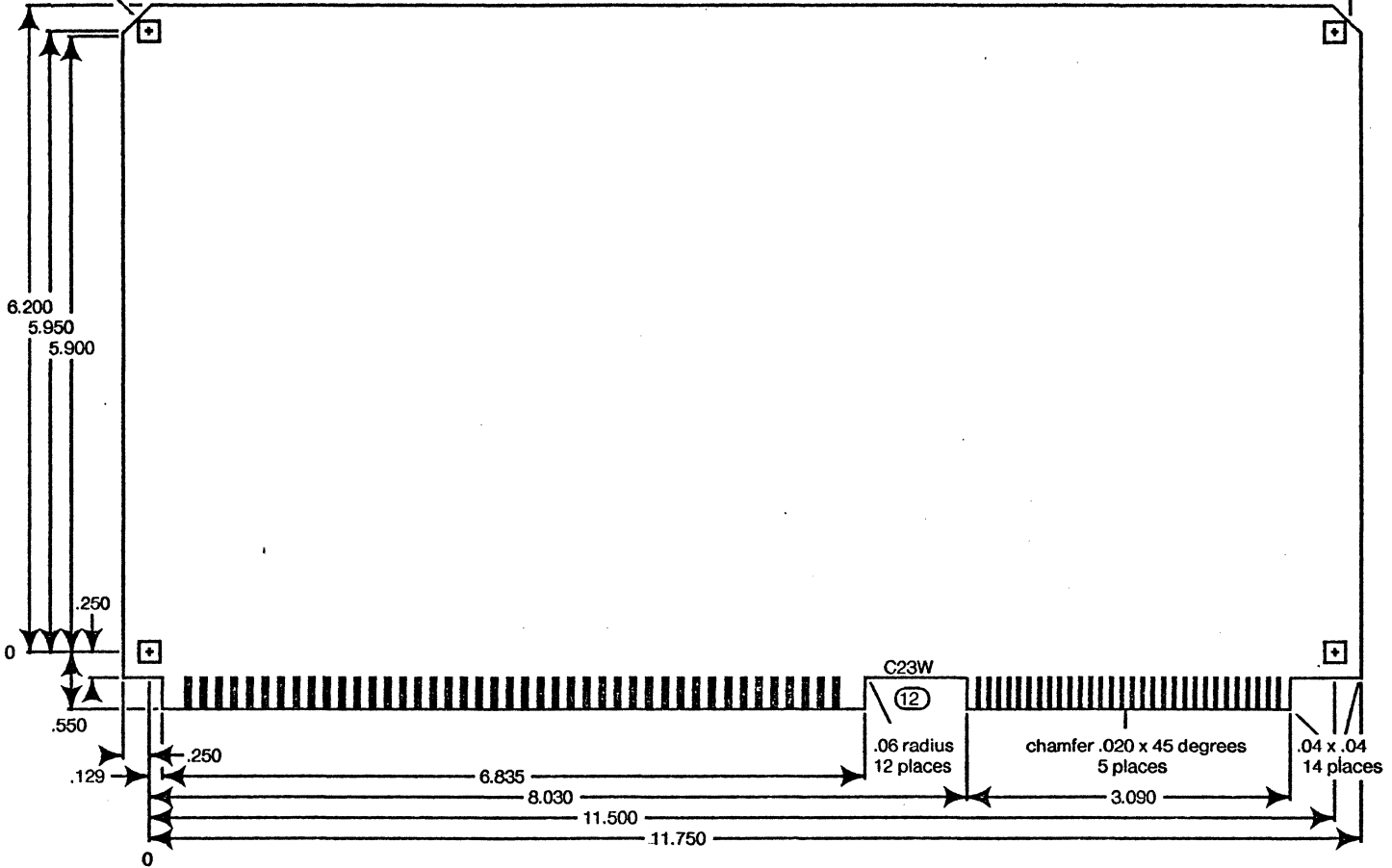
NOTES:

Address rise & fall times have been observed to be 10 ns.
 CMD/ and XACK/ times are measured at the edge connector.
 RAS', CAS', and Addr times are measured at the farthest chips.

.109 unplated tooling holes
4 places
(inside voids)

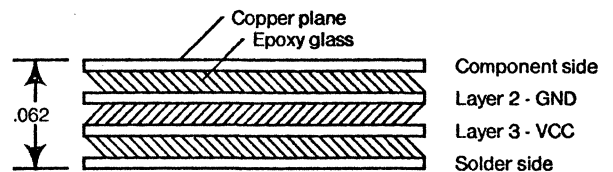
.25 x .25
2 places

Component side view

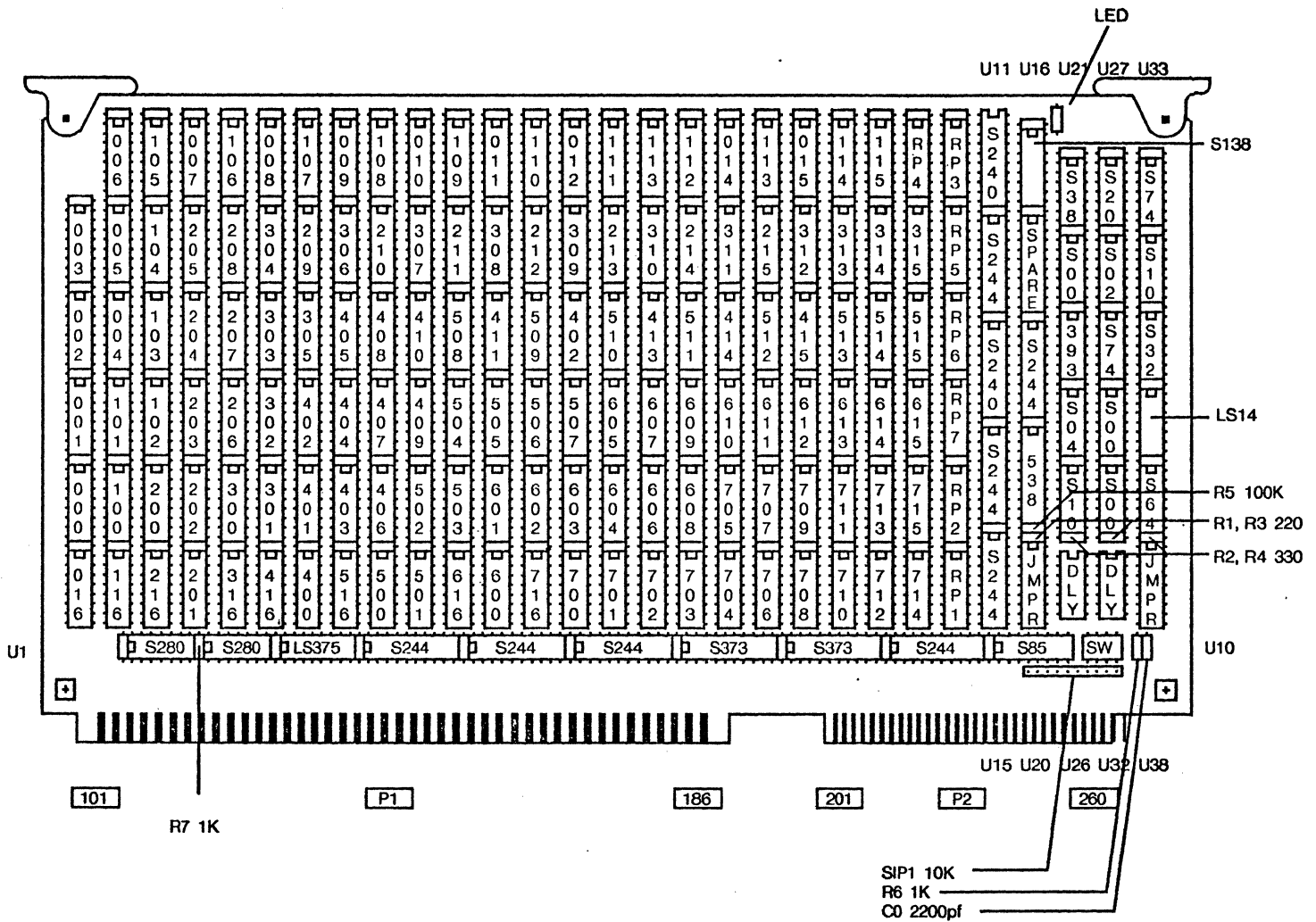


NOTES

- ① All dimensions are in inches; drawing is not to scale.
X.XXX is $\pm .005$; X.XX is $\pm .01$.
- ② Except as noted, this printed board shall be made in accordance with IPC-ML-910 Class II.
- ③ Acceptability of the finished board will be judged in accordance with IPC-A-600.
- ④ Base material: 1 oz Cu on FR4 in accordance with IPC-L-130.
- ⑤ Bonding agent: prepreg B-stage in accordance with IPC-L-110.
- ⑥ Solder mask: green epoxy in accordance with IPC-SM-840.
- ⑦ Silk screen: none
- ⑧ Plating: .000050 Au over .000200 Ni on contact fingers.
.0003 Sn-Pb over .0010 Cu in holes and on traces.
- ⑨ Holes: 4 unplated holes, finished diameter .109.
3790 plated holes, finished diameter .031.
- ⑩ Pads: .050 components, connectors, and feedthrus.
- ⑪ Conductors: .010 wide, .010 spacing.
- ⑫ When viewed from the component side, layer sequence numbers must read "C23W".



XEROX PARC	Project Dicentra	Reference Fabrication Drawing	File DMem21.sil	Drawn by David Boggs	Rev G	Date 7/9/83	Page 21
---------------	---------------------	----------------------------------	--------------------	-------------------------	----------	----------------	------------



Odd numbered edge pins are on the component side
 Even numbered edge pins are on the solder side

Rework:

- Lift: U22.12, U23.1, U33.4
- Add: R8, 1K, U33.4-U33.14
- Add: U21.13-U22.12
- Add: U23.1-U24.12
- Add: U24.13-U35.8
- Add: U30.5-U31.3

Jumpers:

- U20: 2-17, 5-15, 7-13, 9-11
- U38: 3-16

If you hold the board as shown above, there are 4 traces running on top from upper right, across the top and down the left side. Unfortunately, they pick up a lot of noise. They are AD11, AD12, AD13, And Busy' from/to the LS375 in U3.

Cut both ends of all 4 traces. The upper right ends are all on top. At the lower left, only the outside one is on top. The other three are on the bottom.

Add 4 twisted pairs. Find convient grounds at each end.

- AD11: U3.10-U19.6
- AD12: U3.6-U19.7
- AD13: U3.2-U19.7
- Busy': U3.4-U27.2 (Use the feedthrough 3/8 inch right of the LED)

Page Numbers: Yes First Page: 1
 Columns: 2 Edge Margin: .8" Between Columns: .0"
 Heading:
 DMem-Rev-F.ps
 COMPONENTS:

10SIP:	2					
64KRAM:	3	4	5	6	7	8
	9	10	11	12	13	14
	15					
ALS538:	2					
CAP:	1	16				
DLY:	1					
LED:	7					
LS14:	1	17				
LS376:	2					
N393:	2					
PLAT16:	2					
PLAT18:	1					
RES:	1	7	17			
S00:	1	2				
S02:	1	7	17			
S04:	1	2	17			
S10:	1	2				
S138:	2					
S20:	1					
S240:	2					
S244:	2	3	4	5	6	
S280:	7					
S32:	1	2	17			
S373:	3	4	6	6		
S38:	1					
S64:	1					
S74:	1	7	17			
S86:	2					
Spare20:	17					
SW4:	2					

SIGNAL NAMES:

+	1(1)	2(1)	3(1)	4(1)	5(1)	6(1)
	7(1)	8(1)	9(1)	10(1)	11(1)	12(1)
	13(1)	14(1)	15(1)	16(1)	17(1)	18(1)
A14:	2(2)					
A15:	2(2)					
A16:	2(2)					
A17:	2(2)					
Ack*:	1(2)					
AckWrite*:	1(2)					
Ad.0a:	2(1)	7(2)	8(16)	9(16)		
Ad.0b:	2(1)	7(2)	10(16)	11(16)		
Ad.0c:	2(1)	7(2)	12(16)	13(16)		
Ad.0d:	2(1)	7(2)	14(16)	15(16)		
Ad.1a:	2(1)	7(2)	8(16)	9(16)		
Ad.1b:	2(1)	7(2)	10(16)	11(16)		
Ad.1c:	2(1)	7(2)	12(16)	13(16)		
Ad.1d:	2(1)	7(2)	14(16)	15(16)		
Ad.2a:	2(1)	7(2)	8(16)	9(16)		
Ad.2b:	2(1)	7(2)	10(16)	11(16)		
Ad.2c:	2(1)	7(2)	12(16)	13(16)		
Ad.2d:	2(1)	7(2)	14(16)	15(16)		
Ad.3a:	2(1)	7(2)	8(16)	9(16)		
Ad.3b:	2(1)	7(2)	10(16)	11(16)		
Ad.3c:	2(1)	7(2)	12(16)	13(16)		
Ad.3d:	2(1)	7(2)	14(16)	15(16)		
Ad.4a:	2(1)	7(2)	8(16)	9(16)		
Ad.4b:	2(1)	7(2)	10(16)	11(16)		
Ad.4c:	2(1)	7(2)	12(16)	13(16)		
Ad.4d:	2(1)	7(2)	14(16)	15(16)		
Ad.5a:	2(1)	7(2)	8(16)	9(16)		
Ad.5b:	2(1)	7(2)	10(16)	11(16)		
Ad.5c:	2(1)	7(2)	12(16)	13(16)		
Ad.5d:	2(1)	7(2)	14(16)	15(16)		
Ad.6a:	2(1)	7(2)	8(16)	9(16)		
Ad.6b:	2(1)	7(2)	10(16)	11(16)		
Ad.6c:	2(1)	7(2)	12(16)	13(16)		
Ad.6d:	2(1)	7(2)	14(16)	15(16)		
Ad.7a:	2(1)	7(2)	8(16)	9(16)		
Ad.7b:	2(1)	7(2)	10(16)	11(16)		
Ad.7c:	2(1)	7(2)	12(16)	13(16)		
Ad.7d:	2(1)	7(2)	14(16)	15(16)		
AD10/:	2(1)	18(1)				
AD11:	2(3)					
AD11/:	2(1)	18(1)				
AD12:	2(3)					
AD12/:	2(1)	18(1)				
AD13:	2(3)					
AD13/:	2(1)	18(1)				
AD14/:	2(2)	18(1)				
AD15/:	2(2)	18(1)				
AD16/:	2(2)	18(1)				
AD17/:	2(2)	18(1)				
ADR1/:	2(1)	18(1)				
ADR2/:	2(1)	18(1)				
ADR3/:	2(1)	18(1)				
ADR4/:	2(1)	18(1)				
ADR5/:	2(1)	18(1)				
ADR6/:	2(1)	18(1)				
ADR7/:	2(1)	18(1)				
ADR8/:	2(1)	18(1)				

ADR9/:	2(1)	18(1)				
ADRA/:	2(1)	18(1)				
ADRB/:	2(1)	18(1)				
ADRC/:	2(1)	18(1)				
ADRD/:	2(1)	18(1)				
ADRE/:	2(1)	18(1)				
ADRF/:	2(1)	18(1)				
BdSel:	1(2)	2(1)				
Busy:	1(2)	2(2)				
Busy':	1(3)	2(1)				
CAS:	2(1)	3(1)	5(1)			
CAS':	1(1)	2(2)	7(1)			
CAS0':	2(1)	7(1)	8(16)			
CAS1':	2(1)	7(1)	9(16)			
CAS2':	2(1)	7(1)	10(16)			
CAS3':	2(1)	7(1)	11(16)			
CAS4':	2(1)	7(1)	12(16)			
CAS5':	2(1)	7(1)	13(16)			
CAS6':	2(1)	7(1)	14(16)			
CAS7':	2(1)	7(1)	15(16)			
DAT0/:	3(2)	18(1)				
DAT1/:	3(2)	18(1)				
DAT2/:	3(2)	18(1)				
DAT3/:	3(2)	18(1)				
DAT4/:	4(2)	18(1)				
DAT5/:	4(2)	18(1)				
DAT6/:	4(2)	18(1)				
DAT7/:	4(2)	18(1)				
DAT8/:	5(2)	18(1)				
DAT9/:	5(2)	18(1)				
DATA/:	5(2)	18(1)				
Data0':	3(1)	7(1)				
Data1':	3(1)	7(1)				
Data2':	3(1)	7(1)				
Data3':	3(1)	7(1)				
Data4':	4(1)	7(1)				
Data5':	4(1)	7(1)				
Data6':	4(1)	7(1)				
Data7':	4(1)	7(1)				
Data8':	5(1)	7(1)				
Data9':	5(1)	7(1)				
DataA':	5(1)	7(1)				
DataB':	5(1)	7(1)				
DataC':	6(1)	7(1)				
DataD':	6(1)	7(1)				
DataE':	6(1)	7(1)				
DataF':	6(1)	7(1)				
DATB/:	5(2)	18(1)				
DATC/:	5(2)	18(1)				
DATD/:	5(2)	18(1)				
DATF/:	5(2)	18(1)				
DoneA':	1(3)					
DoneB':	1(2)					
DoneB'':	1(2)					
Error':	1(1)	7(1)				
Gnd:	1(1)	2(1)	3(1)	4(1)	5(1)	6(1)
	7(1)	8(1)	9(1)	10(1)	11(1)	12(1)
	13(1)	14(1)	15(1)	16(1)	17(1)	18(1)
GND:	18(8)					
Init:	1(1)	17(1)				
Init':	1(2)	2(1)	7(1)	17(1)		
INIT/:	17(1)	18(1)				
Mem:	1(2)					
Mem':	1(2)					
MemCycle:	1(1)	2(4)				
MemReq:	1(4)					
MRDC/:	1(2)	7(1)	18(1)			
MWTC/:	1(2)	18(1)				
PU:	1(2)	2(2)	17(1)			
RAS':	2(3)					
RAS0':	2(1)	7(1)	8(16)			
RAS1':	2(1)	7(1)	9(16)			
RAS2':	2(1)	7(1)	10(16)			
RAS3':	2(1)	7(1)	11(16)			
RAS4':	2(1)	7(1)	12(16)			
RAS5':	2(1)	7(1)	13(16)			
RAS6':	2(1)	7(1)	14(16)			
RAS7':	2(1)	7(1)	15(16)			
ReadMB':	1(1)	2(1)	3(1)	4(1)	5(1)	6(1)
Ref:	1(2)					
Ref':	1(2)					
RefCycle:	1(3)	2(2)				
RefRAS':	2(2)					
RefReq:	1(2)					
StartCAS':	1(1)	2(1)				
StartRAS':	1(1)	2(1)				
SwAddr':	1(1)	2(2)				
VCC:	1(3)	2(1)	7(10)	8(16)	9(16)	10(16)
	11(16)	12(16)	13(16)	14(16)	15(16)	16(2)
	17(2)	18(8)				
WE0':	2(1)	7(1)	8(16)			
WE1':	2(1)	7(1)	9(16)			
WE2':	2(1)	7(1)	10(16)			
WE3':	2(1)	7(1)	11(16)			
WE4':	2(1)	7(1)	12(16)			
WE5':	2(1)	7(1)	13(16)			
WE6':	2(1)	7(1)	14(16)			
WE7':	2(1)	7(1)	15(16)			
WriteMB':	1(1)	3(1)	5(1)			
XACK/:	1(2)	18(1)				

SN74S10/14/N:

#u25 #u34

SN74S138/16/N:

#u18

SN74S20/14/N:

#u27

SN74S240/20/N:

#u11 #u13

SN74S244/20/N:

#u18 #u4 #u5 #u6 #u9
#u12 #u14 #u15

SN74S280/14/N:

#u1 #u2

SN74S32/14/N:

#u36

SN74S373/20/N:

#u7 #u8

SN74S38/14/N:

#u21

SN74S64/14/N:

#u37

SN74S74/14/N:

#u29 #u33

SN74S85/16/N:

#u10

Spare20/20/J:

#u17

Universal

```

;File=DMem-Rev-F.s11 Rev=F Date=5/08/83 Page=00 Reference -MARKED BUILT-
; DMem.n1 -- a hack for RouteUniversal
; Last modified May 8, 1983 3:32 PM by Boggs
;File=DMem01.s11 Rev=F Date=4/04/83 Page=01 -MARKED BUILT-
;File=DMem02.s11 Rev=F Date=4/04/83 Page=02 -MARKED BUILT-
;File=DMem03.s11 Rev=F Date=3/28/83 Page=03 -MARKED BUILT-
;File=DMem04.s11 Rev=F Date=3/28/83 Page=04 -MARKED BUILT-
;File=DMem05.s11 Rev=F Date=3/28/83 Page=05 -MARKED BUILT-
;File=DMem06.s11 Rev=F Date=3/28/83 Page=06 -MARKED BUILT-
;File=DMem07.s11 Rev=F Date=5/08/83 Page=07 MARKED BUILT
;File=DMem08.s11 Rev=F Date=5/08/83 Page=08 MARKED BUILT
;File=DMem09.s11 Rev=F Date=5/08/83 Page=09 MARKED BUILT
;File=DMem10.s11 Rev=F Date=5/08/83 Page=10 MARKED BUILT
;File=DMem11.s11 Rev=F Date=5/08/83 Page=11 MARKED BUILT
;File=DMem12.s11 Rev=F Date=5/08/83 Page=12 MARKED BUILT
;File=DMem13.s11 Rev=F Date=5/08/83 Page=13 MARKED BUILT
;File=DMem14.s11 Rev=F Date=5/08/83 Page=14 MARKED BUILT
;File=DMem15.s11 Rev=F Date=5/08/83 Page=15 MARKED BUILT
;File=DMem16.s11 Rev=F Date=4/03/83 Page=16 -MARKED BUILT-
;File=DMem17.s11 Rev=F Date=4/04/83 Page=17 -MARKED BUILT-
;File=DMem18.s11 Rev=F Date=3/24/83 Page=18 -MARKED BUILT-
;File=DMem19.s11 Rev=F Date=4/02/83 Page=19 Reference -MARKED BUILT-
; Implicitly generated wiring ...

```

- #a000: (64KRAM/16/J) ; 1
- #a001: (64KRAM/16/J) ; 1
- #a002: (64KRAM/16/J) ; 1
- #a003: (64KRAM/16/J) ; 1
- #a004: (64KRAM/16/J) ; 1
- #a005: (64KRAM/16/J) ; 1
- #a006: (64KRAM/16/J) ; 1
- #a007: (64KRAM/16/J) ; 1
- #a008: (64KRAM/16/J) ; 1
- #a009: (64KRAM/16/J) ; 1
- #a010: (64KRAM/16/J) ; 1
- #a011: (64KRAM/16/J) ; 1
- #a012: (64KRAM/16/J) ; 1
- #a013: (64KRAM/16/J) ; 1
- #a014: (64KRAM/16/J) ; 1
- #a015: (64KRAM/16/J) ; 1
- #a016: (64KRAM/16/J) ; 1
- #a100: (64KRAM/16/J) ; 1
- #a101: (64KRAM/16/J) ; 1
- #a102: (64KRAM/16/J) ; 1
- #a103: (64KRAM/16/J) ; 1
- #a104: (64KRAM/16/J) ; 1
- #a105: (64KRAM/16/J) ; 1
- #a106: (64KRAM/16/J) ; 1
- #a107: (64KRAM/16/J) ; 1
- #a108: (64KRAM/16/J) ; 1
- #a109: (64KRAM/16/J) ; 1
- #a110: (64KRAM/16/J) ; 1
- #a111: (64KRAM/16/J) ; 1
- #a112: (64KRAM/16/J) ; 1
- #a113: (64KRAM/16/J) ; 1
- #a114: (64KRAM/16/J) ; 1
- #a115: (64KRAM/16/J) ; 1
- #a116: (64KRAM/16/J) ; 1
- #a200: (64KRAM/16/J) ; 1
- #a201: (64KRAM/16/J) ; 1
- #a202: (64KRAM/16/J) ; 1
- #a203: (64KRAM/16/J) ; 1
- #a204: (64KRAM/16/J) ; 1
- #a205: (64KRAM/16/J) ; 1
- #a206: (64KRAM/16/J) ; 1
- #a207: (64KRAM/16/J) ; 1
- #a208: (64KRAM/16/J) ; 1
- #a209: (64KRAM/16/J) ; 1
- #a210: (64KRAM/16/J) ; 1
- #a211: (64KRAM/16/J) ; 1
- #a212: (64KRAM/16/J) ; 1
- #a213: (64KRAM/16/J) ; 1
- #a214: (64KRAM/16/J) ; 1
- #a215: (64KRAM/16/J) ; 1
- #a216: (64KRAM/16/J) ; 1
- #a300: (64KRAM/16/J) ; 1
- #a301: (64KRAM/16/J) ; 1
- #a302: (64KRAM/16/J) ; 1
- #a303: (64KRAM/16/J) ; 1
- #a304: (64KRAM/16/J) ; 1
- #a305: (64KRAM/16/J) ; 1
- #a306: (64KRAM/16/J) ; 1
- #a307: (64KRAM/16/J) ; 1
- #a308: (64KRAM/16/J) ; 1
- #a309: (64KRAM/16/J) ; 1
- #a310: (64KRAM/16/J) ; 1
- #a311: (64KRAM/16/J) ; 1
- #a312: (64KRAM/16/J) ; 1
- #a313: (64KRAM/16/J) ; 1
- #a314: (64KRAM/16/J) ; 1
- #a315: (64KRAM/16/J) ; 1
- #a316: (64KRAM/16/J) ; 1
- #a400: (64KRAM/16/J) ; 1
- #a401: (64KRAM/16/J) ; 1
- #a402: (64KRAM/16/J) ; 1
- #a403: (64KRAM/16/J) ; 1
- #a404: (64KRAM/16/J) ; 1
- #a405: (64KRAM/16/J) ; 1
- #a406: (64KRAM/16/J) ; 1
- #a407: (64KRAM/16/J) ; 1

#a408: (64KRAM/16/J) : 1
#a409: (64KRAM/16/J) : 1
#a410: (64KRAM/16/J) : 1
#a411: (64KRAM/16/J) : 1
#a412: (64KRAM/16/J) : 1
#a413: (64KRAM/16/J) : 1
#a414: (64KRAM/16/J) : 1
#a415: (64KRAM/16/J) : 1
#a416: (64KRAM/16/J) : 1
#a500: (64KRAM/16/J) : 1
#a501: (64KRAM/16/J) : 1
#a502: (64KRAM/16/J) : 1
#a503: (64KRAM/16/J) : 1
#a504: (64KRAM/16/J) : 1
#a505: (64KRAM/16/J) : 1
#a506: (64KRAM/16/J) : 1
#a507: (64KRAM/16/J) : 1
#a508: (64KRAM/16/J) : 1
#a509: (64KRAM/16/J) : 1
#a510: (64KRAM/16/J) : 1
#a511: (64KRAM/16/J) : 1
#a512: (64KRAM/16/J) : 1
#a513: (64KRAM/16/J) : 1
#a514: (64KRAM/16/J) : 1
#a515: (64KRAM/16/J) : 1
#a516: (64KRAM/16/J) : 1
#a600: (64KRAM/16/J) : 1
#a601: (64KRAM/16/J) : 1
#a602: (64KRAM/16/J) : 1
#a603: (64KRAM/16/J) : 1
#a604: (64KRAM/16/J) : 1
#a605: (64KRAM/16/J) : 1
#a606: (64KRAM/16/J) : 1
#a607: (64KRAM/16/J) : 1
#a608: (64KRAM/16/J) : 1
#a609: (64KRAM/16/J) : 1
#a610: (64KRAM/16/J) : 1
#a611: (64KRAM/16/J) : 1
#a612: (64KRAM/16/J) : 1
#a613: (64KRAM/16/J) : 1
#a614: (64KRAM/16/J) : 1
#a615: (64KRAM/16/J) : 1
#a616: (64KRAM/16/J) : 1
#a700: (64KRAM/16/J) : 1
#a701: (64KRAM/16/J) : 1
#a702: (64KRAM/16/J) : 1
#a703: (64KRAM/16/J) : 1
#a704: (64KRAM/16/J) : 1
#a705: (64KRAM/16/J) : 1
#a706: (64KRAM/16/J) : 1
#a707: (64KRAM/16/J) : 1
#a708: (64KRAM/16/J) : 1
#a709: (64KRAM/16/J) : 1
#a710: (64KRAM/16/J) : 1
#a711: (64KRAM/16/J) : 1
#a712: (64KRAM/16/J) : 1
#a713: (64KRAM/16/J) : 1
#a714: (64KRAM/16/J) : 1
#a715: (64KRAM/16/J) : 1
#a716: (64KRAM/16/J) : 1
#c0: (CAP/2/J) :
#c000: (CAP/2/J) :
#c001: (CAP/2/J) :
#c002: (CAP/2/J) :
#c003: (CAP/2/J) :
#c004: (CAP/2/J) :
#c005: (CAP/2/J) :
#c006: (CAP/2/J) :
#c007: (CAP/2/J) :
#c008: (CAP/2/J) :
#c009: (CAP/2/J) :
#c010: (CAP/2/J) :
#c011: (CAP/2/J) :
#c012: (CAP/2/J) :
#c013: (CAP/2/J) :
#c014: (CAP/2/J) :
#c015: (CAP/2/J) :
#c016: (CAP/2/J) :
#c1: (CAP/2/J) :
#c10: (CAP/2/J) :
#c100: (CAP/2/J) :
#c101: (CAP/2/J) :
#c102: (CAP/2/J) :
#c103: (CAP/2/J) :
#c104: (CAP/2/J) :
#c105: (CAP/2/J) :
#c106: (CAP/2/J) :
#c107: (CAP/2/J) :
#c108: (CAP/2/J) :
#c109: (CAP/2/J) :
#c110: (CAP/2/J) :
#c111: (CAP/2/J) :
#c112: (CAP/2/J) :
#c113: (CAP/2/J) :
#c114: (CAP/2/J) :
#c115: (CAP/2/J) :
#c116: (CAP/2/J) :
#c12: (CAP/2/J) :
#c13: (CAP/2/J) :
#c14: (CAP/2/J) :
#c15: (CAP/2/J) :

#c18: (CAP/2/J) ;
#c17: (CAP/2/J) ;
#c18: (CAP/2/J) ;
#c19: (CAP/2/J) ;
#c200: (CAP/2/J) ;
#c201: (CAP/2/J) ;
#c202: (CAP/2/J) ;
#c203: (CAP/2/J) ;
#c204: (CAP/2/J) ;
#c206: (CAP/2/J) ;
#c208: (CAP/2/J) ;
#c207: (CAP/2/J) ;
#c208: (CAP/2/J) ;
#c209: (CAP/2/J) ;
#c21: (CAP/2/J) ;
#c210: (CAP/2/J) ;
#c211: (CAP/2/J) ;
#c212: (CAP/2/J) ;
#c213: (CAP/2/J) ;
#c214: (CAP/2/J) ;
#c215: (CAP/2/J) ;
#c216: (CAP/2/J) ;
#c22: (CAP/2/J) ;
#c23: (CAP/2/J) ;
#c24: (CAP/2/J) ;
#c25: (CAP/2/J) ;
#c27: (CAP/2/J) ;
#c28: (CAP/2/J) ;
#c29: (CAP/2/J) ;
#c3: (CAP/2/J) ;
#c30: (CAP/2/J) ;
#c300: (CAP/2/J) ;
#c301: (CAP/2/J) ;
#c302: (CAP/2/J) ;
#c303: (CAP/2/J) ;
#c304: (CAP/2/J) ;
#c306: (CAP/2/J) ;
#c308: (CAP/2/J) ;
#c307: (CAP/2/J) ;
#c308: (CAP/2/J) ;
#c309: (CAP/2/J) ;
#c31: (CAP/2/J) ;
#c310: (CAP/2/J) ;
#c311: (CAP/2/J) ;
#c312: (CAP/2/J) ;
#c313: (CAP/2/J) ;
#c314: (CAP/2/J) ;
#c315: (CAP/2/J) ;
#c316: (CAP/2/J) ;
#c33: (CAP/2/J) ;
#c34: (CAP/2/J) ;
#c36: (CAP/2/J) ;
#c36: (CAP/2/J) ;
#c37: (CAP/2/J) ;
#c4: (CAP/2/J) ;
#c400: (CAP/2/J) ;
#c401: (CAP/2/J) ;
#c402: (CAP/2/J) ;
#c403: (CAP/2/J) ;
#c404: (CAP/2/J) ;
#c405: (CAP/2/J) ;
#c406: (CAP/2/J) ;
#c407: (CAP/2/J) ;
#c408: (CAP/2/J) ;
#c409: (CAP/2/J) ;
#c410: (CAP/2/J) ;
#c411: (CAP/2/J) ;
#c412: (CAP/2/J) ;
#c413: (CAP/2/J) ;
#c414: (CAP/2/J) ;
#c415: (CAP/2/J) ;
#c416: (CAP/2/J) ;
#c5: (CAP/2/J) ;
#c500: (CAP/2/J) ;
#c501: (CAP/2/J) ;
#c502: (CAP/2/J) ;
#c503: (CAP/2/J) ;
#c504: (CAP/2/J) ;
#c505: (CAP/2/J) ;
#c506: (CAP/2/J) ;
#c507: (CAP/2/J) ;
#c508: (CAP/2/J) ;
#c509: (CAP/2/J) ;
#c510: (CAP/2/J) ;
#c511: (CAP/2/J) ;
#c512: (CAP/2/J) ;
#c513: (CAP/2/J) ;
#c514: (CAP/2/J) ;
#c515: (CAP/2/J) ;
#c516: (CAP/2/J) ;
#c6: (CAP/2/J) ;
#c600: (CAP/2/J) ;
#c601: (CAP/2/J) ;
#c602: (CAP/2/J) ;
#c603: (CAP/2/J) ;
#c604: (CAP/2/J) ;
#c605: (CAP/2/J) ;
#c606: (CAP/2/J) ;
#c607: (CAP/2/J) ;
#c608: (CAP/2/J) ;
#c609: (CAP/2/J) ;

```

#c610: (CAP/2/J) ;
#c611: (CAP/2/J) ;
#c612: (CAP/2/J) ;
#c613: (CAP/2/J) ;
#c614: (CAP/2/J) ;
#c615: (CAP/2/J) ;
#c616: (CAP/2/J) ;
#c7: (CAP/2/J) ;
#c700: (CAP/2/J) ;
#c701: (CAP/2/J) ;
#c702: (CAP/2/J) ;
#c703: (CAP/2/J) ;
#c704: (CAP/2/J) ;
#c705: (CAP/2/J) ;
#c706: (CAP/2/J) ;
#c707: (CAP/2/J) ;
#c708: (CAP/2/J) ;
#c709: (CAP/2/J) ;
#c710: (CAP/2/J) ;
#c711: (CAP/2/J) ;
#c712: (CAP/2/J) ;
#c713: (CAP/2/J) ;
#c714: (CAP/2/J) ;
#c715: (CAP/2/J) ;
#c716: (CAP/2/J) ;
#c8: (CAP/2/J) ;
#c9: (CAP/2/J) ;
#l1: (LED/2/J) ;
#r1: (RES/2/J) ;
#r2: (RES/2/J) ;
#r3: (RES/2/J) ;
#r4: (RES/2/J) ;
#r5: (RES/2/J) ;
#r6: (RES/2/J) ;
#r7: (RES/2/J) ;
#rp1: (PLAT16/16/J) ;
#rp2: (PLAT16/16/J) ;
#rp3: (PLAT16/16/J) ;
#rp4: (PLAT16/16/J) ;
#rp5: (PLAT16/16/J) ;
#rp6: (PLAT16/16/J) ;
#rp7: (PLAT16/16/J) ;
#sip1: (10SIP/10/J1W) : 2
#sw1: (DIPSW4/8/J) ;
#u1: (SN74S280/14/N) : 3,5
#u10: (SN74S85/16/M) : 5,7
#u11: (AMD2966/20/M) ;
#u12: (AMD2966/20/M) ;
#u13: (AMD2966/20/M) ;
#u14: (AMD2966/20/M) ;
#u15: (AMD2966/20/M) ;
#u16: (SN74S138/16/N) ;
#u17: (Spare20/20/J) : 1,2,3,4,5,6,7,8,9,11,12,13,14,15,16,17,18,19
#u18: (SN74S244/20/N) ;
#u19: (SN74ALS638/20/M) ;
#u2: (SN74S280/14/N) : 3,5
#u20: (PLAT18/18/J) : 10,12,14,16
#u21: (SN74S38/14/M) ;
#u22: (SN74S00/14/N) ;
#u23: (SN74S393/14/N) ;
#u24: (SN74S04/14/N) : 12,13
#u25: (SN74S10/14/N) ;
#u26: (DELAYLINE/14/J) : 8
#u27: (SN74S20/14/N) : 3,11
#u28: (SN74S02/14/N) : 4,5,6,8,9,10
#u29: (SN74S74/14/N) : 5,9
#u3: (SN74LS375/16/N) : 3,5,11,13,14,15
#u30: (SN74S00/14/N) ;
#u31: (SN74S00/14/N) ;
#u32: (DELAYLINE/14/J) : 8
#u33: (SN74S74/14/N) : 5,8,9,10,11,12,13
#u34: (SN74S10/14/N) ;
#u35: (SN74S32/14/N) : 11,12,13
#u36: (SN74LS14/14/N) ;
#u37: (SN74S64/14/N) ;
#u38: (PLAT18/18/J) : 10,11,12,13,14,15,17,18
#u4: (SN74S244/20/N) ;
#u5: (SN74S244/20/N) ;
#u6: (SN74S244/20/N) ;
#u7: (SN74S373/20/N) ;
#u8: (SN74S373/20/N) ;
#u9: (SN74S244/20/N) ;
@

```

```

CALIBRATE: <1> ; INSTALL welder nose, board wiring side up ...
#TopRight {0,0} #TopLeft {0,0} #7 {0,0} #BottomRight {0,0}

A14: <112> (420)
#u10.9i {736,196} #sw1.5o {352,180} #sip1.3i {336,176}

A15: <142> (440)
#u10.11i {736,188} #sw1.6o {352,176} #sip1.10i {336,204}

A16: <141> (432)
#u10.14i {736,176} #sw1.7o {352,172} #sip1.9i {336,200}

A17: <140> (416)
#u10.1i {724,168} #sw1.8o {352,168} #sip1.8i {336,196}

Ack': <135> (32)
#u28.1o {96,208} #u27.5i {80,224}

```

AckWrite: <233> (724)
#u36.11 {208,208}

#u20.171 {896,172}

Ad.0a: <58> (618)

#a000.51 {0,80}	#a001.51 {16,80}	#a002.51 {32,80}	#a003.51 {48,80}
#a004.51 {64,80}	#a005.51 {80,80}	#a006.51 {96,80}	#a007.51 {112,80}
#a008.51 {128,80}	#a009.51 {144,80}	#a010.51 {160,80}	#a011.51 {176,80}
#a012.51 {192,80}	#a013.51 {208,80}	#a014.51 {224,80}	#a015.51 {240,80}
#a016.51 {256,80}	#a100.51 {272,80}	#a101.51 {288,80}	#a102.51 {304,80}
#a103.51 {320,80}	#a104.51 {336,80}	#a105.51 {352,80}	#a108.51 {368,80}
#a107.51 {384,80}	#a108.51 {400,80}	#a109.51 {416,80}	#a110.51 {432,80}
#a111.51 {448,80}	#a112.51 {464,80}	#a113.51 {480,80}	#a114.51 {496,80}
#a115.51 {512,80}	#a118.51 {528,80}	#rp4.160 {528,168}	

Ad.0b: <93> (1040)

#a305.51 {896,80}	#a304.51 {880,80}	#a303.51 {864,80}	#a302.51 {848,80}
#a301.51 {832,80}	#a300.51 {816,80}	#a216.51 {800,80}	#a215.51 {784,80}
#a214.51 {768,80}	#a213.51 {752,80}	#a212.51 {736,80}	#a211.51 {720,80}
#a210.51 {704,80}	#a209.51 {688,80}	#a208.51 {672,80}	#a207.51 {656,80}
#a206.51 {640,80}	#a205.51 {624,80}	#a204.51 {608,80}	#a203.51 {592,80}
#a202.51 {576,80}	#a201.51 {560,80}	#a200.51 {544,80}	#rp5.160 {544,168}
#a316.51 {160,112}	#a315.51 {144,112}	#a314.51 {128,112}	#a313.51 {112,112}
#a312.51 {96,112}	#a311.51 {80,112}	#a310.51 {64,112}	#a309.51 {48,112}
#a308.51 {32,112}	#a307.51 {16,112}	#a306.51 {0,112}	

Ad.0c: <61> (640)

#a400.51 {176,112}	#a401.51 {192,112}	#a402.51 {208,112}	#a403.51 {224,112}
#a404.51 {240,112}	#a405.51 {256,112}	#a406.51 {272,112}	#a407.51 {288,112}
#a408.51 {304,112}	#a409.51 {320,112}	#a410.51 {336,112}	#a411.51 {352,112}
#a412.51 {368,112}	#a413.51 {384,112}	#a414.51 {400,112}	#a415.51 {416,112}
#a416.51 {432,112}	#a500.51 {448,112}	#a501.51 {464,112}	#a502.51 {480,112}
#a503.51 {496,112}	#a504.51 {512,112}	#a505.51 {528,112}	#a506.51 {544,112}
#a507.51 {560,112}	#rp6.160 {560,168}	#a508.51 {576,112}	#a509.51 {592,112}
#a510.51 {608,112}	#a511.51 {624,112}	#a512.51 {640,112}	#a513.51 {656,112}
#a514.51 {672,112}	#a515.51 {688,112}	#a516.51 {704,112}	

Ad.0d: <83> (976)

#a612.51 {0,144}	#a613.51 {16,144}	#a614.51 {32,144}	#a615.51 {48,144}
#a616.51 {64,144}	#a700.51 {80,144}	#a701.51 {96,144}	#a702.51 {112,144}
#a703.51 {128,144}	#a704.51 {144,144}	#a705.51 {160,144}	#a706.51 {176,144}
#a707.51 {192,144}	#a708.51 {208,144}	#a709.51 {224,144}	#a710.51 {240,144}
#a711.51 {256,144}	#a712.51 {272,144}	#a713.51 {288,144}	#a714.51 {304,144}
#a715.51 {320,144}	#a716.51 {336,144}	#rp7.160 {576,168}	#a600.51 {720,112}
#a601.51 {736,112}	#a602.51 {752,112}	#a603.51 {768,112}	#a604.51 {784,112}
#a605.51 {800,112}	#a606.51 {816,112}	#a607.51 {832,112}	#a608.51 {848,112}
#a609.51 {864,112}	#a610.51 {880,112}	#a611.51 {896,112}	

Ad.1a: <57> (612)

#a000.71 {0,88}	#a001.71 {16,88}	#a002.71 {32,88}	#a003.71 {48,88}
#a004.71 {64,88}	#a005.71 {80,88}	#a006.71 {96,88}	#a007.71 {112,88}
#a008.71 {128,88}	#a009.71 {144,88}	#a010.71 {160,88}	#a011.71 {176,88}
#a012.71 {192,88}	#a013.71 {208,88}	#a014.71 {224,88}	#a015.71 {240,88}
#a016.71 {256,88}	#a101.71 {272,88}	#a101.71 {288,88}	#a102.71 {304,88}
#a103.71 {320,88}	#a104.71 {336,88}	#a105.71 {352,88}	#a106.71 {368,88}
#a107.71 {384,88}	#a108.71 {400,88}	#a109.71 {416,88}	#a110.71 {432,88}
#a111.71 {448,88}	#a112.71 {464,88}	#a113.71 {480,88}	#a114.71 {496,88}
#a115.71 {512,88}	#a116.71 {528,88}	#rp4.150 {528,172}	

Ad.1b: <91> (1032)

#a305.71 {896,88}	#a304.71 {880,88}	#a303.71 {864,88}	#a302.71 {848,88}
#a301.71 {832,88}	#a300.71 {816,88}	#a216.71 {800,88}	#a215.71 {784,88}
#a214.71 {768,88}	#a213.71 {752,88}	#a212.71 {736,88}	#a211.71 {720,88}
#a210.71 {704,88}	#a209.71 {688,88}	#a208.71 {672,88}	#a207.71 {656,88}
#a206.71 {640,88}	#a205.71 {624,88}	#a204.71 {608,88}	#a203.71 {592,88}
#a202.71 {576,88}	#a201.71 {560,88}	#a200.71 {544,88}	#rp5.150 {544,172}
#a316.71 {160,120}	#a315.71 {144,120}	#a314.71 {128,120}	#a313.71 {112,120}
#a312.71 {96,120}	#a311.71 {80,120}	#a310.71 {64,120}	#a309.71 {48,120}
#a308.71 {32,120}	#a307.71 {16,120}	#a306.71 {0,120}	

Ad.1c: <60> (632)

#a400.71 {176,120}	#a401.71 {192,120}	#a402.71 {208,120}	#a403.71 {224,120}
#a404.71 {240,120}	#a405.71 {256,120}	#a406.71 {272,120}	#a407.71 {288,120}
#a408.71 {304,120}	#a409.71 {320,120}	#a410.71 {336,120}	#a411.71 {352,120}
#a412.71 {368,120}	#a413.71 {384,120}	#a414.71 {400,120}	#a415.71 {416,120}
#a416.71 {432,120}	#a500.71 {448,120}	#a501.71 {464,120}	#a502.71 {480,120}
#a503.71 {496,120}	#a504.71 {512,120}	#a505.71 {528,120}	#a506.71 {544,120}
#a507.71 {560,120}	#rp6.150 {560,172}	#a508.71 {576,120}	#a509.71 {592,120}
#a510.71 {608,120}	#a511.71 {624,120}	#a512.71 {640,120}	#a513.71 {656,120}
#a514.71 {672,120}	#a515.71 {688,120}	#a516.71 {704,120}	

Ad.1d: <82> (968)

#a612.71 {0,152}	#a613.71 {16,152}	#a614.71 {32,152}	#a615.71 {48,152}
#a616.71 {64,152}	#a700.71 {80,152}	#a701.71 {96,152}	#a702.71 {112,152}
#a703.71 {128,152}	#a704.71 {144,152}	#a705.71 {160,152}	#a706.71 {176,152}
#a707.71 {192,152}	#a708.71 {208,152}	#a709.71 {224,152}	#a710.71 {240,152}
#a711.71 {256,152}	#a712.71 {272,152}	#a713.71 {288,152}	#a714.71 {304,152}
#a715.71 {320,152}	#a716.71 {336,152}	#rp7.150 {576,172}	#a600.71 {720,120}
#a601.71 {736,120}	#a602.71 {752,120}	#a603.71 {768,120}	#a604.71 {784,120}
#a605.71 {800,120}	#a606.71 {816,120}	#a607.71 {832,120}	#a608.71 {848,120}
#a609.71 {864,120}	#a610.71 {880,120}	#a611.71 {896,120}	

Ad.2a: <59> (620)

#a000.61 {0,84}	#a001.61 {16,84}	#a002.61 {32,84}	#a003.61 {48,84}
#a004.61 {64,84}	#a005.61 {80,84}	#a006.61 {96,84}	#a007.61 {112,84}
#a008.61 {128,84}	#a009.61 {144,84}	#a010.61 {160,84}	#a011.61 {176,84}
#a012.61 {192,84}	#a013.61 {208,84}	#a014.61 {224,84}	#a015.61 {240,84}
#a016.61 {256,84}	#a100.61 {272,84}	#a101.61 {288,84}	#a102.61 {304,84}
#a103.61 {320,84}	#a104.61 {336,84}	#a105.61 {352,84}	#a106.61 {368,84}
#a107.61 {384,84}	#a108.61 {400,84}	#a109.61 {416,84}	#a110.61 {432,84}
#a111.61 {448,84}	#a112.61 {464,84}	#a113.61 {480,84}	#a114.61 {496,84}

#a116.61 {512,84} #a116.61 {528,84} #rp4.14o {528,178}

Ad.2b: <95> (1048)

#a306.61 {896,84} #a304.61 {880,84} #a303.61 {864,84} #a302.61 {848,84}
#a301.61 {832,84} #a300.61 {816,84} #a216.61 {800,84} #a215.61 {784,84}
#a214.61 {768,84} #a213.61 {752,84} #a212.61 {736,84} #a211.61 {720,84}
#a210.61 {704,84} #a209.61 {688,84} #a208.61 {672,84} #a207.61 {656,84}
#a206.61 {640,84} #a205.61 {624,84} #a204.61 {608,84} #a203.61 {592,84}
#a202.61 {576,84} #a201.61 {560,84} #a200.61 {544,84} #rp5.14o {544,178}
#a318.61 {160,116} #a315.61 {144,116} #a314.61 {128,116} #a313.61 {112,116}
#a312.61 {96,116} #a311.61 {80,116} #a310.61 {64,116} #a309.61 {48,116}
#a308.61 {32,116} #a307.61 {16,116} #a306.61 {0,116}

Ad.2c: <82> (848)

#a400.61 {176,116} #a401.61 {192,116} #a402.61 {208,116} #a403.61 {224,116}
#a404.61 {240,116} #a405.61 {256,116} #a406.61 {272,116} #a407.61 {288,116}
#a408.61 {304,116} #a409.61 {320,116} #a410.61 {336,116} #a411.61 {352,116}
#a412.61 {368,116} #a413.61 {384,116} #a414.61 {400,116} #a415.61 {416,116}
#a416.61 {432,116} #a500.61 {448,116} #a501.61 {464,116} #a502.61 {480,116}
#a503.61 {496,116} #a504.61 {512,116} #a505.61 {528,116} #a506.61 {544,116}
#a507.61 {560,116} #rp6.14o {560,178} #a508.61 {576,116} #a509.61 {592,116}
#a510.61 {608,116} #a511.61 {624,116} #a512.61 {640,116} #a513.61 {656,116}
#a514.61 {672,116} #a515.61 {688,116} #a516.61 {704,116}

Ad.2d: <84> (984)

#a612.61 {0,148} #a613.61 {16,148} #a614.61 {32,148} #a615.61 {48,148}
#a616.61 {64,148} #a700.61 {80,148} #a701.61 {96,148} #a702.61 {112,148}
#a703.61 {128,148} #a704.61 {144,148} #a705.61 {160,148} #a706.61 {176,148}
#a707.61 {192,148} #a708.61 {208,148} #a709.61 {224,148} #a710.61 {240,148}
#a711.61 {256,148} #a712.61 {272,148} #a713.61 {288,148} #a714.61 {304,148}
#a715.61 {320,148} #a716.61 {336,148} #rp7.14o {576,178} #a600.61 {720,116}
#a601.61 {736,116} #a602.61 {752,116} #a603.61 {768,116} #a604.61 {784,116}
#a605.61 {800,116} #a606.61 {816,116} #a607.61 {832,116} #a608.61 {848,116}
#a609.61 {864,116} #a610.61 {880,116} #a611.61 {896,116}

Ad.3a: <68> (688)

#rp4.13o {528,180} #a116.121 {540,80} #a115.121 {524,80} #a114.121 {508,80}
#a113.121 {492,80} #a112.121 {476,80} #a111.121 {460,80} #a110.121 {444,80}
#a109.121 {428,80} #a108.121 {412,80} #a107.121 {396,80} #a106.121 {380,80}
#a105.121 {364,80} #a104.121 {348,80} #a103.121 {332,80} #a102.121 {316,80}
#a101.121 {300,80} #a100.121 {284,80} #a016.121 {268,80} #a015.121 {252,80}
#a014.121 {236,80} #a013.121 {220,80} #a012.121 {204,80} #a011.121 {188,80}
#a010.121 {172,80} #a009.121 {156,80} #a008.121 {140,80} #a007.121 {124,80}
#a006.121 {108,80} #a005.121 {92,80} #a004.121 {76,80} #a000.121 {12,80}
#a001.121 {28,80} #a002.121 {44,80} #a003.121 {60,80}

Ad.3b: <98> (1064)

#a305.121 {908,80} #a304.121 {892,80} #a303.121 {876,80} #a302.121 {860,80}
#a301.121 {844,80} #a300.121 {828,80} #a216.121 {812,80} #a215.121 {796,80}
#a214.121 {780,80} #a213.121 {764,80} #a212.121 {748,80} #a211.121 {732,80}
#a210.121 {716,80} #a209.121 {700,80} #a208.121 {684,80} #a207.121 {668,80}
#a206.121 {652,80} #a205.121 {636,80} #a204.121 {620,80} #a203.121 {604,80}
#a202.121 {588,80} #a201.121 {572,80} #a200.121 {556,80} #rp5.13o {544,180}
#a316.121 {172,112} #a315.121 {156,112} #a314.121 {140,112} #a313.121 {124,112}
#a312.121 {108,112} #a311.121 {92,112} #a310.121 {76,112} #a309.121 {60,112}
#a308.121 {44,112} #a307.121 {28,112} #a306.121 {12,112}

Ad.3c: <65> (664)

#a400.121 {188,112} #a401.121 {204,112} #a402.121 {220,112} #a403.121 {236,112}
#a404.121 {252,112} #a405.121 {268,112} #a406.121 {284,112} #a407.121 {300,112}
#a408.121 {316,112} #a409.121 {332,112} #a410.121 {348,112} #a411.121 {364,112}
#a412.121 {380,112} #a413.121 {396,112} #a414.121 {412,112} #a415.121 {428,112}
#a416.121 {444,112} #a500.121 {460,112} #a501.121 {476,112} #a502.121 {492,112}
#a503.121 {508,112} #a504.121 {524,112} #a505.121 {540,112} #a506.121 {556,112}
#rp6.13o {560,180} #a507.121 {572,112} #a508.121 {588,112} #a509.121 {604,112}
#a510.121 {620,112} #a511.121 {636,112} #a512.121 {652,112} #a513.121 {668,112}
#a514.121 {684,112} #a515.121 {700,112} #a516.121 {716,112}

Ad.3d: <87> (1000)

#a612.121 {12,144} #a613.121 {28,144} #a614.121 {44,144} #a615.121 {60,144}
#a616.121 {76,144} #a700.121 {92,144} #a701.121 {108,144} #a702.121 {124,144}
#a703.121 {140,144} #a704.121 {156,144} #a705.121 {172,144} #a706.121 {188,144}
#a707.121 {204,144} #a708.121 {220,144} #a709.121 {236,144} #a710.121 {252,144}
#a711.121 {268,144} #a712.121 {284,144} #a713.121 {300,144} #a714.121 {316,144}
#a715.121 {332,144} #a716.121 {348,144} #rp7.13o {576,180} #a600.121 {732,112}
#a601.121 {748,112} #a602.121 {764,112} #a603.121 {780,112} #a604.121 {796,112}
#a605.121 {812,112} #a606.121 {828,112} #a607.121 {844,112} #a608.121 {860,112}
#a609.121 {876,112} #a610.121 {892,112} #a611.121 {908,112}

Ad.4a: <75> (728)

#a000.111 {12,84} #a001.111 {28,84} #a002.111 {44,84} #a003.111 {60,84}
#a004.111 {76,84} #a005.111 {92,84} #a006.111 {108,84} #a007.111 {124,84}
#a008.111 {140,84} #a009.111 {156,84} #a010.111 {172,84} #a011.111 {188,84}
#a012.111 {204,84} #a013.111 {220,84} #a014.111 {236,84} #a015.111 {252,84}
#a016.111 {268,84} #a100.111 {284,84} #a101.111 {300,84} #a102.111 {316,84}
#a103.111 {332,84} #a104.111 {348,84} #a105.111 {364,84} #a106.111 {380,84}
#a107.111 {396,84} #a108.111 {412,84} #a109.111 {428,84} #a110.111 {444,84}
#a111.111 {460,84} #a112.111 {476,84} #a113.111 {492,84} #a114.111 {508,84}
#a115.111 {524,84} #rp4.12o {528,184} #a116.111 {540,84}

Ad.4b: <97> (1064)

#a305.111 {908,84} #a304.111 {892,84} #a303.111 {876,84} #a302.111 {860,84}
#a301.111 {844,84} #a300.111 {828,84} #a216.111 {812,84} #a215.111 {796,84}
#a214.111 {780,84} #a213.111 {764,84} #a212.111 {748,84} #a211.111 {732,84}
#a210.111 {716,84} #a209.111 {700,84} #a208.111 {684,84} #a207.111 {668,84}
#a206.111 {652,84} #a205.111 {636,84} #a204.111 {620,84} #a203.111 {604,84}
#a202.111 {588,84} #a201.111 {572,84} #a200.111 {556,84} #rp5.12o {544,184}
#a316.111 {172,116} #a315.111 {156,116} #a314.111 {140,116} #a313.111 {124,116}
#a312.111 {108,116} #a311.111 {92,116} #a310.111 {76,116} #a309.111 {60,116}
#a308.111 {44,116} #a307.111 {28,116} #a306.111 {12,116}

Ad. 4c: <64> (664)

#a400.111 {188,116}	#a401.111 {204,116}	#a402.111 {220,116}	#a403.111 {236,116}
#a404.111 {252,116}	#a405.111 {268,116}	#a406.111 {284,116}	#a407.111 {300,116}
#a408.111 {316,116}	#a409.111 {332,116}	#a410.111 {348,116}	#a411.111 {364,116}
#a412.111 {380,116}	#a413.111 {396,116}	#a414.111 {412,116}	#a415.111 {428,116}
#a416.111 {444,116}	#a500.111 {460,116}	#a501.111 {476,116}	#a502.111 {492,116}
#a503.111 {508,116}	#a504.111 {524,116}	#a505.111 {540,116}	#a506.111 {556,116}
#rp6.12o {560,184}	#a507.111 {572,116}	#a508.111 {588,116}	#a509.111 {604,116}
#a510.111 {620,116}	#a511.111 {636,116}	#a512.111 {652,116}	#a513.111 {668,116}
#a514.111 {684,116}	#a516.111 {700,116}	#a518.111 {716,116}	

Ad. 4d: <86> (1000)

#a612.111 {12,148}	#a613.111 {28,148}	#a614.111 {44,148}	#a615.111 {60,148}
#a616.111 {76,148}	#a700.111 {92,148}	#a701.111 {108,148}	#a702.111 {124,148}
#a703.111 {140,148}	#a704.111 {156,148}	#a705.111 {172,148}	#a706.111 {188,148}
#a707.111 {204,148}	#a708.111 {220,148}	#a709.111 {236,148}	#a710.111 {252,148}
#a711.111 {268,148}	#a712.111 {284,148}	#a713.111 {300,148}	#a714.111 {316,148}
#a715.111 {332,148}	#a716.111 {348,148}	#rp7.12o {576,184}	#a600.111 {732,116}
#a601.111 {748,116}	#a602.111 {764,116}	#a603.111 {780,116}	#a604.111 {796,116}
#a605.111 {812,116}	#a606.111 {828,116}	#a607.111 {844,116}	#a608.111 {860,116}
#a609.111 {876,116}	#a610.111 {892,116}	#a611.111 {908,116}	

Ad. 5a: <74> (728)

#a000.101 {12,88}	#a001.101 {28,88}	#a002.101 {44,88}	#a003.101 {60,88}
#a004.101 {76,88}	#a005.101 {92,88}	#a006.101 {108,88}	#a007.101 {124,88}
#a008.101 {140,88}	#a009.101 {156,88}	#a010.101 {172,88}	#a011.101 {188,88}
#a012.101 {204,88}	#a013.101 {220,88}	#a014.101 {236,88}	#a015.101 {252,88}
#a016.101 {268,88}	#a100.101 {284,88}	#a101.101 {300,88}	#a102.101 {316,88}
#a103.101 {332,88}	#a104.101 {348,88}	#a105.101 {364,88}	#a106.101 {380,88}
#a107.101 {396,88}	#a108.101 {412,88}	#a109.101 {428,88}	#a110.101 {444,88}
#a111.101 {460,88}	#a112.101 {476,88}	#a113.101 {492,88}	#a114.101 {508,88}
#a115.101 {524,88}	#rp4.11o {528,188}	#a116.101 {540,88}	

Ad. 5b: <96> (1064)

#a305.101 {908,88}	#a304.101 {892,88}	#a303.101 {876,88}	#a302.101 {860,88}
#a301.101 {844,88}	#a300.101 {828,88}	#a216.101 {812,88}	#a215.101 {796,88}
#a214.101 {780,88}	#a213.101 {764,88}	#a212.101 {748,88}	#a211.101 {732,88}
#a210.101 {716,88}	#a209.101 {700,88}	#a208.101 {684,88}	#a207.101 {668,88}
#a206.101 {652,88}	#a205.101 {636,88}	#a204.101 {620,88}	#a203.101 {604,88}
#a202.101 {588,88}	#a201.101 {572,88}	#a200.101 {556,88}	#rp5.11o {544,188}
#a316.101 {172,120}	#a315.101 {156,120}	#a314.101 {140,120}	#a313.101 {124,120}
#a312.101 {108,120}	#a311.101 {92,120}	#a310.101 {76,120}	#a309.101 {60,120}
#a308.101 {44,120}	#a307.101 {28,120}	#a306.101 {12,120}	

Ad. 5c: <63> (664)

#a400.101 {188,120}	#a401.101 {204,120}	#a402.101 {220,120}	#a403.101 {236,120}
#a404.101 {252,120}	#a405.101 {268,120}	#a406.101 {284,120}	#a407.101 {300,120}
#a408.101 {316,120}	#a409.101 {332,120}	#a410.101 {348,120}	#a411.101 {364,120}
#a412.101 {380,120}	#a413.101 {396,120}	#a414.101 {412,120}	#a415.101 {428,120}
#a416.101 {444,120}	#a500.101 {460,120}	#a501.101 {476,120}	#a502.101 {492,120}
#a503.101 {508,120}	#a504.101 {524,120}	#a505.101 {540,120}	#a506.101 {556,120}
#rp6.11o {560,188}	#a507.101 {572,120}	#a508.101 {588,120}	#a509.101 {604,120}
#a510.101 {620,120}	#a511.101 {636,120}	#a512.101 {652,120}	#a513.101 {668,120}
#a514.101 {684,120}	#a515.101 {700,120}	#a516.101 {716,120}	

Ad. 5d: <85> (1000)

#a612.101 {12,152}	#a613.101 {28,152}	#a614.101 {44,152}	#a615.101 {60,152}
#a616.101 {76,152}	#a700.101 {92,152}	#a701.101 {108,152}	#a702.101 {124,152}
#a703.101 {140,152}	#a704.101 {156,152}	#a705.101 {172,152}	#a706.101 {188,152}
#a707.101 {204,152}	#a708.101 {220,152}	#a709.101 {236,152}	#a710.101 {252,152}
#a711.101 {268,152}	#a712.101 {284,152}	#a713.101 {300,152}	#a714.101 {316,152}
#a715.101 {332,152}	#a716.101 {348,152}	#rp7.11o {576,188}	#a600.101 {732,120}
#a601.101 {748,120}	#a602.101 {764,120}	#a603.101 {780,120}	#a604.101 {796,120}
#a605.101 {812,120}	#a606.101 {828,120}	#a607.101 {844,120}	#a608.101 {860,120}
#a609.101 {876,120}	#a610.101 {892,120}	#a611.101 {908,120}	

Ad. 6a: <78> (760)

#a000.131 {12,76}	#a001.131 {28,76}	#a002.131 {44,76}	#a003.131 {60,76}
#a004.131 {76,76}	#a005.131 {92,76}	#a006.131 {108,76}	#a007.131 {124,76}
#a008.131 {140,76}	#a009.131 {156,76}	#a010.131 {172,76}	#a011.131 {188,76}
#a012.131 {204,76}	#a013.131 {220,76}	#a014.131 {236,76}	#a015.131 {252,76}
#a016.131 {268,76}	#a100.131 {284,76}	#a101.131 {300,76}	#a102.131 {316,76}
#a103.131 {332,76}	#a104.131 {348,76}	#a105.131 {364,76}	#a106.131 {380,76}
#a107.131 {396,76}	#a108.131 {412,76}	#a109.131 {428,76}	#a110.131 {444,76}
#a111.131 {460,76}	#a112.131 {476,76}	#a113.131 {492,76}	#a114.131 {508,76}
#a115.131 {524,76}	#rp4.10o {528,192}	#a116.131 {540,76}	

Ad. 6b: <103> (1096)

#a305.131 {908,76}	#a304.131 {892,76}	#a303.131 {876,76}	#a302.131 {860,76}
#a301.131 {844,76}	#a300.131 {828,76}	#a216.131 {812,76}	#a215.131 {796,76}
#a214.131 {780,76}	#a213.131 {764,76}	#a212.131 {748,76}	#a211.131 {732,76}
#a210.131 {716,76}	#a209.131 {700,76}	#a208.131 {684,76}	#a207.131 {668,76}
#a206.131 {652,76}	#a205.131 {636,76}	#a204.131 {620,76}	#a203.131 {604,76}
#a202.131 {588,76}	#a201.131 {572,76}	#a200.131 {556,76}	#rp5.10o {544,192}
#a316.131 {172,108}	#a315.131 {156,108}	#a314.131 {140,108}	#a313.131 {124,108}
#a312.131 {108,108}	#a311.131 {92,108}	#a310.131 {76,108}	#a309.131 {60,108}
#a308.131 {44,108}	#a307.131 {28,108}	#a306.131 {12,108}	

Ad. 6c: <69> (696)

#a400.131 {188,108}	#a401.131 {204,108}	#a402.131 {220,108}	#a403.131 {236,108}
#a404.131 {252,108}	#a405.131 {268,108}	#a406.131 {284,108}	#a407.131 {300,108}
#a408.131 {316,108}	#a409.131 {332,108}	#a410.131 {348,108}	#a411.131 {364,108}
#a412.131 {380,108}	#a413.131 {396,108}	#a414.131 {412,108}	#a415.131 {428,108}
#a416.131 {444,108}	#a500.131 {460,108}	#a501.131 {476,108}	#a502.131 {492,108}
#a503.131 {508,108}	#a504.131 {524,108}	#a505.131 {540,108}	#a506.131 {556,108}
#rp6.10o {560,192}	#a507.131 {572,108}	#a508.131 {588,108}	#a509.131 {604,108}
#a510.131 {620,108}	#a511.131 {636,108}	#a512.131 {652,108}	#a513.131 {668,108}
#a514.131 {684,108}	#a515.131 {700,108}	#a516.131 {716,108}	

Ad. 6d: <90> (1032)

#a612.131 {12,140}	#a613.131 {28,140}	#a614.131 {44,140}	#a615.131 {60,140}
--------------------	--------------------	--------------------	--------------------

#a616.131 {76,140}	#a700.131 {92,140}	#a701.131 {108,140}	#a702.131 {124,140}
#a703.131 {140,140}	#a704.131 {166,140}	#a705.131 {172,140}	#a706.131 {188,140}
#a707.131 {204,140}	#a708.131 {220,140}	#a709.131 {236,140}	#a710.131 {252,140}
#a711.131 {268,140}	#a712.131 {284,140}	#a713.131 {300,140}	#a714.131 {316,140}
#a715.131 {332,140}	#a716.131 {348,140}	#rp7.10o {576,192}	#a600.131 {732,108}
#a601.131 {748,108}	#a602.131 {764,108}	#a603.131 {780,108}	#a604.131 {796,108}
#a605.131 {812,108}	#a606.131 {828,108}	#a607.131 {844,108}	#a608.131 {860,108}
#a609.131 {876,108}	#a610.131 {892,108}	#a611.131 {908,108}	

Ad.7a: <77> (736)

#a000.91 {12,92}	#a001.91 {28,92}	#a002.91 {44,92}	#a003.91 {60,92}
#a004.91 {76,92}	#a005.91 {92,92}	#a006.91 {108,92}	#a007.91 {124,92}
#a008.91 {140,92}	#a009.91 {156,92}	#a010.91 {172,92}	#a011.91 {188,92}
#a012.91 {204,92}	#a013.91 {220,92}	#a014.91 {236,92}	#a015.91 {252,92}
#a016.91 {268,92}	#a100.91 {284,92}	#a101.91 {300,92}	#a102.91 {316,92}
#a103.91 {332,92}	#a104.91 {348,92}	#a105.91 {364,92}	#a106.91 {380,92}
#a107.91 {396,92}	#a108.91 {412,92}	#a109.91 {428,92}	#a110.91 {444,92}
#a111.91 {460,92}	#a112.91 {476,92}	#a113.91 {492,92}	#a114.91 {508,92}
#a115.91 {524,92}	#rp4.9o {528,196}	#a116.91 {540,92}	

Ad.7b: <100> (1072)

#a305.91 {908,92}	#a304.91 {892,92}	#a303.91 {876,92}	#a302.91 {860,92}
#a301.91 {844,92}	#a300.91 {828,92}	#a216.91 {812,92}	#a215.91 {796,92}
#a214.91 {780,92}	#a213.91 {764,92}	#a212.91 {748,92}	#a211.91 {732,92}
#a210.91 {716,92}	#a209.91 {700,92}	#a208.91 {684,92}	#a207.91 {668,92}
#a206.91 {652,92}	#a205.91 {636,92}	#a204.91 {620,92}	#a203.91 {604,92}
#a202.91 {588,92}	#a201.91 {572,92}	#a200.91 {556,92}	#rp5.9o {644,196}
#a316.91 {172,124}	#a316.91 {156,124}	#a314.91 {140,124}	#a313.91 {124,124}
#a312.91 {108,124}	#a311.91 {92,124}	#a310.91 {76,124}	#a309.91 {60,124}
#a308.91 {44,124}	#a307.91 {28,124}	#a306.91 {12,124}	

Ad.7c: <66> (672)

#a400.91 {188,124}	#a401.91 {204,124}	#a402.91 {220,124}	#a403.91 {236,124}
#a404.91 {252,124}	#a405.91 {268,124}	#a406.91 {284,124}	#a407.91 {300,124}
#a408.91 {316,124}	#a409.91 {332,124}	#a410.91 {348,124}	#a411.91 {364,124}
#a412.91 {380,124}	#a413.91 {396,124}	#a414.91 {412,124}	#a415.91 {428,124}
#a416.91 {444,124}	#a500.91 {460,124}	#a501.91 {476,124}	#a502.91 {492,124}
#a503.91 {508,124}	#a504.91 {524,124}	#a505.91 {540,124}	#a506.91 {556,124}
#rp6.9o {560,196}	#a507.91 {572,124}	#a508.91 {588,124}	#a509.91 {604,124}
#a510.91 {620,124}	#a511.91 {636,124}	#a512.91 {652,124}	#a513.91 {668,124}
#a514.91 {684,124}	#a515.91 {700,124}	#a516.91 {716,124}	

Ad.7d: <88> (1008)

#a612.91 {12,156}	#a613.91 {28,156}	#a614.91 {44,156}	#a615.91 {60,156}
#a616.91 {76,156}	#a700.91 {92,156}	#a701.91 {108,156}	#a702.91 {124,156}
#a703.91 {140,156}	#a704.91 {156,156}	#a705.91 {172,156}	#a706.91 {188,156}
#a707.91 {204,156}	#a708.91 {220,156}	#a709.91 {236,156}	#a710.91 {252,156}
#a711.91 {268,156}	#a712.91 {284,156}	#a713.91 {300,156}	#a714.91 {316,156}
#a715.91 {332,156}	#a716.91 {348,156}	#rp7.9o {576,196}	#a600.91 {732,124}
#a601.91 {748,124}	#a602.91 {764,124}	#a603.91 {780,124}	#a604.91 {796,124}
#a605.91 {812,124}	#a606.91 {828,124}	#a607.91 {844,124}	#a608.91 {860,124}
#a609.91 {876,124}	#a610.91 {892,124}	#a611.91 {908,124}	

AD10/: <251> (796)

E128 {0,4}	#u4.21 {828,172}
------------	------------------

AD11: <151> (288)

#u3.10o {624,192}	#u16.11 {820,168}	#u19.61 {868,188}
-------------------	-------------------	-------------------

AD11/: <252> (808)

E130 {8,4}	#u3.91 {624,196}
------------	------------------

AD12: <152> (292)

#u3.6o {612,188}	#u16.21 {820,172}	#u19.71 {868,192}
------------------	-------------------	-------------------

AD12/: <249> (784)

E132 {16,4}	#u3.71 {612,192}
-------------	------------------

AD13: <147> (276)

#u3.2o {612,172}	#u16.31 {820,176}	#u19.171 {880,180}
------------------	-------------------	--------------------

AD13/: <246> (762)

E134 {24,4}	#u3.11 {612,168}
-------------	------------------

AD14/: <225> (916)

#u10.101 {736,192}	#sip1.71 {336,192}	E257 {4,8}
--------------------	--------------------	------------

AD15/: <229> (912)

#u10.121 {736,184}	#sip1.61 {336,188}	E258 {8,8}
--------------------	--------------------	------------

AD16/: <214> (766)

#sip1.51 {336,184}	E255 {508,4}	#u10.131 {736,180}
--------------------	--------------	--------------------

AD17/: <230> (916)

#u10.151 {736,172}	#sip1.41 {336,180}	E256 {0,8}
--------------------	--------------------	------------

ADR1/: <232> (712)

E158 {120,4}	#u5.171 {656,180}
--------------	-------------------

ADR2/: <237> (732)

E155 {108,4}	#u5.161 {656,188}
--------------	-------------------

ADR3/: <239> (736)

E156 {112,4}	#u5.131 {656,196}
--------------	-------------------

ADR4/: <247> (766)

E153 {100,4}	#u5.111 {656,204}
--------------	-------------------

ADR5/: <238> (732)

E154 {104,4}	#u5.81 {644,196}
--------------	------------------

ADR6/: <240> (736) E151 {92,4}	#u5.61 {644,188}		
ADR7/: <234> (724) E152 {96,4}	#u5.41 {644,180}		
ADR8/: <236> (728) E149 {84,4}	#u5.21 {644,172}		
ADR9/: <235> (728) E160 {88,4}	#u4.171 {640,180}		
ADRA/: <243> (748) E147 {76,4}	#u4.151 {640,188}		
ADRB/: <245> (752) E148 {80,4}	#u4.131 {640,196}		
ADRC/: <248> (772) E145 {68,4}	#u4.111 {640,204}		
ADDR/: <242> (748) E146 {72,4}	#u4.81 {628,196}		
ADRE/: <244> (752) E143 {60,4}	#u4.61 {628,188}		
ADRF/: <241> (740) E144 {64,4}	#u4.41 {628,180}		
BdSel: <79> (768) #u22.131 {12,212}	#u22.91 {12,228}	#u27.91 {92,228}	#u10.60 {724,188}
Busy: <124> (232) #u24.40 {32,220} #u37.61 {240,228}	#u31.21 {144,212}	#u34.31 {192,216}	#u34.91 {204,228}
Busy': <67> (680) #u24.31 {32,216} #u3.41 {612,180}	#u25.41 {48,220} #u3.121 {624,184}	#u27.21 {80,212}	#u37.80 {252,232}
CAS: <80> (812) #u24.100 {44,224}	#u7.111 {688,204}	#u8.111 {704,204}	#u16.61 {820,188}
CAS': <123> (196) #u24.111 {44,220} #u34.80 {204,232}	#u29.111 {124,220}	#u30.91 {140,228}	#u33.31 {176,216}
CAS0': <56> (600) #a000.151 {12,68} #a004.151 {76,68} #a008.151 {140,68} #a012.151 {204,68} #a016.151 {268,68}	#a001.151 {28,68} #a005.151 {92,68} #a009.151 {156,68} #a013.151 {220,68} #rp3.160 {512,168}	#a002.151 {44,68} #a006.151 {108,68} #a010.151 {172,68} #a014.151 {236,68}	#a003.151 {60,68} #a007.151 {124,68} #a011.151 {188,68} #a015.151 {252,68}
CAS1': <46> (428) #a100.151 {284,68} #a104.151 {348,68} #a108.151 {412,68} #a112.151 {476,68} #a114.151 {508,68}	#a101.151 {300,68} #a105.151 {364,68} #a109.151 {428,68} #a115.151 {524,68} #rp3.150 {512,172}	#a102.151 {316,68} #a106.151 {380,68} #a110.151 {444,68} #a116.151 {540,68}	#a103.151 {332,68} #a107.151 {396,68} #a111.151 {460,68} #a113.151 {492,68}
CAS2': <40> (408) #a216.151 {812,68} #a212.151 {748,68} #a208.151 {684,68} #a204.151 {620,68} #a200.151 {556,68}	#a215.151 {796,68} #a211.151 {732,68} #a207.151 {668,68} #a203.151 {604,68} #rp3.140 {512,176}	#a214.151 {780,68} #a210.151 {716,68} #a206.151 {652,68} #a202.151 {588,68}	#a213.151 {764,68} #a209.151 {700,68} #a205.151 {636,68} #a201.151 {572,68}
CAS3': <102> (1088) #a305.151 {908,68} #a301.151 {844,68} #a315.151 {156,100} #a311.151 {92,100} #a307.151 {28,100}	#a304.151 {892,68} #a300.151 {828,68} #a314.151 {140,100} #a310.151 {76,100} #a306.151 {12,100}	#a303.151 {876,68} #rp3.130 {512,180} #a313.151 {124,100} #a309.151 {60,100}	#a302.151 {860,68} #a316.151 {172,100} #a312.151 {108,100} #a308.151 {44,100}
CAS4': <41> (408) #a400.151 {188,100} #a404.151 {252,100} #a408.151 {316,100} #a412.151 {380,100} #a416.151 {444,100}	#a401.151 {204,100} #a405.151 {268,100} #a409.151 {332,100} #a413.151 {396,100} #rp3.120 {512,184}	#a402.151 {220,100} #a406.151 {284,100} #a410.151 {348,100} #a414.151 {412,100}	#a403.151 {236,100} #a407.151 {300,100} #a411.151 {364,100} #a415.151 {428,100}
CAS5': <46> (432) #a500.151 {460,100} #rp3.110 {512,188} #a507.151 {572,100} #a511.151 {636,100} #a515.151 {700,100}	#a501.151 {476,100} #a504.151 {524,100} #a508.151 {588,100} #a512.151 {652,100} #a516.151 {716,100}	#a502.151 {492,100} #a505.151 {540,100} #a509.151 {604,100} #a513.151 {668,100}	#a503.151 {508,100} #a506.151 {556,100} #a510.151 {620,100} #a514.151 {684,100}
CAS6': <94> (1048) #a611.151 {908,100} #a607.151 {844,100} #a603.151 {780,100} #rp3.100 {512,192} #a613.151 {28,132}	#a610.151 {892,100} #a606.151 {828,100} #a602.151 {764,100} #a616.151 {76,132} #a612.151 {12,132}	#a609.151 {876,100} #a605.151 {812,100} #a601.151 {748,100} #a615.151 {60,132}	#a608.151 {860,100} #a604.151 {796,100} #a600.151 {732,100} #a614.151 {44,132}
CAS7': <51> (484) #a700.151 {92,132} #a704.151 {156,132} #a708.151 {220,132}	#a701.151 {108,132} #a705.151 {172,132} #a709.151 {236,132}	#a702.151 {124,132} #a706.151 {188,132} #a710.151 {252,132}	#a703.151 {140,132} #a707.151 {204,132} #a711.151 {268,132}

#a712.151 {284,132}	#a713.151 {300,132}	#a714.151 {316,132}	#a715.151 {332,132}
#a718.151 {348,132}	#r3.9o {612,196}		
DAT0/: <71> {898}	#u8.2o {892,172}	E173 {180,4}	
#u9.2i {708,172}			
DAT1/: <115> {708}	#u8.5o {892,184}	E174 {184,4}	
#u9.4i {708,180}			
DAT2/: <73> {720}	#u8.6o {892,188}	E171 {172,4}	
#u9.6i {708,188}			
DAT3/: <117> {732}	#u8.9o {892,200}	E172 {176,4}	
#u9.8i {708,196}			
DAT4/: <120> {768}	#u8.12o {704,200}	E169 {164,4}	
#u9.11i {720,204}			
DAT5/: <128> {744}	#u8.15o {704,188}	E170 {168,4}	
#u9.13i {720,198}			
DAT6/: <118> {748}	#u8.16o {704,184}	E167 {156,4}	
#u9.15i {720,188}			
DAT7/: <126> {736}	#u8.19o {704,172}	E168 {160,4}	
#u9.17i {720,180}			
DAT8/: <70> {696}	#u6.2i {660,172}	E165 {148,4}	
#u7.2o {676,172}			
DAT9/: <114> {704}	#u6.4i {660,180}	E166 {152,4}	
#u7.5o {676,184}			
DATA/: <72> {720}	#u6.6i {660,188}	E163 {140,4}	
#u7.6o {676,188}			
Data0': <106> {1296}			
#a000.2i {0,68}	#a000.14o {12,72}	#a700.2i {80,132}	#a700.14o {92,136}
#a400.2i {176,100}	#a400.14o {188,104}	#a100.2i {272,68}	#a100.14o {284,72}
#a500.2i {448,100}	#a500.14o {460,104}	#a200.2i {544,68}	#a200.14o {556,72}
#u1.9i {592,188}	#u8.3i {692,176}	#u9.18o {720,176}	#a600.2i {720,100}
#a600.14o {732,104}	#a300.2i {816,68}	#a300.14o {828,72}	
Data1': <105> {1296}			
#a001.2i {16,68}	#a001.14o {28,72}	#a701.2i {96,132}	#a701.14o {108,136}
#a401.2i {192,100}	#a401.14o {204,104}	#a101.2i {288,68}	#a101.14o {300,72}
#a501.2i {464,100}	#a501.14o {476,104}	#a201.2i {560,68}	#a201.14o {572,72}
#u1.10i {592,184}	#u8.4i {692,180}	#u9.16o {720,184}	#a601.2i {736,100}
#a601.14o {748,104}	#a301.2i {832,68}	#a301.14o {844,72}	
Data2': <107> {1304}			
#a002.2i {32,68}	#a002.14o {44,72}	#a702.2i {112,132}	#a702.14o {124,136}
#a402.2i {208,100}	#a402.14o {220,104}	#a102.2i {304,68}	#a102.14o {316,72}
#a502.2i {480,100}	#a502.14o {492,104}	#a202.2i {576,68}	#a202.14o {588,72}
#u1.11i {592,180}	#u8.7i {692,192}	#u9.14o {720,192}	#a602.2i {752,100}
#a602.14o {764,104}	#a302.2i {848,68}	#a302.14o {860,72}	
Data3': <108> {1344}			
#a003.2i {48,68}	#a003.14o {60,72}	#a703.2i {128,132}	#a703.14o {140,136}
#a403.2i {224,100}	#a403.14o {236,104}	#a103.2i {320,68}	#a103.14o {332,72}
#a503.2i {496,100}	#a503.14o {508,104}	#a203.2i {592,68}	#a203.14o {604,72}
#u1.12i {592,176}	#u8.8i {692,196}	#u9.12o {720,200}	#a603.2i {768,100}
#a603.14o {780,104}	#a303.2i {864,68}	#a303.14o {876,72}	
Data4': <18> {1640}			
#u9.9o {708,200}	#u8.13i {704,196}	#a604.2i {784,100}	#a604.14o {796,104}
#a304.2i {880,68}	#a304.14o {892,72}	#u1.13i {592,172}	#a204.2i {608,68}
#a204.14o {620,72}	#a504.14o {624,104}	#a604.2i {612,100}	#a104.14o {348,72}
#a104.2i {336,68}	#a404.14o {252,104}	#a404.2i {240,100}	#a704.14o {156,136}
#a704.2i {144,132}	#a004.14o {76,72}	#a004.2i {64,68}	
Data5': <7> {1416}			
#a005.2i {80,68}	#a005.14o {92,72}	#a705.2i {160,132}	#a705.14o {172,136}
#a405.2i {256,100}	#a405.14o {268,104}	#a105.2i {352,68}	#a105.14o {364,72}
#a505.2i {528,100}	#a505.14o {540,104}	#a205.2i {624,68}	#a205.14o {636,72}
#u1.1i {580,168}	#u8.14i {704,192}	#u9.7o {708,192}	#a605.2i {800,100}
#a605.14o {812,104}	#a305.2i {896,68}	#a305.14o {908,72}	
Data6': <17> {1624}			
#u9.5o {708,184}	#u8.17i {704,180}	#u1.2i {580,172}	#a506.14o {556,104}
#a206.2i {640,68}	#a206.14o {652,72}	#a606.2i {816,100}	#a606.14o {828,104}
#a506.2i {544,100}	#a106.14o {380,72}	#a106.2i {368,68}	#a406.14o {284,104}
#a406.2i {272,100}	#a706.14o {188,136}	#a706.2i {176,132}	#a006.14o {108,72}
#a006.2i {96,68}	#a306.14o {12,104}	#a306.2i {0,100}	
Data7': <9> {1644}			
#a307.2i {16,100}	#a307.14o {28,104}	#a007.2i {112,68}	#a007.14o {124,72}
#a707.2i {192,132}	#a707.14o {204,136}	#a407.2i {288,100}	#a407.14o {300,104}
#a107.2i {384,68}	#a107.14o {396,72}	#a507.2i {560,100}	#u9.3o {708,176}
#u8.18i {704,176}	#u1.4i {580,180}	#a507.14o {572,104}	#a207.2i {656,68}
#a207.14o {668,72}	#a607.2i {832,100}	#a607.14o {844,104}	
Data8': <6> {1312}			
#a308.2i {32,100}	#a308.14o {44,104}	#a008.2i {128,68}	#a008.14o {140,72}
#a708.2i {208,132}	#a708.14o {220,136}	#a408.2i {304,100}	#a408.14o {316,104}
#a108.2i {400,68}	#a108.14o {412,72}	#a508.2i {576,100}	#a508.14o {588,104}
#u2.9i {608,188}	#u7.3i {676,176}	#u6.18o {672,176}	#a208.2i {672,68}
#a208.14o {684,72}	#a608.14o {860,104}	#a608.2i {848,100}	
Data9': <15> {1548}			
#u7.4i {676,180}	#u6.16o {672,184}	#u2.10i {608,184}	#a509.14o {604,104}

#a209.21 {888,68}	#a209.14o {700,72}	#a609.21 {884,100}	#a609.14o {876,104}
#a509.21 {592,100}	#a109.14o {428,72}	#a109.21 {416,68}	#a409.14o {332,104}
#a409.21 {320,100}	#a709.14o {236,136}	#a709.21 {224,132}	#a009.14o {156,72}
#a009.21 {144,68}	#a309.14o {50,104}	#a309.21 {48,100}	
DataA': <8> (1472)			
#a310.21 {84,100}	#a310.14o {76,104}	#a010.21 {160,68}	#a010.14o {172,72}
#a710.21 {240,132}	#a710.14o {252,136}	#a410.21 {336,100}	#a410.14o {348,104}
#a110.21 {432,68}	#a110.14o {444,72}	#a210.21 {704,68}	#a210.14o {716,72}
#a510.14o {620,104}	#a510.21 {608,100}	#u2.11i {608,180}	#u6.14o {672,192}
#u7.7i {676,192}	#a610.14o {892,104}	#a610.21 {880,100}	
DataB': <16> (1612)			
#a311.21 {80,100}	#a311.14o {92,104}	#a011.21 {176,68}	#a011.14o {188,72}
#a711.21 {256,132}	#a711.14o {268,136}	#a411.21 {352,100}	#a411.14o {364,104}
#a111.21 {448,68}	#a111.14o {460,72}	#u2.12i {608,176}	#a511.21 {824,100}
#a511.14o {636,104}	#a211.21 {720,68}	#a211.14o {732,72}	#a611.21 {896,100}
#a611.14o {908,104}	#u6.12o {672,200}	#u7.8i {676,196}	
DataC': <110> (1384)			
#a512.21 {640,100}	#a512.14o {652,104}	#a212.21 {736,68}	#a212.14o {748,72}
#u7.13i {688,196}	#u6.9o {660,200}	#u2.13i {608,172}	#a112.14o {476,72}
#a112.21 {464,68}	#a412.14o {380,104}	#a412.21 {368,100}	#a712.14o {284,136}
#a712.21 {272,132}	#a012.14o {204,72}	#a012.21 {192,68}	#a312.14o {108,104}
#a312.21 {96,100}	#a612.14o {12,136}	#a612.21 {0,132}	
DataD': <111> (1416)			
#a513.14o {668,104}	#a213.21 {752,68}	#a213.14o {764,72}	#a513.21 {656,100}
#u6.7o {660,192}	#u7.14i {688,192}	#u2.11i {596,168}	#a113.14o {492,72}
#a113.21 {480,68}	#a413.14o {396,104}	#a413.21 {384,100}	#a713.14o {300,136}
#a713.21 {288,132}	#a013.14o {220,72}	#a013.21 {208,68}	#a313.14o {124,104}
#a313.21 {112,100}	#a613.14o {28,136}	#a613.21 {16,132}	
DataE': <109> (1352)			
#a614.21 {32,132}	#a614.14o {44,136}	#a314.21 {128,100}	#a314.14o {140,104}
#a014.21 {224,68}	#a014.14o {236,72}	#a714.21 {304,132}	#a714.14o {316,136}
#a414.21 {400,100}	#a414.14o {412,104}	#a114.21 {496,68}	#a114.14o {508,72}
#u2.21i {596,172}	#u6.5o {660,184}	#u7.17i {688,180}	#a514.14o {684,104}
#a214.21i {768,68}	#a214.14o {780,72}	#a614.21i {672,100}	
DataF': <104> (1208)			
#a615.21 {48,132}	#a615.14o {60,136}	#a315.21 {144,100}	#a315.14o {156,104}
#a015.21 {240,68}	#a015.14o {252,72}	#a715.21 {320,132}	#a715.14o {332,136}
#a415.21 {416,100}	#a415.14o {428,104}	#a115.21 {512,68}	#a115.14o {524,72}
#u2.4i {696,180}	#u6.3o {660,176}	#u7.18i {688,176}	#a615.21i {688,100}
#a515.14o {700,104}	#a215.21i {784,68}	#a215.14o {796,72}	
DATB/: <116> (728)			
#u7.9o {676,200}	#u6.8i {660,196}	E164 {144,4}	
DATC/: <121> (760)			
#u7.12o {688,200}	#u6.11i {672,204}	E161 {132,4}	
DATD/: <129> (762)			
#u7.15o {688,188}	#u6.13i {672,196}	E162 {136,4}	
DATE/: <119> (762)			
#u7.16o {688,184}	#u6.15i {672,188}	E159 {124,4}	
DATF/: <127> (744)			
#u7.19o {688,172}	#u6.17i {672,180}	E160 {128,4}	
DMem01.sil+1: <21> (100)			
#u25.12o {60,216}	#u31.4i {144,220}	#u31.11i {144,208}	
DMem01.sil+10: <255> (832)			
#u20.8i {884,196}	#u26.11i {76,220}		
DMem01.sil+11: <256> (840)			
#u20.7i {884,192}	#u26.10i {76,224}		
DMem01.sil+12: <257> (848)			
#u20.6i {884,188}	#u26.9i {76,228}		
DMem01.sil+13: <263> (868)			
#u20.5i {884,184}	#u26.7i {64,232}		
DMem01.sil+14: <262> (868)			
#u20.3i {884,176}	#u26.5i {64,224}		
DMem01.sil+15: <261> (868)			
#u20.2i {884,172}	#u26.4i {64,220}		
DMem01.sil+16: <260> (868)			
#u20.1i {884,168}	#u26.3i {64,216}		
DMem01.sil+17: <166> (104)			
#u38.1i {256,208}	#u32.3i {160,216}		
DMem01.sil+18: <165> (104)			
#u38.2i {256,212}	#u32.4i {160,220}		
DMem01.sil+19: <164> (104)			
#u38.3i {256,216}	#u32.5i {160,224}		
DMem01.sil+2: <146> (172)			
#u34.1i {192,208}	#u27.12i {92,216}	#u24.2o {32,212}	
DMem01.sil+20: <163> (104)			
#u38.4i {256,220}	#u32.6i {160,228}		

DMem01.s11+21: <162> (104)
 #u38.6i {266,224} #u32.7i {160,232}

DMem01.s11+22: <165> (84)
 #u38.6i {266,228} #u32.9i {172,228}

DMem01.s11+23: <168> (92)
 #u38.7i {266,232} #u32.10i {172,224}

DMem01.s11+24: <161> (100)
 #u38.8i {266,236} #u32.11i {172,220}

DMem01.s11+25: <167> (108)
 #u38.9i {266,240} #u32.12i {172,218}

DMem01.s11+26: <264> (868)
 #u20.4i {884,180} #u26.6i {64,228}

DMem01.s11+27: <132> (362)
 #u26.13o {76,212} #r1.1i {366,168} #r2.2o {384,168}

DMem01.s11+28: <131> (288)
 #u32.13o {172,212} #r3.1i {388,168} #r4.2o {416,168}

DMem01.s11+29: <188> (236)
 #u38.16i {268,216} #u31.13i {166,212} #u26.5i {48,224}

DMem01.s11+3: <24> (760)
 #u38.6i {224,224} #r5.1i {420,168} #c0.2o {716,164} #u21.3o {900,176}
 #u21.6o {900,188}

DMem01.s11+30: <20> (12)
 #u26.9i {60,228} #u25.6o {48,228}

DMem01.s11+31: <148> (88)
 #u24.1i {32,208} #u27.6o {80,228}

DMem01.s11+32: <122> (24)
 #u22.10i {12,224} #u24.6o {32,228}

DMem01.s11+33: <156> (84)
 #u26.2i {64,212} #u31.3o {144,216}

DMem01.s11+34: <19> (12)
 #u36.9i {236,228} #u36.6o {224,228}

DMem01.s11+35: <143> (48)
 #u22.12i {12,216} #u24.8o {44,232}

DMem01.s11+4: <159> (96)
 #u36.3o {208,216} #u29.3i {112,216}

DMem01.s11+5: <26> (780)
 #u31.6i {144,224} #u31.10i {166,224} #u20.11i {896,196}

DMem01.s11+6: <22> (112)
 #u31.9i {166,228} #u31.6o {144,228} #u25.13i {60,212}

DMem01.s11+7: <6> (872)
 #u21.10i {912,184} #u21.9i {912,188} #u29.6o {112,228} #u28.3i {96,216}

DMem01.s11+8: <144> (896)
 #u21.13i {912,172} #u29.8o {124,232} #u28.2i {96,212}

DMem01.s11+9: <253> (824)
 #u20.9i {884,200} #u26.12i {76,216}

DMem02.s11+1: <154> (76)
 #u34.11i {204,220} #u30.8o {140,232}

DMem02.s11+10: <31> (232)
 #u4.12o {640,200} #u5.12o {656,200} #u11.11i {752,204} #u12.11i {768,204}
 #u13.11i {784,204} #u14.11i {800,204} #u18.12o {864,200}

DMem02.s11+11: <30> (232)
 #u4.14o {640,192} #u5.14o {656,192} #u11.13i {752,196} #u12.13i {768,196}
 #u13.13i {784,196} #u14.13i {800,196} #u18.14o {864,192}

DMem02.s11+12: <29> (232)
 #u4.16o {640,184} #u5.16o {656,184} #u11.15i {752,188} #u12.15i {768,188}
 #u13.15i {784,188} #u14.15i {800,188} #u18.16o {864,184}

DMem02.s11+13: <28> (232)
 #u4.18o {640,176} #u5.18o {656,176} #u11.17i {752,180} #u12.17i {768,180}
 #u13.17i {784,180} #u14.17i {800,180} #u18.18o {864,176}

DMem02.s11+14: <268> (884)
 #u23.3o {16,216} #u18.17i {864,180}

DMem02.s11+15: <267> (880)
 #u23.4o {16,220} #u18.15i {864,188}

DMem02.s11+16: <266> (876)
 #u23.5o {16,224} #u18.13i {864,196}

DMem02.s11+17: <224> (392)
 #rp2.1i {484,168} #u19.3o {868,176}

DMem02.s11+18: <220> (384)
 #rp2.2i {484,172} #u19.2o {868,172}

DMem02.s11+19: <223> (392)
 #rp2.3i {484,178} #u19.1o {868,188}

DMem02.s11+2: <149> (88)
 #u34.6i {192,224} #u30.6o {128,228}

DMem02.s11+20: <228> (404)
 #rp2.4i {484,180} #u19.19o {880,172}

DMem02.s11+21: <227> (404)
 #rp2.6i {484,184} #u19.18o {880,178}

DMem02.s11+22: <222> (392)
 #rp2.6i {484,188} #u19.8o {868,198}

DMem02.s11+23: <221> (392)
 #rp2.7i {484,192} #u19.9o {868,200}

DMem02.s11+24: <226> (404)
 #rp2.8i {484,196} #u19.11o {880,204}

DMem02.s11+25: <203> (324)
 #rp3.8i {500,196} #u16.7o {820,192}

DMem02.s11+26: <210> (336)
 #rp3.7i {500,192} #u16.9o {832,196}

DMem02.s11+27: <209> (336)
 #rp3.6i {500,188} #u16.10o {832,192}

DMem02.s11+28: <208> (336)
 #rp3.6i {500,184} #u16.11o {832,188}

DMem02.s11+29: <207> (336)
 #rp3.4i {500,180} #u16.12o {832,184}

DMem02.s11+3: <134> (872)
 #u23.6o {16,228} #u23.13i {28,212} #u18.11i {864,204}

DMem02.s11+30: <206> (336)
 #rp3.3i {500,176} #u16.13o {832,180}

DMem02.s11+31: <205> (336)
 #rp3.2i {500,172} #u16.14o {832,176}

DMem02.s11+32: <204> (336)
 #rp3.1i {500,168} #u16.15o {832,172}

DMem02.s11+33: <183> (244)
 #rp5.8i {532,196} #u12.3o {756,176}

DMem02.s11+34: <177> (232)
 #rp5.7i {532,192} #u12.6o {756,184}

DMem02.s11+35: <172> (228)
 #rp5.6i {532,188} #u12.7o {756,192}

DMem02.s11+36: <181> (240)
 #rp5.5i {532,184} #u12.9o {756,200}

DMem02.s11+37: <201> (256)
 #rp5.4i {532,180} #u12.12o {768,200}

DMem02.s11+38: <197> (252)
 #rp5.3i {532,176} #u12.14o {768,192}

DMem02.s11+39: <193> (248)
 #rp5.2i {532,172} #u12.16o {768,184}

DMem02.s11+4: <53> (564)
 #u4.19i {640,172} #u4.1i {628,168} #u30.3o {128,216}

DMem02.s11+40: <189> (244)
 #rp5.1i {532,168} #u12.18o {768,176}

DMem02.s11+41: <188> (244)
 #rp7.8i {564,196} #u14.3o {788,176}

DMem02.s11+42: <176> (232)
 #rp7.7i {564,192} #u14.5o {788,184}

DMem02.s11+43: <171> (228)
 #rp7.6i {564,188} #u14.7o {788,192}

DMem02.s11+44: <180> (240)
 #rp7.5i {564,184} #u14.9o {788,200}

DMem02.s11+45: <200> (256)
 #rp7.4i {564,180} #u14.12o {800,200}

DMem02.s11+46: <196> (252)
 #rp7.3i {564,176} #u14.14o {800,192}

DMem02.s11+47: <192> (248)
 #rp7.2i {564,172} #u14.16o {800,184}

DMem02.s11+48: <187> (244)
 #rp7.1i {564,168} #u14.18o {800,178}

DMem02.s11+49: <216> (356)
 #rp1.8i {468,196} #u15.3o {804,176}

DMem02.s11+5: <82> (812)
 #u5.191 {866,172} #u5.11 {644,168} #u35.6o {208,228}

DMem02.s11+60: <212> (344)
 #rp1.7i {468,192} #u15.5o {804,184}

DMem02.s11+51: <211> (340)
 #rp1.8i {468,188} #u15.7o {804,192}

DMem02.s11+62: <213> (352)
 #rp1.8i {468,184} #u15.9o {804,200}

DMem02.s11+63: <219> (368)
 #rp1.4i {468,180} #u15.12o {816,200}

DMem02.s11+64: <218> (364)
 #rp1.3i {468,176} #u15.14o {816,192}

DMem02.s11+65: <217> (360)
 #rp1.2i {468,172} #u15.16o {816,184}

DMem02.s11+66: <215> (366)
 #rp1.1i {468,168} #u15.18o {816,176}

DMem02.s11+67: <258> (848)
 #u18.8i {852,196} #u23.11o {28,220}

DMem02.s11+68: <259> (860)
 #u18.8i {852,188} #u23.10o {28,224}

DMem02.s11+69: <265> (872)
 #u18.4i {852,180} #u23.9o {28,228}

DMem02.s11+6: <36> (232)
 #u4.3o {628,176} #u5.3o {644,176} #u11.2i {740,172} #u12.2i {766,172}
 #u13.2i {772,172} #u14.2i {788,172} #u18.3o {852,176}

DMem02.s11+60: <269> (884)
 #u18.2i {852,172} #u23.8o {28,232}

DMem02.s11+61: <186> (244)
 #rp4.1i {516,168} #u11.18o {762,176}

DMem02.s11+62: <191> (248)
 #rp4.2i {516,172} #u11.16o {762,184}

DMem02.s11+63: <195> (252)
 #rp4.3i {516,176} #u11.14o {762,192}

DMem02.s11+64: <199> (256)
 #rp4.4i {516,180} #u11.12o {762,200}

DMem02.s11+65: <179> (240)
 #rp4.5i {516,184} #u11.9o {740,200}

DMem02.s11+66: <170> (228)
 #rp4.6i {516,188} #u11.7o {740,192}

DMem02.s11+67: <175> (232)
 #rp4.7i {516,192} #u11.5o {740,184}

DMem02.s11+68: <186> (244)
 #rp4.8i {516,196} #u11.3o {740,176}

DMem02.s11+69: <184> (244)
 #rp6.1i {548,168} #u13.18o {784,176}

DMem02.s11+7: <34> (232)
 #u4.5o {628,184} #u5.5o {644,184} #u11.4i {740,180} #u12.4i {766,180}
 #u13.4i {772,180} #u14.4i {788,180} #u18.5o {852,184}

DMem02.s11+70: <194> (248)
 #rp6.2i {548,172} #u13.16o {784,184}

DMem02.s11+71: <198> (252)
 #rp6.3i {548,176} #u13.14o {784,192}

DMem02.s11+72: <202> (256)
 #rp6.4i {548,180} #u13.12o {784,200}

DMem02.s11+73: <182> (240)
 #rp6.5i {548,184} #u13.9o {772,200}

DMem02.s11+74: <173> (228)
 #rp6.6i {548,188} #u13.7o {772,192}

DMem02.s11+75: <178> (232)
 #rp6.7i {548,192} #u13.5o {772,184}

DMem02.s11+76: <190> (244)
 #rp6.8i {548,196} #u13.3o {772,176}

DMem02.s11+8: <33> (232)
 #u4.7o {628,192} #u5.7o {644,192} #u11.6i {740,188} #u12.6i {766,188}
 #u13.6i {772,188} #u14.6i {788,188} #u18.7o {852,192}

DMem02.s11+9: <32> (232)
 #u4.9o {628,200} #u5.9o {644,200} #u11.8i {740,196} #u12.8i {766,196}
 #u13.8i {772,196} #u14.8i {788,196} #u18.9o {852,200}

DMem07.s11+1: <137> (32)
#u2.8i {808,192}

#u1.6o {580,188}

DMem07.s11+2: <153> (1028)

#u1.8i {592,192}
#a516.14o {716,104}
#a316.14o {172,104}

#r7.1i {452,168}
#a216.14o {812,72}
#a616.14o {76,136}

#a416.14o {444,104}
#a716.14o {348,136}

#a116.14o {540,72}
#a016.14o {268,72}

DMem07.s11+3: <150> (68)

#u33.2i {176,212}

#u28.13o {108,212}

DMem07.s11+4: <189> (1298)

#a216.2i {800,68}
#a416.2i {432,100}
#a616.2i {64,132}

#a516.2i {704,100}
#a716.2i {336,132}
#u28.12i {108,216}

#u2.6o {596,188}
#a016.2i {266,68}

#a116.2i {528,68}
#a316.2i {160,100}

DoneA': <125> (236)

#u26.3i {48,216}
#u37.4i {240,220}

#u27.4i {80,220}

#u31.8o {156,232}

#u32.2i {160,212}

DoneB: <160> (892)

#u25.11i {60,220}

#u31.11o {166,220}

#u21.1i {900,168}

DoneB': <138> (152)

#u25.8o {60,232}

#u25.2i {48,212}

#u27.1i {80,208}

#u31.12i {156,216}

Error': <12> (804)

#u21.12i {912,176}

#11.1i {320,168}

#u33.4i {176,220}

#u33.6o {176,228}

GND: <11> (26344)

#u37.7i {240,232}
#u33.7i {176,232}
#u28.7i {98,232}
#u23.7i {16,232}
#u18.10i {852,204}
#u13.10i {772,204}
#u9.10i {708,204}
#u5.10i {644,204}
#u1.7i {580,192}
E186 {232,4}
E111 {444,0}
#c4.2o {764,164}
#c8.2o {828,164}
#c13.2o {892,164}
#c17.2o {44,168}
#c22.2o {108,168}
#c27.2o {172,168}
#c31.2o {236,168}
#c36.2o {300,168}
#c702.2o {476,164}
#c706.2o {540,164}
#c710.2o {604,164}
#c714.2o {668,164}
#c301.2o {284,160}
#c305.2o {348,160}
#c309.2o {412,160}
#c313.2o {476,160}
#c600.2o {172,164}
#c604.2o {236,164}
#c608.2o {300,164}
#c612.2o {364,164}
#c616.2o {428,164}
#c503.2o {860,160}
#c507.2o {12,164}
#c511.2o {76,164}
#c515.2o {140,164}
#c402.2o {572,160}
#c406.2o {636,160}
#c410.2o {700,160}
#c414.2o {764,160}
#c201.2o {12,160}
#c205.2o {76,160}
#c209.2o {140,160}
#c213.2o {204,160}
#c100.2o {636,128}
#c104.2o {700,128}
#c108.2o {764,128}
#c112.2o {828,128}
#c116.2o {892,128}
#c003.2o {412,128}
#c007.2o {476,128}
#c011.2o {540,128}
#c015.2o {604,128}
#a714.16i {316,128}
#a709.16i {236,128}
#a706.16i {188,128}
#a701.16i {108,128}
#a614.16i {44,128}
#a609.16i {876,96}
#a606.16i {828,96}
#a601.16i {748,96}
#a514.16i {684,96}
#a509.16i {604,96}
#a506.16i {556,96}
#a501.16i {476,96}
#a414.16i {412,96}
#a409.16i {332,96}
#a406.16i {284,96}
#a401.16i {204,96}
#a314.16i {140,96}
#a309.16i {60,96}

#u36.7i {224,232}
#u31.7i {144,232}
#u27.7i {80,232}
#u22.7i {0,232}
#u16.8i {820,196}
#u12.10i {756,204}
#u8.10i {692,204}
#u4.10i {628,204}
E102 {408,0}
E175 {188,4}
#u17.10i {836,204}
#c5.2o {780,164}
#c9.2o {844,164}
#c14.2o {908,164}
#c18.2o {60,168}
#c23.2o {124,168}
#c28.2o {188,168}
#c33.2o {252,168}
#c37.2o {316,168}
#c703.2o {492,164}
#c707.2o {556,164}
#c711.2o {620,164}
#c715.2o {684,164}
#c302.2o {300,160}
#c306.2o {364,160}
#c310.2o {428,160}
#c314.2o {492,160}
#c601.2o {188,164}
#c605.2o {252,164}
#c609.2o {316,164}
#c613.2o {380,164}
#c500.2o {812,160}
#c504.2o {876,160}
#c508.2o {28,164}
#c512.2o {92,164}
#c516.2o {156,164}
#c403.2o {588,160}
#c407.2o {652,160}
#c411.2o {716,160}
#c415.2o {780,160}
#c202.2o {28,160}
#c206.2o {92,160}
#c210.2o {156,160}
#c214.2o {220,160}
#c101.2o {652,128}
#c105.2o {716,128}
#c109.2o {780,128}
#c113.2o {844,128}
#c000.2o {364,128}
#c004.2o {428,128}
#c008.2o {492,128}
#c012.2o {556,128}
#c016.2o {620,128}
#a715.16i {332,128}
#a708.16i {220,128}
#a707.16i {160,128}
#a700.16i {92,128}
#a615.16i {60,128}
#a608.16i {860,96}
#a607.16i {844,96}
#a600.16i {732,96}
#a515.16i {700,96}
#a508.16i {588,96}
#a507.16i {572,96}
#a500.16i {460,96}
#a415.16i {428,96}
#a408.16i {316,96}
#a407.16i {300,96}
#a400.16i {188,96}
#a315.16i {156,96}
#a308.16i {44,96}

#u36.7i {208,232}
#u30.7i {128,232}
#u26.7i {48,232}
#u21.7i {900,192}
#u15.10i {804,204}
#u11.10i {740,204}
#u7.10i {676,204}
#u3.8i {612,196}
E101 {404,0}
E176 {192,4}
#c1.2o {732,164}
#c6.2o {796,164}
#c10.2o {860,164}
#c15.2o {12,168}
#c19.2o {76,168}
#c24.2o {140,168}
#c29.2o {204,168}
#c34.2o {268,168}
#c700.2o {444,164}
#c704.2o {508,164}
#c708.2o {572,164}
#c712.2o {636,164}
#c716.2o {700,164}
#c303.2o {316,160}
#c307.2o {380,160}
#c311.2o {444,160}
#c315.2o {508,160}
#c602.2o {204,164}
#c606.2o {268,164}
#c610.2o {332,164}
#c614.2o {396,164}
#c501.2o {828,160}
#c505.2o {892,160}
#c509.2o {44,164}
#c513.2o {108,164}
#c400.2o {540,160}
#c404.2o {604,160}
#c408.2o {668,160}
#c412.2o {732,160}
#c416.2o {796,160}
#c203.2o {44,160}
#c207.2o {108,160}
#c211.2o {172,160}
#c215.2o {236,160}
#c102.2o {668,128}
#c106.2o {732,128}
#c110.2o {796,128}
#c114.2o {860,128}
#c001.2o {380,128}
#c005.2o {444,128}
#c009.2o {508,128}
#c013.2o {572,128}
#a712.16i {284,128}
#a711.16i {268,128}
#a704.16i {156,128}
#a703.16i {140,128}
#a612.16i {12,128}
#a611.16i {908,96}
#a604.16i {796,96}
#a603.16i {780,96}
#a512.16i {652,96}
#a511.16i {636,96}
#a504.16i {524,96}
#a503.16i {508,96}
#a412.16i {380,96}
#a411.16i {364,96}
#a404.16i {252,96}
#a403.16i {236,96}
#a312.16i {108,96}
#a311.16i {92,96}
#a304.16i {892,64}

#u34.7i {192,232}
#u29.7i {112,232}
#u24.7i {32,232}
#u19.10i {868,204}
#u14.10i {788,204}
#u10.8i {724,196}
#u6.10i {660,204}
#u2.7i {596,192}
E185 {228,4}
E112 {448,0}
#c3.2o {748,164}
#c7.2o {812,164}
#c12.2o {876,164}
#c16.2o {28,168}
#c21.2o {92,168}
#c25.2o {156,168}
#c30.2o {220,168}
#c35.2o {284,168}
#c701.2o {460,164}
#c705.2o {524,164}
#c709.2o {588,164}
#c713.2o {652,164}
#c300.2o {268,160}
#c304.2o {332,160}
#c308.2o {396,160}
#c312.2o {460,160}
#c316.2o {524,160}
#c603.2o {220,164}
#c607.2o {284,164}
#c611.2o {348,164}
#c615.2o {412,164}
#c502.2o {844,160}
#c506.2o {908,160}
#c510.2o {60,164}
#c514.2o {124,164}
#c401.2o {556,160}
#c405.2o {620,160}
#c409.2o {684,160}
#c413.2o {748,160}
#c200.2o {908,128}
#c204.2o {60,160}
#c208.2o {124,160}
#c212.2o {188,160}
#c216.2o {252,160}
#c103.2o {684,128}
#c107.2o {748,128}
#c111.2o {812,128}
#c115.2o {876,128}
#c002.2o {396,128}
#c006.2o {460,128}
#c010.2o {524,128}
#c014.2o {588,128}
#a713.16i {300,128}
#a710.16i {252,128}
#a705.16i {172,128}
#a702.16i {124,128}
#a613.16i {28,128}
#a610.16i {892,96}
#a605.16i {812,96}
#a602.16i {764,96}
#a513.16i {668,96}
#a510.16i {620,96}
#a505.16i {540,96}
#a502.16i {492,96}
#a413.16i {396,96}
#a410.16i {348,96}
#a405.16i {268,96}
#a402.16i {220,96}
#a313.16i {124,96}
#a310.16i {76,96}
#a305.16i {908,64}

#a306.161 {12,96}	#a307.161 {28,96}	#a303.161 {876,64}	#a302.161 {860,64}
#a301.161 {844,64}	#a300.161 {828,64}	#a212.161 {748,64}	#a213.161 {764,64}
#a214.161 {780,64}	#a216.161 {796,64}	#a211.161 {732,64}	#a210.161 {716,64}
#a209.161 {700,64}	#a208.161 {684,64}	#a204.161 {620,64}	#a206.161 {636,64}
#a206.161 {652,64}	#a207.161 {688,64}	#a203.161 {604,64}	#a202.161 {688,64}
#a201.161 {572,64}	#a200.161 {566,64}	#a112.161 {478,64}	#a113.161 {492,64}
#a114.161 {508,64}	#a116.161 {524,64}	#a111.161 {460,64}	#a110.161 {444,64}
#a109.161 {428,64}	#a108.161 {412,64}	#a104.161 {348,64}	#a105.161 {364,64}
#a106.161 {380,64}	#a107.161 {396,64}	#a103.161 {332,64}	#a102.161 {316,64}
#a101.161 {300,64}	#a100.161 {284,64}	#a012.161 {204,64}	#a013.161 {220,64}
#a014.161 {236,64}	#a015.161 {252,64}	#a011.161 {188,64}	#a010.161 {172,64}
#a009.161 {156,64}	#a008.161 {140,64}	#a004.161 {76,64}	#a006.161 {92,64}
#a006.161 {108,64}	#a007.161 {124,64}	#a003.161 {60,64}	#a002.161 {44,64}
#a001.161 {28,64}	#a000.161 {12,64}	#a616.161 {76,128}	#a716.161 {348,128}
#a516.161 {716,96}	#a416.161 {444,96}	#a216.161 {812,64}	#a316.161 {172,96}
#a116.161 {540,64}	#a016.161 {268,64}	#u16.41 {820,180}	#sw1.11 {340,188}
#sw1.21 {340,172}	#sw1.31 {340,176}	#sw1.41 {340,180}	#u10.41 {724,180}
#u10.21 {724,172}	#u15.191 {816,172}	#u15.11 {804,168}	#u14.191 {800,172}
#u14.11 {788,168}	#u13.11 {772,168}	#u13.191 {784,172}	#u12.191 {768,172}
#u12.11 {756,168}	#u19.41 {868,180}	#u19.51 {868,184}	#u11.11 {740,168}
#u11.191 {752,172}	#u16.51 {820,184}	#u23.21 {16,212}	#u23.121 {28,216}
#r4.11 {404,168}	#r2.11 {372,168}	#u26.11 {64,208}	#u26.140 {76,208}
#u32.140 {172,208}	#u32.11 {160,208}	#c0.11 {704,164}	#u37.11 {240,208}
#u37.121 {262,216}	#u37.131 {252,212}	#u37.111 {252,220}	
Init: <3> (704)			
#u36.111 {236,220}	#u36.120 {236,216}	#u21.51 {900,184}	#u21.41 {900,180}
Init': <2> (236)			
#u37.51 {240,224}	#u36.100 {236,224}	#u34.41 {192,220}	#u33.11 {176,208}
#u26.11 {48,208}	#u26.101 {60,224}		
INIT/: <231> (432)			
E114 {466,0}	#u36.131 {236,212}		
Mem: <136> (32)			
#u36.40 {224,220}	#u37.101 {262,224}		
Mem': <36> (276)			
#u22.41 {0,220}	#u27.80 {92,232}	#u34.21 {192,212}	#u36.31 {224,216}
#u37.31 {240,216}			
MemCycle: <81> (960)			
#u18.191 {864,172}	#u18.11 {852,168}	#u35.101 {220,224}	#u34.101 {204,224}
#u30.11 {128,208}	#u22.11 {0,208}	#u22.60 {0,228}	
MemReq: <27> (60)			
#u30.110 {140,220}	#u29.101 {124,224}	#u29.41 {112,220}	#u27.101 {92,224}
MRDC/: <113> (660)			
#u24.91 {44,228}	#u28.111 {108,220}	#u29.121 {124,216}	#u30.131 {140,212}
E119 {476,0}			
MWTC/: <139> (680)			
#u24.51 {32,224}	#u29.21 {112,212}	#u30.121 {140,216}	E120 {480,0}
PU: <4> (844)			
#u19.131 {880,196}	#u19.141 {880,192}	#u10.31 {724,176}	#r6.20 {448,168}
#u29.131 {124,212}	#u29.11 {112,208}		
RAS': <133> (800)			
#u30.41 {128,220}	#u34.60 {192,228}	#u36.91 {220,228}	#u19.151 {880,188}
RAS0': <55> (588)			
#a000.41 {0,76}	#a001.41 {16,76}	#a002.41 {32,76}	#a003.41 {48,76}
#a004.41 {64,76}	#a005.41 {80,76}	#a006.41 {96,76}	#a007.41 {112,76}
#a008.41 {128,76}	#a009.41 {144,76}	#a010.41 {160,76}	#a011.41 {176,76}
#a012.41 {192,76}	#a013.41 {208,76}	#a014.41 {224,76}	#a015.41 {240,76}
#a016.41 {256,76}	#rp2.160 {496,168}		
RAS1': <47> (448)			
#a100.41 {272,76}	#a101.41 {288,76}	#a102.41 {304,76}	#a103.41 {320,76}
#a104.41 {336,76}	#a105.41 {352,76}	#a106.41 {368,76}	#a107.41 {384,76}
#a108.41 {400,76}	#a109.41 {416,76}	#a110.41 {432,76}	#a111.41 {448,76}
#a112.41 {464,76}	#a113.41 {480,76}	#a114.41 {496,76}	#rp2.150 {496,172}
#a115.41 {512,76}	#a116.41 {528,76}		
RAS2': <39> (404)			
#a216.41 {800,76}	#a215.41 {784,76}	#a214.41 {768,76}	#a213.41 {752,76}
#a212.41 {736,76}	#a211.41 {720,76}	#a210.41 {704,76}	#a209.41 {688,76}
#a208.41 {672,76}	#a207.41 {656,76}	#a206.41 {640,76}	#a205.41 {624,76}
#a204.41 {608,76}	#a203.41 {592,76}	#a202.41 {576,76}	#a201.41 {560,76}
#a200.41 {544,76}	#rp2.140 {496,176}		
RAS3': <99> (1072)			
#a305.41 {896,76}	#a304.41 {880,76}	#a303.41 {864,76}	#a302.41 {848,76}
#a301.41 {832,76}	#a300.41 {816,76}	#rp2.130 {496,180}	#a316.41 {160,108}
#a315.41 {144,108}	#a314.41 {128,108}	#a313.41 {112,108}	#a312.41 {96,108}
#a311.41 {80,108}	#a310.41 {64,108}	#a309.41 {48,108}	#a308.41 {32,108}
#a307.41 {16,108}	#a306.41 {0,108}		
RAS4': <38> (396)			
#a400.41 {176,108}	#a401.41 {192,108}	#a402.41 {208,108}	#a403.41 {224,108}
#a404.41 {240,108}	#a405.41 {256,108}	#a406.41 {272,108}	#a407.41 {288,108}
#a408.41 {304,108}	#a409.41 {320,108}	#a410.41 {336,108}	#a411.41 {352,108}
#a412.41 {368,108}	#a413.41 {384,108}	#a414.41 {400,108}	#a415.41 {416,108}
#a416.41 {432,108}	#rp2.120 {496,184}		
RAS5': <42> (416)			
#a500.41 {448,108}	#a501.41 {464,108}	#a502.41 {480,108}	#a503.41 {496,108}
#rp2.110 {496,188}	#a504.41 {512,108}	#a505.41 {528,108}	#a506.41 {544,108}

#a607.41 {560,108}	#a608.41 {576,108}	#a609.41 {592,108}	#a610.41 {608,108}
#a611.41 {624,108}	#a612.41 {640,108}	#a613.41 {656,108}	#a614.41 {672,108}
#a616.41 {688,108}	#a618.41 {704,108}		

RAS6': <89> (1032)

#a811.41 {896,108}	#a610.41 {880,108}	#a609.41 {864,108}	#a608.41 {848,108}
#a607.41 {832,108}	#a608.41 {816,108}	#a606.41 {800,108}	#a604.41 {784,108}
#a603.41 {768,108}	#a602.41 {752,108}	#a601.41 {736,108}	#a600.41 {720,108}
#rtp2.10o {496,192}	#a616.41 {64,140}	#a615.41 {48,140}	#a614.41 {32,140}
#a613.41 {16,140}	#a612.41 {0,140}		

RAS7': <60> (472)

#a700.41 {80,140}	#a701.41 {96,140}	#a702.41 {112,140}	#a703.41 {128,140}
#a704.41 {144,140}	#a705.41 {160,140}	#a706.41 {176,140}	#a707.41 {192,140}
#a708.41 {208,140}	#a709.41 {224,140}	#a710.41 {240,140}	#a711.41 {256,140}
#a712.41 {272,140}	#a713.41 {288,140}	#a714.41 {304,140}	#a715.41 {320,140}
#a716.41 {336,140}	#rtp2.9o {496,196}		

ReadMB': <13> (944)

#u16.11i {816,204}	#u15.13i {816,196}	#u15.15i {816,188}	#u15.17i {816,180}
#u15.4i {804,180}	#u15.6i {804,188}	#u15.8i {804,196}	#u16.2i {804,172}
#u9.19i {720,172}	#u9.11i {708,168}	#u6.19i {672,172}	#u6.11i {660,168}
#u22.8o {12,232}			

Ref: <28> (16)

#u36.2o {224,212}	#u37.2i {240,212}
-------------------	-------------------

Ref': <130> (284)

#u22.2i {0,212}	#u27.13i {92,212}	#u34.12o {204,216}	#u36.1i {224,208}
#u37.9i {262,228}			

RefCycle: <14> (980)

#u21.2i {900,172}	#u19.16i {880,184}	#u35.2i {208,212}	#u35.5i {208,224}
#u22.5i {0,224}	#u22.3o {0,216}		

RefRAS': <174> (920)

#u19.12i {880,200}	#u35.8o {220,232}	#u23.1i {16,208}
--------------------	-------------------	------------------

RefReq: <145> (52)

#u36.8o {236,232}	#u34.13i {204,212}
-------------------	--------------------

StartCAS': <260> (792)

#u30.10i {140,224}	#u20.13i {896,188}
--------------------	--------------------

StartRAS': <264> (824)

#u30.5i {128,224}	#u20.18i {896,168}
-------------------	--------------------

SwAddr': <167> (816)

#u30.2i {128,212}	#u35.4i {208,220}	#u20.15i {896,180}
-------------------	-------------------	--------------------

VCC: <10> (21980)

#u37.14i {252,208}	#u36.14i {236,208}	#u35.14i {220,208}	#u34.14i {204,208}
#u33.14i {188,208}	#u31.14i {166,208}	#u30.14i {140,208}	#u29.14i {124,208}
#u28.14i {108,208}	#u27.14i {92,208}	#u25.14i {60,208}	#u24.14i {44,208}
#u23.14i {28,208}	#u22.14i {12,208}	#u21.14i {912,168}	#u19.20i {880,168}
#u18.20i {864,168}	#u16.16i {832,168}	#u15.20i {816,168}	#u14.20i {800,168}
#u13.20i {784,168}	#u12.20i {768,168}	#u11.20i {752,168}	#u10.16i {736,168}
#u9.20i {720,168}	#u8.20i {704,168}	#u7.20i {688,168}	#u6.20i {672,168}
#u5.20i {656,168}	#u4.20i {640,168}	#u3.16i {624,168}	#u2.14i {608,168}
#u1.14i {592,168}	E182 {216,4}	E184 {224,4}	E183 {220,4}
E181 {212,4}	E105 {420,0}	E106 {424,0}	E104 {416,0}
E103 {412,0}	#u17.20i {848,168}	#r6.1i {436,168}	#c716.1i {688,164}
#c715.1i {672,164}	#c714.1i {656,164}	#c713.1i {640,164}	#c712.1i {624,164}
#c711.1i {608,164}	#c710.1i {592,164}	#c709.1i {576,164}	#c708.1i {560,164}
#c707.1i {544,164}	#c706.1i {528,164}	#c705.1i {512,164}	#c704.1i {496,164}
#c703.1i {480,164}	#c702.1i {464,164}	#c701.1i {448,164}	#c700.1i {432,164}
#c416.1i {784,160}	#c415.1i {768,160}	#c414.1i {752,160}	#c413.1i {736,160}
#c412.1i {720,160}	#c411.1i {704,160}	#c410.1i {688,160}	#c409.1i {672,160}
#c408.1i {666,160}	#c407.1i {640,160}	#c406.1i {624,160}	#c405.1i {608,160}
#c404.1i {592,160}	#c403.1i {576,160}	#c402.1i {560,160}	#c401.1i {544,160}
#c400.1i {528,160}	#c516.1i {144,164}	#c515.1i {128,164}	#c514.1i {112,164}
#c513.1i {96,164}	#c512.1i {80,164}	#c511.1i {64,164}	#c510.1i {48,164}
#c509.1i {32,164}	#c508.1i {16,164}	#c507.1i {0,164}	#c506.1i {896,160}
#c505.1i {880,160}	#c504.1i {864,160}	#c503.1i {848,160}	#c502.1i {832,160}
#c501.1i {816,160}	#c500.1i {800,160}	#c616.1i {416,164}	#c615.1i {400,164}
#c614.1i {384,164}	#c613.1i {368,164}	#c612.1i {352,164}	#c611.1i {336,164}
#c610.1i {320,164}	#c609.1i {304,164}	#c608.1i {288,164}	#c607.1i {272,164}
#c606.1i {256,164}	#c605.1i {240,164}	#c604.1i {224,164}	#c603.1i {208,164}
#c602.1i {192,164}	#c601.1i {176,164}	#c600.1i {160,164}	#c37.1i {304,168}
#c36.1i {288,168}	#c35.1i {272,168}	#c34.1i {256,168}	#c33.1i {240,168}
#c31.1i {224,168}	#c30.1i {208,168}	#c29.1i {192,168}	#c28.1i {176,168}
#c27.1i {160,168}	#c25.1i {144,168}	#c24.1i {128,168}	#c23.1i {112,168}
#c22.1i {96,168}	#c21.1i {80,168}	#c19.1i {64,168}	#c18.1i {48,168}
#c17.1i {32,168}	#c16.1i {16,168}	#c15.1i {0,168}	#c14.1i {896,164}
#c13.1i {880,164}	#c12.1i {864,164}	#c10.1i {848,164}	#c9.1i {832,164}
#c8.1i {816,164}	#c7.1i {800,164}	#c6.1i {784,164}	#c5.1i {768,164}
#c4.1i {752,164}	#c3.1i {736,164}	#c1.1i {720,164}	#c016.1i {608,128}
#c015.1i {592,128}	#c014.1i {576,128}	#c013.1i {560,128}	#c012.1i {544,128}
#c011.1i {528,128}	#c010.1i {512,128}	#c009.1i {496,128}	#c008.1i {480,128}
#c007.1i {464,128}	#c006.1i {448,128}	#c005.1i {432,128}	#c004.1i {416,128}
#c003.1i {400,128}	#c002.1i {384,128}	#c001.1i {368,128}	#c000.1i {352,128}
#c116.1i {880,128}	#c115.1i {864,128}	#c114.1i {848,128}	#c113.1i {832,128}
#c112.1i {816,128}	#c111.1i {800,128}	#c110.1i {784,128}	#c109.1i {768,128}
#c108.1i {752,128}	#c107.1i {736,128}	#c106.1i {720,128}	#c105.1i {704,128}
#c104.1i {688,128}	#c103.1i {672,128}	#c102.1i {656,128}	#c101.1i {640,128}
#c100.1i {624,128}	#c216.1i {240,160}	#c215.1i {224,160}	#c214.1i {208,160}
#c213.1i {192,160}	#c212.1i {176,160}	#c211.1i {160,160}	#c210.1i {144,160}
#c209.1i {128,160}	#c208.1i {112,160}	#c207.1i {96,160}	#c206.1i {80,160}
#c205.1i {64,160}	#c204.1i {48,160}	#c203.1i {32,160}	#c202.1i {16,160}
#c201.1i {0,160}	#c200.1i {896,128}	#c316.1i {512,160}	#c315.1i {496,160}
#c314.1i {480,160}	#c313.1i {464,160}	#c312.1i {448,160}	#c311.1i {432,160}

#c310.11 {416,160}	#c309.11 {400,160}	#c308.11 {384,160}	#c307.11 {368,160}
#c306.11 {352,160}	#c305.11 {336,160}	#c304.11 {320,160}	#c303.11 {304,160}
#c302.11 {288,160}	#c301.11 {272,160}	#c300.11 {266,160}	#a712.81 {272,166}
#a713.81 {288,166}	#a714.81 {304,166}	#a716.81 {320,166}	#a711.81 {266,166}
#a710.81 {240,166}	#a709.81 {224,166}	#a708.81 {208,166}	#a704.81 {144,166}
#a705.81 {180,166}	#a706.81 {176,166}	#a707.81 {192,166}	#a703.81 {128,166}
#a702.81 {112,166}	#a701.81 {96,166}	#a700.81 {80,166}	#a612.81 {0,166}
#a613.81 {18,166}	#a614.81 {32,166}	#a615.81 {48,166}	#a611.81 {896,124}
#a610.81 {800,124}	#a609.81 {864,124}	#a608.81 {848,124}	#a604.81 {784,124}
#a605.81 {800,124}	#a606.81 {816,124}	#a607.81 {832,124}	#a603.81 {768,124}
#a602.81 {752,124}	#a601.81 {736,124}	#a600.81 {720,124}	#a512.81 {640,124}
#a513.81 {666,124}	#a514.81 {672,124}	#a515.81 {688,124}	#a511.81 {624,124}
#a510.81 {608,124}	#a509.81 {592,124}	#a508.81 {576,124}	#a504.81 {612,124}
#a505.81 {628,124}	#a506.81 {644,124}	#a507.81 {660,124}	#a503.81 {496,124}
#a502.81 {480,124}	#a501.81 {464,124}	#a500.81 {448,124}	#a412.81 {368,124}
#a413.81 {384,124}	#a414.81 {400,124}	#a415.81 {416,124}	#a411.81 {362,124}
#a410.81 {336,124}	#a409.81 {320,124}	#a408.81 {304,124}	#a404.81 {240,124}
#a405.81 {266,124}	#a406.81 {272,124}	#a407.81 {288,124}	#a403.81 {224,124}
#a402.81 {208,124}	#a401.81 {192,124}	#a400.81 {176,124}	#a312.81 {96,124}
#a313.81 {112,124}	#a314.81 {128,124}	#a315.81 {144,124}	#a311.81 {80,124}
#a310.81 {64,124}	#a309.81 {48,124}	#a308.81 {32,124}	#a304.81 {880,92}
#a305.81 {896,92}	#a306.81 {0,124}	#a307.81 {16,124}	#a303.81 {864,92}
#a302.81 {848,92}	#a301.81 {832,92}	#a300.81 {816,92}	#a212.81 {736,92}
#a213.81 {762,92}	#a214.81 {768,92}	#a215.81 {784,92}	#a211.81 {720,92}
#a210.81 {704,92}	#a209.81 {688,92}	#a208.81 {672,92}	#a204.81 {608,92}
#a205.81 {624,92}	#a206.81 {640,92}	#a207.81 {656,92}	#a203.81 {692,92}
#a202.81 {676,92}	#a201.81 {660,92}	#a200.81 {644,92}	#a112.81 {464,92}
#a113.81 {480,92}	#a114.81 {496,92}	#a115.81 {512,92}	#a111.81 {448,92}
#a110.81 {432,92}	#a109.81 {416,92}	#a108.81 {400,92}	#a104.81 {336,92}
#a105.81 {362,92}	#a106.81 {368,92}	#a107.81 {384,92}	#a103.81 {320,92}
#a102.81 {304,92}	#a101.81 {288,92}	#a100.81 {272,92}	#a012.81 {192,92}
#a013.81 {208,92}	#a014.81 {224,92}	#a015.81 {240,92}	#a011.81 {176,92}
#a010.81 {160,92}	#a009.81 {144,92}	#a008.81 {128,92}	#a004.81 {64,92}
#a005.81 {80,92}	#a006.81 {96,92}	#a007.81 {112,92}	#a003.81 {48,92}
#a002.81 {32,92}	#a001.81 {16,92}	#a000.81 {0,92}	#a616.81 {64,166}
#a716.81 {336,166}	#a616.81 {704,124}	#a416.81 {432,124}	#a216.81 {800,92}
#a316.81 {160,124}	#a116.81 {628,92}	#a016.81 {256,92}	#r7.2o {464,168}
#11.2o {332,168}	#sip1.11 {336,168}	#r3.2o {400,168}	#r1.2o {368,168}
#r5.2o {432,168}			

WE0': <54> (676)

#a000.31 {0,72}	#a001.31 {16,72}	#a002.31 {32,72}	#a003.31 {48,72}
#a004.31 {64,72}	#a005.31 {80,72}	#a006.31 {96,72}	#a007.31 {112,72}
#a008.31 {128,72}	#a009.31 {144,72}	#a010.31 {160,72}	#a011.31 {176,72}
#a012.31 {192,72}	#a013.31 {208,72}	#a014.31 {224,72}	#a015.31 {240,72}
#a016.31 {266,72}	#rp1.16o {480,168}		

WE1': <48> (466)

#a100.31 {272,72}	#a101.31 {288,72}	#a102.31 {304,72}	#a103.31 {320,72}
#a104.31 {336,72}	#a105.31 {362,72}	#a106.31 {368,72}	#a107.31 {384,72}
#a108.31 {400,72}	#a109.31 {416,72}	#a110.31 {432,72}	#a111.31 {448,72}
#a112.31 {464,72}	#a113.31 {480,72}	#rp1.15o {480,172}	#a114.31 {496,72}
#a115.31 {512,72}	#a116.31 {628,72}		

WE2': <44> (424)

#a216.31 {800,72}	#a215.31 {784,72}	#a214.31 {768,72}	#a213.31 {752,72}
#a212.31 {736,72}	#a211.31 {720,72}	#a210.31 {704,72}	#a209.31 {688,72}
#a208.31 {672,72}	#a207.31 {656,72}	#a206.31 {640,72}	#a205.31 {624,72}
#a204.31 {608,72}	#a203.31 {592,72}	#a202.31 {576,72}	#a201.31 {560,72}
#a200.31 {544,72}	#rp1.14o {480,176}		

WE3': <101> (1080)

#a305.31 {896,72}	#a304.31 {880,72}	#a303.31 {864,72}	#a302.31 {848,72}
#a301.31 {832,72}	#a300.31 {816,72}	#rp1.13o {480,180}	#a316.31 {160,104}
#a315.31 {144,104}	#a314.31 {128,104}	#a313.31 {112,104}	#a312.31 {96,104}
#a311.31 {80,104}	#a310.31 {64,104}	#a309.31 {48,104}	#a308.31 {32,104}
#a307.31 {16,104}	#a306.31 {0,104}		

WE4': <37> (384)

#a400.31 {176,104}	#a401.31 {192,104}	#a402.31 {208,104}	#a403.31 {224,104}
#a404.31 {240,104}	#a405.31 {256,104}	#a406.31 {272,104}	#a407.31 {288,104}
#a408.31 {304,104}	#a409.31 {320,104}	#a410.31 {336,104}	#a411.31 {352,104}
#a412.31 {368,104}	#a413.31 {384,104}	#a414.31 {400,104}	#a415.31 {416,104}
#a416.31 {432,104}	#rp1.12o {480,184}		

WE5': <43> (424)

#a500.31 {448,104}	#a501.31 {464,104}	#a502.31 {480,104}	#rp1.11o {480,188}
#a503.31 {496,104}	#a504.31 {512,104}	#a505.31 {528,104}	#a506.31 {544,104}
#a507.31 {560,104}	#a508.31 {576,104}	#a509.31 {592,104}	#a510.31 {608,104}
#a511.31 {624,104}	#a512.31 {640,104}	#a513.31 {656,104}	#a514.31 {672,104}
#a515.31 {688,104}	#a516.31 {704,104}		

WE6': <92> (1040)

#a611.31 {896,104}	#a610.31 {880,104}	#a609.31 {864,104}	#a608.31 {848,104}
#a607.31 {832,104}	#a606.31 {816,104}	#a605.31 {800,104}	#a604.31 {784,104}
#a603.31 {768,104}	#a602.31 {752,104}	#a601.31 {736,104}	#a600.31 {720,104}
#rp1.10o {480,192}	#a616.31 {64,136}	#a615.31 {48,136}	#a614.31 {32,136}
#a613.31 {16,136}	#a612.31 {0,136}		

WE7': <49> (460)

#a700.31 {80,136}	#a701.31 {96,136}	#a702.31 {112,136}	#a703.31 {128,136}
#a704.31 {144,136}	#a705.31 {160,136}	#a706.31 {176,136}	#a707.31 {192,136}
#a708.31 {208,136}	#a709.31 {224,136}	#a710.31 {240,136}	#a711.31 {266,136}
#a712.31 {272,136}	#a713.31 {288,136}	#a714.31 {304,136}	#a715.31 {320,136}
#a716.31 {336,136}	#rp1.9o {480,196}		

WriteMB': <76> (732)

#u8.1i {692,168}	#u7.1i {676,168}	#u22.11o {12,220}
------------------	------------------	-------------------

XACK/: <23> (612)

#u21.8o {912,192}	#u21.11o {912,180}	E123 {492,0}
-------------------	--------------------	--------------