

# **VMIVME-7740**

## **Single Board Pentium III Processor-Based VMEbus SBC**

### **Product Manual**



*A GE Fanuc Company*

12090 South Memorial Parkway  
Huntsville, Alabama 35803-3308, USA  
(256) 880-0444 ♦ (800) 322-3616 ♦ Fax: (256) 882-0859  
500-007740-000 Rev. C

## **FCC**

This card has been tested and met FCC Rules, Part 15, Class B.

This device complies with part 15 of the FCC Rules. Operation is subject to the following two conditions:

- (1) This device may not cause harmful interference, and
- (2) This device must accept any interference received, including interference that may cause undesired operation.

## **CE**

This card has been tested and met the following standards:

EN60950

EN55022-Class B

EN55024-4-2-1

EN55024-4-2-2

EN55024-4-2-3.1

EN55024-4-2-3.2

EN55024-4-2-4

VMIC declares this card meets CE Conformity.

## **UL60950**

This card has been tested and met UL60950: 2000 Third Edition.

Special Considerations:

- 1) A suitable fire and electrical enclosure shall be provided.
- 2) The input to the unit is considered to be an isolated SELV source.
- 3) A maximum operating base plate of 105 degrees C must be observed.



12090 South Memorial Parkway  
Huntsville, Alabama 35803-3308, USA  
(256) 880-0444 ♦ (800) 322-3616 ♦ Fax: (256) 882-0859

## COPYRIGHT AND TRADEMARKS

---

© Copyright 2001. The information in this document has been carefully checked and is believed to be entirely reliable. While all reasonable efforts to ensure accuracy have been taken in the preparation of this manual, VMIC assumes no responsibility resulting from omissions or errors in this manual, or from the use of information contained herein.

VMIC reserves the right to make any changes, without notice, to this or any of VMIC's products to improve reliability, performance, function, or design.

VMIC does not assume any liability arising out of the application or use of any product or circuit described herein; nor does VMIC convey any license under its patent rights or the rights of others.

For warranty and repair policies, refer to VMIC's Standard Conditions of Sale.

AMXbus, BITMODULE, COSMODULE, DMAbus, IOMax, IOWorks Foundation, IOWorks Manager, IOWorks Server, MAGICWARE, MEGAMODULE, PLC ACCELERATOR (ACCELERATION), Quick Link, RTnet, Soft Logic Link, SRTbus, TESTCAL, "The Next Generation PLC", The PLC Connection, TURBOMODULE, UCLIO, UIOD, UPLC, Visual Soft Logic Control(ler), **VMEaccess**, VMEbus Access, **VMEmanager**, **VMEmonitor**, VMEnet, VMEnet II, and **VMEprobe** are trademarks and The I/O Experts, The I/O Systems Experts, The Soft Logic Experts, and The Total Solutions Provider are service marks of VMIC.



(I/O man figure)



(IOWorks man figure)



The I/O man figure, IOWorks, IOWorks man figure, UIOC, Visual IOWorks and the VMIC logo are registered trademarks of VMIC.

ActiveX, Microsoft, Microsoft Access, MS-DOS, Visual Basic, Visual C++, Win32, Windows, Windows NT, and XENIX are registered trademarks of Microsoft Corporation.

Celeron and MMX are trademarks, and Intel and Pentium are registered trademarks of Intel Corporation.

PICMG and CompactPCI are registered trademarks of PCI Industrial Computer Manufacturers' Group.

Other registered trademarks are the property of their respective owners.

### VMIC

#### All Rights Reserved

This document shall not be duplicated, nor its contents used for any purpose, unless granted express written permission from VMIC.



---

*A GE Fanuc Company*

12090 South Memorial Parkway  
Huntsville, Alabama 35803-3308, USA  
(256) 880-0444 ♦ (800) 322-3616 ♦ Fax: (256) 882-0859

# Table of Contents

<b>Overview</b> .....	15
Organization of the Manual .....	16
References .....	17
Safety Summary .....	19
Safety Symbols Used in This Manual .....	20
Notation and Terminology .....	21
<b>Chapter 1 - VMIVME-7740 Features and Options</b> .....	23
VMEbus Features .....	26
VMIVME-7740 Product Options .....	27
<b>Chapter 2 - Installation and Setup</b> .....	29
Unpacking Procedures .....	29
Hardware Setup .....	30
Installation .....	35
BIOS Setup .....	36
Front Panel Connectors .....	36
PMC Expansion Site Connectors .....	36
LED Definition .....	37
<b>Chapter 3 - PC/AT Functions</b> .....	39
CPU Socket .....	40
Physical Memory .....	40
Memory and Port Maps .....	41
Memory Map .....	41
I/O Port Map .....	42
PC/AT Interrupts .....	44

PCI Interrupts .....	48
I/O Ports .....	49
Video Graphics Adapter .....	50
Ethernet Controllers .....	51
10BaseT .....	51
100BaseTx .....	51
LANWorks .....	51
<b>Chapter 4 - Embedded PC/RTOS Features .....</b>	<b>53</b>
Timers .....	54
General .....	54
Timer Interrupt Status .....	54
Clearing the Interrupt .....	55
Timer Programming .....	55
Architecture .....	55
Writing .....	57
Reading .....	59
Mode Definitions .....	62
Flash Disk .....	63
Configuration .....	63
Functionality .....	64
Advanced Configuration .....	64
Watchdog Timer .....	67
Time of Day Registers .....	69
Time of Day Alarm Registers .....	70
Watchdog Alarm Registers .....	71
Command Register .....	71
NVRAM .....	73
<b>Chapter 5 - Maintenance .....</b>	<b>75</b>
Maintenance Prints .....	75
<b>Appendix A - Connector Pinouts .....</b>	<b>77</b>
Dual Ethernet Connectors Pinout (J1, J7) .....	79
Video Connector Pinout (J3) .....	80
Serial Connector Pinout (P3) .....	81
USB Connector (J8) .....	82
Keyboard/Mouse Connector Pinout .....	83

VMEbus Connector Pinout .....	84
<b>Appendix B - System Driver Software .....</b>	<b>89</b>
Driver Software Installation .....	89
Windows 98 SE (Second Edition) .....	90
Manual Installation of the 8255X Driver .....	90
Intel 69030 Video Driver .....	90
Windows NT (Version 4.0) .....	91
<b>Appendix C - Phoenix BIOS .....</b>	<b>93</b>
System BIOS Setup Utility .....	93
Help Window .....	93
Main Menu .....	94
QuickBoot .....	94
Setting The Time .....	94
Setting The Date .....	94
Legacy Diskette .....	95
Floppy Drive A .....	95
Floppy Drive B .....	95
Primary Master/Slave .....	95
Secondary Master .....	96
Keyboard Features .....	96
NumLock .....	96
Key Click .....	96
Keyboard Auto-Repeat Rate (Chars/Sec) .....	96
Keyboard Auto-Repeat Delay (sec) .....	97
Keyboard Test .....	97
System Memory .....	97
Extended Memory .....	97
Extended Memory .....	97
Console Redirection .....	97
Com Port Address .....	98
Baud Rate .....	98
Console Type .....	98
Flow Control .....	98
Console Connection .....	98
Console Redirection After POST .....	98
Advanced Menu .....	99

Installed O/S .....	99
Reset Configuration Data .....	99
Cache Memory .....	99
I/O Device Configuration .....	100
Large Disk Access Mode .....	101
Local Bus IDE Adapter .....	101
Advanced Chipset Control .....	101
Graphics Aperture .....	101
Enable Memory Map .....	102
ECC Config .....	102
SERR Signal Configuration .....	102
Clear Watch Dog Timer Reset .....	102
Assign Interrupt to USB .....	102
Legacy USB Support .....	102
Power .....	103
Security .....	104
Boot Menu .....	105
Exit Menu .....	106
Exit Saving Changes .....	106
Exit Discarding Changes .....	106
Load Setup Defaults .....	106
Discard Changes .....	106
Save Changes .....	106
<b>Appendix D - LANWorks BIOS .....</b>	<b>107</b>
Boot Menus .....	108
First Boot Menu .....	108
Boot Menu .....	108
BIOS Features Setup .....	110
RPL .....	110
TCP/IP .....	110
Netware .....	111
PXE .....	111
<b>Appendix E - Device Configuration: I/O and Interrupt Control .....</b>	<b>113</b>
BIOS Operations .....	114
BIOS Control Overview .....	114
Functional Overview .....	114



Data Book References .....	116
Device Address Definition .....	118
ISA Devices .....	118
PCI Devices .....	119
Device Interrupt Definition .....	120
PC/AT Interrupt Definition .....	120
ISA Device Interrupt Map .....	120
PCI Device Interrupt Map .....	122
<b>Appendix F - Sample C Software .....</b>	<b>123</b>
Directory CPU .....	124
CPU.C .....	124
** FILE: CPU.H .....	134
** FILE: FLAT.C .....	135
** FILE: FLAT.H .....	143
** FILE: PCI.C .....	145
** FILE: PCI.H .....	149
** FILE: UNIVERSE.H .....	151
Directory SRAM .....	191
** FILE: TS.C .....	191
Directory Timers .....	195
CPU.H .....	195
** FILE: T_TIMERS.C .....	197
Directory WATCHDOG .....	209
** FILE: WATCHDOG.H .....	209
** FILE:WDTO.C .....	210



# List of Figures

Figure 1-1	VMIVME-7740 Block Diagram .....	25
Figure 1-2	VMIVME-7740 VMEbus Functions .....	27
Figure 2-1	VMIVME-7740 CPU Board, I/O Port, and Jumper Locations .....	31
Figure 2-2	PCI Expansion Site .....	36
Figure 2-3	LED Position on the Front Panel .....	37
Figure 3-1	Connections for the PC Interrupt Logic Controller .....	49
Figure 4-1	Timer Interrupt Status Register Read/Steps .....	54
Figure 4-2	Timer Interrupt Status Register .....	55
Figure 4-3	Clearing the Timer Interrupt Status Register .....	55
Figure 4-4	82C54 Diagram .....	56
Figure 4-5	Internal Timer Diagram .....	57
Figure 4-6	Typical System Configuration .....	63
Figure 4-7	Watchdog Alarm Block .....	67
Figure A-1	VMIVME-7740 Connector and Jumper Locations .....	78
Figure A-2	Ethernet Connector Pinout .....	79
Figure A-3	Video Connector Pinout .....	80
Figure A-4	Serial Connector Pinouts .....	81
Figure A-5	USB Connector and Pinout .....	82
Figure A-6	Keyboard Connector Pinout .....	83
Figure A-7	VME64 Connector Diagram .....	84
Figure E-1 115	VMIVME-7740 Block Diagram .....	
Figure E-2 121	BIOS Default Connections for the PC Interrupt Logic Controller .....	



# List of Tables

Table 1-1	PC/AT I/O Features	24
Table 2-1	CPU Board Connectors	32
Table 2-2	Timers and NVRAM Battery Select (User Configurable) - Jumper (E8)	32
Table 2-5	CMOS Battery Enable - Jumper (E10)	33
Table 2-3	BIOS Mode Option - Jumper (E15)	33
Table 2-4	Password Clear (User Configurable) - Jumper (E4)	33
Table 2-6	VME Interface Jumper Options and Factory Settings (E13, E14)	34
Table 3-1	VMIVME-7740, Universe II-Based Interface Memory Address Map	41
Table 3-2	VMIVME-7740 I/O Address Map	42
Table 3-3	PC/AT Hardware Interrupt Line Assignments	44
Table 3-4	PC/AT Interrupt Vector Table	45
Table 3-5	NMI Register Bit Descriptions	48
Table 3-6	Supported Graphics Video Resolutions	50
Table 4-1	I/O Address of the Control Word Register and Timers	55
Table 4-2	Control Word Format	57
Table 4-3	ST - Select Timer	58
Table 4-4	RW - Read/Write	58
Table 4-5	M - Mode	58
Table 4-6	BCD	59
Table 4-7	Read-Back Command Format	60
Table 4-8	Read-Back Command Description	60
Table 4-9	Status Byte	60
Table 4-10	Status Byte Description	61
Table 4-11	LOAD Bit Operation	61
Table 4-12	Watchdog Registers	68
Table 4-13	Time of Day Alarm Registers	70
Table A-1	Keyboard/Mouse Y Splitter Cable	83
Table A-2	P1 - VME64 Connector	84
Table A-3	P2 - VME64 Connector	86
Table E-1	ISA Device Mapping Configuration	118
Table E-2	PCI Device Mapping Configuration	119
Table E-3	Device PCI Interrupt Mapping by the BIOS	



# Overview

---

---

## Introduction

VMIC's VMIVME-7740 is a complete Pentium III processor-based computer with the additional benefits of single Eurocard construction and full compatibility with the VMEbus Specification Rev. C.1. The VMIVME-7740, with advanced VMEbus interface and RAM that is dual-ported to the VMEbus, is ideal for multiprocessor applications.

The single CPU board functions as a standard PC/AT, executing a PC/AT-type power-on self-test, then boots up MS-DOS, Windows 95, Windows NT, or any other PC compatible operating system. The standard PC features of the VMIVME-7740 are discussed in Chapter 3 of this manual.

The VMIVME-7740 also operates as a VMEbus controller and interacts with other VMEbus modules via the on-board PCI-to-VMEbus bridge and the Endian conversion hardware.

The VMIVME-7740 may be accessed as a VMEbus slave board. The VMEbus functions are available by programming the VMIVME-7740's PCI-to-VMEbus bridge according to the references defined in this volume and/or in the second volume dedicated to the optional PCI-to-VMEbus interface board titled: *VMIVME-7740 Tundra Universe II™-Based VMEbus Interface Product Manual (document No. 500-007740-001)*.

Throughout this manual, all references to the Universe II refer to the Universe IIB.

The VMIVME-7740 programmer may quickly and easily control all the VMEbus functions simply by linking to a library of VMEbus interrupt and control functions. This library is available with VMIC's VMISFT-9420 IOWorks Access software for Windows NT users.

The VMIVME-7740 also provides capabilities beyond the features of a typical PC/AT-compatible SBC including general-purpose timers, a programmable Watchdog Timer, a bootable flash disk system, and nonvolatile SRAM. These features make the unit ideal for embedded applications. These nonstandard PC/AT functions are discussed in Chapter 4 of this manual.

---

## Organization of the Manual

This manual is composed of the following chapters and appendices:

**Chapter 1 - VMIVME-7740 Features and Options** describes the features of the base unit followed by descriptions of the associated features of the unit in operation on a VMEbus.

**Chapter 2 - Installation and Setup** describes unpacking, inspection, hardware jumper settings, connector definitions, installation, system setup, and operation of the VMIVME-7740.

**Chapter 3 - PC/AT Functions** describes the unit design in terms of the standard PC memory and I/O maps, along with the standard interrupt architecture.

**Chapter 4 - Embedded PC/RTOS Features** describes the unit features that are beyond standard PC/AT functions.

**Chapter 5 - Maintenance** provides information relative to the care and maintenance of the unit.

**Appendix A - Connector Pinouts** illustrates and defines the connectors included in the unit's I/O ports.

**Appendix B - System Driver Software** includes detailed instructions for installation of the drivers during installation of Windows 95, 98, 2000, or Windows NT (Version 4.0) operating systems.

**Appendix C - Phoenix BIOS** describes the menus and options associated with the Phoenix BIOS.

**Appendix D - LANWorks BIOS** describes the menus and options associated with the LANWorks BIOS.

**Appendix D - Device Configuration: I/O and Interrupt Control** provides the user with the information needed to develop custom applications such as the revision of the current BIOS configuration to a user-specific configuration.

**Appendix E - Sample C Software** provides a library of sample code the programmers may utilize to build the required application software for their system.



---

## References

For the most up-to-date specifications for the VMIVME-7740, please refer to:

***VMIC specification number 800-007740-000***

The following books refer to the Tundra Universe II-based interface available in the VMIVME-7740:

***VMIVME-7740, Tundra Universe II™-Based VMEbus Interface Product Manual***

VMIC Doc. No. 500-007740-001

***VMEbus Interface Components Manual***

Tundra Semiconductor Corporation  
603 March Rd.  
Kanata, Ontario  
Canada, K2K 2M5  
(613) 592-0714 FAX (613) 592-1320  
www.tundra.com

Some reference sources helpful in using or programming the VMIVME-7740 include:

***Pentium III Processors and Related Products***

Intel Literature Sales  
P.O. Box 7641  
Mt. Prospect, IL 60056-7641  
(800) 548-4752  
www.intel.com

***Intel 440GX PCIset***

82443GX PCI and Memory Controller (PMC) 82443GX AGP set  
Intel Corporation  
P.O. Box 58119  
Santa Clara, CA 95052-8119  
(408) 765-8080  
www.intel.com

***PCI Special Interest Group***

P.O. Box 14070  
Portland, OR 97214  
(800) 433-5177 (U.S.) (503) 797-4207 (International) FAX (503) 234-6762  
www.pcisig.com

The VMEbus interrupt and control software library references included for Windows NT:

***VMISFT-9420 IOWorks Access User's Guide***

Doc. No. 520-009420-910  
VMIC  
12090 South Memorial Pkwy.  
Huntsville, AL 35803-3308  
(800) 322-3616 FAX: (256) 882-0859  
www.vmic.com

For a detailed description and specification of the VMEbus, please refer to:

***VMEbus Specification Rev. C.1 and The VMEbus Handbook***

VMEbus International Trade Association (VITA)

7825 East Gelding Dr.

Suite No. 104

Scottsdale, AZ 85260

(602) 951-8866 FAX: (602) 951-0720

[www.vita.com](http://www.vita.com)

The following is useful information related to remote Ethernet booting of the VMIVME-7740:

***Microsoft Windows NT Server Resource Kit***

Microsoft Corporation

ISBN: 1-57231-344-7

[www.microsoft.com](http://www.microsoft.com)

---

## Safety Summary

The following general safety precautions must be observed during all phases of the operation, service, and repair of this product. Failure to comply with these precautions or with specific warnings elsewhere in this manual violates safety standards of design, manufacture, and intended use of this product.

VMIC assumes no liability for the customer's failure to comply with these requirements.

### Ground the System

To minimize shock hazard, the chassis and system cabinet must be connected to an electrical ground. A three-conductor AC power cable should be used. The power cable must either be plugged into an approved three-contact electrical outlet or used with a three-contact to two-contact adapter with the grounding wire (green) firmly connected to an electrical ground (safety ground) at the power outlet.

### Do Not Operate in an Explosive Atmosphere

Do not operate the system in the presence of flammable gases or fumes. Operation of any electrical system in such an environment constitutes a definite safety hazard.

### Keep Away from Live Circuits

Operating personnel must not remove product covers. Component replacement and internal adjustments must be made by qualified maintenance personnel. Do not replace components with power cable connected. Under certain conditions, dangerous voltages may exist even with the power cable removed. To avoid injuries, always disconnect power and discharge circuits before touching them.

### Do Not Service or Adjust Alone

Do not attempt internal service or adjustment unless another person capable of rendering first aid and resuscitation is present.

### Do Not Substitute Parts or Modify System

Because of the danger of introducing additional hazards, do not install substitute parts or perform any unauthorized modification to the product. Return the product to VMIC for service and repair to ensure that safety features are maintained.

### Dangerous Procedure Warnings

Warnings, such as the example below, precede only potentially dangerous procedures throughout this manual. Instructions contained in the warnings must be followed.

---

**WARNING:** Dangerous voltages, capable of causing death, are present in this system. Use extreme caution when handling, testing, and adjusting.

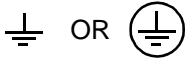
---

---

## Safety Symbols Used in This Manual



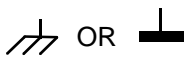
Indicates dangerous voltage (terminals fed from the interior by voltage exceeding 1000 V are so marked).



Protective conductor terminal. For protection against electrical shock in case of a fault. Used with field wiring terminals to indicate the terminal which must be connected to ground before operating equipment.



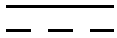
Low-noise or noiseless, clean ground (earth) terminal. Used for a signal common, as well as providing protection against electrical shock in case of a fault. Before operating the equipment, terminal marked with this symbol must be connected to ground in the manner described in the installation (operation) manual.



Frame or chassis terminal. A connection to the frame (chassis) of the equipment which normally includes all exposed metal structures.



Alternating current (power line).



Direct current (power line).



Alternating or direct current (power line).

**STOP** informs the operator that the practice or procedure should not be performed. Actions could result in injury or death to personnel, or could result in damage to or destruction of part or all of the system.

**WARNING** denotes a hazard. It calls attention to a procedure, a practice, or condition, which, if not correctly performed or adhered to, could result in injury or death to personnel.

**CAUTION** denotes a hazard. It calls attention to an operating procedure, a practice, or condition, which, if not correctly performed or adhered to, could result in damage to or destruction of part or all of the system.

**NOTE** denotes important information. It calls attention to a procedure, a practice, a condition or the like, which is essential to highlight.

---

## Notation and Terminology

This product bridges the traditionally divergent worlds of Intel-based PC's and Motorola-based VMEbus controllers; therefore, some confusion over "conventional" notation and terminology may exist. Every effort has been made to make this manual consistent by adhering to conventions typical for the Motorola/VMEbus world; nevertheless, users in both camps should review the following notes:

- Hexadecimal numbers are listed Motorola-style, prefixed with a dollar sign: \$F79, for example. By contrast, this same number would be signified 0F79H according to the Intel convention, or 0xF79 by many programmers. Less common are forms such as F79<sub>h</sub> or the mathematician's F79<sub>16</sub>.
- An 8-bit quantity is termed a "byte," a 16-bit quantity is termed a "word," and a 32-bit quantity is termed a "longword." The Intel convention is similar, although their 32-bit quantity is more often called a "doubleword."
- Motorola programmers should note that Intel processors have an I/O bus that is completely independent from the memory bus. Every effort has been made in the manual to clarify this by referring to registers and logical entities in I/O space by prefixing I/O addresses as such. Thus, a register at "I/O \$140" is not the same as a register at "\$140," since the latter is on the memory bus while the former is on the I/O bus.
- Intel programmers should note that addresses are listed in this manual using a linear, "flat-memory" model rather than the old segment:offset model associated with Intel Real Mode programming. Thus, a ROM chip at a segment:offset address of C000:0 will be listed in this manual as being at address \$C0000. For reference, here are some quick conversion formulas:

Segment:Offset to Linear Address

Linear Address = (Segment × 16) + Offset

Linear Address to Segment:Offset

Segment = ((Linear Address ÷ 65536) – remainder) × 4096

Offset = remainder × 65536

Where *remainder* = the fractional part of (Linear Address ÷ 65536)

Note that there are many possible segment:offset addresses for a single location. The formula above will provide a unique segment:offset address by forcing the segment to an even 64 Kbyte boundary, for example, \$C000, \$E000, etc. When using this formula, make sure to round the offset calculation properly.



# ***VMIVME-7740 Features and Options***

## **Contents**

Introduction .....	23
VMEbus Features.....	26

---

---

## **Introduction**

The VMIVME-7740 performs all the functions of a standard IBM PC/AT motherboard with the following features:

- Single-slot VMEbus 6U size
- Includes a high-performance Intel Pentium III processor
- Up to 512 Mbyte of Synchronous DRAM
- 64-bit AGP SVGA video graphics accelerator
  - 4 Mbyte SGRAM Video Memory
  - Resolutions up to 1600x1200x56k colors
- Battery-backed clock/calendar
- Front panel reset switch and miniature speaker
- On-board port for a keyboard and mouse, Ultra-IDE hard drive, floppy drive, dual Ethernet, video, dual serial, and USB
- Front panel “vital sign” indicators (power, Ultra-IDE hard drive activity, VMEbus SYSFAIL, and Ethernet status)
- Three general-purpose programmable 16-bit timers
- Software-controlled Watchdog Timer
- Up to 192 Mbyte of bootable flash on secondary IDE
- 32 Kbyte of non-volatile SRAM
- PMC

The VMIVME-7740 supports standard PC/AT I/O features such as those listed in Table 1-1. Figure 1-1 on page 25 shows a block diagram of the VMIVME-7740 emphasizing the I/O features including the PCI-to-VMEbus bridge.

**Table 1-1** PC/AT I/O Features

<b>I/O FEATURE</b>	<b>IDENTIFIER</b>	<b>PHYSICAL ACCESS</b>
Two Serial Ports (16550-Compatible RS-232C)	COM1 COM2	Front Panel, Dual Micro-D 9-Pin
AT-Style Keyboard/Mouse Controller with a PS/2-Style Adapter	M/K	Front Panel PS/2-Style Connector, Mini-DIN Circular (female) Adapter "Y" Cable Supplied
Super VGA Video Controller with 4 Mbyte SGRAM	SVGA	Front Panel DB15HD High Density (female)
Dual Ethernet, 10BaseT, 100BaseTx, Novell NE-2000 Compatible	LAN1 LAN2	Front Panel RJ45
Floppy Disk Controller (two drives maximum)	Drives A, B	P2
Ultra IDE Fixed Disk Controller (two drives maximum)	Drives C, D	P2
Hardware Reset	RST	Front Panel Push-Button
IBM/PC Sound		Front Panel Speaker Port
USB Ports		Front Panel
Power Status, Hard Drive Activity, VMEbus SYSFAIL, and Ethernet Status	LED Indicators	Front Panel



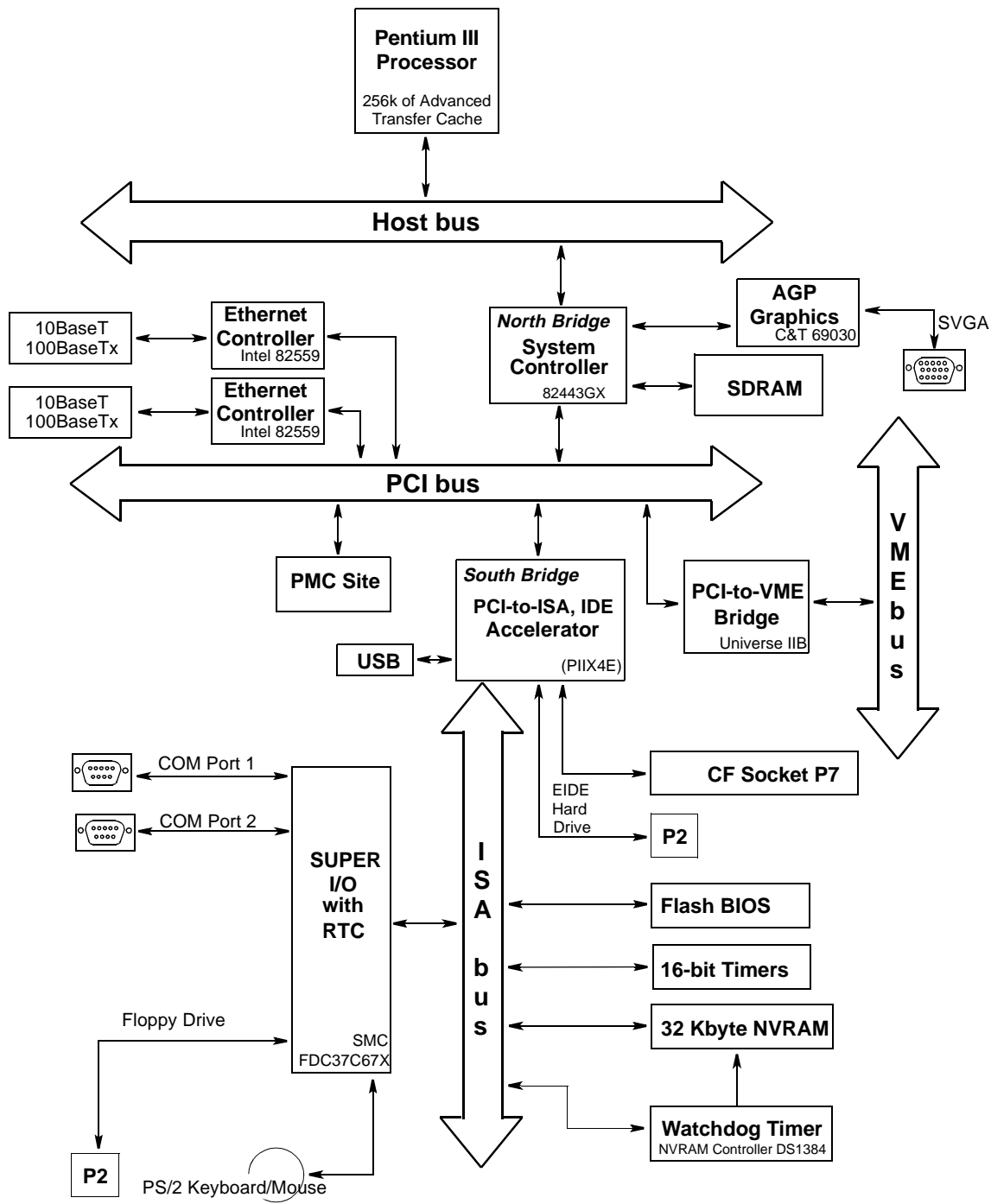


Figure 1-1 VMIVME-7740 Block Diagram

---

## VMEbus Features

In addition to its PC/AT functions, the VMIVME-7740 has the following VMEbus features:

- Single-slot, 6U height VMEbus board
- Complete six-line Address Modifier (AM-Code) programmability
- VME data interface with separate hardware byte/word swapping for master and slave accesses
- Support for VME64 multiplexed MBLT 64-bit VMEbus block transfers
- User-configured interrupter
- User-configured interrupt handler
- System Controller mode with programmable VMEbus arbiter (PRI, SGL, and RRS modes are supported)
- VMEbus BERR bus error timer (software programmable)
- Slave access from the VMEbus to local RAM and mailbox registers
- Full-featured programmable VMEbus requester (ROR, RWD, and BCAP modes are supported)
- System Controller autodetection
- Complete VMEbus master access through five separate Protected-mode memory windows

Figure 1-2 illustrates the VMIVME-7740 functions in a typical VMEbus system. The VMIVME-7740 is a versatile single-board solution for VMEbus control with familiar PC/AT operation.

The VMIVME-7740 VMEbus interface is provided by the PCI-to-VMEbus bridge built around the Tundra Semiconductor Corporation Universe II VMEbus interface chip. The Universe II provides a reliable high-performance 64-bit VMEbus-to-PCI interface in one design. The functions and programming of the Universe-based VMEbus interface are addressed in detail in a separate associated manual titled: *VMIVME-7740 Tundra Universe II Based VMEbus Interface Product Manual (500-657740-001)*.

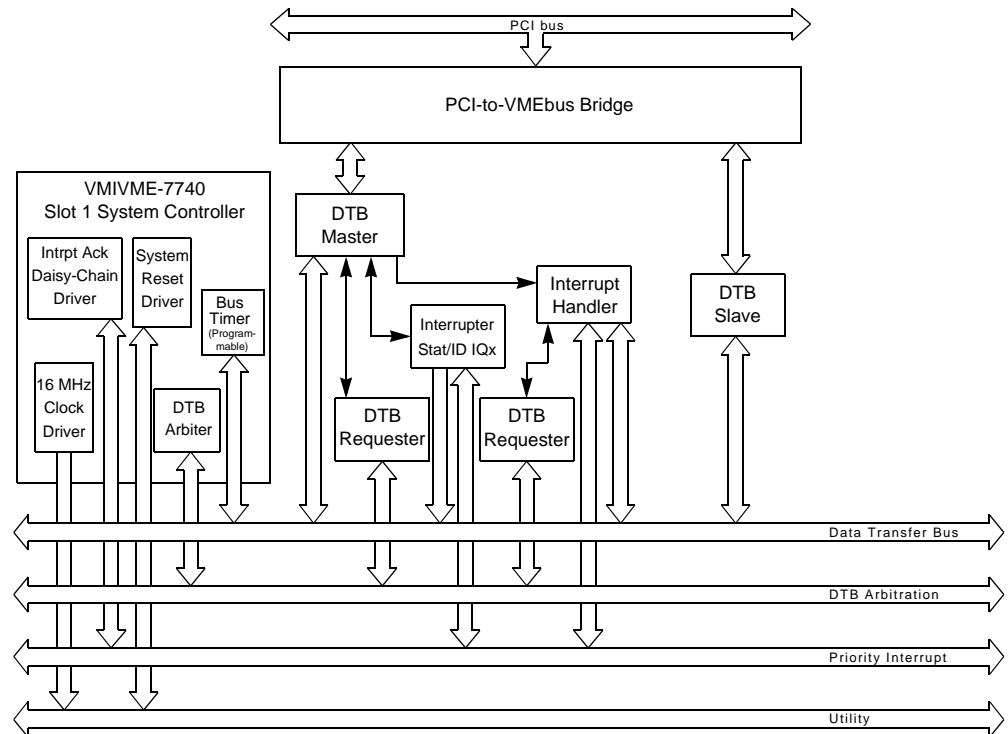


Figure 1-2 VMIVME-7740 VMEbus Functions

## VMIVME-7740 Product Options

VMIC's VMIVME-7740 is built around three fundamental hardware configurations. These involve processor performance, the Flash Disk, and SDRAM memory size. *These options are subject to change based on emerging technologies and availability of vendor configurations.*

The options and current details available with the VMIVME-7740 are defined in the device specification sheet available from your VMIC representative.



# *Installation and Setup*

## Contents

Unpacking Procedures . . . . . 29  
Hardware Setup . . . . . 30  
Installation . . . . . 35

---

---

## Introduction

This chapter describes the hardware jumper settings, connector definitions, installation, system setup, and operation of the VMIVME-7740. The PCI-to-VMEbus bridge and the Tundra Universe II-based interface are also included.

---

## Unpacking Procedures

Any precautions found in the shipping container should be observed. All items should be carefully unpacked and thoroughly inspected for damage that might have occurred during shipment. All claims arising from shipping damage should be filed with the carrier and a complete report sent to VMIC Customer Service together with a request for advice concerning the disposition of the damaged item(s).

---

**CAUTION:** Some of the components assembled on VMIC's products may be sensitive to electrostatic discharge, and damage may occur on boards that are subjected to a high energy electrostatic field. When the board is placed on a bench for configuring, etc., it is suggested that conductive material be inserted under the board to provide a conductive shunt. Unused boards should be stored in the same protective boxes in which they were shipped.

---

---

## Hardware Setup

The VMIVME-7740 is factory populated with user-specified options as part of the VMIVME-7740 ordering information. The CPU speed, SDRAM, and flash size are not user-upgradable. To change these options contact customer service to receive a Return Material Authorization (RMA).

VMIC Customer Service is available at: 1-800-240-7782.  
Or E-mail us at [customer.service@vmic.com](mailto:customer.service@vmic.com)

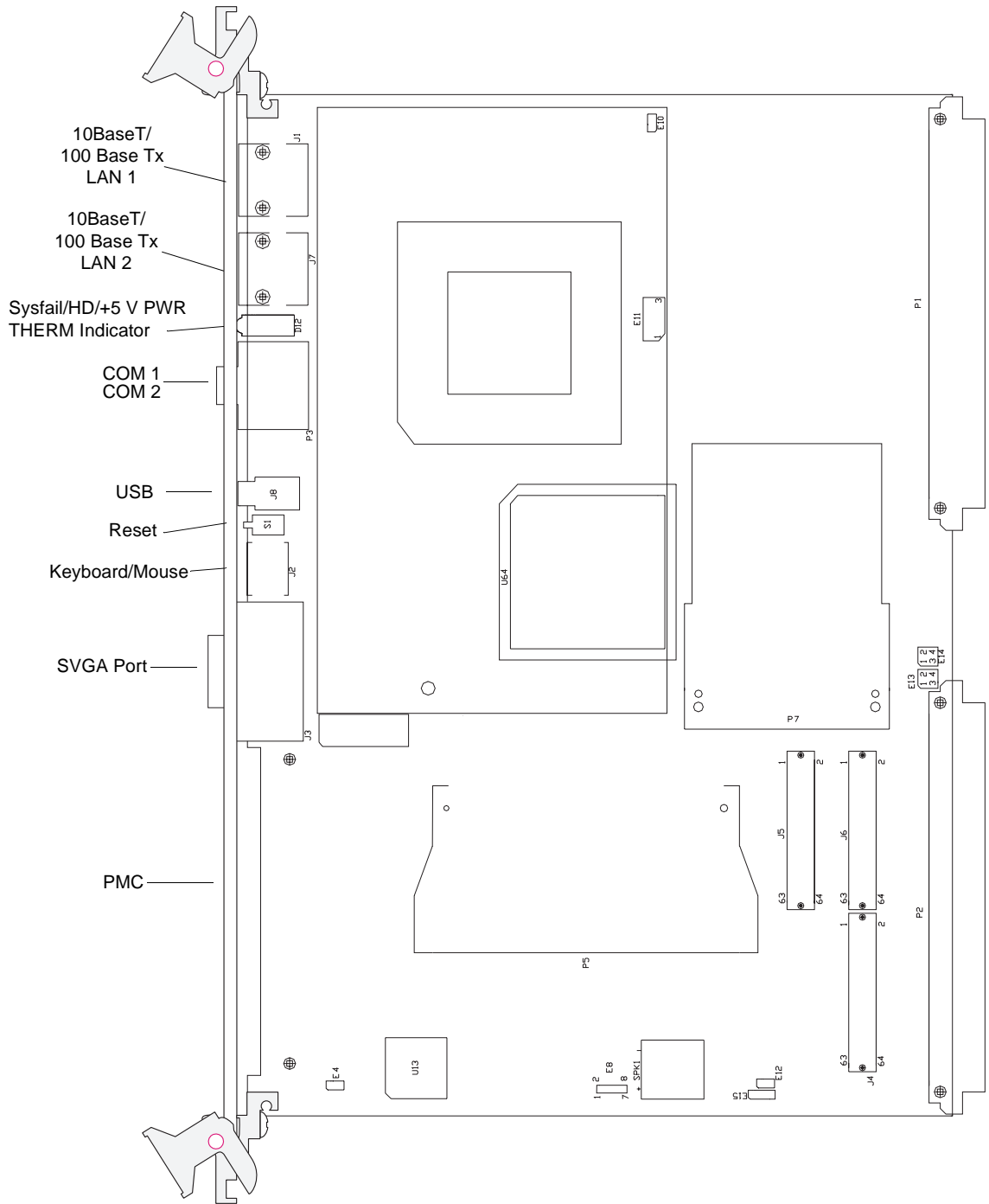
The VMIVME-7740 is tested for system operation and shipped with factory-installed header jumpers. The physical location of the jumpers and connectors for the single board CPU are illustrated in Figure 2-1 on page 31. The definitions of the CPU board jumpers and connectors are included in Table 2-1 through Table 2-4.

---

**CAUTION:** All jumpers are factory configured and should not be modified by the user. There are three exceptions: the Password Clear (E4), the Programmable Timer Clock Select (E8), the Watchdog Timer (E8) and the NVRAM Battery Power (E8).

Modifying any other jumper will void the Warranty and may damage the unit. The default jumper condition of the VMIVME-7740 is expressed in Table 2-1 through Table 2-6 with **bold text** in the table cells.

---



**Figure 2-1** VMIVME-7740 CPU Board, I/O Port, and Jumper Locations

**Table 2-1** CPU Board Connectors

Connector	Function
P3	COM1/COM2
J3	Video Connector
J1, J7	Ethernet Connector
J2	PS/2 Keyboard/Mouse Connector
E11	Fan Connector
P1, P2	VME Connectors
J4, J5, J6	PMC PCI Expansion Connectors
J8	USB Connectors
E9/E7/E11/E12	Factory Use Only

Jumper E8 below serves several functions on the VMIVME-7740. These functions are: The Watchdog Timer/NMI, Programmable Timer Clock Select, and the NVRAM Battery Enable.

**Table 2-2** Timers and NVRAM Battery Select (User Configurable) - Jumper (E8)

Select	Jumper Position
<b>Watchdog Timer</b>	
RESET	2-4
NMI	4-6
No RESET or NMI	Out
<b>Programmable Timer Clock Selection</b>	
1 Mhz	1-3
2 Mhz	3-5
<b>*NVRAM Battery Power</b>	
NVRAM Battery Disabled	Out
<b>NVRAM Battery Enabled</b>	<b>7-8</b>

*\*Enable battery for operation, disable battery for storage*



**Table 2-3** BIOS Mode Option - Jumper (E15)

Select	Jumper Position
Normal	1-2
Boot Block Programming	2-3

**NOTE:** The VMIVME-7740's BIOS has the capability (Default: Disabled) of password protecting casual access to the unit's CMOS set-up screens. The Password Clear jumper (E4) allows for a means to clear the password feature, as might be necessary to do in the case of a forgotten password.

To clear the CMOS:

1. Turn off power to the unit.
2. Install a jumper at E4.
3. Power up the unit.
4. Turn off the power to the unit and remove the jumper from E4.

When power is re-applied to the unit, the CMOS will be cleared.

**Table 2-4** Password Clear (User Configurable) - Jumper (E4)

	Jumper Position
Normal	Out
Clear CMOS/Password	In

**Table 2-5** CMOS Battery Enable - Jumper (E10)

	Jumper Position
CMOS Battery Disabled	Out
CMOS Battery Enabled	In

**Table 2-6** VME Interface Jumper Options and Factory Settings (E13, E14)

<b>Jumper</b>	<b>Function</b>	<b>Jumper Position</b>
E13, 1-3	Installed - Universe Memory Mapped	Installed (should not be removed)
E13, 2-4	Installed - SYSFAIL Not Asserted Upon Reset Removed - SYSFAIL Asserted Upon Reset	Installed
E14, 1-3	Installed - Drives VMEbus SYSRESET Removed - Does not drive	Installed
E14, 2-4	Installed - Receives VMEbus SYSRESET Removed - Does not receive	Installed

---

## Installation

The VMIVME-7740 conforms to the VMEbus physical specification for a 6U dual Eurocard (dual height). It can be plugged directly into any standard chassis accepting this type of board.

---

**CAUTION:** Do not install or remove the board while power is applied.

---

The following steps describe the VMIC-recommended method for VMIVME-7740 installation and power-up:

1. Make sure power to the equipment is off.
2. Choose chassis slot. The VMIVME-7740 **must** be attached to a dual P1/P2 VMEbus backplane.

If the VMIVME-7740 is to be the VMEbus system controller, choose the first VMEbus slot. If a different board is the VMEbus system controller, choose any slot **except** slot one. The VMIVME-7740 does not require jumpers for enabling/disabling the system controller function.

---

**NOTE:** The VMIVME-7740 requires forced air cooling. It is advisable to install blank panels over any exposed VMEbus slots. This will allow for better air flow over the VMIVME-7740 board. For 20-slot VME configurations, three 100 CFM fans are recommended.

---

3. Insert the VMIVME-7740 and its attached expansion modules into the chosen VMEbus chassis slot (expansion modules should fill the slots immediately adjacent to the VMIVME-7740). While ensuring that the boards are properly aligned and oriented in the supporting board guides, slide the boards smoothly forward against the mating connector until firmly seated.
4. Connect all needed peripherals to the front panel. Each connector is clearly labeled on the front panel, and detailed pinouts are in Appendix A. Minimally, a keyboard and a monitor are required if the user has not previously configured the system.
5. Apply power to the system. Several messages are displayed on the screen, including names, versions, and copyright dates for the various BIOS modules on the VMIVME-7740.
6. The VMIVME-7740 features an optional Flash Disk on the board. Refer to Chapter 4 for set up details.
7. If an external drive module is installed, the BIOS Setup program must be run to configure the drive types. See Appendix C to properly configure the system.

8. If a drive module is present, install the operating system according to the manufacturer's instructions.

See Appendix B for instructions on installing VMIVME-7740 peripheral driver software during operating system installation.

## BIOS Setup

The VMIVME-7740 has an on-board BIOS Setup program that controls many configuration options. These options are saved in a special nonvolatile, battery-backed memory chip and are collectively referred to as the board's "CMOS configuration." The CMOS configuration controls many details concerning the behavior of the hardware from the moment power is applied.

The VMIVME-7740 is shipped from the factory with no hard drives configured in CMOS. The BIOS Setup program must be run to configure the specific drives attached.

Details of the VMIVME-7740 BIOS setup program are included in Appendix C.

## Front Panel Connectors

The front panel connections, including connector pinouts and orientation, for the VMIVME-7740 are defined in detail in Appendix A.

## PMC Expansion Site Connectors

The VMIVME-7740 supplies the PMC expansion site connector for adding a PMC expansion board. This expansion capability allows third-party devices to be used with the VMIVME-7740, as shown in Figure 2-2.

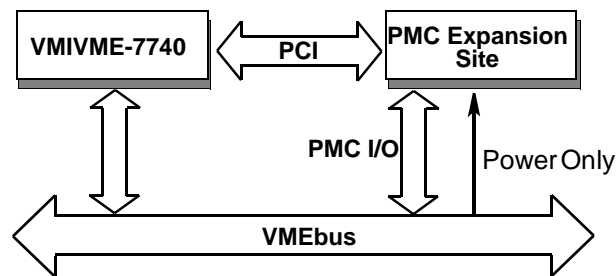
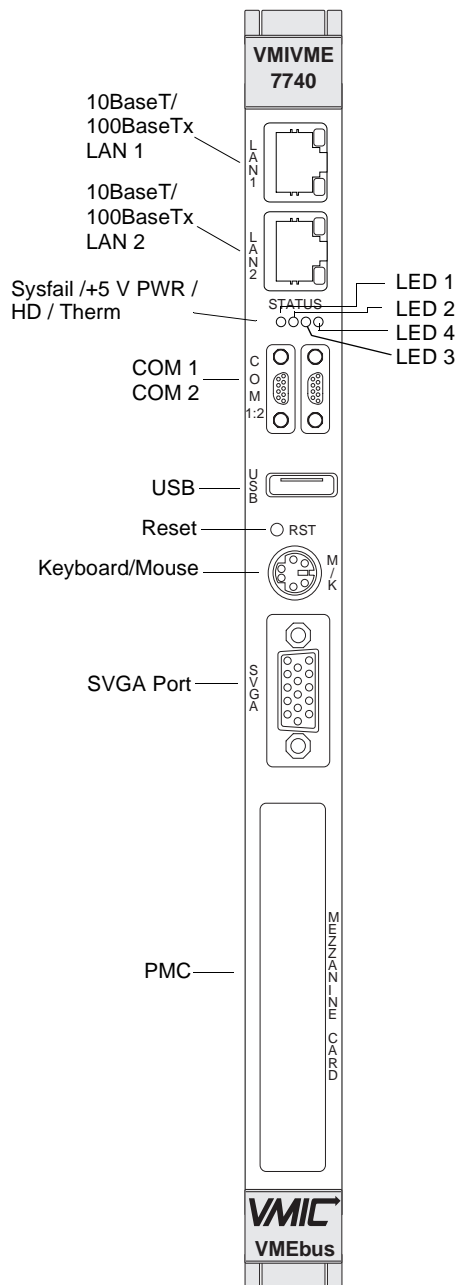


Figure 2-2 PCI Expansion Site

## LED Definition



- LED 1 *Therm* - (Red) Indicates when the CPU Temperature Throttle is active.
- LED 2 *Power* - (Grn) Indicates when power is applied to the board.
- LED 3 *Hard Drive Indicator* - (Yel) Indicates when hard drive activity is occurring.
- LED 4 *SYSFAIL* - (Red) Indicates when a VMEbus SYSFAIL is asserted.

Figure 2-3 LED Position on the Front Panel



# ***PC/AT Functions***

## **Contents**

CPU Socket . . . . .	40
Physical Memory . . . . .	40
Memory and Port Maps . . . . .	41
PC/AT Interrupts . . . . .	44
PCI Interrupts . . . . .	48
I/O Ports . . . . .	49
Video Graphics Adapter . . . . .	50
Ethernet Controllers . . . . .	51

---

---

## **Introduction**

The VMIVME-7740 provides a complete IBM PC/AT-compatible Pentium III processor-based computer. The design includes a high-speed microprocessor with current technology memory. Reference the VMIC product specifications for available component options.

Because the design is PC/AT compatible, it retains standard PC memory and I/O maps along with standard interrupt architecture. Furthermore, the VMIVME-7740 includes Ethernet controllers, an AGP-compatible video adapter, and a USB controller.

The following sections describe in detail the PC/AT functions of the VMIVME-7740.

---

## CPU Socket

The VMIVME-7740 CPU socket is factory populated with a high-speed Pentium III processor. The CPU speed and SDRAM size are user-specified as part of the VMIVME-7740 ordering information. The options are not user-upgradable.

To change CPU speeds or RAM size, contact VMIC customer service to obtain a Return Material Authorization (RMA).

VMIC Customer Service is available at: 1-800-240-7782.

Or E-mail us at [customer.service@vmic.com](mailto:customer.service@vmic.com)

---

## Physical Memory

The VMIVME-7740 provides Synchronous DRAM (SDRAM) as on-board system memory. Memory can be accessed as bytes, words, or longwords.

All RAM on the VMIVME-7740 is dual-ported to the VMEbus through the PCI-to-VME bridge. The memory is addressable by the local processor, as well as the VMEbus slave interface by another VMEbus master. Caution must be used when sharing memory between the local processor and the VMEbus to prevent a VMEbus master from overwriting the local processor's operating system.

---

**NOTE:** When using the Configure utility of I/O Works Access with Windows NT 4.0 to configure RAM, do not request more than 25 percent of the physical RAM. Exceeding the 25 percent limit may result in a known Windows NT bug. This may cause unpredictable behavior during the Windows NT boot sequence, requiring the use of an emergency repair disk to restore the computer. The bug is present in Windows NT 4.0 service pack level 3. It is recommended that an emergency repair disk be kept up-to-date and easily accessible.

---

The VMIVME-7740 includes the system BIOS, video BIOS, and LANWorks BIOS in a single flash memory device.

The VMIVME-7740 memory includes 32 Kbyte of non-volatile static RAM (NVRAM) addressed at \$D8000 to \$DFFFF. All but the first 24 bytes are accessible. Bytes \$D8000 - \$D800D are used by the Watchdog controller and include the System Command Register (COMM), the VME BERR Address Register (VBAR), the VME BERR Address Modifier Register (VBAMR), and the Board ID Register (BID). The System registers are explained in Volume II of this manual set. The NVRAM can be accessed by the CPU at anytime, and can be used to store system data that must not be lost during power-off conditions (Bytes \$D800E - \$D8017 are the System Registers).



## Memory and Port Maps

### Memory Map

The memory map for the VMIVME-7740 is shown in Table 3-1. All systems share this same memory map, although a VMIVME-7740 with less than the full 512 Mbyte of SDRAM does not fill the entire space reserved for On-Board Extended Memory.

**Table 3-1** VMIVME-7740, Universe II-Based Interface Memory Address Map

MODE	MEMORY ADDRESS RANGE	SIZE	DESCRIPTION
PROTECTED MODE	\$FFFF 0000 - \$FFFF FFFF	64 Kbyte	ROM BIOS Image
	\$0400 0000 - \$FFFE FFFF	3.9 Gbyte	Unused *
	\$0010 0000 - \$0FFF FFFF	255 Mbyte	Reserved for ** On-Board Extended Memory (not filled on all systems)
REAL MODE	\$E0000 - \$FFFFFF	128 Kbyte	ROM BIOS
	\$D8018 - \$DFFFF	32 Kbyte minus 24 bytes	NVRAM
	\$D8016 - \$D8017	2 bytes	Board ID Register (BID) (0x7740)
	\$D8014 - \$D8015	2 bytes	VME BERR Address Modifier Register (VBAMR)
	\$D8010 - \$D8013	4 bytes	VME BERR Address Register (VBAR)
	\$D800E - \$D800F	2 bytes	System Command Register (COMM)
	\$D8000 - \$D800D	14 bytes	RTC/Watchdog Timer Control Registers
	\$C8000 - \$D7FFF	64 Kbyte	LANWorks BIOS
	\$C0000 - \$C7FFF	32 Kbyte	Video ROM
	\$A0000 - \$BFFFF	128 Kbyte	Video RAM
	\$00000 - \$9FFFF	640 Kbyte	User RAM/DOS RAM
<p>* This space can be used to set up protected mode PCI-to-VMEbus windows (also referred to as PCI slave images).</p> <p>** This space can be allocated as shared memory (for example, between the Pentium III processor-based CPU and VMEbus Master. Note that if a PMC board is loaded, the expansion BIOS may be placed in this area.</p>			

## I/O Port Map

The Pentium III processor-based SBC includes special input/output instructions that access I/O peripherals residing in I/O addressing space (separate and distinct from memory addressing space). Locations in I/O address space are referred to as *ports*. When the CPU decodes and executes an I/O instruction, it produces a 16-bit I/O address on lines A00 to A15 and identifies the I/O cycle to the processor's M/I/O control line. Thus, the CPU includes an independent 64Kbyte I/O address space, which is accessible as bytes, words, or longwords.

Standard PC/AT hardware circuitry reserves only 1,024 bytes of I/O addressing space from I/O \$000 to \$3FF for peripherals. All standard PC I/O peripherals such as serial and parallel ports, hard and floppy drive controllers, video system, real-time clock, system timers, and interrupt controllers are addressed in this region of I/O space. The BIOS initializes and configures all these registers properly; adjusting these I/O ports directly is not normally necessary.

The assigned and user-available I/O addresses are summarized in the I/O Address Map, Table 3-2.

**Table 3-2** VMIVME-7740 I/O Address Map

I/O ADDRESS RANGE	SIZE IN BYTES	HW DEVICE	PC/AT FUNCTION
\$000 - \$00F	16		DMA Controller 1 (Intel 8237A Compatible)
\$010 - \$01F	16		Reserved
\$020 - \$021	2		Master Interrupt Controller (Intel 8259A Compatible)
\$022 - \$03F	30		Reserved
\$040 - \$043	4		Programmable Timer (Intel 8254 Compatible)
\$044 - \$05F	30		Reserved
\$060 - \$064	5		Keyboard, Speaker, Eqpt. Configuration (Intel 8042 Compatible)
\$065 - \$06F	11		Reserved
\$070 - \$071	2		Real-Time Clock, NMI Mask
\$072 - \$07F	14		Reserved
\$080 - \$08F	16		DMA Page Registers
\$090 - \$091	2		Reserved
\$092	1		Alt. Gate A20/Fast Reset Register
\$093	1		Reserved

Table 3-2 VMIVME-7740 I/O Address Map (Continued)

I/O ADDRESS RANGE	SIZE IN BYTES	HW DEVICE	PC/AT FUNCTION
\$094	1	Super VGA Chip	POS102 Access Control Register
\$095 - \$09F	11		Reserved
\$0A0 - \$0A1	2		Slave Interrupt Controller (Intel 8259A Compatible)
\$0A2 - \$0BF	30		Reserved
\$0C0 - \$0DF	32		DMA Controller 2 (Intel 8237A Compatible)
\$0E0 - \$16F	142		Reserved
\$170 - \$177	8	PIIX4E	Secondary Hard Disk Controller
\$178 - \$1EF	120		User I/O
\$1F0 - \$1F7	8	PIIX4E	Primary Hard Disk Controller
\$1F8 - \$277	128		User I/O
\$278 - \$27F	8	Super I/O Chip*	LPT2 Parallel I/O*
\$280 - \$2E7	104		Reserved
\$2E8 - \$2EE	7	UART*	COM4 Serial I/O*
\$2EF - \$2F7	9		User I/O
\$2F8 - \$2FE	7	Super-I/O Chip	COM2 Serial I/O (16550 Compatible)
\$2FF - \$36F	113		Reserved
\$370 - \$377	8	Super-I/O Chip	Secondary Floppy Disk Controller
\$378 - \$37F	8	Super-I/O Chip	LPT1 Parallel I/O
\$380 - \$3E7	108		Reserved
\$3E8 - \$3EE	7	UART*	COM3 Serial I/O*
\$3F0 - \$3F7	8	Super-I/O Chip	Primary Floppy Disk Controller
\$3F8 - \$3FE	7	Super-I/O Chip	COM1 Serial I/O (16550 Compatible)
\$3FF - \$4FF			Reserved
\$500 - \$503	4	82C54 Timer	Programmable Internal Timer
\$504 - \$CFF			Reserved
* While these I/O ports are reserved for the listed functions, they are not implemented on the VMIVME-7740. They are listed here to make the user aware of the standard PC/AT usage of these ports.			

## PC/AT Interrupts

In addition to an I/O port address, an I/O device has a separate hardware interrupt line assignment. Assigned to each interrupt line is a corresponding interrupt vector in the 256-vector interrupt table at \$00000 to \$003FF in memory. The 16 maskable interrupts and the single Non-Maskable Interrupt (NMI) are listed in Table 3-3 along with their functions. Table 3-4 on page 45 details the vectors in the interrupt vector table. The interrupt number in HEX and decimal are also defined for real and protected mode in Table 3-4.

The interrupt hardware implementation on the VMIVME-7740 is standard for computers built around the PC/AT architecture, which evolved from the IBM PC/XT. In the IBM PC/XT computers, only eight interrupt request lines exist, numbered from IRQ0 to IRQ7 at the PIC. The IBM PC/AT computer added eight more IRQx lines, numbered IRQ8 to IRQ15, by cascading a second slave PIC into the original master PIC. IRQ2 at the master PIC was committed as the cascade input from the slave PIC. This architecture is represented in Figure 3-1 on page 49.

To maintain backward compatibility with PC/XT systems, IBM chose to use the new IRQ9 input on the slave PIC to operate as the old IRQ2 interrupt line on the PC/XT Expansion Bus. Thus, in AT systems, the IRQ9 interrupt line connects to the old IRQ2 pin (pin B4) on the AT Expansion Bus (or ISA bus).

**Table 3-3** PC/AT Hardware Interrupt Line Assignments

IRQ	AT FUNCTION	COMMENTS
NMI	Parity Errors (Must be enabled in BIOS Setup)	Used by VMIVME-7740 VMEbus Interface
0	System Timer	Set by BIOS Setup
1	Keyboard	Set by BIOS Setup
2	Duplexed to IRQ9	
3	COM2/COM4	
4	COM1/COM3	
5	Timer	Assigned to On-Board Timer
6	Floppy Controller	
7	LPT1	Not Available
8	Real-Time Clock	
9	Old IRQ2	Determined by BIOS

**Table 3-3** PC/AT Hardware Interrupt Line Assignments (Continued)

IRQ	AT FUNCTION	COMMENTS
10	Not Assigned	Determined by BIOS
11	Not Assigned	Determined by BIOS
12	Mouse	
13	Math Coprocessor	
14	AT Hard Drive	
15	Flash Drive	

**Table 3-4** PC/AT Interrupt Vector Table

INTERRUPT NO.		IRQ LINE	REAL MODE	PROTECTED MODE
HEX	DEC			
00	0		Divide Error	Same as Real Mode
01	1		Debug Single Step	Same as Real Mode
02	2	NMI	Memory Parity Error, VMEbus Interrupts	Same as Real Mode (Must be enabled in BIOS Setup)
03	3		Debug Breakpoint	Same as Real Mode
04	4		ALU Overflow	Same as Real Mode
05	5		Print Screen	Array Bounds Check
06	6			Invalid OpCode
07	7			Device Not Available
08	8	IRQ0	Timer Tick	Double Exception Detected
09	9	IRQ1	Keyboard Input	Coprocessor Segment Overrun
0A	10	IRQ2	BIOS Reserved	Invalid Task State Segment
0B	11	IRQ3	COM2 Serial I/O	Segment Not Present
0C	12	IRQ4	COM1 Serial I/O	Stack Segment Overrun
0D	13	IRQ5	Onboard 16bit Timers	Same as Real Mode
0E	14	IRQ6	Floppy Disk Controller	Page Fault
0F	15	IRQ7	LPT1 Parallel I/O	Unassigned

Table 3-4 PC/AT Interrupt Vector Table (Continued)

INTERRUPT NO.		IRQ LINE	REAL MODE	PROTECTED MODE
HEX	DEC			
10	16		BIOS Video I/O	Coprocessor Error
11	17		Eqpt Configuration Check	Same as Real Mode
12	18		Memory Size Check	Same as Real Mode
13	19		XT Floppy/Hard Drive	Same as Real Mode
14	20		BIOS Comm I/O	Same as Real Mode
15	21		BIOS Cassette Tape I/O	Same as Real Mode
16	22		BIOS Keyboard I/O	Same as Real Mode
17	23		BIOS Printer I/O	Same as Real Mode
18	24		ROM BASIC Entry Point	Same as Real Mode
19	25		Bootstrap Loader	Same as Real Mode
1A	26	IRQ8	Real-Time Clock	Same as Real Mode
1B	27		Control/Break Handler	Same as Real Mode
1C	28		Timer Control	Same as Real Mode
1D	29		Video Parameter Table Pntr	Same as Real Mode
1E	30		Floppy Parm Table Pntr	Same as Real Mode
1F	31		Video Graphics Table Pntr	Same as Real Mode
20	32		DOS Terminate Program	Same as Real Mode
21	33		DOS Function Entry Point	Same as Real Mode
22	34		DOS Terminate Handler	Same as Real Mode
23	35		DOS Control/Break Handler	Same as Real Mode
24	36		DOS Critical Error Handler	Same as Real Mode
25	37		DOS Absolute Disk Read	Same as Real Mode
26	38		DOS Absolute Disk Write	Same as Real Mode
27	39		DOS Program Terminate, Stay Resident	Same as Real Mode
28	40		DOS Keyboard Idle Loop	Same as Real Mode
29	41		DOS CON Dev. Raw Output	Same as Real Mode

**Table 3-4** PC/AT Interrupt Vector Table (Continued)

INTERRUPT NO.		IRQ LINE	REAL MODE	PROTECTED MODE
HEX	DEC			
2A	42		DOS 3.x+ Network Comm	Same as Real Mode
2B	43		DOS Internal Use	Same as Real Mode
2C	44		DOS Internal Use	Same as Real Mode
2D	45		DOS Internal Use	Same as Real Mode
2E	46		DOS Internal Use	Same as Real Mode
2F	47		DOS Print Spooler Driver	Same as Real Mode
30-60	48-96		Reserved by DOS	Same as Real Mode
61-66	97-102		User Available	Same as Real Mode
67-70	103-112		Reserved by DOS	Same as Real Mode
71	113	IRQ9	Not Assigned	
72	114	IRQ10	Not Assigned	
73	115	IRQ11	Not Assigned	
74	116	IRQ12	Mouse	
75	117	IRQ13	Math Coprocessor	
76	118	IRQ14	AT Hard Drive	
77	119	IRQ15	Flash Drive	
78-7F	120-127		Reserved by DOS	Same as Real Mode
80-F0	128-240		Reserved for BASIC	Same as Real Mode
F1-FF	241-255		Reserved by DOS	Same as Real Mode

## PCI Interrupts

Interrupts on Peripheral Component Interconnect (PCI) Local Bus are optional and defined as “level sensitive,” asserted low (negative true), using open drain output drivers. The assertion and de-assertion of an interrupt line, INTx#, is asynchronous to CLK. A device asserts its INTx# line when requesting attention from its device driver. Once the INTx# signal is asserted, it remains asserted until the device driver clears the pending request. When the request is cleared, the device de-asserts its INTx# signal.

PCI defines one interrupt line for a single function device and up to four interrupt lines for a multifunction device or connector. For a single function device, only INTA# may be used while the other three interrupt lines have no meaning. Figure 3-1 on page 49 depicts the VMIVME-7740 interrupt logic pertaining to VMEbus operations and the PCI expansion site.

Any function on a multifunction device can be connected to any of the INTx# lines. The Interrupt Pin register defines which INTx# line the function uses to request an interrupt. If a device implements a single INTx# line, it is called INTA#; if it implements two lines, they are called INTA# and INTB#; and so forth. For a multifunction device, all functions may use the same INTx# line or each may have its own (up to a maximum of four functions) or any combination thereof. A single function can not generate an interrupt request on more than one INTx# line.

The slave PCI accepts the VMEbus interrupts through lines that are defined by the BIOS. The BIOS defines which interrupt line to utilize depending on which system requires the use of the line.

The PCI-to-VME Bridge has the capability of generating a Non-Maskable Interrupt (NMI) via the PCI SERR# line. Table 3-5 describes the register bits that are used by the NMI. The SERR interrupt is routed through certain logic back to the NMI input line on the CPU. The CPU reads the NMI Status Control register to determine the NMI source (bits set to 1). After the NMI interrupt routine processes the interrupt, software clears the NMI status bits by setting the corresponding enable/disable bit to 1. The NMI Enable and Real-Time Clock register can mask the NMI signal and disable/enable all NMI sources.

**Table 3-5** NMI Register Bit Descriptions

<b>Status Control Register (I/O Address \$061, Read/Write, Read Only)</b>	
Bit 7	SERR# NMI Source Status (Read Only) - This bit is set to 1 if a system board agent detects a system board error. It then asserts the PCI SERR# line. To reset the interrupt, set bit 2 to 0 and then set it to 1. When writing to port \$061, bit 7 must be 0.
Bit 2	PCI SERR# Enable (Read/Write) - 1 = Clear and Disable, 0 = Enable
<b>Enable and Real-Time Clock Address Register (I/O Address \$070, Write Only)</b>	
Bit 7	NMI Enable - 1 = Disable, 0 = Enable



## I/O Ports

The VMIVME-7740 incorporates the SMC Super-I/O chip. The SMC chip provides the VMIVME-7740 with a standard floppy drive controller and two 16550 UART-compatible serial ports. The Ultra-IDE hard drive interface is provided by the Intel 82371EB (PIIX4E) PCI ISA IDE Xcelerator chip. All ports are present in their standard PC/AT locations using default interrupts.

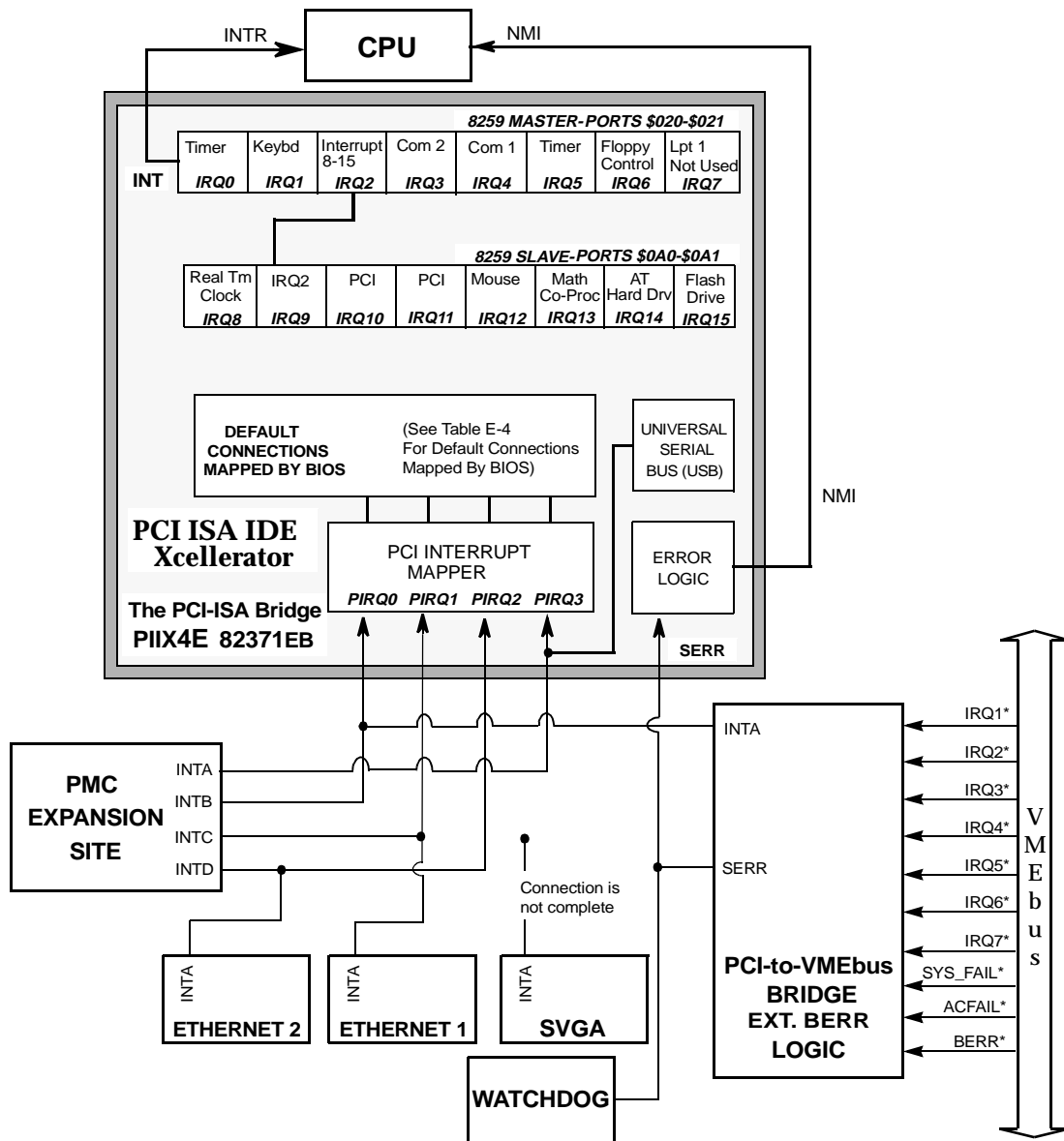


Figure 3-1 Connections for the PC Interrupt Logic Controller

---

## Video Graphics Adapter

The monitor port on the VMIVME-7740 is controlled by a Chips and Technology 69030 video adapter chip with 4 Mbyte embedded video SDRAM. The video controller chip is hardware and BIOS compatible with the IBM EGA and SVGA standards and also supports VESA high-resolution and extended video modes. Table 3-6 shows the graphics video modes supported by the VMIVME-7740.

**Table 3-6** Supported Graphics Video Resolutions

<b>SCREEN RESOLUTION</b>	<b>MAXIMUM COLORS</b>	<b>REFRESH RATES (Hz)</b>
640 x 480	16 M	60, 75, 85, 100
800 x 600	16 M	60, 75, 85, 100
1024 x 768	16 M	60, 75, 85, 100
1280 x 1024	16 M	60, 75
1600 x 1200	64 K	60

Not all SVGA monitors support resolutions and refresh rates beyond 640 x 480 at 60 Hz. Do not attempt to drive a monitor to a resolution or refresh rate beyond its capability.

Floppy disks supplied with the VMIVME-7740 also contain video drivers for Windows 98 and Windows NT 4.0 operating systems. Appendix B contains instructions on the incorporation of the video drivers during operating system installation.

---

## Ethernet Controllers

Dual network capability is provided by two Intel 82559 devices. These Ethernet controllers are PCI bus based and are software configurable. The VMIVME-7740 supports 10BaseT and 100BaseTx Ethernet. This Ethernet supports LANWorks remote Ethernet boot option. Refer to Appendix D for Setup.

### 10BaseT

A network based on the 10BaseT standard uses unshielded twisted-pair cables, providing an economical solution to networking by allowing the use of existing telephone wiring and connectors. The RJ-45 connector is used with the 10BaseT standard. 10BaseT has a maximum length of 100 m from the wiring hub to the terminal node.

### 100BaseTx

The VMIVME-7740 also supports the 100BaseTx Ethernet. A network based on a 100BaseTx standard uses unshielded twisted-pair cables and a RJ-45 connector. The 100BaseTx has a maximum deployment length of 250 m.

### LANWorks

The VMIVME-7740 Ethernet controller supports remote booting using the LANWorks Ethernet BIOS. Refer to Appendix D for more information on remote Ethernet booting.



# *Embedded PC/RTOS Features*

## Contents

Timers .....	54
Flash Disk .....	63
Watchdog Timer .....	67
NVRAM .....	73

---

## Introduction

VMIC's VMIVME-7740 features additional capabilities beyond those of a typical IBM PC/AT-compatible SBC. The unit provides three software-controlled, general-purpose timers along with a programmable Watchdog Timer for synchronizing and controlling multiple events in embedded applications. The VMIVME-7740 also provides a bootable Flash Disk system and 32 K byte of NVRAM. These features make the unit ideal for embedded applications, particularly applications where standard hard drives and floppy disk drives cannot be used.

## Timers

### General

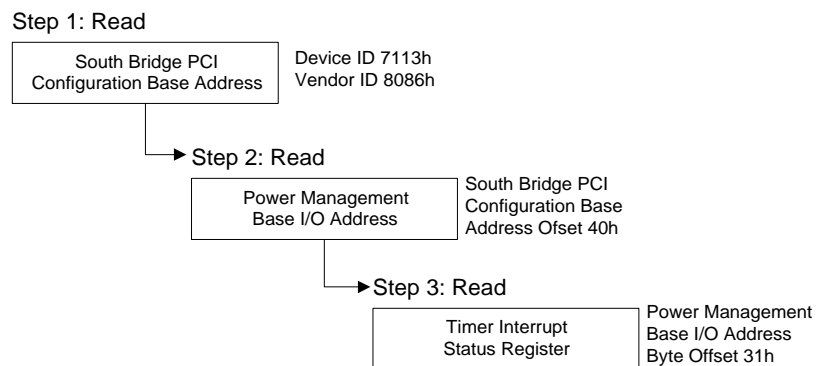
The VMIVME-7740 provides a user-programmable 82C54 internal timer/counter. The 82C54 provides three independent, 16-bit timers, each operating at 1 or 2 MHz clock speed determined by the configuration of jumper E8; reference Table 2-2 on page 32. These timers are completely available to the user and are not dedicated to any PC/AT function. These timers may be used to generate system interrupts.

Events can be timed by either polling the timers or generating a system interrupt via circuitry external to the 82C54. The external circuitry consists of logic which generates the interrupt and a Timer Interrupt Status register which indicates which of the three Timers generated an interrupt.

The 82C54 timers are mapped at I/O address \$500. The interrupt used by the Timers is IRQ5. The Timer Interrupt Status register is available via the Power Management I/O address space. The access to this space is explained in the “Timer Interrupt Status” section below.

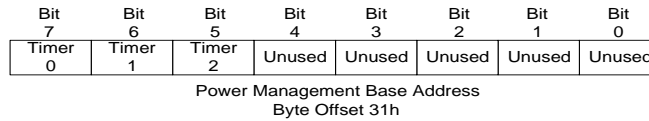
### Timer Interrupt Status

A single interrupt, IRQ5, is used by all three Timers. A Timer Interrupt Status register is provided in order to determine which Timer(s) initiated an interrupt. The interrupt status register is a general-purpose input register located, external to the 82C54, at offset 31h from the Power Management Base I/O address. The interrupt status register address can be found by first determining the PCI Configuration Base address for Device ID 7113h and Vendor ID 8086h. The Power Management Base I/O address can be found by reading offset 40h from this PCI Configuration address. The Timer Interrupt Status register bits are located at offset 31h from the Power Management Base I/O address, Bits 5, 6, and 7 (refer to Figure 4-2).



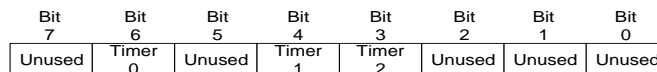
**Figure 4-1** Timer Interrupt Status Register Read/Steps

A byte read of Offset 31h from the Power Management Base I/O address is used to obtain these bits. Bits 5, 6, and 7 correspond to Timers 2, 1, and 0, respectively



**Figure 4-2** Timer Interrupt Status Register

In order to clear the Timer Interrupt Status register, first write zeros (0's) to the general-purpose output register located at offset 37h of the Power Management Base I/O address Bits 3, 4, and 6 (Not Bits 3, 4 and 5). Then write ones (1's) to these same bits to re-enable the Timer Interrupt Status register. Bits 3, 4, and 6 correspond to Timers 2, 1, and 0, respectively.



1. Write zeros (0's) to Power Management Base Address Byte Offset 37h Bits 3, 4, and 6.
2. Write ones (1's) to Power Management Base Address Byte Offset 37h Bits 3, 4, and 6. Bits 0, 1, 2, 5, and 7 should remain unaffected.

**Figure 4-3** Clearing the Timer Interrupt Status Register

## Clearing the Interrupt

The Timer Interrupts are cleared using the standard procedure for clearing PC/AT IRQ5.

## Timer Programming

### Architecture

The VMIVME-7740 Timers are mapped in I/O address space starting at \$500 (see Table 4-1). The Timers, consisting of three 16-bit timers and a Control Word Register (see Figure 4-4) are read from/written to via an 8-bit data bus.

**Table 4-1** I/O Address of the Control Word Register and Timers

I/O Address	Select
\$500	Timer 0
\$501	Timer 1
\$502	Timer 2
\$503	Control Word Register

Table 4-1 shows the I/O addresses of the Control Word Register and Timers.

The Control Word Register is write only. The Timer status information can be obtained from the Read-Back command (see the “Reading” section on page 59).

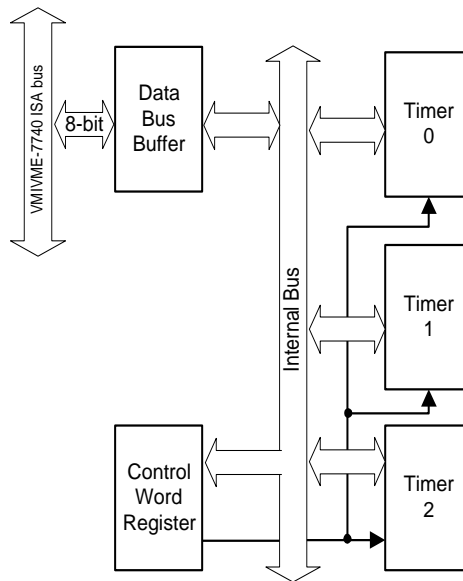


Figure 4-4 82C54 Diagram

The three Timers, Timer 0, 1, and 2, are functionally equivalent. Therefore, only a single Timer will be described. Figure 4-5 is a block diagram of a Timer. Each Timer is functionally independent. Although the Control Word is shown in the Timer block diagram, it is not a part of the Timer, but its contents directly affect how the Timer functions.

The status register, as shown in Figure 4-5, when latched, contains the present contents of the Control Word Register and the present state of the output and load count flag (The Status Word is available via the Read-Back command, see the “Reading” section on page 59).

The Timer is labeled TE (Timer Element). It is a 16-bit synchronous presettable down counter.

The blocks labeled  $OL_M$  and  $OL_L$  are 8-bit Output Latches (OL). The subscripts M and L stand for Most Significant byte and Least Significant byte. These latches usually track the TE, but when commanded will latch and hold the present count until the CPU reads the count. When the latched count is read, the OL registers will continue to track the TE. When reading the OL registers, two 8-bit accesses must be performed to retrieve the complete 16-bit value of the Timer as only one latch at a time is enabled. The TE cannot be read; the count is read from the OL registers.



There are two 8-bit registers labeled  $TR_M$  and  $TR_L$  (Timer Register). The subscripts M and L stand for Most Significant byte and Least Significant byte. When a new count is written to the Timer, the count is loaded into the TR and later transferred to the TE. The Control logic lets one 8-bit TR register be written to at a time. Two 8-bit writes must be performed to load a complete 16-bit count value. Both TR bytes are transferred to the TE at the same time. The TE cannot be directly written to by the user, the count is written to the TR registers, then latched to the TE.

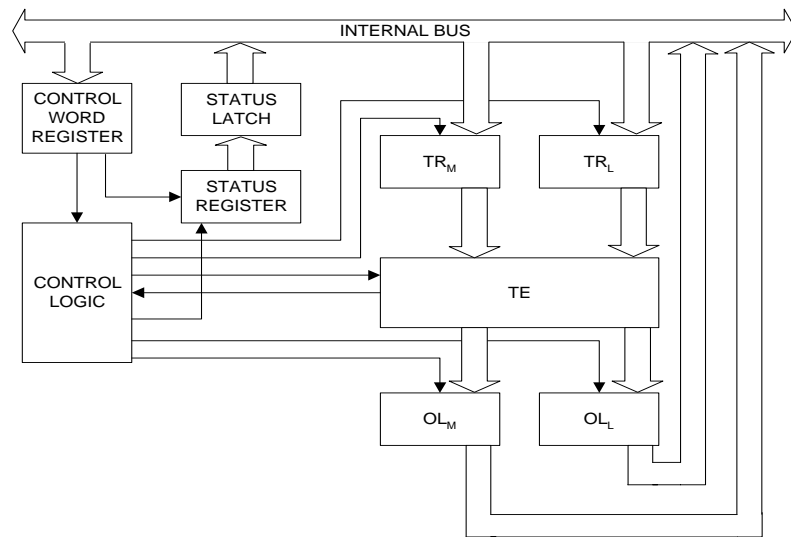


Figure 4-5 Internal Timer Diagram

## Writing

The Timers are programmed by first writing a Control Word and then the initial count. The format of the Control Word is shown in Tables 4-2 through 4-6. All Control Words are written into the Control Word Register while the initial counts are written into the individual Timer registers. The format of the initial count is determined by the Control Word.

Table 4-2 Control Word Format

D7	D6	D5	D4	D3	D2	D1	D0
ST1	ST0	RW1	RW0	M2	M1	M0	BCD

**Table 4-3** ST - Select Timer

ST1*	ST0*	Description
0	0	Select Timer 0
0	1	Select Timer 1
1	0	Select Timer 2
1	1	Read-Back Command (See Reading section on page 59)

\*The ST bits specify which Timer (0, 1, or 2) the Control word refers to or whether this is a Read-Back command.

**Table 4-4** RW - Read/Write

RW1*	RW0*	Description
0	0	Timer Latch Command (see Reading section)
0	1	Read/Write least significant byte only
1	0	Read/Write most significant byte only
1	1	Read/Write least significant byte first, then most significant

\*The RW bits specify whether this is a Timer Latch command or the byte ordering of the Read/Write transaction.

**Table 4-5** M - Mode

M2*	M1*	M0*	Description
0	0	0	Mode 0
0	0	1	Mode 1
X	1	0	Mode 2
X	1	1	Mode 3
1	0	0	Mode 4
1	0	1	Mode 5

\* Only Mode 2 is described in this manual.

**Table 4-6 BCD**

BCD*	Description
0	Binary Timer 16-bits
1	Binary Coded Decimal (BCD) Timer (4 Decades)

\* The BCD bit specifies whether the Timer count value is in Binary or BCD.

When programming the 82C54, only two rules need to be followed.

1. For each Timer, the Control Word must be written first.
2. The initial count must follow the format specified in the Control Word (least significant byte only, most significant byte only, or least significant byte then most significant byte). As long as these rules are adhered to, any programming sequence is acceptable.

## Reading

There are two methods for reading the timers: the Timer Latch Command and the Read-Back Command.

### Timer Latch Command

The Timer Latch Command allows the reading of a Timer 'on the fly' without affecting the timing in process.

Like a Control Word, the Timer Latch Command is written to the Control Word Register (I/O Address \$503, see Table 4-1). The Select Timer bits (ST1, ST0, see Table 4-3) select one of the three timers while the Read/Write bits (RW1, RW0, see Table 4-4) select the Timer Latch Command, RW1 = 0 and RW0 = 0. The selected Timer's count is latched into the 0L registers at the time of the Timer Latch Command. The count is held in the 0L latches until it is read. Multiple Timer Latch Commands can be used to latch more than one Timer. Again, each Timer's count is held latched until it is read.

## Read-Back Command

The Read-Back Command allows the user to view the Timer Count, the Timer Mode, the current state of the OUT pin, and the Load Flag of the selected Timer. Like a Control Word, the Read-Back Command is written into the Control Word Register and has the format shown in Tables 4-7 and 4-8. The Command applies to the Timer(s) selected by setting the corresponding bits Cnt2, Cnt1, Cnt0 = 1.

**Table 4-7** Read-Back Command Format

D7	D6	D5	D4	D3	D2	D1	D0
1	1	Count	Status	Cnt2	Cnt1	Cnt0	0

**Table 4-8** Read-Back Command Description

Bit	Description
D5: $\overline{\text{Count}}$	Latch count of selected Timer(s)
D4: $\overline{\text{Status}}$	Latch status of selected Timer(s)
D3: Cnt2	Select Timer 2
D2: Cnt1	Select Timer 1
D1: Cnt0	Select Timer 0
D0	Reserved, must be 0

The Read-Back Command can be used to latch several timer counts by setting the  $\overline{\text{Count}}$  bit = 0 and selecting the Timers. This is the same as using multiple Timer Latch Commands. Again each Timer's latched count will be held until it is read.

The Read-Back command can also be used to latch the timer status by setting the  $\overline{\text{Status}}$  bit = 0 and selecting the Timers. Status of a Timer is accessed by a read from that Timer (see Table 4-1 on page 55). If more than one Timer Status Read-Back command is issued without reading the status, all but the first are ignored.

The format of the Timer Status byte is shown in Tables 4-9 and 4-10.

**Table 4-9** Status Byte

D7	D6	D5	D4	D3	D2	D1	D0
OUT	LOAD	RW1	RW0	M2	M1	M0	BCD

**Table 4-10** Status Byte Description

Bit	Description
D7: OUT	Current state of Timers OUT pin
D6: LOAD	Count loaded into Timer
D5-D0	Timer Programmed Mode

Bit D7 contains the state of the Timers OUT pin. This allows viewing of the Timer's OUT pin via software.

Bit D6 indicates when the count written to the Timer is actually loaded into the Timer register. The exact time of the loading depends on the mode the Timer is in and is defined in the "Mode Definitions" section. The count cannot be read from the Timer until it has been loaded. If a count is read before this time, the value read will not be the new count just written. Refer to Table 4-11.

Bits D5 through D0 contain the Timer's programmed mode exactly, bit for bit, like the Timer Control Words bits D5 through D0. See Table 4-2 on page 57.

**Table 4-11** LOAD Bit Operation

Action	Causes
1. Write to the Control Word Register <sup>1</sup>	LOAD bit = 1
2. Write count to Timer <sup>2</sup>	LOAD bit = 1
3. New count loaded into Timer	LOAD bit = 0

<sup>1</sup>Only the Timer specified in the Control Word will have its LOAD bit set to 1. LOAD bits of other Timers are not affected.

<sup>2</sup>If the Timer is programmed for two byte counts (least significant then most significant), the LOAD bit will go to 1 when the second byte is written.

Both the count and status of the specified Timer(s) can be latched at the same time by setting both the  $\overline{\text{Count}}$  bit (D5) and  $\overline{\text{Status}}$  bit (D4) to zero (0) in the Read-Back command. If this technique is used, the first read operation of the Timer will return the status while the next one or two reads (depending on whether the Timer is programmed for one or two bytes) will return the count. Succeeding reads will return unlatched counts.

## Mode Definitions

The VMIVME-7740 utilizes an 82C54 Timer/Counter for its Timers. 82C54 Timer/Counters can be programmed to function in six different modes (numbered Mode 0 through Mode 5). The VMIVME-7740 Timers are hardware configured to operate using Mode 2. Only Mode 2 is defined.

Mode 2 functions as a divide by N counter. Once a Control Word and an initial count are written to the Timer, the initial count is loaded on the next Clock cycle. When the count decrements to 1 an interrupt is generated. The Timer then reloads the initial count and the process repeats. This Mode is periodic. For an initial count of N, the sequence repeats every N CLK cycles. An initial count of 1 is illegal.

Writing a new count while the Timer is counting does not affect the current sequence. The new count will be loaded at the end of current sequence.

## Flash Disk

The VMIVME-7740 features an optional on-board Flash mass storage system that allows the host computer to issue commands to read or write blocks to memory in a Flash memory array. This Flash Disk appears to the user as an intelligent ATA (IDE) disk drive with the same functionality and capabilities as a “rotating media” IDE hard drive.

## Configuration

The Flash Disk resides on the VMIVME-7740 as the secondary IDE bus master device (the secondary IDE bus slave device is not assignable). The default setting is AUTO. This can be seen in the BIOS menus. From the Main BIOS menu select Secondary Master and press the Enter key. The default type will be AUTO. Refer to Appendix C, Phoenix BIOS for additional details.

Figure 4-6 maps the configuration possibilities for a typical system consisting of the VMIVME-7740 with a resident Flash Disk, a hard drive attached to the Primary IDE interface, and a floppy drive attached to the floppy interface.

		Primary and Secondary PCI IDE Interface Enabled								
		Primary Only			Secondary Only					
Hard Drive		C:	<b>C:</b>	C:	<b>C:</b>	C:	N/A	N/A	N/A	
Flash Disk		D:	D:	N/A	N/A	N/A	C:	<b>C:</b>	<b>C:</b>	
Floppy Drive		A:	A:	<b>A:</b>	A:	A:	<b>A:</b>	A:	A:	
Booted Device		Removable Devices Primary Master								

**Figure 4-6** Typical System Configuration

The Primary and Secondary PCI IDE Interfaces are controlled (enabled or disabled) in the Advanced screen of the Phoenix BIOS. The boot sequence is determined by the order of the stack in the Boot menu.

Figure 4-6 identifies the drive letter assigned to each physical device and indicates in bold lettering the device booted from in each configuration, using devices that were bootable. The term bootable refers to a device on which an operating system has been installed or has been formatted as a system disk using MS-DOS.

## Functionality

The Flash Disk performs identically to a standard IDE hard drive. Reads and writes to the device are performed using the same methods, utilizing DOS command line entries or the file managers resident in the chosen operating system.

## Advanced Configuration

The previous discussion is based on using the IDE disk devices formatted as one large partition per device. Some applications may require the use of multiple partitions. The following discussion of partitions includes the special procedures that must be followed to allow the creation of multiple partitions on the VMIVME-7740 IDE disk devices (including the resident Flash Disk).

Partitions may be either a primary partition or an extended partition. An extended partition may be subdivided farther into logical partitions. Each device may have up to four main partitions, one of which may be an extended partition. However, if multiple primary partitions are created, only one partition may be active at one time. Data in the non-active partitions are not accessible.

Following the creation of the partitioning scheme, the partitions can be formatted to contain the desired file system.

As discussed earlier, a typical system consists of the VMIVME-7740 with its resident Flash Disk configured as the Secondary IDE device, a hard drive attached to the Primary IDE interface, and a floppy drive attached to the floppy interface.

Using this configuration, it may be desirable to have a logical device on either IDE device configured as a bootable device, allowing the selection of the boot sequence via the BIOS Features Setup screen. Using this capability, a user could have a system configured with multiple operating systems (OS's) that would then be selectable by assigning the IDE logical device as the boot device.

The DOS utility FDISK is commonly used to configure the partition structure on a hard drive. Other utility programs are available for performing this task. Partition Magic by PowerQuest is a popular and capable commercially available program. Comments that follow pertain to partitioning efforts using FDISK.

---

**CAUTION:** Deleting a partition will erase all the data previously held in that partition.

---

The Flash Disk will be configured as a single partition device as delivered from the factory. The following sample sequence illustrates a proven method for creating two partitions, with one as an active primary partition. Take note of the instructions to exit FDISK. This has been shown to be an important step in a successful partitioning effort.

1. Power up the VMIVME-7740, and enter CMOS Set-up.



2. Set Primary Master to **None**. Set Secondary Master to **Auto**. Set boot device to floppy.
3. Boot DOS from the floppy; verify, on the Bootup screen, that the Flash Disk is shown as Flash Disk 0.
4. Run FDISK.
5. Delete all current partitions (any data currently stored in the partitions will be lost).
6. Exit FDISK, this will cause a reboot, then run FDISK again.
7. Create a primary partition.
8. Create an extended partition and set up a logical device for it.

---

**NOTE:** If only one partition is required, its size will be equal to the total configurable memory available within the Flash Disk.

---

9. Set the Primary partition as an active partition.
10. Exit FDISK.

---

**NOTE:** If an operating system has been installed on the Flash Disk that modifies the Master Boot Record (MBR), then the following steps are required to rewrite the MBR for DOS.

---

11. Run FDISK /MBR.
12. Run FORMAT C: (use the /s option if you want the Flash Disk as a bootable DOS device.)
13. Format D: (This is only required if two partitions were created).
14. Reset the CPU and enter the CMOS set-up.
15. Set Primary Master to "AUTO."
16. Set boot device to desired boot source.

Drive letter assignments for a simple system are illustrated in Figure 4-6 on page 63. Understanding the order the operating system assigns drive letters is necessary for these multiple partition configurations. The operating system assigns drive letter C: to the active primary partition on the first hard disk (the boot device). Drive D is assigned to the first recognized primary partition on the next hard disk. The operating

system will continue to assign drive letters to the primary partitions in an alternating fashion between the two drives. Next, logical partitions will be assigned drive letters starting on the first hard drive lettering each logical device sequentially until they are all named, then doing the same sequential lettering of each logical partition on the second hard disk.

---

**NOTE:** Drive letter changes caused by adding a drive or changing the initial partitioning scheme may cause difficulties with an operating system installed prior to the changes. Plan your configuration prior to installing the operating system to minimize difficulties.

---

## Watchdog Timer

The VMIVME-7740 uses a Dallas DS1384 Watchdog Timekeeping Controller as its Watchdog Timer. The device provides a Time of Day feature, a Watchdog Alarm and a Non-Volatile SRAM controller. The Time of Day feature found within the DS1384 device is explained in this section, but is not utilized by the VMIVME-7740. The actual Time of Day registers used by the VMIVME-7740 are located at the standard PC/AT I/O address. The Time of Day feature in the DS1384 Watchdog Timer is available for use by the user at their discretion. The Watchdog Timer provides a Watchdog Alarm window and interval timing between 0.01 and 99.99 seconds.

The Non-Volatile RAM is explained in the NVRAM section of this manual.

The Watchdog Alarm can, under software control, generate a VME SYSFAIL. Bit 8 of the System Command register (see Table 3-1) is used to enable this option. The System Command Register is 2 bytes wide located at memory address \$D800E.

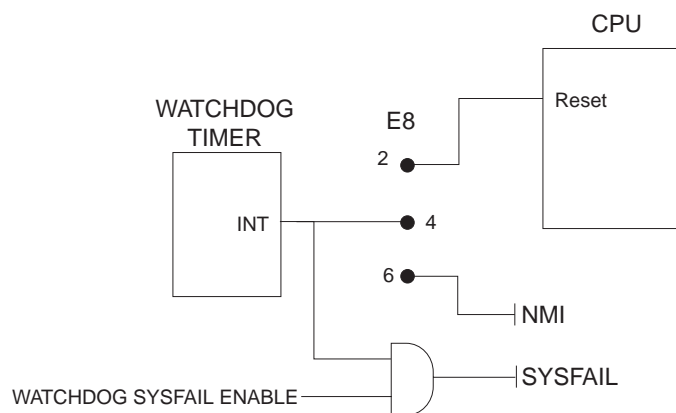
---

**NOTE:** The Watchdog Timer Interrupt output must be set to Level Mode (see Watchdog Command Register Bit 4) to use this option.

---

In addition, the Watchdog Alarm is connected via a two state header (E8) to either or neither the CPU reset or the system NMI. The user can direct the Watchdog Alarm to reset the CPU if the jumper is set in the 2-4 position; to initiate a Non-Maskable Interrupt (NMI) if the jumper is in the 4-6 position; or neither if the jumper is completely removed.

Figure 4-7 shows a generalized block diagram of how the Watchdog Timer is used in the VMIVME-7740. The Watchdog Timer registers are memory-mapped in the bottom fourteen locations of NVRAM addresses \$D8000 through \$D800D. Table 4-12 shows the address, content, and the range of each Watchdog Register.



**Figure 4-7** Watchdog Alarm Block

Table 4-12 Watchdog Registers

Register	Address	Bit 7	Bit 6	Bit 5	Bit 4	Bit 3	Bit 2	Bit 1	Bit 0	Range	
0	\$D8000	0.1 Seconds (BCD)				0.01 Seconds (BCD)				00 - 99	
1	\$D8001	10 Seconds (BCD)				Seconds (BCD)				00 - 59	
2	\$D8002	10 Minutes (BCD)				Minutes (BCD)				00 - 59	
3	\$D8003	M	10 Minute Alarm (BCD)				Minute Alarm (BCD)				00 - 59
4	\$D8004	0	12/24	AM/PM*	10 Hr	Hours (BCD)					
5	\$D8005	M	12/24	AM/PM*	10 Hr	Hour Alarm (BCD)					
6	\$D8006	0	0	0	0	Days (BCD)				01 - 07	
7	\$D8007	M	0	0	0	Day Alarm (BCD)				01 - 07	
8	\$D8008	0	0	10 Date (BCD)		Date (BCD)				01 - 31	
9	\$D8009	Eosc	1**	0	10 Mo	Months (BCD)				01 - 12	
A	\$D800A	10 Years (BCD)				Years (BCD)				00 - 99	
B	\$D800B	Te	Ipsw	Ibh/lo	Pu/lvl	Wam	Tdm	Waf	Tdf		
C	\$D800C	0.1 Seconds (BCD)				0.01 Seconds (BCD)				00 - 99	
D	\$D800D	10 Seconds (BCD)				Seconds (BCD)				00 - 99	
<p>* In the 12 hour mode Bit 5 determines AM (0) or PM (1). In the 24 hour mode Bit 5 combines with Bit 4 to represent the 10 hour value.</p> <p>** Bit 6 of Register 9 must be set to a 1. If set to a 0, an unused square wave will be generated in the circuit.</p>											

Registers 0 through A are Clock, Calendar, Time of Day Registers.

Register B is the Command Register.

Registers C and D are Watchdog Alarm Registers.

The Watchdog Timer contains 14 registers which are 8-bits wide. These registers contain all of the Time of Day, Alarm, Watchdog, Control, and Data information. The Clock Calendar, Alarm, and Watchdog Registers have both external (user accessible) and internal memory locations containing copies of the data. The external memory locations are independent of the internal functions except that they are updated periodically by the transfer of the incremented internal values. Registers 0, 1, 2, 4, 6, 8, 9, and A contain Time of Day and Data information in Binary Coded Decimal (BCD). Registers 3, 5, and 7 contain the Time of Day Alarm information in BCD. The Command Register (Register B) contains data in binary. The Watchdog Alarm Registers are Registers C and D, and information stored in these registers is in BCD.

## Time of Day Registers

Registers 0, 1, 2, 4, 6, 8, 9, and A contain Time of Day data in BCD.

*Register 0* contains two Time of Day values. Bits 3 - 0 contain the 0.01 Seconds value with a range of 0 to 9 in BCD while Bits 7 - 4 contain the 0.1 Seconds value with a range of 0 to 9 in BCD. This register has a total range of 0.00 to 0.99 Seconds.

*Register 1* contains two Time of Day values. Bits 3 - 0 contain the 1 Seconds value with a range of 0 to 9 in BCD while Bits 7 - 4 contain the 10 Seconds value with a range of 0 to 5 in BCD. This register has a total range of 0.0 to 59.0 Seconds. Bit 7 of this register will always be zero regardless of what value is written to it.

*Register 2* contains two Time of Day values. Bits 3 - 0 contain the 1 Minute value with a range of 0 to 9 in BCD, Bits 7 - 4 contain the 10 Minutes value with a range of 0 to 6 in BCD. This register has a total range of 0 to 59 Minutes. Bit 7 of this register will always be zero regardless of what value is written to it.

*Register 4* contains the Hours value of the Time of Day. The Hours can be represented in either 12- or 24-hour format depending on the state of Bit 6. When Bit 6 is set to a one (1) the format is 12-hour. When Bit 6 is set to a zero (0) the format is 24-hour. For the 12-hour format, Bits 3 - 0 contain the 1-hour value with a range of 0 to 9 in BCD and Bit 4 contains the 10-hour value with a range of 0 to 1. In the 12-hour format, Bit 5 is used as the AM/PM bit. For AM, Bit 5 is set to zero (0) and for PM, Bit 5 is set to one (1). The total range of this register in the 12 hour format is 01 AM to 12 AM and 01 PM to 12 PM.

When Register 4 is in 24-hour format (Bit 6 is set to a zero (0)) Bits 3 - 0 contain the 1-hour value with a range of 0 to 9 in BCD, Bit 5 combines with 4 to represent the 10-hour value. The 10-hour range is from 0 to 2. The total range of Register 4 in the 24-hour format is 00 to 23 hours. Bit 7 of Register 4 will always be zero regardless of what value is written to it and regardless of format (12- or 24-hour).

*Register 6* contains the Days value of the Time of Day. Bits 2 - 0 contain the Days value with a range of 1 to 7 in BCD.

*Register 8* contains two Time of Day values. Bits 3 - 0 contain the Date value with a range of 0 to 9 in BCD while Bits 5 - 4 contain the 10 Date value with a range of 0 to 3. This register has a total range of 01 to 31. Bits 7 - 6 of this register will always be zero regardless of what value is written to it.

*Register 9* contains two Time of Day values. Bits 3 - 0 contain the Months value with a range of 0 to 9 in BCD while Bits 4 contain the 10 Date value with a range of 0 to 1. This register has a total range of 01 to 12. Bit 5 will always be zero regardless of what value is written to it. Bit 6 is unused but must be set to a 1. Bit 7,  $\overline{Eosc}$ , is the clock oscillator enable bit. When this bit is set to a zero (0) the oscillator is internally enabled. When set to a one (1) the oscillator is internally disabled. The oscillator via this bit is usually turned on once during system initialization but can be toggled on and off at the user's discretion.

There are two techniques for reading the Time of Day from the Watchdog Timer. The first is to halt the external Time of Day registers from tracking the internal Time of Day registers by setting the Te bit (Bit 7 of the Command Register) to a logic zero (0), then reading the contents of the Time of Day registers. Using this technique eliminates the chance of the Time of Day changing while the read is taking place. At the end of the read, the Te bit is set to a logic one (1) allowing the external Time of Day registers to resume tracking the internal Time of Day Registers. No time is lost as the internal Time of Day Registers continue to keep time while the external Time of Day registers are halted. This is the recommended method.

The second technique for reading the Time of Day from the Watchdog Timer is to read the external Time of Day registers without halting the tracking of the internal Registers. This is not recommended as the registers may be updated while the reading is taking place, resulting in erroneous data being read.

## Time of Day Alarm Registers

Registers 3, 5, and 7 are the Time of Day Alarm registers and are formatted similar to Register 2, 4, and 6 respectively. Bit 7 of registers 3, 5, and 7 is a mask bit. The mask bits, when active (logic one (1)), disable the use of the particular Time of Day Alarm register in the determination of the Time of Day Alarm (see Table 4-13). When all the mask bits are low (0) an alarm will occur when Registers 2, 4, and 6 match the values found in Registers 3, 5, and 7. When Register 7's mask bit is set to a logic one (1), Register 6 will be disregarded in the determination of the Time of Day alarm and an alarm will occur everyday. When Registers 7 and 5's mask bit is set to a logic one (1), Register 6 and 4 will be disregarded in the determination of the Time of Day alarm and an alarm will occur every hour. When Registers 7, 5 and 3's mask bit is set to a logic one (1), Register 6, 4, and 2 will be disregarded in the determination of the Time of Day alarm and an alarm will occur every minute (when register 1's seconds step from 59 to 00).

**Table 4-13** Time of Day Alarm Registers

Register			Comment
Minutes	Hours	Days	
1	1	1	Alarm once per minute
0	1	1	Alarm when minutes match
0	0	1	Alarm when hours and minutes match
0	0	0	Alarm when hours, minutes, and days match

The Time of Day Alarm registers are read and written to in the same format as the Time of Day registers. The Time of Day alarm flag and interrupt are cleared when the alarm registers are read or written.

## Watchdog Alarm Registers

*Register C* contains two Watchdog Alarm values. Bits 3 - 0 contain the 0.01 Seconds value with a range of 0 to 9 in BCD, while Bits 7 - 4 contain the 0.1 Seconds value with a range of 0 to 9 in BCD. This Register has a total range of 0.00 to 0.99 Seconds.

*Register D* contains two Watchdog Alarm values. Bits 3 - 0 contain the 1 Second value with a range of 0 to 9 in BCD, while Bits 7 - 4 contain the 10 Seconds value with a range of 0 to 9 in BCD. This register has a total range of 00.0 to 99.0 Seconds.

The Watchdog Alarm Registers can be read or written in any order. When a new value is entered or the Watchdog registers are read, the Watchdog Timer will start counting down from the entered value. When zero is reached the Watchdog Interrupt Output will go active. If jumper J30 is loaded, the CPU will reset to a known state. Refer to Figure 4-7. The Watchdog Timer count is reinitialized back to the entered value, the Watchdog flag bit is cleared, and the Watchdog interrupt output is cleared every time either of the registers is accessed. Periodic accesses to the Watchdog Timer will prevent the Watchdog Alarm from occurring. If access does not occur, the alarm will be repetitive. The Watchdog Alarm Register always reads the entered value. The actual countdown value is internal and not accessible to the user. Writing zeroes to Registers C and D will disable the Watchdog Alarm feature.

## Command Register

Register B is the Command Register. Within this register are mask bits, control bits, and flag bits. The following paragraphs describe each bit.

*Te - Bit 7 Transfer Enable* - This bit enables and disables the tracking of data between the internal and external registers. When set to a logic zero (0), tracking is disabled, freezing the data in the external register. When set to a logic one (1), tracking is enabled. This bit must be set to a logic one (1) to allow the external register to be updated.

*Ipsw - Bit 6 Interrupt Switch* - This bit toggles the Interrupt Output between the Time of Day Alarm and the Watchdog Alarm. When set to a logic zero (0), the Interrupt Output is from the Watchdog Alarm. When set to a logic one (1), the Interrupt Output is from the Time of Day Alarm.

*Ibh/lo - Bit 5 Reserved* - This bit should be set to a logic low (0).

*Pu/lvl - Bit 4 Interrupt Pulse Mode or Level Mode* - This bit determines whether the Interrupt Output will output as a pulse or a level. When set to a logic zero (0), Interrupt Output will be a level. When set to a logic one (1), Interrupt Output will be a pulse. In pulse mode the Interrupt Output will sink current for a minimum of 3 ms. This bit should be set to a logic one (1).

*Wam - Bit 3 Watchdog Alarm Mask* - Enables/Disables the Watchdog Alarm to Interrupt Output when Ipsw (Bit 6, Interrupt Switch) is set to logic zero (0). When set to a logic zero (0), Watchdog Alarm Interrupt Output will be enabled. When set to a logic one (1), Watchdog Alarm Interrupt Output will be disabled.

*Tdm - Bit 2 Time of Day Alarm Mask* - Enables/Disables the Time of Day Alarm to Interrupt Output when Ipsw (see Bit 6, Interrupt Switch) is set to logic one (1). When set to a logic zero (0), Time of Day Alarm Interrupt Output will be enabled. When set to a logic one (1), Time of Day Alarm Interrupt Output will be disabled.

*Waf - Bit 1 Watchdog Alarm Flag* - This is a read-only bit set to a logic one (1) when a Watchdog Alarm Interrupt occurs. This bit is reset when any of the Watchdog Alarm registers are accessed. When the Interrupt Output is set to Pulse Mode (see Bit 4, Interrupt Pulse Mode or Level Mode), the flag will be set to a logic one (1) only when the Interrupt Output is active.

*Tdf - Bit 0 Time of Day Alarm Flag* - This is a read-only bit set to a logic one (1) when a Time of Day Alarm Interrupt occurs. This bit is reset when any of the Time of Day Alarm registers are accessed. When the Interrupt Output is set to Pulse Mode (see Bit 4, Interrupt Pulse Mode or Level Mode), the flag will be set to a logic one (1) only when the Interrupt Output is active.



---

## NVRAM

The VMIVME-7740 includes 32 K bytes of NVRAM addressed at \$D8018 to \$DFFFF. The lower 24 bytes, \$D8000 to \$D8017, are dedicated to the Watchdog Timer, the System Command Register, the VME BERR Address Register, the VME BERR Address Modifier Register and the Board ID Register and are unavailable for SRAM use. See the Watchdog Timer section. The NVRAM can be accessed by the CPU at any time, and can be used to store system data that must not be lost during power-off conditions.



# Maintenance

If a VMIC product malfunctions, please verify the following:

1. Software resident on the product
2. System configuration
3. Electrical connections
4. Jumper or configuration options
5. Boards are fully inserted into their proper connector location
6. Connector pins are clean and free from contamination
7. No components or adjacent boards were disturbed when inserting or removing the board from the chassis
8. Quality of cables and I/O connections

If products must be returned, obtain a RMA (Return Material Authorization) by contacting VMIC Customer Service. **This RMA must be obtained prior to any return.**

---

VMIC Customer Service is available at: 1-800-240-7782.  
Or E-mail us at [customer.service@vmic.com](mailto:customer.service@vmic.com)

---

---

## Maintenance Prints

User level repairs are not recommended. The drawings and diagrams in this manual are for reference purposes only.



# Connector Pinouts

## Contents

Dual Ethernet Connectors Pinout (J1, J7) .....	79
Video Connector Pinout (J3) .....	80
Serial Connector Pinout (P3) .....	81
Keyboard/Mouse Connector Pinout .....	83
VMEbus Connector Pinout .....	84

---

## Introduction

The VMIVME-7740 PC/AT-Compatible VMEbus Controller has several connectors for its I/O ports. Figure A-1 shows the locations of the connectors on the VMIVME-7740. Wherever possible, the VMIVME-7740 uses connectors and pinouts typical for any desktop PC. This ensures maximum compatibility with a variety of systems.

Connector diagrams in this appendix are generally shown in a natural orientation with the controller board mounted in a VMEbus chassis.

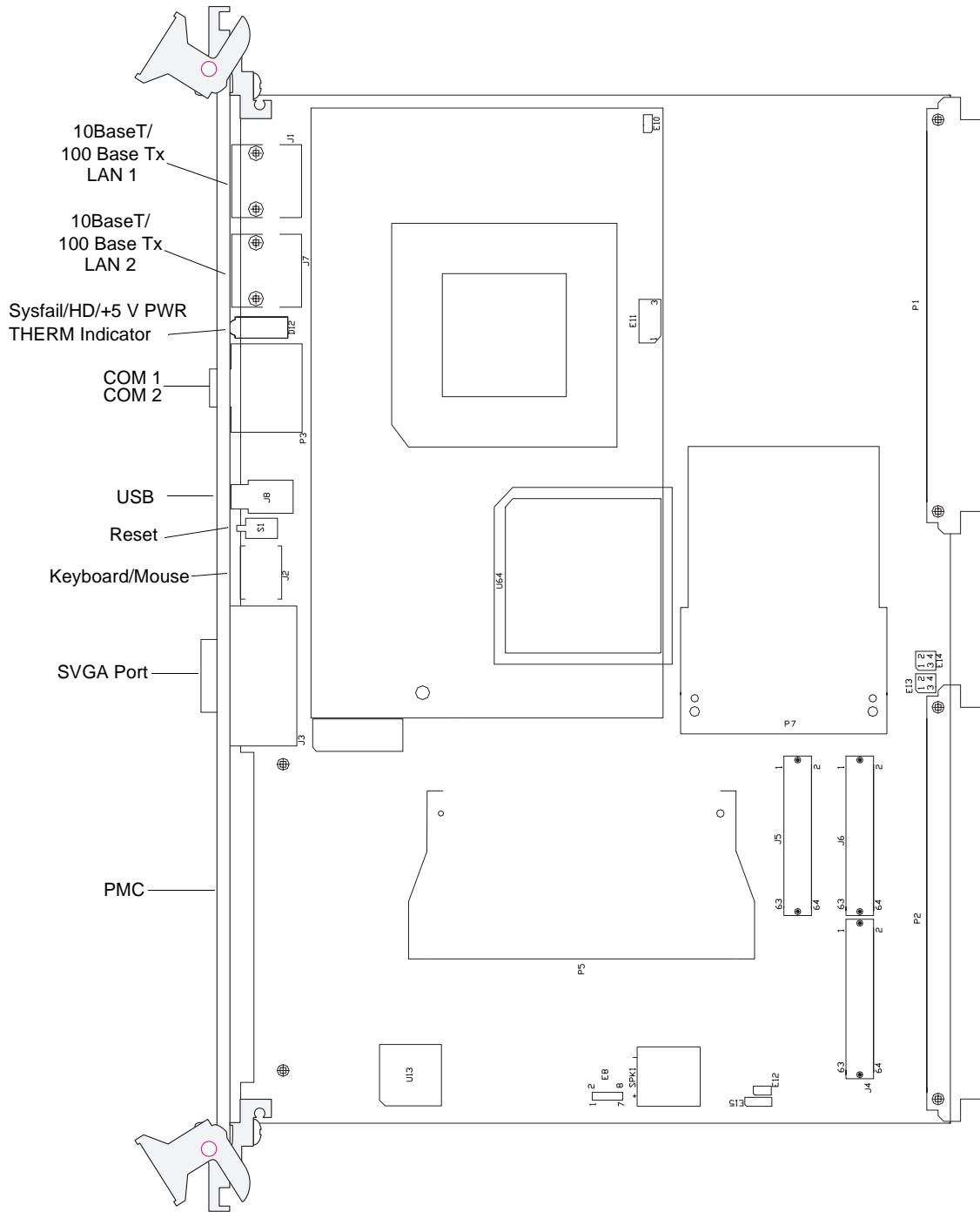
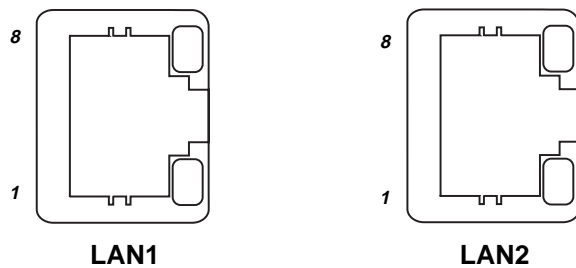


Figure A-1 VMIVME-7740 Connector and Jumper Locations

## Dual Ethernet Connectors Pinout (J1, J7)

The pinout diagram for the Ethernet 10BaseT/100BaseTx connectors is shown in Figure A-2.



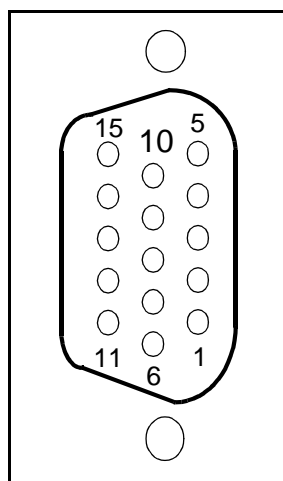
10BaseT/100BaseTx

ETHERNET CONNECTOR 10BaseT/100BaseTx		
PIN	Signal Name	
1	TD+	Transmit Data
2	TD-	Transmit Data
3	RD+	Receive Data
4	TX_CT_OUT	Transmit Center Tap Out
5	TX_CT_OUT	Transmit Center Tap Out
6	RD-	Receive Data
7	RX_CT_OUT	Receive Center Tap Out
8	RX_CT_OUT	Receive Center Tap Out

Figure A-2 Ethernet Connector Pinout

## Video Connector Pinout (J3)

The video port uses a standard high-density D15 SVGA connector. Figure A-3 illustrates the pinout.



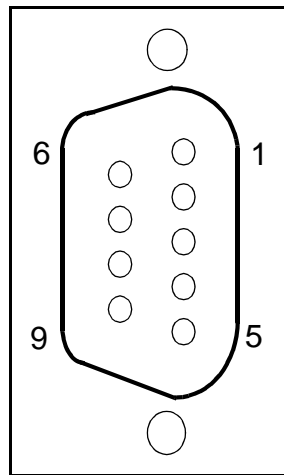
VIDEO CONNECTOR		
PIN	DIRECTION	FUNCTION
1	Out	Red
2	Out	Green
3	Out	Blue
4		Reserved
5		Ground
6		Ground
7		Ground
8		Ground
9		Reserved
10		Ground
11		Reserved
12		Reserved
13	Out	Horizontal Sync
14	Out	Vertical Sync
15		Reserved
Shield		Chassis Ground

**Figure A-3** Video Connector Pinout



## Serial Connector Pinout (P3)

Each standard RS-232 serial port connector is a Microminiature D9 male as shown in the drawing in Figure A-4. Adapters to connect standard D9 serial peripherals to the board are available. Please refer to the product specification sheet for ordering information.



COM 1 and COM 2 SERIAL PORT CONNECTORS			
D9 PIN	DIR	RS-232 SIGNAL	FUNCTION
1	In	DCD	Data Carrier Detect
2	In	RX	Receive Data
3	Out	TX	Transmit Data
4	Out	DTR	Data Terminal Ready
5		GND	Signal Ground
6	In	DSR	Data Set Ready
7	Out	RTS	Request to Send
8	In	CTS	Clear to Send
9	In	RI	Ring Indicator
Shield			Chassis Ground

Figure A-4 Serial Connector Pinouts

## USB Connector (J8)

The Universal Serial Bus (USB) port uses an industry standard, four position shielded connector. Figure A-5 shows the pinout of the USB connector.

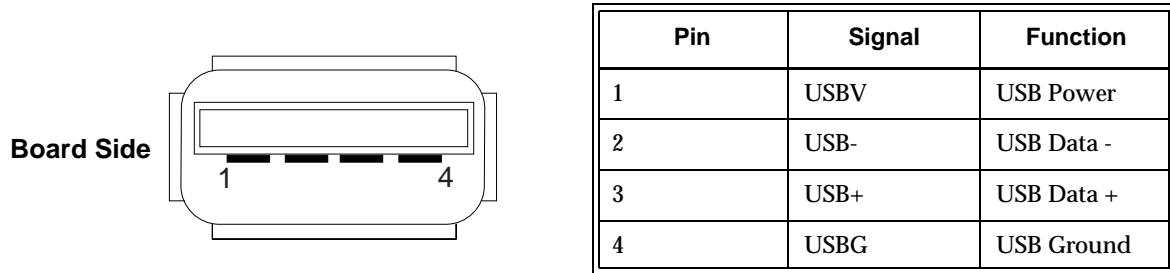
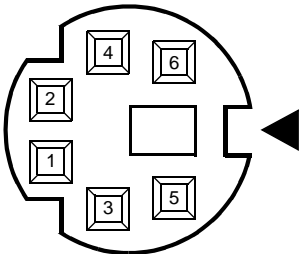


Figure A-5 USB Connector and Pinout

# Keyboard/Mouse Connector Pinout

The keyboard/Mouse connector is a standard 6-pin female mini-DIN PS/2 connector as shown in Figure A-6. The Keyboard/Mouse Y-cable connects to the Keyboard/Mouse connector on the VMIVME-7740 and provides a separate connector for both Keyboard and Mouse. The pinout of these connectors are shown in Table A-1.



KEYBOARD/MOUSE* CONNECTOR		
PIN	DIR	FUNCTION
1	In/Out	Mouse Data
2	In/Out	Keyboard Data
3		Ground
4		+5 V
5	Out	Mouse Clock
6	Out	Keyboard Clock
Shield		Chassis Ground

\*An adapter cable is included with the VMIVME-7740 to separate the Keyboard/Mouse Connector.

Figure A-6 Keyboard Connector Pinout

Table A-1 Keyboard/Mouse Y Splitter Cable

Keyboard			Mouse		
Pin	Dir	Function	Pin	Dir	Function
1	In/Out	Keyboard Data	1	In/Out	Mouse Data
2		Unused	2		Unused
3		Ground	3		Ground
4		+5V	4		+5V
5	Out	Keyboard Clock	5	Out	Mouse Clock
6		Unused	6		Unused
Shield		Chassis Ground	Shield		Chassis Ground

## VMEbus Connector Pinout

Figure A-7 shows the location of the VMEbus P1 and P2 connectors and their orientation. Table A-2 and Table A-3 show the pin assignments for the VMEbus connectors.

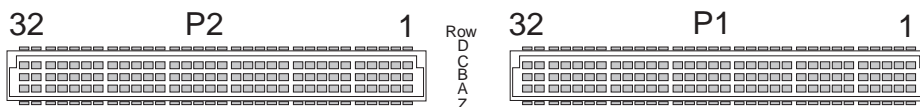


Figure A-7 VME64 Connector Diagram

Table A-2 P1 - VME64 Connector

A	Signal	Description	B	Signal	Description	C	Signal	Description
1	VME_D[0]	VME Data Bus Line 0	1	VME_BBSY-	Bus Busy	1	VME_D[8]	VME Data Bus Line 8
2	VME_D[1]	VME Data Bus Line 1	2	VME_BCLR-	Bus Clear	2	VME_D[9]	VME Data Bus Line 9
3	VME_D[2]	VME Data Bus Line 2	3	VME_ACFAIL-	Power Fail	3	VME_D[10]	VME Data Bus Line 10
4	VME_D[3]	VME Data Bus Line 3	4	VME_BG0IN-	Bus Grant 0 In	4	VME_D[11]	VME Data Bus Line 11
5	VME_D[4]	VME Data Bus Line 4	5	VME_BG0OUT-	Bus Grant 0 Out	5	VME_D[12]	VME Data Bus Line 12
6	VME_D[5]	VME Data Bus Line 5	6	VME_BG1IN-	Bus Grant 1 In	6	VME_D[13]	VME Data Bus Line 13
7	VME_D[6]	VME Data Bus Line 6	7	VME_BG1OUT-	Bus Grant 1 Out	7	VME_D[14]	VME Data Bus Line 14
8	VME_D[7]	VME Data Bus Line 7	8	VME_BG2IN-	Bus Grant 2 In	8	VME_D[15]	VME Data Bus Line 15
9	GND	Ground	9	VME_BG2OUT-	Bus Grant 2 Out	9	GND	Ground
10	VME_SYSClk	VME Bus System Clock	10	VME_BG3IN-	Bus Grant 3 In	10	VME_SYSFAIL-	System Failure
11	GND	Ground	11	VME_BG3OUT-	Bus Grant 3 Out	11	VME_BERR-	Bus Error
12	VME_DS1-	Data Strobe 1	12	VME_BR0-	Bus Request 0	12	VME_SYSRST-	System Reset
13	VME_DS0-	Data Strobed	13	VME_BR1-	Bus Request 1	13	VME_LWORD-	Long Word
14	VME_WRITE-	Write Enable	14	VME_BR2-	Bus Request 2	14	VME_AM5	Address Modifier 5
15	GND	Ground	15	VME_BR3-	Bus Request 3	15	VME_A[23]	VME Address Line 23
16	VME_DTACK-	Data Acknowledge	16	VME_AM0	Address Modifier 0	16	VME_A[22]	VME Address Line 22
17	GND	Ground	17	VME_AM1	Address Modifier 1	17	VME_A[21]	VME Address Line 21
18	VME_AS-	Address Strobe	18	VME_AM2	Address Modifier 2	18	VME_A[20]	VME Address Line 20
19	GND	Ground	19	VME_AM3	Address Modifier 3	19	VME_A[19]	VME Address Line 19
20	VME_IACK-	VME IRQ Acknowledge	20	GND	Ground	20	VME_A[18]	VME Address Line 18
21	VME_IACKIN-	Interrupt Acknowledge	21	N.C.	No Connect	21	VME_A[17]	VME Address Line 17
22	VME_IACKOUT-	Int Ack Out	22	N.C.	No Connect	22	VME_A[16]	VME Address Line 16
23	VME_AM4	Address Modifier 4	23	GND	Ground	23	VME_A[15]	VME Address Line 15
24	VME_A[7]	VME Address Line 7	24	VME_IRQ[7]-	IRQ Line 7	24	VME_A[14]	VME Address Line 14
25	VME_A[6]	VME Address Line 6	25	VME_IRQ[6]-	IRQ Line 6	25	VME_A[13]	VME Address Line 13
26	VME_A[5]	VME Address Line 5	26	VME_IRQ[5]-	IRQ Line 5	26	VME_A[12]	VME Address Line 12
27	VME_A[4]	VME Address Line 4	27	VME_IRQ[4]-	IRQ Line 4	27	VME_A[11]	VME Address Line 11
28	VME_A[3]	VME Address Line 3	28	VME_IRQ[3]-	IRQ Line 3	28	VME_A[10]	VME Address Line 10
29	VME_A[2]	VME Address Line 2	29	VME_IRQ[2]-	IRQ Line 2	29	VME_A[9]	VME Address Line 9
30	VME_A[1]	VME Address Line 1	30	VME_IRQ[1]-	IRQ Line 1	30	VME_A[8]	VME Address Line 8
31	-12V	-12V Power	31	N.C.	No Connect	31	+12V	+12V Power
32	+5V	Power	32	+5V	Power	32	+5V	Power

Table A-2 P1 - VME64 Connector (Continued)

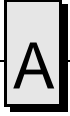
D	Signal	Description	Z	Signal	Description
1	N.C.	No Connect	1	N.C.	No Connect
2	N.C.	No Connect	2	N.C.	No Connect
3	N.C.	No Connect	3	N.C.	No Connect
4	N.C.	No Connect	4	N.C.	No Connect
5	N.C.	No Connect	5	N.C.	No Connect
6	N.C.	No Connect	6	N.C.	No Connect
7	N.C.	No Connect	7	N.C.	No Connect
8	N.C.	No Connect	8	N.C.	No Connect
9	GA[5]	Geographic Address 5	9	N.C.	No Connect
10	GA[0]	Geographic Address 0	10	N.C.	No Connect
11	GA[1]	Geographic Address 1	11	N.C.	No Connect
12	N.C.	No Connect	12	N.C.	No Connect
13	GA[2]	Geographic Address 2	13	N.C.	No Connect
14	N.C.	No Connect	14	N.C.	No Connect
15	GA[3]	Geographic Address 3	15	N.C.	No Connect
16	N.C.	No Connect	16	N.C.	No Connect
17	GA[4]	Geographic Address 4	17	N.C.	No Connect
18	N.C.	No Connect	18	N.C.	No Connect
19	N.C.	No Connect	19	N.C.	No Connect
20	N.C.	No Connect	20	N.C.	No Connect
21	N.C.	No Connect	21	N.C.	No Connect
22	N.C.	No Connect	22	N.C.	No Connect
23	N.C.	No Connect	23	N.C.	No Connect
24	N.C.	No Connect	24	N.C.	No Connect
25	N.C.	No Connect	25	N.C.	No Connect
26	N.C.	No Connect	26	N.C.	No Connect
27	N.C.	No Connect	27	N.C.	No Connect
28	N.C.	No Connect	28	N.C.	No Connect
29	N.C.	No Connect	29	N.C.	No Connect
30	N.C.	No Connect	30	N.C.	No Connect
31	N.C.	No Connect	31	N.C.	No Connect
32	N.C.	No Connect	32	N.C.	No Connect

Table A-3 P2 - VME64 Connector

A	Signal	Description	B	Signal	Description	C	Signal	Description
1	GND	Ground	1	+5V	Power	1	IDERST#	IDE Control
2	IDED[8]	IDE Data Line 8	2	GND	Ground	2	IDED[7]	IDE Data Line 7
3	IDED[9]	IDE Data Line 9	3	N.C.	No Connect	3	IDED[6]	IDE Data Line 6
4	IDED[10]	IDE Data Line 10	4	VME_A[24]	VME Address Line 24	4	IDED[5]	IDE Data Line 5
5	IDED[11]	IDE Data Line 11	5	VME_A[25]	VME Address Line 25	5	IDED[4]	IDE Data Line 4
6	IDED[12]	IDE Data Line 12	6	VME_A[26]	VME Address Line 26	6	IDED[3]	IDE Data Line 3
7	IDED[13]	IDE Data Line 13	7	VME_A[27]	VME Address Line 27	7	IDED[2]	IDE Data Line 2
8	IDED[14]	IDE Data Line 14	8	VME_A[28]	VME Address Line 28	8	IDED[1]	IDE Data Line 1
9	IDED[15]	IDE Data Line 15	9	VME_A[29]	VME Address Line 29	9	IDED[0]	IDE Data Line 0
10	IDEDRQ0	IDE Control	10	VME_A[30]	VME Address Line 30	10	IOCSI.64#	IDE Control
11	IDELIOW0-	IDE Control	11	VME_A[31]	VME Address Line 31	11	GND	Ground
12	IDELIOR0-	IDE Control	12	GND	Ground	12	GND	Ground
13	IDERDY	IDE Control	13	+5V	Power	13	GND	Ground
14	GND	Ground	14	VME_D[16]	VME Data Line 16	14	IDESELA	IDE Control
15	GND	Ground	15	VME_D[17]	VME Data Line 17	15	IDEDACK0#	IDE Control
16	GND	Ground	16	VME_D[18]	VME Data Line 18	16	IRQ[14]	Interrupt Line 14
17	A1	IDE Control	17	VME_D[19]	VME Data Line 19	17	A2	IDE Control
18	CSOP	IDE Control	18	VME_D[20]	VME Data Line 20	18	A0	IDE Control
19	HD_ACTA-	IDE Control	19	VME_D[21]	VME Data Line 21	19	CS1P	IDE Control
20	DRATE0	Floppy Control	20	VME_D[22]	VME Data Line 22	20	DENSEL	Floppy Control
21	GND	Ground	21	VME_D[23]	VME Data Line 23	21	INDEX-	Floppy Control
22	DR1-	Floppy Control	22	GND	Ground	22	MTR0-	Floppy Control
23	GND	Ground	23	VME_D[24]	VME Data Line 24	23	DR0-	Floppy Control
24	GND	Ground	24	VME_D[25]	VME Data Line 25	24	MTR1-	Floppy Control
25	GND	Ground	25	VME_D[26]	VME Data Line 26	25	STEP-	Floppy Control
26	GND	Ground	26	VME_D[27]	VME Data Line 27	26	WDATA-	Floppy Control
27	GND	Ground	27	VME_D[28]	VME Data Line 28	27	TRK0-	Floppy Control
28	GND	Ground	28	VME_D[29]	VME Data Line 29	28	RDATA-	Floppy Control
29	DSKCHG	Floppy Control	29	VME_D[30]	VME Data Line 30	29	HDSEL	Floppy Control
30	GND	Ground	30	VME_D[31]	VME Data Line 31	30	DIR-	Floppy Control
31	+5V	Power	31	GND	Ground	31	WGATE-	Floppy Control
32	+5V	Power	32	+5V	Power	32	WP-	Floppy Control

Table A-3 P2 - VME64 Connector (Continued)

D	Signal	Description	Z	Signal	Description
1	CONN[1]	P8-2	1	CONN[2]	P8-2
2	CONN[3]	P8-3	2	GND	Ground
3	CONN[4]	P8-4	3	CONN[5]	P8-5
4	CONN[6]	P8-6	4	GND	Ground
5	CONN[7]	P8-7	5	CONN[8]	P8-8
6	CONN[9]	P8-9	6	GND	Ground
7	CONN[10]	P8-10	7	CONN[11]	P8-11
8	CONN[12]	P8-12	8	GND	Ground
9	CONN[13]	P8-13	9	CONN[14]	P8-14
10	CONN[15]	P8-15	10	GND	Ground
11	CONN[16]	P8-16	11	CONN[17]	P8-17
12	CONN[18]	P8-18	12	GND	Ground
13	CONN[19]	P8-19	13	CONN[20]	P8-20
14	CONN[21]	P8-21	14	GND	Ground
15	CONN[22]	P8-22	15	CONN[23]	P8-23
16	CONN[24]	P8-24	16	GND	Ground
17	CONN[25]	P8-25	17	CONN[26]	P8-26
18	CONN[27]	P8-27	18	GND	Ground
19	CONN[28]	P8-28	19	CONN[29]	P8-29
20	CONN[30]	P8-30	20	GND	Ground
21	CONN[31]	P8-31	21	CONN[32]	P8-32
22	CONN[33]	P8-33	22	GND	Ground
23	CONN[34]	P8-34	23	CONN[35]	P8-35
24	CONN[36]	P8-36	24	GND	Ground
25	CONN[37]	P8-37	25	CONN[38]	P8-38
26	CONN[39]	P8-39	26	GND	Ground
27	CONN[40]	P8-40	27	CONN[41]	P8-41
28	CONN[42]	P8-42	28	GND	Ground
29	CONN[43]	P8-43	29	CONN[44]	P8-44
30	CONN[45]	P8-45	30	GND	Ground
31	GND	Ground	31	CONN[46]	P8-46
32	N.C.	No Connect	32	GND	Ground





# *System Driver Software*

## Contents

Windows 98 SE (Second Edition) . . . . .	90
Windows NT (Version 4.0) . . . . .	91

---

---

## Introduction

The VMIVME-7740 provides high-performance video and Local Area Network (LAN) access by means of on-board PCI-based adapters and associated software drivers. The AGP video controller used on the VMIVME-7740 is the Intel 69030. High-performance LAN operation, including 10BaseT and 100BaseTx, is provided by the Intel 82559 Ethernet controller chip.

To optimize performance of each of these PCI-based subsystems, the VMIVME-7740 is provided with software drivers compatible with DOS, Windows 98 SE, and Windows NT operating systems. The following paragraphs provide instructions for loading and installing the adapter software.

## Driver Software Installation

In order to properly use the Video and LAN adapters of the VMIVME-7740, the user must install the driver software located on the distribution diskettes provided with the unit. Detailed instructions for installation of the drivers during installation of Windows 98 or Windows NT (Versions 4.0) operating systems are described in the following sections.



---

## Windows 98 SE (Second Edition)

1. Begin installation of Windows 98 SE, following the instructions provided by the Windows 98 SE manual.
2. When you reach the 'WINDOWS 98 SE SETUP WIZARD SCREEN', choose 'TYPICAL' under 'SETUP OPTIONS' and then click 'NEXT'.
3. When you reach the 'ANALYZING YOUR COMPUTER' screen, place an 'X' in the box for 'NETWORK ADAPTER', then click 'NEXT'.
4. Under the 'WINDOWS COMPONENTS SCREEN', select 'INSTALL THE MOST COMMON COMPONENTS' and then click 'NEXT'.
5. Continue with the installation until Windows 98 SE is completely installed and has rebooted.

After the second reboot, Windows 98 SE should correctly identify the Intel 82559 and install the appropriate 8255X driver.

### Manual Installation of the 8255X Driver

If Windows 98 SE has already been installed on your hard drive, it may be necessary to manually install the 8255X driver. To install the driver follow the steps below.

1. On your computer open 'MY COMPUTER', from there open the 'CONTROL PANEL'.
2. Double click the 'NETWORK' icon.
3. From the 'NETWORK' menu, deselect 'ADD', then select 'ADAPTER' and 'ADD'.
4. Place disk 320-500052-003 in drive A.
5. Type `a:\` in the 'COPY MANUFACTURER'S FILES FROM' box, and select "OK".
6. Select '8255X BASED PCI ETHERNET ADAPTER' and follow the on-screen instructions for installation.

### Intel 69030 Video Driver

To install the Intel 69030 Video Driver follow the steps below.

1. Insert disk 320-500052-001 into drive A, type `a:\w98600` and press **ENTER**.
2. Follow the on-screen instructions.

---

## Windows NT (Version 4.0)

Windows NT 4.0 includes drivers for the on-board LAN, and video adapters. The following steps are required to configure the LAN for operation.

1. Follow the normal Windows NT 4.0 installation until you reach the **Windows NT Workstation Setup** window which states that **Windows NT Needs To Know How This Computer Should Participate On A Network**.
2. Place a dot next to **This Computer Will Participate On A Network**.
3. Place a check mark next to **Wired To The Network** and click **Next**.
4. In the next screen, click the **Select From List** button.
5. Click the **Have Disk** button.
6. Insert disk **320-500052-004** into drive A.
7. Click **OK**.
8. In the **Select OEM Option**, choose **Intel Pro Adapter**, then click **OK**.
9. Select the above entry on the displayed list, click **Next**.
10. Select the **NetBEUI Protocol (only)**, click **Next**.
11. Click **Next** to install selected components.
12. Click **Next** to start the network connection.
13. Step through the remaining screens, providing the data pertinent to your network.
14. Continue through the setup procedure until the **Detected Display** window appears, click **OK** to continue.
15. In the **Display Properties** window, click on **Test**.

---

**NOTE:** Windows NT 4.0 does not allow the selection of the Intel video drivers during initial setup.

---

If the display test is successful, click **OK** to continue. If the display test is not successful, you may have to adjust the display parameter to find a functional setting, for example a lower resolution or lower number of colors.

16. Continue with the procedure to the **Windows NT Setup** window. Click **Restart Computer**.
17. When the computer reboots, double-click **My Computer** window.
18. Double-click the **Control Panel** icon in the **My Computer** window.
19. Double-click the **Display** icon in the **Control Panel**.

20. Select the **Settings** tab in the **Display Properties** window, then click the **Display Type** button.
21. In the **Display Type** window, click **Change**.
22. In the **Change Display** window, click **Have Disk**.
23. Insert disk **320-500052-002** into drive **A**.
24. Click **OK**.
25. 'Chips Video Accelerators' will be displayed in the **Change Display** window. Click **OK**.
26. Proceed as directed, removing the driver disk from the floppy drive. Restart the computer to activate the new settings. When the system reboots, the **Invalid Display Settings** screen will be displayed. Click **OK**.
27. On the **Display Properties** screen click on **Settings**, then click **Test**.
28. The **Testing Mode** screen will be displayed. Click **Ok**. If the bitmap test image is displayed correctly, click **OK**.

The unit should now be configured for operation under Windows NT 4.0.

# Phoenix BIOS

## Contents

Main Menu .....	94
Advanced Menu.....	99
Power .....	103
Boot Menu.....	105
Exit Menu .....	106

---

---

## Introduction

The VMIVME-7740 utilizes the BIOS (Basic Input/Output System) in the same manner as other PC/AT compatible computers. This appendix describes the menus and options associated with the VMIVME-7740 BIOS.

## System BIOS Setup Utility

During system bootup, press the F2 key to access the Phoenix BIOS Main screen. From this screen, the user can select any section of the Phoenix (system) BIOS for configuration, such as floppy drive configuration or system memory.

The parameters shown throughout this section are the default values.

## Help Window

The help window on the right side of each menu displays the help text for the currently selected field. It updates as you move the cursor to each field. Pressing F1 or Alt-H on any menu brings up the General Help window that describes the legend keys and their alternates. The scroll bar on the right of any window indicates that there is more than one page of information in the window. Use PGUP and PGDN to display all the pages. Pressing HOME and END displays the first and last page. Pressing ENTER displays each page and then exits the window. Press ESC to exit the current window.

## Main Menu

The Main menu allows the user to select QuickBoot, set the system clock and calendar, record disk drive parameters, and set selected functions for the keyboard.

Phoenix Setup Utility					
MAIN	Advanced	Power	Security	Boot	Exit
QuickBoot Mode:				[Enabled]	Item Specific Help
System Time:				[11:07:46]	
System Date:				[07/24/2000]	Allows the system to skip certain tests while booting. This will decrease the time needed to boot the system
Legacy Diskette A:				[1.44/1.25 MB 3½"]	
Legacy diskette B:				[Disabled]	
▶ Primary Master				[1350MB]	
▶ Primary Slave				[None]	
▶ Secondary Master				[8MB]	
▶ Secondary Master				[None]	
▶ Keyboard Features					
System Memory:				640 kB	
Extended Memory:				64512 kB	
Extended Memory:				63 MB	
▶ Console Redirection					

F1 Help    ↑↓ Select Item    -/+ Change Values    F9 Setup Defaults  
 ESC Exit    ←→ Select Menu    Enter Select ▶ Sub-Menu    F10 Save and Exit

## QuickBoot

When enabled, certain checks normally performed during the POST are omitted, decreasing the time required to run the POST. The default is Enabled.

## Setting The Time

The time format is based on the 24-hour military-time clock. For example, 1 PM is 13:00:00. Press the left or right arrow key to move the cursor to the desired field (hour, minute, seconds). Press the PGUP or PGDN key to step through the available choices, or type in the information.

## Setting The Date

Press the left or right arrow key to move the cursor to the desired field (month, day, year). Press the PGUP or PGDN key to step through the available choices, or type in the information.



## Legacy Diskette

### Floppy Drive A

The VMIVME-7740 supports one floppy disk drive. The options are:

- None                    No diskette drive installed
- 360K, 5.25 in        5-1/4 inch PC-type standard drive; 360 kilobyte capacity
- 1.2M, 5.25 in        5-1/4 inch AT-type high-density drive; 1.2 megabyte capacity
- 720K, 3.5 in         3-1/2 double-sided drive; 720 kilobyte capacity
- 1.44M, 3.5 in        3-1/2 inch double-sided drive; 1.44 megabyte capacity
- 2.88M, 3.5 in        3-1/2 inch double-sided drive; 2.88 megabyte capacity
- Use PGUP or PGDN to select the floppy drive. The default is 1.44M, 3.5 inch.

### Floppy Drive B

The VMIVME-7740 does not support a second floppy drive. The default is Disabled.

## Primary Master/Slave

The VMIVME-7740 has the capability of utilizing one IDE hard disk drive on the Primary Master bus. The default setting is Auto. The Primary Slave is assigned to the CD-ROM (if installed).

Phoenix Setup Utility		Item Specific Help
MAIN		
Primary Master [1350]		
Type:	[Auto]	User = you enter parameters of hard-disk drive installed at this connection. Auto = autotypes hard-drive installed here. 1-39 = you select pre-determined type of hard-drive installed here. CD-ROM = a CD-ROM drive is installed here. ATAPI Removable = Removable disk-drive is installed here.
Multi-Sector Transfers:	[16 sectors]	
LBA Mode Control:	[Enabled]	
32 Bit I/O:	[Disabled]	
Transfer Mode:	[FPIO 4/DMA2]	
Ultra DMA Mode:	[Disabled]	
F1 Help	↑↓ Select Item	-/+ Change Values
ESC Exit	←→ Select Menu	Enter Select ▶ Sub-Menu
		F9 Setup Defaults
		F10 Save and Exit



## Secondary Master

The Secondary Master is the resident Flash Disk (if installed). The default setting is Auto.

## Keyboard Features

The Keyboard Features allows the user to set several keyboard functions.

Phoenix Setup Utility	
MAIN	
Keyboard Features	Item Specific Help
NumLock: [Auto] Key Click: [Disabled] Keyboard Auto-Repeat Rate: [30/sec] Keyboard Auto-Repeat Delay: [1/2 sec] Keyboard Test: [Disabled]	Selects Power-on state for NumLock.

F1 Help    ↑↓ Select Item    -/+ Change Values    F9 Setup Defaults  
ESC Exit    ←→ Select Menu    Enter Select ▶ Sub-Menu    F10 Save and Exit

### NumLock

The NumLock can be set to Auto, On, or Off to control the state of the NumLock key when the system boots. When set to Auto or On, the numeric keypad generates numbers instead of controlling the cursor operations. The default is On.

### Key Click

This option enables or disables the Keyboard Auto-Repeat Rate and Delay settings. When disabled the values in the Typematic Rate and Delay are ignored. The default is Disabled.

### Keyboard Auto-Repeat Rate (Chars/Sec)

If the Key Click is enabled, this determines the rate a character is repeated when a key is held down. The options are: 30, 26.7, 21.8, 18.5, 13.3, 10, 6, or 2 characters per second. The default is 30.





### Keyboard Auto-Repeat Delay (sec)

If the Key Click is enabled, this determines the delay before a character starts repeating when a key is held down. The options are: 1/4, 1/2, 3/4, or 1 second. The default is 1/2.

### Keyboard Test

When enabled, this feature will test the keyboard during boot-up.

## System Memory

The System Memory field is for informational purposes only and cannot be modified by the user. This field displays the base memory installed in the system.

## Extended Memory

The Extended Memory field is for informational purposes only and cannot be modified by the user. This field displays the total amount of memory installed in the system in Kbytes.

## Extended Memory

The Extended Memory field is for informational purposes only and cannot be modified by the user. This field displays the total amount of memory installed in the system in Mbytes.

## Console Redirection

Console Redirection allows for remote access and control of the PC functions to a remote terminal via the serial port. Selecting Console Redirection provides additional menus used to configure the console.

Phoenix Setup Utility		
MAIN		
Console Redirection		Item Specific Help
Com Port Address	[Disabled]	If enabled, it will use the port.
Baud Rate:	[19.2]	
Console Type:	[PC ANSI]	
Flow Control:	[CTS/RTS]	
Console connection:	[Direct]	
Console Redirection after POST:	[Off]	
F1 Help	↑↓ Select Item	-/+ Change Values
ESC Exit	←→ Select Menu	Enter Select ► Sub-Menu
		F9 Setup Defaults
		F10 Save and Exit



### **Com Port Address**

If enabled, it will allow remote access through the serial port. The options are: Disabled, Motherboard Com A, and Motherboard Com B. The default is Disabled.

### **Baud Rate**

Selects a baud rate for the serial port. The options are: 600, 1200, 2400, 4800, 9600, 19.2, 38.4, and 115.2. The default is 19.2.

### **Console Type**

Selects the type of console to be used. The options are: PC ANSI or VT100. The default is PC ANSI.

### **Flow Control**

Enables or disables Flow Control. The options are No Flow Control, XON/XOFF, or CTS/RTS. The default is CTS/RTS.

### **Console Connection**

Indicates whether the console is connected directly to the system or if a modem is being used to connect. The options are: Direct or Via Modem. The default is Direct.

### **Console Redirection After POST**

This enables console redirection after the operating system has loaded. The options are OFF or ON. The default setting is OFF.



## Advanced Menu

Selecting Advanced from the Main menu will display the screen shown below.

Phoenix Setup Utility							
MAIN	Advanced	Power	Security	Boot	Exit		
Installed O/S: [Other] Enable ACPI: [No] Reset Configuration Data: [No] ▶ Cache Memory ▶ I/O Device Configuration Large Disk Access Mode: [DOS] Local Bus IDE adapter: [Both] Advanced Chipset Control: Clear Watch Dog Timer Reset: [Disabled] Assign Interrupt to USB: [Disabled] Legacy USB Support: [Disabled]				<b>Item Specific Help</b>  Select the operating system installed on your system which you will use most commonly.  Note: An incorrect setting can cause some operating systems to display unexpected behavior.			
F1	Help	↑↓	Select Item	-/+	Change Values	F9	Setup Defaults
ESC	Exit	←→	Select Menu	Enter	Select ▶ Sub-Menu	F10	Save and Exit

### Installed O/S

Use this feature to select the operating system to use with your system.

### Reset Configuration Data

Select Yes if you want to clear the extended system configuration data. The default is No.

### Cache Memory

Enabling the cache memory enhances the speed of the processor. When the CPU requests data, the system transfers the requested data from the main DRAM into the cache memory where it is stored until processed by the CPU. The default is Enabled.

Phoenix Setup Utility

ADVANCED		
Cache Memory		Item Specific Help
Memory Cache:	[Enabled]	Sets the state of the memory cache.
Cache System BIOS area:	[Write Protect]	
Cache Video BIOS area:	[Write Protect]	
Cache Base 0-512k:	[Write Back]	
Cache Base 512k-640k:	[Write Back]	
Cache Extended Memory Area:	[Write Back]	
Cache A000-AFFF:	[Disabled]	
Cache B000-BFFF:	[Disabled]	
C800-CBFF:	[Disabled]	
CC00-CFFF:	[Disabled]	
D000-D3FF:	[Disabled]	
D400-D7FF:	[Disabled]	
D800-DBFF:	[Disabled]	
DC00-DFFF:	[Disabled]	
E000-E3FF:	[Disabled]	

F1 Help    ↑↓ Select Item    -/+ Change Values    F9 Setup Defaults  
 ESC Exit   ←→ Select Menu    Enter Select ► Sub-Menu    F10 Save and Exit

### I/O Device Configuration

Select this menu to configure your I/O devices, if required.

Phoenix Setup Utility

ADVANCED		
I/O Device Configuration		Item Specific Help
Serial port A:	[Auto]	Sets the state of the memory cache.
Serial port B:	[Auto]	
Floppy disk controller:	[Enabled]	
Legacy Diskette A:	1.44/1.25 MB 3½"	

F1 Help    ↑↓ Select Item    -/+ Change Values    F9 Setup Defaults  
 ESC Exit   ←→ Select Menu    Enter Select ► Sub-Menu    F10 Save and Exit



## Large Disk Access Mode

The options for the Large Disk Access Mode are: UNIX Novell Netware or Other.

If you are installing new software and the drive fails, change this selection and try again. Different operating systems require different representations of drive geometries. The default is Other.

## Local Bus IDE Adapter

This enables or disables the intergrated local bus IDE adapter. The options are: Disabled, Primary, Secondary, or Both. The default is both.

## Advanced Chipset Control

Selecting Advanced Chipset Control opens the menu below. Use this menu to change the values in the chipset register for optimizing your system's performance.

Phoenix Setup Utility	
ADVANCED	
Advanced Chipset Control	Item Specific Help
Graphics Aperture: [64MB] Enable Memory Gap: [Disabled] ECC Config: [Disabled] SERR Signal Condition: [Multiple Bit]	Select the size of the Graphics Aperture for the AGP video device.
F1 Help    ↑↓ Select Item    -/+ Change Values    F9 Setup Defaults ESC Exit    ←→ Select Menu    Enter Select ► Sub-Menu    F10 Save and Exit	

## Graphics Aperture

Select the size of the graphics aperture for the ACP video device. The options are 4MB, 8MB, 16MB, 64MB, 128MB, or 256MB. The default is 64MB.



### **Enable Memory Map**

If enabled, turn system RAM off to free address space for use with an option card. Either a 128KB conventional memory gap, starting at 512KB, or a 1MB extended memory gap, starting at 15MB, will be created in the system RAM. The options are Disabled, Conventional, or Extended. The default is Disabled.

### **ECC Config**

If all memory in the system supports ECC (x72) the ECC Config selects from No ECC (disabled), Checking Only (EC), Checking and Correction (ECC), or Checking, Correction with Scrubbing (ECC Scrub). The default is Disabled.

### **SERR Signal Configuration**

Select ECC error conditions that SERR# will be asserted. The options are: None, Single Bit, Multiple Bit, or Both. The default is Both.

### **Clear Watch Dog Timer Reset**

When enabled this setting clears the Watchdog Timer during boot-up. The default is Disabled.

### **Assign Interrupt to USB**

When enabled this assigns an interrupt to USB. The default is Disabled.

### **Legacy USB Support**

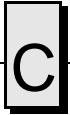
This setting enables or disables support for the Legacy Universal Serial Bus. The default is disabled.



## Power

This screen, selected from the Main screen, allows the user to configure power saving options on the VMIVME-7740.

Phoenix Setup Utility							
MAIN	Advanced	Power	Security	Boot	Exit		
		Power Savings:	[Disabled]		Item Specific Help		
		CPU Throttling Down Threshold:	[Disabled]		Maximum Power savings conserves the greatest amount of system power. Maximum Performance conserves power but allows greatest system performance. To alter these settings, choose Customized. To turn off power management, choose Disabled.		
		Standby Timeout:	[Off]				
		Auto Suspend Timeout:	[Off]				
		IDE Drive 0 Monitoring:	[Disabled]				
		IDE Drive 1 Monitoring:	[Disabled]				
		IDE Drive 2 Monitoring:	[Disabled]				
		IDE Drive 3 Monitoring:	[Disabled]				
		PCI Bus Monitoring:	[Disabled]				
F1	Help	↑↓	Select Item	-/+	Change Values	F9	Setup Defaults
ESC	Exit	←→	Select Menu	Enter	Select ► Sub-Menu	F10	Save and Exit



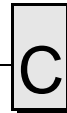
## Security

Utilize this screen to set a user password.

Phoenix Setup Utility	
Security	
Security	Item Specific Help
Set Supervisor Password [ Enter ]  <div style="border: 1px solid black; padding: 5px; width: fit-content; margin: 0 auto;"><p>Set Supervisor Password Enter New Password [     ] ] Confirm New Password [     ] ]</p></div>	Supervisor Password controls Access to the setup utility.

F1Help↑↓    Select Item-/+Change ValuesF9Setup Defaults  
ESCExit←→    Select MenuEnterSelect ► Sub-MenuF10Save and Exit





## Boot Menu

The Boot priority is determined by the stack order, with the top having the highest priority and the bottom the least. The order can be modified by highlighting a device and, using the <+> or <-> keys, moving it to the desired order in the stack. A device can be boot disabled by highlighting the particular device and pressing <Shift 1>. <Enter> expands or collapses devices with a + or - next to them.

Phoenix Setup Utility							
MAIN	Advanced	Power	Security	Boot	Exit		
+ Removable Devices + Hard Drive ATAPI CD-ROM Drive Managed Boot Agent LAN 1 Managed Boot Agent LAN 2				Item Specific Help  Keys used to view or configure devices: <Enter> expands or collapses devices with a + or - <Ctrl + Enter> expands all <Shift + 1> enables or disables a device. <+> and <-> moves the device up or down. <n> may move removable device between Hard Disk or Removable Disk <d> remove a device that is not installed.			
F1	Help	↑↓	Select Item	-/+	Change Values	F9	Setup Defaults
ESC	Exit	←→	Select Menu	Enter	Select ► Sub-Menu	F10	Save and Exit



## Exit Menu

The Exit menu allows the user to exit the BIOS program, while either saving or discarding any changes. This menu also allows the user to restore the BIOS defaults if desired.

Phoenix Setup Utility						
MAIN	Advanced	Power	Security	Boot	Exit	
Exit Saving Changes Exit Discarding Changes Load setup Defaults Discard changes Save Changes					Item Specific Help	
					Exit System Setup and save your changes to CMOS.	

F1 Help    ↑↓ Select Item    -/+ Change Values    F9 Setup Defaults  
ESC Exit    ←→ Select Menu    Enter Select ▶ Sub-Menu    F10 Save and Exit

### Exit Saving Changes

Exit System Setup and save your changes to CMOS.

### Exit Discarding Changes

Exit System Setup, discarding any changes to CMOS.

### Load Setup Defaults

Load System defaults as defined at the factory.

### Discard Changes

Discard any changes without exiting the Setup program.

### Save Changes

Save any changes made without exiting the Setup program.

# ***LANWorks BIOS***

## **Contents**

Boot Menu .....	108
BIOS Features Setup .....	110

---

---

## **Introduction**

The VMIVME-7740 includes a LANWorks option which allows the VMIVME-7740 to be booted from a network. This appendix describes the procedures to enable this option and the LANWorks BIOS Setup screens.





Phoenix Setup Utility

MAIN	Advanced	Security	Power	Boot	Exit
Managed PC Boot Agent (MBA) + Removable Devices: + Hard Drive ATAPI CD-ROM Drive + Removable Devices:				Item Specific Help	
				Keys used to view or configure devices: <Enter> expands or collapses devices with a + or - <Ctrl + Enter> expands all. <Shift + 1> enables or disables a device. <+> and <-> moves the device up or down. <n> may move removable device between Hard Disk or Removable Disk. <d> remove a device that is not installed.	

F1 Help ↑ ↓      Select Item - / + Change Values F9 Setup Defaults  
 ESC Exit ← →    Select Menu Enter Select ▶ Sub-Menu F10 Save and Exit



---

## BIOS Features Setup

After the Managed PC Boot Agent has been enabled there are several boot options available to the user. These options are RPL (default), TCP/IP, Netware, and PXE. The screens below show the defaults for each boot method.

### RPL

Managed PC Boot Agent (MBA) v3.20 (BIOS Integrated)  
(c) Copyright 1998 LANworks Technologies Co. a subsidiary of 3Com Corporation  
All rights reserved

---

Configuration

Boot Method:	RPL
Config Message:	Enabled
Message Timeout:	6 Seconds
Boot failure Prompt:	wait for key
Boot Failure:	Next BBS device

---

Use cursor keys to edit: Up/Down change field, Left/Right change value  
ESC to quit, F9 restore previous settings, F10 to save

### TCP/IP

Managed PC Boot Agent (MBA) v3.20 (BIOS Integrated)  
(c) Copyright 1998 LANworks Technologies Co. a subsidiary of 3Com Corporation  
All rights reserved

---

Configuration

Boot Method:	TCP/IP
Protocol	BootP
Config Message:	Enabled
Message Timeout:	6 Seconds
Boot failure Prompt:	wait for key
Boot Failure:	Next BBS device

---

Use cursor keys to edit: Up/Down change field, Left/Right change value  
ESC to quit, F9 restore previous settings, F10 to save



## Netware

Managed PC Boot Agent (MBA) v3.20 (BIOS Integrated)  
(c) Copyright 1998 LANworks Technologies Co. a subsidiary of 3Com Corporation  
All rights reserved

---

### Configuration

Boot Method:	Netware
Protocol	802.2
Config Message:	Enabled
Message Timeout:	6 Seconds
Boot failure Prompt:	wait for key
Boot Failure:	Next BBS device

---

Use cursor keys to edit: Up/Down change field, Left/Right change value  
ESC to quit, F9 restore previous settings, F10 to save

## PXE

Managed PC Boot Agent (MBA) v3.20 (BIOS Integrated)  
(c) Copyright 1998 LANworks Technologies Co. a subsidiary of 3Com Corporation  
All rights reserved

---

### Configuration

Boot Method:	PXE
--------------	-----

---

Use cursor keys to edit: Up/Down change field, Left/Right change value  
ESC to quit, F9 restore previous settings, F10 to save





# *Device Configuration: I/O and Interrupt Control*

## **Contents**

BIOS Operations .....	114
Device Address Definition .....	118
Device Interrupt Definition .....	120

---

## **Introduction**

This appendix provides the user with the information needed to develop custom applications for the VMIVME-7740. The CPU on the VMIVME-7740 is unique in that the BIOS cannot be removed; it must be used in the initial boot cycle. A custom application, like a revised operating system for example, can only begin to operate after the BIOS has finished initializing the CPU. The VMIVME-7740 will allow the user to either maintain the current BIOS configuration or alter this configuration to be more user specific, but this alteration can only be accomplished after the initial BIOS boot cycle has completed.

---

## BIOS Operations

When the VMIVME-7740 is powered on, control immediately jumps to the BIOS. The BIOS initiates a Power-on Self-Test (POST) program, which instructs the microprocessor to initialize system memory as well as the rest of the system. The BIOS establishes the configuration of all on-board devices by initializing their respective I/O and Memory addresses and interrupt request lines. The BIOS then builds an interrupt vector table in main memory, which is used for interrupt handling. The default interrupt vector table and the default address map are described in Chapter 3 of this manual. Finally, the BIOS jumps to the hard drive or floppy drive to execute the operating system's boot program. This is the point at which a custom operating system may take control of the board and proceed with a custom configuration and/or custom application. A user application may override the configuration set by the BIOS and reconfigure the system, or it may accept what the BIOS initialized.

### BIOS Control Overview

There are two areas on the VMIVME-7740 in which the user must be familiar in order to override the initial BIOS configuration: the device addresses and the device interrupts. This appendix reviews the details of these addresses and interrupts, and provides a reference list for the individual devices used on the board.

The VMIVME-7740 utilizes the high-performance Peripheral Component Interconnect (PCI) bus along with the Industrial Standard Architecture (ISA) bus. In general, the PCI bus is plug-and-play compatible. The components that are connected to the PCI bus are not always placed at a standard I/O or Memory address, nor are they connected to a standard interrupt request line as is the case with ISA bus devices. These PCI bus devices are re-established by the BIOS, meaning that these devices will not always be located at the same address or connected to the same interrupt request line every time the CPU is booted. This appendix lists the defaults that are found by powering up a specific VMIVME-7740.

### Functional Overview

The block diagram included in Figure E-1 on page 115 illustrates the VMIVME-7740 emphasizing the I/O features, including the PCI-to-VMEbus bridge.

The circled number in the upper left corner of a function block references the appropriate data book necessary for the programming of the function block.

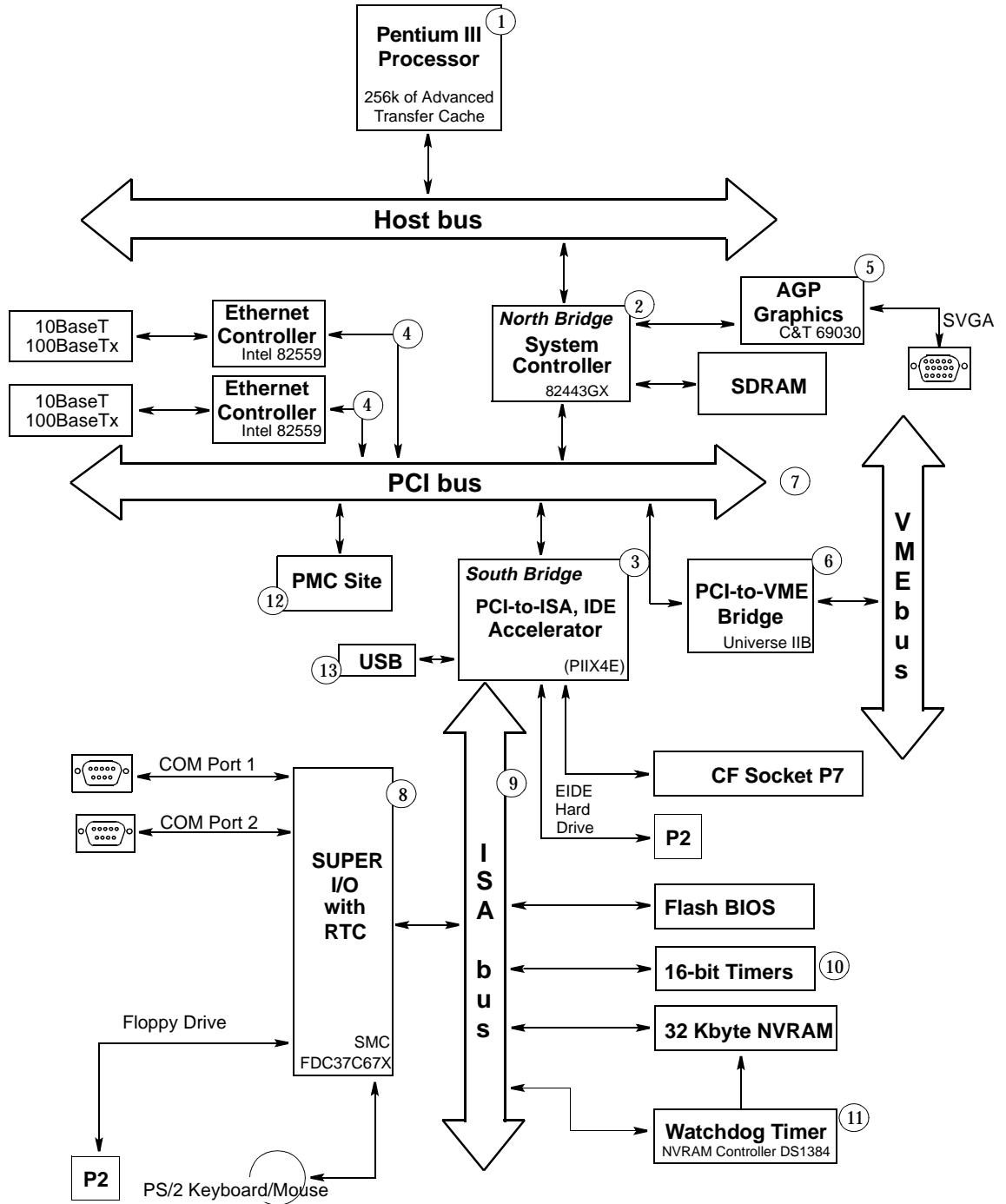


Figure E-1 VMIVME-7740 Block Diagram



## Data Book References

1. *Pentium III Processor Developer's Manual*  
Order Number 241428  
Intel Corporation  
2200 Mission College Blvd.  
P.O. Box 58119  
Santa Clara, CA 95052-8119  
(408) 765-8080  
www.intel.com
2. *Intel 440GX PCISet 82443BX Host Bridge/Controller*  
Intel Corporation  
2200 Mission College Blvd.  
P.O. Box 58119  
Santa Clara, CA 95052-8119
3. *Intel PIIX4E*  
82371EB PCI ISA IDE Xcellerator (PIIX4E)  
2200 Mission College Blvd.  
P.O. Box 58119  
Santa Clara, CA 95052-8119
4. *Intel 82559 10/100 Mb/s Ethernet LAN Controller*  
Intel  
www.intel.com
5. *Intel 69030 Technical Reference Manual*  
Intel Corporation  
2200 Mission College Blvd.  
P.O. Box 58119  
Santa Clara, CA 95052-8119  
(408) 765-8080  
www.intel.com
6. *VMIVME-7740 User Manuals*  
500-007740-000 Product Manual  
500-007740-001 VMIVME-7740, Tundra Universe II-Based VMEbus  
Interface Product Manual
7. *PCI Local Bus Specification, Rev. 2.1*  
PCI Special Interest Group  
P.O. Box 14070  
Portland, OR 97214  
(800) 433-5177 (U.S.)  
(503) 797-4207 (International)  
(503) 234-6762 (FAX)



8. *SMC FDC37C67X Enhanced Super I/O Controller*  
SMC Component Products Division  
300 Kennedy Dr.  
Hauppauge, NY 11788  
(516) 435-6000  
(516) 231-6004 (FAX)
9. *ISA & EISA, Theory and Operation*  
Solari, Edward  
Annabooks  
15010 Avenue of Science, Suite 101  
San Diego, CA 92128 USA  
ISBN 0-929392 -15-9
10. *82C54 CHMOS Programmable Internal Timer*  
Intel Corporation  
2200 Mission College Blvd.  
P.O. Box 58119  
Santa Clara, CA 95052-8119
11. *DS 1384 Watchdog Timekeeping Controller*  
Dallas Semiconductor  
4461 South Beltwood Pwky.  
Dallas, TX 75244-3292
12. *IEEE P1386 PMC Specification*  
The Institute of Electrical and Electronics Engineers, Inc.  
345 East 47th St.  
New York, NY 10017-2394  
[www.ieee.com](http://www.ieee.com)
13. *USB*  
USB Developers Forum  
[www.usb.org](http://www.usb.org)

## Device Address Definition

The standard PC/AT architecture defines two distinctive types of address spaces for the devices and peripherals on the CPU board. These spaces have typically been named Memory address space and I/O address space. The boundaries for these areas are limited to the number of address bus lines that are physically located on the CPU board. The VMIVME-7740 has 32 address bus lines located on the board, thereby defining the limit of the address space as 4 Gbyte. The standard PC/AT architecture defines Memory address space from zero to 4 Gbyte and the separate I/O address space from zero to 64 Kbyte.

## ISA Devices

The ISA devices on the VMIVME-7740 are configured by the BIOS at boot-up and adhere to the standard PC/AT architecture. They are mapped in I/O address space within standard addresses and their interrupts are mapped to standard interrupt control registers. However, all of the ISA devices with the exception of the real-time clock, keyboard, and programmable timer are relocatable to almost anywhere within the standard 1 Kbyte of I/O address space. Table E-1 defines the spectrum of addresses available for reconfiguration of ISA devices.

As previously stated, in the standard PC/AT system, all I/O devices are mapped in I/O address space. On the VMIVME-7740, however, the Dynamic Random Access Memory (DRAM), NVRAM, and Watchdog Timer are addressed in Memory address space. The BIOS places DRAM at address zero and extends to the physical limit of the on-board DRAM.

**Table E-1** ISA Device Mapping Configuration

Device	Memory Space	I/O Address Space	PIC Interrupt Options	Byte Address Boundary	Default
Floppy	N/A	[0x100 - 0xFF8]	IRQ1 - IRQ15	8	\$3F0
Serial Port 1	N/A	[0x100 - 0xFF8]	IRQ1 - IRQ15	8	\$3F8
Serial Port 2	N/A	[0x100 - 0xFF8]	IRQ1 - IRQ15	8	\$2F8
Real-Time Clock	Nonrelocatable				\$070
Keyboard	Nonrelocatable				\$060
Auxiliary I/O	N/A	- Primary I/O [0x000 - 0xFFF] - Secondary I/O [0x000 - 0xFFF]	IRQ1, IRQ3-IRQ15	1 1	
Programmable Timer		Nonrelocatable 0x500	IRQ5	4	0x500
NVRAM	Nonrelocatable 0xD8018	N/A	N/A	(32K-0x18)	0xD8018

**Table E-1** ISA Device Mapping Configuration (Continued)

Device	Memory Space	I/O Address Space	PIC Interrupt Options	Byte Address Boundary	Default
Board ID Register	Nonrelocatable 0xD8016	N/A	N/A	2	
VME BERR Address Modifier Register	Nonrelocatable 0xD8014	N/A	N/A	2	
VME BERR Address Register	Nonrelocatable 0xD8010	N/A		4	
System Command Register	Nonrelocatable 0xD800E	N/A		2	
Watchdog Timer	Nonrelocatable 0xD8000	N/A	N/A	0xD	0xD8000

## PCI Devices

PCI devices are fully configured under I/O and/or Memory address space. Table E-2 describes the PCI bus devices that are on-board the VMIVME-7740 along with each device's configuration spectrum.

The PCI bus includes three physical address spaces. As with ISA bus, PCI bus supports Memory and I/O address space, but PCI bus includes an additional Configuration address space. This address space is defined to support PCI bus hardware configuration (refer to the PCI bus Specification for complete details on the configuration address space). PCI bus targets are required to implement Base Address registers in configuration address space to access internal registers or functions. The BIOS uses the Base Address register to determine how much space a device requires in a given address space and then assigns where in that space the device will reside. This functionality enables PCI devices to be located in either Memory or I/O address space.

**Table E-2** PCI Device Mapping Configuration

Device	Memory Space	I/O Address Space	PIC Interrupt Options
SVGA	Anywhere	N/A	N/A
Universe II** PCI-to-VMEbus Bridge	Anywhere	N/A	PCI Defined
Ethernet LAN1/LAN2	Anywhere	Anywhere	PCI Defined
Timer Interrupt Registers	N/A	Fixed	N/A
PMC Site	Anywhere	Anywhere	PCI Defined

\*\* Refer to the VMIVME-7740 Tundra Universe II Based VMEbus Interface Product Manual.



---

## Device Interrupt Definition

### PC/AT Interrupt Definition

The interrupt hardware implementation on the VMIVME-7740 is standard for computers built around the PC/AT architecture. The PC/AT evolved from the IBM PC/XT architecture. In the IBM PC/XT systems, only eight Interrupt Request (IRQ) lines exist, numbered from IRQ0 to IRQ7. These interrupt lines were included originally on a 8259A Priority Interrupt Controller (PIC) chip.

The IBM PC/AT computer added eight more IRQx lines, numbered IRQ8 to IRQ15, by cascading a second slave 8259A PIC into the original master 8259A PIC. The interrupt line IRQ2 at the master PIC was committed as the cascade input from the slave PIC. This master/slave architecture, the standard PC/AT interrupt mapping, is illustrated in Figure E-2 on page 121 within the PCI-to-ISA Bridge PIIX4E 82371EB section of the diagram.

To maintain backward compatibility with PC/XT systems, IBM chose to use the new IRQ9 input on the slave PIC to operate as the old IRQ2 interrupt line on the PC/XT Expansion Bus. Thus, in AT systems, the IRQ9 interrupt line connects to the old IRQ2 pin on the AT Expansion Bus (or ISA bus).

The BIOS defines the PC/AT interrupt line to be used by each device. The BIOS writes to each of the two cascaded 8259A PIC chips an 8-bit vector, which maps each IRQx to its corresponding interrupt vector in memory.

### ISA Device Interrupt Map

The VMIVME-7740 BIOS maps the IRQx lines to the appropriate device per the standard ISA architecture. Reference Figure E-2 on page 121. This initialization operation cannot be changed; however, a custom application could reroute the interrupt configuration after the BIOS has completed the initial configuration cycle.



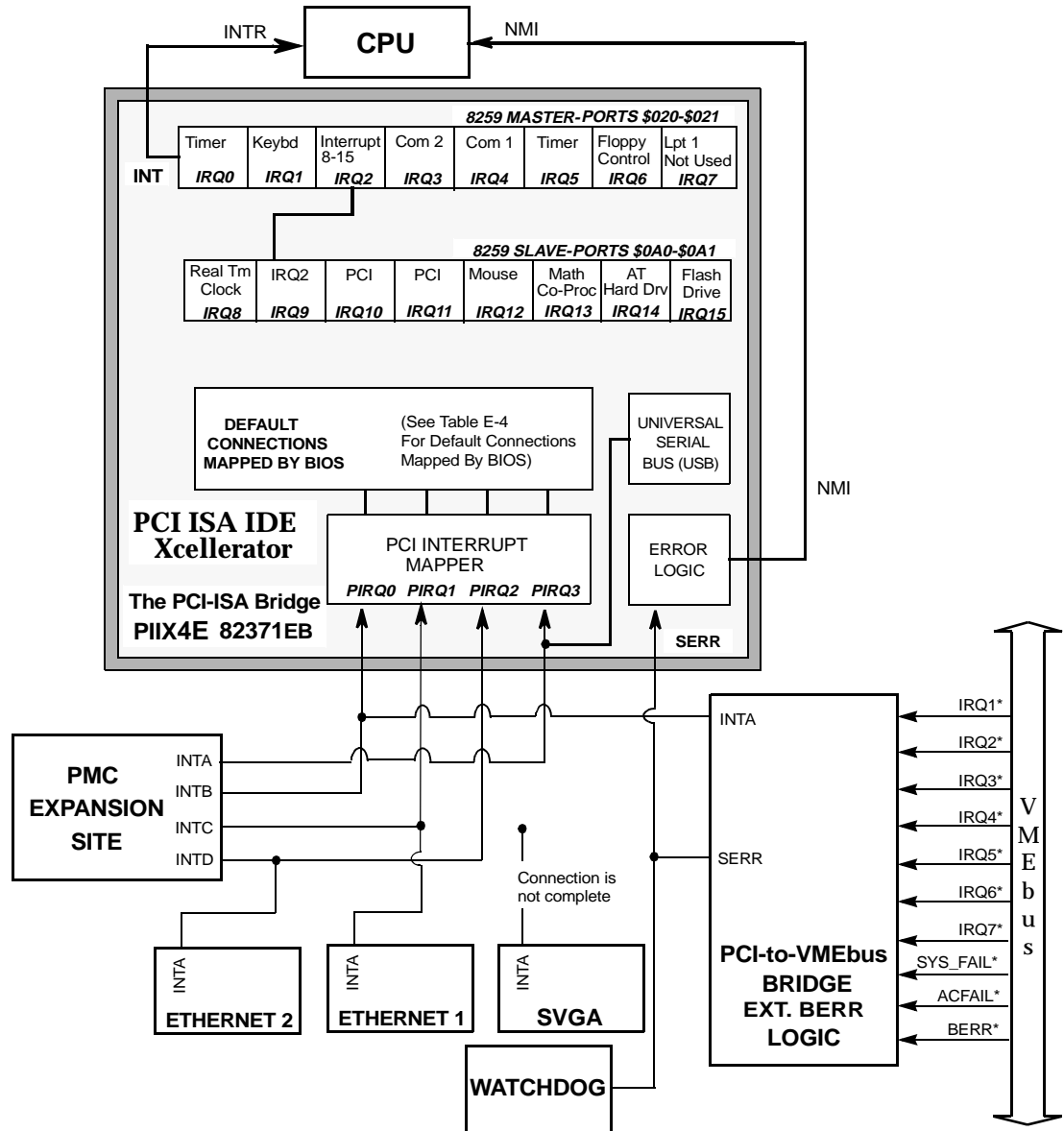


Figure E-2 BIOS Default Connections for the PC Interrupt Logic Controller

## PCI Device Interrupt Map

The PCI bus-based external devices include the two PCI expansion sites, the PCI-to-VMEbus bridge, and the VGA reserved connection. The default BIOS maps these external devices to the PCI Interrupt Request (PIRQ<sub>x</sub>) lines of the PIIX4E. This mapping is illustrated in Figure E-2 on page 121 and is defined in Table E-3.

The device PCI interrupt lines (INTA through INTD) that are present on each device *cannot* be modified.

**Table E-3** Device PCI Interrupt Mapping by the BIOS

DEVICE	COMPONENT	VENDOR ID	DEVICE ID	CPU ADDRESS MAP ID SELECT	DEVICE PCI INTERRUPT	MOTHERBOARD PCI INTERRUPT MAPPER	DATA BOOK REF. #	REVISION ID
PCI-to-VME Bridge Option: Tundra Universe II™	Universe CA91C142	0x10E3	0x0	AD19	INTA	PIRQ0	6	N/A
PCI Expansion Site	N/A	Board Specific	Board Specific	N/A	INTA	PIRQ3	N/A	N/A
	N/A	Board Specific	Board Specific	N/A	INTB	PIRQ0	N/A	N/A
	N/A	Board Specific	Board Specific	N/A	INTC	PIRQ1	N/A	N/A
	N/A	Board Specific	Board Specific	N/A	INTD	PIRQ2	N/A	N/A
Power Management	PIIX4E 82371AB Function 03	0x8086	0x7113	AD18	N/A	N/A	3	N/A
PCI-to-ISA Bridge	PIIX4E 82371AB Function 00	0x8086	0x7110	AD18	N/A	N/A	3	N/A
AGP Controller	Intel 69030	0x102C	0x0DC0	AD16	INTA**	PIRQ3**	5	N/A
Ethernet Controller LAN 1	Intel 82559	0x8086	0x1229	AD20	INTA	PIRQ1	4	N/A
Ethernet Controller LAN 2	Intel 82559	0x8086	0x1229	AD21	INTA	PIRQ2	4	N/A
PCI IDE Controller	PIIX4E 82371AB Function 01	0x8086	0x7111	AD18	N/A	N/A	3	N/A
Universal Serial Bus (USB)***	PIIX4E 82371AB Function 02	0x8086	0x7112	AD18	INTD	PIRQ3	3	N/A
PCI Host Bridge	Intel 440GX	0x8086	0x7190	N/A	N/A	N/A	2	N/A
PCI to AGP Bridge	Intel 440GX	0x8086	0x7191	N/A	N/A	N/A	2	N/A

\* To access these parts, use the revision number as the distinguishing factor.

\*\* Not connected, for reference only

\*\*\* PIRQ4 interrupt is not enabled by the BIOS.

The motherboard accepts these PCI device interrupts through the PCI interrupt mapper function. The BIOS default maps the PCI Interrupt Request (PIRQ<sub>x</sub>) external device lines to one of the available slave PIC Interrupt Request lines, IRQ (9, 10, 11, 12, 14, or 15).

# *Sample C Software*

## Contents

Directory CPU .....	124
Directory SRAM.....	191
Directory Timers.....	195
Directory WATCHDOG .....	209

---

## Introduction

This appendix provides listings of a library of sample code that the programmer may utilize to build applications. These files are provided to the VMIVME-7740 user on disk 320-500052-006, Sample Application C Code for the VMIVME-7740, included in the distribution disk set.

Because of the wide variety of environments in which the VMIVME-7740 operates, the samples provided in this appendix are not necessarily intended to be verbatim boilerplates. Rather, they are intended to give the end user an example of the standard structure of the operating code.

---

## Directory CPU

The code under the CPU directory sets up the universe chip with one PCI-TO-VME window and enables universe registers to be accessed from VME to allow mailbox access.

### CPU.C

```
/* ***** */
/* FILE: CPU.C */
/* */
/* Setup the universe chip with one PCI-TO-VME window and enable universe */
/* registers to be accessed from VME to allow mailbox access. */
/* */
/* ***** */

#include <stdlib.h>
#include <stdio.h>
#include <string.h>
#include <conio.h>
#include <ctype.h>
#include <dos.h>
#include "flat.h"
#include "pci.h"
#include "universe.h"
#include "cpu.h"

#define PCI_BASE16 0x10000000 /* PCI BASE for A16 */
#define VME_16_RA 0x0000C000 /* VME BASE for A16 REG ACCESS */
#define IRQ9 0x71 /* Int. No. for hardware int 9 */
#define IRQA 0x72 /* Int. No. for hardware int A */
#define IRQB 0x73 /* Int. No. for hardware int B */
#define IRQC 0x74 /* Int. No. for hardware int C */
#define IRQD 0x75 /* Int. No. for hardware int D */
#define IRQE 0x76 /* Int. No. for hardware int E */
#define IRQF 0x77 /* Int. No. for hardware int F */
```



```
/* function prototypes */
void far interrupt irq_rcvd( void );
void init_int( void );
void restore_orig_int( void );
void do_exit( int );
/* global variables */
unsigned char pic2_org;
unsigned long mb0_msg;
unsigned long mb1_msg;
unsigned long mb2_msg;
unsigned long mb3_msg;
unsigned long int_status;
void far interrupt (* old_vect)(void);
unsigned char int_line;
char user[80];
FPTR un_regs;
void main( void )
{
    unsigned char pci_devices;
    int test_int, to_cnt;
    unsigned long temp_dword;
    unsigned char bus, dev_func;
    printf("\n\n");
    /* try to locate the UNIVERSE device on the PCI bus */
    test_int = find_pci_device(UNIVERSE_DID, UNIVERSE_VID, 0,
        &bus, &dev_func);
    if(test_int == SUCCESSFUL)
    {
        test_int = read_configuration_area(READ_CONFIG_DWORD, bus, dev_func,
            0x10, &temp_dword);
        if(test_int == SUCCESSFUL)
        {
```

```
        un_regs = (FPTR) temp_dword;
    }
    else
    {
        printf("Unable to read configuration area 0x10\n");
        exit(1);
    }
}
else
{
    printf("Unable to locate PCI device Tundra Universe\n");
    exit(1);
}
test_int = read_configuration_area(READ_CONFIG_BYTE, bus, dev_func,
                                0x3C, &temp_dword);
if(test_int == SUCCESSFUL)
{
    int_line = temp_dword & 0xFF;
}
else
{
    printf("Unable to read configuration area 0x3C\n");
    exit(1);
}
/* setup protected mode */
extend_seg();
a20(1);
mb0_msg = 0;
mb1_msg = 0;
mb2_msg = 0;
mb3_msg = 0;
init_int();
```



```
/* 32K PCI slave window at 0x10000000 to VME A16 0x0000 user data */
fw_long(un_regs + LSI0_BS_A, PCI_BASE16); /* pci base for A16 */
fw_long(un_regs + LSI0_BD_A, (PCI_BASE16 + 0x8000)); /* 32K window */
fw_long(un_regs + LSI0_TO_A, (0x00000000 - PCI_BASE16));
fw_long(un_regs + LSI0_CTL_A, (LSI_CTL_EN | LSI_CTL_VDW_32 |
LSI_CTL_VAS_16));
/* enable 4K VME to universe regs @ sht I/O 0xC000 to allow mailbox access */
fw_long(un_regs + VRAI_BS_A, VME_16_RA);
fw_long(un_regs + VRAI_CTL_A, (VRAI_CTL_EN | VRAI_CTL_AM_D |
VRAI_CTL_AM_US | VRAI_CTL_VAS_16));
/* enable VME with master & slave set for big endian and time out 64 us */
fw_word(CPUREGS, (VME_EN | MEC_BE | SEC_BE | BYPASS_EN | BTO_64 |
BTO_EN));
/* place additional code here */
do_exit(0);
} /* end main */
void do_exit(int xcode)
{
/* disable all windows and ints */
fw_long(un_regs + LSI0_CTL_A, 0);
fw_long(un_regs + LSI1_CTL_A, 0);
fw_long(un_regs + LSI2_CTL_A, 0);
fw_long(un_regs + LSI3_CTL_A, 0);
fw_long(un_regs + LSI4_CTL_A, 0);
fw_long(un_regs + LSI5_CTL_A, 0);
fw_long(un_regs + LSI6_CTL_A, 0);
fw_long(un_regs + LSI7_CTL_A, 0);
fw_long(un_regs + VSI0_CTL_A, 0);
fw_long(un_regs + VSI1_CTL_A, 0);
fw_long(un_regs + VSI2_CTL_A, 0);
fw_long(un_regs + VSI3_CTL_A, 0);
fw_long(un_regs + VSI4_CTL_A, 0);
fw_long(un_regs + VSI5_CTL_A, 0);
```

```
fw_long(un_regs + VSI6_CTL_A, 0);
fw_long(un_regs + VSI7_CTL_A, 0);
fw_long(un_regs + SLSI_A, 0);
fw_long(un_regs + VRAI_CTL_A, 0);
fw_long(un_regs + LINT_EN_A, 0);
fw_word(CPUREGS, 0);
restore_orig_int();
a20(0);
exit(xcode);
} /* end do_exit */

/*****
/* init_int()                               */
/*                                           */
/* purpose: Using the interrupt assigned, the original vector is */
/*          saved and the vector to the new ISR is installed. The */
/*          programmable-interrupt-controller (PIC) is enabled. */
/*                                           */
/*****
/* parameters: none                          */
/*****
/* return value: none                         */
/*****

void init_int(void)
{
    disable();
    /* Read 8259 slave Programmable Interrupt controller */
    pic2_org = inp(0xa1) & 0xFF; /* slave mask bits */
    switch(int_line)
    {
        case 0x9:
            old_vect = getvect(IRQ9); /* save vector for IRQ 09 */
            setvect(IRQ9, irq_rcvd);
```





```
/* enable interrupt 9 */
outp(0xa1, (pic2_org & 0xFD));
break;
case 0xa:
    old_vect = getvect(IRQA); /* save vector for IRQ 10 */
    setvect(IRQA, irq_rcvd);
    /* enable interrupt 10 */
    outp(0xa1, (pic2_org & 0xFB));
    break;
case 0xb:
    old_vect = getvect(IRQB); /* save vector for IRQ 11 */
    setvect(IRQB, irq_rcvd);
    /* enable interrupt 11 */
    outp(0xa1, (pic2_org & 0xF7));
    break;
case 0xc:
    old_vect = getvect(IRQC); /* save vector for IRQ 12 */
    setvect(IRQC, irq_rcvd);
    /* enable interrupt 12 */
    outp(0xa1, (pic2_org & 0xEF));
    break;
case 0xd:
    old_vect = getvect(IRQD); /* save vector for IRQ 13 */
    setvect(IRQD, irq_rcvd);
    /* enable interrupt 13 */
    outp(0xa1, (pic2_org & 0xDF));
    break;
case 0xe:
    old_vect = getvect(IRQE); /* save vector for IRQ 14 */
    setvect(IRQE, irq_rcvd);
    /* enable interrupt 14 */
    outp(0xa1, (pic2_org & 0xBF));
```

```
break;
case 0xf:
    old_vect = getvect(IRQF); /* save vector for IRQ 15 */
    setvect(IRQF, irq_rcvd);
    /* enable interrupt 15 */
    outp(0xa1, (pic2_org & 0x7F));
break;
} /* end switch */
fw_long(un_regs + LINT_STAT_A, 0xFFF7FF); /* clear any previous status bits */
fw_long(un_regs + LINT_MAP0_A, 0); /* map all VME ints to lint#0 INTA */
fw_long(un_regs + LINT_MAP1_A, 0); /* map all ERR/STAT ints to lint#0 INTA */
fw_long(un_regs + LINT_MAP2_A, 0); /* map all MB/LM ints to lint#0 INTA */
/* enable mailbox 0 ints only */
fw_long(un_regs + LINT_EN_A, LINT_EN_MBOX0);
int_status = 0;
enable();
} /* init_int */
/*****
/* restore_orig_int()
/*
/*
/* purpose: Using the interrupt assigned, the original vector is
/* restored and the programmable-interrupt-controller
/* is restored to its original settings.
/*
/* Prerequisite: The interrupt line to be used must have
/* already been loaded in the global variable.
/*
/*
/* parameters: none
/*
/*****
/* return value: none
/*
/*****
```



```
void restore_orig_int(void)
{
    disable();
    outp(0xa1, pic2_org);
    switch( int_line )
    {
        case 0x9:
            setvect( IRQ9, old_vect );
            break;
        case 0xa:
            setvect( IRQA, old_vect );
            break;
        case 0xb:
            setvect( IRQB, old_vect );
            break;
        case 0xc:
            setvect( IRQC, old_vect );
            break;
        case 0xd:
            setvect( IRQD, old_vect );
            break;
        case 0xe:
            setvect( IRQE, old_vect );
            break;
        case 0xf:
            setvect( IRQF, old_vect );
            break;
    } /* end switch */
    fw_long( un_regs + LINT_EN_A, 0 ); /* disable all interrupts */
    enable();
} /* restore_orig_int */
```

```
/* ***** */
/* irq_rcvd() */
/* */
/* purpose: Interrupt service routine. (INTA handler) */
/* */
/* ***** */
/* parameters: none */
/* ***** */
/* return value: none */
/* ***** */
void interrupt irq_rcvd( void )
{
    unsigned long lint_enable, tmp_status;
    disable();
    asm {
        .386P
        push  eax
        push  ebx
    }
    int_status = fr_long( un_regs + LINT_STAT_A ); /* read interrupt status */
    fw_long( un_regs + LINT_STAT_A, int_status ); /* clear status */
    /* check for mailbox interrupt */
    if( int_status & LINT_STAT_MBOX0 )
    {
        mb0_msg = fr_long( un_regs + MBOX0_A );
    }
    if( int_status & LINT_STAT_MBOX1 )
    {
        mb1_msg = fr_long( un_regs + MBOX1_A );
    }
    if( int_status & LINT_STAT_MBOX2 )
    {
```



```
    mb2_msg = fr_long( un_regs + MBOX2_A );
}
if( int_status & LINT_STAT_MBOX3 )
{
    mb3_msg = fr_long( un_regs + MBOX3_A );
}
/* disable MB ints */
lint_enable = fr_long( un_regs + LINT_EN_A );
lint_enable &= ~(LINT_EN_MBOX3 | LINT_EN_MBOX2 |
                LINT_EN_MBOX1 | LINT_EN_MBOX0);
fw_long( un_regs + LINT_EN_A, lint_enable );
/* clear all mailboxes */
fw_long( un_regs + MBOX0_A, 0 );
fw_long( un_regs + MBOX1_A, 0 );
fw_long( un_regs + MBOX2_A, 0 );
fw_long( un_regs + MBOX3_A, 0 );
tmp_status = fr_long( un_regs + LINT_STAT_A ); /* read interrupt status */
fw_long( un_regs + LINT_STAT_A, tmp_status ); /* clear status */
/* re-enable MB0 ints */
lint_enable |= LINT_EN_MBOX0;
fw_long( un_regs + LINT_EN_A, lint_enable );
/* Non specific end of interrupt to master & slave PIC */
outp(0x20, 0x20); /* Master end of irq command */
outp(0xa0, 0x20); /* Slave end of irq command */
asm {
    .386P
    pop  ebx
    pop  eax
}
enable();
}
```



**\*\* FILE: CPU.H**

```
typedef unsigned char Byte;
typedef unsigned short Word;
typedef unsigned long Long;
/* universe Device ID and Vendor ID */
#define UNIVERSE_VID 0x10E3
#define UNIVERSE_DID 0x0000
/* CPU specific bits located at I/O 0x400 */
#define CPUREGS 0xD800E /* CPU regs located at mem 0xD800E */
#define MEC_BE 0x0001 /* master endian conversion big endian */
#define MEC_LE 0x0000 /* master endian conversion little endian */
#define SEC_BE 0x0002 /* slave endian conversion big endian */
#define SEC_LE 0x0000 /* slave endian conversion little endian */
#define BERR_LATCH_EN 0x0004 /* buss error latch enable */
#define BTO_EN 0x0008 /* bus timeout timer enable */
#define BTO_16 0x0000 /* bus timeout 16 us */
#define BTO_64 0x0010 /* bus timeout 64 us */
#define BTO_256 0x0020 /* bus timeout 256 us */
#define BTO_1MS 0x0030 /* bus timeout 1 ms */
#define BERR_INT_EN 0x0040 /* bus error interrupt enable */
#define BERR_STAT_CLR 0x0080 /* buss error status/clear R/W1C */
#define WD_SYSFAIL 0x0100 /* watchdog to VME sysfail enable */
#define BYPASS_EN 0x0400 /* bypass enable - MEC/SEC must be LE */
#define VME_EN 0x0800 /* vme bus enable */
```

**\*\* FILE: FLAT.C**

```
/*
** flat.c
**
** Access flat memory space (up to 4GB) in real mode.
**
*/
#include <stdio.h>
#include <dos.h>
#include "flat.h"
/*
** Keyboard controller defines
*/
#define RAMPORT 0x70
#define KB_PORT 0x64
#define PCNMIPORT 0xA0
#define INBA20 0x60
#define INBA20ON 0xDF
#define INBA20OFF 0xDD
/*
** macro to clear keyboard port
*/
#define kx() { while( inp( KB_PORT ) & 2 ); }
/*
** define local Global Descriptor Table (GDT) pointer structure
*/
static struct fword gdtptr; /* fword ptr to gdt */
/*
** A20: Enable A20 line
**
** flag: enable = 1
**      disable = 0
```

```
*/
void a20( int flag )
{
    kx();
    outp( KB_PORT, 0xD1 );
    kx();
    outp( INBA20, flag ? INBA20ON : INBA20OFF );
    kx();
    outp( KB_PORT, 0xFF );
    kx();
}
/*
** convert a linear address to a far pointer
*/
void far * linear_to_seg( FPTR lin )
{
    void far *p;
    FP_SEG(p) = (unsigned int)( lin >> 4 );
    FP_OFF(p) = (unsigned int)( lin & 0xF );
    return p;
}
/*
** Adjust the GS register's limit to 4GB
**
** Note: interrupts are enabled by this call.
*/
void extend_seg( void )
{
    /*
    ** compute linear address and limit of GDT
    */
    gdtptr.linear_add = seg_to_linear(( void far * ) GDT );
}
```





```
gdtptr.limit = 15;
/*
** disable regular interrupts
*/
disable();
/*
** disable NMI
*/
outp( RAMPORT, inp( RAMPORT ) | 0x80 );
/*
** call protected mode code
*/
protinit( &gdtptr );
/*
** Turn interrupts back on
*/
enable();
/*
** Turn NMI back on
*/
outp( RAMPORT, inp( RAMPORT ) & 0x7F );
}
void protinit( struct fword * address )
{
asm {
    .386P
    push ds
    lds bx,address
    lgdt FWORD ptr [bx]
    pop ds
    mov eax,cr0
    or al,0x01
```

```
    mov  cr0,eax
    jmp  short nxt
}
nxt:
asm {
    .386P
    mov  bx,8
    mov  gs,bx
    mov  es,bx
    and  al,0xfe
    mov  cr0,eax
}
}
int fr_byte( FPTR adr )
{
    int d;
    asm {
        .386P
        xor  ax,ax    /* zero gs */
        mov  gs,ax
        mov  eax, adr
        mov  al,byte ptr gs:[eax]
        mov  d,ax
    }
    return d;
}
int fr_word( FPTR adr )
{
    int d;
    asm {
        .386P
        xor  ax,ax    /* zero gs */
```



```
    mov  gs,ax
    mov  eax, adr
    mov  ax,word ptr gs:[eax]
    mov  d,ax
}
return d;
}
long fr_long( FPTR adr )
{
    long d;
    asm {
        .386P
        xor  ax,ax    /* zero gs */
        mov  gs,ax
        mov  eax,adr
        mov  eax,dword ptr gs:[eax]
        mov  d,eax
    }
    return d;
}
void fw_byte( FPTR a, int d )
{
    asm {
        .386P
        xor  ax,ax    /* zero gs */
        mov  gs,ax
        mov  eax,a
        mov  bx,d
        mov  byte ptr gs:[eax],bl
    }
}
void fw_word( FPTR a, int d )
```

```
{
asm {
    .386P
    xor ax,ax    /* zero gs */
    mov gs,ax
    mov eax,a
    mov bx,d
    mov word ptr gs:[eax],bx
}
}
void fw_long( FPTR a, long d )
{
asm {
    .386P
    xor ax,ax    /* zero gs */
    mov gs,ax
    mov eax,a
    mov ebx,d
    mov dword ptr gs:[eax],ebx
}
}
/* flat move long */
void fml_string( FPTR d, FPTR s, long n )
{
asm {
    .386P        /* have to use ES for string move */
    push es     /* save es */
    xor ax,ax   /* zero gs */
    mov gs,ax
    mov es,ax
    mov edi,d   /* This is the destination pointer */
    mov esi,s   /* This is the source pointer */
}
```



```
    mov ecx,n    /* This is the number of dwords */
    rep movs dword ptr es:[edi],dword ptr gs:[esi]
    pop es      /* give back es */
}
}
/* flat move word */
void fmw_string( FPTR d, FPTR s, long n )
{
    asm {
        .386P      /* have to use ES for string move */
        push es    /* save es */
        xor ax,ax  /* zero gs */
        mov gs,ax
        mov es,ax
        mov edi,d  /* This is the destination pointer */
        mov esi,s  /* This is the source pointer */
        mov ecx,n  /* This is the number of words */
        rep movs word ptr es:[edi],word ptr gs:[esi]
        pop es     /* give back es */
    }
}
/* flat move byte */
void fmb_string( FPTR d, FPTR s, long n )
{
    asm {
        .386P      /* have to use ES for string move */
        push es    /* save es */
        xor ax,ax  /* zero gs */
        mov gs,ax
        mov es,ax
        mov edi,d  /* This is the destination pointer */
        mov esi,s  /* This is the source pointer */
    }
}
```



```
    mov  ecx,n    /* This is the number of bytes */  
    rep movs byte ptr es:[edi],byte ptr gs:[esi]  
    pop es      /* give back es */  
  }  
}
```

**\*\* FILE: FLAT.H**

```
/*
** flat.h
**
** Prototypes typedefs and macros for flat memory access
**
*/
typedef unsigned long FPTR;
/*
** Global descriptor table
*/
struct _GDT {
    unsigned int limit;
    unsigned int base;
    unsigned int access;
    unsigned int hi_limit;
};
static struct _GDT GDT[2]= {
    {0,0,0,0},          /* Null selector slot */
    {0xFFFF,0,0x9200,0x8F} /* 4 Gig data segment */
};
/*
** FWORD pointer to GDT
*/
struct fword {
    unsigned int limit;
    unsigned long linear_add;
};
/*
** convert segmented address to linear address
*/
#define seg_to_linear(fp) (((FPTR) FP_SEG(fp)<<4)+FP_OFF(fp))
```

```
/*
** flat memory function prototypes
*/
void a20( int );
void far * linear_to_seg( FPTR );
void extend_seg( void );
void protinit( struct fword * );
int fr_byte( FPTR );      /* flat read byte */
void fw_byte( FPTR, int ); /* flat write byte */
int fr_word( FPTR );     /* flat read word */
void fw_word( FPTR, int ); /* flat write word */
long fr_long( FPTR );   /* flat read long */
void fw_long( FPTR, long ); /* flat write long */
void fml_string( FPTR, FPTR, long ); /* flat move long */
void fmw_string( FPTR, FPTR, long ); /* flat move word */
void fmb_string( FPTR, FPTR, long ); /* flat move byte */
```



**\*\* FILE: PCI.C**

```
#include <dos.h>
#include <stddef.h>
#include "pci.h"
#define HIGH_BYTE(ax) (ax >> 8)
#define LOW_BYTE(ax) (ax & 0xff)
int find_pci_device(unsigned short device_id,
    unsigned short vendor_id,
    unsigned short index,
    unsigned char *bus_number,
    unsigned char *device_and_function)
{
    int ret_status;
    unsigned short ax, bx, flags;
    _CX = device_id;
    _DX = vendor_id;
    _SI = index;
    _AH = PCI_FUNCTION_ID;
    _AL = FIND_PCI_DEVICE;
    geninterrupt(0x1a);
    ax = _AX;
    bx = _BX;
    flags = _FLAGS;
    if ((flags & CARRY_FLAG) == 0)
    {
        ret_status = HIGH_BYTE(ax);
        if (ret_status == SUCCESSFUL)
        {
            if (bus_number != NULL) *bus_number = HIGH_BYTE(bx);
            if (device_and_function != NULL) *device_and_function = LOW_BYTE(bx);
        }
    }
}
```

```
    else
    {
        ret_status = NOT_SUCCESSFUL;
    }
    return(ret_status);
}

int read_configuration_area(unsigned char function,
                           unsigned char bus_number,
                           unsigned char device_and_function,
                           unsigned char register_number,
                           unsigned long *data)
{
    int ret_status;
    unsigned short ax, flags;
    unsigned long ecx;
    _BH = bus_number;
    _BL = device_and_function;
    _DI = register_number;
    _AH = PCI_FUNCTION_ID;
    _AL = function;
    geninterrupt(0x1a);
    ecx = _ECX;
    ax = _AX;
    flags = _FLAGS;
    if ((flags & CARRY_FLAG) == 0)
    {
        ret_status = HIGH_BYTE(ax);
        if (ret_status == SUCCESSFUL)
        {
            *data = ecx;
        }
    }
}
```



```
    else
    {
        ret_status = NOT_SUCCESSFUL;
    }
    return(ret_status);
}

int write_configuration_area(unsigned char function,
                            unsigned char bus_number,
                            unsigned char device_and_function,
                            unsigned char register_number,
                            unsigned long value)
{
    int ret_status;
    unsigned short ax, flags;
    _BH = bus_number;
    _BL = device_and_function;
    _ECX = value;
    _DI = register_number;
    _AH = PCI_FUNCTION_ID;
    _AL = function;
    geninterrupt(0x1a);
    ax = _AX;
    flags = _FLAGS;
    if ((flags & CARRY_FLAG) == 0)
    {
        ret_status = HIGH_BYTE(ax);
    }
    else
    {
        ret_status = NOT_SUCCESSFUL;
    }
    return(ret_status);
}
```



```
}  
void outpd(unsigned short port, unsigned long value)  
{  
    _DX = port;  
    _EAX = value;  
    __emit__(0x66, 0xEF);  
}  
unsigned long inpd(unsigned short port)  
{  
    _DX = port;  
    __emit__(0x66, 0xED);  
    return(_EAX);  
}
```

**\*\* FILE: PCI.H**

```
#define TRUE 1
#define FALSE 0
#define CARRY_FLAG 0x01
/* PCI Functions */
#define PCI_FUNCTION_ID 0xB1
#define PCI_BIOS_PRESENT 0x01
#define FIND_PCI_DEVICE 0x02
#define FIND_PCI_CLASS_CODE 0x03
#define READ_CONFIG_BYTE 0x08
#define READ_CONFIG_WORD 0x09
#define READ_CONFIG_DWORD 0x0A
#define WRITE_CONFIG_BYTE 0x0B
#define WRITE_CONFIG_WORD 0x0C
#define WRITE_CONFIG_DWORD 0x0D
/* PCI Return codes */
#define SUCCESSFUL 0x00
#define NOT_SUCCESSFUL 0x01
/* Prototypes */
int find_pci_device(unsigned short device_id,
                   unsigned short vendor_id,
                   unsigned short index,
                   unsigned char *bus_number,
                   unsigned char *device_and_function);
int read_configuration_area(unsigned char function,
                            unsigned char bus_number,
                            unsigned char device_and_function,
                            unsigned char register_number,
                            unsigned long *data);
int write_configuration_area(unsigned char function,
                             unsigned char bus_number,
                             unsigned char device_and_function,
```



```
        unsigned char register_number,  
        unsigned long value);  
void outpd(unsigned short port, unsigned long value);  
unsigned long inpd(unsigned short port);
```

**\*\* FILE: UNIVERSE.H**

```
/*
** file: universe.h
**
**
** header file for the universe II chip register definitions
**
**
*/
typedef volatile struct universe_regs {
    unsigned long pci_id;      /* PCI device ID vendor ID          */
    unsigned long pci_csr;    /* PCI config control/status reg    */
    unsigned long pci_class;  /* PCI config class reg             */
    unsigned long pci_misc0;  /* PCI config miscellaneous 0 reg   */
    unsigned long pci_bs0;    /* PCI config base address reg     */
    unsigned long pci_bs1;    /* PCI config base address reg     */
    unsigned long pci_u0[0x04]; /* unimplemented                   */
    unsigned long pci_r0[0x02]; /* reserved                          */
    unsigned long pci_u1;     /* unimplemented                   */
    unsigned long pci_r1[0x02]; /* reserved                          */
    unsigned long pci_misc1;  /* PCI config miscellaneous 1 reg   */
    unsigned long pci_u2[0x30]; /* unimplemented                   */
    unsigned long lsi0_ctl;   /* PCI slave image 0 control reg    */
    unsigned long lsi0_bs;    /* PCI slave image 0 base address reg */
    unsigned long lsi0_bd;    /* PCI slave image 0 bound address reg */
    unsigned long lsi0_to;    /* PCI slave image 0 translation offset reg */
    unsigned long ur0;        /* reserved                          */
    unsigned long lsi1_ctl;   /* PCI slave image 1 control reg    */
    unsigned long lsi1_bs;    /* PCI slave image 1 base address reg */
    unsigned long lsi1_bd;    /* PCI slave image 1 bound address reg */
    unsigned long lsi1_to;    /* PCI slave image 1 translation offset reg */
    unsigned long ur1;        /* reserved                          */
};
```

```
unsigned long lsi2_ctl; /* PCI slave image 2 control reg */
unsigned long lsi2_bs; /* PCI slave image 2 base address reg */
unsigned long lsi2_bd; /* PCI slave image 2 bound address reg */
unsigned long lsi2_to; /* PCI slave image 2 translation offset reg */
unsigned long ur2; /* reserved */
unsigned long lsi3_ctl; /* PCI slave image 3 control reg */
unsigned long lsi3_bs; /* PCI slave image 3 base address reg */
unsigned long lsi3_bd; /* PCI slave image 3 bound address reg */
unsigned long lsi3_to; /* PCI slave image 3 translation offset reg */
unsigned long ur3[0x09]; /* reserved */
unsigned long scyc_ctl; /* PCI special cycle control reg */
unsigned long scyc_addr; /* PCI special cycle PCI address reg */
unsigned long scyc_en; /* PCI special cycle swap/compare enable reg */
unsigned long scyc_cmp; /* PCI special cycle compare data reg */
unsigned long scyc_swp; /* PCI special cycle swap data reg */
unsigned long lmisc; /* PCI miscellaneous reg */
unsigned long slsi; /* PCI special PCI slave image */
unsigned long l_cmderr; /* PCI command error log reg */
unsigned long laerr; /* PCI address error log reg */
unsigned long ur4[0x03]; /* reserved */
unsigned long lsi4_ctl; /* PCI slave image 4 control reg */
unsigned long lsi4_bs; /* PCI slave image 4 base address reg */
unsigned long lsi4_bd; /* PCI slave image 4 bound address reg */
unsigned long lsi4_to; /* PCI slave image 4 translation offset reg */
unsigned long ur5; /* reserved */
unsigned long lsi5_ctl; /* PCI slave image 5 control reg */
unsigned long lsi5_bs; /* PCI slave image 5 base address reg */
unsigned long lsi5_bd; /* PCI slave image 5 bound address reg */
unsigned long lsi5_to; /* PCI slave image 5 translation offset reg */
unsigned long ur6; /* reserved */
unsigned long lsi6_ctl; /* PCI slave image 6 control reg */
unsigned long lsi6_bs; /* PCI slave image 6 base address reg */
```





```

unsigned long lsi6_bd;    /* PCI slave image 6 bound address reg */
unsigned long lsi6_to;    /* PCI slave image 6 translation offset reg */
unsigned long ur7;       /* reserved */
unsigned long lsi7_ctl;   /* PCI slave image 7 control reg */
unsigned long lsi7_bs;   /* PCI slave image 7 base address reg */
unsigned long lsi7_bd;   /* PCI slave image 7 bound address reg */
unsigned long lsi7_to;   /* PCI slave image 7 translation offset reg */
unsigned long ur8[0x05]; /* reserved */
unsigned long dctl;      /* DMA transfer control reg */
unsigned long dtbc;      /* DMA transfer byte count reg */
unsigned long dla;       /* DMA PCIbus address reg */
unsigned long ur9;       /* reserved */
unsigned long dva;       /* DMA VMEbus address reg */
unsigned long urA;       /* reserved */
unsigned long dcpp;      /* DMA command packet pointer */
unsigned long urB;       /* reserved */
unsigned long dgcs;      /* DMA general control and status reg */
unsigned long d_llue;    /* DMA linked list update enable reg */
unsigned long urC[0x36]; /* reserved */
unsigned long lint_en;   /* PCI interrupt enable */
unsigned long lint_stat; /* PCI interrupt status */
unsigned long lint_map0; /* PCI interrupt map0 */
unsigned long lint_map1; /* PCI interrupt map1 */
unsigned long vint_en;   /* VME interrupt enable */
unsigned long vint_stat; /* VME interrupt status */
unsigned long vint_map0; /* VME interrupt map0 */
unsigned long vint_map1; /* VME interrupt map1 */
unsigned long statid;    /* VME interrupt status/ID out */
unsigned long v1_statid; /* VME interrupt status/ID in IRQ1 */
unsigned long v2_statid; /* VME interrupt status/ID in IRQ2 */
unsigned long v3_statid; /* VME interrupt status/ID in IRQ3 */
unsigned long v4_statid; /* VME interrupt status/ID in IRQ4 */

```

```
unsigned long v5_staid; /* VME interrupt status/ID in IRQ5 */
unsigned long v6_staid; /* VME interrupt status/ID in IRQ6 */
unsigned long v7_staid; /* VME interrupt status/ID in IRQ7 */
unsigned long lint_map2; /* PCI interrupt map2 */
unsigned long vint_map2; /* VME interrupt map2 */
unsigned long mbox0; /* Mailbox 0 */
unsigned long mbox1; /* Mailbox 1 */
unsigned long mbox2; /* Mailbox 2 */
unsigned long mbox3; /* Mailbox 3 */
unsigned long sema0; /* Semaphore 0 */
unsigned long sema1; /* Semaphore 1 */
unsigned long urD[0x28]; /* reserved */
unsigned long mast_ctl; /* master control reg */
unsigned long misc_ctl; /* miscellaneous control reg */
unsigned long misc_stat; /* miscellaneous status reg */
unsigned long user_am; /* user AM codes reg */
unsigned long urE[0x2bc]; /* reserved */
unsigned long vsi0_ctl; /* VMEbus slave image 0 control reg */
unsigned long vsi0_bs; /* VMEbus slave image 0 base address reg */
unsigned long vsi0_bd; /* VMEbus slave image 0 bound address reg */
unsigned long vsi0_to; /* VMEbus slave image 0 translation offset */
unsigned long urF; /* reserved */
unsigned long vsi1_ctl; /* VMEbus slave image 1 control reg */
unsigned long vsi1_bs; /* VMEbus slave image 1 base address reg */
unsigned long vsi1_bd; /* VMEbus slave image 1 bound address reg */
unsigned long vsi1_to; /* VMEbus slave image 1 translation offset */
unsigned long urG; /* reserved */
unsigned long vsi2_ctl; /* VMEbus slave image 2 control reg */
unsigned long vsi2_bs; /* VMEbus slave image 2 base address reg */
unsigned long vsi2_bd; /* VMEbus slave image 2 bound address reg */
unsigned long vsi2_to; /* VMEbus slave image 2 translation offset */
unsigned long urH; /* reserved */
```



```
unsigned long vsi3_ctl; /* VMEbus slave image 3 control reg */
unsigned long vsi3_bs; /* VMEbus slave image 3 base address reg */
unsigned long vsi3_bd; /* VMEbus slave image 3 bound address reg */
unsigned long vsi3_to; /* VMEbus slave image 3 translation offset */
unsigned long urI[0x06]; /* reserved */
unsigned long lm_ctl; /* Location Monitor Control */
unsigned long lm_bs; /* Location Monitor Base Address */
unsigned long urJ; /* reserved */
unsigned long vra_i_ctl; /* VMEbus register access image control reg */
unsigned long vra_i_bs; /* VMEbus register access image base address */
unsigned long urK[0x02]; /* reserved */
unsigned long vcsr_ctl; /* VMEbus CSR control reg */
unsigned long vcsr_to; /* VMEbus CSR translation reg */
unsigned long v_ammerr; /* VMEbus AM code error log */
unsigned long vaerr; /* VMEbus address error log */
unsigned long vsi4_ctl; /* VMEbus slave image 4 control reg */
unsigned long vsi4_bs; /* VMEbus slave image 4 base address reg */
unsigned long vsi4_bd; /* VMEbus slave image 4 bound address reg */
unsigned long vsi4_to; /* VMEbus slave image 4 translation offset */
unsigned long urL; /* reserved */
unsigned long vsi5_ctl; /* VMEbus slave image 5 control reg */
unsigned long vsi5_bs; /* VMEbus slave image 5 base address reg */
unsigned long vsi5_bd; /* VMEbus slave image 5 bound address reg */
unsigned long vsi5_to; /* VMEbus slave image 5 translation offset */
unsigned long urM; /* reserved */
unsigned long vsi6_ctl; /* VMEbus slave image 6 control reg */
unsigned long vsi6_bs; /* VMEbus slave image 6 base address reg */
unsigned long vsi6_bd; /* VMEbus slave image 6 bound address reg */
unsigned long vsi6_to; /* VMEbus slave image 6 translation offset */
unsigned long urN; /* reserved */
unsigned long vsi7_ctl; /* VMEbus slave image 7 control reg */
unsigned long vsi7_bs; /* VMEbus slave image 7 base address reg */
```

```
unsigned long vsi7_bd;    /* VMEbus slave image 7 bound address reg */
unsigned long vsi7_to;    /* VMEbus slave image 7 translation offset */
unsigned long urP[0x05]; /* reserved */
unsigned long v_cr_csr;   /* VMEbus CR/CSR reserved */
unsigned long vcsr_clr;   /* VMEbus CSR bit clear reg */
unsigned long vcsr_set;   /* VMEbus CSR bit set reg */
unsigned long vcsr_bs;    /* VMEbus CSR base address reg */
} universe_regs_t;

#define PCI_ID_A 0x000 /* PCI device ID vendor ID */
#define PCI_CSR_A 0x004 /* PCI config control/status reg */
#define PCI_CLASS_A 0x008 /* PCI config class reg */
#define PCI_MISC0_A 0x00C /* PCI config miscellaneous 0 reg */
#define PCI_BS0_A 0x010 /* PCI config base address reg */
#define PCI_BS1_A 0x014 /* PCI config base address reg */
#define PCI_MISC1_A 0x03C /* PCI config miscellaneous 1 reg */
#define LSI0_CTL_A 0x100 /* PCI slave image 0 control reg */
#define LSI0_BS_A 0x104 /* PCI slave image 0 base address reg */
#define LSI0_BD_A 0x108 /* PCI slave image 0 bound address reg */
#define LSI0_TO_A 0x10C /* PCI slave image 0 translation offset reg */
#define LSI1_CTL_A 0x114 /* PCI slave image 1 control reg */
#define LSI1_BS_A 0x118 /* PCI slave image 1 base address reg */
#define LSI1_BD_A 0x11C /* PCI slave image 1 bound address reg */
#define LSI1_TO_A 0x120 /* PCI slave image 1 translation offset reg */
#define LSI2_CTL_A 0x128 /* PCI slave image 2 control reg */
#define LSI2_BS_A 0x12C /* PCI slave image 2 base address reg */
#define LSI2_BD_A 0x130 /* PCI slave image 2 bound address reg */
#define LSI2_TO_A 0x134 /* PCI slave image 2 translation offset reg */
#define LSI3_CTL_A 0x13C /* PCI slave image 3 control reg */
#define LSI3_BS_A 0x140 /* PCI slave image 3 base address reg */
#define LSI3_BD_A 0x144 /* PCI slave image 3 bound address reg */
#define LSI3_TO_A 0x148 /* PCI slave image 3 translation offset reg */
#define SCYC_CTL_A 0x170 /* PCI special cycle control reg */
```



```
#define SCYC_ADDR_A 0x174 /* PCI special cycle PCI address reg */
#define SCYC_EN_A 0x178 /* PCI special cycle swap/compare enable reg */
#define SCYC_CMP_A 0x17C /* PCI special cycle compare data reg */
#define SCYC_SWP_A 0x180 /* PCI special cycle swap data reg */
#define LMISC_A 0x184 /* PCI miscellaneous reg */
#define SLSI_A 0x188 /* PCI special PCI slave image */
#define L_CMDERR_A 0x18C /* PCI command error log reg */
#define LAERR_A 0x190 /* PCI address error log reg */
#define LSI4_CTL_A 0x1A0 /* PCI slave image 4 control reg */
#define LSI4_BS_A 0x1A4 /* PCI slave image 4 base address reg */
#define LSI4_bd_A 0x1A8 /* PCI slave image 4 bound address reg */
#define LSI4_TO_A 0x1AC /* PCI slave image 4 translation offset reg */
#define LSI5_CTL_A 0x1B4 /* PCI slave image 5 control reg */
#define LSI5_BS_A 0x1B8 /* PCI slave image 5 base address reg */
#define LSI5_BD_A 0x1BC /* PCI slave image 5 bound address reg */
#define LSI5_TO_A 0x1C0 /* PCI slave image 5 translation offset reg */
#define LSI6_CTL_A 0x1C8 /* PCI slave image 6 control reg */
#define LSI6_BS_A 0x1CC /* PCI slave image 6 base address reg */
#define LSI6_BD_A 0x1D0 /* PCI slave image 6 bound address reg */
#define LSI6_TO_A 0x1D4 /* PCI slave image 6 translation offset reg */
#define LSI7_CTL_A 0x1DC /* PCI slave image 7 control reg */
#define LSI7_BS_A 0x1E0 /* PCI slave image 7 base address reg */
#define LSI7_BD_A 0x1E4 /* PCI slave image 7 bound address reg */
#define LSI7_TO_A 0x1E8 /* PCI slave image 7 translation offset reg */
#define DCTL_A 0x200 /* DMA transfer control reg */
#define DTBC_A 0x204 /* DMA transfer byte count reg */
#define DLA_A 0x208 /* DMA PCIbus address reg */
#define DVA_A 0x210 /* DMA VMEbus address reg */
#define DCPP_A 0x218 /* DMA command packet pointer */
#define DGCS_A 0x220 /* DMA general control and status reg */
#define D_LLUE_A 0x224 /* DMA linked list update enable reg */
#define LINT_EN_A 0x300 /* PCI interrupt enable */
```

```
#define LINT_STAT_A 0x304 /* PCI interrupt status */
#define LINT_MAP0_A 0x308 /* PCI interrupt map0 */
#define LINT_MAP1_A 0x30C /* PCI interrupt map1 */
#define VINT_EN_A 0x310 /* VME interrupt enable */
#define VINT_STAT_A 0x314 /* VME interrupt status */
#define VINT_MAP0_A 0x318 /* VME interrupt map0 */
#define VINT_MAP1_A 0x31C /* VME interrupt map1 */
#define STATID_A 0x320 /* VME interrupt status/ID out */
#define V1_STATID_A 0x324 /* VME interrupt status/ID in IRQ1 */
#define V2_STATID_A 0x328 /* VME interrupt status/ID in IRQ2 */
#define V3_STATID_A 0x32C /* VME interrupt status/ID in IRQ3 */
#define V4_STATID_A 0x330 /* VME interrupt status/ID in IRQ4 */
#define V5_STATID_A 0x334 /* VME interrupt status/ID in IRQ5 */
#define V6_STATID_A 0x338 /* VME interrupt status/ID in IRQ6 */
#define V7_STATID_A 0x33C /* VME interrupt status/ID in IRQ7 */
#define LINT_MAP2_A 0x340 /* PCI interrupt map2 */
#define VINT_MAP2_A 0x344 /* VME interrupt map2 */
#define MBOX0_A 0x348 /* Mailbox 0 */
#define MBOX1_A 0x34C /* Mailbox 1 */
#define MBOX2_A 0x350 /* Mailbox 2 */
#define MBOX3_A 0x354 /* Mailbox 3 */
#define SEMA0_A 0x358 /* Semaphore 0 */
#define SEMA1_A 0x35C /* Semaphore 1 */
#define MAST_CTL_A 0x400 /* master control reg */
#define MISC_CTL_A 0x404 /* miscellaneous control reg */
#define MISC_STAT_A 0x408 /* miscellaneous status reg */
#define USER_AM_A 0x40C /* user AM codes reg */
#define VSI0_CTL_A 0xF00 /* VMEbus slave image 0 control reg */
#define VSI0_BS_A 0xF04 /* VMEbus slave image 0 base address reg */
#define VSI0_BD_A 0xF08 /* VMEbus slave image 0 bound address reg */
#define VSI0_TO_A 0xF0C /* VMEbus slave image 0 translation offset */
#define VSI1_CTL_A 0xF14 /* VMEbus slave image 1 control reg
```



```
#define VSI1_BS_A 0xF18 /* VMEbus slave image 1 base address reg */
#define VSI1_BD_A 0xF1C /* VMEbus slave image 1 bound address reg */
#define VSI1_TO_A 0xF20 /* VMEbus slave image 1 translation offset */
#define VSI2_CTL_A 0xF28 /* VMEbus slave image 2 control reg */
#define VSI2_BS_A 0xF2C /* VMEbus slave image 2 base address reg */
#define VSI2_BD_A 0xF30 /* VMEbus slave image 2 bound address reg */
#define VSI2_TO_A 0xF34 /* VMEbus slave image 2 translation offset */
#define VSI3_CTL_A 0xF3C /* VMEbus slave image 3 control reg */
#define VSI3_BS_A 0xF40 /* VMEbus slave image 3 base address reg */
#define VSI3_BD_A 0xF44 /* VMEbus slave image 3 bound address reg */
#define VSI3_TO_A 0xF48 /* VMEbus slave image 3 translation offset */
#define LM_CTL_A 0xF64 /* Location Monitor Control */
#define LM_BS_A 0xF68 /* Location Monitor Base Address */
#define VRAI_CTL_A 0xF70 /* VMEbus register access image control reg */
#define VRAI_BS_A 0xF74 /* VMEbus register access image base address */
#define VCSR_CTL_A 0xF80 /* VMEbus CSR control reg */
#define VCSR_TO_A 0xF84 /* VMEbus CSR translation reg */
#define V_AMERR_A 0xF88 /* VMEbus AM code error log */
#define VAERR_A 0xF8C /* VMEbus address error log */
#define VSI4_CTL_A 0xF90 /* VMEbus slave image 4 control reg */
#define VSI4_BS_A 0xF94 /* VMEbus slave image 4 base address reg */
#define VSI4_BD_A 0xF98 /* VMEbus slave image 4 bound address reg */
#define VSI4_TO_A 0xF9C /* VMEbus slave image 4 translation offset */
#define VSI5_CTL_A 0xFA4 /* VMEbus slave image 5 control reg */
#define VSI5_BS_A 0xFA8 /* VMEbus slave image 5 base address reg */
#define VSI5_BD_A 0xFAC /* VMEbus slave image 5 bound address reg */
#define VSI5_TO_A 0xFB0 /* VMEbus slave image 5 translation offset */
#define VSI6_CTL_A 0xFB8 /* VMEbus slave image 6 control reg */
#define VSI6_BS_A 0xFBC /* VMEbus slave image 6 base address reg */
#define VSI6_BD_A 0xFC0 /* VMEbus slave image 6 bound address reg */
#define VSI6_TO_A 0xFC4 /* VMEbus slave image 6 translation offset */
#define VSI7_CTL_A 0xFCC /* VMEbus slave image 7 control reg */
```

```

#define VSI7_BS_A 0xFD0 /* VMEbus slave image 7 base address reg */
#define VSI7_BD_A 0xFD4 /* VMEbus slave image 7 bound address reg */
#define VSI7_TO_A 0xFD8 /* VMEbus slave image 7 translation offset */
#define V_CR_CSR_A 0xFF0 /* VMEbus CR/CSR reserved */
#define VCSR_CLR_A 0xFF4 /* VMEbus CSR bit clear reg */
#define VCSR_SET_A 0xFF8 /* VMEbus CSR bit set reg */
#define VCSR_BS_A 0xFFC /* VMEbus CSR base address reg */
/* PCI and VME slave window structure */
typedef struct slave_window {
    unsigned long win_ctl;
    unsigned long win_bs;
    unsigned long win_bd;
    unsigned long win_to;
} swin_config_t;
/* DMA command packet structure for dmas using linked lists */
typedef struct dma_command_pkt {
    unsigned long dma_dctl; /* DMA transfer control reg */
    unsigned long dma_dtbc; /* DMA transfer byte count reg */
    unsigned long dma_dla; /* DMA PCI bus address reg */
    unsigned long rsvd1; /* RESERVED */
    unsigned long dma_dva; /* DMA VMEbus address reg */
    unsigned long rsvd2; /* RESERVED */
    unsigned long dma_dcpp; /* DMA command packet pointer reg */
    unsigned long rsvd3; /* RESERVED */
} dma_cmd_pkt_t;
/* pci_id - PCI device ID and vendor ID */
#define PCI_DID_VID 0x000010E3 /* R PCI device ID vendor ID */
/* pci_csr - PCI configuration space control and status register */
#define PCI_CSR_D_PE 0x80000000 /* R/WC detected parity error */
#define PCI_CSR_S_SERR 0x40000000 /* R/WC signalled SERR* */
#define PCI_CSR_R_MA 0x20000000 /* R/WC received master abort */
#define PCI_CSR_R_TA 0x10000000 /* R/WC received target abort */

```





```

#define PCI_CSR_S_TA 0x08000000 /* R/WC signalled target abort */
#define PCI_CSR_DEVSEL 0x02000000 /* R device select timing - medium */
#define PCI_CSR_DP_D 0x01000000 /* RC data parity detected */
#define PCI_CSR_TFBBC 0x00800000 /* R target fast back-to-back capable */
#define PCI_CSR_MFBBC 0x00000000 /* R master fast back-to-back capable */
#define PCI_CSR_SERR_EN 0x00000100 /* R/W SERR* enable */
#define PCI_CSR_WAIT 0x00000080 /* R wait cycle control */
#define PCI_CSR_PERESP 0x00000040 /* R/W parity error response */
#define PCI_CSR_VGAPS 0x00000020 /* R VGA palette snoop */
#define PCI_CSR_MWI_EN 0x00000010 /* R mem write and invalidate enable */
#define PCI_CSR_SC 0x00000008 /* R special cycles */
#define PCI_CSR_BM 0x00000004 /* R/W master enable */
#define PCI_CSR_MS 0x00000002 /* R/W target memory enable */
#define PCI_CSR_IOS 0x00000001 /* R/W target I/O enable */

/* pci_class - PCI configuration class register */
#define PCI_CLASS_BASE 0x06000000 /* R base class code */
#define PCI_CLASS_SUB 0x00800000 /* R sub class code */
#define PCI_CLASS_PROG 0x00000000 /* R programming interface */
#define PCI_CLASS_RID 0x00000000 /* R revision ID */

/* pci_misc0 - PCI configuration miscellaneous 0 register */
#define PCI_MISC0_BISTC 0x80000000 /* R BIST capable N/A */
#define PCI_MISC0_SBIST 0x40000000 /* R start BIST N/A */
#define PCI_MISC0_CCODE 0x0F000000 /* R completion code MASK */
#define PCI_MISC0_MFUNCT 0x00800000 /* R multifunction device */
#define PCI_MISC0_LAYOUT 0x007F0000 /* R configuration space layout MASK */

#define PCI_MISC0_LTIMER 0x0000F800 /* R/W latency timer MASK */

/* pci_bs - PCI configuration base address register */
#define PCI_BS_BS 0xFFFF0000 /* R PCI base address MASK */
#define PCI_BS_SPACE_M 0x00000000 /* R PCI address space memory */
#define PCI_BS_SPACE_IO 0x00000001 /* R PCI address space I/O */

/* pci_misc1 - PCI configuration miscellaneous 1 register */

```



```
#define PCI_MISC1_MAX_LAT 0x00000000 /* R maximum latency: none */
#define PCI_MISC1_MAX_GNT 0x00030000 /* R minimum grant: 250 ns */
#define PCI_MISC1_INT_PIN 0x00000100 /* R interrupt pin */
#define PCI_MISC1_INT_LINE 0x000000FF /* R/W interrupt line MASK */
/* LSI[X]_ctl - slave image control registers ( lsi0 - lsi7 ) */
#define LSI_CTL_EN 0x80000000 /* R/W image enable */
#define LSI_CTL_PWEN 0x40000000 /* R/W posted write enable */
#define LSI_CTL_VDW_08 0x00000000 /* R/W VMEbus maximum data width
D08 */
#define LSI_CTL_VDW_16 0x00400000 /* R/W VMEbus maximum data width
D16 */
#define LSI_CTL_VDW_32 0x00800000 /* R/W VMEbus maximum data width
D32 */
#define LSI_CTL_VDW_64 0x00C00000 /* R/W VMEbus maximum data width
D64 */
#define LSI_CTL_VAS_16 0x00000000 /* R/W VMEbus address space A16 */
#define LSI_CTL_VAS_24 0x00010000 /* R/W VMEbus address space A24 */
#define LSI_CTL_VAS_32 0x00020000 /* R/W VMEbus address space A32 */
#define LSI_CTL_VAS_R1 0x00030000 /* R/W VMEbus address space RSVD1 */
#define LSI_CTL_VAS_R2 0x00040000 /* R/W VMEbus address space RSVD2 */
#define LSI_CTL_VAS_CR 0x00050000 /* R/W VMEbus address space CR/CSR */
#define LSI_CTL_VAS_U1 0x00060000 /* R/W VMEbus address space USER1 */
#define LSI_CTL_VAS_U2 0x00070000 /* R/W VMEbus address space USER2 */
#define LSI_CTL_PGM_D 0x00000000 /* R/W VMEbus data AM code */
#define LSI_CTL_PGM_P 0x00004000 /* R/W VMEbus program AM code */
#define LSI_CTL_SUPER 0x00001000 /* R/W VMEbus supervisory AM code */
#define LSI_CTL_VCT_S 0x00000000 /* R/W VMEbus single cycles only */
#define LSI_CTL_VCT_SB 0x00000100 /* R/W VMEbus single cycles and block */
#define LSI_CTL_LAS_M 0x00000000 /* R/W PCibus memory space */
#define LSI_CTL_LAS_IO 0x00000001 /* R/W PCibus I/O space */
#define LSI_CTL_LAS_C 0x00000002 /* R/W PCibus type 1 config space */
#define LSI_CTL_LAS_R 0x00000003 /* R/W PCibus reserved */
/* lsi[X]_bs - slave image 0/1/2/3/4/5/6/7 base address register 0x0000?XXX */
```



```

#define LSI0_BS 0xFFFFF000 /* R/W PCI slave image 0 base address MASK */
#define LSI1_BS 0xFFFF0000 /* R/W PCI slave image 1 base address MASK */
#define LSI2_BS 0xFFFF0000 /* R/W PCI slave image 2 base address MASK */
#define LSI3_BS 0xFFFF0000 /* R/W PCI slave image 3 base address MASK */
#define LSI4_BS 0xFFFFF000 /* R/W PCI slave image 4 base address MASK */
#define LSI5_BS 0xFFFF0000 /* R/W PCI slave image 5 base address MASK */
#define LSI6_BS 0xFFFF0000 /* R/W PCI slave image 6 base address MASK */
#define LSI7_BS 0xFFFF0000 /* R/W PCI slave image 7 base address MASK */
/* lsi[X]_bd - slave image 0/1/2/3/4/5/6/7 bound address register 0x0000?XXX */
#define LSI0_BD 0xFFFFF000 /* R/W PCI slave image 0 bound addr MASK */
#define LSI1_BD 0xFFFF0000 /* R/W PCI slave image 1 bound addr MASK */
#define LSI2_BD 0xFFFF0000 /* R/W PCI slave image 2 bound addr MASK */
#define LSI3_BD 0xFFFF0000 /* R/W PCI slave image 3 bound addr MASK */
#define LSI4_BD 0xFFFFF000 /* R/W PCI slave image 4 bound addr MASK */
#define LSI5_BD 0xFFFF0000 /* R/W PCI slave image 5 bound addr MASK */
#define LSI6_BD 0xFFFF0000 /* R/W PCI slave image 6 bound addr MASK */
#define LSI7_BD 0xFFFF0000 /* R/W PCI slave image 7 bound addr MASK */
/* lsi[X]_to - slave image 0/1/2/3/4/5/6/7 translation offset reg 0x0000?XXX */
#define LSI0_TO 0xFFFFF000 /* R/W PCI slave image 0 xfer offset MASK */
#define LSI1_TO 0xFFFF0000 /* R/W PCI slave image 1 xfer offset MASK */
#define LSI2_TO 0xFFFF0000 /* R/W PCI slave image 2 xfer offset MASK */
#define LSI3_TO 0xFFFF0000 /* R/W PCI slave image 3 xfer offset MASK */
#define LSI4_TO 0xFFFFF000 /* R/W PCI slave image 4 xfer offset MASK */
#define LSI5_TO 0xFFFF0000 /* R/W PCI slave image 5 xfer offset MASK */
#define LSI6_TO 0xFFFF0000 /* R/W PCI slave image 6 xfer offset MASK */
#define LSI7_TO 0xFFFF0000 /* R/W PCI slave image 7 xfer offset MASK */
/* scyc_ctl - speical cycle control register */
#define SCYC_CTL_MEM 0x00000000 /* R/W PCI bus Memory space */
#define SCYC_CTL_IO 0x00000004 /* R/W PCI bus I/O space */
#define SCYC_CTL_DIS 0x00000000 /* R/W special cycle disabled */
#define SCYC_CTL_RMW 0x00000001 /* R/W read-modify-write */
#define SCYC_CTL_ADOH 0x00000002 /* R/W address only */

```



```
#define SCYC_CTL_RSVD 0x00000003 /* R/W reserved */
/* scyc_addr - special cycle PCI bus address register 0x0000000X */
#define SCYC_ADDR 0xFFFFFFFF /* R/W special cycle PCIbus add reg MASK */
/* scyc_en - special cycle swap/compare enable register 0x00000000 */
#define SCYC_EN 0xFFFFFFFF /* R/W special cycle swap/compare enable MASK */
/* scyc_cmp - special cycle compare data register 0x00000000 */
#define SCYC_CMP 0xFFFFFFFF /* R/W special cycle compare data MASK */
/* scyc_swp - special cycle swap data register 0x00000000 */
#define SCYC_SWP 0xFFFFFFFF /* R/W special cycle swap data MASK */
/* lmisc - PCI miscellaneous register */
#define LMISC_CRT_D 0x00000000 /* R/W coupled request timer disabled */
#define LMISC_CRT_1 0x10000000 /* R/W coupled request timer 128 us */
#define LMISC_CRT_2 0x20000000 /* R/W coupled request timer 256 us */
#define LMISC_CRT_3 0x30000000 /* R/W coupled request timer 512 us */
#define LMISC_CRT_4 0x40000000 /* R/W coupled request timer 1024 us */
#define LMISC_CRT_5 0x50000000 /* R/W coupled request timer 2048 us */
#define LMISC_CRT_6 0x60000000 /* R/W coupled request timer 4096 us */
#define LMISC_CWT_D 0x00000000 /* R/W coupled window timer disabled */
#define LMISC_CWT_1 0x01000000 /* R/W coupled window timer 128 us */
#define LMISC_CWT_2 0x02000000 /* R/W coupled window timer 256 us */
#define LMISC_CWT_3 0x03000000 /* R/W coupled window timer 512 us */
#define LMISC_CWT_4 0x04000000 /* R/W coupled window timer 1024 us */
#define LMISC_CWT_5 0x05000000 /* R/W coupled window timer 2048 us */
#define LMISC_CWT_6 0x06000000 /* R/W coupled window timer 4096 us */
/* slsi - special PCI slave image */
#define SLSI_EN 0x80000000 /* R/W image enable */
#define SLSI_PWEN 0x40000000 /* R/W posted write enable */
#define SLSI_VDW 0x00F00000 /* R/W VME max data width MASK */
#define SLSI_PGM 0x0000F000 /* R/W VME program/data AM code MASK */
```



```

#define SLSI_SUPER 0x0000F00 /* R/W VME supervisor/user AM code MASK
*/

#define SLSI_BS 0x00000FC /* R/W base address MASK */

#define SLSI_LAS_M 0x0000000 /* R/W PCIbus memory space */

#define SLSI_LAS_IO 0x00000001 /* R/W PCIbus I/O space */

#define SLSI_LAS_C 0x00000002 /* R/W PCIbus type 1 configuration space */

#define SLSI_LAS_R 0x00000003 /* R/W PCIbus reserved */

/* l_cmderr - PCI command error log register */

#define L_CMDERR_CMDERR 0xF000000 /* R PCI command error log MASK
*/

#define L_CMDERR_M_ERR 0x0800000 /* R multiple error occurred */

#define L_CMDERR_L_STAT 0x0080000 /* R/WC PCI error log status */

/* laerr - R PCI address error log 0x00000000 */

#define LAERR 0xFFFFFFFF /* PCI address error log MASK */

/* dctl - DMA transfer control register */

#define DCTL_L2V_I 0x00000000 /* R/W direction: VME -> PCI */

#define DCTL_L2V_O 0x80000000 /* R/W direction: PCI -> VME */

#define DCTL_VDW_08 0x00000000 /* R/W VMEbus max data width D08 */

#define DCTL_VDW_16 0x00400000 /* R/W VMEbus max data width D16 */

#define DCTL_VDW_32 0x00800000 /* R/W VMEbus max data width D32 */

#define DCTL_VDW_64 0x00C00000 /* R/W VMEbus max data width D64 */

#define DCTL_VAS_16 0x00000000 /* R/W VMEbus address space A16 */

#define DCTL_VAS_24 0x00010000 /* R/W VMEbus address space A24 */

#define DCTL_VAS_32 0x00020000 /* R/W VMEbus address space A32 */

#define DCTL_VAS_R1 0x00030000 /* R/W VMEbus address space reserved 1 */

#define DCTL_VAS_R2 0x00040000 /* R/W VMEbus address space reserved 2 */

#define DCTL_VAS_R3 0x00050000 /* R/W VMEbus address space reserved 3 */

#define DCTL_VAS_U1 0x00060000 /* R/W VMEbus address space user 1 */

#define DCTL_VAS_U2 0x00070000 /* R/W VMEbus address space user 2 */

#define DCTL_PGM_D 0x00000000 /* R/W VMEbus data AM code */

#define DCTL_PGM_P 0x00004000 /* R/W VMEbus program AM code */

#define DCTL_SUPER 0x00001000 /* R/W VMEbus supervisory AM code */

#define DCTL_VCT_S 0x00000000 /* R/W VMEbus single cycles only */

```



```
#define DCTL_VCT_SB 0x00000100 /* R/W VMEbus single cycles and block */
#define DCTL_LD64EN 0x00000080 /* R/W enable 64 bit PCI transaction */
/* dtbc - DMA transfer byte count register 0xXX000000 */
#define DTBC 0x00FFFFFF /* R/W DMA xfer byte count MASK */
/* dla - DMA PCIbus address register 0x0000000X */
#define DLA 0xFFFFFFFF /* R/W DMA PCIbus address MASK */
/* dva - DMA VMEbus address register 0x0000000X */
#define DVA 0xFFFFFFFF /* R/W DMA VMEbus address MASK */
/* dcpp - DMA command packet pointer 0x0000000X */
#define DCPP 0xFFFFFFFF8 /* R/W DMA command packet pointer MASK */
/* dgcs - DMA general control/status register */
#define DGCS_GO 0x80000000 /* R0/W DMA go bit */
#define DGCS_STOP_REQ 0x40000000 /* R0/W DMA stop request */
#define DGCS_HALT_REQ 0x20000000 /* R0/W DMA halt request */
#define DGCS_CHAIN 0x08000000 /* R/W DMA chaining */
#define DGCS_VON1 0x00000000 /* R/W VME aligned DMA xfer cnt DONE */
/*
#define DGCS_VON2 0x00100000 /* R/W VME aligned DMA xfer cnt 256 */
#define DGCS_VON3 0x00200000 /* R/W VME aligned DMA xfer cnt 512 */
#define DGCS_VON4 0x00300000 /* R/W VME aligned DMA xfer cnt 1024 */
#define DGCS_VON5 0x00400000 /* R/W VME aligned DMA xfer cnt 2048 */
#define DGCS_VON6 0x00500000 /* R/W VME aligned DMA xfer cnt 4096 */
#define DGCS_VON7 0x00600000 /* R/W VME aligned DMA xfer cnt 8192 */
#define DGCS_VON8 0x00700000 /* R/W VME aligned DMA xfer cnt 16384 */
#define DGCS_VOFF1 0x00000000 /* R/W min off between xfers 0 us */
#define DGCS_VOFF2 0x00010000 /* R/W min off between xfers 16 us */
#define DGCS_VOFF3 0x00020000 /* R/W min off between xfers 32 us */
#define DGCS_VOFF4 0x00030000 /* R/W min off between xfers 64 us */
#define DGCS_VOFF5 0x00040000 /* R/W min off between xfers 128 us */
#define DGCS_VOFF6 0x00050000 /* R/W min off between xfers 256 us */
#define DGCS_VOFF7 0x00060000 /* R/W min off between xfers 512 us */
#define DGCS_VOFF8 0x00070000 /* R/W min off between xfers 1024 us */
```



```

#define DGCS_VOFF9 0x00080000 /* R/W min off between xfers 2 us */
#define DGCS_VOFFA 0x00090000 /* R/W min off between xfers 4 us */
#define DGCS_VOFFB 0x000A0000 /* R/W min off between xfers 8 us */
#define DGCS_ACT 0x00008000 /* R DMA active flag */
#define DGCS_STOP 0x00004000 /* R/WC DMA stopped flag */
#define DGCS_HALT 0x00002000 /* R/WC DMA halted flag */
#define DGCS_DONE 0x00000800 /* R/WC DMA transfers complete flag */
#define DGCS_LERR 0x00000400 /* R/WC DMA PCi bus error */
#define DGCS_VERR 0x00000200 /* R/WC DMA VMEbus error */
#define DGCS_P_ERR 0x00000100 /* R/WC protocol error */
#define DGCS_INT_STOP 0x00000040 /* R/W interrupt when stopped */
#define DGCS_INT_HALT 0x00000020 /* R/W interrupt when halted */
#define DGCS_INT_DONE 0x00000008 /* R/W interrupt when done */
#define DGCS_INT_LERR 0x00000004 /* R/W interrupt on LERR */
#define DGCS_INT_VERR 0x00000002 /* R/W interrupt on VERR */
#define DGCS_INT_M_ERR 0x00000001 /* R/W interrupt on protocol error */
/* d_llue - DMA linked list update enable register */
#define D_LLUE_UPDATE 0x80000000 /* R/W PCI resource updating list */
/* lint_en - PCI interrupt enable register */
#define LINT_EN_LM3 0x00800000 /* R/W Location monitor 3 enable */
#define LINT_EN_LM2 0x00400000 /* R/W Location monitor 2 enable */
#define LINT_EN_LM1 0x00200000 /* R/W Location monitor 1 enable */
#define LINT_EN_LM0 0x00100000 /* R/W Location monitor 0 enable */
#define LINT_EN_MBOX3 0x00080000 /* R/W MAILBOX 3 enable */
#define LINT_EN_MBOX2 0x00040000 /* R/W MAILBOX 2 enable */
#define LINT_EN_MBOX1 0x00020000 /* R/W MAILBOX 1 enable */
#define LINT_EN_MBOX0 0x00010000 /* R/W MAILBOX 0 enable */
#define LINT_EN_ACFAIL 0x00008000 /* R/W ACFAIL interrupt enable */
#define LINT_EN_SYSFAIL 0x00004000 /* R/W SYSFAIL interrupt enable */
#define LINT_EN_SW_INT 0x00002000 /* R/W PCI software int. enable */
#define LINT_EN_SW_IACK 0x00001000 /* R/W VME software IACK enable */
*/

```

```
#define LINT_EN_VERR 0x00000400 /* R/W PCI VERR interrupt enable */
#define LINT_EN_LERR 0x00000200 /* R/W PCI LERR interrupt enable */
#define LINT_EN_DMA 0x00000100 /* R/W PCI DMA interrupt enable */
#define LINT_EN_VIRQ7 0x00000080 /* R/W VIRQ7 interrupt enable */
#define LINT_EN_VIRQ6 0x00000040 /* R/W VIRQ6 interrupt enable */
#define LINT_EN_VIRQ5 0x00000030 /* R/W VIRQ5 interrupt enable */
#define LINT_EN_VIRQ4 0x00000010 /* R/W VIRQ4 interrupt enable */
#define LINT_EN_VIRQ3 0x00000008 /* R/W VIRQ3 interrupt enable */
#define LINT_EN_VIRQ2 0x00000004 /* R/W VIRQ2 interrupt enable */
#define LINT_EN_VIRQ1 0x00000002 /* R/W VIRQ1 interrupt enable */
#define LINT_EN_VOWN 0x00000001 /* R/W VOWN interrupt enable */
/* lint_stat - PCI interrupt status register */
#define LINT_STAT_LM3 0x00800000 /* R/W Location monitor 3 received */
#define LINT_STAT_LM2 0x00400000 /* R/W Location monitor 2 received */
#define LINT_STAT_LM1 0x00200000 /* R/W Location monitor 1 received */
#define LINT_STAT_LM0 0x00100000 /* R/W Location monitor 0 received */
#define LINT_STAT_MBOX3 0x00080000 /* R/W MAILBOX 3 received */
#define LINT_STAT_MBOX2 0x00040000 /* R/W MAILBOX 2 received */
#define LINT_STAT_MBOX1 0x00020000 /* R/W MAILBOX 1 received */
#define LINT_STAT_MBOX0 0x00010000 /* R/W MAILBOX 0 received */
#define LINT_STAT_ACFAIL 0x00008000 /* R ACFAIL interrupt active */
#define LINT_STAT_SYSFAIL 0x00004000 /* R SYSFAIL interrupt active */
#define LINT_STAT_SW_INT 0x00002000 /* R/WC PCI software int. received */
#define LINT_STAT_SW_IACK 0x00001000 /* R/WC VME software IACK received */
#define LINT_STAT_VERR 0x00000400 /* R/WC PCI VERR interrupt received */
#define LINT_STAT_LERR 0x00000200 /* R/WC PCI LERR interrupt received */
#define LINT_STAT_DMA 0x00000100 /* R/WC PCI DMA interrupt received */
#define LINT_STAT_VIRQ7 0x00000080 /* R/WC VIRQ7 interrupt received */
#define LINT_STAT_VIRQ6 0x00000040 /* R/WC VIRQ6 interrupt received */
#define LINT_STAT_VIRQ5 0x00000030 /* R/WC VIRQ5 interrupt received */
#define LINT_STAT_VIRQ4 0x00000010 /* R/WC VIRQ4 interrupt received */
```





```
#define LINT_STAT_VIRQ3 0x00000008 /* R/WC VIRQ3 interrupt received */
#define LINT_STAT_VIRQ2 0x00000004 /* R/WC VIRQ2 interrupt received */
#define LINT_STAT_VIRQ1 0x00000002 /* R/WC VIRQ1 interrupt received */
#define LINT_STAT_VOWN 0x00000001 /* R/WC VOWN interrupt received */
/* lint_map0 - PCI interrupt map 0 register */
#define LINT_MAP0_VIRQ7_0 0x00000000 /* R/W PCI int LINT#0 for VME IRQ7 */
#define LINT_MAP0_VIRQ7_1 0x10000000 /* R/W PCI int LINT#1 for VME IRQ7 */
#define LINT_MAP0_VIRQ7_2 0x20000000 /* R/W PCI int LINT#2 for VME IRQ7 */
#define LINT_MAP0_VIRQ7_3 0x30000000 /* R/W PCI int LINT#3 for VME IRQ7 */
#define LINT_MAP0_VIRQ7_4 0x40000000 /* R/W PCI int LINT#4 for VME IRQ7 */
#define LINT_MAP0_VIRQ7_5 0x50000000 /* R/W PCI int LINT#5 for VME IRQ7 */
#define LINT_MAP0_VIRQ7_6 0x60000000 /* R/W PCI int LINT#6 for VME IRQ7 */
#define LINT_MAP0_VIRQ7_7 0x70000000 /* R/W PCI int LINT#7 for VME IRQ7 */
#define LINT_MAP0_VIRQ6_0 0x00000000 /* R/W PCI int LINT#0 for VME IRQ6 */
#define LINT_MAP0_VIRQ6_1 0x01000000 /* R/W PCI int LINT#1 for VME IRQ6 */
#define LINT_MAP0_VIRQ6_2 0x02000000 /* R/W PCI int LINT#2 for VME IRQ6 */
#define LINT_MAP0_VIRQ6_3 0x03000000 /* R/W PCI int LINT#3 for VME IRQ6 */
#define LINT_MAP0_VIRQ6_4 0x04000000 /* R/W PCI int LINT#4 for VME IRQ6 */
#define LINT_MAP0_VIRQ6_5 0x05000000 /* R/W PCI int LINT#5 for VME IRQ6 */
#define LINT_MAP0_VIRQ6_6 0x06000000 /* R/W PCI int LINT#6 for VME IRQ6 */
#define LINT_MAP0_VIRQ6_7 0x07000000 /* R/W PCI int LINT#7 for VME IRQ6 */
```



```
#define LINT_MAP0_VIRQ5_0 0x00000000 /* R/W PCI int LINT#0 for VME IRQ5
*/
#define LINT_MAP0_VIRQ5_1 0x00100000 /* R/W PCI int LINT#1 for VME IRQ5
*/
#define LINT_MAP0_VIRQ5_2 0x00200000 /* R/W PCI int LINT#2 for VME IRQ5
*/
#define LINT_MAP0_VIRQ5_3 0x00300000 /* R/W PCI int LINT#3 for VME IRQ5
*/
#define LINT_MAP0_VIRQ5_4 0x00400000 /* R/W PCI int LINT#4 for VME IRQ5
*/
#define LINT_MAP0_VIRQ5_5 0x00500000 /* R/W PCI int LINT#5 for VME IRQ5
*/
#define LINT_MAP0_VIRQ5_6 0x00600000 /* R/W PCI int LINT#6 for VME IRQ5
*/
#define LINT_MAP0_VIRQ5_7 0x00700000 /* R/W PCI int LINT#7 for VME IRQ5
*/
#define LINT_MAP0_VIRQ4_0 0x00000000 /* R/W PCI int LINT#0 for VME IRQ4
*/
#define LINT_MAP0_VIRQ4_1 0x00010000 /* R/W PCI int LINT#1 for VME IRQ4
*/
#define LINT_MAP0_VIRQ4_2 0x00020000 /* R/W PCI int LINT#2 for VME IRQ4
*/
#define LINT_MAP0_VIRQ4_3 0x00030000 /* R/W PCI int LINT#3 for VME IRQ4
*/
#define LINT_MAP0_VIRQ4_4 0x00040000 /* R/W PCI int LINT#4 for VME IRQ4
*/
#define LINT_MAP0_VIRQ4_5 0x00050000 /* R/W PCI int LINT#5 for VME IRQ4
*/
#define LINT_MAP0_VIRQ4_6 0x00060000 /* R/W PCI int LINT#6 for VME IRQ4
*/
#define LINT_MAP0_VIRQ4_7 0x00070000 /* R/W PCI int LINT#7 for VME IRQ4
*/
#define LINT_MAP0_VIRQ3_0 0x00000000 /* R/W PCI int LINT#0 for VME IRQ3
*/
#define LINT_MAP0_VIRQ3_1 0x00001000 /* R/W PCI int LINT#1 for VME IRQ3
*/
#define LINT_MAP0_VIRQ3_2 0x00002000 /* R/W PCI int LINT#2 for VME IRQ3
*/
```



```
#define LINT_MAP0_VIRQ3_3 0x00003000 /* R/W PCI int LINT#3 for VME IRQ3
*/
#define LINT_MAP0_VIRQ3_4 0x00004000 /* R/W PCI int LINT#4 for VME IRQ3
*/
#define LINT_MAP0_VIRQ3_5 0x00005000 /* R/W PCI int LINT#5 for VME IRQ3
*/
#define LINT_MAP0_VIRQ3_6 0x00006000 /* R/W PCI int LINT#6 for VME IRQ3
*/
#define LINT_MAP0_VIRQ3_7 0x00007000 /* R/W PCI int LINT#7 for VME IRQ3
*/
#define LINT_MAP0_VIRQ2_0 0x00000000 /* R/W PCI int LINT#0 for VME IRQ2
*/
#define LINT_MAP0_VIRQ2_1 0x00000100 /* R/W PCI int LINT#1 for VME IRQ2
*/
#define LINT_MAP0_VIRQ2_2 0x00000200 /* R/W PCI int LINT#2 for VME IRQ2
*/
#define LINT_MAP0_VIRQ2_3 0x00000300 /* R/W PCI int LINT#3 for VME IRQ2
*/
#define LINT_MAP0_VIRQ2_4 0x00000400 /* R/W PCI int LINT#4 for VME IRQ2
*/
#define LINT_MAP0_VIRQ2_5 0x00000500 /* R/W PCI int LINT#5 for VME IRQ2
*/
#define LINT_MAP0_VIRQ2_6 0x00000600 /* R/W PCI int LINT#6 for VME IRQ2
*/
#define LINT_MAP0_VIRQ2_7 0x00000700 /* R/W PCI int LINT#7 for VME IRQ2
*/
#define LINT_MAP0_VIRQ1_0 0x00000000 /* R/W PCI int LINT#0 for VME IRQ1
*/
#define LINT_MAP0_VIRQ1_1 0x00000010 /* R/W PCI int LINT#1 for VME IRQ1
*/
#define LINT_MAP0_VIRQ1_2 0x00000020 /* R/W PCI int LINT#2 for VME IRQ1
*/
#define LINT_MAP0_VIRQ1_3 0x00000030 /* R/W PCI int LINT#3 for VME IRQ1
*/
#define LINT_MAP0_VIRQ1_4 0x00000040 /* R/W PCI int LINT#4 for VME IRQ1
*/
#define LINT_MAP0_VIRQ1_5 0x00000050 /* R/W PCI int LINT#5 for VME IRQ1
*/
```



```
#define LINT_MAP0_VIRQ1_6 0x00000060 /* R/W PCI int LINT#6 for VME IRQ1
*/

#define LINT_MAP0_VIRQ1_7 0x00000070 /* R/W PCI int LINT#7 for VME IRQ1
*/

#define LINT_MAP0_VOWN_0 0x00000000 /* R/W PCI int LINT#0 for VME
OWN */

#define LINT_MAP0_VOWN_1 0x00000001 /* R/W PCI int LINT#1 for VME
OWN */

#define LINT_MAP0_VOWN_2 0x00000002 /* R/W PCI int LINT#2 for VME
OWN */

#define LINT_MAP0_VOWN_3 0x00000003 /* R/W PCI int LINT#3 for VME
OWN */

#define LINT_MAP0_VOWN_4 0x00000004 /* R/W PCI int LINT#4 for VME
OWN */

#define LINT_MAP0_VOWN_5 0x00000005 /* R/W PCI int LINT#5 for VME
OWN */

#define LINT_MAP0_VOWN_6 0x00000006 /* R/W PCI int LINT#6 for VME
OWN */

#define LINT_MAP0_VOWN_7 0x00000007 /* R/W PCI int LINT#7 for VME
OWN */

/* lint_map1 - PCI interrupt map 1 register */

#define LINT_MAP1_ACFAIL_0 0x00000000 /* R/W PCI int LINT#0 for ACFAIL
*/

#define LINT_MAP1_ACFAIL_1 0x10000000 /* R/W PCI int LINT#1 for ACFAIL
*/

#define LINT_MAP1_ACFAIL_2 0x20000000 /* R/W PCI int LINT#2 for ACFAIL
*/

#define LINT_MAP1_ACFAIL_3 0x30000000 /* R/W PCI int LINT#3 for ACFAIL
*/

#define LINT_MAP1_ACFAIL_4 0x40000000 /* R/W PCI int LINT#4 for ACFAIL
*/

#define LINT_MAP1_ACFAIL_5 0x50000000 /* R/W PCI int LINT#5 for ACFAIL
*/

#define LINT_MAP1_ACFAIL_6 0x60000000 /* R/W PCI int LINT#6 for ACFAIL
*/

#define LINT_MAP1_ACFAIL_7 0x70000000 /* R/W PCI int LINT#7 for ACFAIL
*/
```



```
#define LINT_MAP1_SYSFAIL_0 0x00000000 /* R/W PCI int LINT#0 for SYSFAIL
*/
#define LINT_MAP1_SYSFAIL_1 0x01000000 /* R/W PCI int LINT#1 for SYSFAIL
*/
#define LINT_MAP1_SYSFAIL_2 0x02000000 /* R/W PCI int LINT#2 for SYSFAIL
*/
#define LINT_MAP1_SYSFAIL_3 0x03000000 /* R/W PCI int LINT#3 for SYSFAIL
*/
#define LINT_MAP1_SYSFAIL_4 0x04000000 /* R/W PCI int LINT#4 for SYSFAIL
*/
#define LINT_MAP1_SYSFAIL_5 0x05000000 /* R/W PCI int LINT#5 for SYSFAIL
*/
#define LINT_MAP1_SYSFAIL_6 0x06000000 /* R/W PCI int LINT#6 for SYSFAIL
*/
#define LINT_MAP1_SYSFAIL_7 0x07000000 /* R/W PCI int LINT#7 for SYSFAIL
*/
#define LINT_MAP1_SW_INT_0 0x00000000 /* R/W PCI int LINT#0 for SW_INT
*/
#define LINT_MAP1_SW_INT_1 0x00100000 /* R/W PCI int LINT#1 for SW_INT
*/
#define LINT_MAP1_SW_INT_2 0x00200000 /* R/W PCI int LINT#2 for SW_INT
*/
#define LINT_MAP1_SW_INT_3 0x00300000 /* R/W PCI int LINT#3 for SW_INT
*/
#define LINT_MAP1_SW_INT_4 0x00400000 /* R/W PCI int LINT#4 for SW_INT
*/
#define LINT_MAP1_SW_INT_5 0x00500000 /* R/W PCI int LINT#5 for SW_INT
*/
#define LINT_MAP1_SW_INT_6 0x00600000 /* R/W PCI int LINT#6 for SW_INT
*/
#define LINT_MAP1_SW_INT_7 0x00700000 /* R/W PCI int LINT#7 for SW_INT
*/
#define LINT_MAP1_SW_IACK_0 0x00000000 /* R/W PCI int LINT#0 for
SW_IACK */
#define LINT_MAP1_SW_IACK_1 0x00010000 /* R/W PCI int LINT#1 for
SW_IACK */
#define LINT_MAP1_SW_IACK_2 0x00020000 /* R/W PCI int LINT#2 for
SW_IACK */
```

```
#define LINT_MAP1_SW_IACK_3 0x00030000 /* R/W PCI int LINT#3 for SW_IACK */
#define LINT_MAP1_SW_IACK_4 0x00040000 /* R/W PCI int LINT#4 for SW_IACK */
#define LINT_MAP1_SW_IACK_5 0x00050000 /* R/W PCI int LINT#5 for SW_IACK */
#define LINT_MAP1_SW_IACK_6 0x00060000 /* R/W PCI int LINT#6 for SW_IACK */
#define LINT_MAP1_SW_IACK_7 0x00070000 /* R/W PCI int LINT#7 for SW_IACK */
#define LINT_MAP1_VERR_0 0x00000000 /* R/W PCI int LINT#0 for VERR */
#define LINT_MAP1_VERR_1 0x00000100 /* R/W PCI int LINT#1 for VERR */
#define LINT_MAP1_VERR_2 0x00000200 /* R/W PCI int LINT#2 for VERR */
#define LINT_MAP1_VERR_3 0x00000300 /* R/W PCI int LINT#3 for VERR */
#define LINT_MAP1_VERR_4 0x00000400 /* R/W PCI int LINT#4 for VERR */
#define LINT_MAP1_VERR_5 0x00000500 /* R/W PCI int LINT#5 for VERR */
#define LINT_MAP1_VERR_6 0x00000600 /* R/W PCI int LINT#6 for VERR */
#define LINT_MAP1_VERR_7 0x00000700 /* R/W PCI int LINT#7 for VERR */
#define LINT_MAP1_LERR_0 0x00000000 /* R/W PCI int LINT#0 for LERR */
#define LINT_MAP1_LERR_1 0x00000010 /* R/W PCI int LINT#1 for LERR */
#define LINT_MAP1_LERR_2 0x00000020 /* R/W PCI int LINT#2 for LERR */
#define LINT_MAP1_LERR_3 0x00000030 /* R/W PCI int LINT#3 for LERR */
#define LINT_MAP1_LERR_4 0x00000040 /* R/W PCI int LINT#4 for LERR */
#define LINT_MAP1_LERR_5 0x00000050 /* R/W PCI int LINT#5 for LERR */
#define LINT_MAP1_LERR_6 0x00000060 /* R/W PCI int LINT#6 for LERR */
#define LINT_MAP1_LERR_7 0x00000070 /* R/W PCI int LINT#7 for LERR */
#define LINT_MAP1_DMA_0 0x00000000 /* R/W PCI int LINT#0 for DMA */
#define LINT_MAP1_DMA_1 0x00000001 /* R/W PCI int LINT#1 for DMA */
#define LINT_MAP1_DMA_2 0x00000002 /* R/W PCI int LINT#2 for DMA */
#define LINT_MAP1_DMA_3 0x00000003 /* R/W PCI int LINT#3 for DMA */
#define LINT_MAP1_DMA_4 0x00000004 /* R/W PCI int LINT#4 for DMA */
#define LINT_MAP1_DMA_5 0x00000005 /* R/W PCI int LINT#5 for DMA */
#define LINT_MAP1_DMA_6 0x00000006 /* R/W PCI int LINT#6 for DMA */
#define LINT_MAP1_DMA_7 0x00000007 /* R/W PCI int LINT#7 for DMA */
```



```

/* vint_en - VMEbus interrupt enable register */
#define VINT_EN_SW7    0x80000000 /* R/W enable VMEbus int SW7    */
#define VINT_EN_SW6    0x40000000 /* R/W enable VMEbus int SW6    */
#define VINT_EN_SW5    0x20000000 /* R/W enable VMEbus int SW5    */
#define VINT_EN_SW4    0x10000000 /* R/W enable VMEbus int SW4    */
#define VINT_EN_SW3    0x08000000 /* R/W enable VMEbus int SW3    */
#define VINT_EN_SW2    0x04000000 /* R/W enable VMEbus int SW2    */
#define VINT_EN_SW1    0x02000000 /* R/W enable VMEbus int SW1    */
#define VINT_EN_MBOX3  0x00080000 /* R/W enable VMEbus int MAILBOX 3 */
/*
#define VINT_EN_MBOX2  0x00040000 /* R/W enable VMEbus int MAILBOX 2 */
/*
#define VINT_EN_MBOX1  0x00020000 /* R/W enable VMEbus int MAILBOX 1 */
/*
#define VINT_EN_MBOX0  0x00010000 /* R/W enable VMEbus int MAILBOX 0 */
/*
#define VINT_EN_SW_IACK 0x00001000 /* R/W enable VMEbus int SW_IACK */
/*
#define VINT_EN_VERR    0x00000400 /* R/W enable PCIbus int VERR    */
#define VINT_EN_LERR    0x00000200 /* R/W enable PCIbus int LERR    */
#define VINT_EN_DMA     0x00000100 /* R/W enable PCIbus int DMA     */
#define VINT_EN_LINT7   0x00000080 /* R/W enable PCIbus int LINT7   */
#define VINT_EN_LINT6   0x00000040 /* R/W enable PCIbus int LINT6   */
#define VINT_EN_LINT5   0x00000020 /* R/W enable PCIbus int LINT5   */
#define VINT_EN_LINT4   0x00000010 /* R/W enable PCIbus int LINT4   */
#define VINT_EN_LINT3   0x00000008 /* R/W enable PCIbus int LINT3   */
#define VINT_EN_LINT2   0x00000004 /* R/W enable PCIbus int LINT2   */
#define VINT_EN_LINT1   0x00000002 /* R/W enable PCIbus int LINT1   */
#define VINT_EN_LINT0   0x00000001 /* R/W enable PCIbus int LINT0   */
/* vint_stat - VMEbus interrupt status register */
#define VINT_STAT_SW7   0x80000000 /* R/W VMEbus int SW7           */
#define VINT_STAT_SW6   0x40000000 /* R/W VMEbus int SW6           */
#define VINT_STAT_SW5   0x20000000 /* R/W VMEbus int SW5           */
#define VINT_STAT_SW4   0x10000000 /* R/W VMEbus int SW4           */

```

```
#define VINT_STAT_SW3 0x08000000 /* R/W VMEbus int SW3 */
#define VINT_STAT_SW2 0x04000000 /* R/W VMEbus int SW2 */
#define VINT_STAT_SW1 0x02000000 /* R/W VMEbus int SW1 */
#define VINT_STAT_MBOX3 0x00080000 /* R/W VMEbus int MAILBOX 3 */
#define VINT_STAT_MBOX2 0x00040000 /* R/W VMEbus int MAILBOX 2 */
#define VINT_STAT_MBOX1 0x00020000 /* R/W VMEbus int MAILBOX 1 */
#define VINT_STAT_MBOX0 0x00010000 /* R/W VMEbus int MAILBOX 0 */
#define VINT_STAT_SW_IACK 0x00001000 /* R/WC VMEbus int SW_IACK */
*/

#define VINT_STAT_VERR 0x00000400 /* R/WC VMEbus int VERR */
#define VINT_STAT_LERR 0x00000200 /* R/WC VMEbus int LERR */
#define VINT_STAT_DMA 0x00000100 /* R/WC VMEbus int DMA */
#define VINT_STAT_LINT7 0x00000080 /* R/WC VMEbus int LINT7 */
#define VINT_STAT_LINT6 0x00000040 /* R/WC VMEbus int LINT6 */
#define VINT_STAT_LINT5 0x00000020 /* R/WC VMEbus int LINT5 */
#define VINT_STAT_LINT4 0x00000010 /* R/WC VMEbus int LINT4 */
#define VINT_STAT_LINT3 0x00000008 /* R/WC VMEbus int LINT3 */
#define VINT_STAT_LINT2 0x00000004 /* R/WC VMEbus int LINT2 */
#define VINT_STAT_LINT1 0x00000002 /* R/WC VMEbus int LINT1 */
#define VINT_STAT_LINT0 0x00000001 /* R/WC VMEbus int LINT0 */
/* vint_map0 - VME interrupt map 0 register */
#define VINT_MAP0_LINT7_D 0x00000000 /* R/W VME int disable for LINT7 */
*/

#define VINT_MAP0_LINT7_1 0x10000000 /* R/W VME int 1 for LINT7 */
#define VINT_MAP0_LINT7_2 0x20000000 /* R/W VME int 2 for LINT7 */
#define VINT_MAP0_LINT7_3 0x30000000 /* R/W VME int 3 for LINT7 */
#define VINT_MAP0_LINT7_4 0x40000000 /* R/W VME int 4 for LINT7 */
#define VINT_MAP0_LINT7_5 0x50000000 /* R/W VME int 5 for LINT7 */
#define VINT_MAP0_LINT7_6 0x60000000 /* R/W VME int 6 for LINT7 */
#define VINT_MAP0_LINT7_7 0x70000000 /* R/W VME int 7 for LINT7 */
#define VINT_MAP0_LINT6_D 0x00000000 /* R/W VME int disable for LINT6 */
*/

#define VINT_MAP0_LINT6_1 0x01000000 /* R/W VME int 1 for LINT6 */
*/
```





```
#define VINT_MAP0_LINT6_2 0x02000000 /* R/W VME int 2 for LINT6 */
#define VINT_MAP0_LINT6_3 0x03000000 /* R/W VME int 3 for LINT6 */
#define VINT_MAP0_LINT6_4 0x04000000 /* R/W VME int 4 for LINT6 */
#define VINT_MAP0_LINT6_5 0x05000000 /* R/W VME int 5 for LINT6 */
#define VINT_MAP0_LINT6_6 0x06000000 /* R/W VME int 6 for LINT6 */
#define VINT_MAP0_LINT6_7 0x07000000 /* R/W VME int 7 for LINT6 */
#define VINT_MAP0_LINT5_D 0x00000000 /* R/W VME int disable for LINT5
*/
#define VINT_MAP0_LINT5_1 0x00100000 /* R/W VME int 1 for LINT5 */
#define VINT_MAP0_LINT5_2 0x00200000 /* R/W VME int 2 for LINT5 */
#define VINT_MAP0_LINT5_3 0x00300000 /* R/W VME int 3 for LINT5 */
#define VINT_MAP0_LINT5_4 0x00400000 /* R/W VME int 4 for LINT5 */
#define VINT_MAP0_LINT5_5 0x00500000 /* R/W VME int 5 for LINT5 */
#define VINT_MAP0_LINT5_6 0x00600000 /* R/W VME int 6 for LINT5 */
#define VINT_MAP0_LINT5_7 0x00700000 /* R/W VME int 7 for LINT5 */
#define VINT_MAP0_LINT4_D 0x00000000 /* R/W VME int disable for LINT4
*/
#define VINT_MAP0_LINT4_1 0x00010000 /* R/W VME int 1 for LINT4 */
#define VINT_MAP0_LINT4_2 0x00020000 /* R/W VME int 2 for LINT4 */
#define VINT_MAP0_LINT4_3 0x00030000 /* R/W VME int 3 for LINT4 */
#define VINT_MAP0_LINT4_4 0x00040000 /* R/W VME int 4 for LINT4 */
#define VINT_MAP0_LINT4_5 0x00050000 /* R/W VME int 5 for LINT4 */
#define VINT_MAP0_LINT4_6 0x00060000 /* R/W VME int 6 for LINT4 */
#define VINT_MAP0_LINT4_7 0x00070000 /* R/W VME int 7 for LINT4 */
#define VINT_MAP0_LINT3_D 0x00000000 /* R/W VME int disable for LINT3
*/
#define VINT_MAP0_LINT3_1 0x00001000 /* R/W VME int 1 for LINT3 */
#define VINT_MAP0_LINT3_2 0x00002000 /* R/W VME int 2 for LINT3 */
#define VINT_MAP0_LINT3_3 0x00003000 /* R/W VME int 3 for LINT3 */
#define VINT_MAP0_LINT3_4 0x00004000 /* R/W VME int 4 for LINT3 */
#define VINT_MAP0_LINT3_5 0x00005000 /* R/W VME int 5 for LINT3 */
#define VINT_MAP0_LINT3_6 0x00006000 /* R/W VME int 6 for LINT3 */
#define VINT_MAP0_LINT3_7 0x00007000 /* R/W VME int 7 for LINT3 */
```

```
#define VINT_MAP0_LINT2_D 0x00000000 /* R/W VME int disable for LINT2
*/
#define VINT_MAP0_LINT2_1 0x00000100 /* R/W VME int 1 for LINT2 */
#define VINT_MAP0_LINT2_2 0x00000200 /* R/W VME int 2 for LINT2 */
#define VINT_MAP0_LINT2_3 0x00000300 /* R/W VME int 3 for LINT2 */
#define VINT_MAP0_LINT2_4 0x00000400 /* R/W VME int 4 for LINT2 */
#define VINT_MAP0_LINT2_5 0x00000500 /* R/W VME int 5 for LINT2 */
#define VINT_MAP0_LINT2_6 0x00000600 /* R/W VME int 6 for LINT2 */
#define VINT_MAP0_LINT2_7 0x00000700 /* R/W VME int 7 for LINT2 */
#define VINT_MAP0_LINT1_D 0x00000000 /* R/W VME int disable for LINT1
*/
#define VINT_MAP0_LINT1_1 0x00000010 /* R/W VME int 1 for LINT1 */
#define VINT_MAP0_LINT1_2 0x00000020 /* R/W VME int 2 for LINT1 */
#define VINT_MAP0_LINT1_3 0x00000030 /* R/W VME int 3 for LINT1 */
#define VINT_MAP0_LINT1_4 0x00000040 /* R/W VME int 4 for LINT1 */
#define VINT_MAP0_LINT1_5 0x00000050 /* R/W VME int 5 for LINT1 */
#define VINT_MAP0_LINT1_6 0x00000060 /* R/W VME int 6 for LINT1 */
#define VINT_MAP0_LINT1_7 0x00000070 /* R/W VME int 7 for LINT1 */
#define VINT_MAP0_LINT0_D 0x00000000 /* R/W VME int disable for LINT0
*/
#define VINT_MAP0_LINT0_1 0x00000001 /* R/W VME int 1 for LINT0 */
#define VINT_MAP0_LINT0_2 0x00000002 /* R/W VME int 2 for LINT0 */
#define VINT_MAP0_LINT0_3 0x00000003 /* R/W VME int 3 for LINT0 */
#define VINT_MAP0_LINT0_4 0x00000004 /* R/W VME int 4 for LINT0 */
#define VINT_MAP0_LINT0_5 0x00000005 /* R/W VME int 5 for LINT0 */
#define VINT_MAP0_LINT0_6 0x00000006 /* R/W VME int 6 for LINT0 */
#define VINT_MAP0_LINT0_7 0x00000007 /* R/W VME int 7 for LINT0 */
/* vint_map1 - VME interrupt map 1 register */
#define VINT_MAP1_SW_IACK_D 0x00000000 /* R/W VME int disable for
SW_IACK */
#define VINT_MAP1_SW_IACK_1 0x00010000 /* R/W VME int 1 for SW_IACK
*/
#define VINT_MAP1_SW_IACK_2 0x00020000 /* R/W VME int 2 for SW_IACK
*/
```



```

#define VINT_MAP1_SW_IACK_3 0x00030000 /* R/W VME int 3 for SW_IACK
*/
#define VINT_MAP1_SW_IACK_4 0x00040000 /* R/W VME int 4 for SW_IACK
*/
#define VINT_MAP1_SW_IACK_5 0x00050000 /* R/W VME int 5 for SW_IACK
*/
#define VINT_MAP1_SW_IACK_6 0x00060000 /* R/W VME int 6 for SW_IACK
*/
#define VINT_MAP1_SW_IACK_7 0x00070000 /* R/W VME int 7 for SW_IACK
*/
#define VINT_MAP1_VERR_D 0x00000000 /* R/W VME int disable for VERR
*/
#define VINT_MAP1_VERR_1 0x00000100 /* R/W VME int 1 for VERR */
#define VINT_MAP1_VERR_2 0x00000200 /* R/W VME int 2 for VERR */
#define VINT_MAP1_VERR_3 0x00000300 /* R/W VME int 3 for VERR */
#define VINT_MAP1_VERR_4 0x00000400 /* R/W VME int 4 for VERR */
#define VINT_MAP1_VERR_5 0x00000500 /* R/W VME int 5 for VERR */
#define VINT_MAP1_VERR_6 0x00000600 /* R/W VME int 6 for VERR */
#define VINT_MAP1_VERR_7 0x00000700 /* R/W VME int 7 for VERR */
#define VINT_MAP1_LERR_D 0x00000000 /* R/W VME int disable for LERR */
#define VINT_MAP1_LERR_1 0x00000010 /* R/W VME int 1 for LERR */
#define VINT_MAP1_LERR_2 0x00000020 /* R/W VME int 2 for LERR */
#define VINT_MAP1_LERR_3 0x00000030 /* R/W VME int 3 for LERR */
#define VINT_MAP1_LERR_4 0x00000040 /* R/W VME int 4 for LERR */
#define VINT_MAP1_LERR_5 0x00000050 /* R/W VME int 5 for LERR */
#define VINT_MAP1_LERR_6 0x00000060 /* R/W VME int 6 for LERR */
#define VINT_MAP1_LERR_7 0x00000070 /* R/W VME int 7 for LERR */
#define VINT_MAP1_DMA_D 0x00000000 /* R/W VME int disable for LERR
*/
#define VINT_MAP1_DMA_1 0x00000001 /* R/W VME int 1 for DMA */
#define VINT_MAP1_DMA_2 0x00000002 /* R/W VME int 2 for DMA */
#define VINT_MAP1_DMA_3 0x00000003 /* R/W VME int 3 for DMA */
#define VINT_MAP1_DMA_4 0x00000004 /* R/W VME int 4 for DMA */
#define VINT_MAP1_DMA_5 0x00000005 /* R/W VME int 5 for DMA */

```

```
#define VINT_MAP1_DMA_6 0x00000006 /* R/W VME int 6 for DMA */
#define VINT_MAP1_DMA_7 0x00000007 /* R/W VME int 7 for DMA */
/* statid - interrupt STATUS/ID OUT 0x00XXXXXX */
#define STATID 0xFF000000 /* R/W interrupt status/ID out MASK */
/* v1_statid - R VIRQ1 STATUS/ID register 0xXXXXXX00 */
/* v2_statid - R VIRQ2 STATUS/ID register 0xXXXXXX00 */
/* v3_statid - R VIRQ3 STATUS/ID register 0xXXXXXX00 */
/* v4_statid - R VIRQ4 STATUS/ID register 0xXXXXXX00 */
/* v5_statid - R VIRQ5 STATUS/ID register 0xXXXXXX00 */
/* v6_statid - R VIRQ6 STATUS/ID register 0xXXXXXX00 */
/* v7_statid - R VIRQ7 STATUS/ID register 0xXXXXXX00 */
#define VX_STATID_ERR 0x00000100 /* R VME BERR* occurred during IACK */
#define VX_STATID_ID 0x000000FF /* R VME status/ID MASK */
/* lint_map2 - local interrupt Map 2 register */
#define LINT_MAP2_LM3_0 0x00000000 /* R/W PCI int LINT#0 for LOC MON3 */
#define LINT_MAP2_LM3_1 0x10000000 /* R/W PCI int LINT#1 for LOC MON3 */
#define LINT_MAP2_LM3_2 0x20000000 /* R/W PCI int LINT#2 for LOC MON3 */
#define LINT_MAP2_LM3_3 0x30000000 /* R/W PCI int LINT#3 for LOC MON3 */
#define LINT_MAP2_LM3_4 0x40000000 /* R/W PCI int LINT#4 for LOC MON3 */
#define LINT_MAP2_LM3_5 0x50000000 /* R/W PCI int LINT#5 for LOC MON3 */
#define LINT_MAP2_LM3_6 0x60000000 /* R/W PCI int LINT#6 for LOC MON3 */
#define LINT_MAP2_LM3_7 0x70000000 /* R/W PCI int LINT#7 for LOC MON3 */
#define LINT_MAP2_LM2_0 0x00000000 /* R/W PCI int LINT#0 for LOC MON2 */
#define LINT_MAP2_LM2_1 0x01000000 /* R/W PCI int LINT#1 for LOC MON2 */
#define LINT_MAP2_LM2_2 0x02000000 /* R/W PCI int LINT#2 for LOC MON2 */
```



```
#define LINT_MAP2_LM2_3 0x03000000 /* R/W PCI int LINT#3 for LOC MON2
*/
#define LINT_MAP2_LM2_4 0x04000000 /* R/W PCI int LINT#4 for LOC MON2
*/
#define LINT_MAP2_LM2_5 0x05000000 /* R/W PCI int LINT#5 for LOC MON2
*/
#define LINT_MAP2_LM2_6 0x06000000 /* R/W PCI int LINT#6 for LOC MON2
*/
#define LINT_MAP2_LM2_7 0x07000000 /* R/W PCI int LINT#7 for LOC MON2
*/
#define LINT_MAP2_LM1_0 0x00000000 /* R/W PCI int LINT#0 for LOC MON1
*/
#define LINT_MAP2_LM1_1 0x00100000 /* R/W PCI int LINT#1 for LOC MON1
*/
#define LINT_MAP2_LM1_2 0x00200000 /* R/W PCI int LINT#2 for LOC MON1
*/
#define LINT_MAP2_LM1_3 0x00300000 /* R/W PCI int LINT#3 for LOC MON1
*/
#define LINT_MAP2_LM1_4 0x00400000 /* R/W PCI int LINT#4 for LOC MON1
*/
#define LINT_MAP2_LM1_5 0x00500000 /* R/W PCI int LINT#5 for LOC MON1
*/
#define LINT_MAP2_LM1_6 0x00600000 /* R/W PCI int LINT#6 for LOC MON1
*/
#define LINT_MAP2_LM1_7 0x00700000 /* R/W PCI int LINT#7 for LOC MON1
*/
#define LINT_MAP2_LM0_0 0x00000000 /* R/W PCI int LINT#0 for
LOC_MON0 */
#define LINT_MAP2_LM0_1 0x00010000 /* R/W PCI int LINT#1 for
LOC_MON0 */
#define LINT_MAP2_LM0_2 0x00020000 /* R/W PCI int LINT#2 for
LOC_MON0 */
#define LINT_MAP2_LM0_3 0x00030000 /* R/W PCI int LINT#3 for
LOC_MON0 */
#define LINT_MAP2_LM0_4 0x00040000 /* R/W PCI int LINT#4 for
LOC_MON0 */
#define LINT_MAP2_LM0_5 0x00050000 /* R/W PCI int LINT#5 for
LOC_MON0 */
```



```
#define LINT_MAP2_LM0_6 0x00060000 /* R/W PCI int LINT#6 for
LOC_MON0 */

#define LINT_MAP2_LM0_7 0x00070000 /* R/W PCI int LINT#7 for
LOC_MON0 */

#define LINT_MAP2_MB3_0 0x00000000 /* R/W PCI int LINT#0 for MAILBOX3
*/

#define LINT_MAP2_MB3_1 0x00001000 /* R/W PCI int LINT#1 for MAILBOX3
*/

#define LINT_MAP2_MB3_2 0x00002000 /* R/W PCI int LINT#2 for MAILBOX3
*/

#define LINT_MAP2_MB3_3 0x00003000 /* R/W PCI int LINT#3 for MAILBOX3
*/

#define LINT_MAP2_MB3_4 0x00004000 /* R/W PCI int LINT#4 for MAILBOX3
*/

#define LINT_MAP2_MB3_5 0x00005000 /* R/W PCI int LINT#5 for MAILBOX3
*/

#define LINT_MAP2_MB3_6 0x00006000 /* R/W PCI int LINT#6 for MAILBOX3
*/

#define LINT_MAP2_MB3_7 0x00007000 /* R/W PCI int LINT#7 for MAILBOX3
*/

#define LINT_MAP2_MB2_0 0x00000000 /* R/W PCI int LINT#0 for MAILBOX2
*/

#define LINT_MAP2_MB2_1 0x00000100 /* R/W PCI int LINT#1 for MAILBOX2
*/

#define LINT_MAP2_MB2_2 0x00000200 /* R/W PCI int LINT#2 for MAILBOX2
*/

#define LINT_MAP2_MB2_3 0x00000300 /* R/W PCI int LINT#3 for MAILBOX2
*/

#define LINT_MAP2_MB2_4 0x00000400 /* R/W PCI int LINT#4 for MAILBOX2
*/

#define LINT_MAP2_MB2_5 0x00000500 /* R/W PCI int LINT#5 for MAILBOX2
*/

#define LINT_MAP2_MB2_6 0x00000600 /* R/W PCI int LINT#6 for MAILBOX2
*/

#define LINT_MAP2_MB2_7 0x00000700 /* R/W PCI int LINT#7 for MAILBOX2
*/

#define LINT_MAP2_MB1_0 0x00000000 /* R/W PCI int LINT#0 for MAILBOX1
*/
```



```
#define LINT_MAP2_MB1_1 0x00000010 /* R/W PCI int LINT#1 for MAILBOX1
*/
#define LINT_MAP2_MB1_2 0x00000020 /* R/W PCI int LINT#2 for MAILBOX1
*/
#define LINT_MAP2_MB1_3 0x00000030 /* R/W PCI int LINT#3 for MAILBOX1
*/
#define LINT_MAP2_MB1_4 0x00000040 /* R/W PCI int LINT#4 for MAILBOX1
*/
#define LINT_MAP2_MB1_5 0x00000050 /* R/W PCI int LINT#5 for MAILBOX1
*/
#define LINT_MAP2_MB1_6 0x00000060 /* R/W PCI int LINT#6 for MAILBOX1
*/
#define LINT_MAP2_MB1_7 0x00000070 /* R/W PCI int LINT#7 for MAILBOX1
*/
#define LINT_MAP2_MB0_0 0x00000000 /* R/W PCI int LINT#0 for MAILBOX0
*/
#define LINT_MAP2_MB0_1 0x00000001 /* R/W PCI int LINT#1 for MAILBOX0
*/
#define LINT_MAP2_MB0_2 0x00000002 /* R/W PCI int LINT#2 for MAILBOX0
*/
#define LINT_MAP2_MB0_3 0x00000003 /* R/W PCI int LINT#3 for MAILBOX0
*/
#define LINT_MAP2_MB0_4 0x00000004 /* R/W PCI int LINT#4 for MAILBOX0
*/
#define LINT_MAP2_MB0_5 0x00000005 /* R/W PCI int LINT#5 for MAILBOX0
*/
#define LINT_MAP2_MB0_6 0x00000006 /* R/W PCI int LINT#6 for MAILBOX0
*/
#define LINT_MAP2_MB0_7 0x00000007 /* R/W PCI int LINT#7 for MAILBOX0
*/

/* vint_map2 - vme interrupt Map 2 register */
#define VINT_MAP2_MB3_1 0x00001000 /* R/W VME int VIRQ#1 for
MAILBOX3 */
#define VINT_MAP2_MB3_2 0x00002000 /* R/W VME int VIRQ#2 for
MAILBOX3 */
#define VINT_MAP2_MB3_3 0x00003000 /* R/W VME int VIRQ#3 for
MAILBOX3 */
```

```
#define VINT_MAP2_MB3_4 0x00004000 /* R/W VME int VIRQ#4 for
MAILBOX3 */
#define VINT_MAP2_MB3_5 0x00005000 /* R/W VME int VIRQ#5 for
MAILBOX3 */
#define VINT_MAP2_MB3_6 0x00006000 /* R/W VME int VIRQ#6 for
MAILBOX3 */
#define VINT_MAP2_MB3_7 0x00007000 /* R/W VME int VIRQ#7 for
MAILBOX3 */
#define VINT_MAP2_MB2_1 0x00000100 /* R/W VME int VIRQ#1 for
MAILBOX2 */
#define VINT_MAP2_MB2_2 0x00000200 /* R/W VME int VIRQ#2 for
MAILBOX2 */
#define VINT_MAP2_MB2_3 0x00000300 /* R/W VME int VIRQ#3 for
MAILBOX2 */
#define VINT_MAP2_MB2_4 0x00000400 /* R/W VME int VIRQ#4 for
MAILBOX2 */
#define VINT_MAP2_MB2_5 0x00000500 /* R/W VME int VIRQ#5 for
MAILBOX2 */
#define VINT_MAP2_MB2_6 0x00000600 /* R/W VME int VIRQ#6 for
MAILBOX2 */
#define VINT_MAP2_MB2_7 0x00000700 /* R/W VME int VIRQ#7 for
MAILBOX2 */
#define VINT_MAP2_MB1_1 0x00000010 /* R/W VME int VIRQ#1 for
MAILBOX1 */
#define VINT_MAP2_MB1_2 0x00000020 /* R/W VME int VIRQ#2 for
MAILBOX1 */
#define VINT_MAP2_MB1_3 0x00000030 /* R/W VME int VIRQ#3 for
MAILBOX1 */
#define VINT_MAP2_MB1_4 0x00000040 /* R/W VME int VIRQ#4 for
MAILBOX1 */
#define VINT_MAP2_MB1_5 0x00000050 /* R/W VME int VIRQ#5 for
MAILBOX1 */
#define VINT_MAP2_MB1_6 0x00000060 /* R/W VME int VIRQ#6 for
MAILBOX1 */
#define VINT_MAP2_MB1_7 0x00000070 /* R/W VME int VIRQ#7 for
MAILBOX1 */
#define VINT_MAP2_MB0_1 0x00000001 /* R/W VME int VIRQ#1 for
MAILBOX0 */
```





```

#define VINT_MAP2_MB0_2 0x00000002 /* R/W VME int VIRQ#2 for
MAILBOX0 */

#define VINT_MAP2_MB0_3 0x00000003 /* R/W VME int VIRQ#3 for
MAILBOX0 */

#define VINT_MAP2_MB0_4 0x00000004 /* R/W VME int VIRQ#4 for
MAILBOX0 */

#define VINT_MAP2_MB0_5 0x00000005 /* R/W VME int VIRQ#5 for
MAILBOX0 */

#define VINT_MAP2_MB0_6 0x00000006 /* R/W VME int VIRQ#6 for
MAILBOX0 */

#define VINT_MAP2_MB0_7 0x00000007 /* R/W VME int VIRQ#7 for
MAILBOX0 */

/* sema0 - semaphore 0 register */

#define SEMA0_SEM3 0x80000000 /* R/W semaphore 3 */
#define SEMA0_SEM2 0x00800000 /* R/W semaphore 2 */
#define SEMA0_SEM1 0x00008000 /* R/W semaphore 1 */
#define SEMA0_SEM0 0x00000080 /* R/W semaphore 0 */

/* sema1 - semaphore 1 register */

#define SEMA1_SEM7 0x80000000 /* R/W semaphore 7 */
#define SEMA1_SEM6 0x00800000 /* R/W semaphore 6 */
#define SEMA1_SEM5 0x00008000 /* R/W semaphore 5 */
#define SEMA1_SEM4 0x00000080 /* R/W semaphore 4 */

/* mast_ctl - master control register */

#define MAST_CTL_MRTRY_M 0xF0000000 /* Max PCI retries */
#define MAST_CTL_PWON_0 0x00000000 /* R/W posted write xfer count 128 */
#define MAST_CTL_PWON_1 0x01000000 /* R/W posted write xfer count 256 */
#define MAST_CTL_PWON_2 0x02000000 /* R/W posted write xfer count 512 */
#define MAST_CTL_PWON_3 0x03000000 /* R/W posted write xfer count 1024
*/
#define MAST_CTL_PWON_4 0x04000000 /* R/W posted write xfer count 2048
*/
#define MAST_CTL_PWON_5 0x05000000 /* R/W posted write xfer count 4096
*/
#define MAST_CTL_PWBBSY 0x0F000000 /* R/W posted write xfer count BUSY
*/

```

```
#define MAST_CTL_VRL_0 0x00000000 /* R/W VMEbus request level 0 */
#define MAST_CTL_VRL_1 0x00400000 /* R/W VMEbus request level 1 */
#define MAST_CTL_VRL_2 0x00800000 /* R/W VMEbus request level 2 */
#define MAST_CTL_VRL_3 0x00C00000 /* R/W VMEbus request level 3 */
#define MAST_CTL_VRM_D 0x00000000 /* R/W VMEbus request mode
demand */
#define MAST_CTL_VRM_F 0x00200000 /* R/W VMEbus request mode fair */
#define MAST_CTL_VREL_R 0x00100000 /* R/W VMEbus request mode ROR
*/
#define MAST_CTL_VREL_D 0x00000000 /* R/W VMEbus request mode RWD
*/
#define MAST_CTL_VOWN_R 0x00000000 /* W VMEbus ownership release
*/
#define MAST_CTL_VOWN_H 0x00080000 /* W VMEbus ownership hold */
#define MAST_CTL_VOWN_ACK 0x00040000 /* R VMEbus ownership due to
hold */
#define MAST_CTL_PABS_32 0x00000000 /* R/W PCI aligned burst size 32 */
#define MAST_CTL_PABS_64 0x00001000 /* R/W PCI aligned burst size 64 */
#define MAST_CTL_PABS_128 0x00002000 /* R/W PCI aligned burst size 128 */
#define MAST_CTL_BUS_NO 0x000000FF /* R/W PCI bus number MASK */
/* misc_ctl - miscellaneous control register */
#define MISC_CTL_VBTO_0 0x00000000 /* R/W VME bus time out disable */
#define MISC_CTL_VBTO_1 0x10000000 /* R/W VME bus time out 16 us */
#define MISC_CTL_VBTO_2 0x20000000 /* R/W VME bus time out 32 us */
#define MISC_CTL_VBTO_3 0x30000000 /* R/W VME bus time out 64 us */
#define MISC_CTL_VBTO_4 0x40000000 /* R/W VME bus time out 128 us */
#define MISC_CTL_VBTO_5 0x50000000 /* R/W VME bus time out 256 us */
#define MISC_CTL_VBTO_6 0x60000000 /* R/W VME bus time out 512 us */
#define MISC_CTL_VBTO_7 0x70000000 /* R/W VME bus time out 1024 us */
#define MISC_CTL_VARB_R 0x00000000 /* R/W VME arbitration Round Robin
*/
#define MISC_CTL_VARB_P 0x04000000 /* R/W VME arbitration Priority */
#define MISC_CTL_VARBTO_1 0x00000000 /* R/W VME arb. time out disabled
*/
```



```

#define MISC_CTL_VARBTO_2 0x01000000 /* R/W VME arb. time out 16 us */
#define MISC_CTL_VARBTO_3 0x02000000 /* R/W VME arb. time out 256 us */
#define MISC_CTL_SW_LRST 0x00800000 /* W software PCI reset */
#define MISC_CTL_SW_SRST 0x00400000 /* W software VME sysrest */
#define MISC_CTL_BI 0x00100000 /* R/W universe in BI-Mode */
#define MISC_CTL_ENGBI 0x00080000 /* R/W enable global BI initiator */
#define MISC_CTL_RESCIND 0x00040000 /* R/W enable rescinding DTACK */
#define MISC_CTL_SYSCON 0x00020000 /* R/W universe is sys controller */
#define MISC_CTL_V64AUTO 0x00010000 /* R/W initiate VME64 auto ID slave */
/* misc_stat - miscellaneous status register */
#define MISC_STAT_ENDIAN 0x80000000 /* R always little endian mode */
#define MISC_STAT_LCLSIZE_32 0x00000000 /* R PCI bus size 32 bits */
#define MISC_STAT_LCLSIZE_64 0x40000000 /* R PCI bus size 64 bits */
#define MISC_STAT_DY4AUTO 0x08000000 /* R DY4 auto ID enable */
#define MISC_STAT_MYBBSY 0x00200000 /* R universe NOT busy */
#define MISC_STAT_DY4DONE 0x00080000 /* R DY4 auto ID done */
#define MISC_STAT_TXFE 0x00040000 /* R transmit FIFO empty */
#define MISC_STAT_RXFE 0x00020000 /* R receive FIFO empty */
/* user_am - user AM codes register */
#define USER_AM_1 0xFC000000 /* R/W user1 AM code MASK */
#define USER_AM_2 0x00FC0000 /* R/W user2 AM code MASK */
/* vsi[x]_ctl - VMEbus slave image 0 control register */
#define VSI_CTL_EN 0x80000000 /* R/W image enable */
#define VSI_CTL_PWEN 0x40000000 /* R/W posted write enable */
#define VSI_CTL_PREN 0x20000000 /* R/W prefetch read enable */
#define VSI_CTL_AM_D 0x00400000 /* R/W AM code - data */
#define VSI_CTL_AM_P 0x00800000 /* R/W AM code - program */
#define VSI_CTL_AM_DP 0x00C00000 /* R/W AM code - both data & program */
/*
#define VSI_CTL_AM_U 0x00100000 /* R/W AM code - non priv */
#define VSI_CTL_AM_S 0x00200000 /* R/W AM code - supervisory */
#define VSI_CTL_AM_SU 0x00300000 /* R/W AM code - both user & super */

```



```
#define VSI_CTL_VAS_16 0x00000000 /* R/W address space A16 */
#define VSI_CTL_VAS_24 0x00010000 /* R/W address space A24 */
#define VSI_CTL_VAS_32 0x00020000 /* R/W address space A32 */
#define VSI_CTL_VAS_R1 0x00030000 /* R/W address space reserved 1 */
#define VSI_CTL_VAS_R2 0x00040000 /* R/W address space reserved 2 */
#define VSI_CTL_VAS_R3 0x00050000 /* R/W address space reserved 3 */
#define VSI_CTL_VAS_U1 0x00060000 /* R/W address space user 1 */
#define VSI_CTL_VAS_U2 0x00070000 /* R/W address space user 2 */
#define VSI_CTL_LD64EN 0x00000080 /* R/W enable 64 bit PCIbus xfers */
#define VSI_CTL_LLRMW 0x00000040 /* R/W enable PCIbus lock of VME RMW */
/*
#define VSI_CTL_LAS_M 0x00000000 /* R/W PCIbus memory space */
#define VSI_CTL_LAS_I 0x00000001 /* R/W PCIbus I/O space */
#define VSI_CTL_LAS_C 0x00000002 /* R/W PCIbus configuration space */
/* vsi[x]_bs - VMEbus slave image 0 base address register */
#define VSI0_BS 0xFFFFF000 /* R/W VME slave image 0 base add MASK */
#define VSI1_BS 0xFFFF0000 /* R/W VME slave image 1 base add MASK */
#define VSI2_BS 0xFFFF0000 /* R/W VME slave image 2 base add MASK */
#define VSI3_BS 0xFFFF0000 /* R/W VME slave image 3 base add MASK */

/* vsi[x]_bd - VMEbus slave image 0 bound address register */
#define VSI0_BD 0xFFFFF000 /* R/W VME slave image 0 bound add MASK */
#define VSI1_BD 0xFFFF0000 /* R/W VME slave image 1 bound add MASK */
#define VSI2_BD 0xFFFF0000 /* R/W VME slave image 2 bound add MASK */
#define VSI3_BD 0xFFFF0000 /* R/W VME slave image 3 bound add MASK */
/* vsi[x]_to - VMEbus slave image 0 translation offset register */
#define VSI0_TO 0xFFFFF000 /* R/W VME slave image 0 offset MASK */
#define VSI1_TO 0xFFFF0000 /* R/W VME slave image 1 offset MASK */
#define VSI2_TO 0xFFFF0000 /* R/W VME slave image 2 offset MASK */
#define VSI3_TO 0xFFFF0000 /* R/W VME slave image 3 offset MASK */
/* lm_ctl - location monitor control */
#define LM_CTL_EN 0x80000000 /* R/W location monitor enable */
```



```

#define LM_CTL_AM_D 0x00400000 /* R/W location monitor AM = DATA */
#define LM_CTL_AM_P 0x00800000 /* R/W location monitor AM = PROGRAM */
#define LM_CTL_AM_DP 0x00C00000 /* R/W location monitor AM = BOTH */
#define LM_CTL_AM_U 0x00100000 /* R/W location monitor AM = USER */
#define LM_CTL_AM_S 0x00200000 /* R/W location monitor AM = SUPER */
#define LM_CTL_AM_SU 0x00300000 /* R/W location monitor AM = BOTH */
#define LM_CTL_AM_16 0x00000000 /* R/W location monitor AM = A16 */
#define LM_CTL_AM_24 0x00010000 /* R/W location monitor AM = A24 */
#define LM_CTL_AM_32 0x00020000 /* R/W location monitor AM = A32 */
/* vra_i_ctl - VMEbus register access image control register */
#define VRAI_CTL_EN 0x80000000 /* R/W image enable */
#define VRAI_CTL_AM_D 0x00400000 /* R/W AM code - data */
#define VRAI_CTL_AM_P 0x00800000 /* R/W AM code - program */
#define VRAI_CTL_AM_DP 0x00C00000 /* R/W AM code - both */
#define VRAI_CTL_AM_U 0x00100000 /* R/W AM code - non priv */
#define VRAI_CTL_AM_S 0x00200000 /* R/W AM code - supervisory */
#define VRAI_CTL_AM_US 0x00300000 /* R/W AM code - both */
#define VRAI_CTL_VAS_16 0x00000000 /* R/W address space A16 */
#define VRAI_CTL_VAS_24 0x00010000 /* R/W address space A24 */
#define VRAI_CTL_VAS_32 0x00020000 /* R/W address space A32 */
/* vra_i_bs - VMEbus register access image base address register */
#define VRAI_BS 0xFFFFF000 /* R/W VME reg access image base add MASK */
/* vcsr_ctl - VMEbus CSR control register */
#define VCSR_CTL_EN 0x80000000 /* R image enable */
#define VCSR_CTL_LAS_M 0x00000000 /* R/W PCIbus memory space */
#define VCSR_CTL_LAS_I 0x00000001 /* R/W PCIbus I/O space */
#define VCSR_CTL_LAS_C 0x00000002 /* R/W PCIbus configuration space */
/* vcsr_to - VMEbus CSR translation offset */
#define VCSR_TO 0xFFF80000 /* R/W VME CSR translation offset MASK */
/* v_amerr - VMEbus AM code error log */
#define V_AMERR_AMERR 0xFC000000 /* R AM codes for error log MASK */

```



```
#define V_AMERR_IACK 0x02000000 /* R VMEbus IACK */
#define V_AMERR_M_ERR 0x01000000 /* R multiple errors occurred */
#define V_AMERR_V_STAT 0x00800000 /* R/W VME error logs are valid */
/* vaerr - VMEbus address error log */
#define VAERR 0xFFFFFFFF /* R VMEbus address error log MASK */
/* vcsr_clr - VMEbus CSR bit clear register */
#define VCSR_CLR_RESET 0x80000000 /* R/W board reset */
#define VCSR_CLR_SYSFAIL 0x40000000 /* R/W VMEbus sysfail */
#define VCSR_CLR_FAIL 0x20000000 /* R board fail */
/* vcsr_set - VMEbus CSR bit set register */
#define VCSR_SET_RESET 0x80000000 /* R/W board reset */
#define VCSR_SET_SYSFAIL 0x40000000 /* R/W VMEbus sysfail */
#define VCSR_SET_FAIL 0x20000000 /* R board fail */
/* vcsr_bs - VMEbus CSR base address register */
#define VCSR_BS 0xF8000000 /* R/W VME CSR base add MASK */
```



---

## Directory SRAM

The file in this directory can be used to test the integrity of the battery backed SRAM.

### \*\* FILE: TS.C

```
/* ***** */
/* FILE: TS.C */
/* */
/* Test battery backed SRAM with patterns and data=address. */
/* */
/* */
/* ***** */
#include <stdlib.h>
#include <stdio.h>
#include <dos.h>
unsigned char far * b_ptr;
unsigned int far * w_ptr;
unsigned long far * l_ptr;
unsigned int far * buf_ptr;
static unsigned long pat[4] = {
    0x55555555,
    0xCCCCCCCC,
    0x66666666,
    0xFFFFFFFF
};
void main( void ) {
    unsigned long i, x;
    unsigned char bdat;
    unsigned char brd;
    unsigned int wdat;
    unsigned int wrd;
    unsigned long ldat;
```

```
unsigned long lrd;
printf("\nTesting 32K SRAM DATA/~DATA B/W/L/ADDR .....");
buf_ptr = (unsigned int far *) MK_FP( 0xD800, 0x18 );
/* fill and test buf with DATA/~DATA BYTES 4 patterns */
for( x = 0; x < 4; x++ ) {
    b_ptr = (unsigned char far *) buf_ptr;
    bdat = (unsigned char) pat[x];
    for( i = 0x18; i < 0x8000; i++ ) {
        *b_ptr++ = bdat;
        bdat = ~bdat;
    }
    b_ptr = (unsigned char far *) buf_ptr;
    bdat = (unsigned char) pat[x];
    for( i = 0x18; i < 0x8000; i++ ) {
        brd = *b_ptr++;
        if( bdat != brd ) {
            printf("FAILED\nBYTE DATA @ ADDR: %Fp WR: %.2X RD: %.2X\n",
                --b_ptr, bdat, brd );
            exit( 1 );
        }
        bdat = (~bdat) & 0xFF;
    }
}
/* fill and test buf with DATA/~DATA WORDS 4 patterns */
for( x = 0; x < 4; x++ ) {
    w_ptr = (unsigned int far *) buf_ptr;
    wdat = (unsigned int) pat[x];
    for( i = 0x18; i < 0x8000; i+=2 ) {
        *w_ptr++ = wdat;
        wdat = ~wdat;
    }
    w_ptr = (unsigned int far *) buf_ptr;
```





```
wdat = (unsigned int) pat[x];
for( i = 0x18; i < 0x8000; i+=2 ) {
    wrd = *w_ptr++;
    if( wdat != wrd ) {
        printf("FAILED\nWORD DATA @ ADDR: %Fp WR: %.4X RD: %.4X\n",
            --w_ptr, wdat, wrd );
        exit( 1 );
    }
    wdat = ~wdat;
}
}
/* fill and test buf with DATA/~DATA LONGS 4 patterns */
for( x = 0; x < 4; x++ ) {
    l_ptr = (unsigned long far *) MK_FP( 0xD800, 0x18 );
    ldat = (unsigned long) pat[x];
    for( i = 0x18; i < 0x8000; i+=4 ) {
        *l_ptr++ = ldat;
        ldat = ~ldat;
    }
    l_ptr = (unsigned long far *) MK_FP( 0xD800, 0x18 );
    ldat = (unsigned long) pat[x];
    for( i = 0x18; i < 0x8000; i+=4 ) {
        lrd = *l_ptr++;
        if( ldat != lrd ) {
            printf("FAILED\nLONG DATA @ ADDR: %Fp WR: %.8X RD: %.8X\n",
                --l_ptr, ldat, lrd );
            exit( 1 );
        }
        ldat = ~ldat;
    }
}
}
/* fill and test buf with DATA = ADD LONG */
```



```
for( x = 0; x < 4; x++ ) {
    l_ptr = (unsigned long far *) MK_FP( 0xD800, 0x18 );
    for( i = 0x18; i < 0x8000; i+=4 ) {
        *l_ptr++ = i;
    }
    l_ptr = (unsigned long far *) MK_FP( 0xD800, 0x18 );
    for( i = 0x18; i < 0x8000; i+=4 ) {
        lrd = *l_ptr++;
        if( lrd != i ) {
            printf("FAILED\nDATA=ADDR @ ADDR: %Fp WR: %.8X RD: %.8X\n",
                --l_ptr, i, lrd );
            exit( 1 );
        }
    }
}
printf("PASSED\n\n");
exit( 0 );
} /* end main */
```



## Directory Timers

This directory contains sample code useful in the creation of applications involving the VMIVME-7740's three software controlled 16-bit timers. The code is written for the control of a single timer, but can be utilized in generating code for any timer configuration. The timers are described in Chapter 4 of the manual.

### CPU.H

```

/*
** FILE: T7740T.H
**
*/

#define DID_PWR_MGM 0x7113
#define VID_PWR_MGM 0x8086
#define IRQ5 0x0D
#define GPI_T1 0x80 /* PIX General Purpose Input 15 (tmr 1) */
#define GPI_T2 0x40 /* PIX General Purpose Input 14 (tmr 2) */
#define GPI_T3 0x20 /* PIX General Purpose Input 13 (tmr 3) */
#define GPO_T1 0x40 /* PIX General Purpose Output 30 (tmr 1) */
#define GPO_T2 0x10 /* PIX General Purpose Output 28 (tmr 2) */
#define GPO_T3 0x08 /* PIX General Purpose Output 27 (tmr 3) */
#define GPO_CLR 0xA7 /* PIX General Purpose Output CLR TMRS */
#define TIMER_CNTR1 0x00 /* Timer counter 1 offset */
#define TIMER_CNTR2 0x01 /* Timer counter 2 offset */
#define TIMER_CNTR3 0x02 /* Timer counter 3 offset */
#define TIMER_CNTL 0x03 /* Timer control offset */
/*****/

/* 8254 Control word */
/*****/

#define CW_SC0 0x00 /* W Selcect counter 0 */
#define CW_SC1 0x40 /* W Selcect counter 1 */
#define CW_SC2 0x80 /* W Selcect counter 2 */
#define CW_RBC 0xC0 /* W Read back command */

```

```
#define CW_CLC      0x00 /* W Cntr latch command (cnt/stat) */
#define CW_SLC      0x00 /* W Status latch command */
#define CW_LSB      0x10 /* W LSB only */
#define CW_MSB      0x20 /* W MSB only */
#define CW_LSBMSB   0x30 /* W LSB first then MSB */
#define CW_M0       0x00 /* W Mode 0 */
#define CW_M1       0x02 /* W Mode 1 */
#define CW_M2       0x04 /* W Mode 2 */
#define CW_M3       0x06 /* W Mode 3 */
#define CW_M4       0x08 /* W Mode 4 */
#define CW_M5       0x0A /* W Mode 5 */
#define CW_BCD      0x01 /* W Binary Coded Decimal */
#define CW_RB_CNT    0x00 /* W Read back count */
#define CW_RB_STAT   0x00 /* W Read back status */
#define CW_RB_C0     0x02 /* W Read back counter 0 */
#define CW_RB_C1     0x04 /* W Read back counter 1 */
#define CW_RB_C2     0x08 /* W Read back counter 2 */
```

**\*\* FILE: T\_TIMERS.C**

```

/*****
/* FILE: T_TIMER.C
/*
/*****

#include <stdlib.h>
#include <stdio.h>
#include <string.h>
#include <conio.h>
#include <ctype.h>
#include <dos.h>
#include "pci.h"
#include "cpu.h"
/* T_TIMER.C function prototypes */
void do_exit( int );
/* TIMERS.C function prototypes */
void far interrupt irq_rcvd( void );
void init_timer_int( void );
void restore_orig_int( void );
void load_counter( int, unsigned int );
void read_counter( int, unsigned int *, unsigned char * );
/* global variables */
unsigned char bus, dev_func;
/* the following globals are used in other files as 'extern' variables */
unsigned char tmr_status, t1_stat, t2_stat, t3_stat;
unsigned int tmr_cnt, t1_cnt, t2_cnt, t3_cnt;
unsigned long t1_count; /* counts no. of times timer 1 ISR entered */
unsigned long t2_count; /* counts no. of times timer 2 ISR entered */
unsigned long t3_count; /* counts no. of times timer 3 ISR entered */
unsigned int pwr_mgm_base;
unsigned int gpi_base;
unsigned int gpo_base;
```

```
unsigned int timer_base;
unsigned char pic1_org;
unsigned char gpo_org;
void main( int argc, char * argv[])
{
    unsigned long t1, t2, t3;
    int test_int;
    unsigned long temp_dword;
    char user[80];
    timer_base = 0x500;
    /* try to locate the power management device on the PCI bus */
    test_int = find_pci_device(DID_PWR_MGM, VID_PWR_MGM, 0,
        &bus, &dev_func);
    if(test_int != SUCCESSFUL)
    {
        printf("\nUnable to locate power management device on PCI bus\n");
        do_exit( 1);
    }
    /* get base address from config area */
    test_int = read_configuration_area(READ_CONFIG_DWORD,
        bus, dev_func, 0x40, &temp_dword);
    if(test_int != SUCCESSFUL)
    {
        printf("\nUnable to read POWER MGM. BASE ADDRESS @ 0x40 in config
space\n");
        do_exit( 1);
    }
    pwr_mgm_base = temp_dword & 0x0000FFC0;
    gpi_base = pwr_mgm_base + 0x31; /* PIX general purpose input bits 8-15 */
    gpo_base = pwr_mgm_base + 0x37; /* PIX general purpose output bits 24-31 */
    disable();
    /* Read 8259 slave Programmable Interrupt controller */
```



```
pic1_org = inp(0x21) & 0xFF; /* slave mask bits */
/* disable interrupt 5 */
outp(0x21, (pic1_org | 0x20)); /* 0 = enable 1 = disable */
enable();
gpo_org = inp( gpo_base ) & 0xFF;
/* setup timers interrupt service routine */
init_timer_int();
/*
** verify all three counters can generate an interrupt (counters 1,2,3)
*/
printf("\nTesting all three 16 bit counters for interrupt ....");
/* setup for interrupts to occur */
t1_count = 0;
t2_count = 0;
t3_count = 0;
t1 = 0;
t2 = 0;
t3 = 0;
tmr_status = 0;
test_int = 100;
/* load counters */
load_counter( 1, 0xFFFF);
do
{
    if( t1_count ) {
        t1++;
        break;
    }
    test_int--;
    delay( 1 );
} while( test_int );
/* disable timers by reloading the control word */
```

```
outp( timer_base + TIMER_CNTL, (CW_SC0 | CW_LSBMSB | CW_M2) );
tmr_status = 0;
test_int = 100;
load_counter( 2, 0xFFFF );
do
{
    if( t2_count ) {
        t2++;
        break;
    }
    test_int--;
    delay( 1 );
} while( test_int );
/* disable timers by reloading the control word */
outp( timer_base + TIMER_CNTL, (CW_SC1 | CW_LSBMSB | CW_M2) );
tmr_status = 0;
test_int = 100;
load_counter( 3, 0xFFFF );
do
{
    if( t3_count ) {
        t3++;
        break;
    }
    test_int--;
    delay( 1 );
} while( test_int );
/* disable timers by reloading the control word */
outp( timer_base + TIMER_CNTL, (CW_SC2 | CW_LSBMSB | CW_M2) );
/* clear all three status bits in GPI */
outp( gpo_base, ( gpo_org & GPO_CLR ) );
/* set all three GPO outputs to 1 to allow int status registers to function */
```





```
outp( gpo_base, ( gpo_org | GPO_T1 | GPO_T2 | GPO_T3 ) );
if( t1 && t2 && t3 )
{
    printf("PASSED\n");
}
else
{
    printf("FAILED\n");
    if( !t1 ) printf("TIMER 1 failed\n");
    if( !t2 ) printf("TIMER 2 failed\n");
    if( !t3 ) printf("TIMER 3 failed\n");
    do_exit( 2 );
}
/* do orderly exit */
do_exit( 3 );
} /* end main */
void do_exit( int xit_code )
{
    if( xit_code > 1 ) restore_orig_int();
    outp( gpo_base, gpo_org );
    if( xit_code == 3 ) xit_code = 0;
    exit( xit_code );
} /* do_exit */
** FILE: TIMERS.C
/*
** FILE: TIMERS.C
**
*/
#include <stdlib.h>
#include <stdio.h>
#include <dos.h>
#include <ctype.h>
```

```
#include <conio.h>
#include "cpu.h"
/* function prototypes */
void far interrupt irq_rcvd( void );
void init_timer_int( void );
void restore_orig_int( void );
void load_counter( int, unsigned int );
void read_counter( int, unsigned int *, unsigned char * );
/* global variables */
extern unsigned long t1_count; /* timer 1 count */
extern unsigned long t2_count; /* timer 2 count */
extern unsigned long t3_count; /* timer 3 count */
extern unsigned char tmr_status;
extern unsigned int gpi_base;
extern unsigned int gpo_base;
extern unsigned int timer_base;
extern unsigned char pic1_org;
extern unsigned char gpo_org;
void far interrupt (* old_vect)(void);
/*****
/* init_timer_int() */
/* */
/* purpose: Using the interrupt assigned, the original vector is */
/* saved and the vector to the new ISR is installed. The */
/* programmable-interrupt-controller (PIC) is enabled. */
/* */
/* Prerequisite: The interrupt line to be used must have */
/* already been loaded in the global variable. */
/* */
/*****
/* parameters: none */
/*****
```



```

/* return value: none                                     */
/*****/
void init_timer_int( void )
{
    disable();
    old_vect = getvect( IRQ5 ); /* save vector for IRQ5 */
    setvect( IRQ5, irq_rcvd );
    /* enable interrupt 5 */
    outp(0x21, (pic1_org & 0xDF) ); /* 0 = enable 1 = disable */
    /* clear all three GPO inputs */
    outp( gpo_base, ( gpo_org & GPO_CLR ) );
    /* set all three GPO outputs to 1 to allow int status registers to function */
    outp( gpo_base, (gpo_org | GPO_T1 | GPO_T2 | GPO_T3) );
    enable();
} /* init_timer_int */
/*****/
/* restore_orig_int()                                     */
/*                                                         */
/* purpose: Using the interrupt assigned, the original vector is */
/* restored and the programmable-interrupt-controller */
/* is disabled.                                           */
/*                                                         */
/* Prerequisite: The interrupt line to be used must have */
/* already been loaded in the global variable. */
/*                                                         */
/*****/
/* parameters: none                                       */
/*****/
/* return value: none                                     */
/*****/
void restore_orig_int( void )
{

```

```

disable();
outp(0x21, pic1_org);
setvect( IRQ5, old_vect );
enable();
} /* restore_orig_int */
/*****
/* load_counter()
/*
/* purpose: Loads the appropriate counter with the count passed */
/*
/*
/*
/*****
/* parameters: int counter = 1, 2, 3 for COUNTER 1, 2, or 3 */
/* unsigned int count = count to be loaded */
/*****
/* return value: none */
/*****
void load_counter( int counter, unsigned int count )
{
int lsb, msb;
lsb = count & 0xff;
msb = count >> 8;
switch( counter )
{
case 1: /* select counter 1, LSB then MSB, mode 2 */
outp( timer_base + TIMER_CNTL, (CW_SC0 | CW_LSBMSB | CW_M2) );
outp( timer_base + TIMER_CNTR1, (unsigned char) lsb );
outp( timer_base + TIMER_CNTR1, (unsigned char) msb );
break;
case 2: /* select counter 2, LSB then MSB, mode 2 */
outp( timer_base + TIMER_CNTL, (CW_SC1 | CW_LSBMSB | CW_M2) );
outp( timer_base + TIMER_CNTR2, (unsigned char) lsb );

```



```

        outp( timer_base + TIMER_CNTR2, (unsigned char) msb );
    break;
case 3: /* select counter 3, LSB then MSB, mode 2 */
    outp( timer_base + TIMER_CNTRL, (CW_SC2 | CW_LSBMSB | CW_M2) );
    outp( timer_base + TIMER_CNTR3, (unsigned char) lsb );
    outp( timer_base + TIMER_CNTR3, (unsigned char) msb );
    break;
}
} /* load_counter */
/*****/
/* read_counter() */
/* */
/* purpose: Reads the appropriate counter in the appropriate */
/* bank with the remaining count and status. */
/* */
/* */
/*****/
/* parameters: int counter = 1, 2, 3 for COUNTER 1, 2, or 3 */
/* unsigned int * count = remaining count */
/* unsigned char * status = counter status */
/*****/
/* return value: none */
/*****/
void read_counter( int counter,
                  unsigned int * count, unsigned char * status )
{
    int lsb, msb;
    switch( counter )
    {
        case 1: /* select counter 1, LSB then MSB */
            outp( timer_base + TIMER_CNTRL, ( CW_RBC | CW_RB_CNT | CW_RB_STAT |
            CW_RB_C0 ) );

```

```
*status = inp( timer_base + TIMER_CNTR1 ) & 0xFF;
lsb = inp( timer_base + TIMER_CNTR1 ) & 0xFF;
msb = inp( timer_base + TIMER_CNTR1 ) & 0xFF;
msb = msb << 8;
*count = ( lsb | msb );
break;
case 2: /* select counter 2, LSB then MSB */
    outp( timer_base + TIMER_CNTRL, ( CW_RBC | CW_RB_CNT | CW_RB_STAT |
CW_RB_C1 ) );
    *status = inp( timer_base + TIMER_CNTR2 ) & 0xFF;
    lsb = inp( timer_base + TIMER_CNTR2 ) & 0xFF;
    msb = inp( timer_base + TIMER_CNTR2 ) & 0xFF;
    msb = msb << 8;
    *count = ( lsb | msb );
break;
case 3: /* select counter 3, LSB then MSB */
    outp( timer_base + TIMER_CNTRL, ( CW_RBC | CW_RB_CNT | CW_RB_STAT |
CW_RB_C2 ) );
    *status = inp( timer_base + TIMER_CNTR3 ) & 0xFF;
    lsb = inp( timer_base + TIMER_CNTR3 ) & 0xFF;
    msb = inp( timer_base + TIMER_CNTR3 ) & 0xFF;
    msb = msb << 8;
    *count = ( lsb | msb );
break;
}
} /* read_counter */
/*****/
/* irq_rcvd() */
/* */
/* purpose: Interrupt service routine used to service any of the */
/* counters on the 7740. */
/* */
/* */
```



```
/* ***** */
/* parameters: none */
/* ***** */
/* return value: none */
/* ***** */
void interrupt irq_rcvd(void)
{
    disable();
    asm {
        .386P
        push eax
        push ebx
    }
    tmr_status = inp( gpi_base ) & 0xFF;
    /* increment counts and clear status */
    if( tmr_status & GPI_T1 ) {
        t1_count++;
        outp( gpo_base, (gpo_org & (~GPO_T1)) ); /* clear timer 1 status bit */
    }
    if( tmr_status & GPI_T2 ) {
        t2_count++;
        outp( gpo_base, (gpo_org & (~GPO_T2)) ); /* clear timer 2 status bit */
    }
    if( tmr_status & GPI_T3 ) {
        t3_count++;
        outp( gpo_base, (gpo_org & (~GPO_T3)) ); /* clear timer 3 status bit */
    }
    outp( gpo_base, (gpo_org | GPO_T1 | GPO_T2 | GPO_T3) ); /* enable status */
    /* Non specific end of interrupt to PIC */
    outp(0x20, 0x20); /* Master end of irq command */
    asm {
        .386P
    }
}
```



```
    pop ebx
    pop eax
}
enable();
}
```





## Directory WATCHDOG

This directory contains sample code useful in the creation of applications involving the VMIVME-7740's Watchdog Timer function as described in Chapter 4.

### \*\* FILE: WATCHDOG.H

```

/*
** DS1384 REGISTER OFFSETS
*/

/* 7 6 5 4 3 2 1 0 */
#define CLK_MSEC    0x00 /* 00-99 */
#define CLK_SEC     0x01 /* 00-59 0 */
#define CLK_MIN     0x02 /* 00-59 0 */
#define CLK_MINAL   0x03 /* 00-59 M */
#define CLK_HRS     0x04 /* 01-12+A/P OR 00-23 */
#define CLK_HRSAL   0x05 /* 01-12+A/P OR 00-23 */
#define CLK_DAY     0x06 /* 01-07 0 0 0 0 0 */
#define CLK_DAYAL   0x07 /* 01-07 M 0 0 0 0 */
#define CLK_DATE    0x08 /* 01-31 0 0 */
#define CLK_MONTH   0x09 /* 01-12 0 */
#define CLK_YRS     0x0A /* 00-99 */
#define WD_CMD      0x0B /* command register */
#define WD_MSEC     0x0C /* milli second watchdog time */
#define WD_SEC      0x0D /* seconds watchdog time */
/*
** DS1384 COMMAND REGSITER BIT DEFINITIONS
*/
#define WD_TE       0x80 /* transfer enable 1 - allow updates */
#define WD_IPSW     0x40 /* interrupt switch 0 - WD out INTA */
#define WD_IBHL     0x20 /* int. B output 0 - current sink */
#define WD_PU       0x10 /* pulse/level 1 - 3 ms pulse */
#define WD_WAM      0x08 /* watchdog alarm mask 0 - active */
#define WD_TDM      0x04 /* time-of-day alarm mask 0 - active */
#define WD_WAF      0x02 /* watchdog alarm flag */
#define WD_TDF      0x01 /* time-of-day flag */

```



## \*\* FILE:WDTO.C

```

/*****
/* FILE: WDTO_RST.C
/*
/* Setup watchdog to issue reset on time out.
/*
/*
/*****

#include <stdlib.h>
#include <stdio.h>
#include <dos.h>
#include <time.h>
#include <conio.h>
#include <ctype.h>
#include "watchdog.h"
unsigned char far * wd_ptr;
time_t t;
char usr[80];
char reg_b;
void main( void ) {
    /* Install WATCHDOG RESET Jumper */
    wd_ptr = (unsigned char far *) MK_FP( 0xD800, 0 );
    /* set WatchDog Alarm Mask 1 - deactivated and update with 0 time */
    *(wd_ptr + WD_CMD) = ( WD_TE | WD_WAM );
    *(wd_ptr + WD_MSEC) = 0; /* load with 0 to disable */
    *(wd_ptr + WD_SEC) = 0; /* load with 0 to disable */
    *(wd_ptr + WD_CMD) = ( WD_TE | WD_WAM ); /* allow update with 0 time */
    *(wd_ptr + WD_CMD) = WD_WAM; /* set watchdog alarm mask to 1 */
    *(wd_ptr + WD_MSEC) = 0x99; /* 00.99 seconds */
    *(wd_ptr + WD_SEC) = 0x99; /* 99.00 seconds */
    *(wd_ptr + WD_CMD) = ( WD_TE | WD_PU ); /* set for 3 ms pulse */
    printf("Reset time out in 99.99 seconds\n\n");
}

```



```
time(&t);
printf("START DATE & TIME: %.24s\n\n", ctime(&t) );
do {
    time(&t);
    printf("CURRENT DATE & TIME: %.24s\r", ctime(&t) );
    delay( 250 );
} while( !kbhit() );
} /* end main */
```



# Index

## Numerics

100BaseTx 51  
10BaseT 51, 79  
82C54 54

## A

address map 114  
AGP controller 122  
auxiliary I/O mapping 118

## B

BIOS 36, 48, 114  
BIOS setup screens 93  
block diagram 25

## C

CMOS configuration 36  
connectors 30  
Control Word Register 55, 59  
CPU board diagram 31  
Customer Service 30

## D

DMA controller 42  
DMA page registers 42  
DRAM 118

## E

E36 54  
Ethernet  
  controller 122  
  Digital Semiconductor's 21143 controller 51  
  interrupt logic 49

## F

Floppy Disk Drive 95  
Floppy Drive A 95  
Floppy Drive B 95  
floppy mapping 118  
functional diagram 27

## G

graphics video resolutions 50

## H

Halt On 105  
hexadecimal 21

## I

I/O  
  address space 42, 118  
  features 24  
  port map 42  
installation 35  
Intel programmers 21  
Intels 21143 51  
internal timer/counter 54  
interrupt line assignment 44  
interrupt vector table 114  
IOWorks Access 15, 17  
ISA bus 114  
ISA device interrupt mapping 120  
ISA devices 118

## J

jumper locations 31

## K

keyboard connector 83

## L

LPT1 Parallel I/O 43

LPT2 Parallel I/O 43

## M

master interrupt controller 42

Memory 41, 96

memory address map 41

memory address space 118

memory sharing 40

mini-DIN PS/2 style-connector 83

Motorola programmers 21

## N

Non-Maskable Interrupt (NMI) 42, 44, 48

Null Flag 60

## O

offset address conversions 21

Output Latches 56

## P

PCI

interrupt lines 48

local bus 48

PCI bus 114

PCI Configuration Base address 54

PCI host bridge 122

PCI IDE controller 122

PCI ISA bridge 122

PCI Mezzanine Card (PMC) 36

PIIX4 122

Power-on Self Test 114

programmable time 42

protected mode 41, 45

## R

Read-Back Command 59

real mode 41, 45

real-time clock 42

references 17

refresh rates 50

Return Material Authorization (RMA) number 75

## S

screen resolutions 50

Select Timer 59

Serial I/O (COM1,2,3 & 4) 43

serial port connector, D9 or RJ45 81

serial port mapping 118

serial ports 49

SERR interrupt 48

Setting The Time 94

SIZE 41

SMC Super-I/O chip 49

Standard CMOS Setup 99

Status Word 56

SVGA connector 80

System BIOS Setup Utility 93

## T

Timer Interrupt Status 54

Timer Latch Command 59

## U

unpacking procedures 29

USB interrupt mapping 122

## V

vector interrupt table 44

Video SDRAM 50

VMEbus connectors 84

## W

Windows 98 SE setup 90

Windows NT (Version 4.0) 91