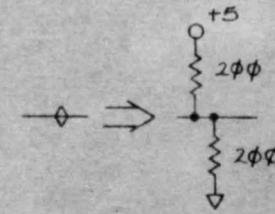


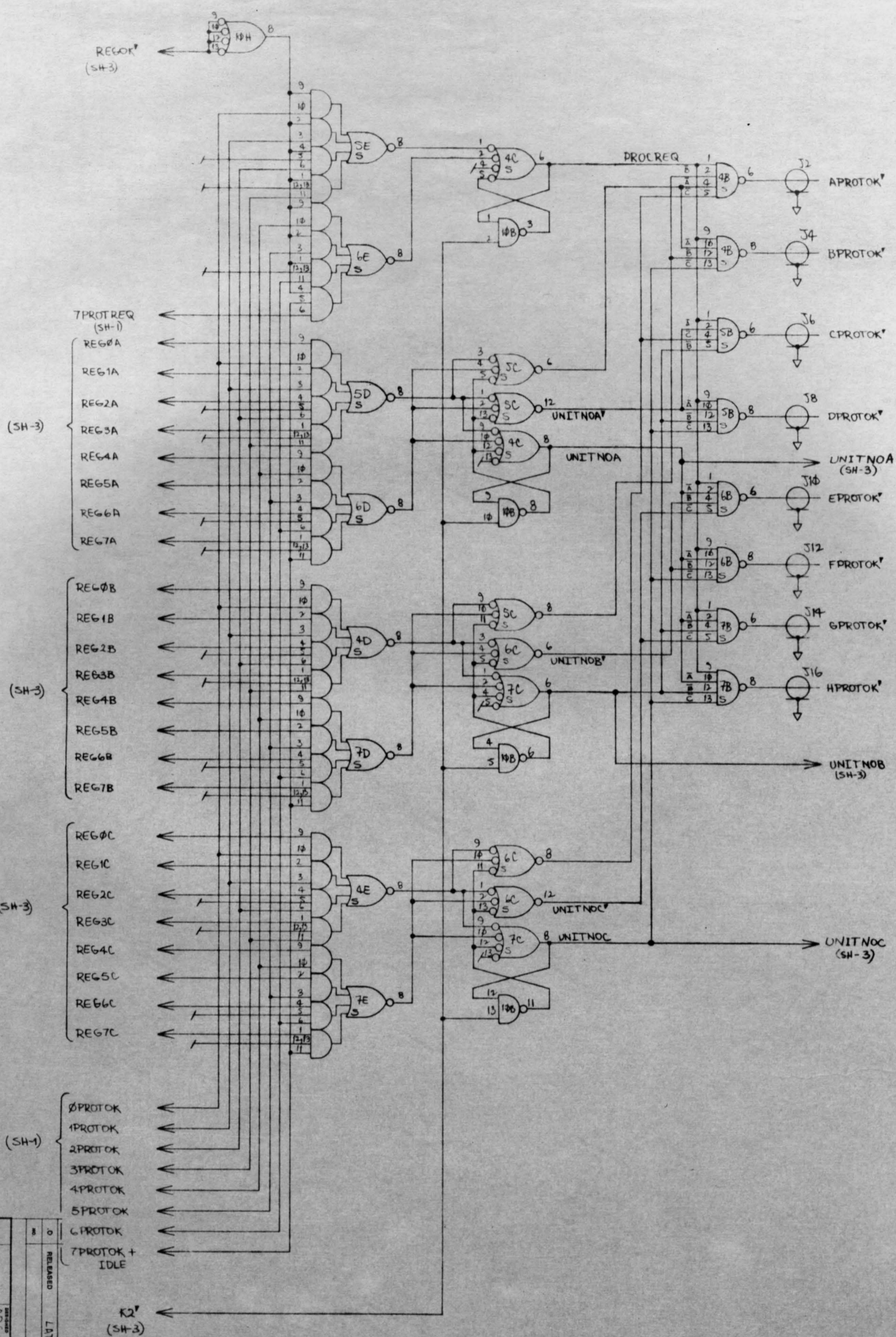
NOTES:



|                                 |                                 |             |           |
|---------------------------------|---------------------------------|-------------|-----------|
| <p>The Alpha System BCC-500</p> | <p>RELEASED</p>                 | <p>DATE</p> | <p>BY</p> |
|                                 | <p>REVISIONS</p>                | <p>DATE</p> | <p>BY</p> |
| <p>PROJECT</p>                  | <p>DESCRIPTION</p>              | <p>DATE</p> | <p>BY</p> |
| <p>1</p>                        | <p>ATEST REVISIONS 12/31/73</p> | <p>DATE</p> | <p>BY</p> |
| <p>3</p>                        | <p>EQUAL PRIORITY</p>           | <p>DATE</p> | <p>BY</p> |
| <p>4/19/75/1</p>                | <p>FIRST USED M1 PROTECTS</p>   | <p>DATE</p> | <p>BY</p> |

21





7PROTREQ (SH-1)

(SH-3)

(SH-3)

(SH-3)

(SH-1)

- REG0A
- REG1A
- REG2A
- REG3A
- REG4A
- REG5A
- REG6A
- REG7A

- REG0B
- REG1B
- REG2B
- REG3B
- REG4B
- REG5B
- REG6B
- REG7B

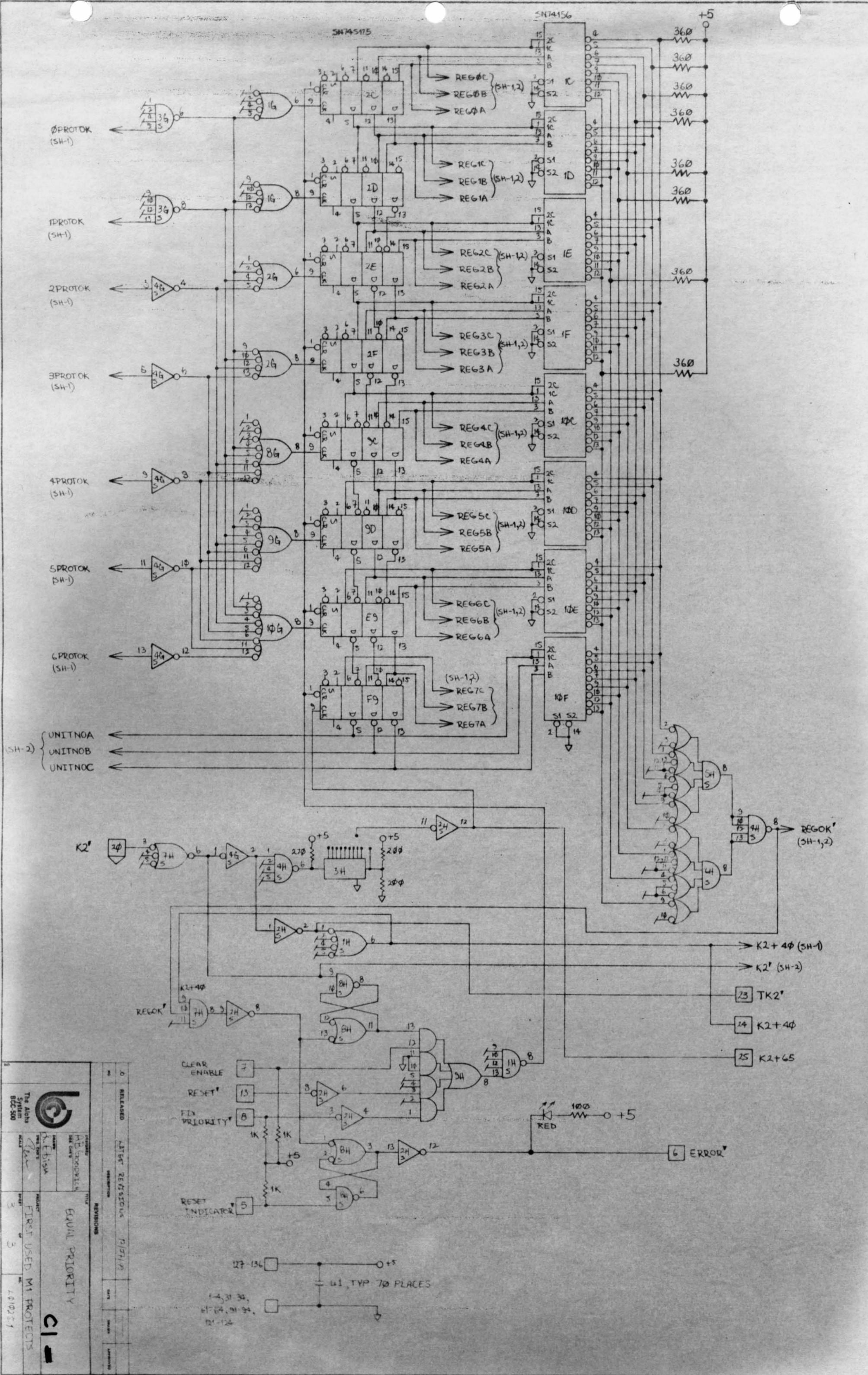
- REG0C
- REG1C
- REG2C
- REG3C
- REG4C
- REG5C
- REG6C
- REG7C

- 0PROTOK
- 1PROTOK
- 2PROTOK
- 3PROTOK
- 4PROTOK
- 5PROTOK
- 6PROTOK
- 7PROTOK + IDLE

K2 (SH-3)

|                                       |                    |
|---------------------------------------|--------------------|
|                                       |                    |
| RELEASED<br>LATEST REVISIONS 12/21/78 | REVISIONS<br>DATE  |
| DESIGNED BY<br>AB GOODRICH            | CHECKED BY<br>EBSU |
| PROJECT<br>FIRST USED M4 PROTECTS     |                    |
| 2                                     | 3                  |
| EQUAL PRIORITY<br><b>C14</b>          |                    |
| L01025.1                              |                    |





**The Alpha System BDC-500**

REVISION: 0

RELEASED: AFTER REVISION 0/1/7/9

DESIGNED BY: [Signature]

CHECKED BY: [Signature]

DATE: [Signature]

PRODUCT: **PRIORITY**

REVISION: 3

DATE: 4/10/67

DESIGNED BY: [Signature]

CHECKED BY: [Signature]

DATE: [Signature]

PRODUCT: **FIRST USED M1 PROTECTS**

REVISION: 3

DATE: 4/10/67

DESIGNED BY: [Signature]

CHECKED BY: [Signature]

DATE: [Signature]

PRODUCT: **CI**

127-136

+5

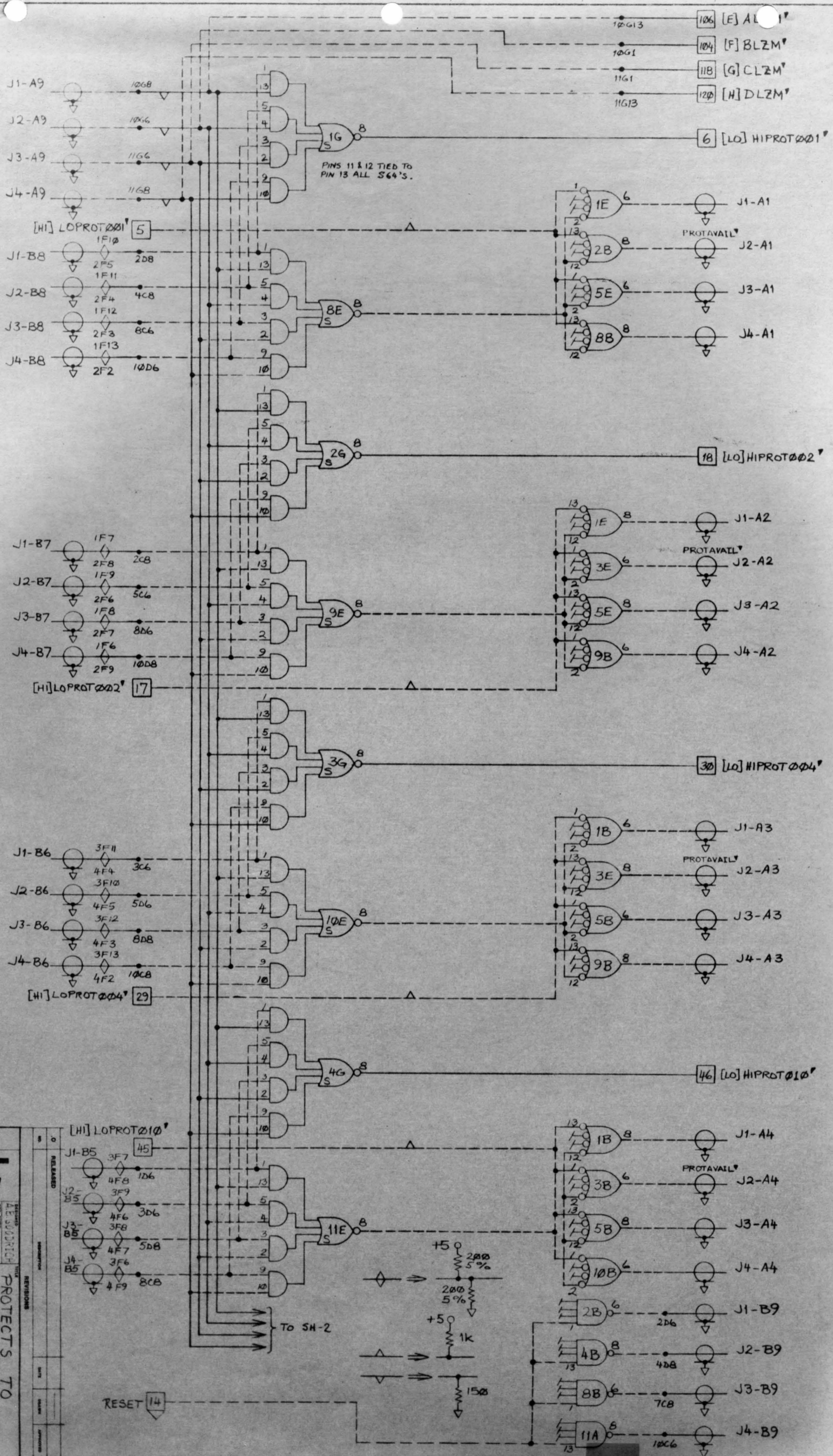
u1 TYP 70 PLACES

1-31 30

41-24 24 25

21-12





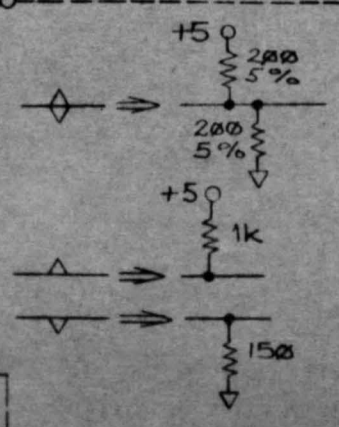
C2: CPU0  
(LEFT)

C3: CPU1, MSCHD, AMC, CH10  
(RIGHT)

|                                 |                        |
|---------------------------------|------------------------|
| <p>The Alpha System BCC-500</p> | <p>RELEASED</p>        |
|                                 | <p>REVISIONS</p>       |
| <p>DATE: 1/14/56</p>            | <p>BY: [Signature]</p> |
| <p>PROJECT: 1</p>               | <p>REVISION: 2</p>     |
| <p>1419 S64</p>                 | <p>1</p>               |

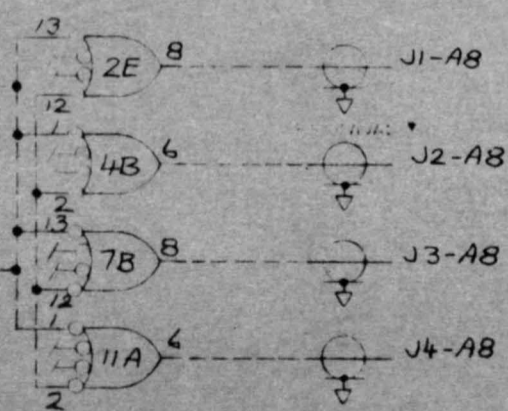
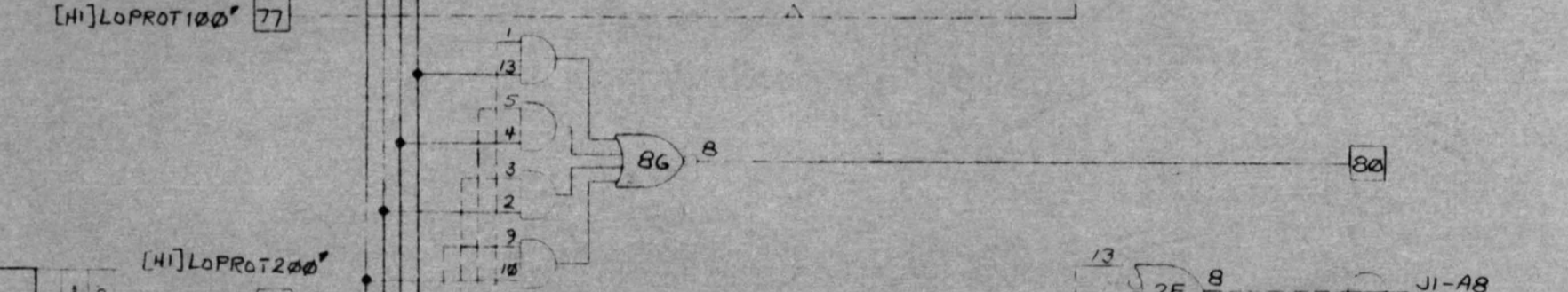
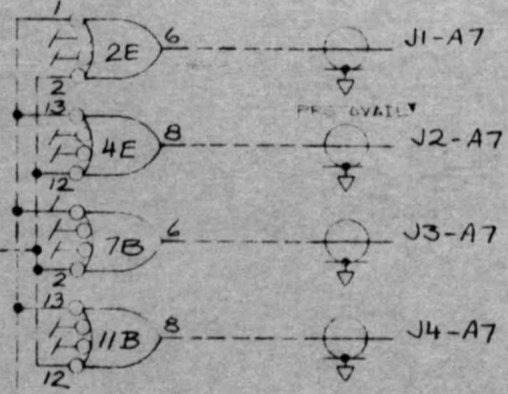
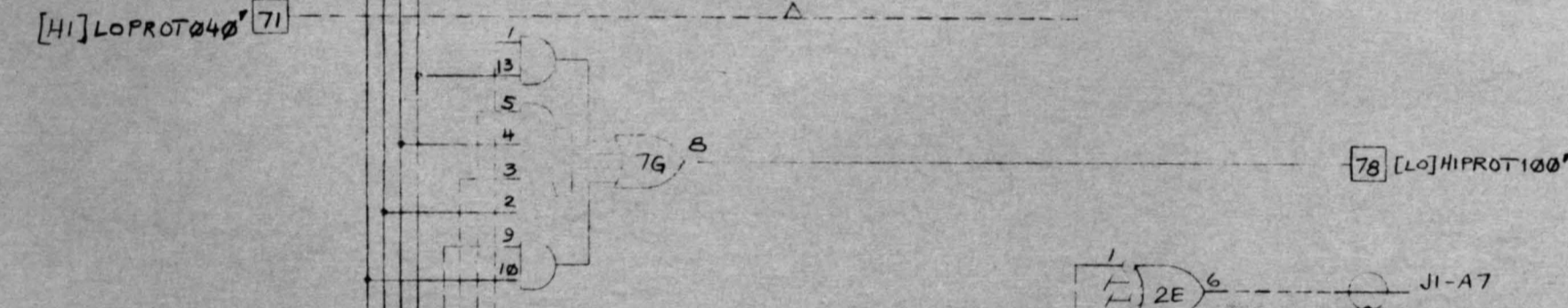
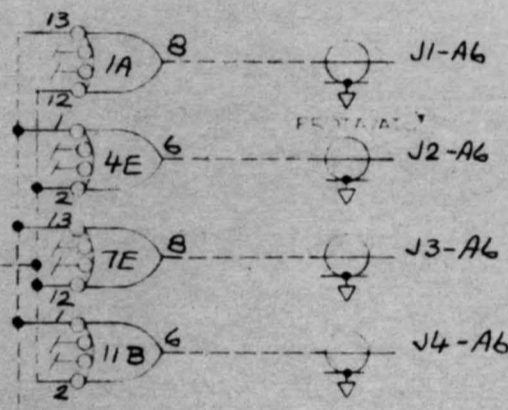
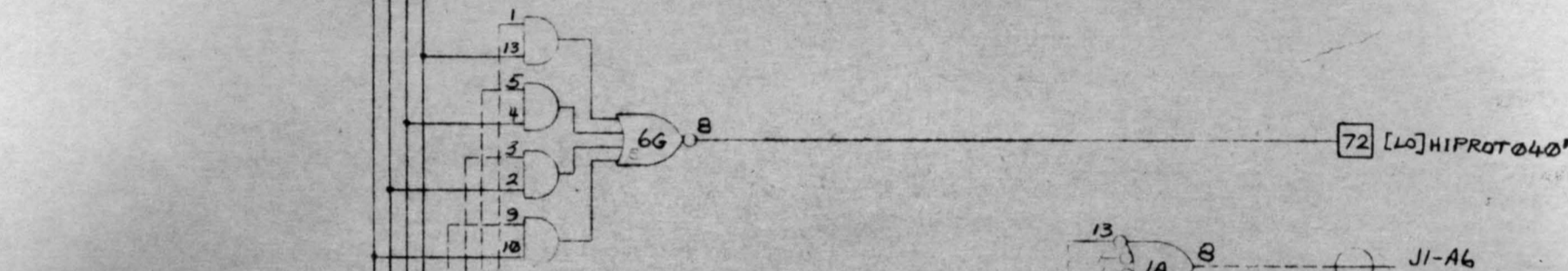
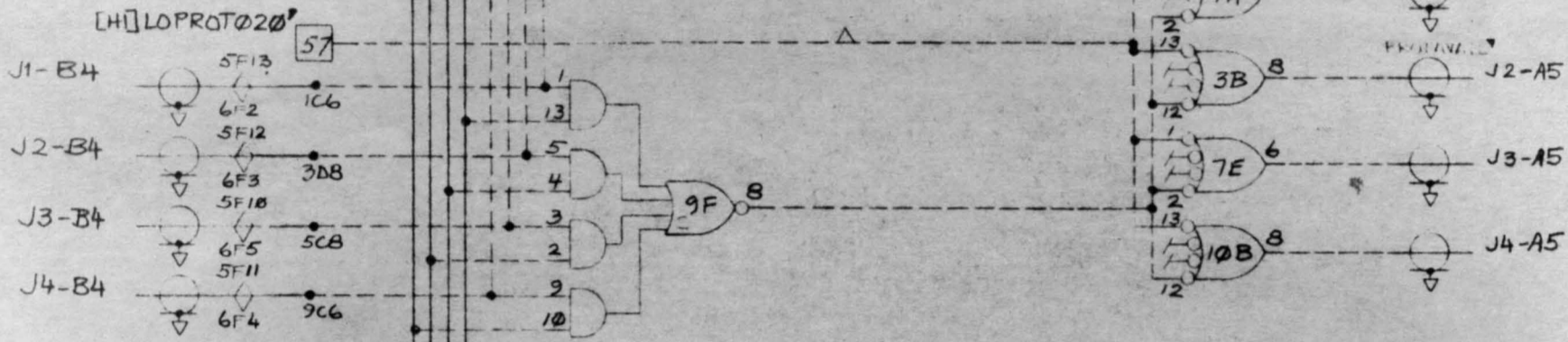
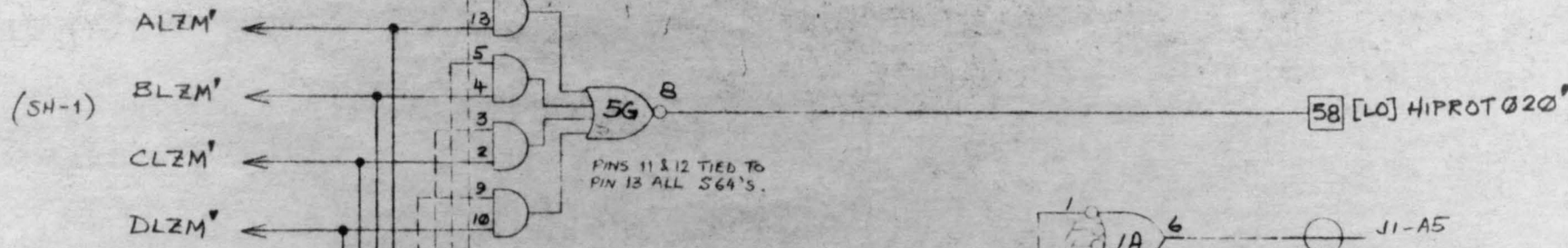
**PROTECTS TO  
PROCESSOR CABLE  
CARD**


**C2 & C3**



RESET 14



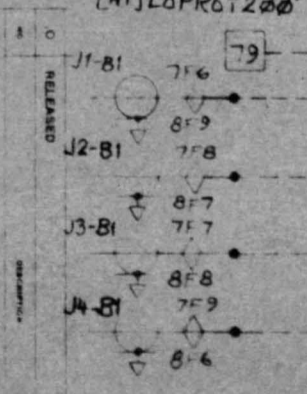



  
 The Alpha System BCC-500

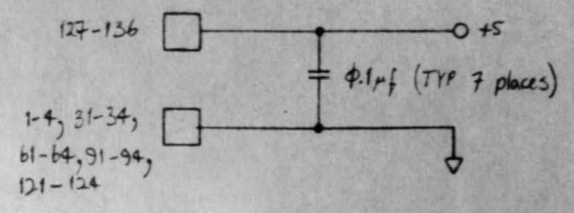
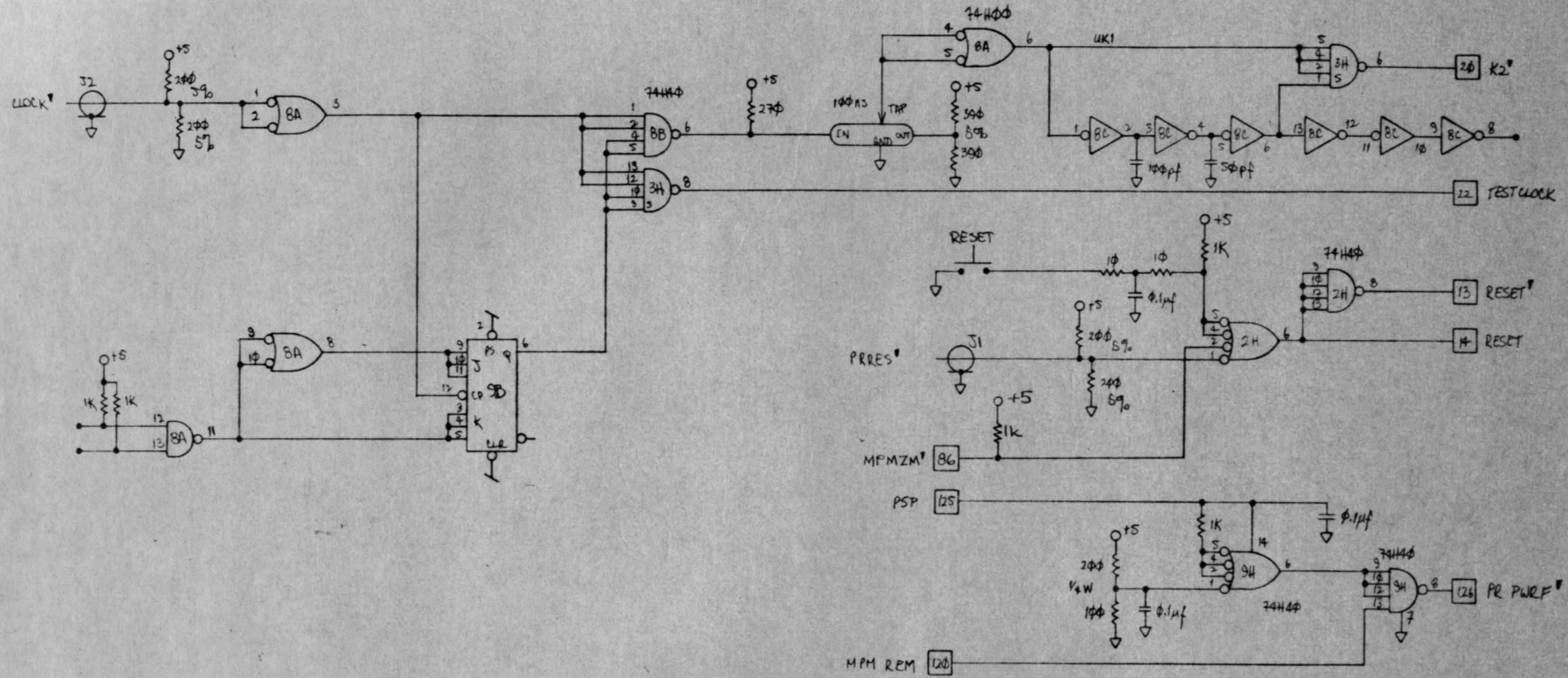
PROJECTS TO PROTECTS TO PROCESSOR CABLE

2 of 2

42843

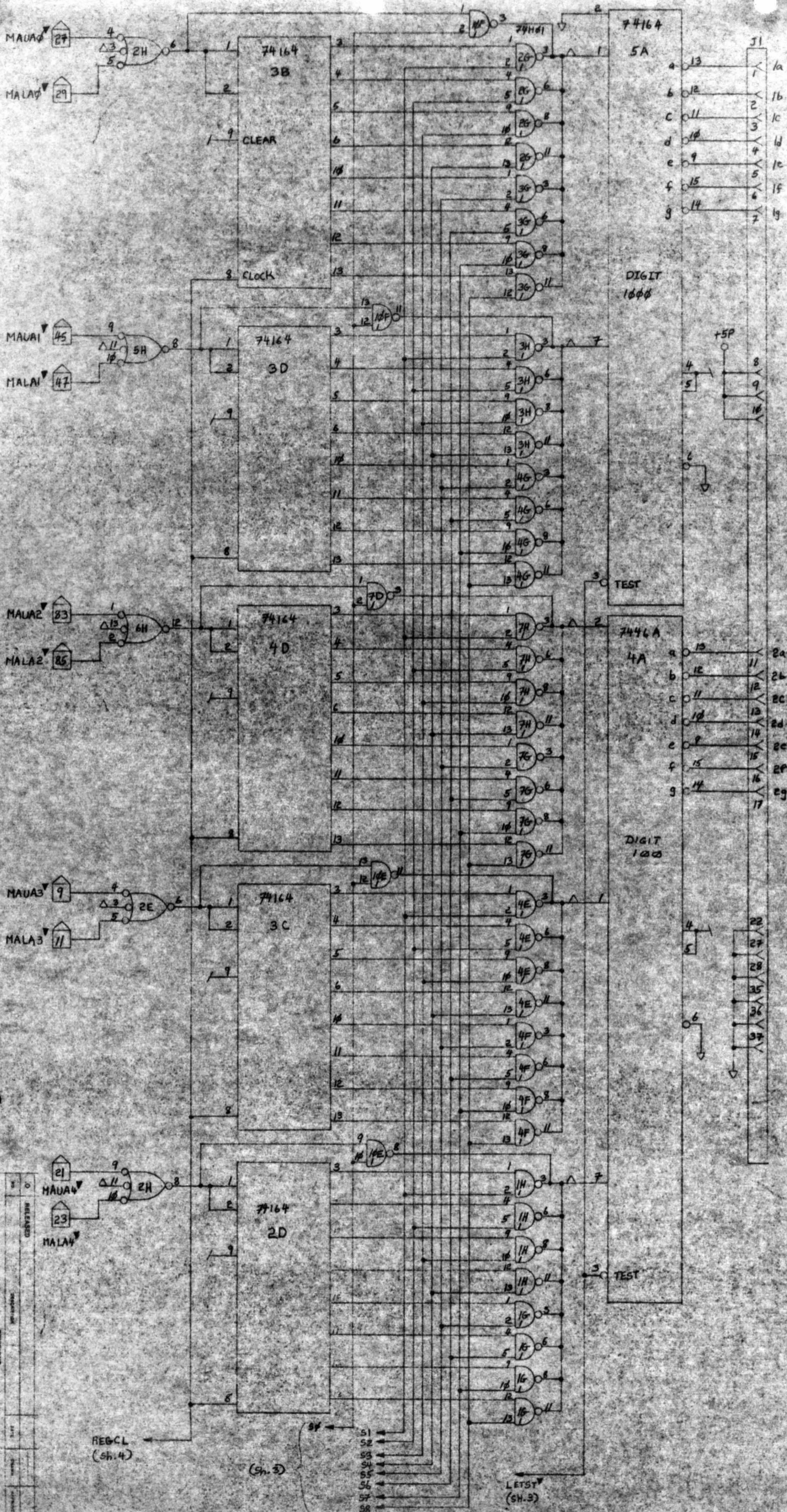






|          |            |           |                       |
|----------|------------|-----------|-----------------------|
| DESIGNED | F. WILSON  | TITLE     | PROTECTS CONTROL CARD |
| DRAWN    | R. EDWARDS | PROJECT   |                       |
| CHECKED  |            | REVISIONS |                       |
| SCALE    |            | SHEET     | 1 OF 1                |
| DATE     | 1/2/74     | NO.       | L11157.4              |





CS  
8

The Alpha  
System  
DEC-388

REVISIONS

| NO. | DATE | DESCRIPTION |
|-----|------|-------------|
| 1   | 11   | 5           |

MICRO ADDRESS  
PANEL CARD

MIC 8

161043-A

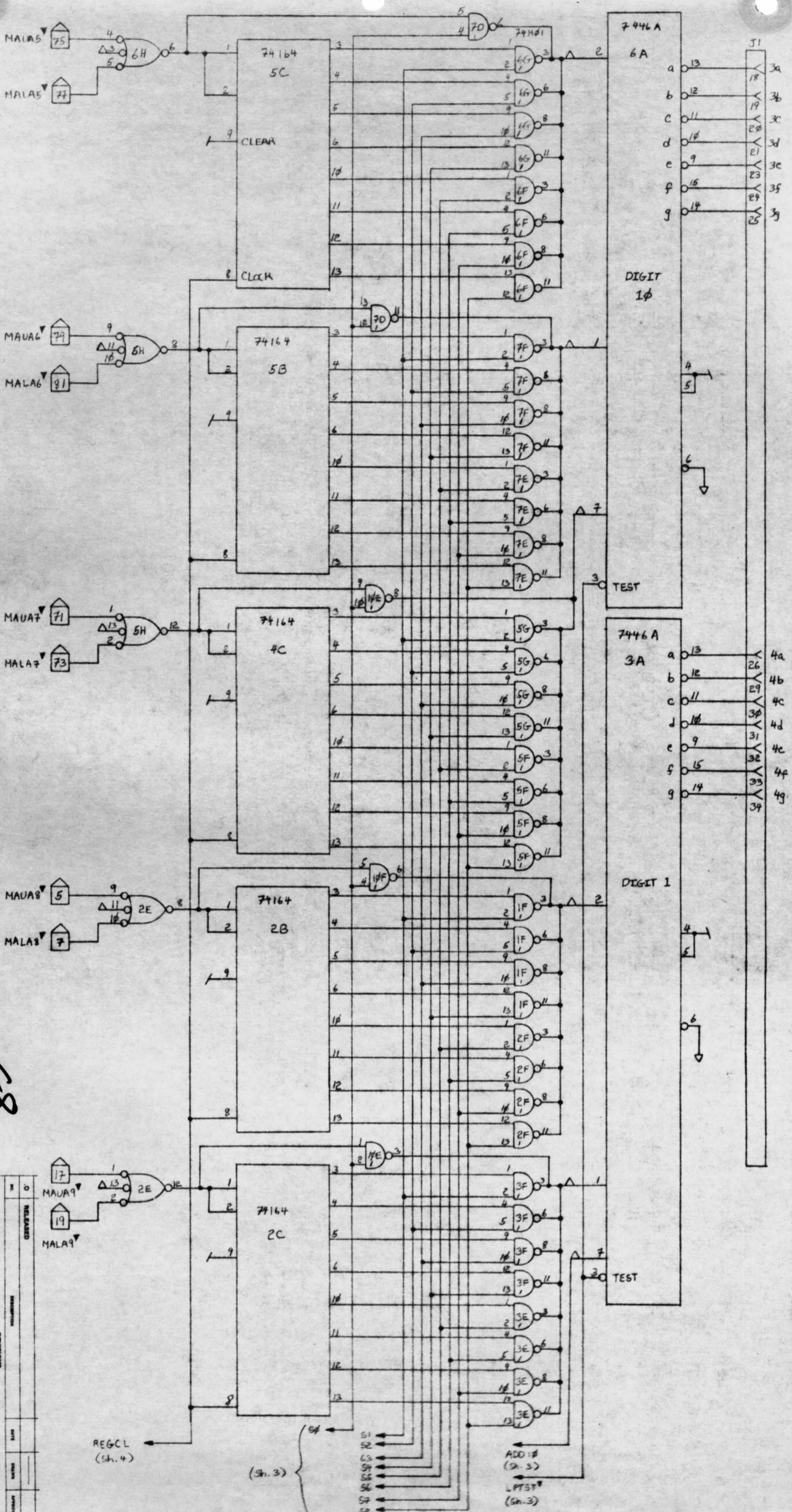
MAUA4 21  
MALA4 23

REGCL (sh.4)

(sh.3)

LETST (SH.3)





18

|  |                                |
|--|--------------------------------|
|  |                                |
| DESIGNED BY<br>R. CHANDRASEKAR<br>(S. No. 108) | CHECKED BY<br>H. P. NATSIVANAN |
| TITLE<br>MICRO ADDRESS<br>PANEL CARD           |                                |
| PROJECT NO.<br>MC 8                            | SHEET NO.<br>5                 |
| PART NO.<br>L41073.0                           |                                |

|                                |              |                     |
|--------------------------------|--------------|---------------------|
| REVISIONS<br>NO. 0<br>RELEASED | DATE<br><br> | APPROVED BY<br><br> |
|--------------------------------|--------------|---------------------|

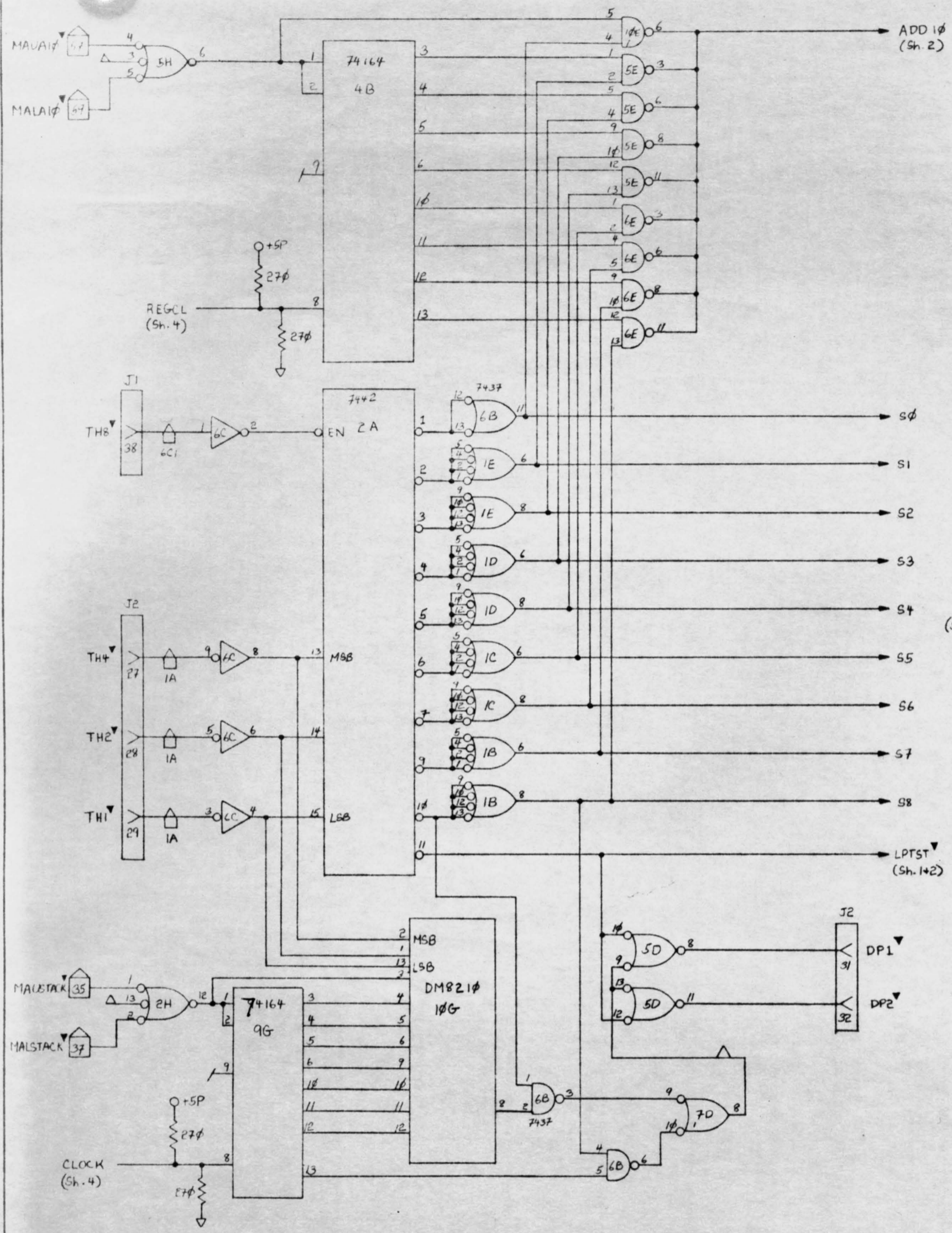
REGCL (Sh. 4)

(Sh. 3)

- S1
- S2
- S3
- S4
- S5
- S6
- S7
- S8

ADD 1φ (Sh. 3)  
 LPTST (Sh. 3)





(Sh. 1+2)

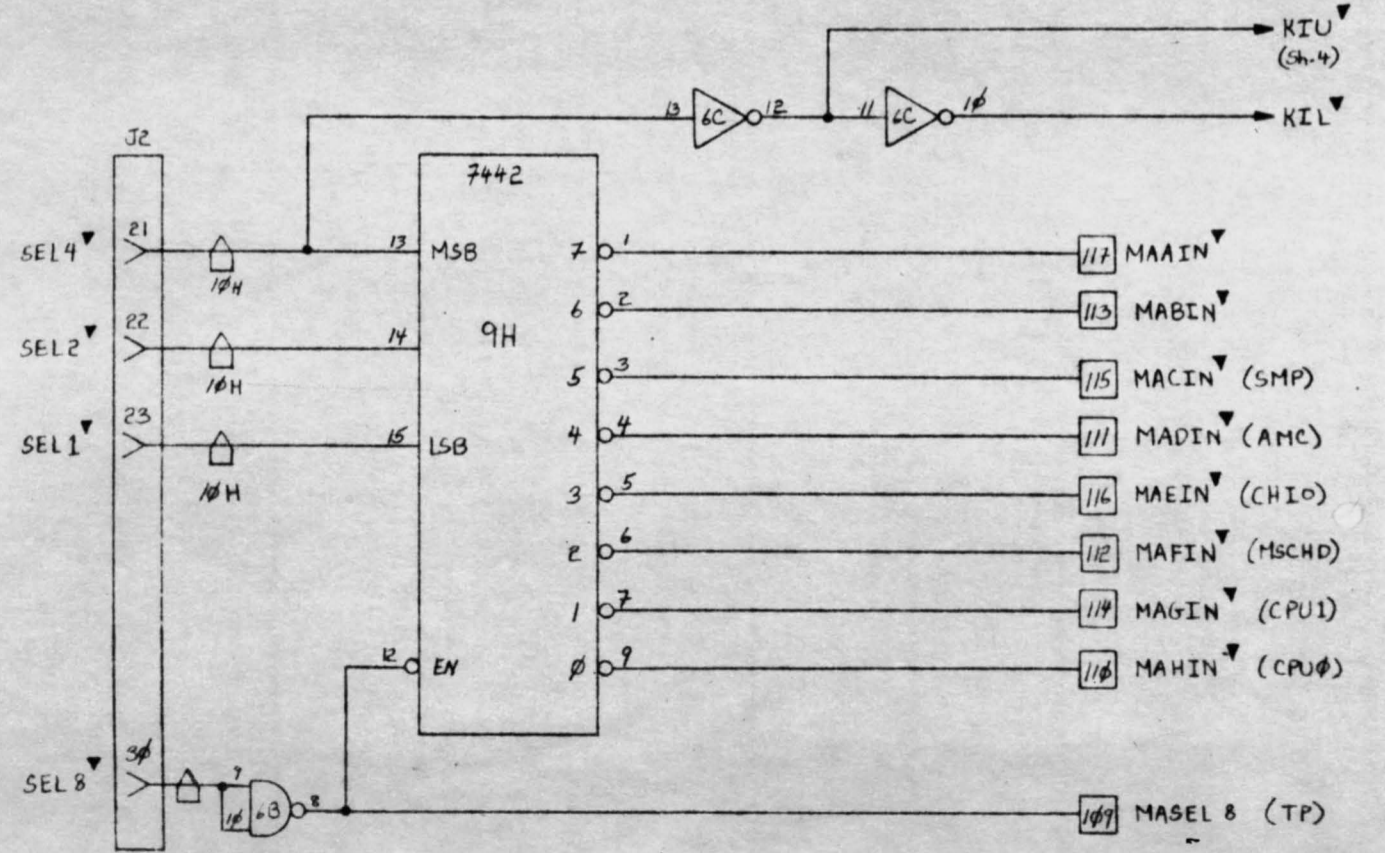
ADD 1φ  
(Sh. 2)

LPTST  
(Sh. 1+2)

KIU  
(Sh. 4)

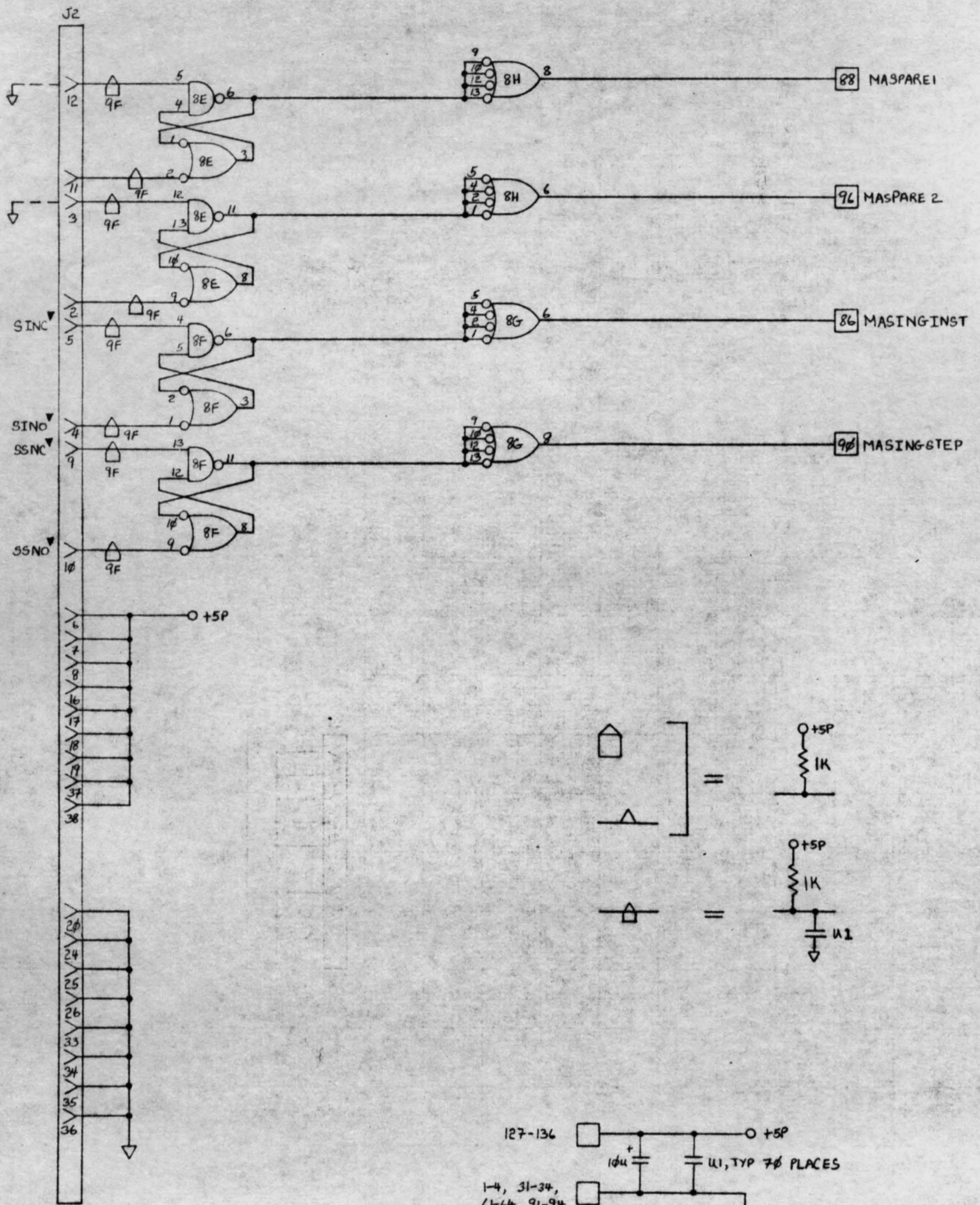
KIL

|  |                                    |                                   |
|--|------------------------------------|-----------------------------------|
|  |                                    | RELEASED<br>1968                  |
| PROJECT: MCB<br>TITLE: MICRO ADDRESS PANEL<br>CARD | REVISIONS<br>1<br>2<br>3<br>4<br>5 | DATE: 11/17/68<br>BY: [Signature] |

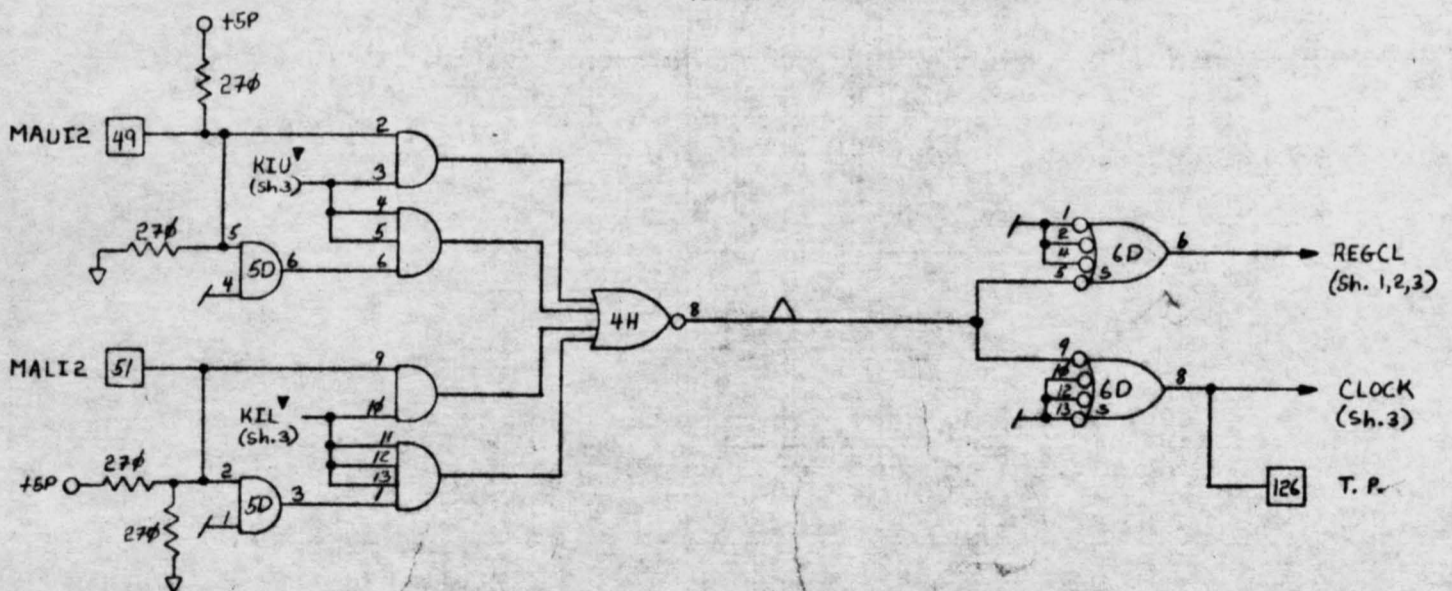


LE 173.0



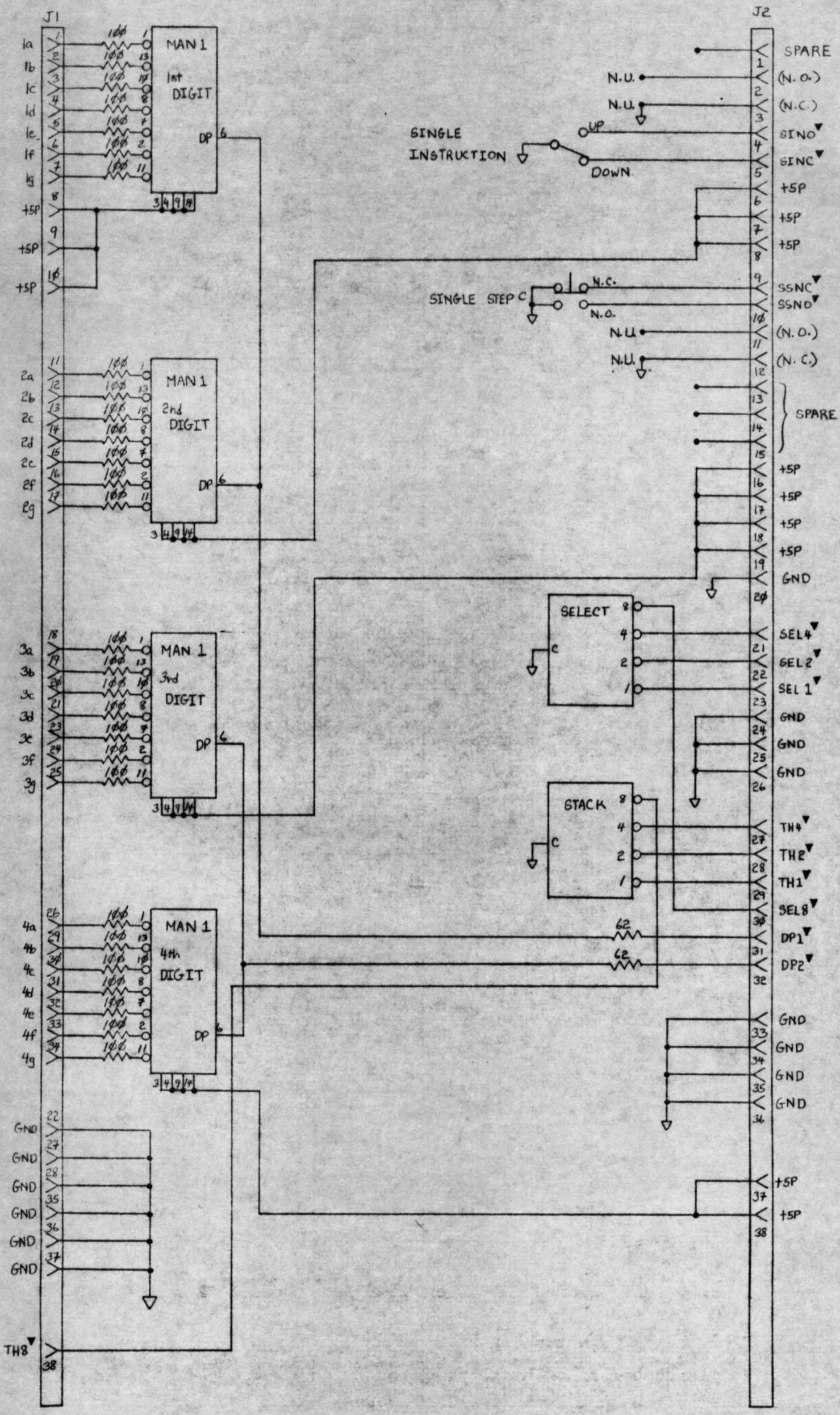


CS



|                                  |                               |                             |
|----------------------------------|-------------------------------|-----------------------------|
| RELEASER                         | DATE                          | REVISIONS                   |
| <br>The Alpha Systems<br>800-350 | P. CARDESIANI<br>M. MATSUYAMA | MICRO ADDRESS<br>PANEL CARD |
| 4                                | M.C.B.                        | 401073.0                    |

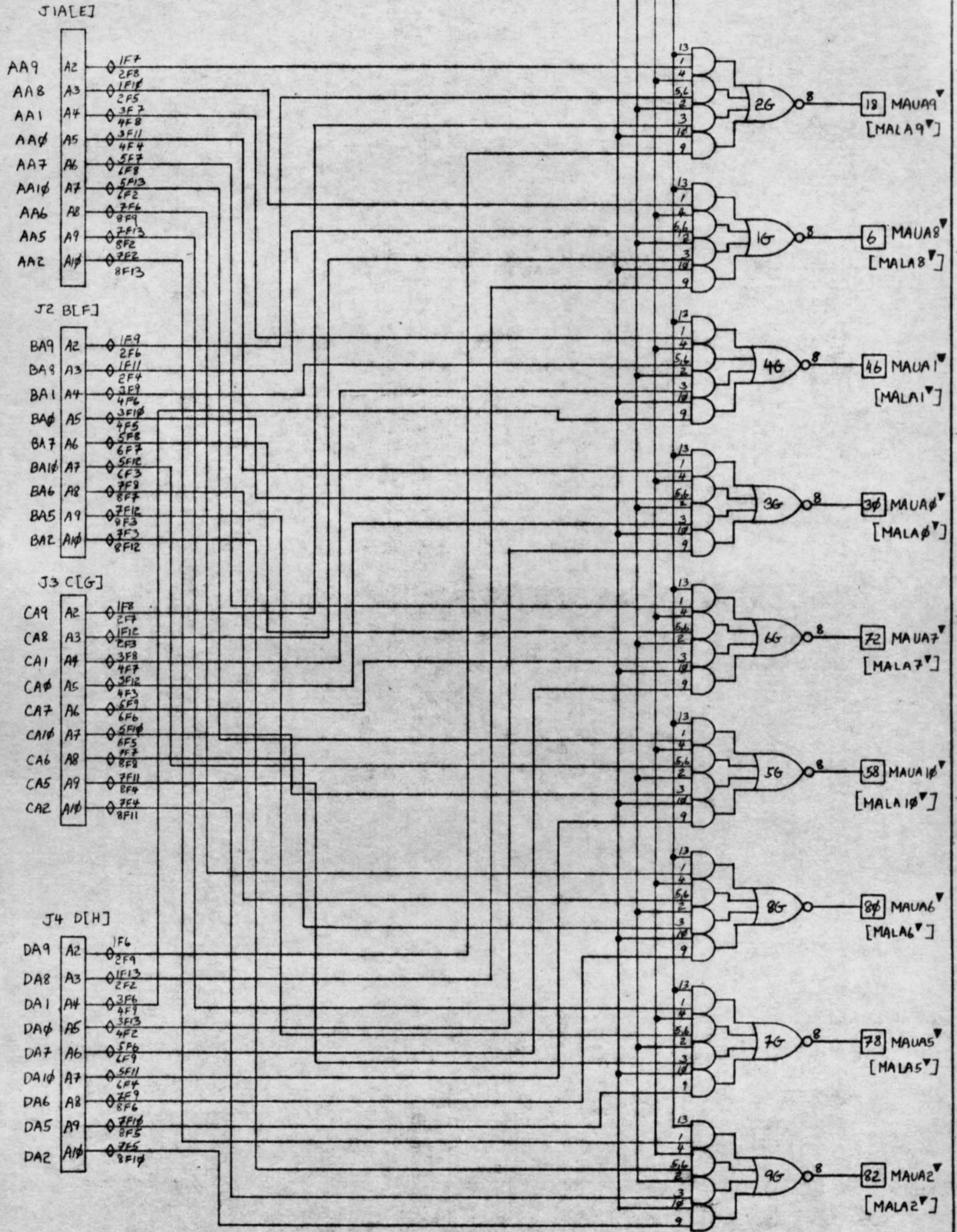
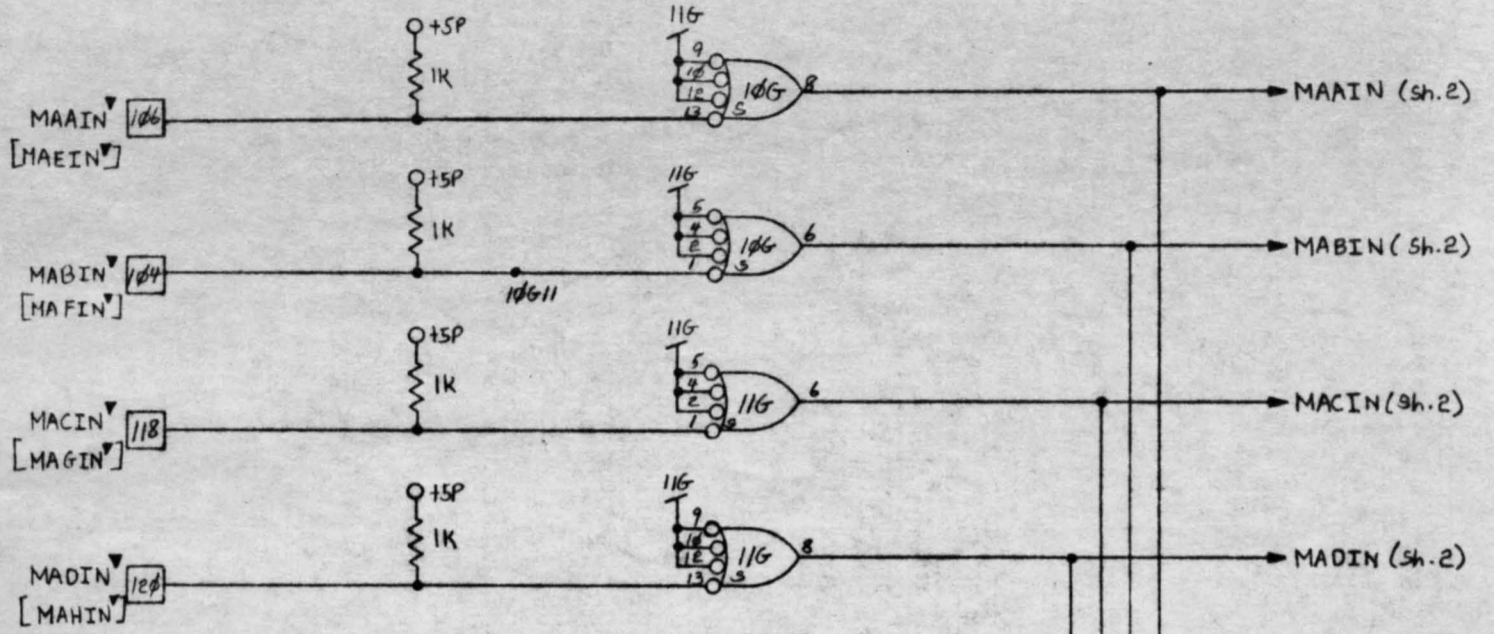




88

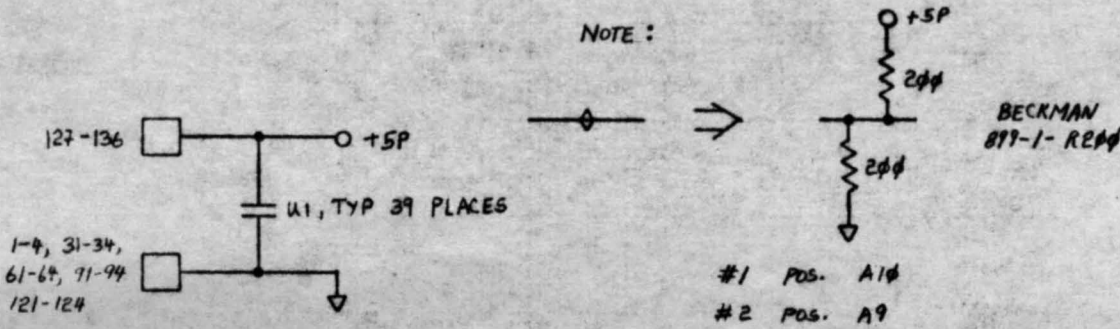
|                              |                                      |    |
|------------------------------|--------------------------------------|----|
| RELEASED                     | DATE                                 | BY |
| REVISIONS                    | DATE                                 | BY |
| DESIGNED BY<br>R. C. ANDREWS | TITLE<br>MICRO ADDRESS<br>PANEL CARD |    |
| CHECKED BY<br>H. HATSUDA     | REV.<br>5                            |    |
| APPROVED BY<br>M. C. B.      | DATE<br>5                            |    |
|                              | PROJECT<br>Ld1073.0                  |    |



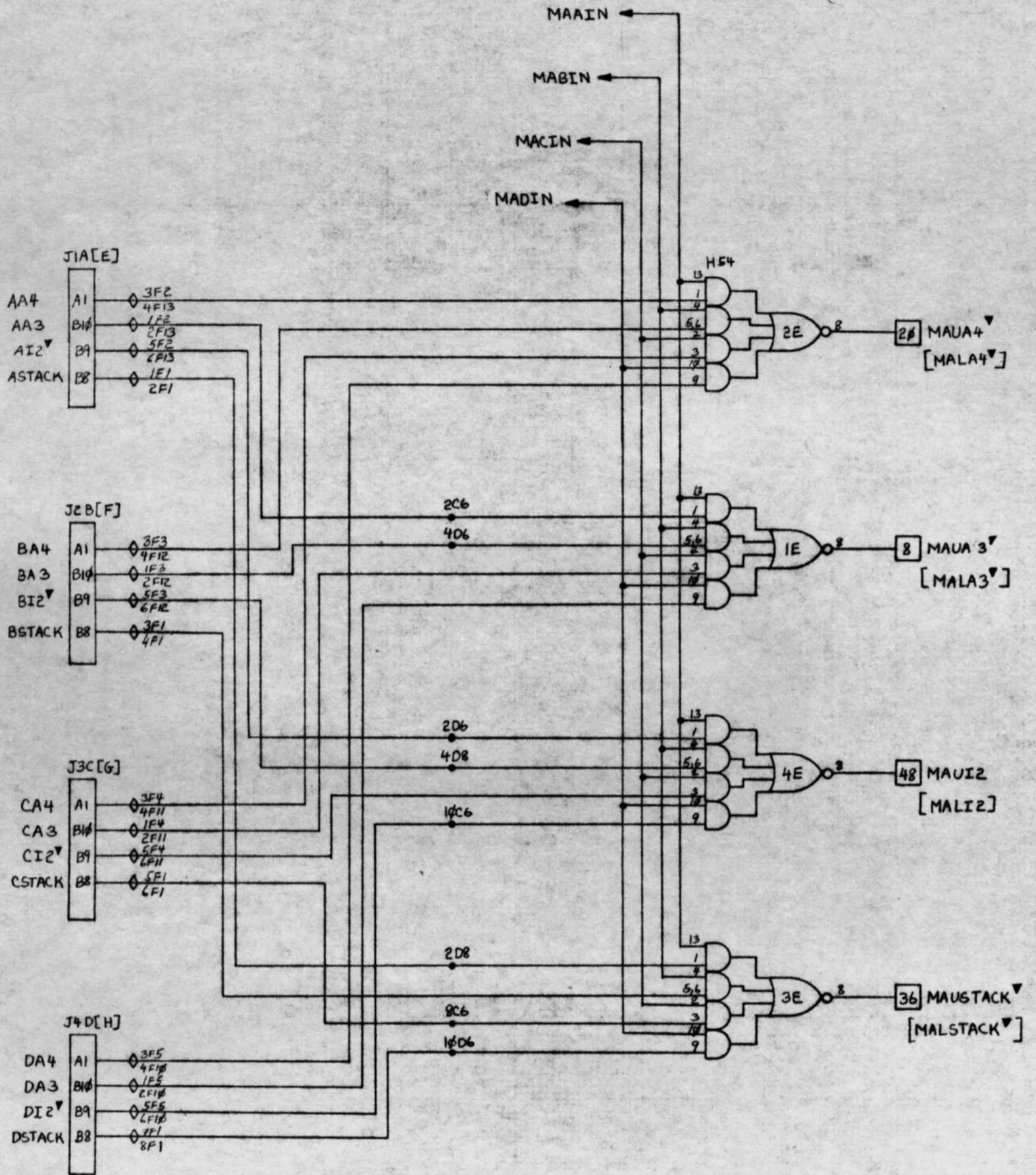


**C9 & C10**

|                              |                             |      |                           |
|------------------------------|-----------------------------|------|---------------------------|
|                              | REVISIONS                   | 0    | RELEASED LATEST REVISIONS |
|                              | DESIGNED BY<br>P. CADESTINI | DATE |                           |
| DRAWN BY<br>M. MATSUYAMA     | REVISIONS                   |      |                           |
| CHECKED BY<br>[Signature]    | DATE                        |      |                           |
| PROJECT<br>MASTER CONTROL    | REVISIONS                   |      |                           |
| RECEIVED CARD, MICRO ADDRESS | DATE                        |      |                           |
| 1<br>3<br>L61072.0           | REVISIONS                   |      |                           |





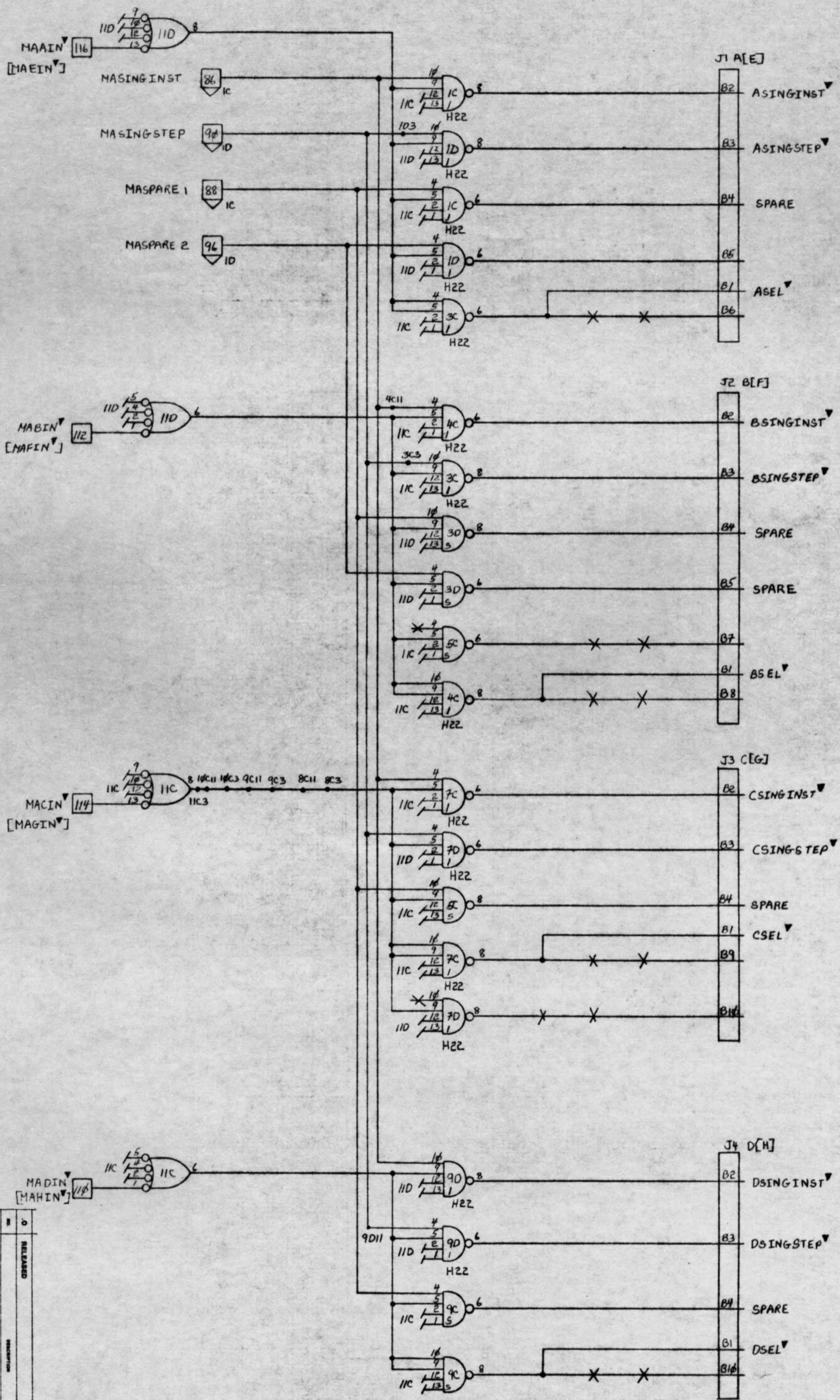


~~APR 1968~~  
C9 & C10

|           |                             |      |    |
|-----------|-----------------------------|------|----|
| NO.       | RELEASED                    | DATE | BY |
| REVISIONS |                             |      |    |
| 1         | RECEIVE CARD, MICRO ADDRESS |      |    |
| 2         | MASTER CONTROL              |      |    |
| 3         |                             |      |    |
| 141072.0  |                             |      |    |

PROJECTED BY: P. CARDESTANI  
 CHECKED BY: N. MATSUYAMA  
 THE ALPHA SYSTEM BCC-500



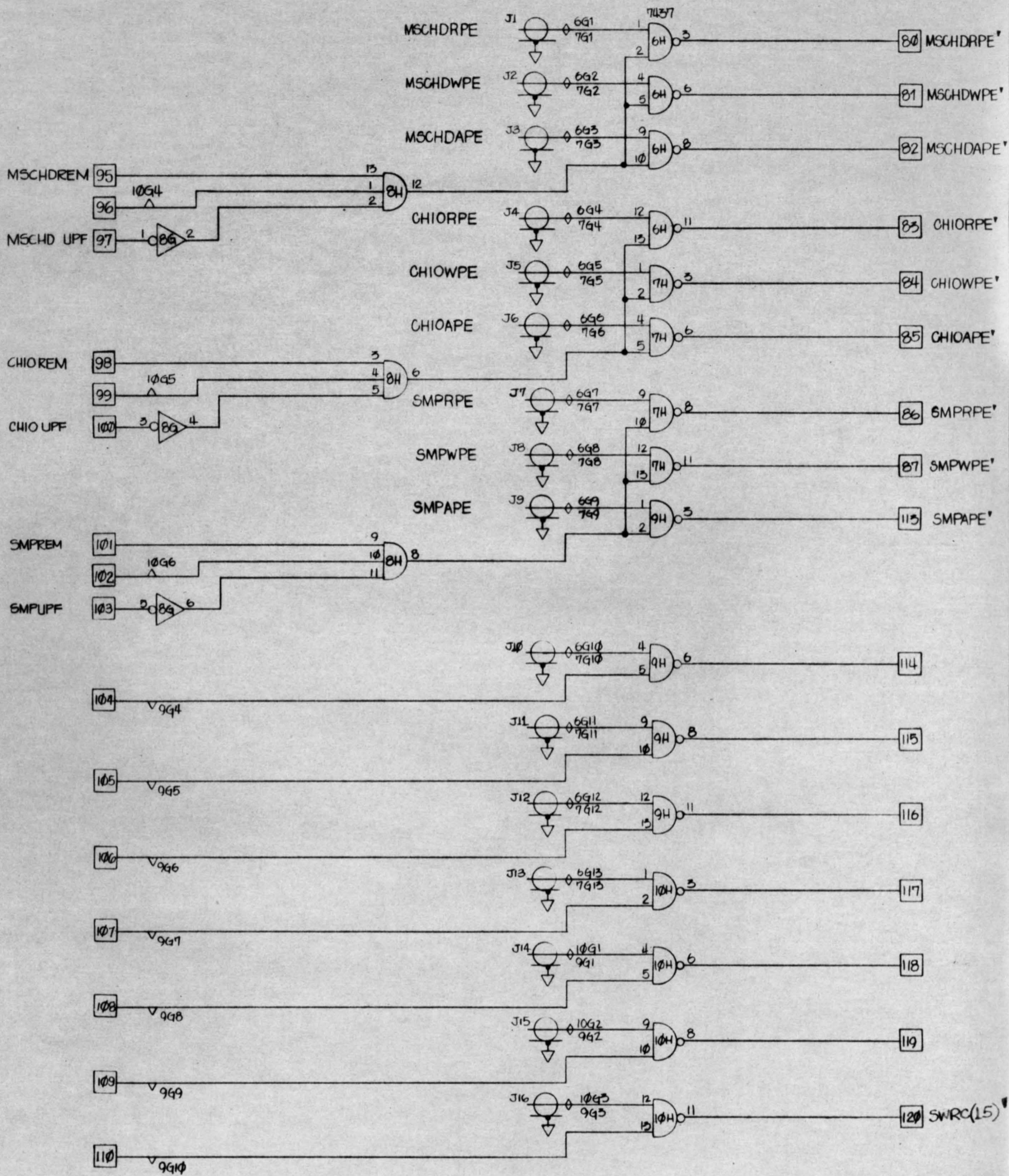


C9 & C10  
~~AD-110~~

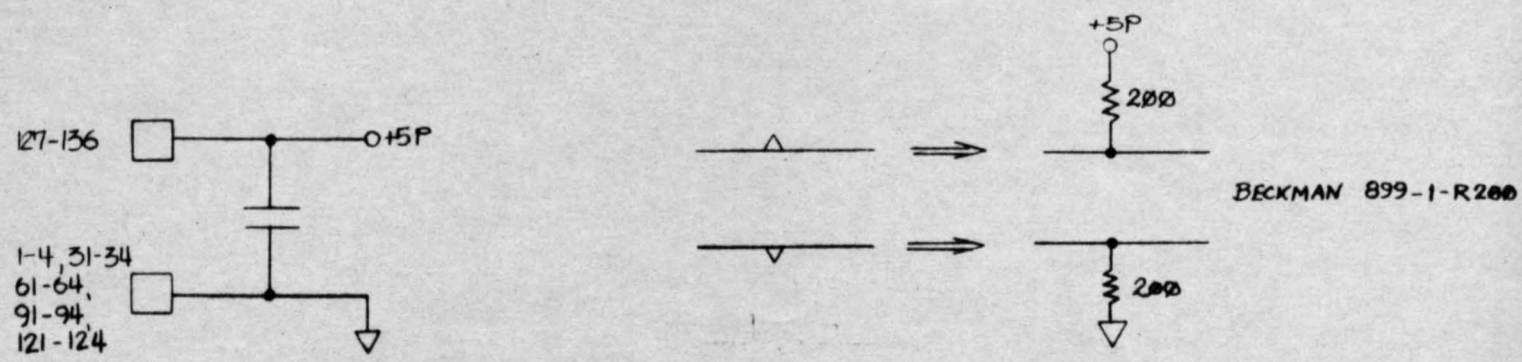
|  |   |
|--|---|
|  | RECEIVED<br>P. CHODSTNY<br>H. MATSUWAKI<br>MASTER CONTROL<br>3 3 LD 10 72.0 |
|--|---|

|   |                             |
|---|-----------------------------|
| RELEASED<br>REVISIONS<br>DATE<br>NAME<br>APPROVED | RECEIVE CARD, MICRO ADDRESS |
|---|-----------------------------|



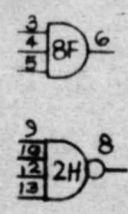
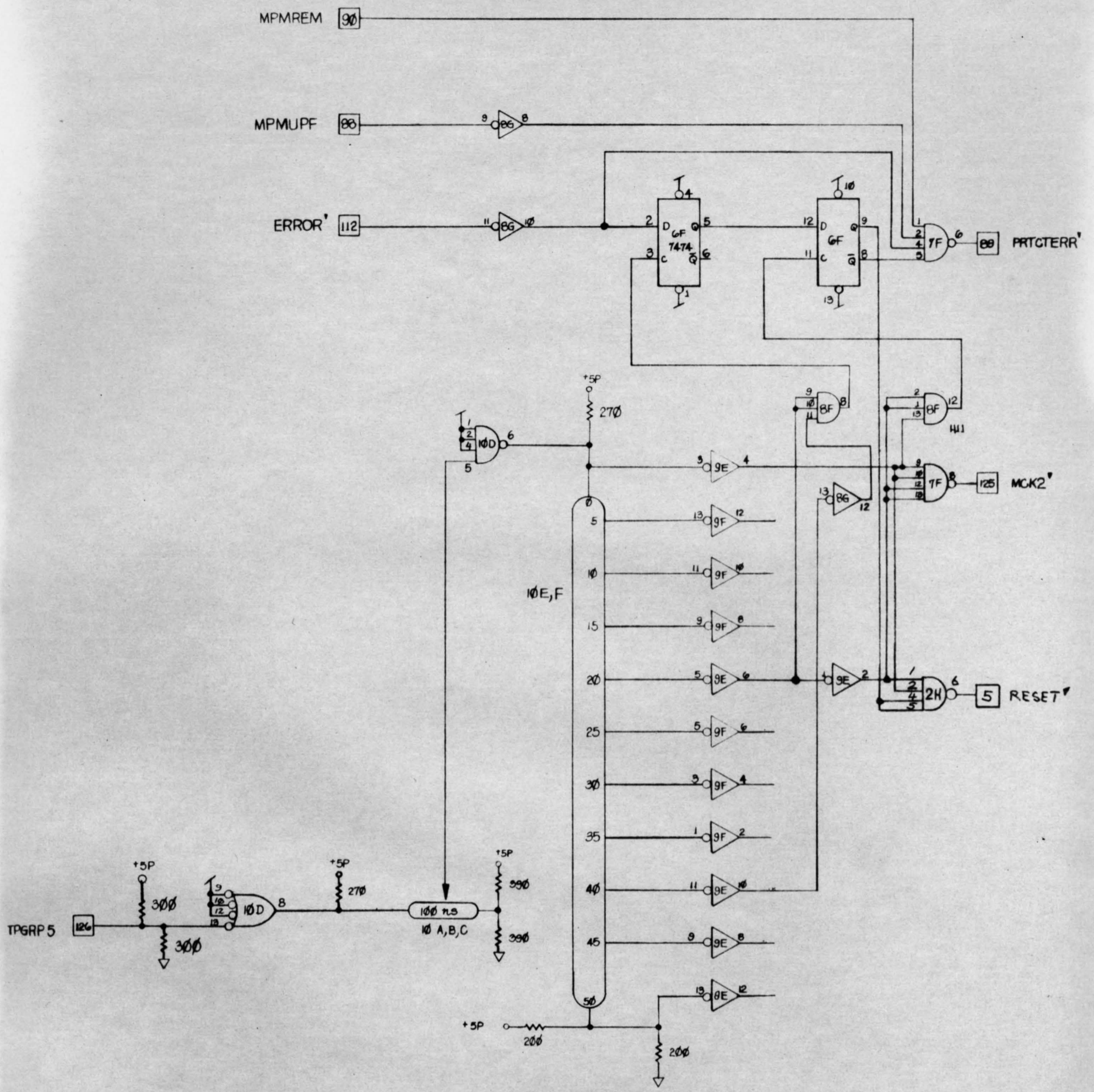


C21



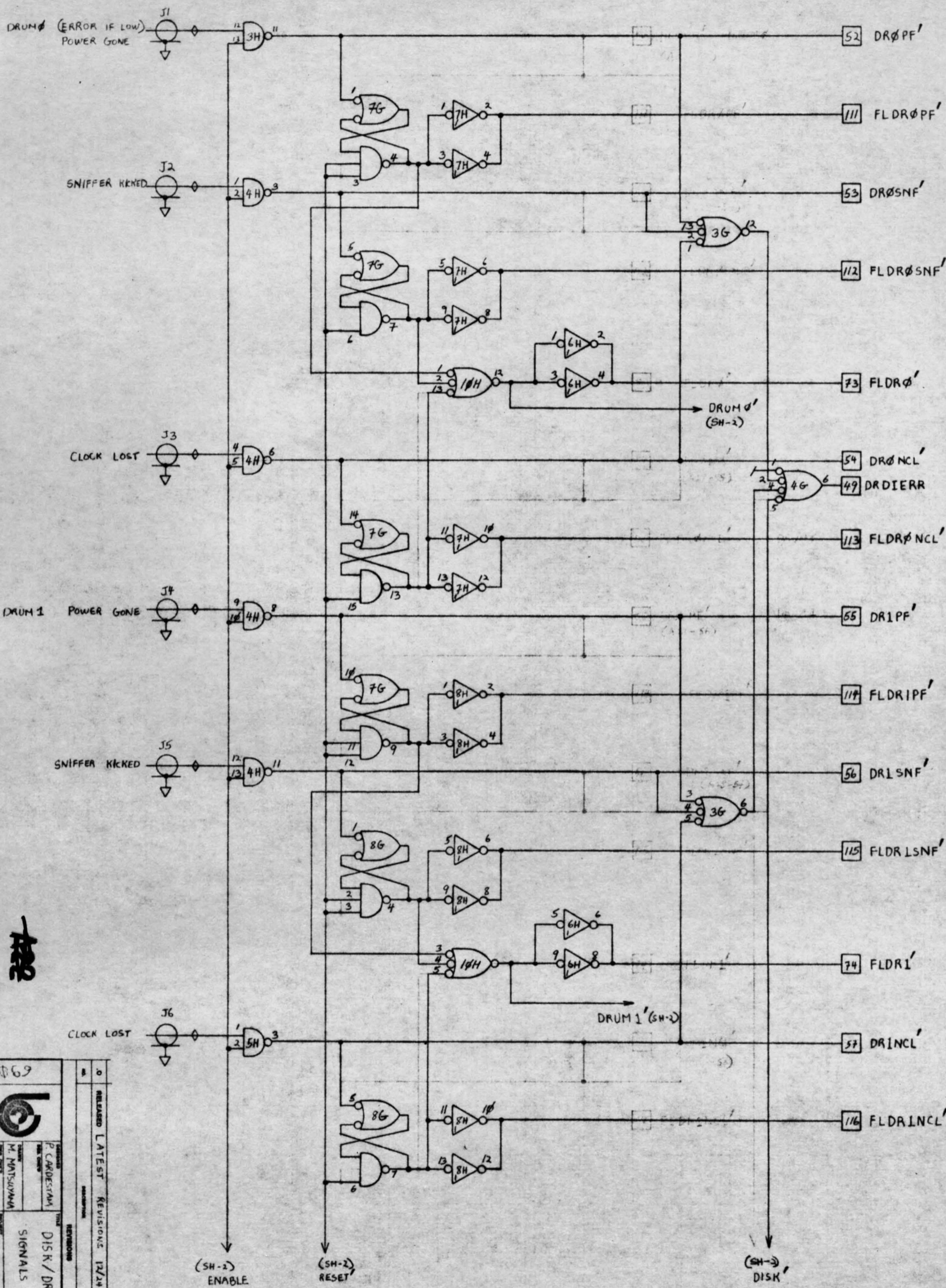
|                            |                                  |
|----------------------------|----------------------------------|
|                            |                                  |
| RELEASED<br>5 DEC 1974     | ENDHILOKA<br>MASTER CONTROL C421 |
| LOCAL CORE<br>PARITY ERROR | 1<br>2<br>L01109.01              |





|   |  |
|---|--|
|   |  |
| RELEASED<br>DATE: _____<br>BY: _____                                  | REVISIONS<br>NO. _____<br>DATE: _____<br>BY: _____ |
| TITLE<br><b>LOCAL CORE PARITY ERROR</b><br><b>MASTER CONTROL CA21</b> |  |
| PROJECT: _____<br>DRAWING NO.: _____<br>DATE: 5 DEC 1974              | REVISIONS<br>NO. 2<br>DATE: _____<br>BY: _____     |
| L01109.01   |  |





C22

101069

The Alpha System RDC-300

M. MATSUMA

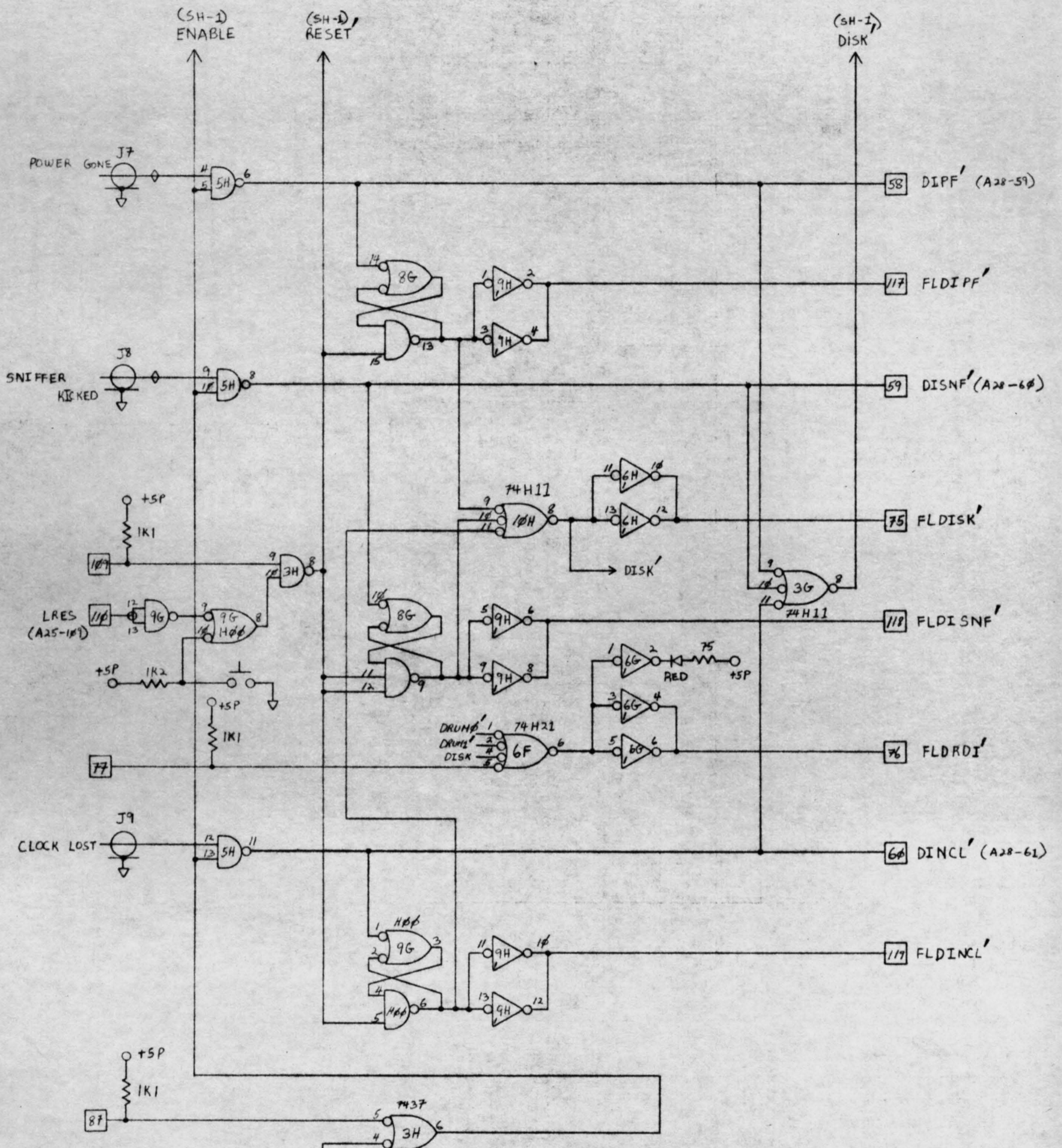
DISK/DRUM FAILURE SIGNALS

MASTER CONTROL

2 101067 d

|                                   |      |    |          |
|-----------------------------------|------|----|----------|
| REVISED LATEST REVISIONS 12/24/73 | DATE | BY | APPROVED |
|                                   |      |    |          |



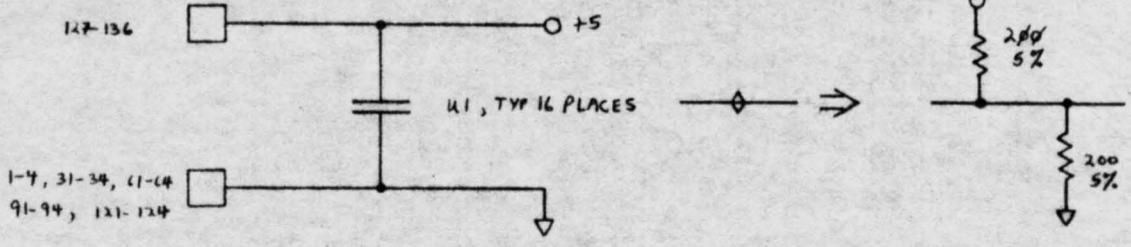


**C22**

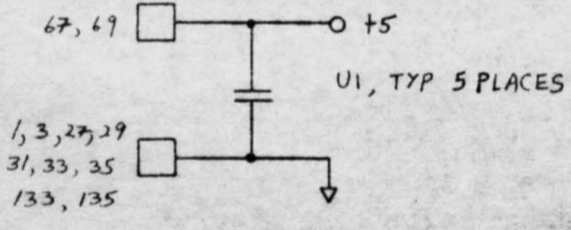
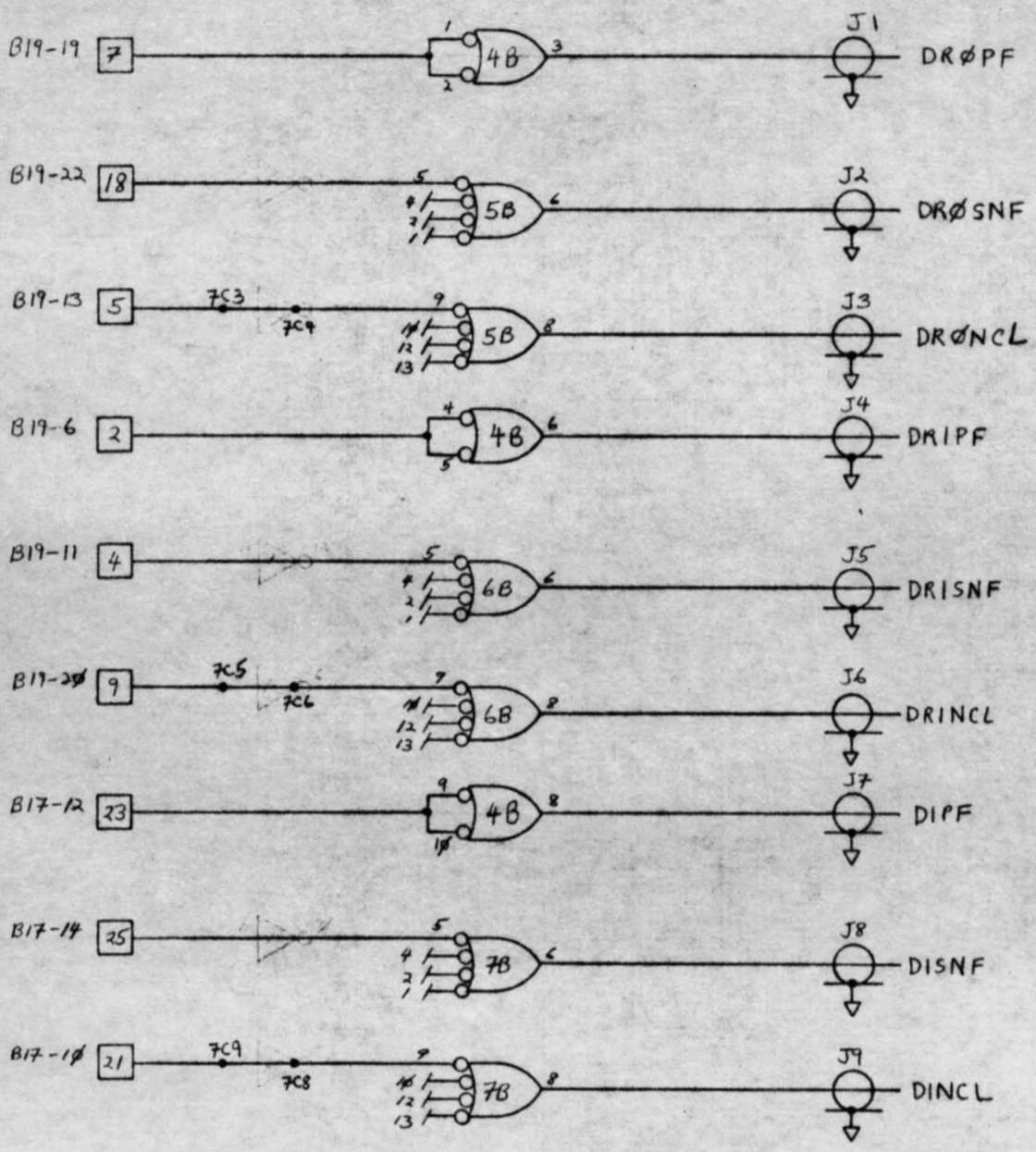
|                           |                |
|---------------------------|----------------|
| L01469                    |                |
| The Alpha System BCC-500  |                |
| DESIGNED BY               | P. CHAKRABARTI |
| CHECKED BY                | H. NATARAJANA  |
| DATE                      | 10/16/70       |
| MASTER CONTROL C22        |                |
| DISK/DRUM FAILURE SIGNALS |                |

| REV | DATE | DESCRIPTION               |
|-----|------|---------------------------|
| 0   |      | RELEASED LATEST REVISIONS |

88 AMTUREM (A25-109)  
65 AMTUPF







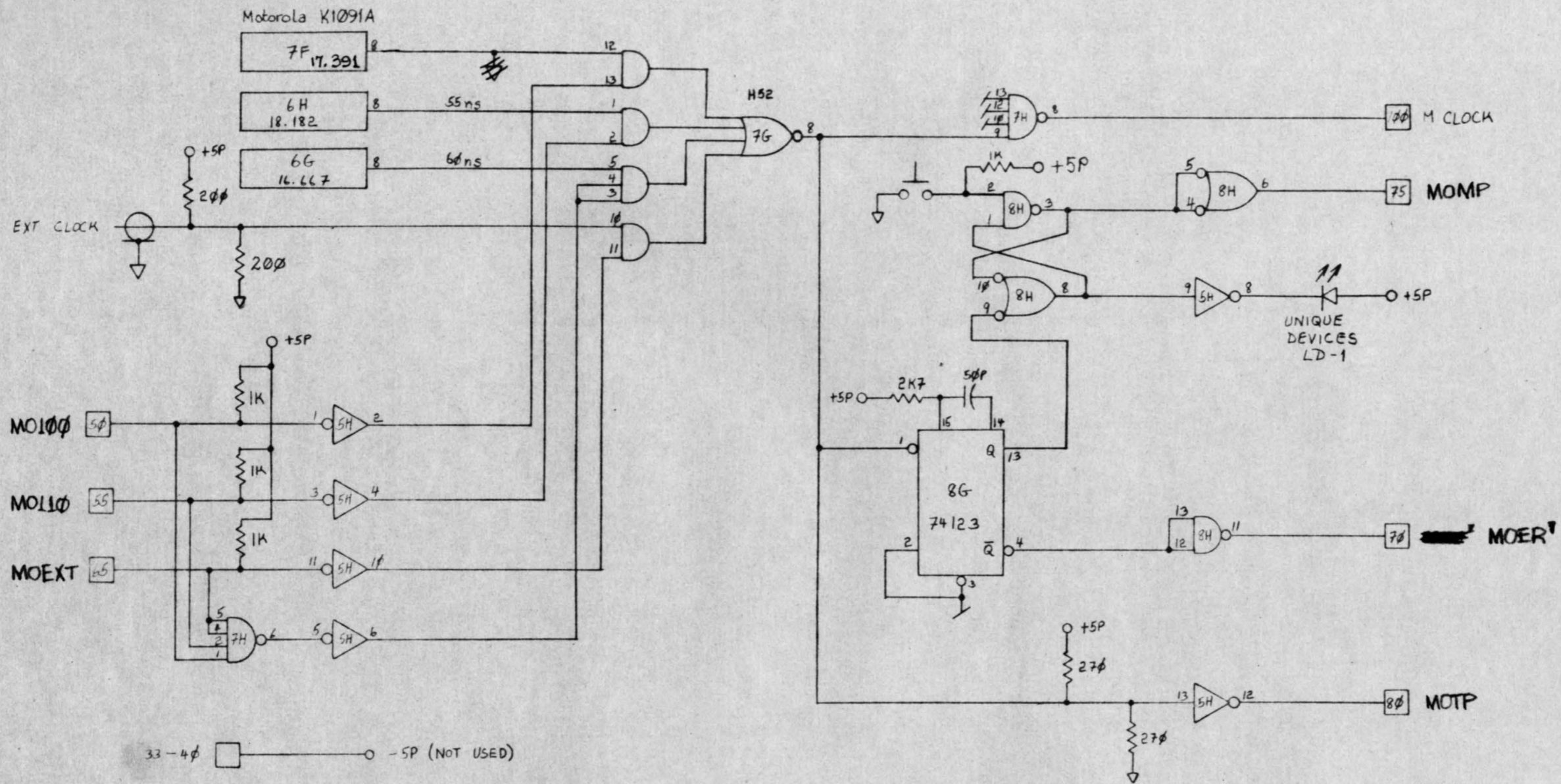
AMTU B18

|                                    |   |
|------------------------------------|---|
| LØ1068                             |   |
|                                    | DESIGNED BY<br>P. CARLSEN<br>M. MATSUYAMA<br>CHECKED BY<br>M. MATSUYAMA |
| RELEASED LATEST REVISIONS 12/25/73 | TITLE<br>DRUM/DISK ERROR SIGNALS  |
| AMTU B18                           | LØ1068  |









33-40 -5P (NOT USED)

127-136 +5P

11, 12, 21, 22  
31, 32, 41, 42  
51, 52, 61, 62  
71, 72, 81, 82  
91, 92, 101, 102



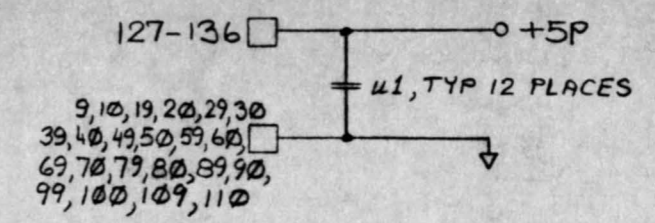
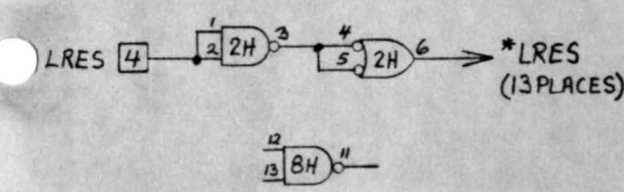
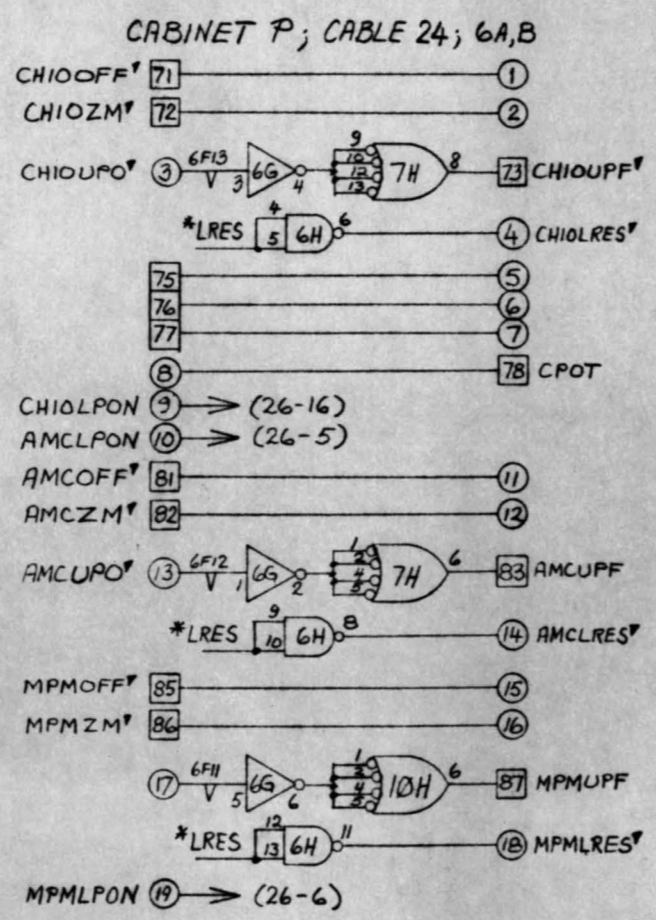
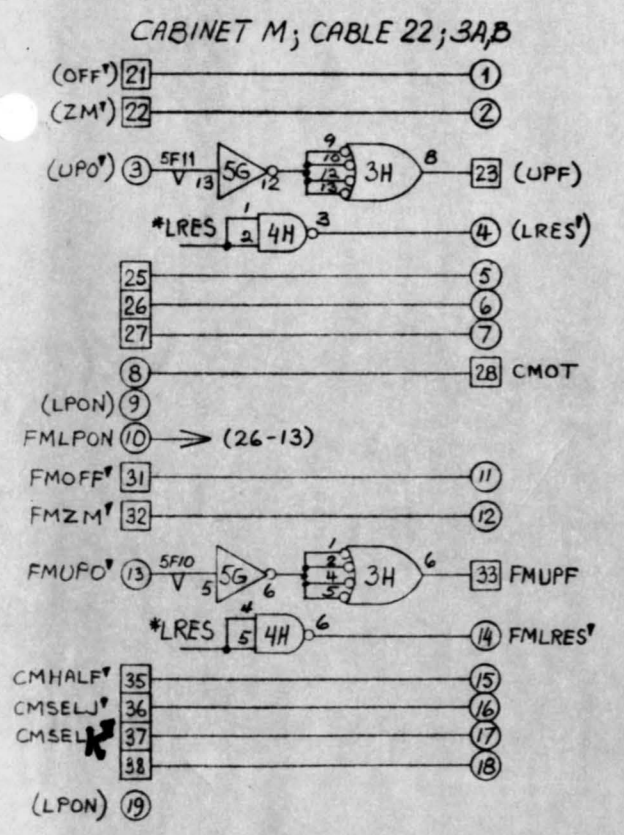
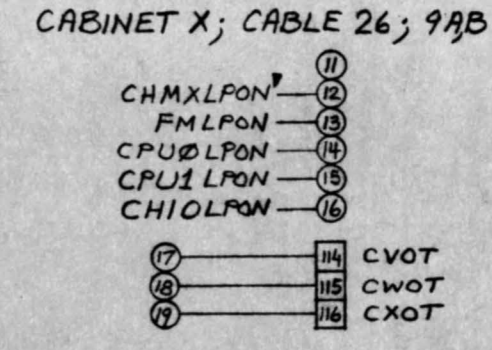
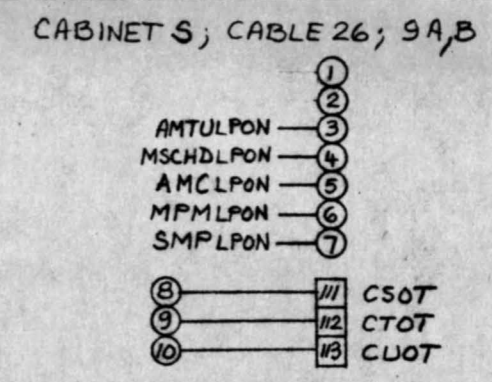
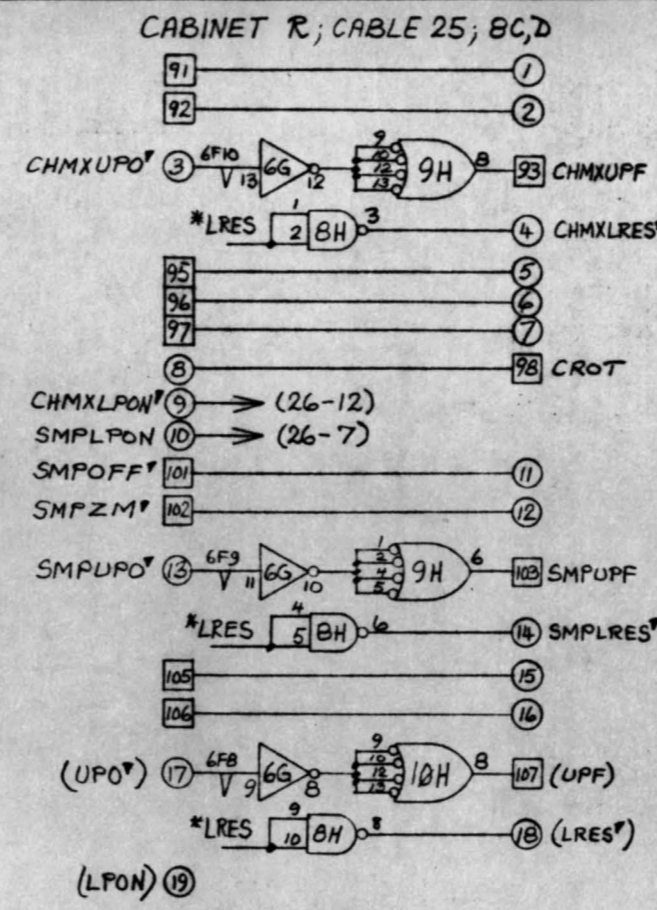
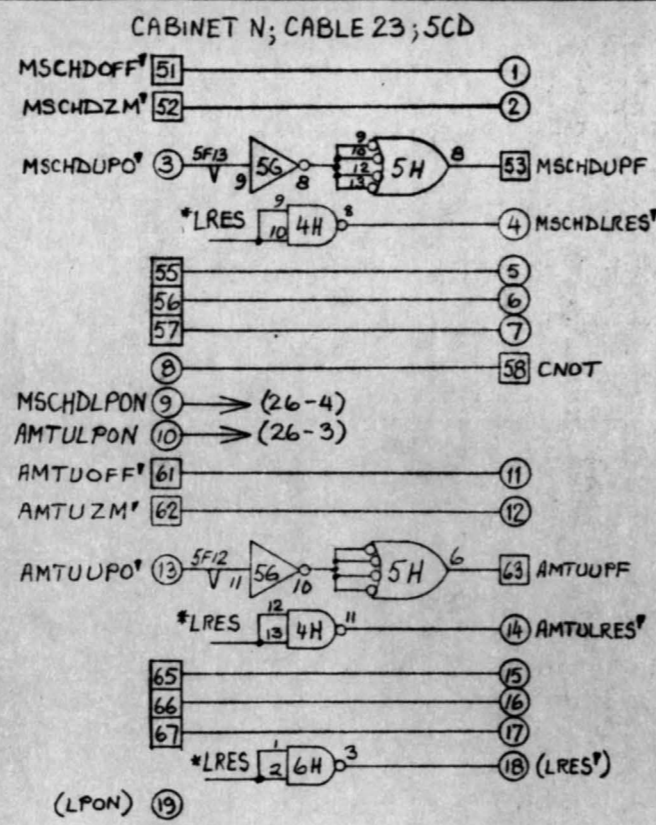
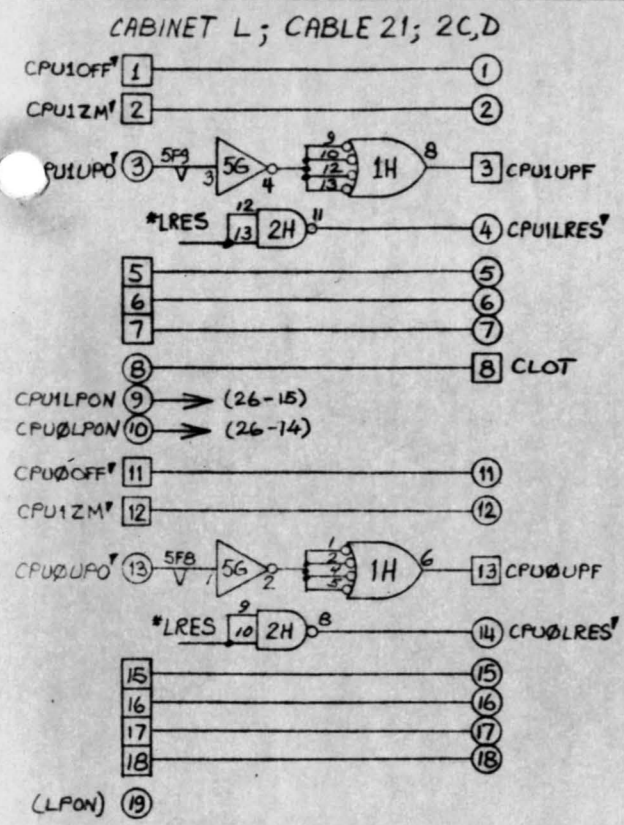
C24

|           |                          |                            |              |              |
|-----------|--------------------------|----------------------------|--------------|--------------|
| 0         | RELEASED                 |                            |              |              |
| NO        | DESCRIPTION              | DATE                       | DRAWN        | APPROVED     |
| REVISIONS |                          |                            |              |              |
|           | DESIGNED<br>M. MATSUYAMA | TITLE<br>MASTER OSCILLATOR |              |              |
|           | DRAWN<br>M. MATSUYAMA    | PROJECT<br>MC-A24          | SCALE<br>1/1 | SHEET<br>1/1 |









14, 24, 34, 41-48, 54, 64, 68, 74, 84, 88, 94, 104, 108, 117-126

NOTES: 1. SN74H04 IN 5G & 6G (2)  
 SN74H40 IN 1H, 3H, 5H, 7H, 9H & 10H (6)  
 SN7437 IN 2H, 4H, 6H, 8H (4) (NOT MOUNTED)

2. SYMBOL  $\nabla$  IS:  

 150  $\Omega$ , 10%  
 1/4W, CARBON

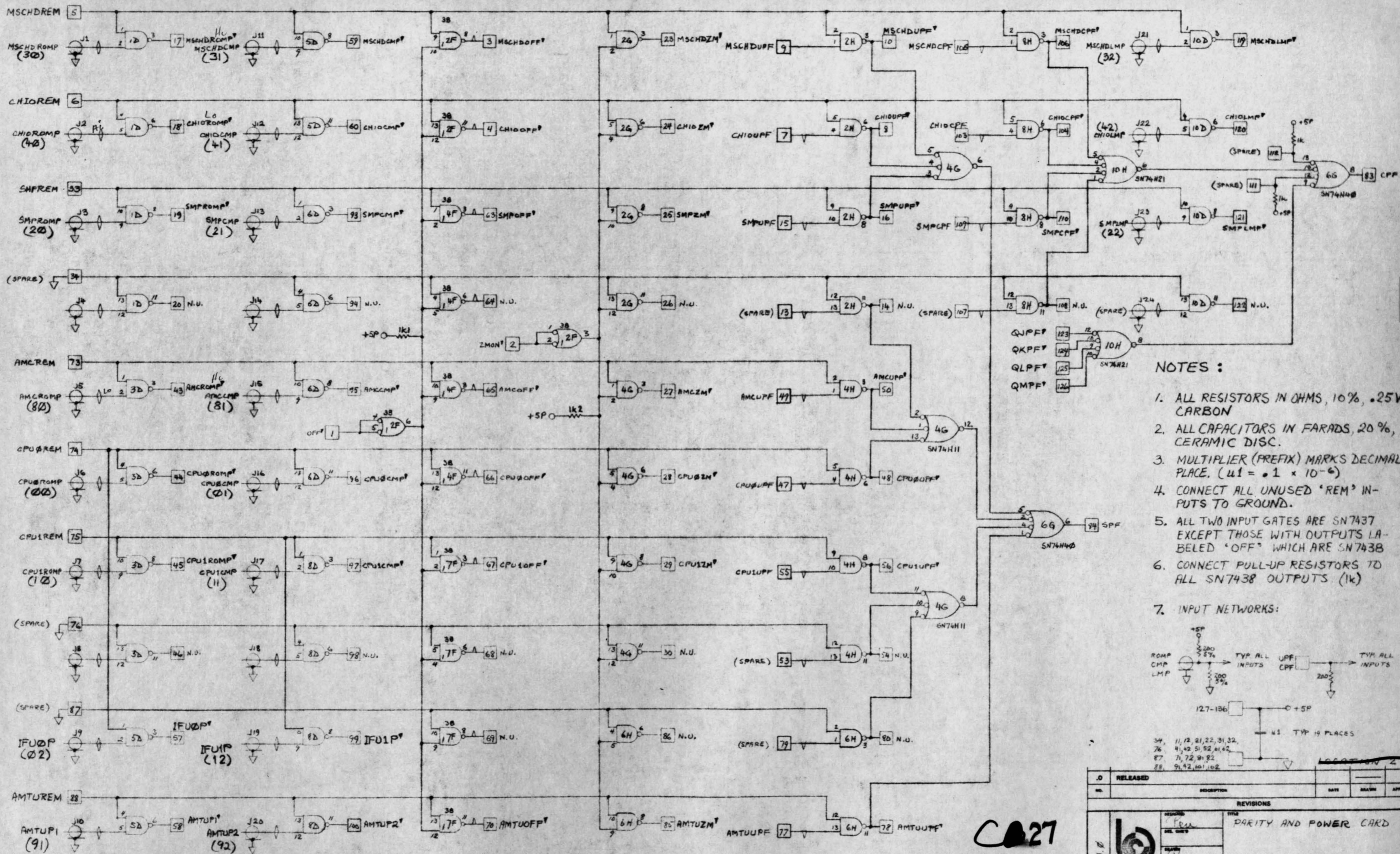
3. SYMBOL  $\otimes$  IS PIN NUMBER xx IN CONNECTOR A-MP 86577-3 69-42 FOR THE CABLE AND A-MP 1-86063-5 70-12 MOUNTED ON THIS BOARD.

4. 20 - 28 ARE ALL GND.

C 26

| NO.                     | RELEASED | DESCRIPTION                      | DATE     | DRAWN | APPROVED |
|-------------------------|----------|----------------------------------|----------|-------|----------|
| REVISIONS               |          |                                  |          |       |          |
| 1                       |          | CABLE CARD # 2<br>MC TO CABINETS |          |       |          |
| PROJECT: MASTER CONTROL |          |                                  |          |       |          |
| 2613                    | 1        | 1                                | 101029.2 |       |          |

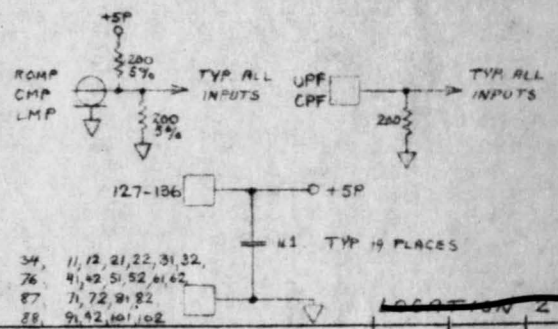




**NOTES :**

1. ALL RESISTORS IN OHMS, 10%, .25W, CARBON
2. ALL CAPACITORS IN FARADS, 20%, CERAMIC DISC.
3. MULTIPLIER (PREFIX) MARKS DECIMAL PLACE. ( $\mu 1 = .1 \times 10^{-6}$ )
4. CONNECT ALL UNUSED 'REM' INPUTS TO GROUND.
5. ALL TWO INPUT GATES ARE SN7437 EXCEPT THOSE WITH OUTPUTS LABELED 'OFF' WHICH ARE SN7438
6. CONNECT PULL-UP RESISTORS TO ALL SN7438 OUTPUTS (1k)

**7. INPUT NETWORKS:**



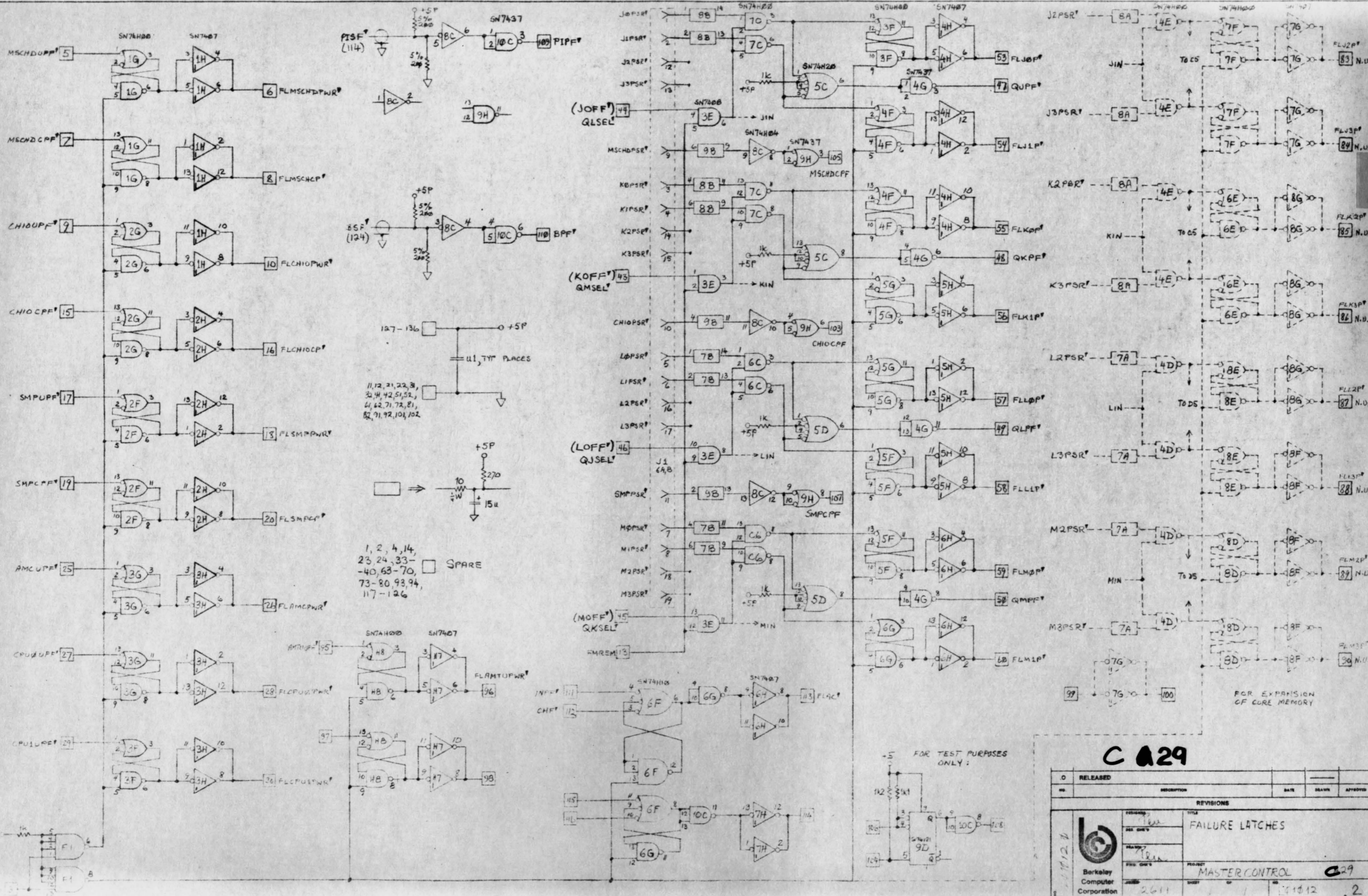
**C27**

89, 90, 113-118, 35-40

SPARE PINS  
 NOT USED (FOR -5P)

| NO.       | RELEASED | DESCRIPTION           | DATE | MADE | APPROVED |
|-----------|----------|-----------------------|------|------|----------|
| REVISIONS |          |                       |      |      |          |
| 1         | DESIGNED | PARITY AND POWER CARD |      |      |          |
| 2         | REV. CHG |                       |      |      |          |
| 3         | REV. CHG |                       |      |      |          |
| 4         | REV. CHG |                       |      |      |          |
| 5         | REV. CHG |                       |      |      |          |
| 2609      |          | MASTER CONTROL        |      | C27  |          |
| 2609      |          | L31010                |      | 1    |          |





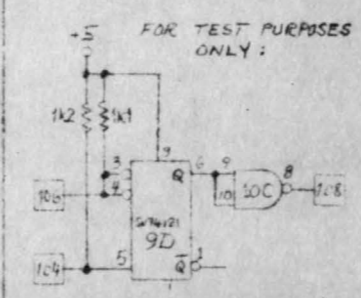
11, 12, 21, 22, 31, 32, 41, 42, 51, 52, 61, 62, 71, 72, 81, 82, 91, 92, 101, 102

127-136

11, 12, 21, 22, 31, 32, 41, 42, 51, 52, 61, 62, 71, 72, 81, 82, 91, 92, 101, 102

1, 2, 4, 14, 23, 24, 33, 40, 63, 70, 73, 80, 93, 94, 117-126

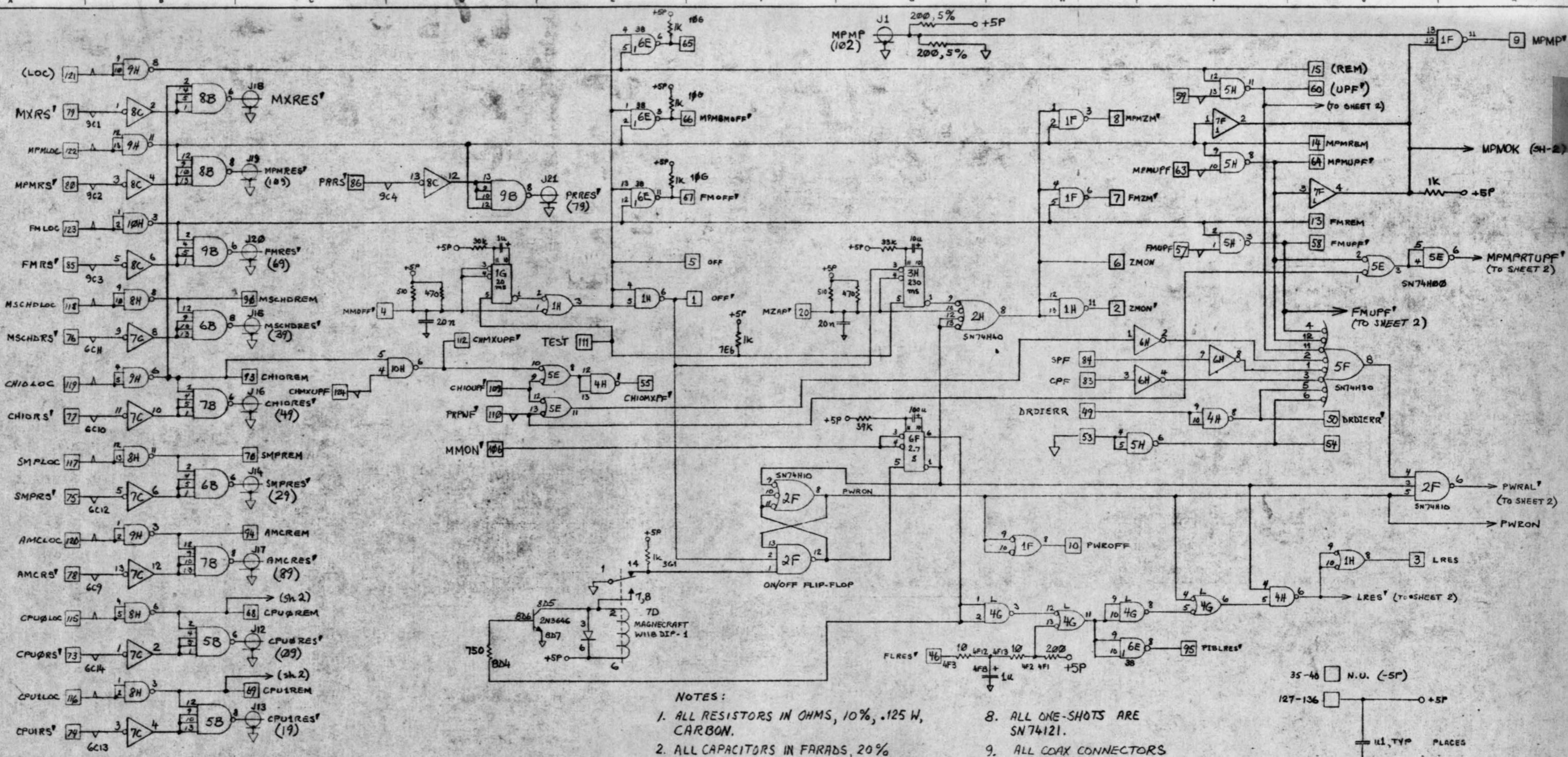
SPARE

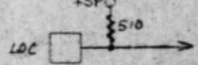
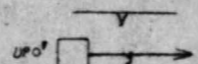


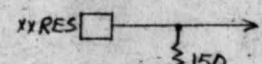
**C 029**

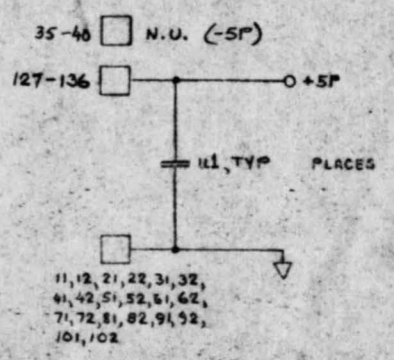
| NO        | RELEASED            | DESCRIPTION | DATE | DRAWN | APPROVED |
|-----------|---------------------|-------------|------|-------|----------|
| 0         | RELEASED            |             |      |       |          |
| REVISIONS |                     |             |      |       |          |
| DESIGNED  | TITLE               |             |      |       |          |
| CHK'D     | FAILURE LATCHES     |             |      |       |          |
| DRAWN     | PROJECT             |             |      |       |          |
| FILED     | MASTER CONTROL C 29 |             |      |       |          |
| JOB#      | SHEET               |             |      |       |          |
| 2611      | 11012               |             |      |       |          |
|           | 2                   |             |      |       |          |





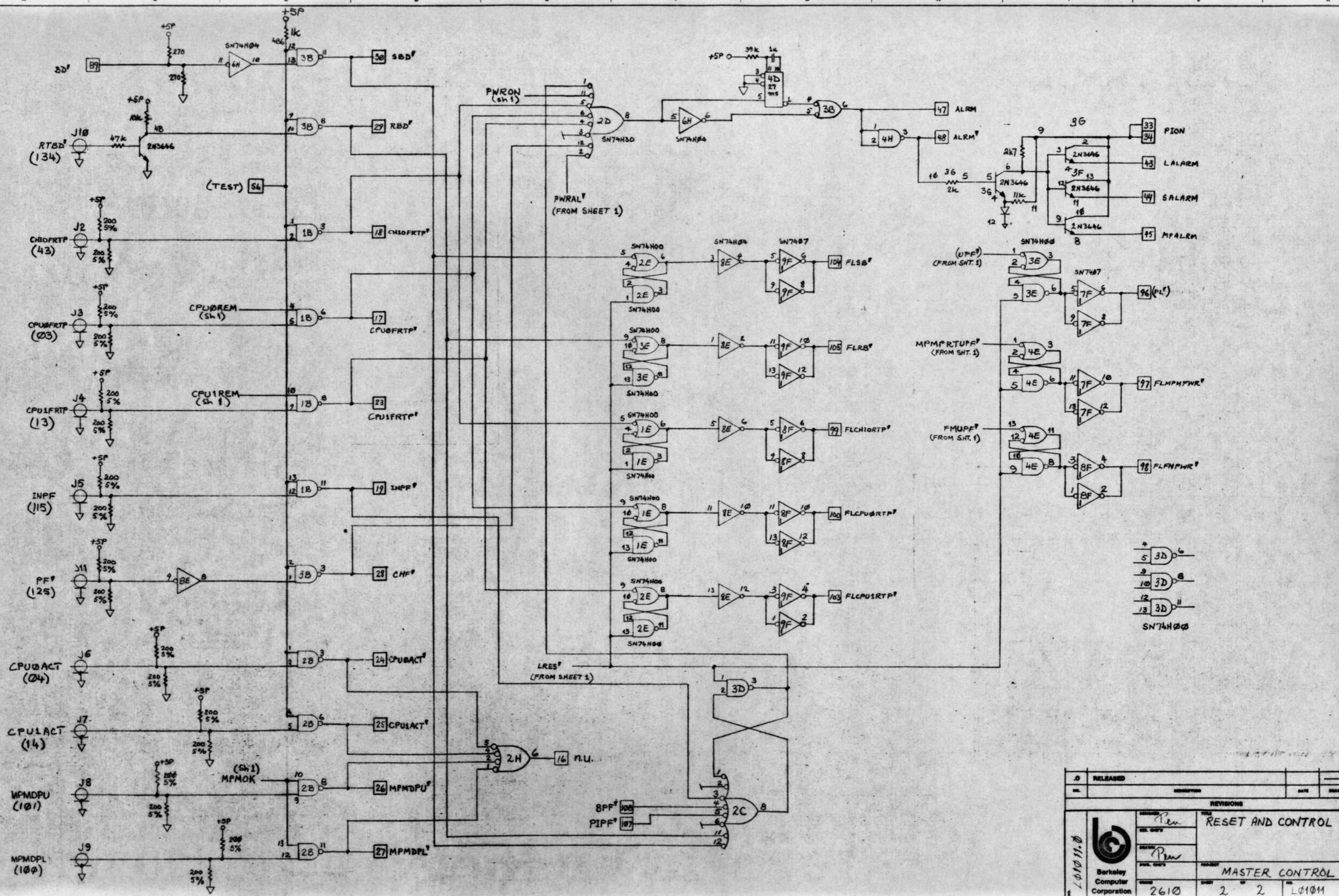
- NOTES:
1. ALL RESISTORS IN OHMS, 10%, .125 W, CARBON.
  2. ALL CAPACITORS IN FARADS, 20%
  3. MULTIPLIER (PREFIX) MARKS DECIMAL PLACE. ( $\mu = .1 \times 10^{-6}$ )
  4. ALL TWO INPUT GATES ARE SN7437 EXCEPT: a) 38 MEANS SN7438 b) L MEANS SN74L00.
  5. ALL 'LOC' INPUTS:  

  6. ALL 'UPD' INPUTS:  

  7. HEX INVERTERS ARE SN74H04

8. ALL ONE-SHOTS ARE SN74121.
9. ALL COAX CONNECTORS ARE API-50107-1
10. ALL RESET INPUTS:  




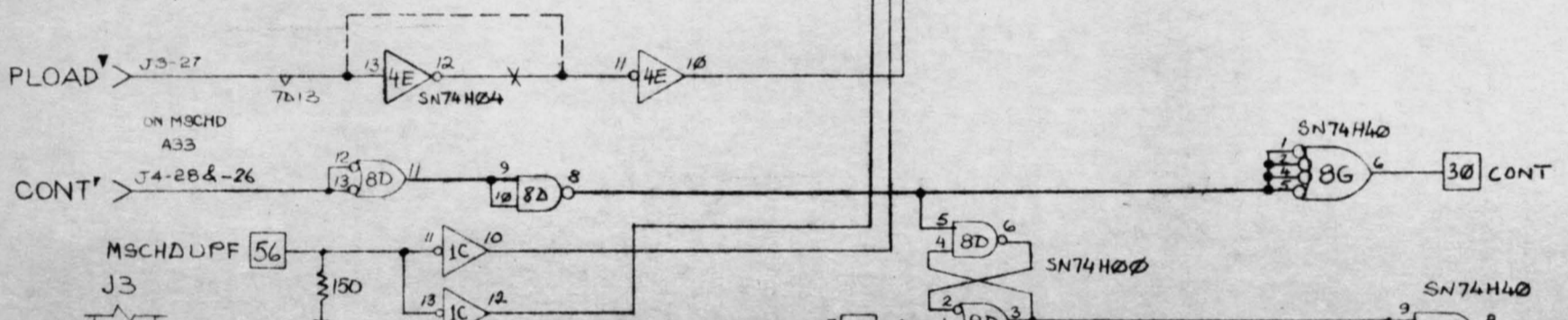
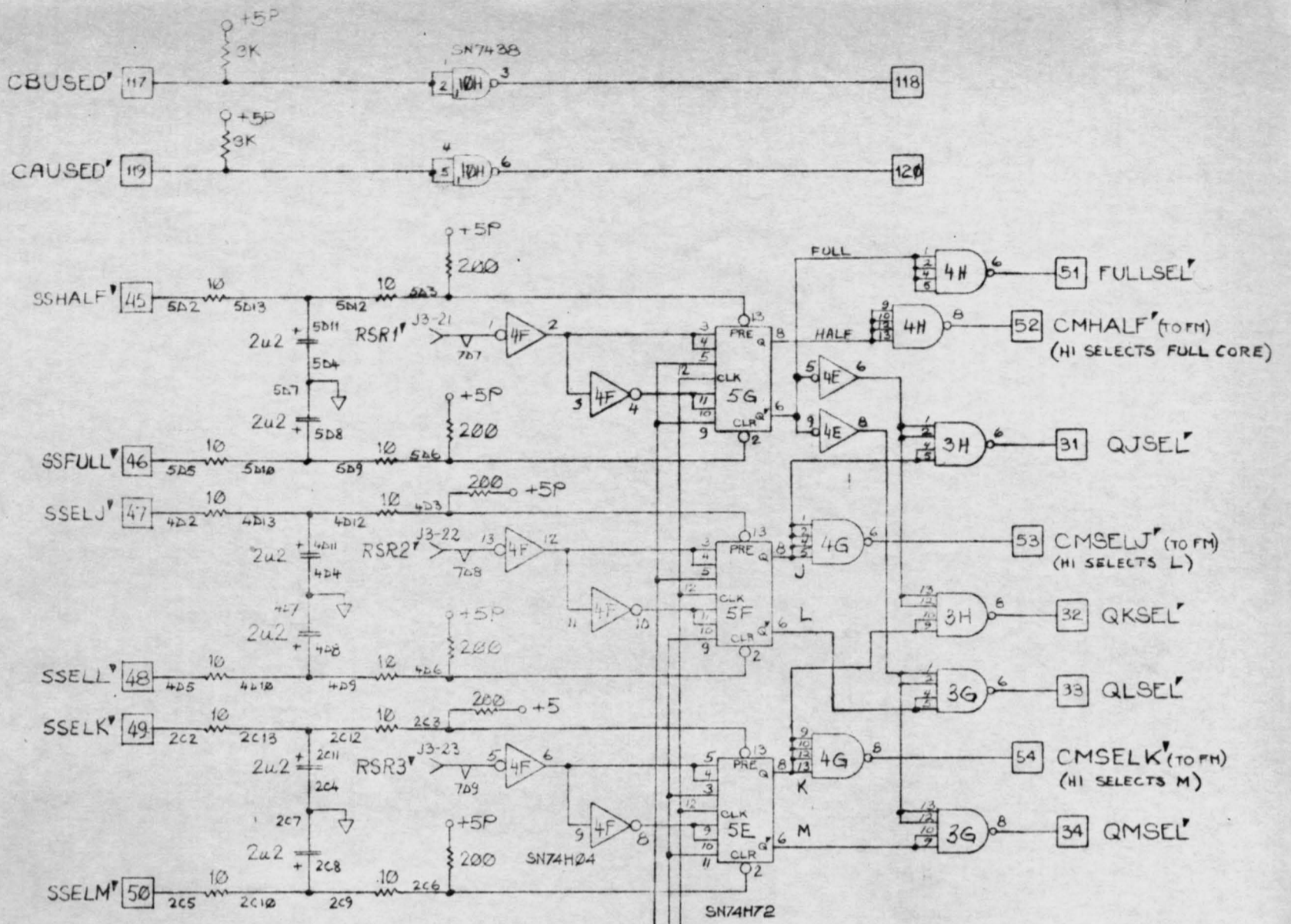
| LOCATION 30 |          |                        |        |               |
|-------------|----------|------------------------|--------|---------------|
| NO.         | RELEASED | DESCRIPTION            | DATE   | APPROVED      |
| REVISIONS   |          |                        |        |               |
| DESIGNED    | DATE     | TITLE                  |        |               |
| DEL. CH'G   |          | RESET AND CONTROL CARD |        |               |
| REVIS'D     |          | PROJECT                |        |               |
| SYN. CH'G   |          | MASTER CONTROL C30     |        |               |
| NO.         | 2610     | SHEET                  | 1 OF 2 | NO. LQ1011 .3 |



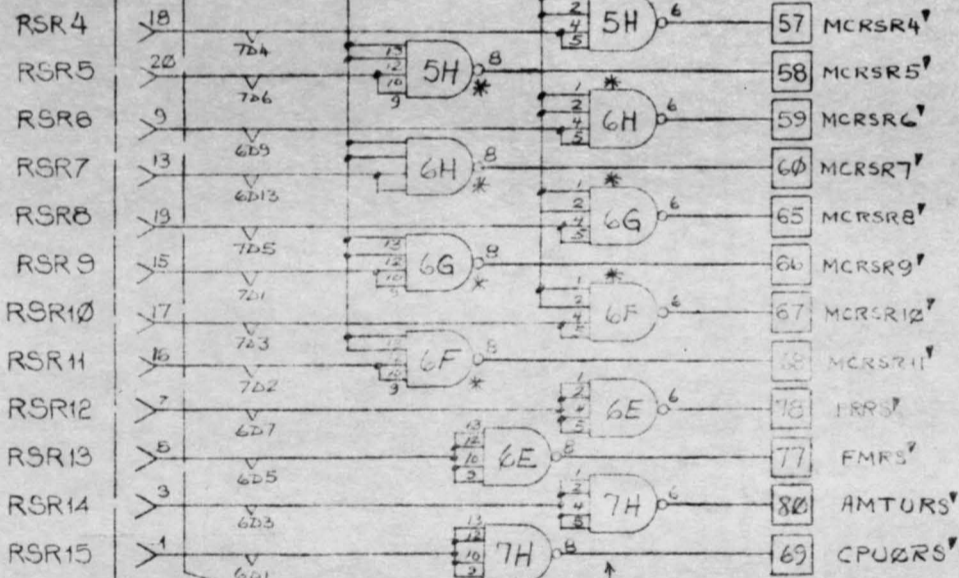


| .0 RELEASED                       |             | DATE                        |          | APPROVED |            |
|-----------------------------------|-------------|-----------------------------|----------|----------|------------|
| REVISIONS                         |             |                             |          |          |            |
| NO.                               | DESCRIPTION | DATE                        | NAME     | APPROVED |            |
| <b>RESET AND CONTROL CARD</b>     |             |                             |          |          |            |
| <br>Berkeley Computer Corporation |             | PROJECT: MASTER CONTROL C30 |          |          |            |
|                                   |             | FORM: 2610                  | SHEET: 2 | OF: 2    | NO: L01011 |

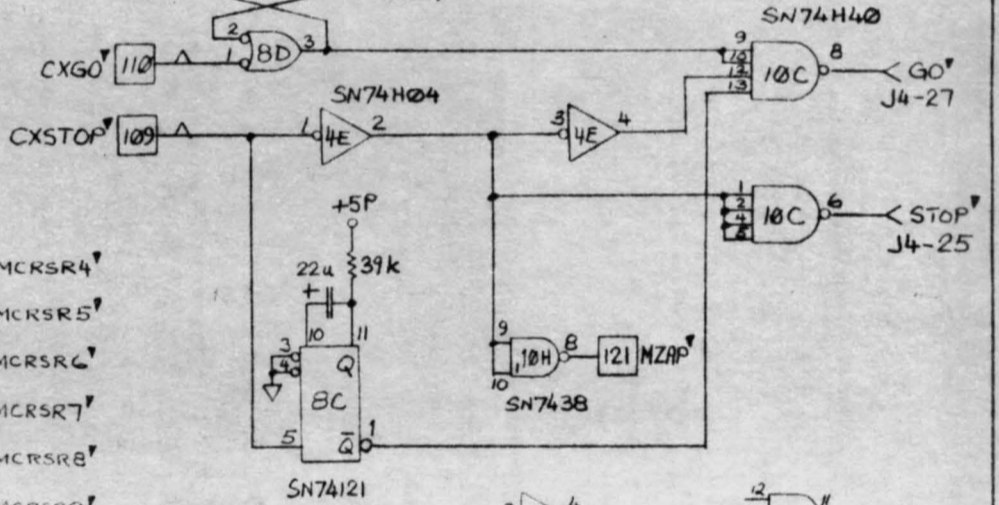




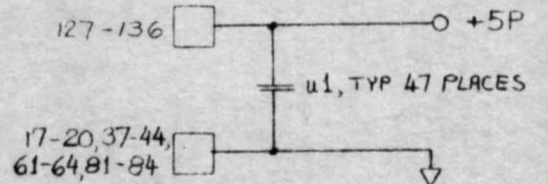
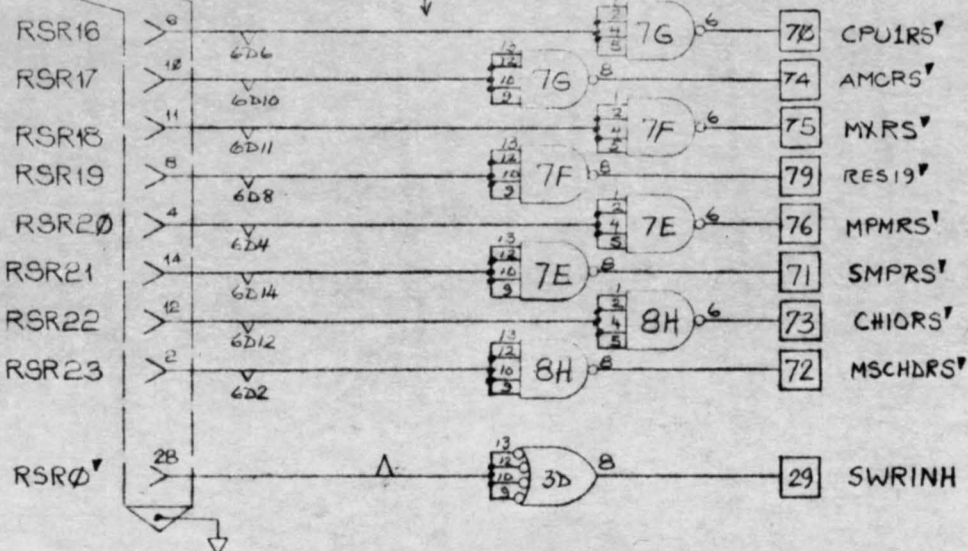
FROM J3 ON  
MSCHD  
A33



ALL SN74H40

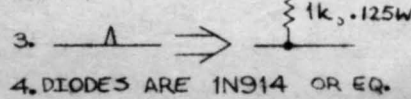
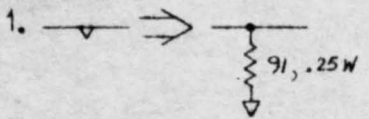


\*DO NOT MOUNT 5H, 6F, 6G, 6H BUT DO  
INSTALL ALL WIRING FOR THEM



35, 36, 55, 122-126 SPARES

NOTES:



4. DIODES ARE 1N914 OR EQ.

C 31

|  |  |      |    |
|--|--|------|----|
|  | RELEASED   | DATE | BY |
|  | LATEST REVISIONS 7/7/74<br>MSCHD CONTROL<br>CABLE CARD #4<br>MASTER CONTROL<br>2 L01030 .2 | 431  |    |

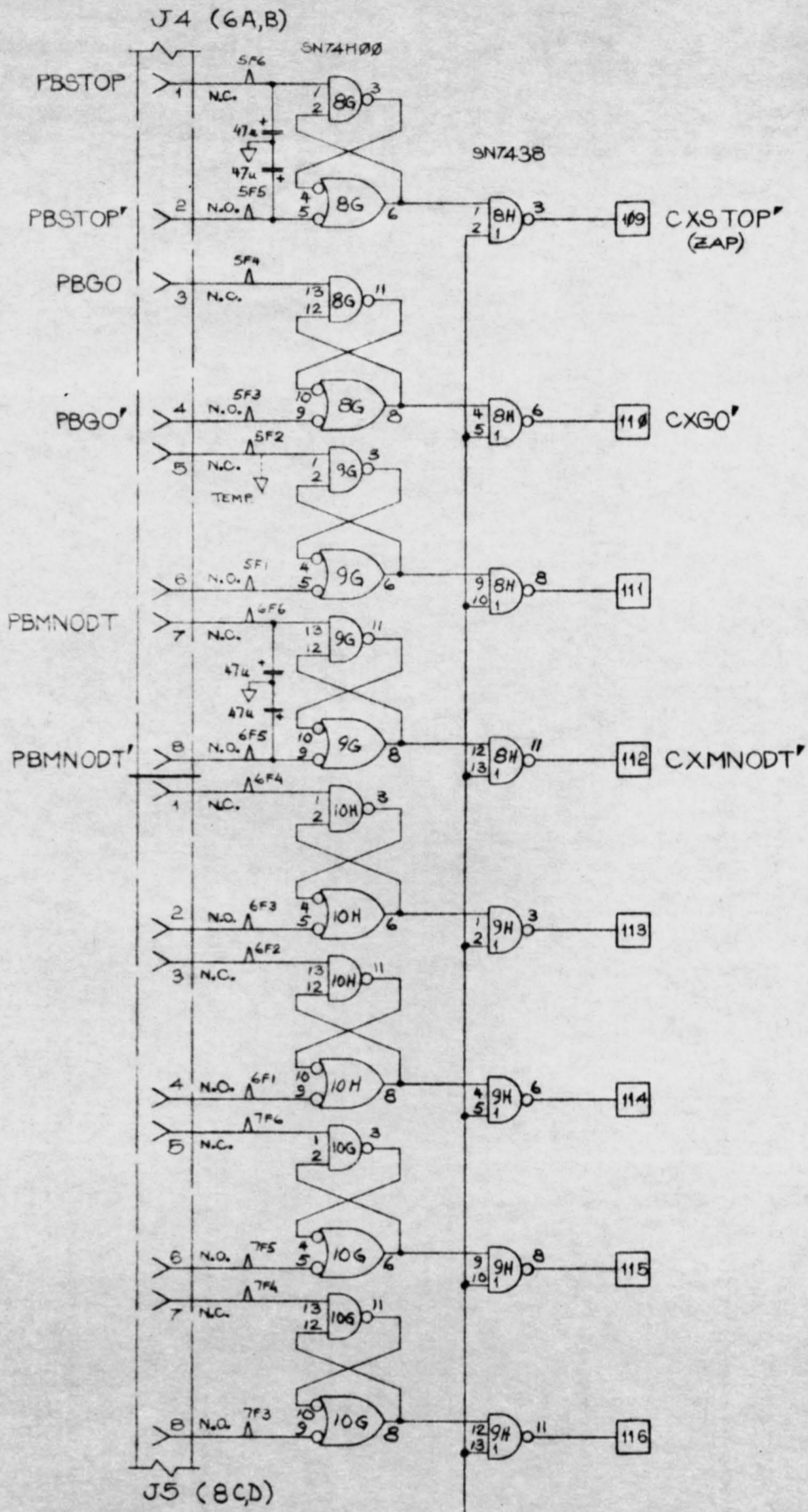
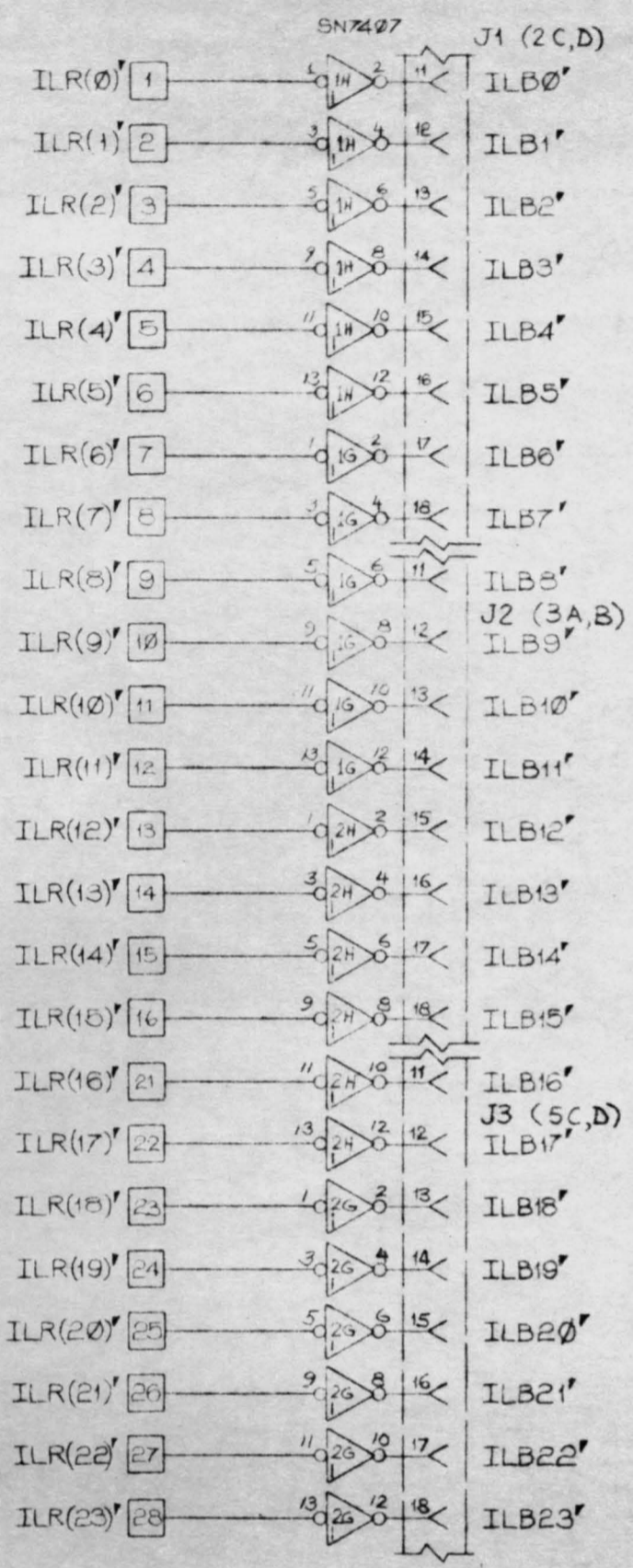








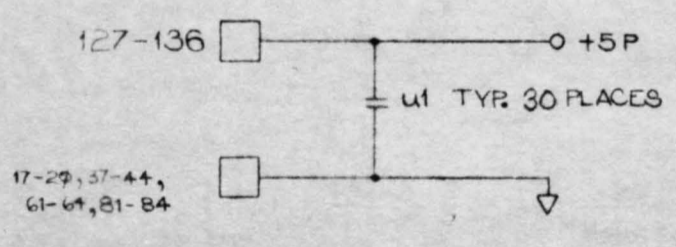




CXEN  
(=H-1)

CIRCUITS 9H, 10H & 10G ARE NOT MOUNTED

C32 & C33



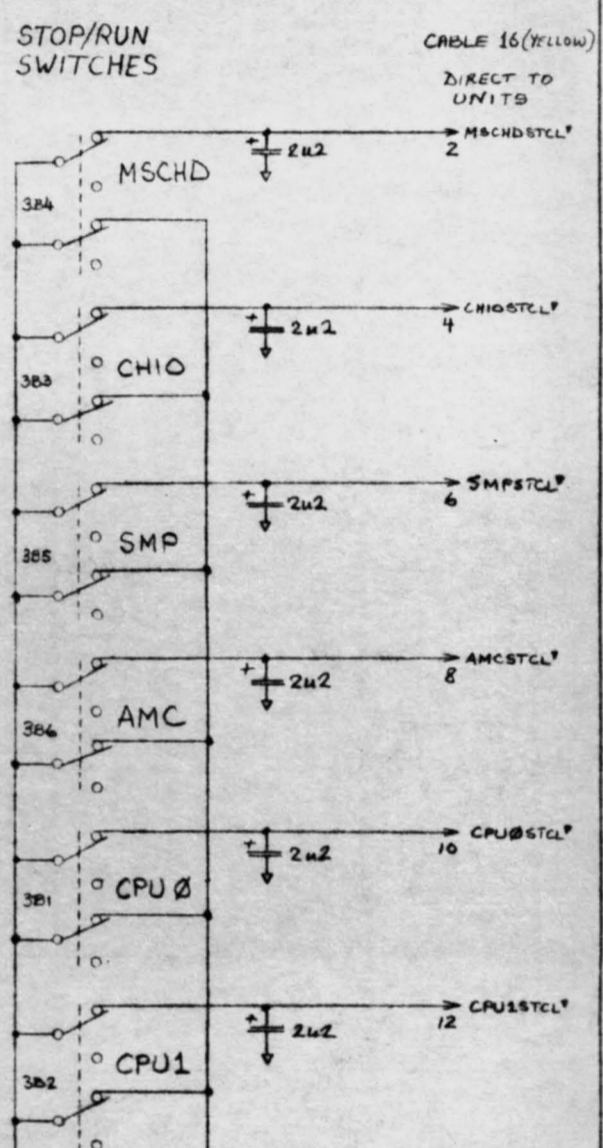
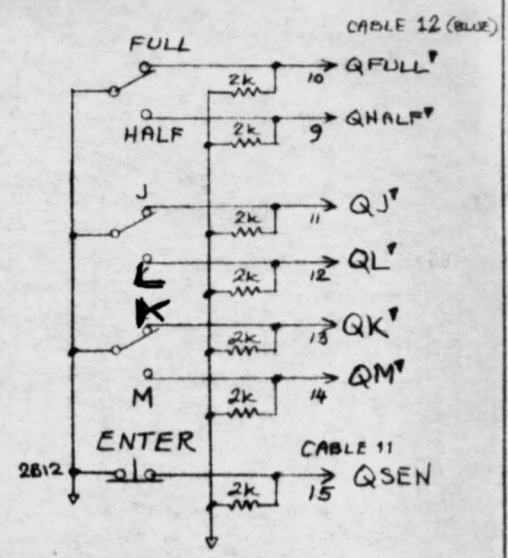
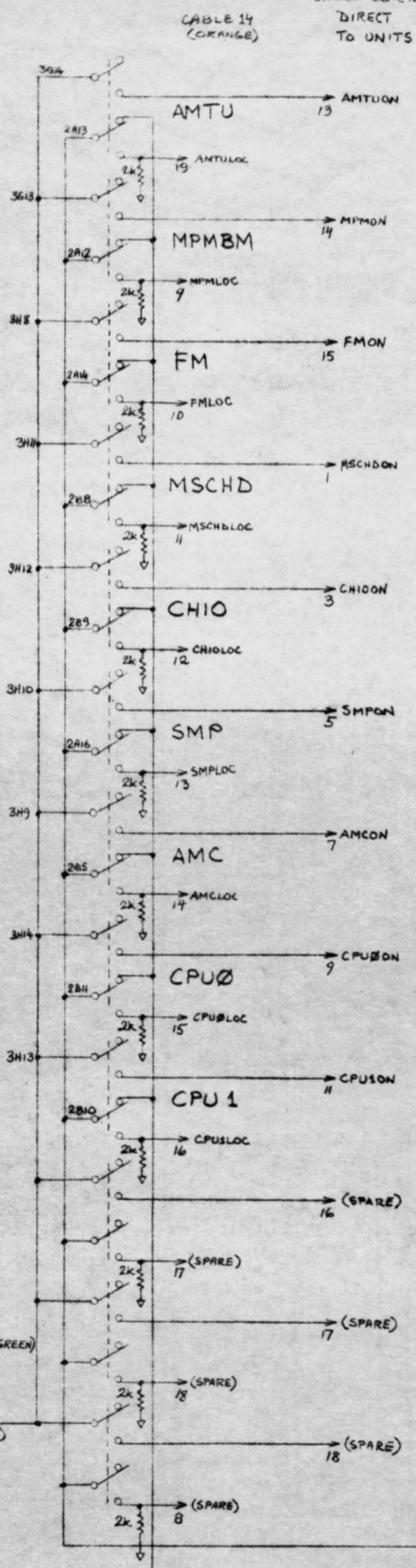
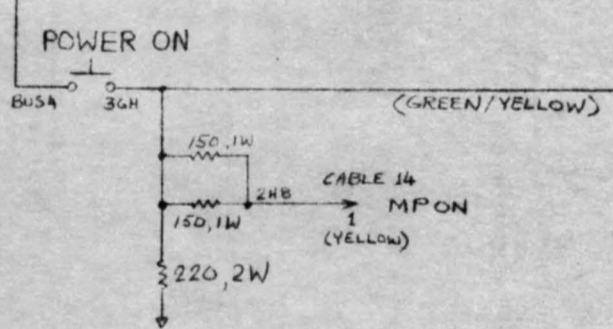
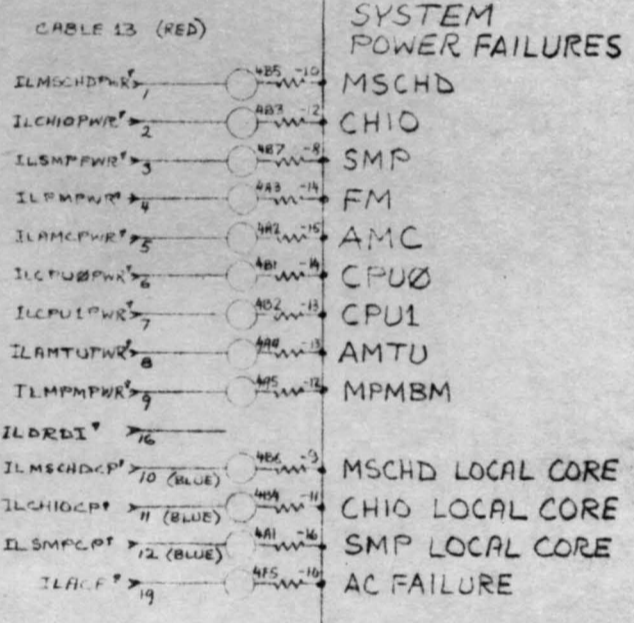
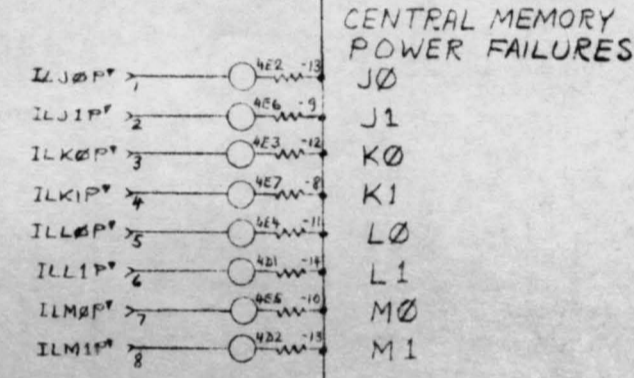
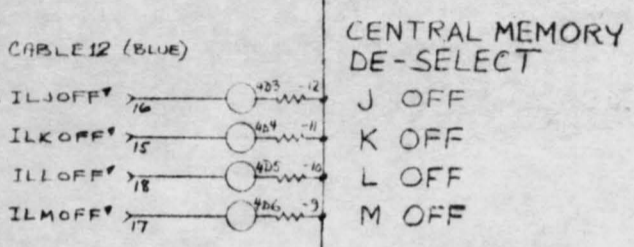
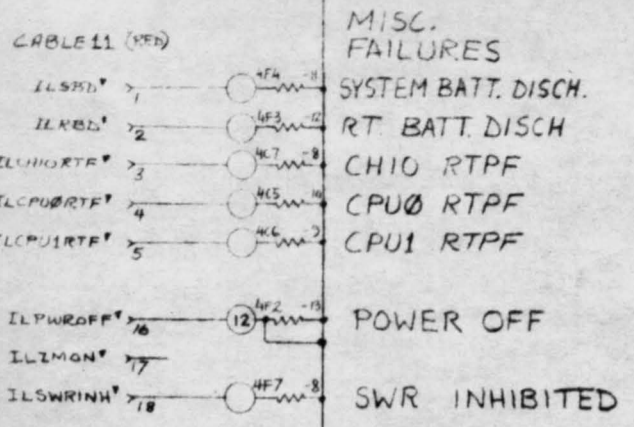
J6 (9A,B): NOT USED

|                       |             |          |
|-----------------------|-------------|----------|
| 17-28-0               |             | RELEASED |
|                       |             |          |
| DESIGNED BY           | REVISIONS   |          |
| DATE                  | DATE        |          |
| BY                    | BY          |          |
| APPROVED BY           | APPROVED BY |          |
| CONSOLE CABLE CARD #5 |             |          |
| MASTER CONTROL        |             |          |



LOCAL/REMOTE SWITCHES

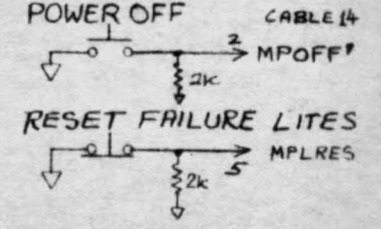
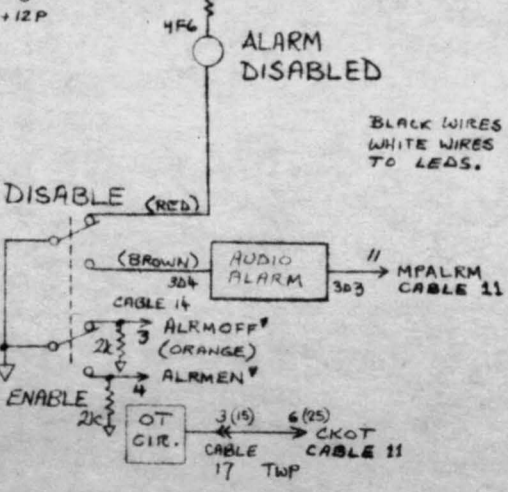
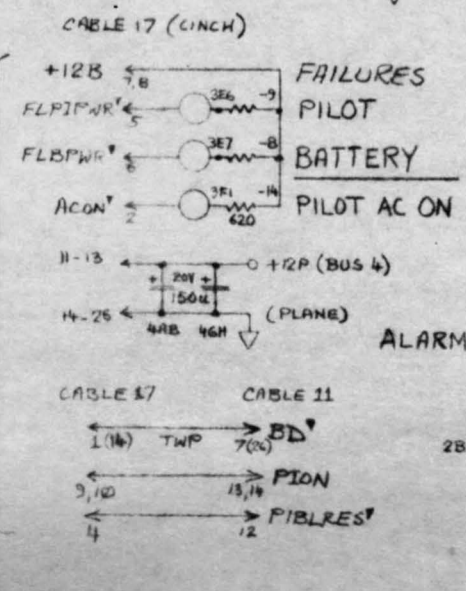
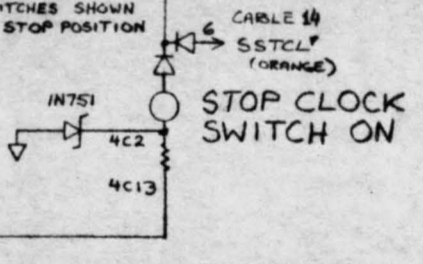
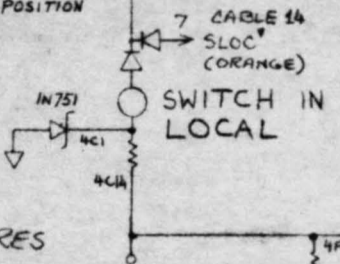
CENTRAL MEMORY SELECTION



- CONNECTOR POSITIONS:**
- 11 - 9EF (RED/ORG)
  - 12 - 7EF (BLUE)
  - 13 - 9CD (RED)
  - 14 - 7CD (ORANGE)
  - 15 - 9AB (N/U)
  - 16 - 7AB (YELLOW)
  - 17 - 5DE

SWITCHES SHOWN IN LOCAL POSITION

SWITCHES SHOWN IN STOP POSITION



BLACK WIRES ARE GND  
WHITE WIRES FEED POS. TO LEADS.

CABLE 15 IS A SPARE POSITION TO CABLE CARD #1 IN M.C.

IND. LIMITING RESISTORS ARE 5/10, .25W, 10%

- 15 HP 4888 RED LED.
- ⊙ 12-VOLT BULB

Berkeley Computer Corporation

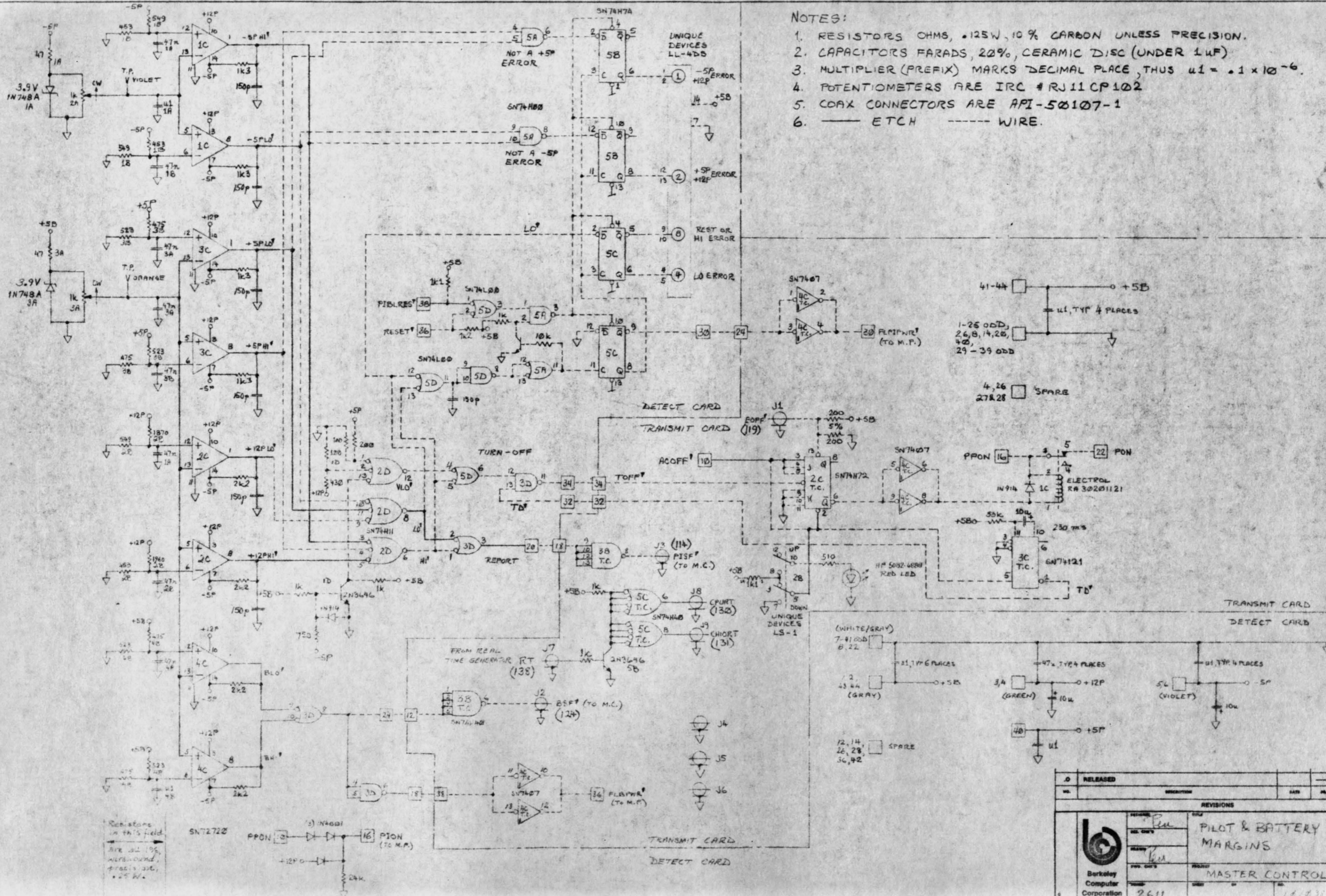
RELEASSED

MASTER PANEL

MASTER CONTROL

101032.1





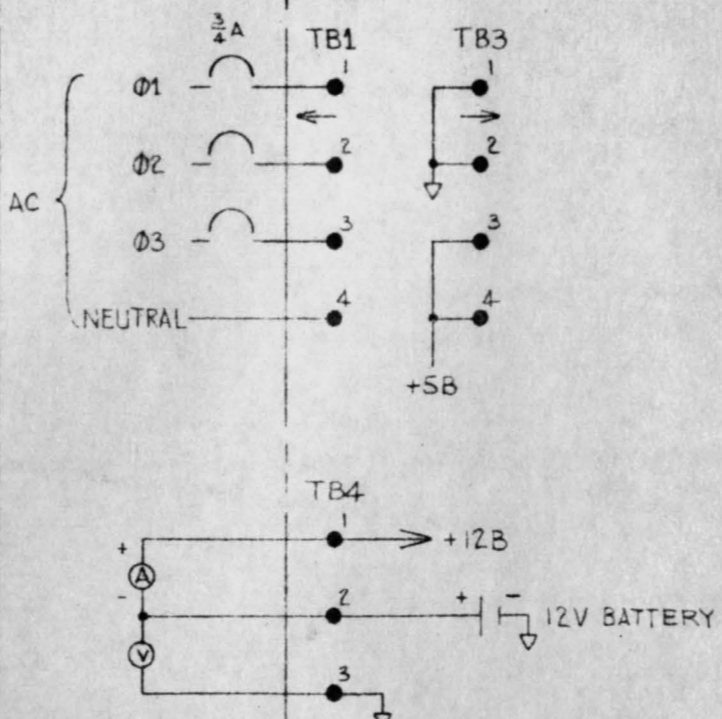
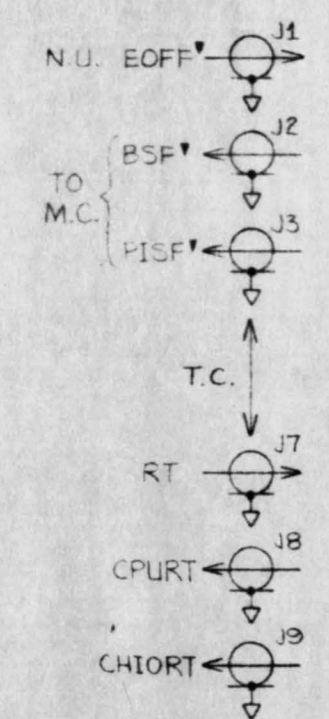
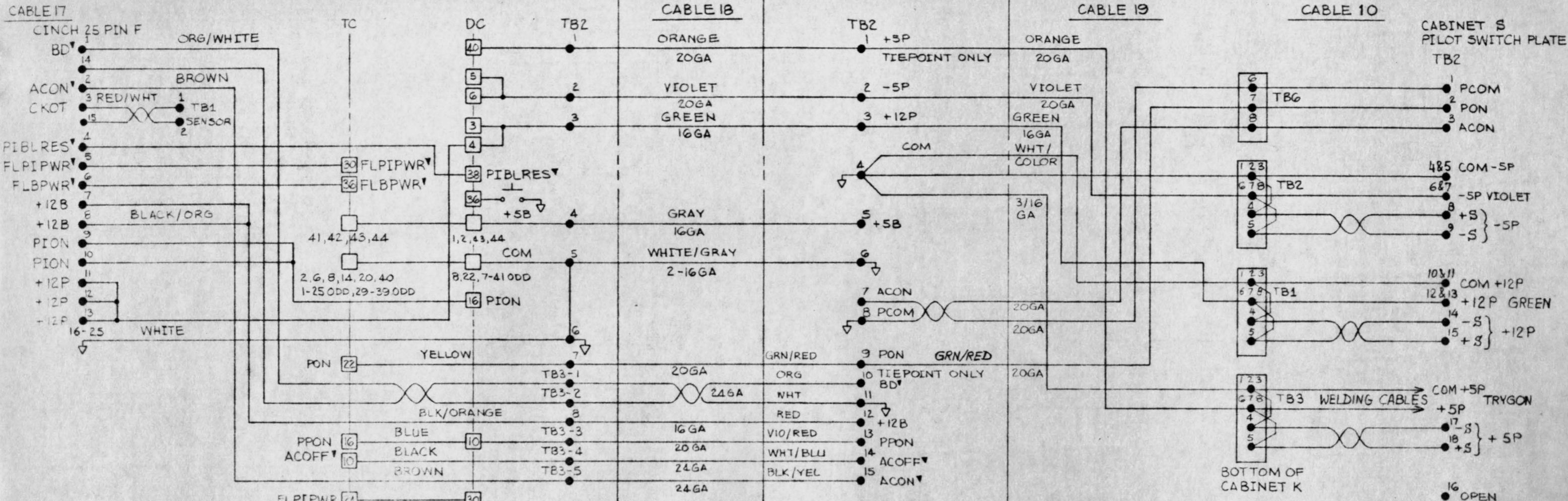
**NOTES:**

1. RESISTORS OHMS, .125W, 10% CARBON UNLESS PRECISION.
2. CAPACITORS FARADS, 20%, CERAMIC DISC (UNDER 1uF)
3. MULTIPLIER (PREFIX) MARKS DECIMAL PLACE, THUS u1 = .1 x 10<sup>-6</sup>.
4. POTENTIOMETERS ARE IRC #RJ11CP102
5. COAX CONNECTORS ARE API-50107-1
6. ——— ETCH ——— WIRE.

Resistors in this field are all 1%, wirewound, ±.25W.

|   |                           |                                     |        |          |
|---|---------------------------|-------------------------------------|--------|----------|
| 0                                       | RELEASED                  |                                     |        |          |
| NO.                                     | OPERATION                 | DATE                                | REASON | APPROVED |
| REVISIONS                               |                           |                                     |        |          |
| <br>Berkeley<br>Computer<br>Corporation | DESIGNED BY<br><i>Ben</i> | TITLE<br>PILOT & BATTERY<br>MARGINS |        |          |
|   | PROJECT NO.<br>2611       | PROJECT<br>MASTER CONTROL           |        |          |
|   |                           | DATE                                | BY     | NO.      |
|   |                           |                                     |        | 2611-1   |





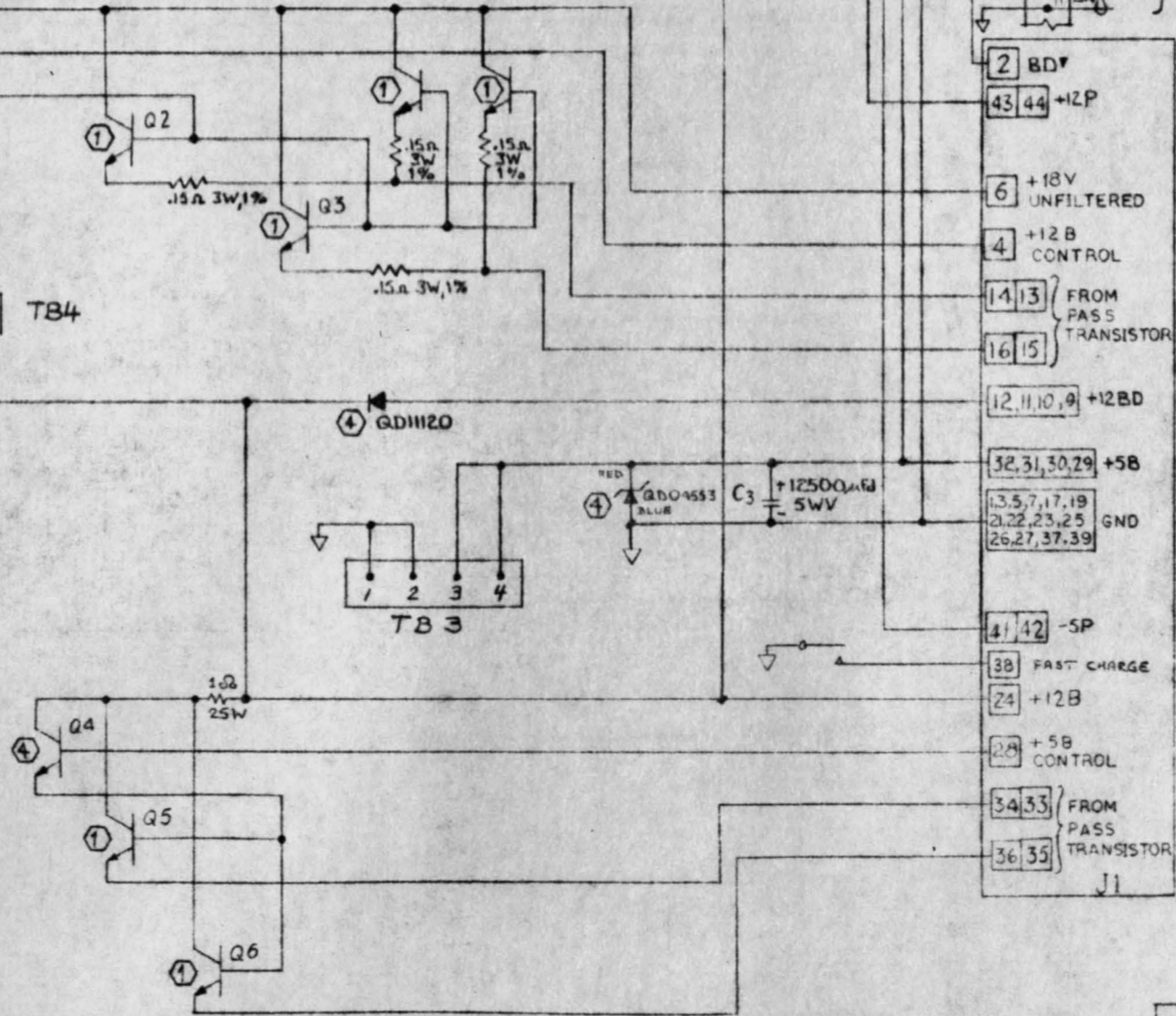
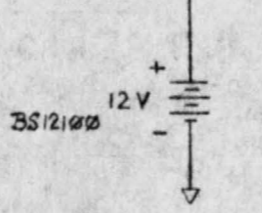
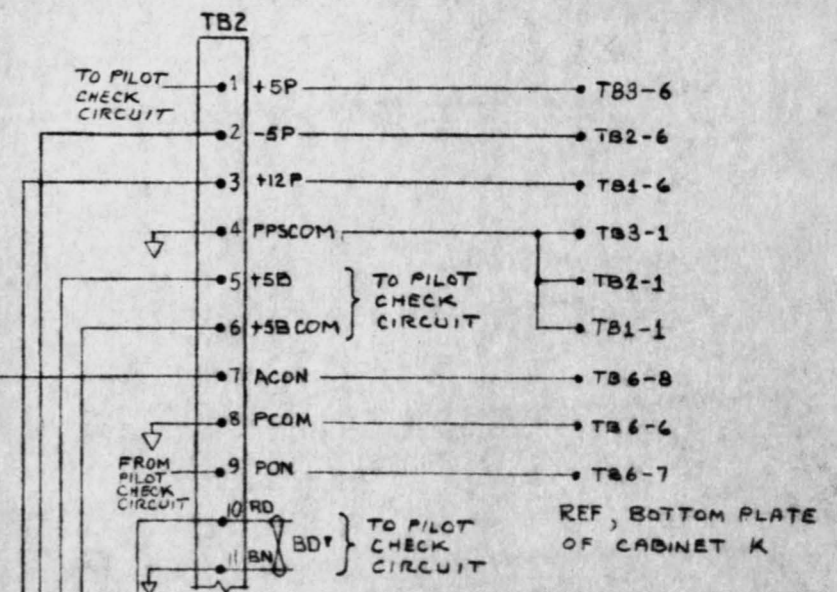
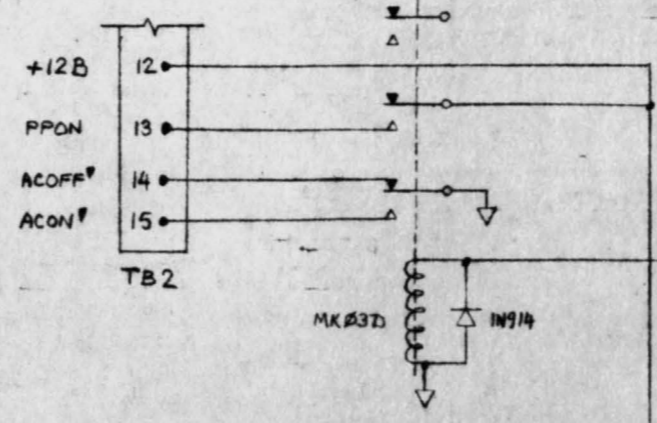
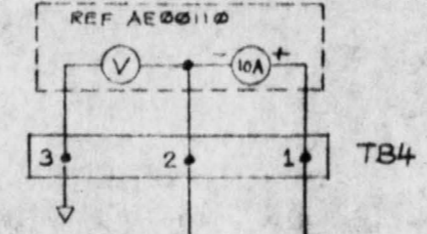
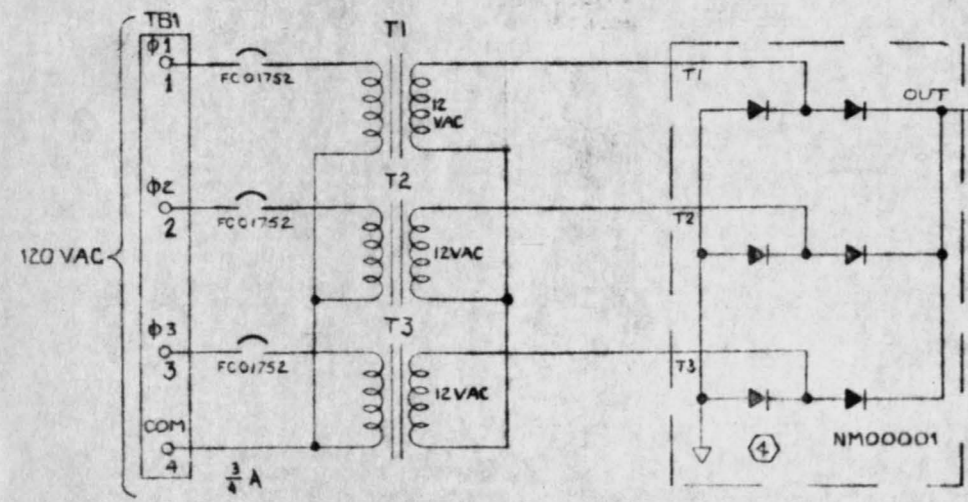
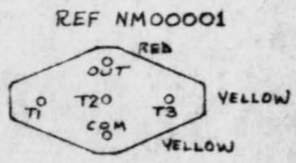
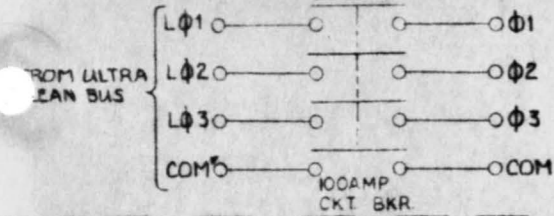
|           |  |             |      |       |          |
|-----------|--|-------------|------|-------|----------|
| NO.       | RELEASED                               | DESCRIPTION | DATE | DRAWN | APPROVED |
| REVISIONS |  |             |      |       |          |
| DESIGNED  | TITLE<br>PILOT & BATTERY POWER CABLING |             |      |       |          |
| DRAWN     | PROJECT                                |             |      |       |          |
| CHECKED   | NO.                                    |             |      |       |          |
| DATE      | SHEET OF 2                             |             |      |       |          |
| 1         |  |             |      |       |          |

The Aloha System BCC-500



(REF.)

208/3 $\phi$  AC POWER



- NOTES.
- HEAT SINK (HM00001)
  - UNLESS OTHERWISE SPECIFIED: ALL TRANSISTORS ARE QTO3055.
  - PC CARD AC00117 INSERTS INTO J1
  - CHASSIS SERVES AS HEAT SINK
  - UNLESS OTHERWISE SPECIFIED: REFER TO AE0013.
  - TB2-1, 8-9 ARE TIEPOINTS ONLY.

PILOT & BATTERY CABLING

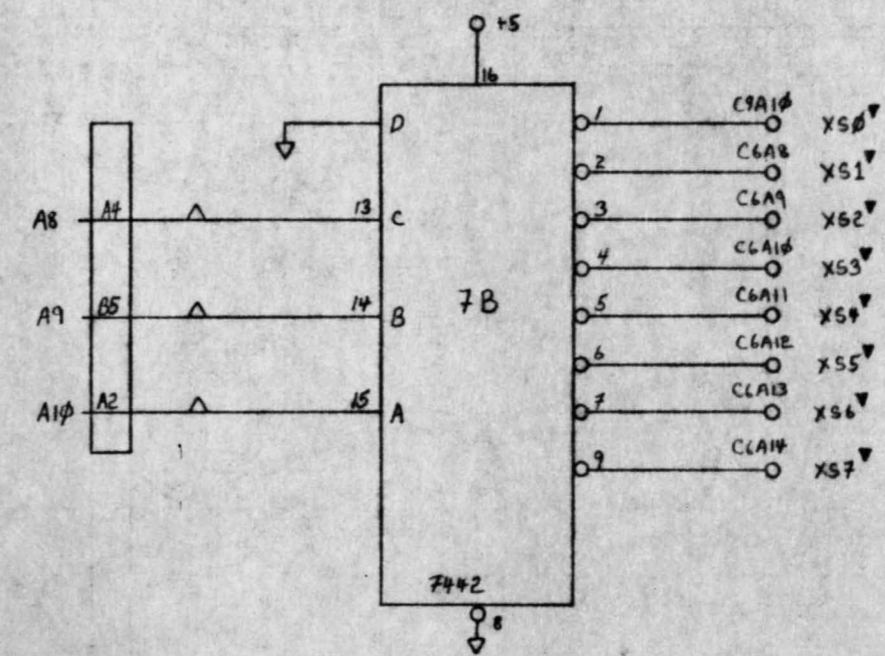
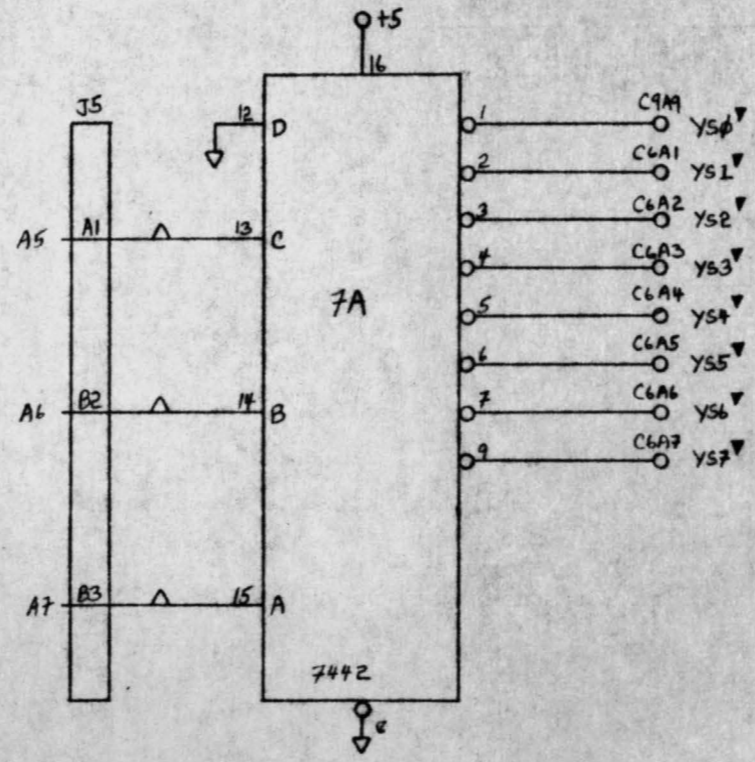
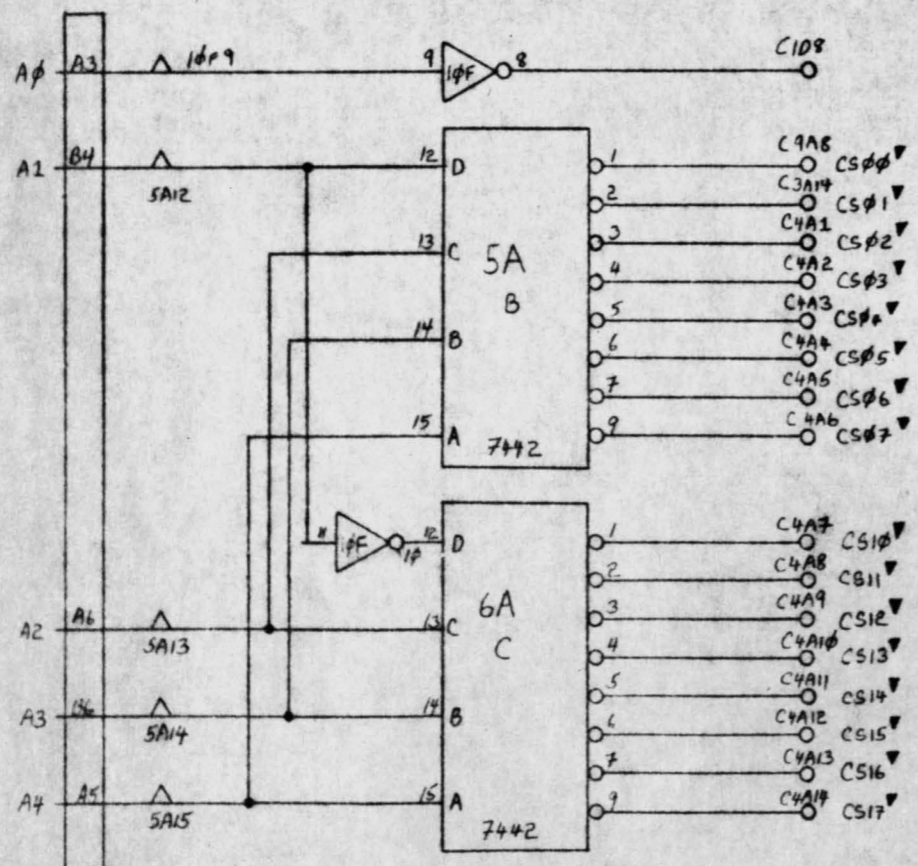
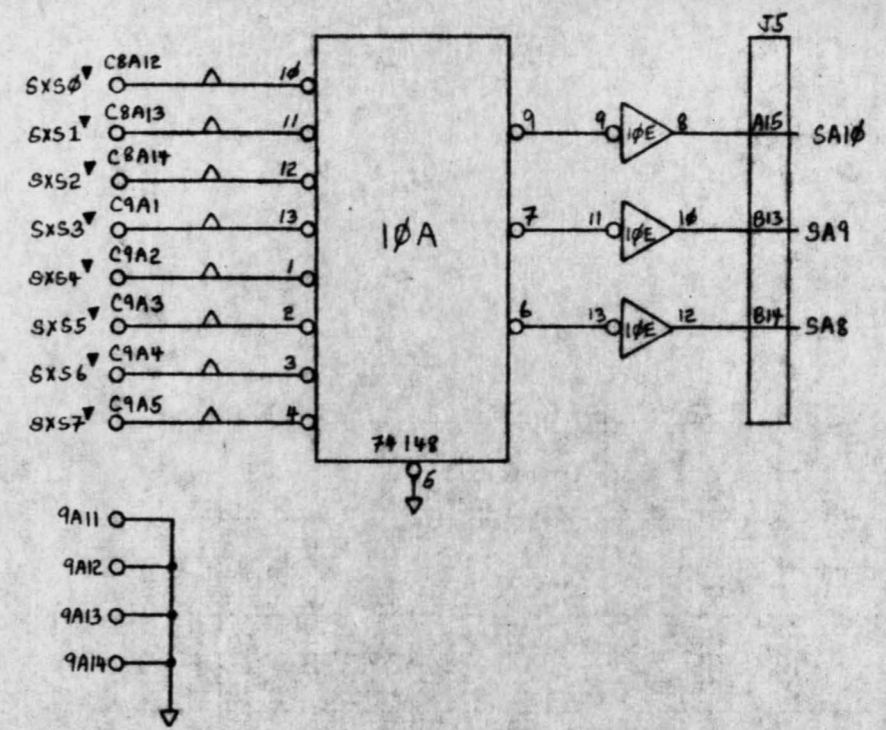
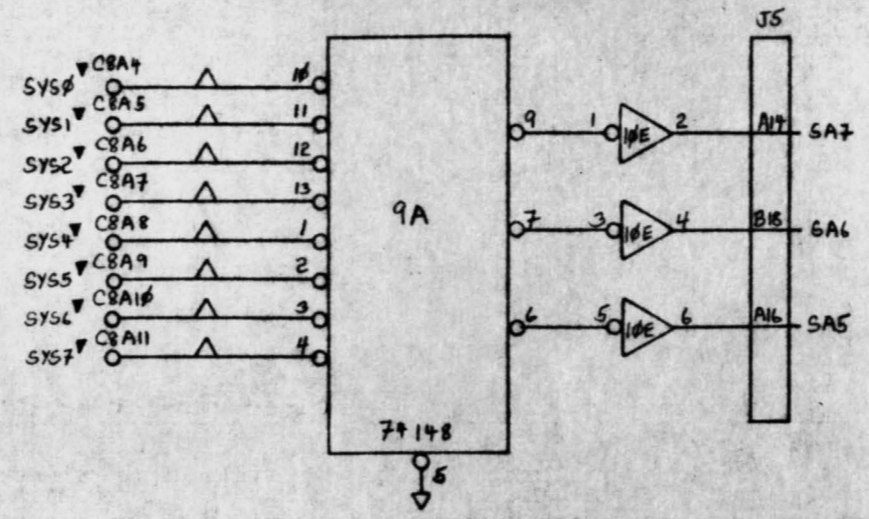
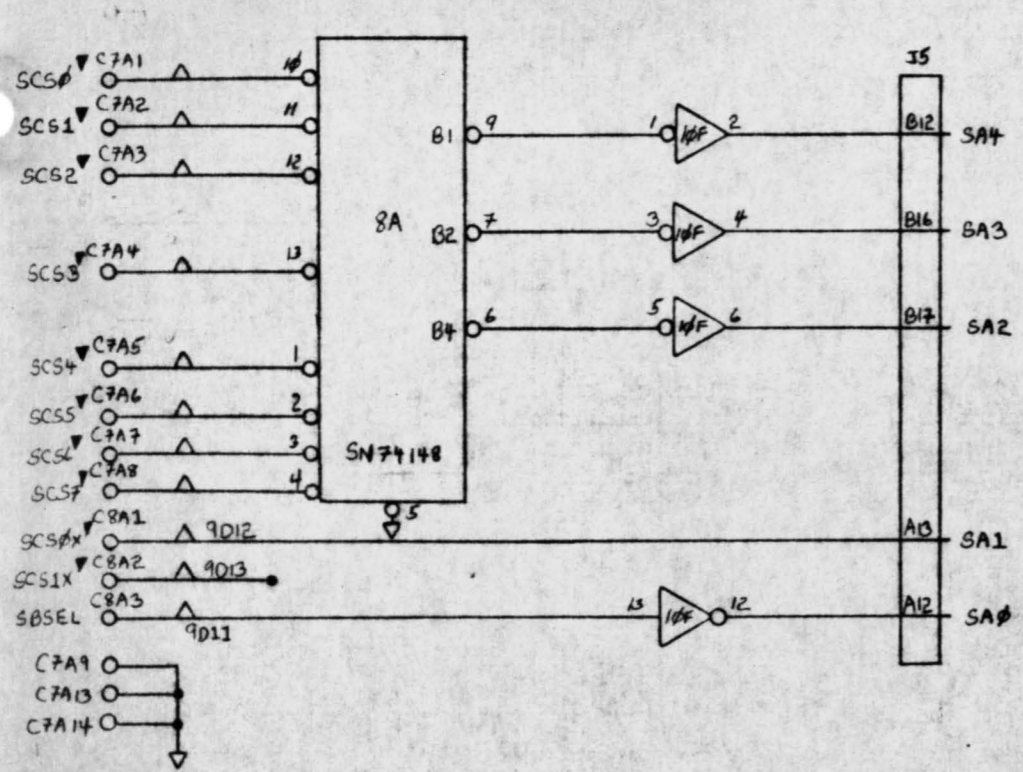






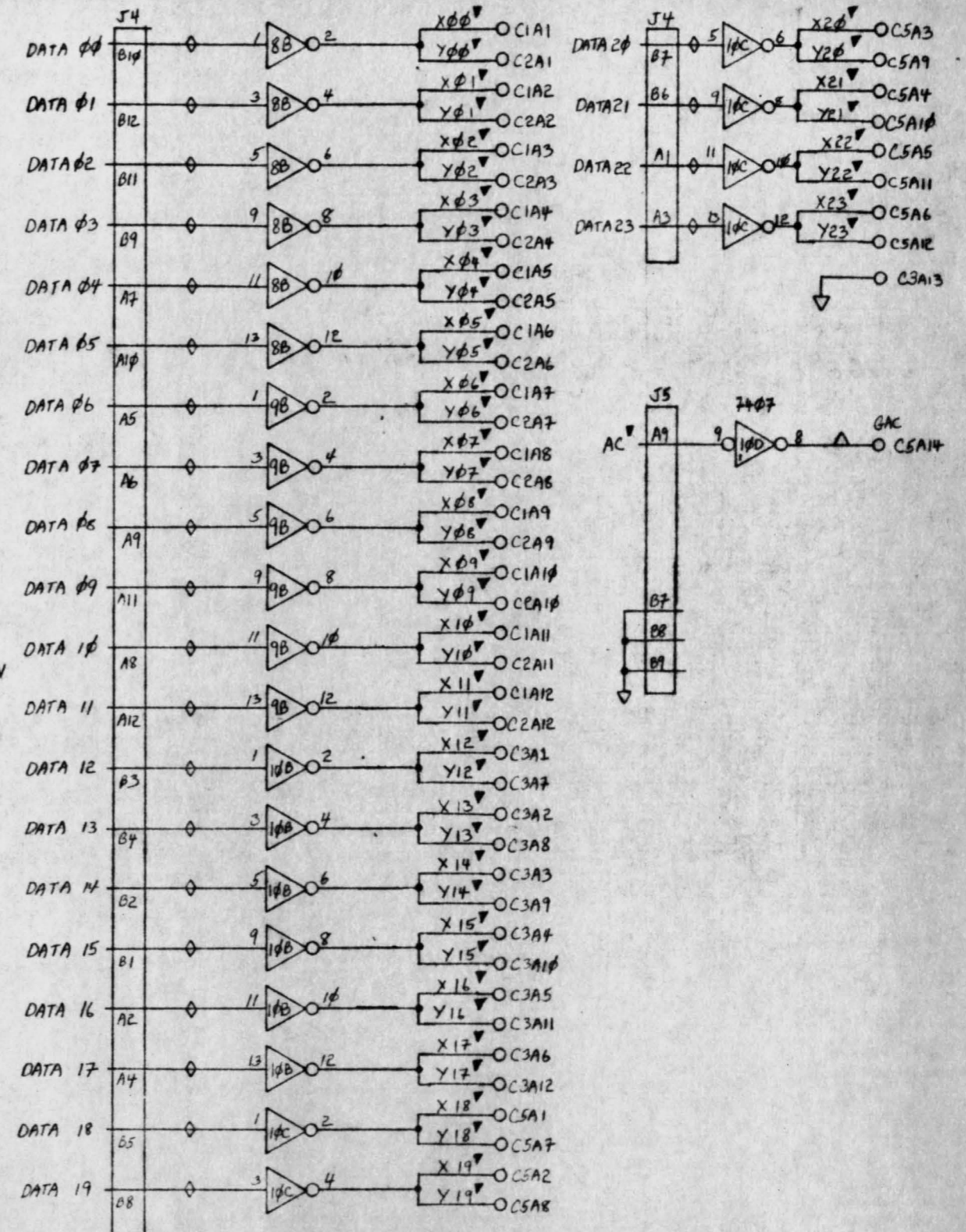
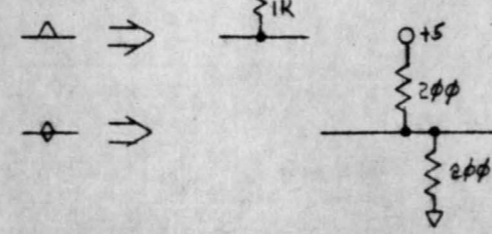
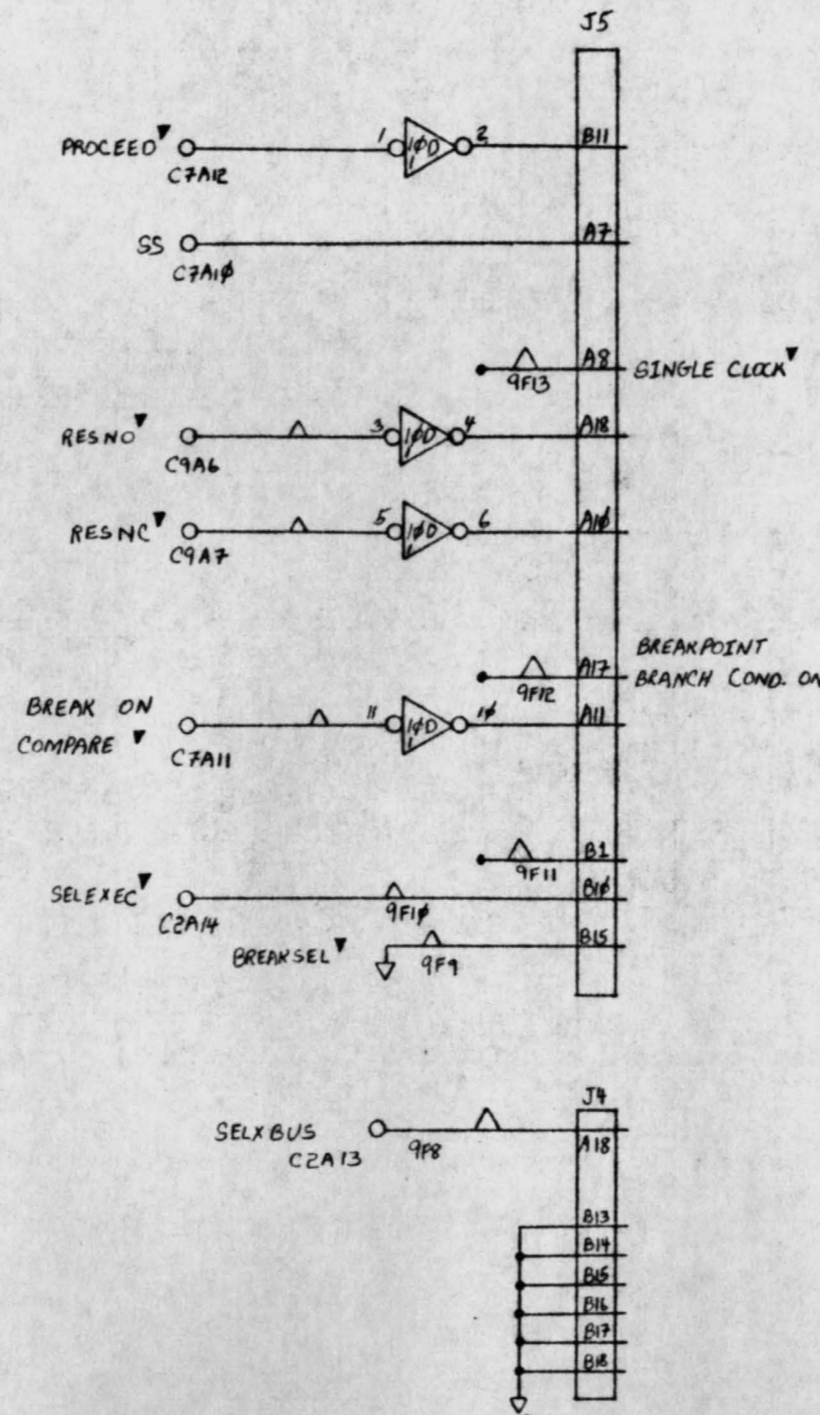
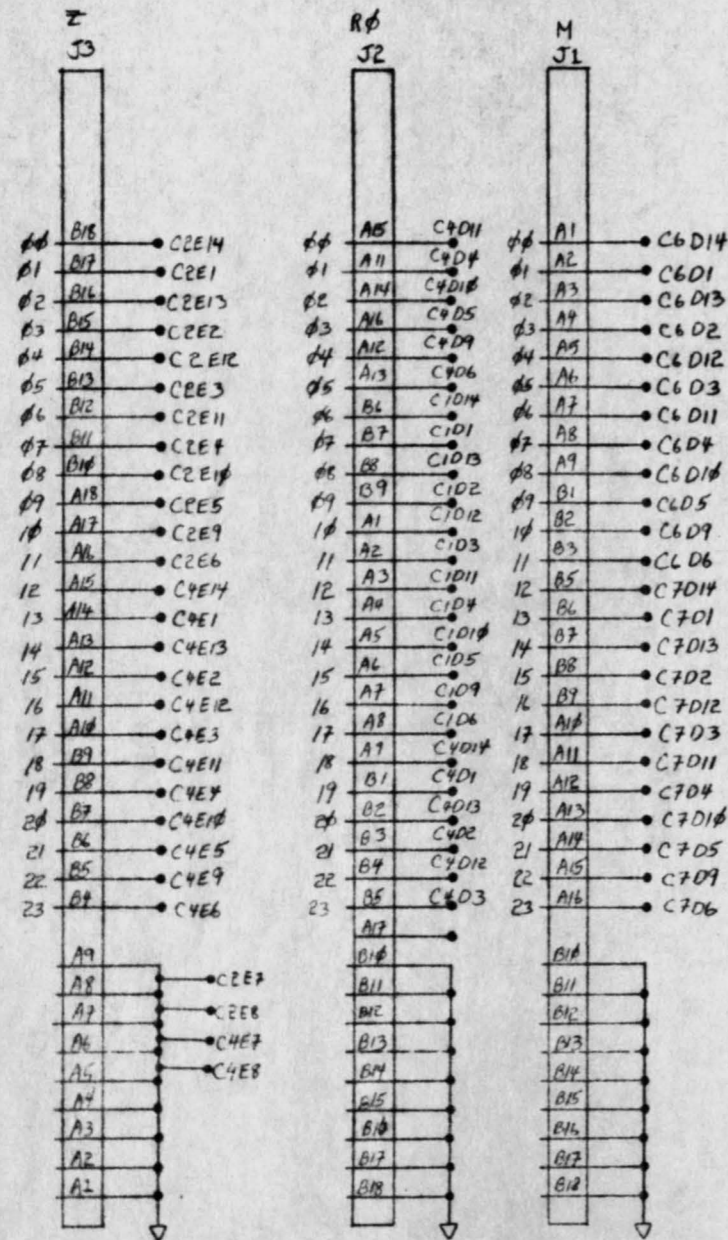






|                      |              |                        |        |          |
|----------------------|--------------|------------------------|--------|----------|
| NO.                  | RELEASED     | DATE                   | REASON | APPROVED |
| REVISIONS            |              |                        |        |          |
| DESIGNED             | P. CARDESTAN | TITLE                  |        |          |
| DRAWN                | M. MATSUYAMA | B/P BOX INTERFACE CARD |        |          |
| CHECKED              |              | SCALE                  | SHEET  | OF       |
|                      |              |                        | 1      | 3        |
| PROJECT NO. 101074.0 |              |                        |        |          |

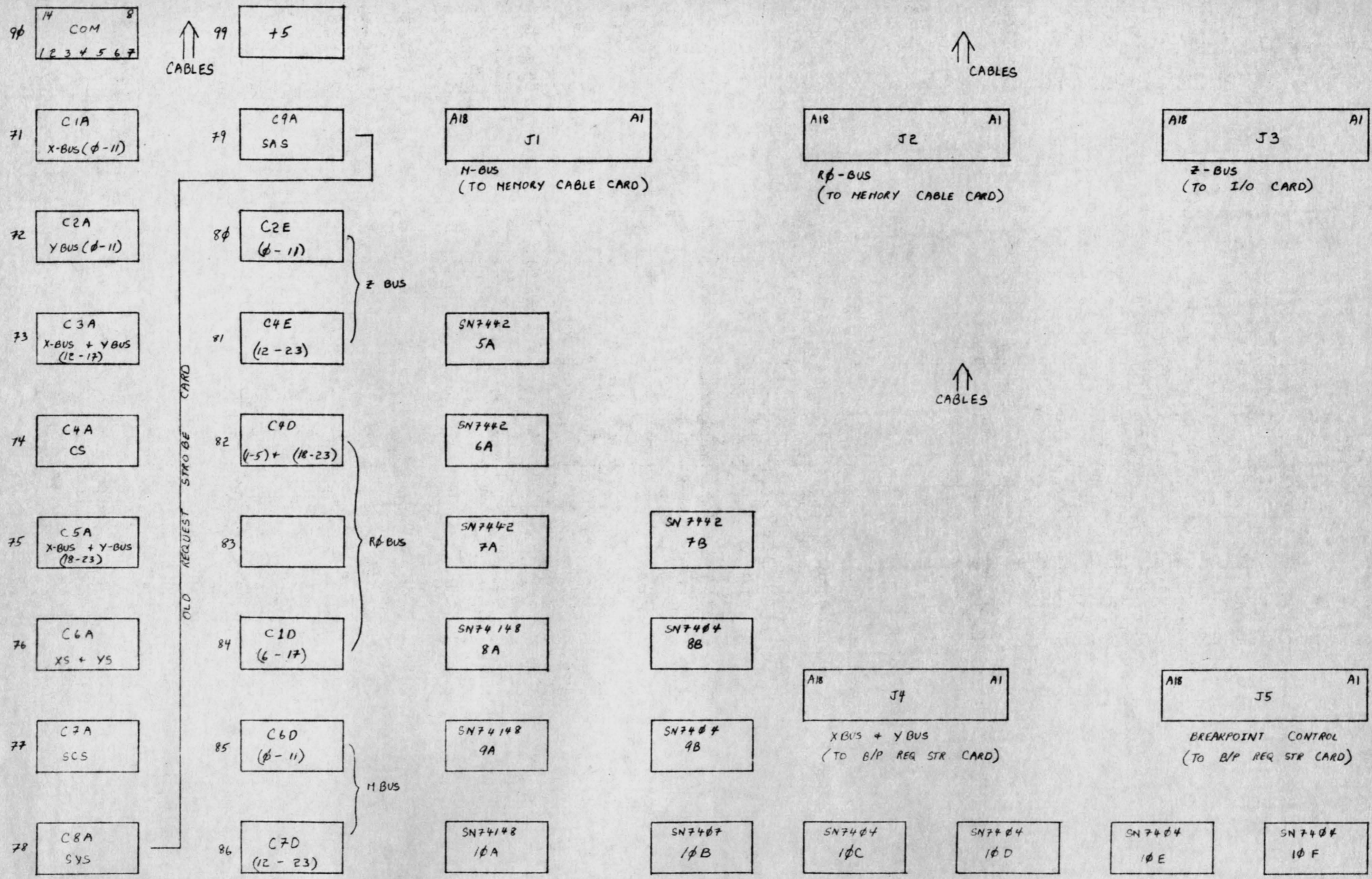




|           |              |       |                        |          |
|-----------|--------------|-------|------------------------|----------|
| .0        | RELEASED     |       |                        |          |
| NO.       | DESCRIPTION  | DATE  | DRAWN                  | APPROVED |
| REVISIONS |              |       |                        |          |
| DESIGNED  | P. CARDESTAM | TITLE | B/P BOX INTERFACE CARD |          |
| DRAWN     | M. MATSUYAMA | SCALE |                        |          |
| CHECKED   |              | SHEET | 2                      | 3        |
| DATE      |              | NO.   | Lφ1φ74.φ               |          |

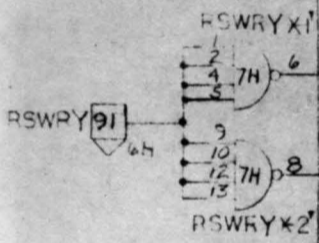
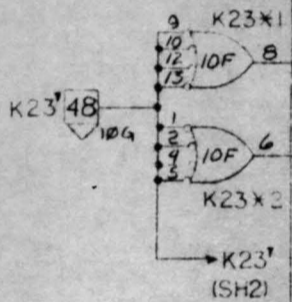
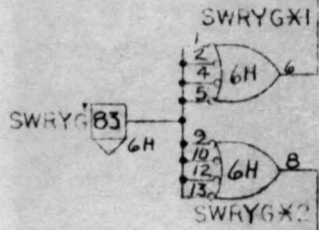
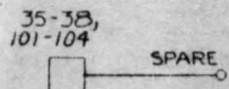
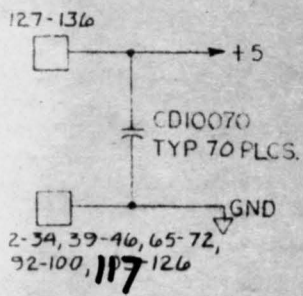
The Aloha System BCC-500





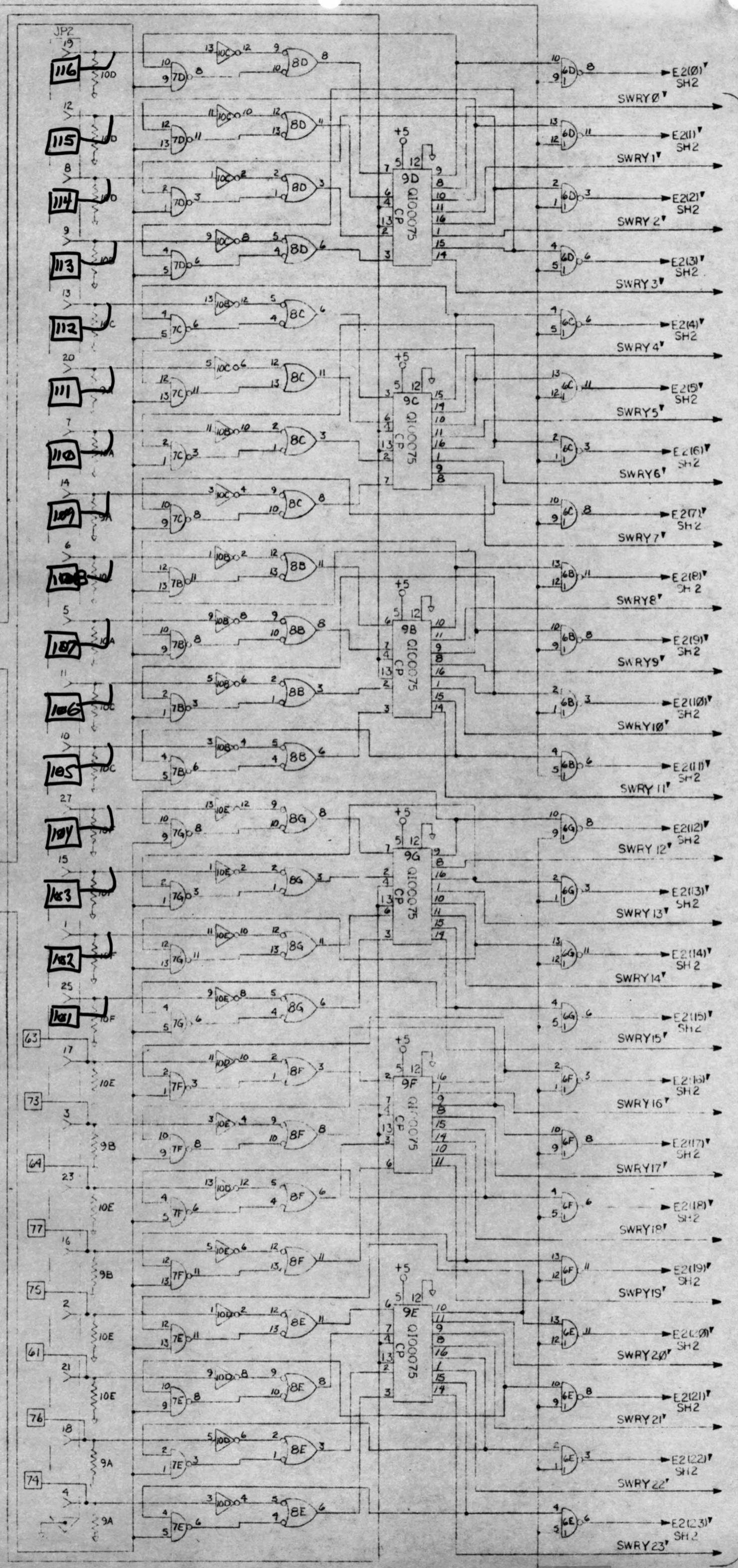
|             |                       |                                 |             |         |       |          |
|-------------|-----------------------|---------------------------------|-------------|---------|-------|----------|
| .0 RELEASED |                       | NO                              | DESCRIPTION | DATE    | DRAWN | APPROVED |
| REVISIONS   |                       |                                 |             |         |       |          |
|             | DESIGNED<br>CARDESTAM | TITLE<br>BIP BOX INTERFACE CARD |             |         |       |          |
|             | DRAWN<br>MATSUYAMA    | PROJECT                         |             |         |       |          |
| SCALE       | SHEET                 | OF                              | NO.         | Lφ1074φ |       |          |
|             | 3                     | 3                               |             |         |       |          |





A31 & A32

NOTE:  
UNLESS OTHERWISE  
SPECIFIED:  
ALL RESISTORS ARE  
91Ω, 5%, 1/4W



SH 3

LCC655

Special Registers  
SWPX & SWRY

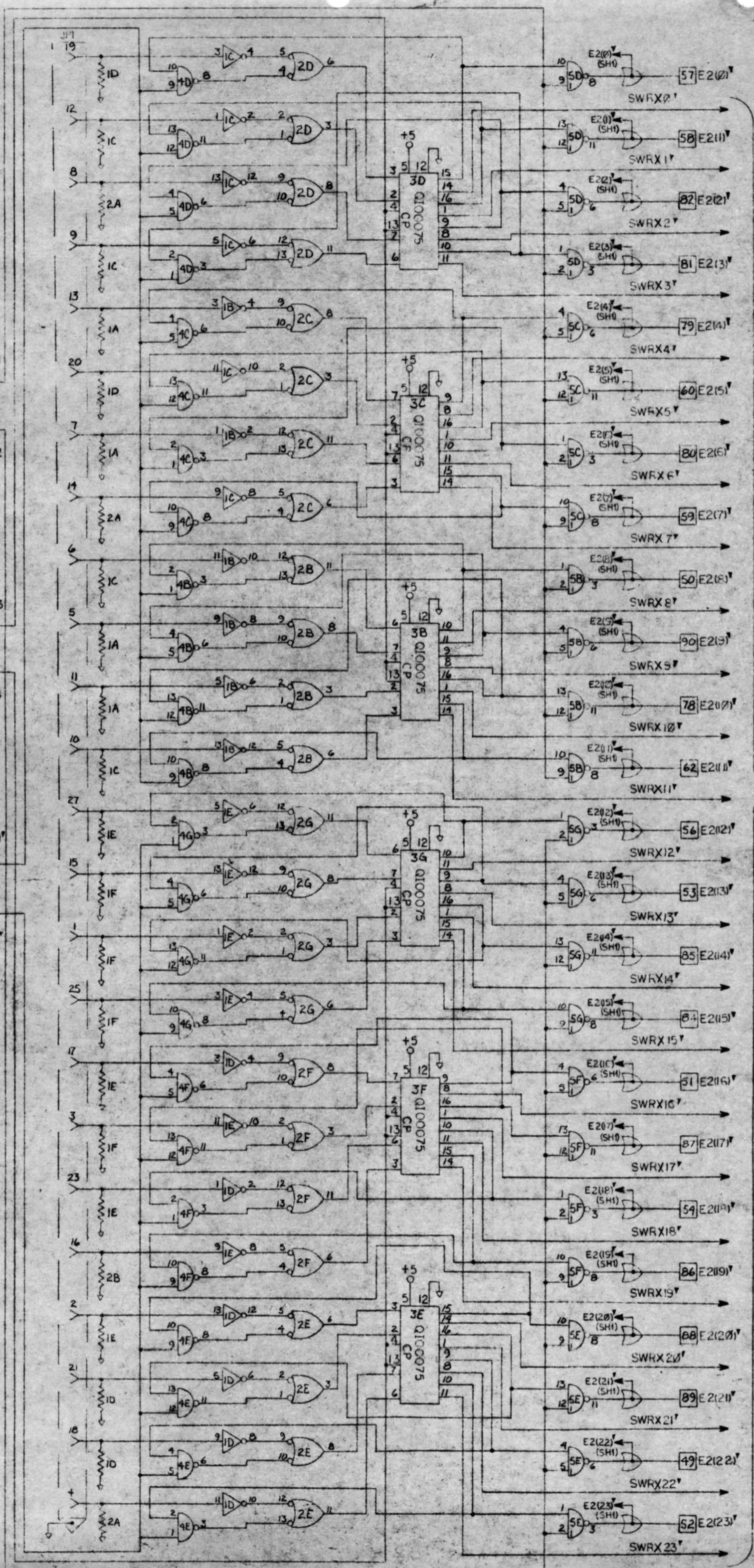


A31 & A32

Drawing No. L00655  
Special Registers  
SWRX & SWRY

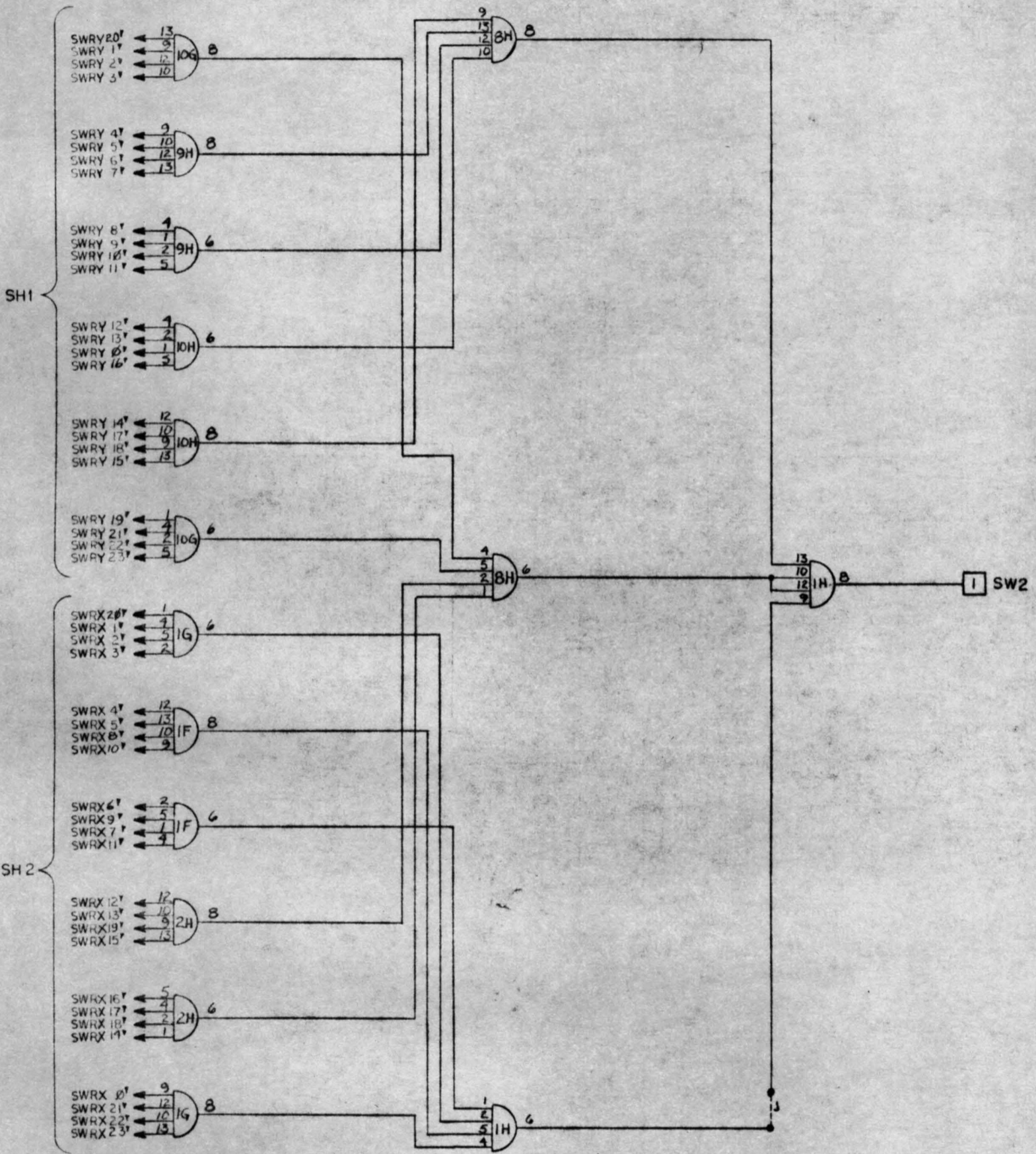
|             |               |
|-------------|---------------|
| Checked by  | QZZ           |
| Designed by | MOSSMAN       |
| Drawn by    | SHIZOF        |
| Approved by | J.A. SCHEDLER |

DATE: 10/2/57  
PROJECT: L00655.1



SH 3



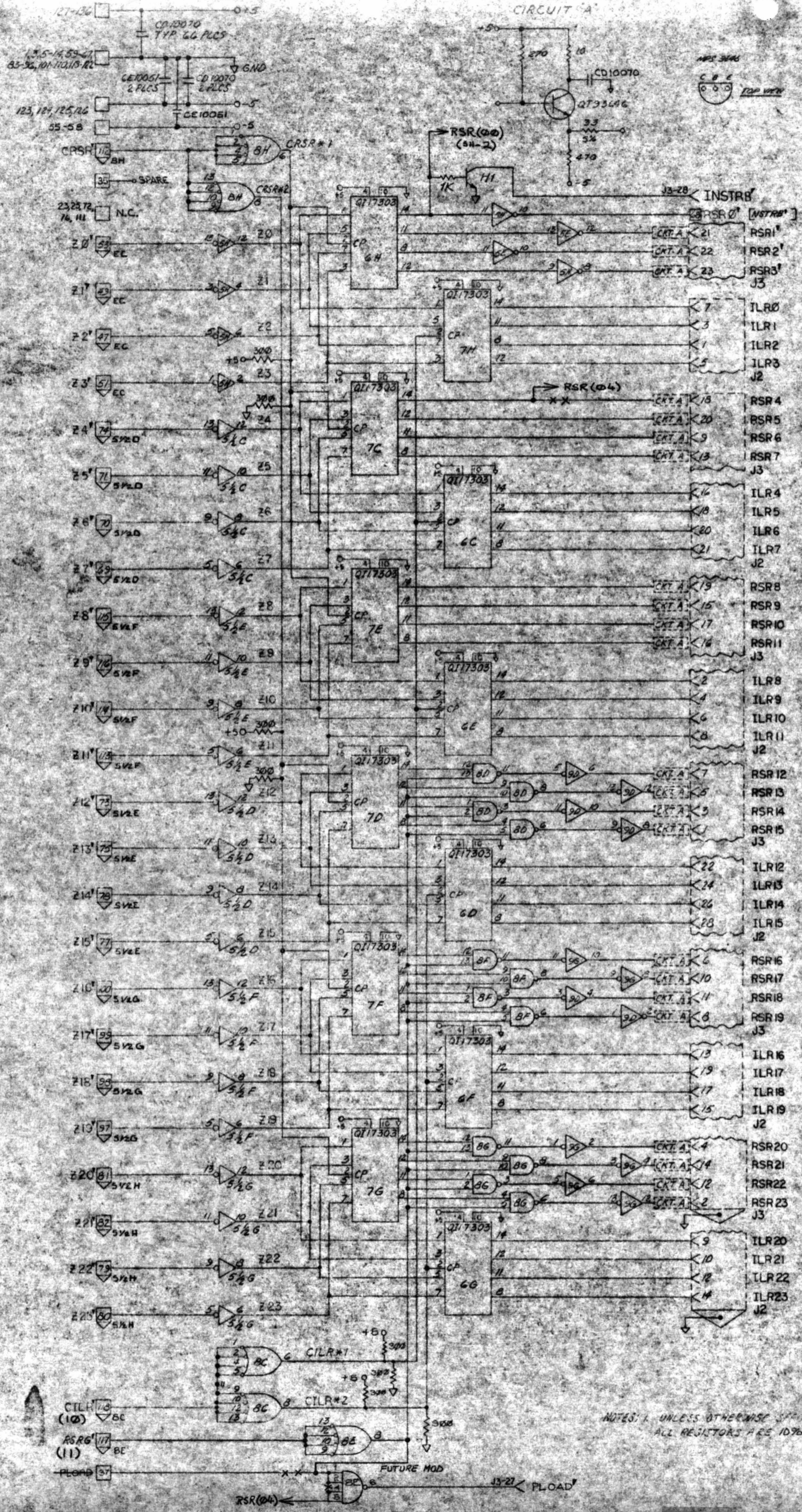


A31 & A32

|   |     |   |     |
|---|-----|---|-----|
| X | A31 | B | A32 |
| Y | B   | A | C   |

|                                  |                |
|----------------------------------|----------------|
| LOG 655                          |                |
|                                  |                |
| DATE                             | 1-28-76        |
| BY                               | D. M. G. M. G. |
| NO.                              | 1              |
| SPECIAL REGISTERS<br>SWRX & SWRY |                |
| PROJECT                          | MUSCHIEDLER    |
| NO.                              | A31, A32       |
| NO.                              | LOG 655, 1     |



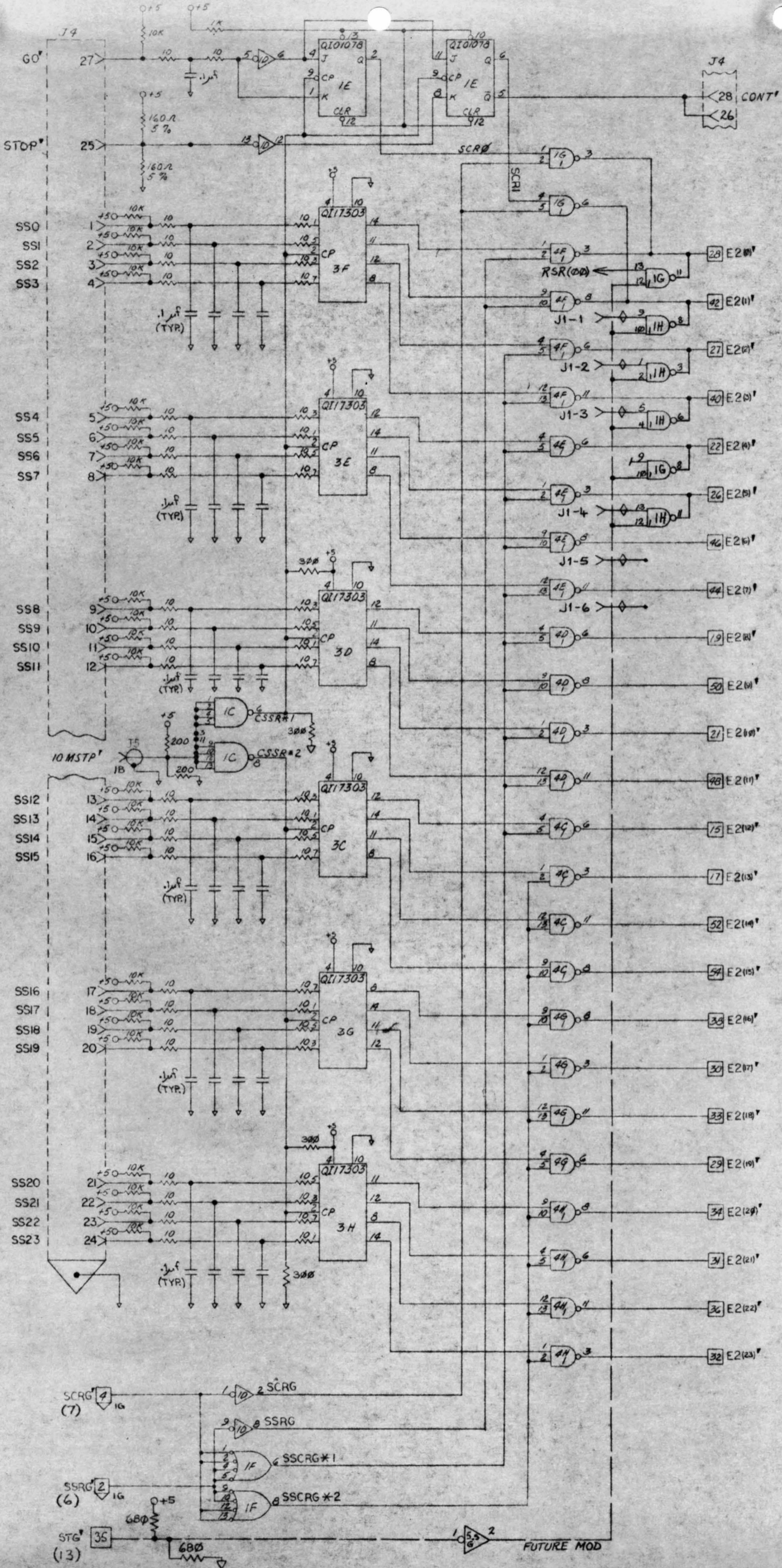


A 33

Berkeley Computer Corporation  
 SPECIAL REGISTERS SSR, SCR, ILR, RSR  
 MODEL 5-23-65  
 L004C 02

NOTES: 1. UNLESS OTHERWISE SPECIFIED  
 ALL RESISTORS ARE 10% 1/8W

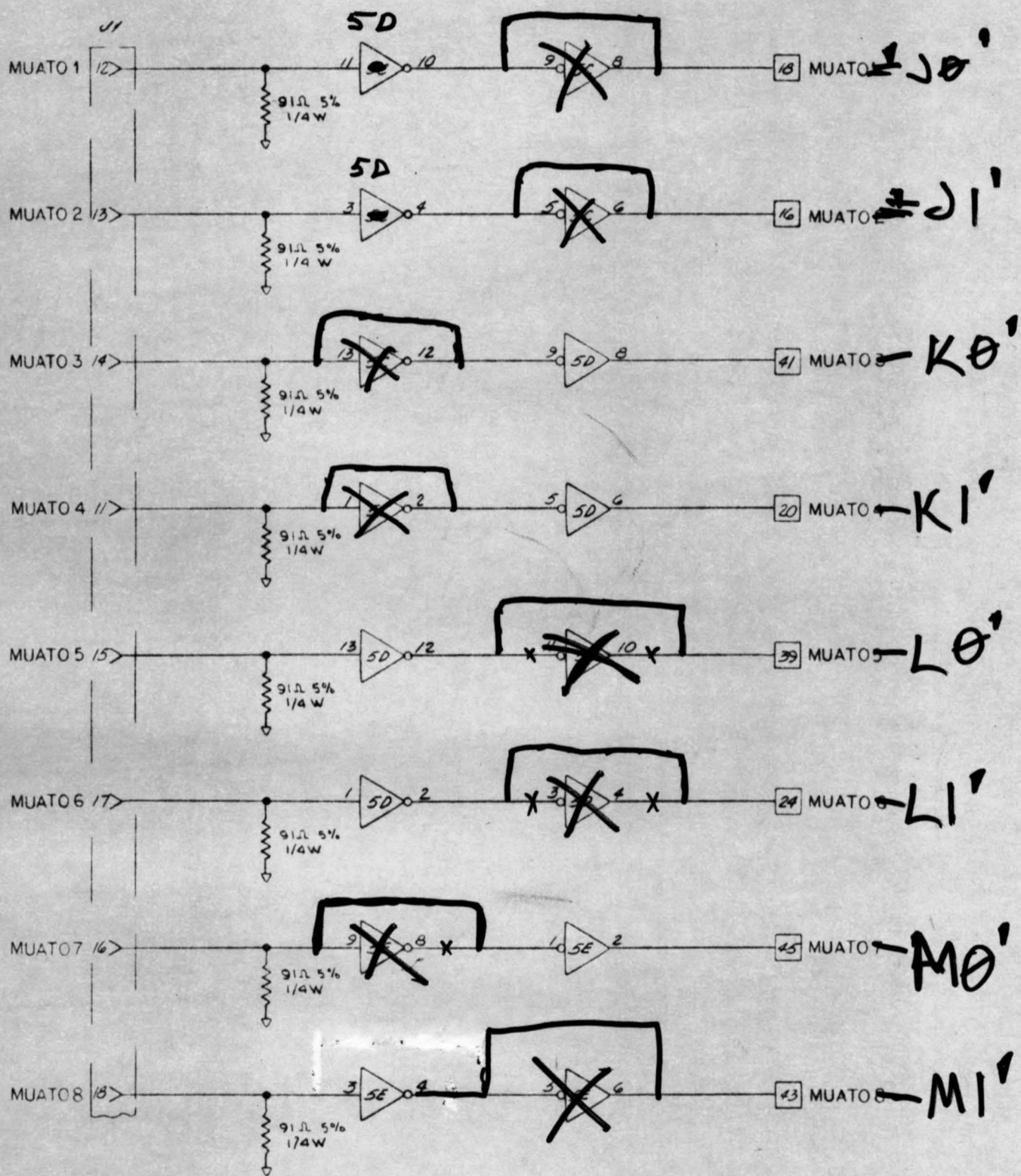




A33

**Berkeley Computer Corporation**  
 SPECIAL REGISTERS SSR, SCRI, SCRG, SSF  
 MODEL NONE  
 PART # 021691  
 REVISED 7/79 09  
 DRAWN BY GCA  
 CHECKED BY GCA  
 APPROVED BY GCA  
 MSCP  
 1008500

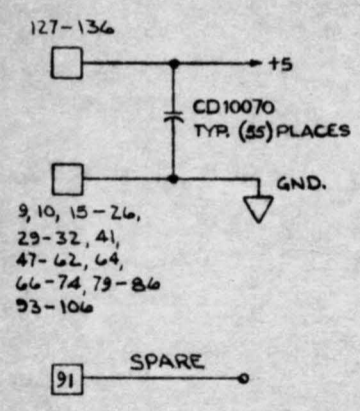
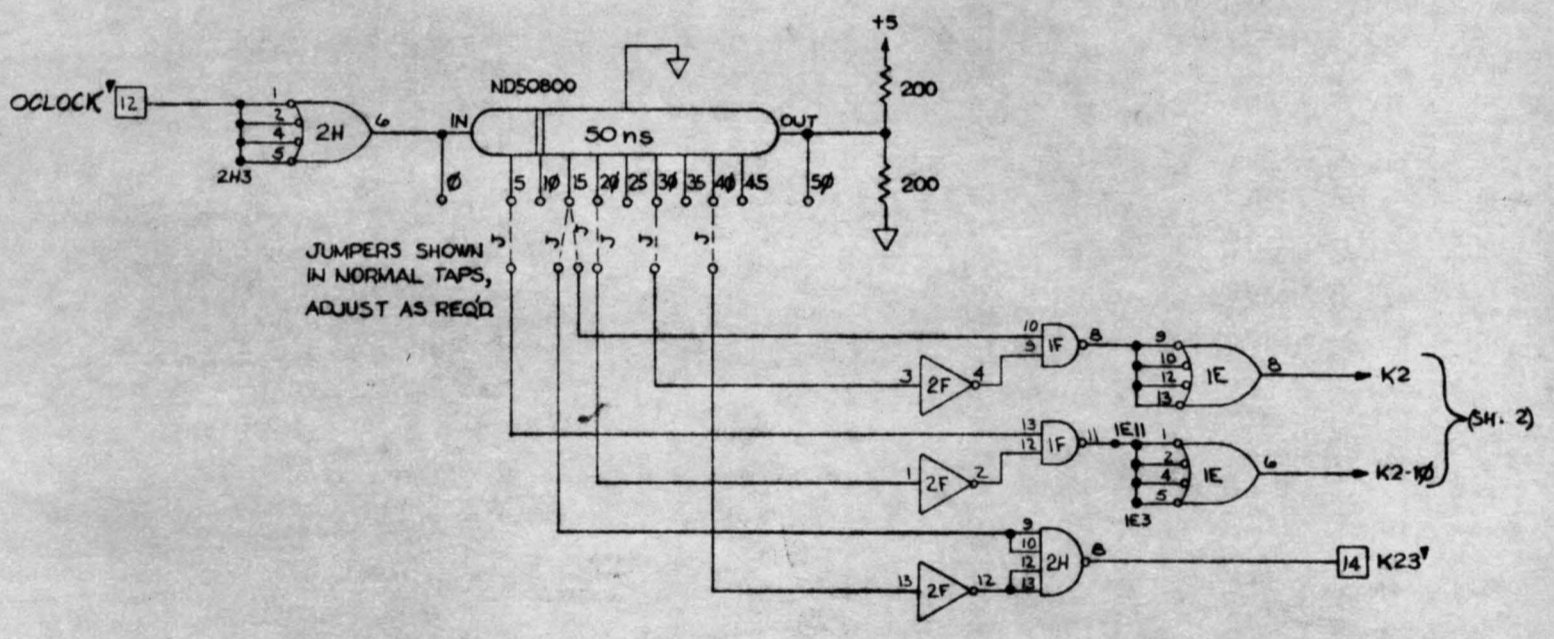
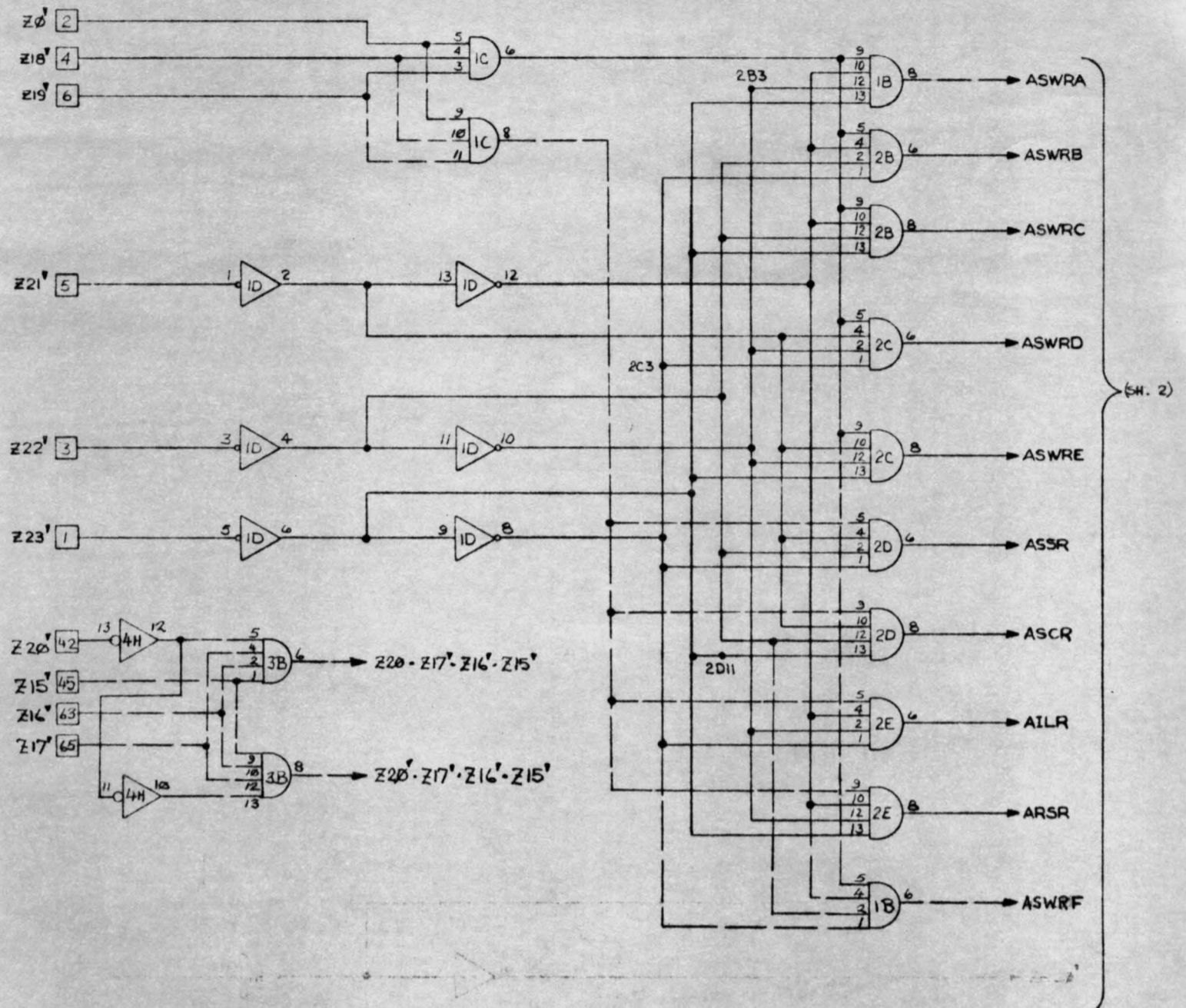




~~Future work: Remove 5E~~  
~~do etch changes. That will make~~  
~~the MUATO signals loadable.~~

A33



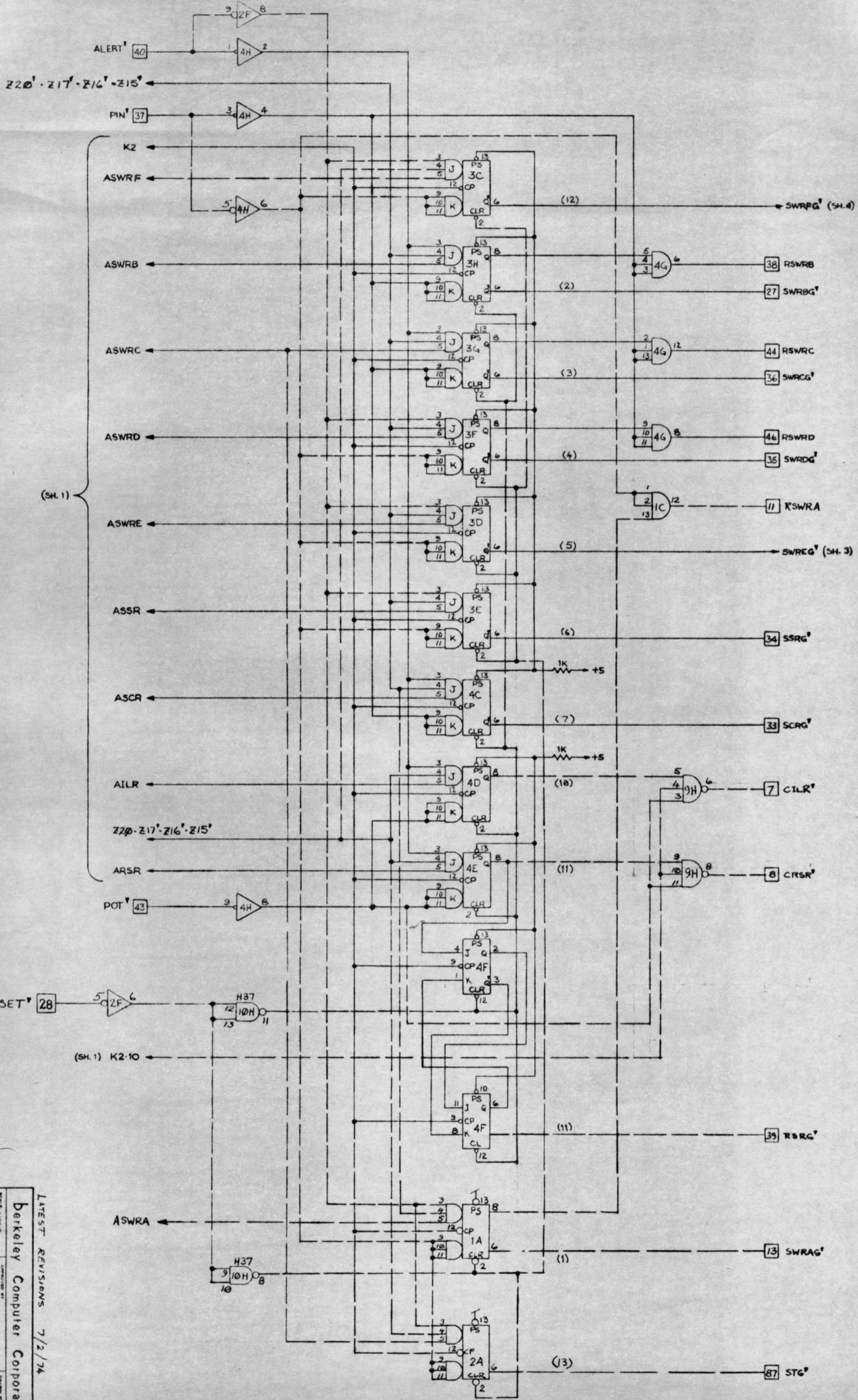


NOTES:  
1. UNLESS OTHERWISE SPECIFIED:  
ALL RESISTORS ARE 1/2W, 10%

A30

|                                       |                     |
|---------------------------------------|---------------------|
| Berkeley Computer Corporation         |                     |
| DATE: 9-30-69                         | DESIGNED BY: M.SCHD |
| ADDR. SELECT, SW/F, SW/PF, STROBE GEN | REVIEWED BY: A30    |
| LOC: 657.1                            | DATE: 10-1-69       |
| SH. 1 OF 5                            |                     |





(SH. 1)

(SH. 1) K2-10

A30

LATEST REVISIONS 7/2/74

Berkeley Computer Corporation

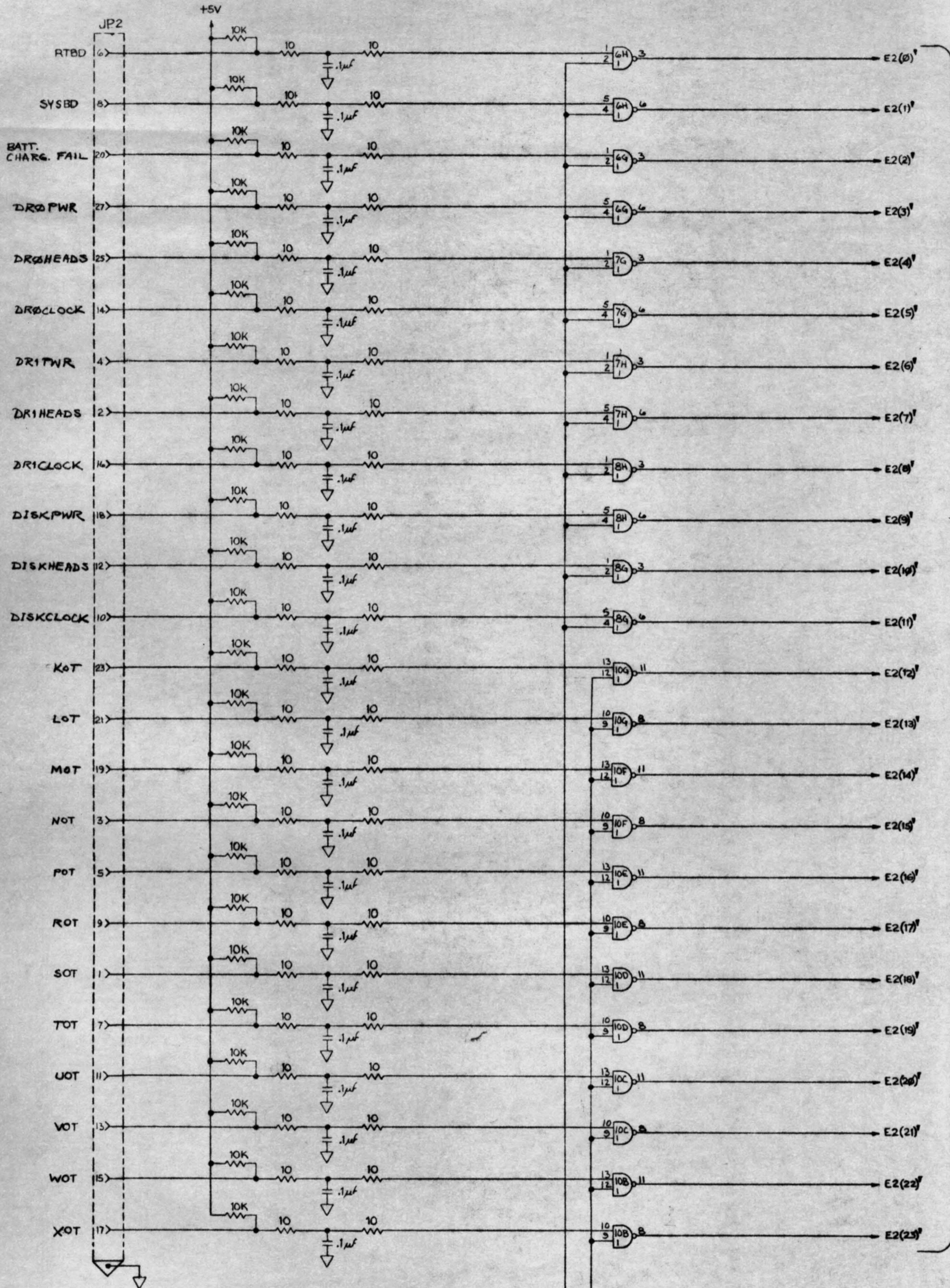
DATE: 9-30-69

ADDER, SELECT, SWR, SWRF, STROBE GEN

MSCHD

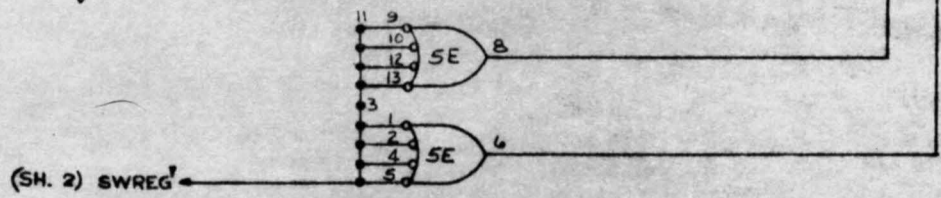
|             |          |
|-------------|----------|
| DESIGNED BY | REVIEWED |
| DRAWN BY    | DATE     |





(SH. 4)

A30



(SH. 2) SWREG

**Berkeley Computer Corporation**

DATE: 9-29-69

ADDR: SELECT, SWRE, SWRF, STROBE 66U

M. S. CHD

A30

LOGG57.1

SH. 3 OF 5

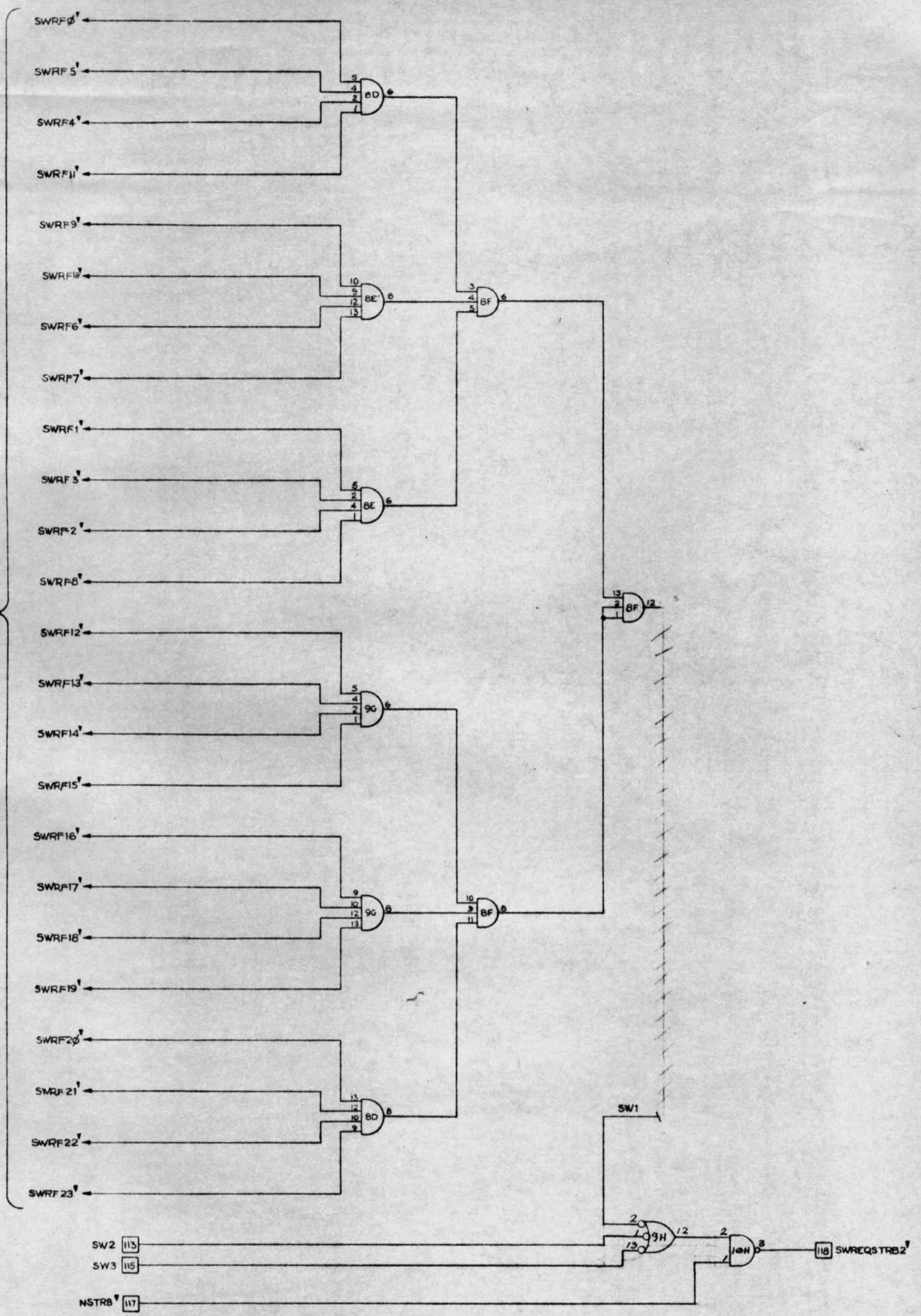




A30

Berkeley Computer Corporation  
 DATE 9-26-69  
 ADDR. SELECT, SWRF, SWRF, STROBE GEN  
 MSCHD  
 A30  
 100657.1





(SH. 4)

A30

|                                |                |
|--------------------------------|----------------|
| Berkeley Computer Corporation  |                |
| DATE: 9-20-69                  | DESIGNED BY:   |
| ADDR. SELECT, SWRF, STROBE GEN | NUMBER OF CLR: |
| MISCHD                         | REVISION:      |
| A30                            | DATE: 10-1-69  |
| 100-67-1                       | REVISION:      |