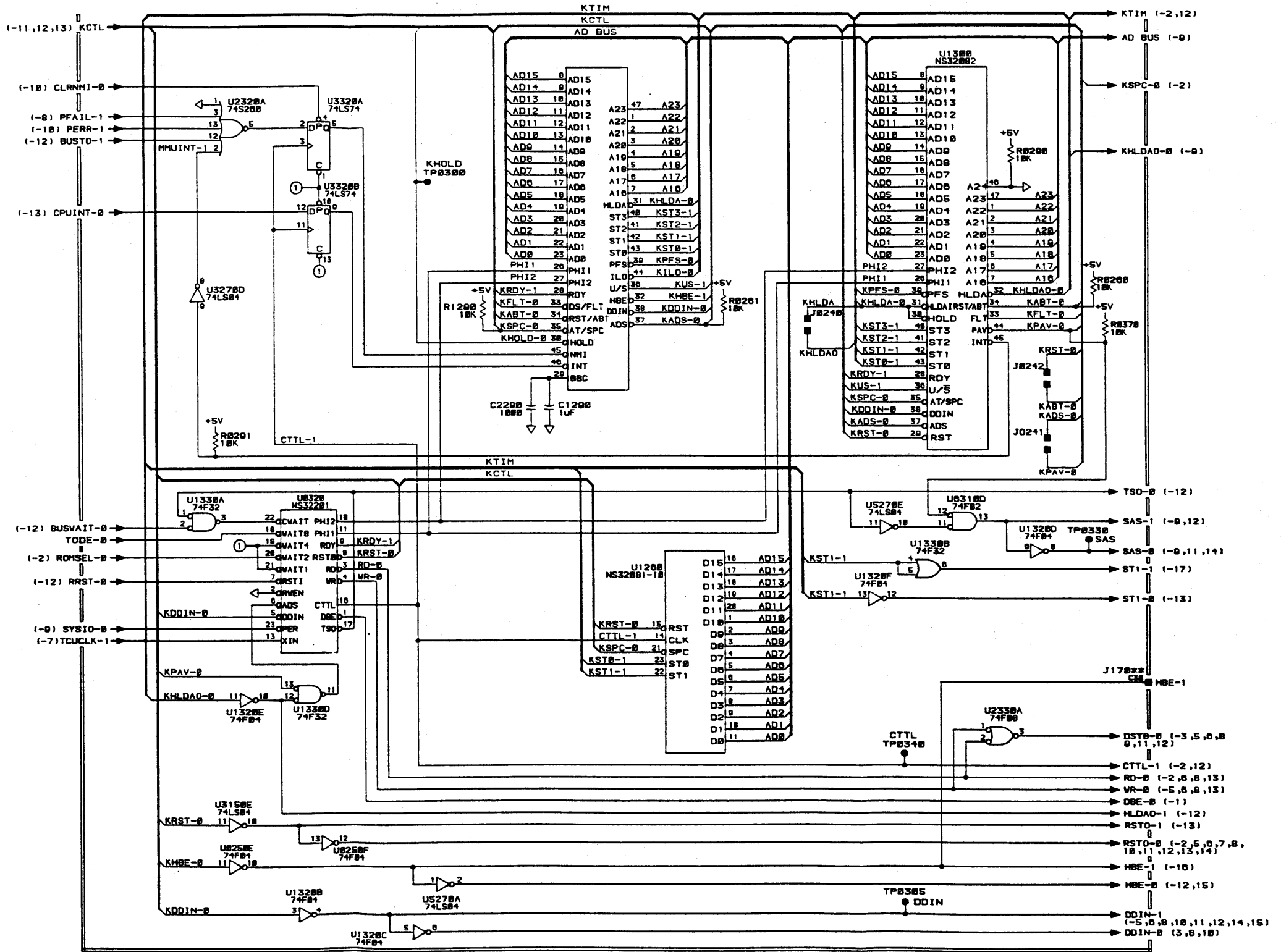


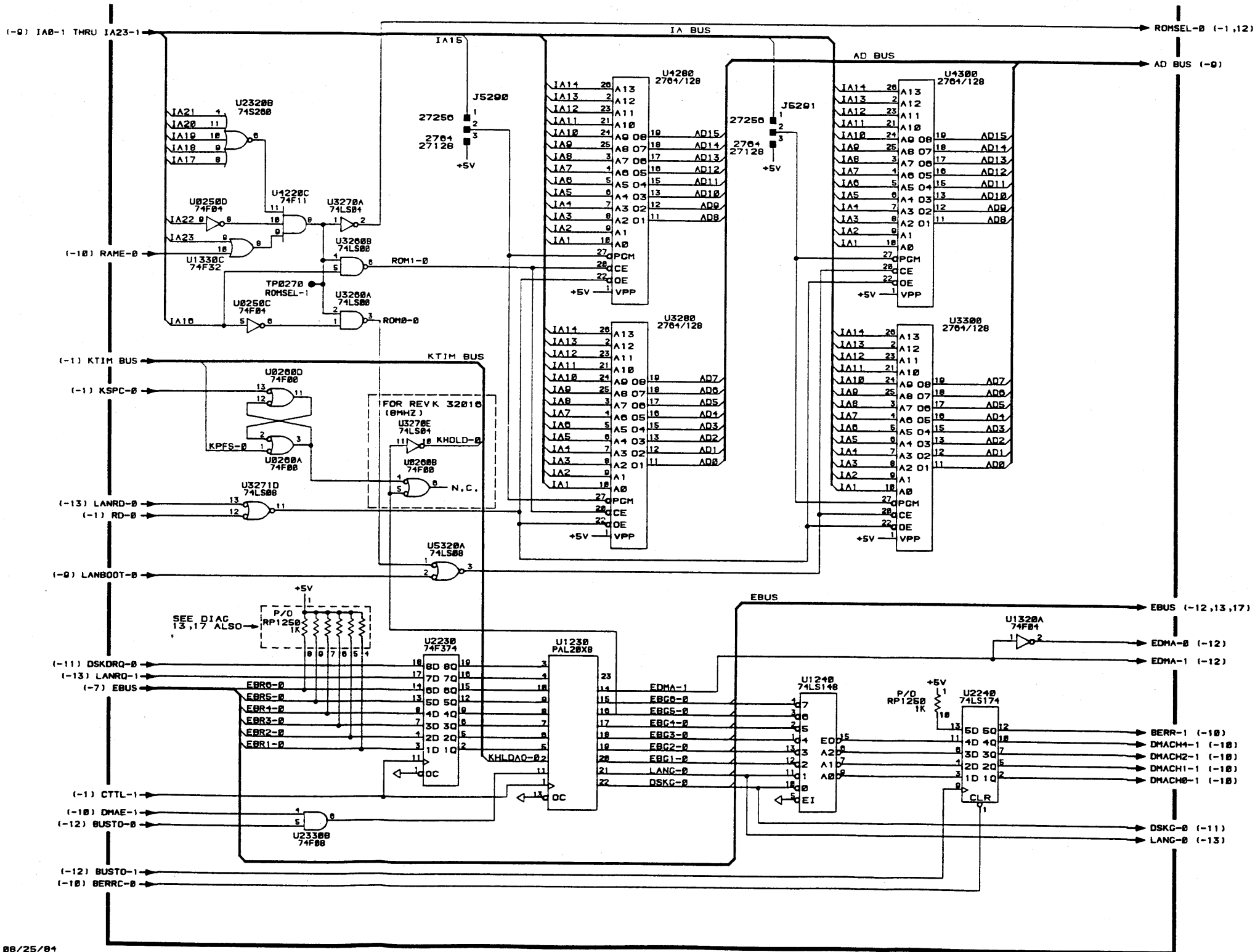
# Schematic Listing

Schematics for the computer board are contained on 17 pages. The correspondence between the schematic pages and general circuit areas is as follows:

- Page 1 CPU
- Page 2 PROM/DMA Arbitration
- Page 3 Hard Disk Interface
- Page 4 Hard Disk Data
- Page 5 Floppy Interface
- Page 6 Serial/GPIB Interfaces
- Page 7 Clock Generator
- Page 8 TOD Clock/NOV Memory
- Page 9 Address Latch and Decode
- Page 10 System Control
- Page 11 Disk DMA
- Page 12 Bus Interface
- Page 13 ICU/LAN Interface
- Page 14 RAM Timing
- Page 15 Memory Interface
- Page 16 Memory Array
- Page 17 Bus Connectors







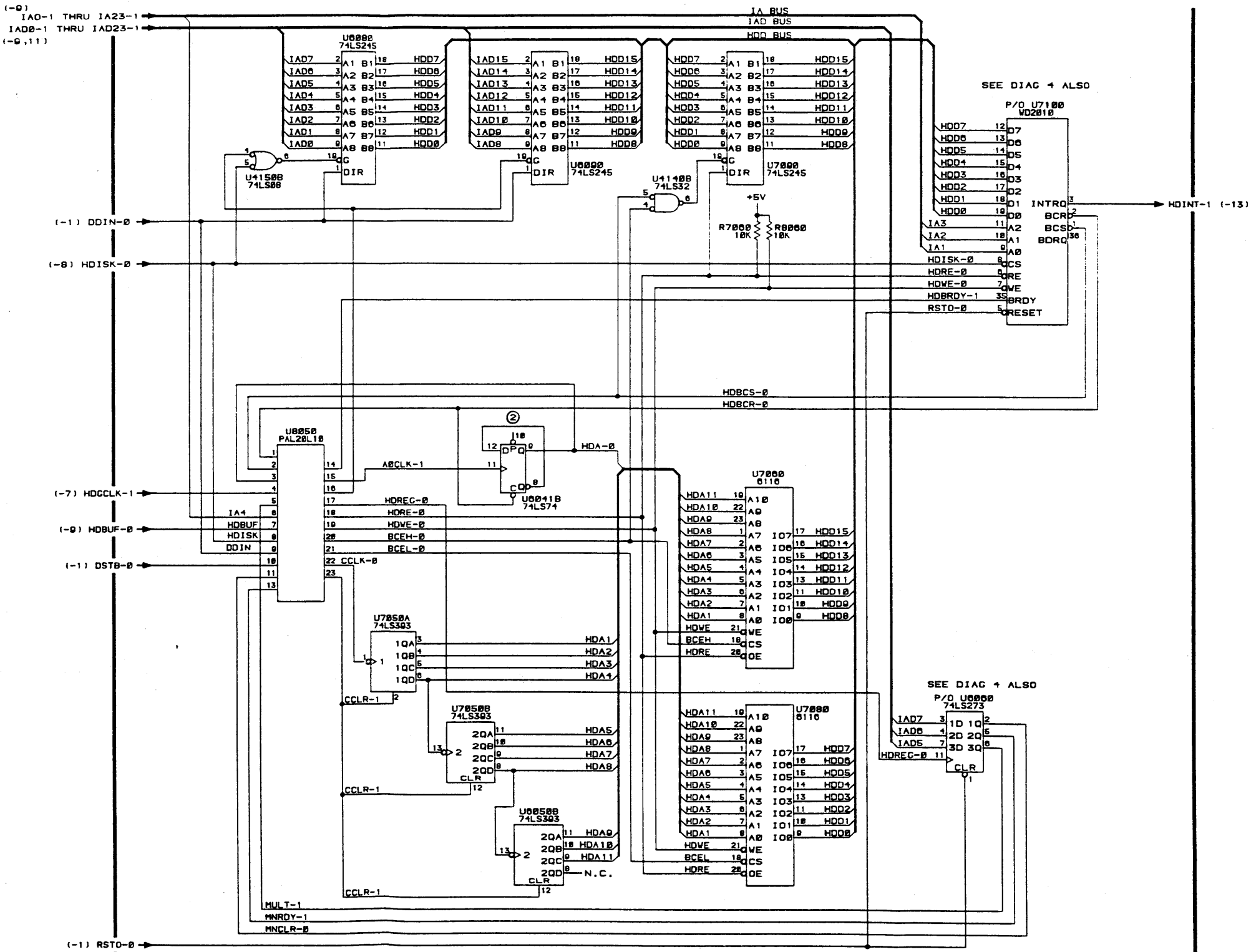
88/25/84

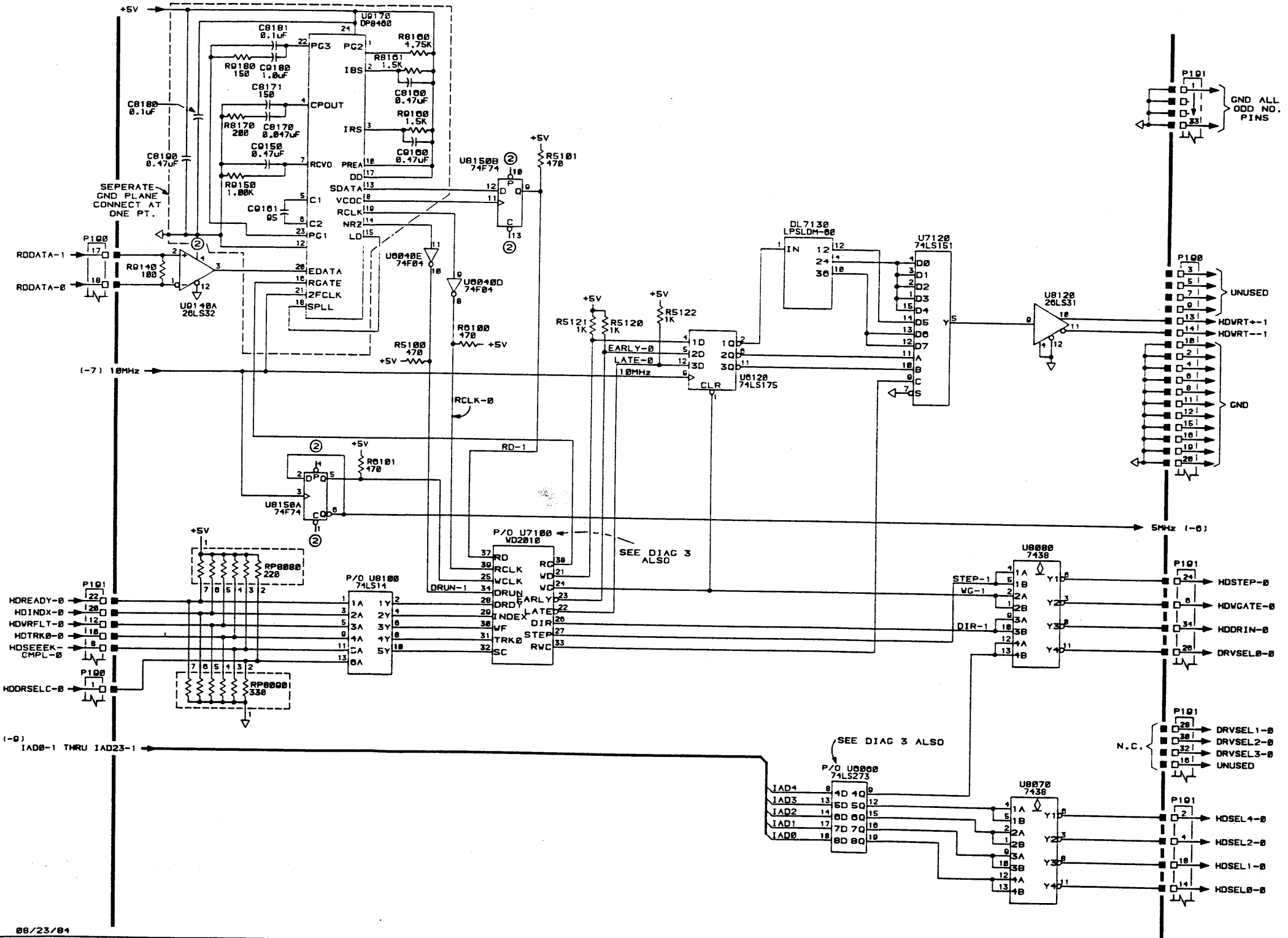
PRODUCT: 0100 SERIES	CONTROL NO.: S00170	NOTES:
USES: 0110, 0120, 0130	BOARD PRODUCT NUMBER: 6110, 20, 30	

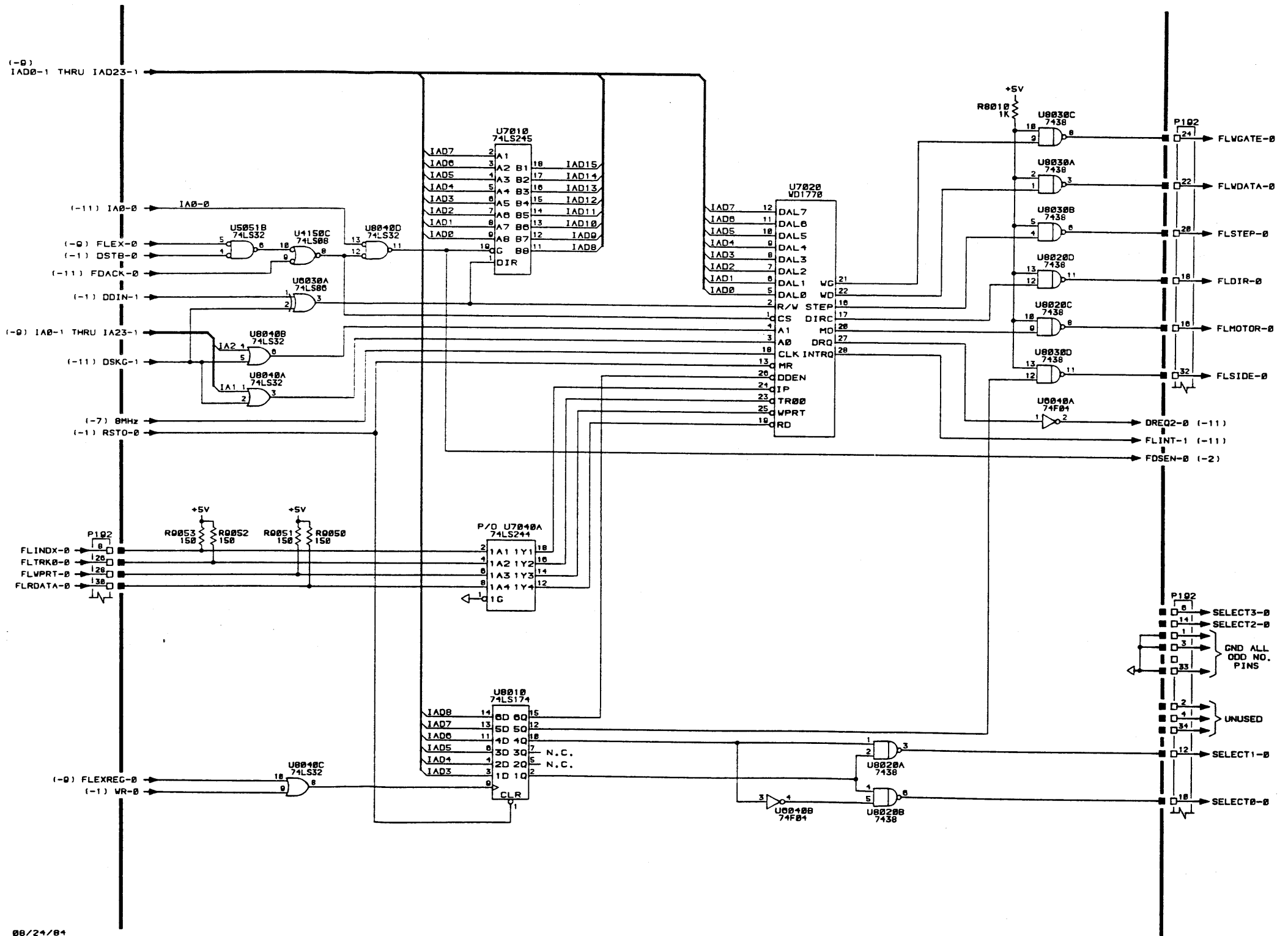
TITLE: 070-854-00 FOR 250KB MEMORY  
070-8500-00 FOR 1MB MEMORY  
**COMPUTER BOARD**  
PROM/DMA ARBITRATION

**Tektronix**

ASSEMBLY:  
**A2**  
SHEET: 2 OF 17





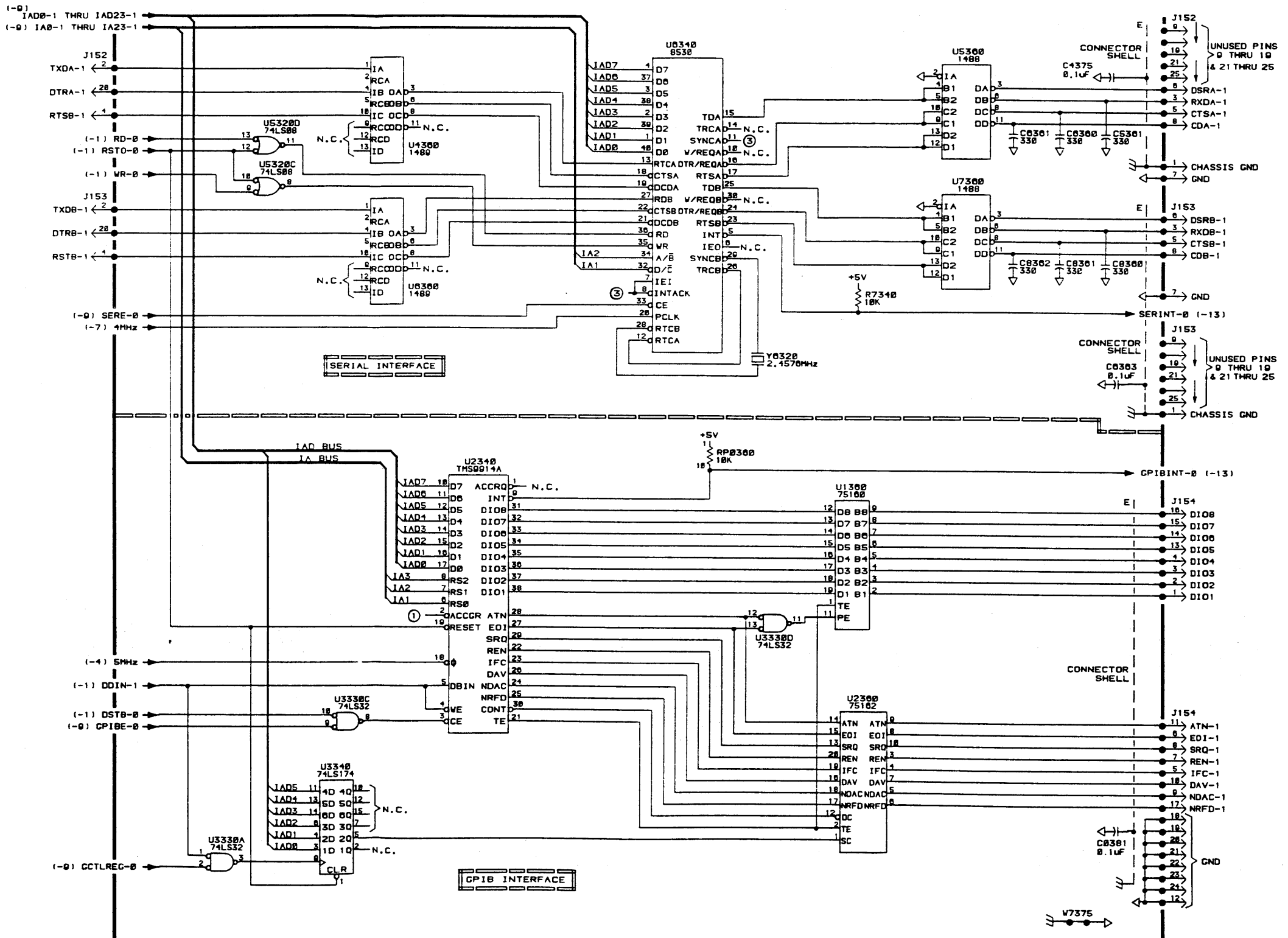


08/24/84

PRODUCT: 0100 SERIES	CONTROL NO.: S0017E	NOTES:
USES: 0110, 0120, 0130	BOARD PRODUCT NUMBER: 6110, 20, 30	

TITLE: 070-8544-00 FOR 256KB MEMORY  
070-8500-00 FOR 1MB MEMORY  
**COMPUTER BOARD**  
FLOPPY INTERFACE

	ASSEMBLY: A2
	SHEET: 5 OF 17



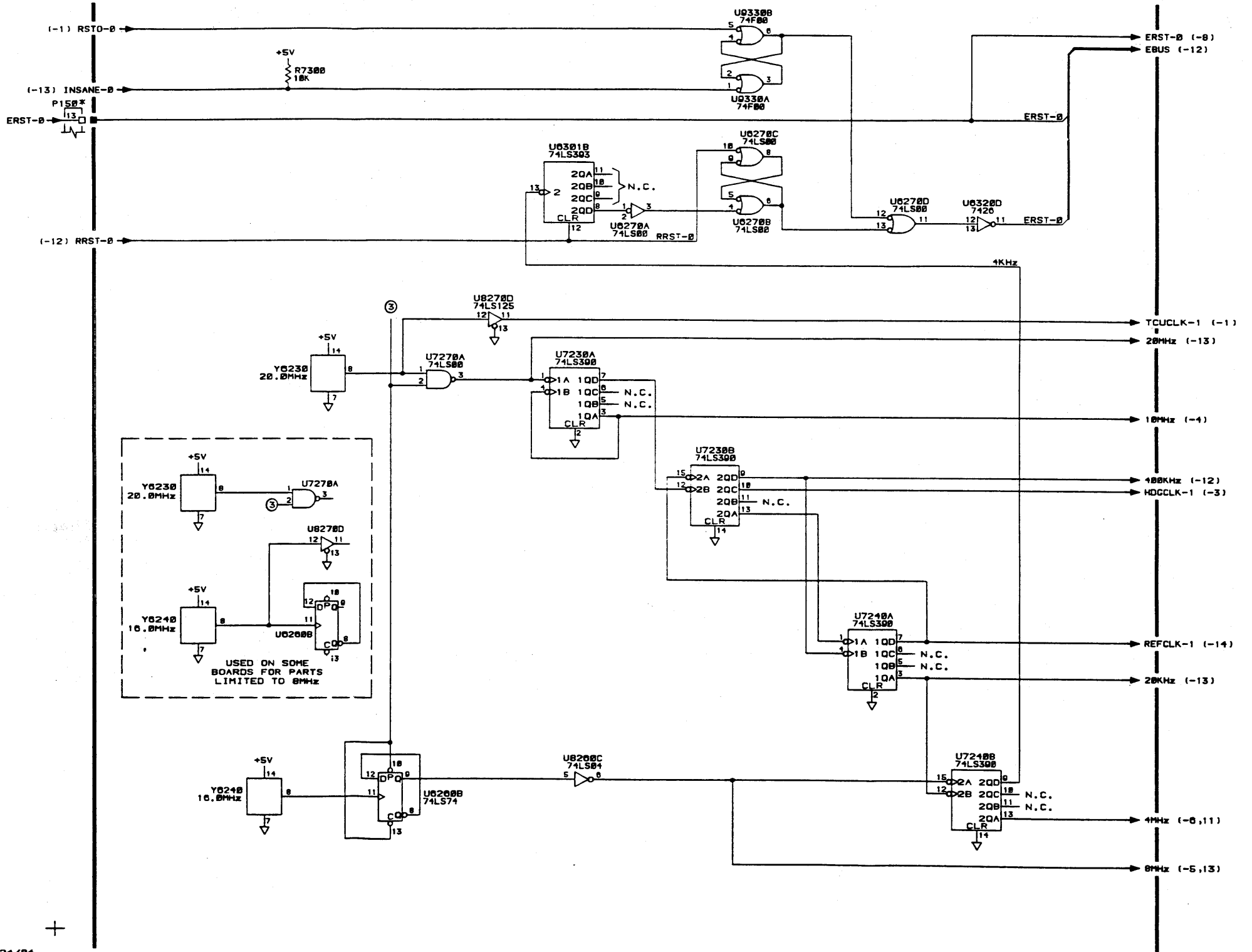
08/24/84

PRODUCT: 0100 SERIES	CONTROL NO.: S0017F	NOTES:
USES: 0110, 0120, 0130	BOARD PRODUCT NUMBER: 6110, 20, 30	

TITLE: 070-0544-00 FOR 256KB MEMORY  
070-0500-00 FOR 1MB MEMORY  
**COMPUTER BOARD**  
SERIAL/GPIB INTERFACES

Tektronix	ASSEMBLY: A2
	SHEET: 6 OF 17





08/24/84

PRODUCT: 0100 SERIES  
 USES: 0110, 0120, 0130

CONTROL NO.: S0017C  
 BOARD PRODUCT NUMBER:  
 6110, 20, 30

NOTES: \* PIN 1 IS THE KEYING PIN  
 PIN 2 IS BLANK  
 † P150 IS 180° OPPOSITE J150

TITLE: 070-8544-00 FOR 256KB MEMORY  
 070-8500-00 FOR 1MB MEMORY

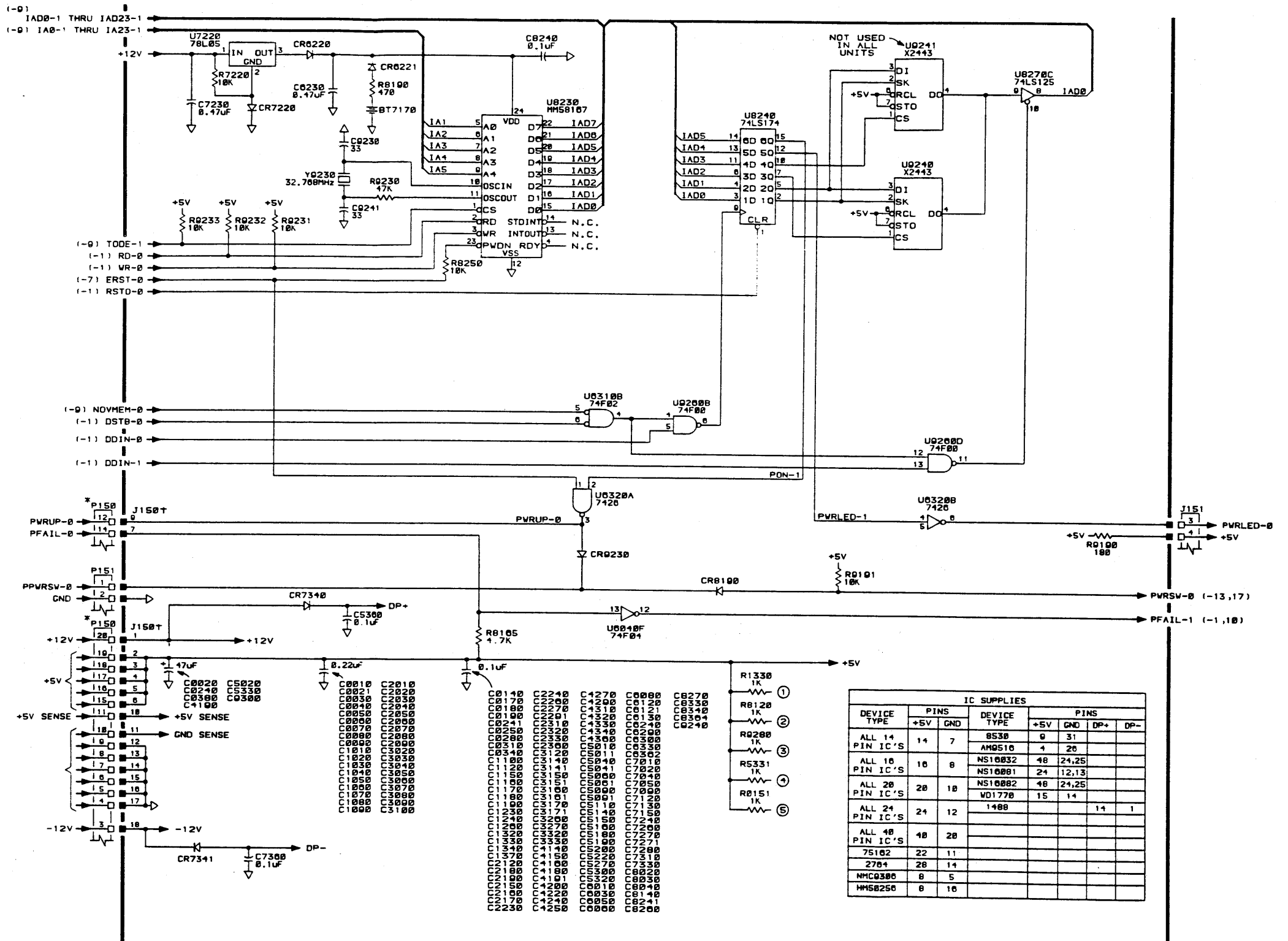
COMPUTER BOARD  
 CLOCK GENERATOR

Tektronix

ASSEMBLY:

A2

SHEET: 7 OF 17



IC SUPPLIES							
DEVICE TYPE	PINS		DEVICE TYPE	PINS			
	+5V	GND		+5V	GND	DP+	DP-
ALL 14 PIN IC'S	14	7	8530	8	31		
			AM0510	4	26		
ALL 16 PIN IC'S	16	8	NS10032	48	24,25		
			NS10001	24	12,13		
ALL 20 PIN IC'S	20	10	NS10002	48	24,25		
			WD1770	15	14		
ALL 24 PIN IC'S	24	12	1400			14	1
ALL 40 PIN IC'S	40	20					
75102	22	11					
2704	28	14					
NMC0300	8	5					
HMS0250	8	10					

(-11,12)  
IA00-1 THRU IA23-1  
(-12) AD BUS

(-3,4,5,6,8,10,13,15)  
IA00-1 THRU IA23-1  
AD BUS (-10)  
IA0-1 THRU IA23-1  
(-2,3,5,6,8,10,11,13,14,15)

IAD BUS  
AD BUS  
IA BUS

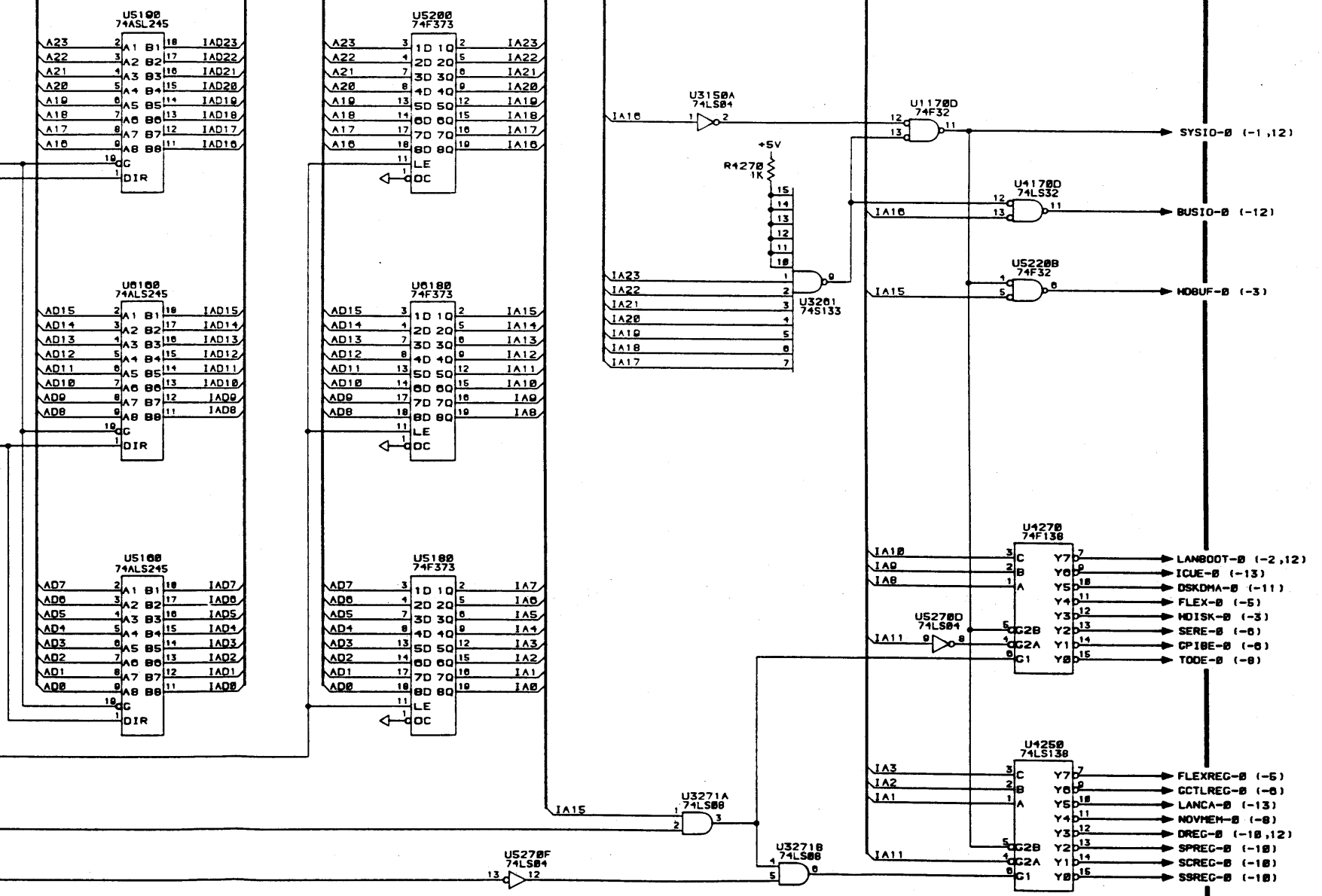
(-12) KBEN-0  
(-1) KHLDAO-0

(-12) KBDIR-1

(-1) SAS-1

(-1) SAS-0

(-1) DST0-0

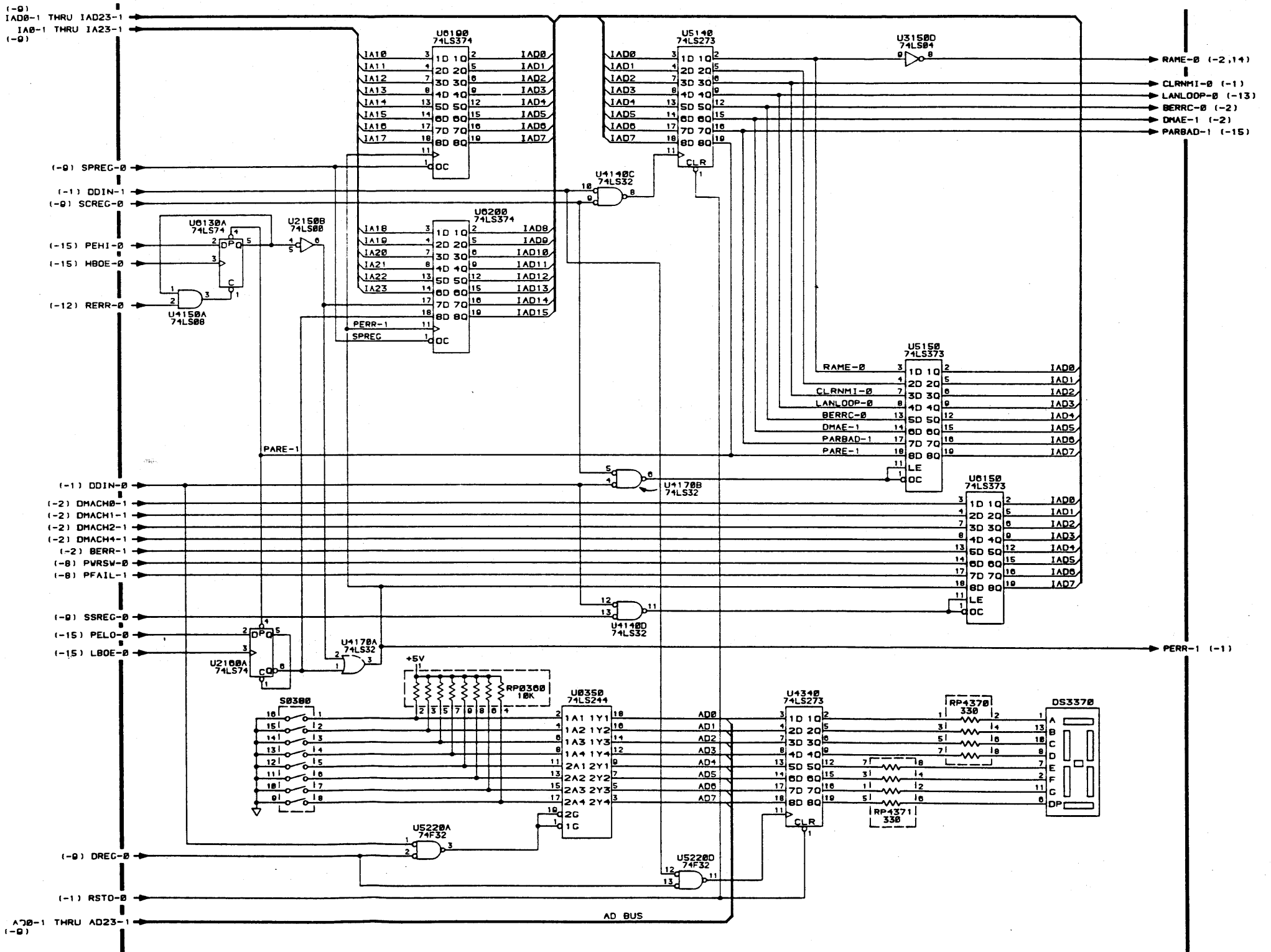


00/23/04

PRODUCT 0100 SERIES	CONTROL NO. S00171	NOTES:
USES 0110,0120,0130	BOARD PRODUCT NUMBER: 6110,20,30	

TITLE: 070-8544-00 FOR 250KB MEMORY  
070 8500-00 FOR 1MB MEMORY  
**COMPUTER BOARD**  
ADDRESS LATCH & DECODE

Tektronix	ASSEMBLY: A2
	SHEET: 0 OF 17



08/23/84

PRODUCT: 6100 SERIES  
 CONTROL NO.: S0017J  
 NOTES:  
 USES: 6110, 6120, 6130  
 BOARD PRODUCT NUMBER:  
 6110, 20, 30

TITLE: 670-8544-00 FOR 256KB MEMORY  
 670-8500-00 FOR 1MB MEMORY

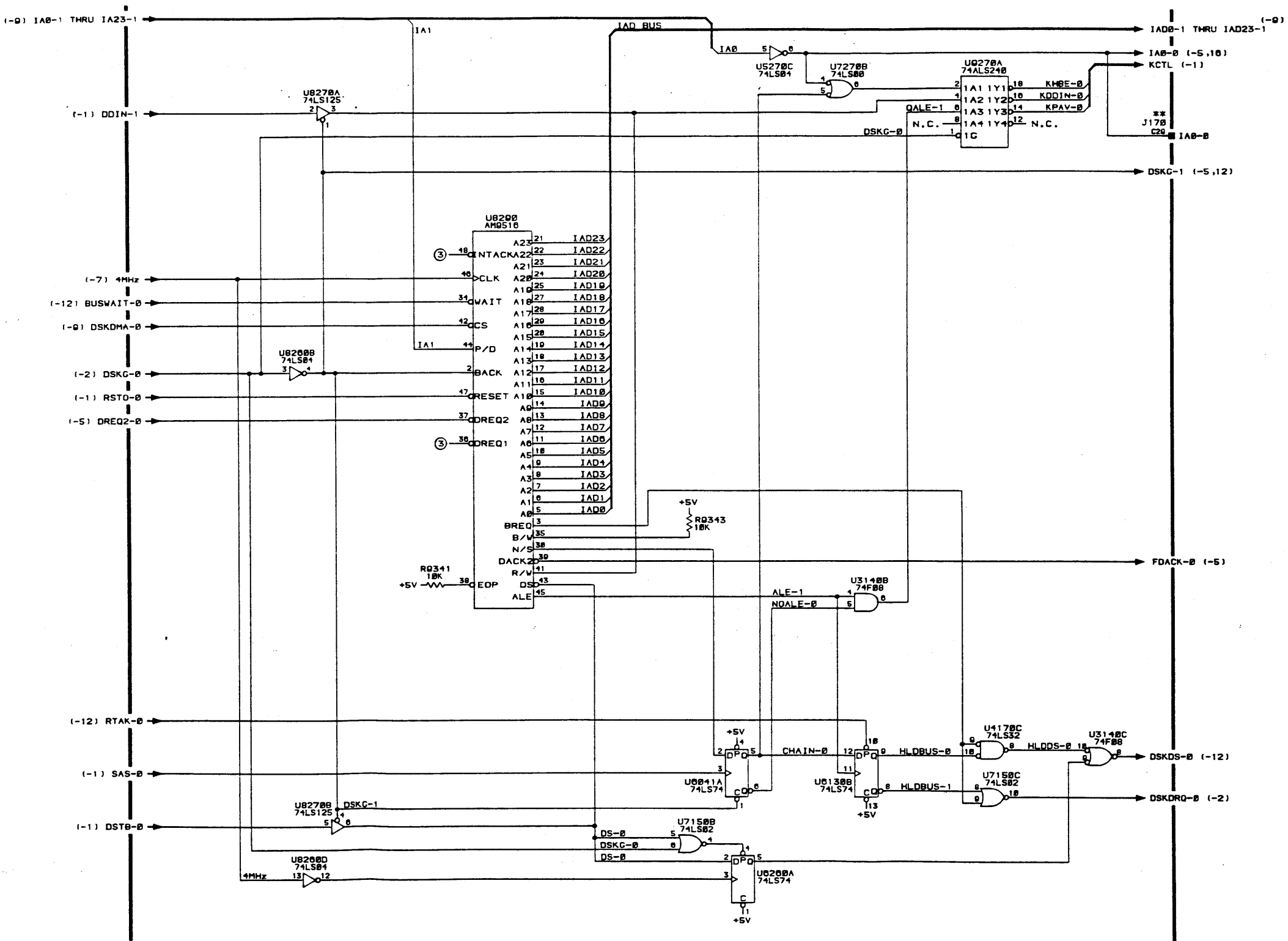
COMPUTER BOARD  
 SYSTEM CONTROL

Tektronix

ASSEMBLY:

A2

SHEET: 18 OF 17

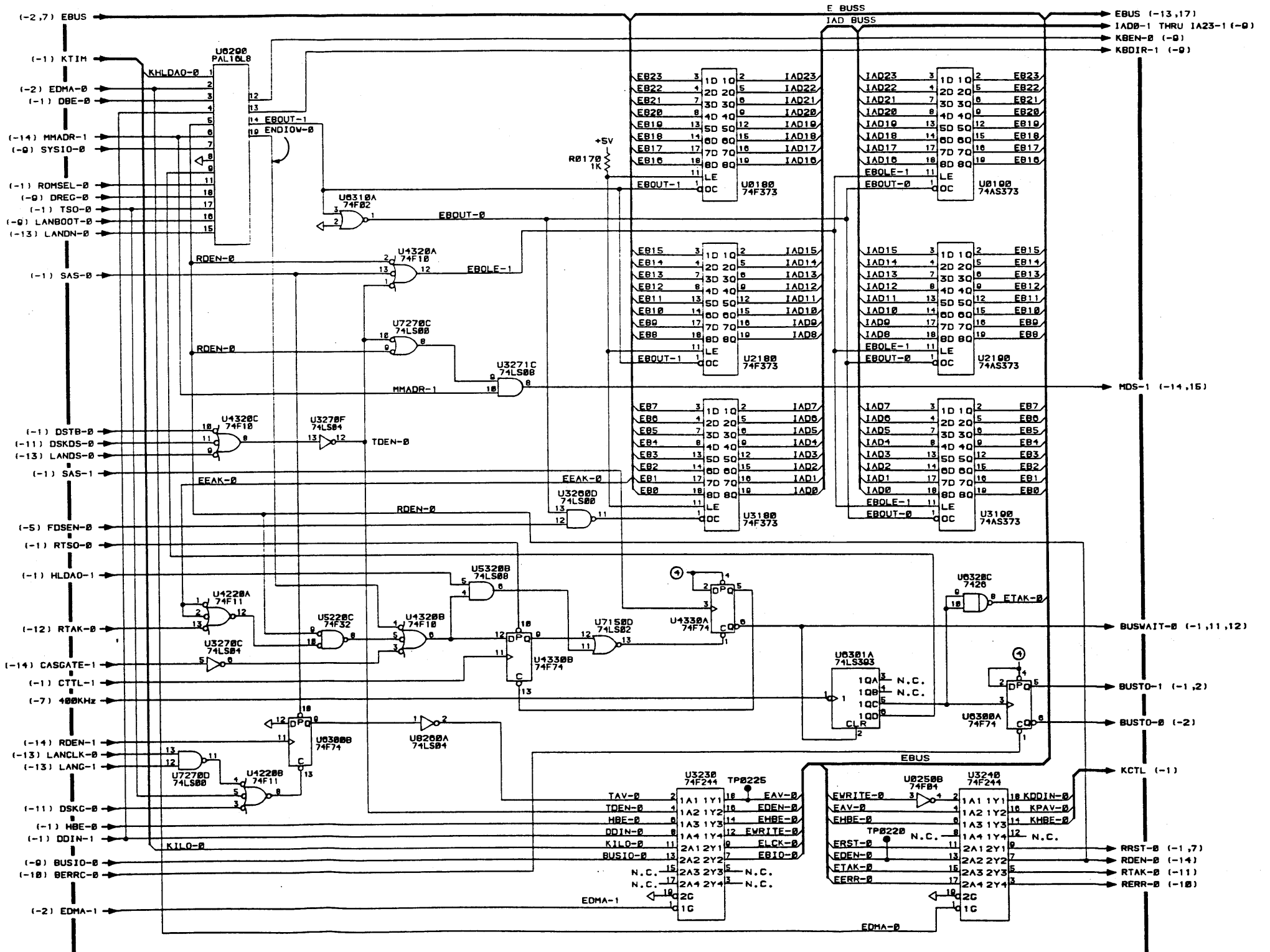


88/23/84

PRODUCT: 0100 SERIES	CONTROL NO.: S0017K	NOTES: ** NOT USED AT THIS TIME
USES: 0110, 0120, 0130	BOARD PRODUCT NUMBER: 6110, 20, 30	

TITLE: 070-8544-00 FOR 256KB MEMORY  
070-8500-00 FOR 1MB MEMORY  
**COMPUTER BOARD**  
DISK DMA

	ASSEMBLY: A2
	SHEET: 11 OF 17



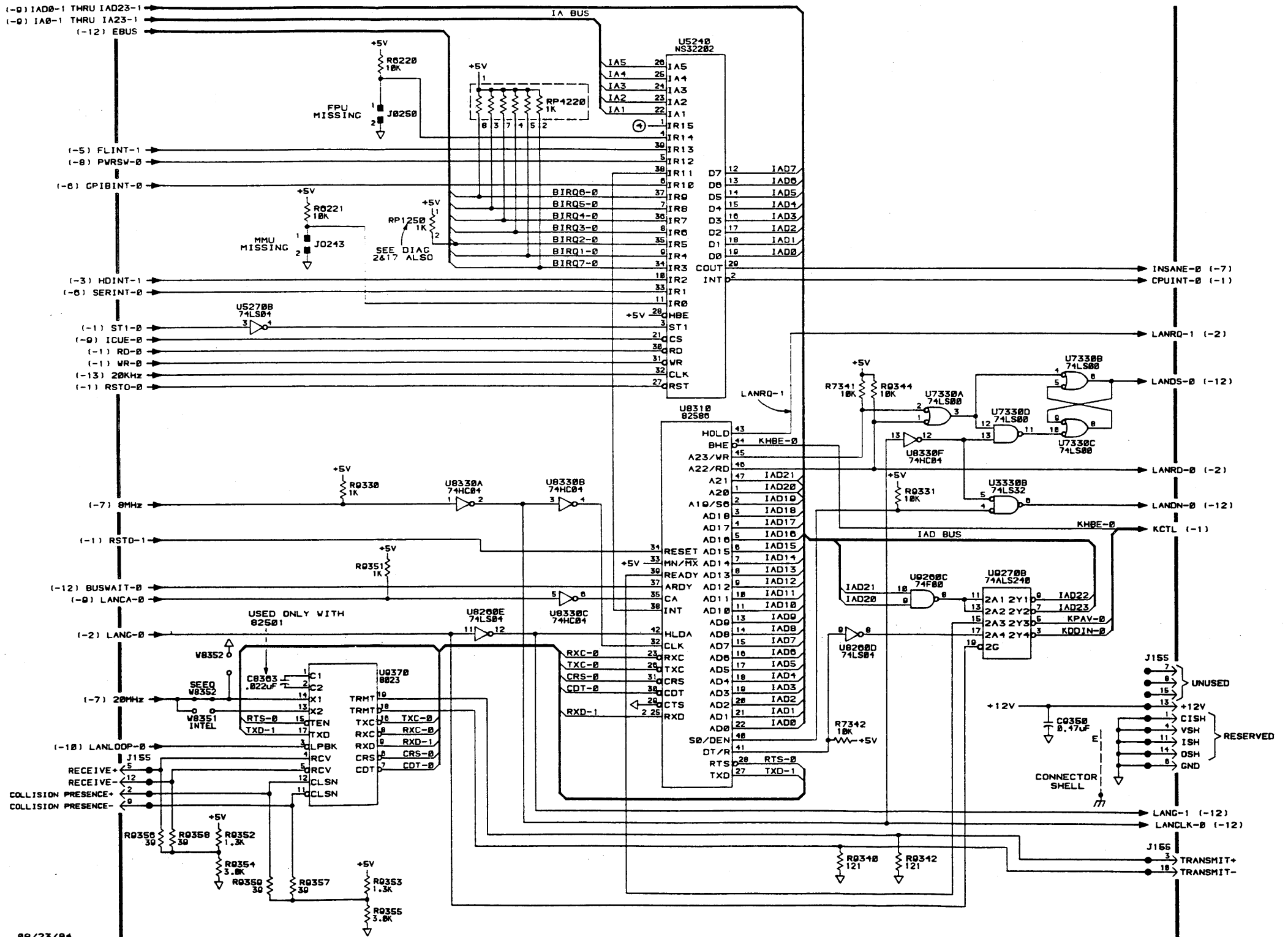
08/23/84

PRODUCT: 6100 SERIES	CONTROL NO.: S8017L	NOTES:
USES: 6110, 6120, 6130	BOARD PRODUCT NUMBER: 6110, 20, 30	

TITLE: 670-8544-00 FOR 256KB MEMORY  
670-8500-00 FOR 1MB MEMORY

**COMPUTER BOARD  
BUS INTERFACE**

	ASSEMBLY: A2
	SHEET: 12 OF 17

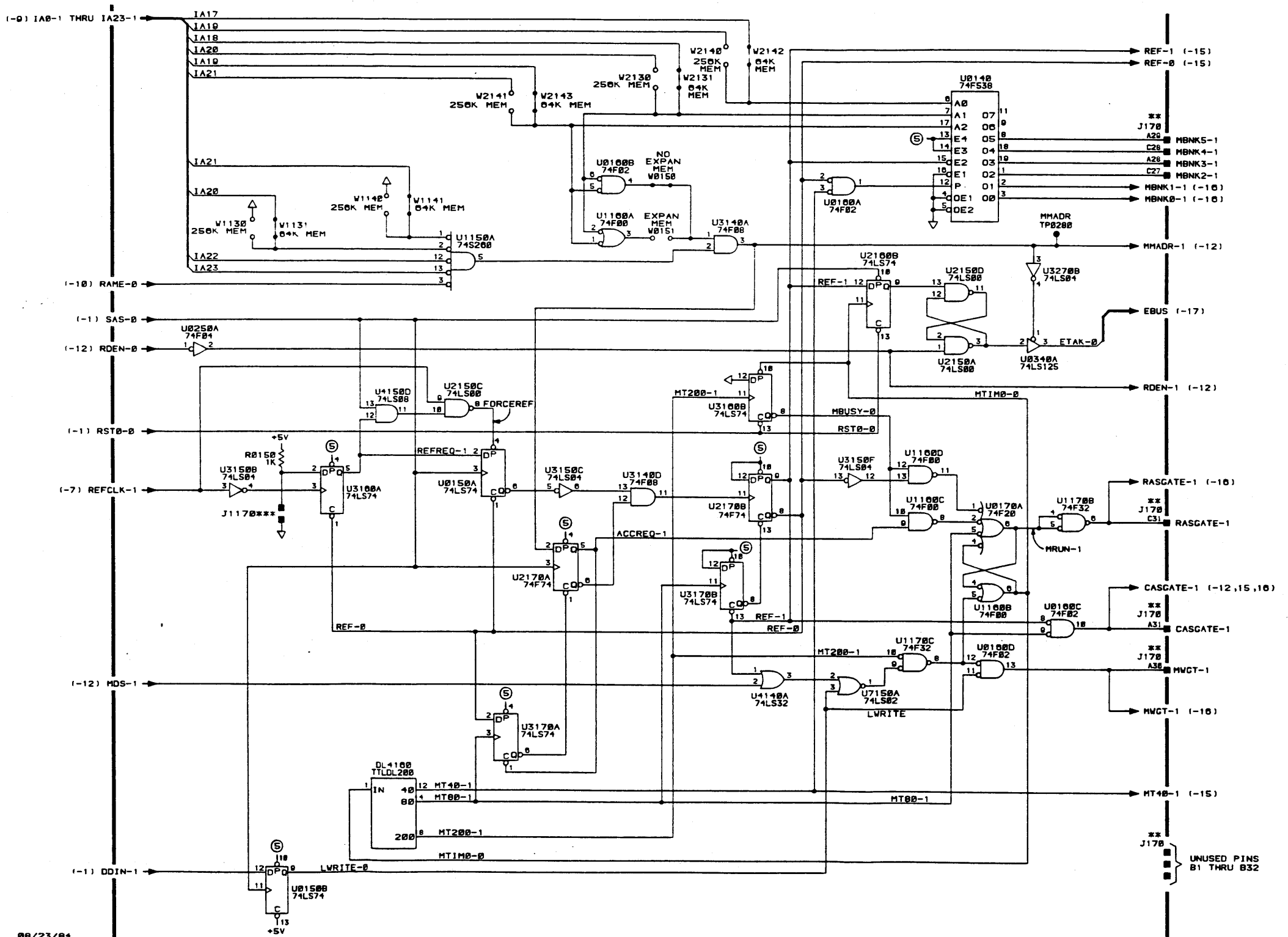


08/23/84

PRODUCT: 0100 SERIES	CONTROL NO.: S0017M	NOTES:
USES: 0110, 0120, 0130	BOARD PRODUCT NUMBER: 6110, 20, 30	

TITLE: 670-8544-00 FOR 256KB MEMORY 670-8500-00 FOR 1MB MEMORY
<b>COMPUTER BOARD</b> ICU/LAN INTERFACE

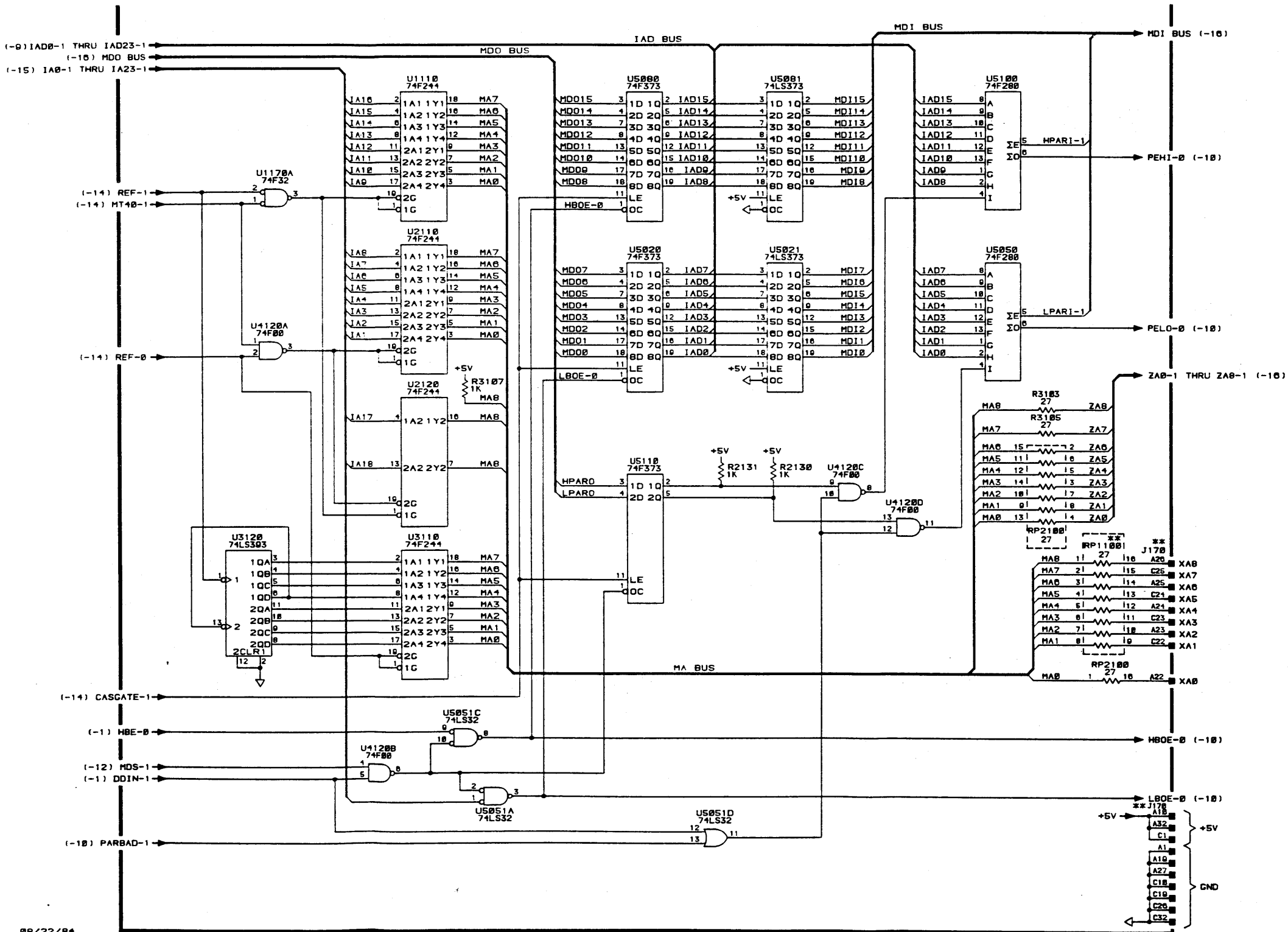
<b>Tektronix</b>	ASSEMBLY: A2
	SHEET: 13 OF 17



08/23/84

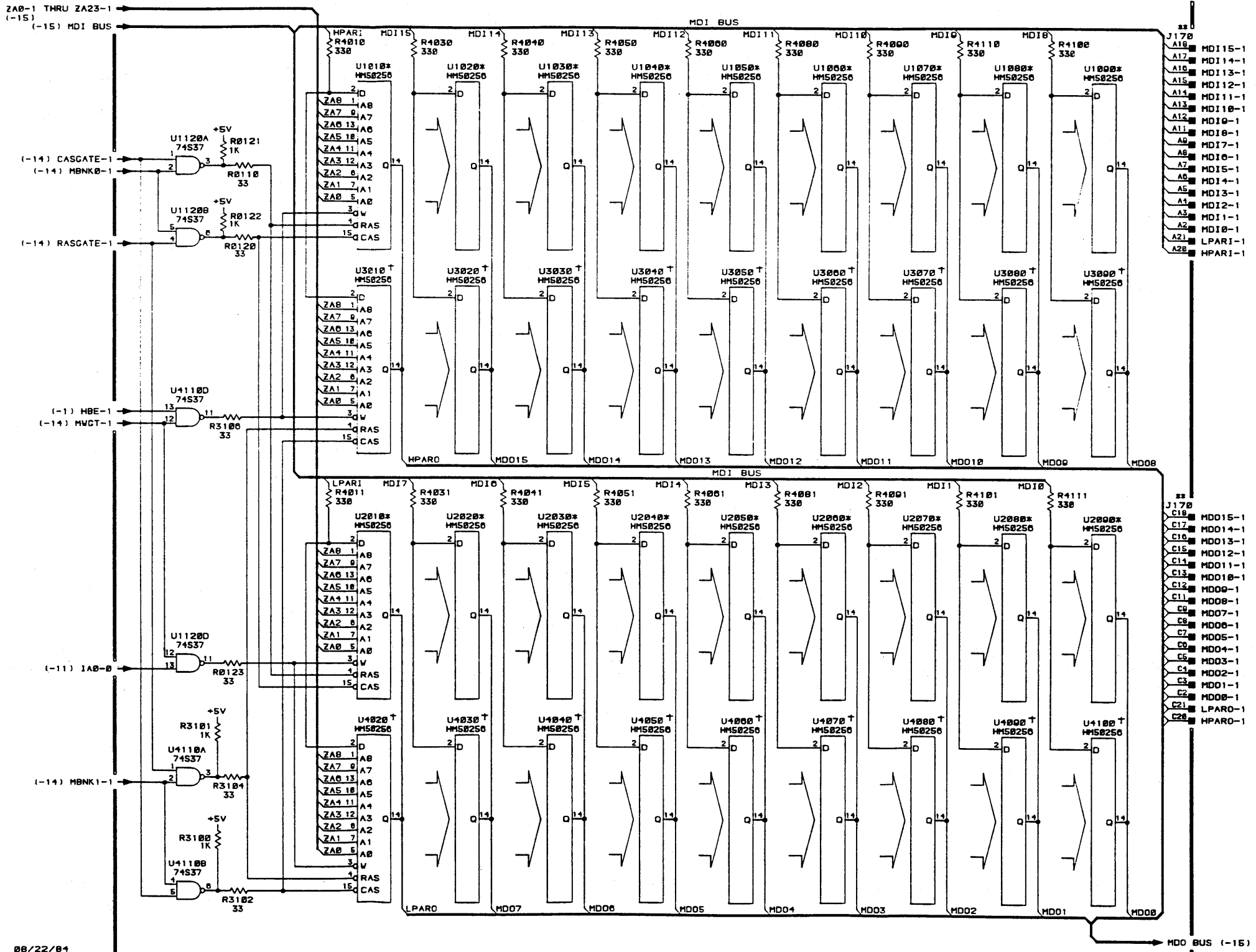
PRODUCT: 0100 SERIES	CONTROL NO.: S0017N	NOTES: ** NOT USED AT THIS TIME *** SHOWN AS J0170 ON BOARD	TITLE: 070-8544-00 FOR 250K MEMORY 070-8500-00 FOR 1M MEMORY		ASSEMBLY: A2
USES: 0110, 0120, 0130	BOARD PRODUCT NUMBER: 6110, 20, 30		COMPUTER BOARD RAM TIMING		SHEET: 14 OF 17





08/22/84

PRODUCT: 0100 SERIES	CONTROL NO.: S00170	NOTES: ** NOT USED AT THIS TIME	TITLE: 670-8544-00 FOR 256KB MEMORY 670-8500-00 FOR 1MB MEMORY		ASSEMBLY:
USES: 0110, 0120, 0130	BOARD PRODUCT NUMBER: 6110, 20, 30		COMPUTER BOARD MEMORY INTERFACE		A2
					SHEET 15 OF 17

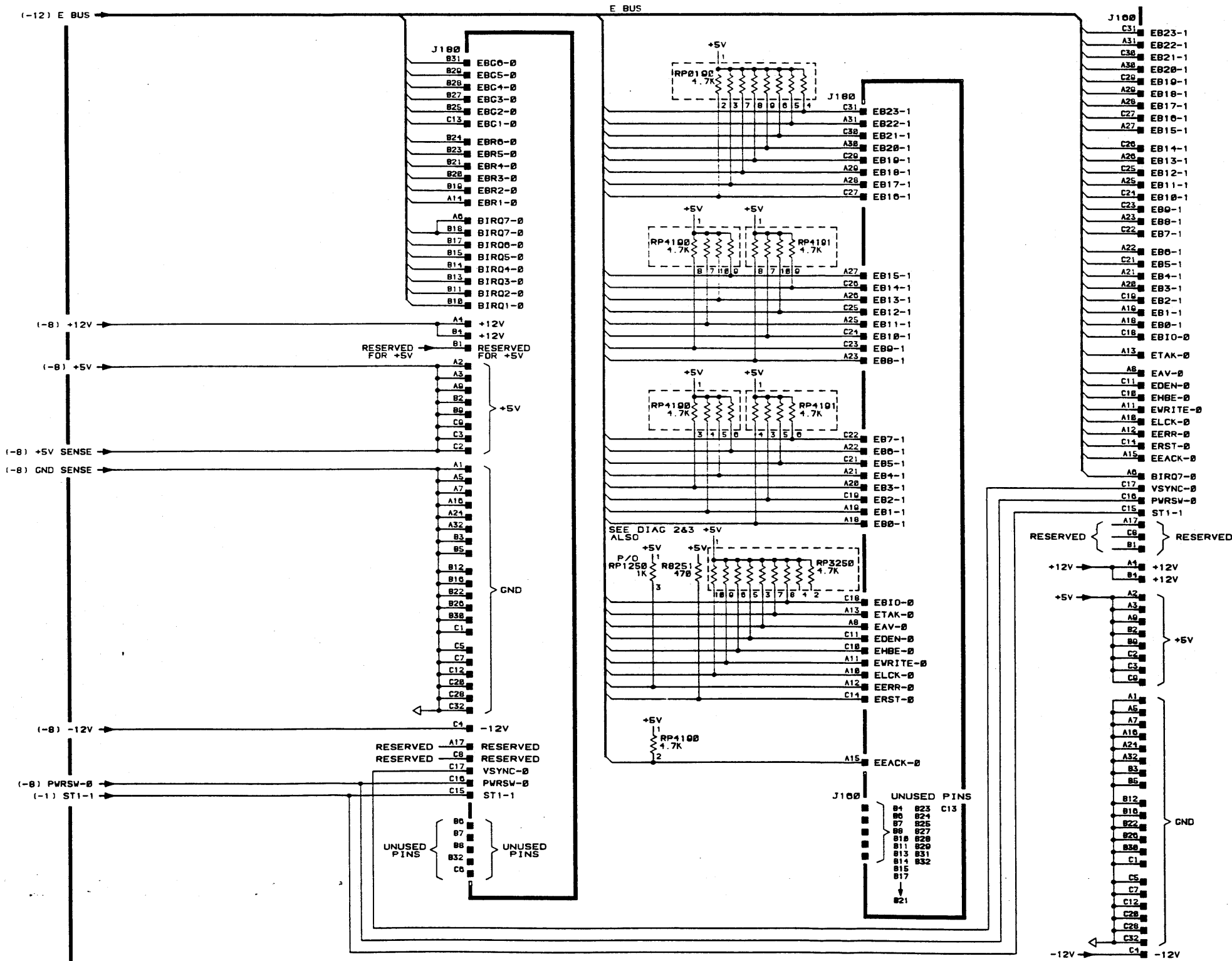


- J170 A18 MDI15-1
- A17 MDI14-1
- A16 MDI13-1
- A15 MDI12-1
- A14 MDI11-1
- A13 MDI10-1
- A12 MDI9-1
- A11 MDI8-1
- A10 MDI7-1
- A9 MDI6-1
- A8 MDI5-1
- A7 MDI4-1
- A6 MDI3-1
- A5 MDI2-1
- A4 MDI1-1
- A3 MDI0-1
- A2 LPAR1-1
- A1 HPARI-1

- J170 C18 MDO15-1
- C17 MDO14-1
- C16 MDO13-1
- C15 MDO12-1
- C14 MDO11-1
- C13 MDO10-1
- C12 MDO9-1
- C11 MDO8-1
- C10 MDO7-1
- C9 MDO6-1
- C8 MDO5-1
- C7 MDO4-1
- C6 MDO3-1
- C5 MDO2-1
- C4 MDO1-1
- C3 MDO0-1
- C2 LPAR0-1
- C1 HPAR0-1

08/22/84

PRODUCT: 0100 SERIES	CONTROL NO.: S0017P	NOTES: * USE 2104A-15 FOR 250KB MEMORY & HMS0250-15 FOR 512KB & 1MB MEMORY † USE 2104A-15 FOR 250KB MEMORY USE HMS0250-15 FOR 1MB MEMORY NO IC USED IN 512KB MEMORY ** NOT USED AT THIS TIME	TITLE: 070-8514-00 FOR 250KB MEMORY 070-8500-00 FOR 1MB MEMORY		ASSEMBLY:
USES: 0110, 0120, 0130	BOARD PRODUCT NUMBER: 6110, 20, 30		COMPUTER BOARD MEMORY ARRAY		A2



08/22/84

PRODUCT: 0100 SERIES CONTROL NO.: S00170  
 USes: 0110, 0120, 0130 BOARD PRODUCT NUMBER:  
 6110, 20, 30

NOTES:

TITLE: 070-8541-00 FOR 250KB MEMORY  
 070-8500-00 FOR 1MB MEMORY

COMPUTER BOARD  
 BUS CONNECTORS

Tektronix

ASSEMBLY:  
 A2

SHEET 17 OF 17