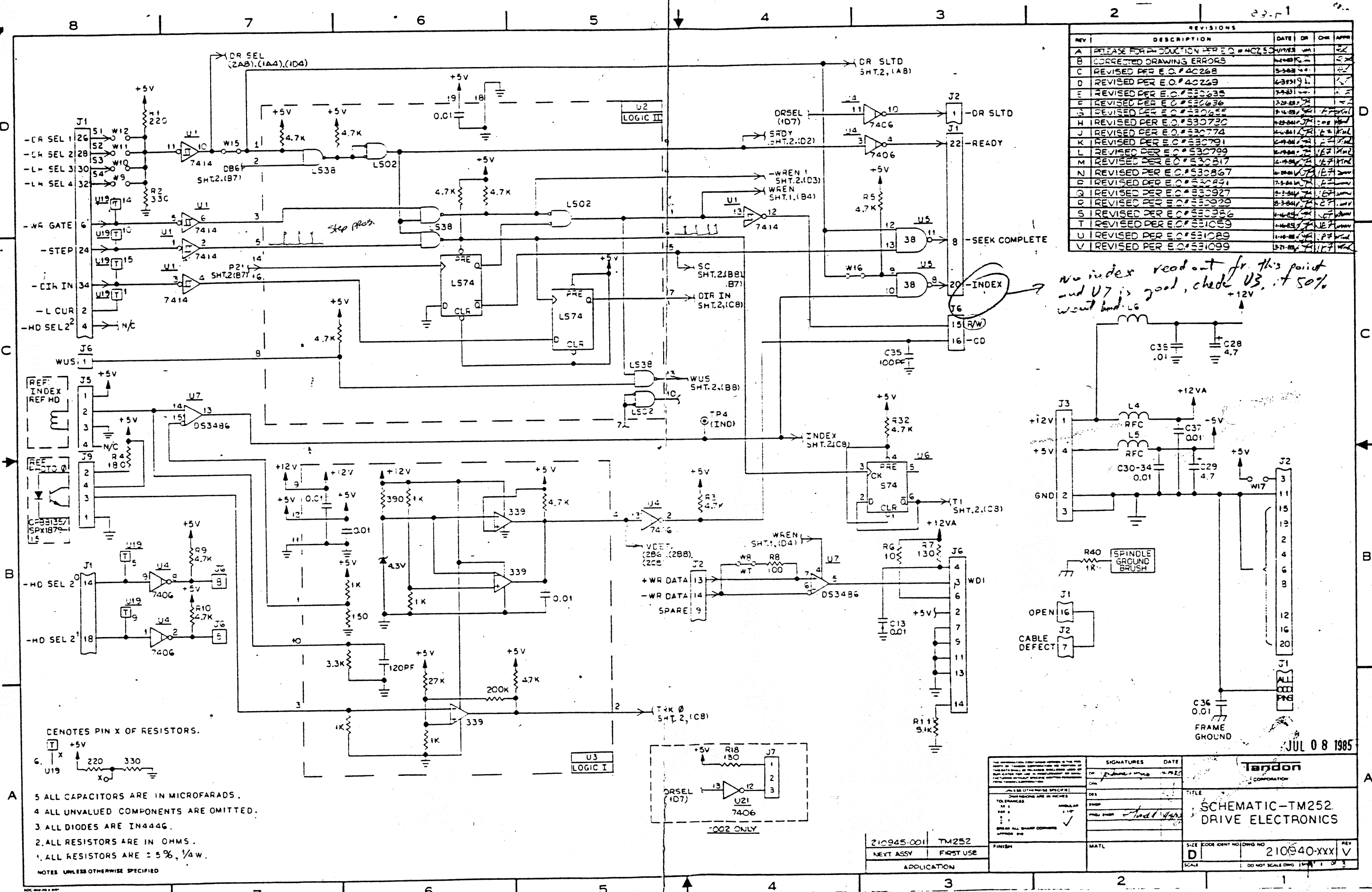


REVISIONS				
REV	DESCRIPTION	DATE	DR	CHK
A	RELEASE FOR PRODUCTION PER E.O. #40250	11/18/83	WML	WML
B	CORRECTED DRAWING ERRORS	11/18/83	WML	WML
C	REVISED PER E.O. #40268	5-3-84	WML	WML
D	REVISED PER E.O. #40269	6-23-84	WML	WML
E	REVISED PER E.O. #530635	7-20-84	WML	WML
F	REVISED PER E.O. #530636	7-20-84	WML	WML
G	REVISED PER E.O. #530655	8-16-84	WML	WML
H	REVISED PER E.O. #530730	11-29-84	WML	WML
J	REVISED PER E.O. #530774	12-28-84	WML	WML
K	REVISED PER E.O. #530791	1-29-85	WML	WML
L	REVISED PER E.O. #530799	2-19-85	WML	WML
M	REVISED PER E.O. #530817	2-19-85	WML	WML
N	REVISED PER E.O. #530867	6-28-85	WML	WML
Q	REVISED PER E.O. #530891	7-5-85	WML	WML
R	REVISED PER E.O. #530927	8-2-85	WML	WML
S	REVISED PER E.O. #530929	8-3-85	WML	WML
T	REVISED PER E.O. #530956	11-16-85	WML	WML
U	REVISED PER E.O. #531089	1-10-86	WML	WML
V	REVISED PER E.O. #531099	3-27-86	WML	WML

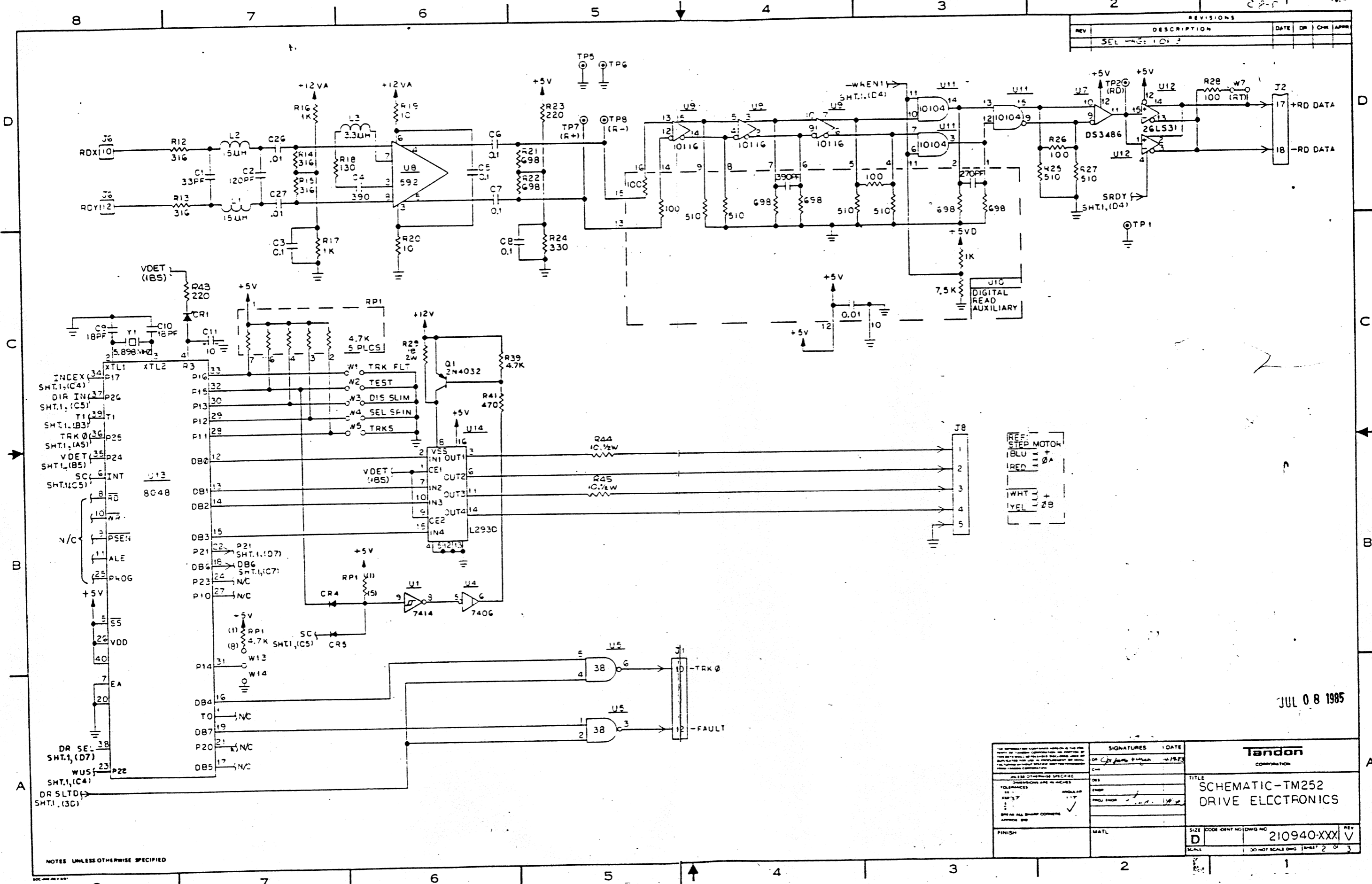
no index read out for this point and U7 is good, check U3. if 50% want back LG



- CENOTES PIN X OF RESISTORS.
- 5 ALL CAPACITORS ARE IN MICROFARADS.
 - 4 ALL UNVALUED COMPONENTS ARE OMITTED.
 - 3 ALL DIODES ARE IN444G.
 - 2. ALL RESISTORS ARE IN OHMS.
 - 1. ALL RESISTORS ARE = 5%, 1/4W.
- NOTES UNLESS OTHERWISE SPECIFIED

SIGNATURES		DATE	Tandon CORPORATION
DR			
TITLE		SCHEMATIC-TM252 DRIVE ELECTRONICS	
210945-001	TM252	FINISH	MATL
NEXT ASSY	FIRST USE	SCALE	DO NOT SCALE DWG
APPLICATION		SIZE	CODE
		D	210940-XXX
		REV	V

REVISIONS				
REV	DESCRIPTION	DATE	DR	CHK
1	SEL - 42: 1 OF 2			



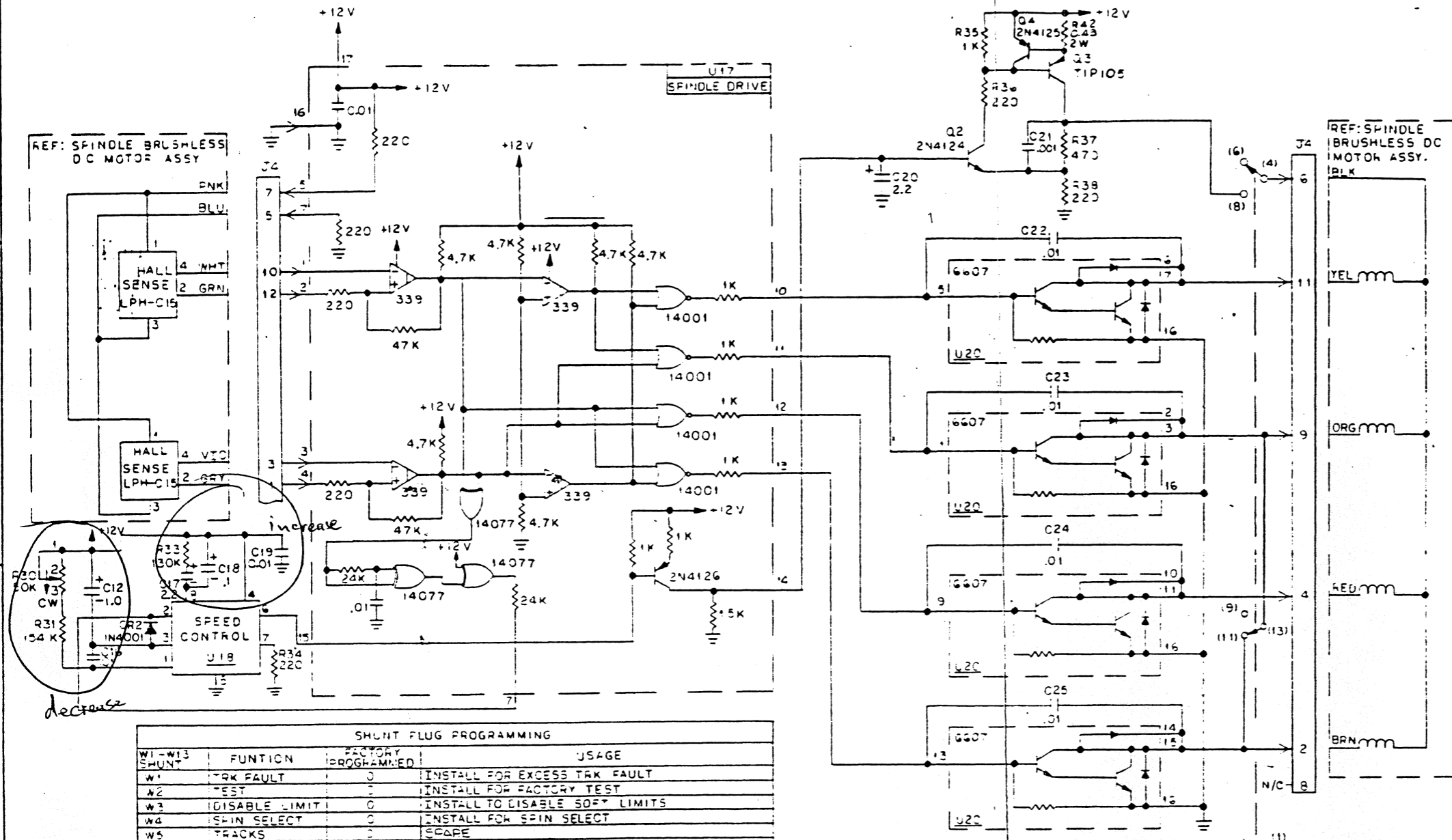
REF STEP MOTOR
 IBLU +
 IRED +
 IWHT -
 IYEL -

JUL 08 1985

SIGNATURES		DATE	Tandon CORPORATION
DR: <i>[Signature]</i>		12/19/75	
TITLE		SCHEMATIC-TM252 DRIVE ELECTRONICS	
SIZE	CODE	DRWG NO	REV
D		210940-XXX	V
SCALE	DO NOT SCALE DRWG		SHEET 2 OF 3

NOTES UNLESS OTHERWISE SPECIFIED

REVISIONS			
REV	DESCRIPTION	DATE	BY
1	SEE PAGE 1 OF 3		



COPY

I.C. LOCATION AND VOLTAGE CHART				
LOCATION	TYPE	+5V	+12V	GROUND
U1	7414	14	-	-
U2	210633 EVERTON T.C.	19	16	16
U3	210632 EVERTON T.C.	8	5	7
U4	7406	14	7	7
U5	7432	14	7	7
U6	74S74	14	7	7
U7	DS3486	16	8	8
U8	592	6	3	3
U9	10116	11	5	5
U10	210631 EVERTON T.C.	12	10	10
U11	10104	11	5	5
U12	26LE31	16	5	5
U13	9046	12, 40	20	20
U14	L293	16	8	8
U15	210630 EVERTON T.C.	12, 40	20	20
U16	210635 EVERTON T.C.	16	14	14
U17	210634 EVERTON T.C.	15	14	14
U18	M51970L	4	5	5
U19	220330 FORM PAK	16	8	8
U20	6607	16	16	16
U21	7406	14	7	7
RP1	4.7K RES PAK	1	7	7

SHUNT FLUG PROGRAMMING			
W1-W13 SHUNT	FUNCTION	FACTORY PROGRAMMED	USAGE
W1	TRK FAULT	0	INSTALL FOR EXCESS TRK FAULT
W2	TEST	0	INSTALL FOR FACTORY TEST
W3	DISABLE LIMIT	0	INSTALL TO DISABLE SOFT LIMITS
W4	SPIN SELECT	0	INSTALL FOR SPIN SELECT
W5	TRACKS	0	SCAPE
RTW7	READ TERMINATOR	I	CLOSE ONLY AT END DRIVE OF DAISYCHAIN DATA
WTW8	WRITE TERMINATOR	I	CLOSE FOR RADIAL DATA
S4W9	DRIVE SELECT 4	0	INSTALL 1 OF 4 PLUGS ONLY
S3W10	DRIVE SELECT 3	0	PLUG CORRESPONDS TO
S2W11	DRIVE SELECT 2	0	DRIVE ADDRESS
S1W12	DRIVE SELECT 1	0	DRIVE ADDRESS
W14		I	INSTALL FOR NO BACKLASH
W13		0	INSTALL FOR BACKLASH
W15	DRIVE SELECT	I	OPEN-ENABLES DRIVE TO CONTROLLER LINES WHEN NOT SELECTED
W16	INCEX	0	
W17	+5V TO J2-3	0	
U19	TERMINATOR PAK	0	

0 = OMIT
I = INSTALL

REFERENC DESIGNATORS	
LAST USED	UNUSED
C37	C14,15
CR5	
J9	J7
L5	
Q4	
R43	
R91	
TP5	TP3
J21	
W17	W6
K1	

JUL 08 1985

SIGNATURES		DATE	Tandon CORPORATION
BY: [Signature]		4/1/85	
TITLE			SCHEMATIC-TM252 DRIVE ELECTRONICS
FINISH			
MATERIAL		SCALE	REV
SIZE		210940XXX	V