

EXTERNAL PRIORITY INTERRUPT
MODELS 8021, 8221, 8421
ASSEMBLY NO. 117330



902301C
Price \$4.50

ENGINEERING SUPPORT MANUAL
EXTERNAL PRIORITY INTERRUPT

MODELS 8021, 8221, 8421
ASSEMBLY NO. 117330

**Specifications, equipment descriptions, and procedures
contained herein are subject to change without notice.**

April 1972

This publication supersedes 902301B,
dated January 1970

Prepared by
Field Engineering Publications

XEROX

701 So. Aviation Blvd., El Segundo, Calif. 90245, 213 679-4511

PREFACE

The purpose of an Engineering Support Manual (ESM) is to provide, under one cover, all of the engineering-produced documentation which is relevant to the maintenance of Xerox Computer designed products.

ENGINEERING SUPPORT INDEX (ESI)

The Engineering Support Index (ESI) begins on page i. The ESI is a table of contents indicating the drawings in this manual and provides a cross-reference between the change level of the Top Assembly drawing and the change levels of related drawings.

UPDATING

When Engineering Orders (EO) to Top Assemblies are released, documentation is updated and distributed to appropriate installations by Xerox Computer Field Engineering through the method of Field Modification Kits (FMK's). If Xerox is responsible for maintaining the affected equipment, the EO and the documentation Update Package is sent to the appropriate customer Service District office. The Customer Engineer is then responsible for prompt EO installation and manual updating. If the Xerox customer is responsible for equipment maintenance, a notification of the EO and the documentation Update Package is sent to the customer address that the customer has provided.

The Update Package typically includes a revised title page, revised Engineering Support Index page, and all pages that have been revised.

CHANGES

Changes to an ESM drawing can be brought about only by the submission of a Drawing Change Request (DCR). To effect a drawing change, field personnel must submit a Technical Action Request (TAR). A DCR may then be submitted by Maintenance Engineering after the TAR is reviewed. Customers who wish to notify Xerox of any discrepancies within the ESM may submit their comments on the Reader Survey sheet in the back of the manual and forward it to Xerox Computer Field Engineering Publications.

ENGINEERING SUPPORT INDEX

MODEL 8021, 8221, 8421 TOP ASSEMBLY 117330 LEVEL R

NAME EXTERNAL PRIORITY INTERRUPT

<u>Section</u>	<u>Dwg. No.</u>	<u>Level</u>	<u>Title</u>	<u>Pages</u>
I	DESIGN AUTOMATION DATA			
	124470-001	K	Logic Equations	1 thru 36
	124470-100	K	Logic Dictionary	1 thru 11
	124472-001	K	Pin List	1 thru 28
	124472-925	K	Pin Index	1 thru 23
II	ENGINEERING TECHNICAL INFORMATION			
	129700	F	Module Location Chart	1 thru 2
III	ADDITIONAL ENGINEERING DOCUMENTS			
	117330	R	Assembly Drawing	1 thru 2
	124469	A	Installation Drawing	1 of 1
	124473	A	Test Procedure	2 thru 7

RELATED PUBLICATIONS

The following Xerox publications contain information not included within this manual. These publications must be available as part of Site Documentation in order for the user of this manual to learn, install, operate, and maintain the equipment.

<u>Publication Title</u>	<u>Document No.</u>
Sigma 2 Computer, Technical Manual	900630
Sigma 3 Computer, Technical Manual	901593
Sigma 5 Computer, Technical Manual	901172
Sigma 7 Computer, Technical Manual	901060
Sigma 2 and 3 External Interrupt Test, Program No. 704002, Diagnostic Program Manual	901137
Sigma 5 and 7 Interrupt Test, Program No. 704143, Diagnostic Program Manual	901134

902301

SECTION I
DESIGN AUTOMATION DATA



8421 SIGMA PRIORITY INTRPT.

CODE	LINE NO.	CHG	LOGIC EQUATIONS				PINS				REMARKS	C/L					
			10	20	30	40	50	60	70	80							
I	2345678	9	10	123456789	20	23456789	30	23456789	40	23456789	50	23456789	60	23456789	70		
P	1001000			AEADB =I .NADB .NAE												A	
	1001000			22J13,04,08,13-04J29T												A	
P	1001050			I .NADB .NAE												A	
	1001050			22J02,03,09												A	
P	1002000			AEENLE =B .AEENLEJ .NFNL02 .GRPSEL												A	
	1002000			05J39,45,46,47,50,39-04J36T												A	
P	1002050			B .AEENLEJ .NFNL02 .GRPSEL												A	
	1002050			05J36,28,27,26,25												A	
P	1002075			AEENLEJ =I .NFNL00 .NFNL01												A	
	1002075			06J01,10,11,01-04J27T												A	
P	1002100			ECPURST =B .CPURESET												A	
	1002100			23J15,13												A	
P	1003000			NAE =I .NFNL00 .SFNL01 .NFNL02												A	
	1003000			22J14,21,20,29,19,14-04J08T												A	
P	1004000			ADBDB =I .NADB .NDB												A	
	1004000			22J46,40,41,46-04J28T												J	
P	1004050			I .NADB .NDB												A	
	1004050			22J45,39,42												A	
P	1005000			NADB =I .NFNL00 .SFNL01 .SFNL02												A	
	1005000			22J34,24,23,22,28,34-04J04T												A	
P	2001000			BUS =-BCR * /BUS/												A	
	2001000			28J20, \$												A	
P	2001200			NBUS =I .BUS												A	
	2001200			30J07,05X,07-04J05T												A	
P	2001300			/BUS/ =-NS												A	
	2001300															A	
P	2001400			/CPURST/ =-NS												A	
	2001400															A	
P	3001000			CPURESET =-BCR * /CPURST/												A	
	3001000			28J40, \$												A	
P	3001200			CPUREST1 =B .CPURESET												A	
	3001200			05J37,29,30,31,33,34,37-04J44T												A	
P	3001400			CPUREST2 =B .CPURESET												A	
	3001400			23J11,12,11-04J45T												A	
P	3001450			B .CPURESET												A	
	3001450			23J10,09												A	

CODE	LINE NO.	CHG	LOGIC	EQUATIONS	PINS	REMARKS	C/L
1	2345678	9	10	11	12	13	14
P	3026100		/DAT27/	--NS			A
P	3026100						A
P	3027000		DATA27	--BCR * /DAT27/ 26J38,\$			A
P	3027000						A
P	3027100		/DAT28/	--NS			A
P	3027100						A
P	3028000		DATA28	--BCR * /DAT28/ 26J40,\$			A
P	3028000						A
P	3028100		/DAT29/	--NS			A
P	3028100						A
P	3029000		DATA29	--BCR * /DAT29/ 26J42,\$			A
P	3029000						A
P	3029100		/DAT30/	--NS			A
P	3029100						A
P	3029500		NDA29	=I .DATA29. 06J36,37,44,36-04J47T			C
P	3029500						C
P	3030000		DATA30	--BCR * /DAT30/ 28J04,\$			A
P	3030000						A
P	3030100		/DAT31/	--NS			A
P	3030100						A
P	3031000		DATA31	--BCR * /DAT31/ 28J06,\$			A
P	3031000						A
P	4001000		ECHA	=I .NISNIP15 .N(EIE+EIB) 06J33,25, 27, 26,33-04J11T			K
P	4001000						K
P	4001075		EIB	=B .DATA27 .ENEXSTR .ECHA .NBUS 05J08,13,14, 11, 12			B
P	4001075						B
P	4001200		EIE	=B .DATA26 .ENEXSTR .LINREQ 05J09,03,04, 05			A
P	4001200						A
P	4001300		N(EIE+EIB)	=I .EIE . 22J36,44, 37,36-04J01T			K
P	4001300						K
P	4001302			I .EIB . 06J13,08, 04			K
P	4001302						K
P	4001400		ENEXSTR	--BCR * /ENXSTR/ 28J27,\$			A
P	4001400						A

CODE	LINE NO.	CHK	LOGIC	EQUATIONS	PINS	REMARKS	C/L									
1	2345678	9	10	123456789	20	23456789	30	23456789	40	23456789	50	23456789	60	23456789	70	
P	4001450		/ENXSTR/	--NS												A
P	4001500		PCBZE	=B * +.BUS .												A
P	4001500			24J31, \$, \$, 25, 28X												A
P	4001550			+ .ECHA .												A
P	4001550			24J5, 47, 44X, \$, 35, .												A
P	4001600		PCRQBZE	=B * +.HRQBZ .												A
P	4001600			24J41, \$, \$, 45, 44X												A
P	4001650			+ .DATA29 .LINREQ .NEWDM + .ECHA												A
P	4001650			24J5, 37, 38, .												A
P	4001700		EREG	=B * +.ROTHR7 .												A
P	4001700			24J30, \$, \$, 46, 44, 30-04J02T												A
P	4001750			+ .RLIN05 .												A
P	4001750			24J5, 26, 28X, \$, 34, .												A
P	4001800		EWDM	=I .NFNL00 .NFNL01 .NFNL02												A
P	4001800			06J12, 06, 05, 07, 12-04J42T												A
P	4001900		NEWDM	=I .EWDM .												A
P	4001900			06J02, 09, 03, 02-04J40T												A
P	4002000		/EBUS/	--BCD * PCBZE												A
P	4002000			28J5, 19												A
P	4002100		/ERQY/	--BCD * PCRQBZE												A
P	4002100			28J5, 23												A
P	4100000		/ERP00/	--BCD * IS0												A
P	4100000			32J5, 23												B
P	4101000		/ERP01/	--BCD * IS1												A
P	4101000			32J5, 19												B
P	4102000		/ERP02/	--BCD * IS2												A
P	4102000			32J5, 15												B
P	4103000		/ERP03/	--BCD * IS3												A
P	4103000			32J5, 12												B
P	4104000		/ERP04/	--BCD * IS4												A
P	4104000			32J5, 09												B
P	4105000		/ERP05/	--BCD * IS5												A
P	4105000			32J5, 03												B
P	4106000		/ERP06/	--BCD * IS6												A
P	4106000			19J5, 23												B

CODE	LINE NO.	CHG	LOGIC EQUATIONS / PINS / REMARKS										C/L																																															
			1	2	3	4	5	6	7	8	9	10		20	21	22	23	24	25	26	27	28	29	30	31	32	33	34	35	36	37	38	39	40	41	42	43	44	45	46	47	48	49	50	51	52	53	54	55	56	57	58	59	60	61	62	63	64	65	66
P	4107000		/ERP07/ --BCD * IS7																														A																											
P	4107000		19JS, 19																														B																											
P	4108000		/ERP08/ --BCD * IS8																														A																											
P	4108000		19JS, 15																														B																											
P	4109000		/ERP09/ --BCD * IS9																														A																											
P	4109000		19JS, 12																														B																											
P	4110000		/ERP10/ --BCD * IS10																														A																											
P	4110000		19JS, 09																														B																											
P	4111000		/ERP11/ --BCD * IS11																														A																											
P	4111000		19JS, 03																														B																											
P	4112000		/ERP12/ --BCD * IS12																														A																											
P	4112000		12JS, 23																														C																											
P	4113000		/ERP13/ --BCD * IS13																														A																											
P	4113000		12JS, 19																														C																											
P	4114000		/ERP14/ --BCD * IS14																														A																											
P	4114000		12JS, 15																														C																											
P	4115000		/ERP15/ --BCD * IS15																														A																											
P	4115000		12JS, 12																														C																											
P	4116000		/ERQ00/ --NS																														A																											
P	4116000																																A																											
P	4200000		ERQ00 --BCR * /ERQ00/																														A																											
P	4200000		32J42, \$																														A																											
P	4200500		/ERQ01/ --NS																														A																											
P	4200500																																A																											
P	4201000		ERQ01 --BCR * /ERQ01/																														A																											
P	4201000		32J40, \$																														A																											
P	4201500		/ERQ02/ --NS																														A																											
P	4201500																																A																											
P	4202000		ERQ02 --BCR * /ERQ02/																														A																											
P	4202000		32J38, \$																														A																											
P	4202500		/ERQ03/ --NS																														A																											
P	4202500																																A																											
P	4203000		ERQ03 --BCR * /ERQ03/																														A																											
P	4203000		32J36, \$																														A																											

8421 SIGMA PRIORITY INTRPT.

CODE	LINE NO.	CHG	LOGIC	EQUATIONS	/	PINS	/	REMARKS	C/L						
1	2345678	9	10	123456789	20	23456789	30	23456789	40	23456789	50	23456789	60	23456789	70
P	4600200			GATCLK	=-BCR *	/GATCLK/									A
P	4600200				28J42, \$										A
P	4600300			GCLK1	=B .GATCLK .										A
P	4600300				23J26,29X,24	,26-04J06T									A
P	4600350				B .GATCLK .										A
P	4600350				23J25,29X,23										A
P	4600400			GCLK2	=B .GATCLK .										A
P	4600400				23J27,29X,22	,27-04J07T									A
P	4600450				B .GATCLK .										A
P	4600450				23J28,29X,21										A
P	4600500			/GPADRO/	=-NS										A
P	4600500														A
P	4600600			GPADRO	=-BCR *	/GPADRO/									A
P	4600600				28J08, \$										A
P	4600650			NGPADRO	= I .GPADRO										A
P	4600650				30J42X,44X										A
P	4601500			/GPADR1/	=-NS										A
P	4601500														A
P	4601600			GPADR1	=-BCR *	/GPADR1/									A
P	4601600				28J10, \$										A
P	4601650			NGPADR1	= I .GPADR1										A
P	4601650				30J25X,26X										A
P	4602500			/GPADR2/	=-NS										A
P	4602500														A
P	4602600			GPADR2	=-BCR *	/GPADR2/									A
P	4602600				28J13, \$										A
P	4602650			NGPADR2	= I .GPADR2										A
P	4602650				30J22X,17X										A
P	4603000			/GPADR3/	=-NS										A
P	4603000														A
P	4603600			GPADR3	=-BCR *	/GPADR3/									A
P	4603600				28J18, \$										A
P	4603650			NGPADR3	= I .GPADR3										A
P	4603650				30J38X,41X										A

CODE	LINE NO.	CHG	LOGIC	EQUATIONS	PINS	REMARKS	C/L									
1	2345678	9	10	123456789	20	23456789	30	23456789	40	23456789	50	23456789	60	23456789	70	
P	4605000		GRPSEL = 1	* +.GPADR0 .NSWTH0	+.SWTH0 .NGPADR0		A									
P	4605000		30J37, \$, \$, 44X, 47,		\$, 45, 42X, 37-04J20T		A									
P	4605025			+ .GPADR1 .NSWTH1	+ .SWTH1 .NGPADR1		A									
P	4605025			30J\$, 26X, 27,	\$, 46, 25X		A									
P	4605050			+ .GPADR2 .NSWTH2	+ .SWTH2 .NGPADR2		A									
P	4605050			30J\$, 17X, 19,	\$, 03, 22X		A									
P	4605075			+ .GPADR3 .NSWTH3	+ .SWTH3 .NGPADR3		A									
P	4605075			30J\$, 41X, 35,	\$, 39, 38X		A									
P	4790050		GND03J16	--GND			H									
P	4790050		03J16				K									
P	4790100		GND12J16	--GND			A									
P	4790100		12J16, 16-05-24				A									
P	4790150		GND12J32	--GND			A									
P	4790150		12J32, 32-35-37-39-41-45				B									
P	4800100		GND19J16	--GND			A									
P	4800100		19J16, 16-05-24				B									
P	4800150		GND19J32	--GND			A									
P	4800150		19J32, 32-25-33-35-37-39-41-45				B									
P	4800300		GND21J16	--GND			A									
P	4800300		21J16				A									
P	4800350		GND21J32	--GND			A									
P	4800350		21J32				A									
P	4800600		GND24J16	--GND			A									
P	4800600		24J16				K									
P	4800650		GND24J32	--GND			A									
P	4800650		24J32, 32-34				A									
P	4800800		GND26J16	--GND			A									
P	4800800		26J16, 16-05-24				A									
P	4800850		GND26J32	--GND			A									
P	4800850		26J32, 32-35-37-39-41-45				A									
P	4801000		GND28J16	--GND			A									
P	4801000		28J16, 16-01-02-03-09-12-15-24-05				A									
P	4801050		GND28J32	--GND			A									
P	4801050		28J32, 32-25-33-35-37-39-45-41				A									
P	4801400		GND32J16	--GND			A									
P	4801400		32J16, 16-05-24				B									

CODE	LINE NO.	CHG	LOGIC	EQUATIONS	PINS	REMARKS	C/L									
I	2345678	9	10	123456789	20	23456789	30	23456789	40	23456789	50	23456789	60	23456789	70	
P	5013040		C/IN13 =	.GCLK2												A
	5013040			16J07X												A
P	5014000		IN14 =	FF												A
	5014000			17J30X												A
P	5014010		S/IN14 =*	+ .AEENLE	.DATA30											A
	5014010			17JS, \$, 37X, 08X												A
P	5014020		R/IN14 =*	+ .REN	+ .ADBOB	.DATA30										A
	5014020			17JS, \$, 41X, \$, 35X, 08X												A
P	5014030		C/IN14 =	.GCLK2												A
	5014030			17J07X												A
P	5015000		IN15 =	FF												A
	5015000			17J31X												A
P	5015010		NIN15 =	NFF												A
	5015010			17J46X												A
P	5015020		S/IN15 =*	+ .AEENLE	.DATA31											A
	5015020			17JS, \$, 37X, 25X												A
P	5015030		R/IN15 =*	+ .REN	+ .ADBOB	.DATA31										A
	5015030			17JS, \$, 41X, \$, 35X, 25X												A
P	5015040		C/IN15 =	.GCLK2												A
	5015040			17J07X												A
P	5020000		IP0 =	FF												A
	5020000			07J02X												A
P	5020010		NIP0 =	NFF												A
	5020010			07JS												A
P	5020020		S/IP0 =*	+ .AEADB	.DATA16	+ .ISO	.LEVARM									A
	5020020			07JS, \$, 29X, 08X,		\$, 10X,	27X,									A
P	5020030		R/IP0 =*	+ .DARM1	.DATA16	+ .EIE	.R0									A
	5020030			07JS, \$, 09X, 08X,		\$, 22X,	11X									A
P	5020040		E/IP0 =	.CPUREST1												A
	5020040			07J45X												A
P	5020050		C/IP0 =	.GCLK1												A
	5020050			07J07X												A
P	5021000		IP1 =	FF												A
	5021000			07J21X												A

8421 SIGMA PRIORITY INTRPT.

CODE	LINE NO.	CHG	LOGIC EQUATIONS / PINS / REMARKS											C/L											
			1	2	3	4	5	6	7	8	9	10	11		12	13	14	15	16	17	18	19	20		
P	5024000		IP4	=FF																					A
P	5024000			09J02X																					A
P	5024010		NIP4	=NFF																					A
P	5024010			09J\$																					A
P	5024020		S/IP4	**	+	.AEADB	.DATA20	+	.NISNIP3	.IS4		.LEVARM													A
P	5024020			09J\$, \$,	.29X,		08X,		\$.05X,		10X,		27X												A
P	5024030		R/IP4	**	+	.DARM1	.DATA20	+	.EIE	.R4															A
P	5024030			09J\$, \$,	.09X,		08X,		\$.22X,		11X														A
P	5024040		E/IP4	=	.CPUREST2																				A
P	5024040			09J45X																					A
P	5024050		C/IP4	=	.GCLK1																				A
P	5024050			09J07X																					A
P	5025000		IP5	=FF																					A
P	5025000			09J21X																					A
P	5025010		NIP5	=NFF																					A
P	5025010			09J\$																					A
P	5025020		S/IP5	**	+	.AEADB	.DATA21	+	.NISNIP3	.NISNIP4	.LEVARM	.IS5													A
P	5025020			09J\$, \$,	.29X,		25X,		\$.05X,		23X,		27X,		13X										A
P	5025030		R/IP5	**	+	.REIP5	.EIE	+	.DARM1	.DATA21															A
P	5025030			09J\$, \$,	\$.		22X,		\$.09X,		25X,														A
P	5025040		E/IP5	=	.CPUREST2																				A
P	5025040			09J45X																					A
P	5025050		C/IP5	=	.GCLK1																				A
P	5025050			09J07X																					A
P	5026000		IP6	=FF																					A
P	5026000			10J02X																					A
P	5026010		NIP6	=NFF																					A
P	5026010			10J\$																					A
P	5026020		S/IP6	**	+	.AEADB	.DATA22	+	.NISNIP5	.IS6	.LEVARM														A
P	5026020			10J\$, \$,	.29X,		08X,		\$.05X,		10X,		27X												A
P	5026030		R/IP6	**	+	.DARM1	.DATA22	+	.EIE	.R6															A
P	5026030			10J\$, \$,	.09X,		08X,		\$.22X,		11X														A
P	5026040		E/IP6	=	.CPUREST2																				A
P	5026040			10J45X																					A

8421 SIGMA PRIORITY INTRPT.

CODE	LINE NO.	CHG	LOGIC					EQUATIONS					PINS					REMARKS	C/L
1	2345678	9	10	123456789	20	23456789	30	323456789	40	423456789	50	523456789	60	623456789	70				
P	5036030		R/IP15	**	+	.REIP15.EIE					+.DARM	.DATA31					A		
P	5036030		17J	\$.	\$.	\$.					22X,	\$.	.09X,	25X			A		
P	5036040		E/IP15	=	.	CPUREST2											A		
P	5036040		17J	J	45X												A		
P	5036050		C/IP15	=	.	GCLK2											A		
P	5036050		17J	J	07X												A		
P	5040000		IS0		=	FF											A		
P	5040000		07J	J	10X												A		
P	5040010		S/IS0	**	+	.ERQ00	.IP0		+.IP0	.TRIG	.DATA16						A		
P	5040010		07J	\$.	\$.	.04,		02X,	\$.	.02X,	.03X,		08X				A		
P	5040020		R/IS0	**	+	.NIP0	.EIB		+.DARM1	.DATA16							A		
P	5040020		07J	\$.	\$.	\$.		06X,	05X,	\$.	.09X,		08X				A		
P	5040030		E/IS0	=	.	CPUREST1											A		
P	5040030		07J	J	45X												A		
P	5040040		C/IS0	=	.	GCLK1											A		
P	5040040		07J	J	07X												A		
P	5041000		IS1		=	FF											A		
P	5041000		07J	J	13X												A		
P	5041010		NIS1		=	NFF											A		
P	5041010		07J	J	18X												A		
P	5041020		S/IS1	**	+	.ERQ01	.IP1		+.IP1	.TRIG	.DATA17						A		
P	5041020		07J	\$.	\$.	.14,		21X,	\$.	.21X,	.03X,		25X				A		
P	5041030		R/IS1	**	+	.NIP1	.EIB	.NISNIP0		+.DARM1	.DATA17						A		
P	5041030		07J	\$.	\$.	\$.		06X,	23X,	05X,	\$.	.09X,	25X				A		
P	5041040		E/IS1	=	.	CPUREST1											A		
P	5041040		07J	J	45X												A		
P	5041050		C/IS1	=	.	GCLK1											A		
P	5041050		07J	J	07X,	20C-12C											A		
P	5042000		IS2		=	FF											A		
P	5042000		08J	J	10X												A		
P	5042010		S/IS2	**	+	.ERQ02	.IP2		+.IP2	.TRIG	.DATA18						A		
P	5042010		08J	\$.	\$.	.04,		02X,	\$.	.02X,	.03X,		08X				A		
P	5042020		R/IS2	**	+	.NIP2	.EIB	.NISNIP1		+.DARM1	.DATA18						A		
P	5042020		08J	\$.	\$.	\$.		06X,	05X,	\$.	.09X,		08X				A		

8421 SIGMA PRIORITY INTRPT.

CODE	LINE NO.	CHG	LOGIC	EQUATIONS	PINS	REMARKS	C/L									
1	2345678	9	10	123456789	20	23456789	30	23456789	40	23456789	50	23456789	60	23456789	70	
P	5045040		E/IS5 = .CPUREST2													A
	5045040		09J45X													A
P	5045050		C/IS5 = .GCLK1													A
	5045050		09J07X, 2 C-12C													A
P	5046000		IS6 =FF													A
	5046000		10J10X													A
P	5046010		S/IS6 =* + .C RQ06 .IP6 +.IP6 .TRIG .DATA22													A
	5046010		10JS\$.04, .02X, \$.02X,03X, 08X,													A
P	5046020		R/IS6 =* + .NIP6 .EIB .NISNIP5 +.DARM1 .DATA22													A
	5046020		10JS\$.\$. \$.06X, 05X, \$.09X, 08X													A
P	5046030		E/IS6 = .CPUREST2													A
	5046030		10J45X													A
P	5046040		C/IS6 = .GCLK1													A
	5046040		10J07X													A
P	5047000		IS7 =FF													A
	5047000		10J13X													A
P	5047010		NIS7 =NFF													A
	5047010		10J18X													A
P	5047020		S/IS7 =* + .ERQ07 .IP7 +.IP7 .TRIG .DATA23													A
	5047020		10JS\$.\$.14, .21X, \$.21X,03X, 25X													A
P	5047030		R/IS7 =* + .NIP7 .NISNIP5 .EIB .NISNIP6 +.DARM1 .DATA23													A
	5047030		10JS\$.\$. \$.05X, .06X, 23X, \$.09X, 25X													A
P	5047040		E/IS7 = .CPUREST2													A
	5047040		10J45X													A
P	5047050		C/IS7 = .GCLK1													A
	5047050		10J07X, 20C-12C													A
P	5048000		IS8 =FF													A
	5048000		14J10X													A
P	5048010		S/IS8 =* + .ERQ08 .IP8 +.IP8 .TRIG .DATA24													A
	5048010		14JS\$.\$.04, .02X, \$.02X,03X, 08X													A
P	5048020		R/IS8 =* + .NIP8 .EIB .NISNIP7 +.DARM1 .DATA24													A
	5048020		14JS\$.\$. \$.06X, 05X, \$.09X, 08X													A
P	5048030		E/IS8 = .CPUREST2													A
	5048030		14J45X													A

1 2345678 9 10 123456789 20 23456789 30 23456789 40 23456789 50 23456789 60 23456789 70

CODE	LINE NO.	CHG	LOGIC EQUATIONS /			PINS /			REMARKS	C/L
			10	20	30	40	50	60		
P	5055000		IS15	=FF						A
	5055000			17J13X						A
P	5055010		NIS15	=NFF						A
	5055010			17J18X						A
P	5055020		S/IS15	=* + .ERQ15 .IP15 + .IP15 .TRIG .DATA31						A
	5055020			17J\$.\$.14. 21X. \$.21X. 03X. 25X						A
P	5055030		R/IS15	=* + .NIP15.NISNIP13.EIB.NISNIP14 +.DARM .DATA31						A
	5055030			17J\$.\$.\$. 05X. 06X.23X. \$.09X. 25X						A
P	5055040		E/IS15	= .CPUREST2						A
	5055040			17J45X						A
P	5055050		C/IS15	= .GCLK2						A
	5055050			17J07X, 20C-12C						A
P	5060000		NISIN0	=I .IS0 .IN0						B
	5060000			07J\$.10X. 30X						A
P	5061000		NISIN1	=B * +.NIS1 .NISIN0 . .NISNIP0						E
	5061000			07J34\$.\$.18X\$. 47X. 23X						F
P	5061010			+ .NIN1 .NISIN0 . .NISNIP0 .IP1						F
	5061010			07J\$.46X. \$. 47X. 23X. 21X						F
P	5062000		NISIN2	=I .IS2 .IN2						B
	5062000			08J\$.10X. 30X						A
P	5063000		NISIN3	=B * +.NIS3 .NISIN2 .NISIN1 .NISNIP2						E
	5063000			08J34\$.\$.18X\$. 47X. 23X						F
P	5063010			+ .NIN3 .NISIN2 .NISIN1 .NISNIP2 .IP3						F
	5063010			08J\$.46X. \$. 47X. 23X. 21X						F
P	5063020			-SW * + .NSW1.NISIN1 +.SW1						C
	5063020			01J46\$.\$.\$.47. \$.\$.45						C
P	5064000		NISIN4	=I .IS4 .IN4						B
	5064000			09J\$.10X. 30X						A
P	5065000		NISIN5	=B * +.NIS5 .NISIN4 .NISIN3 .NISNIP4						E
	5065000			09J34\$.\$.18X\$. 47X. 23X						F
P	5065010			+ .NIN5 .NISIN4 .NISIN3 .NISNIP4 .IP5						F
	5065010			09J\$.46X. \$. 47X. 23X. 21X						F
P	5065020			-SW * + .NSW3.NISIN3 +.SW3						C
	5065020			01J21\$.\$.\$.22. \$.\$.20						C
P	5066000		NISIN6	=I .IS6 .IN6						B
	5066000			10J\$.10X. 30X						A



XEROX DATA SYSTEMS

8421 SIGMA PRIORITY INTRPT.

30
124470-001 K
03/22/71

CODE	LINE NO.	CHG	LOGIC	EQUATIONS	PINS	REMARKS	C/L									
1	2345678	9	10	123456789	20	23456789	30	23456789	40	23456789	50	23456789	60	23456789	70	
P	5091000		NISNIP11=B * +.NIS11	.NISNIP10	.NISNIP9		A									
	5091000		15J44,\$,\$,18X,23X,05X				A									
P	5091010		+ .NISNIP10	.NISNIP9	.IP11		A									
	5091010		15J\$,23X,05X,21X				A									
P	5091020		-SW * +.NSW12	.NISNIP13	+ .SW12.		C									
	5091020		01J31,\$,\$,\$,33,		\$,\$,30		C									
P	5092000		NISNIP12=I	.IS12	.NIP12		A									
	5092000		16J23X,10X,\$				A									
P	5093000		NISNIP13=B * +.NIS13	.NISNIP12	.NISNIP11		A									
	5093000		16J44,\$,\$,18X,23X,05X				A									
P	5093010		+ .NISNIP12	.NISNIP11	.IP13		A									
	5093010		16J\$,23X,05X,21X				A									
P	5093020		-SW * +.NSW13	.NISNIP15	+ .SW13.		C									
	5093020		01J24,\$,\$,\$,25,		\$,\$,23		C									
P	5094000		NISNIP14=I	.IS14	.NIP14		A									
	5094000		17J23X,10X,\$				A									
P	5095000		NISNIP15=B * +.NIS15	.NISNIP14	.NISNIP13		A									
	5095000		17J44,\$,\$,18X,23X,05X				A									
P	5095010		+ .NISNIP14	.NISNIP13	.IP15		A									
	5095010		17J\$,23X,05X,21X				A									
P	6000000		LEN =B	.SFNL00	.SFNL01	.NFNL02	A									
	6000000		05J10,15,18,		19		A									
P	6001000		LEVARM =B	.ENEXSTR	.DATA28	.EIB	B									
	6001000		05J35,22,	23,	24		A									
P	6002000		LINREQ =B	.EREQ	.NHRQBZ		A									
	6002000		23J34,40,33X				A									
P	6003000		LIN00 =B	.LIN00J	.NHRQBZ		A									
	6003000		23J45,43,	50X			A									
P	6003200		LIN00J =B	.SWTH1	.SWTH0		B									
	6003200		05J07,06,	02,	01,07-04J12T		B									
P	6013000		LIN01 =B	.LIN01J	.NHRQBZ		A									
	6013000		23J44,42,	50X			A									
P	6013200		LIN01J =B * +	.SWTH0	.NSWTH1		B									
	6013200		24J04,\$,\$,06X,	07,	04-04J17T		B									
P	6013250		+ .NSWTH0	.SWTH1			B									
	6013250		24J\$,11,	10,	09,	08,	14X									
P	6023000		LIN02 =B	.LIN02J	.NHRQBZ		A									
	6023000		23J46,30,	50X			A									

8421 SIGMA PRIORITY INTRPT.

CODE	LINE NO.	CHG	LOGIC			EQUATIONS			PINS			REMARKS			C/L
			1	2	3	4	5	6	7	8	9	10	11	12	
	6023200		LIN02J	=B * + .SWTH0	.NSWTH1										B
P	6023200			24J19, \$, \$, 06X,	15,	19-04J18T									B
	6023250			+ .NSWTH1	.SWTH2										B
P	6023250			24JS, 12,	13,		17,	18,	14X						B
	6033000		LIN03	=B .SWTH2	.NHRQBZ										B
P	6033000			23J47, 31,	50X										A
	6043000		LIN04	=B .SWTH3	.NHRQBZ										D
P	6043000			05J17, 20, 21											C
	6053000		LIN05	=B .RLIN05	.NHRQBZ										A
P	6053000			23J36, 37,	33X										A
	6063000		LIN06	=B .RLIN06	.NHRQBZ										A
P	6063000			23J41, 39,	33X										A
	6073000		LIN07	=B .RLIN07	.NHRQBZ										A
P	6073000			23J35, 39,	33X										A
	6083000		LIN08	=B .RODD	.NHRQBZ										C
P	6083000			05J38, 40, 41,	42, 43, 44										C
	7000100		REN	=B * + .NFNL02	.SFNL01	.SFNL00									A
P	7000100			21J42, \$, \$, 40, 50,	39X,	42-04J41T									A
	7000110			+ .CPURESET		+ .GND21J16									A
P	7000110			21JS, 43,	44X,	\$, 28X,			29						A
	7000120			B * + .NFNL02	.SFNL01	.SFNL00									A
P	7000120			21J41, \$, \$, 37, 38,	39X										A
	7000130			+ .CPURESET		+ .GND21J16									A
P	7000130			21JS, 45,	44X,	\$, 28X,			27						A
	7000200		REIP1	=B	.NISIN0	.IP1	.IN1	.IS1				.NISNIP0			E
P	7000200			07JS, \$,		21X,	31X,	13X,	47X,			23X			F
	7000300		REIP3	=B	.NISIN2	.NISIN1	.IP3	.IN3	.IS3			.NISNIP2			E
P	7000300			08JS, \$,		47X,	21X,	31X,	13X,	23X					F
	7000400		REIP5	=B	.NISIN4	.NISIN3	.IP5	.IN5	.IS5			.NISNIP4			E
P	7000400			09JS, \$,		47X,	21X,	31X,	13X,	23X					F
	7000500		REIP7	=B	.NISIN6	.NISIN5	.IP7	.IN7	.IS7			.NISNIP6			E
P	7000500			10JS, \$,		47X,	21X,	31X,	13X,	23X					F
	7000600		REIP9	=B	.NISIN8	.NISIN7	.IP9	.IN9	.IS9			.NISNIP8			E
P	7000600			14JS, \$,		47X,	21X,	31X,	13X,	23X					F
	7000700		REIP11	=B	.NISIN10	.NISIN9	.IP11	.IN11	.IS11			.NISNIP10			E
P	7000700			15JS, \$,		47X,	21X,	31X,	13X,	23X					F

8421 SIGMA PRIORITY INTRPT.

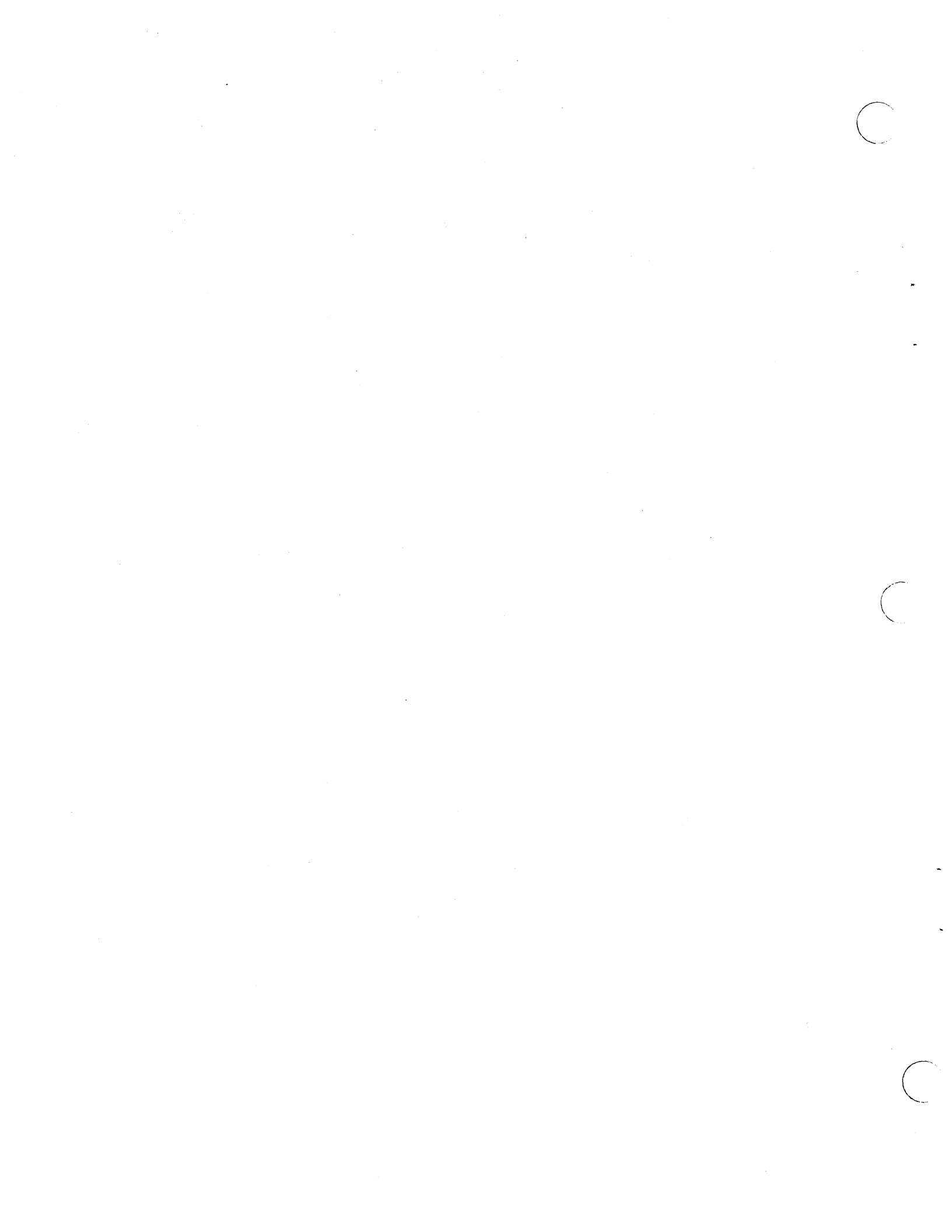
CODE	LINE NO.	CHG	LOGIC	EQUATIONS	PINS	REMARKS	C/L
	1 2 3 4 5 6 7 8 9	10	11 12 13 14 15 16 17 18 19	20 21 22 23 24 25 26 27 28 29 30	31 32 33 34 35 36 37 38 39 40	41 42 43 44 45 46 47 48 49 50	51 52 53 54 55 56 57 58 59 60
P	7000800		REIP13 =B	.NISIN12 .NISIN11	.IP13 .IN13	.IS13 .NISNIP12	E
P	7000800		16J\$.,\$.	47X,	21X, 31X,	13X, 23X	F
P	7000900		REIP15 =B	.NISIN14 .NISIN13	.IP15 .IN15	.IS15 .NISNIP14	E
P	7000900		17J\$.,\$.	47X,	21X, 31X,	13X, 23X	F
P	7001000		RLIN05 =I .NR89	.NR1011 .NR1213	.NR1415		A
P	7001000		06J34,24,23,	22,	28,34-04J37T		A
P	7001100		RLIN06 =I .NR45	.NR67 .NR1213	.NR1415		A
P	7001100		06J14,21,20,	29,	19,14-04J38T		A
P	7001200		RLIN07 =I .NR23	.NR67 .NR1011	.NR1415		A
P	7001200		06J15,30,18,	31,	17,15-04J39T		A
P	7003000		ROTHR7 =I .NR01	.NR23 .NR45 .NR67			A
P	7003000		22J15,30,18,	31,	17,15-04J46T		A
P	7003500		RODD =I .NRODD				C
P	7003500		22J35,43,38,35-04J19T				C
P	7004000		NRODD = I * + .REIP1				A
P	7004000		07J01,\$,\$,\$.01-04J34T			A
P	7004010		I * + .REIP3				A
P	7004010		08J01,\$,\$,\$				A
P	7004020		I * + .REIP5				A
P	7004020		09J01,\$,\$,\$				A
P	7004030		I * + .REIP7				A
P	7004030		10J01,\$,\$,\$				A
P	7004040		I * + .REIP9				A
P	7004040		14J01,\$,\$,\$				A
P	7004050		I * + .REIP11				A
P	7004050		15J01,\$,\$,\$				A
P	7004060		I * + .REIP13				A
P	7004060		16J01,\$,\$,\$				A
P	7004070		I * + .REIP15				A
P	7004070		17J01,\$,\$,\$				A
P	7005000		/RQY/ =-NS				A
P	7005000						A
P	7007000		R0 =B .IP0 .IS0 .IN0				A
P	7007000		07J11X,02X,10X,30X				A
P	7007100		R2 =B .IP2 .IS2 .IN2 .NISIN1				A
P	7007100		08J11X,02X,10X,30X,47X				A
P	7007200		R4 =B .IP4 .IS4 .IN4 .NISIN3				A
P	7007200		09J11X,02X,10X,30X,47X				A

CODE	LINE NO.	CHG	LOGIC	EQUATIONS	PINS	REMARKS	C/L	
	1 2 3 4 5 6 7 8 9	10	11 12 13 14 15 16 17 18 19 20	21 22 23 24 25 26 27 28 29 30	31 32 33 34 35 36 37 38 39 40	41 42 43 44 45 46 47 48 49 50	51 52 53 54 55 56 57 58 59 60	61 62 63 64 65 66 67 68 69 70
	8005000		TRIG	=B * +.SFNL02 .SFNL01 .SFNL00			A	
P	8005000			21J30, \$.33, 34, 39X, 30-04J03T			A	
	8005010			+GND21J32 . +GND21J16 .			A	
P	8005010			21J\$.46, 44X, \$.28X, 26			A	
	8005020			B * +.SFNL02 .SFNL01 .SFNL00			A	
P	8005020			21J31, \$.36, 35, 39X			A	
	8005030			+GND21J32 . +GND21J16 .			A	
P	8005030			21J\$.47, 44X, \$.28X, 25			A	
	8010000		VBNJ	--VSP			A	
P	8010000			12J50, 50-19J50V-26J50V-28J50V-32J50V			A	
	END OF LIST							
	1 2 3 4 5 6 7 8 9	10	11 12 13 14 15 16 17 18 19 20	21 22 23 24 25 26 27 28 29 30	31 32 33 34 35 36 37 38 39 40	41 42 43 44 45 46 47 48 49 50	51 52 53 54 55 56 57 58 59 60	61 62 63 64 65 66 67 68 69 70

8421 SIGMA PRIORITY INTRPT.

CODE	LINE NO.	CHG	LOGIC EQUATIONS / PINS / REMARKS										C/L										
			10	1	2	3	4	5	6	7	8	9		0									
1	2345678	9	10	1	2	3	4	5	6	7	8	9	0	1	2	3	4	5	6	7	8	9	0
	1002100																						
	3002000																						
	3002300																						
	3002700																						
	3002500																						
	3002900																						
	3003000																						
	4001075																						
	4001200																						
	4001300																						
	4001400																						
	4001450																						
	4001700																						
	4100000																						
	4101000																						
	4102000																						
	4103000																						
	4104000																						
	4105000																						
	4106000																						
	4107000																						
	4108000																						
	4109000																						
	4110000																						
	4111000																						
	4112000																						
	4113000																						
	4114000																						
	4115000																						
	4200000																						
	4116000																						
	4201000																						
	4200500																						
	4202000																						
	4201500																						
	4203000																						
	4202500																						
	4204000																						
	4203500																						
	4205000																						
	4204500																						
	4206000																						
	4205500																						
	4207000																						
	4206500																						
	4208000																						
	4207500																						
	4209000																						
	4208500																						
	4210000																						
	4209500																						
1	2345678	9	10	1	2	3	4	5	6	7	8	9	0	1	2	3	4	5	6	7	8	9	0

CODE	LINE NO.	CHG	LOGIC	EQUATIONS	/	PINS	/	REMARKS	C/L						
1	23456789	0	10	123456789	20	23456789	30	23456789	40	23456789	50	23456789	60	23456789	70
6002000			LINREQ												
4001500			PCBZE												
4001600			PCRQZE												
7007000			R0												
7008000			NR01												
7003000			R0THR7												
7007500			R10												
7008500			NR1011												
7007600			R12												
7008600			NR1213												
7007700			R14												
7008700			NR1415												
7007100			R2												
7008100			NR23												
7007200			R4												
7008200			NR45												
7007300			R6												
7008300			NR67												
7007400			R8												
7008400			NR89												
7000200			REIP1												
7000700			REIP11												
7000800			REIP13												
7000900			REIP15												
7000300			REIP3												
7000400			REIP5												
7000500			REIP7												
7000600			REIP9												
7000100			REN												
7001000			RLIN05												
7001100			RLIN06												
7001200			RLIN07												
7003500			RODD												
7004000			NRODD												
7005000			/RQY/												
8000000			SFNL00												
8001000			SFNL01												
8002000			SFNL02												
8002050			SW1												
8002100			NSW1												
8002950			SW10												
8003000			NSW10												
8003050			SW11												
8003100			NSW11												
8003150			SW12												
8003200			NSW12												
8003250			SW13												
8003300			NSW13												
8002150			SW2												
8002200			NSW2												
8002250			SW3												



SOURCE SIGNAL	PIN NO.	LENGTH	SEQ.	TAG	ELEMENT TYPE	WIRE TYPE	LOAD LINE	C/L	ERROR FLAGS
AEADB									
1001000	04J29	1.5	010	T	T		1001000	A	
	07J29	.5	020	L	.		5020020	A	
	08J29	.5	030	L	.		5022020	A	
	09J29	.5	040	L	.		5024020	A	
	10J29	2.0	050	L	.		5026020	A	
	14J29	.5	060	L	.		5028020	A	
	15J29	.5	070	L	.		5030020	A	
	16J29	.5	080	L	.		5033020	A	
	17J29	3.4	090	L	.		5035020	A	
	22J13	11.6T	120	S	I		1001000	A	
AEENLE									
1002000	04J36	.5	010	T	T		1002000	A	
	05J36	.3	020	S	B		1002050	A	
	07J37	.5	040	L	.		5000010	A	
	08J37	.5	050	L	.		5002010	A	
	09J37	.5	060	L	.		5004010	A	
	10J37	2.0	070	L	.		5006010	A	
	14J37	.5	080	L	.		5008010	A	
	15J37	.5	090	L	.		5010010	A	
	16J37	.5	100	L	.		5012010	A	
	17J37	6.9T	110	L	.		5014010	A	
AEENLEJ									
1002075	06J01	2.9	010	S	I		1002075	A	
	04J27	.4	020	T	T		1002075	A	
	05J28	1.4	030	L	.		1002050	A	
	05J45	4.7T	040	L	.		1002000	A	
1002100 ECPURST									
NAE									
1003000	22J14	.4	010	S	I		1003000	A	
	22J08	.2	020	L	.		1001000	A	
	22J09	9.2	030	L	.		1001050	A	
	04J08	9.8T	040	T	T		1003000	A	
ADBDB									
1004000	04J28	2.1	005	T	T		1004000	J	
	07J35	.5	010	L	.		5000020	A	
	08J35	.5	020	L	.		5002020	A	
	09J35	.5	030	L	.		5004020	A	
	10J35	2.0	040	L	.		5006020	A	
	14J35	.5	050	L	.		5008020	A	
	15J35	.5	060	L	.		5010020	A	

SOURCE SIGNAL	PIN NO.	LENGTH	SEQ.	TAG	ELEMENT TYPE	WIRE TYPE	LOAD LINE	C/L	ERROR FLAGS
1	8	15	21	28	33	37	41	77	
	16J35	.5	070	L	.		5012020	A	
	17J35	3.2	080	L	.		5014020	A	
	22J45	.3	090	S	I		1004050	A	
	22J46	10.6T	100	S	I		1004000	A	
NADB									
1005000	22J39	.3	010	L	.		1004050	A	
	22J40	.4	020	L	.		1004000	A	
	22J34	2.6	030	S	I		1005000	A	
	22J03	.3	040	L	.		1001050	A	
	22J04	9.0	050	L	.		1001000	A	
	04J04	12.6T	060	T	T		1005000	A	
BUS									
2001000	30J05	2.4	010	L	.		2001200	A	
	28J20	2.1	020	S	-BCR		2001000	A	
	24J25	2.5	030	L	.		4001500	A	
	22J05	7.0T	040	L	.		4900600	G	
NBUS									
2001200	30J07	13.1	010	S	I		2001200	A	
	05J12	.9	020	L	.		4001100	A	
	04J05	14.0T	030	T	T		2001200	A	
2001300 /BUS/									
2001400 /CPURST/									
CPURESET									
3001000	28J40	2.7	010	S	-BCR		3001000	A	
	24J29	2.0	015	L	.		3002500	C	
	23J09	.3	020	L	.		3001450	A	
	23J13	.2	030	L	.		1002100	A	
	23J12	1.5	040	L	.		3001400	A	
	21J03	3.0	045	L	.		3002300	C	
	21J43	.1	050	L	.		7000110	A	
	21J45	9.2	060	L	.		7000130	A	
	05J29	19.0T	070	L	.		3001200	A	
CPUREST1									
3001200	08J45	.5	010	L	.		5022040	A	
	07J45	1.6	020	L	.		5020040	A	
	05J37	1.3	030	S	B		3001200	A	
	04J44	3.4T	040	T	T		3001200	A	
CPUREST2									
3001400	04J45	2.5	010	T	T		3001400	A	
	09J45	.5	030	L	.		5024040	A	
	10J45	2.0	040	L	.		5026040	A	
	14J45	.5	050	L	.		5028040	A	
	15J45	.5	060	L	.		5032040	A	

SOURCE SIGNAL	PIN NO.	LENGTH	SEQ.	TAG	ELEMENT TYPE	WIRE TYPE	LOAD LINE	C/L	ERROR FLAGS
1	8 15		21	28	33	37	41	77	
	16J45	.5	070	L	.		5033040	A	
	17J45	5.3	080	L	.		5035040	A	
	23J10	.2	090	S	B		3001450	A	
	23J11	12.0T	100	S	B		3001400	A	
ECPURST 3002000	23J15	5.2	020	S	B		1002100	A	
	32J02	5.2T	030	L	*		3003000	B	
ECPURST1 3002300	21J05	1.3	010	S	B		3002300	C	
	19J02	1.3T	020	L	.		3002700	C	
ECPURST2 3002500	24J42	9.0	010	S	B		3002500	C	
	12J02	9.0T	020	L	.		3002900	C	
3003000 /ECPURST/									
NDB 3005000	22J33	.6	010	S	I		3005000	A	
	22J41	.3	020	L	.		1004000	A	
	22J42	8.8	030	L	.		1004050	A	
	04J43	9.7T	040	T	T		3005000	A	
DARM 3005100	23J06	2.9	010	S	B		3005100	A	
	17J09	.5	020	L	.		5035030	A	
	16J09	6.3	030	L	.		5033030	A	
	04J10	9.7T	040	T	T		3005100	A	
DARM1 3005200	04J09	1.5	010	T	T		3005200	A	
	07J09	.5	020	L	.		5020030	A	
	08J09	.5	030	L	.		5022030	A	
	09J09	.5	040	L	.		5024030	A	
	10J09	2.0	050	L	.		5026030	A	
	14J09	.5	060	L	.		5028030	A	
	15J09	3.1	070	L	.		5030030	A	
	21J04	1.2	080	S	B		3005200	A	
	21J19	1.1	090	S	B		3005250	A	
	23J14	10.9T	100	L	.		3005100	A	
DATA16 3016000	07J08	9.8	010	L	.		5000010	A	
	26J04	9.8T	020	S	-BCR		3016000	A	
3016050 /DAT16/									
DATA17 3017000	07J25	10.6	010	L	.		5001020	A	

SOURCE SIGNAL	PIN NO.	LENGTH	SEQ.	TAG	ELEMENT TYPE	WIRE TYPE	LOAD LINE	C/L	ERROR FLAGS
1	8 15		21	28	33	37	41	77	
	26J06	10.6T	020	S	-BCR		3017000	A	
3017050 /DAT17/									
DATA18									
3018000	08J08	9.0	010	L	.		5002010	A	
	26J08	9.0T	020	S	-BCR		3018000	A	
3018050 /DAT18/									
DATA19									
3019000	08J25	9.8	010	L	.		5003020	A	
	26J10	9.8T	020	S	-BCR		3019000	A	
3019050 /DAT19/									
DATA20									
3020000	09J08	9.0	010	L	.		5004010	A	
	26J13	9.0T	020	S	-BCR		3020000	A	
3020050 /DAT20/									
DATA21									
3021000	09J25	8.7	010	L	.		5005020	A	
	26J18	8.7T	020	S	-BCR		3021000	A	
3021050 /DAT21/									
DATA22									
3022000	10J08	8.9	010	L	.		5006010	A	
	26J20	8.9T	020	S	-BCR		3022000	A	
3022050 /DAT22/									
DATA23									
3023000	10J25	7.9	010	L	.		5007020	A	
	26J22	7.9T	020	S	-BCR		3023000	A	
3023050 /DAT23/									
DATA24									
3024000	14J08	7.5	010	L	.		5008010	A	
	26J27	7.5T	020	S	-BCR		3024000	A	
3024050 /DAT24/									
DATA25									
3025000	14J25	6.5	010	L	.		5009020	A	
	26J34	6.5T	020	S	-BCR		3025000	A	
3025050 /DAT25/									

SOURCE SIGNAL	PIN NO.	LENGTH	SEQ.	TAG	ELEMENT TYPE	WIRE TYPE	LOAD LINE	C/L	ERROR FLAGS
1	8 15		21	28	33	37	41	77	
3025100 /DAT26/									
DATA26									
3026000	26J36	7.6	010	S	-BCR		3026000	A	
	15J08	5.2	020	L	.		5010010	A	
	05J03	12.8T	030	L	.		4001200	A	
3026100 /DAT27/									
DATA27									
3027000	26J38	6.3	010	S	-BCR		3027000	A	
	15J25	5.9	020	L	.		5011020	A	
	05J13	12.2T	030	L	.		4001100	A	
3027100 /DAT28/									
DATA28									
3028000	26J40	7.4	010	S	-BCR		3028000	A	
	16J08	6.3	020	L	.		5012010	A	
	05J23	13.7T	030	L	.		6001000	A	
3028100 /DAT29/									
DATA29									
3029000	26J42	1.2	010	S	-BCR		3029000	A	
	24J37	4.9	020	L	.		4001650	A	
	16J25	5.9	030	L	.		5013020	A	
	06J37	12.0T	040	L	.		3029500	C	
3029100 /DAT30/									
NDATA29									
3029500	06J36	.6	010	S	I		3029500	C	
	06J43	1.3	020	L	.		4900675	C	
	04J47	1.9T	030	T	T		3029500	C	
DATA30									
3030000	17J08	5.8	010	L	.		5014010	A	
	28J04	5.8T	020	S	-BCR		3030000	A	
3030100 /DAT31/									
DATA31									
3031000	17J25	6.6	010	L	.		5015020	A	
	28J06	6.6T	020	S	-BCR		3031000	A	
ECHA									
4001000	24J47	1.5	010	L	.		4001550	A	
	24J27	9.4	020	L	.		4001650	A	
	06J33	2.1	030	S	I		4001000	K	
	05J11	.5	050	L	.		4001100	A	

SOURCE SIGNAL	PIN NO.	LENGTH	SEQ.	TAG	ELEMENT TYPE	WIRE TYPE	LOAD LINE	C/L	ERROR FLAGS
1	8 15		21	28	33	37	41	77	
	04J11	13.5T	060	T	T		4001000	A	
EIB									
4001075	06J08	.5	002	L	.		4001302	K	
	05J08	1.2	004	S	B		4001075	B	
	05J24	2.3	008	L	.		6001000	B	
	07J06	.5	020	L	.		5040020	A	
	08J06	.5	030	L	.		5042020	A	
	09J06	.5	040	L	.		5044020	A	
	10J06	2.0	050	L	.		5046020	A	
	14J06	.5	060	L	.		5048020	A	
	15J06	.5	070	L	.		5050020	A	
	16J06	.5	080	L	.		5052020	A	
	17J06	9.0T	090	L	.		5054020	A	
4001100 EIBJ									
EIE									
4001200	05J09	1.8	010	S	B		4001200	A	
	07J22	.5	020	L	.		5020030	A	
	08J22	.5	030	L	.		5022030	A	
	09J22	.5	040	L	.		5024030	A	
	10J22	2.0	050	L	.		5026030	A	
	14J22	.5	060	L	.		5028030	A	
	15J22	.5	070	L	.		5030030	A	
	16J22	.5	080	L	.		5033030	A	
	17J22	4.1	090	L	.		5035030	A	
	22J44	10.9T	100	L	.		4001300	K	
N(EIE+EIB)									
4001300	22J36	9.6	010	S	I		4001300	K	
	06J13	1.0	020	S	I		4001302	K	
	06J27	2.9	030	L	.		4001000	K	
	04J01	13.5T	035	T	T		4001300	K	
ENXSTR									
4001400	28J27	13.3	010	S	-BCR		4001400	A	
	05J04	.7	030	L	.		4001200	A	
	05J14	.6	040	L	.		4001100	A	
	05J22	14.6T	050	L	.		6001000	A	
4001450 /ENXSTR/									
PCBZE									
4001500	24J31	2.9	010	S	B		4001500	A	
	28J19	2.9T	020	L	*		4002000	A	
PCRQBZE									
4001600	24J41	3.3	010	S	B		4001600	A	
	28J23	3.3T	020	L	*		4002100	A	

SOURCE SIGNAL	PIN NO.	LENGTH	SEQ.	ELEMENT TAG	WIRE TYPE	LOAD LINE	C/L	ERROR FLAGS
1	8	15	21	28	33	37	41	77
EREQ								
4001700	23J40	1.2	010	L	.	6002000	A	
	24J30	2.3	020	S	B	4001700	A	
	24J03	10.2	030	L	.	4900600	A	
	04J02	13.7T	040	T	T	4001700	A	
EWDM								
4001800	06J09	.5	010	L	.	4001900	A	
	06J12	2.3	020	S	I	4001800	A	
	06J41	1.3	030	L	.	4900625	A	
	04J42	4.1T	040	T	T	4001800	A	
NEWDM								
4001900	06J02	3.8	010	S	I	4001900	A	
	04J40	10.3	020	T	T	4001900	A	
	24J39	14.1T	030	L	.	4001750	A	
4002000 /EBUS/								
4002100 /ERQY/								
4100000 /ERP00/								
4101000 /ERP01/								
4102000 /ERP02/								
4103000 /ERP03/								
4104000 /ERP04/								
4105000 /ERP05/								
4106000 /ERP06/								
4107000 /ERP07/								
4108000 /ERP08/								
4109000 /ERP09/								
4110000 /ERP10/								
4111000 /ERP11/								
4112000 /ERP12/								
4113000 /ERP13/								
4114000 /ERP14/								

SOURCE SIGNAL	PIN NO.	LENGTH	SEQ.	TAG	ELEMENT TYPE	WIRE TYPE	LOAD LINE	C/L	ERROR FLAGS
1	8 15		21	28	33	37	41	77	
4115000 /ERP15/									
4116000 /ERQ00/									
ERQ00									
4200000	07J04	15.3	010	L	.		5040010	A	
	32J42	15.3T	020	S	-BCR		4200000	A	
4200500 /ERQ01/									
ERQ01									
4201000	07J14	14.4	010	L	.		5041020	A	
	32J40	14.4T	020	S	-BCR		4201000	A	
4201500 /ERQ02/									
ERQ02									
4202000	08J04	14.5	010	L	.		5042010	A	
	32J38	14.5T	020	S	-BCR		4202000	A	
4202500 /ERQ03/									
ERQ03									
4203000	08J14	13.6	010	L	.		5043020	A	
	32J36	13.6T	020	S	-BCR		4203000	A	
4203500 /ERQ04/									
ERQ04									
4204000	09J04	13.7	010	L	.		5044010	A	
	32J34	13.7T	020	S	-BCR		4204000	A	
4204500 /ERQ05/									
ERQ05									
4205000	09J14	12.6	010	L	.		5045020	A	
	32J27	12.6T	020	S	-BCR		4205000	A	
4205500 /ERQ06/									
ERQ06									
4206000	10J04	7.3	010	L	.		5046010	A	
	19J42	7.3T	021	S	-BCR		4206000	B	
4206500 /ERQ07/									
ERQ07									
4207000	10J14	6.4	010	L	.		5047020	A	
	19J40	6.4T	021	S	-BCR		4207000	B	
4207500 /ERQ08/									

SOURCE SIGNAL	PIN NO.	LENGTH	SEQ.	TAG	ELEMENT TYPE	WIRE TYPE	LOAD LINE	C/L	ERROR FLAGS
1	8 15		21	28	33	37	41	77	
ERQ08									
4208000	14J04	5.0	010	L	.		5048010	A	
	19J38	5.0T	021	S	-BCR		4208000	B	
4208500 /ERQ09/									
ERQ09									
4209000	14J14	4.1	010	L	.		5049020	A	
	19J36	4.1T	021	S	-BCR		4209000	B	
4209500 /ERQ10/									
ERQ10									
4210000	15J04	4.2	010	L	.		5050010	A	
	19J34	4.2T	021	S	-BCR		4210000	B	
4210500 /ERQ11/									
ERQ11									
4211000	15J14	3.1	010	L	.		5051020	A	
	19J27	3.1T	021	S	-BCR		4211000	B	
4211500 /ERQ12/									
ERQ12									
4212000	16J04	4.8	010	L	.		5052010	A	
	12J42	4.8T	021	S	-BCR		4212000	B	
4212500 /ERQ13/									
ERQ13									
4213000	16J14	3.9	010	L	.		5053020	A	
	12J40	3.9T	021	S	-BCR		4213000	B	
4213500 /ERQ14/									
ERQ14									
4214000	17J04	5.0	010	L	.		5054010	A	
	12J38	5.0T	021	S	-BCR		4214000	B	
4214500 /ERQ15/									
ERQ15									
4215000	17J14	4.1	010	L	.		5055020	A	
	12J36	4.1T	021	S	-BCR		4215000	B	
4405000 /FNL00/									
FNL00									
4500000	23J04	4.7	010	L	.		8000000	A	
	28J34	1.6	020	S	-BCR		4500000	A	

SOURCE SIGNAL	PIN NO.	LENGTH	SEQ.	TAG	ELEMENT TYPE	WIRE TYPE	LOAD LINE	C/L	ERROR FLAGS
1	8	15	21	28	33	37	41	77	
	30J29	6.3T	030	L	.	.	4500100	A	
NFNL00	4500100	04J13	1.2	010	T	T	4500100	A	
	06J06	.3	020	L	.	.	4001800	A	
	06J10	7.8	030	L	.	.	1002075	A	
	21J09	.6	040	L	.	.	3005200	A	
	21J17	.8	050	L	.	.	3005250	A	
	22J21	.5	060	L	.	.	1003000	A	
	22J24	4.8	070	L	.	.	1005000	A	
	30J33	16.0T	080	S	I	.	4500100	A	
4500500 /FNL01/									
FNL01	4501000	23J03	4.8	010	L	.	8001000	A	
		28J36	2.2	020	S	-BCR	4501000	A	
		30J23	7.0T	030	L	.	4501100	A	
NFNL01	4501100	30J24	3.8	010	S	I	4501100	A	
		22J25	1.1	020	L	.	3005000	A	
		21J18	.7	030	L	.	3005250	A	
		21J08	7.6	040	L	.	3005200	A	
		06J05	.4	050	L	.	4001800	A	
		06J11	1.5	060	L	.	1002075	A	
		04J14	15.1T	070	T	T	4501100	A	
4501500 /FNL02/									
FNL02	4502000	28J38	3.2	010	S	-BCR	4502000	A	
		30J08	3.9	020	L	.	4502100	A	
		23J02	7.1T	030	L	.	8002000	A	
NFNL02	4502100	04J15	.8	010	T	T	4502100	A	
		05J19	.6	020	L	.	6000000	A	
		05J27	1.7	030	L	.	1002050	A	
		05J46	3.7	040	L	.	1002000	A	
		06J07	9.7	050	L	.	4001800	A	
		21J37	.5	060	L	.	7000120	A	
		21J40	1.6	070	L	.	7000100	A	
		22J29	5.4	080	L	.	1003000	A	
		30J06	24.0T	090	S	I	4502100	A	
4600000 /GATCLK/									
GATCLK	4600200	23J29	3.3	010	L	.	4600300	A	
		28J42	3.3T	020	S	-BCR	4600200	A	

SOURCE SIGNAL	PIN NO.	LENGTH	SEQ.	TAG	ELEMENT TYPE	WIRE TYPE	LOAD LINE	C/L	ERROR FLAGS
1	8 15		21	28	33	37	41	77	
4600250 NGATCLK									
GCLK1									
4600300	04J06	1.7	010	T	T		4600300	A	
	07J07	.5	030	L	.		5000030	A	
	08J07	.5	040	L	.		5002030	A	
	09J07	.5	050	L	.		5004030	A	
	10J07	7.8	060	L	.		5006030	A	
	23J25	.3	070	S	B		4600350	A	
	23J26	11.3T	080	S	B		4600300	A	
GCLK2									
4600400	04J07	5.0	010	T	T		4600400	A	
	14J07	.5	020	L	.		5008030	A	
	15J07	.5	030	L	.		5010030	A	
	16J07	.5	040	L	.		5012030	A	
	17J07	4.5	050	L	.		5014030	A	
	23J27	.3	070	S	B		4600400	A	
	23J28	11.3T	080	S	B		4600450	A	
4600500 /GPADRO/									
GPADRO									
4600600	28J08	3.7	010	S	-BCR		4600600	A	
	30J44	3.7T	020	L	.		4600650	A	
NGPADRO									
4600650	30J42	.0T	010	S	I		4600650	A	I
4601500 /GPADR1/									
GPADR1									
4601600	28J10	2.2	010	S	-BCR		4601600	A	
	30J26	2.2T	020	L	.		4601650	A	
NGPADR1									
4601650	30J25	.0T	010	S	I		4601650	A	I
4602500 /GPADR2/									
GPADR2									
4602600	28J13	1.3	010	S	-BCR		4602600	A	
	30J17	1.3T	020	L	.		4602650	A	
NGPADR2									
4602650	30J22	.0T	010	S	I		4602650	A	I
4603000 /GPADR3/									
GPADR3									
4603600	28J18	2.8	010	S	-BCR		4603600	A	

SOURCE SIGNAL	PIN NO.	LENGTH	SEQ.	TAG	ELEMENT TYPE	WIRE TYPE	LOAD LINE	C/L	ERROR FLAGS
1	8	15	21	28	33	37	41	77	
		30J41	2.8T	020	L	.	4603650	A	
NGPADR3 4603650		30J38	.0T	010	S	I	4603650	A	I
GRPSEL 4605000		30J37	4.9	010	S	I	4605000	A	
		23J20	9.4	020	L	.	8000000	A	
		05J26	1.7	031	L	.	1002050	B	
		05J47	2.6	041	L	.	1002000	B	
		04J20	18.6T	051	T	T	4605000	B	
GND03J16 4790050		03J16	.0T	020	S	-GND	4790050	H	I
GND12J16 4790100		12J05	1.1	010			4790100	A	
		12J16	.6	020	S	-GND	4790100	A	
		12J24	1.7T	030			4790100	A	
GND12J32 4790150		12J32	.3	010	S	-GND	4790150	A	
		12J35	.1	011			4790150	B	
		12J37	.1	013			4790150	B	
		12J39	.1	015			4790150	B	
		12J41	.3	020			4790150	A	
		12J45	.9T	030			4790150	B	
GND19J16 4800100		19J05	1.1	040			4800100	A	
		19J16	.6	080	S	-GND	4800100	A	
		19J24	1.7T	100			4800100	A	
GND19J32 4800150		19J25	.8	011			4800150	B	
		19J32	.2	020	S	-GND	4800150	A	
		19J33	.1	023			4800150	B	
		19J35	.1	025			4800150	B	
		19J37	.1	030			4800150	A	
		19J39	.1	040			4800150	A	
		19J41	.3	050			4800150	A	
		19J45	1.7T	060			4800150	A	
GND21J16 4800300		21J16	.9	010	S	-GND	4800300	A	
		21J28	.9T	030	L	.	7000110	A	
GND21J32 4800350		21J32	1.0	010	S	-GND	4800350	A	
		21J46	.2	020	L	.	8005010	A	
		21J47	1.2T	030	L	.	8005030	A	

SOURCE SIGNAL	PIN NO.	LENGTH	SEQ.	TAG	ELEMENT TYPE	WIRE TYPE	LOAD LINE	C/L	ERROR FLAGS
1	8	15	21	28	33	37	41	77	
GND24J16 4800600	24J16	.0T	010	S	-GND		4800600	A	I
GND24J32 4800650	24J43	.3	005	L	.		3002500	C	
	24J40	.6	007	L	.		3002500	C	
	24J35	.3	010	L	.		4001550	A	
	24J32	.1	020	S	-GND		4800650	A	
	24J34	1.3T	030				4800650	A	
GND26J16 4800800	26J05	1.1	010				4800800	A	
	26J16	.6	020	S	-GND		4800800	A	
	26J24	1.7T	030				4800800	A	
GND26J32 4800850	26J32	.3	010	S	-GND		4800850	A	
	26J35	.1	020				4800850	A	
	26J37	.1	030				4800850	A	
	26J39	.1	040				4800850	A	
	26J41	.3	050				4800850	A	
	26J45	.9T	060				4800850	A	
GND28J16 4801000	28J01	.3	010				4801000	A	
	28J02	.2	020				4801000	A	
	28J03	.1	030				4801000	A	
	28J05	.3	040				4801000	A	
	28J09	.5	050				4801000	A	
	28J12	.3	060				4801000	A	
	28J15	.3	070				4801000	A	
	28J16	.6	080	S	-GND		4801000	A	
	28J24	2.6T	090				4801000	A	
GND28J32 4801050	28J25	.8	010				4801050	A	
	28J32	.2	020	S	-GND		4801050	A	
	28J33	.1	030				4801050	A	
	28J35	.1	040				4801050	A	
	28J37	.1	050				4801050	A	
	28J39	.1	060				4801050	A	
	28J41	.3	070				4801050	A	
	28J45	1.7T	080				4801050	A	
GND32J16 4801400	32J05	1.1	040				4801400	A	
	32J16	.6	080	S	-GND		4801400	A	
	32J24	1.7T	100				4801400	A	
GND32J32 4801450	32J25	.8	020				4801450	A	

SOURCE SIGNAL	PIN NO.	LENGTH	SEQ.	TAG	ELEMENT TYPE	WIRE TYPE	LOAD LINE	C/L	ERROR FLAGS
1	8	15	21	28	33	37	41	77	
IP1									
5021000	07J21	.0T	010	S	FF		5021000	A	I
5021010 NIP1									
IP2									
5022000	08J02	.0T	010	S	FF		5022000	A	I
5022010 NIP2									
IP3									
5023000	08J21	.0T	010	S	FF		5023000	A	I
5023010 NIP3									
IP4									
5024000	09J02	.0T	010	S	FF		5024000	A	I
5024010 NIP4									
IP5									
5025000	09J21	.0T	010	S	FF		5025000	A	I
5025010 NIP5									
IP6									
5026000	10J02	.0T	010	S	FF		5026000	A	I
5026010 NIP6									
IP7									
5027000	10J21	.0T	010	S	FF		5027000	A	I
5027010 NIP7									
IP8									
5028000	14J02	.0T	010	S	FF		5028000	A	I
5028010 NIP8									
IP9									
5029000	14J21	.0T	010	S	FF		5029000	A	I
5029010 NIP9									
IP10									
5030000	15J02	.0T	010	S	FF		5030000	A	I
5030010 NIP10									
IP11									

SOURCE SIGNAL	PIN NO.	LENGTH	SEQ.	TAG	ELEMENT TYPE	WIRE TYPE	LOAD LINE	C/L	ERROR FLAGS
1	8 15		21	28	33	37	41	77	
5032000	15J21	.0T	010	S	FF		5032000	A	I
5032010 NIP11									
IP12									
5033000	16J02	.0T	010	S	FF		5033000	A	I
5033010 NIP12									
IP13									
5034000	16J21	.0T	010	S	FF		5034000	A	I
5034010 NIP13									
IP14									
5035000	17J02	.0T	010	S	FF		5035000	A	I
5035010 NIP14									
IP15									
5036000	17J21	.0T	010	S	FF		5036000	A	I
5036010 NIP15									
IS0									
5040000	07J10	13.6	010	S	FF		5040000	A	
	32J23	13.6T	021	L	*		4100000	B	
IS1									
5041000	07J13	12.9	010	S	FF		5041000	A	
	32J19	12.9T	021	L	*		4101000	B	
NIS1									
5041010	07J18	.0T	010	S	NFF		5041010	A	I
5041050-1	07J12	.6	010	C	C		5041050	A	
	07J20	.6T	020	C	C		5041050	A	
IS2									
5042000	08J10	12.5	010	S	FF		5042000	A	
	32J15	12.5T	021	L	*		4102000	B	
IS3									
5043000	08J13	11.8	010	S	FF		5043000	A	
	32J12	11.8T	021	L	*		4103000	B	
NIS3									
5043010	08J18	.0T	010	S	NFF		5043010	A	I
5043050-1	08J12	.6	010	C	C		5043050	A	
	08J20	.6T	020	C	C		5043050	A	

SOURCE SIGNAL	PIN NO.	LENGTH	SEQ.	TAG	ELEMENT TYPE	WIRE TYPE	LOAD LINE	C/L	ERROR FLAGS
1	8	15	21	28	33	37	41	77	
5065000	01J03	1.3	005	L	.		5067020	C	
	01J21	4.8	007	L	.		5065020	C	
	09J34	1.6	010	S	B		5065000	A	
	10J47	7.7T	020	L	.		5067000	A	
5066000 NISIN6									
NISIN7									
5067000	01J02	3.0	005	L	.		5067020	C	
	01J41	4.7	007	L	.		5069020	C	
	10J34	3.1	010	S	B		5067000	A	
	14J47	10.8T	020	L	.		5069000	A	
5068000 NISIN8									
NISIN9									
5069000	01J19	1.3	005	L	.		5071020	C	
	01J37	6.4	007	L	.		5069020	C	
	14J34	1.6	010	S	B		5069000	A	
	15J47	9.3T	020	L	.		5071010	A	
5070000 NISIN10									
NISIN11									
5071000	01J14	1.9	005	L	.		5091020	C	
	01J40	7.4	007	L	.		5073020	C	
	15J34	1.6	010	S	B		5071000	A	
	16J47	10.9T	020	L	.		5073000	A	
5072000 NISIN12									
NISIN13									
5073000	01J39	7.6	005	L	.		5073020	C	
	16J34	1.6	010	S	B		5073000	A	
	17J47	9.2T	020	L	.		5075000	A	
5074000 NISIN14									
NISIN15									
5075000	17J34	.0T	010	S	B		5075000	A	I
NISINIP0									
5080000	07J23	.0T	010	S	I		5080000	A	I
NISINIP1									
5081000	01J34	3.7	005	L	.		5081020	C	
	07J44	3.7	010	S	B		5081000	A	
	08J05	7.4T	020	L	.		5022020	A	
NISINIP2									
5082000	08J23	.0T	010	S	I		5082000	A	I

SOURCE SIGNAL	PIN NO.	LENGTH	SEQ.	TAG	ELEMENT TYPE	WIRE TYPE	LOAD LINE	C/L	ERROR FLAGS
1	8	15	21	28	33	37	41	77	
NISNIP3 5083000	01J11 01J35 08J44 09J05	1.8 4.0 3.7 9.5	005 007 010 020	L L S L	. . B .		5083020 5081020 5083000 5024020	C C A A	
NISNIP4 5084000	09J23	.0T	010	S	I		5084000	A	I
NISNIP5 5085000	01J12 01J43 09J44 10J05	2.4 3.9 3.7 10.0	005 007 010 020	L L S L	. . B .		5083020 5085020 5085000 5026020	C C A A	
NISNIP6 5086000	10J23	.0T	010	S	I		5086000	A	I
NISNIP7 5087000	01J27 01J44 10J44 14J05	1.5 4.5 5.2 11.2	005 007 010 020	L L S L	. . B .		5087020 5085020 5087000 5028020	C C A A	
NISNIP8 5088000	14J23	.0T	010	S	I		5088000	A	I
NISNIP9 5089000	01J05 01J28 14J44 15J05	2.0 7.7 3.7 13.4	005 007 010 020	L L S L	. . B .		5089020 5087020 5089000 5030020	C C A A	
NISNIP10 5090000	15J23	.0T	010	S	I		5090000	A	I
NISNIP11 5091000	01J06 01J31 15J44 16J05	2.0 7.8 3.7 13.5	005 007 010 020	L L S L	. . B .		5089020 5091020 5091000 5033020	C C A A	
NISNIP12 5092000	16J23	.0T	010	S	I		5092000	A	I
NISNIP13 5093000	01J24 01J33 16J44 17J05	.8 8.2 3.7 12.7	005 007 010 020	L L S L	. . B .		5093020 5091020 5093000 5035020	C C A A	

SOURCE SIGNAL	PIN NO.	LENGTH	SEQ.	TAG	ELEMENT TYPE	WIRE TYPE	LOAD LINE	C/L	ERROR FLAGS
1	8	15	21	28	33	37	41	77	
NISNIP14 5094000	17J23	.0T	010	S	I		5094000	A	I
NISNIP15 5095000	01J25	2.5	005	L	.		5093020	C	
	06J25	6.8	010	L	.		7000010	A	
	17J44	9.3T	020	S	B		5095000	A	
LEN 6000000	05J10	.0T	010	S	B		6000000	A	I
LEVARM 6001000	05J35	1.6	010	S	B		6001000	A	
	07J27	.5	020	L	.		5020020	A	
	08J27	.5	030	L	.		5022020	A	
	09J27	.5	040	L	.		5024020	A	
	10J27	2.0	050	L	.		5026020	A	
	14J27	.5	060	L	.		5028020	A	
	15J27	.5	070	L	.		5030020	A	
	16J27	.5	080	L	.		5033020	A	
	17J27	6.6T	090	L	.		5035020	A	
LINREQ 6002000	05J05	11.0	010	L	.		4001200	A	
	23J34	.8	020	S	B		6002000	A	
	24J38	1.6	030	L	.		4001650	A	
	26J33	13.4T	040	L	*		3025050	A	
LIN00 6003000	23J45	4.8	010	S	B		6003000	A	
	26J01	4.8T	020	L	*		3016050	A	
LIN00J 6003200	04J12	1.1	011	T	T		6003200	B	
	05J07	11.7	021	S	B		6003200	B	
	23J43	12.8T	031	L	.		6003000	B	
LIN01 6013000	23J44	4.6	010	S	B		6013000	A	
	26J02	4.6T	020	L	*		3017050	A	
LIN01J 6013200	04J17	11.2	011	T	T		6013200	B	
	23J42	3.3	021	L	.		6013000	B	
	24J04	14.5T	031	S	B		6013200	B	
6013400 LIN01J1									
LIN02 6023000	23J46	5.0	010	S	B		6023000	A	
	26J03	5.0T	020	L	*		3018050	A	

SOURCE SIGNAL	PIN NO.	LENGTH	SEQ.	TAG	ELEMENT TYPE	WIRE TYPE	LOAD LINE	C/L	ERROR FLAGS
1	8 15		21	28	33	37	41	77	
7000500 REIP7									
7000600 REIP9									
7000700 REIP11									
7000800 REIP13									
7000900 REIP15									
RLIN05									
7001000	24J26	1.0	010	L	.		4001750	A	
	23J37	8.8	020	L	.		6053000	A	
	06J34	.9	030	S	I		7001000	A	
	04J37	10.7T	040	T	T		7001000	A	
RLIN06									
7001100	06J14	2.8	010	S	I		7001100	A	
	04J38	9.5	020	T	T		7001100	A	
	23J38	12.3T	030	L	.		6063000	A	
RLIN07									
7001200	06J15	2.8	010	S	I		7001200	A	
	04J39	9.5	020	T	T		7001200	A	
	23J39	12.3T	030	L	.		6073000	A	
ROTHR7									
7003000	22J15	3.2	010	S	I		7003000	A	
	24J46	10.0	020	L	.		4001700	A	
	04J46	13.2T	030	T	T		7003000	A	
RODD									
7003500	22J35	9.1	010	S	I		7003500	C	
	05J40	1.9	020	L	.		6083000	C	
	04J19	11.0T	030	T	T		7003500	C	
NRODD									
7004000	04J34	4.2	010	T	T		7004000	A	
	07J01	.5	020	S	I		7004000	A	
	08J01	.5	030	S	I		7004010	A	
	09J01	.5	040	S	I		7004020	A	
	10J01	2.0	050	S	I		7004030	A	
	14J01	.5	060	S	I		7004040	A	
	15J01	.5	070	S	I		7004050	A	
	16J01	.5	080	S	I		7004060	A	
	17J01	5.6	090	S	I		7004070	A	
	22J43	14.8T	100	L	.		7003500	C	
7005000 /RQY/									
7005500 RQY									

SOURCE SIGNAL	PIN NO.	LENGTH	SEQ.	TAG	ELEMENT TYPE	WIRE TYPE	LOAD LINE	C/L	ERROR FLAGS
1	8 15		21	28	33	37	41	77	
R0 7007000	07J11	.0T	010	S	B		7007000	A	I
R2 7007100	08J11	.0T	010	S	B		7007100	A	I
R4 7007200	09J11	.0T	010	S	B		7007200	A	I
R6 7007300	10J11	.0T	010	S	B		7007300	A	I
R8 7007400	14J11	.0T	010	S	B		7007400	A	I
R10 7007500	15J11	.0T	010	S	B		7007500	A	I
R12 7007600	16J11	.0T	010	S	B		7007600	A	I
R14 7007700	17J11	.0T	010	S	B		7007700	A	I
NR01 7008000	07J43 22J30	8.2 8.2T	010 020	S L	I .		7008000 7003000	A A	
NR23 7008100	22J18 08J43 06J30	8.6 2.1 10.7T	010 020 030	L S L	. I .		7003000 7008100 7001200	A A A	
NR45 7008200	06J21 09J43 22J31	3.1 7.4 10.5T	010 020 030	L S L	. I .		7001100 7008200 7003000	A A A	
NR67 7008300	22J17 10J43 06J20 06J18	7.9 3.8 .1 11.8T	010 020 030 040	L S L L	. I . .		7003000 7008300 7001100 7001200	A A A A	
NR89 7008400	06J24 14J43	5.5 5.5T	010 020	L S	. I		7001000 7008400	A A	
NR1011 7008500	15J43 06J31	5.4 .6	010 020	S L	I .		7008500 7001200	A A	

SOURCE SIGNAL	PIN NO.	LENGTH	SEQ.	TAG	ELEMENT TYPE	WIRE TYPE	LOAD LINE	C/L	ERROR FLAGS
1	8	15	21	28	33	37	41	77	
	06J23	6.0T	030	L	.		7001000	A	
NR1213 7008600	16J43	6.0	010	S	I		7008600	A	
	06J29	.6	020	L	.		7001100	A	
	06J22	6.6T	030	L	.		7001000	A	
NR1415 7008700	17J43	6.7	010	S	I		7008700	A	
	06J28	.9	020	L	.		7001000	A	
	06J19	.1	030	L	.		7001100	A	
	06J17	7.7T	040	L	.		7001200	A	
SFNL00 8000000	21J39	1.2	010	L	.		7000120	A	
	22J26	1.1	020	L	.		3005000	A	
	23J18	9.1	030	S	B		8000000	A	
	05J15	1.6	040	L	.		6000000	A	
	04J26	13.0T	050	T	T		8000000	A	
SFNL01 8001000	04J23	.6	010	T	T		8001000	A	
	05J18	9.2	020	L	.		6000000	A	
	21J34	.2	030	L	.		8005000	A	
	21J35	.5	040	L	.		8005020	A	
	21J38	.9	050	L	.		7000120	A	
	21J50	2.7	060	L	.		7000100	A	
	22J20	.3	070	L	.		1003000	A	
	22J23	.8	080	L	.		1005000	A	
	23J19	15.2T	090	S	B		8001000	A	
SFNL02 8002000	23J05	1.9	010	S	B		8002000	A	
	21J14	1.1	020	L	.		3005250	A	
	22J22	.5	030	L	.		1005000	A	
	22J27	.9	040	L	.		3005000	A	
	21J33	.5	050	L	.		8005000	A	
	21J36	9.5	060	L	.		8005020	A	
	04J22	14.4T	070	T	T		8002000	A	
SWTH0 8004200	30J45	6.0	010	S	-SW		8004200	A	
	24J06	9.8	021	L	.		6013200	B	
	05J02	15.8T	031	L	.		6003200	B	
NSWTH0 8004300	24J11	5.7	011	L	.		6013200	B	
	30J47	5.7T	020	S	-SW		8004300	A	
SWTH1 8004400	30J46	5.7	010	S	-SW		8004400	A	

SOURCE SIGNAL	PIN NO.	LENGTH	SEQ.	TAG	ELEMENT TYPE	WIRE TYPE	LOAD LINE	C/L	ERROR FLAGS
1	8	15	21	28	33	37	41	77	
	24J10	9.8	021	L	.		6013200	B	
	05J06	15.5T	031	L	.		6003200	B	
NSWTH1 8004500	30J27	3.9	010	S	-SW		8004500	A	
	24J15	.3	021	L	.		6023200	B	
	24J12	.6	031	L	.		6023200	B	
	24J07	4.8T	041	L	.		6013200	B	
SWTH2 8004600	30J03	3.7	010	S	-SW		8004600	A	
	24J13	1.8	021	L	.		6023200	B	
	23J31	5.5T	031	L	.		6033000	B	
NSWTH2 8004700	30J19	.0T	010	S	-SW		8004700	A	I
SWTH3 8004800	30J39	14.0	010	S	-SW		8004800	A	
	05J20	14.0T	020	L	.		6043000	D	
NSWTH3 8004900	30J35	.0T	010	S	-SW		8004900	A	I
TRIG 8005000	04J03	1.5	010	T	T		8005000	A	
	07J03	.5	020	L	.		5040010	A	
	08J03	.5	030	L	.		5042010	A	
	09J03	.5	040	L	.		5044010	A	
	10J03	2.0	050	L	.		5046010	A	
	14J03	.5	060	L	.		5048010	A	
	15J03	.5	070	L	.		5050010	A	
	16J03	.5	080	L	.		5052010	A	
	17J03	3.9	090	L	.		5054010	A	
	21J30	.2	100	S	B		8005000	A	
	21J31	10.6T	110	S	B		8005020	A	
V8NJ 8010000	12J50	3.5	010	S	-VSP		8010000	A	
	19J50	3.5	020	V	V		8010000	A	
	26J50	1.0	030	V	V		8010000	A	
	28J50	2.0	040	V	V		8010000	A	
	32J50	10.0T	050	V	V		8010000	A	

STATISTICAL SUMMARY

PINS-698
LINE NO.S-242
LINKS-456

ERROR FLAG DICTIONARY

TABLE OF CONTENTS

I = NO INTERCONNECTION
P = ILLEGAL PIN FIELD

74	LINE NO.S HAVE	1 PINS
76	LINE NO.S HAVE	2 PINS
32	LINE NO.S HAVE	3 PINS
28	LINE NO.S HAVE	4 PINS
5	LINE NO.S HAVE	5 PINS
3	LINE NO.S HAVE	6 PINS
4	LINE NO.S HAVE	7 PINS
4	LINE NO.S HAVE	8 PINS
6	LINE NO.S HAVE	9 PINS
4	LINE NO.S HAVE	10 PINS
5	LINE NO.S HAVE	11 PINS
1	LINE NO.S HAVE	12 PINS

FROM	PIN (COUNT)	TO	SOURCE LINE NO.	ELEM. TYPE	SOURCE SIGNAL NAME	REFERENCE LINE NO.
	00(0)					
	01(0)					
	02(1)	01J41	5067000	.	NISIN7	5067020
	03(1)	01J21	5065000	.	NISIN5	5067020
	04(0)					
	05(1)	01J28	5089000	.	NISNIP9	5089020
	06(1)	01J31	5091000	.	NISNIP11	5089020
	07(0)					
	08(0)					
	09(0)					
	10(0)					
	11(1)	01J35	5083000	.	NISNIP3	5083020
	12(1)	01J43	5085000	.	NISNIP5	5083020
	13(0)					
	14(1)	01J40	5071000	.	NISIN11	5091020
	15(0)					
	16(0)					
	17(0)					
	18(0)					
	19(1)	01J37	5069000	.	NISIN9	5071020
	20(0)					
01J03	21(2)	09J34	5065000	.	NISIN5	5065020
	22(1)	01J46	5063000	.	NISIN3	5065020
	23(0)					
	24(1)	01J33	5093000	.	NISNIP13	5093020
	25(1)	06J25	5095000	.	NISNIP15	5093020
	26(0)					
	27(1)	01J44	5087000	.	NISNIP7	5087020
01J05	28(2)	14J44	5089000	.	NISNIP9	5087020
	29(0)					
	30(0)					
01J06	31(2)	15J44	5091000	.	NISNIP11	5091020
	32(0)					
01J24	33(2)	16J44	5093000	.	NISNIP13	5091020
	34(1)	07J44	5081000	.	NISNIP1	5081020
01J11	35(2)	08J44	5083000	.	NISNIP3	5081020
	36(0)					
01J19	37(2)	14J34	5069000	.	NISIN9	5069020
	38(0)					
	39(1)	16J34	5073000	.	NISIN13	5073020
01J14	40(2)	15J34	5071000	.	NISIN11	5073020
01J02	41(2)	10J34	5067000	.	NISIN7	5069020
	42(0)					
01J12	43(2)	09J44	5085000	.	NISNIP5	5085020
01J27	44(2)	10J44	5087000	.	NISNIP7	5085020
	45(0)					
01J22	46(2)	08J34	5063000	.	NISIN3	5063020
	47(1)	07J34	5061000	.	NISIN1	5063020
	48(0)					
	49(0)					
	50(0)					
	51(0)					

FROM	PIN (COUNT)	TO	SOURCE LINE NO.	ELEM. TYPE	SOURCE SIGNAL NAME	REFERENCE LINE NO.
	00(0)					
	01(0)					
	02(0)					
	03(0)					
	04(0)					
	05(0)					
	06(0)					
	07(0)					
	08(0)					
	09(0)					
	10(0)					
	11(0)					
	12(0)					
	13(0)					
	14(0)					
	15(0)					
	16(0)		4790050	-GND	GND03J16	4790050
	17(0)					
	18(0)					
	19(0)					
	20(0)					
	21(0)					
	22(0)					
	23(0)					
	24(0)					
	25(0)					
	26(0)					
	27(0)					
	28(0)					
	29(0)					
	30(0)					
	31(0)					
	32(0)					
	33(0)					
	34(0)					
	35(0)					
	36(0)					
	37(0)					
	38(0)					
	39(0)					
	40(0)					
	41(0)					
	42(0)					
	43(0)					
	44(0)					
	45(0)					
	46(0)					
	47(0)					
	48(0)					
	49(0)					
	50(0)					
	51(0)					

FROM	PIN (COUNT)	TO	SOURCE LINE NO.	ELEM. TYPE	SOURCE SIGNAL NAME	REFERENCE LINE NO.
	00(0)					
06J27	01(1)		4001300	T	N(EIE+EIB)	4001300
24J03	02(1)		4001700	T	EREQ	4001700
	03(1)	07J03	8005000	T	TRIG	8005000
22J04	04(1)		1005000	T	NADB	1005000
05J12	05(1)		2001200	T	NBUS	2001200
	06(1)	07J07	4600300	T	GCLK1	4600300
	07(1)	14J07	4600400	T	GCLK2	4600400
22J09	08(1)		1003000	T	NAE	1003000
	09(1)	07J09	3005200	T	DARM1	3005200
16J09	10(1)		3005100	T	DARM	3005100
05J11	11(1)		4001000	T	ECHA	4001000
	12(1)	05J07	6003200	T	LIN00J	6003200
	13(1)	06J06	4500100	T	NFNL00	4500100
06J11	14(1)		4501100	T	NFNL01	4501100
	15(1)	05J19	4502100	T	NFNL02	4502100
	16(0)					
	17(1)	23J42	6013200	T	LIN01J	6013200
	18(1)	23J30	6023200	T	LIN02J	6023200
05J40	19(1)		7003500	T	RODD	7003500
05J47	20(1)		4605000	T	GRPSEL	4605000
06J39	21(1)		4900500	T	HRQBZ	4900500
21J36	22(1)		8002000	T	SFNL02	8002000
	23(1)	05J18	8001000	T	SFNL01	8001000
	24(0)					
	25(0)					
05J15	26(1)		8000000	T	SFNL00	8000000
06J01	27(2)	05J28	1002075	T	AEENLEJ	1002075
	28(1)	07J35	1004000	T	ADBDB	1004000
	29(1)	07J29	1001000	T	AEADB	1001000
	30(0)					
	31(0)					
	32(0)					
	33(0)					
	34(1)	07J01	7004000	T	NRODD	7004000
	35(0)					
	36(1)	05J36	1002000	T	AEENLE	1002000
06J34	37(1)		7001000	T	RLIN05	7001000
06J14	38(2)	23J38	7001100	T	RLIN06	7001100
06J15	39(2)	23J39	7001200	T	RLIN07	7001200
06J02	40(2)	24J39	4001900	T	NEWDM	4001900
	41(1)	07J41	7000100	T	REN	7000100
06J41	42(1)		4001800	T	EWDM	4001800
22J42	43(1)		3005000	T	NDB	3005000
05J37	44(1)		3001200	T	CPUREST1	3001200
	45(1)	09J45	3001400	T	CPUREST2	3001400
24J46	46(1)		7003000	T	ROTHR7	7003000
06J43	47(1)		3029500	T	NDA29	3029500
	48(0)					
	49(0)					
	50(1)	05J41	4900600	T	NHRQBZ	4900600
	51(0)					

FROM	PIN (COUNT)	TO	SOURCE LINE NO.	ELEM. TYPE	SOURCE SIGNAL NAME	REFERENCE LINE NO.
	00(0)					
	01(0)					
24J06	02(1)		8004200	.	SWTH0	6003200
15J08	03(1)		3026000	.	DATA26	4001200
28J27	04(2)	05J14	4001400	.	ENEXSTR	4001200
	05(1)	23J34	6002000	.	LINREQ	4001200
24J10	06(1)		8004400	.	SWTH1	6003200
04J12	07(2)	23J43	6003200	B	LIN00J	6003200
06J08	08(2)	05J24	4001075	B	E1B	4001075
	09(1)	07J22	4001200	B	E1E	4001200
	10(0)		6000000	B	LEN	6000000
06J33	11(2)	04J11	4001000	.	ECHA	4001100
30J07	12(2)	04J05	2001200	.	NBUS	4001100
15J25	13(1)		3027000	.	DATA27	4001100
05J04	14(2)	05J22	4001400	.	ENEXSTR	4001100
23J18	15(2)	04J26	8000000	.	SFNL00	6000000
	16(0)					
	17(1)	26J12	6043000	B	LIN04	6043000
04J23	18(2)	21J34	8001000	.	SFNL01	6000000
04J15	19(2)	05J27	4502100	.	NFNL02	6000000
30J39	20(1)		8004800	.	SWTH3	6043000
05J41	21(2)	06J35	4900600	.	NHRQBZ	6043100
05J14	22(1)		4001400	.	ENEXSTR	6001000
16J08	23(1)		3028000	.	DATA28	6001000
05J08	24(2)	07J06	4001075	.	E1B	6001000
	25(0)					
23J20	26(2)	05J47	4605000	.	GRPSEL	1002050
05J19	27(2)	05J46	4502100	.	NFNL02	1002050
04J27	28(2)	05J45	1002075	.	AEENLEJ	1002050
21J45	29(1)		3001000	.	CPURESET	3001200
	30(0)					
	31(0)					
	32(0)					
	33(0)					
	34(0)					
	35(1)	07J27	6001000	B	LEVARM	6001000
04J36	36(2)	05J39	1002000	B	AEENLE	1002050
07J45	37(2)	04J44	3001200	B	CPUREST1	3001200
	38(1)	26J25	6083000	B	LIN08	6083000
05J36	39(2)	07J37	1002000	B	AEENLE	1002000
22J35	40(2)	04J19	7003500	.	RODD	6083000
04J50	41(2)	05J21	4900600	.	NHRQBZ	6083000
	42(0)					
	43(0)					
	44(0)					
05J28	45(1)		1002075	.	AEENLEJ	1002000
05J27	46(2)	06J07	4502100	.	NFNL02	1002000
05J26	47(2)	04J20	4605000	.	GRPSEL	1002000
	48(0)					
	49(0)					
	50(0)					
	51(0)					

FROM	PIN (COUNT)	TO	SOURCE LINE NO.	ELEM. TYPE	SOURCE SIGNAL NAME	REFERENCE LINE NO.
	00(0)					
	01(1)	04J27	1002075	I	AEENLEJ	1002075
	02(1)	04J40	4001900	I	NEWDM	4001900
	03(0)					
	04(0)					
21J08	05(2)	06J11	4501100	.	NFNL01	4001800
04J13	06(2)	06J10	4500100	.	NFNL00	4001800
05J46	07(2)	21J37	4502100	.	NFNL02	4001800
	08(1)	05J08	4001075	.	EIB	4001302
	09(1)	06J12	4001800	.	EWDM	4001900
06J06	10(2)	21J09	4500100	.	NFNL00	1002075
06J05	11(2)	04J14	4501100	.	NFNL01	1002075
06J09	12(2)	06J41	4001800	I	EWDM	4001800
22J36	13(2)	06J27	4001300	I	N(EIE+EIB)	4001302
	14(1)	04J38	7001100	I	RLIN06	7001100
	15(1)	04J39	7001200	I	RLIN07	7001200
	16(0)					
06J19	17(1)		7008700	.	NR1415	7001200
06J20	18(1)		7008300	.	NR67	7001200
06J28	19(2)	06J17	7008700	.	NR1415	7001100
10J43	20(2)	06J18	7008300	.	NR67	7001100
	21(1)	09J43	7008200	.	NR45	7001100
06J29	22(1)		7008600	.	NR1213	7001000
06J31	23(1)		7008500	.	NR1011	7001000
	24(1)	14J43	7008400	.	NR89	7001000
01J25	25(2)	17J44	5095000	.	NISNIP15	7000010
	26(0)					
06J13	27(2)	04J01	4001300	.	N(EIE+EIB)	4001000
17J43	28(2)	06J19	7008700	.	NR1415	7001000
16J43	29(2)	06J22	7008600	.	NR1213	7001100
08J43	30(1)		7008100	.	NR23	7001200
15J43	31(2)	06J23	7008500	.	NR1011	7001200
	32(0)					
24J27	33(2)	05J11	4001000	I	ECHA	4001000
23J37	34(2)	04J37	7001000	I	RLIN05	7001000
05J21	35(2)	06J45	4900600	I	NHRQBZ	4900675
	36(1)	06J43	3029500	I	NDATA29	3029500
16J25	37(1)		3029000	.	DATA29	3029500
	38(0)					
24J45	39(2)	04J21	4900500	.	HRQBZ	4900600
	40(0)					
06J12	41(2)	04J42	4001800	.	EWDM	4900625
	42(0)					
06J36	43(2)	04J47	3029500	.	NDATA29	4900675
	44(0)					
06J35	45(2)	06J46	4900600	I	NHRQBZ	4900650
06J45	46(2)	22J12	4900600	I	NHRQBZ	4900625
	47(0)					
	48(0)					
	49(0)					
	50(0)					
	51(0)					

FROM	PIN (COUNT)	TO	SOURCE LINE NO.	ELEM. TYPE	SOURCE SIGNAL NAME	REFERENCE LINE NO.
	00(0)					
04J34	01(2)	08J01	7004000	I	NRODD	7004000
	02(0)		5020000	FF	IPO	5020000
04J03	03(2)	08J03	8005000	.	TRIG	5040010
	04(1)	32J42	4200000	.	ERQ00	5040010
	05(0)					
05J24	06(2)	08J06	4001075	.	EIB	5040020
04J06	07(2)	08J07	4600300	.	GCLK1	5000030
	08(1)	26J04	3016000	.	DATA16	5000010
04J09	09(2)	08J09	3005200	.	DARM1	5020030
	10(1)	32J23	5040000	FF	IS0	5040000
	11(0)		7007000	B	RO	7007000
	12(1)	07J20	5041050-1	C		5041050
	13(1)	32J19	5041000	FF	IS1	5041000
	14(1)	32J40	4201000	.	ERQ01	5041020
	15(0)					
	16(0)					
	17(0)					
	18(0)		5041010	NFF	NIS1	5041010
	19(0)					
07J12	20(1)		5041050-1	C		5041050
	21(0)		5021000	FF	IP1	5021000
05J09	22(2)	08J22	4001200	.	EIE	5020030
	23(0)		5080000	I	NISNIP0	5080000
	24(0)					
	25(1)	26J06	3017000	.	DATA17	5001020
	26(0)					
05J35	27(2)	08J27	6001000	.	LEVARM	5020020
	28(0)					
04J29	29(2)	08J29	1001000	.	AEADB	5020020
	30(0)		5000000	FF	INO	5000000
	31(0)		5001000	FF	INI	5001000
	32(0)					
	33(0)					
01J47	34(2)	08J47	5061000	B	NISIN1	5061000
04J28	35(2)	08J35	1004000	.	ADBDB	5000020
	36(0)					
05J39	37(2)	08J37	1002000	.	AEENLE	5000010
	38(0)					
	39(0)					
	40(0)					
04J41	41(2)	08J41	7000100	.	REN	5000020
	42(0)					
	43(1)	22J30	7008000	I	NR01	7008000
01J34	44(2)	08J05	5081000	B	NISNIP1	5081000
08J45	45(2)	05J37	3001200	.	CPUREST1	5020040
	46(0)		5001010	NFF	NIN1	5001010
	47(0)					
	48(0)					
	49(0)					
	50(0)					
	51(0)					

FROM	PIN (COUNT)	TO	SOURCE LINE NO.	ELEM. TYPE	SOURCE SIGNAL NAME	REFERENCE LINE NO.
	00(0)					
07J01	01(2)	09J01	7004000	I	NROOD	7004010
	02(0)		5022000	FF	IP2	5022000
07J03	03(2)	09J03	8005000	.	TRIG	5042010
	04(1)	32J38	4202000	.	ERQ02	5042010
07J44	05(1)		5081000	.	NISNIP1	5022020
07J06	06(2)	09J06	4001075	.	E1B	5042020
07J07	07(2)	09J07	4600300	.	GCLK1	5002030
	08(1)	26J08	3018000	.	DATA18	5002010
07J09	09(2)	09J09	3005200	.	DARM1	5022030
	10(1)	32J15	5042000	FF	IS2	5042000
	11(0)		7007100	B	R2	7007100
	12(1)	08J20	5043050-1	C		5043050
	13(1)	32J12	5043000	FF	IS3	5043000
	14(1)	32J36	4203000	.	ERQ03	5043020
	15(0)					
	16(0)					
	17(0)					
	18(0)		5043010	NFF	NIS3	5043010
	19(0)					
08J12	20(1)		5043050-1	C		5043050
	21(0)		5023000	FF	IP3	5023000
07J22	22(2)	09J22	4001200	.	E1E	5022030
	23(0)		5082000	I	NISNIP2	5082000
	24(0)					
	25(1)	26J10	3019000	.	DATA19	5003020
	26(0)					
07J27	27(2)	09J27	6001000	.	LEVARM	5022020
	28(0)					
07J29	29(2)	09J29	1001000	.	AEADB	5022020
	30(0)		5002000	FF	IN2	5002000
	31(0)		5003000	FF	IN3	5003000
	32(0)					
	33(0)					
01J46	34(2)	09J47	5063000	B	NISIN3	5063000
07J35	35(2)	09J35	1004000	.	ADBDB	5002020
	36(0)					
07J37	37(2)	09J37	1002000	.	AEENLE	5002010
	38(0)					
	39(0)					
	40(0)					
07J41	41(2)	09J41	7000100	.	REN	5002020
	42(0)					
22J18	43(2)	06J30	7008100	I	NR23	7008100
01J35	44(2)	09J05	5083000	B	NISNIP3	5083000
	45(1)	07J45	3001200	.	CPUREST1	5022040
	46(0)		5003010	NFF	NIN3	5003010
07J34	47(1)		5061000	.	NISIN1	5063010
	48(0)					
	49(0)					
	50(0)					
	51(0)					

FROM	PIN (COUNT)	TO	SOURCE LINE NO.	ELEM. TYPE	SOURCE SIGNAL NAME	REFERENCE LINE NO.
	00(0)					
08J01	01(2)	10J01	7004000	I	NRODD	7004020
	02(0)		5024000	FF	IP4	5024000
08J03	03(2)	10J03	8005000	.	TRIG	5044010
	04(1)	32J34	4204000	.	ERQ04	5044010
08J44	05(1)		5083000	.	NISNIP3	5024020
08J06	06(2)	10J06	4001075	.	EIB	5044020
08J07	07(2)	10J07	4600300	.	GCLK1	5004030
	08(1)	26J13	3020000	.	DATA20	5004010
08J09	09(2)	10J09	3005200	.	DARM1	5024030
	10(1)	32J09	5044000	FF	IS4	5044000
	11(0)		7007200	B	R4	7007200
	12(1)	09J20	5045050-1	C		5045050
	13(1)	32J03	5045000	FF	ISS	5045000
	14(1)	32J27	4205000	.	ERQ05	5045020
	15(0)					
	16(0)					
	17(0)					
	18(0)		5045010	NFF	NIS5	5045010
	19(0)					
09J12	20(1)		5045050-1	C		5045050
	21(0)		5025000	FF	IP5	5025000
08J22	22(2)	10J22	4001200	.	EIE	5024030
	23(0)		5084000	I	NISNIP4	5084000
	24(0)					
	25(1)	26J18	3021000	.	DATA21	5005020
	26(0)					
08J27	27(2)	10J27	6001000	.	LEVARM	5024020
	28(0)					
08J29	29(2)	10J29	1001000	.	AEADB	5024020
	30(0)		5004000	FF	IN4	5004000
	31(0)		5005000	FF	IN5	5005000
	32(0)					
	33(0)					
01J21	34(2)	10J47	5065000	B	NISIN5	5065000
08J35	35(2)	10J35	1004000	.	ADBDB	5004020
	36(0)					
08J37	37(2)	10J37	1002000	.	AEENLE	5004010
	38(0)					
	39(0)					
	40(0)					
08J41	41(2)	10J41	7000100	.	REN	5004020
	42(0)					
06J21	43(2)	22J31	7008200	I	NR45	7008200
01J43	44(2)	10J05	5085000	B	NISNIP5	5085000
04J45	45(2)	10J45	3001400	.	CPUREST2	5024040
	46(0)		5005010	NFF	NIN5	5005010
08J34	47(1)		5063000	.	NISIN3	5065010
	48(0)					
	49(0)					
	50(0)					
	51(0)					

FROM	PIN (COUNT)	TO	SOURCE LINE NO.	ELEM. TYPE	SOURCE SIGNAL NAME	REFERENCE LINE NO.
	00(0)					
09J01	01(2)	14J01	7004000	I	NR0DD	7004030
	02(0)		5026000	FF	IP6	5026000
09J03	03(2)	14J03	8005000	.	TRIG	5046010
	04(1)	19J42	4206000	.	ERQ06	5046010
09J44	05(1)		5085000	.	NISNIP5	5026020
09J06	06(2)	14J06	4001075	.	E18	5046020
09J07	07(2)	23J25	4600300	.	GCLK1	5006030
	08(1)	26J20	3022000	.	DATA22	5006010
09J09	09(2)	14J09	3005200	.	DARM1	5026030
	10(1)	19J23	5046000	FF	IS6	5046000
	11(0)		7007300	B	R6	7007300
	12(1)	10J20	5047050-1	C		5047050
	13(1)	19J19	5047000	FF	IS7	5047000
	14(1)	19J40	4207000	.	ERQ07	5047020
	15(0)					
	16(0)					
	17(0)					
	18(0)		5047010	NFF	NIS7	5047010
	19(0)					
10J12	20(1)		5047050-1	C		5047050
	21(0)		5027000	FF	IP7	5027000
09J22	22(2)	14J22	4001200	.	EIE	5026030
	23(0)		5086000	I	NISNIP6	5086000
	24(0)					
	25(1)	26J22	3023000	.	DATA23	5007020
	26(0)					
09J27	27(2)	14J27	6001000	.	LEVARM	5026020
	28(0)					
09J29	29(2)	14J29	1001000	.	AEADB	5026020
	30(0)		5006000	FF	IN6	5006000
	31(0)		5007000	FF	IN7	5007000
	32(0)					
	33(0)					
01J41	34(2)	14J47	5067000	B	NISIN7	5067000
09J35	35(2)	14J35	1004000	.	ADBDB	5006020
	36(0)					
09J37	37(2)	14J37	1002000	.	AEENLE	5006010
	38(0)					
	39(0)					
	40(0)					
09J41	41(2)	14J41	7000100	.	REN	5006020
	42(0)					
22J17	43(2)	06J20	7008300	I	NR67	7008300
01J44	44(2)	14J05	5087000	B	NISNIP7	5087000
09J45	45(2)	14J45	3001400	.	CPUREST2	5026040
	46(0)		5007010	NFF	NIN7	5007010
09J34	47(1)		5065000	.	NISIN5	5067000
	48(0)					
	49(0)					
	50(0)					
	51(0)					

FROM	PIN (COUNT)	TO	SOURCE LINE NO.	ELEM. TYPE	SOURCE SIGNAL NAME	REFERENCE LINE NO.
	00(0)					
	01(0)					
24J42	02(1)		3002500	.	ECPURST2	3002900
	03(0)					
	04(0)					
	05(1)	12J16	4790100		GND12J16	4790100
	06(0)					
	07(0)					
	08(0)					
	09(0)					
	10(0)					
	11(0)					
17J13	12(1)		5055000	.	IS15	4115000
	13(0)					
	14(0)					
17J10	15(1)		5054000	.	IS14	4114000
12J05	16(2)	12J24	4790100	-GND	GND12J16	4790100
	17(0)					
	18(0)					
	19(1)	16J13	5053000	.	IS13	4113000
	20(0)					
	21(0)					
	22(0)					
	23(1)	16J10	5052000	.	IS12	4112000
12J16	24(1)		4790100		GND12J16	4790100
	25(0)					
	26(0)					
	27(0)					
	28(0)					
	29(0)					
	30(0)					
	31(0)					
	32(1)	12J35	4790150	-GND	GND12J32	4790150
	33(0)					
	34(0)					
12J32	35(2)	12J37	4790150		GND12J32	4790150
17J14	36(1)		4215000	-BCR	ERQ15	4215000
12J35	37(2)	12J39	4790150		GND12J32	4790150
17J04	38(1)		4214000	-BCR	ERQ14	4214000
12J37	39(2)	12J41	4790150		GND12J32	4790150
16J14	40(1)		4213000	-BCR	ERQ13	4213000
12J39	41(2)	12J45	4790150		GND12J32	4790150
16J04	42(1)		4212000	-BCR	ERQ12	4212000
	43(0)					
	44(0)					
12J41	45(1)		4790150		GND12J32	4790150
	46(0)					
	47(0)					
	48(0)					
	49(0)					
	50(1)	19J50	8010000	-VSP	V8NJ	8010000
	51(0)					

FROM	PIN (COUNT)	TO	SOURCE LINE NO.	ELEM. TYPE	SOURCE SIGNAL NAME	REFERENCE LINE NO.
	00(0)					
10J01	01(2)	15J01	7004000	I	NR0DD	7004040
	02(0)		5028000	FF	IP8	5028000
10J03	03(2)	15J03	8005000	.	TRIG	5048010
	04(1)	19J38	4208000	.	ERQ08	5048010
10J44	05(1)		5087000	.	NISNIP7	5028020
10J06	06(2)	15J06	4001075	.	E18	5048020
04J07	07(2)	15J07	4600400	.	GCLK2	5008030
	08(1)	26J27	3024000	.	DATA24	5008010
10J09	09(2)	15J09	3005200	.	DARM1	5028030
19J15	10(1)		5048000	FF	IS8	5048000
	11(0)		7007400	B	R8	7007400
	12(1)	14J20	5049050-1	C		5049050
19J12	13(1)		5049000	FF	IS9	5049000
	14(1)	19J36	4209000	.	ERQ09	5049020
	15(0)					
	16(0)					
	17(0)					
	18(0)		5049010	NFF	NIS9	5049010
	19(0)					
14J12	20(1)		5049050-1	C		5049050
	21(0)		5029000	FF	IP9	5029000
10J22	22(2)	15J22	4001200	.	EIE	5028030
	23(0)		5088000	I	NISNIP8	5088000
	24(0)					
	25(1)	26J34	3025000	.	DATA25	5009020
	26(0)					
10J27	27(2)	15J27	6001000	.	LEVARM	5028020
	28(0)					
10J29	29(2)	15J29	1001000	.	AEADB	5028020
	30(0)		5008000	FF	IN8	5008000
	31(0)		5009000	FF	IN9	5009000
	32(0)					
	33(0)					
01J37	34(2)	15J47	5069000	B	NISIN9	5069000
10J35	35(2)	15J35	1004000	.	ADBDB	5008020
	36(0)					
10J37	37(2)	15J37	1002000	.	AEENLE	5008010
	38(0)					
	39(0)					
	40(0)					
10J41	41(2)	15J41	7000100	.	REN	5008020
	42(0)					
06J24	43(1)		7008400	I	NR89	7008400
01J28	44(2)	15J05	5089000	B	NISNIP9	5089000
10J45	45(2)	15J45	3001400	.	CPUREST2	5028040
	46(0)		5009010	NFF	NIN9	5009010
10J34	47(1)		5067000	.	NISIN7	5069000
	48(0)					
	49(0)					
	50(0)					
	51(0)					



XEROX DATA SYSTEMS

DRAWING NO. - 124472-925 K
PROG-PNIND MODULE-15J
TYPE-PIN INDEX TYPE-LT16

12
03/22/71

FROM	PIN (COUNT)	TO	SOURCE LINE NO.	ELEM. TYPE	SOURCE SIGNAL NAME	REFERENCE LINE NO.
	00(0)					
14J01	01(2)	16J01	7004000	I	NRODD	7004050
	02(0)		5030000	FF	IP10	5030000
14J03	03(2)	16J03	8005000	.	TRIG	5050010
	04(1)	19J34	4210000	.	ERQ10	5050010
14J44	05(1)		5089000	.	NISNIP9	5030020
14J06	06(2)	16J06	4001075	.	EIB	5050020
14J07	07(2)	16J07	4600400	.	GCLK2	5010030
26J36	08(2)	05J03	3026000	.	DATA26	5010010
14J09	09(2)	21J04	3005200	.	DARM1	5030030
19J09	10(1)		5050000	FF	IS10	5050000
	11(0)		7007500	B	R10	7007500
	12(1)	15J20	5051050-1	C		5051050
19J03	13(1)		5051000	FF	IS11	5051000
	14(1)	19J27	4211000	.	ERQ11	5051020
	15(0)					
	16(0)					
	17(0)					
	18(0)		5051010	NFF	NIS11	5051010
	19(0)					
15J12	20(1)		5051050-1	C		5051050
	21(0)		5032000	FF	IP11	5032000
14J22	22(2)	16J22	4001200	.	EIE	5030030
	23(0)		5090000	I	NISNIP10	5090000
	24(0)					
26J38	25(2)	05J13	3027000	.	DATA27	5011020
	26(0)					
14J27	27(2)	16J27	6001000	.	LEVARM	5030020
	28(0)					
14J29	29(2)	16J29	1001000	.	AEADB	5030020
	30(0)		5010000	FF	IN10	5010000
	31(0)		5011000	FF	IN11	5011000
	32(0)					
	33(0)					
01J40	34(2)	16J47	5071000	B	NISIN11	5071000
14J35	35(2)	16J35	1004000	.	ADBDB	5010020
	36(0)					
14J37	37(2)	16J37	1002000	.	AEENLE	5010010
	38(0)					
	39(0)					
	40(0)					
14J41	41(2)	16J41	7000100	.	REN	5010020
	42(0)					
	43(1)	06J31	7008500	I	NR1011	7008500
01J31	44(2)	16J05	5091000	B	NISNIP11	5091000
14J45	45(2)	16J45	3001400	.	CPUREST2	5032040
	46(0)		5011010	NFF	NIN11	5011010
14J34	47(1)		5069000	.	NISIN9	5071010
	48(0)					
	49(0)					
	50(0)					
	51(0)					

FROM	PIN (COUNT)	TO	SOURCE LINE NO.	ELEM. TYPE	SOURCE SIGNAL NAME	REFERENCE LINE NO.
	00(0)					
15J01	01(2)	17J01	7004000	I	NRODD	7004060
	02(0)		5033000	FF	IP12	5033000
15J03	03(2)	17J03	8005000	.	TRIG	5052010
	04(1)	12J42	4212000	.	ERQ12	5052010
15J44	05(1)		5091000	.	NISNIP11	5033020
15J06	06(2)	17J06	4001075	.	EIB	5052020
15J07	07(2)	17J07	4600400	.	GCLK2	5012030
26J40	08(2)	05J23	3028000	.	DATA28	5012010
17J09	09(2)	04J10	3005100	.	DARM	5033030
12J23	10(1)		5052000	FF	IS12	5052000
	11(0)		7007600	B	R12	7007600
	12(1)	16J20	5053050-1	C		5053050
12J19	13(1)		5053000	FF	IS13	5053000
	14(1)	12J40	4213000	.	ERQ13	5053020
	15(0)					
	16(0)					
	17(0)					
	18(0)		5053010	NFF	NIS13	5053010
	19(0)					
16J12	20(1)		5053050-1	C		5053050
	21(0)		5034000	FF	IP13	5034000
15J22	22(2)	17J22	4001200	.	EIE	5033030
	23(0)		5092000	I	NISNIP12	5092000
	24(0)					
24J37	25(2)	06J37	3029000	.	DATA29	5013020
	26(0)					
15J27	27(2)	17J27	6001000	.	LEVARM	5033020
	28(0)					
15J29	29(2)	17J29	1001000	.	AEADB	5033020
	30(0)		5012000	FF	IN12	5012000
	31(0)		5013000	FF	IN13	5013000
	32(0)					
	33(0)					
01J39	34(2)	17J47	5073000	B	NISIN13	5073000
15J35	35(2)	17J35	1004000	.	ADBDB	5012020
	36(0)					
15J37	37(2)	17J37	1002000	.	AEENLE	5012010
	38(0)					
	39(0)					
	40(0)					
15J41	41(2)	17J41	7000100	.	REN	5012020
	42(0)					
	43(1)	06J29	7008600	I	NR1213	7008600
01J33	44(2)	17J05	5093000	B	NISNIP13	5093000
15J45	45(2)	17J45	3001400	.	CPUREST2	5033040
	46(0)		5013010	NFF	NIN13	5013010
15J34	47(1)		5071000	.	NISIN11	5073000
	48(0)					
	49(0)					
	50(0)					
	51(0)					

FROM	PIN (COUNT)	TO	SOURCE LINE NO.	ELEM. TYPE	SOURCE SIGNAL NAME	REFERENCE LINE NO.
	00(0)					
16J01	01(2)	22J43	7004000	I	NRODD	7004070
	02(0)		5035000	FF	IP14	5035000
16J03	03(2)	21J30	8005000	.	TRIG	5054010
	04(1)	12J38	4214000	.	ERQ14	5054010
16J44	05(1)		5093000	.	NISNIP13	5035020
16J06	06(1)		4001075	.	EIB	5054020
16J07	07(2)	23J27	4600400	.	GCLK2	5014030
	08(1)	28J04	3030000	.	DATA30	5014010
23J06	09(2)	16J09	3005100	.	DARM	5035030
	10(1)	12J15	5054000	FF	IS14	5054000
	11(0)		7007700	B	R14	7007700
	12(1)	17J20	5055050-1	C		5055050
	13(1)	12J12	5055000	FF	IS15	5055000
	14(1)	12J36	4215000	.	ERQ15	5055020
	15(0)					
	16(0)					
	17(0)					
	18(0)		5055010	NFF	NIS15	5055010
	19(0)					
17J12	20(1)		5055050-1	C		5055050
	21(0)		5036000	FF	IP15	5036000
16J22	22(2)	22J44	4001200	.	EIE	5035030
	23(0)		5094000	I	NISNIP14	5094000
	24(0)					
	25(1)	28J06	3031000	.	DATA31	5015020
	26(0)					
16J27	27(1)		6001000	.	LEVARM	5035020
	28(0)					
16J29	29(2)	21J06	1001000	.	AEADB	5035020
	30(0)		5014000	FF	IN14	5014000
	31(0)		5015000	FF	IN15	5015000
	32(0)					
	33(0)					
	34(0)		5075000	B	NISIN15	5075000
16J35	35(2)	22J45	1004000	.	ADBDB	5014020
	36(0)					
16J37	37(1)		1002000	.	AEENLE	5014010
	38(0)					
	39(0)					
	40(0)					
16J41	41(2)	21J41	7000100	.	REN	5014020
	42(0)					
	43(1)	06J28	7008700	I	NR1415	7008700
06J25	44(1)		5095000	B	NISNIP15	5095000
16J45	45(2)	23J10	3001400	.	CPUREST2	5035040
	46(0)		5015010	NFF	NIN15	5015010
16J34	47(1)		5073000	.	NISIN13	5075000
	48(0)					
	49(0)					
	50(0)					
	51(0)					

FROM	PIN (COUNT)	TO	SOURCE LINE NO.	ELEM. TYPE	SOURCE SIGNAL NAME	REFERENCE LINE NO.
	00(0)					
	01(0)					
21J05	02(1)		3002300	.	ECPURST1	3002700
	03(1)	15J13	5051000	*	1S11	4111000
	04(0)					
	05(1)	19J16	4800100		GND19J16	4800100
	06(0)					
	07(0)					
	08(0)					
	09(1)	15J10	5050000	*	1S10	4110000
	10(0)					
	11(0)					
	12(1)	14J13	5049000	*	1S9	4109000
	13(0)					
	14(0)					
	15(1)	14J10	5048000	*	1S8	4108000
19J05	16(2)	19J24	4800100	-GND	GND19J16	4800100
	17(0)					
	18(0)					
10J13	19(1)		5047000	*	1S7	4107000
	20(0)					
	21(0)					
	22(0)					
10J10	23(1)		5046000	*	1S6	4106000
19J16	24(1)		4800100		GND19J16	4800100
	25(1)	19J32	4800150		GND19J32	4800150
	26(0)					
15J14	27(1)		4211000	-BCR	ERQ11	4211000
	28(0)					
	29(0)					
	30(0)					
	31(0)					
19J25	32(2)	19J33	4800150	-GND	GND19J32	4800150
19J32	33(2)	19J35	4800150		GND19J32	4800150
15J04	34(1)		4210000	-BCR	ERQ10	4210000
19J33	35(2)	19J37	4800150		GND19J32	4800150
14J14	36(1)		4209000	-BCR	ERQ09	4209000
19J35	37(2)	19J39	4800150		GND19J32	4800150
14J04	38(1)		4208000	-BCR	ERQ08	4208000
19J37	39(2)	19J41	4800150		GND19J32	4800150
10J14	40(1)		4207000	-BCR	ERQ07	4207000
19J39	41(2)	19J45	4800150		GND19J32	4800150
10J04	42(1)		4206000	-BCR	ERQ06	4206000
	43(0)					
	44(0)					
19J41	45(1)		4800150		GND19J32	4800150
	46(0)					
	47(0)					
	48(0)					
	49(0)					
12J50	50(2)	26J50	8010000	V	V8NJ	8010000
	51(0)					

FROM	PIN (COUNT)	TO	SOURCE LINE NO.	ELEM. TYPE	SOURCE SIGNAL NAME	REFERENCE LINE NO.
	00(0)					
	01(0)					
	02(0)					
23J12	03(2)	21J43	3001000	.	CPURESET	3002300
15J09	04(2)	21J19	3005200	B	DARM1	3005200
	05(1)	19J02	3002300	B	ECPURST1	3002300
17J29	06(2)	22J02	1001000	.	AEADB	3005225
	07(0)					
21J18	08(2)	06J05	4501100	.	NFNL01	3005200
06J10	09(2)	21J17	4500100	.	NFNL00	3005200
	10(0)					
	11(0)					
	12(0)					
	13(0)					
23J05	14(2)	22J22	8002000	.	SFNL02	3005250
	15(0)					
	16(1)	21J28	4800300	-GND	GND21J16	4800300
21J09	17(2)	22J21	4500100	.	NFNL00	3005250
22J25	18(2)	21J08	4501100	.	NFNL01	3005250
21J04	19(2)	23J14	3005200	B	DARM1	3005250
	20(0)					
	21(0)					
	22(0)					
	23(0)					
	24(0)					
	25(0)					
	26(0)					
	27(0)					
21J16	28(1)		4800300	.	GND21J16	7000110
	29(0)					
17J03	30(2)	21J31	8005000	B	TRIG	8005000
21J30	31(1)		8005000	B	TRIG	8005020
	32(1)	21J46	4800350	-GND	GND21J32	4800350
22J27	33(2)	21J36	8002000	.	SFNL02	8005000
05J18	34(2)	21J35	8001000	.	SFNL01	8005000
21J34	35(2)	21J38	8001000	.	SFNL01	8005020
21J33	36(2)	04J22	8002000	.	SFNL02	8005020
06J07	37(2)	21J40	4502100	.	NFNL02	7000120
21J35	38(2)	21J50	8001000	.	SFNL01	7000120
	39(1)	22J26	8000000	.	SFNL00	7000120
21J37	40(2)	22J29	4502100	.	NFNL02	7000100
17J41	41(2)	21J42	7000100	B	REN	7000120
21J41	42(1)		7000100	B	REN	7000100
21J03	43(2)	21J45	3001000	.	CPURESET	7000110
	44(0)					
21J43	45(2)	05J29	3001000	.	CPURESET	7000130
21J32	46(2)	21J47	4800350	.	GND21J32	8005010
21J46	47(1)		4800350	.	GND21J32	8005030
	48(0)					
	49(0)					
21J38	50(2)	22J20	8001000	.	SFNL01	7000100
	51(0)					

FROM	PIN (COUNT)	TO	SOURCE LINE NO.	ELEM. TYPE	SOURCE SIGNAL NAME	REFERENCE LINE NO.
	00(0)					
	01(0)					
21J06	02(2)	22J13	1001000	I	AEADB	1001050
22J34	03(2)	22J04	1005000	.	NADB	1001050
22J03	04(2)	04J04	1005000	.	NADB	1001000
24J25	05(1)		2001000	.	BUS	4900600
	06(0)					
	07(0)					
22J14	08(2)	22J09	1003000	.	NAE	1001000
22J08	09(2)	04J08	1003000	.	NAE	1001050
	10(0)					
	11(0)					
06J46	12(2)	23J33	4900600	I	NHRQBZ	4900600
22J02	13(1)		1001000	I	AEADB	1001000
	14(1)	22J08	1003000	I	NAE	1003000
	15(1)	24J46	7003000	I	ROTHR7	7003000
	16(0)					
	17(1)	10J43	7008300	.	NR67	7003000
	18(1)	08J43	7008100	.	NR23	7003000
	19(0)					
21J50	20(2)	22J23	8001000	.	SFNL01	1003000
21J17	21(2)	22J24	4500100	.	NFNL00	1003000
21J14	22(2)	22J27	8002000	.	SFNL02	1005000
22J20	23(2)	23J19	8001000	.	SFNL01	1005000
22J21	24(2)	30J33	4500100	.	NFNL00	1005000
30J24	25(2)	21J18	4501100	.	NFNL01	3005000
21J39	26(2)	23J18	8000000	.	SFNL00	3005000
22J22	27(2)	21J33	8002000	.	SFNL02	3005000
	28(0)					
21J40	29(2)	30J06	4502100	.	NFNL02	1003000
07J43	30(1)		7008000	.	NR01	7003000
09J43	31(1)		7008200	.	NR45	7003000
	32(0)					
	33(1)	22J41	3005000	I	NDB	3005000
22J40	34(2)	22J03	1005000	I	NADB	1005000
	35(1)	05J40	7003500	I	RODD	7003500
	36(1)	06J13	4001300	I	N(EIE+E1B)	4001300
	37(0)					
	38(0)					
	39(1)	22J40	1005000	.	NADB	1004050
22J39	40(2)	22J34	1005000	.	NADB	1004000
22J33	41(2)	22J42	3005000	.	NDB	1004000
22J41	42(2)	04J43	3005000	.	NDB	1004050
17J01	43(1)		7004000	.	NRODD	7003500
17J22	44(1)		4001200	.	EIE	4001300
17J35	45(2)	22J46	1004000	I	ADBDB	1004050
22J45	46(1)		1004000	I	ADBDB	1004000
	47(0)					
	48(0)					
	49(0)					
	50(0)					
	51(0)					

FROM	PIN (COUNT)	TO	SOURCE LINE NO.	ELEM. TYPE	SOURCE SIGNAL NAME	REFERENCE LINE NO.
	00(0)					
	01(0)					
30J08	02(1)		4502000	.	FNL02	8002000
	03(1)	28J36	4501000	.	FNL01	8001000
	04(1)	28J34	4500000	.	FNL00	8000000
	05(1)	21J14	8002000	B	SFNL02	8002000
	06(1)	17J09	3005100	B	DARM	3005100
	07(0)					
	08(0)					
24J29	09(2)	23J13	3001000	.	CPURESET	3001450
17J45	10(2)	23J11	3001400	B	CPUREST2	3001450
23J10	11(1)		3001400	B	CPUREST2	3001400
23J13	12(2)	21J03	3001000	.	CPURESET	3001400
23J09	13(2)	23J12	3001000	.	CPURESET	1002100
21J19	14(1)		3005200	.	DARM1	3005100
	15(1)	32J02	3002000	B	ECPURST	1002100
	16(0)					
	17(0)					
22J26	18(2)	05J15	8000000	B	SFNL00	8000000
22J23	19(1)		8001000	B	SFNL01	8001000
30J37	20(2)	05J26	4605000	.	GRPSEL	8000000
	21(0)					
	22(0)					
	23(0)					
	24(0)					
10J07	25(2)	23J26	4600300	B	GCLK1	4600350
23J25	26(1)		4600300	B	GCLK1	4600300
17J07	27(2)	23J28	4600400	B	GCLK2	4600400
23J27	28(1)		4600400	B	GCLK2	4600450
	29(1)	28J42	4600200	.	GATCLK	4600300
04J18	30(2)	24J19	6023200	.	LIN02J	6023000
24J13	31(1)		8004600	.	SWTH2	6033000
	32(0)					
22J12	33(2)	23J50	4900600	.	NHRQBZ	6053000
05J05	34(2)	24J38	6002000	B	LINREQ	6002000
	35(1)	26J23	6073000	B	LIN07	6073000
	36(1)	26J15	6053000	B	LIN05	6053000
24J26	37(2)	06J34	7001000	.	RLIN05	6053000
04J38	38(1)		7001100	.	RLIN06	6063000
04J39	39(1)		7001200	.	RLIN07	6073000
	40(1)	24J30	4001700	.	EREQ	6002000
	41(1)	26J19	6063000	B	LIN06	6063000
04J17	42(2)	24J04	6013200	.	LIN01J	6013000
05J07	43(1)		6003200	.	LIN00J	6003000
	44(1)	26J02	6013000	B	LIN01	6013000
	45(1)	26J01	6003000	B	LIN00	6003000
	46(1)	26J03	6023000	B	LIN02	6023000
	47(1)	26J09	6033000	B	LIN03	6033000
	48(0)					
	49(0)					
23J33	50(2)	24J05	4900600	.	NHRQBZ	6003000
	51(0)					

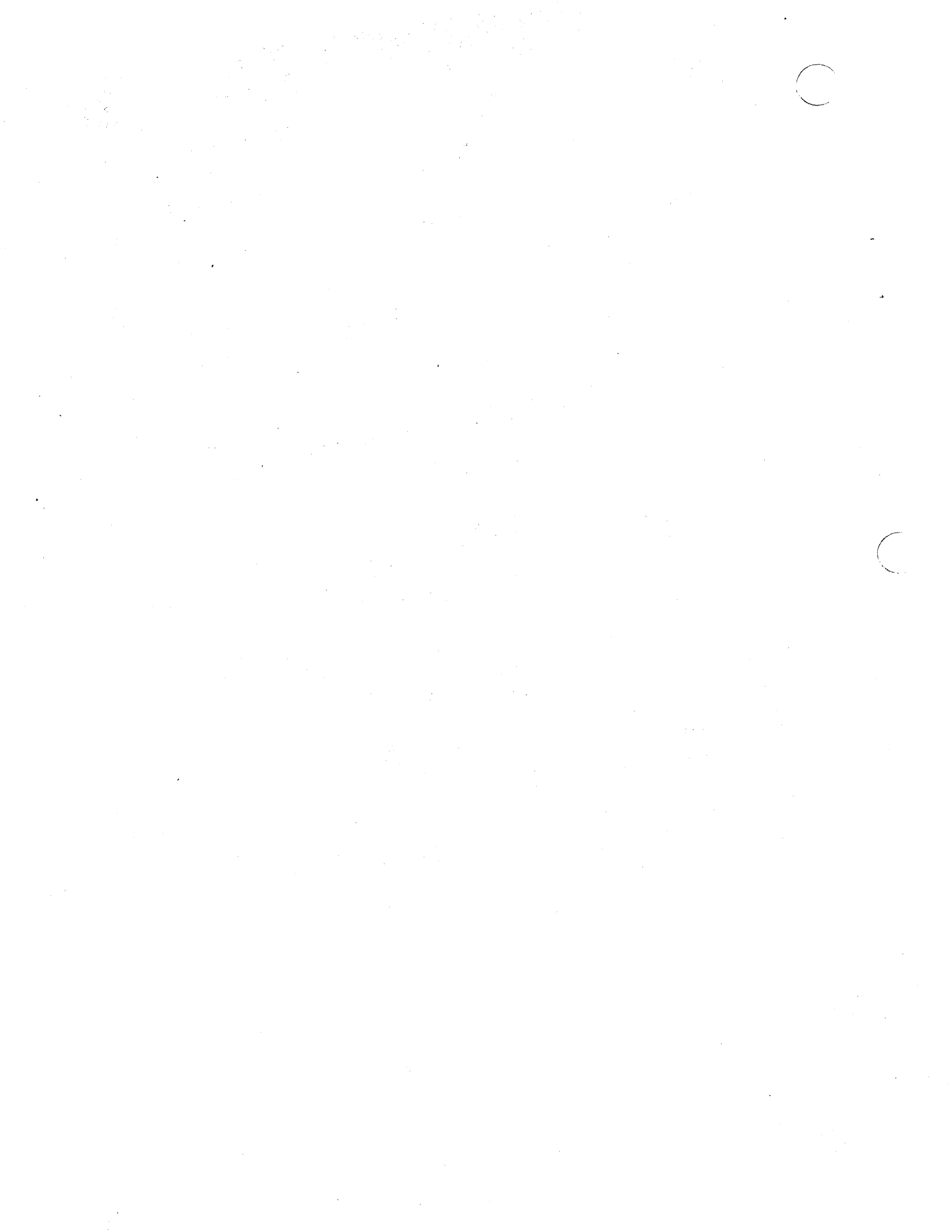
FROM	PIN (COUNT)	TO	SOURCE LINE NO.	ELEM. TYPE	SOURCE SIGNAL NAME	REFERENCE LINE NO.
	00(0)					
	01(0)					
	02(0)					
24J30	03(2)	04J02	4001700	.	EREQ	4900600
23J42	04(1)		6013200	B	LIN01J	6013200
23J50	05(1)		4900600	B	NHRQBZ	4900600
30J45	06(2)	05J02	8004200	.	SWTH0	6013200
24J12	07(1)		8004500	.	NSWTH1	6013200
	08(0)					
	09(0)					
30J46	10(2)	05J06	8004400	.	SWTH1	6013200
	11(1)	30J47	8004300	.	NSWTH0	6013200
24J15	12(2)	24J07	8004500	.	NSWTH1	6023200
30J03	13(2)	23J31	8004600	.	SWTH2	6023200
	14(0)					
30J27	15(2)	24J12	8004500	.	NSWTH1	6023200
	16(0)		4800600	-GND	GND24J16	4800600
	17(0)					
	18(0)					
23J30	19(1)		6023200	B	LIN02J	6023200
	20(0)					
	21(0)					
	22(0)					
	23(0)					
	24(0)					
28J20	25(2)	22J05	2001000	.	BUS	4001500
	26(1)	23J37	7001000	.	RLIN05	4001750
24J47	27(2)	06J33	4001000	.	ECHA	4001650
	28(0)					
28J40	29(2)	23J09	3001000	.	CPURESET	3002500
23J40	30(2)	24J03	4001700	B	EREQ	4001700
	31(1)	28J19	4001500	B	PCBZE	4001500
24J35	32(2)	24J34	4800650	-GND	GND24J32	4800650
	33(0)					
24J32	34(1)		4800650	.	GND24J32	4800650
24J40	35(2)	24J32	4800650	.	GND24J32	4001550
	36(0)					
26J42	37(2)	16J25	3029000	.	DATA29	4001650
23J34	38(2)	26J33	6002000	.	LINREQ	4001650
04J40	39(1)		4001900	.	NEWDM	4001750
24J43	40(2)	24J35	4800650	.	GND24J32	3002500
	41(1)	28J23	4001600	B	PCRQBZE	4001600
	42(1)	12J02	3002500	B	ECPURST2	3002500
	43(1)	24J40	4800650	.	GND24J32	3002500
	44(0)					
28J22	45(2)	06J39	4900500	.	HRQBZ	4001600
22J15	46(2)	04J46	7003000	.	ROTHR7	4001700
	47(1)	24J27	4001000	.	ECHA	4001550
	48(0)					
	49(0)					
	50(0)					
	51(0)					

FROM	PIN (COUNT)	TO	SOURCE LINE NO.	ELEM. TYPE	SOURCE SIGNAL NAME	REFERENCE LINE NO.
	00(0)					
23J45	01(1)		6003000	* LIN00		3016050
23J44	02(1)		6013000	* LIN01		3017050
23J46	03(1)		6023000	* LIN02		3018050
07J08	04(1)		3016000	-BCR DATA16		3016000
	05(1)	26J16	4800800	GND26J16		4800800
07J25	06(1)		3017000	-BCR DATA17		3017000
	07(0)					
08J08	08(1)		3018000	-BCR DATA18		3018000
23J47	09(1)		6033000	* LIN03		3019050
08J25	10(1)		3019000	-BCR DATA19		3019000
	11(0)					
05J17	12(1)		6043000	* LIN04		3020050
09J08	13(1)		3020000	-BCR DATA20		3020000
	14(0)					
23J36	15(1)		6053000	* LIN05		3021050
26J05	16(2)	26J24	4800800	-GND GND26J16		4800800
	17(0)					
09J25	18(1)		3021000	-BCR DATA21		3021000
23J41	19(1)		6063000	* LIN06		3022050
10J08	20(1)		3022000	-BCR DATA22		3022000
	21(0)					
10J25	22(1)		3023000	-BCR DATA23		3023000
23J35	23(1)		6073000	* LIN07		3023050
26J16	24(1)		4800800	GND26J16		4800800
05J38	25(1)		6083000	* LIN08		3024050
	26(0)					
14J08	27(1)		3024000	-BCR DATA24		3024000
	28(0)					
	29(0)					
	30(0)					
	31(0)					
	32(1)	26J35	4800850	-GND GND26J32		4800850
24J38	33(1)		6002000	* LINREQ		3025050
14J25	34(1)		3025000	-BCR DATA25		3025000
26J32	35(2)	26J37	4800850	GND26J32		4800850
	36(1)	15J08	3026000	-BCR DATA26		3026000
26J35	37(2)	26J39	4800850	GND26J32		4800850
	38(1)	15J25	3027000	-BCR DATA27		3027000
26J37	39(2)	26J41	4800850	GND26J32		4800850
	40(1)	16J08	3028000	-BCR DATA28		3028000
26J39	41(2)	26J45	4800850	GND26J32		4800850
	42(1)	24J37	3029000	-BCR DATA29		3029000
	43(0)					
	44(0)					
26J41	45(1)		4800850	GND26J32		4800850
	46(0)					
	47(0)					
	48(0)					
	49(0)					
19J50	50(2)	28J50	8010000	V V8NJ		8010000
	51(0)					

FROM	PIN (COUNT)	TO	SOURCE LINE NO.	ELEM. TYPE	SOURCE SIGNAL NAME	REFERENCE LINE NO.
	00(0)					
28J01	01(1)	28J02	4801000		GND28J16	4801000
28J02	02(2)	28J03	4801000		GND28J16	4801000
28J02	03(2)	28J05	4801000		GND28J16	4801000
17J08	04(1)		3030000	-BCR	DATA30	3030000
28J03	05(2)	28J09	4801000		GND28J16	4801000
17J25	06(1)		3031000	-BCR	DATA31	3031000
	07(0)					
	08(1)	30J44	4600600	-BCR	GPADRO	4600600
28J05	09(2)	28J12	4801000		GND28J16	4801000
	10(1)	30J26	4601600	-BCR	GPADR1	4601600
	11(0)					
28J09	12(2)	28J15	4801000		GND28J16	4801000
	13(1)	30J17	4602600	-BCR	GPADR2	4602600
	14(0)					
28J12	15(2)	28J16	4801000		GND28J16	4801000
28J15	16(2)	28J24	4801000	-GND	GND28J16	4801000
	17(0)					
	18(1)	30J41	4603600	-BCR	GPADR3	4603600
24J31	19(1)		4001500	*	PCBZE	4002000
30J05	20(2)	24J25	2001000	-BCR	BUS	2001000
	21(0)					
	22(1)	24J45	4900500	-BCR	HRQBZ	4900500
24J41	23(1)		4001600	*	PCRQBZE	4002100
28J16	24(1)		4801000		GND28J16	4801000
	25(1)	28J32	4801050		GND28J32	4801050
	26(0)					
	27(1)	05J04	4001400	-BCR	ENEXSTR	4001400
	28(0)					
	29(0)					
	30(0)					
	31(0)					
28J25	32(2)	28J33	4801050	-GND	GND28J32	4801050
28J32	33(2)	28J35	4801050		GND28J32	4801050
23J04	34(2)	30J29	4500000	-BCR	FNL00	4500000
28J33	35(2)	28J37	4801050		GND28J32	4801050
23J03	36(2)	30J23	4501000	-BCR	FNL01	4501000
28J35	37(2)	28J39	4801050		GND28J32	4801050
	38(1)	30J08	4502000	-BCR	FNL02	4502000
28J37	39(2)	28J41	4801050		GND28J32	4801050
	40(1)	24J29	3001000	-BCR	CPURESET	3001000
28J39	41(2)	28J45	4801050		GND28J32	4801050
23J29	42(1)		4600200	-BCR	GATCLK	4600200
	43(0)					
	44(0)					
28J41	45(1)		4801050		GND28J32	4801050
	46(0)					
	47(0)					
	48(0)					
	49(0)					
26J50	50(2)	32J50	8010000	V	V8NJ	8010000
	51(0)					

FROM	PIN (COUNT)	TO	SOURCE LINE NO.	ELEM. TYPE	SOURCE SIGNAL NAME	REFERENCE LINE NO.
	00(0)					
	01(0)					
	02(0)					
	03(1)	24J13	8004600	-SW	SWTH2	8004600
	04(0)					
	05(1)	28J20	2001000	.	BUS	2001200
22J29	06(1)		4502100	I	NFNL02	4502100
	07(1)	05J12	2001200	I	NBUS	2001200
28J38	08(2)	23J02	4502000	.	FNL02	4502100
	09(0)					
	10(0)					
	11(0)					
	12(0)					
	13(0)					
	14(0)					
	15(0)					
	16(0)					
28J13	17(1)		4602600	.	GPADR2	4602650
	18(0)					
	19(0)		8004700	-SW	NSWTH2	8004700
	20(0)					
	21(0)					
	22(0)		4602650	I	NGPADR2	4602650
28J36	23(1)		4501000	.	FNL01	4501100
	24(1)	22J25	4501100	I	NFNL01	4501100
	25(0)		4601650	I	NGPADR1	4601650
28J10	26(1)		4601600	.	GPADR1	4601650
	27(1)	24J15	8004500	-SW	NSWTH1	8004500
	28(0)					
28J34	29(1)		4500000	.	FNL00	4500100
	30(0)					
	31(0)					
	32(0)					
22J24	33(1)		4500100	I	NFNL00	4500100
	34(0)					
	35(0)		8004900	-SW	NSWTH3	8004900
	36(0)					
	37(1)	23J20	4605000	I	GRPSEL	4605000
	38(0)		4603650	I	NGPADR3	4603650
	39(1)	05J20	8004800	-SW	SWTH3	8004800
	40(0)					
28J18	41(1)		4603600	.	GPADR3	4603650
	42(0)		4600650	I	NGPADR0	4600650
	43(0)					
28J08	44(1)		4600600	.	GPADR0	4600650
	45(1)	24J06	8004200	-SW	SWTH0	8004200
	46(1)	24J10	8004400	-SW	SWTH1	8004400
24J11	47(1)		8004300	-SW	NSWTH0	8004300
	48(0)					
	49(0)					
	50(0)					
	51(0)					

FROM	PIN (COUNT)	TO	SOURCE LINE NO.	ELEM. TYPE	SOURCE SIGNAL NAME	REFERENCE LINE NO.
	00(0)					
	01(0)					
23J15	02(1)		3002000	*	ECPURST	3003000
09J13	03(1)		5045000	*	IS5	4105000
	04(0)					
	05(1)	32J16	4801400		GND32J16	4801400
	06(0)					
	07(0)					
	08(0)					
09J10	09(1)		5044000	*	IS4	4104000
	10(0)					
	11(0)					
08J13	12(1)		5043000	*	IS3	4103000
	13(0)					
	14(0)					
08J10	15(1)		5042000	*	IS2	4102000
32J05	16(2)	32J24	4801400	-GND	GND32J16	4801400
	17(0)					
	18(0)					
07J13	19(1)		5041000	*	IS1	4101000
	20(0)					
	21(0)					
	22(0)					
07J10	23(1)		5040000	*	IS0	4100000
32J16	24(1)		4801400		GND32J16	4801400
	25(1)	32J32	4801450		GND32J32	4801450
	26(0)					
09J14	27(1)		4205000	-BCR	ERQ05	4205000
	28(0)					
	29(0)					
	30(0)					
	31(0)					
32J25	32(2)	32J33	4801450	-GND	GND32J32	4801450
32J32	33(2)	32J35	4801450		GND32J32	4801450
09J04	34(1)		4204000	-BCR	ERQ04	4204000
32J33	35(2)	32J37	4801450		GND32J32	4801450
08J14	36(1)		4203000	-BCR	ERQ03	4203000
32J35	37(2)	32J39	4801450		GND32J32	4801450
08J04	38(1)		4202000	-BCR	ERQ02	4202000
32J37	39(2)	32J41	4801450		GND32J32	4801450
07J14	40(1)		4201000	-BCR	ERQ01	4201000
32J39	41(2)	32J45	4801450		GND32J32	4801450
07J04	42(1)		4200000	-BCR	ERQ00	4200000
	43(0)					
	44(0)					
32J41	45(1)		4801450		GND32J32	4801450
	46(0)					
	47(0)					
	48(0)					
	49(0)					
28J50	50(1)		8010000	V	V8NJ	8010000
	51(0)					



902301

SECTION II
ENGINEERING TECHNICAL INFORMATION



NOTES:

1

Module is supplied as part of the Interrupt 2 level option Assy. No. 132206, Model No. 8422. The location in which the module is installed determines the least significant digit of the priority level address. The following table shows the module location, the associated address, and the appropriate switch to be opened on switch module - switch to open in the one position. The switch handle is up for the "one" position.

MODULE LOCATION	INTERRUPT LEVEL ADDRESS	SWITCH MODULE 01J
7J	x0 x1	NONE
8J	x2 x3	Switch 1 Switch 2
9J	x4 x5	Switch 3 Switch 4
10J	x6 x7	Switch 5 Switch 6
14J	x8 x9	Switch 7 Switch 8
15J	xA xB	Switch 9 Switch 10
16J	xC xD	Switch 11 Switch 12
17J	xE xF	None Switch 13

x denotes the most significant part of the address and is determined by the group select switches contained within the priority interrupt chassis. For switch selection see priority interrupt installation Dwg. #124469.

X	F	SEE REV E.O. 129699F; DELETED FTID FROM LOC. 03J	8/31/71	123
	E	SEE DCR 37179; RETYPED. DELETED KEY LOCATIONS. S.A.	11/1/69	
X	A	MFG REL	4/1/66	D.L.L. CT. 5
REV. 123				
NO. OF ELECT. TEST SPECIFICATIONS		DATE	BY	REVISION
1. TEST PLAN		3/56	PARRISH	
2. TEST PROCEDURE		3/66	D.C.B.	
3. TEST REPORT		4/66	L.M.A.	
MATERIAL				
CHART, MODULE LOCATION PRIORITY INTERRUPT				
MODEL NO.	8421	LOC. IDENT.	18338	REV. NO.
FORM. UNIT			B	
TEST PLAN				
TEST PROC.				
TEST REPORT				
TEST PLAN	129699			
1 OF 2				

CHASSIS	MODULE LOCATION																															
	32	31	30	29	28	27	26	25	24	23	22	21	20	19	18	17	16	15	14	13	12	11	10	9	8	7	6	5	4	3	2	1
J	AT11		LT26		AT13		AT11		BT17	BT16	IT25	BT17		AT11		LT16	LT16	LT16	LT16		AT11		LT16	LT16	LT16	LT16	IT25	BT18	XT10			ST14
																1	1	1	1					1	1	1	1					

NOTES:

SEE SHEET 1			
LAL	REV	DESCRIPTION	CHK DATE
			123
REVISIONS			
DATE			
DESIGNER	DATE	TITLE	
CRASH	PARRISH 3/66	CHART, MODULE LOCATION	
CHECK	D.C.B. 3/66	PRIORITY INTERRUPT	
APPR	L.M.A. 4/66		
MATERIAL			
MODEL NO	8421	CODE	18338
PART USE		SIZE	B
DEPT ASSY	129699	DWG NO	129700
PART USE		SCALE	F
		DO NOT SCALE DRAWING	
		SHEET 2 OF 2	

902301

SECTION III
ADDITIONAL ENGINEERING DOCUMENTS



3

2

1

REVISIONS					117330	R
LAL	REV.	DESCRIPTION	CHK	DATE	APPROVED	
X	A	MFG RELEASE	RL	1/14/66	RL	OK
	B	SEE REV. E.O.	RL	2/2/66	RL	OK
	C	SEE REV. E.O.	RLP	2/2/66	RLP	OK
	D	SEE REV. E.O.	AML	2/2/66	AML	OK
	E	SEE REV. E.O.	AML	2/2/66	AML	OK
	F	SEE REV. E.O.	CB	2/2/66	CB	OK
	G	ADDED REV. LTR. TO ITEMS B & F IN REF. DOC.	AML	2/17/66	AML	OK
	H	NO E.O. ITEM 27 WAS CONNECTED TO J32, ADDED CALLOUT: DRESS TIE 3 PLACES. ON M/L ITEM 27 WAS DWG. NO. 131891-301	AML	2/17/66	AML	OK
	J	REF. DCR 25317 - ITEMS B & F WAS "E" REV.	AML	1/11/66	AML	OK
X	K	SEE E.O. 124472, ITEMS B & F WAS "F" REV.	AML	3/15/66	AML	OK
X	L	SEE REV. E.O.'S 124470H, 124472H, 129699E AND 129700D. REF. LTR. OF ITEMS B & F WERE "C"; ADDED REV. LTR. TO ITEM 15	AML	4/19/66	AML	OK
X	M	SEE REV. E.O.; M/L: ADDED ITEM 30 & DELETED ITEMS 9, 16, 26, 28 & 29. ITEM B PIN WAS 124472-001H. ITEM 14 PIN WAS 124470-001H	AML	11/6/66	AML	OK
	N	SEE DCR NO. 14905, M/L ADDED ITEMS 31 & 32	AML	4/14/66	AML	OK
X	P	SEE REV. E.O.; FMK# B021-01/02, B121-01/01, B221-01/02, B320-01/01 & B421-01/02.	AML	3/21/66	AML	OK
	R	SEE REVISION E.O.	CB	4/12/66	CB	OK

NOTES, UNLESS OTHERWISE SPECIFIED

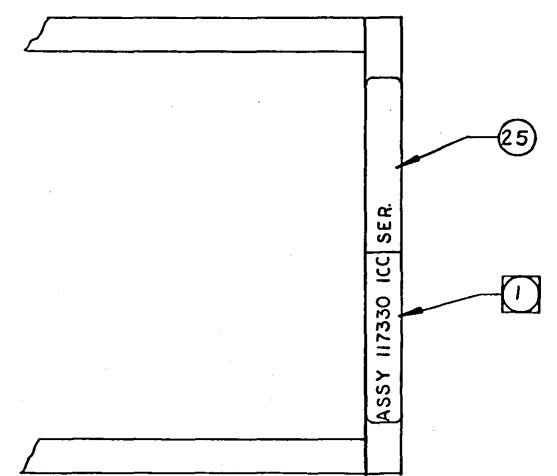
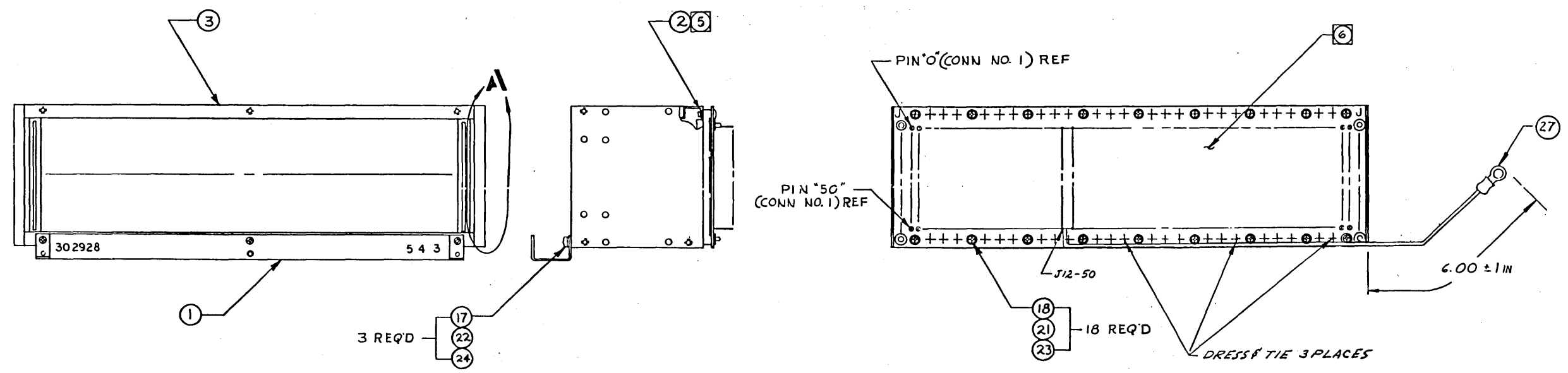
1. FOR IDENTIFICATION AND SERIALIZATION, MARK CHARACTERS .12 HIGH COLOR BLACK, PER XDS SPEC 101624 & 100198, APPROX. AS SHOWN.

2. DELETED

3. REF. DRAWINGS:
 TEST SPEC 124473
 PRODUCT DESIGN SPEC 127586
 INSTALLATION DWG 124469
 LOGIC EQUATIONS 124470-001
 MODULE LOCATION CHART 129700
 MASTER DWG LIST 126500
 SIGNAL DICTIONARY 124470-100
 PIN LIST 124472-001
 PIN INDEX 124472-216
 CONNECTION TEST LIST 124472-225

4. FOR MATERIAL LIST SEE SHEETS 2 & 3.

5. TWO REQUIRED FOR CHASSIS PRIOR TO 116231 G REVISION. NONE REQUIRED FOR CHASSIS G AND LATER.



VIEW A

NO. REV.	DRAWING NO.	DESCRIPTION	REFERENCE DESIGNATION	ITEM NO.
NOTES UNLESS SPECIFIED				
1. TOLERANCES UNLESS OTHERWISE SPECIFIED		2. DRAWN <i>Perich</i> 2-7-66	MATERIAL LIST	
3. BREAK ALL SHARP EDGES .015 APPROX.		4. CHECK <i>Perich</i> 2-10-66	TITLE	
5. MACH. SURFACES		6. APPR. <i>Perich</i> 2-14-66	ASSEMBLY, PRIORITY INTERRUPT	
6. ALL DIM. IN INCHES		MODEL NO. FIRST USE 8421		
NEXT ASSY. FIRST USE		SIZE DWS. NO. D 117330	CHANGE LETTER R	
SCALE 1/2		DO NOT SCALE DRAWING		SHEET 1 OF 3

117330 R A

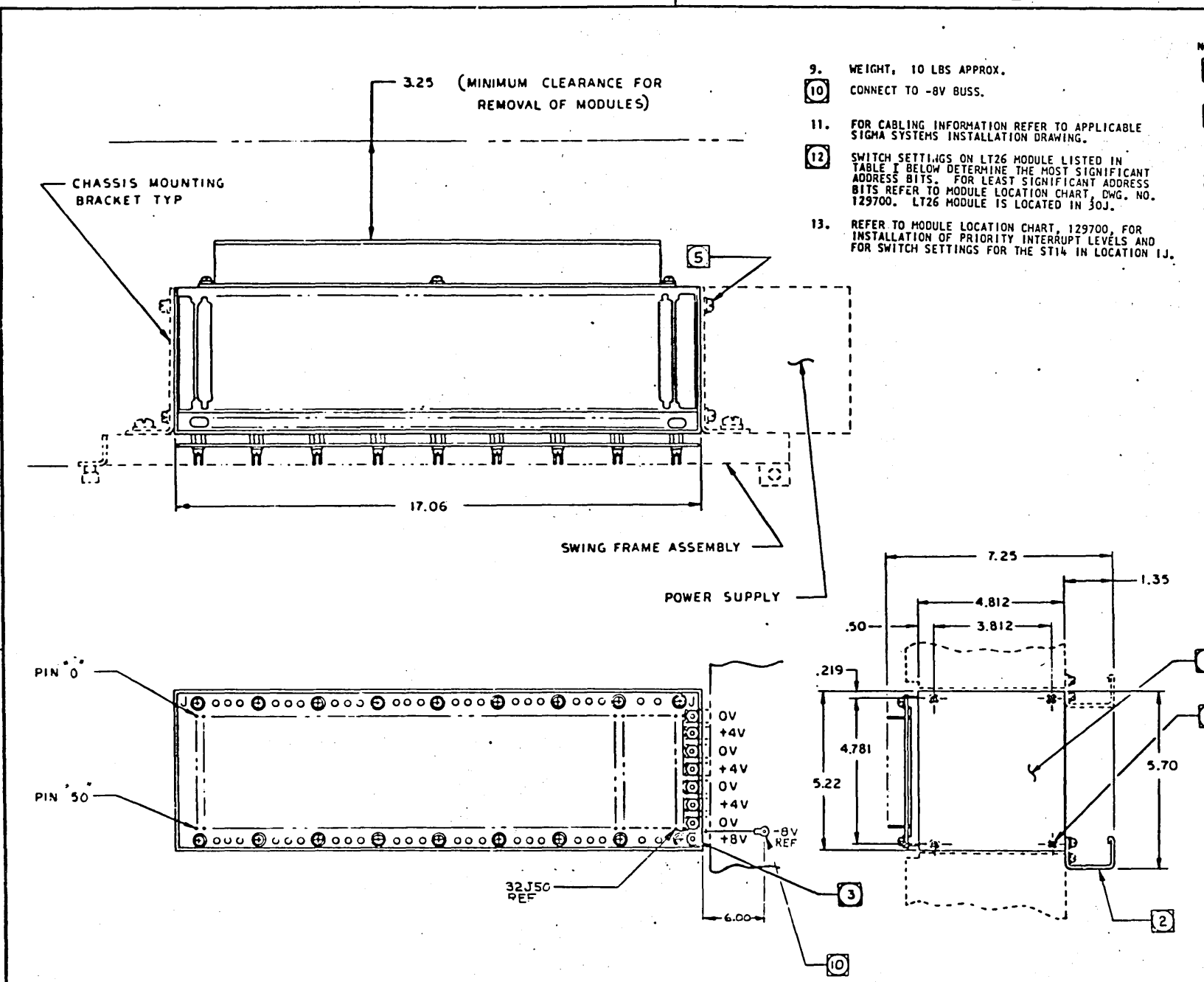


DRAWING TITLE **ASSY, PRIORITY INTERRUPT** MODEL NO. **8421** DATE **2-4-66** SHEET **2** OF **3**

DRAWING N
117330
ML

ITEM NO.	DRAWING TITLE	DWG. NO.	NO. REQ.	REMARKS
1	Channel, Cable Routing	116522	1	
2	Nut Strip, Speed	129567	5	
3	Chassis, 32 Module	116231	1	
4				
5				
6	Assy, Wired Board	126501	1	
7	Assy, Modules	129699	1	
8	Pin List	124472 K	Ref	
9				
10	Master Drawing List	126500	Ref	
11	Test Specification	124473	Ref	
12	Engrg. Specification	129853	Ref	
13	Installation Drawing	124469	Ref	
14	Logic Equations	124470 K	Ref	
15	Module Location Chart	129700	Ref	
16				
17	Screw, Pan Hd.	100012-204	3	
18	Screw, Sheet Metal	114538-214	18	
19				
20				
21	Washer, Lock, Spring	100023-300	18	
22	Washer, Lock, Spring	100023-200	3	
23	Washer, Flat	113220-300	18	
24	Washer, Flat	113220-200	3	
25	Strip Marker	135171	1	
26				
27	Assy, Cable Busbar Pickup	131891-005	1	

REVISIONS			
REV.	DESCRIPTION	CHK	DATE
A	MFG RELEASE		



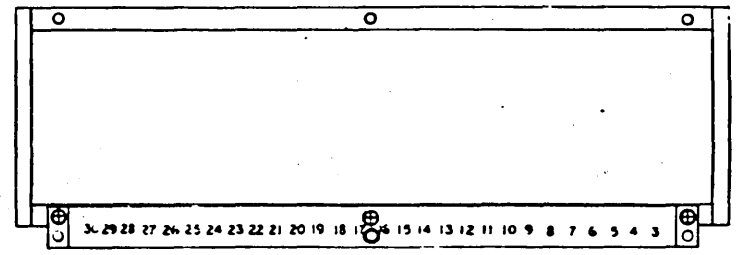
- 9. WEIGHT, 10 LBS APPROX. CONNECT TO -8V BUSS.
- 10. FOR CABLING INFORMATION REFER TO APPLICABLE SIGMA SYSTEMS INSTALLATION DRAWING.
- 11. SWITCH SETTINGS ON LT26 MODULE LISTED IN TABLE I BELOW DETERMINE THE MOST SIGNIFICANT ADDRESS BITS. FOR LEAST SIGNIFICANT ADDRESS BITS REFER TO MODULE LOCATION CHART, DWG. NO. 129700. LT26 MODULE IS LOCATED IN 30J.
- 12. REFER TO MODULE LOCATION CHART, 129700, FOR INSTALLATION OF PRIORITY INTERRUPT LEVELS AND FOR SWITCH SETTINGS FOR THE ST14 IN LOCATION 1J.

- NOTES: UNLESS OTHERWISE SPECIFIED
- 1. MODULE CHASSIS IS OF WELDED STEEL CONSTRUCTION FINISHED WITH CADMIUM PLATE.
 - 2. CABLE CHANNEL - PAINTED LIGHT GRAY WITH MODULE LOCATION NUMBERS SILKSCREENED IN BLACK. IF CHASSIS IS PLACED AT BOTTOM OF SWING FRAME REPLACE EXISTING CABLE CHANNEL WITH SDS 123940-001.
 - 3. POWER INPUTS, 6-32 THREADED STUDS SOLDERED TO BOTH SIDES OF BACKWIRING BOARD. HEX NUTS AND WASHER ARE REQUIRED FOR CONNECTION TO BUSS BARS.
 - 4. 8-32 THREADED HOLES, 4 PLACES ON EACH END OF CHASSIS. THE TOP 2 HOLES ON EACH END ARE USED FOR MOUNTING TO CHASSIS MOUNTING BRACKETS.
 - 5. MOUNTING HARDWARE, 4 EACH, 8-32 SCREWS, FLAT WASHERS AND LOCKWASHERS.
 - 6. REFERENCE DRAWINGS:
 ASSY, PRIORITY INTERRUPT - 117330
 MODULE LOCATION CHART - 129700
 EQUATIONS, LOGIC - 124470-001
 PIN LIST - 124472-001
 SPEC. TEST - 124473
 INSTALLATION DRAWING, SIGMA 2 SYSTEM - 136177
 INSTALLATION DRAWING, SIGMA 5 SYSTEM - 135273
 INSTALLATION DRAWING, SIGMA 7 SYSTEM - 134056
 - 7. REFER TO APPLICABLE SIGMA SYSTEM INSTALLATION DRAWING FOR PHYSICAL LOCATION OF CHASSIS.
 - 8. POWER REQUIREMENTS (WITH ALL INTERRUPTS INSTALLED)

+8V	2.2 AMPS
+4V	7.7 AMPS
-8V	0.3 AMPS

TABLE I (12)

REQUIRED GROUP NO.	ADDRESS	SWITCH SETTING (SETTING OF S1-2, S2-2, S3-2, S4-2 IRRELEVANT)			
		S1-1	S2-1	S3-1	S4-1
2	60-6F	0	0	1	0
3	70-7F	0	0	1	1
4	80-8F	0	1	0	0
5	90-9F	0	1	0	1
6	A0-AF	0	1	1	0
7	B0-BF	0	1	1	1
8	C0-CF	1	0	0	0
9	D0-DF	1	0	0	1
A	E0-EF	1	0	1	0
B	F0-FF	1	0	1	1
C	100-10F	1	1	0	0
D	110-11F	1	1	0	1
E	120-12F	1	1	1	0
F	130-13F	1	1	1	1



REV.	DRAWING NO.	DESCRIPTION	REFERENCE DESIGNATION	REV. NO.

NOTES UNLESS SPECIFIED		MATERIAL LIST	
A. TYPICAL DIMENSIONS ARE IN INCHES UNLESS OTHERWISE SPECIFIED.	DRAWN	DATE	
B. DIMENSIONS ARE TO CENTER UNLESS OTHERWISE SPECIFIED.	CHECK		
C. DIMENSIONS ARE TO CENTER UNLESS OTHERWISE SPECIFIED.	APPR.		
D. DIMENSIONS ARE TO CENTER UNLESS OTHERWISE SPECIFIED.	MATERIAL		

SDS SCIENTIFIC DATA SYSTEMS SANTA MONICA, CALIFORNIA	
TITLE INSTALLATION DRAWING, PRIORITY INTERRUPT	
MODEL NO. FIRST USE 8421	SIZE D 124469
REV. NO. FIRST USE 117330	SCALE 1/2

124469/A



1.0 Scope

The purpose of this document is to outline a procedure for testing priority interrupts. Note: 8021 ⇒ 22, 8221 ⇒ 25, 8421 ⇒ 27, But all three models define an identical unit of hardware.

2.0 Applicable Documents

Interrupt Diagnostic Test Program, Sigma 2	901137
Interrupt Diagnostic Test Program, Sigma 5/7	901134
Product Design Specification	127586
Equations, Logic	124470
Pin List	124472
Chart, Module Location	129700
Applicable System Assembly Drawing	--
Installation Drawing, Priority Interrupt	124469
Sigma 2 Computer Reference Manual	900964
Sigma 5 Computer Reference Manual	900959
Sigma 7 Computer Reference Manual	900950
Design Specification, JX58 Tester	130090

TITLE SPECIFICATION, TEST PROCEDURE EXTERNAL PRIORITY INTERRUPTS	SDS	
	124473	A
	SHEET 2	OF 7

3.0 Equipment

Oscilloscope, Tektronix, Model 585 or equivalent. Preamplifier, Tektronix, Model 82 or equivalent. IOP Tester, SDS Model JX58.

4.0 Method of Testing

4.1 Pre-program check

Power distribution on chassis must be checked before modules are seated. After determining that power distribution is correct, seat all modules. The quantity and types of modules will be called out by the module location chart (129700) and the pertinent system assembly drawing.

Install the cables necessary for the priority interrupt chassis to communicate with the CPU. Cables are called out on the system assembly drawing.

Check for clock distribution to the interrupt logic. Check to see that CPURESET is received by the interrupt logic.

Check for proper setting of switches on modules in connectors 01J and 30J. Refer to Module Location Chart, Installation Drawing, and pertinent System Assembly Drawing for set-up procedure.

TITLE SPECIFICATION, TEST PROCEDURE EXTERNAL PRIORITY INTERRUPTS	SDS	
	124473	A
	SHEET 3 OF	

Disable external requests by inserting AT11 modules in locations 12J, 19J, and 32J.

By continually executing Write Direct (WD) instructions in the computer, observe, by use of an oscilloscope, that the different functions which can be performed by a WD are properly decoded in the interrupt logic.

Select a level and arm, enable, and trigger it. Observe the request and address lines to the CPU, and determine that they contain the correct data. If CPU is returned to IDLE after stepping the trigger instruction, the request and address lines will be stable and can be observed to determine that they hold the correct data. (Repeat this procedure for each group of external interrupts in the system).

4.2 Programmed Checkout

Load the Interrupt Diagnostic program in memory and execute the following control lines.

INIT

SMD,1 (Select typewriter)

PRI0,2,3,etc. (Assign group priority according to system configuration)

ACTI,2,FFFF

ACTI,3,FFFF (Activate all levels of each group)

CLR

INH3

TITLE SPECIFICATION, TEST PROCEDURE EXTERNAL PRIORITY INTERRUPTS	SDS	
	124473	A
	SHEET 4 OF 7	

```

ARM,2,AAAA      ENAB,2,FFFF      TRIG,2,FFFF      CEXT
ARM,2,FFFF      ENAB,2,AAAA      TRIG,2,FFFF      CEXT
ARM,2,FFFF      ENAB,2,FFFF      TRIG,2,AAAA      CEXT
ARM,2,5555      ENAB,2,FFFF      TRIG,2,FFFF      CEXT
ARM,2,FFFF      ENAB,2,5555      TRIG,2,FFFF      CEXT
ARM,2,FFFF      ENAB,2,FFFF      TRIG,2,5555      CEXT

```

ARM,2,0000
(The pattern of control lines shown above must be executed for all external groups in the system).

INHB,0,0,1 for Sigma 5/7

INHB,0,1 for Sigma 2

```

ARM,2,FFFF      ENAB,2,FFFF      TRIG,2,FFFF

```

(Until all levels of all groups are ARM, ENAB, and TRIG).

INHB

TSEQ,x where x = number of external levels in system

INHB,0,0,1 or INHB,0,1

```

ARM,2,FFFF      ENAB,2,FFFF      TRIG,2,FFFF      (Do all levels of all external groups)

```

INHB

CEXT

```

ARM,2,0000      ARM,3,0000      etc.      (Do all levels of all external groups)

```

TITLE
SPECIFICATION, TEST PROCEDURE
EXTERNAL PRIORITY INTERRUPTS

SDS

124473

A

SHEET 5 OF

Use JX58 Tester to check external interrupt interface to outside world. Connect JX58 unit to interrupt interface according to Table 4.2 shown below.

TO FROM	CPU and Int. Interface			
JX58	Sigma 2	Sigma 5	Sigma 7	Int.Interface
18B	28A	22Q	27Q	-
16B	30A	26Q	30P	-
14B	32A	29Q	29N	-
12B	-	-	-	12J
10B	-	-	-	32J
08B	-	-	-	19J

Table 4.2 Cable Connections between JX58 Tester and CPU

Note: Use ATT1 modules only - terminate both ends.

Execute the following control lines.

INHB,0,0,1 or INHB,0,1

ARM,2,FFFF ENAB,2,FFFF JX,2,FFFF

ARM,2,0000

TITLE SPECIFICATION, TEST PROCEDURE EXTERNAL PRIORITY INTERRUPTS	SDS	
	124473	A
	SHEET 6 OF 7	

(Without altering inhibits, perform above control lines for all external groups in system).

Observe printout from JX directive to determine that all levels can be externally triggered,
and that all levels respond properly.

Interrupt chassis are now acceptable for shipment.

TITLE
SPECIFICATION, TEST PROCEDURE
EXTERNAL PRIORITY INTERRUPTS

SDS

124473

A

SHEET 7 OF 7

Staple

Staple

Fold

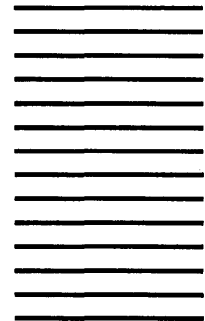
First Class
Permit No. 229
El Segundo,
California

BUSINESS REPLY MAIL

No postage stamp necessary if mailed in the United States

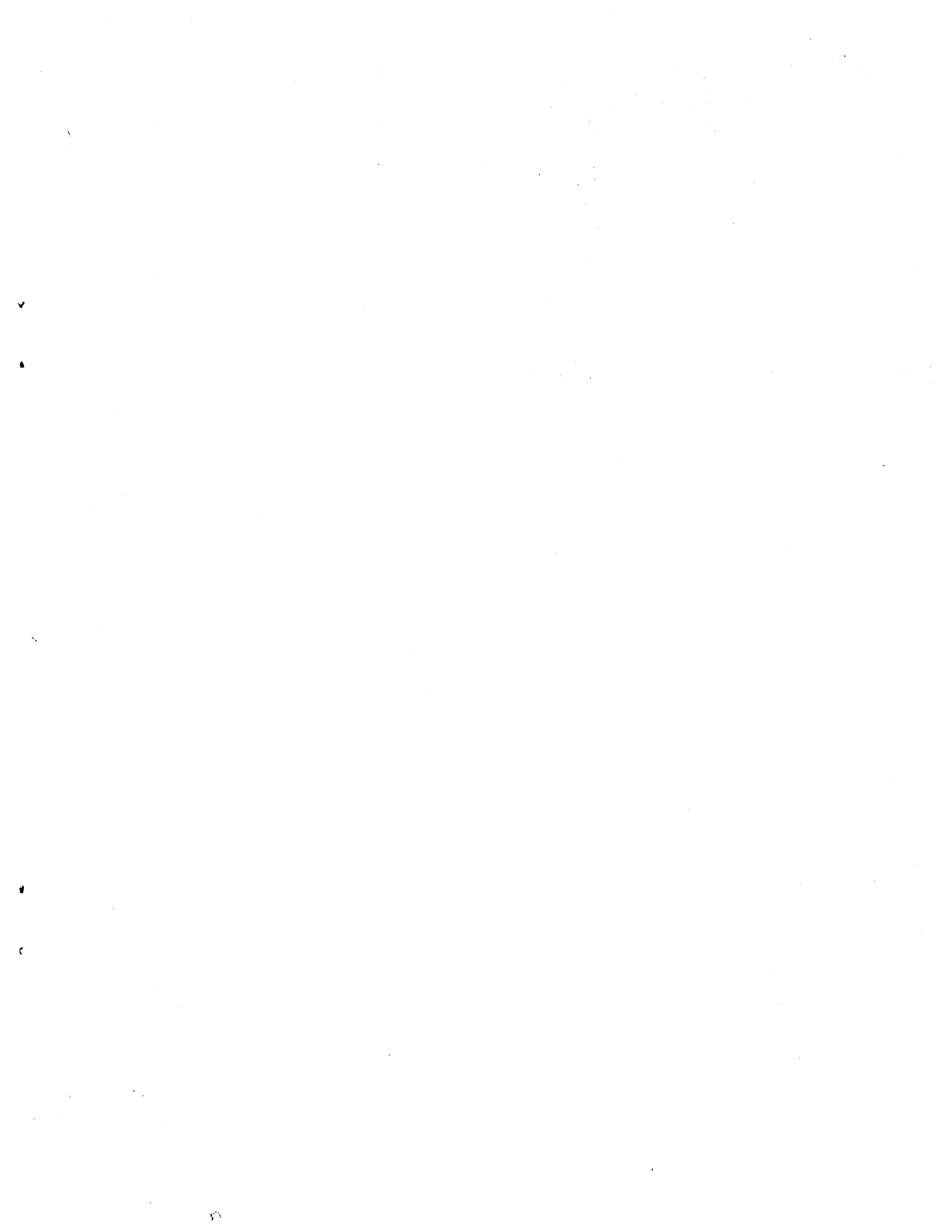
Postage will be paid by

Xerox Corporation
701 South Aviation Boulevard
El Segundo, California 90245



Attn: Field Engineering Publications

Fold



701 South Aviation Boulevard
El Segundo, California 90245
213 679-4511

102698605

XEROX

XEROX® is a trademark of XEROX CORPORATION.