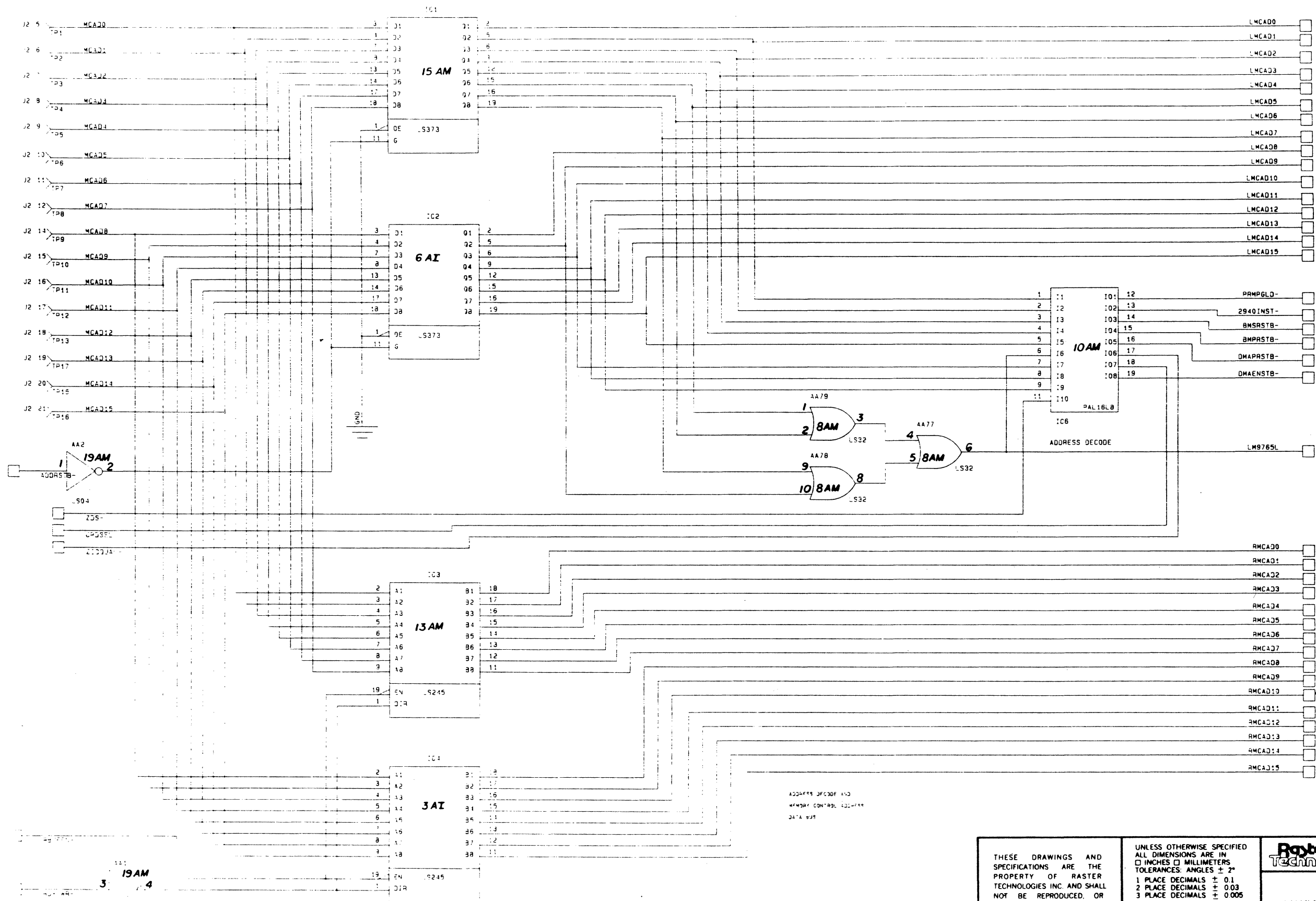


Bulk Memory

Drawing # 006-13000-000

REVISIONS					
REV	ECO NO	DATE	DESCRIPTION	DFTG	ENG



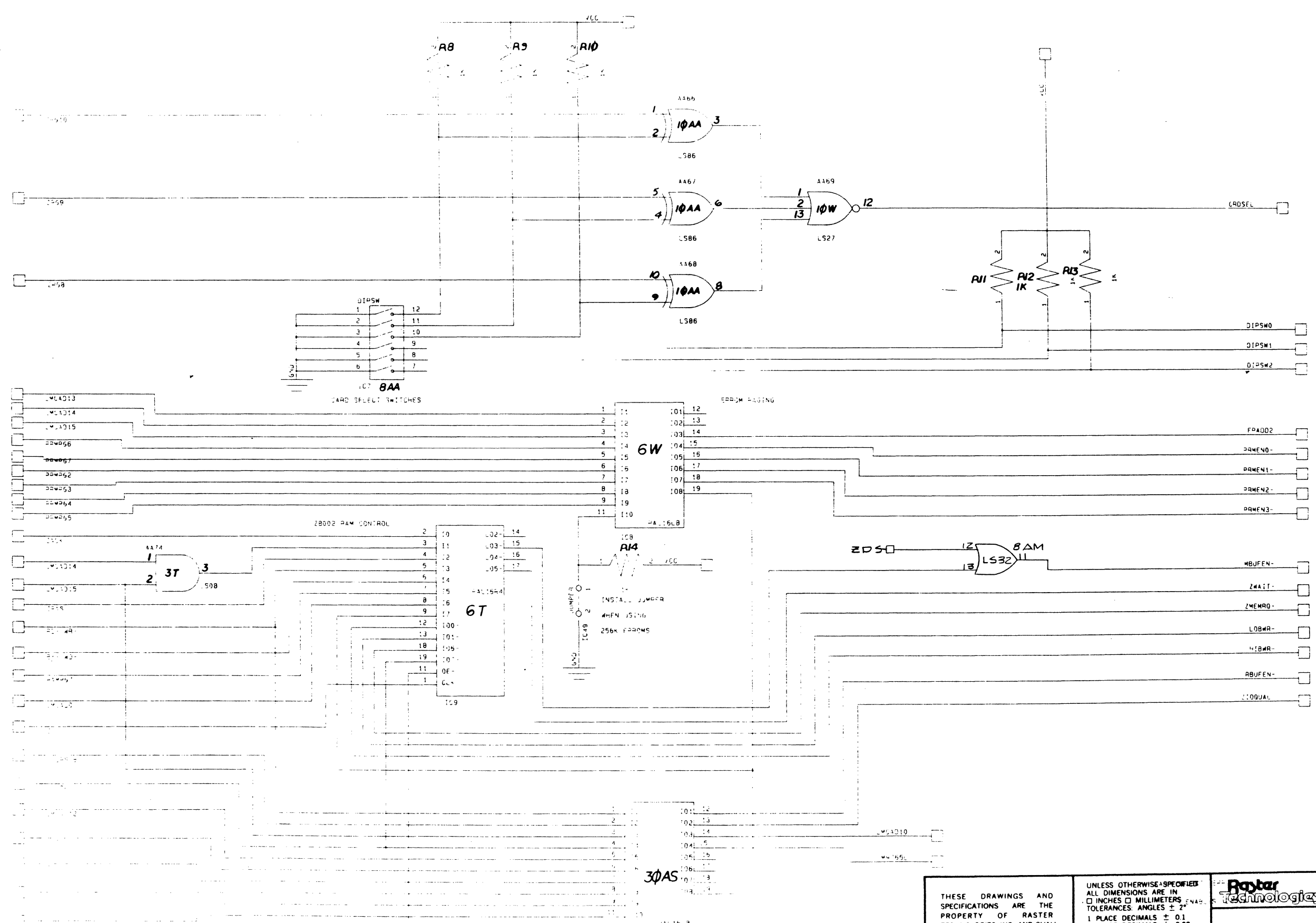
PROPERTY OF RASTER TECHNOLOGIES INC. AND
 NOT TO BE REPRODUCED, COPIED OR USED
 AS THE BASIS FOR THE MANUFACTURE OR SALE OF
 APPARATUS WITHOUT WRITTEN PERMISSION.

MAR 04 1986

THESE DRAWINGS AND SPECIFICATIONS ARE THE PROPERTY OF RASTER TECHNOLOGIES INC. AND SHALL NOT BE REPRODUCED, OR COPIED, OR USED AS THE BASIS FOR THE MANUFACTURE OR SALE OF APPARATUS WITHOUT WRITTEN PERMISSION.	UNLESS OTHERWISE SPECIFIED ALL DIMENSIONS ARE IN □ INCHES □ MILLIMETERS TOLERANCES: ANGLES ± 2° 1 PLACE DECIMALS ± 0.1 2 PLACE DECIMALS ± 0.03 3 PLACE DECIMALS ± 0.005	Raster Technologies HAWK BULK MEMORY SIZE DRAWING NO. 006-13000-000 SHEET OF 28
	MATERIAL:	

2 100-0001-900

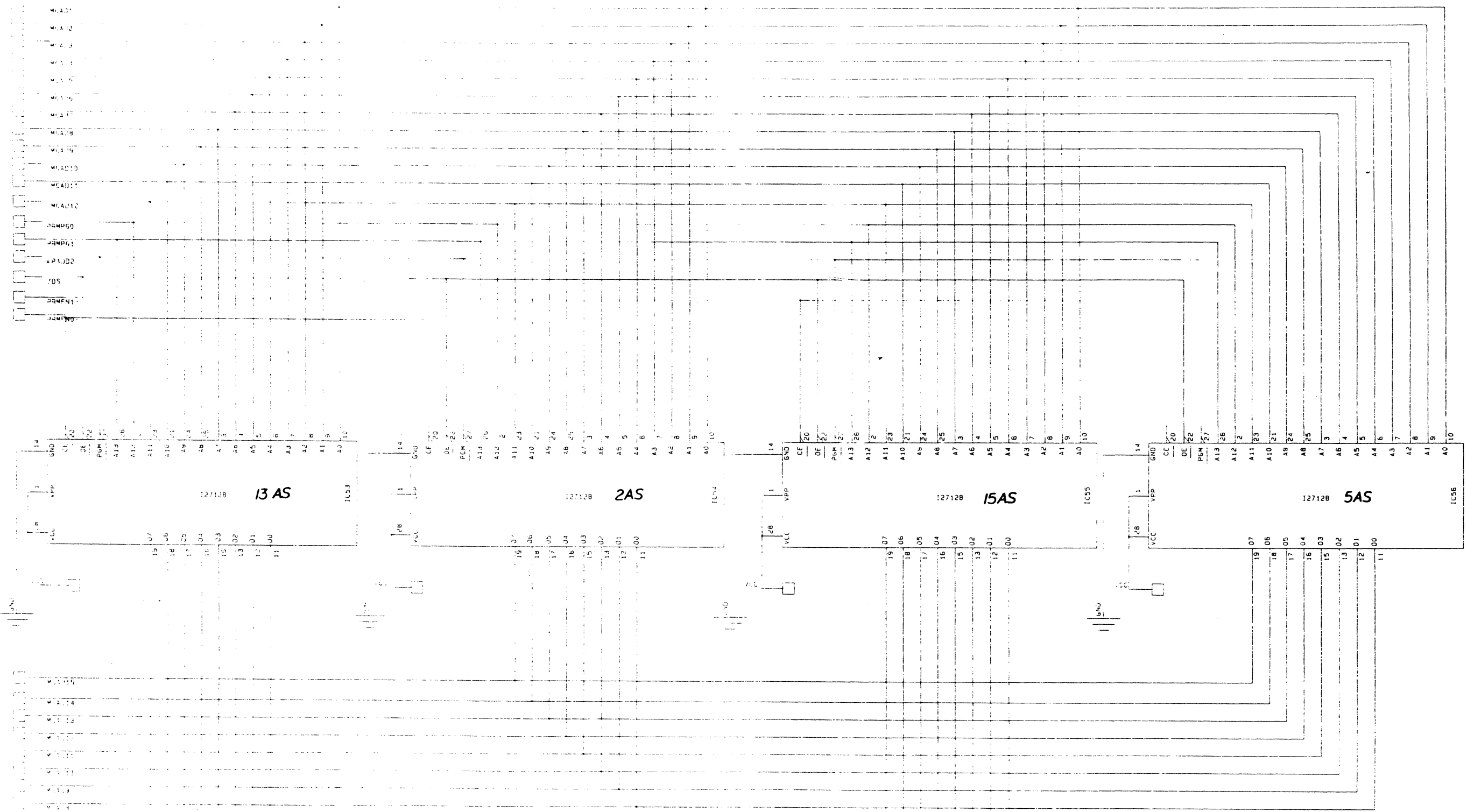
REVISIONS				
REV	ECO NO	DATE	DESCRIPTION	ENG.



<p>THESE DRAWINGS AND SPECIFICATIONS ARE THE PROPERTY OF RASTER TECHNOLOGIES INC AND SHALL NOT BE REPRODUCED, OR COPIED, OR USED AS THE BASIS FOR THE MANUFACTURE OR SALE OF APPARATUS WITHOUT WRITTEN PERMISSION.</p>	<p>UNLESS OTHERWISE SPECIFIED ALL DIMENSIONS ARE IN: □ INCHES □ MILLIMETERS TOLERANCES: ANGLES ± 2° 1 PLACE DECIMALS ± 0.1 2 PLACE DECIMALS ± 0.03 3 PLACE DECIMALS ± 0.005</p>	<p>Raster Technologies</p> <p>HAWK BULK MEMORY</p> <p>SIZE DRAWING NO. D 006-13000-000</p> <p>SCALE SHEET 3 OF 28</p>
	<p>MATERIAL</p>	

DRAW NO. 006-13000-000 3

REVISIONS					
REV	ECO NO	DATE	DESCRIPTION	DFTG	ENG.



THESE DRAWINGS AND SPECIFICATIONS ARE THE PROPERTY OF RASTER TECHNOLOGIES INC AND SHALL NOT BE REPRODUCED OR COPIED, OR USED AS THE BASIS FOR THE MANUFACTURE OR SALE OF APPARATUS WITHOUT WRITTEN PERMISSION

UNLESS OTHERWISE SPECIFIED ALL DIMENSIONS ARE IN
 □ INCHES □ MILLIMETERS
 TOLERANCES ANGLES ± 2°
 1 PLACE DECIMALS ± 0.1
 2 PLACE DECIMALS ± 0.03
 3 PLACE DECIMALS ± 0.005



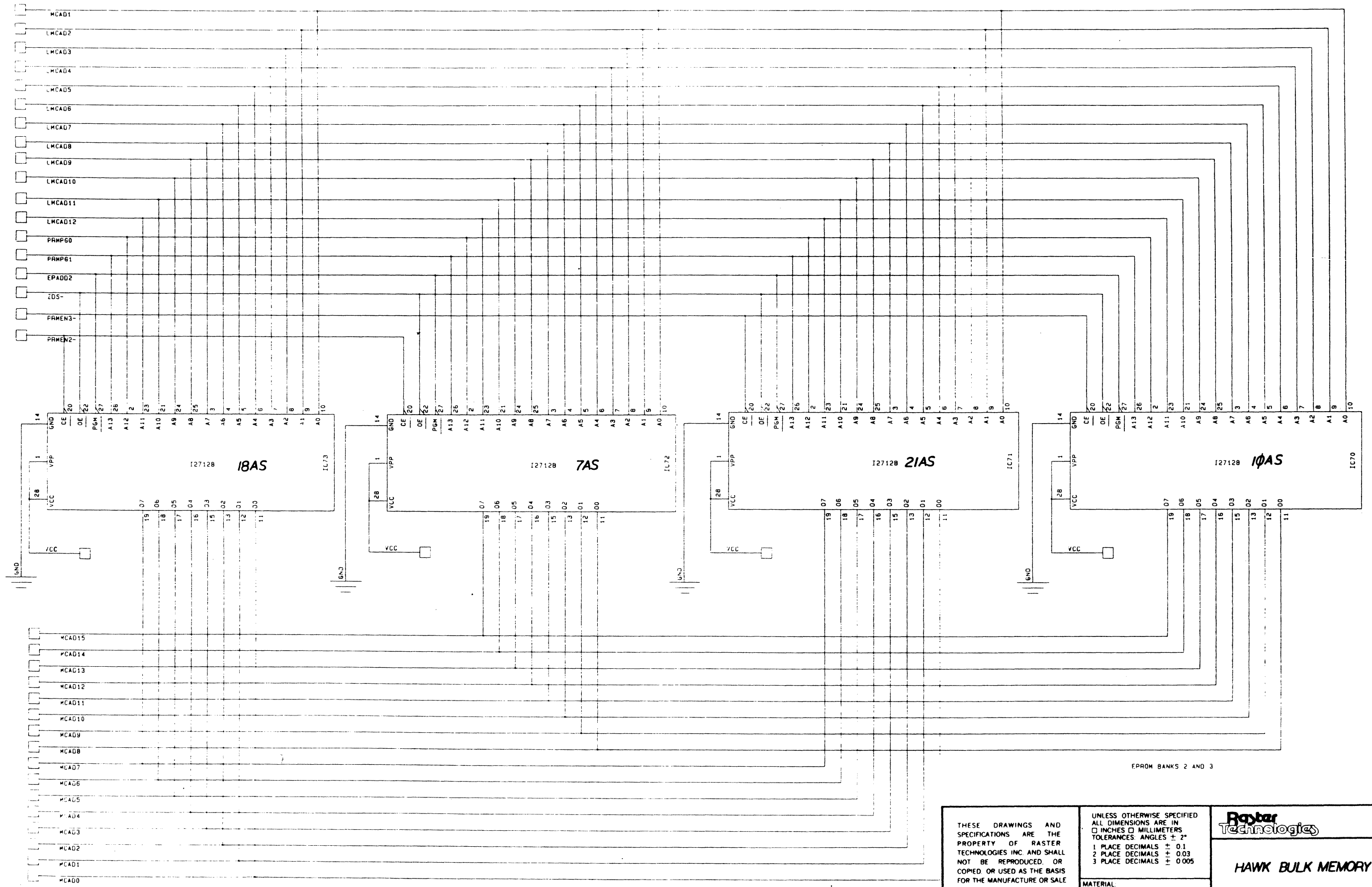
HAWK BULK MEMORY

SIZE DRAWING NO 006-13000-000

DRAWING NO 006-13000-000

FORM 4 (11-84) 4087

REVISIONS					
REV	ECO NO	DATE	DESCRIPTION	DFTG	ENG.



EPROM BANKS 2 AND 3

<p>THESE DRAWINGS AND SPECIFICATIONS ARE THE PROPERTY OF RASTER TECHNOLOGIES INC. AND SHALL NOT BE REPRODUCED, OR COPIED OR USED AS THE BASIS FOR THE MANUFACTURE OR SALE OF APPARATUS WITHOUT WRITTEN PERMISSION</p>	<p>UNLESS OTHERWISE SPECIFIED ALL DIMENSIONS ARE IN □ INCHES □ MILLIMETERS TOLERANCES: ANGLES ± 2° 1 PLACE DECIMALS ± 0.1 2 PLACE DECIMALS ± 0.03 3 PLACE DECIMALS ± 0.005</p>	<p>Raster Technologies</p> <p>HAWK BULK MEMORY</p>
	<p>MATERIAL:</p>	

C

B

C

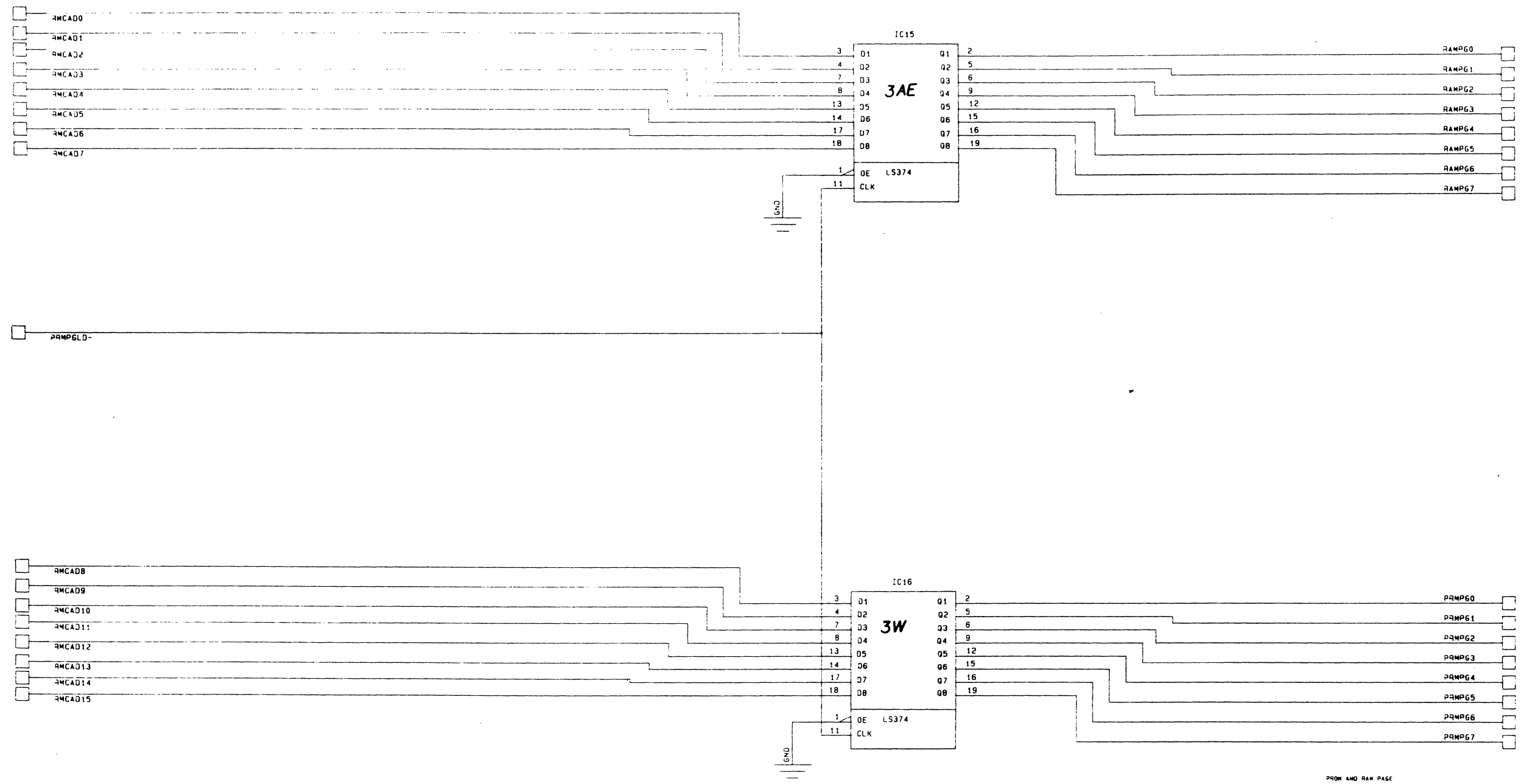
B

A

S 1000-00067-900 OR 000

DRAWING 44 131

REV	ECO NO	DATE	DESCRIPTION	DFTG	ENGR



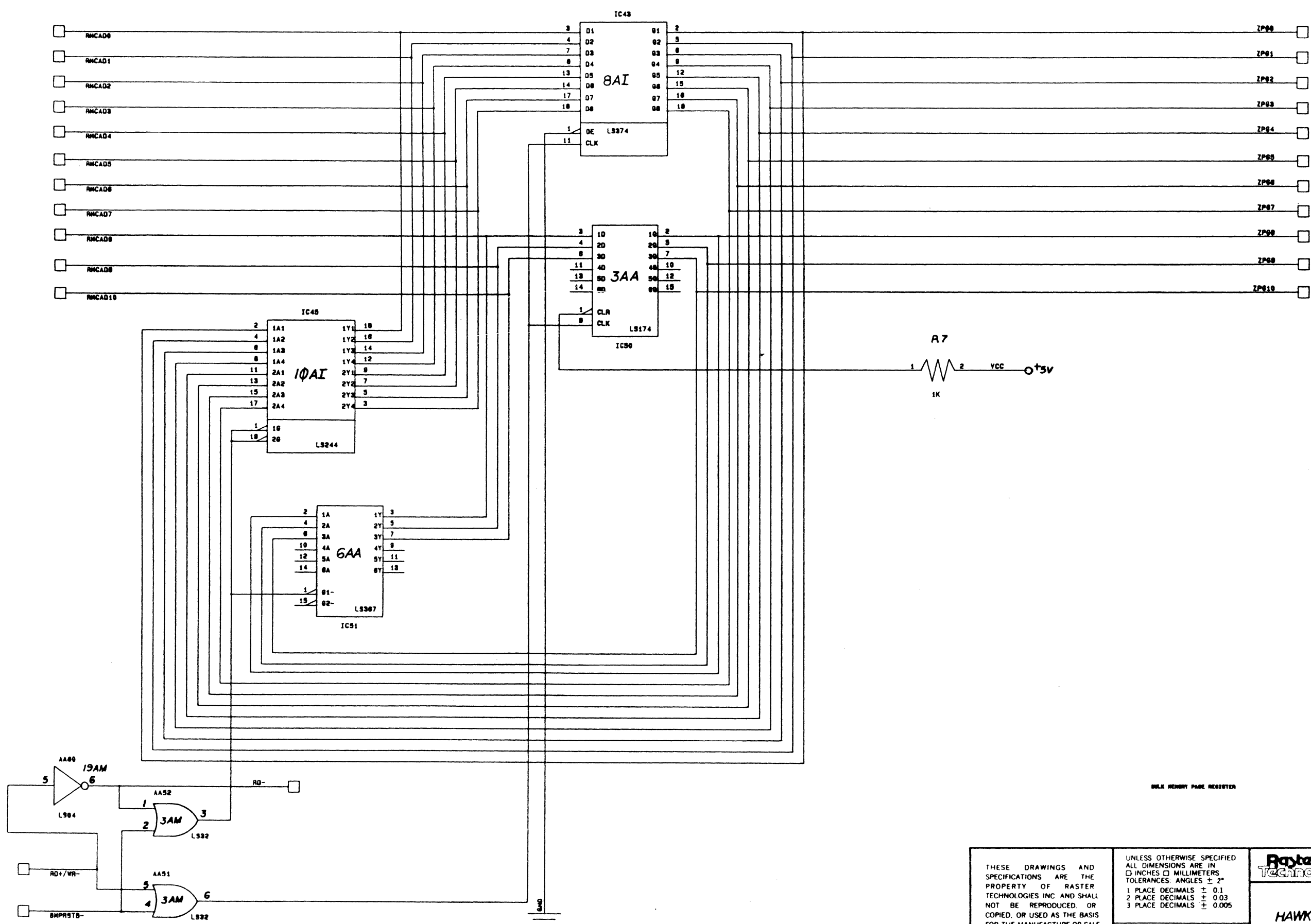
FROM AND RAM PAGE
REGISTERS

<p>THESE DRAWINGS AND SPECIFICATIONS ARE THE PROPERTY OF RASTER TECHNOLOGIES INC AND SHALL NOT BE REPRODUCED, OR COPIED, OR USED AS THE BASIS FOR THE MANUFACTURE OR SALE OF APPARATUS WITHOUT WRITTEN PERMISSION.</p>	<p>UNLESS OTHERWISE SPECIFIED ALL DIMENSIONS ARE IN <input type="checkbox"/> INCHES <input type="checkbox"/> MILLIMETERS TOLERANCES ANGLES ± 2° 1 PLACE DECIMALS ± 0.1 2 PLACE DECIMALS ± 0.03 3 PLACE DECIMALS ± 0.005</p>	<p>Raster Technologies</p> <p>HAWK BULK MEMORY</p>
	<p>MATERIAL</p>	
<p>SCALE</p>		<p>SHEET # OF 28</p>

DRAWING NO. 131-34002-2

DRAWING NO. 006-13000-000 SHEET 6

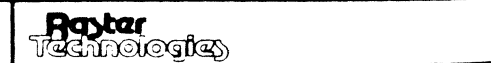
REVISIONS					
REV	ECD NO	DATE	DESCRIPTION	DFTG	ENG.



BULK MEMORY PAGE REGISTER

THESE DRAWINGS AND SPECIFICATIONS ARE THE PROPERTY OF RASTER TECHNOLOGIES INC. AND SHALL NOT BE REPRODUCED OR COPIED, OR USED AS THE BASIS FOR THE MANUFACTURE OR SALE OF APPARATUS WITHOUT WRITTEN PERMISSION

UNLESS OTHERWISE SPECIFIED ALL DIMENSIONS ARE IN INCHES □ MILLIMETERS TOLERANCES: ANGLES ± 2°
 1 PLACE DECIMALS ± 0.1
 2 PLACE DECIMALS ± 0.03
 3 PLACE DECIMALS ± 0.005



HAWK BULK MEMORY

SIZE DRAWING NO D 006-13000-000
 SCALE

DRAWING NO. 006-13000-000 1/7

44-0045 (12/81)

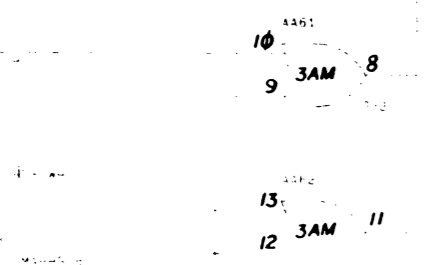
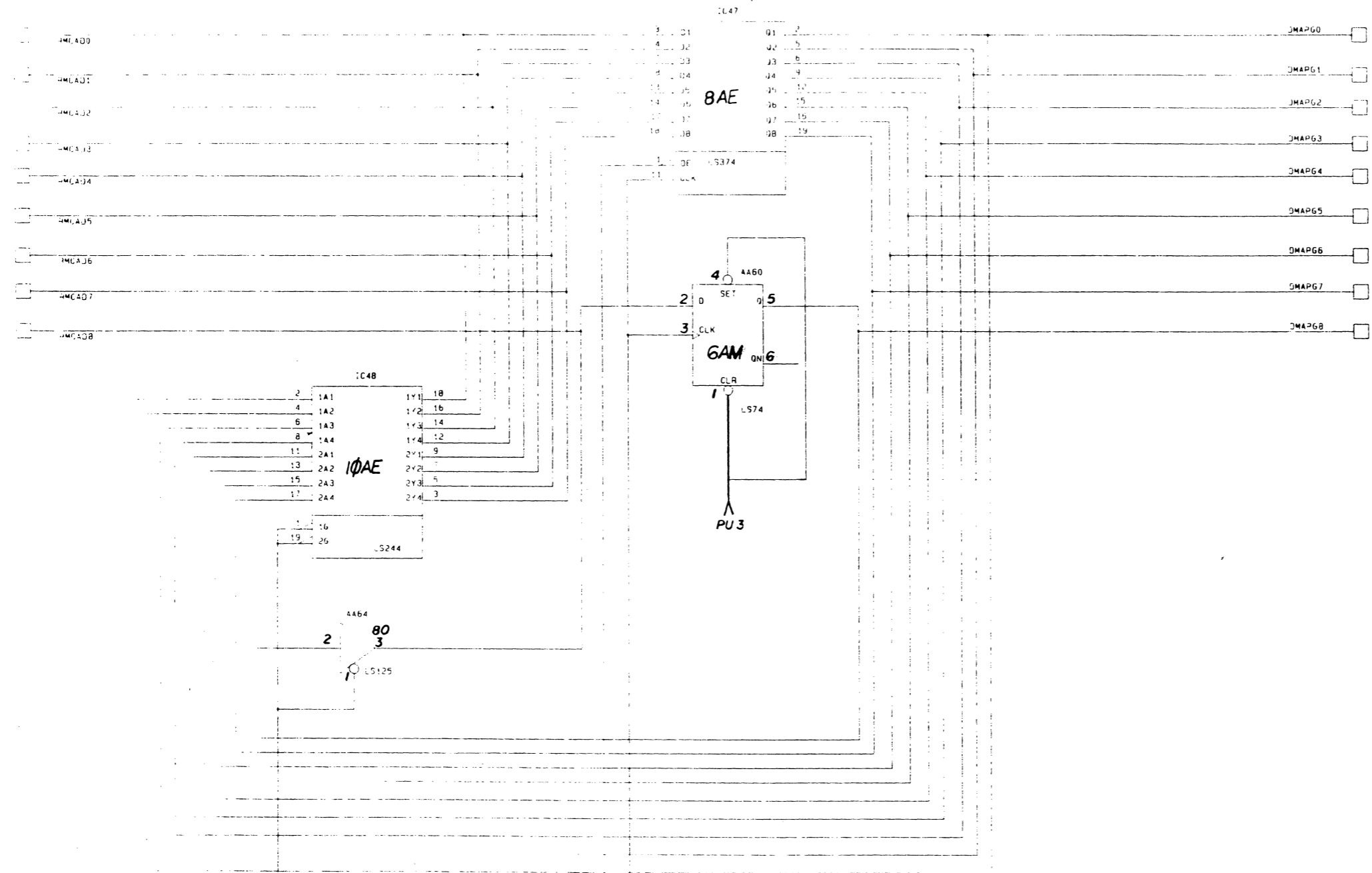
REVISIONS				
REV	ECO NO	DATE	DESCRIPTION	ENG.

D

C

B

A



THESE DRAWINGS AND SPECIFICATIONS ARE THE PROPERTY OF RASTER TECHNOLOGIES INC AND SHALL NOT BE REPRODUCED OR COPIED, OR USED AS THE BASIS FOR THE MANUFACTURE OR SALE OF APPARATUS WITHOUT WRITTEN PERMISSION

UNLESS OTHERWISE SPECIFIED ALL DIMENSIONS ARE IN INCHES □ MILLIMETERS TOLERANCES ANGLES ± 2°
 1 PLACE DECIMALS ± 0.1
 2 PLACE DECIMALS ± 0.03
 3 PLACE DECIMALS ± 0.005



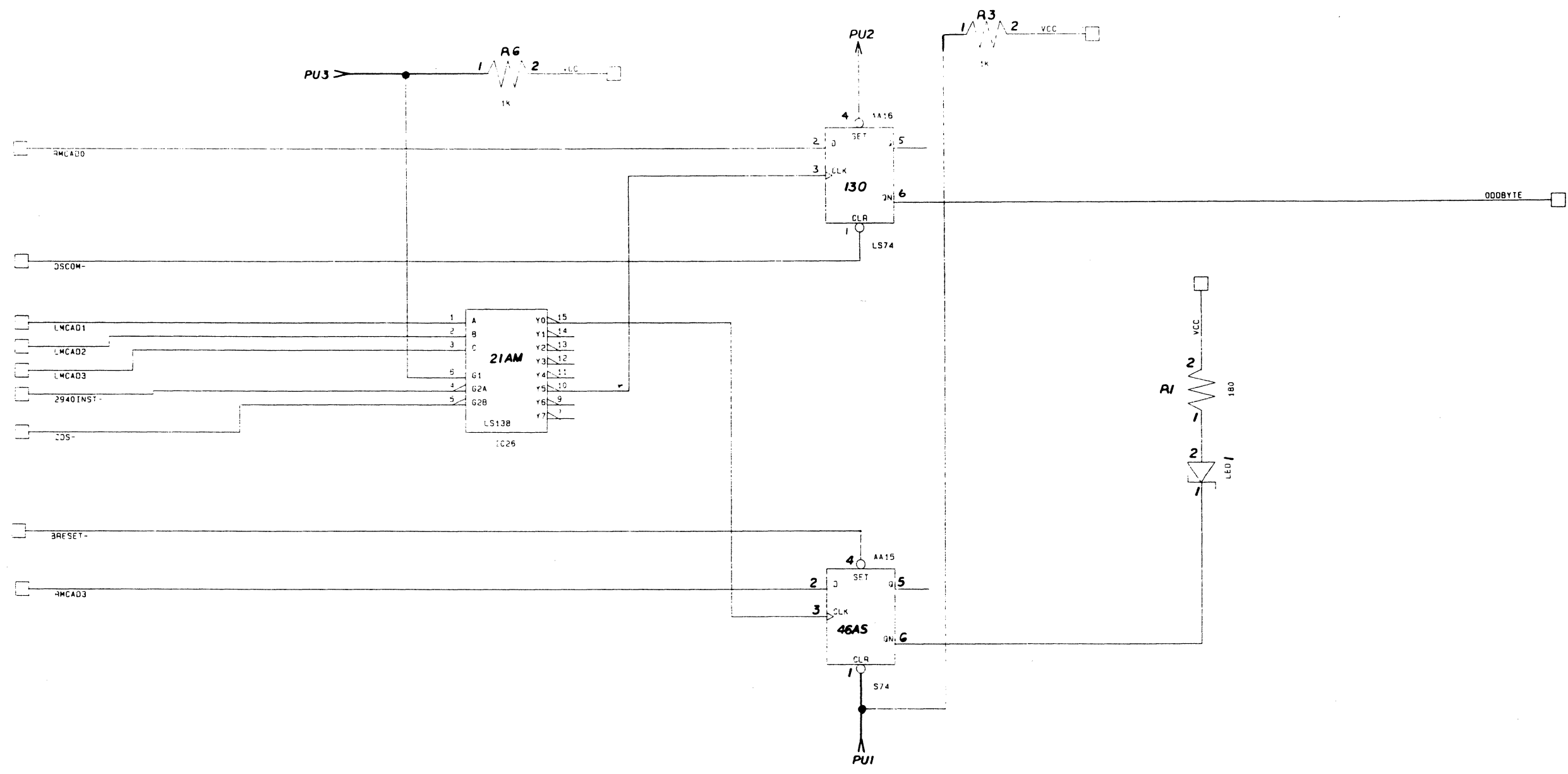
HAWK BULK MEMORY

SIZE DRAWING NO. 006-13000-000

SCALE SHEET 8 OF 28

006-13000-000

REVISIONS					
REV	ECO NO	DATE	DESCRIPTION	DFTG	ENG.



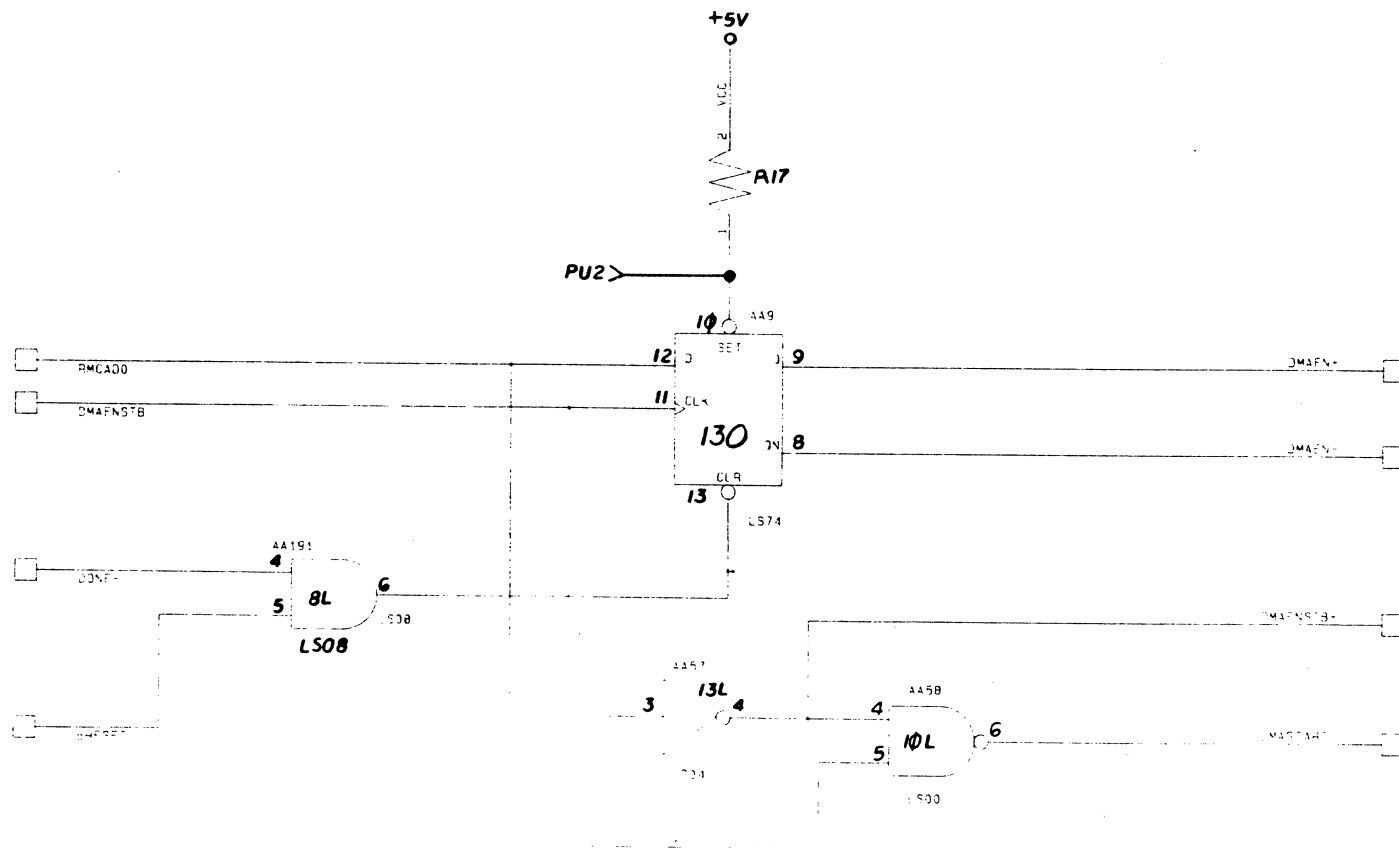
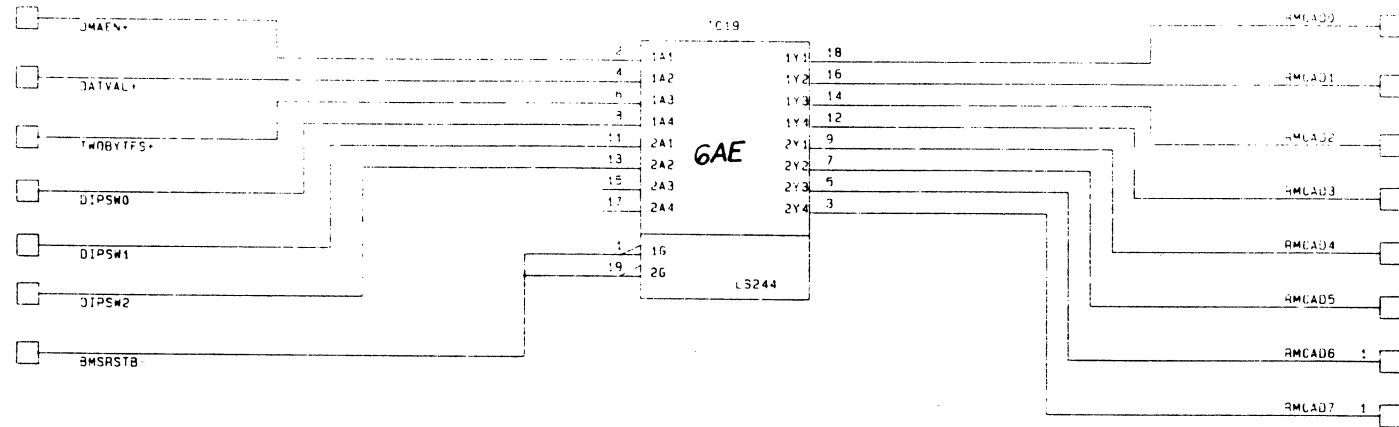
00D BYTE STARTING
 ADDRESS CONTROL
 AND HEALTH LED

THESE DRAWINGS AND SPECIFICATIONS ARE THE PROPERTY OF RASTER TECHNOLOGIES INC. AND SHALL NOT BE REPRODUCED, OR COPIED, OR USED AS THE BASIS FOR THE MANUFACTURE OR SALE OF APPARATUS WITHOUT WRITTEN PERMISSION	UNLESS OTHERWISE SPECIFIED ALL DIMENSIONS ARE IN □ INCHES □ MILLIMETERS TOLERANCES: ANGLES ± 2° 1 PLACE DECIMALS ± 0.1 2 PLACE DECIMALS ± 0.03 3 PLACE DECIMALS ± 0.005	
	MATERIAL	
SIZE D	DRAWING NO. 006-13000-000	SHEET 9 OF 28

DRAWING 44 131 54

614 000-0000-900 000 000

REVISIONS					
REV	ECO NO	DATE	DESCRIPTION	DFTG	ENG.

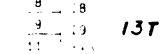
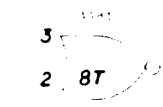
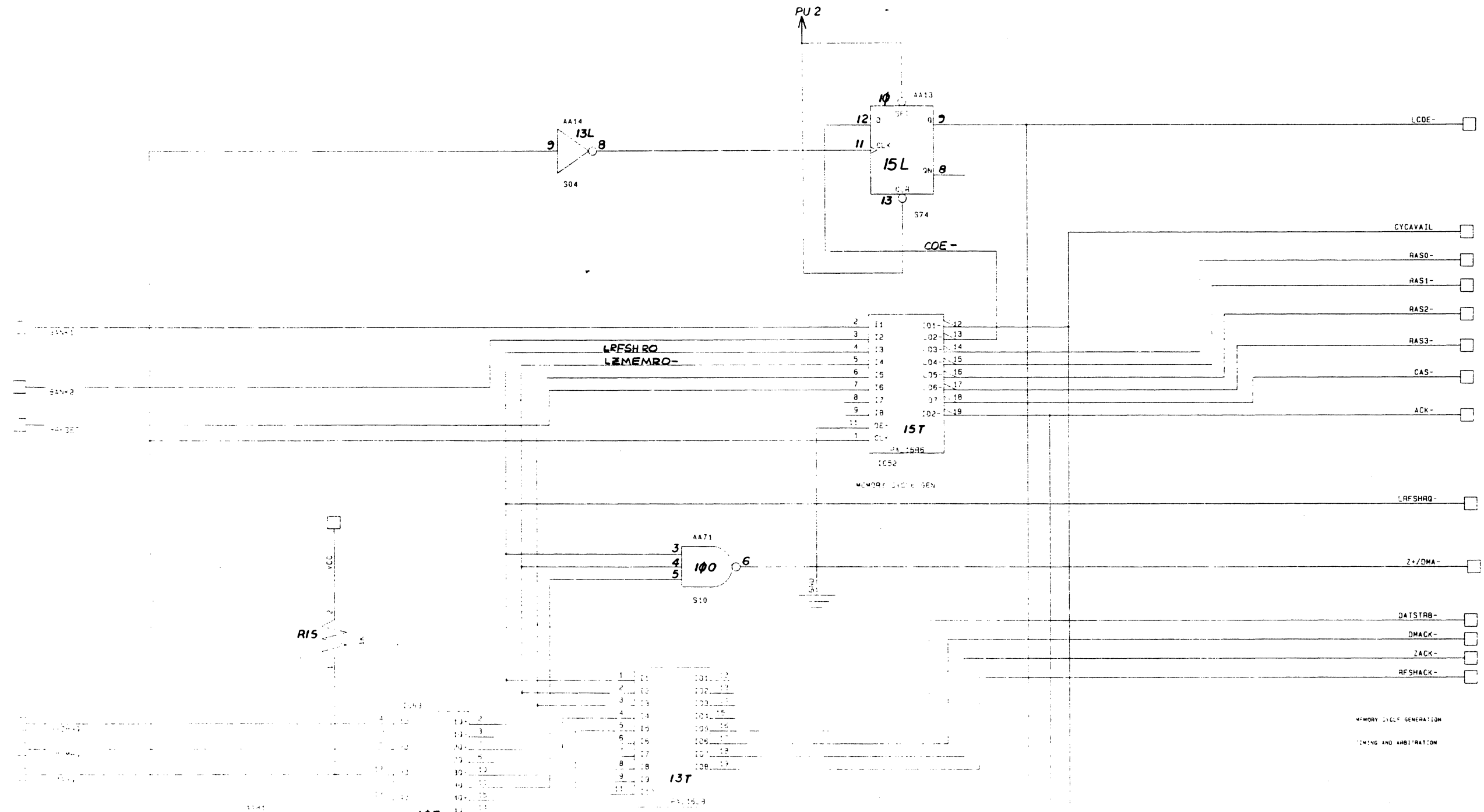


STATUS AND DMA ENABLE REGISTERS

<p>THESE DRAWINGS AND SPECIFICATIONS ARE THE PROPERTY OF RASTER TECHNOLOGIES INC. AND SHALL NOT BE REPRODUCED, OR COPIED, OR USED AS THE BASIS FOR THE MANUFACTURE OR SALE OF APPARATUS WITHOUT WRITTEN PERMISSION.</p>	<p>UNLESS OTHERWISE SPECIFIED ALL DIMENSIONS ARE IN <input type="checkbox"/> INCHES <input type="checkbox"/> MILLIMETERS TOLERANCES: ANGLES $\pm 2^\circ$ 1 PLACE DECIMALS ± 0.1 2 PLACE DECIMALS ± 0.03 3 PLACE DECIMALS ± 0.005</p>	<p>Raster Technologies</p> <p>HAWK BULK MEMORY</p>
	<p>MATERIAL:</p>	
	<p>SCALE</p>	<p>SHEET 10 OF 28</p>

DRAWING NO. 006-13000-000

REVISIONS					
REV	ECO NO	DATE	DESCRIPTION	DFTG	ENG.

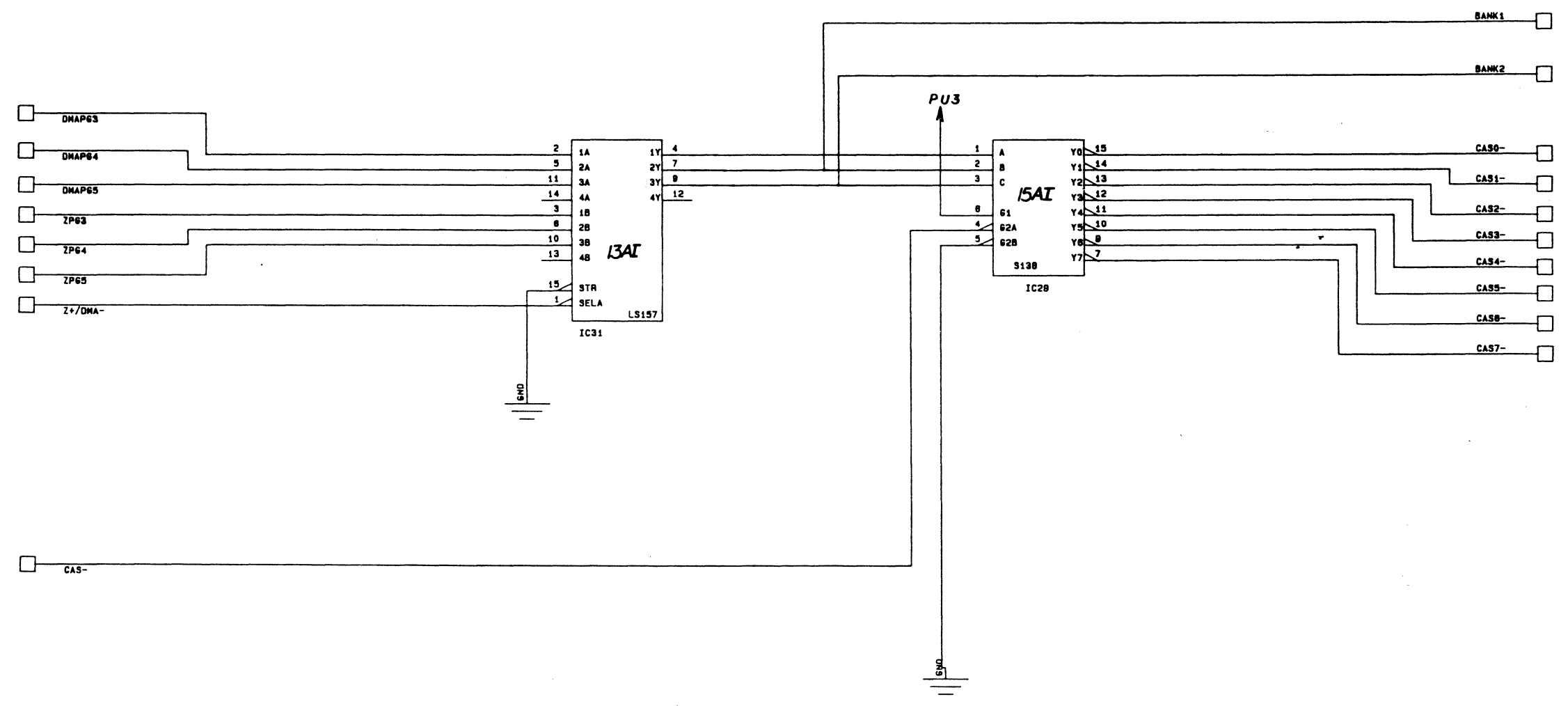


<p>THESE DRAWINGS AND SPECIFICATIONS ARE THE PROPERTY OF RASTER TECHNOLOGIES INC AND SHALL NOT BE REPRODUCED, OR COPIED, OR USED AS THE BASIS FOR THE MANUFACTURE OR SALE OF APPARATUS WITHOUT WRITTEN PERMISSION</p>	<p>UNLESS OTHERWISE SPECIFIED ALL DIMENSIONS ARE IN □ INCHES □ MILLIMETERS TOLERANCES: ANGLES ± 2° 1 PLACE DECIMALS ± 0.1 2 PLACE DECIMALS ± 0.03 3 PLACE DECIMALS ± 0.005</p>	<p>Raytar Technologies</p> <p>HAWK BULK MEMORY</p> <p>SIZE DRAWING NO 006-13000-000</p> <p>D</p>
	<p>MATERIAL</p>	

DRAWING NO 006-13000-000 1/11

DRAWING NO 006-13000-000 1/11

REVISIONS				
REV	ECC NO	DATE	DESCRIPTION	ENGR



D

D

C

C

B

B

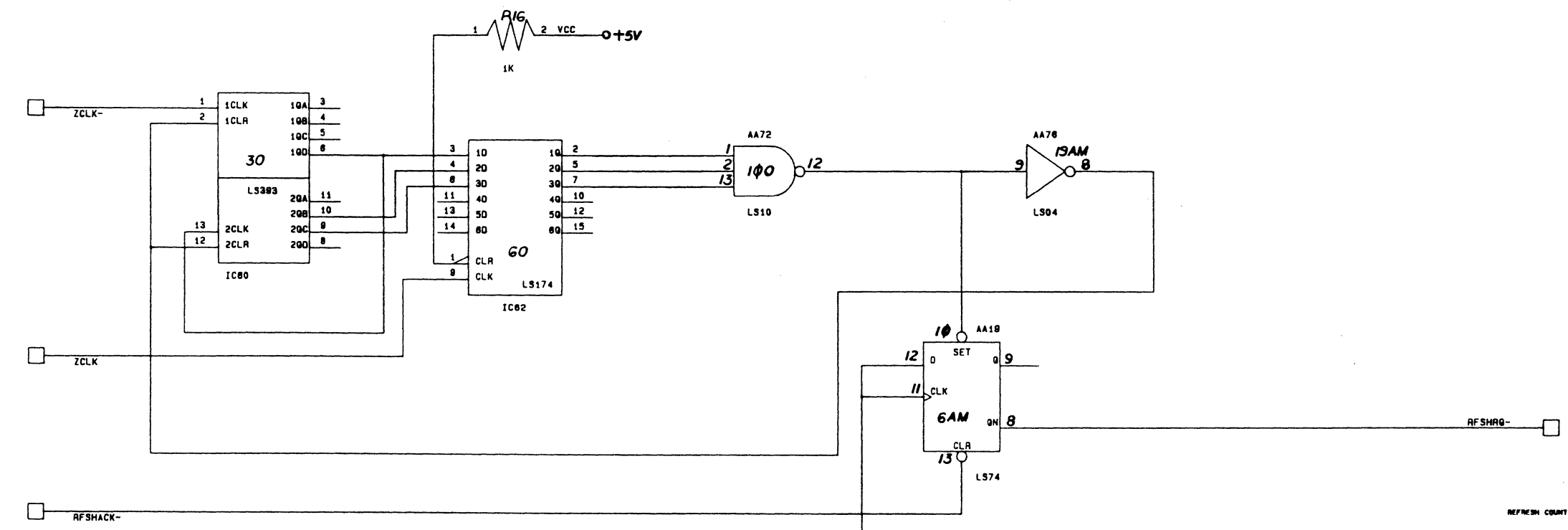
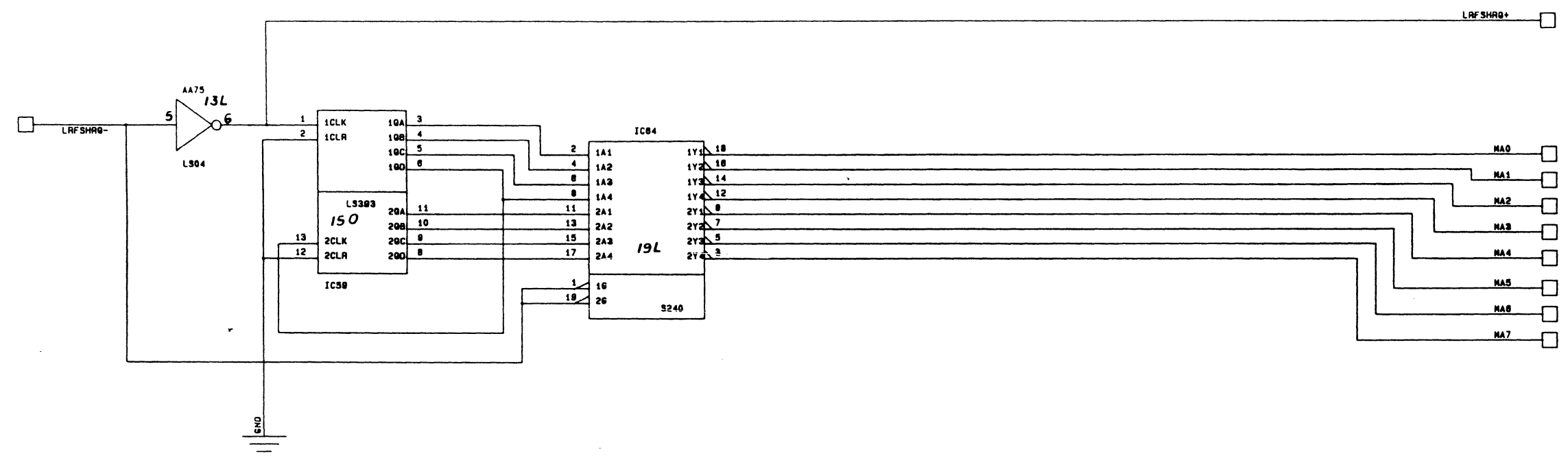
DRAWING NO. 006-13000-000 1/2

REVISED 11/13/84

<p>THESE DRAWINGS AND SPECIFICATIONS ARE THE PROPERTY OF RASTER TECHNOLOGIES INC. AND SHALL NOT BE REPRODUCED, OR COPIED, OR USED AS THE BASIS FOR THE MANUFACTURE OR SALE OF APPARATUS WITHOUT WRITTEN PERMISSION</p>	<p>UNLESS OTHERWISE SPECIFIED ALL DIMENSIONS ARE IN □ INCHES □ MILLIMETERS TOLERANCES: ANGLES ± 2° 1 PLACE DECIMALS ± 0.1 2 PLACE DECIMALS ± 0.03 3 PLACE DECIMALS ± 0.005</p>	<p style="text-align: center;">CAS BANK DECODING</p> <p style="text-align: center;">Raster Technologies</p> <p style="text-align: center;">HAWK BULK MEMORY</p>
	<p>MATERIAL</p>	

A

REV	ECO NO	DATE	DESCRIPTION	DFTG	ENG.
-----	--------	------	-------------	------	------

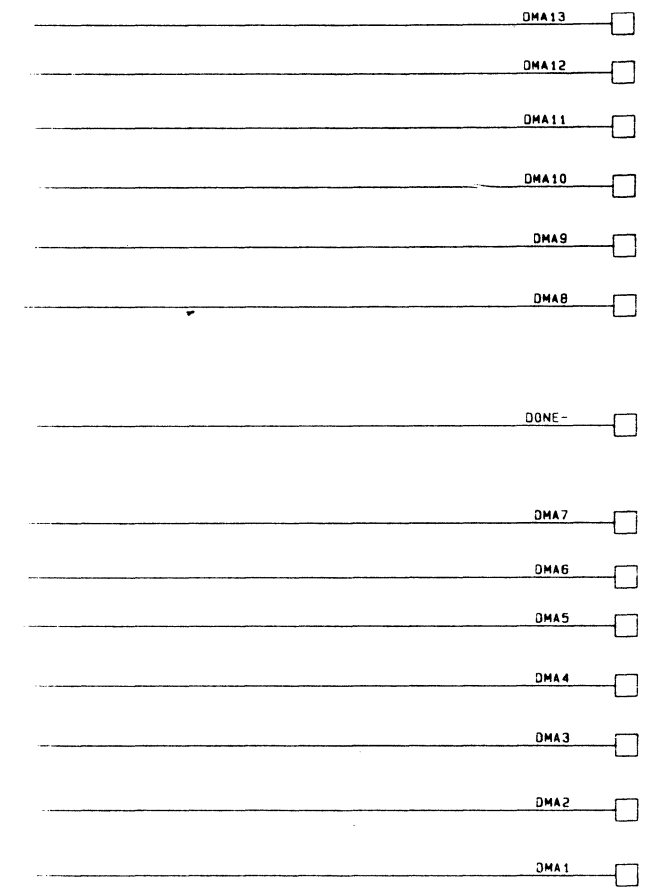
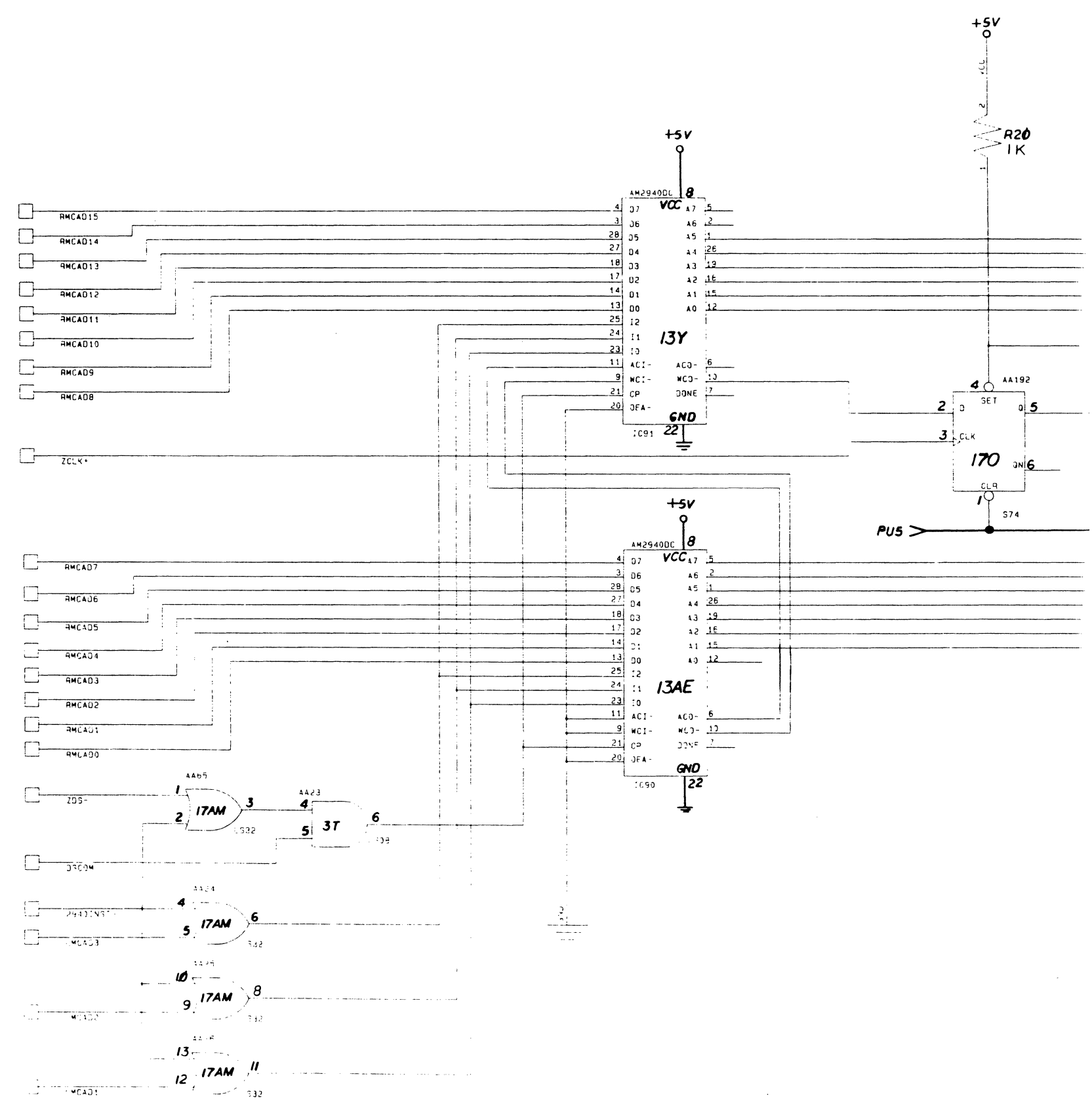


<p>THESE DRAWINGS AND SPECIFICATIONS ARE THE PROPERTY OF RASTER TECHNOLOGIES INC. AND SHALL NOT BE REPRODUCED, OR COPIED, OR USED AS THE BASIS FOR THE MANUFACTURE OR SALE OF APPARATUS WITHOUT WRITTEN PERMISSION</p>	<p>UNLESS OTHERWISE SPECIFIED ALL DIMENSIONS ARE IN □ INCHES □ MILLIMETERS TOLERANCES ANGLES ± 2° 1 PLACE DECIMALS ± 0.1 2 PLACE DECIMALS ± 0.03 3 PLACE DECIMALS ± 0.005</p>	<p>Raster Technologies</p> <p>HAWK BULK MEMORY</p>
	<p>MATERIAL</p>	

48-0045 (12/81)

DRAWING NO. 006-13000-000 13/13

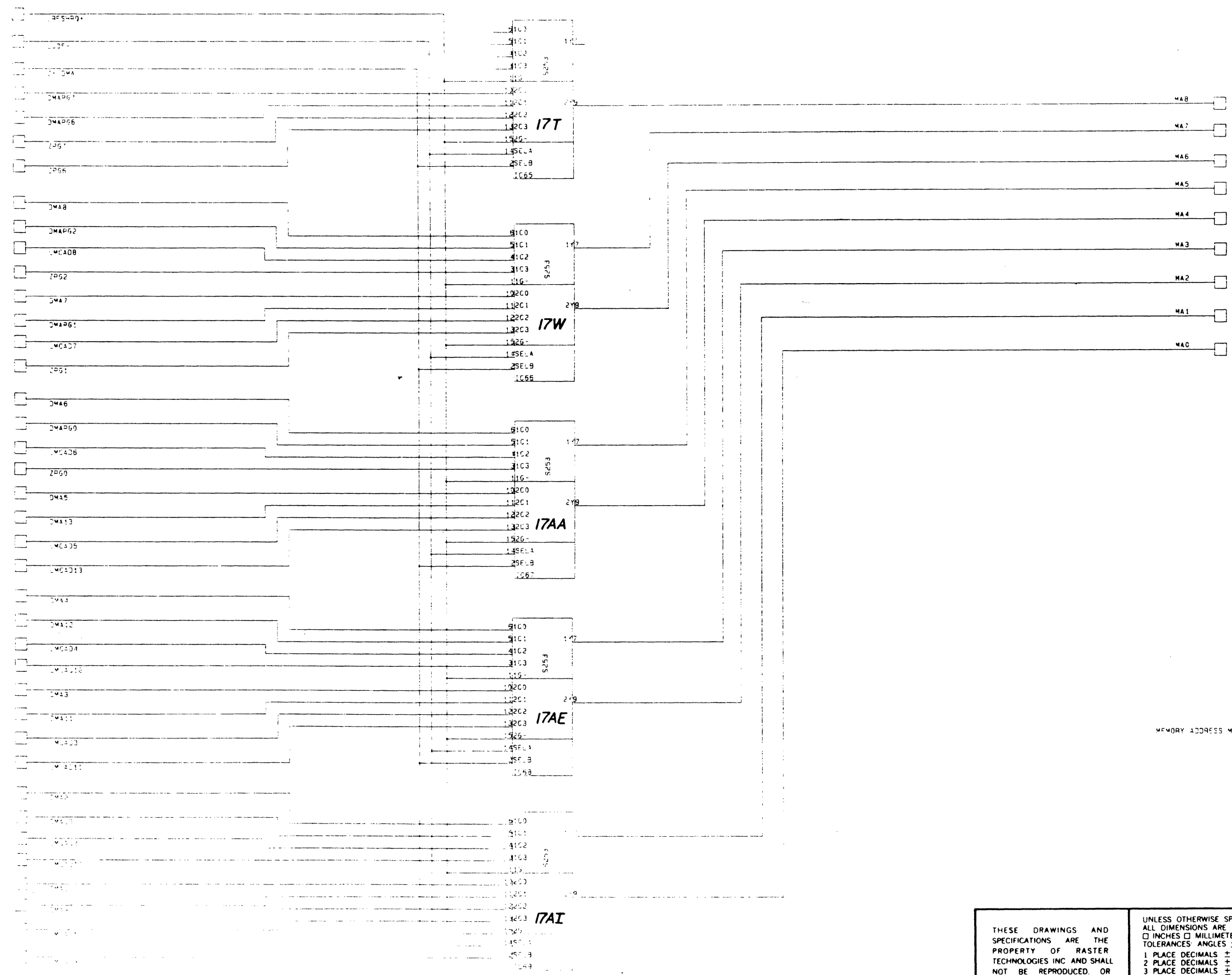
REV	ECO NO	DATE	DESCRIPTION	DFTG	ENG.



AM2940 DMA ADDRESS GENERATION

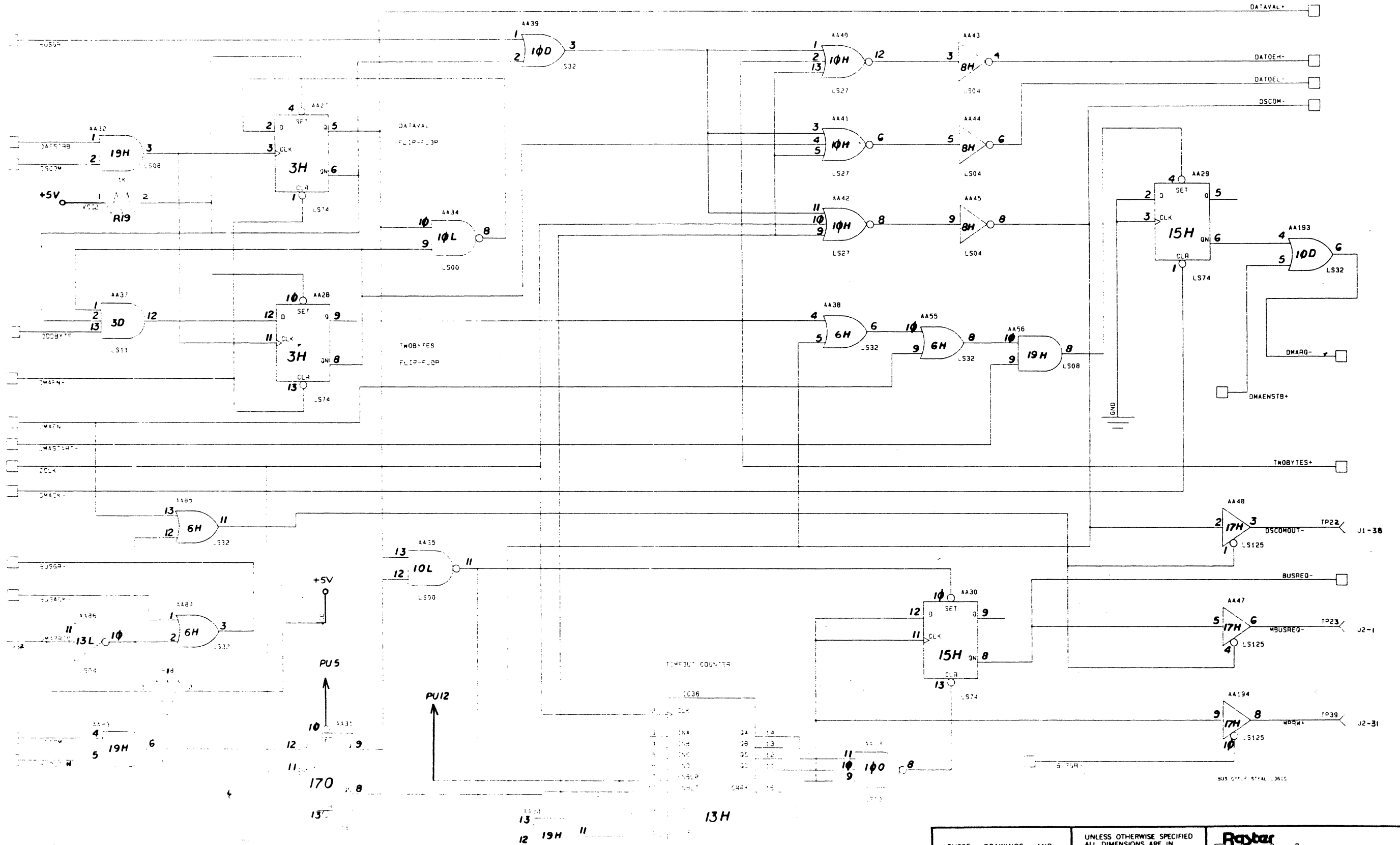
THESE DRAWINGS AND SPECIFICATIONS ARE THE PROPERTY OF RASTER TECHNOLOGIES INC. AND SHALL NOT BE REPRODUCED, COPIED, OR USED AS THE BASIS FOR THE MANUFACTURE OR SALE OF APPARATUS WITHOUT WRITTEN PERMISSION.	UNLESS OTHERWISE SPECIFIED ALL DIMENSIONS ARE IN <input type="checkbox"/> INCHES <input type="checkbox"/> MILLIMETERS TOLERANCES: ANGLES ± 2° 1 PLACE DECIMALS ± 0.1 2 PLACE DECIMALS ± 0.03 3 PLACE DECIMALS ± 0.005	Raster Technologies HAWK BULK MEMORY
	MATERIAL:	

REVISIONS				
REV	ECO NO	DATE	DESCRIPTION	ENG



THESE DRAWINGS AND SPECIFICATIONS ARE THE PROPERTY OF RASTER TECHNOLOGIES INC AND SHALL NOT BE REPRODUCED OR COPIED OR USED AS THE BASIS FOR THE MANUFACTURE OR SALE OF APPARATUS WITHOUT WRITTEN PERMISSION	UNLESS OTHERWISE SPECIFIED ALL DIMENSIONS ARE IN <input type="checkbox"/> INCHES <input type="checkbox"/> MILLIMETERS TOLERANCES ANGLES $\pm 2^\circ$ 1 PLACE DECIMALS ± 0.1 2 PLACE DECIMALS ± 0.03 3 PLACE DECIMALS ± 0.005	
	MATERIAL:	
SIZE D DRAWING NO. 006-13000-000	SCALE	SHEET 15 OF 28

91-000-0001-000



THESE DRAWINGS AND SPECIFICATIONS ARE THE PROPERTY OF RASTER TECHNOLOGIES INC. AND SHALL NOT BE REPRODUCED, OR COPIED, OR USED AS THE BASIS FOR THE MANUFACTURE OR SALE OF APPARATUS WITHOUT WRITTEN PERMISSION.	UNLESS OTHERWISE SPECIFIED ALL DIMENSIONS ARE IN □ INCHES □ MILLIMETERS TOLERANCES, ANGLES ± 2° 1 PLACE DECIMALS ± 0.1 2 PLACE DECIMALS ± 0.03 3 PLACE DECIMALS ± 0.005	Raster Technologies HAWK BULK MEMORY
	MATERIAL:	
SCALE	SHEET 16 OF 28	

006-13000-000

D

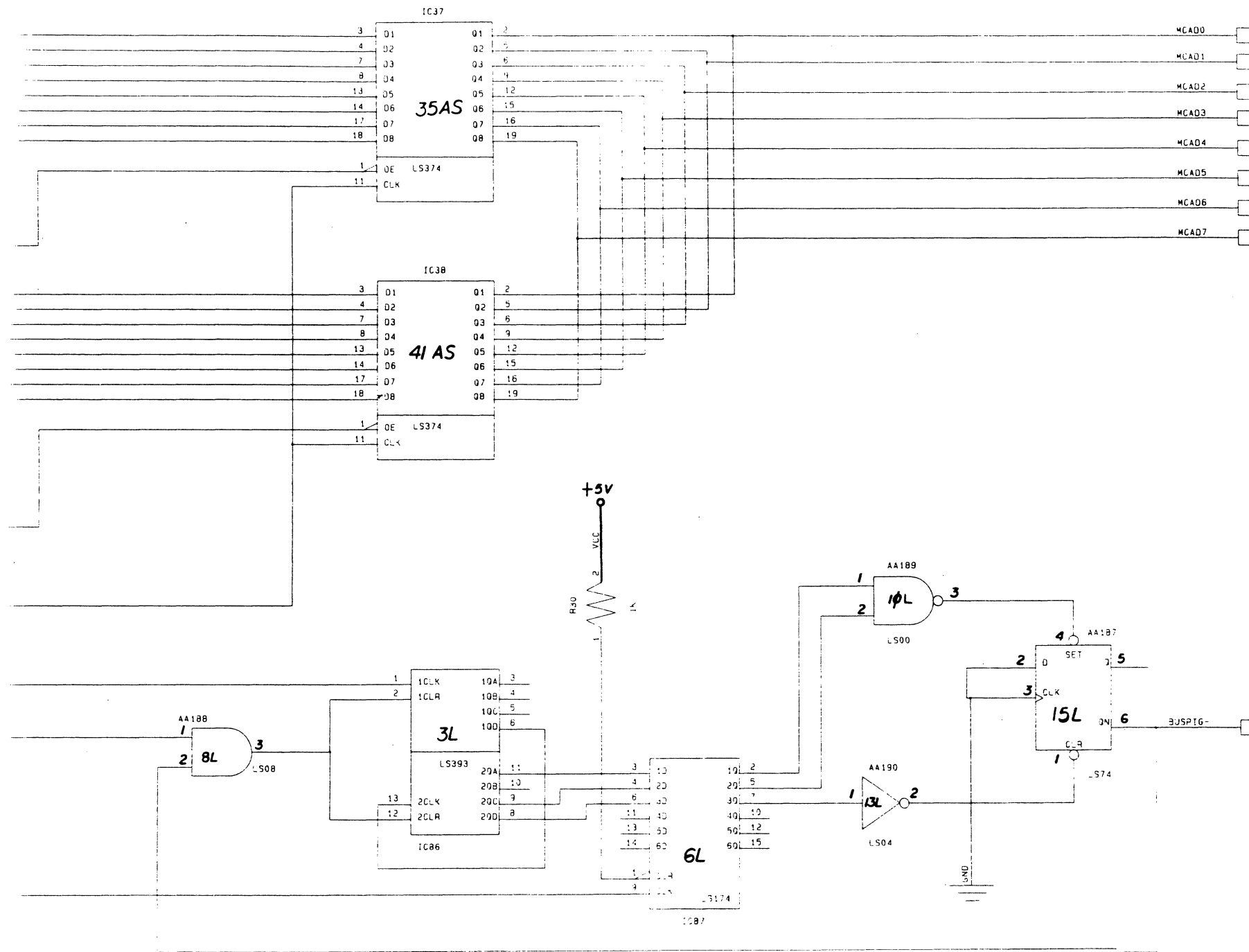
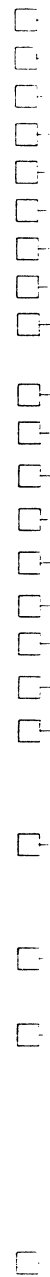
C

B

A

48-0845 (12/81)

8



DMA OUTPUT LATCHES
AND BUS PIG PREVENTION

THESE DRAWINGS AND SPECIFICATIONS ARE THE PROPERTY OF RASTER TECHNOLOGIES INC AND SHALL NOT BE REPRODUCED, OR COPIED, OR USED AS THE BASIS FOR THE MANUFACTURE OR SALE OF APPARATUS WITHOUT WRITTEN PERMISSION	UNLESS OTHERWISE SPECIFIED ALL DIMENSIONS ARE IN □ INCHES □ MILLIMETERS TOLERANCES ANGLES ± 2° 1 PLACE DECIMALS ± 0.1 2 PLACE DECIMALS ± 0.03 3 PLACE DECIMALS ± 0.005	
	MATERIAL:	
SIZE D	DRAWING NO. 006-13000-000	SHEET 17 OF 28
SCALE		

6

E

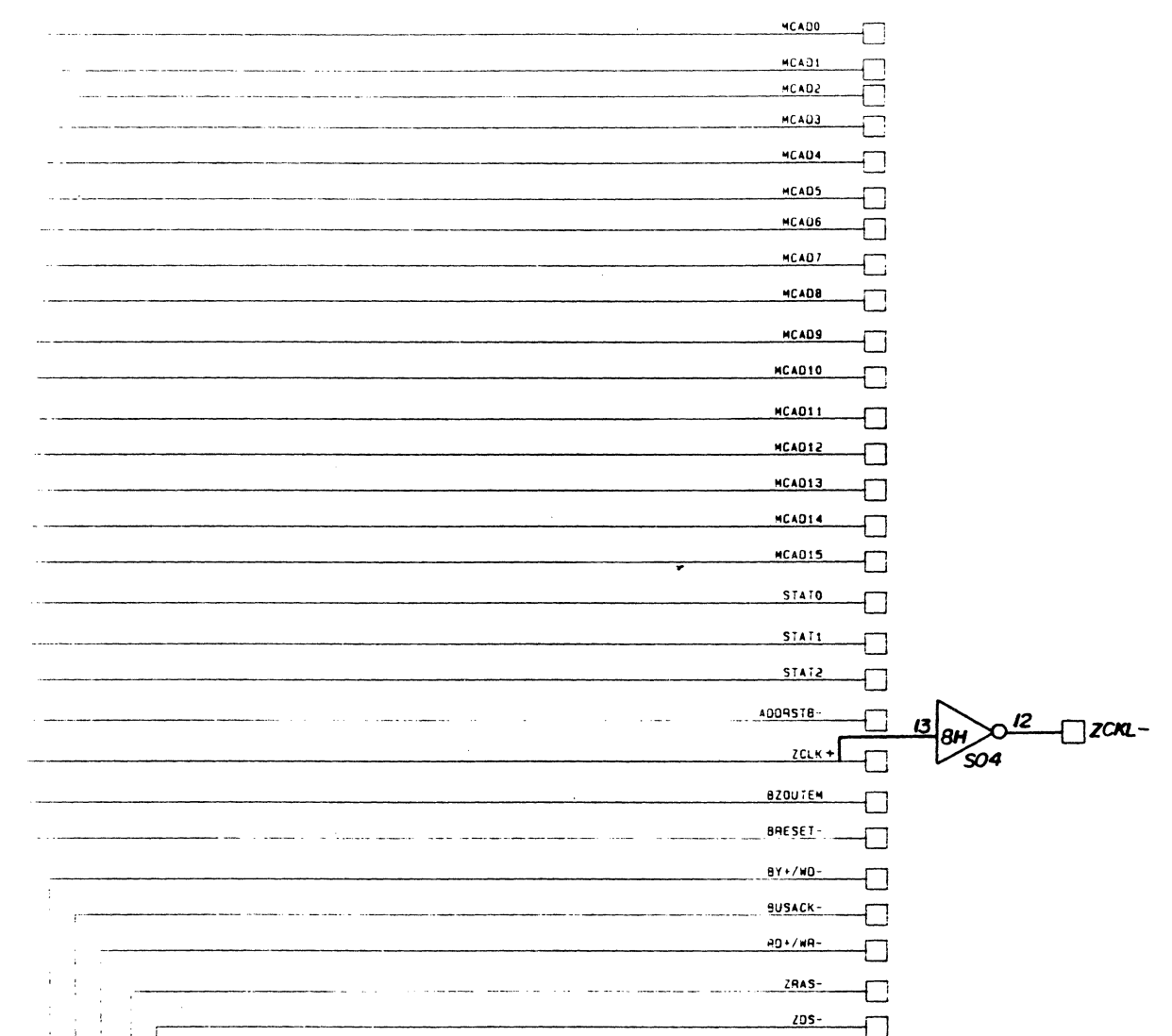
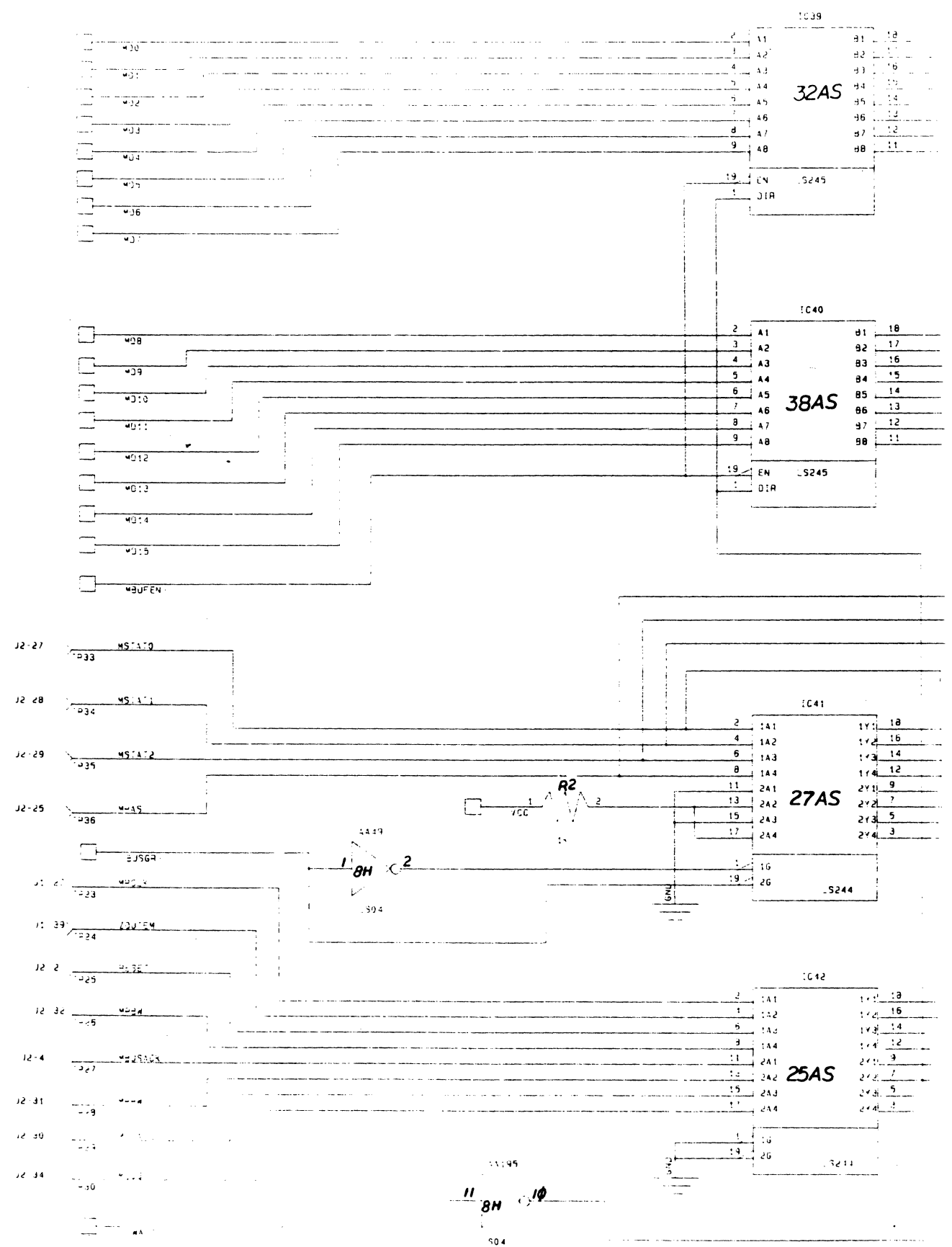
A

2

2

1

REVISIONS					
REV	ECO NO	DATE	DESCRIPTION	OFTG	ENG



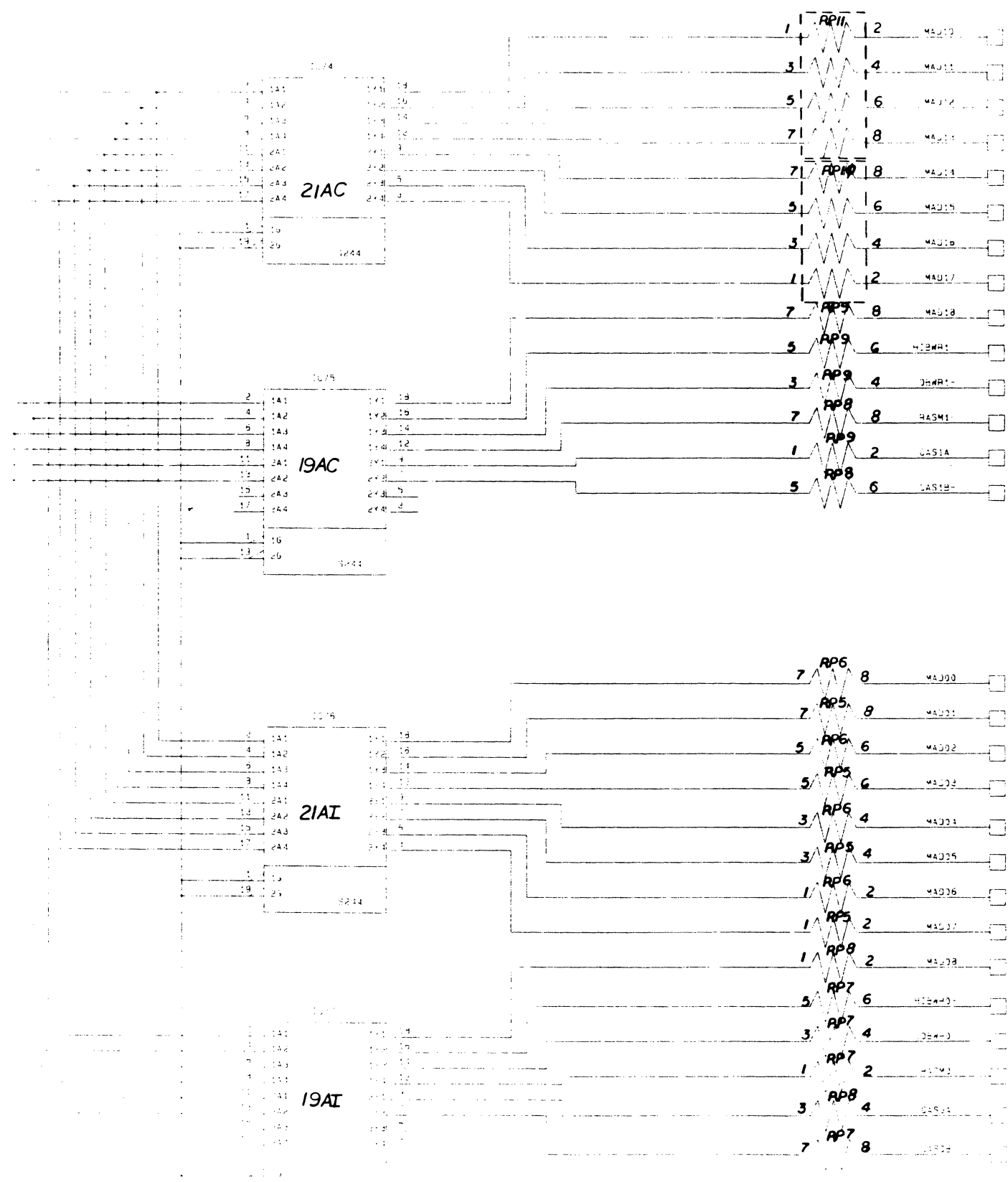
J2-27
J2-28
J2-29
J2-25
J2-23
J2-39
J2-2
J2-32
J2-4
J2-31
J2-30
J2-34

D
C
B
A

006-13000-000

<p>THESE DRAWINGS AND SPECIFICATIONS ARE THE PROPERTY OF RASTER TECHNOLOGIES INC. AND SHALL NOT BE REPRODUCED, OR COPIED, OR USED AS THE BASIS FOR THE MANUFACTURE OR SALE OF APPARATUS WITHOUT WRITTEN PERMISSION.</p>	<p>UNLESS OTHERWISE SPECIFIED ALL DIMENSIONS ARE IN □ INCHES □ MILLIMETERS TOLERANCES: ANGLES ± 2° 1 PLACE DECIMALS ± 0.1 2 PLACE DECIMALS ± 0.03 3 PLACE DECIMALS ± 0.005</p>	<p>Raster Technologies</p>
<p>MATERIAL</p>	<p>SIZE DRAWING NO. 006-13000-000</p>	<p>SHEET 1/8 OF 28</p>

REVISIONS					
REV	ECO NO	DATE	DESCRIPTION	DFTG	ENG.



8 PIN SIP RESISTOR
 PLAS 22 JHM

MEMORY BUFFERS BANKS 0 AND 1

THESE DRAWINGS AND SPECIFICATIONS ARE THE PROPERTY OF RASTER TECHNOLOGIES INC. AND SHALL NOT BE REPRODUCED, OR COPIED OR USED AS THE BASIS FOR THE MANUFACTURE OR SALE OF APPARATUS WITHOUT WRITTEN PERMISSION.	UNLESS OTHERWISE SPECIFIED ALL DIMENSIONS ARE IN <input type="checkbox"/> INCHES <input type="checkbox"/> MILLIMETERS TOLERANCES: ANGLES ± 2° 1 PLACE DECIMALS ± 0.1 2 PLACE DECIMALS ± 0.03 3 PLACE DECIMALS ± 0.005	
	MATERIAL:	

D

C

B

I

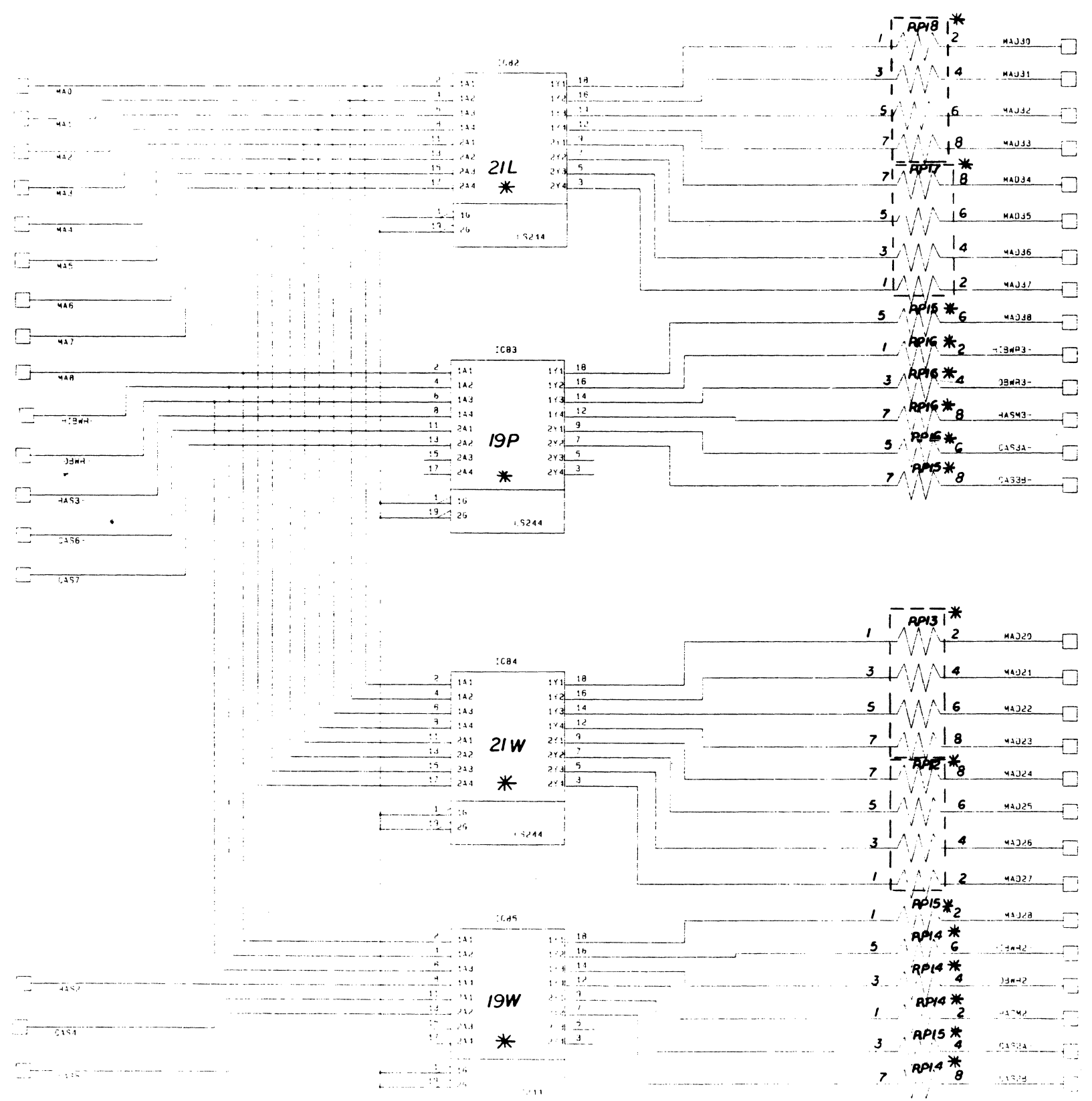
C

B

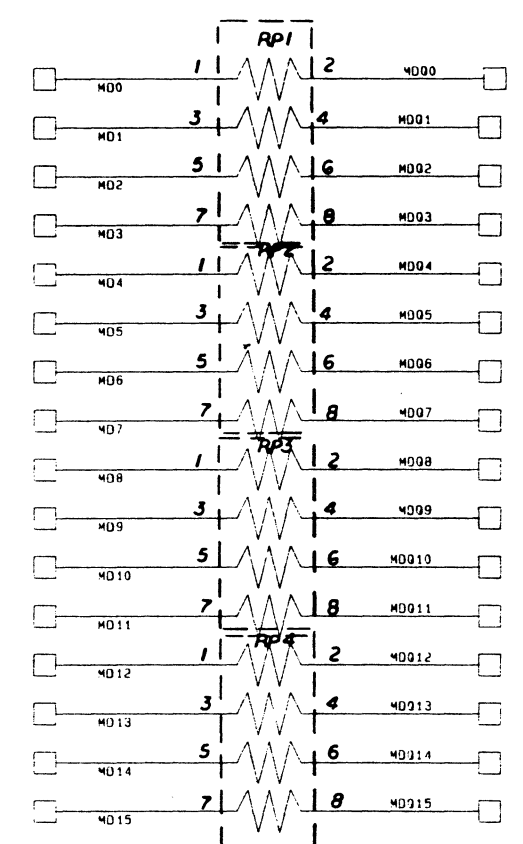
006-13000-000 19

A

REVISIONS					
REV	ECC NO	DATE	DESCRIPTION	OFTG	ENG



RESISTOR NETWORK
PARTS LIST



MEMORY BUFFERS BANKS 2 AND 3
MEMORY DATA BUFFERS

* NOT USED FOR 1/2 MBYTE BULK MEMORY (001-13001-002 REF)

THESE DRAWINGS AND SPECIFICATIONS ARE THE PROPERTY OF RASTER TECHNOLOGIES INC AND SHALL NOT BE REPRODUCED, OR COPIED, OR USED AS THE BASIS FOR THE MANUFACTURE OR SALE OF APPARATUS WITHOUT WRITTEN PERMISSION	UNLESS OTHERWISE SPECIFIED ALL DIMENSIONS ARE IN □ INCHES □ MILLIMETERS TOLERANCES: ANGLES ± 2° 1 PLACE DECIMALS ± 0.1 2 PLACE DECIMALS ± 0.03 3 PLACE DECIMALS ± 0.005	
	MATERIAL:	
SIZE: D	DRAWING NO: 006-13000-000	SHEET 10 OF 24

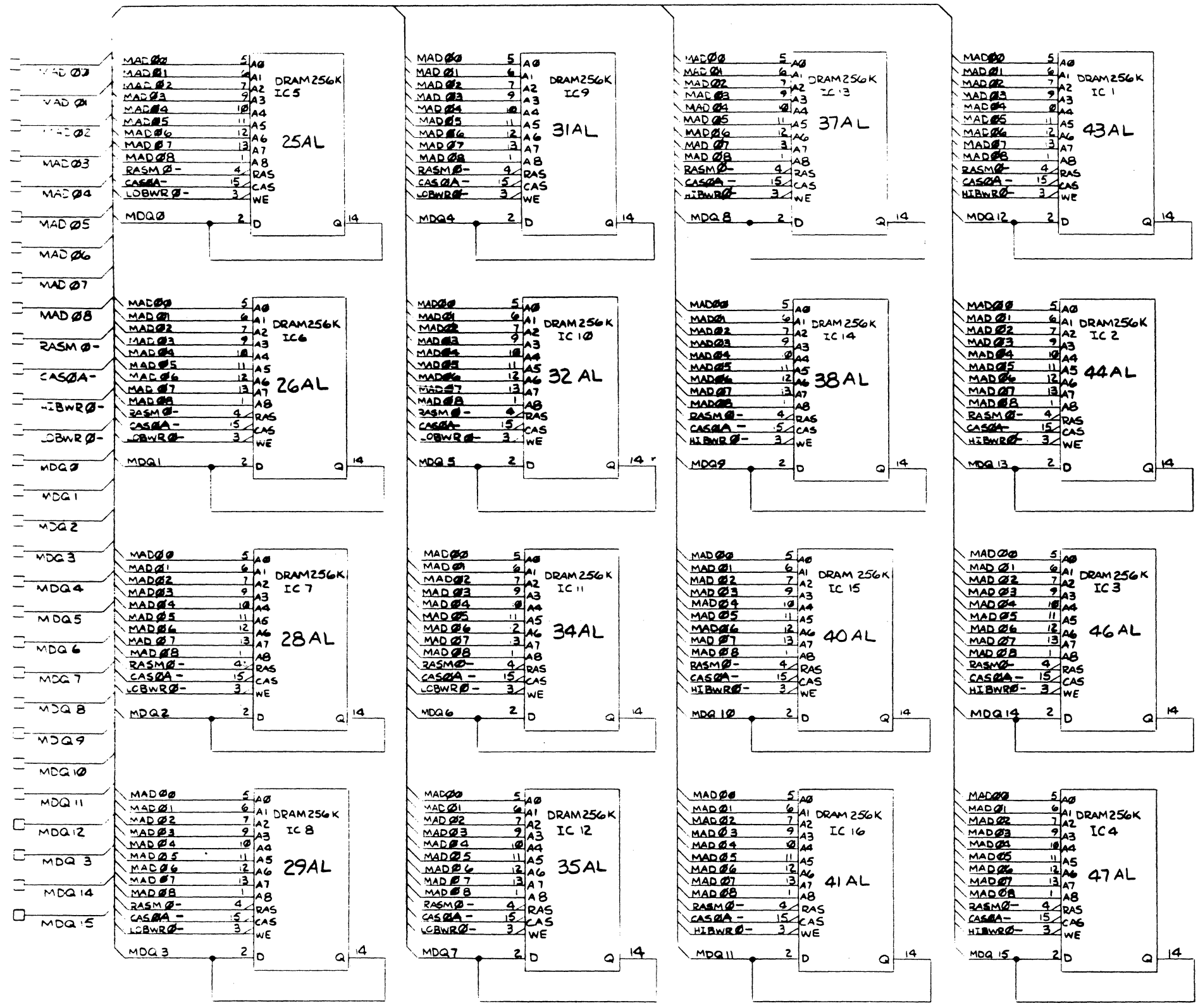
D
C
B

I
C
B

DRAWING 44131

006-13000-0001-02

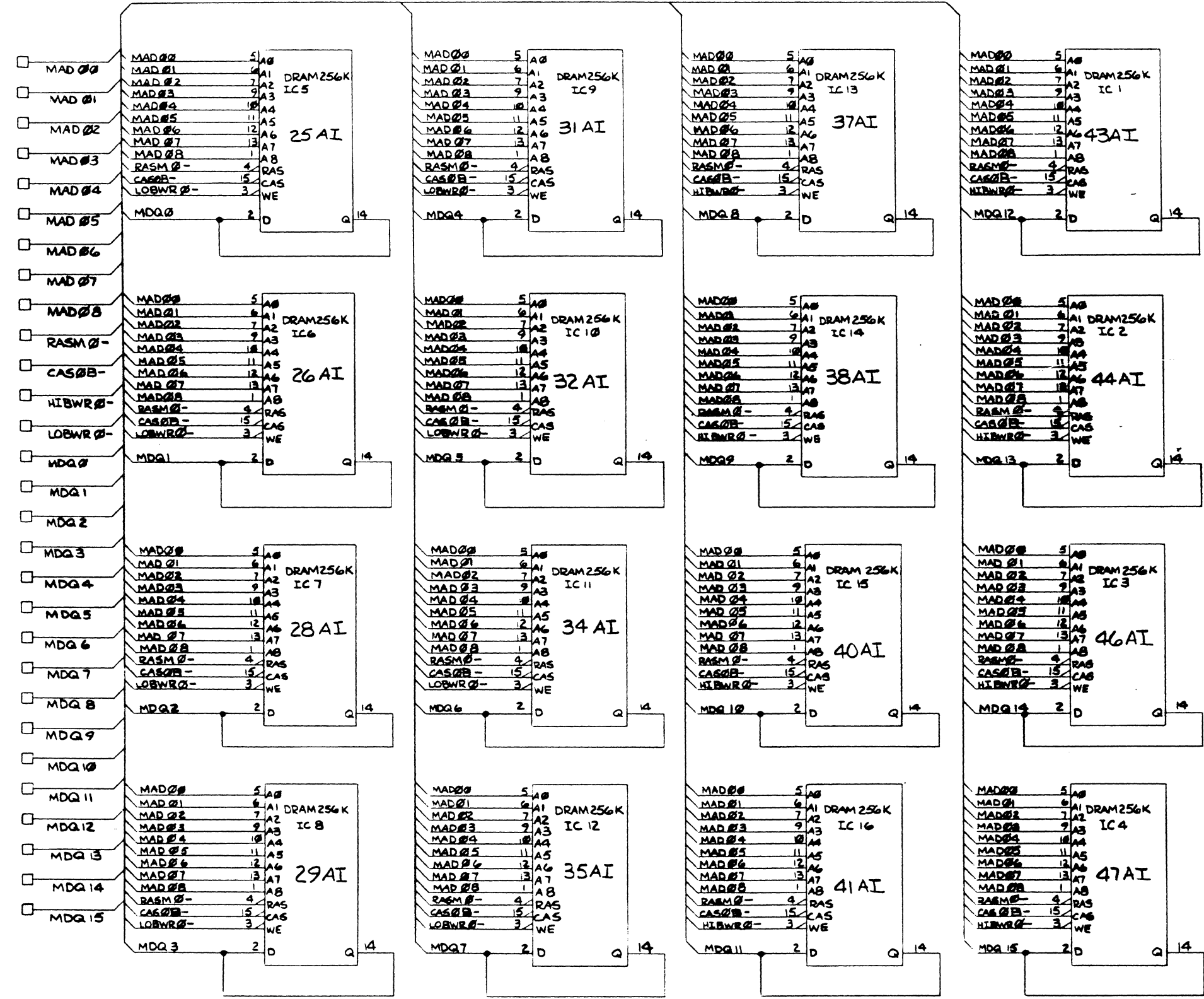
REV	ECO NO	DATE	DESCRIPTION	DFTG	ENG



MEMORY ARRAY BANK 0A

THESE DRAWINGS AND SPECIFICATIONS ARE THE PROPERTY OF RASTER TECHNOLOGIES INC AND SHALL NOT BE REPRODUCED OR COPIED, OR USED AS THE BASIS FOR THE MANUFACTURE OR SALE OF APPARATUS WITHOUT WRITTEN PERMISSION	UNLESS OTHERWISE SPECIFIED ALL DIMENSIONS ARE IN <input type="checkbox"/> INCHES <input type="checkbox"/> MILLIMETERS TOLERANCES ANGLES ± 2° 1 PLACE DECIMALS ± 0.1 2 PLACE DECIMALS ± 0.03 3 PLACE DECIMALS ± 0.005	
	MATERIAL	
SIZE DRAWING NO D 006-13000-000	SCALE	SHEET 21 OF 25

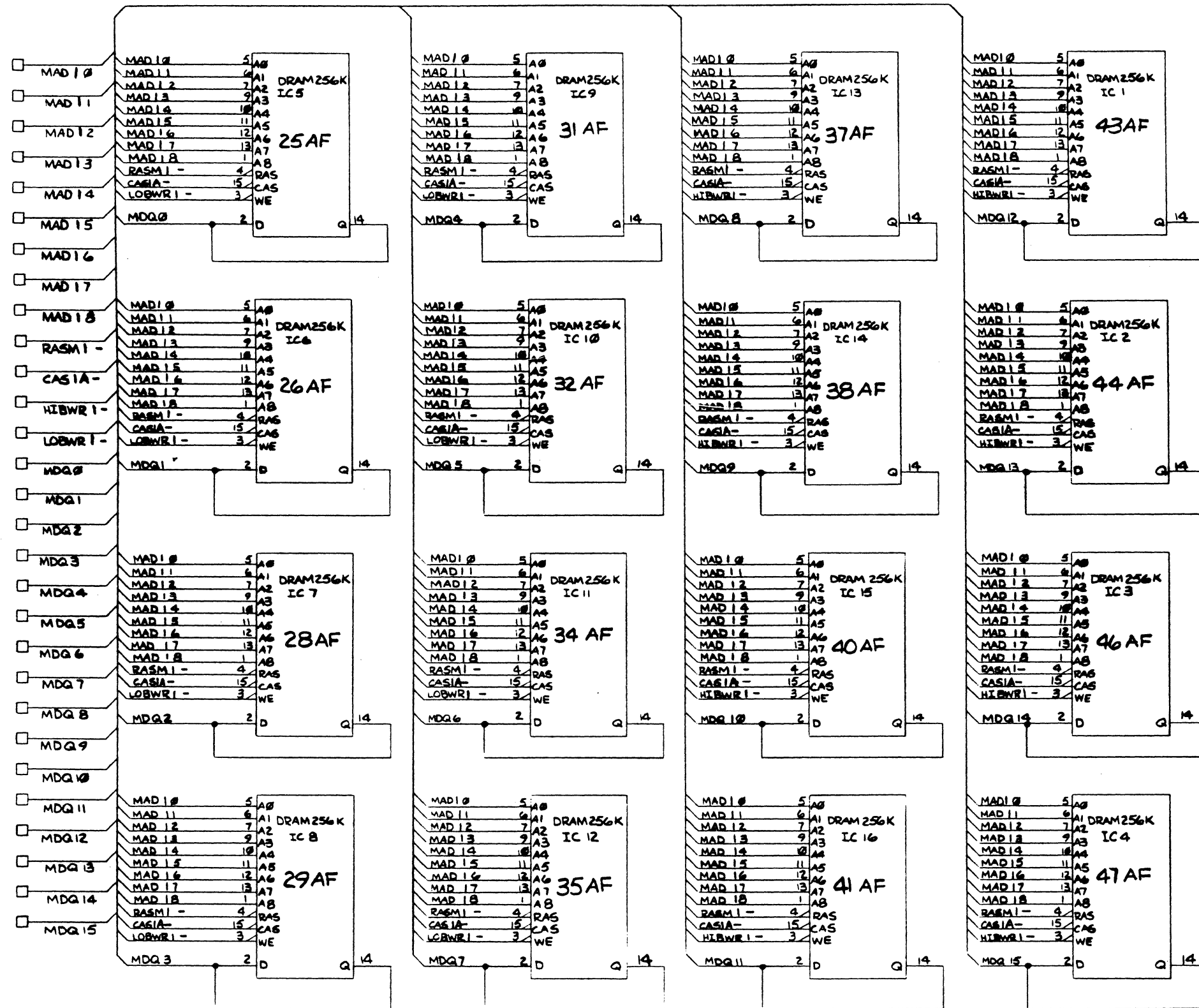
REVISIONS					
REV	ECO NO	DATE	DESCRIPTION	DFTG	ENG



MEMORY ARRAY BANK 0B

<p>THESE DRAWINGS AND SPECIFICATIONS ARE THE PROPERTY OF RASTER TECHNOLOGIES INC AND SHALL NOT BE REPRODUCED, OR COPIED, OR USED AS THE BASIS FOR THE MANUFACTURE OR SALE OF APPARATUS WITHOUT WRITTEN PERMISSION</p>	<p>UNLESS OTHERWISE SPECIFIED ALL DIMENSIONS ARE IN □ INCHES □ MILLIMETERS TOLERANCES: ANGLES ± 2° 1 PLACE DECIMALS ± 0.1 2 PLACE DECIMALS ± 0.03 3 PLACE DECIMALS ± 0.005</p>	
<p>MATERIAL</p>		<p>SIZE DRAWING NO D 006-13000-000</p>

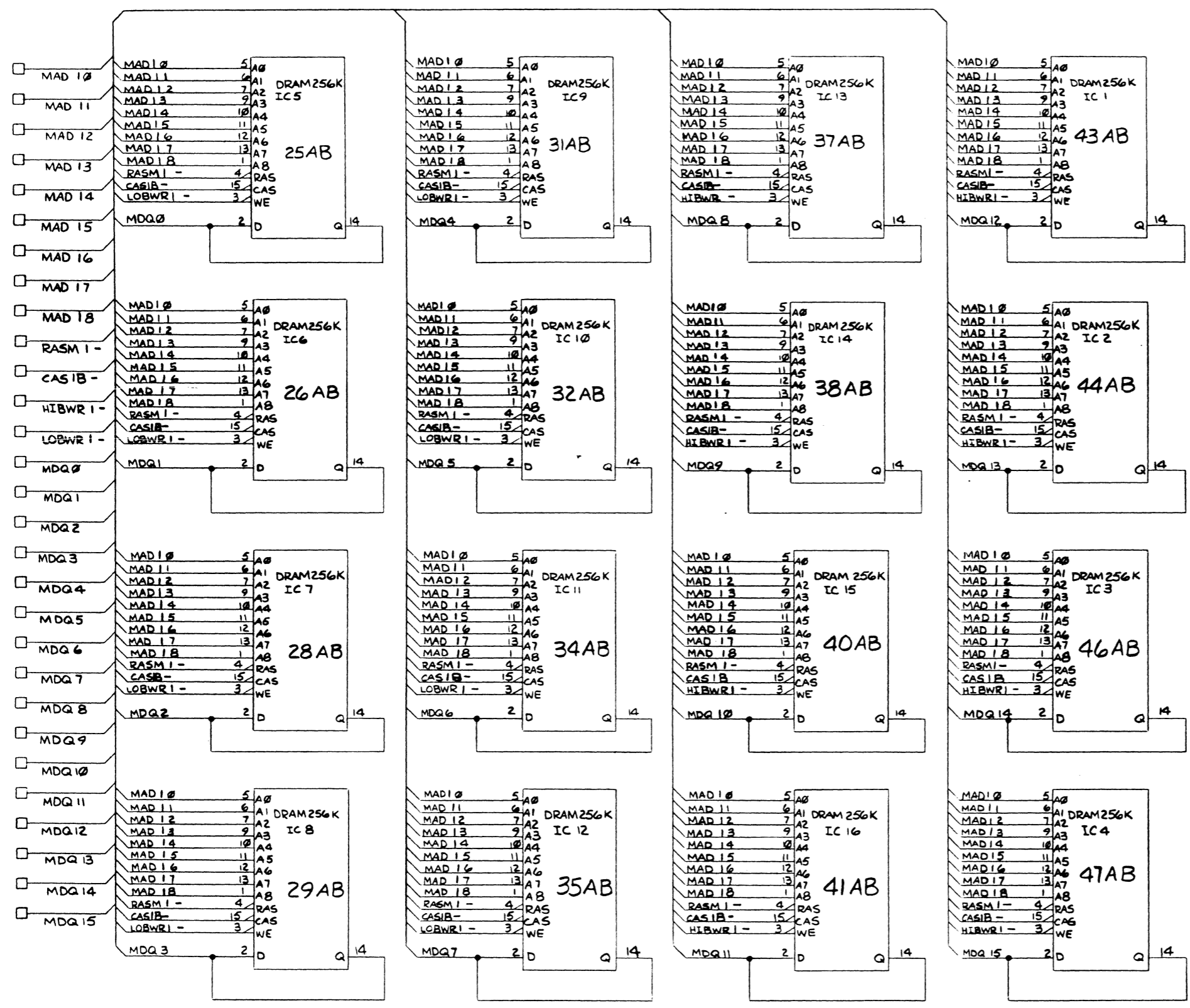
006-13000-000 (REV. 04/80)



MEMORY ARRAY BANK 1A

THESE DRAWINGS AND SPECIFICATIONS ARE THE PROPERTY OF RASTER TECHNOLOGIES INC AND SHALL NOT BE REPRODUCED, OR COPIED, OR USED AS THE BASIS FOR THE MANUFACTURE OR SALE OF APPARATUS WITHOUT WRITTEN PERMISSION	UNLESS OTHERWISE SPECIFIED ALL DIMENSIONS ARE IN <input type="checkbox"/> INCHES <input type="checkbox"/> MILLIMETERS TOLERANCES: ANGLES ± 2° 1 PLACE DECIMALS ± 0.1 2 PLACE DECIMALS ± 0.03 3 PLACE DECIMALS ± 0.003	
	MATERIAL:	
SIZE: DRAWING NO. D 006-13000-000	SCALE:	SHEET 23 OF 25

REVISIONS				
REV	ECO NO	DATE	DESCRIPTION	ENGR

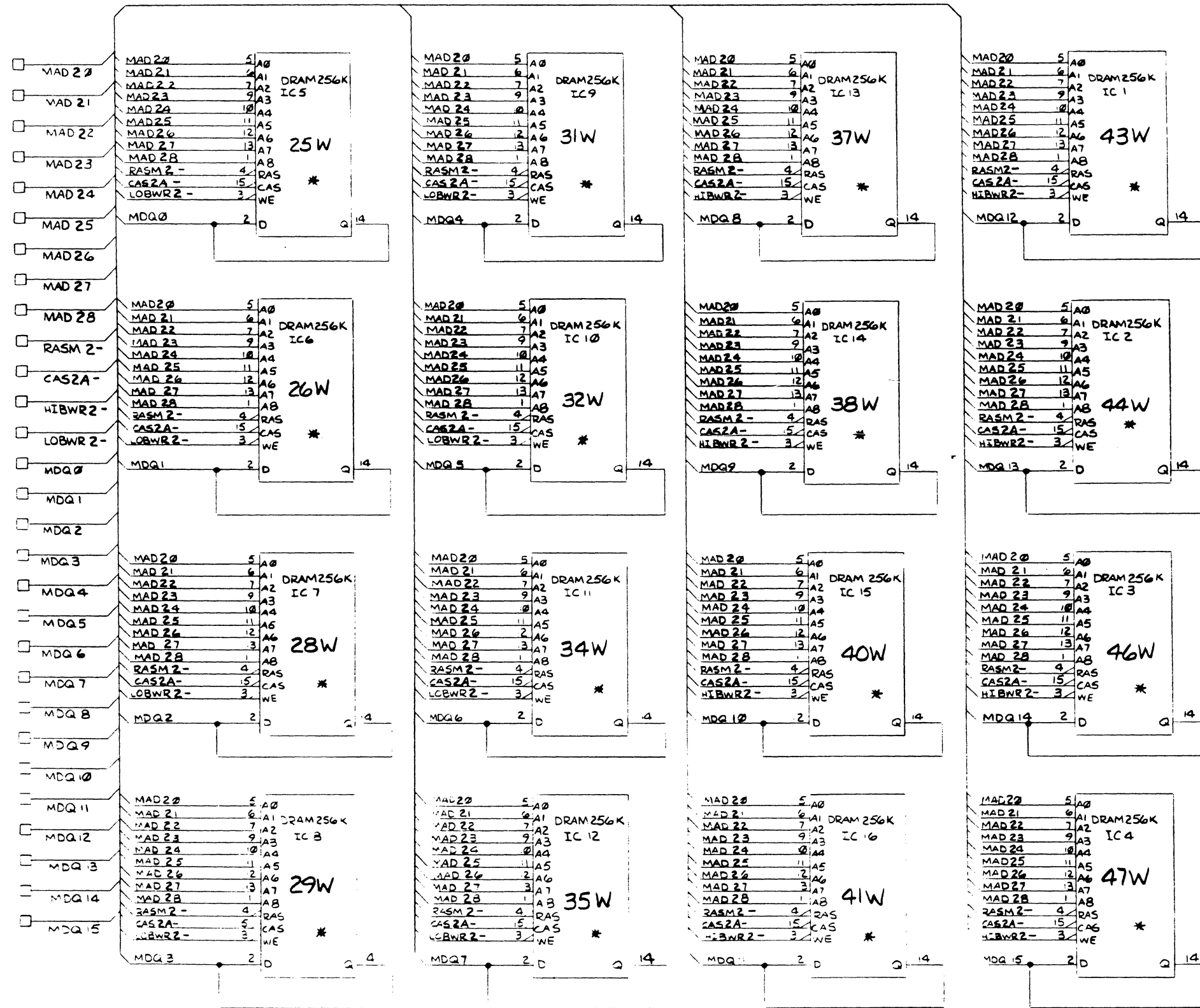


MEMORY ARRAY BANK 1B

<p>THESE DRAWINGS AND SPECIFICATIONS ARE THE PROPERTY OF RASTER TECHNOLOGIES INC AND SHALL NOT BE REPRODUCED, OR COPIED, OR USED AS THE BASIS FOR THE MANUFACTURE OR SALE OF APPARATUS WITHOUT WRITTEN PERMISSION</p>	<p>UNLESS OTHERWISE SPECIFIED ALL DIMENSIONS ARE IN □ INCHES □ MILLIMETERS TOLERANCES: ANGLES ± 2° 1 PLACE DECIMALS ± 0.1 2 PLACE DECIMALS ± 0.03 3 PLACE DECIMALS ± 0.005</p>	<p>Raster Technologies</p> <p>HAWK BULK MEMORY</p>
	<p>MATERIAL:</p>	
<p>SIZE DRAWING NO. D 006-13000-000</p>		<p>SCALE: <i>1/4"</i></p>
<p>48-0045 (12/81)</p>		<p>SHEET 24 OF 24 I</p>

REVISIONS					
REV	ECO NO	DATE	DESCRIPTION	DFTG	ENG

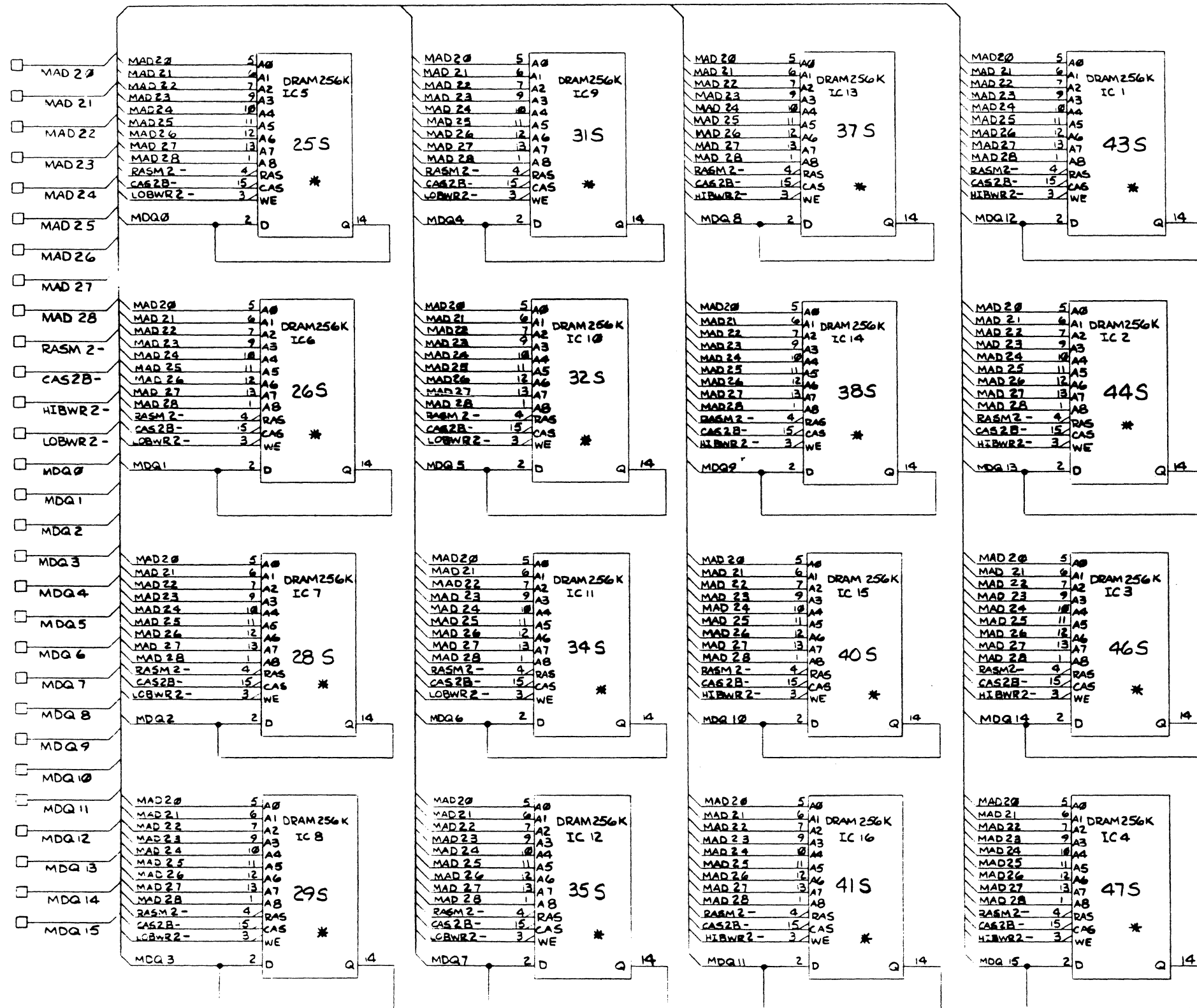
D
C
B
A



MEMORY ARRAY BANK 2A

* NOT USED FOR 1/2 MBYTE BULK MEMORY (001-13001-002 REF)

THESE DRAWINGS AND SPECIFICATIONS ARE THE PROPERTY OF RASTER TECHNOLOGIES INC AND SHALL NOT BE REPRODUCED OR COPIED OR USED AS THE BASIS FOR THE MANUFACTURE OR SALE OF APPARATUS WITHOUT WRITTEN PERMISSION	UNLESS OTHERWISE SPECIFIED ALL DIMENSIONS ARE IN <input type="checkbox"/> INCHES <input type="checkbox"/> MILLIMETERS TOLERANCES ANGLES = 0° 1 PLACE DECIMALS = 0.1 2 PLACE DECIMALS = 0.03 3 PLACE DECIMALS = 0.005	Roybar BULK MEMORY
	MATERIAL DRAWING NO. D 001-13001-002 DATE 25 28	



MEMORY ARRAY BANK 2B

* NOT USED FOR 1/2 MBYTE BULK MEMORY (201-13001-002 REF)

THESE DRAWINGS AND SPECIFICATIONS ARE THE PROPERTY OF RASTER TECHNOLOGIES INC AND SHALL NOT BE REPRODUCED OR COPIED OR USED AS THE BASIS FOR THE MANUFACTURE OR SALE OF APPARATUS WITHOUT WRITTEN PERMISSION

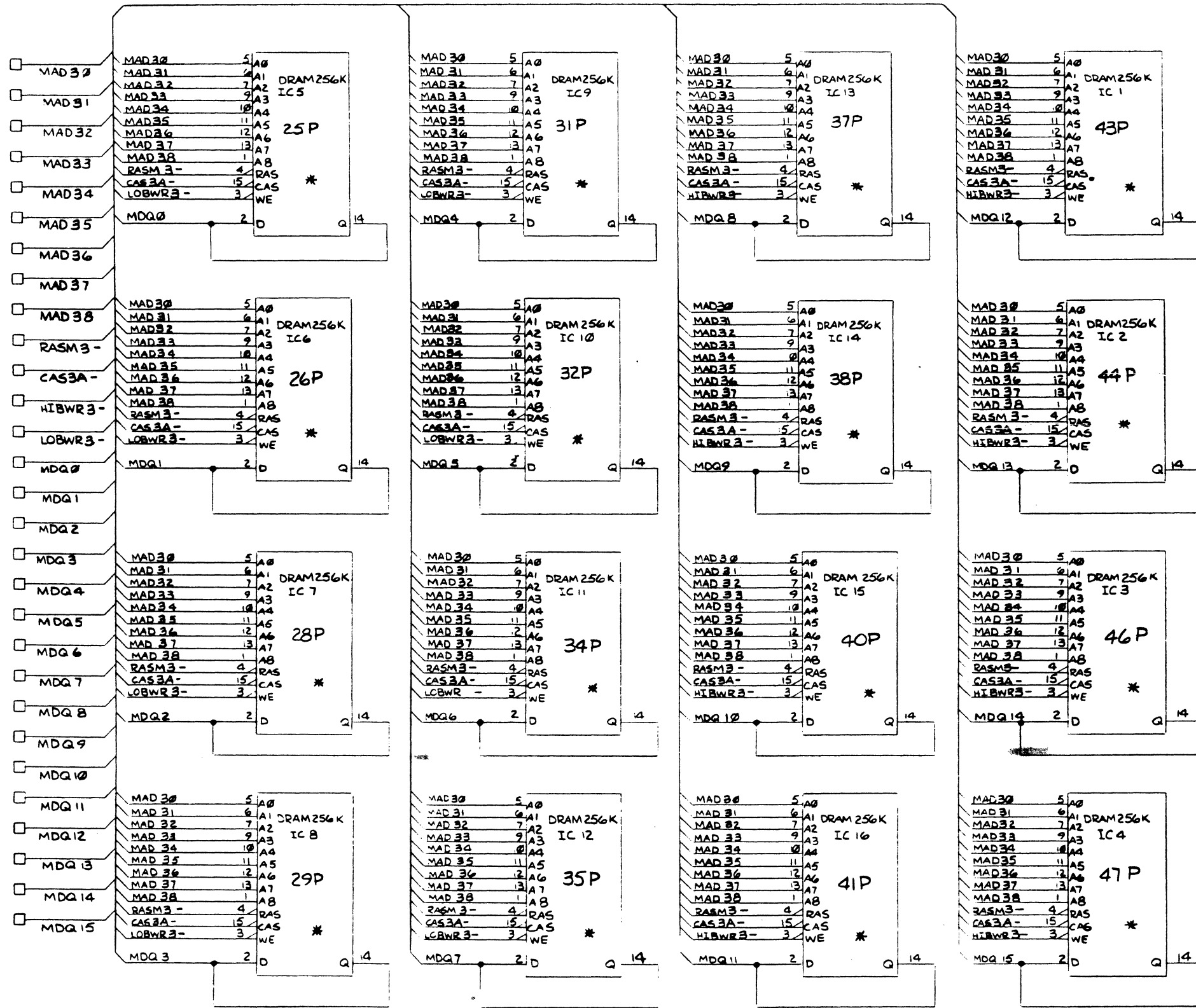
UNLESS OTHERWISE SPECIFIED ALL DIMENSIONS ARE IN:
 □ INCHES □ MILLIMETERS
 TOLERANCES ANGLES ± 2°
 1 PLACE DECIMALS ± 0.1
 2 PLACE DECIMALS ± 0.03
 3 PLACE DECIMALS ± 0.005



HAWK BULK MEMORY

SIZE DRAWING NO
 D 006-13000-000
 SCALE 1:1 SHEET 26 of 26

REVISIONS				
REV	ECO NO	DATE	DESCRIPTION	ENG



MEMORY ARRAY BANK 3A

* NOT USED FOR 1/2 MBYTE BULK MEMORY (001-13001-002 REF)

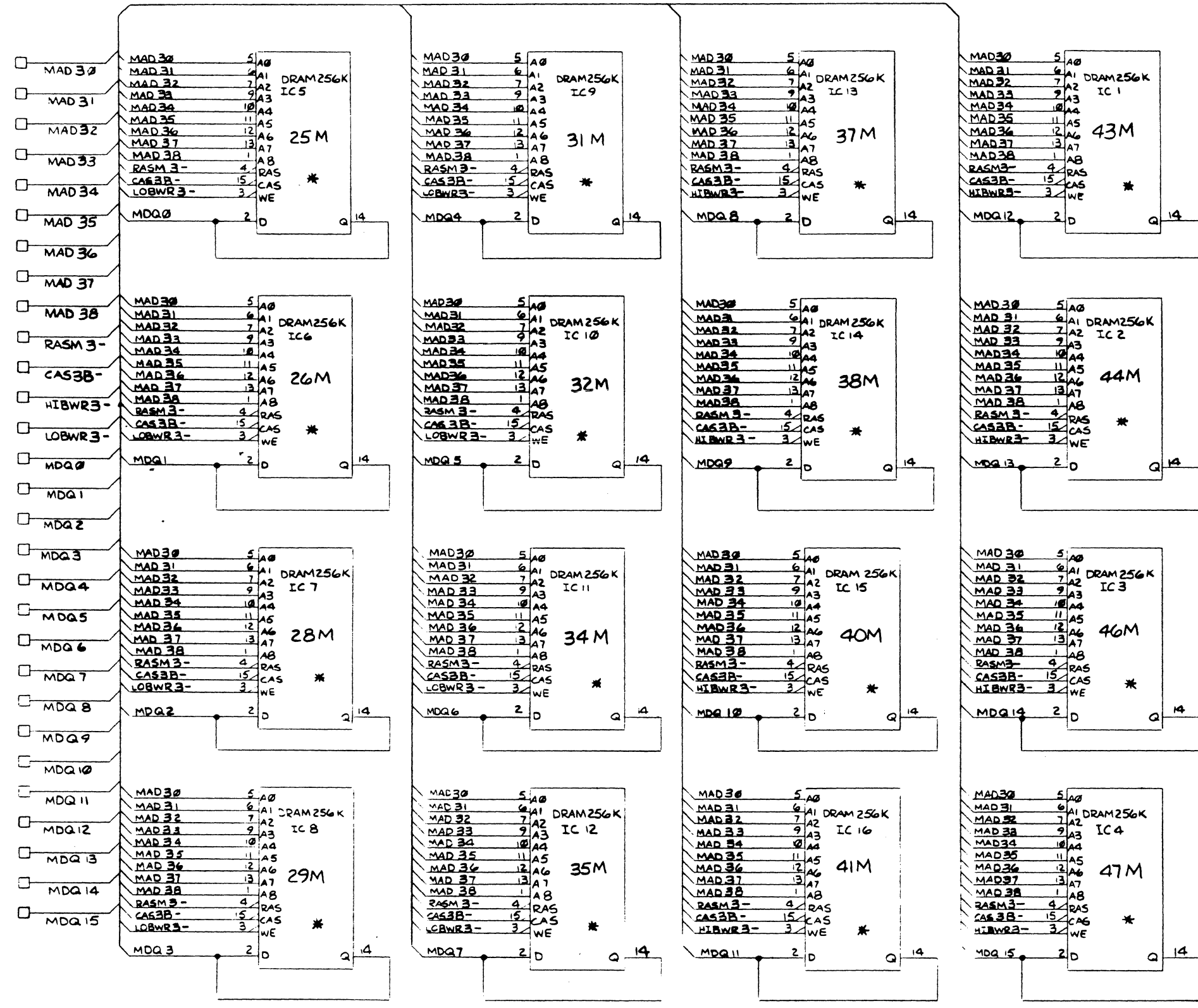
THESE DRAWINGS AND SPECIFICATIONS ARE THE PROPERTY OF RASTER TECHNOLOGIES INC AND SHALL NOT BE REPRODUCED OR COPIED OR USED AS THE BASIS FOR THE MANUFACTURE OR SALE OF APPARATUS WITHOUT WRITTEN PERMISSION	UNLESS OTHERWISE SPECIFIED ALL DIMENSIONS ARE IN INCHES OR MILLIMETERS TOLERANCES ANGLES = °	Prober ---K BULK MEMORY
	MATERIAL	
SIZE DRAWING NO: D 000-3000-000		SHEET 27 OF 28

D

C

B

A



MEMORY ARRAY BANK 3B

* NOT USED FOR 1/2 MBYTE BULK MEMORY (001-13001-002 REF)

THESE DRAWINGS AND SPECIFICATIONS ARE THE PROPERTY OF RASTER TECHNOLOGIES INC AND SHALL NOT BE REPRODUCED, OR COPIED, OR USED AS THE BASIS FOR THE MANUFACTURE OR SALE OF APPARATUS WITHOUT WRITTEN PERMISSION	UNLESS OTHERWISE SPECIFIED ALL DIMENSIONS ARE IN □ INCHES □ MILLIMETERS TOLERANCES ANGLES ± 2° 1 PLACE DECIMALS ± 0.1 2 PLACE DECIMALS ± 0.03 3 PLACE DECIMALS ± 0.005	
	MATERIAL:	
SIZE DRAWING NO: D 000-3000-000		SCALE: 1:1