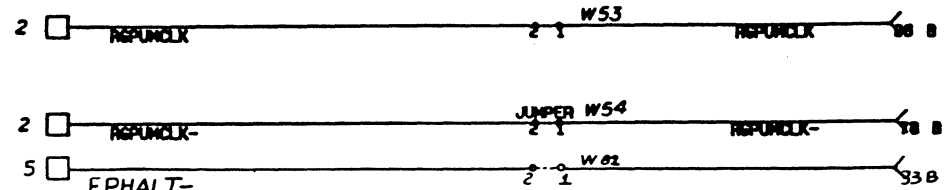
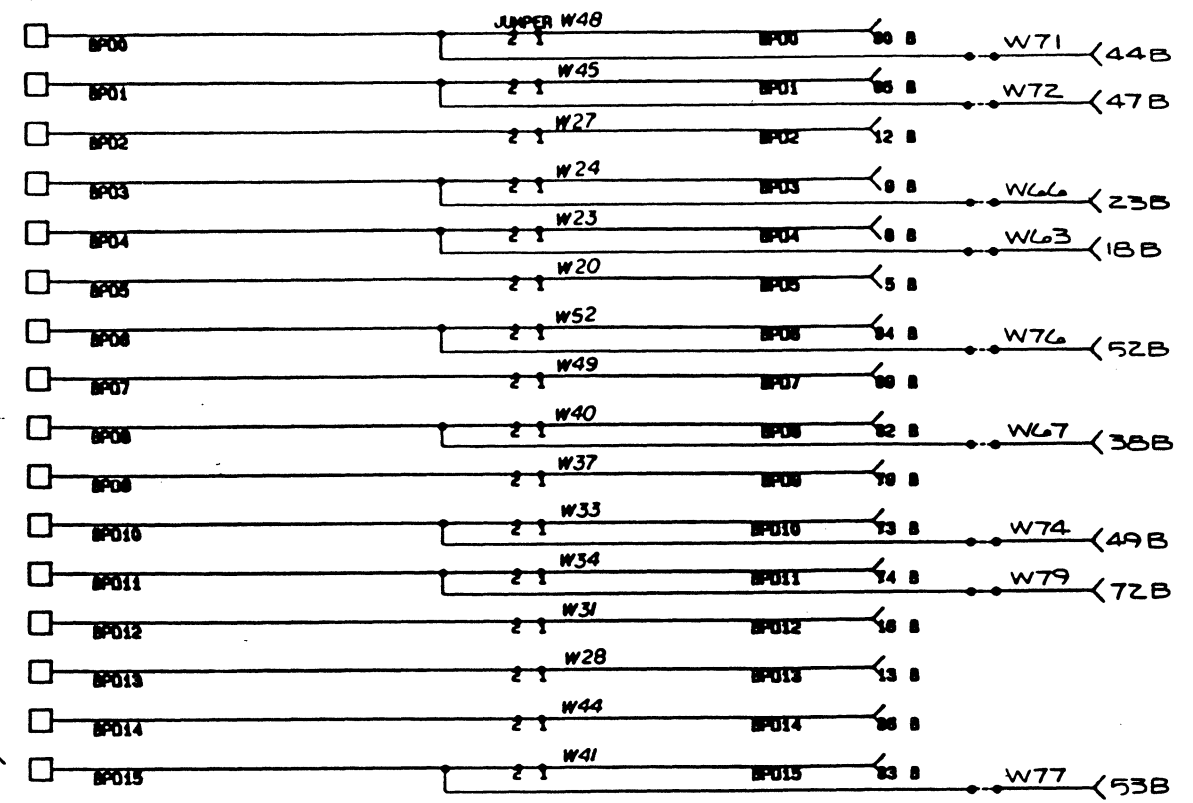
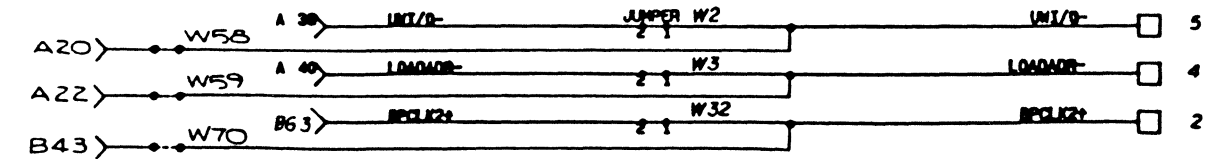
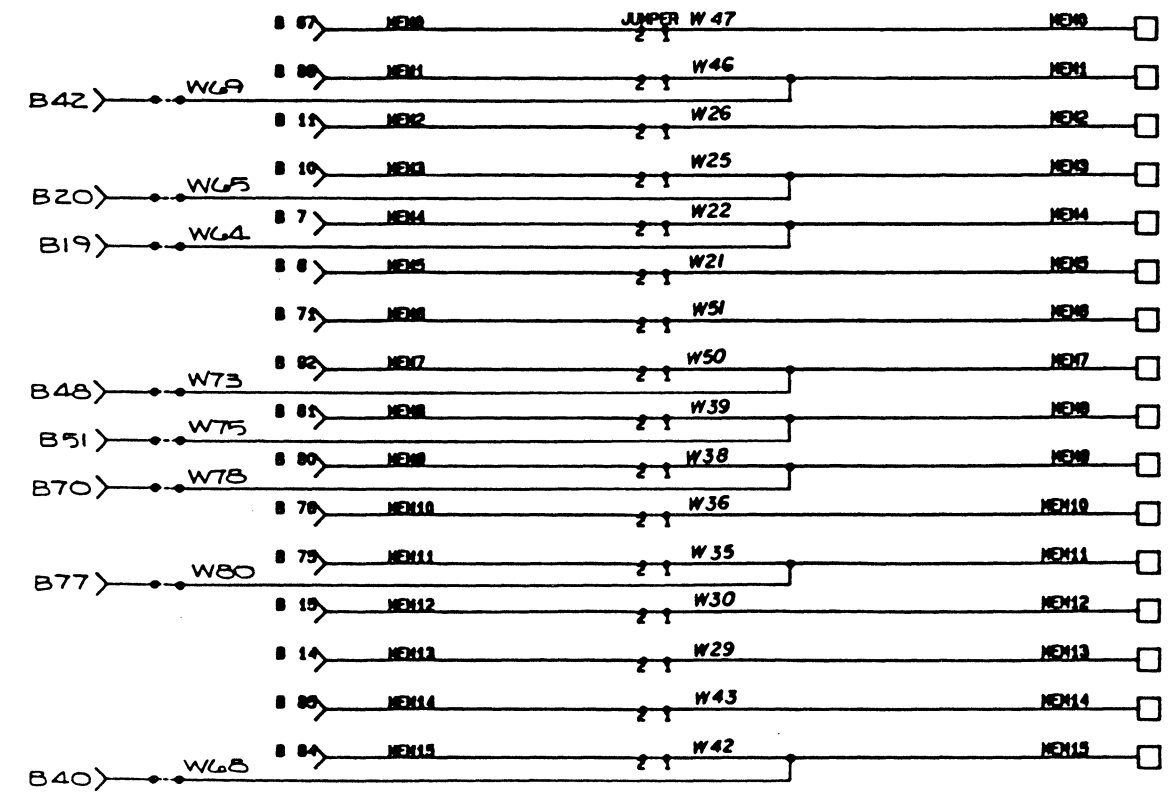
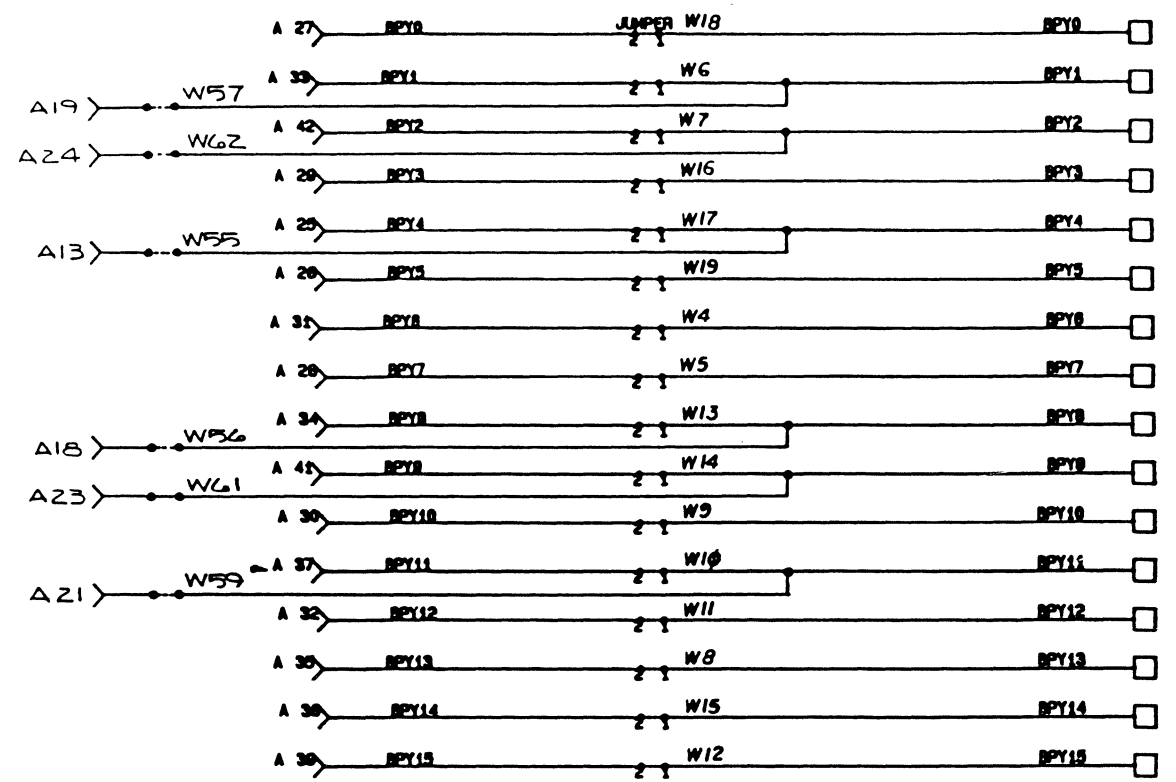


# Floating Point Co-Processor

Drawing # 006-13400-001

REVISIONS					
REV	ECO NO	DATE	DESCRIPTION	DFTG	ENG



NOTE:  
 THE JUMPERS ARE PHYSICALLY CONNECTED BETWEEN PINS 1 AND 2 WITH HARD COPPER ETCH. (W2 THRU W54 & W81)  
 THE DESIGNATED PINS 1 AND 2 ARE P.C. FEEDTHRU'S IN AN EASILY ACCESSIBLE AREA NEAR THE BACKPLANE I/O PINS.

MAR 04 1986  
 RASTER TECHNOLOGIES, INC. AND RASTER TECHNOLOGIES, INC. ARE THE SOLE PROPRIETORS OF THE PATENT RIGHTS IN THE DESIGN AND CONSTRUCTION OF THE RASTER TECHNOLOGY BACKPLANE I/O CONNECTIONS.

FLOATING POINT  
 I/O CONNECTIONS

THESE DRAWINGS AND SPECIFICATIONS ARE THE PROPERTY OF RASTER TECHNOLOGIES INC. AND SHALL NOT BE REPRODUCED, OR COPIED, OR USED AS THE BASIS FOR THE MANUFACTURE OR SALE OF APPARATUS WITHOUT WRITTEN PERMISSION.	UNLESS OTHERWISE SPECIFIED ALL DIMENSIONS ARE IN □ INCHES □ MILLIMETERS TOLERANCES: ANGLES ± 2° 1 PLACE DECIMALS ± 0.1 2 PLACE DECIMALS ± 0.03 3 PLACE DECIMALS ± 0.005	<b>Raster Technologies</b> <b>FLOATING POINT</b> <b>CO-PROCESSOR</b>
	MATERIAL:	

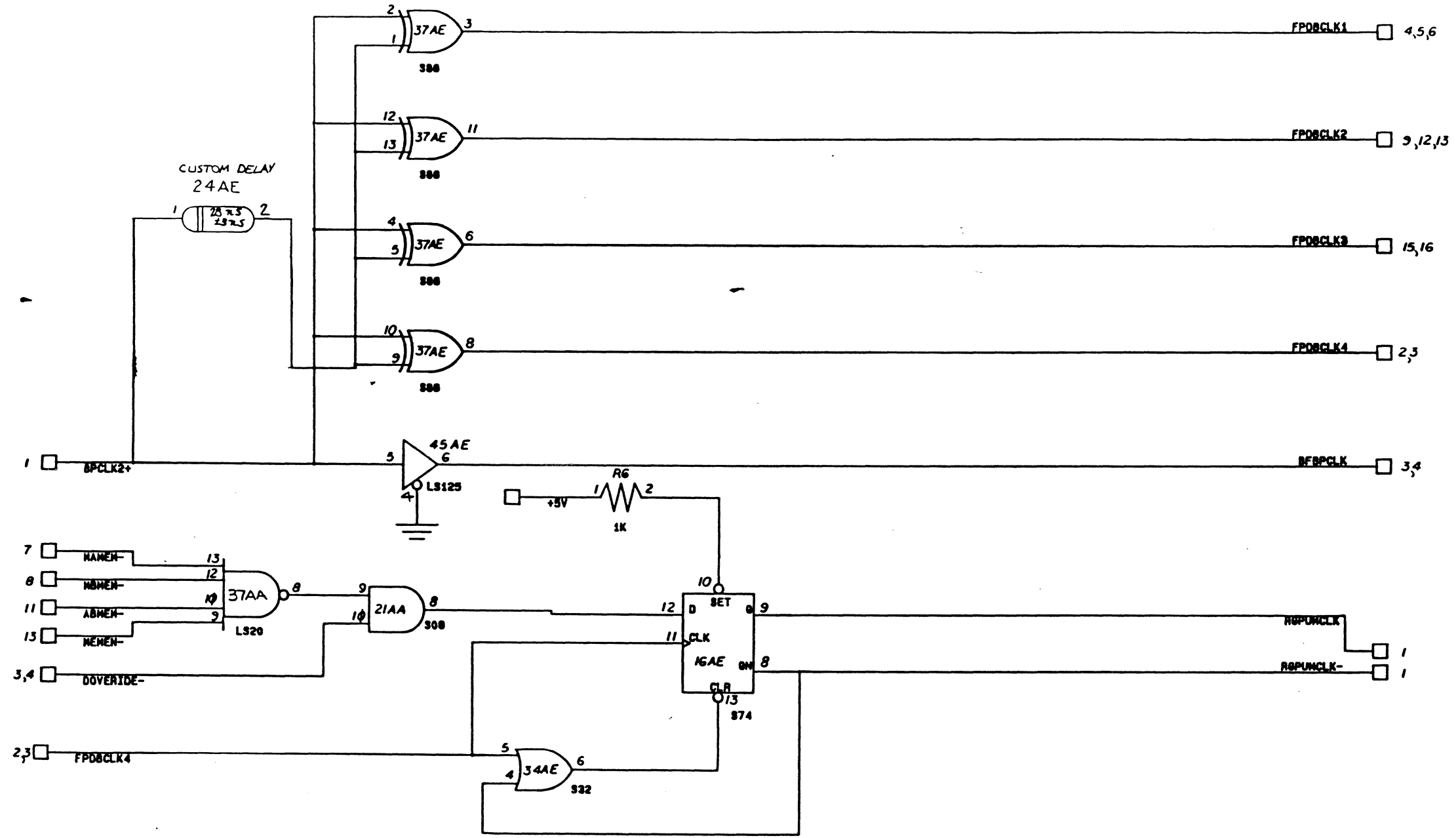
D  
C  
B

D  
C  
B

DRAWING NO. 006-13400-001

A

REVISIONS					
REV	ECO NO	DATE	DESCRIPTION	DFTG	ENG.



RGPU RAM ADDRESS COUNTER CONTROL AND CLOCK GENERATION

THESE DRAWINGS AND SPECIFICATIONS ARE THE PROPERTY OF RASTER TECHNOLOGIES INC. AND SHALL NOT BE REPRODUCED, OR COPIED, OR USED AS THE BASIS FOR THE MANUFACTURE OR SALE OF APPARATUS WITHOUT WRITTEN PERMISSION.	UNLESS OTHERWISE SPECIFIED ALL DIMENSIONS ARE IN □ INCHES □ MILLIMETERS TOLERANCES: ANGLES ± 2° 1 PLACE DECIMALS ± 0.1 2 PLACE DECIMALS ± 0.03 3 PLACE DECIMALS ± 0.005	<b>Raytar Technologies</b>  <b>FLOATING POINT CO-PROCESSOR</b>
	MATERIAL: SIZE: DRAWING NO. 006-13400-01	

D

C

B

D

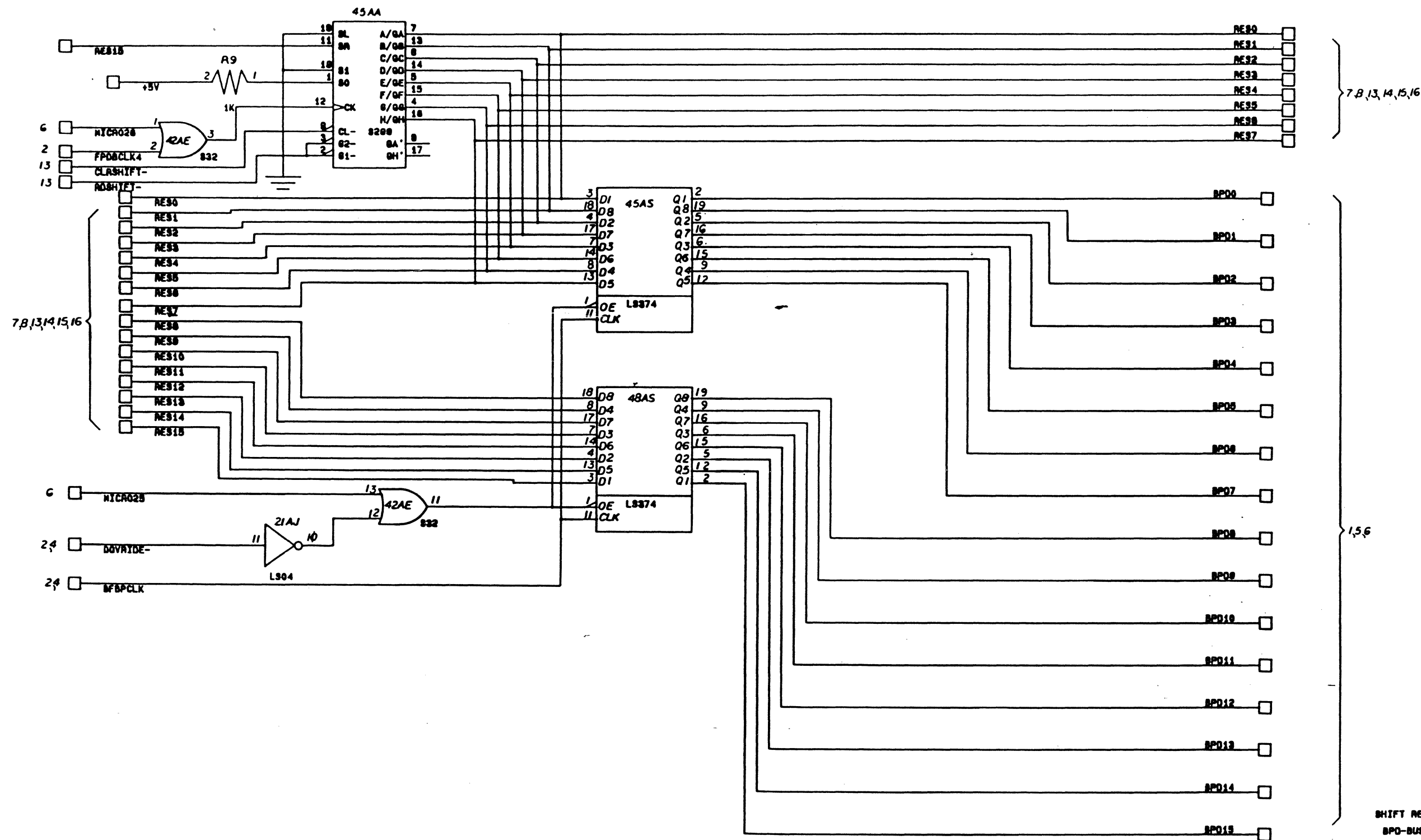
C

B

A

006-13400-01

REVISIONS					
REV	ECO NO	DATE	DESCRIPTION	DFTG	ENG.

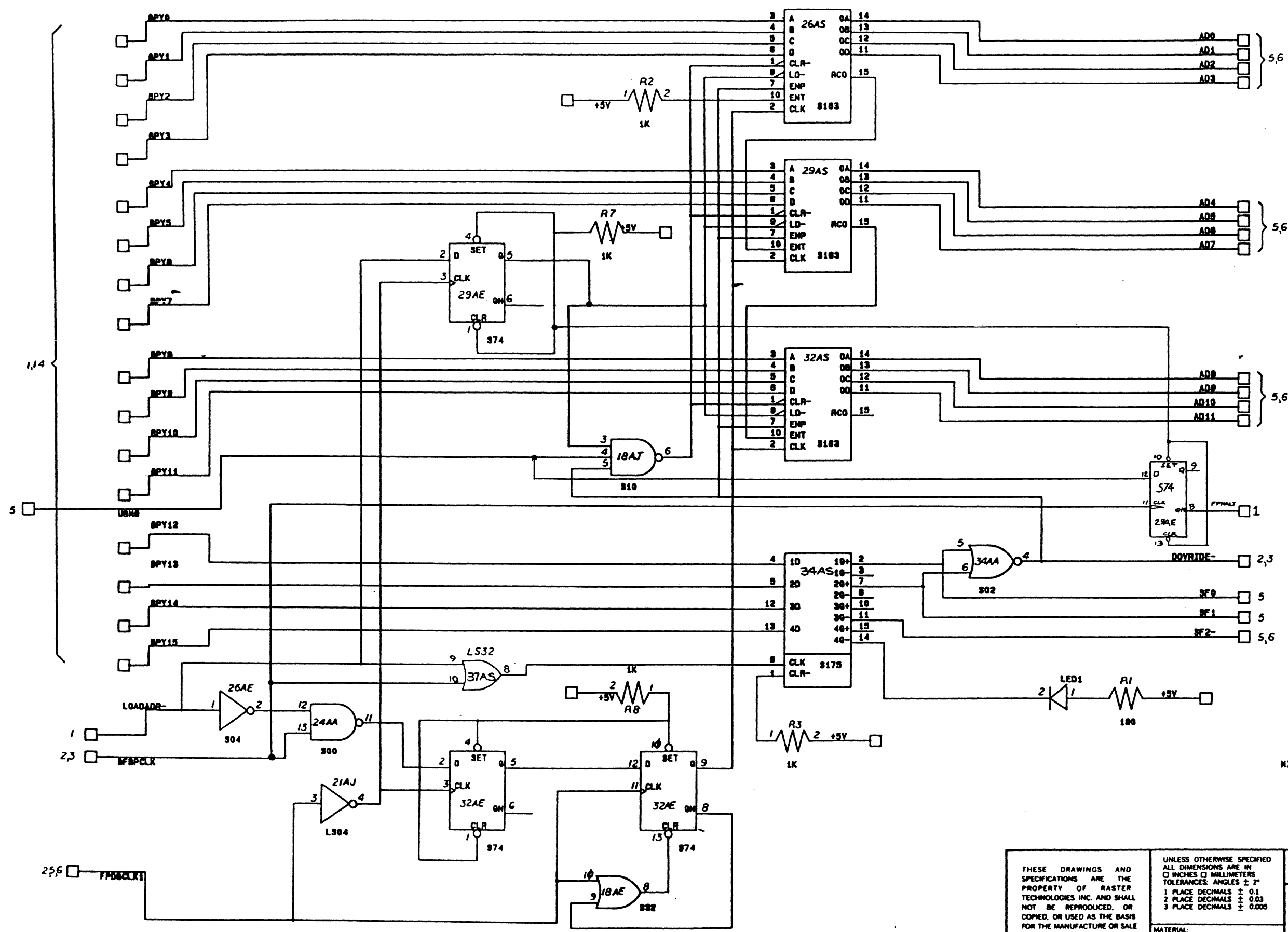


SHIFT REGISTER AND  
BPO-BUS DRIVERS

<p>THESE DRAWINGS AND SPECIFICATIONS ARE THE PROPERTY OF RASTER TECHNOLOGIES INC. AND SHALL NOT BE REPRODUCED, OR COPIED, OR USED AS THE BASIS FOR THE MANUFACTURE OR SALE OF APPARATUS WITHOUT WRITTEN PERMISSION.</p>	<p>UNLESS OTHERWISE SPECIFIED ALL DIMENSIONS ARE IN  <input type="checkbox"/> INCHES <input type="checkbox"/> MILLIMETERS          TOLERANCES: ANGLES ± 2°          1 PLACE DECIMALS ± 0.1          2 PLACE DECIMALS ± 0.03          3 PLACE DECIMALS ± 0.005</p>	<p><b>Raster Technologies</b></p> <p><b>FLOATING POINT CO-PROCESSOR</b></p> <p>SIZE <input type="checkbox"/> DRAWING NO. 006-13400-001</p> <p>SCALE SHEET 3 OF 21</p>
	MATERIAL:	
	DATE:	

DRAWING NO. 006-13400-001 SHEET 3

REVISIONS				
REV	ECO NO	DATE	DESCRIPTION	ENGR



MICRO-ADDRESS COUNTER'S

<p>THESE DRAWINGS AND SPECIFICATIONS ARE THE PROPERTY OF RASTER TECHNOLOGIES INC. AND SHALL NOT BE REPRODUCED, OR COPIED, OR USED AS THE BASIS FOR THE MANUFACTURE OR SALE OF APPARATUS WITHOUT WRITTEN PERMISSION.</p>	<p>UNLESS OTHERWISE SPECIFIED ALL DIMENSIONS ARE IN          □ INCHES □ MILLIMETERS          TOLERANCES: ANGLES ± 2°          1 PLACE DECIMALS ± 0.1          2 PLACE DECIMALS ± 0.03          3 PLACE DECIMALS ± 0.005</p>	<p><b>Raytar Technologies</b></p> <p>FLOATING POINT          CO-PROCESSOR</p> <p>SIZE DRAWING NO.          D 006-13400-001</p>
	<p>MATERIAL:</p>	

C

B

D

C

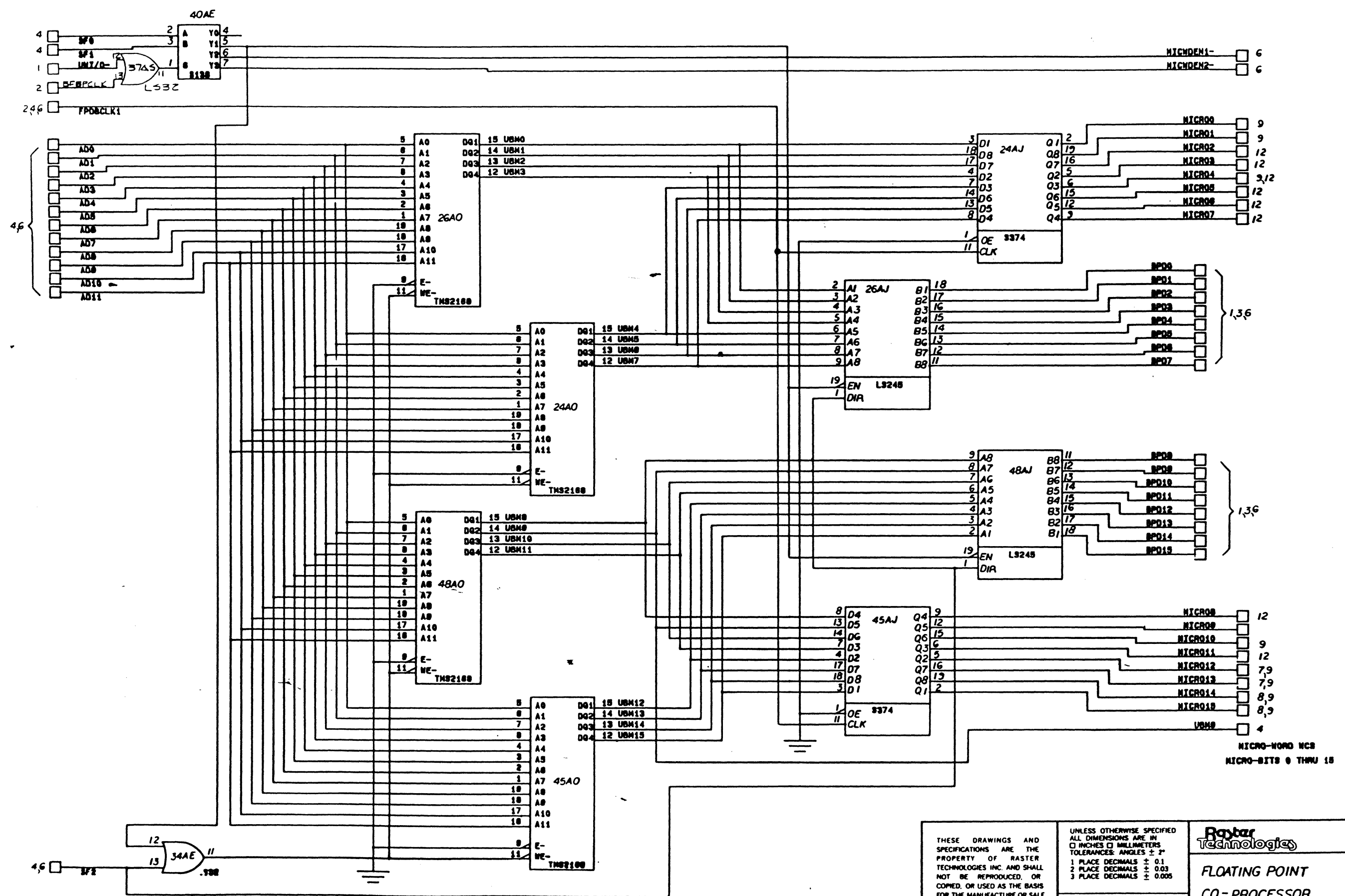
B

A

UB-13400-001

REV. 11/81

REVISIONS					
REV	ECO NO	DATE	DESCRIPTION	DFTG	ENG

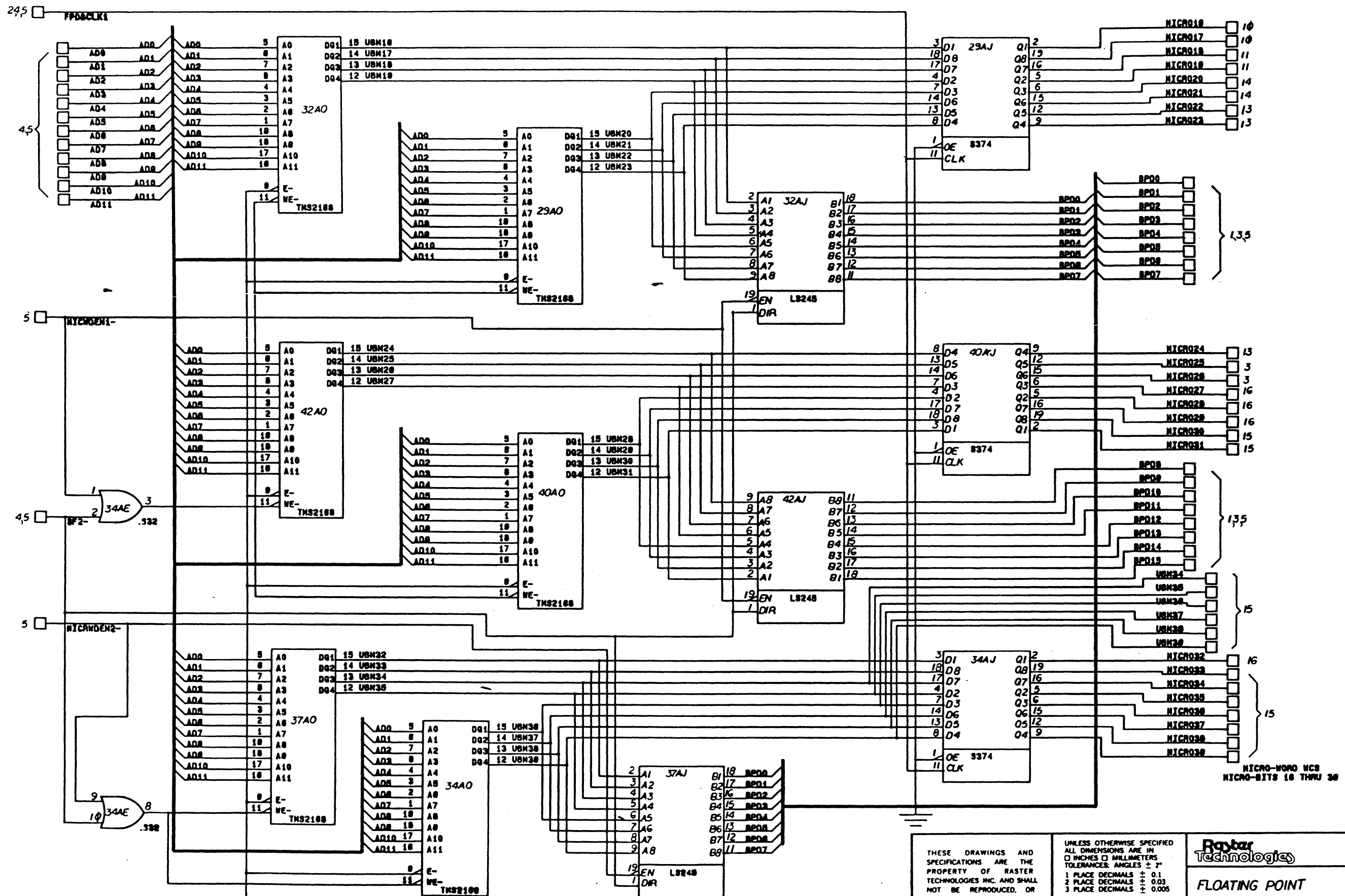


MICRO-WORD MCS  
MICRO-BITS 0 THRU 15

<p>THESE DRAWINGS AND SPECIFICATIONS ARE THE PROPERTY OF RASTER TECHNOLOGIES INC. AND SHALL NOT BE REPRODUCED, OR COPIED, OR USED AS THE BASIS FOR THE MANUFACTURE OR SALE OF APPARATUS WITHOUT WRITTEN PERMISSION.</p>	<p>UNLESS OTHERWISE SPECIFIED ALL DIMENSIONS ARE IN          □ INCHES □ MILLIMETERS          TOLERANCES: ANGLES ± 2°          1 PLACE DECIMALS ± 0.1          2 PLACE DECIMALS ± 0.03          3 PLACE DECIMALS ± 0.005</p>	<p><b>Raystar Technologies</b></p> <p>FLOATING POINT CO-PROCESSOR</p>

FORM NO. 006-13400-001 1/5

REVISIONS					
REV	ECO NO	DATE	DESCRIPTION	DFTG	ENG



THESE DRAWINGS AND SPECIFICATIONS ARE THE PROPERTY OF RASTER TECHNOLOGIES INC. AND SHALL NOT BE REPRODUCED, OR COPIED, OR USED AS THE BASIS FOR THE MANUFACTURE OR SALE OF APPARATUS WITHOUT WRITTEN PERMISSION.

UNLESS OTHERWISE SPECIFIED ALL DIMENSIONS ARE IN ( ) INCHES ( ) MILLIMETERS TOLERANCES: ANGLES ± 2° 1 PLACE DECIMALS ± 0.1 2 PLACE DECIMALS ± 0.03 3 PLACE DECIMALS ± 0.005

**Raytar Technologies**

**FLOATING POINT CO-PROCESSOR**

MATERIAL: \_\_\_\_\_

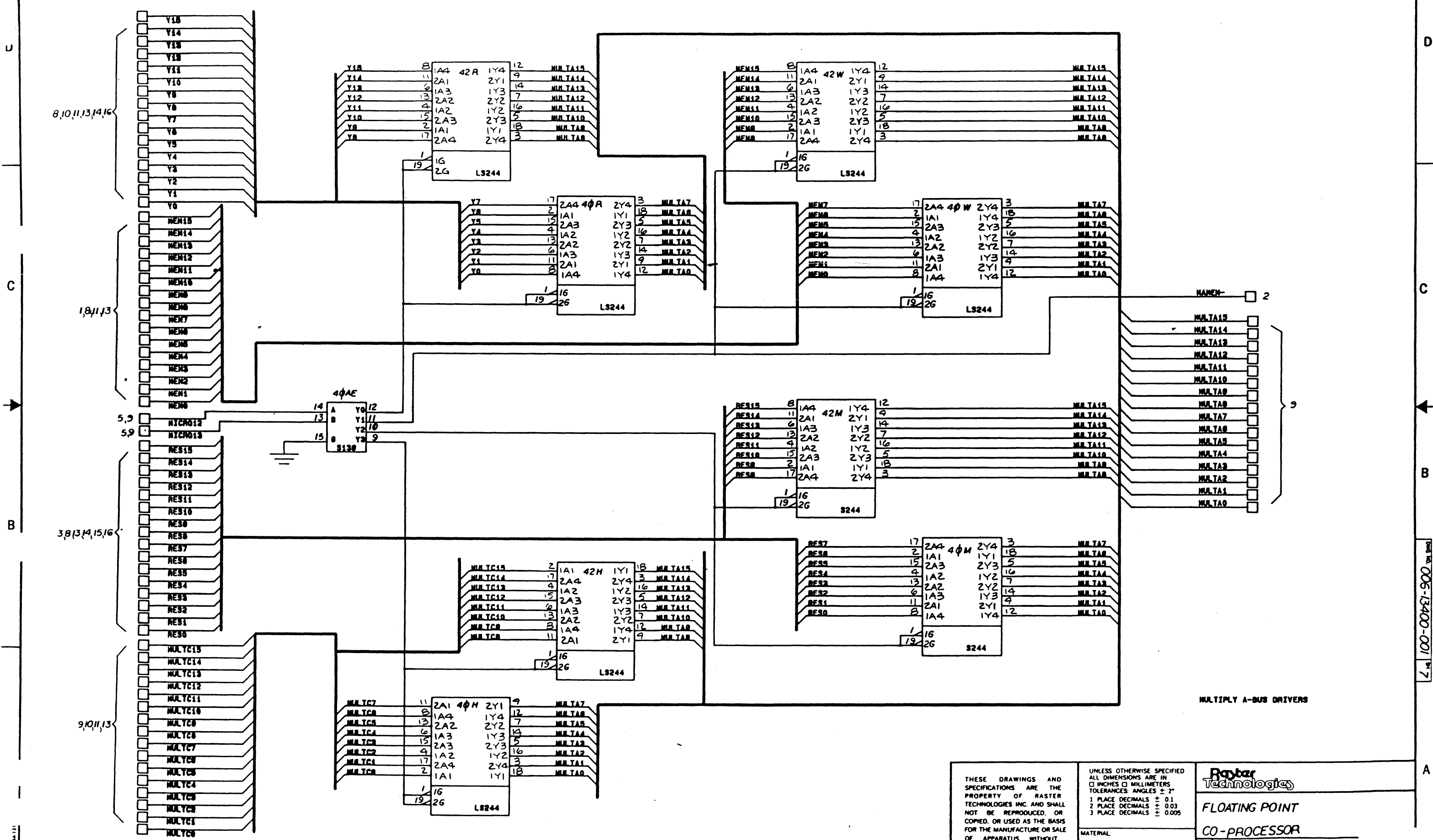
SIZE DRAWING NO. **006-13400-001**

SCALE \_\_\_\_\_ SHEET 6 OF 21

DRAWING NO. 006-13400-001 6

DRAWING NO. 006-13400-001 6

REVISIONS					
REV	ECD NO	DATE	DESCRIPTION	DFTG	ENG.



8,10,11,13,14,16

18,11,13

3,8,13,14,15,16

9,10,11,13

THESE DRAWINGS AND SPECIFICATIONS ARE THE PROPERTY OF RASTER TECHNOLOGIES INC. AND SHALL NOT BE REPRODUCED, OR COPIED, OR USED AS THE BASIS FOR THE MANUFACTURE OR SALE OF APPARATUS WITHOUT WRITTEN PERMISSION.

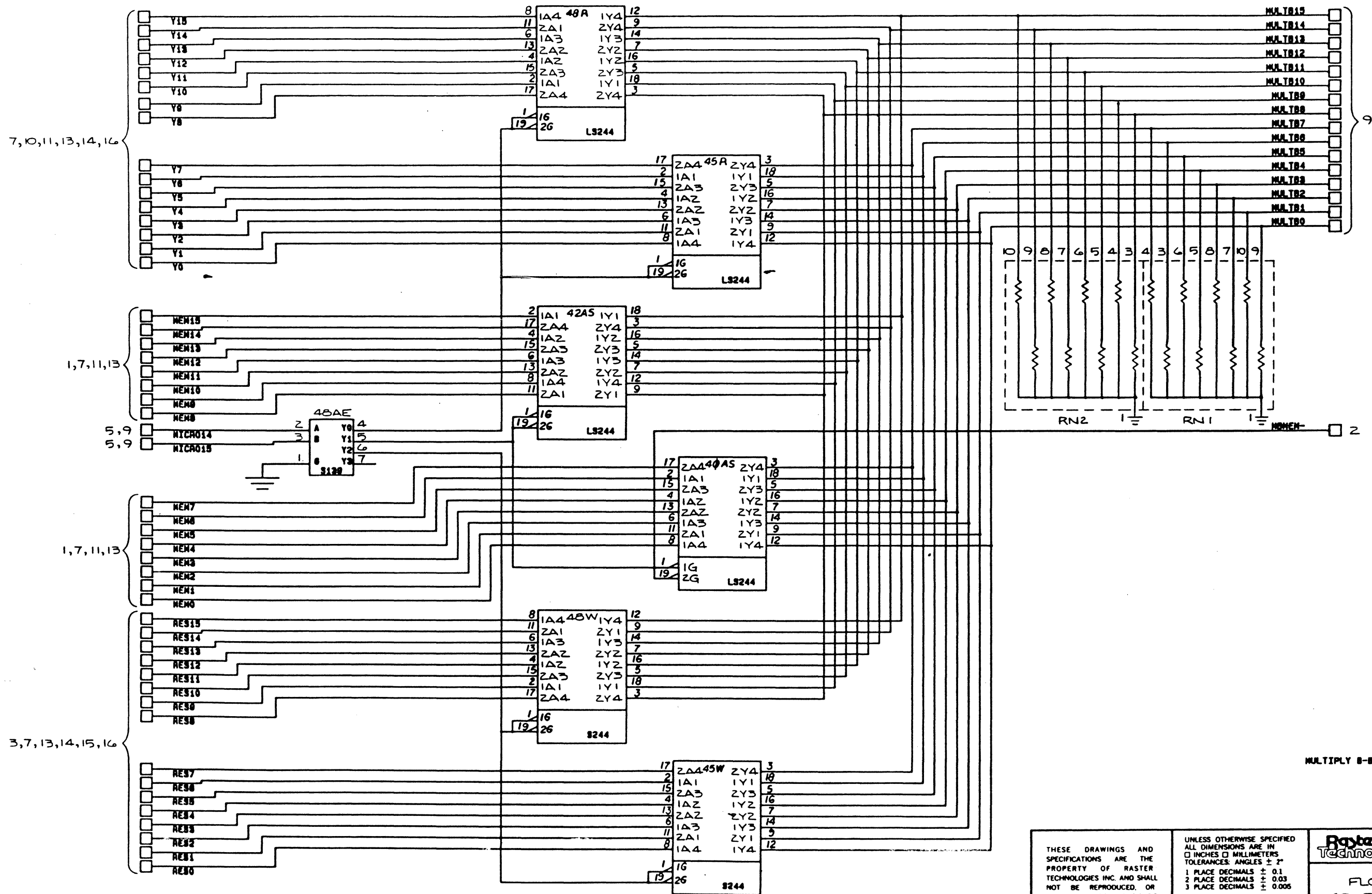
UNLESS OTHERWISE SPECIFIED ALL DIMENSIONS ARE IN INCHES □ MILLIMETERS TOLERANCES: ANGLES ± 2°  
 1 PLACE DECIMALS ± 0.1  
 2 PLACE DECIMALS ± 0.03  
 3 PLACE DECIMALS ± 0.005

**Raster Technologies**  
**FLOATING POINT**  
**CO-PROCESSOR**  
 SIZE DRAWING NO. **006-13400-001**

DRAWING NO. 006-13400-001 7



REV	ECO NO	DATE	DESCRIPTION	DFTG	ENG.



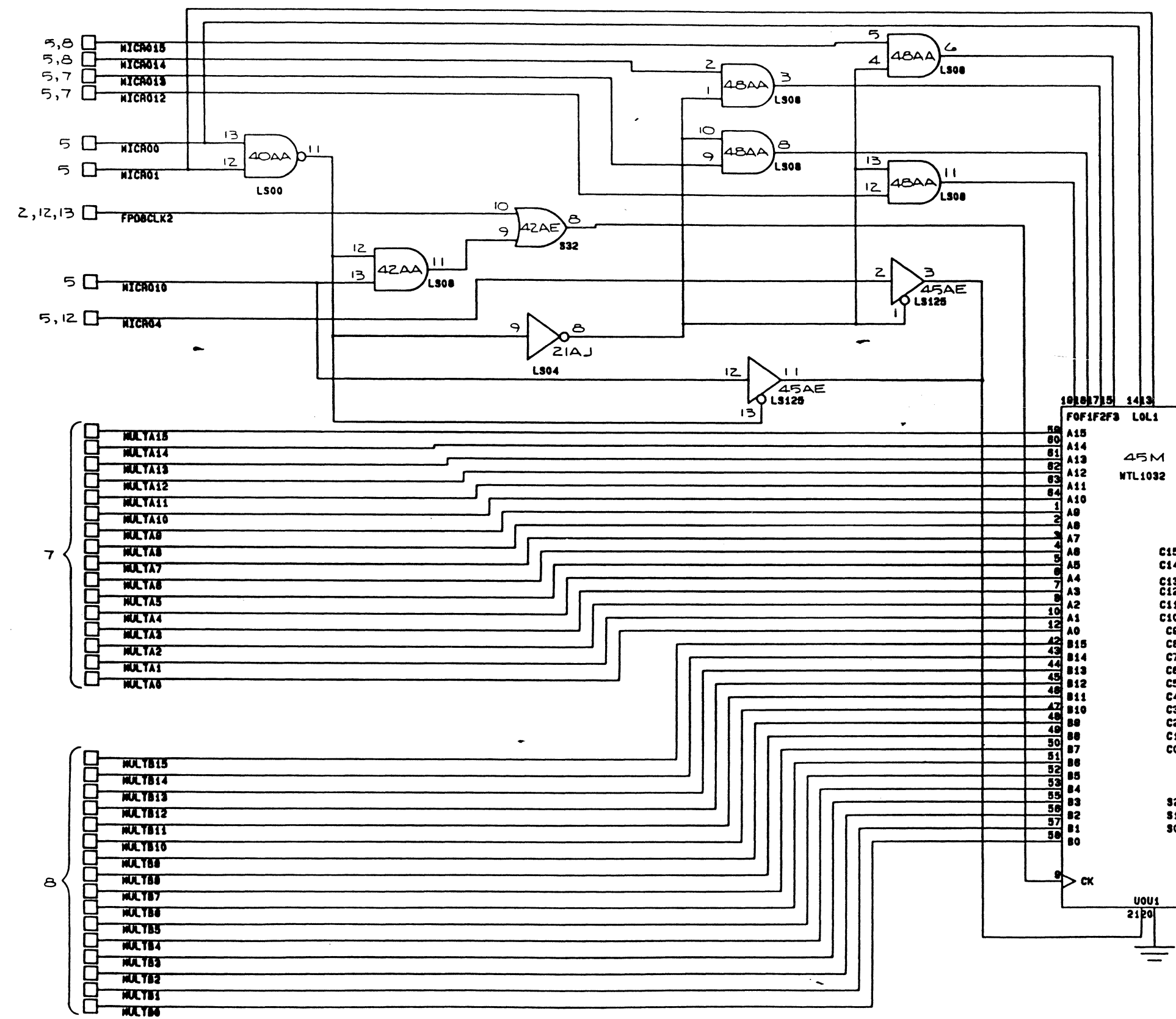
MULTIPLY 8-BUS DRIVERS

<p>THESE DRAWINGS AND SPECIFICATIONS ARE THE PROPERTY OF RASTER TECHNOLOGIES INC. AND SHALL NOT BE REPRODUCED, OR COPIED, OR USED AS THE BASIS FOR THE MANUFACTURE OR SALE OF APPARATUS WITHOUT WRITTEN PERMISSION.</p>	<p>UNLESS OTHERWISE SPECIFIED ALL DIMENSIONS ARE IN          □ INCHES □ MILLIMETERS          TOLERANCES: ANGLES ± 2°          1 PLACE DECIMALS ± 0.1          2 PLACE DECIMALS ± 0.03          3 PLACE DECIMALS ± 0.005</p>	<p><b>Raster Technologies</b></p> <p>FLOATING POINT CO-PROCESSOR BOARD</p>
	<p>MATERIAL:</p>	

D  
C  
B  
A

006-13400-001 9

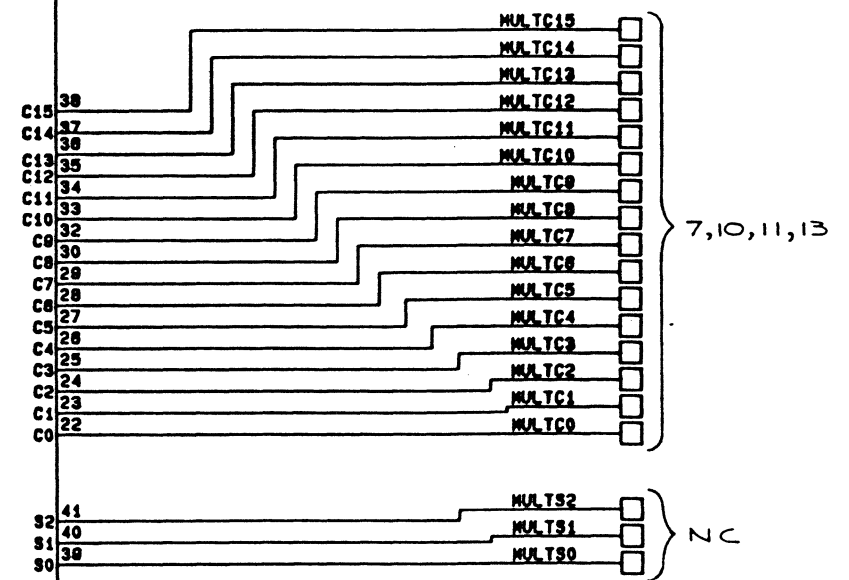
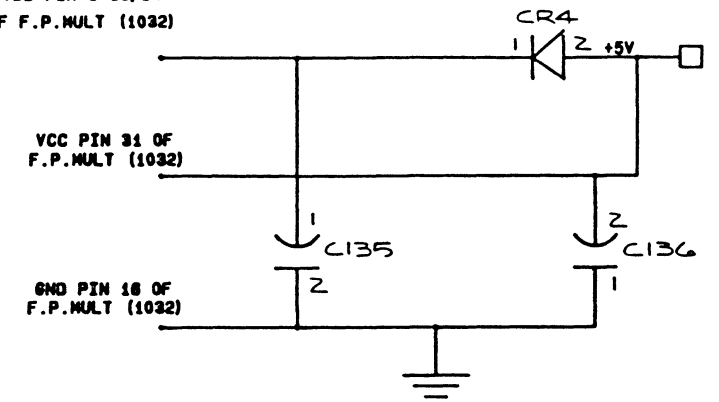
D  
C  
B  
A



VDD PIN'S 11, 54  
OF F.P. MULT (1032)

VCC PIN 31 OF  
F.P. MULT (1032)

GND PIN 16 OF  
F.P. MULT (1032)

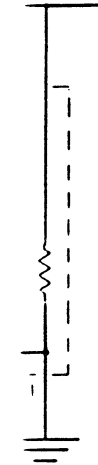
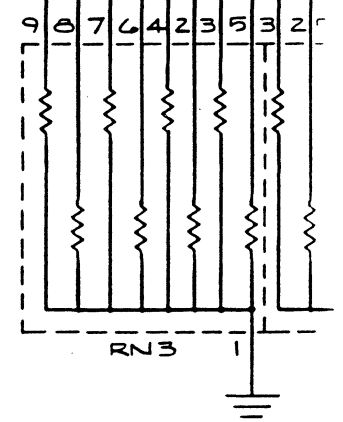
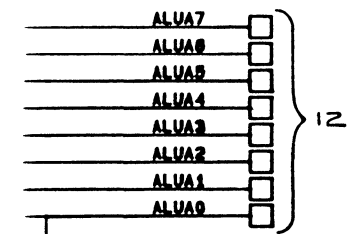
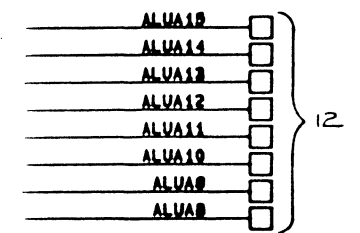
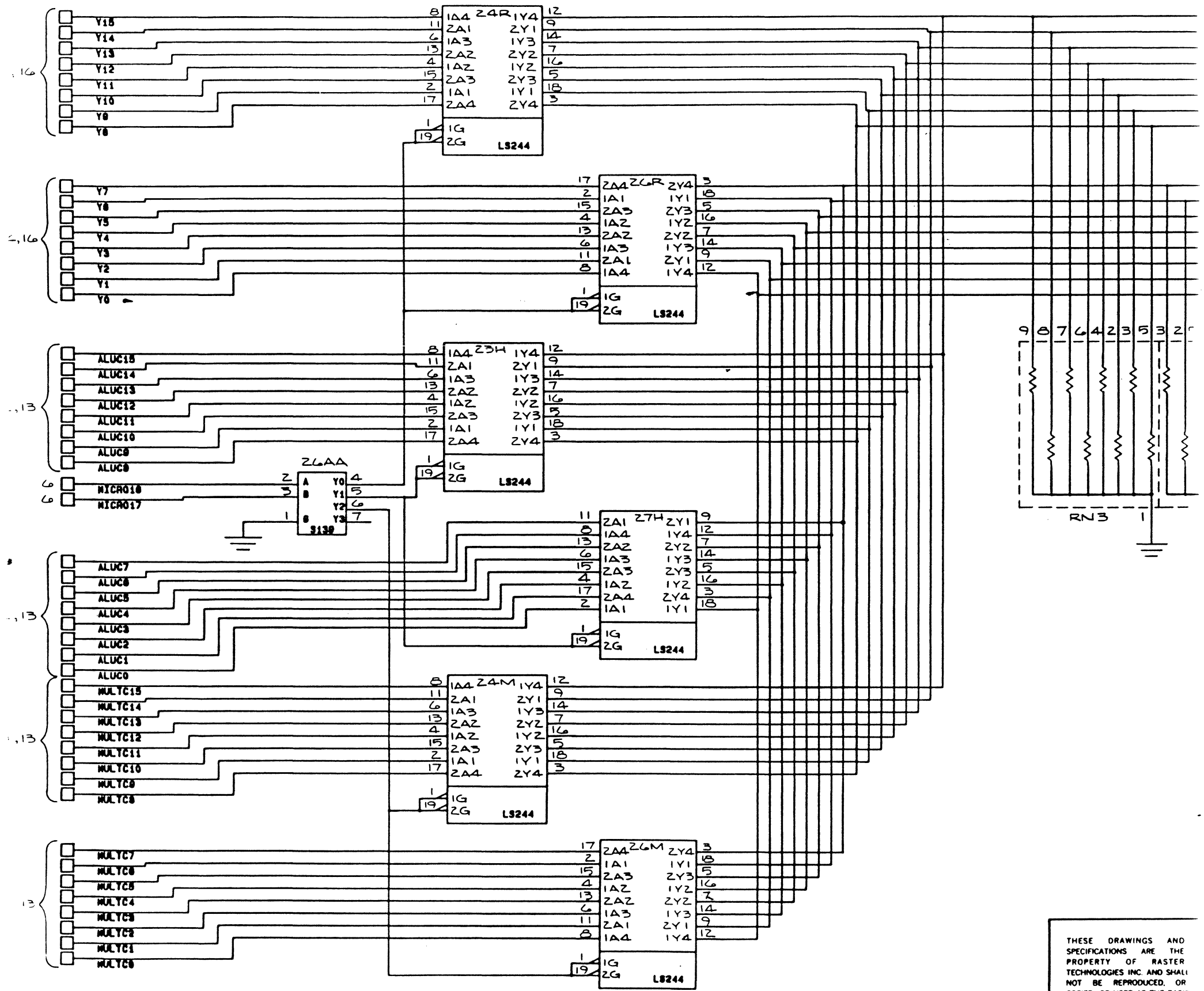


32-BIT FLOATING POINT MULTIPLIER

THESE DRAWINGS AND SPECIFICATIONS ARE THE PROPERTY OF RASTER TECHNOLOGIES INC. AND SHALL NOT BE REPRODUCED, OR COPIED, OR USED AS THE BASIS FOR THE MANUFACTURE OR SALE OF APPARATUS WITHOUT WRITTEN PERMISSION.	UNLESS OTHERWISE SPECIFIED ALL DIMENSIONS ARE IN □ INCHES □ MILLIMETERS TOLERANCES: ANGLES ± 2° 1 PLACE DECIMALS ± 0.1 2 PLACE DECIMALS ± 0.03 3 PLACE DECIMALS ± 0.005	
	MATERIAL:	
SIZE: DRAWING NO. <b>D 006-13400-001</b>	SCALE:	SHEET 9 OF 21

RASTER TECHNOLOGIES  
 006-13400-001 9

RE:	DATE	DESCRIPTION	OFTG	ENG.
-----	------	-------------	------	------



D  
C  
B  
A

ALU-A BUS DRIVERS

THESE DRAWINGS AND SPECIFICATIONS ARE THE PROPERTY OF RASTER TECHNOLOGIES INC. AND SHALL NOT BE REPRODUCED, OR COPIED, OR USED AS THE BASIS FOR THE MANUFACTURE OR SALE OF APPARATUS WITHOUT WRITTEN PERMISSION.

UNLESS SPECIFIED OTHERWISE ARE IN MILLIMETERS  
DIMENSIONS ± 2°  
TOLERANCES ± 0.1  
TOLERANCES ± 0.03  
TOLERANCES ± 0.005

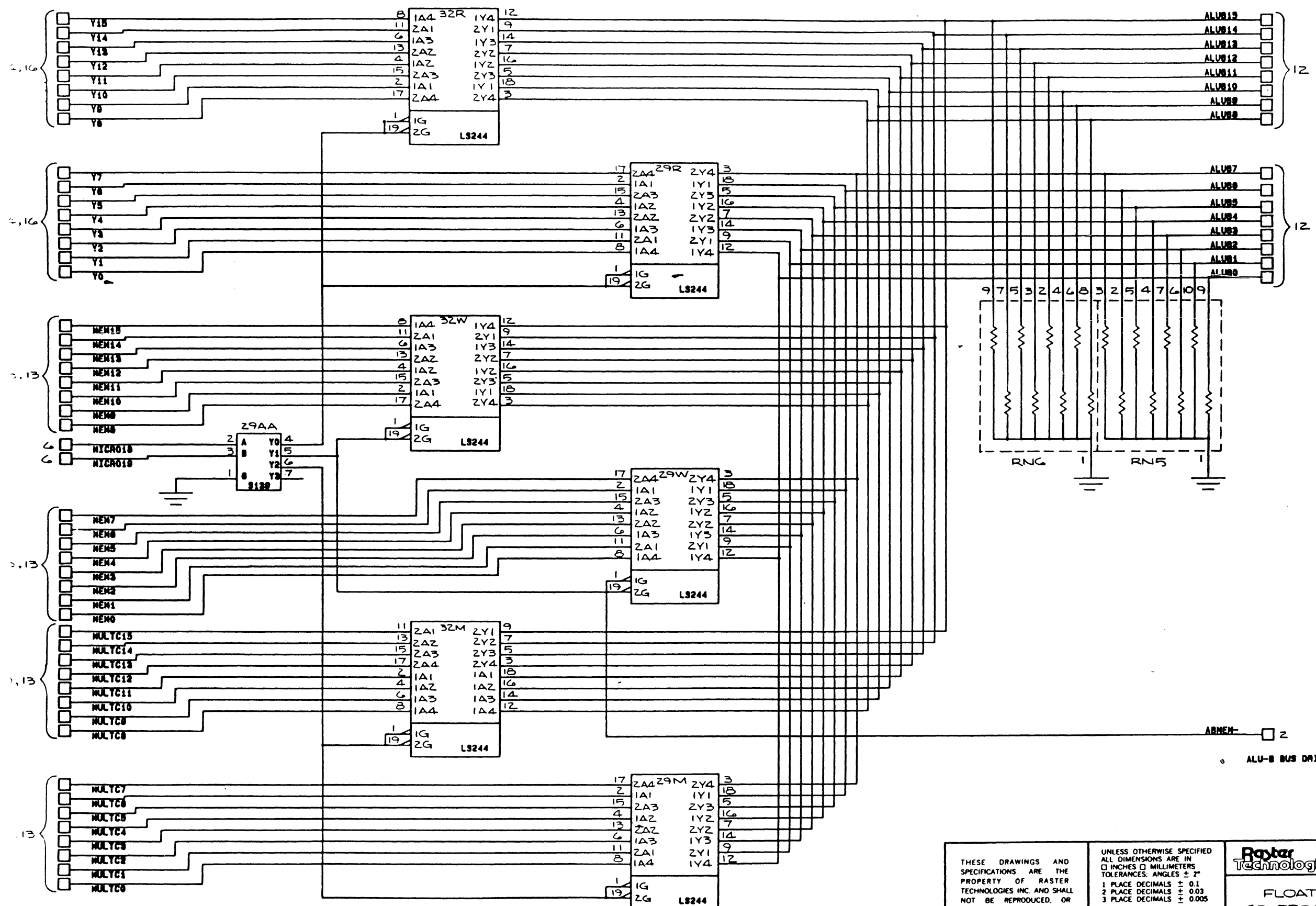
**Raytar Technologies**

FLOATING POINT CO-PROCESSOR BOARD

SIZE DRAWING NO. D 006-13400-001  
SCALE SHEET 10 OF 21

006-13400-001 10

REVISIONS				
REV	ECO NO	DATE	DESCRIPTION	ENG



006-13400-001

ARHEN 2

ALU-B BUS DRIVERS

THESE DRAWINGS AND SPECIFICATIONS ARE THE PROPERTY OF RASTER TECHNOLOGIES INC. AND SHALL NOT BE REPRODUCED, OR COPIED, OR USED AS THE BASIS FOR THE MANUFACTURE OR SALE OF APPARATUS WITHOUT WRITTEN PERMISSION.

UNLESS OTHERWISE SPECIFIED ALL DIMENSIONS ARE IN INCHES □ MILLIMETERS TOLERANCES: ANGLES ± 2° 1 PLACE DECIMALS ± 0.1 2 PLACE DECIMALS ± 0.03 3 PLACE DECIMALS ± 0.005

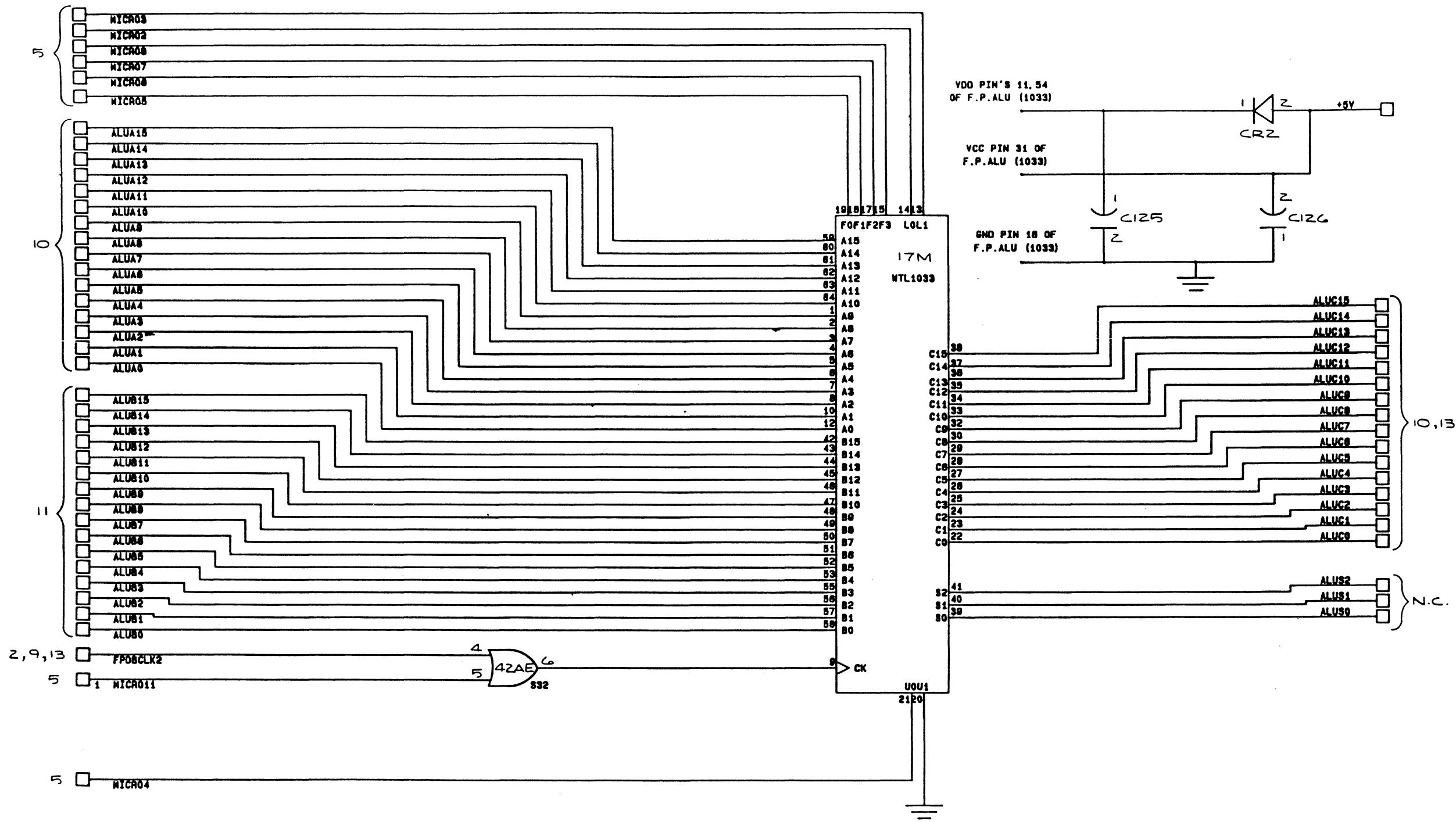
**Raster Technologies**

FLOATING POINT CO-PROCESSOR BOARD

MATERIAL:

SIZE DRAWING NO. D 006-13400-001

SCALE SHEET 11 OF 21

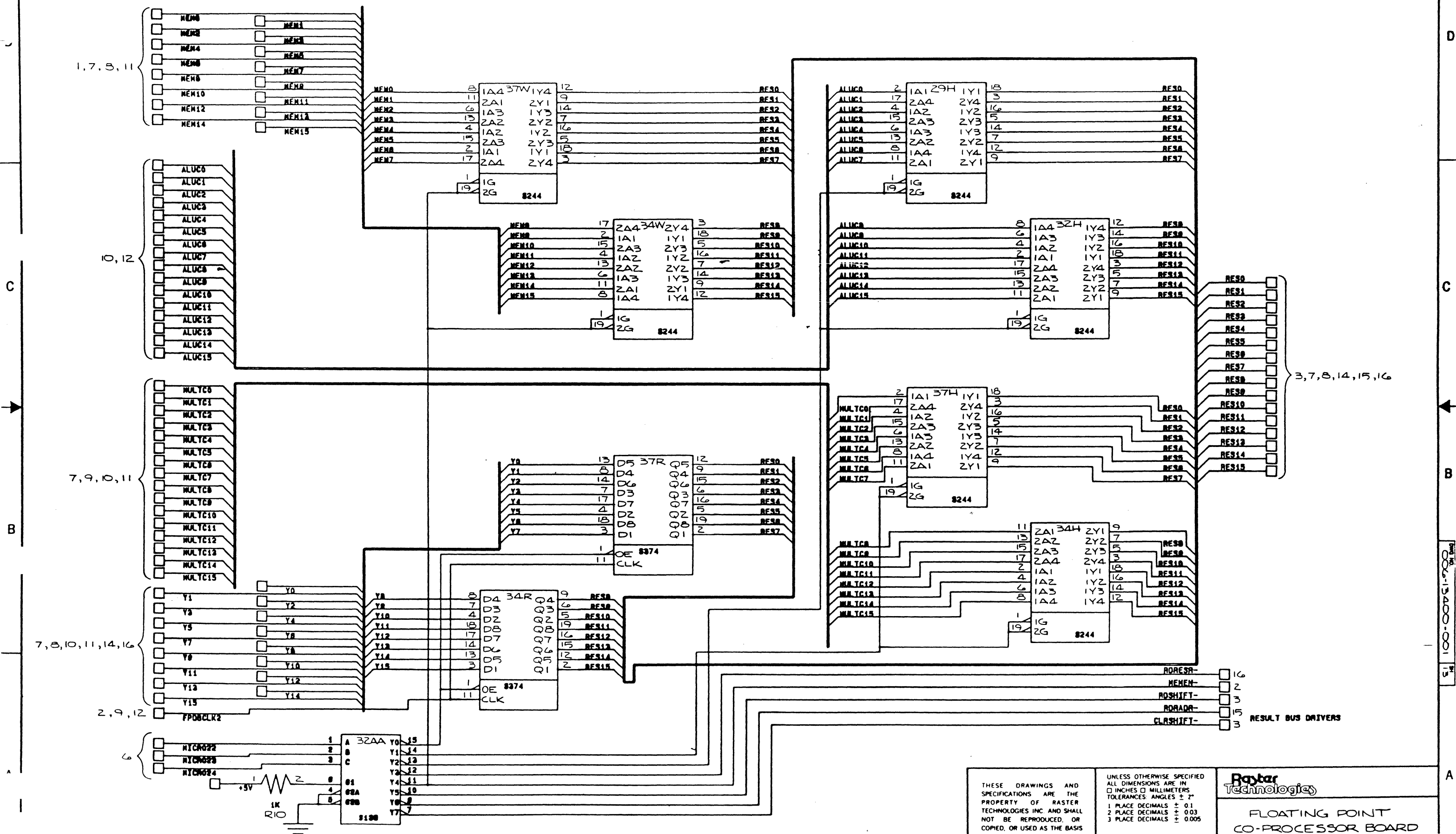


32-BIT FLOATING POINT ALU

<p>THESE DRAWINGS AND SPECIFICATIONS ARE THE PROPERTY OF RASTER TECHNOLOGIES INC. AND SHALL NOT BE REPRODUCED, OR COPIED, OR USED AS THE BASIS FOR THE MANUFACTURE OR SALE OF APPARATUS WITHOUT WRITTEN PERMISSION.</p>	<p>UNLESS OTHERWISE SPECIFIED ALL DIMENSIONS ARE IN          □ INCHES □ MILLIMETERS          TOLERANCES: ANGLES ± 2°          1 PLACE DECIMALS ± 0.1          2 PLACE DECIMALS ± 0.03          3 PLACE DECIMALS ± 0.005</p>	<p><b>Raster Technologies</b></p> <p>FLOATING POINT CO-PROCESSOR BOARD</p>	
	<p>MATERIAL:</p>		<p>SIZE DRAWING NO.          D 006-13400-001</p>
	<p>SCALE</p>		<p>SHEET 12 OF 21</p>

006-13400-001 12

REVISIONS					
REV	ECO NO	DATE	DESCRIPTION	DFTG	ENG.



3,7,8,14,15,16

RDRES- 16  
MEMEN- 2  
RSHIFT- 3  
RDADR- 15  
CLASHFT- 3

RESULT BUS DRIVERS

THESE DRAWINGS AND SPECIFICATIONS ARE THE PROPERTY OF RASTER TECHNOLOGIES INC. AND SHALL NOT BE REPRODUCED, OR COPIED, OR USED AS THE BASIS FOR THE MANUFACTURE OR SALE OF APPARATUS WITHOUT WRITTEN PERMISSION

UNLESS OTHERWISE SPECIFIED ALL DIMENSIONS ARE IN INCHES ( ) MILLIMETERS TOLERANCES: ANGLES ± 2° 1 PLACE DECIMALS ± 0.1 2 PLACE DECIMALS ± 0.03 3 PLACE DECIMALS ± 0.005

**Raster Technologies**

FLOATING POINT CO-PROCESSOR BOARD

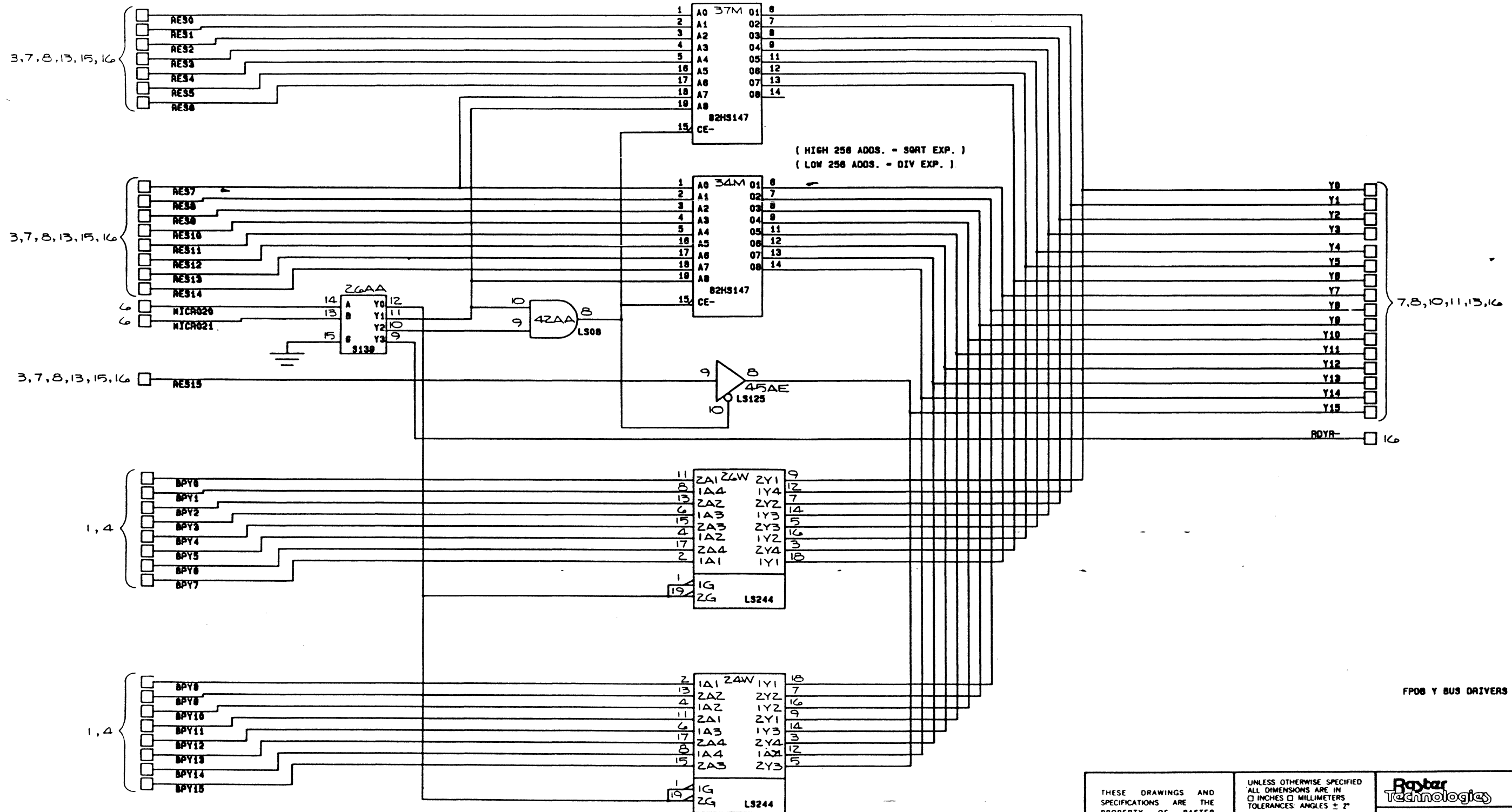
MATERIAL:

SIZE DRAWING NO. D 006-13400-001

SCALE 1

SHEET 13 OF 21

( DIV/SQRT MANT. PROM )

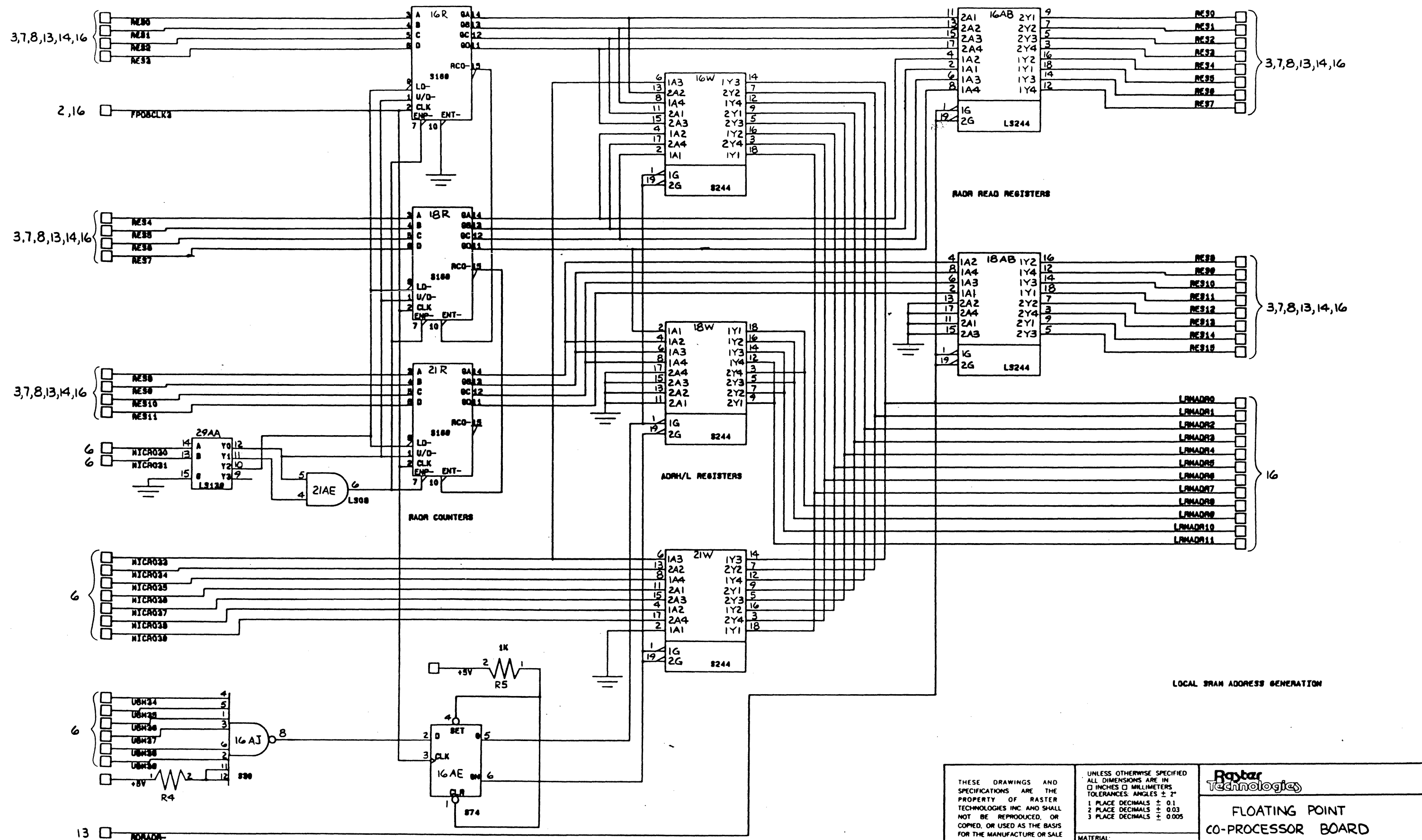


FPOB Y BUS DRIVERS

THESE DRAWINGS AND SPECIFICATIONS ARE THE PROPERTY OF RASTER TECHNOLOGIES INC. AND SHALL NOT BE REPRODUCED, OR COPIED, OR USED AS THE BASIS FOR THE MANUFACTURE OR SALE OF APPARATUS WITHOUT WRITTEN PERMISSION.	UNLESS OTHERWISE SPECIFIED ALL DIMENSIONS ARE IN □ INCHES □ MILLIMETERS TOLERANCES: ANGLES ± 2° 1 PLACE DECIMALS ± 0.1 2 PLACE DECIMALS ± 0.03 3 PLACE DECIMALS ± 0.005	
	MATERIAL:	
SIZE (DRAWING NO.) D 006-13400-001		SHEET 14 OF 21

PART NO. 006-13400-001 14

REVISIONS					
REV	ECC NO	DATE	DESCRIPTION	DFTG	ENG.



THESE DRAWINGS AND SPECIFICATIONS ARE THE PROPERTY OF RASTER TECHNOLOGIES INC AND SHALL NOT BE REPRODUCED, OR COPIED, OR USED AS THE BASIS FOR THE MANUFACTURE OR SALE OF APPARATUS WITHOUT WRITTEN PERMISSION.

UNLESS OTHERWISE SPECIFIED ALL DIMENSIONS ARE IN  
 □ INCHES □ MILLIMETERS  
 TOLERANCES: ANGLES ± 2°  
 1 PLACE DECIMALS ± 0.1  
 2 PLACE DECIMALS ± 0.03  
 3 PLACE DECIMALS ± 0.005

**Raybar Technologies**

**FLOATING POINT CO-PROCESSOR BOARD**

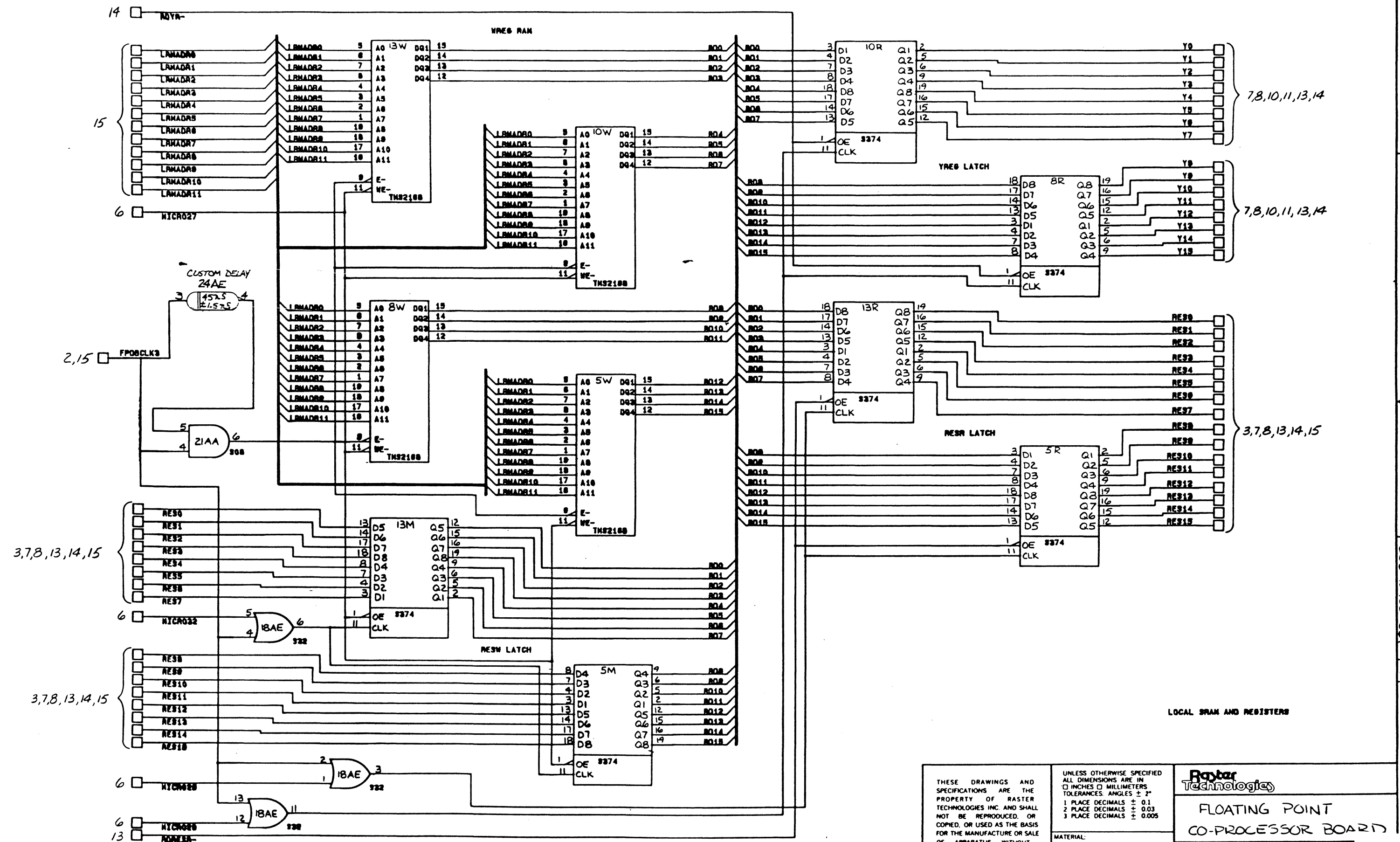
MATERIAL:

SIZE DRAWING NO:  
 D 006-13400-001

DRAWING NO. 131-5400-2

006-13400-001 15





3,7,8,13,14,15

3,7,8,13,14,15

7,8,10,11,13,14

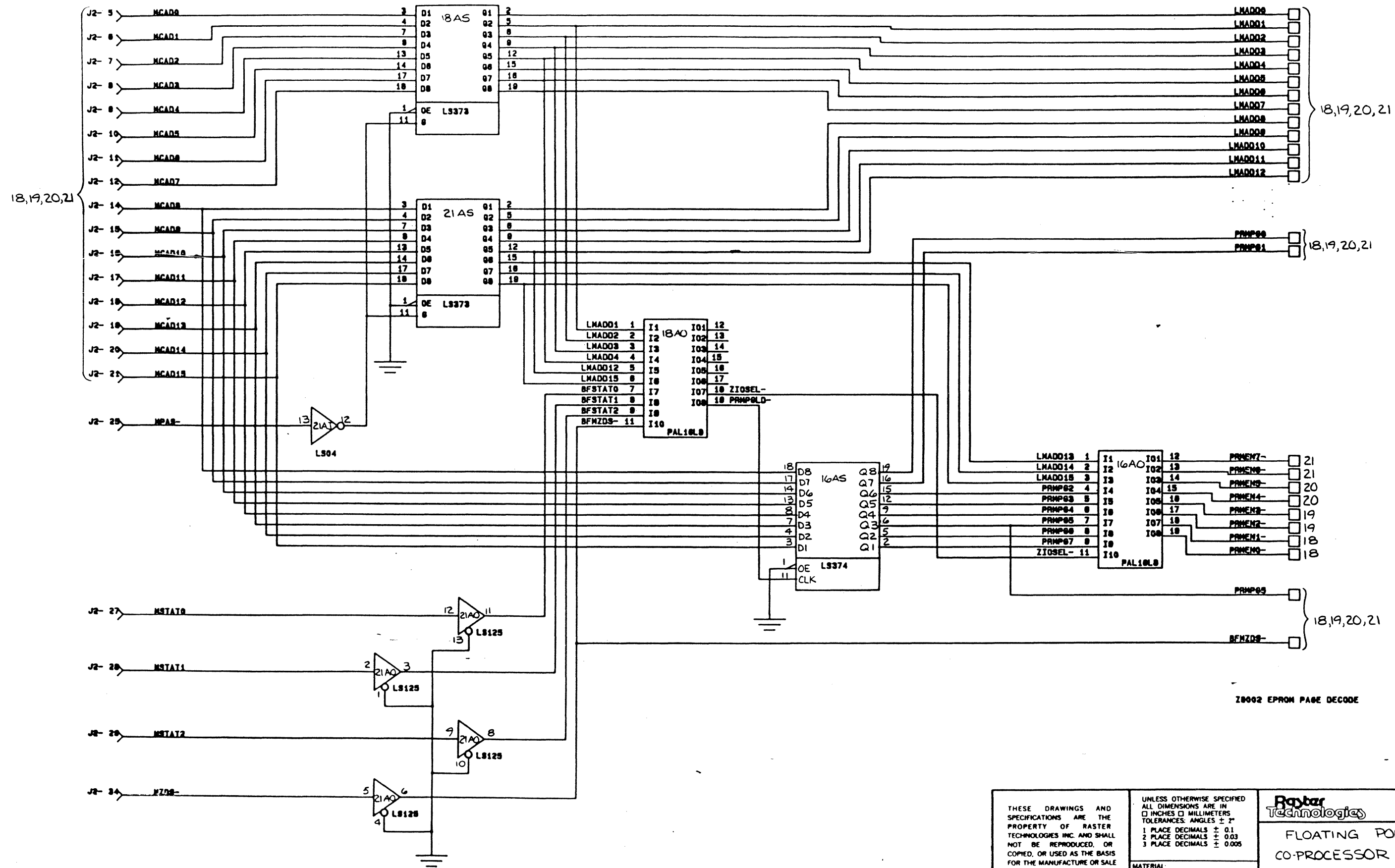
7,8,10,11,13,14

3,7,8,13,14,15

LOCAL SRAM AND REGISTERS

<p>THESE DRAWINGS AND SPECIFICATIONS ARE THE PROPERTY OF RASTER TECHNOLOGIES INC. AND SHALL NOT BE REPRODUCED, OR COPIED, OR USED AS THE BASIS FOR THE MANUFACTURE OR SALE OF APPARATUS WITHOUT WRITTEN PERMISSION.</p>	<p>UNLESS OTHERWISE SPECIFIED ALL DIMENSIONS ARE IN          □ INCHES □ MILLIMETERS          TOLERANCES: ANGLES ± 2°          1 PLACE DECIMALS ± 0.1          2 PLACE DECIMALS ± 0.03          3 PLACE DECIMALS ± 0.005</p>	<p><b>Raster Technologies</b></p>
<p>MATERIAL:</p>		<p>SIZE DRAWING NO.  <b>D 006-13400-001</b></p>
<p>SCALE</p>		<p>SHEET 16 of 21</p>

REVISIONS					
REV	ECO NO	DATE	DESCRIPTION	DFTG	ENGR



28002 EPROM PAGE DECODE

THESE DRAWINGS AND SPECIFICATIONS ARE THE PROPERTY OF RASTER TECHNOLOGIES INC. AND SHALL NOT BE REPRODUCED, OR COPIED, OR USED AS THE BASIS FOR THE MANUFACTURE OR SALE OF APPARATUS WITHOUT WRITTEN PERMISSION.

UNLESS OTHERWISE SPECIFIED ALL DIMENSIONS ARE IN INCHES □ MILLIMETERS TOLERANCES: ANGLES ± 2°  
 1 PLACE DECIMALS ± 0.1  
 2 PLACE DECIMALS ± 0.03  
 3 PLACE DECIMALS ± 0.005

**Raster Technologies**

FLOATING POINT CO-PROCESSOR BOARD

MATERIAL: \_\_\_\_\_

SIZE: D DRAWING NO: 006-13400-001

SCALE: \_\_\_\_\_ SHEET 17 OF 21

131.1

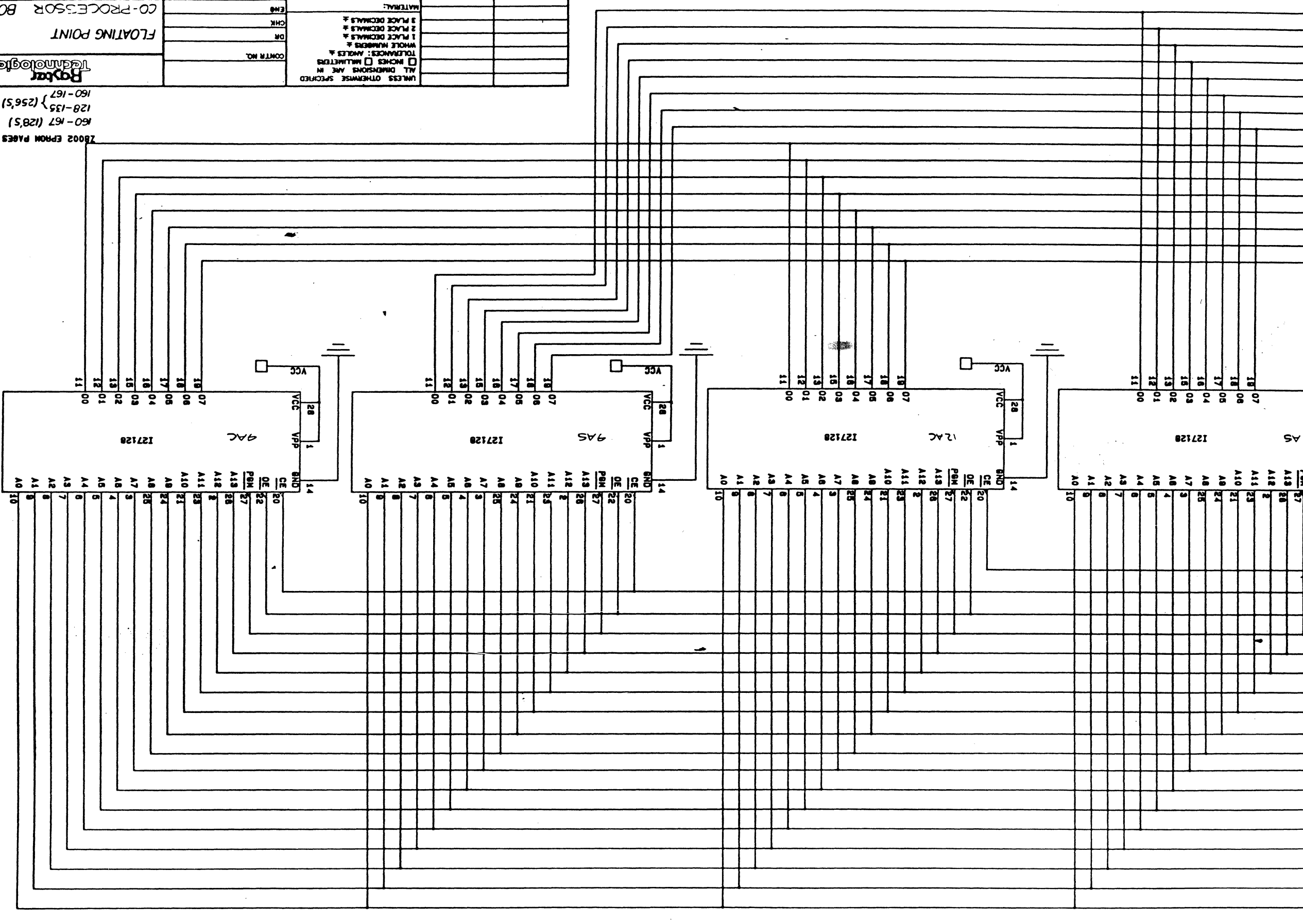
006-13400-001 17

17,19,20,21

17,19,20,21

HCADD15  
 HCADD14  
 HCADD13  
 HCADD12  
 HCADD11  
 HCADD10  
 HCADD9  
 HCADD8  
 HCADD7  
 HCADD6  
 HCADD5  
 HCADD4  
 HCADD3  
 HCADD2  
 HCADD1  
 HCADD0

LMADD1  
 LMADD2  
 LMADD3  
 LMADD4  
 LMADD5  
 LMADD6  
 LMADD7  
 LMADD8  
 LMADD9  
 LMADD10  
 LMADD11  
 LMADD12  
 PMPC0  
 PRMPC1  
 PRMPC5  
 BFMZDS-  
 PMENI-  
 PMEN0



USED ON	NEXT ASSY

UNLESS OTHERWISE SPECIFIED  
 ALL DIMENSIONS ARE IN  
 INCHES □ MILLIMETERS  
 TOLERANCES: ANGLES ±  
 WHOLE NUMBERS ±  
 1 PLACE DECIMALS ±  
 2 PLACE DECIMALS ±  
 3 PLACE DECIMALS ±

CONTR. NO.	APPRO.	DATE	DESCRIPTION

ROYCE Technologies  
 CO-PROCESSOR BOARD  
 FLOATING POINT

Z8002 EPROM PAGES  
 160-167 (128'S)  
 128-135 (256'S)  
 160-167

006-13400-001  
 DRAWING NO.  
 SIZE: U

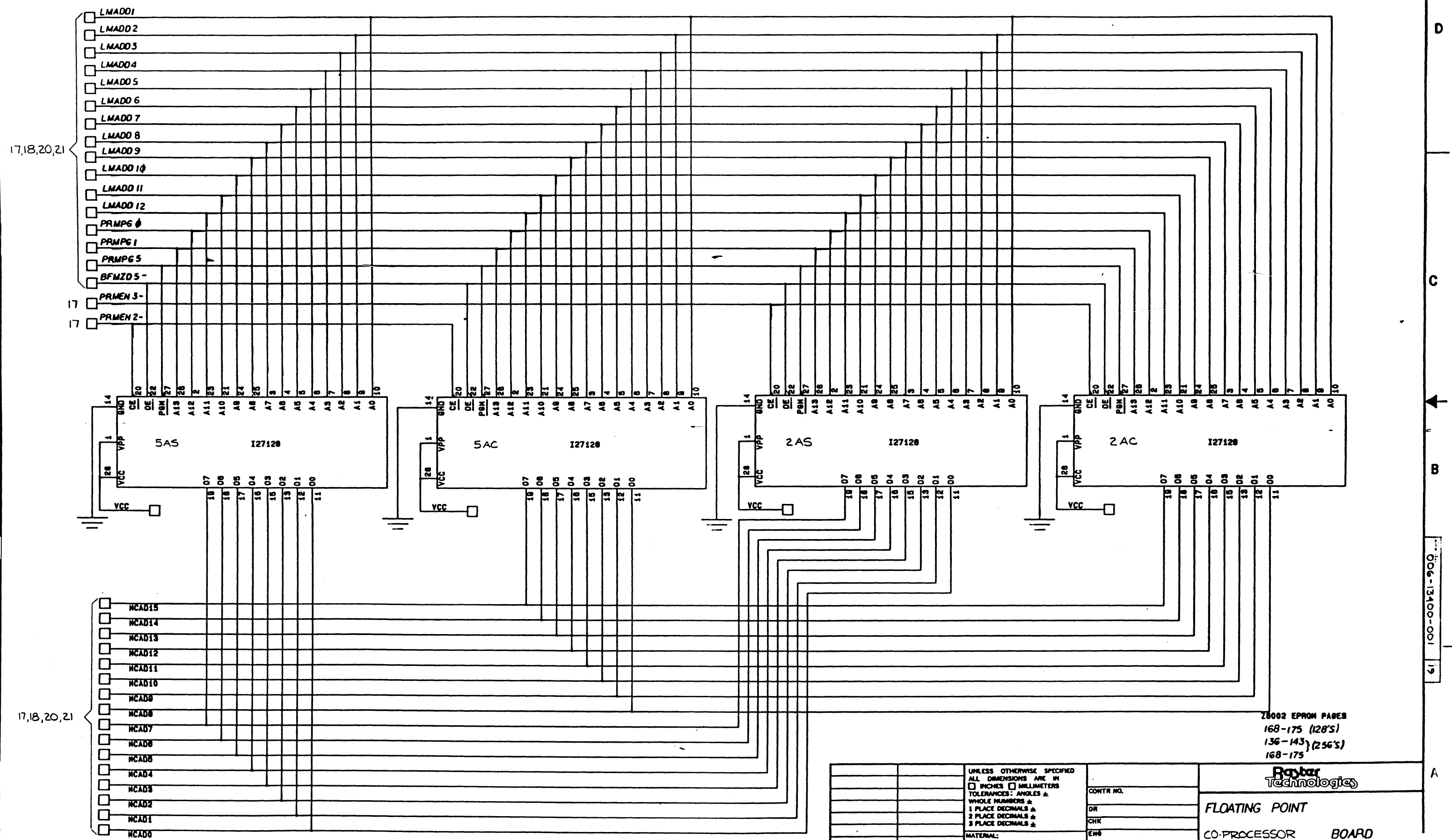
006-13400-001

B

C

D

ZONE	REV	DATE	APPROVED



17,18,20,21

3

17,18,20,21

D

C

B

A

006-13400-001

28002 EPROM PAGES  
168-175 (128's)  
136-143 (256's)  
168-175

**Raytar**  
Technologies

**FLOATING POINT**  
CO-PROCESSOR BOARD

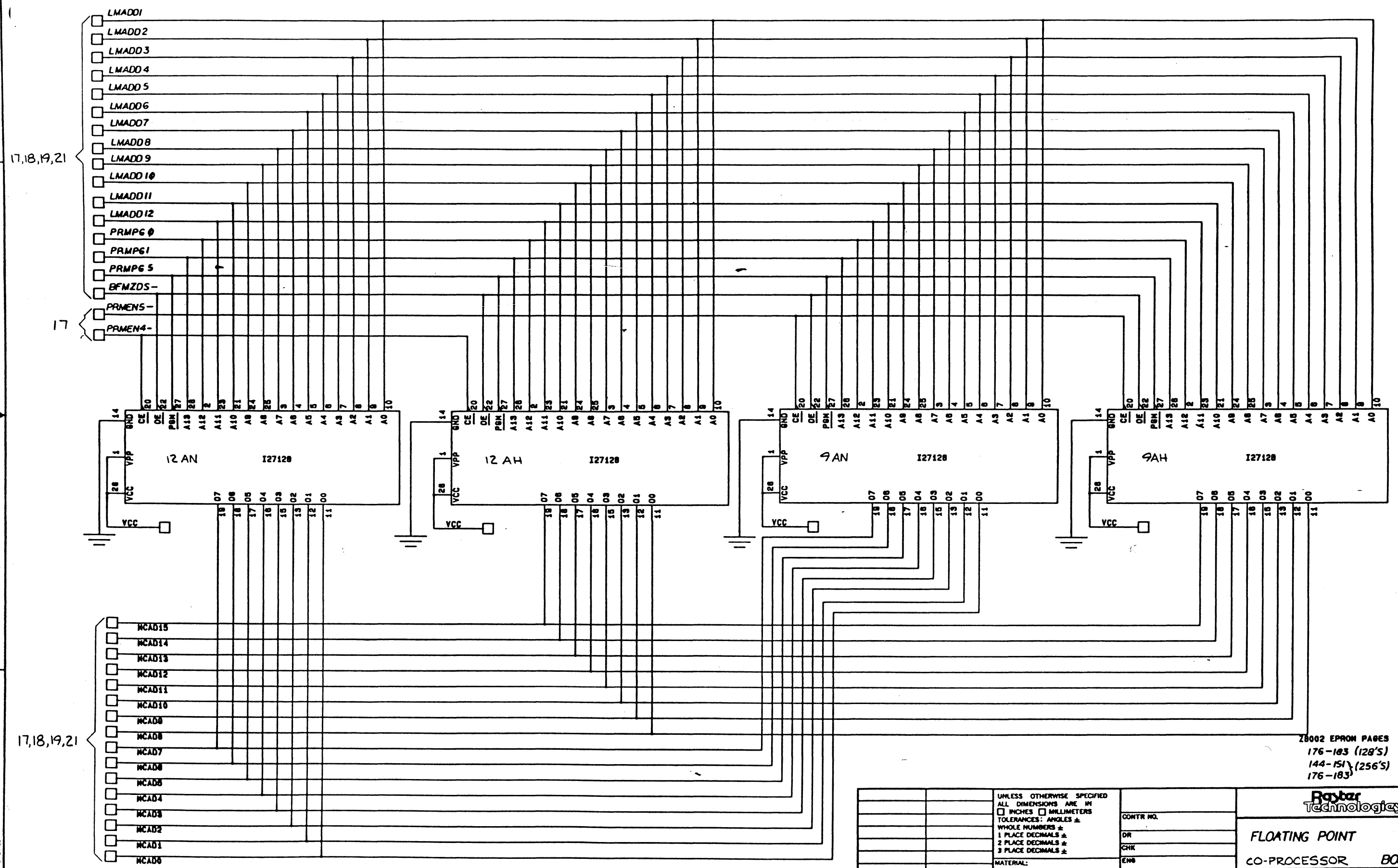
UNLESS OTHERWISE SPECIFIED ALL DIMENSIONS ARE IN INCHES □ MILLIMETERS TOLERANCES: ANGLES ± WHOLE NUMBERS ★ 1 PLACE DECIMALS ★ 2 PLACE DECIMALS ★ 3 PLACE DECIMALS ★	
MATERIAL:	
NEXT ASSY	USED ON
APPLICATION	

CONTR NO.	
DR	
CHK	
ENG	
APPD	
BY ORDER OF CDR. BMD3C	

SIZE	D	DRAWING NO.	006-13400-001
SCALE	1/8"	SHEET	2 OF 2

REV. 1.1

REVISIONS				
ZONE	REV	DESCRIPTION	DATE	APPROVED



17,18,19,21

17

17,18,19,21

D

C

B

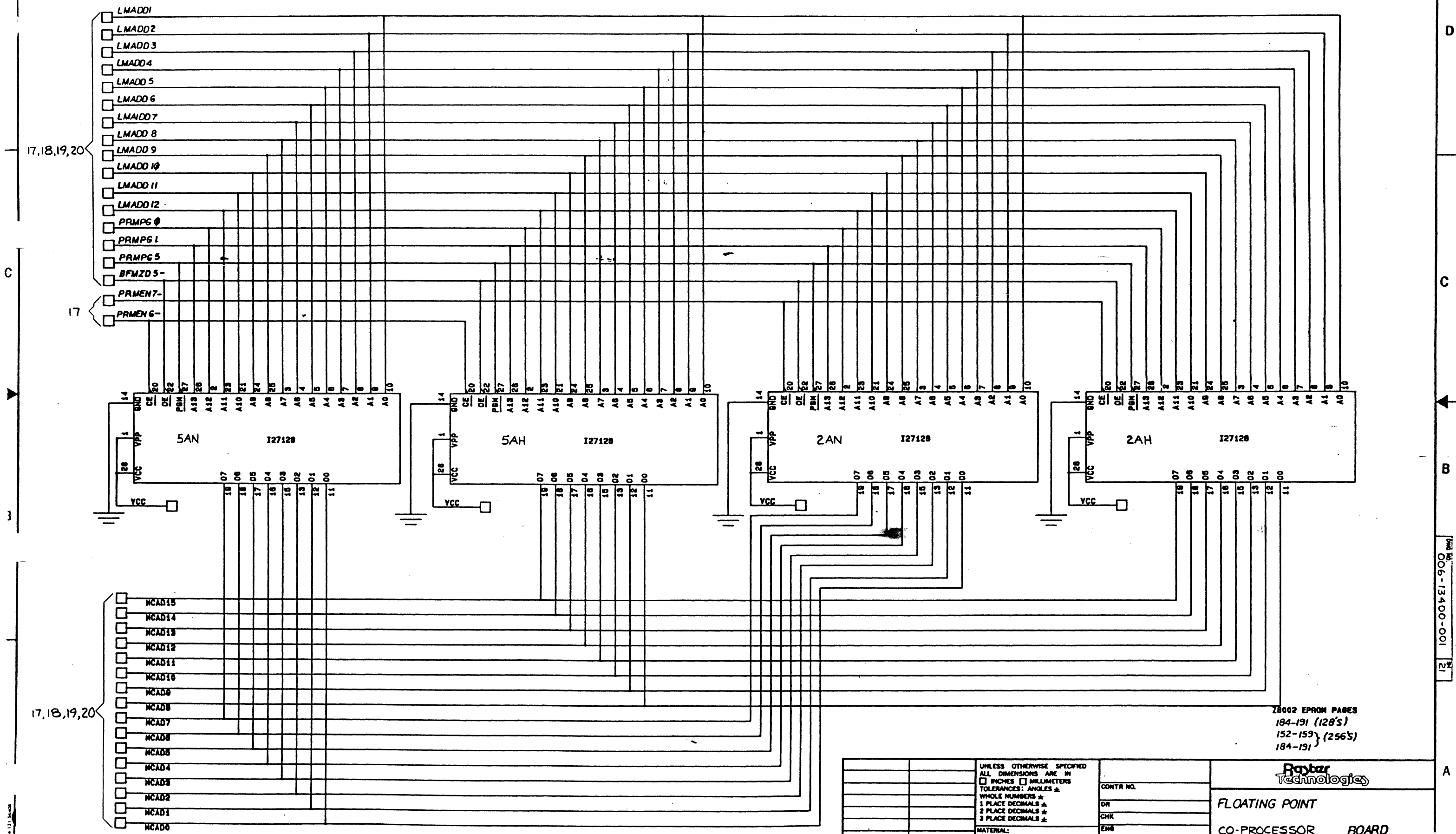
A

28002 EPROM PAGES  
 176-183 (128'S)  
 144-151 (256'S)  
 176-183

UNLESS OTHERWISE SPECIFIED ALL DIMENSIONS ARE IN <input type="checkbox"/> INCHES <input type="checkbox"/> MILLIMETERS TOLERANCES: ANGLES ± WHOLE NUMBERS ± 1 PLACE DECIMALS ± 2 PLACE DECIMALS ± 3 PLACE DECIMALS ±		<b>Raybar Technologies</b> <b>FLOATING POINT</b> <b>CO-PROCESSOR BOARD</b>	
CONTR NO.	DR	CHK	ENG
APPD	BY ORDER OF CDR. BMDSC	SCALE	DATE
MATERIAL:	MATERIAL:	SIZE	DRAWING NO.
NEXT ASSY	USED ON	D	006-13400-001
APPLICATION			REV 2007 21

PART NO. 006-13400-001  
 REV 20

REVISIONS				
ZONE	REV	DESCRIPTION	DATE	APPROVED



28002 EPROM PAGES  
 184-191 (128's)  
 152-159 (256's)  
 184-191

UNLESS OTHERWISE SPECIFIED ALL DIMENSIONS ARE IN INCHES □ MILLIMETERS TOLERANCES: ANGLES ± WHOLE NUMBERS ± 1 PLACE DECIMALS ± 2 PLACE DECIMALS ± 3 PLACE DECIMALS ±		CONTR NO.	<b>Raybar Technologies</b> <b>FLOATING POINT</b> <b>CO-PROCESSOR BOARD</b>
NEXT ASSY	USED ON	CHK	
APPLICATION		APPD	SIZE <b>D</b> DRAWING NO. 006-13400-001

17,18,19,20

C

3

17,18,19,20

D

C

B

FORM NO. 006-13400-001 21

A

46-0848 (12/81)

Page 21 of 21