

The information herein is the property of PLESSEY PERIPHERAL SYS
 Transmittal receipt or possession of the information does not comply
 license or imply any rights to use, sell, or manufacture from the infor
 mation and no reproduction or publication of it, in whole or in part, shall
 be made without written authorization from PLESSEY PERIPHERAL SYS

REVISIONS			
LTR	DESCRIPTION	DATE	APPROVED
A	Rel. to Prod. per E.O. 5616	2-9-79	<i>[Signature]</i>
B	Incorporated E.O. 3217	7-25-79	<i>[Signature]</i>
C	Incorporated E.O. 3677	4-29-80	<i>[Signature]</i>

PRODUCTION RELEASE


TABLE OF CONTENTS

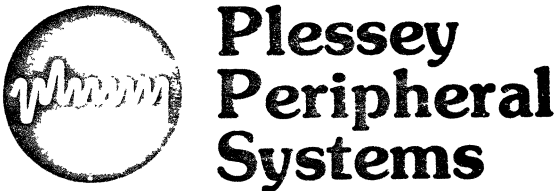
Drawing Number	Title	Rev.	No. Sheets
MD 703150	Maintenance Drawing Package Cover Sheet	D	1
703150	Kit, Floppy Disc System, PM-XS11	A	1
701735	Chassis Assembly, Flexible Disc System PM-XS11	D	3
PL 701735-100	Parts List, Chassis Assembly Dual Drive 60HZ	D	2
PL 701735-101	Parts List, Chassis Assembly Dual Drive 50 HZ	E	2
PL 701735-102	Parts List, Chassis Assembly Single Drive 60 HZ	D	2
PL 701735-103	Parts List, Chassis Assembly Single Drive 50 HZ	D	2
701032	Board Assembly, Controller, PM-XC11	B	1
PL 701032-100	Parts List, Bd. Assembly, Controller, PM-XC11	B	3
SD 701032	Schematic Diagram, Controller, PM-XC11	B	7
64111	Power Supply Assembly (100057)	3-29-77	1
64405	Board Assembly & Schematic, Power Supply (100057)	11-11-76	2
701803	Cable Assembly, Signal, PM-XS11	A	1
SK 701348	Cable Assembly, AC PM-XS11	X3	1
SK 701349	Cable Assembly, DC, PM-XS11	X3	1
SK 701347	Cable Assembly, Signal, PM-XS11	A	1

D Incorporated E.O. 3788 7-16-80 *[Signature]*

Maintenance Drawing Package

Products Covered by this Drawing Package
PM-XS11/A
PM-XS11/B
PM-XC11

DO NOT SCALE DRAWING	CONTRACT NO.		
SCREW THREADS PER HANDBOOK H-28	DRAWN N. Glass <i>[Signature]</i> 3-19-79	DRAWING TITLE: MAINTENANCE DRAWING PACKAGE	
COUNTERBORE AND SPOTFACE FILLET RADII TO BE 0.10 MAXIMUM	CHECK N. Glass <i>[Signature]</i> 3-19-79	PM-XS11 Floppy Disc System	
REMOVE ALL BURRS AND BREAK SHARP EDGES EQUIVALENT TO 0.10R	DESIGN	SIZE B	
ROUGHNESS OF MACHINED SURFACES 125 PER USAS B46.1	PROJ. <i>[Signature]</i> , Ericson 2-12-79	CODE IDENT NO. 52648	
STANDARD HOLE TOLERANCE PER AND 1038		DWG NO. MD 703150	
TOLERANCES ON .XX + .2 05 .XXX + .2 010 ANGLES = 3 0' 30"		SCALE:	
INTERPRET DIMENSIONS AND TOLERANCES PER USAS Y14.1	OTHER	SHEET 1 OF 1 (31)	
DIMENSIONS ARE IN INCHES AND APPLY AFTER HEAT TREAT AND FINISH UNLESS OTHERWISE SPECIFIED	APPROVALS		



The information herein is the property of PLESSEY PERIPHERAL SYSTEMS, INC. It is to be used for the purpose of manufacturing only. No other use, reproduction, or distribution is permitted without the written consent of PLESSEY PERIPHERAL SYSTEMS, INC.

APPLICATION		REV LTR	DESCRIPTION	DATE	APPROVED
NEXT ASSY	USED ON	A	RELEASE TO PRODUCTION PER EO 5209	12-31-78	<i>[Signature]</i>
FINAL	PM-XS11	A	INCRP EO 2084	2-21-79	<i>[Signature]</i>

PRODUCTION RELEASE

REV LTR	REV LTR	REV LTR	REV LTR	REV LTR	REV LTR	REV LTR
SHEET	A	A	A			
SHEET	1	2	3			

CONTRACT NO. _____

NO NOT SCALE DRAWING

DEPTH THREADED PER HANDBOOK

DRAWN *[Signature]* 12-30-78

CHECK *[Signature]* 10-30-78

DESIGN

PROJ. ENGR. *[Signature]* 12-30-78

DATE 11-27-78

OTHER APPROVALS

SIZE A **CODE IDENT NO.** 52648 **DWG NO.** 703150

SCALE: _____ **SHEET** 1 OF 3

PARTS LIST		Plessey Peripheral Systems		PARTS LIST NO.	SH	REV LTR				
				703150	2	A				
ENTER CHG THIS REV LTR	NOTE	PART/ASSY NO. & QTY PER ASSY				UNIT MEAS.	PART NO. OR IDENTIFYING NO.	NOMENCLATURE OR DESCRIPTION	SPEC OR SOURCE	FIN NO. D
			-103	-102	-101	-100				
						X		DUAL FLOPPY DISC SYSTEM, 60Hz		
					X			DUAL FLOPPY DISC SYSTEM, 50Hz		
					X			SINGLE FLOPPY DISC SYSTEM, 60Hz		
			X					SINGLE FLOPPY DISC SYSTEM, 50Hz		
			1	1	1	1	800030-100	SOFTWARE KIT		1
			1	1	1	1	MA703150	PM-XS11 MANUAL		2
										3
			1	1	1	1	MA100142	MANUAL, FLOPPY DRIVE	SHUGART	4
			1	1	1	1	701032-100	PWB ASSEMBLY		5
										6
						1	701735-100	CHASSIS ASSY. DUAL, 60Hz		
						1	701735-101	CHASSIS ASSY. DUAL, 50Hz		7
				1			701735-102	CHASSIS ASSY. SINGLE, 60Hz		8

PARTS LIST		Plessey Peripheral Systems		PARTS LIST NO.	SH	REV LTR				
				703150	3	A				
ENTER CHG THIS REV LTR	NOTE	PART/ASSY NO. & QTY PER ASSY				UNIT MEAS.	PART NO. OR IDENTIFYING NO.	NOMENCLATURE OR DESCRIPTION	SPEC OR SOURCE	FIN NO. D
			-103	-102	-101	-100				
			1				701735-103	CHASSIS ASSY. SINGLE, 50Hz		9
				1		1	17250	POWER CABLE, 115VAC	BELDEN	10
			1		1		700836-200	POWER CABLE, 230VAC		11
					1	1	701803-100	SIGNAL CABLE, DUAL, 96"		12
			1	1			701347-200	SIGNAL CABLE, 96"		13

The information herein is the property of PLESSEY PERIPHERAL SYSTEMS, INC. Transmittal, receipt or possession of the information does not comply, license, or imply any rights to use, sell, or manufacture from this information and no reproduction or publication of it, in whole or in part, shall be made without written authorization from PLESSEY PERIPHERAL SYSTEMS, INC.

Form 000087

SIZE B SCALE

CODE IDENT NO. 52648

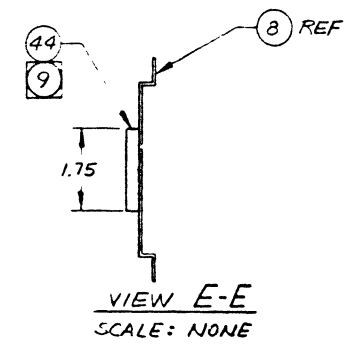
DWG NO. 703150

REV A

SHEET 1 OF 1

The information herein is the property of Plessey Peripheral Systems. It is loaned to you for your use only. It is not to be distributed, copied, or otherwise used in any way without the written consent of Plessey Peripheral Systems.

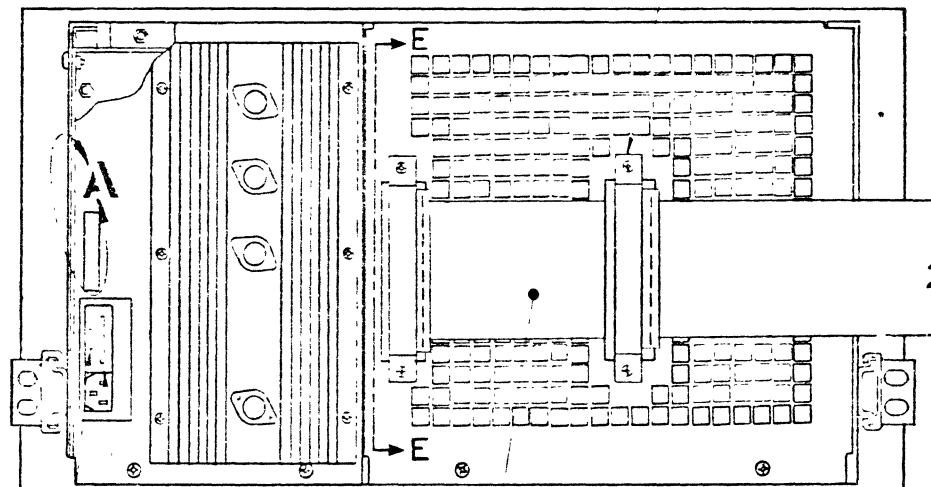
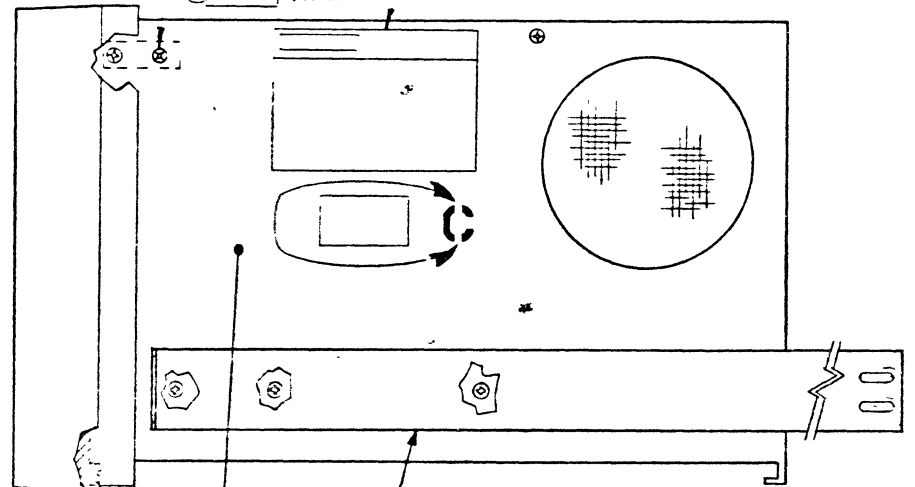
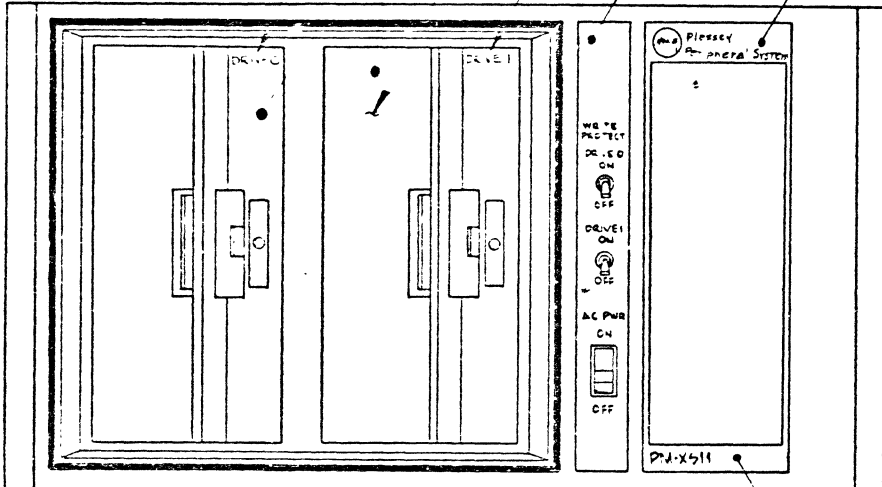
REVISIONS				
ZONE	LTR	DESCRIPTION	DATE	APPROVED
4		RELEASE TO FIELD PER EO 5209	8-15-77	[Signature]
E		INCORP EO 2187 / 2284	2-16-77	[Signature]
C		INCORP EO 3131 / 3131-1	7-16-78	[Signature]
D		INCORP EO 3755	7-15-80	[Signature]



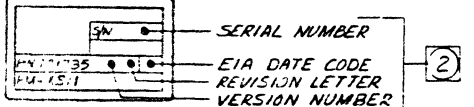
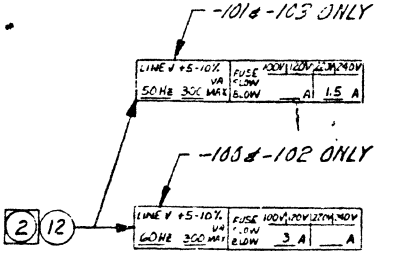
7
8 REQ'D 21
8 REQ'D 26

21 2 REQ'D
25 2 REQ'D
28 2 REQ'D
39 2 REQ'D
20 4 REQ'D
25 4 REQ'D
13 NOT SHOWN

8 2 PLACES
44 -100 & -101
21 1 PLACE
26 1 PLACE
9 -102 & -103



- 9 INSTALL ITEM 44 TO ITEM 8 AS IN VIEW E-E BEFORE ASSEMBLY.
- 3 FOR SINGLE DRIVE ASSO (-102 & -103), SECURE AS DC CABLES ITEMS 10 & 11 WITH ITEMS 31 & 40. THREE PLACES LOCATED AS REQ'D.
- 7 DRIVE MODIFICATION NOTED ON SHEET 3.
- 6 FRONT PANELS TO BE PAINTED SEMI-GLOSS BLACK, AIR DRY PAINT, URETHANE OR EQUIV.
- 5 FOR 50Hz APPLICATION, VERSION -101 & -103 REPLACE EXISTING DRIVE PULLEY (SHUGART # 50358) WITH ITEM 28, AND REPLACE EXISTING DRIVE BELT (SHUGART # 50356) WITH ITEM 42.
- 4 ORIENT VOLTAGE CARD TO APPLICABLE VOLTAGE REQUIREMENTS PER INSTRUCTIONS SHOWN ON DECAL, ITEM 17.
- 3 SIGNAL CABLE SHOWN FOR REFERENCE ONLY.
- 2 MARK CHARACTERS USING TYPEWRITER WITH RIBBON, UPPER CASE TYPE ONLY, PER VIEWS A AND C.



VIEW A
ROTATED 90° CW
SCALE: NONE

VIEW C
SCALE: NONE

PRODUCTION RELEASE

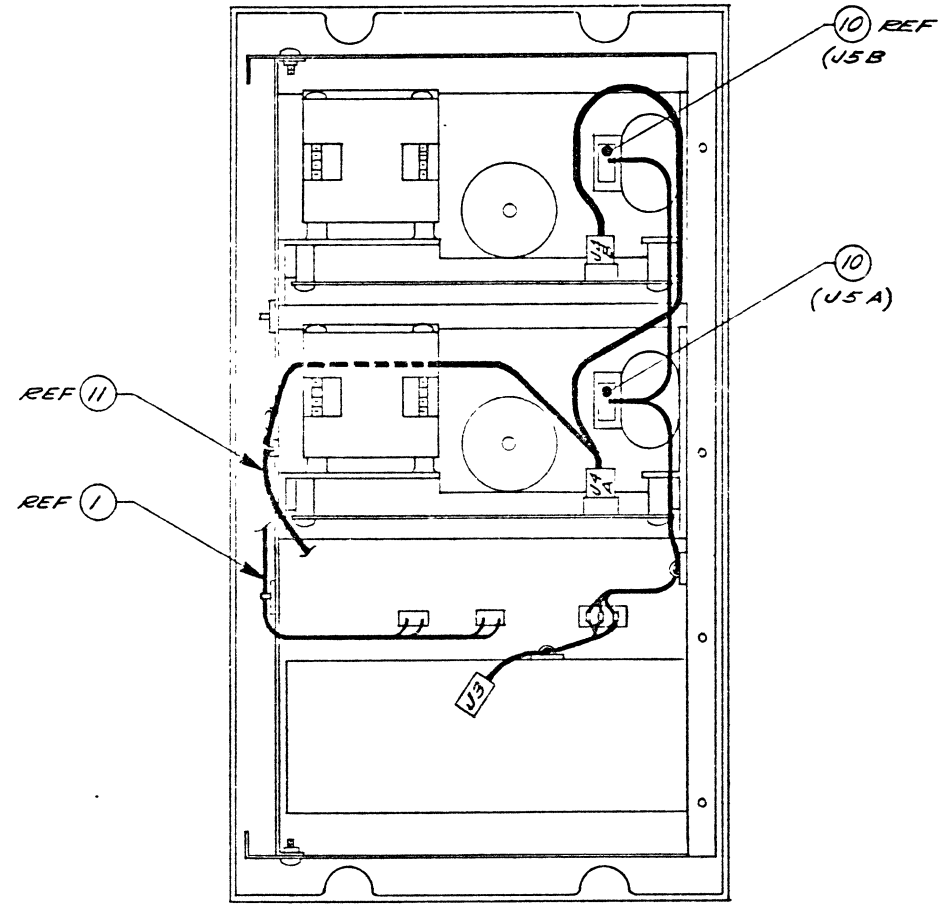
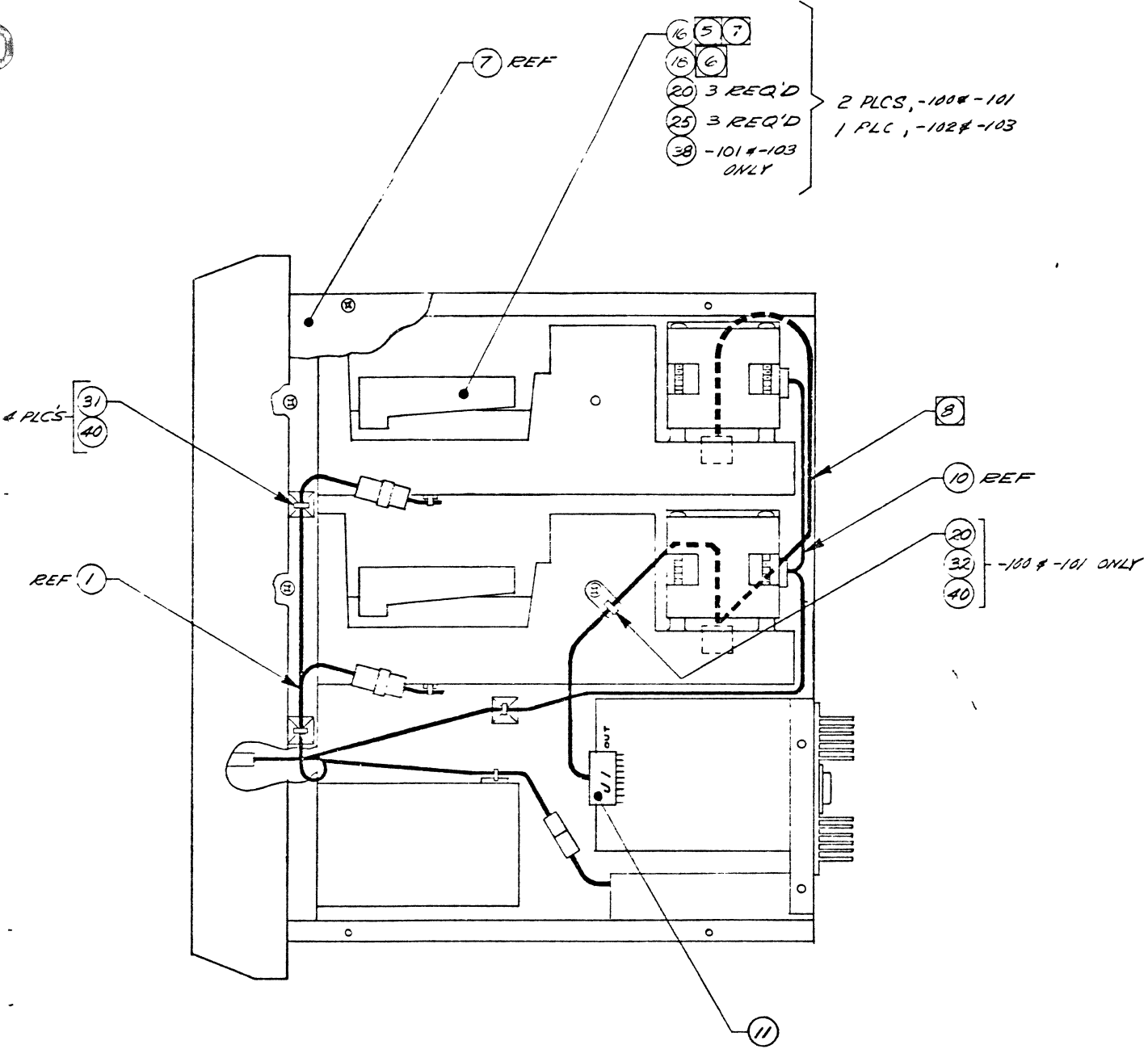
PART/ASSY NO. & QTY PER ASSY	DO NOT SCALE DRAWING	CONTRACT NO.	OTHER APPROVALS
	SCREW THREADS PER HANDBOOK H-38		
	COUNTERBORE AND SPOTFACE FILLET RADI TO BE 80% MAXIMUM		
	REMOVE ALL BURRS AND BREAK SHARP EDGES EQUIVALENT TO 2UR		
	ROUGHNESS OF MACHINED SURFACES 12V PER USAS B46.1		
	STANDARD HOLE TOLERANCE PER AND 10287		
	TOLERANCES ON XX = ± .01 XXX = ± .015 ANGLES = 90° ± 30°		
	INTERPRET DIMENSIONS AND TOLERANCES PER USAS Y14.5		
	DIMENSIONS ARE IN INCHES AND APPLY AFTER HEAT TREAT AND FINISH		
	UNLESS OTHERWISE SPECIFIED		

PARTS LIST		Plessey Peripheral Systems	
FOR PARTS LIST SEE PL 701735-103	4	DWG TITLE	CHASSIS ASSEMBLY
FOR PARTS LIST SEE PL 701735-102	3	ENGR	FLEXIBLE DISC, PM-X511
FOR PARTS LIST SEE PL 701735-101	2	PROJ. ENGR	
FOR PARTS LIST SEE PL 701735-100	1	PROD. DESIGN	
		SIZE	D 52648
		CODE IDENT NO.	701735
		DWG NO.	701735
		SCALE	1/2
		SHEET	1 OF 3

ALL INFORMATION CONTAINED HEREIN IS THE PROPERTY OF THE U.S. GOVERNMENT AND IS TO BE REPRODUCED IN WHOLE OR IN PART BY ANYONE WITHOUT PERMISSION OF THE U.S. GOVERNMENT. THIS DOCUMENT IS NOT TO BE DISTRIBUTED OUTSIDE THE U.S. GOVERNMENT. IT IS TO BE KEPT IN THE ORIGINAL SYSTEM AND NOT TO BE REPRODUCED IN ANY OTHER FORM. IT IS TO BE KEPT IN THE ORIGINAL SYSTEM AND NOT TO BE REPRODUCED IN ANY OTHER FORM.

REVISIONS				
ZONE	LTR	DESCRIPTION	DATE	APPROVED
		SEE SHEET 1		

701735

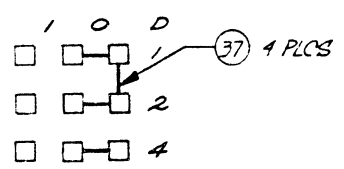


SIZE	CODE IDENT NO.	DWG NO.
D	52648	701735
SCALE: 1/2	SHEET 2 OF 3	
		DISTR NO

D
C
B
D
701735
A

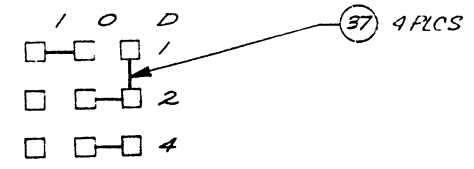
THIS DRAWING IS THE PROPERTY OF PLESSEY PFC FEDERAL SYS
 It is to be used for information only and is not to be
 reproduced, stored in a retrieval system, or transmitted in any form or by any means
 electronic, mechanical, photocopying, recording, or by any information storage and
 retrieval system, without the prior written permission of PLESSEY PFC FEDERAL SYS.

REVISIONS				
ZONE	LTR	DESCRIPTION	DATE	APPROVED
		SEE SHEET 1		



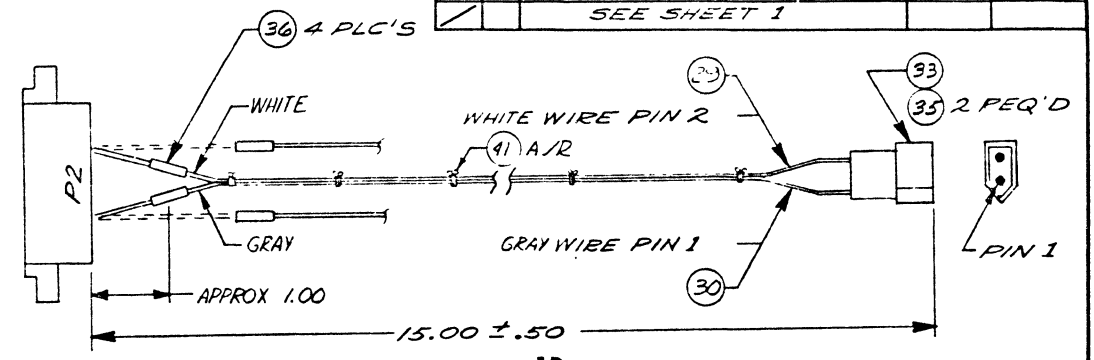
DRIVE 0
 JUMPER CONFIGURATION
 -103, -101, -102, -103

VIEW 13
 SCALE: 5/1



DRIVE 1
 JUMPER CONFIGURATION
 -103, -101

VIEW 13
 SCALE: 5/1



VIEW 1D
 SCALE: NONE

WRITE PROTECT CABLE MODIFICATION

1. CUT GRAY WIRE COMING FROM P2-14.
2. CUT WHITE WIRE COMING FROM P2-18B.
3. SPLICE 22 AWG GRAY WIRE AS SHOWN IN VIEW D.
4. SPLICE 22 AWG WHITE WIRE AS SHOWN IN VIEW D.
5. CAP REMAINING TWO WIRES WITH HEATSHRINK TUBING (ITEM 36) AND TIE BACK IN BUNDLE.

REMOVE JUMPER BLOCK FROM "X"
 AND MOVE TO "C".

ADD JUMPER 37

REMOVE JUMPER BLOCK "DSI"

REMOVE JUMPER BLOCK FROM HL
 AND MOVE TO DS.

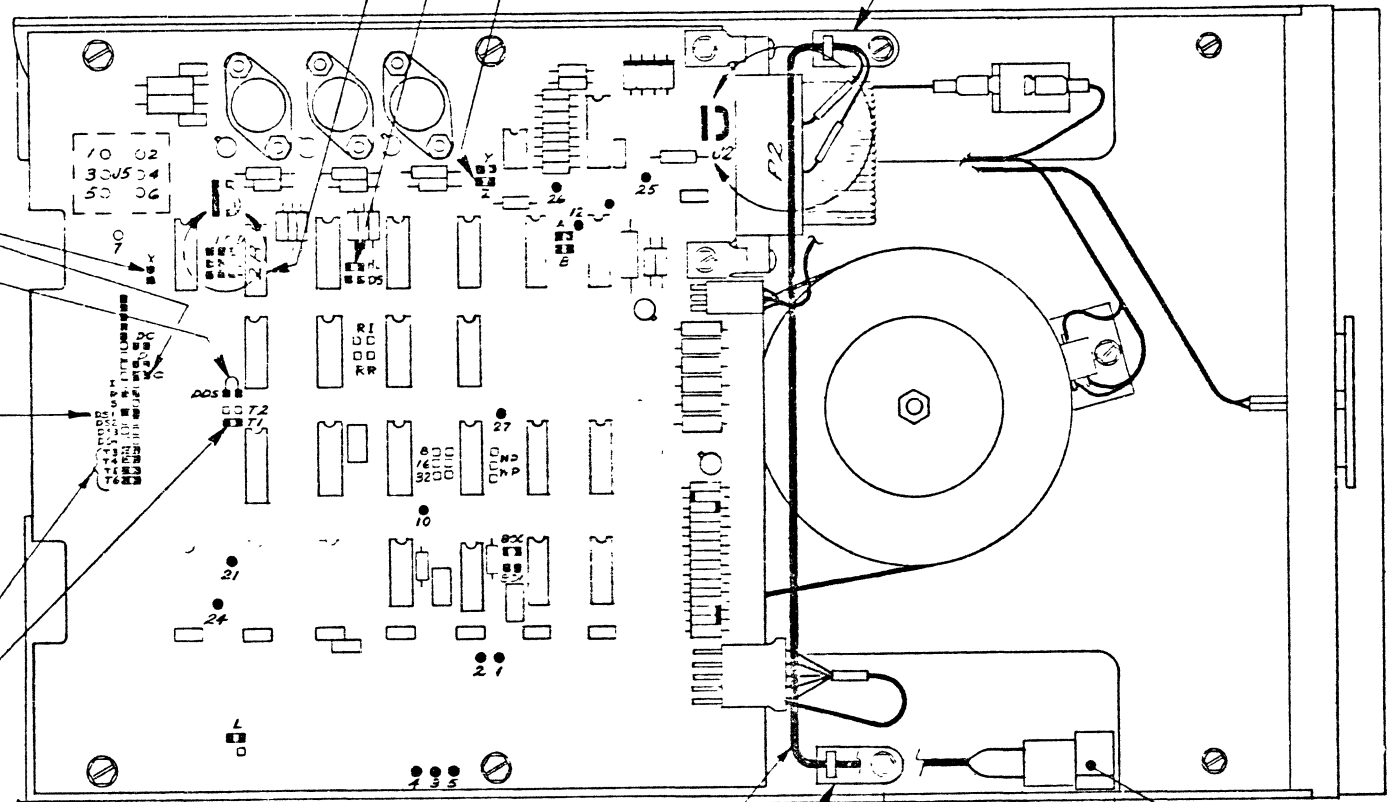
REMOVE JUMPER BLOCK FROM "Z"
 AND MOVE TO "Y".

CABLE TO BE TIGHT BETWEEN
 CABLE TIE MOUNTS.

DUAL DRIVE (-101 & -101)
 REMOVE T1, T3, T4, T5 & T6
 FOR "DRIVE 0" OPERATION.
 JUMPER BLOCKS REMAIN IN PLACE
 FOR "DRIVE 1" OPERATION.

SINGLE DRIVE (-102 & -103)
 JUMPER BLOCKS FOR T1, T3, T4, T5,
 AND T6 REMAIN IN PLACE FOR SINGLE
 DRIVE OPERATION (DRIVE 0)

DRIVE MODIFICATION
 TYPICAL BOTH DRIVE "0" AND DRIVE "1"
 EXCEPT AS NOTED.



SIZE	CODE IDENT NO.	DWG NO.
D	52648	701735
SCALE: 1/2	SHEET 3 OF 3	
DISTR NO		

PARTS LIST	Plessey Microsystems	PREPARED BY: <i>70101/USKI</i>	DATE: <i>3-2-78</i>	PARTS LIST NO: <i>PL 701735-100</i>	REV. 1: <i>D</i>
CHASSIS ASSEMBLY FLOPPY DISC DUAL DRIVE 60 HZ FM-XS11		CHECKED BY: <i>[Signature]</i>	DATE: <i>7-22-77</i>	CODE IDENT NO: <i>52648</i>	SH: <i>1</i>
		APPROV: <i>[Signature]</i>	DATE: <i>8-23-78</i>	MODEL NO.: <i>PM-XS11</i>	OF: <i>5</i>

LTR	DESCRIPTION	DATE	APPROVED	LTR	DESCRIPTION	DATE	APPROVED
A	REL TO PPCD FER ED 5209	10-31-77	<i>[Signature]</i>				
A	INCORP ED 3650 #4	4-13-77	<i>[Signature]</i>				
B	INCORP ED 03131	7-16-77	<i>[Signature]</i>				
C	INCORP ED 03162	7-16-79	<i>[Signature]</i>				
D	INCORP ED 3755	7-15-80	<i>[Signature]</i>				

PRODUCTION RELEASE

REV STATUS OF SHEETS	REV LTR	1	2	3	4	5	6	7	8	9	10
----------------------	---------	---	---	---	---	---	---	---	---	---	----

PARTS LIST	Plessey Microsystems	CODE IDENT NO: <i>52648</i>	PARTS LIST NO: <i>PL 701735-100</i>	SH: <i>2</i>	REV. 1: <i>C</i>							
NOTE	QTY REQD	PART OR IDENTIFYING NO.	NOMENCLATURE OR DESCRIPTION	SPECIFICATION	CODE IDENT NO.	ZONE	F I N D	S T M	C/I USAGE			
									C/I CODE	INT ON HAND	P A R	UNIT COST
	1	701734-100	SWITCH PANEL ASSY				1					
	1	701449-001	CHASSIS				2					
C	1	100057-001 OR 100160-100	POWER SUPPLY				3					
	1	701453-001	COVER, REAR				4					
	1	701457-001	BRACKET, SUPPORT				5					
	1	701456-001	STORAGE BOX				6					
	1	701452-001	COVER				7					
	2	701454-001	CLAMP, CABLE				8					
A	1	701511-100	PANEL, FRONT				9					
	1	701348-100	CABLE ASSY A.C.				10					
	1	701349-100	CABLE ASSY D.C.				11					
	1	701104-001	LABEL, BLANK				12					
	1	700077-001	NAMEPLATE				13					

PARTS LIST	Plessey Microsystems	CODE IDENT NO: <i>52648</i>	PARTS LIST NO: <i>PL 701735-100</i>	SH: <i>3</i>	REV. 1: <i>A</i>							
NOTE	QTY REQD	PART OR IDENTIFYING NO.	NOMENCLATURE OR DESCRIPTION	SPECIFICATION	CODE IDENT NO.	ZONE	F I N D	S T M	C/I USAGE			
									C/I CODE	INT ON HAND	P A R	UNIT COST
	1 PR.	701636-001	SLIDE, CHASSIS				14					
	1	701656-001	NAMEPLATE, SET				15					
	2	SA-800	DISC, FLOPPY, 60 HZ	SHUGART			16					
	1	701109-001	DECAL, VOLTAGE SELECTION				17					
6	2	50675	FRONT PANEL, DISC	SHUGART			18					
	6	MS51958-61	SCREW / PAN HD. 10-32 x 3/8 LG				19					
	17	MS51957-43	SCREW / PAN HD. 8-32 x 3/8 LG				20					
	23	MS51957-27	SCREW / PAN HD. 6-32 x 5/16 LG				21					
							22					
	2	SN74L85	I.C. / 4-BIT MAGNITUDE COMPARATOR	T.I.			23					
	6	MS35333-39	WASHER / LOCK-INTERNAL TOOTH NO. 10				24					
	18	MS35333-38	WASHER / LOCK-INTERNAL TOOTH NO. 8				25					
	23	MS35333-37	WASHER / LOCK, INTERNAL TOOTH NO. 6				26					

PARTS LIST	Plessey Microsystems	CODE IDENT NO: <i>52648</i>	PARTS LIST NO: <i>PL 701735-100</i>	SH: <i>4</i>	REV. 1: <i>D</i>							
NOTE	QTY REQD	PART OR IDENTIFYING NO.	NOMENCLATURE OR DESCRIPTION	SPECIFICATION	CODE IDENT NO.	ZONE	F I N D	S T M	C/I USAGE			
									C/I CODE	INT ON HAND	P A R	UNIT COST
	2	MS15785-807	WASHER, FLAT, NO. 8				27					
	30 IN.	7055/19-1	WIRE / 22 AWG, 19/31 STRAND, IRAD. PVC INSUL, COLOR: WHITE	ALPHA WIRE			29					
	30 IN.	7055/19-4	WIRE / 22 AWG, 19/34 STRAND, IRAD. PVC INSUL, COLOR: GRAY	ALPHA WIRE			30					
	4	ABMM-A	BASE, CABLE TIE	PANDUIT			31					
	5	TAISB-M	BASE, CABLE TIE	PANDUIT			32					
	2	03-03-2022	PLUG, 2 CIRCUIT	MOLEX			33					
	1	MDA 3	FUSE, 3 AMP 250V SLOW BLOW	BUSSMANN			34					
D	4	02-09-2118	SOCKET, TERMINAL, CRIMP	MOLEX			35					
	6 IN.	FIT-105-1/8	TUBING, HEAT SHRINK, 1/8 DIA.	ALPHA WIRE			36					
	1 FT	5952	WIRE / 28 AWG, KYNAR INSUL, COLOR: OPTICAL	ALPHA WIRE			37					
							38					
	2	MS35699-289	NUT, HEX, 8-32				39					

The information hereon is the property of PLESSEY PERIPHERAL SYS. Transmittal receipt or possession of the information does not imply license, or imply any rights to use, sell, or manufacture, from this information and no reproduction or publication of it, in whole or in part, shall be made without written authorization from PLESSEY PERIPHERAL SYS.

SIZE **B** CODE IDENT NO. 52648 REV **D** DWG NO. PL 701735-100 SHEET 1 of 2

PARTS LIST		Plessey Peripheral Systems		CODE IDENT NO. 52648	PARTS LIST NO. PL701735-100	SH <u>5</u>	REV. LTR <u>B</u>						
QTY REQD	NOTE	PART OR IDENTIFYING NO.	NOMENCLATURE OR DESCRIPTION	SPECIFICATION	CODE IDENT NO.	ZONE	F I N D	S Y N	C/I USAGE				
									C/I CODE	TRY ON HARD	P A R	UNIT COST	
9		PLT 1.5M	CABLE TIE	PANDUIT			40						
1/2 IN.		LC-136	LACING, CORD	ALPHA WIRE			41						
							42						
							43						
B	9	3.5 IN. NO. 4504 X 3/8 WIDE	FOAM TAPE, 1/4 THK X 3/8 WIDE	3M CO			44						

The information hereon is the property of PLESSEY PERIPHERAL SYS. Transmittal, receipt or possession of the information does not comply, license, or imply any rights to use, sell, or manufacture from this information and no reproduction or publication of it, in whole or in part, shall be made without written authorization from PLESSEY PERIPHERAL SYS.

SIZE **B** CODE IDENT NO. 52648 DWG NO. PL 701735-100

SCALE REV **D** SHEET 2 of 2

PARTS LIST	Plessey Microsystems		PREPARED BY: <i>T. J. Lewis</i>	DATE: 3-1-79	PARTS LIST NO: PL 701735-101	REV. LTR: E
	CHASSIS ASSEMBLY FLOPPY DISC DUAL DRIVE 50 HZ PM-XS11		CHECKED BY: <i>T. J. Lewis</i>	DATE: 3-23-79	CODE IDENT NO: 52648	SH OF: 1/5
			APPV: <i>T. J. Lewis</i>	DATE: 8-1-79	MODEL NO: PM-XS11	
			DOC CONTROL: <i>T. J. Lewis</i>	DATE: 11-1-79		

LTR	DESCRIPTION	DATE	APPROVED	LTR	DESCRIPTION	DATE	APPROVED
A	REL TO PRSD EO 5209	1-23-78	<i>T. J. Lewis</i>				
B	INCRP EO 2881	2-21-79	<i>T. J. Lewis</i>				
B	INCRP EO 3000 2H.	4-13-79	<i>T. J. Lewis</i>				
C	INCRP EO 3131	7-16-79	<i>T. J. Lewis</i>				
D	INCRP EO 3162	7-16-79	<i>T. J. Lewis</i>				
E	INCRP EO 3755	7-15-80	<i>T. J. Lewis</i>				

PRODUCTION RELEASE

REV LTR	E	D	A	E	C								
SHEET	1	2	3	4	5	6	7	8	9	10			

PARTS LIST		Plessey Microsystems		CODE IDENT NO: 52648	PARTS LIST NO: PL 701735-101	SH 3	REV LTR: A						
QTY REQD	PART OR IDENTIFYING NO.	NOMENCLATURE OR DESCRIPTION	SPECIFICATION	CODE IDENT NO.	ZONE	F I N O D	S Y M	C/I USAGE					
								C/I CODE	INV ON HAND	P A R	UNIT COST		
1 PR.	701636-001	SLIDE, CHASSIS											
1	701656-001	NAME PLATE, SET											
2	SA-800	DISC, FLOPPY	SHUGART										
1	701109-001	DECAL, VOLTAGE SELECTION											
2	50675	FRONT PANEL, DISC	SHUGART										
6	MS51958-61	SCREW / PAN HD. 10-32 x 3/8 LG											
17	MS51957-43	SCREW / PAN HD. 8-32 x 3/8 LG											
23	MS51957-27	SCREW / PAN HD. 6-32 x 5/16 LG											
2	SN74L85	I.C. / 4-BIT MAGNITUDE COMPARATOR	T.I.										
6	MS35333-39	WASHER / LOCK-INTERNAL TOOTH No. 10											
18	MS-35333-38	WASHER / LOCK-INTERNAL TOOTH No. 8											
23	MS35333-37	WASHER / LOCK INTERNAL TOOTH No. 6											

PARTS LIST		Plessey Microsystems		CODE IDENT NO: 52648	PARTS LIST NO: PL 701735-101	SH 2	REV LTR: D						
QTY REQD	PART OR IDENTIFYING NO.	NOMENCLATURE OR DESCRIPTION	SPECIFICATION	CODE IDENT NO.	ZONE	F I N O D	S Y M	C/I USAGE					
								C/I CODE	INV ON HAND	P A R	UNIT COST		
1	701739-100	SWITCH PANEL ASSY											
1	701449-001	CHASSIS											
1	100057-001 OR 100160-100	POWER SUPPLY											
1	701453-001	COVER, REAR											
1	701457-001	BRACKET, SUPPORT											
1	701456-001	STORAGE BOX											
1	701452-001	COVER											
2	701454-001	CLAMP, CABLE											
1	701599-100	PANEL, FRONT											
1	701348-100	CABLE ASSY A.C.											
1	701349-100	CABLE ASSY D.C.											
1	701104-001	LABEL, BLANK											
1	700077-001	NAMEPLATE											

PARTS LIST		Plessey Microsystems		CODE IDENT NO: 52648	PARTS LIST NO: PL 701735-101	SH 4	REV LTR: E						
QTY REQD	PART OR IDENTIFYING NO.	NOMENCLATURE OR DESCRIPTION	SPECIFICATION	CODE IDENT NO.	ZONE	F I N O D	S Y M	C/I USAGE					
								C/I CODE	INV ON HAND	P A R	UNIT COST		
2	MS15735-807	WASHER, FLAT, NO. 8											
30 IN.	705519-1	WIRE / 22 AWG, 1/8" STRAND, IRRAD. PVC INSUL, COLOR: WHITE	ALPHA WIRE										
30 IN.	705519-4	WIRE / 22 AWG, 1/8" STRAND, IRRAD. PVC INSUL, COLOR: GRAY	ALPHA WIRE										
4	ABMM-A	BASE, CABLE TIE	PANDUIT										
5	TA158-M	BASE, CABLE TIE	PANDUIT										
2	03-09-2022	PLUG, 2 CIRCUIT	MOLEX										
1	MDA 1/2	FUSE / 1.5 AMP, 250 V, SLOW BLOW	BUSSMAN										
4	02-09-2118	SOCKET, TERMINAL, CRIMP	MOLEX										
6 IN.	FIT-105-1/8	TUBING, HEATSHRNK, 1/8 DIA.	ALPHA WIRE										
1 FT	5952	WIRE / 28 AWG, KYNAR INSUL., COLOR OPTIONAL	ALPHA WIRE										
2	50357	DRIVE PULLEY, 50 HZ.	SHUGART										
2	MS35699-284	NUT, HEX, 8-32											

SIZE: B
 CODE IDENT NO: 52648
 DWG NO: PL 701735-101
 SHEET 1 of 2
 REV: E
 SCALE:

The information hereon is the property of PLESSEY PERIPHERAL SYS. Transmittal receipt or possession of the information does not comply, license, or imply any rights to use, sell, or manufacture from this information and no reproduction or publication of it, in whole or in part, shall be made without written authorization from PLESSEY PERIPHERAL SYS.

PARTS LIST		Plessey Peripheral Systems		CODE IDENT NO.	PARTS LIST NO.	SH	REV	C/I USAGE					
		QTY REQD	PART OR IDENTIFYING NO.	NOMENCLATURE OR DESCRIPTION	SPECIFICATION	CODE IDENT NO.	ZONE	F I R D	S Y M	C/I CODE	1 W O R M A N D	P A R	UNIT COST
		9	PLT 1.5M	CABLE TIE	PANDUIT			40					
		12 IN.	LC-136	LACING CORD	ALPHA WIRE			41					
B		2	50355	BELT, DRIVE, 50HZ	SHUGART			42					
								43					
C	(9)	3.5 IN.	NO 4504 X 3/8 WIDE	FOAM TAPE, 1/4 THK X 3/8 WIDE	3M CO			44					

The information hereon is the property of PLESSEY PERIPHERAL SYS. Transmittal receipt or possession of the information does not comply, license, or imply any rights to use, sell, or manufacture from this information and no reproduction or publication of it, in whole or in part, shall be made without written authorization from PLESSEY PERIPHERAL SYS.

SIZE **B** SCALE **A**

CODE IDENT NO. 52648

DWG NO. PL 701735-101

REV **E**

SHEET 2 of 2

PARTS LIST	Plessey Peripheral Systems	PREPARED BY: <i>[Signature]</i>	DATE: 2-21-79	PARTS LIST NO: PL701735-102	REV: 3	BY: A
CHASSIS ASSEMBLY FLOPPY DISC SINGLE DRIVE 60 HZ PII-XSII		CHECKED BY: <i>[Signature]</i>	DATE: 2-21-79	CODE IDENT NO: 52648	PL 701735-102	5-1
		APPROVED BY: <i>[Signature]</i>	DATE: 2-21-79	MODEL NO.:		

REV	DESCRIPTION	DATE	APPROVED	LTR	DESCRIPTION	DATE	APPROVED
A	REL TO PROD 22334	2-21-79	<i>[Signature]</i>				
A	INCRP EO 3000 E.H	4-13-79	<i>[Signature]</i>				
B	INCRP EO 3131	7-16-79	<i>[Signature]</i>				
C	INCRP EO 3162	7-16-79	<i>[Signature]</i>				
D	INCRP EO 3755	7-15-80	<i>[Signature]</i>				

PRODUCTION RELEASE

REV STATUS OF SHEETS	REV LTR	D	C	A	D	B												
SHEET		1	2	3	4	5	6	7	8	9	10							

PARTS LIST		Plessey Microsystems		CODE IDENT NO	PARTS LIST NO	SH	BY					
				52648	PL 701735-102	3	A					
NOTE	QTY REQD	PART OR IDENTIFYING NO.	NOMENCLATURE OR DESCRIPTION	SPECIFICATION	CODE IDENT NO	ZONE	F I N O D	S Y S T E M	C/I USAGE	INT ON HAND	P A R T	UNIT COST
	1 PR.	701636-001	SLIDE, CHASSIS				14					
	1	701656-001	NAMEPLATE, SET				15					
	1	5A-800	DISC, FLOPPY, 60 HZ	SHUGART			16					
	1	701109-001	DECAL, VOLTAGE SELECTION				17					
6	1	50675	FRONT PANEL, DISC	SHUGART			18					
	6	MS51958-61	SCREW / PAN HD. / 10-32 x 3/8 LG				19					
	13	MS51957-43	SCREW / PAN HD. / 8-32 x 3/8 LG				20					
	21	MS51957-27	SCREW / PAN HD. / 6-32 x 5/16 LG				21					
							22					
	1	SN74L85	I.C. / 4-BIT MAGNITUDE COMPARATOR	T.I.			23					
	6	MS35333-39	WASHER / LOCK-INTERNAL TOOTH NO. 10				24					
	15	MS-35333-38	WASHER / LOCK-INTERNAL TOOTH NO. 8				25					
	21	MS35333-37	WASHER / LOCK, INTERNAL TOOTH NO. 6				26					

PARTS LIST		Plessey Microsystems		CODE IDENT NO	PARTS LIST NO	SH	BY					
				52648	PL 701735-102	2	C					
NOTE	QTY REQD	PART OR IDENTIFYING NO.	NOMENCLATURE OR DESCRIPTION	SPECIFICATION	CODE IDENT NO	ZONE	F I N O D	S Y S T E M	C/I USAGE	INT ON HAND	P A R T	UNIT COST
	1	701734-100	SWITCH PANEL ASSY				1					
	1	701449-001	CHASSIS				2					
C	1	100057-001 OR 100160-100	POWER SUPPLY				3					
	1	701453-001	COVER, REAR				4					
	1	701457-001	BRACKET, SUPPORT				5					
	1	701456-001	STORAGE BOX				6					
	1	701452-001	COVER				7					
	1	701454-001	CLAMP, CABLE				8					
A	1	701544-100	PANEL, FRONT				9					
	1	701348-100	CABLE ASSY A.C.				10					
	1	701349-100	CABLE ASSY D.C.				11					
	1	701104-001	LABEL, BLANK				12					
	1	700077-001	NAMEPLATE				13					

PARTS LIST		Plessey Microsystems		CODE IDENT NO	PARTS LIST NO	SH	BY					
				52648	PL 701735-102	4	D					
NOTE	QTY REQD	PART OR IDENTIFYING NO.	NOMENCLATURE OR DESCRIPTION	SPECIFICATION	CODE IDENT NO	ZONE	F I N O D	S Y S T E M	C/I USAGE	INT ON HAND	P A R T	UNIT COST
							27					
	2	MS15795-807	WASHER, FLAT, NO. 8				28					
	15 IN.	7055/19-1	WIRE / 22 AWG, 19/34 STRAND / IRAD PVC INSUL, COLOR: WHITE	ALPHA WIRE			29					
	15 IN.	7055/19-4	WIRE / 22 AWG, 19/34 STRAND, IRAD. / PVC INSUL, COLOR: GRAY	ALPHA WIRE			30					
	7	ABMM-A	BASE, CABLE TIE	PANDUIT			31					
	2	TA158-M	BASE, CABLE TIE	PANDUIT			32					
	1	03-09-2022	PLUG, 2 CIRCUIT	MOLEX			33					
	1	MDA 3	FUSE, 3 AMP 250V SLOW BLOW	BUSSMANN			34					
D	2	02-09-2118	SOCKET, TERMINAL, CRIMP	MOLEX			35					
	3 IN	FIT-105-1/8	TUBING, HEAT SHRINK, 1/8 DIA.	ALPHA WIRE			36					
	1 FT	5952	WIRE / 28 AWG, KYMAR INSUL, COLOR: OPTIONAL	ALPHA WIRE			37					
							38					
	2	MS35649-284	NUT, HEX, 8-32				39					

SIZE B
 CODE IDENT NO. 52648
 DWG NO. PL 701735-102
 REV D
 SHEET 1 OF 2

The information hereon is the property of PLESSEY PERIPHERAL SYS. Transmittal receipt or possession of the information does not constitute license, or imply any rights to use, sell, or manufacture from this information and no reproduction or publication of it, in whole or in part, shall be made without written authorization from PLESSEY PERIPHERAL SYS.

PARTS LIST		Plessey Peripheral Systems		CODE IDENT NO.	PARTS LIST NO.	SHEET	REV.			
				52648	PL701735-102	5	B			
QTY REQD	PART OR IDENTIFYING NO.	NOMENCLATURE OR DESCRIPTION	SPECIFICATION	CODE IDENT NO.	ZONE	F I R N D	S T M	C/I USAGE		
								C/I CODE	WT OR HAZ	P A R
10	PLT 1.5M	CABLE TIE	PANDUIT			40				
6 IN.	LC-136	LACING, CORD	ALPHA WIRE			41				
						42				
1	701459 -001	COVER BLANK				43				
B 9	1.75 IN. NO 4504 X 3/8 WIDE	FOAM TAPE, 1/4 THK X 3/8 WIDE	3M CO			44				

The information hereon is the property of PLESSEY PERIPHERAL SYS
 Transmittal receipt or possession of the information does not comply
 license, or imply any rights to use, sell, or manufacture from this infor
 mation and no reproduction or publication of it in whole or in part, shall
 be made without written authorization from PLESSEY PERIPHERAL SYS

SIZE **B** CODE IDENT NO. 52648 DWG NO. PL 701735-102
 SCALE REV D SHEET 2 of 2

PARTS LIST		Plessey Peripheral Systems		PREPARED BY: <i>S. Frank</i>	DATE: <i>2-21-79</i>	PL 701735-103	CODE IDENT NO: 52648	REV: 2	SIZE: C
CHASSIS ASSEMBLY FLOPPY DISC DRIVE 50 HZ FM-XS11									
REV LTR	D	C	A	D	B				
1	2	3	4	5	6	7	8	9	10

LTR	DESCRIPTION	DATE	APPROVED	LTR	DESCRIPTION	DATE	APPROVED
A	REL TO PRODED 2854	2-21-79	<i>S. Frank</i>				
A	INCRP EO 3000 Z.H.	4-13-79	<i>S. Frank</i>				
B	INCRP EO 3131	7-16-79	<i>S. Frank</i>				
C	INCRP EO 3162	7-16-79	<i>S. Frank</i>				
D	INCRP EO 3755	7-15-80	<i>S. Frank</i>				

PRODUCTION RELEASE

NOTE	QTY REQD	PART OR IDENTIFYING NO.	NOMENCLATURE OR DESCRIPTION	SPECIFICATION	CODE IDENT NO.	ZONE	F I N D	S Y M	C/I USAGE
	1	701734-100	SWITCH PANEL ASSY				1		
	1	701449-001	CHASSIS				2		
C	1	100057-001 OR 100160-100	POWER SUPPLY				3		
	1	701453-001	COVER, REAR				4		
	1	701457-001	BRACKET, SUPPORT				5		
	1	701456-001	STORAGE BOX				6		
	1	701452-001	COVER				7		
	1	701454-001	CLAMP, CABLE				8		
A	1	701544-100	PANEL, FRONT				9		
	1	701348-100	CABLE ASSY A.C.				10		
	1	701349-100	CABLE ASSY D.C.				11		
	1	701104-001	LABEL, BLANK				12		
	1	700077-001	NAMEPLATE				13		

NOTE	QTY REQD	PART OR IDENTIFYING NO.	NOMENCLATURE OR DESCRIPTION	SPECIFICATION	CODE IDENT NO.	ZONE	F I N D	S Y M	C/I USAGE
	1 PR.	701636-001	SLIDE, CHASSIS				14		
	1	701656-001	NAME PLATE, SET				15		
5	1	SA-800	DISC, FLOPPY	SHUGART			16		
	1	701109-001	DECAL, VOLTAGE SELECTION				17		
6	1	50675	FRONT PANEL, DISC	SHUGART			18		
	6	MS51958-61	SCREW / PAN HD. 10-32 x 3/8 LG				19		
	13	MS51957-43	SCREW / PAN HD. 8-32 x 3/8 LG				20		
	21	MS51957-27	SCREW / PAN HD. 6-32 x 5/16 LG				21		
							22		
	1	SN74L85	I.C. / 4-BIT MAGNITUDE COMPARATOR	T.I.			23		
	6	MS35333-39	WASHER / LOCK-INTERNAL TOOTH No. 10				24		
	10	MS-35333-38	WASHER / LOCK-INTERNAL TOOTH No. 8				25		
	21	MS35333-37	WASHER / LOCK INTERNAL TOOTH No. 6				26		

NOTE	QTY REQD	PART OR IDENTIFYING NO.	NOMENCLATURE OR DESCRIPTION	SPECIFICATION	CODE IDENT NO.	ZONE	F I N D	S Y M	C/I USAGE
	2	MS15795-807	WASHER, FLAT, NO. 8				27		
	15 IN.	7055/19-1	WIRE / 22 AWG, 19 STRAND, IRRAD. PVC INSUL, COLOR: WHITE	ALPHA WIRE			28		
	15 IN.	7055/19-4	WIRE / 22 AWG, 19 STRAND, IRRAD. PVC INSUL, COLOR: GRAY	ALPHA WIRE			29		
	7	ABMM-A	BASE, CABLE TIE	PANDUIT			30		
	2	TA158-M	BASE, CABLE TIE	PANDUIT			31		
	1	03-09-2022	PLUG, 2 CIRCUIT	MOLEX			32		
	1	MDA 1/2	FUSE / 1.5 AMP, 250 V, SLOW BLOW	BUSSMAN			33		
	2	02-09-2118	SOCKET, TERMINAL, CRIMP	MOLEX			34		
	3 IN.	FIT-105-1/8	TUBING, HEATSHRINK, 1/8 DIA.	ALPHA WIRE			35		
	1 FT	5952	WIRE / 28 AWG, KYNAR INSUL, COLOR OPTIONAL	ALPHA WIRE			36		
5	1	50357	DRIVE PULLEY, 50 HZ.	SHUGART			37		
	2	MS35649-284	NUT, HEX, 3-32				38		
							39		

The information hereon is the property of PLESSEY PERIPHERAL SYS. Transmittal receipt or possession of the information does not imply license, or imply any rights to use, sell, or manufacture from this information and no reproduction or publication of it in whole or in part, shall be made without written authorization from PLESSEY, PERIPHERAL SYS.

CODE IDENT NO. 52648
 DWG NO. PL 701735-103
 SCALE B
 SHEET 1 OF 2

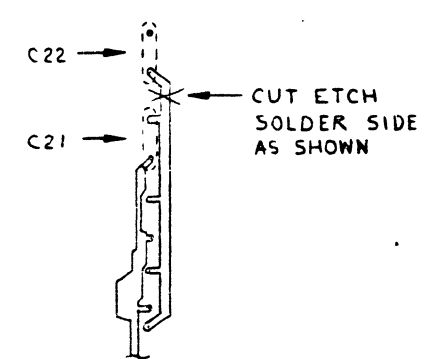
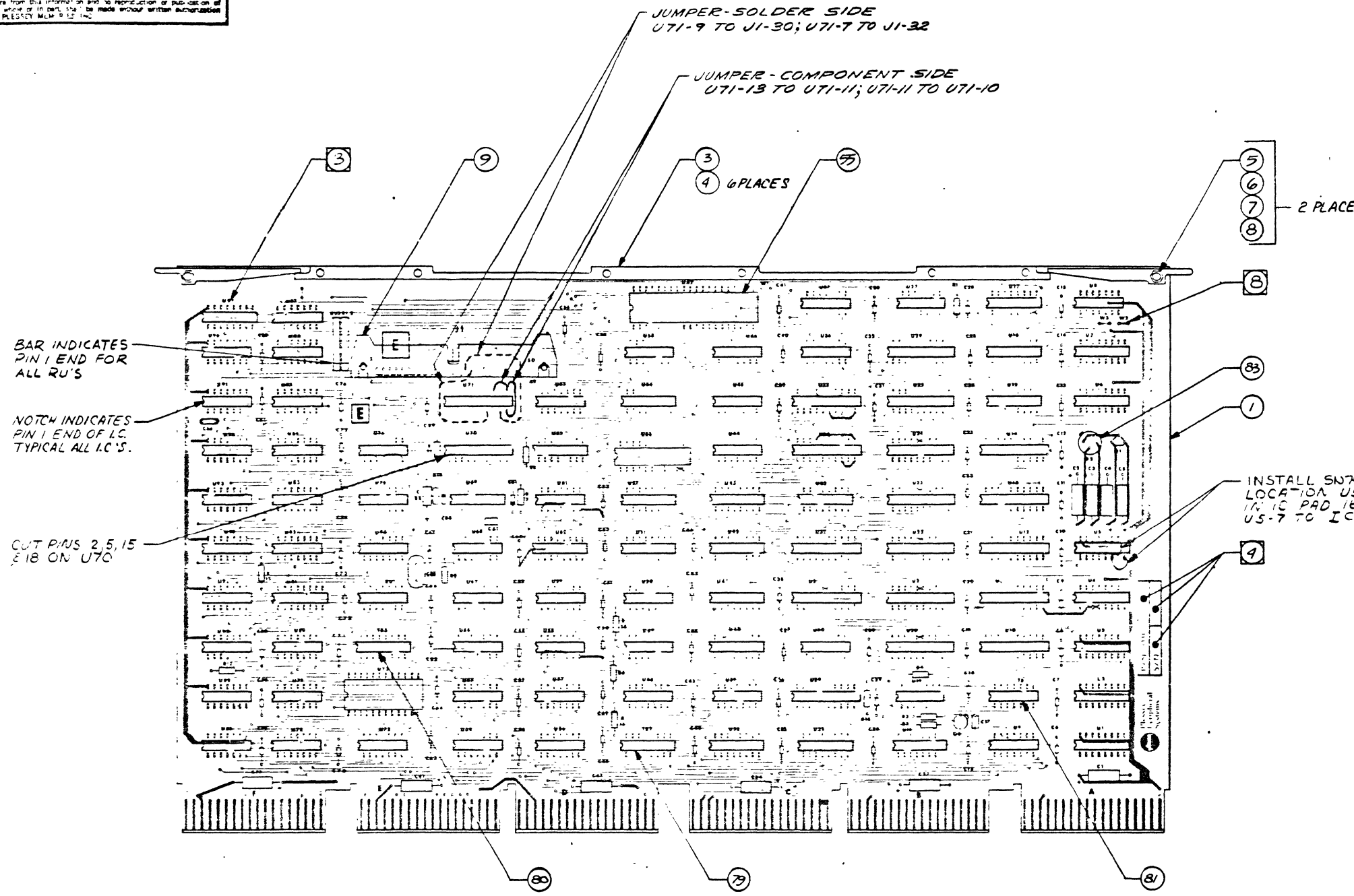
PARTS LIST		Plessey Peripheral Systems		CODE IDENT NO. 52648	PARTS LIST NO. PL701735-103	SH <u>5</u>	REV <u>B</u>					
QTY REQD	NOTE	PART OR IDENTIFYING NO.	NOMENCLATURE OR DESCRIPTION	SPECIFICATION	CODE IDENT NO.	ZONE	F I R M D	S Y S T E M	C/I USAGE			
									C/I CODE	EXP OR IMP	P A R T	UNIT COST
9		PLT 1.5M	CABLE TIE	PANDUIT				40				
12 IN.		LC-136	LACING CORD	ALPHA WIRE				41				
1		50355	BELT, DRIVE, 50HZ	SHUGART				42				
1		701459 -001	COVER, BLANK					43				
1.75 IN.	9	NO. 4504 X 3/8 WIDE	FOAM TAPE, 1/4 THK X 3/8 WIDE	3M CO				44				

The information hereon is the property of PLESSEY PERIPHERAL SYS. Transmittal, receipt or possession of the information does not comply, license, or imply any rights to use, sell, or manufacture from this information and no reproduction or publication of it, in whole or in part, shall be made without written authorization from PLESSEY PERIPHERAL SYS

SIZE **B** CODE IDENT NO. 52648 DWG NO. PL 701735-103
 SCALE REV **D** SHEET 2 of 2

The information herein is the property of PLESSEY MEMORIES INC. and is not to be distributed, copied, or reproduced in any form or by any means without the written permission of PLESSEY MEMORIES INC.

REVISIONS			
ZONE/LTR	DESCRIPTION	DATE	APPROVED
A	REL TO PRD PER E02917	7-23-73	[Signature]
C	ACCRP E. 51E7	7-23-73	[Signature]



.050 MAX SOLDER BUILD-UP
.350 MAX COMPONENT HEIGHT

PRODUCTION RELEASE

- 8 ADD JUMPERS AT W2 AND W3 AFTER LOGIC TEST.
 - 7 NO SUBSTITUTION IS PERMITTED ON THE FOLLOWING ITEMS: F/N 10, 11, 23, 24, 27, 29, 30, 33-40, 44-48, 50.
 - 6 COMPONENT LEAD TRIM AND SOLDER BUILD-UP TO BE AS NOTED.
 - 5 96106 (FAIRCHILD) MAY BE SUBSTITUTED FOR F/N 42.
 - 4 MARK ASSEMBLY VERSION NUMBER, LATEST REVISION LETTER AND SERIAL NUMBER WITH .12 HIGH CHARACTERS USING BLACK INK PER MIL-M-13231, GROUP III. LOCATION APPROX AS SHOWN.
 - 3 COMPONENT DESIGNATIONS ARE FOR REFERENCE ONLY AND DO NOT APPEAR ON PART.
2. FOR SCHEMATIC DIAGRAM SEE SD701032.
1. ASSEMBLE AND INSPECT PER WORKMANSHIP STANDARDS MANUAL.

FROM	TO	NOTE
US-1	U70-2	I.C. PAD
US-4	U70-15	I.C. PAD
US-3	U70-18	I.C. PAD
US-6	U70-5	I.C. PAD
US-2	US-5	I.C.
US-5	BFI	CONN

NOTE: FOR JUMPER WIRE USE 30AWG BLUE KYNAR

PART/ASSY NO. & QTY PER ASSY		DO NOT SCALE DRAWING		CONTRACT NO.	
PART ASSY REV LTR		SCREW THREADS PER HANDBOOK #48		DRAWN R.PHYTTINEN 7-7-70	
		COUNTERBORE AND SPOTFACE FILLET RADI TO BE .005 MAXIMUM		CHECK [Signature] 7-11-73	
		REMOVE ALL BURRS AND BREAK SHARP EDGES EQUIVALENT TO .005		ENGR	
		ROUGHNESS OF MACHINED SURFACES PER MIL-STD-20		PROJ. ENGR [Signature] 7-11-73	
		STANDARD HOLE TOLERANCE PER AND DEEP		PROD. DESIGN [Signature] 7-11-73	
		TOLERANCES ON .020 & .030 DIA HOLE ± .002		SIZE CODE IDENT NO. DWG NO.	
		INTERPRET DIMENSIONS AND TOLERANCES PER 1948 Y14.5		D 52698 701032	
		DIMENSIONS ARE IN INCHES AND APPLY AFTER HEAT TREAT AND FINISH UNLESS OTHERWISE SPECIFIED		OTHER APPROVALS	
-100 FINAL PM-XS11		APPLICATION		SCALE: 1/1	
PART NO. NEXT ASSY USED ON				SHEET 1 OF 1	
				DISTR NO. 23470 17	

NOTES: UNLESS OTHERWISE SPECIFIED

701032

A

PARTS LIST Plessey Microsystems
 J.W. 6-1-77
 PL701032-100 B
 CODE IDENT NO. 52648 SH 1 OF 10
 BOARD ASSY, CONTROLLER
 FLOPPY DISK, PM-XS II

LTR	DESCRIPTION	DATE	APPROVED
A	REL TO PROD PER E02917	3-13-79	[Signature]
B	INCORP EO 3187	7-23-79	[Signature]

PRODUCTION RELEASE

REV STATUS OF SHEETS	REV LTR	1	2	3	4	5	6	7	8	9	10
----------------------	---------	---	---	---	---	---	---	---	---	---	----

INTERPRET SYMBOLS USED AS FOLLOWS:
 A - PROPOSED ITEM
 B - IN PROGRESS ITEM
 C - IN STOCK ITEM
 D - OBSOLETE ITEM
 E - DISCONTINUED ITEM

PARTS LIST Plessey Memories Incorporated
 Santa Ana, California
 CODE IDENT NO. 52648
 PL701032-100 SH 3 A

CROSS INDEX OF REFERENCE DESIGNATIONS TO FIND NO.

REFERENCE DESIGNATION	F I N O.	REFERENCE DESIGNATION	F I N O.	REFERENCE DESIGNATION	F I N O.	REFERENCE DESIGNATION	F I N O.
C17	71						
C86	72						
Q3	73						
Q1	74						
Q2	75						
	76						
C1,2	77						
R4,15	78						
TB2	79						
TB3	80						
TB1	81						
R14	82						
	83						
	84						
	85						
	86						
U18							

PARTS LIST Plessey Memories Incorporated
 Santa Ana, California
 CODE IDENT NO. 52648
 PL701032-100 SH 2 B

CROSS INDEX OF REFERENCE DESIGNATIONS TO FIND NO.

REFERENCE DESIGNATION	F I N O.	REFERENCE DESIGNATION	F I N O.	REFERENCE DESIGNATION	F I N O.	REFERENCE DESIGNATION	F I N O.
U60	10	U37,50,75,76,66,	26	U40	41	RU1	56
U73	11	86,90		U56,58,61,64,72,	42	RU3	57
U39,46,82,95	12	U9,19,48,79,5	27	78,88		RU2	58
U81	13	U10-14,32	28	U41,42	43		59
U89	14	U15	29	U51,52	44	R7,8,11	60
U8,44,74,93	15	U33	30	U53	45	R1,6,9,12,13	61
U30,63,68,91	16	U97	31	U28,38	46	R10	62
U36,57,92	17	U87	32	U29,34,35	47	R3	63
U84	18	U20	33	U54,62	48	R2	64
U59,94	19	U21	34	U43	49		65
U4	20	U22	35	U70,71	50	C6-16,18-26,28-33, 35-46,48-60,63-67, 69-76,78-82	66
U6,7	21	U23	36	U69	51		
U16,17	22	U24	37	U45	52	C68	67
U47	23	U25	38	U55	53	C2-5	68
U96	24	U26	39	U67	54	C1,27,34,47,62,77	69
U27,49,65,80,83,85	25	U31	40			C61	70

PARTS LIST Plessey Memories Incorporated
 Santa Ana, California
 CODE IDENT NO. 52648
 PL701032-100 SH 4 A

NOTE	QTY REQD	PART OR IDENTIFYING NO.	NOMENCLATURE OR DESCRIPTION	SPECIFICATION	CODE IDENT NO.	ZONE	F I N O.	S Y M	C/I USAGE	TRY OR HAND	P A R	WHT COST
	1 EA	701029-001	P.W.B - FLOPPY DISC CONTROLLER				1	B				
	1 EA	700401-001	STIFFENER				3	B				
	6 EA	N-440-1/4	SCREW / 4-40 X 1/4 NYLON BINDER HEAD	WELCKESSER 95987			4	A				
	2 EA	700330-001	HANDLE / EXTRACTOR				5	B				
	2 EA	700331-001	SPACER				6	B				
	2 EA	MS51957-4	SCREW / 2-56 X 5/16				7	G				
	2 EA	NAS1291C02	NUT/HEX, #2, SELF-LOCKING				8	G				
	1 EA	3433-1002	CONNECTOR	3 M CO. 26066			9	A				
⑦	1 EA	DM8553	IC / TRI-STATE 8-BIT LATCHES	NATIONAL 27014			10	A				
⑦	1 EA	DM8130	IC / MAGNITUDE COMPARATOR	NATIONAL 27014			11	A				
	4 EA	SN7404	IC / HEX INVERTERS	T.I. 01295			12	A				
	1 EA	SN745138	IC / DECODER / DEMULTIPLEXER	T.I. 01295			13	A				

SIZE **B** CODE IDENT NO. 52648 DWG NO. PL 701032-100 SHEET 1 OF 3
 SCALE REV B

The information hereon is the property of PLESSEY PERIPHERAL SYS. Transmittal receipt or possession of the information does not imply license, or imply any rights to use, sell, or manufacture from this information and no reproduction or publication of it, in whole or in part, shall be made without written authorization from PLESSEY PERIPHERAL SYS

NOTE	QTY RECD	PART OR IDENTIFYING NO.	NOMENCLATURE OR DESCRIPTION	SPECIFICATION	CODE IDENT NO.	ZONE	FINO	SYM	C/I USAGE			
									C/I CODE	TRY OR MARK	P A B	UNIT COST
	1 EA	SN7430	IC/ 8-INPUT POS-NAND GATES	T.I.	01295		14	A				
	4 EA	SN7408	IC/ QUAD 2-INPUT POS-AND GATES	T.I.	01295		15	A				
	4 EA	SN7400	IC/ QUAD 2-INPUT POS-NAND GATES	T.I.	01295		16	A				
	3 EA	SN7402	IC/ QUAD 2-INPUT POS-NOR GATES	T.I.	01295		17	A				
	1 EA	SN7428	IC/ QUAD 2-INPUT POS-NOR BUFFERS	T.I.	01295		18	A				
	2 EA	SN7432	IC/ QUAD 2-INPUT POS-OR GATES	T.I.	01295		19	A				
	1 EA	SN7497	IC/ SYNCHRONOUS 6 BIT BINARY BITS MULTIPLIERS	T.I.	01295		20	A				
	2 EA	SN74161	IC/ SYNCHRONOUS 4-BIT COUNTERS	T.I.	01295		21	A				
	2 EA	SN74151	IC/ DATA SELECTORS/MULTIPLEXERS	T.I.	01295		22	A				
7	1 EA	FD1771B	IC/ FORMATTER	WESTERN DIGITAL	52840		23	A				
7	1 EA	MXD-40-2-8MHz	IC/ OSCILLATOR	CTS	11237		24	A				
	6 EA	SN7474	IC/ DUAL D-TYPE POS-EDGE TRIG'D F/F W/ PRESET AND CLR	T.I.	01295		25	A				
	7 EA	SN74107	IC/ DUAL J-K MASTER SLAVE F/F W/ CLEAR	T.I.	01295		26	A				

NOTE	QTY RECD	PART OR IDENTIFYING NO.	NOMENCLATURE OR DESCRIPTION	SPECIFICATION	CODE IDENT NO.	ZONE	FINO	SYM	C/I USAGE			
									C/I CODE	TRY OR MARK	P A B	UNIT COST
7	1 EA	100114-008	IC/ PROGRAMMABLE READ-ONLY MEMORIES					40	A			
	1 EA	SN74193	IC/ SYNC 4 BIT UP DOWN COUNTERS (DUAL CLK & CLR)	T.I.	01295		41	A				
5	7 EA	DM8640	IC/ QUAD NOR UNIFIED BUS RECEIVER	NATIONAL	27014		42	A				
	2 EA	SN7485	IC/ 4-BIT MAGNITUDE COMPARATORS	T.I.	01295		43	A				
7	2 EA	DM8556	IC/ TRI STATE PROGRAMMABLE DECADE/BINARY COUNTERS	NATIONAL	27014		44	A				
7	1 EA	3539	IC/ 256 X 8 STATIC RANDOM ACCESS MEMORY	FAIRCHILD	07263		45	A				
7	2 EA	DM8641	IC/ QUAD UNIFIED BUS TRANSCEIVER	NATIONAL	27014		46	A				
7	3 EA	SN74S241	IC/ OCTAL BUFFERS/LINE DRIVERS/ LINE REC. W/ 3-STATE OUTPUTS	T.I.	01295		47	A				
7	2 EA	DM8835	IC/ TRI-STATE QUAD TRANSCEIVER	NATIONAL	27014		48	A				
	1 EA	SN74174	IC/ HEX/QUAD D-TYPE FLIP-FLOP W/CLR	T.I.	01295		49	A				
7	2 EA	SN74S240	IC/ OCTAL BUFFERS/LINE DRIVERS/ LINE REC W/ 3-STATE OUTPUTS	T.I.	01295		50	A				
	1 EA	SN74123	IC/ DUAL RETRIGGERABLE MONOSTABLE MULTIVIBRATORS W/CLEAR	T.I.	01295		51	A				
	1 EA	SN7451	IC/ EXPAND DUAL 2-WIDE 2-INPUT AND-OR-INVERT GATES	T.I.	01295		52	A				

NOTE	QTY RECD	PART OR IDENTIFYING NO.	NOMENCLATURE OR DESCRIPTION	SPECIFICATION	CODE IDENT NO.	ZONE	FINO	SYM	C/I USAGE			
									C/I CODE	TRY OR MARK	P A B	UNIT COST
B 7	5 EA	SN7438	IC/ QUAD 2-INPUT POS-NAND BUFFERS W/ OPEN-COL OUTPUTS	T.I.	01295		27	A				
	6 EA	SN74S374	IC/ OCTAL D-TYPE TRANS LATCHES & EDGE-TRIG'D FLIP-FLOPS	T.I.	01295		28	A				
7	1 EA	100115-001	IC/ 256 BIT PROGRAMMABLE ROM				29	A				
7	1 EA	100115-002	IC/ 256 BIT PROGRAMMABLE ROM				30	A				
	1 EA	SN74163	IC/ SYNCHRONOUS 4-BIT COUNTERS				31	A				
	1 EA	SN74S37	IC/ QUAD 2-INPUT POS-NAND BUFFERS				32	A				
7	1 EA	100114-004	IC/ PROGRAMMABLE READ-ONLY MEMORIES				33	A				
7	1 EA	100114-003	IC/ PROGRAMMABLE READ-ONLY MEMORIES				34	A				
7	1 EA	100114-002	IC/ PROGRAMMABLE READ-ONLY MEMORIES				35	A				
7	1 EA	100114-001	IC/ PROGRAMMABLE READ-ONLY MEMORIES				36	A				
7	1 EA	100114-005	IC/ PROGRAMMABLE READ-ONLY MEMORIES				37	A				
7	1 EA	100114-007	IC/ PROGRAMMABLE READ-ONLY MEMORIES				38	A				
7	1 EA	100114-006	IC/ PROGRAMMABLE READ-ONLY MEMORIES				39	A				

NOTE	QTY RECD	PART OR IDENTIFYING NO.	NOMENCLATURE OR DESCRIPTION	SPECIFICATION	CODE IDENT NO.	ZONE	FINO	SYM	C/I USAGE			
									C/I CODE	TRY OR MARK	P A B	UNIT COST
	1 EA	SN7410	IC/ TRIPLE-3 INPUT POS NAND GATES	T.I.	01295		53	A				
	1 EA	SN7486	IC/ QUAD 2-INPUT EXCLUSIVE-OR GATES	T.I.	01295		54	A				
	1 EA	540-AG10D	SOCKET, IC, 40 PIN	AUGAT			55					
	1 EA	899-I-RIK	RESISTOR MODULE / 1K	BECKMAN	8074D		56	A				
	1 EA	100013-012	RESISTOR MODULE / 180Ω				57	B				
	1 EA	100013-011	RESISTOR MODULE / 390Ω				58	B				
							59					
	3 EA	RCD7GF103J	RESISTOR / 10K ±5%, 1/4W	MIL-R-11			60	G				
	5 EA	RCD7GF102J	↑ 1K ↑	↑			61	G				
	1 EA	RCD7GF213J	27K	↓			62	G				
	1 EA	RCD7GF181J	180Ω	↓			63	G				
	1 EA	RCD7GF391J	RESISTOR / 390Ω ±5%, 1/4W	MIL-R-11			64	G				
							65					

CODE IDENT NO. DWG NO. PL 701032-100
 SIZE B SCALE REV B SHEET 2 OF 3

The information hereon is the property of PLESSEY PERIPHERAL SYS. Transmittal receipt or possession of the information does not comply, license, or imply any rights to use, sell, or manufacture from this information and no reproduction or publication of it, in whole or in part, shall be made without written authorization from PLESSEY PERIPHERAL SYS.

PARTS LIST		Plessey Microsystems		CODE IDENT NO	PARTS LIST NO	SH	REV	C/I USAGE				
QTY	RECD	PART OR IDENTIFYING NO.	NOMENCLATURE OR DESCRIPTION	SPECIFICATION	CODE IDENT NO.	ZONE	F I N D	S Y M	C/I CODE	17Y OR RANG	P A R	UNIT COST
6	EA	CD69B160 E103 Z	CAPACITOR/.01 μ f, 16V	SPRAGUE			46	A				
1	EA	150D685X 9010 A2	6.8 μ f \pm 10%, 10V				67	A				
4	EA	150D475X 0035 B2	4.7 μ f \pm 20%, 35V				68	A				
6	EA	150D475X 0020 B2	4.7 μ f \pm 20%, 20V	SPRAGUE			69	A				
1	EA	CK05BX 103K	.01 μ f, 100V	MIL-C-11015			70	G				
1	EA	CK05BX 561K	CAPACITOR/560pf, 200V	MIL-C-11015			71	G				
1	EA	CK05BX 331K	CAPACITOR/330pf, 200V	MIL-C-11015			72					
1	EA	2N2369	TRANSISTOR / TO18	T.I.	01295		73	A				
1	EA	LM340LAZ- 12	VOLTAGE REGULATOR / TO92	NATIONAL	27D14		74	A				
1	EA	LM320H-5	VOLTAGE REGULATOR / TO5	NATIONAL	27D14		75	A				
							76					
2	EA	138000 -001	DIODE				77	A				
2	EA	RN55D 1780 F	RESISTOR/178 Ω \pm 1%, 1/8W	MIL-R-10509			78	A				

PARTS LIST		Plessey Microsystems		CODE IDENT NO	PARTS LIST NO	SH	REV	C/I USAGE				
QTY	RECD	PART OR IDENTIFYING NO.	NOMENCLATURE OR DESCRIPTION	SPECIFICATION	CODE IDENT NO.	ZONE	F I N D	S Y M	C/I CODE	17Y OR RANG	P A R	UNIT COST
1	EA	700066-204	ADDRESS STRAP PLUG				79	A				
1	EA	700066-205	ADDRESS STRAP PLUG				80	A				
1	EA	701327-100	ADDRESS STRAP PLUG				81	A				
1	EA	RN55D 3830 F	RESISTOR/383 Ω , \pm 1%, 1/8W	MIL-R-10509			82	A				
1	EA	10079	TRANSIPAD (TO-5)	M. RDSS	07047		83	A				
1	FT	5952	WIRE / 28 AWG, KYNAR, COLOR; OPTIONAL	ALPHA WIRE	23172		84	G				
REF		SN63WRAP3	SOLDER	QA-S-571			85	G				
1	EA	SN7427	IC/TRIPLE-3INPUT POS NOR	T.I.	01295		86	A				
REF		SD701032	SCHEMATIC DIAGRAM FLOPPY DISK CONTROLLER				87	C				
REF		TS701032	TEST SPECIFICATION FLOPPY DISK CONTROLLER				88	C				

SIZE CODE IDENT NO. DWG NO.

B 52648 PL 701032-100

SCALE REV B SHEET 3 of 3

The information hereon is the property of PLESSEY PERIPHERAL SYS. Transmittal receipt or possession of the information does not imply license, or imply any rights to use, sell, or manufacture from this information and no reproduction or publication of it, in whole or in part, shall be made without written authorization from PLESSEY PERIPHERAL SYS

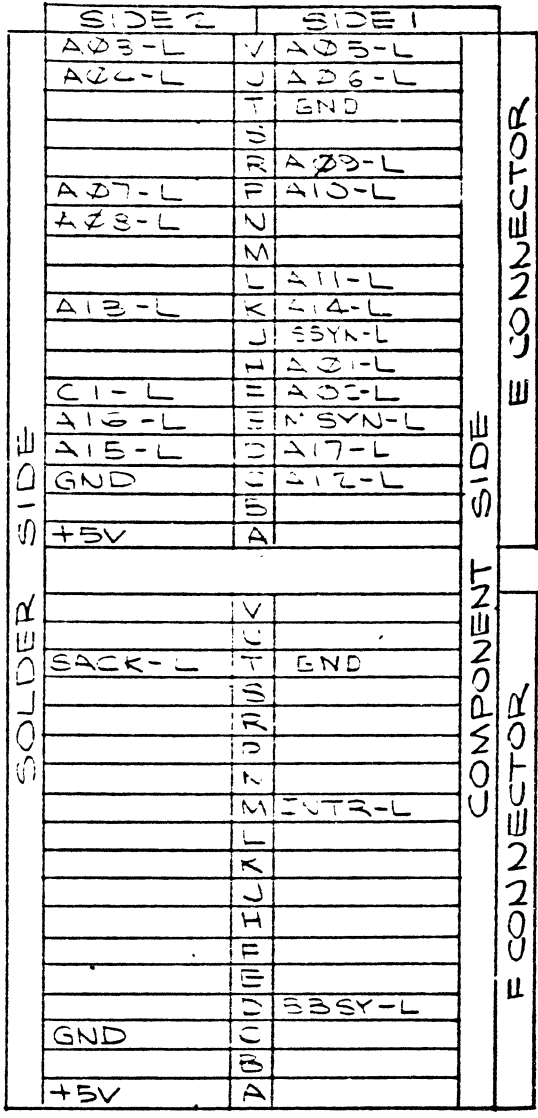
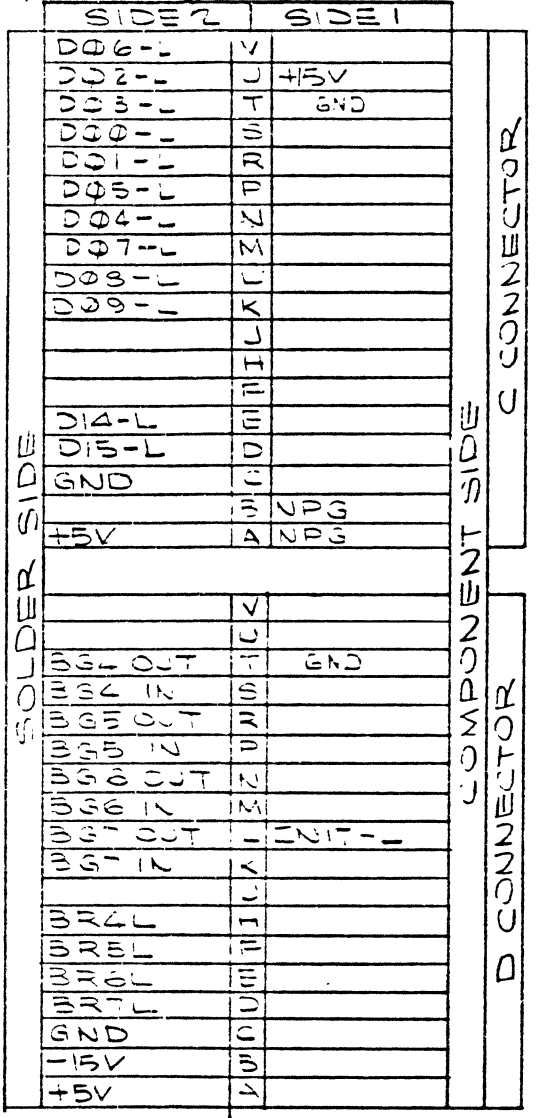
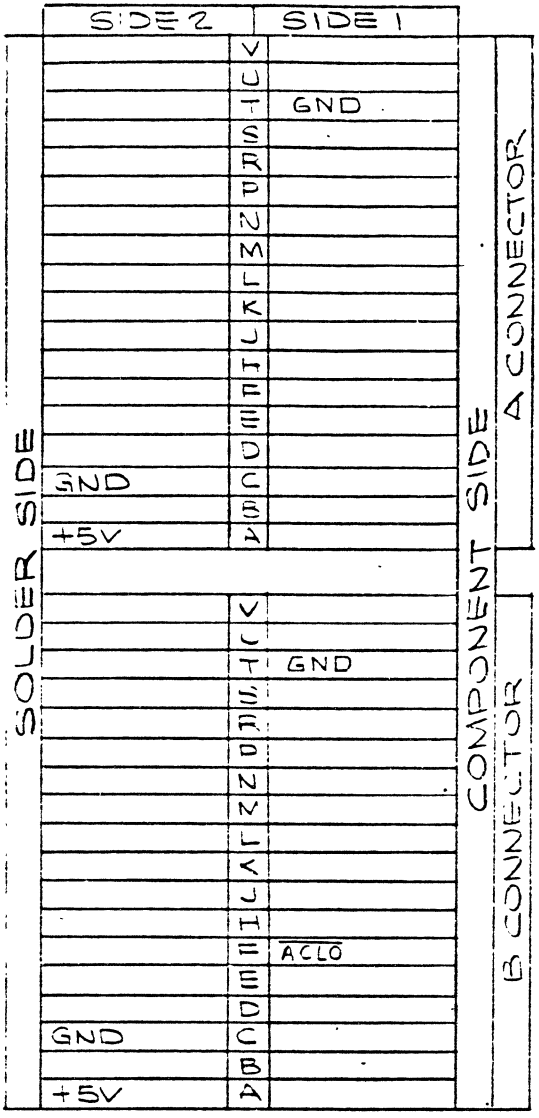
The information herein is the property of PLESSEY MICROSYSTEMS. It is to be used only for the purposes for which it was prepared. It is not to be used for any other purpose without the express written permission of PLESSEY MICROSYSTEMS.

REVISIONS				
ZONE	LTR	DESCRIPTION	DATE	APPROVED
✓	A	REL TO PROD PER E02917	3-13-79	[Signature]
✓	B	INCRP E.O. 31E7	7-23-79	[Signature]

LAST DESIGNATION USED	
RESISTOR	F20
CAPACITOR	CB6
INTEGRATED CIRCUIT	U97
DIODE	CR2
RESISTOR MODULE	RU3
TRANSISTOR	Q3
TERMINAL BLOCK	TB3

DESIGNATIONS NOT USED	
RESISTOR	RS,R16-20
INTEGRATED CIRCUIT	UI-3,77
CAPACITOR	CB3-85

REF DESG	GATES USED PER TOTAL	PART NUMBER
UE	2/4	7408
UEB	3/4	7402
UEC	3/4	7404
UED	2/4	7401
UEE	2/4	7438
UEF	1/4	7410
UEG	3/4	8840
UEH	2/4	7432
UEI	2/4	8040
UEJ	2/4	7430
UEK	1/4	7405
UEL	2/4	7436
UEM	2/4	7400
UEN	3/4	7408
UEO	2/4	7428
UEP	2/4	74537
UEQ	2/4	7408
UER	3/4	7432



J 1	
HEAD SE.	1 24
	2 25
	3 26 GND
	4 27
	5 28 SEL1
	6 29
	7 30 SEL2
	8 31
	9 32 SEL3
	10 33
	11 34
	12 35
	13 36 STEP
	14 37
	15 38
	16 39
	17 40
	18 41
	19 42 TRACER JB
	20 43
	21 44 WRT PROT
	22 45
	23 46 ROUTA

PRODUCTION RELEASE

- 5. JUMPER TO DISABLE FORMATT.
- 4. DESIGNATIONS SHOWN IN PARENTHESIS (2/A1) INDICATES WHERE SIGNAL ORIGINATES OR TERMINATES.
 - └ ZONE DESIGNATION
 - └ SHEET NUMBER
- 3. SIGNALS SHOWN IN RECTANGLE [ZDI] ARE I/O CONNECTIONS
 - └ BOARD SIDE
 - └ PIN DESIGNATION
 - └ CONNECTOR DESIGNATION
- 2. ALL CAPACITOR VALUES ARE IN MICROFARADS.
- 1. ALL RESISTOR VALUES ARE IN OHMS ±5%, 1/4W.

NOTES: UNLESS OTHERWISE SPECIFIED:

NOTE/PART OR IDENTIFYING NO.	NOMENCLATURE OR DESCRIPTION / MATERIAL	SPEC/SOURCE	CODE IDENT NO.	FIND NO.
PART/ASSY NO. & QTY PER ASSY	PARTS LIST			
PART/ASSY REV LTR				
DO NOT SCALE DRAWING		CONTRACT NO.		
SCREEN THREADS PER HANDBOOK #88		DRAWN [Signature]		
COUNTERBORE AND SPOTFACE FLAT TO BE .001 MAXIMUM		CHECK [Signature]		
REMOVE ALL BURRS AND BREAK SHARP EDGES EQUIVALENT TO .001		ENGR [Signature]		
ROUGHNESS OF MACHINED SURFACES .80 PER USAS B46.1		PROJ. ENGR [Signature]		
STANDARD HOLE TOLERANCE PER AND ISO		PROD. DESIGN [Signature]		
TOLERANCES ON .01 & .02 .001 & .002		OTHER [Signature]		
INTERPRET DIMENSIONS AND TOLERANCES PER USAS Y14.5		APPROVALS [Signature]		
DIMENSIONS ARE IN INCHES AND APPLY AFTER HEAT TREAT AND FINISH UNLESS OTHERWISE SPECIFIED		SCALE: [Blank]		
NEXT ASSY USED ON APPLICATION		DWG TITLE		
		Plessey Microsystems		
		SCHEMATIC DIAGRAM		
		CONTROL LER,		
		COPY DISC. PM-XS11		
		SIZE CODE IDENT NO. DWG NO.		
		D 52643 SD701032		
		SHEET 1 OF 7		

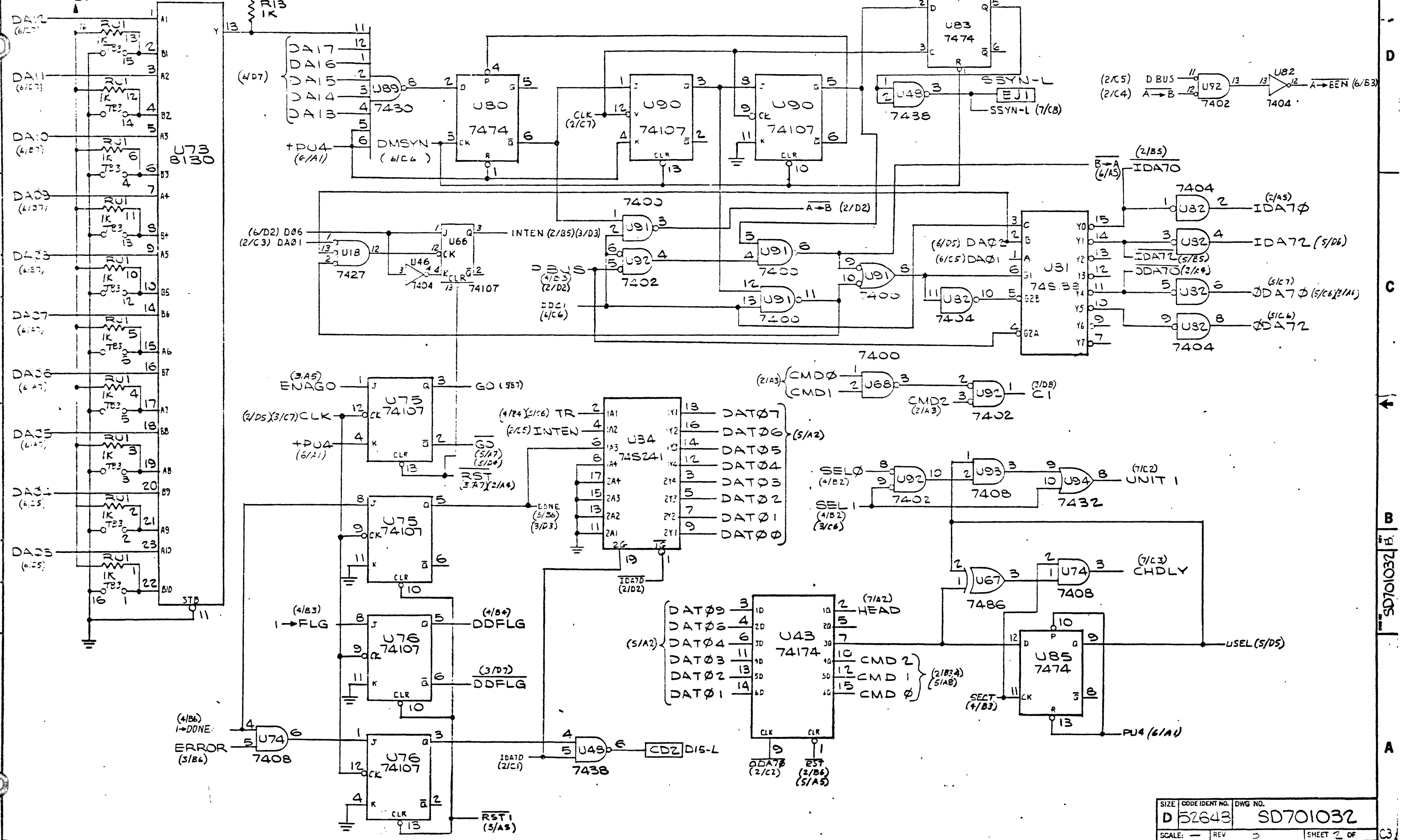
SD701032

A

2

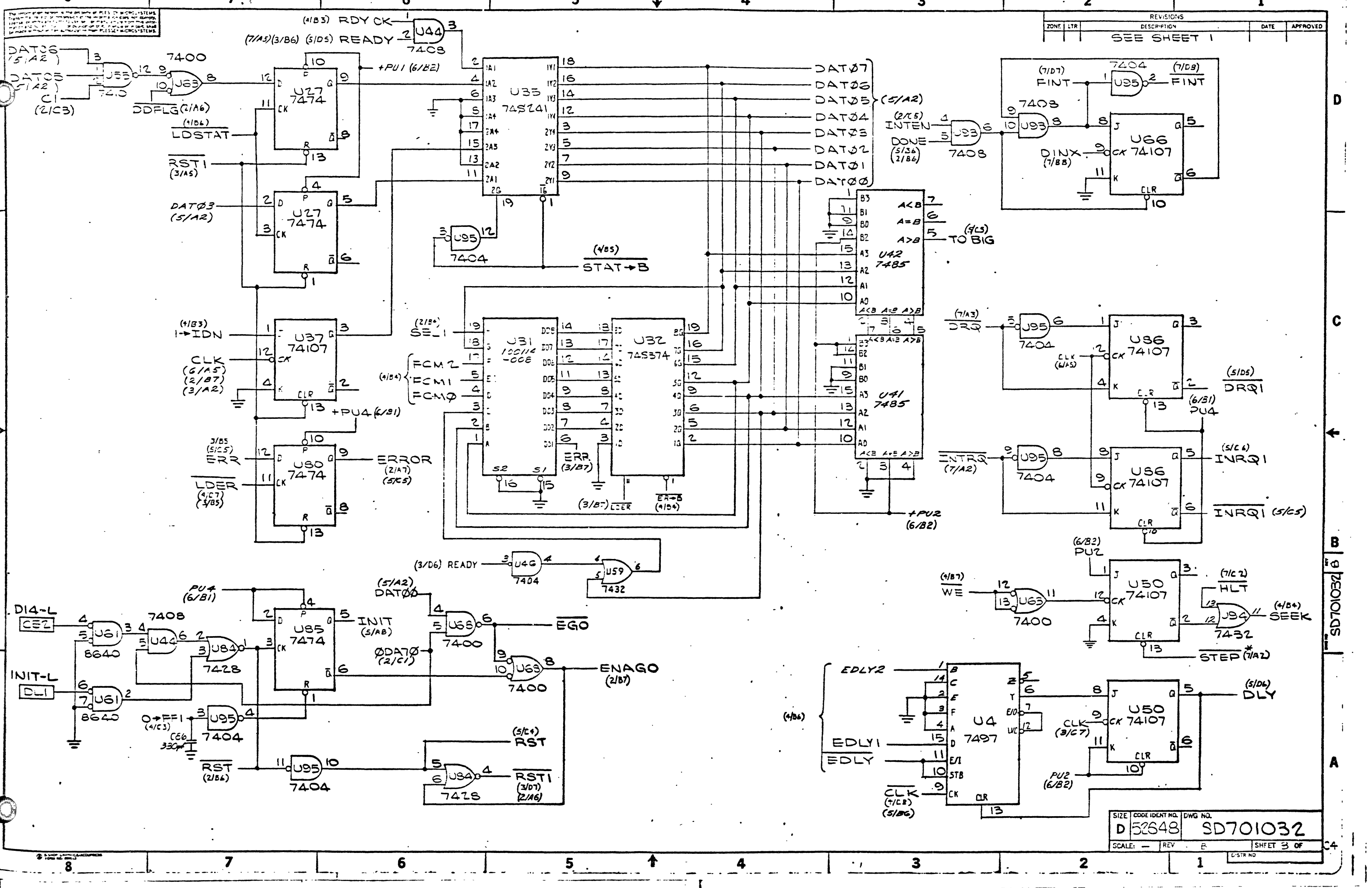
THE INFORMATION CONTAINED HEREIN IS THE PROPERTY OF PLESSEY MICROSYSTEMS. IT IS TO BE USED ONLY FOR THE PURPOSES SPECIFIED IN THE CONTRACT. IT IS NOT TO BE REPRODUCED OR TRANSMITTED IN ANY FORM OR BY ANY MEANS, ELECTRONIC OR MECHANICAL, INCLUDING PHOTOCOPYING, RECORDING, OR BY ANY INFORMATION STORAGE AND RETRIEVAL SYSTEM, WITHOUT THE WRITTEN PERMISSION OF PLESSEY MICROSYSTEMS.

REVISIONS		DATE	APPROVED
ZONE	LTR		
DESCRIPTION			
SEE SHEET 1			



SIZE	CODE IDENT NO.	DWG NO.
D	52648	SD701032
SCALE	REV	SHEET 2 OF
	3	3

SD701032 B

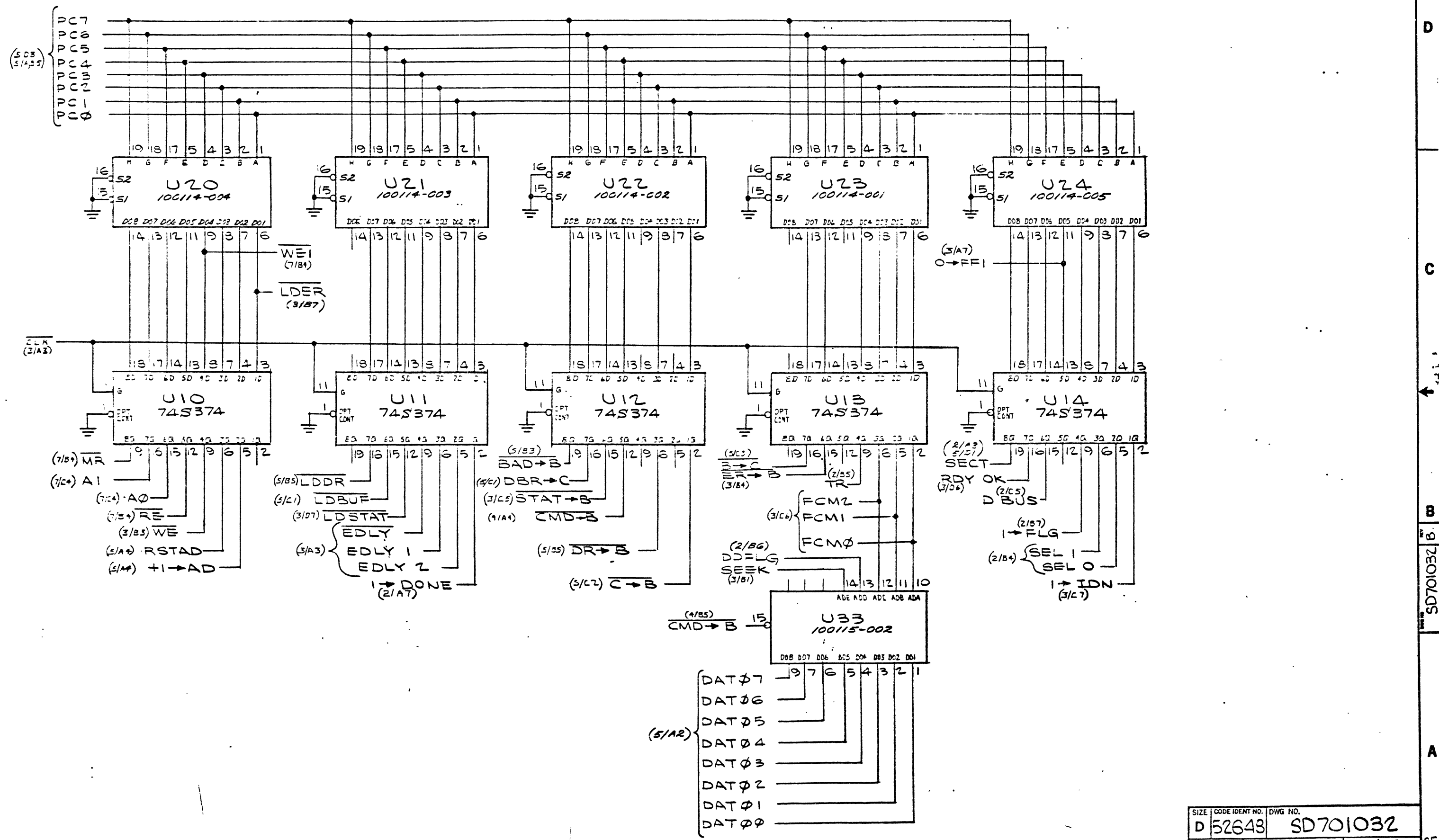


REVISIONS				
ZONE	LTR	DESCRIPTION	DATE	APPROVED
		SEE SHEET 1		

SIZE	CODE IDENT NO.	DWG NO.
D	52648	SD701032
SCALE: -	REV - B	SHEET 3 OF 4

REVISIONS				
ZONE	LTR	DESCRIPTION	DATE	APPROVED
		SEE SHEET 1		

The information herein is the property of PLESSEY MICROSYSTEMS. It is to be used only for the purposes of the project for which it was prepared and is not to be distributed outside of the project. No part of this information and its contents shall be made available to any other person without the written authorization of PLESSEY MICROSYSTEMS.

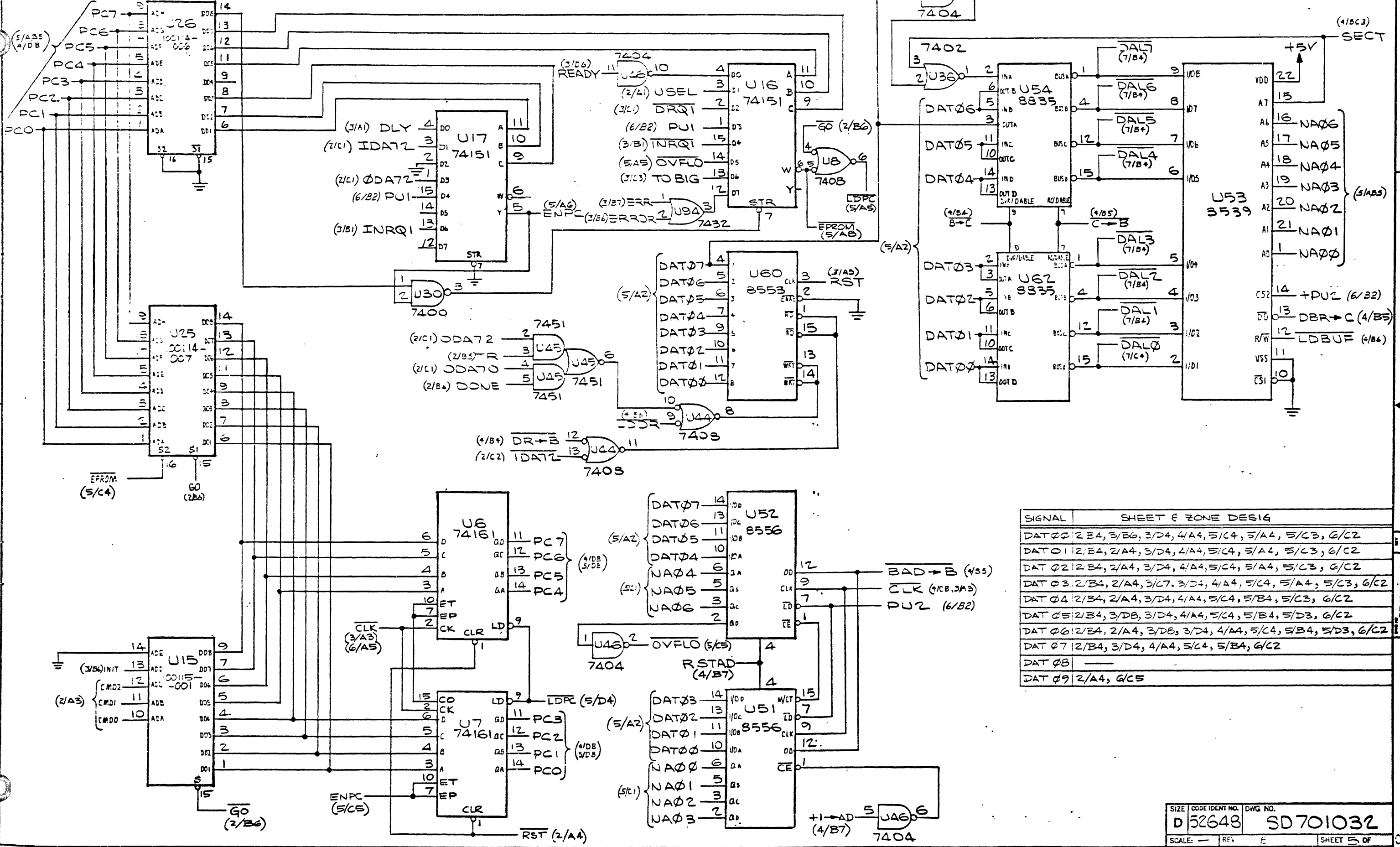


SIZE	CODE IDENT NO.	DWG NO.
D	52648	SD701032
SCALE	REV	SHEET 4 OF
		DISTR NO

D
C
B
A
SD701032 B
C5

The information herein is the property of PLESSEY MICROSYSTEMS. It is to be used only for the purposes for which it was prepared and no reproduction or other use is permitted without the prior written authorization of PLESSEY MICROSYSTEMS.

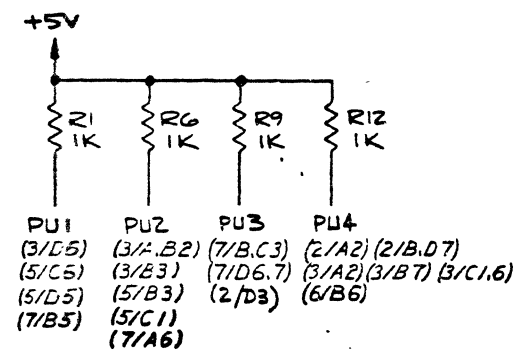
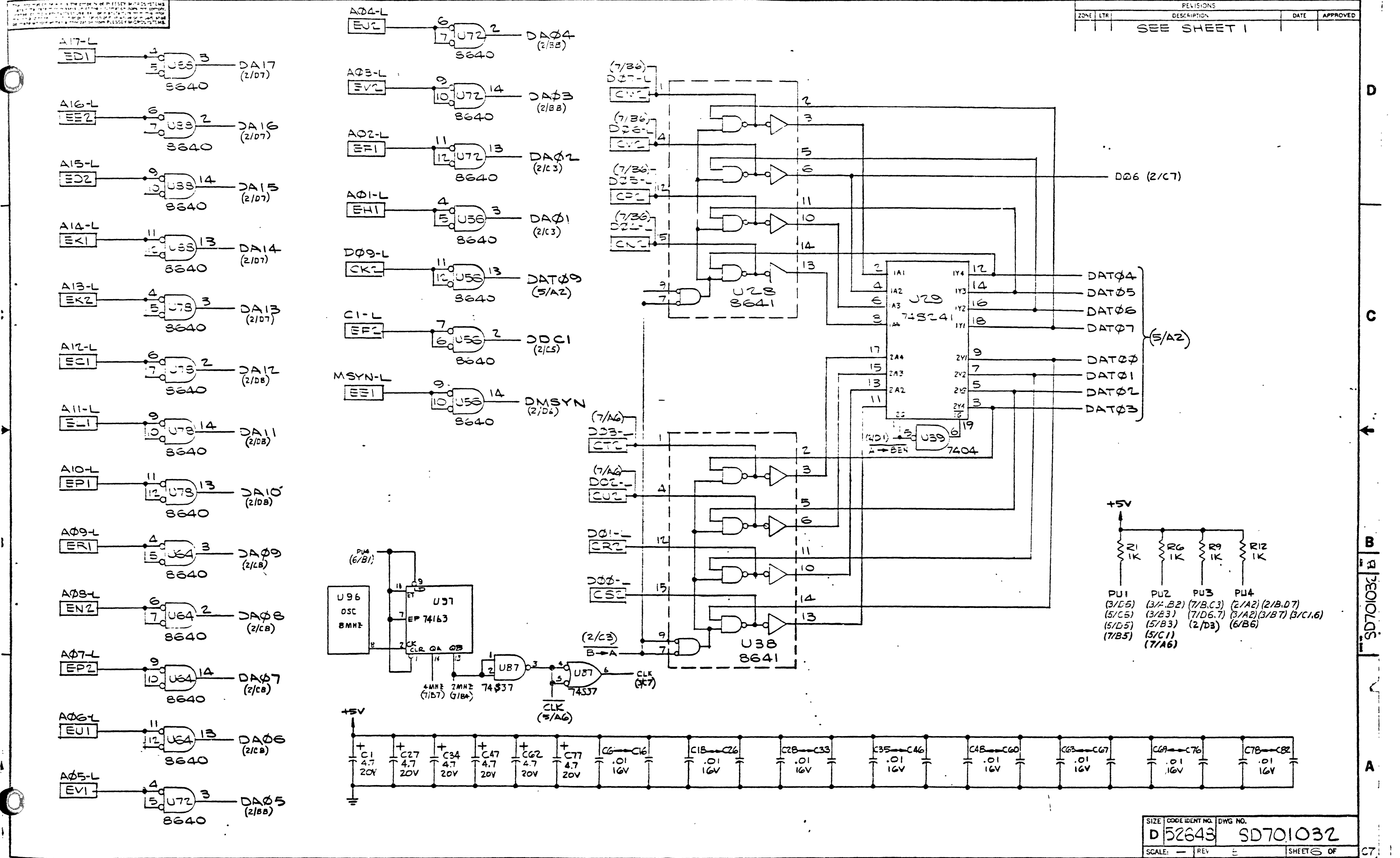
REVISIONS				
ZONE	LTR	DESCRIPTION	DATE	APPROVED
		SEE SHEET 1		



SIGNAL	SHEET & ZONE DESIGN
DAT00	2/B4, 3/B6, 3/D4, 4/A4, 5/C4, 5/A4, 5/C3, 6/C2
DAT01	2/E4, 2/A4, 3/D4, 4/A4, 5/C4, 5/A4, 5/C3, 6/C2
DAT02	2/B4, 2/A4, 3/D4, 4/A4, 5/C4, 5/A4, 5/C3, 6/C2
DAT03	2/B4, 2/A4, 3/C7, 3/D4, 4/A4, 5/C4, 5/A4, 5/C3, 6/C2
DAT04	2/B4, 2/A4, 3/D4, 4/A4, 5/C4, 5/B4, 5/C3, 6/C2
DAT05	2/B4, 3/D8, 3/D4, 4/A4, 5/C4, 5/B4, 5/D3, 6/C2
DAT06	2/E4, 2/A4, 3/D8, 3/D4, 4/A4, 5/C4, 5/B4, 5/D3, 6/C2
DAT07	2/B4, 3/D4, 4/A4, 5/C4, 5/B4, 6/C2
DAT08	
DAT09	2/A4, 6/C5

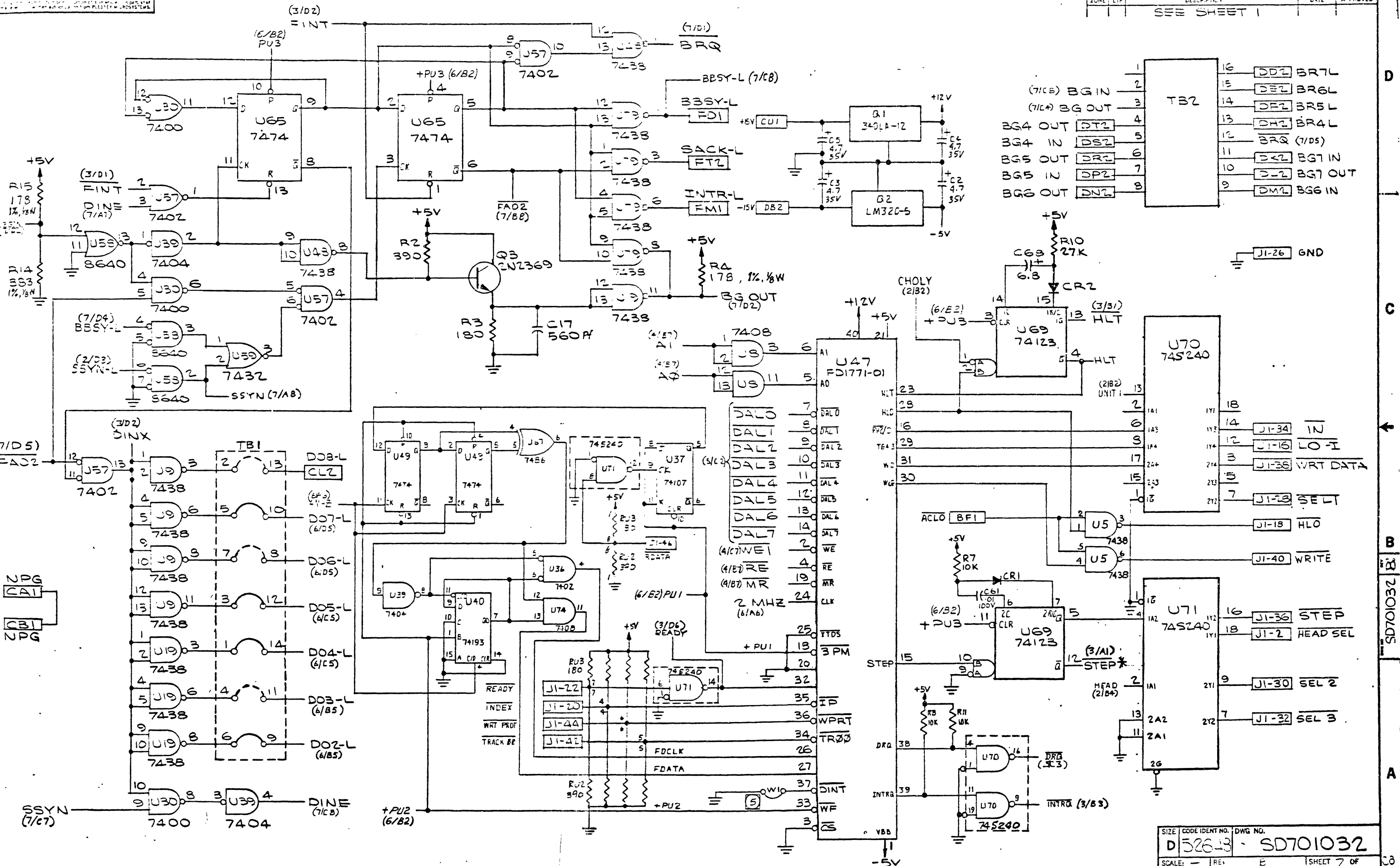
SIZE	CODE IDENT NO.	DWG NO.
D	52648	SD701032
SCALE	REV	E
		SHEET 5 OF 6

REVISIONS				
ZONE	LTR	DESCRIPTION	DATE	APPROVED
		SEE SHEET 1		



SIZE	CODE IDENT NO.	DWG NO.
D	52643	SD701032
SCALE: -	REV E	SHEET 6 OF 7

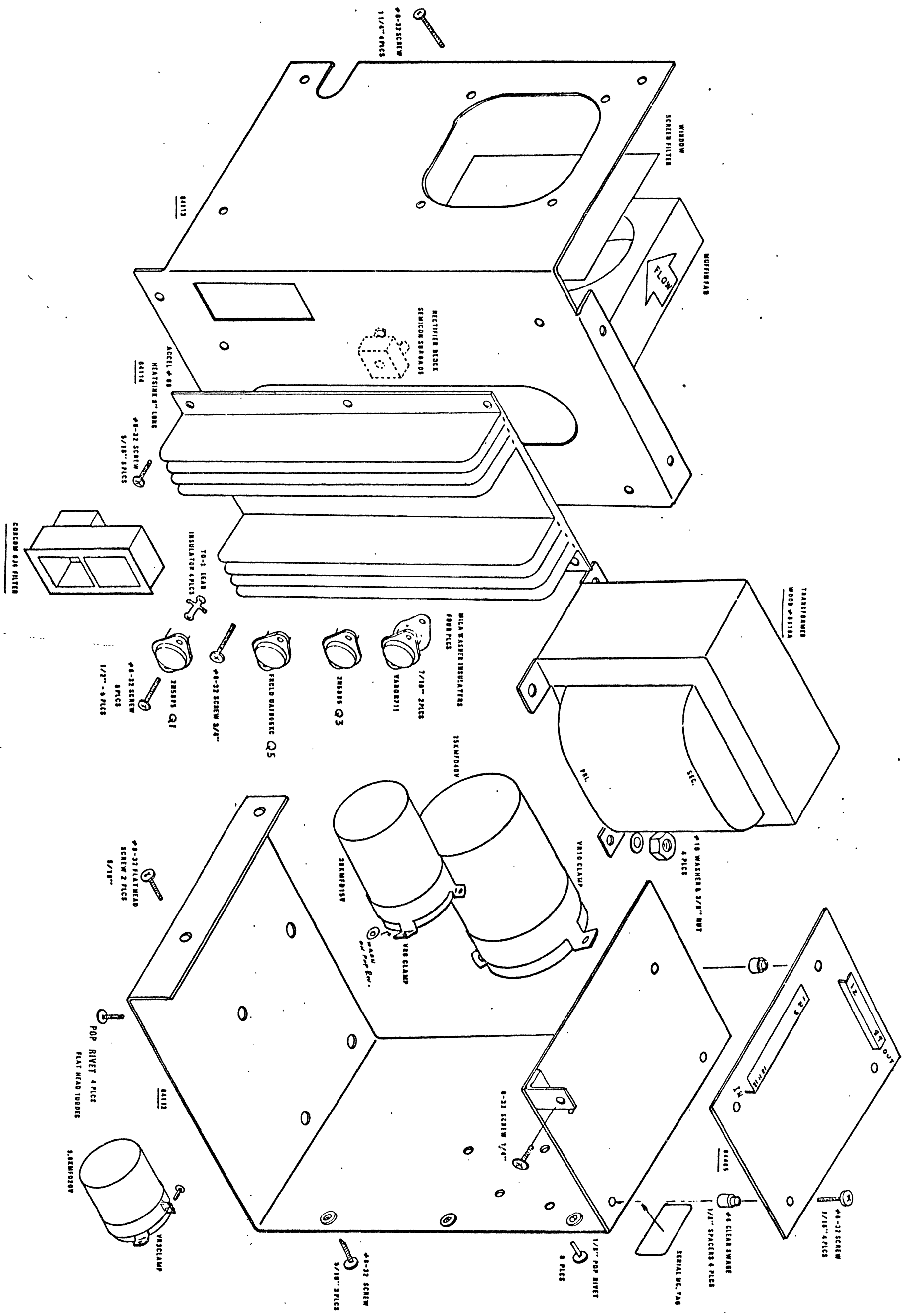
REVISIONS				
ZONE	LTP	DESCRIPTION	DATE	APPROVED
		SEE SHEET 1		



Signal	Terminal
(71C8) BGIN	1
(71C4) BG OUT	2
BG4 OUT	3
BG4 IN	4
BG5 OUT	5
BG5 IN	6
BG6 OUT	7
BG6 IN	8
DD2	16
DE2	15
DF2	14
DH2	13
BRQ (71D5)	12
DK2	11
D-2	10
DM1	9

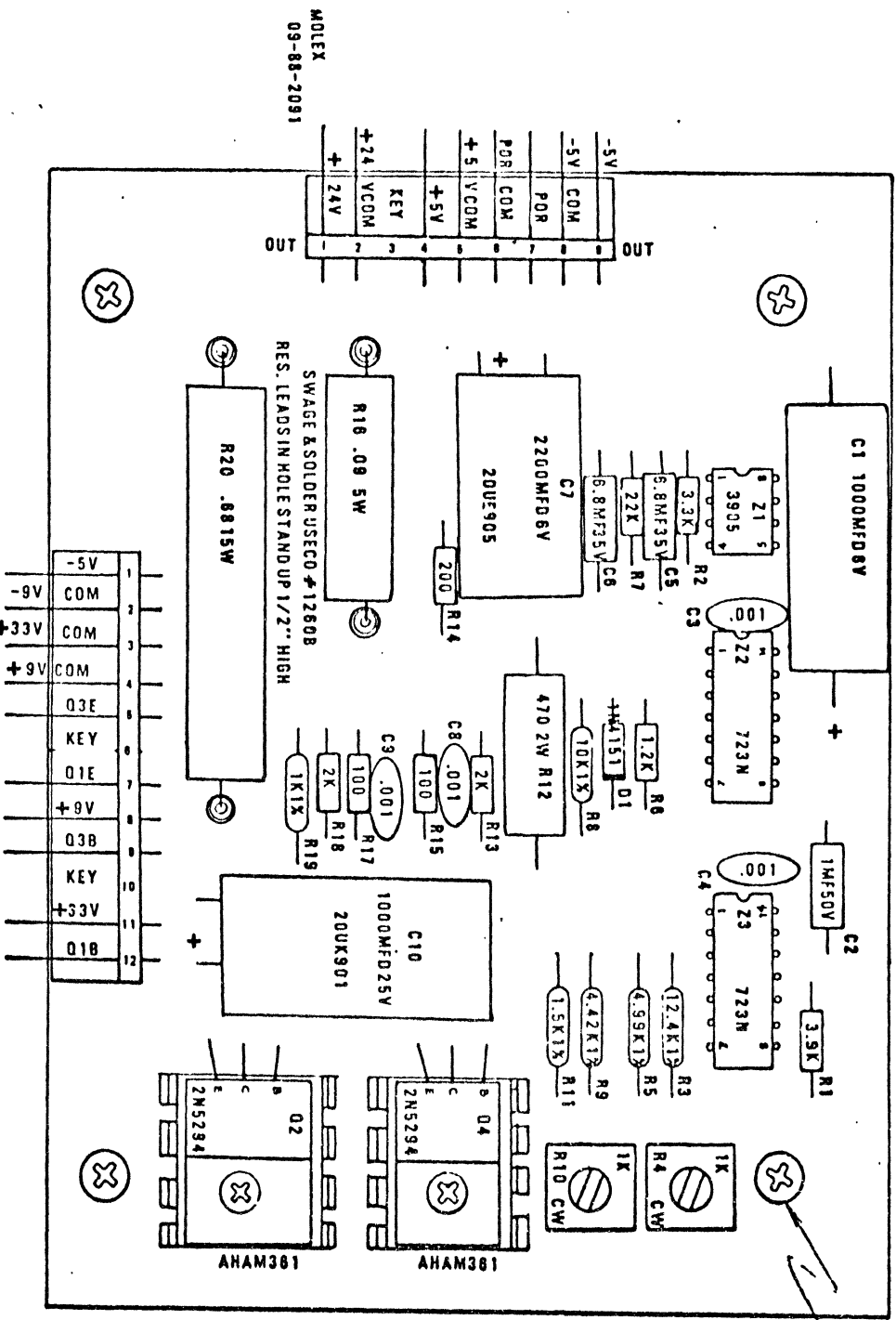
Signal	Terminal
J1-34	18
J1-16	14
J1-35	12
J1-36	11
J1-23	7
J1-18	5
J1-40	3
J1-39	2
J1-2	1
J1-30	16
J1-2	14
J1-32	12
J1-30	9
J1-32	7

SIZE	CODE IDENT NO.	DWG NO.
D 52643		SD701032
SCALE	REV	SHEET 7 OF
	B	7



The information hereon is the property of PLESSEY PERIPHERAL SYS. Transmittal receipt or possession of the information does not comply, license, or imply any rights to use, sell, or manufacture from this information and no reproduction or publication of it, in whole or in part, shall be made without written authorization from PLESSEY PERIPHERAL SYS.	SIZE	CODE IDENT NO.	DWG NO.
	B	52648	64111
	SCALE	REV	SHEET
	3-29-77	1 of 1	

Form 000087

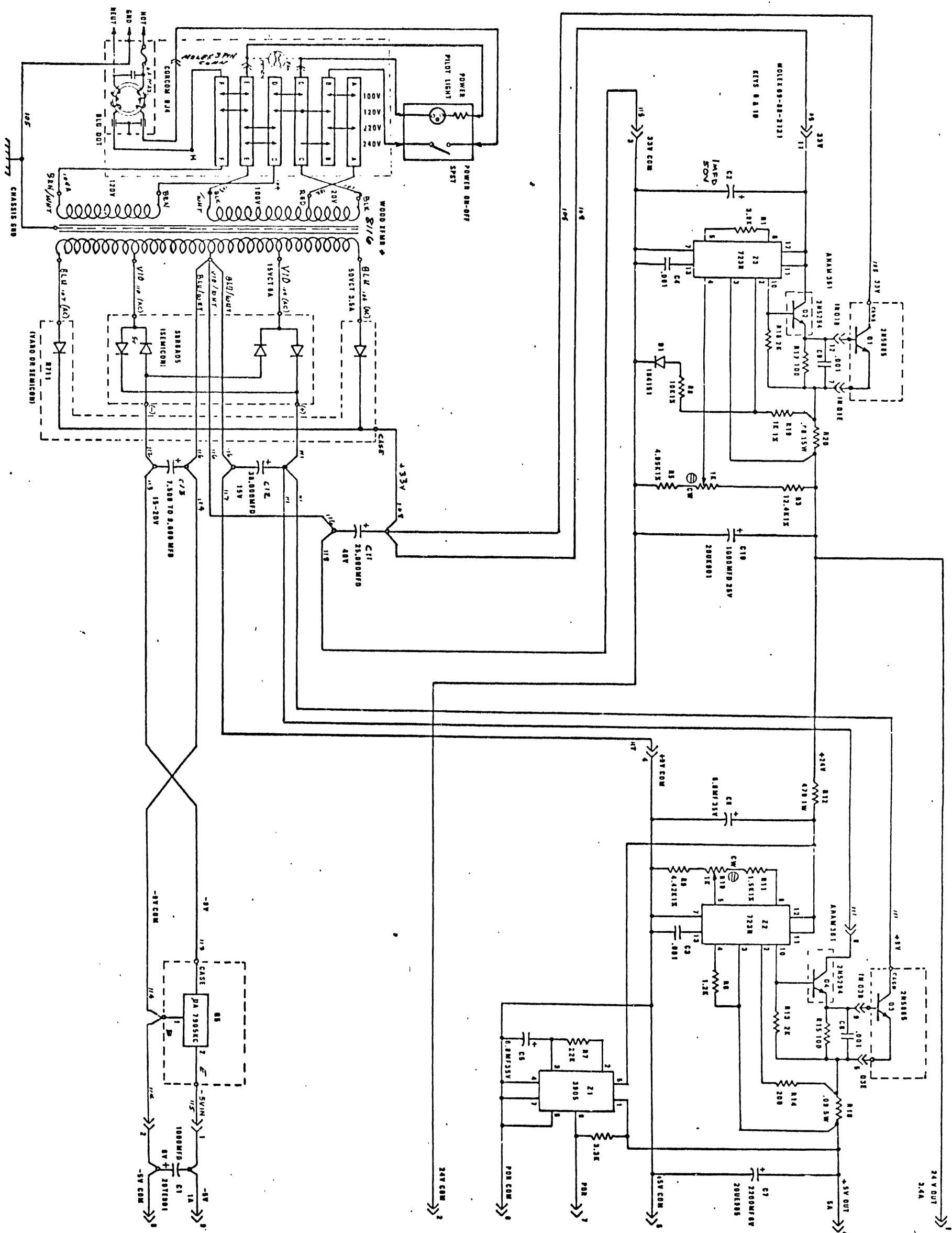


MOLEX
09-88-2091

MOLEX09-88-2121

*.125 SPACERS
FR SIDE
4 PLCS*

The information hereon is the property of PLESSEY PERIPHERAL SYS. Transmittal receipt or possession of the information does not comply, license, or imply any rights to use, sell, or manufacture from this information and no reproduction or publication of it, in whole or in part, shall be made without written authorization from PLESSEY PERIPHERAL SYS.	SIZE B	CODE IDENT NO. 52648	DWG NO. 64405
	SCALE	REV 11-11-76	SHEET 1 of 2



MOLEX-88-2001
REF 3

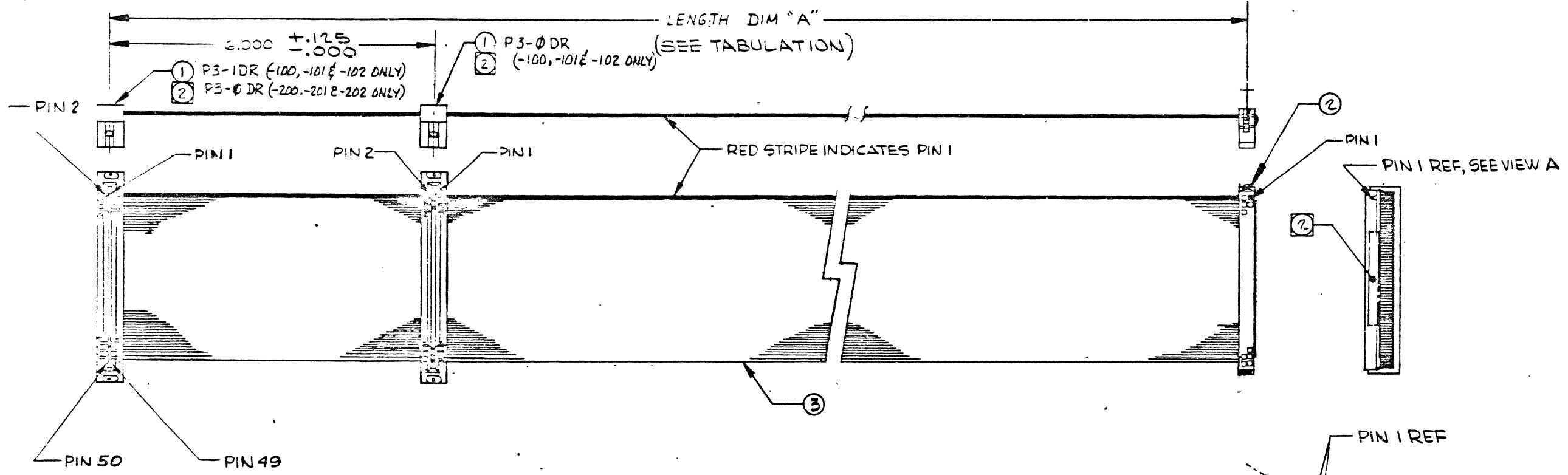
The information hereon is the property of PLESSEY PERIPHERAL SYS. Transmittal receipt or possession of the information does not comply, license, or imply any rights to use, sell, or manufacture from this information and no reproduction or publication of it, in whole or in part, shall be made without written authorization from PLESSEY PERIPHERAL SYS.	SIZE	CODE IDENT NO.	DWG NO.
	B	52648	64405
SCALE	REV 11-11-76	SHEET	2 of 2

Form 000087

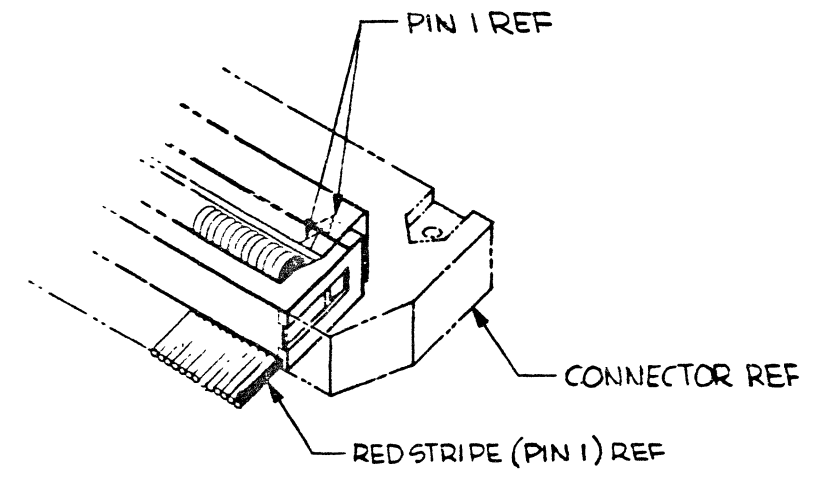


The information herein is the property of PLESSEY MICROSYSTEMS. It is to be used only for the purposes for which it was prepared and its use for other purposes without the prior written authorization of PLESSEY MICROSYSTEMS is prohibited.

REVISIONS				
ZONE	LTR	DESCRIPTION	DATE	APPROVED
A		REL TO PROD PER PER E05209	10-3-79	[Signature]



TABULATION	
ASSY NO	LENGTH 'A' (INCHES)
-100	96.00 ±.000
-101	120.00 ±.000
-102	180.00 ±.000
-200	96.00 +2.00 -.00
-201	120.00 +4.00 -.00
-202	180.00 +6.00 -.00



VIEW A
SCALE: NONE
INSTALLATION VIEW

PRODUCTION RELEASE

PART/ASSY NO. & QTY PER ASSY					NOMENCLATURE OR DESCRIPTION / MATERIAL					SPEC/SOURCE		CODE IDENT NO.		FIND NO.			
X	X	X															
			X	X	X												
-202	-201	-200	-102	-101	-100	NOTE: PART OR IDENTIFYING NO.	NOMENCLATURE OR DESCRIPTION / MATERIAL					SPEC/SOURCE	CODE IDENT NO.	FIND NO.			
PART/ASSY NO. & QTY PER ASSY					PARTS LIST												
PART/ASSY REV LTR					DO NOT SCALE DRAWING					CONTRACT NO.		Plessey Microsystems		A			
					SCREW THREADS PER HARDWARE H-B					DRAWN BY: TOM COMEY 10/26/79		DWG TITLE					
					COUNTERBORE AND SPOTFACE FILLET BUSH TO BE AS MANUFACTURED					CHECKED: [Signature]		CABLE ASSEMBLY, SIGNAL PM-XS II					
					REMOVE ALL BURRS AND BREAK SHARP EDGES EQUIVALENT TO .008					ENGR							
					ROUNDNESS OF MACHINED SURFACES BY PER USAB 24.1					PROJ. ENGR. [Signature]		SIZE		CODE IDENT NO. DWG NO.			
					STANDARD HOLE TOLERANCE PER AND 3007					PROD. DESIGN		D 52648		701803			
					TOLERANCES ON .25 & .50 .001 & .002 APPLIED 2 & 3 BY					OTHER APPROVALS		SCALE: 1/1		SHEET 1 OF 1			
					INTERPRET DIMENSIONS AND TOLERANCES PER USAS 24.1							DISTR NO. 12345678					
					DIMENSIONS ARE IN INCHES AND APPLY AFTER HEAT TREAT AND FINISH UNLESS OTHERWISE SPECIFIED												
NEXT ASSY USED ON APPLICATION																	

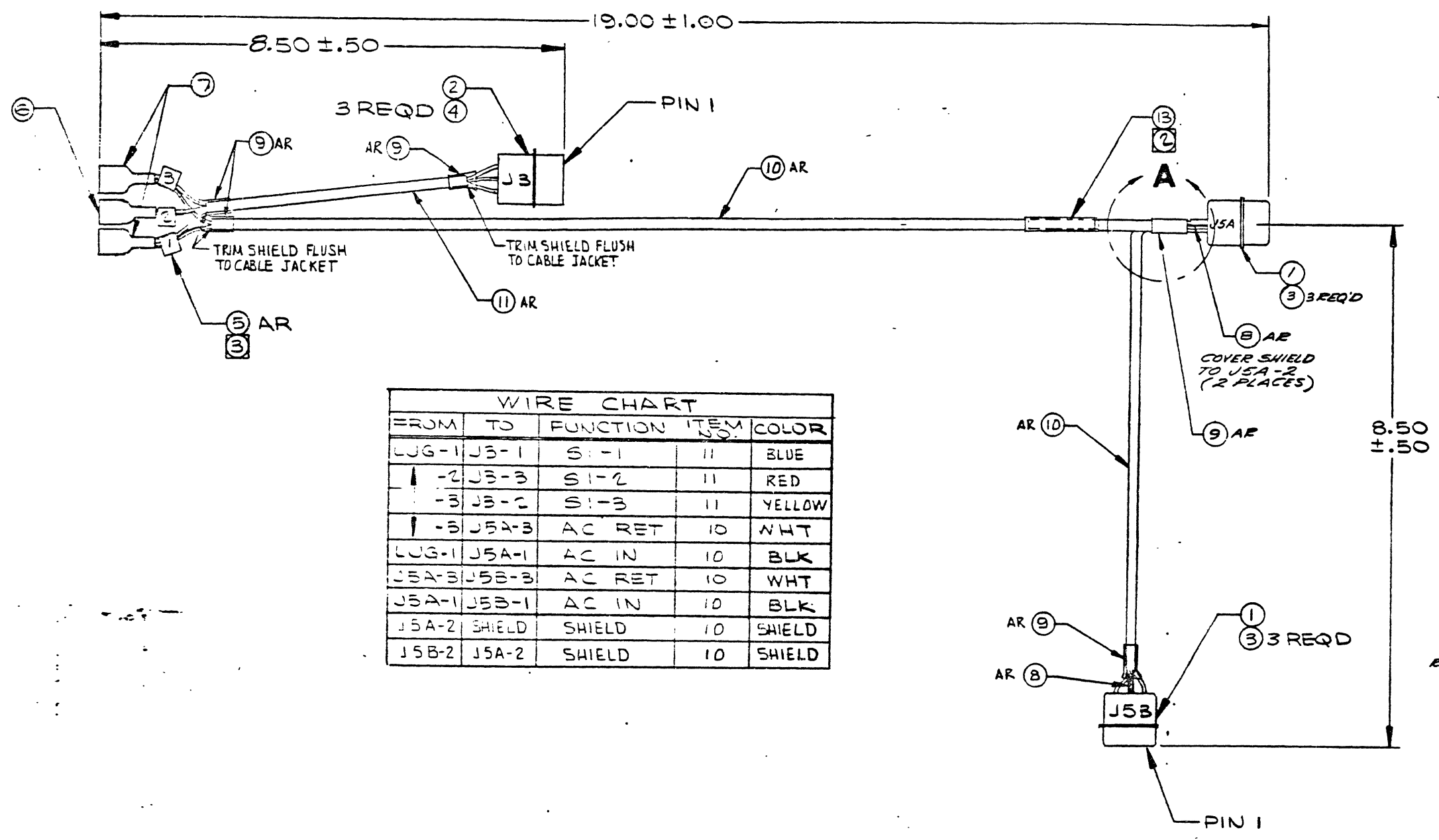
② MARK ASSEMBLY NUMBER, DESIGNATIONS AND LATEST ASSEMBLY REV. LETTER WITH .12 HIGH CHARACTERS. USING BLACK INK PER MIL-M-13231, GROUP III, LOCATION APPROXIMATELY AS SHOWN.

1. ASSEMBLE AND INSPECT PER WORKMANSHIP STANDARDS MANUAL.

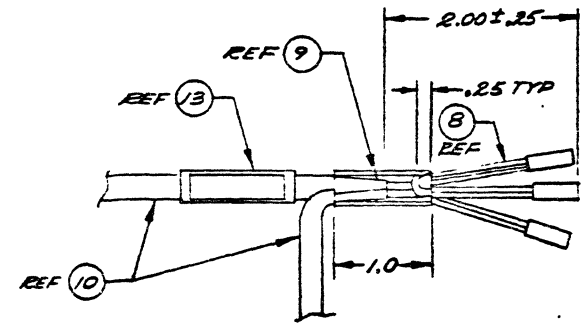
NOTES: UNLESS OTHERWISE SPECIFIED

The information herein is the property of PLESSEY MICROSYSTEMS. Transmission or disclosure of this information does not constitute approval of the information for use in any other project. This drawing is to be used only for the production of parts. No part shall be made without the approval of PLESSEY MICROSYSTEMS.

REVISIONS				
ZONE	LTR	DESCRIPTION	DATE	APPROVED
X1		REL TO DEV PER ERO 501248	4-17-77	[Signature]
X2		REVISED FEATURE TO SHIELDED TABLE ADD RELATED DETAILS. SINGLE WIRED BUNDLES IDENTIFIED BY SPOT THE WIRE BUNDLES USING TEM, A, R.	6-20-77	[Signature]
X3		INCOEP EO 2487	9-12-78	[Signature]



WIRE CHART				
FROM	TO	FUNCTION	ITEM NO.	COLOR
LUG-1	J3-1	SI-1	11	BLUE
1-2	J3-3	SI-2	11	RED
1-3	J3-2	SI-3	11	YELLOW
1-5	J5A-3	AC RET	10	WHT
LUG-1	J5A-1	AC IN	10	BLK
J5A-3	J5B-3	AC RET	10	WHT
J5A-1	J5B-1	AC IN	10	BLK
J5A-2	SHIELD	SHIELD	10	SHIELD
J5B-2	J5A-2	SHIELD	10	SHIELD



VIEW A
SCALE: NONE
J5A CONN. REMOVED FOR CLARITY

ENGINEERING RELEASE
COGNACANT ENGINEER
NOT FOR FABRICATION UNLESS SIGNED BELOW
DATE

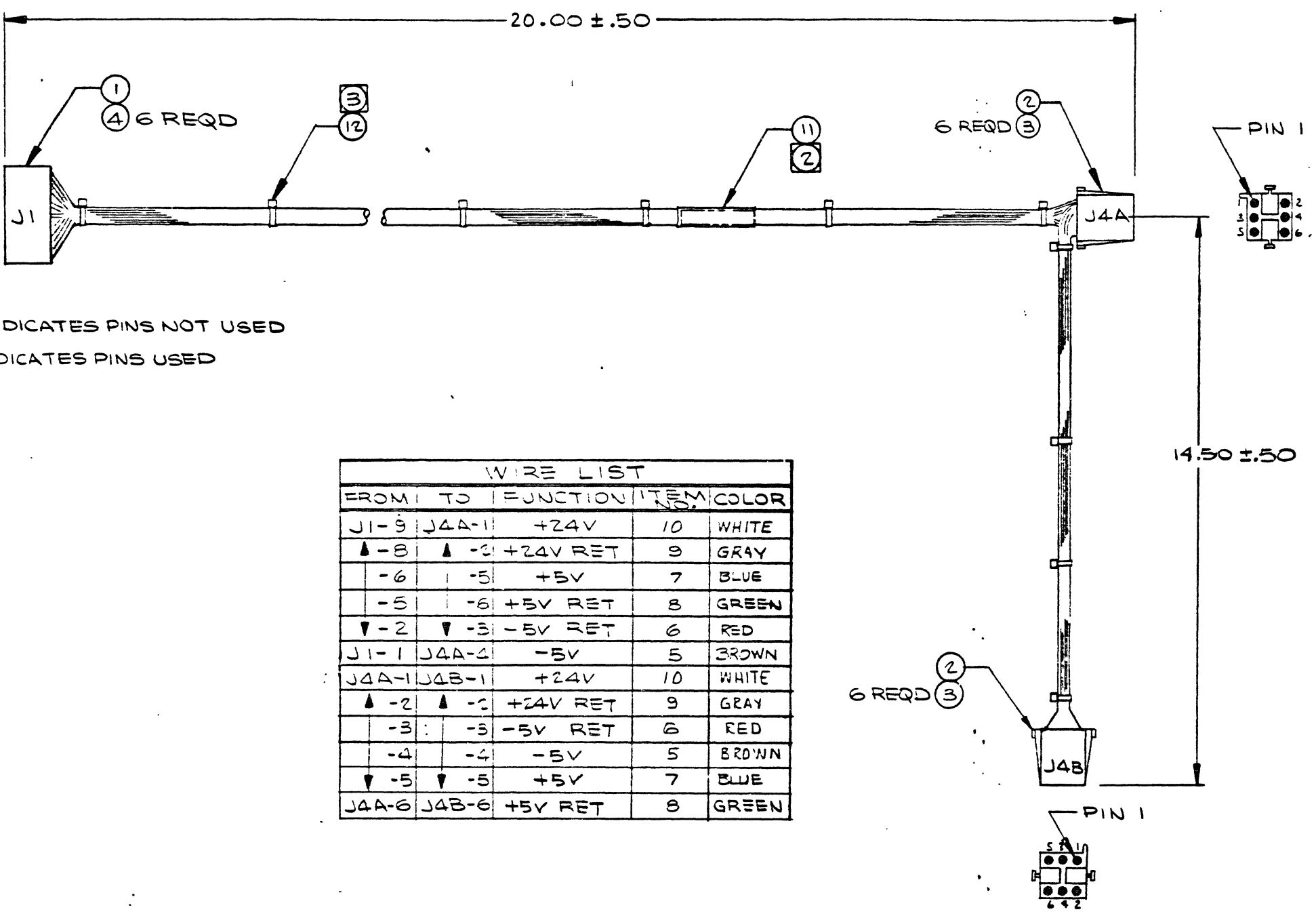
- ③ AFFIX ITEM 5 AS SHOWN.
 - ② MARK ASSEMBLY NUMBER, DESIGNATIONS AND LATEST ASSEMBLY REV. LETTER WITH .12 HIGH CHARACTERS. USING BLACK INK PER MIL-M-13231, GROUP III. LOCATION APPROXIMATELY AS SHOWN.
 - ① ASSEMBLE AND INSPECT PER WORKMANSHIP STANDARDS MANUAL.
- NOTES: UNLESS OTHERWISE SPECIFIED.

PART/ASSY NO. & QTY PER ASSY		PARTS LIST		CONTRACT NO.	
X3		DO NOT SCALE DRAWING		Plessey Microsystems	
PART/ASSY REV LTR		SEARCH THREADS PER HANDBOOK 488		DRAWN [Signature]	
		COUNTERBORE AND SPOTFACE FILLET RADIUS TO BE .500 MAXIMUM		CHECK [Signature]	
		REMOVE ALL BURRS AND BREAK SHARP EDGES EQUIVALENT TO GUM		ENGR [Signature]	
		ROUNDEDNESS OF MACHINED SURFACES 10X PER USAS 94A.1		PROJ. ENGR [Signature]	
		STANDARD HOLE TOLERANCE PER AND 500		PROD. DESIGN [Signature]	
		TOLERANCE ON .125 & .25 DIA H & 2 DIA ANGLES ± .010		SIZE CODE IDENT NO. DWG NO.	
		INTERPRET DIMENSIONS AND TOLERANCES PER USAS 94A.1		D 526433K 701348	
		DIMENSIONS ARE IN INCHES AND APPLY AFTER HEAT TREAT AND FINISH UNLESS OTHERWISE SPECIFIED		SCALE: 1/1	
APPLICATION		OTHER APPROVALS		SHEET 1 OF 1	
-100E-01345-100 PM-XS/11		FOR PARTS LIST SEE SKP_701348-100		DISTR NO. 123470	

SK701348 X3 B

The information herein is the property of PLESSEY MICROSYSTEMS. Transmission, disclosure, or reproduction of this information in any form, by any means, without the express written permission of PLESSEY MICROSYSTEMS is prohibited.

REVISIONS				
ZONE	LTR	DESCRIPTION	DATE	APPRO.
X1		REL TO DEV PER ERO501248	4-27-77	<i>[Signature]</i>
X2		CHANGE C-3: 14.50 WAS 13.50 (C) ADDED: PIN REF NUMBERS TO CONNECTORS (C) WIRE LIST BLOCK*	6-17-77	<i>[Signature]</i>
X3		INCORP EO 3382	11-5-79	<i>[Signature]</i>



INDICATES PINS NOT USED
INDICATES PINS USED

WIRE LIST				
FROM	TO	FUNCTION	ITEM NO.	COLOR
J1-9	J4A-1	+24V	10	WHITE
▲-8	▲-2	+24V RET	9	GRAY
-6	-5	+5V	7	BLUE
-5	-6	+5V RET	8	GREEN
▼-2	▼-3	-5V RET	6	RED
J1-1	J4A-2	-5V	5	BROWN
J4A-1	J4B-1	+24V	10	WHITE
▲-2	▲-2	+24V RET	9	GRAY
-3	-3	-5V RET	6	RED
-4	-4	-5V	5	BROWN
▼-5	▼-5	+5V	7	BLUE
J4A-6	J4B-6	+5V RET	8	GREEN

- ③ SPOT TIE WIRE BUNDLES USING ITEM 12 AS REQUIRED.
 - ② MARK ASSEMBLY NUMBER, DESIGNATIONS AND LATEST ASSEMBLY REVISION LETTER WITH .12 HIGH CHARACTERS, USING BLACK INK PER MIL-M-13231, GROUP III. LOCATION TO BE APPROXIMATELY AS SHOWN.
 - 1. ASSEMBLE AND INSPECT PER WORKMANSHIP STANDARDS MANUAL.
- NOTES: UNLESS OTHERWISE SPECIFIED

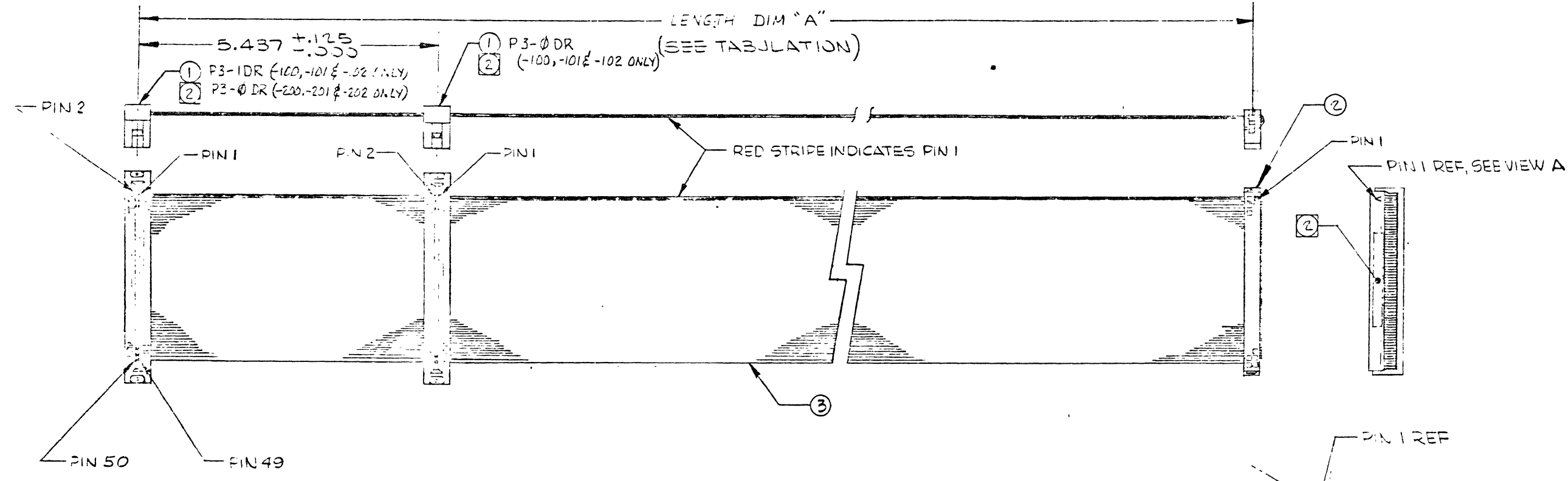
ENGINEERING RELEASE
COGNIZANT ENGINEER
NOT FOR FABRICATION UNLESS SIGNED BELOW
DATE 6/17/77

PART/ASSY NO. & QTY PER ASSY		X 3		DO NOT SCALE DRAWING	
PART/ASSY REV LTR				CONTRACT NO.	
				DRAWN <i>[Signature]</i> 6-17-77	
				CHECK <i>[Signature]</i> 6-17-77	
				ENGR	
				PROJ. ENGR <i>[Signature]</i> 6-17-77	
				PROD. DESIGN	
				OTHER	
				APPROVALS	
PART NO. NEXT ASSY USED ON		-100SK701349-PM-XS/11		DWG TITLE	
APPLICATION				CABLE ASSEMBLY, DC PM-XS/11	
				SIZE CODE IDENT NO. DWG NO.	
				D 52648 SK 701349	
				SCALE: 1:1	
				SHEET 1 OF 1	
				DISTR NO. 1347	

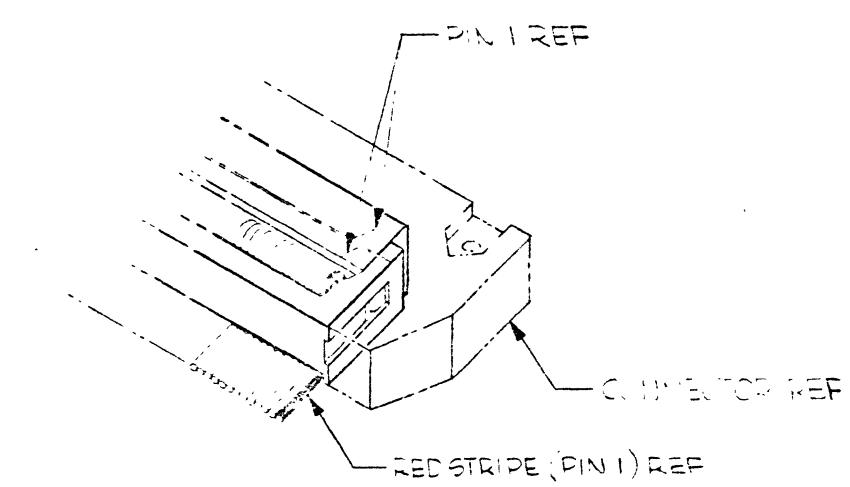
B EX 6701349

NOT BE USED IN THE PROPERTY OF PLESSEY MICROSYSTEMS
 THIS DRAWING IS THE PROPERTY OF PLESSEY MICROSYSTEMS
 AND IS NOT TO BE REPRODUCED OR TRANSMITTED IN ANY FORM OR BY ANY MEANS
 WITHOUT THE WRITTEN PERMISSION OF PLESSEY MICROSYSTEMS.

REVISIONS				
ZONE	LTR	DESCRIPTION	DATE	APPROVED
1		REL TO PROD PEK EO 2396	11-20-77	[Signature]



TABULATION		
ASSY NO	LEN "A"	TOL
-100	30.00	±.00
-101	120.00	±.00
-102	30.00	±.00
-200	30.00	±.00
-201	120.00	±.00
-202	180.00	±.00



VIEW A
 SCALE: NONE
 INSTALLATION VIEW

PRODUCTION RELEASE

PART, ASSY NO. & QTY PER ASSY		NOTE, PART OR IDENTIFYING NO.		NOMENCLATURE OR DESCRIPTION / MATERIAL		SPEC/SOURCE	CODE IDENT NO.	FIND NO.
A	A							5
								4
X	X	X			FOR PARTS LIST SEE P/701347			3
		X	X	X	FOR PARTS LIST SEE P/701347			2
								1

DO NOT SCALE DRAWING	CONTRACT NO.	Plessey Microsystems
SCREW THREADS PER HANDBOOK H-38		
COUNTERSINK AND SPOTFACE FILLET RADIUS TO BE .010 MAXIMUM	DRAWN [Signature]	DWG TITLE
REMOVE ALL BURRS AND BREAK SHARP EDGES EQUIVALENT TO FILE	CHECK [Signature]	CABLE ASSEMBLY, SIGNAL PM-XS II
ROUGHNESS OF MACHINED SURFACES 125 PER USA3143	ENGR [Signature]	SIZE CODE IDENT NO. DWG NO.
STANDARD HOLE TOLERANCE PER AND 12:187	PROJ. ENGR [Signature]	D 50048 701347
TOLERANCES ON JEK 2.5 CT JACK PER JEK 2.5	OTHER [Signature]	SCALE: [Blank]
INTERPRET DIMENSIONS AND TOLERANCES PER USA3143	APPROVALS [Signature]	SHEET 1 OF 1
DIMENSIONS ARE IN INCHES AND APPLY AFTER HEAT TREAT AND FINISH UNLESS OTHERWISE SPECIFIED		

② MARK ASSEMBLY NUMBER, DESIGNATIONS AND LATEST ASSEMBLY REV. LETTER WITH .12 HIGH CHARACTERS. USING BLACK INK PER MIL-M-13231, GROUP III, LOCATION APPROXIMATELY AS SHOWN.
 1. ASSEMBLE AND INSPECT PER WORKMANSHIP STANDARDS MANUAL.
 NOTES: UNLESS OTHERWISE SPECIFIED

D
C
B
A
701347