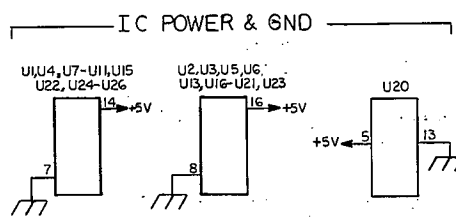
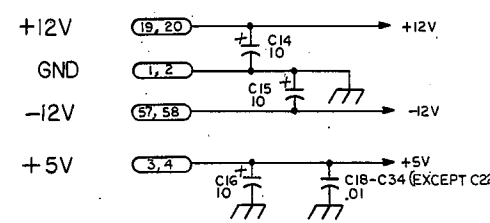
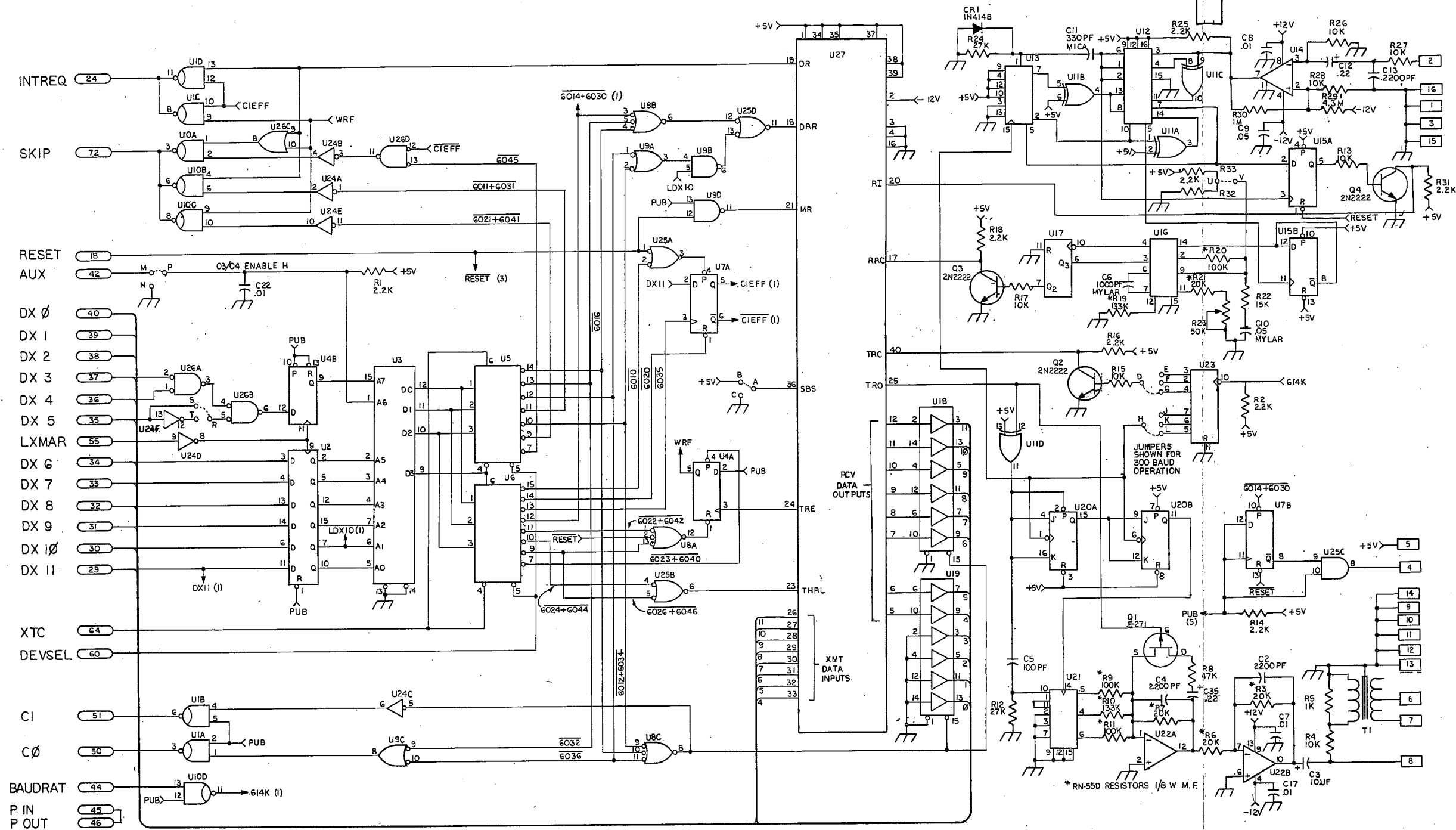


PART NO.		REVISIONS		DATE	APPROVED
SYM	ZONE	DESCRIPTION			



- U1 U10 --- 74LS03
- U2 --- 74LS174
- U3 --- 74S287
- U4 U7 --- 74LS74
- U5 U6 --- 74LS158
- U8 --- 74LS11
- U9 --- 74LS00
- U11 --- 74C86
- U12 --- PC431
- U13 --- 4029
- U14 --- LM311
- U15 --- 74C74
- U16 --- 4046
- U17 U23 --- 4040
- U18 U19 --- 6035 / 74365
- U20 --- 74C76
- U21 --- 4019
- U22 --- 747
- U24 --- 74LS04
- U25 --- 74LS08
- U26 --- 74LS32
- U27 --- TR1602B

UNLESS OTHERWISE SPEC. DIMENSIONS ARE IN INCHES TOLERANCES DECIMALS ±.XXX ANGLES ±X°	APPROVALS	DATE	Incorporated San Ramon California
	DRAWN LITTLE		
MATERIAL	APPROVED		SIZE DRAWING NO. D 12082
FINISH	RELEASED		ISSUE
DO NOT SCALE DRAWING			SHEET 1 OF