

REV	CHANGE	ER NO.	DFTS	CHECK	APPD	DATE
0	Released to Production	35-06375				
0	SHEET 2 LOGIC SCHEMATIC WAS 315-0522187; PIB CORE MEMORY WAS 315-0529621.	35-07168	J.E. 1-14-74	CRH 2/18/74	J. Wood	2-11-74

Class	Model	Plant	Class	Model	Plant
M17	04	35	M17	04	08
M17	04	21			

LOGIC SCHEMATIC

315-0531456

P.I.B. CORE MEMORY

315-0531455

10	RFC NO.	PLANT LOC	DESCRIPTION	INTERPLANT USAGE (CODE)	REQD	NEXT ASSEMBLY
MANUFACTURING OPTION FOR USE ONLY AT PLANT SHOWN				REPLACES DWG		
DRAWING AND ANY ATTACHMENTS THERETO AND INFORMATION THEREON THE PROPERTY OF THE NATIONAL CASH REGISTER COMPANY AND ALL AUTHORIZED USE AND REPRODUCTION IS PROHIBITED.				<b>NCR</b> DATA PROCESSING DIVISION RANCHO BERNARDO, CALIFORNIA		
SS	MODEL	PLANT	CLASS	MODEL	PLANT	CLASS:
7	05	35	M17	05	08	UNIT: Core Memory
	05	21				NAME: Index, Field Print Package - 399
DRAWING OF THE ASSEMBLY			CHKR: J.W.	315-0531022		REV
T NO.		SIZE:	DESIGNER: J. Wood			B
V			APPD: <i>J. Wood</i>	APPD:	CODE:	COVER SHEET SHEET 1 OF 2

<b>NCR</b>	UNIT: Core Memory	315-0531022	REV
	NAME: Index, Field Print Package - 399		B
	NCR PROPRIETARY		SHEET 2 OF 2

NCR-DPD E-1265

FUNCTION	INPUT PIN	OUTPUT PIN	PAGE / ZONE
A1	71,271		5-8D
A2	73,273		5-8D
A3	75,275		5-8D
A4	77,277		5-8D
A5	63,263		5-8C
A6	65,265		5-8C
A7	67,267		5-8B
A8	69,269		5-8B
A9	25,225		5-8A
A10	29,229		5-8A
A11	60,260		5-8A
A12	58,258		5-8A
A13	59,259		2-4C
A14	33,233		3-8C
A15	34,234		3-8C
DATA SAVE	31,231		4-8A
D11	21,221		8-8D
D12	22,222		8-7D
D13	21,221		8-6D
D14	20,220		8-6D
D15	19,219		8-5D
D16	18,218		8-4D
D17	17,217		8-3D
D18	16,216		8-2D
D19	15,215		8-1D
D110	80,280		8-8B
D111	81,281		8-7B
D112	82,282		8-6B
D113	83,283		8-6B
D114	84,284		8-5B
D115	85,285		8-4B
D116	86,286		8-3B
D117	87,287		8-2B
D118	88,288		8-4A
D01		13,213	8-8C
D02		12,212	8-7C
D03		11,211	8-6C
D04		10,210	8-5C
D05		9,209	8-4C
D06		8,208	8-3C
D07		7,207	8-3C
D08		6,206	8-2C
D09		5,205	8-1C
D010		91,291	8-8B
D011		92,292	8-7B
D012		93,293	8-6B
D013		94,294	8-5B
D014		95,295	8-4B
D015		96,296	8-4B
D016		97,297	8-3B
D017		98,298	8-2B
D018		99,299	8-2A
D5		55,255	3-3B
JMC0	61,261		2-4C
JMC1	62,262		2-4C
JMR	42,242		3-8C
JMRE	32,232		3-8C
MA	57,257		3-5B
MCTM		54,254	3-5A
TAM		56,256	3-1C
4KLO	E95	30,230	2-3A,4A

FUNCTION	SHT NO
A13-1	2-3C
ACLOCK	3-3B
CLR	3-4D
CLRI	3-5D
DIS0	2-1B
DIS1	2-1B
E1 (XSK1)	6-7D
E2 (XSK0)	6-7D
E3 (XSK3)	6-7C
E4 (XSK2)	6-7C
E5 (XSK5)	6-7C
E6 (XSK4)	6-7B
E7 (XSK7)	6-7B
E8 (XSK6)	6-7A
E9 (XSK9)	6-4D
E10 (XSK8)	6-4D
E11 (XSK11)	6-4C
E12 (XSK10)	6-4C
E13 (XSK13)	6-4C
E14 (XSK12)	6-4B
E15 (XSK15)	6-4B
E16 (XSK14)	6-4A
E17 (YSK0)	6-2D
E18 (YSK1)	6-2D
E19 (YSK2)	6-2C
E20 (YSK3)	6-2C
E21 (YSK4)	6-2C
E22 (YSK5)	6-2B
E23 (YSK6)	6-2B
E24 (YSK7)	6-2B
E25 (XCA0+YCA0)	7-6D
E26 (XCA1+YCA1)	7-6D
E27 (XCA2+YCA2)	7-6C
E28 (XCA3+YCA3)	7-6C
E29 (XCA4+YCA4)	7-6B
E30 (XCA5+YCA5)	7-6B
E31 (XCA6+YCA6)	7-6B
E32 (XCA7+YCA7)	7-6A
E33 (XCC0+YCC0)	7-3D
E34 (XCC1+YCC1)	7-3D
E35 (XCC2+YCC2)	7-3C
E36 (XCC3+YCC3)	7-3C
E37 (XCC4+YCC4)	7-3C
E38 (XCC5+YCC5)	7-3B
E39 (XCC6+YCC6)	7-3B
E40 (XCC7+YCC7)	7-3A
E41 (S1)	9-7D
E42 (I1)	9-7C
E43 (S1)	9-7C
E44 (S2)	9-3D
E45 (I2)	9-3C
E46 (S2)	9-3C
E47 (S3)	9-7B
E48 (I3)	9-7B
E49 (S3)	9-7B
E50 (S4)	9-3B
E51 (I4)	9-3B
E52 (S4)	9-3B
E53 (S5)	10-7D
E54 (I5)	10-7C
E55 (S5)	10-7C
E56 (S6)	10-3D
E57 (I6)	10-3C
E58 (S6)	10-3C
E59 (S7)	10-7B

FUNCTION	SHT NO
E60 (I7)	10-7B
E61 (S7)	10-7B
E62 (S8)	10-3B
E63 (I8)	10-3B
E64 (S8)	10-3B
E65 (S9)	11-7D
E66 (I9)	11-7C
E67 (S9)	11-7C
E68 (S10)	11-3D
E69 (I10)	11-3C
E70 (S10)	11-3C
E71 (S11)	11-7B
E72 (I11)	11-7B
E73 (S11)	11-7B
E74 (S12)	11-3B
E75 (I12)	11-3B
E76 (S12)	11-3B
E77 (S13)	12-7D
E78 (I13)	12-7C
E79 (S13)	12-7C
E80 (S14)	12-3C
E81 (I14)	12-3C
E82 (S14)	12-3C
E83 (S15)	12-7B
E84 (I15)	12-7B
E85 (S15)	12-7B
E86 (S16)	12-3B
E87 (I16)	12-3B
E88 (S16)	12-3B
E89 (S17)	13-7C
E90 (I17)	13-7C
E91 (S17)	13-7C
E92 (S18)	13-3C
E93 (I18)	13-3C
E94 (S18)	13-3C
E96-CB (RYC+WXC)	4-5D
E97-CB (RYC+WXC)	4-4D
E98-CB (RXC+WYC)	4-2D
E99-CB (RXC+WYC)	4-2D
INH1	8-8C
INH2	8-7C
INH3	8-6C
INH4	8-5C
INH5	8-4C
INH6	8-3C
INH7	8-3C
INH8	8-2C
INH9	8-1C
INH10	8-8B
INH11	8-7B
INH12	8-6B
INH13	8-5B
INH14	8-4B
INH15	8-3B
INH16	8-3B
INH17	8-2B
INH18	8-2A
INHR	2-5A
INHR0	2-5A
INHRT	2-5A
INHT	2-2A
INHT0	2-7B
INHT1	2-7B

FUNCTION	SHT NO
BDT	2-7C
RSK	2-6C
RT	3-5C
RXCT	2-6D
RXD0+WYD0	5-4D
RXD1+WYD1	5-4D
RXD2+WYD2	5-4D
RXD3+WYD3	5-4D
RXD4+WYD4	5-4D
RXD5+WYD5	5-4D
RXD6+WYD6	5-4D
RXD7+WYD7	5-4D
RXSK+WXSX	2-2C
RYCT	2-7D
RYD0+WXD0	5-4C
RYD1+WXD1	5-4C
RYD2+WXD2	5-4C
RYD3+WXD3	5-4C
RYD4+WXD4	5-4B
RYD5+WXD5	5-4B
RYD6+WXD6	5-4B
RYD7+WXD7	5-4B
RYSK+WYSK	2-2C
SAST0	2-1B
SAST1	2-1B
S01	9-5C
S02	9-1C
S03	9-5B
S04	9-1A
S05	10-5C
S06	10-1C
S07	10-5B
S08	10-1A
S09	11-5C
S010	11-1C
S011	11-5B
S012	11-1A
S013	12-5C
S014	12-1C
S015	12-5B
S016	12-1A
S017	13-5C
S018	13-1C
SV0	2-5B
SV1	2-5B
T00	3-6C
WCT	2-3B
WDT	2-3B
WSK	2-3B
WSWT	2-3B
WT	3-2D

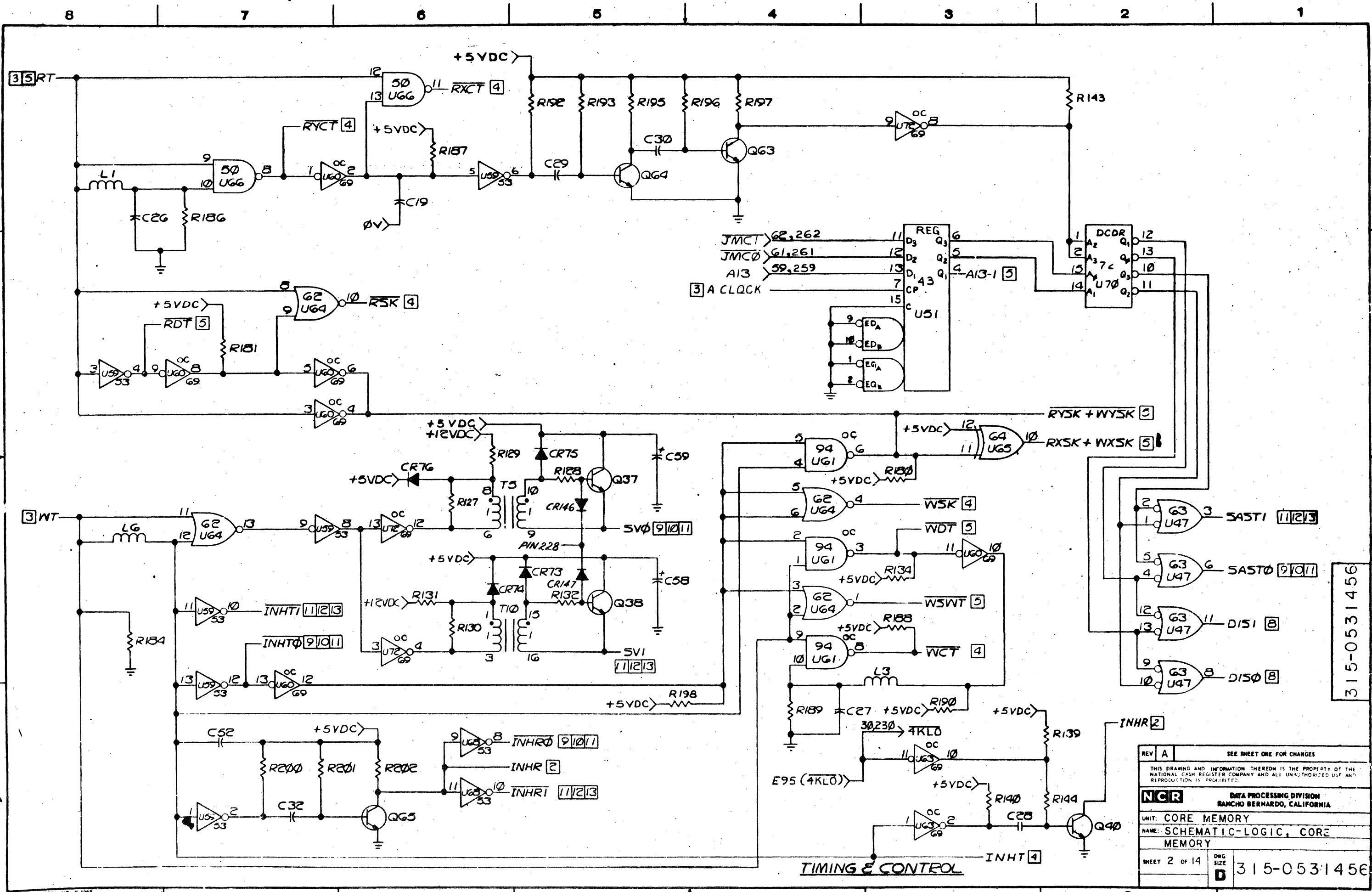
FUNCTION	SHT NO
XSV	4-6C
X50	5-1C
X51	5-1C
X52	5-1C
X53	5-1C
X54	5-1C
X55	5-1C
X56	5-1C
X57	5-1C
X58	5-1B
X59	5-1B
X510	5-1B
X511	5-1B
X512	5-1B
X513	5-1B
X514	5-1B
X515	5-1B
YSV	4-3D
YS0	5-1D
YS1	5-1D
YS2	5-1D
YS3	5-1D
YS4	5-1D
YS5	5-1C
YS6	5-1C
YS7	5-1C
+VTH0	13-3A
+VTH1	13-3A
-6VDC1	17-5A
-6VDC2	13-4A

5. FOR E FUNCTIONS AND LOCATIONS SEE SHEET 14.  
 4 -12 VOLT PINS 50,51,250,251.  
 3 +12 VOLT PINS 52,53,252,253.  
 2 +5 VOLT PINS 1,2,201,202.  
 1. 0V VOLT PINS 4,46,47,48,101,102,204,246,247,248,  
 301,302.  
 NOTES (UNLESS OTHERWISE SPECIFIED)

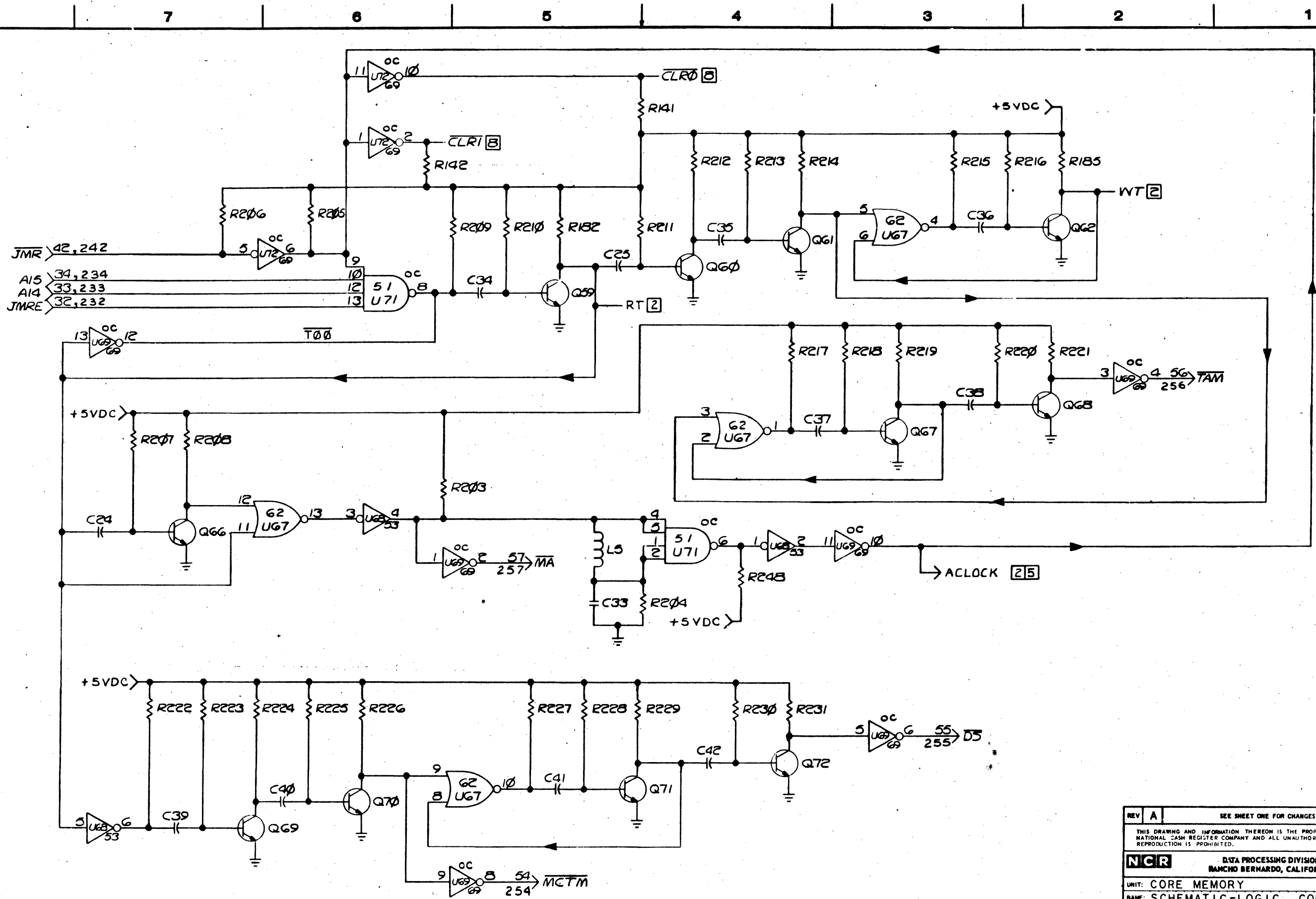
CHANGES: (A) RELEASED TO PRODUCTION.

THIS DRAWING AND INFORMATION THEREON IS THE PROPERTY OF THE NATIONAL CASH REGISTER COMPANY AND ALL UNAUTHORIZED USE AND REPRODUCTION IS PROHIBITED.		NCR DATA PROCESSING DIVISION RANCHO BERNARDO, CALIFORNIA	
CLASS: M17	UNIT: CORE MEMORY	NAME: SCHEMATIC-LOGIC, CORE MEMORY	
START: 1-11-71	FINISH: 1-11-71	SHEET 1 OF 14	
INTERPLANT USAGE (CODE)	DESIGNED: L. BRADY	DWG SIZE	315-0531456
REPLACES DWG 315-0522187	APPD: [Signature]	CODE: N-E	D

315-0531456



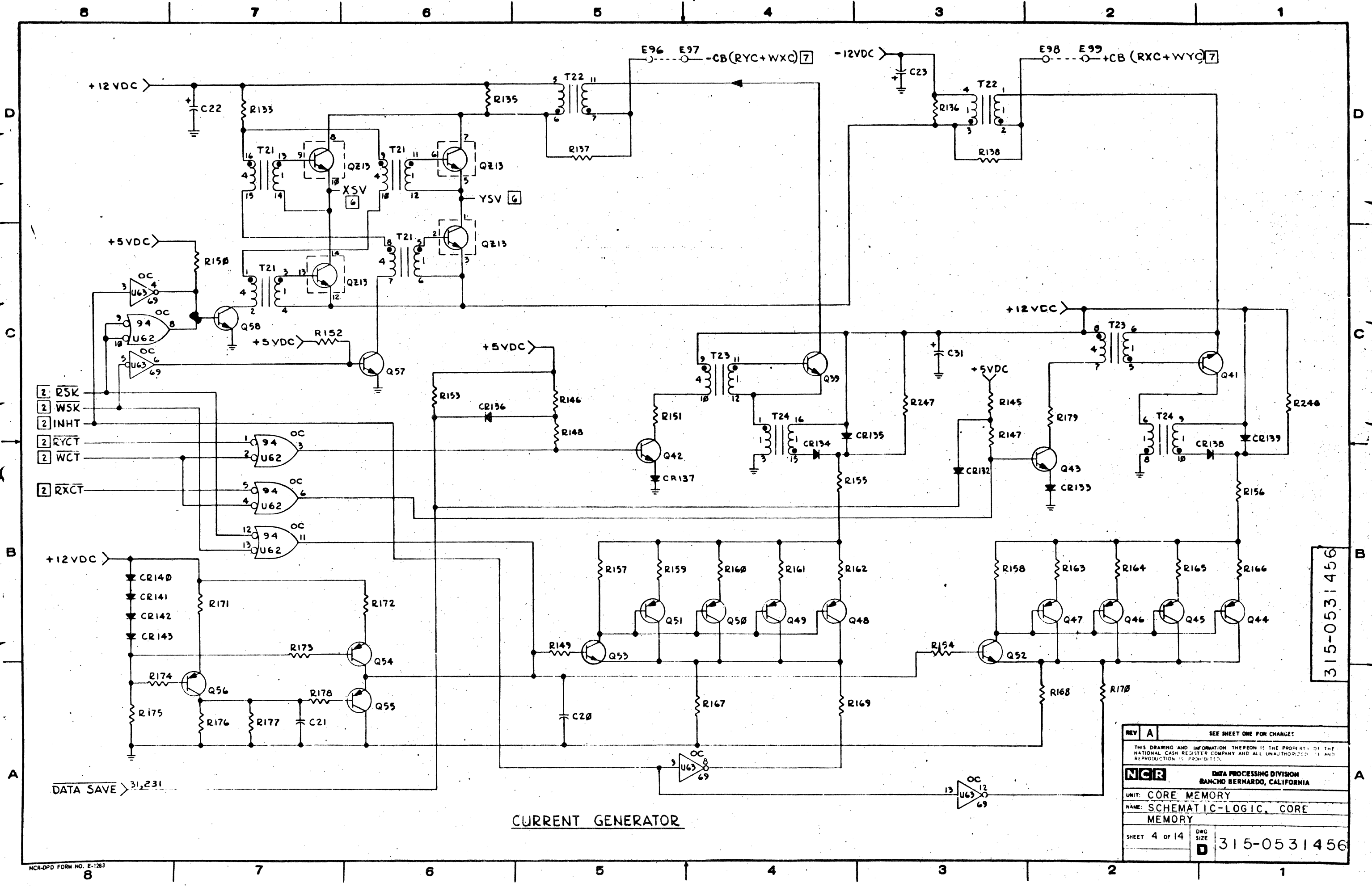
REV A	SEE SHEET ONE FOR CHANGES
THIS DRAWING AND INFORMATION THEREON IS THE PROPERTY OF THE NATIONAL CASH REGISTER COMPANY AND ALL UNAUTHORIZED USE AND REPRODUCTION IS PROHIBITED.	
<b>NCR</b> DATA PROCESSING DIVISION RANCHO BERNARDO, CALIFORNIA	
UNIT: CORE MEMORY	
NAME: SCHEMATIC-LOGIC, CORE MEMORY	
SHEET 2 of 14	DWG SIZE 315-0531456



315-0531456

REV	A	SEE SHEET ONE FOR CHANGES
THIS DRAWING AND INFORMATION THEREON IS THE PROPERTY OF THE NATIONAL CASH REGISTER COMPANY AND ALL UNAUTHORIZED USE AND REPRODUCTION IS PROHIBITED.		
<b>NGR</b>		DATA PROCESSING DIVISION RANCHO BERNARDO, CALIFORNIA
UNIT: CORE MEMORY		
NAME: SCHEMATIC-LOGIC, CORE MEMORY		
SHEET	3 OF 14	DWG SIZE <b>D</b> 315-0531456

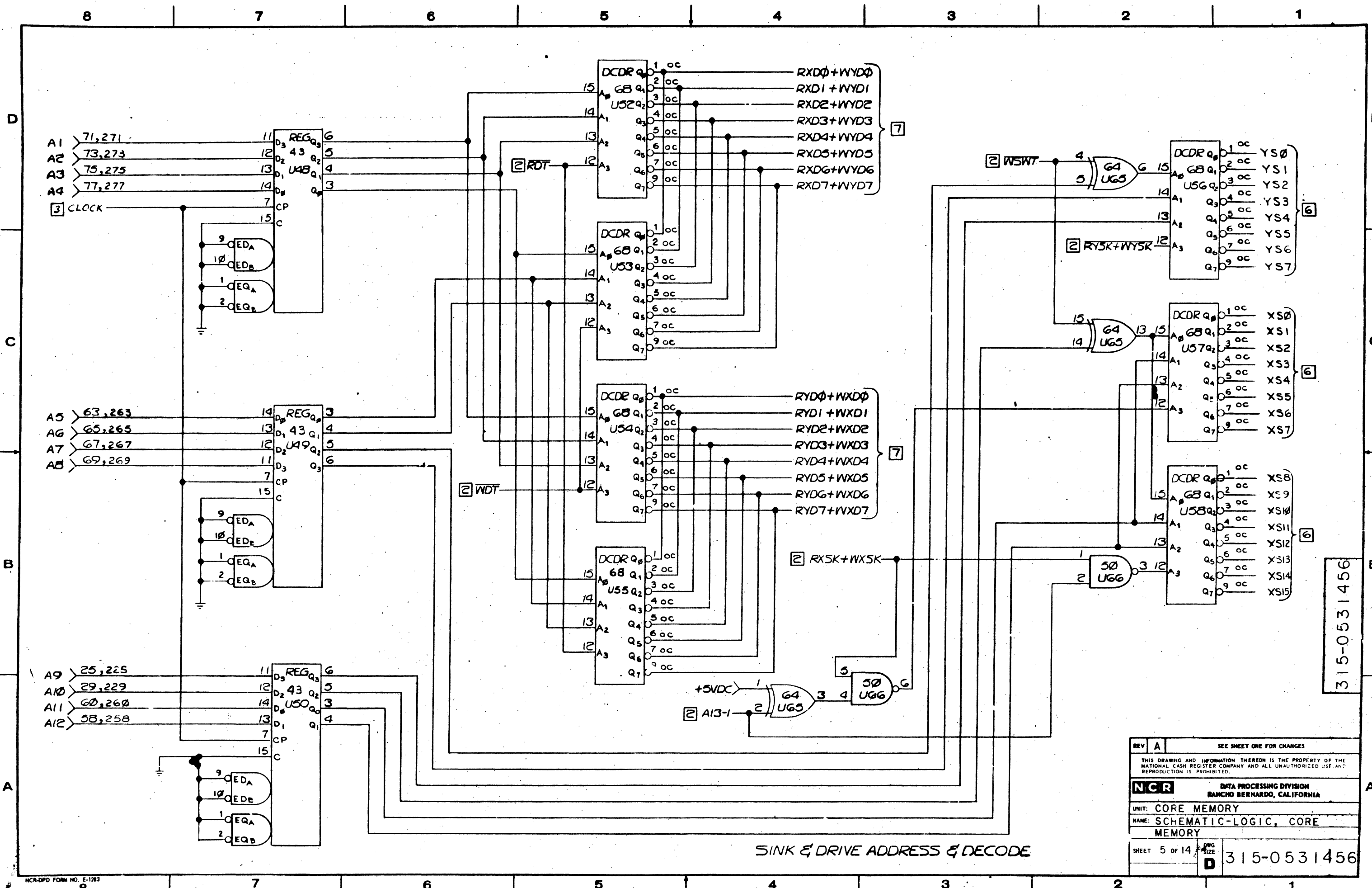
**TIMING & CONTROL**



CURRENT GENERATOR

315-0531456

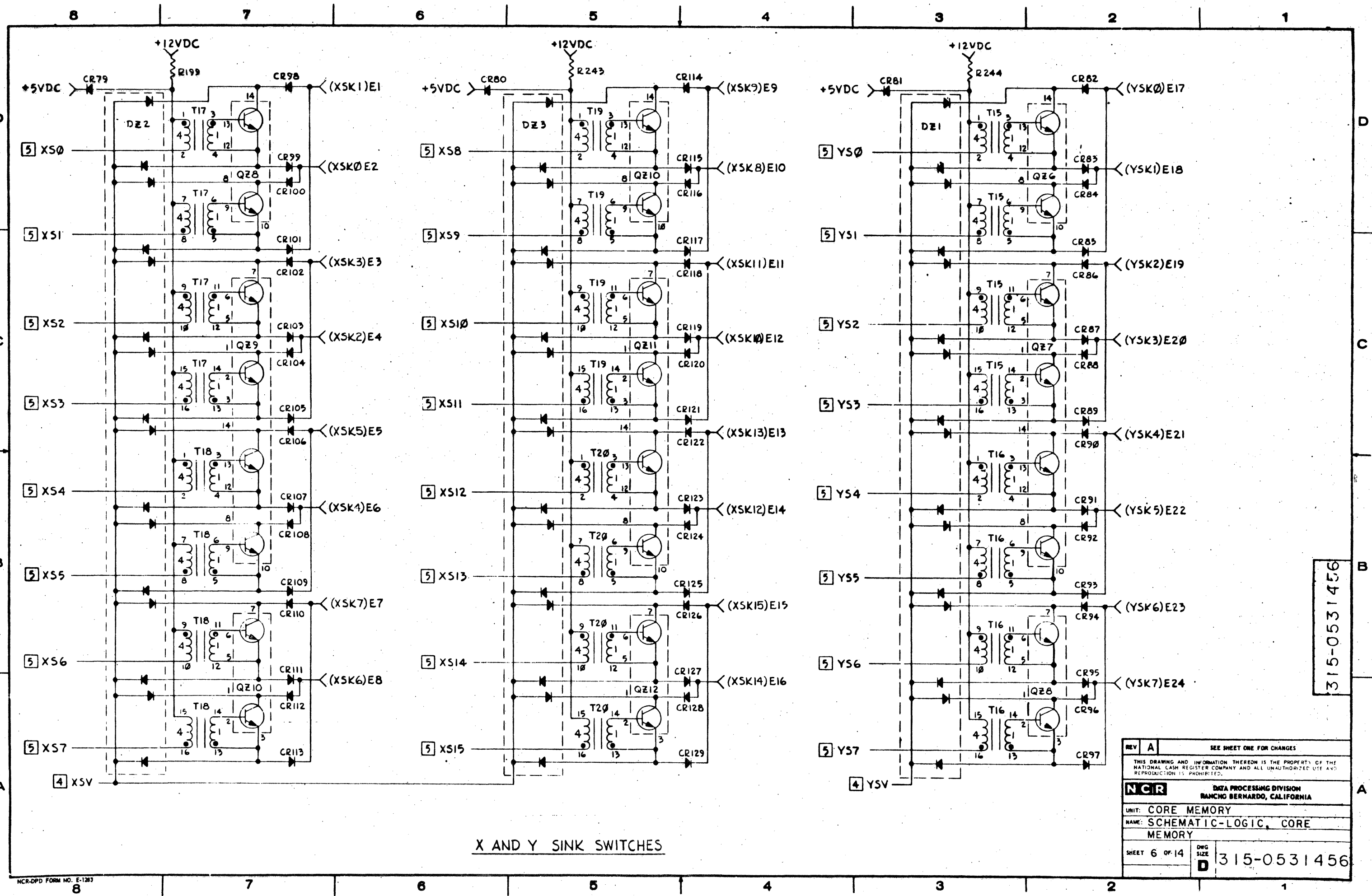
REV A	SEE SHEET ONE FOR CHANGES
THIS DRAWING AND INFORMATION THEREON IS THE PROPERTY OF THE NATIONAL CASH REGISTER COMPANY AND ALL UNAUTHORIZED REPRODUCTION IS PROHIBITED.	
NCR DATA PROCESSING DIVISION RANCHO BERNARDO, CALIFORNIA	
UNIT: CORE MEMORY	
NAME: SCHEMATIC-LOGIC, CORE MEMORY	
SHEET 4 OF 14	DWG SIZE D 315-0531456



SINK & DRIVE ADDRESS & DECODE

315-0531456

REV	A	SEE SHEET ONE FOR CHANGES
THIS DRAWING AND INFORMATION THEREON IS THE PROPERTY OF THE NATIONAL CASH REGISTER COMPANY AND ALL UNAUTHORIZED USE AND REPRODUCTION IS PROHIBITED.		
<b>NCR</b> DATA PROCESSING DIVISION RANCHO BERNARDO, CALIFORNIA		
UNIT: CORE MEMORY		
NAME: SCHEMATIC-LOGIC, CORE MEMORY		
SHEET	5 OF 14	FIG. NO. 315-0531456

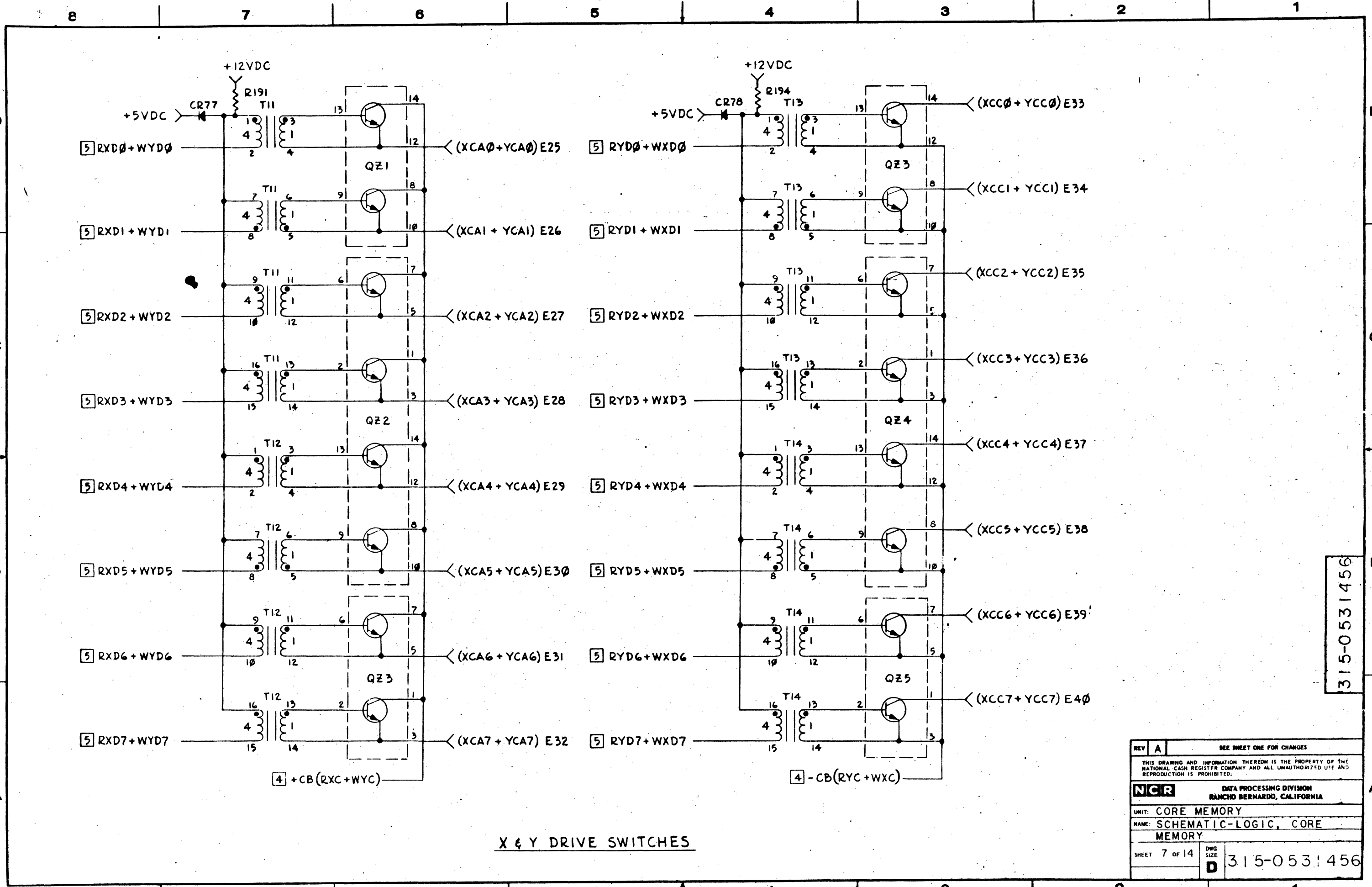


X AND Y SINK SWITCHES

315-0531456

REV	A	SEE SHEET ONE FOR CHANGES
THIS DRAWING AND INFORMATION THEREON IS THE PROPERTY OF THE NATIONAL CASH REGISTER COMPANY AND ALL UNAUTHORIZED USE AND REPRODUCTION IS PROHIBITED.		
<b>NCR</b>		DATA PROCESSING DIVISION RANCHO BERNARDO, CALIFORNIA
UNIT: CORE MEMORY		
NAME: SCHEMATIC-LOGIC, CORE MEMORY		
SHEET 6 OF 14	DWG SIZE	315-0531456
	D	





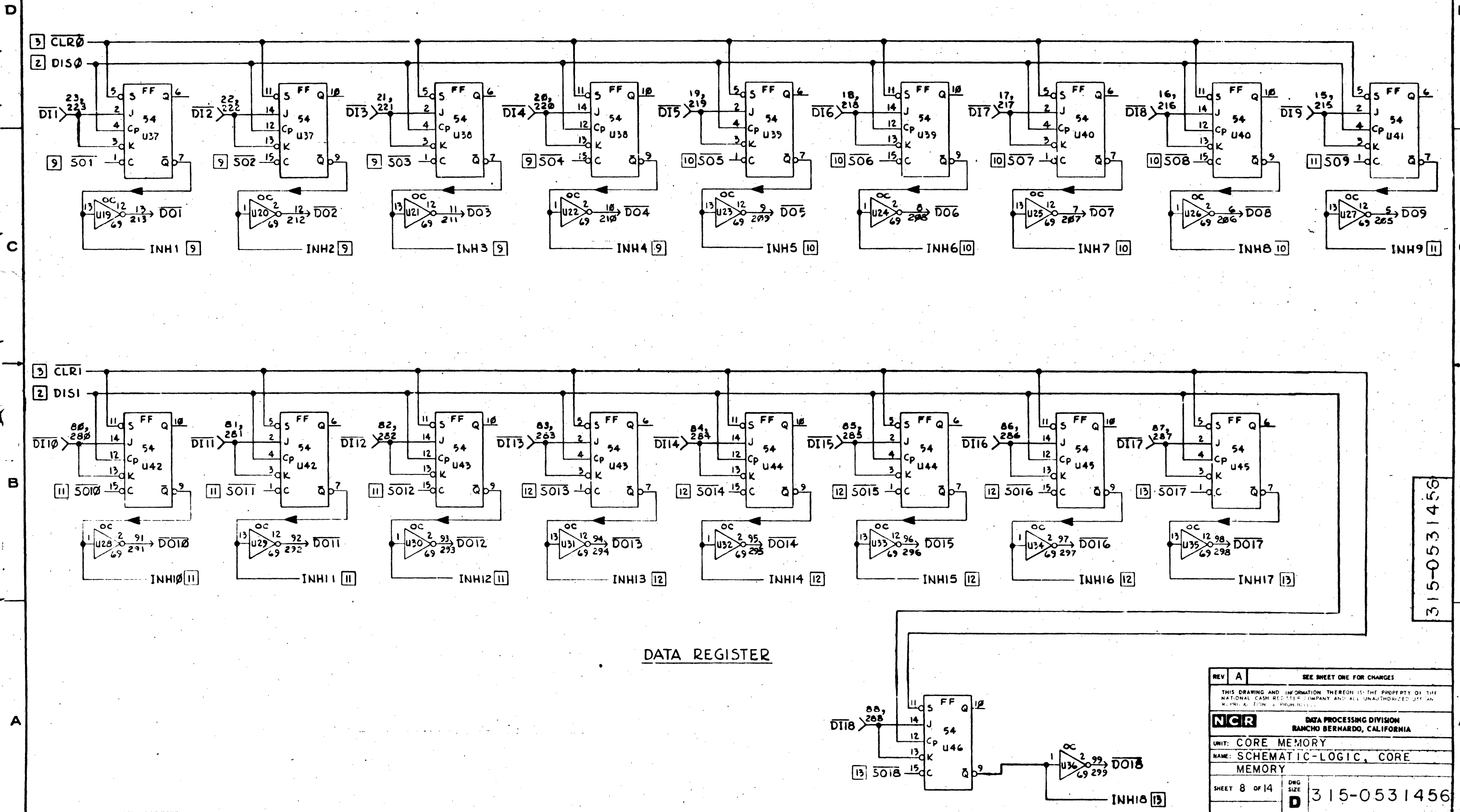
X & Y DRIVE SWITCHES

315-0531456

REV	A	SEE SHEET ONE FOR CHANGES
THIS DRAWING AND INFORMATION THEREON IS THE PROPERTY OF THE NATIONAL CASH REGISTER COMPANY AND ALL UNAUTHORIZED USE AND REPRODUCTION IS PROHIBITED.		
<b>NCR</b>		DATA PROCESSING DIVISION RANCHO BERNARDO, CALIFORNIA
UNIT: CORE MEMORY		
NAME: SCHEMATIC-LOGIC, CORE MEMORY		
SHEET	7 of 14	DWG SIZE <b>D</b> 315-0531456



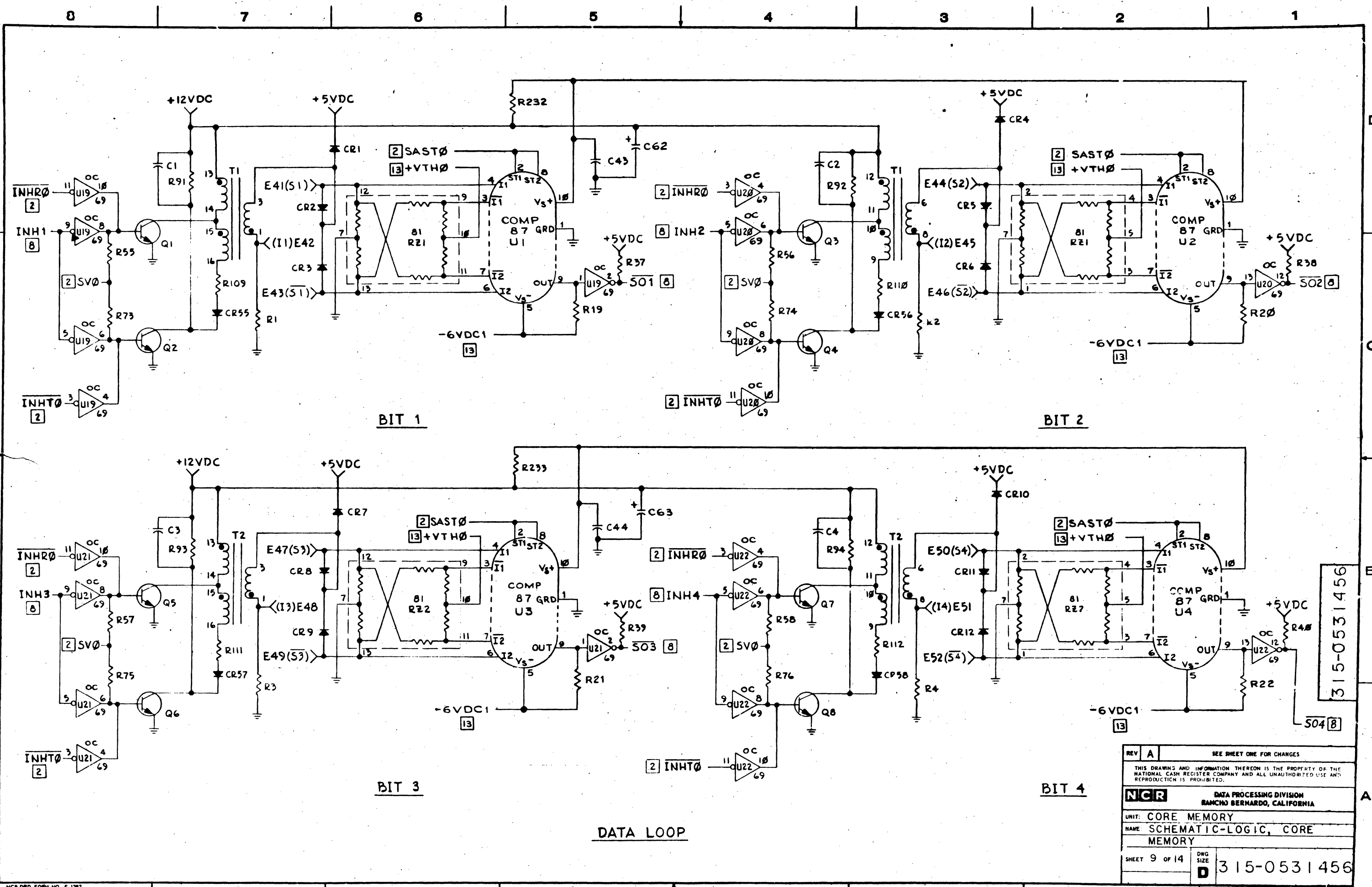
8 7 6 5 4 3 2 1



DATA REGISTER

315-0531456

REV	A	SEE SHEET ONE FOR CHANGES
THIS DRAWING AND INFORMATION THEREON IS THE PROPERTY OF THE NATIONAL CASH REGISTER COMPANY AND ALL UNAUTHORIZED USE IS PROHIBITED.		
<b>NCR</b> DATA PROCESSING DIVISION RANCHO BERNARDO, CALIFORNIA		
UNIT: CORE MEMORY		
NAME: SCHEMATIC-LOGIC, CORE MEMORY		
SHEET 8 OF 14	DWG SIZE	315-0531456



BIT 1

BIT 2

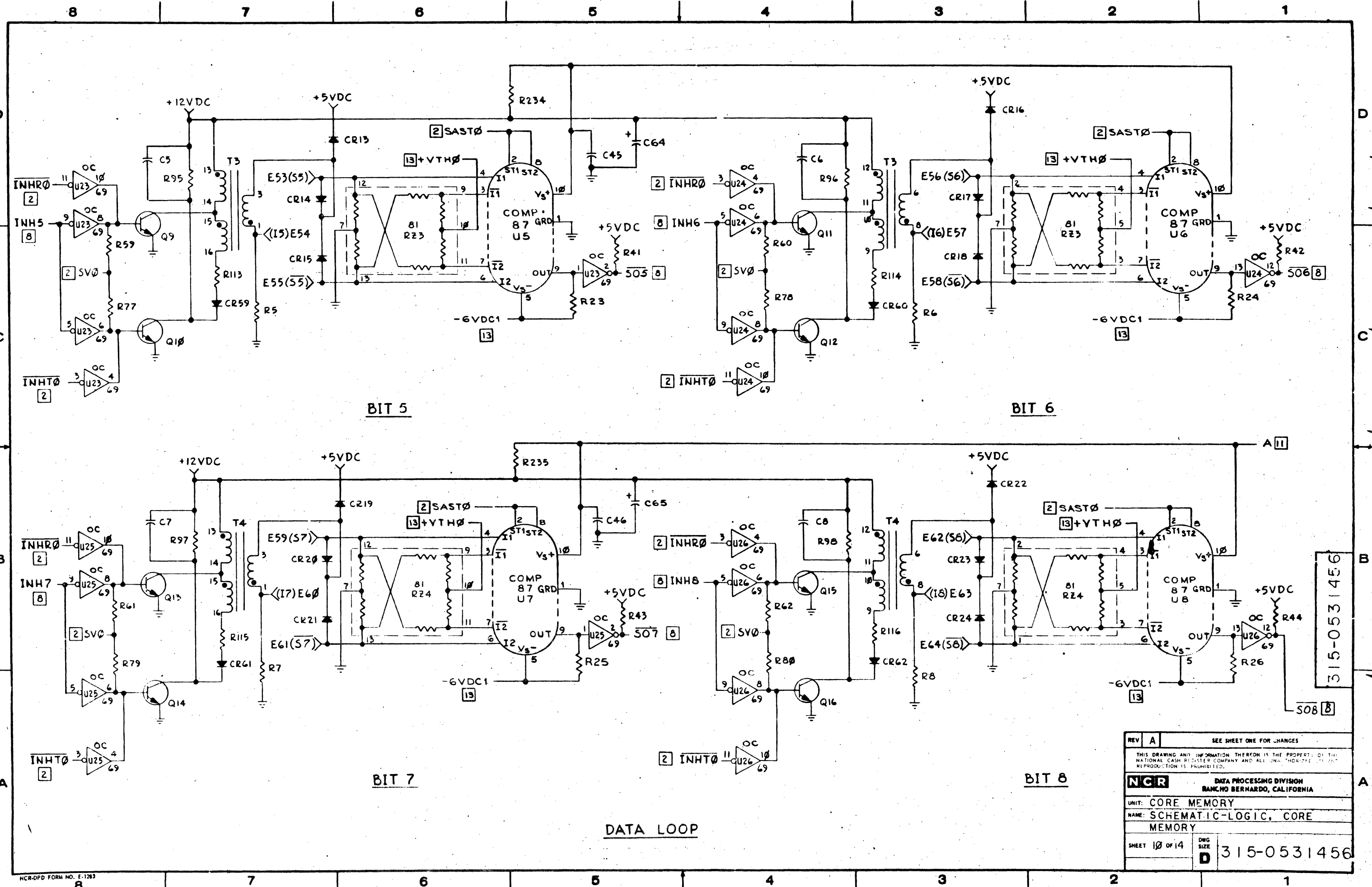
BIT 3

BIT 4

DATA LOOP

315-0531456

REV A	SEE SHEET ONE FOR CHANGES
THIS DRAWING AND INFORMATION THEREON IS THE PROPERTY OF THE NATIONAL CASH REGISTER COMPANY AND ALL UNAUTHORIZED USE AND REPRODUCTION IS PROHIBITED.	
<b>NCR</b>	DATA PROCESSING DIVISION RANCHO BERNARDO, CALIFORNIA
UNIT: CORE MEMORY	
NAME: SCHEMATIC-LOGIC, CORE MEMORY	
SHEET 9 of 14	DWG SIZE 315-0531456



BIT 5

BIT 6

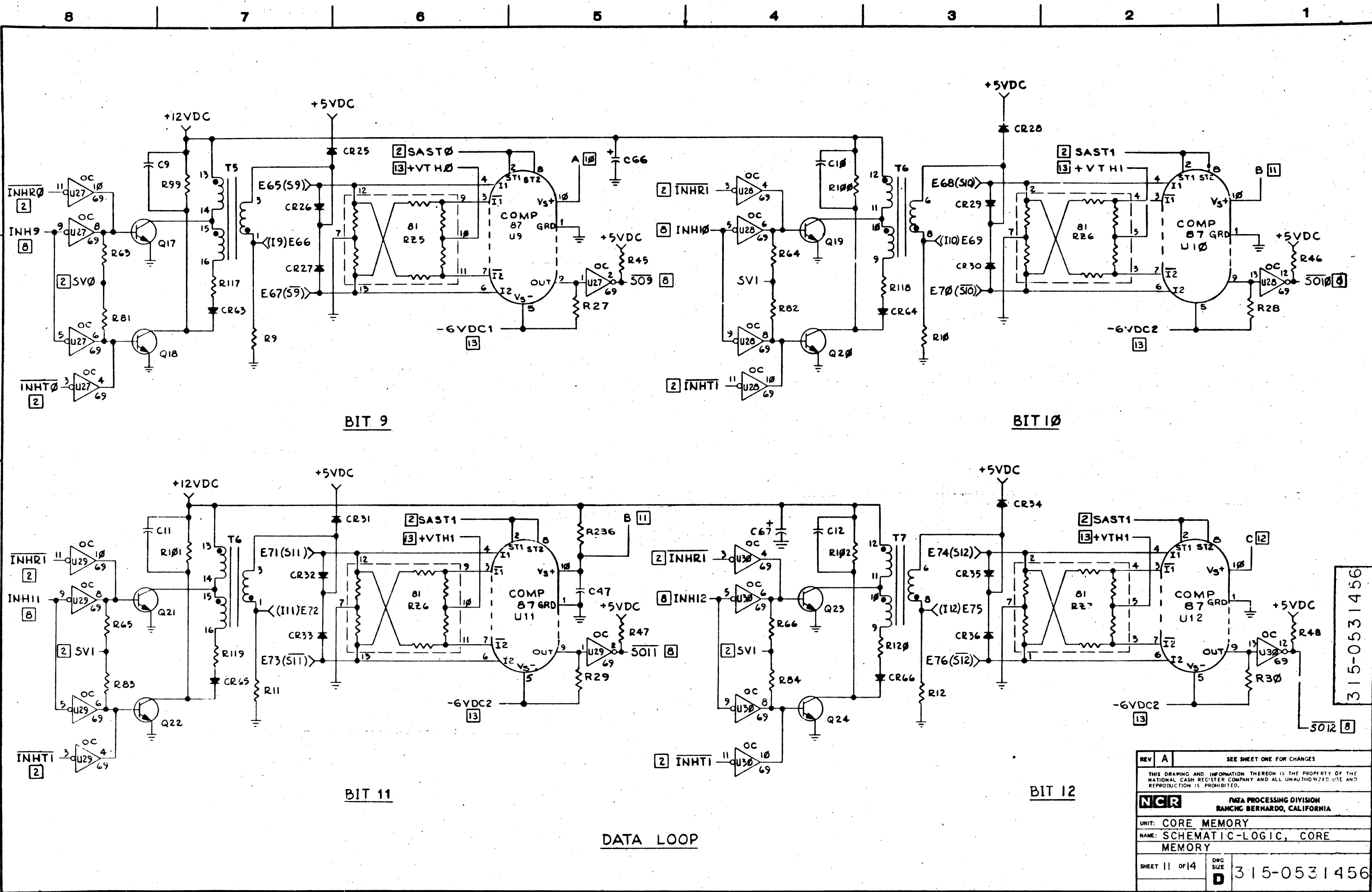
BIT 7

BIT 8

DATA LOOP

315-0531456

REV A	SEE SHEET ONE FOR CHANGES
THIS DRAWING AND INFORMATION THEREON IS THE PROPERTY OF THE NATIONAL CASH REGISTER COMPANY AND ALL UNAUTHORIZED REPRODUCTION IS PROHIBITED.	
<b>NGR</b>	DATA PROCESSING DIVISION RANCHO BERNARDO, CALIFORNIA
UNIT: CORE MEMORY	
NAME: SCHEMATIC-LOGIC, CORE MEMORY	
SHEET 10 of 14	DWG SIZE 315-0531456



BIT 9

BIT 10

BIT 11

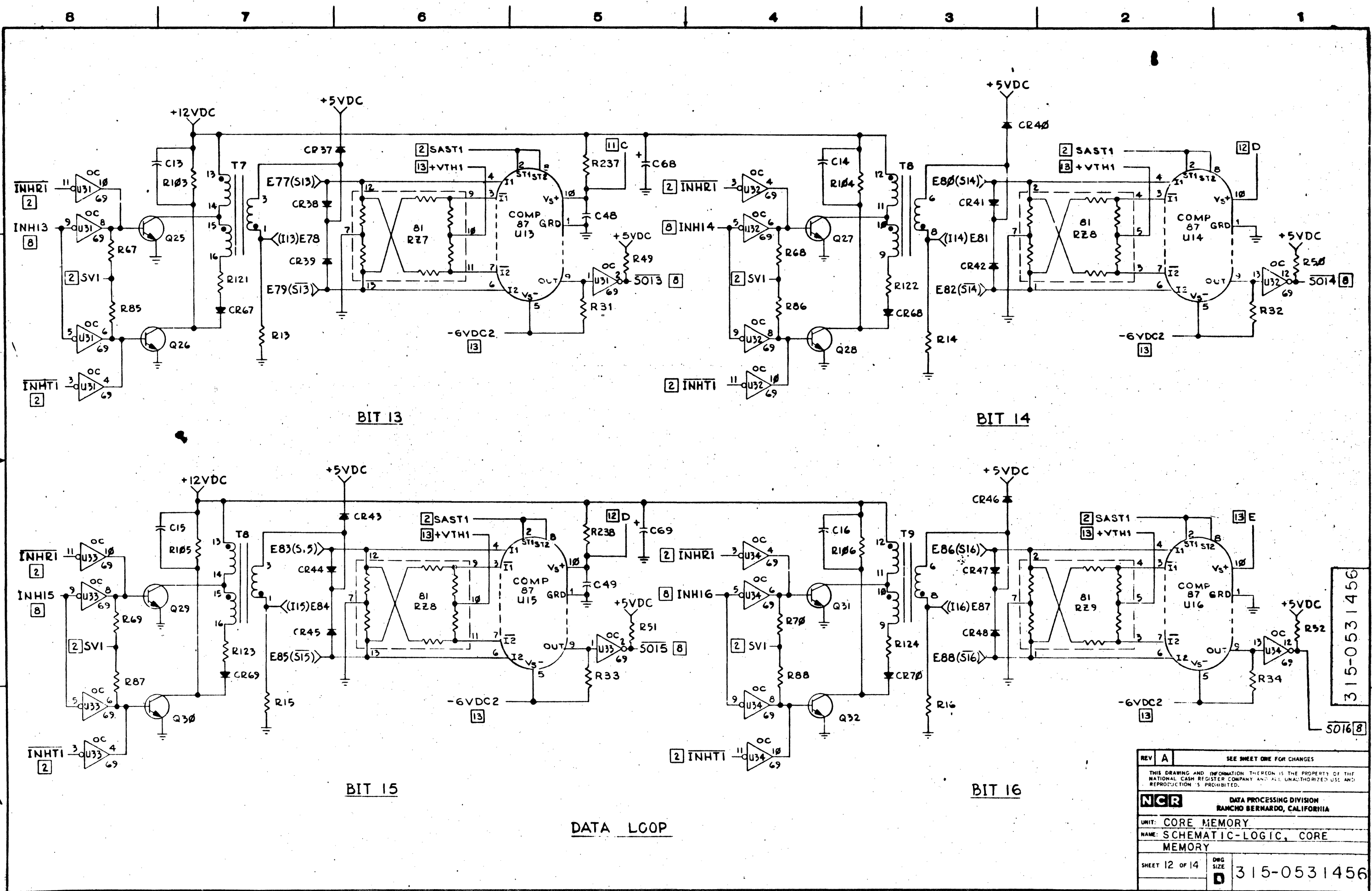
BIT 12

DATA LOOP

315-0531456

REV A	SEE SHEET ONE FOR CHANGES
THIS DRAWING AND INFORMATION THEREON IS THE PROPERTY OF THE NATIONAL CASH REGISTER COMPANY AND ALL UNAUTHORIZED USE AND REPRODUCTION IS PROHIBITED.	
<b>NCR</b> DATA PROCESSING DIVISION RANCHO BERNARDO, CALIFORNIA	
UNIT: CORE MEMORY	
NAME: SCHEMATIC-LOGIC, CORE MEMORY	
SHEET 11 OF 14	DWG SIZE D
315-0531456	

8.5"  
11"  
17"  
22"  
34"



BIT 13

BIT 14

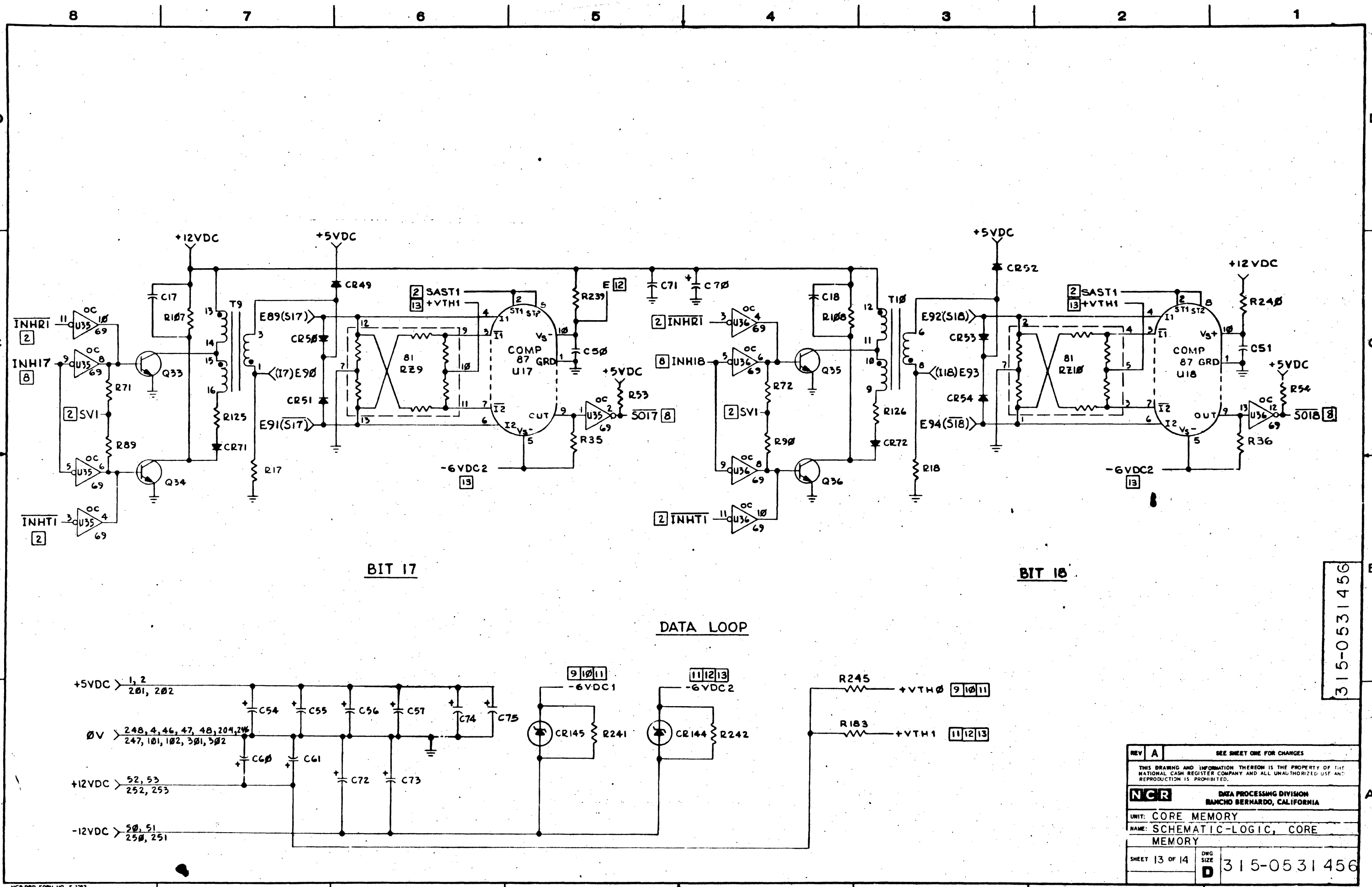
BIT 15

BIT 16

DATA LOOP

315-0531456

REV A	SEE SHEET ONE FOR CHANGES
THIS DRAWING AND INFORMATION THEREON IS THE PROPERTY OF THE NATIONAL CASH REGISTER COMPANY AND ALL UNAUTHORIZED USE AND REPRODUCTION IS PROHIBITED.	
<b>NCR</b> DATA PROCESSING DIVISION RANCHO BERNARDO, CALIFORNIA	
UNIT: CORE MEMORY	
NAME: SCHEMATIC-LOGIC, CORE MEMORY	
SHEET 12 OF 14	DWG SIZE 315-0531456



BIT 17

BIT 18

DATA LOOP

315-0531456

REV A	SEE SHEET ONE FOR CHANGES
THIS DRAWING AND INFORMATION THEREON IS THE PROPERTY OF THE NATIONAL CASH REGISTER COMPANY AND ALL UNAUTHORIZED USE AND REPRODUCTION IS PROHIBITED.	
<b>NCR</b>	DATA PROCESSING DIVISION RANCHO BERNARDO, CALIFORNIA
UNIT: CORE MEMORY	
NAME: SCHEMATIC-LOGIC, CORE MEMORY	
SHEET 13 OF 14	DWG SIZE D 315-0531456

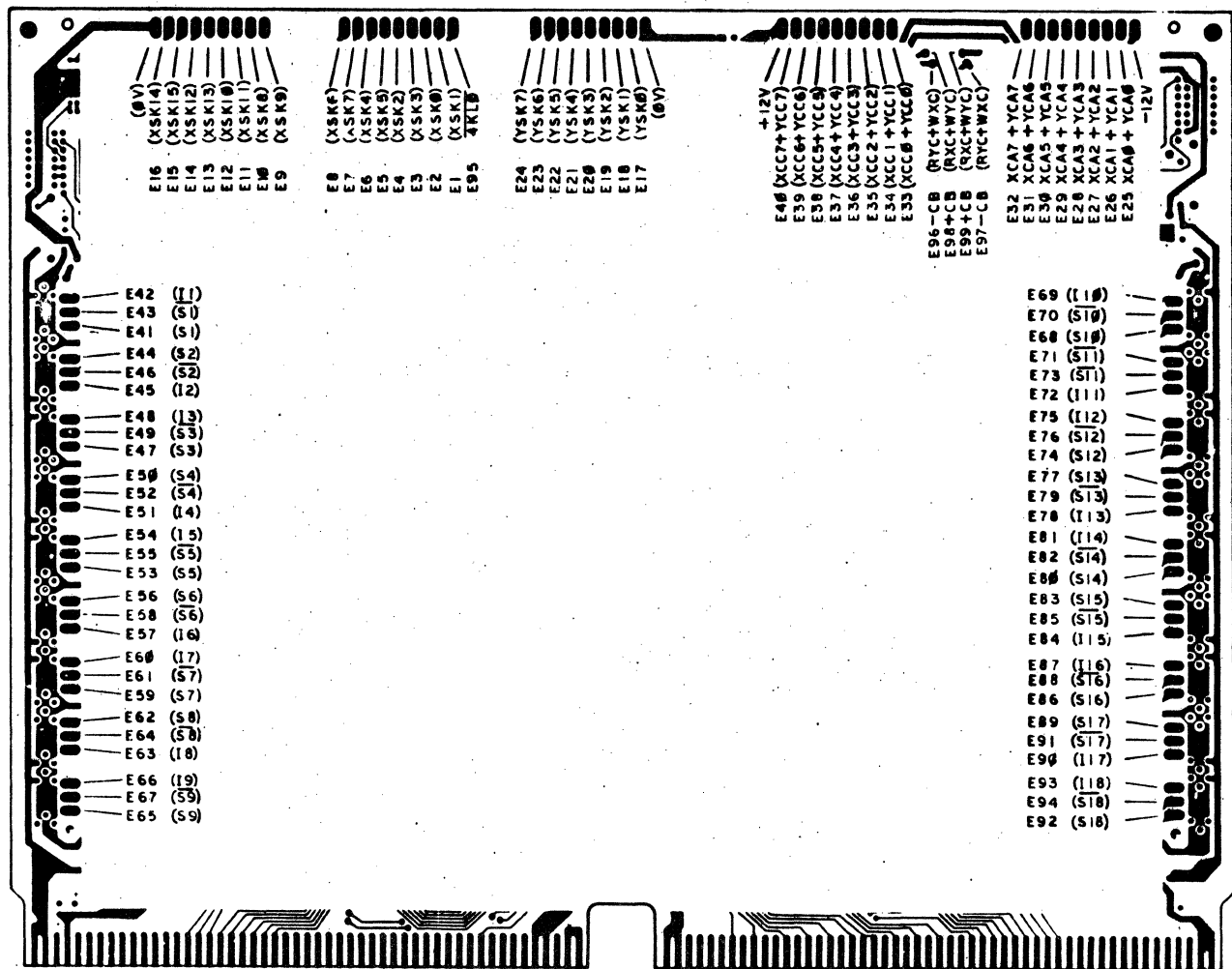
8 7 6 5 4 3 2 1

D

C

B

A



315-0531456

REV A	SEE SHEET ONE FOR CHANGES
THIS DRAWING AND INFORMATION THEREON IS THE PROPERTY OF THE NATIONAL CASH REGISTER COMPANY AND ALL UNAUTHORIZED REPRODUCTION IS PROHIBITED.	
<b>NCR</b> DATA PROCESSING DIVISION RANCHO BERNARDO, CALIFORNIA	
UNIT: CORE MEMORY	
NAME: SCHEMATIC-LOGIC, CORE MEMORY	
SHEET 14 of 14	DWG SIZE 315-0531456

8 7 6 5 4 3 2 1



RE /	CHANGE	ER NO.	DFTS	CHECK	APPD	DATE
A	RELEASED TO PRODUCTION.	35-07168				
B	ADDED NOTE 9.	35-07840	<i>J.N.E.</i>	<i>N.W.C.</i>	<i>J.H.</i>	<i>4/17/74</i>
C	ADDED TWO HOLES FOR SPACERS TO FACE OF DRAWING. CR146 IN START TERM WAS C146. CR147 IN START TERM WAS C147.	35-07592	<i>J.N.E.</i>	<i>N.W.C.</i>	<i>J.H.</i>	<i>4/17/74</i>
D	ITEM NO. 48 WAS 007-8336601.	35-09201	<i>J.N.E.</i>	<i>N.W.C.</i>	<i>J.H.</i>	<i>4/17/74</i>

M17	04	35
M17	04	21
M17	04	08
CLASS	MODEL	PLANT

						1	315-0522200
						1	315-0522181
MO	RFC NO.	PLANT LOC	DESCRIPTION	INTERPLANT USAGE (CODE)	REQD	NEXT ASSEMBLY	
MANUFACTURING OPTION FOR USE ONLY AT PLANT SHOWN						REPLACES DWG 315-0529621	
THIS DRAWING AND ANY ATTACHMENTS THERETO AND INFORMATION THEREON ARE THE PROPERTY OF THE NATIONAL CASH REGISTER COMPANY AND ALL UNAUTHORIZED USE AND REPRODUCTION IS PROHIBITED.				<b>NCR</b> DATA PROCESSING DIVISION RANCHO BERNARDO, CALIFORNIA			
CLASS	MODEL	PLANT	CLASS	MODEL	PLANT	CLASS: M17	
M17	05	35	M17	05	21	UNIT: CORE MEMORY	
M17	05	08				NAME: BOARD-PLUGIN, CORE MEMORY	
DRAWING OF THE ASSEMBLY				CHKD:			REV
SHEET NO. 8 & 9				DESIGNER: L. BRADY		315-0531455	0
REV	A	B	C	D	APPD:	APPD:	
				CODE: 2-9045	COVER SHEET	SHEET 1 OF 9	

ITEM	REQD	SIZE	PART NO.	DESCRIPTION	PARTS LIST CHG. ER NO.	REMARKS
1	1	F	315-0528366	BOARD-PRINTED		
2	4	D	315-0520641	BUS BAR		
3	REF	D	315-0531456	SCHEMATIC-LOGIC, CORE MEMORY		
4	REF	A	007-9999355	PERFORMANCE SPEC		
5	REF	A	007-9506300	ASSY SPEC		
6	REF	A	007-9502002	MARKING-GENERAL		
7	99	A	007-2011001	AMP MOD 1 RECPTACLE		
8	9	A	006-6020432	RESISTOR, 10Ω, 1/4W, ±5% R232, 233, 234, 235, 236, 237, 238, 239, 240		
9	8	A	007-6700221	RESISTOR, 18Ω, 1/4W, ±5% R159, 160, 161, 162, 163, 164, 165, 166		
10	2	A	007-6700223	RESISTOR, 22Ω, 1/4W, ±5% R135, 136		
11	7	A	007-6700229	RESISTOR, 39Ω, 1/4W, ±5% R128, 132, 149, 154, 173, 174, 178		
12	21	A	006-6020448	RESISTOR, 100Ω, 1/4W, ±5% R1, 2, 3, 4, 5, 6, 7, 8, 9, 10, 11, 12, 13, 14, 15, 16, 17, 18, 157, 158, 195		
13	1	A	006-6020496	RESISTOR, 120Ω, 1/4W, ±5% R170		
14	19	A	006-6020450	RESISTOR, 150Ω, 1/4W, ±5% R55, 56, 57, 58, 59, 60, 61, 62, 63, 64, 65, 66, 67, 68, 69, 70, 71, 72, 247		
15	25	A	006-6020451	RESISTOR, 220Ω, 1/4W, ±5% R73, 74, 75, 76, 77, 78, 79, 80, 81, 82, 83, 84, 85, 86, 87, 88, 89, 90, 129, 131, 133, 172, 182, 219, 246		

<b>NCR</b>	UNIT: CORE MEMORY		REV
	NAME: BOARD-PLUGIN, CORE MEMORY	315-0531455	0
	MEMORY	NCR PROPRIETARY	PARTS LIST SHEET 2 OF 9

ITEM	REQD	SIZE	PART NO.	DESCRIPTION	PARTS LIST CHG. ER NO.	REMARKS
16	24	A	006-6020433	RESISTOR, 330Ω, 1/4W, ±5% R140, 143, 147, 148, 150, 152, 181, 185, 187, 190, 192, 200, 205, 209, 212, 217, 221, 222, 224, 226, 227, 229, 231, 248		
17	11	A	006-6020454	RESISTOR, 470Ω, 1/4W, ±5% R134, 145, 146, 151, 169, 179, 180, 188, 197, 202, 203		
18	4	A	006-6020428	RESISTOR, 680Ω, 1/4W, ±5% R184, 186, 189, 204		
19	30	A	006-6020402	RESISTOR, 1K, 1/4W, ±5% R37, 38, 39, 40, 41, 42, 43, 44, 45, 46, 47, 48, 49, 50, 51, 52, 53, 54, 127, 130, 141, 142, 153, 175, 198, 206, 208, 213, 214, 215		
20	18	A	006-6020429	RESISTOR, 2.2K, 1/4W, ±5% R19, 20, 21, 22, 23, 24, 25, 26, 27, 28, 29, 30, 31, 32, 33, 34, 35, 36		
21	1	A	007-6724534	RESISTOR, 22.1Ω, 1/8W, ±1% R144		
22	4	A	007-6724650	RESISTOR, 324Ω, 1/8W, ±1% R176, 177, 183, 245		
23	1	A	007-6724617	RESISTOR, 147Ω, 1/8W, ±1% R171		
24	1	A	007-6724685	RESISTOR, 750Ω, 1/8W, ±1% R139		
25	2	A	007-6724679	RESISTOR, 649Ω, 1/8W, ±1% R225, 230		
26	2	A	007-6724693	RESISTOR, 909Ω, 1/8W, ±1% R196, 201		
27	2	A	007-6724701	RESISTOR, 1K, 1/8W, ±1% R211, 220		
28	1	A	007-6724707	RESISTOR, 1.15K, 1/8W, ±1% R228		
29	2	A	007-6724726	RESISTOR, 1.82K, 1/8W, ±1% R193, 223		

<b>NCR</b>	UNIT: CORE MEMORY	315-0531455	REV
	NAME: BOARD-PLUGIN, CORE		D
	MEMORY		
NCR PROPRIETARY		PARTS LIST	SHEET 3 OF 9

ITEM	REQD	SIZE	PART NO.	DESCRIPTION	PARTS LIST CHG. ER NO.	REMARKS
30	1	A	007-6724737	RESISTOR, 2.37K, 1/8W, ±1% R210		
31	1	A	007-6724719	RESISTOR, 1.54K, 1/8W, ±1% R218		
32	1	A	007-6724757	RESISTOR, 3.83K, 1/8W, ±1% R216		
33	1	A	007-6724782	RESISTOR, 6.98K, 1/8W, ±1% R207		
34	4	A	007-6700443	RESISTOR, 150Ω, 1/4W, ±5% R137, 138, 241, 242		
35	5	A	007-6700453	RESISTOR, 390Ω, 1/4W, ±5% R191, 194, 199, 243, 244		
36	18	A	007-6700463	RESISTOR, 1K, 1/4W, ±5% R91, 92, 93, 94, 95, 96, 97, 98, 99, 100, 101, 102, 103, 104, 105, 106, 107, 108		
37	2	A	007-6740307	RESISTOR, 7.5Ω, 3W, ±1% R167, 168	35-07840	
38	20	A	007-6740309	RESISTOR, 9.5Ω, 3W, ±1% NON-INDUCTIVELY WOUND R109, 110, 111, 112, 113, 114, 115, 116, 117, 118, 119, 120, 121, 122, 123, 124, 125, 126, 155, 156	35-07840	
39	10	A	007-6718101	RESISTOR, MODULE (9052) RZ1, 2, 3, 4, 5, 6, 7, 8, 9, 10		
40	1	A	007-1169113	CAPACITOR, 43PF, 500V, ±1% C27		
41	11	A	007-1169121	CAPACITOR, 100PF, 500V, ±1% C20, 25, 26, 28, 29, 32, 33, 35, 37, 38, 52		
42	7	A	007-1169115	CAPACITOR, 160PF, 500V, ±1% C24, 30, 36, 39, 40, 41, 42		
43	20	A	007-1169106	CAPACITOR, 230PF, 500V, ±1% C1, 2, 3, 4, 5, 6, 7, 8, 9, 10, 11, 12, 13, 14, 15, 16, 17, 18, 19, 34		
44	23	A	007-1159209	CAPACITOR, 6.8UF, 20V, ±20% C22, 23, 31, 54, 55, 56, 57, 58, 59, 60, 61, 62, 63, 64, 65, 66, 67, 68, 69, 70, 71, 72, 73		

<b>NCR</b>	UNIT: CORE MEMORY	315-0531455	REV
	NAME: BOARD-PLUGIN, CORE		D
	MEMORY		
NCR PROPRIETARY		PARTS LIST	SHEET 4 OF 9

ITEM	REQD	SIZE	PART NO.	DESCRIPTION	PARTS LIST CHG. ER NO.	REMARKS
45	10	A	007-1130114	CAPACITOR, .001UF, 1000V, ±20% C21,43,44,45,46,47,48, 49,50,51		
46	1	A	007-8331301	TRANSFORMER 1:1 (9033) T22		
47	12	A	007-8333701	TRANSFORMER 4:1 (9072) T11,12,13,14,15,16,17, 18,19,20,21,23		
48	11	A	007-8336602	TRANSFORMER 1:1:1: (9091) T1,2,3,4,5,6,7,8,9,10, 24	35-09201	
49	3	B	007-4241701	DIODE MODULE-WELDED DZ1,2,3		
50	143	A	007-2502101	DIODE CR1,2,3,4,5,6,7,8,9,10, 11,12,13,14,15,16,17, 18,19,20,21,22,23,24,25, 26,27,28,29,30,31,32,33, 34,35,36,37,38,39,40,41, 42,43,44,45,46,47,48,49, 50,51,52,53,54,55,56,57, 58,59,60,61,62,63,64,65, 66,67,68,69,70,71,72,73, 74,75,76,77,78,79,80,81, 82,83,84,85,86,87,88,89, 90,91,92,93,94,95,96,97, 98,99,100,101,102,103, 104,105,106,107,108,109, 110,111,112,113,114,115, 116,117,118,119,120,121, 122,123,124,125,126,127, 128,129,132,133,134,135, 136,137,138,139,140,141, 142,143,146,147	35-07840	
51	2	A	007-2550108	DIODE-400MW,SI ZENER,6.2V CR144,145		
52	1	A	007-1860121	COIL-RF 15UF, ±10% L5		
53	1	A	007-1860123	COIL-RF 22UH, ±10% L3		
54	1	A	007-1860113	COIL-RF 3.3UH, ±10% L6		

<b>NCR</b>	UNIT: CORE MEMORY	315-0531455	REV
	NAME: BOARD-PLUGIN, CORE		D
	MEMORY		NCR PROPRIETARY PARTS LIST SHEET 5 OF 9

ITEM	REQD	SIZE	PART NO.	DESCRIPTION	PARTS LIST CHG. ER NO.	REMARKS
55	1	A	007-1860117	COIL-RF 6.8UH, ±10% L1		
56	15	A	007-7465502	TRANSISTOR (NPN) Q40,59,60,61,62,63,64, 65,66,67,68,69,70,71, 72		
57	3	A	007-7400401	TRANSISTOR (PNP) Q54,55,56		
58	8	A	007-7400502	TRANSISTOR (PNP) Q44,45,46,47,48,49,50, 51		
59	46	A	007-7465906	TRANSISTOR (NPN) Q1,2,3,4,5,6,7,8,9,10, 11,12,13,14,15,16,17, 18,19,20,21,22,23,24, 25,26,27,28,29,30,31, 32,33,34,35,36,37,38, 39,41,42,43,52,53,57, 58		
60	13	A	007-7487001	TRANSISTOR QUAD QZ1,2,3,4,5,6,7,8,9,10, 11,12,13,	35-06055	
61	2	A	007-169201	QUAD, 2-INPUT NOR (7402) U64,67		
62	18	A	007-1668701	COMPARATOR-DUAL DIFF. INPUT U1,2,3,4,5,6,7,8,9,10, 11,12,13,14,15,16,17, 18		
63	4	A	007-1694301	4-BIT REGISTER (DM8551N) U48,49,50,51		
64	1	A	007-1695001	QUAD, 2-INPUT NAND (9001) U66		
65	10	A	007-1695401	DUAL JK F/F (9024) U37,38,39,40,41,42,43, 44,45,46		
66	1	A	007-1675101	DUAL 4-INPUT NAND, OPEN COLLECTOR, (74H22) U71		
67	2	A	007-1695301	HEX INVERTER (9016) U59,68		

<b>NCR</b>	UNIT: CORE MEMORY	315-0531455	REV
	NAME: BOARD-PLUGIN, CORE		D
	MEMORY		NCR PROPRIETARY PARTS LIST SHEET 6 OF 9

ITEM	REQD	SIZE	PART NO.	DESCRIPTION	PARTS LIST CHG. ER NO.	REMARKS
68	1	A	007-1697201	1 OF 10 DECODER (9301) U70		
69	2	A	007-1699401	QUAD, 2-INPUT NAND, OPEN COLLECTOR (9012) U61,62		
70	1	A	007-1696401	QUAD, EXCLUSIVE OR (9014) U65		
71	22	A	007-1696901	HEX INVERTER, OPEN COLLECTOR (7416) U19,20,21,22,23,24,25, 26,27,28,29,30,31,32, 33,34,35,36,60,63,69, 72		
72	1	A	007-1696301	QUAD, 2-INPUT NAND BUFFER (7437) U47		
73	7	A	007-1696802	BCD 1 OF 10 DECODER/DRIVER OPEN COLLECTOR U52,53,54,55,56,57,58		
74	8	A	007-3860501	TRANSISTOR PAD REF Q44,45,46,47,48,49, 50,51		
75	49	A	007-3860509	TRANSISTOR PAD REF Q1,2,3,4,5,6,7,8,9, 10,11,12,13,14,15,16, 17,18,19,20,21,22,23, 24,25,26,27,28,29,30, 31,32,33,34,35,36,37, 38,39,41,42,43,52,53, 54,55,56,57,58		
76	2	A	007-1158901	CAPACITOR-12UFD,6V,±20% C74,75		
77	A/R	A	007-9000249	WIRE, JUMPER		
78	A/R	A	007-9777441	TAPE, PRESSURE SENSITIVE, ½ INCH WIDE		
79	A/R	A	007-8953102	WIRE, 30 GAUGE, WIRE WRAP W1,2,3		
80	18	A	007-3860514	INSULATOR-TSTR MTG PAD REF U1,2,3,4,5,6,7,8,9, 10,11,12,13,14,15,16, 17,18		
81	A/R	A	007-8900810	TUBING-INSULATION		

**NCR**

UNIT: CORE MEMORY

NAME: BOARD-PLUGIN, CORE

MEMORY

315-0531455

REV

D

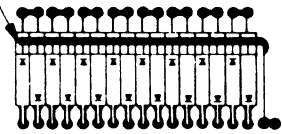
NCR PROPRIETARY

PARTS LIST

SHEET 7 OF 9

(25,4)MM  
1 INCH

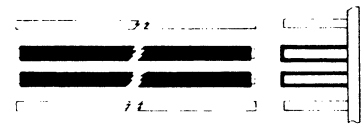
REMOVE UNUSED LEAD



INSTALLATION FOR DZ1, 2, 3

DETAIL A

SCALE 2:1



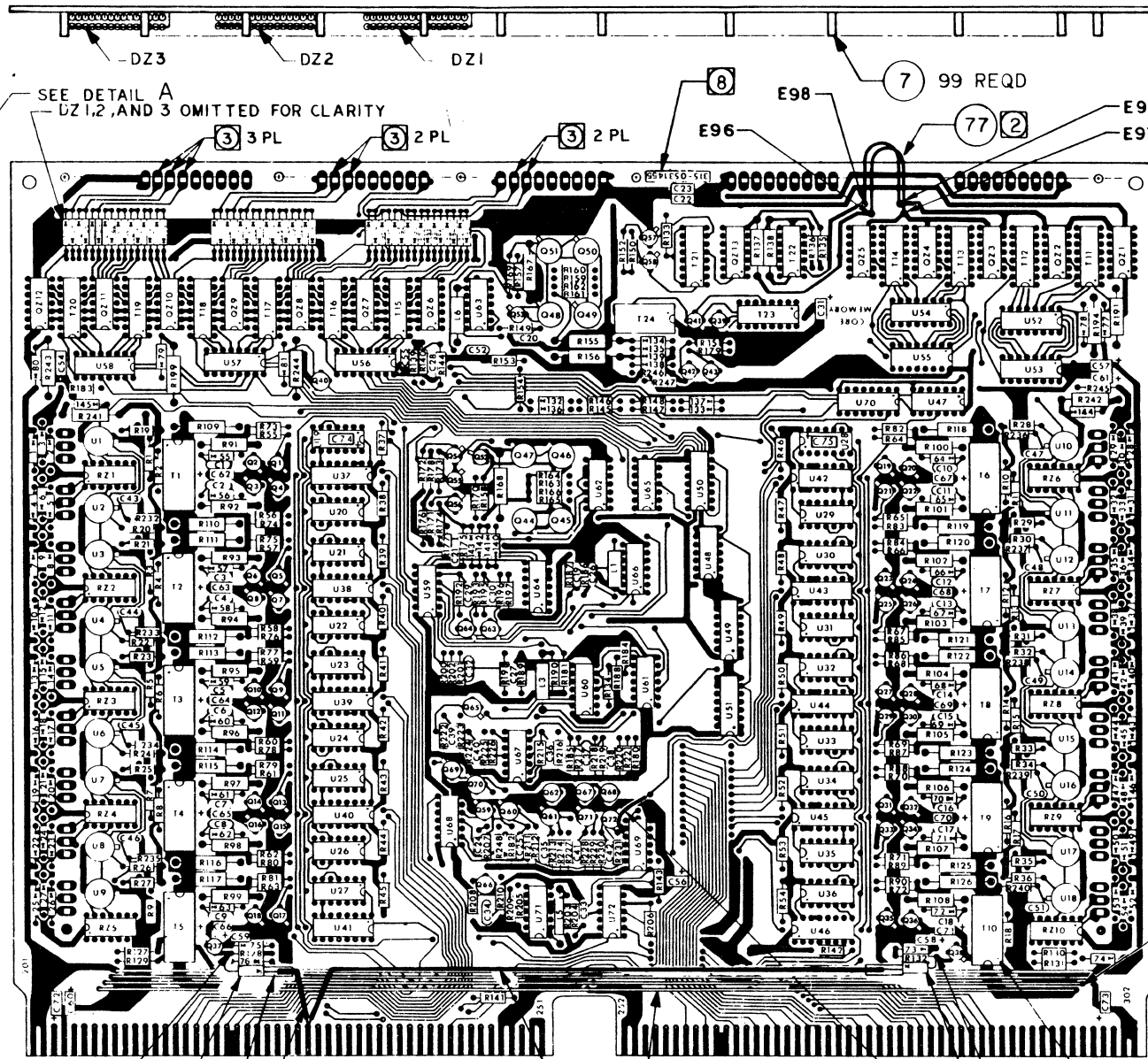
INSTALLATION FOR THE TWO MIDDLE BUSS BARS

DETAIL B

SCALE 4:1

WIRE LIST

REF DESIG	START TERM	END TERM	P/L ITEM
W1	U69-0	U51-7	79
CR146	FEED THRU C	W2	50
CR147	FEED THRU D	W3	50
W2	CR146	PIN 228	79
W3	CR147	PIN 228	79



9 ALL RECEPTILES SHALL BE LOCATED WITHIN 0.024 DIA FROM NOMINAL HOLE LOCATIONS

8 RECEPTILE PER ITEM 1 APPROXIMATELY AS SHOWN.

7 INSTALL ITEM 81 APPROXIMATELY AS SHOWN.

6 INSTALL C74 AND C75 AS SHOWN, POS SIDE TO PIN 14 OF IC AND NEG. SIDE TO PIN 7.

5 ROUTE JUMPER (WIRE) COMPONENTS APPROXIMATELY AS SHOWN PER ITEM 5.

4 CUT SETCH BETWEEN (FEED-THRU A AND B) APPROXIMATELY AS SHOWN, PER ITEM 5.

3 SOLDER NEAR SIDE.

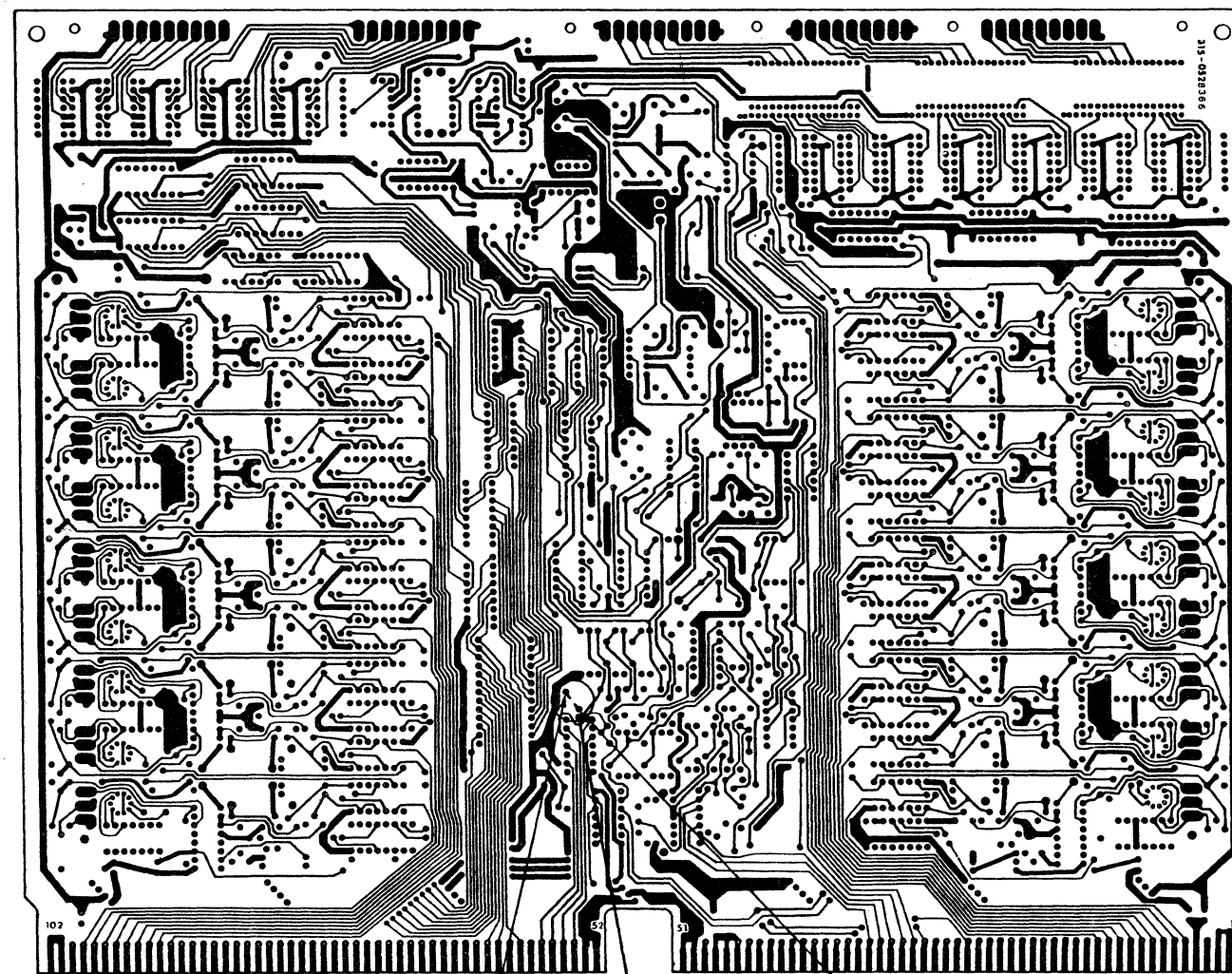
2 FORM ITEM 77 APPROXIMATELY AS SHOWN.

1 DOT INDICATES PIN NUMBER 1.

REV D	SEE SHEET ONE FOR CHANGES
THIS DRAWING AND INFORMATION THEREON IS THE PROPERTY OF THE NATIONAL CASH REGISTER COMPANY AND ALL UNAUTHORIZED USE AND REPRODUCTION IS PROHIBITED.	
NCR DATA PROCESSING DIVISION RANCHO BERNARDO, CALIFORNIA	
UNIT: CORE MEMORY	
NAME: BOARD-PLUGIN, CORE MEMORY	
SHEET 8 OF 9	DWG SIZE
SCALE: 1:1	315-05 31455

UNLESS OTHERWISE SPECIFIED, DIMENSIONAL LIMITS ARE:  
INCH NOMINAL  
.XX ±  
.XXX ±

315-05 31455



FEED-THRU A

4

FEED-THRU B

315-0531455

REV D SEE SHEET ONE FOR CHANGES

THIS DRAWING AND INFORMATION THEREON IS THE PROPERTY OF THE NATIONAL CASH REGISTER COMPANY AND ALL UNAUTHORIZED USE AND REPRODUCTION IS PROHIBITED.

**NCR** DATA PROCESSING DIVISION  
RANCHO BERNARDO, CALIFORNIA

UNIT: CORE MEMORY

NAME: BOARD-PLUGIN,  
CORE MEMORY

SHEET 9 OF 9

SCALE: 1:1

DWG  
SIZE

**D**

315-0531455

UNLESS OTHERWISE SPECIFIED, DIMENSIONAL LIMITS ARE:  
INCH NOMINAL  
.XX ±  
.XXX ±