
M D - 3 P P O R T A B L E M I C R O D E C I S I O N
S P E C I A L N O T E S

The MD-3P is functionally identical to the MD-3 desktop computer with an MT-70 terminal. So, even though the Micro Decision User's Guide makes no mention of the MD-3P, it is still valid in all respects except as noted below.

In addition, your function keys operate in exactly the MT-70 fashion.

Page 5: There is no provision for adding more disk drives to the portable model.

Page 24: The RESET switch is the center button on the MD-3P's front panel. See Figure 1 below.

Pages 29-30: There is no terminal setup required. When you're asked how many disk drives you have, respond 2. When you're asked to pick your terminal from the Terminal Selection Menu, select Morrow MT-70.

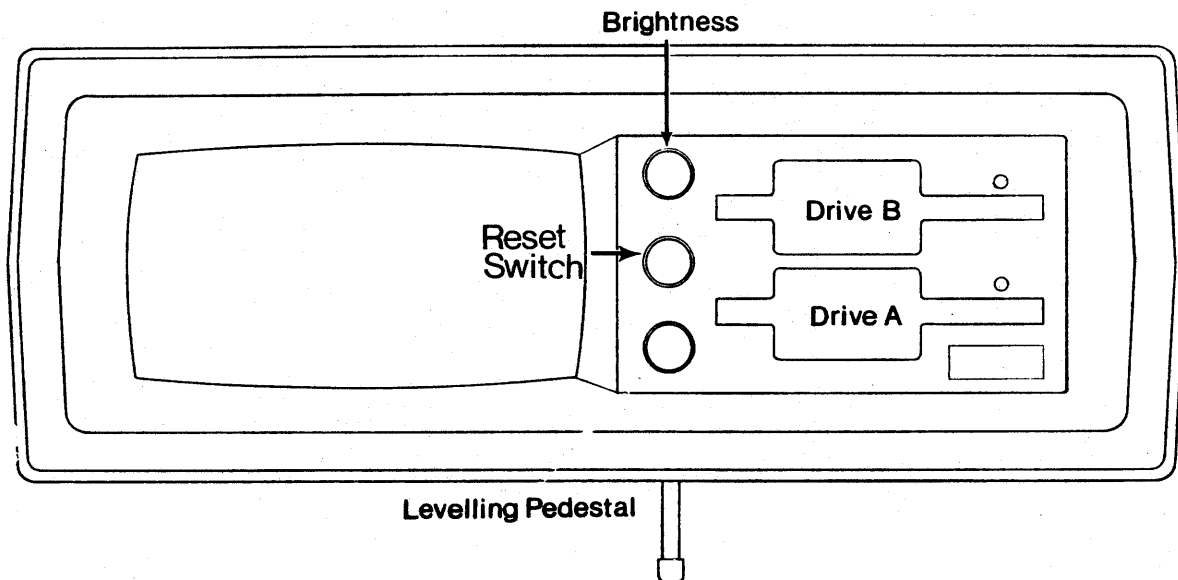


Figure 1. MD-3P Front Panel

Note the location of the Brightness Control. The levelling pedestal screws in and out of the unit's bottom. The lowest button of the three is a cosmetic feature only.

Page 84: The Centronics printer connector is oriented "upside down" in the portable, as compared with the desktop version. Therefore the printer cable is properly connected when the wires are flowing upward out of the cable's connector. See Figure 3.

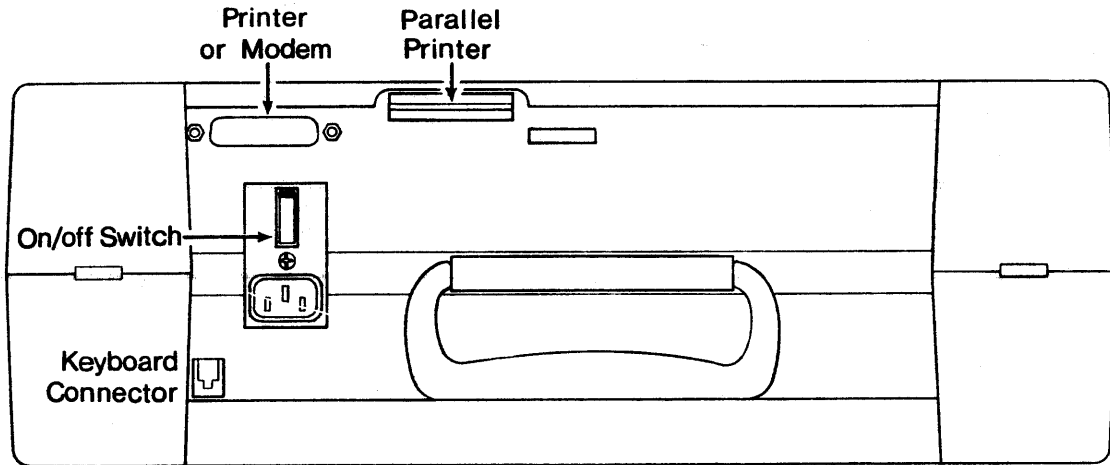


Figure 2. MD-3P Rear Panel

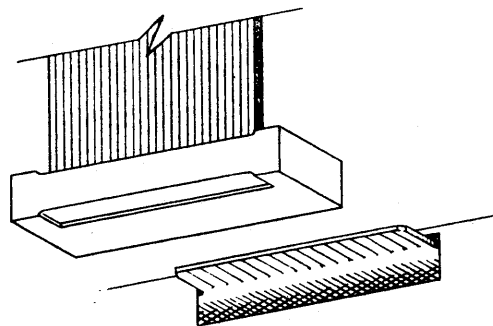


Figure 3. Connecting the 34-Pin Plug