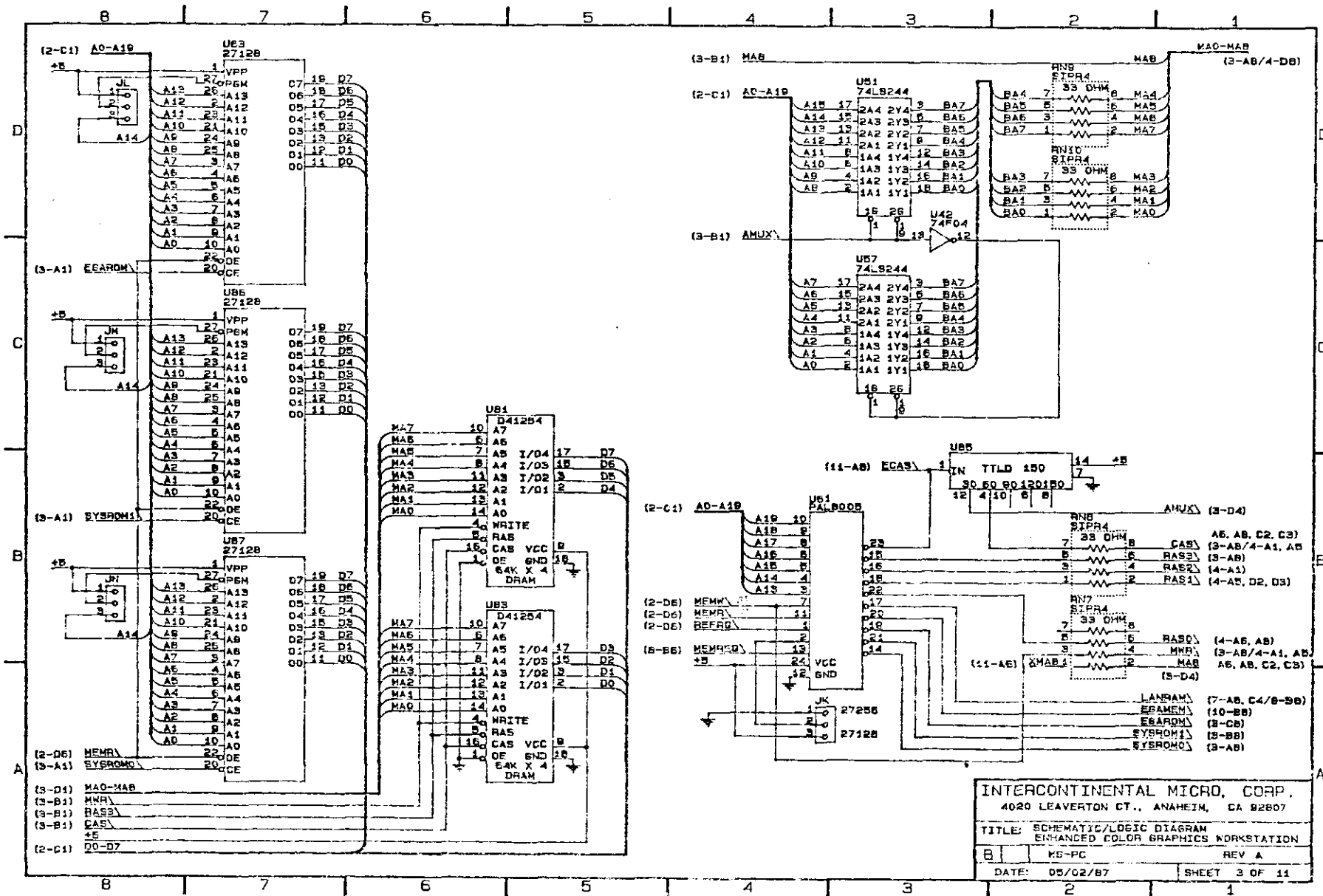


INTERCONTINENTAL MICRO, CORP.
 4020 LEAVERTON CT., ANAHEIM, CA 92807

TITLE: SCHEMATIC/LOGIC DIAGRAM
 ENHANCED COLOR GRAPHICS WORKSTATION

MS-PC REV A

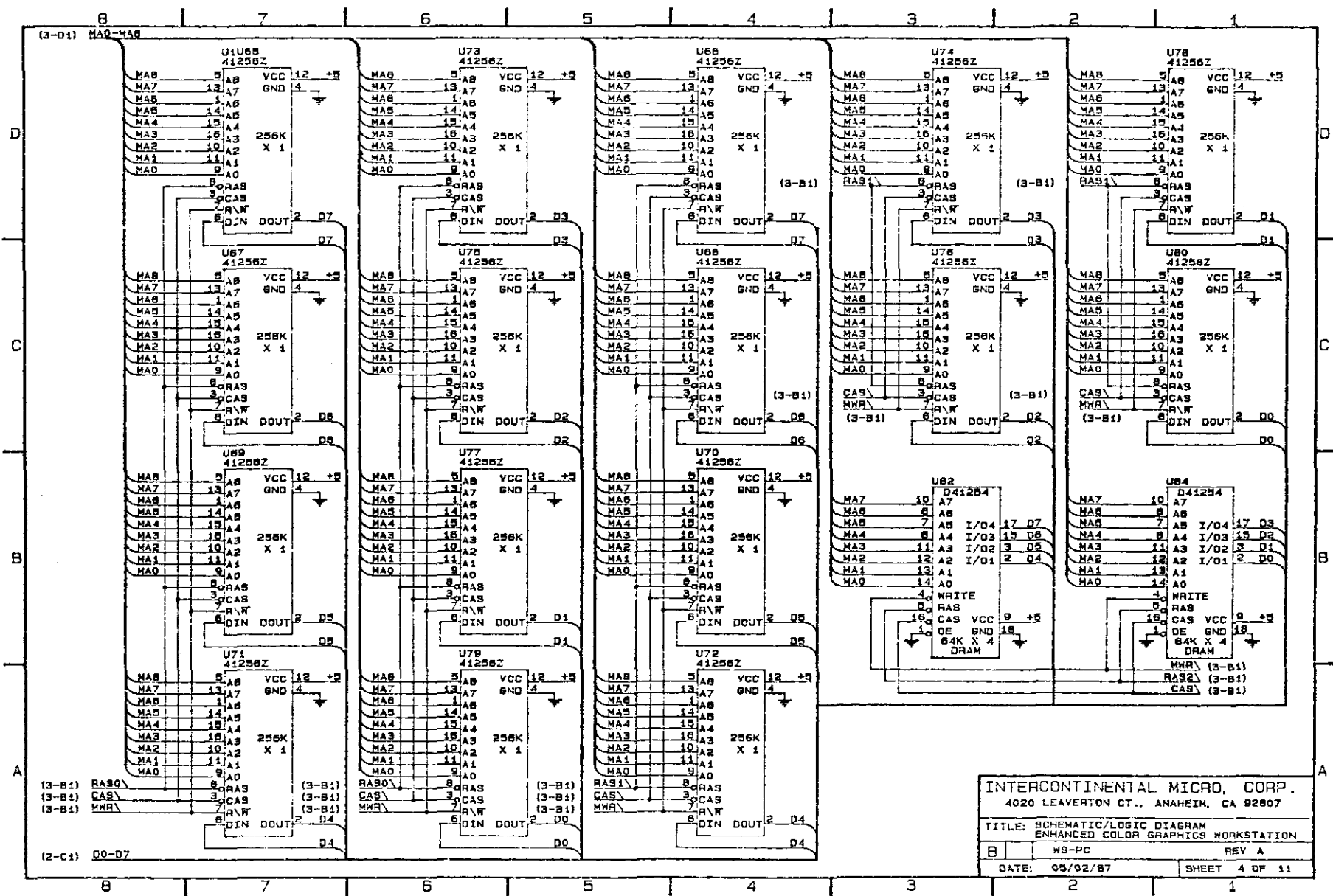
DATE: 05/02/87 SHEET 2 OF 11



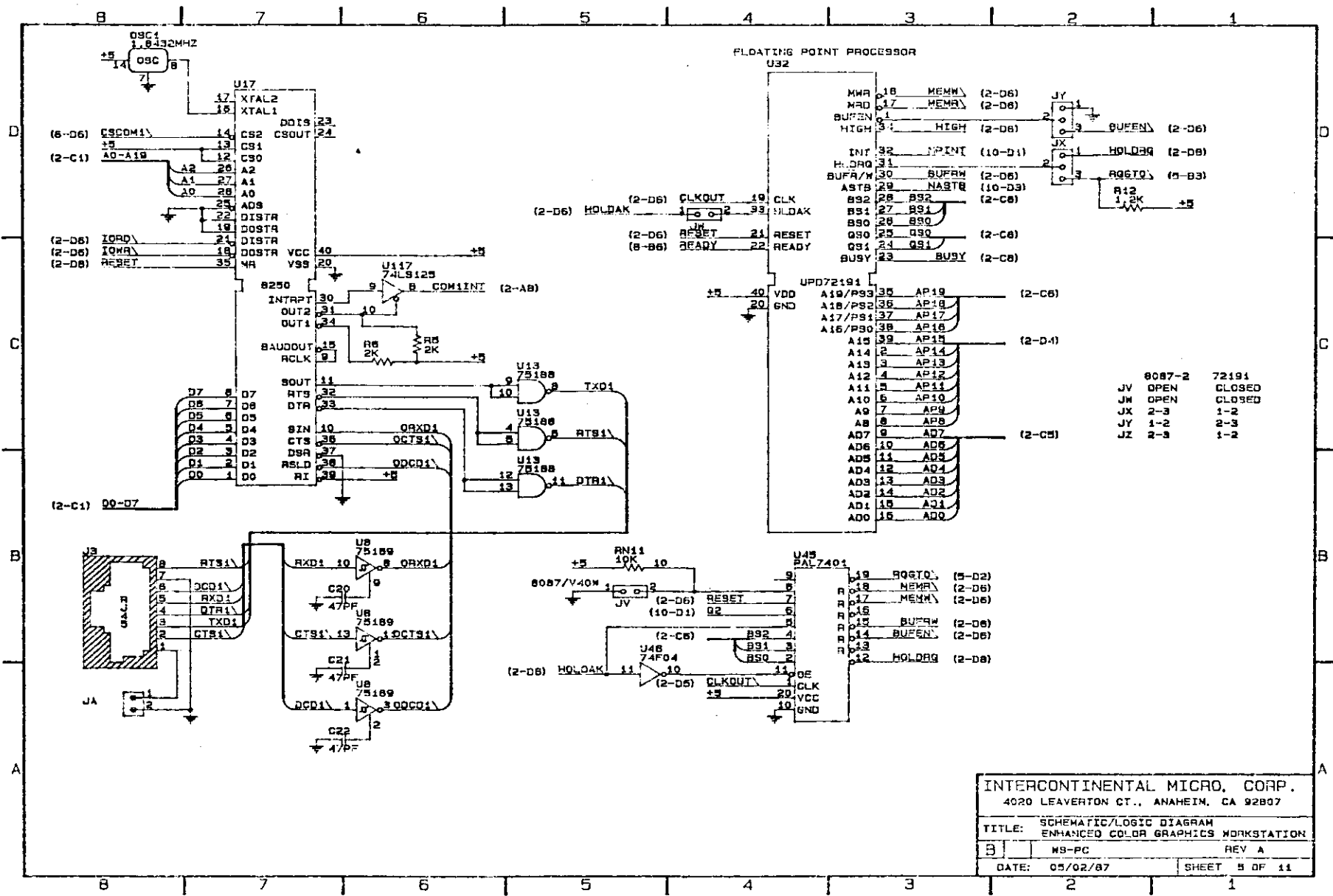
INTERCONTINENTAL MICRO, CORP.
 4020 LEAVERTON CT., ANAHEIM, CA 92807

TITLE: SCHEMATIC/LOGIC DIAGRAM
 ENHANCED COLOR GRAPHICS WORKSTATION

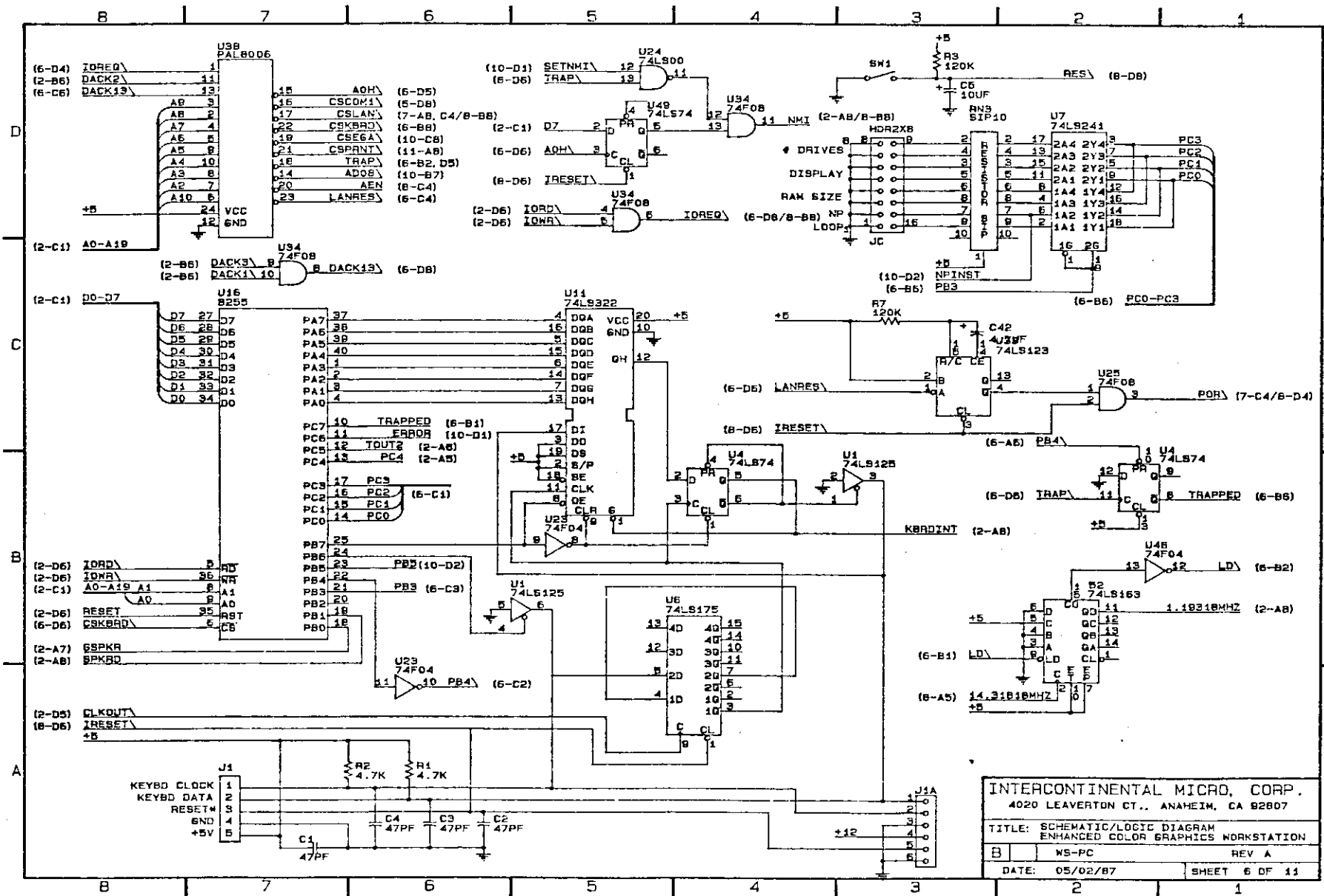
B	MS-PC	REV A
DATE: 05/02/87		SHEET 3 OF 11

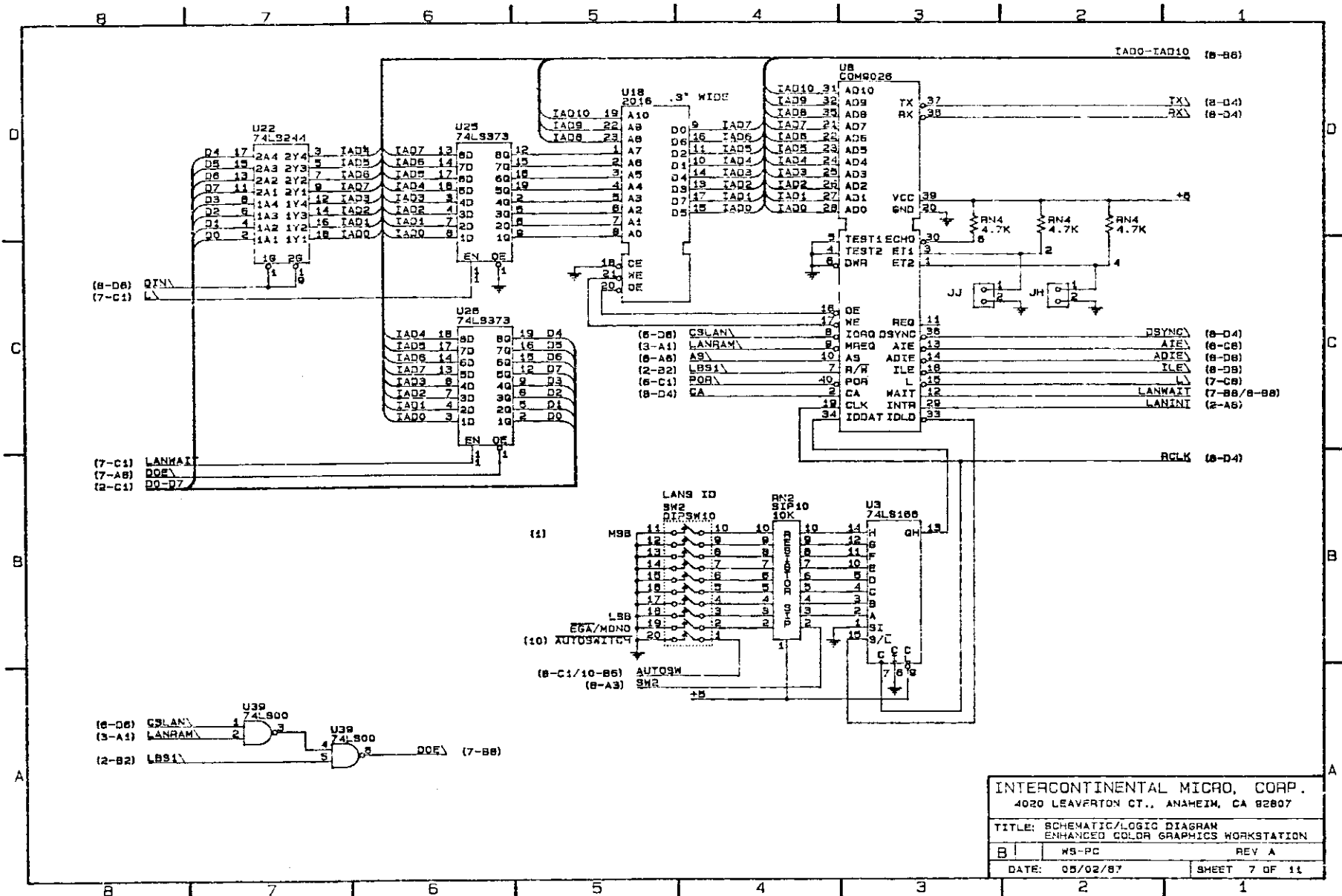


INTERCONTINENTAL MICRO, CORP.
 4020 LEAVERTON CT., ANAHEIM, CA 92807
 TITLE: SCHEMATIC/LOGIC DIAGRAM
 ENHANCED COLOR GRAPHICS WORKSTATION
 B WS-PC REV A
 DATE: 05/02/87 SHEET 4 OF 11

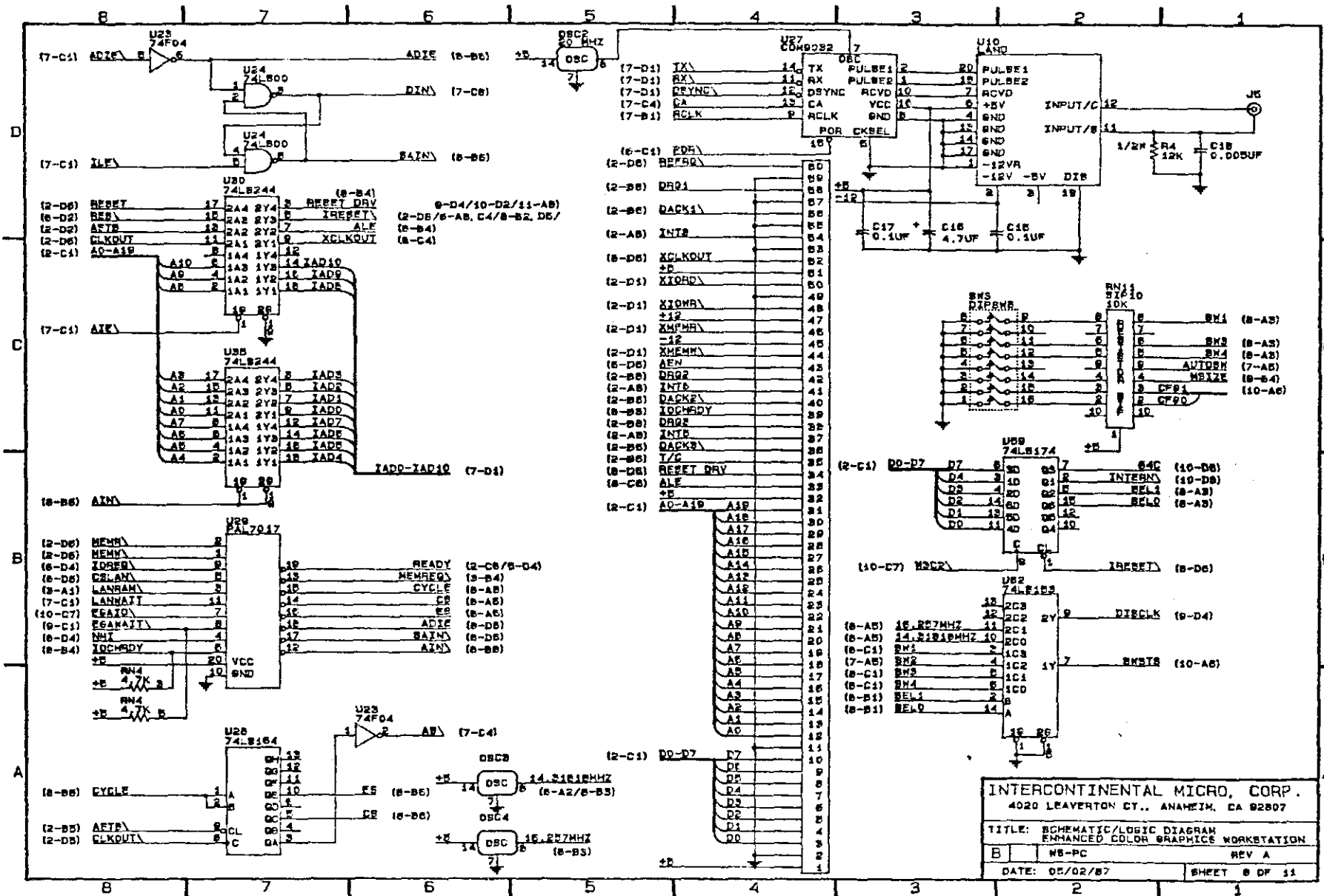


INTERCONTINENTAL MICRO, CORP.
 4020 LEAVERTON CT., ANAHEIM, CA 92807
 TITLE: SCHEMATIC/LOGIC DIAGRAM
 ENHANCED COLOR GRAPHICS WORKSTATION
 B MS-PC REV A
 DATE: 05/02/87 SHEET 5 OF 11





INTERCONTINENTAL MICRO, CORP.
 4020 LEAVERTON CT., ANAHEIM, CA 92807
 TITLE: SCHEMATIC/LOGIC DIAGRAM
 ENHANCED COLOR GRAPHICS WORKSTATION
 B | W5-PC | REV A
 DATE: 05/02/87 | SHEET 7 OF 11

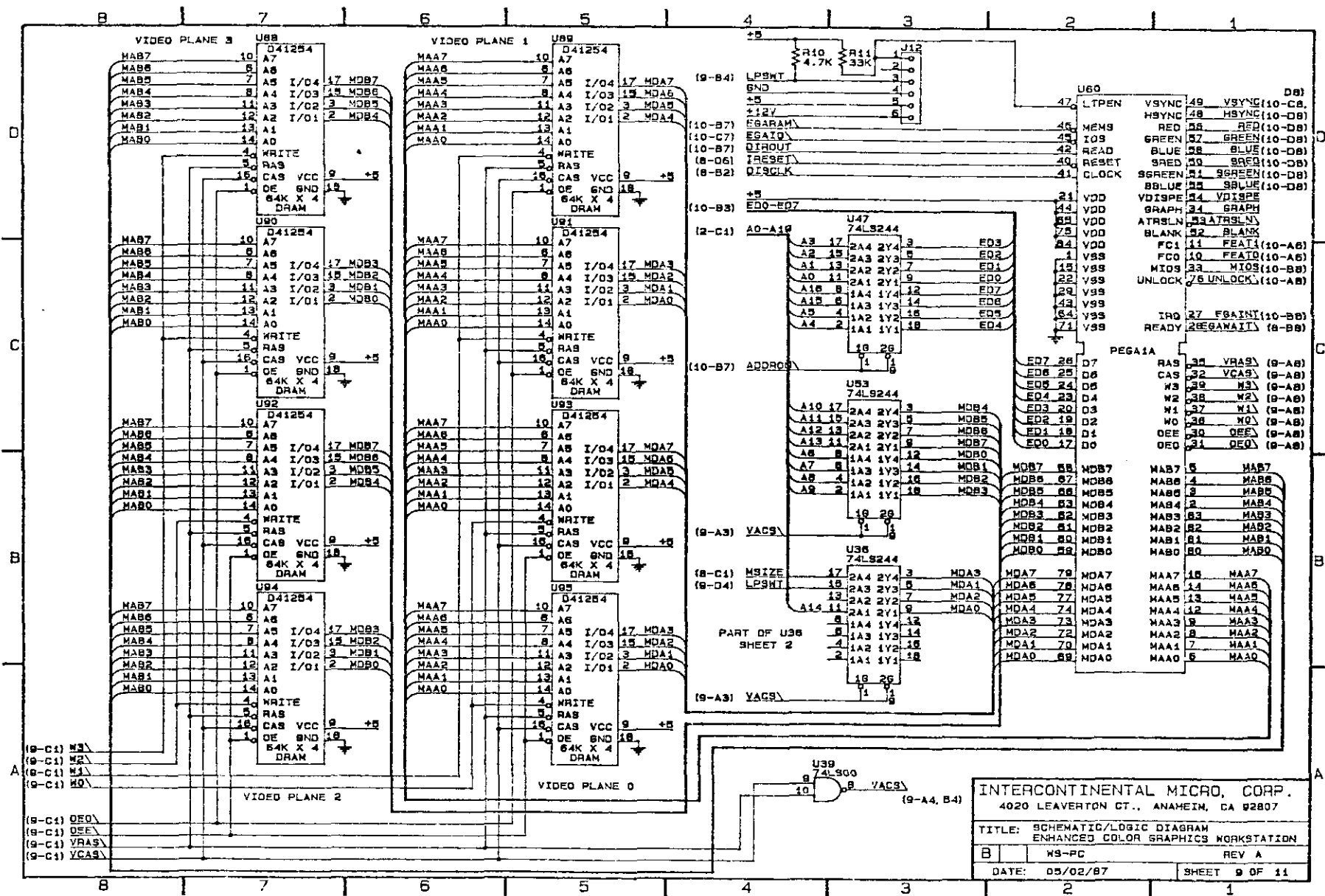


INTERCONTINENTAL MICRO, CORP.
 4020 LEAVERTON CT., ANAHEIM, CA 92807

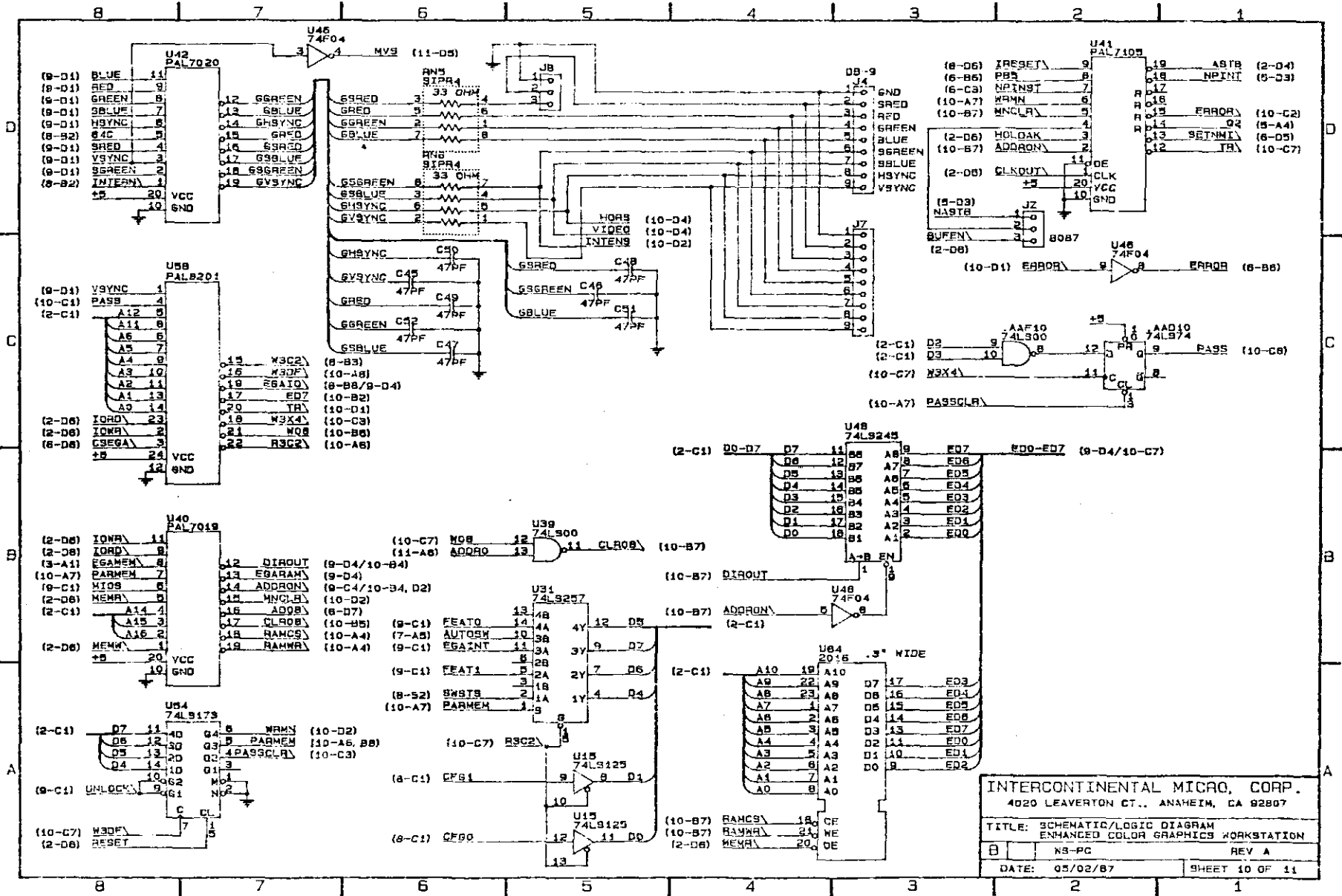
TITLE: SCHEMATIC/LOGIC DIAGRAM
 ENHANCED COLOR GRAPHICS WORKSTATION

B | MS-PC | REV A

DATE: 02/02/87 | SHEET 8 OF 11



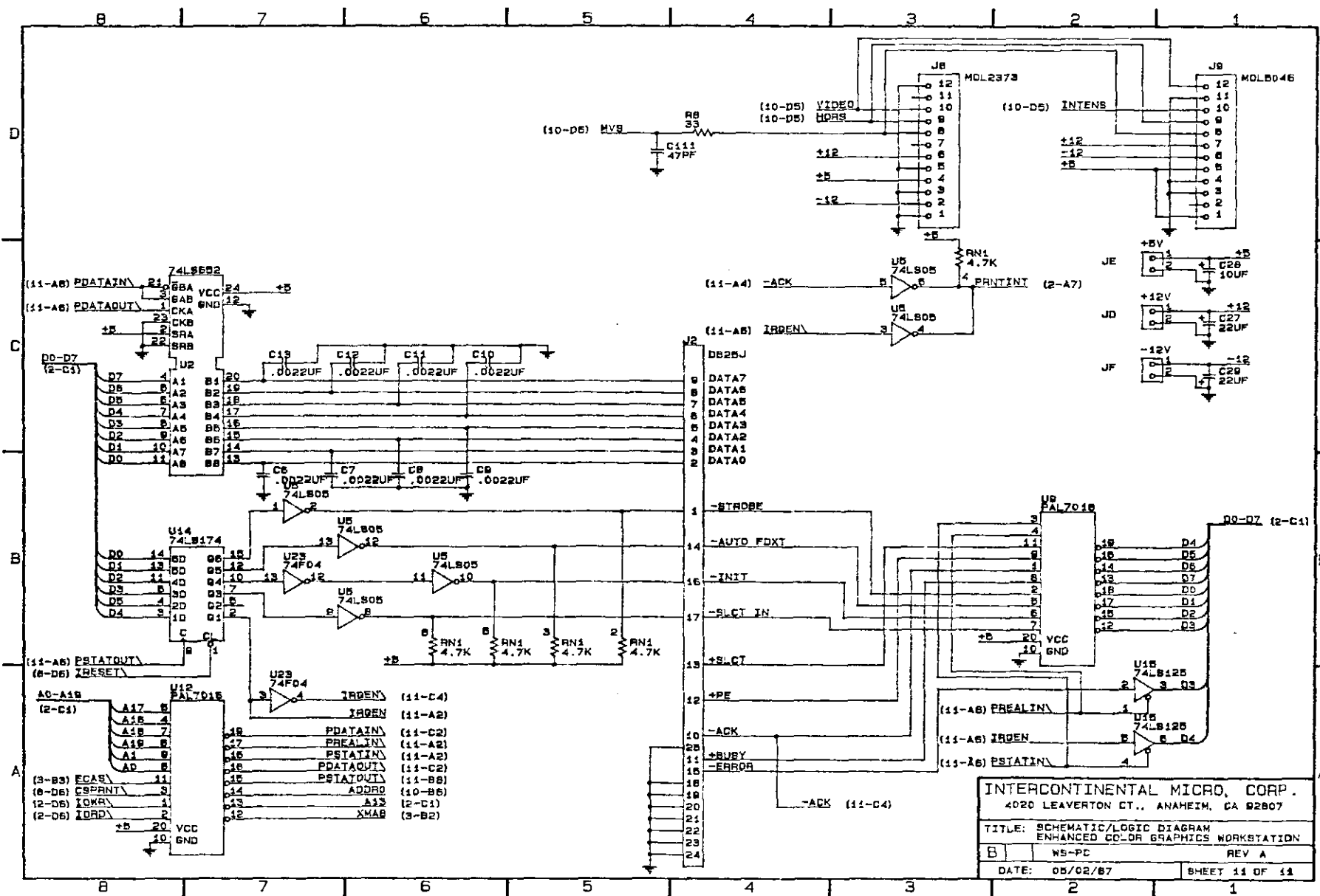
INTERCONTINENTAL MICRO, CORP.
 4020 LEAVERTON CT., ANAHEIM, CA 92807
 TITLE: SCHEMATIC/LOGIC DIAGRAM
 ENHANCED COLOR GRAPHICS WORKSTATION
 B WS-PC REV A
 DATE: 05/02/87 SHEET 9 OF 11



INTERCONTINENTAL MICRO, CORP.
 4020 LEAVERTON CT., ANAHEIM, CA 92807

TITLE: SCHEMATIC/LOGIC DIAGRAM
 ENHANCED COLOR GRAPHICS WORKSTATION

NS-PC REV A
 DATE: 05/02/87 SHEET 10 OF 11



INTERCONTINENTAL MICRO, CORP.
 4020 LEAVERTON CT., ANAHEIM, CA 92807
 TITLE: SCHEMATIC/LOGIC DIAGRAM
 ENHANCED CO-OR GRAPHICS WORKSTATION
 B WS-PC REV A
 DATE: 05/02/87 SHEET 14 OF 14