

Pin headers for Z80-A CPU:

A15	5	A15
A14	4	A14
A13	3	A13
A12	2	A12
A11	1	A11
A10	40	A10
A9	39	A9
A8	38	A8
A7	37	A7
A6	36	A6
A5	35	A5
A4	34	A4
A3	33	A3
A2	32	A2
A1	31	A1
A0	30	A0

Pin headers for Z80-A CPU:

D0	14	ZD0
D1	15	ZD1
D2	12	ZD2
D3	8	ZD3
D4	7	ZD4
D5	9	ZD5
D6	10	ZD6
D7	13	ZD7

Pin headers for Z80-A CPU:

(2-B1) ZBUSQ	25	ZBUSQ	BUSA	23	ZBUSA
(6-A1) WAIT	24	WAIT	HALT	18	ZHALT
(18-B2) RESET	26	RESET	RFSH	28	ZRFSH
(6-A2) INMI	17	NMI	MI	27	ZMI
(6-A3) INT	16	INT			
(8-B2) CLK	6	CLK	MREQ	19	ZMREQ
			TORQ	20	ZTORQ
			RD	21	ZRD
			WR	22	ZWR

Pin headers for Z80-A CPU:

(6-A1) DRQ0	19	DRQ0	DACK0	25	ZDACK0
(5-B1) DRQ1	18	DRQ1	DACK1	24	ZDACK1
(7-B1) DRQ2	17	DRQ2	DACK2	14	ZDACK2
(6-B1) DRQ3	16	DRQ3	DACK3	15	ZDACK3
			HREQ	18	ZMREQ
			WAK	36	ZMREQ
			EOP	36	ZMREQ
			ADM	9	ZMREQ

Pin headers for Z80-A CPU:

(2-B1) AEN	10	AEN			
			ADSB	11	ZADSB
			OC	6	ZADSB
			U13		
			U13		
			U13		
A8	2	I/O	D0	30	ZD0
A9	5	D0	D1	29	ZD1
A10	6	D0	D2	28	ZD2
A11	4	D0	D3	27	ZD3
A12	12	D0	D4	26	ZD4
A13	15	D0	D5	25	ZD5
A14	16	D0	D6	24	ZD6
A15	19	D0	D7	23	ZD7

Pin headers for Z80-A CPU:

A0	32	A0
A1	33	A1
A2	34	A2
A3	35	A3
A4	37	A4
A5	38	A5
A6	39	A6
A7	42	A7

(4-B2) CS DMA

(9-A1) AX (3-B2/4-B2) (8-A1-B1)

DACK0 (9-A2/3-B2) DACK1 (4-A2/5-A2) DACK2 (4-A2/5-A2) DACK3 (5-A2/4-A2)

ZBUSA (2-A2) EOP (5-A2)

AEN (2-B2)

MWR (3-B2) (18-A2)

MREQ (3-A2/4-B2)

MWR (3-B2/4-B2) (18-A2)

START (18-A2)

U10W (7-B2/6-B1) (5-B2/9-B2/10-A2)

TORQ (4-A2)

U10R (5-B2/9-B2) (18-A2/16-B1-B2/17-B2)

CTL (4-A2/5-B2)

(5-B1/6-B2)

(3-B2/18-A2)

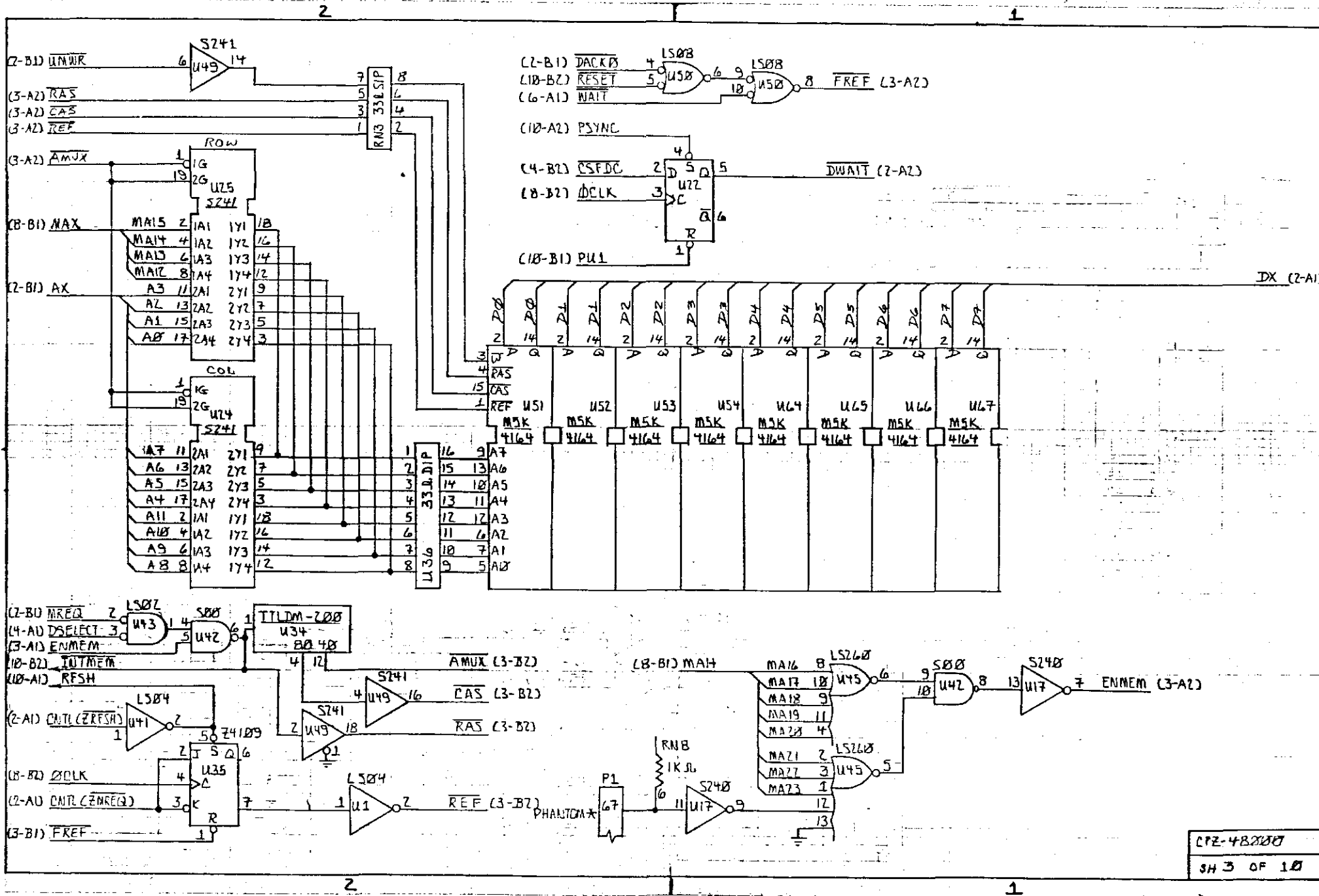
(4-B2/3-A2)

(7-A1/5-A1)

(15-B1) +5VDC

CP2-480000

SH. Z. OF 18

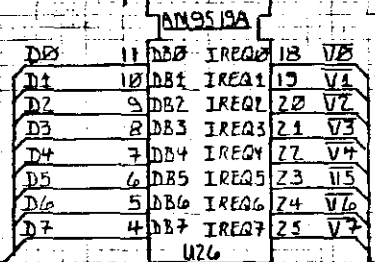
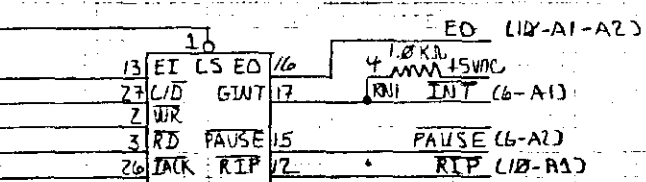






(4-B2) CSINT

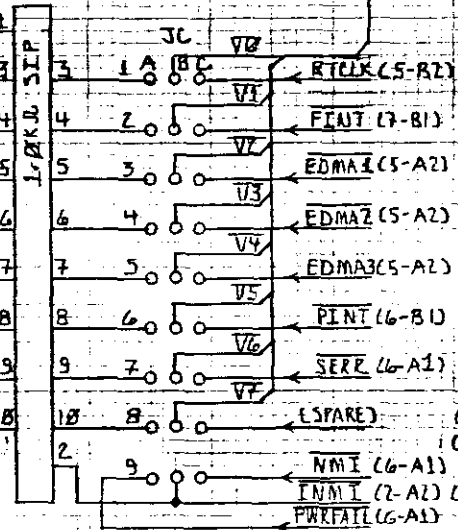
(6-B1) PRZ  
(4-A2) PA0  
(2-A1) UTOP  
(2-A1) UIOR  
(4-B2) JACK



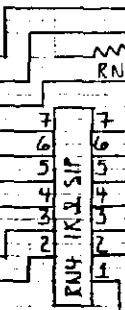
(2-A1) DX

(10-B1) +5VDC

VI0\* 4  
VI1\* 5  
VI2\* 6  
VI3\* 7  
VI4\* 8  
VI5\* 9  
VI6\* 10  
VI7\* 11

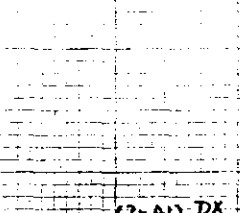
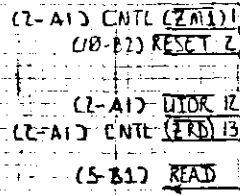


NMI\* 12  
PWRFAIL\* 13  
INT\* 73  
HOLD\* 74  
ERRORA\* 98  
RDY 72  
XRDY 3



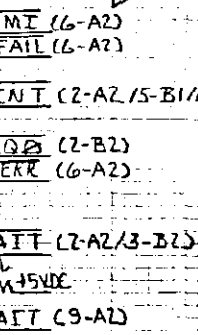
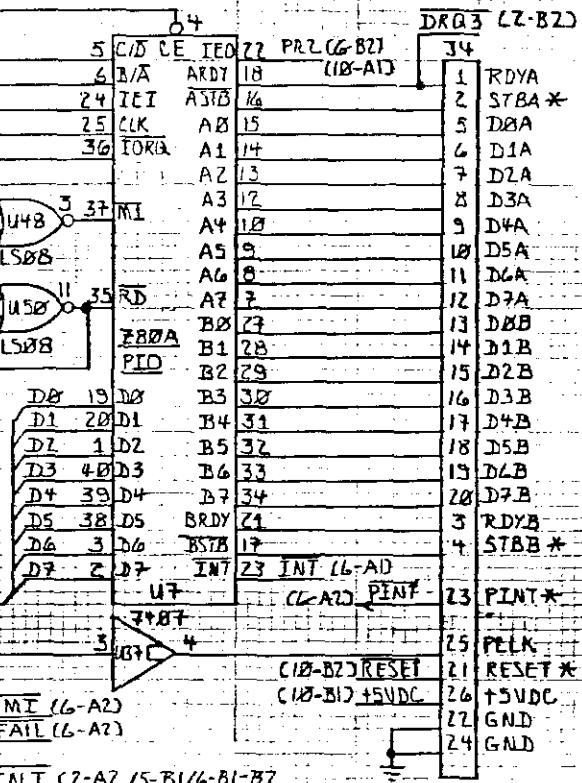
(4-B2) CSPTD

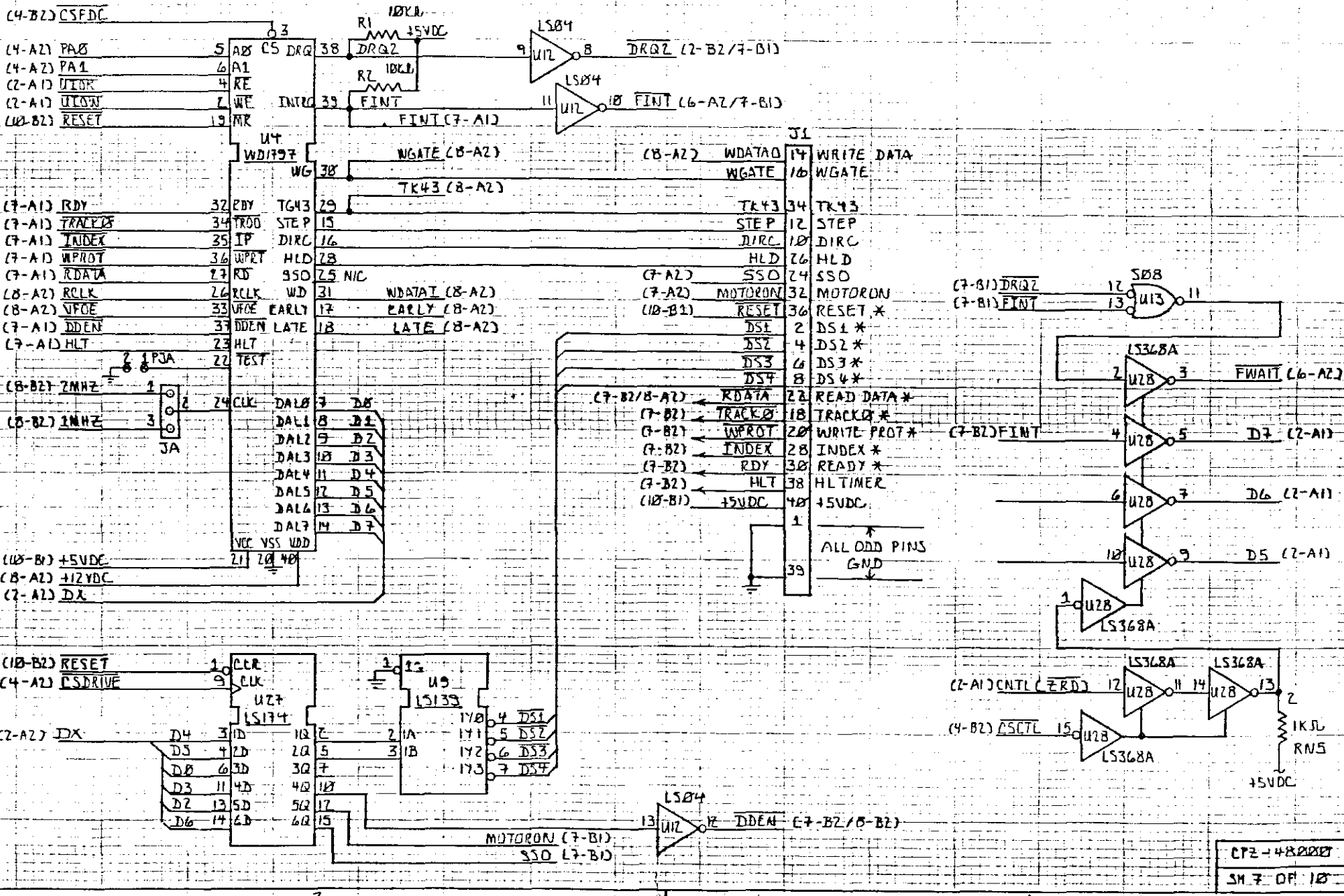
(4-A2) PA0  
(4-A2) PA1  
(5-B1) PR1  
(8-B2) OCLK  
(4-A2) PTOB

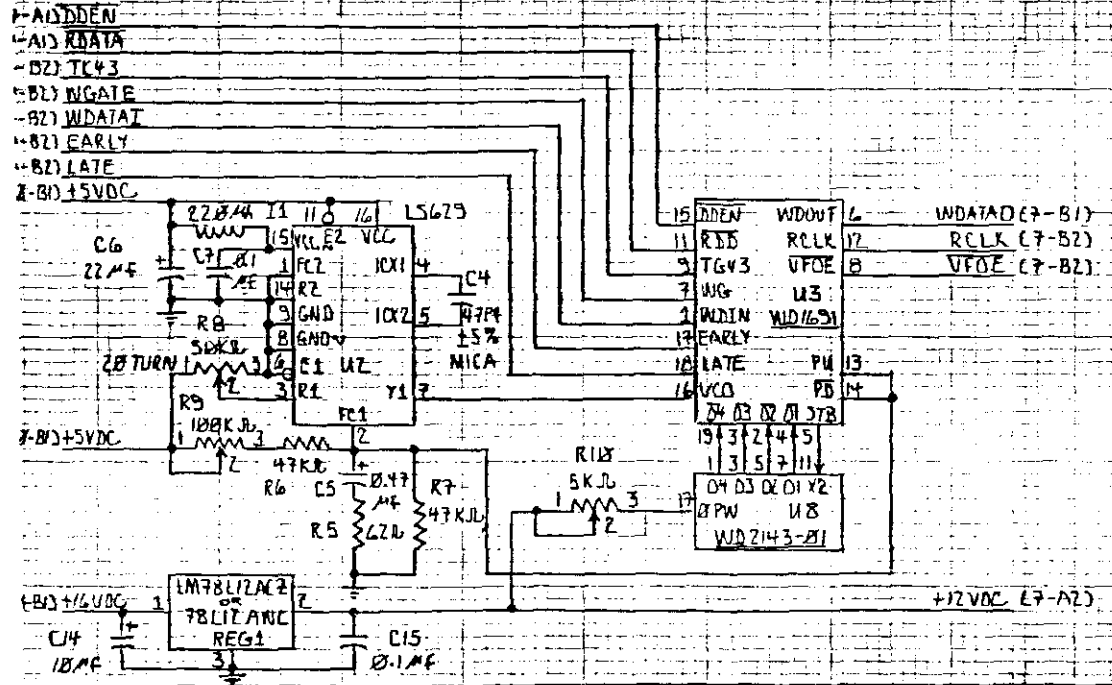
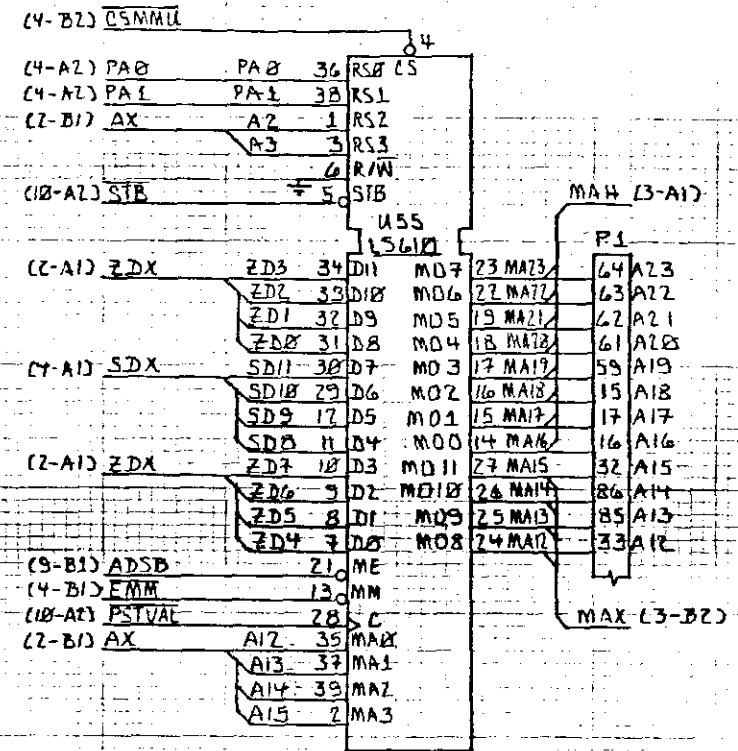
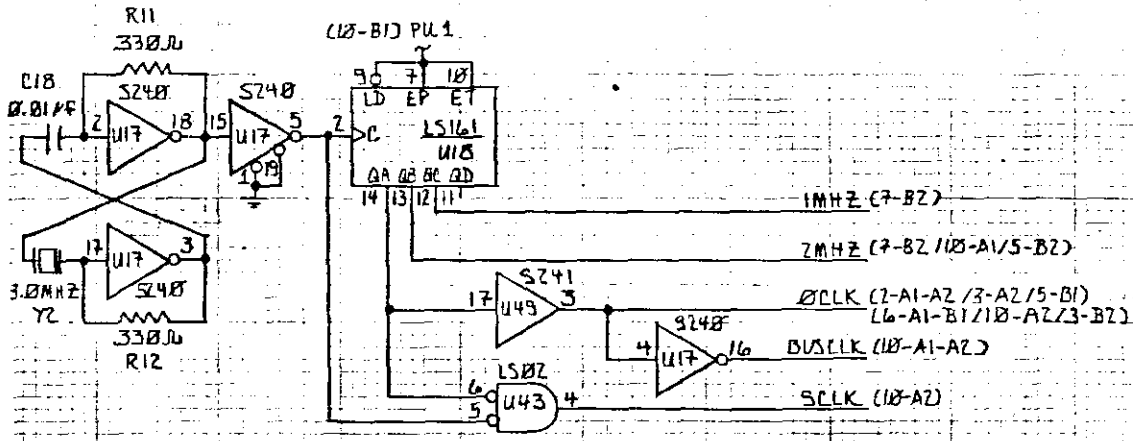


(2-A1) DX

(8-B2) OCLK







- FACTORY ADJUSTMENTS:
1. ADJUST R9 TO ATTAIN 1.4VDC AT PIN 2 OF U2.
  2. ADJUST R8 TO ATTAIN 4MHz SQUARE WAVE AT PIN 7 OF U2.
  3. ADJUST R10 TO ATTAIN 187NS PULSE WIDTH AT PIN 4 OF U3.

CP2-48208  
SNB OF 10

