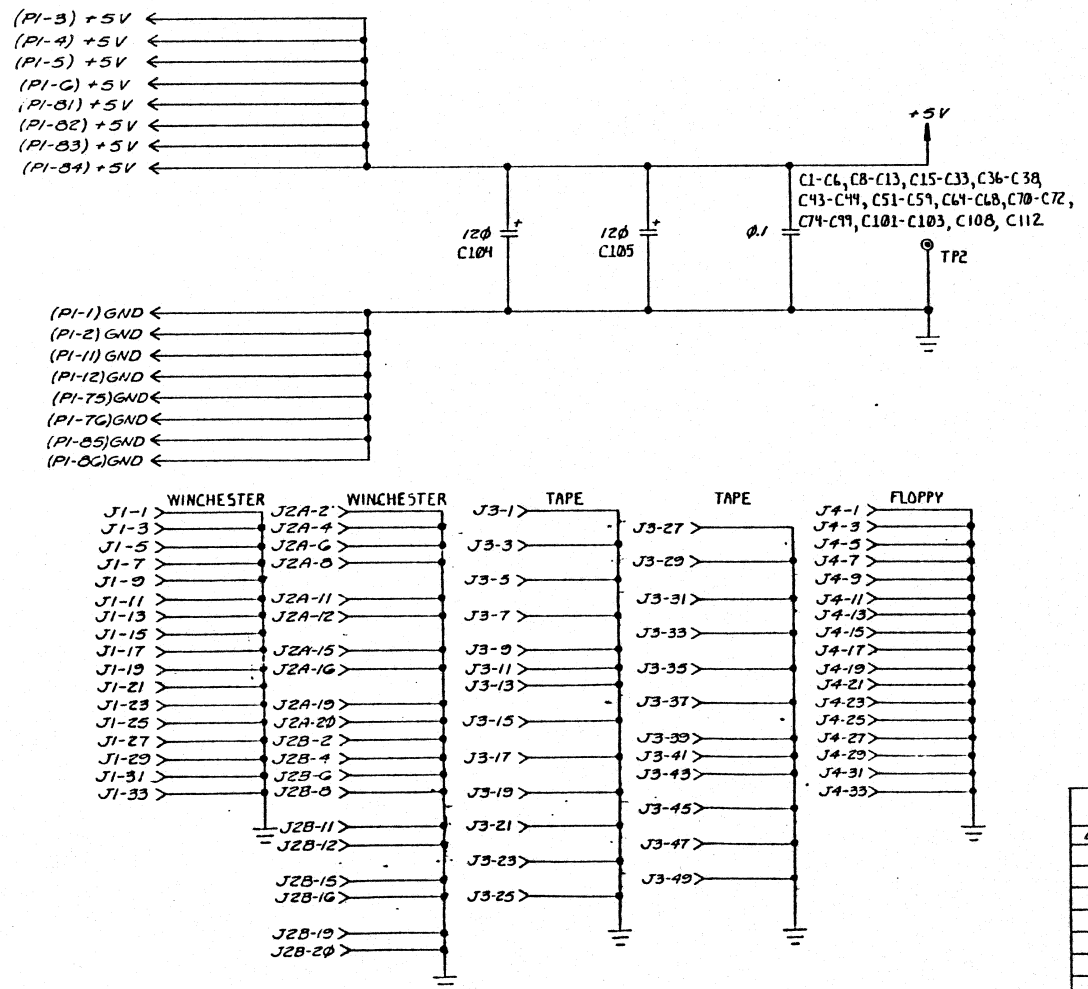


THIS DRAWING CONTAINS INFORMATION WHICH IS THE PROPRIETARY PROPERTY OF INTEL CORPORATION. THE DRAWING IS PROVIDED IN CONFIDENCE AND ITS CONTENTS ARE NOT TO BE DISCLOSED OUTSIDE THE PROPER SERVICE CENTER OF INTEL CORPORATION.

REVISIONS							
REV	DESCRIPTION	DFT	DATE	CHK	DATE	APVD	DATE
A	ECO 2156036	DAK	7/29/85	W. Thayer	7/29/85	2/2/87	6/15/88

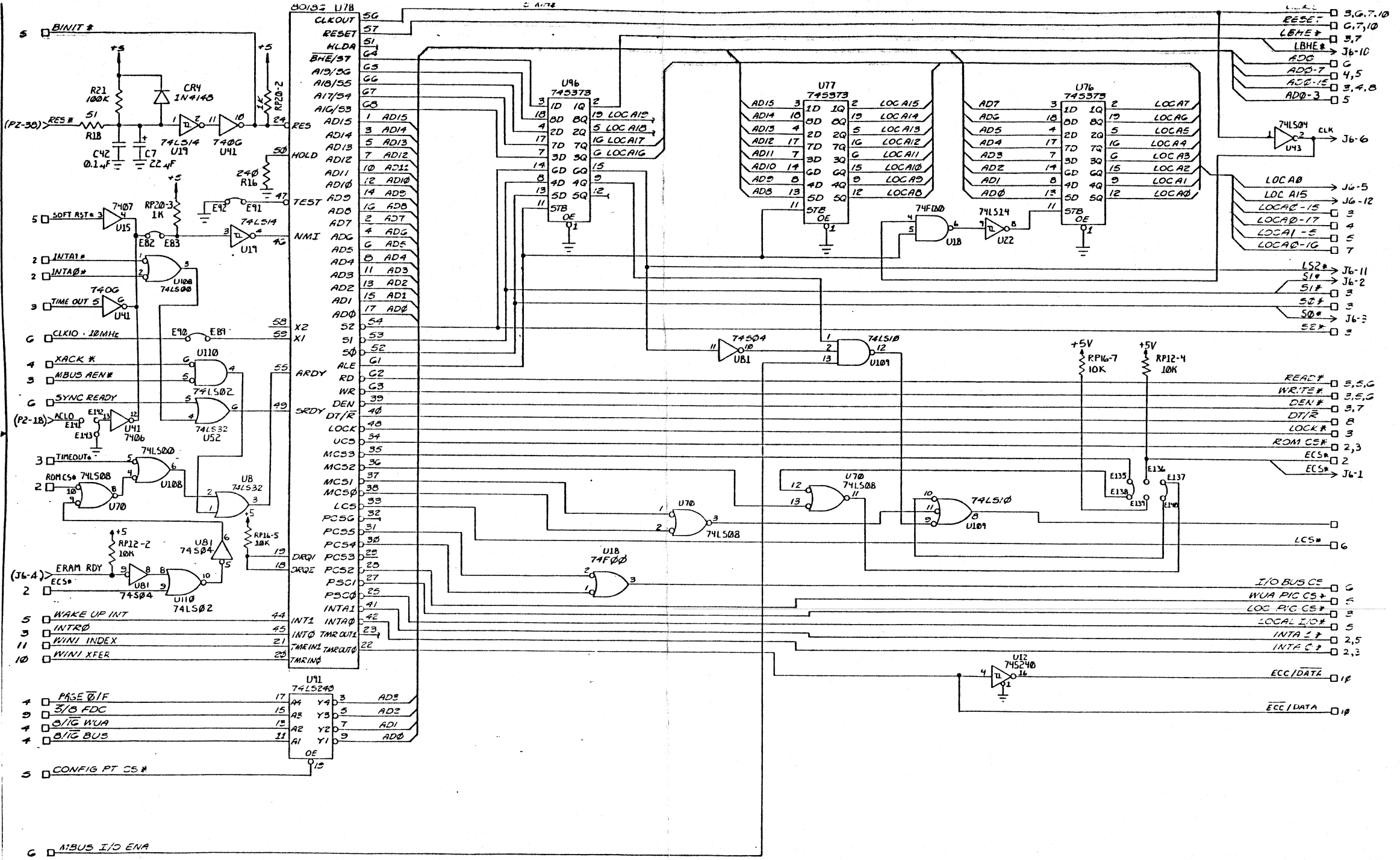


REFERENCE DESIGNATIONS	
LAST USED	NOT USED
U112	-
R21	-
C112	-
RP21	-
CR4	-
TP5	-
E145	-

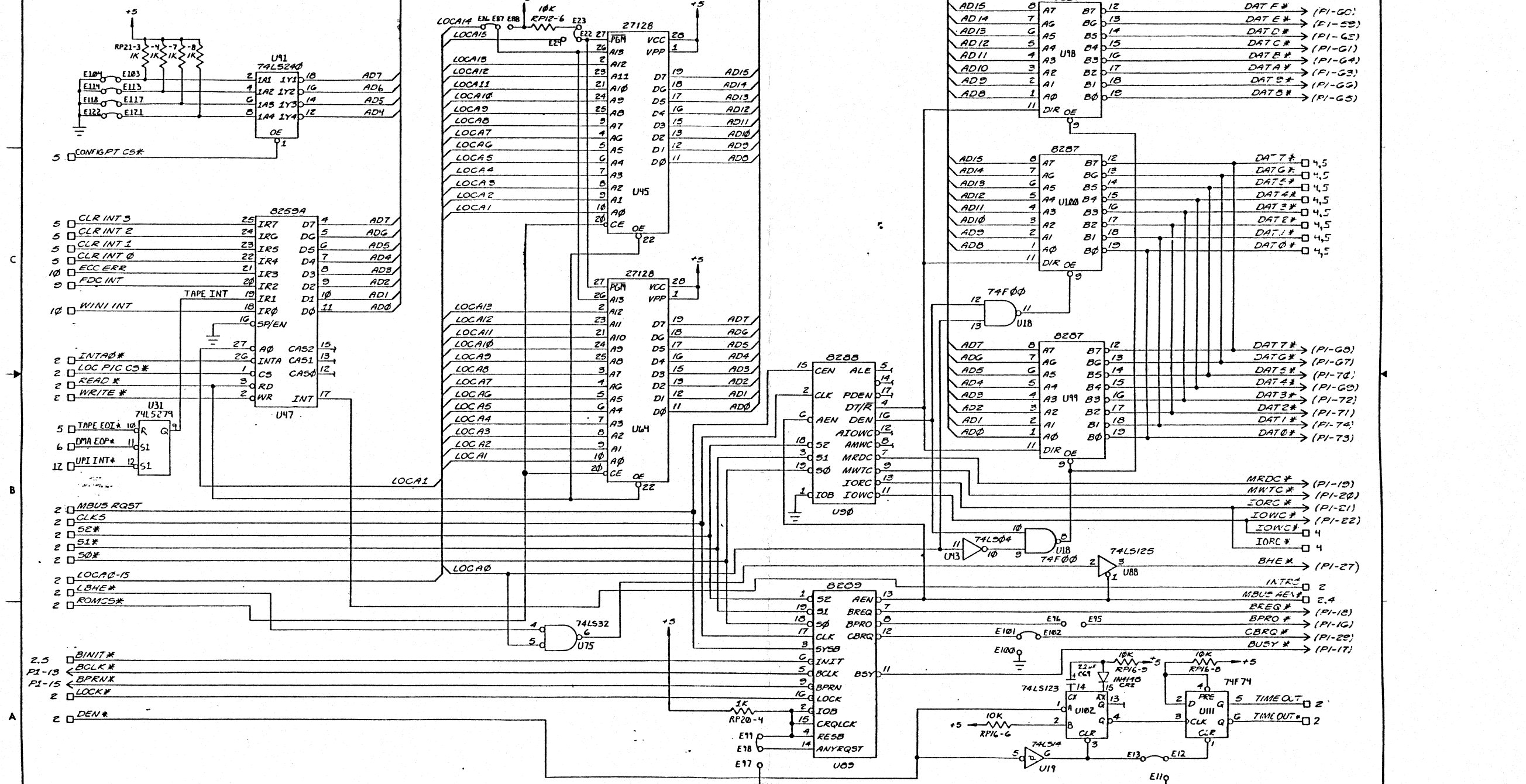
MASTER  
SEP 13 1985  
OSSM DCC

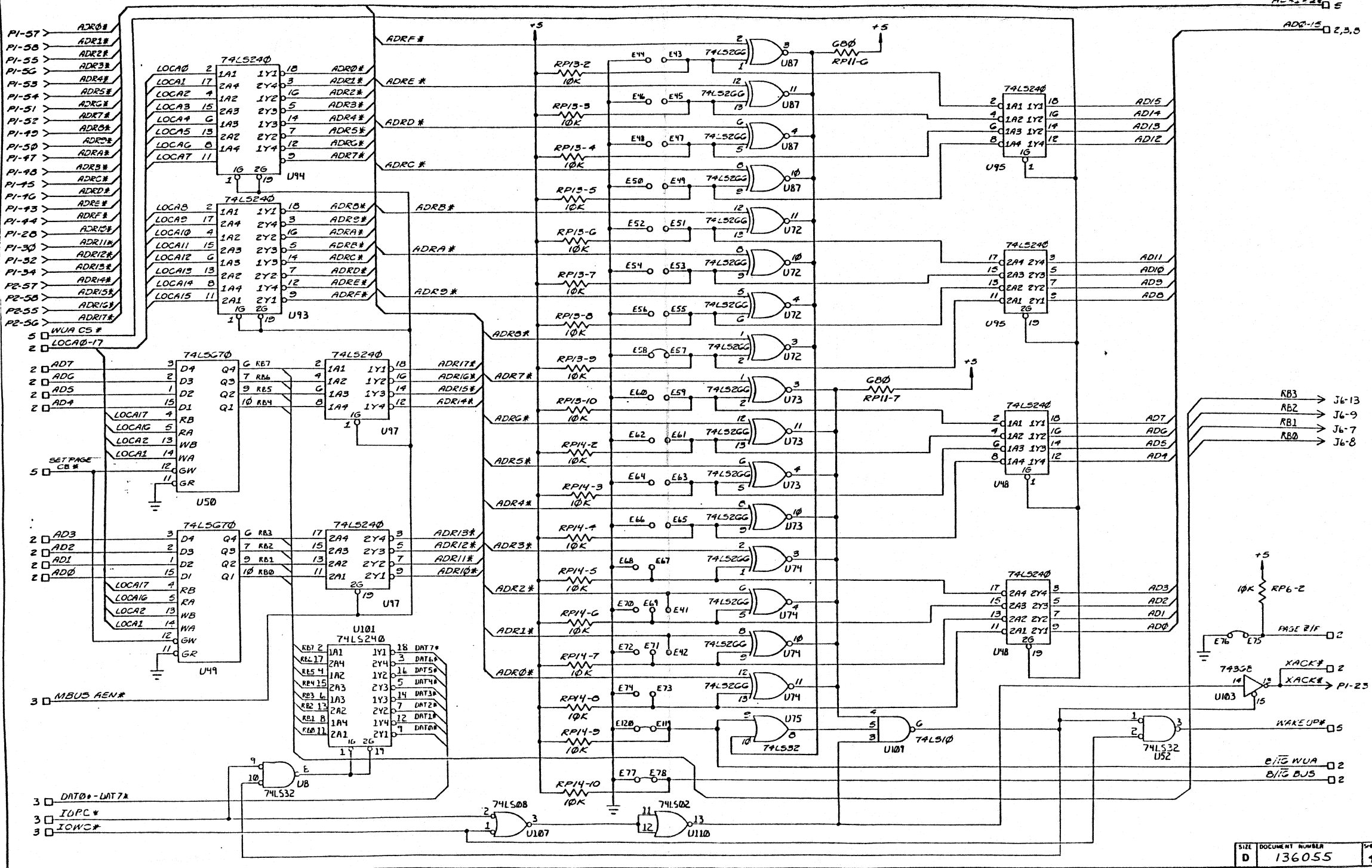
NOTES: UNLESS OTHERWISE SPECIFIED  
 1. CAPACITANCE VALUES ARE IN MICROFARADS,  $\mu$ , V.  
 2. RESISTANCE VALUES ARE IN OHMS, W,  $\Omega$ .  
 3. INTERPRET DRAWING PER ANSI Y32.14.

QUANTITY PER DASH NO.	ITEM NO.	DESCRIPTION
		PARTS LIST
UNLESS OTHERWISE SPECIFIED:		intel
1. DIMENSIONS ARE IN INCHES.		3065 BOWERS AVE SANTA CLARA CALIF. 95051
2. BREAK ALL SHARP EDGES.		TITLE
3. DO NOT SCALE DRAWING.		SCHEMATIC DIAGRAM
4. TOLERANCES:		SBC 21*
ANGLES $\pm$		SIZE DCL CL CODE PLSE LVL DOCUMENT NUMBER REV
XXX $\pm$		D 21 - - 136055 A
XXX $\pm$		SCALE .VCA.E SHEET 1 OF 13

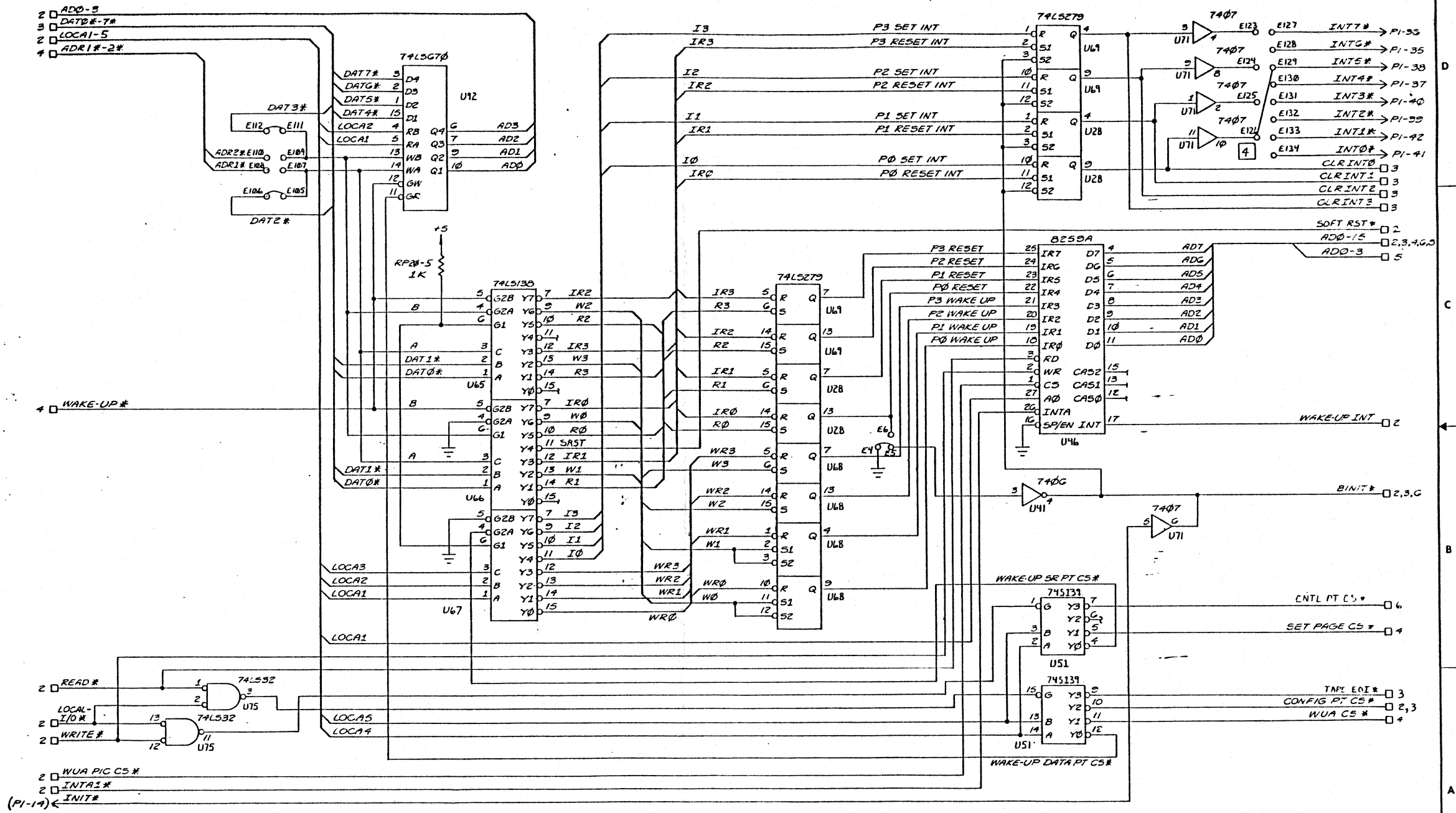


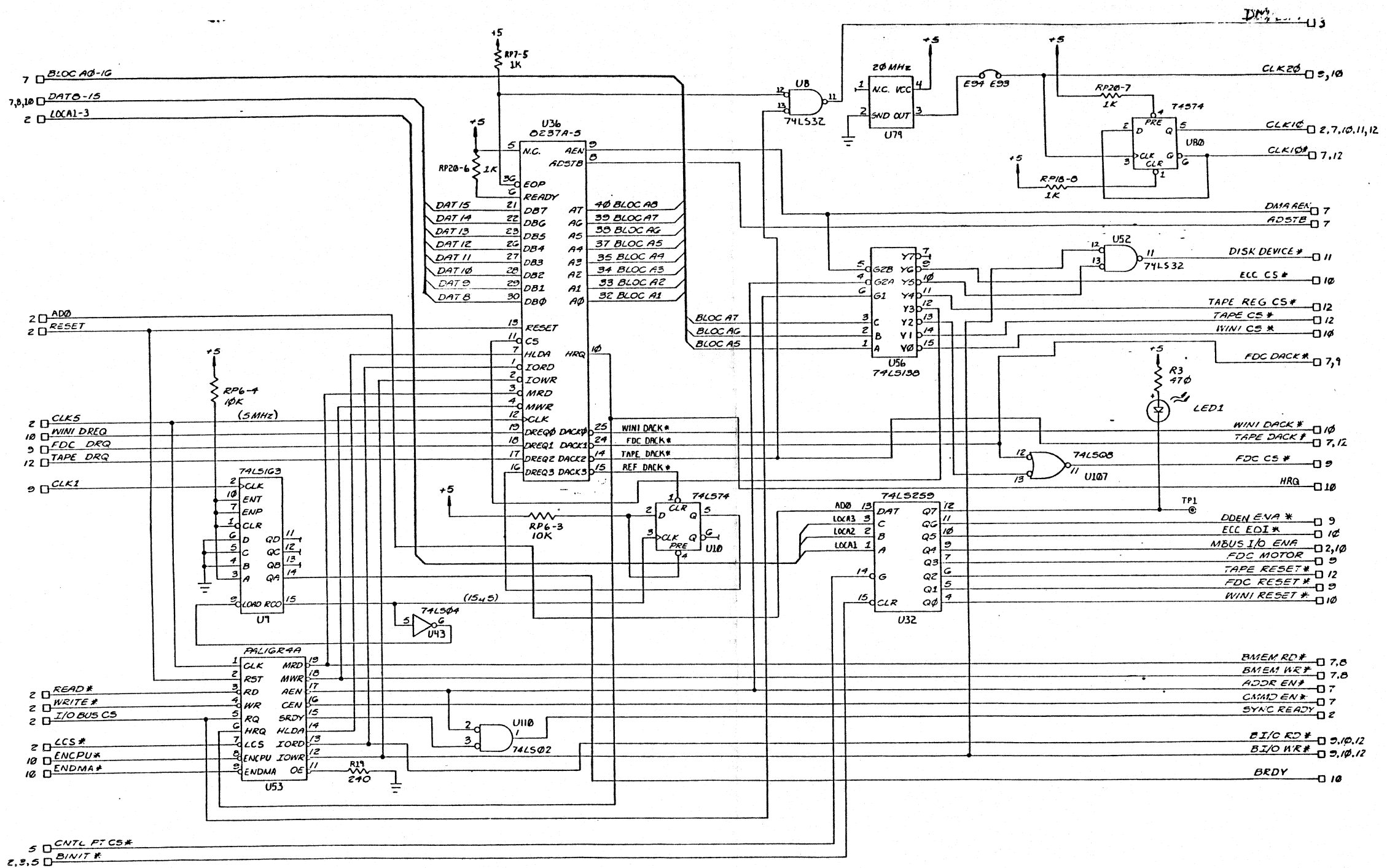
2,4,5,G0 ADD-15

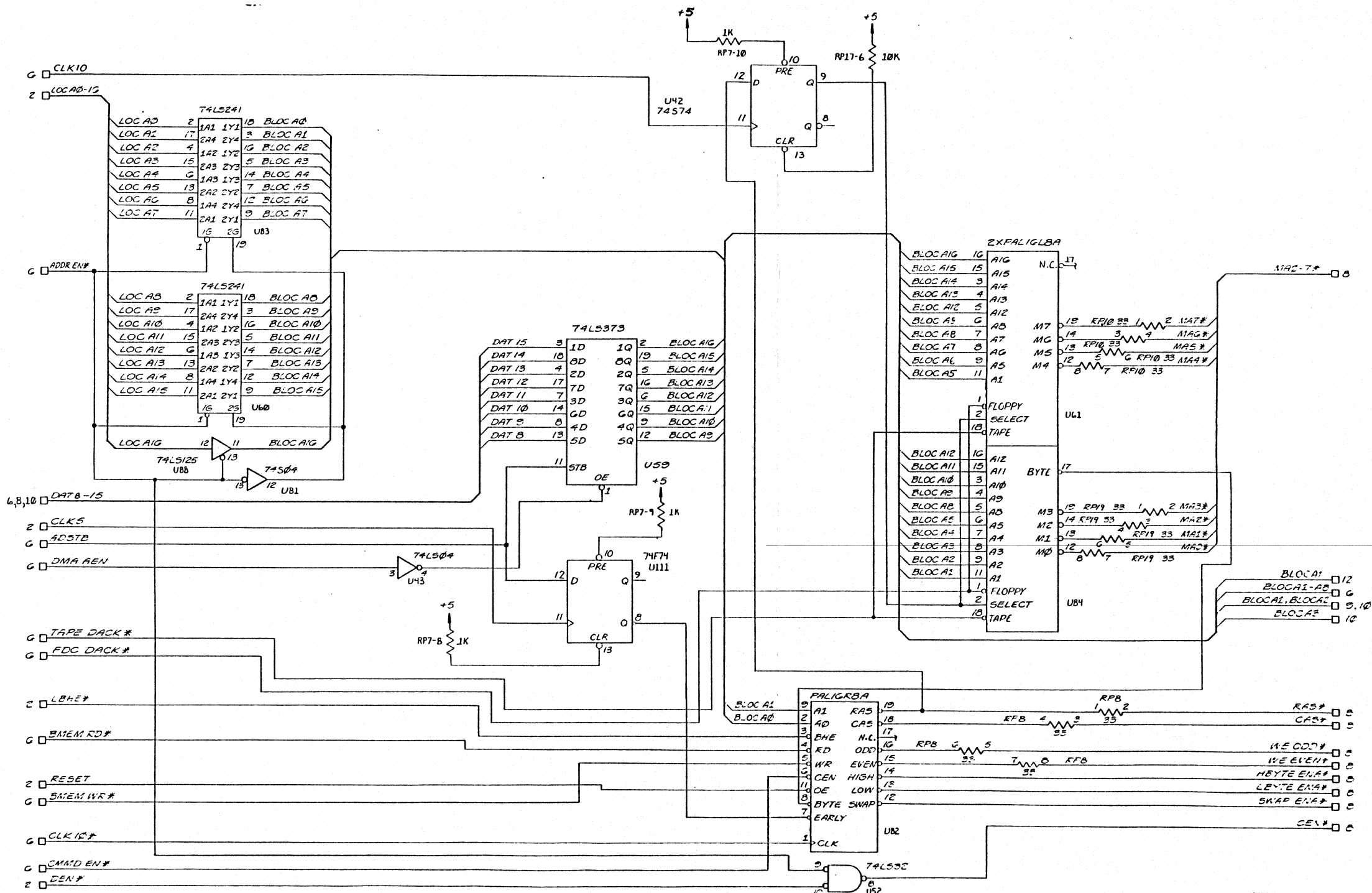


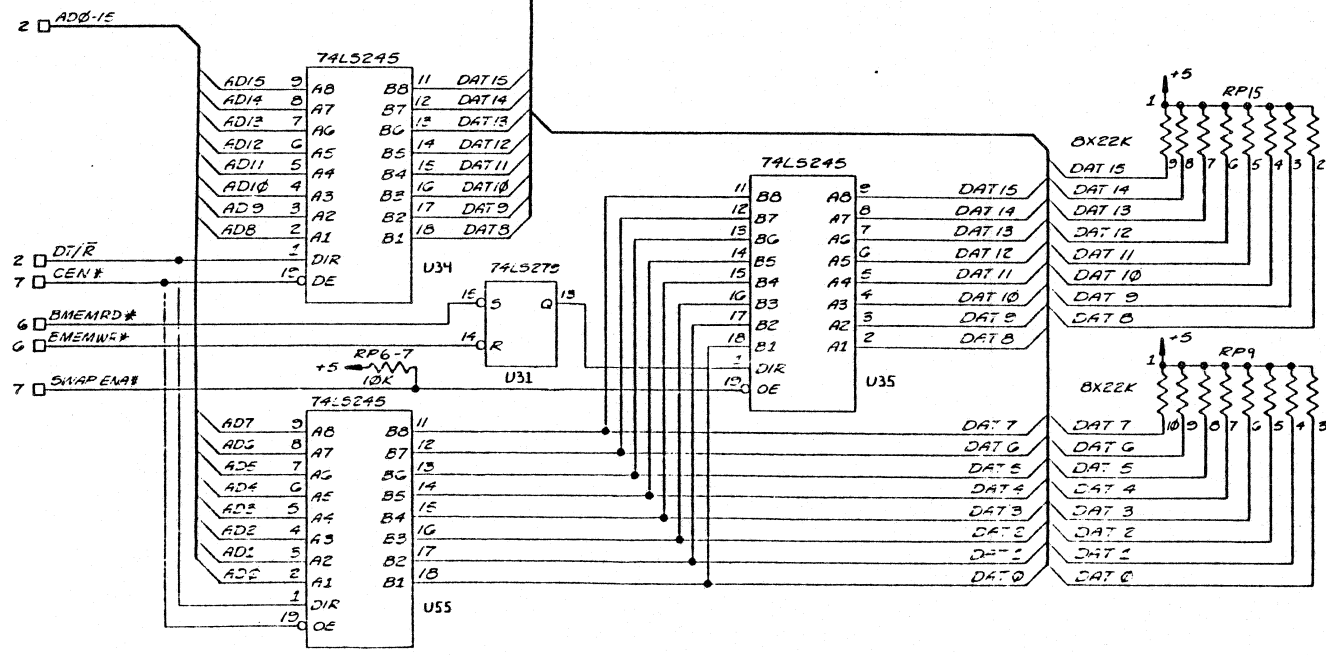
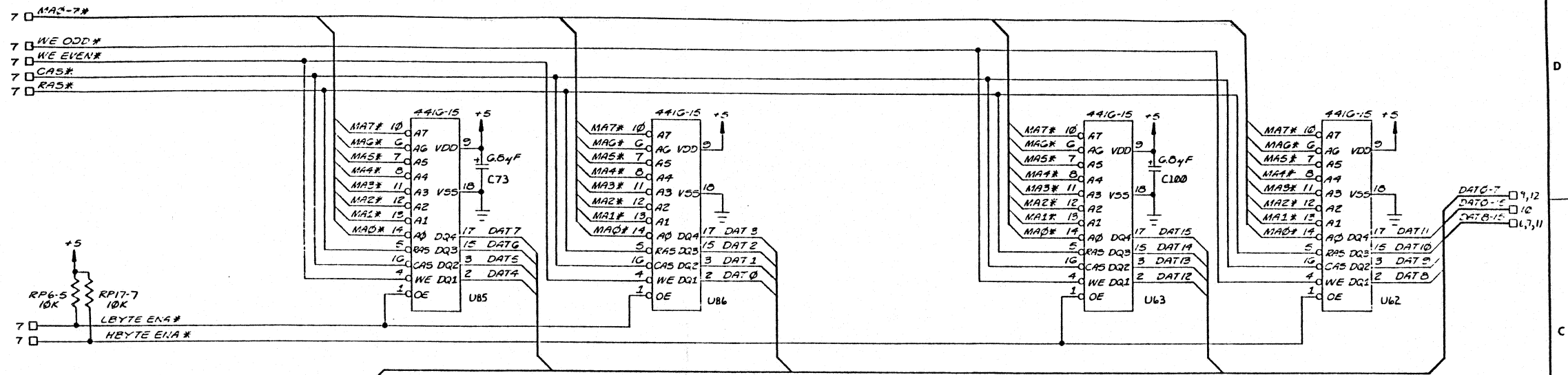


SIZE	DOCUMENT NUMBER	SHEET	REV
D	136055	4	A

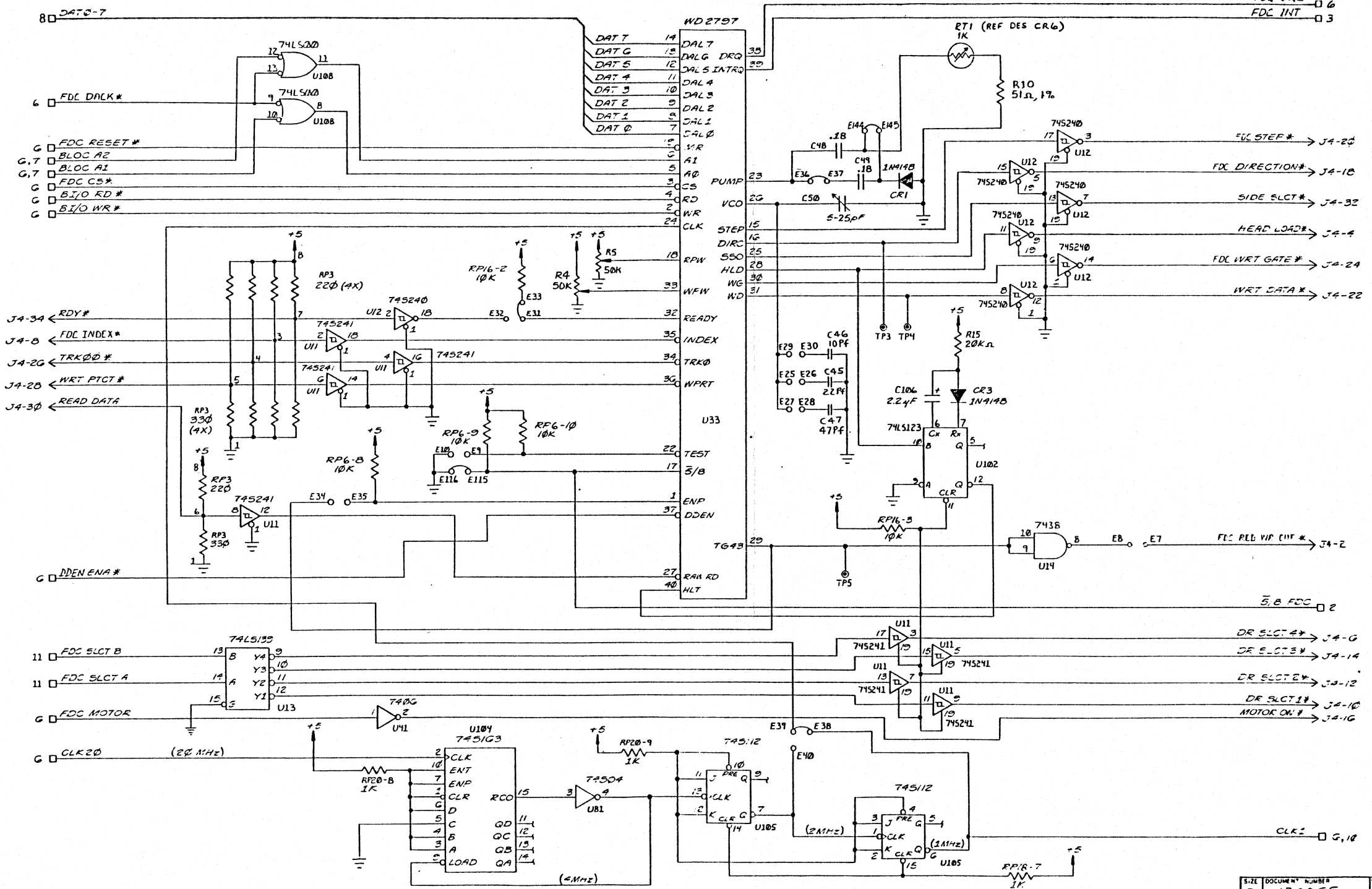


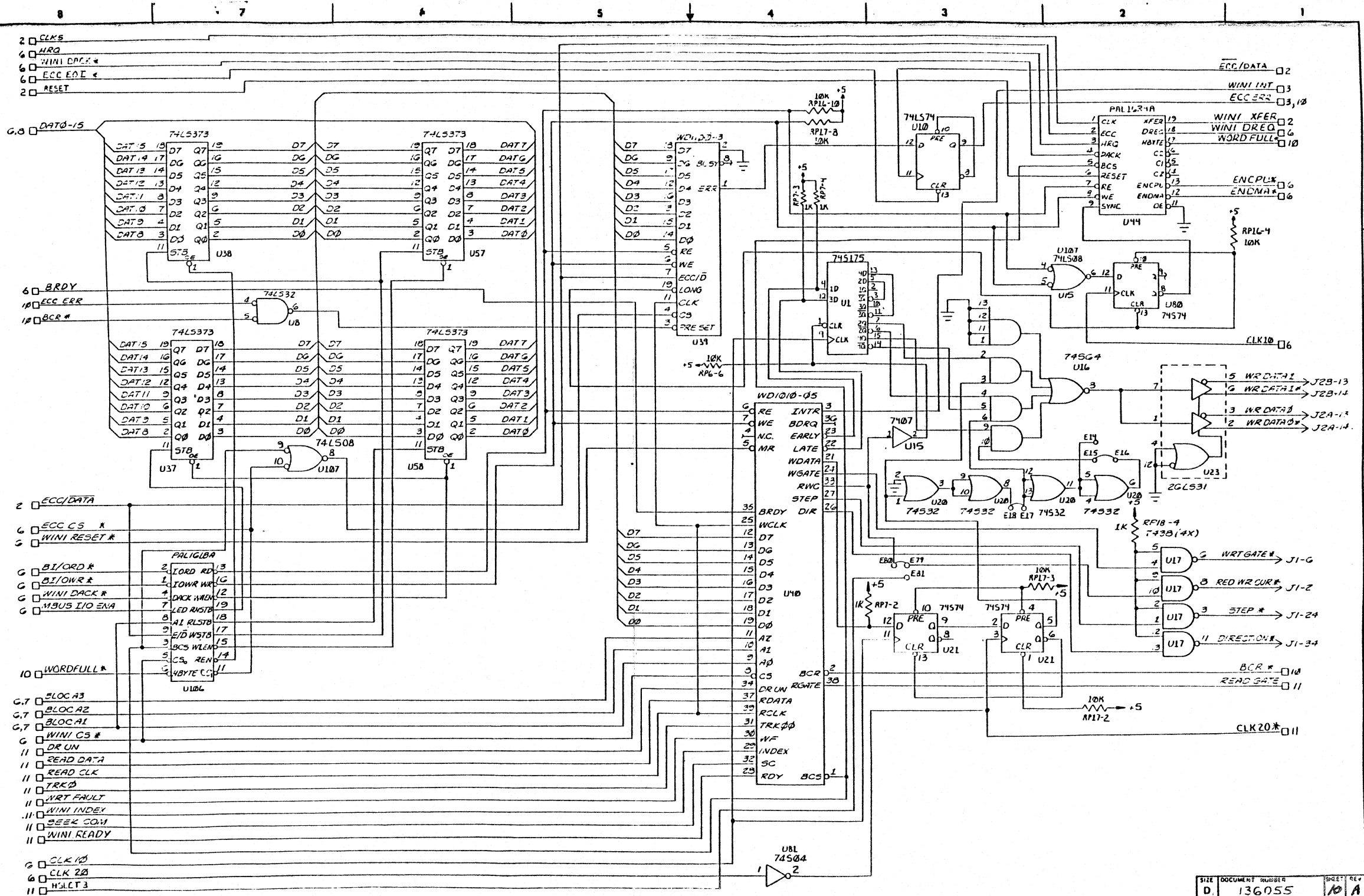




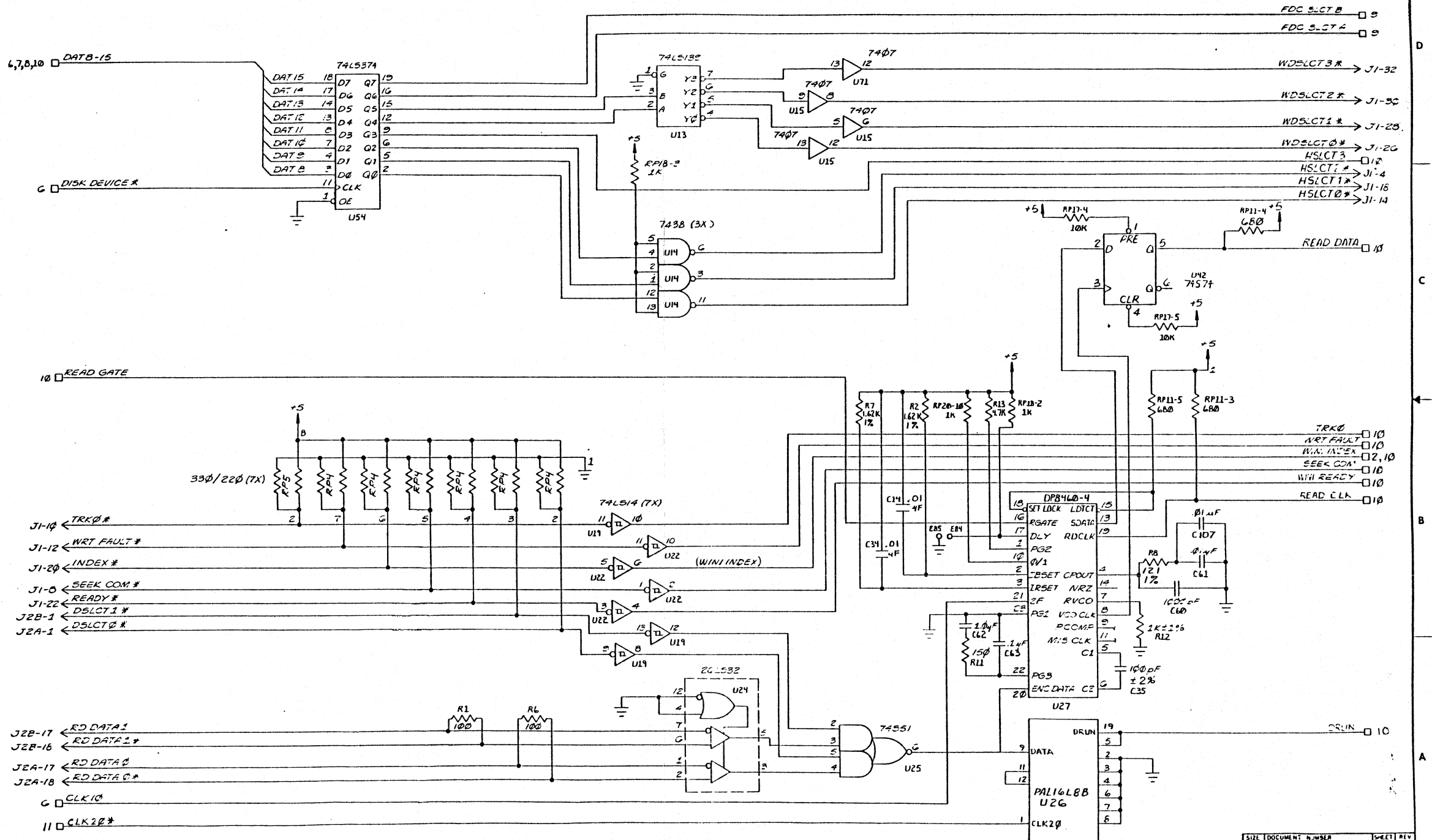


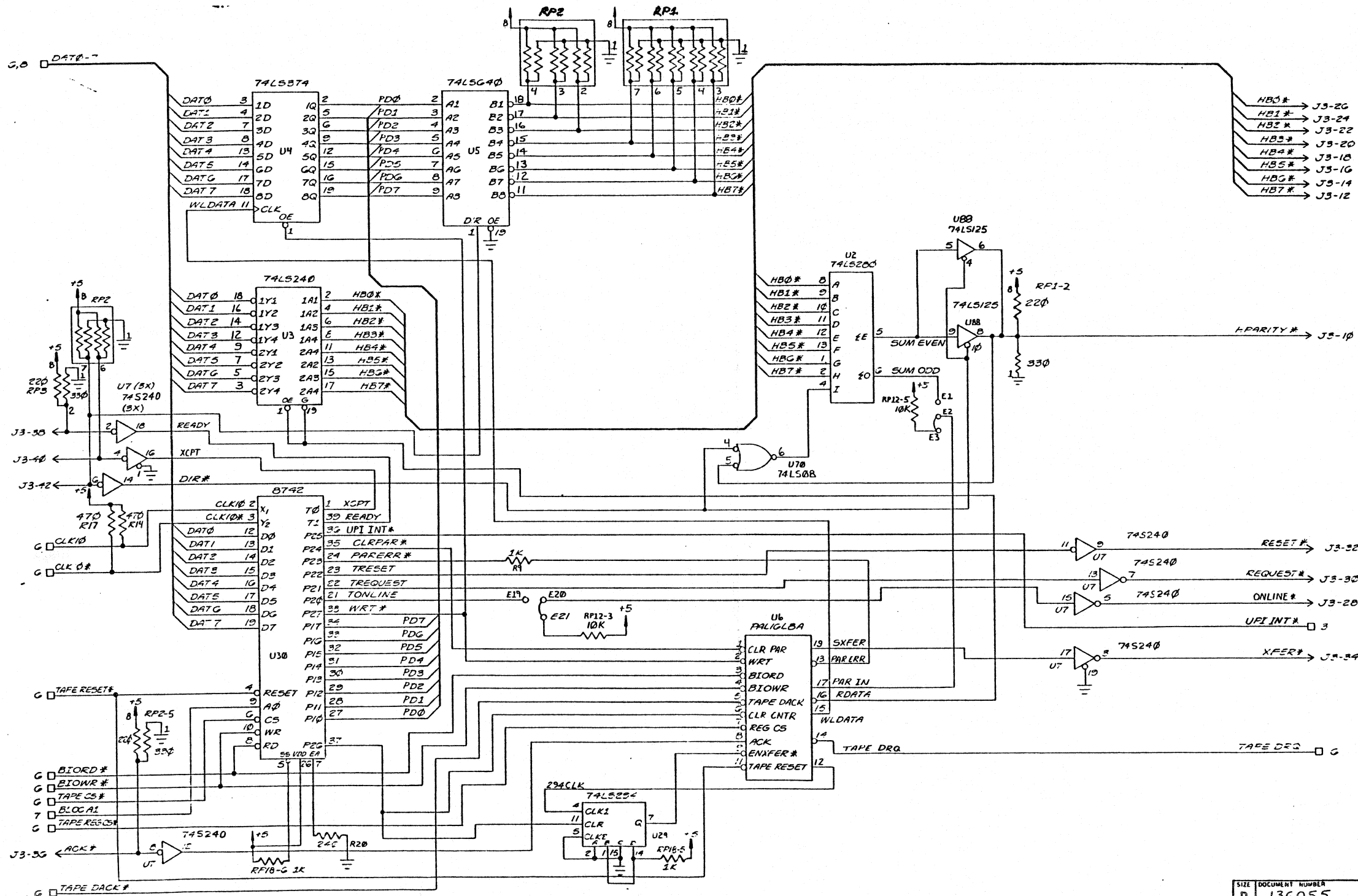






- 2  CLK5
- 6  HRQ
- 6  WINI DACK \*
- 6  ECC EOE \*
- 2  RESET
- G.0  DAT0-15
- 6  BRDY
- 10  ECC ERR
- 10  BCR #
- 2  ECC/DATA
- 6  ECC CS \*
- 6  WINI RESET \*
- G  BI/ORD \*
- G  BI/OWR \*
- G  WINI DACK \*
- G  BUS I/O ENA
- 10  WORDFULL \*
- G.7  BLOC A3
- G.7  BLOC A2
- G.7  BLOC A1
- G  WINI CS \*
- 11  DR UN
- 11  READ DATA
- 11  READ CLK
- 11  TRKD
- 11  WRT FAULT
- 11  WINI INDEX
- 11  SEEK COM
- 11  WINI READY
- G  CLK 10
- 6  CLK 20
- 11  HSUCT 3





DEVICE TABLE				
REFERENCE DESIGNATIONS	DEVICE TYPE	PWR PINS		UNUSED LOGIC ELEMENT OUTPUT PINS
		GND	+5	
U18	74F00	7	14	
U10B	74LS00	7	14	
U110	74LS02	7	14	
U81	74S04	7	14	
U43	74LS04	7	14	U43-8
U41	7406	7	14	U41-8
U15, U71	7407	7	14	U15-10
U70, U107	74LS08	7	14	
U109	74LS10	7	14	
U19, U22	74LS14	7	14	U22-12
U111	74F74	7	14	
U1	74S175	8	16	
U20	74S32	7	14	
U8, U92, U75	74LS32	7	14	
U14, U17	7438	7	14	
U25	74S51	7	14	U25-8
U16	74S64	7	14	
U21, U42, U80	74S74	7	14	
U10	74LS74	7	14	
U51	74F139	8	16	
U105	74S112	8	16	
U88	74LS125	7	14	
U56, U65, U66, U67	74LS138	8	16	
U13	74LS139	8	16	
U104	74LS163	8	16	
U9	74LS163	8	16	
U7, U12	74S240	10	20	
U3, U48, U91, U93, U94, U95, U97, U101	74LS240	10	20	
U11	74S241	10	20	
U60, U83	74LS241	10	20	
U34, U35, U55	74LS245	10	20	
U32	74LS259	8	16	
U72, U73, U74, U87	74LS266	7	14	
U28, U31, U68, U69	74LS279	8	16	U31-4, 7, 9
U2	74LS280	7	14	
U29	74LS294	8	16	
U103	74368	8	16	
U76, U77, U96	74S373	10	20	
U37, U38, U57, U58, U59	74LS373	10	20	
U4, U54	74LS374	10	20	
U5	74LS640	10	20	
U49, U50, U92	74LS670	8	16	
U40	82062	20	40	
U39	WD1100-13	10	20	
U33	WD2797A	20	21	
U62, U63, U85, U86	4416-15	18	9	
U36	8237A	20	31	
U46, U47	8259	14	28	
U98, U99, U100	8287	10	20	

DEVICE TABLE				
REFERENCE DESIGNATIONS	DEVICE TYPE	POWER PINS		UNUSED LOGIC ELEMENT OUTPUT PINS
		GND	+5	
U90	8288	10	20	
U89	8289	10	20	
U27	DP8460	17	24	
U102	74LS123	8	16	
U78	80186	26, 60	9, 43	
U23	26LS31	8	16	U23-10, 14
U24	26LS32	8	16	U24-11, 13
U30	8742	20	40	
U44, U53	PAL 16R4A	10	20	
U82	PAL 16R8A	10	20	
U6, U61, U84, U106	PAL 16L8A	10	20	
U45, U64	27128	14	28	
U26	PAL16L8B	10	20	
RP11	R-PAK 10K	-	1	
RP1, RP2, RP3, RP4, RP5	R-PAK 220/330	1	8	RP5-3, 4, 5, 6, 7
RP7, RP18, RP20, RP21	R-PAK 1K	-	1	RP7-4, 7, RP18-9, 10, RP21-2, 5, 6, 9, 10
RP6, RP12, RP13, RP14, RP16, RP17	R-PAK 10K	-	1	RP12-7, 8, 9, 10, RP17-9, 10
RP9, RP15	R-PAK 22K	-	1	RP9-2, RP15-10
RP8, RP10, RP19	R-PAK 33Ω	-	1	
U79	20.000 MHz XTAL	2	4	