

**CONTENTS**

30-010 Introduction  
30-100 Locations  
30-110 External Cables  
30-200 Adapter Card  
30-300 1200 BPS Integrated Modem  
30-310 Locations  
30-350 Card Switch Settings  
30-360 Line Plate Adjustment  
30-370 Couplers and Transmit Level Limiting  
Check  
30-400 4800 BPS Integrated Modem (3864  
compatible)  
30-405 Locations  
30-410 Operator Panel  
30-414 Test Diagnostics Operation  
30-440 Setting the Modem Address  
30-450 Card Switch Settings Transmit Level  
30-460 Board Jumpers  
30-470 Line Plate Adjustment  
30-480 Couplers and Transmit Level Limiting  
Check (Canada Only)  
30-500 Digital Data Service Adapter  
30-510 Locations  
30-550 Card Jumpers  
30-600 EIA/CCITT Adapter  
30-610 Locations  
30-650 Card Jumpers  
30-660 EIA/CCITT Modem Control Lines  
30-700 Analog Wideband Adapter  
30-710 Locations  
30-750 Card Jumpers  
30-800 Autocall Adapter  
30-810 Locations  
30-820 Autocall Control Lines  
30-850 Card Jumpers  
30-900 X.21 Line Adapter  
30-910 Locations  
30-920 X.21 Control/Data Lines  
30-950 Card Jumpers  
30-960 Board Jumpers  
30-970 Diagnostic Wrap Function

## **30-010 INTRODUCTION**

The multiline communications adapter (MLCA) is a processor controlled attachment giving System/34 the ability to concurrently control one to four communications lines. On each communications line, the System/34 can function as a primary station (SDLC only) or as a terminal in a point-to-point or multipoint network. The hardware associated with each line is described as line 1, line 2, line 3, or line 4. The MLCA feature uses attachment controller 2 (see MLCA controller in all communication references).

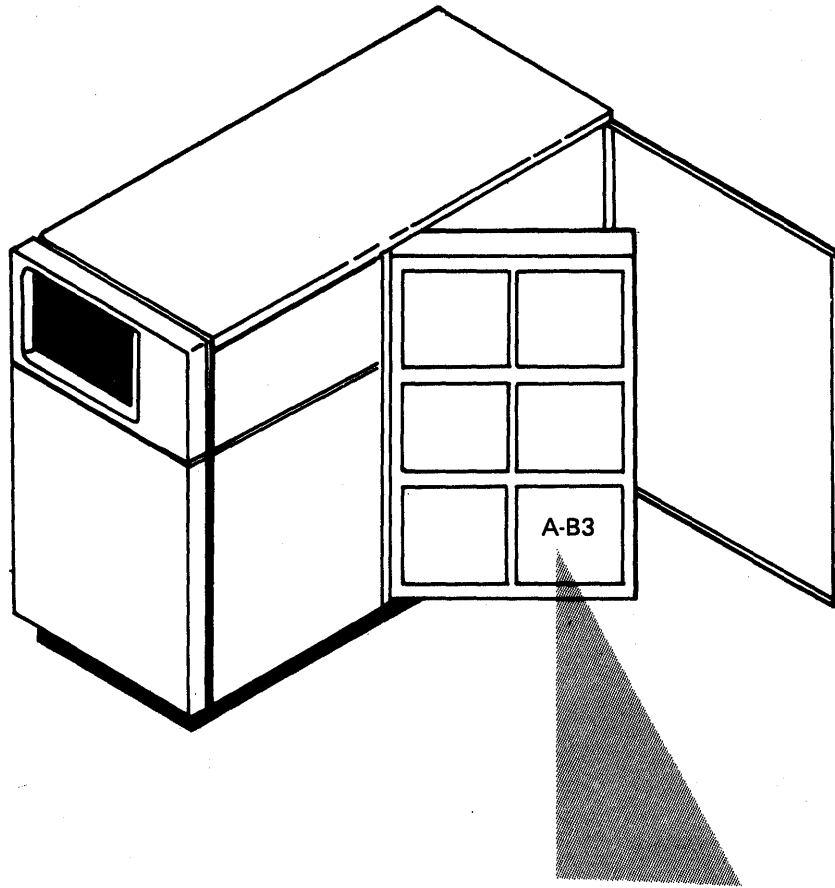
Data is transmitted and received serial-by-bit and serial-by-character over voice-grade (or equal to) communications networks (switched or nonswitched), or over DDSA. The system may be connected to a half-duplex or duplex network, but the adapter operates in half-duplex mode only; that is, data transmission is in only one direction at a time.

During transmit operations, data is sent from main storage to buffers in MLCA controller storage. Then, each byte to be transmitted is sent to the communications adapter where the data is put in serial form and sent 1 bit at a time to the modem or digital adapter. The modem or digital adapter then sends the bits to the receiving terminal over the communications network.

During receive operations, the communications adapter receives each bit from the modem and assembles the bits into bytes (deserializes). Each byte of data is then sent to buffers in MLCA controller storage. Data is then sent from the buffers into main storage for processing.

## **30-100 LOCATIONS**

Figures 30-1 through 30-7 show the locations of the major parts used in the multiline communications adapter.



MLCA  
Attachment

**Figure 30-1. MLCA Attachment Location on A-Gate**

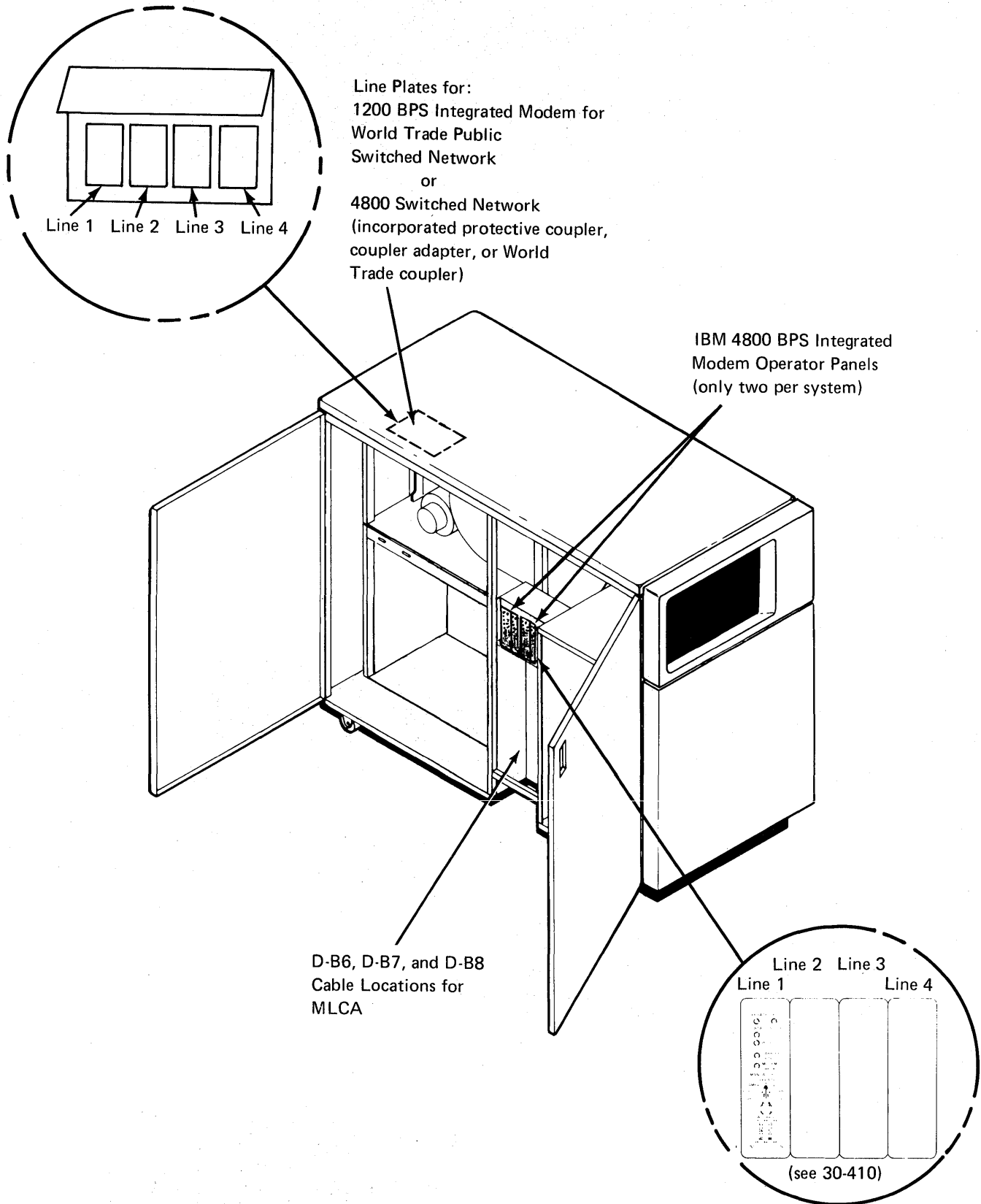
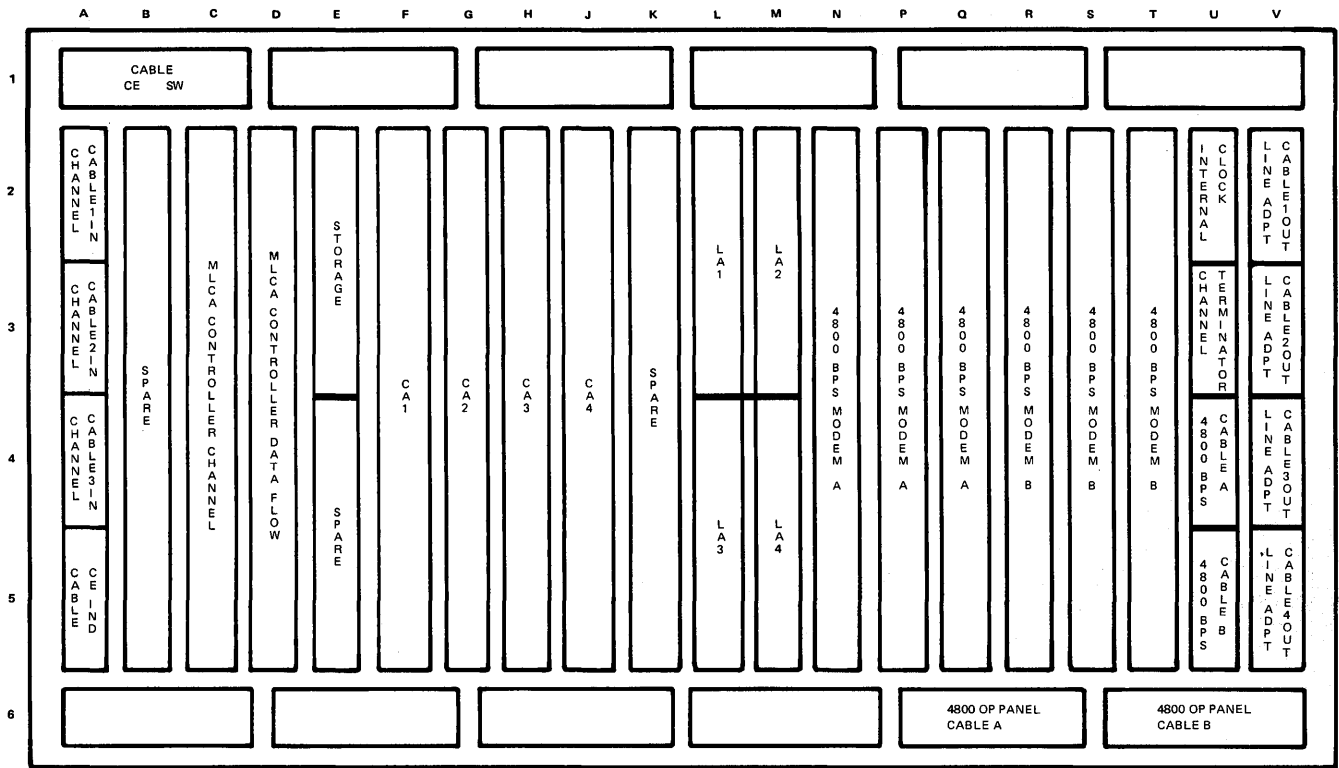


Figure 30-2. Cable Tower and Line Plates



A-B3 Board

Card Locations

- B3-C2 MLCA Controller Channel
  - B3-D2 MLCA Controller Data Flow
  - B3-E2 Storage
  - B3-F2 Communications Adapter 1
  - B3-G2 Communications Adapter 2
  - B3-H2 Communications Adapter 3
  - B3-J2 Communications Adapter 4
  - B3-L2 Line Adapter 1
  - B3-M2 Line Adapter 2
  - B3-L4 Line Adapter 3
  - B3-M4 Line Adapter 4
  - B3-U2 Internal Clock
  - B3-N2
  - B3-P2 4800 BPS Integrated Modem A
  - B3-Q2
  - B3-R2
  - B3-S2 4800 BPS Integrated Modem B
  - B3-T2
- Attachment  
Controller 2
- { 1200 BPS Integrated Modem  
 EIA/CCITT  
 DDSA  
 Analog Wide Band Adapter\*  
 Autocall\*\*  
 X.21

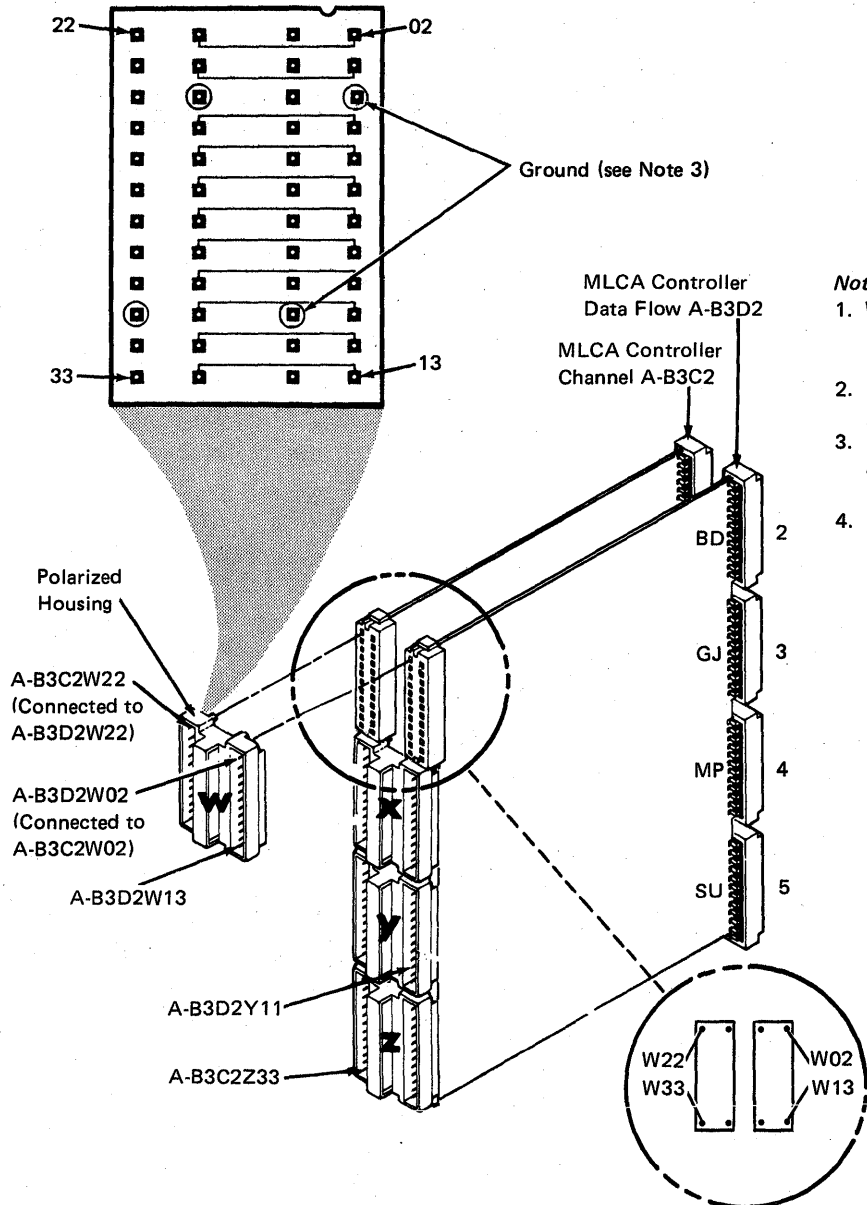
Cables

- Locations A2, A3, and A4 are channel cables 1, 2, and 3 (in), respectively.
- Location U3 contains a channel terminator card.
- Location U4 is the cable out for the first (A) 4800-bps integrated modem, and location U5 is the cable out for the second (B) 4800-bps integrated modem.
- Location Z5 is the cable out to the first (A) 4800-bps integrated modem operator panel, and location Z6 is the cable out to the second (B) 4800-bps integrated modem operator panel.
- Locations V2, V3, V4, and V5 are the cables out for line adapters 1, 2, 3, and 4, respectively.

\*Maximum of one per system

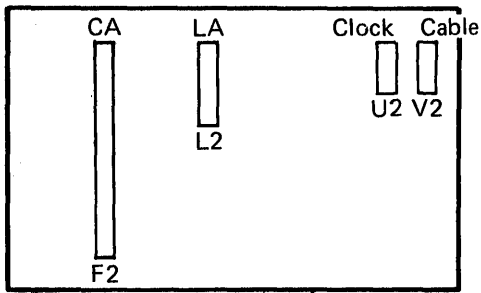
\*\*Maximum of two per system

Figure 30-3. MLCA Card and Cable Locations

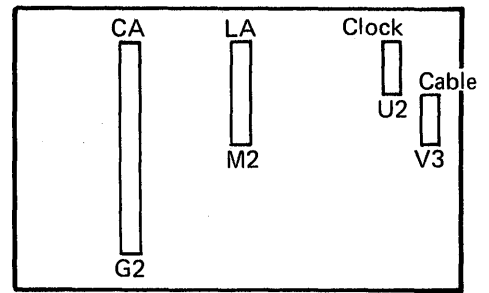


- Notes:**
1. W and Z shrouds and top connectors on cards C2 and D2 are turned 180° from those on the X and Y connectors.
  2. All the top card connector pins can be probed.
  3. Pins 04 and 31 of the top card connectors are tied together by an internal plane to ground.
  4. Pin W26 is connected to +5 volts.

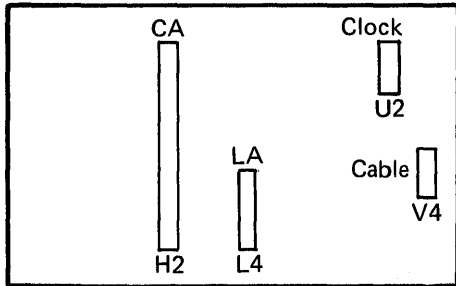
Figure 30-4. MLCA Controller Top Card Connectors



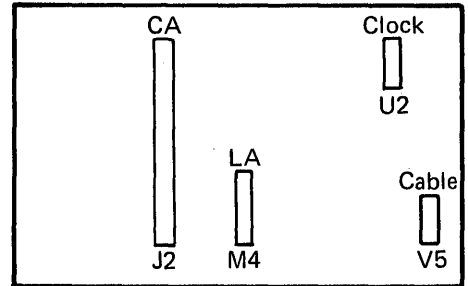
Line 1



Line 2



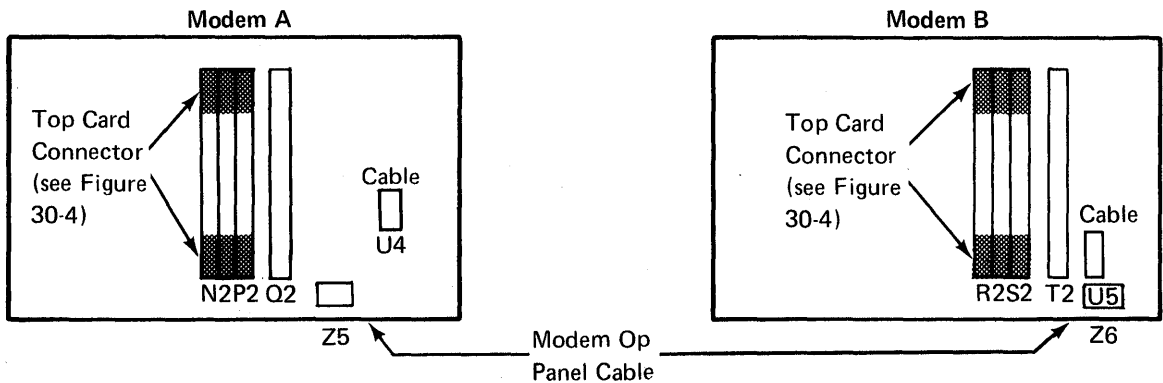
Line 3



Line 4

- CA Communications Adapter  
 LA Line Adapter
- EIA/CCITT
  - 1200 BPS Integrated Modem
  - DDSA
  - Analog Wideband (one per system, max.)
  - Autocall (two per system, max.)
  - X.21

Figure 30-5. Communications Lines (A-B3 Board)

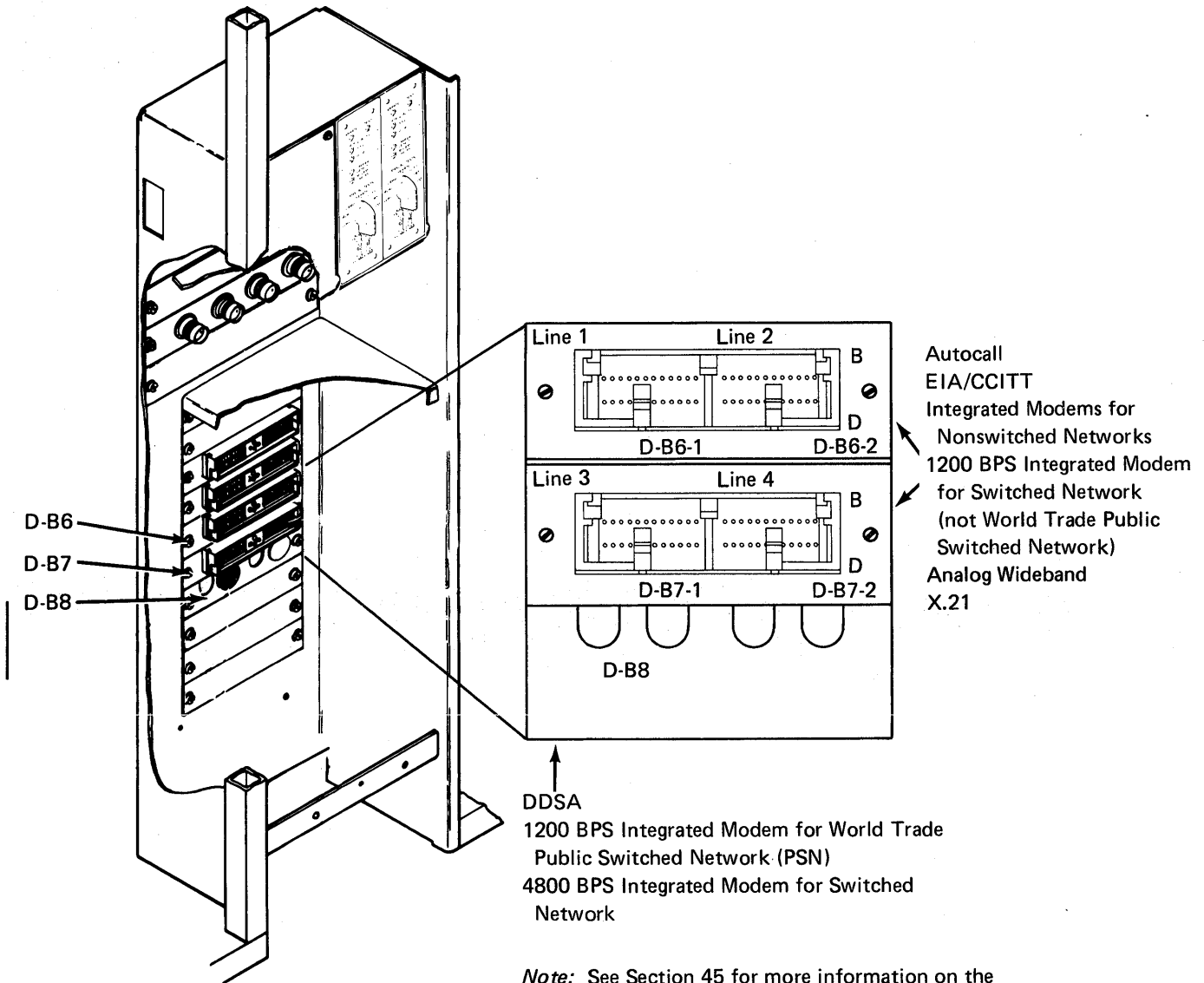


Note: Either modem can be attached to any line and any communications adapter.

Figure 30-6. 4800 BPS Integrated Modem (A and B) (A-B3 Board)

**30-110 External Cables**

The cable tower locations of the external cables are shown in Figure 30-7. See the individual line adapter sections for internal cable locations.



*Note:* See Section 45 for more information on the cable connector and the lightning protect card.

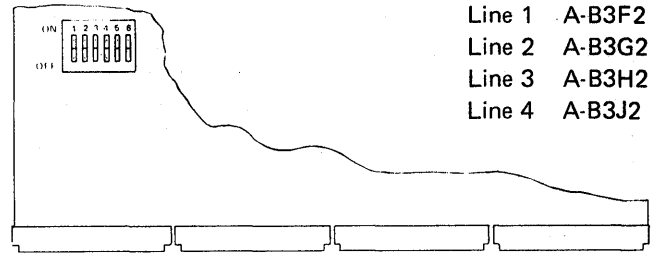
**Figure 30-7. Cable Tower Locations for External Cables**



This page is intentionally left blank.

### 30-200 ADAPTER CARD

The communications adapter cards are the common interface between System/34 and all modems. Each card has six switches; set them for each line as instructed in Figure 30-8.



Switch	Condition	Meaning
1	On	Continuous carrier (the 'request to send' line is always on). This option can be used only on a 4-wire nonswitched line on a point-to-point network or on a multipoint control station.
	Off	Not continuous carrier (set off for DDSA or autocal).
2	On	The line speed is equal to or less than 9600 bps (set on for autocal).
	Off	The line speed is greater than 9600 bps (analog wideband or 56K-bps DDSA).
3	On	Enable rate select interface lead for EIA, autocal, analog wideband, X.21, or 4800-bps integrated modem (allows microcode control over the rate select interface lead).
	Off	For DDSA or 1200-bps integrated modem.
4	On	Not NRZI coding.
	Off	NRZI coding used.
		<p>Note: The customer can use BSC and/or SDLC on the same communications line. Therefore, the following information is important to the setting of the NRZI switch (switch 4) on the adapter card:</p> <ul style="list-style-type: none"> <li>• The NRZI switch setting must match the option chosen in the configuration for diagnostics to work correctly.</li> <li>• If the customer is operating with only BSC or with DDSA, select not NRZI (switch 4 is set on).</li> <li>• Select not NRZI for autocal.</li> <li>• BSC microcode disables the NRZI function regardless of the switch setting.</li> <li>• Only SDLC uses NRZI, but the selection of NRZI depends on the following: <ul style="list-style-type: none"> <li>– If the customer is operating with SDLC (or with SDLC and BSC on the same communications line), the switch setting and the configuration record must be set for SDLC operation.</li> <li>– The NRZI switch setting depends on the remote device and on the modem being used. For SDLC, all data terminal equipment communicating with each other must select the same coding option (NRZI or not NRZI). Contact your IBM marketing representative for identification of those modems that have pattern sensitive synchronization problems, and to determine which coding option should be used. When PTT mandatory modems are used in World Trade, refer to the <i>IBM World Trade Signal Converter Handbook</i>, ZZ19-6066. This manual will help determine which coding option should be used.</li> </ul> </li> </ul>

Figure 30-8 (Part 1 of 2). Communications Adapter Card

Switch	Condition	Meaning	
5-6		<i>Device address selection</i>	
		5    6 <i>Device Address</i>	<i>Jumper adapter microinterrupt request to interrupt level</i>
			<i>Jumper (see note)</i>
			<i>Interrupt level</i>
Off	Off	10	A-B3XXJ09 to A-B3C2M05    3
Off	On	20	A-B3XXJ09 to A-B3C2M05    3
On	On	40	A-B3XXJ09 to A-B3C2M05    3
On	Off	80	A-B3XXJ09 to A-B3C2P05    2
<p>Each communications line must use a different device address. With the exception of the high-speed line, the lines may use any address, but the device address must be the same as the address selected in the line's configuration record. If a high-speed line is installed (line speed greater than 9600 bps), this line must use device address 80. A general rule to follow is to start with address 10 and use address 80 last.</p> <p><i>Note:</i> If an X.21 switched line is installed on one or more of the communications line, device address 40 may not be used.</p> <p>The device address of the communications adapter in the unit definition table (UDT) and in the configuration record is X'8X'; where 8 is the MLCA controller address (X'80') from the control storage processor, and X is either 1, 2, 4, or 8 for the communications line adapter address (10, 20, 40, or 80) from the MLCA controller.</p> <p><i>Note:</i> XX is communications adapter F2 (line 1), G2 (line 2), H2 (line 3), or J2 (line 4).</p>			

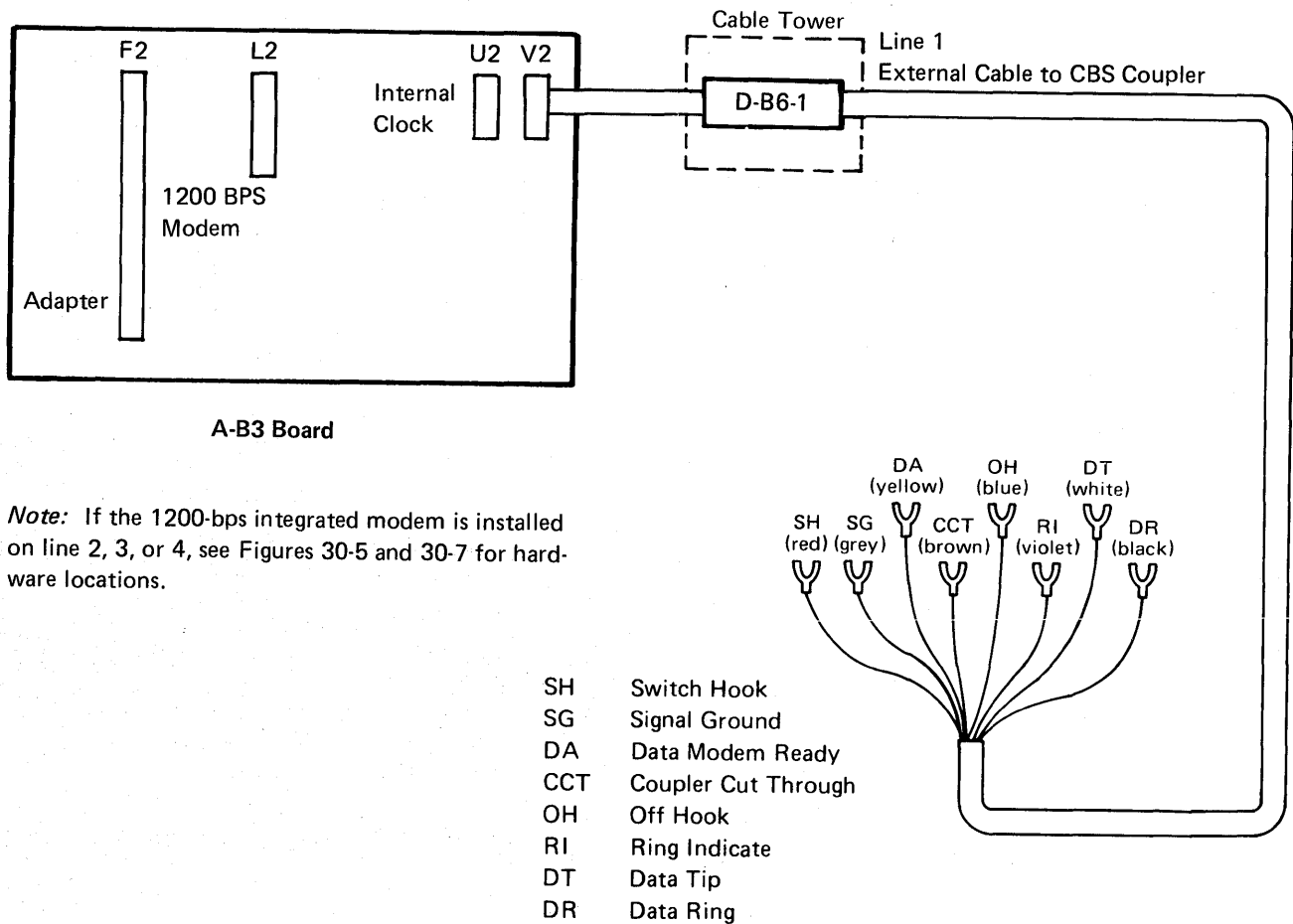
Figure 30-8 (Part 2 of 2). Communications Adapter Card

**30-300 1200 BPS INTEGRATED MODEM**

**30-310 Locations**

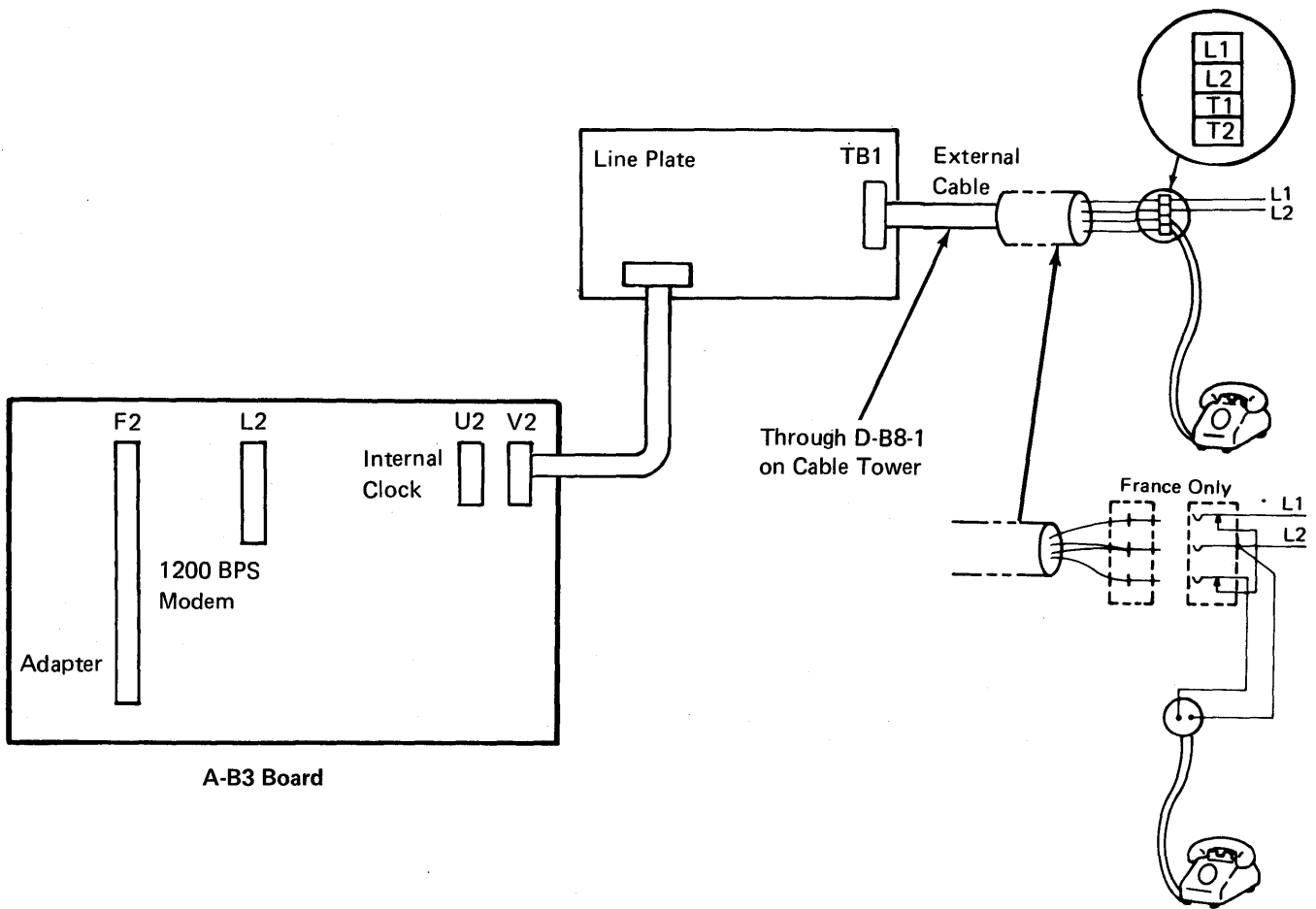
Four different 1200-bps integrated modems can be used with MLCA on System/34. Each modem is contained on one card and all are plug compatible in the same card socket. The modem that is used relies on the network type. An internal clock card (A-B3U2) must be installed with the 1200-bps integrated modem to supply business machine clocking.

Figures 30-9 through 30-11 show the terminate connections of the internal cables used with the different modems. For switched networks, the cables are terminated at the cable tower; for World Trade public switched networks, the cables are terminated at the line plate; and for nonswitched networks, the cables are terminated at the lightning protect card at the cable tower. Figures 30-9 through 30-11 show only the parts for line 1. If the 1200-bps integrated modem is installed on line 2, 3, or 4, see Figures 30-5 and 30-7 for hardware locations.



*Note:* If the 1200-bps integrated modem is installed on line 2, 3, or 4, see Figures 30-5 and 30-7 for hardware locations.

**Figure 30-9. 1200 BPS Integrated Modem—Switched Network (Line 1)**

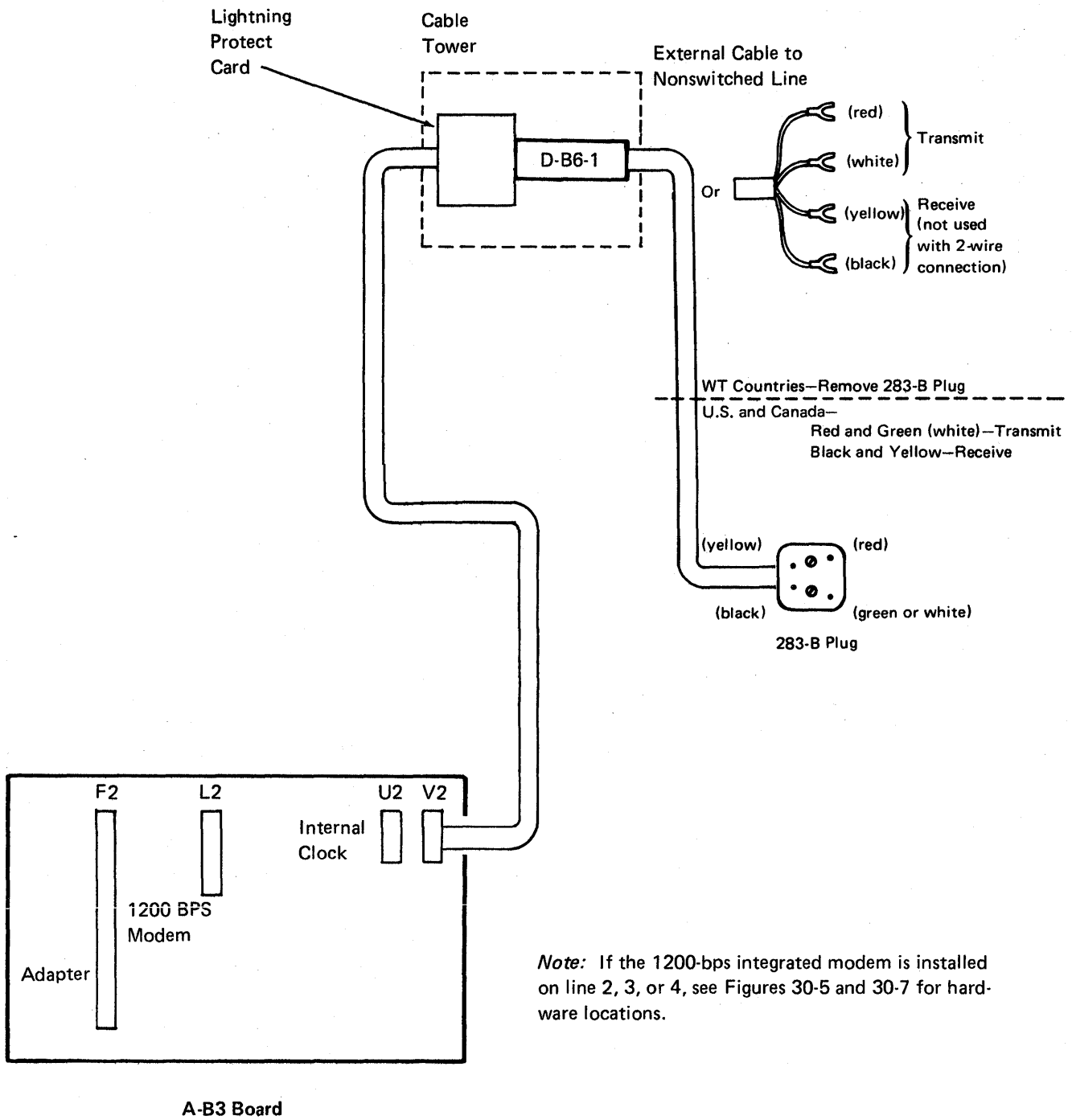


**External Cable**

Line Plate	Cable	Telephone Plug
TB1-6	Handset 2 (T2)	Black
TB1-7	Handset 1 (T1)	Yellow
TB1-8	Telephone 1 (L2)	White
TB1-9	Telephone 2 (L1)	Red

*Note:* If the 1200-bps integrated modem is installed on line 2, 3, or 4, see Figures 30-5 and 30-7 for hardware locations.

**Figure 30-10. 1200 BPS Integrated Modem—World Trade Public Switched Network (Line 1)**

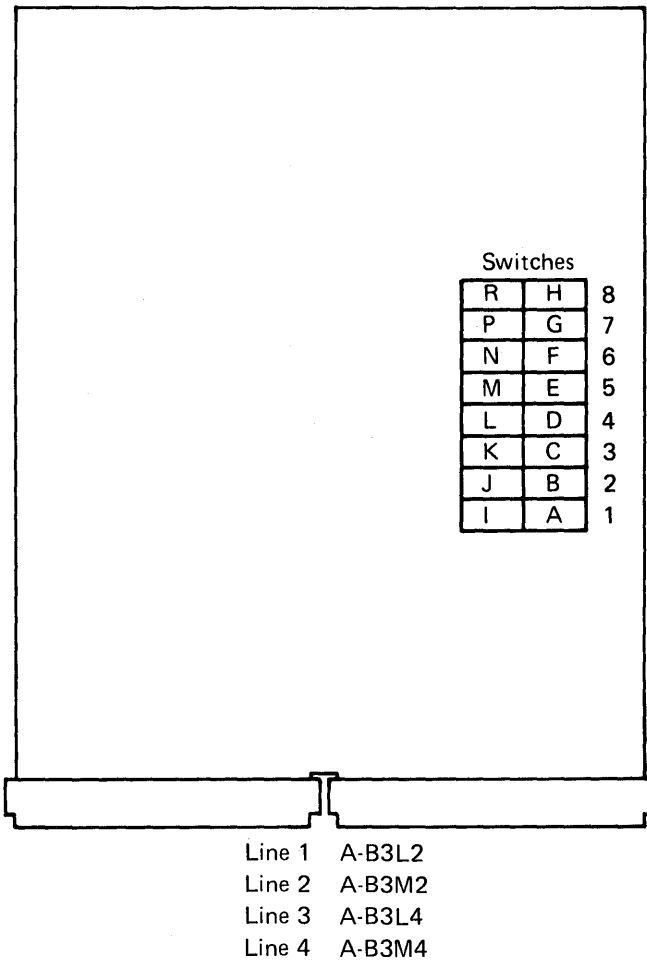


*Note:* If the 1200-bps integrated modem is installed on line 2, 3, or 4, see Figures 30-5 and 30-7 for hardware locations.

**Figure 30-11. 1200 BPS Integrated Modem—Nonswitched Network (Line 1)**

### 30-350 Card Switch Settings

Because of different networks, the 1200-bps modem card can be one of four different cards. Each of these cards has at least 16 switches that must be set as described in Figures 30-12 through 30-15.



Set switches J and K on and switches L, M, N, P, and R off. Set the transmit level switches A through I, as shown in the table at the right.

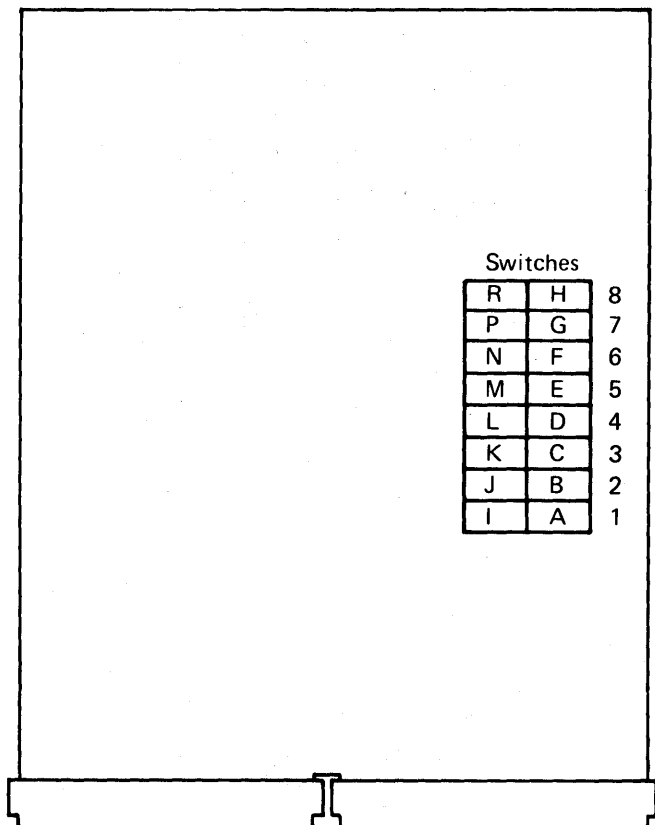
*Note:* Switches N and P are set off for a clear-to-send delay of 230 ms, and switch L is set off for an echo clamp delay of 150 ms.

**Figure 30-12. Switch Settings for Switched Network**

#### Transmit Level

Set the transmit level to match the level specified on the CBS data coupler. A bullet (●) in the table below indicates that the switch must be on to make a selection. Set the switches to the needed transmit level.

Level in Decibels	Transmit Level Switches								
	A	B	C	D	E	F	G	H	I
0	●								
-1		●							
-2			●						
-3				●					
-4					●				
-5						●			
-6	●						●		
-7		●						●	
-8			●					●	
-9				●				●	
-10					●			●	
-11						●	●		
-12	●								●
-13		●							●
-14			●						●
-15				●					●
-16					●				●
-17						●			●
-18	●								●



Switches		
R	H	8
P	G	7
N	F	6
M	E	5
L	D	4
K	C	3
J	B	2
I	A	1

- Line 1 A-B3L2
- Line 2 A-B3M2
- Line 3 A-B3L4
- Line 4 A-B3M4

Set switches A through I, M, and R off. The remaining switches are set for:

- 4-wire nonswitched line (set J off and K on)
- 2-wire nonswitched line (set J on and K off)

Also attach the following jumpers:

- Line 1 A-B3L2G02 to A-B3L2G09  
A-B3L2J05 to A-B3L2J13
- Line 2 A-B3M2G02 to A-B3M2G09  
A-B3M2J05 to A-B3M2J13
- Line 3 A-B3L4G02 to A-B3L4G09  
A-B3L4J05 to A-B3L4J13
- Line 4 A-B3M4G02 to A-B3M4G09  
A-B3M4J05 to A-B3M4J13

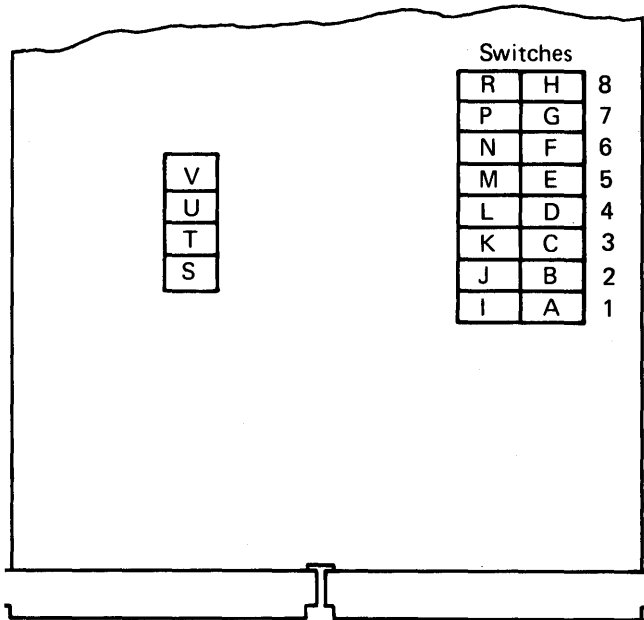
- Clear-to-send delay of:
  - 30 ms; set N off and P on (recommended for a 4-wire nonswitched line).
  - 80 ms; set N on and P off (use only for a special short 2-wire nonswitched line).
  - 230 ms; set N and P off (recommended for a switched line or a 2-wire nonswitched line).

*Note:* The clear-to-send delay must always be longer than the echo clamp delay.

- Echo clamp delay of:
  - 0 ms; L can be set on or off because the 0-ms delay is automatically selected if the 30-ms clear-to-send delay is selected.
  - 50 ms; set L on nonswitched or switched line).
  - 150 ms; set L off (recommended for a switched line or a 2-wire nonswitched line).

**Figure 30-13. Switch Settings for Nonswitched Network**





- Line 1 A-B3L2
- Line 2 A-B3M2
- Line 3 A-B3L4
- Line 4 A-B3M4

Set switches N, S, T, U, and V on and switch P off.

Set the transmit level switches A through H and R as shown in the table at the right.

The remaining switches are set for:

- 4-wire nonswitched line (set I on and M off)
- 2-wire nonswitched line (set I off and M on)

Also attach the following jumpers:

- Line 1 A-B3L2G02 to A-B3L2G09  
A-B3L2J05 to A-B3L2J13
- Line 2 A-B3M2G02 to A-B3M2G09  
A-B3M2J05 to A-B3M2J13
- Line 3 A-B3L4G02 to A-B3L4G09  
A-B3L4J05 to A-B3L4J13
- Line 4 A-B3M4G02 to A-B3M4G09  
A-B3M4J05 to A-B3M4J13

- Clear-to-send delay of:
  - 30 ms; set K on and J off (recommended for a 4-wire nonswitched line).
  - 80 ms; set K off and J on (use only for a special short 2-wire nonswitched line).
  - 230 ms; set K and J off (recommended for a switched line or a 2-wire nonswitched line).

*Note:* The clear-to-send delay must always be longer than the echo clamp delay.

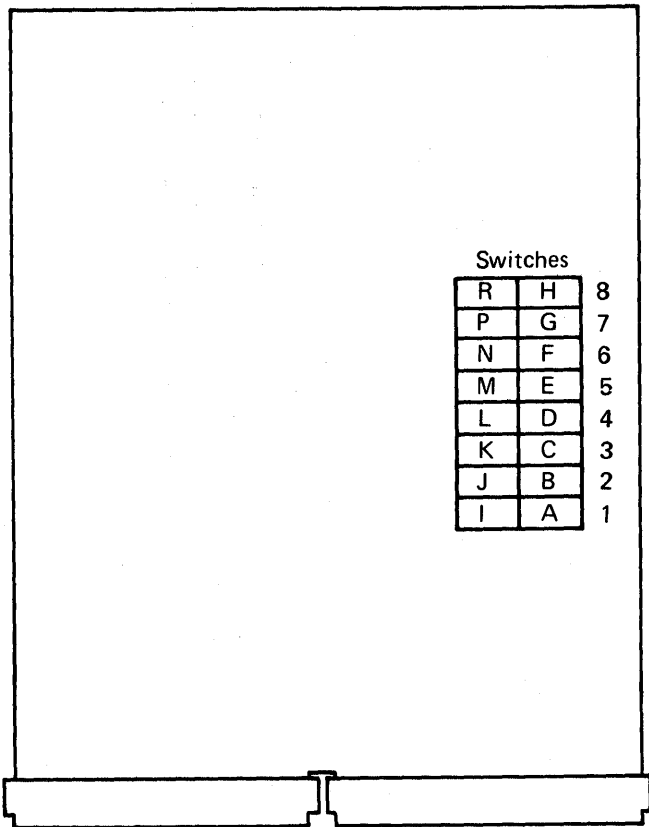
### Transmit Level

A bullet (●) in the table below indicates that a switch must be on to make a selection. Set the switches to the needed transmit level.

Level in Decibels	Transmit Level Switches								
	A	B	C	D	E	F	G	H	R
0	●								
-1		●							
-2			●						
-3				●					
-4					●				
-5						●			
-6	●						●		
-7		●						●	
-8			●					●	
-9				●				●	
-10					●			●	
-11						●		●	
-12	●								●
-13		●							●
-14			●						●
-15				●					●
-16					●				●
-17						●			●
-18	●								●

- Echo clamp delay of:
  - 0 ms; L can be set on or off because the 0-ms delay is automatically selected if the 30-ms clear-to-send delay is selected.
  - 50 ms; set L on (nonswitched or switched line).
  - 150 ms; set L off (recommended for a switched line or a 2-wire nonswitched line).

**Figure 30-14. Switch Settings for World Trade Nonswitched Network**



Switches		
R	H	8
P	G	7
N	F	6
M	E	5
L	D	4
K	C	3
J	B	2
I	A	1

- Line 1 A-B3L2
- Line 2 A-B3M2
- Line 3 A-B3L4
- Line 4 A-B3M4

Set switches I, J, K, N, P on and switches L and M off. Set the transmit level switches A through H and R as shown in the table at the right while performing the adjustments in 30-360.

### Transmit Level

A bullet (●) in the table below indicates that the switch must be on to make a selection. Set the switches to the needed transmit level.

Level in Decibels	Transmit Level Switches								
	A	B	C	D	E	F	G	H	R
0	●								
-1		●							
-2			●						
-3				●					
-4					●				
-5						●			
-6	●							●	
-7		●						●	
-8			●					●	
-9				●				●	
-10					●			●	
-11						●		●	
-12	●								●
-13		●						●	
-14			●					●	
-15				●				●	
-16					●			●	
-17						●		●	
-18	●								●

**Figure 30-15. Switch Settings for World Trade Public Switched Network (PSN)**

This page is intentionally left blank.

### 30-360 Line Plate Adjustment

The line plate adjustment is needed only when the network is a World Trade public switched network (PSN).

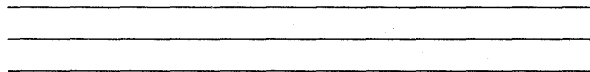
The DC level of the telephone line must be adjusted between 20 milliamperes and 70 milliamperes. In addition, the level in data status (modem connected to the line) must be as close as possible to the level in talk status (telephone set connected to the line). Therefore, the level is adjusted in two steps:

1. The data station is set to talk status (line plate relay not activated). A jumper is selected determined by the voltage level observed between both wires of the line.
2. The data set is set to data status (line plate relay activated). The voltage level is checked, and a jumper is selected to obtain a voltage level nearest to that observed in talk status.

The line plates are located under the top cover. See Figure 30-2.

#### **DANGER**

Voltage is present on the line plate from the telephone lines.



#### *Preparatory Line Plate Adjustments*

1. Install input voltage jumpers K, M, and N.
2. When the telephone set is used, install jumper G. When the telephone set is not used, install jumper H.

#### *Line Plate Adjustments with Telephone Set Installed*

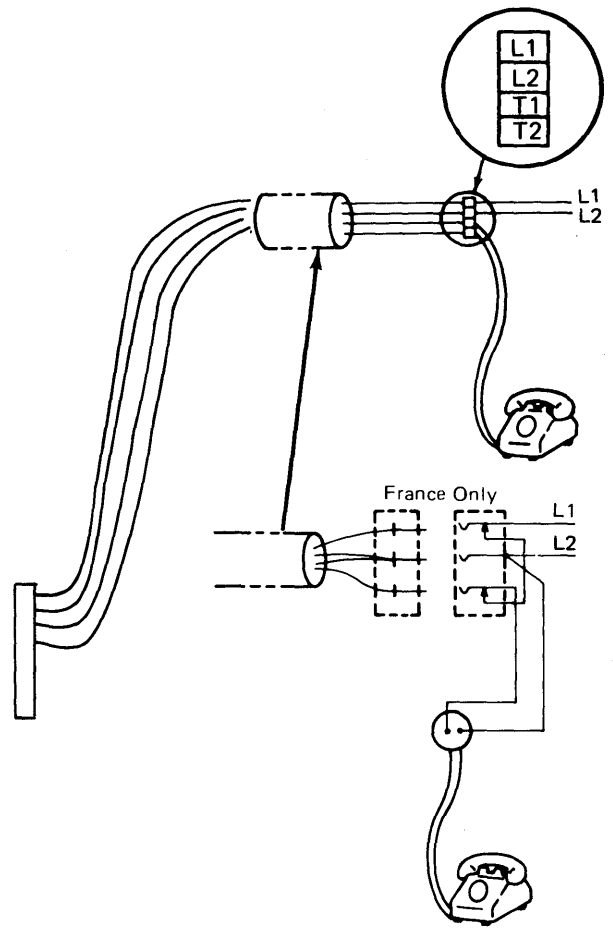
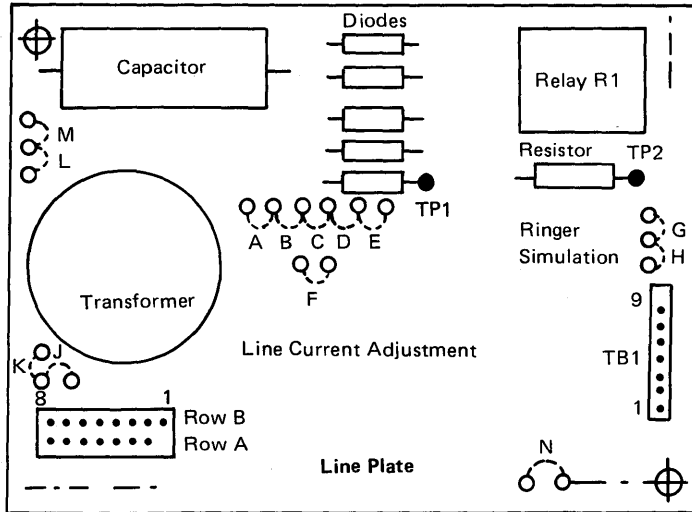
1. Connect a DC voltmeter (50-Vdc scale) across TP1 (+) and TP2 (-). See Figure 30-16 for the locations of TP1 and TP2.

*Note:* Polarity can be reversed with some telephone companies.

2. Set the data station to talk status and pick up the handset.
3. Record the voltage level observed on the meter.
4. Select one jumper position A through F on the line plate by using the line plate jumper table that follows. Select the jumper that matches the voltage level observed in step 3. Ignore jumpers in parentheses at this time.
5. Set the data station to data status by returning the system telephone to its cradle and then installing a jumper from the 'data terminal ready' line to ground to activate the relay on the line plate:  

Line 1	A-B3L2B02	to	A-B3L2D08
Line 2	A-B3M2B02	to	A-B3M2D08
Line 3	A-B3L4B02	to	A-B3L4D08
Line 4	A-B3M4B02	to	A-B3M4D08
6. Dial the system from a local telephone. Leave the telephone handset that you are dialing from off the cradle (off the hook).
7. Observe the meter. If the voltage level is different from the level observed in step 3, attempt the jumper position(s) given between parentheses in the line plate jumper table. Select the position that gives the voltage level nearest to that observed in step 3.
8. Return the handset to the cradle (on the hook) and the data station to talk status. (Remove the jumpers that were installed to activate the line plate relay.)

**Line Plate (PSN Coupler)**



**External Cable**

Line Plate	Cable	Telephone Plug
TB1-6	Handset 2 (T2)	Black
TB1-7	Handset 1 (T1)	Yellow
TB1-8	Telephone 1 (L2)	White
TB1-9	Telephone 2 (L1)	Red

**Figure 30-16. World Trade PSN Line Plate and Cable Connections**

*Line Plate Adjustments without Telephone Set Installed*

1. Connect a DC voltmeter (50-Vdc scale) across TP1 (+) and TP2 (-). See Figure 30-16 for the locations of TP1 and TP2.

Note: Polarity can be reversed with some telephone companies.

2. Install jumper D on the line plate.
3. Set the data station to data status by installing one of the following jumpers to activate the relay on the line plate:

Line 1	A-B3L2B02	to	A-B3L2D08
Line 2	A-B3M2B02	to	A-B3M2D08
Line 3	A-B3L4B02	to	A-B3L4D08
Line 4	A-B3M4B02	to	A-B3M4D08

4. Dial the system from a local telephone. Leave the telephone off the cradle (off the hook) and observe:
  - a. The system answers the telephone call with a high-pitched answer tone on the telephone line.
  - b. The DSR light on the CE panel comes on. Set the Comm Dply switch on the CE panel to On. Select the desired line number with the Comm Select switch.

If either of these conditions does not occur, perform diagnostics on the communications line.

5. Observe the voltage level of the meter. It must be between 4 Vdc and 37 Vdc. If it is not, attempt jumper position E, C, B, or A.
6. Remove the jumpers that were installed to activate the line plate relay.

*Line Plate Jumper Table*

Voltage Level	Jumper to Be Selected
0.5-2	F
2-3.5	E (F)
3.5-4	E (C)
4-6	E (C,D)
6-8	C (E,D,B)
8-9	C (E,D,B,A)
9-14	D (E,C,B,A)
14-26	B (C,D,A)
26-37	A (D,B)
37-50	A (B)

The jumper positions given between parentheses are used to select the jumper when in data status. Use only the indicated jumper positions.

*Modem Transmit Level*

1. Disconnect the cable from the 2X8 connector on the line plate.
2. Connect a decibel meter, set to 600-ohm termination, across DT (data tip) and DR (data ring) at the modem:

	Data Tip	Data Ring
Line 1	A-B3L2D06	A-B3L2D08
Line 2	A-B3M2D06	A-B3M2D08
Line 3	A-B3L4D06	A-B3L4D08
Line 4	A-B3M4D06	A-B3M4D08

3. Perform steps 2 through 10 of paragraph 30-370.
4. Set the transmit output level switches of the modem to match the level specified by the PTT, taking into account the added loss of the line plate (approximately 1.5 dB).

### 30-370 Couplers and Transmit Level Limiting Check

The level control circuit of the CBS data coupler (or similar coupler) can be set to a lower signal level than the transmit level on the modem. When this is the case, overloading of the level control circuit causes slow recovery after change of direction and a possible loss of the received signal. The modem transmit level must be decreased enough to prevent overloading the coupler.

The following steps give the procedure to check transmit level limiting.

1. Connect a decibel meter across the DT (data tip) and DR (data ring) terminals of the modem at the external coupler interface. Set the meter to Bridging (no terminating resistance).
2. Set the Mode Selector switch to the Proc Run position (CE panel).
3. Set the Address/Data switches to 0000.
4. Set the MSIPL switch to the Diskette position (CE panel).
5. Set the CSIPL switch to the Diskette position (CE panel).
6. Set all other CE panel switches to their down positions.
7. Insert diskette DIAGB1.
8. Press the Load switch (operator panel).
9. Select the data communications exerciser test (transmit test).
10. Select 16 or 32 as data to be transmitted. Select the Scope Loop A Cmd as the test run option.
11. If this is a new installation, dial the system from a local telephone. If you are troubleshooting a problem, have your system dialed from the remote system. Leave the telephone handset off the cradle (off the hook).
12. Observe the meter. The transmit signal level meter reading should equal the level of the coupler  $\pm 1$  dB. If the reading decreases in less than three seconds, the coupler is limiting the transmit level. If the reading remains constant, that level is being transmitted to the line.
13. If the coupler is limiting the transmit signal level, adjust the transmit level switches on the modem card until the transmit level is below the controlled level in the coupler. (Limiting no longer takes place.) The correct level is one decibel below the lower level reading in step 12. Stop here if this is a new installation.
14. Check to see that another modem receives a suitable signal level when this modem transmits by doing the following:
  - a. Have another person at the remote station connect a decibel meter across the DT (data tip) and DR (data ring) terminals of the modem at the coupler interface.
  - b. Ensure that the meter is set to Bridging (no terminating resistance).
  - c. Observe the meter. The receive level at the remote station should be 16 dB less than the transmit level. However, an acceptable level could be from -31 dB up to the same level as the transmit level.

**30-400 4800 BPS INTEGRATED MODEM  
(3864 COMPATIBLE)**

Two 4800-bps integrated modems can be installed for MLCA. These modems, described as A and B, can be connected to any communications adapter card (communications line) by the use of discrete board feature wires between the modem and the communications adapter card for that line. The modem is available in two models: U.S. and World Trade nonswitched network modem (Model 1) and U.S. and World Trade switched network modem (Model 2).

*U.S. and World Trade Nonswitched Network Modem  
(Model 1)*

The U.S. and World Trade nonswitched network modem (Model 1) operates on 4-wire lines point-to-point or multipoint as a tributary or control modem. A lightning protect card is also supplied.

*Point-to-Point Operation:* Both the transmit and receive sections of the modems are permanently on between data transmissions. A holding signal is sent over the line to maintain synchronization and equalization.

*Multipoint Operation:* In the multipoint configuration, one data station is the control station and the other data stations are tributary stations. Between data transmissions, the transmit section of the modem at the control station and the receive section of the modem at the tributary stations are permanently on. A holding signal is sent over the line to maintain synchronization and equalization.

*Note:* Both models of the 4800-bps integrated modem are set to take and execute all LPDA (line problem determination aid) commands. Some LPDA tests run under MDIs, and others are supplied as stand-alone tests under TU select.

*U.S. and World Trade Switched Network Modem  
(Model 2)*

The U.S. and World Trade switched network modem (Model 2) operates on 2-wire switched networks. Auto-answer is a basic function of the switched network modem. The modem is attached to the communications line by way of the following:

- Coupler adapter for external couplers similar to CBS (Canada only)
- Incorporated protective coupler (U.S. only)
- WT coupler (World Trade except Canada)

*Switched Operation:* The local (or remote) operator makes the manual connection by dialing the other data station telephone number.

At the start of data communications from local to remote:

1. The local transmit section initializes the remote receive section of the modem.
2. The local receive section of the modem is clamped off.
3. The remote transmit section of the modem is clamped off.

At the start of data communications from remote to local:

1. The remote transmit section initializes the local receive section of the modem.
2. The remote receive section of the modem is clamped off.
3. The local transmit section of the modem is clamped off.

Between data communications, the transmit section of the modems is off and a delay is necessary to change the direction of the signal over the line. The turn-around time is 50 milliseconds (with short initialization delay at 4800 bps).



### **Backup Speed**

The modem normally operates at 4800 bps. If necessary, a backup speed of 2400 bps can be used.

When the speed on a communications line is switched, an initialization sequence is started automatically. The time of the sequence compares to the ready-for-sending delay.

**Multipoint Network:** In a multipoint network configuration, the operator at the control station can select the backup speed through programming and the secondary stations will change speed automatically. The secondary stations cannot initialize a change in line speed.

**Switched Network:** In a switched network, speed control is possible from either station.

**Nonswitched Point-to-Point Network:** In a nonswitched point-to-point network, the control modem is jumpered for local speed control and the secondary modem is jumpered for remote speed control. The operator at the control modem station can select the backup speed through programming and the secondary modem station will automatically change speed. The station with the secondary modem cannot initialize a change in line speed.

**Maintenance:** In case of line problems where full-speed operation is not possible, attempt a backup speed of 2400 bps.

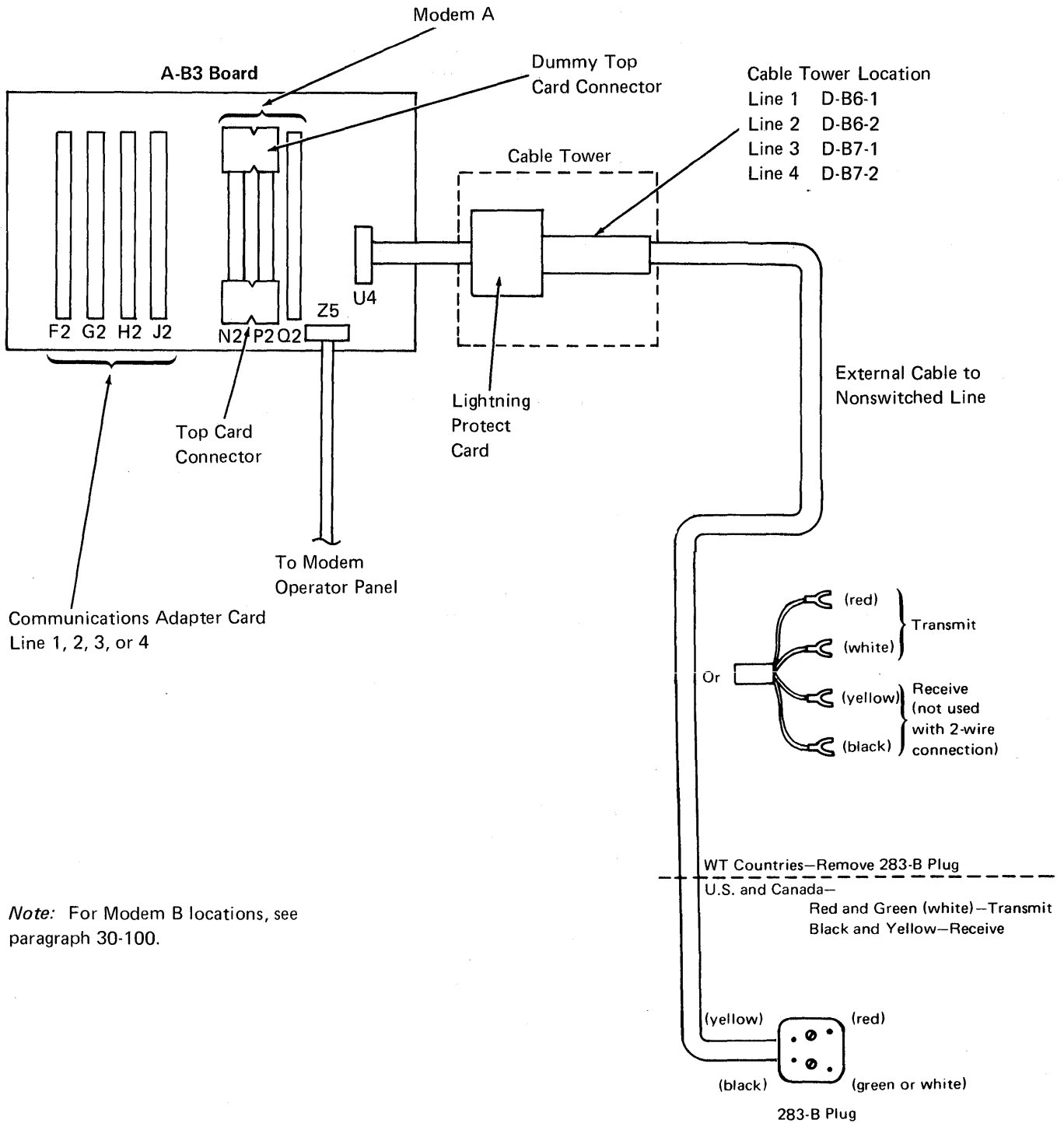
Backup-speed operation is useful at installation time as a diagnostic aid when full-speed operation is not acceptable. If the network operates correctly at backup speed, the programming, the modem, and the DTE hardware are probably correct.

Because equalization is done during the request-to-send/ready-for-sending delay, no user action is needed for new equalization when selecting half or full speed.

The half-speed operation indicates a condition of limited or poor communications link. Low error rate and good data quality when operating at half speed (if full-speed operation does not operate correctly or if data quality is limited) indicate that the communications link may be the problem. However, the wrap test at full speed should be completed with no failures indicated before the communications link is suspected.

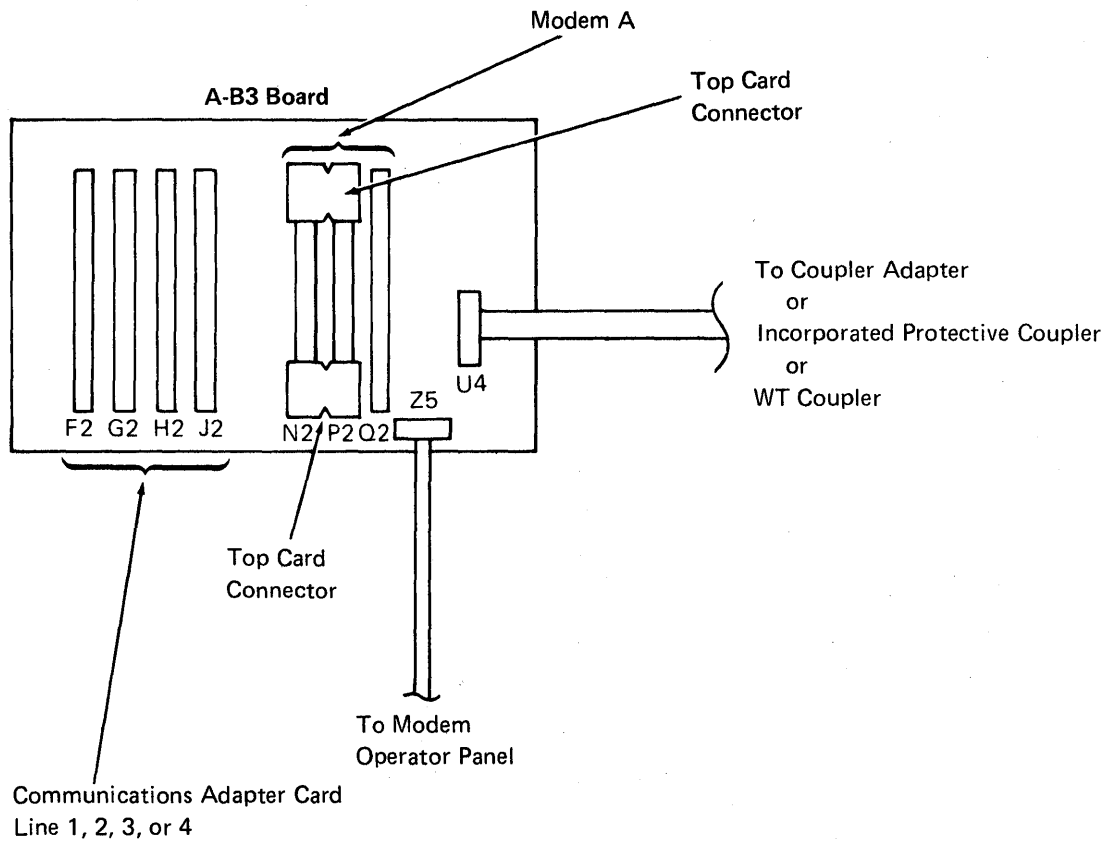
**30-405 Locations**

Figures 30-17 through 30-19 show the locations of the major parts used with the 4800-bps integrated modem.



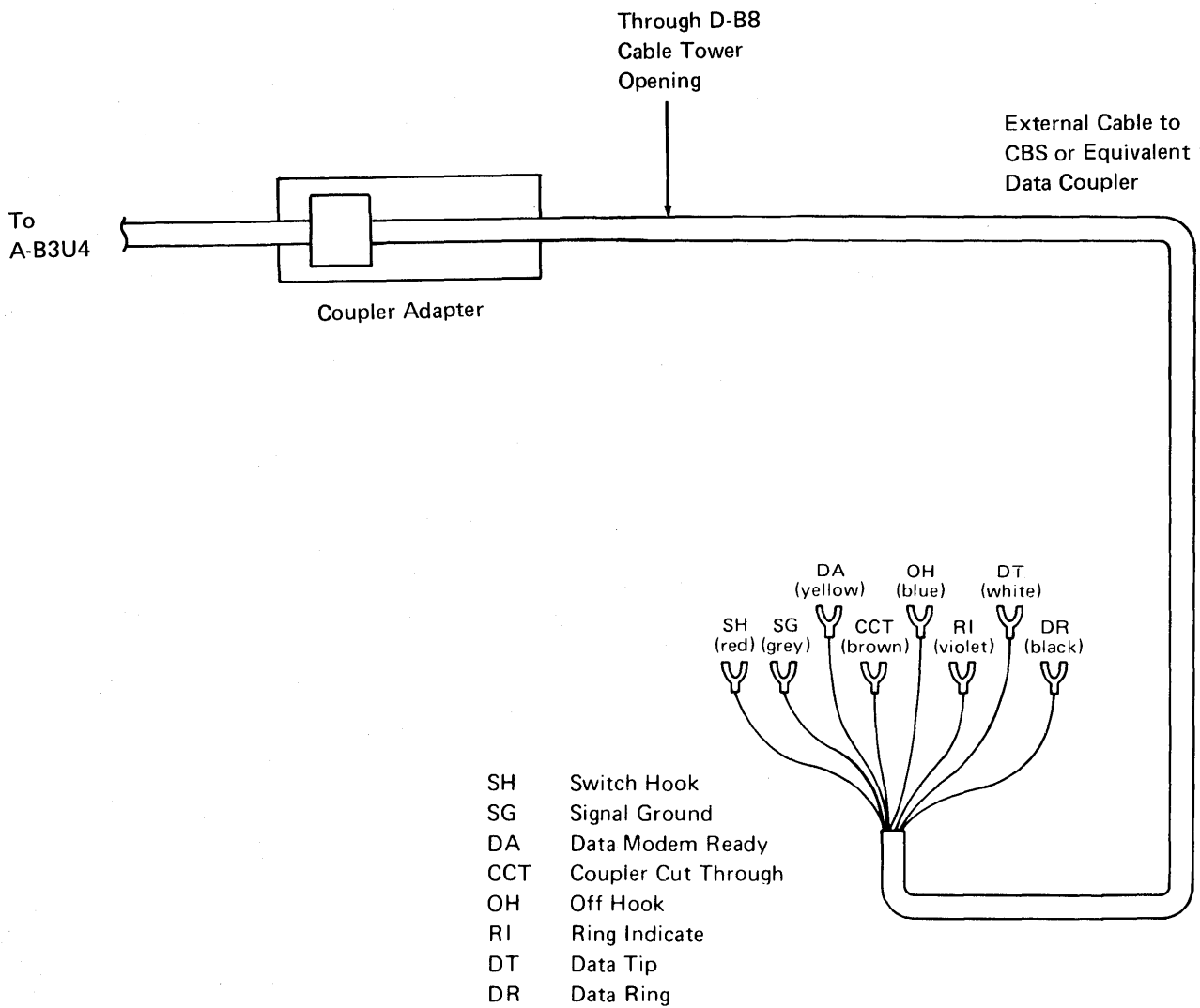
*Note:* For Modem B locations, see paragraph 30-100.

**Figure 30-17. 4800 BPS Integrated Modem—Nonswitched Network (Modem A)**



*Note:* For Modem B locations, see paragraph 30-100.

**Figure 30-18. (Part 1 of 4). 4800 BPS Integrated Modem-Switched Network (Modem A)**



**Figure 30-18. (Part 2 of 4). 4800 BPS Integrated Modem-Switched Network (Modem A) (Canada Only)**

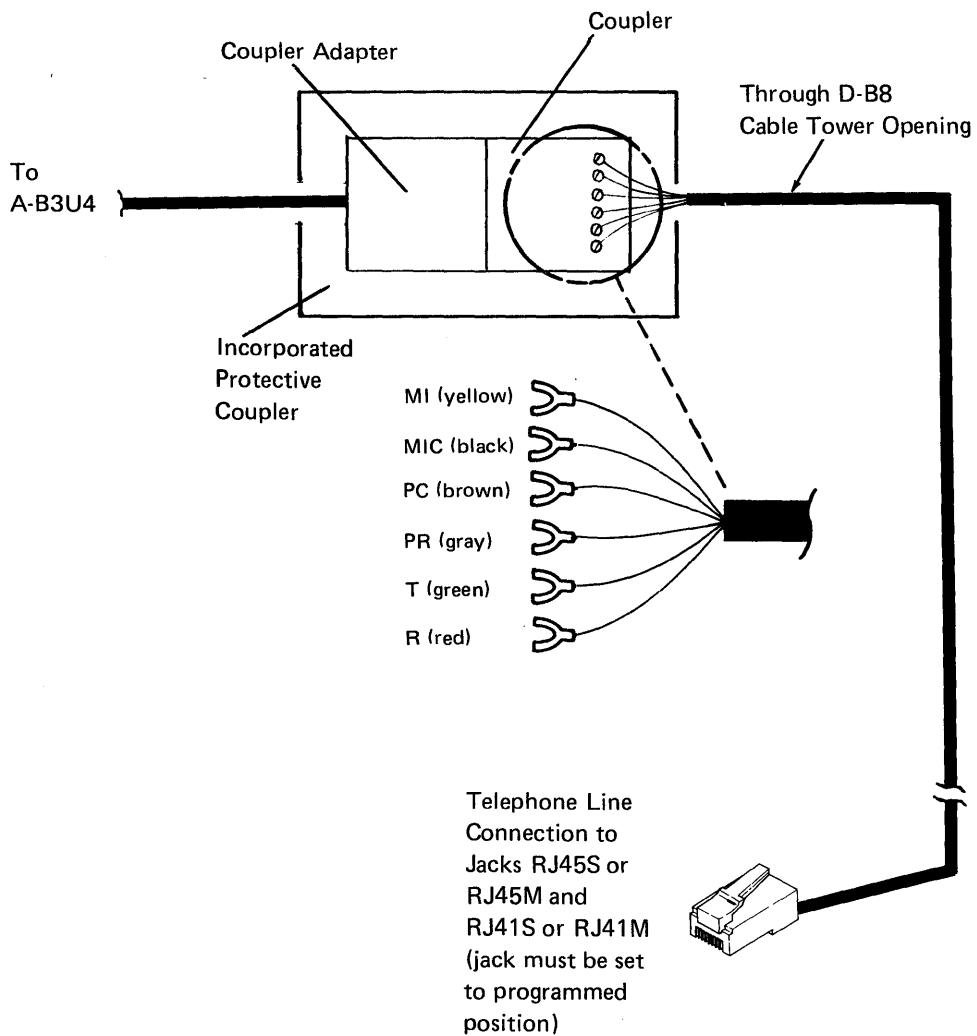
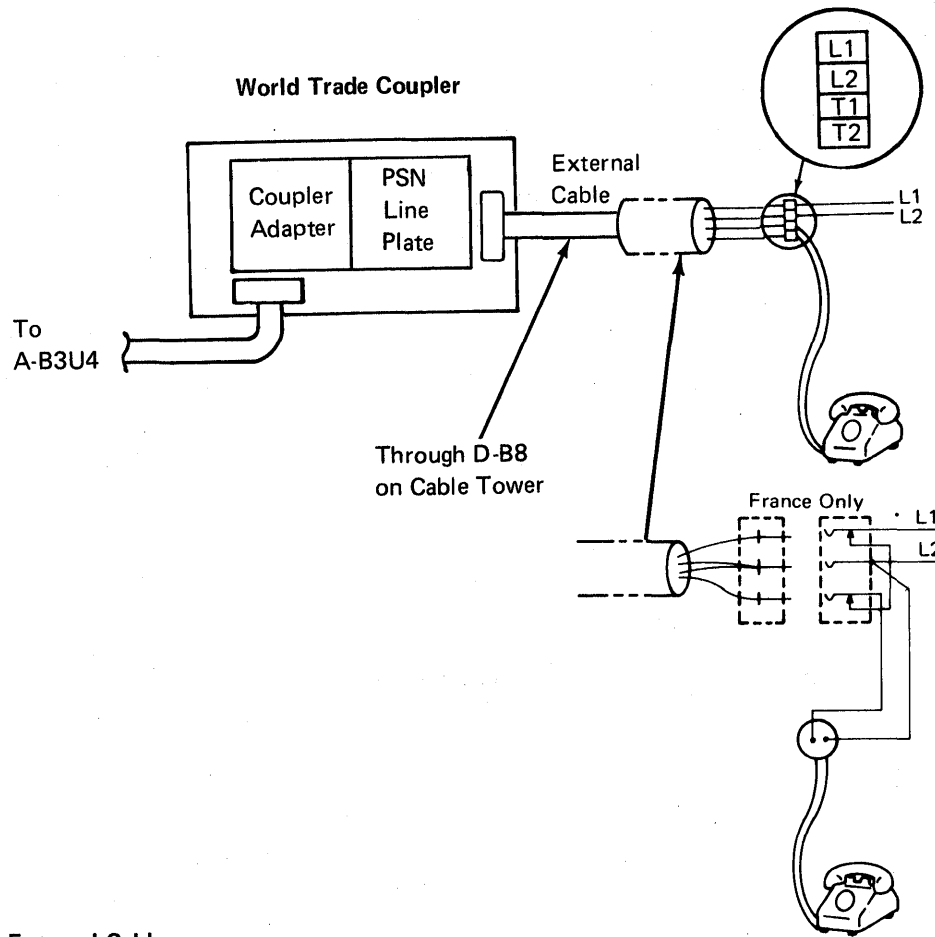


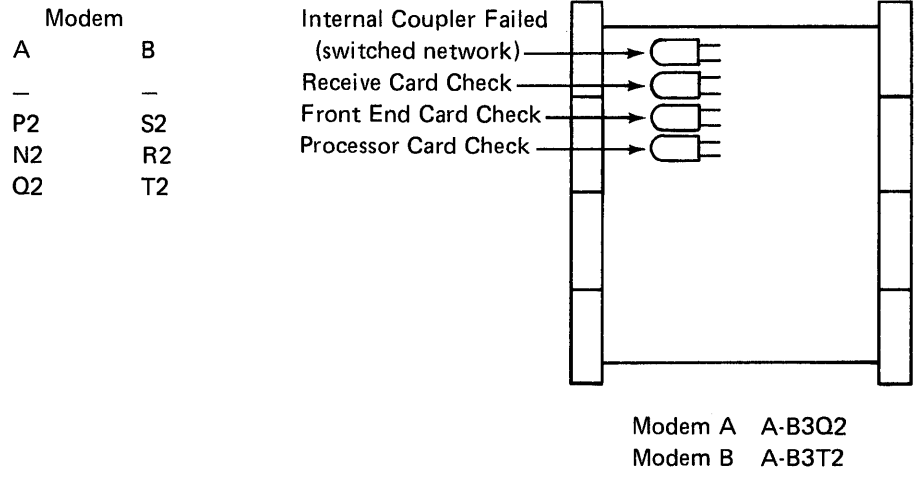
Figure 30-18. (Part 3 of 4). 4800 BPS Integrated Modem-Switched Network (Modem A) (U.S. Only)



**External Cable**

Line Plate	Cable	Telephone Plug
TB1-6	Handset 2 (T2)	Black
TB1-7	Handset 1 (T1)	Yellow
TB1-8	Telephone 1 (L2)	White
TB1-9	Telephone 2 (L1)	Red

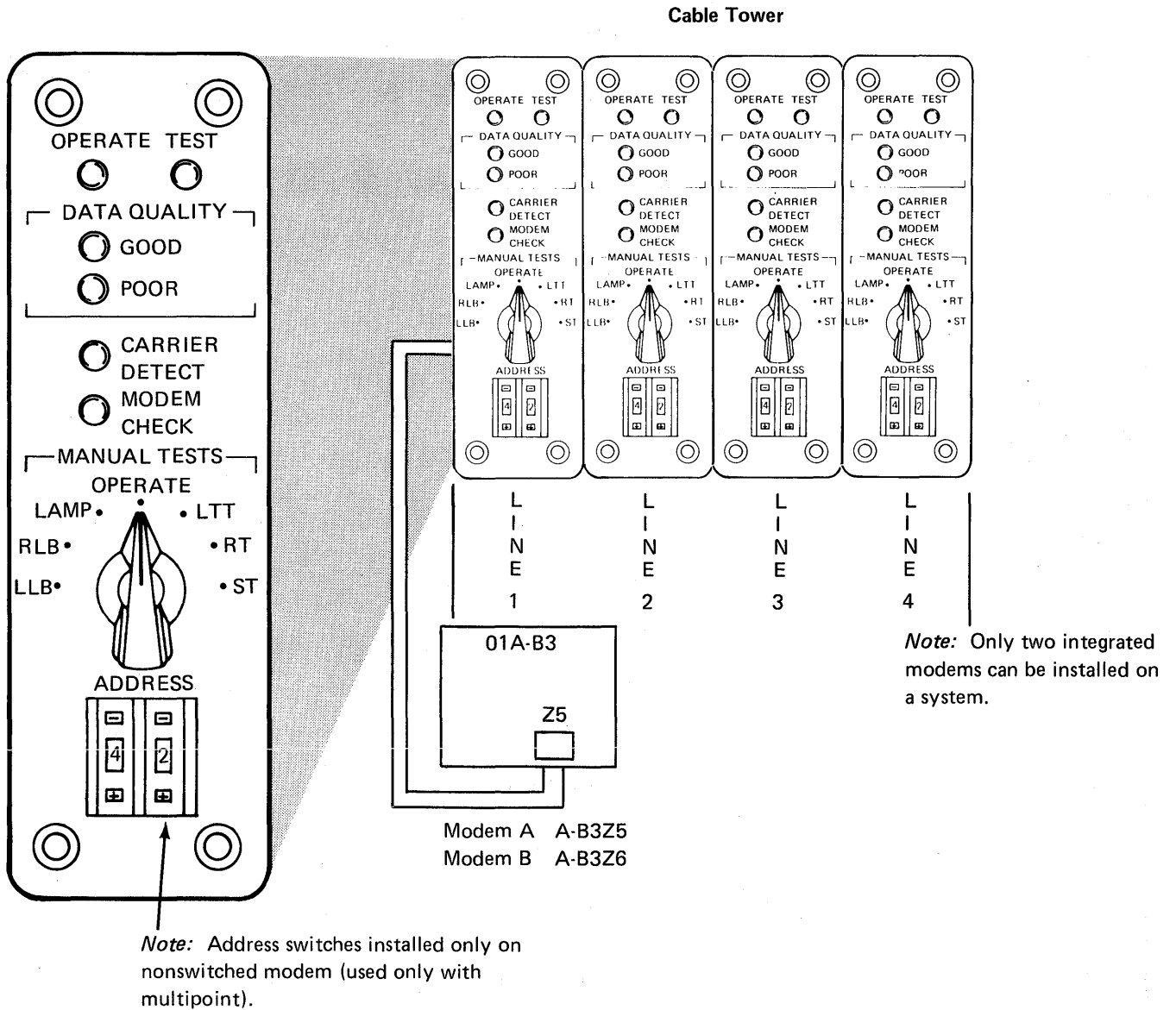
**Figure 30-18. (Part 4 of 4). 4800 BPS Integrated Modem-Switched Network (Modem A) (World Trade)**



**Figure 30-19. 4800 BPS Integrated Modem Processor Card LED Locations**

**30-410 Operator Panel**

The operator panel for the 4800-bps integrated modem and the panel indicators are shown in Figure 30-20. Table 30-1 specifies the function of each of the controls and indicators.



**Figure 30-20. Operator Panel for 4800 BPS Integrated Modem**



Table 30-1. 4800 BPS Integrated Modem Operator Panel Controls/Indicators

Controls/Indicators	Function
Operate	This indicator is on when the Manual Tests switch is in the Operate position, the DSR (data set ready) lead is on, and either the antistreaming condition is not present or the switched network connection has been made.
Test	This indicator is on when either of the following occurs: <ol style="list-style-type: none"> <li>1. The test indicate lead is on because the Manual Tests switch is in one of the testing positions (LLB, RLB, LAMP, LTT, RT, or ST), or</li> <li>2. An LPDA test is being run locally or from a remote system.</li> </ol>
Data Quality	<b>Note:</b> Both Data Quality indicators (Good and Poor) may be on at the same time. This is a temporary condition of less than one second. Both Data Quality indicators may be off at the same time. This condition indicates that Carrier Detect has been off during one or more periods of 256 bps.
Good	This indicator is on when data errors are not probable.
Poor	This indicator is one when data errors are probable.
Carrier Detect	This indicator is on when the Carrier Detect signal is present.
Modem Check	This indicator is on when the modem has sensed an error during transmission (see Figure 30-19 to isolate the LEDs to a FRU).
Manual Tests (rotary switch)	
LLB	Local Loop Back Test. Not used.
RLB	Remote Loop Back Test. Not used.
Lamp	When this switch is set to Lamp, all of the operator panel indicators should come on.
Operate	When this switch is set to Operate, the modem can be used for normal operation. The Operate indicator should come on (if the connection has been completed for a switched network).
LTT	Loop Transmit Test. When this switch is set to LTT, a test executes that checks the operation of the local modem, the remote modem, and the line connection.
RT	Receive Test. When this switch is set to RT, the modem is ready to operate as the receive modem during the LTT test (see 30-414 for a description of the LTT test).
ST	Self Test. When this switch is set to ST, the modem generates a test pattern that checks the operation of the local modem.
Address switches	Used in multipoint networks only (see 30-440, <i>Setting the Modem Address</i> ).

### 30-414 Test Diagnostics Operation

The Manual Tests rotary switch on the 4800-bps integrated modem operator panel selects either normal operation or diagnostic test run conditions on the communications system. This section describes each switch position and the diagnostic tests available with the 4800-bps integrated modem.

#### Normal Operation

When the Manual Tests switch is in the Operate position and the Operate indicator is on, the modem is ready for normal operation (for switched networks, the line connection must be complete before the Operate indicator comes on). When in the operate mode, check the Data Quality indicators on the operator panel. If only the Good indicator is on, the line quality is equal to or better than the specifications for accurate data transmission. If only the Poor indicator is on, the line quality is low enough to cause a 10% block error rate. If both indicators are on, the line quality is neither good nor poor (some data transmissions are completed). If both indicators are off, the carrier detect signal has not been on during the move period (256 bps).

#### Lamp Test

To test all of the indicators on the operator panel to see if they are operating correctly, perform the following steps:

1. Set the Manual Tests switch to the Lamp position. All indicators on the operator panel should come on.
2. Check the operator panel indicators and exchange any bad indicator (one that is not on).

#### Self Test

The self test feature of the 4800-bps integrated modem checks the operation of the modem without it being connected to an operating communications line. During the test, the modem generates a test pattern and transmits it to the receive modem in a local loop to sense any errors. The test runs continuously in a loop as long as the Manual Tests switch is in the ST position. Perform the following steps to run the self test on a specific modem:

1. Set the Manual Tests switch to the ST (self test) position.
2. Observe the following conditions of the indicators on the operator panel:
  - a. The Test indicator comes on.
  - b. The Data Quality Good indicator flashes on and off during the self test.
  - c. The Modem Check indicator does not come on during the self test.
3. If any errors are found during the self test (the modem check indicator will come on), check the LEDs on card B-A3Q2 (modem A) or B-A3T2 (modem B). If any of these LEDs are on, they indicate a failing FRU. See Figure 30-19 for the locations of LEDs on this card.
4. When you are through testing the modem, set the Manual Tests switch to the Operate position to return to normal operation.

#### Loop Transmit Test (Nonswitched Modems Only)

The loop transmit test checks the operation of the local modem, the remote modem, and the communications line. This test is used for nonswitched modems only. The loop transmit test cannot be used by a multipoint tributary station.

The local modem generates a test pattern and sends it to the remote modem. The remote modem receives the test pattern and transmits it back to the local modem. The local modem then compares the received test pattern with the expected test pattern to determine if an error has occurred. No operator aid is needed at the remote site.

#### Notes:

1. In a point-to-point configuration, only the primary modem can start this test.
2. In a multipoint configuration, only the control modem at the multipoint control station can start this test.

Perform the following steps to run the loop transmit test from a multipoint control station:

1. At the multipoint control station, set the address assigned to the modem at the tributary station on the local modem operator panel.
2. Set the Manual Tests switch on the operator panel to the LTT (loop transmit test) position.

During the test, the Test indicator is lighted at both stations. If the network is operating correctly, the Data Quality Good indicator on the local modem operator panel is also lighted. At the remote modems, the Carrier Detect and Data Quality Good indicators are also on while the test is running. The test runs as long as the Manual Tests switch is in the LTT position.

If the local modem senses an error in the received test pattern, the Modem Check indicator on the local modem comes on. The test does not isolate the FRU.

#### *Transmit/Receive Test (Switched Modems Only)*

**Switched Networks:** For switched modems using the transmit/receive test, the transmitting modem generates a test pattern and sends it to the receiving modem. The receiving modem checks the received pattern for errors. Operator aid is needed at both the local site and the remote site. Perform the following steps to execute the test for switched networks:

**Note:** Always perform the following steps in this sequence for correct operation.

1. For World Trade only, ensure that the Manual Test switch on both the local and the remote modem operator panels is set to Operate.

For World Trade only, make the switched line connection by dialing the remote modem telephone number from the telephone at the System/34 modem. Do not return the handset to the cradle (on the hook) at this time.

2. Have the Manual Tests switch on the remote modem set to the RT (receive test) position.
3. Set the System/34 modem Manual Tests switch to the LTT (loop transmit test) position. The transmitting modem starts sending the test pattern to the receiving modem.

4. For World Trade only, return the handset to the cradle (on the hook), and go to step 6.
5. Ensure that the System/34 modem telephone is in voice mode, then make the switched-line connection by dialing the remote modem telephone number from the telephone at the System/34 modem. When you hear the answer tone, return your handset to the cradle (on the hook). The transmit/receive test then starts running.
6. During the test, the Test indicator is lighted at both modems. If the network is operating correctly, the Data Quality Good indicator on the operator panel of the remote modem comes on. The test runs as long as the switches are in the indicated positions. If the remote modem senses an error in the received pattern, the Modem Check indicator at the remote modem comes on. The test does not isolate the FRU.

To test the System/34 receive section of the modem, perform the following additional steps:

7. Set the System/34 modem Manual Test switch to the RT (receive test) position.
8. Have the remote modem Manual Test switch set to the LTT (loop transmit test) position. The transmit/receive test then starts and runs in the opposite direction.
9. Check that the remote modem test indicator and the System/34 modem Data Quality Good and Test indicators are on while the test is running.

An error causes the System/34 modem Modem Check indicator to come on. The test does not isolate any FRUs.

### **30-440 Setting the Modem Address**

The modem address switch is used in multipoint configurations only. See Figure 30-20.

#### *Tributary Modem Addressing*

On a multipoint tributary modem, set the address switch to the same address as that of the attached DTE. The low-order digit (right-hand digit) of the 2-digit address must not be zero on a multipoint tributary modem. Also, each modem DTE address must be different from other modem DTE addresses in the network.

#### *Multipoint Control Modem Addressing*

A multipoint control modem address switch is active only when one of the manual tests is being run (loop transmit test).

### **30-450 Card Switch Settings Transmit Level**

#### *United States and Canada*

Over nonswitched lines, the transmit level is 0 dBm (-10 dBm for Canadian National/Canadian Pacific Telecommunications Networks). No adjustment is needed. Ensure that the transmit level switches are set to the correct level.

Over switched lines, the modem transmit level is set to 0 dBm when the modem is connected to the line through the IBM Incorporated Protective Coupler (United States only). The IBM Incorporated Protective Coupler automatically adjusts to the correct transmit level by testing the program resistor installed in the wall socket by the common carrier. No adjustment is needed. Ensure that the transmit level switches are set to the correct level.

In Canada, the modem is connected to the line through a CBS Data Coupler or a similar coupler. The transmit level must be adjusted to the value indicated on the coupler box as shown in Figure 30-21.

#### *Other Countries*

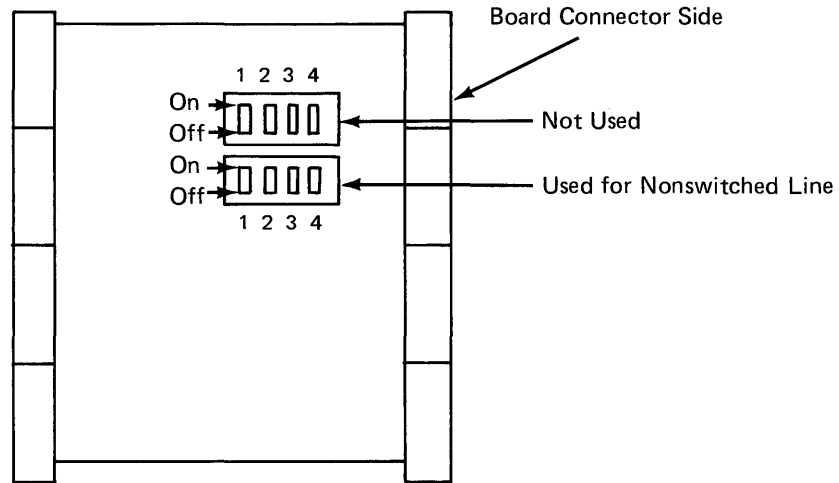
In countries outside the U.S. and Canada, the transmit level may change as described by local PTT codes. When possible, the transmit level is set when the host unit is assembled as instructed by codes specified at ordering time.

#### *Setting the Transmit Level*

The modem transmit level is set through transmit level control switches. One set of switches is for nonswitched lines, and one set of switches is for switched lines. Set the switches by using the information given in Figure 30-21.

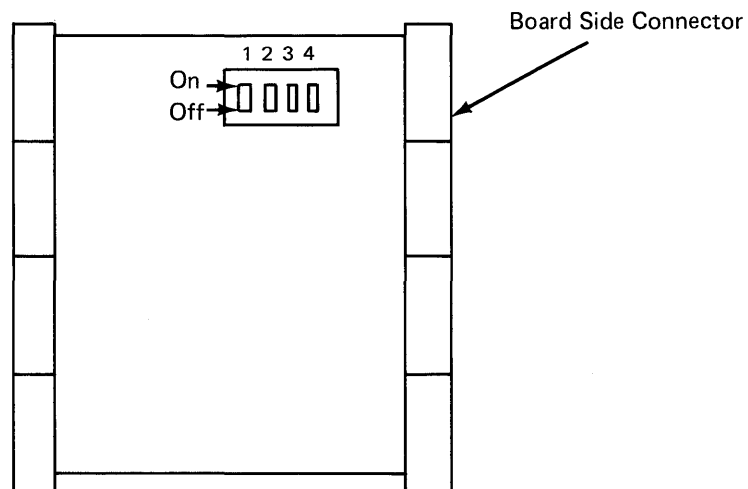
**Model 1 Nonswitched Network**

Modem A A-B3N2  
 Modem B A-B3R2



**Model 2 Switched Network**

Modem A A-B3N2  
 Modem B A-B3R2



**Switch Setting**

*Note:* 1 = switch in On position,  
 0 = switch in Off position.

Digital Code	Output Level (dBm)
1 2 3 4	
1 1 1 1	-0
0 1 1 1	-1
1 0 1 1	-2
0 0 1 1	-3
1 1 0 1	-4
0 1 0 1	-5
1 0 0 1	-6
0 0 0 1	-7
1 1 1 0	-8
0 1 1 0	-9
1 0 1 0	-10
0 0 1 0	-11
1 1 0 0	-12
0 1 0 0	-13
1 0 0 0	-14
0 0 0 0	-15

Figure 30-21. 4800 BPS Integrated Modem Front End Card Transmit Level Switches

## **30-460 Board Jumpers**

### *Model 1 Options (Nonswitched)*

For nonswitched networks, the modem is always shipped from the factory with the jumpers installed that make it a multipoint control station. If the modem is not to be used as a control station, add or remove the jumpers as needed. See Table 30-2 for the jumpers needed for Model 1 options.

### *Model 2 Options (Switched)*

Table 30-3 specifies the jumper configuration needed for Model 2 options.

### *Discrete Wires*

Discrete wires are needed to connect the 4800-bps integrated modem to the communications adapter card. These wires are described in Figure 30-22.

Table 30-2. Model 1 Option Jumpers (Nonswitched)

Option	Modem A		Modem B	
	From	To	From	To
<b>Network Configurations</b>				
Multipoint Control	A-B3N2P07	A-B3N2D08	A-B3R2P07	A-B3R2D08
Multipoint Tributary	A-B3N2P07	A-B3N2D08	A-B3R2P07	A-B3R2D08
	A-B3N2P09	A-B3N2J08	A-B3R2P09	A-B3R2J08
Point-to-Point (4-wire)	Remove multipoint control jumper above		Remove multipoint control jumper above	
<b>Speed Control</b>				
Local Speed Control (primary or multipoint control modem) (see Note 1)	No jumpers needed		No jumpers needed	
Remote Speed Control (secondary or multipoint tributary modem) (see Note 1)	A-B3N2P09	A-B3N2D08	A-B3R2P09	A-B3R2D08
<b>Initialization RFS Delay</b>				
24 ms (normal)	No jumpers needed		No jumpers needed	
50 ms (long) (see Note 2)	A-B3N2P11	A-B3N2P08	A-B3R2P11	A-B3R2P08
<b>Carrier Detect Sensitivity (Receive Level)</b>				
Above -32 dBm (normal position for U.S. and World Trade above -32 dBm)	No jumpers needed		No jumpers needed	
Below -32 dBm (World Trade below -32 dBm)	A-B3N2P13	A-B3N2U08	A-B3R2P13	A-B3R2U08
<b>Notes:</b>				
1. For point-to-point speed control only, both modems must <i>not</i> be set for remote speed control. Set the modem at the station that most often controls the network (the station that transmits or is polled first) to local speed control. Set the other modem for remote speed control.				
2. The long delay time is needed for a multipoint tributary station that does not respond because of an overload on the line (a poor link in a multipoint network).				

Table 30-3. Model 2 Option Jumpers (Switched)

Option	Modem A		Modem B	
	From	To	From	To
Point-to-Point (2-wire) CCITT	A-B3N2P09	A-B3N2D08	A-B3R2P09	A-B3R2D08
Point-to-Point (2-wire) U.S.	No jumpers needed		No jumpers needed	
Initialization RFS Delay	No jumpers needed		No jumpers needed	
Long (normal)	No jumpers needed		No jumpers needed	
Short (see note)	A-B3N2P11	A-B3N2P08	A-B3R2P11	A-B3R2P08

*Note:* The short initialization RFS delay can be set by the service representative when switched network connections are limited to local calls inside one central office. Because telephone line conditions may change, this option needs testing when installed in such a local configuration.

Adapter Card*	Signal	Modem Card**
M13	DTR	B02
S10	DSR	B13
P06	RTS	D02
S09	CTS	D13
S13	CD	B12
P10	Rate Select	B04
M10	Test Control	B05
P11	Test Ind	D10
S07	Ring Ind	D12
S05	Rcv Clk	B08
S08	Xmit Clk	B07
U10	Rcv Data	B10
P13	Xmit Data	D04
M05	Sel Stby (used for diagnostics only)	B03

\*Line 1 A-B3F2  
 Line 2 A-B3G2  
 Line 3 A-B3H2  
 Line 4 A-B3J2  
 \*\*Modem A-B3N2  
 Modem B-B3R2

Figure 30-22. 4800 BPS Integrated Modem Discrete Wires



### **30-470 Line Plate Adjustment**

The line plate adjustment is needed only when the network is a World Trade public switched network (PSN). This adjustment for the 4800-bps integrated modem is the same as the adjustment performed for the 1200-bps integrated modem. See procedure 30-360 for the steps to perform the line plate adjustment.

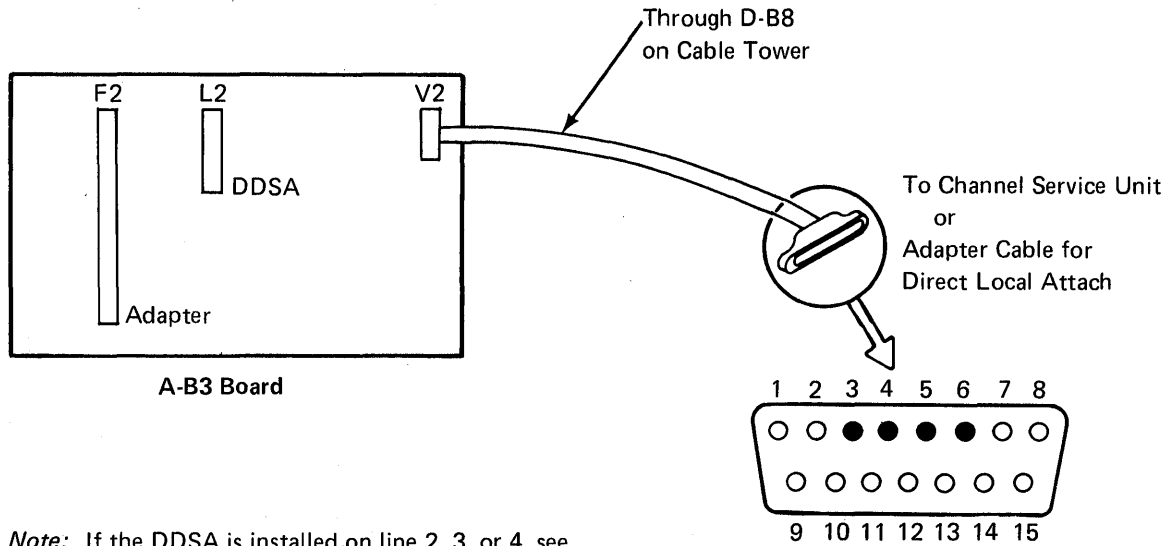
### **30-480 Couplers and Transmit Level Limiting Check (Canada Only)**

This procedure is the same as procedure 30-370. See 30-370 for problems in this area.

## 30-500 DIGITAL DATA SERVICE ADAPTER

### 30-510 Locations

Figure 30-23 shows the parts needed for the Digital Data Service Adapter (DDSA) for line 1. If installation is on line 2, 3, or 4, see Figures 30-5 and 30-7 for hardware locations.



*Note:* If the DDSA is installed on line 2, 3, or 4, see Figures 30-5 and 30-7 for hardware locations.

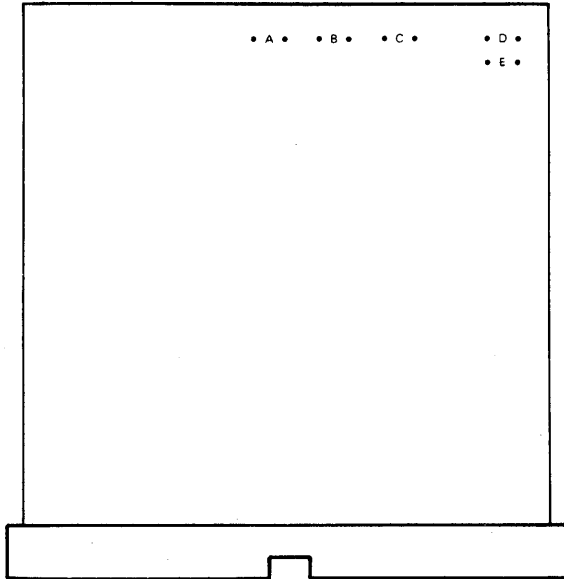
- 3 Received Data (DT1)
- 4 Received Data (DR1)
- 5 Transmitted Data (DT)
- 6 Transmitted Data (DR)

1, 2, and 7 through 15 are not used.

Figure 30-23. Digital Data Service Adapter (Line 1)

## 30-550 Card Jumpers

The Digital Data Service Adapter cards have five jumper locations; attach these jumpers as instructed in Figure 30-24.



Line 1 A-B3L2  
Line 2 A-B3M2  
Line 3 A-B3L4  
Line 4 A-B3M4

- A — Needed for 2400 bps operation (see note)
- B — Needed for 4800 bps operation (see note)
- C — Needed for 9600 bps operation (see note)
- D — Needed for 56,000 bps operation (see note)
- E — Needed for multipoint operation (disables the channel service unit loop-back)  
Not used for point-to-point operation (enables the channel service unit loop-back in test mode)

*Note:* The bits-per-second rate must be set to the rate specified in the customer's order for service to the common carrier. Clocking is controlled by the common carrier central office or by the adapter (local direct attach). If 56,000 bps is specified, the communications adapter card switch settings and configuration for this line must be set for device address 80.

**Figure 30-24. Card Jumpers for DDSA**

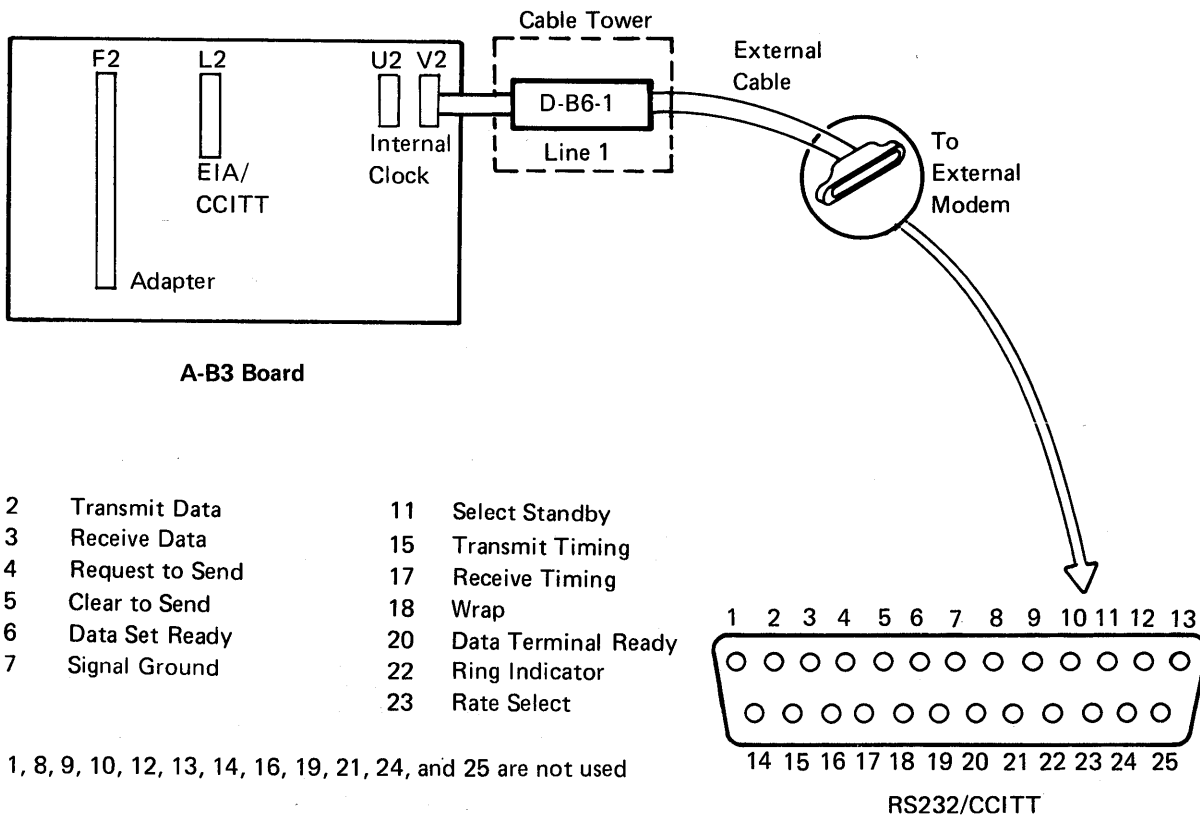
**30-600 EIA/CCITT ADAPTER**

**30-610 Locations**

External medium-band modems are attached to System/34 by the EIA/CCITT (Electronic Industries Association/International Consultative Committee on Telegraph and Telephone) adapter card. Figure 30-25 shows the parts for the external modem configuration for line 1. If installation is on line 2, 3, or 4, see Figures 30-5 and 30-7 for hardware locations.

The EIA/CCITT adapter card converts the signal level and changes the voltage to the levels specified in RS-232C and CCITT recommendation V.28.

If the external stand-alone modem is either an IBM 3863, 3864 or 3865, have the modem configuration switch set to take all LPDA commands.

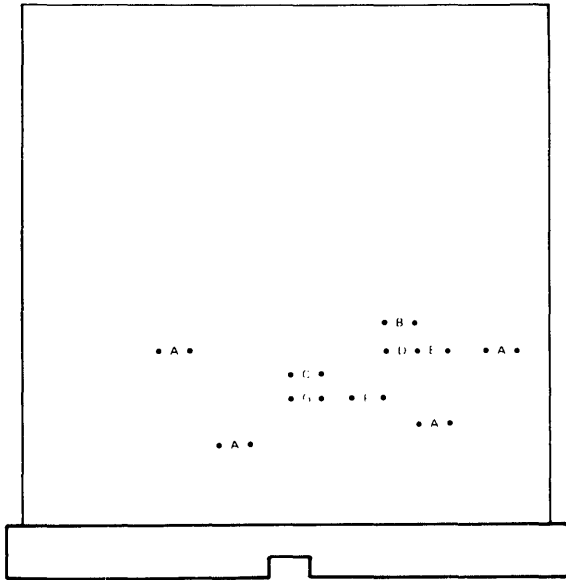


*Note:* If the EIA/CCITT adapter is installed on line 2, 3, or 4, see Figures 30-5 and 30-7 for hardware locations.

**Figure 30-25. EIA/CCITT Installed on Communication Line 1**

**30-650 Card Jumpers**

The EIA/CCITT cards have 10 jumper locations, but none of the jumpers is needed.



If you have a multipoint control modem that needs *new sync*, the following jumpers are added for each line:

- Line 1 A-B3L2G08 to A-B3V2D13
- Line 2 A-B3M2G08 to A-B3V3D13
- Line 3 A-B3L4G08 to A-B3V4D13
- Line 4 A-B3M4G08 to A-B3V5D13

- Line 1 A-B3L2
- Line 2 A-B3M2
- Line 3 A-B3L4
- Line 4 A-B3M4

- A – Not used or missing (four locations)
- B – Not used
- C – Not used
- D – Not used
- E – Not used
- F – Not used
- G – Not used

### 30-660 EIA/CCITT Modem Control Lines

The modem control lines for the EIA/CCITT interface are active during the up level. These lines and their associated pin numbers are shown in Figure 30-26. The following paragraphs describe eight of these lines.

The 'RTS' (request to send) line controls the transmit and receive functions of the modem. When this line is active, the modem is in transmit mode; when this line is not active, the modem is in receive mode. On a 2-wire nonswitched line, 'RTS' is switched by System/34. On a 4-wire nonswitched line, 'RTS' can be switched by System/34, held permanently on by System/34, or held permanently on by the modem. On a switched line, 'RTS' is switched by System/34. The 'RTS' line is on during the transmission of each block or frame.

The 'standby' line selects the switched network backup (SNBU) line.

The 'test' line selects the modem wrap function. When the modem wrap test is running, the transmit function of the modem is sent back to the receive function of the modem.

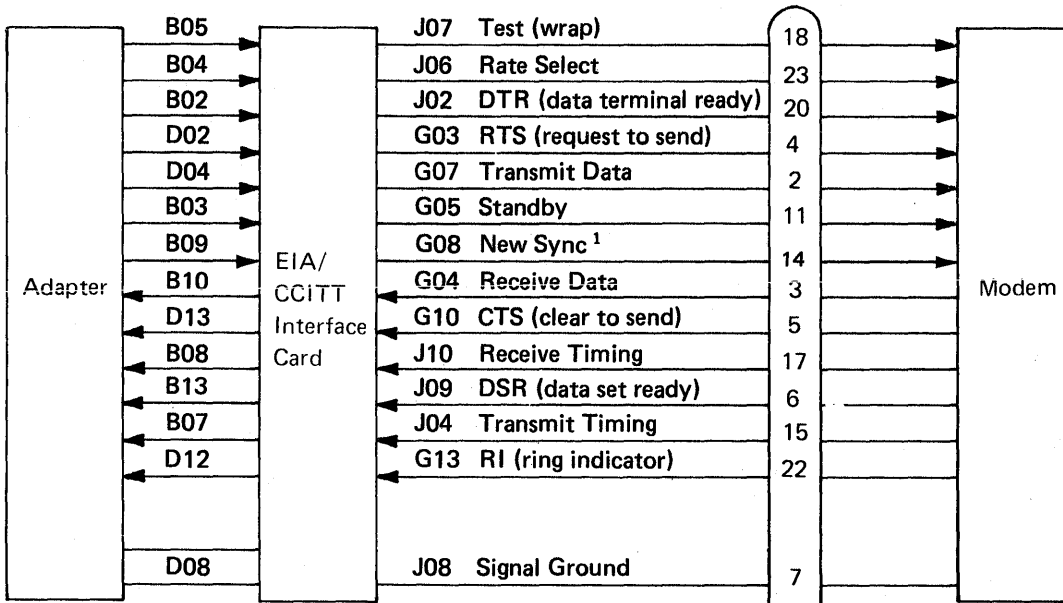
The 'DTR' (data terminal ready) line signals the modem that the terminal is ready to send or receive data. On a switched line, 'DTR' initializes and holds the line connection.

The 'rate select' line selects the bit rate on modems with half speed. When this line is down, half speed is selected.

The 'CTS' (clear to send) line indicates that the modem is ready to transmit data. On a 4-wire nonswitched line, 'CTS' can be active all the time. On a 2-wire nonswitched or switched line, 'CTS' is turned on and off by the 'RTS' line.

The 'DSR' (data set ready) line indicates that the modem is ready. The modem is ready when power is on, when the modem is connected to the line, and when the modem is not in test mode; all three conditions must be met.

The 'ring indicator' line indicates that the modem is receiving a call.



Line 1	A-B3F2	Line 1	A-B3L2
Line 2	A-B3G2	Line 2	A-B3M2
Line 3	A-B3H2	Line 3	A-B3L4
Line 4	A-B3J2	Line 4	A-B3M4

Pin numbers of the RS232/CCITT connector

*Note:* The cable wrap connector connects the following signals for testing:

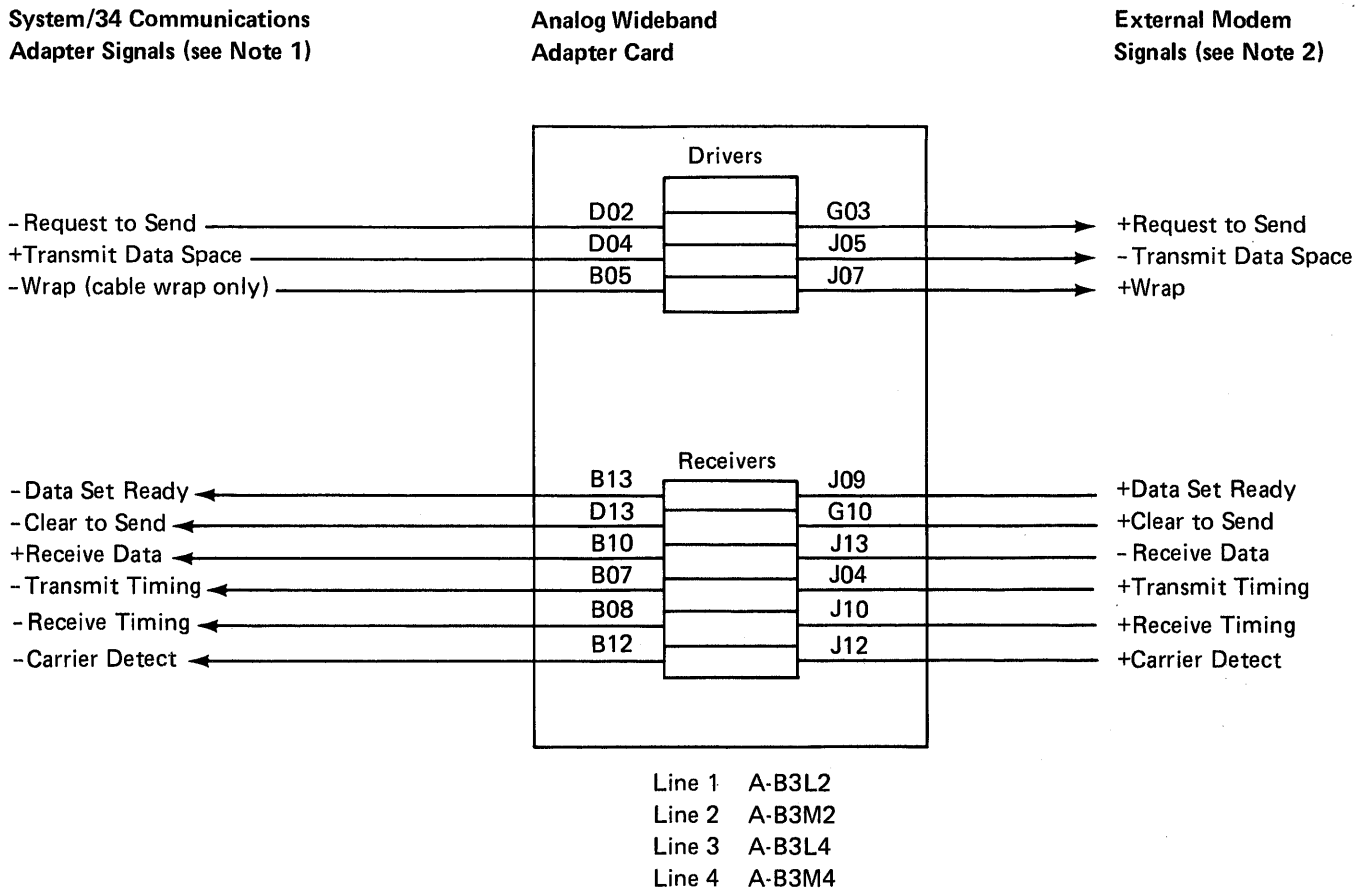
- DTR to DSR
- RTS to RI
- Transmit Data to CTS
- Rate Select to Transmit Timing
- Wrap to Receive Data
- Standby to Receive Timing

<sup>1</sup>New Sync requires a board jumper

Figure 30-26. Modem Control Lines for EIA/CCITT Interface

### 30-700 ANALOG WIDEBAND ADAPTER

The analog wideband adapter card is used to convert the signal levels of the communications adapter card to the levels needed by a high-speed WE303 modem. See Figures 30-27 through 30-29 for more information.



**Notes:**

1. The communications adapter signals are at a VTL level.
2. The external modem signals are at a WE303 level.
3. The wrap connector connects the following signals for diagnostic testing:
  - Wrap → Transmit Timing
  - Transmit Timing → Receive Timing
  - Transmit Data → Receive Data
  - RTS → CTS
  - DSR
  - Carrier Detect

**Figure 30-27. Analog Wideband Adapter Signal Lines**

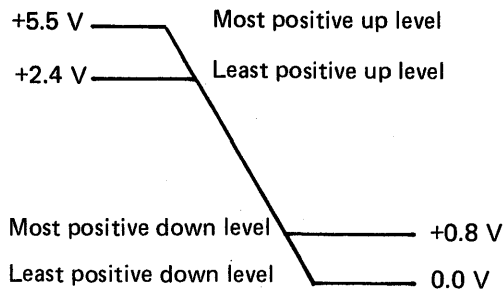
### WE303

Logic 0 (high) = > sink 23 milliamperes minimum  
Logic 1 (low) = > sink 5 milliamperes maximum

#### Notes:

1. If the WE303 input signal is low, the VTL output signal is high; if the WE303 input signal is high, the VTL output signal is low.
2. No voltage levels are shown for the WE303, because the WE303 is a current-driven device.

### VTL



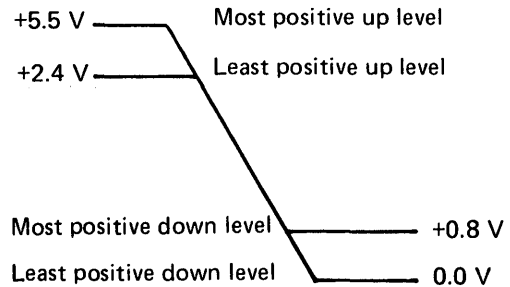
Current at up level = 8 milliamperes loaded to the source of the signal  
Current at down level = 1.45 milliamperes maximum supplied to the source

Figure 30-28. Normal Input Signals

### WE303

Current load = 100 ohms  $\pm$  10% to ground:  
Logic 0 (high) = > 23 milliamperes minimum  
Logic 1 (low) = > 5 milliamperes maximum

### VTL



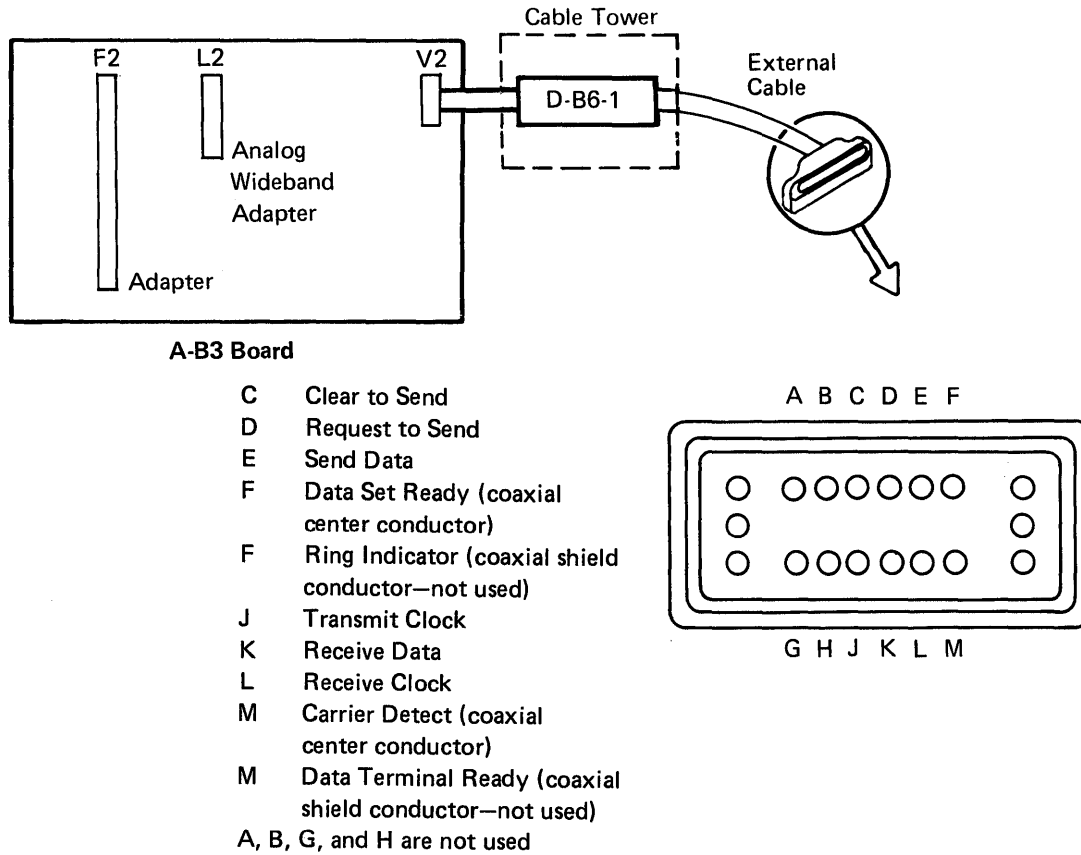
Current at up level = 10 milliamperes maximum  
Current at down level = sink 4.8 milliamperes maximum

Figure 30-29. Normal Output Signals



### 30-710 Locations

Figure 30-30 shows the parts for the external modem configuration for line 1. If installation is on line 2, 3, or 4, see Figures 30-5 and 30-7 for hardware locations.

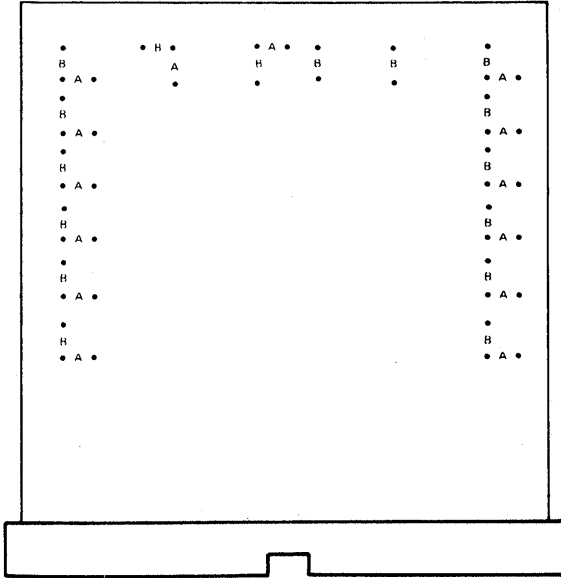


**Note:** If the wideband adapter is installed on line 2, 3, or 4, see Figures 30-5 and 30-7 for hardware locations.

**Figure 30-30. Analog Wideband Adapter Locations (Line 1)**

### 30-750 Card Jumpers

The analog wideband adapter card needs 14 jumpers installed to run WE303 mode; attach these jumpers as instructed in Figure 30-31. (Only one wideband card can be installed on the system.)



- Line 1 A-B3L2
- Line 2 A-B3M2
- Line 3 A-B3L4
- Line 4 A-B3M4

A Needed (14 locations)  
 B Not used

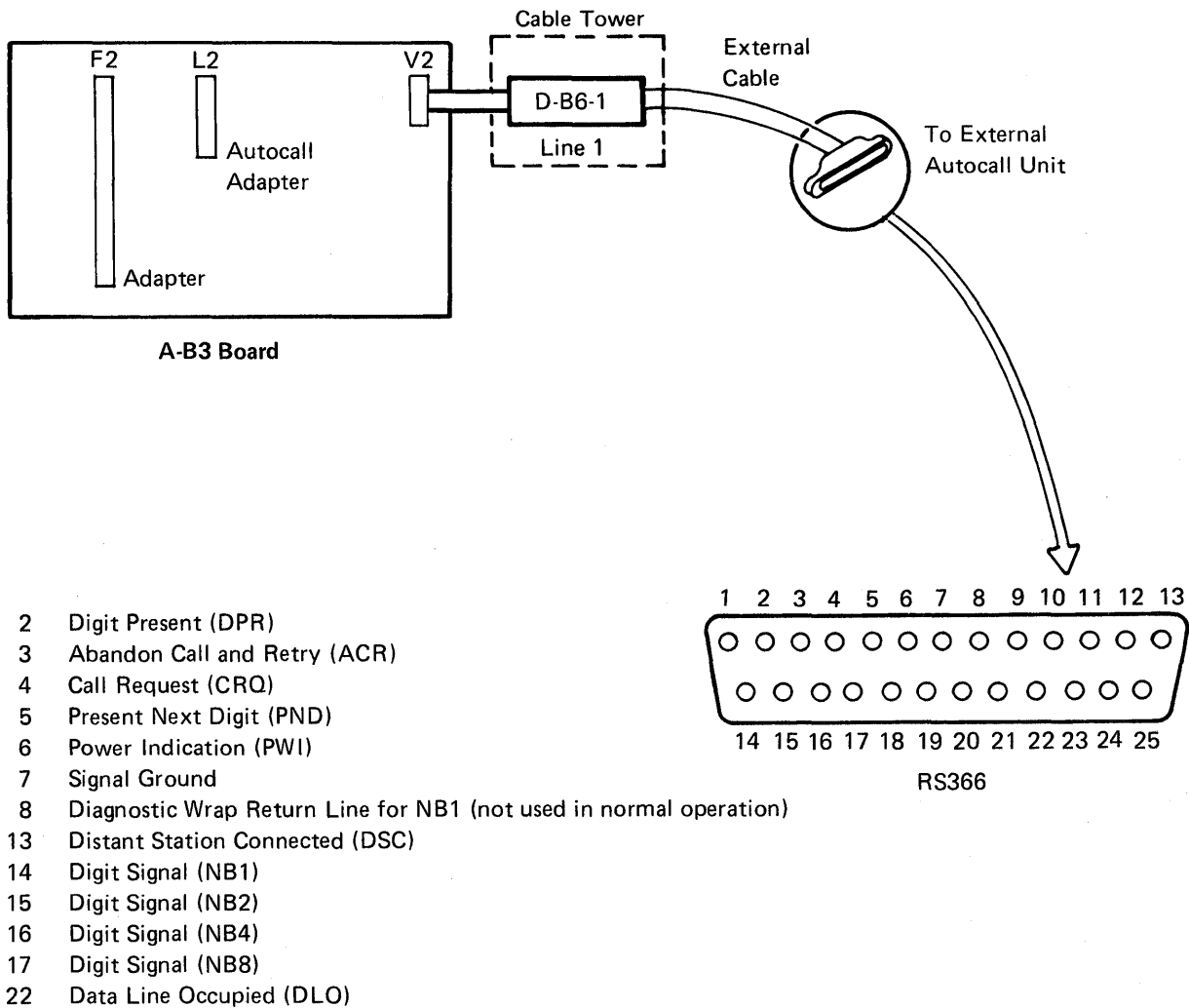
*Note:* The communications adapter card switch settings and configuration for this line must be set for device address 80; ensure that the jumper for microinterrupt request to interrupt level 2 is installed on this communications line (see 30-200).

**Figure 30-31. Card Jumpers for Analog Wideband Adapter**

## 30-800 AUTOCALL ADAPTER

### 30-810 Locations

Figure 30-32 shows the parts needed for the autocal adapter installed on line 1. If installation is on line 2, 3, or 4, see Figures 30-5 and 30-7 for hardware locations.



**Note:** For testing purposes, pin 6 is tied to pin 11, and pin 16 is tied to pin 18 at the end of the cable.

**Figure 30-32. Autocall Adapter Installed on Communication Line 1**

### 30-820 Autocall Control Lines

The autocall control lines and their associated pin numbers are shown in Figure 30-33. The autocall wrap connector is shown in Figure 30-34.

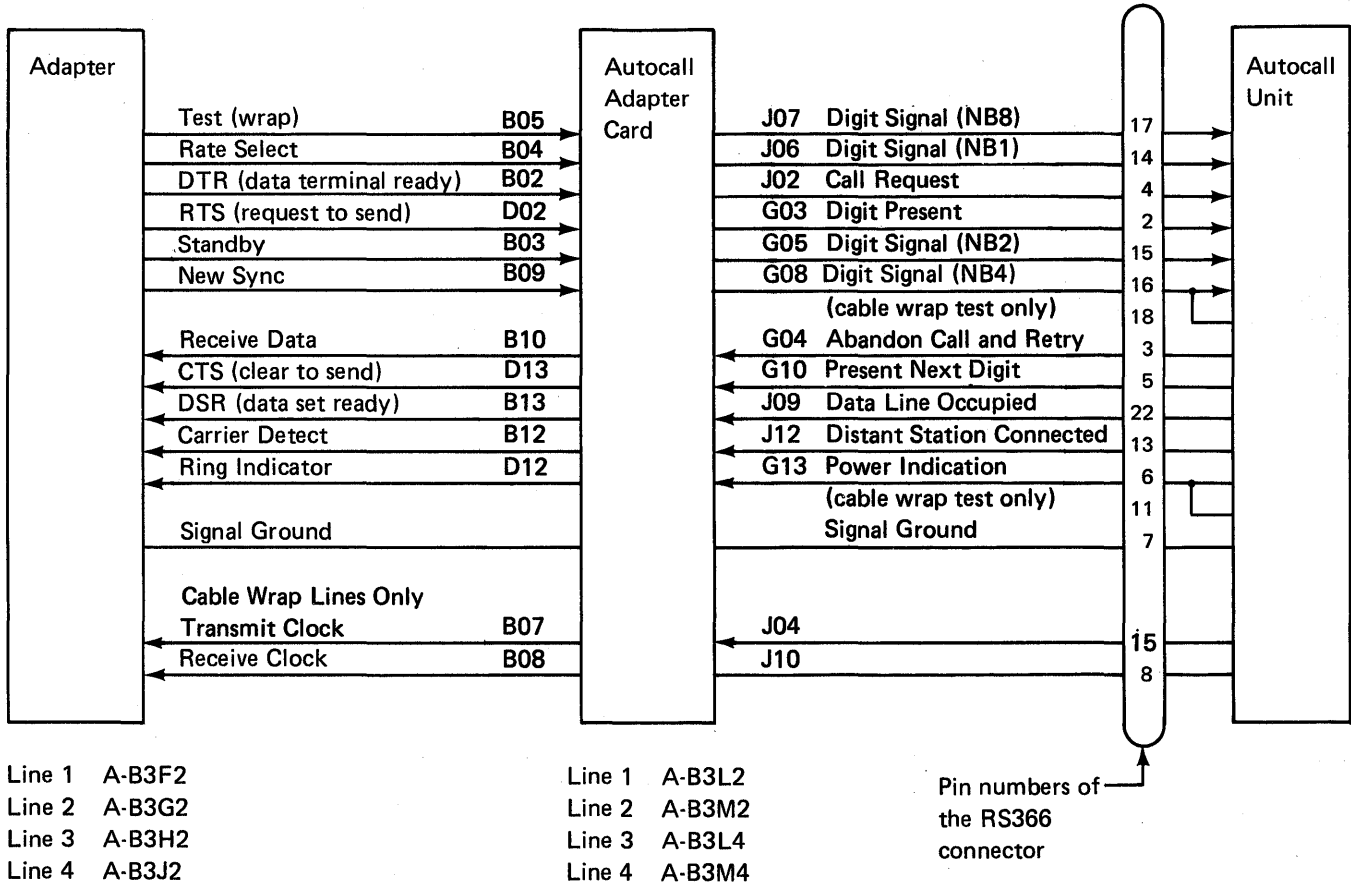


Figure 30-33. Autocall Control Lines

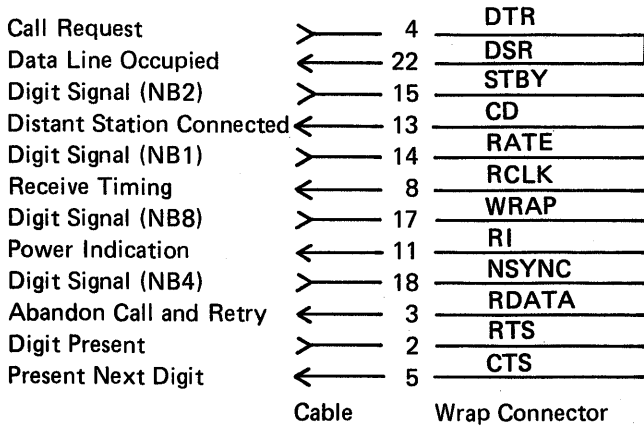
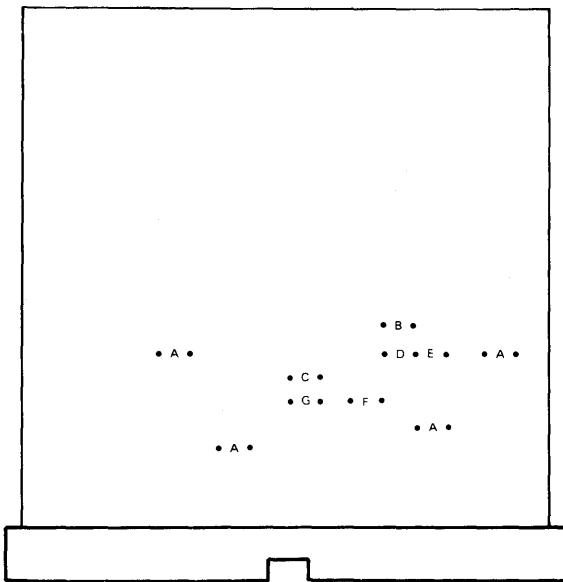


Figure 30-34. Autocall Cable Wrap Connector

### 30-850 Card Jumpers

The autocal adapter cards are the same as the EIA/CCITT cards. The cards have 10 jumper locations (see Figure 30-35), but none of the jumpers is needed. However, you must connect one of the following board jumpers to supply the digit signal (NB4):

- Line 1 A-B3L2G08 to A-B3V2D13
- Line 2 A-B3M2G08 to A-B3V3D13
- Line 3 A-B3L4G08 to A-B3V4D13
- Line 4 A-B3M4G08 to A-B3V5D13



- Line 1 A-B3L2
- Line 2 A-B3M2
- Line 3 A-B3L4
- Line 4 A-B3M4

- A – Not used or missing (four locations)
- B – Not used
- C – Not used
- D – Not used
- E – Not used
- F – Not used
- G – Not used

**Note:** The communications adapter card switch settings for this line must have switch 3 in the On position.

**Figure 30-35. Autocal Adapter Card Jumpers**

**30-900 X.21 LINE ADAPTER**

**30-910 Locations**

The X.21 network interfaces to the System/34 multiline communications adapter (MLCA) by using a 2-wide 3-high X.21 line adapter card. See Figure 30-36 for line 1 hardware configuration. If line 2, 3, or 4 is installed, see Figures 30-5 and 30-7 for hardware locations.

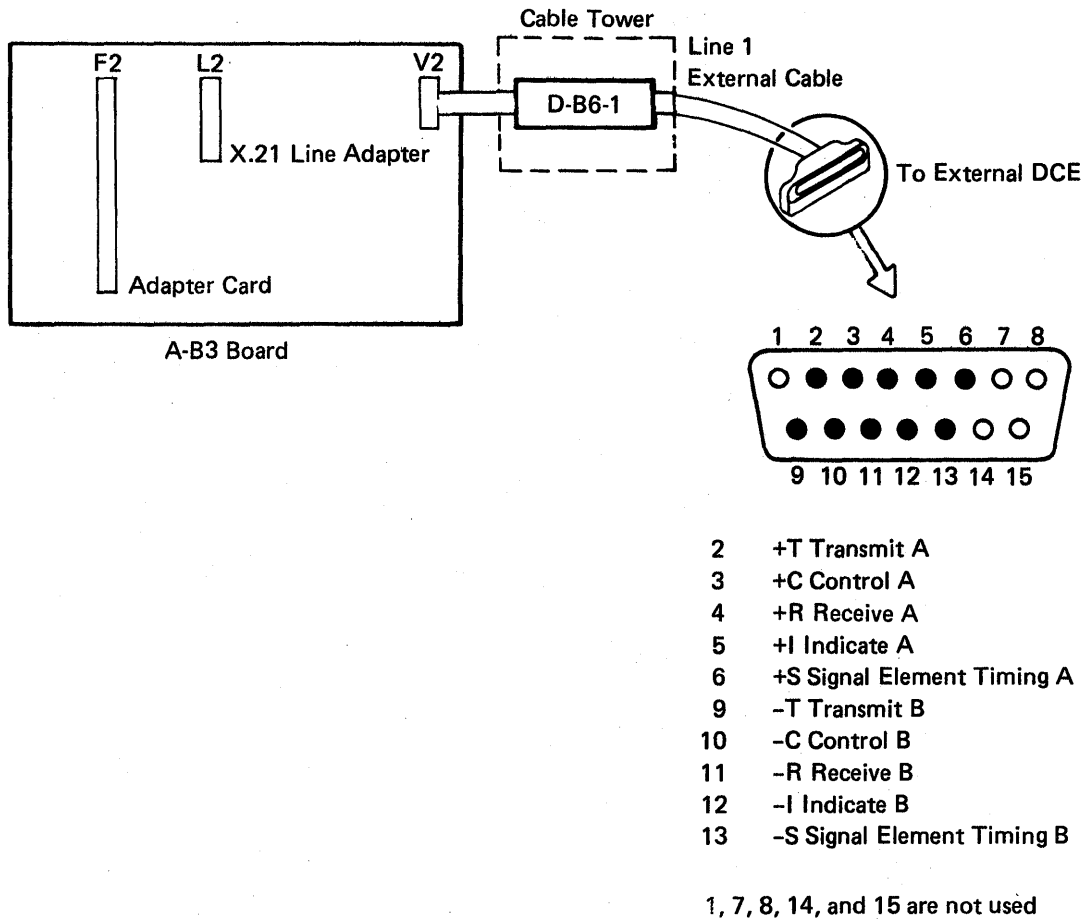


Figure 30-36. X.21 Line Adapter (Line 1)

**30-920 X.21 Control/Data Lines**

The control/data lines to and from the data communications equipment (DCE) use differential drivers and receivers.

The control lines are defined as:

- +C Control A and -C Control B
- +I Indicate A and -I Indicate B
- +S Signal Element Timing A and -S Signal Element Timing B

The data lines are defined as:

- +T Transmit A and -T Transmit B
- +R Receive A and -R Receive B

See Figure 30-37 for a definition of the logic levels, and Figure 30-38 for the X.21 control/data lines and connector pin numbers.

	$V_A - V_B < -0.3 \text{ V}$	$V_A - V_B > +0.3 \text{ V}$
Data lines	1	0
Control lines	Off	On

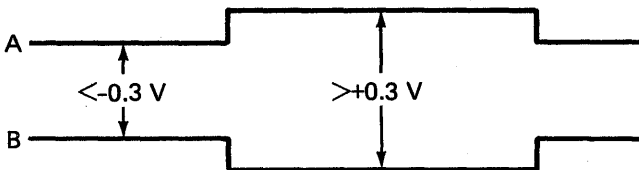


Figure 30-37. X.21 Logic Levels

**+C Control A or -C Control B (System/34 to DCE):**  
These lines control the DCE when data is transmitted on the '+T transmit A' or '-T transmit B' line.

**+T Transmit A or -T Transmit B (System/34 to DCE):**  
These binary signals are generated by System/34 and are encoded with data to be transmitted by the DCE to one or more remote DTEs. Before data can be sent, commands are transmitted on these lines from System/34 to the public data network to establish a data link (call establishment).

**+I Indicate A or -I Indicate B (DCE to System/34):**  
These lines control System/34 during call establishment when the call control response data from the public data network is received on the '+R receive A' or '-R receive B' line.

**+R Receive A or -R Receive B (DCE to System/34):**  
These binary signals are generated by the DCE from the encoded data received from one or more remote DTEs. Before data can be received, these lines contain the call control response data from the public data network when a data link (call establishment) is being established.

**+S Signal Element Timing A or -S Signal Element Timing B (DCE to System/34):** These lines supply System/34 with timing pulses of equal on and off duration. All changes in the condition of the control, transmit, indicate, and receive lines should occur when the '+S signal element timing A' or '-S signal element timing B' line goes from the off to the on condition.

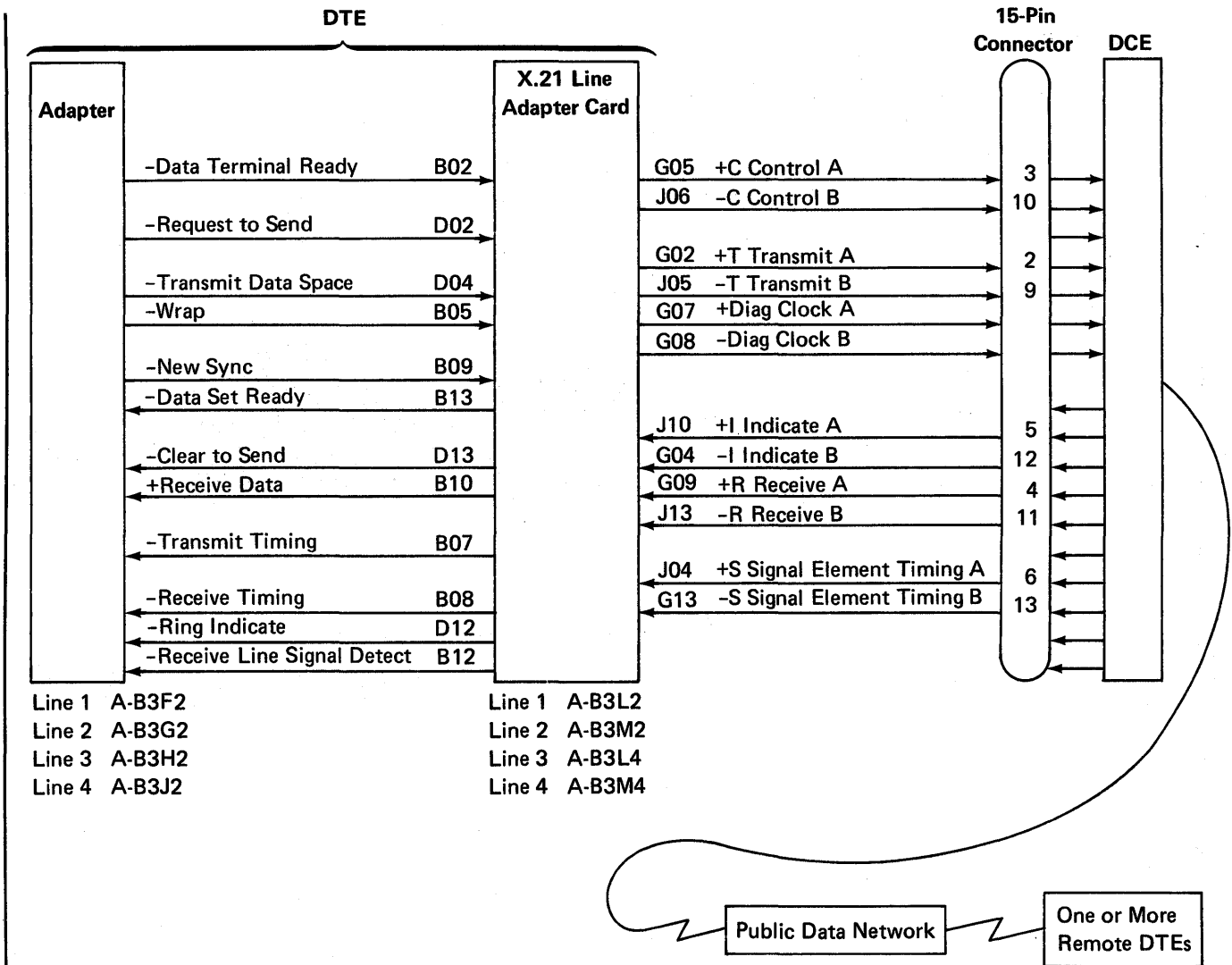
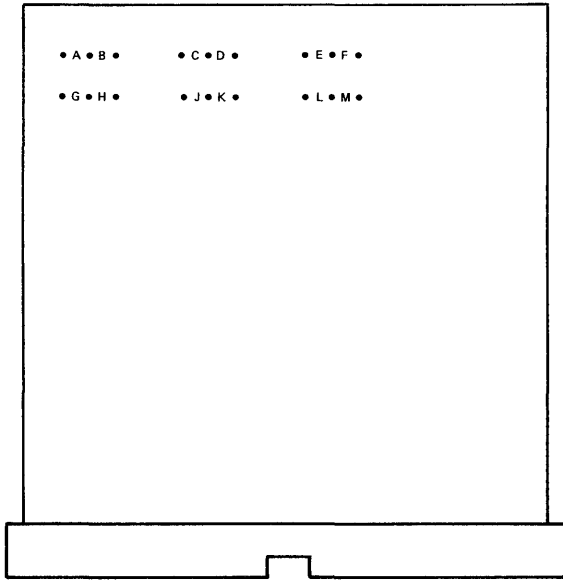


Figure 30-38. X.21 Control/Data Lines



### 30-950 Card Jumpers

The X.21 line adapter card has six jumper locations. See Figure 30-39 for instructions as to which jumpers are needed to match your machine configuration.



Line 1 A-B3L2  
Line 2 A-B3M2  
Line 3 A-B3L4  
Line 4 A-B3M4

- A — Not used
- B — X.21 is installed
- C — Not used
- D — X.21 is installed
- E — X.21 is installed
- F — Not used
- G — X.21 is installed
- H — Not used
- J — Native option; select this option when a switched mode network is installed.
- K — BIS option; select this option when a nonswitched network is installed.
- L — Switched mode network is installed
- M — Nonswitched mode network is installed

Figure 30-39. X.21 Line Adapter Card Jumpers

### 30-960 Board Jumpers

When the X.21 line adapter is installed, the following board jumpers are required on the A-B3 board. See Figure 30-40 for a list of board jumpers needed for each line installed.

Line Number	A-B3 Board Jumpers	Description
1	F2S10 to F2P11 <sup>1</sup> A4B11 to L2D11 F2U11 to L2D09 L2G08 to V2D13	-DSR to -TI -Data Prot to -Reset 1ms Osc to Diag Clk Diag Clk B to Cable Socket
2	G2S10 to G2P11 <sup>1</sup> A4B11 to M2D11 G2U11 to M2D09 M2G08 to V3D13	Same as Line 1
3	H2S10 to H2P11 <sup>1</sup> J1E13 to L4D11 H2U11 to L4D09 L4G08 to V4D13	Same as Line 1
4	J2S10 to J2P11 <sup>1</sup> J1E13 to M4D11 J2U11 to M4D09 M4G08 to V5D13	Same as Line 1

<sup>1</sup>The -DSR to -TI jumper is installed only on a switched mode network configuration.

Figure 30-40. A-B3 Board Jumper Wires for X.21

### 30-970 Diagnostic Wrap Function

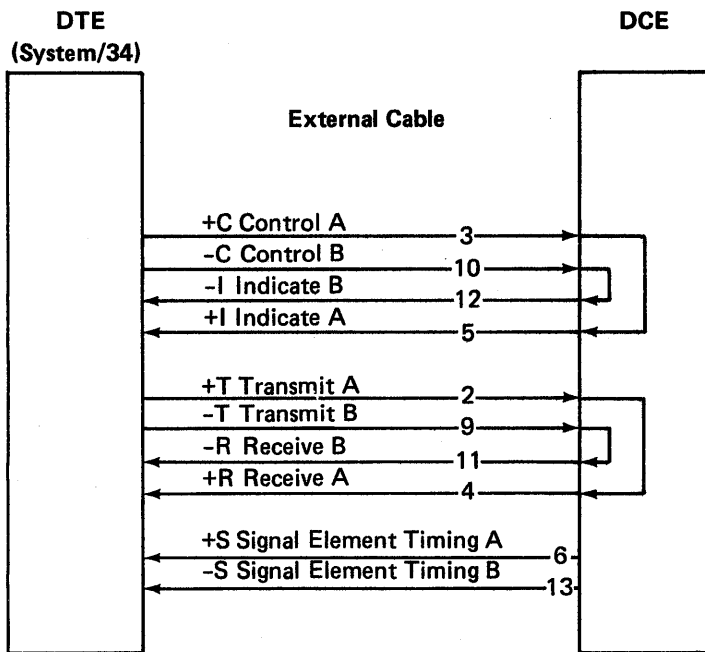
A diagnostic cable wrap can be performed at either of two locations:

- DCE cable wrap (DCE end of the external cable)
- Cable tower wrap (System/34 cable tower)

The same diagnostic TU is used to check either of the two cable wrap functions. The functions of the two different wraps are described as follows:

- DCE Cable Wrap—Checks that the control/data lines between System/34 and the DCE can be activated. Set up the DCE cable wrap as follows:
  - Connect the external cable from System/34 to the DCE.
  - Set the DCE diagnostic switch to the wrap position.
  - Power on the DCE.
  - Run the communication MDIs in dedicated mode.

See Figure 30-41 for a diagram of the DCE cable wrap.



*Note:* The '+S signal element A' and '-S signal element B' lines are not wrapped but supply clock pulses to the DTE during the cable wrap.

Figure 30-41. DCE Cable Wrap

- Cable Tower Wrap—Checks that the control/data lines between the X.21 line adapter and the cable tower can be activated. Set up the cable tower wrap as follows:
  - Disconnect the external cable from the cable tower connector.
  - Connect the B end of the communications wrap card (IBM part 4236797) to the cable tower connector.
  - Run the communications MDIs in dedicated mode.

See Figure 30-42 for a diagram of the cable tower wrap.

Note: When the DCE is not connected, System/34 supplies clock pulses on the '+diag clock A' and '-diag clock B' lines.

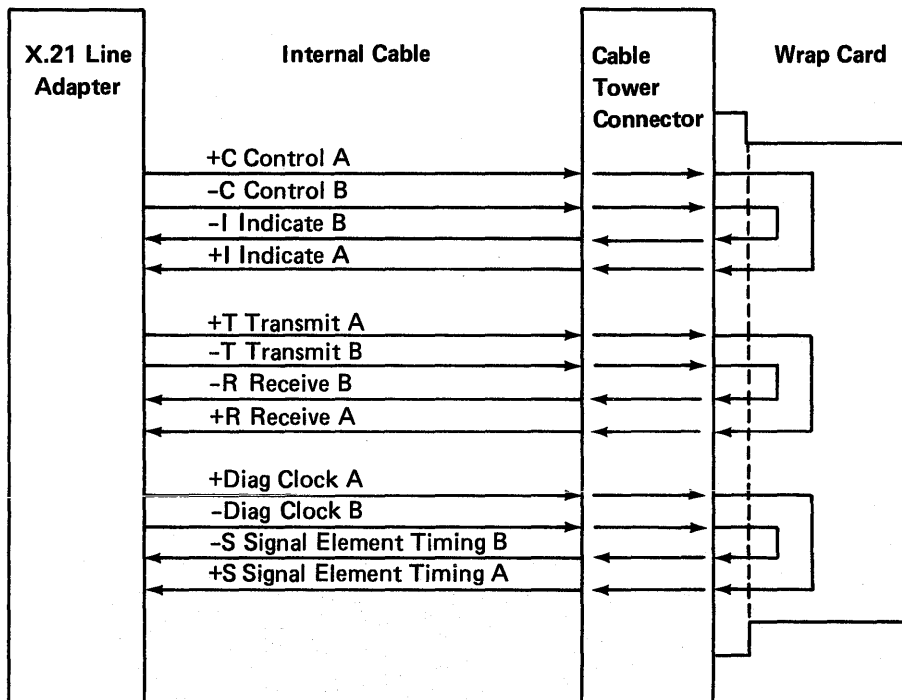


Figure 30-42. Cable Tower Wrap