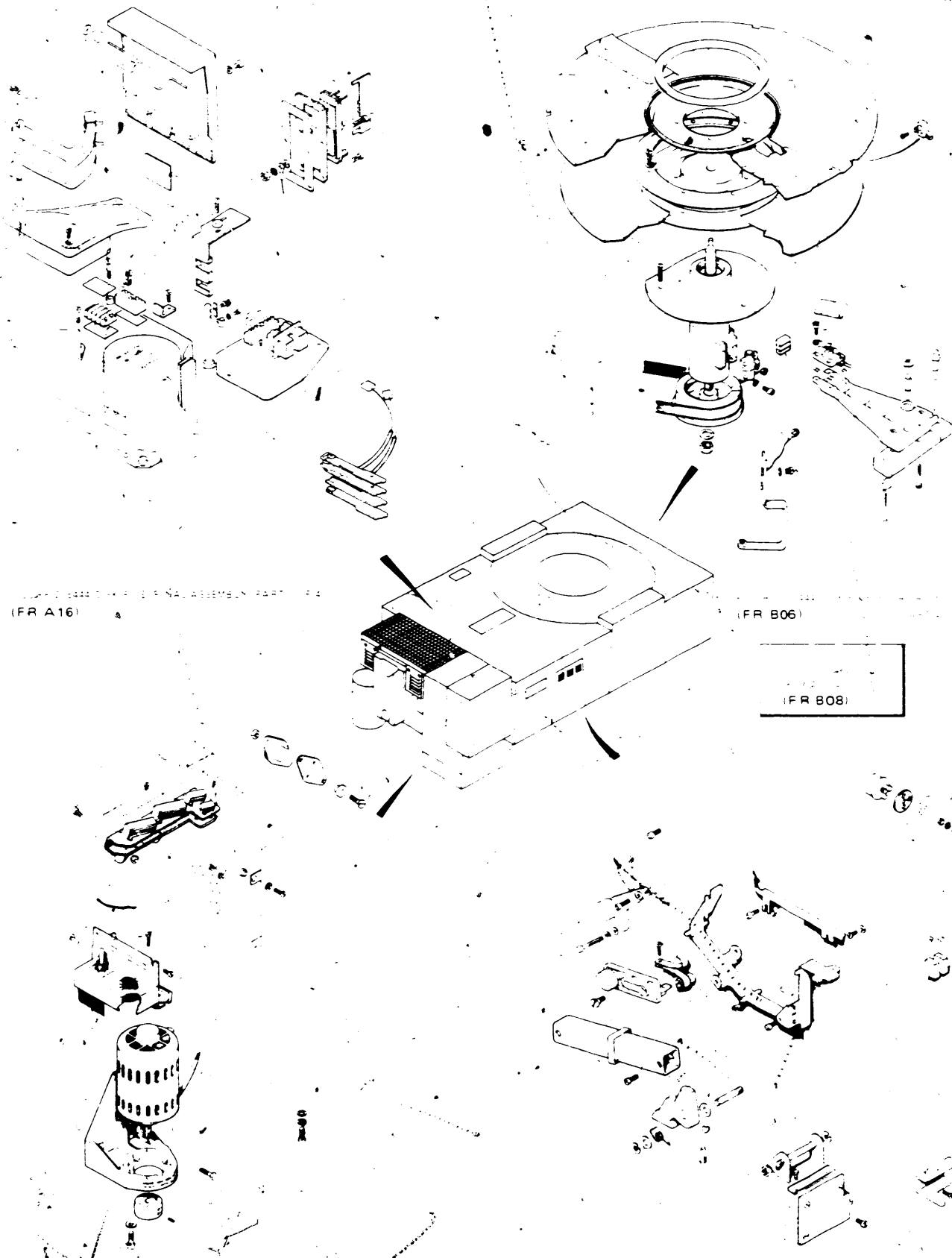


Contents

	<i>Page</i>
How to Use this Parts Catalog (PC)	(FR A09)
Visual Index 1	(FR A02)
Visual Index 2	(FR A03)
Visual Index 3	(FR A04)
Visual Index 4	(FR A05)
Abbreviations	(FR A08)
Group Assembly Parts List	1
<i>Figure</i>	
1 Cover Groups and Assemblies	2
2 S444 Disk File, Final Assembly (4 Parts)	6
3 Cable Assemblies (2 Parts)	18
4 Actuator Assembly (4 Parts)	22
5 Motor Encoder Assembly	30
6 Clamp Assembly - LH	32
7 Clamp Assembly - RH	34
8 DC Box Assembly	36
9 AC Box Assembly	38
10 Gate Assembly	40
11 Brush Drive Assembly - 50Hz	42
12 Brush Drive Assembly - 60Hz	44
13 S44Q Cartridge Assembly	46
14 Cable and Jumper Assembly Component Parts (2 Parts)	48
Numerical Index	(FR D06)

FRAME LOCATION TABLE

Page	Frame	Card
1	A12	1
2	A13	1
6	A16	1
18	B08	1
22	B12	1
30	C03	1
32	C05	1
34	C07	1
36	C09	1
38	C11	1
40	C13	1
42	C15	1
44	C17	1
46	D01	1
48	D03	1



(FR A16)

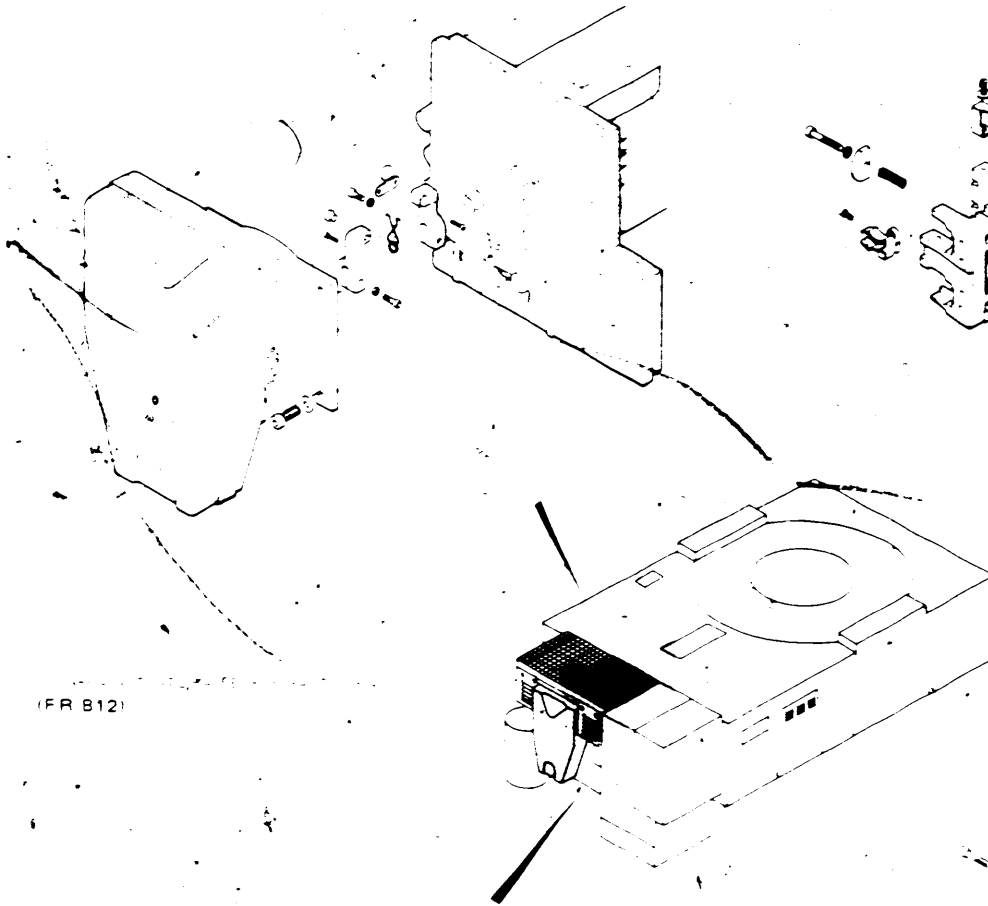
(FR B06)

(FR B08)

(FR B01)

(FR B04)

V111



(FR B12)

FIGURE 2 ACTUATOR ASSEMBLY PART 2 OF 4
(FR C01)

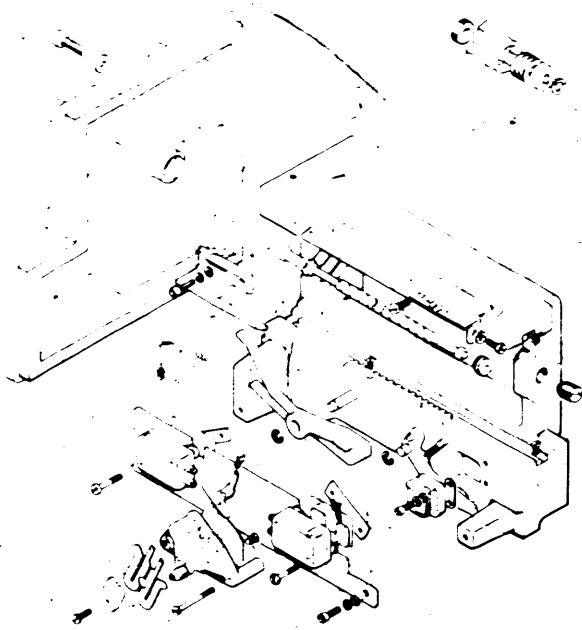
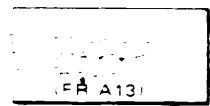


FIGURE 3 ACTUATOR ASSEMBLY PART 3 OF 4
(FR B14)

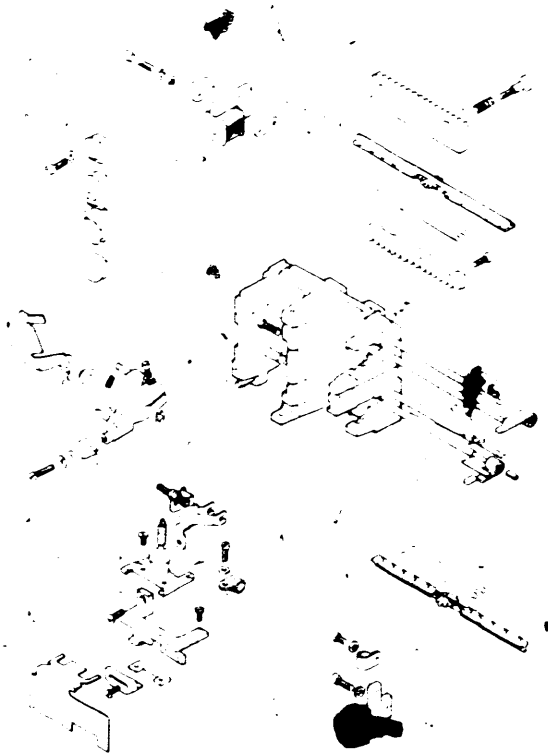


FIGURE 3 ACTUATOR ASSEMBLY PART 3 OF 4
(FR B16)

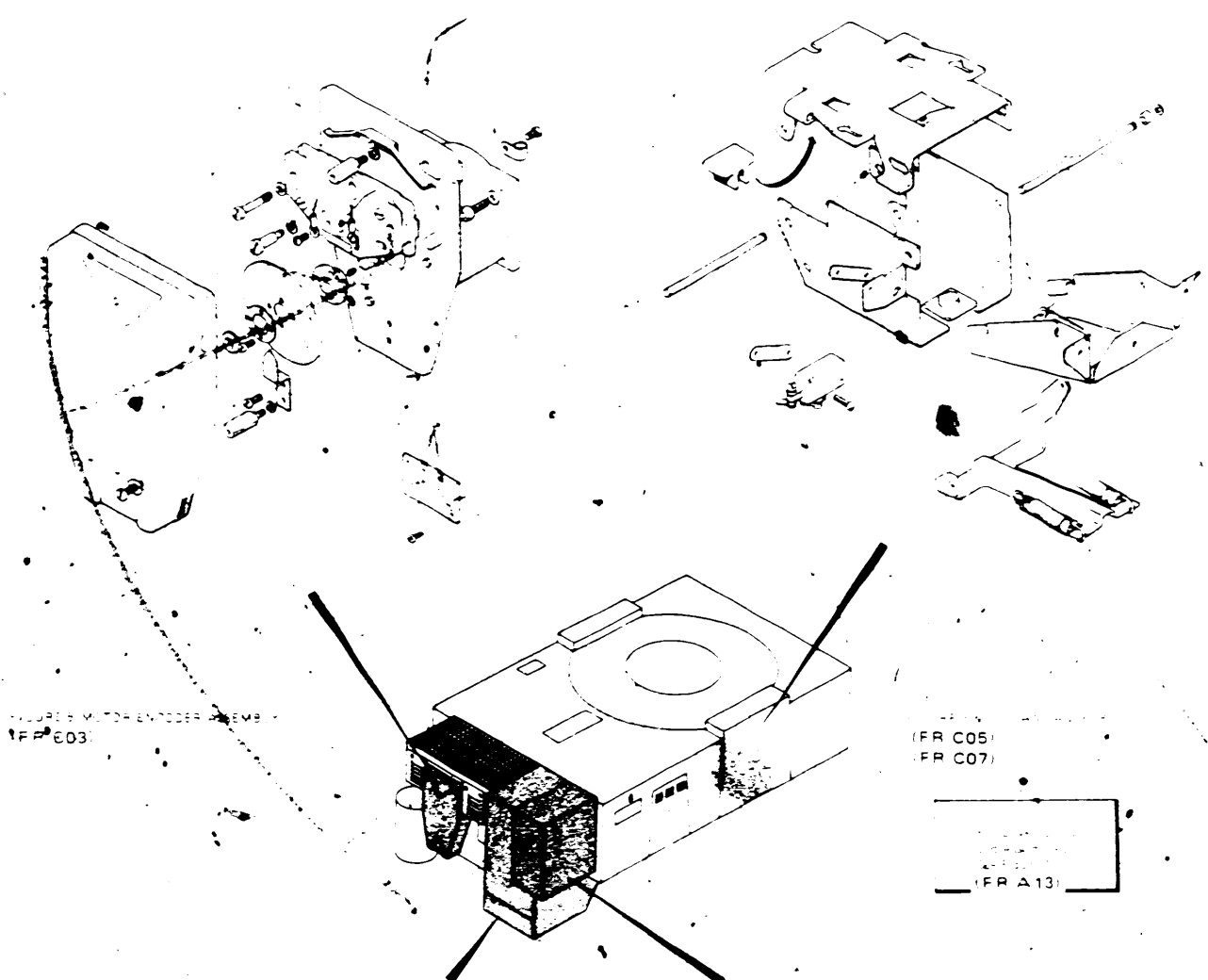


FIGURE 8 MOTOR ENCODER ASSEMBLY
(FR C03)

(FR C05)
(FR C07)

(FR A13)

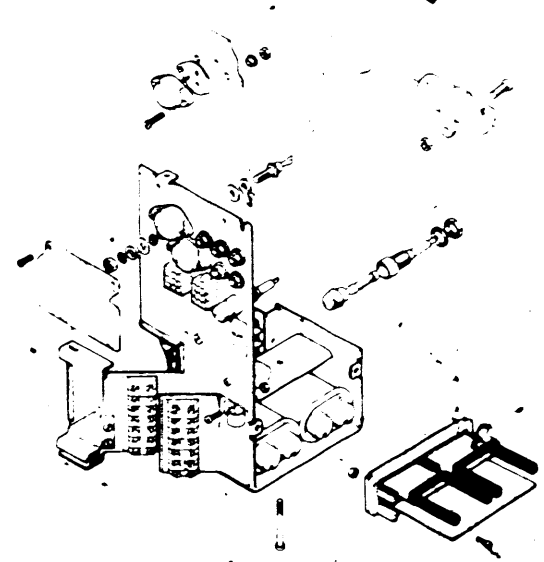


FIGURE 3 DC BOX ASSEMBLY
(FR B08)

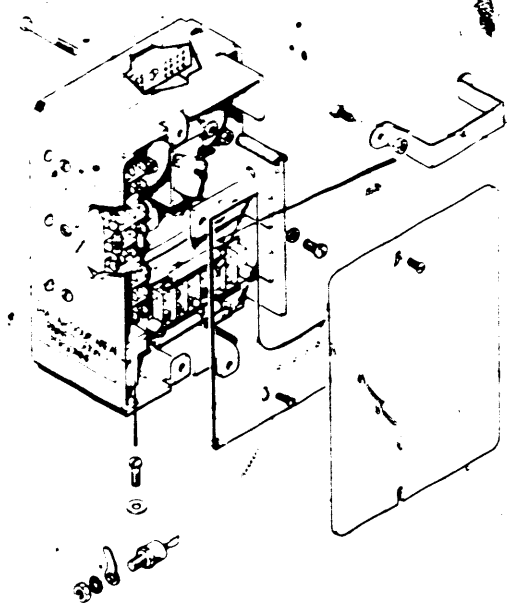
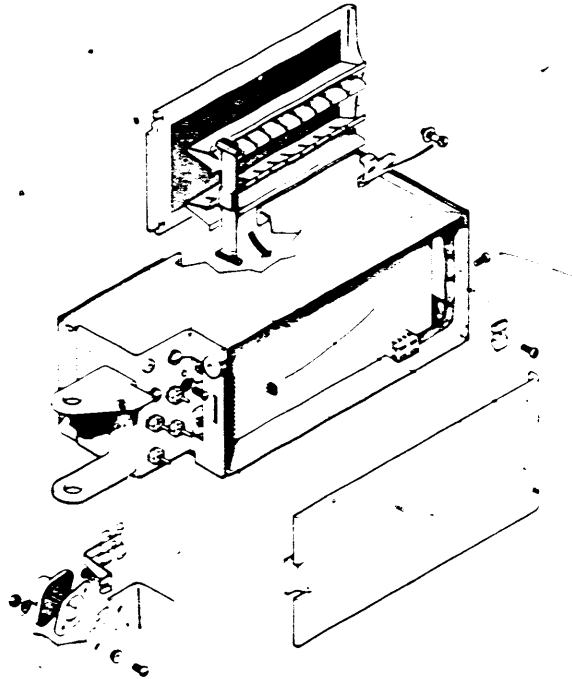
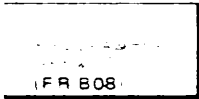


FIGURE 9 AC BOX ASSEMBLY
(FR C11)



(FR C13)



(FR B08)

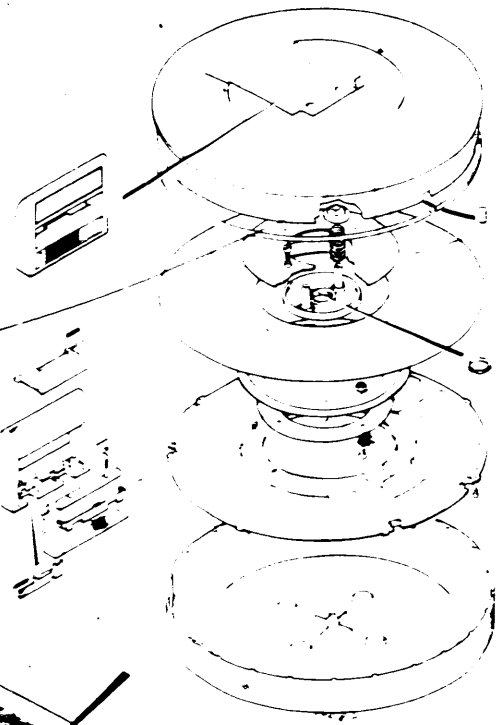
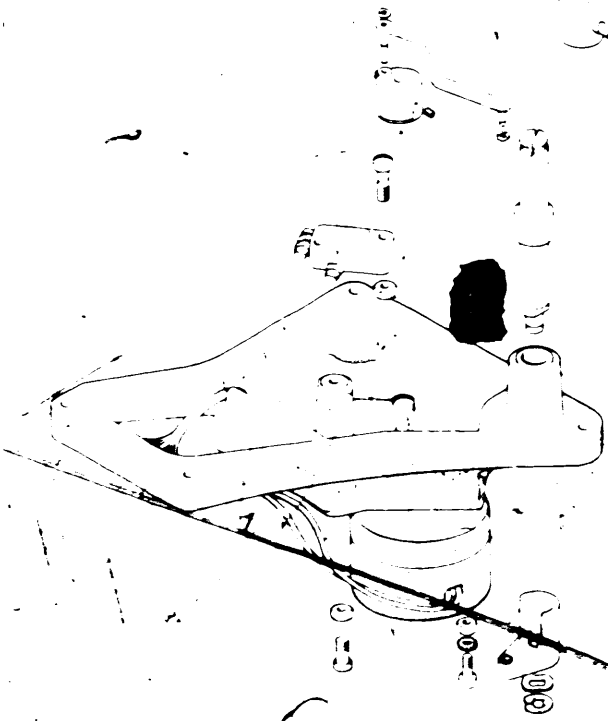
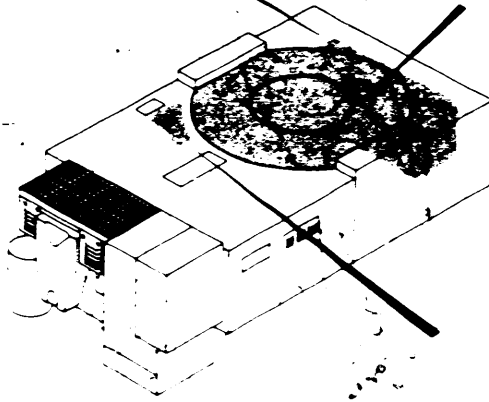
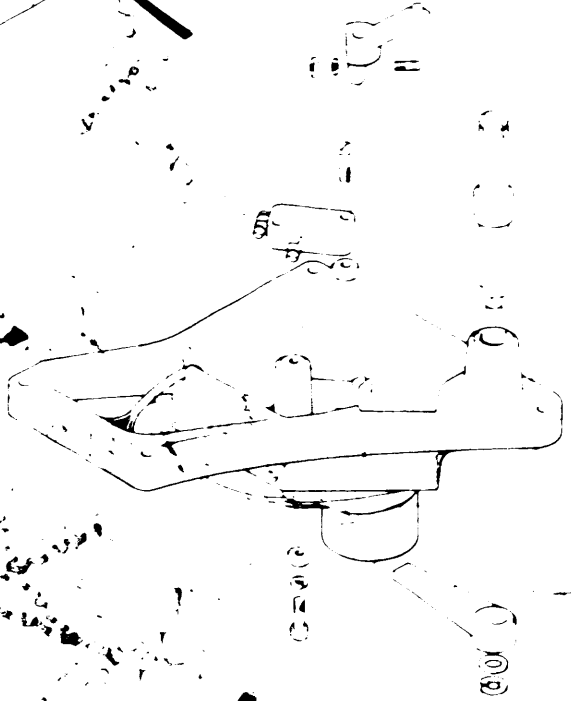


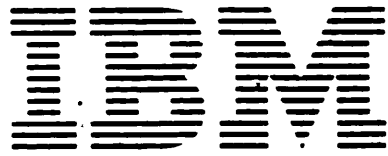
FIGURE 144. OPTICAL ASSEMBLY (FR D01)



(FR C17)



(FR C18)



Maintenance Library



**Disk Storage Drive
(Machines with serial no. above 30100)
Parts Catalog
including 5440 Disk Cartridge**

S135 0002 2

A06

Preface

This Parts Catalog (PC) contains listings and illustrations of all replaceable assemblies, subassemblies, and detail parts for the IBM 5444 Disk Storage Drive (Machines with serial no. above 30100) and IBM 5440 Disk Cartridge that have been released to Production Control on or before 3 July 1972 (EC 392720). The information enables stock and maintenance personnel to identify, requisition, and issue replacement parts.

The following aids are provided for the reader:

1. At the front of the manual:
 - a. An explanation of how the PC is organized and used.
 - b. A visual index that contains overall views of the 5444 Disk Storage Drive and 5440 Disk Cartridge and provides a starting point for locating a part.
2. At the back of the manual: an index of part numbers.

Associated Publication: IBM Maintenance Library, *5444 Disk Storage Drive (Machines with serial no. above 30100), Theory Maintenance*, Order No. SY33-0029.

Third Edition (September, 1972)

This is a major revision of, and obsoletes S135-0002.

Changes are continually made to the information herein, and such changes will be reported in subsequent revisions or Technical Newletters.

Requests for copies of IBM publications should be made to your IBM representative or to the IBM branch office serving your locality.

A form for readers' comments is provided at the back of this publication. If the form has been removed, comments may be addressed to IBM United Kingdom Laboratories Ltd., Product Publications, Hursley Park, Winchester, Hants, England.

Comments become the property of IBM.

Copyright International Business Machines Corporation 1971, 72

Abbreviations

AL	Aluminum	II	Internal Teeth
ASM	Assembly	LOCK	Lock
BD	Binding	LG	Long
BIND	Binding	LH	Left Hand
COMPR	Compression	MACH	Machin
CON	Connection	MFI	Machin Features Index
CONN	Connection	MTG	Mounting
CSK	Countersunk	NOM	Nominal
GSTMZ	Customized	OD	Outside Diameter
DIA	Diameter	POS	Position
DK	Dark	RH	Right Hand
ECC	Eccentric	SLIP LAPP	Slip Lapping
EE	External Teeth	SKT	Socket
EXT	External	SLOT	Slot
FBM	Field Bill of Material	SOC	Socket
FI	Filister	THK	Thick
FW	Flat Width (width between flats across hexagon)	THREADING	Threading
HD	Head	4TH	Teeth
HEADLESS	Headless	UNC	Unified National Course
HEN	Hexagonal	UNDRCT	Undercut
HZ	Hertz	UNE	Unified National Fine
IO	Input/Output	V	Volts
ID	Inside Diameter	W	Watts
INT	Internal	WSHR	Washer

Part I

To find parts quickly, a general understanding of the structure of this catalog is necessary. The catalog is divided into three major sections:

- The Visual Index, containing overall views of the machine, with call-outs pointing to detailed figures.
- The Catalog Section, containing a pictorial breakdown of assemblies and subassemblies.
- The Numerical Index, which is a numerical list of all parts used in the machine, with cross-references to the figure on which the part is found.

VISUAL INDEX

The Visual Index, located before the Catalog Section, contains a reduced illustration of every figure in the Catalog Section. The reduced illustrations are tied together with flow arrows to form a natural progression from large assemblies to small assemblies and possibly subassemblies. In effect, a visual table of contents is formed by the Visual Index illustrations.

CATALOG SECTION

The Catalog Section contains the full-sized illustrations previously noted in the Visual Index. Index numbers on figures refer to corresponding entries in the Group Assembly Parts List accompanying each figure. Refer to part II for explanation of terms used in the Group Assembly Parts List.

NUMERICAL INDEX

The Numerical Index is located after the Catalog Section and contains a complete list, in numerical order, of all part numbers used on the machine. Listed with the part number is the index and figure number on which the part is illustrated. The numerical index makes it possible to locate a part when only the part number is known.

STACKED INDEX NUMBERS

Stacked Index numbers are used when showing a part and its attaching hardware. The sequence of a typical stack is shown at the right. The circled index number, indicating the assembly, is broken down within the figure.

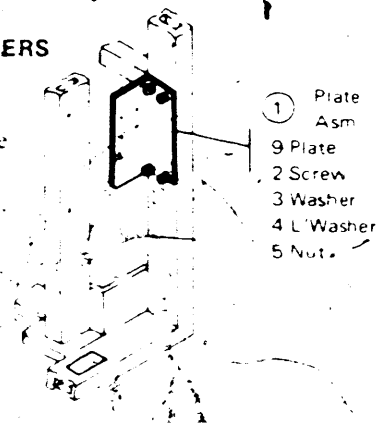


ILLUSTRATION NOTES

Cross-reference notes are directly on the illustration. The illustration's next higher assembly reference, normally located in the upper left corner of the page will read: "For Parts Not Shown See Figure X". If an assembly is referenced to a lower level figure, the note located next to the index number will read: "See Figure X".

DOUBLE LINED DETAIL BOX

The double lined box differentiates between parts shown on the basic model and parts related to a level and/or feature difference. An explanation of the level or feature difference is given in the double lined box.

FINDING A PART

The Visual Index is the starting point for locating a part. The illustrations in the Visual Index are reduced versions of all illustrations in the Catalog Section; therefore, the illustrations can be used to find the assembly containing the desired part. Use references to the detailed figure in the Catalog Section, or to another Visual Index illustration, to determine location of part number.

Once the detailed figure in the catalog section is determined, finding the part on the figure and referring to the listing for the part number and description is all that is required in most cases. If the first catalog section figure referenced shows the assembly containing the required part, the index number for the assembly will reference a lower-level figure where the assembly is broken down to its component parts. If the figure referenced by the Visual Index contains neither the part nor an assembly containing the part, it is then necessary to go to the next higher assembly figure. This figure should then contain the part or an assembly containing the part; if not, an even higher level figure must be used. Refer back to the Visual Index for some other figure that could show the desired part.

Note: Many detailed parts are unavailable, because they are part of an inseparable assembly (two or more parts welded or bonded together), or because they are part of an assembly purchased as a unit. If parts are found on a welded or bonded assembly, the following note follows the description of the assembly: "Assembly components are not replaceable". If the part is found on a purchased assembly, and the detail parts of this assembly do not have IBM part numbers, the note following the assembly description will read: "Assembly components are not available". In either case, you need to obtain the part number of the assembly, rather than the detailed part.

EXAMPLE FOR ORDERING PARTS

		REF
5726422	FAN ASM-P/S ENCLOSURE FOR NEXT HIGHER ASSEMBLY SEE FIGURE 1	
1 314921	TERMINAL RING- 18-22 AWG 48 HOLE, INS	2
2 187854	SHIELD, TERMINAL BLOCK PPS	1
3 210984	SCREW, RD HD MACH 4-32 X 750 LG	ATT PT
4 5357050	FAN ASM-NO CONNECTOR	2
5 17042	SCREW, MCH BIND HD 10-32 X 375 LG	ATT PT
6 5357066	BLADE	1
7 5357067	MOTOR 200V/230V 60CY 220V 50CY	1
8 590934	SCREW, MACH-SLOTTED HEX HD 10-32 X 375 LG ATT PT	2
9 558279	WASHER, LOCK EXT 7 1/8 ID 410 OD	ATT PT
10 5726436	HEADER-POWER SUPPLY FAN	1

If the entire fan is required, order part number 5726422; all one dot items will be supplied. If only the subassembly is required, order part number 5357050; all two dot items will be supplied. If part number 5357050 is ordered, only the two dot items will be supplied; not the attaching part 32042. Attaching parts immediately follow subassemblies before the assembly breakdown, and must be ordered separately. All parts may be ordered individually.

PART II

- 1 **AR**
As Required (AR) in the units per assembly column denotes that the quantity is used as required.
- 2 **ATT PT**
Attaching Parts: These parts are used to attach a sub-assembly to an assembly. The attaching parts are listed immediately following the part to be attached.
- 3 **COMM**
Commercial hardware: When this indication appears in the part number column, it denotes hardware procurable from normal commercial sources and not identified by an IBM part number.
- 4 **INDENTURE**
The relationship of a part to its next higher assembly is indicated by indentures. For example:

1	2	3	4
Unit			
Assemblies and Detail Parts of Unit			
Attaching Parts for Assemblies & Detail Parts			
Subassemblies			
Attaching Parts for Subassemblies			
Detail Parts for Subassemblies, etc.			

- 5 **NR**
NR in the part number column denotes the part is procurable but not recommended for field replacement, and that the next higher assembly should be ordered.
- 6 **NP**
The entry NP in the part number column denotes the assembly is non-procurable and the detail parts should be ordered separately.
- 7 **NO NO.**
When this indication appears in the part number column, it denotes a group of parts for which no assembly part number has been assigned, and the detail parts should be ordered separately.
- 8 **REF.**
This entry in the units per assembly column denotes an assembly which is completely assembled on a preceding illustration. Quantities for such items are found in its next higher assembly.
- 9 **SIMILAR ASSEMBLIES**
If two assemblies contain a majority of identical parts, they are broken down on the same list. Common parts are shown by one index number. Parts peculiar to one or the other of the assemblies are listed separately and identified by Usable On Code.
- 10 **USABLE ON CODE**
Part application and interchangeability is indicated by the usable on code. If this column is blank, the parts pertain to all equipment(s) covered. Two types of codes are used. The alphabetic code denotes similar assemblies and/or features; the numeric code denotes level. Refer to the beginning of each list for the explanation of the code(s).
- 11 **SUFFIX CODE**
The suffix code indicates the month (alphabetic) and the year (numeric) of the engineering change which affected interchangeability of the part.

EXAMPLE OF PARTS LIST

LIST AND INDEX NO.	PART NO.	DESCRIPTION	UNITS PER ASM.	USABLE ON CODE
		DRIVE MOTOR ASSEMBLY		
		(10) CODE A USED ON 60 CYCLE ONLY (11) CODE B USED ON 50 CYCLE ONLY CODE 1 USED ON ASM PRIOR TO B6 SUFFIX		(10)
2-	(1)			
-	2199376 NP	MOTOR ASM, DRIVE-115/220 VOLTS 60 CYCLE	(8) REF	1A
-	2199386 NP	MOTOR ASM, DRIVE-220 VOLTS 50 CYCLE FOR NEXT HIGHER ASM SEE FIGURE 1-92 FOR ILLUSTRATION SEE FIGURE 2	REF	1B
- 1	2204176	PULLEY, 60 CYCLE	(1) 1	A
- 1	2199255	PULLEY, 50 CYCLE	1	B
- 2	79842	SETScrew, SPLINE DR CUP PT 8-32 X 3/8 LG	AR	
- 3	2204116	MOTOR ASM, 220V AC 60 CYCLE	1	A
- 4	NO NO	MOTOR ASM, 220V AC 50 CYCLE	1	B
- 5	5526	SCREW, MACH BIND HD 8-32 X 0.625 LG	4	
- 6	2204082	FERRULE, OUTER	1	
- 7	2204033	FERRULE, INNER	1	
- 8	COMM	MOTOR, 1/12 HP-220V 60CPS	1	
- 8	2199258	MOTOR, DRIVE - 220V 50CPS	1	
- 9	2199401 NR	PLATE, MOTOR MT-115/220 VOLTS 60 CYCLE	1	A
- 9	2199402 NR	PLATE, MOTOR MT-220 VOLTS 50 CYCLE	1	B

~~GROUP ASSEMBLY PARTS LIST~~

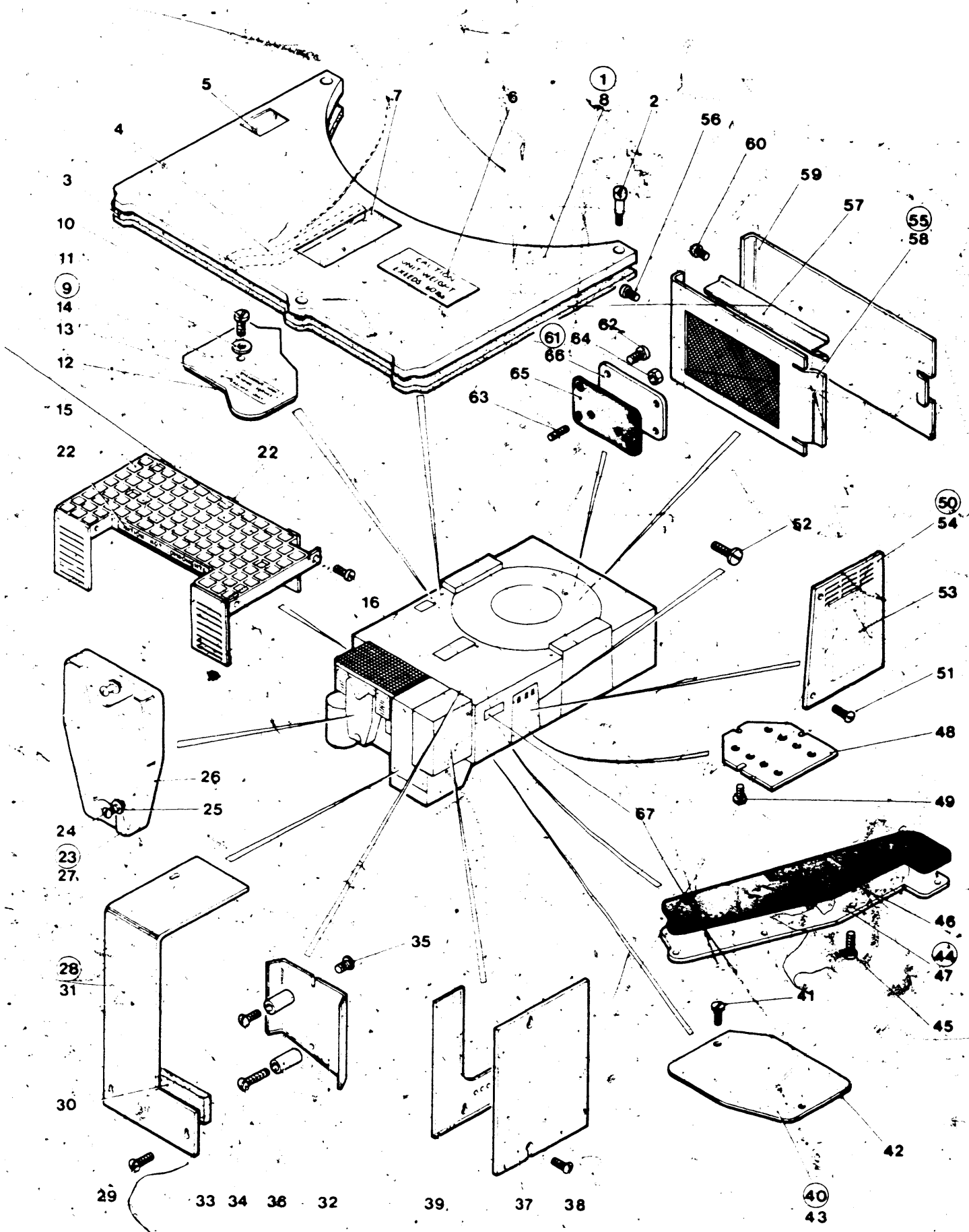


FIGURE 1. COVER GROUPS AND ASSEMBLIES

LIST AND INDEX NUMBER	PART NUMBER	DESCRIPTION	UNITS PER ASM	USABLE ON CODE
		GOVER GROUPS AND ASSEMBLIES		
1 -	NO NO	COVER GROUPS AND ASSEMBLIES	REF	
- 1	5144419	. COVER ASM	1	
- 2	2536616	. SCREW, SHOULDER, SLOT HD, 8-32UNC ATT PT.	6	
		USED ON EARLIER MACHINES		
- 2	101807	. SCREW, SKT HD CAP, HEX, 8-32, 0.625LG ATT PT	3	
		USED ON LATER MACHINES WITH COVER ASM 5144419		
- 3	2598197	. . GASKET, FOAM RUBBER	1	
- 4	2536460	. . SEAL, RUBBER, SELF ADHESIVE	1	
- 5	2536477	. . WINDOW, ACETATE	1	
- 6	889325	. . LABEL	1	
- 7	5831824	. . WINDOW, MACHINE	1	
- 8	5144420	. . COVER PLATE	1	
- 9	2536473	. COVER ASM	1	
- 10	32042	. SCREW, MACH BIND HD, 10-32, 0.375LG ATT PT	1	
- 11	473079	. WSHR, NYLON, FLAT, 0.203ID, 0.438OD, 0.094THK ATT PT	1	
- 12	2536394	. . SEAL, RUBBER	1	
- 13	369207	. . LABEL, VOLTAGE	1	
- 14	2536393	. . COVER PLATE	1	
- 15	2600558	. COVER	1	
- 16	38235	. SCREW, MACH, BIND HD, 6-32, 0.312LG ATT PT	4	
- 22	2538125	. LABEL, SELF ADHESIVE	2	
- 23	2600561	. COVER ASM	REF	
- 24	338238	. . SCREW, MACH, HD HD, 4-40UNC, 0.3125LG ATT PT	REF	
		THIS SCREW IS HELD CAPTIVE BY ITEM 25		
- 25	728509	. . RING	REF	
- 26	2600562	. . SEAL, DUST	REF	
- 27	2538055	. . COVER, TRANSPARENT	REF	
		ITEMS 23 THRU 27 ARE PART OF MOTOR ENCODER ASM (FIGURE 5) (FR CO3)		
- 28	2538107	. COVER ASM	1	
- 29	251970	. SCREW, MACH, SLOT BIND HD, 4-40, 0.25LG ATT PT	3	
- 30	2538109	. . PAD, SELF ADHESIVE	1	
- 31	2538108	. . COVER	1	
- 32	2597963	. COVER, PERSPEX	1	
- 33	322550	. SCREW, MACH, BIND HD, 6-32, 0.5LG ATT PT	1	
- 34	322065	. SCREW, MACH, BIND HD, 6-32, 0.625LG ATT PT	1	
- 35	38235	. SCREW, MACH, SLOT BIND HD, 6-32UNC, 0.312LG	2	
- 36	2597964	. SPACER	2	
- 37	2597912	. COVER	1	
- 38	55726	. SCREW, MACH, SLOT BIND HD, 6-32UNC, 0.488LG ATT PT	2	
- 39	2537484	. SHIELD, TRANSPARENT	1	
- 40	2538136	. COVER ASM	1	
- 41	81693	. SCREW, MACH, BIND HD, 6-32, 0.375LG ATT PT	2	
- 42	2636242	. . SEAL, RUBBER, SELF ADHESIVE	1	
- 43	2538135	. . COVER	1	
		ITEMS 40 THROUGH 43 USED ONLY ON EARLIER MACHINES		
- 44	2597920	. COVER ASM	1	
- 45	5700484	. SCREW, SELF TAP, 4-40, 0.375LG ATT PT	7	
- 46	2536496	. . GASKET	1	
- 47	2536495	. . PLATE, COVER	1	
- 48	2536247	. COVER	1	
- 49	2181005	. SCREW, SELF TAP, HEX HD, WSHR, 6-32UNC, 0.375LG ATT PT	2	
- 50	2536390	. COVER ASM	1	
- 51	38442	. SCREW, MACH, SLOT FLAT HD, 6-32UNC, 0.25LG ATT PT	2	
- 52	2537511	. SCREW, SHOULDER, SLOT HD, 6-32UNC ATT PT	2	
- 53	2538109	. . PAD, SELF ADHESIVE	1	
		LATER MACHINES USE ONE SCREW ONLY		
- 54	2536389	. . COVER PLATE	1	
- 55	2537509 NP	. COVER ASM		
		ITEM 55 REPLACED BY ITEM 57		
- 56	5700484	. SCREW, SELF TAP, 4-40UNC, 0.375LG ATT PT	1	
- 57	5144447	. CLIP, CARD RETAINING	2	
- 59	2537504	. COVER, FRONT	1	
- 60	5700484	. SCREW, SELF TAP, 4-40UNC, 0.375LG ATT PT	1	

LIST AND INDEX NUMBER	PART NUMBER	DESCRIPTION	UNITS PER ASM.	USABLE ON CODE
		COVER GROUPS AND ASSEMBLIES (CONT)		
1 - 61	2536457	COVER ASM USED ON EARLIER MACHINES	1	
- 61	5144369	COVER ASM USED ON LATER MACHINES	1	
- 62	2181005	SCREW, SELF TAP, HEX HD, WSHR, 6-32, 0.375 LG	4	
- 63	251990	SCREW, HDLESS SET, 6-FLUTE, 1032 UNF, 0.375 LG	2	
		USED ONLY ON EARLIER MACHINES		
- 64	11598	NUT, PLAIN, HEX 10-32, 0.375 PL W	2	
- 65	2536456	GASKET	1	
- 66	2536455	COVER PLATE USED ON EARLIER MACHINES	1	
- 66	5144367	COVER PLATE USED ON LATER MACHINES	1	
- 67	889329	LABEL	1	

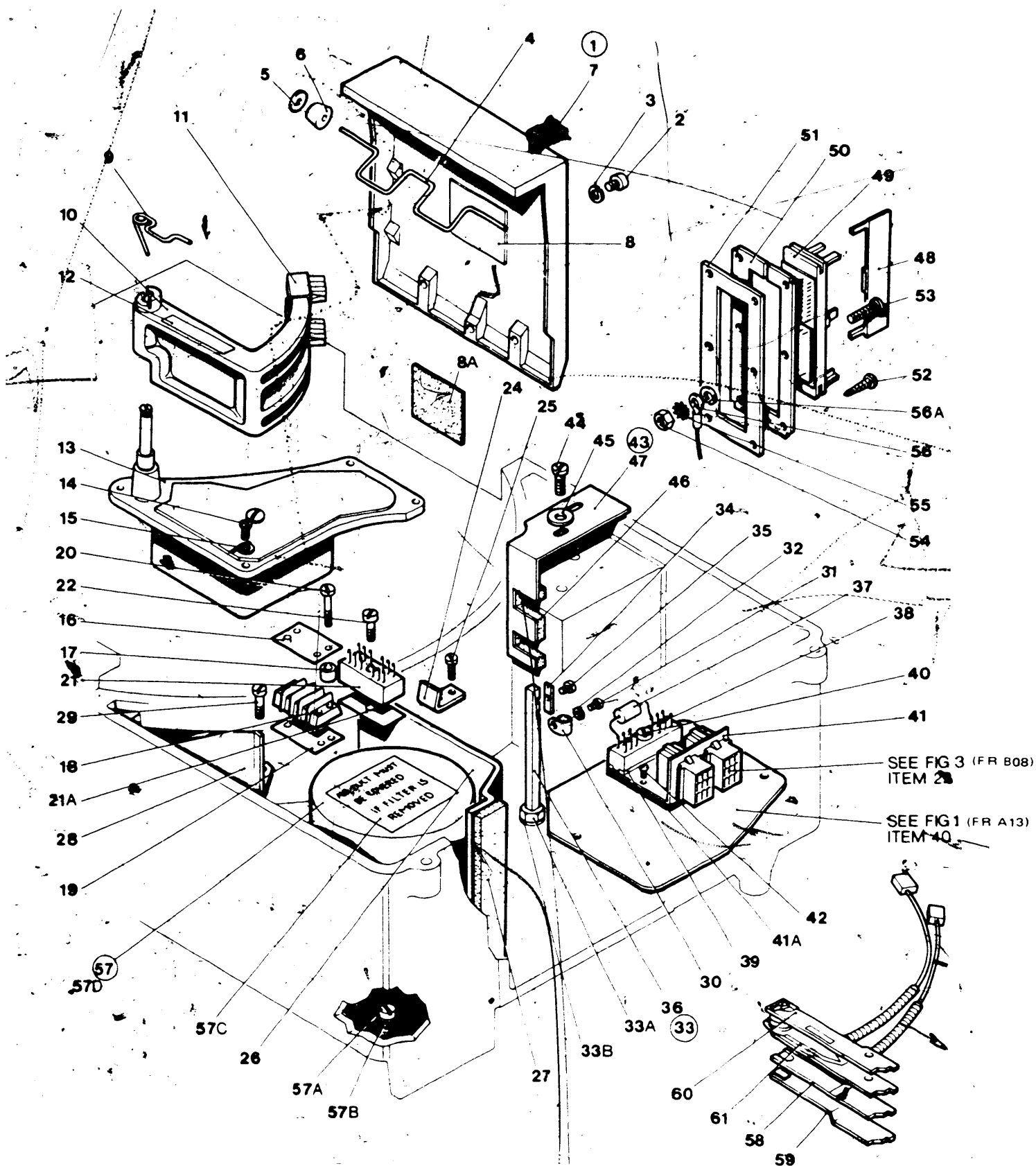


FIGURE 2. 5444 DISK FILE, FINAL ASSEMBLY (PART 1 OF 4)

LIST AND INDEX NUMBER	PART NUMBER	DESCRIPTION	UNITS PER ASM.	USABLE ON CODE
		5444 DISK FILE, FINAL ASSEMBLY (PART 1 OF 4)		
2 - - 1	2538101 NP 2537485	FINAL ASSEMBLY, 5444 DISK FILE CLAMP ASM EARLY MACHINES HAVE FABRICATED SHEET METAL CLAMPS. ITEM 1, CLAMP ASM, MUST BE ORDERED IF ANY PART OF A FABRICATED CLAMP NEEDS REPLACING. IT IS RECOMMENDED THAT FABRICATED CLAMPS BE REPLACED IN PAIRS	REF 2	
- 2	149897	SCREW, HEX, SKT HD CAP, 8-32UNC, 0.375LG	6	
- 3	1090873	WSHR, LCK, SPR, 0.168ID, 0.296OD, 0.046THK	6	
- 4	2598007	SPRING	1	
- 5	2537357	WASHER	2	
- 6	2537473	ROLLER	2	
- 7	2598005	CLAMP	1	
- 8	2775926	PAD, SELF ADHESIVE USED IN USA ONLY	2	
- 8A	5144354	PAD, SELF ADHESIVE USED IN WORLD TRADE ONLY	2	
- 9	5831955	CLIP SPRING	1	
- 10	2536285	BRUSH ARM	1	
- 11	2536376	BRUSH ASM ASM COMPONENTS ARE NOT REPLACEABLE	1	
- 12	5144339	LABEL, SELF ADHESIVE	1	
- 13	2536345	BRUSH DRIVE ASM, 50HZ FOR DETAIL BREAKDOWN SEE FIGURE 11 (FR C15)	1	
- 13	5144330	BRUSH DRIVE ASM, 60HZ FOR DETAIL BREAKDOWN SEE FIGURE 12 (FR C17)	1	
- 14	322551	SCREW, MACH, SLOT BIND HD, 6-32UNC, 0.75LG	4	
- 15	62031	WASHER, LOCK, INT TEETH, 0.295OD	4	
- 16	2536359	SHIELD, INSULATOR	1	
- 17	210883	STUD, SHIELD MTG, TAPPED, 6-32	2	
- 18	323837	TERMINAL BLOCK ASM, 15A, 3 SCREW CONN	1	
- 19	5364151	STRIP, MARKER	1	
- 20	10170	SCREW, MACH, SLOT BIND HD, 6-32UNC, 0.25LG	2	
- 21	5144427	TERMINAL BOARD ASM	1	
- 21A	852959	INSULATOR, SHIELD	1	
- 22	38266	SCREW, MACH, SLOT FIL HD, 4-40UNC, 0.5LG	1	
- 24	2598076	BRACKET	1	
- 25	2181005	SCREW, SELF TAP, HEX HD, WSHR, 6-32UNC, 0.375LG ITEMS 24 AND 25 NOT USED ON LATER MACHINES	2	
- 26	2537356	SHIELD, PLASTIC	1	
- 27	2598175	PAD ASM ASM COMPONENTS ARE NOT REPLACEABLE	1	
- 28	2536615	DEFLECTOR	1	
- 29	38235	SCREW, MACH, SLOT BIND HD, 6-32UNC, 0.312LG	2	
- 30	5213276	CLAMP, CABLE	1	
- 31	186923	SCREW, SKT HD CAP, 6-FLUTE, 4-40UNC, 0.25LG	1	
- 32	257985	WASHER, FLAT, 0.25OD, 0.028THK	1	
- 33	5831723	CLAMP POST ASM	1	
- 33A	11598	NUT, MACH HEX, 10-32	1	
- 33B	237032	WASHER, FLAT, 0.75OD, 0.2188ID, 0.062THK	1	
- 34	5831721	PLATE	1	
- 35	186924	SCREW, SKT HD CAP, 6-FLUTE, 4-40UNC, 0.375LG	1	
- 36	5831720	CLAMP, POST	1	
- 37	210921	DIODE ASM	4	
- 38	302090	BOARD ASM, TERMINAL	1	
- 39	302131	INSULATOR	1	
- 40	2191846	SCREW, MACH, PAN HD, 4-40UNC, 0.5LG	1	
- 41	2600567	PLATE USED ON EARLIER MACHINES	1	
- 41	5144373	PLATE USED ON LATER MACHINES	1	
- 41A	5144374	SEAL USED ONLY ON LATER MACHINES	1	
- 42	438548	SCREW, MACH, SLOT BIND HD, 4-40UNC, 0.188LG	2	
- 42	2181005	SCREW, SELF TAP, HEX HD, WSHR, 6-32, 0.375LG USED ON LATER MACHINES	2	
- 43	2536602	BRACKET, ASM	1	
- 44	10170	SCREW, MACH, SLOT BIND HD, 6-32UNC, 0.25LG	2	
- 45	62031	WASHER, LOCK, INT TEETH, 0.295OD	2	
- 46	2536601	SEAL, SELF ADHESIVE	1	
- 47	5831862	BRACKET ITEMS 43 THROUGH 47 USED ONLY ON EARLIER MACHINES	1	

LIST AND INDEX NUMBER	PART NUMBER	DESCRIPTION	UNITS PER ASM.	ASSEMBLY ON CODE
		1 2 3 4		
		5444 DISK FILE FINAL ASSEMBLY (PART 1 OF 4) CONT.		
2 - 48	811804	GUIDE, CARD	1	
- 49	2537306	BOARD ASM	1	
- 50	2536246	PLATE	2	
- 51	2536245	GASKET	1	
- 52	2181005	SCREW, SELF, TAP, HEX HD, WSHR, 6-32, 0.375 LG	5	ATT PT
- 53	322551	SCREW, MACH, SLOT, BIND HD, 6-32UNC, 0.75 LG	1	ATT PT
- 54	257187	NUT, PLAIN, HEX, 6-32, 0.875 PL W	1	
- 55	56722	LOCKWASHER, EXT TOOTH, 0.150D, 0.32ID	1	
- 56	5144318	JUMPER ASM, GROUND, PRE-AMP	1	
- 56A	6364	WASHER, LOCK, SPLIT, 0.250D	1	
- 57	2597939	FILTER ASM	1	
- 57A	2598168	SCREW, 6-32UNC, 0.5 LG	2	ATT PT
- 57B	257986	WASHER, FLAT	2	ATT PT
- 57C	2536627	LABEL	1	
- 57D	2536622	FILTER, AIR	1	
- 58	2536622	ARM B, UPPER USED ON MODELS 3 AND 3A ONLY	AR	
- 59	2536626	ARM B, LOWER USED ON MODELS 3 AND 3A ONLY	AR	
- 60	2250961	HEAD ASM B, DOWN (DOWNWARD FACING)	AR	
- 61	2250963	HEAD ASM B, UP (UPWARD FACING)	AR	

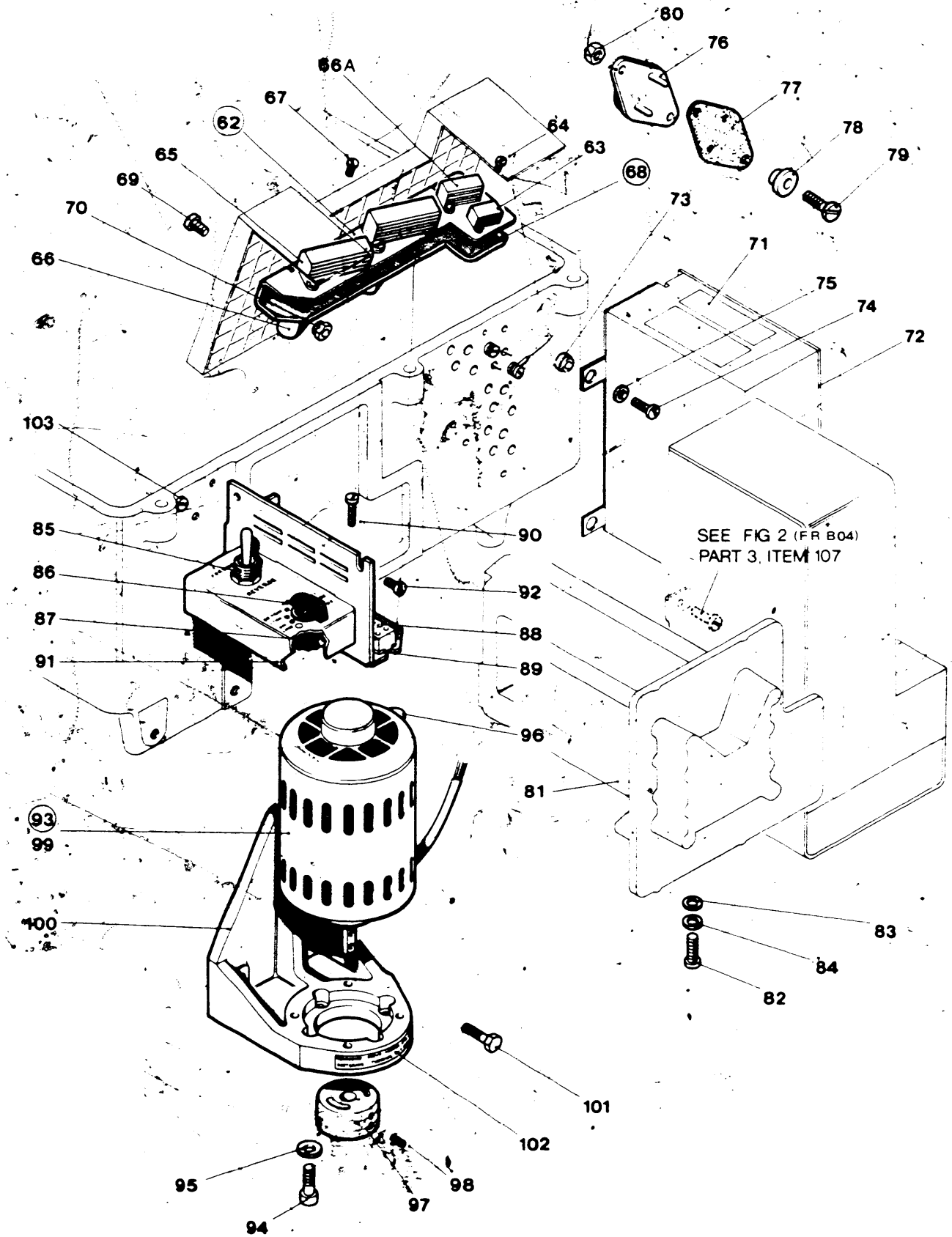


FIGURE 2. 5444 DISK FILE, FINAL ASSEMBLY (PART 2 OF 4)

LIST AND INDEX NUMBER	PART NUMBER	DESCRIPTION	UNITS PER ASM.	USABLE ON CODE
		5444 DISK FILE, FINAL ASSEMBLY (PART 2 OF 4)		
2 -	2538101 NP	FINAL ASSEMBLY, 5444 DISK FILE	REF	
- 62	2538139	. RESISTOR ASM USED ON STANDARD SPEED MODELS ONLY	1	
- 62	2600581	. RESISTOR ASM USED ON HIGH SPEED MODELS ONLY	1	
- 63	2283009	. RESISTOR	4	
- 64	2600544	. . . SCREW, SLOT PAN HD, 2-56, 0.25LG	ATT PT	8
- 65	2274381	. . . RESISTOR		2
- 66	5724118	. . . RESISTOR		2
- 66A	2396459	. RESISTOR USED ON HIGH SPEED MODELS ONLY	1	
- 67	731631	. . . SCREW, PAN HD, 4-40, 0.25LG	ATT PT	10
- 68	2538134	. . . BRACKET, RESISTOR		1
- 69	38351	. . . SCREW, MACH, FIL HD 6-32 X .312 LG	ATT PT	2
- 70	2531740 NR	. . . NUT		2
- 71	845762	. LABEL		1
- 72	2597913	. AC BOX ASM USED ON EARLIER 50HZ MACHINES ONLY FOR DETAIL BREAKDOWN SEE FIGURE 9 (FR C11)		1
- 72	5144390	. AC BOX ASM USED ON EARLIER 60HZ MACHINES ONLY FOR DETAIL BREAKDOWN SEE FIGURE 9 (FR C11)		1
- 72	5144600	. AC BOX ASM USED ON LATER 50HZ AND 60HZ MACHINES FOR DETAIL BREAKDOWN SEE FIGURE 9 (FR C11)		1
- 73	2537492	. BUSH, INSULATING		3
- 74	5349929	. SCREW, SELF TAP, HEX HD, WSHR, 8-32, 0.5LG		3
- 75	2537493	. WASHER, INSULATING		3
- 76	2391819	. TRANSISTOR, NPN369		4
- 77	2537491	. INSULATOR		4
- 78	5144416	. BUSH, INSULATING USED ON TWO HIGHER TRANSISTORS		4
- 78	5144429	. BUSH, INSULATING		4
- 79	322065	USED ON TWO LOWER TRANSISTORS . SCREW, MACH, SLOT BIND HD, 6-32UNC, 0.625LG	ATT PT	8
- 80	38051	. NUT, PLAIN, HEX, 6-32 X 1/4 FL W STL	ATT PT	8
- 81	2538111	. ACTUATOR ASM FOR DETAIL BREAKDOWN SEE FIGURE 4 (FR B12)		1
- 82	186935	. SCREW, HEX, SKT HD CAP, 0.25-20UNC, 0.875LG	ATT PT	1
- 83	3550	. WASHER, FL, 0.25, 0.5625OD, 0.05THK	ATT PT	1
- 84	6935	. WASHER, LOCK, SPLIT, 0.25ID, 0.493OD	ATT PT	1
- 84	2283005	. SWITCH, TOGGLE		1
- 86	317173	. KNOB		1
- 87	2283002	. SWITCH ASM		1
- 88	302090	. BOARD ASM, TERMINAL		2
- 89	302131	. INSULATOR		2
- 90	483373	. SCREW, MACH BD		2
- 91	2538099	. BRACKET, SWITCH MOUNTING		1
- 92	5319854	. SCREW, SELF TAP, HEX HD, 8-32, 0.375LG	ATT PT	2

LIST AND INDEX NUMBER	PART NUMBER	DESCRIPTION				UNITS PER ASM.	USABLE IN CODE
		1	2	3	4		
		5444 DISK FILE, FINAL ASSEMBLY (PART 2 OF 4) CONT					
- 93	2537318	. MOTOR ASM, 50HZ, 220V				1	
- 93	2537319	. MOTOR ASM, 50HZ, 235V				1	
- 93	2537320	. MOTOR ASM, 60HZ, 208V				1	
- 93	2537321	. MOTOR ASM, 60HZ, 230V				1	
- 93	5144418	. MOTOR ASM, 60HZ, 208/230V				1	
		FOR ELECTRICAL COMPONENTS SEE FIGURE 14 -2, -3, (FR D03) -32, -34, -35 (FR D04)					
- 94	129654	. SCREW, CAP SOCKET HD, 10-32, 0.75LG				4	
- 95	9092	. WASHER, LOCK, SPLIT RING, 0.194ID, 0.337OD				4	
- 96	2204025	. OILER				2	
- 97	2598198	. PULLEY, PLASTIC				1	
		USE WITH 50HZ MOTORS ONLY					
- 97	5144405	. PULLEY, PLASTIC				1	
		USE WITH 60HZ MOTORS ONLY					
- 98	257975	. SETSCREW, SPLINE DR CUP PT 6-32 X 3/8 LG				2	
		OTHER ASM COMPONENTS ARE NOT REPLACEABLE					
- 99	2426180	. MOTOR, SINGLE PHASE-INDUCT, 50HZ, 220V				1	
		ASM COMPONENTS ARE NOT REPLACEABLE					
- 99	2426199	. MOTOR, SINGLE PHASE-INDUCT, 50HZ, 235V				1	
		ASM COMPONENTS ARE NOT REPLACEABLE					
- 99	2426181	. MOTOR, SINGLE PHASE-INDUCT, 60HZ, 208V				1	
		ASM COMPONENTS ARE NOT REPLACEABLE					
- 99	2426200	. MOTOR, SINGLE PHASE-INDUCT, 60HZ, 230V				1	
		ASM COMPONENTS ARE NOT REPLACEABLE					
- 99	2283020	. MOTOR SINGLE PHASE-INDUCT, 60HZ, 208/230V				1	
		ASM COMPONENTS ARE NOT REPLACEABLE					
-100	5831708	. MOUNTING BRACKET MOTOR				1	
-101	5350092	. SCREW, HEX HD, CAP WSHR, 0.25-20UNC, 0.75LG				3	
-102	2598012	. LABEL				1	
-103	5319854	. SCREW, SELF TAP, HEX HD, 8-32, 0.375LG				1	

MMB 1351

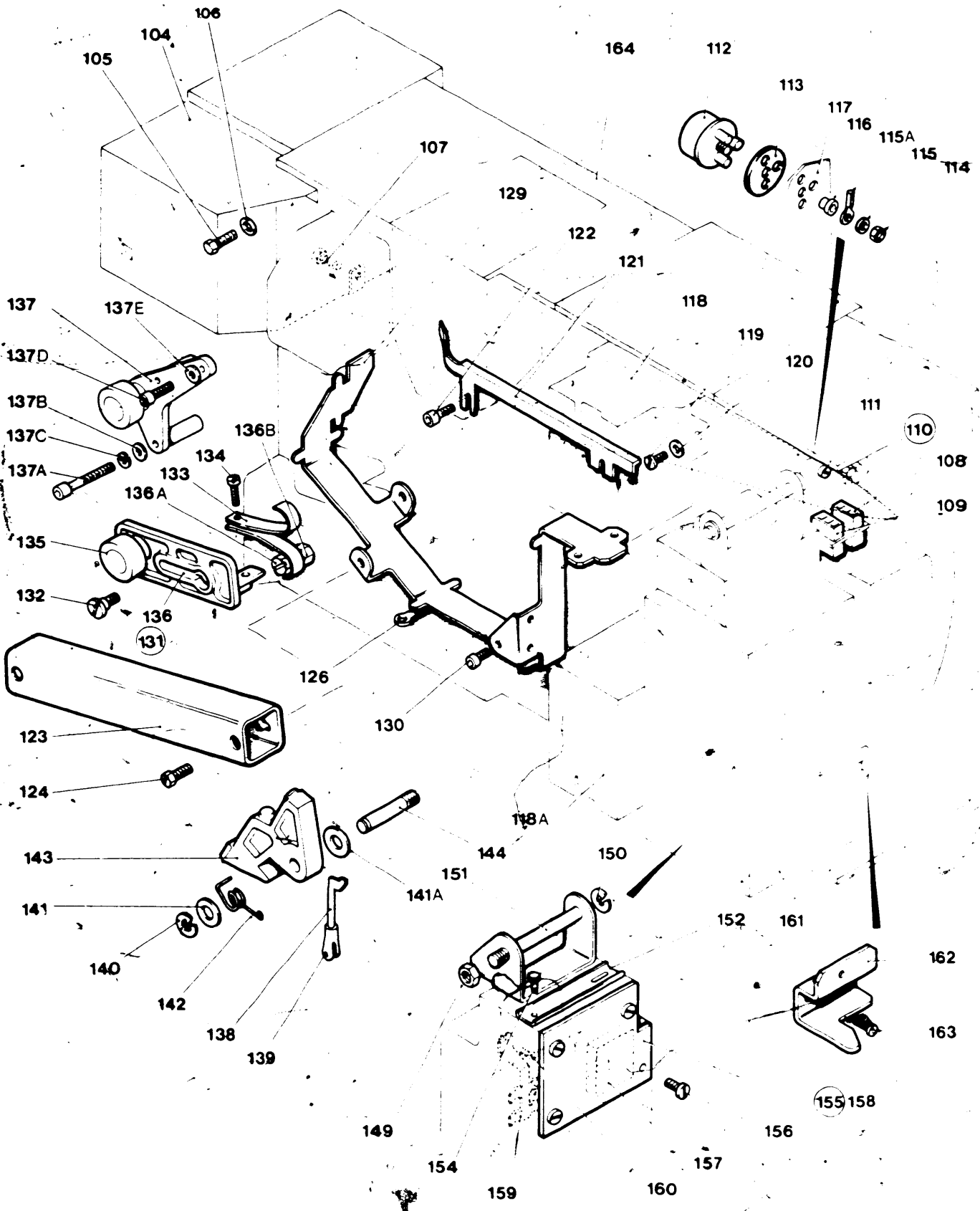


FIGURE 2. 5444 DISK FILE, FINAL ASSEMBLY (PART 3 OF 4)

LIST AND INDEX NUMBER	PART NUMBER	DESCRIPTION	UNITS PER ASM.	USABLE ON CODE
		5444 DISK FILE, FINAL ASSEMBLY (PART 3 OF 4)		
2 - -104	2538101 NP 5144595	FINAL ASSEMBLY, 5444 DISK FILE DC BOX ASM USED ON STANDARD SPEED MODELS ONLY SEE FIGURE 8 (FR C09) FOR DETAIL BREAKDOWN	REF 1	
-104	5144596	DC BOX ASM USED ON HIGH SPEED MODELS ONLY SEE FIGURE 8 (FR C09) FOR DETAIL BREAKDOWN	1	
-105	5319854	SCREW, SELFTAP, HEX HD, 8-32UNC, 0.375LG	ATT PT 2	
-106	22478	WASHER, FL, 0.17ID, 0.375OD, 0.32THK	ATT PT 4	
-107	2181005	SCREW, SELFTAP, HEX HD, WSHR, 6-32, 0.375LG	1	
-108	725557	HOUSING, CONNECTOR (AMBER)	1	
-109	4121101	HOUSING, CONNECTOR (WHITE)	1	
-110	2537508	BRACKET ASM, TRANSISTOR	1	
-111	81693	SCREW, MACH, BIND HD, 6-32, 0.375LG	ATT PT 2	
-112	526898	TRANSISTOR, PNP022	1	
-113	2537490	INSULATOR	1	
-114	11598	NUT, PLAIN, HEX 10-32, 0.375 PL W	ATT PT 1	
-115	56079	WASHER, LOCK, EXT TTH, 0.195ID, 0.410OD	ATT PT 1	
-115A	316996	TERMINAL, LOG	1	
-116	2537488	BUSH, INSULATING	1	
-117	2537502	PLATE, MOUNTING	1	
-118	2537310	CLAMP ASM, LH FOR DETAIL BREAKDOWN SEE FIGURE 6 (FR C05)	1	
-118A	2537309	CLAMP ASM, RH FOR DETAIL BREAKDOWN SEE FIGURE 7 (FR C07)	1	
-119	5319854	SCREW, THD CUTTING, HEX HD, 8-32, 0.375LG	ATT PT 3	
-120	55901	WASHER, LOCK, EXT TEETH 0.381OD	ATT PT 3	
-121	2537512	GUIDE	1	
-122	186927	SCREW, SKT HD CAP, 6-FLUTE, 6-32UNC, 0.25LG	ATT PT 2	
-123	2598074	CABLE DUCT	1	
-124	5319854	SCREW, THD CUTTING, HEX HD, 8-32, 0.375LG	ATT PT 2	
-126	811427	STRAP, CABLE	9	
-129	2598090	GUIDE, CABLE	1	
-130	5319854	SCREW, THD CUTTING, HEX HD, 8-32, 0.375LG	ATT PT 2	
-131	2537374	ARM ASM	1	
-132	2537376	SCREW, SHOULDER, SLOT HD, 0.25-20UNC	ATT PT 1	
-133	2537373	SPRING	2	
-134	10170	SCREW, MACH, SLOT BIND HD, 6-32UNC, 0.25LG	ATT PT 1	
-135	251262 NR	WHEEL BALL BEARING	1	
-136	2537372	BRACKET	1	
-136A	59649	SCREW, SLIT HEX HD, 0.25-20, 2.0LG	2	
-136B	3960	LOCKNUT, 0.25-20	2	
-137	2538117	IDLER ASM ASM COMPONENTS ARE NOT REPLACEABLE	1	
-137A	459303	SCREW, SOCKET, HEX, 0.25-20, 2.0LG	ATT PT 2	
-137B	6935	WASHER, LOCK, SPLIT, 0.25ID, 0.493OD	ATT PT 2	
-137C	3550	WASHER, FLAT, 0.25ID, 0.5625OD, 0.05THK	ATT PT 2	
-137D	120357	SCREW, HEX, SLOT HD, 0.25-20, 1.5LG	ATT PT 1	
-137E	3550	WASHER, FLAT, 0.25ID, 0.5625OD, 0.05THK	ATT PT 1	
-138	1093722	LINK BACKSPACE	2	
-139	1070020	CLEVIS ASM ASM COMPONENTS ARE NOT REPLACEABLE	2	
-140	219743	CLIP, RETAINING, 0.392ID, 0.042THK	2	
-141	52905	WASHER, FLAT, 0.525ID, 0.812OD, 0.015THK	ATT PT 2	
-141A	130985	WSHR, FLAT, 0.531ID, 1.062OD, 0.095THK	2	
-142	2537478	SPRING, SPECIAL	2	
-143	2537479	STOP, NYLON	2	
-144	2537480	PILLAR	2	
-149	24107	NUT, FINISHED, HEX, 0.375-16UNC	1	
-150	237245	CLIP, RETAIN-RING, 0.3ID, 0.66OD, 0.035THK	1	
-151	2537497	PIN, HINGE	1	
-152	2598196	CLAMP	1	
-154	2181005	SCREW, SELFTAP, HEX HD, WSHR, 6-32UNC, 0.375L	ATT PT 2	
-155	2537500	PLATE ASM	1	
-156	438548	SCREW, MACH, SLOT BIND HD, 4-40UNC, 0.188LG	ATT PT 4	
-157	2536274	PAD, SELF ADHESIVE	1	
-158	2537499	PLATE, REAR COVER	1	
-159	5144448	CLAMP	1	
-160	438548	SCREW, MACH, SLOT BIND HD, 4-40UNC, 0.188LG	ATT PT 1	
-161	2538096	'Y' GATE ASM FOR DETAIL BREAKDOWN SEE FIGURE 10 (FR C13)	1	
-162	2600565	BRACKET	1	
-163	38235	SCREW, MACH, SLOT BIND HD, 6-32UNC, 0.312LG	ATT PT 1	
-164	2536503	BASE CASTING ASM COMPONENTS ARE NOT REPLACEABLE	1	

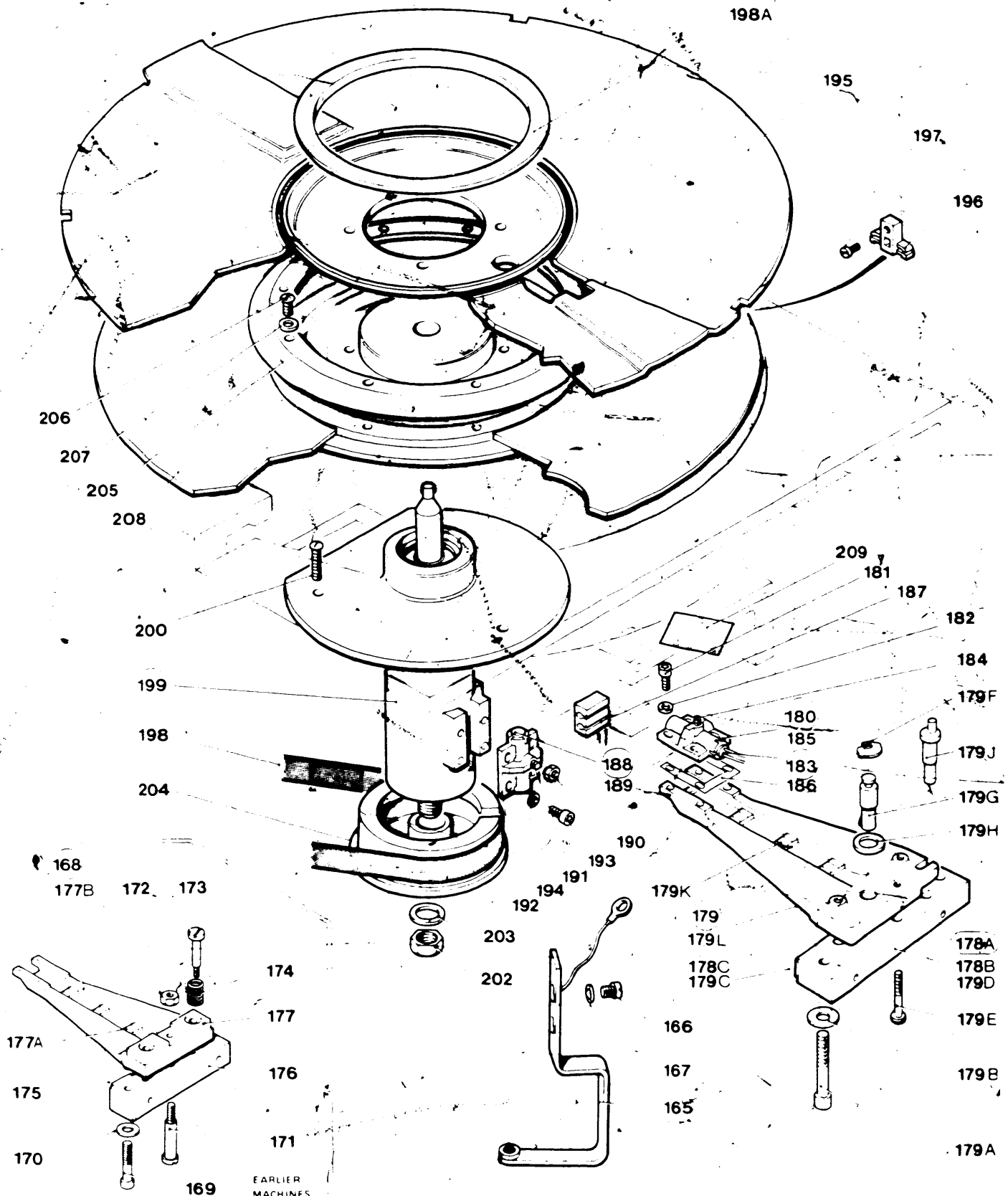


FIGURE 2. 5444 DISK FILE, FINAL ASSEMBLY (PART 4 OF 4)

QTY	PART NO.	DESCRIPTION	ATTN	REF
		5444 DISK FILE, FINAL ASSEMBLY (PART 4 OF 4)		
		FINAL ASSEMBLY, 5444 DISK FILE		REF
-165	2538101 NP	SPRING, ASM		1
-166	10170	SCREW, MACH, SLOT BIND HD, 8-32UNC, 0.25LG	ATT PT	1
-167	62031	WASHER, LOCK, INT TEETH, 0.295OD	ATT PT	1
-168	2536454	ROOM ASM, TRANSDUCER		1
		USED ON EARLIER MACHINES		
-169	186933	SCREW, MACH, HEX SOC HD 10-32 X 1.250 LG	ATT PT	2
-170	45690	WASHER, FL, 0.4375OD, 0.0313THK	ATT PT	2
-171	209033	SCREW, SHOULDER, 10-32UNF		1
-172	11598	NUT, PLAIN, HEX 10-32, 0.375 FL W		1
-173	5264648	SCREW, SHOULDER, SLOT, FLAT FIL HD, 10-32UNF		2
-174	603863	SPRING		2
-175	2536453	SEAL, SELF ADHESIVE		1
-176	2536451	SUPPORT BLOCK		1
-177	2536452	PLATE		1
-177A	5831923	CLAMP, CABLE, RUBBER		3
-177B	2536450	ROOM, TRANSDUCER		1
-178A	5144604	PLATE ASM		1
-178P	5144603	PLATE		1
-178C	5144368	SEAL, SELF ADHESIVE		1
		ITEMS 179 TO 186 REQUIRED ON TWIN DISK MODELS ONLY		
-179	5144360	ROOM ASM, TRANSDUCER		1
		USED ON LATER MACHINES		
-179A	186933	SCREW, MACH, HEX SOC HD, 10-32, 1-25LG	ATT PT	2
-179B	45690	WASHER, FL, 0.4375OD, 0.0313THK	ATT PT	2
-179C	5144368	SEAL, SELF ADHESIVE		1
-179D	5144364	PLATE		1
-179E	19944	SCREW, MACH, SLOT BD HD, 8-32, 0.75LG		3
-179F	5144389	CLIP		1
-179G	5144366	SHAFT		1
-179H	161351	WASHER, FLAT, 0.33ID, 0.625OD, 0.05THK		1
-179J	5144365	CAM		1
-179K	5831923	CLAMP, CABLE, RUBBER		3
-179L	5144365	ROOM, TRANSDUCER		1
-180	2598081	TRANSDUCER ASM, UPPER (INCLUDES SHIMS)		1
-181	186933	SCREW, SFT HD CAP, 6-FLUTE, 4-40UNC, 0.25LG	ATT PT	4
-182	257965	WASHER, FLAT, 0.25OD, 0.028THK	ATT PT	4
-183	2536272 NR	TRANSDUCER		1
-184	257956	SETScrew, SPLINE DR FP 4-40 X 1/8 LG	ATT PT	1
-185	5831921 NR	HOUSING		1
-186	5831988	SHIM, 0.002 THK (TWO SUPPLIED WITH ITEM 180)		AP
-186	5831989	SHIM, 0.003 THK (TWO SUPPLIED WITH ITEM 180)		AP
-186	5831990	SHIM, 0.008 THK (TWO SUPPLIED WITH ITEM 180)		AP
-186	5831991	SHIM, 0.020 THK (TWO SUPPLIED WITH ITEM 180)		AP
		FOR OTHER COMPONENT PARTS SEE FIGURE 14 -18, (FR D03) -36 (FR D04)		
-187	5831922	CABLE CLAMP, RUBBER		1
-188	2536356	COIL ASM		1
-189	2283001 NR	TRANSDUCER		1
-190	2114985	NUT, SELF LKG HEX 4, 40 X 1.062 THK	ATT PT	1
-191	257960	SETScrew, HEADLESS FP, 4-40, 9.25LG	ATT PT	1
-192	5831921	HOUSING		1
-193	251970	SCREW, MACH, SLOT BIND HD, 4-40, 0.25LG	ATT PT	4
-194	257965	WASHER, FLAT, 0.25OD, 0.028THK	ATT PT	4
-195	2536458	SHIELD		1
-196	5831709	CLIP, LOWER SHIELD, NYLON	ATT PT	4
-197	5144466	SCREW, MACH, SLOT FIL HD, 4, 40UNC, 0.31LG	ATT PT	4
-198	2600599	BELT, 0.9 WIDE, 49.5LG		1
-198A	2207715	MAGNET		1
-199	2600578	SPINDLE ASM (WITH METAL PULLEY)		1
		WHEN REPLACED, A NEW FIXED DISK (ITEM 208) MUST BE FITTED		
-200	5677	SCREW, MACH, BIND HD 10-32 X 3/4 LG	ATT PT	3
-202	8163	NUT, PLAIN HEX 3/8-24 X 9/16 FL W	ATT PT	1
-203	453	WASHER, FL, 3/8 X 13/16 OD X 1/16 THK	ATT PT	1
-204	2598195	PULLEY		1
		OTHER ASM COMPONENTS ARE NOT REPLACEABLE		
-205	5831713	CLAMP, RING		1
-206	34512	SCREW, MACH, SLOT BIND HD, 8-32, 0.375LG	ATT PT	8
-207	2219193	WASHER, FLAT 0.195 ID 0.44 OD 0.015THK	ATT PT	8
-208	2597938	DISK, FIXED, REPLACEMENT PACK		1
-209	5831793	WINDOW		1
		NOT USED ON LATER MACHINES		

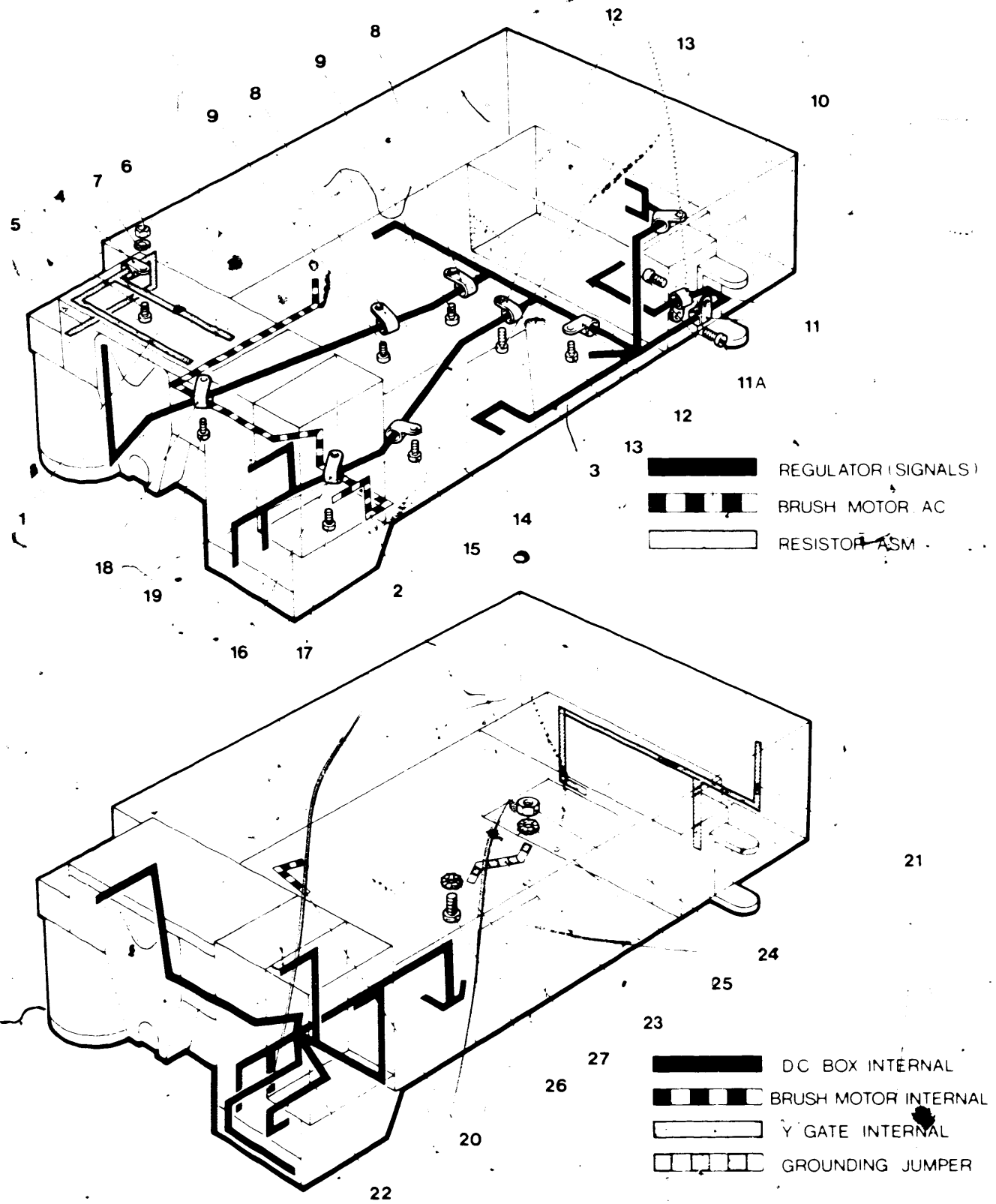


FIGURE 3. CABLE ASSEMBLIES (PART 1 OF 2)

LIST AND INDEX NUMBER	PART NUMBER	DESCRIPTION	UNITS PER ASM.	USABLE ON CODE
		1 2 3 4		
		CABLE ASSEMBLIES (PART 1 OF 2)		
3 - 1	NO NO 2538141	CABLE ASSEMBLIES CABLE HARNESS USED ON STANDARD SPEED MODELS ONLY FOR COMPONENT PARTS SEE FIGURE 14 -1 (FR D03)	REF 1	
- 1	2600582	CABLE HARNESS USED ON HIGH SPEED MODELS ONLY	1	
- 2	2537525	CABLE HARNESS FOR COMPONENT PARTS SEE FIGURE 14 -2,-3,-4 (FR D03)	1	
- 3	2600564	CABLE HARNESS	REF	
- 3A	5800634	PART OF DC BOX ASM (FIGURE 8) CARD ASM (NOT ILLUSTRATED) FOR OTHER COMPONENT PARTS SEE FIGURE 14 -1,-2,-3,-6,-7,-8,-9,-10,-11,-12, -13,-14,-15,-16,-17,-18,-19, (FR D03) -33 (FR D04) OTHER ASM COMPONENTS ARE NOT REPLACEABLE	4	
- 4	533289	CLAMP, LOOP, 0.25ID, 0.177DIA MTG HOLE	1	
- 5	38235	SCREW, MACH, SLOT BIND HD, 6-32 UNC, 0.312LG	1	
- 6	257187	NUT, HEX, 6-32, 0.375 FL W	1	
- 7	62031	WASHER, LOCK, INT TTH, 0.295OD	4	
		ITEMS 6 AND 7 USED ON EARLIER MACHINES ONLY		
- 8	2102365	CLAMP, LOOP	2	
- 9	5319854	SCREW, THREADING, SLOT HX HD, 8-32, 0.375LG	2	
- 10	356742	CLAMP, LOOP, 0.25ID, 0.177DIA MTG HOLE	1	
- 11	2114108	CLAMP, CABLE, .562 DIAMETER	1	
- 11A	2181005	SCREW, THREADING, SLOT HX HD, 6-32, 0.375LG	1	
- 12	327921	CLAMP, CABLE	2	
- 13	5319854	SCREW, THREADING, SLOT HX HD, 8-32, 0.375LG	2	
- 14	327921	CLAMP, LOOP	1	
- 15	2181005	SCREW, THREADING, SLOT HX HD, 6-32, 0.375LG	1	
- 16	327921	CLAMP, CABLE	1	
- 17	2181005	SCREW, THREADING, SLOT HX HD, 6-32, 0.375LG	1	
		ITEMS 16 AND 17 USED ON EARLIER MACHINES ONLY		
- 18	2102365	CLAMP, LOOP, 0.330 ID 0.170 DIA, MTG HOLE	1	
- 19	5319854	SCREW, THREADING, SLOT HX HD, 8-32, 0.375LG	1	
- 20	2536261	CABLE ASM	REF	
- 21	2537528	PART OF BRUSH DRIVE ASM (FIGURE 11) (FR C15) FOR COMPONENT PARTS SEE FIGURE 14 -1,-5 (FR D03) CABLE ASM	REF	
- 22	5144594	PART OF 'Y' GATE ASM (FIGURE 10) (FR C13) FOR COMPONENT PARTS SEE FIGURE 14 -2,-3,-20, -21,-22,-23,-24 (FR D03) CABLE HARNESS	REF	
- 23	NO NO	PART OF DC BOX ASM (FIGURE 8) (FR C09) FOR COMPONENT PARTS SEE FIGURE 14 -1,-3,-6, -7,-8,-9,-10,-12,-14, (FR D03) -25,-27,-28,-29,-37,-38 (FR D04) JUMPER ASM TO REPLACE ORDER ITEM 165, FIGURE 2, PART 4 (FR B06)	1	
- 24	23931	NUT, PLAIN, HEX, 8-32, 0.3125 FL W	1	
- 25	55904	WASHER, LOCK, EXT TEETH 0.381OD	1	
- 26	731626	SCREW, PAN HEAD, 6-32, 0.25LG	1	
- 27	56722	LOCKWASHER, EXT TOOTH, 0.150D, 0.32ID	1	

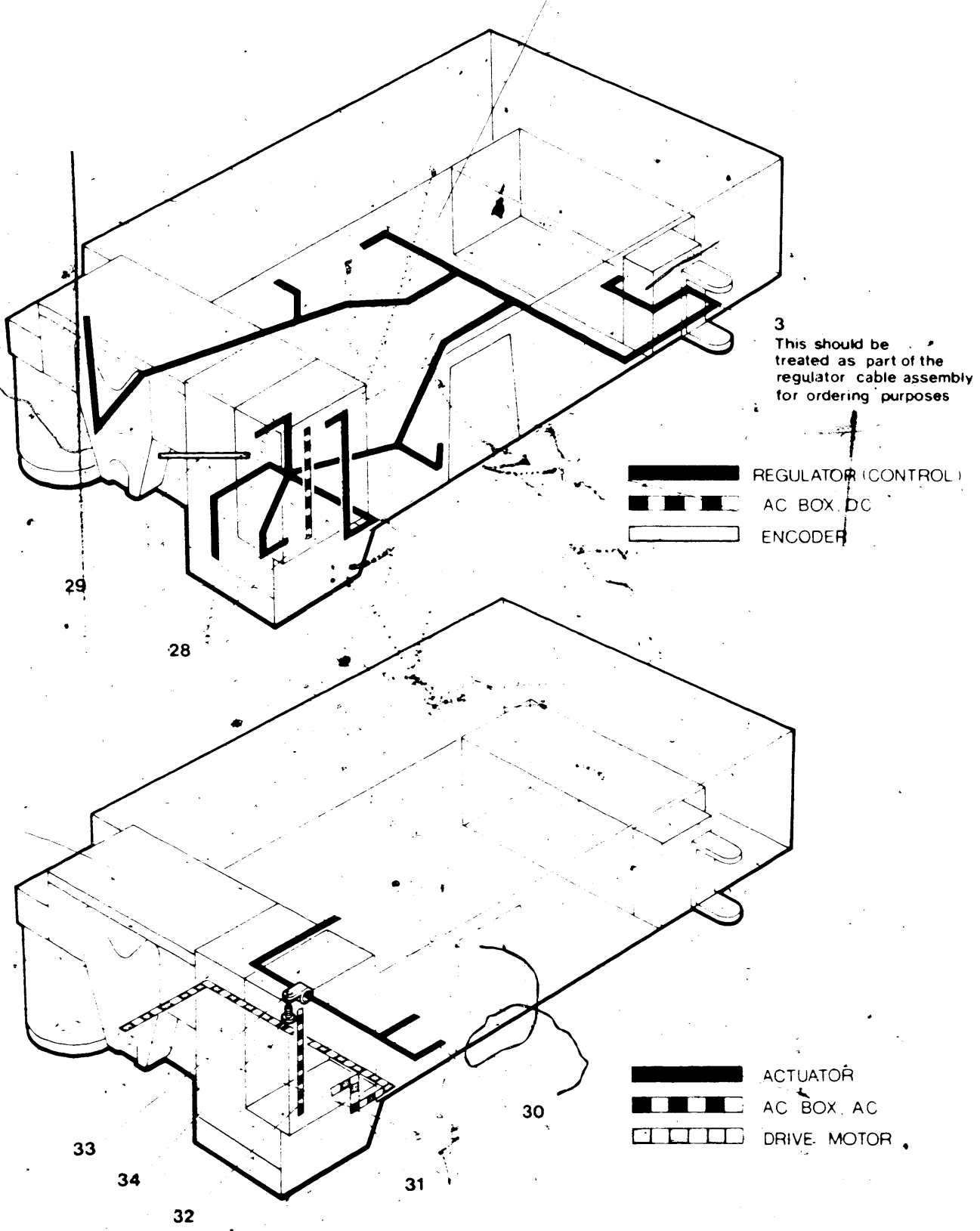


FIGURE 3. CABLE ASSEMBLIES (PART 2 OF 2)

QTY	PART NO	DESCRIPTION	UNIT PER ASM.	USABLE ON CODE.
		CABLE ASSEMBLIES (PART 2 OF 2)		
3 -	NO NO	CABLE ASSEMBLIES		
- 28	2536488	CABLE ASM USED ON EARLIER MACHINES ONLY FOR COMPONENT PARTS SEE FIGURE 14 -1	1	
- 28	5144602	CABLE ASM USED ON LATER MACHINES ONLY FOR COMPONENT PARTS SEE FIGURE 14 -1	1	
- 29	2538044	CABLE HARNESS PART OF MOTOR ENCODER ASM. (FIGURE 5) (FR C03) FOR COMPONENT PARTS SEE FIGURE 14 -5,-18,-30 OTHER COMPONENT PARTS ARE NOT REPLACEABLE	REF	
- 30	2538022	CABLE HARNESS PART OF ACTUATOR ASM (FIGURE 4) FOR COMPONENT PARTS SEE FIGURE 14 -7,-11,-13, -18,-31	REF	
- 31	NO NO	CABLE ASM, DRIVE MOTOR FOR COMPONENT PARTS SEE FIGURE 14 -2,-3,-32	1	
- 32	2536487	CABLE ASM USED ON EARLIER 50HZ MACHINES ONLY FOR COMPONENT PARTS SEE FIGURE 14 -3,-32	1	
- 32	5144392	CABLE ASM USED ON EARLIER 60HZ MACHINES ONLY FOR COMPONENT PARTS SEE FIGURE 14 -3,-32	1	
- 32	5144591	CABLE ASM USED ON LATER MACHINES ONLY FOR COMPONENT PARTS SEE FIGURE 14 -3,-32	1	
- 34	534768	CLAMP, CABLE	1	
- 34	181805	SCREW, THREADING, SLOT HX HD, 6-32, 0.375LG	1	

(Figure 14, 1-24, FR D03)
(Figure 14, 25-39, FR D04)

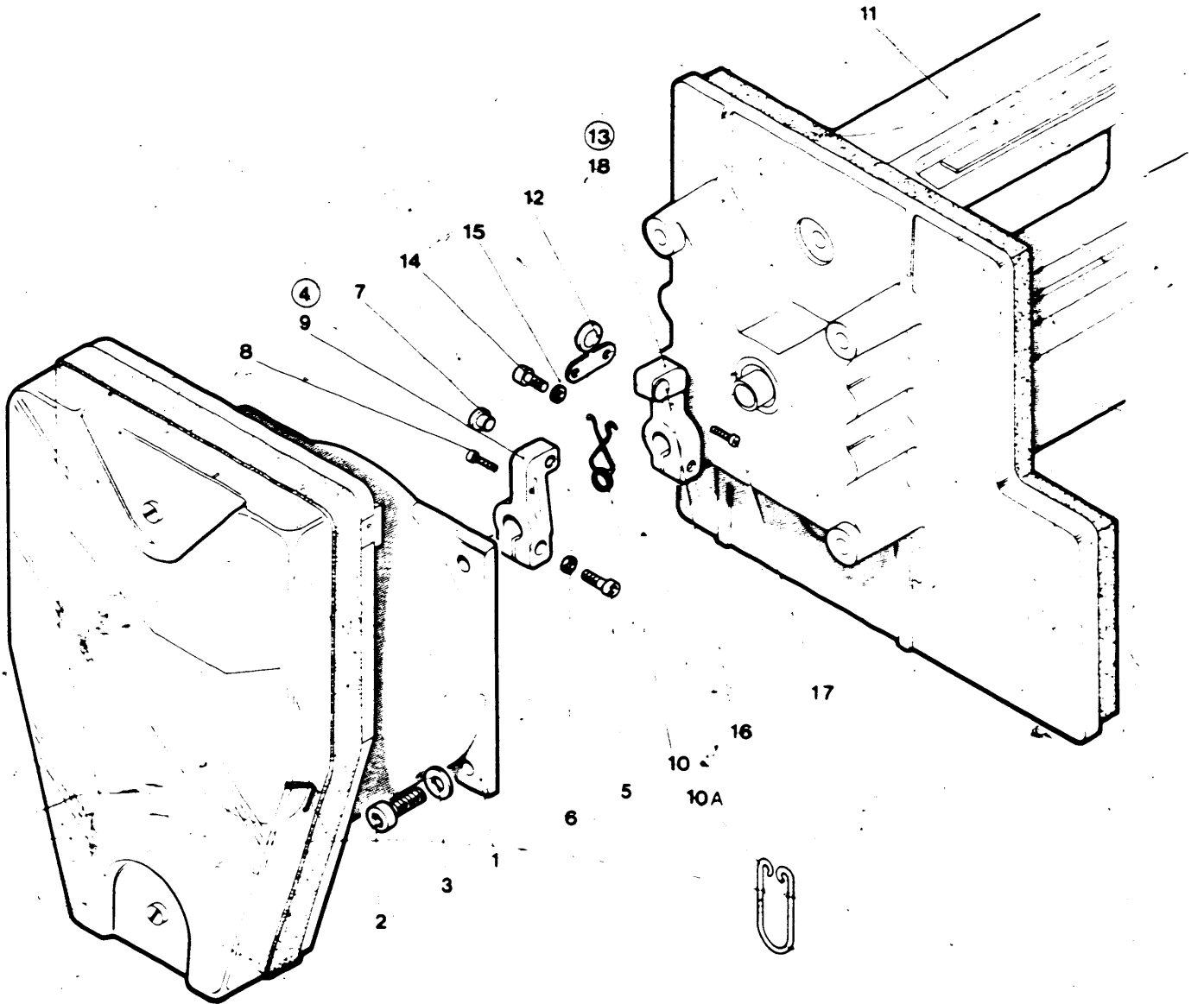


FIGURE 4. ACTUATOR ASSEMBLY (PART 1 OF 4)

QTY	PART NUMBER	DESCRIPTION	UNITS PER ASM.	USABLE ON CODE
		ACTUATOR ASSEMBLY (PART 1 OF 4)		
4 -	2538111	ACTUATOR ASSEMBLY FOR NEXT HIGHER ASM SEE FIGURE 2 (FR A16)	REF	
- 1	2538036	MOTOR ASM, ENCODER FOR DETAIL BREAKDOWN SEE FIGURE 5 (FR C03)	1	
- 2	104763	SCREW, CAP, SOC HD, 10-32 X 1/2 LG	4	
- 3	1116065	WASHER, FLAT	4	
- 4	2538017	COUPLING ASM	1	
- 5	357820	SCREW, CAP, SOC HD, 4-40 X 1/2 LG	1	
- 6	257985	WASHER, FLAT, 0.2500, 0.028THK	1	
- 7	2538019	PAD	1	
- 8	1166150 NR	SCREW, SELF TAP, 0.25LG	1	
- 9	2538018	COUPLING	1	
- 10	5144437	SPRING	1	
- 10A	2538069	SPRING, MUSIC WIRE USED IN USA EARLY MODELS ONLY	1	
- 11	2600589	ACTUATOR MECHANISM, FIELD USE SUB-ASM	1	
- 12	2600574	BEARING PAD	1	
- 13	2538017 NR	COUPLING ASM	1	
- 14	357820 NR	SCREW, CAP, SOC HD, 4-40 X 1/2 LG	1	
- 15	257985 NR	WASHER, FLAT, 0.2500, 0.028THK	1	
- 16	2538019	PAD	1	
- 17	1166150 NR	SCREW, SELF TAP, 0.25LG	1	
- 18	2538018 NR	COUPLING	1	

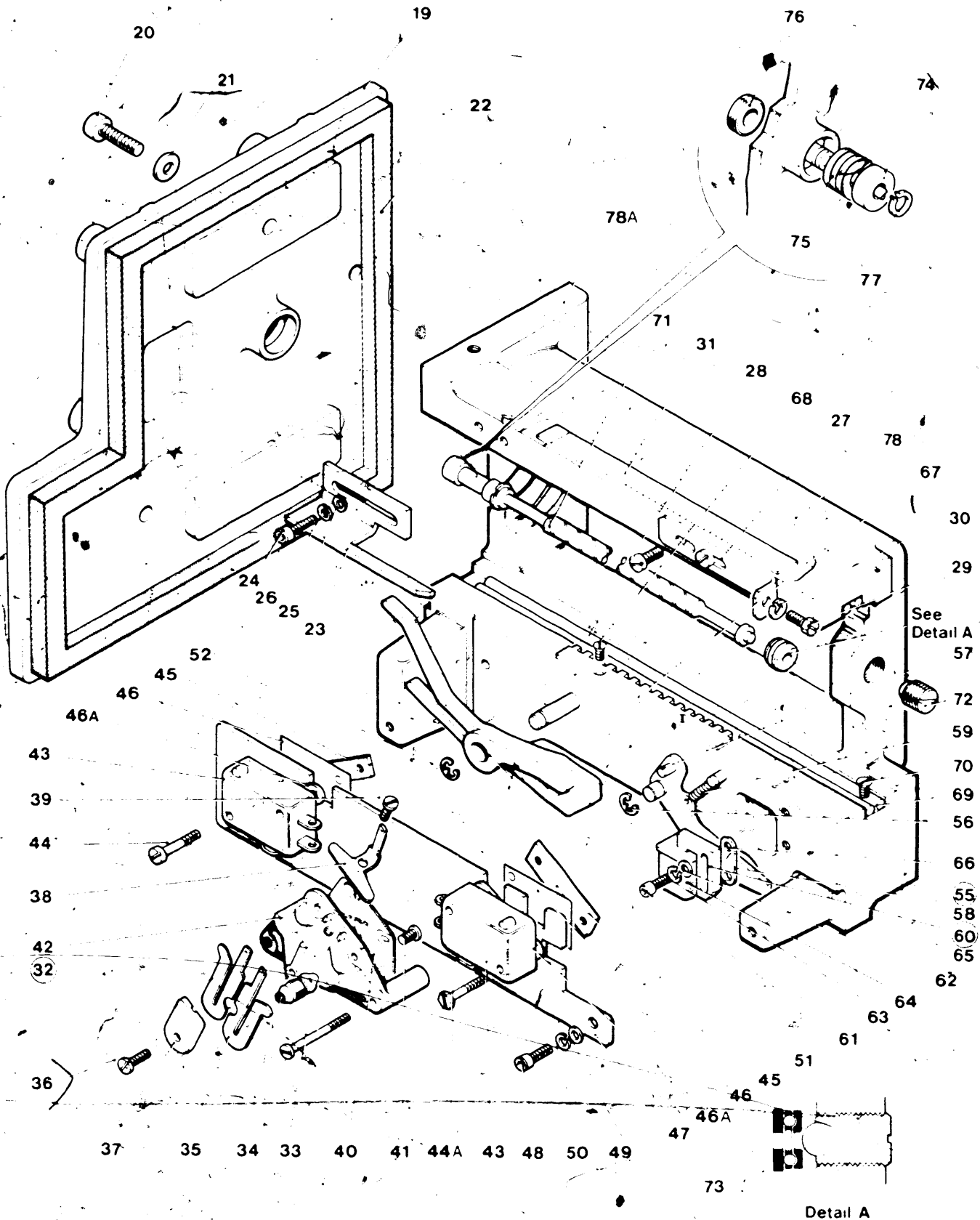


FIGURE 4. ACTUATOR ASSEMBLY (PART 2 OF 4)

LIST AND INDEX NUMBER	PART NUMBER	DESCRIPTION	UNITS PER ASM	USABLE ON CODE
		ACTUATOR ASSEMBLY (PART 2 OF 4)		
4 -	2538111	ACTUATOR ASSEMBLY FOR NEXT HIGHER ASM SEE FIGURE 2 (FR A16)	REF	
-	2600589	ACTUATOR MECHANISM ASM (CONTINUED)	REF	
- 19	2538068 NR	CASTING, MOTOR MOUNT ASM COMPONENTS ARE NOT REPLACEABLE	1	
- 20	104763	SCREW, CAP, SOC HD, 10-32 X 1/2 LG	ATT PT	2
- 21	1116065	WASHER, FLAT	ATT PT	2
- 22	2538104	GASKET, SELF ADHESIVE		1
- 23	2538071	BRACKET		1
- 24	186924	SCREW, SKT HD CAP, 6-FLUTE, 4-40UNC, 0.375LG	ATT PT	2
- 25	257985	WASHER, FLAT, 0.250D, 0.028THK	ATT PT	2
- 26	257984	WASHER, LOCK, SPLIT 1/8 ID X 13/64 OD	ATT PT	2
- 27	2600560	BRACKET		1
- 28	251970	SCREW, MACH, SLQT BIND HD, 4-40, 0.25LG	ATT PT	2
- 29	1124827	SCREW, HEX HD, 4-40, 0.19LG		1
- 30	257984	WASHER, LOCK, SPLIT 1/8 ID X 13/64 OD		1
- 31	5831657	LABEL, SELF ADHESIVE		1
- 32	2538089	BULB ASM, INTERLOCK		1
- 33	38554	SCREW, MACH, BIND HD, 4-40, 1LG		2
- 34	369675	LAMP		2
- 35	2538016	SPRING, CONTACT		2
- 36	338238	SCREW, MACH, BD HD, 4-40UNC, 0.3125LG	ATT PT	1
- 37	2538143	RETAINER, SPRING		1
- 38	2600510	CLAMP, SPRING		1
- 39	438548	SCREW, MACH, BD HD, 4-40UNC, 0.3125LG	ATT PT	1
- 40	2538013	BOARD ASM		1
- 41	338238	SCREW, MACH, BD HD, 4-40UNC, 0.3125LG	ATT PT	1
- 42	2538015	HOLDER, LAMP		1
- 43	2426288	SWITCH, PRECISION		2
- 44	438551	SCREW, MACH, SLOT BIND HD, 4-40UNC, 0.625LG	ATT PT	2
- 44A	1171544	SCREW, SLOT HEX HD, 4-40, 0.76LG	ATT PT	2
- 45	2157349	PLATE, SECTOR PULSE SWITCH	ATT PT	2
- 46	2538078	SPRING, SWITCH MOUNTING		2
- 46A	2598038 NR	PACKER		2
- 47	2538077	PLATE, INTERLOCK		1
- 48	186924	SCREW, SKT HD CAP, 6-FLUTE, 4-40UNC, 0.375LG	ATT PT	3
- 49	257985	WASHER, FLAT, 0.250D, 0.028THK	ATT PT	3
- 50	257984	WASHER, LOCK, SPLIT 1/8 ID X 13/64 OD	ATT PT	3
- 51	5144449	CAM, HEAD LOAD		1
- 52	257982	CLIP, STUD RETAINING, 0.232 ID	ATT PT	1
- 55	2538007	LEVER ASM		1
- 56	257982	CLIP, STUD RETAINING, 0.232 ID	ATT PT	1
- 57	104696 NR	PIN, DOWEL, 0.1253 DIA, 0.5LG		1
- 58	2538008 NR	LEVER, CAM HOLD		1
- 59	2538072	SPRING, EXTENTION		1
- 60	2538001	SOLENOID ASM		1
- 61	186924	SCREW, SKT HD CAP, 6-FLUTE, 4-40UNC, 0.375LG	ATT PT	2
- 62	257985	WASHER, FLAT, 0.250D, 0.028THK	ATT PT	2
- 63	257984	WASHER, LOCK, SPLIT 1/8 ID X 13/64 OD	ATT PT	2
- 64	2426238 NR	COIL ASM		1
- 65	2538002 NR	CORE, MAGNETIC		1
- 66	804480	FOR OTHER COMPONENT PARTS SEE FIGURE 14-7 (FR D03)		1
- 67	5831892 NR	CLAMP		2
- 68	52522	RACK, ACTUATOR		4
- 69	5831903	SCREW, MACH, SLOT BIND HD, 4-40UNC, 0.312LG	ATT PT	4
- 70	438536	SHAFT, RACEWAY		2
- 71	2538062 NR	SCREW, MACH, FLAT HD, 2-56 X 1/2 LG	ATT PT	1
- 72	5831852 NR	LEADSCREW ASM ASM COMPONENTS ARE NOT REPLACEABLE		1
- 73	2600591 NR	SCREW ASM ASM COMPONENTS ARE NOT REPLACEABLE		1
- 74	2538064 NR	THRUST BEARING		1
- 75	2538065 NR	BEARING		8
- 76	2538067 NR	WASHER		1
- 77	2538066	SCREW		1
- 78	5144454	RING, RETENTION		1
- 78A	2538032 NR	LABEL, SELF ADHESIVE		1
		CASTING, ACTUATOR ASM COMPONENTS ARE NOT REPLACEABLE		1

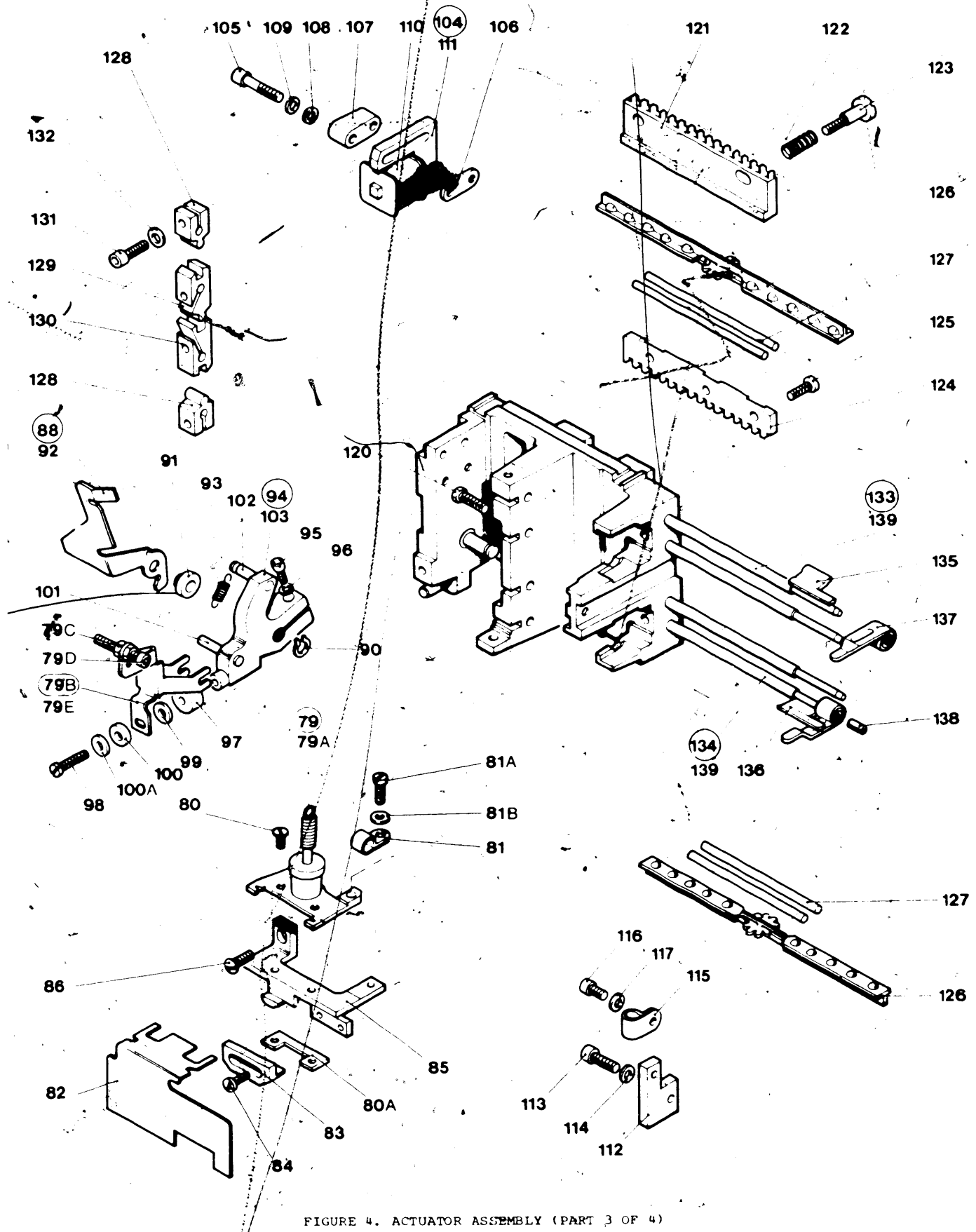


FIGURE 4. ACTUATOR ASSEMBLY (PART 3 OF 4)

LIST AND INDEX NUMBER	PART NUMBER	DESCRIPTION	UNITS PER ASM.	USABLE ON CODE
		ACTUATOR ASSEMBLY (PART 3 OF 4)*		
4 -	2538111	ACTUATOR ASSEMBLY FOR NEXT HIGHER ASM SEE FIGURE 2 (FR A16)	REF	
-	2600589	ACTUATOR MECHANISM ASM (CONTINUED)	REF	
- 79	5144404	. . . DASHPOT ASM	1	
- 79A	5144403 NR	. . . SPRING	1	
		OTHER ASM COMPONENTS ARE NOT REPLACEABLE		
- 79B	5144402	. . . LEVER ASM	1	
- 79C	37913	. . . NUT, HEX, 4-40 X .250 ID	2	
- 79D	357820	. . . SCREW, CAP, SOC HD 4-40 X 1/2 LG	1	
- 79E	5144399	. . . LEVER	1	
- 80	438548	. . . SCREW, MACH, SLOT BIND HD, 4-40UNC, 0.188LG	2	
- 80A	5144395	. . . PLATE, NUT	1	
- 81	5213276	. . . CLAMP, CABLE	1	
- 81A	338238	. . . SCREW, MACH, BD HD, 4-40UNC, 0.3125LG	1	
- 81B	257985	. . . WASHER, FLAT, 0.25OD, 0.028THK	1	
- 82	2600584	. . . FLAG	1	
- 83	2538080	. . . STRIKER, SWITCH	1	
- 84	251970	. . . SCREW, MACH, SLOT BIND HD, 4-40, 0.25LG	2	
- 85	5144394	. . . BRACKET, STRIKER	1	
- 86	35739	. . . SCREW, MACH, SLOT BIND HD, 6-32, 0.9375LG	1	
- 88	2538054	. . . LEVER ASM	1	
- 90	25282	. . . RING, RETAINING, EXT 0.125 ID X 0.015 THK	1	
- 91	2538043 NR	. . . BUSH	1	
- 92	2538070 NR	. . . LEVER	1	
- 93	2538073	. . . SPRING, EXTENSION	1	
- 94	2538005	. . . ARM ASM, HEAD LOAD	1	
- 95	186924	. . . SCREW, CAP, FLUTED SOC HD, 4-40, 0.375LG	1	
- 96	257985	. . . WASHER, FLAT, 0.25OD, 0.028THK	1	
- 97	5144421	. . . BEARING	1	
- 98	438539	. . . SCREW, MACH, UNDRCT BIND HD 2-56 X 5/16 LG	1	
- 99	1132574	. . . WASHER, FLAT, 0.094ID, 0.25OD, 0.015THK	1	
-100	642371	. . . WASHER, FLAT, 0.094ID, 0.25OD, 0.031THK	1	
-100A	263217	. . . WSHR, LOCK, INT TTH, 0.09ID, 0.18OD, 0.013THK	1	
-101	744103 NR	. . . PIN	1	
-102	802388 NR	. . . STUD	1	
-103	2538006	. . . ARM, HEAD LOAD	1	
-104	2538020	. . . SOLENOID ASM	1	
-105	186926	. . . SCREW, SOCKET HD CAP, 6-FLUTE, 4-40, 0.75LG	2	
-106	2538074	. . . PLATE, THREADED	1	
-107	2600534	. . . SPACER ONLY REQUIRED WHEN 2538027 IS FITTED AS ITEM -165	1	
-108	257985	. . . WASHER, FLAT, 0.25OD, 0.028THK	2	
-109	257984	. . . WASHER, LOCK, SPLIT 1/8 ID X 13/64 OD	2	
-110	2426238 NR	. . . COIL ASM	1	
-111	2538021 NR	. . . CORE, MAGNETIC FOR OTHER COMPONENT PARTS SEE FIGURE 14 -7 (FR D03)	1	
-112	2600563	. . . PLATE, CLAMP	1	
-113	186924	. . . SCREW, SKT HD CAP, 6-FLUTE, 4-40UNC, 0.375LG	1	
-114	257985	. . . WASHER, FLAT, 0.25OD, 0.028THK	1	
-115	5213276	. . . CLAMP, CABLE	1	
-116	186923	. . . SCREW, CAP HD, 6-FLUTE, 4-40, 0.25LG	1	
-117	257985	. . . WASHER, FLAT, 0.25OD, 0.028THK	1	
-120	2536431	. . . SCREW, LOCKING, HEX HD, 4-40UNC, 0.5LG	4	
-121	2537348 NR	. . . RACK, CARRIAGE	1	
-122	2538090 NR	. . . SPRING, COMPRESSION	2	
-123	2536649 NR	. . . SCREW, SHOULDER, SLOT HD, STAINLESS, 4-40UNC	2	
-124	8088 NR	. . . RACK, CARRIAGE	1	
-125	38238	. . . SCREW, MACH, BD HD, 4-40UNC, 0.3125LG	3	
-126	5831682 NR	. . . CAGE ASM	2	
		ASM COMPONENTS ARE NOT REPLACEABLE		
-127	2538091 NR	. . . SHAFT, CARRIAGE	4	
-128	2537341	. . . LINK, HEAD LOAD	2	
-129	2537340	. . . LINK, HEAD LOAD	1	
-130	2537339	. . . LINK, HEAD LOAD	1	
-131	186924	. . . SCREW, SKT HD CAP, 6-FLUTE, 4-40UNC, 0.375LG	4	
-132	257985	. . . WASHER, FLAT, 0.25OD, 0.028THK	4	
-133	5831687	. . . SHAFT ASM, DOWN	2	
-134	5831686	. . . SHAFT ASM, UP	2	
-135	2598185 NR	. . . BRACKET, HEAD LOAD	2	
-136	2598184 NR	. . . BRACKET, HEAD LOAD	2	
-137	2598183 NR	. . . SPRING, HEAD LOAD	4	
-138	2598191 NR	. . . PIN	4	
-139	2598182 NR	. . . SHAFT, STAINLESS	4	

CONTINUED ON
FRAME C01

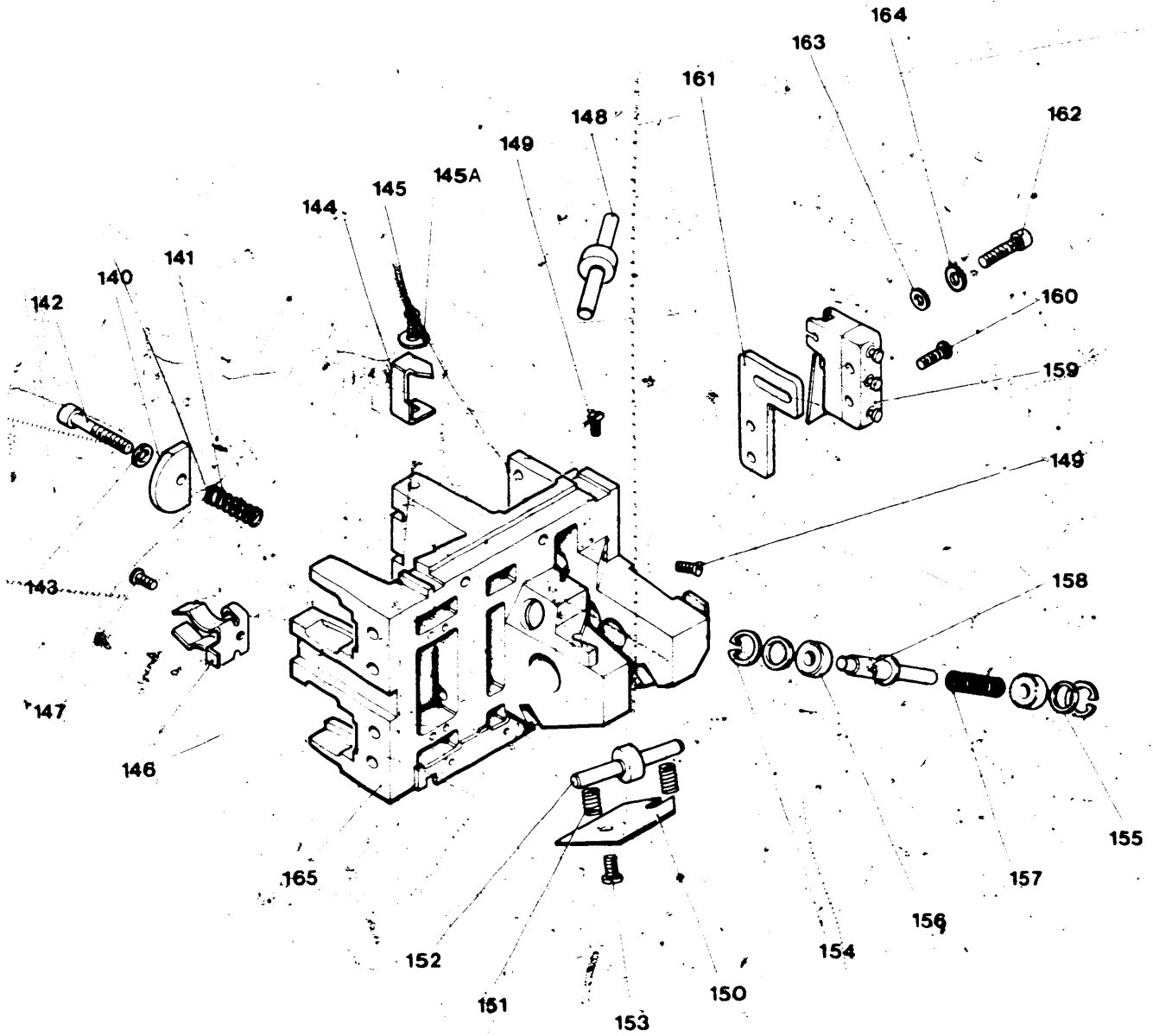


FIGURE 4. ACTUATOR ASSEMBLY (PART 4 OF 4)

LIST AND INDEX NUMBER	PART NUMBER	DESCRIPTION	UNITS PER ASM.	USABLE ON CODE
		1 2 3 4		
		ACTUATOR ASSEMBLY (PART 4 OF 4)		
4 -	2538111	ACTUATOR ASSEMBLY FOR NEXT HIGHER ASM SEE FIGURE 2 (FR A16)	REF	
-	2600589	ACTUATOR MECHANISM ASM (CONTINUED)	REF	
-140	2536483	CLAMP HEAD	2	
-141	332981	SPRING	2	
-142	2121358	SCREW, MACH, SKT HD, 6-FLUTE, 4-40UNC, 1LG	2	
-143	257985	WASHER, FLAT, 0.25OD, 0.028THK	2	
-144	2538075	POINTER	1	
-145	186923	SCREW, SKT HD CAP, 4-40, 0.25LG	1	ATT PT
-145A	257985	WASHER, FLAT, 0.25OD, 0.028THK	1	ATT PT
-146	2536482	SPRING, HEAD RETAINING	2	
-147	186923	SCREW, SKT HD CAP, 6-FLUTE, 4-40UNC, 0.25LG	2	ATT PT
-148	5144414 NR	ROLLER ASM, CARRIAGE ASM COMPONENTS ARE NOT REPLACEABLE	1	
-149	30443 NR	SCREW, MACH, FL CSK HD 6-32 X 5/16 LG	2	
-150	5144433 NR	PLATE, RETAINING	1	
-150	2538092 NR	PLATE, RETAINING ONLY REQUIRED WHEN 5144432 IS FITTED	1	
-151	2538092 NR	AS ITEM 165 SPRING, COMPRESSION	2	
-152	2538023 NR	ROLLER ASM, CARRIAGE ASM COMPONENTS ARE NOT REPLACEABLE	1	
-153	251970	SCREW, MACH, SLOT BIND HD, 4-40, 0.25LG	2	
-154	2538086 NR	RING, RETENTION	2	
-155	2538087 NR	SPACER	2	
-156	2538025 NR	BEARING, ANNULAR BALL	2	
-157	2538085 NR	SPRING, COMPRESSION	1	
-158	2538083 NR	WHEELNUT	1	
-159	681123	SWITCH	1	
-160	438540	SCREW, MACH, SLOT BIND HD, 8-32UNC, 1.75LG	2	
-161	5144452	PLATE, SWITCH MOUNTING	1	
-162	186924	SCREW, SKT HD CAP, 6-FLUTE, 4-40UNC, 0.375LG	1	
-163	257985	WASHER, FLAT, 0.25OD, 0.028THK	1	
-164	257984	WASHER, LOCK, SPLIT 1/8 ID X 13/64 OD	1	
-165	5144432 NR	CARRIAGE, ASM ASM COMPONENTS ARE NOT REPLACEABLE	1	
-165	2538027 NR	CARRIAGE ASM, REQUIRES 2538092 AS ITEM 150 AND 2600534 AS ITEM 107 ASM COMPONENTS ARE NOT REPLACEABLE	1	

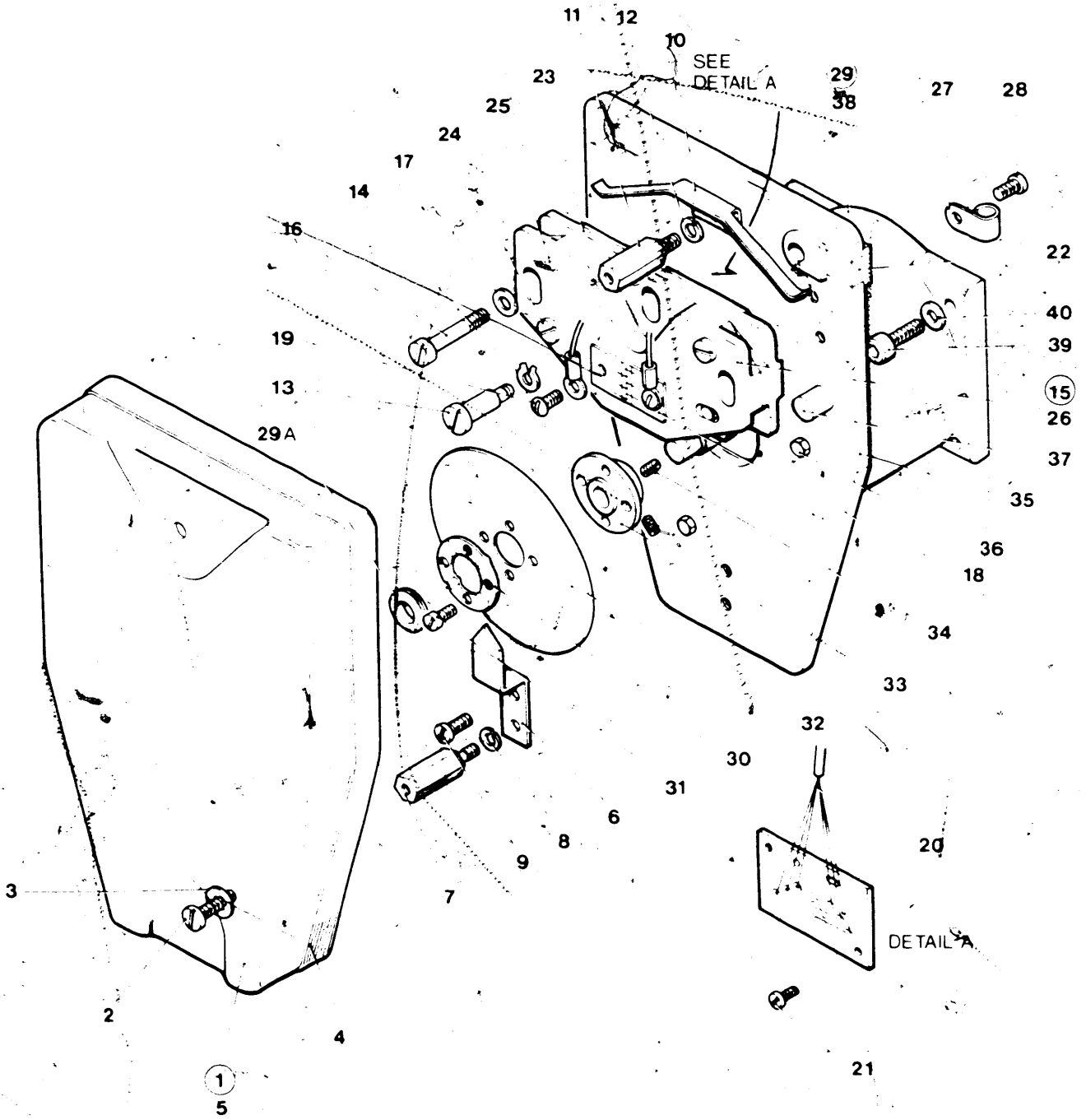


FIGURE 5. MOTOR ENCODER ASSEMBLY

LIST AND INDEX NUMBER	PART NUMBER	DESCRIPTION	UNITS	USABLE
			PER ASM.	ON CODE
		MOTOR ENCODER ASSEMBLY		
5 -	2538036	MOTOR ENCODER ASSEMBLY FOR NEXT HIGHER ASM - SEE FIGURE 4 (FR B12)	REF	
- 1	2600561	. COVER ASM	1	
- 2	338238	. . SCREW, MACH, BD HD, 4-40UNC, 0.3125LG	2	
- 3	728509	. . RING	2	
- 4	2600562	. . SEAL, DUST	1	
- 5	2538055	. . COVER, TRANSPARENT	1	
- 6	2638061	. INDICATOR, TRACK	1	
- 7	2538056	. SHAFT	1	
- 8	6364	. WASHER, LOCK, SPLIT 0.250D	1	
- 9	438566	. SCREW, MACH, BIND HD, 6-32, 0.125LG	1	
- 10	2538059	. SPRING, RETENTION	1	
- 11	2538056	. SHAFT	1	
- 12	6364	. WASHER, LOCK, SPLIT 0.250D	1	
- 13	2538058	. SHAFT, ADJUSTING	1	
- 14	147297	. RING, RETAINING, EXT 0.094 ID X 0.020 THK	1	
- 15	2538045	. ENCODER ASM	1	
- 16	438586	. SCREW, MACH, UNDRCT BIND HD 8-32 X 7/8 LG	2	
- 17	22478	. WASHER, FL, 0.375ID, 0.375OD, 0.32THK	2	
- 18	2538047	. LAMP ASM, ENCODER	1	
- 19	1138818	. . SCREW, MACH, BIND HD, 4-40 X 1/4 LG	2	
- 20	2538046	. . CABLE HARNESS INCLUDES BOARD ASM (NOT REPLACEABLE)	1	
- 21	48594	. . SCREW, MACH, BIND HD, 6-32, 0.25LG	2	
- 22	2538127 NR	. . . GROMMET, RUBBER FOR OTHER COMPONENT PARTS SEE FIGURE 14 -5, -18, (FR D031 -30 (FR D04)	1	
- 23	2538052	. . PLATE, CELL	1	
- 24	322550	. . SCREW, MACH, BIND HD, 6-32, 0.5LG	2	
- 25	363011 NR	. . STUD	2	
- 26	2538051	. . PLATE, LAMP MOUNTING	1	
- 27	356742	. CLAMP, LOOP, 0.25ID, 0.177DIA MTG HOLE	1	
- 28	1072433	. SCREW, CAP, SOC 8-32NC-2A	1	
- 29	2538067	. MOTOR, DISK ASM	1	
- 29A	123071	. . KNOB, GROMMET	1	
- 30	2538039 NR	. . CLAMP, DISK	1	
- 31	438548 NR	. . SCREW, MACH, SLOT BIND HD, 4-40UNC, 0.188LG	4	
- 32	2538040 NR	. . DISK, ENCODER	1	
- 33	2538038 NR	. . HUB, DISK	1	
- 34	2600535 NR	. . SCREW, HDLESS SET, SOCKET, 8-32, 0.25LG	2	
- 35	2538042 NR	. . SUPPORT, ENCODER	1	
- 36	1124775 NR	. . SCREW, HEX HD, 6-32, 0.3LG	3	
- 37	2538144 NR	. . SHAFT	2	
- 38	2538041 NR	. . MOTOR ASM, STEPPING	1	
- 39	104763	. SCREW, CAP, SOC HD, 10-32, 0.5LG PART OF ACTUATOR ASM - SEE FIGURE 4 (FR B12)	REF	
- 40	45690	. WASHER, FL, 0.4375OD, 0.0313THK PART OF ACTUATOR ASM - SEE FIGURE 4 (FR B12)	REF	

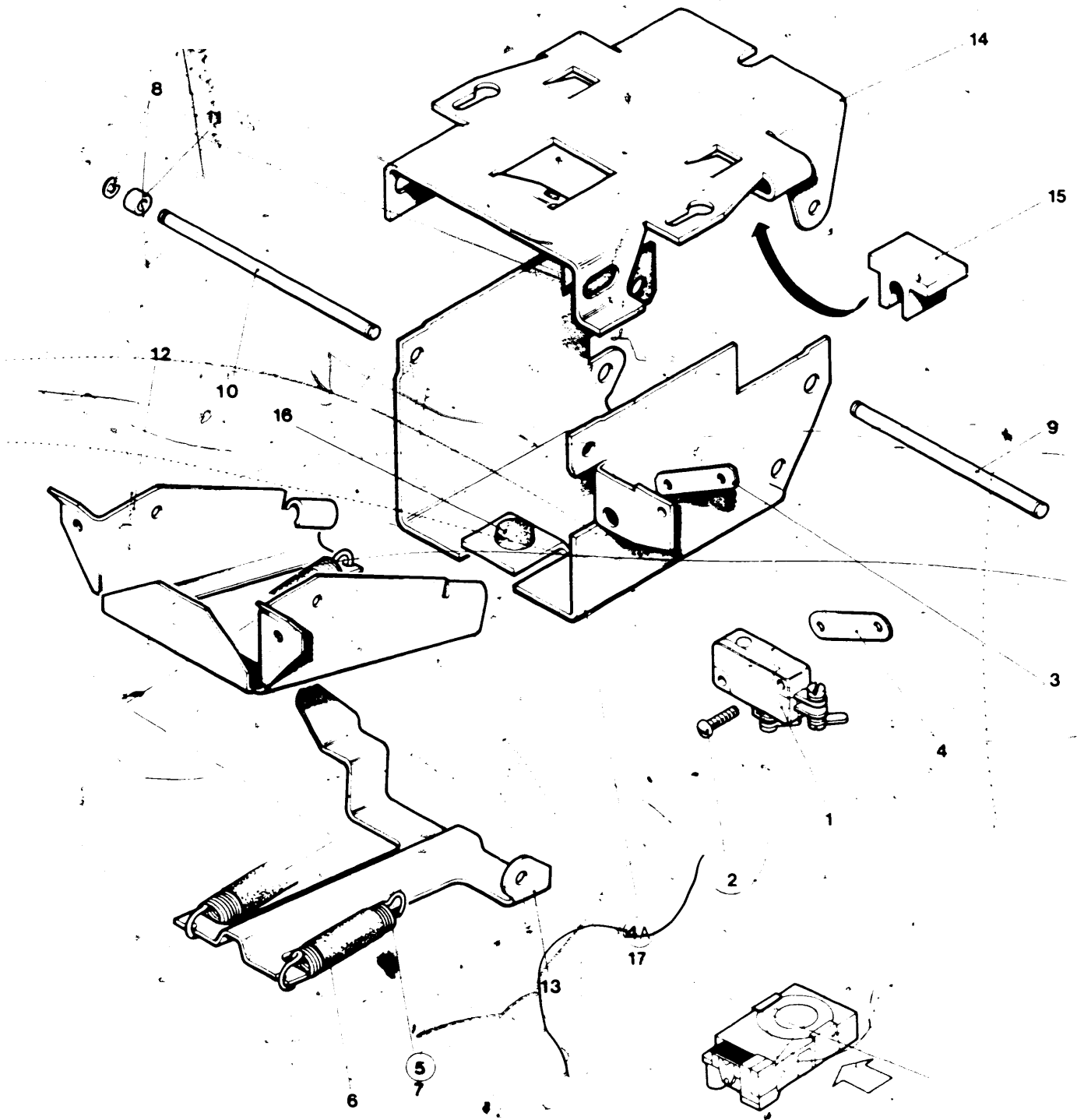


FIGURE 6. CLAMP ASSEMBLY - LH

		DESCRIPTION	UNITS PER ASM.	USABLE ON CODE
		LAMP ASSEMBLY - LH		
	2537310	LAMP ASSEMBLY ORDER THIS ASSEMBLY FOR MACHINES ALREADY EQUIPPED WITH ITEMS 1, 2, 3, AND 4 OTHERWISE ORDER ITEM 4A FOR NEXT HIGHER ASM SEE FIGURE 2 (FR A16)	REF	
- 1	2426288	. SWITCH, PRECISION	1	
- 2	438551	. SCREW, MACH, SLOT BIND HD, 4-40UNC, 0.625LG	2	
- 3	2598080	. PLATE, NUT	.1	
- 4	2598038	. PACKER, STEEL	1	
- 4A	5144458	. CLAMP ASM	1	
- 5	2537486	. . . SPRING, COMPRESSION	2	
- 6	631810	. . . TUBING, FLEXIBLE-NON-METALLIC	AR	
- 7	2537475	. . . SPRING, EXTENSION	1	
- 8	1092125	. . CLIP, RETAINING, 0.145ID, 0.025THK	6	
- 9	2537472	. . SHAFT	2	
- 10	2537338	. . SHAFT	1	
- 11	2536633	. . BEARING, NYLON	2	
- 12	2536618	. . LEVER	1	
- 13	2536644	. . LEVER	1	
- 14	2536640	. . BRACKET	1	
- 15	2537573	. . CLIP, RUBBER	2	
- 16	2537572	. . BUMPER, RUBBER	2	
- 17	2536642	. . MOUNT	1	

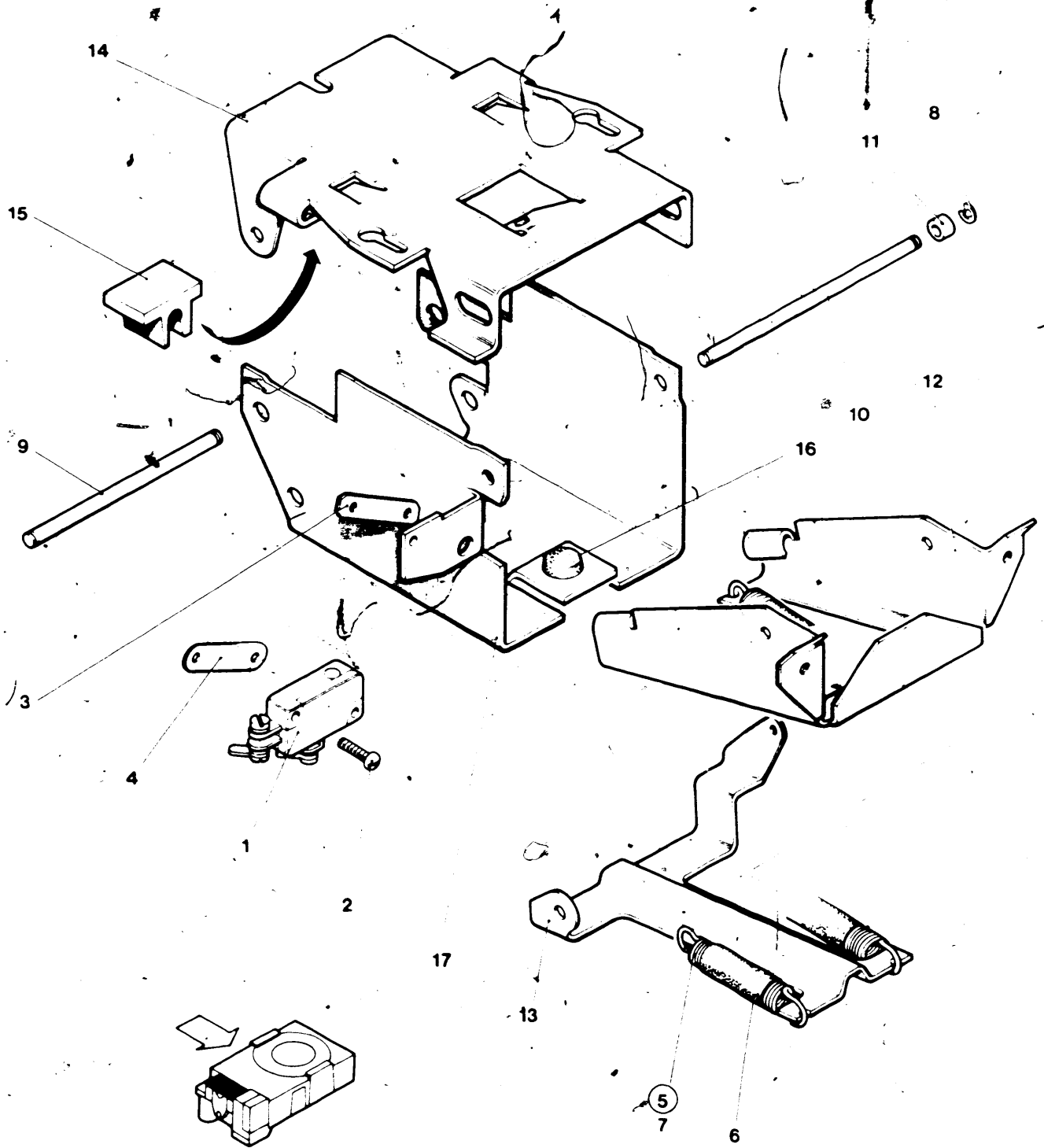


FIGURE 7. CLAMP ASSEMBLY - RH

LIST AND INDEX NUMBER	PART NUMBER	DESCRIPTION				UNITS PER ASM.	USABLE ON CODE
		1	2	3	4		
		CLAMP ASSEMBLY - RH					
7 -	2537309	CLAMP ASSEMBLY FOR NEXT HIGHER ASM SEE FIGURE 2 (FRA 16)				REF	
- 1	2426288	. SWITCH, PRECISION				1	
- 2	438551	. SCREW, MACH, SLOT BIND HD, 4-40UNC, 0.625LG				1	
- 3	2598080	. PLATE, NUT				1	
- 4	2598038	. PACKER, STEEL				1	
- 5	2537486	. SPRING, COMPRESSION				2	
- 6	631810	. TUBING, FLEXIBLE-NON-METALLIC				AR	
- 7	2537475	. SPRING, EXTENSION				1	
- 8	1092125	. CLIP, RETAINING, 0.145 ID, 0.025THK				6	
- 9	2537472	. SHAFT				2	
- 10	2537338	. SHAFT				1	
- 11	2536633	. BEARING, NYLON				2	
- 12	2536618	. LEVER				1	
- 13	2536645	. LEVER				1	
- 14	2597965	. BRACKET				1	
- 15	2537573	. CLIP, RUBBER				2	
- 16	2537572	. BUMPER, RUBBER				2	
- 17	2536643	. MOUNT				1	

MOB 3511

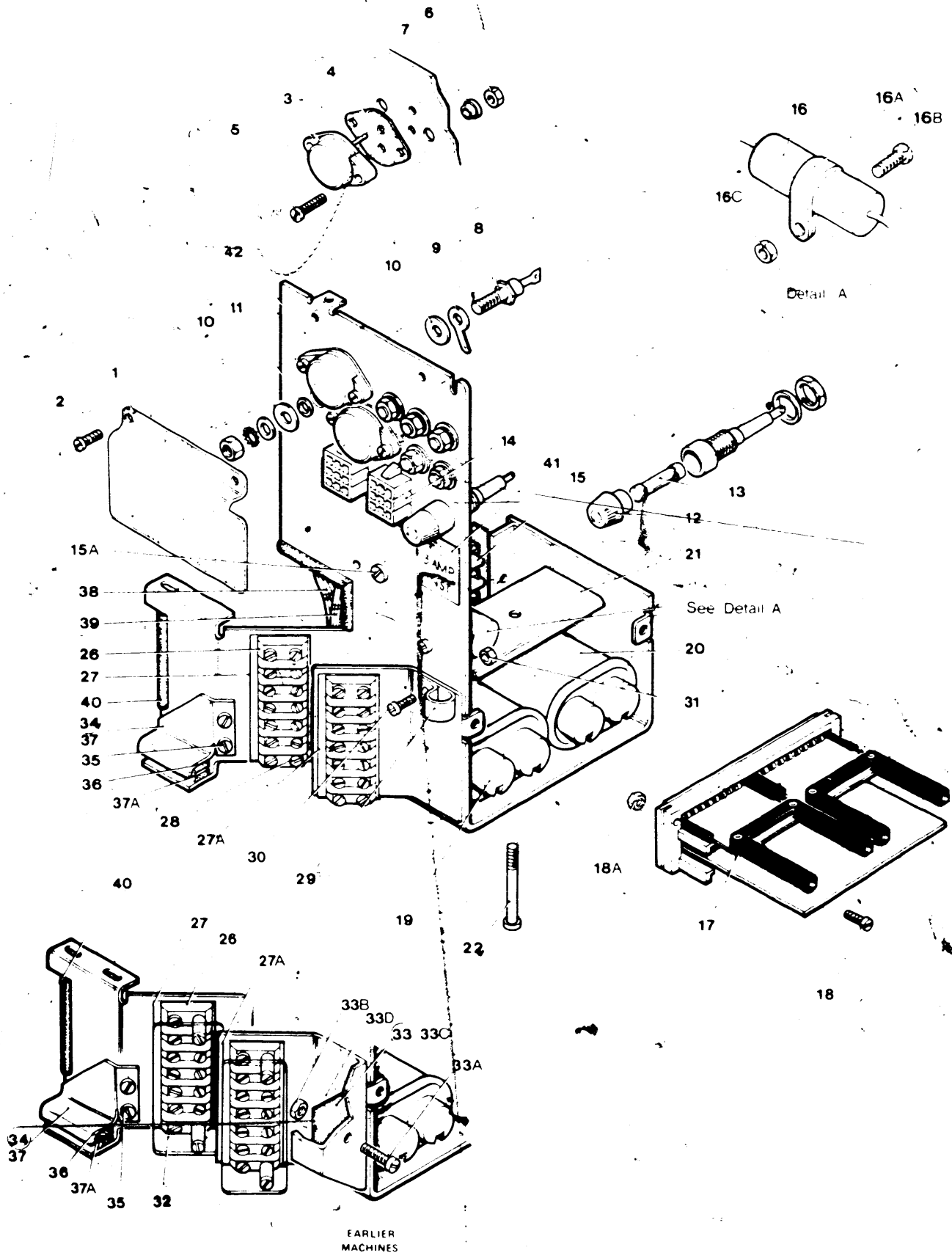
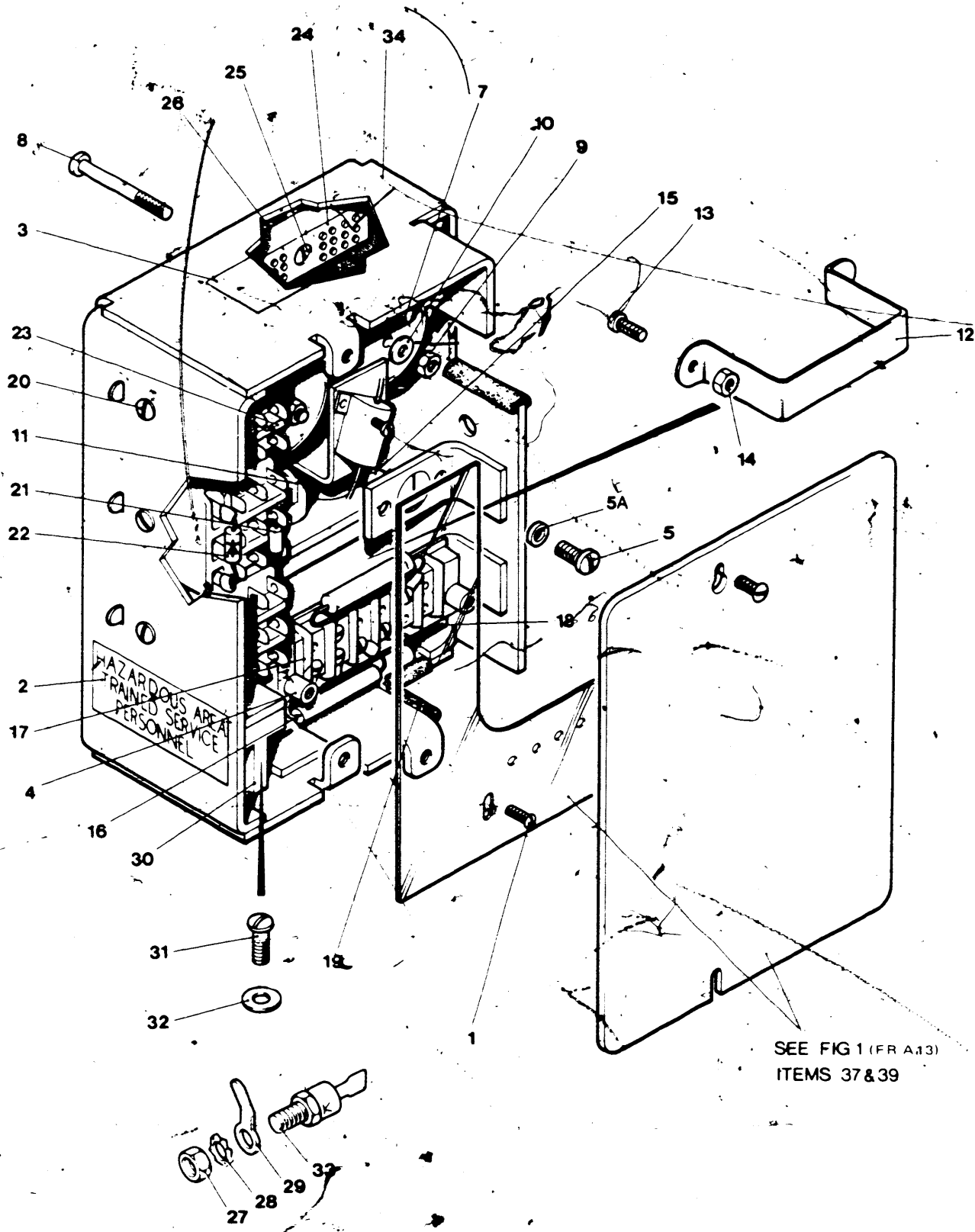


FIGURE 8. DC BOX ASSEMBLY

LIST AND INDEX NUMBER	PART NUMBER	DESCRIPTION	UNITS PER ASM.	USABLE ON CODE
		DC BOX ASSEMBLY		
8 -	5144595	DC BOX ASSEMBLY USED ON STANDARD SPEED MODELS ONLY FOR NEXT HIGHER ASM SEE FIGURE 2 (FR A16)	REF	
	5144596	DC BOX ASSEMBLY USED ON HIGH SPEED MODELS ONLY FOR NEXT HIGHER ASM SEE FIGURE 2 (FR A16)	REF	
- 1	2538112	. SHIELD, TRANSPARENT	1	
- 2	38433	. SCREW, MACH, FH 4-40 X 1/4 LG	2	ATT PT
- 3	2391819	. TRANSISTOR, NPN 369	1	
- 3A	2391819	. TRANSISTOR, NPN 369 USED ON HIGH SPEED MODELS ONLY	1	
- 4	2537491	. INSULATOR	2	
- 5	322550	. SCREW, MACH, BIND HD, 6-32, 0.5LG	4	ATT PT
- 6	257187	. NUT, PLAIN, HEX, 6-32, 0.375 PL W	4	ATT PT
- 7	2537489	. BUSH, INSULATING	4	
- 8	337512	. RECTIFIER, SILICON, 3A, 240V	AR	
- 9	316996	. LDG, TERMINAL	AR	
- 10	533372	. WASHER	AR	
- 11	533371	. BUSHING	AR	
- 12	179946	. HOLDER, FUSE	1	
- 13	855231	. FUSE, CARTRIDGE, 2AMP, 250V	1	
- 13	855252	USED ON STANDARD SPEED MODELS ONLY . FUSE, CARTRIDGE, 3AMP, 250V USED ON HIGH SPEED MODELS ONLY	1	
- 14	569879	. INSERT, ELEC-CONNECTOR, 9 POSITION	2	
- 15	2283000	. RELAY, 3P, DT, 24V	1	
- 15A	38235	. SCREW, MACH, SLOT BIND HD, 6-32UNC, 0.312LG	1	ATT PT
- 16	5144358	. CAPACITOR ASM	1	
- 16A	301475 NP	. CABLE CLAMP SUPPLIED WITH CAPACITOR, CANNOT BE ORDERED SEPARATELY	1	
- 16B	25627	. SCREW, MACH, BIND HD, 8-32, 0.5LG	1	ATT PT
- 16C	257189	. NUT, HEX, 8-32	2	ATT PT
- 17	2538110	. CARD SOCKET ASM	1	
- 18	438551	. SCREW, MACH, SLOT BIND HD, 4-40UNC, 0.625LG	2	ATT PT
- 18A	37913	. NUT	2	ATT PT
- 19	526378	. CAP, INSULATION	4	
- 20	5240454	USED ON EARLIER MACHINES ONLY . CAPACITOR, FXD, PAPER, 50F P/M 6% 330 VAC	2	
- 21	2538126	. CLAMP, MOUNTING	1	
- 22	438570	. SCREW, MACH, SLOT BIND HD, 6-32UNC, 1.4LG	1	ATT PT
- 26	317310	TERMINAL BOARD, 5 DBL SCREW TERMINALS	2	
- 27	5477195	. STRIP, MARKER, POSITIONS 1 - 5	1	
- 27A	5144385	. STRIP, MARKER, POSITIONS 7 - 11	1	
- 28	322550	. SCREW, MACH BIND HD, 6-32, 0.5LG	4	ATT PT
- 29	327922	. CLAMP, CABLE, 0.625 DIAMETER	1	
- 30	19944	. SCREW, MACH, BIND HD, 8-32, 0.75LG	1	ATT PT
- 31	257189	. NUT, HEX, 8-32	1	ATT PT
- 32	10170	. SCREW, MACH, SLOT BIND HEAD, 6-32, 0.25LG	4	ATT PT
- 33	2538145	. CLAMP ASM	1	
- 33A	322551	. SCREW, MACH, SLOT BIND HD, 6-32, 0.75LG	1	ATT PT
- 33B	344015	. NUT, SELF LCK, HEX, 6-32, 5/16 PL W	1	ATT PT
- 33C	2538148	. PAD, RUBBER, SELF ADHESIVE	1	
- 33D	2538114	. CLAMP	1	
- 34	2538146	ITEMS 32 TO 33D USED ON EARLIER MACHINES ONLY . CLAMP ASM	1	
- 35	10170	. SCREW, MACH, SLOT BIND HD, 6-32UNC, 0.25LG	1	ATT PT
- 36	2538149	. PAD, RUBBER, SELF ADHESIVE	1	
- 37	2538113	. CLAMP	1	
- 37A	2538149	. PAD, RUBBER, SELF ADHESIVE	1	
- 38	5144594	. CABLE HARNESS	1	
- 39	5144592	FOR COMPONENT PARTS SEE FIGURE 14 -1, -3, -6, -7, -8, -9, -10, -12, -14, -25, -26, -27, -28, -29 . CABLE HARNESS	1	
- 40	2175867	FOR COMPONENT PARTS SEE FIGURE 14 -1, -2, -3, -6, -7, -8, -9, -10, -11, -12, -13, -14, -15, -16, -17, -18, -19 . GROMMET	AR	
- 41	2600585	. LABEL	1	
- 42	2538116	USED ON HIGH SPEED MODELS ONLY . FRAME	1	



SEE FIG 1 (FR A.13)
ITEMS 37 & 39

FIGURE 9. AC BOX ASSEMBLY

LIST AND INDEX NUMBER	PART NUMBER	DESCRIPTION	UNITS PER ASM.	USABLE ON CODE
		AC BOX ASSEMBLY		
9 -	2597913	AC BOX ASSEMBLY USED ON EARLIER 50HZ MACHINES ONLY FOR NEXT HIGHER ASM SEE FIGURE 2 (FR A16)	REF	
-	5144390	AC BOX ASSEMBLY USED ON EARLIER 60HZ MACHINES ONLY FOR NEXT HIGHER ASM SEE FIGURE 2 (FR A16)	REF	
-	5144600	AC BOX ASSEMBLY USED ON LATER 50HZ AND 60HZ MACHINES FOR NEXT HIGHER ASM SEE FIGURE 2 (FR A16)	REF	
- 1	10170	. SCREW, MACH, SLOT BIND HD, 6-32UNC, 0.25LG	ATT PT	2
- 2	369207	. LABEL, SELF ADHESIVE		1
- 3	138755	. LABEL, SELF ADHESIVE		1
- 4	210883	. STOP, SPACER		2
- 5	34512	. SCREW, MACH, SLOT BIND HD, 8-32UNC, 0.375LG NOT PART OF AC BOX ASM - ORDER SEPARATELY		2
- 5A	55901	. WSHR, LCK, ET, 0.168ID, 0.381OD, 0.023THK NOT PART OF AC BOX ASM - ORDER SEPARATELY		2
- 7	2536337	. CHOKE ASM FOR TERMINALS SEE FIGURE 14 -10 (FR D03)		2
- 8	438570	. SCREW, MACH, SLOT BIND HD, 6-32UNC, 1.4LG	ATT PT	2
- 9	257187	. NUT, MACH, HEX, 6-32UNC	ATT PT	2
- 10	257986	. WSHR, FLAT, 0.156ID, 0.312OD, 0.035THK	ATT PT	2
- 11	526378	. INSULATOR		2
- 12	2122114	. BRACKET		1
- 13	25627	. SCREW, MACH, SLOT BIND HD, 8-32UNC, 0.5LG	ATT PT	2
- 14	257189	. NUT, MACH, HEX, 8-32UNC	ATT PT	2
- 15	2283004	. CAPACITOR, FIXED, 2UF, 440V		1
- 16	2261919	. CAPACITOR ASM, FIXED, 0.01UF, 1000V		3
- 17	317232	. BLOCK, TERMINAL		1
- 18	581714	. MARKER, NUMBERED USED ON EARLIER 60HZ MACHINES AND LATER MACHINES		1
- 18	589715	. MARKER, NUMBERED USED ON EARLIER 50HZ MACHINES		1
- 19	2175867	. GROMMET USED IN USA ONLY		AR
- 19	5117071	. GROMMET USED IN WORLD TRADE ONLY		AR
- 20	38235	. SCREW, MACH, SLOT BIND HD, 6-32UNC, 0.312LG QUANTITY 3 ON EARLIER MACHINES QUANTITY 2 ON LATER MACHINES		AR
- 21	2261918	. CAPACITOR		1
- 22	2111232	. DIODE		1
- 23	288538	. RC NETWORK, 0-1 MICROFARAD, 100V, 1000 OHM		1
- 24	302090	. BOARD ASM, TERMINAL		1
- 25	438550	. SCREW, MACH, SLOT BIND HD, 4-40UNC, 0.5LG	ATT PT	1
- 26	2536277	. INSULATOR, TERMINAL BLOCK		1
- 27	11598	. NUT, MACH, HEX, 10-32		1
- 28	56079	. WSHR, LCK, ET, 0.195ID, 0.41OD, 0.025THK		1
- 29	316996	. LUG, TERMINAL		1
- 30	2598097	. ITEMS 27 TO 29 USED ON EARLIER MACHINES ONLY INSULATOR, DIODE MOUNTING		1
- 31	236849	. SCREW, MACH, BIND HD, 10-32, 0.25LG USED ON EARLIER MACHINES ONLY	ATT PT	1
- 32	45690	. WASHER, FL, 0.437OD, 0.0313THK USED ON EARLIER MACHINES ONLY	ATT PT	1
- 33	5214094	. RECTIFIER, SILICON USED ON EARLIER MACHINES ONLY		1
- 34	2537483	. BOX		1

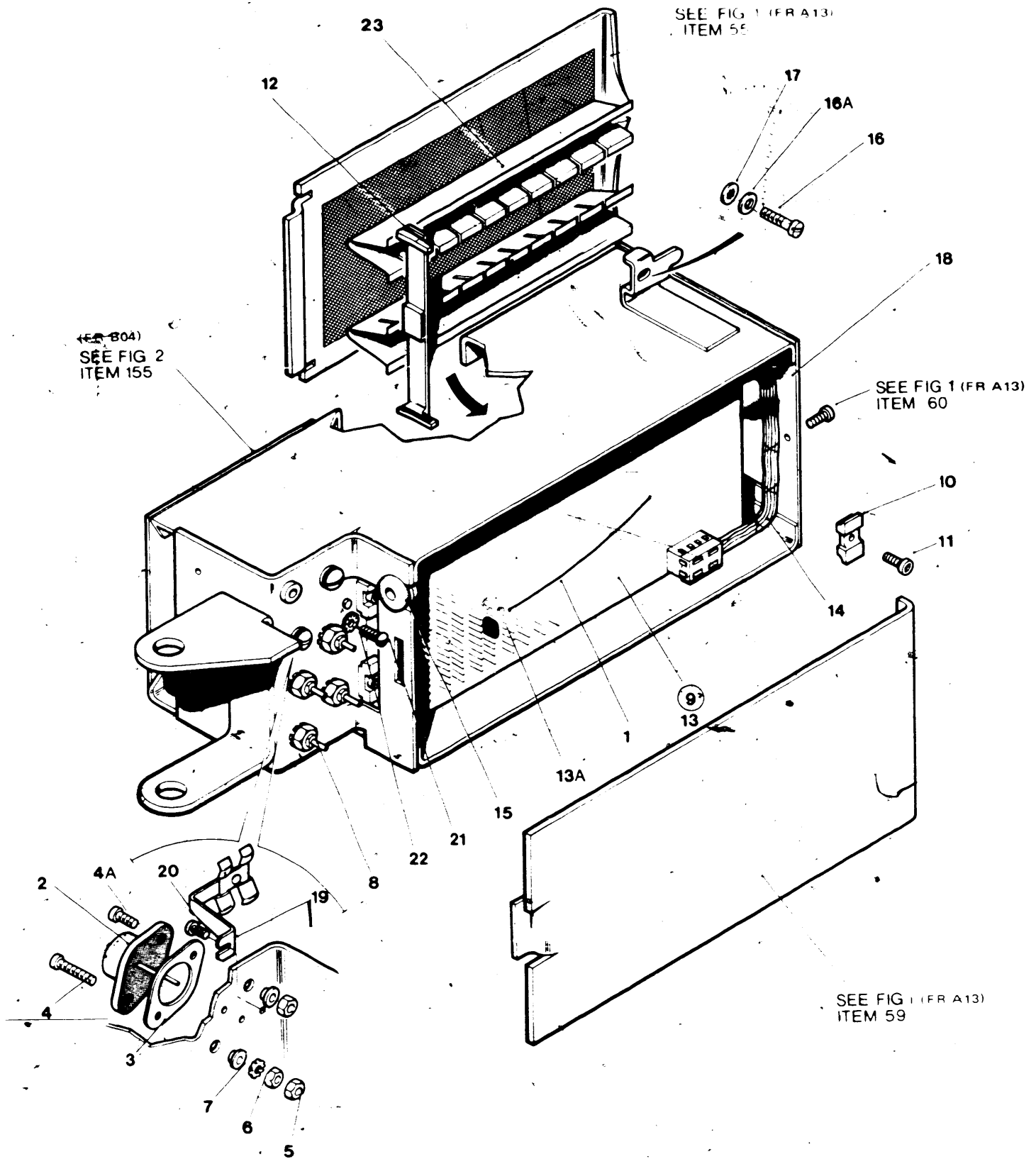


FIGURE 10. 'Y' GATE ASSEMBLY

LIST AND INDEX NUMBER	PART NUMBER	DESCRIPTION	UNITS PER ASM.	USABLE DN CODE
			1 2 3 4	
		'Y' GATE ASSEMBLY		
10 -	5144503	'Y' GATE ASSEMBLY FOR NEXT HIGHER ASM SEE FIGURE 2 (FR A16)	REF	
- 1	2600543	. JUMPER ASM	3	
- 2	2414892	. TRANSISTOR,NPN 257	1	
- 3	2537491	. INSULATOR	1	
- 4	322065	. SCREW,MACH-BIND HD 6-32 X 5/8 IG	1	ATT PT
- 4A	35739	. SCREW,MACH,BIND HD,6-32,0.9375LG	1	ATT PT
- 5	257187	. NUT,PLAIN,HEX,6-32,0.375 PL W	3	ATT PT
- 6	56722	. LOCKWASHER,EXT TOOTH,0.150D,0.32ID	2	ATT PT
- 7	2537489	. BUSH,INSULATING	2	
- 8	2192509	. CAPACITOR,FIXED,0.01UF,100V ASM COMPONENTS ARE NOT REPLACEABLE	4	
- 9	5144531 NP	. BOARD ASM	1	
- 10	813179	. CLAMP,BOARD	4	ATT PT
- 11	811417	. SCREW,HEX SOCKET HD,6-32,0.5LG	4	ATT PT
- 12	811804	. GUIDE,CARD	10	
- 13	2538094	. CUSTOMIZED BOARD ASM ASM COMPONENTS ARE NOT REPLACEABLE	1	
- 13A	811090	. INSULATOR	AR	
- 14	2537528	. CABLE ASM	1	
- 15	123070	. GROMMET,RUBBER,0.438ID FOR OTHER ASM COMPONENTS SEE FIGURE 14 -2,-3,-21,-22,-23,-24 (FR D03)	1	
- 16	332620	. SCREW,MACH,BIND HD,10-32,0.5LG THIS SCREW IS HELD CAPTIVE BY ITEM 17	1	
- 16A	45690	. WASHER,PLAIN,NO.10	1	
- 17	364710	. CLIP,RETAINING	1	
- 18	2600566 NP	. HOUSING,GATE	1	
- 19	5144448	. CLAMP ASM NOT PART OF GATE ASM - ORDER SEPARATELY	1	
- 20	438548	. SCREW,MACH,SLOT BIND HD,4-40UNC,0.188LG NOT PART OF GATE ASM - ORDER SEPARATELY	1	
- 21	34512	. SCREW,MACH,SLOT BIND HD,8-32,0.375LG NOT PART OF GATE ASM - ORDER SEPARATELY	1	
- 22	55901	. WASHER,LOCK,EXT TEETH 0.381OD NOT PART OF GATE ASM - ORDER SEPARATELY	1	
- 23	5144447	. CLIP CARD RETAINING NOT PART OF GATE ASM - ORDER SEPARATELY	2	

MOB 110 11

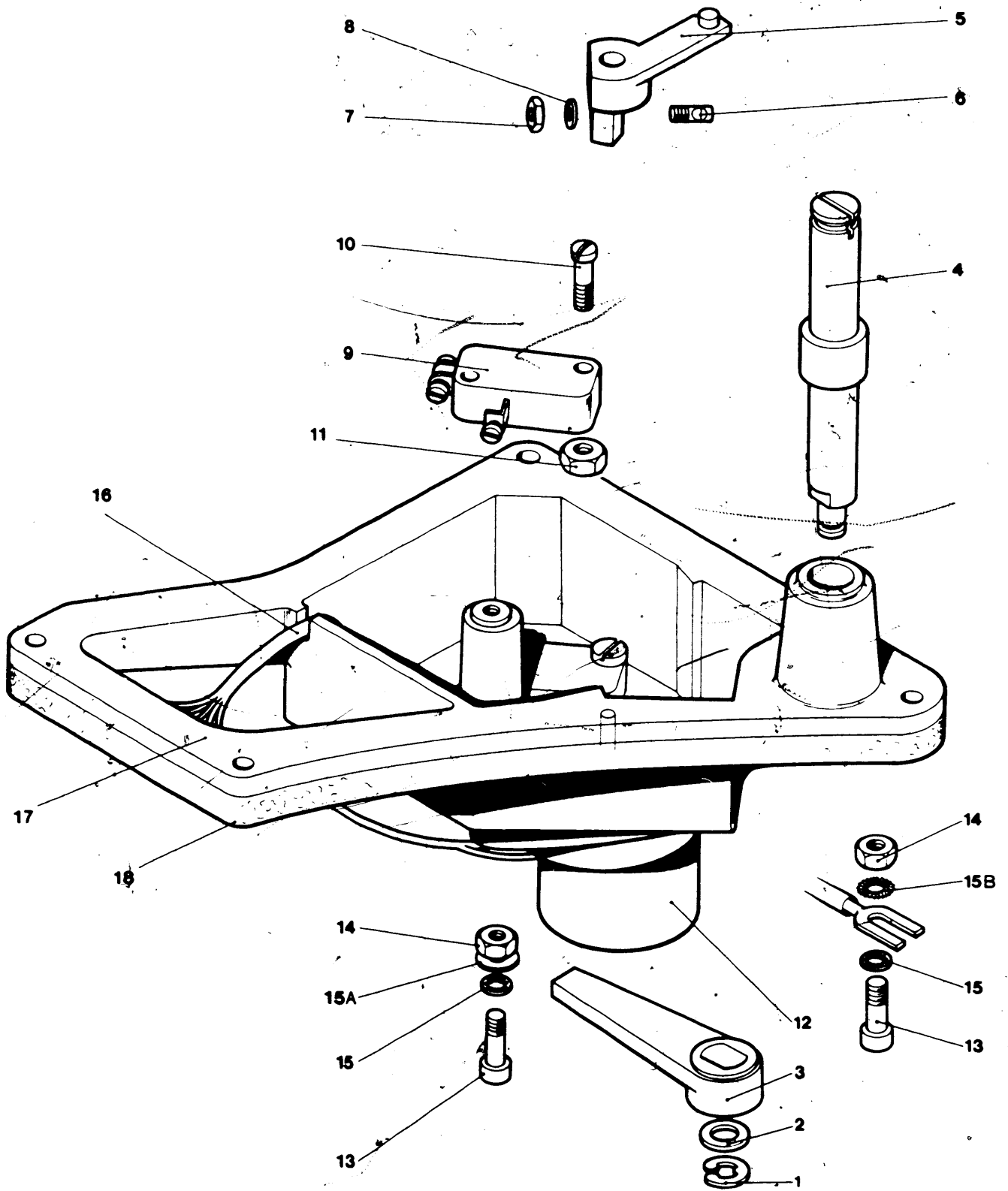


FIGURE 11. BRUSH DRIVE ASSEMBLY - 50HZ

LIST AND INDEX NUMBER	PART NUMBER	DESCRIPTION	UNITS PER ASM.	REPLACEABLE ON CODE
		BRUSH DRIVE ASSEMBLY - 50HZ		
11	2536345	BRUSH DRIVE ASSEMBLY, 50HZ FOR NEXT HIGHER ASM SEE FIGURE 2 (FR A16)	REF	
- 1	1092125	CLIP, RETAINING, 0.145 ID, 0.025 THK	1	
- 2	2101819	WSHR, LCK, WVE, 0.198 ID, 0.365 OD, 0.006 THK	1	
- 3	5831948	LEVER	1	
- 4	2536341	SHAFT	1	
- 5	2597974	CAM	1	
- 6	2597973	SHAFT	1	ATT PT
- 7	37913	NUT, MACH, HEX, 4-40UNC	1	ATT PT
- 8	257984	WASHER, LOCK, SPLIT 1/8 ID X 13/64 OD	1	
- 9	2426288	SWITCH, PRECISION	2	
- 10	438551	SCREW, MACH, SLOT BIND HD, 4-40UNC, 0.625 LG.	4	ATT PT
- 11	37913	NUT, MACH, HEX, 4-40UNC	4	ATT PT
- 12	5831818	MOTOR ASM, 50HZ USED ON BRUSH DRIVE ASM, 50HZ ONLY FOR ASM COMPONENTS SEE FIGURE 14 10A, -28, -29A (FR D03)	1	
- 13	38352	SCREW, MACH, SLOT PIL HD, 6-32UNC, 0.375 LG	3	ATT PT
- 14	257187	NUT, MACH, HEX, 6-32UNC	3	ATT PT
- 15	62031	WSHR, LCK, IT, 0.141 ID, 0.295 OD, 0.021 THK	3	ATT PT
- 15A	257986	WASHER, PLAT, 0.156 ID, 0.112 OD, 0.035 THK	2	
- 15B	50722	WASHER, LOCK, EXT TTH, 0.15 OD, 0.32 ID	1	ATT PT
- 16	2536261	CABLE ASM FOR ASM COMPONENTS SEE FIGURE 14 1, -2 (FR D03)	1	
- 17	2536287	BRUSH HOUSING ASM COMPONENTS ARE NOT REPLACEABLE	1	
- 18	2536388	SEAL, SELF ADHESIVE, BRUSH HOUSING	1	

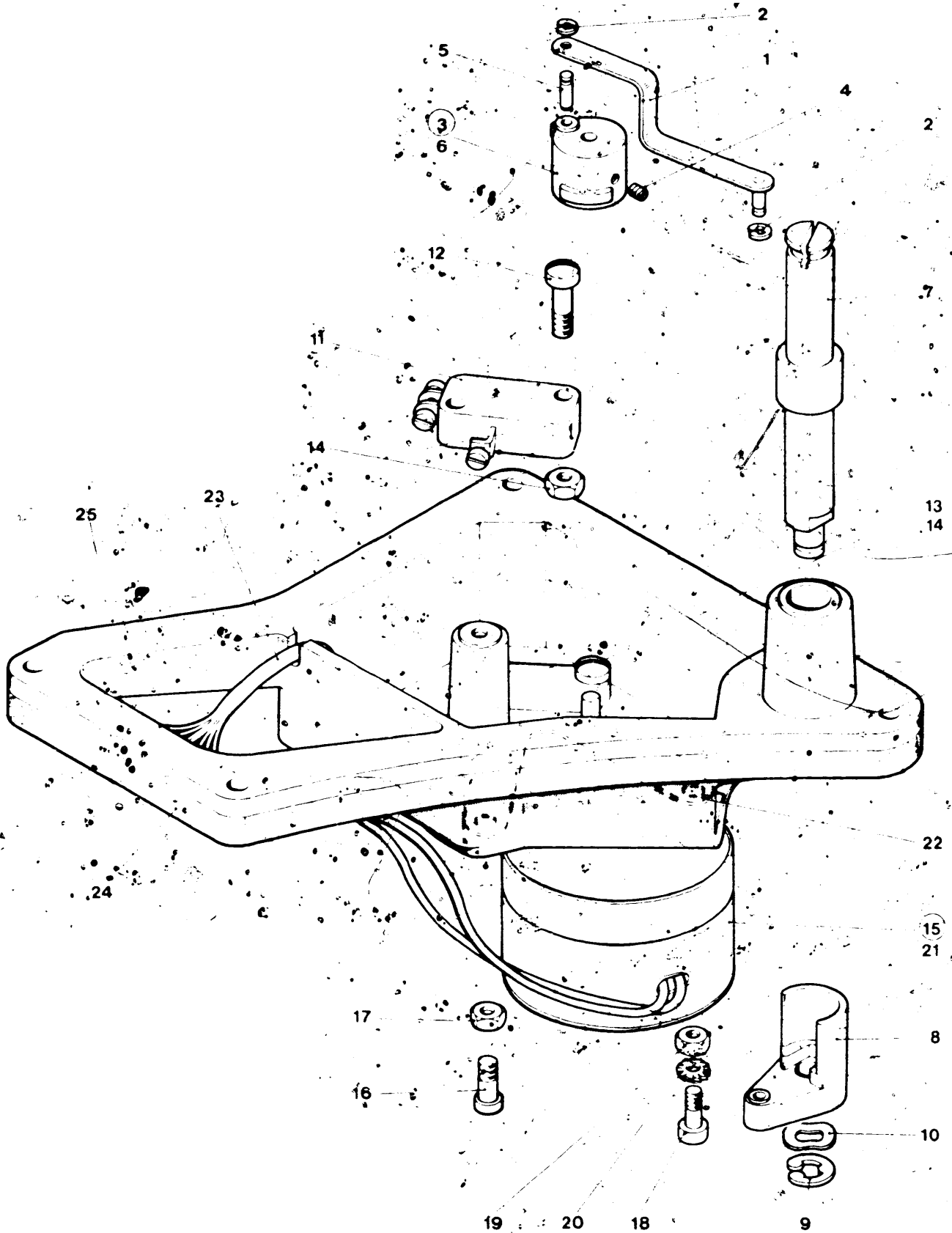


FIGURE 12. BRUSH DRIVE ASSEMBLY - 60HZ

LIST AND INDEX NUMBER	PART NUMBER	DESCRIPTION			UNITS PER ASM.	USABLE CODE
		1	2	3 4		
		BRUSH DRIVE ASSEMBLY - 60HZ				
12	5144310	BRUSH DRIVE ASSEMBLY FOR NEXT HIGHER ASM SEE FIGURE 2 (FR A16)			REF	
- 1	5144334	LINK			1	
- 2	1073418	CLIP, RETAINING, 0.094 ID, 0.015 THK			2	
- 3	5144337	CAM ASM			1	
- 4	257959	SCREW, HDLESS SET, 6-FLUTE, 4-40, 0.19 LG			1	
- 5	5144336	PIN, MOTOR CAM			1	
- 6	5144336	CAM, MOTOR			1	
- 7	5144333	SHAFT			1	
- 8	5144332	COUPLING			1	
- 9	1092126	RING, RETAINING			1	
- 10	2101819	WSHR, LCK, W/E, 0.198 ID, 0.365 OD, 0.006 THK			1	
- 11	2426288	SWITCH, PRECISION			2	
- 12	438551	SCREW, MACH, SLOT BIND HD, 4-40 UNC, 0.625 LG			2	
- 13	438552	SCREW, MACH, BIND HD, 4-40, 3/4 LG			2	
- 14	37913	NUT, HEX, 4-40, 0.25 ID			4	
- 15	5144329	MOTOR ASM, 60HZ			1	
- 16	10170	SCREW, MACH, SLOT BIND HD, 6-32 UNC, 0.25 LG			1	
- 17	257187	NUT, PLAIN, HEX, 6-32, 0.375 FL W			1	
- 18	81693	SCREW, MACH, BIND HD, 6-32, 0.375 LG			1	
- 19	257187	NUT, PLAIN, HEX, 6-32, 0.375 FL W			1	
- 20	56722	LOCKWASHER, EXT TOOTH, 0.45 OD, 0.32 ID			1	
- 21	2283012	MOTOR, 60HZ FOR OTHER COMPONENT PART SEE FIGURE 14 - 3 (FR D03)			1	
- 22	5144317	PLATE			1	
- 23	2536261	CABLE ASM FOR COMPONENT PARTS SEE FIGURE 14 - 1 - 5 (FR D03)			1	
- 24	2536388	SEAL, SELF ADHESIVE, BRUSH HOUSING			1	
- 25	5144331	HOUSING, BRUSH DRIVE ASM COMPONENTS ARE NOT REPLACEABLE			1	

MOB 1351

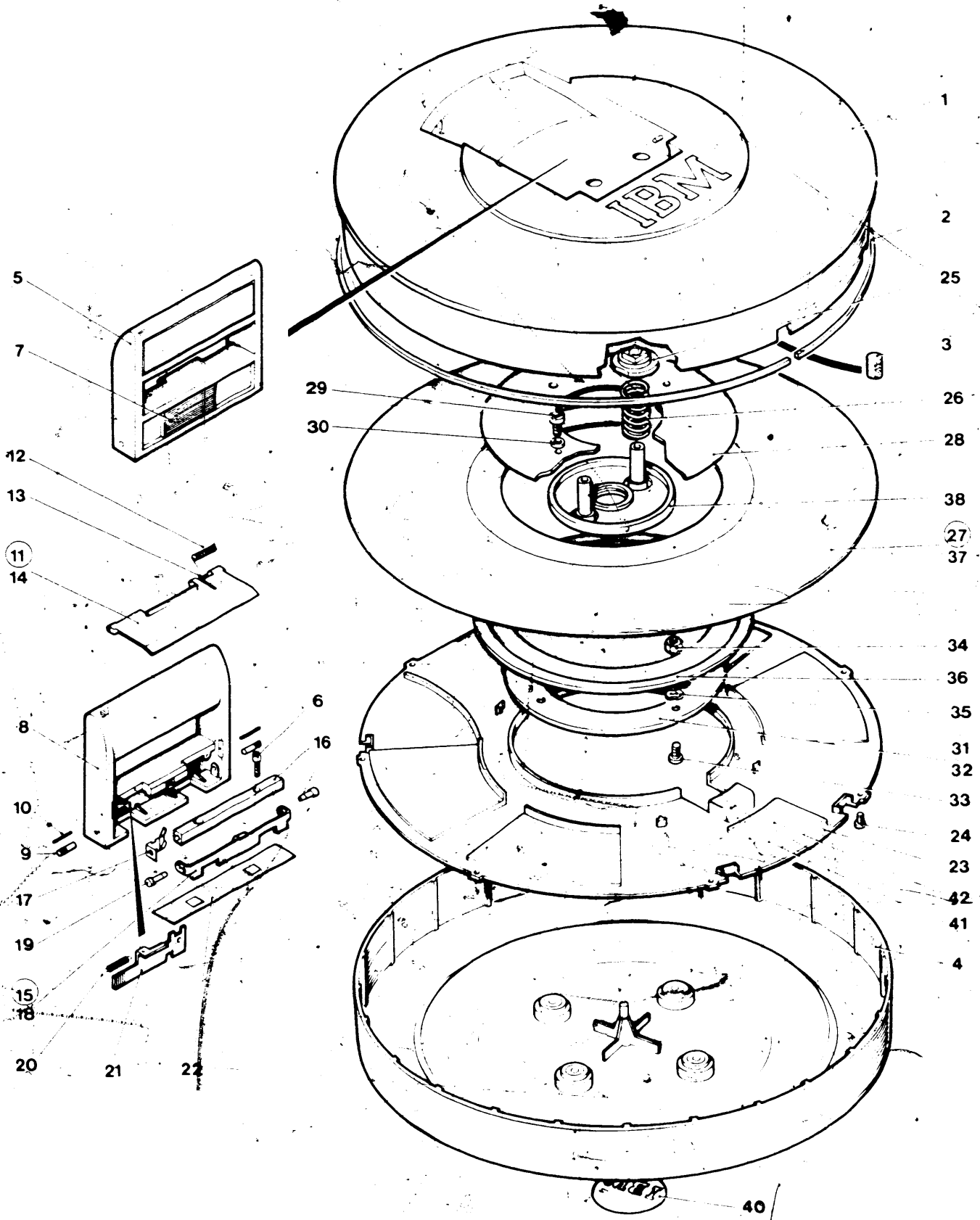


FIGURE 13. 5440 CARTRIDGE ASSEMBLY .

LIST AND INDEX NUMBER	PART NUMBER	DESCRIPTION				UNITS PER ASM.	REPLACEABLE CN CODE
		1	2	3	4		
		5440 CARTRIDGE ASSEMBLY					
13 -	2536533	FINAL ASSEMBLY, 5440 CARTRIDGE				REF	
-	2537301	FINAL ASSEMBLY, 5440 CE CARTRIDGE				REF	
- 1	2598067	COVER ASM, TOP, BLUE				1	
- 1	5144444	USED IN USA ONLY COVER ASM, TOP, BLUE					
- 1	2598068	USED IN WORLD TRADE ONLY ASM COMPONENTS ARE NOT REPLACEABLE COVER ASM, CE, TOP, BLACK				1	
- 1	5144445	USED IN USA ONLY COVER ASM, CE, TOP, BLACK					
- 2	5831601 NR	USED IN WORLD TRADE ONLY SEAL				1	
- 3	2270032 NR	BUMPER, RUBBER				4	
- 4	2536559 NR	USED IN USA ONLY COVER, BOTTOM				1	
- 4	2536569 NR	COVER, CE, BOTTOM				1	
- 5	2536565 NR	ASM COMPONENTS ARE NOT REPLACEABLE HANDLE ASM				1	
- 6	186924 NR	SCREW, SKT HD CAP, 6-FLUTE, 4-40UNC, 0.375LG				ATT PT	
- 7	5831627 NR	KNOB				1	
- 8	2536332 NR	HANDLE ASM				1	
- 9	2536563 NR	ASM COMPONENTS ARE NOT REPLACEABLE PIN				2	
- 10	2537380 NR	PIN				2	
- 11	2537381 NR	COVER ASM				1	
- 12	2537388 NR	SPRING				1	
- 13	2537367 NR	PIN				1	
- 14	2537366 NR	COVER				1	
- 15	2598060 NR	LEVER ASM				1	
- 16	2598065 NR	DRAW BAR				1	
- 17	2598037 NR	CLIP				1	
- 18	2598083 NR	LEVER				1	
- 19	2598082 NR	PIN				2	
- 20	5831608 NR	SPRING				1	
- 21	2598063 NR	LATCH				1	
- 22	2536571 NR	PLATE				1	
- 23	2536543 NR	COVER, PROTECTIVE				1	
- 24	5831632	SCREW, SELF TAP, 0.25LG				ATT PT	
- 25	2598056 NR	INSERT, NYLON				2	
- 26	5831600 NR	SPRING				1	
- 27	2598066 NR	DISK ASM				1	
- 28	2199378 NR	CLAMP				1	
- 29	5257231 NR	SCREW				ATT PT	
- 30	2219193 NR	WASHER				ATT PT	
- 31	5831591 NR	HUB ASM				1	
- 32	5831616 NR	PLATE				1	
- 33	2598190 NR	SCREW, COUNTERSINK HD, 6-32UNC, 0.5LG				ATT PT	
- 34	257187 NR	NUT, MACH, HEX, 6-32UNC				ATT PT	
- 35	4077757 NR	WASHER, LOCK				ATT PT	
- 36	2536567 NR	DISK HUB				1	
- 37	2218106 NR	DISK				1	
- 38	5144321 NR	DRAW PLATE ASM				1	
- 40	2598045	ASM COMPONENTS ARE NOT REPLACEABLE LABEL, MADE IN USA				1	
- 40	5831637	LABEL, MADE IN GERMANY				1	
- 41	5144340	SERIAL LABEL, DATA CART, MADE IN GERMANY				1	
- 41	5144342	SERIAL LABEL, DATA CART, MADE IN USA				1	
- 41	5144344	CE CART LABEL, DATA, MADE IN USA				1	
- 42	5144346	RECONDITIONED LABEL, MADE IN GERMANY				1	
- 42	5144348	RECONDITIONED LABEL, MADE IN USA				1	
- 42	5144352	USED PARTS LABEL, REBURNISHED DISK				1	

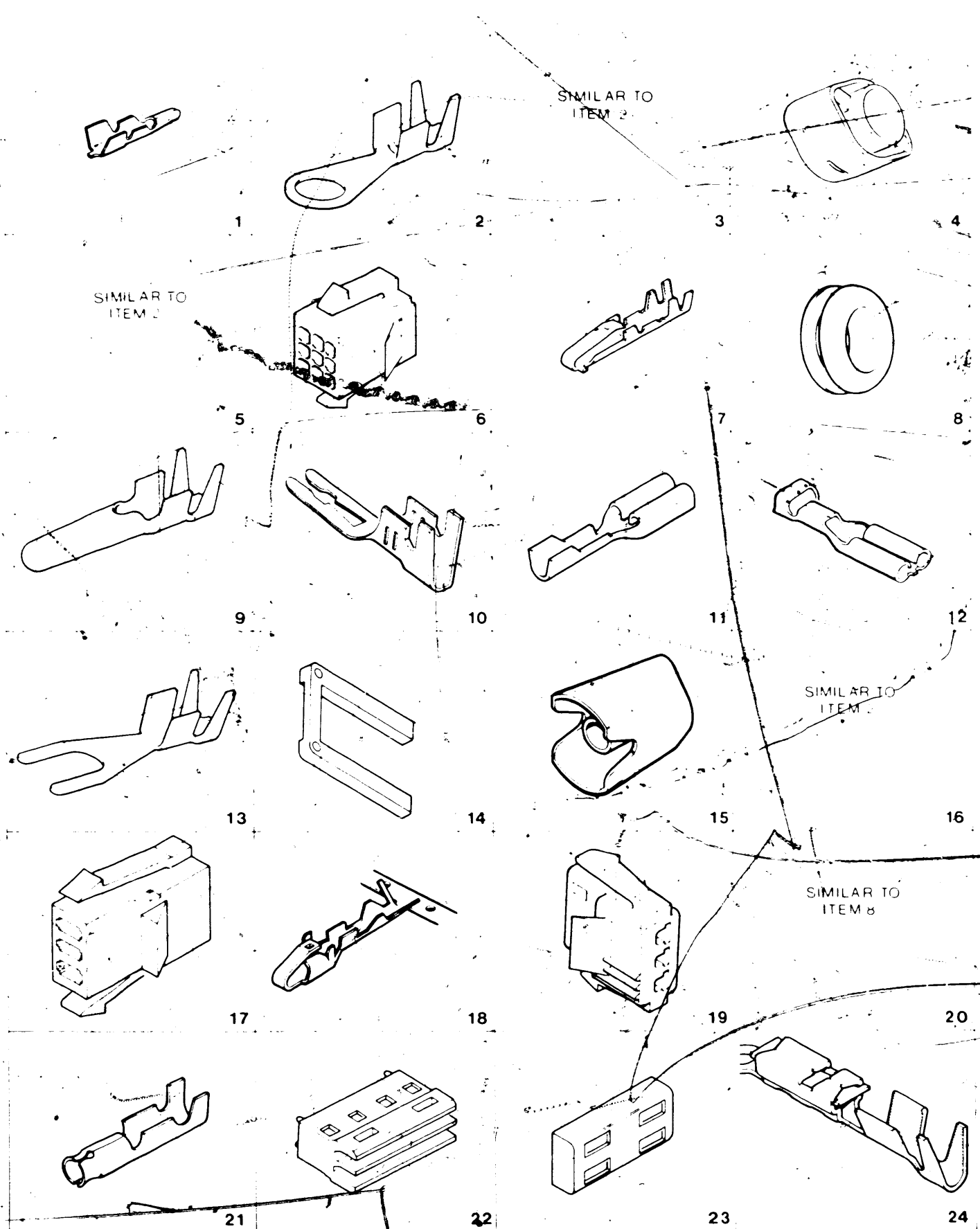


FIGURE 14. CABLE AND JUMPER ASSEMBLY COMPONENT PARTS (PART 1 OF 2)

5444/5470

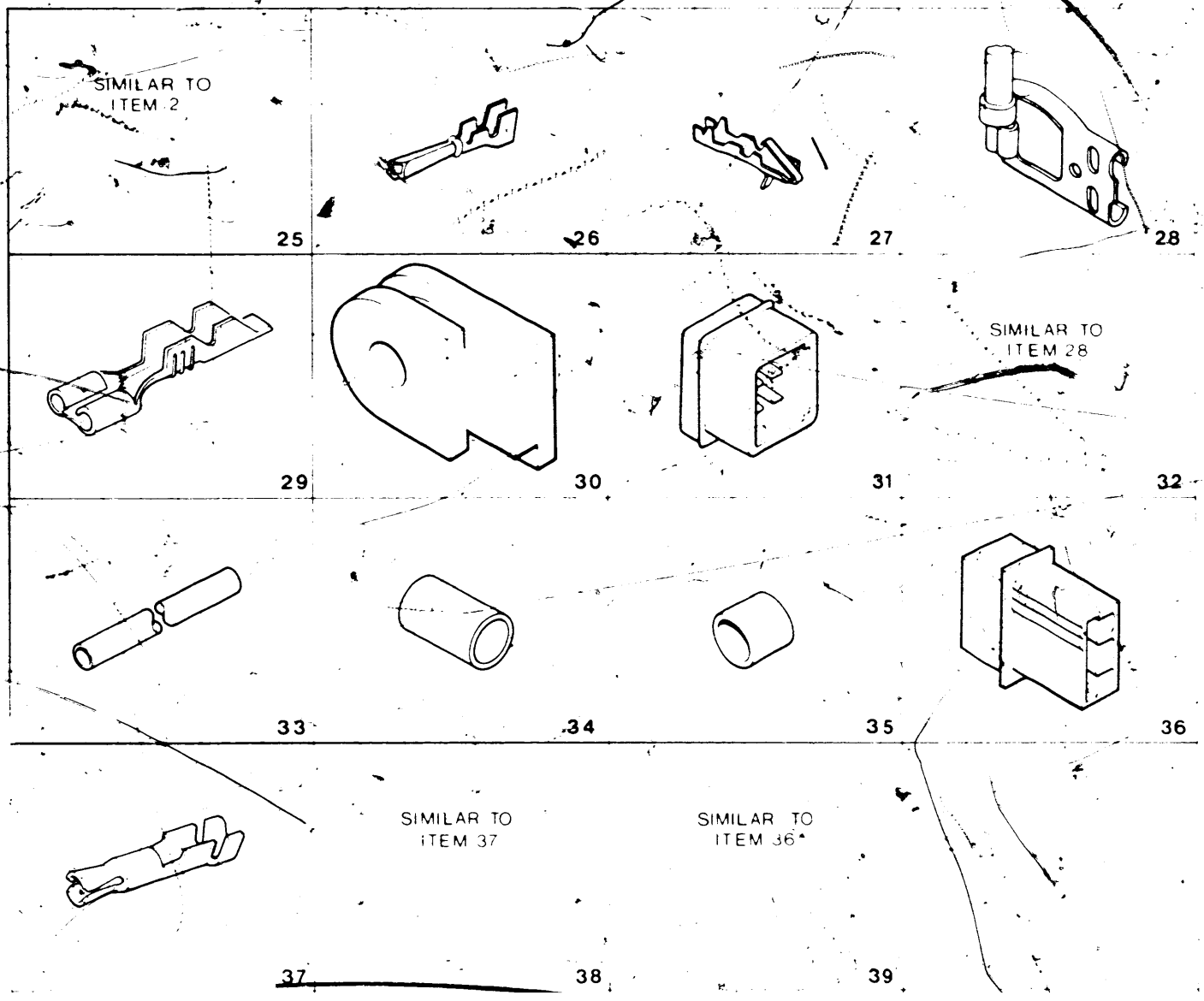


FIGURE 14. CABLE AND JUMPER ASSEMBLY COMPONENT PARTS (PART 2 OF 2)

LIST AND INDEX NUMBER	PART NUMBER	DESCRIPTION	UNITS PER ASM.	USABLE ON CODE
		CABLE AND JUMPER ASSEMBLY COMPONENT PARTS		
14	1 483657	. TERMINAL	AR	
	2 483681	. TERMINAL, RING, 18-20 AWG, 8 HOLE	AR	
	3 483677	. TERMINAL, RING, 18-22 AWG, 6 HOLE	AR	
	4 760259	. SHIELD, GROUNDING SPLICE	AR	
	5 483674	. TERMINAL, RING, 22-26 AWG, 4 STUD	AR	
	6 569879	. INSERT, ELEC CONNECTOR, 9 POSITION	AR	
	7 609687	. CONTACT	AR	
	8 1077722	. GROMMET, RUB, FOR .0.3125 HOLE, 1/16 PNL	AR	
	9 483659	. TERMINAL, TAPER PIN 14-16AWG	AR	
	10 811802	. GUIDE, CARD	AR	
	11 1142155	. TERMINAL, CRIMP, 22, 24 AWG	AR	
	12 2123393	. TERMINAL, RECEPTACLE	AR	
	13 483694	. TERMINAL, STRAIGHT 18-20AWG, 4 STUD	AR	
	14 5352960	. STRAIN RELIEF, COAX TWO-HI APPLICATION	AR	
	15 188609	. FERRULE, CABLE	AR	
	16 483682	. TERMINAL, 8 STUD, 14-16AWG	AR	
	17 725557	. HOUSING, CONNECTOR (AMBER)	AR	
	18 2174195	. CONTACT	AR	
	19 4121101	. HOUSING, CONNECTOR (WHITE)	AR	
	20 123070	. GROMMET, RUBBER, 0.438ID	AR	
	21 368169	. CONNECTOR	AR	
	22 813801	. HOUSING	AR	
	23 813802	. COVER	AR	
	24 815933	. CONNECTOR	AR	
	25 483678	. TERMINAL, RING, 14-16 AWG, 6 HOLE	AR	
	26 550501	. RECEPTACLE, TAPER PIN/22-20 AWG	AR	
	27 2145170	. TERMINAL, CONNECTOR	AR	
	28 2162590	. TERMINAL, FLAG PAST	AR	
	29 5412817	. TERMINAL, QUICK DISCONNECT, 20-24 AWG	AR	
	30 2538127	. GROMMET, RUBBER	AR	
	31 569878	. CONNECTOR, MALE, 9 PIN POLARIZED	AR	
	32 517913	. TERMINAL, SLIP ON, 18-16 AWG	AR	
	33 5271638	. TUBING, HEAT SHRINK	AR	
	34 2152788	. FERRULE, .453 OUTSIDE AND .400 INSIDE DIA	AR	
	35 5213364	. FERRULE, ELECTRICAL CONDUCTOR, INNER	AR	
	36 725558	. HOUSING, CONNECTOR (AMBER)	AR	
		USED ON EARLIER MACHINES		
	37 1166032	. CONNECTOR, SINGLE PIN	AR	
	38 1166035	. CONNECTOR, SINGLE PIN	AR	
	39 4211100	. HOUSING CONNECTOR (WHITE)	AR	

NUMERICAL INDEX

								LIST AND INDEX NO
453	2 -203	59649	2 -136A	257984-CONT	4 - 50	438548-CONT	4 - 39	
3550	2 - 83	62031	2 - 15		4 - 63		4 - 89	
	2 -137C		2 - 45		4 -109		5 - 31	
	2 -137E		2 -167		4 -164		10 - 20	
3960	2 -136B		3 - 7		11 - 8	438550	9 - 25	
5677	2 -200		11 - 15	257985	2 - 32	438551	4 - 44	
6364	2 - 56A	81693	1 - 41		2 - 182		6 - 2	
	5 - 8		2 -111		2 -194		7 - 2	
	5 - 12		12 - 10		4 - 8		8 - 18	
6935	2 - 84	101807	1 - 2		4 - 15		11 - 10	
	2 -137B	104696	4 - 57		4 - 25		12 - 12	
8163	2 -202	104763	4 - 2		4 - 49	438552	12 - 13	
9092	2 - 95		4 - 20		4 - 62	438554	4 - 33	
10170	2 - 20		5 - 39		4 - 81B	438566	5 - 9	
	2 - 44	120357	2 -137D		4 - 96	438570	8 - 22	
	2 -134	123070	10 - 15		4 -108		9 - 8	
	2 -166		14 - 20		4 -114	438586	5 - 16	
	8 - 32	123071	5 - 29A		4 -117	459303	2 -137A	
	8 - 32	129654	2 - 9A		4 -132	473079	1 - 11	
	9 - 1	130985	2 -141A		4 -143	483373	2 - 90	
	12 - 16	138755	9 - 3		4 -145A	483657	14 - 1	
11598	1 - 64	147297	5 - 14		4 -163	483659	14 - 9	
	2 - 33A	149897	2 - 2	257986	2 - 57B	483674	14 - 5	
	2 -114	161351	2 -179H		9 - 10	483677	14 - 3	
	2 -172	179946	8 - 12		11 - 15A	483678	14 - 25	
	9 - 27	186923	2 - 31	263217	4 -100A	483681	14 - 2	
19944	2 -179E		2 -181	288538	9 - 23	483682	14 - 16	
	8 - 30		4 -116	301475	8 - 16A	483694	14 - 13	
22478	2 -106		4 -145	302090	2 - 38	517913	14 - 32	
	5 - 17		4 -147		2 - 88	526378	8 - 19	
23931	3 - 24	186924	2 - 35		9 - 24		9 - 11	
24107	2 -149		4 - 24	302131	2 - 39	526898	2 -112	
25282	4 - 90		4 - 48		2 - 89	533289	3 - 4	
25627	8 - 16B		4 - 61	316996	2 -115A	533371	8 - 11	
	9 - 13		4 - 95		8 - 9	533372	8 - 10	
32042	1 - 10		4 -113		9 - 29	534768	3 - 33	
34512	2 -206		4 -131	317173	2 - 86	550501	14 - 26	
	9 - 5		4 -162	317232	9 - 17	569878	14 - 31	
	10 - 21		13 - 6	317310	8 - 26	569879	8 - 14	
35739	4 - 86	186926	4 -105	322065	1 - 34		14 - 6	
	10 - 4A	186927	2 -122		10 - 4	581714	9 - 18	
37913	4 - 79C	186933	2 -169	322550	1 - 33	589715	9 - 18	
	8 - 18A		2 -179A		5 - 24	603863	2 -174	
	11 - 7	186935	2 - 82		8 - 5	609687	14 - 7	
	11 - 11	188609	14 - 15		8 - 28	631810	6 - 6	
	12 - 14	209033	2 -171	322551	2 - 14		7 - 6	
38051	2 - 80	210883	2 - 17		2 - 53	642371	4 -100	
38235	1 - 16		9 - 4		8 - 33A	681123	4 -159	
	1 - 35	210921	2 - 37	323837	2 - 18	725557	2 -108	
	2 - 29	219743	2 -140	327921	3 - 12		14 - 17	
	2 -163	236849	9 - 31		3 - 14	725558	14 - 36	
	3 - 5	237032	2 - 33B		3 - 16	728509	1 - 25	
	8 - 15A	237245	2 -150	327922	8 - 29		5 - 3	
	9 - 20	251262	2 -135	332620	10 - 16	731626	3 - 26	
38266	2 - 22	251970	1 - 24	332981	4 -141	731631	2 - 67	
38351	2 - 69		2 -191	337512	8 - 8	744103	4 -101	
38352	11 - 13		4 - 28	338238	1 - 24	760259	14 - 4	
38433	8 - 2		4 - 84		4 - 36	802388	4 -102	
38442	1 - 51		4 -153		4 - 41	804480	4 - 66	
38443	4 -149	251990	1 - 63		4 - 81A	811090	10 - 13A	
45690	2 -170	257187	2 - 54		4 -125	811417	10 - 11	
	2 -179B		3 - 6		5 - 2	811427	2 -126	
	5 - 40		8 - 6	344015	8 - 33B	811802	14 - 10	
	9 - 32		9 - 9	356742	3 - 10	811804	2 - 48	
	10 - 16A		10 - 5		5 - 27		10 - 12	
48594	5 - 21		11 - 14	357600	4 - 5	813179	10 - 10	
52522	4 - 68		12 - 17		4 - 14	813801	14 - 22	
52905	2 -141		12 - 19		4 - 79D	813802	14 - 23	
55726	1 - 38		13 - 34	363011	5 - 25	815933	14 - 24	
55901	2 -120	257189	8 - 16C	364710	10 - 17	845762	2 - 71	
	3 - 25		8 - 31	368169	14 - 21	852959	2 - 21A	
	9 - 5A		9 - 14	369207	1 - 13	855231	8 - 13	
	10 - 22	257956	2 -184		9 - 2	855252	8 - 13	
56079	2 -115	257959	12 - 4	369675	4 - 34	889325	1 - 6	
	9 - 28	257960	2 -191	438536	4 - 70		1 - 67	
56722	2 - 55	257975	2 - 98	438539	4 - 98	1070020	2 -139	
	3 - 27	257982	4 - 52	438540	4 -160	1072433	5 - 28	
	10 - 6		4 - 56	438548	2 - 42	1073418	12 - 2	
	11 - 15B	257984	4 - 26		2 -156	1077722	14 - 8	
	12 - 20		4 - 30		2 -160	1090873	2 - 3	

PART NO	LIST AND INDEX NO	PART NO	LIST AND INDEX NO	PART NO	LIST AND INDEX NO	PART NO	LIST AND INDEX NO
1092125	6 - 8	2426288-CONT	7 - 1	2537310	2 - 118	2538025	4 - 156
	7 - 8		11 - 9		6 - REF	2538027	4 - 165
	11 - 1		12 - 11	2537318	2 - 93	2538032	4 - 78A
	12 - 9	2531740	2 - 70	2537319	2 - 93	2638036	4 - 1
1093722	2 - 138	2536212	2 - 57D	2537320	2 - 93		5 - REF
1116065	4 - 3	2536242	1 - 42	2537321	2 - 93	2538037	5 - 29
	4 - 21	2536245	2 - 51	2537338	6 - 10	2538038	5 - 33
1124775	5 - 36	2536246	2 - 50		7 - 10	2538039	5 - 30
1124827	4 - 29	2536247	1 - 48	2537339	4 - 130	2538040	5 - 32
1132574	4 - 99	2536261	3 - 20	2537340	4 - 129	2538041	5 - 38
1138818	5 - 19		11 - 16	2537341	4 - 128	2538042	5 - 35
1142155	14 - 11		12 - 23	2537348	4 - 121	2538043	4 - 91
1166032	14 - 37	2536272	2 - 183	2537356	2 - 26	2538044	5 - 15
1166035	14 - 38	2536274	2 - 157	2537357	2 - 5	2538046	3 - 29
1166150	4 - 8	2536277	9 - 26	2537366	13 - 14		5 - 20
	4 - 17	2536285	2 - 10	2537367	13 - 13	2538047	5 - 18
1171544	4 - 44A	2536287	11 - 17	2537368	13 - 12	2538051	5 - 26
2101819	11 - 2	2536332	13 - 8	2537372	2 - 136	2538052	5 - 23
	12 - 10	2536337	9 - 7	2537373	2 - 133	2538054	4 - 88
2102365	3 - 8	2536341	11 - 4	2537374	2 - 131	2538055	1 - 27
	3 - 18	2536345	2 - 13	2537376	2 - 132		5 - 5
2111232	9 - 22		11 - REF	2537380	13 - 10	2538056	5 - 7
2114108	3 - 11	2536356	2 - 188	2537381	13 - 11		5 - 11
2114985	2 - 190	2536359	2 - 16	2537472	6 - 9	2538058	5 - 13
2121358	4 - 142	2536376	2 - 11		7 - 9	2538059	5 - 10
2122114	9 - 12	2536388	11 - 18	2537473	2 - 6	2538061	5 - 6
2123393	14 - 12		12 - 24	2537475	6 - 7	2538062	4 - 71
2145170	14 - 27	2536389	1 - 54		7 - 7	2538064	4 - 74
2152788	14 - 34	2536390	1 - 50	2537478	2 - 142	2538065	4 - 75
2157349	4 - 45	2536393	1 - 14	2537479	2 - 143	2538066	4 - 77
2162590	14 - 28	2536394	1 - 12	2537480	2 - 144	2538067	4 - 76
2174195	14 - 18	2536431	4 - 120	2537483	9 - 34	2538068	4 - 19
2175867	8 - 40	2536450	2 - 177B	2537484	1 - 39	2538069	4 - 10A
	9 - 19	2536451	2 - 176	2537485	2 - 1	2538070	4 - 92
2181005	1 - 49	2536452	2 - 177	2537486	6 - 5	2538071	4 - 23
	1 - 62	2536453	2 - 175		7 - 5	2538072	4 - 59
	2 - 25	2536454	2 - 168	2537488	2 - 116	2538073	4 - 93
	2 - 42	2536455	1 - 66	2537489	8 - 7	2538074	4 - 106
	2 - 52	2536456	1 - 65		10 - 7	2538075	4 - 104
	2 - 107	2536457	1 - 61	2537490	2 - 113	2538077	4 - 47
	2 - 154	2536458	2 - 195	2537491	2 - 77	2538078	4 - 46
	3 - 11A	2536460	1 - 4		8 - 4	2538080	4 - 83
	3 - 15	2536473	1 - 9		10 - 3	2538081	4 - 158
	3 - 17	2536477	1 - 5	2537492	2 - 73	2538085	4 - 157
	3 - 34	2536482	4 - 146	2537493	2 - 75	2538086	4 - 154
2191846	2 - 40	2536483	4 - 140	2537497	2 - 151	2538087	4 - 155
2192509	10 - 8	2536487	3 - 32	2537499	2 - 158	2538088	4 - 124
2199378	13 - 28	2536488	3 - 28	2537500	2 - 155	2538089	4 - 32
2204025	2 - 96	2536495	1 - 47	2537502	2 - 117	2538090	4 - 122
2207715	2 - 198A	2536496	1 - 46	2537504	1 - 59	2538091	4 - 127
2218106	13 - 37	2536503	2 - 164	2537508	2 - 110	2538092	4 - 150
2219193	2 - 207	2536533	13 - REF	2537509	1 - 55	2538093	4 - 151
	13 - 30	2536543	13 - 23	2537511	1 - 52	2538094	10 - 13
2250961	2 - 60	2536559	13 - 4	2537512	2 - 121	2538096	2 - 161
2250963	2 - 61	2536563	13 - 9	2537525	3 - 2	2538099	2 - 91
2261918	9 - 21	2536565	13 - 5	2537528	3 - 21	2538101	2 - REF
2261919	9 - 16	2536567	13 - 36		10 - 14		2 - REF
2270032	13 - 3	2536569	13 - 4	2537572	6 - 16		2 - REF
2274381	2 - 65	2536571	13 - 22		7 - 16		2 - REF
2283000	8 - 15	2536601	2 - 46	2537573	6 - 15	2538104	4 - 22
2283001	2 - 189	2536602	2 - 43		7 - 15	2538107	1 - 28
2283002	2 - 87	2536615	2 - 28	2538001	4 - 60	2538108	1 - 31
2283004	9 - 15	2536616	1 - 2	2538002	4 - 65	2538109	1 - 30
2283005	2 - 85	2536618	6 - 12	2538005	4 - 94		1 - 53
2283009	2 - 63		7 - 12	2538006	4 - 103	2538110	8 - 17
2283012	12 - 21	2536625	2 - 58	2538007	4 - 55	2538111	2 - 81
2283020	2 - 99	2536626	2 - 59	2538008	4 - 58		4 - REF
2391819	2 - 76	2536627	2 - 57C	2538013	4 - 40		4 - REF
	8 - 3	2536633	6 - 11	2538015	4 - 42		4 - REF
	8 - 3A		7 - 11	2538016	4 - 35		4 - REF
2396459	2 - 66A	2536640	6 - 14	2538017	4 - 4	2538112	8 - 1
2414892	10 - 2	2536642	6 - 17		4 - 13	2538113	8 - 37
2426180	2 - 99	2536643	7 - 17	2538018	4 - 9	2538114	8 - 33D
2426181	2 - 99	2536644	6 - 13		4 - 18	2538118	8 - 42
2426199	2 - 99	2536645	7 - 13	2538019	4 - 7	2538117	2 - 137
2426200	2 - 99	2536649	4 - 123		4 - 16	2538125	1 - 22
2426238	4 - 64	2537301	13 - REF	2538020	4 - 104	2538126	8 - 21
	4 - 110	2537306	2 - 49	2538021	4 - 111	2538127	5 - 22
2426288	4 - 43	2537309	2 - 118A	2538022	3 - 30		14 - 30
	6 - 1		7 - REF	2538023	4 - 152	2538134	2 - 68

2538135	1 - 43	2600589	4 - REF	5144466	2 -197	5831991	2 -186
2538136	1 - 40		4 - REF	5144503	10 - REF		
2538139	2 - 62		4 - REF	5144531	10 - 9		
2538141	3 - 1		4 - 11	5144592	8 - 39		
2538143	4 - 37	2600591	4 - 73	6144594	3 - 22		
2538144	5 - 37	2600599	2 -198		8 - 38		
2538145	8 - 33	2775926	2 - 8	5144595	2 -104		
2538146	8 - 34	3220657	2 - 79		8 - REF		
2538148	8 - 33C	4077757	13 - 35	5144596	2 -104		
2538149	8 - 36	4121101	2 -109		8 - REF		
	8 - 37A		14 - 19	5144600	2 - 72		
2597912	1 - 37	4211100	14 - 39		9 - REF		
2597913	2 - 72	5117071	9 - 19	5144601	3 - 32		
	9 - REF	5144317	12 - 22	5144602	3 - 28		
2597920	1 - 44	5144318	2 - 56	5144603	2 -178B		
2597938	2 -208	5144321	13 - 38	5144604	2 -178A		
2597939	2 - 57	5144329	12 - 15	5213276	2 - 30		
2597963	1 - 32	5144330	2 - 13		4 - 81		
2597964	1 - 36		12 - REF		4 -115		
2597965	7 - 14	5144331	12 - 25	5213360	14 - 35		
2597973	11 - 6	5144332	12 - 8	5214094	9 - 33		
2597974	11 - 5	5144333	12 - 7	5240458	8 - 20		
2598005	2 - 7	5144334	12 - 1	5257231	13 - 29		
2598007	2 - 4	5144335	12 - 6	5264648	2 -173		
2598012	2 -102	5144336	12 - 5	5271638	14 - 33		
2598037	13 - 17	5144337	12 - 3	5319854	2 - 92		
2598038	4 - 46A	5144339	2 - 12		2 -103		
	6 - 4	5144340	13 - 41		2 -105		
	7 - 4	5144342	13 - 41		2 -114		
2598045	13 - 40	5144344	13 - 41		2 -124		
2598056	13 - 25	5144346	13 - 42		2 -130		
2598060	13 - 15	5144348	13 - 42		3 - 3		
2598063	13 - 21	5144352	13 - 42		3 - 13		
2598065	13 - 16	5144354	2 - 8A		3 - 19		
2598066	13 - 27	5144358	8 - 16	5349929	2 - 74		
2598067	13 - 1	5144360	2 -179	5350092	2 -101		
2598068	13 - 1	5144364	2 -179D	5352960	14 - 14		
2598074	2 -123	5144365	2 -179J	5364151	2 - 74		
2598076	2 - 24		2 -179L	5412817	14 - 29		
2598080	6 - 3	5144366	2 -179G	5477195	8 - 27		
	7 - 3	5144367	1 - 66	5700484	1 - 45		
2598082	13 - 19	5144368	2 -178C		1 - 66		
2598083	13 - 18		2 -179C		1 - 66		
2598087	2 -180	5144369	1 - 61	5724114	2 - 66		
2598090	2 -129	5144373	2 - 41	5800634	3 - 38A		
2598097	9 - 30	5144374	2 - 41A	5831591	13 - 31		
2598168	2 - 57A	5144385	8 - 27A	5831600	13 - 26		
2598175	2 - 27	5144389	2 -179F	5831601	13 - 2		
2598182	4 - 39	5144390	2 - 72	5831608	13 - 20		
2598183	4 - 17		9 - REF	5831616	13 - 32		
2598184	4 - 18	5144392	3 - 32	5831627	13 - 7		
2598185	4 - 135	5144394	4 - 85	5831632	13 - 24		
2598190	13 - 1	5144395	4 - 80A	5831637	13 - 40		
2598191	4 - 138	5144399	4 - 79E	5831657	4 - 31		
2598195	2 -204	5144402	4 - 79H	5831682	4 -126		
2598196	2 -152	5144403	4 - 79A	5831686	4 -134		
2598197	1 - 3	5144404	4 - 79	5831687	4 -133		
2598198	2 - 97	5144405	2 - 97	5831708	4 -100		
2600510	4 - 38	5144414	4 -148	5831709	2 -196		
2600534	4 -107	5144416	2 - 78	5831713	2 -205		
2600535	5 - 34	5144418	2 - 93	5831720	2 - 36		
2600543	10 - 1	5144419	1 - 1	5831721	2 - 34		
2600544	2 - 64	5144420	1 - 8	5831723	2 - 33		
2600558	1 - 15	5144421	4 - 97	5831793	2 -209		
2600560	4 - 27	5144427	2 - 21	5831813	11 - 12		
2600561	1 - 23	5144429	2 - 78	5831824	1 - 7		
	5 - 1	5144432	4 -165	5831852	4 - 72		
2600562	1 - 26	5144433	4 -150	5831862	2 - 47		
	5 - 4	5144436	2 -165	5831892	4 - 67		
2600563	4 -112	5144437	4 - 10	5831903	4 - 69		
2600564	3 - 3	5144444	13 - 1	5831921	2 -185		
2600565	2 -162	5144445	13 - 1		2 -192		
2600566	10 - 18	5144447	1 - 57	5831922	2 -187		
2600567	2 - 41		10 - 23	5831923	2 -177A		
2600573	2 -193	5144448	2 -159		2 -179K		
2600574	4 - 12		10 - 19	5831948	11 - 3		
2600581	2 - 62	5144449	4 - 51	5831955	2 - 9		
2600582	3 - 1	5144452	4 -161	5831988	2 -186		
2600584	4 - 82	5144454	4 - 78	5831989	2 -186		
2600585	8 - 41	5144458	6 - 4A	5831990	2 -186		