

CONTENTS

FRAME LOCATION TABLE

HOW TO USE THIS PARTS CATALOG FRAME A14 1-1

VISUAL INDEXES FRAME A04 1-1

Figure	Title	Page
1	Covers, Panels, and Mounting Hardware Sheet 1 of 3	1
	Covers, Panels, and Mounting Hardware Sheet 2 of 3	2
	Covers, Panels, and Mounting Hardware Sheet 3 of 3	3
2	Cover, Right Rear	6
3	Cover, Right Front	7
4	Cover, Left Rear	8
5	Cover, Left Front	9
5A	5475 Data Entry Keyboard Cover and Final Asm	10
5B	5475 Panel Asm	12
5C	5475 Keyboard Chart—USA, UK, Portuguese, Brazil, Italy and Japan. No Listing Required	13
5D	5475 Keybutton Chart—French, Belgium, German/Austria, Spain, Finnish/Sweden, Denmark and Norway. No Listing Required	14
5E	5475 Keylever and Interposer Chart—USA, UK, Portuguese/Brazil, Italy and Japan. No Listing Required	15
5F	5475 Keylever and Interposer Chart—French, Belgium, German/Austria, Spain, Finnish/ Sweden, Denmark and Norway. No Listing Required	16
5G	5475 Keyboard Asm Sheet 1 of 2	17
	5475 Keyboard Asm Sheet 2 of 2	18
5H	5475 Keyboard Asm	21
6	Table Top, For Data Entry Keyboard	23
6A	Table Top, For Printer Keyboard	24
7	Console Asm	26
8	C E Panel	29
9	Panel Asm, BSCA Feature	FR, C15 1-1
10	Operators Panel	32
11	Dual Program Panel	34
12	Disk Control Panel, 1 and 2 Spindle	36
13	Display Panel	38

Page	Frame	Card
1	--- B01 ---	1-1
2	--- B02 ---	1-1
3	--- B03 ---	1-1
6	--- B06 ---	1-1
7	--- B07 ---	1-1
8	--- B08 ---	1-1
9	--- B09 ---	1-1
10	--- B10 ---	1-1
12	--- B12 ---	1-1
13	--- B13 ---	1-1
14	--- B14 ---	1-1
15	--- B15 ---	1-1
16	--- B16 ---	1-1
17	--- C01 ---	1-1
	--- C02 ---	1-1
21	--- C05 ---	1-1
23	--- C07 ---	1-1
24	--- C08 ---	1-1
26	--- C10 ---	1-1
29	--- C13 ---	1-1
31	--- C15 ---	1-1
32	--- C16 ---	1-1
34	--- D01 ---	1-1
36	--- D03 ---	1-1
38	--- D05 ---	1-1

CONTENTS

FRAME LOCATION TABLE

Figure	Title	Page
14	Mechanical Asm CPU	40
15	A Gate Asm	43
16	Blower Asm	46
17	B Gate Asm	47
18	Blower Asm	49
19	Power Supply, Signal Lamp	50
19A	Power Supply Asm Multi-Level	51
20	Power Supply, -12V B50A Medium Speed	53
20A	Power Supply Asm, 12V	54
20B	Auto Transformer Asm	55
21	Primary Power Supply, Pre-Redesigned Sheet 1 of 2	56
	Primary Power Supply, Pre-Redesigned Sheet 2 of 2	57
21A	Primary Power Supply, Redesigned Sheet 1 of 2	60
	Primary Power Supply, Redesigned Sheet 2 of 2	61

Page	Frame	Card
40	--- D07 ---	1-1
43	--- D10 ---	1-1
46	--- D13 ---	1-1
47	--- D14 ---	1-1
49	--- D16 ---	1-1
50	--- D17 ---	1-1
51	--- E01 ---	1-1
53	--- E03 ---	1-1
54	--- E04 ---	1-1
55	--- E05 ---	1-1
56	--- E06 ---	1-1
57	--- E07 ---	1-1
60	--- E10 ---	1-1
61	--- E11 ---	1-1

CONTENTS

FRAME LOCATION TABLE

22	Bulk Power Supply No. 1	65
22A	Bulk Power Supply No. 1	68
23	Bulk Power Supply No. 2 and 3	70
23A	Bulk Power Supply No. 2 and 3	73
24	Power Supply Asm. 4 VDC at 32 Amp	76
25	Power Supply Section, Front	78
26	Power Supply Asm. 50 Amp	80
27	Power Supply Asm. 4 VDC at 65 Amp	81
28	Power Supply Asm. 6 VDC at 25 Amp	83
29	Power Supply Asm. 30 VDC at 9.5 Amp	85
30	Fan Asm. Regulator Cooling	87
31	Cable and Jumper Asm Component Parts	88
32	Cable Part Numbers and Routing	91
33	Attaching Parts	97

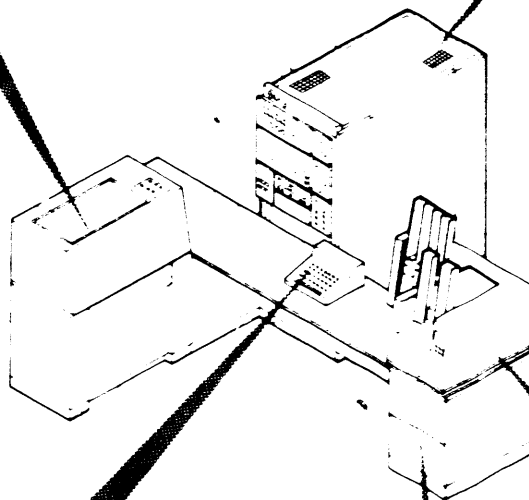
NUMERICAL INDEX

FRAME C08 1-2

Page	Frame	Card
65	--- E15 ---	1-1
68	--- A12 ---	1-2
70	--- A14 ---	1-2
73	--- A17 ---	1-2
76	--- B02 ---	1-2
78	--- B04 ---	1-2
80	--- B06 ---	1-2
81	--- B07 ---	1-2
83	--- B09 ---	1-2
85	--- B11 ---	1-2
87	--- B13 ---	1-2
88	--- B14 ---	1-2
93	--- C01 ---	1-2
97	--- C05 ---	1-2
INDEX	--- C08 ---	1-2

5203
PRINTER
SEE FORM NO. 54-0101

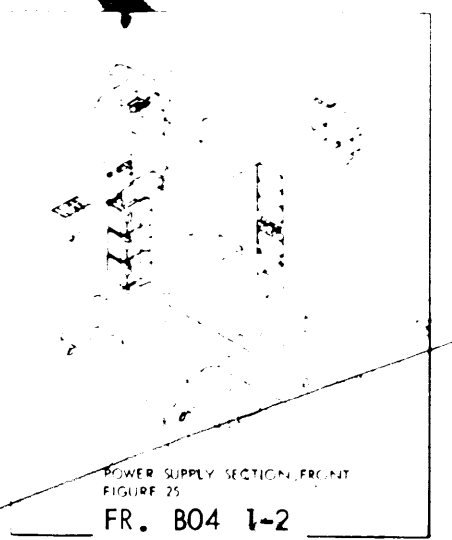
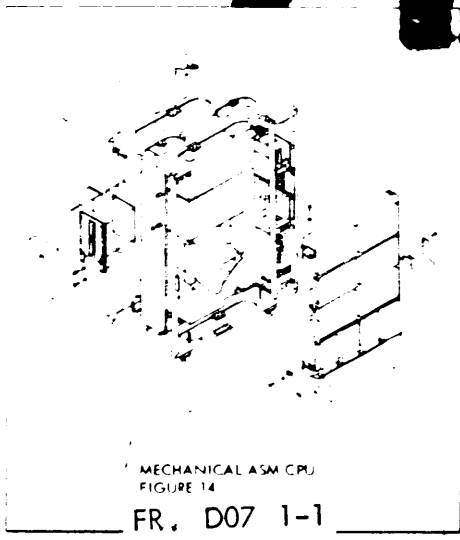
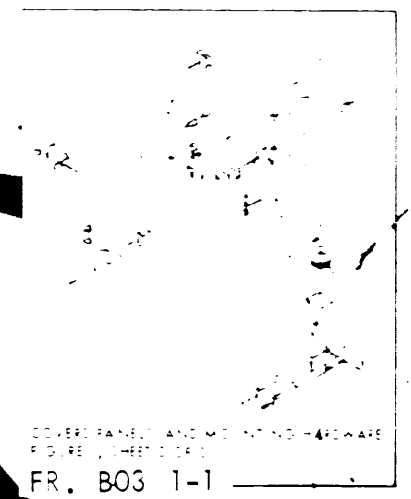
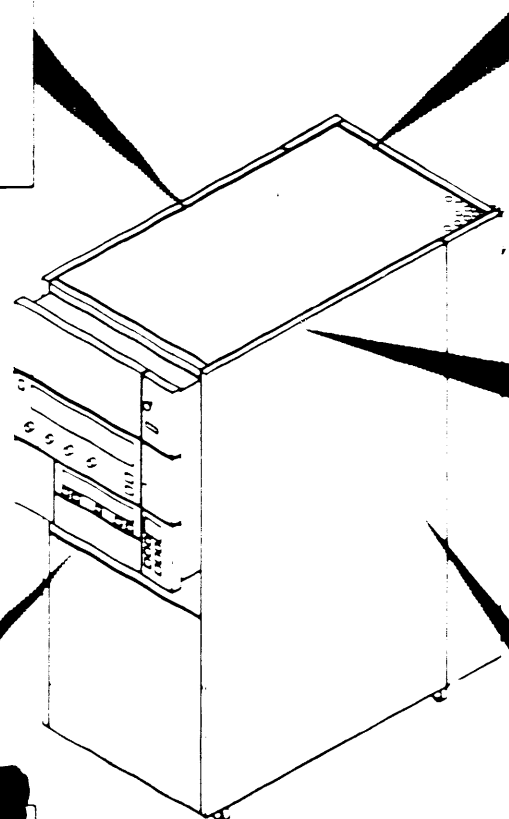
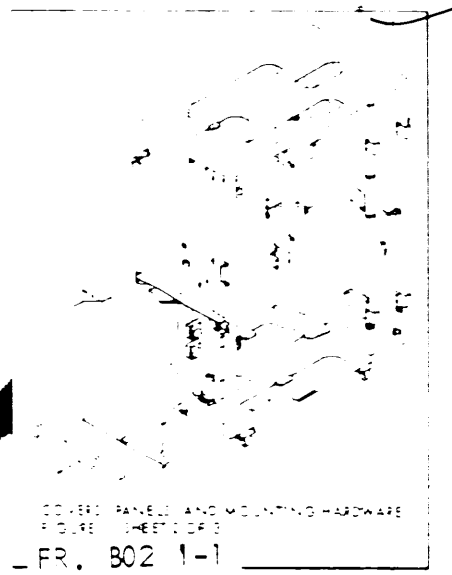
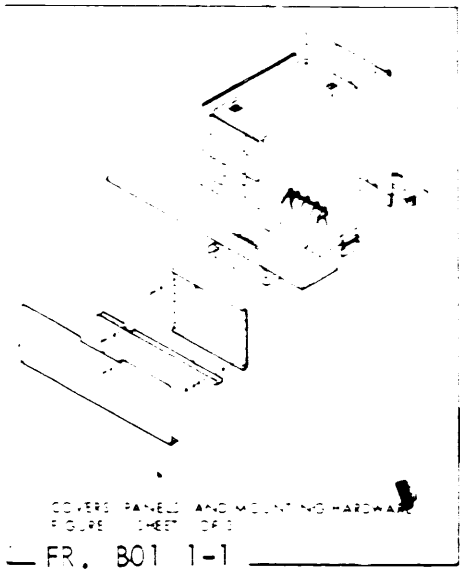
5410
PROCESSING UNIT
SEE FORM NO. 5131-0574



5471
PRINTER KEYBOARD
SEE FORM NO. 5131-0024

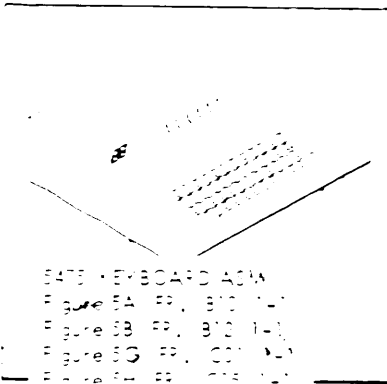
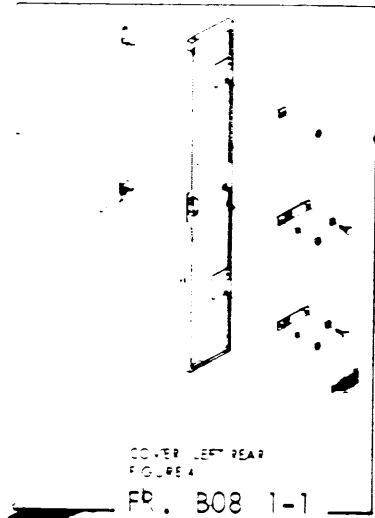
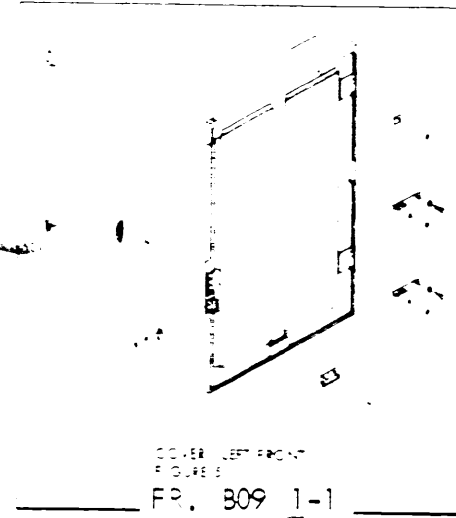
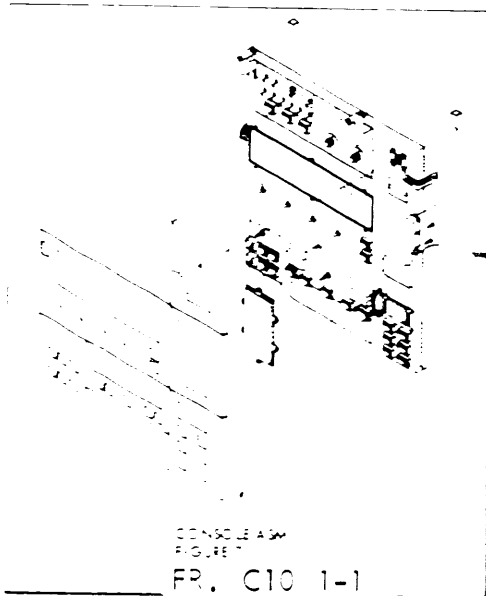
5424
MULTI-FUNCTION CARD UNIT
SEE FORM NO. 5131-0570

5444
DISK FILE UNIT
SEE FORM NO. 5135-0001

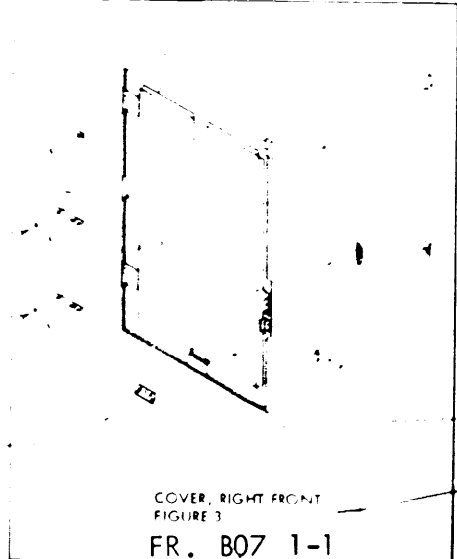
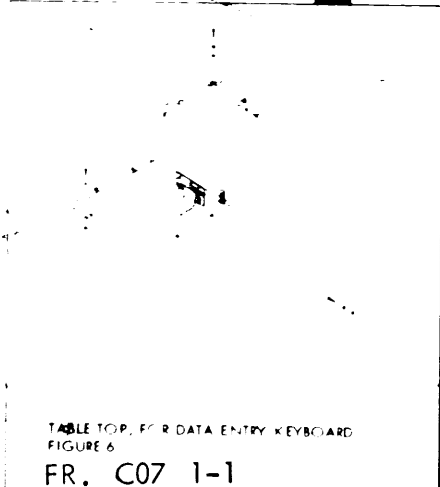
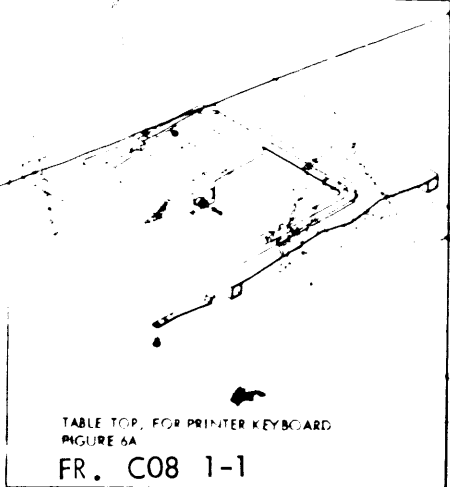
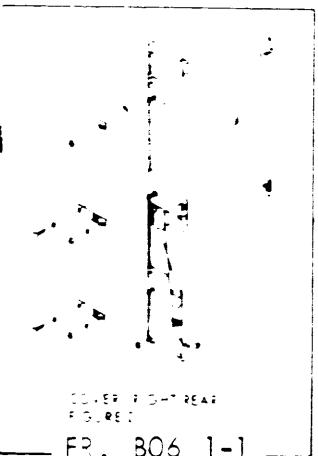
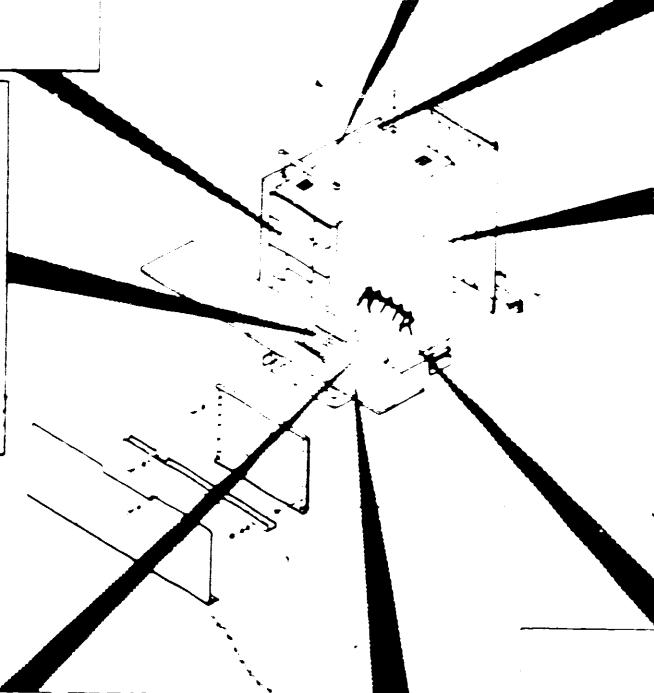


VISUAL INDEX II

A05

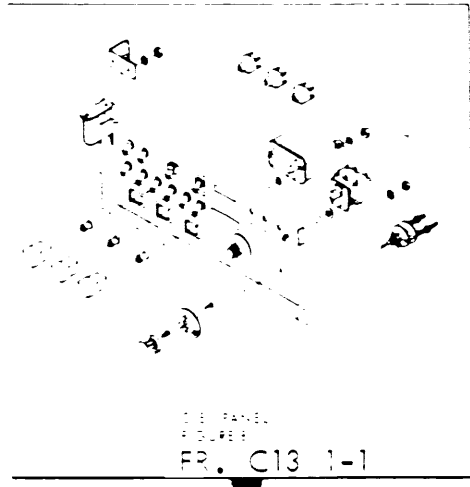


KEYBUTTON CHARTS
SEE FIGURE 5C FR. B13 1-1
AND FIGURE 5C FR. B14 1-1
KEYLEVER CHART
SEE FIGURE 5E FR. B15 1-1
AND FIGURE 5F FR. B16 1-1

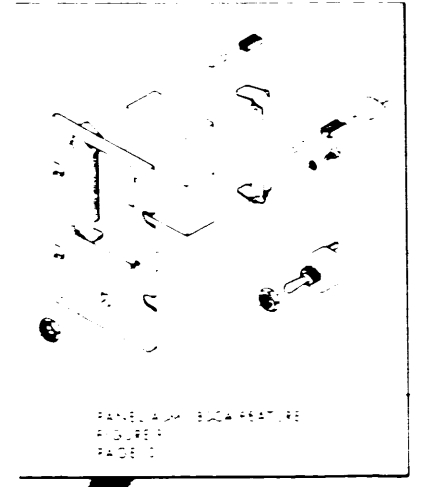




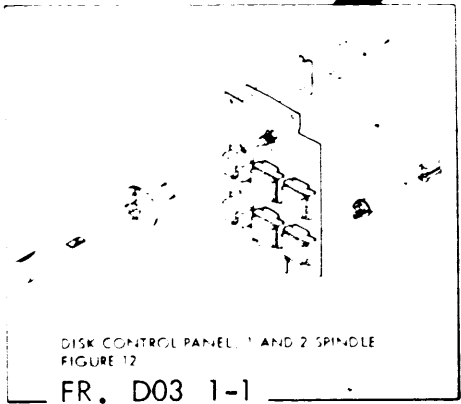
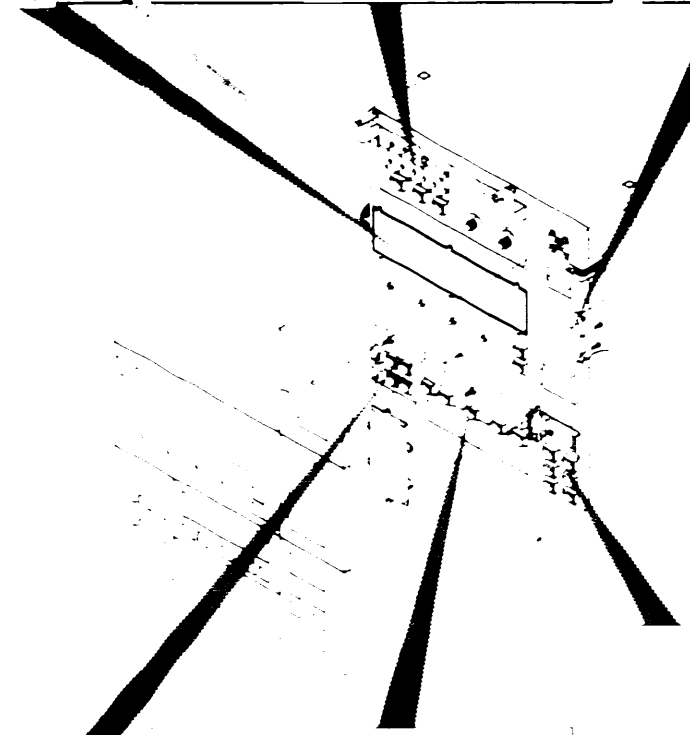
DISK CONTROL PANEL
FIGURE 11
FR. D05 1-1



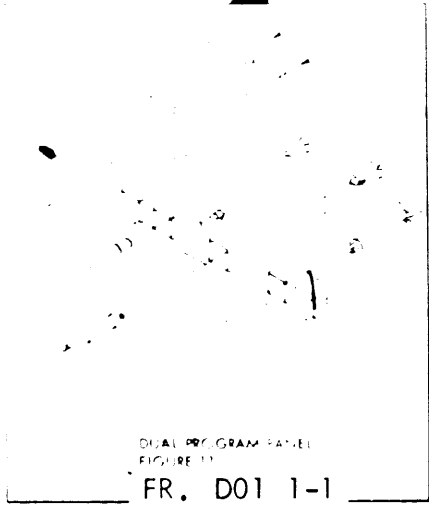
DISK CONTROL PANEL
FIGURE 12
FR. C13 1-1



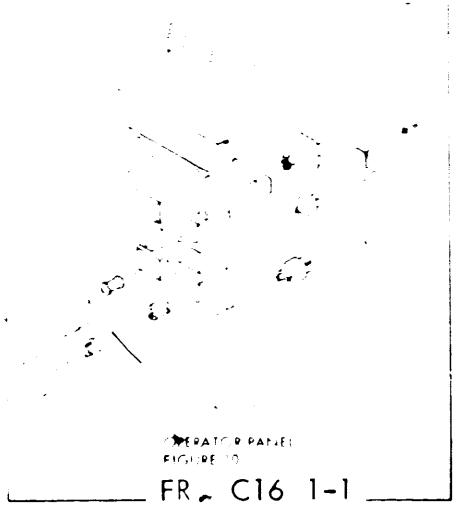
PANEL WITH SEVERAL FEATURES
FIGURE 13
PAGE 11



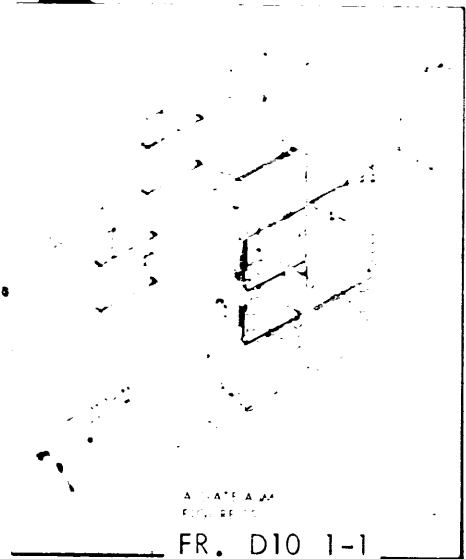
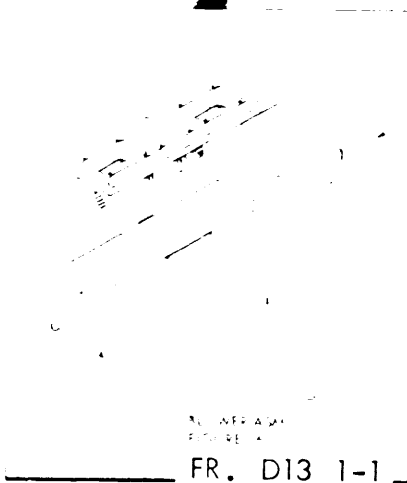
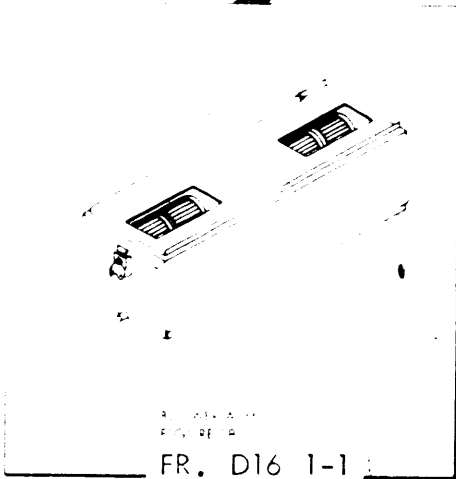
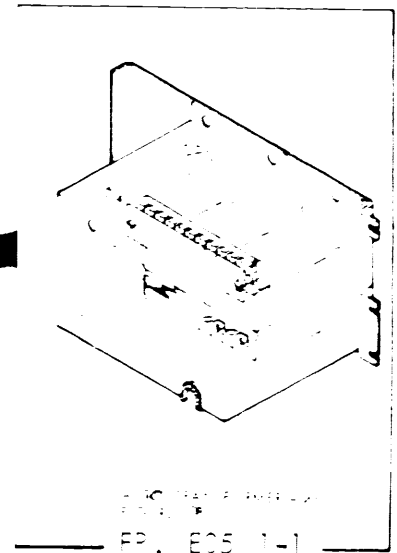
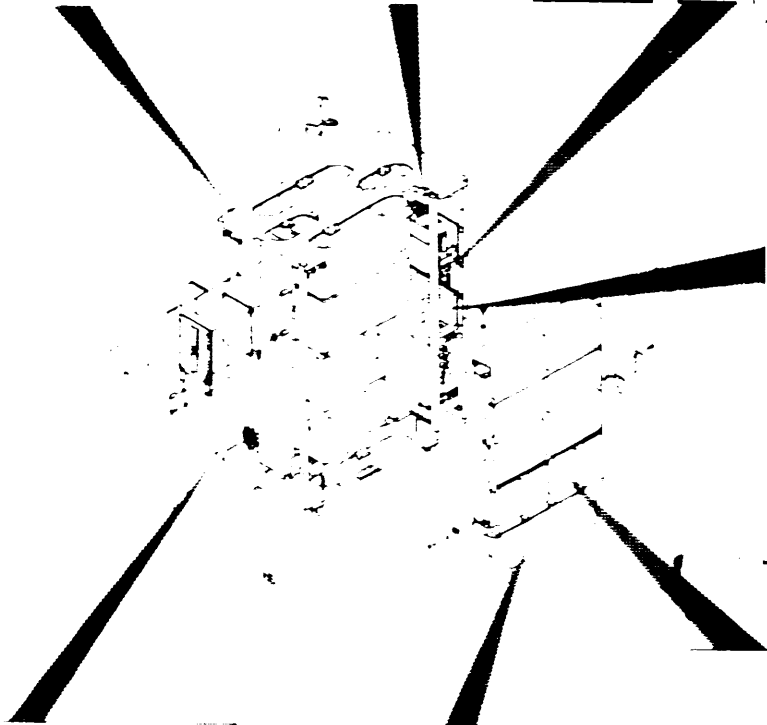
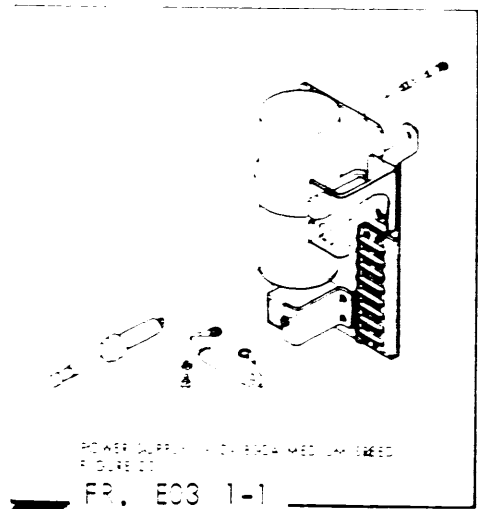
DISK CONTROL PANEL 1 AND 2 SPINDLE
FIGURE 12
FR. D03 1-1

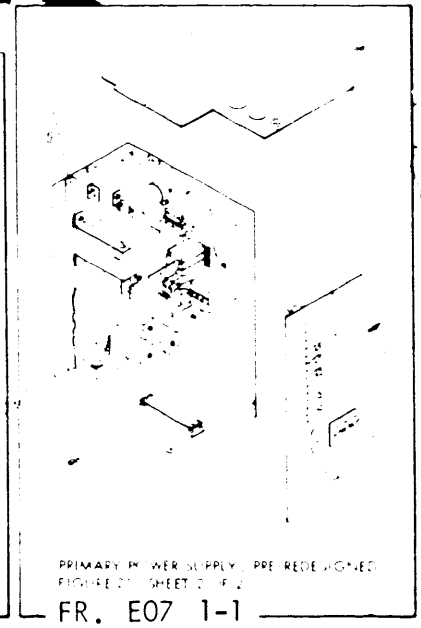
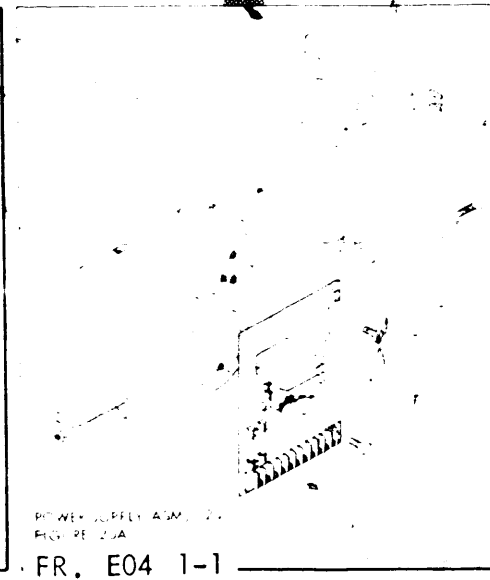
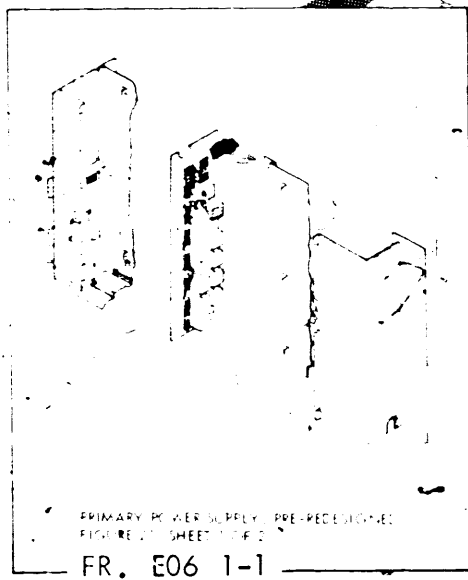
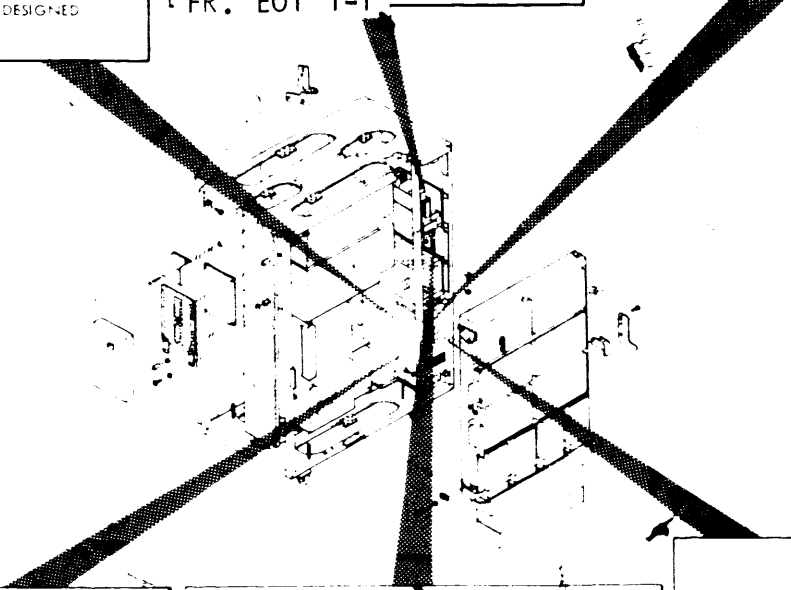
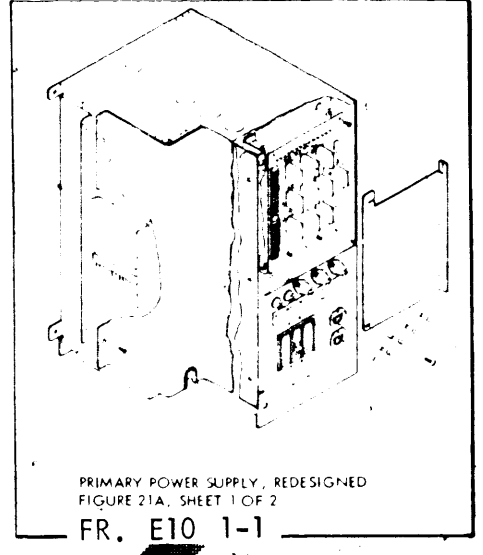
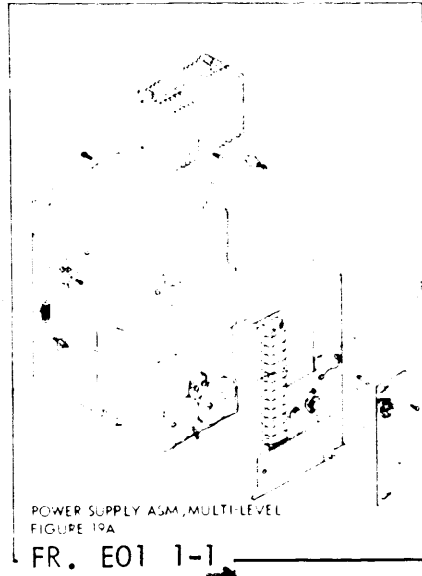
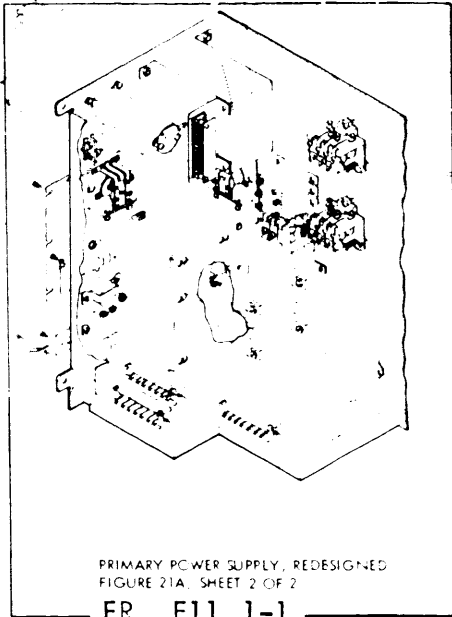


DUAL PROGRAM PANEL
FIGURE 11
FR. D01 1-1



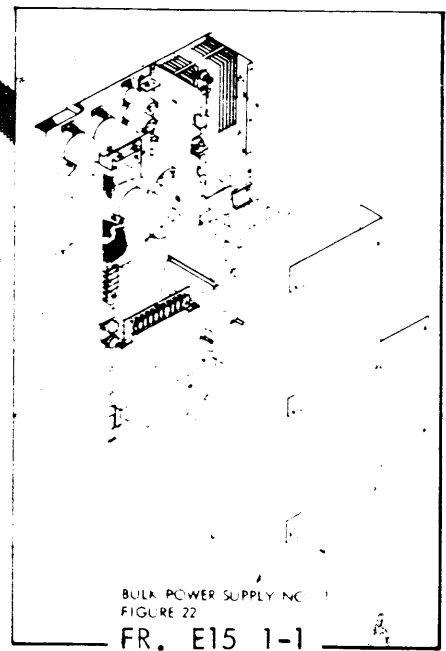
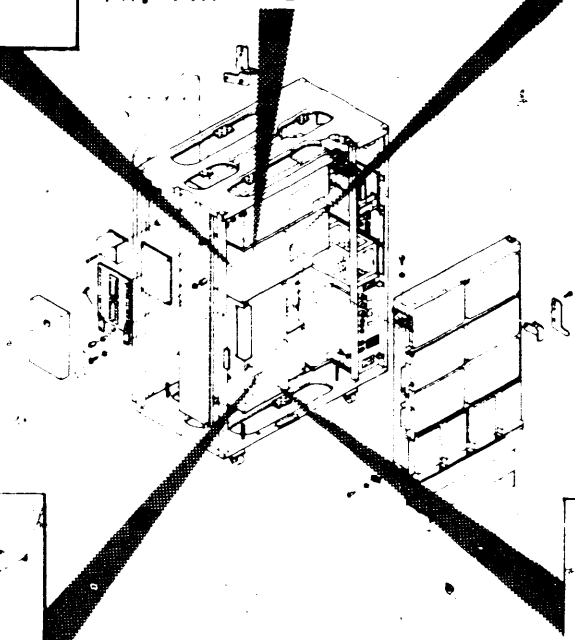
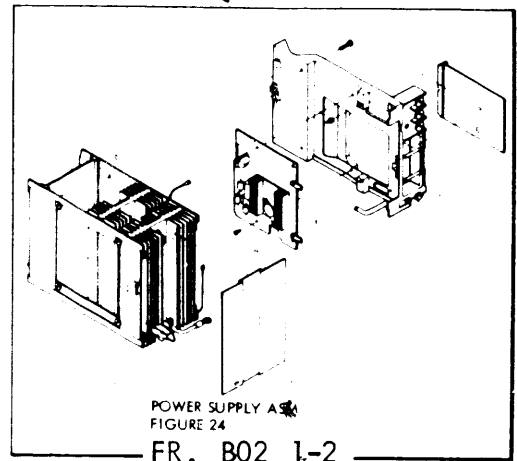
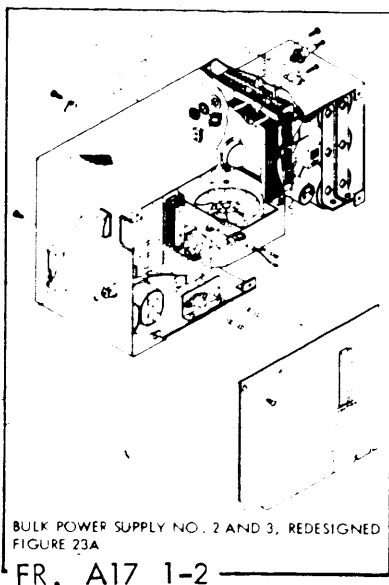
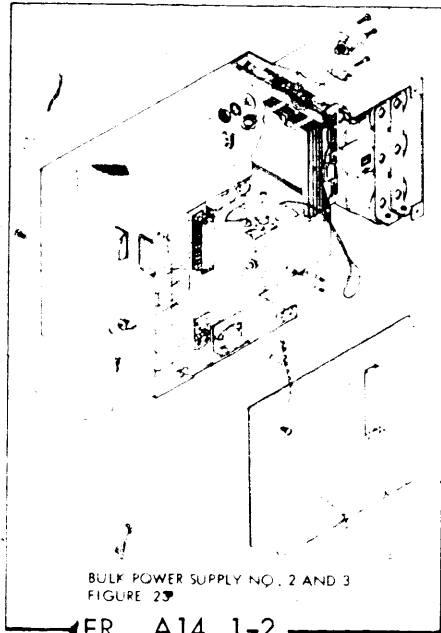
OPERATOR PANEL
FIGURE 10
FR. C16 1-1

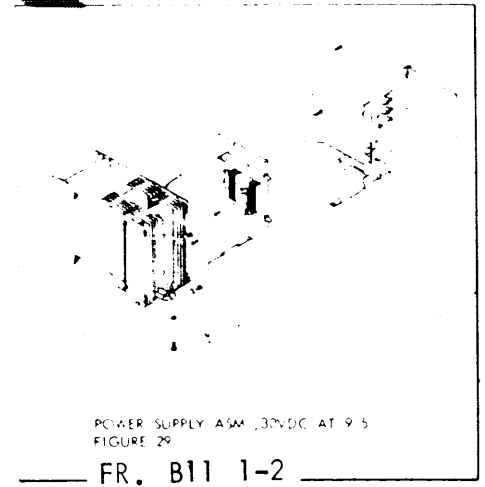
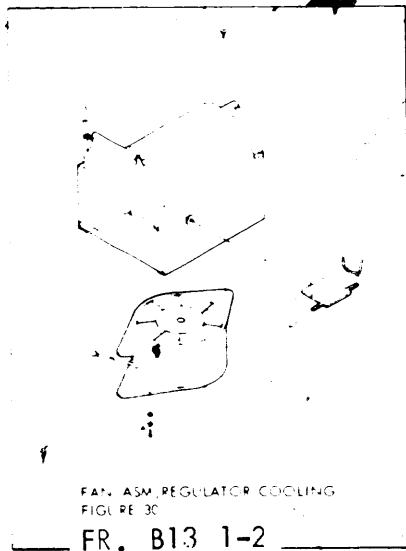
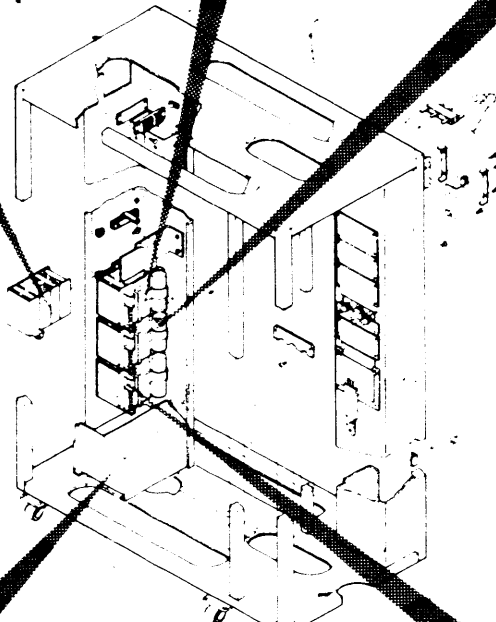
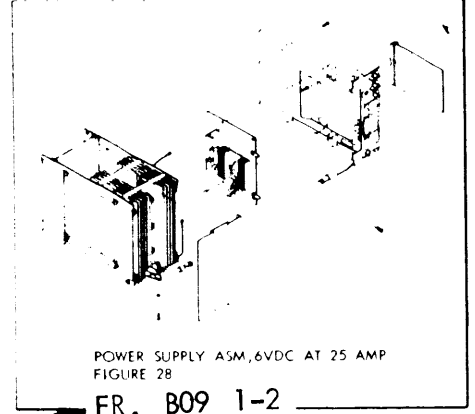
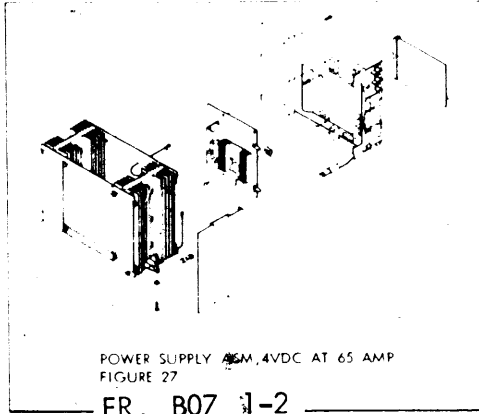
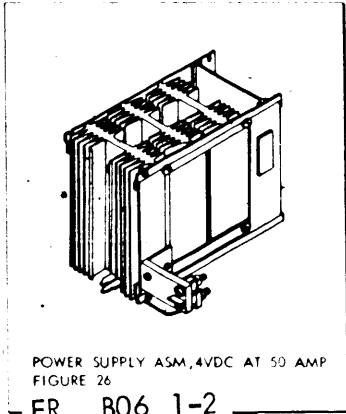


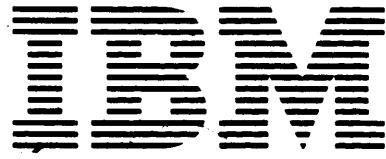


VISUAL INDEX VI

A09







Maintenance Library



**Processing Unit
Parts Catalog**

S131-0574-4

AI2

Preface

This Parts Catalog (PC) contains listings and illustrations of all replaceable assemblies, subassemblies, and detail parts released to Production Control on or before August 11, 1971 for the 5410 Processing Unit.

Fourth Edition (September 1971)

This is a major revision of, and obsoletes, S131-0574-3.

Changes are continually made to the specifications herein; any such change will be reported in subsequent revisions or Technical Newsletters.

A Readers Comment Form is at the back of this publication. If the form has been removed, comments may be addressed to IBM Corporation, Publications Department 245, Rochester, Minnesota 55901.

HOW TO USE THIS PARTS CATALOG

PART I

To find parts quickly, a general understanding of the structure of this catalog is necessary. The catalog is divided into three major sections:

- The Visual Index, containing overall views of the machine, with call-outs pointing to detailed figures.
- The Catalog Section, containing a pictorial breakdown of assemblies and subassemblies.
- The Numerical Index, which is a numerical list of all parts used in the machine, with cross-references to the figure on which the part is found.

VISUAL INDEX

The Visual Index, located before the Catalog Section, contains a reduced illustration of every figure in the Catalog Section. The reduced illustrations are tied together with flow arrows to form a natural progression from large assemblies to small assemblies and possibly subassemblies. In effect, a visual table of contents is formed by the Visual Index illustrations.

CATALOG SECTION

The Catalog Section contains the full-sized illustrations previously noted in the Visual Index. Index numbers on figures refer to corresponding entries in the Group Assembly Parts List accompanying each figure. Refer to part II for explanation of terms used in the Group Assembly Parts List.

ATTACHING PARTS LIST

The Attaching Parts List contains common screws, nuts, washers, etc. that are used in the machine. Index numbers for attaching parts are on the illustration, and the description is in the Attaching Parts List.

NUMERICAL INDEX

The Numerical Index is located after the Catalog Section and contains a complete list, in numerical order, of all part numbers used on the machine. Listed with the part number is the index and figure number on which the part is illustrated. The numerical index makes it possible to locate a part when only the part number is known.

STACKED INDEX NUMBERS

Stacked Index numbers are used when showing a part and its attaching hardware. The sequence of a typical stack is shown at the right. The circled index number indicates the assembly is broken down within the figure.

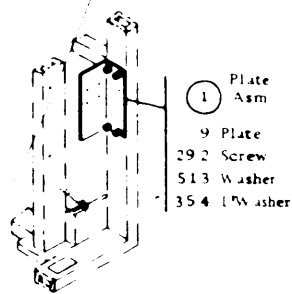


ILLUSTRATION NOTES

Cross-reference notes are directly on the illustration. The illustration's next higher assembly reference, normally located in the upper left corner of the page will read: "For Parts Not Shown See Figure X". If an assembly is referenced to a lower level figure, the note located next to the index number will read: "5 See Figure X".

DOUBLE LINED DETAIL BOX

The double lined box differentiates between parts shown on the basic model and parts related to a level and/or feature difference. An explanation of the level or feature difference is given in the double lined box.

FINDING A PART

The Visual Index is the starting point for locating a part. The illustrations in the Visual Index are reduced versions of all illustrations in the Catalog Section, therefore, the illustrations can be used to find the assembly containing the desired part. Use references to the detailed figure in the Catalog Section, or to another Visual Index illustration, to determine location of part number.

Once the detailed figure in the catalog section is determined, finding the part on the figure and referring to the listing for the part number and description is all that is required in most cases. If the first catalog section figure referenced shows the assembly containing the required part, the index number for the assembly will reference a lower-level figure where the assembly is broken down to its component parts. If the figure referenced by the Visual Index contains neither the part nor an assembly containing the part, it is then necessary to go to the next higher assembly figure. This figure should then contain the part or an assembly containing the part; if not, an even higher level figure must be used. Refer back to the Visual Index for some other figure that could show the desired part.

Note: Many detailed parts are unavailable, because they are part of an inseparable assembly (two or more parts welded or bonded together) or because they are part of an assembly purchased as a unit. If parts are found on a welded or bonded assembly, the following note follows the description of the assembly: "Assembly components are not replaceable." If the part is found on a purchased assembly, and the detail parts of this assembly do not have IBM part numbers, the note following the assembly description will read: "Assembly components are not available." In either case, you need to obtain the part number of the assembly, rather than the detailed part.

EXAMPLE FOR ORDERING PARTS

IBM CORPORATION
1000 WASHINGTON AVENUE
ARMONK, NEW YORK 10504
TELEPHONE: 914-490-1000
FAX: 914-490-1000
INTERNET: WWW.IBM.COM
MAILING LIST: MAILING LIST REQUEST FORM
IBM CORPORATION
1000 WASHINGTON AVENUE
ARMONK, NEW YORK 10504
TELEPHONE: 914-490-1000
FAX: 914-490-1000
INTERNET: WWW.IBM.COM

If the entire fan is required, part number 5726422 should be ordered (all one dot items will be received). If only the subassembly is required, part number 5357050 should be ordered (all two dot items will be received). Each part may be ordered individually.

HOW TO USE THIS PARTS CATALOG

PART II

- ① **AR**
As Required (AR) in the units per assembly column denotes that the quantity is used as required.
- ② **ATT PT**
Attaching Parts: These parts are used to attach a sub-assembly to an assembly. The attaching parts are listed in the last list just before the numeric index. Special attaching parts are listed with the figure.
- ③ **"COMM"**
Commercial hardware: When this indication appears in the part number column, it denotes hardware procurable from normal commercial sources and not identified by an IBM part number.
- ④ **INDENTURE**
The relationship of a part to its next higher assembly is indicated by indentures. For example:

1	2	3	4
Unit			
·	Assemblies and Detail Parts of Unit		
·	Attaching Parts for Assemblies & Detail Parts		
·	·	Subassemblies	
·	·	Attaching Parts for Subassemblies	
·	·	Detail Parts for Subassemblies, etc.	
- ⑤ **NR**
The NR in the part number column denotes the part is procurable but not recommended for field replacement, and that the next higher assembly should be ordered.
- ⑥ **NP**
The entry NP in the part number column denotes the assembly is non-procurable and the detail parts should be ordered separately.
- ⑦ **NO NO.**
When this indication appears in the part number column, it denotes a group of parts for which no assembly part number has been assigned, and the detail parts should be ordered separately.
- ⑧ **REF**
This entry in the units per assembly column denotes an assembly which is completely assembled on a preceding illustration. Quantities for such items are found in its next higher assembly.
- ⑨ **SIMILAR ASSEMBLIES**
If two assemblies contain a majority of identical parts, they are broken down on the same list. Common parts are shown by one index number. Parts peculiar to one or the other of the assemblies are listed separately and identified by Usable On Code.
- ⑩ **USABLE ON CODE**
Part application and interchangeability is indicated by the usable on code. If this column is blank, the parts pertain to all equipment(s) covered. Two types of codes are used. The alphabetic code denotes similar assemblies and/or features; the numeric code denotes level. Refer to the beginning of each list for the explanation of the code(s).
- ⑪ **SUFFIX CODE**
The suffix code indicates the month (alphabetic) and the year (numeric) of the engineering change which affected interchangeability of the part.

EXAMPLE OF PARTS LIST

LIST AND INDEX NO.	PART NO.	DESCRIPTION				UNITS PER ASM.	USABLE ON CODE
		1	2	3	4		
		DRIVE MOTOR ASSEMBLY					
2-							
-	2199376 NP			⑩	CODE A USED ON 60 CYCLE ONLY	⑧	⑩
-	2199386 NP				CODE B USED ON 50 CYCLE ONLY	REF	1A
					CODE 1 USED ON ASM PRIOR TO B6 SUFFIX	REF	1B
- 1	2204176			④	PULLEY, 60 CYCLE	1	A
- 1	2199255				PULLEY, 50 CYCLE	1	B
- 2	79842				SETSCREW, SPLINE DR CUP PT 8-32 X 3/8 LG	②	
- 3	2204116				MOTOR ASM, 220V AC 60 CYCLE	①	A
- 4	NO NO.				MOTOR ASM, 220V AC 50 CYCLE	1	B
- 5	5526				SCREW, MACH BIND HD 8-32 X 0.625 LG	4	
- 6	22046-2				FERRULE, OUTER	1	
- 7	2204033				FERRULE, INNER	1	
- 8	"COMM"				MOTOR, 1/12 HP-220V 60CPS	1	
- 8	2199258				MOTOR, DRIVE - 220V 50CPS	1	
- 9	2199401 NR				PLATE, MOTOR MT-115/220 VOLTS 60 CY	1	A
- 9	2199402 NR				PLATE, MOTOR MT-220 VOLTS 90 CY	1	B

CONTINUED ON
FRAME B01

CONTINUED ON
FRAME B01

CONTINUED ON
FRAME B01

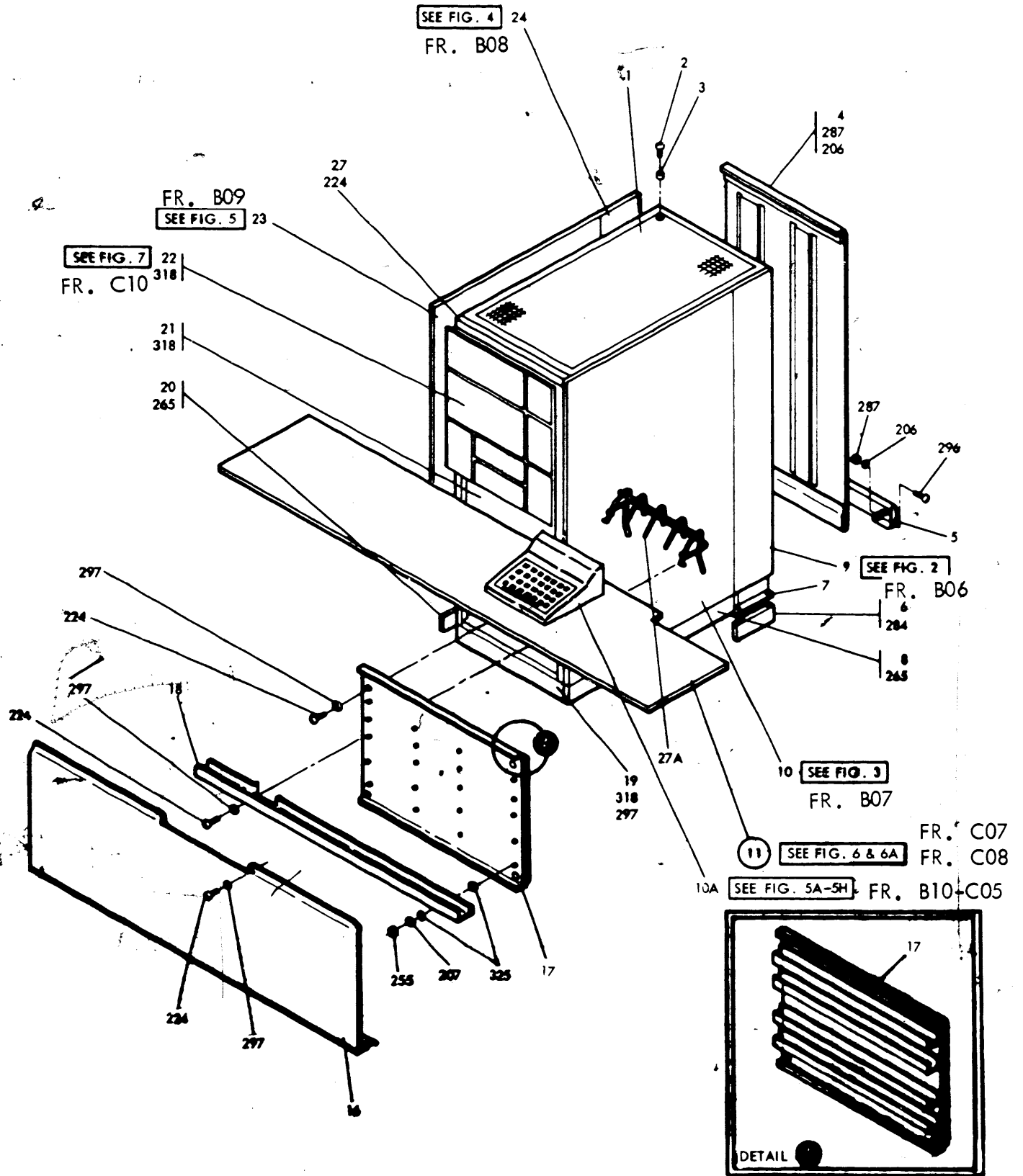


FIGURE 1. COVERS, PANELS, AND MOUNTING HARDWARE. SHEET 1 OF 3. INDEX NOS. 1 THRU 27A. SEE LIST 1.

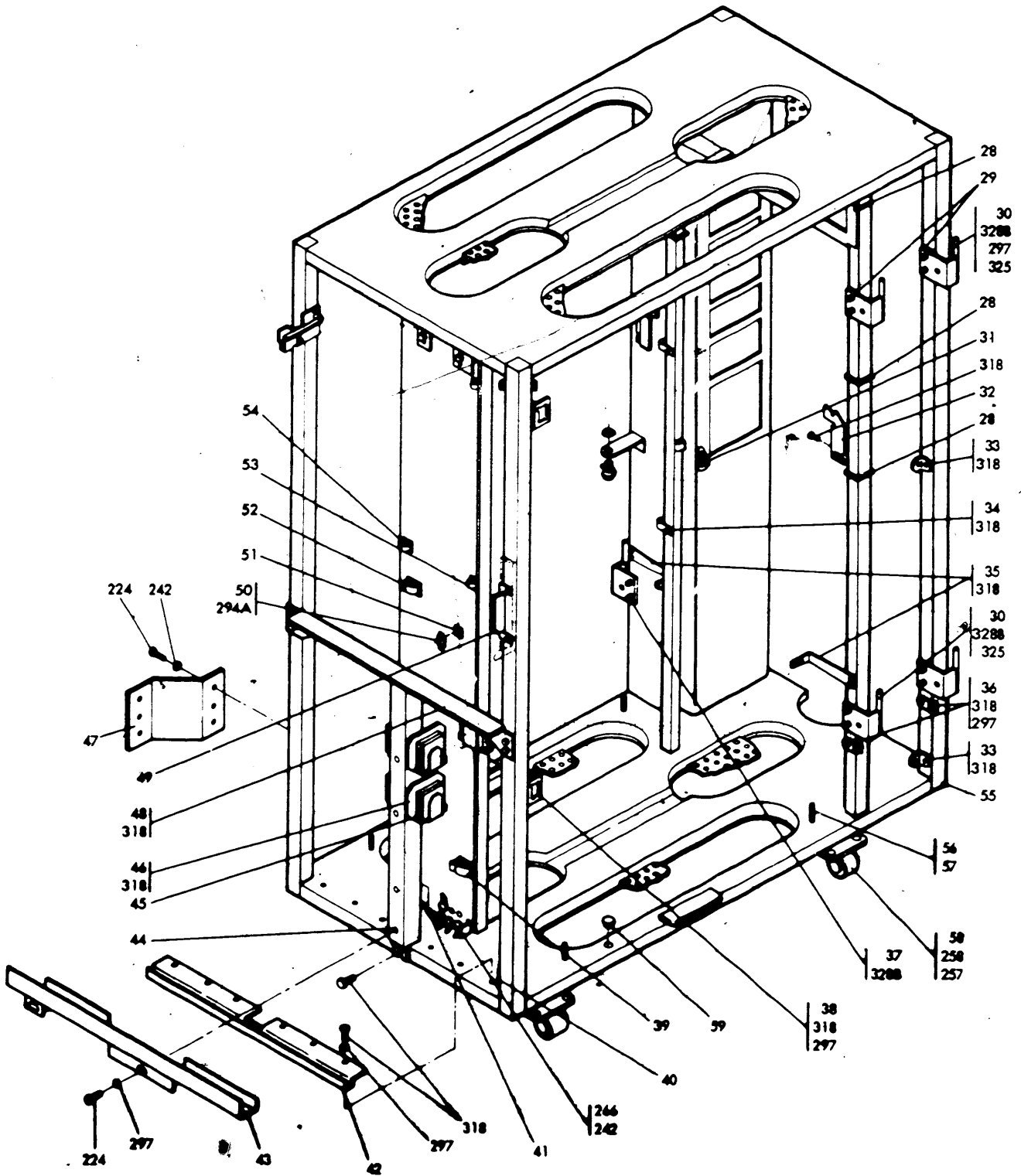


FIGURE 1. COVERS, PANELS, AND MOUNTING HARDWARE. SHEET 2 OF 3. INDEX NOS. 28 THRU 59. SEE LIST 1.

B02

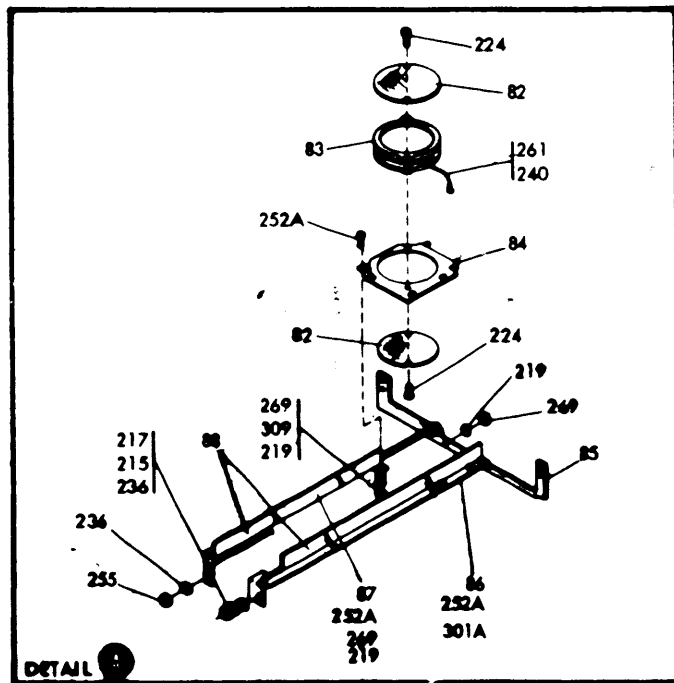
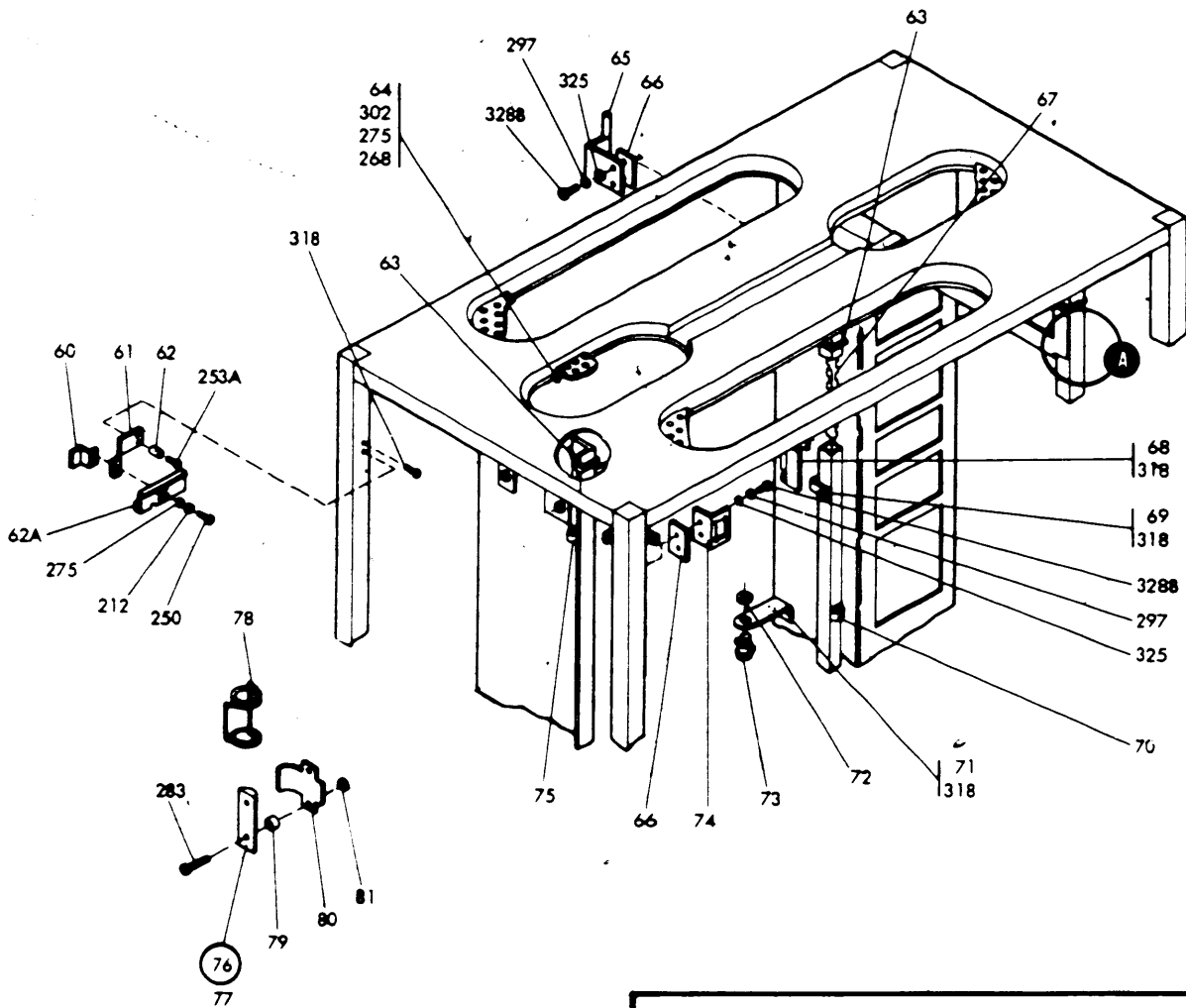


FIGURE 1. COVERS, PANELS, AND MOUNTING HARDWARE. SHEET 3 OF 3. INDEX NOS. 60 THRU 88. SEE LIST 1.

LIST AND INDEX NUMBER	PART NUMBER	DESCRIPTION	UNITS PER ASM.	USABLE ON CODE
1	NO NO.	COVERS, PANELS, AND MOUNTING HARDWARE FOR ILLUSTRATION SEE FIG. 1		
- 1	2590034	. COVER, TOP	1	
- 2	5312202	. SCREW	8	
- 3	123070	. GROMMET	8	
- 4	2590029	. COVER ASM, REAR	1	
- 5	2590204	. KICKSTRIP, REAR	1	
- 5		USED ON MACHINES WITHOUT EC 818900	1	
- 6	2590207	. KICKSTRIP	2	
- 6		USED ON MACHINES WITHOUT EC 818900	2	
- 7	2590209	. SPACER	2	
- 7		USED ON MACHINES WITHOUT EC 818900	2	
- 8	2590040	. KICKSTRIP, RIGHT FRONT	1	
- 8		USED ON MACHINES WITHOUT EC 818900	1	
- 9	NO NO.	. COVER ASM, RIGHT REAR	1	
- 9		FOR DETAIL BREAKDOWN SEE FIG. 2	1	
- 10	NO NO.	. COVER ASM, RIGHT FRONT	1	
- 10		FOR DETAIL BREAKDOWN SEE FIG. 3	1	
- 10A	2590411	. DATA ENTRY KEYBOARD	1	
- 10A		FOR DETAIL BREAKDOWN, SEE FIGS. 5A-5H	1	
- 11	NO NO.	. TABLE TOP, FOR DATA ENTRY KEYBOARD	1	
- 11		FOR DETAIL BREAKDOWN SEE FIG. 6	1	
- 11	NO NO.	. TABLE TOP, FOR PRINTER KEYBOARD	1	
- 11		FOR DETAIL BREAKDOWN SEE FIG. 6A	1	
- 11	2454923	. TABLE TOP, WITHOUT KEYBOARD	1	
- 16	2590873	. MODESTY SKIRT, FRONT	1	
- 17	2590044	. MODESTY SKIRT, REAR	1	
- 17		USED ON MACHINES WITHOUT EC 818940	1	
- 17	7369612	. MODESTY SKIRT, REAR	1	
- 17		USED ON MACHINES WITH EC 818940	1	
- 18	2590045	. RACEWAY	4	
- 18		USED ON MACHINES WITHOUT EC 818940	4	
- 19	2590039	. KICKSTRIP, FRONT	1	
- 19		USED ON MACHINES WITHOUT EC 818900	1	
- 20	2590041	. KICKSTRIP, LEFT FRONT	1	
- 20		USED ON MACHINES WITHOUT EC 818900	1	
- 21	2590031	. COVER, FRONT LOWER	1	
- 22	2590450	. CONSOLE ASM	1	
- 22		FOR DETAIL BREAKDOWN SEE FIG. 7	1	
- 23	NO NO.	. COVER ASM, LEFT FRONT	1	
- 23		FOR DETAIL BREAKDOWN SEE FIG. 5	1	
- 24	NO NO.	. COVER ASM, LEFT REAR	1	
- 24		FOR DETAIL BREAKDOWN SEE FIG. 4	1	
- 27	2590030	. COVER	1	
- 27A	2590572	. GUIDE, ROLL PAPER-5471 PRINTER KEYBOARD	1	
- 28	533783	. STRAP	3	
- 29	2590047	. SHIM	6	
- 30	2590161	. HINGE, RIGHT HAND	4	
- 31	726549	. WING SCREW	1	
- 32	2590049	. STRIKER, RIGHT HAND	1	
- 33	2590247	. BRACKET	2	
- 34	2102367	. CLAMP, LOOP	2	
- 35	2590679	. BUMPER	4	
- 36	753270	. STRAP	8	
- 37	2590160	. HINGE, LEFT HAND	4	
- 38	2590118	. CATCH	7	
- 39	2588682	. CLAMP	3	
- 40	2596291	. CLAMP	3	
- 41	2588684	. LABEL	1	
- 42	2590074	. BRACKET	1	
- 43	7369613	. RACEWAY	4	
- 43		USED ON MACHINES WITH EC 818940	4	
- 44	2590074	. BRACKET	1	
- 45	853288	. CORE	8	
- 46	2588046	. SPRING	4	
- 47	4253796	. BRACKET	1	
- 48	2590073	. BRACKET	1	
- 49	2590912	. CLAMP	2	
- 50	815215	. BACKPLATE	1	
- 51	2590824	. SPACER	2	
- 52	2588682	. CLAMP	1	
- 53	2596293	. CLAMP	2	
- 54	2596291	. CLAMP	3	

FOR PARTS
NOT SHOWN
SEE FIG. 1

FR. B01

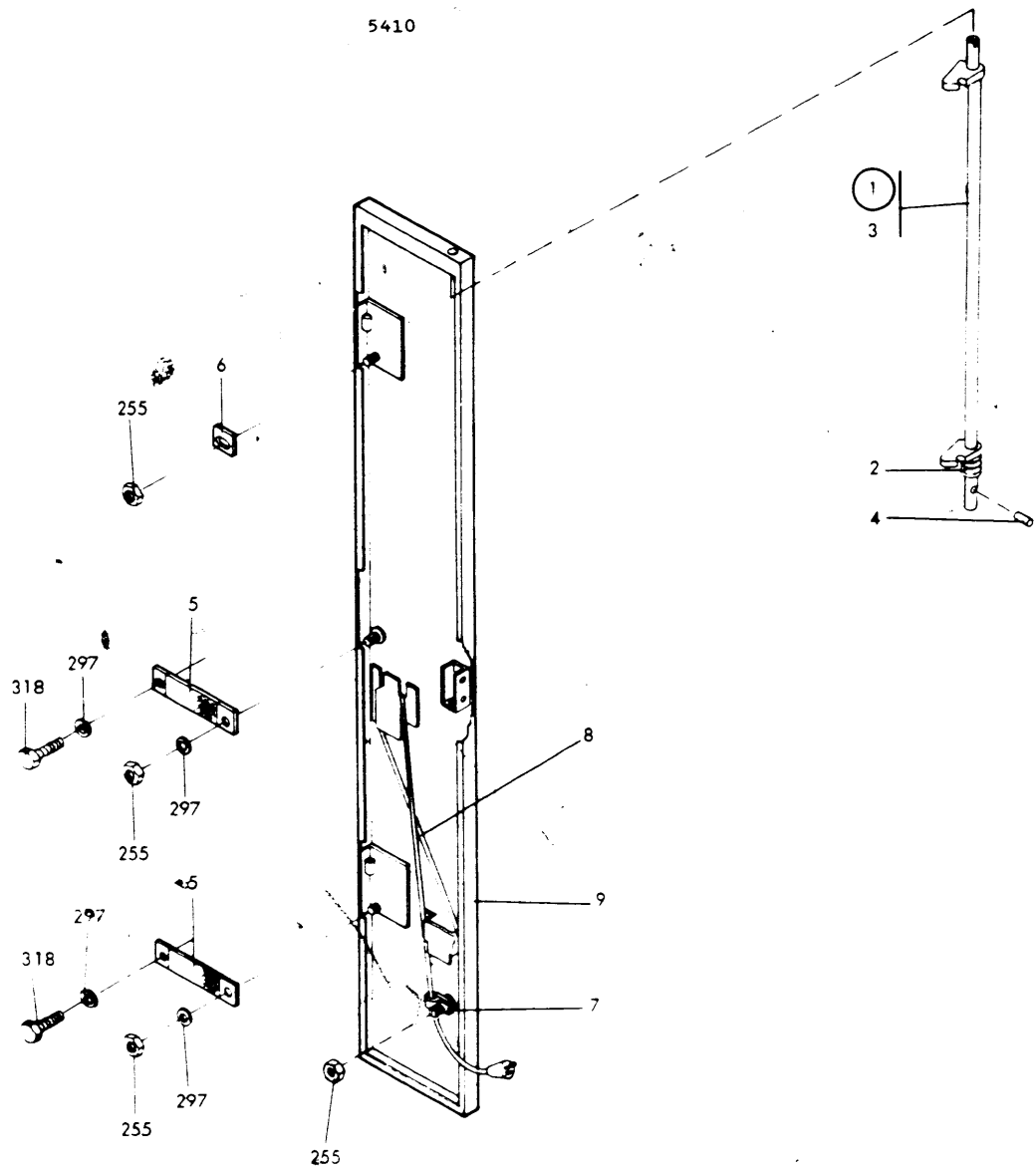


FIGURE 2. COVER, RIGHT REAR. SEE LIST 2.

LIST AND INDEX NUMBER	PART NUMBER	DESCRIPTION				UNITS PER ASM.	USABLE ON CODE
		1	2	3	4		
2	NO. NO.	COVER, RIGHT REAR					
-		FOR NEXT HIGHER ASM SEE LIST 1-9					
-		AND FOR ILLUSTRATION FIG. 2					
- 1	2590087	• LATCH ASM				1	
- 2	2590198	• • SPRING				1	
- 3	2590108	• • ROD, LATCH				1	
- 4	458853	• PIN, CUTTER				1	
- 5	753270	• STRAP				2	
- 6	2590159	• STOP				1	
- 7	327921	• CLAMP				1	
- 8	2588356	• POWER CORD, 60 CYCLE				1	
- 9	2588699	• POWER CORD, 50 CYCLE				1	
-	2590027	• COVER				1	
-		FOR ATTACHING PARTS, INDEX NOS. 201					
-		AND ABOVE, SEE LIST 33					

FOR PARTS
NOT SHOWN
SEE FIG. 1

FR. B01

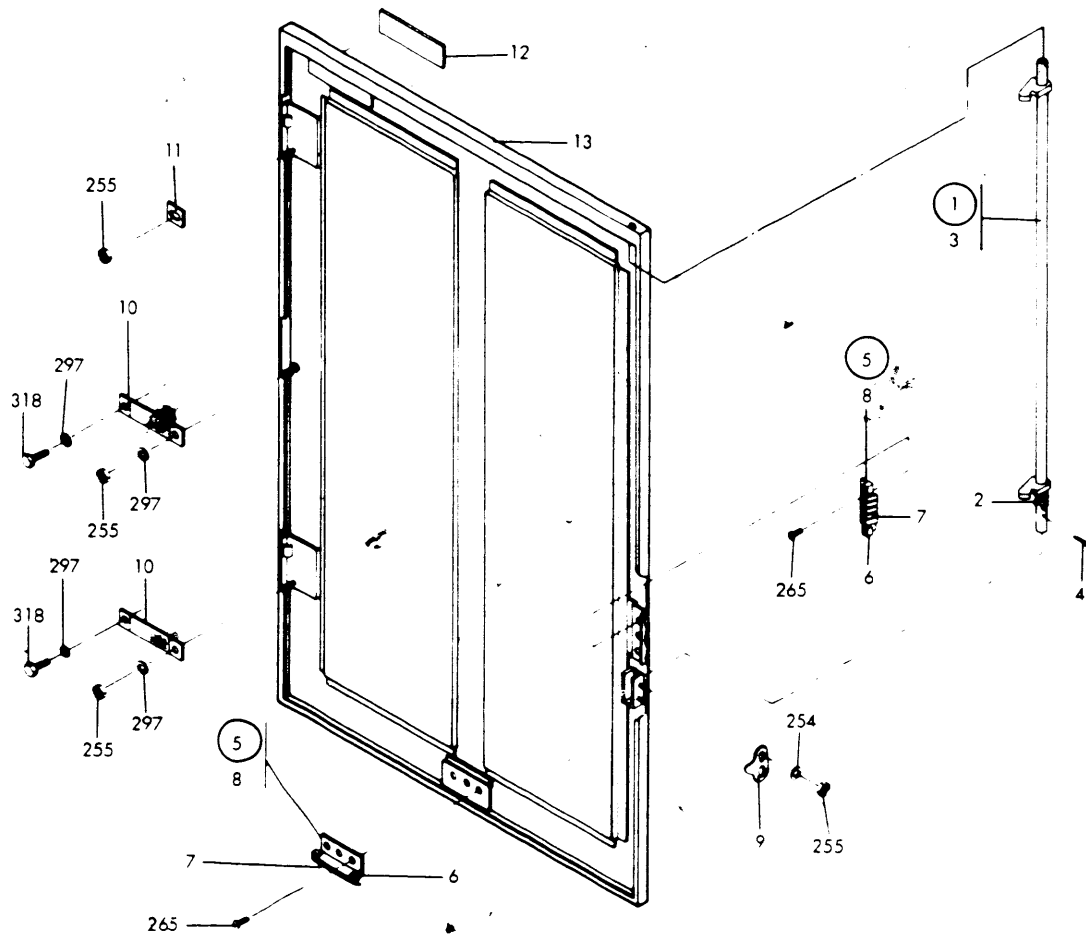


FIGURE 3. COVER, RIGHT FRONT. SEE LIST 3.

LIST AND INDEX NUMBER	PART NUMBER	DESCRIPTION	UNITS PER ASM.	USABLE ON CODE
3	NO. NO.	COVER, RIGHT FRONT		
-		FOR NEXT HIGHER ASM SEE LIST 1-10		
-		AND FOR ILLUSTRATION FIG. 3		
- 1	2590087	. LATCH ASM	1	
- 2	2590194	. SPRING	1	
- 3	2590108	. ROD, LATCH	1	
- 4	458853	. PIN, COTTER	1	
- 5	2590032	. FINGER STOCK ASM	2	
- 6	2590081	. CLIP	2	
- 7	2596225	. FINGER STOCK	1	
- 8	2590079	. RETAINER	1	
- 9	2590117	. GUIDE RAMP	1	
- 10	753270	. STRAP	2	
- 11	2590159	. STOP	1	
- 12	2590518	. NAMEPLATE, ENGLISH	1	
- 12	2590519	. NAMEPLATE, GERMAN	1	
- 12	2590520	. NAMEPLATE, FRENCH	1	
- 12	2590521	. NAMEPLATE, ITALIAN	1	
- 12	2590522	. NAMEPLATE, SPANISH	1	
- 12	2590523	. NAMEPLATE, JAPANESE	1	
- 13	2590025	. COVER	1	
-		FOR ATTACHING PARTS, INDEX NOS. 201		
-		AND ABOVE, SEE LIST 33		

FOR PARTS
NOT SHOWN
SEE FIG. 1

FR. B01

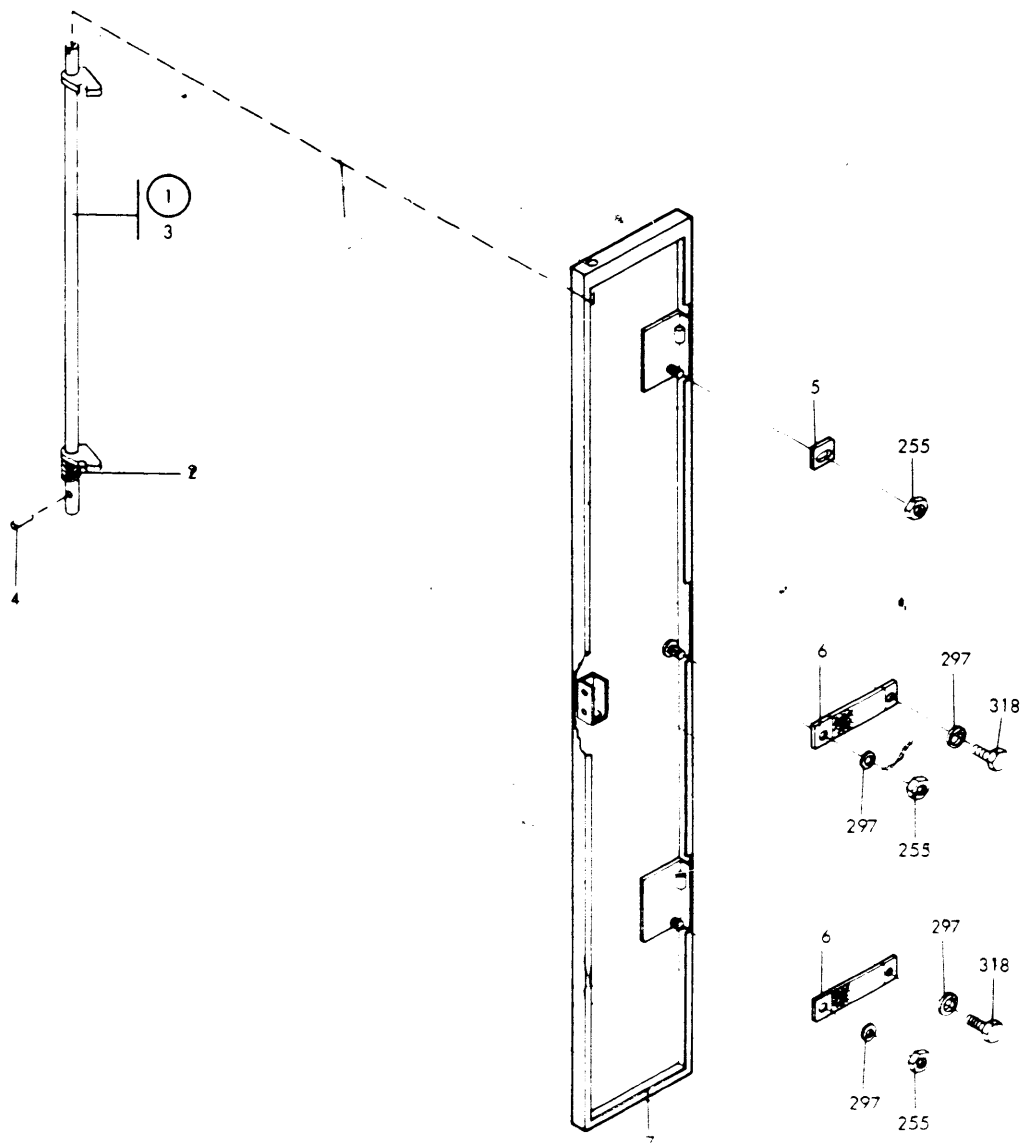


FIGURE 4. COVER, LEFT REAR. SEE LIST 4.

LIST AND INDEX NUMBER	PART NUMBER	DESCRIPTION				UNITS PER ASM.	USABLE ON CODE
		1	2	3	4		
4	NO. 70.	COVER, LEFT REAR					
-	-	FOR NEXT HIGHER ASM SEE LIST 1-24					
-	-	AND FOR ILLUSTRATION FIG. 4					
- 1	2590091	• LATCH ASM				1	
- 2	2590089	• SPRING				1	
- 3	2526109	• ROD/LATCH				1	
- 4	458853	• PIN/CUTTER				1	
- 5	2590159	• STOP				1	
- 6	753270	• STRAP				1	
- 7	2590028	• COVER				1	
-	-	FOR ATTACHING PARTS, INDEX NOS. 201					
-	-	AND ABOVE, SEE LIST 33					

FOR PARTS
NOT SHOWN
SEE FIG. 1

FR. B01

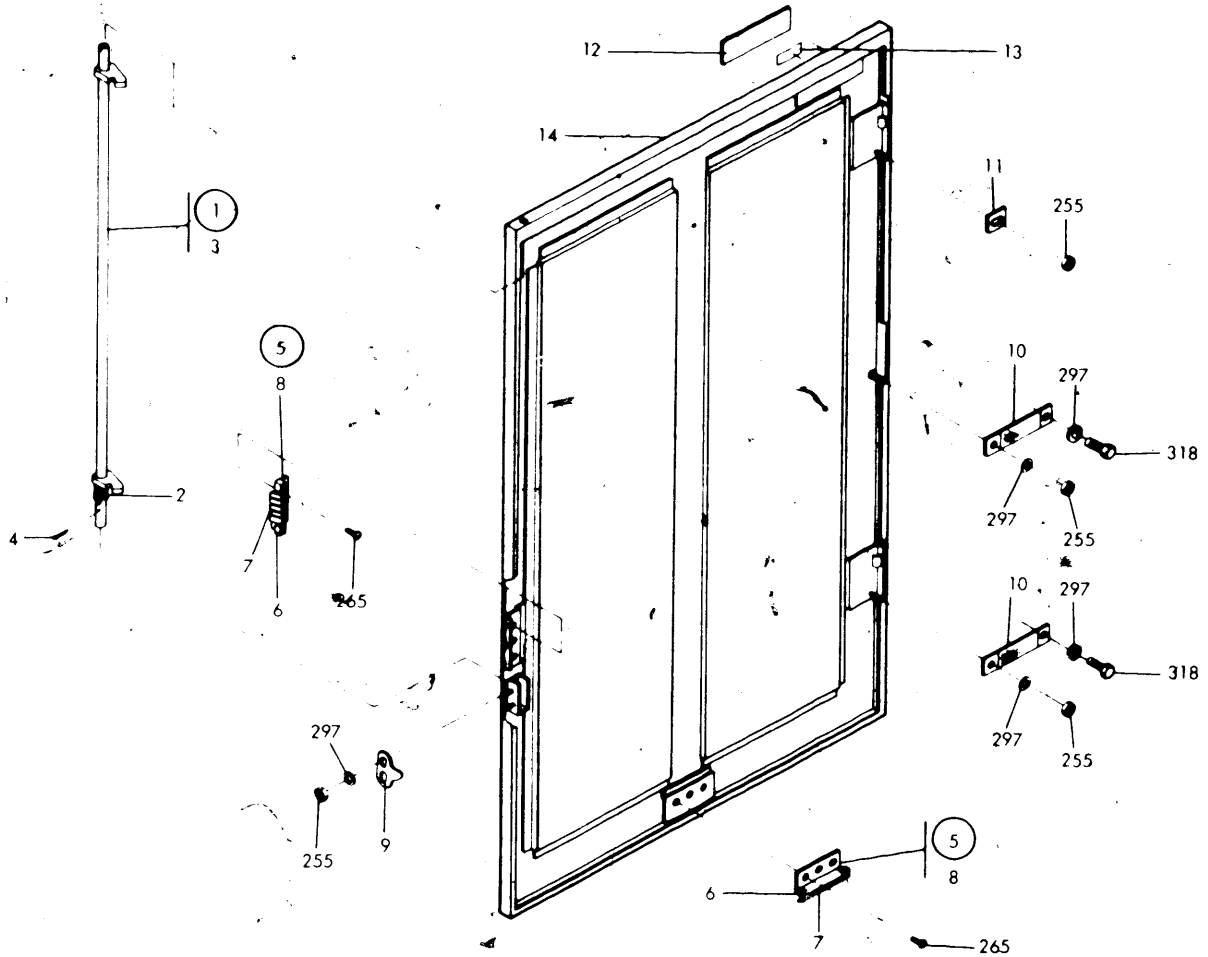
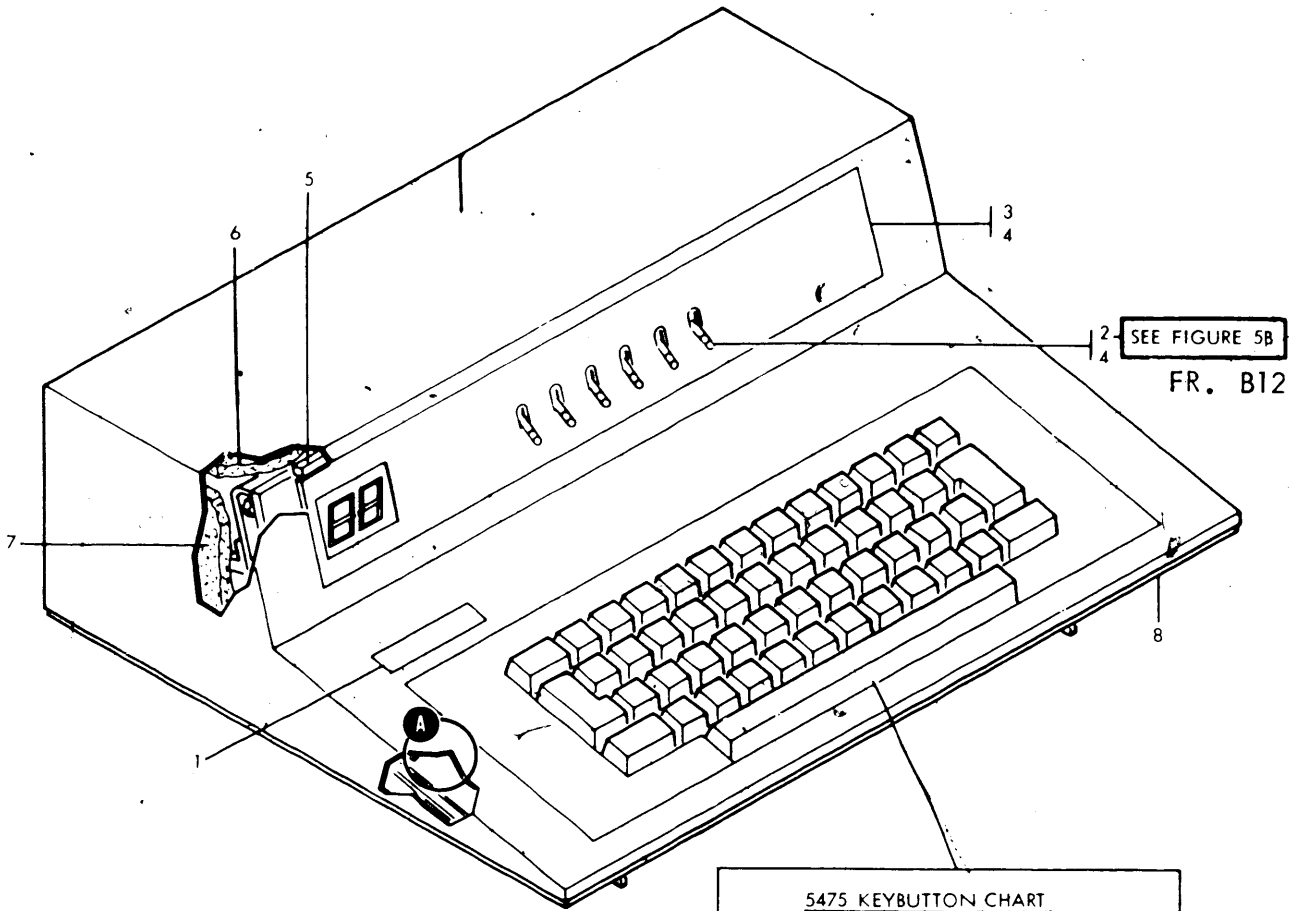


FIGURE 5. COVER, LEFT FRONT. SEE LIST 5.

LIST AND INDEX NUMBER	PART NUMBER	DESCRIPTION	1 2 3 4				UNITS PER ASM.	USABLE ON CODE
5	NO. NO.	COVER, LEFT FRONT						
-		FUR NEXT HIGHER ASM SEE LIST 1-23						
-		AND FOR ILLUSTRATION FIG. 5						
- 1	2590091	• LATCH ASM				1		
- 2	2590089	• • SPRING				1		
- 3	2590109	• • ROD, LATCH				1		
- 4	458853	• PIN, COTTER				1		
- 5	2590032	• FINGER STOCK ASM				2		
- 6	2590081	• • CLIP				2		
- 7	2596225	• • FINGER STOCK				1		
- 8	2590079	• • RETAINER				1		
- 9	2590117	• GUIDE, RAMP				1		
- 10	753270	• STRAP				2		
- 11	2590159	• STOP				1		
- 12	2590518	• NAMEPLATE, ENGLISH				1		
- 12	2590519	• NAMEPLATE, GERMAN				1		
- 12	2590520	• NAMEPLATE, FRENCH				1		
- 12	2590521	• NAMEPLATE, ITALIAN				1		
- 12	2590522	• NAMEPLATE, SPANISH				1		
- 12	2590523	• NAMEPLATE, JAPANESE				1		
- 13	855285	• NAMEPLATE, UNITED KINGDOM				1		
- 14	2590026	• COVER				1		
-		FUR ATTACHING PARTS, INDEX NOS. 201						
-		AND ABOVE, SEE LIST 33						



5475 KEYBUTTON CHART

UNITED STATES	}	SEE FIG. 5C
UNITED KINGDOM		
PORTUGUESE/BRAZIL		
ITALY		
JAPAN		
FRENCH/BELGIUM	}	SEE FIG. 5D
GERMAN/AUSTRIA		
SPAIN		
FINNISH/SWEDEN		
DENMARK		
NORWAY		

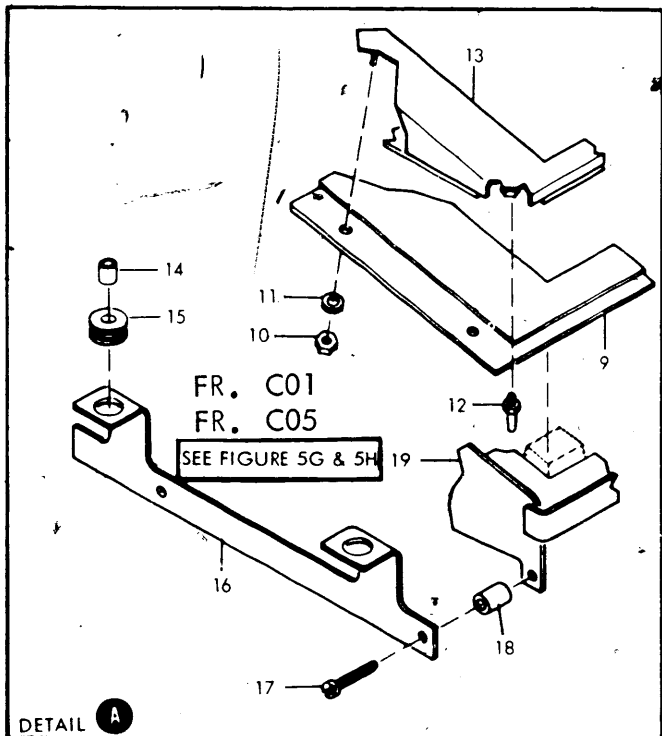


FIGURE 5A. 5475 DATA ENTRY KEYBOARD COVERS AND FINAL ASM. SEE LIST 5A.

LIST AND INDEX NUMBER	PART NUMBER	DESCRIPTION	UNITS PER ASM.	USABLE ON CODE
5A	NO. NO.	COVERS AND FINAL ASSEMBLY	NP	
-		FOR ILLUSTRATION, SEE FIG. 5A		
- 1	5172371	. NAMEPLATE-US, DENMARK, FINLAND/SWEDEN, NORWAY, PORTUGAL/BRAZIL	1	
- 1	5993051	. NAMEPLATE-GERMANY/AUSTRIA	1	
- 1	5993053	. NAMEPLATE-SPAIN	1	
- 1	5993050	. NAMEPLATE-FRANCE/BELGIUM	1	
- 1	5993052	. NAMEPLATE-ITALY	1	
- 1	5993084	. NAMEPLATE-JAPAN	1	
- 2	5152068	. PANEL ASSEMBLY	1	
- 2		FOR DETAIL BREAKDOWN, SEE FIG. 5B		
- 3	5152072	. PANEL, CONTROL-US, DENMARK, FINLAND/SWEDEN, NORWAY, PORTUGAL/BRAZIL, JAPAN	1	
- 3	5153638	. PANEL, CONTROL-GERMANY/AUSTRIA	1	
- 3	5153639	. PANEL, CONTROL-SPAIN	1	
- 3	5153637	. PANEL, CONTROL-FRENCH/BELGIUM	1	
- 3	5153635	. PANEL, CONTROL-ITALY	1	
- 4	257187	. NUT, HEX- 8-32 UNC ATT PT	8	
- 5	5151928	. SEAL	2	
- 6	5181046	. SEAL	1	
- 7	5172352	. SEAL	2	
- 8	838480	. SEAL	2	
- 9	5153589	. INSERT, COVER-AUSTRIA, SPAIN, BELGIUM, DENMARK, SWEDEN AND NORWAY	1	
- 9	5152062	. INSERT, COVER-US, UK, ITALY AND BRAZIL	1	
- 10	257187	. NUT, HEX- 8-32 UNC ATT PT	4	
- 11	22478	. WASHER, FLAT- NO. 6 ATT PT	4	
- 12	5152059	. STUD, COVER MTG	4	
- 13	5152061	. COVER, KEYBOARD	1	
- 14	57100	. SPACER	4	
- 15	227379	. GROMMET	4	
- 16	5152063	. BRACKET, KEYBOARD	2	
- 17	19944	. SCREW, MACH, BND. HD- 8-32 UNC X 3/4 ATT PT	4	
- 18	62955	. SPACER	4	
- 19	5153400	. DATA ENTRY KEYBOARD	1	
- 19		FOR DETAIL BREAKDOWN, SEE FIG. 5G		

FOR PARTS
NOT SHOWN
SEE FIG. 5A

FR. B10

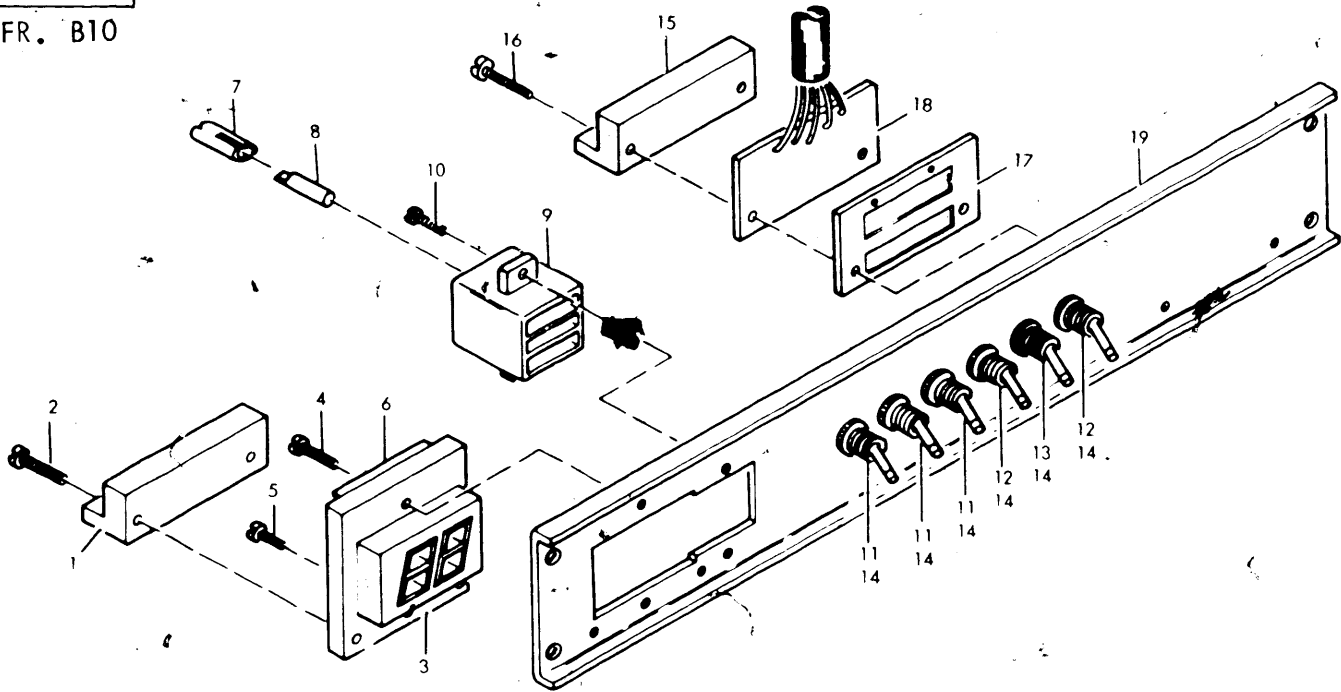
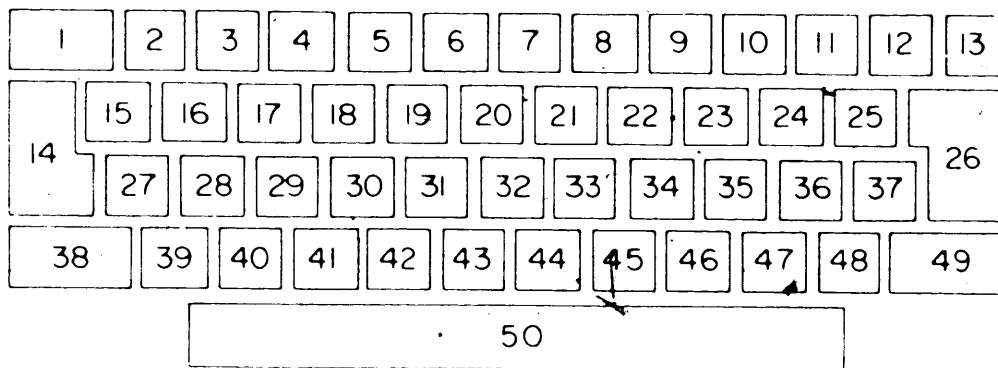


FIGURE 5B. 5475 PANEL ASM. SEE LIST 5B.

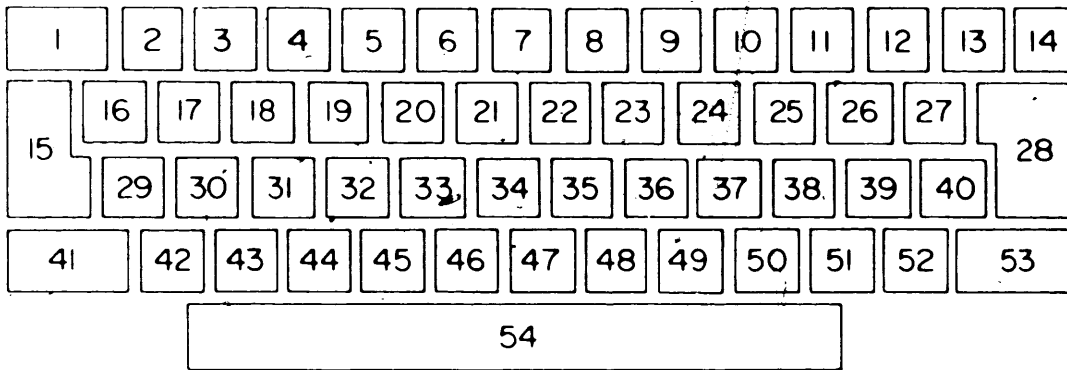
LIST AND INDEX NUMBER	PART NUMBER	DESCRIPTION				UNITS PER ASM.	USABLE ON CODE
		1	2	3	4		
5B -	5152068	PANEL ASSEMBLY					
-		FOR NEXT HIGHER ASM, SEE FIG. 5A-2					
-		AND FOR ILLUSTRATION, SEE FIG. 5A					
- 1	2596994	• HOUSING				1	
- 2	438553	• SCREW, MACH, RND HD- 4-40 UNC X 7/8				2	
- 3	2566791	• BLOCK				1	
- 4	438551	• SCREW, MACH, RND HD- 4-40 UNC X 5/8				1	
- 5	236550	• SCREW, MACH, RND HD- 4-40 UNC X 3/8				1	
- 6	812526	• BOARD ASM, COLUMN INDICATOR				1	
- 7	165010	• PLUG AND INSERT				3	
- 8	2391023	• LAMP				3	
- 9	5153592	• HOUSING				1	
- 10	55726	• SCREW, MACH, RND HD- 6-32 UNC X 3/16				2	
- 11	738827	• SWITCH, TOGGLE-DPDT				3	
- 12	738828	• SWITCH, TOGGLE-SPDT				2	
- 13	738826	• SWITCH, TOGGLE-SPDT				1	
- 14	179744	• NUT, DRESS				6	
- 15	2596994	• HOUSING				1	
- 16	438553	• SCREW, MACH, RND HD- 4-40 UNC X 7/8				2	
- 17	2595634	• SPACER, FULL CABLE HSG				1	
- 18	5153621	• CABLE ASM				1	
- 19	5152066	• PANEL, SWITCH MTS				1	



NOTE NUMBERS INSIDE OUTLINES ARE KEYBUTTON POSITIONS

POS.	UNITED STATES	UNITED KINGDOM	PORTUGAL BRAZIL	ITALY	JAPAN	POS.	UNITED STATES	UNITED KINGDOM	PORTUGAL BRAZIL	ITALY	JAPAN
1	5152048	5152048	5152048	5153580	5152048	26	5152046	5152046	5152046	5153577	5152046
2	5181035	5181035	5153601	5181035	5181035	27	5152036	5152036	5152036	5152036	5152036
3	5181036	5181036	5153602	5181036	5181036	28	5180986	5180986	5180986	5180986	5180986
4	5152022	5152022	5153605	5152022	5152022	29	5152037	5152037	5152037	5152037	5152037
5	5152023	5153530	5153606	5152023	5173410	30	5152038	5152038	5152038	5152038	5152038
*6	5152024	5152024	5152024	5153564	5152024	31	5180987	5180987	5180987	5180987	5180987
7	5180975	5180975	5180975	5180975	5180975	32	5152039	5153533	5152039	5152039	5152039
8	5180985	5180985	5180985	5180985	5180985	33	5180994	5180994	5180994	5180994	5180994
9	5180976	5180976	5180976	5180976	5180976	34	5180995	5180995	5180995	5180995	5180995
10	5152025	5152025	5152025	5152025	5152025	35	5180996	5180996	5180996	5180996	5180996
11	5152026	5152026	5152026	5152026	5152026	36	5180981	5180981	5180981	5153566	5180981
12	5180991	5180991	5180991	5180991	5180991	37	5152040	5152040	5152040	5153567	5152040
13	5180991	5180991	5180991	5180991	5180991	38	5152094	5152094	5152094	5153587	5152094
14	5152047	5152047	5152047	5153585	5152047	39	5152041	5152041	5152041	5152041	5152041
15	5180988	5180989	5180988	5180988	5180988	40	5180990	5180990	5180990	5180990	5180990
16	5180989	5180989	5180989	5180989	5180989	41	5152042	5152042	5152042	5152042	5152042
17	5152029	5152029	5152029	5152029	5152029	42	5152043	5152043	5152043	5152043	5152043
18	5152030	5152030	5152030	5152030	5152030	43	5152044	5152044	5152044	5152044	5152044
19	5152031	5152031	5152031	5152031	5152031	44	5152045	5152045	5152045	5152045	5152045
20	5152032	5152032	5152032	5152032	5152032	45	5180982	5180982	5180982	5180982	5180982
21	5180977	5180977	5180977	5180977	5180977	46	5180983	5180983	5180983	5180983	5180983
22	5180978	5180978	5180978	5180978	5180978	47	5180984	5180984	5180984	5180984	5180984
23	5180979	5180979	5180979	5180979	5180979	48	5180993	5180993	5180993	5180993	5180993
24	5180980	5180980	5180980	5180980	5180980	49	5152095	5152095	5152095	5153588	5152095
25	5152035	5152035	5152035	5153565	5152035	50	5152057	5152057	5152057	5152057	5152057

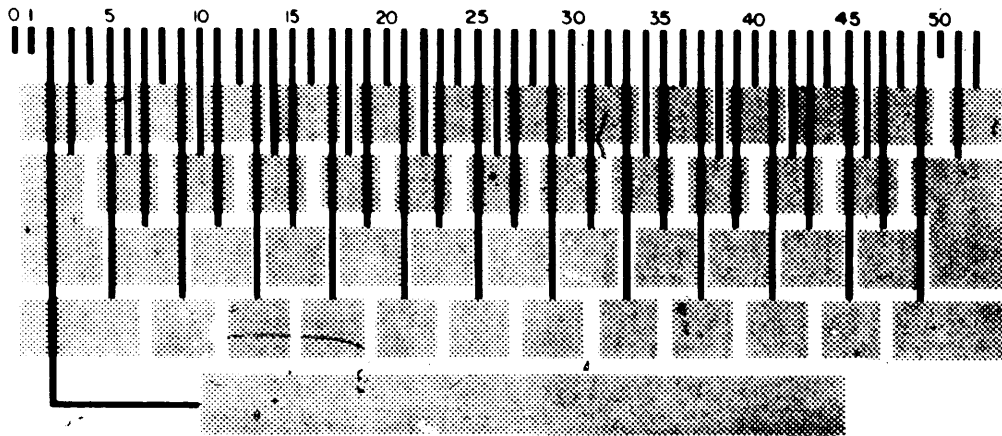
FIGURE 5C. 5475 KEYBUTTON CHART-USA, UK, PORTUGUESE/BRAZIL, ITALY AND JAPAN. NO LISTING REQUIRED.



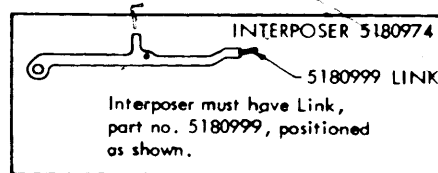
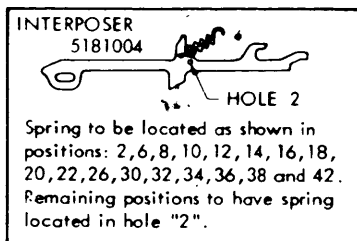
NOTE NUMBERS INSIDE OUTLINES ARE KEYBUTTON POSITIONS

POS.	FRANCE	SPAIN	DENMARK	GERMANY AUSTRIA	FINLAND SWEDEN	NORWAY	BELGIUM	POS.	FRANCE	SPAIN	DENMARK	GERMANY AUSTRIA	FINLAND SWEDEN	NORWAY	BELGIUM
1	5153582	5153579	5152048	5153581	5152048	5152048	5152048	28	5153575	5153578	5152046	5153576	5152046	5152046	5152046
2	5153534	5181035	5180992	5180992	5180992	5180992	5180992	29	5153543	5152036	5152036	5152036	5152036	5152036	5153543
3	5181036	5180992	5180992	5180992	5180992	5180992	5181036	30	5180986	5180986	5180986	5180986	5180986	5180986	5180986
4	5152022	5152022	5152022	5152022	5152022	5152022	5152022	31	5152037	5152037	5152037	5152037	5152037	5152037	5152037
5	5153537	5153571	5153553	5153553	5153553	5153553	5153537	32	5152038	5152038	5152038	5152038	5152038	5152038	5152038
6	5153538	5153538	5152024	5153554	5152024	5152024	5152024	33	5180987	5180987	5180987	5180987	5180987	5180987	5180987
7	5153539	5180975	5180975	5180975	5180975	5180975	5180975	34	5153628	5152039	5152039	5152039	5152039	5152039	5153628
8	5180985	5180985	5180985	5180985	5180985	5180985	5180985	35	5180994	5180994	5180994	5180994	5180994	5180994	5180994
9	5180976	5180976	5180976	5180976	5180976	5180976	5180976	36	5180995	5180995	5180995	5180995	5180995	5180995	5180995
10	5152025	5152025	5152025	5152025	5152025	5152025	5152025	37	5180996	5180996	5180996	5180996	5180996	5180996	5180996
11	5152026	5152026	5152026	5152026	5152026	5152026	5152026	38	5153544	5153573	5153608	5153558	5153612	5153617	5153544
12	5180991	5180991	5180991	5180991	5180991	5180991	5180991	39	5153545	5181009	5153609	5153559	5153613	5153613	5153545
13	5180991	5180991	5180991	5180991	5180991	5180991	5180991	40	5153546	5153566	5280981	5153560	5180981	5180981	5180981
14	5180991	5180991	5180991	5180991	5180991	5180991	5180991	41	5153587	5153587	5152094	5153587	5152094	5152094	5153587
15	5153583	5153586	5152047	5153584	5152047	5152047	5152047	42	5153547	5152041	5152041	5153561	5152041	5152041	5153547
16	5153540	5180988	5180988	5180988	5180988	5180988	5153540	43	5180990	5180990	5180990	5180990	5180990	5180990	5180990
17	5153544	5180989	5180989	5180989	5180989	5180989	5153541	44	5152042	5152042	5152042	5152042	5152042	5152042	5152042
18	5152029	5152029	5152029	5152029	5152029	5152029	5152029	45	5152043	5152043	5152043	5152043	5152043	5152043	5152043
19	5152030	5152030	5152030	5152030	5152030	5152030	5152030	46	5152044	5152044	5152044	5152044	5152044	5152044	5152044
20	5152031	5152031	5152031	5152031	5152031	5152031	5152031	47	5152045	5152045	5152045	5152045	5152045	5152045	5152045
21	5152032	5152032	5152032	5153555	5152032	5152032	5152032	48	5153548	5180982	5180982	5180982	5180982	5180982	5153548
22	5180977	5180977	5180977	5180977	5180977	5180977	5180977	49	5180983	5180983	5180983	5180983	5153618	5153618	5180983
23	5180978	5180978	5180978	5180978	5180978	5180978	5180978	50	5180984	5180984	5180984	5180984	5153615	5153615	5180984
24	5180979	5180979	5180979	5180979	5180979	5180979	5180979	51	5180993	5180993	5180993	5180993	5153616	5153620	5180993
25	5180980	5180980	5180980	5180980	5180980	5180980	5180980	52	5153549	5153574	5153610	5153563	5180993	5180993	5153610
26	5181008	5181008	5153607	5153556	5153611	5153611	5153611	53	5153588	5153588	5152095	5153588	5152095	5152095	5153588
27	5158542	5153572	5152035	5153557	5152035	5152035	5152035	54	5152057	5152057	5152057	5152057	5152057	5152057	5152057

FIGURE 5D. 5475 KEYBUTTON CHART-FRENCH, BELGIUM, GERMAN/AUSTRIA, SPAIN, FINNISH/SWEDEN, DENMARK AND NORWAY. NO LISTING REQUIRED

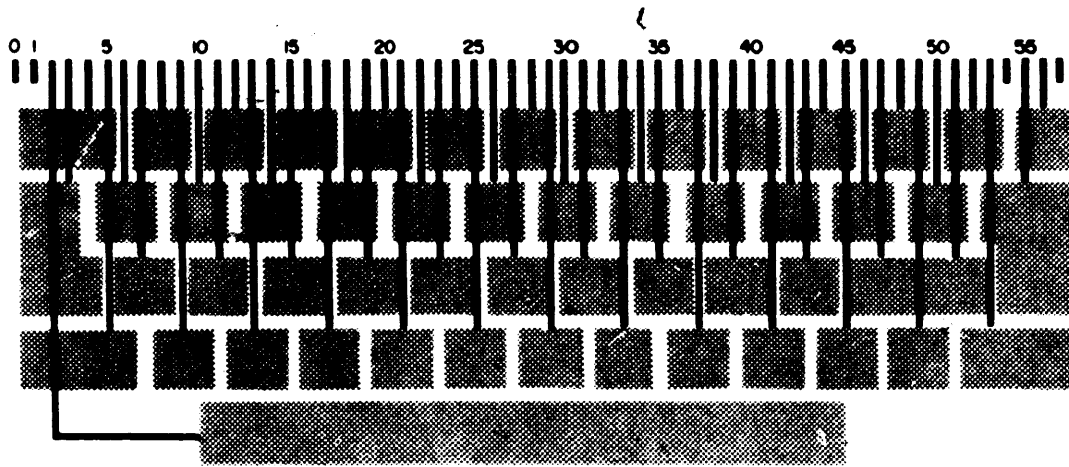


NOTE NUMBERS ABOVE KEYBOARD LAYOUT ARE KEYLEVER POSITIONS.

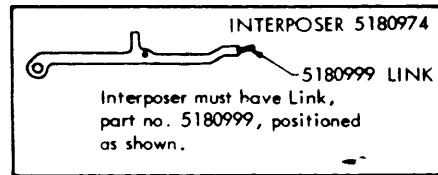
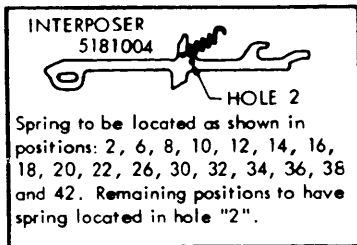


KEYLEVER POSITION	0	1	2	3	4	5	6	7	8
INTERPOSER P/N	5151890		5181004	5180974	5180974	5180974	5181004	5181004	5181004
INTERPOSER SPG P/N	130487		130487	58851	58851	58851	130487	130487	130487
KEYLEVER P/N			1187223	1123949	1123947	1123950	1123948	1123949	1123947
KEYLEVER POSITION	9	10	11	12	13	14	15	16	17
INTERPOSER P/N	5181004	5181004	5181004	5181004	5181004	5181004	5181004	5181004	5181004
INTERPOSER SPG P/N	130487	130487	130487	130487	130487	130487	130487	130487	130487
KEYLEVER P/N	1123950	1123948	1123949	1123947	1123950	1123948	1123949	1123947	1123950
KEYLEVER POSITION	18	19	20	21	22	23	24	25	26
INTERPOSER P/N	5181004	5181004	5181004	5181004	5181004	5181004	5180974	5181004	5181004
INTERPOSER SPG P/N	130487	130487	130487	130487	130487	130487	58851	130487	130487
KEYLEVER P/N	1123948	1123949	1123947	1123950	1123948	1123949	1123947	1123950	1123948
KEYLEVER POSITION	27	28	29	30	31	32	33	34	35
INTERPOSER P/N	5181004	5180974	5181004	5181004	5181004	5181004	5181004	5181004	5181004
INTERPOSER SPG P/N	130487	58851	130487	130487	130487	130487	130487	130487	130487
KEYLEVER P/N	1123949	1123947	1123950	1123948	1123949	1123947	1123950	1123948	1123949
KEYLEVER POSITION	36	37	38	39	40	41	42	43	44
INTERPOSER P/N	5181004	5181004	5181004	5181004	5180974	5181004	5181004	5180974	5180974
INTERPOSER SPG P/N	130487	130487	130487	130487	58851	130487	130487	58851	58851
KEYLEVER P/N	1123947	1123950	1123948	1123949	1123947	1123950	1123948	1123949	1123947
KEYLEVER POSITION	45	46	47	48	49	50	51	52	
INTERPOSER P/N	5180974	5180974	5180974	5180974	5180974		5180974	5180974	
INTERPOSER SPG P/N	58851	58851	58851	58851	58851		58851	58851	
KEYLEVER P/N	1123950	1123948	1123949	1123947	1123950		1123949	1123947	

FIGURE 5E. 5475 KEYLEVER AND INTERPOSER CHART—USA, UK, PORTUGUESE/BRAZIL, ITALY AND JAPAN. NO LISTING REQUIRED.



NOTE NUMBERS ABOVE KEYBOARD LAYOUT ARE KEYLEVER POSITIONS



KEYLEVER POSITION	0	1	2	3	4	5	6	7	8
INTERPOSER P/N	5151890		5181004	5180974	5180974	5180974	5181004	5181004	5181004
INTERPOSER SPG P/N	130487		130487	58851	58851	58851	130487	130487	130487
KEYLEVER P/N			1187223	1123949	1123947	1123950	1123948	1123949	1123947
KEYLEVER POSITION	9	10	11	12	13	14	15	16	17
INTERPOSER P/N	5181004	5181004	5181004	5181004	5181004	5181004	5181004	5181004	5181004
INTERPOSER SPG P/N	130487	130487	130487	130487	130487	130487	130487	130487	130487
KEYLEVER P/N	1123950	1123948	1123949	1123947	1123950	1123948	1123949	1123947	1123950
KEYLEVER POSITION	18	19	20	21	22	23	24	25	26
INTERPOSER P/N	5181004	5181004	5181004	5181004	5181004	5181004	5180974	5181004	5181004
INTERPOSER SPG P/N	130487	130487	130487	130487	130487	130487	58851	130487	130487
KEYLEVER P/N	1123948	1123949	1123947	1123950	1123948	1123949	1123947	1123950	1123948
KEYLEVER POSITION	27	28	29	30	31	32	33	34	35
INTERPOSER P/N	5181004	5180974	5181004	5181004	5181004	5181004	5181004	5181004	5181004
INTERPOSER SPG P/N	130487	58851	130487	130487	130487	130487	130487	130487	130487
KEYLEVER P/N	1123949	1123947	1123950	1123948	1123949	1123947	1123950	1123948	1123949
KEYLEVER POSITION	36	37	38	39	40	41	42	43	44
INTERPOSER P/N	5181004	5181004	5181004	5181004	5181004	5181004	5181004	5181004	5180974
INTERPOSER SPG P/N	130487	130487	130487	130487	130487	130487	130487	130487	58851
KEYLEVER P/N	1123947	1123950	1123948	1123949	1123947	1123950	1123948	1123949	1123950
KEYLEVER POSITION	45*	46+	47	48	49	50	51	52	53
INTERPOSER P/N	5180974	5180974	5181004	5180974	5180974	5180974	5180974	5180974	5180974
INTERPOSER SPG P/N	58851	58851	130487	58851	58851	58851	58851	58851	58851
KEYLEVER P/N	1123950	1123948	1123949	1123947	1123950	1123948	1123949	1123947	1123950
KEYLEVER POSITION	54	55	56	57	* INTERPOSER AND INTERPOSER SPRING NOT USED ON BASIC NORWAY SWEDEN MACHINES				
INTERPOSER P/N		5180974	5181004	5151890	+ INTERPOSER AND INTERPOSER SPRING USED ONLY ON BASIC NORWAY AND SWEDEN MACHINES				
INTERPOSER SPG P/N		58851	130487	130487					
KEYLEVER P/N		1123949	1123947						

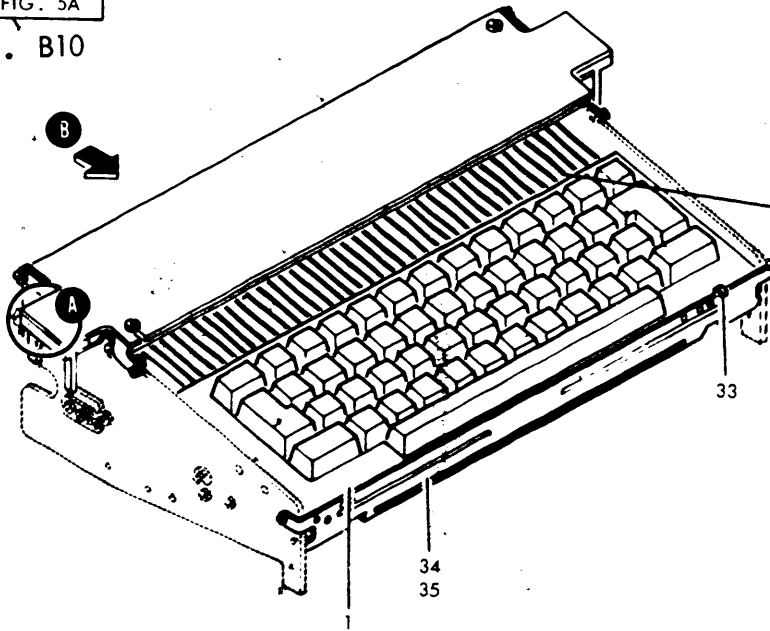
FIGURE 5F. 5475 KEYLEVER AND INTERPOSER CHART-FRENCH, BELGIUM, GERMAN/AUSTRIA, SPAIN, FINNISH/SWEDEN, DENMARK AND NORWAY. NO LISTING REQUIRED.

CONTINUED ON
FRAME C01

CONTINUED ON
FRAME COI

FOR PARTS
NOT SHOWN
SEE FIG. 5A

FR. B10



5475 KEYLEVER CHART

- | | | |
|-------------------|---|------------------------|
| UNITED STATES | } | SEE FIG. 5E
FR. B15 |
| UNITED KINGDOM | | |
| PORTUGUESE/BRAZIL | | |
| ITALY | | |
| JAPAN | } | SEE FIG. 5F
FR. B16 |
| FRENCH/BELGIUM | | |
| GERMAN/AUSTRIA | | |
| SPAIN | | |
| FINNISH/SWEDEN | | |
| DENMARK | | |
| NORWAY | | |

USED ON MACHINES WITHOUT EC 308953F

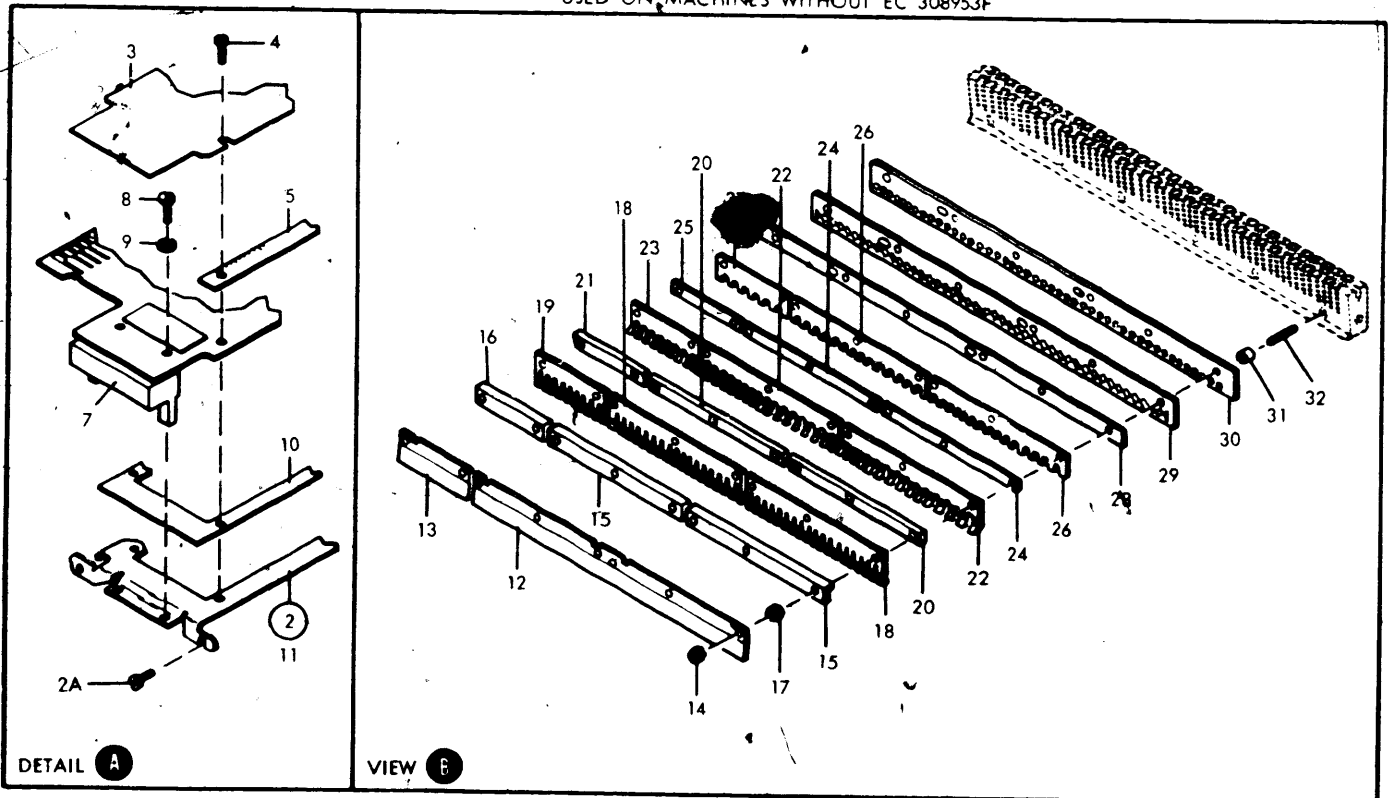


FIGURE 5G. 5475 KEYBOARD ASM. SHEET 1 OF 2. INDEX 1 THRU 35. SEE LIST 5G.

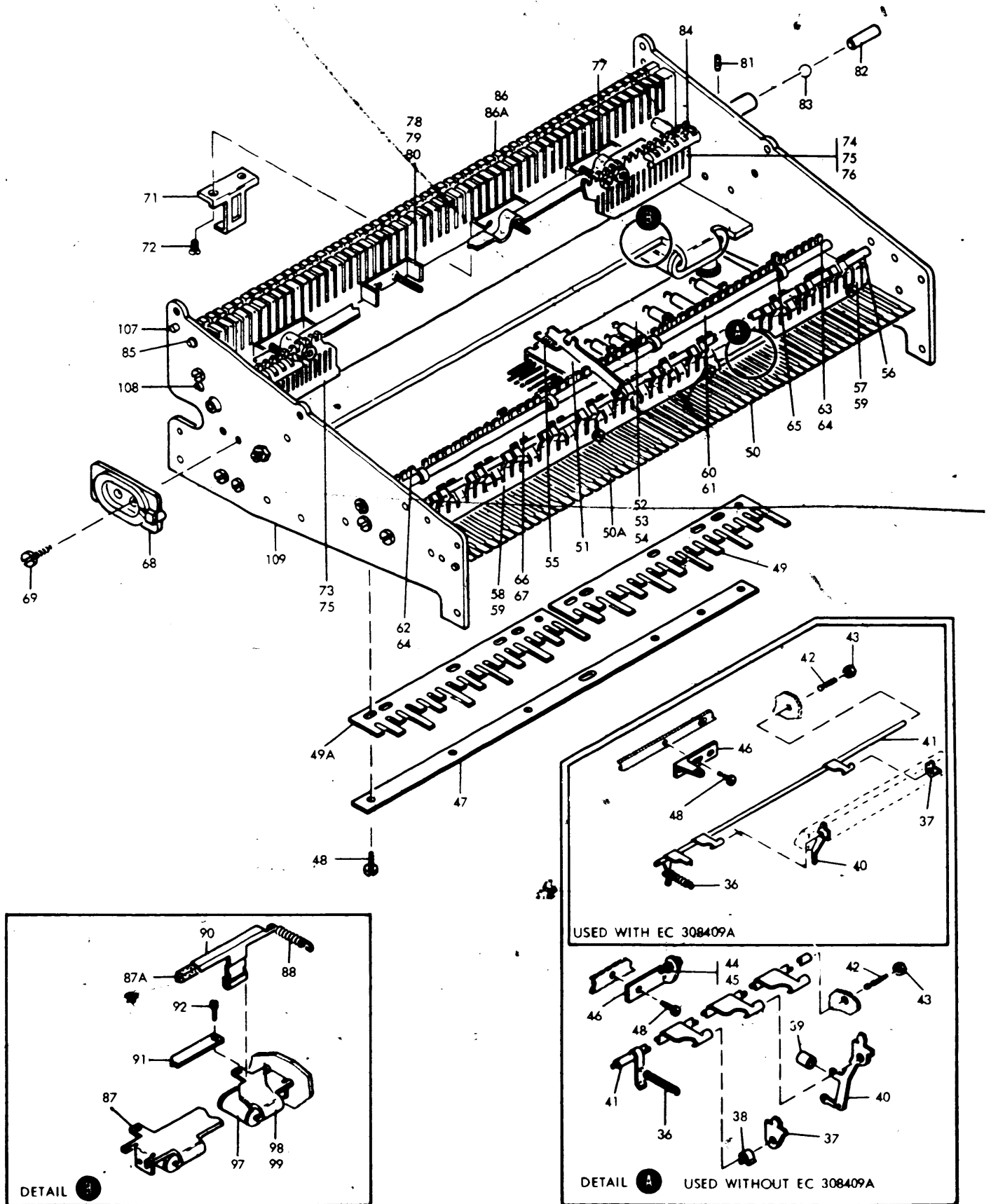


FIGURE 5G. KEYBOARD ASSEMBLY. SHEET 2 OF 2. INDEX NOS. 36 THRU 109. SEE LIST 5G.

LIST AND INDEX NUMBER	PART NUMBER	DESCRIPTION				UNITS PER ASM.	USABLE ON CODE
		1	2	3	4		
5G -	5153400	DATA ENTRY KEYBOARD				-	
-		FOR NEXT HIGHER ASM, SEE FIGURE 5A-19					
-		AND FOR ILLUSTRATION, SEE FIGURE 5G					
- 1	5152004	• INSULATION, KEY				1	
- 2	5993911	• BRACKET ASM, BOARD-USA, UK, ITALY, JAPAN				1	
- 2	5993913	• BRACKET ASM, BOARD-FRANCE/BELGIUM				1	
- 2	5993912	• BRACKET ASM, BOARD-GERMANY/AUSTRIA				1	
- 2	5993914	• BRACKET ASM, BOARD-SPAIN				1	
- 2	5993916	• BRACKET ASM, BOARD-DENMARK				1	
- 2	5993915	• BRACKET ASM, BOARD-FINLAND/SWEDEN				1	
- 2	5993917	• BRACKET ASM, BOARD-NORWAY				1	
- 2	5993918	• BRACKET ASM, BOARD-PORTUGAL/BRAZIL				1	
- 2A	55726	• SCREW, MACH, BND HD- 6-32 UNC X .188 ATT PT				4	
- 3	5181005	• COVER, ENCODING BOARD				1	
- 4	438546	• SCREW, MACH, BND HD- 4-40 UNC X .1875 ATT PT				6	
- 5	5152015	• CLAMP, EDS BASE				1	
- 7	5152014	NP	• LOGIC BOARD-USA, UK, ITALY, JAPAN			1	
- 7	5153521	NP	• LOGIC BOARD-FRANCE/BELGIUM			1	
- 7	5153520	NP	• LOGIC BOARD-GERMANY/AUSTRIA			1	
- 7	5153522	NP	• LOGIC BOARD-SPAIN			1	
- 7	5153524	NP	• LOGIC BOARD-DENMARK			1	
- 7	5153523	NP	• LOGIC BOARD-FINLAND/SWEDEN			1	
- 7	5153525	NP	• LOGIC BOARD-NORWAY			1	
- 7	5153526	NP	• LOGIC BOARD-PORTUGAL/BRAZIL			1	
- 7		WHEN ORDERING INDEX NO. 7,					
- 7		ORDER NEXT HIGHER ASSEMBLY, INDEX NO. 2					
- 8	338238	• SCREW, MACH, BND HD- 4-40 UNC X 5/16 ATT PT				4	
- 9	839413	• WASHER, FLAT- 4 ATT PT				7	
- 10	5153730	• INSULATOR, ENCODER, SHORT				1	
- 11	5152013	• BRACKET				1	
- 12	1164103	• PLATE, SPRING RETAINING				1	
- 13	5152001	• GUARD, MEMBRANE SWITCH				1	
- 14	37913	• NUT, HEX- 4-40 ATT PT				4	
- 15	5151929	• CLAMP, OUTER				2	
- 16	5152005	• CLAMP, OUTER-SPECIAL, SHORT				1	
- 17	37913	• NUT, HEX- 4-40 ATT PT				4	
- 18	5180997	• SPRING, LATCH-CENTER				2	
- 19	5180998	• SPRING, LATCH-RH				1	
- 20	5151925	• SPACER, ANGLE				2	
- 21	5152007	• SPACER, ANGLE-SPECIAL, SHORT				1	
- 22	5151923	• SPRING, ACTUATOR				2	
- 23	5152008	• SPRING, ACTUATOR-SPECIAL, SHORT				1	
- 24	5151924	• SPACER, SPRING				2	
- 25	5152010	• SPACER, SPRING-SPECIAL, SHORT				1	
- 26	5152019	• CLAMP, SWITCH				2	
- 27	5152009	• CLAMP, SWITCH-SPECIAL, SHORT				1	
- 28	5152097	• SPACER				1	
- 29	5152012	NP	• DIAPHRAGM, SHORT-EDS			1	
- 30	5152011	NP	• SEPARATOR, SHORT-EDS			1	
- 30		WHEN ORDERING INDEX NOS. 29, OR 30,					
- 30		ORDER FIELD RM 5993930					
- 31	5151915	• SPACER, STUD- .151 ID				8	
- 32	2161341	• SETSCREW, HDLS- 4-40 UNC X 3/4				8	
- 33	5152201	• HOOK, KEYLEVER-HOLD UP				AR	
- 34	5180973	• GUARD, KEYLEVER				1	
- 35	55726	• SCREW, MACH, BND HD- 6-32 UNC X .188 ATT PT				2	
- 36	150735	• SPRING-USED ON MACHINES WITHOUT EC 308409A				1	
- 36	1090175	• SPRING-USED ON MACHINES WITH EC 308409A				1	
- 37	1134899	• INSERT, SPACE BAR				AR	
- 38	1128270	• CLIP, RETAINING				2	
- 39	1073866	• BUSHING- .133 ID X 1/4				1	
- 40	1141109	• STEM-USED ON MACHINES WITHOUT EC 308409A				1	
- 40	5993096	• STEM-USED ON MACHINES WITH EC 308409A				1	
- 41	5152017	• SHAFT-USED ON MACHINES WITHOUT EC 308409A				1	
- 41	5993925	• SHAFT-USED ON MACHINES WITH EC 308409A				1	
- 42	1123987	• SCREW, SPACE BAR SHAFT- 6-32 UNC X .50 ATT PT				1	
- 43	38051	• NUT, HEX- 6-32 UNC ATT PT				1	
- 44	1141106	• STUD, GUIDE- 4-40 UNC				1	
- 45	37913	• NUT, HEX- 4-40 UNC				1	
- 46	1141105	• SUPPORT-USED ON MACHINES WITHOUT EC 308409A				1	
- 46	5993095	• SUPPORT-USED ON MACHINES WITH EC 308409A				1	
- 47	5151990	• PLATE, KL SPRING CODE				1	
- 48	81693	• SCREW, MACH, BND HD- 6-32 UNC X .375 ATT PT				14	
- 49	1133683	• COMB, KL RETURN-RH				1	
- 49A	1133683	• COMB, KL RETURN				1	
		USED ON MACHINES WITHOUT EC 308409A					

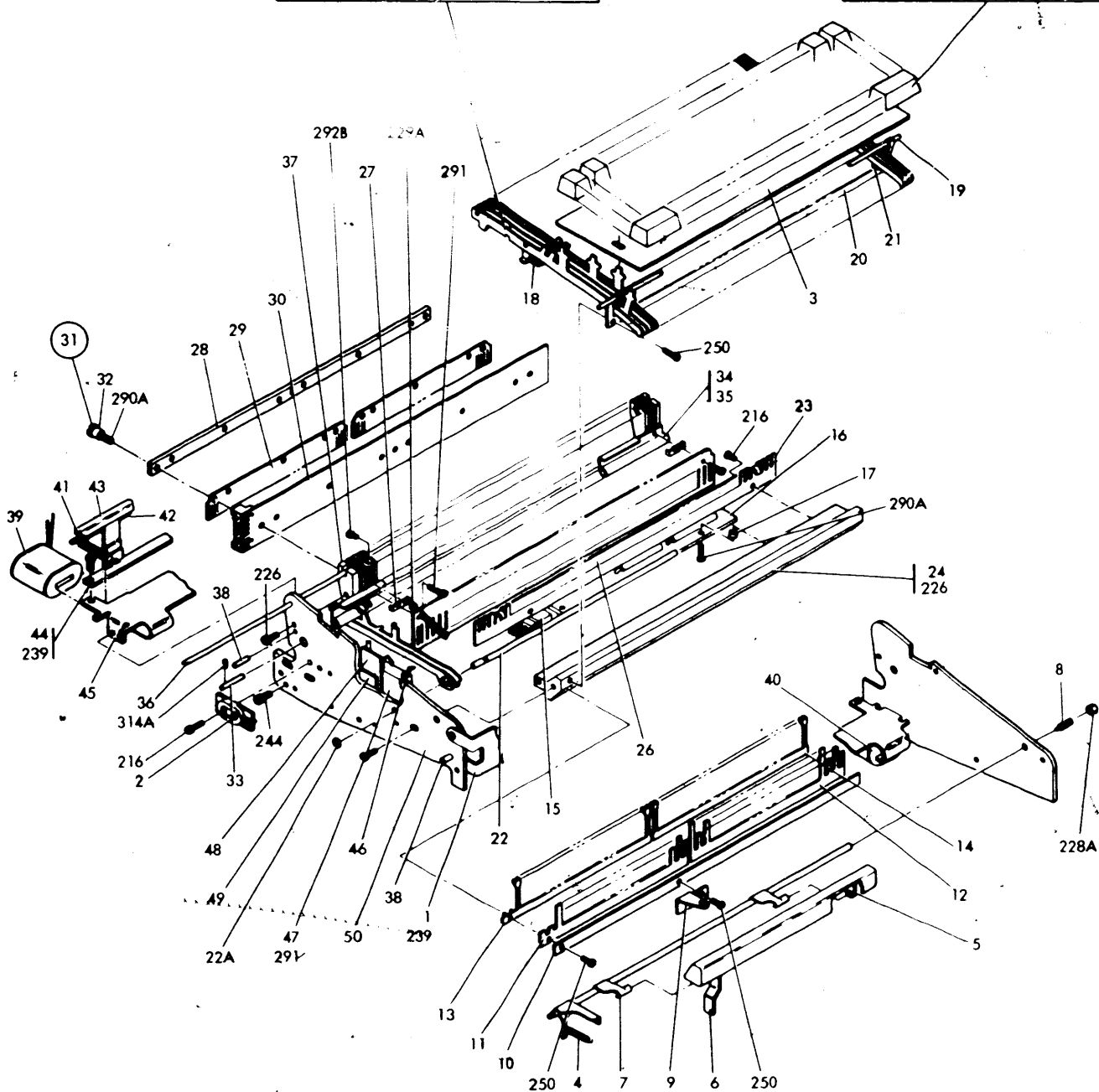
LIST AND INDEX NUMBER	PART NUMBER	DESCRIPTION	UNITS PER ASM.	USABLE ON CODE
		1 2 3 4		
		KEYBOARD ASSEMBLY- CONT		
5G -				
- 49A	5994921	. COMB, KL RETURN		
- 49A		USED ON MACHINES WITH EC 308409A	1	
- 50	1133654	. SPRING, KL RETURN-RH	1	
- 50A	1133654	. SPRING, KL RETURN	1	
- 50A	5994914	USED ON MACHINES WITHOUT EC 308409A	1	
- 50A	5994914	. SPRING, KL RETURN	1	
- 51	216075	USED ON MACHINES WITH EC 308409A		
- 52	375359	. RECEPTACLE, CONNECTOR	1	
- 53	438552	. CARD ASM	1	
- 54	62955	. SCREW, MACH, BND HD- 4-40 UNC X 3/4	ATT PT	
- 55	1164080	. SPACER	2	
- 56	1133633	. SPRING, EXTENSION	2	
- 57	5151986	. ROD, UPSTOP	AR	
- 58	5151985	. UPSTOP-RH	1	
- 59	81693	. UPSTOP-LH	1	
- 60	1123963	. SCREW, MACH, BND HD- 6-32 UNC X .375	ATT PT	
- 61	1092125	. ROD, INTERPOSER FULCRUM	4	
- 62	5151987	. RING, RETAINING	1	
- 63	5151988	. COMB, INTER FULCRUM-LH	ATT PT	
- 64	81693	. COMB, INTER FULCRUM-RH	2	
- 65	5993076	. SCREW, MACH, BND HD- 6-32 UNC X .375	ATT PT	
- 66	5151989	. SUPPORT, COMB	1	
- 67	58207	. SUPPORT, GUIDE COMB	1	
- 68	5993941	. SCREW, MACH, BND HD- 6-32 UNC X 1/4	ATT PT	
- 69	10170	. STOP ASM-RESTORE BAIL	4	
- 70	5993935	. SCREW, MACH, BND HD- 6-32 UNC X 1/4	ATT PT	
- 71	38429	. BRACKET, RESTORE BAIL SUPPORT	2	
- 72	5151991	. SCREW, MACH, FH- 2-56 UNC X .1875	ATT PT	
- 73	5151992	. PLATE, INTERPOSER GUIDE-LH	1	
- 74	5151992	. PLATE, INTERPOSER GUIDE-RH	2	
- 75	438551	. SCREW, MACH, BND HD- 4-40 UNC X .625	ATT PT	
- 76	5180572	. SPACER- .125 ID X .343	5	
- 77	1134981	. SPACER, COMP TURE	1	
- 78	1134980	. CLAMP, TUBE RETAINING	1	
- 79	438558	. SCREW, MACH, BND HD- 4-40 UNC	7	
- 80	38214	. NUT, HEX- 4-40 UNC	ATT PT	
- 81	1175213	. SETSCREW- 4-48 UNC X 1/4	ATT PT	
- 82	5151884	. PLUNGER, COMP TURE	4	
- 83	1124682	. BAIL, COMPENSATOR	2	
- 84	5151997	. TUBE, KEYBOARD COMPENSATOR	59	
- 85	1132166	. ROD, FULCRUM	1	
- 86	5152018	. FULCRUM, KEY LEVER	1	
- 86A	58207	. SCREW, MACH, BND HD- 6-32 UNC X 1/4	ATT PT	
- 87	5181030	. COIL ASM-LH	2	
- 87A	5152203	. FOAM (SEE INDEX NO. 90)	1	
- 88	58852	. SPRING, EXTENSION	1	
- 90	5151998	. BAIL, INTERPOSER RESET	2	
- 90		WHEN ORDERING INDEX 90, & 87A	1	
- 90		ORDER FIELD BM 5993077		
- 91	5172367	. RETAINER, ARMATURE	1	
- 92	55726	. SCREW, MACH, BND HD- 6-32 UNC X 5/16	ATT PT	
- 97	5181029	. COIL ASM-RH	AR	
- 98	5993927	. YOKE, SHORT	1	
- 99	58207	. SCREW, MACH, BND HD- 8-32 UNC X 1/4	ATT PT	
-107	437289	. ROLL PIN	4	
-108	1077739	. ROLL PIN	2	
-109	5151892	. PLATE, SIDE	2	
			2	

KEYLEVER CHART

UNITED STATES	}	SEE FIG. 5E FR. B15
UNITED KINGDOM		
PORTUGAL/BRAZIL		
ITALY		
JAPAN		
FRENCH	}	SEE FIG. 5F FR. B16
BELGIUM		
GERMAN/AUSTRIA		
SPAIN		
FINNISH/SWEDEN		
DENMARK NORWAY		

KEYBUTTON CHART

UNITED STATES	}	SEE FIG. 5C FR. B13
UNITED KINGDOM		
PORTUGAL/BRAZIL		
ITALY		
JAPAN		
FRENCH	}	SEE FIG. 5D FR. B14
BELGIUM		
GERMAN/AUSTRIA		
SPAIN		
FINNISH/SWEDEN		
DENMARK NORWAY		



USED ON MACHINES WITH EC 308953F

FIGURE 5H. KEYBOARD ASSEMBLY. SEE LIST 5H.

LIST AND INDEX NUMBER	PART NUMBER	DESCRIPTION	UNITS PER ASM.	USABLE ON CODE
5H -	5996927 NP	KEYBOARD ASSEMBLY		
-		USED ON MACHINES WITH EC 308953F FOR NEXT HIGHER ASM SEE FIG. 5-19A AND FOR ILLUSTRATION FIG. 5H		
- 1	5180973	. BRACKET	1	
- 2	5993941	. STOP	2	
- 3	5996925	. COVER	1	
- 4	1090175	. SPRING	1	
- 5	1134899	. INSERT	1	
- 6	5993096	. STEM	1	
- 7	5993925	. SHAFT	1	
- 8	1123987	. SCREW	1	
- 9	5993095	. GUIDE	1	
- 10	5151990	. PLATE	1	
- 11	5994921	. CUMB	1	
- 12	1133683	. COMB	1	
- 13	5994914	. SPRING	1	
- 14	1133654	. SPRING	1	
- 15	216075	. CONNECTOR	1	
- 16	375359	. CARD ASM	1	
- 17	2109292	. SPACER	2	
- 18	1164080	. SPRING	50	
- 19	1133633	. UPSTOP	1	
- 20	8112176	. UPSTOP	1	
- 21	5994922	. LOCKOUT	1	
- 22	1123963	. ROD	1	
- 22A	1092125	. CLIP	2	
- 23	8112178	. COMB, INTERPOSER	1	
- 24	5151989	. SUPPORT	1	
- 26	8112177	. PLATE	1	
- 27	1148453	. SPACER	5	
- 28	5996920	. BAR CLAMP	1	
- 29	5996917	. LATCH	2	
- 30	5996926	. BOARD ASM, SWITCH	1	
- 30	5993911	. BOARD ASM, SWITCH-USASCI1	1	
- 31	5996961	. SCREW ASM	6	
- 32	5996960	. SPACER, SCREW	1	
- 33	104699	. DOWEL	2	
- 34	1124682	. BALL	56	
- 35	5181007	. COMPENSATOR	1	
- 36	1132166	. ROD	1	
- 37	5996915	. FULCRUM	1	
- 38	343571	. PIN, ROLL	3	
- 39	5181030	. COIL ASM	1	
- 40	5181029	. COIL ASM	1	
- 41	58852	. SPRING	2	
- 42	5152203	. FOAM	1	
- 43	5151998	. BAIL	1	
- 44	5172367	. RETAINER	1	
- 45	5993927	. YUKE	1	
- 46	2595721	. CLIP	2	
- 47	2595635	. HOUSING	1	
- 48	5153623	. CABLE ASM	1	
- 49	2595636	. SPACER	1	
- 50	5996918	. PLATE	2	
-		FOR ATTACHING PARTS, INDEX NOS. 201 AND ABOVE, SEE LIST 33		
-				
-				
-				
-				
-				
-				
-				

FR. B01

FOR PARTS NOT SHOWN SEE FIG. 1

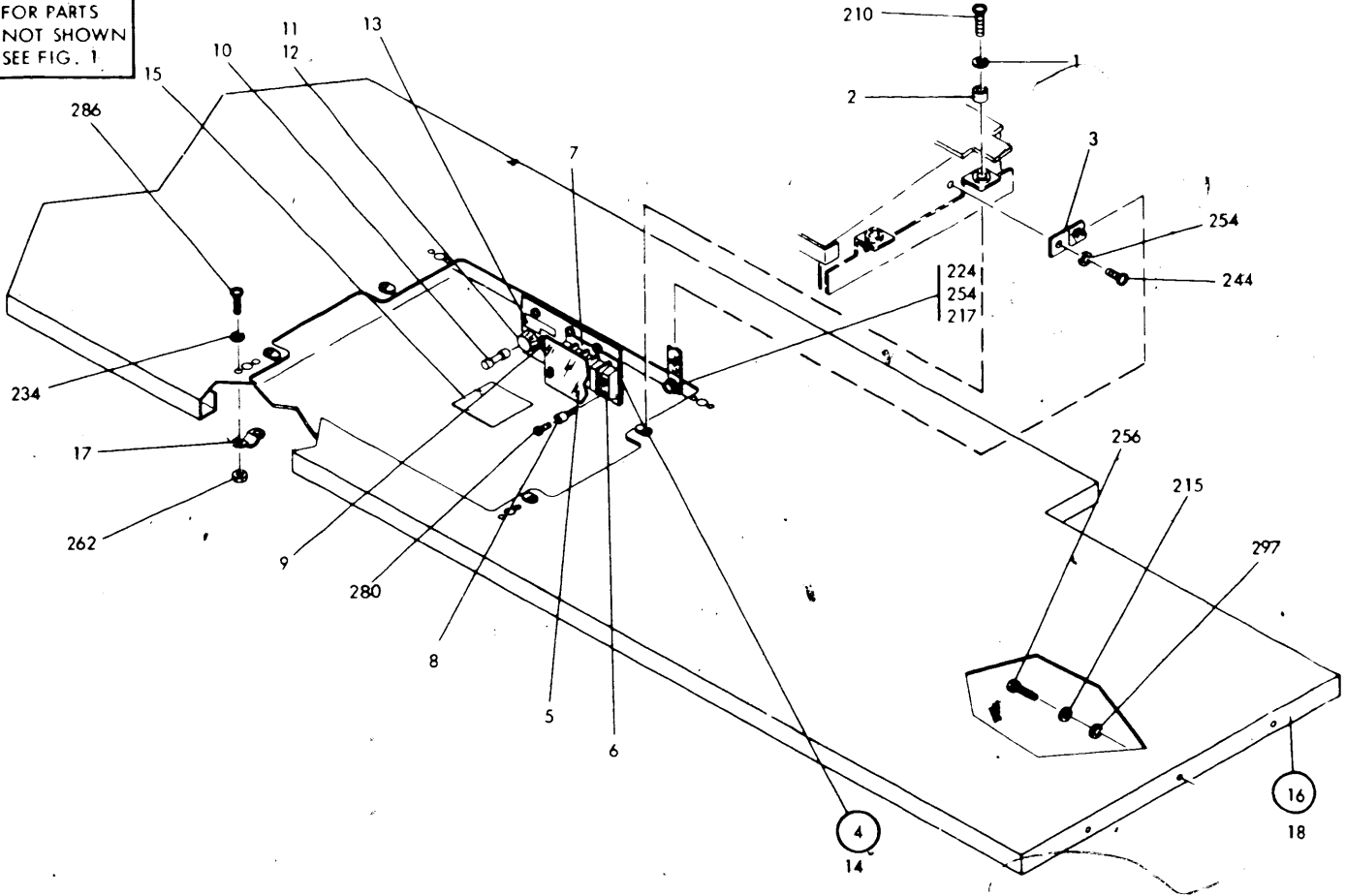


FIGURE 6. TABLE TOP, FOR DATA ENTRY KEYBOARD. SEE LIST 6.

LIST AND INDEX NUMBER	PART NUMBER	DESCRIPTION	UNITS PER ASM.				USABLE ON CODE
			1	2	3	4	
6	NO NO.	TABLE TOP, FOR DATA ENTRY KEYBOARD FOR NEXT HIGHER ASM SEE LIST 1-11 AND FOR ILLUSTRATION FIG. 6					
- 1	110029	. WASHER					4
- 2	57100	. SPACER					4
- 3	2101376	. STRAP, GROUND					1
- 4	2588330	. FUSE ASM, KEYBOARD					1
- 5	352827	. SHIELD					1
- 6	323841	. TERMINAL BLOCK					1
- 7	323681	. MARKER STRIP					1
- 8	210883	. STUD					2
- 9	450821	. GROMMET					1
- 10	505071	. FUSE					1
- 11	179946	. FUSE HOLDER					1
- 12	642763	. SLEEVE					1
- 13	2589218	. LABEL					1
- 14	2589216	. BRACKET					1
- 15	2591163	. LABEL					1
- 16	2589248	. TABLE TOP, DATA ENTRY KEYBOARD					1
- 17	313453	. LATCH					4
- 18	2454922	. TABLE TOP					1
-		FOR ATTACHING PARTS, INDEX NOS. 201 AND ABOVE, SEE LIST 33					

FOR PARTS
NOT SHOWN
SEE FIG. 1

FR. B01

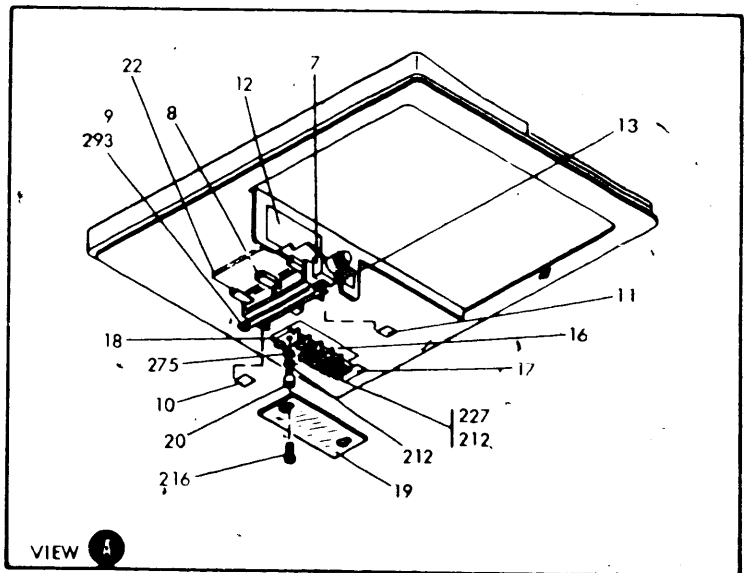
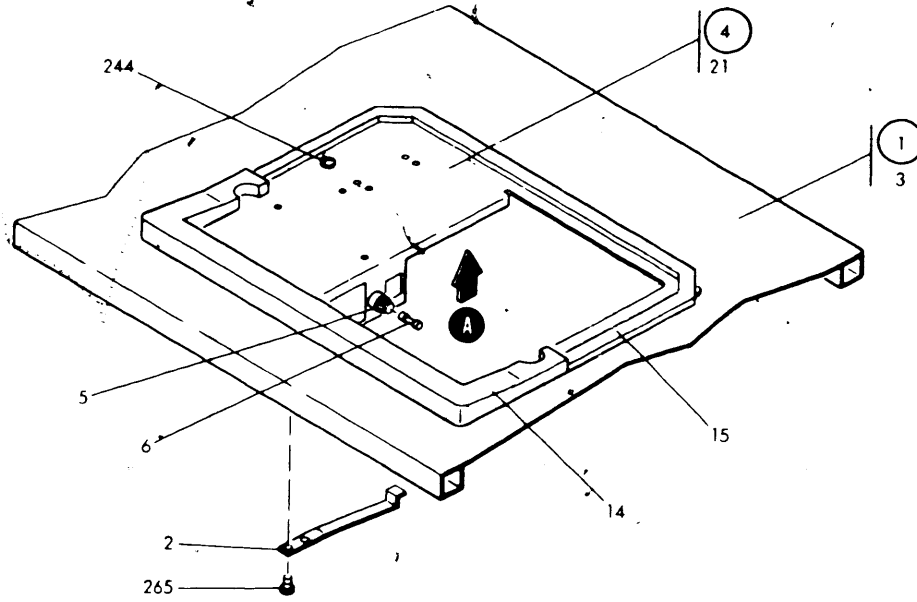


FIGURE 6A. TABLE TOP, FOR PRINTER KEYBOARD. SEE LIST 6A.

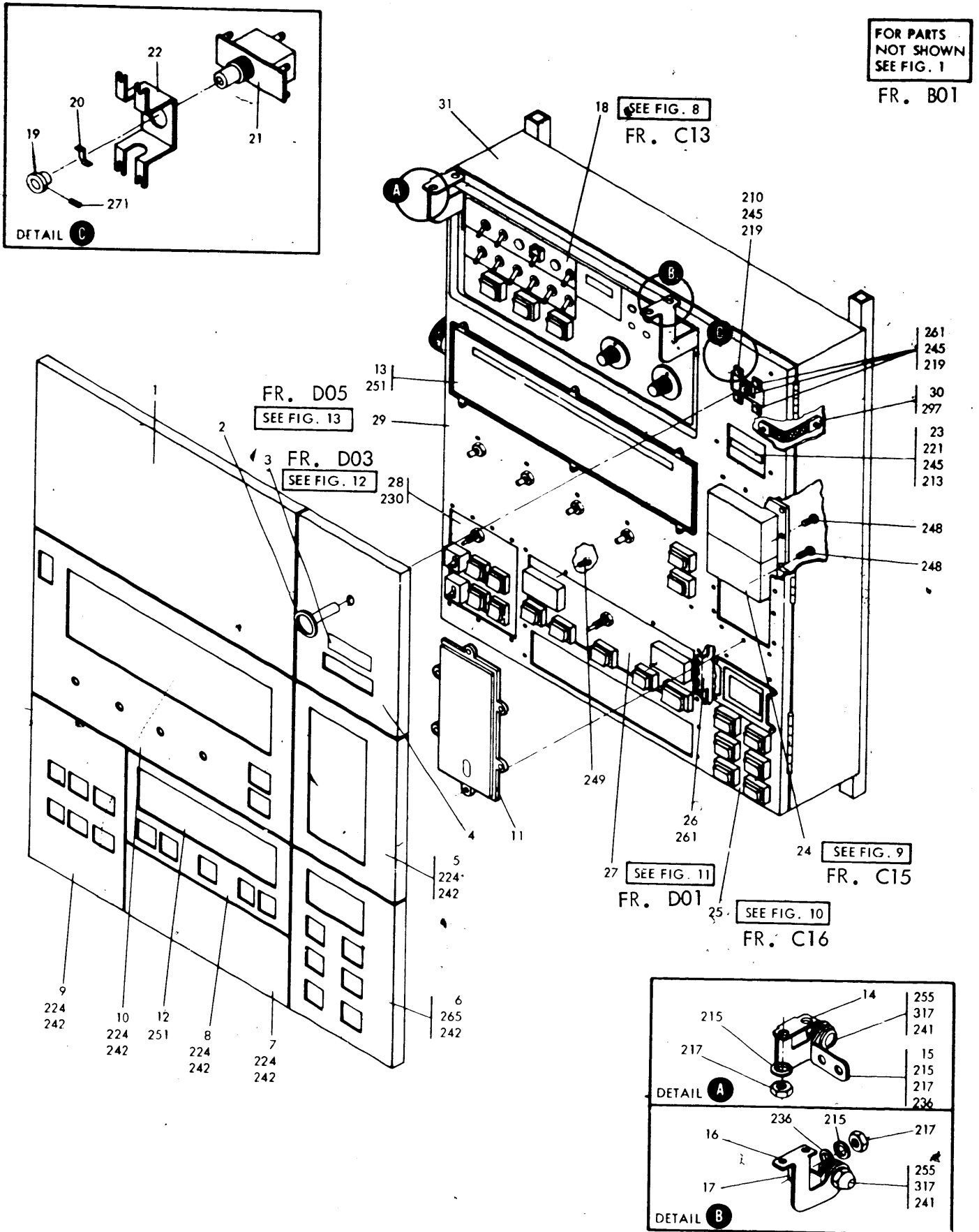


FIGURE 7. CONSOLE ASM. SEE LIST 7.

LIST AND INDEX NUMBER	PART NUMBER	DESCRIPTION	UNITS PER ASM.	USABLE ON CODE
7 -	2590450	CONSOLE ASM		
-		FOR NEXT HIGHER ASM SEE LIST 1-82 AND FOR ILLUSTRATION FIG. 7		
- 1	7369658	. COVER, CE PANEL-ENGLISH AND GERMAN	1	
- 1	7369660	. COVER, CE PANEL-FRENCH	1	
- 1	7369662	. COVER, CE PANEL-ITALIAN AND SPANISH	1	
- 1	7369664	. COVER, CE PANEL-JAPANESE	1	
- 2	7369655	. KNOB ASM, EMERGENCY PULL-ENGLISH	1	
- 2	2590876	. KNOB, FRENCH	1	
- 2	2590664	. KNOB, ITALIAN	1	
- 2	2590886	. KNOB, GERMAN	1	
- 2	2590665	. KNOB, SPANISH	1	
- 3	5371671	. LABEL	1	
- 4	2590452	. PANEL, EMERGENCY POWER OFF	1	
- 5	2590456	. PANEL, BLANK	1	
- 5	2590397	. PANEL, BSCA FEATURE	1	
- 6	2590454	. PANEL, OPERATOR CONTROL	1	
- 7	2590458	. PANEL, BLANK	1	
- 8	2590455	. PANEL, BLANK	1	
- 8	2590437	. PANEL, DUAL PROGRAM	1	
- 9	2590457	. PANEL, BLANK	1	
- 9	2590441	. PANEL, DISK FEATURE-2 SPINDLE ENGLISH	1	
- 9	2590443	. PANEL, DISK FEATURE-1 SPINDLE ENGLISH	1	
- 9	2590754	. PANEL, DISK FEATURE-2 SPINDLE FRENCH	1	
- 9	2590762	. PANEL, DISK FEATURE-1 SPINDLE FRENCH	1	
- 9	2590755	. PANEL, DISK FEATURE-2 SPINDLE ITALIAN	1	
- 9	2590763	. PANEL, DISK FEATURE-1 SPINDLE ITALIAN	1	
- 9	2590756	. PANEL, DISK FEATURE-2 SPINDLE GERMAN	1	
- 9	2590764	. PANEL, DISK FEATURE-1 SPINDLE GERMAN	1	
- 9	2590757	. PANEL, DISK FEATURE-2 SPINDLE SPANISH	1	
- 9	2590765	. PANEL, DISK FEATURE-1 SPINDLE SPANISH	1	
- 10	2590453	. PANEL, PROCESSOR DISPLAY-ENGLISH	1	
- 10	2590646	. PANEL, PROCESSOR DISPLAY-FRENCH	1	
- 10	2590647	. PANEL, PROCESSOR DISPLAY-ITALIAN	1	
- 10	2590648	. PANEL, PROCESSOR DISPLAY-GERMAN	1	
- 10	2590649	. PANEL, PROCESSOR DISPLAY-SPANISH	1	
- 11	2590396	. MOLDING, BSCA FEATURE-ENGLISH	1	
- 11	2454833	. MOLDING, MLTA FEATURE-ENGLISH USED ON MACHINES WITH OR WITHOUT BSCA	1	
- 11	2590786	. MOLDING, BSCA FEATURE-FRENCH	1	
- 11	2590789	. MOLDING, BSCA FEATURE-ITALIAN	1	
- 11	2590792	. MOLDING, BSCA FEATURE-GERMAN	1	
- 11	2590795	. MOLDING, BSCA FEATURE-SPANISH USED WITH RATE SELECTION SWITCH	1	
- 11	2590796	. MOLDING, BSCA FEATURE-ENGLISH	1	
- 11	2590797	. MOLDING, BSCA FEATURE-FRENCH	1	
- 11	2590798	. MOLDING, BSCA FEATURE-ITALIAN	1	
- 11	2590799	. MOLDING, BSCA FEATURE-GERMAN	1	
- 11	2590851	. MOLDING, BSCA FEATURE-SPANISH USED WITHOUT RATE SELECTION SWITCH	1	
- 12	2590434	. MOLDING, DUAL PROGRAM-ENGLISH	1	
- 12	2590750	. MOLDING, DUAL PROGRAM-FRENCH	1	
- 12	2590751	. MOLDING, DUAL PROGRAM-ITALIAN	1	
- 12	2590752	. MOLDING, DUAL PROGRAM-GERMAN	1	
- 12	2590753	. MOLDING, DUAL PROGRAM-SPANISH	1	
- 13	2590475	. MOLDING	1	
- 14	2590469	. HINGE, LEFT HAND	1	
- 15	2590471	. BRACKET, LEFT HAND	1	
- 16	2590468	. HINGE, RIGHT HAND	1	
- 17	2590470	. BRACKET, RIGHT HAND	1	
- 18	NO NO.	. C.E. PANEL FOR DETAIL BREAKDOWN SEE FIG. 8	1	
- 18				
- 19	482188	. COLLAR	1	
- 20	479999	. SPRING	1	
- 21	482219	. SWITCH	1	
- 22	725419	. BRACKET	1	
- 23	740503	. CLOCK, 60 CYCLE	1	
- 23	740608	. CLOCK, 50 CYCLE	1	
- 24	2590395	. PANEL ASM, BSCA FEATURE FOR DETAIL BREAKDOWN SEE FIG. 9	1	
- 25	NO NO.	. OPERATORS PANEL FOR DETAIL BREAKDOWN SEE FIG. 10	1	
- 25				
- 26	2590498	. BRACKET	1	
- 27	2590780	. DUAL PROGRAM PANEL FOR DETAIL BREAKDOWN SEE FIG. 11	1	
- 27				

LIST AND INDEX NUMBER	PART NUMBER	DESCRIPTION				UNITS PER ASM.	USABLE ON CODE
		1	2	3	4		
		CONSOLE ASM- CONT					
7 - 28	2590660	• DISK CONTROLS,1 SPINDLE				1	
- 28	2590782	• DISK CONTROLS,2 SPINDLE				1	
- 28		FOR DETAIL BREAKDOWN SEE FIG. 12					
- 29	NO NO.	• DISPLAY PANEL				1	
- 29		FOR DETAIL BREAKDOWN SEE FIG. 13				1	
- 30	2101089	• GROUND STRAP				1	
- 31	2590463	• FRAME ASM				1	
-							
-							
-		FOR ATTACHING PARTS, INDEX NOS. 201					
-		AND ABOVE, SEE LIST 33					

FOR PARTS
NOT SHOWN
SEE FIG. 7

FR. C10

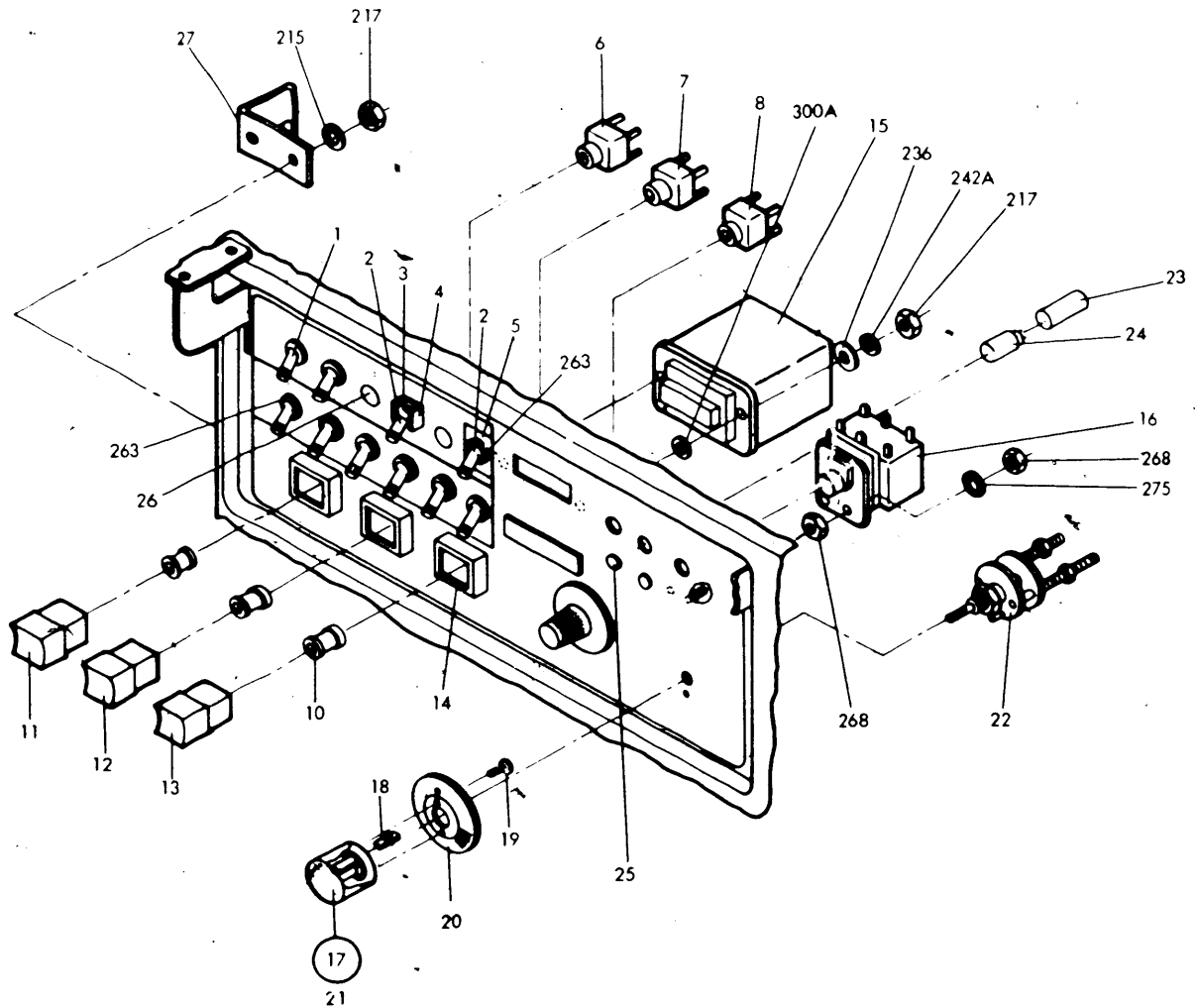


FIGURE 8. C.E. PANEL. SEE LIST 8.

C13

FOR PARTS
NOT SHOWN
SEE FIG. 7

FR. C10

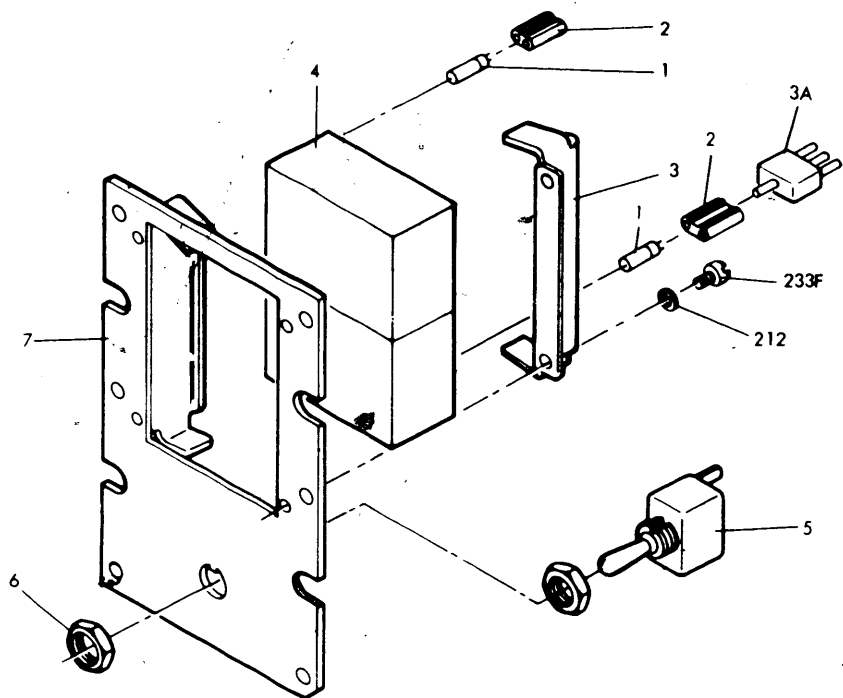


FIGURE 9. PANEL ASM, BSCA FEATURE. SEE LIST 9.

LIST AND INDEX NUMBER	PART NUMBER	DESCRIPTION				UNITS PER ASM.	USABLE ON CODE
		1	2	3	4		
9 -	2590395	PANEL ASM, BSCA FEATURE FOR NEXT HIGHER ASM SEE LIST 7-24 AND FOR ILLUSTRATION FIG. 9					
- 1	2391023	• LAMP				16	
- 2	165010	• SOCKET				16	
- 3	2590399	• BRACKET				2	
- 3A	814008	• SCREW, USED ON MACHINES WITH MLTA FEATURE				3	
- 4	185196	• LIGHT ALOCK				2	
- 5	738826	• SWITCH, USED ON WORLD TRADE MACHINES ONLY				1	
- 6	220546	• NUT, USED ON WORLD TRADE MACHINES ONLY				1	
- 7	2590398	• PANEL				1	
-		FOR ATTACHING PARTS, INDEX NOS. 201 AND ABOVE, SEE LIST 33					

FOR PARTS
NOT SHOWN
SEE FIG. 7

FR. C10

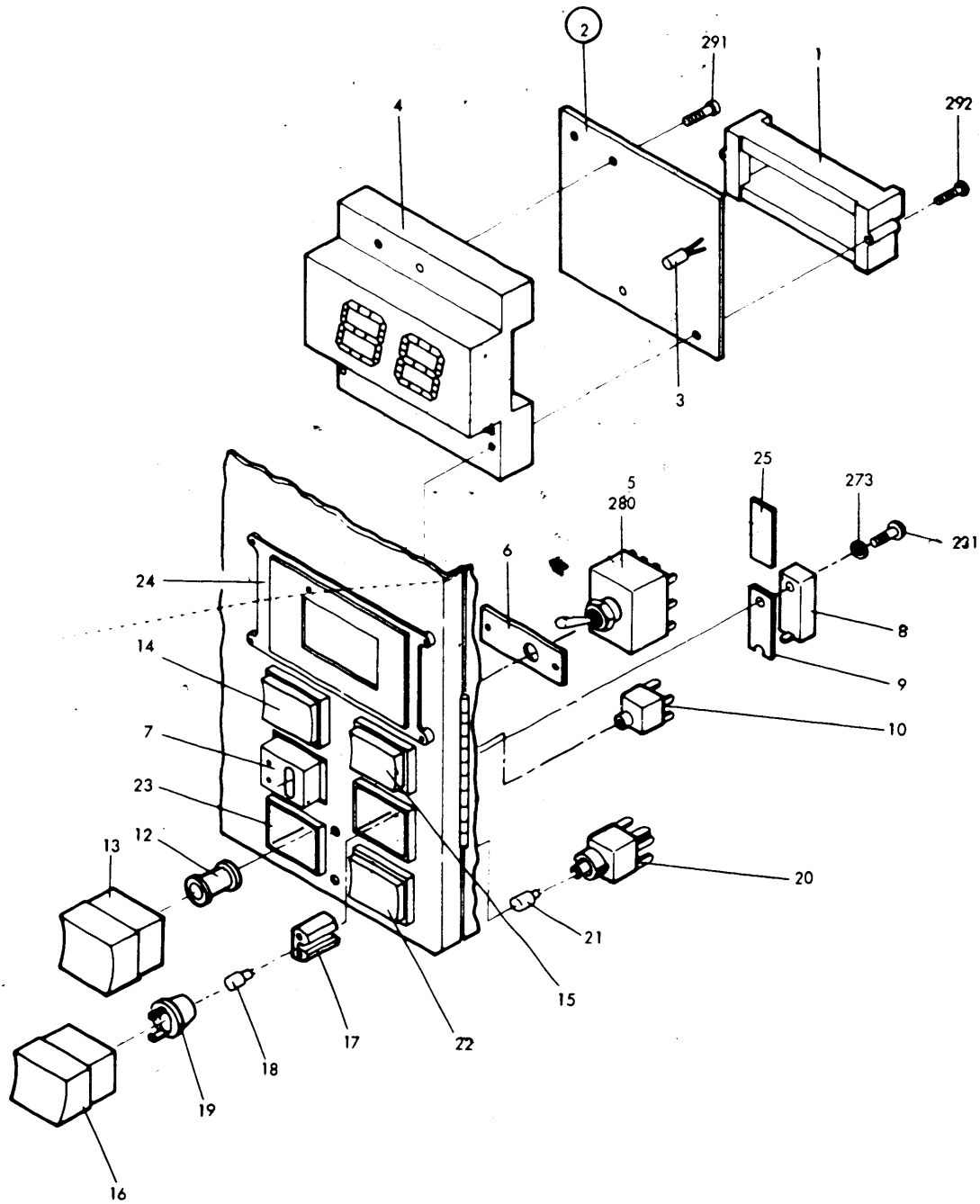


FIGURE 10. OPERATOR PANEL. SEE LIST 10.

LIST AND INDEX NUMBER	PART NUMBER	DESCRIPTION				UNITS PER ASM.	USABLE ON CODE
		1	2	3	4		
10	NO NO.	OPERATORS PANEL					
-		FOR NEXT HIGHER ASM SEE LIST 7-25					
-		AND FOR ILLUSTRATION FIG. 10					
- 1	2596994	• HOUSING				1	
- 2	812526	• BOARD				1	
- 3	454612	• LAMP				14	
- 4	2596991	• BLOCK				1	
- 5	2588070	• SWITCH				1	
- 6	2590496	• PLATE				1	
- 7	2590467	• HOUSING, POWER SWITCH-ENGLISH				1	
- 7	2590418	• HOUSING, POWER SWITCH-FRENCH				1	
- 7	2590419	• HOUSING, POWER SWITCH-ITALIAN				1	
- 7	2590417	• HOUSING, POWER SWITCH-GERMAN				1	
- 7	2590420	• HOUSING, POWER SWITCH-SPANISH				1	
- 8	317767	• BLOCK, TERMINAL TPB 9				1	
- 9	317766	• INSULATOR				1	
- 10	2590891	• SWITCH				2	
- 12	2588009	• PLUNGER				2	
- 13	5350020	• BUTTON, START-ENGLISH AND GERMAN				1	
- 13	738513	• BUTTON, START-FRENCH				1	
- 13	855241	• BUTTON, START-ITALIAN				1	
- 13	855288	• BUTTON, START-SPANISH				1	
- 14	2194727	• BUTTON, PROGRAM LOAD-ENGLISH				1	
- 14	2190986	• BUTTON, PROGRAM LOAD-FRENCH				1	
- 14	483844	• BUTTON, PROGRAM LOAD-ITALIAN				1	
- 14	824560	• BUTTON, PROGRAM LOAD-GERMAN				1	
- 14	483856	• BUTTON, PROGRAM LOAD-SPANISH				1	
- 15	2588003	• LENS, PROCESSOR CHECK-ENGLISH				1	
- 15	483828	• LENS, PROCESSOR CHECK-FRENCH				1	
- 15	483835	• LENS, PROCESSOR CHECK-ITALIAN				1	
- 15	483858	• LENS, PROCESSOR CHECK-GERMAN				1	
- 15	483847	• LENS, PROCESSOR CHECK-SPANISH				1	
- 16	2588002	• LENS, I/O ATTENTION-ENGLISH				1	
- 16	483827	• LENS, I/O ATTENTION-FRENCH				1	
- 16	483834	• LENS, I/O ATTENTION-ITALIAN				1	
- 16	483857	• LENS, I/O ATTENTION-GERMAN				1	
- 16	483846	• LENS, I/O ATTENTION-SPANISH				1	
- 17	165010	• HOUSING				2	
- 18	2391023	• LAMP				2	
- 19	648511	• INSERT				2	
- 20	483554	• SWITCH				1	
- 21	2391121	• LAMP				1	
- 22	2588004	• BUTTON, STOP-ENGLISH, FRENCH AND GERMAN				1	
- 22	483836	• BUTTON, STOP-ITALIAN				1	
- 22	483848	• BUTTON, STOP-SPANISH				1	
- 23	827842	• HOUSING				5	
- 24	2590476	• MOLDING				1	
- 25	2590775	• LABEL				1	
-							
-		FOR ATTACHING PARTS, INDEX NOS. 201					
-		AND ABOVE, SEE LIST 33					

CONTINUED ON
FRAME DOI

FOR PARTS
NOT SHOWN
SEE FIG. 7

FR. C10

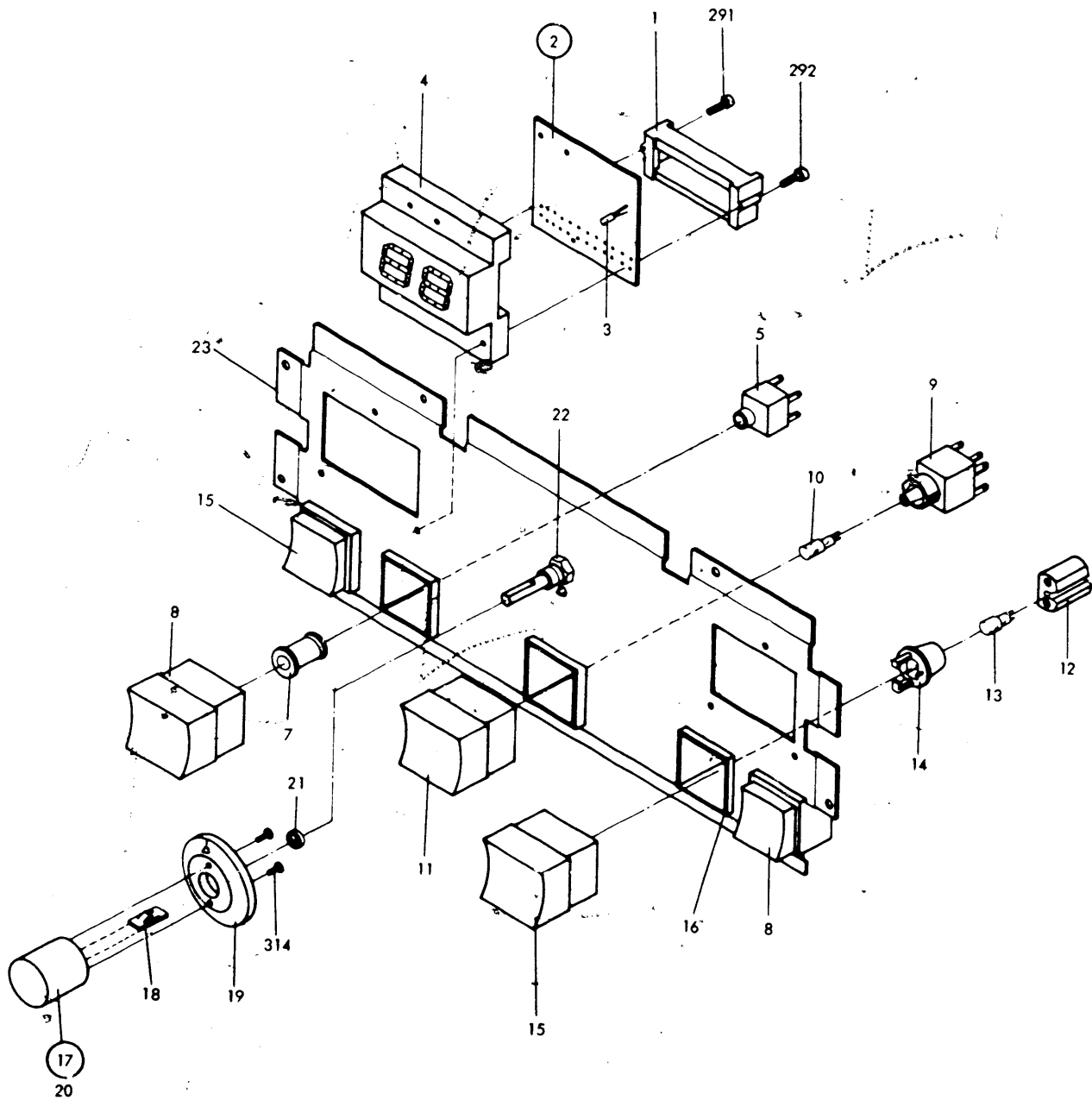


FIGURE 11. DUAL PROGRAM PANEL. SEE LIST 11.

LIST AND INDEX NUMBER	PART NUMBER	DESCRIPTION	UNITS PER ASM.	USABLE ON CODE
11 -	2590780	DUAL PROGRAM PANEL		
-		FOR NEXT HIGHER ASM SEE LIST 7-27 AND FOR ILLUSTRATION FIG. 11		
- 1	2596994	• HOUSING	1	
- 2	812526	• BOARD	1	
- 3	454612	• LAMP	1	
- 4	2596991	• BLOCK	1	
- 5	2590891	• SWITCH	2	
- 7	2588009	• PLUNGER	2	
- 8	2588035	• BUTTON, HALT RESET-ENGLISH	2	
- 8	483831	• BUTTON, HALT RESET-FRENCH	2	
- 8	483839	• BUTTON, HALT RESET-ITALIAN	2	
- 8	738506	• BUTTON, HALT RESET-GERMAN	1	
- 8	483851	• BUTTON, HALT RESET-SPANISH	2	
- 9	483550	• SWITCH	1	
- 10	2391121	• LAMP	1	
- 11	2588008	• LENS, INTERRUPT-ENGLISH	1	
- 11	483829	• LENS, INTERRUPT-FRENCH	1	
- 11	483837	• LENS, INTERRUPT-ITALIAN	1	
- 11	483859	• LENS, INTERRUPT-GERMAN	1	
- 11	483849	• LENS, INTERRUPT-SPANISH	1	
- 12	165010	• HOUSING	2	
- 13	2391023	• LAMP	2	
- 14	648511	• INSERT	2	
- 15	2588034	• LENS, PROCESS-ENGLISH	2	
- 15	483830	• LENS, PROCESS-FRENCH	2	
- 15	483838	• LENS, PROCESS-ITALIAN	2	
- 15	2176094	• LENS, PROCESS-GERMAN	2	
- 15	483850	• LENS, PROCESS-SPANISH	2	
- 16	827842	• HOUSING	5	
- 17	2590393	• KNOB	1	
- 18	482195	• SPRING	1	
- 19	2590394	• DIAL	1	
- 20	839722	• KNOB	1	
- 21	479986	• SPACER	1	
- 22	2588011	• SWITCH, ROTARY	1	
- 23	2590436	• PANEL	1	
-		FOR ATTACHING PARTS, INDEX NOS. 201 AND ABOVE, SEE LIST 33		

FOR PARTS
NOT SHOWN
SEE FIG. 7

FR. C10

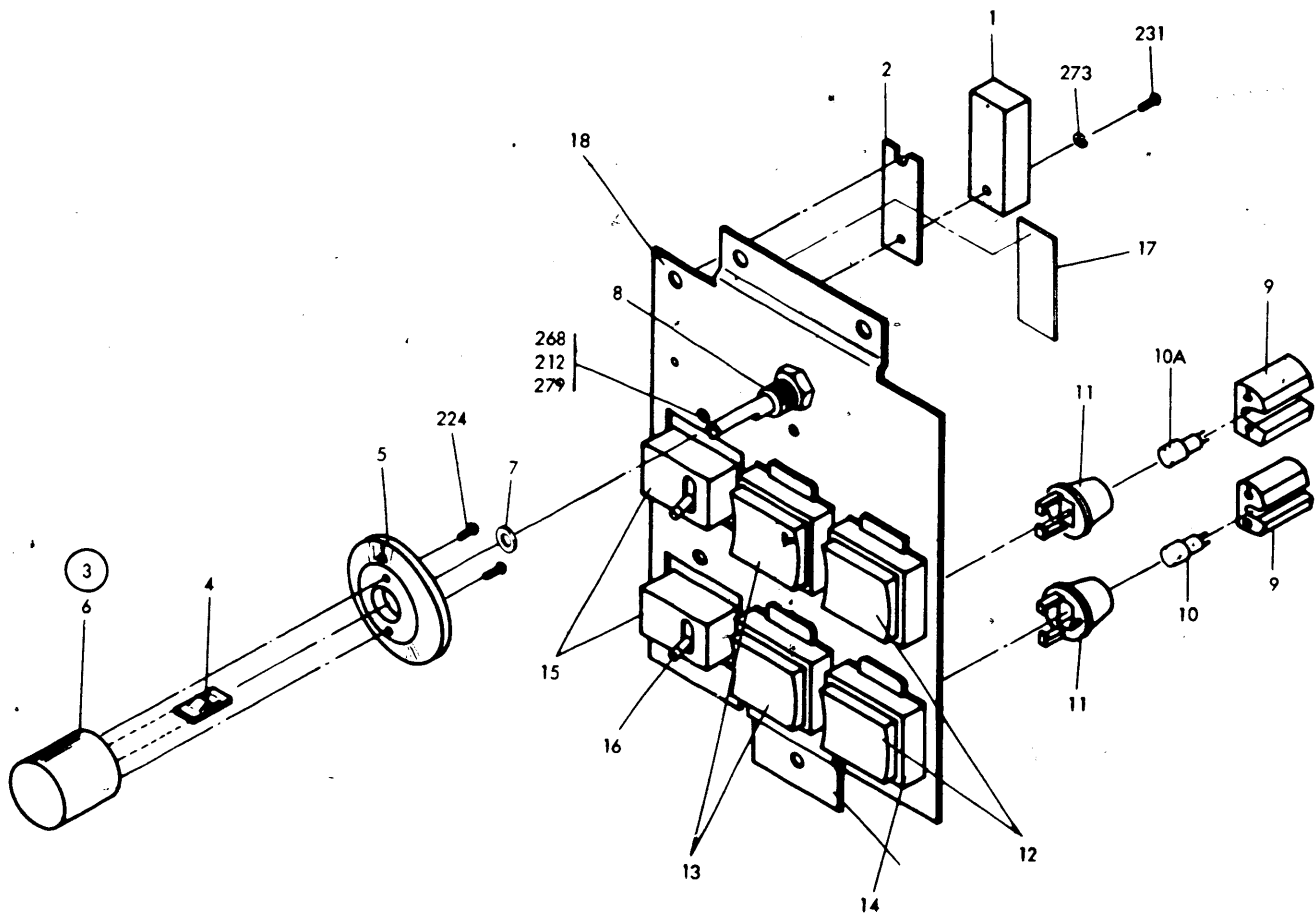


FIGURE 12. DISK CONTROL PANEL, 1 AND 2 SPINDLE. SEE LIST 12.

FOR PARTS
NOT SHOWN
SEE FIG. 7

FR. C10

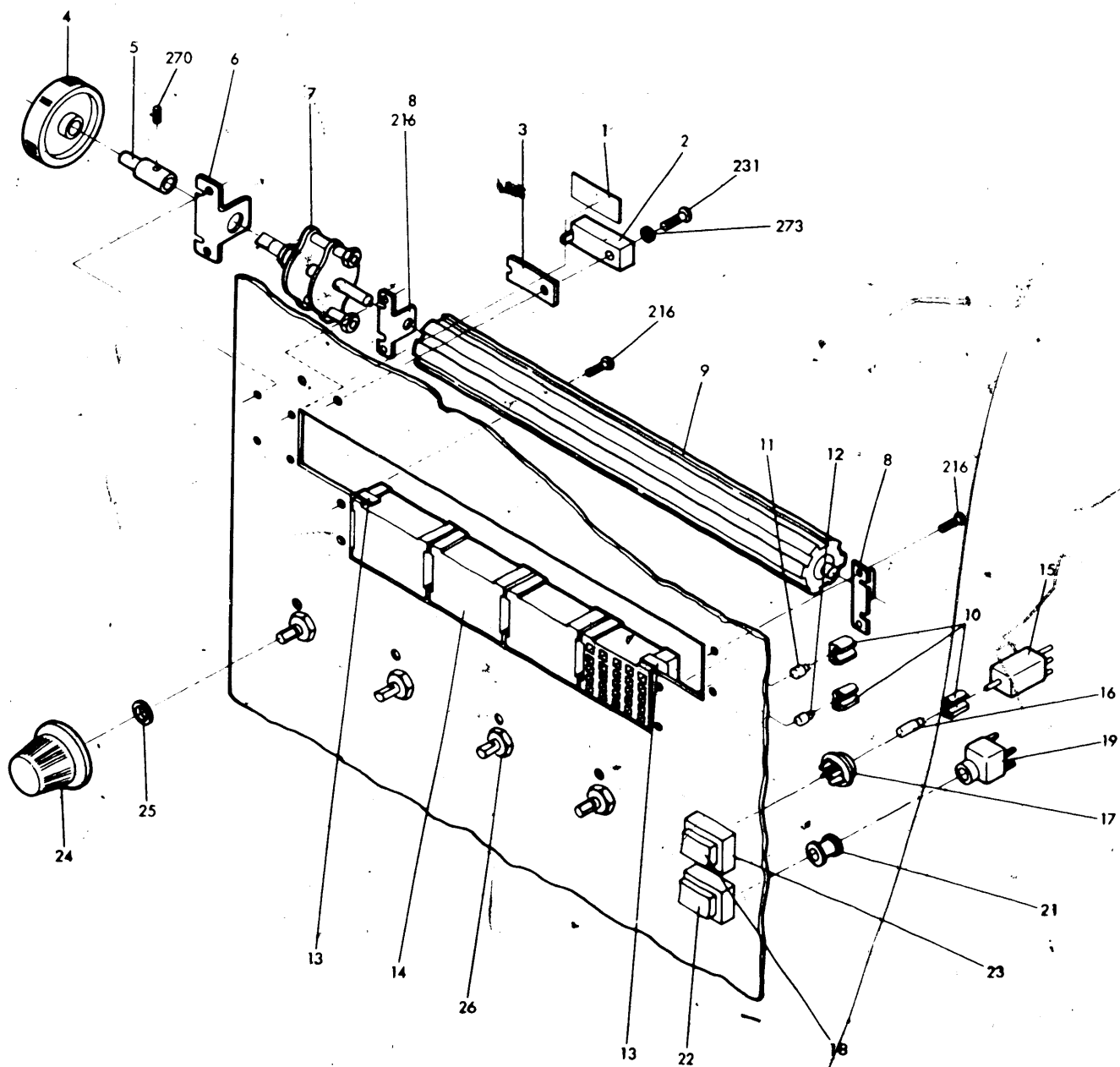


FIGURE 13. DISPLAY PANEL. SEE LIST 13.

LIST AND INDEX NUMBER	PART NUMBER	DESCRIPTION	UNITS PER ASM.	USABLE ON CODE
13	NO NO.	1 2 3 4 DISPLAY PANEL		
-		FOR NEXT HIGHER ASM SEE LIST 7-29 AND FOR ILLUSTRATION FIG. 13		
-	1 2590775	. LABEL	1	
-	2 317767	. BLOCK, TERMINAL	1	
-	3 317766	. INSULATOR	1	
-	4 2590477	. KNOB	1	
-	5 2590461	. ADAPTER	1	
-	6 2590460	. BRACKET	1	
-	7 2588000	. SWITCH	1	
-	8 2590459	. BRACKET	2	
-	9 2590447	. ROLLER ASM	1	
-	10 165010	. HOUSING	44	
-	11 2391023	. LAMP	41	
-	12 2391062	. LAMP	2	
-	13 2590462	. BRACKET	2	
-	14 185198	. BLOCK, LAMP	4	
-	15 814008	. SCRIB	1	
-	16 2391023	. LAMP	1	
-	17 648511	. INSERT	1	
-	18 483867	. BUTTON, FILLER	1	
-	18 2588060	. BUTTON, SIOC FEATURE	1	
-	19 483568	. SWITCH	1	
-	21 2588009	. PLUNGER	1	
-	22 824473	. BUTTON, LAMP TEST-ENGLISH	1	
-	22 824586	. BUTTON, LAMP TEST-FRENCH	1	
-	22 483842	. BUTTON, LAMP TEST-ITALIAN	1	
-	22 483861	. BUTTON, LAMP TEST-GERMAN	1	
-	22 483854	. BUTTON, LAMP TEST-SPANISH	1	
-	23 827842	. HOUSING	2	
-	24 847110	. KNOB	4	
-	25 479986	. SPACER	4	
-	26 2588001	. SWITCH, ROTARY	4	
-		FOR ATTACHING PARTS, INDEX NOS. 201		
-		AND ABOVE, SEE LIST 33		
-				
-				
-				
-				
-				
-				
-				
-				
-				
-				
-				
-				
-				
-				
-				
-				
-				
-				
-				
-				
-				
-				
-				
-				
-				
-				
-				
-				
-				

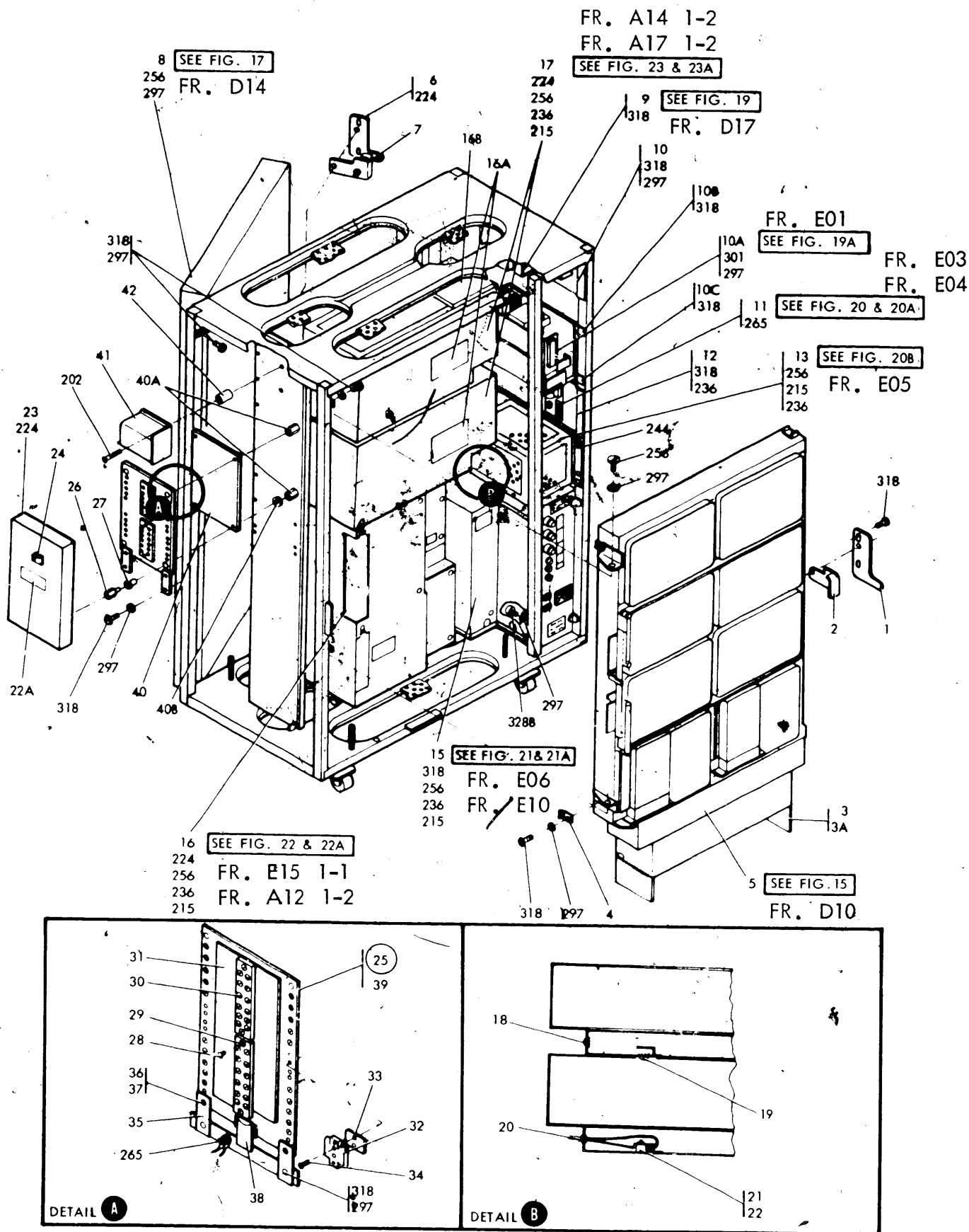


FIGURE 14. MECHANICAL ASM CPU. SEE LIST 14.

LIST AND INDEX NUMBER	PART NUMBER	DESCRIPTION	UNITS PER ASM.	USABLE ON CODE
		1 2 3 4		
14	NO NO.	MECHANICAL ASM CPU FOR ILLUSTRATION SEE FIG. 14		
- 1	2590083	• BRACKET ASM	1	
- 2	2590084	• LATCH ASM	1	
- 3	2598390	• SKIRT	1	
- 3A	2592619	• FASTENER	1	
- 4	2101089	• GROUND STRAP	4	
- 5	2590048	• A GATE ASM FOR DETAIL BREAKDOWN SEE FIG. 15	1	
- 5				
- 6	2590676	• BRACKET ASM	1	
- 7	2590677	• LATCH ASM	1	
- 8	2590704	• B GATE ASM	1	
- 8		FOR DETAIL BREAKDOWN SEE FIG. 17		
- 9	5708920	• POWER SUPPLY, SIGNAL LAMP-60 CYCLE	1	
- 9	5706992	• POWER SUPPLY, SIGNAL LAMP-50 CYCLE	1	
- 9		USED ON MACHINES WITHOUT EC 816683		
- 9		FOR DETAIL BREAKDOWN SEE FIG. 19		
- 10	2590062	• PLATE, MOUNTING	1	
- 10A	2584080	• POWER SUPPLY, +6V EXPANSION BULK-60 CYCLE	1	
- 10A	2584070	• POWER SUPPLY, +6V EXPANSION BULK-50 CYCLE	1	
- 10A		FOR DETAIL BREAKDOWN SEE FIG. 19A		
- 10A	2590261	• PLATE, UPPER	1	
- 10C	2590271	• PLATE, LOWER	1	
- 11	2590900	• POWER SUPPLY ASM, -12V-BSCA MEDIUM SPEED ONLY	1	
- 11		FOR DETAIL BREAKDOWN SEE FIG. 20		
- 11	2454823	• POWER SUPPLY ASM, 12V	1	
- 11		USED ON BSCA AND MLTA FEATURES		
- 11		FOR DETAIL BREAKDOWN SEE FIG. 20A		
- 12	2590820	• PLATE, MOUNTING	1	
- 13	NO NO. NP	• AUTO TRANSFORMER ASM	1	
- 13		FOR DETAIL BREAKDOWN SEE FIG. 20B		
- 15	2590270	• PRIMARY POWER SUPPLY, 60 CYCLE	1	
- 15	2590260	• PRIMARY POWER SUPPLY, 50 CYCLE	1	
- 15		USED ON MACHINES WITHOUT EC 816683		
- 15		FOR DETAIL BREAKDOWN SEE FIG. 21		
- 15	2588436	• PRIMARY POWER SUPPLY, 60 CYCLE	1	
- 15	2588435	• PRIMARY POWER SUPPLY, 50 CYCLE	1	
- 15		USED ON MACHINES WITH EC 816683		
- 15		FOR DETAIL BREAKDOWN SEE FIG. 21A		
- 16	5232850	• BULK POWER SUPPLY NO. 1, 60 CYCLE	1	
- 16	5232840	• BULK POWER SUPPLY NO. 1, 50 CYCLE	1	
- 16		USED ON MACHINES WITHOUT EC 816662		
- 16		FOR DETAIL BREAKDOWN SEE FIG. 22		
- 16	2572190	• BULK POWER SUPPLY NO. 1, 60 CYCLE	1	
- 16	2572200	• BULK POWER SUPPLY NO. 1, 50 CYCLE	1	
- 16		USED ON MACHINES WITH EC 816662		
- 16		FOR DETAIL BREAKDOWN SEE FIG. 22A		
- 16A	1141554	• LABEL	4	
- 16A	2454979	• PAD	1	
- 16A		USED ON MACHINES WITHOUT EC 818977		
- 17	2590929	• BULK POWER SUPPLY NO. 2 AND 3, 32A 60 CYCLE	1	
- 17	2590930	• BULK POWER SUPPLY NO. 2 AND 3, 65A 60 CYCLE	1	
- 17	2590931	• BULK POWER SUPPLY NO. 2 AND 3, 32A 50 CYCLE	1	
- 17	2590932	• BULK POWER SUPPLY NO. 2 AND 3, 65A 50 CYCLE	1	
- 17		FOR DETAIL BREAKDOWN SEE FIG. 23 AND 23A		
- 18	805598	• PLUG	1	
- 18		USED ON MACHINES WITHOUT EC 8189777		
- 19	60.664	• PLUG	1	
- 19		USED ON MACHINES WITHOUT EC 8189777		
- 20	123870	• GROMMET	1	
- 20		USED ON MACHINES WITHOUT EC 8189777		
- 21	2590821	• THERMAL SWITCH	1	
- 21		USED ON MACHINES WITHOUT EC 8189777		
- 21	2590821	• THERMAL SWITCH	1	
- 21		USED ON MACHINES WITH EC 818977		
- 22	2588363	• CLIP	1	
- 22		USED ON MACHINES WITHOUT EC 8189777		
- 22	2588053	• CLIP	1	
- 22		USED ON MACHINES WITH EC 818977		
- 22A	2588264	• LABEL	1	
- 23	2590830	• SHIELD	1	
- 24	2588079	• CLAMP	1	
- 24		USED ON MACHINES WITHOUT EC 816662		
- 25	2590852	• PLATE ASM	1	
- 26	2588363	• STANDOFF	4	
		USED ON MACHINES WITHOUT EC 816696		

FOR PARTS
NOT SHOWN
SEE FIG. 14

FR. D07

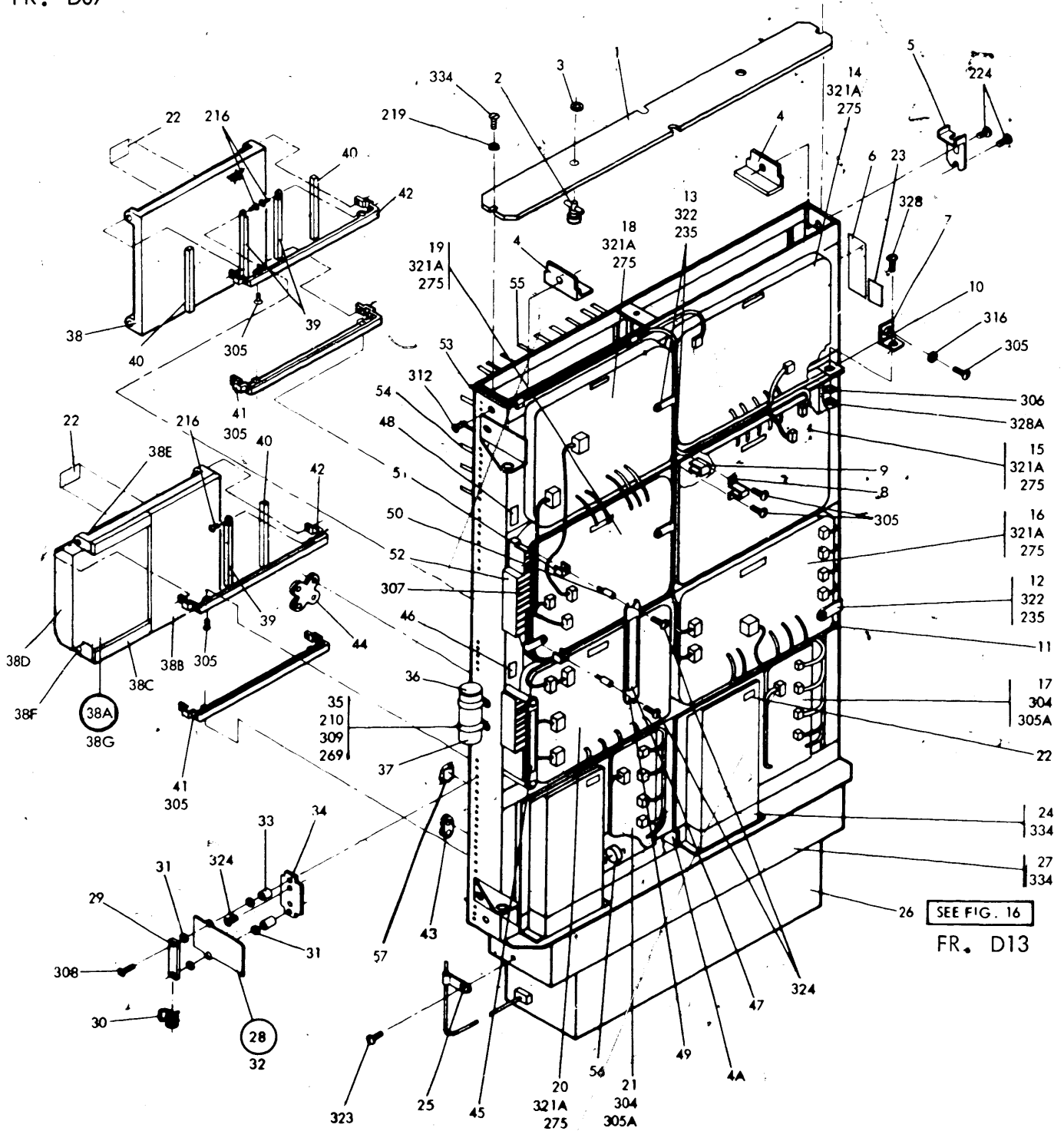


FIGURE 15. A GATE ASM. SEE LIST 15.

D10

LIST AND INDEX NUMBER	PART NUMBER	DESCRIPTION	UNITS PER ASM.	USABLE ON CODE
15 -	2590048	A GATE ASM FOR NEXT HIGHER ASM SEE LIST 14-5 AND FOR ILLUSTRATION FIG. 15		
- 1	2590014	. SCREEN	1	
- 2	2590821	. THERMAL SWITCH	2	
- 3	2548053	. CLIP	2	
- 4	2590100	. RAFFLE	2	
- 4A	7369593	. RAFFLE	3	
- 5	2590331	. STOP	2	
- 6	2590941	. LABEL	1	
- 7	811742	. SUPPORT	2	
- 8	816754	. BRACKET	2	
- 9	816752	. SPACER PAD	2	
- 10	2588252	. BUS ASM	1	
- 11	2588253	. BUS ASM	1	
- 11	2454535	. BUS ASM USED WITH 24K AND 32K MEMORY	1	
- 12	356742	. CLAMP	2	
- 13	515661	. CLAMP	2	
- 14	2590312	. BOARD, A1 SOIC FEATURE	1	
- 15	5129172	. BOARD, A2 FILE FEATURE	1	
- 16	2590318	. BOARD, A3-MFGU FEATURE	1	
- 17	2512360	. BOARD, A4 8K AND 24K MEMORY USED ON MACHINES WITHOUT EC 816743	1	
- 17	2512420	. BOARD, A4 16K AND 32K MEMORY USED ON MACHINES WITHOUT EC 816743	1	
- 17	2512420	. BOARD, A4 48K MEMORY USED ON MACHINES WITH EC 816743	1	
- 17	2590329	. CHIMNEY	1	
- 18	2590320	. BOARD, B1 USED ON 100/200 5203 PRINTER	1	
- 18	2589224	. BOARD, B1 USED ON 300 5203 PRINTER	1	
- 18	2454770	. BOARD, B1 USED ON 1403 PRINTER	1	
- 19	2590326	. BOARD, B2 USED ON KEYBOARD	1	
- 19	2590322	. BOARD, B2 USED ON CPU ONLY	1	
- 19	2590308	. BOARD, B2 USED ON PRINTER KEYBOARD	1	
- 20	2590324	. BOARD, B3 USED ON CPU ONLY	1	
- 21	2512420	. BOARD, B4 12K AND 16K MEMORY	1	
- 21	5212440	. BOARD, B4 24K AND 64K MEMORY	1	
- 21	2512360	. BOARD, B4 8K MEMORY	1	
- 22	2590888	. LABEL	AR	
- 23	2454797	. LABEL	1	
- 24	2454924	. DUCT	2	
- 25	357433	. CLAMP	1	
- 26	2590224	. BLOWER ASM, 60 CYCLE	1	
- 26	2590703	. BLOWER ASM, 50 CYCLE FOR DETAIL BREAKDOWN SEE FIG. 16	1	
- 26		. HEADER ASM	1	
- 28	815224	. PLATE ASM	6	
- 29	815220	. . BAR	1	
- 30	813321	. . SPRING	1	
- 31	815219	. . SPACER	4	
- 32	815217	. . PLATE	1	
- 33	73430	. TUBING	2	
- 34	815215	. BACK PLATE	6	
- 35	2102369	. CLAMP	2	
- 36	5261296	. SHIELD	1	
- 37	5261287	. CAPACITOR	1	
- 38	813466	. COVER	7	
- 38A	2454996	. COVER, BOARD A4 OR B4 USED ON MACHINES WITH 64K MEMORY	1	
- 38A	813466	. COVER, BOARD A4 OR B4 USED ON MACHINES WITH 8K, 12K, OR 16K MEMORY	1	
- 38B	2454545	. . FOAM	1	
- 38C	2454546	. . FOAM	2	
- 38D	7369616	. . FOAM	1	
- 38E	815963	. . KNOB	2	
- 38F	815964	. . PIN	2	
- 38G	2454544	. . COVER	1	
- 39	817927	. RETAINER ASM	16	
- 40	813482	. SEAL	16	
- 41	813451	. BRACKET, LOWER HINGE	8	
- 42	813452	. BRACKET, UPPER HINGE	8	
- 43	811427	. RETAINER, CABLE	AR	
- 44	813519	. RETAINER, CABLE CROSS	AR	
- 45	2588257	. LABEL	1	
- 46	2588255	. LABEL	1	
- 47	2588256	. LABEL	1	

LIST AND INDEX NUMBER	PART NUMBER	DESCRIPTION	1 2 3 4				UNITS PER ASM.	USABLE ON CODE
15		A GATE ASM- CONT						
- 48	2588254	. LABEL					1	
- 49	817757	. SHIELD					2	
- 50	817753	. STANDOFF					4	
- 51	817758	. BRACKET					4	
- 52	817754	. TERMINAL BLOCK					2	
- 53	2590020	. GATE					1	
- 54	2590010	. RACEWAY					AR	
- 55	2590011	. RACEWAY					AR	
- 56	2454956	. THERMISTOR					1	
- 57	2596293	. CUT, CABLE-SELF ADHESIVE					5	
-		FOR ATTACHING PARTS, INDEX NOS. 201 AND ABOVE, SEE LIST 33						

FOR PARTS
NOT SHOWN
SEE FIG. 15

FR. D10

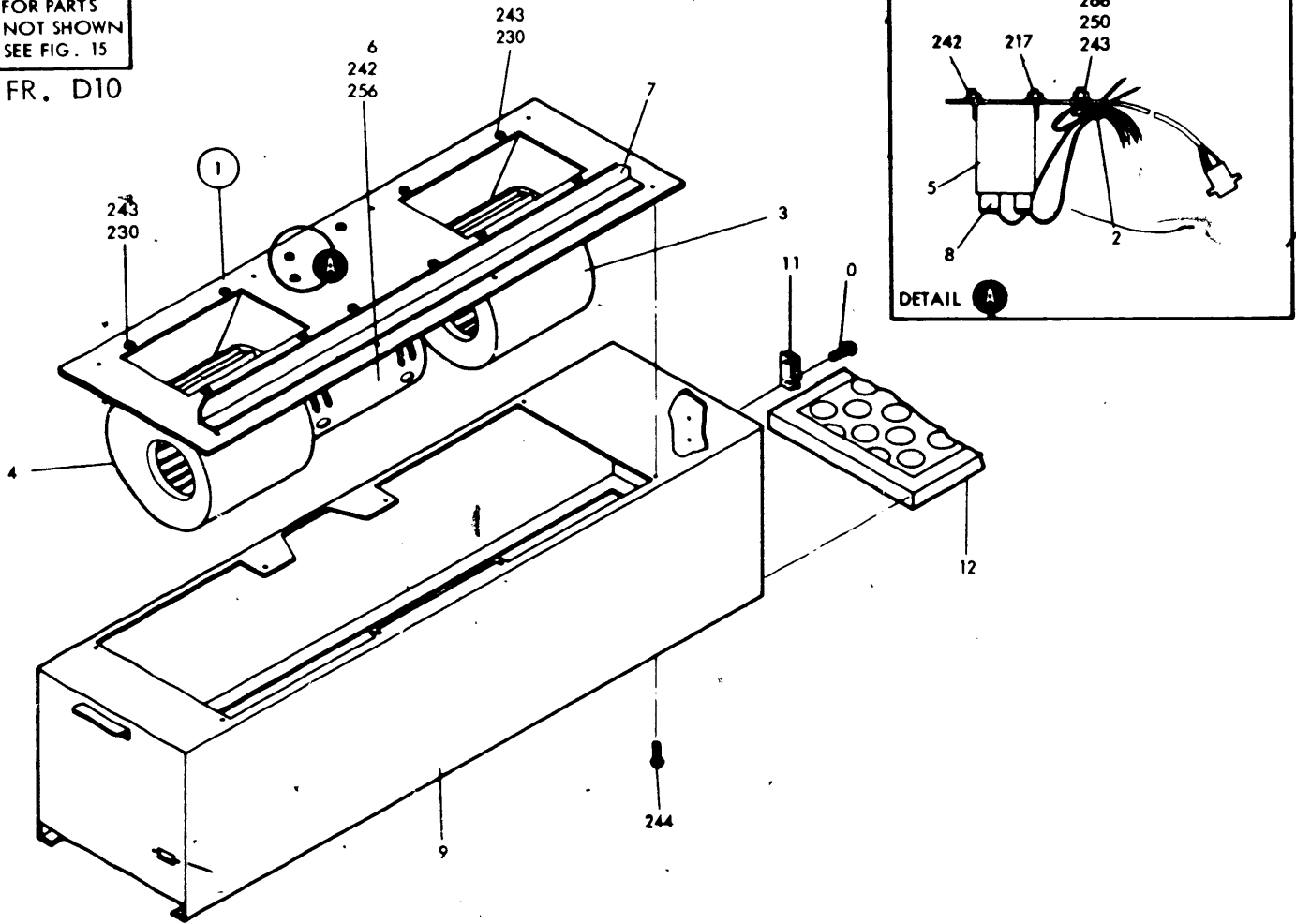


FIGURE 16. BLOWER ASM. SEE LIST 16.

LIST AND INDEX NUMBER	PART NUMBER	DESCRIPTION	UNITS PER ASM.				USABLE ON CODE
			1	2	3	4	
16 -	2590224	BLOWER ASM, 60 CYCLE					
-	2590703	BLOWER ASM, 50 CYCLE					
-		FOR NEXT HIGHER ASM SEE LIST 15-26 AND FOR ILLUSTRATION FIG. 16					
- 1	2590218	. BLOWER ASM, 60 CYCLE					1
- 1	2590702	. BLOWER ASM, 50 CYCLE					1
- 2	804109	. . CLAMP					1
- 3	5468388	. . SCROLL AND WHEEL ASM RIGHT 60 CYCLE					1
- 3	2561584	. . SCROLL AND WHEEL ASM RIGHT 50 CYCLE					1
- 4	5468387	. . SCROLL AND WHEEL ASM LEFT 60 CYCLE					1
- 4	2561585	. . SCROLL AND WHEEL ASM LEFT 50 CYCLE					1
- 5	5405155	. . CAPACITOR					1
- 6	5405152	. . MOTOR ASM					1
- 7	2590219	. . PLATE					1
- 8	526378	. . COVER, TERMINAL					2
- 9	2590221	. HOUSING					1
- 10	5357136	. SCREW					2
- 11	5349888	. LATCH					1
- 12	2590223	. FILTER					1
-		FOR ATTACHING PARTS, INDEX NOS. 201 AND ABOVE, SEE LIST 33					

FOR PARTS
NOT SHOWN
SEE FIG. 14

FR. D07

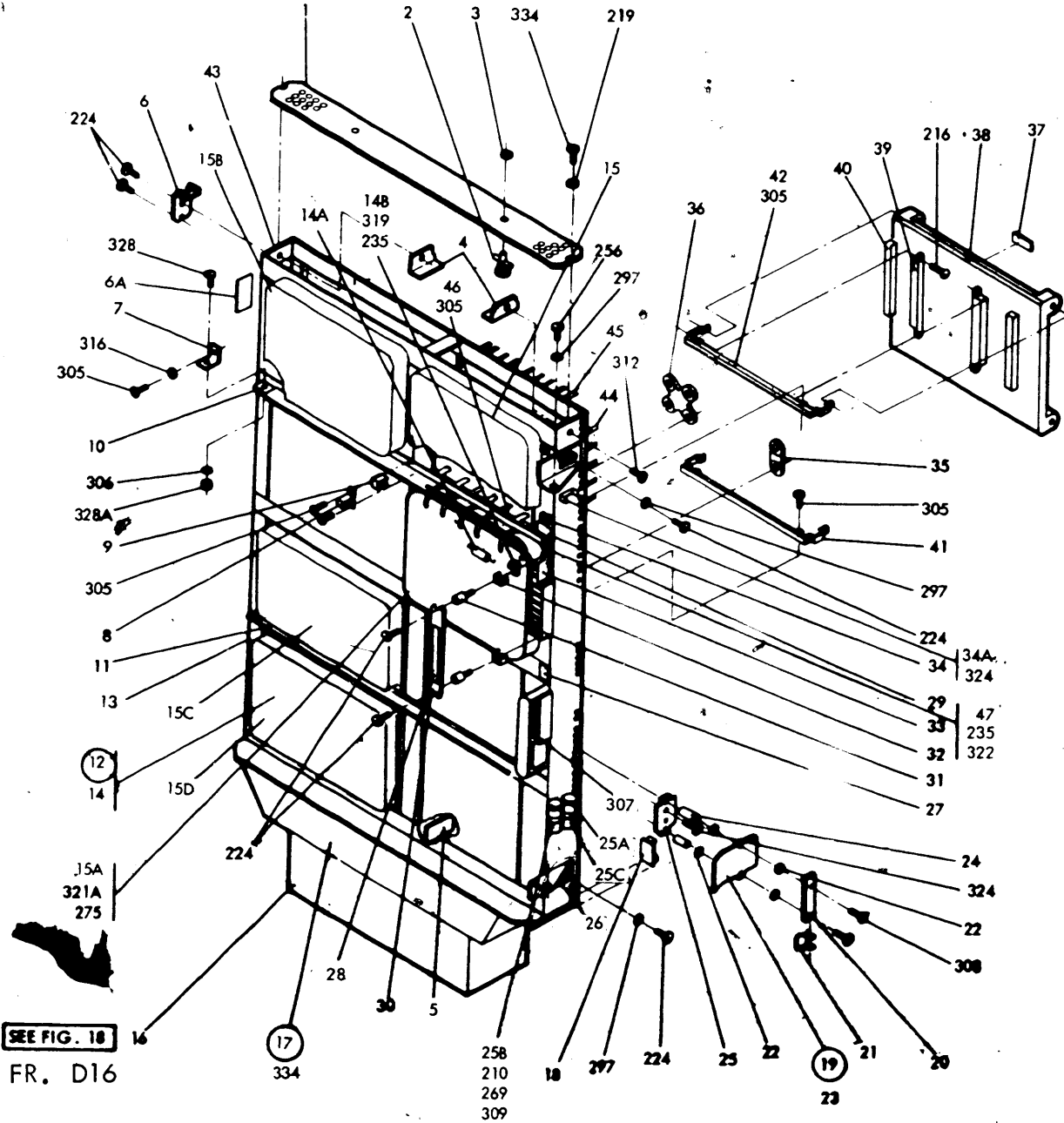


FIGURE 17. B GATE ASM. SEE LIST 17.

LIST AND INDEX NUMBER	PART NUMBER	DESCRIPTION				UNITS PER ASM.	USABLE ON CODE
		1	2	3	4		
17 -	2590704	B GATE ASM					
-		FOR NEXT HIGHER ASM SEE LIST 14-8					
-		AND FOR ILLUSTRATION FIG. 17					
- 1	2590014	. SCREEN				1	
- 2	2590821	. THERMAL SWITCH				2	
- 3	2588053	. CLIP				2	
- 4	2590100	. BAFFLE				2	
- 5	7369593	. BAFFLE				3	
- 6	2590331	. STOP				1	
- 6A	7369617	. LABEL				1	
- 7	811742	. SUPPORT				2	
- 8	816754	. BRACKET				2	
- 9	816752	. PAD				2	
- 10	816708	. BUS ASM				1	
- 11	816709	. BUS ASM				1	
- 12	2590329	. CHIMNEY ASM				1	
- 13	2590328	. . STIFFENER				1	
- 14	2590330	. . CHIMNEY				1	
- 14A	2111232	. DIODE				1	
- 14B	356742	. CLAMP, LOOP				1	
- 15	2590316	. BOARD A1, USED WITH 1442				1	
- 15A	2590310	. BOARD A2, USED WITH BSCA FEATURE				1	
- 15B	7369024	. BOARD B1, USED WITH 5445				1	
- 15C	2454814	. BOARD B3, USED WITH MLTA FEATURE				1	
- 15D	2454810	. BOARD B4, USED WITH MLTA FEATURE				1	
- 16	5357002	. BLOWER ASM, 60 CYCLE				1	
- 16	5357003	. BLOWER ASM, 50 CYCLE				1	
- 16		FOR DETAIL BREAKDOWN SEE FIG. 18					
- 17	2590104	. HEADER ASM				1	
- 18	2596291	. . CLAMP				3	
- 19	815224	. PLATE ASM				AR	
- 20	815220	. . BAR				1	
- 21	813321	. . SPRING				1	
- 22	815219	. . SPACER				4	
- 23	815217	. . PLATE				1	
- 24	73430	. TUBING				AR	
- 25	815215	. BACKPLATE				2	
- 25A	5261296	. SHIELD, USED ON MACHINES WITH MLTA FEATURE				2	
- 25B	2102369	. CLAMP, USED ON MACHINES WITH MLTA FEATURE				2	
- 25C	5261297	. CAPACITOR, USED ON MACHINES WITH MLTA FEATURE				2	
- 26	2101089	. STRAP				2	
- 27	2588255	. LABEL				1	
- 28	2588442	. LABEL				1	
- 29	2588254	. LABEL				1	
- 30	817757	. SHIELD				2	
- 31	817753	. STANDOFF				4	
- 32	817758	. BRACKET				4	
- 33	817754	. TERMINAL BLOCK				2	
- 34	2596291	. CLAMP				2	
- 35	811427	. RETAINER, CABLE				AR	
- 36	813519	. RETAINER, CABLE CROSS				AR	
- 37	2588420	. LABEL				AR	
- 38	813466	. COVER				AR	
- 39	817927	. RETAINER ASM				AR	
- 40	813482	. SEAL				AR	
- 41	813451	. BRACKET, LOWER HINGE				AR	
- 42	813452	. BRACKET, UPPER HINGE				AR	
- 43	2590220	. GATE				1	
- 44	2590010	. RACEWAY				AR	
- 45	2590011	. RACEWAY				AR	
- 46	2455625	. RACEWAY, INTERNAL					
- 46		USED ON MACHINES WITH MLTA FEATURE					
- 47	515616	. CLAMP				3	
-		FOR ATTACHING PARTS, INDEX NOS. 201					
-		AND ABOVE, SEE LIST 33					

FOR PARTS
NOT SHOWN
SEE FIG. 17

FR. D14

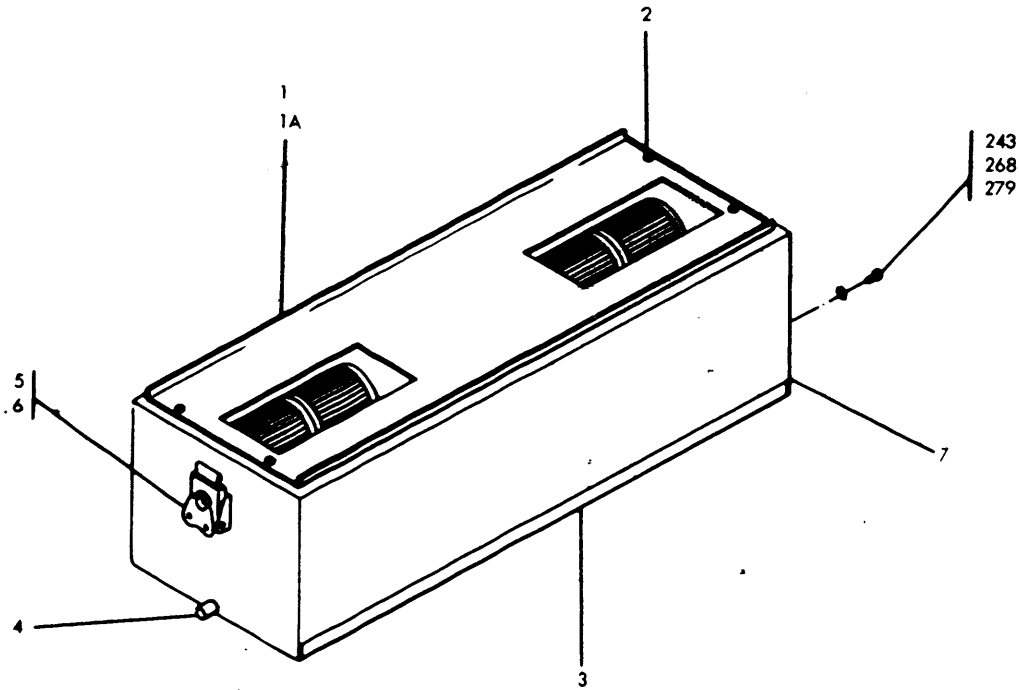


FIGURE 18. BLOWER ASM. SEE LIST 18.

LIST AND INDEX NUMBER	PART NUMBER	DESCRIPTION				UNITS PER ASM.	USABLE ON CODE
		1	2	3	4		
18 -	5357002	BLOWER ASM, 60 CYCLE					
-	5357003	BLOWER ASM, 50 CYCLE FOR NEXT HIGHER ASM SEE LIST 17-16 AND FOR ILLUSTRATION FIG. 18					
- 1	5357005	• BLOWER ASM, 60 CYCLE				1	
- 1	5357006	• BLOWER ASM, 50 CYCLE				1	
- 1A	5357020	• MOTOR-50/60 HZ				1	
- 2	740501	• SCREW				4	
- 3	5357013	• FILTER ATT PT				1	
- 4	5357135	• CATCH				1	
- 5	5349888	• LATCH				1	
- 6	5357136	• SCREW, PAN HD 4-40 X 3/16 LG ATT PT				2	
- 7	5357011	• HOUSING				1	
-		FOR ATTACHING PARTS, INDEX NOS. 201 AND ABOVE, SEE LIST 33					

FOR PARTS
NOT SHOWN
SEE FIG. 14

FR. D07

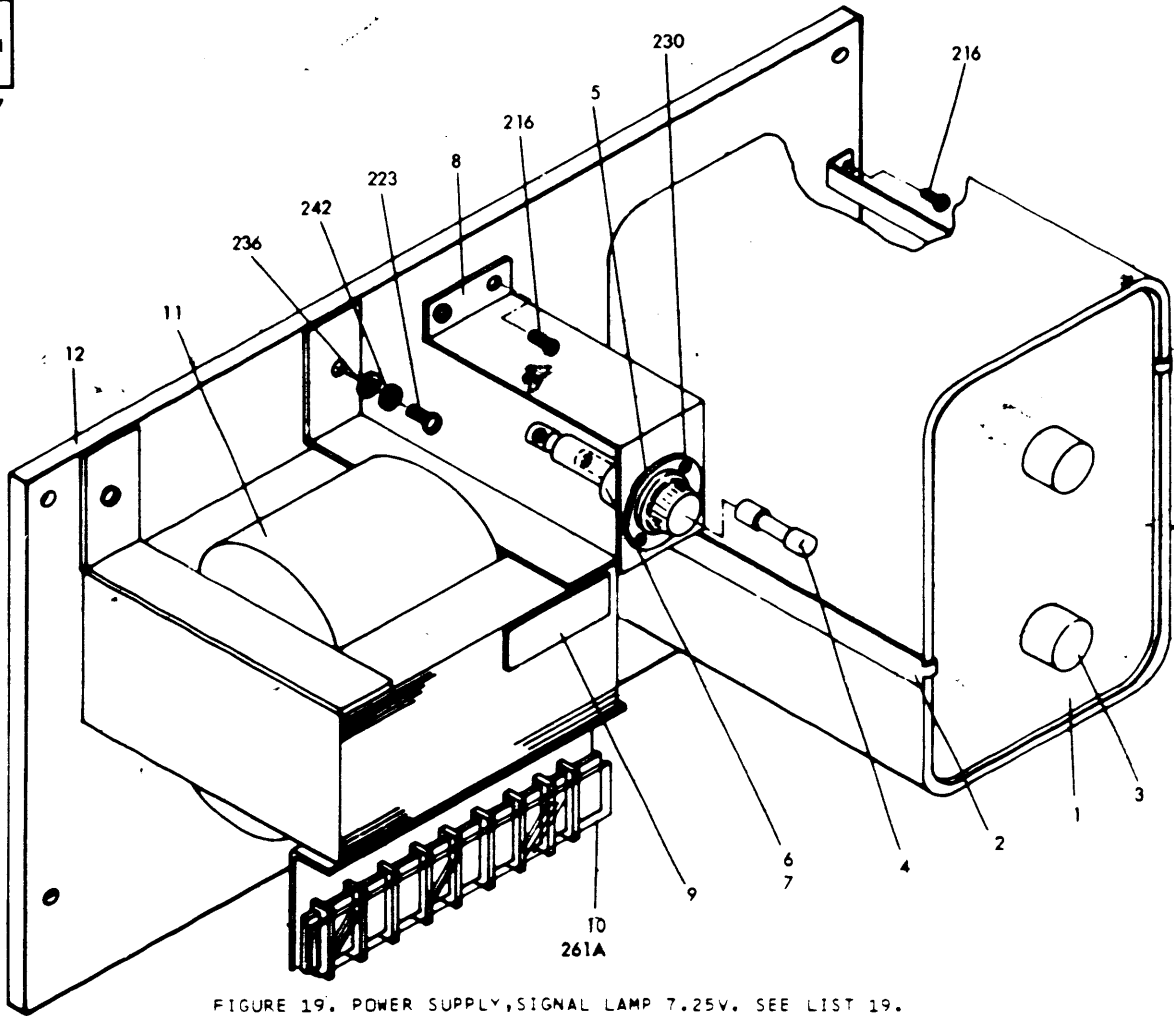


FIGURE 19. POWER SUPPLY, SIGNAL LAMP 7.25V. SEE LIST 19.

LIST AND INDEX NUMBER	PART NUMBER	DESCRIPTION				UNITS PER ASM.	USABLE ON CODE
		1	2	3	4		
19 -	5708920	POWER SUPPLY, SIGNAL LAMP 60 CYCLE					
-	5708992	POWER SUPPLY, SIGNAL LAMP 50 CYCLE USED ON MACHINES WITHOUT EC 816683 FOR NEXT HIGHER ASM SEE LIST 14-9 AND FOR ILLUSTRATION FIG. 19					
-							
-							
- 1	361536	. CAPACITOR				1	
- 2	517197	. CLAMP				2	
- 3	526378	. INSULATOR				2	
- 4	107664	. FUSE				1	
- 5	104615	. FUSEHOLDER				1	
- 6	257079	. INSULATOR, FUSE TERMINAL				1	
- 7	257080	. INSULATOR, FUSE TERMINAL				1	
- 8	5708924	. BRACKET				1	
- 9	801652	. LABEL, 60 CYCLE				1	
- 9	5240513	. LABEL, 50 CYCLE				1	
- 10	603683	. SHIELD, 60 CYCLE				1	
- 10	2572749	. SHIELD, 4 POS 50 CYCLE				1	
- 10	350977	. SHIELD, 8 POS 50 CYCLE				1	
- 11	5708922	. FERRO REGULATOR, 60 CYCLE				1	
- 11	5708921	. FERRO REGULATOR, 50 CYCLE				1	
- 12	5708923	. CHASSIS				1	
-							
-		FOR ATTACHING PARTS, INDEX NOS. 201 AND ABOVE, SEE LIST 33					

CONTINUED ON
FRAME EOI

FOR PARTS
NOT SHOWN
SEE FIG. 14
FR. D07

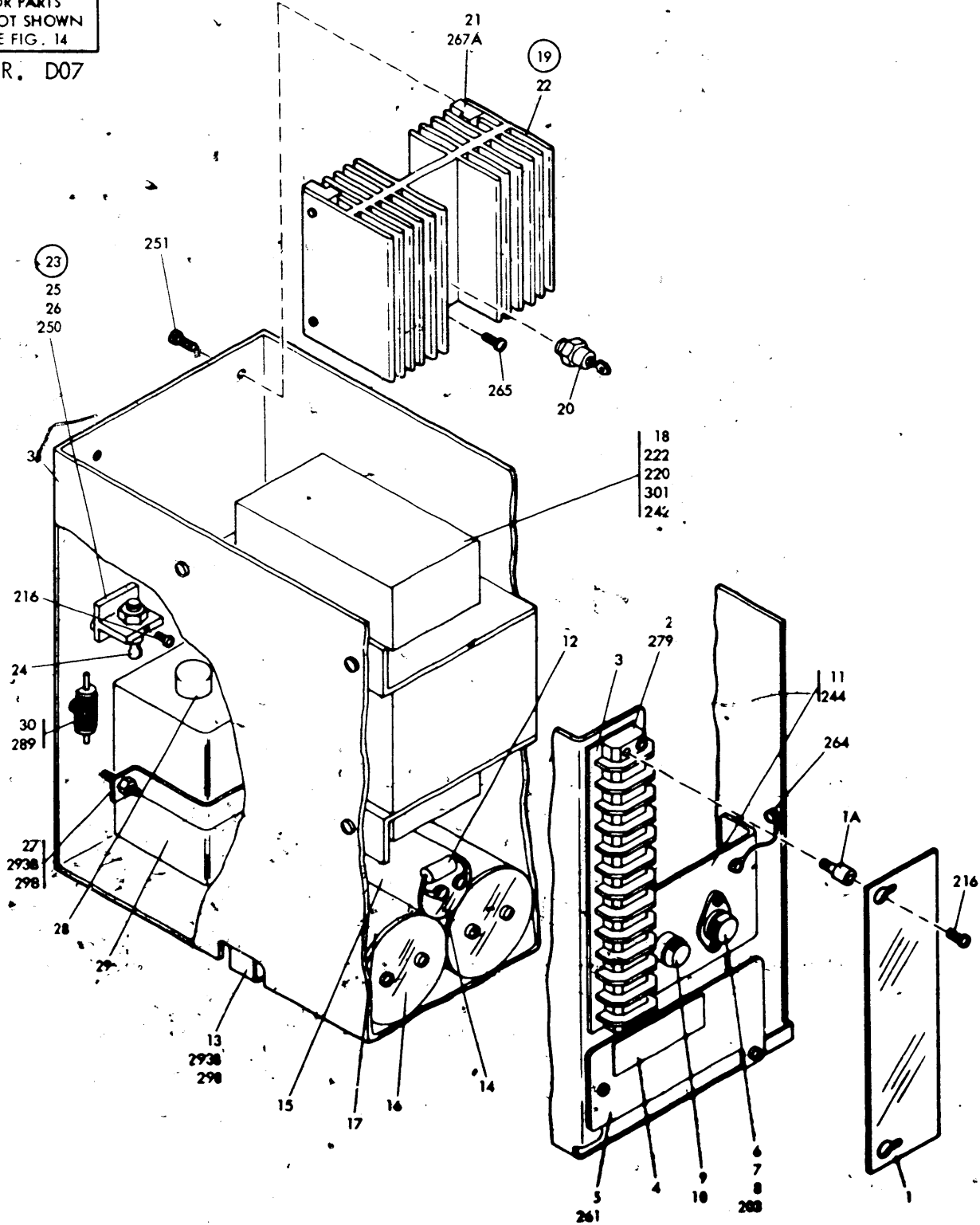


FIGURE 19A. POWER SUPPLY ASM, MULTI-LEVEL. SEE LIST 19A.

LIST AND INDEX NUMBER	PART NUMBER	DESCRIPTION				UNITS PER ASM.	USABLE ON CODE
		1	2	3	4		
19A -	2584080	POWER SUPPLY ASM, MULTI-LEVEL, 60 CYCLE, 10					
-	2584070	POWER SUPPLY ASM, MULTI-LEVEL, 50 CYCLE, 10					
-		FOR NEXT HIGHER ASM SEE 14-10A					
-		AND FOR ILLUSTRATION FIG. 19A					
- 1	2762428	. SHIELD				1	
- 1A	210883	. STUD				2	
- 2	81898	. TERMINAL BLOCK				1	
- 3	5240422	. MARKER STRIP				1	
- 4	369207	. LABEL				1	
- 5	2584084	. COVER				1	
- 6	107665	. FUSE				1	
- 7	92752	. FUSEHOLDER				1	
- 8	2501330	. INSULATOR				1	
- 9	1143492	. FUSE				1	
- 10	179946	. FUSEHOLDER				1	
- 11	2584086	. BRACKET				1	
- 12	1160395	. RESISTOR ASM				1	
- 13	5761793	. STRAP				1	
- 14	5261296	. SHIELD				1	
- 15	5214420	. CAPACITOR				1	
- 16	631769	. SHIELD				2	
- 17	5796393	. CAPACITOR				2	
- 18	2584083	. TRANSFORMER, 60 CYCLE				1	
- 18	4119308	. TRANSFORMER, 50 CYCLE				1	
- 19	5232732	. RECTIFIER ASM				1	
- 20	127324	. . RECTIFIER ASM				2	
- 21	5762034	. . INSULATOR				4	
- 22	2572223	. . HEATSINK				1	
- 23	5232888	. HEATSINK ASM				1	
- 24	590479	. . RECTIFIER				1	
- 25	5761979	. INSULATOR				1	
- 26	5232824	. BUSHING				2	
- 27	5761795	. STRAP				1	
- 28	526378	. INSULATOR				2	
- 29	361536	. CAPACITOR				1	
- 30	207385	. RESISTOR				1	
- 31	2584085	. CHASSIS				1	
-		FOR ATTACHING PARTS, INDEX NOS. 201					
-		AND ABOVE, SEE LIST 33					

FOR PARTS
NOT SHOWN
SEE FIG. 14

FR. D07

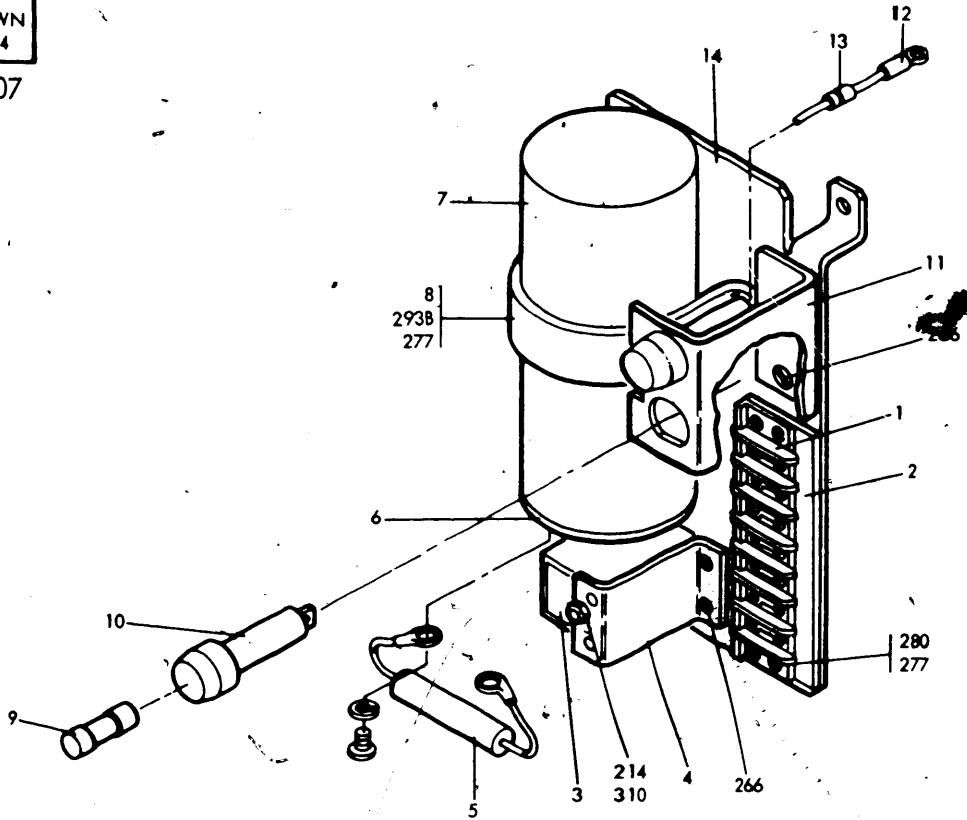


FIGURE 20. POWER SUPPLY, -12V BSCA MEDIUM SPEED. SEE LIST 20.

LIST AND INDEX NUMBER	PART NUMBER	DESCRIPTION				UNITS PER ASM.	USABLE ON CODE
		1	2	3	4		
20	2590900	POWER SUPPLY, -12V BSCA MEDIUM SPEED FOR NEXT HIGHER ASM SEE LIST 14-11 AND FOR ILLUSTRATION FIG. 20					
- 1	512071					1	
- 2	362243					1	
- 3	2122194					1	
- 4	2590906					1	
- 5	644518					1	
- 6	362206					1	
- 7	5214180					1	
- 8	5761786					1	
- 9	615683					1	
- 10	179946					2	
- 11	2590902					1	
- 12	334910					2	
- 13	5323537					2	
- 14	2590901					1	
-		FOR ATTACHING PARTS, INDEX NOS. 201 AND ABOVE, SEE LIST 33					

FOR PARTS
NOT SHOWN
SEE FIG. 14

FR. D07

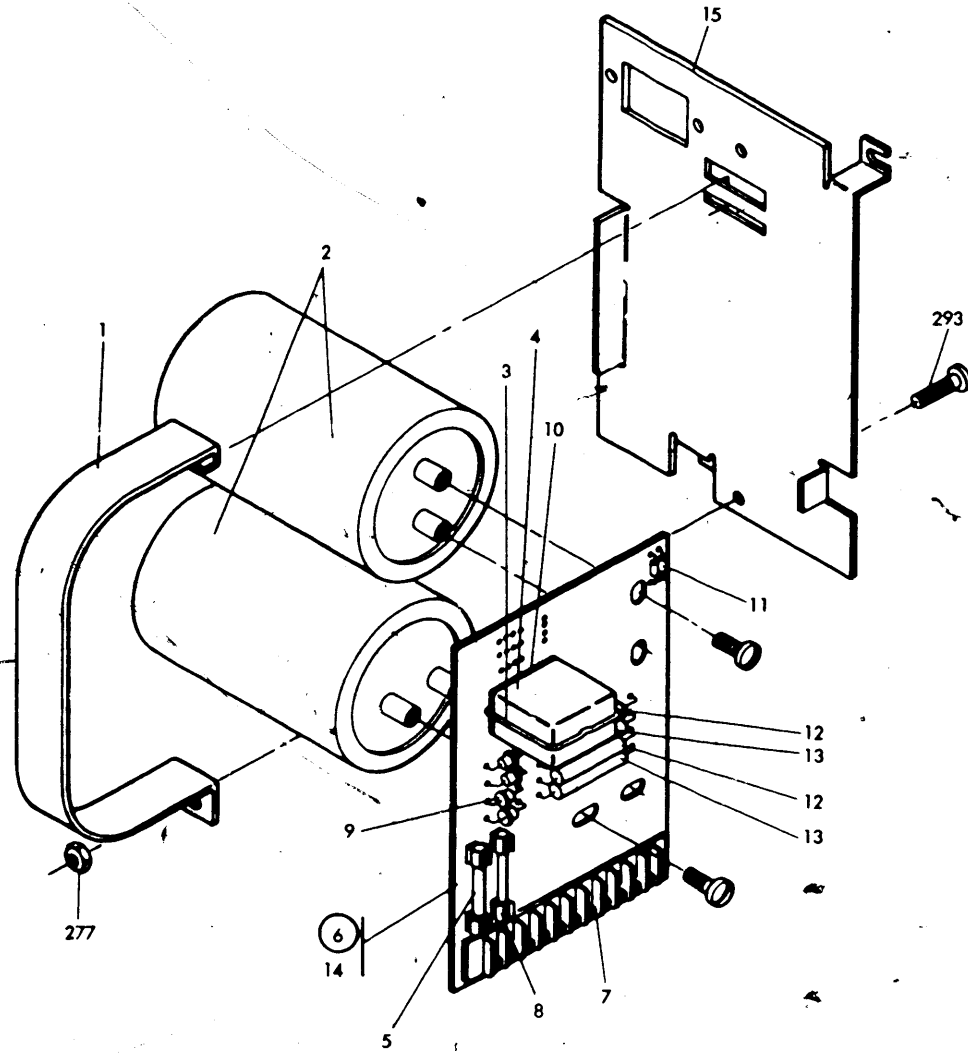


FIGURE 20A. POWER SUPPLY ASM, 12V. SEE LIST 20A.

LIST AND INDEX NUMBER	PART NUMBER	DESCRIPTION				UNITS PER ASM.	USABLE ON CODE
		1	2	3	4		
20A -	2454823	POWER SUPPLY ASM, 12V					
-		FOR NEXT HIGHER ASM SEE LIST 14-11					
-		AND FOR ILLUSTRATION FIG. 20A					
- 1	5761794	• STRAP				1	
- 2	5214367	• CAPACITOR				2	
- 3	5318966	• SPRING				1	
- 4	5214702	• RELAY				1	
- 5	5213694	• FUSE				2	
- 6	2455615	• PC BOARD ASM				1	
- 7	2588444	• TERMINAL BLOCK				1	
- 8	2481727	• FUSE CLIP				4	
- 9	5252534	• DIODE				4	
- 10	5214120	• SOCKET				1	
- 11	2414810	• DIODE				2	
- 12	208226	• RESISTOR				2	
- 13	208287	• RESISTOR				2	
- 14	2454591	• PC BOARD					
- 15	2454590	• CHASSIS				1	
-		FOR ATTACHING PARTS, INDEX NOS. 201					
-		AND ABOVE, SEE LIST 33					

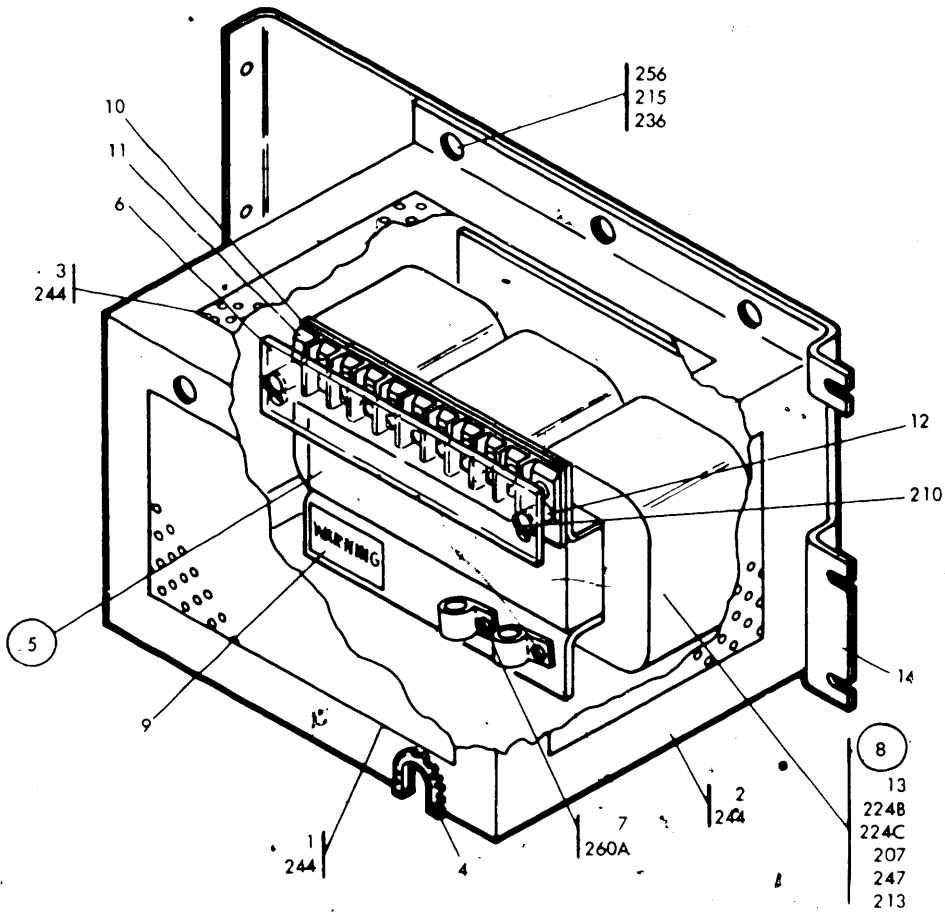


FIGURE 20B. AUTO TRANSFORMER ASM. SEE LIST 20B.

LIST AND INDEX NUMBER	PART NUMBER		DESCRIPTION	UNITS PER ASM.	USABLE ON CODE
	NO.	NP			
20B			AUTO TRANSFORMER ASM FOR NEXT HIGHER ASM SEE LIST 14-13 AND FOR ILLUSTRATION SEE FIG. 20A		
- 1	2590256		• SHIELD, FRONT	1	
- 2	2590255		• SHIELD, SIDE	2	
- 3	2590254		• SHIELD, TOP	1	
- 4	473442		• GROMMET	1	
- 5	2590250		• TRANSFORMER ASM	1	
- 6	533342		• SHIELD	1	
- 7	101923		• CLAMP, LOOP	2	
- 8	4118369		• TRANSFORMER ASM	1	
- 9	1141854		• LABEL	1	
- 10	320451		• TERMINAL BLOCK	1	
- 11	550578		• MARKER STRIP	1	
- 12	4118821		• STUD	2	
- 13	4118370		• TRANSFORMER	1	
- 14	2590251		• PLATE	1	
			FOR ATTACHING PART, INDEX NOS. 201 AND ABOVE, SEE LIST 33		

FOR PARTS
NOT SHOWN
SEE FIG. 14

FR. D07

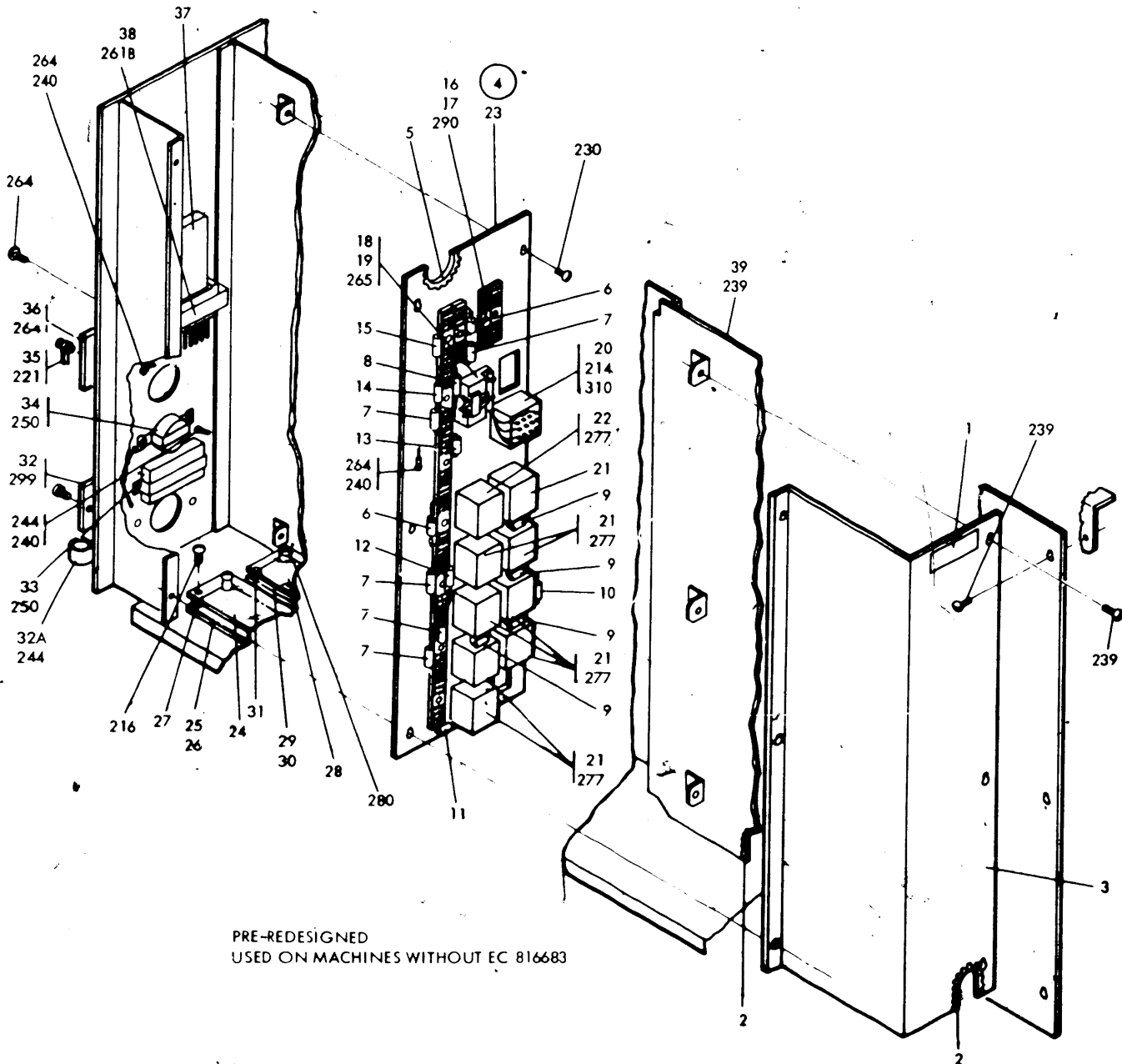
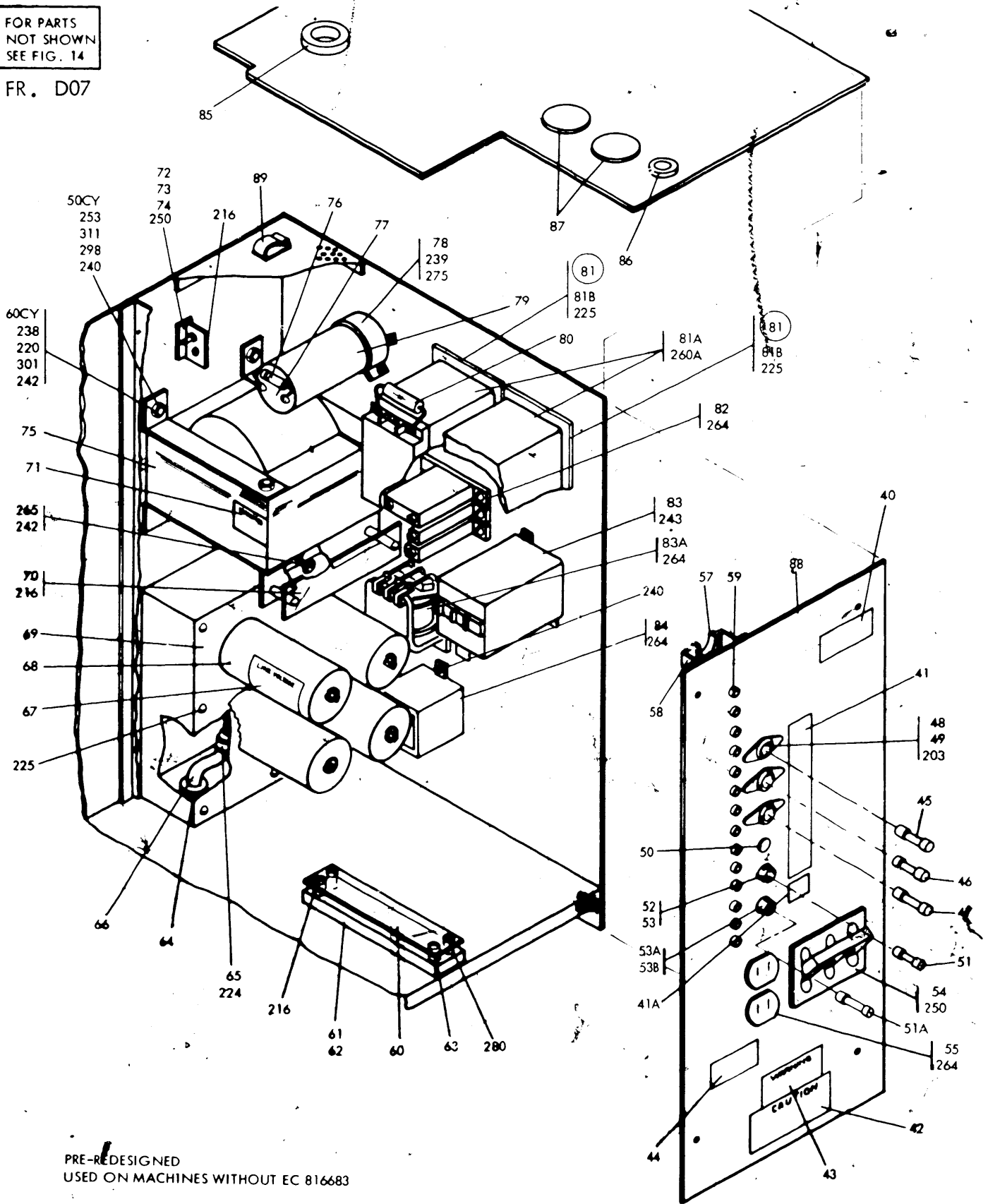


FIGURE 21. PRIMARY POWER SUPPLY. SHEET 1 OF 2. INDEX NOS. 1 THRU 39. SEE LIST 21.

FOR PARTS
NOT SHOWN
SEE FIG. 14

FR. D07



PRE-REDESIGNED
USED ON MACHINES WITHOUT EC 816683

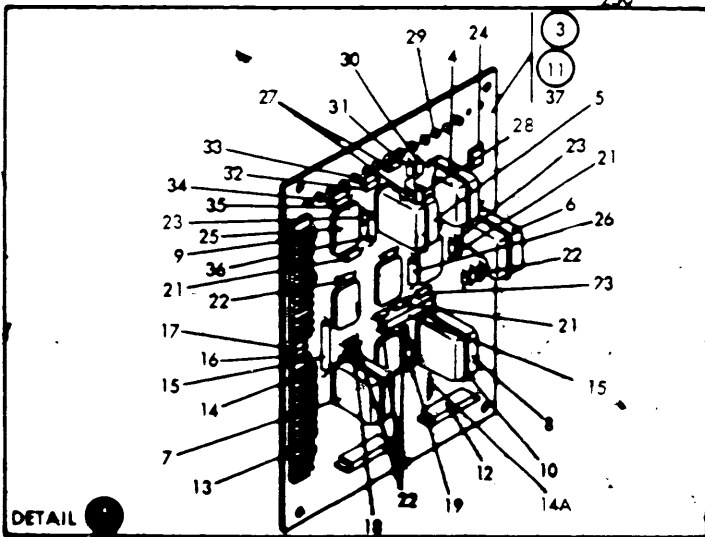
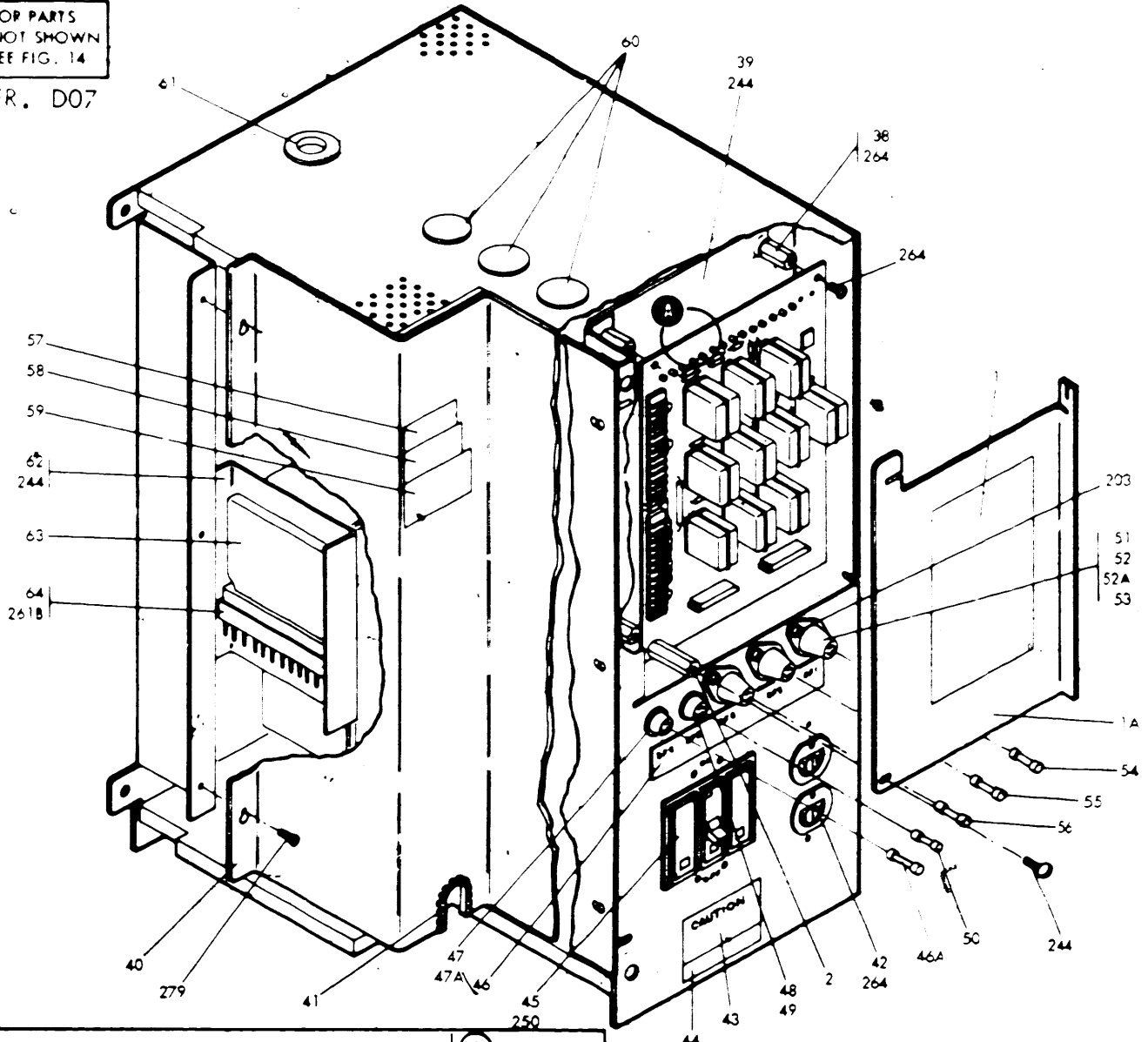
FIGURE 21. PRIMARY POWER SUPPLY. SHEET 2 OF 2. INDEX NOS. 40 THRU 89. SEE LIST 21.

LIST AND INDEX NUMBER	PART NUMBER	DESCRIPTION	UNITS	USABLE
			PER ASM.	ON CODE
21 -	2590270	PRIMARY POWER SUPPLY, 60 CYCLE		
-	2590260	PRIMARY POWER SUPPLY, 50 CYCLE		
-		USED ON MACHINES WITHOUT EQ. #16683		
-		FOR NEXT HIGHER ASM SEE LIST 14-15		
-		AND FOR ILLUSTRATION FIG. 21		
- 1	367207	. LABEL	1	
- 2	473442	. GRUMMET	2	
- 3	2590274	. COVER	1	
- 4	2590282	. PANEL ASM	1	
- 5	730432	. GRUMMET	1	
- 6	2590288	. RESISTOR-CAPACITOR ASM	2	
- 7	615354	. DIODE	5	
- 8	2137305	. DIODE	1	
- 9	2111232	. DIODE	1	
- 10	2584291	. RESISTOR-CAPACITOR ASM	1	
- 11	2588371	. RESISTOR	1	
- 12	613191	. RESISTOR ASM	1	
- 13	2134661	. RESISTOR ASM	1	
- 14	613752	. RESISTOR ASM	1	
- 15	2588332	. RESISTOR ASM	1	
- 16	302090	. TERMINAL BLOCK	1	
- 17	302131	. INSULATOR	1	
- 18	2588317	. RELAY	1	
- 19	2590257	. BRACKET	1	
- 20	2195640	. RELAY	1	
- 21	2128689	. RELAY	1	
- 22	441092	. RELAY	1	
- 23	2590277	. PANEL	1	
- 24	533361	. SHIELD	1	
- 25	315956	. TERMINAL BLOCK	1	
- 26	315957	. MARKER STRIP	1	
- 27	210883	. STUD	1	
- 28	350965	. SHIELD	1	
- 29	2101337	. TERMINAL BLOCK	1	
- 30	2101357	. MARKER STRIP	1	
- 31	210883	. STUD	1	
- 32	208528	. PLUG	1	
- 32	2588426	. PLATE, USED ON MACHINES WITH PRINTER KEYBOARD	1	
- 32A	104294	. CLAMP, USED ON MACHINES WITH PRINTER KEYBOARD	1	
- 33	532974	. RECEPTACLE, 60 CYCLE	1	
- 33	5213830	. RECEPTACLE, 50 CYCLE	1	
- 34	2590281	. RECEPTACLE	1	
- 35	532393	. STRAP	1	
- 36	2590291	. BRACKET	1	
- 37	375415	. CARD ASM	1	
- 38	634613	. SOCKET	1	
- 39	2590274	. COVER	1	
- 40	845762	. LABEL	1	
- 41	2590263	. LABEL, 60 CYCLE	1	
- 41	2590258	. LABEL, 50 CYCLE	1	
- 41A	2590283	. LABEL	1	
- 42	5232809	. LABEL	1	
- 43	646007	. LABEL	1	
- 44	5397579	. LABEL	1	
- 45	102269	. FUSE, F1-60 CYCLE	1	
- 45	107666	. FUSE, F1-50 CYCLE	1	
- 46	2588338	. FUSE, F2	1	
- 47	107668	. FUSE, F3-60 CYCLE	1	
- 47	252590	. FUSE, F3-50 CYCLE	1	
- 48	927520	. FUSEHOLDER	3	
- 49	2133112	. INSULATOR, 60 CYCLE	3	
- 49	257080	. INSULATOR, 60 CYCLE	3	
- 49	4061290	. INSULATOR, 50 CYCLE	3	
- 50	2588355	. PLUG	2	
- 51	361755	. FUSE, F5	1	
- 51A	615683	. FUSE, F6-USED ON MACHINES WITH PRINTER KEYBOARD	1	
- 52	179946	. FUSEHOLDER	1	
- 53	642763	. INSULATOR	1	
- 53A	433566	. FUSEHOLDER	1	
- 53B	642763	. INSULATOR	1	
- 54	5252506	. CIRCUIT BREAKER, 60 CYCLE	1	
- 54	5214259	. CIRCUIT BREAKER, 50 CYCLE	1	

LIST AND INDEX NUMBER	PART NUMBER	DESCRIPTION	UNITS PER ASM.	USABLE ON CODE
		1 2 3 4		
		PRIMARY POWER SUPPLY- CONT		
21 - 55	357995	. RECEPTACLE,60 CYCLE	1	
- 55	418835	. RECEPTACLE,50 CYCLE	1	
- 57	473442	. GROMMET	2	
- 58	2590259	. BRACKET	1	
- 59	5248818	. JACK,TEST	14	
- 60	533361	. SHIELD	1	
- 61	315956	. TERMINAL BLOCK	1	
- 62	315957	. MARKER STRIP	1	
- 63	210883	. STUD	2	
- 64	220764	. GROMMET	1	
- 65	2102367	. CLAMP	1	
- 66	2590290	. CABLE,60 CYCLE	1	
- 66	4007035	. CABLE,50 CYCLE	1	
- 67	138755	. LABEL	1	
- 68	5261446	. EMC FILTER,60 CYCLE	3	
- 6A		USED ON MACHINES WITHOUT EC 818964		
- 68	7369695	. EMC FILTER,60 CYCLE	3	
- 68		USED ON MACHINES WITH EC 818964		
- 68	5261446	. EMC FILTER,50 CYCLE	4	
- 6A		USED ON MACHINES WITHOUT EC 816766		
- 68	5214272	. EMC FILTER,50 CYCLE	4	
- 68		USED ON MACHINES WITH EC 816766 AND		
- 68		WITHOUT EC 818964		
- 68	7369695	. EMC FILTER,50 CYCLE	4	
- 68		USED ON MACHINES WITH EC 818964		
- 68	5214272	. EMC FILTER,60 CYCLE-JAPAN ONLY	3	
- 68		USED ON MACHINES WITHOUT EC 818964		
- 68	7369695	. EMC FILTER,50 CYCLE-JAPAN ONLY	3	
- 68		USED ON MACHINES WITH EC 818964		
- 69	2590280	. PLATE,60 CYCLE	1	
- 69	2590263	. PLATE,50 CYCLE	1	
- 70	337193	. SHIELD,60 CYCLE	1	
- 70	350966	. SHIELD,50 CYCLE	1	
- 71	1141554	. LABEL	1	
- 72	5232889	. HEATSINK ASM	1	
- 73	5761979	. INSULATOR	1	
- 74	5232824	. BUSHING	2	
- 75	2590275	. TRANSFORMER ASM,60 CYCLE	1	
- 75	4118440	. TRANSFORMER ASM,50 CYCLE	1	
- 76	1160395	. RESISTOR ASM	1	
- 77	362206	. SHIELD	1	
- 78	320456	. BRACKET	1	
- 79	5213837	. CAPACITOR	1	
- 80	2588449	. DIODE	1	
- 81	7369599	. RELAY ASM,24 VDC	2	
- 81A	2588425	. RELAY	1	
- 81B	7369622	. PLATE,RELAY MTG	1	
- 82	173706	. RESISTOR-CAPACITOR COMBINATION	3	
- 83	5276701	. CONTACTOR	1	
- 83A	2590276	. RELAY,K9A-60 CYCLE	1	
- 83A	2588386	. RELAY,K9A-50 CYCLE	1	
- 83A		USED ON MACHINES WITH PRINTER KEYBOARD		
- 84	630143	. FILTER,60 CYCLE ONLY	1	
- 85	198981	. GROMMET	1	
- 86	123074	. GROMMET	1	
- 87	246463	. PLUG	2	
- 88	2590273	. CHASSIS	1	
- 89	2596293	. CLAMP	2	
-				
-				
-		FOR ATTACHING PARTS, INDEX NOS. 201		
-		AND ABOVE, SEE LIST 33		

FOR PARTS
NOT SHOWN
SEE FIG. 14

FR. D07

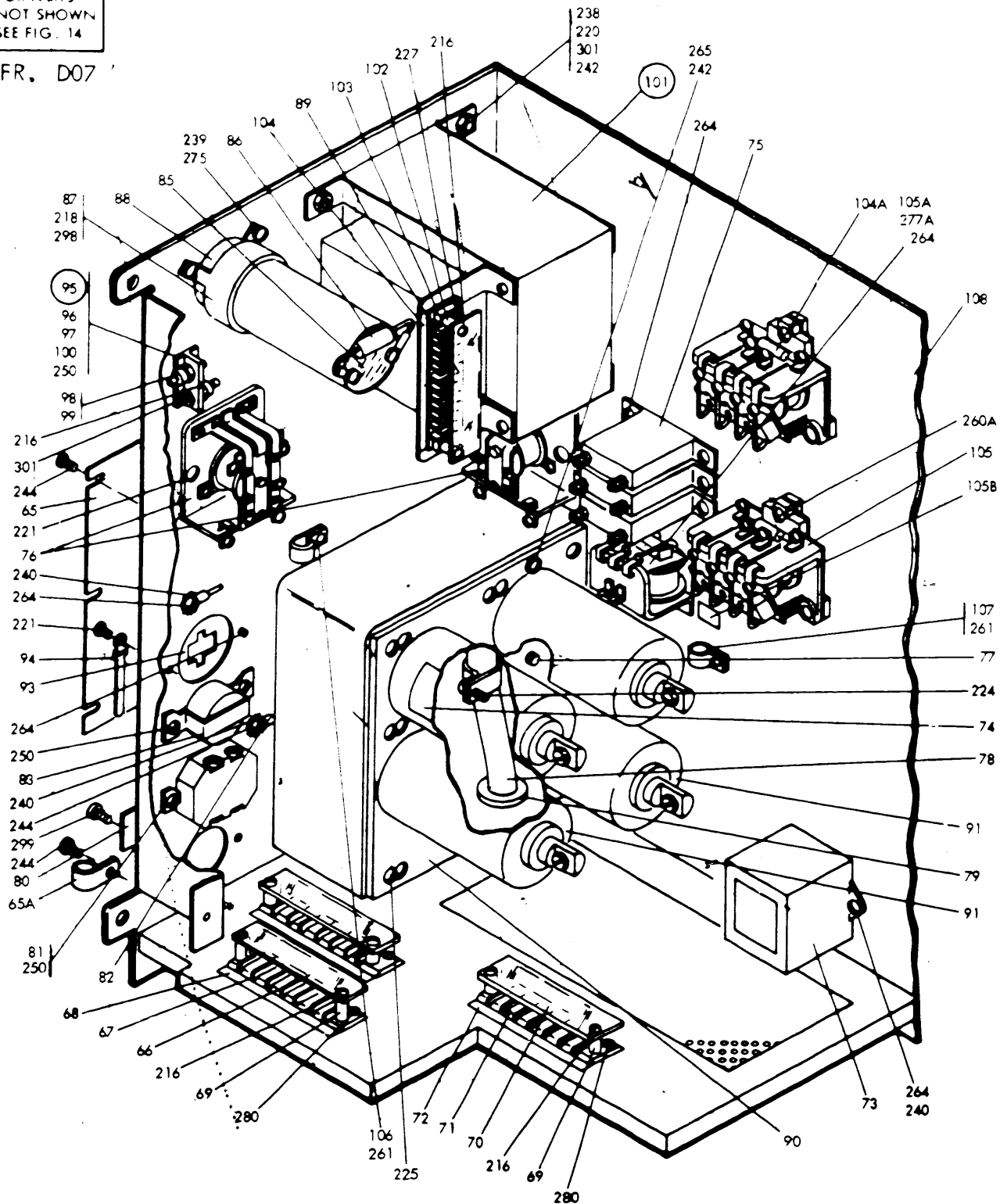


REDESIGN
USED ON MACHINES WITH EC 816683

FIGURE 21A. PRIMARY POWER SUPPLY. SHEET 1 OF 2. INDEX NOS. 1 THRU 64. SEE LIST 21A.

FOR PARTS
NOT SHOWN
SEE FIG. 14

FR. D07



REDESIGN

USED ON MACHINES WITH EC 816683

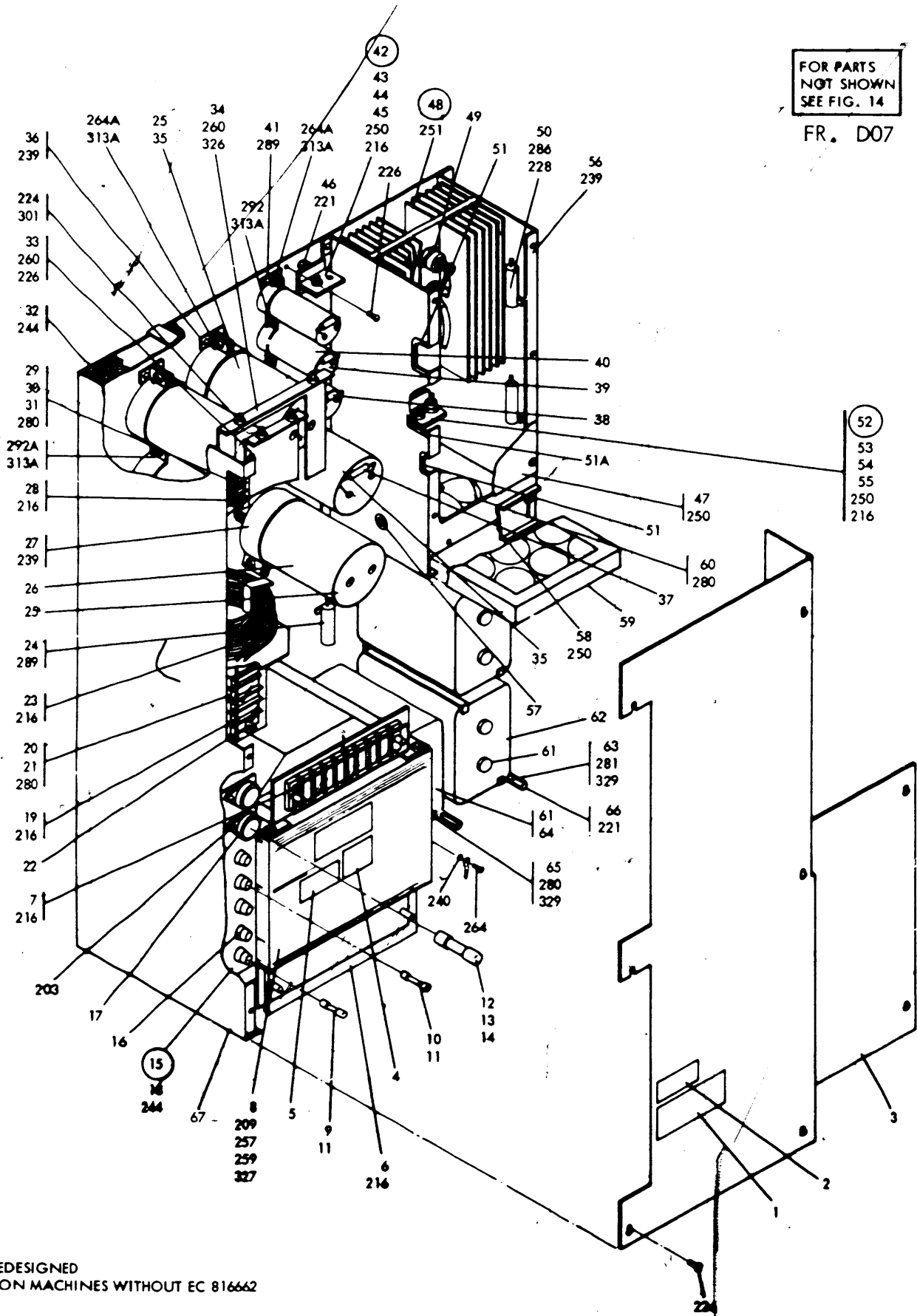
FIGURE 21A. PRIMARY POWER SUPPLY. SHEET 2 OF 2. INDEX NOS. 65 THRU 105. SEE LIST 21A.

LIST AND INDEX NUMBER	PART NUMBER	DESCRIPTION	UNITS PER ASM.	USABLE ON CODE
21A -	2588436	PRIMARY POWER SUPPLY,60 CYCLE		
-	2588435	PRIMARY POWER SUPPLY,50 CYCLE USED ON MACHINES WITH EC 816683 FOR NEXT HIGHER ASM SEE LIST 14-15 AND FOR ILLUSTRATION FIG. 21A		
-	1 2588448	. LABEL	1	
- 1A	2454946	. SHIELD	1	
- 2	2454944	. STUD	2	
- 3	2588434	. PANEL ASM,SEQUENCE RELAY	1	
- 4	765548	. . RELAY-K6	1	
- 5	767004	. . RELAY-K5	1	
- 6	767031	. . RELAY-K2,K12,K14	3	
- 7	767037	. . RELAY-K8,K10,K11,K13	4	
- 8	5214702	. . RELAY-K15	1	
- 9	740550	. . JUMPER	10	
- 10	5318966	. . RELAY RETAINER	10	
- 11	2588433	. . PANEL ASM,SEQUENCE RELAY	1	
- 12	818554	. . . CARD SOCKET	2	
- 13	2588444	. . . TERMINAL BOARD	2	
- 14	396127	. . . DIODE	1	
- 14A	369633	. . . DIODE	1	
- 15	482175	. . . CAPACITOR	2	
- 16	213693	. . . RESISTOR,FXD COMP,1.0K 5P/C 1/2W	1	
- 17	595397	. . . RESISTOR,FXD COMP,3.0K 5P/C 1/4W	1	
- 18	317428	. . . RESISTOR,FXD COMP,330 OHMS 5P/C 1/2W	1	
- 19	320610	. . . RESISTOR,FXD COMP,180 OHMS 5P/C 2W	1	
- 21	222063	. . . CAPACITOR	3	
- 22	2111232	. . . DIODE	10	
- 23	550051	. . . RESISTOR,FXD COMP,51 OHMS 5P/C 1/4W	3	
- 24	361497	. . . FIX MODULE	1	
- 25	5214120	. . . SOCKET	10	
- 26	317082	. . . RESISTOR,FXD COMP,1.0K 5P/C 2W	1	
- 26		USED ON MACHINES WITHOUT EC 816749		
- 26	317013	. . . RESISTOR	1	
- 26		USED ON MACHINES WITH EC 816749		
- 27	216465	. . . RESISTOR,FXD COMP,7.5K 5P/C 1/4W	2	
- 28	216463	. . . RESISTOR,FXD COMP,6.2K 5P/C 1/4W	1	
- 29	600250	. . . TERMINAL	14	
- 30	216475	. . . RESISTOR,FXD COMP,20K 5P/C 1/4W	1	
- 31	216443	. . . RESISTOR,FXD COMP,750 OHMS 5P/C 1/4W	1	
- 32	550049	. . . RESISTOR,FXD COMP,82 OHMS 5P/C 1/4W	1	
- 33	369388	. . . DIODE	1	
- 34	216479	. . . RESISTOR,FXD COMP,30K 5P/C 1/4W	1	
- 35	216452	. . . RESISTOR,FXD COMP,2.0K 5P/C 1/4W	1	
- 36	360044	. . . RESISTOR	1	
- 37	2588432	. . . BOARD	1	
- 38	2454943	. STANDOFF	4	
- 39	2454947	. SHIELD	1	
- 40	2454949	. COVER	1	
- 41	473442	. GROMMET	1	
- 42	357395	. RECEPTACLE 60 CYCLE	1	
- 42	418835	. RECEPTACLE 50 CYCLE	1	
- 43	5232809	. LABEL	1	
- 44	5397579	. LABEL	1	
- 45	2454900	. CIRCUIT BREAKER 60 CYCLE	1	
- 45	5214259	. CIRCUIT BREAKER 50 CYCLE	1	
- 46	2454890	. LABEL 60 CYCLE	1	
- 46	2454891	. LABEL 50 CYCLE	1	
- 46A	615693	. FUSES,SF6-USED ON MACHINES WITH PRINTER KEYBOARD	1	
- 47	433566	. FUSEHOLDER,USED ON MACHINES WITH PRINTER KEYBOARD	1	
- 47	2588335	. PUG,USED ON MACHINES WITHOUT PRINTER KEYBOARD	1	
- 47A	642763	. INSULATOR,USED ON MACHINES WITH PRINTER KEYBOARD	1	
- 47A				
- 48	179446	. FUSEHOLDER	1	
- 49	642763	. INSULATOR	1	
- 50	361755	. FUSE SF5	1	
- 51	92752	. FUSEHOLDER	3	
- 52	2133112	. INSULATOR 60 CYCLE	3	
- 52A	257080	. INSULATOR 60 CYCLE	3	
- 53	4061290	. INSULATOR CAP 50 CYCLE	3	
- 54	107669	. FUSE SF1 160 CYCLE	1	

LIST AND INDEX NUMBER	PART NUMBER	DESCRIPTION	UNITS PER ASM.	USABLE ON CODE
		PRIMARY POWER SUPPLY- CONT		
21A - 54	107664	. FUSE SF1 150 CYCLE	1	
- 55	548338	. FUSE SF2 160/50 CYCLE	1	
- 56	107664	. FUSE SF3 160 CYCLE	1	
- 56	107664	. FUSE SF3 50 CYCLE	1	
- 57	369207	. LABEL	1	
- 58	445762	. LABEL	1	
- 59	646007	. LABEL	1	
- 60	246467	. PLUG	3	
- 60	31 27	. GROMMET, USED IN MACHINES WITH AUTO TRANSFORMER	2	
- 61	196981	. GROMMET	1	
- 62	2454945	. BRACKET	1	
- 63	375429	. CARD	1	
- 64	634613	. SOCKET	1	
- 65	2454945	. COVER	1	
- 65A	104294	. CLAMP, USED ON MACHINES WITH PRINTER KEYBOARD	1	
- 65A	533361	. SHIELD	2	
- 67	315956	. TERMINAL BLOCK	2	
- 67	315957	. MARKER STRIP	2	
- 67	210583	. STUD	5	
- 70	350765	. SHIELD	1	
- 71	2101337	. TERMINAL BLOCK	1	
- 72	2101357	. MARKER STRIP	1	
- 73	630143	. FILTER 60 CYCLE ONLY	1	
- 74	138755	. LABEL	1	
- 75	173706	. RES-CAP COMP	3	
- 76	827960	. RELAY, K1 AND K9B	2	
- 77	2102367	. CLAMP	1	
- 78	2590290	. CABLE ASM 60 CYCLE	1	
- 78	4007035	. CABLE ASM 50 CYCLE	1	
- 79	220764	. GROMMET	1	
- 80	208528	. PLUG	1	
- 80	2588426	. PLATE, USED ON MACHINES WITH PRINTER KEYBOARD	1	
- 81	532974	. RECEPTACLE 60 CYCLE	1	
- 81	5213830	. RECEPTACLE 50 CYCLE	1	
- 82	5423864	. JUMPER	1	
- 83	2590281	. RECEPTACLE	1	
- 85	362206	. COVER	1	
- 86	1160395	. RESISTOR ASM	1	
- 87	320456	. BRACKET	1	
- 88	5213837	. CAPACITOR	1	
- 89	351781	. SHIELD 11 POS 60 CYCLE	1	
- 89	350977	. SHIELD 8 POS 50 CYCLE	1	
- 90	2454950	. PLATE 60 CYCLE	1	
- 90	2590263	. PLATE 50 CYCLE	3	
- 91	5261446	. EMC FILTER, 60 CYCLE USED ON MACHINES WITHOUT EC 818964	3	
- 91	7369695	. EMC FILTER, 60 CYCLE USED ON MACHINES WITH EC 818964	3	
- 91	5261446	. EMC FILTER, 50 CYCLE	4	
- 91		USED ON MACHINES WITHOUT EC 816767		
- 91	5214272	. EMC FILTER, 50 CYCLE USED ON MACHINES WITH EC 816767	4	
- 91		AND WITHOUT EC 818964		
- 91	7369695	. EMC FILTER, 50 CYCLE USED ON MACHINES WITH EC 818964	4	
- 91		USED ON MACHINES WITH EC 818964		
- 93	2590291	. BRACKET	1	
- 94	532393	. STRAP	1	
- 95	5232889	. HEATSINK ASM	1	
- 96	5761979	. . INSULATOR	1	
- 97	5232824	. . BUSHING	1	
- 98	598479	. . RECTIFIER	2	
- 99	419131	. . SPACER	2	
-100	5762383	. . HEATSINK	1	
-101	2588428	. TRANSFORMER ASM 60 CYCLE	1	
-101	4119245	. TRANSFORMER ASM 50 CYCLE	1	
-102	5762407	. . STUD	2	
-103	65317	. . TERMINAL BLOCK 60 CYCLE	1	
-103	317145	. . TERMINAL BLOCK 50 CYCLE	1	
-104	5214560	. . MARKER STRIP 60 CYCLE	1	
-104	4120241	. . MARKER STRIP 50 CYCLE	1	
-104A	2588449	. DIODE ASM	2	
-104A		USED ON MACHINES WITH EC 816683		
-105	2588425	. RELAY, K3 AND K9	2	

LIST AND INDEX NUMBER	PART NUMBER	DESCRIPTION	UNITS PER ASM.	USABLE ON CODE
		1 2 3 4		
		PRIMARY POWER SUPPLY- CONT		
21A -105A	2590276	. RELAY, K9A-60 CYCLE	1	
-105A		USED ON MACHINES WITHOUT EC 816750		
-105A		AND WITH PRINTER KEYBOARD		
-105A	2454976	. RELAY, K9A-60 CYCLE	1	
-105A		USED ON MACHINES WITH EC 816750		
-105A		AND WITH PRINTER KEYBOARD		
-105A	2588286	. RELAY, K9A-50 CYCLE	1	
-105A		USED ON MACHINES WITHOUT EC 816750		
-105A		AND WITH PRINTER KEYBOARD		
-105A	2454982	. RELAY, K9A-50 CYCLE	1	
-105A		USED ON MACHINES WITH EC 816750		
-105A		AND WITH PRINTER KEYBOARD		
-105A	2590283	. LABEL	1	
-106	327421	. CLAMP, LOOP	1	
-107	2102368	. CLAMP, LOOP	1	
-108	2454925	. CHASSIS	1	
-				
-				
-		FOR ATTACHING PARTS, INDEX NOS. 201		
-		AND ABOVE, SEE LIST 33		

FOR PARTS
NOT SHOWN
SEE FIG. 14
FR. D07



PRE-REDESIGNED
USED ON MACHINES WITHOUT EC 816662

FIGURE 22. BULK POWER SUPPLY NO. 1. SEE LIST 22.

LIST AND INDEX NUMBER	PART NUMBER	DESCRIPTION	UNITS PER ASM.	USABLE ON CODE.
22 -	5232850	BULK POWER SUPPLY NO. 1,60 CYCLE		
-	5232840	BULK POWER SUPPLY NO. 1,50 CYCLE		
-		USED ON MACHINES WITHOUT EC816662		
-		FOR NEXT HIGHER ASM SEE LIST 14-16		
-		AND FOR ILLUSTRATION FIG. 23		
- 1	5232809	. LABEL	1	
- 2	369207	. LABEL	1	
- 3	5232733	. COVER	1	
- 3		USED ON MACHINES WITHOUT EC 818969		
- 3	7369565	. COVER	1	
- 3		USED ON MACHINES WITH EC 818969		
- 4	1141554	. LABEL	1	
- 5	801652	. LABEL,60 CYCLE	1	
- 5	5240513	. LABEL,50 CYCLE	1	
- 6	352088	. SHIELD	1	
- 7	533361	. SHIELD	1	
- 8	5252551	. TRANSFORMER ASM,60 CYCLE	1	
- 8	4118437	. TRANSFORMER ASM,50 CYCLE	1	
- 9	1143492	. FUSE	3	
- 10	596676	. FUSE	2	
- 11	642763	. INSULATOR	5	
- 12	5232814	. FUSE	2	
- 13	2133112	. INSULATOR	2	
- 14	257080	. INSULATOR	2	
- 15	5232799	. HOLDER ASM	1	
- 16	179946	. FUSEHOLDER	5	
- 17	92752	. FUSEHOLDER	2	
- 18	5232726	. BRACKET	1	
- 19	535506	. SHIELD	1	
- 20	317315	. TERMINAL BLOCK	1	
- 21	2101342	. MARKER STRIP	1	
- 22	2125898	. STUD	1	
- 23	5232781	. COIL ASM	1	
- 24	5261946	. RESISTOR ASM	1	
- 25	631769	. SHIELD	2	
- 26	5214233	. CAPACITOR	1	
- 27	5261284	. BRACKET	2	
- 28	582444	. SHIELD	1	
- 29	322767	. TERMINAL BLOCK	1	
- 30	363434	. MARKER STRIP	1	
- 31	210883	. STUD	2	
- 32	5232825	. SHIELD	1	
- 32		USED ON MACHINES WITHOUT EC 818969		
- 32	7369564	. SHIELD	1	
- 32		USED ON MACHINES WITH EC 818969		
- 33	5232846	. PLATE	1	
- 34	5232845	. PLATE	1	
- 35	5796393	. CAPACITOR	7	
- 36	5232844	. BRACKET	4	
- 37	5232884	. RESISTOR ASM	1	
- 38	1160395	. RESISTOR ASM	3	
- 39	5261296	. SHIELD	3	
- 40	5796426	. CAPACITOR	3	
- 41	5232843	. BRACKET	2	
- 42	5232888	. HEATSINK ASM	3	
- 43	598479	. RECTIFIER	1	
- 44	5761979	. INSULATOR	3	
- 45	5232824	. BUSHING	3	
- 46	5232774	. STANDOFF	2	
- 47	5232848	. COVER	1	
- 48	5232886	. HEATSINK ASM	1	
- 49	5214179	. RECTIFIER	2	
- 50	2194889	. RESISTOR	2	
- 51	473442	. CHANNEL	AR	
- 51A	5213226	. CHANNEL	AR	
- 52	5232887	. HEATSINK ASM	2	
- 53	127324	. RECTIFIER	2	
- 54	5781979	. INSULATOR	2	
- 55	5232824	. BUSHING	2	
- 56	5232739	. SHROUD	1	
- 57	123070	. BRONNET	1	
- 58	5232827	. BRACKET	1	
- 59	5232826	. FILTER	1	
- 60	5232828	. FAN ASM,60 CYCLE	1	
- 60	412179	. FAN ASM,50 CYCLE	1	
- 61	526378	. INSULATOR	4	

CONTINUED ON

FRAME A12

CARD 1-2