

Maintenance Library

5444

**Disk Storage Drive
(Machines with serial no. above 30100)**

5440

**Disk Cartridge
Parts Catalog**

First Edition (May, 1971)

Changes are continually made to the information herein; any such changes will be reported in subsequent revisions or Technical Newsletters.

Requests for copies of IBM publications should be made to your IBM representative or to the IBM branch office serving your locality.

A form for readers' comments is provided at the back of this publication. If the form has been removed, comments may be addressed to IBM United Kingdom Laboratories Ltd., Product Publications, Hursley Park, Winchester, Hants, England. Comments become the property of IBM.

© Copyright International Business Machines Corporation 1971

This Parts Catalog (PC) contains listings and illustrations of all replaceable assemblies, subassemblies, and detail parts for the IBM 5444 Disk Storage Drive (Machines with serial no. above 30100) and IBM 5440 Disk Cartridge that have been released to Production Control on or before 26 February 1971 (EC 392666). The information enables stock and maintenance personnel to identify, requisition, and issue replacement parts.

The following aids are provided for the reader:

1. At the front of the manual:
 - a. An explanation of how the PC is organized and used.
 - b. A visual index that contains overall views of the 5444 Disk Storage Drive and 5440 Disk Cartridge and provides a starting point for locating a part.
2. At the back of the manual: an index of part numbers.

Associated Publication: IBM Maintenance Library, *5444 Disk Storage Drive (Machines with serial no. above 30100), Theory Maintenance*, Order No. SY33-0029.

Contents

<i>List and Figure No.</i>	<i>Title</i>	<i>Page No.</i>
	How to use this Parts Catalog (PC)	v
	Visual Index 1	viii
	Visual Index 2	ix
	Visual Index 3	x
	Visual Index 4	xi
	Abbreviations	xii
	Group Assembly Parts Lists	1
1	Cover Groups and Assemblies	2
2	5444 Disk File, Final Assembly (Parts)	4
3	Cable Assemblies (2 Parts)	14
4	Actuator Assembly (Parts)	18
5	Motor Encoder Assembly	26
6	Clamp Assembly	28
7	Clamp Assembly	30
8	DC Box Assembly	32
9	AC Box Assembly	34
10	Gate Assembly	36
11	Brush Drive Assembly – 50Hz	38
12	Brush Drive Assembly – 60Hz	40
13	5440 Cartridge Assembly	42
14	Cable and Jumper Assembly Component Parts (2 Parts)	44

Part I

To find parts quickly, a general understanding of the structure of this catalog is necessary. The catalog is divided into three major sections:

- The Visual Index, containing overall views of the machine, with call-outs pointing to detailed figures.
- The Catalog Section, containing a pictorial breakdown of assemblies and subassemblies.
- The Numerical Index, which is a numerical list of all parts used in the machine, with cross-references to the figure on which the part is found.

VISUAL INDEX

The Visual Index, located before the Catalog Section, contains a reduced illustration of every figure in the Catalog Section. The reduced illustrations are tied together with flow arrows to form a natural progression from large assemblies to small assemblies and possibly subassemblies. In effect, a visual table of contents is formed by the Visual Index illustrations.

CATALOG SECTION

The Catalog Section contains the full-sized illustrations previously noted in the Visual Index. Index numbers on figures refer to corresponding entries in the Group Assembly Parts List accompanying each figure. Refer to part II for explanation of terms used in the Group Assembly Parts List.

NUMERICAL INDEX

The Numerical Index is located after the Catalog Section and contains a complete list, in numerical order, of all part numbers used on the machine. Listed with the part number is the index and figure number on which the part is illustrated. The numerical index makes it possible to locate a part when only the part number is known.

STACKED INDEX NUMBERS

Stacked Index numbers are used when showing a part and its attaching hardware. The sequence of a typical stack is shown at the right. The circled index number indicating the assembly is broken down within the figure.

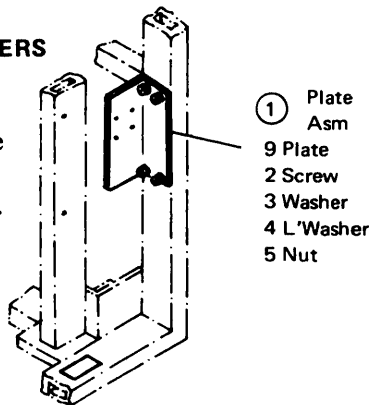


ILLUSTRATION NOTES

Cross-reference notes are directly on the illustration. The illustration's next higher assembly reference, normally located in the upper left corner of the page will read: "For Parts Not Shown See Figure X". If an assembly is referenced to a lower level figure, the note located next to the index number will read: "See Figure X".

DOUBLE LINED DETAIL BOX

The double lined box differentiates between parts shown on the basic model and parts related to a level and/or feature difference. An explanation of the level or feature difference is given in the double lined box.

FINDING A PART

The Visual Index is the starting point for locating a part. The illustrations in the Visual Index are reduced versions of all illustrations in the Catalog Section; therefore, the illustrations can be used to find the assembly containing the desired part. Use references to the detailed figure in the Catalog Section, or to another Visual Index illustration, to determine location of part number.

Once the detailed figure in the catalog section is determined, finding the part on the figure and referring to the listing for the part number and description is all that is required in most cases. If the first catalog section figure referenced shows the assembly containing the required part, the index number for the assembly will reference a lower-level figure where the assembly is broken down to its component parts. If the figure referenced by the Visual Index contains neither the part nor an assembly containing the part, it is then necessary to go to the next higher assembly figure. This figure should then contain the part or an assembly containing the part; if not, an even higher level figure must be used. Refer back to the Visual Index for some other figure that could show the desired part.

Note: Many detailed parts are unavailable, because they are part of an inseparable assembly (two or more parts welded or bonded together), or because they are part of an assembly purchased as a unit. If parts are found on a welded or bonded assembly, the following note follows the description of the assembly: "Assembly components are not replaceable". If the part is found on a purchased assembly, and the detail parts of this assembly do not have IBM part numbers, the note following the assembly description will read: "Assembly components are not available". In either case, you need to obtain the part number of the assembly, rather than the detailed part.

EXAMPLE FOR ORDERING PARTS

				REF
4 -	5726422	FAN ASM-P/S ENCLOSURE		
		FOR NEXT HIGHER ASSEMBLY SEE FIGURE 1		
- 1	334921	. TERMINAL RING- 18-22 AWG, #6 HOLE, INS		2
- 2	187854	. SHIELD, TERMINAL BLOCK- 2 POS		1
- 3	210984	. SCREW, RD HD MACH-6-32 X .250 LG	ATT PT	1
- 4	5357050	. FAN ASM-NO CONNECTOR		1
- 5	32042	. SCREW, MACH BIND. HD 10-32 X .375 LG	ATT PT	2
- 6	5357066	. BLADE		1
- 7	5357067	. MOTOR 208V/230V 60CY 220V 50CY		1
- 8	330434	. SCREW, MACH-SLOTTED HEX HD 10-32 X .375 LG	ATT PT	2
- 9	56079	. WASHER, LOCK-EXT T .19510 .410 OD	ATT PT	2
- 10	5726436	. HEADER-POWER SUPPLY FAN		1

If the entire fan is required, order part number 5726422; all one dot items will be supplied. If only the subassembly is required, order part number 5357050; all two dot items will be supplied. If part number 5357050 is ordered, only the two dot items will be supplied; not the attaching part 32042. Attaching parts immediately follow subassemblies before the assembly breakdown, and must be ordered separately.

All parts may be ordered individually.

PART II

1 AR

As Required (AR) in the units per assembly column denotes that the quantity is used as required.

2 ATT PT

Attaching Parts: These parts are used to attach a subassembly to an assembly. The attaching parts are listed immediately following the part to be attached.

3 COMM

Commercial hardware: When this indication appears in the part number column, it denotes hardware procurable from normal commercial sources and not identified by an IBM part number.

4 INDENTURE

The relationship of a part to its next higher assembly is indicated by indentures. For example:

1 2 3 4

Unit

- . Assemblies and Detail Parts of Unit
- . Attaching Parts for Assemblies & Detail Parts
- . . Subassemblies
- . . Attaching Parts for Subassemblies
- . . . Detail Parts for Subassemblies, etc.

5 NR

NR in the part number column denotes the part is procurable but not recommended for field replacement, and that the next higher assembly should be ordered.

6 NP

The entry NP in the part number column denotes the assembly is non-procurable and the detail parts should be ordered separately.

7 NO NO.

When this indication appears in the part number column, it denotes a group of parts for which no assembly part number has been assigned, and the detail parts should be ordered separately.

8 REF

This entry in the units per assembly column denotes an assembly which is completely assembled on a preceding illustration. Quantities for such items are found in its next higher assembly.

9 SIMILAR ASSEMBLIES

If two assemblies contain a majority of identical parts, they are broken down on the same list. Common parts are shown by one index number. Parts peculiar to one or the other of the assemblies are listed separately and identified by Usable On Code.

10 USABLE ON CODE

Part application and interchangeability is indicated by the usable on code. If this column is blank, the parts pertain to all equipment(s) covered. Two types of codes are used. The alphabetic code denotes similar assemblies and/or features; the numeric code denotes level. Refer to the beginning of each list for the explanation of the code(s).

11 SUFFIX CODE

The suffix code indicates the month (alphabetic) and the year (numeric) of the engineering change which affected interchangeability of the part.

EXAMPLE OF PARTS LIST

LIST AND INDEX NO.	PART NO.	DESCRIPTION				UNITS PER ASM.	USABLE ON CODE
		1	2	3	4		
		DRIVE MOTOR ASSEMBLY					
2-	(9)	(10)					(10)
						(8)	
						REF	1A
-	2199376 NP					REF	1B
-	2199386 NP						
						(1)	
- 1	2204176	(4)			(2)	1	A
- 1	2199255					1	B
- 2	79842					AR	
- 3	2204116	(7)				1	A
- 4	NO NO.					1	B
- 5	5526					4	
- 6	2204082	(3)				1	
- 7	2204033					1	
- 8	COMM					1	
- 8	2199258	(5)				1	
- 9	2199401 NR					1	A
- 9	2199402 NR					1	B

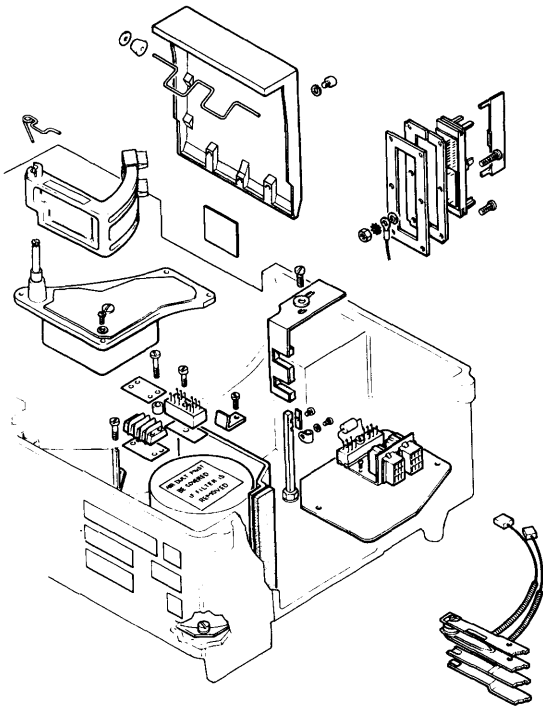


FIGURE 2. 5444 DISK FILE, FINAL ASSEMBLY (PART 1 OF 4)

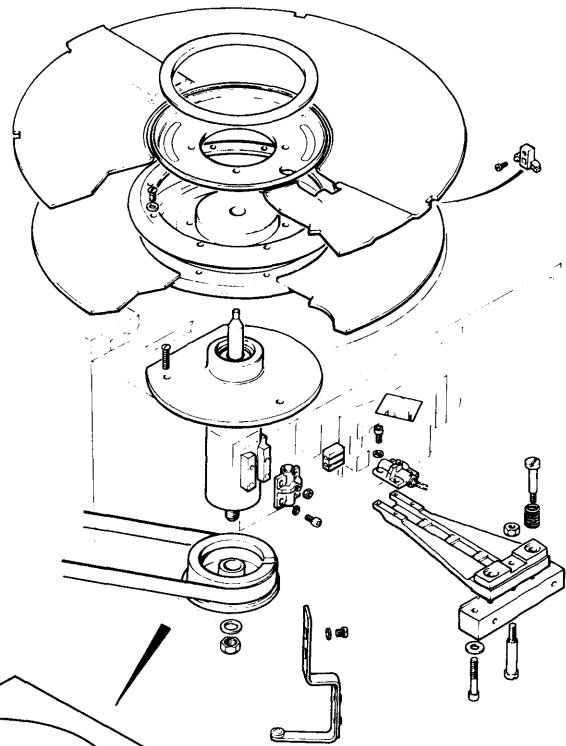
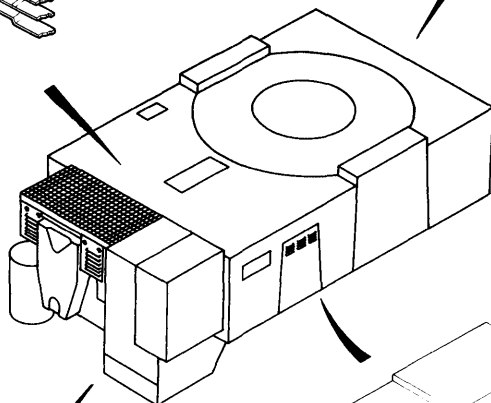


FIGURE 2. 5444 DISK FILE, FINAL ASSEMBLY (PART 4 OF 4)



For Cable Assemblies,
See Figure 3

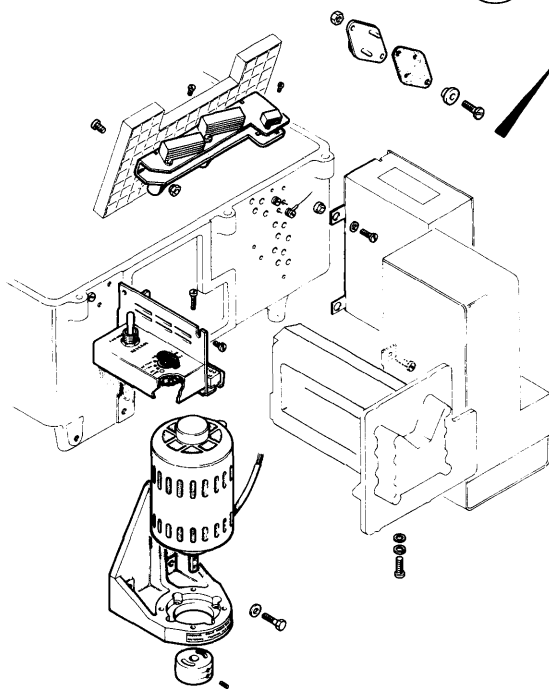


FIGURE 2. 5444 DISK FILE FINAL ASSEMBLY (PART 2 OF 4)

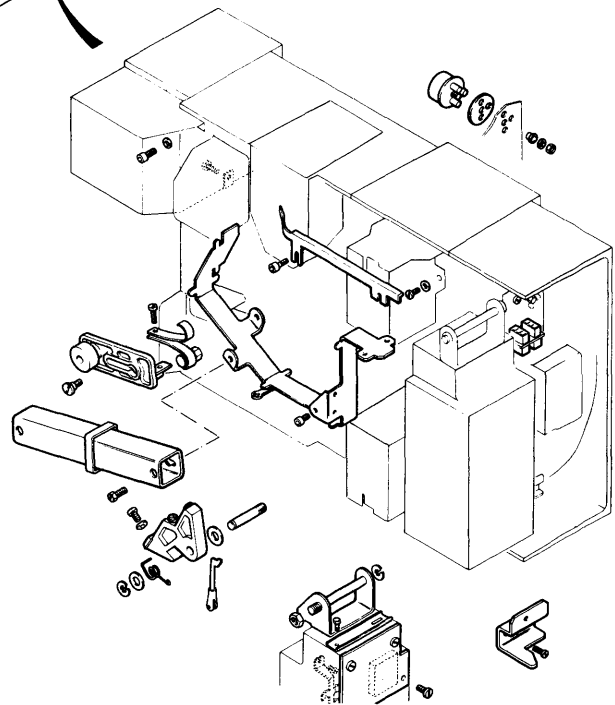


FIGURE 2. 5444 DISK FILE, FINAL ASSEMBLY (PART 3 OF 4)

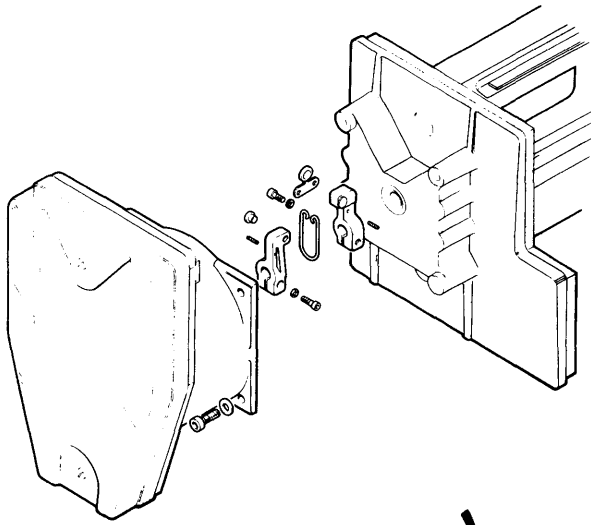


FIGURE 4. ACTUATOR ASSEMBLY (PART 1 OF 4)

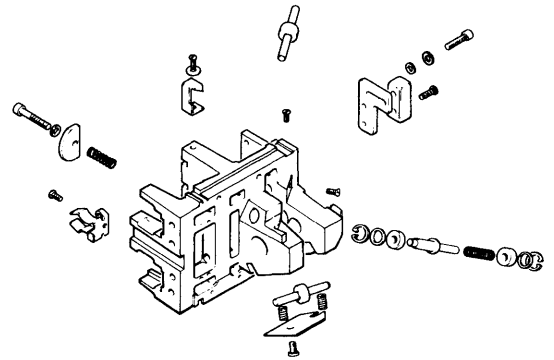
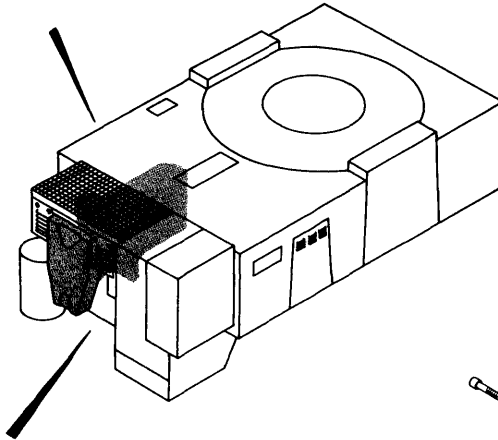


FIGURE 4. ACTUATOR ASSEMBLY (PART 4 OF 4)



For Cover Groups
and Assemblies,
See Figure 1

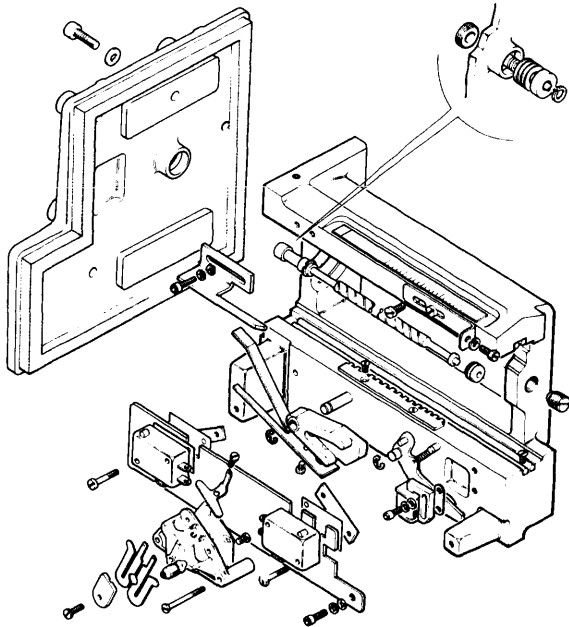


FIGURE 4. ACTUATOR ASSEMBLY (PART 2 OF 4)

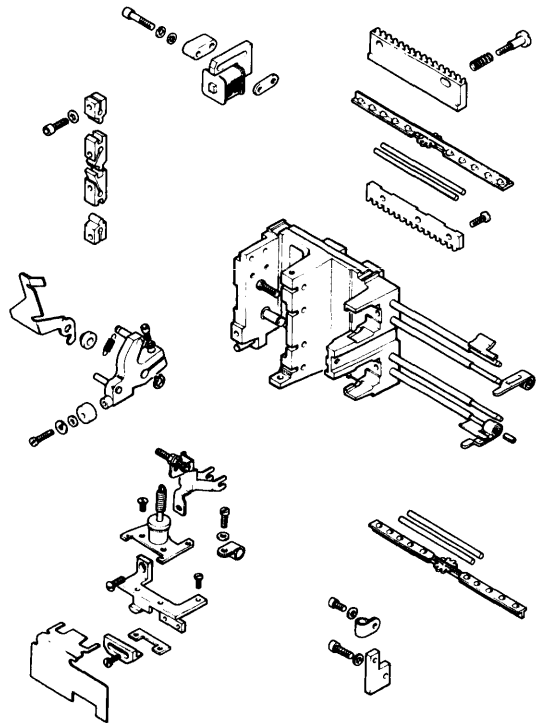


FIGURE 4. ACTUATOR ASSEMBLY (PART 3 OF 4)

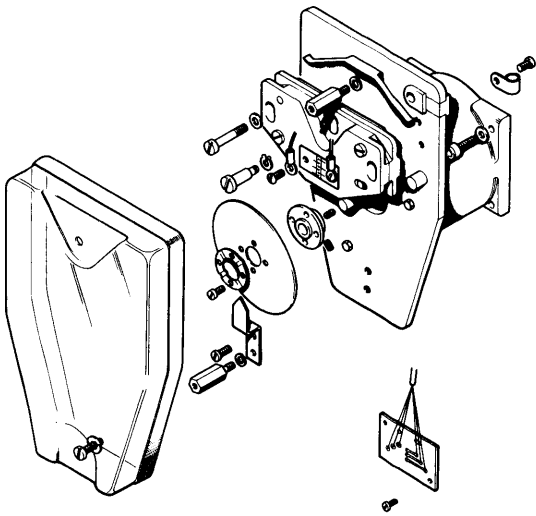


FIGURE 5. MOTOR ENCODER ASSEMBLY

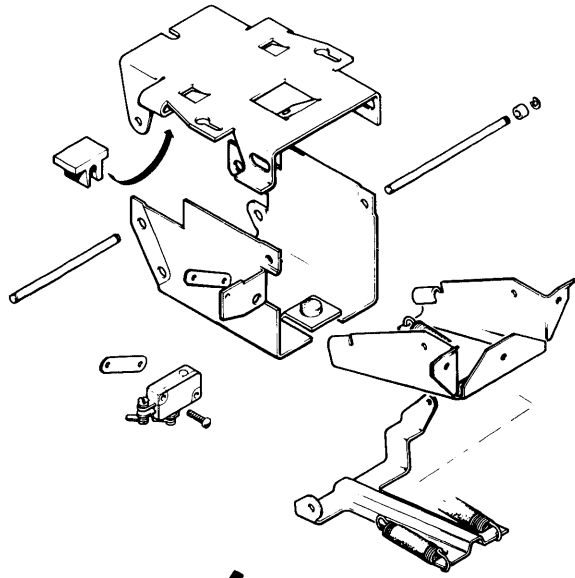
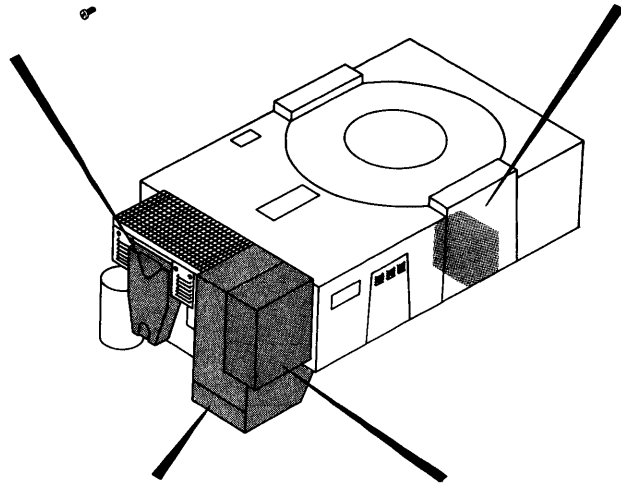


FIGURE 6. CLAMP ASSEMBLY - RH



For Cover Groups
and Assemblies,
See Figure 1

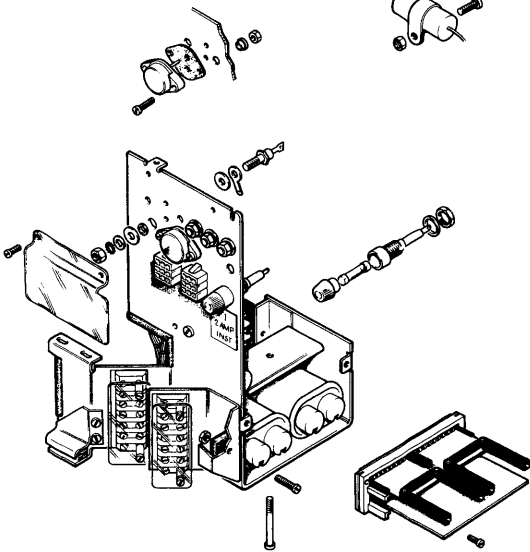


FIGURE 8. DC BOX ASSEMBLY

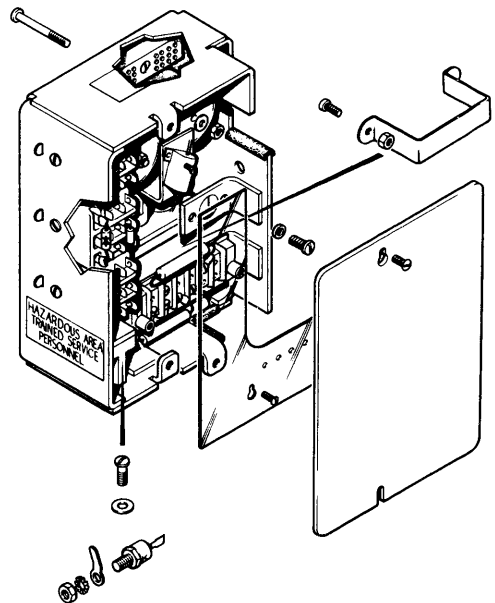


FIGURE 9. AC BOX ASSEMBLY

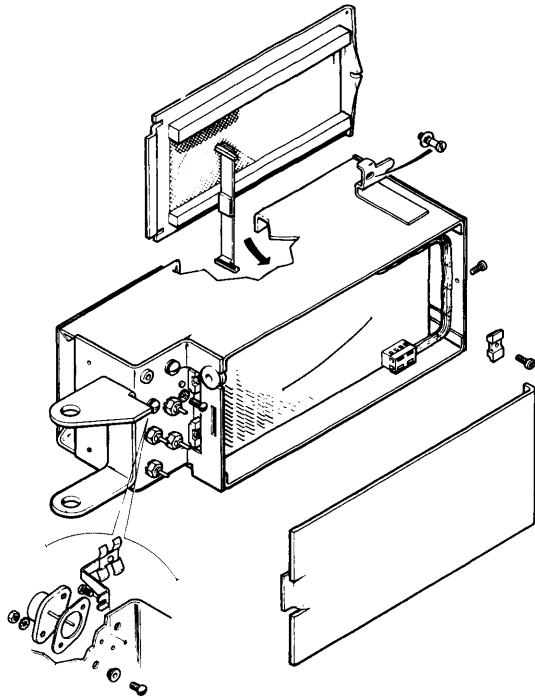


FIGURE 10. 'Y' GATE ASSEMBLY

For Cable Assemblies,
See Figure 3

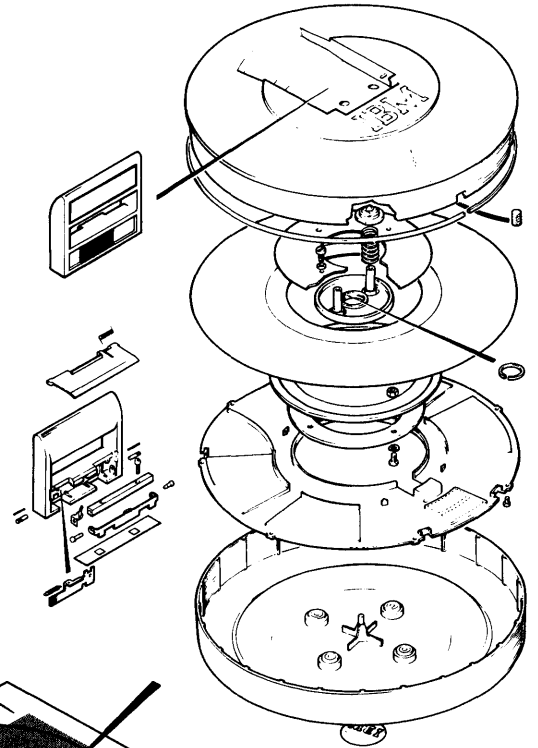


FIGURE 13. 5440 CARTRIDGE ASSEMBLY

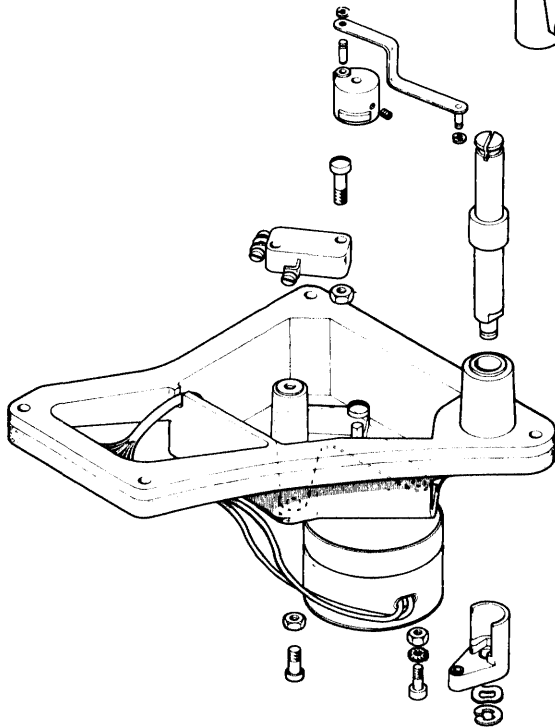
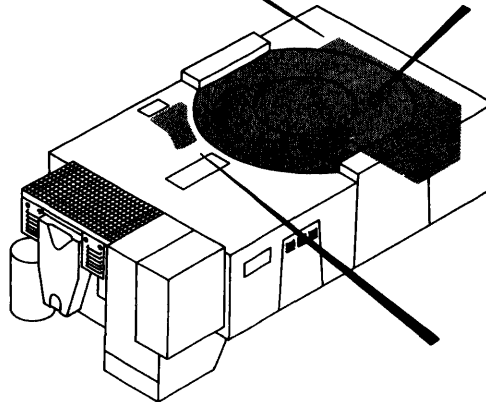


FIGURE 12. BRUSH DRIVE ASSEMBLY - 60Hz

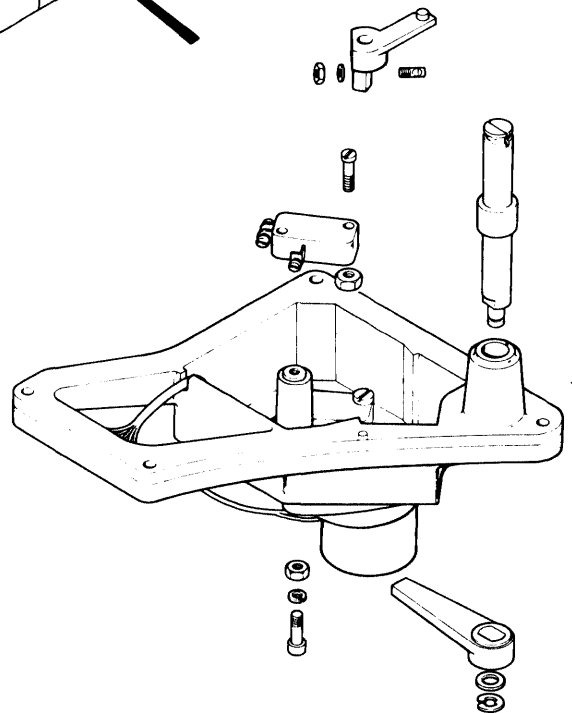


FIGURE 11. BRUSH DRIVE ASSEMBLY - 50Hz

Abbreviations

AL	Aluminium	IT	Internal Teeth
ASM	Assembly	LCK	Lock
BD	Binding	LG	Long
BIND	Binding	LH	Left Hand
COMPR	Compression	MACH	Machine
CON	Connection	MFI	Machine Features Index
CONN	Connection	MTG	Mounting
CSK	Countersunk	NOM	Nominal
CSTMZ	Customized	OD	Outside Diameter
DIA	Diameter	POS	Position
DK	Dark	RH	Right Hand
ECC	Eccentric	SELF TAP	Self Tapping
ET	External Teeth	SKT	Socket
EXT	External	SLOT	Slotted
FBM	Field Bill of Material	SOC	Socket
FIL	Fillister	THK	Thick
FL W	Flat Width (width between flats across hexagon)	THREADING	Threadforming
HD	Head	TTH	Teeth
HDLESS	Headless	UNC	Unified National Course
HEX	Hexagonal	UNDRCT	Undercut
HZ	Hertz	UNF	Unified National Fine
I/O	Input/Output	V	Volts
ID	Inside Diameter	W	Watts
INT	Internal	WSHR	Washer

GROUP ASSEMBLY PARTS LIST

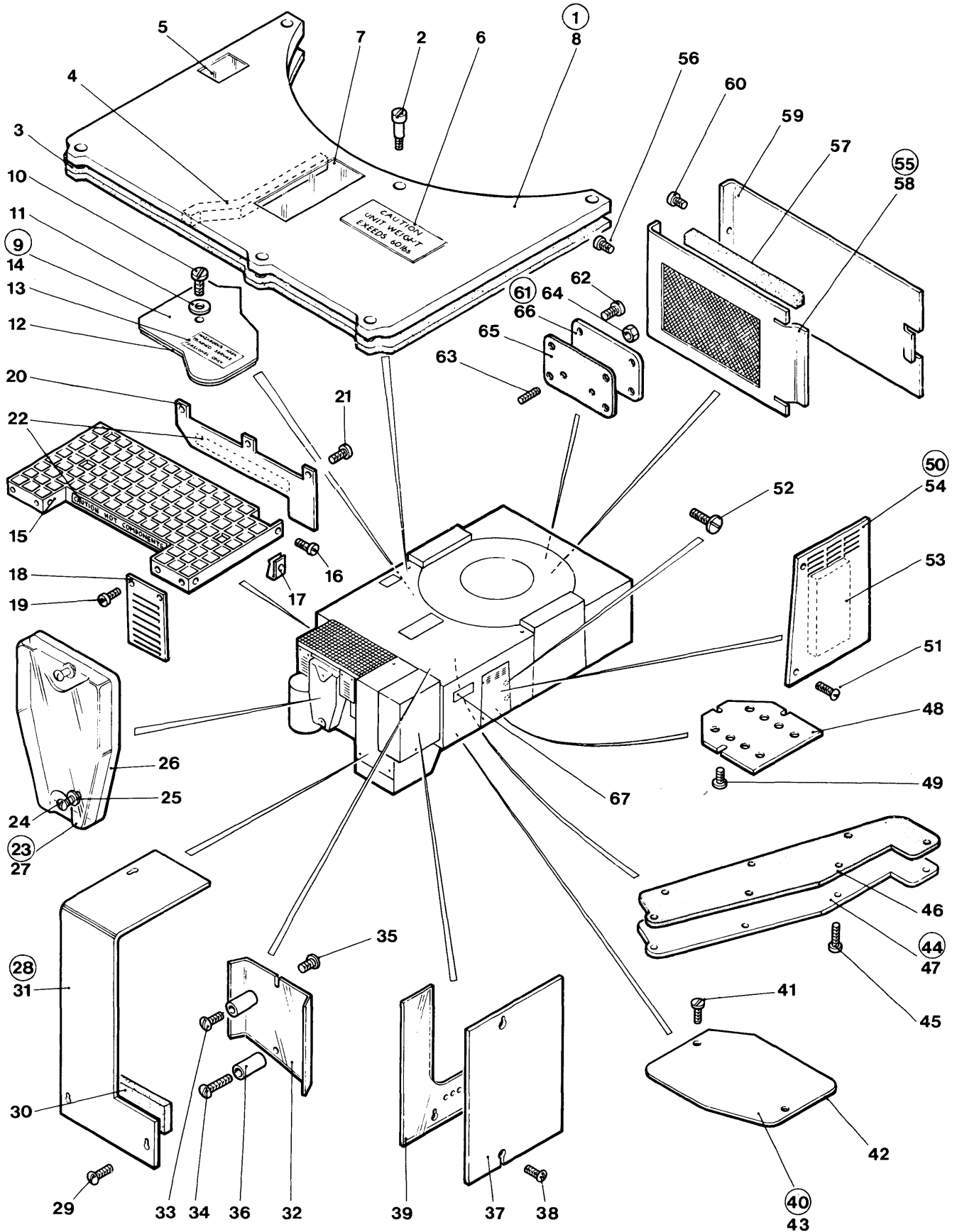


FIGURE 1. COVER GROUPS AND ASSEMBLIES

LIST AND INDEX NUMBER	PART NUMBER	DESCRIPTION	UNITS PER ASM.	USABLE ON CODE
		CCVER GRUPS AND ASSEMELIES		
1 -	NO NC	CCVER GRUPS AND ASSEMELIES	REF	
- 1	2537308	. COVER ASM	1	
- 2	2536616	. SCREW,SHCULDER,SLOT HD,8-32UNC ATT PT	6	
- 3	2598197	. . GASKET,FCAM RUBBER	1	
- 4	2536460	. . SEAL,RUBBER,SELF ADHESIVE	1	
- 5	2536477	. . WINDOW,ACETATE	1	
- 6	889325	. . LABEL	1	
- 7	5831824	. . WINDOW,MACHINE	1	
- 8	2536387	. . CCVER PLATE	1	
- 9	2536473	. COVER ASM	1	
- 10	32042	. SCREW,MACH EIND HD,10-32,0.375LG ATT PT	1	
- 11	473079	. WSHR,NYICN,FLAT,0.203ID,0.438OD,0.094THK ATT PT	1	
- 12	2536394	. . SEAL,RUBBER	1	
- 13	369207	. . LABEL,VCLTAGE	1	
- 14	2536393	. . CCVER PLATE	1	
- 15	2538098	. CCVER	1	
- 16	81693	. SCREW,MACH,BIND HD,6-32,C.375IG ATT FT	4	
- 17	2538122	. PLATE,NUT ATT PT	4	
- 18	2538103	. COVER PLATE	2	
- 19	731631	. SCREW,PAN HD,4-40,0.25LG ATT PT	4	
- 20	2538124	. PLATE,SHIELD	1	
- 21	731631	. SCREW,PAN HD,4-40,0.25LG ATT PT	3	
- 22	2538125	. LABEL,SELF ADHESIVE	2	
- 23	2600561	. CCVER ASM	REF	
- 24	338238	. . SCREW,MACH,BD HD,4-40UNC,0.3125IG ATT FT	REF	
- 25	728509	THIS SCREW IS HELD CAPTIVE BY ITEM 25 . . RING	REF	
- 26	2600562	. . SEAL,DUST	REF	
- 27	2538055	. . CCVER,TRANSPARENT ITEMS 23 THRU 27 ARE PART OF MOTOR ENCCDER ASM (FIGURE 5)	REF	
- 28	2538107	. COVER ASM	1	
- 29	251970	. SCREW,MACH,SLCT EIND HD,4-40,0.25LG ATT PT	3	
- 30	2538109	. . PAD,SELF ADHESIVE	1	
- 31	2538108	. . CCVER	1	
- 32	2597963	. COVER,PERSPEX	1	
- 33	322550	. SCREW,MACH,EIND HD,6-32,0.5LG ATT PT	1	
- 34	322065	. SCREW,MACH,BIND HD,6-32,C.625IG ATT FT	1	
- 35	38235	. SCREW,MACH,SLCT EIND HD,6-32UNC,0.312LG	2	
- 36	2597964	. SPACER	2	
- 37	2597912	. CCVER	1	
- 38	55726	. SCREW,MACH,SLOT BIND HD,6-32UNC,0.188IG	2	
- 39	2537484	. SHIELD,TRANSPARENT	1	
- 40	2538136	. COVER ASM	1	
- 41	81693	. SCREW,MACH,EIND HD,6-32,0.375LG ATT FT	2	
- 42	2536242	. . SEAL,RUBBER,SELF ADHESIVE	1	
- 43	2538135	. . CCVER	1	
- 44	2597920	. COVER ASM	1	
- 45	236550	. SCREW,MACH,BIND HD,4-40,0.375IG ATT FT	7	
- 46	2536496	. . GASKET	1	
- 47	2536495	. . PLATE,COVER	1	
- 48	2536247	. CCVER	1	
- 49	10170	. SCREW,MACH,SLCT BIND HD,6-32UNC,0.25IG ATT FT	2	
- 50	2536390	. CCVER ASM	1	
- 51	38442	. SCREW,MACH,SLOT FLAT HD,6-32UNC,0.25IG ATT FT	2	
- 52	2537511	. SCREW,SHCULDER,SLOT HD,6-32UNC ATT PT	2	
- 53	2536296	. . PAD,SELF ADHESIVE	1	
- 54	2536389	. . CCVER PLATE	1	
- 55	2537509	. COVER ASM	1	
- 56	338238	. SCREW,MACH,ED HD,4-40UNC,0.3125LG ATT PT	1	
- 57	2536275	. . SEAL,SELF ADHESIVE	2	
- 58	2537505	. . CCVER,REAR	1	
- 59	2537504	. COVER,FRONT	1	
- 60	338238	. SCREW,MACH,ED HD,4-40UNC,0.3125LG ATT PT	1	
- 61	2536457	. COVER ASM	1	
- 62	81693	. SCREW,MACH,EIND HD,6-32,0.375LG ATT PT	4	
- 63	251990	. SCREW,BDLESS SET,6-FLUTE,1032UNF,0.375IG ATT FT	2	
- 64	11598	. NUT,PLAIN,HEX 10-32,0.375 FL W ATT PT	2	
- 65	2536456	. GASKET	1	
- 66	2536455	. CCVER PLATE	1	
- 67	889325	. LABEL	1	

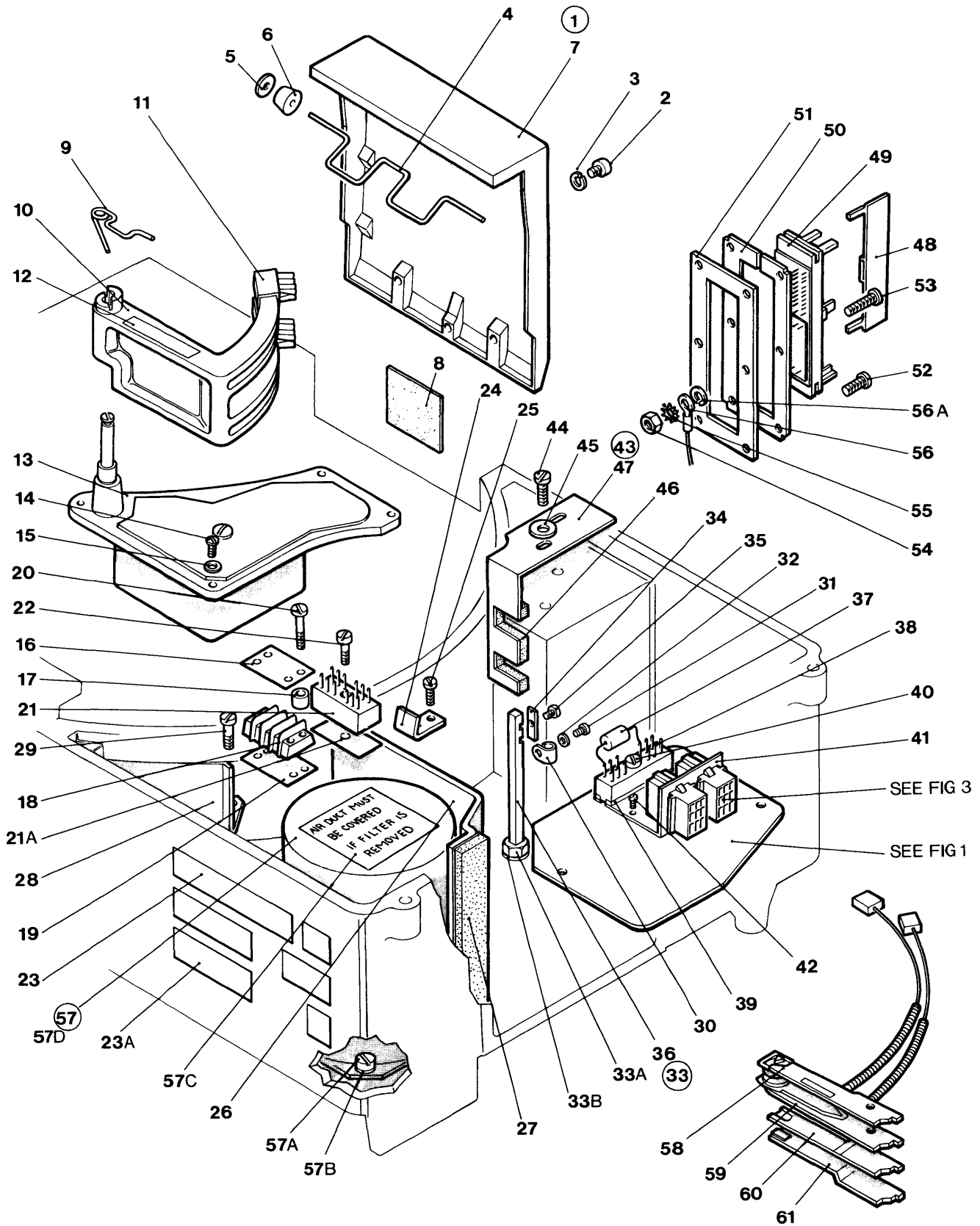


FIGURE 2. 5444 DISK FILE, FINAL ASSEMBLY (PART 1 OF 4)

LIST AND INDEX NUMBER	PART NUMBER	DESCRIPTION	UNITS PER ASM.	USABLE ON CODE
		5444 DISK FILE,FINAL ASSEMBLY (PART 1 OF 4)		
2 - - 1	2538101 NP 2537485	FINAL ASSEMBLY,5444 DISK FILE CLAMP ASM EARLY MODELS HAVE FABRICATED SHEET METAL CLAMPS. ITEM 1,CLAMP ASM,MUST BE ORDERED IF ANY PART OF A FABRICATED CLAMP NEEDS REPLACING. IT IS RECOMMENDED THAT FABRI- CATED CLAMPS BE REPLACED IN PAIRS	REF 2	
- 2 - 3	149897 1090873	. SCREW,HEX,SKT HD CAP,8-32UNC,0.375LG . WASHER,LOCK,SPR,0.168ID,0.296CD,0.046THK	ATT PT PTT PT	6 6
- 4 - 5 - 6	2598007 2537357 2537473	. . SPRING . . WASHER . . RCLIF		1 2 2
- 7 - 8 - 9	2598005 5144354 5831955	. . CLAMP . PAD,ROBEER,SELF ADHESIVE . CLIP,SPECIAL,SPRING		1 2 1
- 10 - 11	2536285 2536376	. BRUSH ARM . BRUSH ASM ASM COMPONENTS ARE NOT REPLACEABLE		1 1
- 12 - 13	5144339 2536345	. LABEL,SELF ADHESIVE . BRUSH DRIVE ASM,50HZ FCR DETAIL BREAKDOWN SEE FIGURE 11		1 1
- 13	5144330	. BRUSH DRIVE ASM,60HZ FCR DETAIL BREAKDOWN SEE FIGURE 12		1
- 14 - 15 - 16 - 17	322551 62031 2536359 210883	. SCREW,MACH,SLOT BIND HD,6-32UNC,0.75IG . WASHER,LOCK,INT TEETH,0.295CD . SHIELD,INSULATOR . STUD,SHIELD MTG,TAPPED,6-32	PTT PT ATT PT	4 4 1 2
- 18 - 19 - 20	323837 5364151 10170	. TERMINAL BLOCK ASM,15A,3 SCREW CCMK . STRIP,MARKER . SCREW,MACH,SLOT BIND HD,6-32UNC,0.25IG	PTT PT	1 1 2
- 21 - 22 - 23	852958 852959 38266	. TERMINAL BOARD ASM . INSULATOR,SHIELD . SCREW,MACH,SLOT FIL HD,4-40UNC,0.5LG		1 1 1
- 23 - 23 - 23	2597959 2597960 2597961	. PLATE,PCWER MODEL 1 . PLATE,PCWER MODEL 2 . PLATE,PCWER MODEL 3		1 1 1
- 23A - 24 - 25	845762 2598076 10170	. LABEL . BRACKET . SCREW,MACH,SLOT BIND HD,6-32UNC,0.25IG		1 1 2
- 26 - 27	2537356 2598175	. SHIELD,ELASTIC . PAD ASM ASM COMPONENTS ARE NOT REPLACEABLE		1 1
- 28 - 29 - 30	2536615 38235 5213276	. DEFLECTOR . SCREW,MACH,SLOT BIND HD,6-32UNC,0.312LG . CLAMP,CABLE	ATT PT	1 2 1
- 31 - 32 - 33	186923 257985 5831723	. SCREW,SKT HD CAP,6-FLUTE,4-40UNC,0.25LG . WASHER,FLAT,0.25CD,0.028THK . CLAMP PCST ASM		1 1 1
- 33A - 33B - 34	11598 237032 5831721	. NUT,MACH HEX,10-32 . WASHER,FLAT,0.75OD,0.2188ID,0.062THK . . PLATE	PTT PT ATT PT	1 1 1
- 35 - 36 - 37	186924 5831720 210921	. . SCREW,SKT HD CAP,6-FLUTE,4-40UNC,0.375LG . . CLAMP,POST . DICKE ASM	ATT PT	1 1 4
- 38 - 39 - 40	302090 302131 38265	. BOARD ASM,TERMINAL . INSULATOR . SCREW,MACH,SLOT FIL HD,4.40UNC,0.438LG		1 1 1
- 41 - 42 - 43	2600567 438548 2536602	. PLATE . SCREW,MACH,SLOT BIND HD,4-40UNC,0.188LG . BRACKET,ASM	ATT PT	1 2 1
- 44 - 45 - 46	10170 62031 2536601	. SCREW,MACH,SLOT BIND HD,6-32UNC,0.25IG . WASHER,LOCK,INT TEETH,0.295CD . . SEAL,SELF ADHESIVE	ATT PT PTT PT	2 2 1
- 47 - 48 - 49	5831862 811804 2537306	. . BRACKET . GUIDE,CARD . BOARD ASM		1 1 1
- 50 - 51 - 52	2536246 2536245 81693	. PLATE . GASKET . SCREW,MACH,BIND HD,6-32,0.375LG	ATT PT	2 1 5
- 53 - 54 - 55	322551 257187 56722	. SCREW,MACH,SLOT BIND HD,6-32UNC,0.75IG . NUT,PLAIN,HEX,6-32,0.375 FL W . LOCKWASHER,EXT ICOTH,0.15CD,0.32ID	PTT PT	1 1 1
- 56 - 56A	5144318 6364	. JUMPER ASM,GRCUNE PRE-AMP . WASHER,LOCK,SPLIT 0.25CD		1 1

LIST AND INDEX NUMBER	PART NUMBER	DESCRIPTION 1 2 3 4	UNITS PER ASM.	USABLE ON CODE
		5444 DISK FILE,FINAL ASSEMBLY (PART 1 OF 4) CCNT		
2 - 57	2597939	. FILTER ASM	1	
- 57A	2598168	. . SCREW,6-32UNC,0.5LG	2	
- 57E	257986	. . WASHER,FLAT	2	
		. . LABEL	1	
- 57C	2536627	. . LABEL	1	
- 57D	2536212	. . FILTER,AIR	1	
- 58	2250961	. HEAD ASM E,DOWN (DOWNWARD FACING)	1	
		USED ON MODELS 1,2,AND 3		
- 59	2250963	. HEAD ASM E,UP (UPWARD FACING)	1	
		USED ON MODELS 1,2,AND 3		
- 60	2536626	. ARM B,UPPER	1	
		USED ON MODEL 3 ONLY		
- 61	2536625	. ARM E,LOWER	1	
		USED ON MODEL 3 ONLY		

M08-1351-1

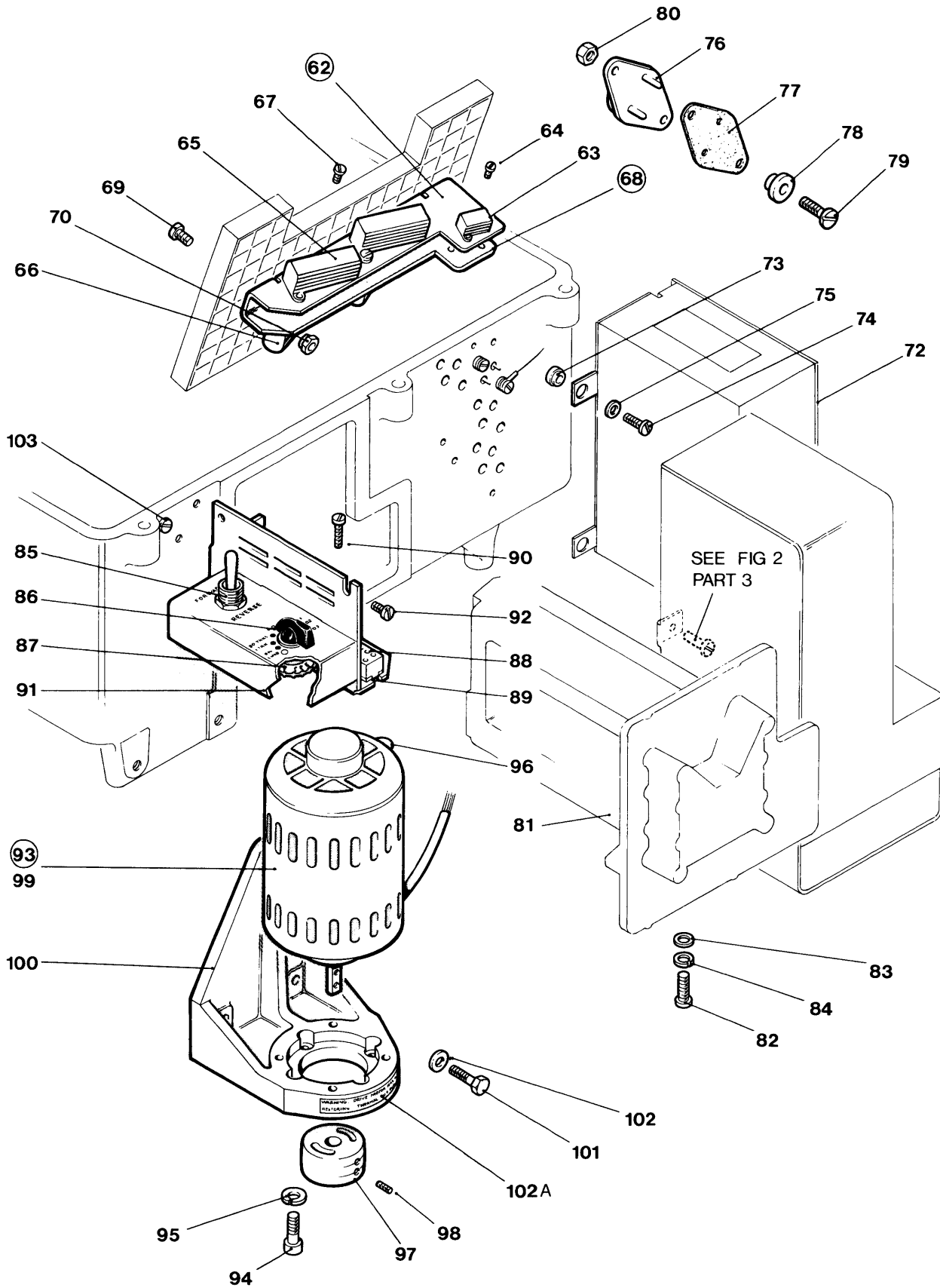


FIGURE 2. 5444 DISK FILE, FINAL ASSEMBLY (PART 2 OF 4)

LIST AND INDEX NUMBER	PART NUMBER	DESCRIPTION				UNITS PER ASM.	USABLE ON CODE
		1	2	3	4		
		5444 DISK FILE, FINAL ASSEMBLY (PART 2 OF 4)					
2 -	2538101 NP	FINAL ASSEMBLY, 5444 DISK FILE				REF	
- 62	2538139	. RESISTOR ASM				1	
- 63	2283009	. . RESISTOR				4	
- 64	2600544	. . SCREW, SLCT PAN HD, 2-56, 0.25IG		ATT FT	8		
- 65	2274381	. . RESISTOR				2	
- 66	5724118	. . RESISTOR				2	
- 67	731631	. . SCREW, PAN HD, 4-40, 0.25IG		ATT PT	8		
- 68	2538134	. . BRACKET, RESISTOR				1	
- 69	38351	. . SCREW, MACH, FIL HD 6-32 X .312 LG		ATT PT	2		
- 70	2531740 NR	. . . NUT				2	
- 72	2597913	. AC ECX ASM				1	
- 73	2537492	. BUSH, INSULATING				3	
- 74	25627	. SCREW, ED HD, 8-32, 0.5LG			3		
- 75	2537493	. WASHER, INSULATING				3	
- 76	2391819	. TRANSISTOR				4	
- 77	2537491	. INSULATOR				4	
- 78	2537489	. BUSH, INSULATING				8	
- 79	322551	. SCREW, MACH, SICT BIND HD, 6-32UNC, 0.75IG		ATT FT	8		
- 80	38051	. NUT, FLAIN, HEX, 6-32 X 1/4 FL W STL		ATT PT	8		
- 81	2538111	. ACTUATOR ASM				1	
		FOR DETAIL BREAKDOWN SEE FIGURE 4					
- 82	186935	. SCREW, HEX, SKT HD CAP, 0.25-20UNC, 0.875LG		ATT PT	1		
- 83	3550	. WASHER, FL, 0.25, 0.5625CD, 0.05THK		ATT FT	1		
- 84	6935	. WASHER, ICCR, SPLIT, 0.25ID, 0.493OD		ATT PT	1		
- 85	2283005	. SWITCH, TOGGLE				1	
- 86	317173	. KNCE				1	
- 87	2283002	. SWITCH ASM				1	
- 88	302090	. PCARD ASM, TERMINAL				2	
- 89	302131	. INSULATOR				2	
- 90	483373	. SCREW, MACH ED				2	
- 91	2538099	. BRACKET, SWITCH MOUNTING				1	
- 92	34512	. SCREW, MACH, SLCT BIND HD, 8-32, 0.375LG		ATT PT	2		
- 93	2537318	. MOTOR ASM, 50HZ, 220V				1	
- 93	2537319	. MOTOR ASM, 50HZ, 235V				1	
- 93	2537320	. MOTOR ASM, 60HZ, 208V				1	
- 93	2537321	. MOTOR ASM, 60HZ, 230V				1	
		FOR ELECTRICAL COMPONENTS SEE FIGURE 14 -2, -3, -32, -34, -35					
- 94	129654	. SCREW, CAP SOCKET HD, 10-32, 0.75IG		ATT FT	4		
- 95	9092	. WASHER, ICCR, SPLIT RING, 0.194ID, 0.337OD		ATT PT	4		
- 96	2204025	. . OILER				2	
- 97	2598198	. . PULLEY, PLASTIC				1	
- 97	5144405	USE WITH 50HZ MOTORS ONLY . . PULLEY, PLASTIC				1	
- 98	257975	. . . SETSCREW, SPLINE DR CUP PT 6-32 X 3/8 LG				2	
- 99	2426180	OTHER ASM COMPONENTS ARE NOT REPLICABLE . . MOTOR, SINGLE PHASE-INDUCT, 50HZ, 220V				1	
- 99	2426199	ASM COMPONENTS ARE NOT REPLICABLE . . MOTOR, SINGLE PHASE-INDUCT, 50HZ, 235V				1	
- 99	2426181	ASM COMPONENTS ARE NOT REPLICABLE . . MOTOR, SINGLE PHASE-INDUCT, 60HZ, 208V				1	
- 99	2426200	ASM COMPONENTS ARE NOT REPLICABLE . . MOTOR, SINGLE PHASE-INDUCT, 60HZ, 230V				1	
-100	5831708	. MOUNTING BRACKET MOTOR				1	
-101	38688	. SCREW, HEX, SLCT HD CAP, 0.25-20UNC, 0.75IG		ATT FT	3		
-102	3550	. WASHER, FL, 0.25, 0.5625CD, 0.05THK		ATT PT	3		
-102A	2598012	. LABEL				1	
-103	34512	. SCREW, MACH, SLCT BIND HD, 8-32, 0.375LG			1		

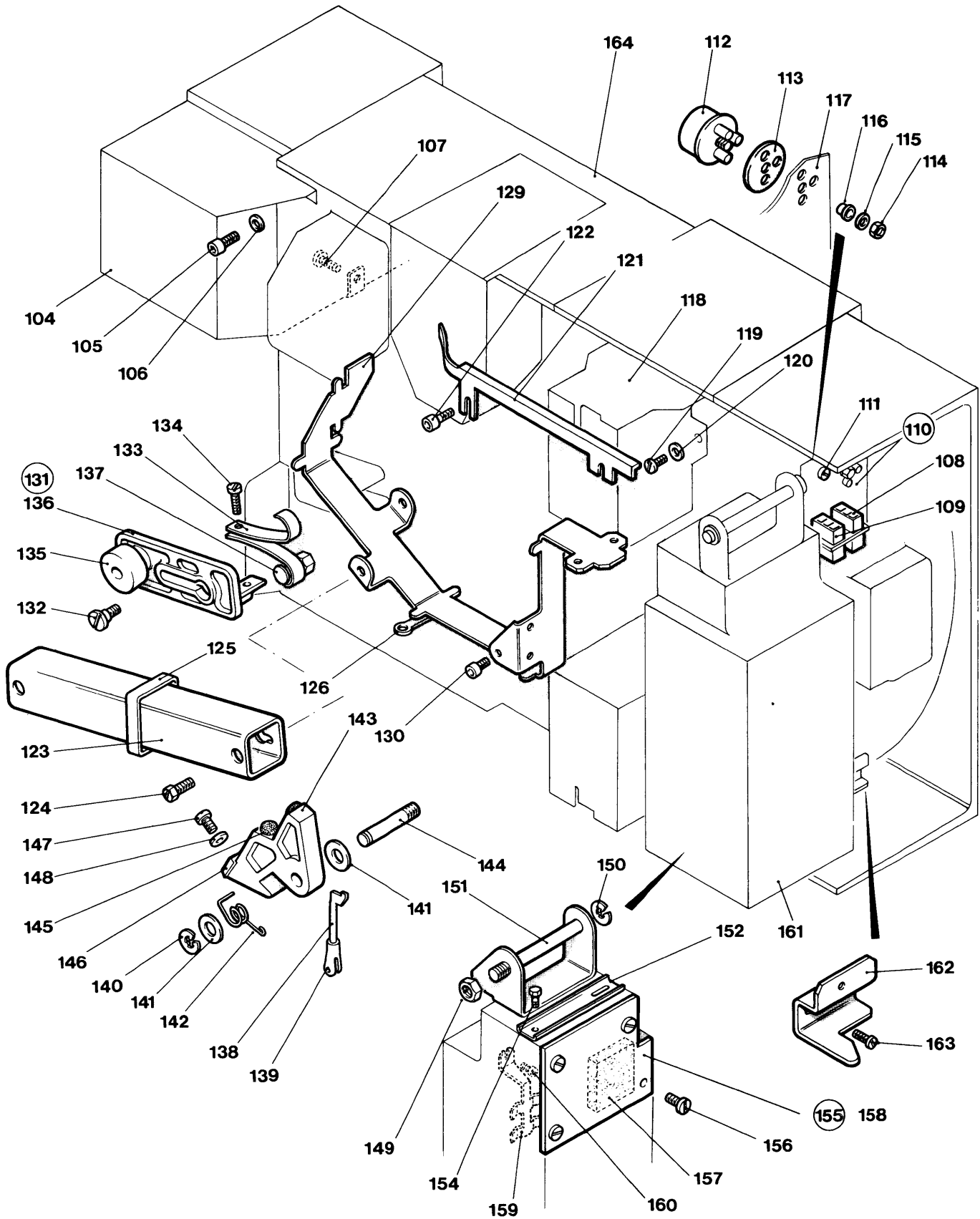


FIGURE 2. 5444 DISK FILE, FINAL ASSEMBLY (PART 3 OF 4)

LIST AND INDEX NUMBER	PART NUMBER	DESCRIPTION	UNITS	USABLE
			PER ASM.	ON CODE
		5444 DISK FILE, FINAL ASSEMBLY (PART 3 OF 4)		
2 -	2538101 NP	. FINAL ASSEMBLY, 5444 DISK FILE	REF	
-104	2538106	. DC BOX ASM	1	
-105	149897	. SCREW, HEX, SKT HD CAP, 8-32UNC, 0.375LG	4	
-106	22478	. WASHER, FL, 0.17ID, 0.375CD, 0.32THK	4	
-107	81693	. SCREW, MACH, FINE HD, 6-32, 0.375LG	1	
-108	725557	. HOUSING, CONNECTOR (AMBER)	1	
-109	4121101	. HOUSING, CONNECTOR (WHITE)	1	
-110	2537508	. BRACKET ASM, TRANSISTOR	1	
-111	81693	. SCREW, MACH, FINE HD, 6-32, 0.375LG	2	
-112	526898	. . TRANSISTOR	1	
-113	2537490	. . INSULATOR	1	
-114	11598	. . NUT, PLAIN, HEX 10-32, 0.375 FI W	1	
-115	56079	. . WASHER, LOCK, EXT TH, 0.195ID, 0.410CD	1	
-116	2537488	. . BUSH, INSULATING	1	
-117	2537502	. . PLATE, MOUNTING	1	
-118	2537309	. CLAMP ASM, RH	1	
		FCR DETAIL BREAKDOWN SEE FIGURE 6		
-118	2537310	. CLAMP ASM, LH	1	
		FCR DETAIL BREAKDOWN SEE FIGURE 7		
-119	34512	. SCREW, MACH, SLOT FINE HD, 8-32, 0.375LG	3	
-120	55901	. WASHER, LOCK, EXT TEETH 0.381CD	3	
-121	2537512	. GUIDE	1	
-122	186927	. SCREW, SKT HD CAP, 6-FLUTE, 6-32UNC, 0.25IG	2	
-123	2598074	. CABLE DUCT	1	
-124	5319854	. SCREW, THD CUTTING, HEX HD 8-32, 0.375IG	2	
-125	825559	. STRAP	1	
-126	811427	. STRAP, CABLE	9	
-129	2598090	. GUIDE, CABLE	1	
-130	1072433	. SCREW, HEX, SKT HD, 8-32UNC, 0.25IG	2	
-131	2537374	. ARM ASM	1	
-132	2537376	. SCREW, SHOULDER, SLOT HD, 0.25-20UNC	1	
-133	2537373	. . SERING	2	
-134	10170	. . SCREW, MACH, SLOT FINE HD, 6-32UNC, 0.25LG	1	
-135	251262 NR	. . WHEEL, BALL BEARING	1	
-136	2537372	. . BRACKET	1	
-137	2537375	. SHAFT	2	
-138	1093722	. LINK PACK	2	
-139	1070020	. LINK ASM	2	
-140	219743	. CLIP, RETAINING, 0.392ID, 0.042THK	2	
-141	130985	. WSHR, FLAT, 0.531ID, 1.062CD, C.095THK	4	
-142	2537478	. SPRING, SPECIAL	2	
-143	2537479	. STOP, NYLON	2	
-144	2537480	. PILLAR	2	
-145	2537479	. BUMPER, ROUND	4	
-146	2537524	. BUMPER, SQUARE	1	
-147	251970	. SCREW, MACH, SLOT FINE HD, 4-40, 0.25IG	1	
-148	257985	. WASHER, FLAT, 0.25CD, 0.028THK	1	
-149	24107	. NUT, FINISHED, HEX, 0.375-16UNC	1	
-150	237245	. CLIP, RETAIN-RING, 0.3ID, 0.66CD, 0.035THK	1	
-151	2537497	. PIN, HINGE	1	
-152	2598196	. CLAMP	1	
-154	2181005	. SCREW, SELF TAP, HEX HD, WSHR, 6-32UNC, 0.375L	2	
-155	2537500	. PLATE ASM	1	
-156	438548	. SCREW, MACH, SLOT FINE HD, 4-40UNC, 0.188LG	4	
-157	2536274	. . SEAL, SELF ADHESIVE	1	
-158	2537499	. . PLATE, REAR COVER	1	
-159	2597953	. CLAMP ASM	1	
		ASM COMPONENTS ARE NOT REPLACEABLE		
-160	438548	. SCREW, MACH, SLOT FINE HD, 4-40UNC, 0.188IG	1	
-161	2538096	. 'Y' GATE ASM	1	
		FCR DETAIL BREAKDOWN SEE FIGURE 10		
-162	2600565	. BRACKET	1	
-163	38235	. SCREW, MACH, SLOT FINE HD, 6-32UNC, 0.312IG	1	
-164	2598167	. BASE CASTING	1	
		ASM COMPONENTS ARE NOT REPLACEABLE		

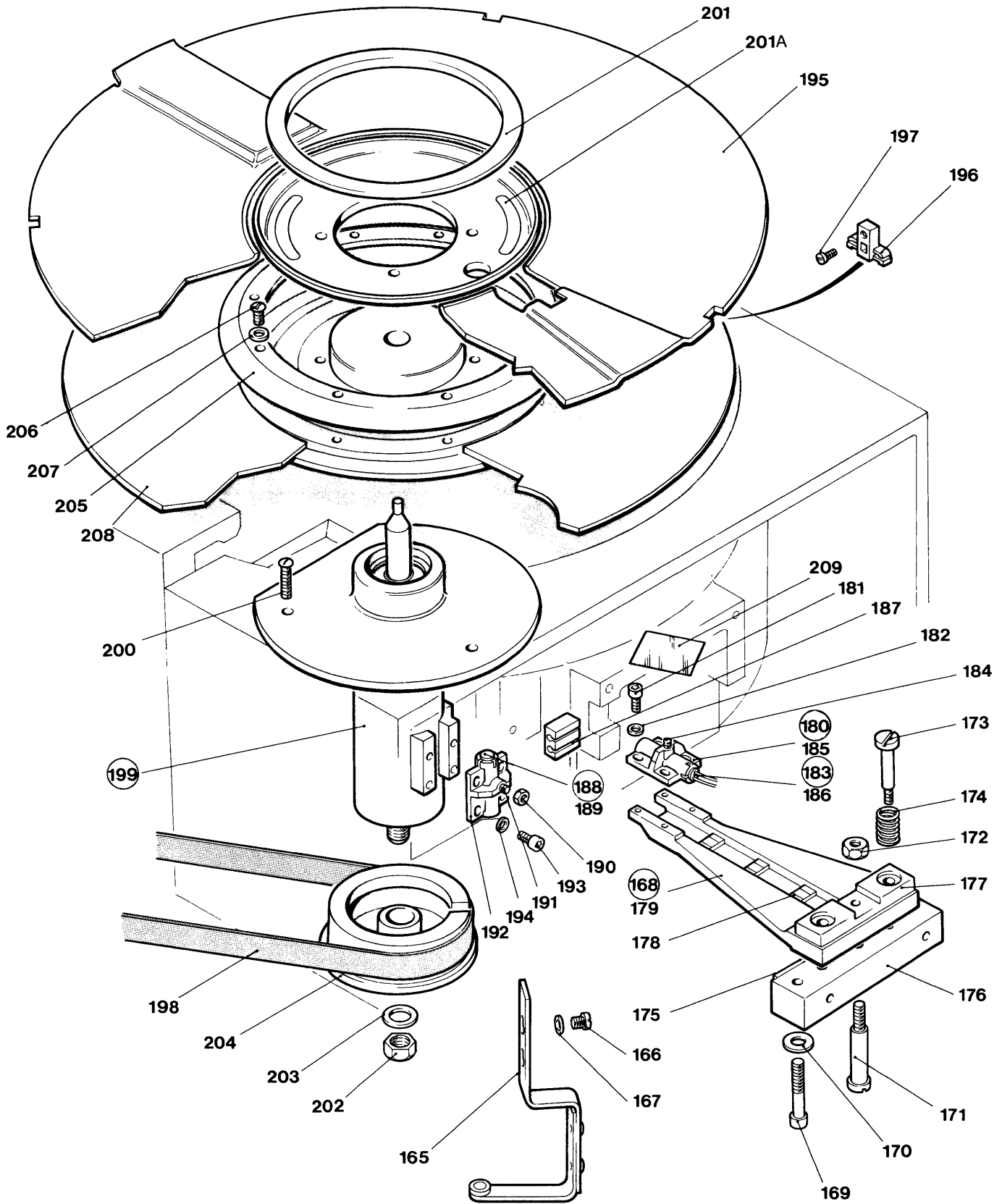


FIGURE 2. 5444 DISK FILE, FINAL ASSEMBLY (PART 4 OF 4)

LIST AND INDEX NUMBER	PART NUMBER	DESCRIPTION	UNITS PER ASM.	USABLE ON CODE
		5444 DISK FILE,FINAL ASSEMBLY (PART 4 CF 4)		
2 -	2538101 NP	FINAL ASSEMBLY,5444 DISK FILE	REF	
-165	2597932	. SPRING,ASM	1	
-166	10170	. SCREW,MACH,SLOT BIND HD,6-32UNC,0.25IG	ATT FT	1
-167	62031	. WASHER,ICCK,INT TEETH,0.295CD	ATT FT	1
-168	2536454	. BOOM,ASM,TRANSDUCER		1
-169	186933	. SCREW,MACH,HEX SCC HD 10-32 X 1.250 LG	ATT PT	2
-170	45690	. WASHER,FL,0.4375CD,0.0313THK	ATT FT	2
-171	209033	. . SCREW,SHCULDER,10-32UNF		1
-172	11598	. . NUT,PLAIN,HEX 10-32,C.375 FI W		1
-173	5264648	. . SCREW,SHCULDER,SLOT,FLAT FII HD,10-32UNF		2
-174	603863	. . SPRING		2
-175	2536453	. . SEAL,SELF ADHESIVE		1
-176	2536451	. . SUFECFT ELCK		1
-177	2536452	. . PLATE		1
-178	5831923	. . CLAMP,CAELE,RUBBER		3
-179	2536450	. . BCOM,TRANSDUCER		1
-180	2598087	. TRANSDUCER ASM,UPPER (INCLUDES SHIMS)		1
-181	186923	. SCREW,SKI HD CAP,6-FIUTE,4-40UNC,0.25IG	ATT FT	4
-182	257985	. WASHER,FLAT,0.25CD,0.028THK	ATT FT	4
-183	2283001 NR	. . TRANSDUCER		1
-184	257956	. . SETSCREW,SFLINE DR FP 4-40 X 1/8 IG	ATT PT	1
-185	5831921 NR	. . HCUSING,UPPER		1
-186	5831988	. . SHIM,0.002 THK		AR
-186	5831989	. . SHIM,C.CC3 THK		AR
-186	5831990	. . SHIM,0.008 THK		AR
-186	5831991	. . SHIM,C.CC2 THK		AR
		FOR OTHER COMPONENT PARTS SEE FIGURE 14 -18,-36		
-187	5831922	. CABLE CLAMP,RUBBER		1
-188	2536356	. CCII ASM		1
-189	2283001 NR	. . TRANSDUCER		1
-190	2114985	. NUT,SELF LKG HEX 4,40 X .062 THK	ATT PT	1
-191	257960	. SETSCREW,HEADLESS FP,4-4C,0.25IG	ATT FT	1
-192	5831921	. HCUSING,UPPER		1
-193	251970	. SCREW,MACH,SLOT BIND HD,4-40,0.25IG		4
-194	257985	. WASHER,FLAT,0.25CD,0.028THK		4
-195	2536458	. SHIELD		1
-196	5831709	. CLIP,LOWER SHIELD,NYLON	ATT FT	4
-197	38265	. SCREW,MACH,SLOT FIL HD,4.40UNC,0.438LG	ATT PT	4
-198	2600599	. BELT,0.5 WIDE,49.5IG		1
-199	2600573	. SPINDLE ASM (WITH METAL PULLEY)		1
-200	5677	. SCREW,MACH,BIND HD 10-32 X 3/4 IG	ATT FT	3
-201	2207715	. . MAGNET		1
-201A	5144338	. . ADHESIVE STRIP	ATT FT	2
-202	8163	. . NUT,PLAIN,HEX,3/8-24 X 9/16 FL W		1
-203	453	. . WASHER,FL,3/8 X 13/16 CD X 1/16 THK		1
-204	2598195	. . PULLEY		1
		OTHER ASM COMPONENTS ARE NOT REPLACEABLE		
-205	5831713	. CLAMP,RING		1
-206	34512	. SCREW,MACH,SLOT BIND HD,8-32,0.375IG		8
-207	2219193	. WSHR		8
-208	2597938	. DISC,FIXED,REPLACEMENT FACT		1
-209	5831793	. WINDCW		1

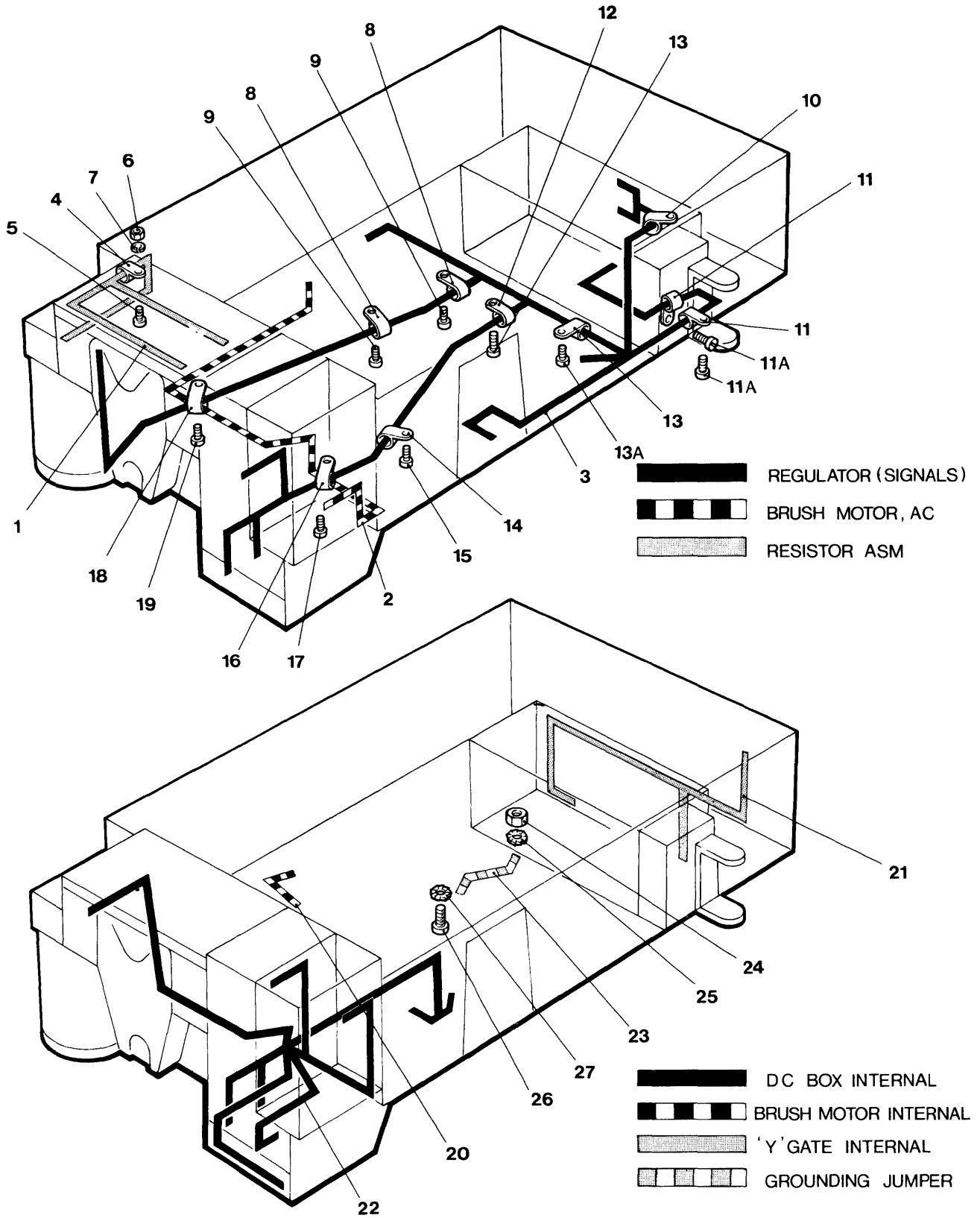


FIGURE 3. CABLE ASSEMBLIES (PART 1 OF 2)

LIST AND INDEX NUMBER	PART NUMBER	DESCRIPTION				UNITS PER ASM.	USABLE ON CODE
		1	2	3	4		
		CABLE ASSEMBLIES (PART 1 OF 2)					
3 -	NC NC	CABLE ASSEMBLIES				REF	
- 1	2538141	. CABLE HARNESS FOR COMPONENT PARTS SEE FIGURE 14 -1				1	
- 2	2537525	. CABLE HARNESS FOR COMPONENT PARTS SEE FIGURE 14 -2,-3,-4				1	
- 3	2600564	. CABLE HARNESS				REF	
		PART OF DC BCX ASM (FIGURE 8) FOR COMPONENT PARTS SEE FIGURE 14 -1,-2,-3,-6,-7,-8,-9,-10,-11,-12,-13,-14,-15,-16,-17,-18,-19,-33					
		OTHER ASM COMPONENTS ARE NOT REPLACEABLE					
- 4	356742	. CLAMP, ICOP, 0.25ID, 0.177DIA MTG HCIE				1	
- 5	38354	. SCREW, MACH, FIL B 6-32 X 1/2 LG				1	ATT PT
- 6	257187	. NUT, PLAIN, HEX, 6-32, 0.375 FI W				1	ATT FT
- 7	62031	. WASHER, LOCK, INT TEETH, 0.295OD				1	ATT PT
- 8	2102365	. CLAMP, ICOP				2	
- 9	5319854	. SCREW, THREADING, SLOT HX HD, 8-32, 0.375LG				2	ATT PT
- 10	356742	. CLAMP, ICOP, 0.25ID, 0.177DIA MTG HCIE				1	
- 11	2114108	. CLAMP, CABLE, .562 DIAMETER				2	
- 11A	2181005	. SCREW, THREADING, SLOT HX HD, 6-32, 0.375LG				2	ATT PT
- 12	327921	. CLAMP, CABLE				2	
- 13	5319854	. SCREW, THREADING, SLOT HX HD, 8-32, 0.375LG				2	ATT PT
- 14	327921	. CLAMP, ICOP				1	
- 15	2181005	. SCREW, THREADING, SLOT HX HD, 6-32, 0.375LG				1	ATT PT
- 16	327921	. CLAMP, CABLE				1	
- 17	2181005	. SCREW, THREADING, SLOT HX HD, 6-32, 0.375LG				1	ATT PT
- 18	2102365	. CLAMP, ICOP, 0.33C ID 0.17C DIA MTG HCIE				1	
- 19	5319854	. SCREW, THREADING, SLOT HX HD, 8-32, 0.375LG				1	ATT PT
- 20	2536261	. CABLE ASM				REF	
		PART OF BRUSH DRIVE ASM (FIGURE 11) FOR COMPONENT PARTS SEE FIGURE 14 -1,-5					
- 21	2537528	. CABLE ASM				REF	
		PART OF 'Y' GATE ASM (FIGURE 10) FOR COMPONENT PARTS SEE FIGURE 14 -2,-3,-20,-21,-22,-23,-24					
- 22	2600568	. CABLE HARNESS				REF	
		PART OF DC BCX ASM (FIGURE 8) FOR COMPONENT PARTS SEE FIGURE 14 -1,-3,-6,-7,-8,-9,-10,-12,-14,-25,-26,-27,-28,-29					
- 23	5759968	. JUMPER ASM				1	
		FOR COMPONENT PARTS SEE FIGURE 14 -2,-3					
- 24	23931	. NUT, PLAIN, HEX, 8-32, 0.3125 FL W				1	
- 25	55901	. WASHER, LOCK, EXT TEETH 0.381CD				1	
- 26	731626	. SCREW, PAN HEAD, 6-32, 0.25LG				1	
- 27	56722	. LOCKWASHER, EXT TCOIH, 0.15CD, 0.32ID				1	

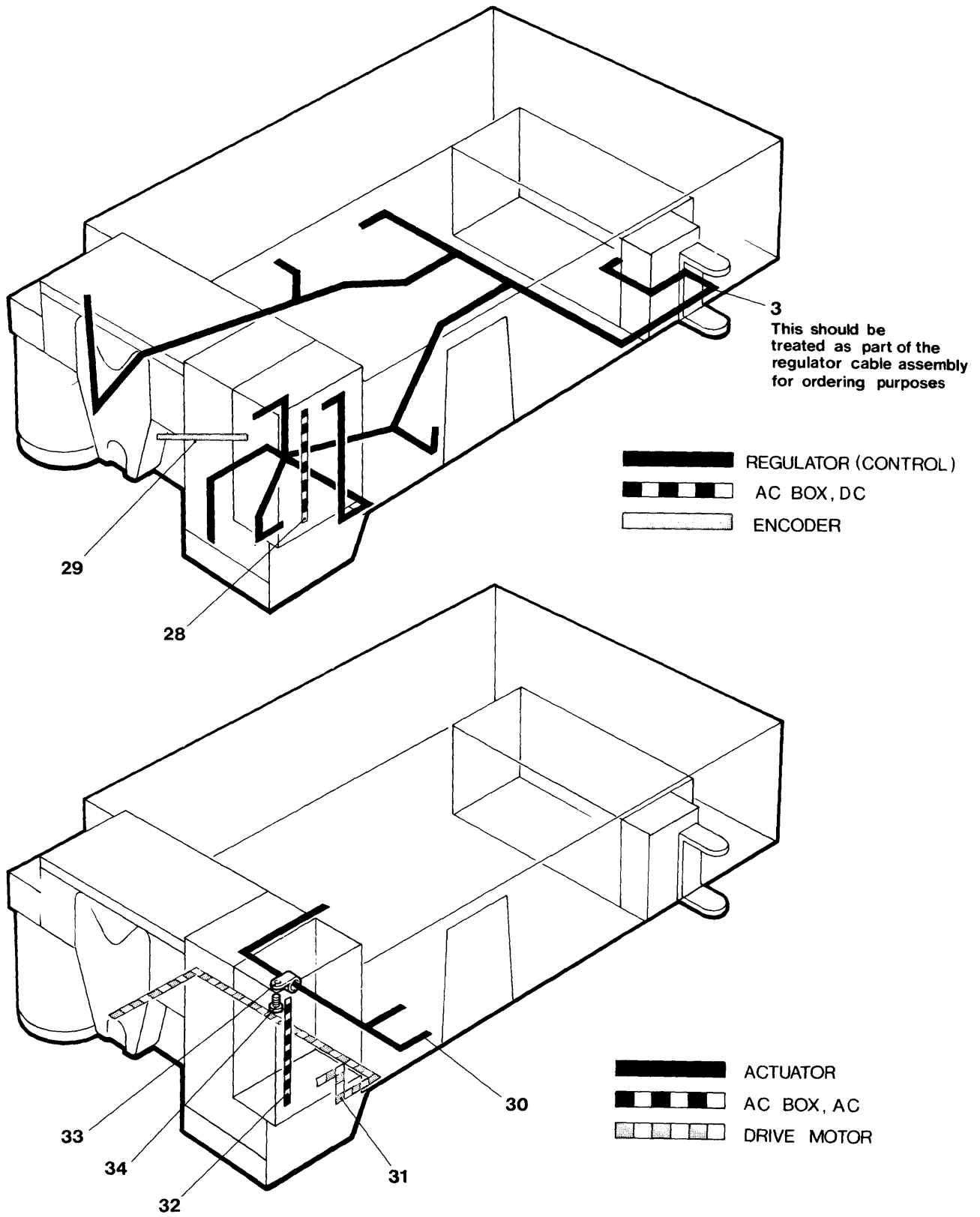


FIGURE 3. CABLE ASSEMBLIES (PART 2 OF 2)

LIST AND INDEX NUMBER	PART NUMBER	DESCRIPTION 1 2 3 4	UNITS PER ASM.	USABLE ON CODE
CABLE ASSEMBLIES (PART 2 OF 2)				
3 - - 28	NC NC 2536488	CABLE ASSEMBLIES . CABLE ASM FOR COMPONENT PARTS SEE FIGURE 14 -1	1	
- 29	2538046	. CABLE HARNESS PART OF MOTOR ENCODER ASM (FIGURE 5) FOR COMPONENT PARTS SEE FIGURE 14 -5,-18,-30 OTHER COMPONENT PARTS ARE NOT REPLACEABLE	REF	
- 30	2538022	. CABLE HARNESS PART OF ACTUATOR ASM (FIGURE 4) FOR COMPONENT PARTS SEE FIGURE 14 -7,-11,-13, -18,-31	REF	
- 31	NC NC	. CABLE ASM, DRIVE MOTOR FOR COMPONENT PARTS SEE FIGURE 14 -2,-3,-32	1	
- 32	2536487	. CABLE ASM FOR COMPONENT PARTS SEE FIGURE 14 -3,-32	1	
- 33 - 34	356742 2181005	. CLAMP, COP, 0.25ID, 0.177DIA MTG HOLE . SCREW, THREADING, SLOT HX HD, 6-32, 0.375LG	1 1	

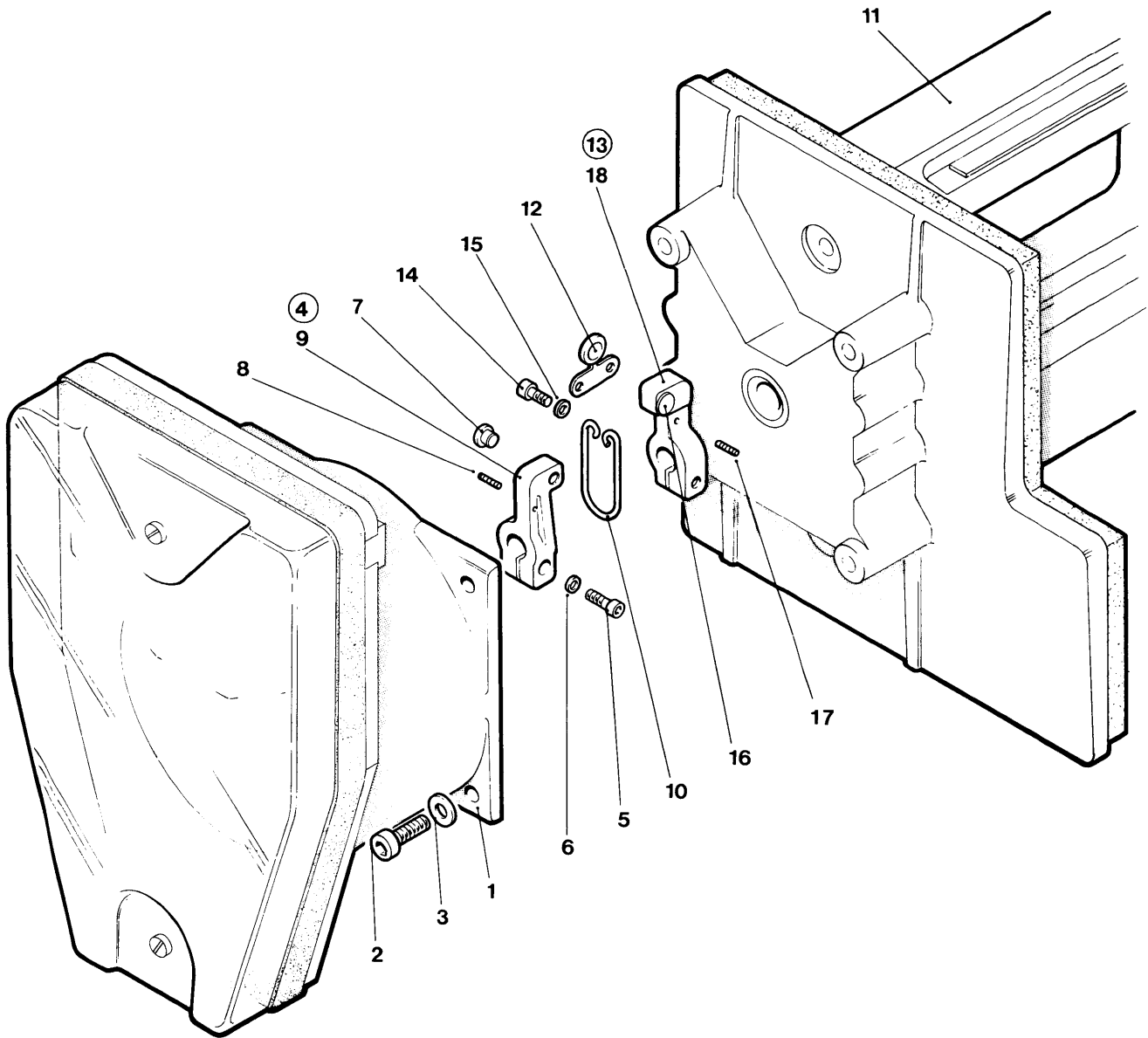


FIGURE 4. ACTUATOR ASSEMBLY (PART 1 OF 4)

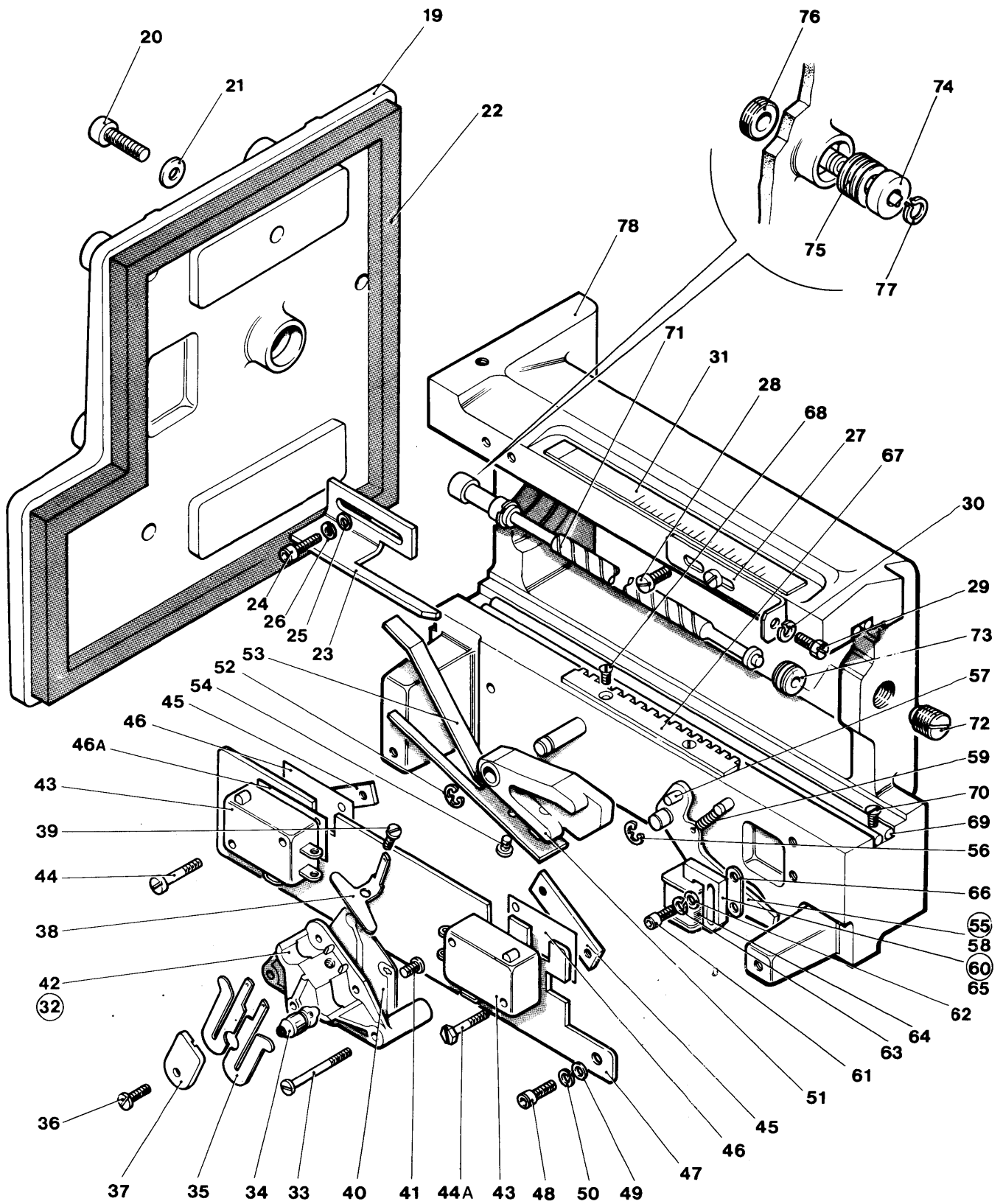


FIGURE 4. ACTUATOR ASSEMBLY (PART 2 OF 4)

LIST AND INDEX NUMBER	PART NUMBER	DESCRIPTION	UNITS PER ASM.	USABLE ON CODE
		ACTUATOR ASSEMBLY (PART 2 OF 4)		
4 -	2538111	ACTUATOR ASSEMBLY	REF	
-	2600589	FCR NEXT HIGHER ASM SEE FIGURE 2	REF	
- 19	2538068 NR	. ACTUATOR MECHANISM ASM (CONTINUED)		
- 20	104763	. . CASTING, MOTOR MOUNT	1	
- 21	45690	ASM COMPONENTS ARE NOT REPLACEABLE		
- 22	2538104	. . SCREW, CAP, SCS HD, 10-32 X 1/2 LG	ATT PT	2
- 23	2538071	. . WASHER, FL, C. 4375CD, C. 0313THK	ATT PT	2
- 24	186924	. . GASKET, SELF ADHESIVE		1
- 25	257985	. . BRACKET		1
- 26	257984	. . SCREW, SKT HD CAP, 6-FLUTE, 4-40UNC, 0.375LG	ATT PT	2
- 27	2600560	. . WASHER, FLAT, C. 25CD, 0.028THK	ATT PT	2
- 28	251970	. . WASHER, LCKK, SPLIT 1/8 ID X 13/64 OD	ATT PT	2
- 29	1124827	. . BRACKET		1
- 30	257984	. . SCREW, MACH, SLCI BIND HD, 4-40, 0.25IG	ATT PT	2
- 31	5831657	. . SCREW, HEX HD, 4-40, 0.19IG		1
- 32	2538089	. . WASHER, LCKK, SPLIT 1/8 ID X 13/64 CD		1
- 33	438554	. . LABEL, SELF ADHESIVE		1
- 34	369675	. . BULB ASM, INTERLOCK		1
- 35	2538016	. . SCREW, MACH, BIND HD, 4-40, 1LG		2
- 36	338238	. . LAMP		2
- 37	2538143	. . SPRING, CONTACT		2
- 38	2600510	. . SCREW, MACH, BD HD, 4-40UNC, 0.3125IG	ATT PT	1
- 39	338238	. . RETAINER, SPRING		1
- 40	2538013	. . CLAMP, SPRING		1
- 41	338238	. . SCREW, MACH, ED HD, 4-40UNC, 0.3125IG	ATT PT	1
- 42	2538015	. . BOARD ASM		1
- 43	228093	. . SCREW, MACH, ED HD, 4-40UNC, 0.3125IG	ATT PT	1
- 44	438551	. . HOLDER, LAMP		1
- 44A	1171544	. . SWITCH, PRECISION		2
- 45	2157349	. . SCREW, MACH, SLCI BIND HD, 4-40UNC, 0.625IG	ATT PT	2
- 46	2538078	. . SCREW, SLCI HEX HD, 4-40, 0.76LG	ATT PT	2
- 46A	2598038 NR	. . PLATE, SECTOR PULSE SWITCH		2
- 47	2538077	. . SPRING, SWITCH MOUNTING		2
- 48	186924	. . PACKER		1
- 49	257985	. . PLATE, INTERLOCK		1
- 50	257984	. . SCREW, SKT HD CAP, 6-FLUTE, 4-40UNC, 0.375IG	ATT PT	3
- 51	2538010	. . WASHER, FLAT, 0.25OD, 0.028THK	ATT PT	3
- 52	257982	. . WASHER, LCKK, SPLIT 1/8 ID X 13/64 CD	ATT PT	3
- 53	2538011	. . CAM, HEAD CAL		1
- 54	438548	ASM COMPONENTS ARE NOT REPLACEABLE		
- 55	2538007	. . CLIP, STUD RETAINING, 0.232 ID	ATT PT	1
- 56	257982	. . SPRING, CAM RESET		1
- 57	104696 NR	. . SCREW, MACH, SLCI BIND HD, 4-40UNC, 0.188IG	ATT PT	2
- 58	2538008 NR	. . LEVER ASM		1
- 59	2538072	. . CLIP, STUD RETAINING, 0.232 ID	ATT PT	1
- 60	2538001	. . FIN, DCWEL, 0.1253 DIA, 0.5LG		1
- 61	186924	. . LEVER, CAM HOLD		1
- 62	257985	. . SPRING, EXTENTICN		1
- 63	257984	. . SCLENCID ASM		1
- 64	2426238 NR	. . SCREW, SKT HD CAP, 6-FLUTE, 4-40UNC, 0.375LG	ATT PT	2
- 65	2538002 NR	. . WASHER, FLAT, C. 25CD, C. 028THK	ATT PT	2
- 66	804480	. . WASHER, LCKK, SPLIT 1/8 ID X 13/64 OD	ATT PT	2
- 67	5831892 NR	. . CCIL ASM		1
- 68	52522	. . CCRE, MAGNETIC		1
- 69	5831903	FCR OTHER COMPONENT PARTS SEE FIGURE 14 -7		
- 70	438536	. . CLAMP		1
- 71	2538062 NR	. . RACK, ACTUATOR		2
- 72	5831852 NR	. . SCREW, MACH, SLCI BIND HD, 4-40UNC, 0.312IG	ATT PT	4
- 73	2600591 NR	. . SHAFT, RACEWAY		4
- 74	2538064 NR	. . SCREW, MACH-FLAT H 2-56 X 1/2 IG	ATT PT	2
- 75	2538065 NR	. . LEADSCREW ASM		1
- 76	2538067 NR	ASM COMPONENTS ARE NOT REPLACEABLE		
- 77	2538066	. . SCREW ASM		1
- 78	2538032 NR	ASM COMPONENTS ARE NOT REPLACEABLE		
- 79	2600591 NR	. . THRUST BEARING		1
- 80	2538064 NR	. . BEARING		1
- 81	2538065 NR	. . WASHER		8
- 82	2538067 NR	. . SCREW		1
- 83	2538066	. . RING, RETENTICN		1
- 84	2538032 NR	. . CASTING, ACTUATOR		1
		ASM COMPONENTS ARE NOT REPLACEABLE		

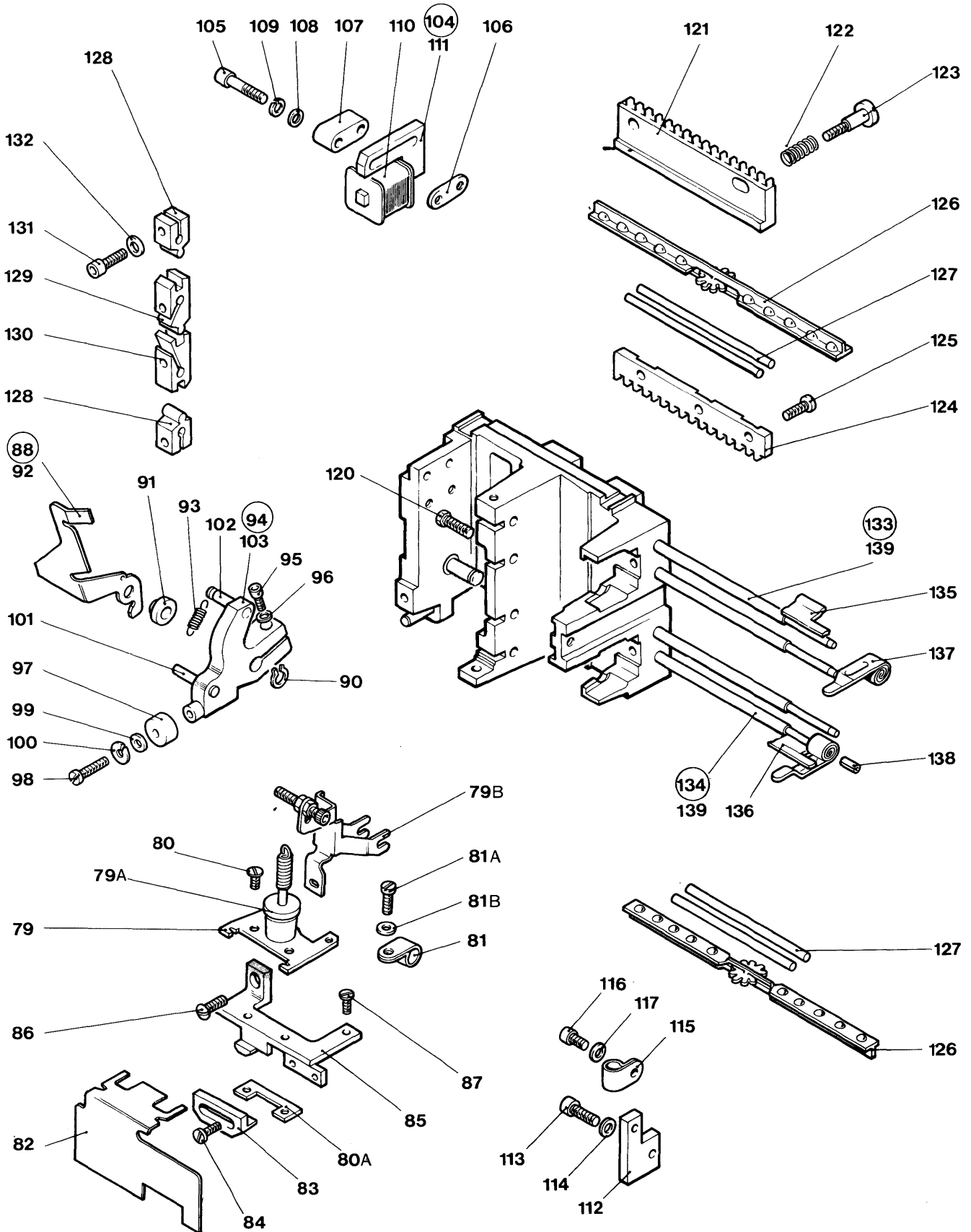


FIGURE 4. ACTUATOR ASSEMBLY (PART 3 OF 4)

LIST AND INDEX NUMBER	PART NUMBER	DESCRIPTION	UNITS PER ASM.	USABLE ON CODE
		ACTUATOR ASSEMBLY (PART 3 OF 4)		
4 -	2538111	ACTUATOR ASSEMBLY PCR NEXT HIGHER ASM SEE FIGURE 2	REF	
-	2600589	. ACTUATOR MECHANISM ASM (CONTINUED)	REF	
- 79	2538082	. . CLAMP	1	
- 80	438548	. . SCREW, MACH, SLCT BIND HD, 4-40UNC, 0.188IG	ATT FT	2
- 80A	5144395	. . FLATE, NUT	ATT PT	1
- 81	5213276	. . CLAMP, CABLE		1
- 81A	338238	. . SCREW, MACH, ED HD, 4-40UNC, 0.3125LG	ATT PT	1
- 81E	257985	. . WASHER, FLAT, 0.25OD, 0.028THK	ATT FT	1
- 82	2600584	. . FLAG		1
- 83	2538080	. . STRIKER, SWITCH		1
- 84	251970	. . SCREW, MACH, SLCT BIND HD, 4-40, 0.25LG	ATT PT	2
- 85	5144394	. . BRACKET, STRIKER		1
- 86	81693	. . SCREW, MACH, BIND HD, 6-32, 0.375LG		1
- 87	438548	. . SCREW, MACH, SLCT BIND HD, 4-40UNC, 0.188LG	ATT PT	1
- 88	2538054	. . LEVER		1
- 90	25282	. . RING, RETAINING, EXT 0.125 ID X 0.015 THK	ATT PT	1
- 91	2538043 NR	. . . BLSH		1
- 92	2538070 NR	. . . LEVER		1
- 93	2538073	. . SPRING, EXTENSION		1
- 94	2538005	. . ARM ASM, HEAD LOAD		1
- 95	357820	. . SCREW, CAP, SOC HD, 4-40 X 1/2 IG	ATT FT	1
- 96	257985	. . WASHER, FLAT, 0.25OD, 0.028THK	ATT PT	1
- 97	2538129	. . BEARING, ANNULAR BALL		1
- 98	438539	. . . SCREW, MACH, UNDRCT BIND HD 2-56 X 5/16 LG	ATT PT	1
- 99	642371	. . . WASHER, 0.094ID, 0.25CD, 0.031THK	ATT FT	1
-100	263217	. . . LOCKWASHER, INT TTH, 0.09ID, 0.185OD, 0.035THK	ATT PT	1
-101	744103 NR	. . . PIN		1
-102	802388 NR	. . . STUD		1
-103	2538006	. . . ARM ASM, HEAD LOAD		1
-104	2538020	. . SCLENCID ASM		1
-105	186926	. . SCREW, SOCKET HD CAP, 6-FLUTE, 4-40, 0.75LG	ATT PT	2
-106	2538074	. . PLATE, THREADED	ATT FT	1
-107	2600534	. . SPACER		1
-108	257985	. . WASHER, FLAT, 0.25OD, 0.028THK	ATT FT	2
-109	257984	. . WASHER, LOCK, SPLIT 1/8 ID X 13/64 OD	ATT PT	2
-110	2426238 NR	. . . COIL ASM		1
-111	2538021 NR	. . . CORE, MAGNETIC PCR OTHER COMPONENT PARTS SEE FIGURE 14 -7		1
-112	2600563	. . PLATE, CLAMP		1
-113	186924	. . SCREW, SKT HD CAP, 6-FLUTE, 4-40UNC, 0.375IG		1
-114	257985	. . WASHER, FLAT, 0.25OD, 0.028THK		1
-115	5213276	. . CLAMP, CABLE		1
-116	186923	. . SCREW, CAP HD, 6-FLUTE, 4-40, 0.25LG	ATT PT	1
-117	257985	. . WASHER, FLAT, 0.25OD, 0.028THK	ATT FT	1
-120	2536431	. . SCREW, LOCKING, HEX HD, 4-40UNC, 0.5IG		4
-121	2537348 NR	. . RACK, CARRIAGE		1
-122	2538090 NR	. . SPRING, COMPRESSION		2
-123	2536649 NR	. . SCREW, SHOULDER, SLCT HD, STAINLESS, 4-40UNC	ATT PT	2
-124	2538088 NR	. . RACK, CARRIAGE		1
-125	338238	. . SCREW, MACH, BD HD, 4-40UNC, 0.3125LG	ATT PT	3
-126	5831682 NR	. . CAGE ASM ASM COMPONENTS ARE NOT REPLACEABLE		2
-127	2538091 NR	. . SHAFT, CARRIAGE		4
-128	2537341	. . LINK, HEAD LOAD		2
-129	2537340	. . LINK, HEAD LOAD		1
-130	2537339	. . LINK, HEAD LOAD		1
-131	186924	. . SCREW, SKT HD CAP, 6-FLUTE, 4-40UNC, 0.375IG	ATT FT	4
-132	257985	. . WASHER, FLAT, 0.25OD, 0.028THK	ATT PT	4
-133	5831687	. . SHAFT ASM, DOWN		2
-134	5831686	. . SHAFT ASM, UP		2
-135	2598185 NR	. . BRACKET, HEAD LOAD		2
-136	2598184 NR	. . BRACKET, HEAD LOAD		2
-137	2598183 NR	. . SPRING, HEAD LOAD		4
-138	2598191 NR	. . PIN		4
-139	2598182 NR	. . SHAFT, STAINLESS		4

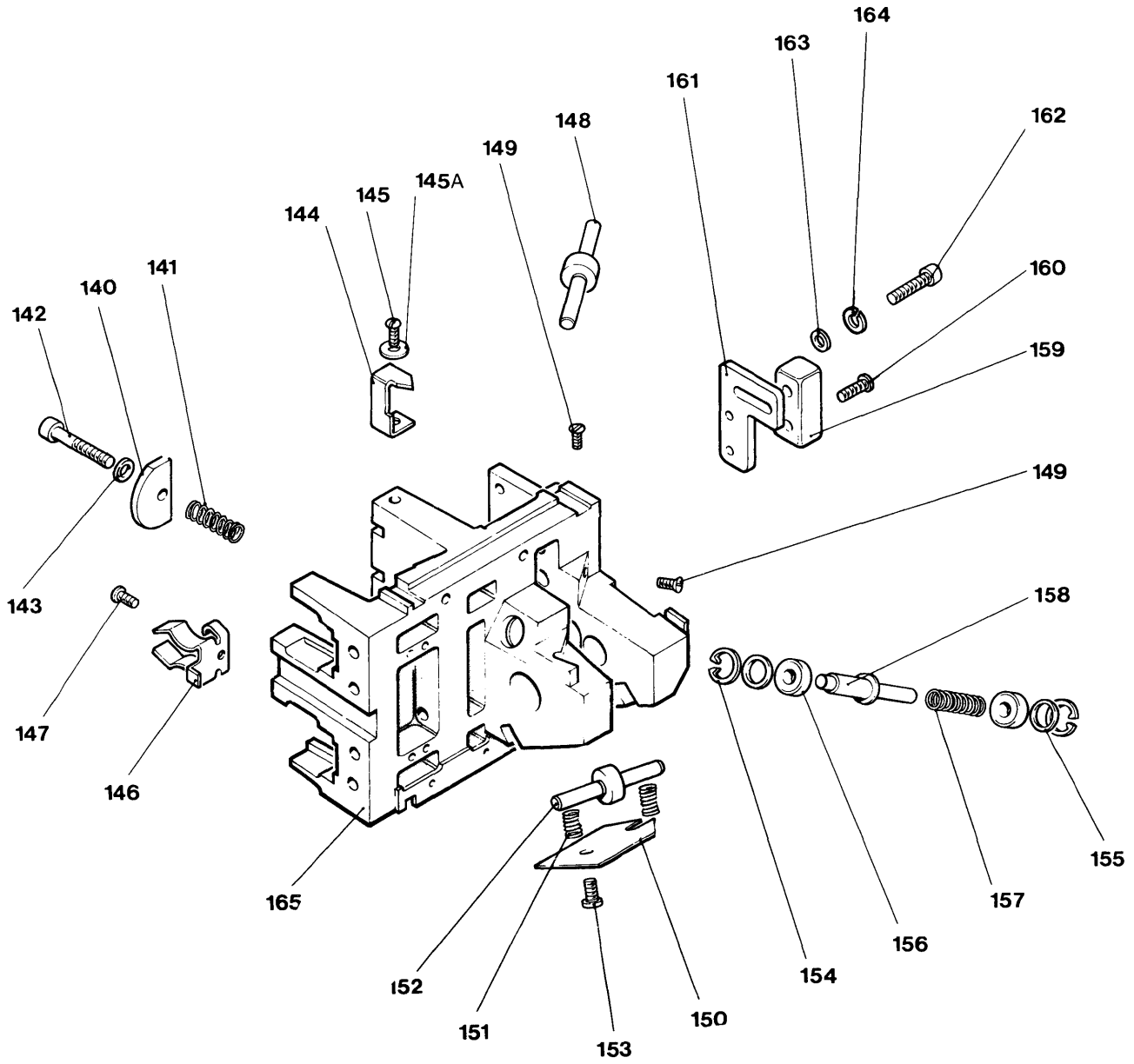


FIGURE 4. ACTUATOR ASSEMBLY (PART 4 OF 4)

LIST AND INDEX NUMBER	PART NUMBER	DESCRIPTION	UNITS	USABLE ON CODE
			PER ASM.	
		1 2 3 4		
		ACTUATOR ASSEMBLY (PART 4 OF 4)		
4 -	2538111	ACTUATOR ASSEMBLY FCR NEXT HIGHER ASM SEE FIGURE 2	REF	
-	2600589	. ACTUATOR MECHANISM ASM (CONTINUED)	REF	
-140	2536483	. . CLAMP HEAD	2	
-141	332981	. . SPRING	2	
-142	2121358	. . SCREW, MACH, SKT HD, 6-FLUTE, 4-40UNC, 1LG	2	
-143	257985	. . WASHER, FLAT, 0.25OD, 0.028THK	2	
-144	2538075	. . PCINTER	1	
-145	2176002	. . SCREW, SCKY HD CAP, HEX, 4-40, 0.188IG	ATT PT	1
-145A	257985	. . WASHER, FLAT, 0.25OD, 0.028THK	ATT PT	1
-146	2536482	. . SPRING, HEAD RETAINING	2	
-147	186923	. . SCREW, SKT HD CAP, 6-FLUTE, 4-40UNC, 0.25LG	ATT PT	2
-148	2538023 NR	. . RCLIER ASM, CARRIAGE ASM COMPONENTS ARE NCT REPLACEABLE	1	
-149	38443 NR	. . SCREW, MACH, FL CSK HD 6-32 X 5/16 IG	2	
-150	2538092 NR	. . PLATE, RETAINING	1	
-151	2538093 NR	. . SPRING, COMPRESSION	2	
-152	2538023 NR	. . RCLIER ASM, CARRIAGE ASM COMPONENTS ARE NCT REPLACEABLE	1	
-153	251970	. . SCREW, MACH, SLOT BIND HD, 4-40, 0.25LG	2	
-154	2538086 NR	. . RING, RETENTION	2	
-155	2538087 NR	. . SPACER	2	
-156	2538025 NR	. . BEARING, ANNULAR BALL	2	
-157	2538085 NR	. . SPRING, COMPRESSION	1	
-158	2538083 NR	. . WHEELNUT	1	
-159	528324	. . SWITCH	1	
-160	438540	. . SCREW, MACH, SLOT BIND HD, 8-32UNC, 1.75IG	2	
-161	2538031	. . PLATE, SWITCH MOUNTING	1	
-162	186924	. . SCREW, SKT HD CAP, 6-FLUTE, 4-40UNC, 0.375IG	1	
-163	257985	. . WASHER, FLAT, 0.25OD, 0.028THK	1	
-164	257984	. . WASHER, LOCK, SPLIT 1/8 ID X 13/64 CD	1	
-165	2538027 NR	. . CARRIAGE ASM ASM COMPONENTS ARE NCT REPLACEABLE	1	

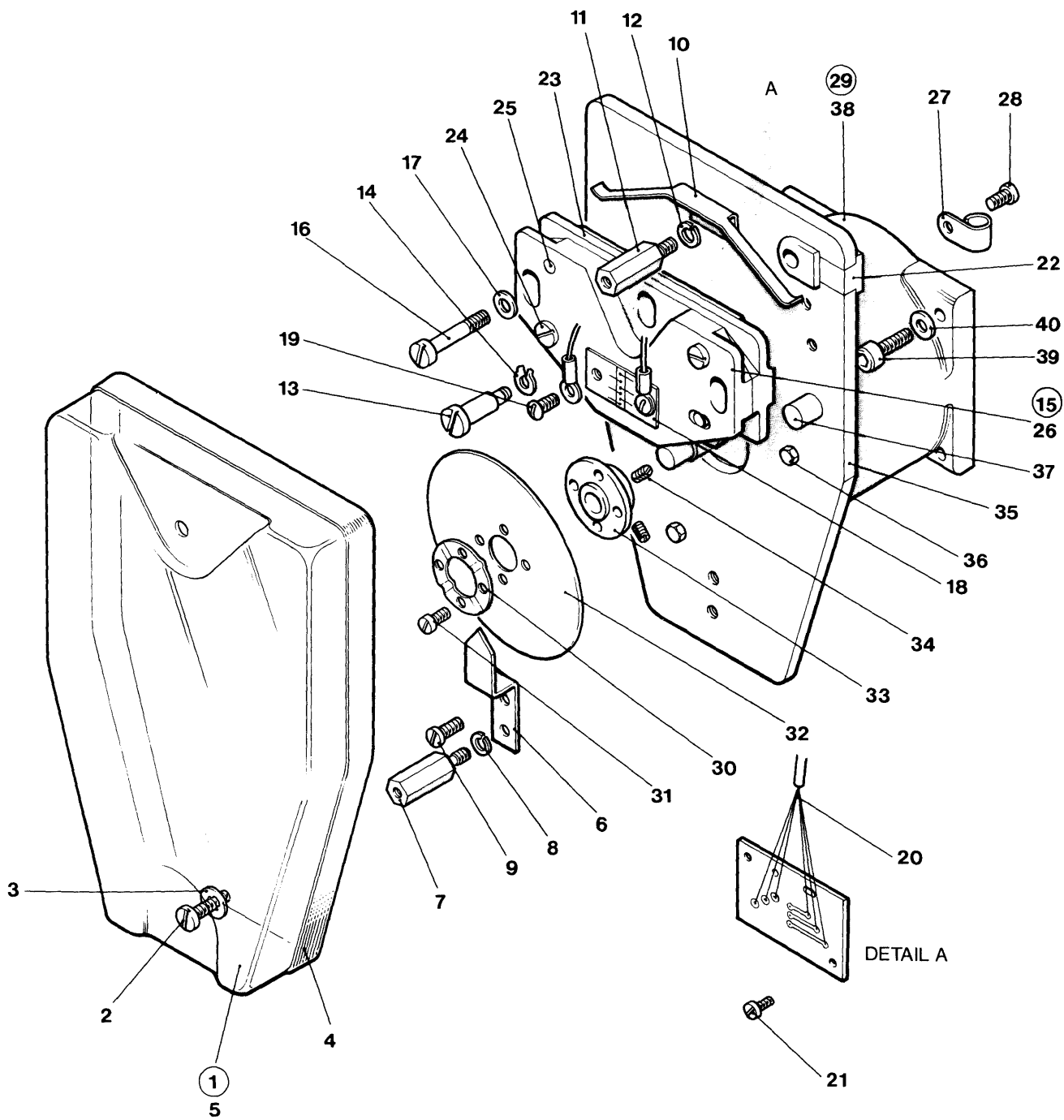


FIGURE 5. MOTOR ENCODER ASSEMBLY

LIST AND INDEX NUMBER	PART NUMBER	DESCRIPTION	UNITS PER ASM.	USABLE ON CODE
		MOTOR ENCODER ASSEMBLY		
5 -	2538036	MOTOR ENCCDER ASSEMBLY FOR NEXT HIGHER ASM SEE FIGURE 4	REF	
- 1	2600561	. COVER ASM	1	
- 2	338238	. . SCREW,MACH,ED HD,4-40UNC,0.3125LG	ATT PT	2
- 3	728509	. . RING	ATT PT	2
- 4	2600562	. . SEAL,DUST		1
- 5	2538055	. . COVER,TRANSPARENT		1
- 6	2538061	. INDICATOR,TRACK		1
- 7	2538056	. SHAFT	ATT PT	1
- 8	6364	. WASHER,LOCK,SPLIT 0.25CD	ATT PT	1
- 9	438566	. SCREW,MACH,BIND HD,6-32,C.125IG	ATT PT	1
- 10	2538059	. SPRING,RETENTION		1
- 11	2538056	. SHAFT	ATT PT	1
- 12	6364	. WASHER,LOCK,SPLIT 0.25CD	ATT PT	1
- 13	2538058	. SHAFT,ADJUSTING		1
- 14	147297	. RING,RETAINING,EXT 0.094 ID X 0.020 THK		1
- 15	2538045	. ENCCDER ASM		1
- 16	438586	. SCREW,MACH,UNDRCT EIND HL 8-32 X 7/8 LG	ATT PT	2
- 17	22478	. WASHER,FL,C.17ID,0.375CD,0.32THK	ATT PT	2
- 18	2538047	. . LAMP ASM,ENCCDER		1
- 19	1138818	. . SCREW,MACH,BIND HD,4-40 X 1/4 LG	ATT PT	2
- 20	2538046	. . CABLE HARNESS INCLUDES ECARD ASM (NOT REPLACEABLE)		1
- 21	48594	. . SCREW,MACH,BIND HD,6-32,0.25IG	ATT PT	2
- 22	2538127 NR	. . . GFCMMET,ROEPPER FOR OTHER COMPONENT PARTS SEE FIGURE 14 -5,-18,-30		1
- 23	2538052	. . PLATE,CELL		1
- 24	322550	. . SCREW,MACH,BIND HD,6-32,0.5IG	ATT PT	2
- 25	363011 NR	. . STUD		2
- 26	2538051	. . PLATE,LAMP MOUNTING		1
- 27	356742	. CLAMP,LOCK,0.25ID,0.177DIA MTG HOLE		1
- 28	124226	. SCREW,CAP,SOC HD 8,32 X C.162 IG	ATT PT	1
- 29	2538037	. MCTCR,DISK ASM		1
- 30	2538039 NR	. . CLAMP,DISK		1
- 31	438548 NR	. . SCREW,MACH,SLCT EIND HL,4-40UNC,0.188LG	ATT PT	4
- 32	2538040 NR	. . DISK,ENCCDER		1
- 33	2538038 NR	. . HUB,DISK		1
- 34	2600535 NR	. . SCREW,BDLESS SET,SECRET,8-32,0.25LG		2
- 35	2538042 NR	. . SLFECPT,ENCCDER		1
- 36	1124775 NR	. . SCREW,HEX HD,6-32,0.3LG	ATT PT	3
- 37	2538144 NR	. . SHAFT		2
- 38	2538041 NR	. . MCTCR ASM,STEPPER		1
- 39	104763	. SCREW,CAP,SOC HD,10-32,0.5IG PART OF ACTUATOR ASM - SEE FIGURE 4		REF
- 40	45690	. WASHER,FL,0.4375CD,0.0313THK PART OF ACTUATOR ASM - SEE FIGURE 4		REF

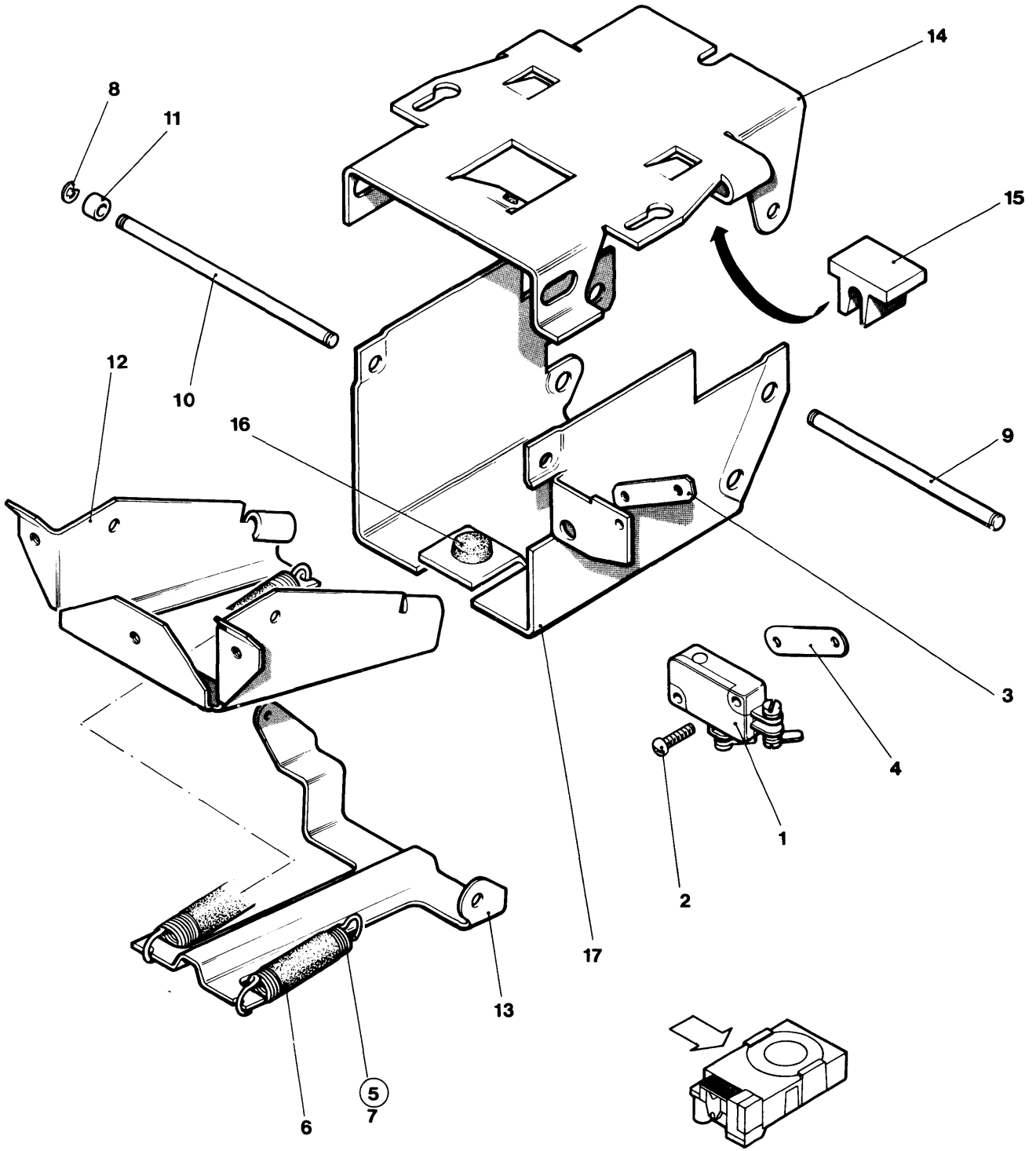


FIGURE 6. CLAMP ASSEMBLY - RH

LIST AND INDEX NUMBER	PART NUMBER	DESCRIPTION 1 2 3 4	UNITS PER ASM.	USABLE ON CODE
		CLAMP ASSEMBLY - RB		
6 -	2537309	CLAMP ASSEMBLY FOR NEXT HIGHER ASM SEE FIGURE 2	REF	
- 1	228093	. SWITCH, PRECISION	1	
- 2	438551	. SCREW, MACH, SLCT FINE HD, 4-40UNC, 0.625LG	2	
- 3	2598080	. PLATE, SUPP CRT	1	
- 4	2598038	. PACKET, STEEL	1	
- 5	2537486	. SPRING, COMPRESSION	2	
- 6	631810	. . TUBING, FLEXIBLE-NON-METALLIC	AR	
- 7	2537475	. . SPRING, EXTENSION	1	
- 8	1092125	. CLIP, RETAINING, 0.145ID, 0.025TBK	6	
- 9	2537472	. SHAFT	2	
- 10	2537338	. SHAFT	1	
- 11	2536633	. BEARING, NYLON	2	
- 12	2536618	. LEVER	1	
- 13	2536645	. LEVER	1	
- 14	2597965	. BRACKET	1	
- 15	2537573	. CLIP, RUBBER	2	
- 16	2537572	. BUMPER, RUBBER	2	
- 17	2536643	. MOUNT	1	

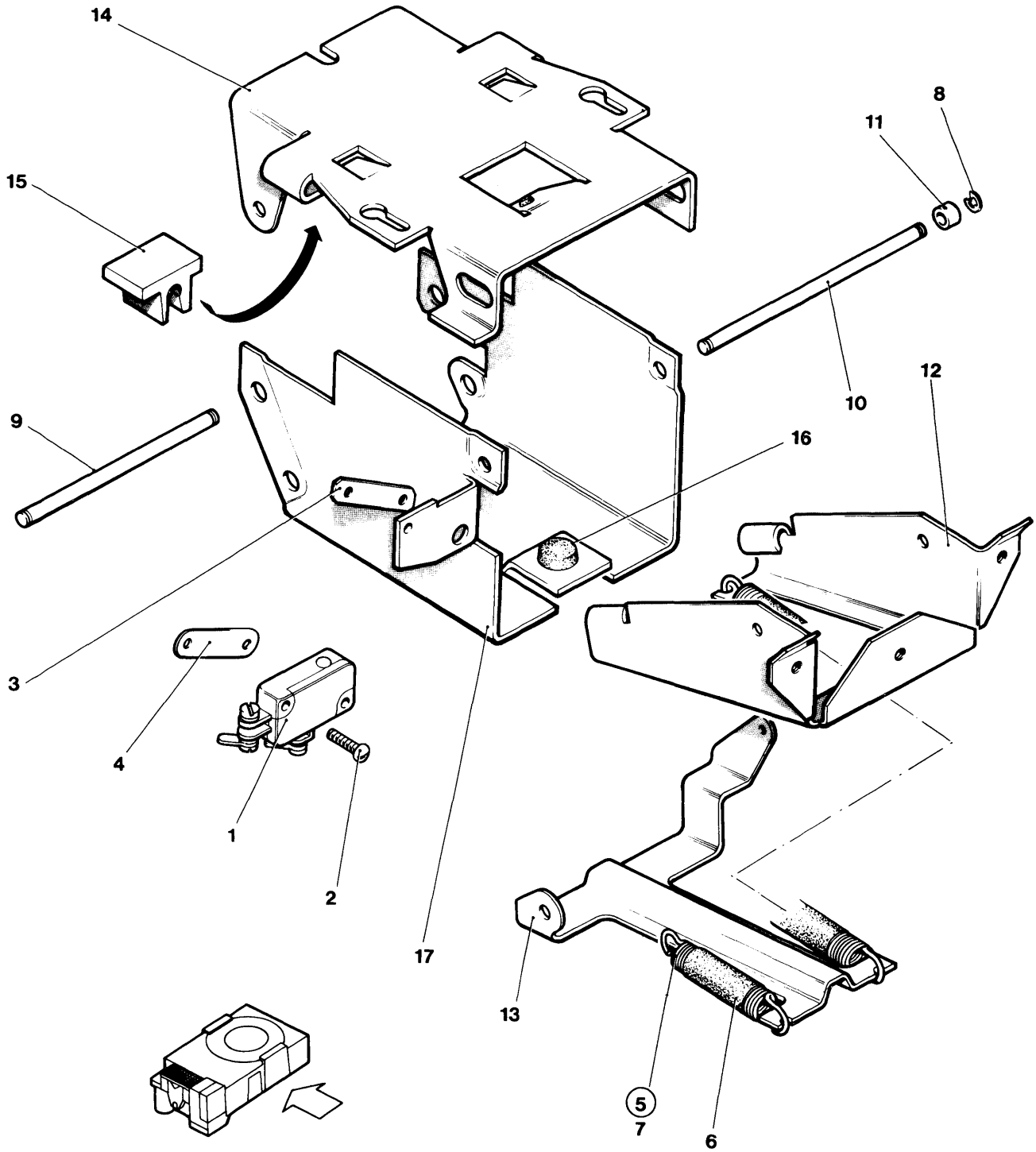


FIGURE 7. CLAMP ASSEMBLY - LH

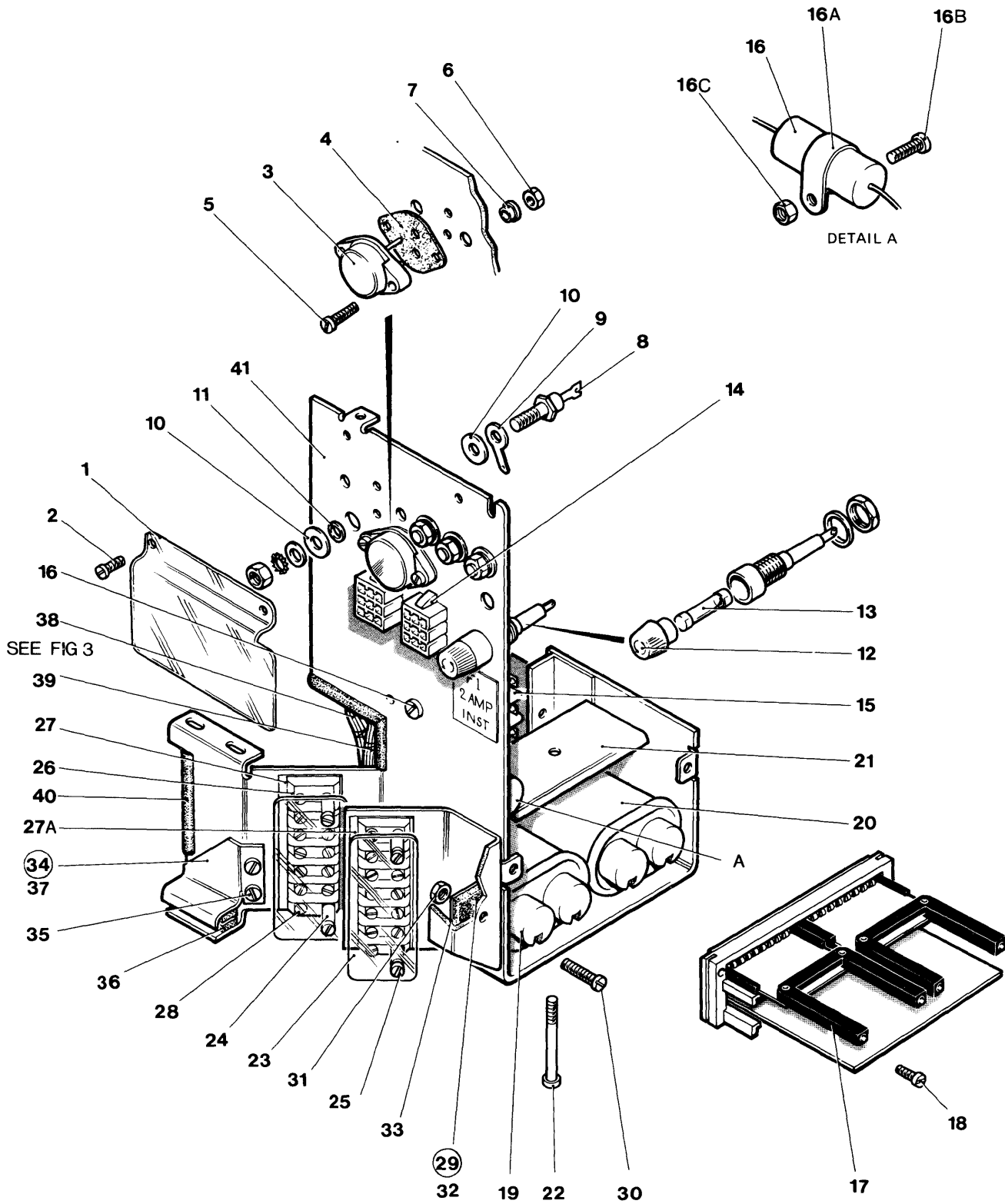


FIGURE 8. DC BOX ASSEMBLY

LIST AND INDEX NUMBER	PART NUMBER	DESCRIPTION	UNITS	USABLE
			PER ASM.	ON CODE
		DC ECX ASSEMBLY		
8 -	2538106	DC BOX ASSEMBLY FOR NEXT HIGHER ASSEMBLY SEE FIGURE 2	REF	
- 1	2538112	. SHIELD, TRANSPARENT	1	
- 2	38433	. SCREW, MACH, FH 4-40 X 1/4 LG	2	
- 3	2391819	. TRANSISTOR	1	
- 4	2537491	. INSULATOR	1	
- 5	322550	. SCREW, MACH, BIND HD, 6-32, C. 5IG	2	
- 6	257187	. NUT, FLAIN, HEX, 6-32, 0.375 FL W	2	
- 7	2537489	. BUSH, INSULATING	2	
- 8	337512	. RECTIFIER, SILICON, 3A, 240V	4	
- 9	316996	. LUG, TERMINAL	4	
- 10	533372	. WASHER	8	
- 11	533371	. BUSHING	4	
- 12	179946	. HOLDER, FUSE	1	
- 13	3344	. FUSE, CARTRIDGE, 2 AMP, 250V	1	
- 14	569879	. INSERT, ELEC CONNECTOR, 9 POSITION	2	
- 15	2283000	. RELAY, 3F, DT, 24V	1	
- 15A	38235	. SCREW, MACH, SLCT FINE HD, 6-32UNC, 0.312LG	1	
- 16	5144358	. CAPACITOR ASM	1	
- 16A	327923	. CABLE CLAMP	1	
- 16E	25627	. SCREW, MACH, BIND HD, 8-32, C. 5IG	1	
- 16C	257189	. NUT, HEX, 8-32	1	
- 17	2538110	. CARD SOCKET ASM	1	
- 18	438551	. SCREW, MACH, SLCT FINE HD, 4-40UNC, 0.625IG	2	
- 19	526378	. CAP, INSULATION	4	
- 20	5240458	. CAPACITOR, FXD, PAPER, 5UF E/M 6% 330 VAC	2	
- 21	2538126	. CLAMP, COUNTING	1	
- 22	438570	. SCREW, MACH, SLOT BIND HD, 6-32UNC, 1.4IG	1	
- 23	5236656	. SHIELD, 5 POSITION	2	
- 24	210883	. STUD, SHIELD MTG, TAPPED, 6-32	4	
- 25	210884	. STUD, SHIELD MTG, 6-32	4	
- 26	317310	. TERMINAL BOARD, 5 DBL SCREW TERMINALS	2	
- 27	5477195	. STRIP, MARKER, POSITIONS 1 - 5	1	
- 27A	5144385	. STRIP, MARKER, POSITIONS 7 - 11	1	
- 28	10170	. SCREW, MACH, SLCT FINE HD, 6-32UNC, 0.25LG	4	
- 29	2538145	. CLAMP ASM	1	
- 30	322551	. SCREW, MACH, SLCT FINE HD, 6-32UNC, 0.75LG	1	
- 31	344015	. NUT, SELF LKG, HEX, 6-32 X 5/16 FI W	1	
- 32	2538148	. . PAD, RUBBER, SELF ADHESIVE	1	
- 33	2538114	. . CLAMP	1	
- 34	2538146	. CLAMP ASM	1	
- 35	10170	. SCREW, MACH, SLCT FINE HD, 6-32UNC, 0.25LG	1	
- 36	2538149	. . PAD, RUBBER, SELF ADHESIVE	1	
- 37	2538113	. . CLAMP	1	
- 38	2600568	. CABLE HARNESS	1	
- 39	2600564	FOR COMPONENT PARTS SEE FIGURE 14 -1,-3,-6, -7,-8,-9,-10,-12,-14,-25,-26,-27,-28,-29 . CABLE HARNESS	1	
- 40	2175867	FOR COMPONENT PARTS SEE FIGURE 14 -1,-2,-3, -6,-7,-8,-9,-10,-11,-12,-13,-14,-15,-16,-17,-18,-19 . GROMMET	AR	
- 41	2538116	. FRAME	1	

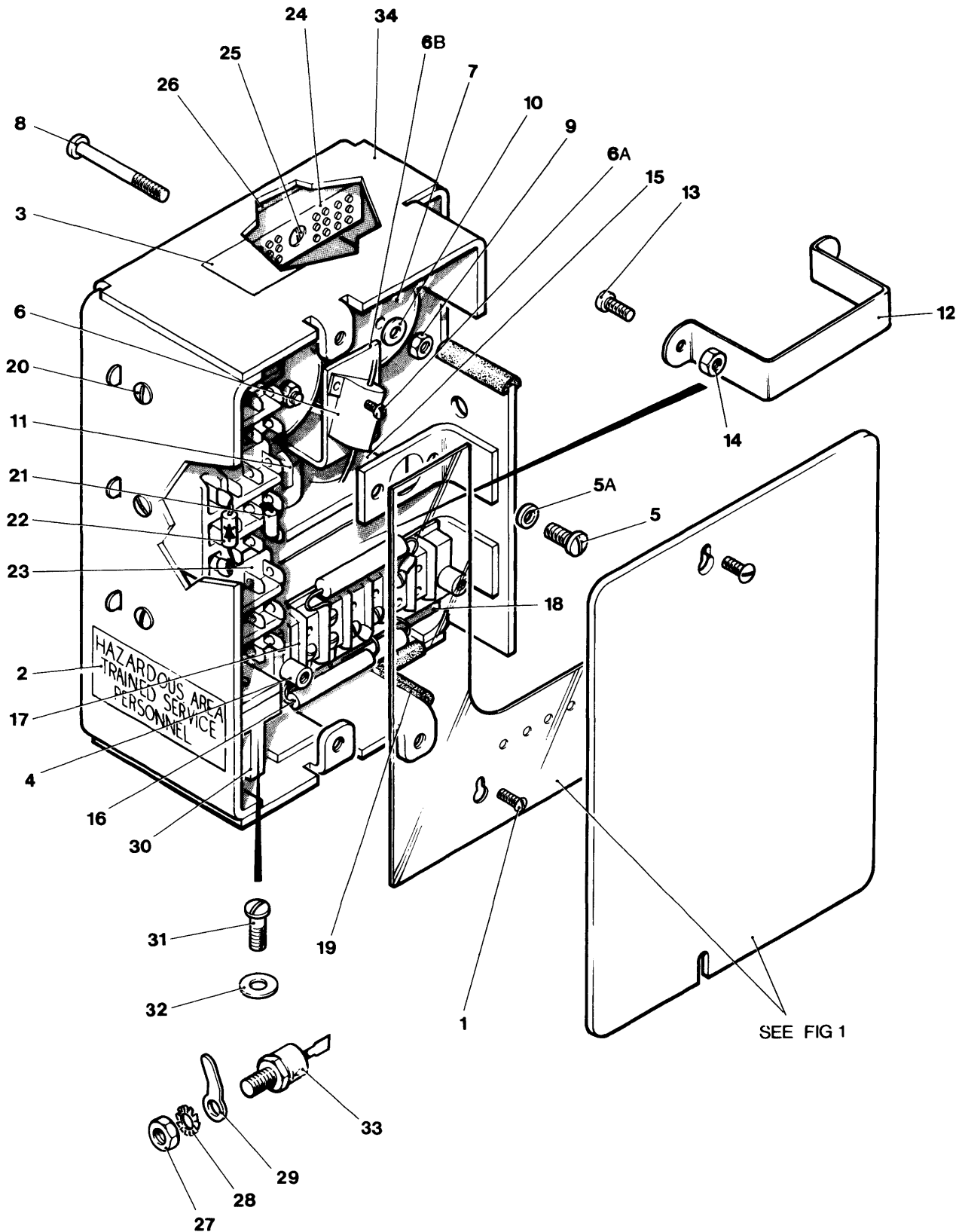


FIGURE 9. AC FOX ASSEMBLY

LIST AND INDEX NUMBER	PART NUMBER	DESCRIPTION	UNITS PER ASM.	USABLE ON CODE
		AC BOX ASSEMBLY		
9 -	2597913	AC BOX ASSEMBLY USED CN 50HZ MACHINES ONLY FCR NEXT HIGHER ASM SEE FIGURE 2	REF	
-	5144390	AC BCX ASSEMBLY USED CN 60HZ MACHINES CNIY FCR NEXT HIGHER ASM SEE FIGURE 2	REF	
- 1	10170	. SCREW, MACH, SLOT BIND HD, 6-32UNC, 0.25IG	ATT FT	2
- 2	369207	. LABEL, SELF ADHESIVE		1
- 3	138755	. LABEL, SELF ADHESIVE		1
- 4	210883	. STCF, SPACER		2
- 5	34512	. SCREW, MACH, SLOT BIND HD, 8-32UNC, 0.375IG NCT PART OF AC BOX ASM - ORDER SEPARATELY		1
- 5A	55901	. WSHR, ICK, ET, 0.168ID, 0.381CD, 0.023THR NCT PART OF AC BOX ASM - ORDER SEPARATELY		1
- 6	208249	. RESISTOR ASM		1
- 6A	731631	USED CN 60HZ MACHINES ONLY . SCREW, PAN HD, 4-40, 0.25IG	ATT FT	2
- 6E	5144387	USED CN 60HZ MACHINES ONLY . BRACKET, RESISTOR MOUNTING		1
- 7	2536337	USED CN 60HZ MACHINES ONLY . CHORE ASM		2
- 8	438570	FCR TERMINALS SEE FIGURE 14 -10 . SCREW, MACH, SLOT BIND HD, 6-32UNC, 1.4IG	ATT FT	2
- 9	257187	. NUT, MACH, HEX, 6-32UNC	ATT PT	2
- 10	257986	. WSHR, FLAT, 0.156ID, 0.312CD, 0.035THR	ATT FT	2
- 11	526378	. INSULATOR		2
- 12	2122114	. BRACKET		1
- 13	25627	. SCREW, MACH, SLCT BIND HD, 8-32UNC, 0.5IG	ATT FT	2
- 14	257189	. NUT, MACH, HEX, 8-32UNC	ATT PT	2
- 15	2283004	. CAPACITOR, FIXED, 2UF, 440V		1
- 16	2261919	. CAPACITOR ASM, FIXED, 0.01UF, 1000V		3
- 17	317232	. BLOCK, TERMINAL		1
- 18	581715	. MARKER, NUMBERED		1
- 19	2175867	. GROMMET		AR
- 20	38235	. SCREW, MACH, SLCT BIND HD, 6-32UNC, 0.312LG		3
- 21	2261918	. CAPACITOR		1
- 22	2111232	. DICDE		1
- 23	2283000	. RELAY, 3P, DT, 24V		1
- 24	302090	. BCARD ASM, TERMINAL		1
- 25	438550	. SCREW, MACH, SLOT BIND HD, 4-40UNC, 0.5IG	ATT FT	1
- 26	2536277	. INSULATOR, TERMINAL ELCK		1
- 27	11598	. NUT, MACH, HEX, 10-32UNF		1
- 28	56079	. WSHR, ICK, ET, 0.195ID, 0.41CD, 0.025THR		1
- 29	316996	. LUG, TERMINAL		1
- 30	2598097	. INSULATOR, DICDE MOUNTING		1
- 31	236849	. SCREW, MACH, BIND HD, 10-32, 0.25LG	ATT PT	1
- 32	45690	. WASHER, FL, 0.437OD, C. 0313THR	ATT FT	1
- 33	5214094	. RECTIFIER, SILICCN		1
- 34	2537483	. BOX		1

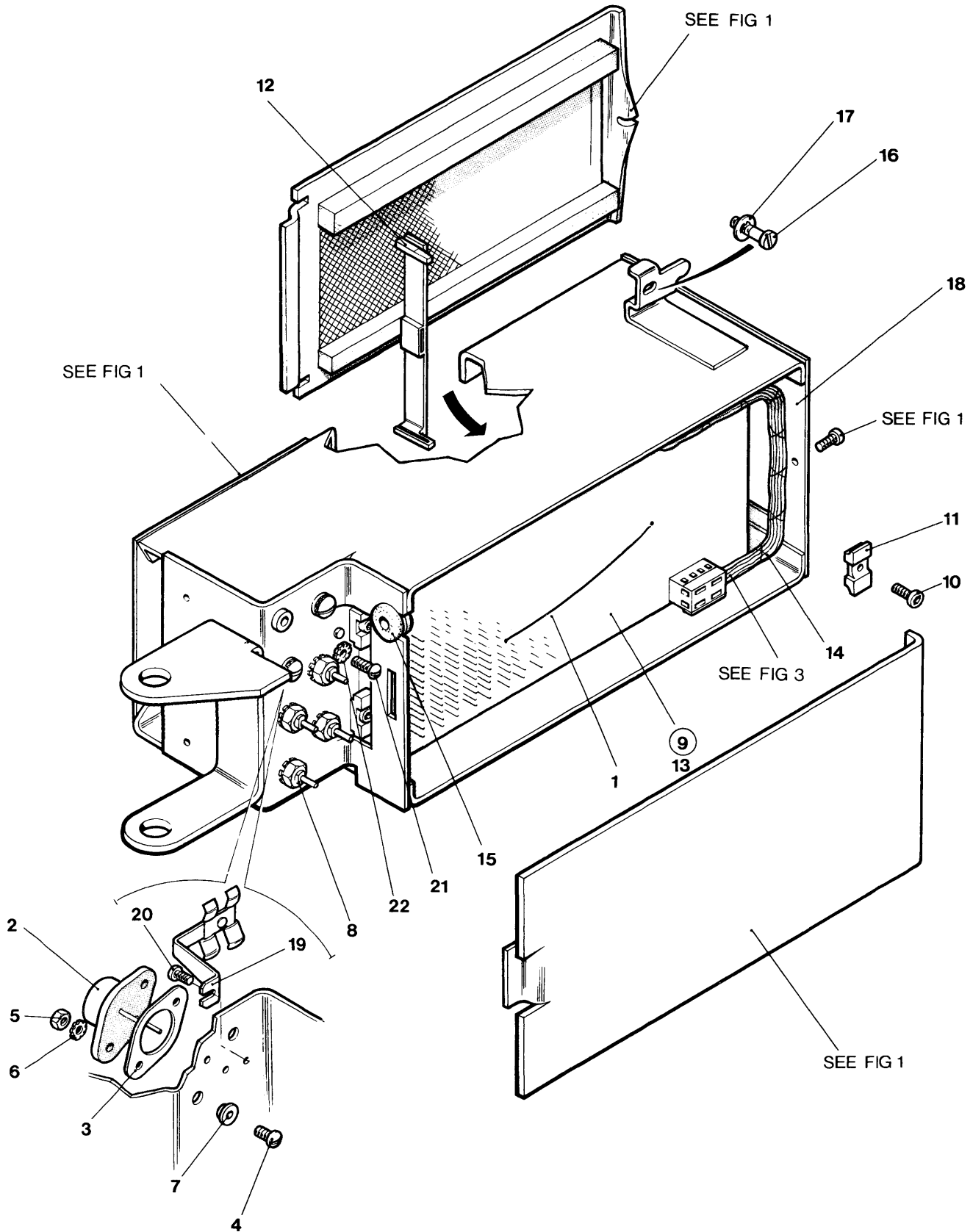


FIGURE 10. 'Y' GATE ASSEMBLY

LIST AND INDEX NUMBER	PART NUMBER	DESCRIPTION	UNITS	USABLE ON CODE
			PER ASM.	
		1 2 3 4		
		'Y' GATE ASSEMBLY		
10 -	2538096	'Y' GATE ASSEMBLY FOR NEXT HIGHER ASM SEE FIGURE 2	REF	
- 1	2600543	. JUMPER ASM	3	
- 2	2414892	. TRANSISTOR,NPN 257	1	
- 3	2537491	. INSULATOR	1	
- 4	35739	. SCREW,MACH,BIND HD,6-32,C.9375IG	2	
- 5	257187	. NUT,FLAIN,HEX,6-32,0.375 FL W	ATT PT	2
- 6	56722	. LOCKWASHER,EXT TCOOTH,0.15CD,0.32ID	ATT PT	2
- 7	2537489	. BUSH,INSULATING		2
- 8	2192509	. CAPACITOR,FIXED,C.01UF,100V ASM COMPONENTS ARE NOT REPLACEABLE		4
- 9	2538095 NP	. BOARD ASM		1
- 10	811417	. SCREW,HEX SOCKET HD,6-32,0.5LG	ATT PT	4
- 11	813179	. CLAMP,BCARD	ATT PT	4
- 12	811804	. . GUIDE,CARD		9
- 13	2538094	. . CUSTOMIZED BOARD ASM ASM COMPONENTS ARE NOT REPLACEABLE		1
- 14	2537528	. CABLE ASM		1
- 15	123070	. . GFCMMET,RUBBER,0.438ID FOR OTHER ASM COMPONENTS SEE FIGURE 14 -2,-3,-21,-22,-23,-24		1
- 16	332620	. SCREW,MACH,BIND HD,10-32,0.5IG THIS SCREW IS HELD CAPTIVE BY ITEM 17		1
- 17	364710	. CLIP,RETAINING		1
- 18	2600566 NP	. HCUSING,GATE		1
- 19	2597953	. CLAMP ASM NOT PART OF GATE ASM - ORDER SEPARATELY		1
- 20	438548	. SCREW,MACH,SLOT BIND HD,4-40UNC,0.188IG NOT PART OF GATE ASM - ORDER SEPARATELY		1
- 21	34512	. SCREW,MACH,SLOT BIND HD,6-32,0.375IG NOT PART OF GATE ASM - ORDER SEPARATELY		1
- 22	55901	. WASHER,LOCK,EXT TEETH C.381CD NOT PART OF GATE ASM - ORDER SEPARATELY		1

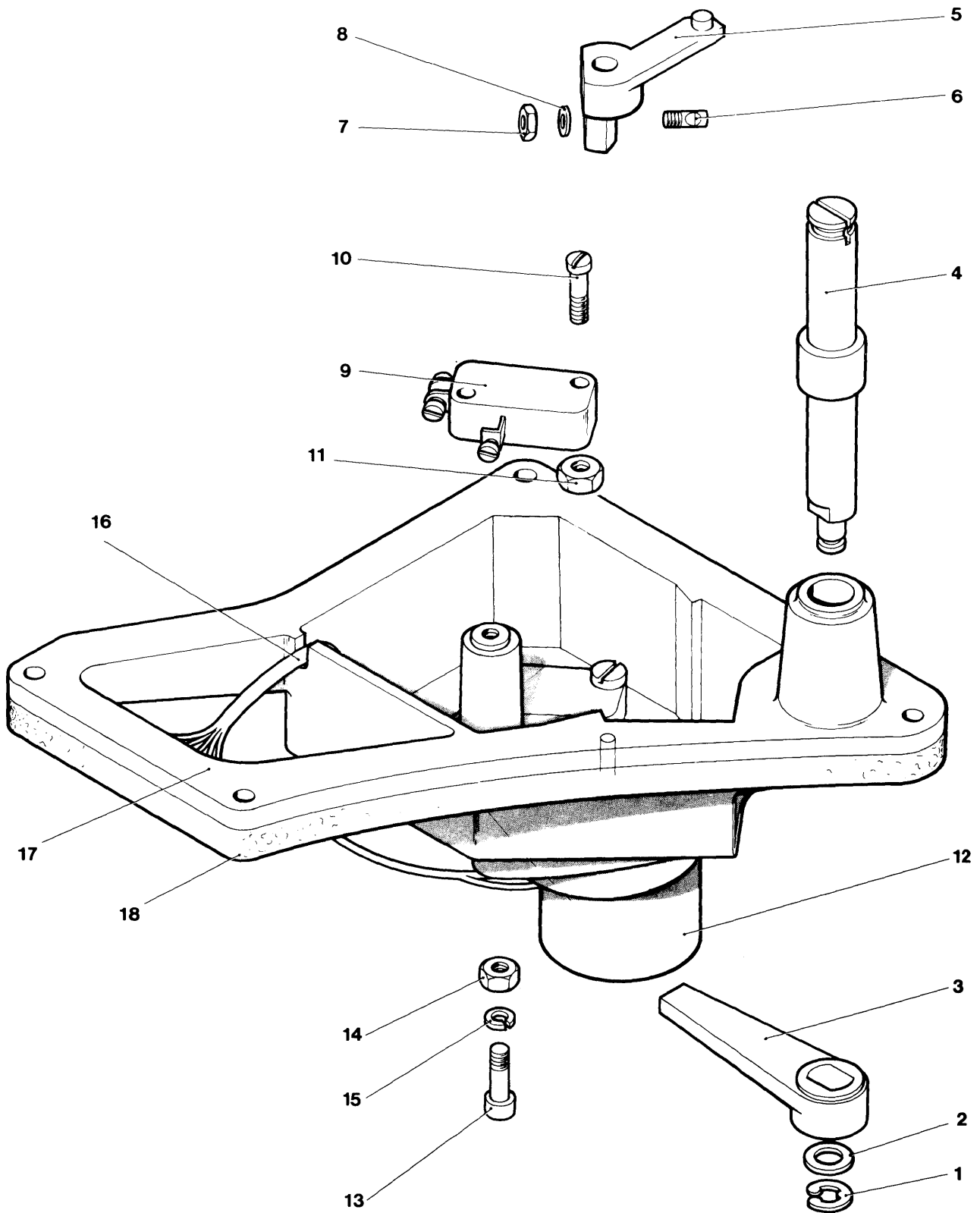


FIGURE 11. ERUSH DRIVE ASSEMBLY - 50HZ

LIST AND INDEX NUMBER	PART NUMBER	DESCRIPTION	UNITS PER ASM.	USABLE ON CODE
		1 2 3 4 BRUSH DRIVE ASSEMBLY - 50HZ		
11 -	2536345	BRUSH DRIVE ASSEMBLY, 50HZ FOR NEXT HIGHER ASM SEE FIGURE 2	REF	
- 1	1092125	. CLIP, RETAINING, C.145 ID, C. C25THK	1	
- 2	2101819	. WSHR, ICK, WVE, 0.198ID, 0.365CE, 0.006THK	1	
- 3	5831948	. LEVER	1	
- 4	2536341	. SHAFT	1	
- 5	2597974	. CAM	1	
- 6	2597973	. SHAFT ATT FI	1	
- 7	37913	. NUT, MACH, HEX, 4-40UNC ATT FI	1	
- 8	257984	. WASHER, LOCK, SPLIT 1/8 ID X 13/64 OD	1	
- 9	228093	. SWITCH, PRECISION	2	
- 10	438551	. SCREW, MACH, SLCT EIND HT, 4-40UNC, 0.625LG ATT FI	4	
- 11	37913	. NUT, MACH, HEX, 4-40UNC ATT FI	4	
- 12	5831813	. MCTCR ASM, 50HZ USED ON BRUSH DRIVE ASM, 50HZ ONLY FOR ASM COMPONENTS SEE FIGURE 14 -10A, -28, -29A	1	
- 13	38352	. SCREW, MACH, SLCT FIL HT, 6-32UNC, 0.375LG ATT FI	3	
- 14	257187	. NUT, MACH, HEX, 6-32UNC ATT FI	3	
- 15	62031	. WSHR, ICK, IT, 0.141ID, 0.295OD, 0.021THK ATT FI	3	
- 16	2536261	. CABLE ASM FOR ASM COMPONENTS SEE FIGURE 14 -1, -2	1	
- 17	2536287	. BRUSH, HCUSING ASM COMPONENTS ARE NOT REPLACEABLE	1	
- 18	2536388	. SEAL, SELF ADHESIVE, BRUSH HCUSING	1	

MOB 1351-1

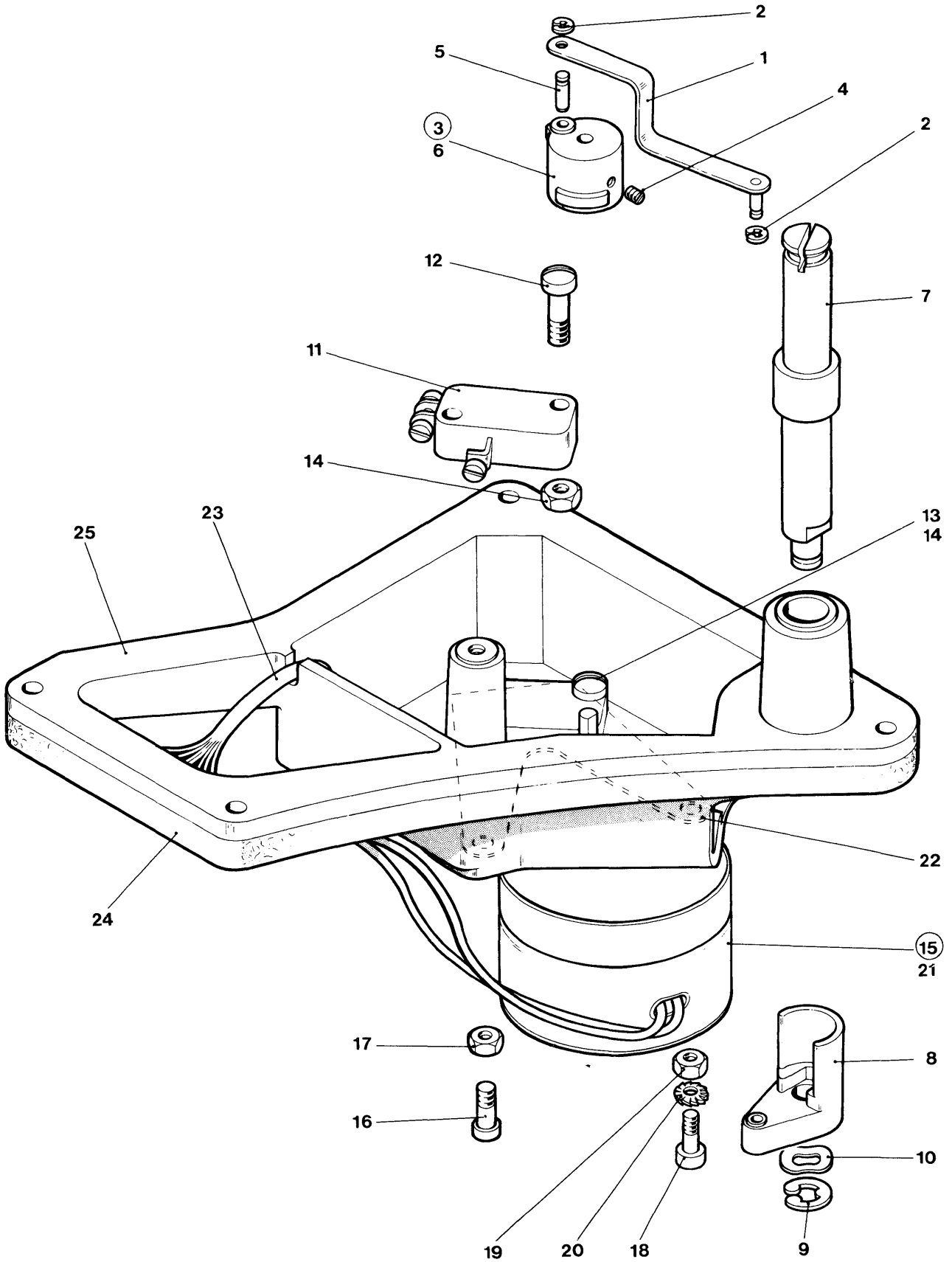


FIGURE 12. BRUSH DRIVE ASSEMBLY - 60HZ

LIST AND INDEX NUMBER	PART NUMBER	DESCRIPTION 1 2 3 4	UNITS PER ASM.	USABLE ON CODE
		BRUSH DRIVE ASSEMBLY - 60HZ		
12 -	5144330	BRUSH DRIVE ASSEMBLY FCR NEXT HIGHER ASM SEE FIGURE 2	REF	
- 1	5144334	. LINK	1	
- 2	1073418	. CLIP, RETAINING, 0.094ID, 0.015THK	ATT PT	2
- 3	5144337	. CAM ASM		1
- 4	328833	. SCREW, HELIX SET, 6-FLUTE, 4-40, 0.25IG	ATT PT	1
- 5	5144336	. . PIN, MCTCR CAM		1
- 6	5144335	. . CAM, MCTCR		1
- 7	5144333	. SHAFT		1
- 8	5144332	. COUPLING		1
- 9	1092125	. RING, RETAINING	ATT PT	1
- 10	2101819	. WSRF, ICR, WVE, 0.198ID, 0.365CD, 0.006THK	ATT PT	1
- 11	228093	. SWITCH, PRECISION		2
- 12	438551	. SCREW, MACH, SLCT EIND HD, 4-40UNC, 0.625LG	ATT PT	2
- 13	438552	. SCREW, MACH, BIND HD 4-40 X 3/4 IG	ATT PT	2
- 14	37913	. NUT, HEX, 4-40, 0.25ID	ATT PT	4
- 15	5144329	. MOTCR ASM, 60HZ		1
- 16	10170	. SCREW, MACH, SLCT BIND HD, 6-32UNC, 0.25IG	ATT PT	1
- 17	257187	. NUT, FLAIN, HEX, 6-32, 0.375 FL W	ATT PT	1
- 18	81693	. SCREW, MACH, BIND HD, 6-32, C.375IG	ATT PT	1
- 19	257187	. NUT, FLAIN, HEX, 6-32, 0.375 FL W	ATT PT	1
- 20	56722	. LOCKWASHER, EXT TCOTH, 0.15CD, 0.32ID	ATT PT	1
- 21	2283012	. . MCTCR, 60HZ FCR OTHER COMPONENT PART SEE FIGURE 14 -3		1
- 22	5144317	. PLATE		1
- 23	2536261	. CABLE ASM FCR COMPONENT PARTS SEE FIGURE 14 -1, -5		1
- 24	2536388	. SEAL, SELF ADHESIVE, BRUSH HCUSING		1
- 25	5144331	. HCUSING, BRUSH DRIVE ASM COMPONENTS ARE NOT REPLACEABLE		1

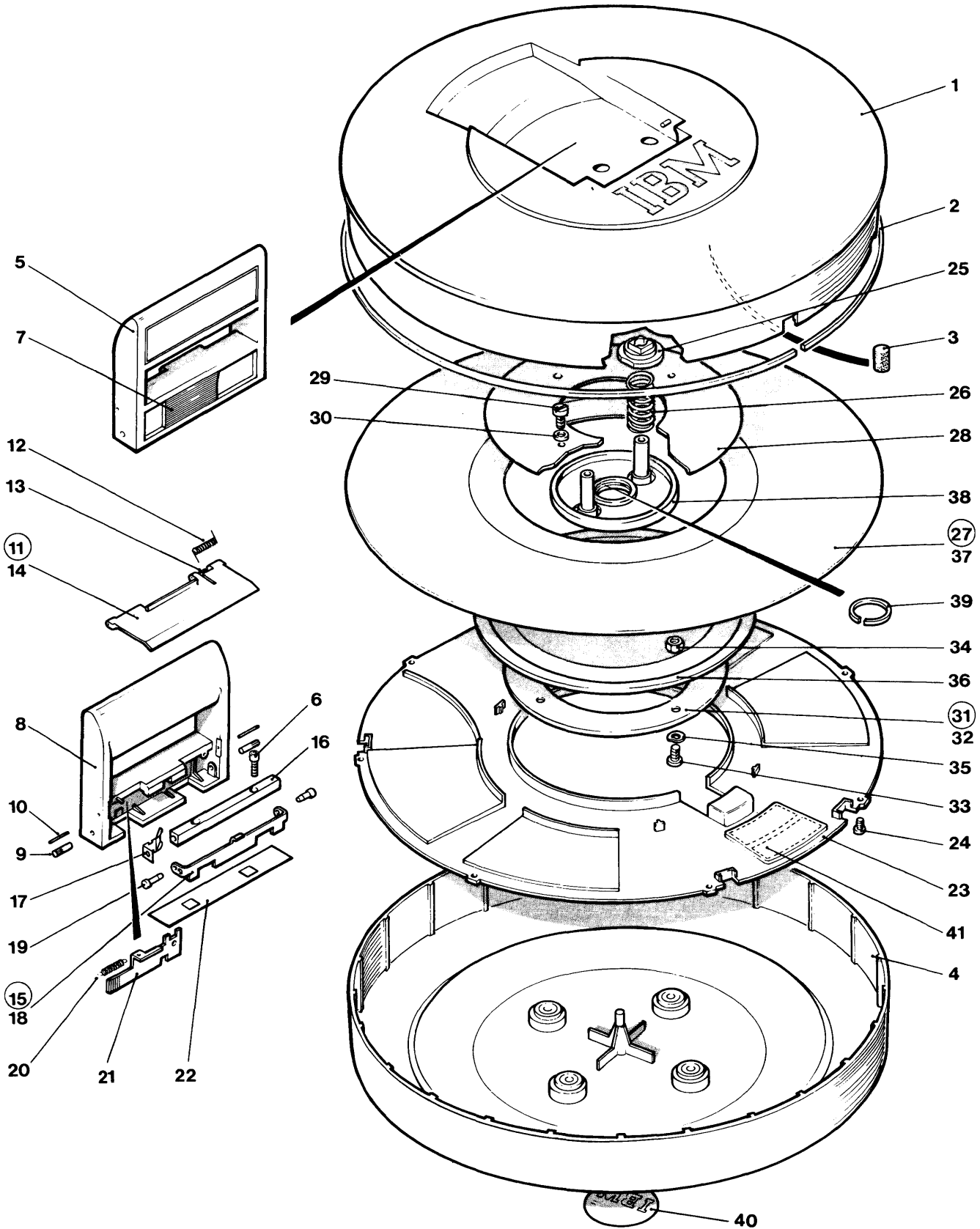


FIGURE 13. 5440 CARTRIDGE ASSEMBLY

LIST AND INDEX NUMBER	PART NUMBER	DESCRIPTION	UNITS	USABLE
			PER ASM.	ON CODE
		544C CARTRIDGE ASSEMBLY		
13 -	2536533	FINAL ASSEMBLY, 5440 CARTRIDGE	REF	
-	2537301	FINAL ASSEMBLY, 5440 CE CARTRIDGE	REF	
- 1	2598067	. COVER ASM, TCF, BLUE	1	
- 1	2598068	. COVER ASM, CE, TCF, BLACK	1	
- 2	5831601 NR	. . SEAL	1	
- 3	5144359 NR	. . BUMPER, RUBBER	4	
		OTHER ASM COMPONENTS ARE NOT REPLACEABLE		
- 4	2536559 NR	. COVER, BOTTOM	1	
- 4	2536569 NR	. COVER, CE, BOTTOM	1	
		ASM COMPONENTS ARE NOT REPLACEABLE		
- 5	2536565 NR	. HANDLE ASM	1	
- 6	186924 NR	. SCREW, SKT HD CAP, 6-FLUTE, 4-40UNC, 0.375LG ATT FT	2	
- 7	5831627 NR	. . KNOB	1	
- 8	2536332 NR	. . HANDLE ASM	1	
		ASM COMPONENTS ARE NOT REPLACEABLE		
- 9	2536563 NR	. . PIN	2	
- 10	2537380 NR	. . PIN	2	
- 11	2537381 NR	. . COVER ASM	1	
- 12	2537368 NR	. . . SPRING	1	
- 13	2537367 NR	. . . FIN	1	
- 14	2537366 NR	. . . COVER	1	
- 15	2598060 NR	. . LEVER ASM	1	
- 16	2598065 NR	. . . DRAW BAR	1	
- 17	2598037 NR	. . . CLIP	1	
- 18	2598083 NR	. . . LEVER	1	
- 19	2598082 NR	. . . FIN	2	
- 20	5831608 NR	. . SPRING	1	
- 21	2598063 NR	. . LATCH	1	
- 22	2536571 NR	. PLATE	1	
- 23	2536543 NR	. COVER, PROTECTIVE	1	
- 24	5831632	. SCREW, SELF TAP, C. 25LG ATT FT	8	
- 25	2598056 NR	. INSERT, NYLON	2	
- 26	5831600 NR	. SPRING	1	
- 27	2598066 NR	. DISK ASM	1	
- 28	2199378 NR	. . CLAMP	1	
- 29	5257231 NR	. . SCREW ATT FT	4	
- 30	2219193 NR	. . WHEEL ATT FT	4	
- 31	5831591 NR	. . HUB ASM	1	
- 32	5831616 NR	. . . PLATE	1	
- 33	2598190 NR	. . . SCREW, COUNTERSINK HD, 6-32UNC, 0.5LG ATT FT	4	
- 34	257187 NR	. . . NUT, MACH, HEX, 6-32UNC ATT FT	4	
- 35	4077757 NR	. . . WASHER, LOCK ATT FT	4	
- 36	2536567 NR	. . . DISK HUB	1	
- 37	2218106 NR	. DISK	1	
- 38	2598064 NR	. . DRAW PLATE ASM	1	
		ASM COMPONENTS ARE NOT REPLACEABLE		
- 39	2598054 NR	. . SNAPE RING	1	
- 40	2598045	. LABEL, MADE IN USA	1	
- 40	5831637	. LABEL, MADE IN GERMANY	1	
- 41	5144340	. SERIAL LABEL, DATA CART, MADE IN GERMANY	1	
- 41	5144342	. SERIAL LABEL, DATA CART, MADE IN USA	1	
- 41	5144344	. CE CART LABEL, DATA, MADE IN USA	1	
- 41	5144346	. RECONDITIONED LABEL, MADE IN GERMANY	1	
- 41	5144348	. RECONDITIONED LABEL, MADE IN USA	1	
- 41	5144352	. USED PARTS LABEL, REFURBISHED DISK	1	

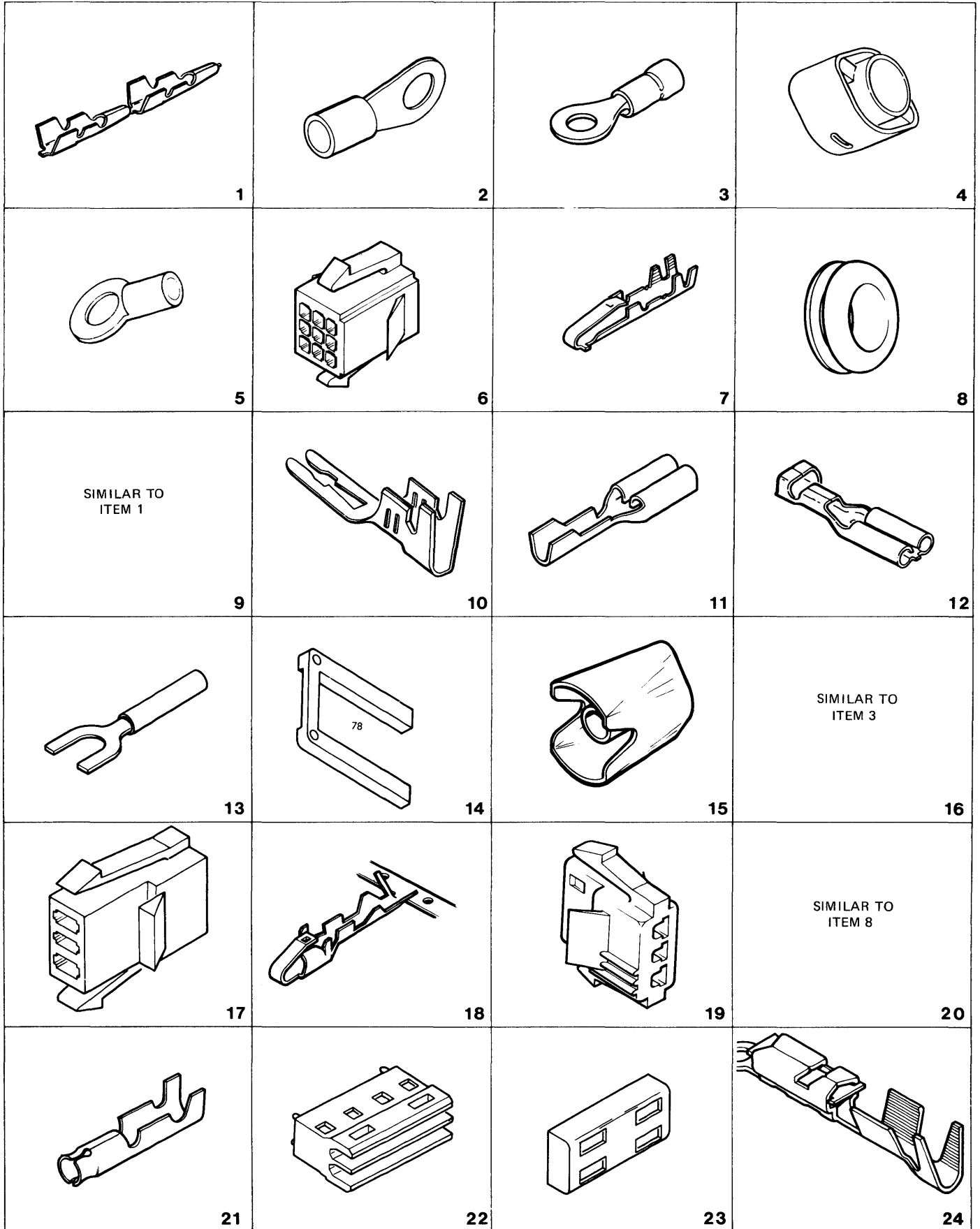


FIGURE 14. CABLE AND JUMPER ASSEMBLY COMPONENT PARTS (PART 1 OF 2)

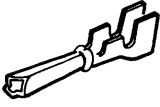

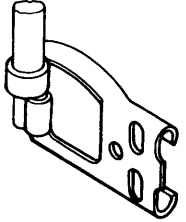
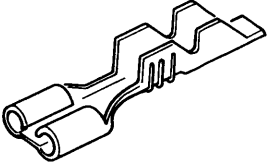
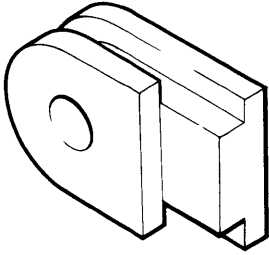
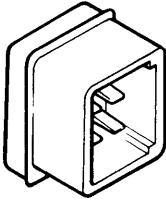
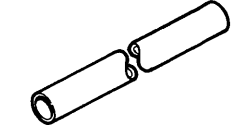
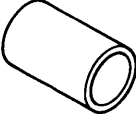
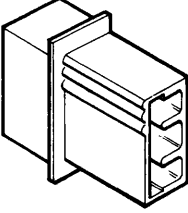
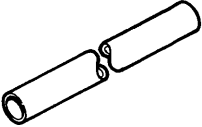
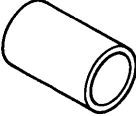
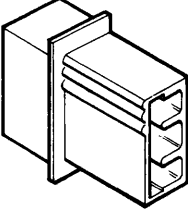
<p>SIMILAR TO ITEM 3</p>			
<p>25</p> 	<p>26</p> 	<p>27</p> 	<p>28</p> <p>SIMILAR TO ITEM 28</p>
<p>29</p> 	<p>30</p> 	<p>31</p> 	<p>32</p>
<p>33</p> 	<p>34</p> 	<p>35</p> 	

FIGURE 14. CABLE AND JUMPER ASSEMBLY COMPONENT PARTS (PART 2 OF 2)

LIST AND INDEX NUMBER	PART NUMBER	DESCRIPTION	UNITS	USABLE
			PER ASM.	ON CODE
		1 2 3 4		
		CABLE AND JUMPER ASSEMBLY COMPONENT PARTS		
14 - 1	187243	. TERMINAL, SMALL TAPER	AR	
- 2	92784	. TERMINAL, RING, 18-20 AWG, 8 HOLES	AR	
- 3	334921	. TERMINAL, RING, 18-22 AWG, 6 HOLES	AR	
- 4	760259	. SHIELD, GROUNDING SPLICE	AR	
- 5	804715	. TERMINAL, RING, 22-18 AWG, 4 STUD	AR	
- 6	569879	. INSERT, ELEC CONNECTOR, 9 POSITION	AR	
- 7	609687	. CONTACT	AR	
- 8	1077722	. GROMMET, RUB, FOR C. 3125 HOLES, 1/16 IN	AR	
- 9	360433	. TERMINAL, PLUG, 16-18 AWG	AR	
- 10	811802	. GUIDE, CARD	AR	
- 11	1142155	. TERMINAL, CRIMP, 22, 24 AWG	AR	
- 12	2123393	. TERMINAL, RECEPTACLE	AR	
- 13	2183041	. TERMINAL, SPADE, 22-18AWG, 4 STUD	AR	
- 14	5352960	. STRAIN RELIEF, COAX TWC-HI APPLICATION	AR	
- 15	188609	. FERRULE, CABLE, SHIELDED	AR	
- 16	360370	. TERMINAL, WIRE RING TONGUE	AR	
- 17	725557	. HOUSING, CONNECTOR (AMBER)	AR	
- 18	2174195	. CONTACT	AR	
- 19	4121101	. HOUSING, CONNECTOR (WHITE)	AR	
- 20	123070	. GROMMET, RUBBER, C. 438ID	AR	
- 21	368169	. CONNECTOR	AR	
- 22	813801	. HOUSING	AR	
- 23	813802	. COVER	AR	
- 24	815933	. CONNECTOR	AR	
- 25	334910	. TERMINAL, RING, 14-16 AWG, 6 HOLES	AR	
- 26	550501	. RECEPTACLE, TAPER PIN 22-20 AWG	AR	
- 27	2145170	. TERMINAL, CONNECTOR	AR	
- 28	2162590	. TERMINAL, FLAG FAST	AR	
- 29	5412817	. TERMINAL, QUICK DISCONNECT, 20-24 AWG	AR	
- 30	2538127	. GROMMET, RUBBER	AR	
- 31	569878	. CONNECTOR, MALE, 9 PIN POLARIZED	AR	
- 32	517913	. TERMINAL, SLIP ON, 18-16 AWG	AR	
- 33	5271638	. TUBING, HEAT SHRINK	AR	
- 34	2152788	. FERRULE, .453 OUTSIDE AND .400 INSIDE DIA	AR	
- 35	5213364	. FERRULE, ELECTRICAL CONDUCTOR, INNER	AR	
- 36	725558	. HOUSING, CONNECTOR (AMBER)	AR	

NUMERICAL INDEX

PART NO.	LIST AND INDEX NO.	PART NO.	LIST AND INDEX NO.	PART NO.	LIST AND INDEX NO.	PART NO.	LIST AND INDEX NO.
453	2 - 203	62031-CONT	2 - 45	257189-CONT	9 - 14	360370	14 - 16
3344	8 - 13		2 - 167	257956	2 - 184	360433	14 - 9
3550	2 - 83		3 - 7	257960	2 - 191	363011	5 - 25
	2 - 102		11 - 15	257975	2 - 98	364710	10 - 17
5677	2 - 200	81693	- 16	257982	4 - 52	368169	14 - 21
6364	2 - 56A		- 41		4 - 56	369207	- 13
	5 - 8		- 62	257984	4 - 26		9 - 2
	5 - 12		2 - 52		4 - 30	369675	4 - 34
6935	2 - 84		2 - 107		4 - 50	438536	4 - 70
8163	2 - 202		2 - 111		4 - 63	438539	4 - 98
9092	2 - 95		4 - 86		4 - 109	438540	4 - 160
10170	- 49		12 - 18		4 - 164	438548	2 - 42
	2 - 20	92784	14 - 2		11 - 8		2 - 156
	2 - 25	104696	4 - 57	257985	2 - 32		2 - 160
	2 - 44	104763	4 - 2		2 - 148		4 - 54
	2 - 134		4 - 20		2 - 182		4 - 80
	2 - 166		5 - 39		2 - 194		4 - 87
	8 - 28	123070	10 - 15		4 - 6		5 - 31
	8 - 35		14 - 20		4 - 15		10 - 20
	9 - 1	124226	5 - 28		4 - 25	438550	9 - 25
	12 - 16	129654	2 - 94		4 - 49	438551	4 - 44
11598	- 64	130985	2 - 141		4 - 62		6 - 2
	2 - 33A	138755	9 - 3		4 - 81B		7 - 2
	2 - 114	147297	5 - 14		4 - 96		8 - 18
	2 - 172	149897	2 - 2		4 - 108		11 - 10
	9 - 27		2 - 105		4 - 114		12 - 12
22478	2 - 106	179946	8 - 12		4 - 117	438552	12 - 13
	5 - 17	186923	2 - 31		4 - 132	438554	4 - 33
23931	3 - 24		2 - 181		4 - 143	438566	5 - 9
24107	2 - 149		4 - 116		4 - 145A	438570	8 - 22
25282	4 - 90		4 - 147		4 - 163		9 - 8
25627	2 - 74	186924	2 - 35	257986	2 - 57B	438586	5 - 16
	8 - 16B		4 - 24		9 - 10	473079	- 11
	9 - 13		4 - 48	263217	4 - 100	483373	2 - 90
32042	- 10		4 - 61	302090	2 - 38	517913	14 - 32
34512	2 - 92		4 - 113		2 - 88	526378	8 - 19
	2 - 103		4 - 131		9 - 24		9 - 11
	2 - 119		4 - 162	302131	2 - 39	526898	2 - 112
	2 - 206		13 - 6		2 - 89	528324	4 - 159
	9 - 5	186926	4 - 105	316996	8 - 9	533371	8 - 11
	10 - 21	186927	2 - 122		9 - 29	533372	8 - 10
35739	10 - 4	186933	2 - 169	317173	2 - 86	550501	14 - 26
37913	11 - 7	186935	2 - 82	317232	9 - 17	569878	14 - 31
	11 - 11	187243	14 - 1	317310	8 - 26	569879	8 - 14
	12 - 14	188609	14 - 15	322065	- 34		14 - 6
38051	2 - 80	208249	9 - 6	322550	- 33	581715	9 - 18
38235	- 35	209033	2 - 171		5 - 24	603863	2 - 174
	2 - 29	210883	2 - 17		8 - 5	609687	14 - 7
	2 - 163		8 - 24	322551	2 - 14	631810	6 - 6
	8 - 15A		9 - 4		2 - 53		7 - 6
	9 - 20	210884	8 - 25		2 - 79	642371	4 - 99
38265	2 - 40	210921	2 - 37		8 - 30	725557	2 - 108
	2 - 197	219743	2 - 140	323837	2 - 18		14 - 17
38266	2 - 23	228093	4 - 43	327921	3 - 12	725558	14 - 36
38351	2 - 69		6 - 1		3 - 14	728509	- 25
38352	11 - 13		7 - 1		3 - 16		5 - 3
38354	3 - 5		11 - 9	327923	8 - 16A	731626	3 - 26
38433	8 - 2		12 - 11	328833	12 - 4	731631	- 19
38442	- 51	236550	- 45	332620	10 - 16		- 21
38443	4 - 149	236849	9 - 31	332981	4 - 141		2 - 67
38688	2 - 101	237032	2 - 33B	334910	14 - 25		9 - 6A
45690	2 - 170	237245	2 - 150	334921	14 - 3	744103	4 - 101
	4 - 3	251262	2 - 135	337512	8 - 8	760259	14 - 4
	4 - 21	251970	- 29	338238	- 24	802388	4 - 102
	5 - 40		2 - 147		- 56	804480	4 - 66
	9 - 32		2 - 193		- 60	804715	14 - 5
48594	5 - 21		4 - 28		4 - 36	811417	10 - 10
52522	4 - 68		4 - 84		4 - 39	811427	2 - 126
55726	- 38		4 - 153		4 - 41	811802	14 - 10
55901	2 - 120	251990	- 63		4 - 81A	811804	2 - 48
	3 - 25	257187	2 - 54		4 - 125		10 - 12
	9 - 5A		3 - 6		5 - 2	813179	10 - 11
	10 - 22		8 - 6	344015	8 - 31	813801	14 - 22
56079	2 - 115		9 - 9	356742	3 - 4	813802	14 - 23
	9 - 28		10 - 5		3 - 10	815933	14 - 24
56722	2 - 55		11 - 14		3 - 33	825559	2 - 125
	3 - 27		12 - 17		5 - 27	845762	2 - 23A
	10 - 6		12 - 19	357820	4 - 5	852958	2 - 21
	12 - 20		13 - 34		4 - 14	852959	2 - 22
62031	2 - 15	257189	8 - 16C		4 - 95	889325	- 6

PART NO.	LIST AND INDEX NO.	PART NO.	LIST AND INDEX NO.	PART NO.	LIST AND INDEX NO.	PART NO.	LIST AND INDEX NO.
889325-CONT	- 67	2536261-CONT	12 - 23	2537340	4 - 129	2538027	4 - 165
1070020	2 - 139	2536274	2 - 157	2537341	4 - 128	2538031	4 - 161
1072433	2 - 130	2536275	- 57	2537348	4 - 121	2538032	4 - 78
1073418	12 - 2	2536277	9 - 26	2537356	2 - 26	2538036	4 - 1
1077722	14 - 8	2536285	2 - 10	2537357	2 - 5		5 - REF
1090873	2 - 3	2536287	11 - 17	2537366	13 - 14	2538037	5 - 29
1092125	6 - 8	2536296	- 53	2537367	13 - 13	2538038	5 - 33
	7 - 8	2536332	13 - 8	2537368	13 - 12	2538039	5 - 30
	11 - 1	2536337	9 - 7	2537372	2 - 136	2538040	5 - 32
	12 - 9	2536341	11 - 4	2537373	2 - 133	2538041	5 - 38
1093722	2 - 138	2536345	2 - 13	2537374	2 - 131	2538042	5 - 35
1124775	5 - 36		11 - REF	2537375	2 - 137	2538043	4 - 91
1124827	4 - 29	2536356	2 - 188	2537376	2 - 132	2538045	5 - 15
1138818	5 - 19	2536359	2 - 16	2537380	13 - 10	2538046	3 - 29
1142155	14 - 11	2536376	2 - 11	2537381	13 - 11		5 - 20
1166150	4 - 8	2536387	- 8	2537472	6 - 9	2538047	5 - 18
	4 - 17	2536388	11 - 18		7 - 9	2538051	5 - 26
1171544	4 - 44A		12 - 24	2537473	2 - 6	2538052	5 - 23
2101819	11 - 2	2536389	- 54	2537475	6 - 7	2538054	4 - 88
	12 - 10	2536390	- 50		7 - 7	2538055	- 27
2102365	3 - 8	2536393	- 14	2537478	2 - 142		5 - 5
	3 - 18	2536394	- 12	2537479	2 - 143	2538056	5 - 7
2111232	9 - 22	2536431	4 - 120		2 - 145		5 - 11
2114108	3 - 11	2536450	2 - 179	2537480	2 - 144	2538058	5 - 13
2114985	2 - 190	2536451	2 - 176	2537483	9 - 34	2538059	5 - 10
2121358	4 - 142	2536452	2 - 177	2537484	- 39	2538061	5 - 6
2122114	9 - 12	2536453	2 - 175	2537485	2 - 1	2538062	4 - 71
2123393	14 - 12	2536454	2 - 168	2537486	6 - 5	2538064	4 - 74
2145170	14 - 27	2536455	- 66		7 - 5	2538065	4 - 75
2152788	14 - 34	2536456	- 65	2537488	2 - 116	2538066	4 - 77
2157349	4 - 45	2536457	- 61	2537489	2 - 78	2538067	4 - 76
2162590	14 - 28	2536458	2 - 195		8 - 7	2538068	4 - 19
2174195	14 - 18	2536460	- 4		10 - 7	2538069	4 - 10
2175867	8 - 40	2536473	- 9	2537490	2 - 113	2538070	4 - 92
	9 - 19	2536477	- 5	2537491	2 - 77	2538071	4 - 23
2176002	4 - 145	2536482	4 - 146		8 - 4	2538072	4 - 59
2181005	2 - 154	2536483	4 - 140		10 - 3	2538073	4 - 93
	3 - 11A	2536487	3 - 32	2537492	2 - 73	2538074	4 - 106
	3 - 15	2536488	3 - 28	2537493	2 - 75	2538075	4 - 144
	3 - 17	2536495	- 47	2537497	2 - 151	2538077	4 - 47
	3 - 34	2536496	- 46	2537499	2 - 158	2538078	4 - 46
2183041	14 - 13	2536533	13 - REF	2537500	2 - 155	2538080	4 - 83
2192509	10 - 8	2536543	13 - 23	2537502	2 - 117	2538082	4 - 79
2199378	13 - 28	2536559	13 - 4	2537504	- 59	2538083	4 - 158
2204025	2 - 96	2536563	13 - 9	2537505	- 58	2538085	4 - 157
2207715	2 - 201	2536565	13 - 5	2537508	2 - 110	2538086	4 - 154
2218106	13 - 37	2536567	13 - 36	2537509	- 55	2538087	4 - 155
2219193	2 - 207	2536569	13 - 4	2537511	- 52	2538088	4 - 124
	13 - 30	2536571	13 - 22	2537512	2 - 121	2538089	4 - 32
2250961	2 - 58	2536601	2 - 46	2537524	2 - 146	2538090	4 - 122
2250963	2 - 59	2536602	2 - 43	2537525	3 - 2	2538091	4 - 127
2261918	9 - 21	2536615	2 - 28	2537528	3 - 21	2538092	4 - 150
2261919	9 - 16	2536616	- 2		10 - 14	2538093	4 - 151
2274381	2 - 65	2536618	6 - 12	2537572	6 - 16	2538094	10 - 13
2283000	8 - 15		7 - 12		7 - 16	2538095	10 - 9
	9 - 23	2536625	2 - 61	2537573	6 - 15	2538096	2 - 161
2283001	2 - 183	2536626	2 - 60		7 - 15		10 - REF
	2 - 189	2536627	2 - 57C	2538001	4 - 60	2538098	- 15
2283002	2 - 87	2536633	6 - 11	2538002	4 - 65	2538099	2 - 91
2283004	9 - 15		7 - 11	2538005	4 - 94	2538101	2 - REF
2283005	2 - 85	2536640	7 - 14	2538006	4 - 103		2 - REF
2283009	2 - 63	2536642	7 - 17	2538007	4 - 55		2 - REF
2283012	12 - 21	2536643	6 - 17	2538008	4 - 58		2 - REF
2391819	2 - 76	2536644	7 - 13	2538010	4 - 51	2538103	- 18
	8 - 3	2536645	6 - 13	2538011	4 - 53	2538104	4 - 22
2414892	10 - 2	2536649	4 - 123	2538013	4 - 40	2538106	2 - 104
2426180	2 - 99	2537301	13 - REF	2538015	4 - 42		8 - REF
2426181	2 - 99	2537306	2 - 49	2538016	4 - 35	2538107	- 28
2426199	2 - 99	2537308	- 1	2538017	4 - 4	2538108	- 31
2426200	2 - 99	2537309	2 - 118		4 - 13	2538109	- 30
2426238	4 - 64		6 - REF	2538018	4 - 9	2538110	8 - 17
	4 - 110	2537310	2 - 118		4 - 18	2538111	2 - 81
2531740	2 - 70		7 - REF	2538019	4 - 7		4 - REF
2536212	2 - 57D	2537318	2 - 93		4 - 16		4 - REF
2536242	- 42	2537319	2 - 93	2538020	4 - 104		4 - REF
2536245	2 - 51	2537320	2 - 93	2538021	4 - 111		4 - REF
2536246	2 - 50	2537321	2 - 93	2538022	3 - 30	2538112	8 - 1
2536247	- 48	2537338	6 - 10	2538023	4 - 148	2538113	8 - 37
2536261	3 - 20		7 - 10		4 - 152	2538114	8 - 33
	11 - 16	2537339	4 - 130	2538025	4 - 156	2538116	8 - 41

PART NO.	LIST AND INDEX NO.	PART NO.	LIST AND INDEX NO.	PART NO.	LIST AND INDEX NO.	PART NO.	LIST AND INDEX NO.
2538122	- 17	2600561	- 23	5831637	13 - 40		
2538124	- 20		5 - 1	5831657	4 - 31		
2538125	- 22	2600562	- 26	5831682	4 -126		
2538126	8 - 21		5 - 4	5831686	4 -134		
2538127	5 - 22	2600563	4 -112	5831687	4 -133		
	14 - 30	2600564	3 - 3	5831708	2 -100		
2538129	4 - 97		8 - 39	5831709	2 -196		
2538134	2 - 68	2600565	2 -162	5831713	2 -205		
2538135	- 43	2600566	10 - 18	5831720	2 - 36		
2538136	- 40	2600567	2 - 41	5831721	2 - 34		
2538139	2 - 62	2600568	3 - 22	5831723	2 - 33		
2538141	3 - 1		8 - 38	5831793	2 -209		
2538143	4 - 37	2600573	2 -199	5831813	11 - 12		
2538144	5 - 37	2600574	4 - 12	5831824	- 7		
2538145	8 - 29	2600584	4 - 82	5831852	4 - 72		
2538146	8 - 34	2600589	4 - REF	5831862	2 - 47		
2538148	8 - 32		4 - REF	5831892	4 - 67		
2538149	8 - 36		4 - REF	5831903	4 - 69		
2597912	- 37		4 - 11	5831921	2 -185		
2597913	2 - 72	2600591	4 - 73		2 -192		
	9 - REF	2600599	2 -198	5831922	2 -187		
2597920	- 44	4077757	13 - 35	5831923	2 -178		
2597932	2 -165	4121101	2 -109	5831948	11 - 3		
2597938	2 -208		14 - 19	5831955	2 - 9		
2597939	2 - 57	5144317	12 - 22	5831988	2 -186		
2597953	2 -159	5144318	2 - 56	5831989	2 -186		
	10 - 19	5144329	12 - 15	5831990	2 -186		
2597959	2 - 23	5144330	2 - 13	5831991	2 -186		
2597960	2 - 23		12 - REF				
2597961	2 - 23	5144331	12 - 25				
2597963	- 32	5144332	12 - 8				
2597964	- 36	5144333	12 - 7				
2597965	6 - 14	5144334	12 - 1				
2597973	11 - 6	5144335	12 - 6				
2597974	11 - 5	5144336	12 - 5				
2598005	2 - 7	5144337	12 - 3				
2598007	2 - 4	5144338	2 -201A				
2598012	2 -102A	5144339	2 - 12				
2598037	13 - 17	5144340	13 - 41				
2598038	4 - 46A	5144342	13 - 41				
	6 - 4	5144344	13 - 41				
	7 - 4	5144346	13 - 41				
2598045	13 - 40	5144348	13 - 41				
2598054	13 - 39	5144352	13 - 41				
2598056	13 - 25	5144354	2 - 8				
2598060	13 - 15	5144358	8 - 16				
2598063	13 - 21	5144359	13 - 3				
2598064	13 - 38	5144385	8 - 27A				
2598065	13 - 16	5144387	9 - 6B				
2598066	13 - 27	5144390	9 - REF				
2598067	13 - 1	5144394	4 - 85				
2598068	13 - 1	5144395	4 - 80A				
2598074	2 -123	5144405	2 - 97				
2598076	2 - 24	5213276	2 - 30				
2598080	6 - 3		4 - 81				
	7 - 3		4 -115				
2598082	13 - 19	5213364	14 - 35				
2598083	13 - 18	5214094	9 - 33				
2598087	2 -180	5236656	8 - 23				
2598090	2 -129	5240458	8 - 20				
2598097	9 - 30	5257231	13 - 29				
2598167	2 -164	5264648	2 -173				
2598168	2 - 57A	5271638	14 - 33				
2598175	2 - 27	5319854	2 -124				
2598182	4 -139		3 - 9				
2598183	4 -137		3 - 13				
2598184	4 -136		3 - 19				
2598185	4 -135	5352960	14 - 14				
2598190	13 - 33	5364151	2 - 19				
2598191	4 -138	5412817	14 - 29				
2598195	2 -204	5477195	8 - 27				
2598196	2 -152	5724118	2 - 66				
2598197	- 3	5759968	3 - 23				
2598198	2 - 97	5831591	13 - 31				
2600510	4 - 38	5831600	13 - 26				
2600534	4 -107	5831601	13 - 2				
2600535	5 - 34	5831608	13 - 20				
2600543	10 - 1	5831616	13 - 32				
2600544	2 - 64	5831627	13 - 7				
2600560	4 - 27	5831632	13 - 24				

Reader's Comment Form

*IBM 5444 Disk Storage Drive
(Machines with Serial no. above 30,100)
IBM 5440 Disk Cartridge, PC*

Order No. S135-0002-0

This reader's comment form is provided for *your* comments and suggestions (both favorable and unfavorable) on this manual; these will help us to produce better publications for your use. Your observations may concern, for example, the organization of the manual contents, the text (clarity, accuracy, cross-referencing), the illustrations, the index, or the paper, printing, or binding. Each reply will be carefully reviewed by the persons responsible for writing and publishing the manual.

All comments and suggestions become the property of IBM.

Comments and Suggestions

Cut along this line

The above remarks are based on my experience of using this manual: In the field For education

Name and Address
.....
.....
.....

Readers outside of U.S.A. Please mail this form to IBM U.K. Laboratories Ltd., Product Publications, Hursley Park, Winchester, Hants, England.

.....Cut along this line

Fold

Fold

FIRST CLASS
PERMIT NO. 1359
WHITE PLAINS, N.Y.

BUSINESS REPLY MAIL
NO POSTAGE STAMP NECESSARY IF MAILED IN THE UNITED STATES



POSTAGE WILL BE PAID BY...

IBM CORPORATION
1133 WESTCHESTER AVENUE,
WHITE PLAINS, N.Y. 10604

Attention: Department 813 (H)

Fold

Fold



International Business Machines Corporation
Data Processing Division
1133 Westchester Avenue, White Plains, New York 10604
(U.S.A. only)

IBM World Trade Corporation
821 United Nations Plaza, New York, New York 10017
(International)

5444/5440

5444/5440

Fold

Cut

S135-0002-0

5444 Disk Storage Drive > 30100, 5440 Disk Cartridge (PC) Printed in U.S.A. S135-0002-0

IBM

**International Business Machines Corporation
Data Processing Division
1133 Westchester Avenue, White Plains, New York 10604
(U.S.A. only)**

**IBM World Trade Corporation
821 United Nations Plaza, New York, New York 10017
(International)**