

S134-0051-2

IBM Series/1
4955 Processor
Parts Catalog



S134-0051-2

IBM Series/1
4955 Processor
Parts Catalog

Third Edition (July 1982)

This publication is only for the purpose of ordering replaceable assemblies, subassemblies, and detail parts for the IBM Series/I 4955 Processor.

Changes are periodically made to the information herein; any such changes will be reported in subsequent revisions.

It is possible that this material may contain reference to, or information about, IBM products (machines and programs), programming, or services that are not announced in your country. Such references or information must not be construed to mean that IBM intends to announce such IBM products, programming, or services in your country.

Publications are not stocked at the address given below. Requests for copies of IBM publications should be made to your IBM representative or the IBM branch office serving your locality.

This publication could contain technical inaccuracies or typographical errors. A form for readers' comments is provided at the back of this publication. If the form has been removed, address your comments to IBM Corporation, Information Development, Department 27T, P. O. Box 1328, Boca Raton, Florida 33432. IBM may use or distribute any of the information you supply in any way it believes appropriate without incurring any obligation whatever. You may, of course, continue to use the information you supply.

(c) Copyright International Business Machines Corporation 1979, 1981, 1982

HOW TO USE A PARTS CATALOG	iv
VISUAL INDEX.	viii
CATALOG SECTION	1
Figure 1. Model A,B,C,D, and E, Card File ASM, CPU. Sh 1 of 2.	2
Figure 1. Model A,B,C,D, and E, Card File ASM, CPU. Sh 2 of 2.	4
Figure 2. Model F, Card File ASM, CPU. Sh 1 of 2.	6
Figure 2. Model F, Card File ASM, CPU. Sh 2 of 2.	8
Figure 3. Model A,B,C,D,E, and F, Filter ASM.	10
Figure 4. Model A,B,C,D, and E, Switch Box ASM.	12
Figure 5. Model F, Switch Box ASM.	14
Figure 6. Model A,B,C, and D, Power Supply ASM, Sh 1 of 3.	16
Figure 6. Model A,B,C, and D, Power Supply ASM, Sh 2 of 3.	18
Figure 6. Model A,B,C, and D, Power Supply ASM, Sh 3 of 3.	20
Figure 7. Model E, Power Supply ASM.	22
Figure 8. Model F, Power Supply ASM.	24
Figure 9. Model A,B,C,D, and E, Fan ASM.	26
Figure 10. Model F, Blower ASM.	28
Figure 11. Model A,B,C,D,E, and F, Console ASM, Communications.	30
Figure 12. Model A,B,C,D,E, and F, Basic Console ASM.	31
Figure 13. Model A,B,C,D,E, and F, F/F Console ASM.	32
Figure 14. Cable Assemblies with Component Parts.	34
NUMERICAL INDEX	X-1

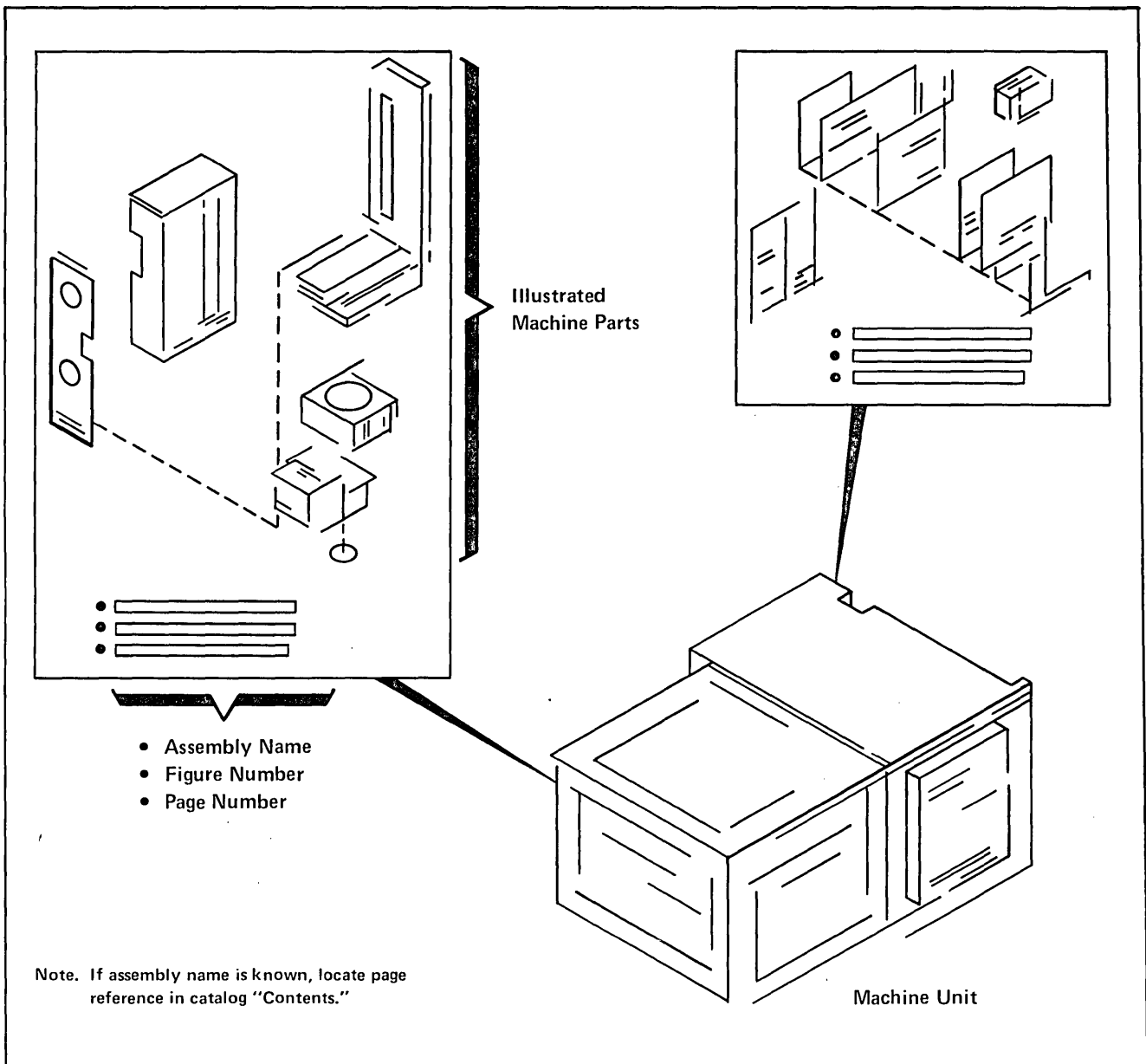
How to Use a Parts Catalog

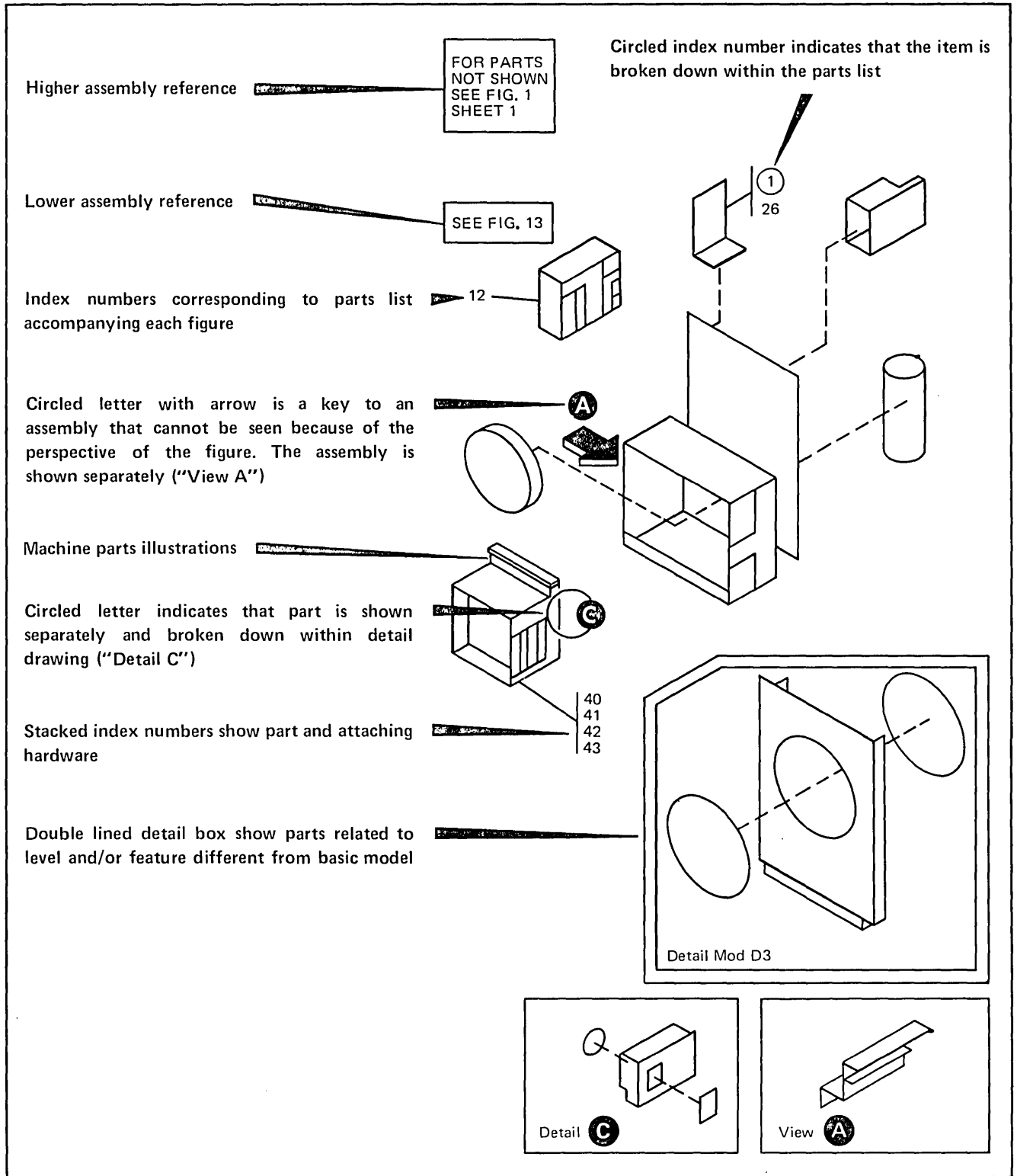
PARTS CATALOG STRUCTURE

To find parts quickly, you should have a general understanding of the three major sections of this catalog:

- 1** Visual Index (machine assembly illustrations and page locations within the Catalog Section)
- 2** Catalog Section (assembly illustrations with accompanying parts lists)
- 3** Numerical Index (parts listed in numerical order with cross-references to applicable figure numbers within the Catalog Section)

1 **VISUAL INDEX** This is a starting point for locating a part in the Catalog Section





2 CATALOG SECTION (parts lists)

DRIVE MOTOR ASSEMBLY

LIST AND INDEX NUMBER	PART NUMBER	DESCRIPTION	UNITS PER ASM.	USABLE ON CODE
2 -		1 2 3 4 CODE A USED ON 60 CYCLE ONLY CODE B USED ON 50 CYCLE ONLY CODE 1 USED ON ASM PRIOR TO B6 SUFFIX		
-	2199376 NP 2199386 NP	MOTOR ASM,DRIVE-115/220 VOLTS 60 CYCLE MOTOR ASM,DRIVE-220 VOLTS 50 CYCLE FOR NEXT HIGHER ASM SEE FIGURE 1-92	REF REF	TA 1B
- 1	2204176	. PULLEY,60 CYCLE	1	A
- 1	2199255	. PULLEY,50 CYCLE	1	B
- 2	79842	. SETSCREW,SPLINE DR CUP PT 8-32 X 3/8 LG	ATT PT	
- 3	2204116	. MOTOR ASM,220V AC 60 CYCLE	1	A
- 4	NO NO.	. MOTOR ASM,220V AC 50 CYCLE	1	B
- 5	5526	. SCREW,MACH BIND HD 8-32 X 0.625 LG	ATT PT	
- 6	2204082	. . FERRULE, OUTER	1	
- 7	2204033	. . FERRULE, INNER	1	
- 8	"COMM"	. . MOTOR,1/12 HP-220V 60CPS	1	
- 8	2199258	. . MOTOR,DRIVE - 220V 50CPS	1	
- 9	2199401 NR	. PLATE,MOTOR MT-115/220 VOLTS 60 CYCLE	1	A
- 9	2199402 NR	. PLATE,MOTOR MT-220 VOLTS 50 CYCLE	1	B

ITEM	MEANING
1 Similar Assemblies	Two assemblies having majority of identical parts are broken down on same list (common parts have same index number). Parts that are not common are listed separately and identified by Usable On Code 3
2 NP	Nonprocurable — parts not available separately; order next higher assembly.
3 Usable On Code	Part application may be indicated by codes explained at the beginning of each list or within the "Description" column following the part's description. If the "Usable On Code" column is blank and no part application is indicated in the "Description" column, the parts pertain to all assemblies shown.
4 Indenture	Shows the relationship of a part to its next higher assembly. For example: <i>Indenture</i> 1 2 3 4 MAIN ASSEMBLY • Detail parts of main assembly • Assembly within main assembly • • Detail part of one-dot assembly • • Assembly within one-dot assembly • • • Detail parts of two-dot assembly
5 NO NO.	No number — order detail parts separately.
6 "COMM"	Commercial hardware — order from commercial hardware source, not IBM.
7 NR	Not recommended — not recommended for field replacement; order next higher assembly.
8 REF	Reference — see complete assembly on a previous drawing for parts quantities.
9 ATT PT	Attaching parts — used to attach two-dot assembly to one-dot assembly. They are listed following part to be attached.
10 AR	As required — use quantity as required.

3 NUMERICAL INDEX

NUMERICAL INDEX

The numerical index follows the catalog section. Use it to locate a part when you know the part number only. The index lists part numbers in numerical order along with all applicable figures and parts lists.

Part numbers in numerical order

References to figure, parts list, and part index number

PART NO.	LIST AND INDEX NO.	PART NO.	LIST AND INDEX NO.	PART NO.	LIST AND INDEX NO.	PART NO.	LIST AND INDEX NO.
453	6 - 77	6935-CONT	12 - 4	10170-CONT	8 - 18	25627	6 - 17
	6 - 83		14 - 127		9 - 41		8 - 15
	6 - 93		14 - 132		9 - 84		15 - 93
455	11 - 31		15 - 77		10 - 42		15A- 75
845	1 - 69		15 - 81		11 - 2		24 - 8
2032	7 - 8		15 - 85		11 - 9	25891	2 - 49
3550	1 - 28		15A- 66		13 - 11		2 - 101
	1 - 55		15A- 70		14 - 18	26380	14 - 110

ORDERING PARTS

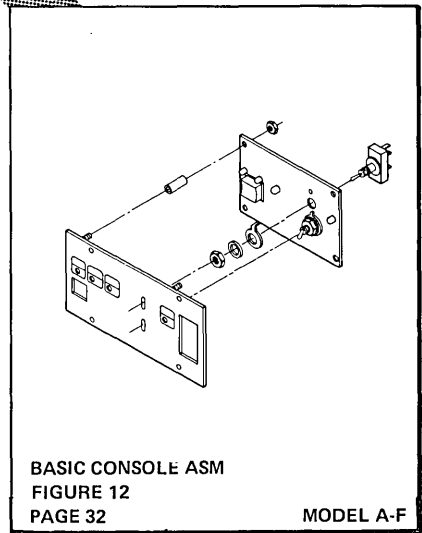
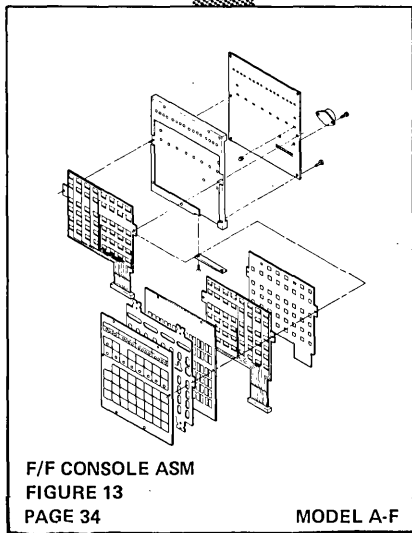
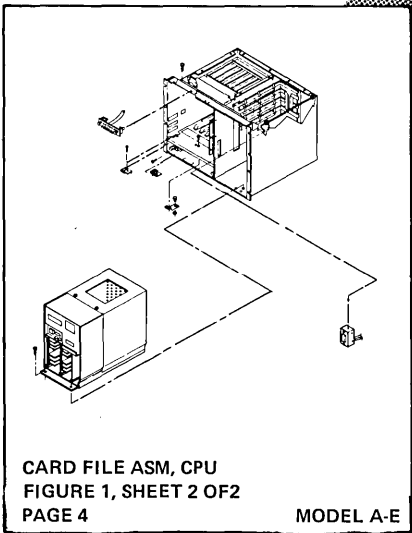
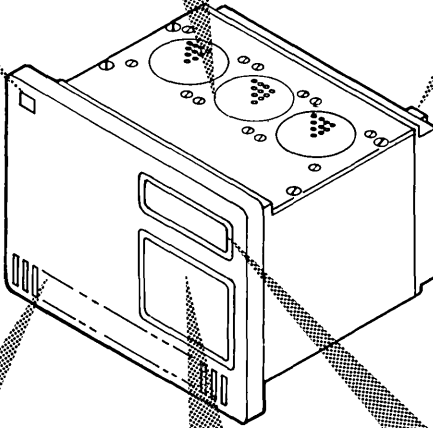
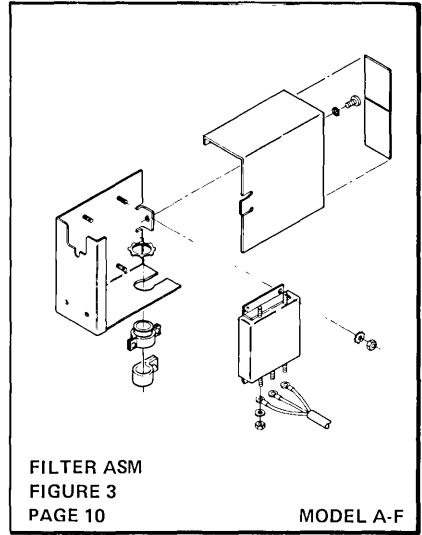
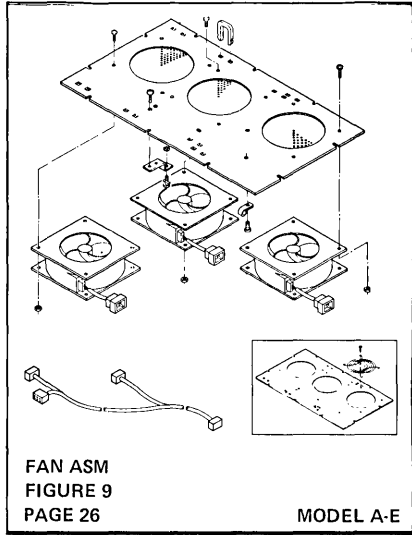
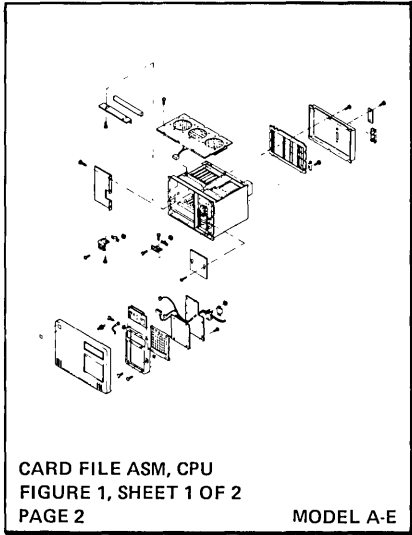
Refer to the Catalog Section when ordering parts. The example shown here should help guide you through a typical situation.

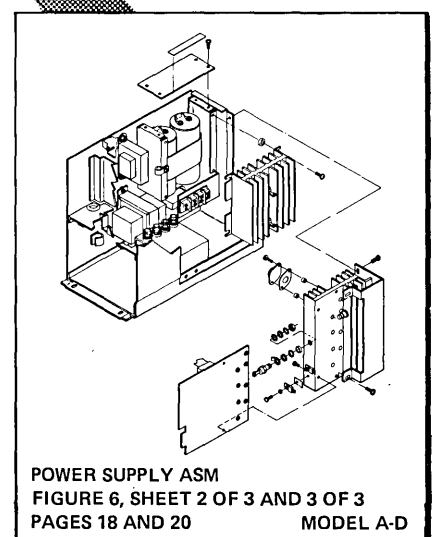
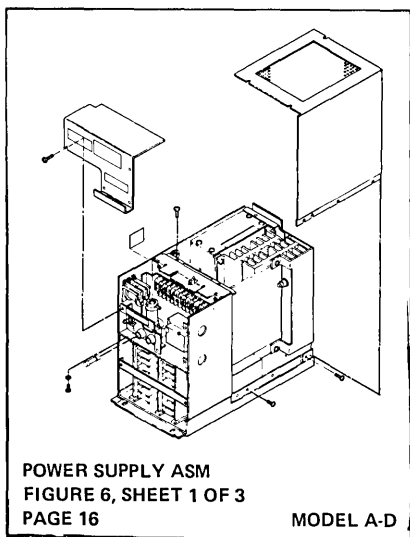
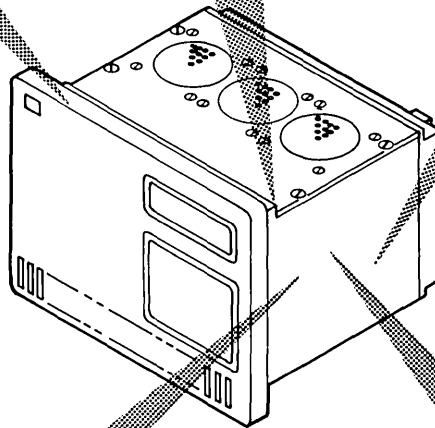
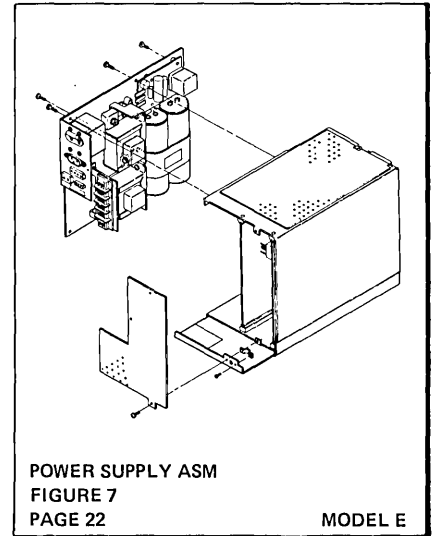
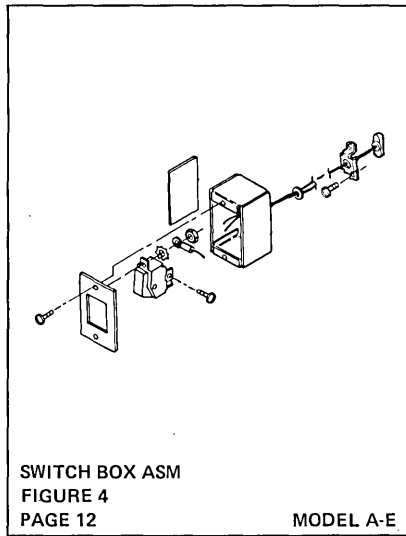
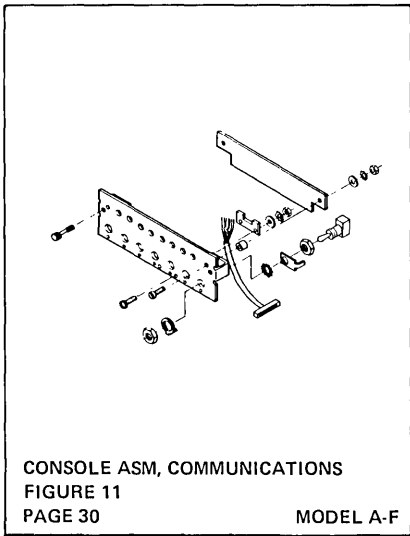
LIST AND INDEX NUMBER	PART NUMBER	DESCRIPTION	UNITS PER ASM.	USABLE ON CODE
4 -	5726422 A	FAN ASM-P/S ENCLOSURE FOR NEXT HIGHER ASSEMBLY SEE FIGURE 1-184 FOR ILLUSTRATION SEE FIGURE 4	REF	
- 1	334921	. TERMINAL RING- 18-22 AWG, #6 HOLE, INS	2	
- 2	187854	. SHIELD, TERMINAL BLOCK 2 POS	1	
- 3	210984	. SCREW, RD HD MACH-6-32 X .250 LG ATT PT	1	
- 4	5357050 B	. FAN ASM-NO CONNECTOR	1	
- 5	32042	. SCREW, MACH BIND. HD 10-32 X .375 LG ATT PT	2	
- 6	5357066	. BLADE	1	
- 7	5357067	. MOTOR 208V/230V 60CY 220V 50CY	1	
- 8	130434	. SCREW, MACH-SLOTTED HEX HD 10-32 X .375 LG ATT PT	2	
- 9	56079	. WASHER, LOCK-EXT T .1951D .410 OD ATT PT	2	
- 10	5726436	. HEADER-POWER SUPPLY FAN	1	

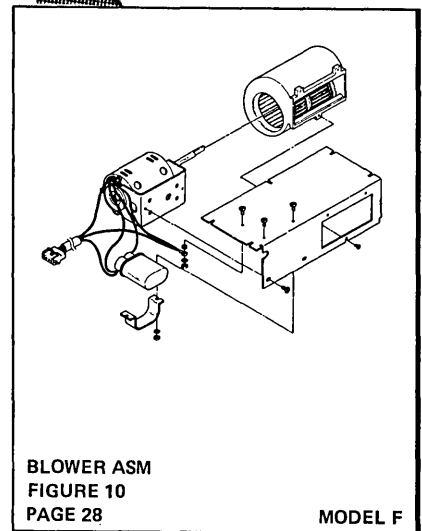
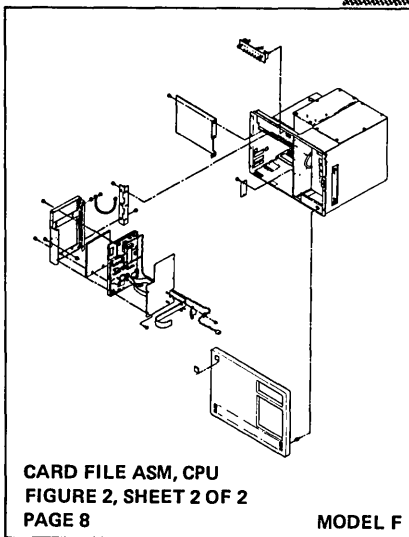
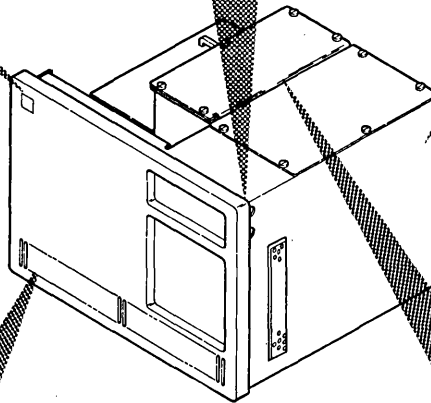
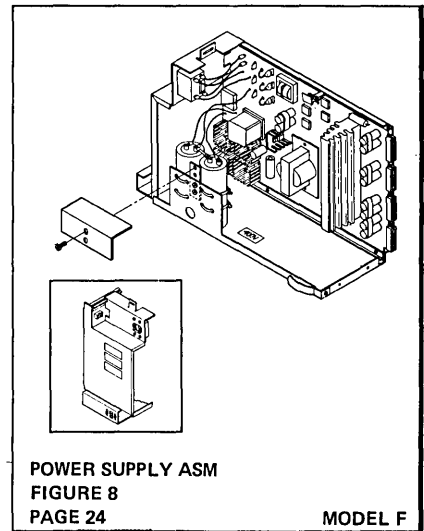
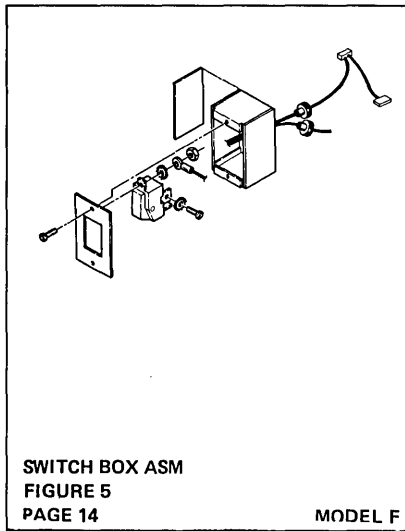
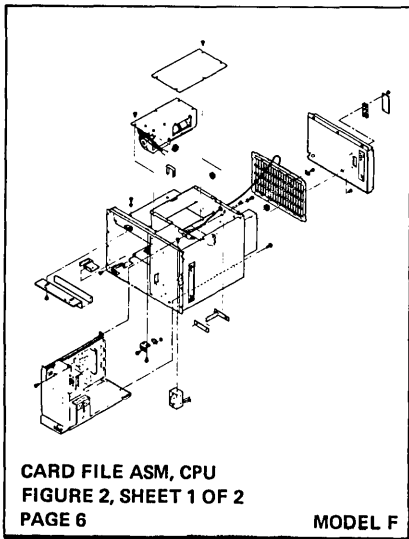
If, for example, you need the *fan asm-P/S enclosure*, order part number 5726422 **A** (all one-dot items will also be received). See the explanation of the Catalog Section for information on how the leading dots are used in the parts listings. If you need the *fan asm-no connector*, order part number 5357050 **B** (all two-dot items will also be received). Each part may also be ordered separately except in the following cases:

- Many detail parts are unavailable if they are part of an inseparable assembly or if they are part of an assembly that is ordered as a unit. In such cases they are noted "Assembly components are not replaceable."
- Parts found on purchased assemblies may not have IBM part numbers. These parts are noted "Assembly components not available."

In either case, order the assembly rather than the detail parts.







CATALOG SECTION

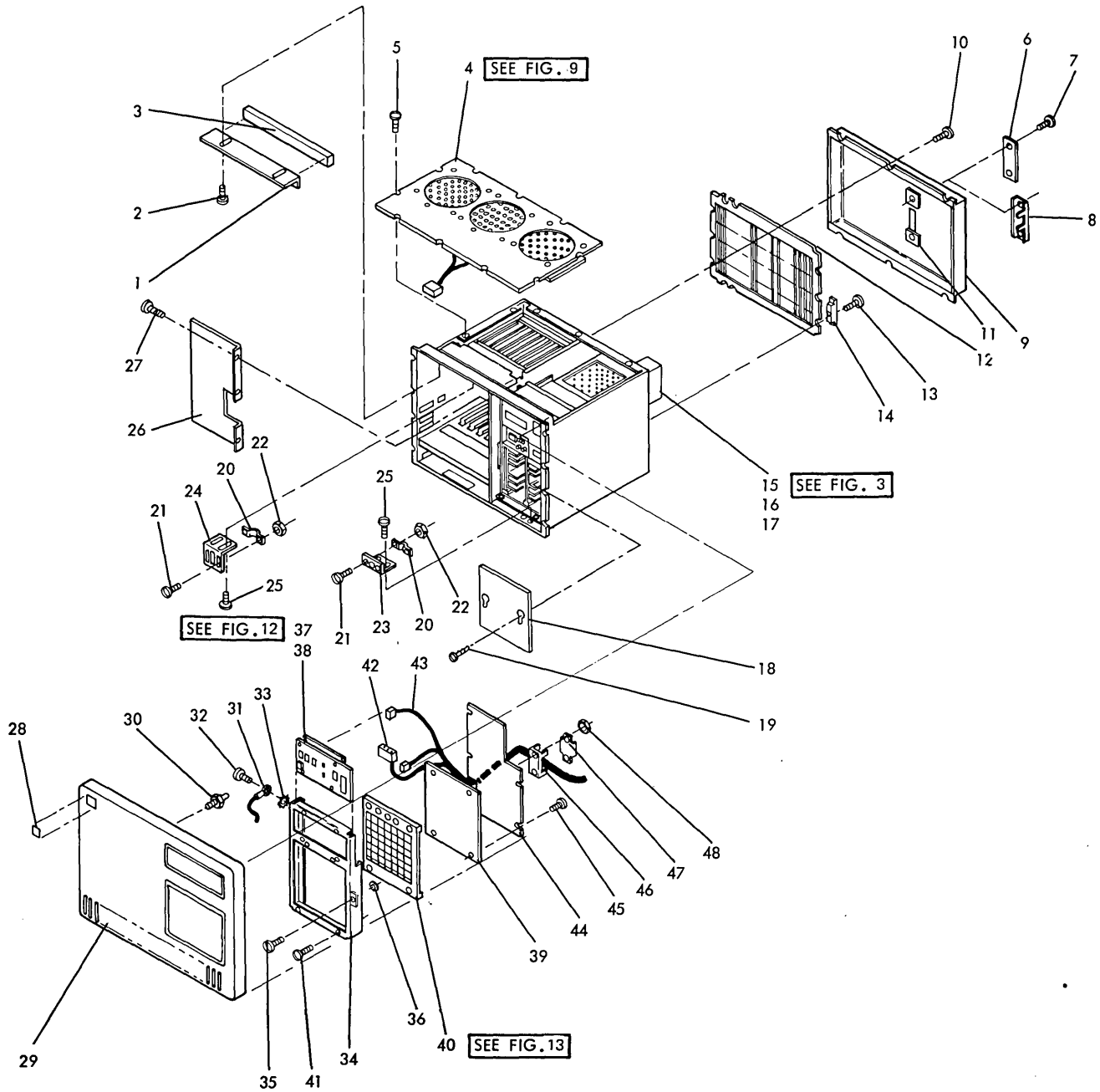


FIGURE 1. CARD FILE ASM, CPU. SHEET 1 OF 2. INDEX NOS. 1-48. SEE LIST 1.

4955 MODEL A, B, C, D AND E

FIGURE- INDEX NUMBER	PART NUMBER	UNITS PER ASM.	DESCRIPTION			
			1	2	3	4
1 -	NO NO.	REF	CARD FILE ASM,CPU			
			FOR ILLUSTRATION SEE FIGURE 1			
- 1	1631007	1	• BRACKET,CABLE RETAINER			
- 2	10170	2	• SCREW,MACH BIND HD- 6-32 X 1/4 LG			
- 3	1631005	1	• FOAM			
- 4	8333816	1	• COVER ASM, TOP FAN MODEL E			
			FOR DETAIL BREAKDOWN SEE FIGURE 9			
- 5	10170	8	• SCREW,MACH BIND HD- 6-32 X 1/4 LG			
- 6	1637685	1	• PLATE			
- 7	221790	2	• SCREW,MACH BIND HD- 8-32 X 3/16LG			
- 8	1637719	1	• RETAINER,CABLE			
- 9	1631010	1	• COVER			
- 10	10170	6	• SCREW,MACH BIND HD- 6-32 X 1/4 LG			
- 11	6826847	2	• PAD			
- 12	1631120	1	• BACKBOARD MODEL A			
- 12	1631122	1	• BACKBOARD MODEL B			
- 12	4413322	1	• BACKBOARD MODEL C			
- 12	4413324	1	• BACKBOARD MODEL D			
- 12	4413792	1	• BACKBOARD MODEL E			
- 13	811417	16	• SCREW,CAP SOC HD- 6-32 X 1/2 LG			
- 14	813179	16	• CLAMP			
- 15	NO NO.	1	• FILTER ASM			
			FOR DETAIL BREAKDOWN SEE FIGURE 3			
- 16	32042	3	• SCREW,MACH BIND HD- 10-32 X 3/8 LG			
- 17	56079	3	• WASHER,LOCK EXT T .204ID .4100D			
- 18	1634994	1	• SHIELD,SAFETY			
			WTC 50 HZ AND JAPAN 50/60 HZ			
- 19	38235	2	• SCREW,MACH BIND HD- 6-32 X 5/16 LG			
			WTC 50 HZ AND JAPAN 50/60 HZ			
- 20	313453	3	• LATCH			
- 21	251970	6	• SCREW,MACH PAN HD- 4-40 X 1/4 LG			
- 22	37913	6	• NUT,JAM HEX- 4-40 X .250			
- 23	1632719	2	• BRACKET			
- 24	1632150	1	• BRACKET			
- 25	10170	6	• SCREW,MACH BIND HD- 6-32 X 1/4 LG			
- 26	1634786	1	• SHIELD,SAFETY			
			WTC 50 HZ AND JAPAN 50/60 HZ			
- 27	251970	3	• SCREW,MACH PAN HD- 4-40 X 1/4 LG			
			WTC 50 HZ AND JAPAN 50/60 HZ			
- 28	1634843	1	• LOGO			
- 29	1632721	1	• COVER ASM-FRONT			
- 30	220839	3	• STUD			
- 31	1637857	1	• JUMPER ASM			
- 32	221790	2	• SCREW,MACH BIND HD- 8-32 X 3/16LG			
- 33	55901	2	• WASHER,LOCK EXT T .176DIA			
- 34	1637515	1	• FRAME,CONSOLE MTG			
- 35	55726	1	• SCREW,MACH BIND HD- 6-32 X .188 LG			
- 36	1634599	1	• RETAINER,SCREW			
- 37	1632009	1	• BASIC CONSOLE ASM,ENGLISH AND JAPANESE			
- 37	1634822	1	• BASIC CONSOLE ASM,FRENCH			
- 37	1634823	1	• BASIC CONSOLE ASM,GERMAN			
- 37	1634824	1	• BASIC CONSOLE ASM,ITALIAN			
- 37	8327513	1	• BASIC CONSOLE ASM,SPANISH			
			FOR DETAIL BREAKDOWN SEE FIGURE 12			
- 38	251970	4	• SCREW,MACH PAN HD- 4-40 X 1/4 LG			
- 39	1637533	1	• PLATE,BLANK			
- 40	1637513	1	• F/F CONSOLE ASM,ENGLISH AND JAPANESE			
- 40	1634733	1	• F/F CONSOLE ASM,FRENCH			
- 40	1634734	1	• F/F CONSOLE ASM,GERMAN			
- 40	1634735	1	• F/F CONSOLE ASM,ITALIAN			
- 40	8327504	1	• F/F CONSOLE ASM,SPANISH			
			FOR DETAIL BREAKDOWN SEE FIGURE 13			
- 41	236550	4	• SCREW,MACH BIND HD- 4-40 X 3/8 LG			
- 42	1632010	1	• CABLE,INPUT			
- 43	6837326	1	• CABLE ASM			
- 44	1637651	1	• COVER,CONSOLE FRAME			
- 45	10170	5	• SCREW,MACH BIND HD- 6-32 X 1/4 LG			
- 46	2456419	1	• GUIDE			
- 47	2456425	1	• CLAMP			
- 48	257189	2	• NUT,PLAIN HEX- 8-32 X 0.343			

4955 MODEL A, B, C, D AND E

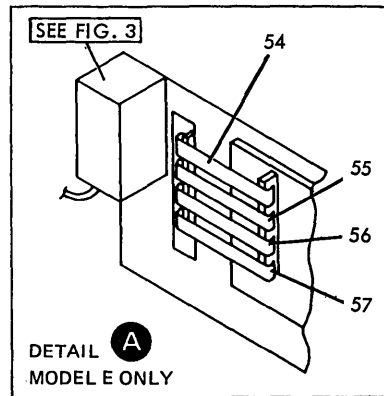
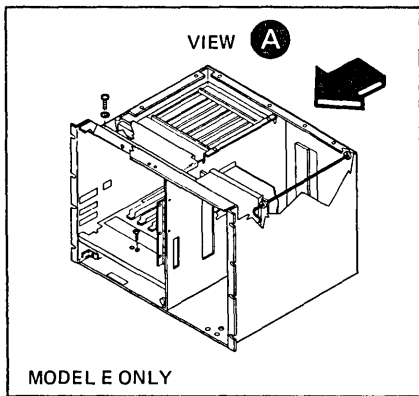
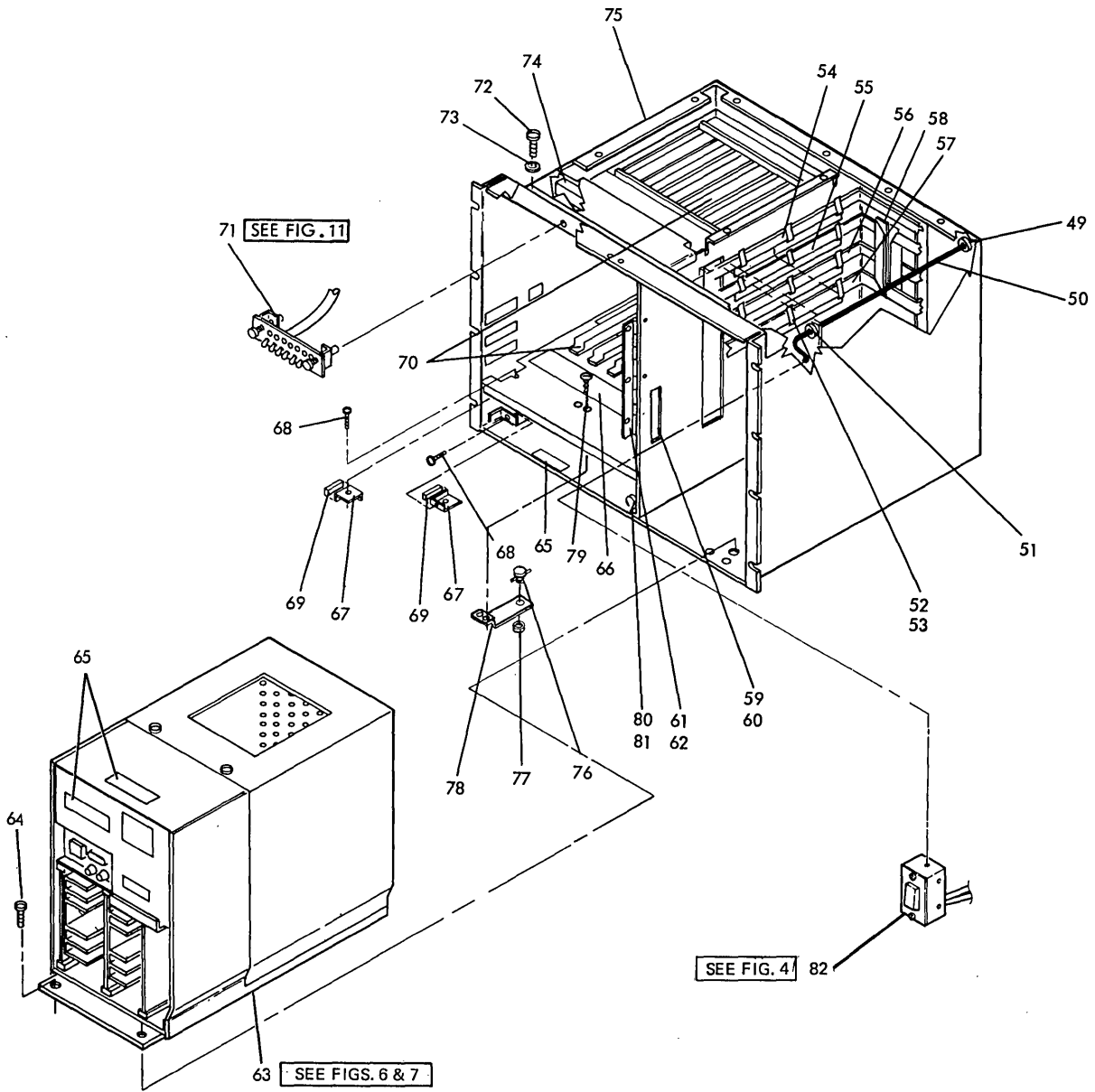


FIGURE 1. CARD FILE ASM, CPU. SHEET 2 OF 2. INDEX NOS. 49-82. SEE LIST 1.

4955 MODEL A, B, C, D AND E

FIGURE- INDEX NUMBER	PART NUMBER	UNITS PER ASM.	DESCRIPTION			
			1	2	3	4
1 - 49	265059	1	• GROMMET			
- 50	1632199	1	• CABLE ASM,FILTER TO SWITCH			
- 51	473442	1	• GROMMET,CATERPILLAR- 12.62 INCH LG			
- 52	1637720	4	• CLIP,SPRING-CABLE RETAINER			
- 53	438548	12	• SCREW,MACH BIND HD- 4-40 X 3/16 LG			
- 54	1632065	1	ATT PT			
- 54	8327629	1	• CABLE ASM,S2 TO P1			
- 55	1632066	1	• CABLE ASM,S2 TO P1 MODEL E			
- 55	8327630	1	• CABLE ASM,S5 TO P2			
- 56	1632068	1	• CABLE ASM,S5 TO P2 MODEL E			
- 56	8327632	1	• CABLE ASM,PWR SUPPLY-SIGNAL			
- 57	1632067	1	• CABLE ASM,PWR SUPPLY-SIGNAL MODEL E			
- 57	8327631	1	• CABLE ASM,S3 TO P4			
- 58	4410715	1	• CABLE ASM,S3 TO P4 MODEL E			
- 59	1634928	1	• PAD			
- 60	438548	2	• COVER			
- 61	1631013	1	• SCREW,MACH BIND HD- 4-40 X 3/16 LG			
- 62	438548	6	• HINGE,CONSOLE			
- 63	1637621	1	• SCREW,MACH BIND HD- 4-40 X 3/16 LG			
- 63	4413630	1	ATT PT			
- 64	236849	2	• POWER SUPPLY ASM,300W MODEL A-D			
- 65	8327578	1	FOR DETAIL BREAKDOWN SEE FIGURE 6			
- 65	8327540	1	• POWER SUPPLY ASM,400W MODEL E			
- 65	8327583	1	FOR DETAIL BREAKDOWN SEE FIGURE 7			
- 65	8327588	1	• SCREW,MACH BIND HD 10-32 X .250 LG			
- 65	8327593	1	ATT PT			
- 65	8327598	1	• LABEL,WARNING-ENGLISH			
- 65	8327603	1	• LABEL,WARNING-FR/CANADIAN			
- 66	1637977	1	• LABEL,WARNING-ITALIAN			
- 67	1634926	2	• LABEL,WARNING-GERMAN			
- 68	251970	2	• LABEL,WARNING-SPANISH			
- 69	1634927	2	• LABEL,WARNING-FRENCH			
- 70	1632634	30	• LABEL,WARNING-JAPANESE			
- 71	1634580	1	ABOVE LABELS NOT WITH ASM MUST BE ORDERED SEPARATELY			
- 72	221790	14	• STRIP,MARKER			
- 73	55901	14	• CLAMP,INTERFACE CABLE			
- 74	1631005	1	• SCREW,MACH PAN HD- 4-40 X 1/4 LG			
- 75	1631002	1	ATT PT			
- 76	6837312	1	• FOAM			
- 77	2588053	1	• CARD GUIDE			
- 78	4411313	1	• CONSOLE ASM,COMMUNICATIONS			
- 79	251970	2	FOR DETAIL BREAKDOWN SEE FIGURE 11			
- 80	2102364	1	• SCREW,MACH BIND HD- 8-32 X 3/16LG			
- 81	251970	1	ATT PT			
- 82	4411489	1	• WASHER,LOCK EXT T .176DIA			
- 82	4411491	1	• FOAM			
- 82	4411490	1	• CHASSIS,CARD FILE			
- 82	8326730	1	• SWITCH,THERMAL			
			• CLIP			
			• BRACKET			
			• SCREW,MACH PAN HD- 4-40 X 1/4 LG			
			ATT PT			
			• CLAMP,CABLE .220 ID			
			• SCREW,MACH PAN HD- 4-40 X 1/4 LG			
			ATT PT			
			• SWITCH BOX ASM,U.S.,CANADA AND JAPAN			
			• SWITCH BOX ASM,FRANCE,ITALY AND SPAIN			
			• SWITCH BOX ASM,GERMANY			
			• SWITCH BOX ASM,U.K.			
			FOR DETAIL BREAKDOWN SEE FIGURE 4			

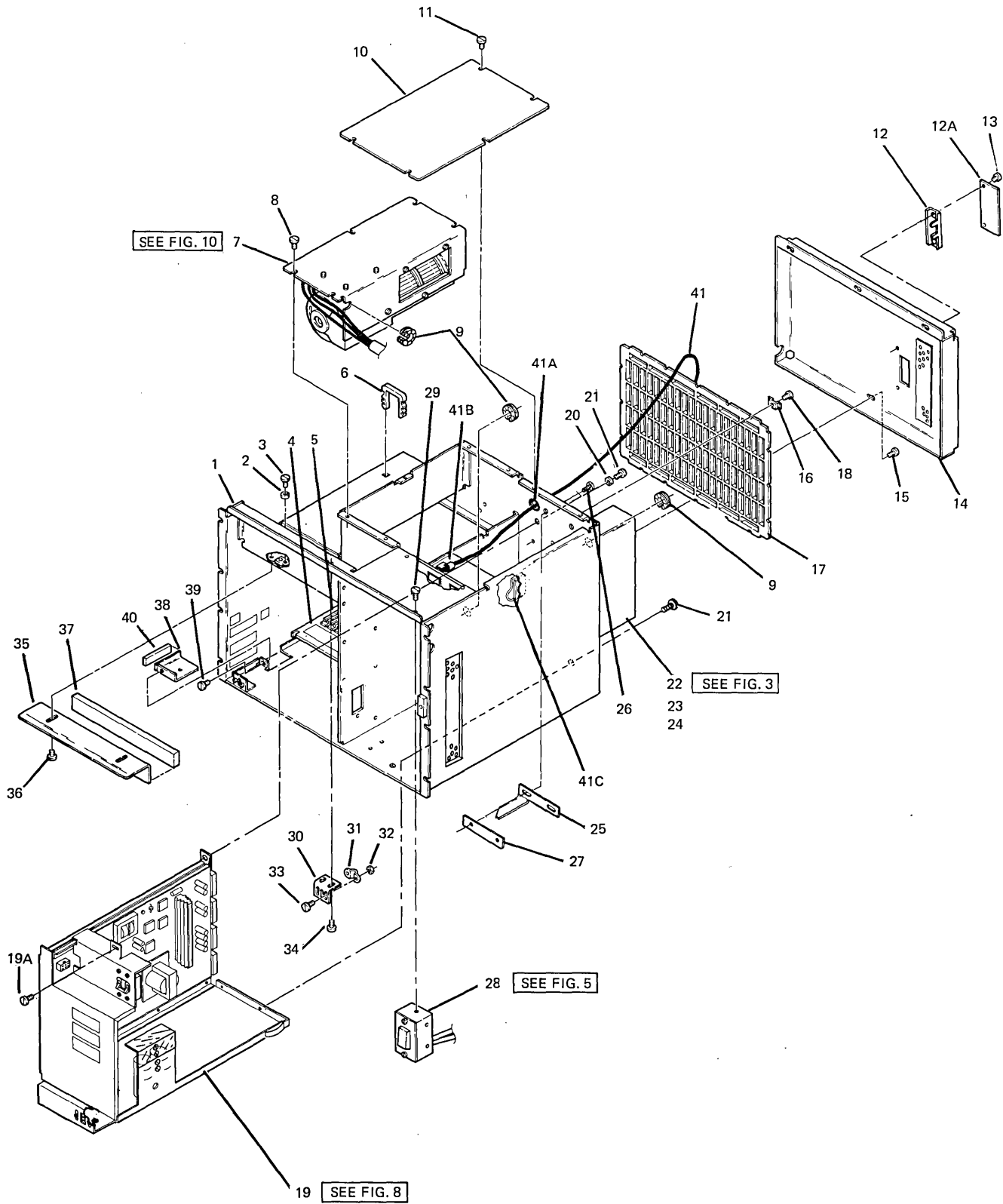


FIGURE 2. CARD FILE ASM, CPU. SHEET 1 OF 2. INDEX NOS. 1-41C. SEE LIST 2.

FIGURE- INDEX NUMBER	PART NUMBER		UNITS PER ASM.	DESCRIPTION
	NO NO.	NP		
2 -			REF	CARD FILE ASM,MOD F FOR ILLUSTRATION SEE FIGURE 2 ORDER APPROPRIATE LABELS FROM INDEX NO. 45
- 1	6840320		1	• CHASSIS ASM
- 1	6844398		1	• CHASSIS ASM LO-VAC
- 1	6844400		1	• CHASSIS ASM HI-VAC
- 2	55901		14	• WASHER,LOCK EXT T 0.176 DIA.
- 3	221790		14	• SCREW,MACH BIND HD- 8-32 X 3/16 LG
- 4	1637977		1	• LABEL
- 5	1632634		30	• CARD GUIDE
- 6	1634983		2	• RETAINER
- 7	6838650		1	• BLOWER ASM LO-VAC
- 7	6838651		1	• BLOWER ASM HI-VAC
- 8	5350006		5	FOR DETAIL BREAKDOWN SEE FIGURE 10 • SCREW,THD FORM HEX WSHR HD- 6-32 X 1/4 L
- 9	450827		3	• GROMMET
- 10	6840347		1	• PLATE, TOP
- 11	5350006		5	• SCREW,THD FORM HEX WSHR HD- 6-32 X 1/4 L
- 12	1637719		1	• RETAINER,CABLE
- 12A	1637685		1	• COVER
- 13	221790		2	• SCREW,MACH BIND HD- 8-32 X 3/16 LG
- 14	6840321		1	• COVER ASM
- 15	5350006		4	• SCREW,THD FORM HEX WSHR HD- 6-32 X 1/4 L
- 16	813179		16	• RETAINER
- 17	4468171		1	• BACKBOARD
- 18	811417		16	• SCREW,CAP SOC HD- 6-32 X 1/2 LG
- 19	6844100		1	• POWER SUPPLY ASM,415W
- 19A	332620		1	FOR DETAIL BREAKDOWN SEE FIGURE 8 • SCREW,MACH BIND HD- 10-32 X .500 LG
- 20	1622318		2	• WASHER,LOCK SPRING- 4.1 ID X 7.5 OD
- 21	1621811		2	• SCREW,THD FORM HEX WSHR HD- M4 X 10 LG
- 22	NO NO.		1	• FILTER ASM
- 23	2181004		3	FOR DETAIL BREAKDOWN SEE FIGURE 3 • SCREW,THD FORM HEX WSHR HD- 10-32 X 3/8
- 24	56079		3	• WASHER,LOCK EXT T- .204 ID .410 OD
- 25	4498734		1	• BRACKET,GUIDE
- 26	10170		2	• SCREW,MACH BIND HD- 6-32 X 1/4 LG
- 27	6841107		1	• PLATE,NUT
- 28	6844365		1	• SWITCH BOX ASM,U.S.,CANADA AND JAPAN
- 28	6844366		1	• SWITCH BOX ASM,GERMANY
- 28	6844367		1	• SWITCH BOX ASM,FRANCE,ITALY AND SPAIN
- 29	10170		3	FOR DETAIL BREAKDOWN SEE FIGURE 5 • SCREW,MACH BIND HD- 6-32 X 1/4 LG
- 30	1632150		2	• BRACKET
- 31	313453		2	• LATCH
- 32	37913		4	• NUT,JAM HEX- 4-40 X 0.250
- 33	251970		4	• SCREW,MACH PAN HD- 4-40 X 1/4 LG
- 34	5350006		4	• SCREW,THD FORM HEX WSHR HD- 6-32 X 1/4 L
- 35	1631007		1	• BRACKET,CABLE RETAINER
- 36	10170		2	• SCREW,MACH BIND HD- 6-32 X 1/4 LG
- 37	1631005		2	• FOAM
- 38	1634926		1	• CLAMP,INTERFACE CABLE
- 39	251970		1	• SCREW,MACH PAN HD- 4-40 X 1/4 LG
- 40	1634927		1	• FOAM
- 41	6840330		1	• CABLE,+5 V EXTERNAL
- 41A	1077722		1	• GROMMET
- 41B	2596275		1	• CLIP,CABLE
- 41C	2596291		1	• CLAMP

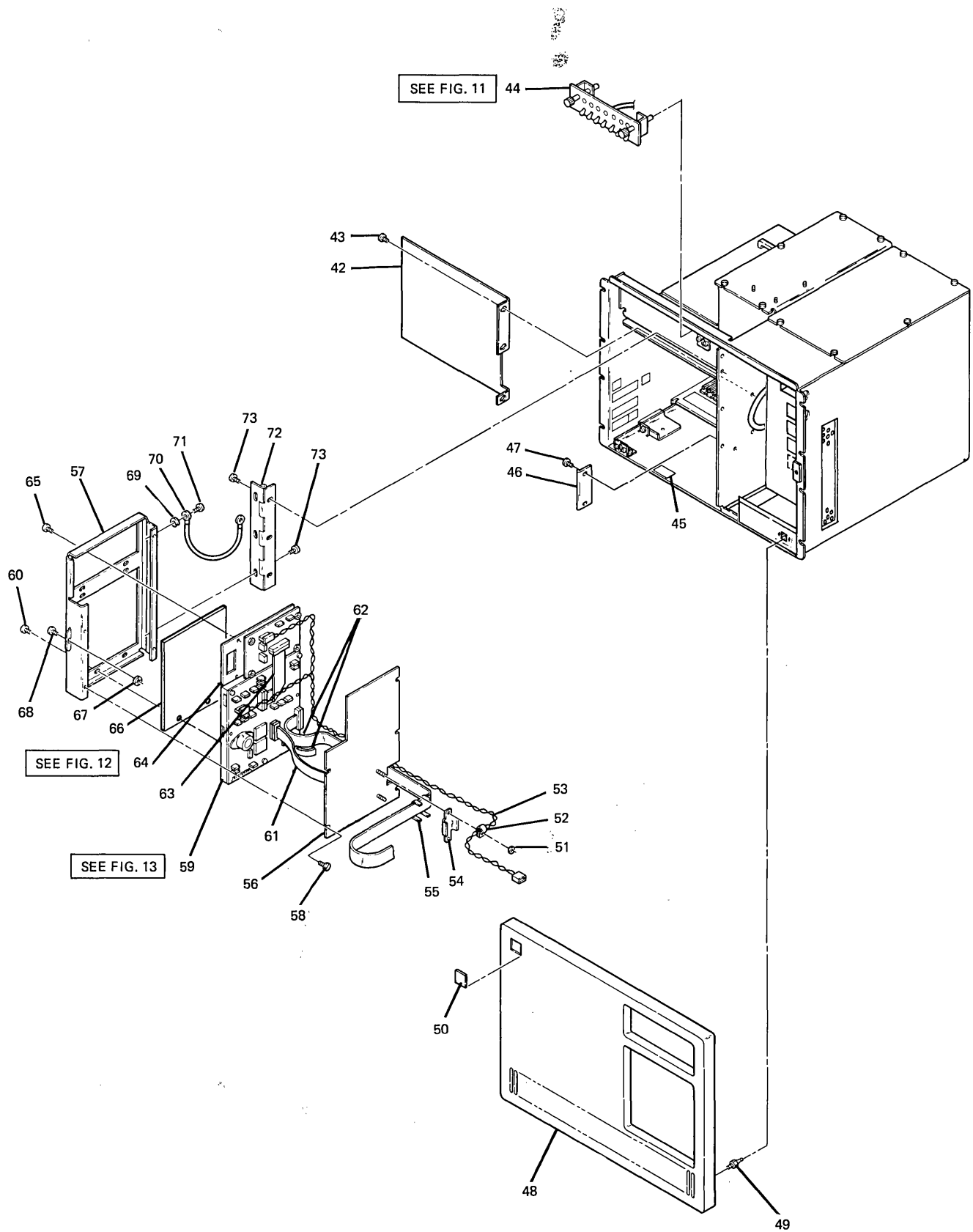


FIGURE 2. CARD FILE ASM, CPU. SHEET 2 OF 2. INDEX NOS. 42-73. SEE LIST 2.

4955 MODEL F

FIGURE- INDEX NUMBER	PART NUMBER	UNITS PER ASM.	DESCRIPTION				
			1	2	3	4	
2 - 42	1634786	1	•				
			•	SHIELD,SAFETY			
			•	50HZ-WTC AND 50/60HZ-JAPAN			
- 43	251970	3	•	SCREW,MACH PAN HD- 4-40 X 1/4 LG			ATT PT
			•	50HZ-WTC AND 50/60HZ-JAPAN			
- 44	1634580	1	•	CONSOLE ASM			
				FOR DETAIL BREAKDOWN SEE FIGURE 11			
- 45	8327578	1	•	LABEL,WARNING-ENGLISH			
- 45	8327540	1	•	LABEL,WARNING-FR/CANADIAN			
- 45	8327583	1	•	LABEL,WARNING-ITALIAN			
- 45	8327593	1	•	LABEL,WARNING-SPANISH			
- 45	8327598	1	•	LABEL,WARNING-FRENCH			
- 45	8327603	1	•	LABEL,WARNING-JAPANESE			
- 45	6042356	1	•	LABEL,WARNING-SWEDISH			
- 45	6042361	1	•	LABEL,WARNING-DANISH			
- 45	6042371	1	•	LABEL,WARNING-NORWEGIAN			
- 45	6042376	1	•	LABEL,WARNING-FRENCH/DUTCH			
- 45	6042366	1	•	LABEL,WARNING-FINNISH			
				ABOVE LABELS NOT WITH ASM			
				MUST BE ORDERED SEPARATELY			
- 46	1634928	1	•	COVER			
- 47	438548	2	•	SCREW,MACH BIND HD- 4-40 X 3/16 LG			ATT PT
- 48	1632721	1	•	COVER ASM-FRONT			
- 49	220839	3	•	STUD			
- 50	1634843	1	•	LOGO			
- 51	257189	2	•	NUT,PLAIN HEX- 8-32 X 0.343			ATT PT
- 52	5213276	1	•	CLAMP			
- 53	4410243	1	•	CABLE ASM,+5 TO CONSOLE			
- 54	2456425	1	•	CLAMP			
- 55	2456419	1	•	GUIDE			
- 56	1637651	1	•	COVER,CONSOLE FRAME			
- 57	1637515	1	•	FRAME,CONSOLE MTG			
- 58	10170	5	•	SCREW,MACH BIND HD- 6-32 X 1/4 LG			ATT PT
- 59	1637513	1	•	F/F CONSOLE ASM,ENGLISH & JAPANESE			
- 59	1634733	1	•	F/F CONSOLE ASM,FRENCH			
- 59	1634734	1	•	F/F CONSOLE ASM,GERMAN			
- 59	1634735	1	•	F/F CONSOLE ASM,ITALIAN			
- 59	8327504	1	•	F/F CONSOLE ASM,SPANISH			
				FOR DETAIL BREAKDOWN SEE FIGURE 13			
- 60	236550	4	•	SCREW,MACH BIND HD- 4-40 X 3/8 LG			ATT PT
- 61	1632010	1	•	CABLE,INPUT			
- 62	1632011	1	•	CABLE ASM,CONSOLE SIGNAL			
- 63	5802289	1	•	CABLE ASM,SLT FLAT-INPUT			
- 64	1632009	1	•	BASIC CONSOLE ASM,ENGLISH & JAPANESE			
- 64	1634822	1	•	BASIC CONSOLE ASM,FRENCH			
- 64	1634823	1	•	BASIC CONSOLE ASM,GERMAN			
- 64	1634824	1	•	BASIC CONSOLE ASM,ITALIAN			
- 64	8327513	1	•	BASIC CONSOLE ASM,SPANISH			
				FOR DETAIL BREAKDOWN SEE FIGURE 12			
- 65	251970	4	•	SCREW,MACH PAN HD- 4-40 X 1/4 LG			ATT PT
- 66	1637533	1	•	PLATE,BLANK			
- 67	1634599	1	•	RETAINER,SCREW			
- 68	55726	1	•	SCREW,MACH BIND HD- 6-32 X 3/16 LG			ATT PT
- 69	55901	2	•	WASHER,LOCK EXT T 0.176 DIA			ATT PT
- 70	1637857	1	•	JUMPER ASM			
- 71	221790	2	•	SCREW,MACH BIND HD- 8-32 X 3/16 LG			ATT PT
- 72	1631013	1	•	HINGE,CONSOLE			
- 73	438548	6	•	SCREW,MACH BIND HD- 4-40 X 3/16 LG			ATT PT

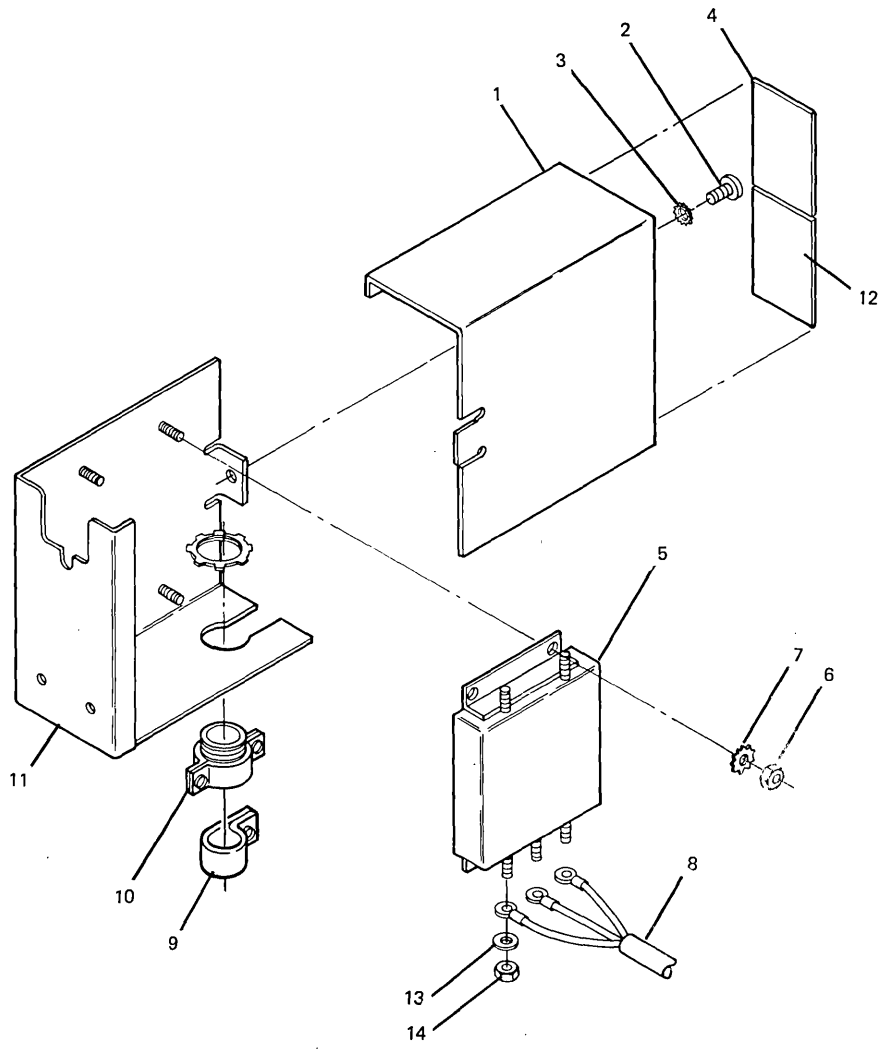


FIGURE 3. FILTER ASM. SEE LIST 3.

4955 MODEL A, B, C, D, E AND F

FIGURE- INDEX NUMBER	PART NUMBER	UNITS PER ASM.	DESCRIPTION			
			1	2	3	4
3 -	NO NO.		FILTER ASM FOR NEXT HIGHER ASM SEE FIGURE 1-15 AND 2-22 AND FOR ILLUSTRATION FIGURE 3 ORDER APPROPRIATE LABELS FROM INDEX NO. 4			
- 1	1637683	1	• COVER, CHASSIS			
- 2	236849	1	• SCREW, MACH BIND HD- 10-32 X 1/4 LG			
- 3	56079	1	• WASHER, LOCK EXT T- .204 ID .410 OD			
- 4	8327578	1	• LABEL, WARNING-ENGLISH			
- 4	8327540	1	• LABEL, WARNING-FR/CANADIAN			
- 4	8327583	1	• LABEL, WARNING-ITALIAN			
- 4	8327593	1	• LABEL, WARNING-SPANISH			
- 4	8327593	1	• LABEL, WARNING-FRENCH			
- 4	8327603	1	• LABEL, WARNING-JAPANESE			
			ABOVE LABELS ARE NOT WITH ASM MUST BE ORDERED SEPARATELY			
- 5	1608101	1	• FILTER			
- 5	38051	4	• NUT, PLAIN HEX- 6-32 X 1/4 FL W			
- 7	56722	4	• WASHER, LOCK EXT T- 0.150 ID			
8	1632776	1	• LINE CORD, 110 V U.S. AND CANADA			
3	1632777	1	• LINE CORD, 220 V U.S. AND CANADA			
8	4410154	1	• LINE CORD, 100/200 V WTC			
- 8	4410159	1	• LINE CORD, 100/200 V WTC (EXCEPT U.K.)			
-	6844403	1	• LINE CORD, 100/200 V U.K.			
-	515361	1	• CLAMP			
- 10	0109204	1	• RELIEF, CABLE STRAIN			
- 11	1637517	1	• CHASSIS, FILTER			
- 12	4447204	1	• LABEL, FCC			
- 13	1090873	1	• WASHER, LOCK SPLIT- 3/16 ID X 5/16 OD			
- 14	257189	1	• NUT, PLAIN HEX- 8-32 X 0.343			

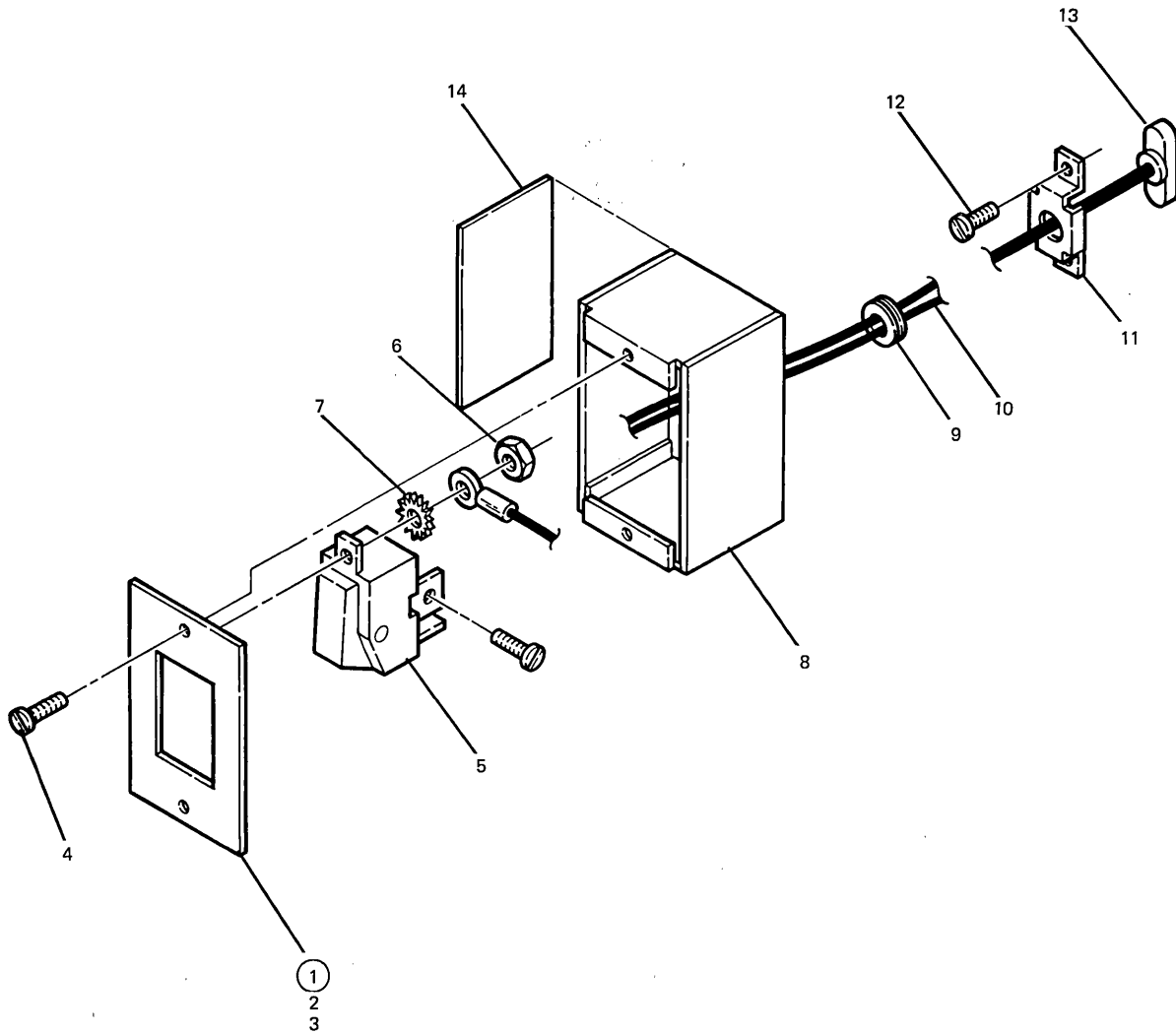


FIGURE 4. SWITCH BOX ASM. SEE LIST 4.

4955 MODEL A, B, C, D AND E

FIGURE- INDEX NUMBER	PART NUMBER	UNITS PER ASM.	DESCRIPTION			
			1	2	3	4
4 - 1	4411489	1	SWITCH BOX ASM,U.S.,CANADA AND JAPAN			
- 1	4411491	1	SWITCH BOX ASM,FRANCE,ITALY AND SPAIN			
- 1	4411490	1	SWITCH BOX ASM,GERMANY			
- 1	8326730	1	SWITCH BOX ASM,UK FOR NEXT HIGHER ASM SEE FIGURE 1-82 AND FCR ILLUSTRATION FIGURE 4			
- 2	10170	4	SCREW,MACH BIND HD- 6-32 X 1/4 LG ATT PT			
- 3	1637516	1	• PLATE ASM,SWITCH MTG			
- 4	438548	2	• SCREW,MACH BIND HD- 4-40 X 3/16 LG ATT PT			
- 5	1634668	1	• SWITCH,ROCKER POWER ON/OFF U.S.,CANADA,UK AND JAPAN			
- 5	1634990	1	• SWITCH,ROCKER POWER ON/OFF FRANCE,ITALY AND SPAIN			
- 5	1634989	1	• SWITCH,ROCKER POWER ON/OFF GERMANY			
- 6	37913	2	• NUT,JAM HEX- 4-40 X .250 FL W ATT PT			
- 7	338169	2	• WASHER,LOCK EXT T 1/8 ID X 1/4 OD ATT PT			
- 8	1637712	1	• BOX,SWITCH			
- 9	6825891	1	• GROMMET			
- 10	1632199	1	• CABLE ASM,FILTER TO SWITCH U.S.,CANADA AND JAPAN			
- 10	4414855	1	• CABLE ASM,FILTER TO SWITCH GERMANY,FRANCE,ITALY AND UK			
- 11	2704110	1	• RETAINER,CABLE			
- 12	2704107	2	• SCREW,CAPTIVE ATT PT			
- 13	1632198	1	• POWER CABLE,SHIELDED U.S.,CANADA AND JAPAN			
- 13	4414854	1	• CABLE ASM,INTERNAL POWER GERMANY,FRANCE,ITALY AND UK			
- 14	8327578	1	• LABEL,WARNING-ENGLISH			
- 14	8327540	1	• LABEL,WARNING-FR/CANADIAN			
- 14	8327583	1	• LABEL,WARNING-ITALIAN			
- 14	8327588	1	• LABEL,WARNING-GERMAN			
- 14	8327593	1	• LABEL,WARNING-SPANISH			
- 14	8327598	1	• LABEL,WARNING-FRENCH			
- 14	8327603	1	• LABEL,WARNING-JAPANESE ABOVE LABELS NOT WITH ASM MUST BE ORDERED SEPARATELY			

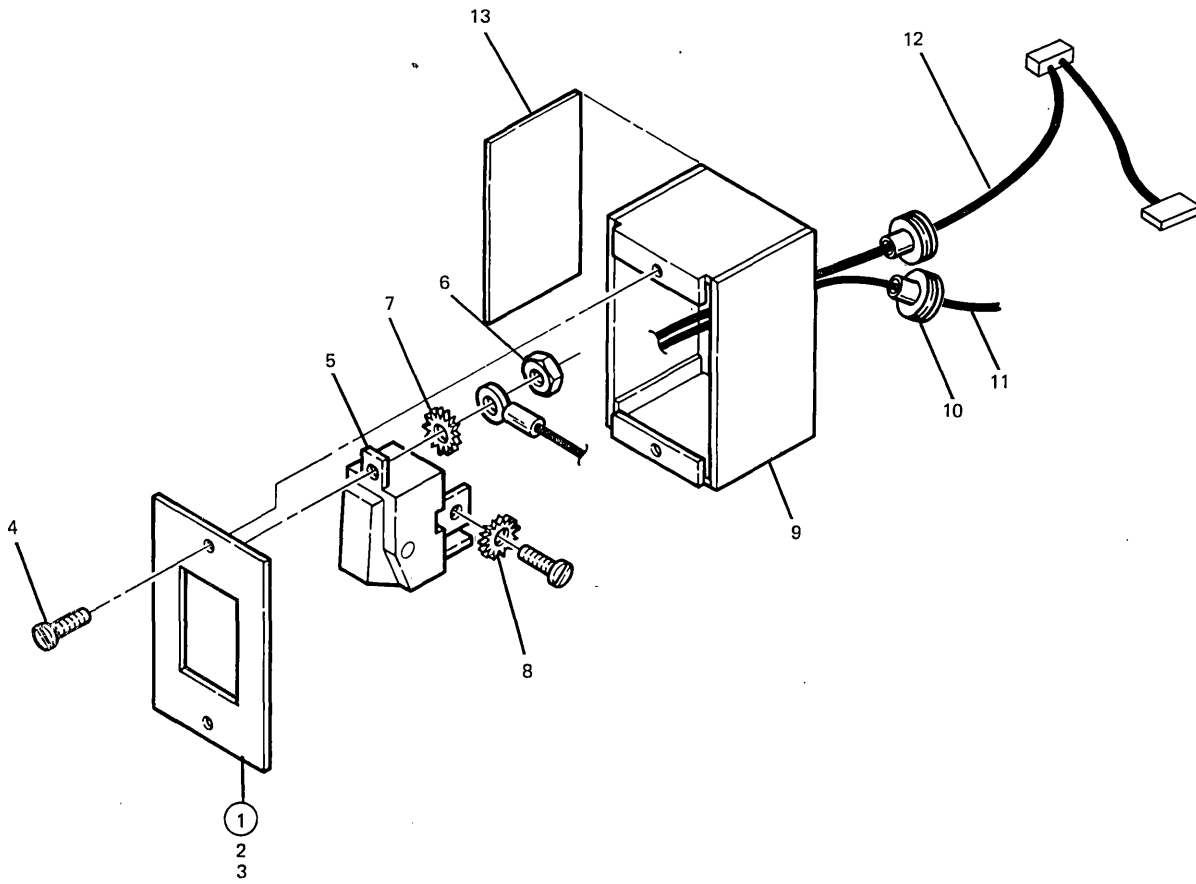


FIGURE 5. SWITCH BOX ASM. SEE LIST 5.

4955 MODEL F

FIGURE- INDEX NUMBER	PART NUMBER	UNITS PER ASM.	DESCRIPTION			
			1	2	3	4
5 - 1	6844365	1	SWITCH BOX ASM,U.S.,CANADA AND JAPAN			
- 1	6844366	1	SWITCH BOX ASM,GERMANY			
- 1	6844367	1	SWITCH BOX ASM,FRANCE,ITALY AND SPAIN FOR NEXT HIGHER ASM SEE FIGURE 2-28 AND FOR ILLUSTRATION FIGURE 5			
- 2	10170	4	• SCREW,MACH BIND HD- 6-32 X 1/4 LG ATT PT			
- 3	1637516	1	• PLATE ASM,SWITCH MTG			
- 4	438548	2	• SCREW,MACH BIND HD- 4-40 X 3/16 LG ATT PT			
- 5	1634668	1	• SWITCH,ROCKER-POWER ON/OFF U.S.,CANADA,U.K.AND JAPAN			
- 5	1634989	1	• SWITCH,ROCKER-POWER ON/OFF GERMANY			
- 5	1634990	1	• SWITCH,RCCKER-POWER ON/OFF FRANCE,ITALY AND SPAIN			
- 6	37913	2	• NUT,JAM HEX- 4-40 X 0.250 ATT PT			
- 7	338169	2	• WASHER,LOCK EXT T 1/8 ID X 1/4 OD ATT PT			
- 8	56722	4	• WASHER,LOCK EXT T- 0.150 ID			
- 9	6844361	1	• BOX,SWITCH			
- 10	4411494	2	• GROMMET			
- 11	6844363	1	• CABLE ASM,FILTER TO SWITCH			
- 12	6844362	1	• CABLE ASM,INTERNAL POWER			
- 13	8327578	1	• LABEL,WARNING-ENGLISH			
- 13	8327540	1	• LABEL,WARNING-FR/CANADIAN			
- 13	8327583	1	• LABEL,WARNING-ITALIAN			
- 13	8327588	1	• LABEL,WARNING-GERMAN			
- 13	8327593	1	• LABEL,WARNING-SPANISH			
- 13	8327598	1	• LABEL,WARNING-FRENCH			
- 13	8327603	1	• LABEL,WARNING-JAPANESE			
- 13	6042356	1	• LABEL,WARNING-SWEDISH			
- 13	6042361	1	• LABEL,WARNING-DANISH			
- 13	6042371	1	• LABEL,WARNING-NORWEGIAN			
- 13	6042376	1	• LABEL,WARNING-FRENCH/DUTCH			
- 13	6042366	1	• LABEL,WARNING-FINNISH			

FIGURE- INDEX NUMBER	PART NUMBER	UNITS PER ASM.	DESCRIPTION			
			1	2	3	4
6 -	1637621	REF	POWER SUPPLY ASM FOR NEXT HIGHER ASM SEE FIGURE 1-63 AND FOR ILLUSTRATION FIGURE 6 ORDER APPROPRIATE LABEL FROM INDEX NO. 2			
- 1	1634511	1	• LABEL, OUTPUT CONNECTORS			
- 2	8327578	1	• LABEL, WARNING-ENGLISH			
- 2	8327540	1	• LABEL, WARNING-FR/CANADIAN			
- 2	8327583	1	• LABEL, WARNING-ITALIAN			
- 2	8327588	1	• LABEL, WARNING-GERMAN			
- 2	8327593	1	• LABEL, WARNING-SPANISH			
- 2	8327598	1	• LABEL, WARNING-FRENCH			
- 2	8327603	1	• LABEL, WARNING-JAPANESE ABOVE LABELS NOT WITH ASM MUST BE ORDERED SEPARATELY			
- 3	5892077	1	• LABEL			
- 4	1637623	1	• COVER, PRIME POWER			
- 5	55726	4	• SCREW, MACH BIND HD- 6-32 X .188 LG			
- 6	1637622	1	• COVER, TOP			
- 7	55726	6	• SCREW, MACH BIND HD- 6-32 X .188 LG			
- 8	6827117	1	• PAD			
- 9	1637839	1	• LABEL, CAUTION			
- 10	1637693	1	• TRANSFORMER			
- 11	10170	2	• SCREW, MACH BIND HD- 6-32 X 1/4 LG			
- 12	56722	1	• WASHER, LOCK EXT T .150ID			
- 13	4412998	1	• RETAINER			
- 14	38235	2	• SCREW, MACH BIND HD- 6-32 X 5/16 LG			
- 15	1634658	1	• CARD ASM, SEQUENCE			
- 16	4412933	1	• CARD ASM, 8.5/5V			
- 17	4412932	1	• CARD ASM, 12V			
- 18	1637632	6	• GUIDE, CARD			
- 19	511063	2	• FUSE, CARTRIDGE- 10 A 250 V AC/DC			
- 20	1637837	1	• CONNECTOR ASM			
- 21	10170	4	• SCREW, MACH BIND HD- 6-32 X 1/4 LG			
- 22	56722	2	• WASHER, LOCK EXT T .150ID			
- 23	1637838	1	• BRACKET, CONNECTOR MOUNTING			
- 24	4412938	2	• FUSEHOLDER			
- 25	4406541	1	• RECEPTACLE, 3 PRONG POWER			
- 26	5213736	1	• CAPACITOR			
- 27	2704109	2	• STUD			
- 28	338169	4	• WASHER, LOCK EXT T 1/8 ID X 1/4 OD			
- 29	609686	1	• CONNECTOR, 6 POS			
- 30	2392055	1	• RESISTOR			
- 31	438583	1	• SCREW			
- 32	55901	1	• WASHER, LOCK EXT T .176DIA			
- 33	2903	1	• WASHER, FL-NO. 6 X 1/2 OD X 1/32 THK			
- 34	510468	2	• WASHER, CUPPED- 1/64ID X 1/2OD X 1/32 L			
- 35	321603	2	• WASHER, FLAT- 0.380ID X 0.625OD X 0.031			
- 36	472639	2	• CAPACITOR			
- 37	2283000	1	• RELAY, G.P.			
- 38	1143227	2	• JUMPER			
- 39	522850	1	• BLOCK, TERMINAL- 10 POSITION			
- 40	2731837	1	• HOUSING			
- 41	522849	1	• STRIP, MARKER			
- 42	35739	4	• SCREW, MACH BIND HD- 6-32 X 7/16 LG			
- 43	1634934	1	• CARD ASM			
- 44	10170	4	• SCREW, MACH BIND HD- 6-32 X 1/4 LG			
- 45	236849	4	• SCREW, MACH BIND HD- 10-32 X .250LG			

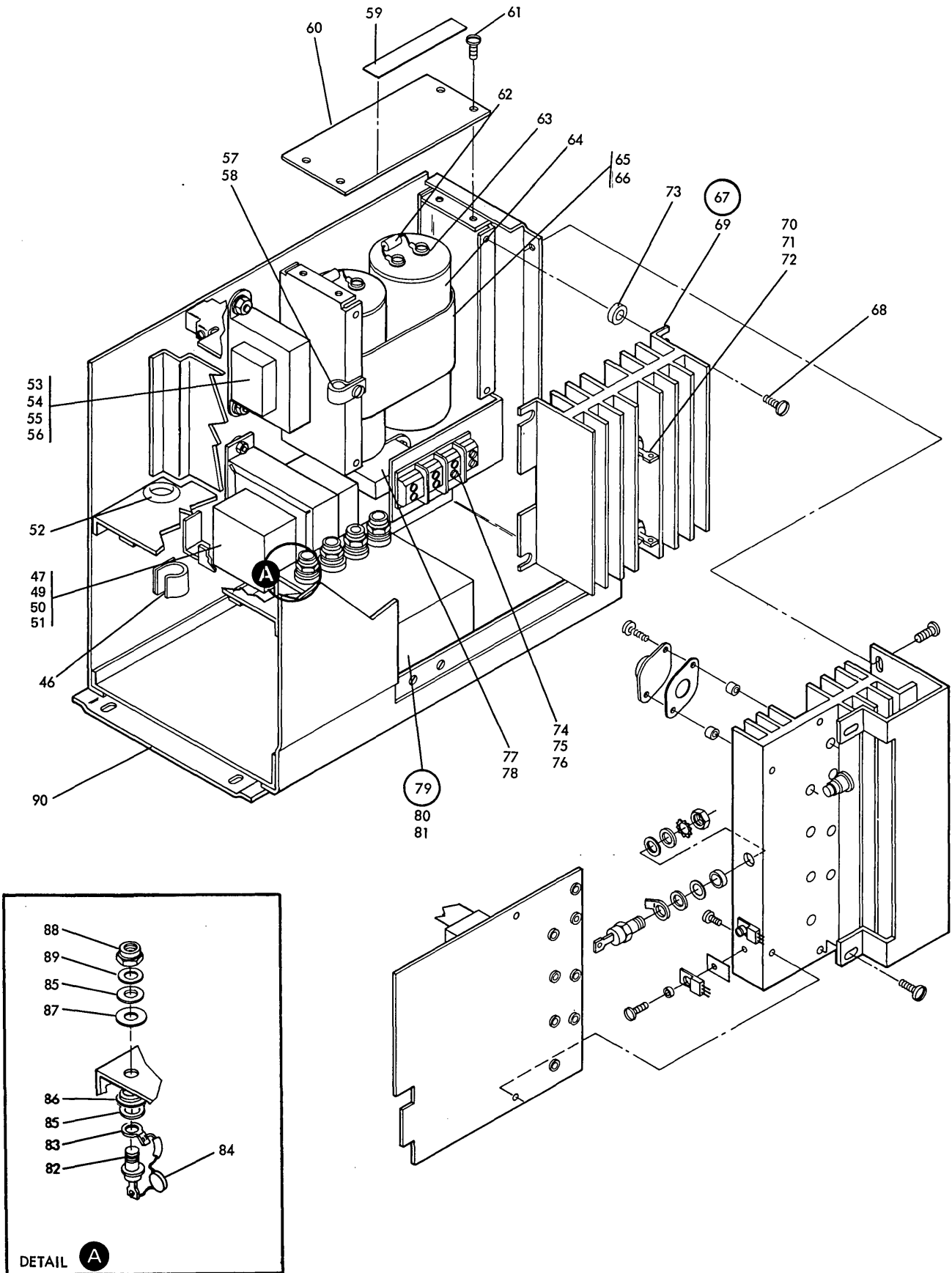


FIGURE 6. POWER SUPPLY ASM. SHEET 2 OF 3. INDEX NOS. 46-90. SEE LIST 6.

4955 MODEL A, B, C AND D

FIGURE- INDEX NUMBER	PART NUMBER	UNITS PER ASM.	DESCRIPTION			
			1	2	3	4
6 - 46	2596291	1	•	CLAMP		
- 47	1637903	1	•	TRANSFORMER ASM		
- 49	34512	1	•	SCREW,MACH BIND HD- 8-32 X 3/8 LG		ATT PT
- 50	257189	1	•	NUT,PLAIN HEX- 8-32 X 0.343 W		ATT PT
- 51	55901	3	•	WASHER,LOCK EXT T .176DIA		ATT PT
- 52	265059	1	•	GROMMET		
- 53	1637696	1	•	TRANSFORMER		
- 54	34512	2	•	SCREW,MACH BIND HD- 8-32 X 3/8 LG		ATT PT
- 55	257189	2	•	NUT,PLAIN HEX- 8-32 X 0.343 W		ATT PT
- 56	55901	3	•	WASHER,LOCK EXT T .176DIA		ATT PT
- 57	533289	1	•	CLAMP		
- 58	81693	1	•	SCREW,MACH BIND HD- 6-32 X 3/8 LG		ATT PT
- 59	1637839	1	•	LABEL,CAUTION		
- 60	1637816	1	•	SHIELD,SAFETY		
- 61	10170	4	•	SCREW,MACH BIND HD- 6-32 X 1/4 LG		ATT PT
- 62	1637697	2	•	RESISTOR ASM		
- 63	362206	2	•	SHIELD,CAPACITOR		
- 64	1582627	2	•	CAPACITOR,ELECTROLYTIC ALUMINUM,CAN TYPE		
- 65	1637698	1	•	BRACKET,CAP MTG		
- 66	322551	2	•	SCREW,MACH BIND HD- 6-32 X 3/4 LG		ATT PT
- 67	1637692	1	•	HEATSINK ASM		
- 68	81693	4	•	SCREW,MACH BIND HD- 6-32 X 3/8 LG		ATT PT
- 69	1637630	1	•	HEATSINK		
- 70	1582810	2	•	RECTIFIER		
- 71	160017	2	•	NUT,HEX- 1/4-28 X 7/16 FL W		ATT PT
- 72	76574	2	•	WASHER,LOCK EXT T 1/4 ID X 1/2 OD		ATT PT
- 73	337549	4	•	INSULATOR		
- 74	436972	1	•	TERMINAL BLOCK		
- 75	607331	1	•	INSULATOR,TERMINAL BLOCK		
- 76	5528	4	•	SCREW,MACH BIND HD- 8-32 X .625LG		ATT PT
- 77	1637695	1	•	INDUCTOR		
- 78	221790	2	•	SCREW,MACH BIND HD- 8-32 X 3/16LG		ATT PT
- 79	4410719	1	•	HEATSINK ASM		
- 80	10170	3	•	SCREW,MACH BIND HD- 6-32 X 1/4 LG		ATT PT
- 81	4410720	1	•	HEATSINK		
- 82	2396803	4	•	DIODE		
- 83	1637819	1	•	CABLE ASM		
- 84	472639	4	•	CAPACITOR		
- 85	4410752	8	•	WASHER,FLAT NO. 10 X .610 OD X 1/32 TH		ATT PT
- 86	4410721	8	•	BUSHING		ATT PT
- 87	8326813	8	•	BUSHING		ATT PT
- 88	11598	4	•	NUT,HEX- 10-32		ATT PT
- 89	56079	4	•	WASHER,LOCK EXT T .204ID .410OD		ATT PT
- 90	1637650	1	•	CHASSIS		

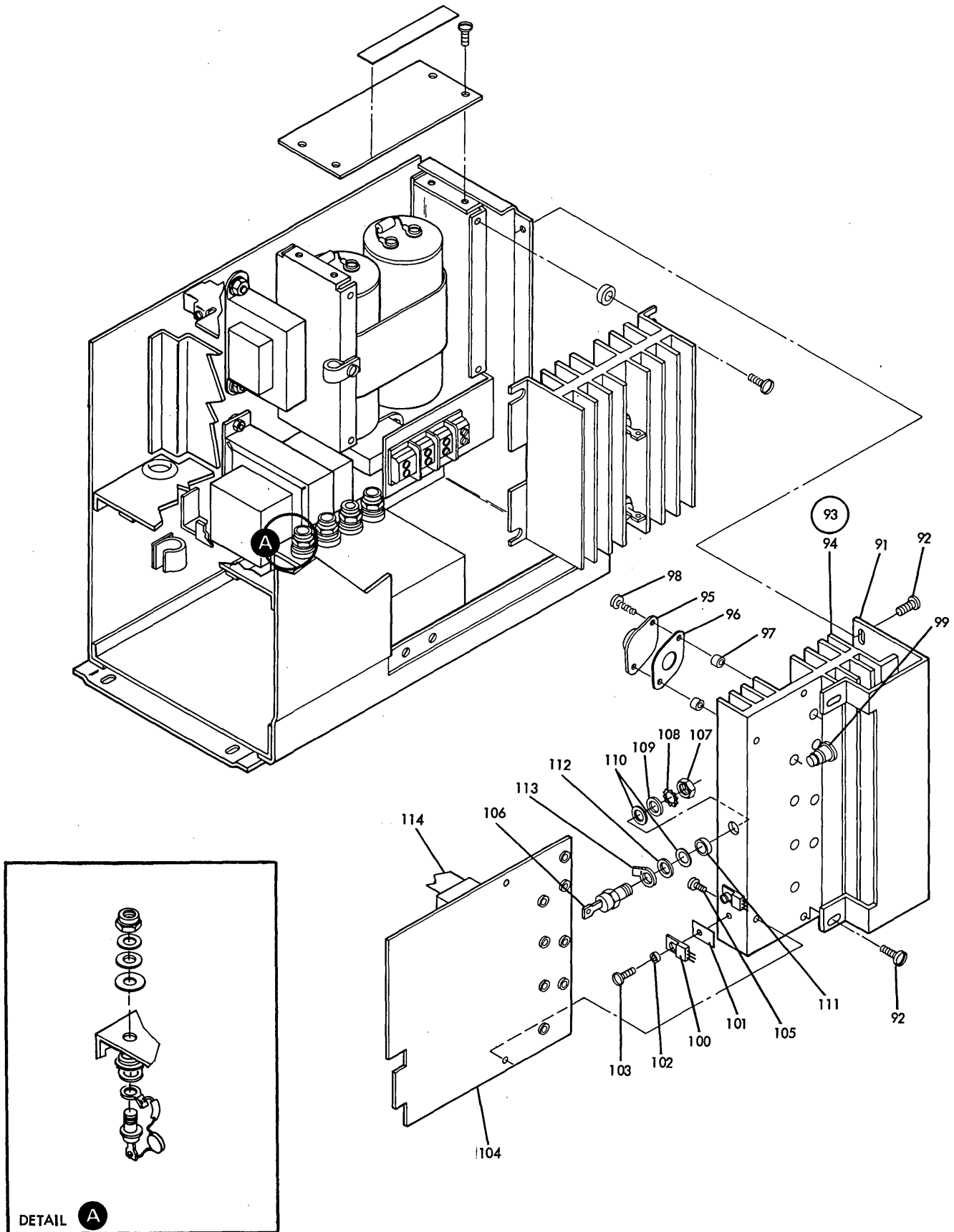


FIGURE 6. POWER SUPPLY ASM. SHEET 3 OF 3. INDEX NOS. 91-114. SEE LIST 6.

4955 MODEL A, B, C AND D

FIGURE- INDEX NUMBER	PART NUMBER	UNITS PER ASM.	DESCRIPTION			
			1	2	3	4
6 - 91	1637821	1	•	BRACKET, MCOUNTING		
- 92	10170	4	•	SCREW, MACH BIND HD- 6-32 X 1/4 LG	ATT PT	
- 93	6837344	1	•	POWER CARD ASM		
- 94	1637699	1	• •	HEATSINK		
- 95	2396783	4	• •	TRANSISTOR		
- 96	1842438	4	• •	INSULATOR		
- 97	4411057	8	• •	BUSHING	ATT PT	
- 98	81693	8	• •	SCREW, MACH BIND HD- 6-32 X 3/8 LG	ATT PT	
- 99	2590821	1	• •	SWITCH, THERMAL		
-100	2396682	2	• •	TRANSISTOR		
-101	1634570	2	• •	INSULATOR, TRANSISTOR		
-102	5564427	2	• •	BUSHING	ATT PT	
-103	251970	2	• •	SCREW, MACH PAN HD- 4-40 X 1/4 LG	ATT PT	
-104	1634906	1	• •	CARD		
-105	81693	2	• •	SCREW, MACH BIND HD- 6-32 X 3/8 LG	ATT PT	
-106	2396801	1	• •	DIODE		
-106	8333807	1	• •	USED CN MACHINES WITHOUT EC 755406 DIODE		
-107	11598	1	• •	USED CN MACHINES WITH EC 755406 NUT, HEX- 10-32	ATT PT	
-108	9092	1	• •	WASHER, LOCK SPLIT RING .194ID .337OD USED CN MACHINES WITHOUT EC 755406	ATT PT	
-108	56079	1	• •	WASHER, LOCK EXT T .204ID .410OD USED CN MACHINES WITH EC 755406	ATT PT	
-109	4410752	1	• •	WASHER, FLAT NO. 10 X .610 OD X 1/32 TH	ATT PT	
-110	2611165	1	• •	WASHER USED CN MACHINES WITHOUT EC 755406	ATT PT	
-110	8326813	2	• •	BUSHING USED ON MACHINES WITH EC 755406	ATT PT	
-111	4410721	1	• •	BUSHING		
-112	4410752	1	• •	WASHER, FLAT NO. 10 X .610 OD X 1/32 TH		
-113	316996	1	• •	LUG, SOLDER TERMINAL		
-114	1637844	1	•	CABLE ASM. CAPS TO CONN		

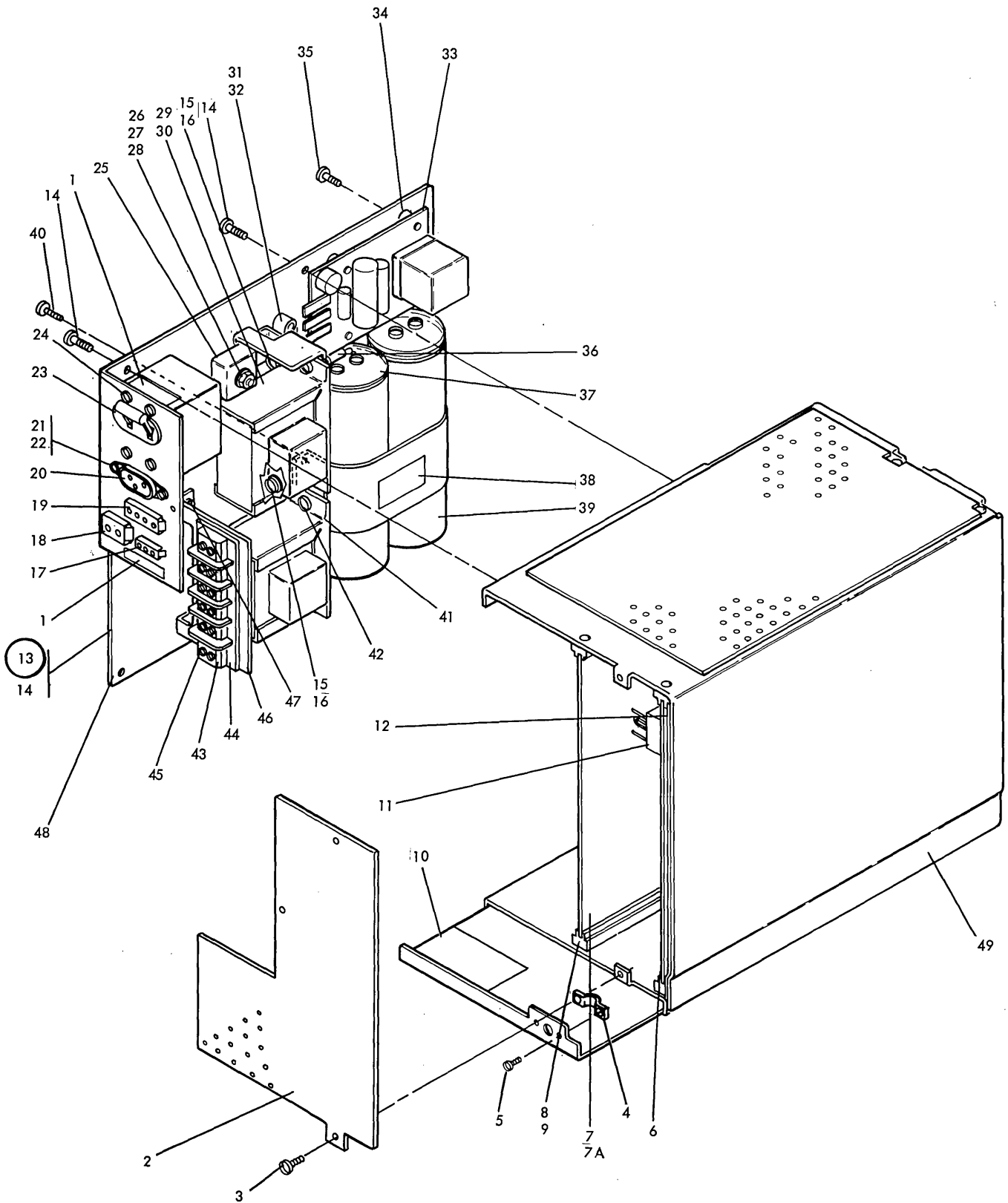


FIGURE 7. POWER SUPPLY ASM. SEE LIST 7.

4955 MODEL E

FIGURE- INDEX NUMBER	PART NUMBER	UNITS PER ASM.	DESCRIPTION			
			1	2	3	4
7 -	4413630	REF	POWER SUPPLY ASM,400W MODEL E FOR NEXT HIGHER ASM SEE FIGURE 1-63 AND FOR ILLUSTRATION FIGURE 7 ORDER APPROPRIATE LABEL FROM INDEX NO. 1			
- 1	8327578	1	• LABEL,WARNING-ENGLISH			
- 1	8327540	1	• LABEL,WARNING-FR/CANADIAN			
- 1	8327583	1	• LABEL,WARNING-ITALIAN			
- 1	8327588	1	• LABEL,WARNING-GERMAN			
- 1	8327593	1	• LABEL,WARNING-SPANISH			
- 1	8327598	1	• LABEL,WARNING-FRENCH			
- 1	8327603	1	• LABEL,WARNING-JAPANESE ABOVE LABELS NOT WITH ASM MUST BE ORDERED SEPARATELY			
- 2	4413637	1	• COVER,FRONT			
- 3	10170	3	• SCREW,MACH BIND HD- 6-32 X 1/4 LG			
- 4	313453	1	• LATCH			
- 5	438548	2	• SCREW,MACH BIND HD- 4-40 X 3/16 LG			
- 6	6827114	1	• CARD ASM,POWER			
- 7	6839259	1	• CARD ASM,LOW POWER			
- 7A	5257518	1	• SWITCH,THERMAL			
- 8	4414602	4	• GUIDE,CARD			
- 9	4414603	8	• RIVET			
- 10	1637972	1	• LABEL,SAFETY			
- 11	8326787	1	• PLUG AND JUMPER ASM			
- 12	4414604	1	• INSULATOR			
- 13	4413632	1	• PRIME POWER ASM			
- 14	10170	6	• SCREW,MACH BIND HD- 6-32 X 1/4 LG			
- 15	58207	3	• SCREW,MACH BIND HD- 8-32 X 1/4 LG			
- 16	55901	3	• WASHER,LOCK EXT T .176DIA			
- 17	725557	1	• • CONNECTOR,PLUG 3 CIRCUIT			
- 18	1847525	1	• • CONNECTOR,J12			
- 19	1847529	1	• • CONNECTOR,J11			
- 20	4406541	1	• • RECEPTACLE,3 PRONG POWER			
- 21	2704109	2	• • STUD			
- 22	338169	2	• • WASHER,LOCK EXT T 1/8 ID X 1/4 OD			
- 23	5508655	1	• • CIRCUIT PROTECTOR			
- 24	55726	4	• • SCREW,MACH BIND HD- 6-32 X .188 LG			
- 25	8326785	1	• • RECTIFIER,SILICON BRIDGE			
- 26	5528	1	• • SCREW,MACH BIND HD- 8-32 X .625LG			
- 27	55901	1	• • WASHER,LOCK EXT T .176DIA			
- 28	257189	1	• • NUT,PLAIN HEX- 8-32 X 0.343 W			
- 29	4413626	1	• • TRANSFORMER ASM,OUTPUT 400W			
- 30	236849	2	• • SCREW,MACH BIND HD- 10-32 X .250LG			
- 31	356742	1	• • CLAMP			
- 32	58207	1	• • SCREW,MACH BIND HD- 8-32 X 1/4 LG			
- 33	6826845	1	• • CARD ASM			
- 34	358542	4	• • SPACER			
- 35	322551	4	• • SCREW,MACH BIND HD- 6-32 X 3/4 LG			
- 36	1637697	2	• • RESISTOR ASM			
- 37	362206	2	• • SHIELD,CAPACITOR			
- 38	138747	1	• • LABEL,VCLTAGE			
- 39	1582627	2	• • CAPACITOR,ELECTROLYTIC ALUMINUM,CAN TY			
- 40	322551	2	• • SCREW,MACH BIND HD- 6-32 X 3/4 LG			
- 41	1637695	1	• • INDUCTOR			
- 42	58207	2	• • SCREW,MACH BIND HD- 8-32 X 1/4 LG			
- 43	323845	1	• • BLOCK,TERMINAL			
- 44	2101400	1	• • STRIP,MARKER			
- 45	5528	4	• • SCREW,MACH BIND HD- 8-32 X .625LG			
- 46	4413640	1	• • BRACKET,TERMINAL BOARD MOUNTING			
- 47	236849	2	• • SCREW,MACH BIND HD- 10-32 X .250LG			
- 48	4413633	1	• • COVER,PRIME POWER			
- 49	4413631	1	• CHASSIS			

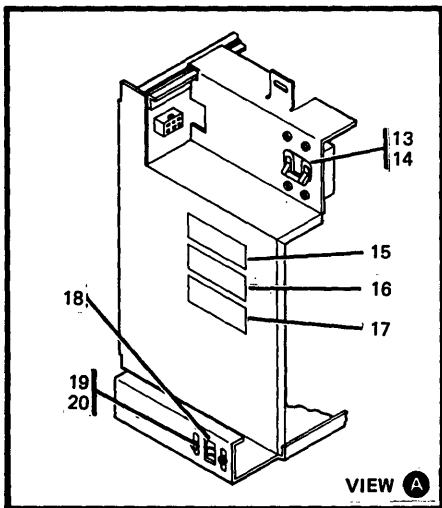
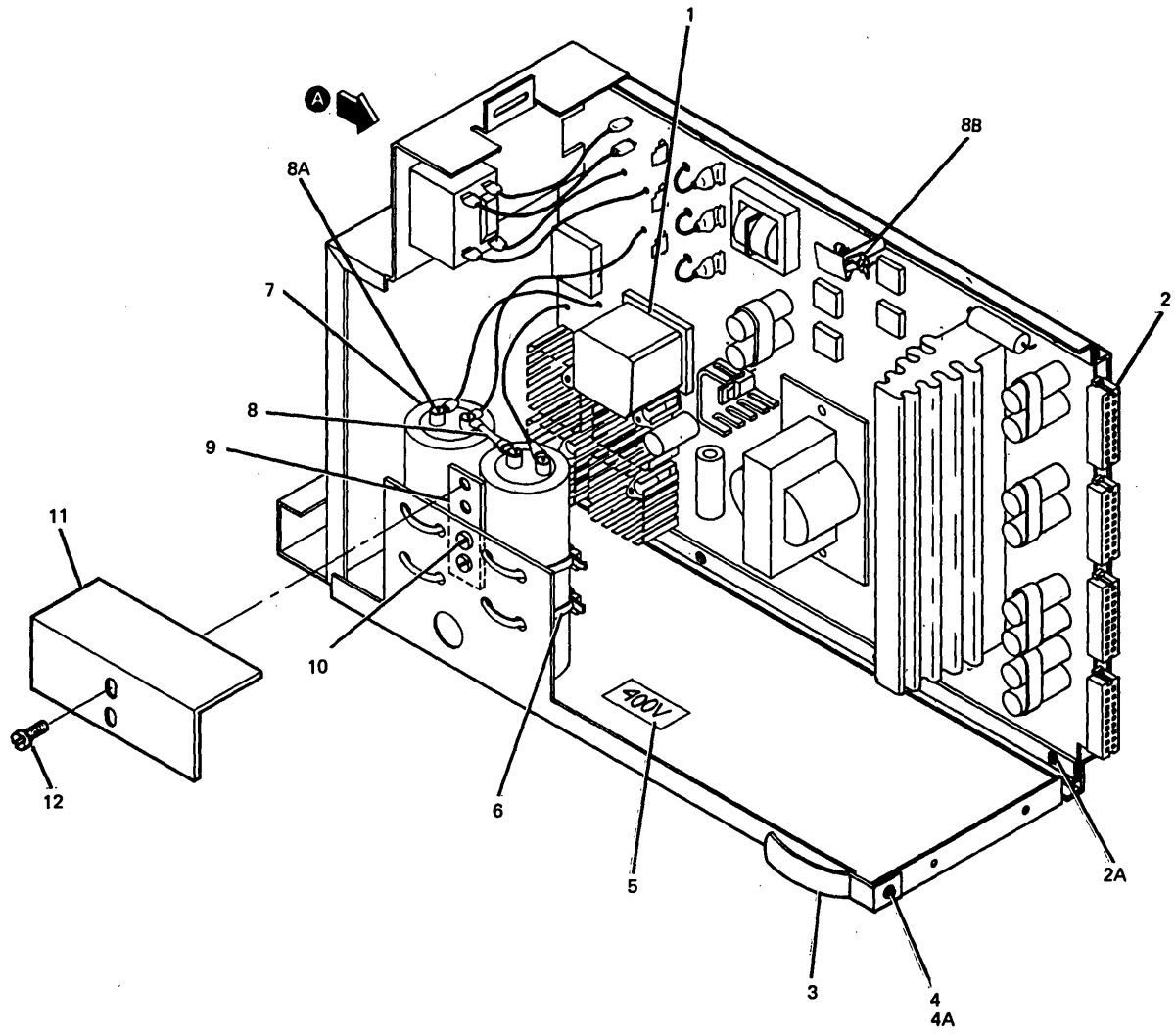


FIGURE 8. POWER SUPPLY ASM. SEE LIST 8.

4955 MODEL F

FIGURE- INDEX NUMBER	PART NUMBER	UNITS PER ASM.	DESCRIPTION			
			1	2	3	4
8 -	6844100	1	POWER SUPPLY ASM,415W FOR NEXT HIGHER ASM SEE FIGURE 2-19 AND FCR ILLUSTRATION FIGURE 8			
- 1	1589008	1	• RELAY			
- 2	817329	4	• HOUSING,CONNECTOR 24 CONTACT			
- 2A	7362385	11	• SCREW,THD FORM HEX WSHR HD- M4 X 8 LG ATT PT			
- 3	6841094	1	• SPRING			
- 4	1621844	1	• SCREW,THD FORM PAN HD- M3 X 6 LG ATT PT			
- 4A	1622344	1	• WASHER,LOCK EXT T- 3.8 ID X 6 OD ATT PT			
- 5	6841100	1	• LABEL,HIGH VOLTAGE			
- 6	6031014	4	• STRAP			
- 7	1582627	2	• CAPACITOR,ELECTROLYTIC ALUMINUM,CAN TYPE ORDER INDEX NO. 6			
- 8	5759176	1	• JUMPER			
- 8A	28413	4	• SCREW,MACH BIND HD- 10-32 X 5/16 LG ATT PT			
- 8B	6023339	1	• DEFLECTOR,AIR			
- 9	6030966	1	• BRACKET,SHIELD MOUNTING			
- 10	1621190	2	• BOLT,PAN HD- M4 X 8 LG ATT PT			
- 11	6830965	1	• SHIELD,SAFETY			
- 12	1621190	2	• BOLT,PAN HD- M4 X 8 LG ATT PT			
- 13	6844109	1	• CIRCUIT BREAKER ASM			
- 14	55726	4	• SCREW,MACH BIND HD- 6-32 X 3/16 LG ATT PT			
- 15	124943	1	• LABEL,HAZARDOUS AREA-ENGLISH			
- 16	1637972	1	• LABEL,SAFETY			
- 17	845762	1	• LABEL,INFCRMATION-ENGLISH			
- 18	313453	1	• LATCH			
- 19	438548	2	• SCREW,MACH BIND HD- 4-40 X 3/16 LG ATT PT			
- 20	801402	2	• NUT ATT PT			

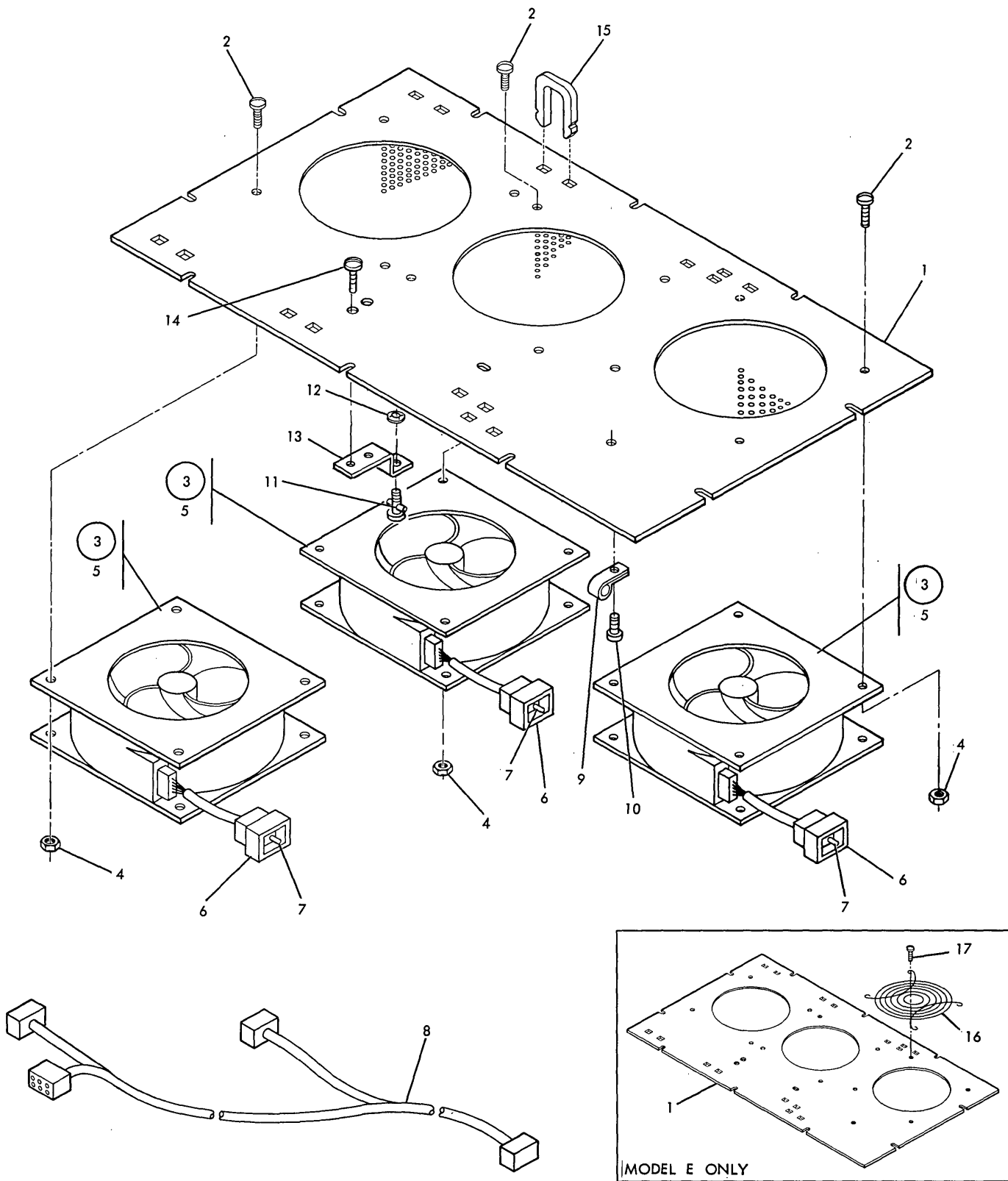


FIGURE 9. FAN ASM. SEE LIST 9.

4955 MODEL A, B, C, D AND E

FIGURE- INDEX NUMBER	PART NUMBER	UNITS PER ASM.	DESCRIPTION.			
			1	2	3	4
9 -	1634933	REF	COVER ASM,TCP FAN,MODELS A-D			
-	8333816	REF	COVER ASM,TCP FAN,MODEL E FOR NEXT HIGHER ASM SEE FIGURE 1-4 AND FCR ILLUSTRATION FIGURE 9			
- 1	1634932	1	• COVER, TOP FAN, MODELS A-D			
- 1	8327576	1	• COVER, TOP FAN, MODEL E			
- 2	322550	12	• SCREW, MACH BIND HD- 6-32 X 1/2 LG			
- 3	1632730	3	• FAN ASM			
- 4	311699	12	• NUT AND LOCK WASHER- 6-32 MODEL A, B, C AND D ONLY			
- 5	1637783	1	• • FAN, DUAL VOLT- 115/220VAC			
- 6	609691	1	• • CONNECTOR			
- 7	609687	4	• • CONTACT			
- 8	1632921	1	• CABLE ASM, FULL FAN PAL 3X, MODELS A-D			
- 8	8333817	1	• CABLE ASM, 400W-FULL FAN PACK, MODEL E			
- 9	2102365	1	• CLAMP, LOOP- 0.330 ID 0.170 DIA MTG HOLE			
- 10	10170	1	• SCREW, MACH BIND HD- 6-32 X 1/4 LG			
- 11	6837313	1	• SWITCH, THERMAL			
- 11	5428337	1	• SWITCH, THERMAL			
- 12	2588053	1	• CLIP			
- 13	1637790	1	• BRACKET, THERMAL SWITCH MOUNTING			
- 14	81693	2	• SCREW, MACH BIND HD- 6-32 X 3/8 LG			
- 15	1634983	1	• RETAINER, CABLE			
- 16	2172166	3	• FAN GUARD MODEL E			
- 17	5319854	12	• SCREW			

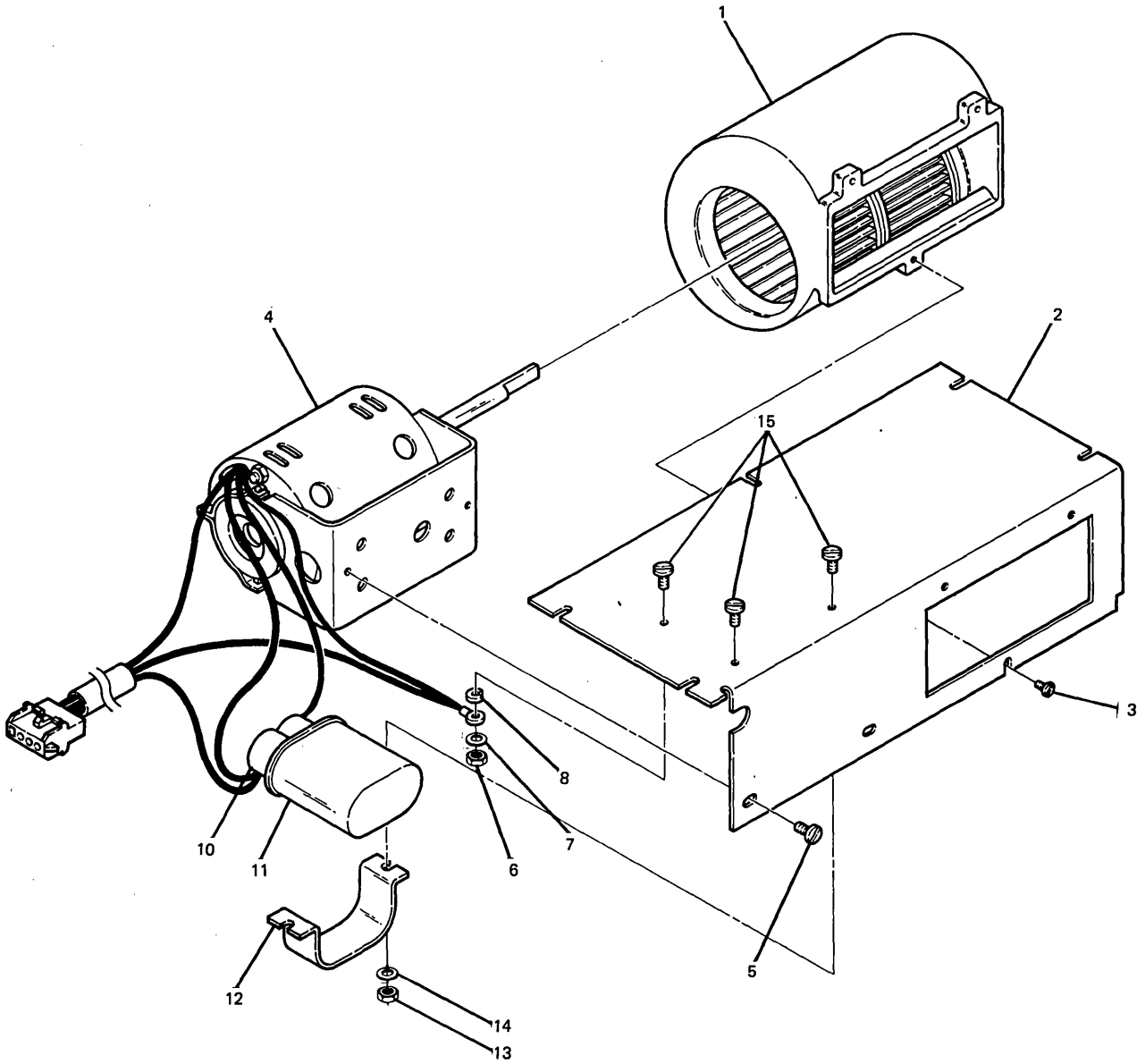


FIGURE 10. BLOWER ASM. SEE LIST 10.

4955 MODEL F

FIGURE- INDEX NUMBER	PART NUMBER	UNITS PER ASM.	DESCRIPTION			
			1	2	3	4
10 -	6838650	1	BLOWER ASM,LO-VAC			
-	6838651	1	BLOWER ASM,HI-VAC			
			FOR NEXT HIGHER ASM SEE FIGURE 2-7 AND FOR ILLUSTRATION FIGURE 10			
- 1	5468306	1	• SCROLL AND WHEEL ASM			
- 2	6840318	1	• FAN PLATE			
- 3	10170	3	• SCREW,MACH BIND HD- 6-32 X 1/4 LG ATT PT			
- 4	6840350	1	• MOTOR ASM,LO VAC			
- 4	6840351	1	• MOTOR ASM,HI VAC			
- 5	32042	2	• SCREW,MACH BIND HD- 10-32 X 3/8 LG ATT PT			
- 6	257187	1	• NUT,HEX- 6-32			
- 7	257986	1	• WASHER,FLAT NO. 6- 5/16 OD X .035 THK			
- 8	56722	1	• WASHER,LOCK EXT T- 0.150 ID ATT PT			
- 10	526378	2	• COVER			
- 11	5252809	1	• CAPACITOR,LO-VAC			
- 11	5252828	1	• CAPACITOR,HI-VAC			
- 12	1145986	1	• BRACKET			
- 13	257187	2	• NUT,HEX- 6-32 ATT PT			
- 14	257986	2	• WASHER,FLAT NO. 6- 5/16 OD X .035 THK ATT PT			
- 15	322550	3	• SCREW,MACH BIND HD- 6-32 X 1/2 LG ATT PT			

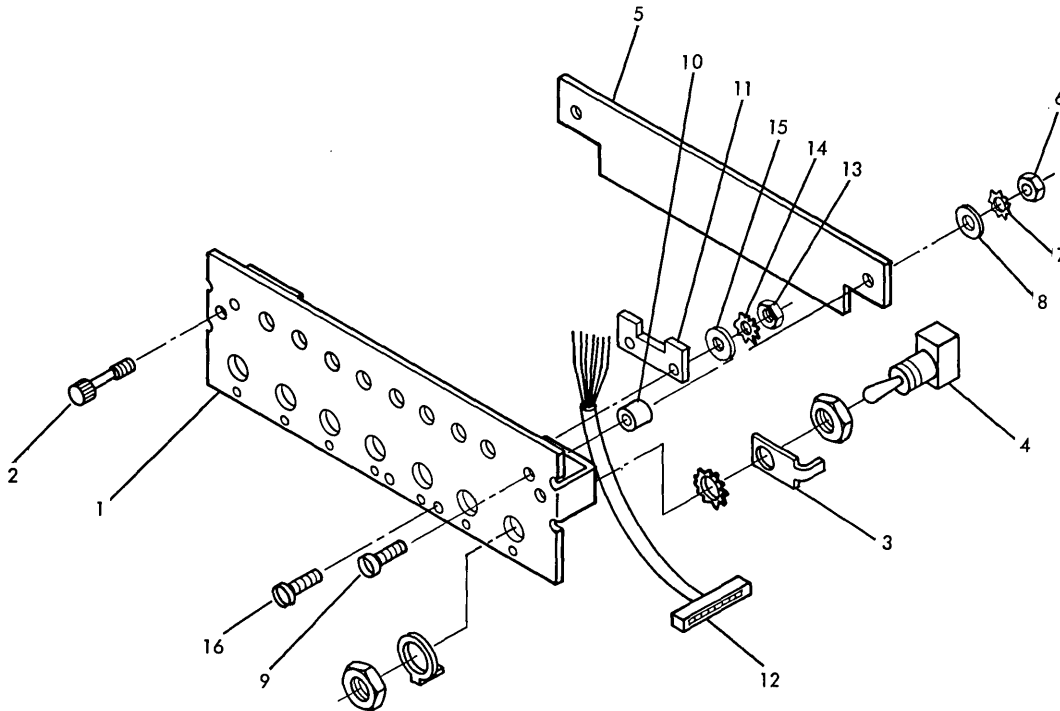


FIGURE 11. COMMUNICATIONS CONSOLE ASM. SEE LIST 11.

FIGURE- INDEX NUMBER	PART NUMBER	UNITS PER ASM.	DESCRIPTION			
			1	2	3	4
11 -	1634580	REF	CONSOLE ASM, COMMUNICATIONS FOR NEXT HIGHER ASM SEE FIGURE 1-71 AND 2-44 AND FOR ILLUSTRATION FIGURE 11			
- 1	1637615	1	• CONSOLE			
- 2	1637786	2	• SCREW, CAPTIVE			
- 3	5762386	1	• TERMINAL			
- 4	5213731	8	• SWITCH			
- 5	1637854	1	• PANEL			
- 6	37913	2	• NUT, JAM HEX- 4-40 X .250 FL W			
- 7	150209	2	• WASHER, LOCK INT T NO. 4 X .270 OD			
- 8	257985	2	• WASHER, PLAIN .125ID X .250OD			
- 9	438551	2	• SCREW, MACH BIND HD- 4-40 X 1/2 LG			
- 10	815219	2	• SPACER			
- 11	5352958	1	• STRAIN RELIEF			
- 12	1632213	1	• CABLE ASM, INDICATOR PANEL			
- 13	37913	2	• NUT, JAM HEX- 4-40 X .250 FL W			
- 14	150209	2	• WASHER, LOCK INT T NO. 4 X .270 OD			
- 15	257985	2	• WASHER, PLAIN- .125ID X .250OD			
- 16	438551	2	• SCREW, MACH BIND HD- 4-40 X 1/2 LG			

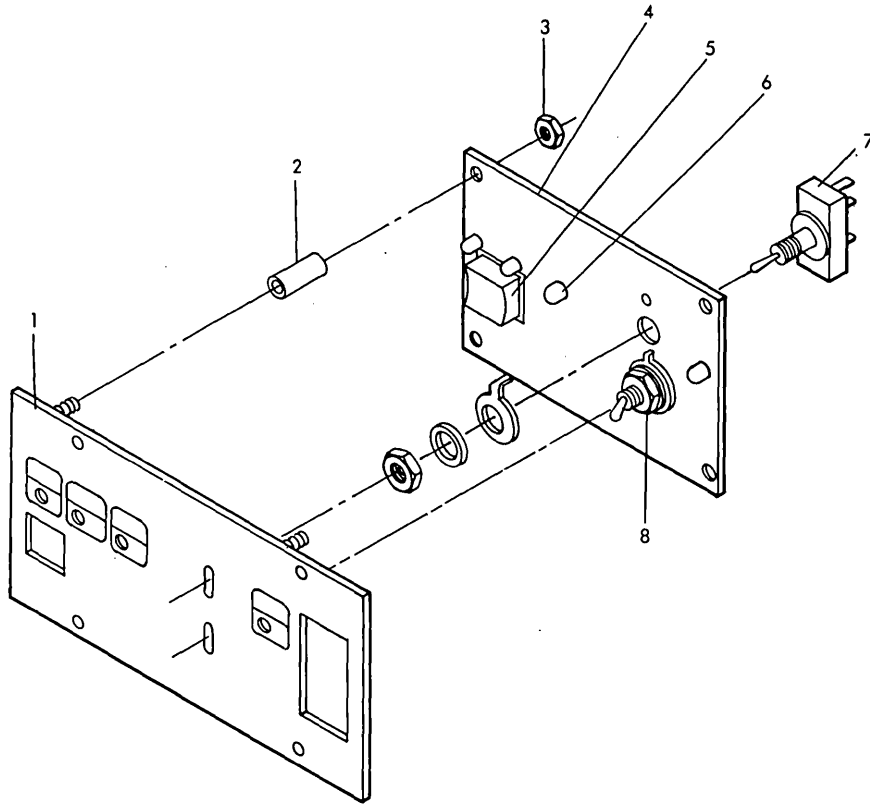


FIGURE 12. BASIC CONSOLE ASM. SEE LIST 12.

FIGURE- INDEX NUMBER	PART NUMBER	UNITS PER ASM.	DESCRIPTION			
			1	2	3	4
12 -	1632009	REF	BASIC CONSOLE ASM-ENGLISH AND JAPANESE			
-	1634822	REF	BASIC CONSOLE ASM-FRENCH			
-	1634823	REF	BASIC CONSOLE ASM-GERMAN			
-	1634824	REF	BASIC CONSOLE ASM-ITALIAN			
-	8327513	REF	BASIC CONSOLE ASM-SPANISH FOR NEXT HIGHER ASM SEE FIGURE 1-37 AND 2-64 AND FOR ILLUSTRATION FIGURE 12			
- 1	1637614	1	• PLATE, MOUNTING-ENGLISH			
- 1	1634702	1	• PLATE, MOUNTING-FRENCH			
- 1	1634703	1	• PLATE, MOUNTING-GERMAN			
- 1	1634704	1	• PLATE, MOUNTING-ITALIAN			
- 1	8327506	1	• PLATE, MOUNTING-SPANISH			
- 2	815219	4	• SPACER			
- 3	257187	4	• NUT, HEX- 6-32			
- 4	6840337	1	• CARD ASM			
- 5	1637616	1	• SWITCH, PROGRAM LOAD			
- 6	2396767	4	• LED			
- 7	5213731	1	• SWITCH			
- 8	1634645	1	• SWITCH, SUB MINIATURE TOGGLE SPDT GOLD			

ATT PT

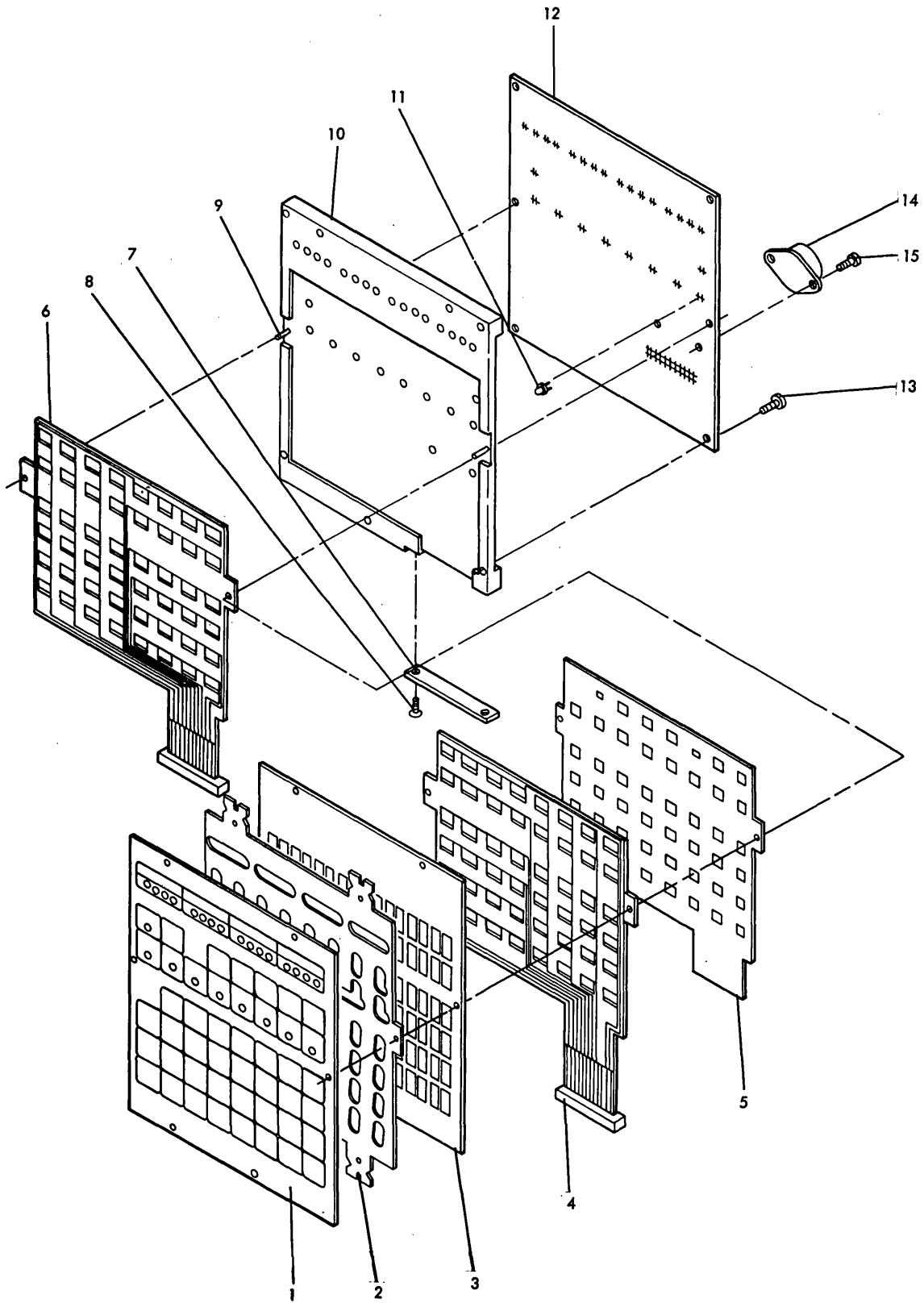


FIGURE 13. F/F CONSOLE ASM. SEE LIST 13.

4955 MODEL A, B, C, D, E AND F

FIGURE- INDEX NUMBER	PART NUMBER	UNITS PER ASM.	DESCRIPTION				
			1	2	3	4	
13 -	1637513	REF	F/F CONSOLE ASM-U.S., ENGLISH, CANADA, UK, AND JAPAN				
-	1634733	REF	F/F CONSOLE ASM-FRENCH				
-	1634734	REF	F/F CONSOLE ASM-GERMAN				
-	1634735	REF	F/F CONSOLE ASM-ITALIAN				
-	8327504	REF	F/F CONSOLE ASM-SPANISH FOR NEXT HIGHER ASM SEE FIGURE 1-40 AND 2-59 AND FCR ILLUSTRATION FIGURE 13				
- 1	1637502	1	• CONSOLE OVERLAY ASM-U.S., CANADA, UK, AND JAPAN				
- 1	1634825	1	• CONSOLE OVERLAY ASM-FRENCH				
- 1	1634826	1	• CONSOLE OVERLAY ASM-GERMAN				
- 1	1634827	1	• CONSOLE OVERLAY ASM-ITALIAN				
- 1	8327505	1	• CONSOLE OVERLAY ASM-SPANISH				
- 2	6838636	1	• SHIELD				
- 3	1637503	1	• UNDERLAY, F/F CONSOLE				
- 4	1637940	1	• EDS DIAPHRAGM ASM				
- 5	1637506	1	• SEPARATOR				
- 6	1637941	1	• EDS SUBSTRATE ASM				
- 7	1637828	1	• STRAIN RELIEF				
- 8	472729	2	• SCREW, MACH FL HD- 4-40 X .375LG				ATT PT
- 9	323915	2	• PIN, ROLL				
- 10	1637510	1	• SUPPORT				
- 11	4412972	26	• LED				
- 12	1634881	1	• CARD ASM				
- 13	438550	4	• SCREW, MACH BIND HD- 4-40 X 1/2LG				ATT PT
- 14	8326724	1	• BUZZER ASM				
- 15	438551	2	• SCREW, MACH BIND HD- 4-40 X 1/2 LG				ATT PT

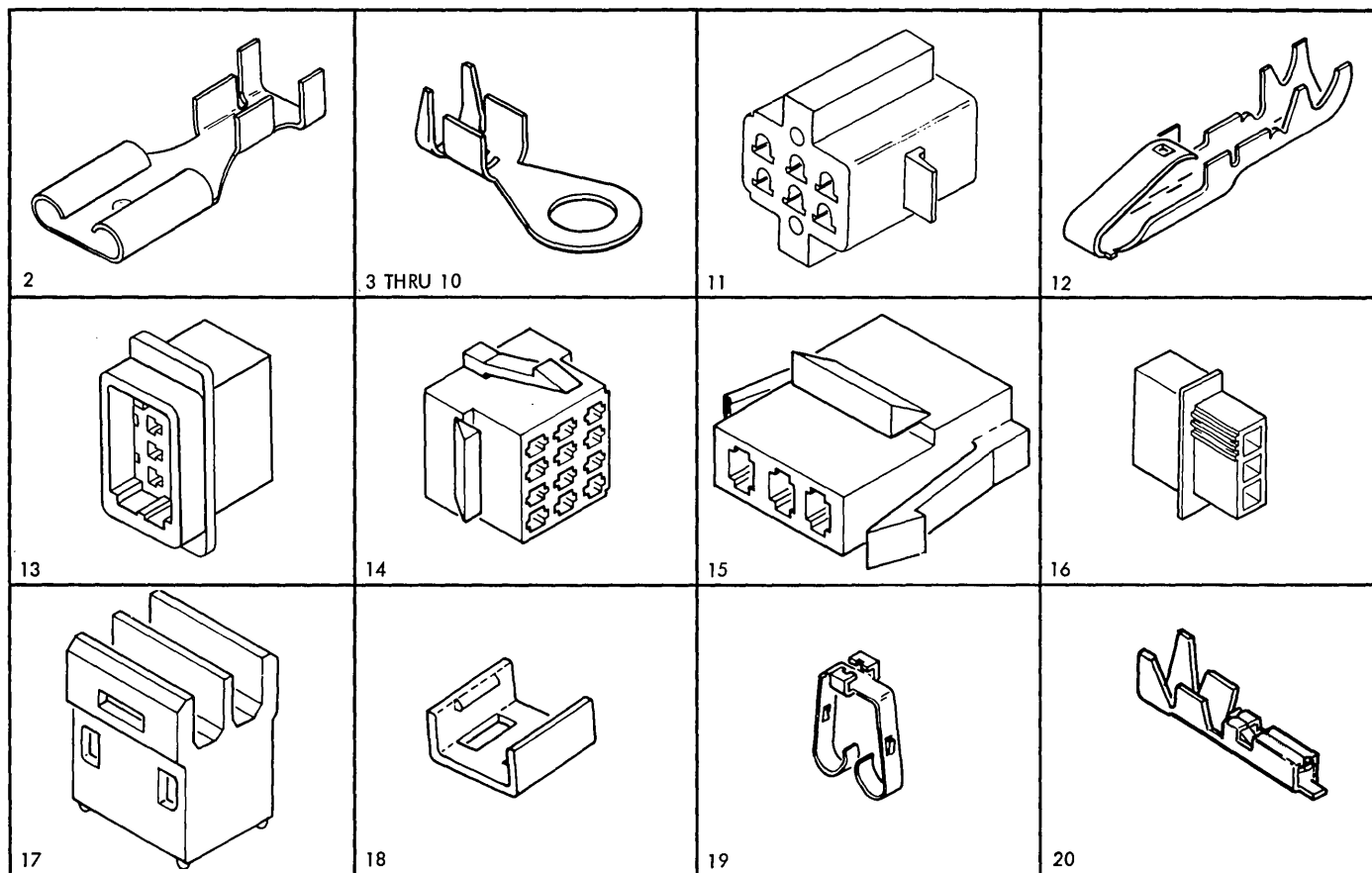


FIGURE 14. CABLE ASSEMBLIES WITH COMPONENT PARTS. SHEET 1 OF 3. SEE LIST 14.

FIGURE- INDEX NUMBER	PART NUMBER	UNITS PER ASM.	DESCRIPTION			
			1	2	3	4
14 - 2	430798	AR	• TERMINAL,SLIP ON 20-18 AWG			
- 3	483676	AR	• TERMINAL,RING NO. 6 STUD 22-26AWG			
- 4	483677	AR	• TERMINAL,RING NO. 6 STUD 18-20AWG			
- 5	483678	AR	• TERMINAL,RING NO. 6 STUD 14-16AWG			
- 6	483682	AR	• TERMINAL,RING NO. 8 STUD 14-16AWG			
- 7	483685	AR	• TERMINAL,RING NO. 10 STUD 18-20AWG			
- 8	483686	AR	• TERMINAL,RING NO. 10 STUD 14-16AWG			
- 9	483687	AR	• TERMINAL,RING NO. 10 STUD- 10-12 AWG			
- 10	483690	AR	• TERMINAL,RING 1/4 STUD 10-12 AWG			
- 11	609686	AR	• CONNECTOR,6 POS			
- 12	609687	AR	• CONTACT			
- 13	609691	AR	• CONNECTOR			
- 14	652663	AR	• HOUSING,RECEPTACLE 12 POSITION			
- 15	725557	AR	• CONNECTOR,PLUG 3 CIRCUIT			
- 16	725558	AR	• CAP,CONNECTOR 3 CIRCUIT			
- 17	813801	AR	• HOUSING,VCLTAGE CROSSOVER			
- 18	813802	AR	• COVER,VOLTAGE CROSSOVER			
- 19	813681	AR	• CONTACT,MINIATURE BUS			
- 20	815934	AR	• CONNECTOR,DISCRETE WIRE 22-36AWG			

FIGURE- INDEX NUMBER	PART NUMBER	UNITS PER ASM.	DESCRIPTION			
			1	2	3	4
14 -	NO NO.	REF	CABLE ASSEMBLIES WITH COMPONENT PARTS FOR ILLUSTRATION SEE FIGURE 14			
- 1	1632010		CABLE, INPUT			
- 1	1632065		CABLE ASM, S2 TO P1			
- 1	1632066		CABLE ASM, S5 TO P2			
- 1	1632067		CABLE ASM, S3 TO P4			
- 1	1632068		CABLE ASM, PWR SUPPLY-SIGNAL FOR COMPONENT PARTS SEE INDEX NOS. 12, 16,22,34,36			
- 1	1632196		CABLE ASM, 5V DISTRIBUTION TO CONSOLE FOR COMPONENT PARTS SEE INDEX NOS. 12, 16,17,18,19			
- 1	1632198		POWER CABLE, SHIELDED-U.S., CANADA & JAPAN			
- 1	6844363		CABLE ASM, FILTER TO SWITCH FOR COMPONENT PARTS SEE INDEX NOS. 5,6			
- 1	1632204		CABLE ASM, SLT FLAT, INPUT			
- 1	1632213		CABLE ASM, INDICATOR PANEL FOR COMPONENT PARTS SEE INDEX NOS. 27, 32,33			
- 1	1632215		CABLE ASM, FILTER TO SWITCH FOR COMPONENT PARTS SEE INDEX NOS. 5,9			
- 1	1632767		CABLE ASM, SLT FLAT, INPUT			
- 1	1632768		CABLE ASM, PLUS 5V DISTRIBUTION-I/O EXP FOR COMPONENT PARTS SEE INDEX NOS. 12, 16,28			
- 1	1632771		CABLE ASM, SLT FLAT, INPUT CHAN- 1.0 METER			
- 1	1632774		CABLE ASM			
- 1	1632776		LINE CORD, 110V U.S. AND CANADA FOR COMPONENT PARTS SEE INDEX NO. 6			
- 1	1632777		LINE CORD, 220V U.S. AND CANADA FOR COMPONENT PARTS SEE INDEX NO. 6			
- 1	1632780		CABLE ASM, FAN-HALF PAK FOR COMPONENT PARTS SEE INDEX NOS. 11, 13,25,26			
- 1	1632921		CABLE ASM, FULL FAN PAL 3X FOR COMPONENT PARTS SEE INDEX NOS. 11, 12,13,25,26			
- 1	1633094		CABLE ASM, THERMAL FOR COMPONENT PARTS SEE INDEX NOS. 13, 25,26			
- 1	1633501		CABLE ASM, PLUS 5V FOR COMPONENT PARTS SEE INDEX NO. 29			
- 1	1633502		CABLE ASM, PLUS 5V FOR COMPONENT PARTS SEE INDEX NO. 29			
- 1	1633503		CABLE ASM, PLUS 12V AND MINUS 5V FOR COMPONENT PARTS SEE INDEX NO. 30			
- 1	1633504		CABLE ASM, POWER SUPPLY TO SIGNAL FOR COMPONENT PARTS SEE INDEX NOS. 22, 34,36			
- 1	1637751		FILTER ASM- 110V FOR COMPONENT PARTS SEE INDEX NO. 2			

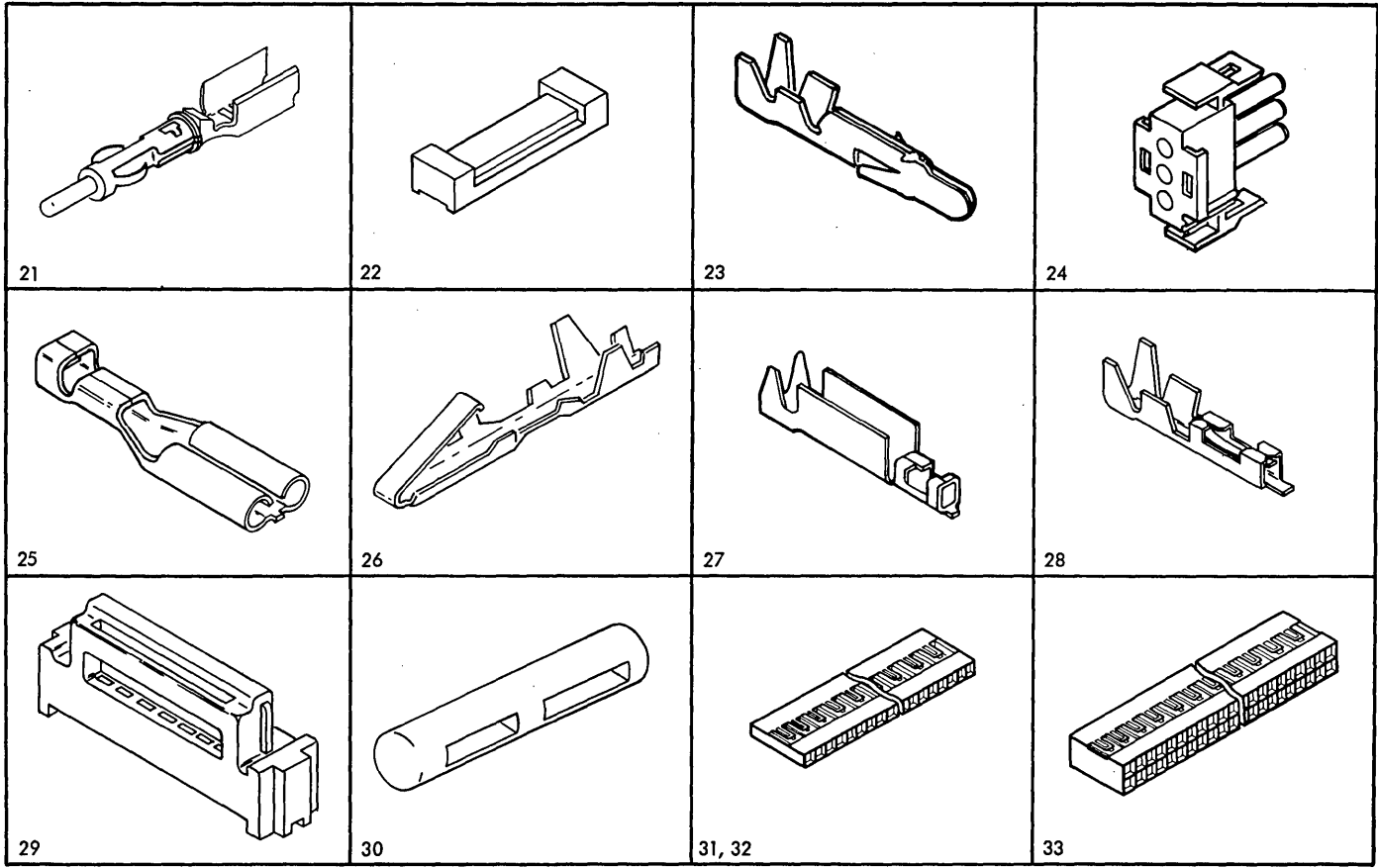


FIGURE 14. CABLE ASSEMBLIES WITH COMPONENT PARTS. SHEET 2 OF 3. SEE LIST 14.

FIGURE- INDEX NUMBER	PART NUMBER	UNITS PER ASM.	DESCRIPTION				
			1	2	3	4	
14 - 21	1550524	AR	•	PIN, CONTACT			
- 22	1632250	AR	•	STRAIN RELIEF			
- 23	1661131	AR	•	TERMINAL, FIN			
- 24	1847526	AR	•	PLUG, 3 CIRCUIT			
- 25	2123393	AR	•	TERMINAL, QUICK DISCONNECT- 16/20AWG			
- 26	2145170	AR	•	TERMINAL, QUICK DISCONNECT- 16/18AWG			
- 27	2637682	AR	•	PIN, CONTACT 22-26 AWG			
- 28	2637690	AR	•	CONNECTOR, DISCRETE			
- 29	2730651	AR	•	HOUSING, DCUBLE CONNECTOR			
- 30	2730654	AR	•	CONNECTOR, BULK			
- 31	2731837	AR	•	HOUSING, 1 X 8-LEFT POLARIZED			
- 32	2731838	AR	•	HOUSING, 1 X 12-LEFT POLARIZED			
- 33	2731845	AR	•	HOUSING, 2 X 12-POLARIZED			

FIGURE- INDEX NUMBER	PART NUMBER	UNITS PER ASM.	DESCRIPTION			
			1	2	3	4
14 - 1	1637819		CABLE	ASM	FOR COMPONENT PARTS SEE INDEX NOS. 5,8, 9,21	
- 1	1637843		CABLE	ASM,PRIME POWER	FOR COMPONENT PARTS SEE INDEX NOS. 3,4, 5,7,12,27,31	
- 1	1637844		CABLE	ASM, CAPS TO CONN	FOR CCMPONENT PARTS SEE INDEX NOS. 6,8, 21,35	
- 1	1637857		JUMPER	ASM	FOR COMPONENT PARTS SEE INDEX NO. 6	
- 1	1637894		CABLE	ASM	FOR CCMPONENT PARTS SEE INDEX NOS. 2,4, 5,7,8,11,12,14,15,21,27,32,35	
- 1	1637944		JUMPER	ASM	FOR COMPONENT PARTS SEE INDEX NOS. 9,10	
- 1	4410154		LINE	CORD,100/200V WTC	FORCOMPONENT PARTS SEE INDEX NO. 6	
- 1	4410159		LINE	CORD,100/200V JAPAN	FOR CCMPONENT PARTS SEE INDEX NO. 6	
- 1	4410240		CABLE	ASM,SLT FLAT INPUT		
- 1	4410243		CABLE	ASM +5 TO CONSOLE	FCR CCMPONENT PARTS SEE INDEX NOS. 12, 16,17,18,19	
- 1	6844362		CABLE	ASM,INTERNAL POWER		
- 1	4414855		CABLE	ASM,FILTER TO SWITCH	FOR CCMPONENT PARTS SEE INDEX NOS. 5,6	
- 1	5759663		JUMPER			
- 1	6825498		CABLE	ASM	FOR COMPONENT PARTS SEE INDEX NOS. 20, 23,24	
- 1	8326873		CABLE	ASM,FILTER TO SWITCH		
- 1	8327163		JUMPER	ASM	FOR CCMPONENT PARTS SEE INDEX NOS. 5,8	
- 1	6840330		CABLE	ASM		
- 1	1632923		CABLE	ASM,SLT FLAT,INPUT CHAN- 1.8 METER		

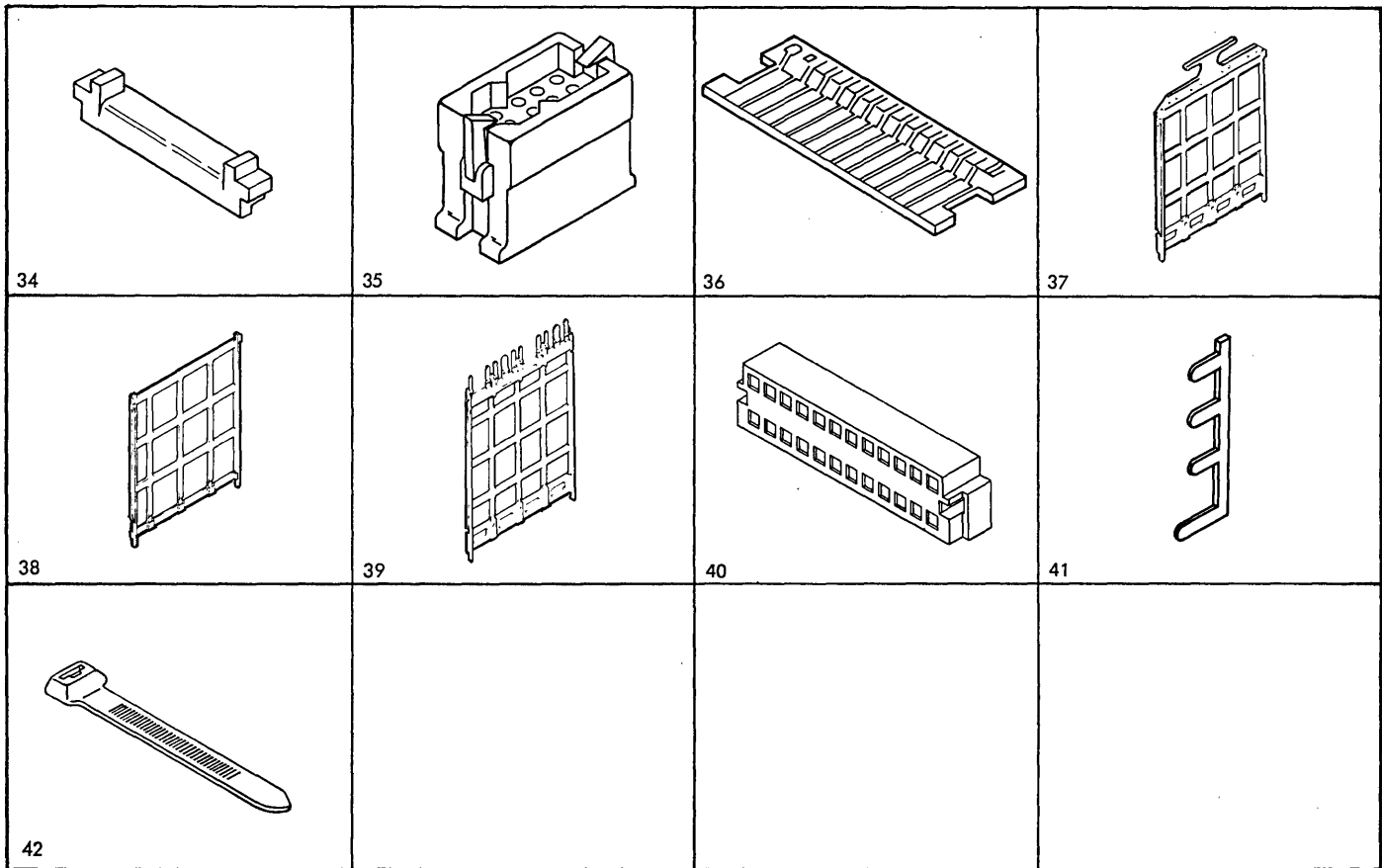


FIGURE 14. CABLE ASSEMBLIES WITH COMPONENT PARTS. SHEET 3 OF 3. SEE LIST 14.

FIGURE- INDEX NUMBER	PART NUMBER	UNITS PER ASM.	DESCRIPTION				
			1	2	3	4	
14 - 34	4685093	AR	•	STRAIN RELIEF			
- 35	5131382	AR	•	CONNECTOR, PLUG- 12 PIN			
- 36	5800700	AR	•	CIRCUIT CARD			
- 37	4855136	AR	•	STIFFENER, CARD			
- 38	8240001	AR	•	STIFFENER, CARD			
- 39	2732321	AR	•	STIFFENER, CARD			
- 40	817329	AR	•	HOUSING, CONNECTOR 24 CONTACT			
- 41	6841088	AR	•	GUIDE, MODEL F			
- 42	6030973	AR	•	STRAP, TIE			

NUMERICAL INDEX

PART NO.	LIST AND INDEX NO.	PART NO.	LIST AND INDEX NO.	PART NO.	LIST AND INDEX NO.	PART NO.	LIST AND INDEX NO.
2903	6 - 33	81693-CONT	6 - 98	430798	14 - 2	1621811	2 - 21
5528	6 - 76		6 - 105	436972	6 - 74	1621844	8 - 4
	7 - 26		9 - 14	438548	1 - 53	1622318	2 - 20
	7 - 45	124943	8 - 15		1 - 60	1622344	8 - 4A
9092	6 - 108	138747	7 - 38		1 - 62	1631002	1 - 75
10170	1 - 2	150209	11 - 7		2 - 47	1631005	1 - 3
	1 - 5		11 - 14		2 - 73		1 - 74
	1 - 10	160017	6 - 71		4 - 4		2 - 37
	1 - 25	220839	1 - 30		5 - 4	1631007	1 - 1
	1 - 45		2 - 49		7 - 5		2 - 35
	2 - 26	221790	1 - 7		8 - 19	1631010	1 - 9
	2 - 29		1 - 32	438550	13 - 13	1631013	1 - 61
	2 - 36		1 - 72	438551	11 - 9		2 - 72
	2 - 58		2 - 3		11 - 16	1631120	1 - 12
	4 - 2		2 - 13		13 - 15	1631122	1 - 12
	5 - 2		2 - 71	438583	6 - 31	1632009	1 - 37
	6 - 11		6 - 78	450827	2 - 9		2 - 64
	6 - 21	236550	1 - 41	472639	6 - 36		12 - REF
	6 - 44		2 - 60		6 - 84	1632010	1 - 42
	6 - 61	236849	1 - 64	472729	13 - 8		2 - 61
	6 - 80		3 - 2	473442	1 - 51		14 - 1
	6 - 92		6 - 45	483676	14 - 3	1632011	2 - 62
	7 - 3		7 - 30	483677	14 - 4	1632065	1 - 54
	7 - 14		7 - 47	483678	14 - 5		14 - 1
	9 - 10	251970	1 - 21	483682	14 - 6	1632066	1 - 55
	10 - 3		1 - 27	483685	14 - 7		14 - 1
11598	6 - 88		1 - 38	483686	14 - 8	1632067	1 - 57
	6 - 107		1 - 68	483687	14 - 9		14 - 1
28413	8 - 8A		1 - 79	483690	14 - 10	1632068	1 - 56
32042	1 - 16		1 - 81	510468	6 - 34		14 - 1
	10 - 5		2 - 33	511063	6 - 19	1632150	1 - 24
34512	6 - 49		2 - 39	515661	3 - 9		2 - 30
	6 - 54		2 - 43	522849	6 - 41	1632196	14 - 1
35739	6 - 42		2 - 65	522850	6 - 39	1632198	4 - 13
37913	1 - 22		6 - 103	526378	10 - 10		14 - 1
	2 - 32	257187	10 - 6	533289	6 - 57	1632199	1 - 50
	4 - 6		10 - 13	607331	6 - 75		4 - 10
	5 - 6		12 - 3	609686	6 - 29	1632204	14 - 1
	11 - 6	257189	1 - 48		14 - 11	1632213	11 - 12
	11 - 13		2 - 51	609687	9 - 7		14 - 1
38051	3 - 6		3 - 14		14 - 12	1632215	14 - 1
38235	1 - 19		6 - 50	609691	9 - 6	1632250	14 - 22
	6 - 14		6 - 55		14 - 13	1632634	1 - 70
55726	1 - 35		7 - 28	652663	14 - 14		2 - 5
	2 - 68	257985	11 - 8	725557	7 - 17	1632719	1 - 23
	6 - 5		11 - 15		14 - 15	1632721	1 - 29
	6 - 7	257986	10 - 7	725558	14 - 16		2 - 48
	7 - 24		10 - 14	801402	8 - 20	1632730	9 - 3
	8 - 14	265059	1 - 49	811417	1 - 13	1632767	14 - 1
55901	1 - 33		6 - 52		2 - 18	1632768	14 - 1
	1 - 73	311699	9 - 4	813179	1 - 14	1632771	14 - 1
	2 - 2	313453	1 - 20		2 - 16	1632774	14 - 1
	2 - 69		2 - 31	813681	14 - 19	1632776	3 - 8
	6 - 32		7 - 4	813801	14 - 17		14 - 1
	6 - 51		8 - 18	813802	14 - 18	1632777	3 - 8
	6 - 56	316996	6 - 113	815219	11 - 10		14 - 1
	7 - 16	321603	6 - 35		12 - 2	1632780	14 - 1
	7 - 27	322550	9 - 2	815934	14 - 20	1632921	9 - 8
56079	1 - 17		10 - 15	817329	8 - 2		14 - 1
	2 - 24	322551	6 - 66		14 - 40	1632923	14 - 1
	3 - 3		7 - 35	845762	8 - 17	1633094	14 - 1
	6 - 89		7 - 40	1077722	2 - 41A	1633501	14 - 1
	6 - 108	323845	7 - 43	1090873	3 - 13	1633502	14 - 1
56722	3 - 7	323915	13 - 9	1143227	6 - 38	1633503	14 - 1
	5 - 8	332620	2 - 19A	1145986	10 - 12	1633504	14 - 1
	6 - 12	337549	6 - 73	1550524	14 - 21	1634511	6 - 1
	6 - 22	338169	4 - 7	1582627	6 - 64	1634570	6 - 101
	10 - 8		5 - 7		7 - 39	1634580	1 - 71
58207	7 - 15		6 - 28		8 - 7		2 - 44
	7 - 32		7 - 22	1582810	6 - 70		11 - REF
	7 - 42	356742	7 - 31	1589008	8 - 1	1634599	1 - 36
76574	6 - 72	358542	7 - 34	1608101	3 - 5		2 - 67
81693	6 - 58	362206	6 - 63	1621190	8 - 10	1634645	12 - 8
	6 - 68		7 - 37		8 - 12	1634658	6 - 15

PART NO.	LIST AND INDEX NO.	PART NO.	LIST AND INDEX NO.	PART NO.	LIST AND INDEX NO.	PART NO.	LIST AND INDEX NO.
1634668	4 - 5	1637683	3 - 1	2596291-CONT	6 - 46	5252828	10 - 11
	5 - 5	1637685	1 - 6	2611165	6 -110	5257518	7 - 7A
1634702	12 - 1		2 - 12A	2637682	14 - 27	5319854	9 - 17
1634703	12 - 1	1637692	6 - 67	2637690	14 - 28	5350006	2 - 8
1634704	12 - 1	1637693	6 - 10	2704107	4 - 12		2 - 11
1634733	1 - 40	1637695	6 - 77	2704109	6 - 27		2 - 15
	2 - 59		7 - 41		7 - 21		2 - 34
	13 - REF	1637696	6 - 53	2704110	4 - 11	5352958	11 - 11
1634734	1 - 40	1637697	6 - 62	2730651	14 - 29	5428337	9 - 11
	2 - 59		7 - 36	2730654	14 - 30	5468306	10 - 1
	13 - REF	1637698	6 - 65	2731837	6 - 40	5508655	7 - 23
1634735	1 - 40	1637699	6 - 94		14 - 31	5564427	6 -102
	2 - 59	1637712	4 - 8	2731838	14 - 32	5759176	8 - 8
	13 - REF	1637719	1 - 8	2731845	14 - 33	5759663	14 - 1
1634786	1 - 26		2 - 12	2732321	14 - 39	5762386	11 - 3
	2 - 42	1637720	1 - 52	4406541	6 - 25	5800700	14 - 36
1634822	1 - 37	1637751	14 - 1		7 - 20	5802289	2 - 63
	2 - 64	1637783	9 - 5	4410154	3 - 8	5892077	6 - 3
	12 - REF	1637786	11 - 2		14 - 1	6023339	8 - 88
1634823	1 - 37	1637790	9 - 13	4410159	3 - 8	6030966	8 - 9
	2 - 64	1637816	6 - 60		14 - 1	6030973	14 - 42
	12 - REF	1637819	6 - 83	4410240	14 - 1	6031014	8 - 6
1634824	1 - 37		14 - 1	4410243	2 - 53	6042356	2 - 45
	2 - 64	1637821	6 - 91		14 - 1		5 - 13
	12 - REF	1637828	13 - 7	4410715	1 - 58	6042361	2 - 45
1634825	13 - 1	1637837	6 - 20	4410719	6 - 79		5 - 13
1634826	13 - 1	1637838	6 - 23	4410720	6 - 81	6042366	2 - 45
1634827	13 - 1	1637839	6 - 9	4410721	6 - 86		5 - 13
1634843	1 - 28		6 - 59		6 -111	6042371	2 - 45
	2 - 50	1637843	14 - 1	4410752	6 - 85		5 - 13
1634881	13 - 12	1637844	6 -114		6 -109	6042376	2 - 45
1634906	6 -104		14 - 1		6 -112		5 - 13
1634926	1 - 67	1637854	11 - 5	4411057	6 - 97	6825498	14 - 1
	2 - 38	1637857	1 - 31	4411313	1 - 78	6825891	4 - 9
1634927	1 - 69		2 - 70	4411489	1 - 82	6826845	7 - 33
	2 - 40		14 - 1		4 - 1	6826847	1 - 11
1634928	1 - 59	1637894	14 - 1	4411490	1 - 82	6827114	7 - 6
	2 - 46	1637903	6 - 47		4 - 1	6827117	6 - 8
1634932	9 - 1	1637940	13 - 4	4411491	1 - 82	6830965	8 - 11
1634933	9 - REF	1637941	13 - 6		4 - 1	6837312	1 - 76
1634934	6 - 43	1637944	14 - 1	4411494	5 - 10	6837313	9 - 11
1634983	2 - 6	1637972	7 - 10	4412932	6 - 17	6837326	1 - 43
	9 - 15		8 - 16	4412933	6 - 16	6837344	6 - 93
1634989	4 - 5	1637977	1 - 66	4412938	6 - 24	6838636	13 - 2
	5 - 5		2 - 4	4412972	13 - 11	6838650	2 - 7
1634990	4 - 5	1661131	14 - 23	4412998	6 - 13		10 - REF
	5 - 5	1842438	6 - 96	4413322	1 - 12	6838651	2 - 7
1634994	1 - 18	1847525	7 - 18	4413324	1 - 12		10 - REF
1637502	13 - 1	1847526	14 - 24	4413626	7 - 29	6839259	7 - 7
1637503	13 - 3	1847529	7 - 19	4413630	1 - 63	6840318	10 - 2
1637506	13 - 5	2100264	3 - 10		7 - REF	6840320	2 - 1
1637510	13 - 10	2101400	7 - 44	4413631	7 - 49	6840321	2 - 14
1637513	1 - 40	2102364	1 - 80	4413632	7 - 13	6840330	2 - 41
	2 - 59	2102365	9 - 9	4413633	7 - 48		14 - 1
	13 - REF	2123393	14 - 25	4413637	7 - 2	6840337	12 - 4
1637515	1 - 34	2145170	14 - 26	4413640	7 - 46	6840347	2 - 10
	2 - 57	2172166	9 - 16	4413792	1 - 12	6840350	10 - 4
1637516	4 - 3	2181004	2 - 23	4414602	7 - 8	6840351	10 - 4
	5 - 3	2283000	6 - 37	4414603	7 - 9	6841088	14 - 41
1637517	3 - 11	2392055	6 - 30	4414604	7 - 12	6841094	8 - 3
1637533	1 - 39	2396682	6 -100	4414854	4 - 13	6841100	8 - 5
	2 - 66	2396767	12 - 6	4414855	4 - 10	6841107	2 - 27
1637614	12 - 1	2396783	6 - 95		14 - 1	6844100	2 - 19
1637615	11 - 1	2396801	6 -106	4447204	3 - 12		8 - REF
1637616	12 - 5	2396803	6 - 82	4468171	2 - 17	6844109	8 - 13
1637621	1 - 63	2456419	1 - 46	4498734	2 - 25	6844361	5 - 9
	6 - REF		2 - 55	4685093	14 - 34	6844362	5 - 12
1637622	6 - 6	2456425	1 - 47	4855136	14 - 37		14 - 1
1637623	6 - 4		2 - 54	5131382	14 - 35	6844363	5 - 11
1637630	6 - 69	2588053	1 - 77	5213276	2 - 52		14 - 1
1637632	6 - 18		9 - 12	5213731	11 - 4	6844365	2 - 28
1637650	6 - 90	2590821	6 - 99		12 - 7		5 - 1
1637651	1 - 44	2596275	2 - 41B	5213736	6 - 26	6844366	2 - 28
	2 - 56	2596291	2 - 41C	5252809	10 - 11		5 - 1

PART NO.	LIST AND INDEX NO.	PART NO.	LIST AND INDEX NO.	PART NO.	LIST AND INDEX NO.	PART NO.	LIST AND INDEX NO.
6844367	2 - 28	8327631	1 - 57				
	5 - 1	8327632	1 - 56				
6844398	2 - 1	8333807	6 - 106				
6844400	2 - 1	8333816	1 - 4				
6844403	3 - 8		9 - REF				
7362385	8 - 2A	8333817	9 - 8				
8240001	14 - 38						
8326724	13 - 14						
8326730	1 - 82						
	4 - 1						
8326785	7 - 25						
8326787	7 - 11						
8326813	6 - 87						
	6 - 110						
8326873	14 - 1						
8327163	14 - 1						
8327504	1 - 40						
	2 - 59						
	13 - REF						
8327505	13 - 1						
8327506	12 - 1						
8327513	1 - 37						
	2 - 64						
	12 - REF						
8327540	1 - 65						
	2 - 45						
	3 - 4						
	4 - 14						
	5 - 13						
	6 - 2						
	7 - 1						
8327576	9 - 1						
8327578	1 - 65						
	2 - 45						
	3 - 4						
	4 - 14						
	5 - 13						
	6 - 2						
	7 - 1						
8327583	1 - 65						
	2 - 45						
	3 - 4						
	4 - 14						
	5 - 13						
	6 - 2						
	7 - 1						
8327588	1 - 65						
	4 - 14						
	5 - 13						
	6 - 2						
	7 - 1						
8327593	1 - 65						
	2 - 45						
	3 - 4						
	4 - 14						
	5 - 13						
	6 - 2						
	7 - 1						
8327598	1 - 65						
	2 - 45						
	3 - 4						
	4 - 14						
	5 - 13						
	6 - 2						
	7 - 1						
8327603	1 - 65						
	2 - 45						
	3 - 4						
	4 - 14						
	5 - 13						
	6 - 2						
	7 - 1						
8327629	1 - 54						
8327630	1 - 55						

THIS PAGE INTENTIONALLY LEFT BLANK

READER'S COMMENT FORM

S134-0051-2

IBM Series/1 4955 Processor Parts Catalog

Your comments assist us in improving the usefulness of our publications; they are an important part of the input used in preparing updates to the publications. IBM may use and distribute any of the information you supply in any way it believes appropriate without incurring any obligation whatever. You may, of course, continue to use the information you supply.

Please do not use this form for technical questions about the system or for requests for additional publications; this only delays the response. Instead, direct your inquiries or requests to your IBM representative or the IBM branch office serving your locality.

Corrections or clarifications needed:

Page	Comment
------	---------

Cut or Fold Along Line

Please indicate your name and address in the space below if you wish a reply.

Thank you for your cooperation. No postage stamp necessary if mailed in the U.S.A.
(Elsewhere, an IBM office or representative will be happy to forward your comments.)

Reader's Comment Form

Cut Along Line

Fold and tape

Please Do Not Staple

Fold and tape



NO POSTAGE
NECESSARY
IF MAILED
IN THE
UNITED STATES

BUSINESS REPLY MAIL
FIRST CLASS PERMIT NO. 40 ARMONK, NEW YORK
POSTAGE WILL BE PAID BY ADDRESSEE



IBM Corporation
Information Development, Dept 27T
P.O. Box 1328
Boca Raton, Florida 33432

Fold and tape

Please Do Not Staple

Fold and tape



