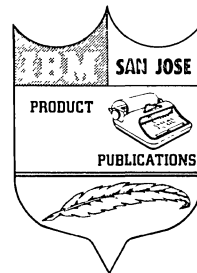


1810 Disk Storage Models A1, A2, and A3



We are pleased to send you this complimentary copy of a newly printed publication. Additional copies are available from the Distribution Center, Mechanicsburg.

*G.W. Goesch, Manager
Department G24*

Author: L.E. Corum

123-0486-2

1810 Disk Storage Models A1, A2, and A3

123-0486-2

PREFACE

This Parts Catalog provides information on the IBM 1810 Disk Storage, Models A1, A2, and A3 (formerly the IBM 2310 Disk Storage, Models A1, A2, and A3). Included are listings and illustrations of all replaceable assemblies, subassemblies, and detail parts released to Production Control on or before September 11, 1969.

Second Edition (September 1969)

This manual, Form 123-0486-2, is a major revision of and makes obsolete Form 123-0486-1.

Significant changes or additions to the specifications contained in this publication are continually being made. When using this publication in connection with the operation of IBM equipment, check the latest FE Publications Systems Sequence Listing, Form Y20-0073, for revisions or contact the local IBM Branch Office.

Copies of this and other IBM publications can be obtained through IBM Branch Offices.

A form for reader's comments is provided at the back of this publication. If the form has been removed, send your comments to the address below.

This manual was prepared by the IBM Systems Development Division, Product Publications, Department G24, San Jose, California 95114.

CONTENTS

Figure	Page	Figure	Page
HOW TO USE THIS PARTS CATALOG	ii	7. Spindle and Magnetic Chuck	18
VISUAL INDEX		8. Drive Motor	19
MASTER VISUAL INDEX	iv	9. Electronic Gate	20
I Frame and Cover Group	v	10. Blower Assembly	23
II 13 SD Group	vi	11. Actuator Assembly	24
III 13 SD Assembly	vii	12. Control Panel	27
IV 13 SD Assembly	viii	GATE AND POWER GROUP	
V Gate and Power Group	ix	13. Gate and Power Group (2 sheets)	28
VI Gate and Blower Assembly	x	14. Gate Assembly	33
VII Power Sequence	xi	15. Cooling Unit	36
VIII Power Supplies	xii	16. Power Sequence	38
FRAME AND COVER GROUP		POWER SUPPLIES	
1. Frame and Cover Group	1	17. Power Supplies	40
2. Front Door Assembly	5	18. Blower Assembly	42
13 SD GROUP		19. Power Supply, 3V at 8A	44
3. 13 SD Group	6	20. Power Supply, 6V at 12A	46
4. 13 SD Assembly (2 sheets)	10	21. Power Supply, 3V at 12A	48
5. Interlock Assembly	14	22. Power Supply, 48V at 6A	50
6. AC Box Assembly	16	23. Cable Components (2 sheets)	52
		NUMERICAL INDEX	X-1

HOW TO USE THIS PARTS CATALOG

PART I

To find parts quickly, a general understanding of the structure of this catalog is necessary. The catalog is divided into three major sections:

- The Visual Index, containing overall views of the machine, with call-outs pointing to detailed figures.
- The Catalog Section, containing a pictorial breakdown of assemblies and subassemblies.
- The Numerical Index, which is a numerical list of all parts used in the machine, with cross-references to the figure on which the part is found.

VISUAL INDEX

The Visual Index, located before the Catalog Section, contains a reduced illustration of every figure in the Catalog Section. The reduced illustrations are tied together with flow arrows to form a natural progression from large assemblies to small assemblies and possibly subassemblies. In effect, a visual table of contents is formed by the Visual Index illustrations.

CATALOG SECTION

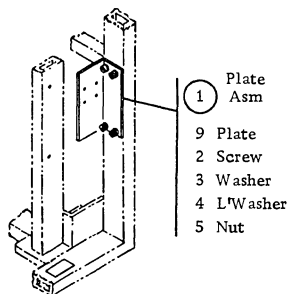
The Catalog Section contains the full-sized illustrations previously noted in the Visual Index. Index numbers on figures refer to corresponding entries in the Group Assembly Parts List accompanying each figure. Refer to part II for explanation of terms used in the Group Assembly Parts List.

NUMERICAL INDEX

The Numerical Index is located after the Catalog Section and contains a complete list, in numerical order, of all part numbers used on the machine. Listed with the part number is the index and figure number on which the part is illustrated. The numerical index makes it possible to locate a part when only the part number is known.

STACKED INDEX NUMBERS

Stacked Index numbers are used when showing a part and its attaching hardware. The sequence of a typical stack is shown at the right. The circled index number indicates the assembly is broken down within the figure.

ILLUSTRATION NOTES

Cross-reference notes are directly on the illustration. The illustration's next higher assembly reference, normally located in the upper left corner of the page will read: "For Parts Not Shown See Figure X". If an assembly is referenced to a lower level figure, the note located next to the index number will read: "See Figure X".

DOUBLE LINED DETAIL BOX

The double lined box differentiates between parts shown on the basic model and parts related to a level and/or feature difference. An explanation of the level or feature difference is given in the double lined box.

FINDING A PART

The Visual Index is the starting point for locating a part. The illustrations in the Visual Index are reduced versions of all illustrations in the Catalog Section; therefore, the illustrations can be used to find the assembly containing the desired part. Use references to the detailed figure in the Catalog Section, or to another Visual Index illustration, to determine location of part number.

Once the detailed figure in the catalog section is determined, finding the part on the figure and referring to the listing for the part number and description is all that is required in most cases. If the first catalog section figure referenced shows the assembly containing the required part, the index number for the assembly will reference a lower-level figure where the assembly is broken down to its component parts. If the figure referenced by the Visual Index contains neither the part nor an assembly containing the part, it is then necessary to go to the next higher assembly figure. This figure should then contain the part or an assembly containing the part; if not, an even higher level figure must be used. Refer back to the Visual Index for some other figure that could show the desired part.

Note: Many detailed parts are unavailable, because they are part of an inseparable assembly (two or more parts welded or bonded together), or because they are part of an assembly purchased as a unit. If parts are found on a welded or bonded assembly, the following note follows the description of the assembly: "Assembly components are not replaceable!" If the part is found on a purchased assembly, and the detail parts of this assembly do not have IBM part numbers, the note following the assembly description will read: "Assembly components are not available." In either case, you need to obtain the part number of the assembly, rather than the detailed part.

EXAMPLE FOR ORDERING PARTS

			REF
4 -	5726422	FAN ASM-P/S ENCLOSURE FOR NEXT HIGHER ASSEMBLY SEE FIGURE 1-184 FOR ILLUSTRATION SEE FIGURE 4	
- 1	334921	. TERMINAL RING- 18-22 AWG, #6 HOLE, 1/8"	2
- 2	187854	. SHIELD, TERMINAL BLOCK- 2 POS	1
- 3	210984	. SCREW, RD HD MACH-6-32 X .250 LG	ATT PT 1
- 4	5357050	. FAN ASM-NO CONNECTOR	2
- 5	32042	. SCREW, MACH BIND. HD 10-32 X .375 LG	ATT PT 1
- 6	5357066	. BLADE	1
- 7	5357067	. MOTOR 208V/230V 60CY 220V 50CY	1
- 8	130434	. SCREW, MACH-SLOTTED HEX HD 10-32 X .375 LG	ATT PT 2
- 9	56079	. WASHER, LOCK-EXT T .1951D .410 OD	ATT PT 2
- 10	5726436	. HEADER-POWER SUPPLY FAN	1

If the entire fan is required, part number 5726422 should be ordered (all one dot items will be received). If only the subassembly is required, part number 5357050 should be ordered (all two dot items will be received). Each part may be ordered individually.

HOW TO USE THIS PARTS CATALOG

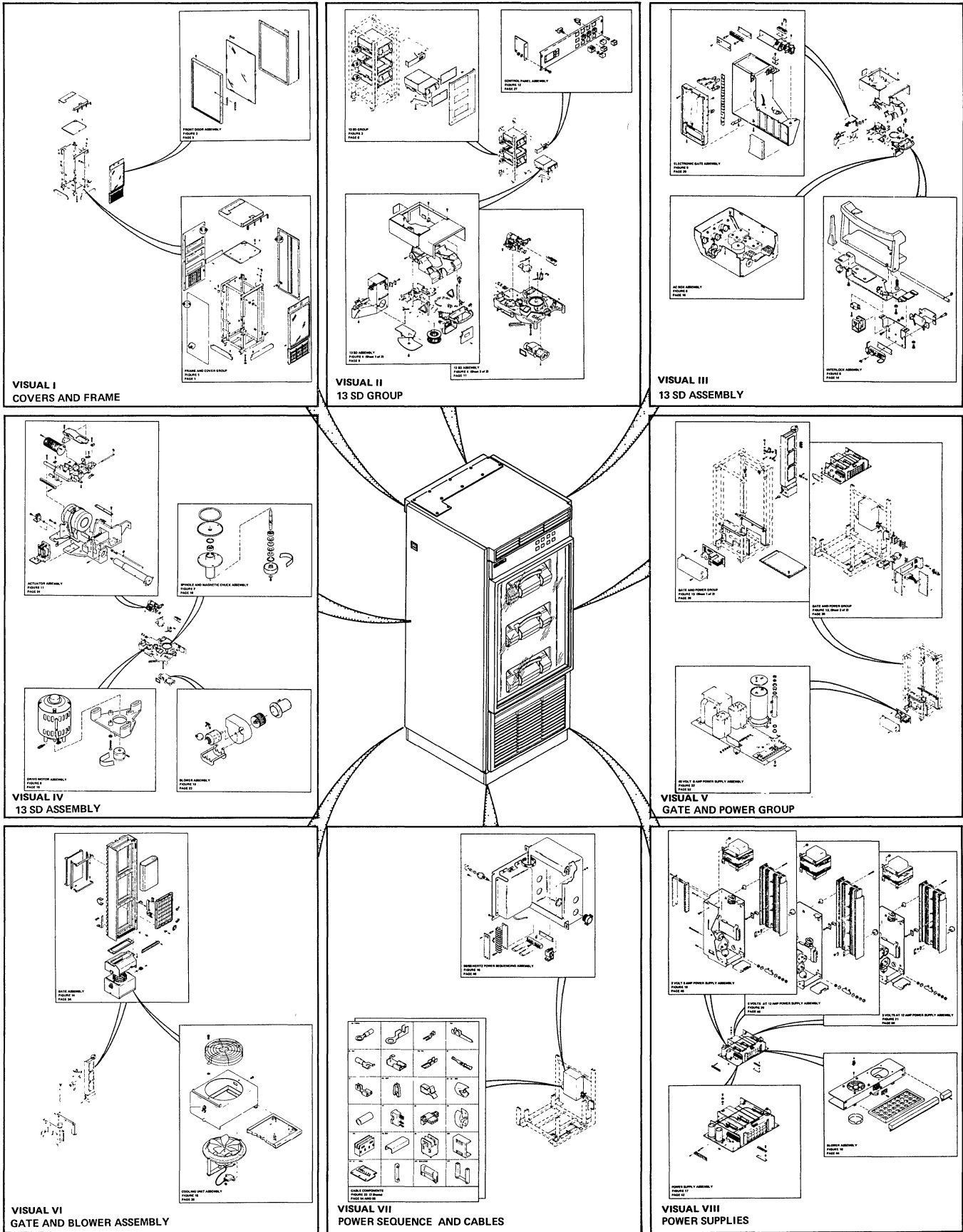
PART II

- ① AR
As Required (AR) in the units per assembly column denotes that the quantity is used as required.
- ② ATT PT
Attaching Parts: These parts are used to attach a subassembly to an assembly. The attaching parts are listed immediately following the part to be attached.
- ③ "COMM"
Commercial hardware: When this indication appears in the part number column, it denotes hardware procurable from normal commercial sources and not identified by an IBM part number.
- ④ INDENTURE
The relationship of a part to its next higher assembly is indicated by indentures. For example:

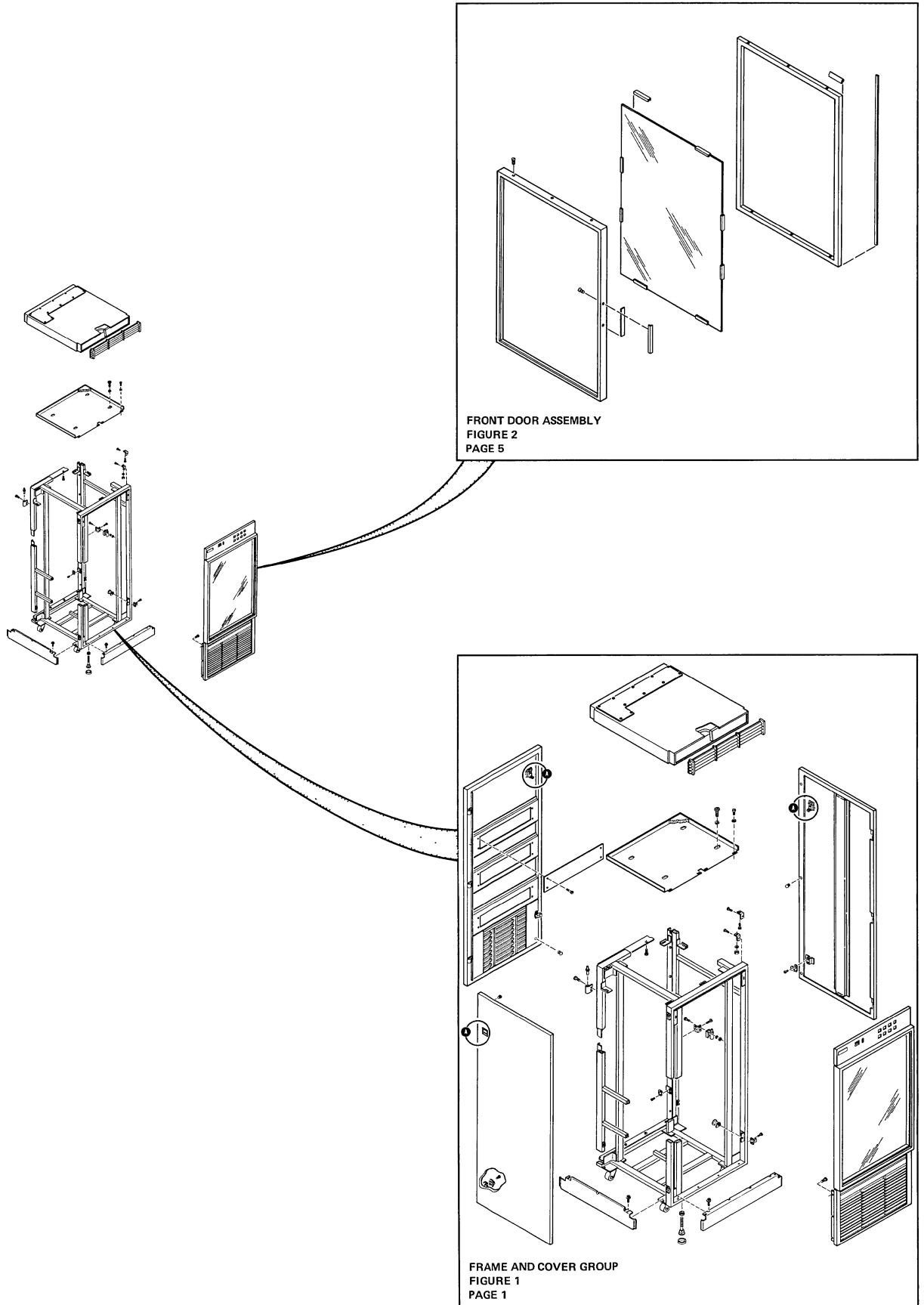
1	2	3	4
Unit			
. Assemblies and Detail Parts of Unit			
. Attaching Parts for Assemblies & Detail Parts			
. . Subassemblies			
. . . Attaching Parts for Subassemblies			
. . . . Detail Parts for Subassemblies, etc.			
- ⑤ LOZENGE
The lozenge in the part number column denotes the part is procurable but not recommended for field replacement, and that the next higher assembly should be ordered.
- ⑥ NP
The entry NP in the part number column denotes the assembly is non-procurable and the detail parts should be ordered separately.
- ⑦ NO NO.
When this indication appears in the part number column, it denotes a group of parts for which no assembly part number has been assigned, and the detail parts should be ordered separately.
- ⑧ REF
This entry in the units per assembly column denotes an assembly which is completely assembled on a preceding illustration. Quantities for such items are found in its next higher assembly.
- ⑨ SIMILAR ASSEMBLIES
If two assemblies contain a majority of identical parts, they are broken down on the same list. Common parts are shown by one index number. Parts peculiar to one or the other of the assemblies are listed separately and identified by Usable On Code.
- ⑩ USABLE ON CODE
Part application and interchangeability is indicated by the usable on code. If this column is blank, the parts pertain to all equipment(s) covered. Two types of codes are used. The alphabetic code denotes similar assemblies and/or features; the numeric code denotes level. Refer to the beginning of each list for the explanation of the code(s).
- ⑪ SUFFIX CODE
The suffix code indicates the month (alphabetic) and the year (numeric) of the engineering change which affected interchangeability of the part.

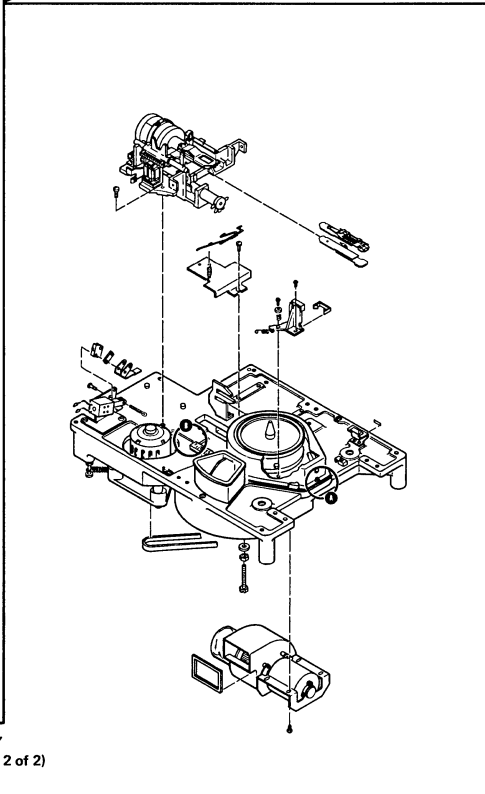
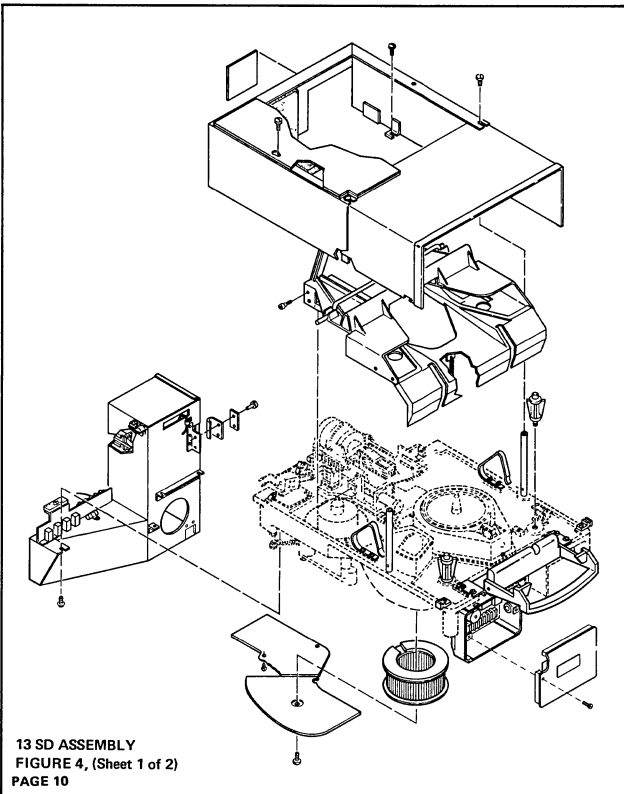
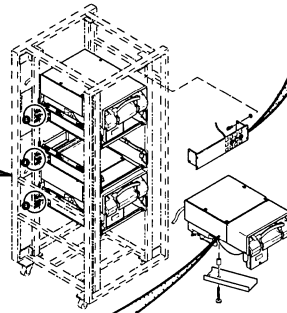
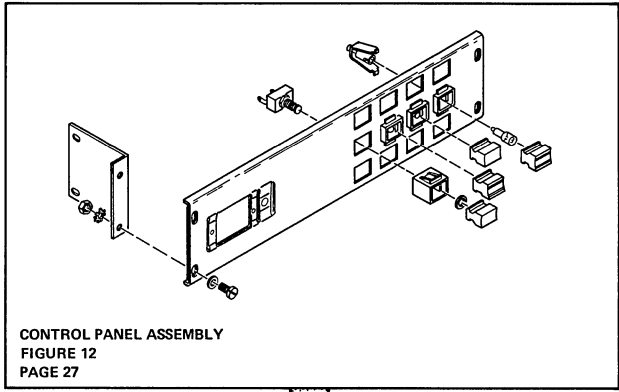
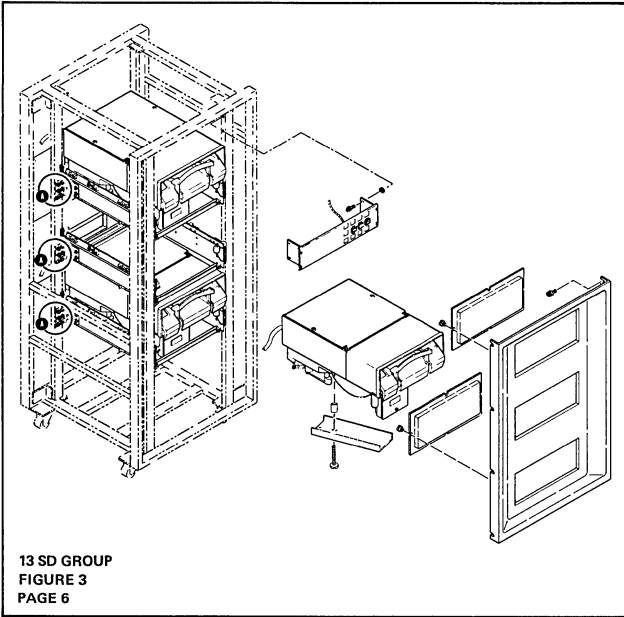
EXAMPLE OF PARTS LIST

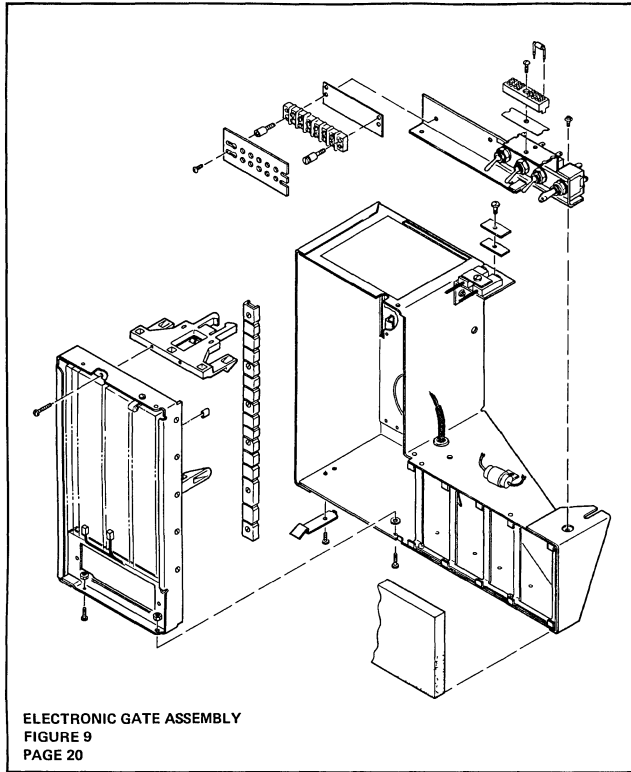
LIST AND INDEX NO.	PART NO.	DESCRIPTION				UNITS PER ASM.	USABLE ON CODE
		1	2	3	4		
2-		DRIVE MOTOR ASSEMBLY					
-	⑨ 2199376 NP	⑩	CODE A USED ON 60 HERTZ ONLY		⑪	⑧ REF	⑩ 1A
-	2199386 NP		CODE B USED ON 50 HERTZ ONLY			REF	1B
- 1	2204176		CODE 1 USED ON ASM PRIOR TO B6 SUFFIX			① 1	A
- 1	2199255		MOTOR ASM,DRIVE-115/220 VOLTS 60 HERTZ		② ATT PT	1	B
- 2	79842		MOTOR ASM,DRIVE-220 VOLTS 50 HERTZ			AR	A
- 3	2204116	④	FOR NEXT HIGHER ASM SEE FIGURE 1-92			1	B
- 4	NO NO.		FOR ILLUSTRATION SEE FIGURE 2			4	
- 5	5526		. PULLEY, 60 HERTZ			1	
- 6	2204082		. PULLEY, 50 HERTZ			1	
- 7	2204033		. SETSCREW, SPLINE DR CUP PT 8-32 X 3/8 LG			1	
- 8	"COMM"		. MOTOR ASM, 220V AC 60 HERTZ			1	
- 8	2199258	③	. MOTOR ASM, 220V AC 50 HERTZ			1	
- 9	2199401	⑤	. SCREW, MACH BIND HD 8-32 X 0.625 LG		ATT PT	1	A
- 9	2199402		. SCREW, MACH BIND HD 8-32 X 0.625 LG			1	B
			. FERRULE, OUTER			1	
			. FERRULE, INNER			1	
			. MOTOR, 1/12 HP-220V 60 HZ			1	
			. MOTOR, DRIVE - 220V 50 HZ			1	
			. PLATE, MOTOR MT-115/220 VOLTS 60 HERTZ			1	A
			. PLATE, MOTOR MT-220 VOLTS 50 HERTZ			1	B



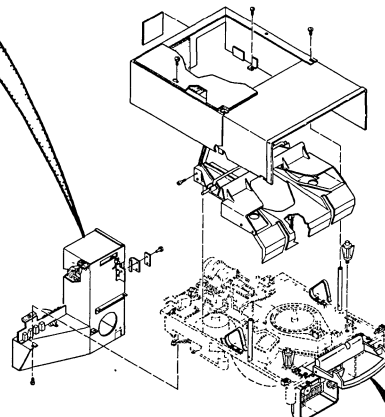
MASTER VISUAL INDEX



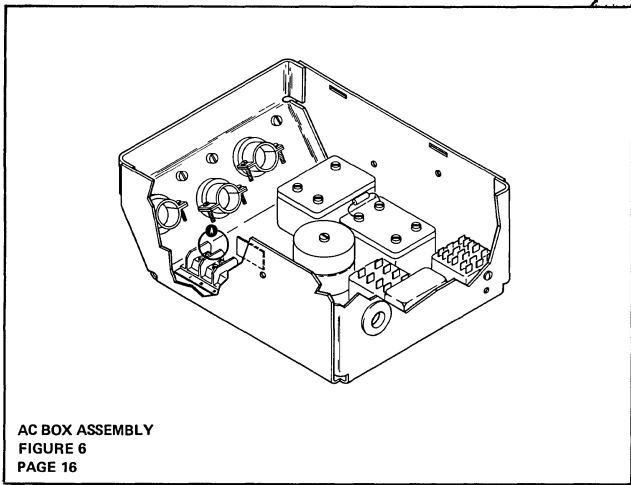




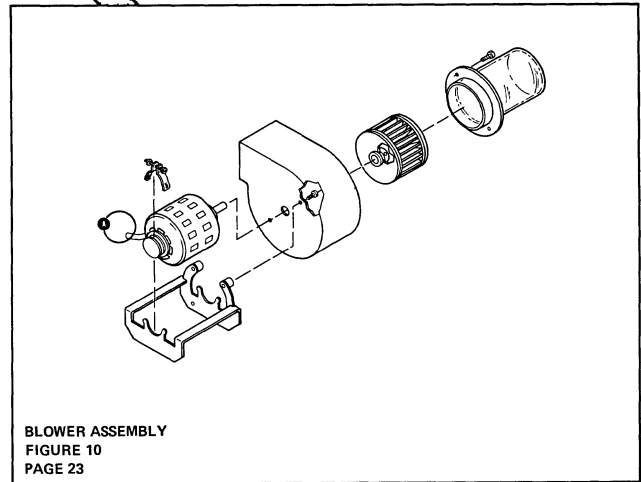
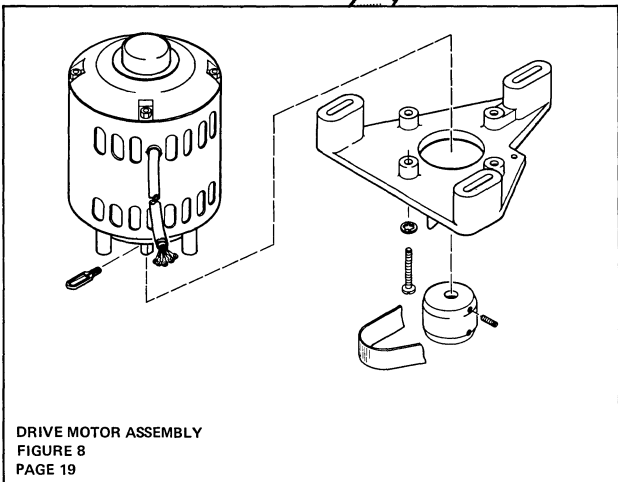
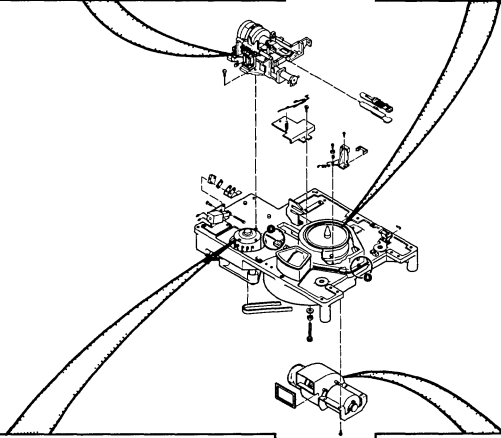
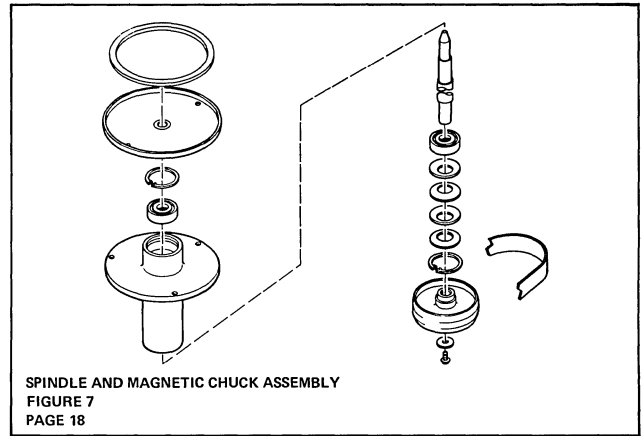
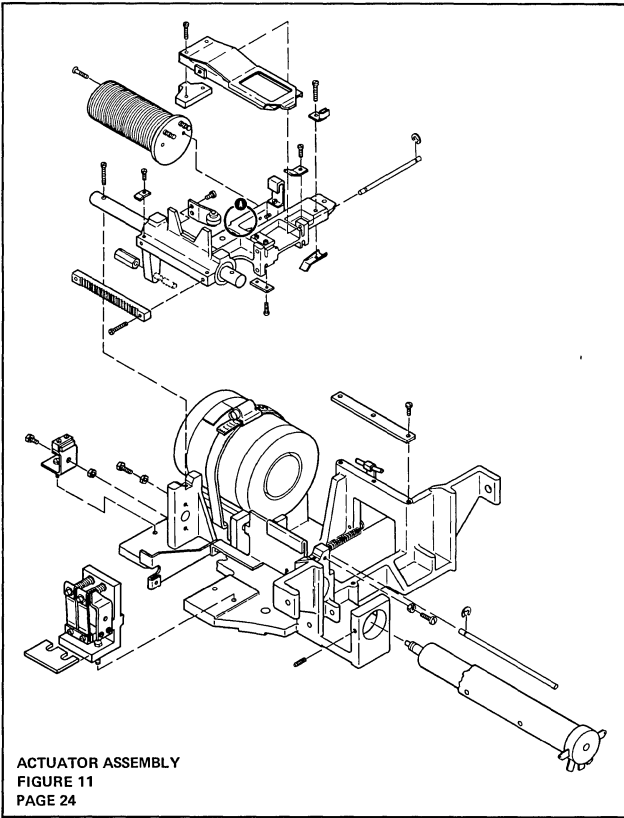
ELECTRONIC GATE ASSEMBLY
FIGURE 9
PAGE 20



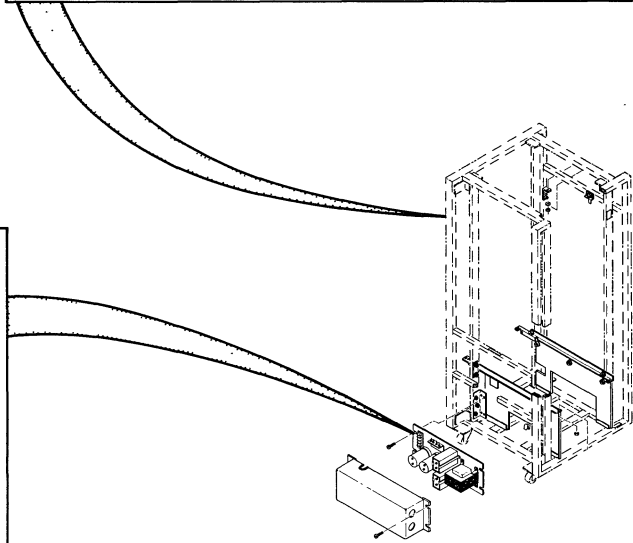
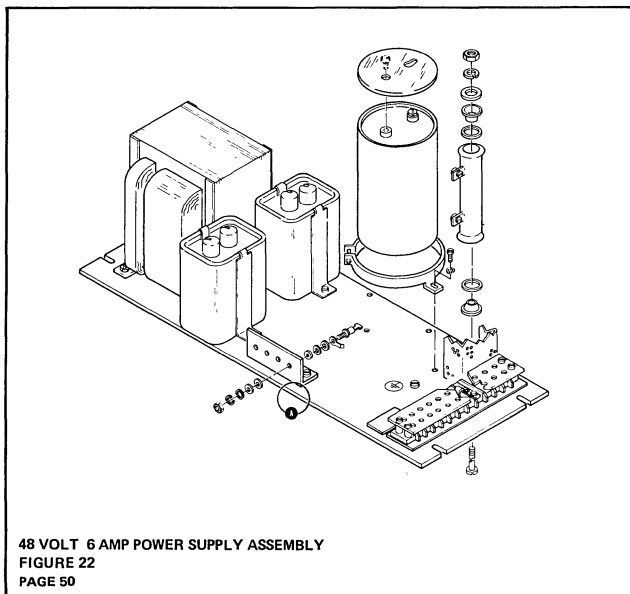
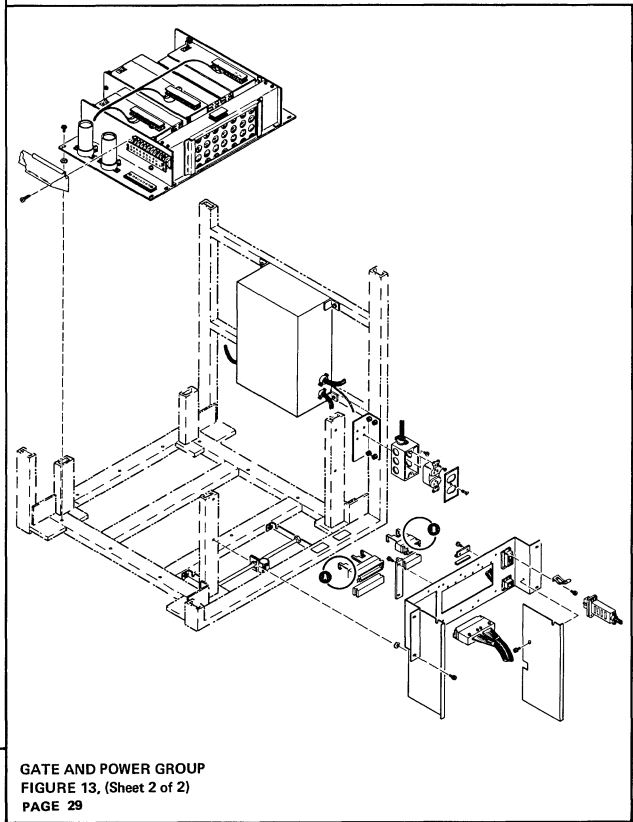
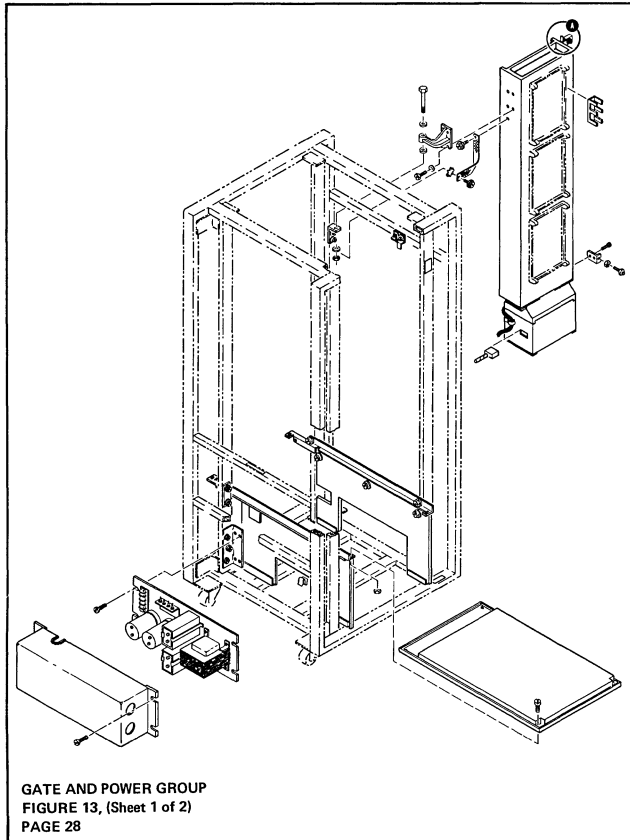
INTERLOCK ASSEMBLY
FIGURE 5
PAGE 14

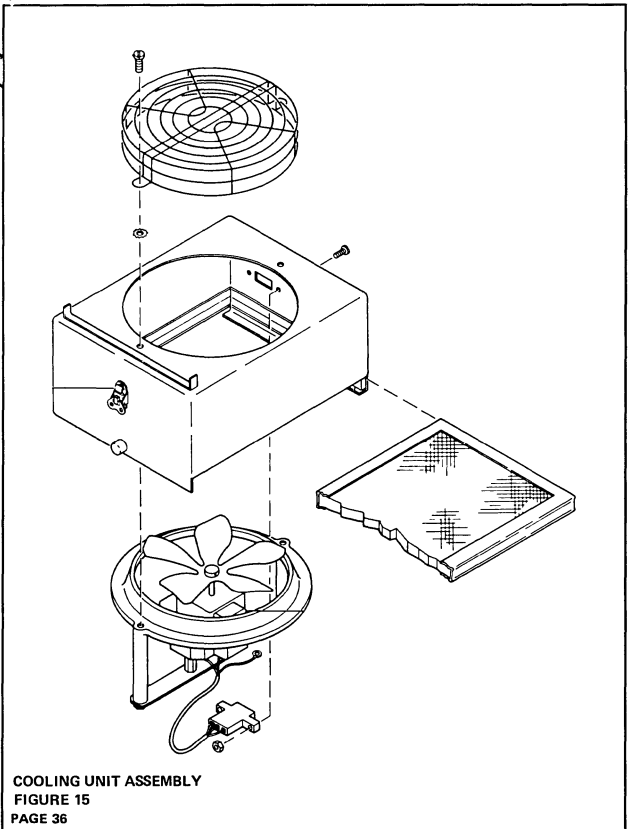
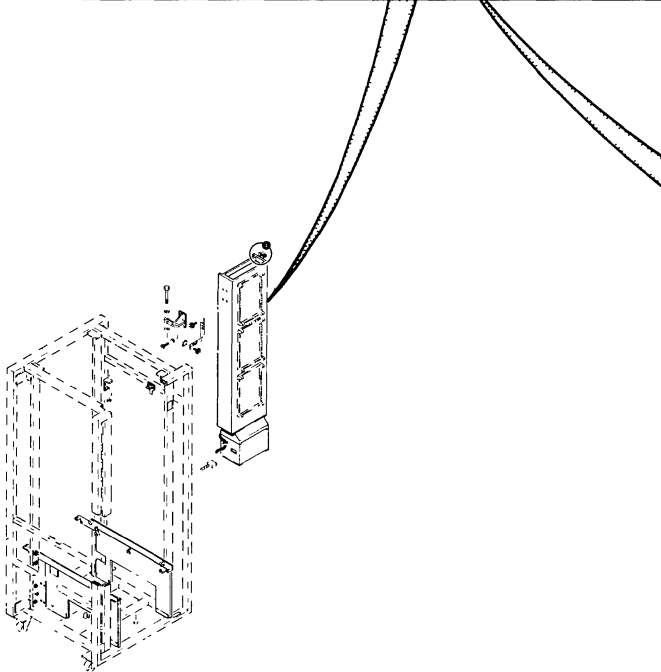
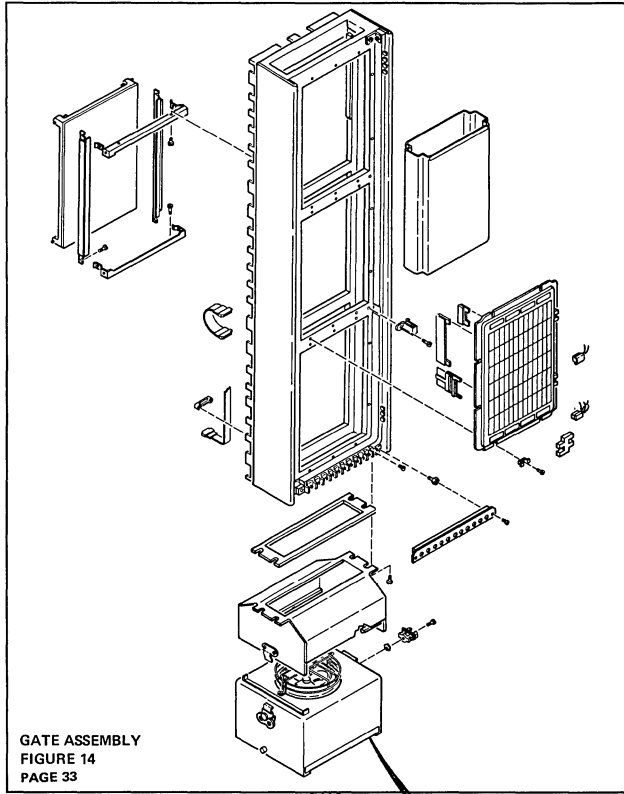


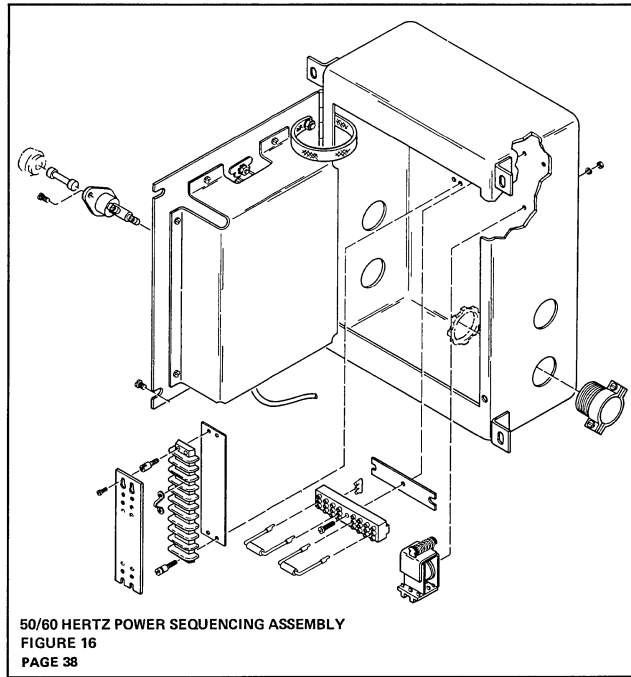
AC BOX ASSEMBLY
FIGURE 6
PAGE 16



VISUAL INDEX IV

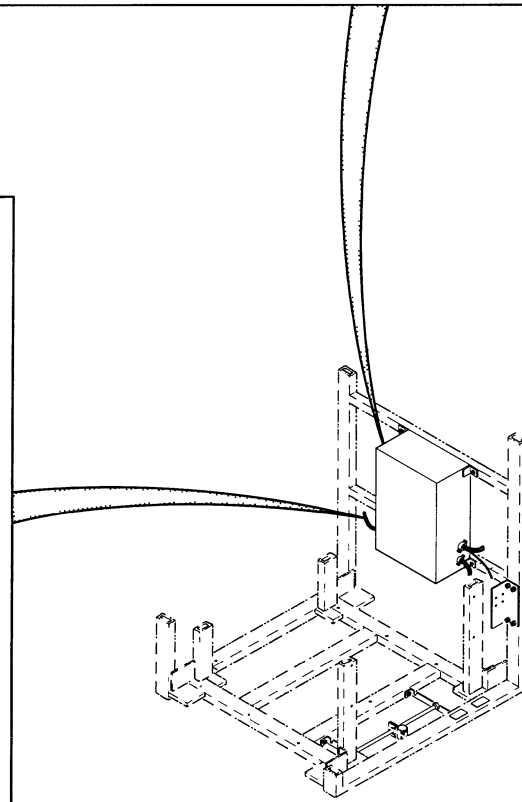


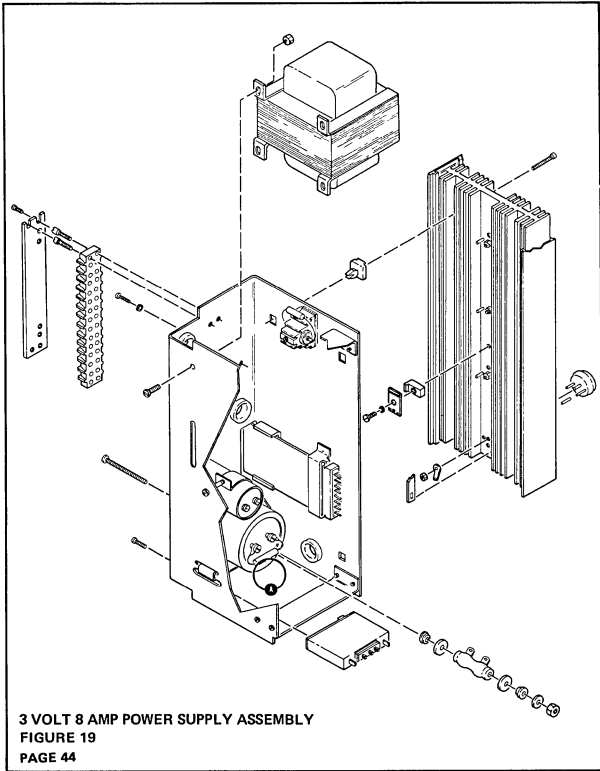




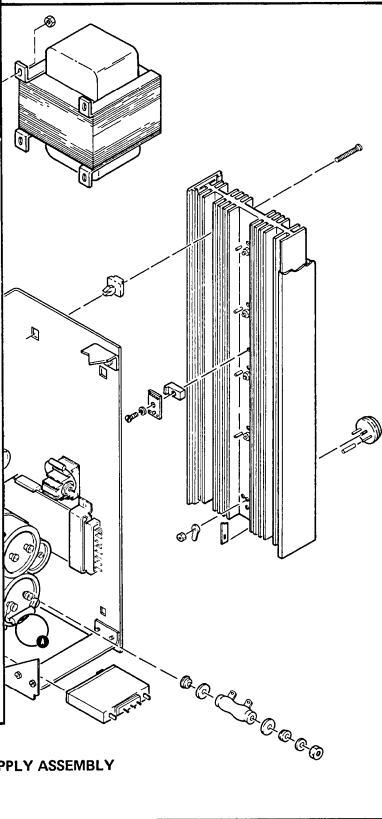
1-1A THRU H	2	3	4-4A
5-5A	6	7-7A,7B	8
9	10-10A	11	12-12A,12B
13	14	15	16
17,17A	18,18A	19	20
21-21A THRU 21E	22	23-23A,23B	24

CABLE COMPONENTS
FIGURE 23. (2 Sheets)
PAGE 52 AND 53

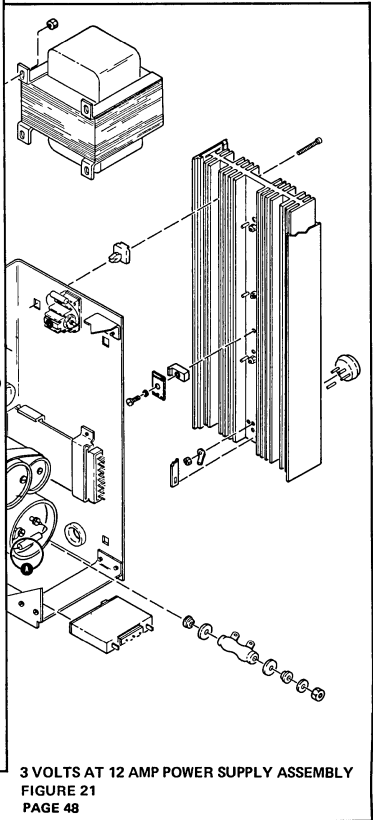




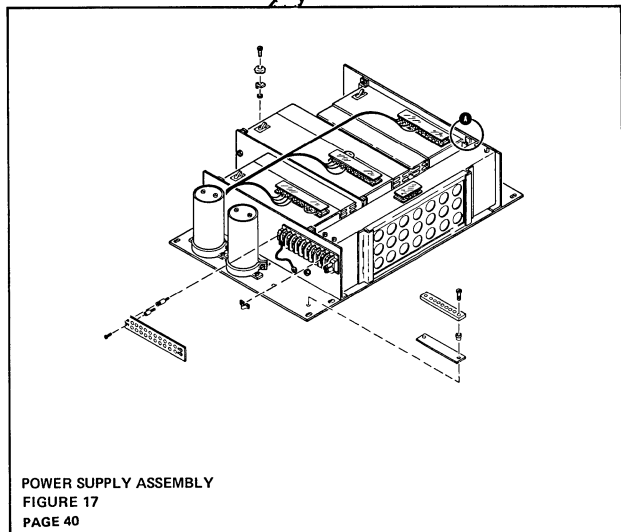
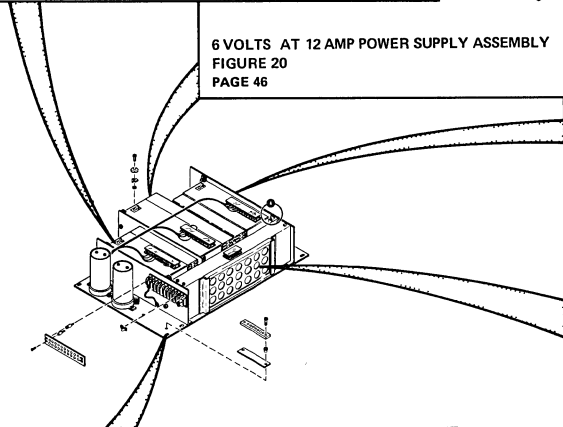
3 VOLT 8 AMP POWER SUPPLY ASSEMBLY
FIGURE 19
PAGE 44



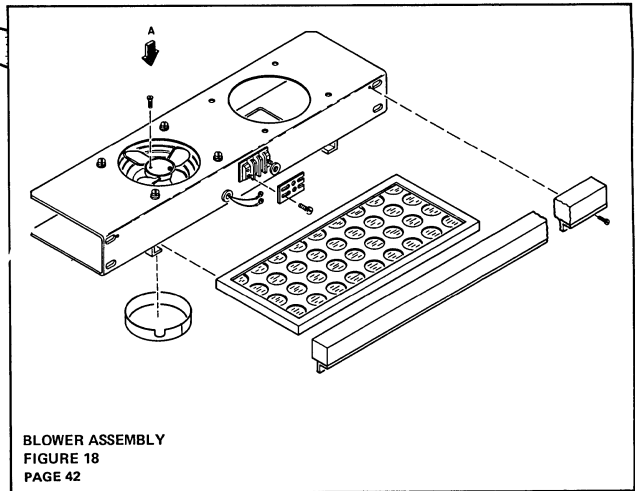
6 VOLTS AT 12 AMP POWER SUPPLY ASSEMBLY
FIGURE 20
PAGE 46



3 VOLTS AT 12 AMP POWER SUPPLY ASSEMBLY
FIGURE 21
PAGE 48



POWER SUPPLY ASSEMBLY
FIGURE 17
PAGE 40



BLOWER ASSEMBLY
FIGURE 18
PAGE 42

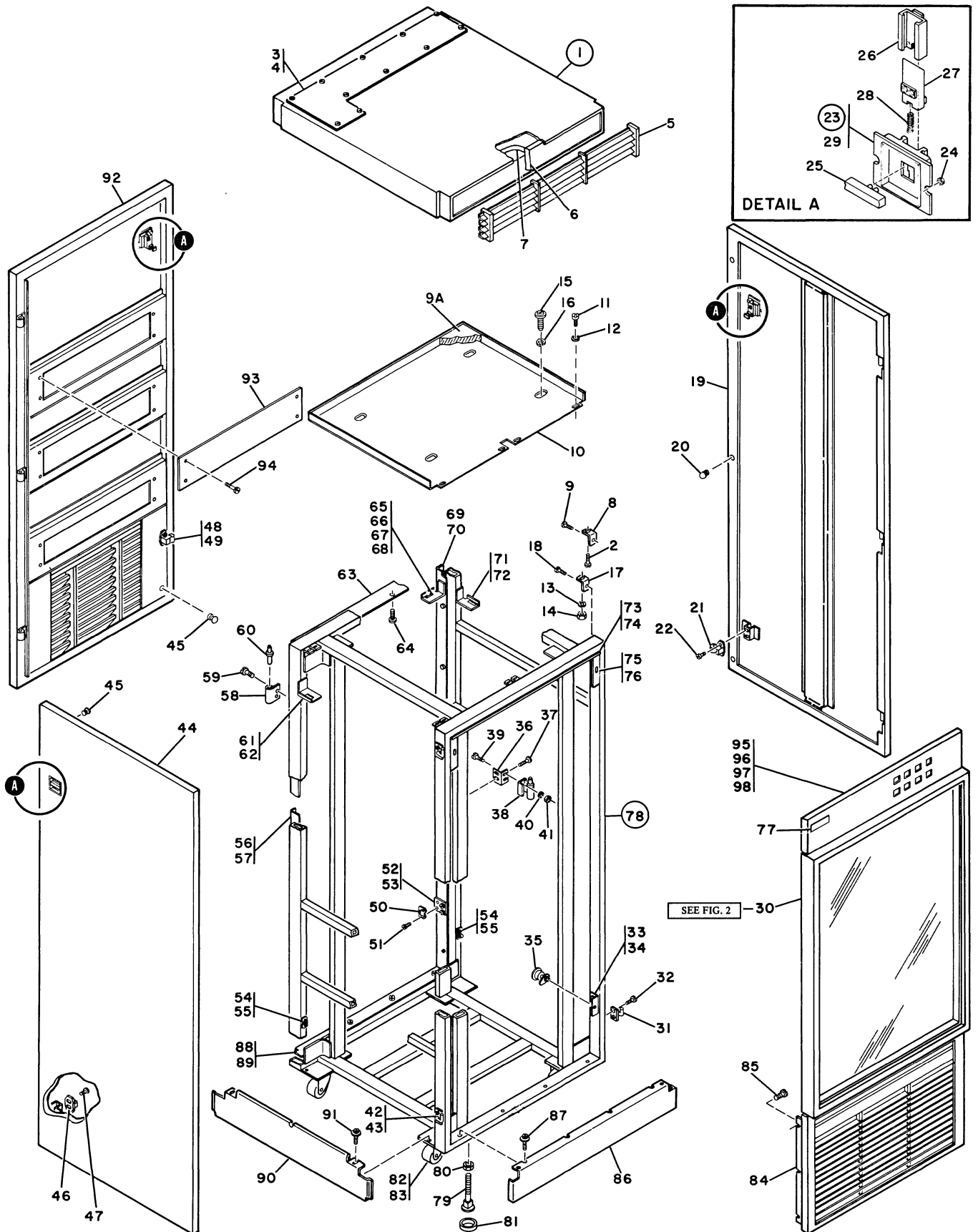


FIGURE 1. FRAME AND COVER GROUP.
SEE LIST 1

LIST 1

LIST AND INDEX NUMBER	PART NUMBER	DESCRIPTION	UNITS PER ASM.	USABLE ON CODE
		1 2 3 4		
		FRAME AND COVER GROUP		
1 -		CODE A USED ON COLOR GROUP - RED CODE B USED ON COLOR GROUP - YELLOW CODE C USED ON COLOR GROUP - BLUE CODE D USED ON COLOR GROUP - GREY CODE E USED ON SHIPPING GROUP CODE F USED ON MODEL 1 ONLY CODE G USED ON MODEL 2 ONLY CODE H USED ON MODEL 3 ONLY		
-	2195100	FRAME AND COVER GROUP FOR ILLUSTRATION SEE FIGURE 1	NP	
- 1	2195096	. WELDMENT ASM, TOP COVER	1	
- 2	5319854	. SCREW, SELF TAPPING, 8-32 X .375 LONG ATT PT	6	
- 3	2195212	. . FILLER, TOP COVER	1	
- 4	731626	. . SCREW, PAN HEAD, 6-32 X .25 LONG	11	
- 5	2195385	. . LOUVER-TOP REAR	2	
- 6	2195594	. SEAL, ACOUSTICAL-FRONT	1	
- 7	2195592	. SEAL, ACOUSTICAL-TOP	1	
- 8	2195392	. BRACKET	6	
- 9	2181004	. SCREW-HEX HD SELFTAP 10-32 X .375 LONG ATT PT	6	
- 9A	2195596	. SEAL, ACOUSTICAL	1	
- 10	2195595	. PLATE, TOP COVER BAFFLE	1	
- 11	332620	. SCREW, MACH-BIND HD 10-32 X 1/2 LG ATT PT	4	
- 12	45690	. WASHER, FLAT ATT PT	4	
- 13	9092	. WASHER-LOCK, SPLIT RING, .194 ID .3370D ATT PT	4	
- 14	11598	. NUT, HEX, 10-32 X 0.375 FL W ATT PT	4	
- 15	2181004	. SCREW-HEX HD SELFTAP 10-32 X .375 LONG ATT PT	3	
- 16	45690	. WASHER, FLAT ATT PT	4	
- 17	2195392	. BRACKET	3	
- 18	2181004	. SCREW-HEX HD SELFTAP 10-32 X .375 LONG ATT PT	3	
- 19	2194603	. COVER ASSEMBLY, RH HAND END ASSEMBLY COMPONENTS ARE NOT REPLACEABLE	1	
- 20	208529	. BUMPER, RUBBER-FOR 3/16 HOLE	3	
- 21	513668	. CATCH, FRICTION LATCH	1	
- 22	731626	. SCREW, PAN HEAD, 6-32 X .25 LONG ATT PT	2	
- 23	2191006	. LATCH ASSEMBLY	3	
- 24	257189	. NUT, HEX 8-32 ATT PT	6	
- 25	2190974	. . HANDLE, LATCH	1	
- 26	2190973	. . RETAINER, LATCH	1	
- 27	2190972	. . BOLT, LATCH	1	
- 28	2191007	. . SPRING-COMPRESSION	1	
- 29	2190971	. . HOUSING, LATCH	1	
- 30	2242381	. COVER ASSEMBLY, FRONT FOR DETAIL BREAKDOWN SEE FIGURE 2	1	
- 31	2194951	. HINGE, RH END COVER	3	
- 32	2181004	. SCREW-HEX HD SELFTAP 10-32 X .375 LONG ATT PT	6	

LIST 1 CONT.

LIST AND INDEX NUMBER	PART NUMBER	DESCRIPTION	UNITS PER ASM.	USABLE ON CODE
		1 2 3 4		
		FRAME AND COVER GROUP -CONT		
1 - 33	2195581	. BRACKET,DOOR-LATCH MTG.	1	
- 34	2181004	. SCREW-HEX HD SELFTAP 10-32 X .375 LONG ATT PT	2	
- 35	528404	. LATCH,DOOR	1	
- 36	2242376	. BRACKET,HINGE MTG.	2	
- 37	2181004	. SCREW-HEX HD SELFTAP 10-32 X .375 LONG ATT PT	4	
- 38	2173248	. HINGE-FRONT DOOR	2	
- 39	19944	. SCREW,MACH-BIND HD 8-32 X 3/4 LG ATT PT	4	
- 40	2125963	. WASHER,LOCK-INT TEETH NO. 8 X 9/16 OD ATT PT	4	
- 41	257188	. NUT,PLAIN,HEX- 8-32 X 11/32 FL 1 ATT PT	4	
- 42	2194950	. HINGE,LH END COVER	3	
- 43	2181004	. SCREW-HEX HD SELFTAP 10-32 X .375 LONG ATT PT	6	
- 44	2194637	. COVER ASSEMBLY,LH END ASSEMBLY COMPONENTS ARE NOT REPLACEABLE	1	
- 45	208529	. BUMPER,RUBBER-FOR 3/16 HOLE	8	
- 46	513668	. CATCH,FRICTION LATCH	1	
- 47	731626	. SCREW, PAN HEAD, 6-32 X .25 LONG ATT PT	2	
- 48	513668	. CATCH,FRICTION LATCH	1	
- 49	731626	. SCREW, PAN HEAD, 6-32 X .25 LONG ATT PT	2	
- 50	513669	. STRIKE-FRICTION LATCH	1	
- 51	731626	. SCREW, PAN HEAD, 6-32 X .25 LONG ATT PT	2	
- 52	2195632	. STIFFENER,LATCH	1	
- 53	2181004	. SCREW-HEX HD SELFTAP 10-32 X .375 LONG ATT PT	2	
- 54	513669	. STRIKE-FRICTION LATCH	2	
- 55	731626	. SCREW, PAN HEAD, 6-32 X .25 LONG ATT PT	4	
- 56	2194968	. SPACER,DOOR LH,REAR	1	
- 57	2181004	. SCREW-HEX HD SELFTAP 10-32 X .375 LONG ATT PT	7	
- 58	2194984	. HINGE,FRAME	3	
- 59	32042	. SCREW, MACH BIND. HD 10-32 X 3/8 LG. ATT PT	6	
- 60	2194989	. PIN,DOOR HINGE	3	
- 61	2194949	. STRIKER,LH END	1	
- 62	2181004	. SCREW-HEX HD SELFTAP 10-32 X .375 LONG ATT PT	2	
- 63	2194970	. SPACER,RH, TOP AND BOTTON	1	
- 64	2181004	. SCREW-HEX HD SELFTAP 10-32 X .375 LONG ATT PT	4	
- 65	2195421	. STRIKER,LEFT STL	1	
- 66	509772	. SCREW, BIND HD 10-32 X 0.438 LONG ATT PT	2	
- 67	9092	. WASHER-LOCK,SPLIT RING, .194 ID .337OD ATT PT	2	
- 68	11598	. NUT,HEX, 10-32 X 0.375 FL W ATT PT	2	
- 69	2196225	. SPACER,REAR	1	
- 70	2181004	. SCREW-HEX HD SELFTAP 10-32 X .375 LONG ATT PT	7	
- 71	2194948	. STRIKER,RH END	1	
- 72	2181004	. SCREW-HEX HD SELFTAP 10-32 X .375 LONG ATT PT	2	
- 73	2195190	. SPACER, .025 THICK	1	
- 74	2181004	. SCREW-HEX HD SELFTAP 10-32 X .375 LONG ATT PT	4	
- 75	2195590	. BRACKET,CONTROL PANEL MTG.	2	
- 76	2181004	. SCREW-HEX HD SELFTAP 10-32 X .375 LONG ATT PT	4	
- 77	2242900	. NAMEPLATE,DISK STORAGE 1810	1	
- 78	2195102	. FRAME ASSEMBLY,SINGLE BAY	1	
- 79	2194679	. . JACK,LEVELING	4	
- 80	186950	. . NUT,PLAIN,HEX- 1/2-13 X 3/4 FL W	4	
- 81	2162666	. . CUP	4	
- 82	587814	. . CASTER,SWIVEL- 3 IN. WHL W/MTG PLATE	4	
- 83	5350092	. . SCREW,SELF TAP HEX WSR,1/4-20 X 0.750 LG ATT PT	16	
		FOLLOWING COMPONENTS ARE FEATURES ONLY		
- 84	2195202	COVER ASSEMBLY,FRONT RED	1	A

LIST 1 CONT.

LIST AND INDEX NUMBER	PART NUMBER	DESCRIPTION 1 2 3 4	UNITS PER ASM.	USABLE ON CODE
FRAME AND COVER GROUP -CONT				
1 - 84	2195203	COVER ASSEMBLY,FRONT YELLOW	1	B
- 84	2195201	COVER ASSEMBLY,FRONT BLUE	1	C
- 84	2195204	COVER ASSEMBLY,FRONT GRAY ASSEMBLY COMPONENTS ARE NOT REPLACEABLE	1	D
- 85	2181004	SCREW-HEX HD SELFTAP 10-32 X .375 LONG ATT PT	3	
- 86	2195313	KICKSTRIP-SINGLE BAY	2	E
- 87	2181004	SCREW-HEX HD SELFTAP 10-32 X .375 LONG ATT PT	4	
- 88	2194970	SPACER,RH, TOP AND BOTTON	1	E
- 89	2181004	SCREW-HEX HD SELFTAP 10-32 X .375 LONG ATT PT	4	
- 90	2195314	KICKSTRIP-SIDE	2	E
- 91	2181004	SCREW-HEX HD SELFTAP 10-32 X .375 LONG ATT PT	6	
- 92	2195417	COVER ASSEMBLY,REAR RED	1	A
- 92	2195418	COVER ASSEMBLY,REAR YELLOW	1	B
- 92	2195416	COVER ASSEMBLY,REAR BLUE	1	C
- 92	2195419	COVER ASSEMBLY,REAR GRAY ASSEMBLY COMPONENTS ARE NOT REPLACEABLE	1	D
- 93	2195625	PLATE	2	F
- 93	2195625	PLATE	1	G
- 94	79778	SCREW-SELF TAPPING NO. 6-32 X 5/16 LG ATT PT	AR	
- 95	2195179	CONTROL PANEL,MOD 1	1	F
- 95	2195180	CONTROL PANEL,MOD 2	1	G
- 95	2195181	CONTROL PANEL,MOD 3	1	H
- 96	34512	SCREW,MACH-BIND HD 8-32 X 3/8 LG ATT PT	4	
- 97	1090873	WASHER, LOCK - .168 ID X .296 OD ATT PT	4	
- 98	257189	NUT, HEX 8-32 ATT PT	2	
END OF LIST 1				

FOR PARTS
NOT SHOWN
SEE FIG. 1

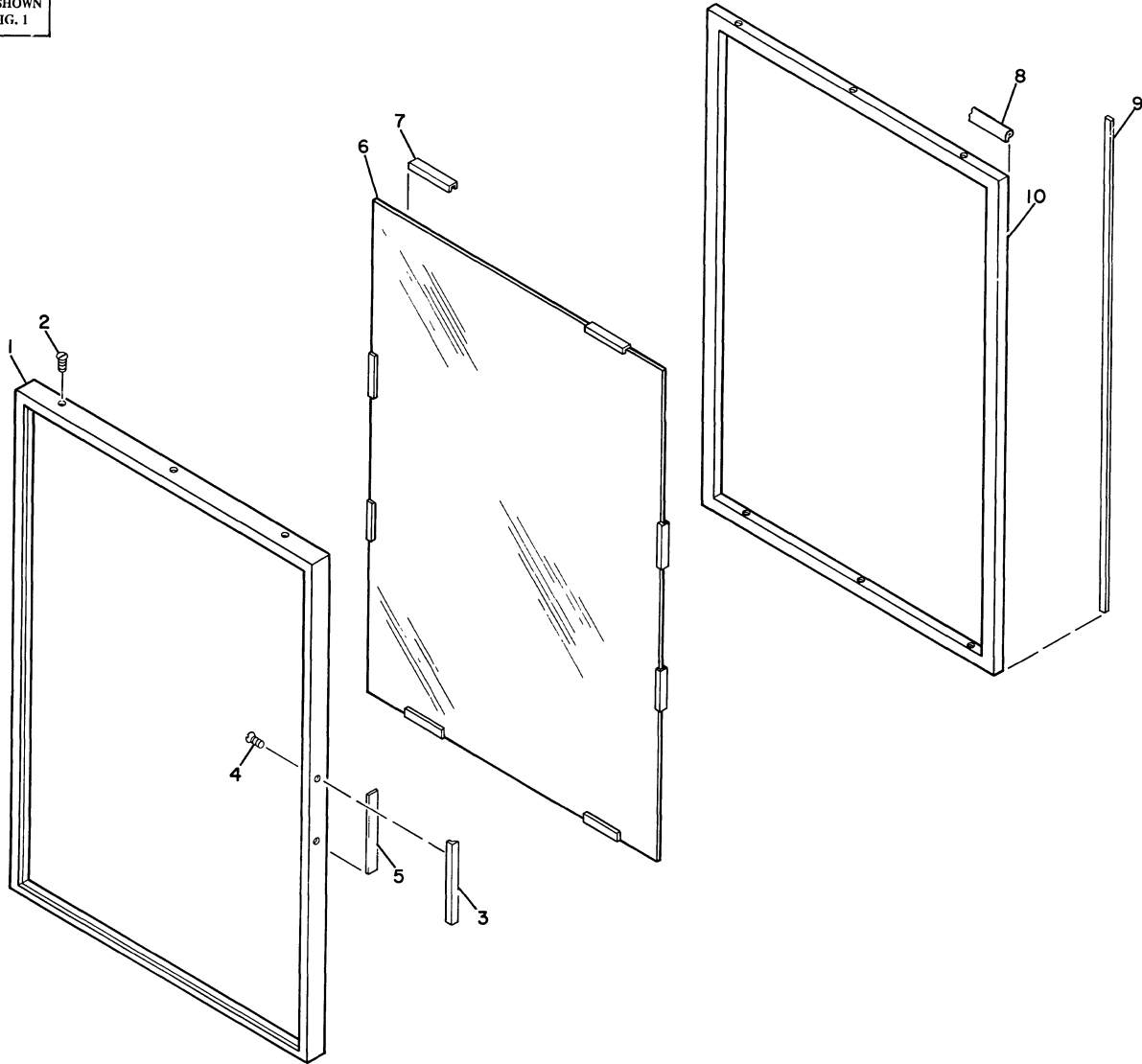


FIGURE 2. FRONT DOOR ASSEMBLY.
SEE LIST 2

LIST 2

LIST AND INDEX NUMBER	PART NUMBER	DESCRIPTION				UNITS PER ASM.	USABLE ON CODE
		1	2	3	4		
		FRONT DOOR ASSEMBLY					
2 -	2242381	COVER ASSEMBLY, FRONT FOR ILLUSTRATION SEE FIGURE 2 FOR NEXT HIGHER ASM SEE FIGURE 1-30				REF	
- 1	2242325	• TRIM, DOOR				1	
- 2	38442	• SCREW, MACH-FL CSK HD 6-32 X 1/4 LG				ATT PT	7
- 3	2242380	• HANDLE, DOOR 6.88 X 0.375					1
- 4	38442	• SCREW, MACH-FL CSK HD 6-32 X 1/4 LG				ATT PT	2
- 5	2242359	• PLATE, DOOR HANDLE					1
- 6	2242324	• GLASS, DOOR 41.75 X 28.53					1
- 7	2242377	• GUIDE, NYLON 4.00 X 0.375 X 0.250					8
- 8	2242379	• SEAL, RUBBER					AR
- 9	2242378	• SEAL, KOROSEAL 42.00 X 0.59 X 0.25					1
- 10	2242352	• FRAME, DOOR					1
		END OF LIST 2					

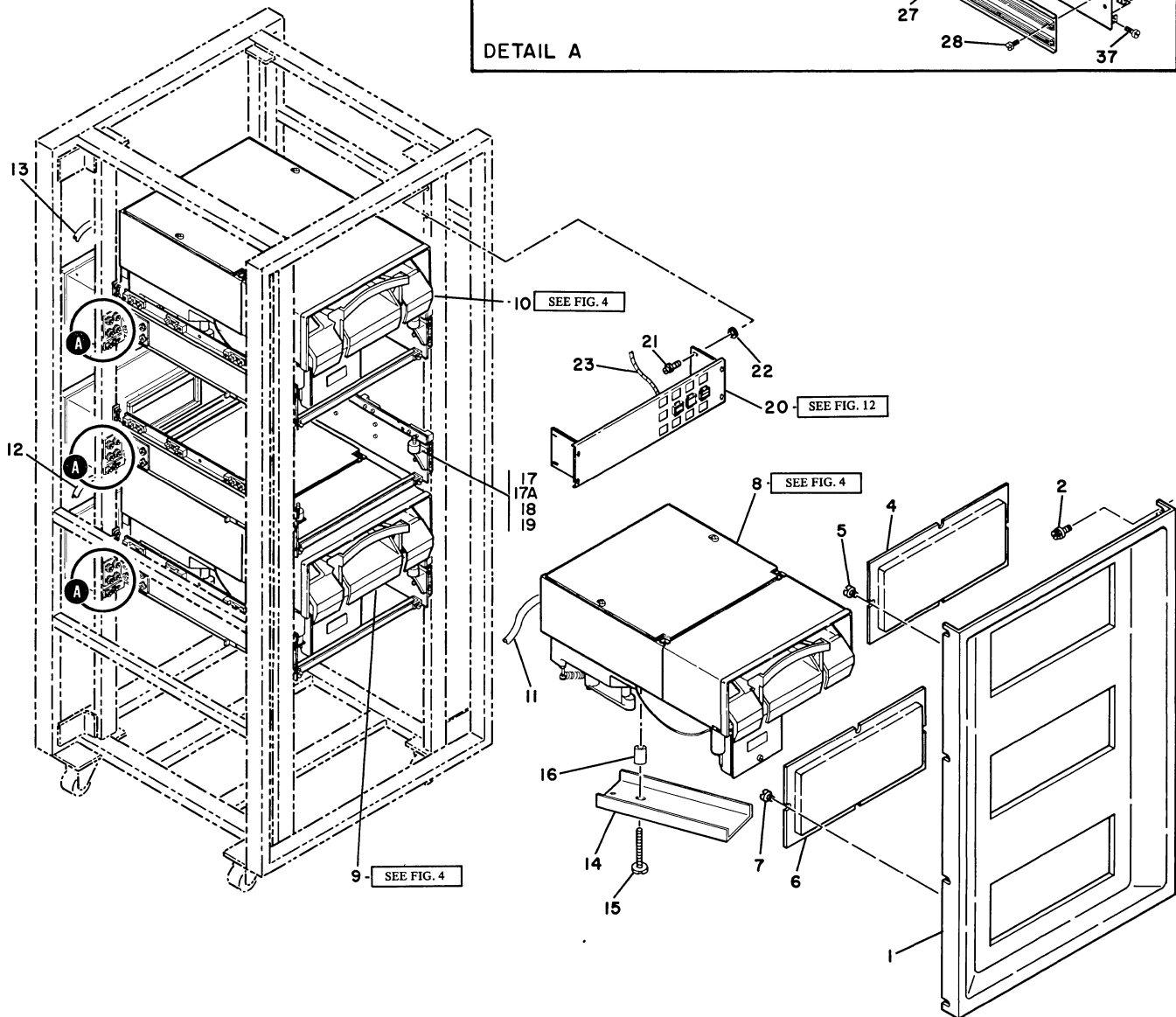
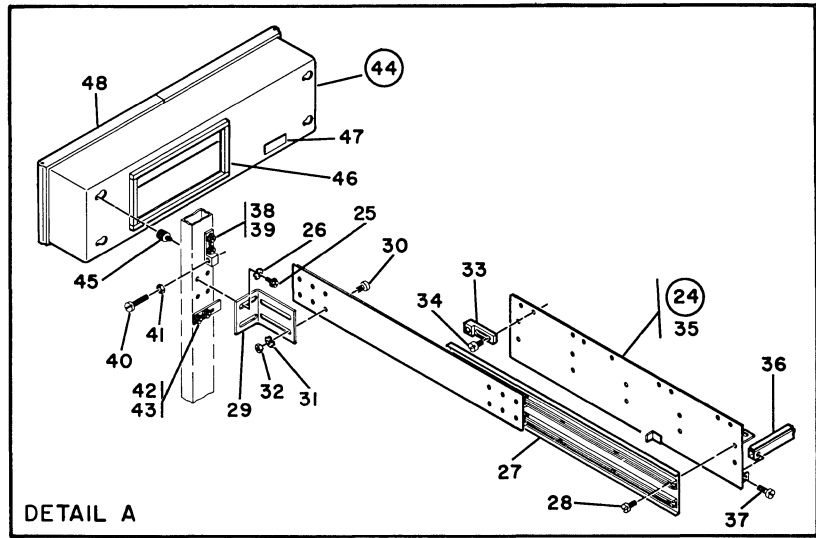


FIGURE 3. 13 SD GROUP.
SEE LIST 3

LIST 3

LIST AND INDEX NUMBER	PART NUMBER	DESCRIPTION				UNITS PER ASM.	USABLE ON CODE
		1	2	3	4		
		13 SD GROUP					
3		CODE A USED ON MODEL 1 ONLY					
		CODE B USED ON MODEL 1 AND 2 ONLY					
		CODE C USED ON 60 HERTZ ONLY					
		CODE D USED ON 50 HERTZ ONLY					
	2195100	13 SD GROUP				NP	
- 1	2242382	FOR ILLUSTRATION SEE FIGURE 3				1	
- 2	615818	• BEZEL				8	
		• SCREW, WING HEAD 10-32 X 1/2 LONG					ATT PT
		FOLLOWING COMPONENTS ARE FEATURE ONLY					
- 4	2195589	COVER				1	B
- 5	81693	SCREW, MACH-BIND HD 6-32 X 3/8 LG				4	B
							ATT PT
- 6	2195589	COVER				1	A
- 7	81693	SCREW, MACH-BIND HD 6-32 X 3/8 LG				4	A
- 8	2207680	13 SD ASM, 60 HERTZ				1	C
- 8	2207670	13 SD ASM, 50 HERTZ				1	D
		USED ON MODELS 1, 2 AND 3					
		FOR DETAIL BREAKDOWN SEE FIGURE 4					
- 9	2207680	13 SD ASM, 60 HERTZ				1	C
- 9	2207670	13 SD ASM, 50 HERTZ				1	D
		USED ON MODELS 2 AND 3 ONLY					
		FOR DETAIL BREAKDOWN SEE FIGURE 4					
- 10	2207680	13 SD ASM, 60 HERTZ				1	C
- 10	2207670	13 SD ASM, 50 HERTZ				1	D
		USED ON MODEL 3 ONLY					
		FOR DETAIL BREAKDOWN SEE FIGURE 4					
- 11	2195908	CABLE ASM, DC POWER-SINGLE DISK NO. 1				1	
		USED ON FIRST 13 SD					
		FOR COMPONENTS SEE FIGURE 23-1C AND 1D					
- 12	2195909	CABLE ASM, DC POWER-SINGLE DISK NO. 2				1	
		USED ON SECOND 13 SD					
		FOR COMPONENTS SEE FIGURE 23-1C AND-1D					
- 13	2195910	CABLE ASM, DC POWER-SINGLE DISK NO. 3				1	
		USED ON THIRD 13 SD					
		FOR COMPONENTS SEE FIGURE 23-1C AND-1D					
- 14	2195630	GUARD, COVER				AR	
- 15	438592	SCREW, MACH-BIND HD 8-32 X 2-1/4 LG				AR	C
- 15	438604	SCREW, MACH-BIND HD 10-32 X 2-1/2 LG				AR	D
- 16	2195641	SPACER, 0.625 X 1.50				AR	
- 17	2195199	SHOCK MOUNT				AR	
- 17A	205124	SPACER, 0.328 ID X 1 OD				AR	
- 18	257983	WASHER, LOCK-SPLIT 0.319 ID X 0.591 OD				AR	
- 19	4564	NUT, HEX 5/16-18 THREAD				AR	
- 20	2195169	CONTROL PANEL ASM, 60 HERTZ				1	
- 20	2196345	CONTROL PANEL ASM, 50 HERTZ				1	
		FOR DETAIL BREAKDOWN SEE FIGURE 12					
- 21	2181004	SCREW-HEX HD SELFTAP 10-32 X .375 LONG				4	
- 22	56079	WASHER-LOCK, EXT T .204 ID .410 OD				1	
- 23	2196104	CABLE ASM, CTRL PANEL TO SINGLE DISK NO.1				1	
		USED WITH FIRST 13 SD					
		FOR COMPONENTS SEE FIGURE 23-4 AND -6					
- 23	2196105	CABLE ASM, CTRL PANEL TO SINGLE DISK NO.2				1	
		USED WITH SECOND 13 SD					
		FOR COMPONENTS SEE FIGURE 23-4 AND -6					
- 23	2196106	CABLE ASM, CTRL PANEL TO SINGLE DISK NO.3				1	
		USED WITH THIRD 13 SD					
		FOR COMPONENTS SEE FIGURE 23-4 AND -6					
- 24	2242305	RAIL ASM, LEFT HAND				AR	
- 24	2242306	RAIL ASM, RIGHT HAND				AR	
- 25	120211	SCREW, MACH-HEX HD 10-32 X 1/2 LG				AR	

LIST AND INDEX NUMBER	PART NUMBER	DESCRIPTION				UNITS PER ASM.	USABLE ON CODE
		1	2	3	4		
		THIS PAGE LEFT BLANK INTENTIONALLY					

FOR PARTS
NOT SHOWN
SEE FIG. 3

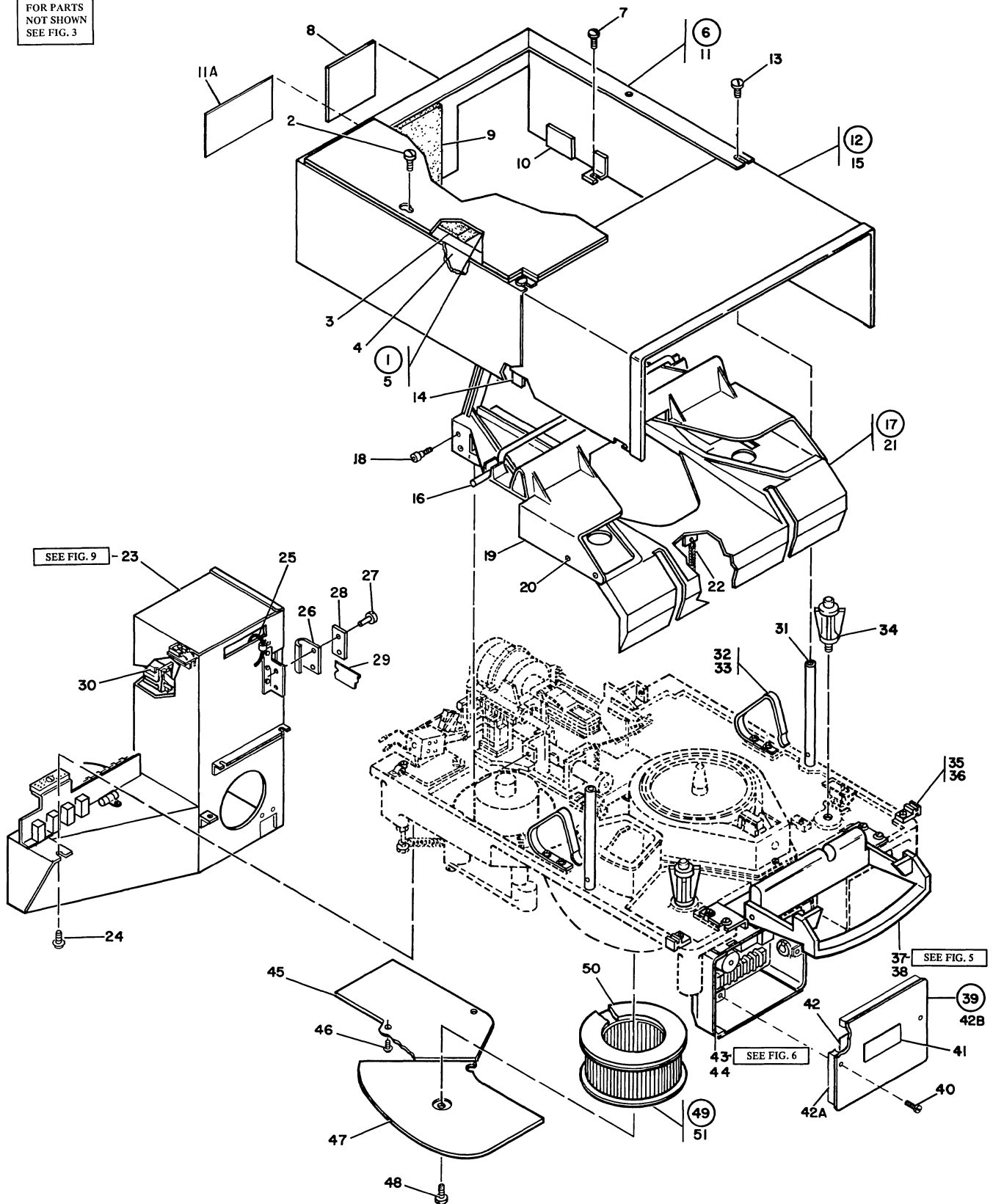


FIGURE 4. 13 SD ASSEMBLY. SHEET 1 OF 2, INDEX NOS. 1-51.
SEE LIST 4

FOR PARTS
NOT SHOWN
SEE FIG. 3

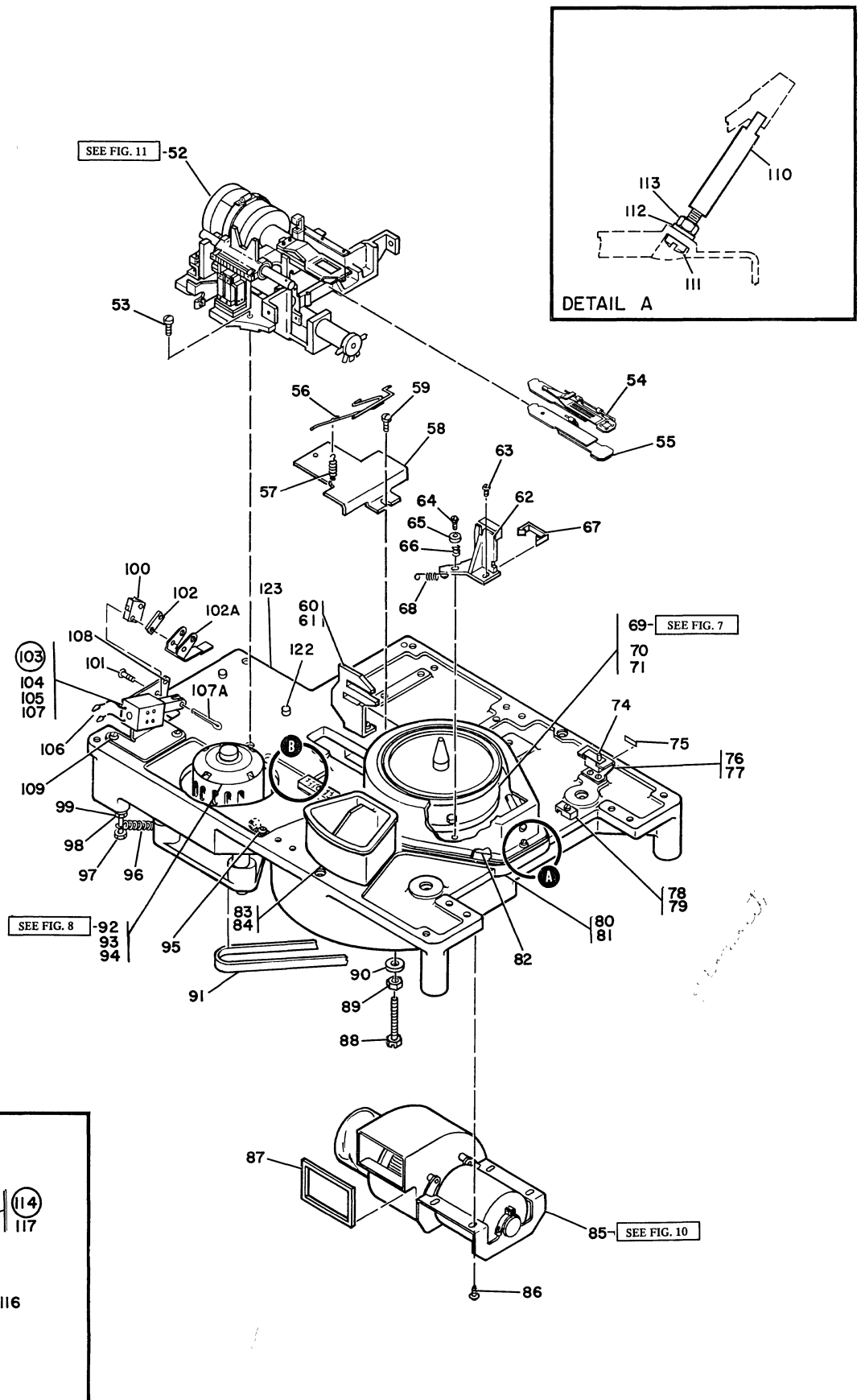


FIGURE 4. 13 SD ASSEMBLY. SHEET 2 OF 2, INDEX NO. 52-123.
SEE LIST 4

LIST 4

LIST AND INDEX NUMBER	PART NUMBER	1 2 3 4	DESCRIPTION	UNITS PER ASM.	USABLE ON CODE
4 -			13 SD ASSEMBLY		
			CODE 1 USED ON ASM FROM F6 TO CURRENT CODE 2 USED ON ASM PRIOR TO F6 CODE 3 USED ON ASM FROM F9 TO CURRENT CODE 4 USED ON ASM PRIOR TO F6		
-	2207680		13 SD ASM,60 HERTZ	REF	
-	2207670		13 SD ASM,50 HERTZ FOR ILLUSTRATION SEE FIGURE 4 FOR NEXT HIGHER ASM SEE FIG 3-8,9,AND 10	REF	
- 1	2219144		. COVER ASM,TOP REAR	1	
- 2	81693		. SCREW,MACH-BIND HD 6-32 X 3/8 LG ATT PT	2	
- 3	2219146		. . RUBBER,TOP COVER	1	
- 4	2162959		. . FELT, .062 X .375 WIDE, BULK	AR	
- 5	2219142		. . COVER,TOP REAR	1	
- 6	2219143		. COVER ASM,SIDE REAR	1	
- 7	81693		. SCREW,MACH-BIND HD 6-32 X 3/8 LG ATT PT	2	
- 8	2219044		. . LABEL,IDENTIFICATION	1	
- 9	2219145		. . RUBBER,SIDE COVER	1	
- 10	2219140		. . FOAM,COVERS	1	
- 11	2219141		. . COVER,SIDE REAR	1	
11A	2207675		. LABEL,IDENTIFICATION	1	
- 12	2219069		. COVER ASSEMBLY,FRONT	1	
- 13	236849		. SCREW,MACH-BIND HD 10-32 X 1/4 LG ATT PT	2	
- 14	2219140		. . FOAM,COVERS	2	
- 15	2219001		. . COVER-FRONT WELDMENT	1	
- 16	2219064		. ROD	1	
- 17	2199417		. RECEIVER ASSEMBLY	1	
- 18	2199427		. SCREW, KNURL-SHOULDER 1/4-20 X 0.437 LG. ATT PT	2	
- 19	2204146		. . RECEIVER, TOP	1	
- 20	2219094		. . EYELET ATT PT	8	
- 21	2204147		. . RECEIVER, BOTTOM	1	
- 22	2207643		. SPRING,HELICAL, EXTENSION- 55 TURNS	1	
- 23	2207671		. ELECTRONIC GATE ASSEMBLY FOR DETAIL BREAKDOWN SEE FIGURE 9	1	
- 24	2181004		. SCREW-HEX HD SELFTAP 10-32 X .375 LONG ATT PT	4	
- 25	2207674		. CABLE ASM,BASEPLATE FOR COMPONENTS SEE FIGURE 23-1H 4A,9,12B,22,44A,45, AND 46	1	
- 26	2219006		. GUIDE,CABLE	1	
- 27	2181011		. SCREW, SELF TAPPING, 6-32 X .50 LG. ATT PT	2	
- 28	2219005		. CLAMP,CABLE	1	
- 29	2207722		. CABLE ASSEMBLY,TRANSDUCER FOR COMPONENTS SEE FIGURE 23-21D,23A,23B,AND 44	1	
- 30	2204195		. CLAMP,ADAPTER	1	
- 31	2204189		. STANDOFF	2	
- 32	2219066		. SPRING	2	
- 33	2181012		. SCREW, SELF TAPPING, 8-32 X .437 LG. ATT PT	4	
- 34	2219178		. PIN, REST	2	
- 35	2219003		. BLOCK,COVER LOCATING	4	
- 36	322550		. SCREW,MACH-BIND HD 6-32 X 1/2 LG ATT PT	4	
- 37	2207642		. INTERLOCK ASSEMBLY FOR DETAIL BREAKDOWN SEE FIGURE 5	1	
- 38	2181004		. SCREW-HEX HD SELFTAP 10-32 X .375 LONG ATT PT	4	
- 39	2257195		. COVER ASM, AC BOX	1	3
- 39	NO NO.		. COVER ASM, AC BOX	1	4
- 40	2181005		. SCREW-HEX HD SELFTAP 6-32 X .375 LONG ATT PT	AR	
- 41	138754		. . LABEL,VOLTAGE WARNING	1	
- 42	2207634		. . LABEL, AC BOX	1	
- 42A	2207402		. . SEAL	AR	3
- 42B	2207633		. . COVER PLATE,ACCESS	1	4
- 42B	NO NO.		. . COVER PLATE,ACCESS	1	3
- 43	2207630		. BOX ASSEMBLY, 220 VOLT 60 HERTZ	1	
- 43	2207638		. BOX ASSEMBLY, 220 VOLT 50 HERTZ	1	
- 44	2181001		. SCREW,THD FORMING-HEX WASH HD 10-32X 3/4 ATT PT	2	
- 45	2204053		. COVER 2,PLENUM	1	
- 46	2181004		. SCREW-HEX HD SELFTAP 10-32 X .375 LONG ATT PT	2	
- 47	2204052		. COVER 1,PLENUM	1	
- 48	234340		. SCREW AND LOCKWASHER,HEX HD .25-20 X.50 ATT PT	1	
- 49	2219104		. FILTER ASM	1	
- 50	2204127		. . GASKET-RUBBER FILTER 3.38 ID X 5-1/4 OD	1	
- 51	2204128		. . FILTER-AIR 3.22 ID X 5.42 OD X 2.09 THK	1	
- 52	2204028		. ACTUATOR ASSEMBLY FOR DETAIL BREAKDOWN SEE FIGURE 11	1	
- 53	2181001		. SCREW,THD FORMING-HEX WASH HD 10-32X 3/4 ATT PT	5	
- 54	2207604		. HEAD ARM ASSEMBLY-TOP ASM COMPONENTS ARE NOT REPLACEABLE	1	

LIST 4 CONT.

LIST AND INDEX NUMBER	PART NUMBER	DESCRIPTION	UNITS PER ASM.	USABLE ON CODE
		13 SD ASSEMBLY -CONT		
4 - 55	2207605	• HEAD ARM ASSEMBLY-BOTTOM	1	
		• ASM COMPONENTS ARE NOT REPLACEABLE		
- 56	2204037	• OPENER, DOOR CARTRIDGE	1	
- 57	2199272	• SPRING, HELICAL, EXTENSION- 24 TURNS	1	
- 58	2204045	• BAFFLE, AIR	1	
- 59	234318	• SCREW, ASMD WASHER-FIL H 8-32 X 3/8 LG	ATT PT	2
- 60	2204047	• DISK GUIDE	1	
- 61	5319888	• SCREW, SELF TAPPING, 10-32 X .625 LONG	ATT PT	2
- 62	2219167	• TRANSDUCER ASSEMBLY	1	
		• ASM COMPONENTS ARE NOT REPLACEABLE		
- 63	322550	• SCREW, MACH-BIND HD 6-32 X 1/2 LG	ATT PT	1
- 64	2181001	• SCREW, THD FORMING-HEX WASH HD 10-32 X 3/4	ATT PT	1
- 65	2204073	• WASHER, CUP INSULATING	ATT PT	1
- 66	2204076	• SPRING-COMPRESSION 0.295 OD X 0.39 LG	1	
- 67	2219056	• CLAMP	1	
- 68	2204183	• SPRING, HELICAL, EXTENSION 35 TURNS	1	
- 69	2207714	• SPINDLE ASM, MAGNET AND	1	
		FOR DETAIL BREAKDOWN SEE FIGURE 7		
- 70	120211	• SCREW, MACH-HEX HD 10-32 X 1/2 LG	ATT PT	3
- 71	9092	• WASHER-LOCK, SPLIT RING, .194 ID .337 OD	ATT PT	3
- 74	2219049	• SWITCH, PUSH-SPDT 250VAC 10 AMP MOMENTARY	1	
- 75	2219170	• LABEL, SWITCHES	1	
- 76	2219048	• BRACKET	1	
- 77	2181005	• SCREW-HEX HD SELFTAP 6-32 X .375 LONG	ATT PT	2
- 78	2199134	• CLAMP, CABLE	3	
- 79	5349929	• SCREW, THD FORMING HEX- 8-32 X 1/2 LG	ATT PT	3
- 80	2204031	• SHROUD	1	
- 81	2181012	• SCREW, SELF TAPPING, 8-32 X .437 LG.	ATT PT	4
- 82	2164097	• SEAL, ACTUATOR SHIELD	1	
- 83	2199379	• DUCT, AIR CARTRIDGE	1	
- 84	2181004	• SCREW-HEX HD SELFTAP 10-32 X .375 LONG	ATT PT	2
- 85	2204139	• BLOWER ASSEMBLY-220 VOLT 50/60 HERTZ	1	
		FOR DETAIL BREAKDOWN SEE FIGURE 10		
- 86	2181004	• SCREW-HEX HD SELFTAP 10-32 X .375 LONG	ATT PT	4
- 87	2199391	• GASKET, BLOWER	1	
- 88	127712	• SCREW, SLOTTED HEX HD 5/16-18 X 3.0 LONG	1	
- 89	4564	• NUT, HEX 5/16-18 THREAD	1	
- 90	161351	• WASHER, FLAT 0.330 ID-0.625 OD-0.05 THK	1	
- 91	2199173	• BELT, FLAT-FILE DRIVE	1	
- 92	2199376	• MOTOR ASM, DRIVE-220 VOLT 60 HERTZ	1	
- 92	2199386	• MOTOR ASM, DRIVE-200 VOLT 50 HERTZ	1	
		FOR DETAIL BREAKDOWN SEE FIGURE 8		
- 93	59649	• SCREW, MACH-HEX HD 1/4-20 X 2 LG	ATT PT	3
- 94	6935	• WASHER, LOCK-SPLIT 1/4 X 0.493 OD	ATT PT	3
- 95	322550	• SCREW, MACH-BIND HD 6-32 X 1/2 LG	1	
- 96	2199380	• SPRING, HELICAL, EXTENSION- 34 TURNS	1	
- 97	59659	• SCREW, MACH HEX HD 5/16 X 2-1/4 LG	1	
- 98	4564	• NUT, HEX 5/16-18 THREAD	1	
- 99	127499	• WASHER, LOCK-INT TEETH 5/16 ID X 0.607 OD	1	
-100	2162551	• SWITCH, MICRO	1	1
-100	355343	• SWITCH, MOMENTARY	1	2
-101	438551	• SCREW, MACH-BIND HD 4-40 X 5/8 LG	ATT PT	2
-101	811417	• SCREW, HEX SOC, 6-32 X 0.500 LG	2	2
-102	2157349	• NUTPLATE, 4-40 DOUBLE HOLE	ATT PT	1
-102	2204035	• NUTPLATE, 4-40 DOUBLE HOLE	1	2
-102A	2219176	• ACTUATOR, SWITCH	1	2
-103	2204060	• SOLENOID ASSEMBLY, 24V-DC	1	
-104	58207	• SCREW, BD HD MACH-8-32 NC-2A X .250 LG	ATT PT	3
-105	45690	• WASHER, FLAT	ATT PT	3
-106	187243	• TERMINAL, SMALL TAPER 20-22-24 OR 26 AWG	2	
-107	2199129	• SOLENOID, 24V DC	1	
-107A	35868	• PIN, COTTER- 0.120 DIA X 7/8 LG	1	
-108	2219190	• BRACKET, SOLENOID HEAD LOAD ACTUATOR	1	1
-108	2199194	• BRACKET, SOLENOID HEAD, LOAD ACTUATOR	1	2
-109	2181012	• SCREW, SELF TAPPING, 8-32 X .437 LG.	ATT PT	2
-110	2204181	• PUSH ROD, TRANSDUCER	1	
-111	438564	• SCREW, MACHINE FILL.-HD, 6-32 X 1-304 LG	1	
-112	257986	• WASHER, 0.156 ID X 0.035 THK	1	
-113	344015	• NUT, SELF LKG, HEX- 6-32 X 5/16 FL W	1	
-114	302090	• TERMINAL BLOCK ASM-24 FEMALE CONTACTS	1	
-115	2191846	• SCREW, PAN HD 4-40 X 0.500 LONG	ATT PT	1
-116	302089	• SPRING-TERMINAL BOARD CONTACT	8	
-117	302088	• BLOCK, TERMINAL	1	
-118	302131	• STRIP-TERMINAL BLOCK INSULATOR	1	
-119	610083	• CAPACITOR ASM, 0.01 MFD	1	
-120	320167	• TERMINAL, QUICK DISCONNECT-NONINS 16AWG	2	
-121	492411	• CAPACITOR, FXD, FILM-0.01 UF P/M 5% 100V	1	
-122	104715	• PIN, DOWEL 0.312 OD X 1.00 LG	2	
-123	2207552	• BASE PLATE	1	

END OF LIST 4

FOR PARTS
NOT SHOWN
SEE FIG. 4

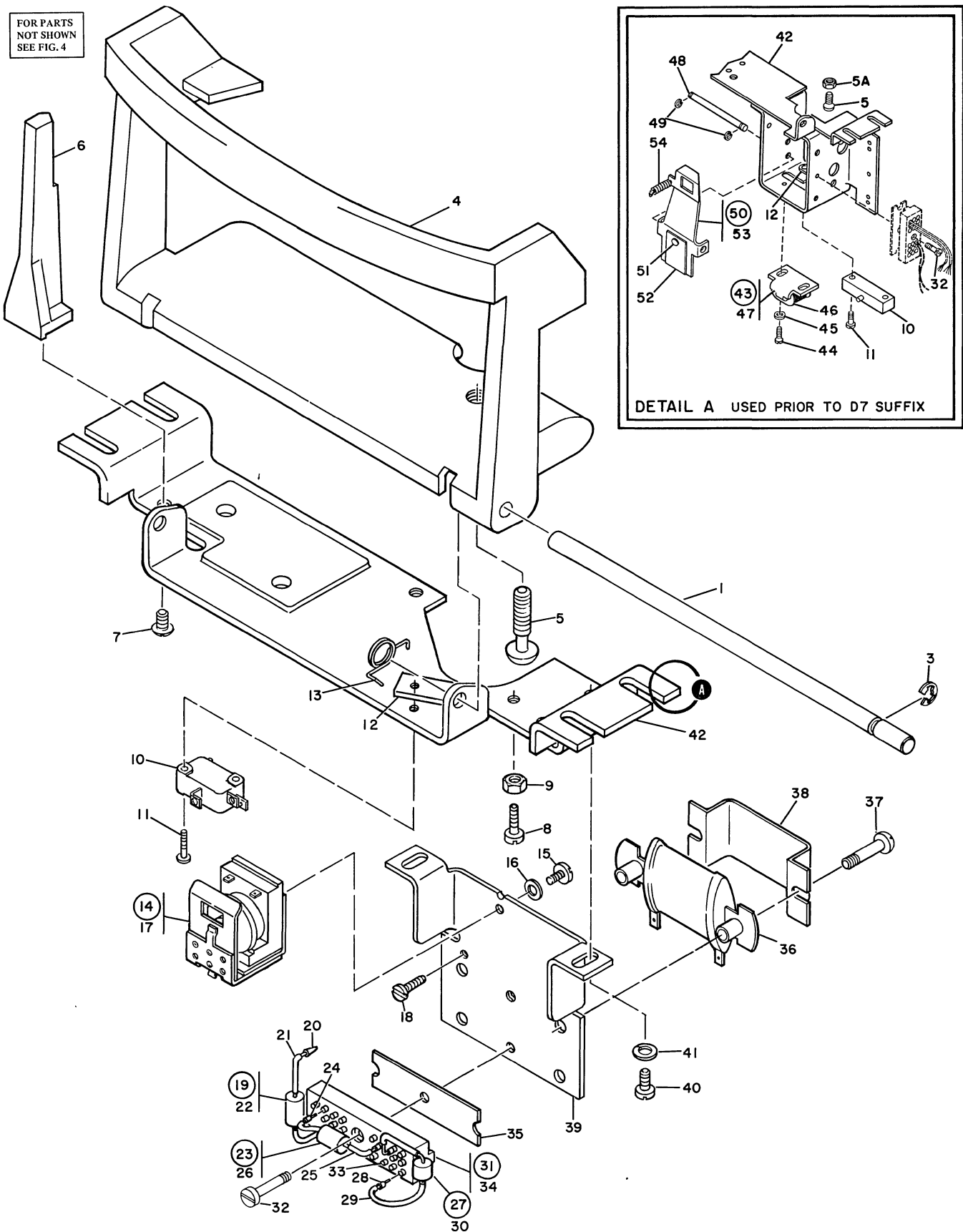


FIGURE 5. INTERLOCK ASSEMBLY.
SEE LIST 5

LIST 5

LIST AND INDEX NUMBER	PART NUMBER	DESCRIPTION	UNITS PER ASM.	USABLE ON CODE
		1 2 3 4 INTERLOCK ASSEMBLY		
5 -		CODE 1 USED ON ASM FROM D7 TO CURRENT CODE 2 USED ON ASM PRIOR TO D7 SUFFIX		
-	2207642	INTERLOCK ASSEMBLY FOR ILLUSTRATION SEE FIGURE 5 FOR NEXT HIGHER ASM SEE FIGURE 4-37	REF	
- 1	2199276	• SHAFT,HANDLE	1	
- 3	332747	• RING,RETAINING-EXT 0.207 ID X 0.025 THK ATT PT	1	
- 4	2207593	• HANDLE	1	
- 5	2207644	• SCREW, BUTTON HD HEX SOC 10-24 X 1-1/2LG	1	1
- 5	2199411	• SCREW,MACH-RH 0.312-18 X 1.00 IN. LG	1	2
- 5A	4564	• NUT, HEX 5/16-18 THREAD	1	2
- 6	2204085	• COLUMN, CARTRIDGE SUPPORT	2	
- 7	186758	• SCREW,MACH-BIND HD 8-32 X 7/16 LG ATT PT	2	
- 8	38393	• SCREW,MACH-FIL H 10-32 X 1-3/4 LG	1	
- 9	11598	• NUT,HEX, 10-32 X 0.375 FL W	1	
- 10	2162551	• SWITCH,MICRO	1	1
- 10	355343	• SWITCH,MOMENTARY	1	2
- 11	438551	• SCREW,MACH-BIND HD 4-40 X 5/8 LG ATT PT	2	1
- 11	52618	• SCREW,FILL HD,2-56 X .438 LG ATT PT	2	2
- 12	2157349	• NUTPLATE, 4-40 DOUBLE HOLE ATT PT	1	1
- 12	2204035	• NUTPLATE,4-40 DOUBLE HOLE	1	2
- 13	2207635	• SPRING, INTERLOCK	1	
- 14	2207637	• RELAY,ACTUATOR PICK 24VDC DROP 3VDC	1	
- 15	186758	• SCREW,MACH-BIND HD 8-32 X 7/16 LG ATT PT	1	
- 16	2903	• WASHER,FL-NO. 6 X 1/2 OD X 1/32 THK ATT PT	1	
- 17	2207636	• PLATE,STRIKER	1	
- 18	2181006	• SCREW, SELF TAPPING, 6-32 X 1.00 LG.	1	
- 19	2207960	• RESISTOR ASM	1	
- 20	360433	• TERMINAL-TAPER PIN 16/18AWG 0.073 NOM OD	2	
- 21	317304	• TUBING	2	
- 22	321196	• RESISTOR,FXD,COMP- 220 OHMS P/M 5% 1W	1	
- 23	2199447	• RESISTOR ASM-W/PLUGS 15 OHMS P/M 10% 5W	1	
- 24	187243	• TERMINAL, SMALL TAPER 20-22-24 OR 26 AWG	2	
- 25	512848	• TUBING	2	
- 26	520546	• RESISTOR,FXD,WW- 15 OHMS P/M 10% 5W	1	
- 27	615354	• DIODE ASM, SILICON TYPE AM	1	
- 28	187243	• TERMINAL, SMALL TAPER 20-22-24 OR 26 AWG	2	
- 29	113819	• TUBING	2	
- 30	2111232	• DIODE SILICON TYPE AM	1	
- 31	302090	• TERMINAL BLOCK ASM-24 FEMALE CONTACTS	2	
- 32	438550	• SCREW,MACH-BIND HD 4-40 X 1/2 LG ATT PT	2	1
- 32	2175684	• SCREW,THREAD FORMING-PAN HD 4-40 X 3/8LG ATT PT	2	2
- 33	302089	• SPRING-TERMINAL BOARD CONTACT	8	
- 34	302088	• BLOCK,TERMINAL	1	
- 35	302131	• STRIP-TERMINAL BLOCK INSULATOR	2	
- 36	2199312	• RESISTOR,WIREWOUND 100 OHMS 40 WATTS	1	
- 37	731627	• SCREW, PAN HEAD, 6-32 X .75 LONG ATT PT	2	
- 38	2207611	• SHIELD,40W RESISTOR	1	
- 39	2207639	• BRACKET, INTERLOCK	1	
- 40	38235	• SCREW,BIND HD 6-32 X .312 LONG ATT PT	2	
- 41	257986	• WASHER,0.156 ID X 0.035 THK ATT PT	2	
- 42	2207645	• BRACKET ASSEMBLY	1	1
- 42	2204056	• BRACKET,INTERLOCK-13SD	1	2
		ASM COMPONENTS ARE NOT REPLACEABLE		
- 43	2199287	• MAGNET ASM-INTERLOCK	1	2
- 44	2181008	• SCREW,SELF TAPPING, 8-32 X 0.375 LG ATT PT	2	2
- 45	45690	• WASHER,FLAT	2	2
- 46	620093	• COIL ASSEMBLY, 646 OHM - 790 OHM RES.	1	2
- 47	2204158	• BRACKET,CORE MTG	1	2
- 48	2199274	• PIN,PIVOT-INTERLOCK-13SD	1	2
- 49	332747	• RING,RETAINING-EXT 0.207 ID X 0.025 THK	2	2
- 50	2199288	• LATCH ASM-INTERLOCK	1	2
- 51	612781	• RIVET,SOLID- 0.124 DIA X 0.140 IN. LG	1	2
- 52	2199279	• SPACER,MAGNET	1	2
- 53	2199387	• LATCH,13SD	1	2
- 54	2199272	• SPRING,HELICAL, EXTENSION- 24 TURNS	1	2
		END OF LIST 5		

FOR PARTS
NOT SHOWN
SEE FIG. 4

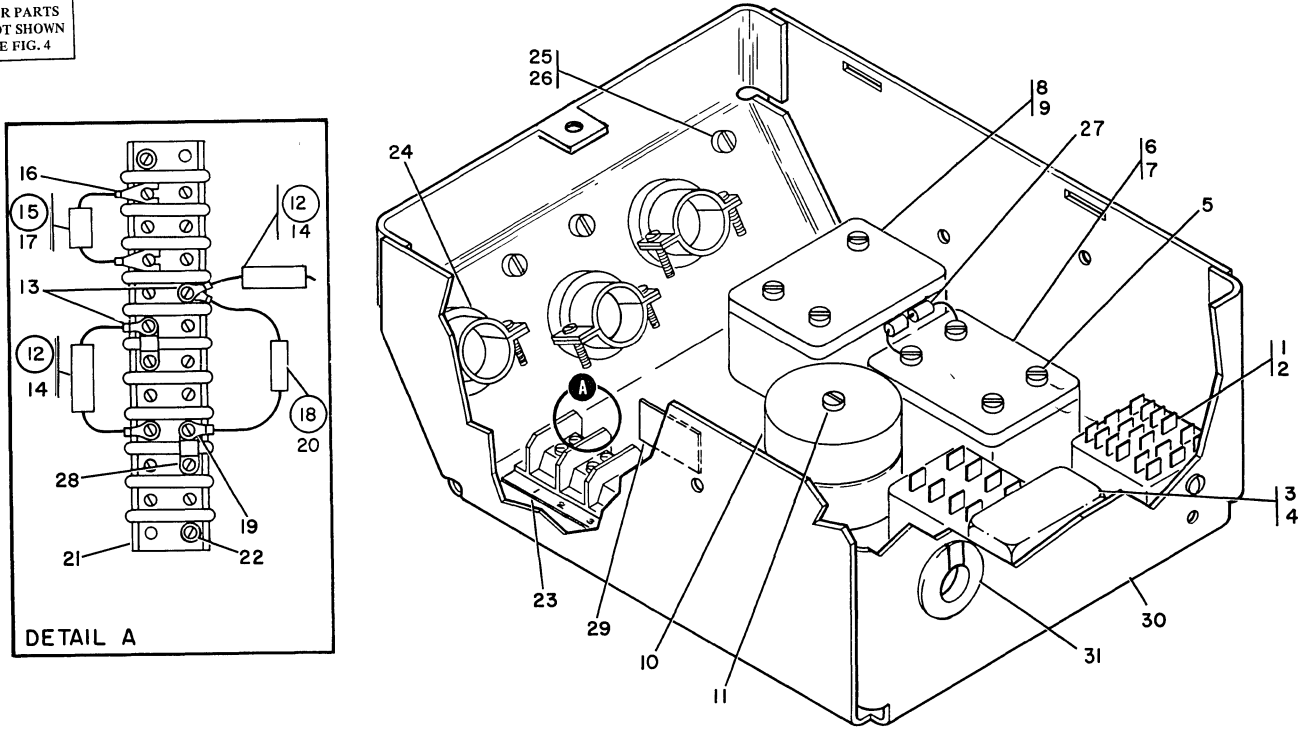


FIGURE 6. AC BOX ASSEMBLY.
SEE LIST 6

LIST 6

LIST AND INDEX NUMBER	PART NUMBER	DESCRIPTION				UNITS PER ASM.	USABLE ON CODE
		1	2	3	4		
		AC BOX ASSEMBLY					
6 -	2207630	BOX ASSEMBLY, 220 VOLT 60 HERTZ				REF	
-	2207638	BOX ASSEMBLY, 220 VOLT 50 HERTZ FOR ILLUSTRATION SEE FIGURE 6 FOR NEXT HIGHER ASM SEE FIGURE 4-43				REF	
- 1	2199251	• RELAY, 3PDT-48 VDC COIL				1	
- 2	81693	• SCREW, MACH-BIND HD 6-32 X 3/8 LG ATT PT				1	
- 3	2204173	• RELAY ASM, TIME DELAY 48VOLT DC, 100 SEC				1	
- 4	2181005	• SCREW-HEX HD SELFTAP 6-32 X .375 LONG ATT PT				2	
- 5	2219091	• SCREW, BINDING HD 6-32 X 0.19 LONG				7	
- 6	2219075	• RELAY, MOTOR START- 220 VOLT 60 HERTZ USED ON 2207630 ASM ONLY				1	
- 6	2199297	• RELAY, MOTOR START- 220 VOLT 50 HERTZ USED ON 2207638 ASM ONLY				1	
- 7	5350006	• SCREW, SELF TAPPING, 6-32 X .250 LONG ATT PT				2	
- 8	2204165	• RELAY ASM, MOTOR START- 50/60 HERTZ				1	
- 9	5350006	• SCREW, SELF TAPPING, 6-32 X .250 LONG ATT PT				2	
- 10	2160790	• CHOKE ASSEMBLY, TOROID				2	
- 11	438593	• SCREW-MACH-BIND HD NO. 8-32 X 2 1/2 LG ATT PT				1	
- 12	2160805	• CAPACITOR ASM, PAPER 0.01 MFD 20% 600VDC				2	

LIST 6 CONT.

LIST AND INDEX NUMBER	PART NUMBER	DESCRIPTION	UNITS	USABLE
			PER ASM.	ON CODE
		AC BOX ASSEMBLY -CONT		
6 - 13	1092019	. . TERMINAL, RING NONINS NO 22-16 AWGX0.145	2	
- 14	286531	. . CAPACITOR, PAPER 0.01MFD 20% 600VDC	1	
- 15	2219116	. DIODE ASM,SILICON TYPE AM	1	
- 16	186967	. . TERMINAL,LUG-NONINS 20AWG NO.6 MTG SLOT	2	
- 17	2111232	. . DIODE SILICON TYPE AM	1	
- 18	2101495	. RESISTOR ASM-W/LEADS 100 OHMS 2 W	1	
- 19	1092019	. . TERMINAL, RING NONINS NO 22-16 AWGX0.145	2	
- 20	322888	. . RESISTOR,FXD,COMP- 100 OHMS P/M 5% 2W	1	
- 21	322767	. TERMINAL BLOCK, 10 POSITION	1	
- 22	2181007	. SCREW, SELF TAPPING, 6-32 X .625 LG. ATT PT	2	
- 23	363434	. MARKER STRIP- 10 POS NOS. 1 THRU 10	1	
- 24	2100264	. RELIEF,CABLE STRAIN	3	
- 25	2181005	. SCREW-HEX HD SELFTAP 6-32 X .375 LONG	3	
26	56722	. WASHER-LOCK,EXT T, .150 ID	3	
27	5239143	. RC ASSEMBLY	1	
28	367115	. JUMPER-TERMINAL STRIP VDC DISTR BRS	2	
29	138754	. LABEL,VOLTAGE WARNING	1	
30	2207632	. BOX, USED PRIOR TO F9 SUFFIX	1	
30	2257194	. BOX, USED FROM F9 SUFFIX TO CURRENT	1	
		COMPONENTS NOT INCLUDED WITH ASSEMBLY		
31	92632	GROMMET,STRAIN RELIEF, 9/16 HOLE	1	
		END OF LIST 6		

FOR PARTS
NOT SHOWN
SEE FIG. 4

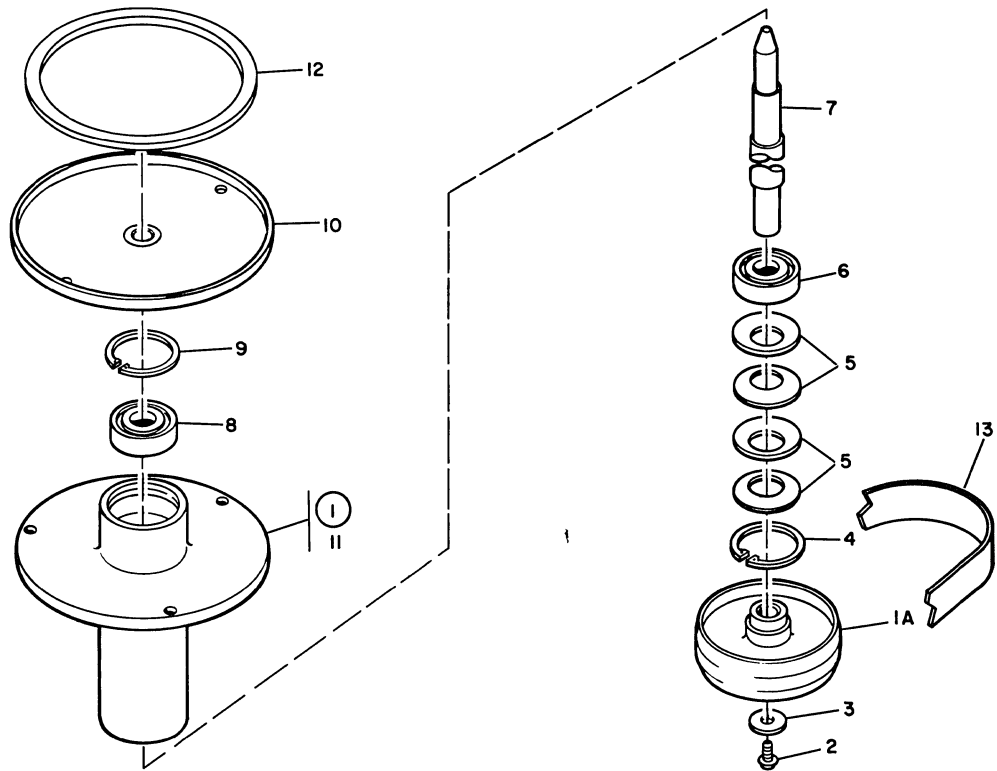


FIGURE 7. SPINDLE AND MAGNETIC CHUCK ASSEMBLY.
SEE LIST 7

LIST 7

LIST AND INDEX NUMBER	PART NUMBER	DESCRIPTION				UNITS PER ASM.	USABLE ON CODE
		1	2	3	4		
		SPINDLE AND MAGNETIC CHUCK ASSEMBLY					
7 -	2207714	SPINDLE ASM, MAGNET AND FOR ILLUSTRATION SEE FIGURE 7 FOR NEXT HIGHER ASM SEE FIGURE 4-69				REF	
- 1	2207713						
- 1A	2199332	H					
- 2	2181004	H			ATT PT	1	
- 3	1115973	H			ATT PT	1	
- 4	2207710	H				1	
- 5	2199329	H				4	
- 6	2207717	H				1	
- 7	2207708	H				1	
- 8	2207717	H				1	
- 9	2207710	H				1	
- 10	2207709	H				1	
		ASSEMBLY COMPONENTS ARE NOT REPLACEABLE					
- 11	2207707	H				1	
- 12	2207715					1	
		COMPONENTS NOT INCLUDED WITH ASSEMBLY					
- 13	2199173					1	
		END OF LIST 7					

FOR PARTS
NOT SHOWN
SEE FIG. 4

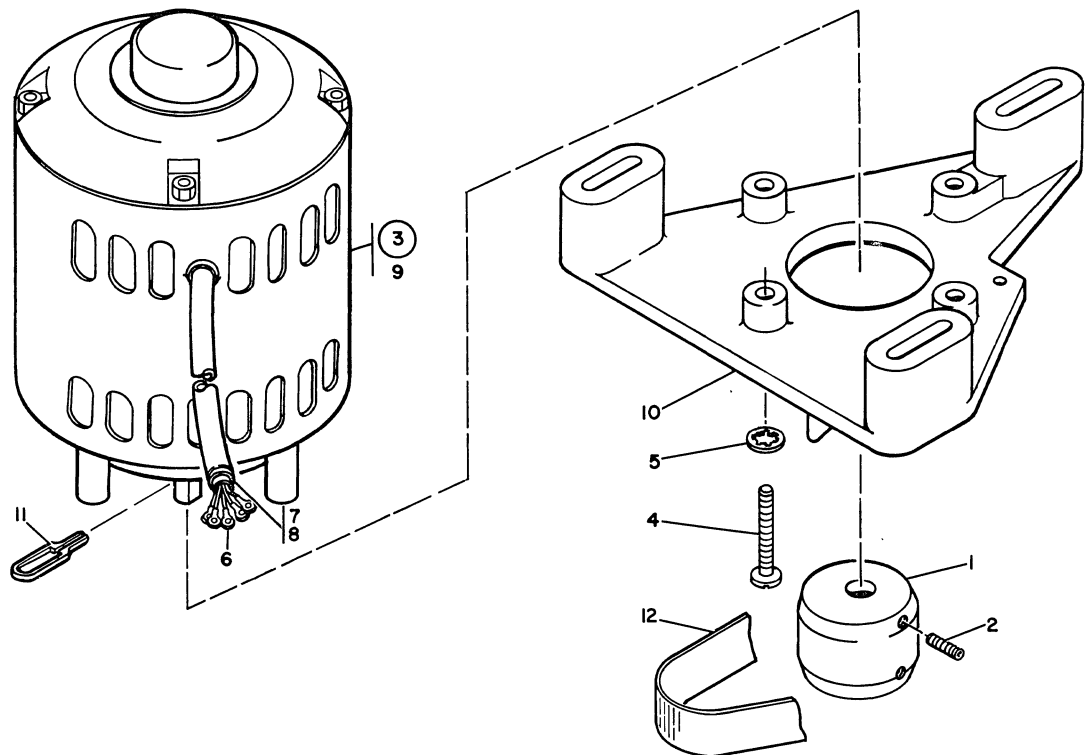


FIGURE 8. DRIVE MOTOR ASSEMBLY.
SEE LIST 8

LIST 8

LIST AND INDEX NUMBER	PART NUMBER	DESCRIPTION				UNITS PER ASM.	USABLE ON CODE
		1	2	3	4		
		DRIVE MOTOR ASSEMBLY					
8 -	2199376	MOTOR ASM,DRIVE-220 VOLT 60 HERTZ				REF	
-	2199386	MOTOR ASM,DRIVE-200 VOLT 50 HERTZ FOR ILLUSTRATION SEE FIGURE 8 FOR NEXT HIGHER ASM SEE FIGURE 4-92				REF	
- 1	2204176	• PULLEY,60 HERTZ				1	
- 1	2199255	• PULLEY,50 HERTZ				1	
- 2	79842	• SETSCREW-SPLINE DR CUP PT 8-32 X 3/8 LG. ATT PT				2	
- 3	2204116	• MOTOR ASM,220 VOLT 60 HERTZ				1	
- 3	2204118	• MOTOR ASM,220 VOLT 50 HERTZ				1	
- 4	5528	• SCREW,MACH-BIND HD 8-32 X 0.625 LG ATT PT USED ON 60 HERTZ ONLY				4	
- 4	507796	• SCREW,MACH-BIND HD 10-32 X 1 LG ATT PT USED ON 50 HERTZ ONLY				4	
- 5	60646	• WASHER,LOCK-INT TEETH NO. 8 X 0.340 OD ATT PT USED ON 60 HERTZ ONLY				4	
- 5	56121	• WASHER,LOCK-INT TEETH NO. 10 X 0.381 OD ATT PT USED ON 50 HERTZ ONLY				4	
- 6	334921	• • TERMINAL-LUG NO.22 THRU NO.18 WIRE INSUL				5	
- 7	2204083	• • FERRULE,OUTER				1	
- 8	2204082	• • FERRULE,INNER				1	
- 9	2199257	• • MOTOR,DRIVE-220 VOLT 60 HERTZ				1	
- 9	2199258	• • MOTOR,DRIVE-220 VOLT 50 HERTZ				1	
- 10	2199401	• PLATE,MOTOR MOUNTING 60 HERTZ				1	
- 10	2199402	• PLATE,MOTOR MOUNTING 50 HERTZ				1	
		COMPONENTS NOT INCLUDED WITH ASSEMBLY					
- 11	2204025	OILER,MOTOR 50 HERTZ				1	
- 12	2199173	BELT,FLAT-FILE DRIVE				1	
		END OF LIST 8					

FOR PARTS
NOT SHOWN
SEE FIG. 4

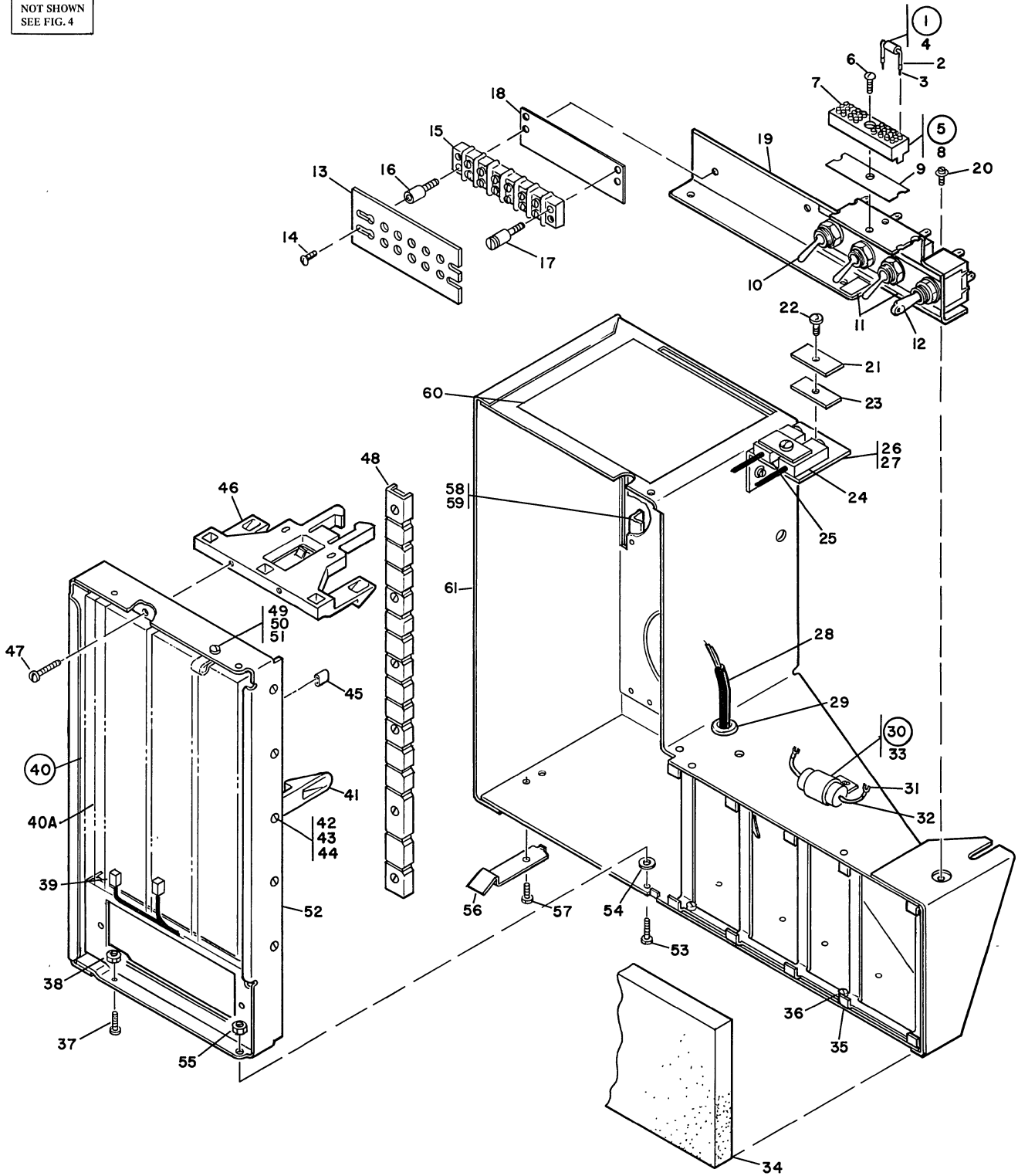


FIGURE 9. ELECTRONIC GATE ASSEMBLY.
SEE LIST 9

LIST 9

LIST AND INDEX NUMBER	PART NUMBER	DESCRIPTION	UNITS PER ASM.	USABLE ON CODE
		1 2 3 4 ELECTRONIC GATE ASSEMBLY		
9 -	2207671	ELECTRONIC GATE ASSEMBLY FOR ILLUSTRATION SEE FIGURE 9 FOR NEXT HIGHER ASM SEE FIGURE 4-23	REF	
- 1	615354	. DIODE ASM, SILICON TYPE AM	1	
- 2	113819	. . TUBING	2	
- 3	187243	. . TERMINAL, SMALL TAPER 20-22-24 DR 26 AWG	2	
- 4	2111232	. . DIODE SILICON TYPE AM	1	
- 5	302090	. TERMINAL BLOCK ASM-24 FEMALE CONTACTS	1	
- 6	2191846	. SCREW, PAN HD 4-40 X 0.500 LONG ATT PT	1	
- 7	302089	. . SPRING-TERMINAL BOARD CONTACT	8	
- 8	302088	. . BLOCK, TERMINAL	1	
- 9	302131	. STRIP-TERMINAL BLOCK INSULATOR	1	
- 10	479318	. SWITCH, TOGGLE, SPST	3	
- 11	2219027	. LABEL, IDENTIFICATION	1	
- 12	339036	. SWITCH, MICRO- TOGGLE	1	
- 13	186944	. SHIELD, TERMINAL BOARD- 6 POSITION	1	
- 14	210984	. SCREW, MACH RH 6-32 X .25 ATT PT	1	
- 15	317131	. TERMINAL BLOCK, 6 POSITION	1	
- 16	210883	. STUD, EXT 6-32 X 1/2 INT 6-32 X 0.19 DP ATT PT	1	
- 17	210884	. STUD, SLOTTED 6-32 X 1/2 LONG THREAD ATT PT	1	
- 18	322266	. MARKER STRIP- 6 POS NOS. 1 THRU 6	1	
- 19	2257133	. PANEL, BLANK	1	
- 20	2181005	. SCREW-HEX HD SELFTAP 6-32 X .375 LONG ATT PT	3	
- 21	2199132	. CLAMP, CABLE TERMINAL	2	
- 22	322551	. SCREW, BIND HD 6-32 X 0.75 LONG ATT PT	2	
- 23	2199133	. PAD, RUBBER-CABLE CLAMP	2	
- 24	2199249	. CABLE ASM- B HEAD TO EL. BOX EXTENSION	1	
- 25	2199138	FOR COMPONENTS SEE FIGURE 23-12 AND 14 . CABLE ASM-A HEAD TO EL. BOX EXTENSION FOR COMPONENTS SEE FIGURE 23-12 AND 14	1	
- 26	2257135	. BRACKET, HEAD LEADS	1	
- 27	2181004	. SCREW-HEX HD SELFTAP 10-32 X .375 LONG ATT PT	2	
- 28	2207672	. CABLE ASM, CE SWITCHES AND HEAD LOAD	1	
- 29	317192	FOR COMPONENTS SEE FIGURE 23-4A 5, 21B AND 22 . GROMMET, RUB-FOR 1/2 HOLE X 1/16 PNL	1	
- 30	194719	. CAPACITOR ASM-W/TERMINALS 16 UF 250 VDC	1	
- 31	255994	. . TERMINAL, LUG	2	
- 32	113819	. . TUBING	2	
- 33	444984	. . CAPACITOR, ELECTROLYTIC - 16UF 250VDC	1	
- 34	2199270	. FILTER, INTAKE	1	
- 35	2257136	. RETAINER, FILTER	1	
- 36	80650	. SCREW, THD CTG-BIND HD NO. 6 X 3/16 LG ATT PT	2	
- 37	1138818	. SCREW, MACH, BIND HD- 4-40 X 1/4 LG	2	
- 38	37913	. NUT, HEX 4-40 NC	2	
- 39	2199480	. CABLE ASM-SLT POWER FOR COMPONENTS SEE FIGURE 23-1, 10A, 17A, 18A, 19 AND 20	1	
- 40	2207673	. PANEL ASM, CUSTOMIZED BOARD, WITH CARDS	1	
40A	2199440	. BOARD ASM, WITHOUT CARDS ASSEMBLY COMPONENTS ARE NOT REPLACEABLE	1	
- 41	2219151	. CLAMP	4	
- 41	2204022	. CLAMP, PADDLE CARD USED ON ASM PRIOR TO S5 SUFFIX	5	
- 42	472729	. SCREW, MACH-FL CSK HD 4-40 X 3/8 LG ATT PT	4	
- 43	56722	. WASHER-LOCK, EXT T, .150 ID ATT PT	4	
- 44	37913	. NUT, HEX 4-40 NC ATT PT	4	
- 45	811090	. LOCATOR-OVAL	14	
- 46	2204121	. SUPPORT, RETAINER	2	

LIST 9 CONT.

LIST AND INDEX NUMBER	PART NUMBER	DESCRIPTION				UNITS PER ASM.	USABLE ON CODE
		1	2	3	4		
		ELECTRONIC GATE ASSEMBLY -CONT					
9 - 47	322551				. SCREW,BIND HD 6-32 X 0.75 LONG	ATT PT	4
- 48	2204120				. RETAINER ASSEMBLY,SLT CARD		1
- 49	81693				ASSEMBLY COMPONENTS ARE NOT REPLACEABLE		
- 50	56722				. SCREW,MACH-BIND HD 6-32 X 3/8 LG		1
- 51	257187				. WASHER-LOCK,EXT T, .150 ID		1
- 52	2204018				. NUT,HEX 6-32 NC		1
- 53	35739				. GATE WELDMENT,ELECTRONICS GATE		1
- 54	257986				. SCREW,MACH-BIND HD 6-32 X 15/16 LG	ATT PT	2
- 55	344015				. WASHER,0.156 ID X 0.035 THK	ATT PT	2
- 56	2219010				. NUT,SELF LKG,HEX- 6-32 X 5/16 FL W	ATT PT	2
- 57	2181005				. LATCH,ELECTRIC GATE		1
- 58	2257137				. SCREW-HEX HD SELFTAP 6-32 X .375 LONG	ATT PT	1
- 59	2181005				. RETAINER,BOARD		1
- 60	2219044				. SCREW-HEX HD SELFTAP 6-32 X .375 LONG	ATT PT	3
- 61	2257139				. LABEL,IDENTIFICATION		1
					. HOUSING,ELECTRONICS GATE		1
		END OF LIST 9					

FOR PARTS
NOT SHOWN
SEE FIG. 4

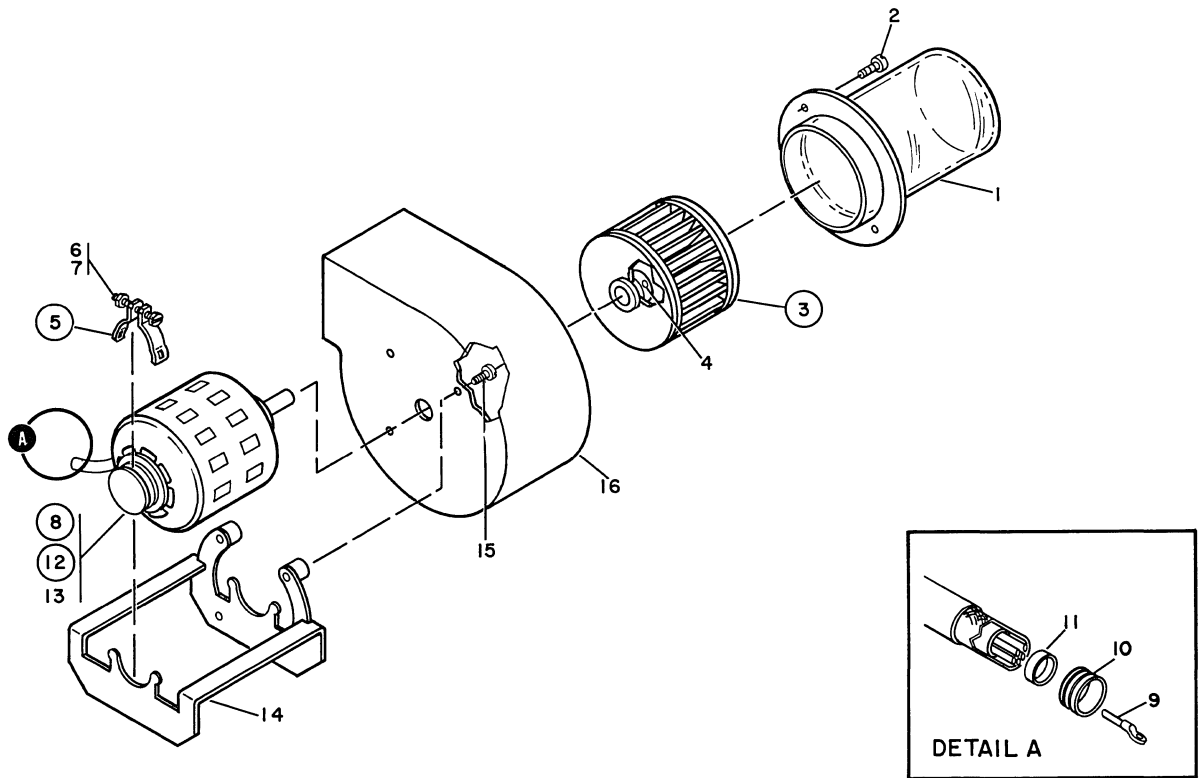


FIGURE 10. BLOWER ASSEMBLY.
SEE LIST 10

LIST 10

LIST AND INDEX NUMBER	PART NUMBER	DESCRIPTION	UNITS PER ASM.	USABLE ON CODE
		1 2 3 4		
		BLOWER ASSEMBLY		
10 -	2204139	BLOWER ASSEMBLY-220 VOLT 50/60 HERTZ FOR ILLUSTRATION SEE FIGURE 10 FOR NEXT HIGHER ASM SEE FIGURE 4-85	REF	
- 1	2204167	• TUBE,TRANSITION	1	
- 2	185052	• SCREW,BIND HD SELF TAP 3/8 LG ATT PT	3	
- 3	2204142	• IMPELLER	1	
- 4	176246	• . SETSCREW-SPLINE DR CUP PT 10-32 X 1/4 LG ATT PT	1	
- 5	2122113	• LATCH ASM,MOUNT,MOTOR	2	
- 6	251283	• . SCREW,MACH-FIL H 4-40 X 3/4 LG	1	
- 7	257187	• . NUT,HEX 6-32 NC	1	
- 8	2204143	• MOTOR ASM, 220 VOLT 50/60 HERTZ	1	
- 9	334921	• . TERMINAL-LUG NO.22 THRU NO.18 WIRE INSUL	5	
- 10	2204083	• . FERRULE,OUTER	1	
- 11	2204082	• . FERRULE,INNER	1	
- 12	2204136	• . MOTOR, 220 VOLT 50/60 HERTZ	1	
- 13	2204165	• . RELAY ASM,MOTOR START- 50/60 HERTZ	1	
		ASSEMBLY COMPONONETS ARE NOT REPLACEABLE		
- 14	2204135	• BRACKET ASSEMBLY	1	
- 15	322550	• SCREW,MACH-BIND HD 6-32 X 1/2 LG ATT PT	4	
		ASSEMBLY COMPONENTS ARE NOT REPLACEABLE		
- 16	2204001	• SCROLL,BLOWER	1	
		END OF LIST 10		

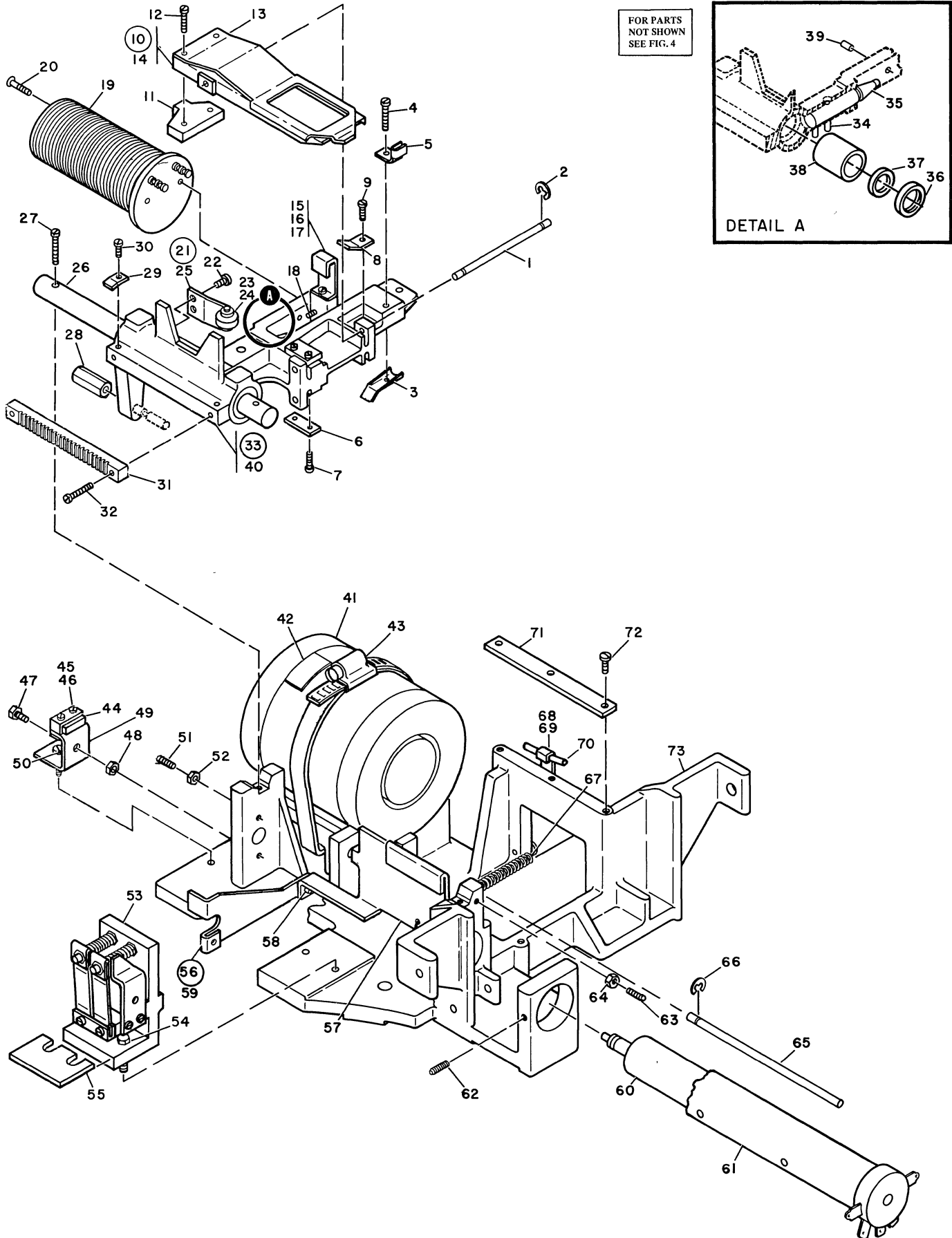


FIGURE 11. ACTUATOR ASSEMBLY.
SEE LIST 11

LIST 11

LIST AND INDEX NUMBER	PART NUMBER	DESCRIPTION	UNITS PER ASM.	USABLE ON CODE
		ACTUATOR ASSEMBLY		
11 -	2204028	ACTUATOR ASSEMBLY FOR ILLUSTRATION SEE FIGURE 11 FOR NEXT HIGHER ASM SEE FIGURE 4-52	REF	
- 1	2199038	. PIN, PIVOT-HEAD LOAD	2	
- 2	251989	. RING, RETAINING 0.051 ID-1.40 OD-0.01 TH ATT PT	4	
- 3	2219015	. CLAMP, LOWER HEAD ARM	1	
- 4	2219157	. SCREW, MACH-SOC HD CAP 4-40 X 0.625 LG ATT PT	1	
- 5	2207603	. CLAMP CABLE	1	
- 6	2199042	. PLATE-HOLD DOWN HEAD	2	
- 7	2219156	. SCREW, MACH-BIND HD 4-40 X 0.250 LG ATT PT	4	
- 8	2207543	. CLAMP-UPPER HEAD SST	1	
- 9	2219155	. SCREW, MACH-SOC HD CAP 4-40 X 0.312 LG ATT PT	1	
- 10	2199014	. LOAD ASM, HEAD	2	
- 11	2199060	. . FOLLOWER, CAM-HEAD LOAD	1	
- 12	2219158	. . SCREW, MACH-BIND HD 4-40 X 0.125 ATT PT	2	
- 13	2199061	. . SPRING, HEAD LOAD	1	
- 14	2199063	. . SUPPORT, HEAD LOAD SPRING	1	
- 15	2199083	. CLIP, COIL LEAD	1	
- 16	2219154	. SCREW, MACH-FIL HD 2-56 X 0.188 LG ATT PT	1	
- 17	263217	. WASHER, LOCK-INT TEETH NO. 2 X 0.180 OD ATT PT	1	
- 18	2207592	. SETSCREW, CRES, 6-32 X 1/2 LG	2	
- 19	2199429	. COIL ASSEMBLY-VOICE	1	
		ASSEMBLY COMPONENTS ARE NOT REPLACEABLE		
- 20	2219036	. SCREW, MACH-FLAT HD 4-40 X 0.281 LG ATT PT	2	
- 21	2219038	. BEARING ASSEMBLY, PRELOAD	1	
- 22	2199399	. SCREW, MACH-BIND HD 4-40 X 0.125 IN. LG ATT PT	2	
- 23	2199498	. . BEARING	1	
- 24	2219062	. . PIN, STRAIGHT, RD, STEEL, 0.1874 DIA X 1/2 LG ATT PT	1	
- 25	2204048	. . SPRING, BEARING PRELOAD	1	
- 26	2207505	. RAIL	1	
- 27	2204069	. SCREW, MACH-HEX WASHER HD 4-40 X 0.625 LG ATT PT	2	
- 28	2204043	. ACTUATOR, HOME SWITCH	1	
- 29	2204160	. SPRING, RACK MOUNT	1	
- 30	2219154	. SCREW, MACH-FIL HD 2-56 X 0.188 LG ATT PT	1	
- 31	2204067	. DETENT	1	
- 32	2121379	. SCREW, MACH-BUTTON HD 6-32 X 1/4 LG ATT PT	1	
- 33	2207531	. CARRIAGE ASSEMBLY	1	
- 34	2219159	. . ROLL PIN, CARRIAGE ASSEMBLY	2	
- 35	2199163	. . CAM, HEAD LOAD	1	
- 36	2199160	. . RETAINER, WIPER	2	
- 37	2199161	. . WIPER, FELT	2	
- 38	2199497	. . BEARING,	2	
- 39	2219160	. . DOWEL PIN, CARRIAGE ASSEMBLY	1	
- 40	2207545	. . HOUSING-LINEAR CARRIAGE	1	
- 41	2204000	. DRIVE MAGNET ASSEMBLY	1	
		ASSEMBLY COMPONENTS ARE NOT REPLACEABLE		
- 42	2219034	. LABEL-WARNING STRONG MAGNET	1	
- 43	5212727	. CLAMP, HOSE-NO 3	1	
- 44	2129508	. SWITCH, SENSITIVE- SPDT 20V DC 1 AMP	1	
- 45	438541	. SCREW, MACH-BIND HD 2-56 X 7/16 LG ATT PT	2	
- 46	2121393	. BLOCK-SWITCH ATT PT	1	
- 47	845	. SCREW, MACH-FIL H 8-32 X 1/2 LG	1	
- 48	257189	. NUT, HEX 8-32	1	
- 49	2204046	. BRACKET, HOME SWITCH	1	
- 50	186759	. SCREW, MACH-BIND HD 8-32 X 5/16 LG ATT PT	1	
- 51	2219092	. SETSCREW, STEEL, 10-32 X 3/4 LG	1	
- 52	11598	. NUT, HEX, 10-32 X 0.375 FL W	1	
- 53	2204106	. DETENT ASSEMBLY	1	
		ASSEMBLY COMPONENTS ARE NOT REPLACEABLE		
- 54	2195400	. SCREW, SHLD-HEX HD 8/32 ATT PT	2	
- 55	2219035	. SPACER-DETENT MOUNT	1	

FOR PARTS
NOT SHOWN
SEE FIG. 3

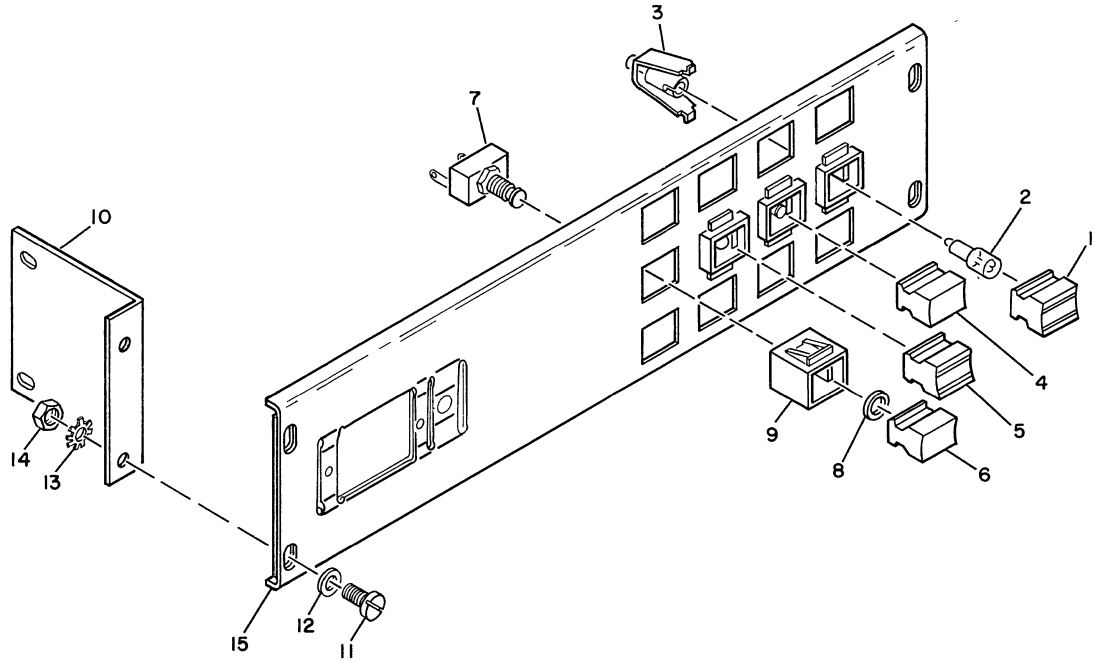


FIGURE 12. CONTROL PANEL ASSEMBLY.
SEE LIST 12

LIST 12

LIST AND INDEX NUMBER	PART NUMBER	DESCRIPTION	UNITS PER ASM.	USABLE ON CODE
		CONTROL PANEL ASSEMBLY		
12 -		CODE A DOUBLE QUANTITY FOR MODEL 2 AND TRIPLE QUANTITY FOR MODEL 3		
-	2195169	CONTROL PANEL ASM, 60 HERTZ	REF	
-	2196345	CONTROL PANEL ASM, 50 HERTZ	REF	
		FOR ILLUSTRATION SEE FIGURE 12. FOR NEXT HIGHER ASM SEE FIGURE 3-20		
- 1	2195178	• LENS, WHITE CARTRIDGE UNLOCKED	1	A
- 2	5362163	• LAMP, INDICATOR -48VDC-.060 AMPS-BAYONET	2	A
- 3	827840	• SOCKET, SINGLE CONTACT, BAYONET BASE	2	A
- 4	749033	• BUTTON, STOP	1	A
- 5	2194737	• LENS, READY	1	A
- 6	5350020	• BUTTON, ENGLISH	1	A
- 7	553380	• SWITCH, PUSH-DPDT	2	A
- 8	5311437	• NUT, SWITCH 0.469-32 ATT PT	1	A
- 9	827841	• HOUSING, SWITCH AND LIGHT	4	A
- 10	2195171	• BRACKET, CONTROL MOUNTING	2	
- 11	332620	• SCREW, MACH-BIND HD 10-32 X 1/2 LG ATT PT	4	
- 12	45690	• WASHER, FLAT ATT PT	4	
- 13	56079	• WASHER-LOCK, EXT T .204 ID .410 OD ATT PT	4	
- 14	11598	• NUT, HEX, 10-32 X 0.375 FL W ATT PT	4	
- 15	2195170	• PLATE, CONTROL MOUNTING	1	
		END OF LIST 12		

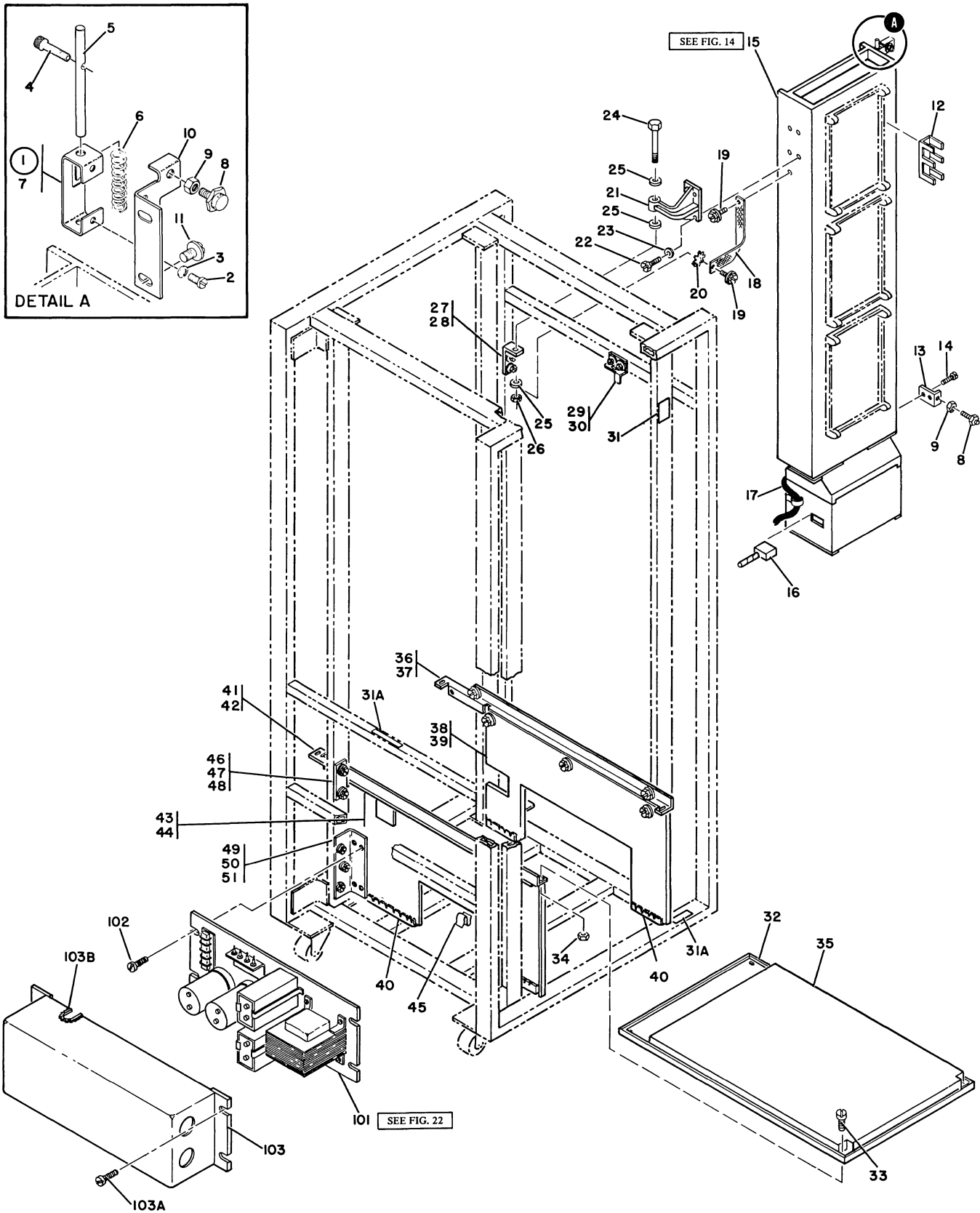


FIGURE 13. GATE AND POWER GROUP. SHEET 1 OF 2, INDEX NOS. 1-51 AND 101-103B.
SEE LIST 13

LIST 13

LIST AND INDEX NUMBER	PART NUMBER	DESCRIPTION				UNITS PER ASM.	USABLE ON CODE
		1	2	3	4		
		GATE AND POWER GROUP					
13 -		CODE A USED ON 60 HERTZ ONLY CODE B USED ON 50 HERTZ ONLY CODE C USED ON MODEL 1 ONLY CODE D USED ON MODEL 2 ONLY CODE E USED ON MODEL 3 ONLY					
-	2195100	NP	GATE AND POWER GROUP FOR ILLUSTRATION SEE FIGURE 13			NP	
- 1	2172092		. LATCH ASSEMBLY-GATE			1	
- 2	38235		. SCREW,BIND HD 6-32 X .312 LONG			2	ATT PT
- 3	56722		. WASHER-LOCK,EXT T, .150 ID			2	ATT PT
- 4	528013		. . STUD-LATCH			1	
- 5	528014		. . PIN-LATCH			1	
- 6	528012		. . SPRING,HELICAL,COMPR			1	
- 7	528011		. . BRACKET-LATCH			1	
- 8	2162561		. SCREW ASSEMBLY, RETRACT STOP, 1.156 LG ASSEMBLY COMPONENTS ARE NOT REPLACEABLE			2	
- 9	3960		. NUT,PLAIN,HEX- 174-20 X 7/16 FL W			2	
- 10	2183613		. BRACKET,LATCH			1	
- 11	2181004		. SCREW-HEX HD SELFTAP 10-32 X .375 LONG			2	ATT PT
- 12	2242323		. BRACKET			8	
- 13	2183611		. BRACKET			1	
- 14	2181004		. SCREW-HEX HD SELFTAP 10-32 X .375 LONG			2	ATT PT
- 15	2195115		. GATE ASSEMBLY, 50/60 HERTZ FOR DETAIL BREAKDOWN SEE FIGURE 14			1	
- 16	2195913		. CABLE ASM,GATE FAN DISTRIBUTION FOR COMPONENTS SEE FIGURE 23-1,-1A,-7B, -23 AND -46			1	
- 17	2195911		. CABLE ASM,POWER GATE FOR COMPONENTS SEE FIGURE 23-1G			1	
- 18	2101089		. STRAP,GROUND,518 X 7 IN.			1	
- 19	5353301		. SCREW-THREAD FORMING, HEX. WASHER HEAD			2	ATT PT
- 20	76574		. WASHER, LOCK-EXT. TEETH .250			1	ATT PT
- 21	2195165		. HINGE-GATE ALUMINUM			2	
- 22	38688		. SCREW,HEX HD,1/4-20 X 0.750 LG			8	ATT PT
- 23	6935		. WASHER,LOCK-SPLIT 1/4 X 0.493 OD			8	ATT PT
- 24	186921		. BOLT,HINGE			2	
- 25	130985		. WASHER,FL- 0.531 ID 1-1/16 OD 0.095 THK			6	ATT PT
- 26	7320365		. NUT-HINGE BOLT			2	ATT PT
- 27	2195261		. HINGE,GATE			2	
- 28	5353301		. SCREW-THREAD FORMING, HEX. WASHER HEAD			4	ATT PT
- 29	2183612		. STRIKE PLATE			1	
- 30	2181004		. SCREW-HEX HD SELFTAP 10-32 X .375 LONG			2	ATT PT
- 31	2195433		. LABEL,CAUTION			2	
- 31A	369207		. LABEL-VOLTAGE			4	
- 32	2195617		. SHROUD,TOP,POWER SUPPLY			1	
- 33	32042		. SCREW, MACH BIND. HD 10-32 X 3/8 LG.			4	ATT PT
- 34	11598		. NUT,HEX, 10-32 X 0.375 FL W			4	ATT PT
- 35	2195618		. SEAL,ACOUSTICAL			1	
- 36	2195623		. BRACKET,SHROUD SUPPORT,RIGHT HAND			1	
- 37	2181004		. SCREW-HEX HD SELFTAP 10-32 X .375 LONG			2	ATT PT
- 38	2195619		. SHROUD,SIDE,RIGHT HAND,POWER SUPPLY			1	
- 39	2181004		. SCREW-HEX HD SELFTAP 10-32 X .375 LONG			3	ATT PT
- 40	2175867		. GROMMET,CATAPILLAR			AR	
- 41	2195622		. BRACKET,SHROUD SUPPORT,LEFT HAND			1	
- 42	2181004		. SCREW-HEX HD SELFTAP 10-32 X .375 LONG			2	ATT PT
- 43	2195615		. SHROUD,SIDE,LEFT HAND,POWER SUPPLY			1	
- 44	2181004		. SCREW-HEX HD SELFTAP 10-32 X .375 LONG			3	ATT PT
- 45	2195621		. FASTENER,S TYPE			3	
- 46	2162453		. BAR, BUS			1	
- 47	5319888		. SCREW, SELF TAPPING, 10-32 X .625 LONG			2	ATT PT
- 48	56079		. WASHER-LOCK,EXT T .204 ID .410 OD			2	ATT PT
- 49	2195159		. BRACKET,SUPPORT 48V POWER SUPPLY			1	
- 50	2181004		. SCREW-HEX HD SELFTAP 10-32 X .375 LONG			3	ATT PT
- 51	56079		. WASHER-LOCK,EXT T .204 ID .410 OD			1	ATT PT

LIST 13 CONT.

LIST AND INDEX NUMBER	PART NUMBER	DESCRIPTION	UNITS PER ASM.	USABLE ON CODE
		1 2 3 4		
		GATE AND POWER GROUP -CONT		
13 - 55	2195191	• POWER ASSEMBLY, SEQUENCING FOR DETAIL BREAKDOWN SEE FIGURE 16		1
- 56	2181004	• SCREW-HEX HD SELFTAP 10-32 X .375 LONG	ATT PT	4
- 57	56079	• WASHER-LOCK, EXT T .204 ID .410 OD	ATT PT	1
- 61	2195914	• CABLE ASM, POWER IN CONNECTOR FOR COMPONENTS SEE FIGURE 23-1G, -5A, -26A, -27, -28, -29 AND -29A		1
- 62	438549	• SCREW, MACH-BIND HD 4-40 X 7/16 LG	ATT PT	4
- 62A	338169	• WASHER, LOCK-EXT TEETH NO. 4 X 9/32 OD	ATT PT	4
- 62B	37913	• NUT, HEX 4-40 NC	ATT PT	4
- 63	2192539	• CLIP, SPRING		2
- 64	2195906	• CABLE ASM, AC SUPPLY DISTRIBUTION FOR COMPONENTS SEE FIGURE 23-1 AND -1A		1
- 65	2195912	• CABLE ASM, 48V POWER DISTRIBUTION FOR COMPONENTS SEE FIGURE 23-1, -1A, -1C, -1F AND 1G		1
- 67	2195987	• CABLE ASM, I/O MONITOR RECEPTACLE FOR COMPONENTS SEE FIGURE 23-1A, -8, -26B, -31A, -32A AND -33		1
- 68	438549	• SCREW, MACH-BIND HD 4-40 X 7/16 LG	ATT PT	4
- 68A	338169	• WASHER, LOCK-EXT TEETH NO. 4 X 9/32 OD	ATT PT	4
- 68B	37913	• NUT, HEX 4-40 NC	ATT PT	4
- 69	2195038	• DUMMY-SERPENT CONNECTOR		2
- 70	2195177	• T BAR		6
- 71	5350012	• SCREW, THD FORMING HEX WSR HD 8-32 X .25	ATT PT	12
- 72	2195162	• BRACKET-CONNECTOR CLAMPING		4
- 73	5350012	• SCREW, THD FORMING HEX WSR HD 8-32 X .25	ATT PT	8
- 74	301355	• STRIP-SEALING		AR
- 75	2195616	• SHROUD, SIDE, LEFT HAND REAR, POWER SUPPLY		1
- 76	2181004	• SCREW-HEX HD SELFTAP 10-32 X .375 LONG	ATT PT	2
- 77	2195620	• SHROUD, SIDE, RIGHT HAND REAR, POWER SUPPLY		1
- 78	2181004	• SCREW-HEX HD SELFTAP 10-32 X .375 LONG	ATT PT	2
- 79	2195176	• TAILGATE		1
- 80	2181004	• SCREW-HEX HD SELFTAP 10-32 X .375 LONG	ATT PT	4
- 81	56079	• WASHER-LOCK, EXT T .204 ID .410 OD	ATT PT	1
- 83	836978	• PLATE-CBM POWER		1
- 84	2195284	• BRACKET-STUD SUPPORT		2
- 85	2181004	• SCREW-HEX HD SELFTAP 10-32 X .375 LONG	ATT PT	4
- 86	2195296	• STUD-CABLE CLAMP		1
- 87	3960	• NUT, PLAIN, HEX- 1/4-20 X 7/16 FL W	ATT PT	4
- 88	2191879	• CLAMP, 0.468 ID		AR
- 88	2191880	• CLAMP, 0.562 ID		AR
- 88	2191881	• CLAMP, 0.842 ID		AR
- 88	2191882	• CLAMP, 0.968 ID		AR
- 89	322551	• SCREW, BIND HD 6-32 X 0.75 LONG	ATT PT	8
- 90	56722	• WASHER-LOCK, EXT T, .150 ID	ATT PT	8
- 91	257187	• NUT, HEX 6-32 NC	ATT PT	8
- 92	5362304	• CONNECTOR ASSEMBLY - HALF STYLE A		2
- 93	5353867	• CONNECTOR BLOCK - STYLE A		1
- 94	109918	• SCREW, FLAT AD, SELF TAP, 4-40 X 0.50 LG	ATT PT	2
- 95	5362303	• CONTACT AND PIN ASSEMBLY ASSEMBLY COMPONENTS ARE NOT REPLACEABLE		48
- 96	5404468	• BRACKET ASSEMBLY		2
- 97	112628	• SCREW, BIND HD, SELF TAP, 4-40 X 3/8 LG		4
- 98	5404467	• PAD, PRESSURE		AR
- 99	5404466	• CLAMP, CABLE		1
- 100	5353902	• GUIDE-PIN		1

LIST 13 CONT.

LIST AND INDEX NUMBER	PART NUMBER	DESCRIPTION	UNITS PER ASM.	USABLE ON CODE
		GATE AND POWER GROUP -CONT FOLLOWING COMPONENTS ARE FEATURES ONLY		
13 -101 -101	196403 5709490	POWER SUPPLY ASM,48V AT 6.0 AMP,60 HZ POWER SUPPLY ASM,48V AT 6.0 AMP,50 HZ	1 1	A B
		FOR DETAIL BREAKDOWN SEE FIGURE 22		
-102 -103	2181004 2194630	SCREW-HEX HD SELFTAP 10-32 X .375 LONG ATT PT SHIELD,48V POWER SUPPLY	4 1	
-103A -103B -104	2181004 2175867 2195156	SCREW-HEX HD SELFTAP 10-32 X .375 LONG ATT PT GROMMET,NYLON POWER SUPPLY ASSEMBLY, 60 HERTZ	4 AR 1	
-104	2195158	POWER SUPPLY ASSEMBLY, 50 HERTZ FOR DETAIL BREAKDOWN SEE FIGURE 17	1	
-105	2181004	SCREW-HEX HD SELFTAP 10-32 X .375 LONG ATT PT	10	
-106	56079	WASHER-LOCK,EXT T .204 ID .410 OD ATT PT	1	
-108	2195915	CABLE ASM,AC POWER, SD NO. 1 USED ON MODELS 1, 2 AND 3	1	
-108	2195916	CABLE ASM,AC POWER, SD NO. 2 USED ON MODELS 2 AND 3	1	
-108	2195917	CABLE ASM,AC POWER, SD NO. 3 USED ON MODEL 3 ONLY	1	
		FOR COMPONENTS SEE FIGURE 23-1C,-1D, AND -12A		
-109	359018	COVER, CONVENIENCE OUTLET	1	
-110	316807	SCREW,MACH-FH,NO. 6-32 X .375 LG ATT PT	1	
-111	357995	OUTLET,CONVENIENCE,60 HERTZ	1	A
-111	418835	OUTLET,CONVENIENCE,220V 50 HZ	1	B
-112	81693	SCREW,MACH-BIND HD 6-32 X 3/8 LG ATT PT	2	
-113	2102151	BOX-UTILITY	1	
-114	234329	SCREW AND LOCKWASHER- 10-32 X .375 LG ATT PT	2	
-115	2100264	RELIEF,CABLE STRAIN	1	
-116	2195168	BRACKET,CONVENIENCE OUTLET MTG.	1	
-117	2181004	SCREW-HEX HD SELFTAP 10-32 X .375 LONG ATT PT	4	
-118	56079	WASHER-LOCK,EXT T .204 ID .410 OD ATT PT	1	
-119	2196096	CABLE ASM,1810 POWER INTER CONN FOR COMPONENTS SEE FIGURE 23-11,-25,-26, -26A,-27,-28,-29,-29A,-30,-31 AND -32	1	
-120	2195952	CABLE ASM FOR COMPONENTS SEE FIGURE 23-38,47, 48,49,50 AND 51	2	
-121	2183347	DUMMY,SERPENT CONNECTOR	6	C
-121	2183347	DUMMY,SERPENT CONNECTOR	3	D
-122	5393056	TRANSITION ASSEMBLY,STYLE A	2	C
-122	5393056	TRANSITION ASSEMBLY,STYLE A	4	D
-122	5393056	TRANSITION ASSEMBLY,STYLE A	6	E
-122	5393057	TRANSITION ASSEMBLY,STYLE B	1	C
-122	5393057	TRANSITION ASSEMBLY,STYLE B	2	D
-122	5393057	TRANSITION ASSEMBLY,STYLE B	3	E
-123	5393041	• BLOCK CONNECTOR-24 POS USED ON ASM 5393056 ONLY	1	
-123	5393042	• BLOCK	1	
		USED ON ASM 5393057 ONLY		
-124	438546	• SCREW,MACH-FIL H 4-40 X 7/8 LG ATT PT	2	
-125	5362303	• CONTACT AND PIN ASSEMBLY	24	
		ASSEMBLY COMPONENTS ARE NOT REPLACEABLE		
-126	5404468	• BRACKET ASSEMBLY	1	
-127	112628	• SCREW,BIND HD,SELF TAP,4-40 X 3/8 LG ATT PT	2	
-128	5404467	• • PAD,PRESSURE	AR	
-129	5404466	• • CLAMP,CABLE	1	
-130	5343044	• GUIDE,PIN	1	
-131	2195210	SHIELD,CAPACITOR	1	
-132	2181004	SCREW-HEX HD SELFTAP 10-32 X .375 LONG	4	
-133	2175867	SEAL	AR	
		END OF LIST 13		

FOR PARTS
NOT SHOWN
SEE FIG. 13

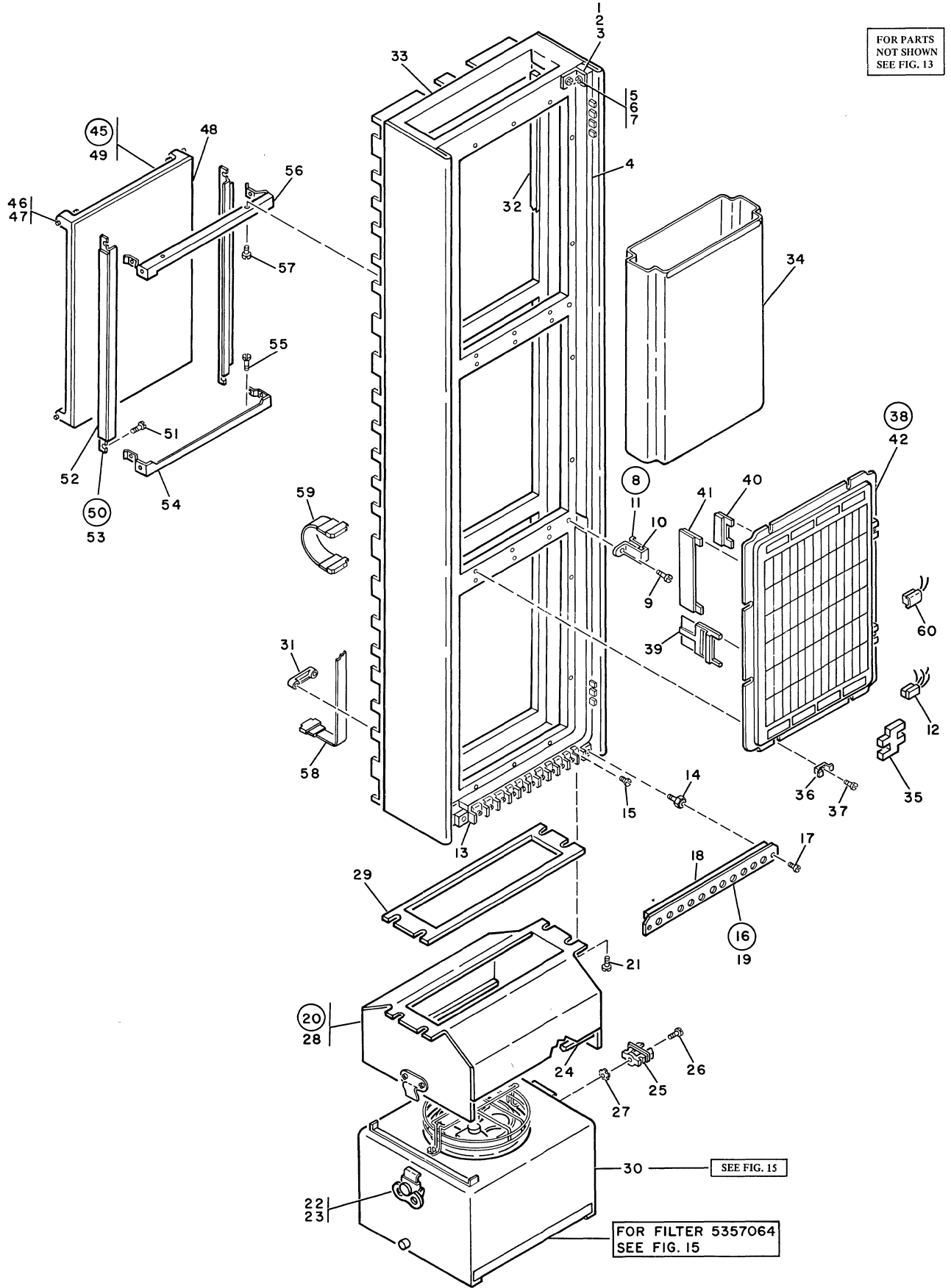


FIGURE 14. GATE ASSEMBLY.
SEE LIST 14

LIST 14

LIST AND INDEX NUMBER	PART NUMBER	DESCRIPTION	UNITS PER ASM.	USABLE ON CODE
		1 2 3 4		
		GATE ASSEMBLY		
14 -		CODE A USED ON MODEL 1 ONLY		
		CODE B USED ON MODEL 2 ONLY		
-		CODE C USED ON MODEL 3 ONLY		
-	2195115	GATE ASSEMBLY, 50/60 HERTZ FOR ILLUSTRATION SEE FIGURE 14 FOR NEXT HIGHER ASM SEE FIGURE 13-15	REF	
- 1	811742	. SUPPORT	1	
- 2	811426	. SCREW,MACH-PAN HD 6-32 X 3/8 IN. LG ATT PT	1	
- 3	257986	. WASHER,0.156 ID X 0.035 THK ATT PT	1	
- 4	811530	. BUS ASSEMBLY,VERTICAL ASSEMBLY COMPONENTS ARE NOT REPLACEABLE	1	
- 5	438550	. SCREW,MACH-BIND HD 4-40 X 1/2 LG ATT PT	1	
- 6	257985	. WASHER,FL-NO. 4 0.25 OD X 0.028 TH ATT PT	1	
- 7	37913	. NUT, HEX 4-40 NC ATT PT	1	
- 8	5353296	. STRAP ASM	2	
- 9	731626	. SCREW, PAN HEAD, 6-32 X .25 LONG ATT PT	1	
- 10	811553	. . PAD, FOAM	1	
- 11	811423	. . STRAP	1	
- 12	811483	. CROSSOVER ASSEMBLY,VOLTAGE FOR COMPONENTS SEE FIGURE 23-10A,16, 17A AND 18A	15	
- 13	811476	. TERMINAL BLOCK, 12 POSITION	1	
- 14	811536	. STANDOFF ATT PT	2	
- 15	811481	. SCREW,MACH- 6-32 X 1/4 LG	12	
- 16	811556	. SHIELD ASM,INSULATOR AND - 12 POS	1	
- 17	10170	. SCREW-MACH,BIND HD NO. 6-32 X .250 LG ATT PT	2	
- 18	811555	. . SEAL	1	
- 19	811534	. . SHIELD, 12 POSITION	1	
- 20	5357054	. HEADER ASSEMBLY	1	
- 21	2181012	. SCREW, SELF TAPPING, 8-32 X .437 LG. ATT PT	4	
- 22	5349887	. . STRIKE-FAN HOUSING	1	
- 23	5357136	. . SCREW,PAN HD 4-40 X 0.187 THK ATT PT	2	
- 24	5313928	. . GASKET	AR	
- 25	472168	. . CLAMP-CABLE	1	
- 26	112628	. . SCREW,BIND HD,SELF TAP,4-40 X 3/8 LG ATT PT	1	
- 27	338169	. . WASHER,LOCK-EXT TEETH NO. 4 X 9/32 OD ATT PT	1	
- 28	5357056	. . HEADER	1	
- 29	2157643	. SEAL	AR	
- 30	5357052	. COOLING UNIT ASSEMBLY	1	
- 31	811427	FOR DETAIL BREAKDOWN SEE FIGURE 15 . RETAINER	1	
- 32	811442	. SEAL,FOAM,0.38 X 0.25 X 12.25 LG	2	
- 33	2195151	. GATE ASSEMBLY,WELDMENT 3X1	1	
		. FOLLOWING COMPONENTS ARE FEATURES ONLY		
- 34	2227451	COVER,BLANK-SLT GATE TWO HIGH	2	A
- 34	2227451	COVER,BLANK-SLT GATE TWO HIGH	1	B
- 35	811600	CAPACITOR ASM,DECOUPLING	6	A
- 35	811600	CAPACITOR ASM,DECOUPLING	12	B
- 35	811600	CAPACITOR ASM,DECOUPLING ASSEMBLY COMPONENTS ARE NOT REPLACEABLE	18	C
- 36	813179	CLAMP-BOARD	8	A
- 36	813179	CLAMP-BOARD	16	B
- 36	813179	CLAMP-BOARD	24	C
- 37	811417	SCREW,HEX SOC, 6-32 X 0.500 LG ATT PT	AR	
- 38	2202919	BOARD ASSEMBLY	1	A
- 38	2202919	BOARD ASSEMBLY	2	B
- 38	2202919	BOARD ASSEMBLY	3	C

LIST 14 CONT.

LIST AND INDEX NUMBER	PART NUMBER	DESCRIPTION	UNITS PER ASM.	USABLE ON CODE
		1 2 3 4		
		GATE ASSEMBLY -CONT		
14 - 39	811363	. EXTENDER, CARD, 6 PAC	AR	
- 40	811802	. GUIDE-CARD, 6 PAC	AR	
- 41	811804	. GUIDE, CARD	8	
- 42	2202918	. BOARD GROUP, BASIC ASSEMBLY COMPONENTS ARE NOT REPLACEABLE	1	
- 45	811865	COVER ASM, CARD	1	A
- 45	811865	COVER ASM, CARD	2	B
- 45	811865	COVER ASM, CARD	3	C
- 46	815963	. CATCH-PULL	4	
- 47	815964	. CATCH	4	
- 48	815263	. FOAM BACKING	1	
- 49	811864	. COVER, MEMORY CARD	1	
- 50	811881	RETAINER ASSEMBLY	2	A
- 50	811881	RETAINER ASSEMBLY	4	B
- 50	811881	RETAINER ASSEMBLY	6	C
- 51	55726	SCREW, MACH-BIND HD 6-32 X .188 LG	AR	
- 52	811441	. SEAL	1	
- 53	811896	. RETAINER	1	
- 54	811850	BRACKET-HINGE-LOWER	1	A
- 54	811850	BRACKET-HINGE-LOWER	2	B
- 54	811850	BRACKET-HINGE-LOWER	3	C
- 55	811426	SCREW, MACH-PAN HD 6-32 X 3/8 IN. LG	AR	
- 56	811851	BRACKET-HINGE-UPPER	1	A
- 56	811851	BRACKET-HINGE-UPPER	2	B
- 56	811851	BRACKET-HINGE-UPPER	3	C
- 57	811426	SCREW, MACH-PAN HD 6-32 X 3/8 IN. LG	AR	
- 58	5802225	CABLE ASM	AR	
- 59	5802216	CROSSOVER ASM-SIGNAL	1	B
- 59	5802216	CROSSOVER ASM-SIGNAL FOR COMPONENTS SEE FIGURE 23-39	2	C
- 60	2196204	CROSSOVER ASM	1	A
- 60	2196204	CROSSOVER ASM	1	B
- 60	2196204	CROSSOVER ASM	1	C
		FOR COMPONENTS SEE FIGURE 23-16, 36, AND 37		
		END OF LIST 14		

FOR PARTS
NOT SHOWN
SEE FIG. 14

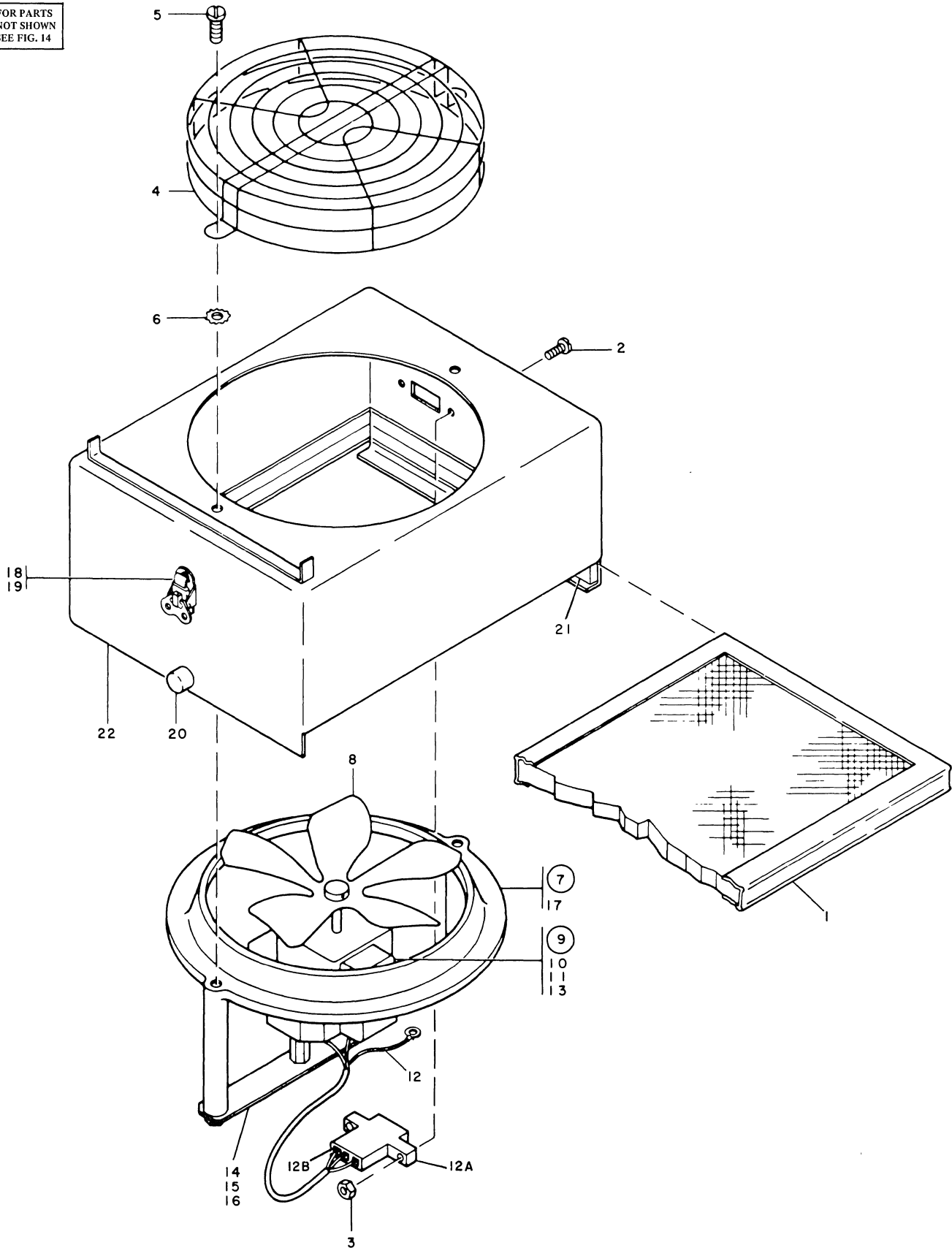


FIGURE 15. COOLING UNIT ASSEMBLY.
SEE LIST 15

LIST 15

LIST AND INDEX NUMBER	PART NUMBER	DESCRIPTION	UNITS	USABLE
			PER ASM.	ON CODE
		1 2 3 4		
		COOLING UNIT ASSEMBLY		
15 -	5357052	COOLING UNIT ASSEMBLY FOR ILLUSTRATION SEE FIGURE 15 FOR NEXT HIGHER ASM SEE FIGURE 14-30	REF	
- 1	5357064	• FILTER,AIR	1	
- 2	322065	• SCREW,MACH-BIND HD 6-32 X 5/8 LG	2	
- 3	257187	• NUT,HEX 6-32 NC	2	
- 4	5357059	• GUARD	1	
- 5	32042	• SCREW, MACH BIND. HD 10-32 X 3/8 LG. ATT PT	2	
- 6	56079	• WASHER-LOCK,EXT T .204 ID .410 OD ATT PT	2	
- 7	5357051	• FAN ASM,208/230V 60 HZ - 220V 50 HZ	1	
- 8	5357066	• BLADE	1	
- 9	5357063	• MOTOR ASM,208/230V 60 HZ - 220V 50 HZ	1	
- 10	130434	• SCREW-MACH,SLOTTED HEX HD NO.10-32 X.375 ATT PT	2	
- 11	56079	• WASHER-LOCK,EXT T .204 ID .410 OD ATT PT	2	
- 12	5357065	• JUMPER ASSEMBLY	1	
- 12A	5353853	• RECEPTACLE,3 POSITION		
- 12B	5353854	• CONTACT, MALE 16-20 WIRE		
- 13	5357067	• MOTOR 208V/230V 60CY 220V 50CY	1	
- 14	5357068	• BRACKET-MOTOR MTG	1	
- 15	120211	• SCREW,MACH-HEX HD 10-32 X 1/2 LG ATT PT	2	
- 16	56079	• WASHER-LOCK,EXT T .204 ID .410 OD ATT PT	2	
- 17	5357069	• DRIFICE-FAN	1	
- 18	5349888	• LATCH	1	
- 19	5357136	• SCREW,PAN HD 4-40 X 0.187 THK ATT PT	2	
- 20	5357135	• CATCH	1	
- 21	599557	• SEAL	AR	
- 22	5357058	• HOUSING-FAN	1	
		END OF LIST 15		

FOR PARTS
NOT SHOWN
SEE FIG. 13

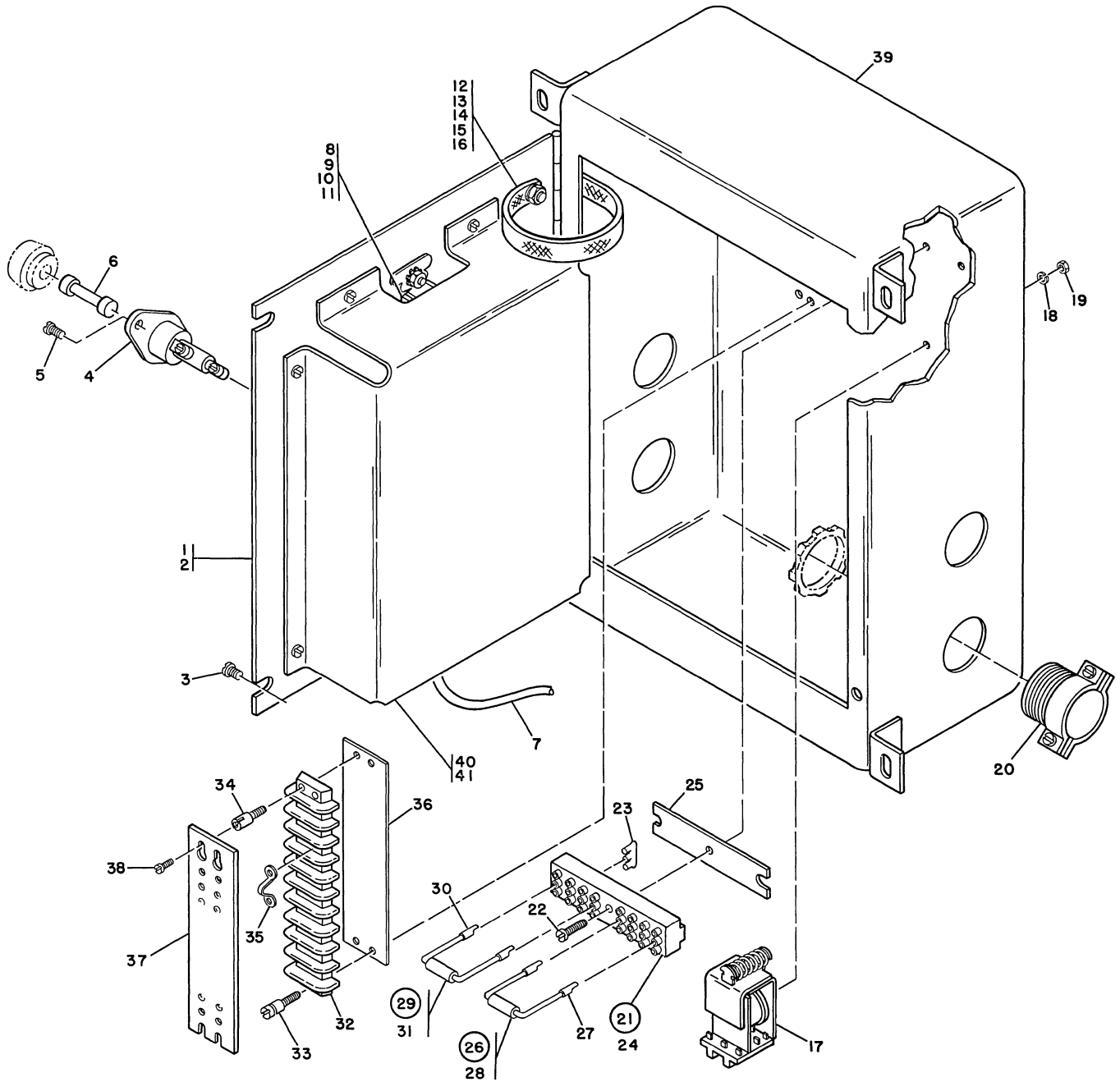


FIGURE 16. 50/60 HERTZ POWER SEQUENCING ASSEMBLY.
SEE LIST 16

LIST 16

LIST AND INDEX NUMBER	PART NUMBER	DESCRIPTION	UNITS PER ASM.	USABLE ON CODE
		POWER SEQUENCING ASSEMBLY- 50/60 HERTZ		
16 -		CODE 1 USED ON ASM PRIOR TO C6 SUFFIX CODE 2 USED ON ASM FROM C6 TO CURRENT CODE 3 USED ON ASM FROM D6 TO CURRENT		
-				
-	2195191	POWER ASSEMBLY, SEQUENCING FOR ILLUSTRATION SEE FIGURE 16 FOR NEXT HIGHER ASM SEE FIGURE 13-55	REF	
- 1	2195193	• WELDMENT ASSEMBLY, PANEL ASSEMBLY COMPONENTS ARE NOT REPLACEABLE	1	
- 2	5350012	• SCREW, THD FORMING HEX WSR HD 8-32 X .25 ATT PT	2	
- 3	5350012	• SCREW, THD FORMING HEX WSR HD 8-32 X .25	2	
- 4	104615	• FUSEHOLDER	1	2
- 4	104615	• FUSEHOLDER	9	1
- 5	811426	• SCREW, MACH-PAN HD 6-32 X 3/8 IN. LG ATT PT	20	
- 6	107664	• FUSE-LONG LAG, 3.2A	6	2
- 6	92734	• FUSE-LONG LAG, 2A	1	2
- 6	252591	• FUSE, 1.0 AMP 250V	2	2
- 6	107669	• FUSE, CRTRGE-LONG TIME DELAY 10 AMP 250V	1	3
- 7	2195921	• CABLE ASM, SEQUENCE BOX FOR COMPONENTS SEE FIGURE 23-1, IC, 1F, 1G AND 4		
- 8	210428	• SWITCH, TOGGLE-SPST 250V AC 30 AMP	1	
- 9	234318	• SCREW, ASMD WASHER-FIL H 8-32 X 3/8 LG ATT PT	2	
- 10	55901	• WASHER, LOCK, EXT TEETH - .176 DIA ATT PT	2	
- 11	257189	• NUT, HEX 8-32 ATT PT	2	
- 12	2101089	• STRAP, GROUND, 518 X 7 IN.	1	
- 13	5319854	• SCREW, SELF TAPPING, 8-32 X .375 LONG ATT PT	1	
- 14	55901	• WASHER, LOCK, EXT TEETH - .176 DIA ATT PT	2	
- 15	25627	• SCREW, MACH-BIND HD 8-32 X 1/2 LG ATT PT	1	
- 16	257189	• NUT, HEX 8-32 ATT PT	1	
- 17	2195205	• RELAY ASM, WIRE CONTACT 3PDT 2 COILS	1	
- 18	6364	• WASHER, LOCK-SPLIT NO. 6 X 1/4 OD ATT PT	1	
- 19	257187	• NUT, HEX 6-32 NC ATT PT	1	
- 20	342250	• ADAPTER, CABLE TO CONNECTOR	4	
- 21	302090	• TERMINAL BLOCK ASM-24 FEMALE CONTACTS	1	
- 22	2191846	• SCREW, PAN HD 4-40 X 0.500 LONG ATT PT	1	
- 23	302089	• SPRING-TERMINAL BOARD CONTACT	8	
- 24	302088	• BLOCK, TERMINAL	1	
- 25	302131	• STRIP-TERMINAL BLOCK INSULATOR	1	
- 26	359511	• CAPACITOR ASM, 0.1 MFD P/M 20%	1	
- 27	320167	• TERMINAL, QUICK DISCONNECT-NONINS 16AWG	2	
- 28	326367	• CAPACITOR, FXD, PAPER, 0.1 UF P/M 10% 400V	1	
- 29	5323493	• RESISTOR ASSEMBLY- 100 OHMS 0.5W 2 PINS	1	2
- 29	2195207	• RESISTOR ASM, 5 OHMS P/M 10% 10 WATT	1	1
- 30	320167	• TERMINAL, QUICK DISCONNECT-NONINS 16AWG	1	2
- 30	360433	• TERMINAL-TAPER PIN 16/18AWG 0.073 NOM OD	1	1
- 31	213536	• RESISTOR, FIXED COMP, 100 OHM 5% 1/2 WATT	2	2
- 31	313905	• RESISTOR, FIXED, 25 OHM, P/M 10%, 10 W	2	1
- 32	322767	• TERMINAL BLOCK, 10 POSITION	1	
- 33	210884	• STUD, SLOTTED 6-32 X 1/2 LONG THREAD ATT PT	3	
- 34	210883	• STUD, EXT 6-32 X 1/2 INT 6-32 X 0.19 DP ATT PT	1	
- 35	472187	• JUMPER-BRASS	4	
- 36	363434	• MARKER STRIP- 10 POS NOS. 1 THRU 10	1	
- 37	186943	• SHIELD- 10 POSITION	1	
- 38	210984	• SCREW, MACH RH 6-32 X .25 ATT PT	1	
- 39	2195192	• WELDMENT, CHASSIS	1	
		COMPONENTS NOT INCLUDED WITH ASSEMBLY		
- 40	2195282	SHIELD, FUSE	1	
- 41	5350012	SCREW, THD FORMING HEX WSR HD 8-32 X .25 ATT PT	6	
		END OF LIST 16		

FOR PARTS
NOT SHOWN
SEE FIG. 13

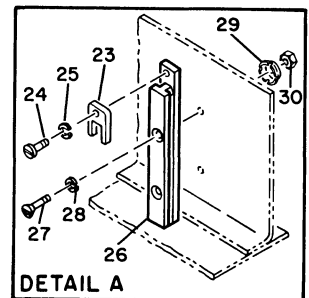
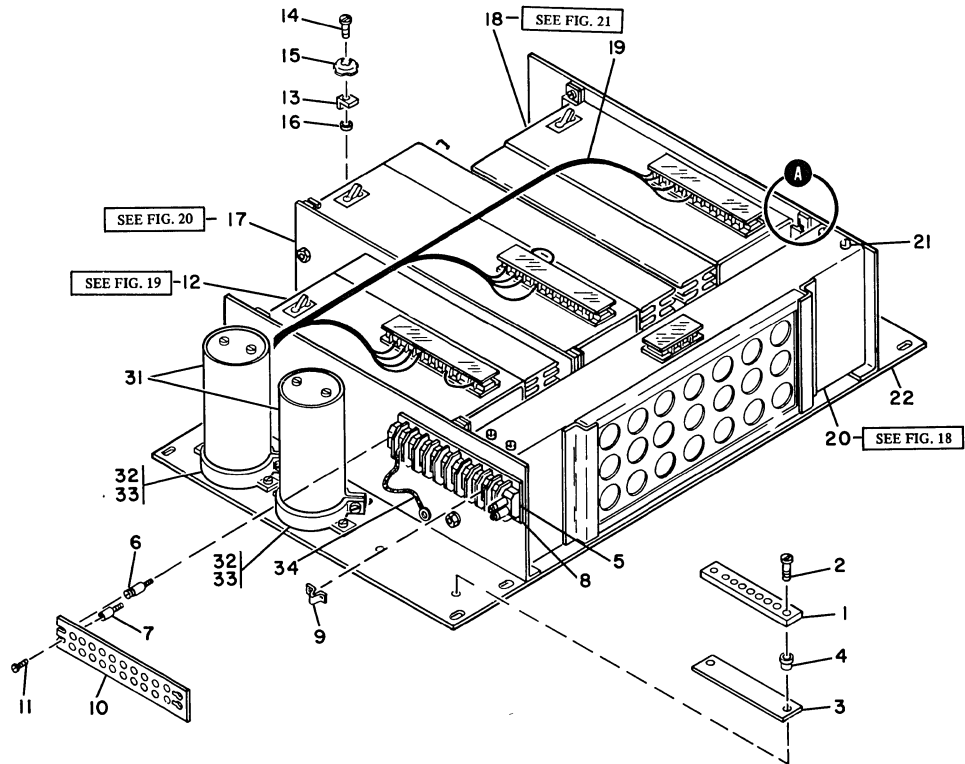


FIGURE 17. POWER SUPPLY ASSEMBLY.
SEE LIST 17

LIST 17

LIST AND INDEX NUMBER	PART NUMBER	DESCRIPTION	UNITS PER ASM.	USABLE ON CODE
		POWER SUPPLY ASSEMBLY		
17 -		CODE A USED ON 60 HERTZ ONLY CODE B USED ON 50 HERTZ ONLY		
-		CODE 1 USED ON ASM PRIOR TO D6 SUFFIX CODE 2 USED ON ASM FROM D6 TO CURRENT		
-	2195156	POWER SUPPLY ASSEMBLY, 60 HERTZ	REF	A
-	2195158	POWER SUPPLY ASSEMBLY, 50 HERTZ	REF	B
		FOR ILLUSTRATION SEE FIGURE 17 FOR NEXT HIGHER ASM SEE FIGURE 13-104		
- 1	2162453	• BAR, BUS	1	
- 2	322065	• SCREW,MACH-BIND HD 6-32 X 5/8 LG ATT PT	2	
- 3	2195919	• INSULATOR,GROUND BLOCK	1	
- 4	596211	• SPACER-LAMINATED BUS BLOCK	2	
- 5	320451	• TERMINAL BOARD- 10 DBL SCREW TERMINALS	1	
- 6	210986	• STUD, SLOTTED 8-32 X 1/2 LG THREAD ATT PT	3	
- 7	210985	• STUD, EXT 8-32 X 1/2 INT 6-32 X 0.19 DP ATT PT	1	
- 8	550578	• MARKER STRIP- 10 POS NOS. 1 THRU 10	1	
- 9	596458	• JUMPER-BRASS	5	A
- 9	596458	• JUMPER-BRASS	5	1B
- 9	596458	• JUMPER-BRASS	4	2B
- 10	188697	• SHIELD- 10 POSITION	1	A
- 10	5218379	• SHIELD	1	B
- 11	210984	• SCREW,MACH RH 6-32 X .25 ATT PT	1	
- 12	5261010	• POWER SUPPLY ASSEMBLY 3V,8A,60 HERTZ	1	A
- 12	5261610	• POWER SUPPLY ASSEMBLY 3V,8A,50 HERTZ	1	B
		FOR DETAIL BREAKDOWN SEE FIGURE 19		
- 13	2242443	• CLAMP,POWER SUPPLY	3	
- 14	332620	• SCREW,MACH-BIND HD 10-32 X 1/2 LG ATT PT	3	
- 15	2125974	• WASHER, INT TOOTH, .200 ID X .562 OD ATT PT	3	
- 16	304676	• WASHER,PLAIN FLAT	3	
- 17	5261050	• POWER SUPPLY ASSEMBLY 6V 12A 60 HERTZ	1	A
- 17	5261650	• POWER SUPPLY ASSEMBLY 6V 12A 50 HERTZ	1	B
		FOR DETAIL BREAKDOWN SEE FIGURE 20		
- 18	5261020	• POWER SUPPLY ASSEMBLY 3V AT 12A 60 HZ	1	A
- 18	5261620	• POWER SUPPLY ASSEMBLY 3V AT 12A 50 HZ	1	B
		FOR DETAIL BREAKDOWN SEE FIGURE 21		
- 19	2195907	• CABLE ASM,DC DISTRIBUTION	1	
		FOR COMPONENTS SEE FIGURE 23-1F AND 1G		
- 20	2195112	• BLOWER ASM,POWER SUPPLY 60 HZ	1	A
- 20	2195183	• BLOWER ASM,POWER SUPPLY 50 HZ	1	B
		FOR DETAIL BREAKDOWN SEE FIGURE 18		
- 21	2181004	• SCREW-HEX HD SELFTAP 10-32 X .375 LONG ATT PT	4	
- 22	2195157	• TUB,POWER SUPPLY	1	
- 23	207293	• KEEPER-POWER SUPPLY	6	
- 24	345815	• SCREW,ASMD,WASHER,PAN HD 8-32 X 1/4 LG ATT PT	6	A
- 24	2300	• SCREW,MACH-FIL H 8-32 X 1/4 LG ATT PT	6	B
- 25	2125963	• WASHER,LOCK-INT TEETH NO. 8 X 9/16 OD ATT PT	6	B
- 26	207382	• RAIL-POWER SUPPLY MOUNTING	6	
- 27	358	• SCREW,MACH-FIL H 10-32 X 3/4 LG ATT PT	12	
- 28	56121	• WASHER,LOCK-INT TEETH NO. 10 X 0.381 OD ATT PT	12	
- 29	2125974	• WASHER, INT TOOTH, .200 ID X .562 OD ATT PT	12	
- 30	11598	• NUT,HEX, 10-32 X 0.375 FL W	12	
- 31	316997	• CAPACITOR,FXD,ELECT,20000 UF P150M10 65V	2	
- 32	2156757	• CLAMP,CAPACITOR	2	
- 33	5350012	• SCREW, THD FORMING HEX WSR HD 8-32 X .25 ATT PT	4	
- 34	620381	• JUMPER ASM	1	
		END OF LIST 17		

FOR PARTS NOT SHOWN SEE FIG. 17

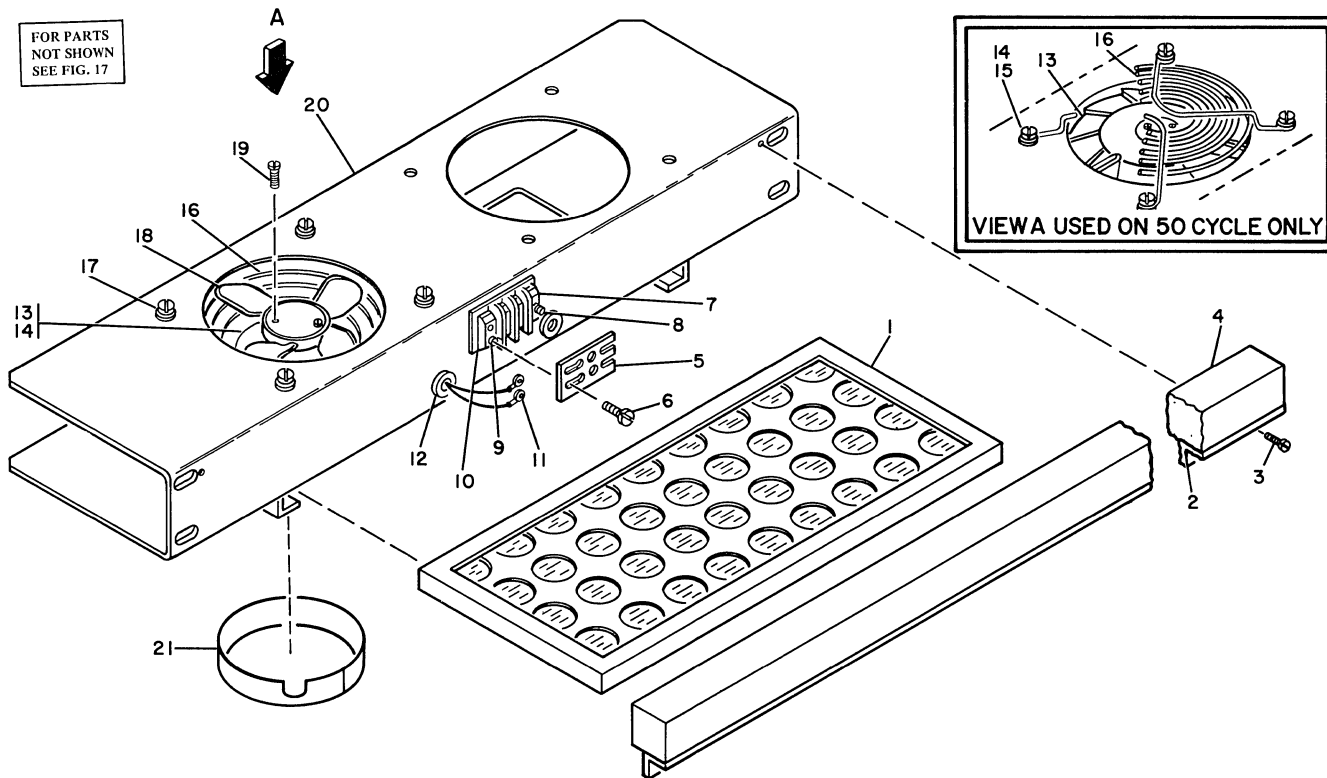


FIGURE 18. BLOWER ASSEMBLY.
SEE LIST 18

LIST 18

LIST AND INDEX NUMBER	PART NUMBER	DESCRIPTION	UNITS PER ASM.	USABLE ON CODE
		BLOWER ASSEMBLY		
18 -		CODE A USED ON 60 HERTZ ONLY CODE B USED ON 50 HERTZ ONLY		
-	2195112	BLOWER ASM,POWER SUPPLY 60 HZ	REF	
-	2195183	BLOWER ASM,POWER SUPPLY 50 HZ FOR ILLUSTRATION SEE FIGURE 18 FOR NEXT HIGHER ASM SEE FIGURE 17-20	REF	
- 1	2154885	• FILTER, AIR BLOWER HOUSING	1	
- 2	2183500	• BRACKET, SEAL MOUNTING 19 IN. LG	1	
- 3	5350006	• SCREW, SELF TAPPING, 6-32 X .250 LONG	2	ATT PT
- 4	2183350	• SEAL,RUBBER STRIP, 19 X 1 X 3/4 THK	1	
- 5	187467	• SHIELD, 2 POSITION	1	
- 6	210984	• SCREW,MACH RH 6-32 X .25		ATT PT
- 7	80817	• TERMINAL BLOCK, 2 POSITION	1	
- 8	210884	• STUD, SLOTTED 6-32 X 1/2 LONG THREAD	1	ATT PT
- 9	210883	• STUD, EXT 6-32 X 1/2 INT 6-32 X 0.19 DP	1	ATT PT
- 10	507446	• INSULATOR, TERMINAL STRIP	1	
- 11	334921	• TERMINAL-LUG NO.22 THRU NO.18 WIRE INSUL	4	
- 12	1077722	• GROMMET,RUB-FOR 5/16 HOLE X 1/16 PNL	2	
- 13	172999	• MOTOR,230VAC,60 HZ	2	A
- 13	4120171	• MOTOR,50 HZ	2	B
- 14	32042	• SCREW, MACH BIND. HD 10-32 X 3/8 LG.	4	A
- 14	322551	• SCREW,BIND HD 6-32 X 0.75 LONG	8	B
- 15	56722	• WASHER-LOCK,EXT T, .150 ID	8	B
- 16	597344	• GUARD	2	A
- 16	2172166	• GUARD	2	B
- 17	32042	• SCREW, MACH BIND. HD 10-32 X 3/8 LG.	8	ATT PT
- 18	171485	• BLADE,FAN	2	
- 19	2863	• SCREW, MACH-RH 3-48 X 0.250 LG	4	ATT PT
- 20	2195114	• HOUSING,FAN 60 HZ	1	A
- 20	2195184	• HOUSING,FAN 50 HZ	1	B
- 21	2246277	• BAFFLE,POLYCARBON, ACOUSTIC	1	
		END OF LIST 18		

FOR PARTS
NOT SHOWN
SEE FIG. 17

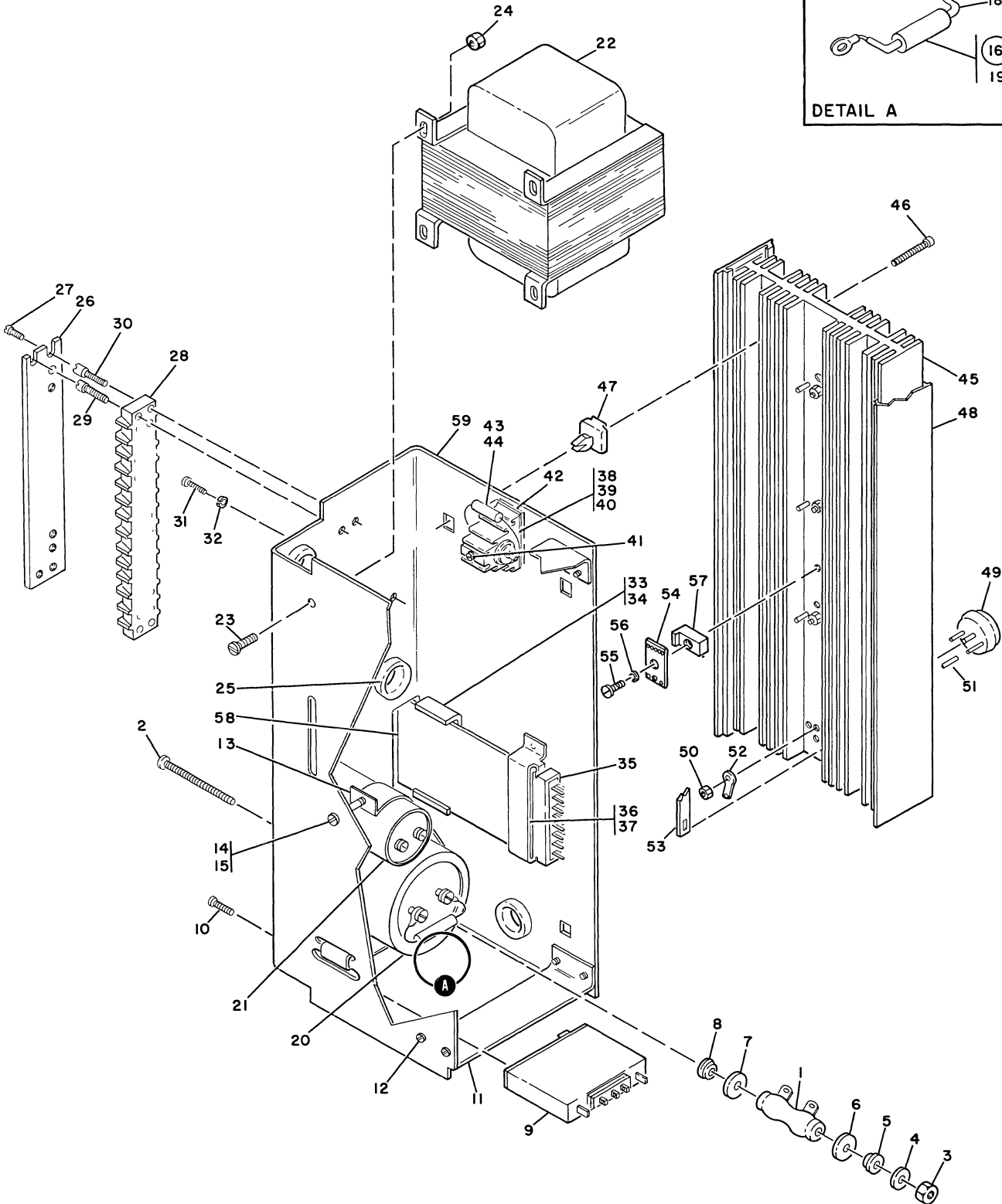
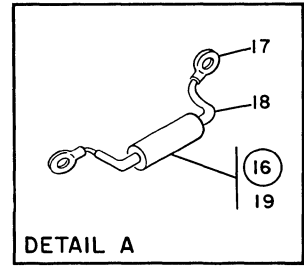


FIGURE 19. 3 VOLT 8 AMP POWER SUPPLY ASSEMBLY.
SEE LIST 19

LIST 19

LIST AND INDEX NUMBER	PART NUMBER	DESCRIPTION	UNITS PER ASM.	USABLE ON CODE
		3 VOLT 8 AMP POWER SUPPLY ASSEMBLY		
19 -	5261010	POWER SUPPLY ASSEMBLY 3V,8A,60 HERTZ	REF	
-	5261610	POWER SUPPLY ASSEMBLY 3V,8A,50 HERTZ FOR ILLUSTRATION SEE FIGURE 19 FOR NEXT HIGHER ASM SEE FIGURE 17-12	REF	
- 1	5261118	. RESISTOR,FXD,WW-0.06 OHM P/M 10% 25W	1	
- 2	438593	. SCREW-MACH-BIND HD NO. 8-32 X 2 1/2 LG	1	ATT PT
- 3	5761938	. NUT/LOCKWASHER ASSEMBLY - 8-32	1	ATT PT
- 4	2903	. WASHER,FL-NO. 6 X 1/2 OD X 1/32 THK	1	
- 5	510468	. CUP WASHER	1	
- 6	5761935	. WASHER	1	
- 7	5761935	. WASHER	1	
- 8	510468	. CUP WASHER	1	
- 9	5214546	. CIRCUIT BREAKER	1	
- 10	38235	. SCREW,BIND HD 6-32 X .312 LONG	2	ATT PT
- 11	5761779	. BRACKET,CHASSIS	2	
- 12	731629	. SCREW,PAN HD- 10-32 X 0.380 LG	8	ATT PT
- 13	5761905	. STRAP,CAPACITOR MTG	1	
- 14	438567	. SCREW,MACH-UNDRCT BIND HD 6-32 X 1 LG	1	ATT PT
- 15	5761943	. NUT,HEX 10-32 NC	1	ATT PT
- 16	5261935	. RESISTOR ASSEMBLY-330 OHMS 2W	1	
- 17	359695	. . TERMINAL-RING LUG NO.10 STUD	2	
- 18	113819	. . TUBING	2	
- 19	317080	. . RESISTOR,FXD 330 OHM 2W	1	
- 20	5214368	. CAPACITOR	1	
- 21	5261089	. CAPACITOR,ELECTROLYTIC- 10000 UF 6VDC	1	
- 22	5761724	. TRANSFORMER, 60 HERTZ USED ON ASM 5261010 ONLY	1	
- 22	4116494	. TRANSFORMER, 50 HERTZ USED ON ASM 5261610 ONLY	1	
- 23	332620	. SCREW,MACH-BIND HD 10-32 X 1/2 LG	4	ATT PT
- 24	5761908	. NUT,HEX 10-32 NC	4	ATT PT
- 25	5761936	. GROMMET	3	
- 26	210990	. SHIELD- 13 POSITION	1	
- 27	210984	. SCREW,MACH RH 6-32 X .25	1	ATT PT
- 28	5214556	. TERMINAL BOARD,13 POS	1	
- 29	5261165	. STUD,SHLDR- 8-32 X 0.438 LG THD	3	ATT PT
- 30	5261167	. STUD- 8-32 X 0.438 LG W/6-32 TAPPED HOLE	1	ATT PT
- 31	10170	. SCREW-MACH,BIND HD NO. 6-32 X .250 LG	1	
- 32	56722	. WASHER-LOCK,EXT T, .150 ID	1	
- 33	5712309	. GUIDE	1	
- 34	5761907	. RIVET	2	ATT PT
- 35	216076	. TERMINAL BLOCK AND CONTACT ASSEMBLY	1	
- 36	5761904	. BRACKET	1	
- 37	5761907	. RIVET	2	ATT PT
- 38	5761977	. RECTIFIER ASSEMBLY	1	
- 39	734483	. SCREW,PAN HD- 6-32 X 0.380 LG	3	ATT PT
- 40	5762215	. WASHER,INSULATING	2	ATT PT
- 41	5762156	. WASHER, 0.144 ID 1.120 OD USED ON 60 HERTZ ONLY	1	
- 42	5761979	. INSULATOR	1	
- 43	491228	. CAPACITOR, .010 UF	1	
- 44	113819	. TUBING	2	
- 45	5761764	. HEAT SINK	1	
- 46	5761913	. SCREW,	4	ATT PT
- 47	5761796	. INSULATOR,HEAT SINK	4	ATT PT
- 48	473536	. SEAL	AR	
- 49	369214	. TRANSISTOR,TYPE 108	4	
- 50	11598	. NUT,HEX, 10-32 X 0.375 FL W	4	ATT PT
- 51	5761976	. TUBING	AR	
- 52	316996	. TERMINAL,LUG-NONINS 9AWG NO. 8 MTG HOLE	4	
- 53	5761966	. BUS STRIP	1	
- 54	5761909	. TERMINAL, BRASS	1	
- 55	2181002	. SCREW-HEX HD SELFTAP 8-32 X .750 LONG	1	ATT PT
- 56	5374689	. BUSHING	1	ATT PT
- 57	5761798	. INSULATOR, PHENOLIC - .38W X .75 LG	1	
- 58	375200	. CARD ASM	1	
- 59	5761763	. CHASSIS	1	
		END OF LIST 19		

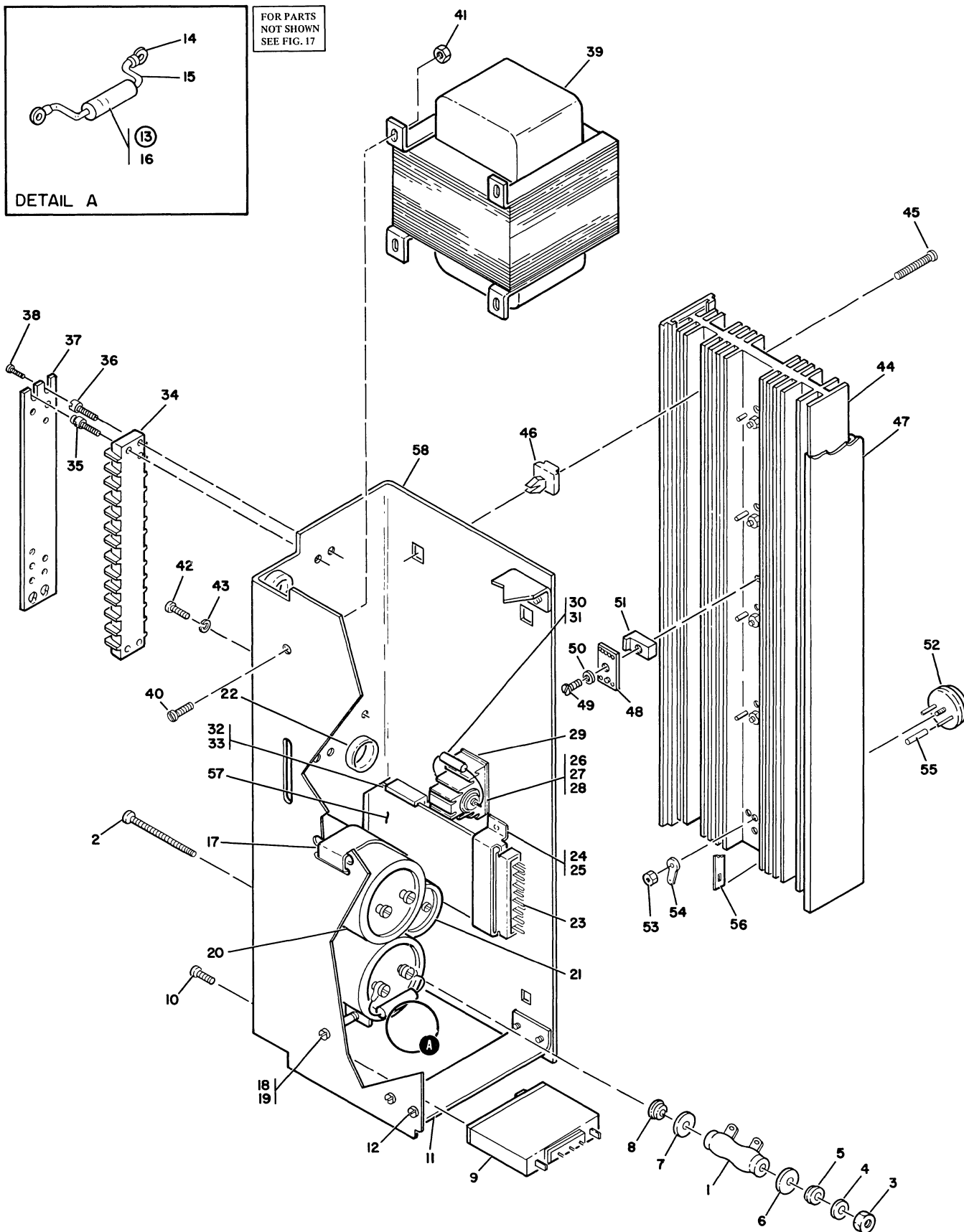


FIGURE 20. 6 VOLTS AT 12 AMP POWER SUPPLY ASSEMBLY.
SEE LIST 20

LIST 20

LIST AND INDEX NUMBER	PART NUMBER	DESCRIPTION				UNITS PER ASM.	USABLE ON CODE
		1	2	3	4		
		6V AT 12 AMP POWER SUPPLY ASSEMBLY					
20 -							
-	5261050					REF	
-	5261650					REF	
		FOR ILLUSTRATION SEE FIGURE 20. FOR NEXT HIGHER ASM SEE FIGURE 17-17					
- 1	5261098					1	
- 2	438593				ATT PT	1	
- 3	5761938				ATT PT	1	
- 4	2903				ATT PT	1	
- 5	510468				ATT PT	2	
- 6	5761935				ATT PT	2	
- 7	5761935				ATT PT	2	
- 8	510468				ATT PT	2	
- 9	5214548					1	
- 10	38235				ATT PT	2	
- 11	5761779					2	
- 12	731629				ATT PT	8	
- 13	5261935					1	
- 14	359695					2	
- 15	113819					2	
- 16	317080					1	
- 17	5761794					1	
- 18	438571				ATT PT	1	
- 19	5761943				ATT PT	1	
- 20	5214367					2	
- 21	5261128					1	
- 22	5761936					3	
- 23	216076					1	
- 24	5761904					1	
- 25	5761907					2	
- 26	5761977					1	
- 27	734483				ATT PT	3	
- 28	5762215				ATT PT	2	
- 29	5761979					1	
- 30	491228					1	
- 31	113819					2	
- 32	5712309					1	
- 33	5761907					2	
- 34	5214556					1	
- 35	5261165				ATT PT	3	
- 36	5261167				ATT PT	1	
- 37	210990					1	
- 38	210984				ATT PT	1	
- 39	5761729					1	
- 39	4116484					1	
- 40	332620				ATT PT	4	
- 41	5761908				ATT PT	4	
- 42	10170					1	
- 43	56722					1	
- 44	5761768					1	
- 45	5761913				ATT PT	4	
- 46	5761796					4	
- 47	473536					30	
- 48	5761909					1	
- 49	2181002				ATT PT	1	
- 50	5374689				ATT PT	1	
- 51	5761798					1	
- 52	369214					5	
- 53	11598				ATT PT	5	
- 54	316996					1	
- 55	5761976					10	
- 56	5761968					1	
- 57	375203					1	
- 58	5761767					1	
		END OF LIST 20					

FOR PARTS
NOT SHOWN
SEE FIG. 17

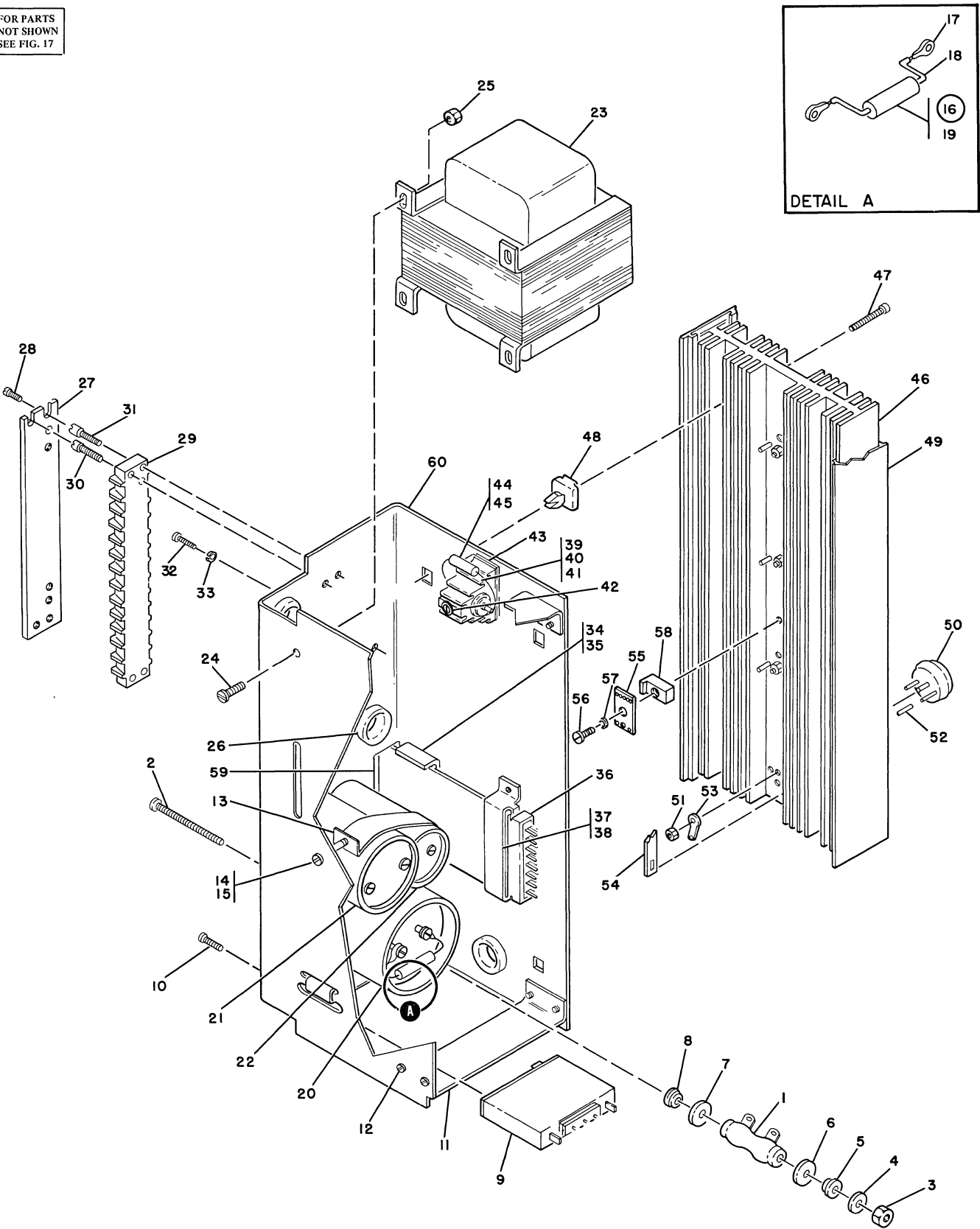


FIGURE 21. 3 VOLT 12 AMP POWER SUPPLY ASSEMBLY.
SEE LIST 21

LIST 21

LIST AND INDEX NUMBER	PART NUMBER	DESCRIPTION	UNITS PER ASM.	USABLE ON CODE
		3 VOLT 12 AMP POWER SUPPLY ASSEMBLY		
21 -	5261020	POWER SUPPLY ASSEMBLY 3V AT 12A 60 HZ	REF	
-	5261620	POWER SUPPLY ASSEMBLY 3V AT 12A 50 HZ	REF	
		FOR ILLUSTRATION SEE FIGURE 21 FOR NEXT HIGHER ASM SEE FIGURE 17-18		
- 1	5261098	. RESISTOR,FXD,WW- 0.04 OHMS P/M 10% 25W	1	
- 2	438593	. SCREW-MACH-BIND HD NO. 8-32 X 2 1/2 LG ATT PT	1	
- 3	5761938	. NUT/LOCKWASHER ASSEMBLY - 8-32 ATT PT	1	
- 4	2903	. WASHER,FL-NO. 6 X 1/2 OD X 1/32 THK	1	
- 5	510468	. CUP WASHER	1	
- 6	5761935	. WASHER	1	
- 7	5761935	. WASHER	1	
- 8	510468	. CUP WASHER	1	
- 9	5214548	. CIRCUIT BREAKER	1	
- 10	38235	. SCREW,BIND HD 6-32 X .312 LONG ATT PT	2	
- 11	5761779	. BRACKET,CHASSIS	2	
- 12	731629	. SCREW,PAN HD- 10-32 X 0.380 LG ATT PT	8	
- 13	5761793	. STRAP,CAPACITOR MTG	1	
- 14	438570	. SCREW,MACH-BIND HD 6-32 X 1-1/2 LG ATT PT	1	
- 15	5761943	. NUT,HEX 10-32 NC ATT PT	1	
- 16	5261935	. RESISTOR ASSEMBLY-330 OHMS 2W	1	
- 17	359695	. . TERMINAL-RING LUG NO.10 STUD	2	
- 18	113819	. . TUBING	2	
- 19	317080	. . RESISTOR,FXD 330 OHM 2W	1	
- 20	5214368	. CAPACITOR	1	
- 21	5261067	. CAPACITOR, ELECT., 24000 MF 10VDC	1	
- 22	5261089	. CAPACITOR,ELECTROLYTIC- 10000 UF 6VDC	1	
- 23	5761725	. TRANSFORMER, 60 HERTZ	1	
- 23	4116496	USED ON ASM 5261020 ONLY . TRANSFORMER, 50 HERTZ	1	
- 24	332620	USED ON ASM 5261620 ONLY . SCREW,MACH-BIND HD 10-32 X 1/2 LG ATT PT	4	
- 25	5761908	. NUT,HEX 10-32 NC ATT PT	4	
- 26	5761936	. GROMMET	3	
- 27	210990	. SHIELD- 13 POSITION	1	
- 28	210984	. SCREW,MACH RH 6-32 X .25 ATT PT	1	
- 29	5214556	. TERMINAL BOARD,13 POS	1	
- 30	5261165	. STUD,SHLDR- 8-32 X 0.438 LG THD ATT PT	3	
- 31	5261167	. STUD- 8-32 X 0.438 LG W/6-32 TAPPED HOLE ATT PT	1	
- 32	10170	. SCREW-MACH,BIND HD NO. 6-32 X .250 LG	1	
- 33	56722	. WASHER-LOCK,EXT T, .150 ID	1	
- 34	5712309	. GUIDE	1	
- 35	5761907	. RIVET ATT PT	2	
- 36	216076	. TERMINAL BLOCK AND CONTACT ASSEMBLY	1	
- 37	5761904	. BRACKET	1	
- 38	5761907	. RIVET ATT PT	2	
- 39	5761977	. RECTIFIER ASSEMBLY	1	
- 40	734483	. SCREW,PAN HD- 6-32 X 0.380 LG ATT PT	3	
- 41	5762215	. WASHER,INSULATING ATT PT	2	
- 42	5762156	. WASHER, 0.144 ID 1.120 OD USED ON 60 HZ ONLY	1	
- 43	5761979	. INSULATOR	1	
- 44	491228	. CAPACITOR, .010 UF	1	
- 45	113819	. TUBING	2	
- 46	5761766	. HEAT SINK	1	
- 47	5761913	. SCREW, ATT PT	4	
- 48	5761796	. INSULATOR,HEAT SINK ATT PT	4	
- 49	473536	. SEAL	AR	
- 50	369214	. TRANSISTOR,TYPE 108	4	
- 51	11598	. NUT,HEX, 10-32 X 0.375 FL W ATT PT	4	
- 52	5761976	. TUBING	AR	
- 53	316996	. TERMINAL,LUG-NONINS 9AWG NO. 8 MTG HOLE	4	
- 54	5761967	. BUS STRIP	1	
- 55	5761909	. TERMINAL, BRASS	1	
- 56	2181002	. SCREW-HEX HD SELFTAP 8-32 X .750 LONG	1	
- 57	5374689	. BUSHING	1	
- 58	5761909	. TERMINAL, BRASS	1	
- 59	375200	. CARD ASM	1	
- 60	5761765	. CHASSIS	1	
		END OF LIST 21		

FOR PARTS
NOT SHOWN
SEE FIG. 13

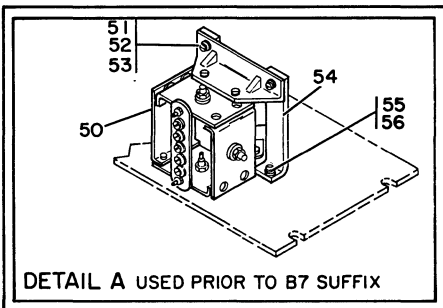
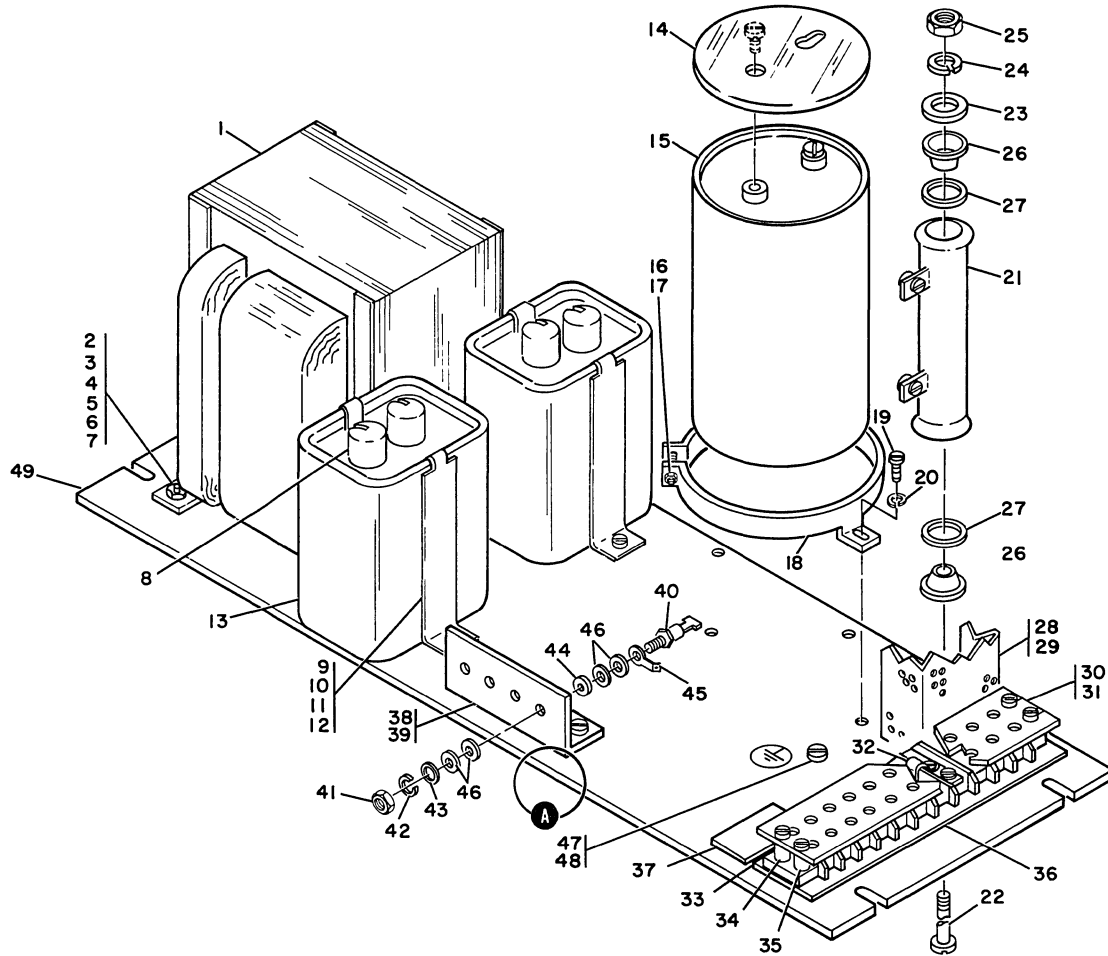


FIGURE 22. 48V AT 6AMP POWER SUPPLY ASSEMBLY.
SEE LIST 22

LIST 22

LIST AND INDEX NUMBER	PART NUMBER	DESCRIPTION				UNITS PER ASM.	USABLE ON CODE
		1	2	3	4		
		48V AT 6AMPPOWER SUPPLY ASSEMBLY					
22 -		CODE 1 USED PRIOR TO B7 SUFFIX CODE 2 USED FROM B7 TO CURRENT					
-		CODE A USED ON 60 HERTZ CODE B USED ON 50 HERTZ					
-	196403	POWER SUPPLY ASM,48V AT 6.0 AMP,60 HZ				REF	A
-	5709490	POWER SUPPLY ASSEMBLY 48V 6A 50 CYCLE FOR ILLUSTRATION SEE FIGURE 22				REF	B
		FOR NEXT HIGHER ASM SEE FIGURE 13-101					
- 1	196489	. REGULATOR,FERRORESONANT- 60 CPS 306 VA				1	A
- 1	361687	. REGULATOR-FERRORESONANT 306 VA 50 CY				1	B
- 2	367	. SCREW,MACH-FL CSK HD 10-32 X 5/8 LG				4	
- 3	45690	. WASHER,FLAT				4	B
- 3	1071644	. WASHER,FL- 3/16 ID X 5/8 OD X 3/64 THK				4	
- 4	3550	. WASHER,FLAT 1/4 ID-9/16-OD-0.05 THICK				4	B
- 5	56079	. WASHER-LOCK,EXT T .204 ID .410 OD				1	B
- 6	9092	. WASHER-LOCK,SPLIT RING, .194 ID .337OD				AR	
- 7	11598	. NUT,HEX, 10-32 X 0.375 FL W				4	
- 8	526378	. CAP,TERMINAL				4	
- 9	524928	. BRACKET,CAPACITOR MTG				4	
- 10	38457	. SCREW,MACH-FH 8-32 X 3/4 LG				4	
- 11	1090873	. WASHER, LOCK - .168 ID X .296 OD				4	
- 12	6503	. NUT,PLAIN,HEX- 8-32 X 1/4 FL W				4	
- 13	207361	. CAPACITOR				2	
- 14	631769	. SHIELD,CAPACITOR				2	
- 15	140470	. CAPACITOR,FXD,ELECT- 8000 UF P75M10% 55V				1	
- 15	5708947	. CAPACITOR, ELECTROLYTIC, 15,000MFD 55VDC				1	
- 16	55726	. SCREW,MACH-BIND HD 6-32 X .188 LG				2	
- 17	6364	. WASHER,LOCK-SPLIT NO. 6 X 1/4 OD				2	
- 18	2156757	. CLAMP,CAPACITOR				1	
- 19	55726	. SCREW,MACH-BIND HD 6-32 X .188 LG				2	
- 20	6364	. WASHER,LOCK-SPLIT NO. 6 X 1/4 OD				2	
- 21	222553	. RESISTOR,FXD,WW- 100 OHMS P/M 10% 50W				1	
- 22	361938	. SCREW,MACH-CSK FH 8-32 X 4-1/2 LG				1	
- 23	131713	. WASHER,FL- 3/16 ID X 11/16 OD X 1/16 THK				1	
- 24	1090873	. WASHER, LOCK - .168 ID X .296 OD				1	
- 25	257189	. NUT, HEX 8-32				1	
- 26	507144	. WASHER-CENTERING 0.173 ID X 5/8 OD				2	
- 27	442958	. INSULATOR,WASH- 7/16 ID 3/4 OD 1/32 THK				2	
- 28	5762445	. SHIELD,SAFETY				1	
- 29	221790	. SCREW,MACH-BIND HD 8-32 X 3/16 LG				2	
- 30	210990	. SHIELD- 13 POSITION				1	
- 31	210984	. SCREW,MACH RH 6-32 X .25				1	
- 32	472187	. JUMPER-BRASS				1	A
- 33	320461	. TERMINAL BOARD-13 POS				1	
- 34	210985	. STUD, EXT 8-32 X 1/2 INT 6-32 X 0.19 DP				1	
- 35	210986	. STUD, SLOTTED 8-32 X 1/2 LG THREAD				3	
- 36	2101325	. MARKER STRIP,13 POSITION				1	
- 37	801652	. LABEL				1	A
- 38	5762093	. PLATE,DIODE MOUNTING				1	2
- 39	186759	. SCREW,MACH-BIND HD 8-32 X 5/16 LG				2	2
- 40	598479	. SEMICONDUCTOR DEVICE,D10- 150V 10 AMP				4	2
- 41	11598	. NUT,HEX, 10-32 X 0.375 FL W				4	2
- 42	9092	. WASHER-LOCK,SPLIT RING, .194 ID .337OD				2	2
- 43	45690	. WASHER,FLAT				4	2
- 44	473582	. INSULATOR				4	2
- 45	316996	. TERMINAL,LUG-NONINS 9AWG NO. 8 MTG HOLE				4	2
- 46	533372	. WASHER,INSUL				16	2
- 47	10170	. SCREW-MACH,BIND HD NO. 6-32 X .250 LG				1	
- 48	6364	. WASHER,LOCK-SPLIT NO. 6 X 1/4 OD				1	
- 49	196444	. CHASSIS,POWER SUPPLY				1	
- 50	196642	. RECTIFIER,SILICON- 4-1-1 BRIDGE				1	1
- 51	32042	. SCREW, MACH BIND. HD 10-32 X 3/8 LG.				2	1
- 52	45690	. WASHER,FLAT				2	1
- 53	9092	. WASHER-LOCK,SPLIT RING, .194 ID .337OD				2	1
- 54	196466	. BRACKET-RECTIFIER MTG				2	1
- 55	38235	. SCREW,BIND HD 6-32 X .312 LONG				2	1
- 56	6364	. WASHER,LOCK-SPLIT NO. 6 X 1/4 OD				2	1
		END OF LIST 22					

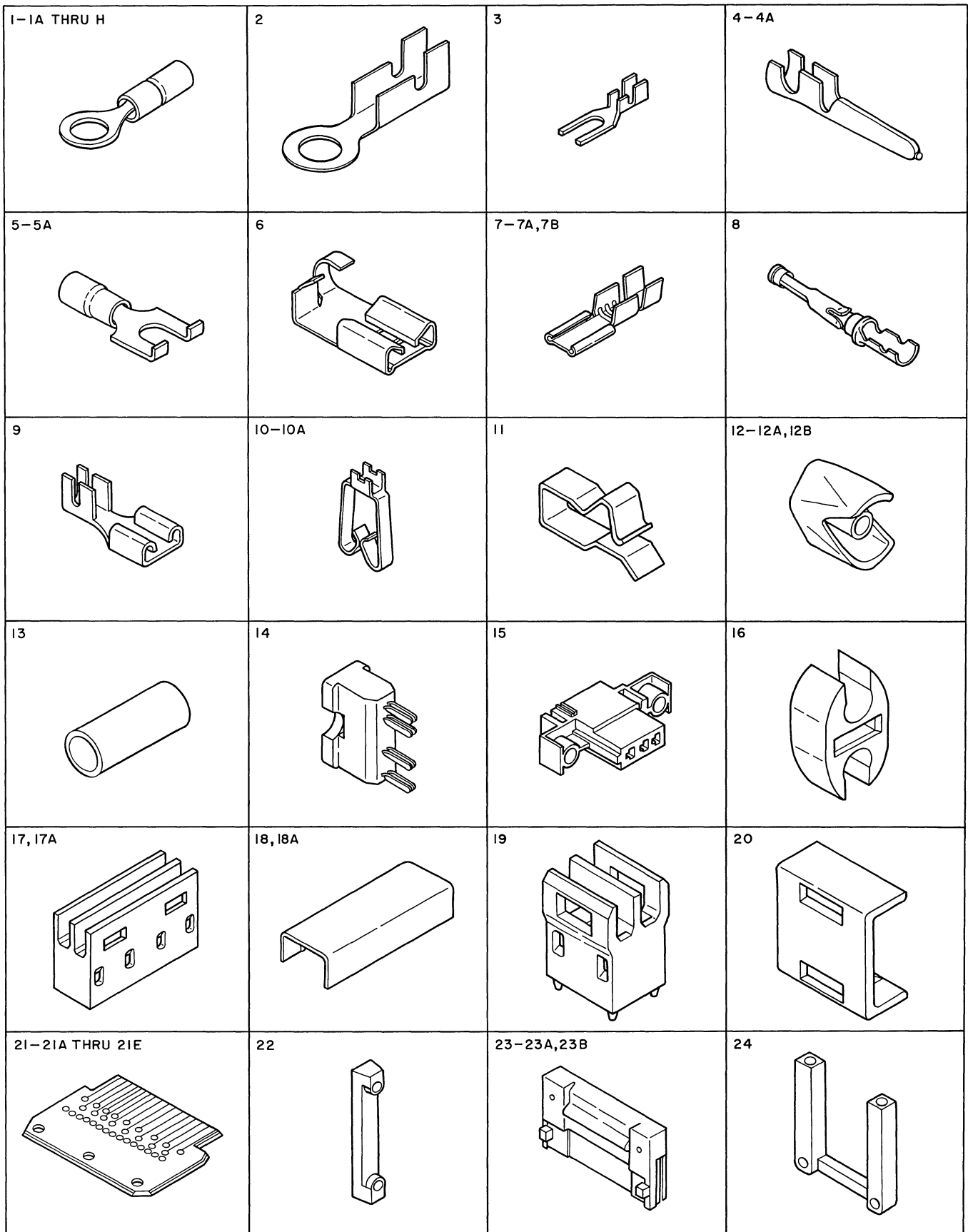


FIGURE 23. CABLE AND JUMPER ASM COMPONENTS. SHEET 1 OF 2.
SEE LIST 23

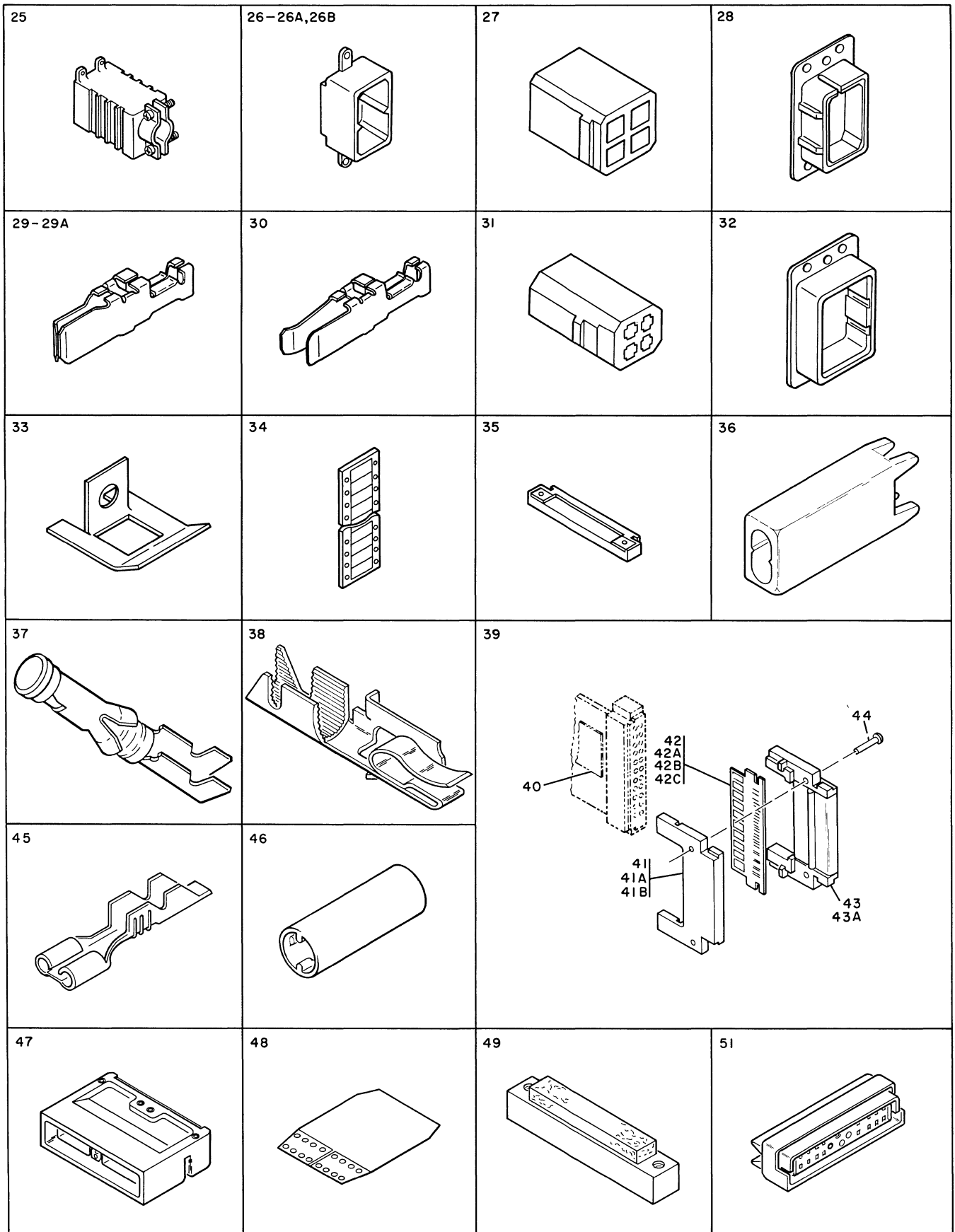


FIGURE 23. CABLE AND JUMPER ASM COMPONENTS. SHEET 2 OF 2.
SEE LIST 23

LIST 23

LIST AND INDEX NUMBER	PART NUMBER	DESCRIPTION	UNITS PER ASM.	USABLE ON CODE
		1 2 3 4		
		CABLE AND JUMPER ASM COMPONENTS		
23 -	NO NO.	CABLE AND JUMPER ASM COMPONENTS		
- 1	334921	. TERMINAL-LUG NO.22 THRU NO.18 WIRE INSUL	AR	
- 1A	92784	. TERMINAL,LUG-INS 18-20AWG NO.8 MTG HOLE	AR	
- 1B	334932	. TERMINAL-LUG NO.18 THRU NO.22 WIRE INSUL	AR	
- 1C	334910	. TERMINAL-LUG NO.16 THRU NO.14 WIRE	AR	
- 1D	360370	. TERMINAL-RING TOUNGUE NO.14-16 WIRE	AR	
- 1E	359695	. TERMINAL-RING LUG NO.10 STUD	AR	
- 1F	253740	. TERMINAL,LUG-INS 10-12AWG NO.6 MTG HOLE	AR	
- 1G	186968	. TERMINAL,LUG-INS 10/12AWG NO. 8 MTG HOLE	AR	
- 1H	253453	. TERMINAL, RING INS NO 22 AWG 0.140 ID	AR	
- 2	186961	. TERMINAL-RING,NO.6 STUD NON INSULATED	AR	
- 3	313361	. TERMINAL, SPADE 0.119 ID- 22, 24 AWG	AR	
- 4	360433	. TERMINAL-TAPER PIN 16/18AWG 0.073 NOM OD	AR	
- 4A	187243	. TERMINAL, SMALL TAPER 20-22-24 OR 26 AWG	AR	
- 5	92786	. TERMINAL,LUG-INS 18-20AWG NO.4 MTG SLOT	AR	
- 5A	368222	. TERMINAL-NO.8 STUD 16-14 WIRE	AR	
- 6	517913	. CLIP, SLIP ON NO 18-16 AWG	AR	
- 7	2123393	. TERMINAL,QUICK DISCONNECT- 16/20AWG	AR	
- 7A	523181	. TERMINAL,QUICK DISCONNECT- 18/22AWG	AR	
- 7B	5353852	. CONTACT-FEMALE,NO.16-20 WIRE	AR	
- 8	2122261	. SOCKET,CONTACT AWG 18 - 16	AR	
- 9	5247187	. TERMINAL,QUICK DISCONNECT- 18/22AWG	AR	
- 10	811487	. CONTACT-VOLTAGE CROSSOVER	AR	
- 10A	813681	. CONTACT, MINITURE BUS	AR	
- 11	2195482	. CLIP,GROUNDING	AR	
- 12	123816	. FERRULE-SHIELDED WIRE 0.070 ID	AR	
- 12A	645018	. FERRULE-SHIELDED WIRE 0.275 ID	AR	
- 12B	2178469	. FERRULE-SHIELDED WIRE 0.150 ID	AR	
- 13	2184182	. FERRULE-SHIELDED WIRE	AR	
- 14	2160951	. SOCKET-HEAD DIODE BOARD	AR	
- 15	5353851	. HOUSING-CONNECTOR RECEPTACLE, 3 POS	AR	
- 16	813827	. BUS CONNECTOR	AR	
- 17	811486	. HOUSING- 4 PIN NAT USES COVER P/N 811494	AR	
- 17A	813801	. HOUSING	AR	
- 18	811494	. COVER- 4 PIN BLK FOR HOUSING P/N 811486	AR	
- 18A	813802	. CAP	AR	
- 19	813550	. HOUSING- 2 PIN GRN USES COVER P/N 813549	AR	
- 20	813549	. COVER- 2 PIN NAT FOR HOUSING P/N 813550	AR	
- 21	5800604	. CARD ASSEMBLY	AR	
- 21A	5800605	. CARD ASSEMBLY	AR	
- 21B	5800610	. CARD ASM	AR	
- 21C	5800634	. CARD ASM	AR	
- 21D	5800657	. CARD ASSEMBLY	AR	
- 22	2204024	. STRAIN RELIEF	AR	
- 23	760259	. SHIELD,GROUNDING SPLICE	AR	
- 24	5352960	. STRAIN RELIEF	AR	
- 25	738256	. HOOD, 2 MODULE	AR	
- 26	738166	. RETAINER- 2 FEMALE MODULES	AR	
- 26A	738199	. RETAINER- 2 MALE MODULES	AR	
- 26B	2196079	. RETAINER- 1 FEMALE MODULE	AR	
- 27	738259	. MODULE BLOCK-MALE 4 POSITION	AR	
- 28	2196088	. SHELL,PLUG,2 MALE MODULES	AR	
- 29	738254	. TERMINAL ASM, MALE 12 AND 14 AWG	AR	
- 29A	2192507	. TERMINAL ASM,MALE 12/14 AWG	AR	
- 30	738255	. TERMINAL ASM, FEMALE 12 AND 14 AWG	AR	
- 31	738257	. MODULE BLOCK-4 POS FEMALE	AR	
- 31A	2190716	. MODULE BLOCK-FEMALE 14 POSITION	AR	
- 32	2196089	. SHELL,RECEPTACLE- 2 FEMALE MODULES	AR	
- 32A	2196077	. SHELL,RECEPTACLE- 1 FEMALE MODULE	AR	
- 33	738198	. CATCH,LOCKING SPRING-MODULE CONN	AR	

NUMERICAL INDEX

PART NO.	LIST AND INDEX NO.
358	17 - 27
367	22 - 2
845	11 - 47
2300	17 - 24
2863	18 - 19
2903	5 - 16
	19 - 4
	20 - 4
	21 - 4
3550	22 - 4
3960	3 - 41
	13 - 9
	13 - 87
4564	3 - 19
	4 - 89
	4 - 98
	5 - 5A
5528	8 - 4
6364	16 - 18
	22 - 17
	22 - 20
	22 - 48
	22 - 56
6503	22 - 12
6935	4 - 94
	13 - 23
9092	1 - 13
	1 - 67
	4 - 71
	22 - 6
	22 - 42
	22 - 53
10170	14 - 17
	19 - 31
	20 - 42
	21 - 32
	22 - 47
11598	1 - 14
	1 - 68
	5 - 9
	11 - 52
	11 - 64
	12 - 14
	13 - 34
	17 - 30
	19 - 50
	20 - 53
	21 - 51
	22 - 7
	22 - 41
19944	1 - 39
22886	3 - 45
25627	3 - 30
	16 - 15
32042	1 - 59
	13 - 33
	15 - 5
	18 - 14
	18 - 17
	22 - 51

PART NO.	LIST AND INDEX NO.
34512	1 - 96
35739	9 - 53
35868	4 - 107A
37913	9 - 38
	9 - 44
	13 - 62B
	13 - 68B
	14 - 7
38235	5 - 40
	13 - 2
	19 - 10
	20 - 10
	21 - 10
	22 - 55
38393	5 - 8
38442	2 - 2
	2 - 4
38457	22 - 10
38688	13 - 22
45690	1 - 12
	1 - 16
	4 - 105
	5 - 45
	12 - 12
	22 - 3
	22 - 43
	22 - 52
	5 - 11
52618	14 - 51
55726	22 - 16
	22 - 19
55901	16 - 10
	16 - 14
56079	3 - 22
	12 - 13
	13 - 48
	13 - 51
	13 - 57
	13 - 81
	13 - 106
	13 - 118
	15 - 6
	15 - 11
	15 - 16
	22 - 5
56121	8 - 5
	17 - 28
56722	6 - 26
	9 - 43
	9 - 50
	13 - 3
	13 - 90
	18 - 15
	19 - 32
	20 - 43
	21 - 33
58207	4 - 104
59649	4 - 93
59659	4 - 97
60646	8 - 5

PART NO.	LIST AND INDEX NO.
76574	13 - 20
79778	1 - 94
79842	8 - 2
80650	9 - 36
80817	18 - 7
81404	11 - 62
81693	3 - 5
	3 - 7
	4 - 2
	4 - 7
	6 - 2
	9 - 49
	13 - 112
92734	16 - 6
92784	23 - 1A
92786	23 - 5
104615	16 - 4
	16 - 4
	4 - 122
104715	16 - 6
107664	16 - 6
107669	16 - 6
109918	13 - 94
112628	13 - 97
	13 - 127
	14 - 26
113318	5 - 29
113819	9 - 2
	9 - 32
	19 - 18
	19 - 44
	20 - 15
	20 - 31
	21 - 18
	21 - 45
116875	11 - 70
120211	3 - 25
	4 - 70
	15 - 15
	3 - 40
120357	23 - 12
123816	4 - 99
127499	4 - 88
127712	4 - 88
130434	15 - 10
130985	13 - 25
131713	22 - 23
138754	4 - 41
	6 - 29
140470	22 - 15
161351	4 - 90
171485	18 - 18
172999	18 - 13
176246	10 - 4
185052	10 - 2
186758	5 - 7
	5 - 15
186759	11 - 50
	22 - 39
186921	13 - 24
186943	16 - 37
186944	9 - 13

PART NO.	LIST AND INDEX NO.	PART NO.	LIST AND INDEX NO.	PART NO.	LIST AND INDEX NO.
186950	1 - 80	257986-CONT	5 - 41	344015-CONT	9 - 55
186961	23 - 2		9 - 54	345815	17 - 24
186967	6 - 16		14 - 3	355343	4 -100
186968	23 - 1G	263217	11 - 17		5 - 10
187243	4 -106	265059	6 - 27	357995	13 -111
	5 - 24	286531	6 - 14	359018	13 -109
	5 - 28	301355	13 - 74	359511	16 - 26
	9 - 3	302088	4 -117	359695	19 - 17
	23 - 4A		5 - 34		20 - 14
187467	18 - 5		9 - 8		21 - 17
188697	17 - 10		16 - 24	360370	23 - 1E
194719	9 - 30	302089	4 -116		23 - 1D
196403	13 -101		5 - 33	360433	5 - 20
	22 -REF		9 - 7		16 - 31
196444	22 - 49		16 - 23		23 - 4
196466	22 - 54	302090	4 -114	361687	22 - 1
196489	22 - 1		5 - 31	361938	22 - 22
196642	22 - 50		9 - 5	363434	6 - 23
205124	3 - 17A		16 - 21		16 - 36
207293	17 - 23	302131	4 -118	367115	6 - 28
207361	22 - 13		5 - 35	368222	23 - 5A
207382	17 - 26		9 - 9	369207	13 - 31A
208529	1 - 20		16 - 25	369214	19 - 49
	1 - 45	304676	17 - 16		20 - 52
210428	16 - 8	313361	23 - 3		21 - 50
210883	9 - 16	313905	16 - 30	369352	3 - 47
	16 - 34	316807	13 -110	375200	19 - 58
	18 - 9	316996	19 - 52		21 - 59
210884	9 - 17		20 - 54	375203	20 - 57
	16 - 33		21 - 53	418835	13 -111
	18 - 8		22 - 45	438541	11 - 45
210984	9 - 14	316997	17 - 31	438546	13 -124
	16 - 38	317080	19 - 19	438549	13 - 62
	17 - 11		20 - 16		13 - 68
	18 - 6		21 - 19	438550	5 - 32
	19 - 27	317131	9 - 15		14 - 5
	20 - 38	317192	9 - 29	438551	4 -101
	21 - 28	317304	5 - 21		5 - 11
	22 - 31	320167	4 -120	438564	4 -111
210985	17 - 7		16 - 27	438567	19 - 14
	22 - 34		16 - 31	438570	21 - 14
210986	17 - 6	320451	17 - 5	438571	20 - 18
	22 - 35	320461	22 - 33	438592	3 - 15
210990	19 - 26	321196	5 - 22	438593	6 - 11
	20 - 37	322065	15 - 2		19 - 2
	21 - 27		17 - 2		20 - 2
	22 - 30	322266	9 - 18		21 - 2
213536	16 - 30	322550	4 - 36	438604	3 - 15
216076	19 - 35		4 - 63	442958	22 - 27
	20 - 23		4 - 95	444984	9 - 33
	21 - 36		10 - 15	472168	14 - 25
221790	22 - 29	322551	9 - 22	472187	16 - 35
222553	22 - 21		9 - 47		22 - 32
234318	4 - 59		13 - 89	472729	9 - 42
	16 - 9		18 - 14	473536	19 - 48
	13 -114	322767	6 - 21		20 - 47
234340	4 - 48		16 - 32		21 - 49
236849	4 - 13	322888	6 - 20	473582	22 - 44
251283	10 - 6	326367	16 - 28	479318	9 - 10
251989	11 - 2	332620	1 - 11	491228	19 - 43
252591	16 - 6		12 - 11		20 - 30
253453	23 - 1H		17 - 14		21 - 44
253740	23 - 1F		19 - 23	492411	4 -121
255994	9 - 31		20 - 40	507144	22 - 26
257187	9 - 51	332747	21 - 24	507446	18 - 10
	10 - 7		5 - 3	507796	8 - 4
	13 - 91		5 - 49	509772	1 - 66
	15 - 3	334910	23 - 1C	510468	19 - 5
	16 - 19	334921	8 - 6		19 - 8
	1 - 41		10 - 9		20 - 5
257188	1 - 24		18 - 11		20 - 8
257189	1 - 98		23 - 1		21 - 5
	3 - 32	334932	23 - 1B		21 - 8
	11 - 48	338169	13 - 62A	512848	5 - 25
	16 - 11		13 - 68A	513668	1 - 21
	16 - 16		14 - 27		1 - 46
	22 - 25	339036	9 - 12		1 - 48
257983	3 - 18	342250	16 - 20	513669	1 - 50
257985	14 - 6	342470	3 - 46		1 - 54
257986	4 -112	344015	4 -113	517913	23 - 6

PART NO.	LIST AND INDEX NO.
520546	5 - 26
523181	23 - 7A
524928	22 - 9
526378	22 - 8
528011	13 - 7
528012	13 - 6
528013	13 - 4
528014	13 - 5
528404	1 - 35
533372	22 - 46
550578	17 - 8
553380	12 - 7
587814	1 - 82
596211	17 - 4
596458	17 - 9
	17 - 9
597344	18 - 16
598479	22 - 40
599557	15 - 21
610083	4 - 119
612781	5 - 51
615354	5 - 27
	9 - 1
615818	3 - 2
620093	5 - 46
620381	17 - 34
631769	22 - 14
645018	23 - 12A
731626	1 - 4
	1 - 22
	1 - 47
	1 - 49
	1 - 51
	1 - 55
	14 - 9
731627	5 - 37
731629	19 - 12
	20 - 12
	21 - 12
734483	19 - 39
	20 - 27
	21 - 40
738166	23 - 26
738198	23 - 33
738199	23 - 26A
738254	23 - 29
738255	23 - 30
738256	23 - 25
738257	23 - 31
738259	23 - 27
749033	12 - 4
760259	23 - 23
760260	23 - 46
801652	22 - 37
811090	9 - 45
811363	14 - 39
811417	4 - 101
	14 - 37
811423	14 - 10
811426	14 - 2
	14 - 55
	14 - 57
	16 - 5
811427	14 - 31
811441	14 - 52
811442	14 - 32
811476	14 - 13
811481	14 - 15
811483	14 - 12
811486	23 - 17
811487	23 - 10
811494	23 - 18
811530	14 - 4
811534	14 - 19
811536	14 - 14
811553	14 - 11
811555	14 - 18
811556	14 - 16
811600	14 - 35

PART NO.	LIST AND INDEX NO.
811600-CONT	14 - 35
	14 - 35
811742	14 - 1
811751	23 - 35
811802	14 - 40
811804	14 - 41
811825	23 - 34
	23 - 40
811850	14 - 54
	14 - 54
	14 - 54
811851	14 - 56
	14 - 56
	14 - 56
811864	14 - 49
811865	14 - 45
	14 - 45
	14 - 45
811881	14 - 50
	14 - 50
	14 - 50
811896	14 - 53
813179	14 - 36
	14 - 36
	14 - 36
813194	23 - 37
813197	23 - 36
813338	23 - 44
813549	23 - 20
813550	23 - 19
813681	23 - 10A
813801	23 - 17A
813802	23 - 18A
813803	23 - 41
813804	23 - 43
813805	23 - 41A
813806	23 - 43A
813807	23 - 41B
813827	23 - 16
815263	14 - 48
815963	14 - 46
815964	14 - 47
827840	12 - 3
827841	12 - 9
836978	13 - 83
1071644	22 - 3
1077722	18 - 12
1090873	1 - 97
	22 - 11
	22 - 24
1092019	6 - 13
	6 - 19
1092125	11 - 66
1115973	7 - 3
1138818	9 - 37
2100264	6 - 24
	13 - 115
2101089	13 - 18
	16 - 12
2101325	22 - 36
2101495	6 - 18
2102151	13 - 113
2111232	5 - 30
	6 - 17
	9 - 4
2121379	11 - 32
2121393	11 - 46
2122113	10 - 5
2122261	23 - 8
2123393	23 - 7
2125963	1 - 40
	3 - 31
	17 - 25
2125974	3 - 26
	17 - 15
	17 - 29
2129508	11 - 44
2154885	18 - 1
2156757	17 - 32
	22 - 18

PART NO.	LIST AND INDEX NO.
2157349	4 - 102
	5 - 12
2157643	14 - 29
2160790	6 - 10
2160805	6 - 12
2160951	23 - 14
2162453	13 - 46
	17 - 1
2162551	4 - 100
	5 - 10
2162561	13 - 8
2162666	1 - 81
2162959	4 - 4
2164097	4 - 82
2172092	13 - 1
2172166	18 - 16
2173248	1 - 38
2175684	5 - 32
2175867	13 - 103B
2178469	23 - 128
2181001	4 - 44
	4 - 53
	4 - 64
2181002	19 - 55
	20 - 49
	21 - 56
2181004	1 - 9
	1 - 15
	1 - 18
	1 - 32
	1 - 34
	1 - 37
	1 - 43
	1 - 53
	1 - 57
	1 - 62
	1 - 64
	1 - 70
	1 - 72
	1 - 74
	1 - 76
	1 - 85
	1 - 87
	1 - 89
	1 - 91
	3 - 21
	3 - 34
	3 - 37
	3 - 39
	3 - 43
	4 - 24
	4 - 38
	4 - 46
	4 - 84
	4 - 86
	7 - 2
	9 - 27
	13 - 11
	13 - 14
	13 - 30
	13 - 37
	13 - 39
	13 - 42
	13 - 44
	13 - 50
	13 - 56
	13 - 76
	13 - 78
	13 - 80
	13 - 85
	13 - 102
	13 - 103A
	13 - 105
	13 - 117
	17 - 21
2181005	4 - 40
	4 - 77
	6 - 4
	6 - 25
	9 - 20

PART NO.	LIST AND INDEX NO.	PART NO.	LIST AND INDEX NO.	PART NO.	LIST AND INDEX NO.
2181005-CONT	9 - 57	2195170	12 - 15	2195987	13 - 67
2181006	5 - 18	2195171	12 - 10	2196077	23 - 32A
2181007	6 - 22	2195176	13 - 79	2196079	23 - 26B
2181008	3 - 28	2195177	13 - 70	2196088	23 - 28
	5 - 44	2195178	12 - 1	2196089	23 - 32
2181011	4 - 27	2195179	1 - 95	2196096	13 - 119
2181012	4 - 33	2195180	1 - 95	2196104	3 - 23
	4 - 81	2195181	1 - 95	2196105	3 - 23
	4 - 109	2195183	17 - 20	2196106	3 - 23
	14 - 21		18 - REF	2196204	14 - 60
2183347	13 - 121	2195184	18 - 20		14 - 60
	13 - 121	2195190	1 - 73		14 - 60
2183350	18 - 4	2195191	13 - 55	2196225	1 - 69
2183500	18 - 2		16 - REF	2196345	3 - 20
2183611	13 - 13	2195192	16 - 39		12 - REF
2183612	13 - 29	2195193	16 - 1	2199014	11 - 10
2183613	13 - 10	2195199	3 - 17	2199038	11 - 1
2184182	23 - 13	2195201	1 - 84	2199042	11 - 6
2190716	23 - 31A	2195202	1 - 84	2199060	11 - 11
2190971	1 - 29	2195203	1 - 84	2199061	11 - 13
2190972	1 - 27	2195204	1 - 84	2199063	11 - 14
2190973	1 - 26	2195205	16 - 17	2199083	11 - 15
2190974	1 - 25	2195207	16 - 29	2199129	4 - 107
2191006	1 - 23	2195212	1 - 3	2199132	9 - 21
2191007	1 - 28	2195261	13 - 27	2199133	9 - 23
2191846	4 - 115	2195282	16 - 40	2199134	4 - 78
	9 - 6	2195284	13 - 84	2199138	9 - 25
	16 - 22	2195296	13 - 86	2199160	11 - 36
2191879	13 - 88	2195313	1 - 86	2199161	11 - 37
2191880	13 - 88	2195314	1 - 90	2199163	11 - 35
2191881	13 - 88	2195385	1 - 5	2199173	4 - 91
2191882	13 - 88	2195392	1 - 8		7 - 13
2192507	23 - 29A		1 - 17		8 - 12
2192539	13 - 63	2195400	11 - 54	2199194	4 - 108
2194603	1 - 19	2195416	1 - 92	2199249	9 - 24
2194630	13 - 103	2195417	1 - 92	2199251	6 - 1
2194637	1 - 44	2195418	1 - 92	2199255	8 - 1
2194679	1 - 79	2195419	1 - 92	2199257	8 - 9
2194737	12 - 5	2195421	1 - 65	2199258	8 - 9
2194948	1 - 71	2195433	13 - 31	2199270	9 - 34
2194949	1 - 61	2195482	23 - 11	2199272	4 - 57
2194950	1 - 42	2195581	1 - 33		5 - 54
2194951	1 - 31	2195589	3 - 4	2199274	5 - 48
2194968	1 - 56		3 - 6	2199276	5 - 1
2194970	1 - 63	2195590	1 - 75	2199279	5 - 52
	1 - 88	2195592	1 - 7	2199287	5 - 43
2194984	1 - 58	2195594	1 - 6	2199288	5 - 50
2194989	1 - 60	2195595	1 - 10	2199297	6 - 6
2195038	13 - 69	2195596	1 - 10A	2199312	5 - 36
2195096	1 - 1	2195615	13 - 43	2199329	7 - 5
2195100	1 - REF	2195616	13 - 75	2199332	7 - 1A
	3 - REF	2195617	13 - 32	2199376	4 - 92
	13 - REF	2195618	13 - 35		8 - REF
2195102	1 - 78	2195619	13 - 38	2199379	4 - 83
2195103	3 - 27	2195620	13 - 77	2199380	4 - 96
2195104	3 - 27	2195621	13 - 45	2199386	4 - 92
2195105	3 - 29	2195622	13 - 41		8 - REF
2195106	3 - 33	2195623	13 - 36	2199387	5 - 53
2195107	3 - 38	2195624	3 - 44	2199391	4 - 87
2195112	17 - 20	2195625	1 - 93	2199399	11 - 22
	18 - REF		1 - 93	2199401	8 - 10
2195114	18 - 20	2195630	3 - 14	2199402	8 - 10
2195115	13 - 15	2195632	1 - 52	2199411	5 - 5
	14 - REF	2195641	3 - 16	2199417	4 - 17
2195122	3 - 36	2195643	3 - 48	2199427	4 - 18
2195124	3 - 42	2195906	13 - 64	2199429	11 - 19
2195145	3 - 35	2195907	17 - 19	2199440	9 - 40A
2195151	14 - 33	2195908	3 - 11	2199447	5 - 23
2195156	13 - 104	2195909	3 - 12	2199480	9 - 39
	17 - REF	2195910	3 - 13	2199497	11 - 38
2195157	17 - 22	2195911	13 - 17	2199498	11 - 23
2195158	13 - 104	2195912	13 - 65	2202918	14 - 42
	17 - REF	2195913	13 - 16	2202919	14 - 38
2195159	13 - 49	2195914	13 - 61		14 - 38
2195162	13 - 72	2195915	13 - 108		14 - 38
2195165	13 - 21	2195916	13 - 108	2204000	11 - 41
2195168	13 - 116	2195917	13 - 108	2204001	10 - 16
2195169	3 - 20	2195919	17 - 3	2204009	11 - 65
	12 - REF	2195921	16 - 7	2204013	11 - 67
		2195952	13 - 120	2204018	9 - 52

PART NO.	LIST AND INDEX NO.	PART NO.	LIST AND INDEX NO.	PART NO.	LIST AND INDEX NO.
2204022	9 - 41	2207642	4 - 37	2219186	11 - 58
2204024	23 - 22		5 -REF	2219187	11 - 56
2204025	8 - 11	2207643	4 - 22	2219189	11 - 59
2204028	4 - 52	2207644	5 - 5	2219190	4 -108
	11 -REF	2207645	5 - 42	2227451	14 - 34
2204030	11 - 61	2207670	3 - 8		14 - 34
2204031	4 - 80		3 - 9	2242305	3 - 24
2204035	4 -102		3 - 10	2242306	3 - 24
	5 - 12		4 -REF	2242323	13 - 12
2204037	4 - 56	2207671	4 - 23	2242324	2 - 6
2204040	11 - 71		9 -REF	2242325	2 - 1
2204043	11 - 28	2207672	9 - 28	2242352	2 - 10
2204045	4 - 58	2207673	9 - 40	2242359	2 - 5
2204046	11 - 49	2207674	4 - 25	2242376	1 - 36
2204047	4 - 60	2207675	4 - 8	2242377	2 - 7
2204048	11 - 25		9 - 60	2242378	2 - 9
2204050	11 - 68	2207680	3 - 8	2242379	2 - 8
2204052	4 - 47		3 - 9	2242380	2 - 3
2204053	4 - 45		3 - 10	2242381	1 - 30
2204056	5 - 42		4 -REF		2 -REF
2204060	4 -103	2207700	11 - 60	2242382	3 - 1
2204067	11 - 31	2207707	7 - 11	2242443	17 - 13
2204069	11 - 27	2207708	7 - 7	2242900	1 - 77
2204073	4 - 65	2207709	7 - 10	2246277	18 - 21
2204076	4 - 66	2207710	7 - 4	2257133	9 - 19
2204082	8 - 8		7 - 9	2257135	9 - 26
	10 - 11	2207713	7 - 1	2257136	9 - 35
2204083	8 - 7	2207714	4 - 69	2257137	9 - 58
	10 - 10		7 -REF	2257139	9 - 61
2204085	5 - 6	2207715	7 - 12	2257195	4 - 39
2204106	11 - 53	2207717	7 - 6	4116484	20 - 39
2204116	8 - 3		7 - 8	4116494	19 - 22
2204118	8 - 3	2207960	5 - 19	4116496	21 - 23
2204120	9 - 48	2219001	4 - 15	4120171	18 - 13
2204121	9 - 46	2219003	4 - 35	5212727	11 - 43
2204127	4 - 50	2219005	4 - 28	5214367	20 - 20
2204128	4 - 51	2219006	4 - 26	5214368	19 - 20
2204135	10 - 14	2219010	9 - 56		21 - 20
2204136	10 - 12	2219015	11 - 3	5214546	19 - 9
2204139	4 - 85	2219027	9 - 11	5214548	20 - 9
	10 -REF	2219034	11 - 42		21 - 9
2204142	10 - 3	2219035	11 - 55	5214556	19 - 28
2204143	10 - 8	2219036	11 - 20		20 - 34
2204146	4 - 19	2219038	11 - 21		21 - 29
2204147	4 - 21	2219048	4 - 76	5218379	17 - 10
2204158	5 - 47	2219049	4 - 74	5247187	23 - 9
2204160	11 - 29	2219056	4 - 67	5261010	17 - 12
2204165	6 - 8	2219062	11 - 24		19 -REF
	10 - 13	2219064	4 - 16	5261020	17 - 18
2204167	10 - 1	2219066	4 - 32		21 -REF
2204173	6 - 3	2219069	4 - 12	5261050	17 - 17
2204176	8 - 1	2219075	6 - 6		20 -REF
2204181	4 -110	2219091	6 - 5	5261067	21 - 21
2204183	4 - 68	2219092	11 - 51	5261089	19 - 21
2204189	4 - 31		11 - 63		21 - 22
2204195	4 - 30	2219094	4 - 20	5261098	20 - 1
2207402	4 - 42A	2219104	4 - 49		21 - 1
2207505	11 - 26	2219116	6 - 15	5261118	19 - 1
2207531	11 - 33	2219140	4 - 10	5261128	20 - 21
2207543	11 - 8		4 - 14	5261165	19 - 29
2207545	11 - 40	2219141	4 - 11		20 - 35
2207546	11 - 73	2219142	4 - 5		21 - 30
2207552	4 -123	2219143	4 - 6	5261167	19 - 30
2207592	11 - 18	2219144	4 - 1		20 - 36
2207593	5 - 4	2219145	4 - 9		21 - 31
2207603	11 - 5	2219146	4 - 3	5261610	17 - 12
2207604	4 - 54	2219151	9 - 41		19 -REF
2207605	4 - 55	2219154	11 - 16	5261620	17 - 18
2207611	5 - 38		11 - 30		21 -REF
2207630	4 - 43	2219155	11 - 9	5261650	17 - 17
	6 -REF	2219156	11 - 7		20 -REF
2207632	6 - 30	2219157	11 - 4	5261935	19 - 16
2207633	4 - 42B	2219158	11 - 12		20 - 13
2207634	4 - 42	2219159	11 - 34		21 - 16
2207635	5 - 13	2219160	11 - 39	5311437	12 - 8
2207636	5 - 17	2219167	4 - 62	5313928	14 - 24
2207637	5 - 14	2219170	4 - 75	5319854	1 - 2
2207638	4 - 43	2219176	4 -102A		16 - 13
	6 -REF	2219178	4 - 34	5319888	4 - 61
2207639	5 - 39	2219185	11 - 57		13 - 47

PART NO.	LIST AND INDEX NO.	PART NO.	LIST AND INDEX NO.	PART NO.	LIST AND INDEX NO.
5323493	16 - 29	5374689-CONT	20 - 50	5761908-CONT	21 - 25
5343044	13 -130		21 - 57	5761909	19 - 54
5349887	14 - 22	5393041	13 -123		20 - 48
5349888	15 - 18	5393042	13 -123		21 - 55
5349929	4 - 79	5393056	13 -122		21 - 58
5350006	6 - 7		13 -122	5761913	19 - 46
	6 - 9		13 -122		20 - 45
	11 - 69	5393057	13 -122		21 - 47
	18 - 3		13 -122	5761935	19 - 6
5350012	13 - 71		13 -122		19 - 7
	13 - 73	5404466	13 - 99		20 - 6
	16 - 2		13 -129		20 - 7
	16 - 3	5404467	13 - 98		21 - 6
	16 - 41		13 -128		21 - 7
	17 - 33	5404468	13 - 96	5761936	19 - 25
5350020	12 - 6		13 -126		20 - 22
5350092	1 - 83	5412817	23 - 45		21 - 26
5352960	23 - 24	5700484	11 - 72	5761938	19 - 3
5353296	14 - 8	5708947	22 - 15		20 - 3
5353301	13 - 19	5709490	13 -101		21 - 3
	13 - 28		22 -REF	5761943	19 - 15
5353851	23 - 15	5712309	19 - 33		20 - 19
5353852	23 - 7B		20 - 32		21 - 15
5353853	15 - 12A		21 - 34	5761966	19 - 53
5353854	15 - 12B	5761724	19 - 22	5761967	21 - 54
5353858	23 - 50	5761725	21 - 23	5761968	20 - 56
5353867	13 - 93	5761729	20 - 39	5761976	19 - 51
5353869	23 - 51	5761763	19 - 59		20 - 55
5353880	23 - 48	5761764	19 - 45		21 - 52
5353896	23 - 49	5761765	21 - 60	5761977	19 - 38
5353902	13 -100	5761766	21 - 46		20 - 26
5357051	15 - 7	5761767	20 - 58		21 - 39
5357052	14 - 30	5761768	20 - 44	5761979	19 - 42
	15 -REF	5761779	19 - 11		20 - 29
5357054	14 - 20		20 - 11		21 - 43
5357056	14 - 28		21 - 11	5762093	22 - 38
5357058	15 - 22	5761793	21 - 13	5762156	19 - 41
5357059	15 - 4	5761794	20 - 17		21 - 42
5357063	15 - 9	5761796	19 - 47	5762215	19 - 40
5357064	15 - 1		20 - 46		20 - 28
5357065	15 - 12		21 - 48		21 - 41
5357066	15 - 8	5761798	19 - 57	5762445	22 - 28
5357067	15 - 13		20 - 51	5800604	23 - 21
5357068	15 - 14	5761904	19 - 36	5800605	23 - 21A
5357069	15 - 17		20 - 24	5800610	23 - 21B
5357135	15 - 20		21 - 37	5800634	23 - 21C
5357136	14 - 23	5761905	19 - 13	5800656	23 - 42B
	15 - 19	5761907	19 - 34	5800657	23 - 21D
5362163	12 - 2		19 - 37	5800660	23 - 42C
5362301	23 - 38		20 - 25	5800671	23 - 42A
5362303	13 - 95		20 - 33	5800674	23 - 42
	13 -125		21 - 35	5802216	14 - 59
5362304	13 - 92		21 - 38		14 - 59
5362306	23 - 47	5761908	19 - 24	5802225	14 - 58
5374689	19 - 56		20 - 41	7320365	13 - 26

READER'S COMMENT FORM

1810 Disk Storage Models A1, A2, and A3

Form 123-0486-2

- Based on your own experience, rate this publication...

.....
Very	Good	Fair	Poor	Very
Good				Poor

- What is your occupation?

- We would appreciate your other comments; please give specific page and line references where appropriate. If you wish a reply, be sure to include your name and address.

- Thank you for your cooperation. No postage necessary if mailed in the U.S. A.

YOUR COMMENTS PLEASE . . .

Your answers to the questions on the back of this form, together with your comments, will help us produce better publications for your use. Each reply will be carefully reviewed by the persons responsible for writing and publishing this material. All comments and suggestions become the property of IBM.

Note: Please direct any request for copies of publications, or for assistance in using your IBM system, to your IBM representative or to the IBM sales office serving your locality.

fold

fold

FIRST CLASS
PERMIT NO. 2078
SAN JOSE, CALIF.

BUSINESS REPLY MAIL
NO POSTAGE STAMP NECESSARY IF MAILED IN U. S. A.

POSTAGE WILL BE PAID BY . . .

IBM Corporation
Monterey & Cottle Rds.
San Jose, California
95114



Attention: Product Publications, Dept. G24

fold

fold



International Business Machines Corporation
Field Engineering Division
112 East Post Road, White Plains, N.Y. 10601

0181

1810

AB INSERT FOR FRONT COVER

123-0486-2

IBM 1810A PRINTED IN U.S.A. 123-0486-2

IBM

International Business Machines Corporation
Field Engineering Division
112 East Post Road, White Plains, N.Y. 10601