

**IBM**<sup>®</sup>

**Customer Engineering  
Instructional  
Systems Diagrams**

**FOR INSTRUCTIONAL USE ONLY**

**7330** Magnetic Tape Unit

MACHINE TYPE 7330

SERIAL # PLANT

04-08-62

## TABLE OF CONTENTS

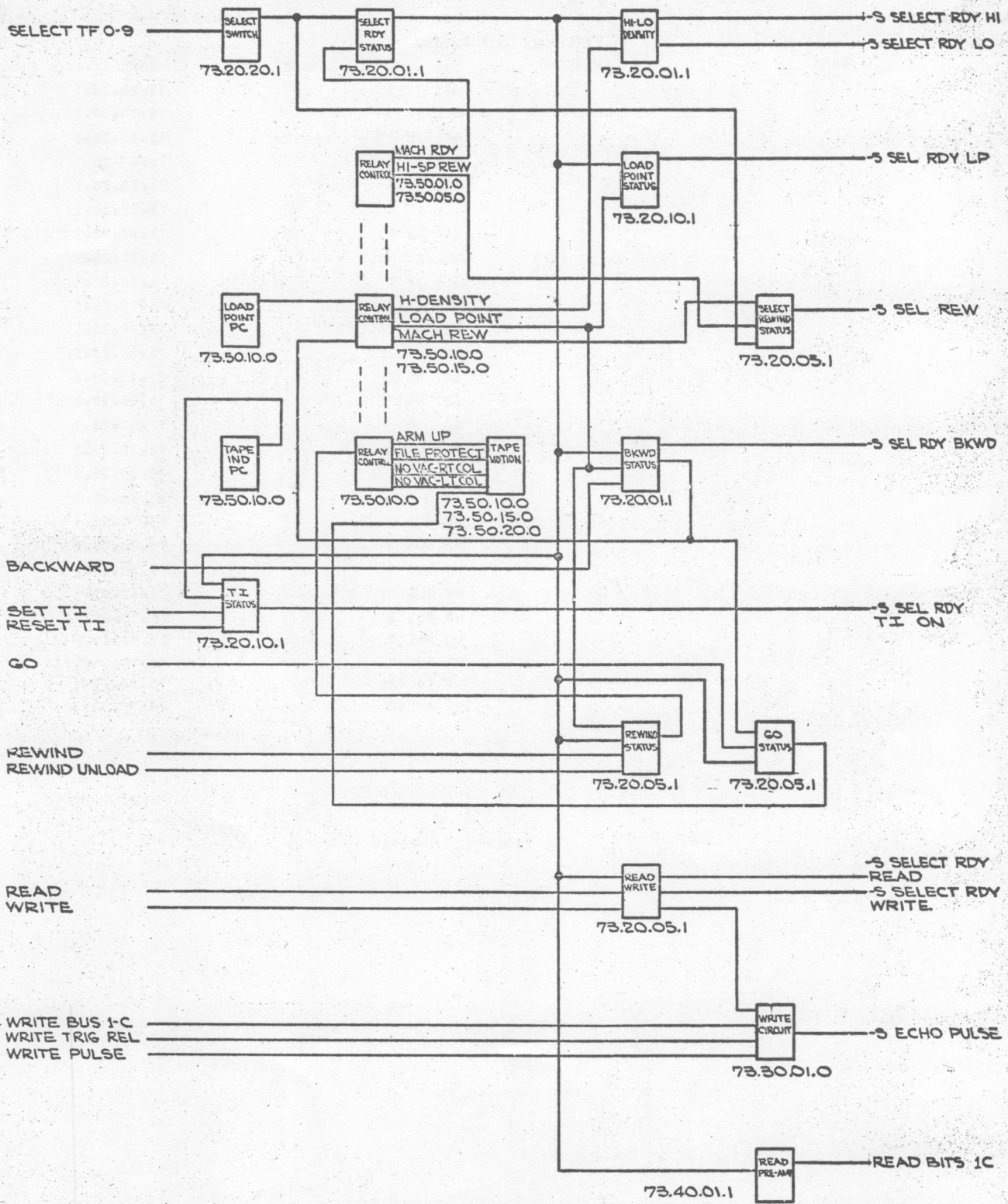
BR OFF

LOGIC NO.	DESCRIPTION	PART NO	ENG CHG	ECR NO	SF B/M
SYSTEM DIAGRAMS					
VOLUME 1					
73.00.10.0	BLOCK DIAGRAM	0556865	248747		
73.00.20.0	EXTERNAL TO T D	0556889	248150G		
73.00.30.0	T D TO EXTERNAL	0556890	248150G		
73.00.40.0	SET READ TU	0556862	248150G		
73.00.50.0	REWIND T U	0556863	251021		
73.04.01.0	LOCATION CHARTS	0556883	251021		
73.04.02.0	E C LAYOUT	0556884	251021		
73.04.03.0	VOLT DISTRIBUTION -48	0556885	249984		
73.04.04.0	VOLT RETURN -48	0556886	251021		
73.04.05.0	CIR CD LOC CHT 00A6	0556887	251009		2 SHEETS
73.04.06.0	T/C CONNECTOR RECEPTACLE	0556888	248150G		
73.04.07.0	CIR CARD LOC CH 00B5	0556882	248897		
73.04.08.0	WRITE HEAD WIRING	0556897	251009		
73.20.01.1	SELECT BKWD REWIND	0556867	251009		
73.20.05.1	READ WRITE GO REW UNLD	0556868	251009		
73.20.10.1	LP TI TAPE BREAK	0556869	249769		
73.20.15.1	RIGHT LEFT MTR CLUTCH BKWD CLUTCH	0556870	249984		
73.20.20.1	SELECT	0556871	251009		
73.20.25.1	LINE CONVERSION COMMAND	0556872	249984		
73.30.01.1	WRITE TR 1 2 3 4	0556873	251009		
73.30.01.2	WRITE TR A B C	0556874	251009		
73.30.01.3	DELAY LINES	0556858	249984		
73.30.05.1	LINE CONVERSION WRITE	0556875	249434		
73.40.01.1	READ PREAMPS	0556876	251009		
73.50.01.0	RELAY LOGIC	0556877	249984		
73.50.05.0	RELAY LOGIC	0556878	251021		
73.50.10.0	RELAY LOGIC	0556879	249984		
73.50.15.0	MOTION CONTROL	0556880	249984		
73.50.20.0	INPUT PWR BLOWER MTRS	0556881	249984		
73.50.25.0	6-12V PWR SUP - 3 SHEETS	0556754	249984		
73.50.30.0	-48 VOLT POWER SUPPLY	0556857	248747		
73.50.35.0	7330 TESTER	0556828	249521		

556865

BLOCK DIAGRAM

73.00.10.0



INTERNATIONAL BUSINESS MACHINES CORP.				DATE	CHANGE NO.	DATE	CHANGE NO.	NOTE	DEVELOPMENT NO.
NAME SYSTEMS DIAGRAM				11-21-60	248150-G			X PRINT TO ENG. SPEC. NO. 859291	016865
73.00.10.0				1-11-61	248747				
DESIGN RAV 5-2-60 MODEL 7350								DWG. SIZE - C	73.00.10.0
DETAIL 15 6985									
CHECK RAV 15-11-60 DRAW									
APPROVE REF 10-2-60 CHECK									



P.N. 556889  
 FROM EXTERNAL

REFERENCE PAGE  
 EXTERNAL TO T.D.

PG 1 OF 1

73.00.20  
 TO T.D.

PAGE	NAME	NAME	PAGE
		SEL TF 0	73.20.20.1
		SEL TF 1	73.20.20.1
		SEL TF 2	73.20.20.1
		SEL TF 3	73.20.20.1
		SEL TF 4	73.20.20.1
		SEL TF 5	73.20.20.1
		SEL TF 6	73.20.20.1
		SEL TF 7	73.20.20.1
		SEL TF 8	73.20.20.1
		SEL TF 9	73.20.20.1
		REWIND CALL	73.20.25.1
		BKWD	73.20.25.1
		SET READ	73.20.25.1
		SET WRITE	73.20.25.1
		GO	73.20.25.1
		REW UNLD CALL	73.20.25.1
		II ON	73.20.25.1
		II OFF	73.20.25.1
		WR BUS 1	73.30.05.1
		WR BUS 2	73.30.05.1
		WR BUS 4	73.30.05.1
		WR BUS 8	73.30.05.1
		WR BUS A	73.30.05.1
		WR BUS B	73.30.05.1
		WR BUS C	73.30.05.1
		WR TR REL	73.30.05.1
		WR PULSE	73.30.05.1



No. 556890  
ROM T.D.

REFERENCE PAGE  
T.D. TO EXTERNAL  
NAME

PG 1 OF 1

73.00.30.0  
TO EXTERN

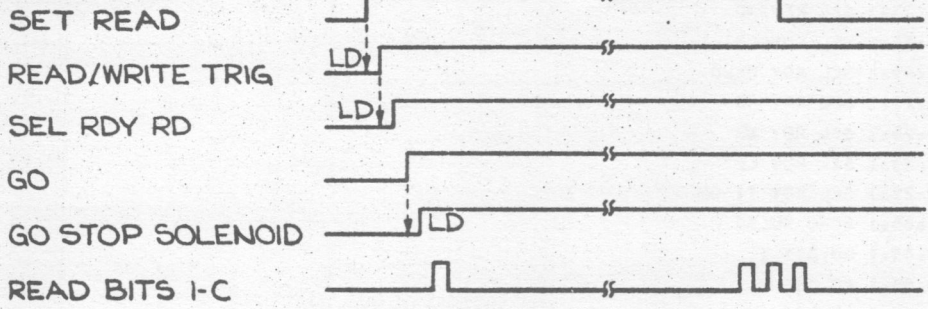
PAGE	NAME	PAGE
73.20.25.1	SEL RDY H1	
73.20.25.1	SEL REWIND	
73.20.25.1	SEL RDY LO	
73.20.25.1	SEL RDY BKWD	
73.20.25.1	SEL RDY RD	
73.20.25.1	SEL RDY WR	
73.20.25.1	SEL RDY LP	
73.20.25.1	SEL RDY TI ON	
73.30.05.1	ECHO PULSE	
73.30.05.1	RD BIT 1	
73.30.05.1	RD BIT 2	
73.30.05.1	RD BIT 4	
73.30.05.1	RD BIT 8	
73.30.05.1	RD BIT A	
73.30.05.1	RD BIT B	
73.30.05.1	RD BIT C	

556862

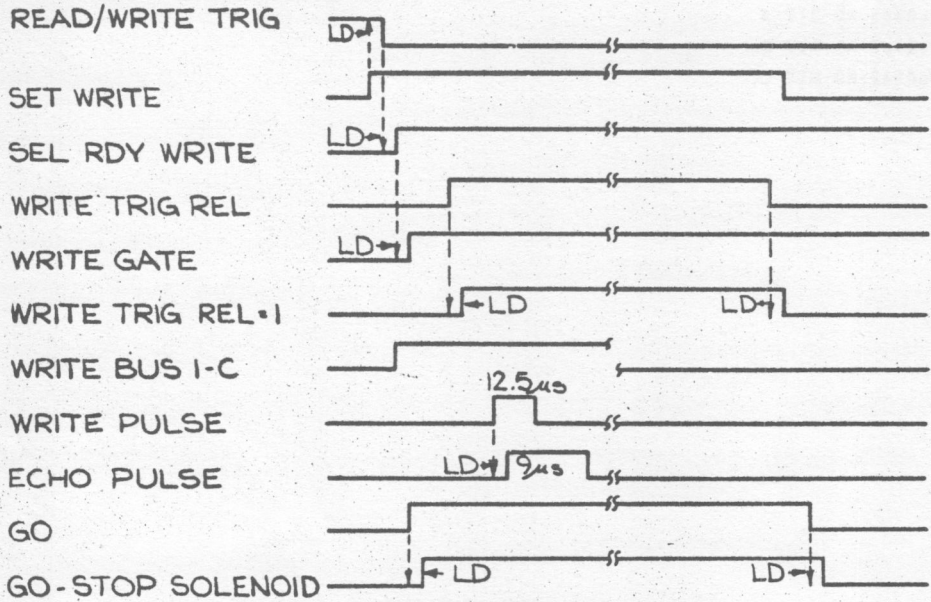
DWG. SIZE - B

73.00.40.0

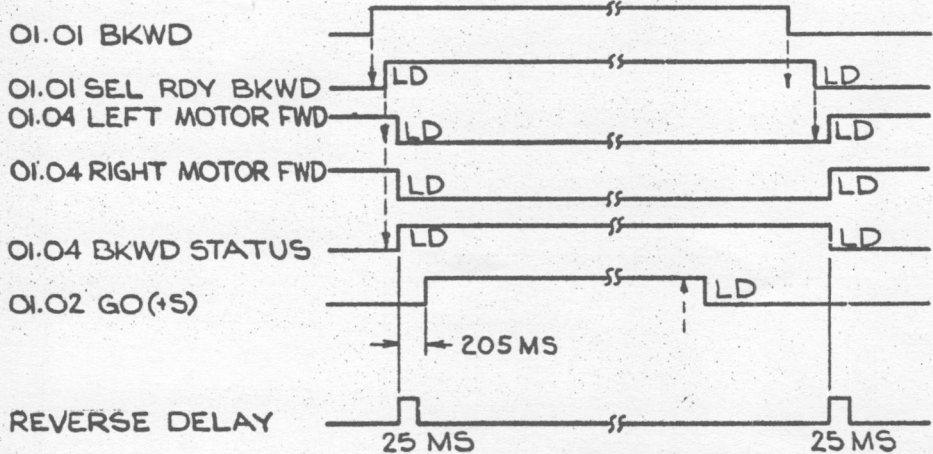
SET READ TU



SET WRITE TU



BACKWARD CALL TU



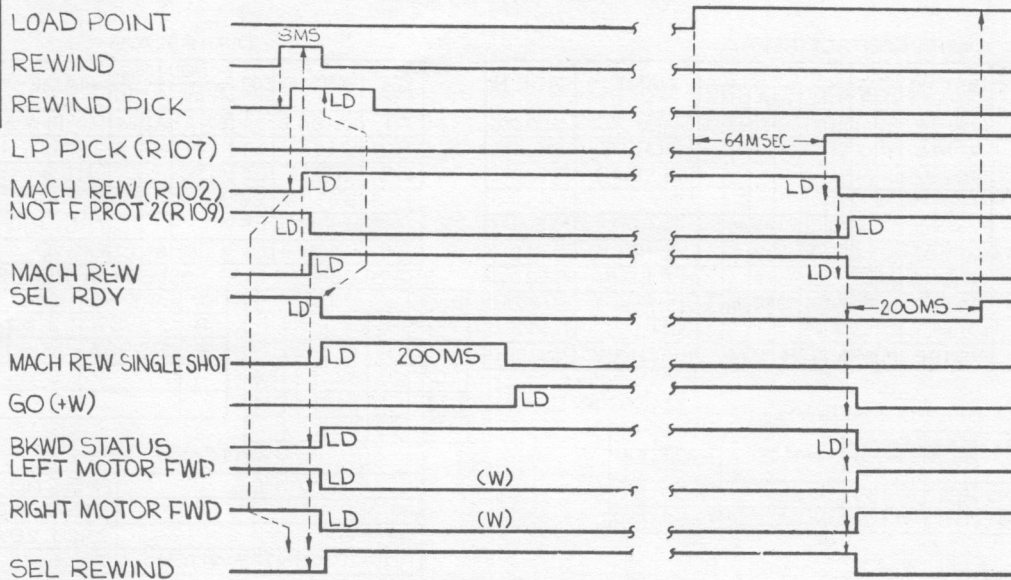
NOTE: LD IS LOGICAL DELAY

INTERNATIONAL BUSINESS MACHINES CORP.		DATE	CHARGE NO.	DATE	CHARGE NO.	NOTE	DEVELOPMENT NO.
NAME SYSTEMS DIAGRAM		11-21-60	248150-G			X PRINT TO ENG. SPEC. NO. 895291	73.00.40.0
73.00.40.0							
DESIGN	RAR 10-11-60	MODEL	7330				556862
DETAIL	ID 10-12-60						
CHECK	RAR 10-20-60	DRAW					
APPRO	LB F 10-21-60	CHECK					

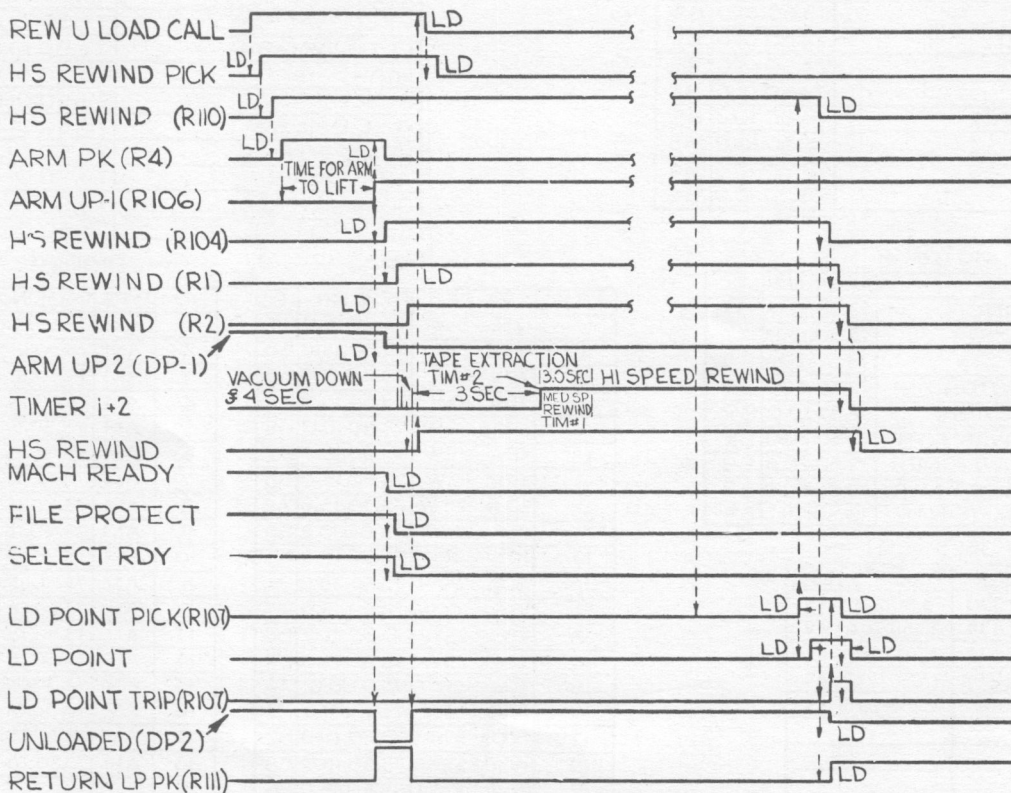
556863

REWIND T.U.

73.00.50.0



REWIND UNLOAD T.U



DPI & DP 2 WILL PICK AND R106 WILL DROP OUT WHEN LOAD REWIND ARM IS LOWERED

NOTE: LD IS LOGICAL DELAY

INTERNATIONAL BUSINESS MACHINES CORP.	DATE	CHANGE NO.	DATE	CHANGE NO.	NOTE	DEVELOPMENT NO.
NAME SYSTEMS DIAGRAM	11-21-60	248150-G			X PRINT TO ENG. SPEC. NO. 895291	73.00.50.0
73.00.50.0	7-7-61	249769				
DESIGN RAR 10-11-60 MODEL 7330	12-28-61	249984				
DETAIL ID 10-13-60	2-27-62	251021				
CHECK RAR 10-20-60 DRAW						
APPRO LBF 10-21-60 CHECK						

556863



556883

LOCATION CHARTS

73.04.01.0

WIRE CONTACT RELAYS

RELAY NO.	SIZE	TYPE	PART NO.	COIL		POINTS						NAME	PAGE NO
				P	H	1	2	3	4	5	6		
101	6	S	196198	B1	B1	B1	A1	A3	B1	A5	A5	MACH RDY	73.50.01.0
102	6	S	196198	B1	B1	B1	B3	B5	A5	B3	B1	MACH REW	73.50.01.0
104	4	S	196208	B1	B1	B4	B3					H.S. REW-2	73.50.01.0
106	6	S	196198	B2	B2	A3	B1	B1	A5	A4	E2	ARM UP 1	73.50.01.0
107	4	LATCH	186685	B2	B2	B1	B1	A5	B2			L.P. PICK	73.50.01.0
109	4	S	196208	B3	B3	B6	B6	A5	B6			NOT F.P. #2	73.50.05.0
110	6	S	196198	B1	B1	B1	B1	B3	B2	B4		H.S. REW-1	73.50.01.0
111	4	LATCH	186685	B3	B3	B1	B3					RTN LP	73.50.05.0
114	6	S	196198	B4	B4	B1	A3	A4	B3	A5		MACH VAC	73.50.05.0

DOUBLE POLE RELAYS

RELAY NO.	PART NO.	COIL		POINTS		NAME	PAGE NO
		PV		1	2		
1	223642	B3	B7	B9		ARM UP 2	73.50.05.0
2	223642	B3	B7			UNLOADED	73.50.05.0

LIGHTS

NAME	PAGE NO.	LOC
T.I. LAMP	73.50.01.0	B2
L.P. LAMP	73.50.01.0	B2
TAPE INDICATE	73.50.01.0	B2
SELECT	73.50.01.0	B2
FUSE	73.50.01.0	B2
FILE PROTECT	73.50.10.0	B5
READY	73.50.10.0	B5
HI DENSITY	73.50.10.0	B6
LO DENSITY	73.50.10.0	B6

MOTORS

NAME	PAGE NO	LOC
LT REEL MOTOR	73.50.15.0	A7
RT REEL MOTOR	73.50.15.0	A7
TIMER MOTORS	73.50.20.0	B9
VACUUM MOTOR	73.50.20.0	B9
CAPSTAN MOTOR	73.50.20.0	B9
PRESS. BLOWER MTR	73.50.20.0	B10
GATE A G BLOWER MTR	73.50.20.0	B9
GATE A5 BLOWER MTR	73.50.20.0	B9
GATE A8 BLOWER MTR	73.50.20.0	B9

FUSES

NO	TYPE	PART NO.	PAGE NO.	LOC
1	5FNA	322890	73.50.20.0	A9
2	7FNA	322899	73.50.20.0	A9
3	5FNA	322890	73.50.20.0	A9
4	2FNA	322784	73.50.20.0	A9
5	1FNA	322895	73.50.20.0	A9
6				
7				
8				
9	2MIC	322892	73.50.30.0	-
10	7MIC	503976	73.50.30.0	-

TIMER MOTORS

POINT	PAGE NO.	LOC.
1	73.50.15.0	B7
2	73.50.15.0	B7

DJO RELAYS

RELAY NO.	PART NO.	COIL	POINTS				NAME	PAGE NO
			AL	BL	AU	BU		
R1	124843	B4	B7	B4	A7	B9	H.S. REW-3	73.50.05.0
R2	124843	B4		B7	A5	A7	H.S. REW-4	73.50.05.0
R3	111351	B2	A1				LITES	73.50.01.0
F.P.1	333110	B3	A3	B3			NOT F.P. 1	73.50.05.0
R4	124843	B4	A8				ARM PIC	73.50.05.0
R5	124843	B4	A7	A7	B7	B7	BKWD	73.50.05.0

R.C. BLOCKS

R.C. NO.	POS			
	1	2	3	4
103	B1	B1	B2	
108	B3	B3	B3	B4
112		B4	B4	B4
113	B3	B3		

SELENIUM RECTIFIERS

NO.	PART NO.	PAGE NO.	LOC
SR1	315902	73.50.15.0	B8
SR2	315902	73.50.15.0	B8

SWITCHES

NAME	PAGE NO.	LOC
LO SPD REW	73.50.01.0	B1
SELECT	73.20.20.1	-
POWER CONT. SWITCH	73.50.20.0	B10
HI-LO DENSITY SWITCH	73.50.10.0	B6
MACH VAC RIGHT	73.50.05.0	A4
MACH VAC LEFT	73.50.05.0	A4
RT COL VAC SW	73.50.10.0	A5
LT COL VAC SW	73.50.10.0	A5
START	73.50.01.0	B1
RESET 1	73.50.01.0	A1
FUSE BAIL SW	73.50.01.0	A1
HI SPD REW	73.50.01.0	B1
ARM DOWN	73.50.01.0	B2
DOOR INTERLOCK	73.50.01.0	A1
REEL RELEASE	73.50.05.0	A3

RESISTORS

RES NO	VALUE	PAGE NO	LOC
1	125Ω 5W	73.50.15.0	B8
2	125Ω 5W	73.50.15.0	B8
3	75Ω 10W	73.50.15.0	B8
4	75Ω 10W	73.50.15.0	B8
5	500Ω 25W	73.50.15.0	B8
6	100Ω 25W	73.50.15.0	B7
7	350Ω 10W	73.50.15.0	B8
8	50Ω 25W	73.50.15.0	A8
9	1.5K .5W	73.50.10.0	B5
10	10Ω 100W	73.50.15.0	E7
11	50Ω 100W	73.50.30.0	-
12	10Ω 100W	73.50.15.0	B7
13	25Ω 25W	73.50.15.0	B8
14	250Ω 25W	73.50.15.0	B7
15	50Ω 5W	73.50.10.0	A6
16	100Ω 2W	73.50.01.0	B2
17	500Ω 5W	73.50.01.0	B2
18	15Ω 25W	73.50.15.0	B8
19	150Ω 10W	73.50.15.0	B8
20	25Ω 25W	73.50.15.0	A8
21	1.5K 5W	73.50.10.0	B5

DIODES

NO	TYPE	PAGE NO.	LOC
1	AM	73.50.15.0	A7
2	AM	73.50.15.0	A7
3	AM	73.50.15.0	A7
4	AM	73.50.15.0	A7
5	AM	73.50.15.0	A8
6	AM	73.50.15.0	A8
7	AM	73.50.15.0	A8
8	AM	73.50.15.0	A8
9	AM	73.50.15.0	A8
10	AM	73.50.15.0	A8
11	AM	73.50.15.0	A8
12	AM	73.50.01.0	B1
13	AM	73.50.15.0	B7
14	AM	73.50.01.0	B1
15	AM	73.50.01.0	B2
16	AM	73.50.01.0	B2
17	AM	73.50.05.0	B4
18	AM	73.50.10.0	A5
19			

CAPACITORS

VALUE	PAGE NO.	LOC
20μF 150V	73.50.15.0	B8
100MFD 20V	73.50.10.0	A6

INTERNATIONAL BUSINESS MACHINES CORP.		DATE	CHANGE NO.	DATE	CHANGE NO.	NOTE	DEVELOPMENT NO.
NAME SYSTEMS DIAGRAM		11-21-60	248150-G	7-7-61	249769	X PRINT TO ENG. SPEC. NO. 895291	
73.04.01.0		1-11-61	248747	10-4-61	249780		
DESIGN	RAY 8-8-60	MODEL	7330	2-2-61	248697		
DETAIL	RD 8-9-60			3-9-61	249254		
CHECK	KAY 8-11-60	DRAW		4-19-61	249434		
APPRO	L.B.F. 10-16-60	CHECK					

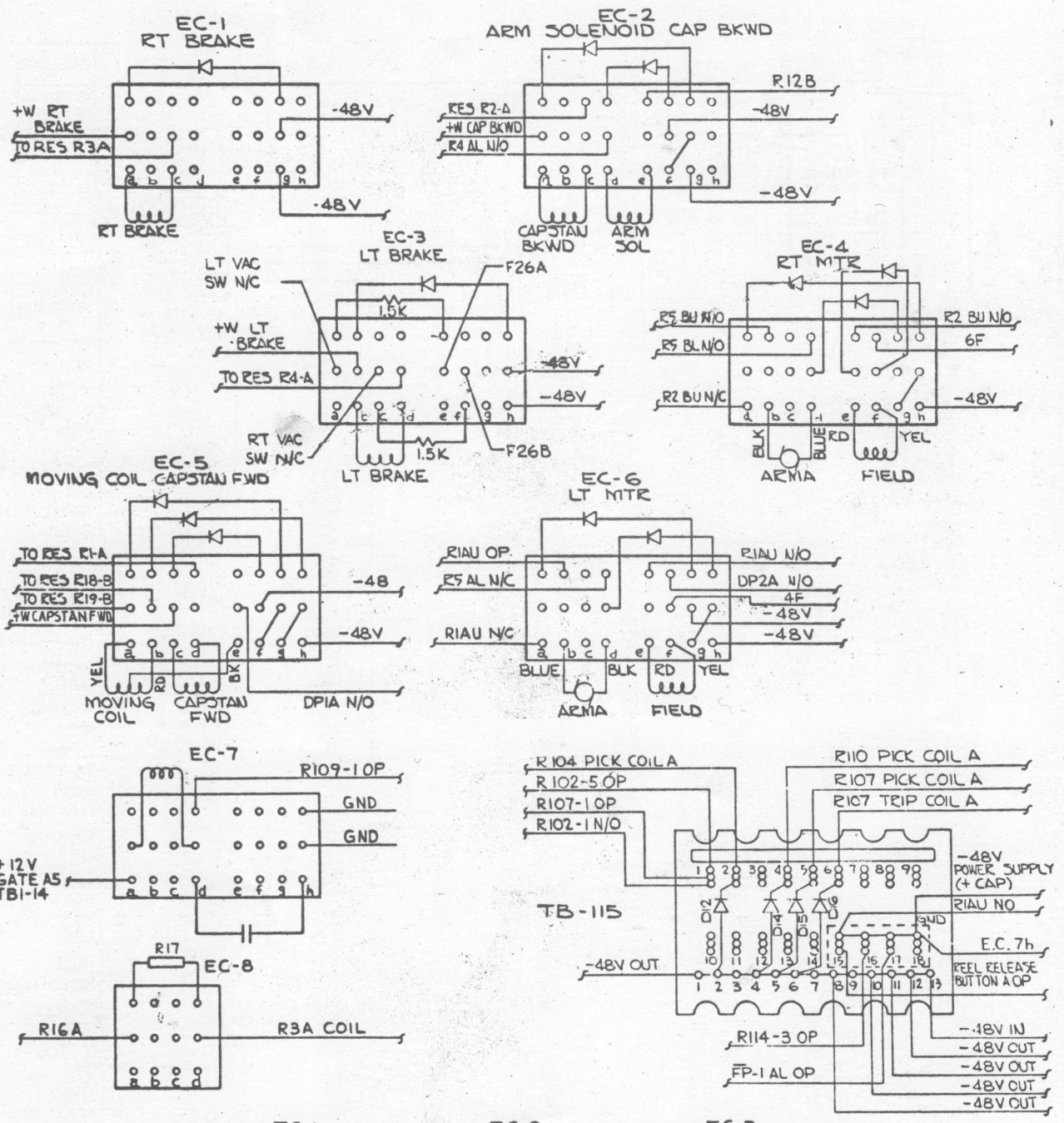
DWG. SIZE - C

73.04:01.0

55688

E.C. LAYOUT

7304.02.0



- EC-1  
BRAKE RT
- EC-2  
SOLENOID  
CAPSTAN BKWD
- EC-3  
BRAKE LT
- EC-4  
DC MOTOR RT
- EC-5  
MOVING COIL  
CAPSTAN FWD
- EC-6  
DC MOTOR LT

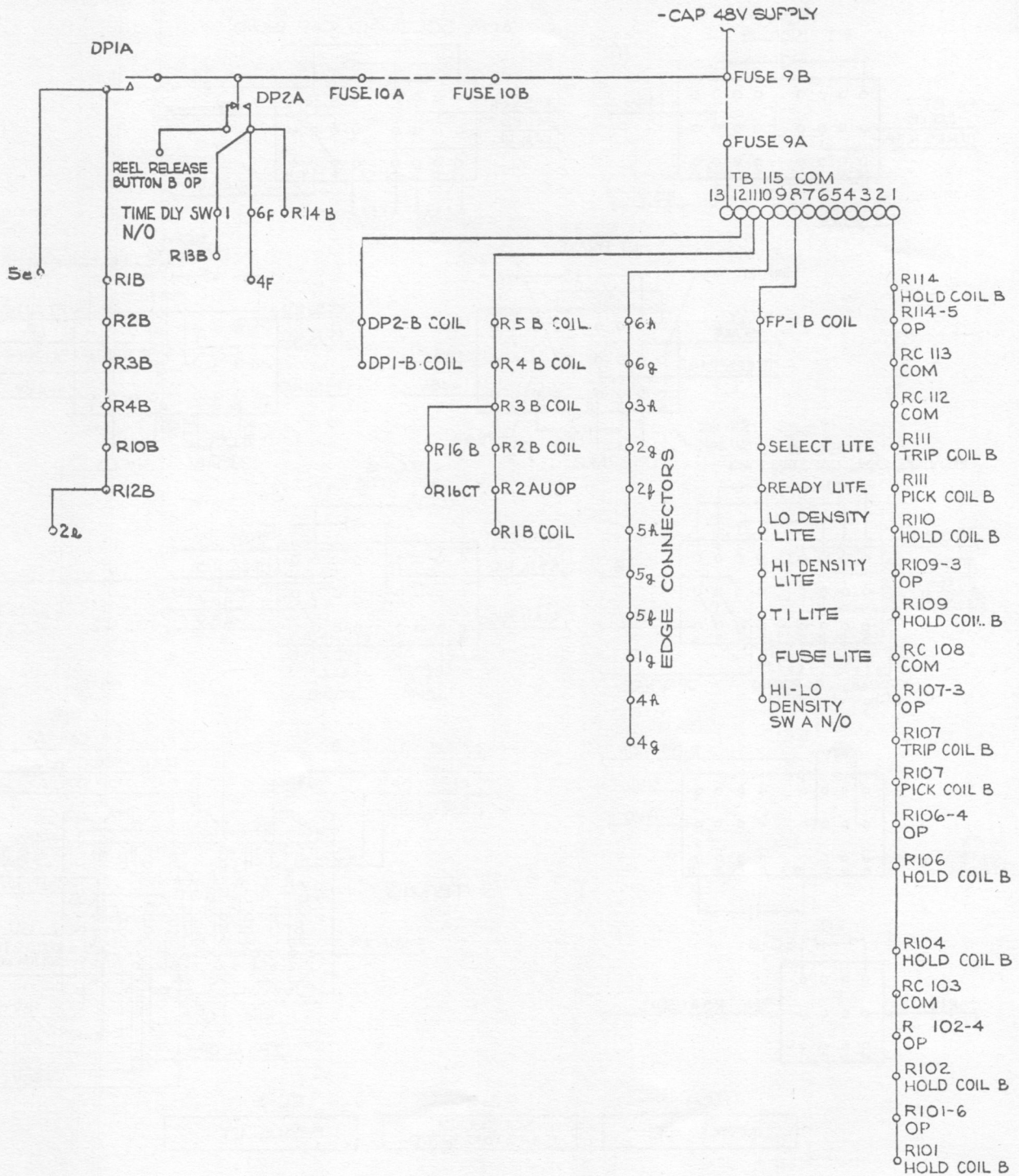
INTERNATIONAL BUSINESS MACHINES CORP.		DATE	CHANGE NO.	DATE	CHANGE NO.	NOTE	DEVELOPMENT NO.
NAME	SYSTEMS LIBRARY	11-21-60	248150-6	7-7-61	249769	A PRINT TO ENG. SPEC. NO. 895291	556884
	73.04.02.0	1-11-61	248747	10-4-61	249780		
DESIGN	JWC 5-18-60	2-2-61	248897	12-28-61	249984	DWG. SIZE C	73.04.02.0
DETAIL	ID 8-9-60	3-9-61	249254	2-27-62	251021		
CHECK	RAY 8-11-60	4-19-61	249434				
APPRO	L3F 10-18-60						



556885

VOLT DISTRIBUTION -48

73.04.03.0



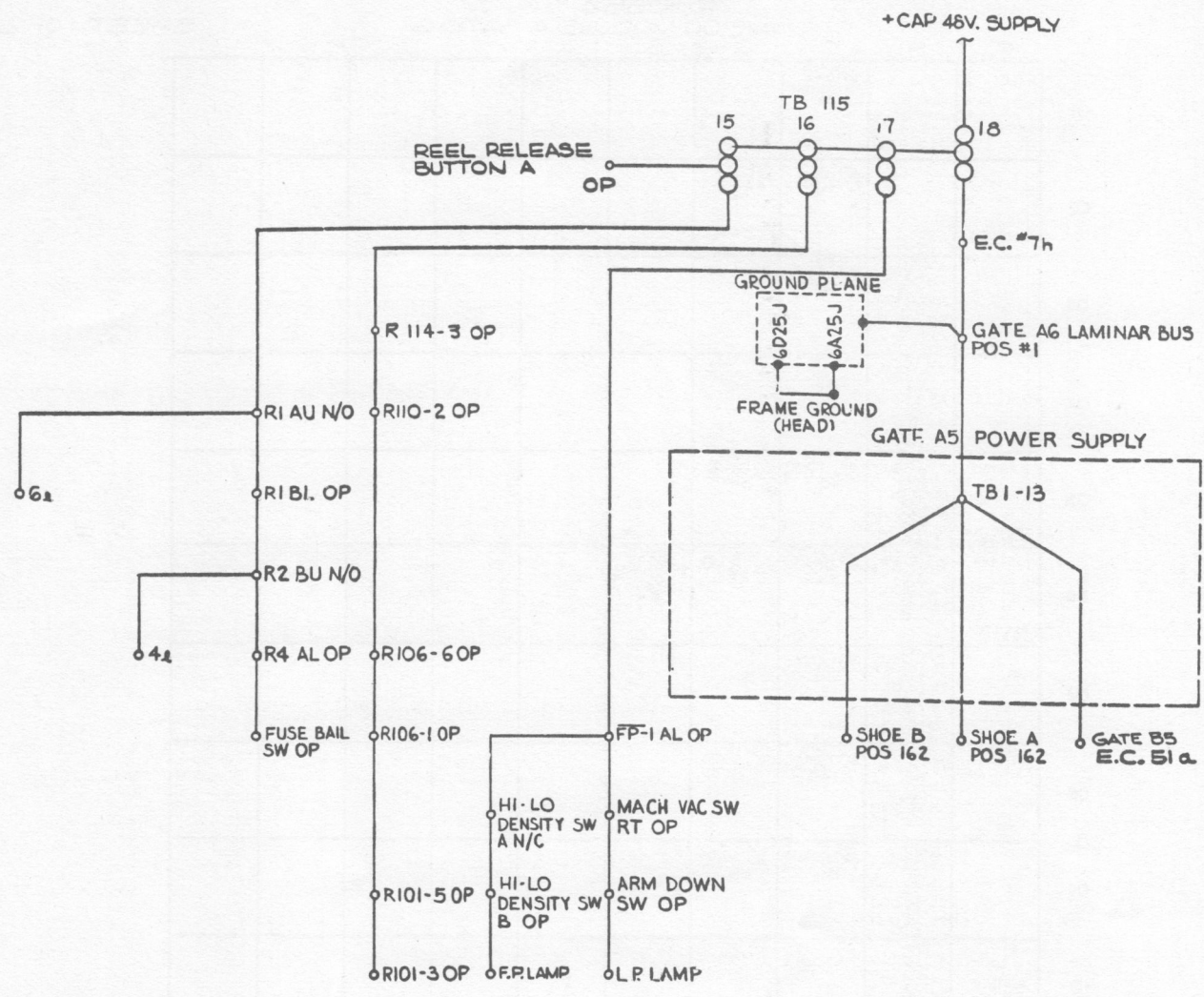
INTERNATIONAL BUSINESS MACHINES CORP.		DATE	CHANGE NO.	DATE	CHANGE NO.	NOTE	DEVELOPMENT NO.
NAME	SYSTEMS DIAGRAM	11-21-60	248150-G	7-7-61	249769	X PRINT TO ENG. SPEC. NO. 895291	73.04.03.0
DESIGN	73.04.03.0	1-11-61	248747	12-28-61	249984		
DESIGN	RAY 6-19-60 MODEL 7339	2-2-61	248897				
DRAW	GT 1020.60	3-9-61	249234				
CHECK	RAY 2-25-60 DRAW	4-19-61	249434				
APPROV	LBF 10-18-60 CHECK						



556886

VOLT RETURN -48

73.04.04.0



INTERNATIONAL BUSINESS MACHINES CORP.		DATE	CHANGE NO.	DATE	CHANGE NO.	NOTE	DEVELOPMENT NO.
NAME	SYSTEMS DIAGRAM	11-21-60	248150-G	2-27-62	251021	NOTE X PRINT TO ENGR. SPEC. NO. 895291	73.04.04.0
	73.04.04.0	2-2-61	248897				
DESIGN	RAY 6-19-60 MODEL 7330	4-19-61	249434				
DETAIL	GT 6-20-60	7-7-61	249769				
CHECK	RAY 8-8-60 DRAW	12-28-61	249984				
APPROV	L.B.F. 11-60 CHECK						

556886

556887

73.04.05.0

CARD LOCATION CHART  
 RUN 354  
 FRAME 00 MODULE A GATE 6

SHEET 1 OF 2

	F	E	D	C	B	A
01			AYWR 37104.2 73.20.15.1 56			
02			AYWS 37104.1 73.20.01.3 ZE	CE-- 3716.17 73.20.01.2		
03		MY-- 37166.1 73.20.01.1 73.20.10.1 73.20.01.1 73.20.15.1 2I	EP-- 37143.9 73.20.01.3 3E	MR-- 37162.3 73.20.01.1 3E		
04		CI-- 37102.9 73.20.01.1 73.20.01.2 1D 3I	AYWS 37104.1 73.20.01.3 4E	MR-- 37162.3 73.20.01.1 3E		
05	556980	MY-- 37166.1 73.20.01.1 73.20.01.1 73.20.01.1 73.20.01.1	EP-- 37143.9 73.20.01.3 1C	MR-- 37162.3 73.20.01.1 3E		
	CAPACITOR CARD					
06	556994	CI-- 37102.9 73.20.01.1 73.20.01.1 73.20.01.1 73.20.01.1 4E	AYWS 37104.1 73.20.01.3 2C	MR-- 37162.3 73.20.01.1 4E	CAH-- 37183.8 73.20.01.1 73.20.10.1 5H	
	RESISTOR CARD					
07		MY-- 37166.1 73.20.01.1 73.20.01.1 73.20.01.1 73.20.01.1 3I	EP-- 37143.9 73.20.01.3 3E	MR-- 37162.3 73.20.01.1 3A	MY-- 37163.5 73.20.01.1 73.20.01.1 2B	
08	WB-- 37188.0 73.20.01.1 1E	CI-- 37102.9 73.20.01.1 73.20.01.1 73.20.01.1 2E	AYWS 37104.1 73.20.01.3 4C	MR-- 37162.3 73.20.01.1 4A		
09		MY-- 37166.1 73.20.01.1 73.20.01.1 73.20.01.1 73.20.01.1 3E	EP-- 37143.9 73.20.01.3 3C	MR-- 37162.3 73.20.01.1 2B		
10	MY-- 37166.1 73.20.01.1 73.20.01.1 73.20.01.1 73.20.01.2 3I	MY-- 37166.1 73.20.01.1 73.20.01.1 73.20.01.1 73.20.01.2 3E	AYWS 37104.1 73.20.01.3 4G	MR-- 37162.3 73.20.01.1 3H		
11		CI-- 37102.9 73.20.01.1 73.20.01.1 73.20.01.1 73.20.01.1 3E	AR-- 37103.4 73.20.01.2 73.20.01.2 3E	CRYG 3717.7 73.40.01.1 4I		
12	MY-- 37166.1 73.20.01.1 73.20.01.1 73.20.01.1 73.20.01.1 3E	MY-- 37166.1 73.20.01.1 73.20.01.1 73.20.01.1 73.20.01.1 3E	AR-- 37103.4 73.20.01.2 73.20.01.2 3D	MR-- 37162.3 73.20.01.2 1F	MY-- 37163.4 73.20.01.2 73.20.01.1 4G	
13		CI-- 37102.9 73.20.01.1 73.20.01.1 73.20.01.1 73.20.01.1 3E	AR-- 37103.4 73.20.01.2 73.20.01.2 3D	NO OPER		
14	MD-- 37149.7 73.20.01.1 73.20.01.1 73.20.01.1 73.20.01.1 2I	MY-- 37166.1 73.20.01.1 73.20.01.1 73.20.01.1 73.20.01.1 3E	AR-- 37103.4 73.20.01.1 73.20.01.1 73.20.01.1 3H	NO OPER	VAL-- 37028.9	

INTERNATIONAL BUSINESS MACHINES CORP.		DATE	CHARGE NO.	DATE	CHARGE NO.	NOTE	DEVELOPMENT NO.
NAME   SYSTEMS DIAGRAM			2481506	7-7-61	249769	* PRINT TO ENCL. APPR. NO. 893291	556887
73.04.05.0			248747	10-4-61	249780		
DESIGN   RAR   1-4-61   MODEL   7330		2-2-61	248897	12-20-61	249984		
DETAIL   RAV   1-4-61		3-9-61	249254	2-9-62	251009	DWG. SIZE C	73.04.05.0
CHECK   RAR   1-5-61   DRAW   1-12-61		4-19-61	249434				
APPRO   SF   1-6-61   CHECK							



556887

CARD LOCATION CHART  
FRAME 00 MODULE A GATE 6  
RUN 354

73.04.05.0

SHEET 2 OF 2

	F	E	D	C	B	A					
15			AR-- 371034 73.30.01.1 SE 73.30.01.1 3P	NO OPER	YAW-- 370452 73.20.10.1 5E						
16	MD-- 371497 73.20.01.1 1B 73.20.10.1 2I 73.20.15.1 1I		AR-- 371034 73.30.01.1 3A 73.30.01.1 3D	NO OPER	YAW-- 370452 73.20.10.1 5C						
17		MY-- 371661 73.20.15.1 2A 73.20.15.1 2B 73.20.15.1 3C 73.20.15.1 3D	AR-- 371034 73.30.01.1 3A 73.30.01.1 3B	NO OPER	556981						
18	MD-- 371497 73.20.05.1 1D 73.20.05.1 1E 73.20.05.1 1F	LD-- 371029 73.20.15.1 2A 73.20.01.1 2F 73.20.15.1 3C	LE-- 371674 73.30.01.2 1E		APA-- 370644 73.40.01.1 2D 73.40.01.1 2B	ACW-- 370100 73.40.01.1 3B					
19		MY-- 371661 73.20.05.1 2A 73.20.05.1 2B 73.20.05.1 2C 73.20.05.1 2D	LE-- 371674 73.30.01.2 1C		APA-- 370644 73.40.01.1 1A 73.40.01.1 2C	ACW-- 370100 73.40.01.1 3C					
20	WB-- 371880 73.20.15.1 1D	LD-- 371029 73.20.15.1 2A 73.20.15.1 2B 73.20.15.1 3D	LE-- 371674 73.30.01.2 1A		APA-- 370644 73.40.01.1 1D 73.40.01.1 2D	ACW-- 370100 73.40.01.1 3D					
21		MX-- 371661 73.20.01.1 1C 73.20.01.1 2A 73.20.01.1 2I 73.30.01.1 3I	LE-- 371674 73.30.01.1 1G	CEYB 371032 73.20.01.1 1A 73.20.05.1 2D 73.20.05.1 4C 73.30.01.1 3I	APA-- 370644 73.40.01.1 1E 73.40.01.1 2E	ACW-- 370100 73.40.01.1 3E					
22	WB-- 371880 73.20.05.1 2F	MY-- 371661 73.20.05.1 1C 73.20.15.1 2A 73.20.15.1 2B 73.20.15.1 2H	LE-- 371674 73.30.01.1 1E	CEYB 371032 73.20.01.1 1A 73.20.15.1 2A 73.20.15.1 2H 73.20.15.1 3F	APA-- 370644 73.40.01.1 1F 73.40.01.1 2F	ACW-- 370100 73.40.01.1 3F					
23		MX-- 371661 73.20.01.1 3C 73.20.01.1 2S 73.20.01.1 4I	LE-- 371674 73.30.01.1 1C	NM-- 371666 73.20.10.1 5I 73.20.01.1 5C	APA-- 370644 73.40.01.1 1G 73.40.01.1 2G	ACW-- 370100 73.40.01.1 3G					
24	WB-- 371880 73.20.15.1 1A		LE-- 371674 73.30.01.1 1A	NM-- 371666 73.20.01.1 5B 73.20.01.1 5D 73.20.05.1 5I	APA-- 370644 73.40.01.1 1H 73.40.01.1 2H	ACW-- 370100 73.40.01.1 3H					
25											
26											
27											
28											

INTERNATIONAL BUSINESS MACHINES CORP.	DATE	CHARGE NO.	DATE	CHARGE NO.	NOTE	DEVELOPMENT NO.
NAME SYSTEMS DIAGRAM		248150 G	7-7-61	249769	NOTE \$ POINT TO ENCL. DRAW. NO. 695291	556887
73.04.05.0		248747	10-4-61	249780		
DESIGN/RAW 1-14-61 MODEL 7330						
DETAIL/RAW 1-14-61		2-2-61	248897	2-28-61	249984	
CHECK/RA 1-15-61 DRAW 1D 1-13-61		3-9-61	249254	2-9-62	251009	
APPRO/LSF 1-16-61 CHECK		4-19-61	249434			

DWG. SIZE C

73.04.05.0



556888

A

T/C CONNECTOR RECEPTACLE

B

73.04.060

15	SHIELD	SET READ	SHIELD	SET WRITE	SHIELD	REWIND CALL	8	SHIELD	BKWD	SHIELD	GO	SHIELD	T.I. OFF	SHIELD	T.I. ON	
30	SEL RDY BKWD	SHIELD	SEL RDY LP	SHIELD			23	SEL RDY T.I. ON	SHIELD	SEL RDY HI	SHIELD				16	
45					SHIELD	REW UNLD CALL	38	SHIELD	SEL REWIND	SHIELD	SEL RDY WRITE	SHIELD	SEL RDY READ	SHIELD	31 SEL RDY LO	
60							53								46	
75							68								61	
85	SHIELD	READ BIT 2	SHIELD	READ BIT 1	81					80	SEL T.U. 1	SHIELD	SEL T.U. 0	76	SHIELD	
95	READ BIT 8	SHIELD	READ BIT 4	SHIELD	91					90	SHIELD	SEL T.U. 3	SHIELD	86	SEL T.U. 2	
105	SHIELD	READ BIT B	SHIELD	READ BIT A	101					100	SEL T.U. 5	SHIELD	SEL T.U. 4	96	SHIELD	
115		READ BIT C	SHIELD		111					110	SHIELD	SEL T.U. 7	SHIELD	106	SEL T.U. 6	
125					121					120	SEL T.U. 9	SHIELD	SEL T.U. 8	116	SHIELD	
140	-6V			+12V		133		+6V							126	
155						148									141	
170	-12V					163		GND							156	
185	WRITE BUS C	SHIELD	WRITE BUS B	SHIELD	WRITE BUS A	SHIELD	178	WRITE BUS 8	SHIELD	WRITE BUS 4	SHIELD	WRITE BUS 2	SHIELD	WRITE BUS 1	171	SHIELD
200			SHIELD	WRITE PULSE	SHIELD	WR TR REL	193	SHIELD	ECHO PULSE						186	

A

B

INTERNATIONAL BUSINESS MACHINES CORP.		DATE	CHANGE NO.	DATE	CHANGE NO.	NOTE	DEVELOPMENT NO.
NAME SYSTEMS DIAGRAM		11-21-60	248150-G			X PRINT TO ENG. SPEC. NO. 895291	73.04.060
73.04.060							
DESIGN	RAV 3-10-60	MODEL	7330			DWG. SIZE - C	73.04.060
DETAIL	JD 5-6-60						
CHECK	RY 2-11-60	DRAW					
APPRO	LB 10-16-60	CHECK					

556888

556882

73.04.070

CARD LOCATION CHART  
 FRAME 00 MODULE B GATE 5  
 RUN 354

	F	E	D	C	B	A						
01												
02			TCJ- 370333 73.20.20.1 SC 73.20.20.1 SH 73.30.05.1 SF 73.30.05.1	TCJ- 370333 73.20.20.1 SD 73.20.20.1 SE 73.20.20.1 SF								
03			TCJ- 370333 73.30.05.1 SC 73.30.05.1 SD 73.30.05.1 SE 73.30.05.1 SF	TCJ- 370333 73.20.20.1 SD 73.20.20.1 SE 73.20.20.1 SF								
04			TCJ- 370333 73.30.05.1 SC 73.30.05.1 SH 73.30.05.1 SI 4	TAB- 370066 73.20.25.1 IA 73.20.25.1 IB 73.20.25.1 IC 73.20.25.1 ID								
05												
06			TCJ- 370333 73.20.25.1 SA 73.20.25.1 SB 73.20.25.1 SC 73.20.25.1 SD									
07			TCJ- 370333 73.20.25.1 SA 73.20.25.1 SB 73.20.25.1 SC 73.20.25.1 SH	TAB- 370066 73.20.25.1 IA 73.20.25.1 IB 73.20.25.1 IC 73.20.25.1 ID								
08				TAB- 370066 73.30.05.1 IA 234								
09												
10												
11												
12												
3												
4												

INTERNATIONAL BUSINESS MACHINES CORP.				DATE	CHANGE NO.	DATE	CHANGE NO.	NOTE	DEVELOPMENT NO.
NAME	SYSTEMS DIAGRAM				248150-G			X PRINT TO ENG. SPEC. NO. 895291	556882
	73.04.070				248747				
DESIGN	RAR	1-14-61	MODEL	7330	2-2-61	248897			
DETAIL	RAV			1-14-61					
CHECK	RAR			1-15-61	DRAW	ID	1-12-61		
APPRO	LBF			1-16-61	CHECK				

NOTE: SIZE 9 73.04.070

WRITE HEAD WIRING

TRACK		LOGIC BLOCK PIN	EDGE CONN	HEAD PIN
1	WH	D24B	D26A	C
	BK		D26COM	R
	R	D24D	D26B	B
2	WH	D23B	D26C	D
	BK		D26COM	T
	R	D23D	D26D	S
4	WH	D22B	D26E	U
	BK		D26COM	F
	R	D22D	D26F	E
8	WH	D21B	D26G	V
	BK		D26COM	J
	R	D21D	D26H	H
A	WH	D20B	D26L	W
	BK		D26COM	L
	R	D20D	D26K	K
B	WH	D19B	D26N	X
	BK		D26COM	M
	R	D19D	D26M	Y
C	WH	D18B	D26Q	P
	BK		D26COM	N
	R	D18D	D26P	A

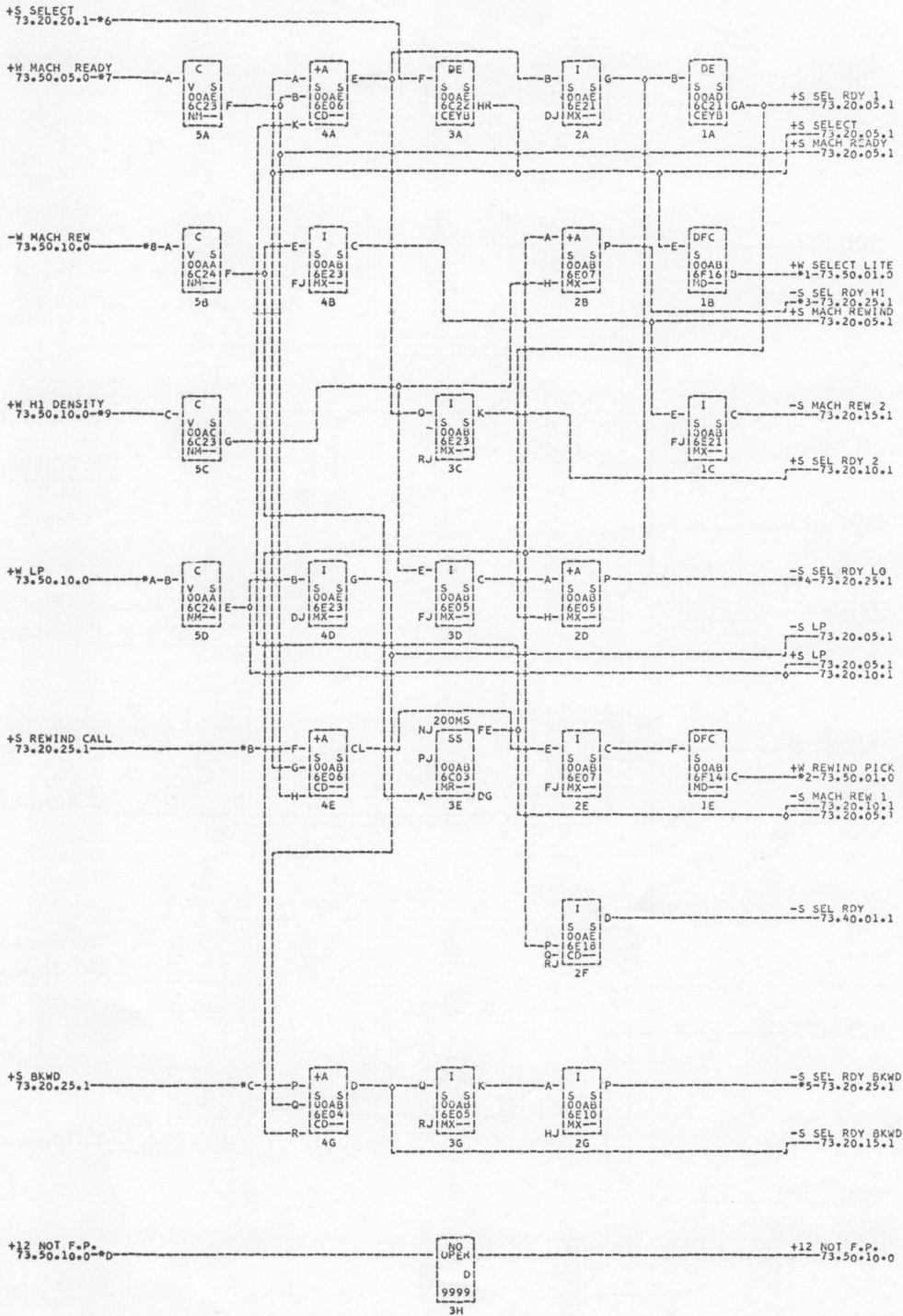
NOTE: +12 FP IS CONNECTED TO D26 COM VIA D25K TO D26R.  
SEE PAGE 73.50.10.0

READ HEAD WIRING

TRACK		LOGIC BLOCK PIN	EDGE CONN	HEAD PIN
1	YEL	A18J	A25A	F
	R	A18A	A25B	H
2	YEL	A19J	A25C	E
	R	A19A	A25D	P
4	YEL	A20J	A25E	D
	R	A20A	A25F	N
8	YEL	A21J	A25G	C
	R	A21A	A25H	B
A	YEL	A22J	A25L	M
	R	A22A	A25M	A
B	YEL	A23J	A25N	R
	R	A23A	A25P	L
C	YEL	A24J	A25Q	J
	R	A24A	A25R	K

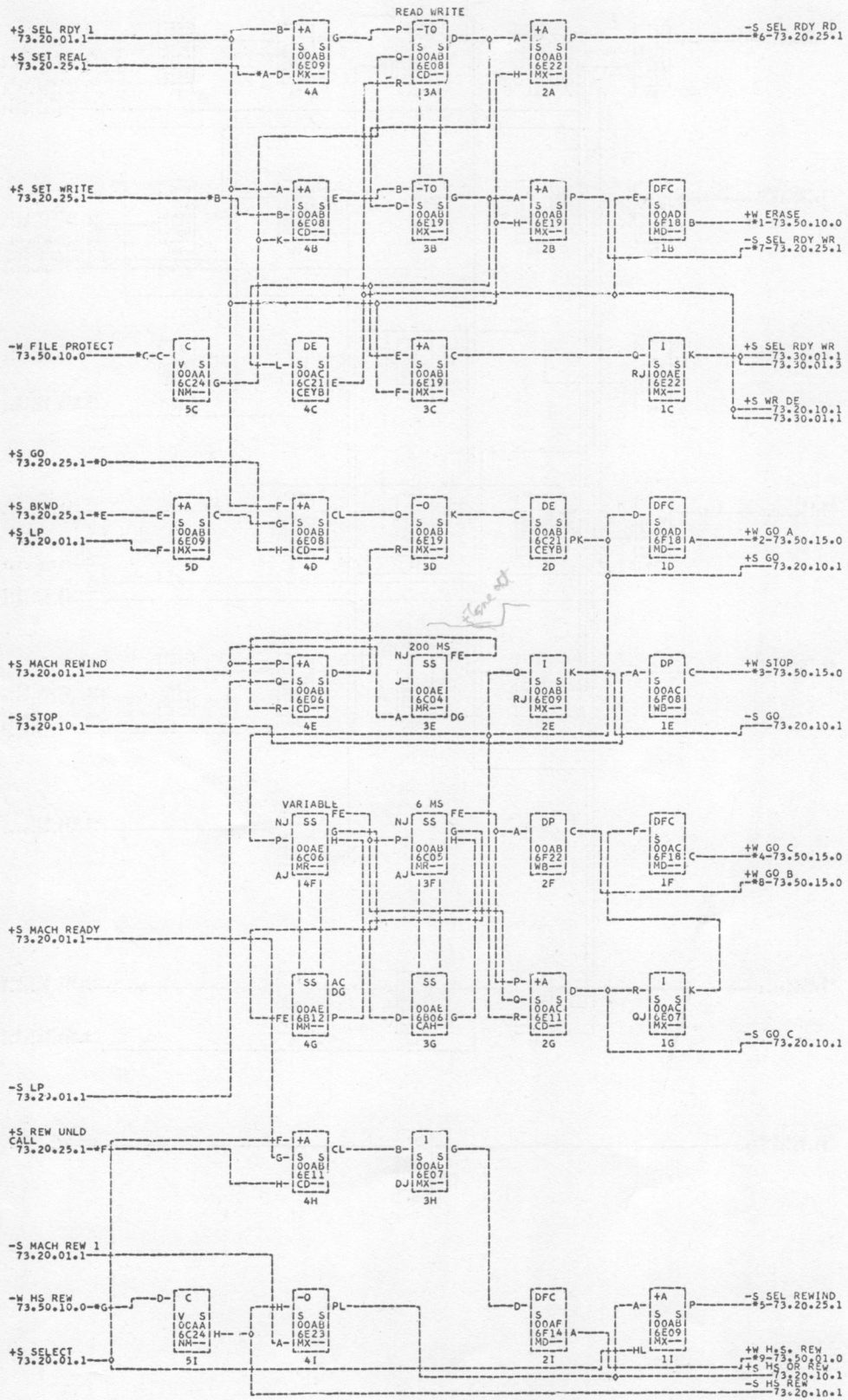
INTERNATIONAL BUSINESS MACHINES CORP.		DATE	CHANGE NO.	DATE	CHANGE NO.	NOTE	DEVELOPMENT NO.
NAME	SYSTEMS DIAGRAM	11-21-60	248150-G			X PRINT TO ENG. SPEC. NO. 895291	73.04.08.0
	73.04.08.0	1-11-61	248747				
DESIGN	RAV 1021-60 MODEL 7330	3-9-61	249254			DWG. SIZE - 11	556897
DETAIL	LD 1021-60	4-19-61	249434				
CHECK	RAV 1021-60 DRAW	2-9-62	251009				
APPRO	LBF 1021-60 CHECK						





- \*1--00A6C25C    \*2--00A6D25M    \*3--00A6E26R    \*4--00A6E26P    \*5--00A6C26D    \*6--00A6C25L    \*7--00A6D25E
- \*8--00A6D25A    \*9--00A6C25B    \*A--00A6D25C    \*B--00A6C26A    \*C--00A6C26C    \*D--00A6D25K--00A6D26R

COMMENTS		TAG	DATE	E.C.NO.	TAG	DATE	E.C.NO.	TAG	DATE	E.C.NO.	TAG	DATE	E.C.NO.
		A	10-07-60	2481505	B	12-13-60	246747	C	03-01-61	249254	D	03-24-61	249434
		E	01-11-62	251009									

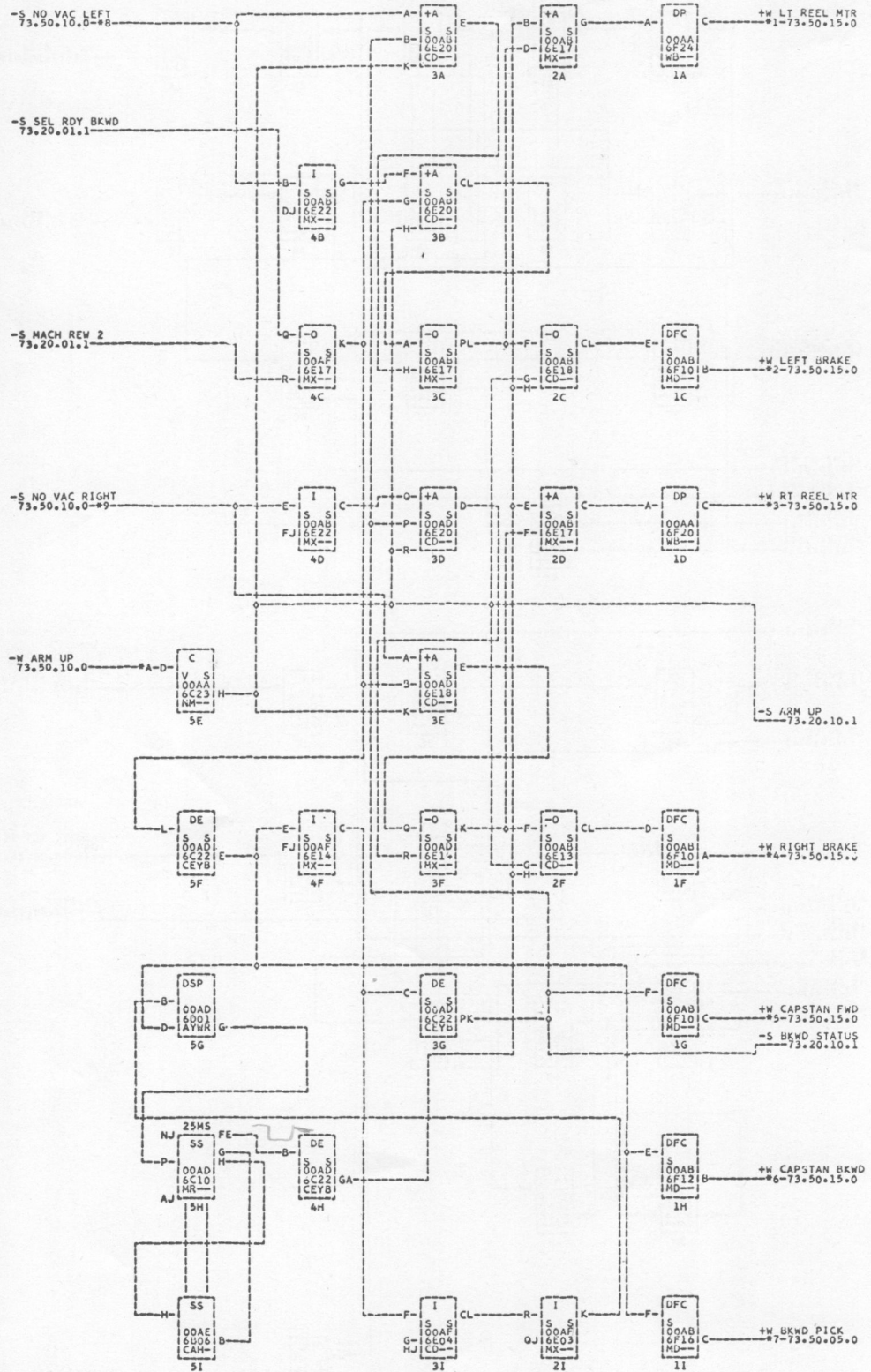


- \*1--00A6C25R \*2--00A6F26H \*3--00A6F26K \*4--00A6F26C \*5--00A6C26B \*6--00A6C26F \*7--00A6E26A \*8--00A6F26G
- \*9--00A6D25N \*A--00A6C26E \*B--00A6C26G \*C--00A6D25D \*D--00A6C26K \*E--00A6C26C
- \*F--00A6E26G \*G--00A6D25B

COMMENTS	TAG	DATE	E.C.NO.	TAG	DATE	E.C.NO.	TAG	DATE	E.C.NO.	TAG	DATE	E.C.NO.
	A	10-07-60	248130G	B	12-13-60	248747	C	01-26-61	248897	D	03-01-61	249254
	E	03-24-61	249434	F	06-14-61	249769	G	10-22-61	249984	H	01-10-62	251009



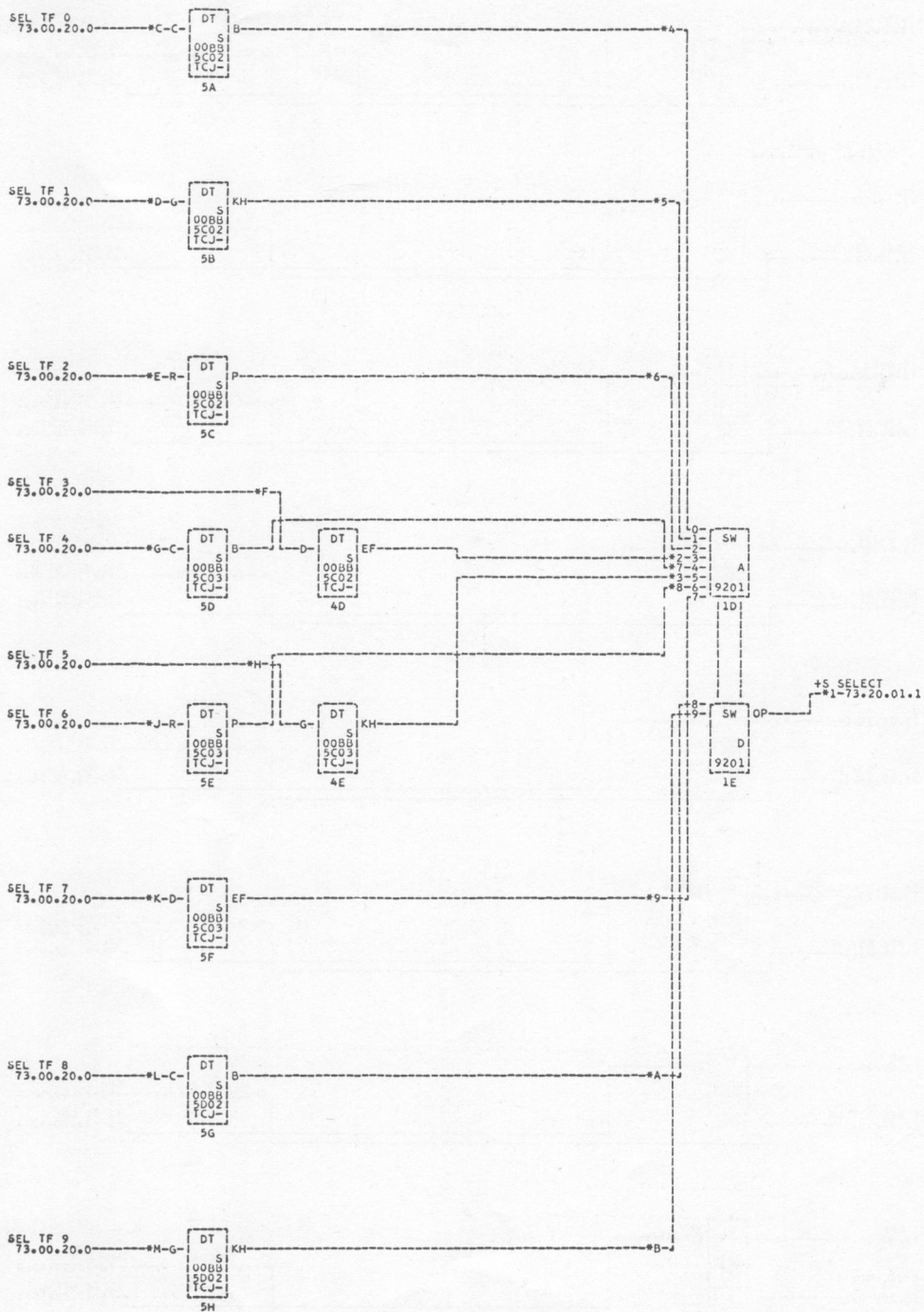




#1--00A6F26D #2--00A6F26N #3--00A6F26F #4--00A6F26M #5--00A6F26P #6--00A6F26O #7--00A6D25L #8--00A6F26A--  
 #9--00A6F26S #A--00A6D25F

COMMENTS

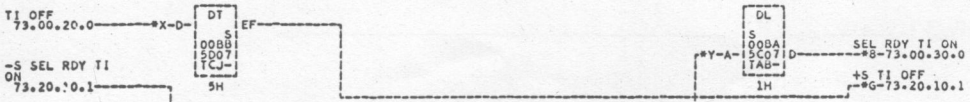
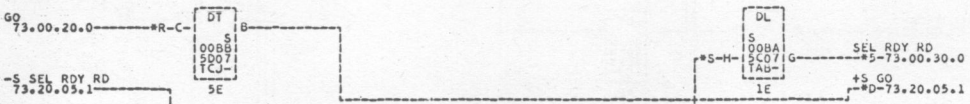
TAG	DATE	E.C.NO.	TAG	DATE	E.C.NO.	TAG	DATE	E.C.NO.	TAG	DATE	E.C.NO.
A	10-07-60	248150G	B	12-13-60	248747	C	03-01-61	249254	D	03-24-61	249434
E	06-14-61	249769	F	10-22-61	249984						



\*1--00A6C25L \*2--00B5B03D \*3--00D5B03F \*4--00B5B03A \*5--00B5B03B \*6--00B5B03C  
 \*7--00B5B03E \*8--00B5B03G \*9--00B5B03H \*A--00B5B03K \*B--00B5B03L \*C--00B5B077--00B5N077--00B5C01A \*E--00B5M086--00B5N086--00B5C01E  
 \*F--00B5M088--00B5N088--00B5C01G \*G--00B5M097--00B5N097--00B5C01K \*H--00B5M099--00B5N099--00B5C01M  
 \*J--00B5M106--00B5N106--00B5C01P \*K--00B5M108--00B5N108--00B5C01R \*L--00B5M117--00B5N117--00B5D01A  
 \*M--00B5M119--00B5N119--00B5D01C

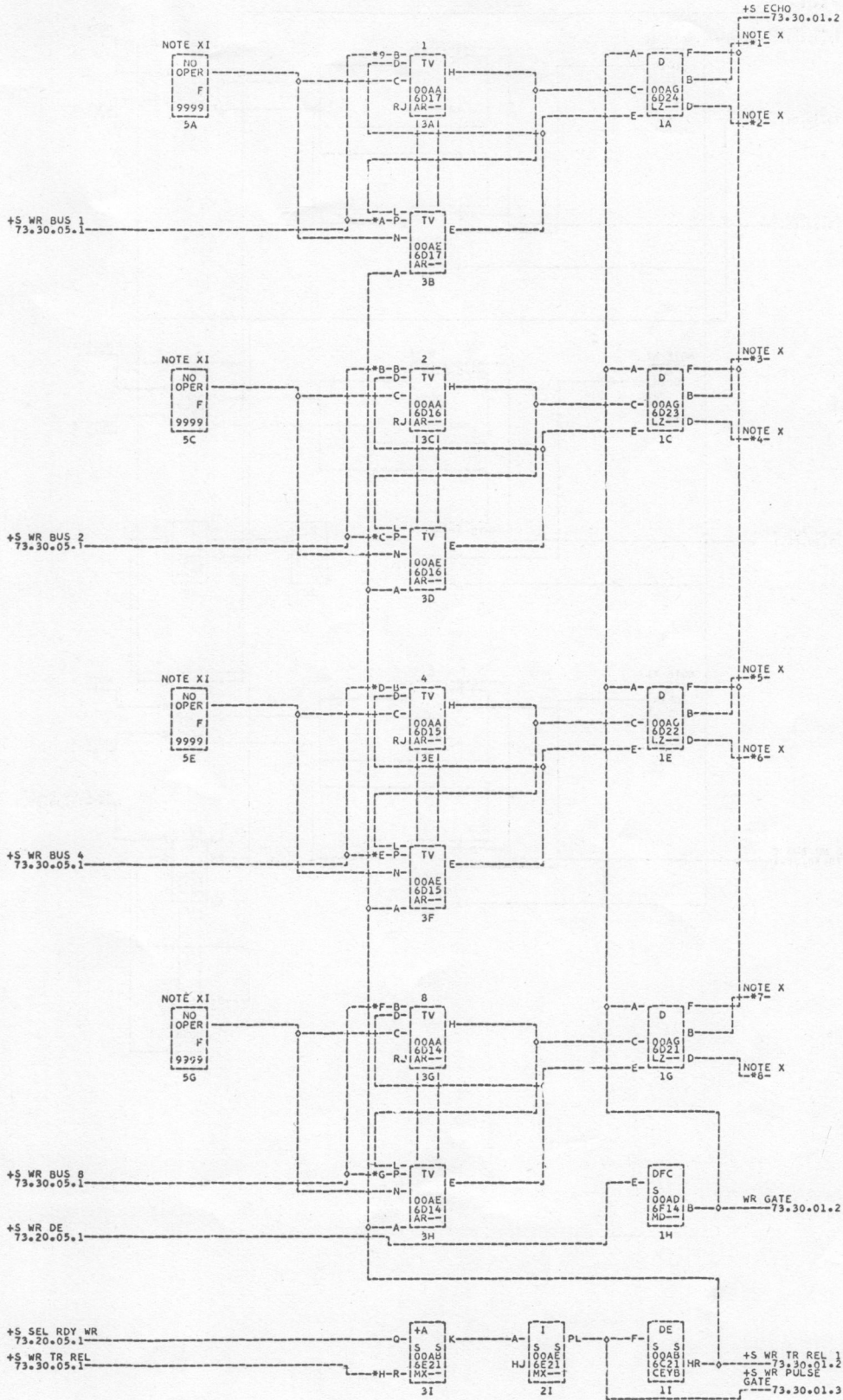
COMMENTS

TAG	DATE	E.C.NO.	TAG	DATE	E.C.NO.	TAG	DATE	E.C.NO.	TAG	DATE	E.C.NO.
A	10-07-60	2481506	B	12-13-60	248747	C	03-24-61	255434	D	01-10-62	251009



\*1--00B5C05A--00B5M021--00B5N021 \*2--00B5C05C--00B5M037--00B5N037 \*3--00B5C05E--00B5M031--00B5N031  
 \*4--00B5C05G--00B5M027--00B5N027 \*5--00B5C06A--00B5M033--00B5N033 \*6--00B5C06C--00B5M035--00B5N035  
 \*7--00B5C06E--00B5M027--00B5N027 \*8--00B5C06G--00B5M023--00B5N023 \*9--00B5D02M \*A--00B5D02N \*B--00B5D01D  
 \*C--00B5D01E \*D--00B5D01F \*E--00B5D01G \*F--00B5D01H \*G--00B5D01K \*H--00B5M009--00B5N009--00B5D00A  
 \*I--00B5D02B \*K--00B5M007--00B5N007--00B5D00C \*L--00B5D02Q \*M--00B5M013--00B5N013--00B5D00E  
 \*N--00B5D02R \*P--00B5M011--00B5N011--00B5D00G \*Q--00B5D01A \*R--00B5M005--00B5N005--00B5D00K  
 \*S--00B5D01B \*T--00B5M039--00B5N039--00B5D00H \*U--00B5D01C \*V--00B5M001--00B5N001--00B5D00P  
 \*W--00B5D01M

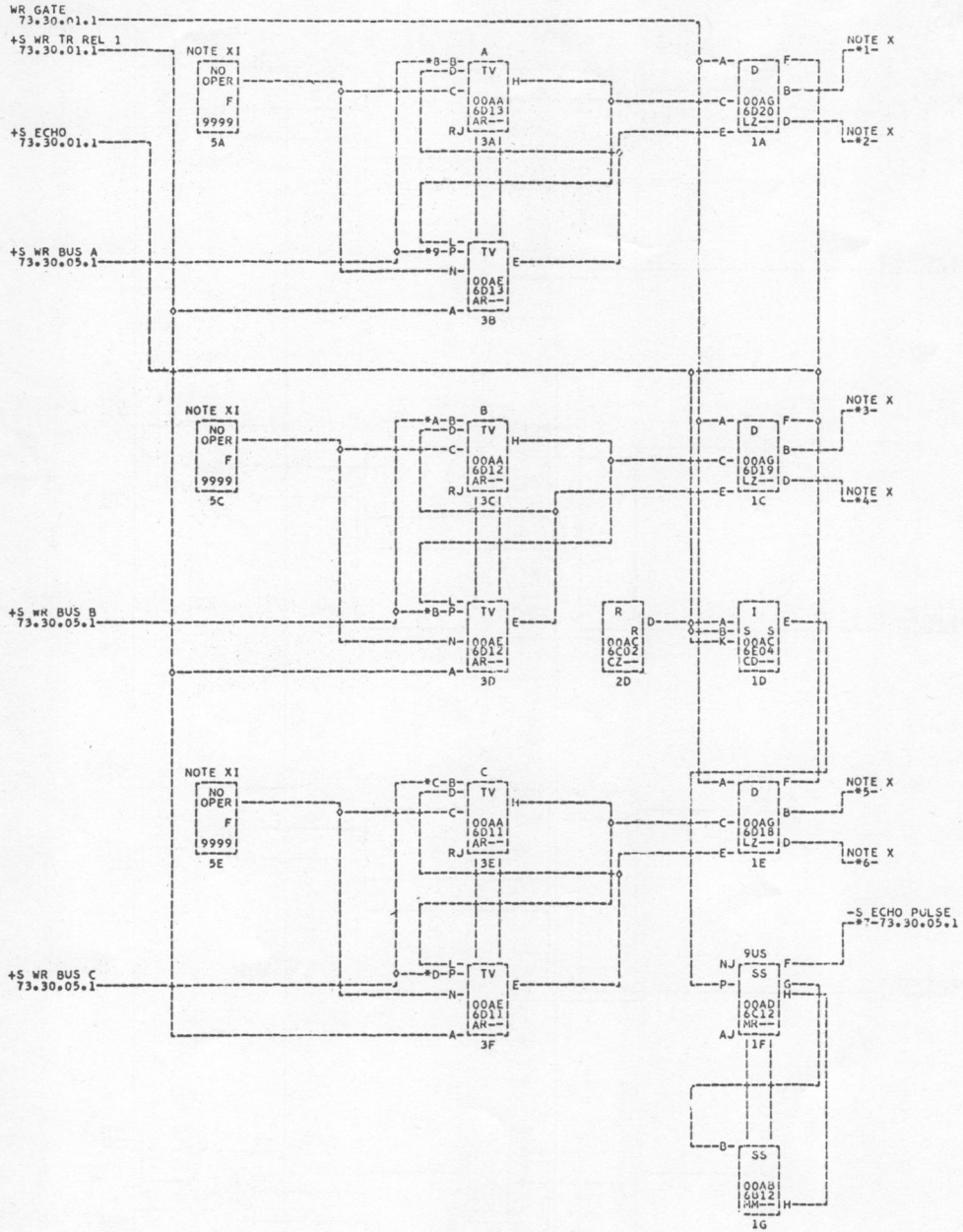




- \*1--00A6D26A    \*2--00A6D26B    \*3--00A6D26C    \*4--00A6D26D    \*5--00A6D26E    \*6--00A6D26F    \*7--00A6D26G    \*8--00A6D26H
- \*9--00A6E25A    \*A--00A6E25B    \*B--00A6E25C    \*C--00A6E25D    \*D--00A6E25E    \*E--00A6E25F
- \*F--00A6E25G

NOTE X SEE PAGE 73.04.08.0  
FOR HEAD WIRING  
NOTE XI FROM DELAY LINE TAPS  
PAGE 73.30.01.3

TAG	DATE	E-C-NO.	TAG	DATE	E-C-NO.	TAG	DATE	E-C-NO.	TAG	DATE	E-C-NO.
IA	10-07-60	248150G	IB	12-13-60	248747	IC	01-26-61	248897	ID	03-01-61	249254
IE	03-24-61	249434	IF	10-22-61	249984	IG	01-10-62	251009			



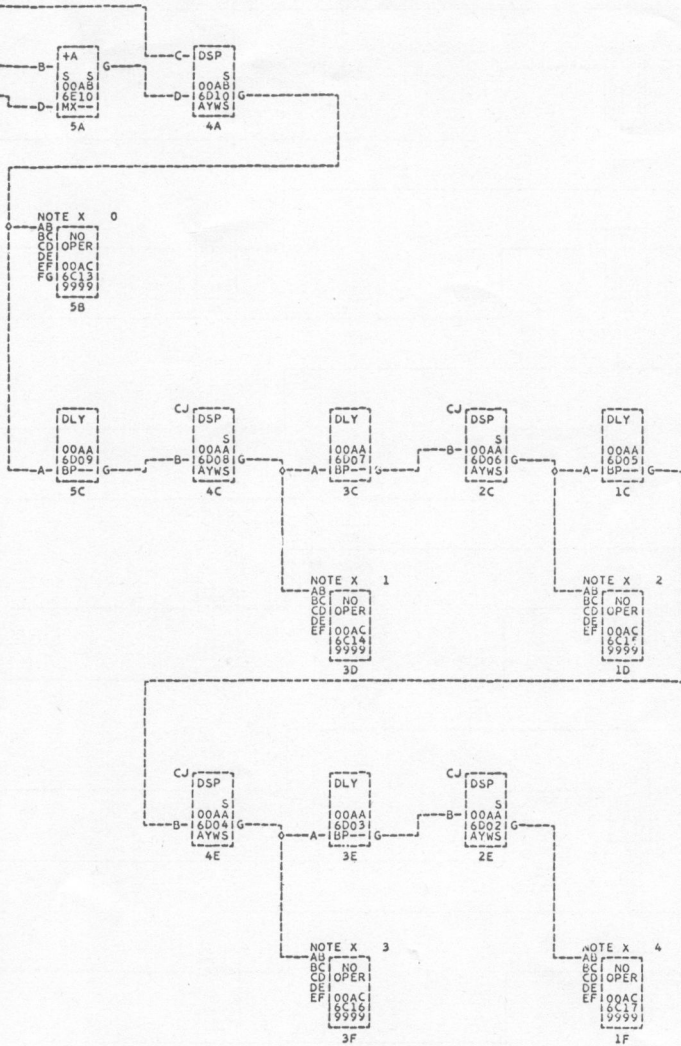
\*1--00A6D26L \*2--00A6C26K \*3--00A6D26H \*4--00A6D26H \*5--00A6D26O \*6--00A6D26P \*7--00A6C26M \*8--00A6E25L  
 \*9--00A6E25L \*A--00A6E25N \*B--00A6E25N \*C--00A6E25O \*D--00A6E25O

NOTE X SEE PAGE COMMENTS  
 FOR HEAD WIRING  
 NOTE XI FROM DELAY LINE TAPS  
 PAGE 73.30.01.3

TAG	DATE	E.C.NO.	TAG	DATE	E.C.NO.	TAG	DATE	E.C.NO.	TAG	DATE	E.C.NO.
1A	10-07-60	248150G	1B	12-13-60	248747	1C	01-26-61	248897	1D	03-01-61	249254
E	03-24-61	249434	F	10-22-61	249984	G	01-10-62	251009			

+S WR PULSE  
GATE  
73.30.01.1

+S WR PULSE  
73.30.05.1 → 1  
+S SEL RDY WR  
73.20.05.1



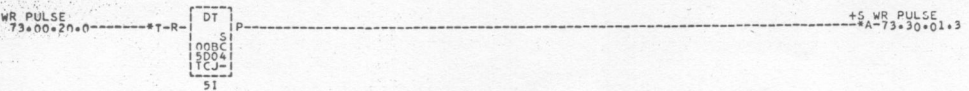
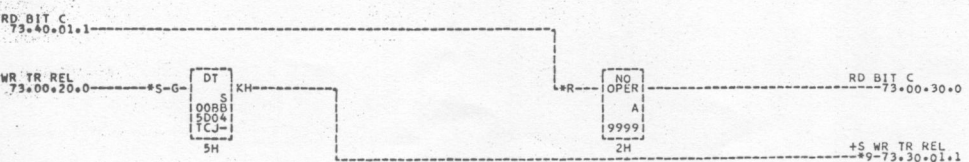
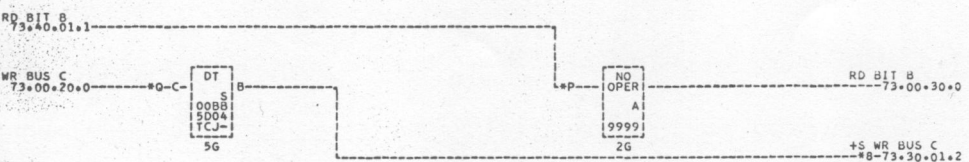
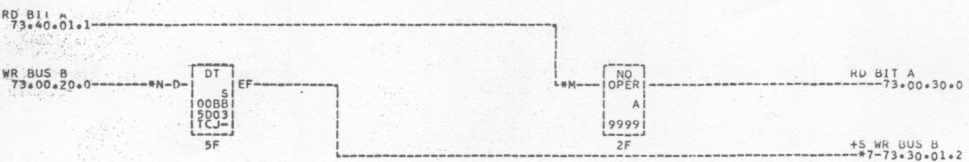
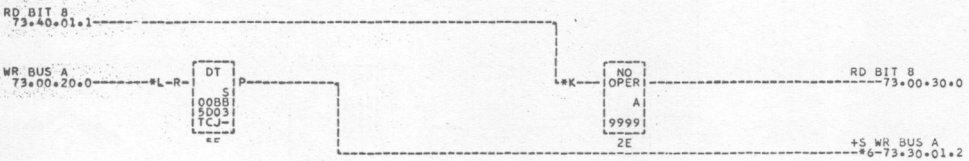
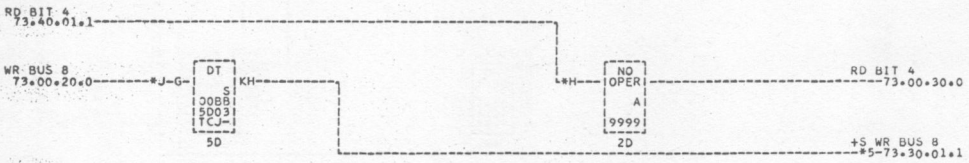
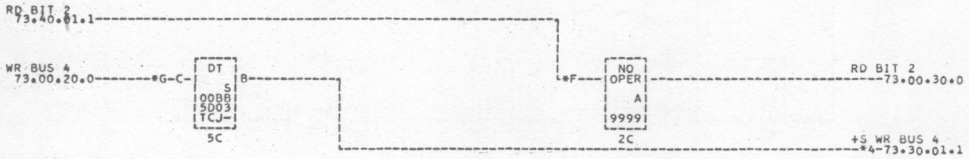
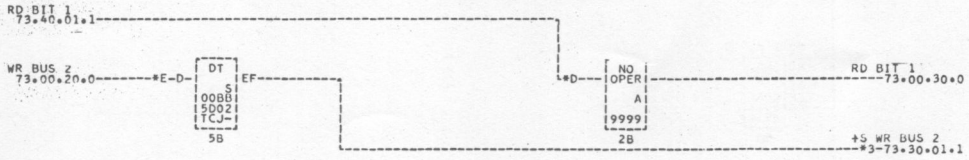
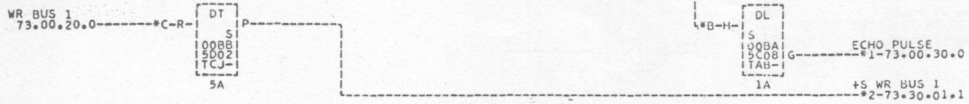
\*1--00A6C26L

NOTE X THE DELAY LINE TAPS  
GO TO PAGE 73.30.01.1  
OR 73.30.01.2

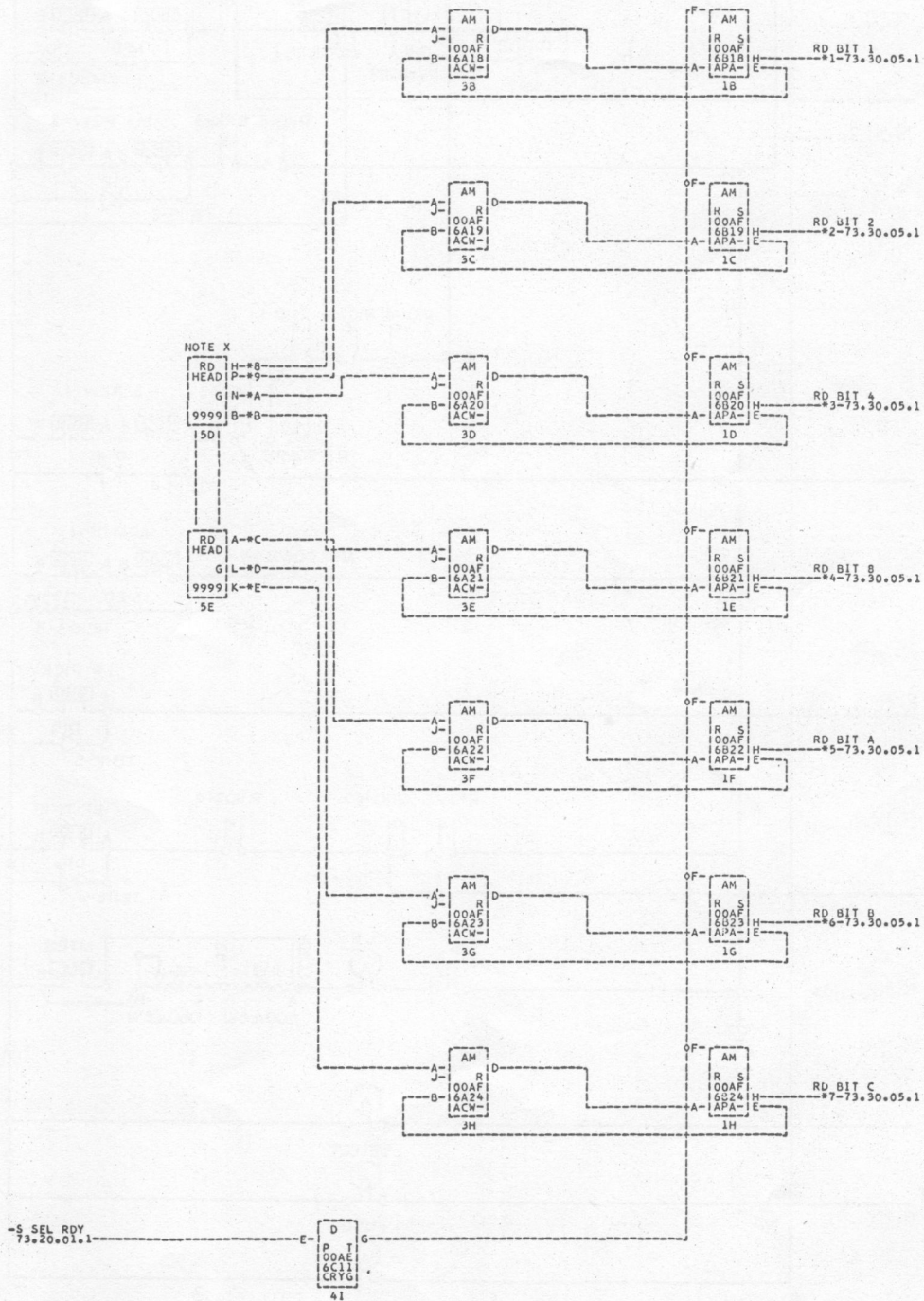
TAG	DATE	E.C.NO.	TAG	DATE	E.C.NO.	TAG	DATE	E.C.NO.	TAG	DATE	E.C.NO.
A	12-13-60	248747	B	03-24-61	249434	C	10-22-61	279984			



-S ECHO PULSE  
73.30.01.2



\*3--00B5C06K--00B5M192--00B5N192 \*2--00B5B02B \*3--00B5B02C \*4--00B5B02D \*5--00B5B02E \*4--00B5B02F \*7--00B5B02G  
 \*8--00B5B02H \*9--00B5B02I \*10--00B5B02J \*11--00B5B02K \*12--00B5B02L \*13--00B5B02M \*14--00B5B02N \*15--00B5B02O \*16--00B5B02P \*17--00B5B02Q  
 \*18--00B5B02R \*19--00B5B02S \*20--00B5B02T \*21--00B5B02U \*22--00B5B02V \*23--00B5B02W \*24--00B5B02X \*25--00B5B02Y \*26--00B5B02Z  
 \*27--00B5B03A \*28--00B5B03B \*29--00B5B03C \*30--00B5B03D \*31--00B5B03E \*32--00B5B03F \*33--00B5B03G \*34--00B5B03H \*35--00B5B03I  
 \*36--00B5B03J \*37--00B5B03K \*38--00B5B03L \*39--00B5B03M \*40--00B5B03N \*41--00B5B03O \*42--00B5B03P \*43--00B5B03Q \*44--00B5B03R  
 \*45--00B5B03S \*46--00B5B03T \*47--00B5B03U \*48--00B5B03V \*49--00B5B03W \*50--00B5B03X \*51--00B5B03Y \*52--00B5B03Z  
 \*53--00B5B04A \*54--00B5B04B \*55--00B5B04C \*56--00B5B04D \*57--00B5B04E \*58--00B5B04F \*59--00B5B04G \*60--00B5B04H  
 \*61--00B5B04I \*62--00B5B04J \*63--00B5B04K \*64--00B5B04L \*65--00B5B04M \*66--00B5B04N \*67--00B5B04O \*68--00B5B04P  
 \*69--00B5B04Q \*70--00B5B04R \*71--00B5B04S \*72--00B5B04T \*73--00B5B04U \*74--00B5B04V \*75--00B5B04W \*76--00B5B04X  
 \*77--00B5B04Y \*78--00B5B04Z \*79--00B5B05A \*80--00B5B05B \*81--00B5B05C \*82--00B5B05D \*83--00B5B05E \*84--00B5B05F  
 \*85--00B5B05G \*86--00B5B05H \*87--00B5B05I \*88--00B5B05J \*89--00B5B05K \*90--00B5B05L \*91--00B5B05M \*92--00B5B05N  
 \*93--00B5B05O \*94--00B5B05P \*95--00B5B05Q \*96--00B5B05R \*97--00B5B05S \*98--00B5B05T \*99--00B5B05U \*100--00B5B05V  
 \*101--00B5B05W \*102--00B5B05X \*103--00B5B05Y \*104--00B5B05Z \*105--00B5B06A \*106--00B5B06B \*107--00B5B06C  
 \*108--00B5B06D \*109--00B5B06E \*110--00B5B06F \*111--00B5B06G \*112--00B5B06H \*113--00B5B06I \*114--00B5B06J  
 \*115--00B5B06K \*116--00B5B06L \*117--00B5B06M \*118--00B5B06N \*119--00B5B06O \*120--00B5B06P \*121--00B5B06Q  
 \*122--00B5B06R \*123--00B5B06S \*124--00B5B06T \*125--00B5B06U \*126--00B5B06V \*127--00B5B06W \*128--00B5B06X  
 \*129--00B5B06Y \*130--00B5B06Z \*131--00B5B07A \*132--00B5B07B \*133--00B5B07C \*134--00B5B07D \*135--00B5B07E  
 \*136--00B5B07F \*137--00B5B07G \*138--00B5B07H \*139--00B5B07I \*140--00B5B07J \*141--00B5B07K \*142--00B5B07L  
 \*143--00B5B07M \*144--00B5B07N \*145--00B5B07O \*146--00B5B07P \*147--00B5B07Q \*148--00B5B07R \*149--00B5B07S  
 \*150--00B5B07T \*151--00B5B07U \*152--00B5B07V \*153--00B5B07W \*154--00B5B07X \*155--00B5B07Y \*156--00B5B07Z  
 \*157--00B5B08A \*158--00B5B08B \*159--00B5B08C \*160--00B5B08D \*161--00B5B08E \*162--00B5B08F \*163--00B5B08G  
 \*164--00B5B08H \*165--00B5B08I \*166--00B5B08J \*167--00B5B08K \*168--00B5B08L \*169--00B5B08M \*170--00B5B08N  
 \*171--00B5B08O \*172--00B5B08P \*173--00B5B08Q \*174--00B5B08R \*175--00B5B08S \*176--00B5B08T \*177--00B5B08U  
 \*178--00B5B08V \*179--00B5B08W \*180--00B5B08X \*181--00B5B08Y \*182--00B5B08Z \*183--00B5B09A \*184--00B5B09B  
 \*185--00B5B09C \*186--00B5B09D \*187--00B5B09E \*188--00B5B09F \*189--00B5B09G \*190--00B5B09H \*191--00B5B09I  
 \*192--00B5B09J \*193--00B5B09K \*194--00B5B09L \*195--00B5B09M \*196--00B5B09N \*197--00B5B09O \*198--00B5B09P  
 \*199--00B5B09Q \*200--00B5B09R \*201--00B5B09S \*202--00B5B09T \*203--00B5B09U \*204--00B5B09V \*205--00B5B09W  
 \*206--00B5B09X \*207--00B5B09Y \*208--00B5B09Z \*209--00B5B10A \*210--00B5B10B \*211--00B5B10C \*212--00B5B10D  
 \*213--00B5B10E \*214--00B5B10F \*215--00B5B10G \*216--00B5B10H \*217--00B5B10I \*218--00B5B10J \*219--00B5B10K  
 \*220--00B5B10L \*221--00B5B10M \*222--00B5B10N \*223--00B5B10O \*224--00B5B10P \*225--00B5B10Q \*226--00B5B10R  
 \*227--00B5B10S \*228--00B5B10T \*229--00B5B10U \*230--00B5B10V \*231--00B5B10W \*232--00B5B10X \*233--00B5B10Y  
 \*234--00B5B10Z \*235--00B5B11A \*236--00B5B11B \*237--00B5B11C \*238--00B5B11D \*239--00B5B11E \*240--00B5B11F  
 \*241--00B5B11G \*242--00B5B11H \*243--00B5B11I \*244--00B5B11J \*245--00B5B11K \*246--00B5B11L \*247--00B5B11M  
 \*248--00B5B11N \*249--00B5B11O \*250--00B5B11P \*251--00B5B11Q \*252--00B5B11R \*253--00B5B11S \*254--00B5B11T  
 \*255--00B5B11U \*256--00B5B11V \*257--00B5B11W \*258--00B5B11X \*259--00B5B11Y \*260--00B5B11Z \*261--00B5B12A  
 \*262--00B5B12B \*263--00B5B12C \*264--00B5B12D \*265--00B5B12E \*266--00B5B12F \*267--00B5B12G \*268--00B5B12H  
 \*269--00B5B12I \*270--00B5B12J \*271--00B5B12K \*272--00B5B12L \*273--00B5B12M \*274--00B5B12N \*275--00B5B12O  
 \*276--00B5B12P \*277--00B5B12Q \*278--00B5B12R \*279--00B5B12S \*280--00B5B12T \*281--00B5B12U \*282--00B5B12V  
 \*283--00B5B12W \*284--00B5B12X \*285--00B5B12Y \*286--00B5B12Z \*287--00B5B13A \*288--00B5B13B \*289--00B5B13C  
 \*290--00B5B13D \*291--00B5B13E \*292--00B5B13F \*293--00B5B13G \*294--00B5B13H \*295--00B5B13I \*296--00B5B13J  
 \*297--00B5B13K \*298--00B5B13L \*299--00B5B13M \*300--00B5B13N \*301--00B5B13O \*302--00B5B13P \*303--00B5B13Q  
 \*304--00B5B13R \*305--00B5B13S \*306--00B5B13T \*307--00B5B13U \*308--00B5B13V \*309--00B5B13W \*310--00B5B13X  
 \*311--00B5B13Y \*312--00B5B13Z \*313--00B5B14A \*314--00B5B14B \*315--00B5B14C \*316--00B5B14D \*317--00B5B14E  
 \*318--00B5B14F \*319--00B5B14G \*320--00B5B14H \*321--00B5B14I \*322--00B5B14J \*323--00B5B14K \*324--00B5B14L  
 \*325--00B5B14M \*326--00B5B14N \*327--00B5B14O \*328--00B5B14P \*329--00B5B14Q \*330--00B5B14R \*331--00B5B14S  
 \*332--00B5B14T \*333--00B5B14U \*334--00B5B14V \*335--00B5B14W \*336--00B5B14X \*337--00B5B14Y \*338--00B5B14Z  
 \*339--00B5B15A \*340--00B5B15B \*341--00B5B15C \*342--00B5B15D \*343--00B5B15E \*344--00B5B15F \*345--00B5B15G  
 \*346--00B5B15H \*347--00B5B15I \*348--00B5B15J \*349--00B5B15K \*350--00B5B15L \*351--00B5B15M \*352--00B5B15N  
 \*353--00B5B15O \*354--00B5B15P \*355--00B5B15Q \*356--00B5B15R \*357--00B5B15S \*358--00B5B15T \*359--00B5B15U  
 \*360--00B5B15V \*361--00B5B15W \*362--00B5B15X \*363--00B5B15Y \*364--00B5B15Z \*365--00B5B16A \*366--00B5B16B  
 \*367--00B5B16C \*368--00B5B16D \*369--00B5B16E \*370--00B5B16F \*371--00B5B16G \*372--00B5B16H \*373--00B5B16I  
 \*374--00B5B16J \*375--00B5B16K \*376--00B5B16L \*377--00B5B16M \*378--00B5B16N \*379--00B5B16O \*380--00B5B16P  
 \*381--00B5B16Q \*382--00B5B16R \*383--00B5B16S \*384--00B5B16T \*385--00B5B16U \*386--00B5B16V \*387--00B5B16W  
 \*388--00B5B16X \*389--00B5B16Y \*390--00B5B16Z \*391--00B5B17A \*392--00B5B17B \*393--00B5B17C \*394--00B5B17D  
 \*395--00B5B17E \*396--00B5B17F \*397--00B5B17G \*398--00B5B17H \*399--00B5B17I \*400--00B5B17J \*401--00B5B17K  
 \*402--00B5B17L \*403--00B5B17M \*404--00B5B17N \*405--00B5B17O \*406--00B5B17P \*407--00B5B17Q \*408--00B5B17R  
 \*409--00B5B17S \*410--00B5B17T \*411--00B5B17U \*412--00B5B17V \*413--00B5B17W \*414--00B5B17X \*415--00B5B17Y  
 \*416--00B5B17Z \*417--00B5B18A \*418--00B5B18B \*419--00B5B18C \*420--00B5B18D \*421--00B5B18E \*422--00B5B18F  
 \*423--00B5B18G \*424--00B5B18H \*425--00B5B18I \*426--00B5B18J \*427--00B5B18K \*428--00B5B18L \*429--00B5B18M  
 \*430--00B5B18N \*431--00B5B18O \*432--00B5B18P \*433--00B5B18Q \*434--00B5B18R \*435--00B5B18S \*436--00B5B18T  
 \*437--00B5B18U \*438--00B5B18V \*439--00B5B18W \*440--00B5B18X \*441--00B5B18Y \*442--00B5B18Z \*443--00B5B19A  
 \*444--00B5B19B \*445--00B5B19C \*446--00B5B19D \*447--00B5B19E \*448--00B5B19F \*449--00B5B19G \*450--00B5B19H  
 \*451--00B5B19I \*452--00B5B19J \*453--00B5B19K \*454--00B5B19L \*455--00B5B19M \*456--00B5B19N \*457--00B5B19O  
 \*458--00B5B19P \*459--00B5B19Q \*460--00B5B19R \*461--00B5B19S \*462--00B5B19T \*463--00B5B19U \*464--00B5B19V  
 \*465--00B5B19W \*466--00B5B19X \*467--00B5B19Y \*468--00B5B19Z \*469--00B5B20A \*470--00B5B20B \*471--00B5B20C  
 \*472--00B5B20D \*473--00B5B20E \*474--00B5B20F \*475--00B5B20G \*476--00B5B20H \*477--00B5B20I \*478--00B5B20J  
 \*479--00B5B20K \*480--00B5B20L \*481--00B5B20M \*482--00B5B20N \*483--00B5B20O \*484--00B5B20P \*485--00B5B20Q  
 \*486--00B5B20R \*487--00B5B20S \*488--00B5B20T \*489--00B5B20U \*490--00B5B20V \*491--00B5B20W \*492--00B5B20X  
 \*493--00B5B20Y \*494--00B5B20Z \*495--00B5B21A \*496--00B5B21B \*497--00B5B21C \*498--00B5B21D \*499--00B5B21E  
 \*500--00B5B21F \*501--00B5B21G \*502--00B5B21H \*503--00B5B21I \*504--00B5B21J \*505--00B5B21K \*506--00B5B21L  
 \*507--00B5B21M \*508--00B5B21N \*509--00B5B21O \*510--00B5B21P \*511--00B5B21Q \*512--00B5B21R \*513--00B5B21S  
 \*514--00B5B21T \*515--00B5B21U \*516--00B5B21V \*517--00B5B21W \*518--00B5B21X \*519--00B5B21Y \*520--00B5B21Z  
 \*521--00B5B22A \*522--00B5B22B \*523--00B5B22C \*524--00B5B22D \*525--00B5B22E \*526--00B5B22F \*527--00B5B22G  
 \*528--00B5B22H \*529--00B5B22I \*530--00B5B22J \*531--00B5B22K \*532--00B5B22L \*533--00B5B22M \*534--00B5B22N  
 \*535--00B5B22O \*536--00B5B22P \*537--00B5B22Q \*538--00B5B22R \*539--00B5B22S \*540--00B5B22T \*541--00B5B22U  
 \*542--00B5B22V \*543--00B5B22W \*544--00B5B22X \*545--00B5B22Y \*546--00B5B22Z \*547--00B5B23A \*548--00B5B23B  
 \*549--00B5B23C \*550--00B5B23D \*551--00B5B23E \*552--00B5B23F \*553--00B5B23G \*554--00B5B23H \*555--00B5B23I  
 \*556--00B5B23J \*557--00B5B23K \*558--00B5B23L \*559--00B5B23M \*560--00B5B23N \*561--00B5B23O \*562--00B5B23P  
 \*563--00B5B23Q \*564--00B5B23R \*565--00B5B23S \*566--00B5B23T \*567--00B5B23U \*568--00B5B23V \*569--00B5B23W  
 \*570--00B5B23X \*571--00B5B23Y \*572--00B5B23Z \*573--00B5B24A \*574--00B5B24B \*575--00B5B24C \*576--00B5B24D  
 \*577--00B5B24E \*578--00B5B24F \*579--00B5B24G \*580--00B5B24H \*581--00B5B24I \*582--00B5B24J \*583--00B5B24K  
 \*584--00B5B24L \*585--00B5B24M \*586--00B5B24N \*587--00B5B24O \*588--00B5B24P \*589--00B5B24Q \*590--00B5B24R  
 \*591--00B5B24S \*592--00B5B24T \*593--00B5B24U \*594--00B5B24V \*595--00B5B24W \*596--00B5B24X \*597--00B5B24Y  
 \*598--00B5B24Z \*599--00B5B25A \*600--00B5B25B \*601--00B5B25C \*602--00B5B25D \*603--00B5B25E \*604--00B5B25F  
 \*605--00B5B25G \*606--00B5B25H \*607--00B5B25I \*608--00B5B25J \*609--00B5B25K \*610--00B5B25L \*611--00B5B25M  
 \*612--00B5B25N \*613--00B5B25O \*614--00B5B25P \*615--00B5B25Q \*616--00B5B25R \*617--00B5B25S \*618--00B5B25T  
 \*619--00B5B25U \*620--00B5B25V \*621--00B5B25W \*622--00B5B25X \*623--00B5B25Y \*624--00B5B25Z \*625--00B5B26A  
 \*626--00B5B26B \*627--00B5B26C \*628--00B5B26D \*629--00B5B26E \*630--00B5B26F \*631--00B5B26G \*632--00B5B26H  
 \*633--00B5B26I \*634--00B5B26J \*635--00B5B26K \*636--00B5B26L \*637--00B5B26M \*638--00B5B26N \*639--00B5B26O  
 \*640--00B5B26P \*641--00B5B26Q \*642--00B5B26R \*643--00B5B26S \*644--00B5B26T \*645--00B5B26U \*646--00B5B26V  
 \*647--00B5B26W \*648--00B5B26X \*649--00B5B26Y \*650--00B5B26Z \*651--00B5B27A \*652--00B5B27B \*653--00B5B27C  
 \*654--00B5B27D \*655--00B5B27E \*656--00B5B27F \*657--00B5B27G \*658--00B5B27H \*659--00B5B27I \*660--00B5B27J  
 \*661--00B5B27K \*662--00B5B27L \*663--00B5B27M \*664--00B5B27N \*665--00B5B27O \*666--00B5B27P \*667--00B5B27Q  
 \*668--00B5B27R \*669--00B5B27S \*670--00B5B27T \*671--00B5B27U \*672--00B5B27V \*673--00B5B27W \*674--00B5B27X  
 \*675--00B5B27Y \*676--00B5B27Z \*677--00B5B28A \*678--00B5B28B \*679--00B5B28C \*680--00B5B28D \*681--00B5B28E  
 \*682--00B5B28F \*683--00B5B28G \*684--00B5B28H \*685--00B5B28I \*686--00B5B28J \*687--00B5B28K \*688--00B5B28L  
 \*689--00B5B28M \*690--00B5B28N \*691--00B5B28O \*692--00B5B28P \*693--00B5B28Q \*694--00B5B28R \*695--00B5B28S  
 \*696--00B5B28T \*697--00B5B28U \*698--00B5B28V \*699--00B5B28W \*700--00B5B28X \*701--00B5B28Y \*702--00B5B28Z  
 \*703--00B5B29A \*704--00B5B29B \*705--00B5B29C \*706--00B5B29D \*707--00B5B29E \*708--00B5B29F \*709--00B5B29G  
 \*710--00B5B29H \*711--00B5B29I \*712--00B5B29J \*713--00B5B29K \*714--00B5B29L \*715--00B5B29M \*716--00B5B29N  
 \*717--00B5B29O \*718--00B5B29P \*719--00B5B29Q \*720--00B5B29R \*721--00B5B29S \*722--00B5B29T \*723--00B5B29U  
 \*724--00B5B29V \*725--00B5B29W \*726--00B5B29X \*727--00B5B29Y \*728--00B5B29Z \*729--00B5B30A \*730--00B5B30B  
 \*731--00B5B30C \*732--00B5B30D \*733--00B5B30E \*734--00B5B30F \*735--00B5B30G \*736--00B5B30H \*737--00B5B30I  
 \*738--00B5B30J \*739--00B5B30K \*740--00B5B30L \*741--00B5B30M \*742--00B5B30N \*743--00B5B30O \*744--00B5B30P  
 \*745--00B5B30Q \*746--00B5B30R \*747--00B5B30S \*748--00B5B30T \*749--00B5B30U \*750--00



- \*1--00A6B25A   \*2--00A6B25C   \*3--00A6B25E   \*4--00A6B25G   \*5--00A6B25L   \*6--00A6B25N   \*7--00A6B25Q   \*8--00A6A25B
- \*9--00A6A25D   \*A--00A6A25F   \*B--00A6A25H   \*C--00A6A25M   \*D--00A6A25P   \*E--00A6A25R

NOTE X      COMMENTS  
SEE PAGE 73.04.08.0  
FOR HEAD WIRING

TAG	DATE	E.C.NO.	TAG	DATE	E.C.NO.	TAG	DATE	E.C.NO.	TAG	DATE	E.C.NO.
A	10-07-60	248150G	B	12-13-60	248747	C	01-26-61	248897	D	03-01-61	249254
E	03-24-61	249434	F	06-14-61	249769	G	01-10-62	251009			

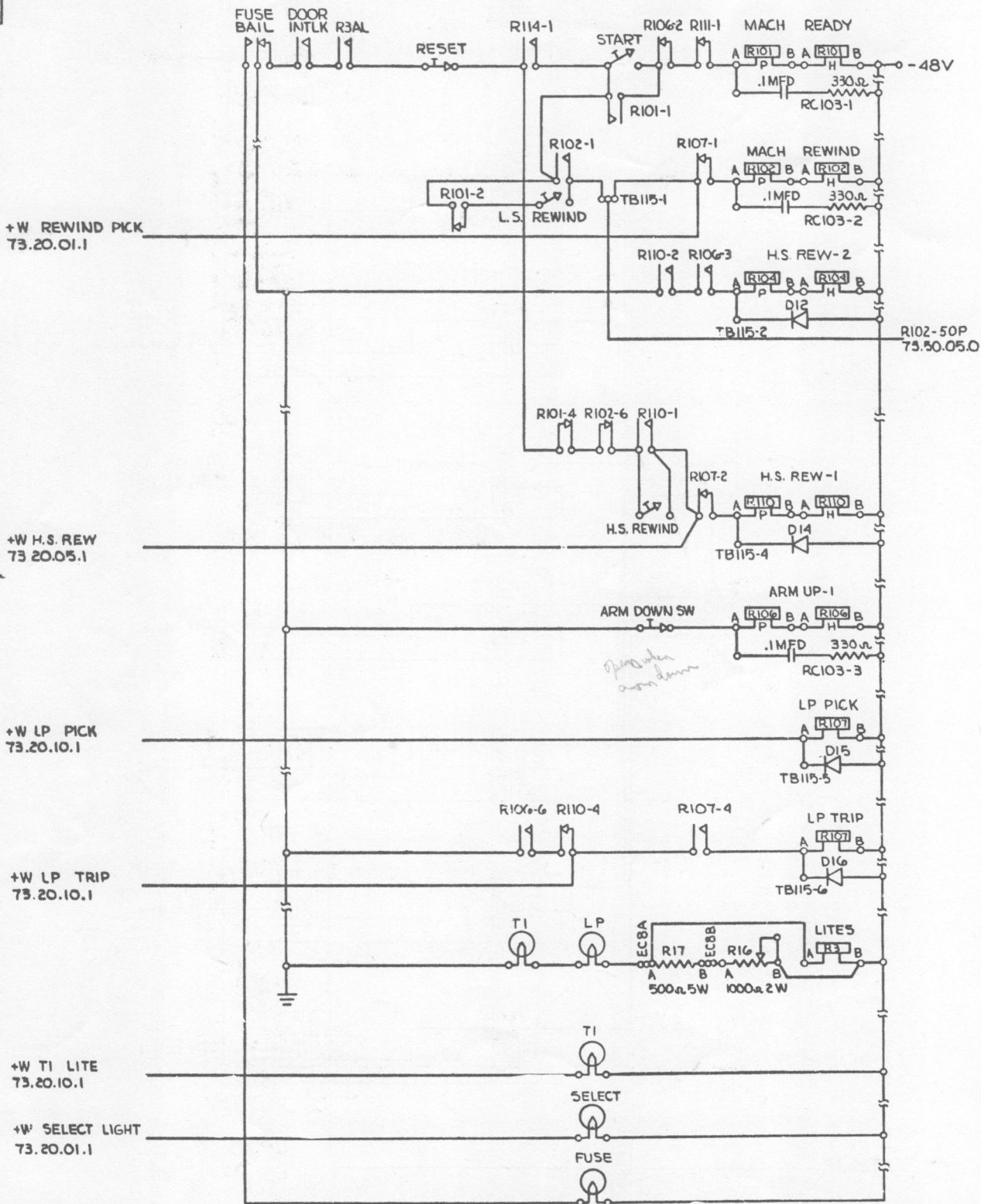
556877

A

RELAY LOGIC

B

73.50.01.0



NOTES  
 X -48 AND GROUND DISTRIBUTION ARE NOT POINT TO POINT

INTERNATIONAL BUSINESS MACHINES CORP.		DATE	CHANGE NO.	DATE	CHANGE NO.	NOTE	DEVELOPMENT NO.
NAME   SYSTEMS DIAGRAM		11-21-60	248150-9	12-28-61	249984	NOTE X PRINT TO ENG. SPEC. NO. 895291	73.50.01.0
73.50.01.0		3-9-61	249254				
DESIGN RAV 4-24-60		4-19-61	249434				
DETAIL ID 8-9-60		7-7-61	249769				
CHECK RAV 8-11-60		10-4-61	249780				
APPROV LBF 10-16-60							



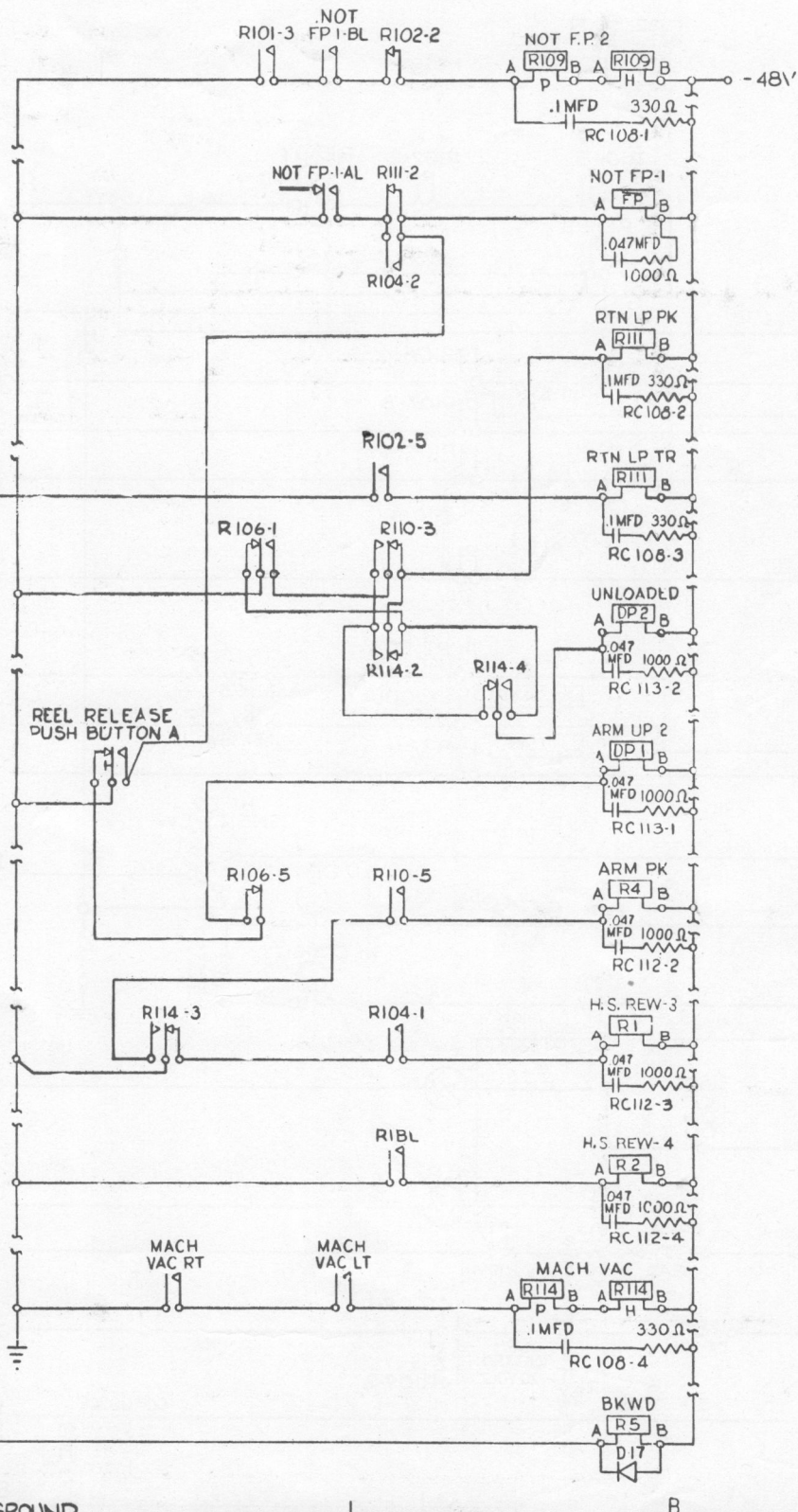
556878

A

# RELAY LOGIC

B

7350.050



TB 115-1  
73.50.01.0

+W BKWD PICK  
73.20.15.1

### NOTES

- X -48 AND GROUND DISTRIBUTION ARE NOT POINT TO POINT

INTERNATIONAL BUSINESS MACHINES CORP.				DATE	CHANGE NO.	DATE	CHANGE NO.	NOTE	DEVELOPMENT NO.	U1
NAME   SYSTEMS DIAGRAM				11-21-60	248150-G	2-27-62	251021	X PRINT TO ENG. SPEC. W/ 895291	73.50.05.0	01
73.50.05.0				4-19-61	249434					00
DESIGN   RAV/A-2-60 MODEL 733C				7-7-61	249769					01
DETAIL   ID 8960				10-4-61	249780					00
CHECK   RAV/B-8-60 DRAW				12-28-61	249984					01
APPRO   LBF 10-18-60 CHECK										00

A

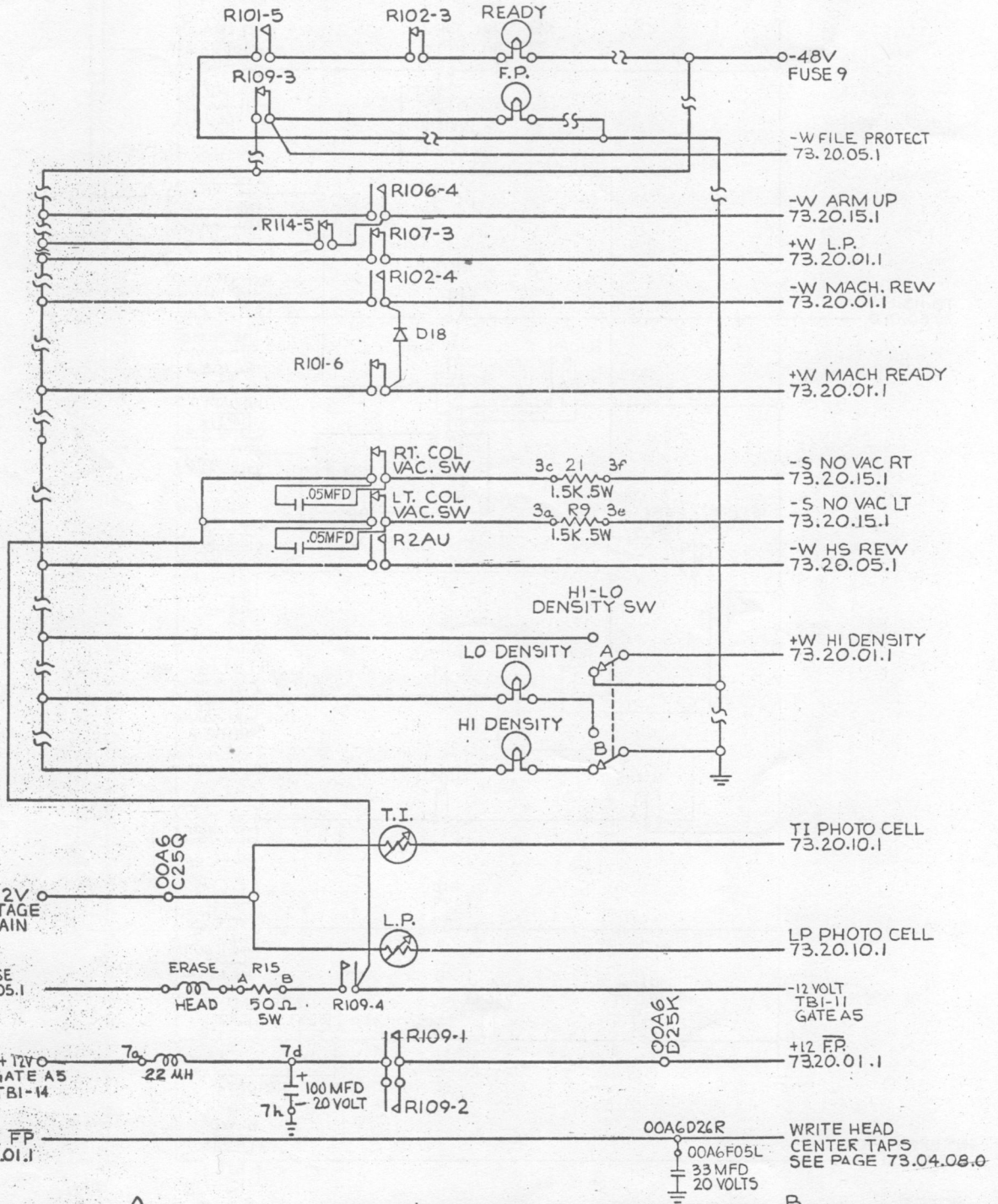
B

73.50.05.0

556879

73.50.10.0

RELAY LOGIC



NOTES  
 X -48 AND GROUND DISTRIBUTION ARE NOT POINT TO POINT

INTERNATIONAL BUSINESS MACHINES CORP.		DATE	CHANGE NO.	DATE	CHANGE NO.	NOTE	DEVELOPMENT NO.
NAME	SYSTEMS DIAGRAM	11-21-60	248150-6	7-7-61	249769	X PRINT TO ENG. SPEC. NO. 895291	556879
	73.50.10.1	1-11-61	248747	10-4-61	249780		
DESIGN	RAV 4-2-60	2-2-61	248897	12-28-61	249984		
DETAIL	ID 8-8-60						
CHECK	KAV 8-11-60	3-9-61	249254				
APPRO	LF 10-18-60	4-19-61	249434				

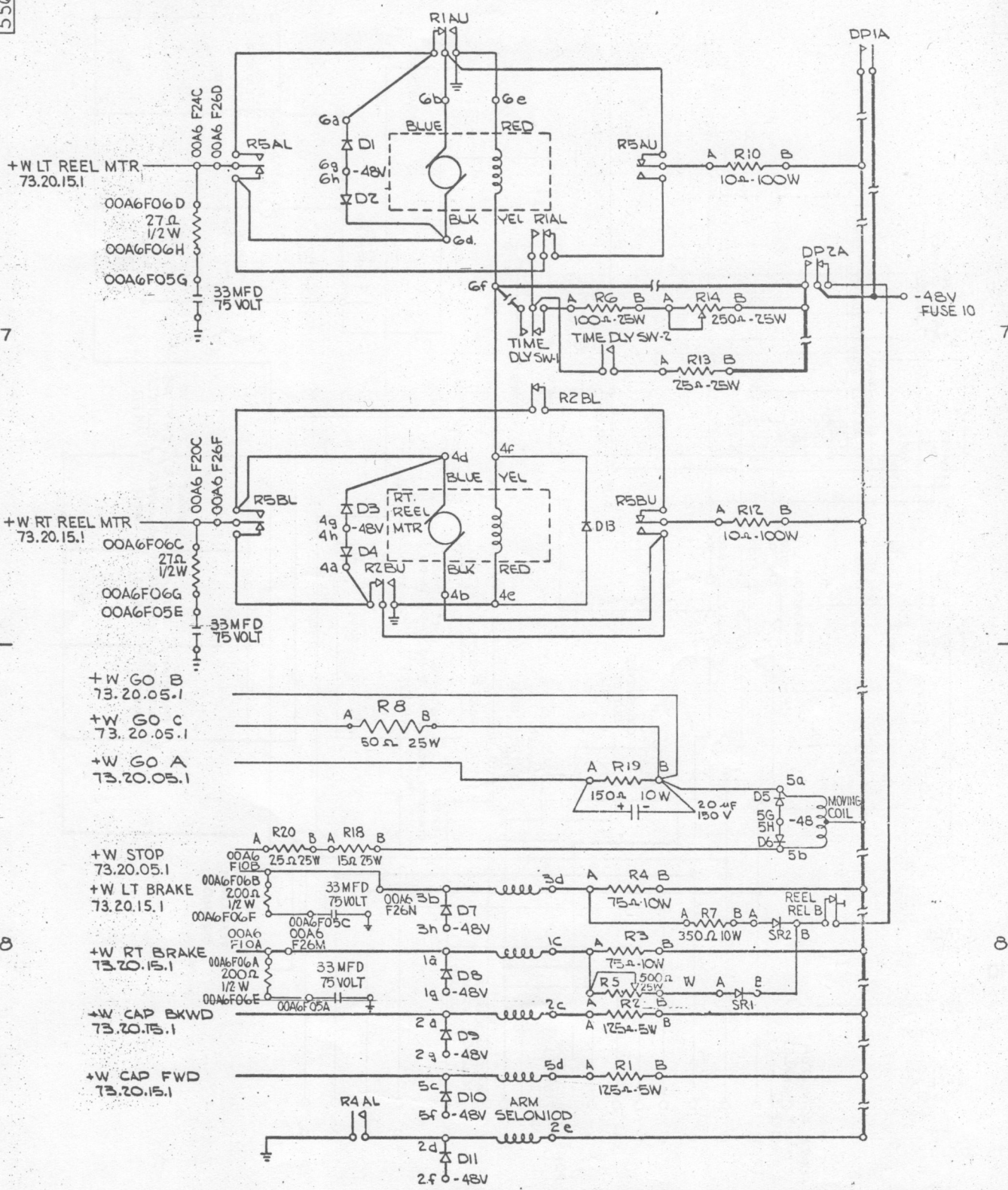
DWG. SIZE C 73.50.10.0



556880

73.50.15.0

# MOTION CONTROL



- +W LT REEL MTR 73.20.15.1
- 00A6F06D 27Ω 1/2W
- 00A6F06H
- 00A6F05G
- 33MFD 75VOLT
- +W RT REEL MTR 73.20.15.1
- 00A6F06C 27Ω 1/2W
- 00A6F06G
- 00A6F05E
- 33MFD 75VOLT
- +W GO B 73.20.05.1
- +W GO C 73.20.05.1
- +W GO A 73.20.05.1
- +W STOP 73.20.05.1
- +W LT BRAKE 73.20.15.1
- +W RT BRAKE 73.20.15.1
- +W CAP BKWD 73.20.15.1
- +W CAP FWD 73.20.15.1

NOTES  
 X-48 AND GROUND DISTRIBUTION ARE NOT POINT TO POINT

INTERNATIONAL BUSINESS MACHINES CORP.		DATE	CHANGE NO.	DATE	CHANGE NO.	NOTE	DEVELOPMENT NO.
NAME	SYSTEMS DIAGRAM	11-21-60	248150-6	10-4-61	249780	X PRINT TO ENG. SPEC. NO. 835791	556880
DESIGN	RAV 14-7-60	1-11-61	248747	12-28-61	249984		
DETAIL	LD 8-9-60	2-2-61	248897				
CHECK	RAV 8-11-60	4-19-61	249434				
APPR	LBF 10-18-60	7-7-61	249769				

73.50.15.0

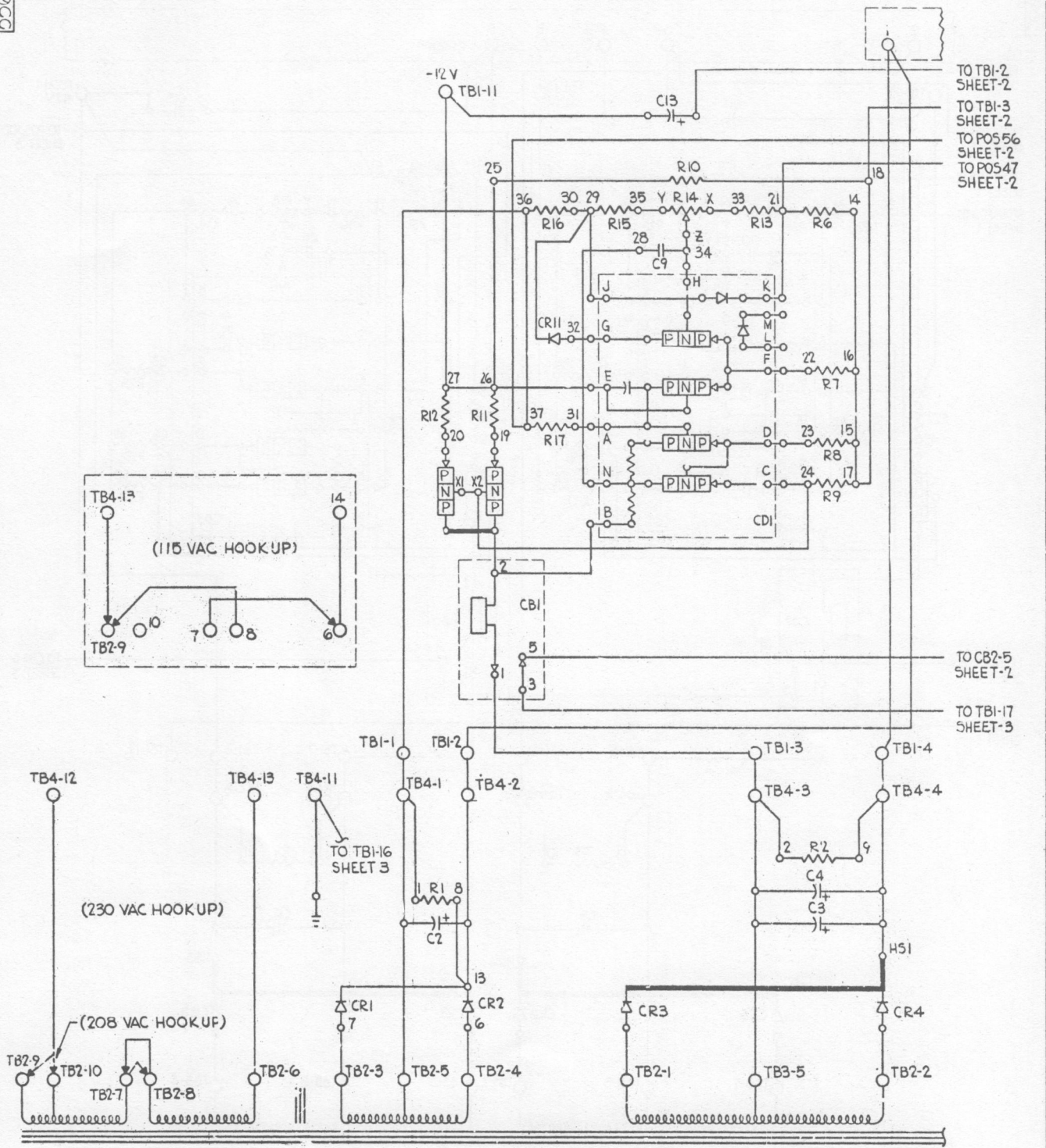




±6V ±12V POWER SUPPLY

73.50.25.0

SHEET 1 OF 3

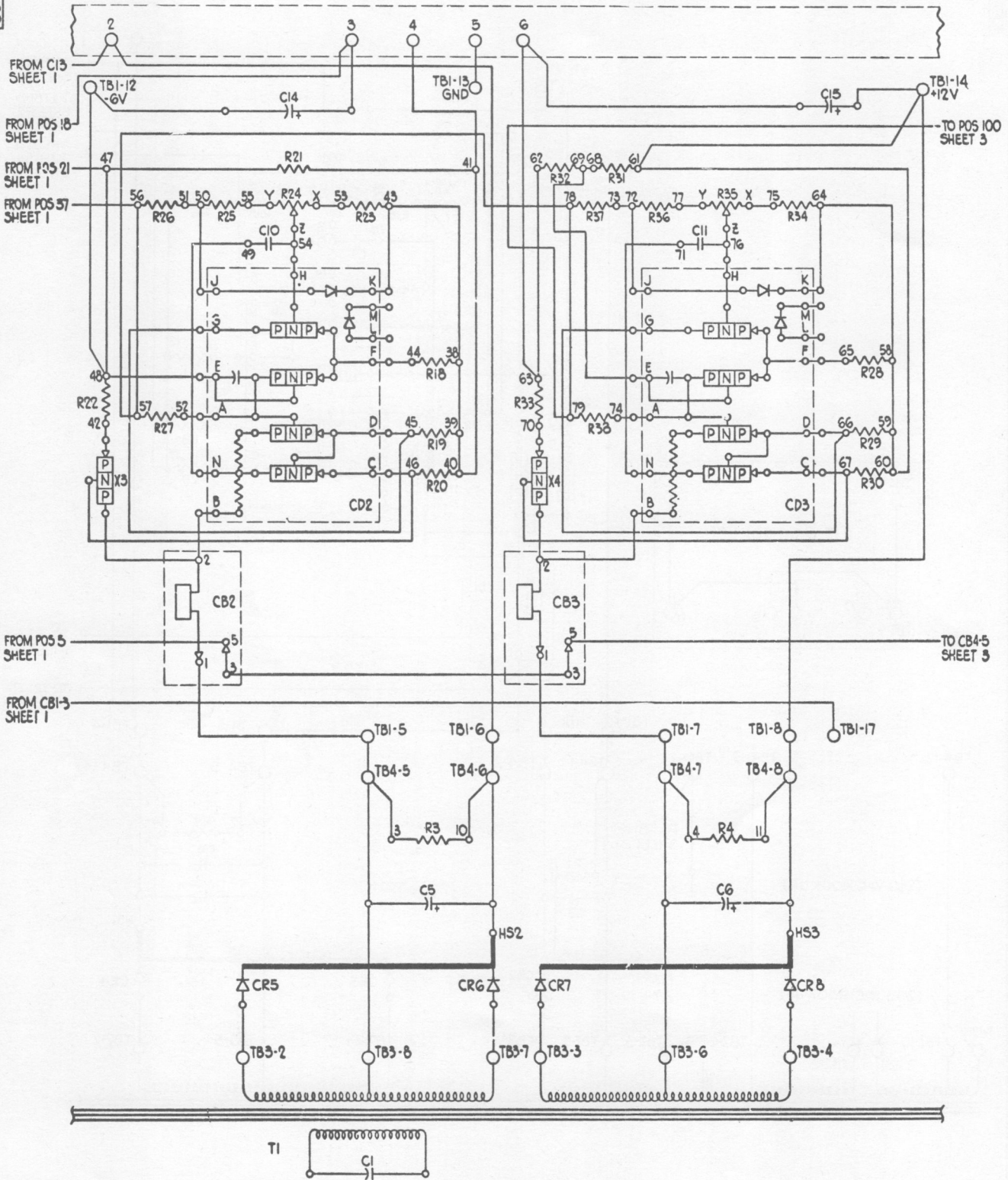


INTERNATIONAL BUSINESS MACHINES CORP.		DATE	CHANGE NO.	DATE	CHANGE NO.	NOTE	DEVELOPMENT NO.
NAME	SYSTEMS DIAGRAM		SEE INDEX CARD			X PRINT TO ENG. SPEC. NO. 895291	73.50.25.0
	73.50.25.0	4-6-61	249367				
DESIGN	ACME 6-16-60 MODEL 7330	8-2-61	249773				
CHECK	RAV 8-16-60	12-28-61	249984				
APPRO	LBF 8-17-60 CHECK AEK 17-17-61						

556754

±6V ±12V POWER SUPPLY

73.50.25.0  
SHEET 2 OF 3



INTERNATIONAL BUSINESS MACHINES CORP.	DATE	CHANGE NO.	DATE	CHANGE NO.	NOTE	DEVELOPMENT NO.
NAME   SYSTEMS DIAGRAM					X PRINT TO ENG. SPEC. NO. 895291	556754
73.50.25.0	SEE INDEX CARD					
DESIGN   ACM   6-16-60   MODEL   7350	4-6-61	249367				
DETAIL   ACM   6-16-60	8-2-61	249773				
CHECK   RAV   8-16-60   DRAW   ALAR   7-5-61	12-28-61	249984				
APPRO   LBF   8-17-60   CHECK   AEK   12-12-61						

73.50.25.0

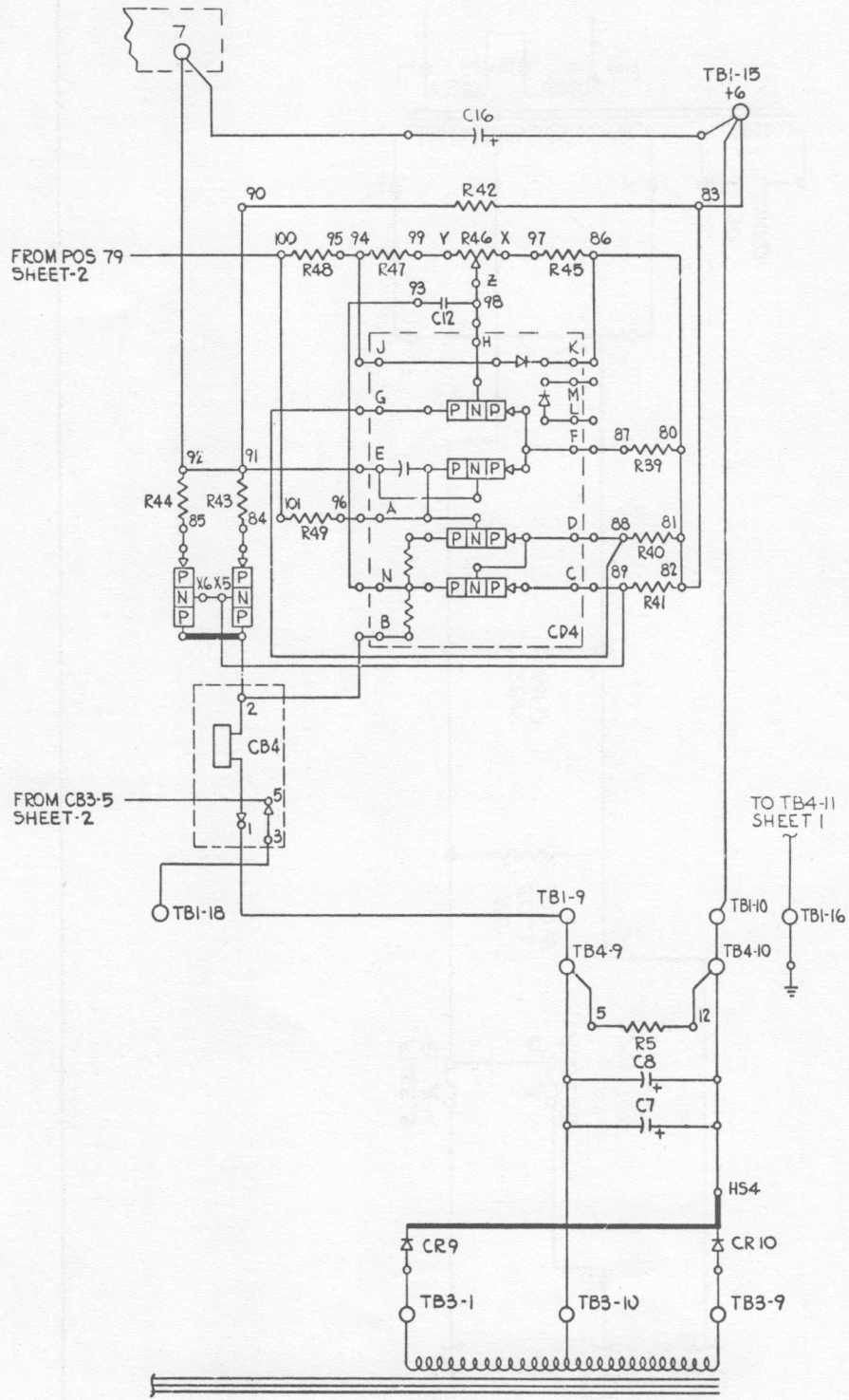


556754

±6 ±12V POWER SUPPLY

73.50.25.0

SHEET 3 OF 3



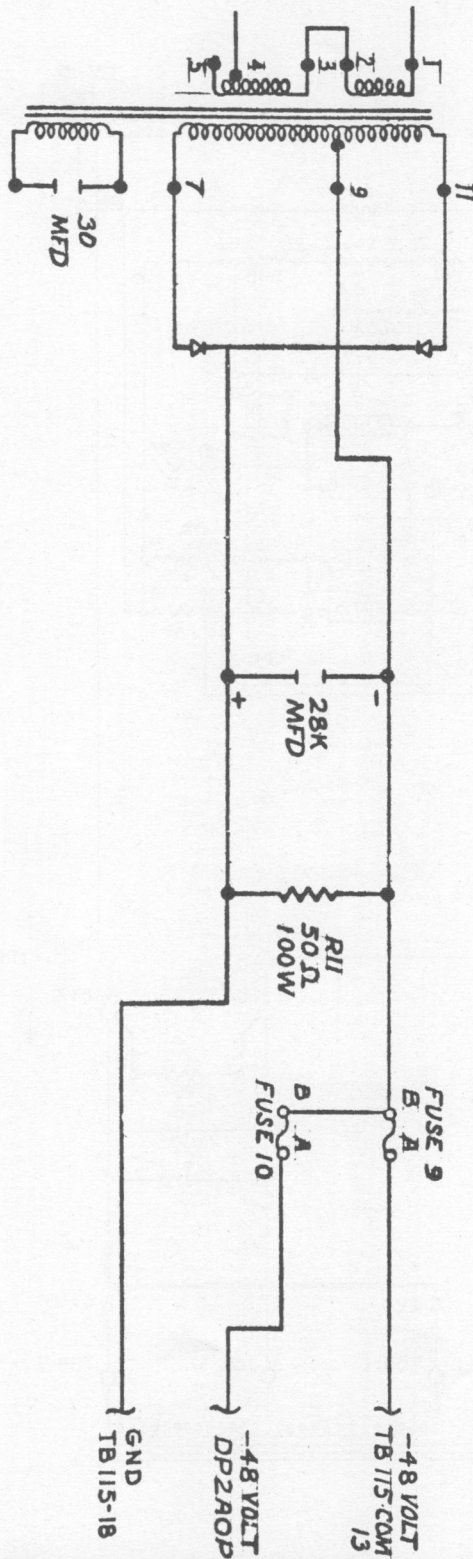
CODE	DESCRIPTION
CR1-2	DIODE
CR3-10	DIODE, 341-C
CR-11	DIODE, F5
TI	FERRO
X1-X6	TRANSISTOR (O49)
CB1	CIR BREAKER 3A
CB2-CB3	CIR BREAKER 3A
CB4	CIR BREAKER 3A
C1	15 MFD 330 VAC
C2	2500MFD 45VDC
C3-C4	10000 MFD 25 VDC
C5	14000MFD 13VDC
C6	10000MFD 25 VDC
C7-C8	14000MFD 13VDC
C9, C10, C11, C12	.001 MFD 100 VDC
C13	4000 MFD 30VDC
C14	7000 MFD 13VDC
C15	4000 MFD 30VDC
C16	7000 MFD 13VDC
R1	3.3K 1 W C
R2-R5	1K 1 W C
R6-R8	3.9K 1/2W C
R9-R10	470 Ω 1 W C
R11-R12	0.1 Ω 1 W 1% WW
R13	1.9 K 5 W 1% WW
R14	POT 250Ω 1/2W C
R15	1.2 K 5 W 1% WW
R16	1.5K 5 W 1% WW
R17	15 K 1/2W C
R18-R19	2 K 1/2 W C
R20-R21	220 Ω 1/2 W C
R22	0.1 Ω 1 W 1% WW
R23	1.9K 5 W 1% WW
R24	POT 250Ω 1/2W C
R25	1.2 K 5W 1% WW
R26	1.9K 5 W 1% WW
R27	2.0K 1/2W C
R28	2 K 1/2W C
R29	3.9K 1/2W C
R30	470 Ω 1 W C
R31-R32	590 Ω 3 W 5% WW
R33	0.1 Ω 1 W 1% WW
R34	1.9 K 5 W 1% WW
R35	POT 250Ω 1/2W C
R36	1.2K 5W 1% WW
R37	2.8K 5W 1% WW
R38	2.4K 1/2W C
R39-R40	2 K 1/2W C
R41-R42	220 Ω 1/2W C
R43-R44	0.1 Ω 1 W 1% WW
R45	1.9 K 5 W 1% WW
R46	POT 250Ω 1/2W C
R47	1.2 K 5 W 1% WW
R48	2.4K 5 W 1% WW
R49	24 K 1/2W C
CD1-CD4	STD SMS CARD ASM

INTERNATIONAL BUSINESS MACHINES CORP.		DATE	CHANGE NO.	DATE	CHANGE NO.	NOTE	DEVELOPMENT NO.
NAME SYSTEMS DIAGRAM		SEE INDEY CARD				X PRINT TO ENG. SPEC. NO. 895291	73.50.25.0
73.50.25.0		4-6-61 249367					
DESIGN ACME (6-16-60) MODEL 7330		8-2-61 249773					
DETAIL ACME (6-16-60)		12-28-61 249984					
CHECK RAV (6-16-60) DRAW ALART (2-5-61)							
APPROV LBF (8-17-60) CHECK AER (12-17-61)							

556857

DWG. SIZE - B -48 VOLT POWER SUPPLY

73.50.300

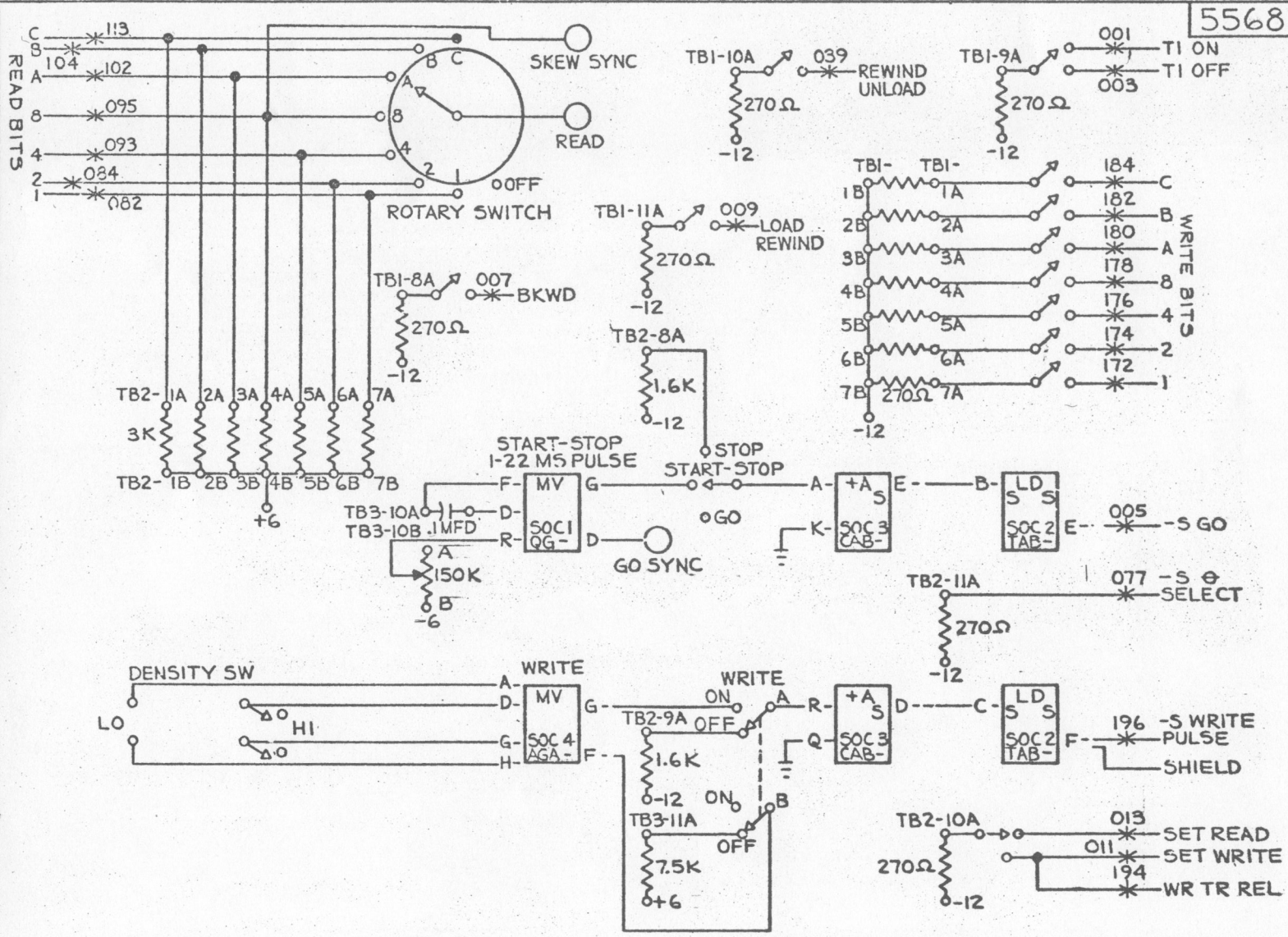


INTERNATIONAL BUSINESS MACHINES CORP.		DATE	CHANGE NO.	DATE	CHANGE NO.	NOTE	DEVELOPMENT NO.
NAME	SYSTEMS DIAGRAM	11-21-60	248150-6			X PRINT TO ENG. SPEC. NO. 895291	73.50.300
	73.50.30.0	1-11-61	248747				
DESIGN	RAY 11-1-60 MODEL 7330						
DI. TAIL	REB 11-2-60						
CHECK	RAY 11-9-60 DRAW						
APPRO	LBF 11-9-60 CHECK						

556857



556828



INTERNATIONAL BUSINESS MACHINES CORP.  
 NAME SYSTEMS DIAGRAM  
 DESIGN REV 73.50.35.0  
 DRAWN BY RAV 1-1-61  
 CHECKED BY RAV 1-1-61  
 APPROVED BY RAV 1-23-61

DATE	CHANGE NO.	DATE	CHANGE NO.
1-5-61	24864-A		
2-22-61	249156		
8-4-61	249521		

NOTE  
 X PRINT TO ENG. SPEC. NO. 895291  
 DWG. SIZE - B

73.50.35.0  
 DEVELOPMENT NO.  
 556828

73.50.35.0