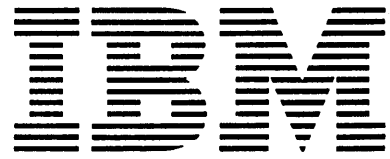




Maintenance Library

3135

**Processing Unit
Parts Catalog**



Maintenance Library



**Processing Unit
Parts Catalog**

PREFACE

This Parts Catalog (PC) contains listings and illustrations of all replaceable assemblies, sub-assemblies and detail parts released on or before February, 1974.

Third Edition (February, 1974)

This is a major revision of, and obsoletes S135-0005-1. Changes that affect this catalog are made periodically; any such changes will be reported in subsequent revisions or Technical Newsletters.

Requests for copies of IBM publications should be made to your IBM representative or to the IBM branch office serving your locality.

This manual has been prepared by the IBM System Products Division, Product Publications, Dept. K10, P. O. Box 6, Endicott, N. Y. 13760

A form is provided at the back of this publication for reader's comments. If the form has been removed, comments may be sent to the above address. Comments become the property of IBM.

©Copyright International Business Machines Corporation, 1972, 1974.

CONTENTS

HOW TO USE THIS PARTS CATALOG ii

VISUAL INDEX iv

<u>Figure</u>		<u>Page</u>
1	Cover Assemblies (5 parts)	1
1A	Label Assemblies	11
2	Final Assembly (3 parts)	13
3A	Cable Assemblies (6 parts)	21
3B	Cable Assemblies, AC Compartment (3 parts)	37
3C	Cable Assemblies, Operator Console	43
3D	1403 Power Box Cable Assemblies (2 parts)	45
4	Front End Assembly (3 parts)	49
5	Console Assembly (3 parts)	56
6	Console File Mounting (2 parts)	64
7	Console File Assembly (3 parts)	68
8	Roller Blind Assembly (2 parts)	74
8A	Roller Blind Assembly (Machines with EC 391437)	78
9	'A' Gate Assembly	80
9A	'A' Gate Assembly – Model 3	82A
10	'B' Gate Assembly (2 parts)	83
10A	'B' Gate Assembly (Changes for EC 393085)	88
11	'C' Gate Assembly	90
11A	'C' Gate Assembly (Machine with EC 391456)	92
12	SMS Gate Assembly	94
13A	Cooling Unit Assembly 50 Hz	96
13B	Cooling Unit Assembly 60 Hz	97
13C	Cooling Unit Assembly 50 Hz	98
13D	Cooling Unit Assembly 60 Hz	99
14	AC Box Assembly (6 parts)	99
15	Relay Gate Assembly	101
16	Power Frame Assembly (2 parts)	119
17	P/U Frame Group – 1403 (5 parts)	121
18	Phase Control Regulator Assembly	125
18A	Phase Control Regulator Assembly (Machine above 240K)	141
19	Frame Assembly	144
20	Cable and Jumper Assembly Component Parts	147
Numerical Index		X-1

How to Use this Parts Catalog

This catalog is divided into three major sections:

The Visual Index contains small overall views of the machine, and gives references for all the major assemblies which are broken down in the Group Assembly Parts List (GAPL).

The Group Assembly Parts List contains exploded illustrations of the assemblies, subassemblies, and detail parts of the machine. Parts are cross-referenced by index number to the list of part numbers that accompanies each figure.

The Numerical Index follows the GAPL. It contains all of the part numbers on the GAPL in numerical order, and cross-references them by figure and index number.

FINDING A PART

Turn to the visual index and find the general area of the machine in which the part is located. An arrow from that area will point to one or more reduced GAPL figures. Find the figure or figures containing the part required; there is a cross reference to indicate which GAPL figure contains the part.

Turn to the referenced figure in the GAPL to find the index number of the part required and locate the index number on the accompanying list. The list contains the following details:

- **Part Number**
- **Description**
(Trailer lines after the description are used for clarification or to indicate usage or obtainability of parts.)
- **Units per Assembly**
(This refers to the number of units used in the area indexed, or the number used for a similar purpose in the assembly.)

DOUBLE-LINED DETAIL BOX

A double-lined box is used to differentiate between parts shown on the basic model and parts related to a level and/or feature difference. An explanation of the level or feature difference is given within the double-lined box.

CIRCLED INDEX NUMBERS

A circled index number indicates that the assembly is broken down within the figure.

EXAMPLE FOR ORDERING PARTS

4 -	5726422	FAN ASM-P/S ENCLOSURE FOR NEXT HIGHER ASSEMBLY SEE FIGURE 1-184 FOR ILLUSTRATION SEE FIGURE 4	REF
- 1	334921	TERMINAL RING- 18-22 AWG, R6 HOLE, INS	2
- 2	187854	SHIELD, TERMINAL BLOCK- 2 POS	1
- 3	210984	SCREW, RD HD MACH-6-32 X .250 LG	ATT PT 1
- 4	5357050	FAN ASM-NO CONNECTOR	1
- 5	32042	SCREW, MACH BIND. HD 10-32 X .375 LG	ATT PT 2
- 6	5357066	BLADE	1
- 7	5357067	MOTOR 208V/230V 60CY 220V 50CY	1
- 8	130434	SCREW, MACH-SLOTTED HEX HD 10-32 X .375 LG	ATT PT 2
- 9	56079	WASHER, LOCK-EXT T .195ID .410 OD	ATT PT 2
- 10	5726436	HEADER-POWER SUPPLY FAN	1

If the entire fan assembly is to be replaced, order part number 5726422; all of the items on that list will be supplied. If only the subassembly is required, order part number 5357050; it will include all of the two-dot items that immediately follow its attaching parts. Attaching parts must be ordered separately.

All parts may be ordered individually.

COMMON TERMS AND ABBREVIATIONS

① NO NO.

When this appears in the part number column, it denotes a group of parts for which no assembly part number has been assigned. The detail parts must be ordered separately.

② AR

As Required (AR) in the units per assembly column denotes that the quantity is used as required.

③ ATT PT

Attaching Parts: These parts are used to attach a subassembly to an assembly. The attaching parts are listed immediately following the part to be attached.

CONTENTS

<u>Figure</u>		<u>Page</u>
<u>CPU AND POWER FRAME COMMON ASSEMBLIES (Cont'd)</u>		
66A	Cooling Unit Assembly	178B
66B	Blower Assembly	179A
67	AC/DC Module Assembly <u>NOTES 1, 2, 4</u>	180
68	Power Supply Assembly- 6V at 12A <u>NOTES 1, 2, 4</u>	182
69	Add/On Heatsink Assembly <u>NOTES 1, 4</u>	184A
69A	Heatsink Assembly-Add/On 50 Amp	184B
70	Bias Transformer Assembly <u>NOTES 1, 2, 4</u>	186
71	Power Supply Assembly <u>NOTES 1, 2, 4</u>	187
72	Cables and Component Parts <u>ALL MODELS</u>	189
	NUMERICAL INDEX	X-1

NOTE 1 - USED ON CPU STAGE 1
2 - USED ON CPU STAGE 2
3 - USED ON POWER FRAME
MODELS FED, GE, GFD, H, HG, I
4 - USED ON POWER FRAME
MODELS H2, HG2, I2, IH2, J2, JI2, K2

HOW TO USE THIS ILLUSTRATED PARTS CATALOG (IPC)

PART I

To find parts quickly, a general understanding of the structure of this catalog is necessary. The catalog is divided into three major sections:

- The Visual Index, containing overall views of the machine, with call-outs pointing to detailed figures.
- The Catalog Section, containing a pictorial breakdown of assemblies and subassemblies.
- The Numerical Index, which is a numerical list of all parts used in the machine, with cross-references to the figure on which the part is found.

VISUAL INDEX

The Visual Index, located before the Catalog Section, contains a reduced illustration of every figure in the Catalog Section. The reduced illustrations are tied together with flow arrows to form a natural progression from large assemblies to small assemblies and possibly subassemblies. In effect, a visual table of contents is formed by the Visual Index illustrations.

CATALOG SECTION

The Catalog Section contains the full-sized illustrations previously noted in the Visual Index. Index numbers on figures refer to corresponding entries in the Group Assembly Parts List accompanying each figure. Refer to part II for explanation of terms used in the Group Assembly Parts List.

NUMERICAL INDEX

The Numerical Index is located after the Catalog Section and contains a complete list, in numerical order, of all part numbers used on the machine. Listed with the part number is the index and figure number on which the part is illustrated. The numerical index makes it possible to locate a part when only the part number is known.

STACKED INDEX NUMBERS

Stacked index numbers are used when showing a part and its attaching hardware. The sequence of a typical stack is shown at the right. The circled index number indicates the assembly is broken down within the figure.

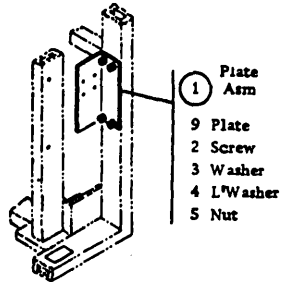


ILLUSTRATION NOTES

Cross-reference notes are directly on the illustration. The illustration's next higher assembly reference, normally located in the upper left corner of the page will read: "For Parts Not Shown See Figure X". If an assembly is referenced to a lower level figure, the note located next to the index number will read: "See Figure X."

DOUBLE LINED DETAIL BOX

The double lined box differentiates between parts shown on the basic model and parts related to a level and/or feature difference. An explanation of the level or feature difference is given in the double lined box.

FINDING A PART

The Visual Index is the starting point for locating a part. The illustrations in the Visual Index are reduced versions of all illustrations in the Catalog Section; therefore, the illustrations can be used to find the assembly containing the desired part. Use references to the detailed figure in the Catalog Section, or to another Visual Index illustration, to determine location of part number.

Once the detailed figure in the catalog section is determined, finding the part on the figure and referring to the listing for the part number and description is all that is required in most cases. If the first catalog section figure referenced shows the assembly containing the required part, the index number for the assembly will reference a lower-level figure where the assembly is broken down to its component parts. If the figure referenced by the Visual Index contains neither the part nor an assembly containing the part, it is then necessary to go to the next higher assembly figure. This figure should then contain the part or an assembly containing the part; if not, an even higher level figure must be used. Refer back to the Visual Index for some other figure that could show the desired part.

Note: Many detailed parts are unavailable, because they are part of an inseparable assembly (two or more parts welded or bonded together), or because they are part of an assembly purchased as a unit. If parts are found on a welded or bonded assembly, the following note follows the description of the assembly: "Assembly components are not replaceable!" If the part is found on a purchased assembly, and the detail parts of this assembly do not have IBM part numbers, the note following the assembly description will read: "Assembly components are not available." In either case, you need to obtain the part number of the assembly, rather than the detailed part.

EXAMPLE FOR ORDERING PARTS

			REF
6 -	5726422	FAN ASM-P/S ENCLOSURE	
		FOR NEXT HIGHER ASSEMBLY SEE FIGURE 1-184	
		FOR ILLUSTRATION SEE FIGURE 4	
- 1	334921	TERMINAL RING- 18-22 AWG, #6 HOLE, INS	2
- 2	187854	SHIELD, TERMINAL BLOCK- 2 POS	1
- 3	210984	SCREW, RD HD MACH-6-32 X .250 LG	ATT PT 1
- 4	5357050	FAN ASM-NO CONNECTOR	1
- 5	32042	SCREW, MACH BIND. HD 10-32 X .375 LG	ATT PT 2
- 6	5357066	BLADE	1
- 7	5357067	MOTOR 208V/230V 60CY 220V 50CY	1
- 8	130434	SCREW, MACH-SLOTTED HEX HD 10-32 X .375 LG	ATT PT 2
- 9	56079	WASHER, LOCK-EXT T .195ID .410 OD	ATT PT 2
- 10	5726436	HEADER-POWER SUPPLY FAN	1

If the entire fan is required, part number 5726422 should be ordered (all one dot items will be received). If only the subassembly is required, part number 5357050 should be ordered (all two dot items will be received). Each part may be ordered individually.

4 COMM

Commercial Hardware: When this appears in the part number column, it denotes hardware procurable from normal commercial sources and not identified by an IBM part number.

5 INDENTURE

The relationship of a part to its next higher assembly is indicated by indentures. For example:

1 2 3 4
Unit

- . Assemblies and Detail Parts of Unit
- . Attaching Parts for Assemblies & Detail Parts
- . . Subassemblies
- . . Attaching Parts for Subassemblies
- . . . Detail Parts for Subassemblies, etc.

6 REF

This entry in the units per assembly column denotes a part or assembly included for reference only. It is not part of the assembly breakdown and is also included elsewhere in the catalog.

7 SIMILAR ASSEMBLIES

If two assemblies contain a majority of identical parts, they are broken down on the same list. Common parts are shown by one index number.

Parts peculiar to one or the other of the assemblies are listed separately and may be identified by the Usable On Code or by trailer lines.

8 NR

NR in the part number column denotes the part is procurable but not recommended for field replacement, and that the next higher assembly should be ordered.

9 NP

The entry NP in the part number column denotes that the part is non-procurable. Order detail parts or next higher assembly, as applicable.

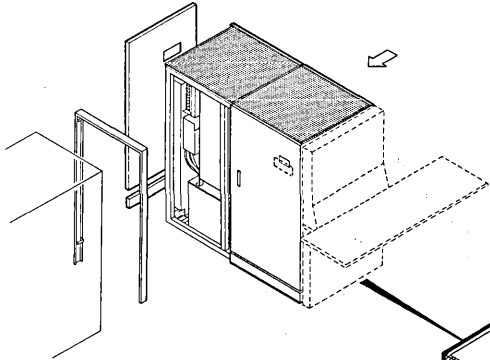
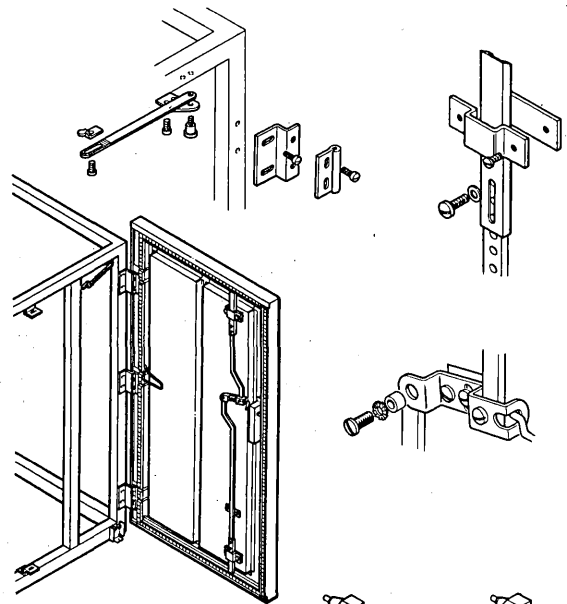
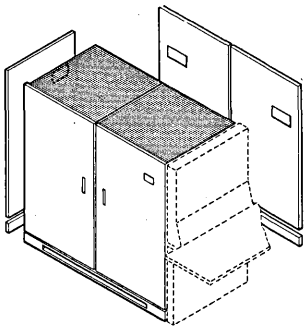
10 USABLE ON CODE

This code may be used in two ways:

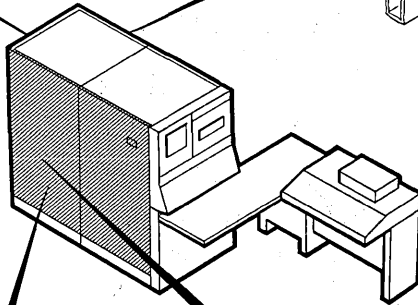
1. If similar assemblies (say, left-handed and right-handed) are listed using a single illustration, an alphabetic code is used to show which part number applies to which assembly.
2. If an assembly is listed, and various parts are available dependant upon the level or stage of the machine or assembly, a numeric code is used.

Where applicable, an explanation of the codes is included at the beginning of each list.

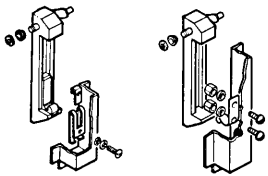
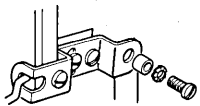
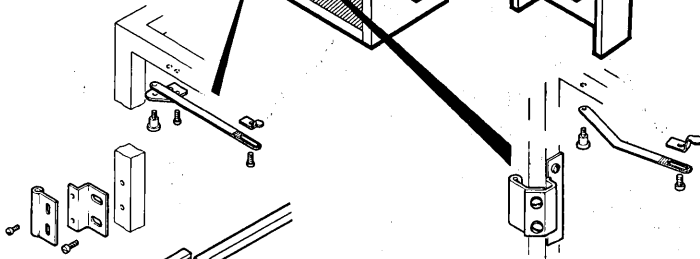
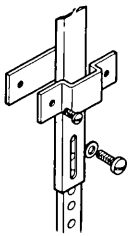
LIST AND INDEX NO.	PART NO.	DESCRIPTION				UNITS PER ASM.	USABLE ON CODE	
		1	2	3	4			
DRIVE MOTOR ASSEMBLY								
2-	(7)	(10)	CODE A USED ON 60 CYCLE ONLY CODE B USED ON 50 CYCLE ONLY CODE 1 USED ON ASM PRIOR TO SEPT 71				(6)	(10)
-	2199376 NP (9)		MOTOR ASM,DRIVE-115/220 VOLTS 60 CYCLE				REF	1A
-	2199386 NP		MOTOR ASM,DRIVE-220 VOLTS 50 CYCLE FOR NEXT HIGHER ASM SEE FIGURE 1-92 FOR ILLUSTRATION SEE FIGURE 2				REF	1B
- 1	2204176 (5)		. PULLEY,60 CYCLE				(2)	A
- 1	2199255		. PULLEY,50 CYCLE				1	B
- 2	79842		. SETSCREW,SPLINE DR CUP PT 8-32 X 3/8 LG				AR	
- 3	2204116 (1)		. MOTOR ASM,220V AC 60 CYCLE				1	A
- 4	NO NO.		. MOTOR ASM,220V AC 50 CYCLE				1	B
- 5	5526		. SCREW,MACH BIND HD 8-32 X 0.625 LG				4	
- 6	2204082 (4)		. . FERRULE, OUTER				1	
- 7	2204033		. . FERRULE, INNER				1	
- 8	COMM		. . MOTOR,1/12 HP-220V 60CPS				1	
- 8	2199258 (8)		. . MOTOR,DRIVE - 220V 50CPS				1	
- 9	2199401 NR		. PLATE,MOTOR MT-115/220 VOLTS 60 CYCLE				1	A
- 9	2199402 NR		. PLATE,MOTOR MT-220 VOLTS 50 CYCLE				1	B



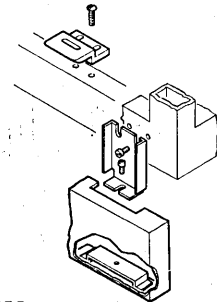
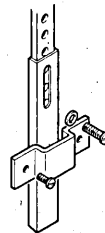
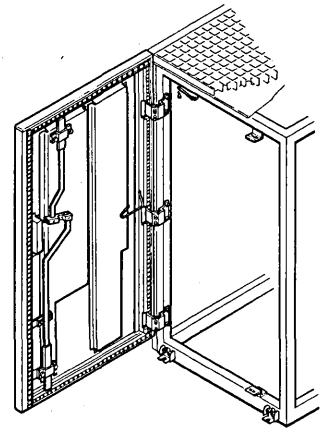
COVER ASSEMBLY
FIGURE 1 SHEET 1 OF 5
PAGE 1



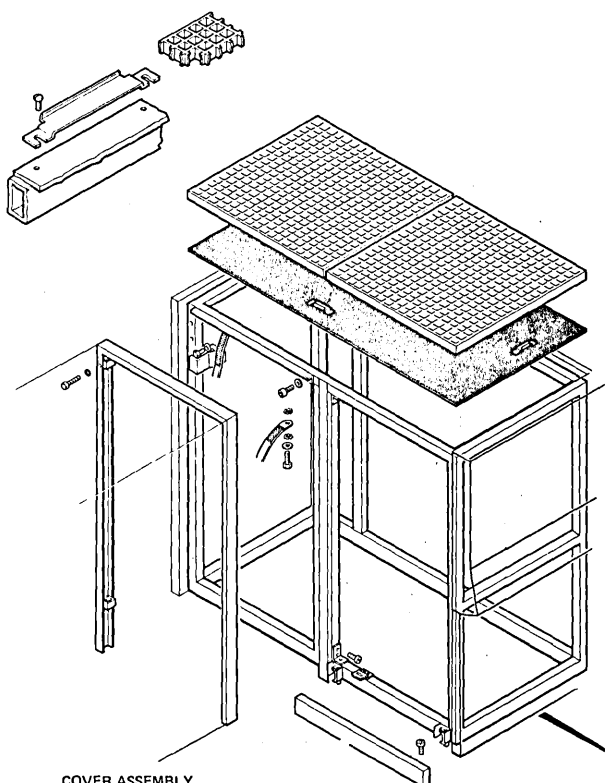
COVER ASSEMBLY
FIGURE 1 SHEET 2 OF 5
PAGE 3



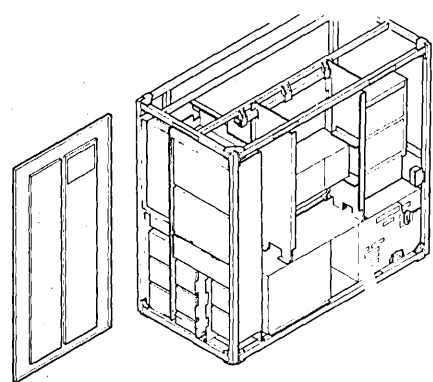
COVER ASSEMBLY
FIGURE 1 SHEET 3 OF 5
PAGE 5



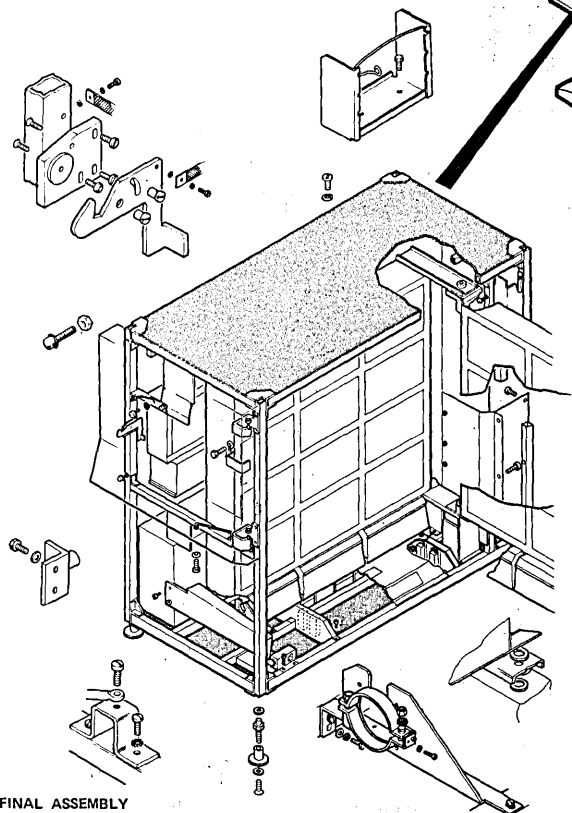
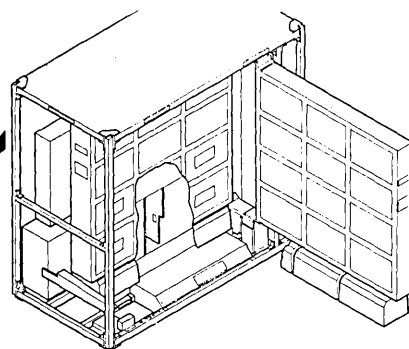
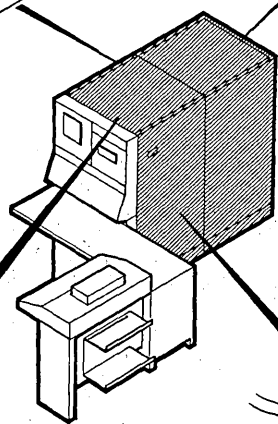
COVER ASSEMBLY
FIGURE 1 SHEET 4 OF 5
PAGE 7



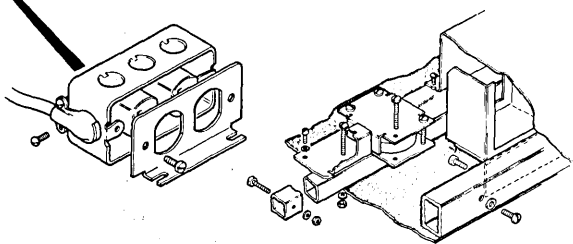
COVER ASSEMBLY
FIGURE 1 SHEET 5 OF 5
PAGE 9



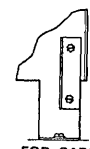
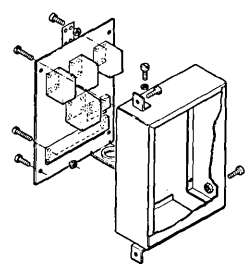
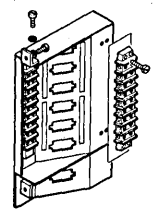
LABEL ASSEMBLY
FIGURE 1A
PAGE 11



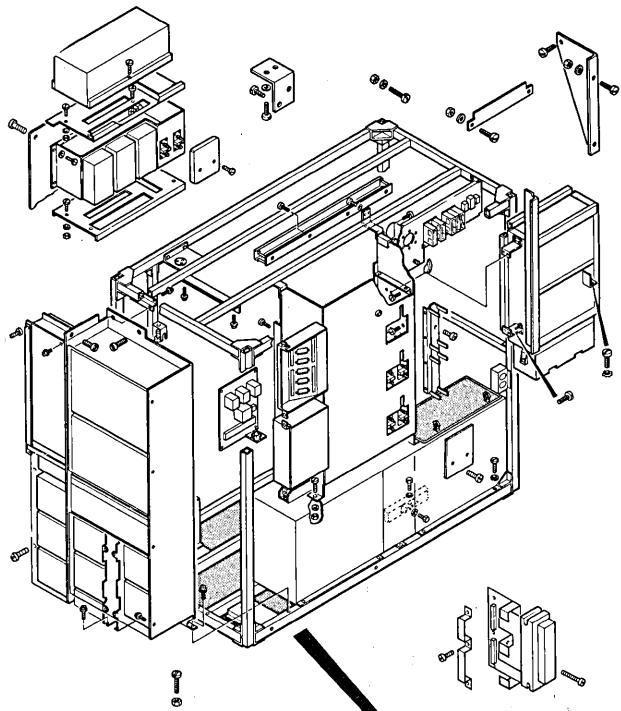
FINAL ASSEMBLY
FIGURE 2 SHEET 1 OF 3
PAGE 13
FOR CABLE ASSEMBLIES SEE FIGURE 3A PART 2



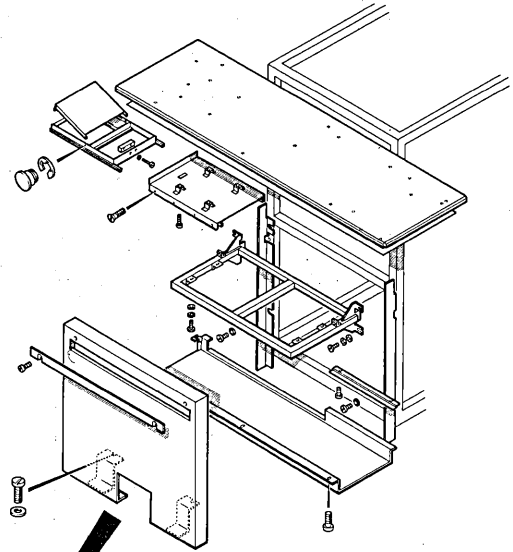
FOR FRAME ASSEMBLY SEE FIGURE 19
FOR CABLE AND JUMPER ASSEMBLY COMPONENT PARTS SEE FIGURE 20



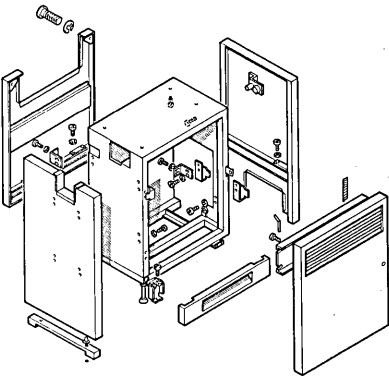
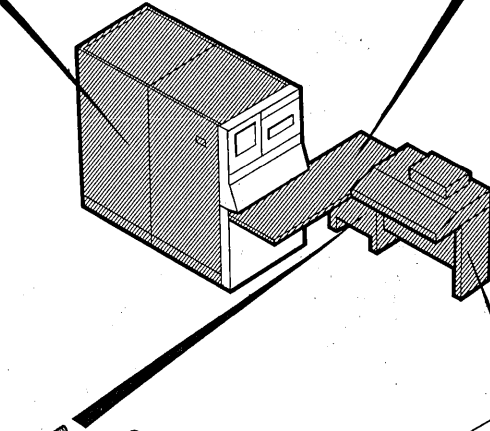
FINAL ASSEMBLY
FIGURE 2 SHEET 2 OF 3
PAGE 16
FOR CABLE ASSEMBLIES SEE FIGURE 3A PART 6



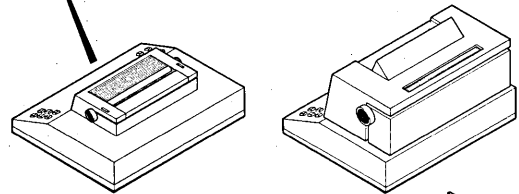
FINAL ASSEMBLY
 FIGURE 2 SHEET 3 OF 3
 PAGE 18
 FOR CABLE ASSEMBLIES SEE FIGURE 3A PART 4



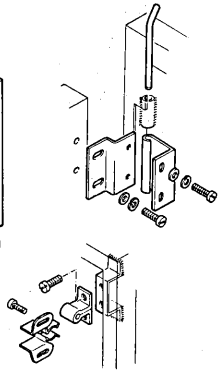
FRONT END ASSEMBLY
 FIGURE 4 SHEET 1 OF 3
 PAGE 49
 FOR CABLE ASSEMBLIES SEE FIGURE 3A PART 1



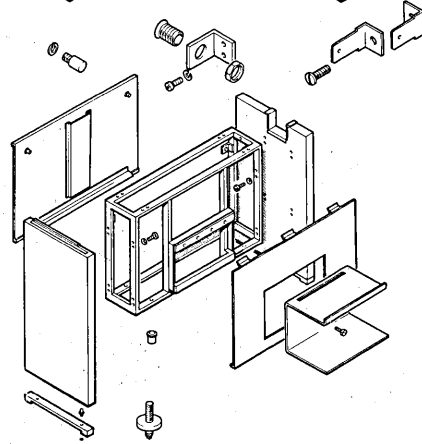
FRONT END ASSEMBLY
 FIGURE 4 SHEET 2 OF 3
 PAGE 51
 FOR CABLE ASSEMBLIES SEE FIGURES 3D PART 1 AND 2

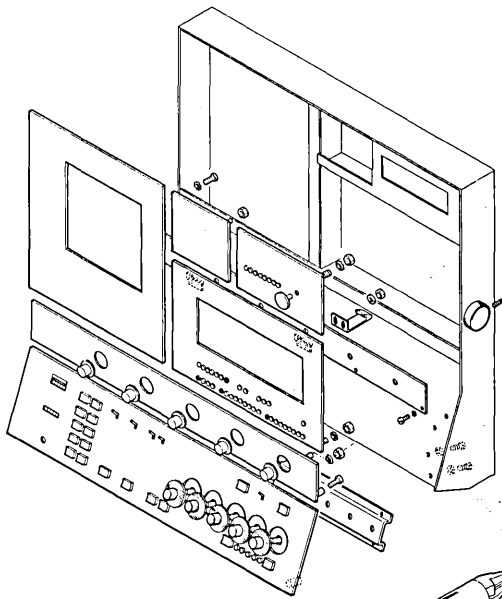


FRONT END ASSEMBLY
 FIGURE 4 SHEET 3 OF 3
 PAGE 54
 FOR CABLE ASSEMBLIES SEE FIGURE 3A PART 1

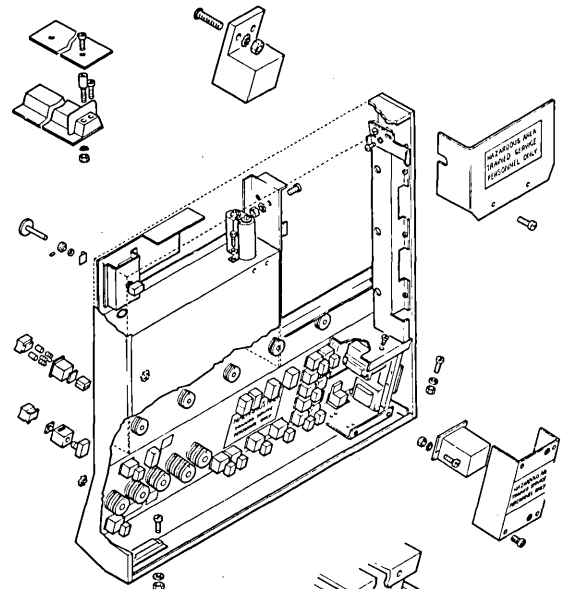


FOR CABLE AND JUMPER ASSEMBLY COMPONENT PARTS SEE FIGURE 20

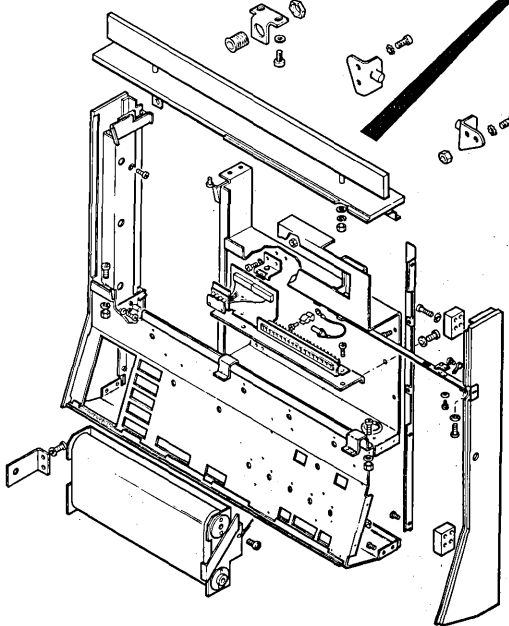
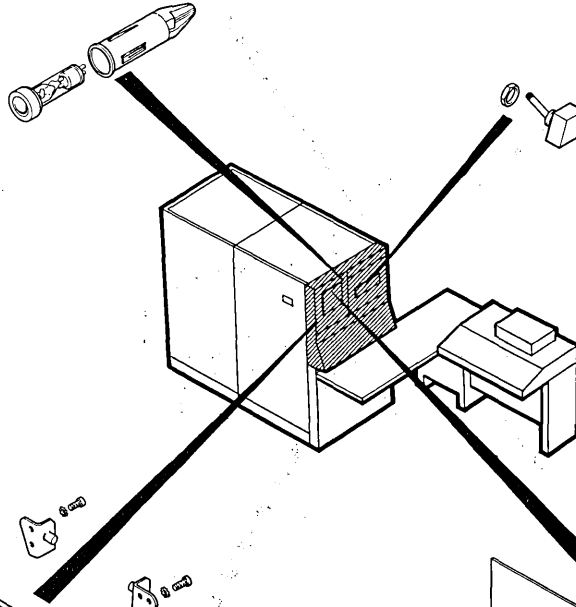




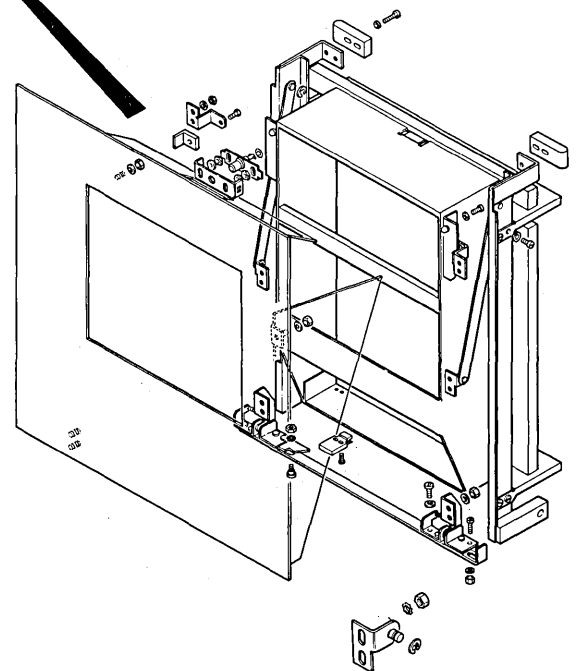
CONSOLE ASSEMBLY
FIGURE 5 SHEET 1 OF 3
PAGE 56



CONSOLE ASSEMBLY
FIGURE 5 SHEET 2 OF 3
PAGE 59

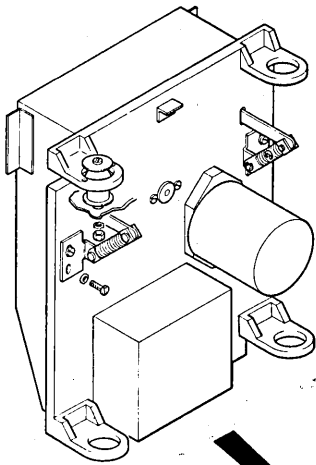


CONSOLE ASSEMBLY
FIGURE 5 SHEET 3 OF 3
PAGE 62

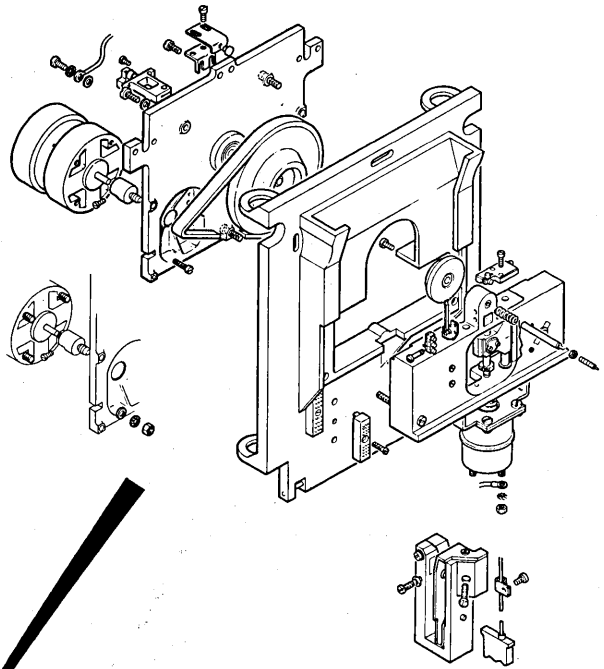


CONSOLE FILE MOUNTING
FIGURE 6 SHEET 1 OF 2
PAGE 64

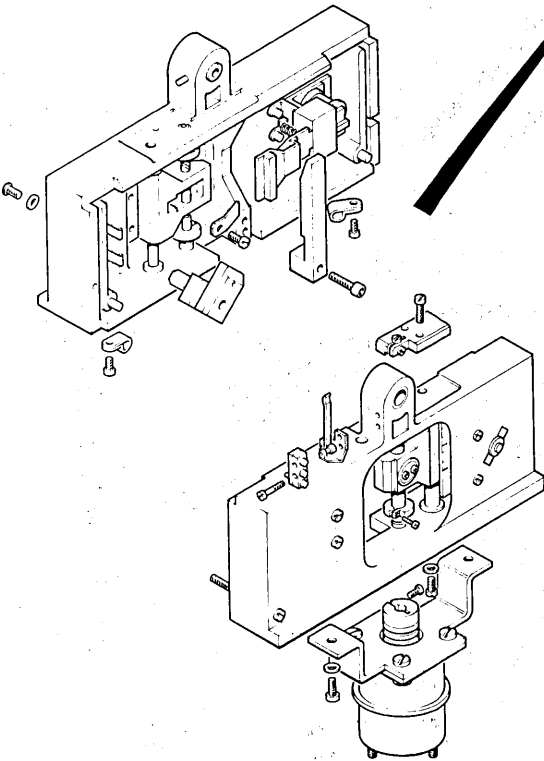
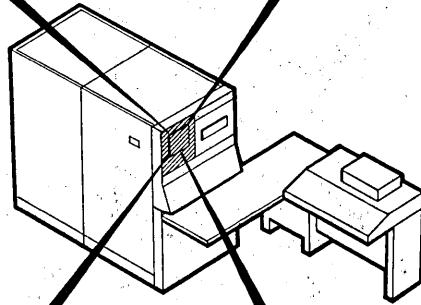
FOR CABLE ASSEMBLIES SEE FIGURE 3C
FOR CABLE AND JUMPER ASSEMBLY COMPONENT PARTS SEE FIGURE 20



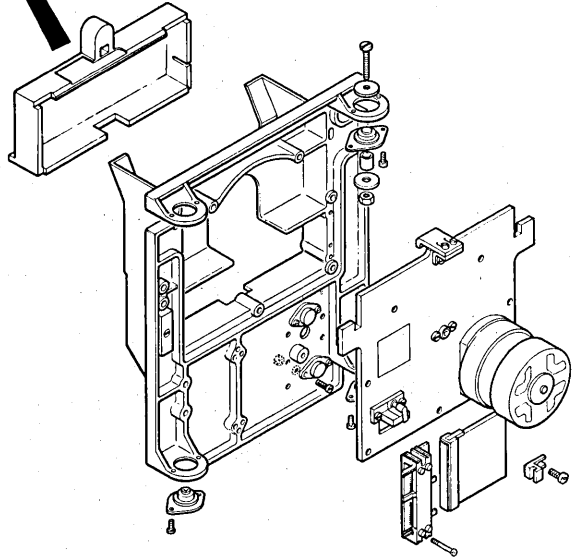
CONSOLE FILE MOUNTING
FIGURE 6 SHEET 2 OF 2
PAGE 66



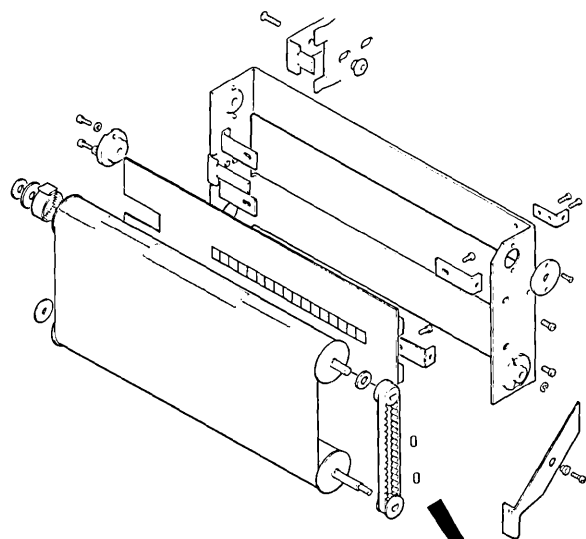
CONSOLE FILE ASSEMBLY
FIGURE 7 SHEET 1 OF 3
PAGE 68



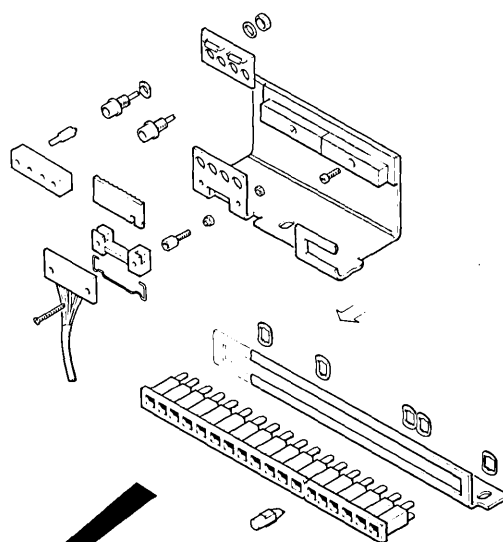
CONSOLE FILE ASSEMBLY
FIGURE 7 SHEET 2 OF 3
PAGE 70



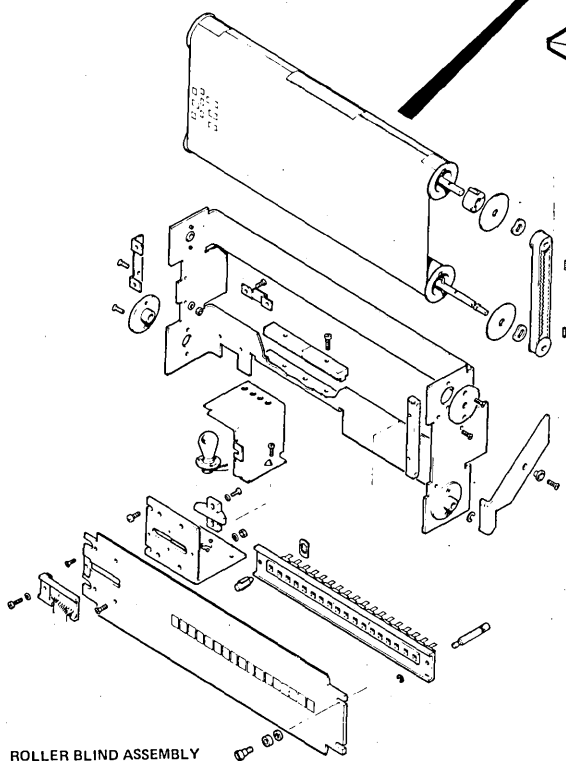
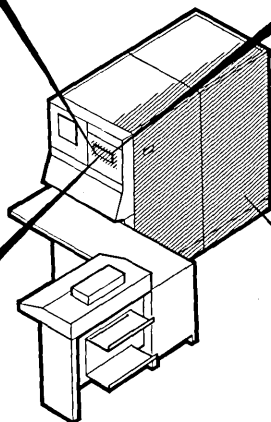
CONSOLE FILE ASSEMBLY
FIGURE 7 SHEET 3 OF 3
PAGE 72



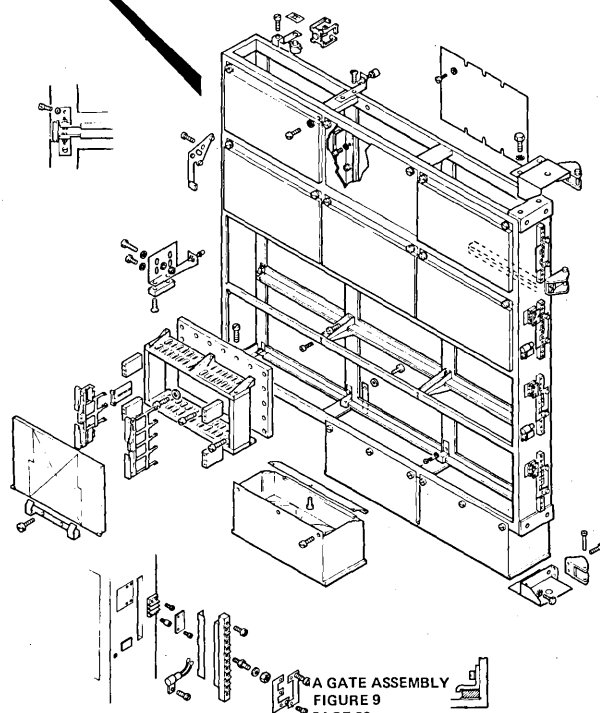
ROLLER BLIND ASSEMBLY MACHINES
W/O EC 391437
FIGURE 8 SHEET 1 OF 2
PAGE 74



ROLLER BLIND ASSEMBLY MACHINES
W/O EC 391437
FIGURE 8 SHEET 2 OF 2
PAGE 76



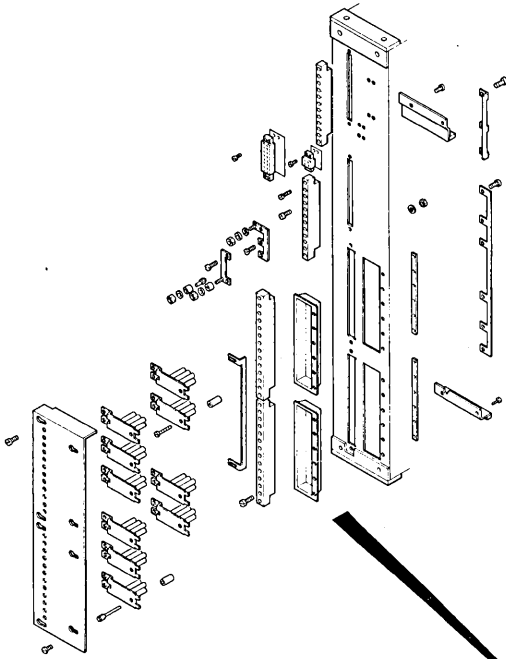
ROLLER BLIND ASSEMBLY
MACHINES WITH EC 391437
FIGURE 8A
PAGE 78



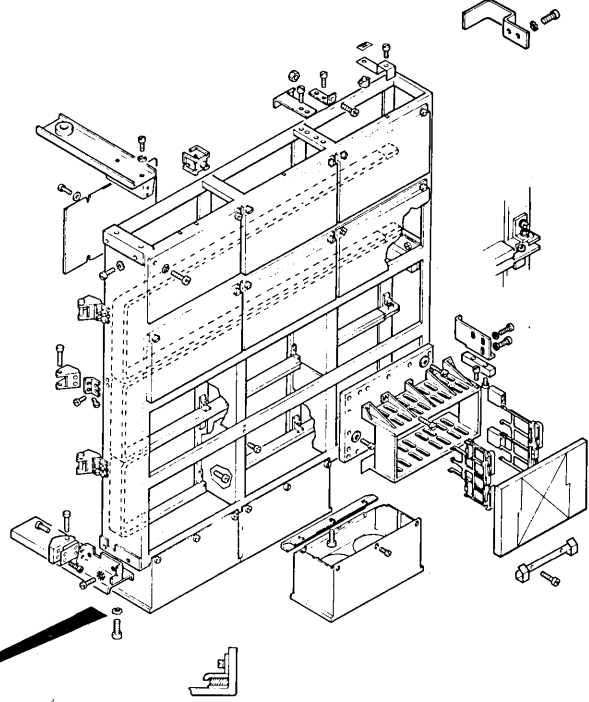
9A GATE ASSEMBLY
FIGURE 9
PAGE 80
FIGURE 9A-MOD 3
PAGE 82A
FOR CABLE ASSEMBLIES SEE FIGURE 3A PART 3

FOR CABLE AND JUMPER ASSEMBLY COMPONENT PARTS SEE FIGURE 20

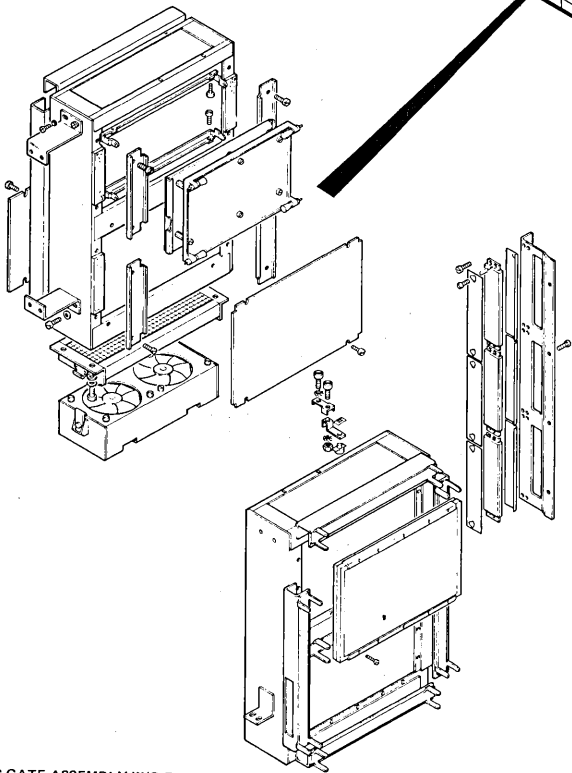
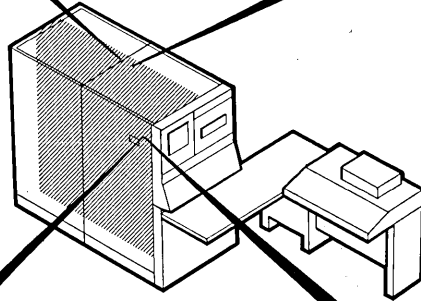
VISUAL INDEX



B GATE ASSEMBLY
 FIGURE 10 SHEET 1 OF 2
 PAGE 83
 FOR CABLE ASSEMBLIES SEE FIGURE 3A PART 3

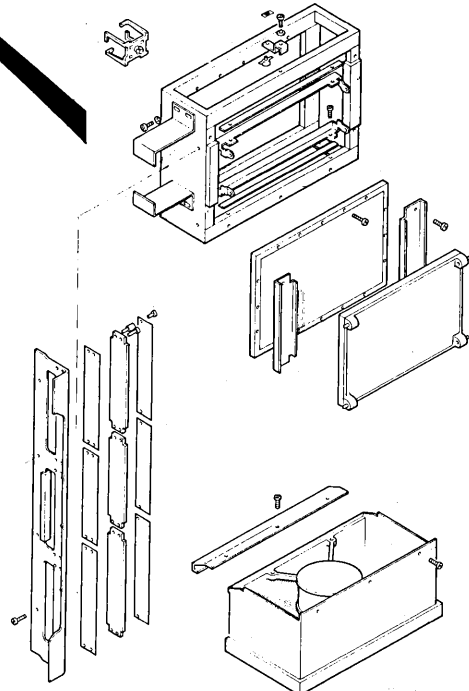


B GATE ASSEMBLY
 FIGURE 10 SHEET 2 OF 2
 PAGE 85
 FOR CABLE ASSEMBLIES SEE FIGURE 3A PART 3

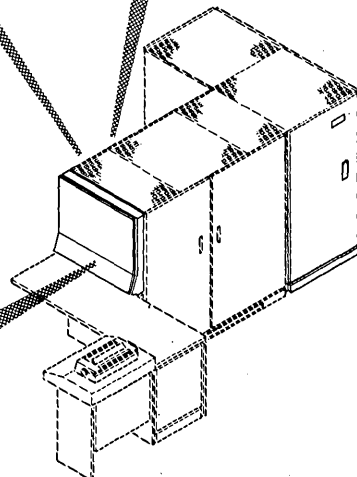
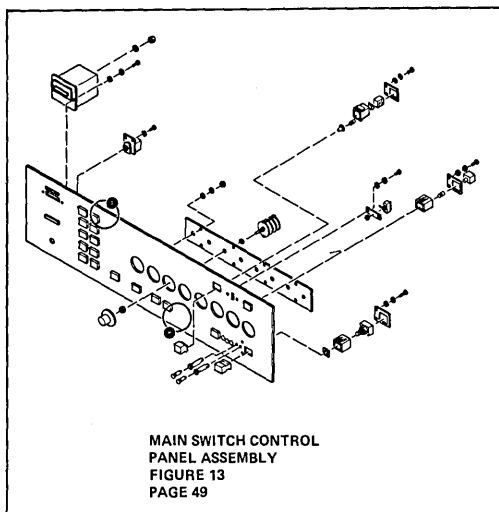
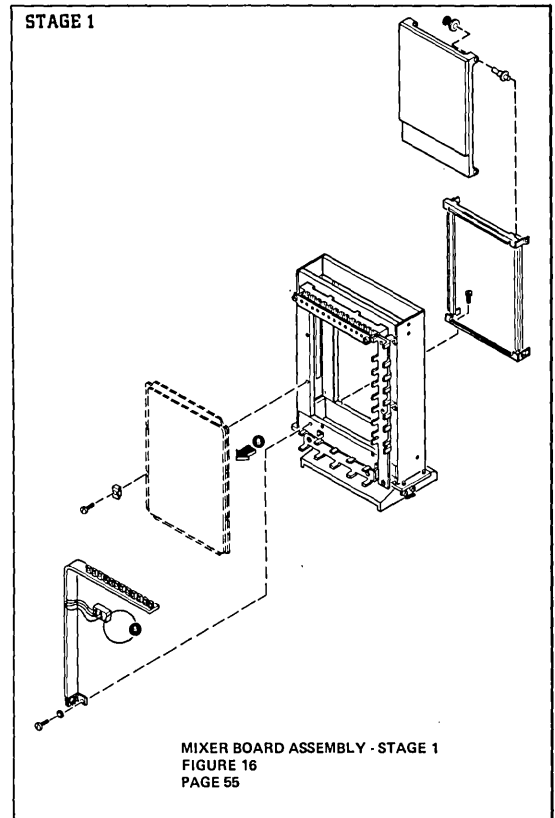
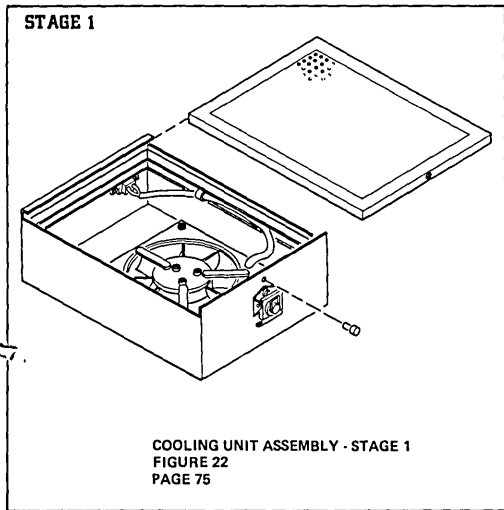


C GATE ASSEMBLY W/O EC 391245
 FIGURE 11
 PAGE 90
 FOR CABLE ASSEMBLIES SEE FIGURE 3A PART 2

FOR CABLE AND JUMPER ASSEMBLY
 COMPONENT PARTS SEE FIGURE 20

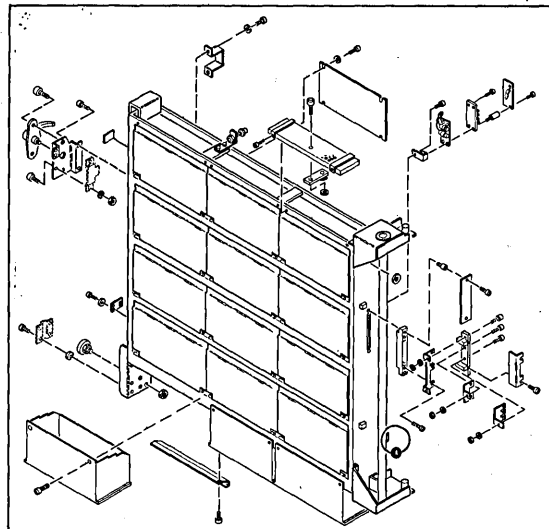


C GATE ASSEMBLY WITH EC 392456
 FIGURE 11A
 PAGE 92
 FOR CABLE ASSEMBLIES SEE FIGURE 3A PART 2

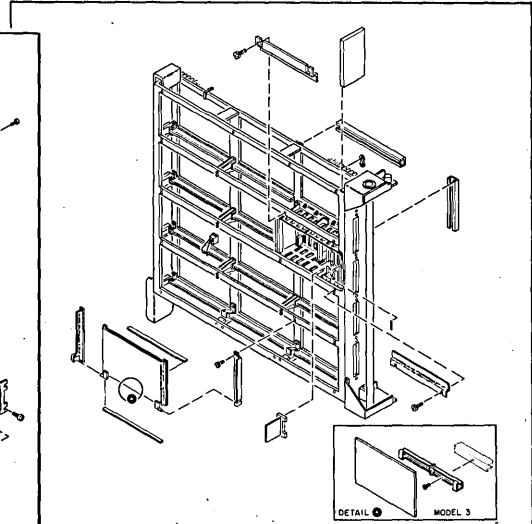


VISUAL INDEX

Page of S124-0129-2
Revised June 3, 1977
By TNL: SN24-0797

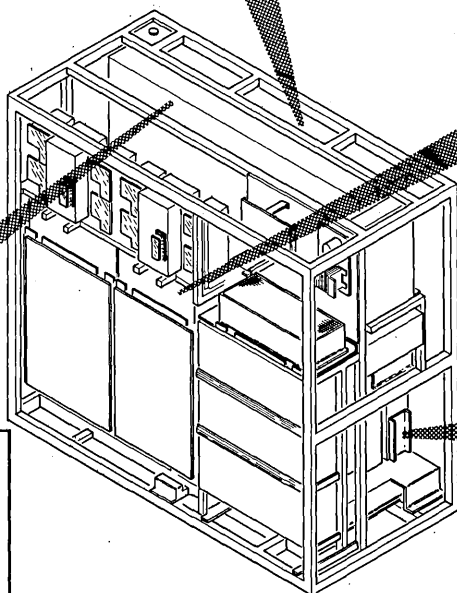


A GATE ASSEMBLY - STAGE 1
FIGURE 18, SHEET 1 OF 2
PAGE 58



A GATE ASSEMBLY - STAGE 1
FIGURE 18, SHEET 2 OF 2
PAGE 61

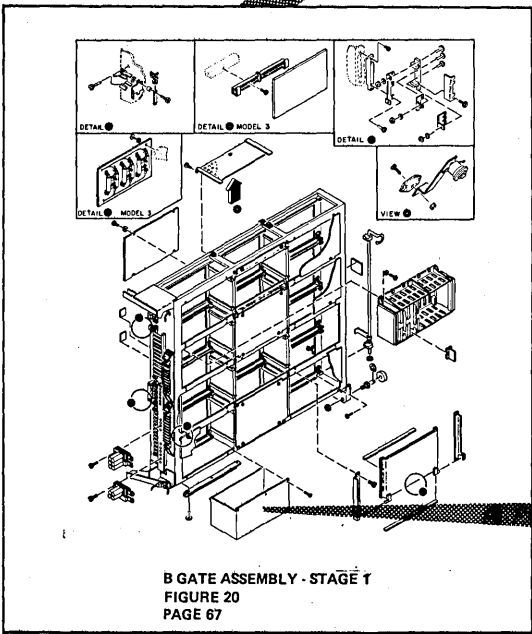
CENTRAL PROCESSING UNIT - STAGE 1



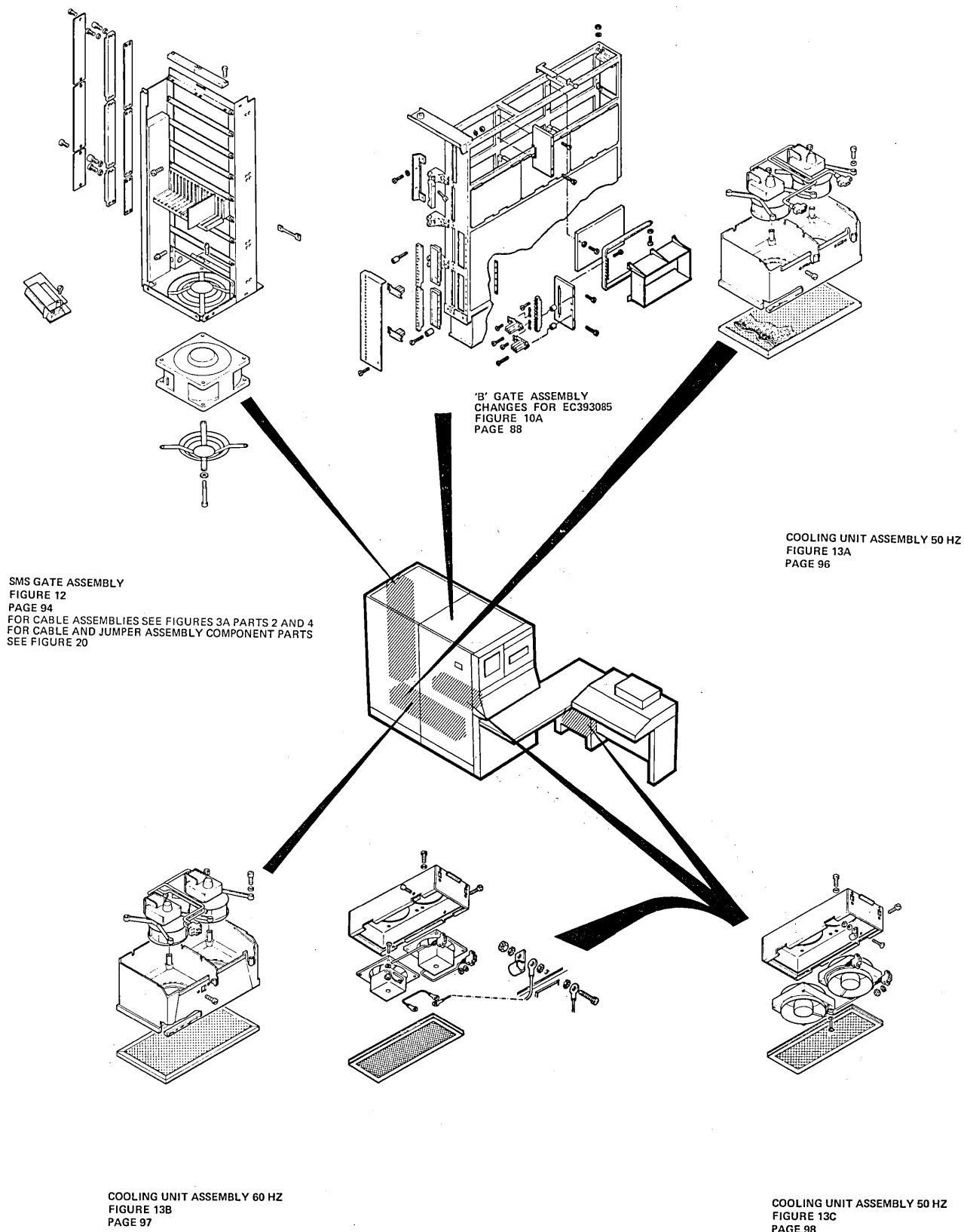
COOLING UNIT ASSEMBLIES
SEE FIGURES 24, 24A & 63

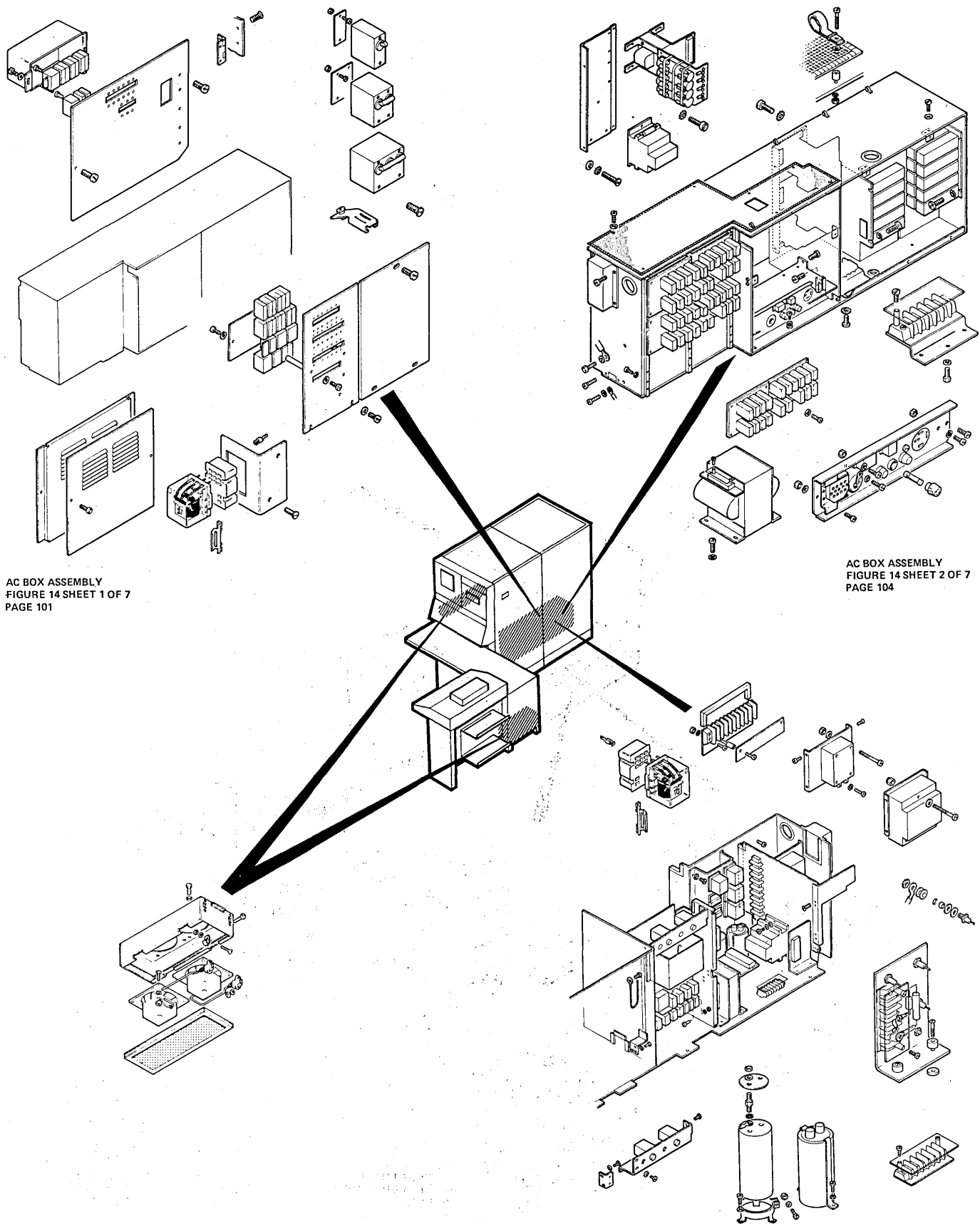
COOLING UNIT ASSEMBLIES
SEE FIGURES 64, 66 & 66A

COOLING UNIT ASSEMBLIES
SEE FIGURES 65, 66 & 66A



B GATE ASSEMBLY - STAGE 1
FIGURE 20
PAGE 67





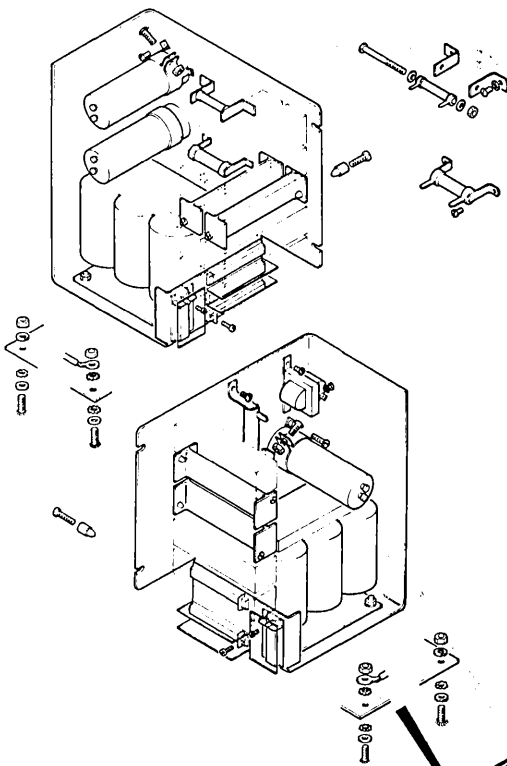
AC BOX ASSEMBLY
FIGURE 14 SHEET 1 OF 7
PAGE 101

AC BOX ASSEMBLY
FIGURE 14 SHEET 2 OF 7
PAGE 104

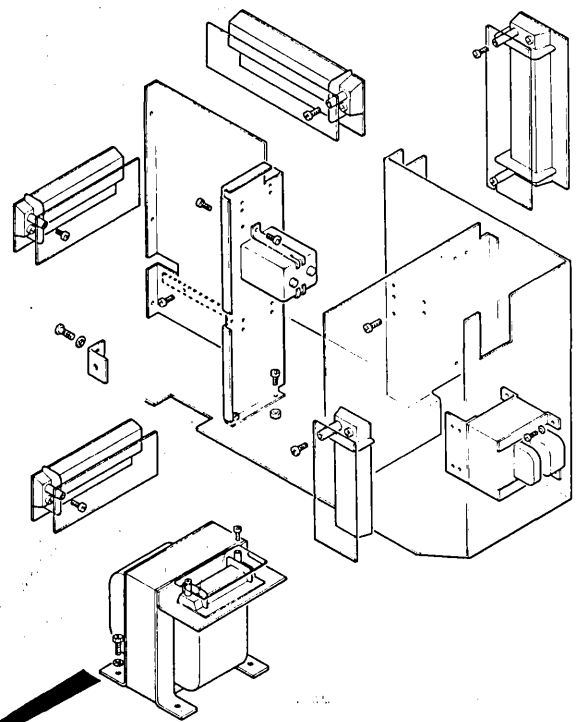
COOLING UNIT ASSEMBLY 60 HZ
FIGURE 13D
PAGE 99

CABLE ASSEMBLIES FOR FIGURE 14 SEE FIGURES 3B PARTS 1 TO 3
FOR CABLE AND JUMPER ASSEMBLY COMPONENT PARTS SEE FIGURE 20

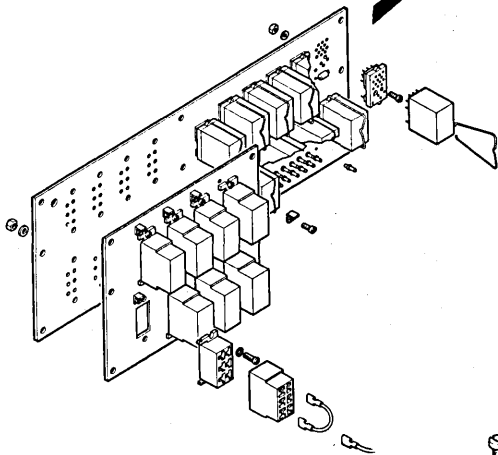
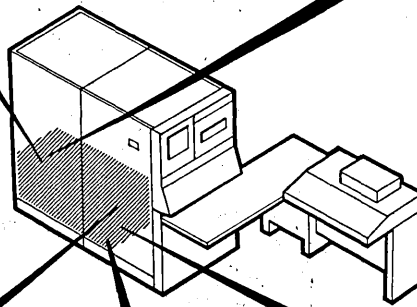
AC BOX ASSEMBLY
FIGURE 14 SHEET 3 OF 7
PAGE 107



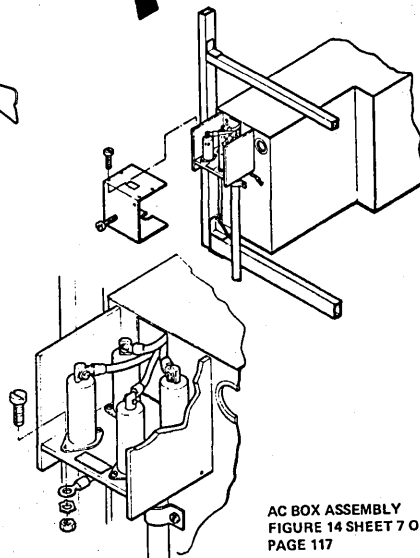
AC BOX ASSEMBLY
FIGURE 14 SHEET 4 OF 7
PAGE 110



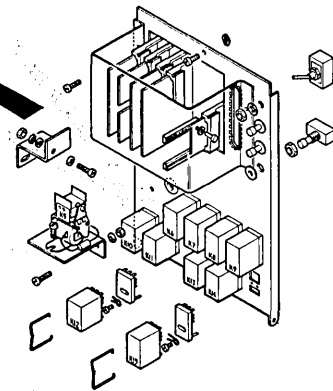
AC BOX ASSEMBLY
FIGURE 14 SHEET 5 OF 7
PAGE 113



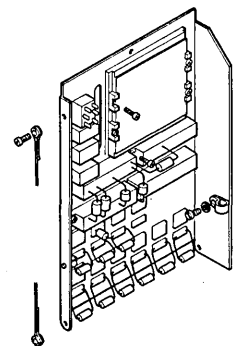
AC BOX ASSEMBLY
FIGURE 14 SHEET 6 OF 7
PAGE 115



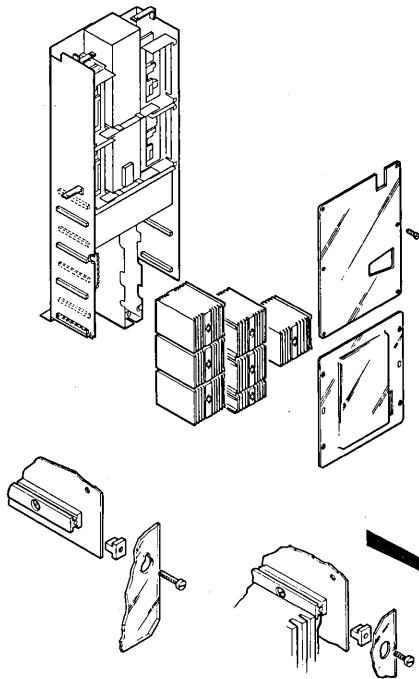
AC BOX ASSEMBLY
FIGURE 14 SHEET 7 OF 7
PAGE 117



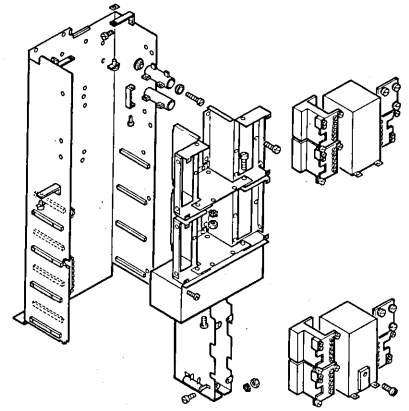
FOR CABLE ASSEMBLIES SEE FIGURES 3B PARTS 1 TO 3
FOR CABLE AND JUMPER ASSEMBLY COMPONENT PARTS SEE FIGURE 20



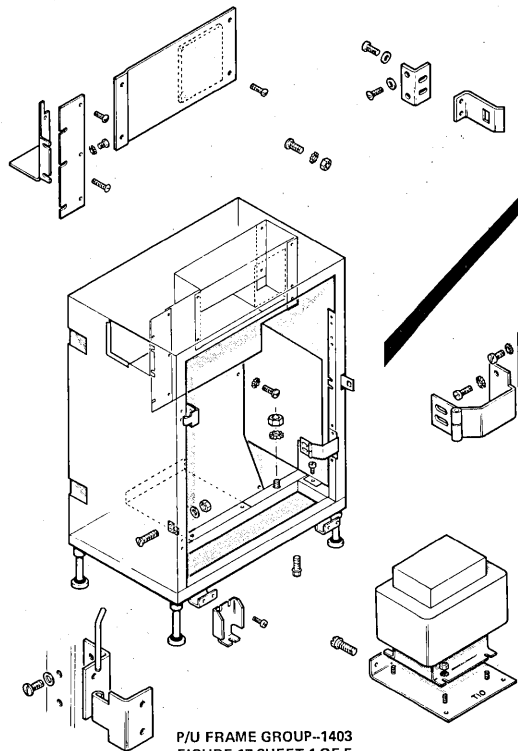
RELAY GATE ASSEMBLY
FIGURE 15
PAGE 119



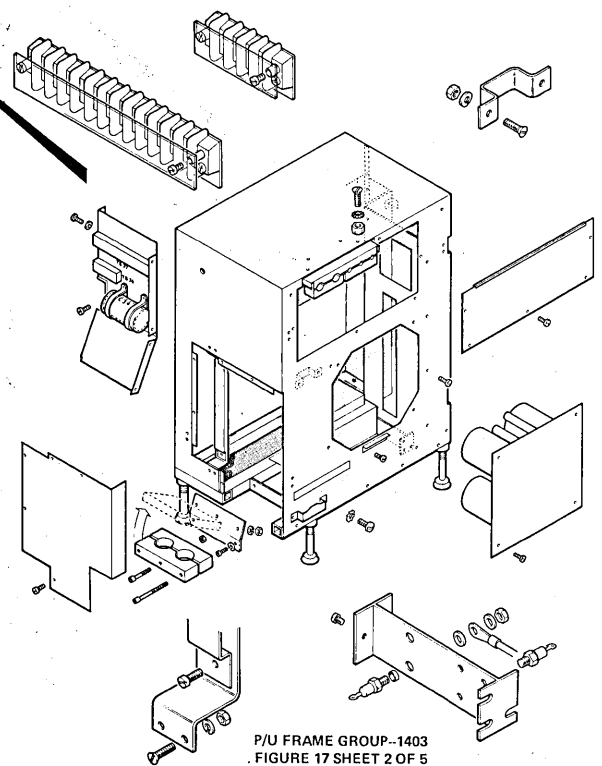
POWER FRAME ASSEMBLY
FIGURE 16 SHEET 1 OF 2
PAGE 121
FOR CABLE ASSEMBLIES SEE FIGURES 3A PARTS 2 AND 4



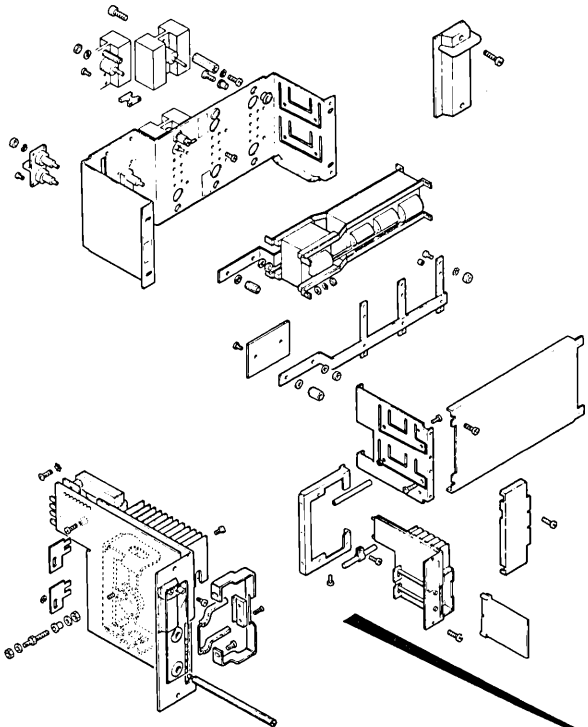
POWER FRAME ASSEMBLY
FIGURE 16 SHEET 2 OF 2
PAGE 123
FOR CABLE ASSEMBLIES SEE FIGURES 3A PARTS 2 AND 4



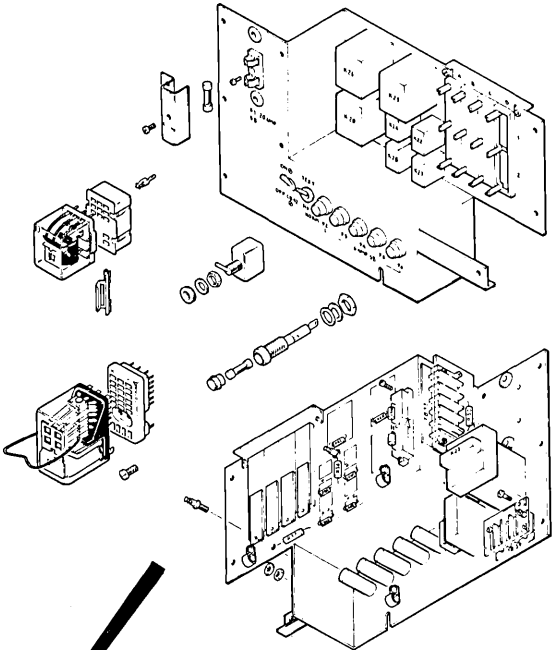
P/U FRAME GROUP-1403
FIGURE 17 SHEET 1 OF 5
PAGE 125
FOR CABLE ASSEMBLIES SEE FIGURES 3D PARTS 1 AND 2)



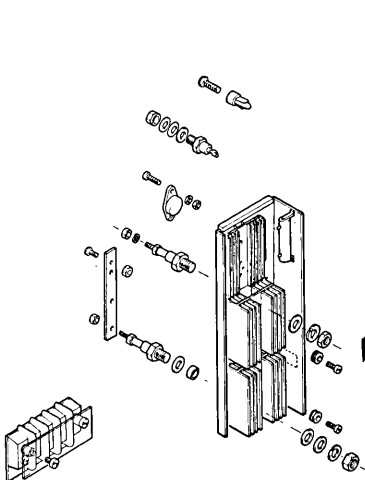
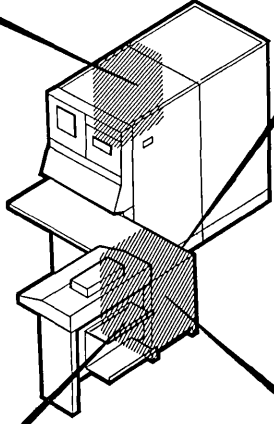
P/U FRAME GROUP-1403
FIGURE 17 SHEET 2 OF 5
PAGE 127
FOR CABLE ASSEMBLIES SEE FIGURES 3D PARTS 1 AND 2



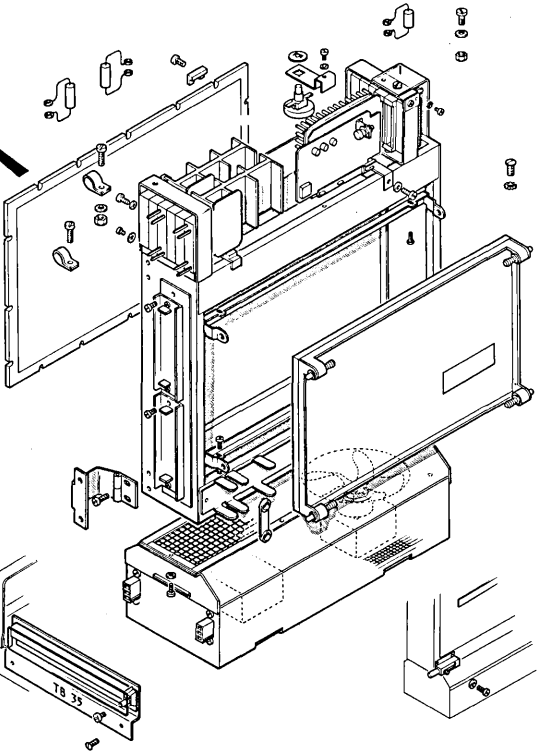
PHASE CONTROL REGULATOR ASSEMBLY WITH 0-240K STORAGE
FIGURE 18
PAGE 138
FOR CABLE ASSEMBLIES SEE FIGURES 3A PARTS 2 AND 4



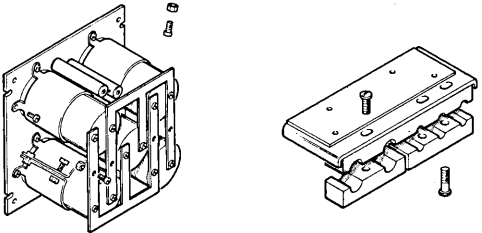
P/U FRAME GROUP-1403
FIGURE 17 SHEET 4 OF 5
PAGE 133



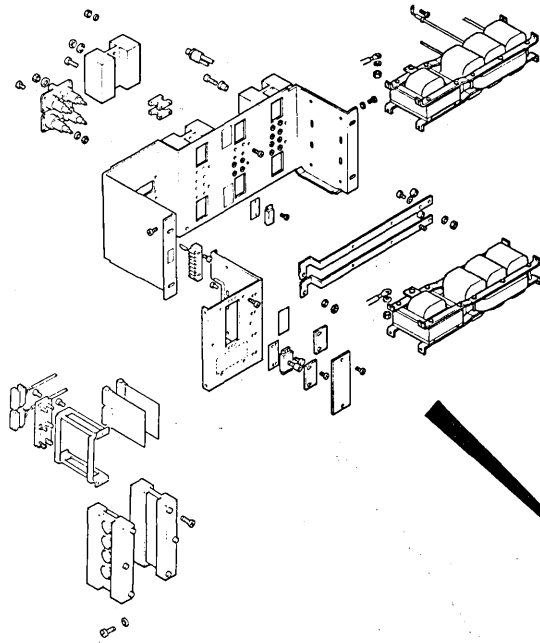
P/U FRAME GROUP-1403
FIGURE 17 SHEET 5 OF 5
PAGE 135



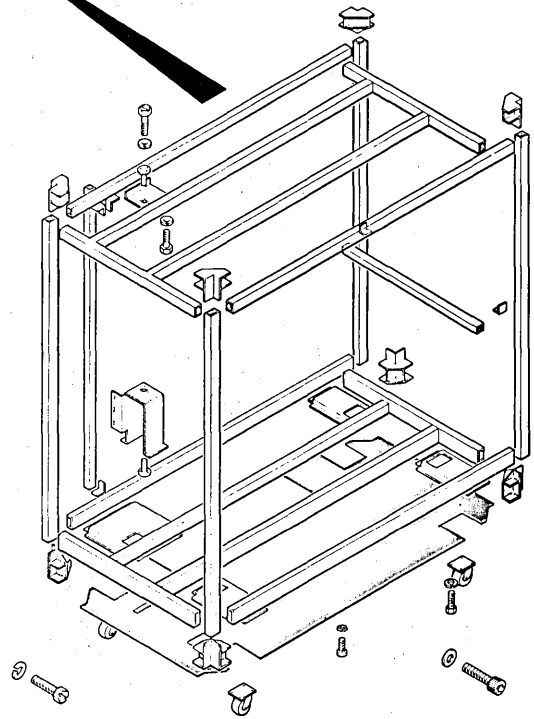
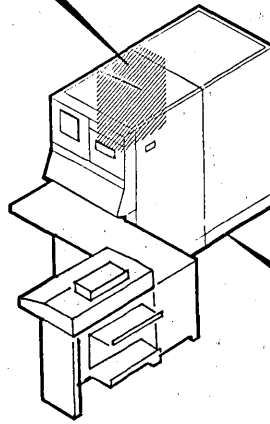
P/U FRAME GROUP-1403
FIGURE 17 SHEET 3 OF 5
PAGE 130



CABLE ASSEMBLIES FOR FIGURE 17 SEE FIGURES 3D PARTS 1 AND 2
FOR CABLE AND JUMPER ASSEMBLY COMPONENT PARTS SEE FIGURE 20



PHASE CONTROL REGULATOR ASSEMBLY
MACHINES ABOVE 240K
FIGURE 18A
PAGE 141



FRAME ASSEMBLY
FIGURE 19
PAGE 144

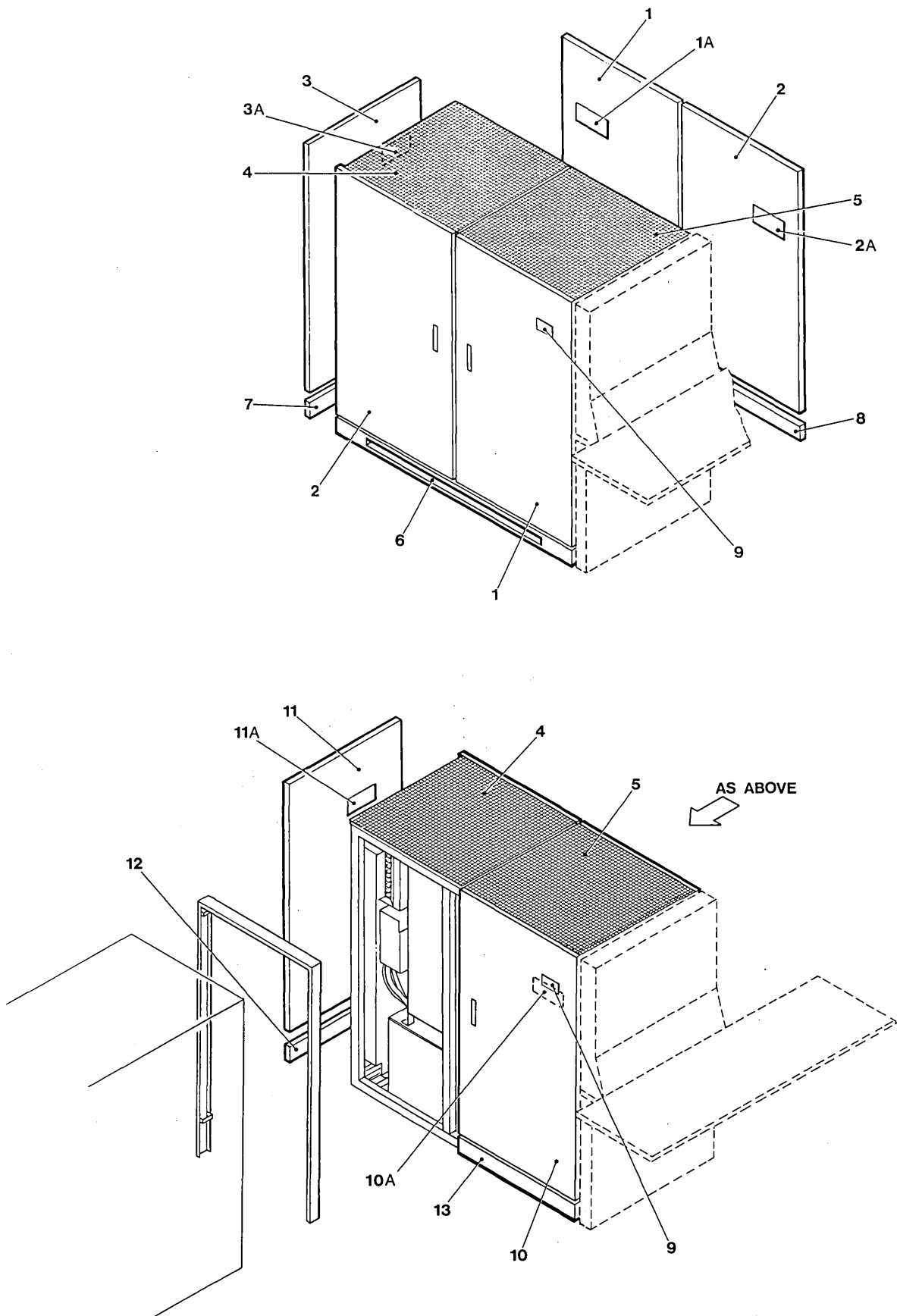


FIGURE 1. COVER ASSEMBLIES. SHEET 1 OF 5. INDEX NOS. 1-13. SEE LIST 1.

FIGURE- INDEX NUMBER	PART NUMBER	DESCRIPTION				UNITS PER ASM.	USABLE ON CODE
		1	2	3	4		
		COVER ASSEMBLIES (PART 1 OF 5)					
		CODE A USED ON USA MACHINES CODE E USED ON WORLD TRADE MACHINES					
1 - 1	5496556	. COVER ASM,BLUE				2	A
- 1	5489104	. COVER ASM,BLUE				2	B
- 1	5496557	. COVER ASM,GREY				2	A
- 1	5489105	. COVER ASM,GREY				2	B
- 1	5496558	. COVER ASM,RED				2	A
- 1	5489106	. COVER ASM,RED				2	B
- 1	5496559	. COVER ASM,YELLOW				2	A
- 1	5489107	. COVER ASM,YELLOW				2	B
- 1	5499785	. COVER ASM,WHITE				2	A
- 1	5499793	. COVER ASM,WHITE				2	B
		FOR DETAIL PARTS SEE FIGURE 1 PART 2					
- 1A	2539327	. LABEL,SAFETY				2	AB
- 2	5480610	. COVER ASM,BLUE				2	A
- 2	5496520	. COVER ASM,BLUE				2	B
- 2	5480611	. COVER ASM,GREY				2	A
- 2	5496521	. COVER ASM,GREY				2	B
- 2	5480612	. COVER ASM,RED				2	A
- 2	5496522	. COVER ASM,RED				2	B
- 2	5480613	. COVER ASM,YELLOW				2	A
- 2	5496523	. COVER ASM,YELLOW				2	B
- 2	5499779	. COVER ASM,WHITE				2	A
- 2	5499787	. COVER ASM,WHITE				2	B
		FOR DETAIL PARTS SEE FIGURE 1 PART 3					
- 2A	2539327	. LABEL,SAFETY				2	AB
- 3	2603980	. COVER,END				1	A
- 3	2603981	. COVER,END				1	B
		FOR DETAIL PARTS SEE FIGURE 1 PART 4					
- 3A	2539327	. LABEL,SAFETY				1	AB
- 4	2598856	. COVER CBM,TOP				1	
- 5	5373180	. COVER				1	
- 6	5489150	. KICKPLATE				1	
- 7	2603941	. KICKPLATE				1	
- 8	5489141	. KICKPLATE				1	
		USED WITH ONFLOOR CABLING					
- 8	5489150	. KICKPLATE				1	
		USED WITH UNDERFLOOR CABLING					
- 9	2602290	. NAMEPLATE,PROCESSING UNIT				1	
- 9	2602291	. NAMEPLATE,UNITE DE TRAITMENT				1	
- 9	2602292	. NAMEPLATE,ZENTRALEINHEIT				1	
- 10	2598756	. COVER ASM,BLUE				1	A
- 10	2598761	. COVER ASM,BLUE				1	B
- 10	2598757	. COVER ASM,GREY				1	A
- 10	2598762	. COVER ASM,GREY				1	B
- 10	2598758	. COVER ASM,RED				1	A
- 10	2598763	. COVER ASM,RED				1	B
- 10	2598759	. COVER ASM,YELLOW				1	A
- 10	2598764	. COVER ASM,YELLOW				1	B
- 10	2598760	. COVER ASM,WHITE				1	A
- 10	2598765	. COVER ASM,WHITE				1	B
		FOR DETAIL PARTS SEE FIGURE 1 PART 4					
- 10A	2539327	. LABEL,SAFETY				1	AB
- 11	2598790	. COVER ASM,BLUE				1	A
- 11	2598795	. COVER ASM,BLUE				1	B
- 11	2598791	. COVER ASM,GREY				1	A
- 11	2598796	. COVER ASM,GREY				1	B
- 11	2598792	. COVER ASM,RED				1	A
- 11	2598757	. COVER ASM,RED				1	B
- 11	2598793	. COVER ASM,YELLOW				1	A
- 11	2598798	. COVER ASM,YELLOW				1	B
- 11	2598794	. COVER ASM,WHITE				1	A
- 11	2598799	. COVER ASM,WHITE				1	B
		FOR DETAIL PARTS SEE FIGURE 1 PART 4					
- 11A	2539327	. LABEL,SAFETY				1	AB
- 12	2598777	. KICKPLATE				1	
- 13	2598776	. KICKPLATE				1	

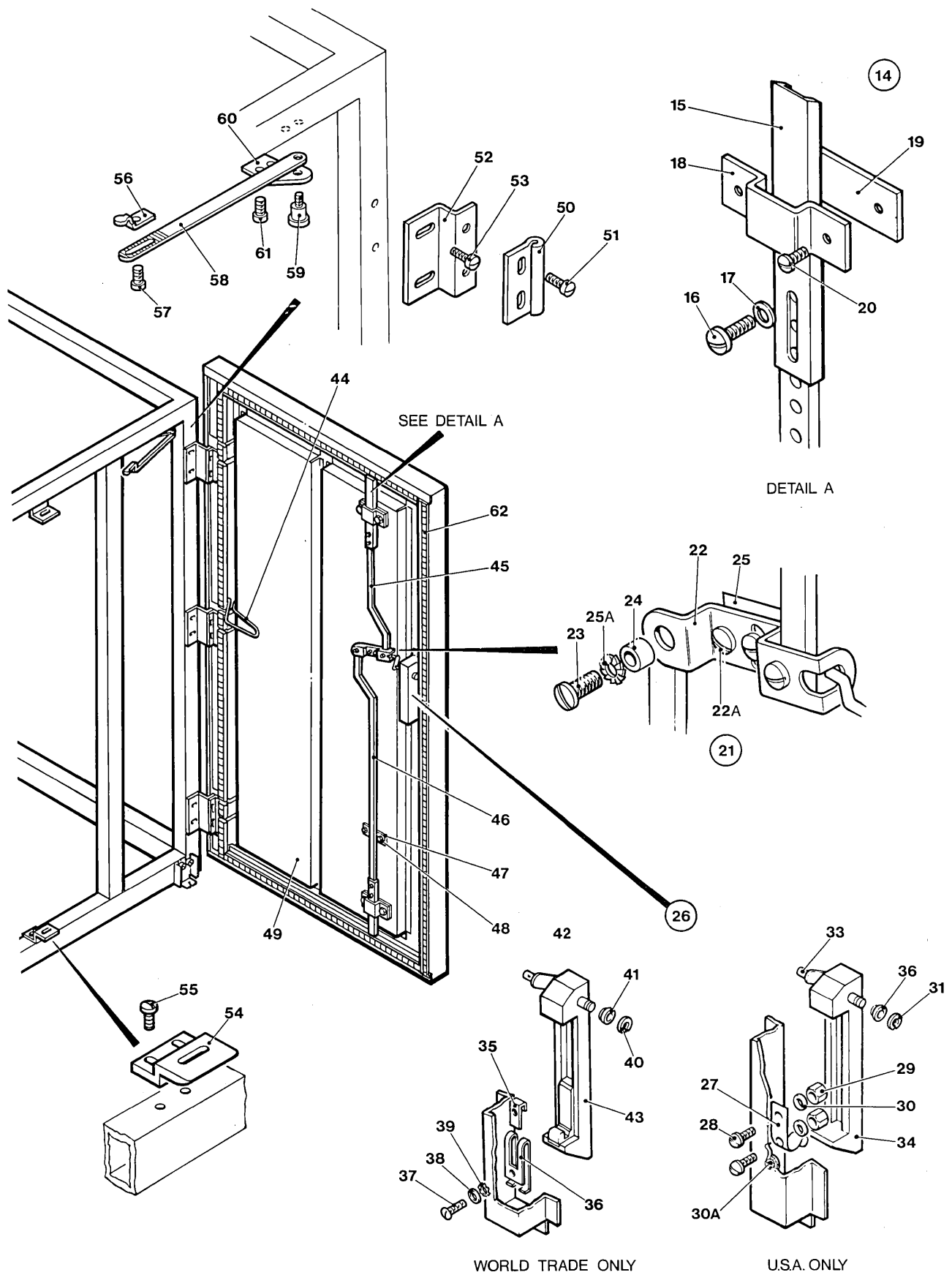
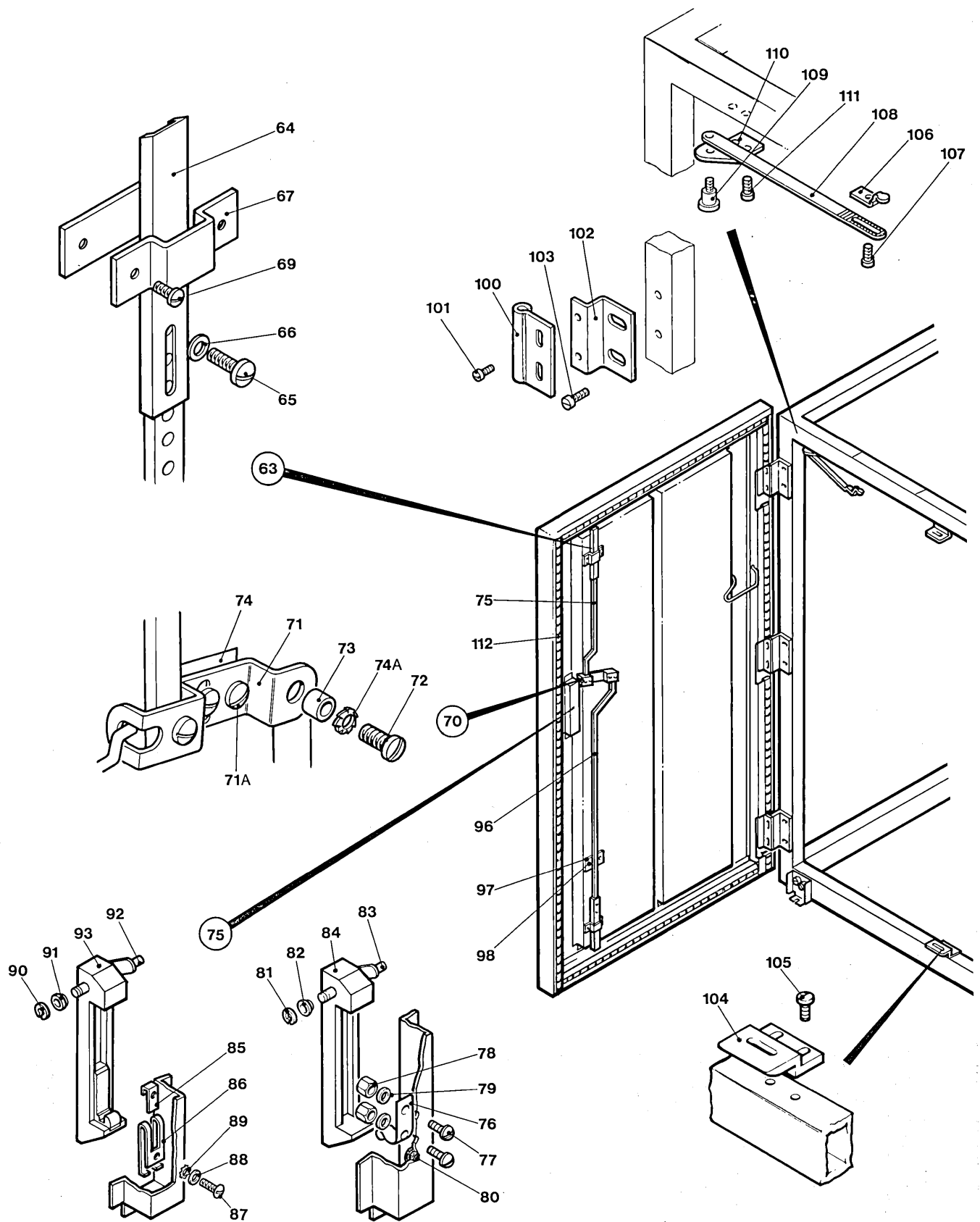


FIGURE 1. COVER ASSEMBLIES. SHEET 2 OF 5. INDEX NOS. 14-62. SEE LIST 1.

FIGURE- INDEX NUMBER	PART NUMBER	DESCRIPTION	UNITS PER ASM.	USABLE ON CODE
		1 2 3 4		
		COVER ASSEMBLIES (PART 2 OF 5)		
1 -	NO NO	COVER ASSEMBLIES (CONTINUED) ITEMS 14 THROUGH 49 ARE DETAIL PARTS OF FIGURE 1 ITEM 1 (COVER ASSEMBLY, HINGED RIGHT)	REF	
- 14	NO NO	. . . LATCH BAR ASSEMBLY	2	
- 15	5496554	. . . LATCH BOLT, COVER	1	
- 16	34512	. . . SCREW, BD HD, 8-32, 0.375LG	2	
- 17	22478	. . . WASHER, 0.170ID, 0.375OD, 0.032THK	2	
- 18	5495762	. . . GUIDE	1	
- 19	2564580	. . . PLATE, GUIDE MTG	1	
- 20	34512	. . . SCREW, BD HD, 8-32, 0.375LG	2	
- 21	NO NO	. . . PIVOT ASSEMBLY	1	
- 22	5500189	. . . PIVOT	1	
- 22A	32617	. . . SCREW, BD HD, 10-32, 0.438LG	2	
- 23	32042	. . . SCREW, BD HD, 10-32, 0.375LG	4	
- 24	5500183	. . . BUSHING	4	
- 25	5500184	. . . SPACER	1	
- 25A	45690	. . . WASHER, 0.200ID, 0.438OD	4	
- 26	NO NO	. . . LATCH ASSEMBLY	1	
- 27	2561283	. . . SPRING	1	A
- 28	58207	. . . SCREW, UNDRCT, BD HD, 8-32, 0.250LG	2	A
- 29	257188	. . . NUT, HEX, 8-32	2	A
- 30	60646	. . . WASHER, LOCK, IT 0.168ID, 0.340OD	2	A
- 30A	2575980	. . . BUMPER	1	A
- 31	1144248	. . . RETAINER	1	
- 32	2564571	. . . BUSHING, PIVCT	2	
- 33	5496560	. . . CRANK	1	
- 34	2564602	. . . HANDLE, COVER, BLUE	1	A
- 34	2564603	. . . HANDLE, COVER, GREY	1	A
- 34	2564604	. . . HANDLE, COVER, RED	1	A
- 34	2564605	. . . HANDLE, COVER, YELLOW	1	A
- 34	5499786	. . . HANDLE, COVER, WHITE	1	A
- 35	2542952	. . . LATCH BRACKET	1	B
- 36	2542950	. . . SPRING, HANDLE COVER	1	B
- 37	55726	. . . SCREW, BD HD, 6-32, 0.188LG	1	B
- 38	257986	. . . WASHER, 0.156ID, 0.312OD	1	B
- 39	56722	. . . WASHER, LOCK, ET 0.141ID, 0.320OD	1	B
- 40	1144248	. . . RETAINER	REF	
- 41	2564571	. . . BUSHING, PIVCT	REF	
- 42	5496560	. . . CRANK	REF	
- 43	5480701	. . . HANDLE ASM, COVER, BLUE	1	B
- 43	5480702	. . . HANDLE ASM, COVER, GREY	1	B
- 43	5480703	. . . HANDLE ASM, COVER, RED	1	B
- 43	5480704	. . . HANDLE ASM, COVER, YELLOW	1	B
- 43	5499794	. . . HANDLE ASM, COVER, WHITE	1	B
- 44	5480687	. HANDLE, COVER	1	
- 45	5480637	. ARM, LATCH	1	
- 46	5480636	. ARM, LATCH	1	
- 47	2564580	. PLATE, GUIDE MTG	1	
- 48	34512	. SCREW, BD HD, 8-32, 0.375LG	2	
- 49	5489123	. COVER, BLUE	1	
- 49	5489124	. COVER, GREY	1	
- 49	5489125	. COVER, RED	1	
- 49	5489126	. COVER, YELLOW	1	
- 49	5499801	. COVER, WHITE	1	
- 50	5480614	. HINGE, FRAME	3	
- 51	2566607	. SCREW, NI PLATE, BD HD, 10-32, 0.250LG	6	
- 52	5480615	. BRACKET, HINGE MOUNTING	3	
- 53	2566607	. SCREW, NI PLATE, ED HD, 10-32, 0.250LG	6	
- 54	2600735	. STRIKE	2	
- 55	2575295	. SCREW, BD HD, 10-32, 0.375LG	4	
- 56	5506079	. TAB, STAY BRACE	1	
- 57	32042	. SCREW, BD HD, 10-32, 0.375LG	1	
- 58	2604994	. STAY, ARM	1	
- 59	366433	. SCREW, SHOULDER, 10-32, 0.531LG	1	
- 60	2599201	. PLATE	1	
- 61	2575295	. SCREW, BD HD, 10-32, 0.375LG	2	
- 62	2566180	. STRIP, COMPRESSION	AR	



WORLD TRADE ONLY

U.S.A. ONLY

FIGURE 1. COVER ASSEMBLIES. SHEET 3 OF 5. INDEX NOS. 63-112. SEE LIST 1.

FIGURE- INDEX NUMBER	PART NUMBER	DESCRIPTION	UNITS PER ASM.	USABLE ON CODE
		COVER ASSEMBLIES (PART 3 OF 5)		
		CODE A USED ON USA MACHINES CODE B USED ON WORLD TRADE MACHINES		
1 -	NO NO	COVER ASSEMBLIES (CONTINUED)	REF	
		ITEMS 63 THROUGH 99 ARE DETAIL PARTS OF FIGURE 1 ITEM 2 (COVER ASM, HINGED LEFT)		
- 63	NO NO	. . . LATCH BAR ASM	2	
- 64	5496554	. . . LATCH BOLT, COVER	1	
- 65	34512	. . . SCREW, BD HD, 8-32, 0.375LG	2	
- 66	22478	. . . WASHER, 0.170ID, 0.375OD, 0.320THK	2	
- 67	5499762	. . . GUIDE	1	
- 68	2564580	. . . PLATE, GUIDE MTG	1	
- 69	34512	. . . SCREW, BD HD, 8-32, 0.375LG	2	
- 70	NO NO	. . . PIVOT ASM	1	
- 71	5500189	. . . PIVOT	1	
- 71A	32617	. . . SCREW, BD HD, 10-32, 0.438LG	2	
- 72	32042	. . . SCREW, BD HD, 10-32, 0.375LG	4	
- 73	5500183	. . . BUSHING	4	
- 74	5500184	. . . SPACER	1	
- 74A	45690	. . . WASHER, 0.203ID, 0.438OD	4	
- 75	NO NO	. . . LATCH ASM	1	
- 76	2561283	. . . SPRING	1	A
- 77	58207	. . . SCREW, UNDRCT, BD HD, 8-32, 0.250LG	2	A
- 78	257188	. . . NUT, HEX, 8-32	2	A
- 79	60646	. . . WASHER, LOCK, IT, 0.168ID, 0.340OD	2	A
- 80	2579980	. . . BUMPER	1	A
- 81	1144248	. . . RETAINER	1	
- 82	2564571	. . . BUSHING-PIVOT	2	
- 83	5496560	. . . CRANK	1	
- 84	2564602	. . . HANDLE, COVER, BLUE	1	A
- 84	2564603	. . . HANDLE, COVER, GREY	1	A
- 84	2564604	. . . HANDLE, COVER, RED	1	A
- 84	2564605	. . . HANDLE, COVER, YELLOW	1	A
- 84	5499786	. . . HANDLE, COVER, WHITE	1	A
- 85	2542952	. . . LATCH BRACKET	1	B
- 86	2542950	. . . SPRING, HANDLE COVER	1	B
- 87	55726	. . . SCREW, BD HD, 6-32, 0.188LG	1	B
- 88	2579866	. . . WASHER, 0.156ID, 0.312OD	1	B
- 89	56722	. . . WASHER, LOCK, ET 0.141ID, 0.320OD	1	B
- 90	1144248	. . . RETAINER	REF	
- 91	2564571	. . . BUSHING, PIVOT	REF	
- 92	5496560	. . . CHANK	REF	
- 93	5480701	. . . HANDLE ASM, COVER, BLUE	1	B
- 93	5480702	. . . HANDLE ASM, COVER, GREY	1	B
- 93	5480703	. . . HANDLE ASM, COVER, RED	1	B
- 93	5480704	. . . HANDLE ASM, COVER, YELLOW	1	B
- 93	5499794	. . . HANDLE ASM, COVER, WHITE	1	B
- 94	5489133	. . . HANDLE, COVER	1	
- 95	5480637	. . . ARM, LATCH	1	
- 96	5480636	. . . ARM, LATCH	1	
- 97	2564580	. . . PLATE, GUIDE MTG	1	
- 98	34512	. . . SCREW, BD HD, 8-32, 0.375LG	2	
- 99	5480606	. . . COVER, BLUE	1	
- 99	5480607	. . . COVER, GREY	1	
- 99	5480608	. . . COVER, RED	1	
- 99	5480609	. . . COVER, YELLOW	1	
- 99	5499795	. . . COVER, WHITE	1	
-100	5480614	. . . HINGE, FRAME	3	
-101	2566607	. . . SCREW, NI PLATE, BD HD, 10-32, 0.250LG	6	
-102	5480615	. . . BRACKET, HINGE MOUNTING	3	
-103	2566607	. . . SCREW, NI PLATE, BD HD, 10-32, 0.250LG	6	
-104	2606735	. . . STRIKE	2	
-105	2575295	. . . SCREW, BD HD, 10-32, 0.375LG	4	
-106	5506079	. . . TAB, STAY BRACE	1	
-107	32042	. . . SCREW, BD HD, 10-32, 0.375LG	1	
-108	2604994	. . . STAY, ARM	1	
-109	366433	. . . SCREW, SHOULDER, 10-32, 0.531LG	1	
-110	2599201	. . . PLATE	1	
-111	2575295	. . . SCREW, BD HD, 10-32, 0.375LG	2	
-112	2566180	. . . STRIP, COMPRESSION	AR	

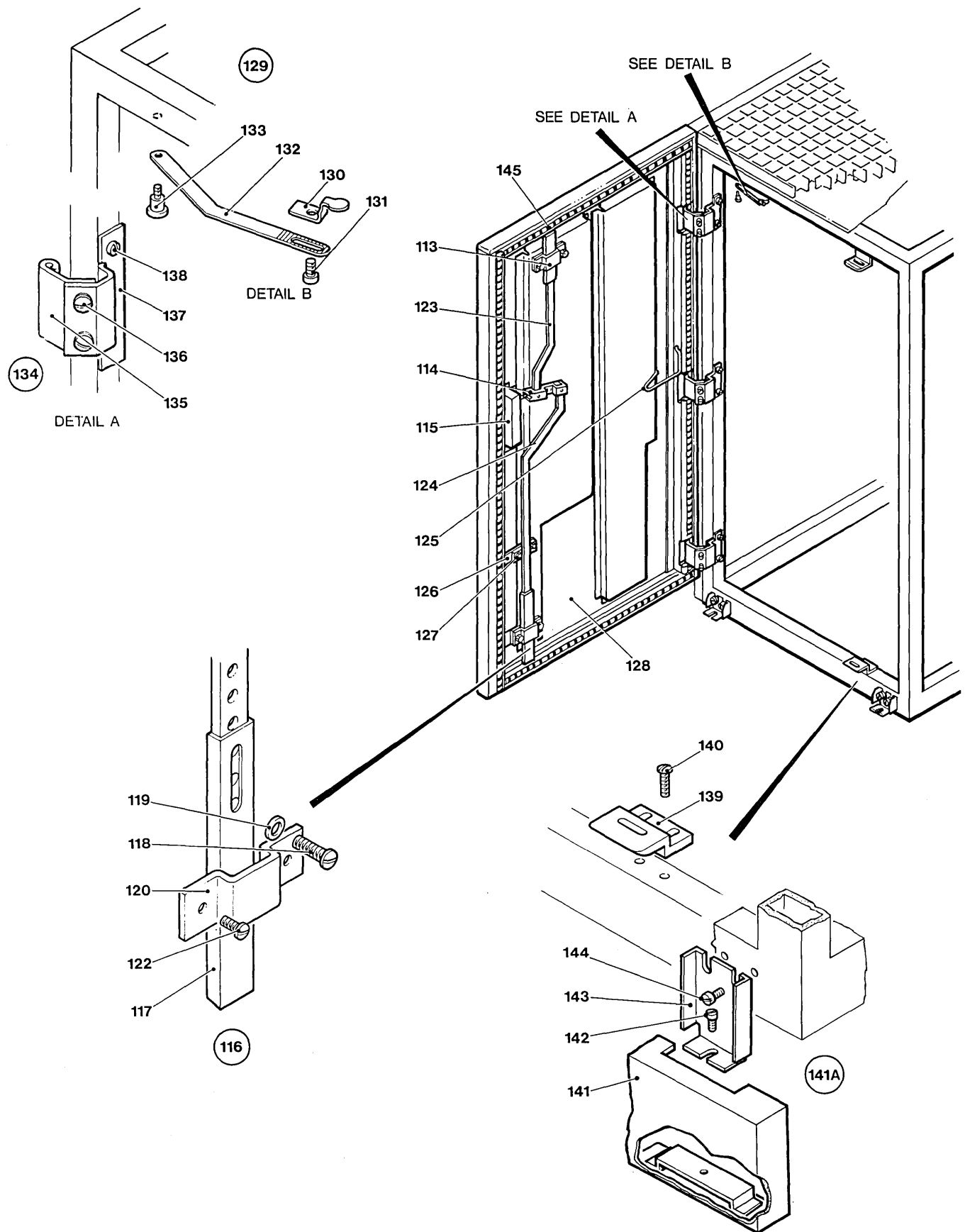


FIGURE 1. COVER ASSEMBLIES. SHEET 4 OF 5. INDEX NOS. 113-145. SEE LIST 1.

FIGURE- INDEX NUMBER	PART NUMBER	DESCRIPTION	UNITS PER ASM.	USABLE ON CODE
		1 2 3 4		
		COVER ASSEMBLIES (PART 4 OF 5)		
		CODE C USED ON REAR COVER - WITHOUT 2319 CODE F USED ON REAR COVER - WITH 2319 CODE E USED ON SIDE COVER - WITH 2319		
1 -	NC NO	COVER ASSEMBLY (CONTINUED)	REF	
		ITEMS 113 THROUGH 128 ARE DETAIL PARTS OF FIGURE 1 ITEM 3 (REAR COVER - WITHOUT 2319) FIGURE 1 ITEM 11 (REAR COVER - WITH 2319) FIGURE 1 ITEM 10 (SIDE COVER - WITH 2319)		
-113	NC NO	. . . LATCH BAR ASSEMBLY FOR DETAIL PARTS SEE FIGURE 1 PART 3 ITEM 63	1	
-114	NO NO	. . . PIVOT ASSEMBLY FOR DETAIL PARTS SEE FIGURE 1 PART 3 ITEM 70	1	
-115	NC NO	. . . LATCH ASSEMBLY FOR DETAIL PARTS SEE FIGURE 1 PART 3 ITEM 75	1	
-116	NO NO	. . . LATCH BAR ASSEMBLY, LOWER	1	
-117	5496554	. . . LATCH BOLT, COVER	1	
-118	34512	. . . SCREW, BD HD, 8-32, 0.375LG ATT PT	2	
-119	22478	. . . WASHER, 0.17ID, 0.375OD, 0.32THK ATT PT	2	
-120	5498762	. . . GUIDE	1	
-121	2564580	. . . PLATE, GUIDE MTG	1	E
-122	34512	. . . SCREW, BD HD, 8-32, 0.375LG	2	
-123	2603938	. . . ARM, LATCH	1	C
-123	5486637	. . . ARM, LATCH	1	D
-123	5486637	. . . ARM, LATCH	1	E
-124	2603939	. . . ARM, LATCH	1	C
-124	2602324	. . . ARM, LATCH	1	D
-124	5486636	. . . ARM, LATCH	1	E
-125	2601999	. . . HANDLE, COVER	1	D
-125	2602000	. . . HANDLE, COVER	1	E
-126	2564580	. . . PLATE, GUIDE MTG USED ON SIDE COVER - WITH 2319	1	E
-127	34512	. . . SCREW, BD HD, 8-32, 0.375LG ATT PT	2	E
-128	2598785	. . . COVER, BLUE	1	
-128	2598786	. . . COVER, GREY	1	
-128	2598787	. . . COVER, RED	1	
-128	2598788	. . . COVER, YELLOW	1	
-128	2598789	. . . COVER, WHITE	1	
-129	NC NO	. . . STAY TAB ASSEMBLY, REAR	1	
		FOR STAY TAB ASSEMBLY, SIDE, SEE FIGURE 1 PART 3, ITEMS 106 THROUGH 111		
-130	2604227	. . . TAB STAY BRACE	1	
-131	32042	. . . SCREW, BD HD, 10-32, 0.375LG ATT PT	1	
-132	2602302	. . . STAY, ARM	1	
-133	366433	. . . SCREW, SHOULDER, 10-32, 0.531LG ATT PT	1	
-134	NC NO	. . . HINGE ASSEMBLY, REAR FOR HINGE ASSEMBLY, SIDE, SEE FIGURE 1 PART 3, ITEMS 100 THROUGH 103	3	
-135	5489132	. . . HINGE	1	
-136	2566607	. . . SCREW, NI PLATE, BD HD, 10-32, 0.250LG ATT PT	2	
-137	5489131	. . . HINGE, FRAME, END COVER	1	
-138	2566607	. . . SCREW, NI PLATE, BD HD, 10-32, 0.250LG ATT PT	2	
-139	2600735	. . . STRIKE	2	
-140	2575295	. . . SCREW, BD HD, 10-32, 0.375LG ATT PT	4	
-141	NC NO	. . . KICKPLATE FOR KICKPLATE PART NUMBERS SEE FIGURE 1, PART 1, ITEMS 6, -7, -8, -12, -13	REF	
-141A	NO NO	. . . KICKPLATE MOUNTING	6	
-142	2575295	. . . SCREW, BD HD, 10-32, 0.375LG	1	
-143	5480534	. . . BRACKET, KICKPLATE	1	
-144	2575295	. . . SCREW, BD HD, 10-32, 0.375LG	2	
-145	2566180	. . . STRIP, COMPRESSOR	AR	

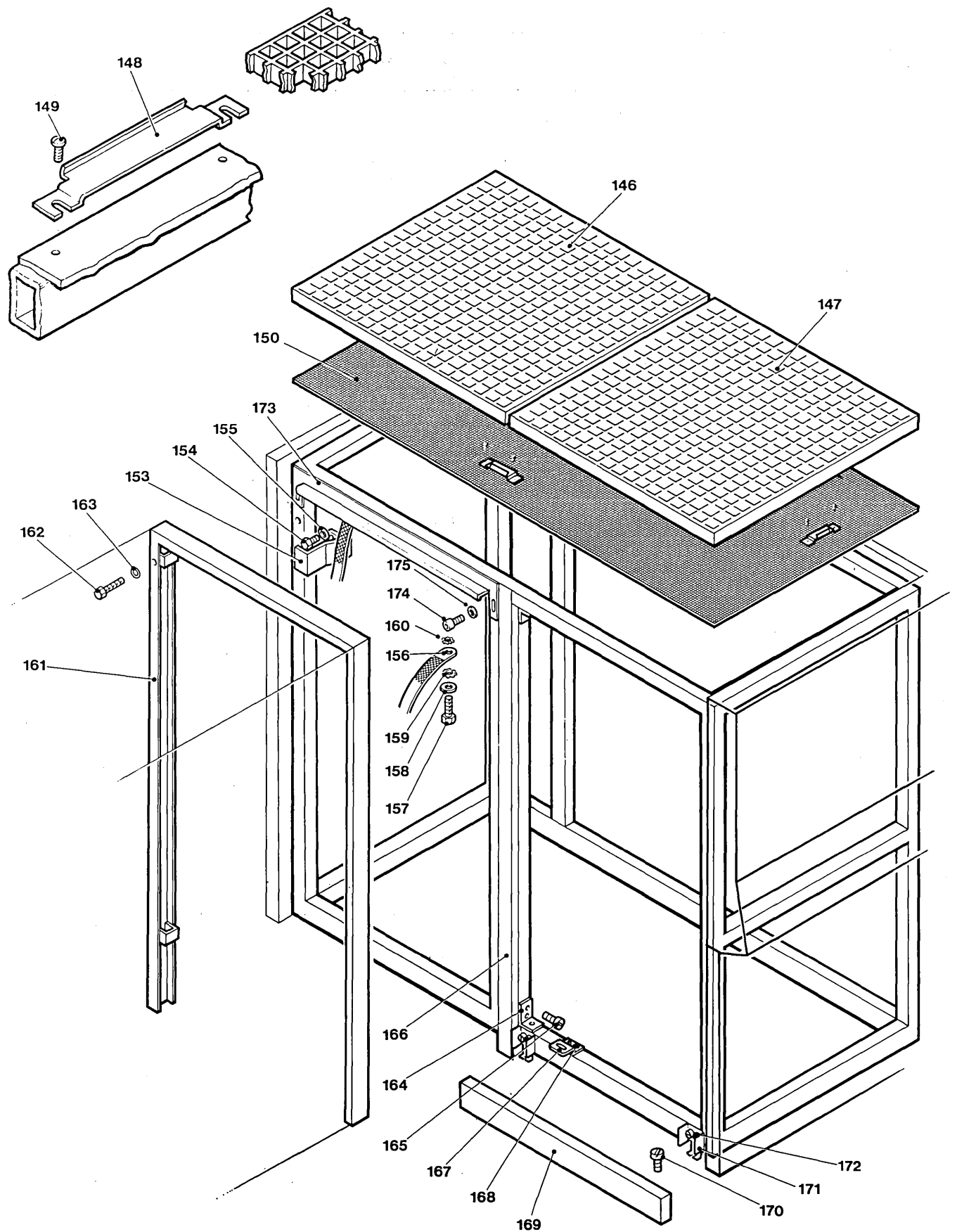


FIGURE 1. COVER ASSEMBLIES. SHEET 5 OF 5. INDEX NOS. 146-175. SEE LIST 1.

FIGURE- INDEX NUMBER	PART NUMBER	DESCRIPTION	UNITS PER ASM.	USABLE ON CODE
		1 2 3 4 COVER ASSEMBLIES (PART 5 OF 5)		
1 -	NC NO	COVER ASSEMBLY (CONTINUED)	REF	
-146	2598856	. COVER, TOP	REF	
-147	5373180	. COVER, TOP	RE	
-148	5480539	. RETAINER, COVER	4	
-149	2575295	. SCREW, BD HD, 10-32, 0.375LG ATT PT	8	
-150	2598444	. MESH, STEEL	REF	
		PART OF FINAL ASSEMBLY		
-153	2603880	. BRACKET, SUPPORT	1	
-154	2566638	. SCREW, NI PLATE, SLOT HEX HD, 10-32, 0.500LG ATT PT	2	
-155	2574799	. WASHER, LOCK, NI FLATE, 0.194ID, 0.3370D ATT PT	2	
-156		. STRAP	RE	
		PART OF 2319		
-157	2566609	. SCREW, NI PLATE, BD HD, 10-32, 0.5LG ATT PT	4	
-158	2566647	. WASHER, NI PLATE, 0.203ID, 0.4380D ATT PT	4	
-159	2574805	. WASHER, LOCK, NI PLATE, ET, 0.195ID, 0.3950D ATT PT	4	
-160	2574805	. WASHER, LOCK, NI PLATE, ET, 0.195ID, 0.3950D ATT PT	4	
-161	2598855	. SPACE, FRAME	1	
-162	149911	. SCREW, HEX, SOCK HD, 0.312-18, 1.500LG ATT PT	4	
-163	161351	. WASHER, 0.330ID, 0.6250D ATT PT	4	
-164	2599197	. BRACKET	2	
-165	2575295	. SCREW, BD HD, 10-32, 0.375LG ATT PT	6	
-166	2599109	. SUPPORT CBM	1	
-167	2600735	. STRIKE	REF	
-168	2575295	. SCREW, BD HD, 10-32, 0.375LG ATT PT	REF	
-169	NC NO	. KICKPLATE		
		FOR KICKPLATE PART NUMBERS, SEE FIGURE 1 PART 1		
-170	2575295	. SCREW, BD HD, 10-32, 0.375LG ATT PT	REF	
-171	5480534	. BRACKET, KICKPLATE	REF	
-172	2575295	. SCREW, BD HD, 10-32, 0.375LG ATT PT	REF	
-173	2603881	. BRACKET, TRIM	1	
-174	186938	. SCREW, HEX, SOCK HD, 0.312-18, 0.625LG ATT PT	2	
-175	161351	. WASHER, 0.330ID, 0.6250D ATT PT	2	

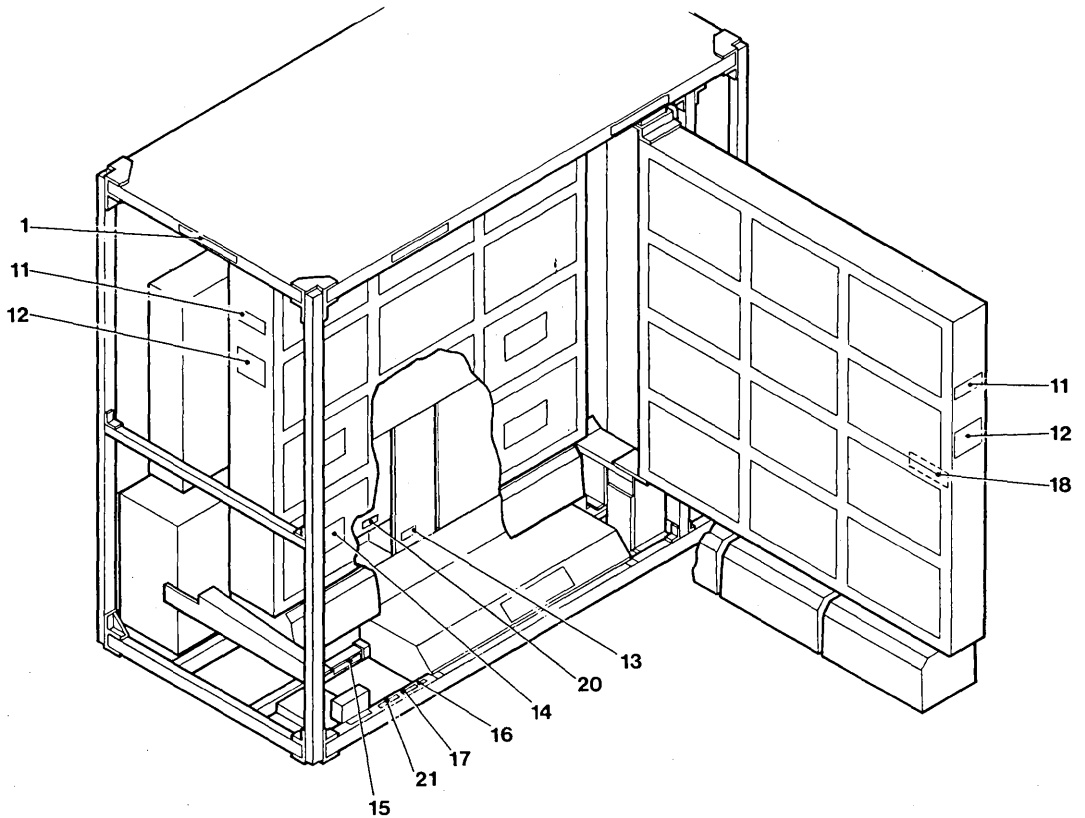
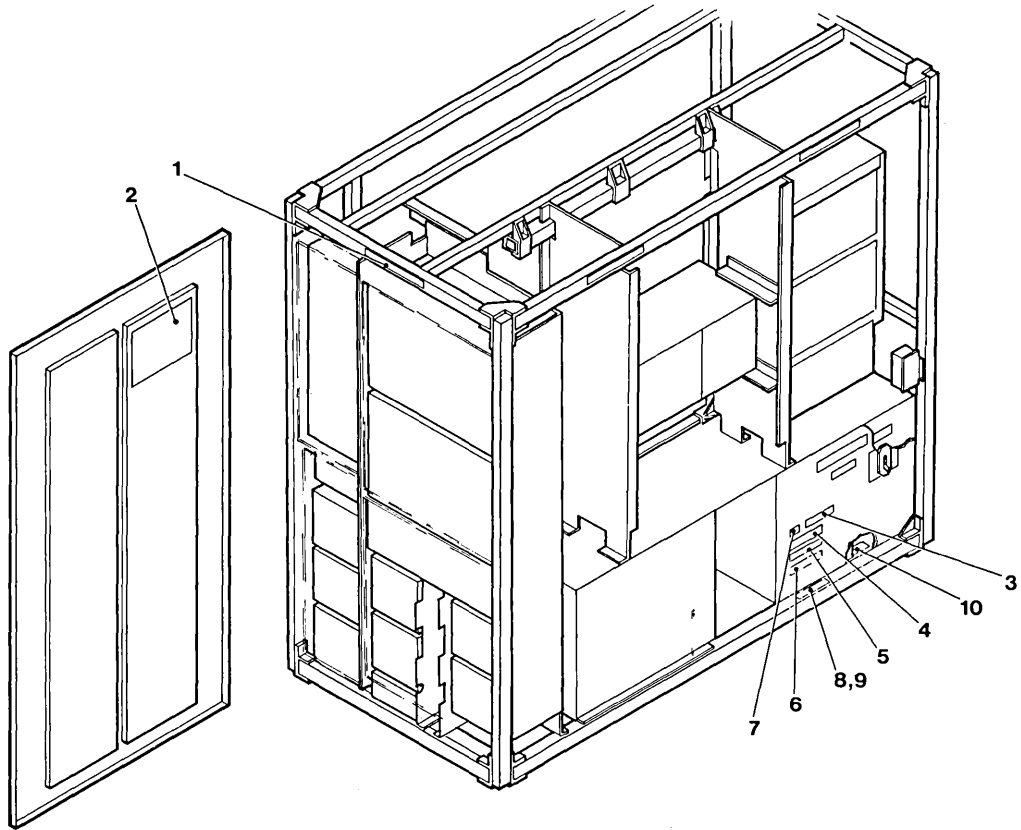


FIGURE 1A. LABEL ASSEMBLY. SEE LIST 1A.

FIGURE- INDEX NUMBER	PART NUMBER	DESCRIPTION				UNITS PER ASM.	USABLE ON CODE
		1	2	3	4		
		LABEL ASSEMBLY					
		CODE A-USED ON B/M 2601842					
		CODE B-USED ON B/M 2601843					
		CODE C-USED ON B/M 2601844					
		CODE E-USED ON B/M 2606646					
1A - NO	NO	LABEL ASSEMBLY				REF	
- 1	535632	. LABEL - HAZARDOUS AREA				6	
- 2	2601743	. LABEL - POWER SUPPLY				1	
- 3	2601721	. PLATE - POWER RATING USED ON 50HZ MAHCINES				1	
- 3	2601722	. PLATE - POWER RATING USED ON 60HZ MACHINES				1	
- 4	2601720	. PLATE - POWER RATING				1	
- 5	855284	. PLATE - MANUFACTURING EXPORT				1	B
- 5	8112300	. PLATE - MANUFACTURING EXPORT				1	C
- 6	845762	. LABEL - VOLTAGE				1	
- 7	855266	. PLATE - I.L. APPROVAL				1	BC
- 8	855262	USED ON MACHINES FOR US MARKET . PLATE - PROPERTY				1	B
- 8	8112294	USED ON MACHINES FOR US MARKET . PLATE - FROPERTY				1	C
- 9	855264	USED ON MACHINES FOR UK MARKET . PLATE - MANUFACTURED BY - CONTAINING USED PARTS				1	B
- 9	855265	. PLATE - MANUFACTURED BY USED ON US MACHINES LEASED IN CANADA				1	B
- 9	855266	. PLATE - MANUFACTURED BY				1	B
- 9	855270	USED ON US MACHINES EXPORTED TO ALL WT COUNTRIES . PLATE - MANUFACTURED BY				1	B
- 9	855271	USED ON US RECONDITIONED MACHINES FOR US MARKET . PLATE - MANUFACTURED BY				1	B
- 9	855272	USED ON MACHINES RECONDITIONED IN THE US . PLATE - MANUFACTURED BY				1	B
- 9	8112295	USED ON US RECONDITIONED MACHINES FOR WT MARKET . PLATE - MANUFACTURED BY				1	C
- 9	8112296	USED CN MACHINES FOR US MARKET . PLATE - MANUFACTURED BY				1	C
- 9	8112297	USED CN MACHINES FOR CANADIAN MARKET . PLATE - MANUFACTURED BY				1	C
- 9	8112298	USED CN MACHINES FOR UK AND WT MARKET . PLATE - MANUFACTURED FOR				1	C
- 9	8112299	USED CN MACHINES FOR UK AND WT MARKETS . PLATE - RECONDITIONED BY				1	C
- 10	5235202	USED CN MACHINES FOR UK AND WT MARKETS . LABEL - LINE VOLTAGE WARNING				1	
- 11	2601030	. LABEL - PINCH HAZARD WARNING				2	
- 12	2604984	. LABEL - TEST POINTS				2	
- 13	2605906	. LABEL - DELAYED VOLTAGE WARNING				1	
- 14	1994823	. LABEL - COOLING COVER REPLACEMENT				6	
- 15	5731657	. LABEL - GROUNDING CONDUCTOR WARNING				1	
- 16	855283	. PLATE-SERIAL, LH				1	
- 17	855282	. PLATE-SERIAL, RH				1	
- 18	2606650	. LABEL-WARNING				1	
- 19	5242331	. LABEL-WARNING				1	
- 20	2607887	. LABEL-WARNING				1	E
- 21	10009	. LABEL				1	

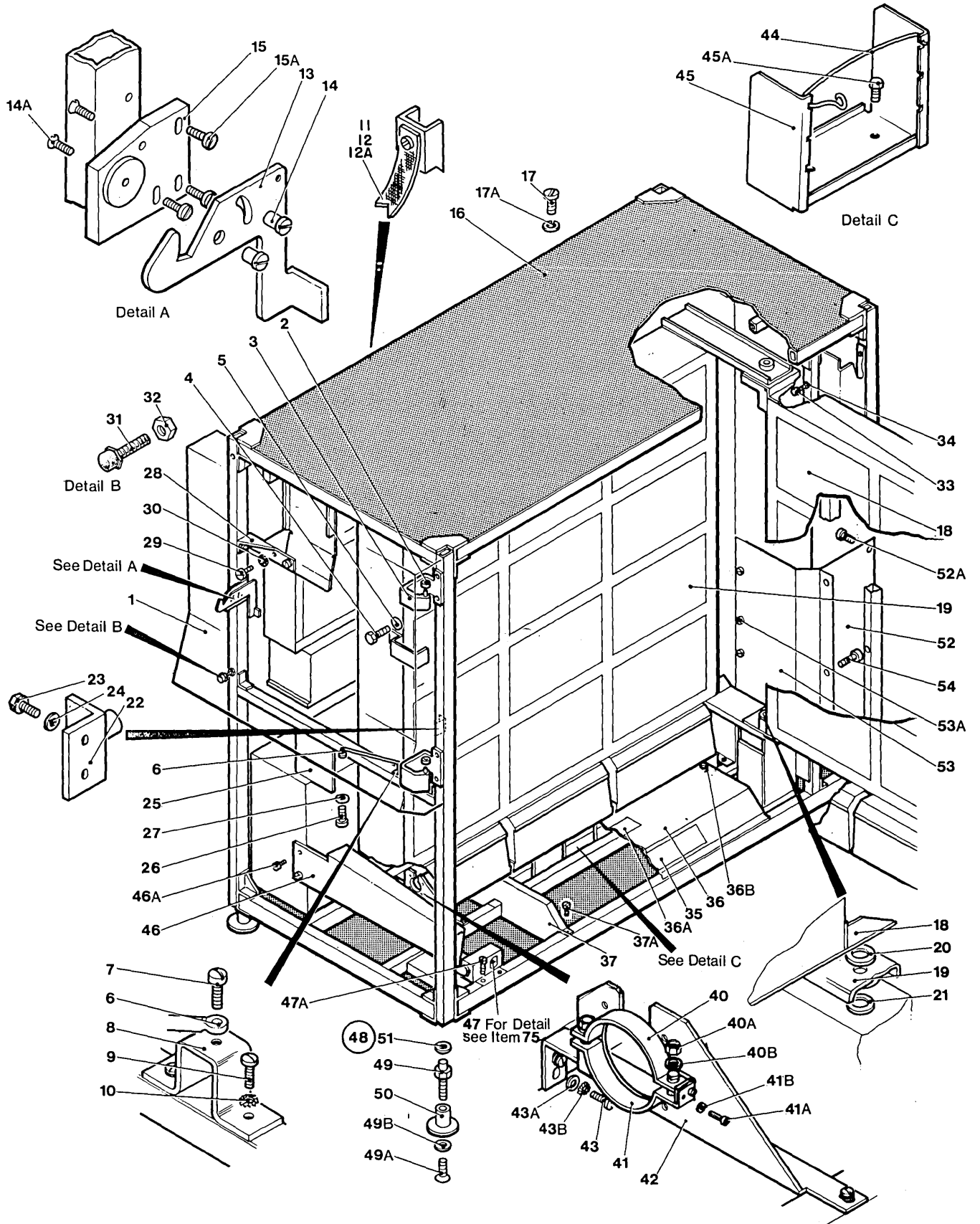


FIGURE 2. FINAL ASSEMBLY. SHEET 1 OF 3. INDEX NOS. 1-54. SEE LIST 2.

FIGURE- INDEX NUMBER	PART NUMBER	DESCRIPTION	UNITS PER ASM.	USABLE ON CODE
		1 2 3 4		
		FINAL ASSEMBLY (PART 1 OF 3)		
2 -	2598775 NP	FINAL ASSEMBLY	REF	
- 1	2601650 NP	. CONSOLE ASM	1	
		FOR DETAIL PARTS SEE FIGURE 5		
- 2	2601635	. WASHER, THRUST	2	
- 3	2601569	. HINGE	2	
- 4	2566635	. SCREW, NI PLATE, HEX HD,, 0.250-20, 0.750LG	4	
- 5	2575292	. WASHER, LOCK, NI PLATE, SPRING, 0.255ID, 0.4930D	4	
- 6	1993047	. STAY ARM	1	
- 7	6907	. SCREW, SHOULDER, 10-32, 0.697LG	1	
- 8	2601547	. BRACKET, STAY ARM	1	
- 9	2566607	. SCREW, NI PLATE, BD HD, 10-32, 0.250LG	2	
- 10	2574805	. WASHER, NI PLATE, LOCK, ET, 0.195ID, 0.3950D	2	
- 11	518611	. JUMPER	1	
- 12	32042	. SCREW	1	
- 12A	56079	. WASHER LOCK	1	
- 13	2601523	. HANDLE	1	
- 14	2601884	. BUSH	2	
- 14A	367	. SCREW, FLAT HD, 10-32, 0.675LG	2	
- 15	2601652	. SUPPORT	1	
- 15A	2566611	. SCREW, NI PLATE, BD HD, 10-32, 0.625LG	3	
- 16	2598444	. MESH, STEEL	1	
- 17	2575295	. SCREW, BD HD, 10-32, 0.375LG	32	
- 17A	2574799	. WASHER, NI PLATE, LOCK, 0.194ID, 0.3370D	32	
- 18	2598643 NP	. 'A' GATE ASSEMBLY (FOR DETAIL PARTS SEE FIGURE 9)	REF	
- 18	4142000	. 'A' GATE ASM - MOD 3 (FOR DETAIL PARTS SEE FIGURE 9A)	REF	
- 19	2598644 NP	. 'B' GATE ASSEMBLY	REF	
		FOR DETAIL PARTS SEE FIGURE 10		
- 19	2606871 NP	. 'B' GATE ASSEMBLY	REF	
		FOR DETAIL PARTS SEE FIGURE 10 AND 10A		
- 20	2598395	USED CN MACHINES WITH EC 393085		
- 21	2598413	. WASHER, PHOSPHOR BRONZE	1	
- 21	2598395	USED CN MACHINES WITHOUT EC 391456		
- 21	2598395	. WASHER, PHOSPHOR BRONZE	1	
- 22	2598437	USED CN MACHINES WITH EC 391456		
- 23	2598769	. BRACKET, SPIGOT	1	
- 23	2598769	. SCREW, SELF TAP, 10-32, 0.500LG	2	
- 24	2574805	. WASHER, NI PLATE, LOCK, ET, 0.195ID, 0.3950D	2	
- 25	2599211	. PLATE	1	
- 25	2606CC8	USED CN MACHINES WITHOUT EC 391456		
- 25	2606CC8	. PLATE	1	
- 25	2606CC8	USED CN MACHINES WITH EC 391456		
- 26	2566639	. SCREW, HEX HD,, NI PLATE, 10-32, 0.750LG	2	
- 27	2574799	. WASHER, NI PLATE, LOCK, 0.194ID, 0.3370D	2	
- 28	260C847	. BRACKET	1	
- 29	2566610	. SCREW, NI PLATE, BD HD, 8-32, 0.250LG	4	
- 30	2574804	. WASHER, NI PLATE, LOCK, ET, 0.168ID, 0.3650D	4	
- 31	255939	. BUMPER, GATE A	2	
- 32	2575294	. NUT, HEX, 0.250-20	2	
- 33	255939	. BUMPER, GATE A	2	
- 34	2575294	. NUT, HEX, 0.250-20	2	
- 35	25992C5	. LABEL	1	
- 36	2599181	. COVER, MESH	1	
- 36A	2604977	. LABEL	1	
- 36B	2566607	. SCREW, NI PLATE, BD HD, 10-32, 0.250LG	18	
- 37	2599178	. BRACKET	2	
- 37A	2574810	. SCREW, NI PLATE, SELF TAP, 10-32, 0.375LG	10	
- 40	2605359	. CLAMP	1	
- 40A	2596652	. NUT, HEX, 6-32	2	
- 40B	2566650	. WASHER LOCK, NI PLATE, SPRING, 0.141ID, 0.2530D	2	
- 41	2605360	. CLAMP	1	
- 41A	2566600	. SCREW, NI PLATE, BD HD, 6-32, 0.250LG	2	
- 41B	2566650	. WASHER LOCK, NI PLATE, SPRING, 0.141ID, 0.2530D	2	
- 42	2602298	. PLUG BRACKET	1	
- 43	2566604	. SCREW, NI PLATE, BD HD, 10-32, 0.312LG	3	
- 43A	2566647	. WASHER, NI PLATE, 0.203ID, 0.4380D	3	
- 43B	2574799	. WASHER LOCK, NI PLATE, SPRING, 0.194ID, 0.3370D	3	
- 44	1981182	. CLIP	6	
- 45	2598484	. BRACKET, I/O CABLE	6	
- 45A	2574809	. SCREW, NI PLATE, SELF TAP, 8-32, 0.375LG	12	
- 46	2598592	. BRACKET, SUPPORT	1	
- 46A	2566640	. SCREW, NI PLATE, BD HD, 0.25-20, 0.437LG	4	
- 47	NC NO	. SOCKET ASM	1	
- 47A	2574810	FOR DETAIL PARTS SEE ITEM 75		
- 47A	2574810	. SCREW, NI PLATE, SELF TAP, 10-32, 0.375LG	2	

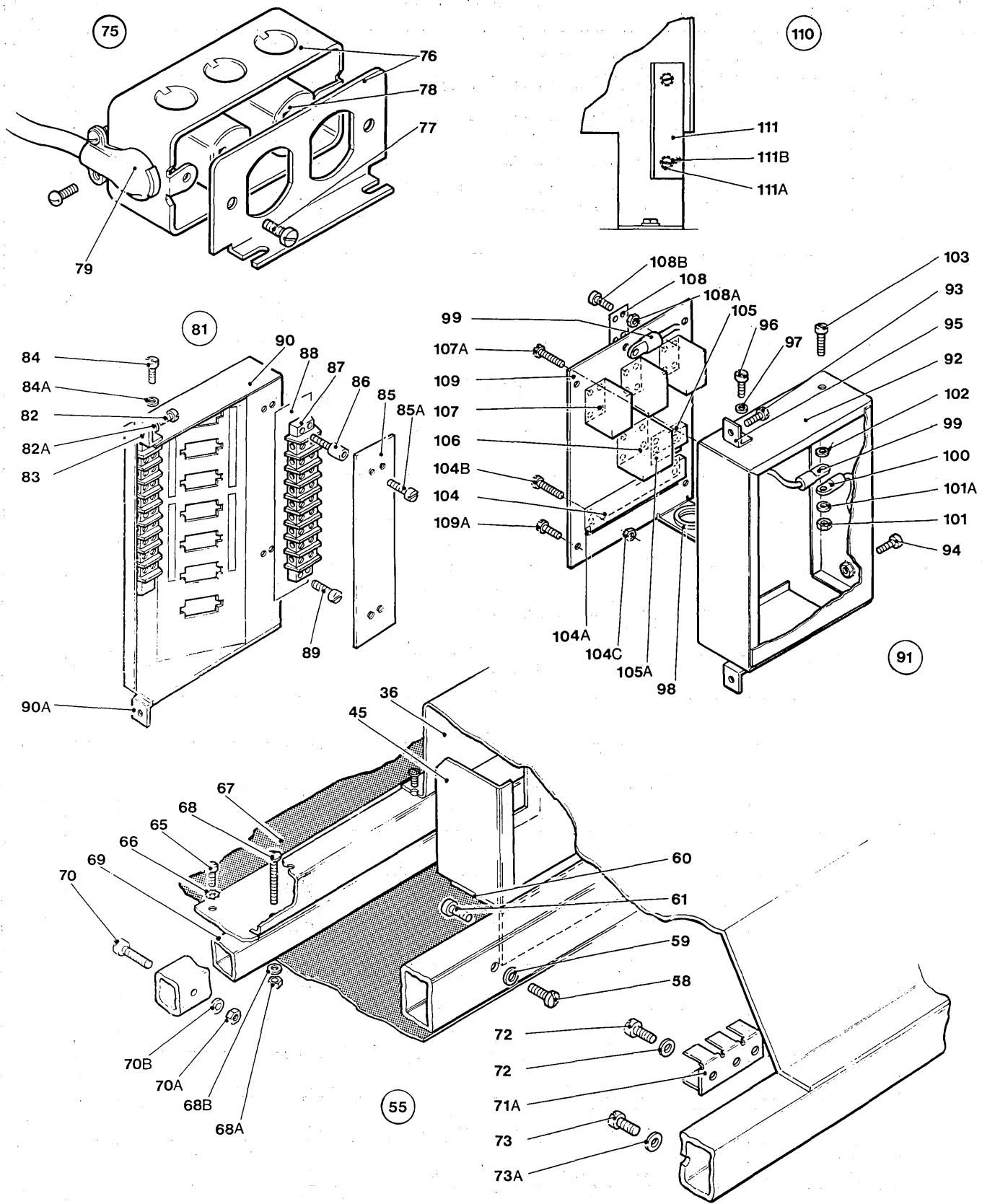


FIGURE 2. FINAL ASSEMBLY. SHEET 2 OF 3. INDEX NOS. 55-118. SEE LIST 2.

FIGURE- INDEX NUMBER	PART NUMBER	DESCRIPTION				UNITS PER ASM.	USABLE ON CODE
		1	2	3	4		
		FINAL ASM (PART 2 OF 3)					
2 -	2598775 NP	FINAL ASSEMBLY (CONTINUED)				REF	
- 55	NC NO	. E.M.C. ASM				AR	
- 58	2566633	. . SCREW, NI PLATE, BD HD, 10-32, 0.750LG		ATT PT	5		
- 59	2574865	. . WASHER, NI PLATE, LOCK, ET, 0.195ID, 0.395OD		ATT PT	5		
- 60	2549182	. . BRACKET				1	
- 61	2574810	. . SCREW, NI PLATE, SELF TAP, 10-32, 0.375LG		ATT PT	5		
- 65	2566625	. . SCREW, NI PLATE, BD HD, 8-32, 0.250LG		ATT PT	12		
- 66	2574804	. . WASHER, NI PLATE, LOCK, ET, 0.168ID, 0.365OD		ATT PT	12		
- 67	2601764	. . SUPPORT				1	
- 68	322061	. . SCREW, BD HD, 10-32, 1.250LG		ATT PT	4		
- 68A	2566612	. . NUT, NI PLATE, HEX, 10-32		ATT PT	4		
- 68B	2566647	. . WASHER, NI PLATE, 0.203ID, 0.438OD		ATT PT	4		
- 69	2601906	. . SPACER				1	
- 70	19852	. . SCREW, HEX HD, 0.250-20, 1.250LG		ATT PT	2		
- 70A	2575294	. . NUT, HEX, 0.250-20		ATT PT	2		
- 70B	2575293	. . WASHER, NI PLATE 0.265ID, 0.562OD		ATT PT	2		
- 71	4034285	. . TERMINAL TABS				2	
- 72	236550	. . SCREW, BD HD, 4-40, 0.375LG		ATT PT	4		
- 72A	150209	. . WASHER LOCK, IT, 0.115ID, C.270OD		ATT PT	4		
- 73	2566633	. . SCREW, NI PLATE, BD HD, 10-32, 0.750LG		ATT PT	3		
- 73A	2574805	. . WASHER LOCK, NI PLATE, ET, 0.195ID, 0.395OD		ATT PT	3		
- 75	NC NO	. SOCKET ASM				2	
- 76	194355	. . BOX, OUTLET				2	
- 77	2566600	. . SCREW, NI PLATE, BD HD, 6-32, 0.250LG		ATT PT	4		
- 78	418835	. . OUTLET, CONVENIENCE, 50 HZ				2	
- 78	357995	. . OUTLET, CONVENIENCE, 60 HZ				2	
- 79	61486	. . CONNECTOR, ELBOW				2	
- 81	2606838	. DC INI, PANEL ASM				1	
- 82	2566604	. . SCREW, NI PLATE, BD HD, 10-32, 0.312LG		ATT PT	2		
- 82A	2574805	. . WASHER, NI PLATE, LOCK, ET, 0.195ID, 0.395OD		ATT PT	4		
- 83	2602017	. . BRACKET				2	
- 84	2566607	. . SCREW, NI PLATE, BD HD, 10-32, 0.250LG		ATT PT	1		
- 84A	2574805	. . WASHER, NI PLATE, LOCK, ET, 0.195ID, 0.395OD		ATT PT	2		
- 85	5824095	. . SHIELD, SAFETY				2	
- 85A	10170	. . SCREW, BD HD, 6-32, 0.250LG		ATT PT	4		
- 86	352784	. . STUD, MOUNTING-TB1				2	
- 86	210883	. . STUD, MOUNTING-TB2				2	
- 87	253220	. . TERMINAL BOARD, 20 DBL SCREW TERMINALS				2	
- 88	365323	. . STRIP, MARKER				2	
- 89	2566608	. . SCREW, NI PLATE, BD HD, 6-32, 0.500LG		ATT PT	4		
- 90	2601979	. . PANEL, DC INTERFACE				1	
- 91	NO NO	. RELAY PANEL ASM				1	
- 92	2601981	. . BOX ASM				1	
- 93	2566600	. . SCREW, NI PLATE, BD HD, 10-32, 0.250LG		ATT PT	2		
- 94	2566604	. . SCREW, NI PLATE, BD HD, 10-32, 0.312LG		ATT PT	2		
- 95	2602017	. . BRACKET				2	
- 96	2566600	. . SCREW, NI PLATE, BD HD, 10-32, 0.250LG		ATT PT	2		
- 97	2574805	. . WASHER, NI PLATE, LOCK, ET, 0.195ID, 0.395OD		ATT PT	2		
- 98	338327	. . GROMMET, FOR 1.250 DIA HOLE, 0.062THK				1	
- 99	5759134	. . JUMPER ASM				1	
-100	5408684	. . JUMPER ASM				1	
-101	2566626	. . NUT, HEX, NI PLATE, 8-32				2	
-101A	5488929	. . WASHER LOCK, SPRING, 0.168ID, 0.296OD		ATT PT	2		
-102	2574804	. . WASHER LOCK, NI PLATE, ET, 0.168ID, 0.365OD		ATT PT	2		
-103	2566625	. . SCREW, NI PLATE, BD HD, 8-32, 0.500LG		ATT PT	2		
-104	320451	. . TERMINAL BOARD, 10 DBL SCREW TERMINALS				1	
-104A	550578	. . MARKER STRIP, 10 PCS NOS 1 THROUGH 10				1	
-104B	2574816	. . SCREW, BD HD, 6-32, 0.625LG		ATT PT	8		
-104C	2566629	. . NUT, NI PLATE, HEX, 6-32		ATT PT	8		
-105	323836	. . BLOCK				1	
-105A	515620	. . INSULATOR				1	
-106	2630456	. . CIRCUIT PROTECTOR, 3 POLE, 30A, 250V AC, 400HZ				1	
-107	2630454	. . CIRCUIT PROTECTOR, 2 POLE, 5A, 250V AC, 400HZ				AR	
-107A	2566608	. . SCREW, NI PLATE, BD HD, 6-32, 0.500LG		ATT PT	16		
-108	2601955	. . PLATE, BLANKING				AR	
-108A	2566629	. . NUT, NI PLATE, HEX, 6-32		ATT PT	AR		
-108B	2566624	. . SCREW, NI PLATE, BD HD, 6-32, 0.188LG		ATT PT	20		
-109	2601980	. . PANEL				1	
-109A	2566600	. . SCREW, NI PLATE, BD HD, 6-32, 0.250LG		ATT PT	4		
-110	NO NO	. BRACKET ASM				1	
-111	2601786	. . PLUG BRACKET				1	
-111A	2566610	. . SCREW, NI PLATE, BD HD, 8-32, 0.25LG		ATT PT	2		
-111B	2574804	. . WASHER, NI PLATE, LOCK, ET, 0.168ID, 0.365OD		ATT PT	2		

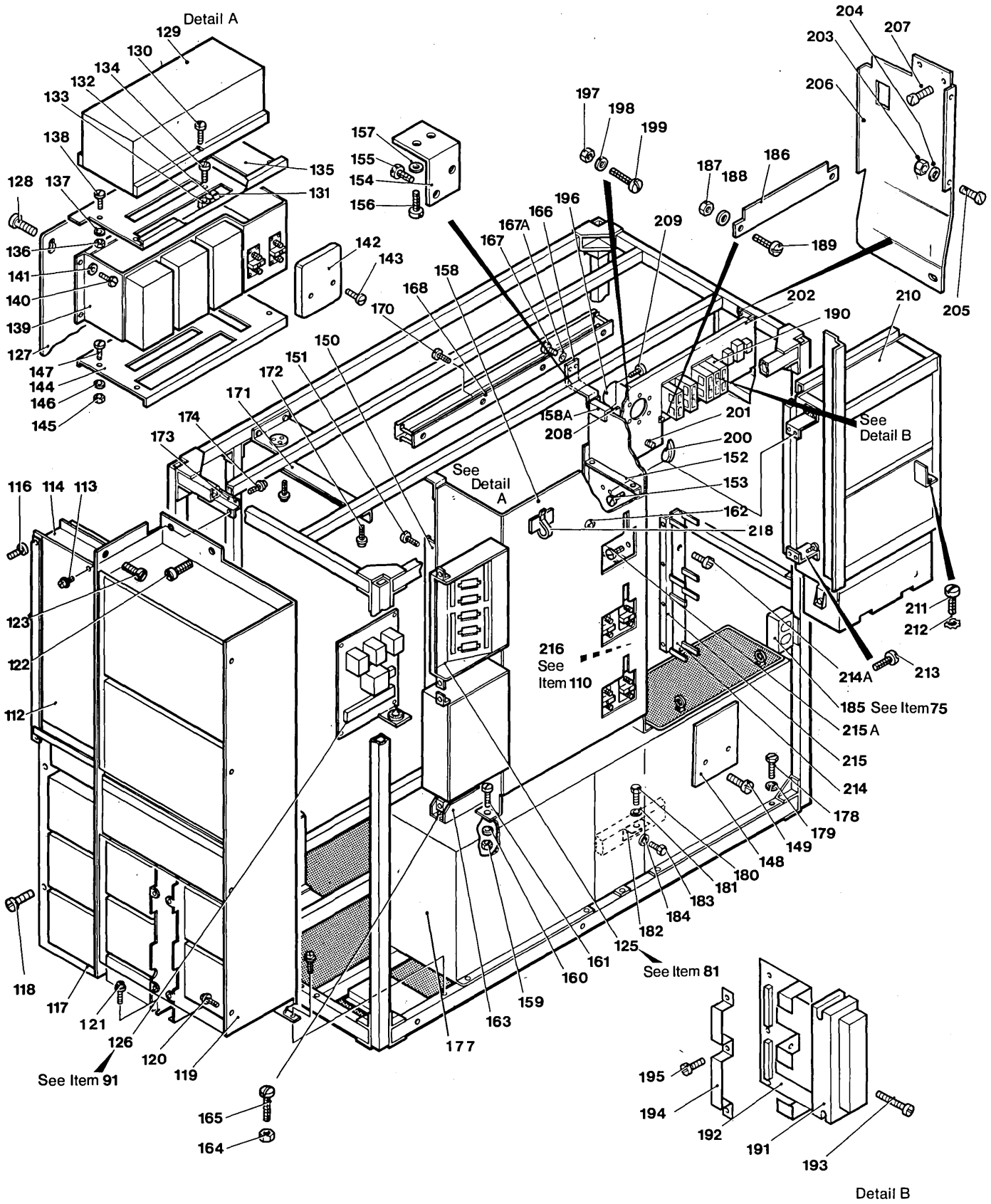


FIGURE 2. FINAL ASSEMBLY. SHEET 3 OF 3. INDEX NOS. 112-218. SEE LIST 2.

FIGURE- INDEX NUMBER	PART NUMBER	DESCRIPTION	UNITS	USABLE
			PER ASM.	ON CODE
		FINAL ASSEMBLY (PART 3 OF 3)		
2 -	2598775 NP	FINAL ASSEMBLY (CONTINUED)	REF	
-112	2599156	. COVER	1	
-113	2566601	. SCREW, NI PLATE, ED HD, 6-32, 0.312LG ATT PT	4	
-114	2598375	. SMS GATE ASM (FOR DETAIL BREAKDOWN SEE FIGURE 12)	1	
-115	2568376	. SMS GATE	1	
-116	2598769	. SCREW, SELF TAP, 10-32, 0.500LG ATT PT	5	
-117	2602323	. COVER, REGULATOR	1	
-118	2566617	. SCREW, NI PLATE, BD HD, 8-32, 0.375LG ATT PT	2	
-119	2598300	. POWER FRAME ASM (FOR DETAIL BREAKDOWN SEE FIGURE 16)	1	
-120	2598769	. SCREW, SELF TAP, 10-32, 0.5LG ATT PT	9	
-121	2574810	. SCREW, NI PLATE, SELF TAP, 10-32, 0.375LG ATT PT	2	
-122	2598769	. SCREW, NI PLATE, SELF TAP, HEX HD, 10-32, 0.500LG ATT PT	2	
-123	2598769	. SCREW, NI PLATE, SELF TAP, HEX HD, 10-32, 0.500LG ATT PT	1	
-125	2606838	. DC INT, PANEL ASM	1	
-126	NO NO	FOR DETAIL PARTS SEE ITEM 81 . RELAY PANEL ASM	1	
-127	2601952	FOR DETAIL PARTS SEE ITEM 91 . SHIELD, SAFETY, REGULATOR	1	
-128	2566604	. SCREW, NI PLATE, BD HD, 10-32, 0.312LG ATT PT	6	
-129	1994833	. COOLING UNIT ASM, 50 HZ	1	
-129	1797541	CCOMPONENT PARTS NOT REPLACIBLE . COOLING UNIT ASM, 60 HZ -PCB	1	
-129	1803084	CCOMPONENT PARTS NOT REPLACIBLE . COOLING UNIT ASM, 60HZ -NON PCB	1	
-130	2566603	CCOMPONENT PARTS NOT REPLACIBLE . SCREW, NI PLATE, ED HD, 8-32, 0.312LG ATT PT	2	
-131	2601951	. MOUNTING, SWITCH	1	
-132	1993465	. CABLE ASM	1	
-133	2566629	. NUT, NI PLATE, HEX, 6-32 ATT PT	2	
-134	38442	. SCREW, FL CSK HD, 6-32, 0.250LG ATT PT	2	
-135	2601944	. SHELF, FAN BOX	1	
-136	2566626	. NUT, NI PLATE, HEX, 8-32 ATT PT	4	
-137	2566646	. WASHER, NI PLATE, 0.17ID, 0.375OD ATT PT	4	
-138	2566615	. SCREW, HD, 8-32, 0.750LG ATT PT	4	
-139	2572750	. PHASE CONTROL REG ASM	AR	
-139	2605340	FOR DETAIL PARTS SEE FIGURE 18 . PHASE CONTROL REGULATOR ASM	AR	
-140	2566638	FOR DETAIL PARTS SEE FIGURE 18A USED CN MACHINES WITH EC 393020		
-141	2574805	. SCREW, SLOT HEX HD, 10-32, 0.5LG ATT PT	12	
-142	2601953	. WASHER, NI PLATE, LOCK, ET, 0.195ID, 0.395OD ATT PT	12	
-142	2606609	. GUARD, REGULATOR	AR	
-143	91610	USED CN MACHINES WITHOUT EC 393020		
-144	2601943	. SCREW, THD CTG-BD HD, 6-32, 0.500LG ATT PT	4	
-145	2566626	. SHELF, REGULATOR	AR	
-146	2566646	. NUT, NI PLATE, HEX, 8-32 ATT PT	12	
-147	2566615	. WASHER, NI PLATE, 0.17ID, 0.375OD ATT PT	12	
-148	2601954	. SCREW, HD, 8-32, 0.750LG ATT PT	12	
-149	91610	. GUARD	1	
-150	2601946	. SCREW, THD CTG, BD HD, 6-32, 0.500LG ATT PT	2	
-151	2566607	. BRACKET, SAFE SHIELD	2	
-152	2601945	. SCREW, NI PLATE, BD HD, 10-32, 0.250LG ATT PT	6	
-153	2566607	. BRACKET, REGULATOR	8	
-154	2601949	. SCREW, NI PLATE, BD HD, 10-32, 0.250LG ATT PT	16	
-155	2566604	. BRACKET, REGULATOR	2	
-156	2566604	. SCREW, NI PLATE, BD HD, 10-32, 0.312LG ATT PT	4	
-157	2566647	. SCREW, NI PLATE, BD HD, 10-32, 0.312LG ATT PT	4	
-158	2601942	. WASHER, NI PLATE, 0.203ID, 0.438OD ATT PT	4	
-158A	730432	. FRAME, REGULATOR MOUNTING	1	
-159	2566620	. CHANNEL, 7.750LG	1	
-160	2566647	. NUT, NI PLATE, HEX, LOCK, 10-32 ATT PT	4	
-161	2566611	. WASHER, NI PLATE, 0.203ID, 0.438OD ATT PT	4	
-162	317227	. SCREW, NI PLATE, BD HD, 10-32, 0.625LG ATT PT	4	
-163	2601948	. GROMMET, RUB, FOR 0.312 HOLE, 0.125THK PNL	1	
-164	2566626	. DUCT, REGULATOR	1	
-165	2566617	. NUT, NI PLATE, HEX, 8-32 ATT PT	3	
-166	2598588	. SCREW, NI PLATE, ED HD, 8-32, 0.375LG ATT PT	3	
-167	2598769	. STOP, GATE	1	
-167A	2574805	. SCREW, SELF TAP, 10-32, 0.500LG ATT PT	2	
-168	2606007	. WASHER, NI PLATE, LOCK, ET, 0.195ID, 0.395OD ATT PT	2	
-170	2566604	. CHANNEL ASM, CABLE	1	
-171	2598485	. SCREW, NI PLATE, BD HD, 10-32, 0.312LG ATT PT	4	
-172	2566607	. BRACKET, SUPPORT	1	
		. SCREW, SELF TAP, 10-32, 0.250LG ATT PT	2	

FIGURE- INDEX NUMBER	PART NUMBER	DESCRIPTION	1 2 3 4				UNITS PER ASM.	USABLE ON CODE
2 -173	2599155	. BRACKET					1	
-174	2574808	. SCREW, NI PLATE, SELF TAP, 6-32, 0.380LG			ATT PT		2	
-177	2600736 NP	. AC BOX ASM FOR DETAIL BREAKDOWN SEE FIGURE 14					1	
-178	2566614	. SCREW, NI PLATE, HEX HD,, 0.250-20, 0.500LG			ATT PT		5	
-179	2575292	. LOCKWASHER, SPRING 0.255ID			ATT PT		5	
-180	2566614	. SCREW, NI PLATE, HEX HD,, 0.250-20, 0.500LG			ATT PT		1	
-181	2575292	. LOCKWASHER, SPRING 0.255ID			ATT PT		1	
-182	2601018	. BRACKET					1	
-183	2566606	. SCREW, NI PLATE, HEX HD,, 0.250-20, 0.375LG			ATT PT		2	
-184	2575292	. LOCKWASHER, SPRING 0.255ID			ATT PT		2	
-185	NO NO	. SOCKET ASM FOR DETAIL PARTS SEE ITEM 75					1	
-186	2602064	. BRACKET, PANEL					2	
-187	2566612	. NUT, NI PLATE, HEX, 10-32			ATT PT		4	
-188	2566647	. WASHER, NI PLATE, 0.203ID, 0.4380D			ATT PT		4	
-189	2575295	. SCREW, NI PLATE, BD HD, 10-32, 0.375LG			ATT PT		4	
-190	2599243	. SPACER					2	
-191	5353667	. BLOCK, CONNECTOR, A STYLE					4	
-192	5412496	. CLAMP, STRAIN RELIEF					4	
-193	438560	. SCREW, FLAT HD, 4-40, 1.000LG			ATT PT		8	
-194	5412499	. STRAIN RELIEF ASM					4	
-195	438548	. SCREW, BD HD, 4-40, 0.188LG			ATT PT		8	
-196	5214172	. SPEAKER, REFLEX, 70.5 WATTS, 4 OHMS					1	
-197	2566612	. NUT, NI PLATE, HEX, 10-32			ATT PT		6	
-198	2566647	. WASHER, NI PLATE, 0.203ID, 0.4380D			ATT PT		6	
-199	2566609	. SCREW, NI PLATE, BD HD, 10-32, 0.500LG			ATT PT		6	
-200	317173	. KNOB, BAR TYPE WITH POINTER					1	
-201	2623425	. PCTENTIGMETER					1	
-202	2602062	. PANEL, CONNECTOR					1	
-203	2566612	. NUT, NI PLATE, HEX, 10-32			ATT PT		4	
-204	2574799	. WASHER, NI PLATE, 0.194ID, 0.3370D			ATT PT		4	
-205	2566604	. SCREW, NI PLATE, BD HD, 10-32, 0.312LG			ATT PT		4	
-206	2604966	. SHIELD					1	
-207	2566607	. SCREW, NI PLATE, BD HD, 10-32, 0.250LG			ATT PT		2	
-208	2602063	. ANGLE PANEL					1	
-209	2566607	. SCREW, NI PLATE, BD HD, 10-32, 0.250LG			ATT PT		2	
-210	2600854	. 'C' GATE ASM					1	
-211	2566610	FOR COMPONENT PARTS SEE FIGURE 11 AND 11A . SCREW, NI PLATE, BD HD, 8-32, 0.250LG			ATT PT		2	
-212	2574804	. WASHER, NI PLATE, LOCK, ET, 0.168ID, 0.3650D			ATT PT		2	
-213	2575295	. SCREW, BD HD, 10-32, 0.375LG					4	
-214	2602106	. RACEWAY					2	
-214A	2566603	. SCREW, NI PLATE, BD HD, 8-32, 0.312LG			ATT PT		6	
-215	2601947	. BRACKET, RACEWAY					1	
-215A	2566607	. SCREW, NI PLATE, BD HD, 10-32, 0.250LG			ATT PT		4	
-216	NG NO	. BRACKET ASM					1	
-217	2596322	FOR DETAIL PARTS SEE ITEM 110 . FRAME ASM FOR DETAIL PARTS SEE FIGURE 19					1	
-218	82557	. CLAMP, CABLE					AR	

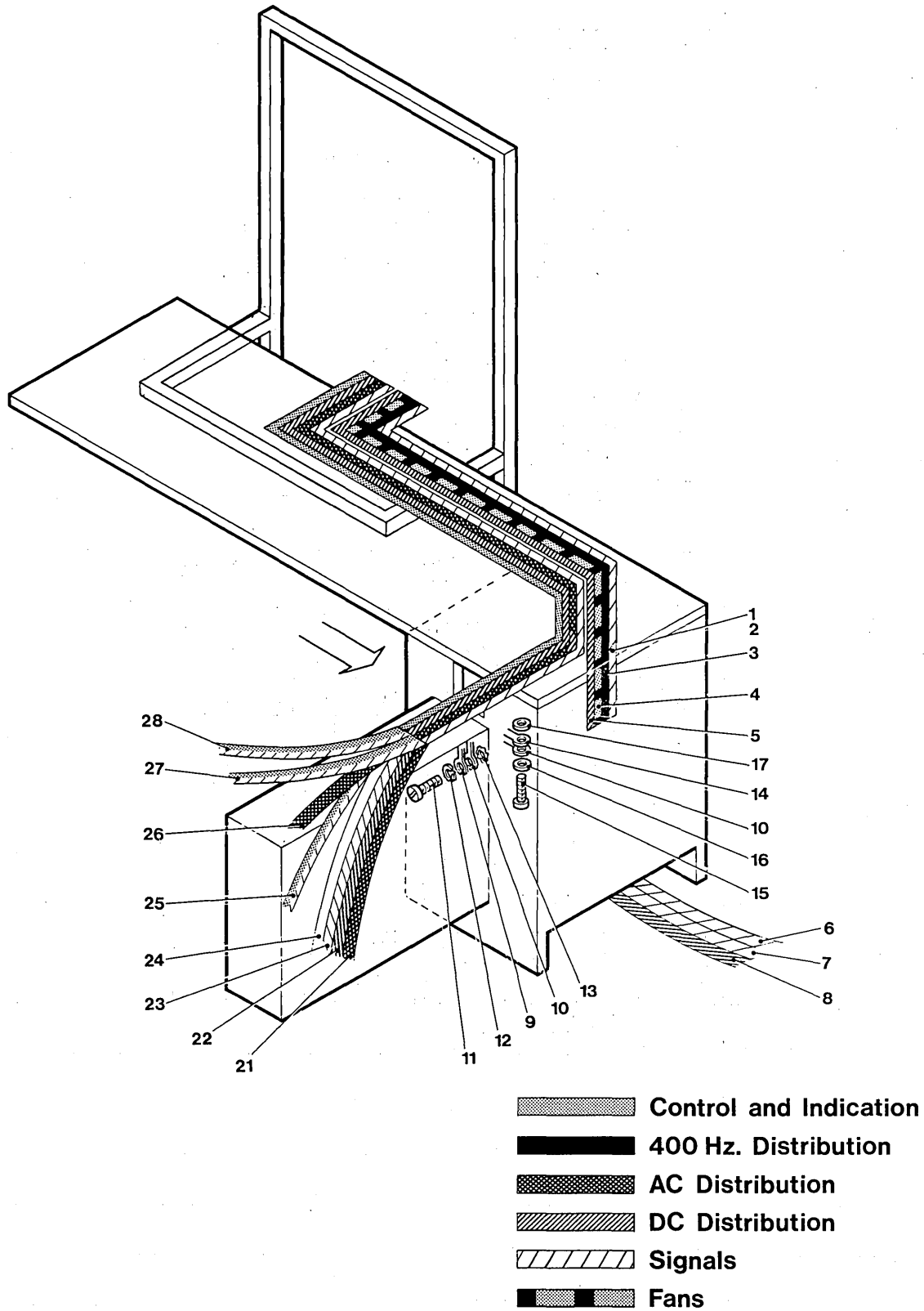


FIGURE 3A. CABLE ASSEMBLIES. SHEET 1 OF 6. INDEX NOS. 1-28. SEE LIST 3A.

FIGURE- INDEX NUMBER	PART NUMBER	DESCRIPTION				UNITS PER ASM.	USABLE ON CODE
		1	2	3	4		
		CABLE ASSEMBLIES (PART 1 OF 6)					
		CODE A, 50HZ CODE B, 60HZ					
3A-	2599242 NP	CABLE INSTALLATION ITEMS 7851 THROUGH 8, 19 AND 20, USED WITH 1403				REF	
- 1	2601775	. CABLE ASM, TAILGATE BLOCKS A1 AND A2 FCR COMPONENT PARTS SEE FIGURE 20 -50,-55,-119, -122,-123,-124,-125				1	
- 2	2601841	. CABLE ASM, TAILGATE BLOCKS B1 AND B2 FCR COMPONENT PARTS SEE FIGURE 20 -50,-55,-119, -122,-123,-124,-125,-131				1	
- 3	2601772	. CABLE ASM, 400 HZ DISTRIBUTION, P33 TO TB 36 FCR COMPONENT PARTS SEE FIGURE 20 -19,-106,-127				1	
- 4	2601773	. CABLE ASM, FAN SUPPLY, CB6 TO P29 AND 30 FCR COMPONENT PARTS SEE FIGURE 20 -17,-21,-115,-121				1	
- 5	2601774	. CABLE ASM, DC, F34 TO EC5 AND TB 37 FCR COMPONENT PARTS SEE FIGURE 20 -14,-20,-64, -65,-69,-82,-83				1	
- 6	2598501	. CABLE ASM, 160 WAY, EXT, SIGNAL 1 TO 1403				REF	
- 7	2598502	. CABLE ASM, 160 WAY, EXT, SIGNAL 2 TO 1403				REF	
- 8	2600630	. CABLE ASM, AC POWER TO 1403				REF	
- 9	2602394	. JUMPER ASM FCR COMPONENT PARTS SEE FIGURE 20 -24A,-25				2	
- 10	2604692	. JUMPER ASM FCR COMPONENT PARTS SEE FIGURE 20 -36,-41				1	
- 11	19944	. SCREW, BD HD, 8-32, 0.750LG ATT PT				REF	
- 12	22478	. WASHER, LOCK, 0.170ID, 0.375OD ATT PT				REF	
- 13	2574805	. WASHER, LOCK, ET, 0.195ID, 0.395OD ATT PT				1	
- 14	2604691	. JUMPER ASM FCR COMPONENT PARTS SEE FIGURE 20 -39,-41				1	
- 15	322034	. SCREW, BD HD, 0.250-20, 1.50LG ATT PT				REF	
- 16	3550	. WASHER, 0.265ID, 0.562OD, 0.050THK ATT PT				REF	
- 17	76574	. WASHER, LOCK, ET, 0.256ID, 0.510OD, 0.028THK ATT PT				1	
- 21	2600845	ITEMS 78521 THROUGH 25 USED WITH 3215 . CABLE ASM, AC POWER TO 3215, TB14 TO J7				1	
- 22	2600863	FCR COMPONENT PARTS SEE FIGURE 20 -24A,-58,-128 . CABLE ASM, DC POWER TO 3215, TB6 TO J8 FCR COMPONENT PARTS SEE FIGURE 20 -32,-33,-128				1	
- 23	2600846	. CABLE ASM, 01C-A1A4 AND 01C-A1A5 TO 3215 FCR COMPONENT PARTS SEE FIGURE 20 -50,-53,-69, -70,-72,-73,-79,-80,-87,-93,-118,-131				1	
- 24	2600842	. CABLE ASM, 01C-A1B4 TO 3215 FCR COMPONENT PARTS SEE FIGURE 20 -44,-50,-107, -118,-131				1	
- 25	2600868	. CABLE ASM, 01C-A1B5 TO 3215 FCR COMPONENT PARTS SEE FIGURE 20 -31,-50,53, -64,-65,-70,-81,-83,-92,-118				1	
- 26	2598538	ITEMS 78526 AND 27 USED WITH 3210 . CABLE ASM, AC POWER TO 3210, TB12 TO J15 FCR COMPONENT PARTS SEE FIGURE 20 -32,-38,-58,-128				1	
- 27	2598504	. CABLE ASM, 01C-A1A5, 01C-A1B5 TO 3210 FCR COMPONENT PARTS SEE FIGURE 20 -37,-50,-64, -65,-67,-70,-72,-74,-79,-80,-87,-91,-94,-120,-131				1	
- 28	2600954	. CABLE ASM, 01C-A1C5 TO J19 FCR COMPONENT PARTS SEE FIGURE 20 -31,-32,-50, -68,-72,-79,-80,-86,-94,-120,-131				1	

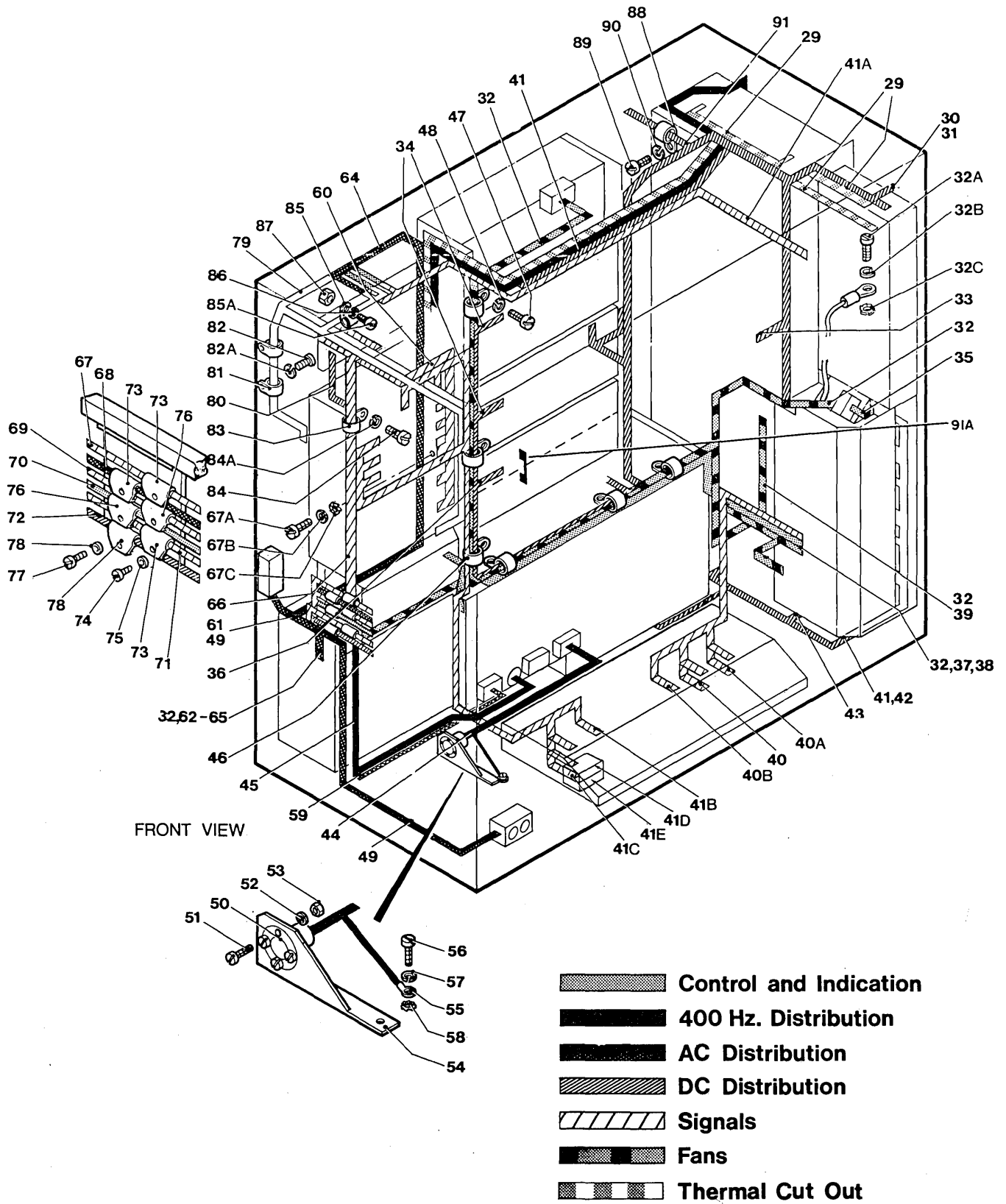
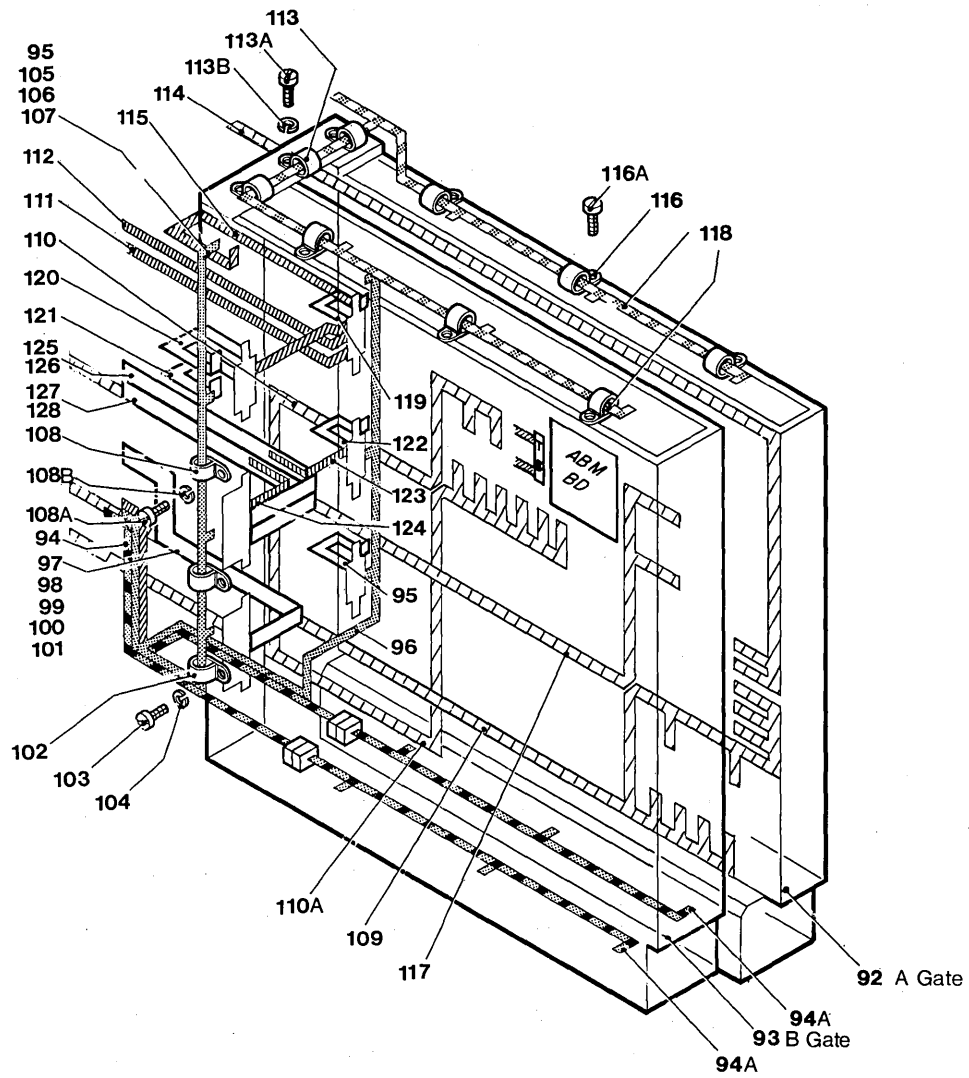


FIGURE 3A. CABLE ASSEMBLIES. SHEET 2 OF 6. INDEX NOS. 29-91A. SEE LIST 3A.

FIGURE- INDEX NUMBER	PART NUMBER	DESCRIPTION	UNITS PER ASM.	USABLE ON CODE
		CABLE ASSEMBLIES (PART 2 OF 6)		
		CODE A, 50HZ CODE B, 60HZ		
3A- - 29	2599242 NP 2599C80	CABLE INSTALLATION (CONTINUED) . CABLE ASM, THERMAL CUTOUTS FCR COMPONENT PARTS SEE FIGURE 20 -8,-30,-129	REF 1	B
- 29	2599285	. CABLE ASM, THERMAL CUTOUTS FCR COMPONENT PARTS SEE FIGURE 20 -8,-30,-129	1	A
- 30	2598941	. CABLE ASM, TRAN TO SMS GATE FCR COMPONENT PARTS SEE FIGURE 20 -9,-10,-11, -13,-27,-31,-39,-45	1	
- 31	2598960	. CABLE ASM, SMS TC GATE C FCR COMPONENT PARTS SEE FIGURE 20 -9,-10,-11, -31,-32,-33,-45,-60,-61	1	
- 32	2605958	. CABLE ASM, FANS FCR COMPONENT PARTS SEE FIGURE 20 -31,-32,-37, -115,-121,-163,-164,-170,-172	1	
- 32A	2566604	. SCREW, NI PLATE, BD HD, 10-32, 0.312LG ATT PT	1	
- 32B	2574805	. WASHER LOCK, NI PLATE, ET, 0.195ID, 0.395OD ATT PT	1	
- 32C	2574799	. WASHER LOCK, NI PLATE, SPRING, 0.194ID, 0.337OD ATT PT	1	
- 33	2601744	. CABLE ASM, TB23 TO TB29	1	
- 34	2601987	FCR COMPONENT PARTS SEE FIGURE 20 -31,-32 . CABLE ASM, REG 26 AND 27 SUPPLY FCR COMPONENT PARTS SEE FIGURE 20 -2,-20,-23	1	
- 35	2600627	. CABLE ASM, SMS FAN FCR COMPONENT PARTS SEE FIGURE 20 -20	1	
- 36	2601988	. CABLE ASM, REG 28 SUPPLY FCR COMPONENT PARTS SEE FIGURE 20 -2,-20	1	
- 37	2606435	. CABLE ASM, CONTROL AND INDICATION FCR COMPONENT PARTS SEE FIGURE 20 -4,-19,-20, -27,-56,-63,-64,-65,-69,-70,-71,-72,-74,-77,-78,-79, -80,-81,-84,-85,-89,-117,-174	1	
- 38	2598459	. CABLE ASM, PHASE 21 REMOTE SENSE FCR COMPONENT PARTS SEE FIGURE 20 -27,-116	1	
- 39	2599079	. CABLE ASM, MOD CES AUX CONTACTS FCR COMPONENT PARTS SEE FIGURE 20 -27,-31	1	
- 40	2605786	. CABLE ASM FCR COMPONENT PARTS SEE FIGURE 20-35,-38,-124,-163, -177,-179,-180	1	
- 40A	2602054	. TWIN LEAD ASM, MULTIPLEXER FCR COMPONENT PARTS SEE FIGURE 20-34,-38,-160,-163, -177,-179,-180,-181	1	
- 40B	2602095	. TWIN LEAD ASM, DIRECT CONTROL FCR COMPONENT PARTS SEE FIGURE 20-24A,-34,-160,-163, -177,-178,-179,-180	1	
- 41	2598955	. CABLE ASM, UNREG DC MODULE 1 (T2) TO REG 19 FCR COMPONENT PARTS SEE FIGURE 20 -42,-43,-114	1	
- 41A	2607141	. TWIN LEAD ASM FCR COMPONENT PARTS SEE FIGURE 20-177,-179,-180, -184,-185	1	
- 41B	2602018	. TWIN LEAD ASM, SELECTOR CHANNEL A FCR COMPONENT PARTS SEE FIGURE 20-34,-38,-160,-163, -177,-179,-180,-181	1	
- 41C	2602019	. TWIN LEAD ASM, SELECTOR CHANNEL B FCR COMPONENT PARTS SEE FIGURE 20-34,-38,-160,-163, -177,-179,-180,-181	1	
- 41D	2282675	. TERMINATOR	5	
- 41E	2282675	. TERMINATOR	4	
- 42	2598932	. CABLE ASM, UNREG DC MODULE 2 (T1) TO REG 18 FCR COMPONENT PARTS SEE FIGURE 20 -42,-43,-114	1	
- 43	2598971	. CABLE ASM, DC FIAS TO MST REGS FCR COMPONENT PARTS SEE FIGURE 20 -27,-31	1	
- 44	2599278	. CABLE ASM, 400HZ DIST P4 TO K1 FCR COMPONENT PARTS SEE FIGURE 20 -22,-38,-113	1	
- 45	2601772	. CABLE ASM, 400HZ TO 1403	REF	
- 46	532393	. CABLE CLAMP	3	
- 47	2575295	. SCREW, BD HD, 10-32, 0.375LG ATT PT	3	
- 48	2574805	. WASHER, LOCK, ET, 0.195ID, 0.395OD ATT PT	3	
- 49	2598936	. CABLE ASM, AC SUPPLY, CONVENIENCE OUTLET, SKT 1 TO SKT2 FCR COMPONENT PARTS SEE FIGURE 20 -132	1	
- 50	2602267	. RECEPTACLE MALE	REF	
- 51	2566617	. SCREW, NI PLATE, BD HD, 8-32, 0.375LG ATT PT	4	
- 52	2574804	. WASHER, LOCK, ET, 0.168ID, 0.365OD ATT PT	4	
- 53	2566626	. NUT, HEX, NI PLATE, 8-32 ATT PT	4	
- 54	2602298	. PLUG BRACKET	REF	
- 55	335327	. TERMINAL, LUG	REF	
- 56	2566604	. SCREW, NI PLATE, BD HD, 10-32, 0.312LG ATT PT	1	

FIGURE- INDEX NUMBER	PART NUMBER	DESCRIPTION				UNITS PER ASM.	USABLE ON CODE
		1	2	3	4		
3A- 57	2574799	.	WASHER, LOCK, 0.194ID, 0.337OD		ATT PT	1	
- 58	2574805	.	WASHER, LOCK, ET, 0.195ID, 0.385OD		ATT PT	1	
- 59	2600630	.	CABLE ASM, AC POWER TO 1403			REF	
- 60	2601049	.	CABLE ASM, TB4 TO C GATE FCR COMPONENT PARTS SEE FIGURE 20 -30,-31,-32, -120,-131,-181,-182			1	
- 61	2598935	.	CABLE ASM, AC SUPPLY TO CONVENIENCE OUTLET J1 FCR COMPONENT PARTS SEE FIGURE 20 -31,-37,-132			1	
- 62	2598500	.	CABLE ASM, 2319 FILES FCR COMPONENT PARTS SEE FIGURE 20 -60,-104,-105			1	
- 63	2600818	.	CABLE ASM, 2314 FILES			1	A
- 64	2600891	.	CABLE ASM, AC TO 23FE AND CLOCKS FCR COMPONENT PARTS SEE FIGURE 20 -33,-39,-104,-105 -65,-66,-72,-88,-91			1	
- 65	2601773	.	CABLE ASM, FANS TO 1403			REF	
- 66	2601775	.	CABLE ASM, SIGNALS TO 1403			REF	
- 67	2598504	.	CABLE ASM, GATE C TO 3210 MODEL 1			REF	
- 67	2600842	.	CABLE ASM, SIGNAL TO 3215			REF	
- 67A	2566604	.	SCREW, NI PLATE, BD HD, 10-32, 0.312LG		ATT PT	1	
- 67B	2574799	.	WASHER, LOCK, NI PLATE, ET, 0.195ID, 0.395OD		ATT PT	1	
- 67C	2574805	.	WASHER, LOCK, NI PLATE, SPRING, 0.194ID, 0.337OD		ATT PT	1	
- 68	2598933	.	CABLE ASM, AC POWER TO 3210 MODEL 1			REF	
- 68	2600845	.	CABLE ASM, AC POWER TO 3215			REF	
- 69	2600840	.	CABLE ASM, SW AND DRIVER SIG (3215)			REF	
- 70	2600904	.	CABLE ASM, KEYBOARD SWITCHES			REF	
- 71	2600866	.	CABLE ASM, SIGNALS TO 3215			REF	
- 72	2600863	.	CABLE ASM, DC POWER (3215)			REF	
- 73	2606020	.	CLAMP			3	
- 74	2566611	.	SCREW, NI PLATE, BD HD, 10-32, 0.625LG		ATT PT	3	
- 75	2574805	.	WASHER, LOCK, NI PLATE, ET, 0.195ID, 0.395OD		ATT PT	3	
- 76	2606020	.	CLAMP			3	
- 77	2566611	.	SCREW, NI PLATE, BD HD, 6-32, 0.625LG		ATT PT	3	
- 78	2574805	.	WASHER, LOCK, NI PLATE, ET, 0.195ID, 0.395OD		ATT PT	3	
- 79	2600902	.	CABLE HARNESS, CCNSCLE			REF	
- 80	2601774	.	CABLE ASM, DC TO 1403			REF	
- 81	532393	.	CLAMP-ADJUSTABLE, CABLE			3	
- 82	2566617	.	SCREW, NI PLATE, BD HD, 8-32, 0.375LG		ATT PT	3	
- 82A	2574804	.	WASHER, LOCK, ET, 0.168ID, 0.365OD		ATT PT	3	
- 83	216805	.	CLAMP, CABLE			1	
- 84	38303	.	SCREW, FIL HD, 10-32, 0.438LG		ATT PT	1	
- 84A	56079	.	WASHER, LOCK, ET, 0.195ID, 0.410OD		ATT PT	1	
- 85	5213276	.	CLAMP, CABLE			3	
- 85A	2566601	.	SCREW, NI PLATE, BD HD, 6-32, 0.312LG		ATT PT	3	
- 86	2566645	.	WASHER, NI PLATE, 0.156ID, 0.312OD		ATT PT	3	
- 87	2566629	.	NUT, HEX, NI PLATE, 6-32		ATT PT	3	
- 88	532393	.	CLAMP-ADJUSTABLE, CABLE			1	
- 89	2566607	.	SCREW, NI PLATE, BD HD, 10-32, 0.250LG		ATT PT	1	
- 90	2574805	.	WASHER, LOCK, NI PLATE, ET, 0.195ID, 0.395OD		ATT PT	1	
- 91	2599206	.	CABLE ASM, SIG DC INTF TO 2319			1	
- 91A	2605761	.	FCR COMPONENT PARTS SEE FIGURE 20 -50,-70,-95, -96,-97,-98,-119,-120,-130 JUMPER ASM, REG 28A TO REG 28B 400 HZ			3	







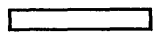

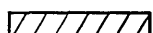
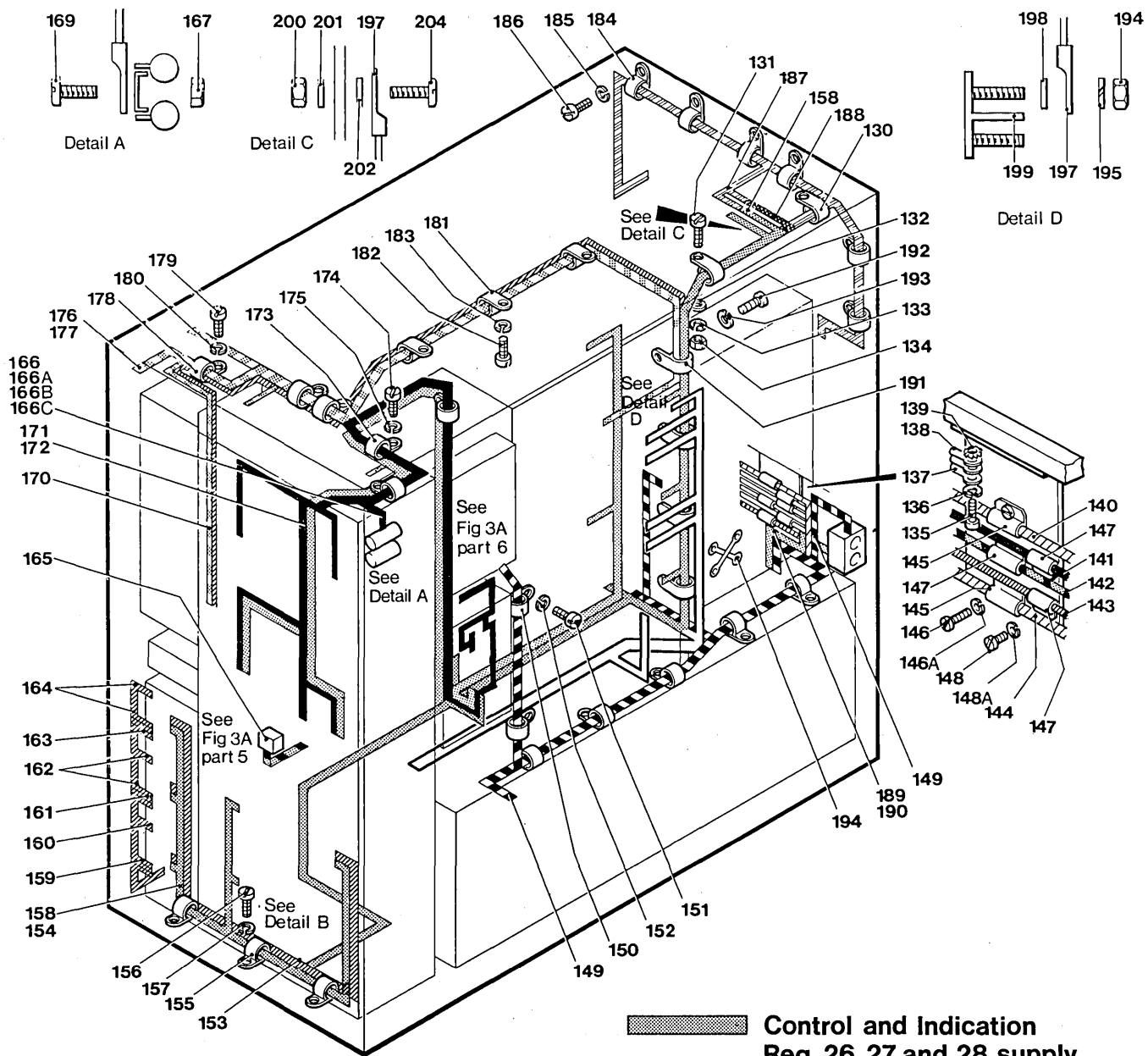
-  Remote Sense
-  DC Distribution
-  Thermal Cut Outs
-  Unreg. DC Mods.
-  Jumpers
-  Fans
-  Signals

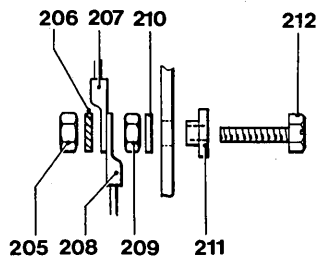
FIGURE 3A. CABLE ASSEMBLIES. SHEET 3 OF 6. INDEX NOS. 92-129B. SEE LIST 3A.

FIGURE- INDEX NUMBER	PART NUMBER	DESCRIPTION	1 2 3 4				UNITS PER ASM.	USABLE ON CODE
		CABLE ASSEMBLIES (PART 3 OF 6)						
		CODE A,50HZ CODE B,60HZ						
3A-	2599242 NP	CABLE INSTALLATION (CONTINUED)				REF		
- 92	2598643 NP	. 'A' GATE ASM				REF		
- 93	2598644 NP	. 'B' GATE ASM				REF		
- 94	2605958	. CABLE ASM,FANS				REF		
- 94A	2605959	. CABLE ASM,FANS FCR COMPONENT PARTS SEE FIGURE 20-115,-121, -165,-171				2	A	
- 94A	2605960	. CABLE ASM,FANS FCR COMPONENT PARTS SEE FIGURE 20-109,-115,-121, -165,-171				2	B	
- 95	2598779	. CABLE ASM,REMOTE SENSE,REGULATORS 18-24 FCR COMPONENT PARTS SEE FIGURE 20 -27,-31,-34, -56,-116				1		
- 96	2600813	. CABLE ASM,6V,TB28-30 TO TEA3-4 FCR COMPONENT PARTS SEE FIGURE 20 -31,-32,-34,-35				1		
- 97	2598465	. JUMPER ASM				1		
- 98	2598472	. JUMPER ASM FCR COMPONENT PARTS SEE FIGURE 20 -6,-111				1		
- 99	2598464	. JUMPER ASM FCR COMPONENT PARTS SEE FIGURE 20 -6,-111				1		
-100	2601939	. JUMPER ASM				1		
-101	2601825	. JUMPER ASM FCR COMPONENT PARTS SEE FIGURE 20 -6,-111				1		
-102	327922	. CLAMP,CABLE 0.625 DIAMETER				3		
-103	2575295	. SCREW,BD HD,10-32 x 0.375LG			ATT PT	3		
-104	2574865	. WASHER,NI PLATE,LOCK,ET,0.195ID,0.395OD			ATT PT	3		
-105	2606435	. CABLE ASM,CONTROL AND INDICATION				REF		
-106	2598459	. CABLE ASM,PHASE 2I REMOTE SENSE				REF		
-107	2602016	. CABLE ASM,REGULATOR 28 REMOTE SENSE FCR COMPONENT PARTS SEE FIGURE 20 -27,-116				1		
-108	533289	. CLAMP,CABLE				1		
-108A	2566607	. SCREW,NI PLATE, BD HD,10-32,0.250LG			ATT PT	1		
-108B	2574865	. WASHER,NI PLATE,LOCK,ET,0.195ID,0.395OD			ATT PT	1		
-109	2602095	. TWIN LEAD ASM,DIRECT CONTROL FCR COMPONENT PARTS SEE FIGURE 20 -24A,-31,-160,-163, -177,-178,-179,-180				1		
-110	2603890	. LEAD ASM,ICA 5 AND 6 FCR COMPONENT PARTS SEE FIGURE 20 -24A,-35,-124,-163, -177,-179,-180,-185				1		
-110	2603892	. LEAD ASM,ICA 7 AND 8 FCR COMPONENT PARTS SEE FIGURE 20 -24A,-35,-124,-177, -179,-180,-185				1		
-110A	2603886	. LEAD ASM,ICA 1 AND 2 FCR COMPONENT PARTS SEE FIGURE 20 -24A,-163,-177,-179, -180,-185				1		
-110A	2603888	. LEAD ASM,ICA 3 AND 4 FCR COMPONENT PARTS SEE FIGURE 20 -24A,-35,-124,-163, -177,-179,-180,-185				1		
-111	2598976	. CABLE ASM,DC,REGULATOR 21 TO GATE A FCR COMPONENT PARTS SEE FIGURE 20 -39,-41,-54,-114				1		
-112	2605912	. CABLE ASM,DC,REGULATOR 24 TO GATE B FCR COMPONENT PARTS SEE FIGURE 20 -54,-60,-61				1		
-113	5420242	. CLAMP,ADJUSTABLE CABLE				3		
-113A	2566603	. SCREW,NI PLATE,BD HD,8-32,0.312LG			ATT PT	3		
-113B	2574864	. WASHER,NI PLATE,LOCK,ET,0.168ID,0.365OD			ATT PT	3		
-114	2602043	. TRI LEAD ASM,2319 A01 FCR COMPONENT PARTS SEE FIGURE 20 -60,-163,-184,-185				1		
-115	2601745	. CABLE ASM,TB23 TO 'B' GATE FCR COMPONENT PARTS SEE FIGURE 20 -20,-51,-52				1		
-116	5213276	. CLAMP,CABLE				6		
-116A	10170	. SCREW,ED HD,6-32,0.250LG				REF		
-117	2602054	. TRI LEAD ASM,MULTIPLEXER TO TAILGATE FCR COMPONENT PARTS SEE FIGURE 20 -60,-163,-184,-185				1		
-118	2599080	. CABLE ASM,60HZ,THERMAL CUTOUPS				REF		
-118	2599285	. CABLE ASM,50HZ,THERMAL CUTOUPS				REF		
-119	5759966	. JUMPER ASM				2		
-120	2601746	. JUMPER ASM FCR COMPONENT PARTS SEE FIGURE 20 -2,-20				1		
-121	2601013	. JUMPER ASM FCR COMPONENT PARTS SEE FIGURE 20 -2,-20				2		

FIGURE- INDEX NUMBER	PART NUMBER	DESCRIPTION 1 2 3 4	UNITS PER ASM.	USABLE ON CODE
3A-122	5759968	FCR COMPONENT PARTS SEE FIGURE 20 -2,-20 . JUMPER ASM	2	
-123	2598958	FCR COMPONENT PARTS SEE FIGURE 20 -2,-20 . CABLE ASM,DC,REGULATOR 19 TO GATE A	1	
-124	2598964	FCR COMPONENT PARTS SEE FIGURE 20 -39,-41,-114 . CABLE ASM,DC,REGULATOR 22 TO GATE B	1	
-125	2601936	FCR COMPONENT PARTS SEE FIGURE 20 -39,-54,-108 . JUMPER ASM	1	
-126	2601937	FCR COMPONENT PARTS SEE FIGURE 20 -6,-111 . JUMPER ASM	1	
-127	2598466	FCR COMPONENT PARTS SEE FIGURE 20 -6,-111 . JUMPER ASM	1	
-128	2598467	FCR COMPONENT PARTS SEE FIGURE 20 -6,-111 . JUMPER ASM	1	
-129	5759968	FCR COMPONENT PARTS SEE FIGURE 20 -6,-111 . JUMPER ASM	2	
-129A	2606865	FCR COMPONENT PARTS SEE FIGURE 20 -2,-20 . JUMPER ASM,LBB2-3A TO LBB1-6 DC	AR	
-129A	2605757	. JUMPER ASM,LBB2-4 TO LBB1-3 DC	AR	
-129A	2605758	. JUMPER ASM,LBB2-6 TO LBB1-4 DC	AR	
-129A	2607121	. JUMPER ASM,LBB2-10 TO LBB1-5 DC	AR	
-129A	2605759	. JUMPER ASM,REG 28-E3 TO LEB1-7 DC	AR	
-129A	2605759	. JUMPER ASM,REG 28-F4 TO LEB1-8 DC	AR	
-129A	2606840	. JUMPER ASM,LBB2-8A TO LBB1-3 DC	AR	
-129B	2605760	. CABLE ASM,REMOTE SENSE	1	



REAR VIEW



Detail B

- Control and Indication
- Reg 26, 27 and 28 supply
- 400 Hz. Distribution
- AC Distribution
- DC Distribution
- Thermal Cut Outs
- TB4 to 'C' Gate
- See Fig 3A-6
- Signals
- Files
- Fans

FIGURE 3A. CABLE ASSEMBLIES. SHEET 4 OF 6. INDEX NOS. 130-212. SEE LIST 3A.

FIGURE- INDEX NUMBER	PART NUMBER	DESCRIPTION	UNITS				USABLE ON CODE
			1	2	3	4	
		CABLE ASSEMBLIES (PART 4 OF 6)					
		CCODE A, 50HZ CCODE B, 60HZ					
3A-	2599242	CABLE INSTALLATION (CONTINUED)					
-130	532393	. CLAMP, ADJUSTABLE CABLE					2
-131	2566625	. SCREW, NI PLATE, BD HD, 8-32, 0.51LG			ATT PT		2
-132	2566646	. WASHER, NI PLATE, 0.170ID, 0.3750D			ATT PT		2
-133	2574804	. WASHER, LOCK, NI PLATE, ET, 0.168ID, 0.3650D			ATT PT		2
-134	2566626	. NUT, NI PLATE, HEX, 8-32			ATT PT		2
-135	2566639	. SCREW, NI PLATE, HEX HD, 10-32, 0.75LG			ATT PT		REF
-136	2574799	. WASHER, LOCK, NI PLATE, 0.194ID, 0.3650D			ATT PT		REF
-137	2604691	. JUMPER					REF
-138	2602394	. JUMPER					REF
-139	2574805	. WASHER, LOCK, NI PLATE, ET, 0.195ID, 0.3950D			ATT PT		1
-140	2601841	. CABLE ASM, SIGNALS TC 1403					REF
-141	2601772	. CABLE ASM, 400HZ TO 1403					REF
-142	2601773	. CABLE ASM, FANS TC 1403					REF
-143	2601774	. CABLE ASM, DC TO 1403					REF
-144	2601775	. CABLE ASM, SIGNALS TC 1403					REF
-145	2602074	. CLAMP USED ON MACHINES WITHOUT EC 391456					2
-145	2606021	. CLAMP USED ON MACHINES WITH EC 391456					2
-146	2566600	. SCREW, NI PLATE, BD HD, 6-32, 0.250LG			ATT PT		2
-146	2566633	. SCREW, NI PLATE, BD HD, 10-32, 0.750LG			ATT PT		2
-146A	2566650	. WASHER, LOCK, NI PLATE, SPRING, 0.141ID, 0.2350D			ATT PT		2
-146A	2574805	. WASHER, LOCK, NI PLATE, ET, 0.195ID, 0.3950D			ATT PT		2
-147	2606829	. CLAMP USED ON MACHINES WITHOUT EC 391456					3
-147	2606009	. CLAMP USED ON MACHINES WITH EC 391456					3
-148	2566600	. SCREW, NI PLATE, BD HD, 6-32, 0.250LG			ATT PT		3
-148	2566609	. SCREW, NI PLATE, BD HD, 10-32, 0.500LG			ATT PT		3
-148A	2566650	. WASHER, LOCK, NI PLATE, SPRING, 0.141ID, 0.2530D			ATT PT		3
-148A	2574805	. WASHER, LOCK, NI PLATE, ET, 0.195ID, 0.3950D			ATT PT		3
-149	2605665	. CABLE ASM, AC, CONVENIENCE INTERCONNECTION FCR COMPONENT PARTS SEE FIGURE 20 -24, -26A, -28, -59, -62, -103					1 A
-149	2605666	. CABLE ASM, AC, CONVENIENCE INTERCONNECTION FCR COMPONENT PARTS SEE FIGURE 20 -24, -26A, -28, -59, -62, -103					1 B
-150	532393	. CLAMP, ADJUSTABLE CABLE					2
-151	2566604	. SCREW, NI PLATE, BD HD, 10-32, 0.312LG			ATT PT		2
-152	2574805	. WASHER, LOCK, NI PLATE, ET, 0.195ID, 0.3950D			ATT PT		2
-153	2598971	. CABLE ASM, DC BIAS, REGULATORS 18-22, 24					REF
-154	2598779	. CABLE ASM, REMOTE SENSE, REGULATORS 18-22, 24					REF
-155	532393	. CLAMP, ADJUSTABLE CABLE					3
-156	2566617	. SCREW, NI PLATE, BD HD, 8-32, 0.375LG			ATT PT		3
-157	2574804	. WASHER, LOCK, NI PLATE, ET, 0.168ID, 0.3650D			ATT PT		3
-158	2606435	. CABLE ASM, TO J24, J25, AND P26					REF
-159	2600784	. CABLE ASM, UNREGULATED DC TO REGULATOR 20 FCR COMPONENT PARTS SEE FIGURE 20 -42, -43, -114					1
-160	2604690	. CABLE ASM, DC DISTRIBUTION 20 FCR COMPONENT PARTS SEE FIGURE 20 -114, -130					1
-161	2598955	. CABLE ASM, UNREGULATED DC TO REGULATOR 19					REF
-162	2598958	. CABLE ASM, DC, REGULATOR 19 TO GATE A					REF
-163	2598932	. CABLE ASM, UNREGULATED DC TO REGULATOR 18					REF
-164	2598973	. CABLE ASM, DC DISTRIBUTION FOR REGULATOR 18 FCR COMPONENT PARTS SEE FIGURE 20 -39, -41, -114					1
-165	2605958	. CABLE ASM, FANS					REF
-166	2598466	. JUMPER ASM FCR COMPONENT PARTS SEE FIGURE 20 -6, -111					1
-166A	2601936	. JUMPER ASM FCR COMPONENT PARTS SEE FIGURE 20 -6, -111					1
-166B	2604991	. JUMPER ASM FCR COMPONENT PARTS SEE FIGURE 20 -111, -112					1
-166C	2601936	. JUMPER ASM					1

FIGURE- INDEX NUMBER	PART NUMBER	DESCRIPTION				UNITS PER ASM.	USABLE ON CODE
		1	2	3	4		
3A-167	2566621	FCR COMPONENT PARTS SEE FIGURE 20 -6,-111					
-169	2566614	. NUT,LCCK,NI PLATE,HEX,0.250-20				2	
-170	2599285	. SCREW,NI PLATE,HEX HD,,0.250-20				2	
-170	2599380	. CABLE ASM,THERMAL CUTOOTS				REF	
-171	2598926	. CABLE ASM,THERMAL CUTOOTS				REF	
-171	2598926	. CABLE ASM,400 HZ DISTRIBUTION				1	
		FCR COMPONENT PARTS SEE FIGURE 20 -32,-35,-36, -38,-39,-128					
-172	2599079	. CABLE ASM,MODULE CB AUX CCNTACTS				REF	
-173	532393	. CLAMP-ADJUSTABLE,CABLE				3	
-174	2566617	. SCREW,NI PLATE,BD HD,8-32,0.375LG ATT PT				3	
-175	2574804	. WASHER,LOCK,NI PLATE,ET,0.168ID,0.3650D ATT PT				3	
-176	2598941	. CABLE ASM,TRAN TO SMS GATE				REF	
-177	2599001	. CABLE ASM,DC TO 2319				1	
		FCR COMPONENT PARTS SEE FIGURE 20 -3,-9,-10, -11,-12,-16,-19,-20,-32,-45,-56,-117					
-178	532393	. CLAMP,ADJUSTABLE,CABLE				3	
-179	2566617	. SCREW,NI PLATE,BD HD,8-32,0.375LG ATT PT				3	
-180	2574804	. WASHER,LOCK,NI PLATE,ET,0.168ID,0.3650D ATT PT				3	
-181	532393	. CLAMP,ADJUSTABLE,CABLE				3	
-182	2566617	. SCREW,NI PLATE,BD HD,8-32,0.375LG ATT PT				4	
-183	2574804	. WASHER,LOCK,NI PLATE,ET,0.168ID,0.3650D ATT PT				4	
-184	532393	. CLAMP,ADJUSTABLE,CABLE				3	
-185	2566617	. SCREW,NI PLATE,BD HD,8-32,0.375LG ATT PT				3	
-186	2574804	. WASHER,LCCK,NI PLATE,ET,0.168ID,0.3650D ATT PT				3	
-187	2600982	. CABLE HARNESS				REF	
-188	2600891	. CABLE ASM,AC,CONSOLE FILE AND CLOCKS				REF	
-189	2598935	. CABLE ASM,AC SUPPLY CONVENIENCE OUTLET SKT J1				REF	
-190	2598936	. CABLE ASM,AC SUPPLY CONVENIENCE OUTLET SKT1 TO SKT2				REF	
-191	532393	. CLAMP,ADJUSTABLE,CABLE				4	
-192	2566617	. SCREW,NI PLATE,ED HD,8-32,0.375LG ATT PT				4	
-193	2574804	. WASHER,LOCK,NI PLATE,ET,0.168ID,0.3650D ATT PT				4	
-194	E163	. NUT,HEX,0.375-24				REF	
-195	1C309	. WASHER,LOCK,0.382ID,0.6880D ATT PT				REF	
-197	2606435	. CABLE ASM,CONTROL AND INDICATION				REF	
-198	2604979	. SPACER				12	
-199	2610360	. OUTPUT SIUD ASM				REF	
-200	2566612	. NUT,NI PLATE,HEX,10-32 ATT PT				1	
-201	2574795	. WASHER,LOCK,NI PLATE,0.194ID,0.3370D ATT PT				1	
-202	2574805	. WASHER,LOCK,NI PLATE,ET,0.195ID,0.3950D ATT PT				1	
-203	2601982	. CABLE ASM,400HZ CBS				1	
		FCR COMPONENT PARTS SEE FIGURE 20-34,-35,-37,-38					
-204	2575295	. SCREW,NI PLATE,ED HD,10-32,0.375LG ATT PT				1	
-205	2575294	. NUT,NI PLATE,HEX,0.250-20 ATT PT				1	
-206	2575292	. WASHER,LOCK,NI PLATE,0.255ID,0.4930D ATT PT				1	
-207	2600970	. JUMPER				1	
		FCR COMPONENT PARTS SEE FIGURE 20 -18					
-208	2572160 NP	. JUMPER				REF	
-209	2575294	. NUT,NI PLATE,HEX,0.250-20 ATT PT				1	
-210	555414	. WASHER,INSULATOR				1	
-211	555412	. BUSHING,INSULATOR				1	
-212	2566635	. SCREW,NI PLATE,HEX HD,,0.250-20,0.750LG ATT PT				1	

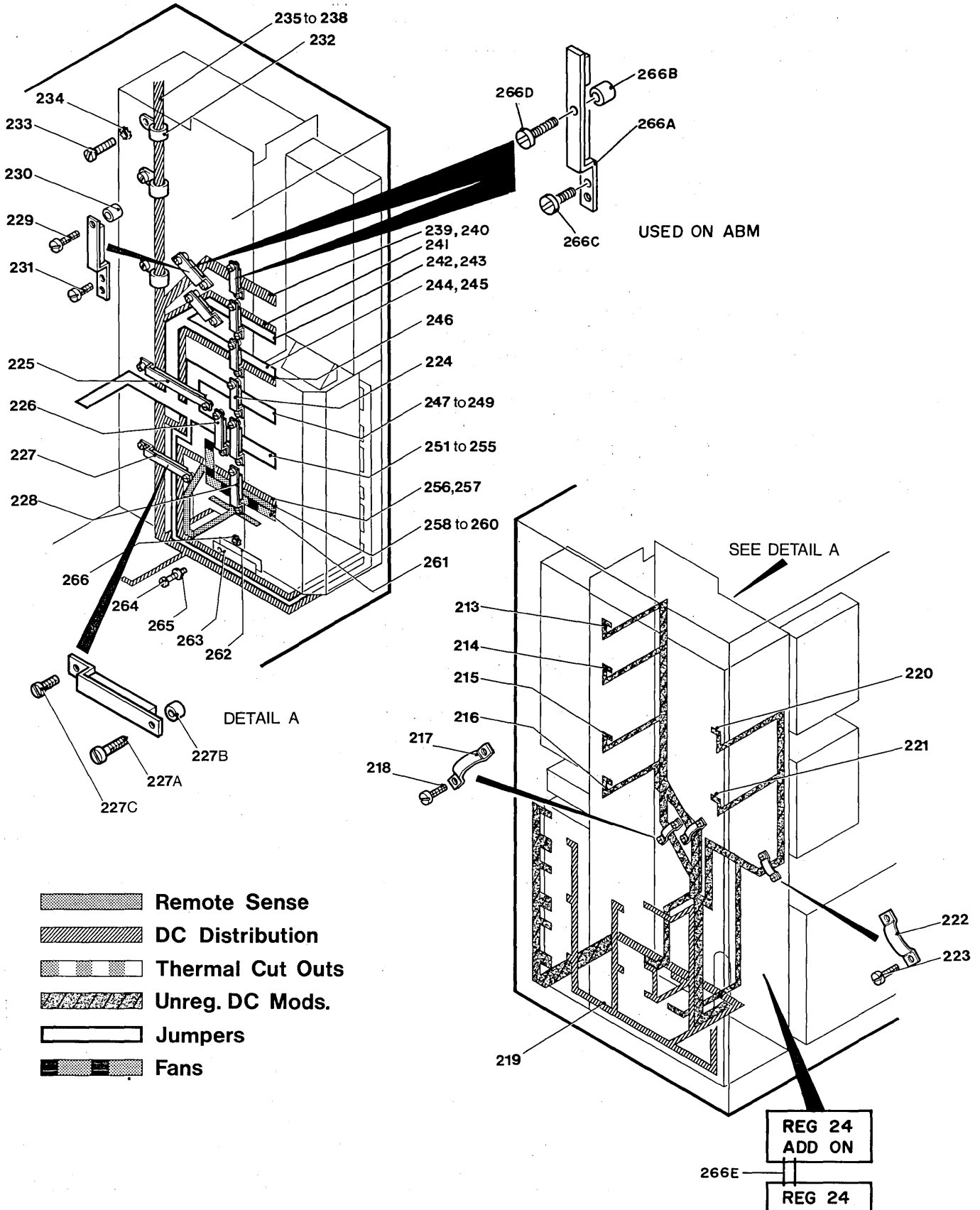


FIGURE 3A. CABLE ASSEMBLIES. SHEET 5 OF 6. INDEX NOS. 213-266E. SEE LIST 3A.

FIGURE- INDEX NUMBER	PART NUMBER	DESCRIPTION				UNITS PER ASM.	USABLE ON CODE
		1	2	3	4		
		CABLE ASSEMBLIES (PART 5 OF 6)					
		CODE A,50HZ CODE E,60HZ					
3A-	2599242 NP	CABLE INSTALLATION (CONTINUED)				REF	
-213	2598968	. CABLE ASM,UNREGULATED DC TO REGULATOR 21 FCR COMPONENT PARTS SEE FIGURE 20 -42,-43,-54				1	
-214	2598932	. CABLE ASM,UNREGULATED DC TO REGULATOR 18				REF	
-215	2598955	. CABLE ASM,UNREGULATED DC TO REGULATOR 19				REF	
-216	2598962	. CABLE ASM,UNREGULATED DC TO REGULATOR 22 (BASIC)				1	
-216	2598962	. CABLE ASM,UNREGULATED DC TO REG 24 (USED WITH ABM)				1	
		FCR COMPONENT PARTS SEE FIGURE 20 -42,-43,-54					
-217	260636	. CLAMP,CABLE				2	
-218	2566610	. SCREW,NI PLATE,BD HD,8-32,0.250LG ATT PT				4	
-219	2598779	. CABLE ASM,REMOTE SENSE,REGULATORS 18-24				REF	
-220	2598970	. CABLE ASM,UNREGULATED DC TO REGULATOR 24 (BASIC)				1	
-220	2598970	. CABLE ASM,UNREGULATED DC TO REG 22 (USED WITH ABM)				1	
		FCR COMPONENT PARTS SEE FIGURE 20 -42,-43,-54					
-221	2600784	. CABLE ASM,UNREGULATED DC TO REGULATOR 20				REF	
-222	260636	. CLAMP,CABLE				1	
-223	2566610	. SCREW,NI PLATE,BD HD,8-32,0.250LG ATT PT				2	
-224	2601923	. CLAMP ASM				6	
		ASSEMBLY COMPONENTS ARE NOT REPLACEABLE					
-225	2601959	. CLAMP ASM				1	
		ASSEMBLY COMPONENTS ARE NOT REPLACEABLE					
-226	2601960	. CLAMP ASM				2	
		ASSEMBLY COMPONENTS ARE NOT REPLACEABLE					
-227	2601925	. CLAMP ASM				1	
		ASSEMBLY COMPONENTS ARE NOT REPLACEABLE					
-227A	149695	. SCREW,HEX,SOC HD,10-32,1.000LG ATT PT				2	
-227B	2601857	. SPACER				2	
-227C	2566607	. SCREW,NI PLATE,BD HD,10-32,0.250LG ATT PT				2	
-228	2601960	. CLAMP ASM				1	
		ASSEMBLY COMPONENTS ARE NOT REPLACEABLE					
-229	2566633	. SCREW,NI PLATE,BD HD,10-32,0.750LG ATT PT				9	
-230	2601858	. SPACER				9	
-231	2566607	. SCREW,NI PLATE,BD HD,10-32,0.250LG ATT PT				20	
-232	532393	. CLAMP,ADJUSTABLE,CABLE				3	
-233	2575295	. SCREW,NI PLATE,BD HD,10-32,0.375LG ATT PT				3	
-234	2574805	. WASHER,LOCK,NI PLATE,ET,0.195ID,0.395OD ATT PT				3	
-235	2598466	. JUMPER ASM,R28 E4 TC R10 AND R11-B				REF	
-236	2601936	. JUMPER ASM,R27 E1 TC R10 AND R11-A				REF	
-237	2604991	. JUMPER ASM,R28 E2 TC R10 AND R11-A				REF	
-238	2601936	. JUMPER ASM,R27 E3 TC R10 AND R11-B				REF	
-239	2598976	. CABLE ASM,DC,REGULATOR 21 TO GATE A				REF	
-240	2605912	. CABLE ASM,DC,REGULATOR 24 TO GATE B				REF	
-241	2598964	. CABLE ASM,DC,REGULATOR 22 TO GATE B				REF	
-242	2601936	. JUMPER ASM,LBB3-3 TC REGULATOR 26E1				REF	
-243	2601937	. JUMPER ASM,LBB3-4 TC REGULATOR 26E3				REF	
-244	2598466	. JUMPER ASM,LBB3-8 TC REGULATOR 27E3				1	
		FCR COMPONENT PARTS SEE FIGURE 20 -6,-111					
-245	2598467	. JUMPER ASM,LBB3-7 TC REGULATOR 27E1				REF	
-246	2598958	. CABLE ASM,DC,REGULATOR 19 TO GATE A				REF	
-247	2598463	. JUMPER ASM,LBB3-9 TC REGULATOR 28E3				1	
		FCR COMPONENT PARTS SEE FIGURE 20 -6,-111					
-248	2601938	. JUMPER ASM,LBB3-10 TO REGULATOR 28E1				1	
		FCR COMPONENT PARTS SEE FIGURE 20 -6,-111					
-249	2600781	. JUMPER ASM,LBB4-4 TC REGULATOR 26E4				REF	
		FCR COMPONENT PARTS SEE FIGURE 20 -6,-111					
-251	2598465	. JUMPER ASM,LBB4-7 TC REGULATOR 27E2				REF	
-252	2598472	. JUMPER ASM,LBB4-8 TC REGULATOR 27E4				REF	
-253	2598464	. JUMPER ASM,LBB4-9 TC REGULATOR 28-E4				REF	
-254	2601939	. JUMPER ASM,LBB4-10 TO REGULATOR 28E2				REF	
-255	2604690	. CABLE ASM,DC DISTRIBUTION 20				REF	
-256	2598973	. CABLE ASM,DC,REGULATOR 18 TO GATE A				REF	
-257	2606435	. CABLE ASM,CONTROL AND INDICATION TO J24,J25 AND P26				REF	
-258	2598779	. CABLE ASM,REMOTE SENSE 18-24				REF	
-259	2598459	. CABLE ASM,2I REMOTE SENSE				REF	
-260	2602016	. CABLE ASM,REG 28 REMOTE SENSE				REF	
-261	2605958	. CABLE ASM,FANS				REF	
-262	2603660	. JUMPER ASM				2	
		FCR COMPONENT PARTS SEE FIGURE 20 -22					
-263	2601825	. JUMPER ASM				REF	
-264	2566609	. SCREW,NI PLATE,BD HD,10-32,0.500LG ATT PT				1	
-265	2574799	. WASHER,LOCK,NI PLATE,0.194ID,0.337OD ATT PT				1	
-266	2574805	. WASHER,LOCK,NI PLATE,ET,0.195ID,0.395OD ATT PT				1	
-266A	2605712	. CLAMP				2	
-266B	2601858	. SPACER ATT PT				2	

FIGURE- INDEX NUMBER	PART NUMBER	DESCRIPTION				UNITS PER ASM.	USABLE ON CODE
		1	2	3	4		
3A-266C -266D -266E	2566607 2606826 2660812	.	SCREW		ATT PT	4	
		.	SCREW		ATT PT	2	
		.	JUMPER ASM			2	

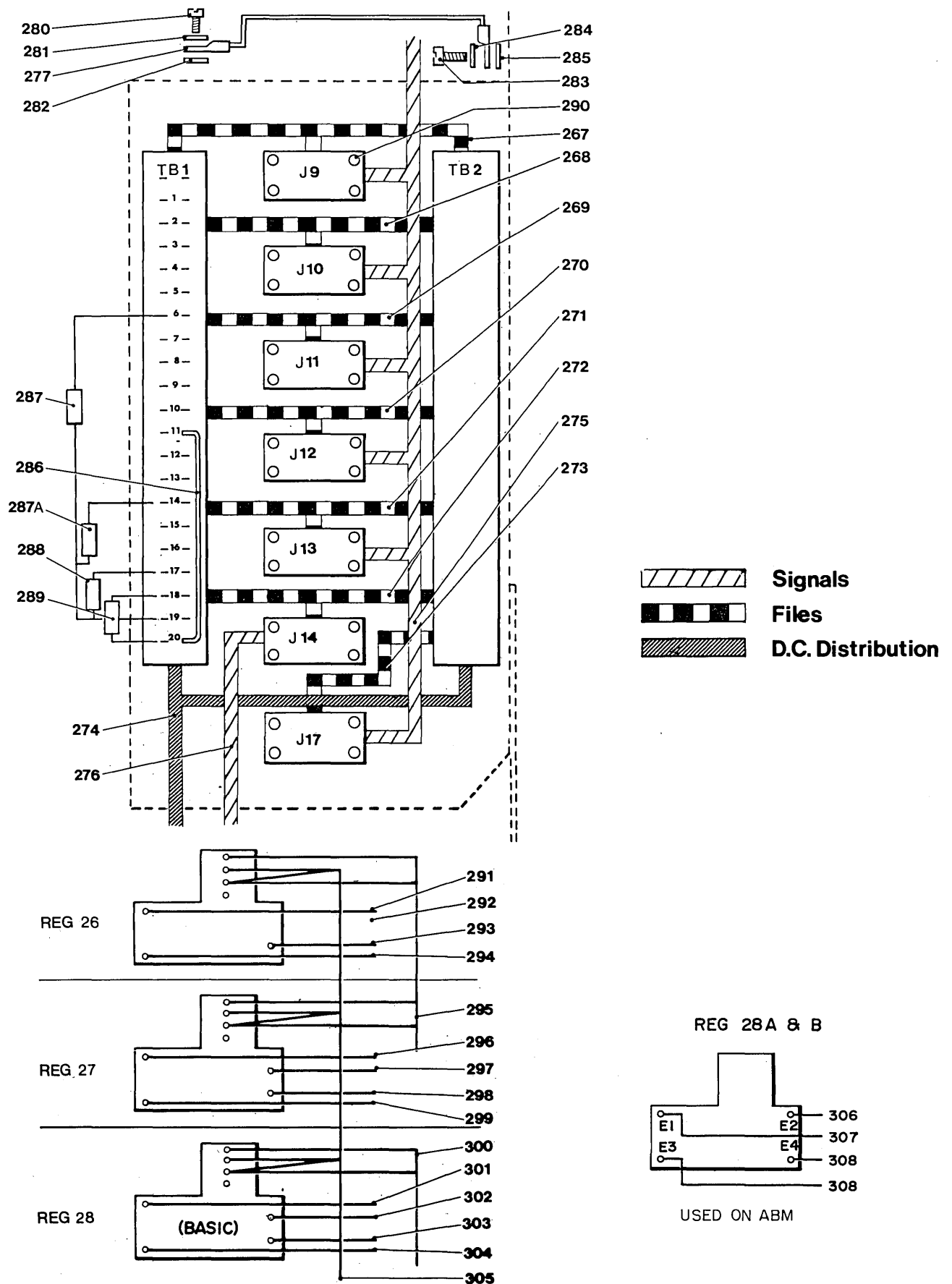


FIGURE 3A. CABLE ASSEMBLIES. SHEET 6 OF 6. INDEX NOS. 267-308. SEE LIST 3A.

FIGURE- INDEX NUMBER	PART NUMBER	DESCRIPTION	UNITS PER ASM.	USABLE ON CODE
		CABLE ASSEMBLIES (PART 6 OF 6)		
		CODE A,50HZ CODE B,60HZ		
3A-	2599242 NP	CABLE INSTALLATION (CONTINUED)	REF	
-267	2598922	. CABLE ASM,2319 INTERFACE,1E1,1E2 TO J9 FCR COMPONENT PARTS SEE FIGURE 20 -32,-33,-72, -100,-101,-102	1	
-268	2598923	. CABLE ASM,2319 INTERFACE,1E1,1E2 TO J10 FCR COMPONENT PARTS SEE FIGURE 20 -32,-33,-72, -100,-101,-102	1	
-269	2598924	. CABLE ASM,2319 INTERFACE,1E1,1E2 TO J11 FCR COMPONENT PARTS SEE FIGURE 20 -32,-33,-72, -100,-101,-102	1	
-270	2598890	. CABLE ASM,2319 INTERFACE,1E1,1E2 TO J12 FCR COMPONENT PARTS SEE FIGURE 20 -32,-33,-72, -100,-101,-102	1	
-271	2598891	. CABLE ASM,2319 INTERFACE,1E1,1E2 TO J13 FCR COMPONENT PARTS SEE FIGURE 20 -32,-33,-72, -100,-101,-102	1	
-272	2602052	. CABLE ASM,2319 INTERFACE,1E1,1E2 TO J14 FCR COMPONENT PARTS SEE FIGURE 20-32, -33, -72 -100,-101,-102	1	
-273	2604667	. CABLE ASM,2319 INTERFACE,A03 FCR COMPONENT PARTS SEE FIGURE 20-31, -33, -72 -99,-100,-101	1	
-274	2599001	. CABLE ASM,2319 INTERFACE,TO DC,1E1,1E2	REF	
-275	2599206	. CABLE ASM,2319 INTERFACE,SIGS TO GATE A	REF	
-276	2606435	. CABLE ASM,TO J24,J25 AND P26	REF	
-277	5383249	. JUMPER,GROUND	1	
-280	2566607	. SCREW,NI PLATE,BD HD,10-32,0.250LG ATT PT	1	
-281	2574799	. WASHER,LOCK,NI PLATE,0.194ID,0.337OD ATT PT	1	
-282	2574805	. WASHER,LOCK,NI PLATE,ET,0.195ID,0.395OD ATT PT	1	
-283	2566610	. SCREW,BD HD,NI PLATE,8-32,0.250LG ATT PT	1	
-284	2574799	. WASHER,LOCK,NI PLATE,0.194ID,0.337OD ATT PT	1	
-285	2574804	. WASHER,LOCK,NI PLATE,ET,0.168ID,0.365OD ATT PT	1	
-286	5759969	. JUMPER ASM FCR COMPONENT PARTS SEE FIGURE 20 -20	1	
-287	2602387	. CAPACITOR ASM ASSEMBLY COMPONENTS ARE NOT REPLACEABLE	1	
-287A	2605762	. CAPACITOR ASM ASSEMBLY COMPONENTS ARE NOT REPLACEABLE	1	
-288	2598947	. CAPACITOR ASM ASSEMBLY COMPONENTS ARE NOT REPLACEABLE	1	
-289	2598947	. CAPACITOR ASM ASSEMBLY COMPONENTS ARE NOT REPLACEABLE	1	
-290	2598654	. SCREW,FIL HD,NI PLATE,6-32,0.250LG ATT PT	28	
-291	2601936	. JUMPER ASM FCR COMPONENT PARTS SEE FIGURE 20 -6,-111	1	
-293	2600781	. JUMPER ASM FCR COMPONENT PARTS SEE FIGURE 20 -6,-111	1	
-294	2601937	. JUMPER ASM FOR COMPONENT PARTS SEE FIGURE 20 -6,-111	1	
-295	2598459	. CABLE ASM,REMOTE SENSE,REGS 26 AND 27	REF	
-296	2598467	. JUMPER ASM FCR COMPONENT PARTS SEE FIGURE 20 -6,-111	1	
-297	2598465	. JUMPER ASM FCR COMPONENT PARTS SEE FIGURE 20 -6,-111	1	
-298	2598472	. JUMPER ASM FCR COMPONENT PARTS SEE FIGURE 20 -6,-111	1	
-299	2598466	. JUMPER ASM FCR COMPONENT PARTS SEE FIGURE 20 -6,-111	1	
-300	2602016	. CABLE ASM,DC,REGULATOR 20 TO GATE B	REF	
-301	2601938	. JUMPER ASM FCR COMPONENT PARTS SEE FIGURE 20 -111,-112	1	
-302	2601939	. JUMPER ASM FCR COMPONENT PARTS SEE FIGURE 20 -111,-112	1	
-303	2598464	. JUMPER ASM FCR COMPONENT PARTS SEE FIGURE 20 -6,-111	1	
-304	2598463	. JUMPER ASM FOR COMPONENT PARTS SEE FIGURE 20 -6,-111	1	
-305	2606435	. CABLE ASM,TO J24,J25,AND P26	REF	
-306	2601938	. JUMPER,DC	AR	
-307	2598463	. JUMPER,DC	AR	
-308	2605759	. JUMPER,DC	AR	

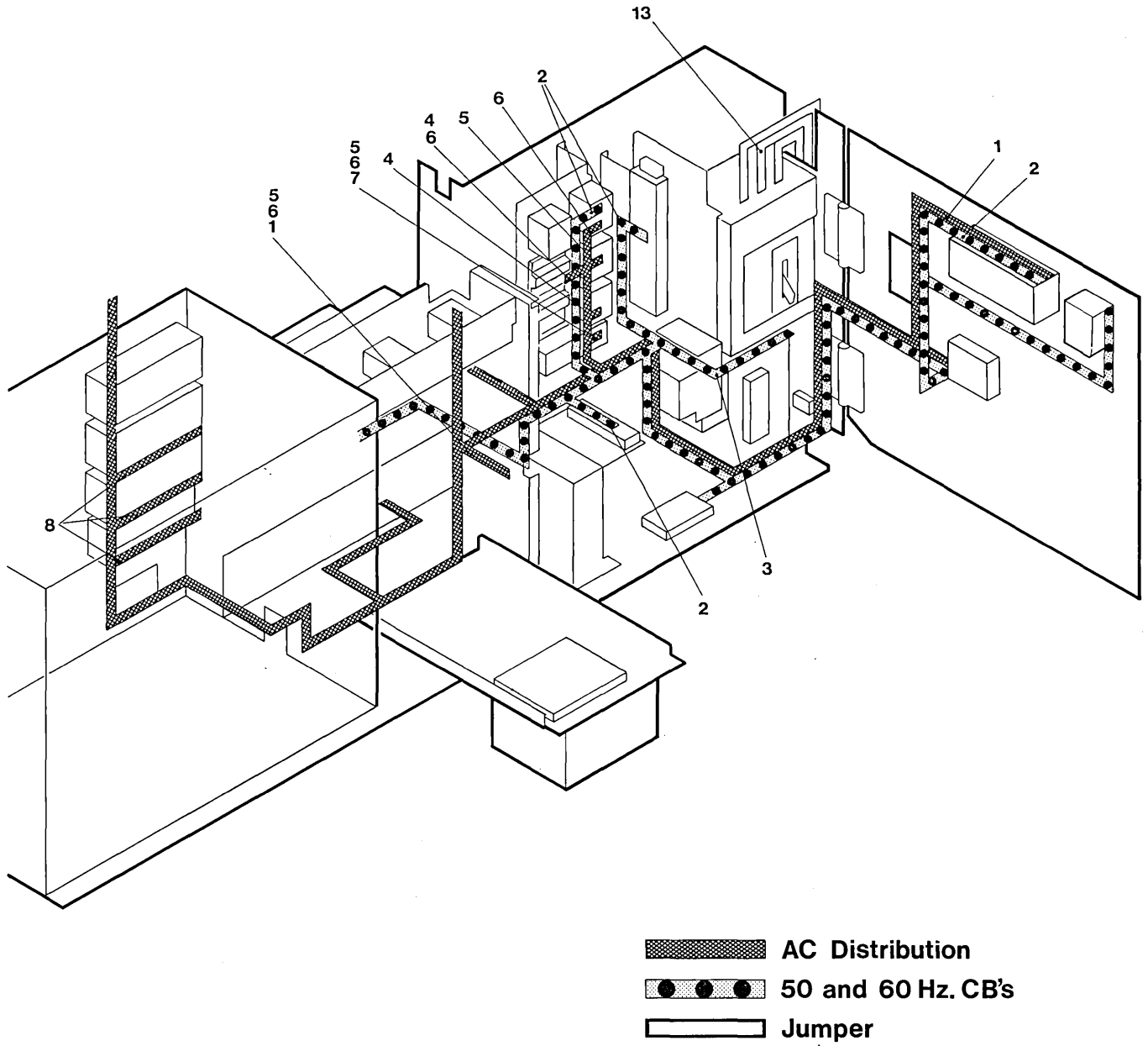


FIGURE 3B. CABLE ASSEMBLIES AC COMPARTMENT. SHEET 1 OF 3. INDEX NOS. 1-13. SEE LIST 3B.

FIGURE- INDEX NUMBER	PART NUMBER	DESCRIPTION				UNITS PER ASM.	USABLE ON CODE
		1	2	3	4		
		CABLE ASSEMBLIES, AC COMPARTMENT (PART 1 OF 3)					
		CODE A, 50HZ CODE B, 60HZ					
3B-	NC NO	CABLE INSTALLATIONS				REF	
- 1	2598953	FOR NEXT, HIGHER ASSEMBLY, SEE FIGURE 3A CABLE ASM, AC, TB10 TC CIRCUIT BREAKERS FOR COMPONENT PARTS SEE FIG 20 -14,-30				1	
- 2	2599288	CABLE ASM, 50 HZ CIRCUIT BREAKERS FOR COMPONENT PARTS SEE FIG 20 -13,-31,-32,-33, -37,-38,-39,-40,-41				1	A
- 2	2598929	CABLE ASM, 60HZ CIRCUIT BREAKERS FOR COMPONENT PARTS SEE FIGURE 20 -13,-31,-32 -37,-38,-39				1	B
- 3	2598892	CABLE ASM, 60HZ, CB17 TO K2 FOR COMPONENT PARTS SEE FIGURE 20 -39				1	B
- 3	2599286	CABLE ASM, 50HZ, CB17 TO K2 FOR COMPONENT PARTS SEE FIGURE 20 -33,-41				1	A
- 4	2599325	CABLE ASM, TB14 TO TB43, K21 FOR COMPONENT PARTS SEE FIGURE 20 -13,-31,-37				1	
- 5	2598930	CABLE ASM, 60HZ, K16, 17, 19 TO TB11, 12 FOR COMPONENT PARTS SEE FIGURE 20 -13,-31,-32				1	B
- 5	2599287	CABLE ASM, 50HZ, K17 TO TB11, 12, 14 FOR COMPONENT PARTS SEE FIGURE 20 -31,-37				1	A
- 6	2598972	CABLE ASM, 60HZ, TO 1403 FOR COMPONENT PARTS SEE FIGURE 20 -16,-19, -26,-31,-37,-47,-49				1	B
- 6	2600616	CABLE ASM, 50HZ, TO 1403 FOR COMPONENT PARTS SEE FIGURE 20 -20,-26 -32,-37,-47,-48,-49				1	A
- 7	2598938	CABLE ASM, AC POWER TO 3210, TB12 TO J15				REF	
- 8	2598926	CABLE ASM, 400HZ TO J33, TB18, TB39				REF	
- 13	2601749	LINE CORD, USA 7 FEET FOR COMPONENT PARTS SEE FIGURE 20 -5,-60,-61				1	
- 13	2601750	LINE CORD, USA 14 FEET FOR COMPONENT PARTS SEE FIGURE 20 -5,-60,-61				1	
- 13	2602115	LINE CORD, JAPAN, 200-235V FOR COMPONENT PARTS SEE FIGURE 20 -61				1	
- 13	2602114	LINE CORD, JAPAN, 380-408V FOR COMPONENT PARTS SEE FIGURE 20-61				1	
- 13	2601751	LINE CORD, WT EXCEPT AUS, JAPAN, NZ, UK USED WITH GERMAN RADIO FREQUENCY INTERFERENCE BOX ONLY				1	
- 13	1812735	LINE CORD, 60 HZ 15 FEET-CANADA ONLY					

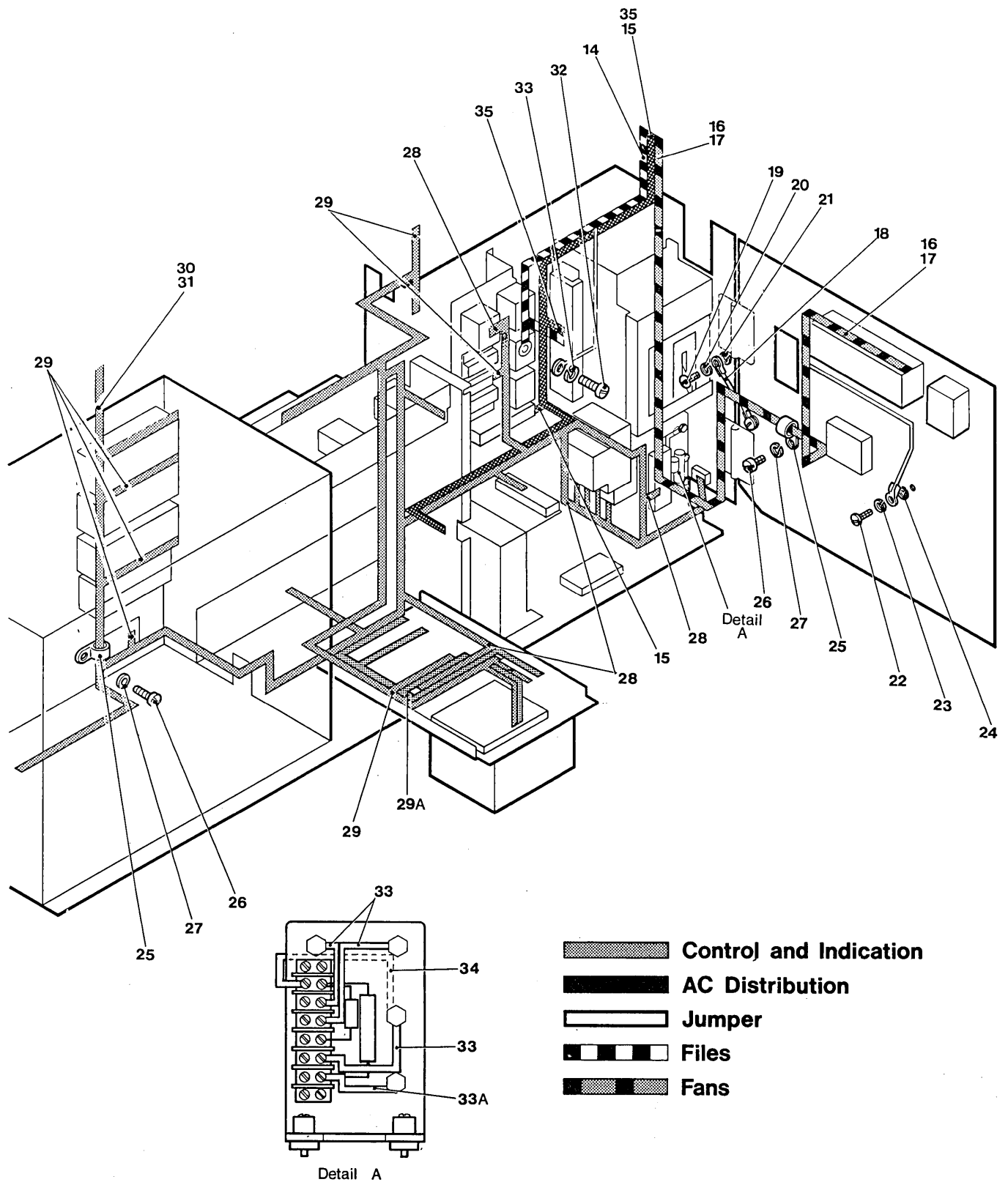
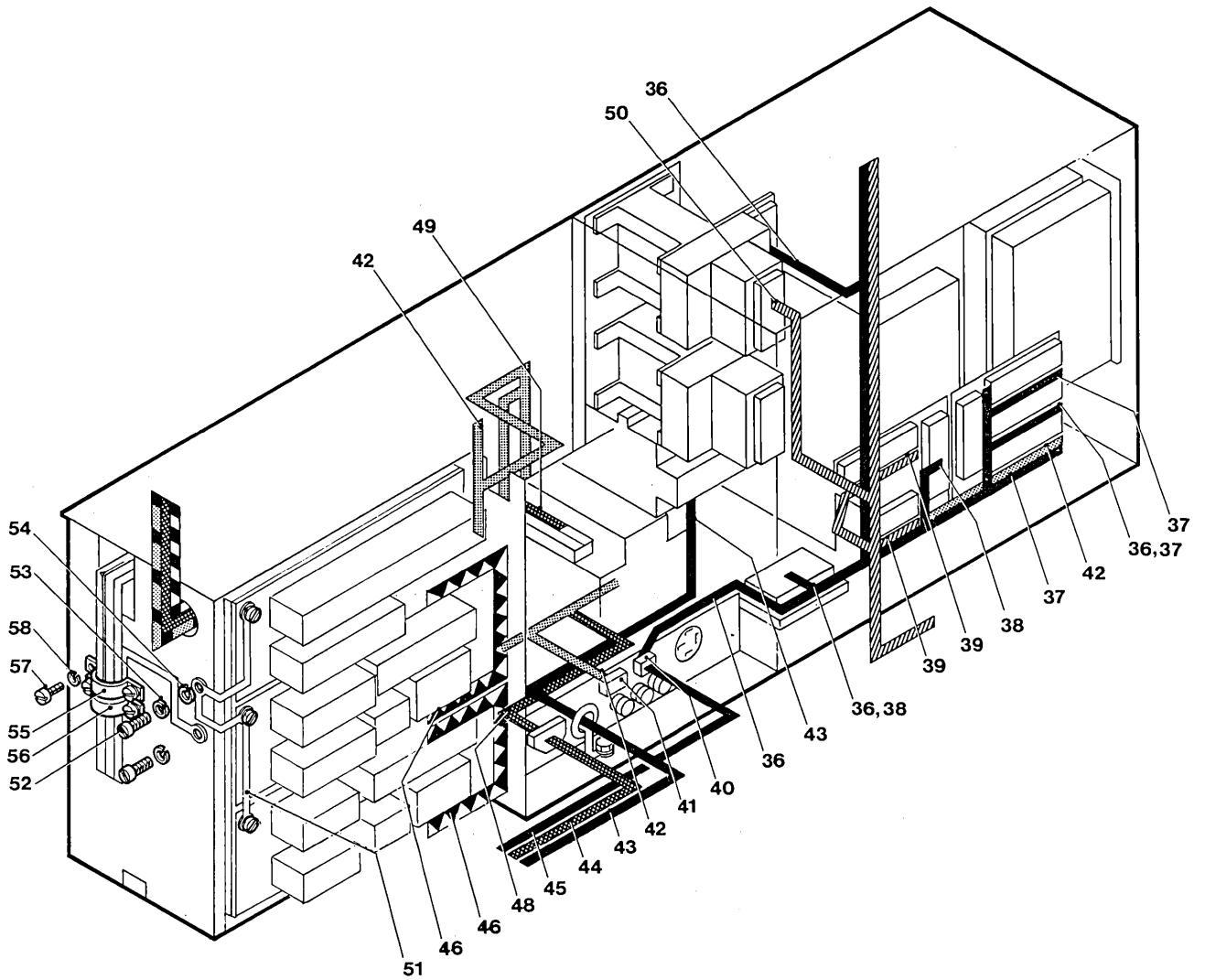


FIGURE 3B. CABLE ASSEMBLIES AC CCMEPARTMENT. SHEET 2 OF 3. INDEX NOS. 14-35. SEE LIST 3B.

FIGURE- INDEX NUMBER	PART NUMBER	DESCRIPTION				UNITS PER ASM.	USABLE ON CODE
		1	2	3	4		
		CABLE ASSEMBLIES, AC COMPARTMENT (PART 2 OF 3)					
		CCDE A, 50HZ CCDE B, 60HZ					
3B-	NC NO	CABLE INSTALLATIONS (CONTINUED)				REF	
- 14	259E5CC	. CABLE ASM, 60HZ, TB14 TO J6 FCR CCMPONENT PARTS SEE FIGURE 20 -60,-104,-105				1	B
- 14	260C818	. CABLE ASM, 50HZ, TB14 TO J6				1	A
- 15	2598938	FCR CCMPONENT PARTS SEE FIGURE 20 -33,-39,-104,-105				REF	
- 16	260595E	. CABLE ASM, AC POWER TO 3210, TB12 TO J15				REF	AB
- 17	2601773	. CABLE ASM, FAN SUPPLY, CB6 TO P29, 30				REF	
- 18	5759071	. JUMPER ASM FCR CCMPONENT PARTS SEE FIGURE 20 -38				1	
- 19	2575295	. SCREW, BD HD, 10-32, 0.375LG ATT PT				2	
- 20	2574799	. WASHER, NI PLATE, LOCK, 0.194ID, 0.3370D ATT PT				2	
- 21	2574805	. WASHER, NI PLATE, LCK, ET, 0.195ID, 0.3950D ATT PT				2	
- 22	2575295	. SCREW, BD HD, 10-32, 0.375LG				1	
- 23	2574799	. WASHER, NI PLATE, LOCK, 0.194ID, 0.3370D				1	
- 24	2574805	. WASHER, NI PLATE, LOCK, ET, 0.195ID, 0.3950D				1	
- 25	532393	. CLAMP, ADJUSTABLE CABLE				2	
- 26	2566617	. SCREW, NI PLATE, BD HD, 8-32, 0.375LG ATT PT				2	
- 27	2574804	. WASHER, NI PLATE, LOCK, ET, 0.168ID, 0.3650D ATT PT				2	
- 28	259E927	. CABLE ASM, 60HZ, CONT/IND FCR CCMPONENT PARTS SEE FIGURE 20 -13,-14,-30, -31,-32,-33,-39,-46,-110				1	B
- 28	2601781	. CABLE ASM, 50HZ, CONT/IND, J2 AND TB15 FCR CCMPONENT PARTS SEE FIGURE 20 -13, -14, -15 -19,-20,-46,-60,-63,-110				1	A
- 29	260C979	. CABLE ASM, TO BEG 28, J26 FCR CCMPONENT PARTS SEE FIGURE 20 -13,-14,-29,-30, -31,-32,-50,-57,-70,-72,-75,-76,-77,-78,-90, -110,-117,-120,-131				1	
- 29A	2598469	. CABLE ASM, RELAY GATE FCR CCMPONENT PARTS SEE FIG 20-13,-14,29, -51,-120,-131,-143,-144,-145,-169				1	
- 30	2598941	. CABLE ASM, K30 T3 TO TB28, 29 SMS GATE FCR CCMPONENT PARTS SEE FIGURE 20 -9,-10,-11, -13,-27,-31,-39,-45				1	
- 31	2598953	. CABLE ASM, AC, TB10 TO CIRCUIT BREAKERS FCR CCMPONENT PARTS SEE FIGURE 20 -14,-20				1	
- 32	2566604	. SCREW, NI PLATE, BD HD, 10-32, 0.312LG				1	
- 32A	2574799	. WASHER, NI PLATE, LOCK, 0.194ID, 0.3370D				1	
- 32B	2574805	. WASHER, NI PLATE, LCK, ET, 0.195ID, 0.3950D				1	
- 33	2599173	. JUMPER ASM FCR CCMPONENT PARTS SEE FIG 20 -31				3	
- 33A	2599176	. JUMPER ASM FOR CCMPONENT PARTS SEE FIG 20 -31				1	
- 34	2607119	. JUMPER ASM FCR CCMPONENT PARTS SEE FIG 20 -31,-37				1	
- 35	2600845	. CABLE ASM, AC POWER TO 3215, TB14 TO J7				REF	








-  Control and Indication
-  400 Hz. Distribution
-  AC Distribution
-  DC Distribution
-  I/O Units

FIGURE 3B. CABLE ASSEMBLIES AC COMPARTMENT. SHEET 3 OF 3. INDEX NOS. 36-58. SEE LIST 3B.

FIGURE- INDEX NUMBER	PART NUMBER	DESCRIPTION				UNITS PER ASM.	USABLE ON CODE
		1	2	3	4		
		CABLE ASSEMBLIES, AC COMPARTMENT (PART 3 OF 3)					
		CODE A, 50HZ CODE E, 60HZ					
3B-	NO NO	CABLE INSTALLATIONS (CONTINUED)				REF	
		FOR NEXT, HIGHER ASSEMBLY, SEE FIGURE 3A					
- 36	2698926	. CABLE ASM, 400HZ TO J33, TB18, TB39				REF	
- 37	2598941	. CABLE ASM, K30 T3 TO TB28, 29 SMS GATE				REF	
- 38	2599000	. CABLE ASM, 400HZ, TB18 CB35 T4				1	
		FOR COMPONENT PARTS SEE FIGURE 20 -32,-38					
- 39	2599001	. CABLE ASM, DC TO 2319 INTERFACE TB1, 2				1	
		FOR COMPONENT PARTS SEE FIGURE 20 -3,-9,-10, -11,-12,-16,-31,-32,-38-45,-56,-117					
- 40	2426171	. CONNECTOR				1	
- 41	5352704	. PLUG ASSEMBLY, DUMMY				1	
- 42	2600979	. CABLE ASM, CONT/IND, AC BOX				REF	
- 43	2599278	. CABLE ASM, 400HZ, K1 TO P4				REF	
- 44	2600630	. CABLE ASM, AC POWER TO 1403				REF	
- 45	2601772	. CABLE ASM, 400HZ DIST, P33 TO TB36				REF	
- 46	2605696	. CABLE ASM, I/C UNITS				2	
		FOR COMPONENT PARTS SEE FIGURE 20 -57					
- 48	2598972	. CABLE ASM, 60HZ, AC TO 1403				1	B
		FOR COMPONENT PARTS SEE FIGURE 20 -13,-16,-20, -20,-26,-47,-49					
- 48	2600616	. CABLE ASM, 50HZ AC TO 1403				1	A
		FOR COMPONENT PARTS SEE FIGURE 20 -13,-16,19, -20,-26,-47,-48,-49					
- 49	2598930	. CABLE ASM, 60HZ, K16, 17, 19 TO TB11, 12				1	B
		FOR COMPONENT PARTS SEE FIGURE 20 -13,-31,-32					
- 49	2599287	. CABLE ASM, 50HZ, K17 TO TB11, 12, 14				1	A
		FOR COMPONENT PARTS SEE FIGURE 20 -4,-13,-16,-20					
- 50	2598971	. CABLE ASM, DC EIAS, REGULATORS 18-22, 24				REF	
- 51	2600058	. JUMPER ASM				3	
		FOR COMPONENT PARTS SEE FIGURE 20-37					
- 52	2575295	. SCREW, NI PLATE, BD HD, 10-32, 0.375LG ATT PT				4	
- 53	2574799	. WASHER LOCK, NI PLATE, SPRING, 0.194ID, 0.337OD ATT PT				4	
- 54	2574805	. WASHER LOCK, NI PLATE, ET, 0.195ID, 0.395OD ATT PT				4	
- 55	2599195	. CLAMP				AR	
		USED ON USA AND JAPANESE MACHINES					
- 55	2602266	. CLAMP				AR	
		USED ON UK, WT, AUSTRALASIA AND JAPANESE MACHINES					
- 56	2599194	. CLAMP				AR	
		USED ON JAPANESE MACHINES					
- 56	2599195	. CLAMP				AR	
		USED ON UK, WT AND AUSTRALASIA MACHINES					
- 56	260622	. CLAMP				AR	
		USED ON USA AND JAPANESE MACHINES					
- 57	2575295	. SCREW, NI PLATE, BD HD, 10-32, 0.375LG ATT PT				AR	
- 58	2574805	. WASHER, LOCK, NI PLATE, ET, 0.195ID, 0.395OD ATT PT				AR	

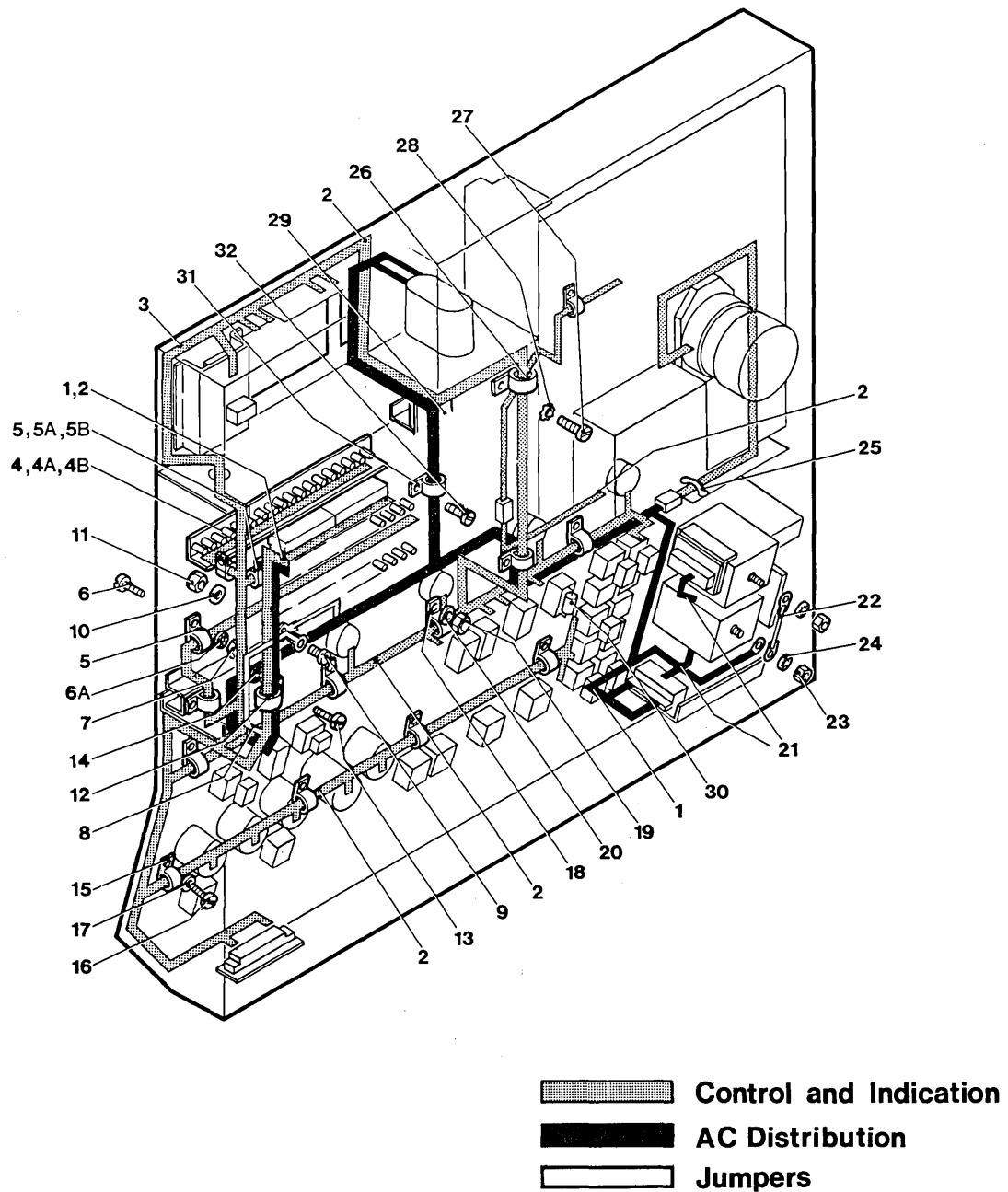


FIGURE 3C. CABLE ASSEMBLIES OPERATOR CONSOLE. SEE LIST 3C.

FIGURE- INDEX NUMBER	PART NUMBER	DESCRIPTION				UNITS PER ASM.	USABLE ON CODE
		1	2	3	4		
		CABLE ASSEMBLIES, OPERATOR CCNSOLE					
3C-	2601732 NP	CABLE INSTALLATION, OPERATOR CCNSOLE FOR NEXT, HIGHER ASSEMBLY, SEE FIGURE 2					
- 1	2600890	. CABLE HARNESS, AC-23FD AND CLOCKS FOR COMPONENT PARTS SEE FIGURE 20 -31,-37,-56,-64, -65,-71				1	
- 2	2606428	. CABLE HARNESS, CONTROL AND INDICATION FOR COMPONENT PARTS SEE FIGURE 20 -13,-14,-20,-50, -69,-71,-73,-75,-76,-79,-80,-120,-124,-131,-166,-175				1	
- 3	2601004	. CABLE HARNESS, LAMP SUPPLY FOR COMPONENT PARTS SEE FIGURE 20 -13,-14,-31				1	
- 4	533289	. CLAMP				1	
- 4A	10170	. SCREW, BD HD, 6-32, 0.250LG				ATT PT	1
- 4B	257986	. WASHER, C. 156ID, 0.3120D				ATT PT	1
- 5	2102366	. CLAMP					1
- 5A	10170	. SCREW, BD HD, 6-32, 0.250LG				ATT PT	1
- 5B	257986	. WASHER, C. 156ID, 0.3120D				ATT PT	1
- 6	81693	. SCREW, BD HD, 6-32, 0.375LG				ATT PT	3
- 6A	62031	. WASHER, LOCK, IT, 0.141ID, 0.2950D				ATT PT	3
- 7	257187	. NUT, HEX, 6-32				ATT PT	3
- 8	62658	. JUMPER ASM					1
		FOR COMPONENT PARTS SEE FIGURE 20 -24A					
- 9	332620	. SCREW, BD HD, 10-32, 0.500LG				ATT PT	1
- 10	56079	. WASHER, LOCK, ET, 0.195ID, 0.4100D				ATT PT	1
- 11	11891	. NUT, HEX, 10-32				ATT PT	1
- 12	5270166	. CLAMP, ADJUSTING					1
- 13	332620	. SCREW, BD HD, 10-32, 0.500LG				ATT PT	1
- 14	56079	. WASHER, LOCK, ET, 0.195ID, 0.4100D				ATT PT	1
- 15	532393	. CLAMP, ADJUSTABLE, CABLE					4
- 16	34512	. SCREW, BD HD, 8-32, 0.375LG				ATT PT	4
- 17	56722	. WASHER, LOCK, ET, 0.141ID, 0.3810D				ATT PT	4
- 18	532393	. CLAMP, ADJUSTABLE, CABLE					4
- 19	257187	. NUT, HEX, 6-32				ATT PT	4
- 20	55901	. WASHER, LOCK, ET, C. 168ID, 0.3810D				ATT PT	4
- 21	2599177	. CABLE HARNESS FOR COMPONENT PARTS SEE FIGURE 20 -30,-31,-167,-168					1
- 22	5369708	. JUMPER ASM FOR COMPONENT PARTS SEE FIGURE 20 -34					1
- 23	257189	. NUT, HEX, 8-32				ATT PT	2
- 24	55901	. WASHER, LOCK, ET, C. 168ID, 0.3810D				ATT PT	2
- 25	2181674	. CABLE TIE					1
- 26	532393	. CLAMP, CABLE					3
- 27	32042	. SCREW, BD HD, 10-32, 0.375LG				ATT PT	3
- 28	56121	. WASHER, LOCK, IT, C. 195ID, 0.3810D				ATT PT	3
- 29	2604503	. CABLE ASM, HARNESS					REF
- 30	2111232	. DIODE					1
- 31	533289	. CLAMP					1
- 32	32042	. SCREW, BD HD, 10-32, 0.375LG				ATT PT	3

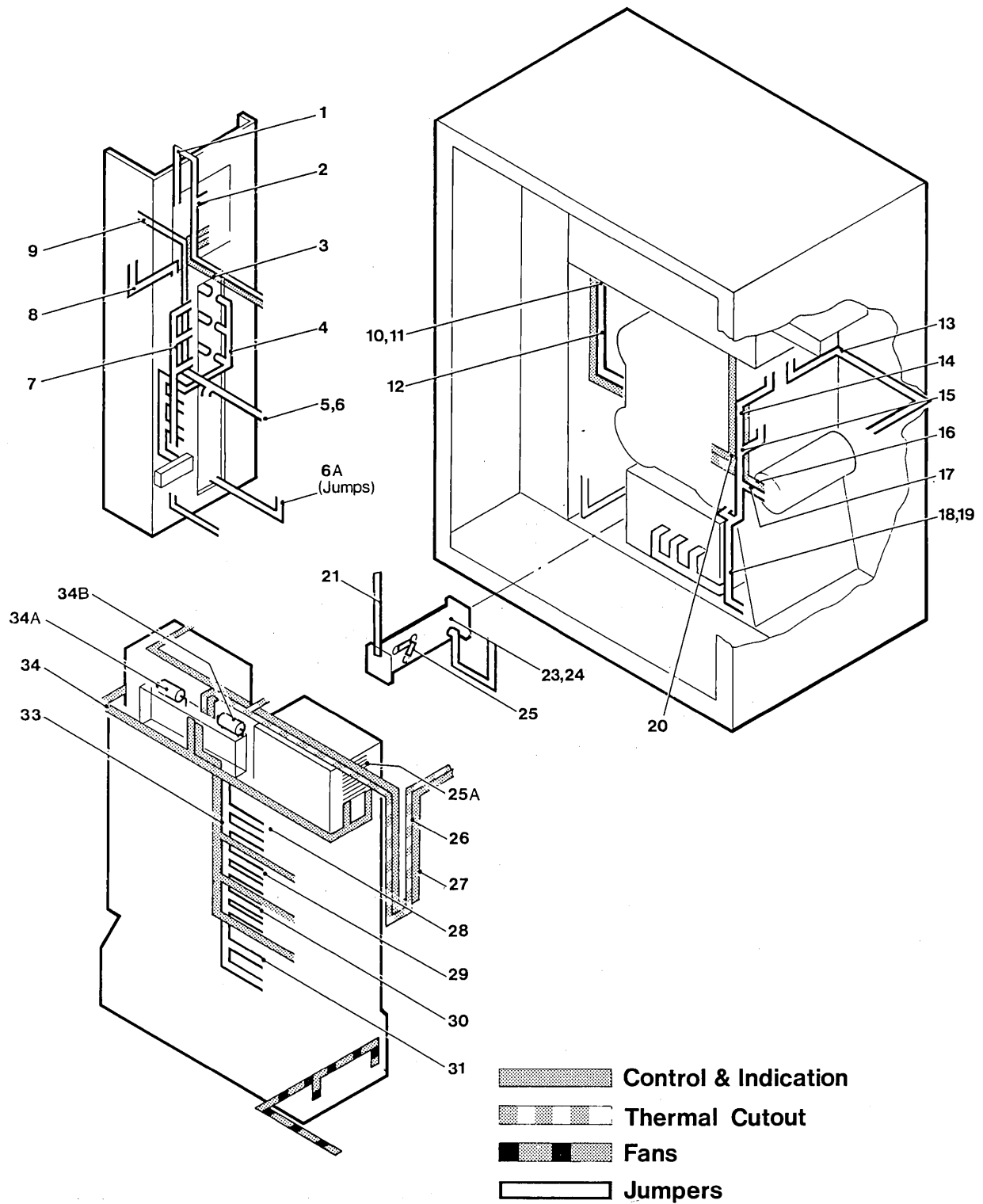


FIGURE 3D. 1403 POWER BOX CABLE ASSEMBLIES. SHEET 1 OF 2. INDEX NOS. 1-34B. SEE LIST 3D.

FIGURE- INDEX NUMBER	PART NUMBER	DESCRIPTION	1 2 3 4				UNITS PER ASM.	USABLE ON CODE
		1403 POWER BOX CABLE ASSEMBLIES (PART 1 OF 2)						
3D-	2601870 NP	1403 POWER BOX CABLE INSTALLATION					REF	
- 1	5758948	. JUMPER ASM,60CV					1	
- 2	2180969	. FCR COMPONENT PARTS SEE FIGURE 20 -5,-61 . JUMPER ASM					1	
- 3	2601706	. FCR COMPONENT PARTS SEE FIGURE 20 -5 . CABLE HARNESS,SEQUENCE PANEL					1	
- 4	2602012	. FCR COMPONENT PARTS SEE FIGURE 20 -2,-13,-14,-16 -19,-20,-25,-46,-50,-51,-120,-131,-161					3	
- 5	2502958	. JUMPER ASM					1	
- 6	5761862	. FCR COMPONENT PARTS SEE FIGURE 20 -136,-61 . JUMPER ASM					1	
- 7	5758718	. FCR COMPONENT PARTS SEE FIGURE 20 -60 . JUMPER ASM					3	
- 8	5761863	. FCR COMPONENT PARTS SEE FIGURE 20 -15,-61 . JUMPER ASM					1	
- 9	2502958	. FCR COMPONENT PARTS SEE FIGURE 20 -5 . JUMPER ASM					REF	
- 10	2502958	. JUMPER ASM					REF	
- 11	5758893	. JUMPER ASM					1	
- 12	2601706	. FCR COMPONENT PARTS SEE FIGURE 20 -61 . CABLE HARNESS,SEQUENCE PANEL					REF	
- 13	2601915	. JUMPER ASM					REF	
- 14	353771	. JUMPER ASM					1	
- 15	761386	. FCR COMPONENT PARTS SEE FIGURE 20 -19,-24A . JUMPER ASM					1	
- 16	2601705	. FCR COMPONENT PARTS SEE FIGURE 20 -19,-24A . CABLE ASM,HD ED SUPPLY					1	
- 17	5759093	. FCR COMPONENT PARTS SEE FIGURE 20 -15,-20,-60,-129 . JUMPER ASM					REF	
- 18	761386	. JUMPER ASM					REF	
- 19	353771	. JUMPER ASM					REF	
- 20	2601706	. CABLE HARNESS,SEQUENCE PANEL					REF	
- 21	5759093	. JUMPER ASM					REF	
- 23	5759352	. JUMPER ASM					2	
- 24	5759418	. ASSEMBLY COMPONENTS ARE NOT REPLACEABLE . JUMPER ASM					1	
- 25	323490	. ASSEMBLY COMPONENTS ARE NOT REPLACEABLE . JUMPER					2	
- 25A	216226	. JUMPER					5	
- 26	2601705	. CABLE ASM,HD BD SUPPLY					REF	
- 27	2601706	. CABLE HARNESS,SEQUENCE PANEL					REF	
- 28	2601916	. JUMPER ASM					2	
- 29	2601917	. FCR COMPONENT PARTS SEE FIGURE 20 -25,-141 . JUMPER ASM					2	
- 30	2601918	. FCR COMPONENT PARTS SEE FIGURE 20 -25,-141 . JUMPER ASM					2	
- 31	2601919	. FCR COMPONENT PARTS SEE FIGURE 20 -25,-142 . JUMPER ASM					2	
- 32	2601773	. FCR COMPONENT PARTS SEE FIGURE 20 -25,-142 . CABLE ASM,1403 FANS					1	
- 33	2601708	. FCR COMPONENT PARTS SEE FIGURE 20 -17,-21,-115,-121 . CABLE HARNESS					1	
- 34	2601709	. FCR COMPONENT PARTS SEE FIGURE 20 -2,-25,-143 -144,-145 . CABLE HARNESS					1	
- 34A	2558947	. FCR COMPONENT PARTS SEE FIGURE 20 -12,-19,-20 . CAPACITOR					3	
- 34B	2605991	. RESISTOR					1	

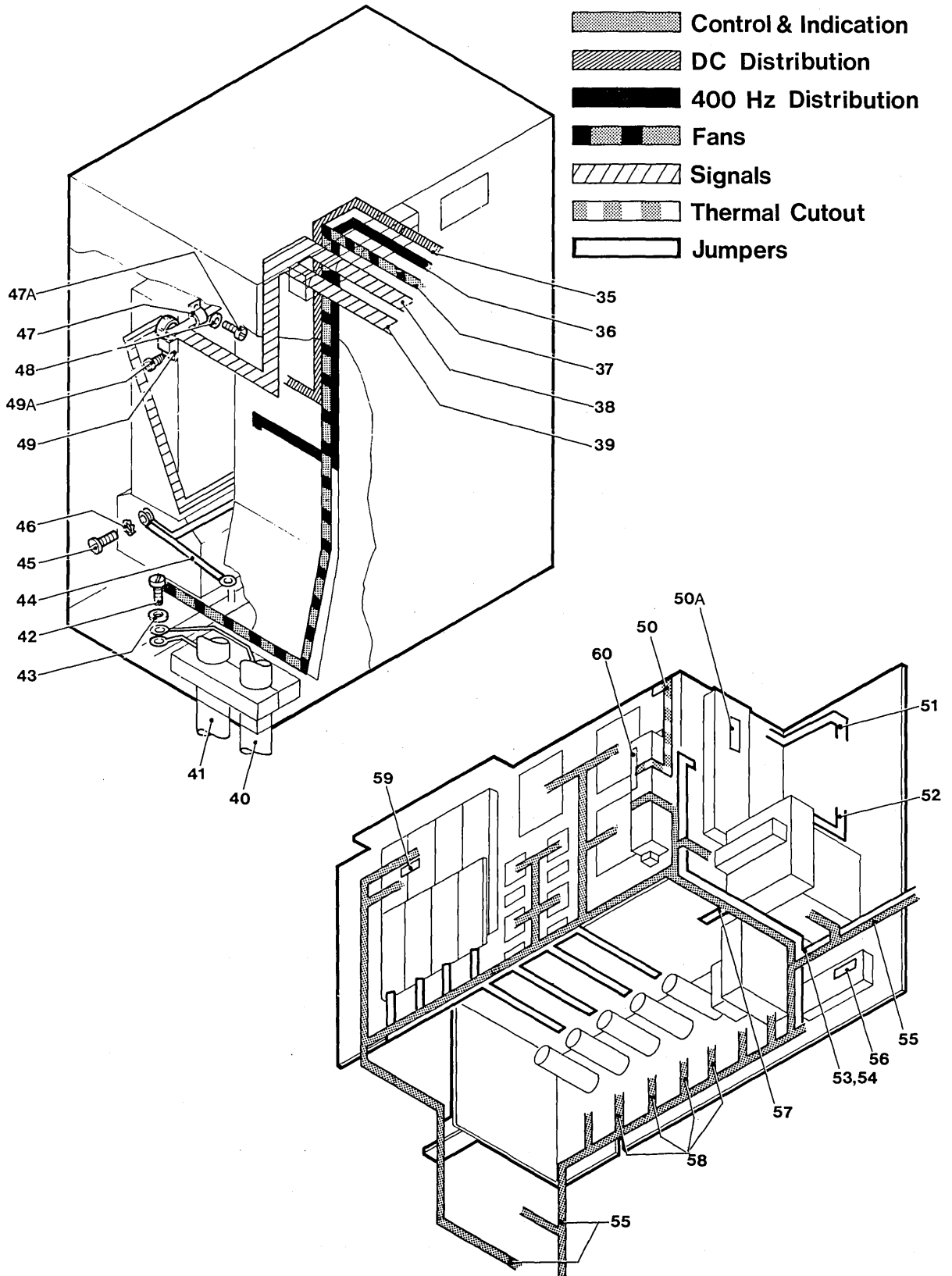


FIGURE 3D. 1403 POWER BOX CABLE ASSEMBLIES. SHEET 2 OF 2. INDEX NOS. 35-60. SEE LIST 3D.

FIGURE- INDEX NUMBER	PART NUMBER	DESCRIPTION	UNITS PER ASM.	USABLE ON CODE
		1 2 3 4 1403 POWER BOX CABLE ASSEMBLIES (PART 2 OF 2)		
3D- - 35	2601870 NP 2601774	1403 POWER BOX CABLE INSTALLATION . CABLE ASM,1403 IC	REF 1	
- 36	2601772	FOR COMPONENT PARTS SEE FIGURE 20 -14,-20,-64, -65,-69,-82,-83,-92 . CABLE ASM,1403	1	
- 37 - 38	2601773 2601775	FOR COMPONENT PARTS SEE FIGURE 20 -19,-106,-127, . CABLE ASM,50/60HZ,FANS . CABLE ASM,1403	REF 1	
- 39	2601841	FOR COMPONENT PARTS SEE FIGURE 20 -50,-55,-119, -122,-123,-124,-125,-131 . CABLE ASM,1403	1	
- 40	2598501	FOR COMPONENT PARTS SEE FIGURE 20 -50,-55,-119, -122,-123,-124,-125,-131 . CABLE ASM,1403	REF	
- 41	2598502	. CABLE ASM,1403	REF	
- 42	2566609	. SCREW,NI PLATE,BD HD,10-32,0.500LG	1	ATT PT
- 43	2574805	. WASHER,LOCK,NI PLATE,ET,0.195ID,0.395OD	1	ATT PT
- 44	535694	. JUMPER ASM	1	
- 45	2566607	FOR COMPONENT PARTS SEE FIGURE 20 -19,-24A . SCREW,NI PLATE,ED HD,10-32,0.250LG	1	ATT PT
- 46	2574805	. WASHER,LOCK,NI PLATE,ET,0.195ID,0.395OD	1	ATT PT
- 47	2102366	. CLAMP,CABLE	5	
- 47A	58207	. SCREW,UNDRCT,ED HD	5	ATT PT
- 48	60646	. WASHER,LOCK,IT,0.168ID,0.340OD	5	
- 49	532393	. CLAMP,ADJUSTABLE	1	
- 49A	10170	. SCREW,BD HD,6-32,0.025LG	REF	ATT PT
- 50	2601705	. CABLE ASM,HD ED SUPPLY	REF	
- 51	5761862	. JUMPER ASM	REF	
- 52	5758893	. JUMPER ASM	REF	
- 53	2180969	. JUMPER ASM	REF	
- 54	5758948	. JUMPER ASM	REF	
- 55	2601706	. CABLE HARNESS,SEQUENCE PANEL	REF	
- 56	2602376	. RESISTOR ASM ASSEMBLY COMPONENTS ARE NOT REPLACEABLE	1	
- 57	2601011	. JUMPER ASM	REF	
- 58	5364034	. JUMPER ASM ASSEMBLY COMPONENTS ARE NOT REPLACEABLE	4	
- 59	472187	. JUMPER	2	
- 60	5492081	. JUMPER ASM FOR COMPONENT PARTS SEE FIG 20-52	1	

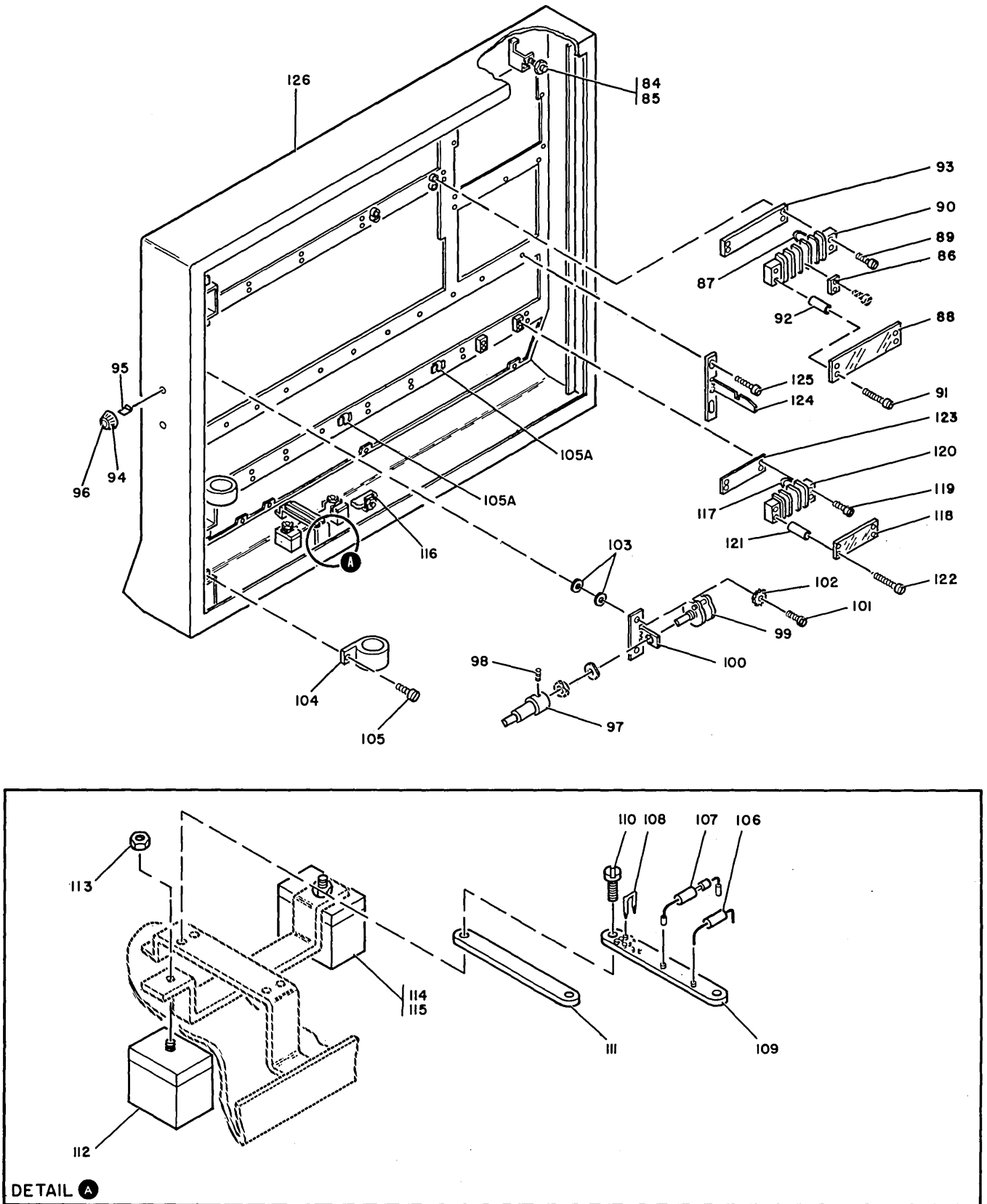


FIGURE 12. CONSOLE ASSEMBLY. SHEET 2 OF 2. NOS. 84-126. SEE LIST 12.

CONSOLE ASSEMBLY.

FIGURE- INDEX NUMBER	PART NUMBER	DESCRIPTION				UNITS PER ASM.	USABLE ON CODE
		1	2	3	4		
12 - 84	223781	.	SCREW ASM,COVER ADJUSTING			1	
- 85	3960	.	NUT,PLAIN HEX 1/4-20 X 7/16 FL W			1	
- 86	5276271	.	TERMINAL			4	
- 87	367115	.	JUMPER,BRASS			3	
- 88	337193	.	SHIELD,TERMINAL BOARD 6 POSITION			1	
- 89	10170	.	SCREW,MACH BD HD- NO. 6-32 X .250 LG	ATT PT		2	
- 90	317131	.	BLOCK,6 DBL SCREW TERMINAL			1	
- 91	38354	.	SCREW,MACH FIL HD 6-32 X 0.500 LG	ATT PT		2	
- 92	210883	.	STUD,SHIELD MTG TAPPED NO. 6-32	ATT PT		2	
- 93	322266	.	STRIP,6 POS NOS. 1 THRU 6 MARKER			1	
- 94	839722	.	KNOB,ROTARY			2	
- 95	586874	.	SPRING			2	
- 96	482204	.	INSERT,ROTARY KNOB			2	
- 97	1993655	.	ADAPTER,ROTARY SWITCH			2	
- 98	806811	.	SETSCREW,HEADLESS- 4-40 X 0.250 LG	ATT PT		4	
- 99	5467552	.	SWITCH,ROTARY			2	
-100	5364071	.	BRACKET,FOLLER SW MTG			2	
-101	81693	.	SCREW,MACH BD HD- 6-32 X 0.375 LG	ATT PT		4	
-102	56722	.	LOCKWASHER, EXT T .150 ID	ATT PT		4	
-103	257986	.	WASHER,FLAT 0.156ID X .312OD X .035THK	ATT PT		8	
-104	252531	.	CLAMP,CABLE 0.230 DIA MTG HOLE			2	
-105	221790	.	SCREW,MACH BD HD- 8-32 X 3/16 LG	ATT PT		2	
-105A	825557	.	CLAMP,CABLE			8	
-106	2111232	.	DIODE,SEMICONDUCTOR TYPE AM			2	
-107	2542050	.	RESISTOR,DIODE ASM WITH PLUG TERMINAL			1	
-108	205331	.	JUMPER,RELAY GATES UNIT 1/8 BRASS			1	
-109	837532	.	BLOCK ASM,TERMINAL			2	
-110	38352	.	SCREW,MACH FIL HD 6-32 X 0.375 LG	ATT PT		4	
-111	837528	.	INSULATOR,TERMINAL BLOCK			2	
-112	5799065	.	RELAY,ENCLOSED- 24VDC			1	
-113	8506	.	NUT,HEX- 3-48	ATT PT		1	
-114	767003	.	RELAY- 24 VDC			1	
-115	8506	.	NUT,HEX- 3-48	ATT PT		1	
-116	2229542	.	CIRCUIT PROTECTOR,7 AMP 250V			1	
-117	367115	.	JUMPER,BRASS			1	
-118	350966	.	COVER,TERMINAL BLOCK			1	
-119	10170	.	SCREW,MACH BD HD- NO. 6-32 X .250 LG	ATT PT		2	
-120	317485	.	BLOCK,4 DBL SCREW TERMINAL			1	
-121	210883	.	STUD,SHIELD MTG TAPPED NO. 6-32	ATT PT		2	
-122	38354	.	SCREW,MACH FIL HD 6-32 X 0.500 LG	ATT PT		2	
-123	527916	.	STRIP,4 POS NOS. 1 THRU 4 MARKER			1	
-124	1993656	.	BRACKET,LATCH			1	
-125	38235	.	SCREW,MACH 6-32 X .310 LG	ATT PT		2	
-126	1993615	.	FRAME,CONSOLE			1	
		.					
		.					
		.					
		.					
		.					
		.					
		.					
		.					
		.					
		.					
		.					
		.					
		.					
		.					
		.					
		.					

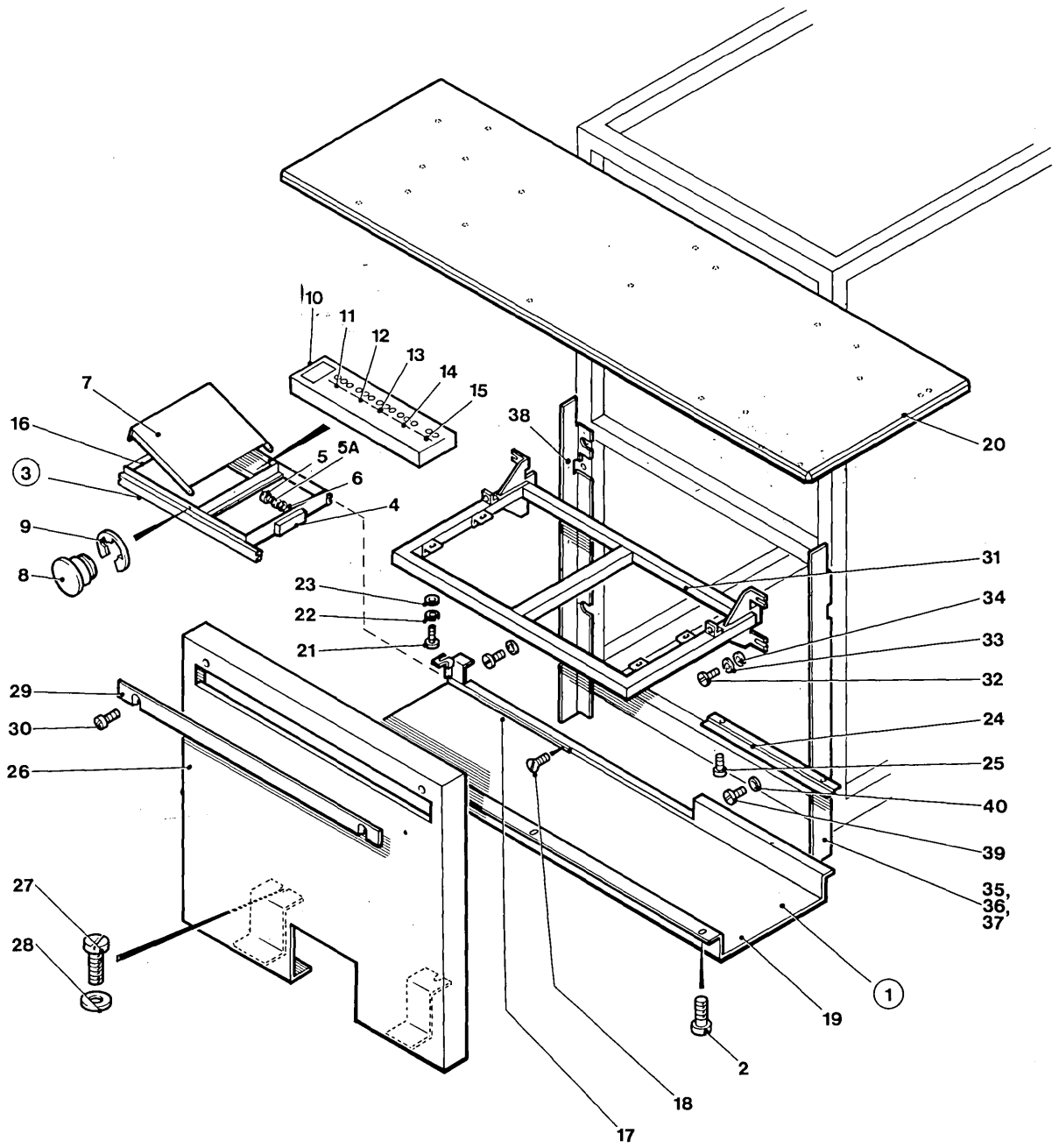


FIGURE 4. FRCNT END ASSEMBLY. SHEET 1 OF 3. INDEX NOS. 1-40. SEE LIST 4.

FIGURE- INDEX NUMBER	PART NUMBER	DESCRIPTION				UNITS PER ASM.	USABLE ON CODE
		1	2	3	4		
		FRONT END ASSEMBLY (PART 1 OF 3)					
4 -	NO NO	FRONT END ASSEMBLY FCB NEXT HIGHER ASSEMBLY SEE FIGURE 2				REF	
- 1	2607545	. TROUGH,CABLE,ASM				1	
- 2	5373218	. SCREW,BD HD,10-32,0.312LG				4	
- 3	2602385	. . . DRAWER ASM				1	
- 4	2604689	. . . STOP				1	
- 5	2031	. . . SCREW,NI PLATE,BD HD,8-32,0.625LG				2	
- 5A	22478	. . . WASHER,FLAT- 0.170 ID X 0.375 OD				2	
- 6	1090873	. . . LOCKWASHER,SPLIT- 0.194 ID X 0.0337 OD				2	
- 7	2602006	. . . LID				1	
- 8	7442229	. . . SHAFT				2	
- 9	257982	. . . CLIP,RETAINING,E TYPE,0.188DIA GROOVE				2	
- 10	2602372	. . . HCLDER,SPARE LAMPS				1	
- 11	5499812	. . . LAMP GREY,4.5V				3	
- 12	5499811	. . . LAMP AMBER,4.5V				3	
- 13	2391121	. . . LAMP CLEAR,4.5V				3	
- 14	5499810	. . . LAMP RED,4.5V				3	
- 15	5499815	. . . LAMP RED,24V				2	
- 16	2602005	. . . DRAWER				1	
- 17	2602008	. . . RUNNER				2	
- 18	67873	. . . SCREW,PAN HD,SELF TAP,4-40,0.188LG				8	
- 19	2607537	. . . CABLE TROUGH				1	
- 20	2606500	. TABLE ASM				1	
- 21	36844	. SCREW,HEX HD,,0.250-20,0.625LG				4	
- 22	6935	. WASHER,LOCK-SPRING 0.250,0.493OD				4	
- 23	3550	. WASHER,0.25ID,0.050THK				4	
- 24	1993696	. PLATE				1	
- 25	28473	. SCREW,BD HD,10-32,0.312LG				2	
- 26	2600876	. COVER,LOWER FRONT USED WITH UNDERFLOOR CABLING ONLY				1	
- 26	2602134	. COVER,OPEN,LOWER FRONT USED WITH ONFLOOR CABLING ONLY				1	
- 27	2566607	. SCREW,NI PLATE,BD HE,10-32,0.25LG				2	
- 28	2566647	. WASHER,NI PLATE,0.203ID,0.438OD				2	
- 29	1993657	. SPACER				1	
- 30	332620	. SCREW,BD HD,10-32,0.500LG				2	
- 31	2602024	. SUPPORT ASM,TABLE				1	
- 32	2566605	. SCREW,NI PLATE,HEX HD,,0.250-20,0.625LG				4	
- 33	2575292	. LOCKWASHER,SPRING,0.255ID				4	
- 34	2575293	. WASHER,0.265ID,0.562OD				4	
- 35	2600869	. PLATE,FILLER,RH				1	
- 36	2566607	. SCREW,NI PLATE,BD HE,10-32,0.25LG				2	
- 37	2566647	. WASHER,NI PLATE,0.203ID,0.438OD				2	
- 38	2600870	. PLATE,FILLER,LH				1	
- 39	2566607	. SCREW,NI PLATE,BD HD,10-32,0.25LG				2	
- 40	2566647	. WASHER,NI PLATE,0.203ID,0.438OD				2	

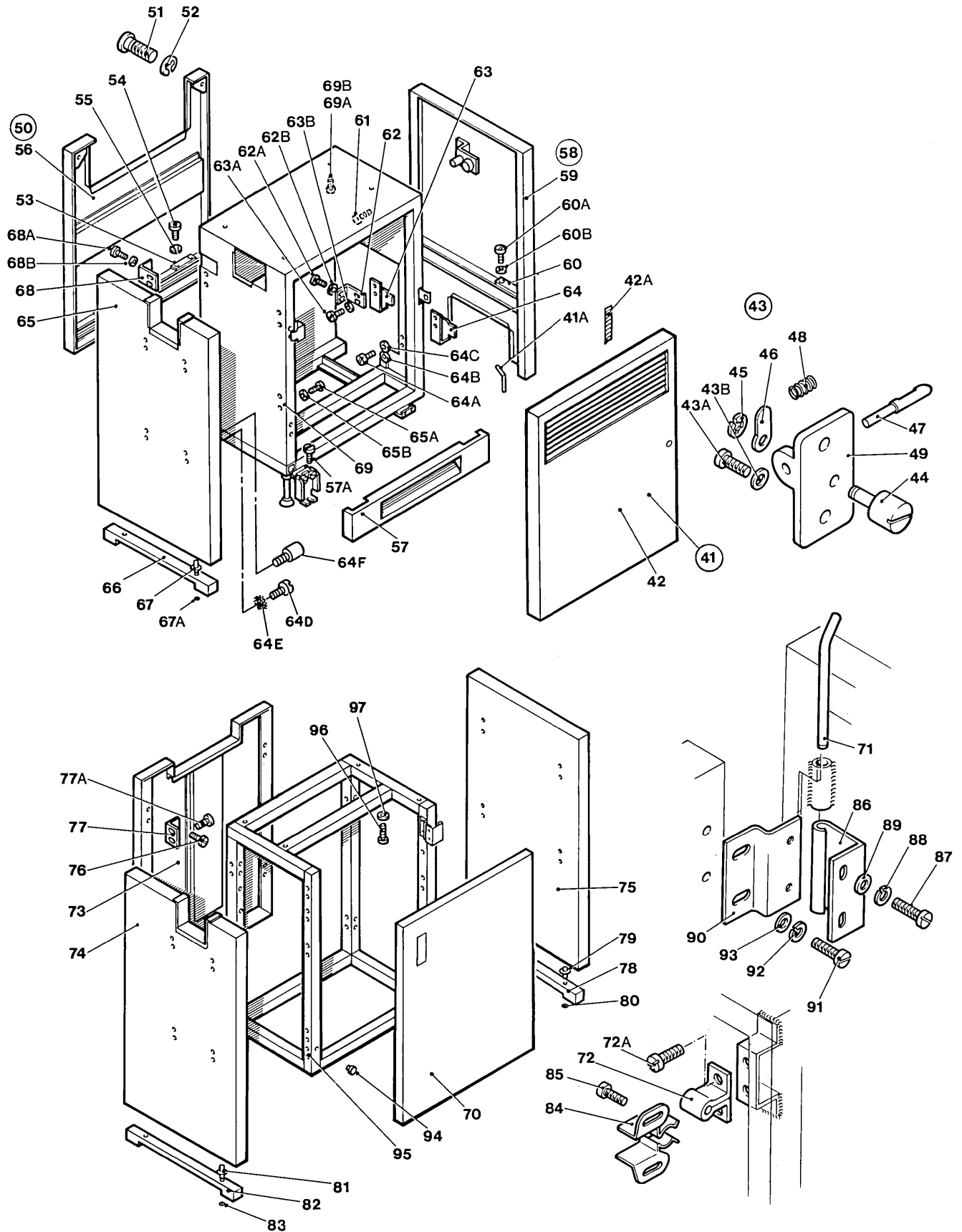


FIGURE 4. FRONT END ASSEMBLY. SHEET 2 OF 3. INDEX NOS. 41-97. SEE LIST 4.

FIGURE- INDEX NUMBER	PART NUMBER	DESCRIPTION				UNITS PER ASM.	USABLE ON CODE
		1	2	3	4		
		FRONT END ASSEMBLY (PART 2 OF 3)					
4 -	NO NO	FRONT END ASSEMBLY (CONTINUED)				REF	
- 41	2601865	. COVER ASM				1	
- 41A	1993244	. PIN, HINGE				ATT PT	4
- 42	2601668	. . COVER, HINGED					1
- 42A	2566180	. . STRIP, COMPRESSION					AR
- 43	2598694	. . LATCH ASM					1
- 43A	80651	. . SCREW, SELF TAP, PAN HD, 6-32, 0.375LG				ATT PT	2
- 43B	257986	. . WASHER, 0.156ID, 0.312OD				ATT PT	2
- 44	2598882	. . BOLT LATCH					1
- 45	192049	. . . RING, RETAINING, EXT, 0.185ID, 0.020THK					1
- 46	4062756	. . . LEVER					1
- 47	4106830	. . . PIN					1
- 48	8108642	. . . SPRING					1
- 49	2601783	. . . BRACKET LATCH					1
- 50	2601658	. COVER ASM, REAR					1
- 51	2601681	. . SCREW, COVER RETAINING, 8-32, 1.250LG				ATT PT	2
- 52	25282	. . RING-RETAINING, EXT, 0.125ID, 0.015THK				ATT PT	2
- 53	2598661	. . SUPPORT					2
- 54	2566617	. . SCREW, NI PLATE, BD HD, 8-32, 0.375LG				ATT PT	4
- 55	2574804	. . LOCKWASHER, ET, NO 8, 0.365OD				ATT PT	4
- 56	2601694	. . COVER, REAR					1
- 57	2601664	. KICKPLATE					2
- 57A	2575295	. SCREW, BD HD, 10-32, 0.375LG				ATT PT	4
- 58	2605772	. COVER ASM (FOR USE WITH UNDERFLOOR CABLING)					1
- 58	2605773	. COVER ASM (FOR USE WITH ONFLOOR CABLING)					1
- 59	2605771	. . COVER (FOR USE WITH UNDERFLOOR CABLING)					1
- 59	2601659	. . COVER (FOR USE WITH ONFLOOR CABLING)					1
- 60	2598661	. . SUPPORT					2
- 60A	2566617	. . SCREW, NI PLATE, BD HD, 8-32, 0.375LG				ATT PT	4
- 60B	2574804	. . WASHER, LOCK, ET, NO 8, 0.365OD				ATT PT	4
- 61	2604659	. . SCREW, STAINLESS STEEL, HEX HD, 10-32, 0.625LG				ATT PT	1
- 62	2601663	. BRACKET					1
- 62A	2566610	. SCREW, NI PLATE, BD HD, 8-32, 0.250LG				ATT PT	2
- 62B	2574804	. WASHER, LOCK, ET, NO 8, 0.365OD				ATT PT	2
- 63	2605774	. BRACKET					1
- 63A	2566610	. SCREW, NI PLATE, BD HD, 8-32, 0.250LG				ATT PT	2
- 63B	2574804	. WASHER, LOCK, ET, NO 8, 0.365OD				ATT PT	2
- 64	2605774	. BRACKET					1
- 64A	2566610	. SCREW, NI PLATE, BD HD, 8-32, 0.250LG				ATT PT	2
- 64B	2574804	. WASHER, LOCK, ET, NO 8, 0.365OD				ATT PT	1
- 64C	2575293	. WASHER, 0.265ID, 0.562OD				ATT PT	1
- 64D	34512	. SCREW, BD HD- 8-32 X 0.375 LG					1
- 64E	2574804	. LOCKWASHER, EXT TEETH NO-8					1
- 64F	2604488	. STUD					1
- 65	1993268	. LEG					1
- 65A	2566610	. SCREW, NI PLATE, BD HD, 8-32, 0.250LG				ATT PT	6
- 65B	2574804	. WASHER, LOCK, ET, NO 8, 0.365OD				ATT PT	6
- 66	1985649	. GLIDE					1
- 67	1985650	. POST, THREADED				ATT PT	2
- 67A	332747	. RING, RETAINING-EXT, 0.207ID, 0.025THK				ATT PT	2
- 68	2601663	. BRACKET					2
- 68A	2566610	. SCREW, NI PLATE, BD HD, 8-32, 0.250LG				ATT PT	2
- 68B	2575804	. WASHER, LOCK, ET, NO 8, 0.365OD				ATT PT	2
- 69	2602046	. POWER UNIT FRAME (FOR DETAIL BREAKDOWN SEE FIGURE 17)					1
- 69A	322029	. SCREW, BD HD, 0.250-20, 0.500LG				ATT PT	4
- 69B	3550	. WASHER, 0.025ID, 0.050THK				ATT PT	4
- 70	1993270	. COVER					1
- 71	1993244	. PIN, HINGE				ATT PT	2
- 72	597097	. STRIKER, RELIEF LATCH					1
- 72A	10170	. SCREW, BD HD, 6-32, 0.250LG				ATT PT	2
- 73	1993692	. COVER					1
- 74	1993268	. LEG					1
- 75	1985661	. LEG					1
- 76	58207	. SCREW, UNDERCT, BD HD, 8-32, 0.250LG				ATT PT	24
- 77	1985653	. BRACKET					12
- 77A	58207	. SCREW, UNDERCT, BD HD, 8-32, 0.250LG				ATT PT	24
- 78	1985649	. GLIDE					1
- 79	1985650	. POST, THREADED				ATT PT	2
- 80	332747	. RING, RETAINING, EXT, 0.207ID, 0.025THK				ATT PT	2
- 81	1985649	. GLIDE					1
- 82	1985650	. POST, THREADED				ATT PT	2
- 83	332747	. RING, RETAINING, EXT, 0.207ID, 0.025THK				ATT PT	2
- 84	205855	. CATCH, SPRING					1
- 85	10170	. SCREW, BD HD, 6-32, 0.250LG				ATT PT	2
- 86	1993236	. HINGE					2

FIGURE-INDEX NUMBER	PART NUMBER	DESCRIPTION				UNITS PER ASM.	USABLE ON CODE
		1	2	3	4		
4 - 87	56207	. SCREW, UNDRCT, BD HD, 8-32, 0.250LG				ATT PT	4
- 88	55901	. WASHER, LOCK-ET, 0.3810D				ATT PT	4
- 89	22478	. WASHER, 0.17ID, 0.375OD, 0.32THK				ATT PT	4
- 90	1965654	. BRACKET					2
- 91	34512	. SCREW, BD HD, 8-32, 0.375LG				ATT PT	4
- 92	55901	. WASHER, LOCK-ET 0.168ID, 0.3810D				ATT PT	4
- 93	22478	. WASHER, 0.170ID, 0.3750D, 0.032THK				ATT PT	4
- 94	91514	. BUMPER					1
- 95	1993247	USED FOR FRNT END WITHOUT 1403					
- 96	322034	. FRAME ASM					1
		. SCREW-BD HD, 0.250-20, 1.500LG				ATT PT	4
- 96	322029	USED FOR FRNT END WITHOUT 1403					
		. SCREW, BD HD, 0.250-20, 0.500LG				ATT PT	4
- 97	3550	USED FOR FRNT END WITH 1403					
		. WASHER, 0.25ID, 0.050THK				ATT PT	4

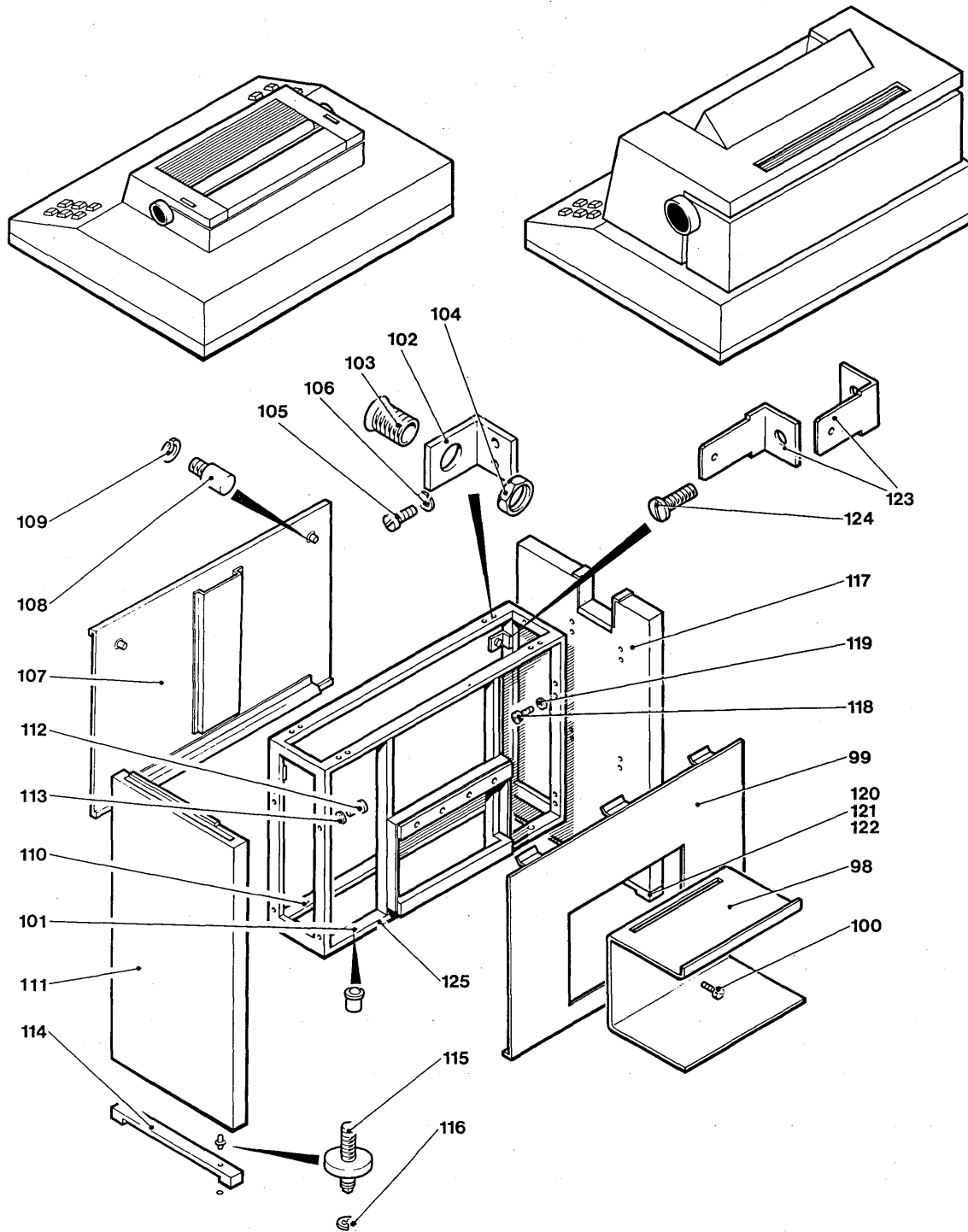


FIGURE 4. FRCNI END ASSEMBLY. SHEET 3 OF 3. INDEX NOS. 98-125. SEE LIST 4.

FIGURE- INDEX NUMBER	PART NUMBER	DESCRIPTION	1 2 3 4				UNITS PER ASM.	USABLE ON CODE
		FRONT END ASSEMBLY (PART 3 OF 3)						
4 -	NC NO	FRONT END ASSEMBLY (CONTINUED)				REF		
- 98	1993311	. PAPER RACK				1		
- 99	5488846	. SKIRT,EACK,MOESTY				1		
-100	228307	. SCREW,SLOT HD,8-32,0.437LG			ATT PT	4		
-101	5357135	. CATCH,BULIET NOSE				3		
-102	2641869	. BRACKET				2		
-103	1161456	. RECEPTACLE,FRGNT PANEL LATCH				2		
-104	1161455	. NUT,0.468-32,FRGNT PANEL LATCH			ATT PT	2		
-105	2566610	. SCREW,BD HD,8-32,0.25LG			ATT PT	4		
-106	2574804	. WASHER,LOCK,ET,0.168ID,0.365OD			ATT PT	4		
-107	264187C	. COVER				1		
-108	2130294	. STUD			ATT PT	2		
-109	1161453	. WASHER,LOCK 0.470D			ATT PT	2		
-110	5357135	. CATCH,BULIET NOSE				3		
-111	1985663	. LEG				1		
-112	19944	. SCREW,BD HD,8-32,0.750LG			ATT PT	8		
-113	22478	. WASHER,0.17ID,0.375OD,0.32THK			ATT PT	8		
-114	1985649	. GLIDE				1		
-115	198565C	. POST,THREADED			ATT PT	2		
-116	332747	. RING,RETAINING-EXT,0.207ID,0.025THK			ATT PT	2		
-117	199326E	. LEG				1		
-118	19944	. SCREW,BD HD,8-32,0.750LG			ATT PT	8		
-119	22478	. WASHER,0.17ID,0.375OD,0.320THK			ATT PT	8		
-120	1985649	. GLIDE				1		
-121	198565J	. POST,THREADED			ATT PT	2		
-122	332747	. RING,RETAINING-EXT,0.207ID,0.025THK			ATT PT	2		
-123	5271288	. LUG				2		
-124	43854E	. SCREW,BD HD,4-4C,0.188LG			ATT PT	1		
-125	5468844	. SUPFOFT,FRINTER				1		

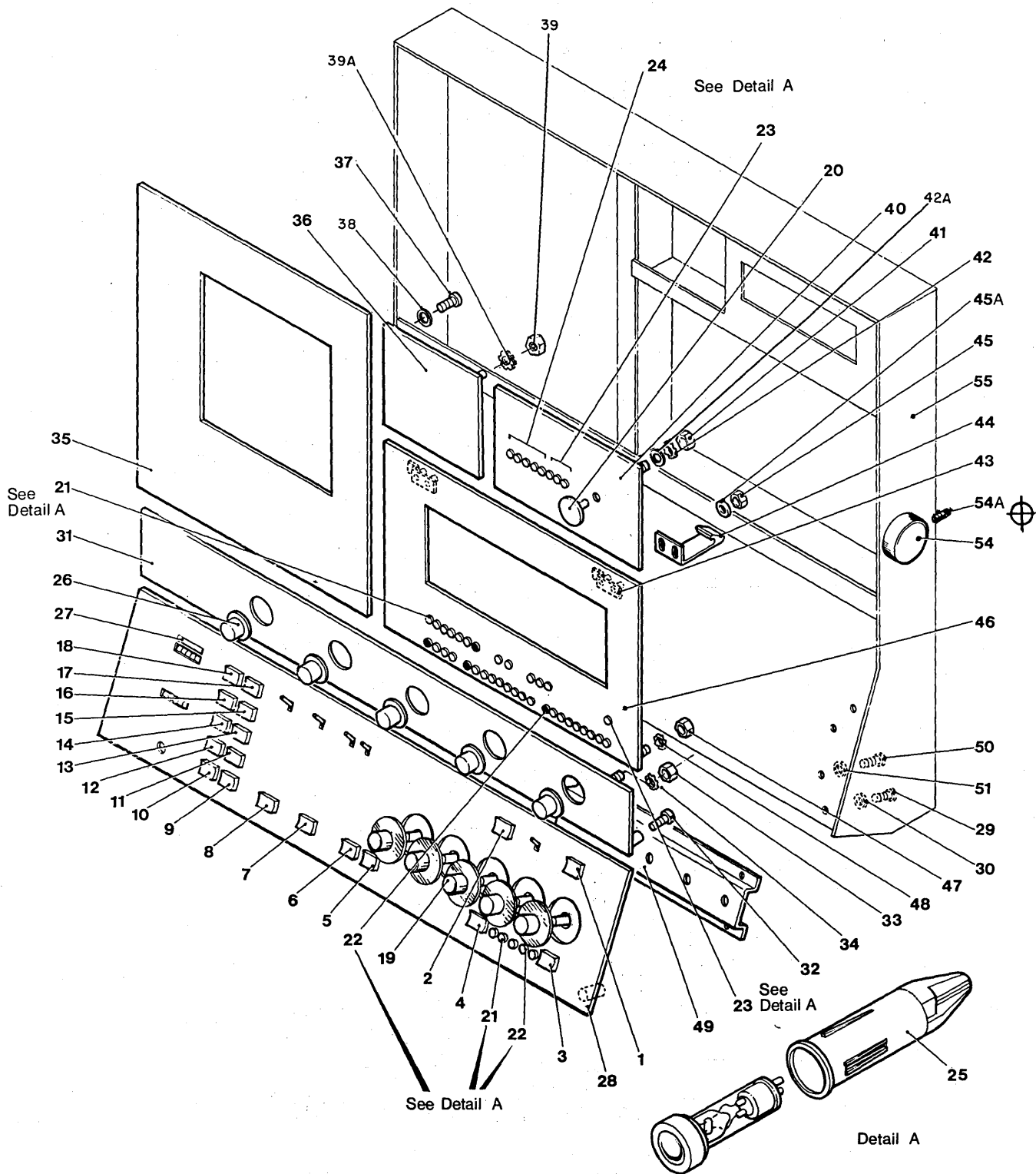


FIGURE 5. CONSOLE ASSEMBLY. SHEET 1 OF 3. INDEX NOS. 1-55. SEE LIST 5.

FIGURE- INDEX NUMBER	PART NUMBER	DESCRIPTION				UNITS PER ASM.	USABLE ON CODE
		1	2	3	4		
		CCNSOLE ASSEMBLY (PART 1 OF 3)					
		CODE A ENGLISH LANGUAGE CODE B FRENCH LANGUAGE CODE C GERMAN LANGUAGE					
5 -	2601650 NP	CCNSOLE ASM FOR NEXT HIGHER ASSEMBLY SEE FIGURE 2				REF	
- 1	E24476	. BUTTON,POWER OFF				1	A
- 1	E245E7	. BUTTON,HORS TENSICN				1	B
- 1	E24569	. BUTTCN,NETZ AUS				1	C
- 2	719117	. BUTTON,POWER CN				1	A
- 2	E24591	. BUTTCN,SOUS TENSICN				1	B
- 2	52368E2	. BUTTCN ASM,NETZ "EIN"				1	C
- 3	E24477	. BUTTCN,LOAD				1	A
- 3	4204239	. BUTTON,CHANG				1	B
- 3	E24560	. BUTTCN,LALEN				1	C
- 4	824478	. BUTTON,RED,INTERRUPT				1	AB
- 4	824562	. BUTTON,RED,UNTERBRECHUNG				1	C
- 5	749033	. BUTTON,RED,STOP				1	ABC
- 6	5350020	. BUTTCN,GREEN,START				1	AC
- 6	E245E9	. BUTTCN ASM,ARRET				1	B
- 7	2173181	. BUTTCN,PSW RESTART				1	A
- 7	2176073	. BUTTON,BLUE,REPRISE				1	B
- 7	2E37403	. BUTTCN ASM,NEUSTART				1	C
- 8	824469	. BUTTCN,SYSTEM RESET				1	A
- 8	26374C9	. BUTTCN ASM,REST SYS				1	B
- 8	2637402	. BUTTCN ASM,SYSTEM GRUNDSTLG				1	C
- 9	824467	. BUTTON,STORE				1	A
- 9	53643E4	. BUTTON				1	B
- 9	2637405	. BUTTCN ASM,SPEICHERN				1	C
- 10	2495439	. BUTTON ASM,BLUE,SET ADR AND DISPLAY				1	A
- 10	E24581	. BUTTCN,BLUE,AFFICHAGE				1	B
- 10	2632558	. BUTTON ASM,BLUE,ADDR SETZ UND ANZEIGEN				1	C
- 11	483E67	. BUTTCN BLANK				1	ABC
- 12	4E3E67	. BUTTON BLANK				1	ABC
- 13	2495475	. BUTTON,BLUE,ENAELE SYSTEM CLEAR				1	A
- 13	2E37413	. BUTTCN ASM,REMISE A BLANC				1	B
- 13	5506129	. BUTTCN				1	C
- 14	4E3E67	. BUTTON BLANK				1	ABC
- 15	483E67	. BUTTON BLANK				1	ABC
- 16	483E67	. BUTTON BLANK				1	ABC
- 17	483757	. BUTTCN ASM,START CCNSOLE FILE				1	A
- 17	2E37414	. LENS ASM,DISQ CSLE EF				1	B
- 17	2E37401	. LENS ASM START KONSOLE PE				1	C
- 18	824471	. BUTTON,CHECK RESET				1	A
- 18	2637412	. BUTTCN ASM,REST CTLE				1	B
- 18	E24561	. BUTTON,BLUE,PRUFUNG LCSCHEN				1	C
- 19	2606469	. KNOB ASSEMBLY,DIAL				5	
- 20	482201	. INSERT-EMERGENCY PULL				1	A
- 20	40666E41	. INSERT-EMERGENCY PULL				1	B
- 20	4066640	. INSERT-EMERGENCY PULL				1	C
- 21	5499812	. INDICATOR ASM,40.5V,CLEAR/SMOKE GREY				34	
- 22	5499811	. INDICATOR ASM,40.5V,AMBER/ORANGE				5	
- 23	5499810	. INDICATOR ASM,40.5V,RED/RED				4	
- 24	5499815	. INDICATOR ASM,24V,RED/RED				5	
- 25	5353888	. HOUSING,PANEL				48	
- 26	2607533	. KNOB ASM				5	
- 27	2495482	. LABEL ASM,METER				1	
- 28	2601558	. PANEL,MAIN SWITCH				1	A
- 28	2602086	. PANEL ASM,MAIN SW				1	B
- 28	2602087	. PANEL ASM,MAIN SW				1	C
- 29	1C170	. SCREW,BD HD,6-32,0.250LG				8	
- 30	56722	. WASHER,LOCK,ET 0.141ID,0.320OD				8	
- 31	2601559	. PANEL ASM,ROTARY SWITCH				1	A
- 31	2602088	. PANEL ASM,ROTARY SWITCH				1	B
- 31	2602089	. PANEL ASM,ROTARY SWITCH				1	C
- 32	10170	. SCREW,BD HD,6-32,0.250LG				4	
- 33	257187	. NUT,HEX,6-32				4	
- 34	56722	. WASHER,LOCK,ET,0.141ID,C.320OD				8	
- 35	2601563	. PANEL ASM				1	
- 36	2601561	. PANEL ASM				1	
- 37	1C170	. SCREW,BD HD,6-32,0.250LG				2	
- 38	22478	. WASHER,0.170ID,C.375OD				2	
- 39	257187	. NUT,HEX,6-32				2	
- 39A	56722	. WASHER,LOCK,ET,0.141ID,0.320OD				2	
- 40	2601560	. PANEL ASM				1	AC

A GATE ASSEMBLY-STAGE 1

FIGURE- INDEX NUMBER	PART NUMBER	DESCRIPTION	UNITS	USABLE
			PER ASM.	ON CODE
18 -	1993070	A GATE ASM,STAGE- 1	REF	
-	4145986	A GATE ASM,STAGE- 1 MODEL 3 FOR NEXT HIGHER ASM SEE FIGURE 10-39 FOR ILLUSTRATION SEE FIGURE 18	REF	
- 1	1993946	. SWITCH ASM,A GATE	3	
- 2	1993366	. CLIP,THERMAL SWITCH	3	
- 3	10170	. SCREW,MACH BD HD- NO. 6-32 X .250 LG	ATT PT	3
- 4	257187	. NUT,HEX DBL CHAMFERED 6-32 X 0.3125 FL W	ATT PT	3
- 5	1985685	. SCREEN,GATE TOP		3
- 6	731626	. SCREW,PAN HD 6-32 X 1/4 LG	ATT PT	6
- 7	255939	. SCREW,BUMPER ADJ 1/4-20 X 1-3/16 LG		1
- 8	3960	. NUT,PLAIN HEX 1/4-20 X 7/16 FL W		1
- 9	1993073	. BRACKET,GATE BUMPER		1
- 10	186758	. SCREW,MACH BD HD 8-32 X 0.437 LG	ATT PT	2
- 11	1090873	. LOCKWASHER, SPLIT 0.168 ID X 0.296 OD	ATT PT	2
- 12	2630001	. LABEL,CPU A GATE		1
- 13	1993072	. LATCH,GATE		1
- 13A	38451	. SCREW,FL HD- 8-32 X 0.250 LG	ATT PT	2
- 14	251970	. SCREW,MACH BD HD- 4-40 X 0.250 LG	ATT PT	4
- 15	257984	. WASHER,SPLIT RING .115 ID .212 OD	ATT PT	4
- 16	37913	. NUT,JAM HEX- 4-40 X 0.250 FL W	ATT PT	4
- 17	438548	. SCREW,MACH BD HD- 4-40 X .188 LG	ATT PT	8
- 18	257986	. WASHER,FLAT 0.156ID X .312OD X .035THK	ATT PT	4
- 20	1981192	. BRACKET,LATCH		1
- 21	731626	. SCREW,PAN HD 6-32 X 1/4 LG	ATT PT	4
- 22	1993674	. BRACKET,STOP-A GATE LOWER		1
- 23	28413	. SCREW,MACH BD HD- 10-32 X 5/16 LG	ATT PT	2
- 24	9092	. LOCKWASHER, SPLIT RING, .194 ID .337OD	ATT PT	2
- 25	1993394	. PLATE,GATE LATCH		1
- 26	58207	. SCREW,MACH BD HD- 6-32 X 0.250 LG	ATT PT	2
- 27	1090873	. LOCKWASHER, SPLIT 0.168 ID X 0.296 OD	ATT PT	2
- 28	204210	. ROLLER,GATE SUPPORT		1
- 29	139766	. CLIP,RETAINING- 0.281 ID X 0.020 THK	ATT PT	1
- 30	1981194	. STUD,GATE GUIDE		1
- 31	325149	. NUT,ELASTIC STOP- 0.375-16	ATT PT	1
- 32	1993322	. ADAPTER ASM,COOLING UNIT		3
- 33	28413	. SCREW,MACH BD HD- 10-32 X 5/16 LG	ATT PT	9
- 34	1993581	. COOLING UNIT ASM,GATE- 50HZ		3
- 34	1993582	. COOLING UNIT ASM,GATE- 60HZ		3
- 34	1573500	FOR DETAIL BREAKDOWN SEE FIGURE 64 . COOLING UNIT ASSEMBLY- 60 HZ		3
- 34	5548306	FOR DETAIL BREAKDOWN SEE FIGURE 66 . COOLING UNIT ASSEMBLY- 60 HZ (OPTIONAL)		3
- 34	1574816	FOR DETAIL BREAKDOWN SEE FIGURE 66A . COOLING UNIT ASSEMBLY- 60 HZ NON PCB (OPTIONAL)		3
- 34	1574800	FOR DETAIL BREAKDOWN SEE FIGURE 66 . COOLING UNIT ASSEMBLY- 60 HZ NON PCB		3
- 35	28413	. SCREW,MACH BD HD- 10-32 X 5/16 LG	ATT PT	9
- 36	838480	. SEAL,PLENUM		AR
- 37	1985817	. SEAL,GATE CABLE		2
- 38	1994803	. SHIELD,SAFETY		4
- 39	322562	. SCREW,MACH BD HD- 10-32 X 2.000 LG	ATT PT	8
- 40	1993137	. STRIP,VOLTAGE- 3V A GATE		4
- 41	59647	. SCREW,SLOTTED HEX HD- 1/4-20 X 1.00 LG	ATT PT	4
- 42	76574	. LOCKWASHER, EXT TETH .250	ATT PT	4
- 43	3960	. NUT,PLAIN HEX 1/4-20 X 7/16 FL W	ATT PT	4
- 44	1993136	. STRIP,VOLTAGE- 1.25V A GATE		4
- 45	59647	. SCREW,SLOTTED HEX HD- 1/4-20 X 1.00 LG	ATT PT	4
- 46	76574	. LOCKWASHER, EXT TETH .250	ATT PT	4
- 47	3960	. NUT,PLAIN HEX 1/4-20 X 7/16 FL W	ATT PT	4
- 48	1993135	. STRIP,GROUND		4
- 49	101706	. SCREW,SLOTTED HEX HD- 10-32 X 0.750 LG	ATT PT	8
- 50	56079	. WASHER LOCK,EXT T .204 ID .410 OD	ATT PT	8
- 51	11598	. NUT,PLAIN HEX 10-32	ATT PT	8
- 52	1993134	. SUPPORT,TERMINAL		4
- 53	816746	. SHIELD,SAFETY		4
- 54	5312043	. SCREW,MACH BH 6-32 X 1/4 LG	ATT PT	8
- 55	815151	. SCREW,BD HD- 8-32 X .375 LG		80
- 56	816744	. BLOCK,TERMINAL		4
- 57	816743	. SPANDOFF	ATT PT	8
- 58	816868	. CLAMP ASM,CABLE		5
- 59	58207	. SCREW,MACH BD HD- 6-32 X 0.250 LG	ATT PT	10
- 60	816986	. . BAR,SPRING		1
- 61	815174	. . SCREW	ATT PT	2
- 62	813321	. . SPRING		1
- 63	815219	. . SPACER,0.180 ID X 0.280 OD X .230 LG		2
- 64	816921	. . PLATE,CABLE CLAMP FRONT		1

LIST AND INDEX NUMBER	PART NUMBER	DESCRIPTION				UNITS PER ASM.	USABLE ON CODE
		1	2	3	4		
18- 65	816984	. . BACKPLATE, CABLE CLAMP				1	
- 66	2637488	. PAD ASM				1	
- 67	28413	. SCREW, MACH BD HD- 10-32 X 5/16 LG ATT PT				2	
- 68	533342	. . COVER, TERMINAL BOARD				1	
- 69	10170	. . SCREW, MACH BD HD- NO. 6-32 X .250 LG ATT PT				2	
- 70	2125398	. . STUD, TAPPED				2	
- 71	1985821	. . CAPACITOR ASM- 1K UP ELECTROLYTE				2	
- 72	825557	. . CLAMP, SELF LOCKING				2	
- 73	483681	. . . TERMINAL, RING- 18-20AWG				2	
- 74	816933	. . . CAPACITOR, FXD ELECT- 1000UF P10GM10% 8V				2	
- 75	320451	. . BLOCK, 10 DBL SCREW TERMINAL				1	
- 76	322065	. . SCREW, MACH BD HD- 6-32 X 5/8 LG ATT PT				2	
- 77	550578	. . STRIP, 10 POS NOS. 1 THRU 10 MARKER				1	
- 78	2640964	. . BRACKET, TERMINAL BLOCK				2	
- 79	1077722	. GROMMET				1	
- 80	819012	. COVER, DUMMY				1	
- 81	731626	. SCREW, PAN HD 6-32 X 1/4 LG ATT PT				4	
- 82	22478	. WASHER, FL 0.170 ID 0.375 OD 0.032 THK ATT PT				4	
- 83	819431	. COVER, DUMMY BACK				1	
- 84	731626	. SCREW, PAN HD 6-32 X 1/4 LG ATT PT				4	
- 85	22478	. WASHER, FL 0.170 ID 0.375 OD 0.032 THK ATT PT				4	

FIGURE- INDEX NUMBER	PART NUMBER	DESCRIPTION				UNITS PER ASM.	USABLE ON CODE
		1	2	3	4		
5-119A	34512	.	SCREW, BD HD, 8-32, 0.375LG		ATT PT	2	
-119B	1C9C873	.	WASHER, LOCK, SPRING, 0.168 IE, 0.2960D		ATT PT	2	
-120	2602410	.	COVER			1	
-120A	58207	.	SCREW, UNDFCT, ED HD, 8-32, 0.250LG		ATT PT	2	
-121	369208	.	DECAL, INSI-HAZARDOUS AREA			1	
-122	123C74	.	GRCMMET, RUBBER			1	
-123	2596576	.	TERMINAL BLOCK			1	
-124	2601809	.	STRIP, MARKER			1	
-125	438550	.	SCREW, BD HD, 4-40, 0.500LG		ATT PT	2	
-125A	37913	.	NUT-HEX, 4-40		ATT PT	2	
-125B	257965	.	WASHER, 0.125 IE, 0.2500D, 0.0281HK		ATT PT	2	
-126	372688	.	CARD ASM-TSTR, METEF			1	
-127	3E051	.	NUT, HEX, 6-32, C. 250		ATT PT	2	
-128	6364	.	WASHER, LOCK, SPRING 0.141 IE, 0.2500D		ATT PT	2	
-129	35E542	.	STANDOFF		ATT PT	2	
-130	322551	.	SCREW, BD HD, 6-32, 0.750LG		ATT PT	2	
-131	2601632	.	BRACKET, LH			1	
-132	5E2C7	.	SCREW, UNDFCT, ED HD, 8-32, 0.250LG		ATT PT	2	
-133	559C1	.	WASHER, LOCK, ET 0.168 ID, 0.3810D		ATT PT	2	
-134	2601631	.	BRACKET, RH			1	
-135	34512	.	SCREW, BD HD, 8-32, 0.375LG		ATT PT	2	
-136	559C1	.	WASHER, LOCK, ET, 0.168 IE, 0.3810D		ATT PT	2	
-137	257189	.	NUT, HEX, 8-32		ATT PT	2	
-138	369208	.	DECAL, INSI-HAZARDOUS AREA			1	

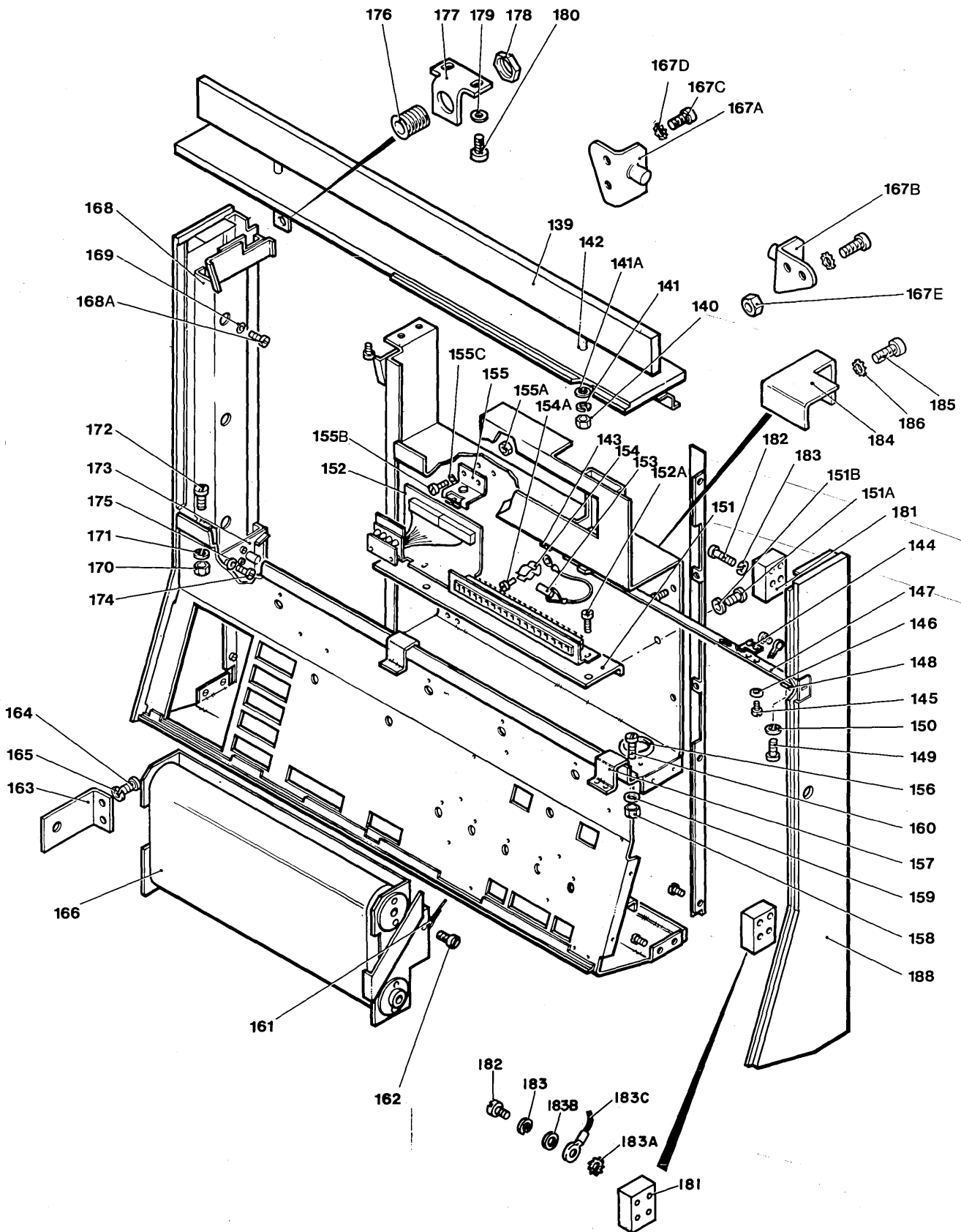


FIGURE 5. CONSOLE ASSEMBLY. SHEET 3 OF 3. INDEX NOS. 139-188. SEE LIST 5.

FIGURE- INDEX NUMBER	PART NUMBER	DESCRIPTION	UNITS PER ASM.	USABLE ON CODE
		CCNSOLE ASSEMBLY (PART 3 OF 3)		
5 -	2601650 NP	CONSOLE ASSEMBLY	REF	
-139	2607136	. NAMEPLATE ASM	1	AC
-139	2607132	. NAMEPLATE ASM, FRENCH	1	B
-140	11598	. NUT, HEX, 10-32	2	
-141	56079	. WASHER, LOCK, ET 0.195ID, 0.4100D	2	
-141A	45690	. WASHER, 0.203ID, 0.4380D, 0.031THK	2	
-142	2605654	. STUD	2	
-143	2601638	. SPRING, COMPRESSICH	1	
-144	2601577	. PAWL	2	
-145	38235	. SCREW, BD HD	4	
-146	56722	. WASHER, LOCK-ET	4	
-147	2601580	. PAWL, ARM	1	
-148	2601578	. STOP	1	
-149	58207	. SCREW, UNDRCT, BD HD, 8-32, 0.250LG	1	
-150	55901	. WASHER, LOCK-ET 0.168ID, 0.3810D	1	
-151	2601542	. BRACKET	1	
-151A	58297	. SCREW, UNDRCT, BD HD, 8-32, 0.250LG	3	
-151B	22478	. WASHER, 0.17ID, 0.3750D, 0.321HK	3	
-152	NC NO	. PHOTO SENSING UNIT FOR DETAIL PARTS SEE FIGURE 8, PART 2	1	
-152A	58207	. SCREW, UNDRCT, BD HD, 8-32, 0.250LG	2	
-153	5180378	. TUBE ASM-LAMP REMOVAL	1	
-154	308789	. CLIP	1	
-154A	438548	. SCREW, BD HD, 4-40, 0.188LG	1	
-155	2601531	. LATCH ASM	1	
-155A	257189	. NUT, HEX, 8-32	2	
-155B	186759	. SCREW, BD HD, 8-32, 0.312LG	2	
-155C	55901	. WASHER, LOCK, ET, 0.168ID, 0.3810D	2	
-156	198981	. GROMMET, RUBBER	1	
-157	2601575	. HINGE	2	
-158	257187	. NUT, HEX, 6-32	4	
-159	257986	. WASHER, 0.156ID, 0.3120D	4	
-160	81693	. SCREW, BD HD, 6-32, 0.375LG	4	
-161	2605978	. SUPPORT ASM	1	
-162	4636	. SCREW, FL HD, 8-32, 0.375LG	2	
-163	2601540	. BRACKET	1	
-164	58207	. SCREW, UNDRCT, BD HD, 8-32, 0.250LG	2	
-165	55901	. WASHER, LOCK, ET 0.168ID, 0.3810D	2	
-166	NC NO	. ROLLER BLIND ASSEMBLY FOR DETAIL PARTS SEE FIGURE 8, PART 1	1	
-167	NO NO	. CCNSOLE FILE MOUNTING FOR DETAIL PARTS SEE FIGURE 6	1	
-167A	2601589	. BRACKET ASM, LH	1	
-167B	2601588	. BRACKET ASM, RH	1	
-167C	186759	. SCREW, BD HD, 8-32, 0.312LG	4	
-167D	55901	. WASHER, LOCK-ET, 0.3810D	4	
-167E	257189	. NUT, HEX, 8-32	2	
-168	2601614	. CHANNEL	1	
-168A	186759	. SCREW, BD HD, 8-32, 0.312LG	6	
-169	55901	. WASHER, LOCK-ET 0.168ID, 0.3810D	6	
-170	257189	. NUT, HEX, 8-32	1	
-171	55901	. WASHER, LOCK-ET 0.168ID, 0.3810D	6	
-172	186759	. SCREW, BD HD, 8-32, 0.312LG	6	
-173	2601653	. PLATE, STRIKE	1	
-174	32617	. SCREW, BD HD, 10-32, 0.438LG	4	
-175	56079	. WASHER, LOCK-ET 0.195ID 0.4100D	4	
-176	2601582	. RECEPTACLE	1	
-177	2601643	. BRACKET, CATCH	1	
-178	2601583	. NUT, HEX, 0.469-32	1	
-179	6364	. WASHER, LOCK-SPRING 0.141ID, 0.2530D	2	
-180	10170	. SCREW, BD HD, 6-32, 0.250LG	2	
-181	2601625	. PIVOT HINGE	2	
-182	438587	. SCREW, BD HD, 8-32, 1.125LG	8	
-183	55901	. WASHER, LOCK-ET 0.188ID, 0.3810D	8	
-183A	1090873	. WASHER, LOCK	2	
-183B	45690	. WASHER, FLAT	2	
-183C	856575	. JUMPER	2	
-184	2606473	. BRACKET RETAINER	1	
-185	186759	. SCREW, BD HD, 8-32, 0.312LG	1	
-186	55901	. WASHER, LOCK, ET, 0.168ID, 0.3810D	1	
-188	2601548	. FRAME ASM, CONSOLE	1	

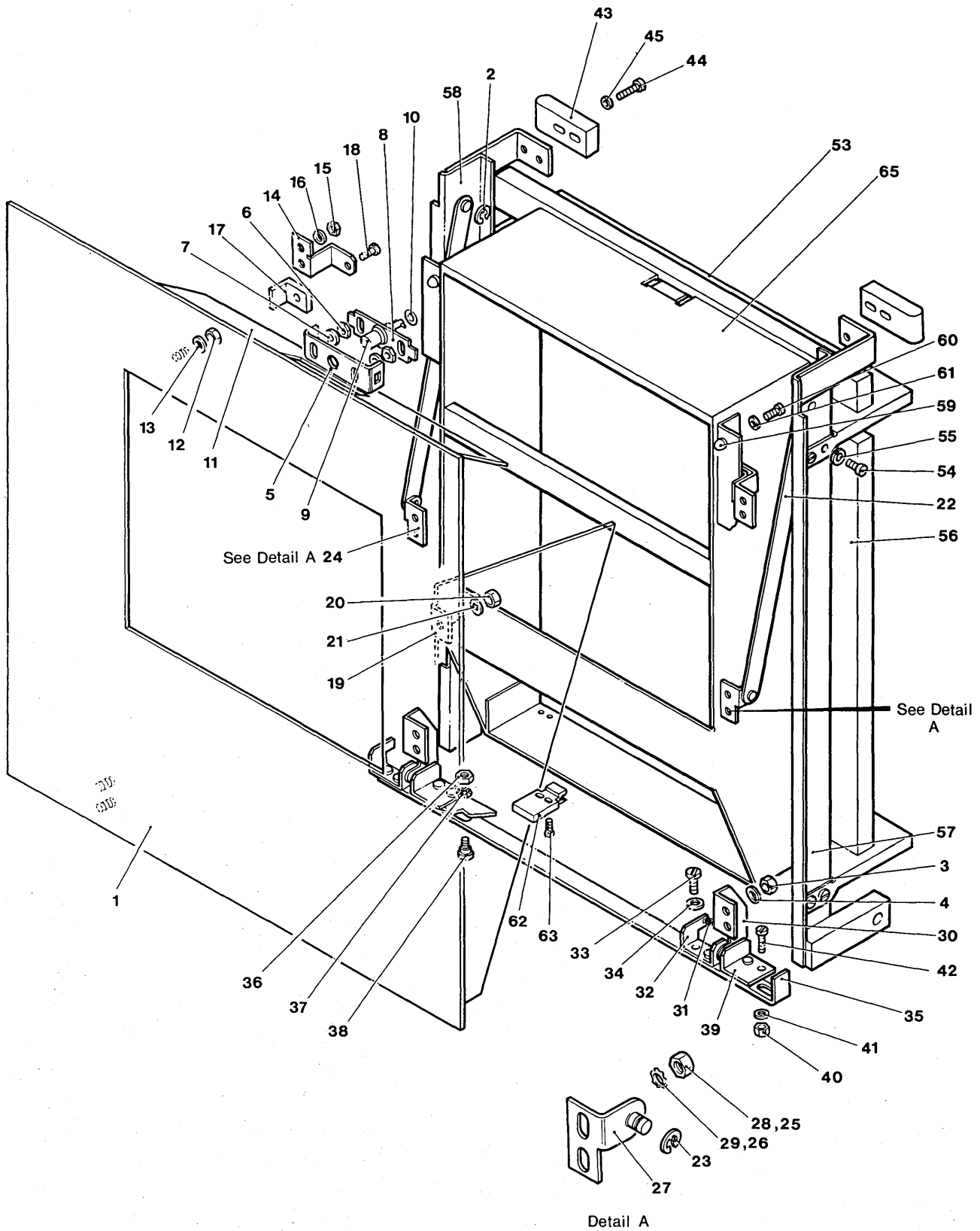


FIGURE 6. CONSOLE FILE MOUNTING. SHEET 1 OF 2. INDEX NOS. 1-65. SEE LIST 6.

FIGURE- INDEX NUMBER	PART NUMBER	DESCRIPTION				UNITS PER ASM.	USABLE ON CODE
		1	2	3	4		
		CONSOLE FILE MOUNTING (PART 1 OF 2)					
6 -	NO NC	CONSOLE FILE MOUNTING FCB NEXT HIGHER ASSEMBLY SEE FIGURE 5				REF	
- 1	2601563	. PANEL ASM					1
- 2	257700	. RING, RETAINING-EXT, 0.187ID, 0.020THK				ATT PT	2
- 3	257187	. NUT, HEX, 6-32				ATT PT	4
- 4	56722	. WASHER, LOCK, ET, 0.141ID, 0.3200D				ATT PT	4
- 5	2601645	. PLATE, GUIDE					1
- 6	3E051	. NUT, HEX, 6-32				ATT PT	2
- 7	56722	. WASHER, LOCK, ET, 0.141ID, 0.3200D				ATT PT	2
- 8	2601644	. PLATE, RETAINER					1
- 9	2601565	. STUD					1
- 10	2601584	. RETAINER				ATT PT	1
- 11	2601519	. SHIELD, TOP					1
- 12	257187	. NUT, HEX, 6-32				ATT PT	4
- 13	62031	. WASHER, LOCK, IT 0.141ID, 0.2950D				ATT PT	4
- 14	2601642	. BRACKET, FULL					2
- 15	257187	. NUT, HEX, 6-32				ATT PT	4
- 16	56722	. WASHER, LOCK, ET, 0.141ID, 0.3200D				ATT PT	4
- 17	2601624	. INSULATOR					2
- 18	1124740	. SCREW, NYLON, BD HD, 6-32, 0.250LG				ATT PT	2
- 19	2601522	. SHIELD SIDE					2
- 20	257187	. NUT, HEX, 6-32				ATT PT	10
- 21	62031	. WASHER, LOCK-IT 0.141ID, 0.2950D				ATT PT	10
- 22	2601602	. ARM, LINK					2
- 23	257982	. CLIP, RETAINING-F TYPE 0.188 DIA GROOVE				ATT PT	2
- 24	2601600	. BRACKET ASM, LH					1
- 25	257187	. NUT, HEX, 6-32				ATT PT	2
- 26	56722	. WASHER, LOCK, ET 0.141ID, 0.3200D				ATT PT	2
- 27	2601599	. BRACKET ASM, RH					1
- 28	257187	. NUT, HEX, 6-32				ATT PT	2
- 29	56722	. WASHER, LOCK, ET 0.141ID, 0.3200D				ATT PT	2
- 30	2601609	. BRACKET					2
- 31	2601640	. SPRING, EXTENSION					1
- 32	2601613	. BRACKET ASM, HINGE					2
- 33	55726	. SCREW, BD HD, 6-32, 0.188LG				ATT PT	4
- 34	56722	. WASHER, LOCK, ET 0.150ID				ATT PT	4
- 35	2601608	. BRACKET					1
- 36	257189	. NUT, HEX, 8-32				ATT PT	2
- 37	55901	. WASHER, LOCK-ET 0.168 ID, 0.3810D				ATT PT	2
- 38	2601607	. SCREW, SHOULDER, 8-32, 0.59LG				ATT PT	2
- 39	2601611	. BRACKET, HINGE STOP					2
- 40	257187	. NUT, HEX, 6-32				ATT PT	4
- 41	56722	. WASHER, LOCK, ET 0.141ID, 0.3200D				ATT PT	4
- 42	38235	. SCREW, BD HD, 6-32, 0.312LG				ATT PT	4
- 43	2601620	. GLIDE					2
- 44	5528	. SCREW, BD HD, 8-32, 0.625LG				ATT PT	4
- 45	60646	. WASHER, LOCK, IT 0.168 ID, 0.3400D				ATT PT	4
- 53	2601601	. BRACKET, SHOCK MTG					2
- 54	58207	. SCREW, UNDECT, BD HL, 8-32, 0.2500D				ATT PT	8
- 55	55901	. WASHER, LOCK-ET 0.168ID, 0.3810D				ATT PT	8
- 56	2280771	. READER ASM, 50 HZ					1
- 56	2280770	. READER ASM, 60 HZ FOR DETAIL PARTS SEE FIGURE 7					1
- 57	2601621	. SUPPORT ASM, RH					1
- 58	2601622	. SUPPORT ASM, LH					1
- 59	2601605	. BUMPER					2
- 60	55726	. SCREW, BD HD, 6-32, 0.188LG				ATT PT	2
- 61	56722	. WASHER, LOCK, ET 0.141ID, 0.3200D				ATT PT	2
- 62	2602105	. HINGE					2
- 63	2175684	. SCREW, SELF TAP, FAN HD, 4-40, 0.375LG				ATT PT	4
- 65	2601574	. COVER ASM					1

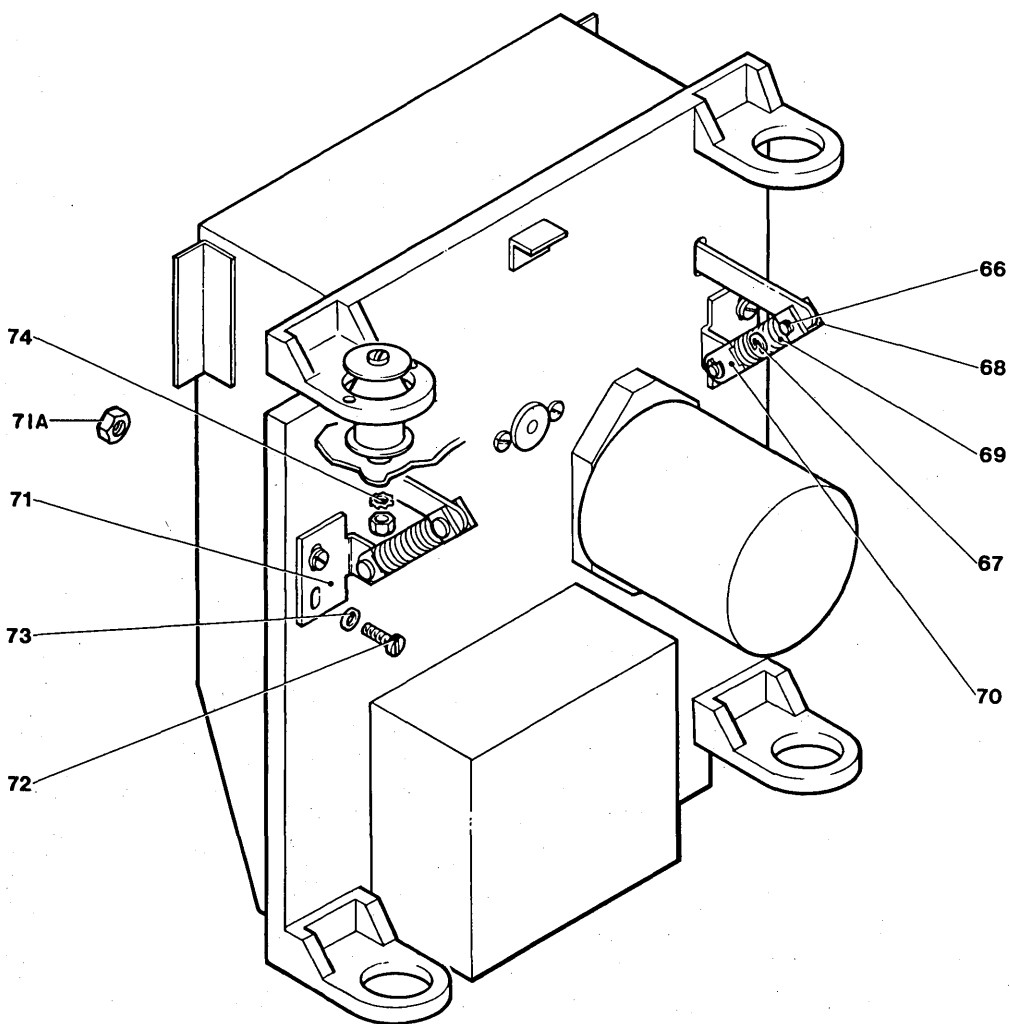


FIGURE 6. CONSOLE FILE MOUNTING. SHEET 2 OF 2. INDEX NOS. 66-74. SEE LIST 6.

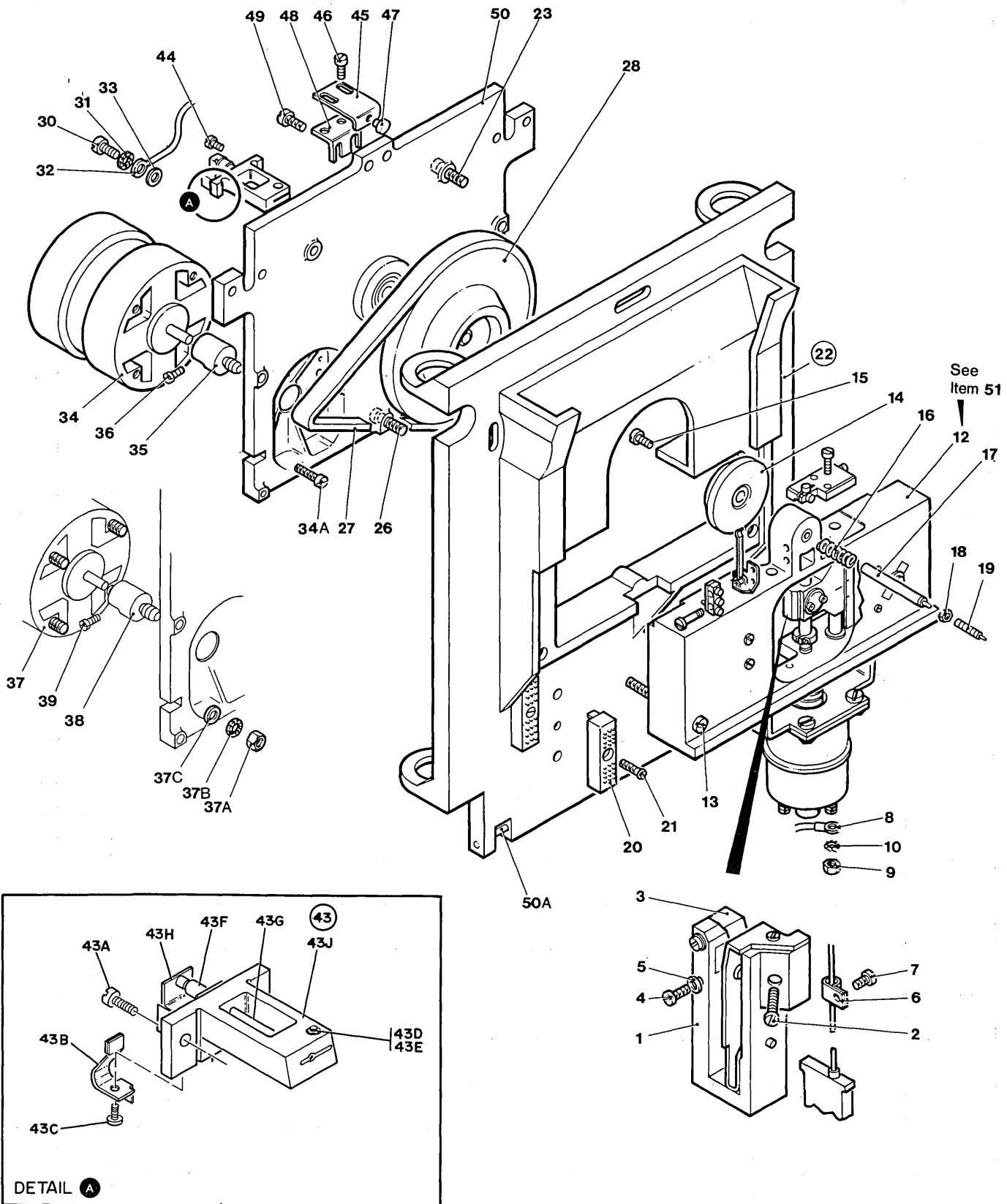


FIGURE 7. CONSOLE FILE ASSEMBLY. SHEET 1 OF 3. INDEX NOS. 1-50A. SEE LIST 7.

FIGURE- INDEX NUMBER	PART NUMBER	DESCRIPTION	UNITS PER ASM.	USABLE ON CODE
		CCNSOLE FILE ASM (PART 1 OF 3)		
7 -	2280770	READER ASM,60HZ		
-	2280771	READER ASM,50HZ	REF	
		FCS NEXT HIGHER ASM SEE FIGURE 5		
- 1	2280781	. HEAD/ARM ASM	1	
- 2	357820	. SCREW,CAP,SOC HE,4-40,0.500LG	ATT PT	1
- 3	2280E25	. . HEAD ASM,MAGNETIC	1	
- 4	438541	. . SCREW,BD HD,2-56,0.438LG	ATT PT	2
- 5	2280778	. . SCREW,INSULATOR	ATT PT	2
- 6	2280352	. . CLAMP,CABLE	1	
- 7	438548	. . SCREW,BD HD,4-40,0.188LG	ATT PT	1
- 8	2280452	. CABLE ASM	1	
- 9	257189	. NUT,HEX,8-32	ATT PT	1
- 10	55901	. WASHER,LOCK,ET,0.168ID,0.3810D	ATT PT	1
- 11	38235	. SCREW,BD HD,6-32,0.312LG	ATT PT	1
- 12	2280328	. ACCESS ASM	1	
		FCS DETAIL PARTS SEE ITEM 51		
- 13	2280624	. SCREW,ROUND HEAD,6-32,2.620LG	ATT PT	4
- 14	2280410	. CCNE ASM	1	
- 15	2123141	. SCREW,BUTTON HEAD	ATT PT	1
- 16	2278102	. SPRING,COMPRESSION	1	
- 17	2280706	. STUD,CENTER CCNE	1	
- 18	2280711	. NUT,KNUBLED,10-32,0.450D	ATT PT	1
- 19	2280707	. PLUNGER,SPRING	1	
- 20	302090	. CCNNECTOR,RECE,ELEC-24 FEMALE CONTACTS	1	
- 21	438550	. SCREW,BD HD,4-40,0.500LG	ATT PT	1
- 22	NC NO	. BACKPLATE ASM	REF	
		FOR DETAIL PARTS SEE ITEM 89		
- 23	35739	. SCREW,ED HD,6-32,0.938LG	ATT PT	6
- 25	2280702	. BACKPLATE ASM, 50HZ	1	
- 25	2280299	. BACKPLATE ASM, 60HZ	1	
- 26	322550	. SCREW,BD HD,6-32,0.500LG	ATT PT	1
- 27	2278002	. . BELT,FLAT	1	
- 28	2280266	. . DRIVE HUB ASM	1	
- 29	2280578	. . SUFICET ASM	1	
- 30	5677	. . SCREW,BD HD,10-32,0.750LG	ATT PT	2
- 31	56079	. . WASHER,LOCK-ET 0.195ID 0.4100D	ATT PT	2
- 32	2280664	. . JUMPER ASM	1	
- 33	45690	. . WASHER,0.203 ID,0.4380D	ATT PT	2
- 34	2280257	. . MOTOR ASM,50HZ	1	
- 34A	332620	. . SCREW,BD HD,10-32,0.500LG	ATT PT	4
- 35	2280298	. . PULLEY,DRIVE,50HZ	1	
- 36	186924	. . SCREW,CAP-FLUTED SOC HD,4-40,0.375LG	ATT PT	1
- 37	2280290	. . MOTOR ASM,60HZ	1	
- 37A	257189	. . NUT,HEX,8-32	ATT PT	4
- 37B	1090873	. . WASHER,LOCK,SPRING- 0.168ID,0.2960D	ATT PT	4
- 37C	22478	. . WASHER,0.17ID,0.3750D,0.321HK	ATT PT	4
- 38	2280274	. . PULLEY,DRIVE,60HZ	1	
- 39	186924	. . SCREW,CAP-FLUTED SOC HD,4-40,0.375LG	ATT PT	1
		ITEMS 78537-39 REPLACE ITEMS 78534-36 FOR 60HZ		
- 43	2280390	. . LAMP ASM	1	
- 43A	438550	. . SCREW,ED HD,4-40,0.500LG	ATT PT	2
- 43B	2157318	. . . CLIP	1	
- 43C	251970	. . . SCREW,MACH BD HD- 4-40 X 0.250	1	
- 43D	438540	. . . SCREW,MACH BD HD- 2-56 X 0.375	1	
- 43E	47987	. . . NUT,PLAIN HEX- 2-56 X 0 187 FL W	1	
- 43F	2154086	. . . LAMP	1	
- 43G	2280394	. . . PIPE,LAMP ASM	1	
- 43H	2157315	. . . BRACKET	1	
- 43J	2280393	. . . SUPPORT ASM,PHOTO CELL	1	
- 45	2601568	. . BRACKET,BUMPER	1	
- 46	55726	. . SCREW,BD HE,6-32,0.188LG	ATT PT	2
- 47	208529	. . BUMPER,RUBBER-FOR 0.188 HOLE	1	
- 48	2280612	. . BRACKET,STRIKER	1	
- 49	38235	. . SCREW,BD HD,6-32,0.312LG	ATT PT	2
- 50	2280249	. . BACKPLATE	1	
- 50A	104658	. DOWEL PIN,0.125 DIA,1.030LG	2	

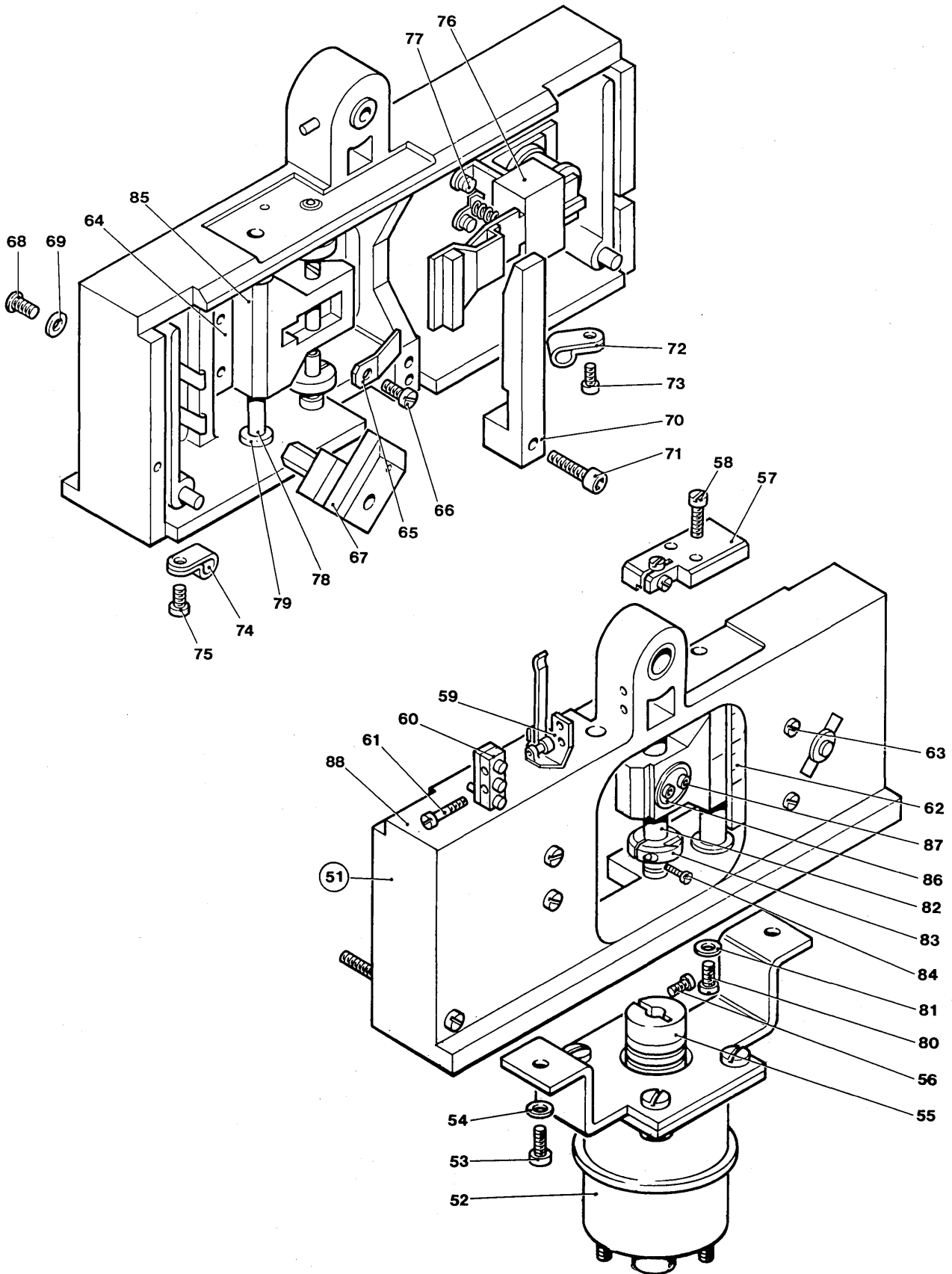


FIGURE 7. CONSOLE FILE ASSEMBLY. SHEET 2 OF 3. INDEX NCS. 51-88. SEE LIST 7.

FIGURE- INDEX NUMBER	PART NUMBER	DESCRIPTION	UNITS	USABLE
			PER ASM.	ON CODE
		1 2 3 4 CONSOLE FILE ASM (PART 2 OF 3)		
7 -	2280770	READER ASM,60HZ (CONTINUED)	REF	
-	2280771	READER ASM,50HZ (CONTINUED)	REF	
- 51	2280323	. ACCESS ASM	1	
- 52	2280440	. . MOTOR ASM, ACCESS DRIVE	1	
- 53	25627	. . SCREW-BD HD,8-32,0.500LG	ATT PT	2
- 54	22478	. . WASHER,0.17ID,0.375OD,0.32THK	ATT PT	2
- 55	2278185	. . COUPLING,FLEXIBLE		1
- 56	186924	. . SCREW,CAP-FLUTED SOC HD,4-40,0.375LG	ATT PT	1
- 57	2280709	. . ADJUSTMENT ASM		1
- 58	186924	. . SCREW,CAP-FLUTED SOC HD,4-40,0.375LG	ATT PT	2
- 59	2154330	. . ACTUATOR		1
- 60	2280317	. . SWITCH		1
- 61	438542	. . SCREW,BD HD,2-56,0.500LG		2
- 62	2280308	. . SCALE,TRACK LOCATION		1
- 63	438551	. . SCREW,BD HD,4-40,0.625LG	ATT PT	2
- 64	2280309	. . PLATE,NUT	ATT PT	1
- 65	2280314	. . SPRING,CARRIAGE		1
- 66	438548	. . SCREW,BD HD,4-40,0.188LG	ATT PT	1
- 67	2280380	. . TRANSDUCER ASM		1
- 68	322552	. . SCREW,BD HD,6-32,0.875LG	ATT PT	1
- 69	2280309	. . PLATE,NUT	ATT PT	1
- 70	2280721	. . PLATEN ASM		1
- 71	355369	. . SCREW,SOC HD, 6-32,0.750LG	ATT PT	1
- 72	5213276	. . CLAMP,CABLE		1
- 73	38235	. . SCREW,BD HD,6-32,0.312LG	ATT PT	1
- 74	2122639	. . CLAMP-CABLE		1
- 75	38235	. . SCREW,BD HD,6-32,0.312LG	ATT PT	1
- 76	2280565	. . ACTUATOR ASM,PRESSURE PAD		1
- 77	38235	. . SCREW,BD HD,6-32,0.312LG	ATT PT	2
- 78	2280311	. . SHAFT,CARRIAGE MTG		1
- 79	332747	. . CLIP,RETAINING	ATT PT	1
- 80	10170	. . SCREW,BD HD,6-32,0.250LG	ATT PT	1
- 81	2579E6	. . WASHER,0.156ID,0.312OD	ATT PT	1
- 82	2280315	. . LEAD SCREW		1
- 83	2278107	. . CLAMP,LEAD SCR		2
- 84	3572E0	. . SCREW,SOCKET	ATT PT	2
- 85	2280365	. CARRIAGE ASM		1
- 86	2280312	. STYLUS		1
- 87	186923	. SCREW-CAP,SOC HD,4-40,0.250LG	ATT PT	2
- 88	2280281	. HOUSING ASM		1

89

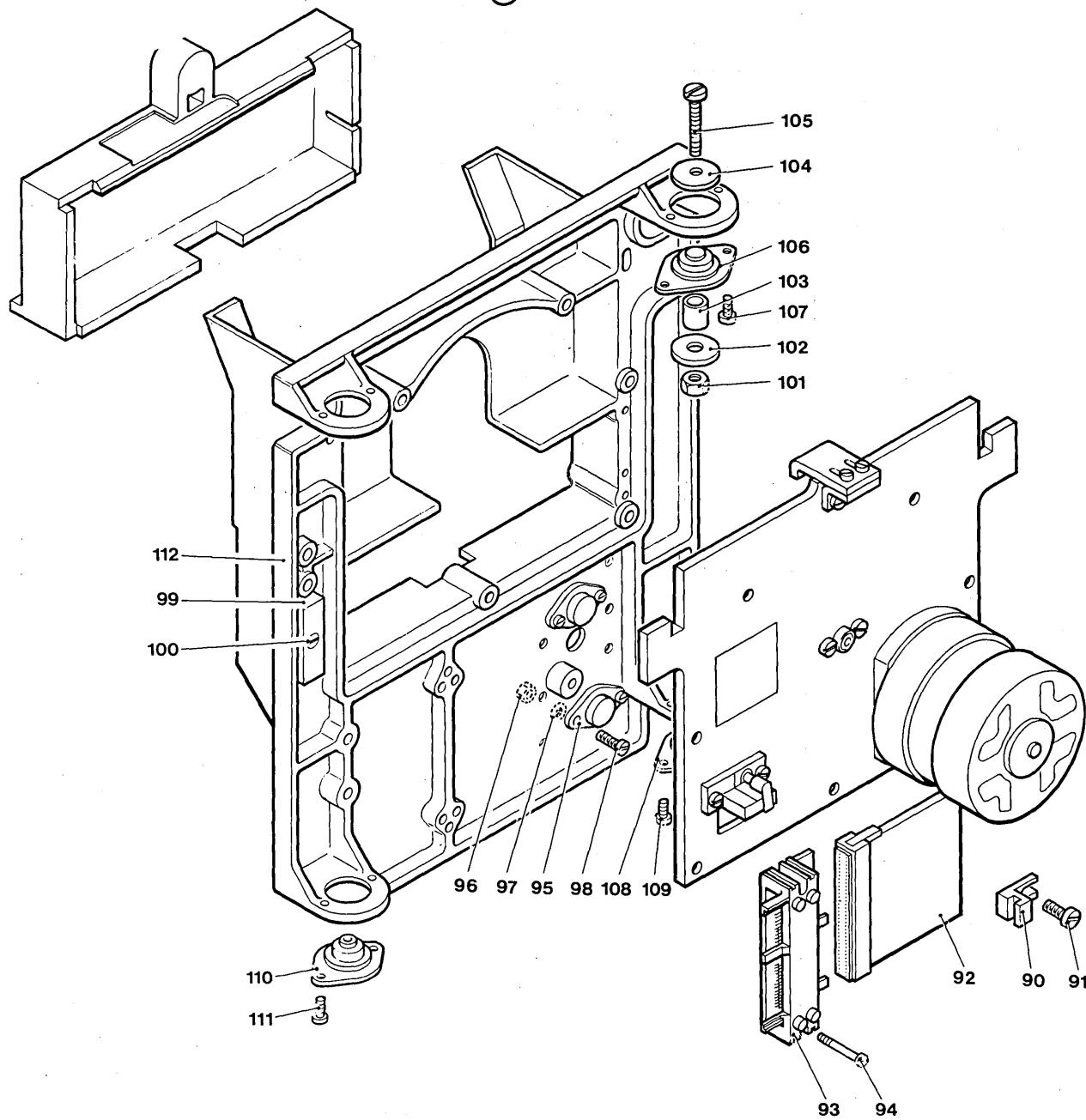


FIGURE 7. CONSOLE FILE ASSEMBLY. SHEET 3 OF 3. INDEX NOS. 89-112. SEE LIST 7.

FIGURE- INDEX NUMBER	PART NUMBER	DESCRIPTION	UNITS	USABLE
			PER ASM.	ON CODE
		1 2 3 4 CONSOLE FILE ASM (PART 3 OF 3)		
7 -	2280773	READER ASM, 60HZ (CONTINUED)	REF	
-	2233771	READER ASM, 50HZ (CONTINUED)	REF	
- 89	NC NO	. . . BASEPLATE ASM	1	
- 90	2280297	. . . RETAINER, CARD	1	
- 91	38235	. . . SCREW, BD HE, 6-32, 0.312LG	1	ATT PT
- 92	5862500	. . . CARD SLT	1	
- 93	2274833	. . . CONNECTOR	1	
- 94	438567	. . . SCREW, UNDRCT, BD HE, 6-32, 1.000LG	2	ATT PT
- 95	2278090	. . . TRANSISTOR ASM	2	
- 96	37913	. . . NUT-HEX, 4-40	4	ATT PT
- 97	338169	. . . WASHER, LOCK, EL, 0.115ID, 0.260OD	4	ATT PT
- 98	438551	. . . SCREW, BD HE, 4-40, 0.625LG	4	ATT PT
- 99	302090	. . . CONNECTOR, RECP, ELEC-24 FEMALE CONTACTS	1	
-100	438550	. . . SCREW, BD HE, 4-40, 0.500LG	1	ATT PT
-101	257189	. . . NUT, HEX, 8-32	4	ATT PT
-102	2278074	. . . WASHER, 0.17ID, 0.980D, 0.032THK	4	ATT PT
-103	2278073	. . . COLLAR, RUBBER, SNUBBING	4	
-104	2278074	. . . WASHER, 0.17ID, 0.980D, 0.032THK	4	ATT PT
-105	438589	. . . SCREW, BD HE, 8-32, 1.500LG	4	ATT PT
-106	2280710	. . . MOUNTING, MULTIPLANE	1	
-107	10170	. . . SCREW, BD HE, 6-32, 0.250LG	2	ATT PT
-108	2280710	. . . MOUNTING, MULTIPLANE	1	
-109	10170	. . . SCREW, BD HE, 6-32, 0.250LG	2	ATT PT
-110	2278072	. . . MOUNTING, MULTIPLANE	2	
-111	10170	. . . SCREW, BD HE, 6-32, 0.250LG	4	ATT PT
-112	2280248	. . . BASEPLATE	1	

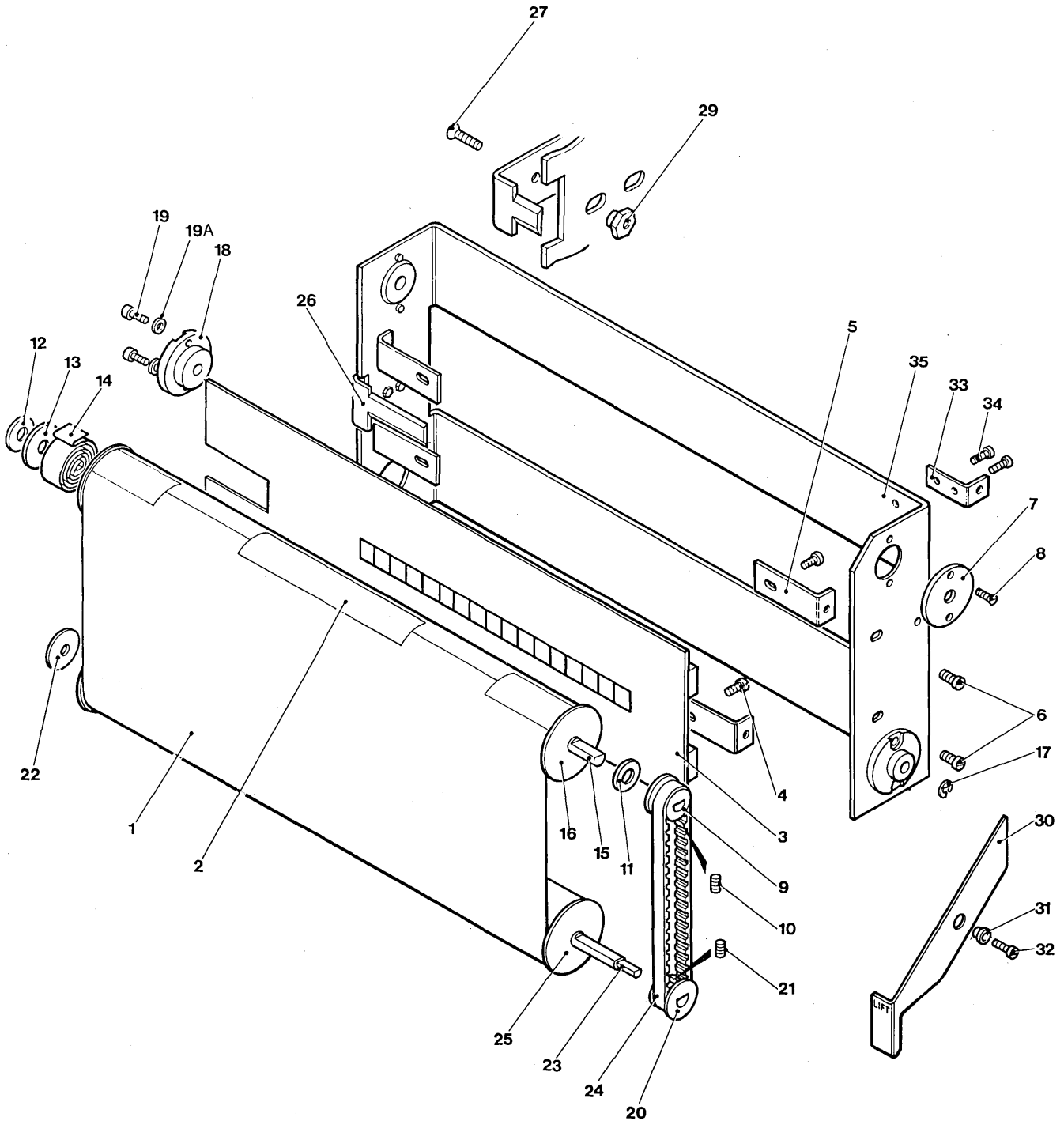


FIGURE 8. ROLLER BLIND ASSEMBLY. MACHINES W/C EC 391437. SHEET 1 OF 2. INDEX NOS. 1-35. SEE LIST 8.

FIGURE- INDEX NUMBER	PART NUMBER	DESCRIPTION	1 2 3 4				UNITS PER ASM.	USABLE ON CODE
		ROLLER BLIND ASM (PART 1 OF 2) (MACHINES WITHOUT EC391437)						
8 -	NC NO	ROLLER BLIND ASSEMBLY FCR NEXT HIGHER ASM SEE FIGURE 5-166					REF	
- 1	2605953	. SCREEN					1	
- 1	4140476	. SCREEN (USED ON MODEL 3)					1	
- 2	2601656	. ADHESIVE TAPE					1	
- 3	2601976	. DIFFUSER				ATT PT	1	
- 4	56207	. SCREW, UNDRCT, BD HD, 8-32, 0.250LG					4	
- 5	2601974	. BRACKET					4	
- 6	56207	. SCREW, UNDRCT, BD HD, 8-32, 0.250LG					4	
- 7	2601511	. BEARING					2	
- 8	38443	. SCREW, FL HD, 6-32, 0.312LG					4	
- 9	1202192	. PULLEY					1	
- 10	257969	. SETSCREW, FLUTED SOC 6-32, 0.125LG, CUP PT				ATT PT	2	
- 11	2601629	. WASHER, 0.870D, 0.315ID, 0.0625THK					1	
- 12	2601520	. WASHER, LOCK, SPRING, 0.353ID, 0.870OD					1	
- 13	2601627	. WASHER, 2.000OD, 0.316ID, 0.032THK					1	
- 14	2601516	. SERING					1	
- 15	2601534	. SHAFT, UPPER					1	
- 16	2601529	. DRUM ASM, UPPER					1	
- 17	251015	. CLIP, RETAINING					1	
- 18	2605681	. BEARING					2	
- 19	55726	. SCREW, BD HD, 6-32, 0.188LG					4	
- 19A	56722	. WASHER, LOCK, ET, 0.141ID, 0.320OD, 0.022THK					4	
- 20	1202192	. PULLEY					1	
- 21	257969	. SETSCREW, FLUTED SOC 6-32, 0.125LG CUP PT				ATT PT	2	
- 22	2601520	. WASHER, SPRING, 0.353ID, 0.870D					1	
- 23	2601535	. SHAFT, LOWER					1	
- 24	364156	. BELT					1	
- 25	2601530	. DRUM ASM, LOWER					1	
- 26	2604492	. PRISM BRACKET					1	
- 27	472729	. SCREW, BD HD, 4-40, 0.375LG					2	
- 29	2604493	. BUSH, ECCENTRIC					2	
- 30	2601538	. LEVER					1	
- 31	2601628	. WASHER					1	
- 32	38443	. SCREW, FL HD, 6-32, 0.312LG					1	
- 33	2601541	. BRACKET					1	
- 34	10170	. SCREW, BD HD, 6-32, 0.250LG					2	
- 35	2601526	. SUPPORT RCLLER					1	

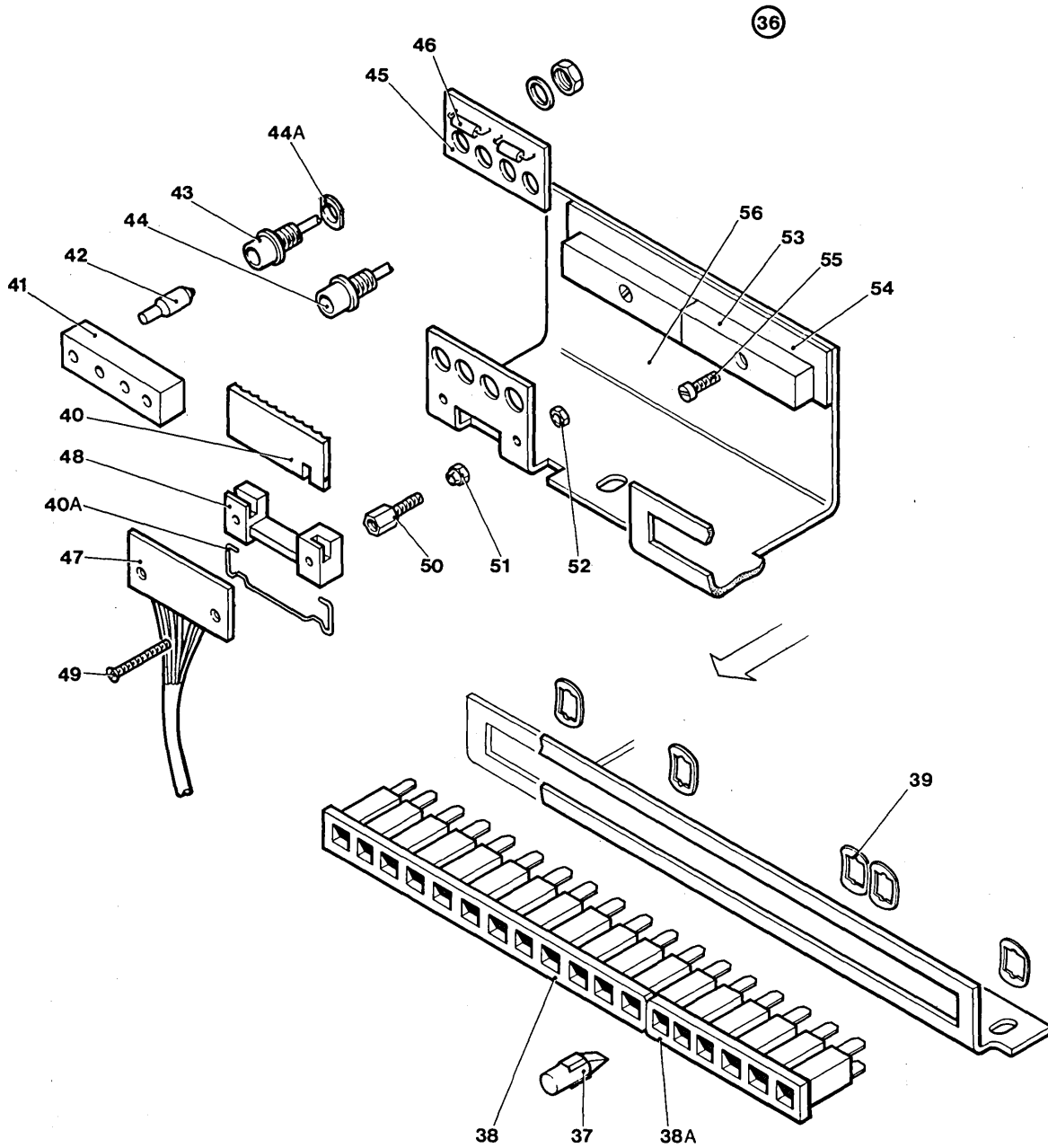


FIGURE 8. ROLLER BLIND ASSEMBLY. MACHINES W/O EC 391437. SHEET 2 OF 2. INDEX NOS. 36-56. SEE LIST 8.

FIGURE- INDEX NUMBER	PART NUMBER	DESCRIPTION				UNITS PER ASM.	USABLE ON CODE
		1	2	3	4		
		ROLLER BLIND ASSEMBLY (PART 2 OF 2) (MACHINES WITHOUT EC391437)					
8 -	NC NO	ROLLER BLIND ASSEMBLY (CONTINUED)				REF	
- 36	2604517	. SENSING DEVICE ASM				1	
- 37	2391121	. . LAMP				18	
- 38	2122039	. . SOCKET, (12 LAMP)				1	
- 38A	2601525	. . SOCKET (6 LAMP)				1	
- 39	2122041	. . CLIP ATT PT				5	
- 40	2602303	. . DIFFUSER				1	
- 40A	2605692	. . SPRING CLIP				1	
- 41	2605721	. . BLOCK, LAMP				1	
- 42	2605699	. . LAMP				4	
- 43	2604498	. . LAMP ASM				3	
- 44	555415	. . LAMP ASM				1	
- 44A	2604497	. . BUSH				4	
- 45	2604495	. . STRAP				1	
- 46	132767	. . RESISTOR, FXD-16 OHMS 1W				2	
- 47	2604500	. . CARD ASM, PC				1	
- 48	2604501	. . CLAMP				1	
- 49	1091173	. . SCREW, FL HD, 4-40, 0.625LG ATT PT				2	
- 50	2604499	. . SPACER ATT PT				2	
- 51	216128	. . NUT, LOCK, 4-40 ATT PT				2	
- 52	37913	. . NUT-HEX, 4-40 ATT PT				2	
- 53	302090	. . CONNECTOR, RECF, ELEC, 24 FEMALE CONTACTS				2	
- 54	2604494	. . STRIP, MARKER				1	
- 55	438549	. . SCREW, BD HE, 4-40, 0.438LG ATT PT				2	
- 56	2604496	. . BRACKET, LAMP				1	

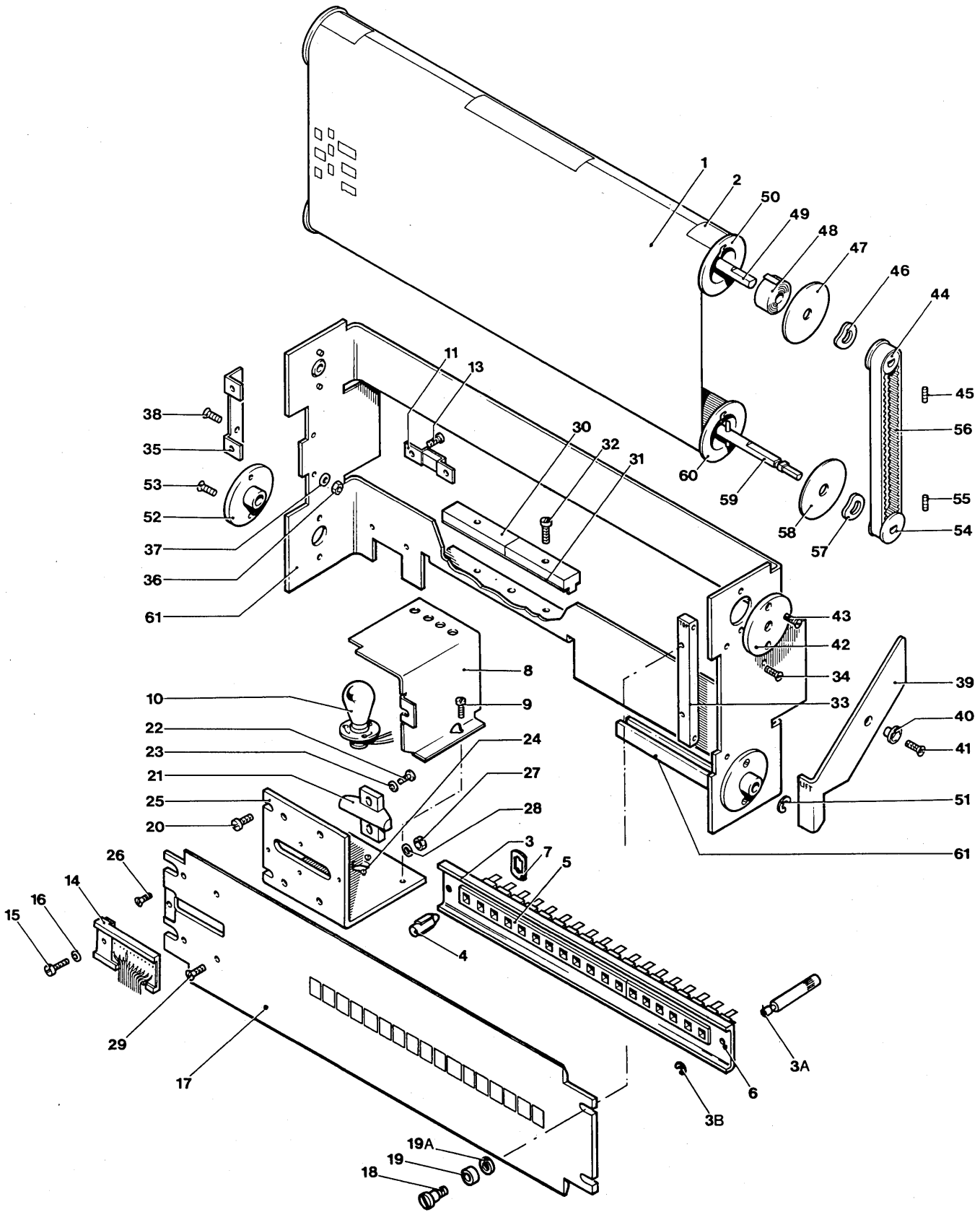


FIGURE 8A. ROLLER BLIND ASSEMBLY. MACHINES WITH FC 391437. SEE LIST 8A.

FIGURE- INDEX NUMBER	PART NUMBER	DESCRIPTION	UNITS	USABLE
			PER ASM.	ON CODE
		ROLLER BLIND ASSEMBLY (MACHINES WITH EC 391437)		
8A-	2605956	ROLLER BLIND ASSEMBLY FOR NEXT HIGHER ASSEMBLY SEE FIGURE 5		
- 1	2605953	. SCREEN		1
- 2	2601656	. ADHESIVE TAPE	ATT PT	AR
- 3	2606030	. LAMP HOLDER BRACKET		1
- 3A	2605957	. SCREW, KNURLED EXTEND HD, 6-32, 0.380LG	ATT PT	2
- 3B	1073418	. CLIP, 0.094ID, 0.230D, 0.015THK	ATT PT	2
- 4	2391121	. LAMP		18
- 5	2122039	. SOCKET, 12 LAMP		1
- 6	2601525	. SOCKET, 6 LAMP		1
- 7	2122041	. CLIP	ATT PT	5
- 8	2605979	. LAMP COVER		1
- 9	55726	. SCREW, BD HD, 6-32, 0.188LG	ATT PT	2
- 10	2605961	. LAMP ASM		1
		ASSEMBLY COMPONENTS ARE NOT REPLACEABLE		
- 11	2605973	. CLAMP		1
- 13	10170	. SCREW, BD HD, 6-32, 0.250LG	ATT PT	2
- 14	2605963	. RETAINER ASM		1
		ASSEMBLY COMPONENTS ARE NOT REPLACEABLE		
- 15	43E549	. SCREW, ED HD, 4-40, 0.438LG	ATT PT	1
- 16	257966	. WASHER, 0.156ID, 0.312OD, 0.035THK	ATT PT	1
- 17	2605962	. DIFFUSER		1
- 18	2606461	. SCREW, SHOULDER, 6-32, 0.196DIA, 0.344LG	ATT PT	2
- 19	2606426	. WASHER, COMPRESSION, 0.2ID, 0.420D, 0.13THK	ATT PT	2
- 19A	45690	. WASHER, 0.203ID, 0.438OD, 0.032THK	ATT PT	2
- 20	10170	. SCREW, BD HD, 6-32, 0.250LG	ATT PT	2
- 21	2605975	. LENS		1
- 22	38235	. SCREW, BD HD, 6-32, 0.312LG	ATT PT	2
- 23	257966	. WASHER, 0.156ID, 0.312OD, 0.035THK	ATT PT	2
- 24	43E533	. SCREW, ED HD, 2-56, 0.250LG	ATT PT	3
- 25	2605963	. BRACKET		1
- 26	38442	. SCREW, FLT HD, 6-32, 0.250LG	ATT PT	2
- 27	257187	. NUT, HEX, 6-32	ATT PT	2
- 28	257966	. WASHER, 0.156ID, 0.312OD, 0.035THK	ATT PT	2
- 29	43E573	. SCREW, FLT HD, 6-32, 0.438LG	ATT PT	2
- 30	302090	. TERMINAL BOARD		2
- 31	302131	. INSULATING STRIP		2
- 32	43E550	. SCREW, BD HD, 4-40, 0.500LG	ATT PT	2
- 33	2605965	. BLOCK		1
- 34	38235	. SCREW, BD HD, 6-32, 0.312LG	ATT PT	2
- 35	2605964	. BRACKET		1
- 36	257187	. NUT, HEX, 6-32	ATT PT	2
- 37	257966	. WASHER, 0.156ID, 0.312OD, 0.035THK	ATT PT	2
- 38	43E573	. SCREW, FLT HD, 6-32, 0.438LG	ATT PT	2
- 39	2601538	. LEVER		1
- 40	2601628	. BUSH		1
- 41	38443	. SCREW, FLT HD, 6-32, 0.312LG	ATT PT	1
- 42	2605969	. BEARING		2
- 43	38443	. SCREW, FLT HD, 6-32, 0.312LG	ATT PT	4
- 44	1202192	. PULLEY		1
- 45	257969	. SETSCREW, FLUTED SOC, 6-32, 0.125LG	ATT PT	2
- 46	2601520	. WASHER, BOWED, 0.343ID, 0.870OD, 0.005THK		1
- 47	2605976	. WASHER, 0.316ID, 2.140OD, 0.032THK		1
- 48	2605971	. SPRING		1
- 49	2605967	. SHAFT		1
- 50	2605966	. ROLLER		1
- 51	251015	. CLIP RETAINING, 0.243ID, 0.500OD, 0.025THK		1
- 52	2605970	. BEARING		2
- 53	38443	. SCREW, FLT HD, 6-32, 0.312LG	ATT PT	4
- 54	1202192	. PULLEY		1
- 55	257969	. SETSCREW, FLUTED SOC, 6-32, 0.125LG	ATT PT	2
- 56	364156	. BELT		1
- 57	2601520	. WASHER, BOWED, 0.343ID, 0.870OD, 0.005THK		1
- 58	2605976	. WASHER, 0.316ID, 2.140OD, 0.032THK		1
- 59	2605968	. SHAFT		1
- 60	2605966	. ROLLER		1
- 61	220929	. CHANNEL		AR
- 62	2605972	. SUPPORT		1

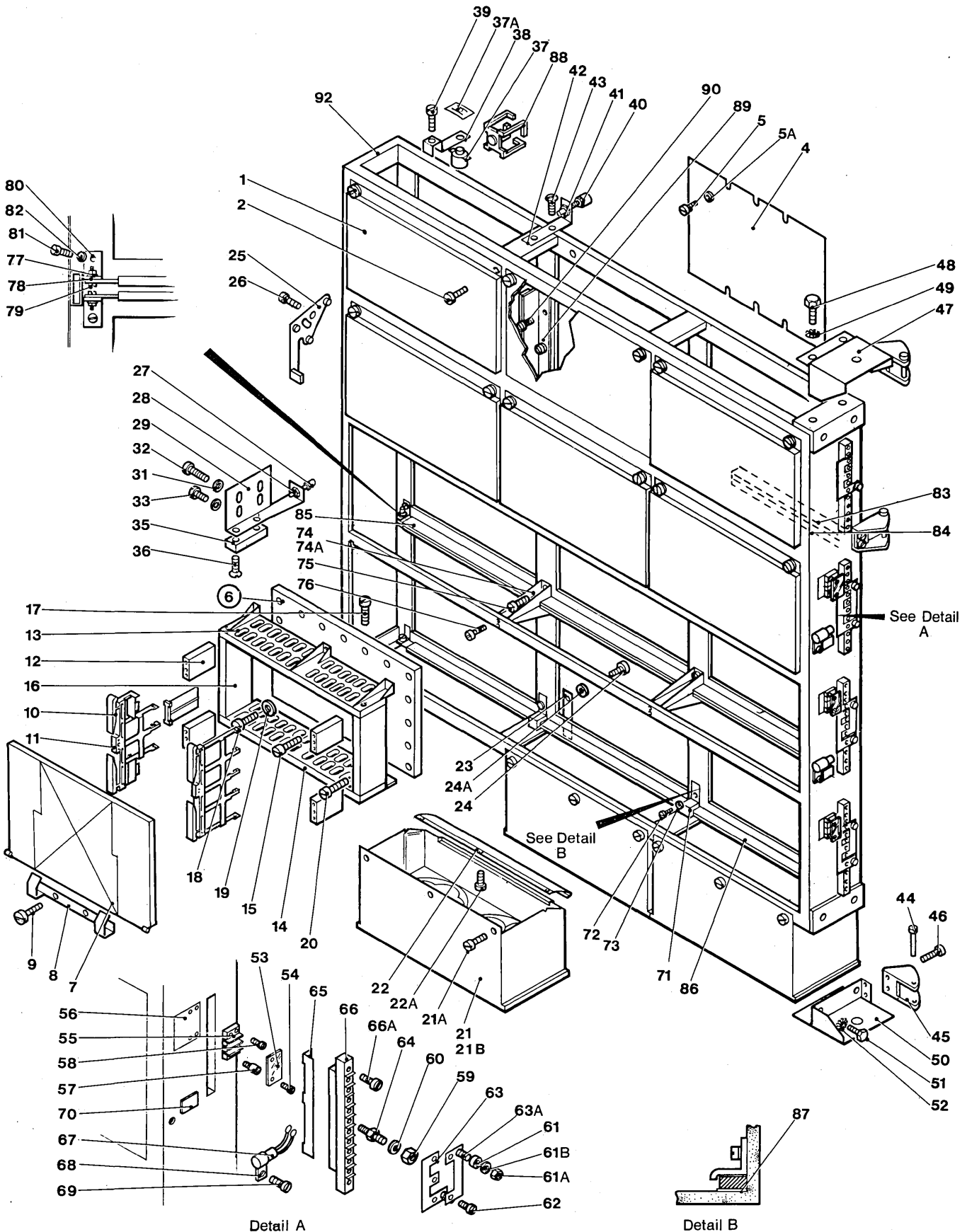


FIGURE 9. 'A' GATE ASSEMBLY. SEE LIST 9.

FIGURE- INDEX NUMBER	PART NUMBER	DESCRIPTION	UNITS PER ASM.	USABLE ON CODE
		'A' GATE ASSEMBLY		
9 -	2598643 NP	'A' GATE ASSEMBLY FOR NEXT HIGHER ASSEMBLY SEE FIGURE 2-18	REF	
- 1	819012	. COVER ASM,DUMMY	AR	
- 2	5350006	. SCREW	ATT PT	AR
- 4	819431	. COVER ASM,DUMMY	AR	
- 5	731626	. SCREW,SELF TAP-6-32,0.250LG	ATT PT	AR
- 5A	257986	. WASHER,0.156ID,0.312OD	ATT PT	AR
- 6	NO NO	. BOARD ASM	AR	
- 7	2637564	. . COVER ASM-CARD (2 HI GATE)	AR	
- 8	2637567	. . BRACKET-CARD COVER	AR	
- 9	731626	. . SCREW	ATT PT	12
- 10	817398	. . HOLDER,CAPACITOR	AR	
- 11	818579	. . LABEL	AR	
- 12	817388	. . CAPACITOR ASM	AR	
- 13	817393	. . GUIDE,UPPER	AR	
- 14	817394	. . GUIDE,LOWER	AR	
- 15	2457745	. . SCREW,SELF TAP,PIL HD,6-32,10.00LG	ATT PT	AR
- 16	817395	. . SPACER	AR	
- 17	2181005	. . SCREW,SELF TAPPING,6-32,0.375LG	ATT PT	AR
- 18	2181088	. . SCREW,HEX,SOC 6-32,0.875LG	ATT PT	AR
- 19	22066	. . WASHER,0.140ID,0.281OD	ATT PT	AR
- 20	2181088	. . SCREW,HEX,SOC 6-32,0.875LG	ATT PT	6
- 21	1573500	. COOLING UNIT ASM,60HZ-PCB		3
- 21	1993581	. COOLING UNIT ASM,50HZ		3
- 21	1574800	. COOLING UNIT ASM, 60HZ-NON PCB COMPONENT PARTS NOT REPLACEABLE		3
- 21A	28413	. SCREW,BD HD,10-32,0.312LG	ATT PT	9
- 21B	1573513	. FILTER USED ON 1573500 AND 1574800 ASM		1
- 21B	1994488	. FILTER USED ON 1993581 ASM		1
- 22	1993822	. ADAPTER ASM		3
- 22A	28413	. SCREW,BD HD,10-32,0.312LG	ATT PT	9
- 23	5476348	. JUMPER METAL		1
- 24	2566604	. SCREW,NI PLATE,BD HD,10-32,0.312LG	ATT PT	1
- 24A	2574805	. WASHER,NI PLATE,LOCK,ET,0.195ID,0.395OD	ATT PT	1
- 25	2598569	. GATE LATCH		1
- 26	2599003	. SCREW,SPECIAL	ATT PT	2
- 27	255939	. BUMPER,GATE A		1
- 28	3960	. NUT,HEX,0.250-20	ATT PT	1
- 29	2598590	. BRACKET,GLIDE		1
- 31	56079	. WASHER,LOCK,ET 0.195ID 0.410OD	ATT PT	4
- 32	438601	. SCREW,UNDRCT,BD HD,10-32,0.875LG	ATT PT	2
- 33	332620	. SCREW,BD HD,10-32,0.500LG	ATT PT	2
- 35	2598591	. GLIDE		1
- 36	2179	. SCREW,FL HD,8-32,0.625LG	ATT PT	2
- 37	5501993	. THERMAL SWITCH,122 F, N/C		3
- 37A	2607131	. RETAINER		3
- 38	5502007	. CLIP,THERMAL SWITCH		3
- 39	10170	. SCREW,BD HD,6-32,0.250LG	ATT PT	3
- 40	255939	. BUMPER-GATE A		1
- 41	3960	. NUT,HEX,0.250-20	ATT PT	1
- 42	1993073	. BRACKET		1
- 43	186759	. SCREW,BD HD,8-32,0.312LG	ATT PT	2
- 44	5499901	. PIN RETAINING		5
- 45	5499900	. CLAMP ASM		5
- 46	34512	. SCREW-BD HD,8-32,0.375LG	ATT PT	10
- 47	2598397	. HINGE BRACKET,UPPER		1
- 48	38686	. SCREW,SLOTTED HEX HD,0.250-20,0.500LG	ATT PT	4
- 49	76574	. WASHER,LOCK,ET 0.267ID,0.510OD	ATT PT	4
- 50	2598398	. HINGE BRACKET,LOWER		1
- 51	38686	. SCREW,SLOTTED HEX HD, 0.250-20,0.500LG	ATT PT	4
- 52	76574	. WASHER,LOCK,ET 0.267ID,0.510OD	ATT PT	4
- 53	5319909	. COVER,TERM BLOCK		AR
- 54	10170	. SCREW,BD HD,6-32,0.250LG	ATT PT	AR
- 55	323836	. BLOCK-TERMINAL		AR
- 56	5318920	. STRIP,MARKER		AR
- 57	210883	. STUD-SHIELD MTG,TAPPED,6-32	ATT PT	AR
- 58	522550	. SCREW,BD HD,6-32,0.500LG	ATT PT	AR
- 59	36109	. NUT,HEX,0.250-20	ATT PT	AR
- 60	76574	. WASHER,LOCK,ET 0.267ID,0.510OD	ATT PT	AR
- 61	634786	. SPACER		AR
- 62	815151	. SCREW,BD HD,8-32,0.375LG	ATT PT	AR
- 63	2598910	. JUMPER ASM		AR
- 63A	2598909	. JUMPER ASM		AR
- 64	2598908	. STUD,8-32UNC TO 0.25-20UNC		AR

FIGURE- INDEX NUMBER	PART NUMBER	DESCRIPTION	UNITS PER ASM.	USABLE ON CODE
9 - 65	2598911	. JUMPER ASM	AR	
- 66	816744	. TERMINAL BLOCK	AR	
- 66A	332620	. SCREW, BD HD, 10-32, 0.500LG	ATT PT	AR
- 67	2598947	. CAPACITOR ASM		2
- 68	313649	. CLAMP, CABLE		2
- 69	186759	. SCREW, BD HD, 8-32, 0.312LG	ATT PT	2
- 70	2600805	. PLATE, INSULATING		2
- 71	5298120	. BRACKET, BUS MOUNTING		AR
- 72	811426	. SCREW, BD HD, 6-32, 0.375LG	ATT PT	AR
- 73	2129550	. WASHER, 0.156ID, 0.312OD	ATT PT	2
- 74	818831	. BRACKET, STAND OFF		11
- 74A	818917	. SPACER PAD		11
- 75	811426	. SCREW, BD HD, 6-32, 0.375LG	ATT PT	11
- 76	322551	. SCREW, BD HD, 6-32, 0.750LG	ATT PT	11
- 77	5373223	. NUT, 4-40	ATT PT	AR
- 78	815039	. WASHER, 0.125ID, 0.250OD	ATT PT	AR
- 79	5356580	. SCREW, BD HD, UNDRCT, 4-40, 0.5LG	ATT PT	AR
- 80	811742	. SUPPORT		AR
- 81	811426	. SCREW, BD HD, 6-32, 0.375LG	ATT PT	AR
- 82	2129550	. WASHER, 0.156ID, 0.312OD	ATT PT	AR
- 83	2606621	. BUS LAMINAR ASM		1
- 84	2599089	. BUS LAMINAR ASM		1
- 85	2599090	. BUS LAMINAR ASM		1
- 86	2599123	. BUS LAMINAR ASM		1
- 87	5298119	. PAD		AR
- 88	5476816	. QUADARM		123
- 89	2605788	. BRACKET ASM		1
- 90	5350006	. SCREW, SELF TAP, HEX WSHR HD, 6-32, 0.250LG	ATT PT	3
- 92	2598515	. 'A' GATE		1

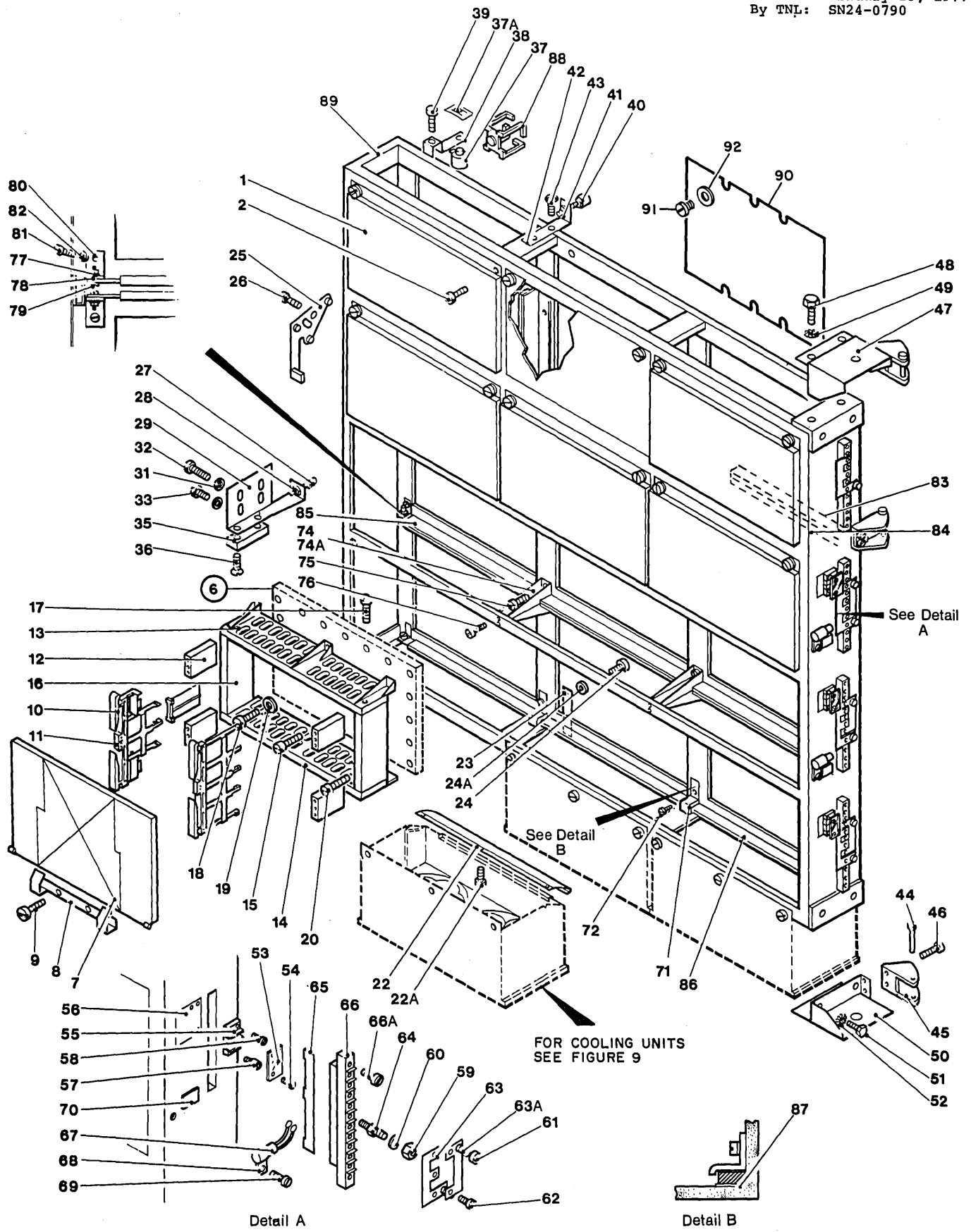


FIGURE 9A. 'A' GATE ASSEMBLY-MODEL 3. SEE LIST 9A.

FIGURE- INDEX NUMBER	PART NUMBER	DESCRIPTION				UNITS PER ASM.	USABLE ON CODE
		1	2	3	4		
		'A' GATE ASSEMBLY-MODEL 3					
9A-	4142000 NP	'A' GATE ASSEMBLY FOR NEXT HIGHER ASSEMBLY SEE FIGURE 2-18				REF	
- 1	819012	. COVER ASM,DUMMY				AR	
- 2	5350006	. SCREW				ATT PT	AR
- 6	NO NO	. BOARD ASM					AR
- 7	2637564	. . COVER ASM-CARD (2 HI GATE)				AR	
- 8	2637567	. . BRACKET-CARD COVER				AR	
- 9	5350006	. . SCREW				ATT PT	12
- 10	817398	. . HOLDER,CAPACITOR				AR	
- 11	818579	. . LABEL				AR	
- 12	817388	. . CAPACITOR ASM				AR	
- 13	817393	. . GUIDE,UPPER				AR	
- 14	817394	. . GUIDE,LOWER				AR	
- 15	2457745	. . SCREW,SELF TAP,FIL HD,6-32,10.00LG				ATT PT	AR
- 16	817395	. . SPACER				AR	
- 17	2181005	. . SCREW,SELF TAPPING,6-32,0.375LG				ATT PT	AR
- 18	2181088	. . SCREW,HEX,SOC 6-32,0.875LG				ATT PT	AR
- 19	22066	. . WASHER,0.140ID,0.281OD				ATT PT	AR
- 20	2181088	. . SCREW,HEX,SOC 6-32,0.875LG				ATT PT	6
- 22	1993822	. ADAPTER ASM					3
- 22A	28413	. SCREW,BD HD,10-32,0.312LG				ATT PT	9
- 23	5476348	. JUMPER METAL					1
- 24	2566604	. SCREW,NI PLATE,BD HD,10-32,0.312LG				ATT PT	1
- 24A	2574805	. WASHER,NI PLATE,LOCK,ET,0.195ID,0.395OD				ATT PT	1
- 25	2598569	. GATE LATCH					1
- 26	2599003	. SCREW,SPECIAL				ATT PT	2
- 27	255939	. BUMPER,GATE A					1
- 28	3960	. NUT,HEX,0.250-20				ATT PT	1
- 29	2598590	. BRACKET,GLIDE					1
- 31	56079	. WASHER,LOCK,ET 0.195ID 0.410OD				ATT PT	4
- 32	438601	. SCREW,UNDRCT,BD HD,10-32,0.875LG				ATT PT	2
- 33	332620	. SCREW,BD HD,10-32,0.500LG				ATT PT	2
- 35	2598591	. GLIDE					1
- 36	2179	. SCREW,FL HD,8-32,0.625LG				ATT PT	2
- 37	5501993	. THERMAL SWITCH,122 F, N/C					3
- 37A	2607131	. RETAINER					3
- 38	5502007	. CLIP,THERMAL SWITCH					3
- 39	10170	. SCREW,BD HD,6-32,0.250LG				ATT PT	3
- 40	255939	. BUMPER-GATE A					1
- 41	3960	. NUT,HEX,0.250-20				ATT PT	1
- 42	1993073	. BRACKET					1
- 43	186759	. SCREW,BD HD,8-32,0.312LG				ATT PT	2
- 44	5499901	. PIN RETAINING					5
- 45	5499900	. CLAMP ASM					5
- 46	34512	. SCREW-BD HD,8-32,0.375LG				ATT PT	10
- 47	2598397	. HINGE BRACKET,UPPER					1
- 48	38686	. SCREW,SLOTTED HEX HD,0.250-20,0.500LG				ATT PT	4
- 49	76574	. WASHER,LOCK,ET 0.267ID,0.510OD				ATT PT	4
- 50	2598398	. HINGE BRACKET,LOWER					1
- 51	38686	. SCREW,SLOTTED HEX HD, 0.250-20,0.500LG				ATT PT	4
- 52	76574	. WASHER,LOCK,ET 0.267ID,0.510OD				ATT PT	4
- 53	5319909	. COVER,TERM BLOCK					AR
- 54	10170	. SCREW,BD HD,6-32,0.250LG				ATT PT	AR
- 55	323836	. BLOCK-TERMINAL					AR
- 56	5318920	. STRIP,MARKER					AR
- 57	210883	. STUD-SHIELD MTG,TAPPED,6-32				ATT PT	AR
- 58	322550	. SCREW				ATT PT	AR
- 59	36109	. NUT,HEX,0.250-20				ATT PT	AR
- 60	76574	. WASHER,LOCK,ET 0.267ID,0.510OD				ATT PT	AR
- 61	634786	. SPACER					AR
- 62	815151	. SCREW,BD HD,8-32,0.375LG				ATT PT	AR
- 63	2598910	. JUMPER ASM					AR
- 63A	2598909	. JUMPER ASM					AR
- 64	2598908	. STUD,8-32UNC TO 0.25-20UNC					AR

FIGURE- INDEX NUMBER	PART NUMBER	DESCRIPTION				UNITS PER ASM.	USABLE ON CODE
		1	2	3	4		
9A- 65	2598911	.	JUMPER ASM			AR	
- 66	816744	.	TERMINAL BLOCK			AR	
- 66A	332620	.	SCREW,BD HD,10-32,0.500LG		ATT PT	AR	
- 67	2598947	.	CAPACITOR ASM			2	
- 68	313649	.	CLAMP,CABLE			2	
- 69	186759	.	SCREW,BD HD,8-32,0.312LG		ATT PT	2	
- 70	2600805	.	PLATE,INSULATING			2	
- 71	5298120	.	BRACKET,BUS MOUNTING			AR	
- 72	811426	.	SCREW,BD HD,6-32,0.375LG		ATT PT	AR	
- 73	2129550	.	WASHER,0.156ID,0.312OD		ATT PT	2	
- 74	818831	.	BRACKET,STAND OFF			11	
- 74A	818917	.	SPACER PAD			11	
- 75	811426	.	SCREW,BD HD,6-32,0.375LG		ATT PT	11	
- 76	322551	.	SCREW,BD HD,6-32,0.750LG		ATT PT	11	
- 77	5373223	.	NUT, 4-40		ATT PT	AR	
- 78	815039	.	WASHER,0.125ID,0.250OD		ATT PT	AR	
- 79	5356580	.	SCREW,BD HD,UNDRCT,4-40,0.5LG		ATT PT	AR	
- 80	811742	.	SUPPORT			AR	
- 81	811426	.	SCREW,BD HD,6-32,0.375LG		ATT PT	AR	
- 82	2129550	.	WASHER,0.156ID,0.312OD		ATT PT	AR	
- 83	4140868	.	BUS LAMINAR ASM			1	
- 84	2599089	.	BUS LAMINAR ASM			1	
- 85	2599090	.	BUS LAMINAR ASM			1	
- 86	2599123	.	BUS LAMINAR ASM			1	
- 87	5298119	.	PAD			AR	
- 88	5476816	.	QUADARM			123	
- 89	4140649	.	GATE			1	
- 90	819431	.	COVER ASM,DUMMY			AR	
- 91	731626	.	SCREW,SELF TAP-6-32,0.250LG		ATT PT	AR	
- 92	257986	.	WASHER,0.156ID,0.312OD		ATT PT	AR	

THIS PAGE INTENTIONALLY LEFT BLANK

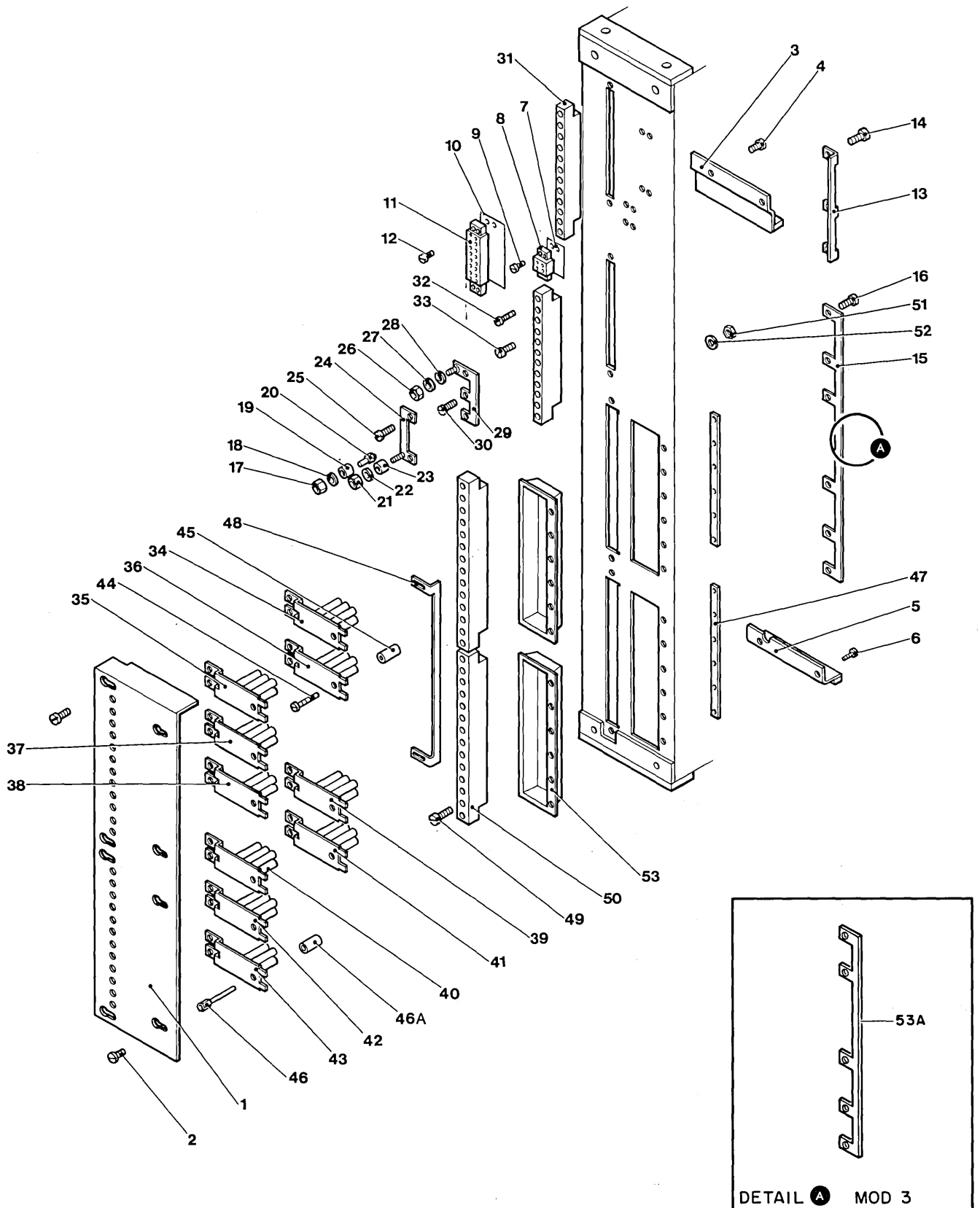


FIGURE 10. 'B' GATE ASSEMBLY. SHEET 1 OF 2. INDEX NOS. 1-53A. SEE LIST 10.

FIGURE- INDEX NUMBER	PART NUMBER	DESCRIPTION	UNITS	USABLE
			PER ASM.	ON CODE
		'B' GATE ASSEMBLY (PART 1 OF 2)		
10 -	2598644 NP	'B' GATE ASSEMBLY FOR NEXT HIGHER ASSEMBLY SEE FIGURE 2-19	REF	
- 1	2601731	. COVER	1	
- 2	186759	. SCREW,BD HD,8-32,0.312LG	8	
- 3	2601044	. BAFFLE ASM	1	
- 4	58207	. SCREW,UNDRCT,BD HD,8-32,0.250LG	2	
- 5	2601046	. BAFFLE ASM	1	
- 6	58207	. SCREW,UNDRCT,BD HD,8-32,0.250LG	2	
- 7	5318920	. STRIP,MARKER	1	
- 8	323836	. TERMINAL BLOCK	1	
- 9	322550	. SCREW,BD HD,6-32,0.500LG	4	
- 10	126036	. MARKER STRIP,INSULATING	1	
- 11	322766	. TERMINAL BLOCK	1	
- 12	322550	. SCREW,BD HD,6-32,0.500LG	4	
- 13	2598911	. JUMPER ASM	1	
- 14	815151	. SCREW BD HD,8-32,0.375LG	3	
- 15	2606802	. JUMPER	1	
- 16	5298103	. SCREW,BD HD,UNDECT,10-32,0.375LG	6	
- 17	36109	. NUT,HEX,0.250-20	1	
- 18	857438	. WASHER,LOCK,WAVY,0.265ID,0.500OD	1	
- 19	634786	. SPACER	1	
- 20	2598908	. STUD,8-32UNC TO 0.25-20UNC	1	
- 21	36109	. NUT,HEX,0.250-20	1	
- 22	857438	. WASHER,LOCK,WAVY,0.265ID,0.500OD	1	
- 23	634786	. SPACER	1	
- 24	2598909	. JUMPER ASM	1	
- 25	815151	. SCREW BD HD,8-32,0.375LG	2	
- 26	36109	. NUT,HEX,0.250-20	1	
- 27	857438	. WASHER,LOCK,WAVY,0.265ID,0.500OD	1	
- 28	634786	. SPACER	1	
- 29	2598910	. JUMPER ASM	1	
- 30	815151	. SCREW,BD HD,8-32,0.375LG	3	
- 31	816744	. TERMINAL BLOCK	2	
- 32	332620	. SCREW,SELF TAPPING,10-32,0.625LG	2	
- 33	815151	. SCREW,BD HD,8-32,0.375LG	14	
- 34	2601038	. CAPACITOR ASM,6 PACK	1	
- 35	2601037	. CAPACITOR ASM,6 PACK	1	
- 36	2601037	. CAPACITOR ASM,6 PACK	1	
- 37	2601037	. CAPACITOR ASM,6 PACK	1	
- 38	2601036	. CAPACITOR ASM,4 PACK	1	
- 39	2601038	. CAPACITOR ASM,6 PACK	1	
- 40	2601037	. CAPACITOR ASM,6 PACK	1	
- 41	2601037	. CAPACITOR ASM,6 PACK	1	
- 42	2601037	. CAPACITOR ASM,6 PACK	1	
- 43	2601036	. CAPACITOR ASM,4 PACK	1	
- 44	438589	. SCREW,BD HD,8-32,1.500LG	10	
- 45	2601039	. SPACER	10	
- 46	2601733	. SHAFT,THREADED	4	
- 46A	2601729	. SPACER	4	
- 47	2601735	. PLATE,FIXING	2	
- 48	2600795	. JUMPER,BUSBAR	9	
- 49	5298103	. SCREW,BD HD,UNDRCT,10-32,0.375LG	42	
- 50	5298053	. TERMINAL BLOCK	2	
- 51	257189	. NUT,HEX,8-32	4	
- 52	55901	. WASHER,LOCK-ET,0.168ID,0.381OD	4	
- 53	2601040	. TUB	2	
- 53A	4140710	. JUMPER	1	

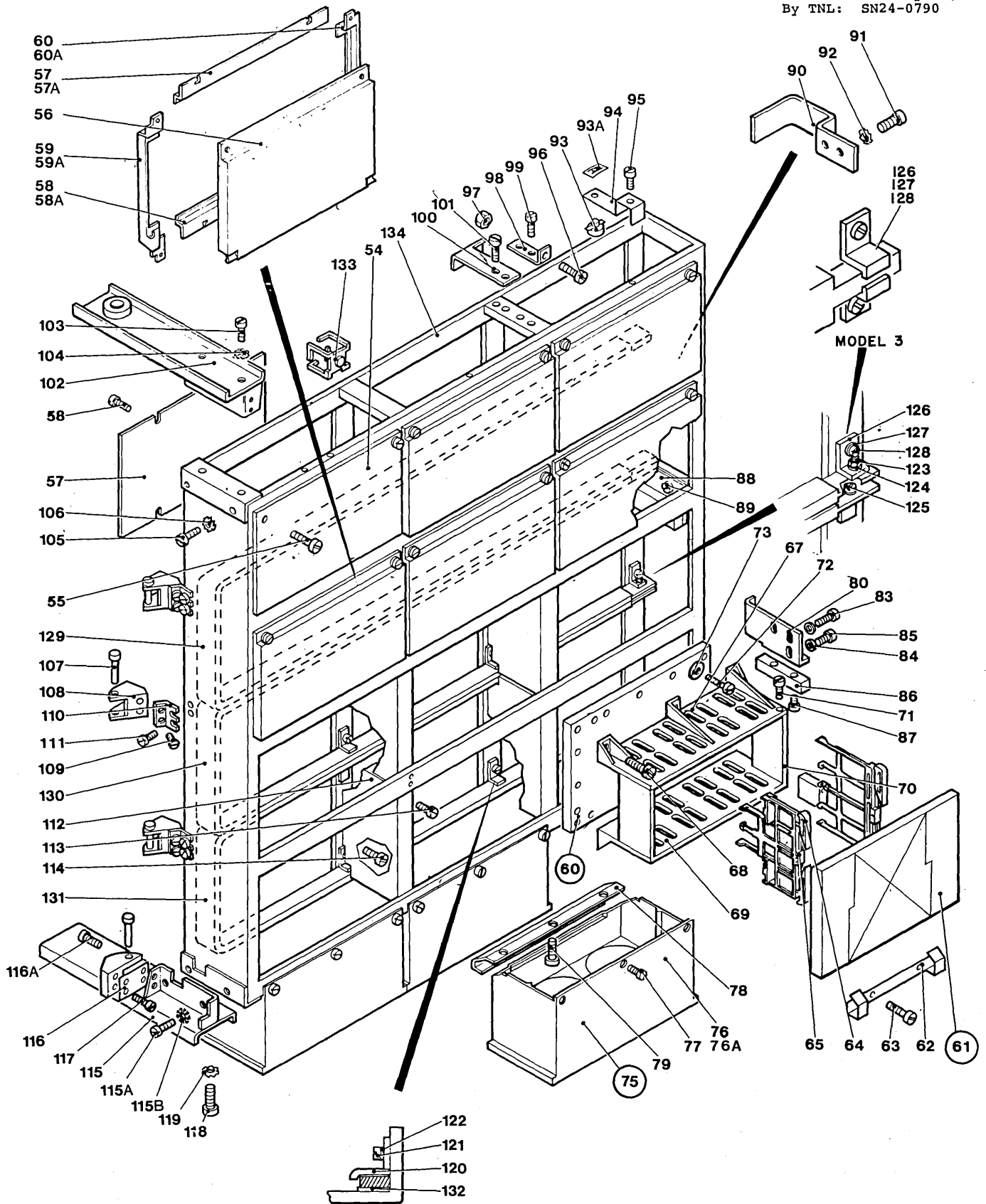


FIGURE 10. 'B' GATE ASSEMBLY. SHEET 2 OF 2. INDEX NOS. 54-134. SEE LIST 10.

FIGURE- INDEX NUMBER	PART NUMBER	DESCRIPTION	UNITS PER ASM.	USABLE ON CODE
		1 2 3 4		
		'B' GATE ASSEMBLY (PART 2 OF 2)		
10 -	2598644 NP	'B' GATE ASSEMBLY (CONTINUED)	REF	
- 54	819012	. COVER ASM, DUMMY	AR	
- 54A	731626	. SCREW, SELF TAP, PAN HD, 6-32, 0.250LG	ATT PT	AR
- 55	819431	. COVER ASM, DUMMY	AR	
- 55A	731626	. SCREW, SELF TAP, PAN HD, 6-32, 0.250LG	ATT PT	AR
- 56	818632	. COVER	AR	
- 57	818959	. BAFFLE	AR	
- 57A	5350006	. SCREW, SELF TAP, HEX WSHR HD, 6-32, 0.250LG	ATT PT	AR
- 58	818960	. BAFFLE	AR	
- 58A	5350006	. SCREW, SELF TAP, HEX WSHR HD, 6-32, 0.250LG	ATT PT	AR
- 59	818633	. HINGE BRACKET	AR	
- 59A	5350006	. SCREW, SELF TAP, HEX WSHR HD, 6-32, 0.250LG	ATT PT	AR
- 60	818634	. HINGE BRACKET	AR	
- 60A	5350006	. SCREW, SELF TAP, HEX WSHR HD, 6-32, 0.250LG	ATT PT	AR
- 61	NC NO	. BOARD ASM	AR	
- 62	2637563	. . COVER ASM-CARD (3 HI GATE)	AR	
- 63	2637567	. . BRACKET-CARD COVER	AR	
- 63A	5350006	. . SCREW, SELF TAP, HEX WSHR HD, 6-32, 0.250LG	ATT PT	AR
- 64	5298109	. . HOLDER-CARD AND CAPACITOR	AR	
- 65	818579	. . MARKER STRIP	AR	
- 67	819074	. . GUIDE, UPPER	AR	
- 68	2457745	. . SCREW, SELF TAPPING, FL HD, 6-32, 1.000LG	ATT PT	AR
- 69	819076	. . GUIDE, LOWER	AR	
- 70	819075	. . SPACER	AR	
- 71	2181005	. . SCREW, SELF TAPPING, 6-32, 0.375LG	ATT PT	AR
- 72	2457745	. . SCREW, SELF TAP, FL HD, 6-32, 1.000LG	ATT PT	AR
- 73	22066	. . WASHER, C. 14CID, 0.2810D, 0.025THK	ATT PT	AR
- 75	NC NO	. COOLING UNIT ASM	AR	
- 76	1993535	. . COOLING UNIT ASM, 50HZ	1	
- 76	1993536	. . FOR DETAIL PARTS SEE FIGURE 13A . . COOLING UNIT ASM, 60 HZ- WT USE ONLY . . FOR DETAIL PARTS SEE FIGURE 13B	1	
- 76	1573502	. . COOLING UNIT ASM, 60HZ-PCB CCMPONENT PARTS NOT REPLACEABLE	3	
- 76	1574802	. COOLING UNIT ASM, 60HZ-NON PCB COMPONENT PARTS NOT REPLACEABLE	3	
- 76A	1573513	. FILTER	1	
- 77	28413	. . SCREW, BD HD, 10-32, 0.312LG	ATT PT	3
- 78	1993102	. . ADAPTER ASM	1	
- 79	28413	. . SCREW, BD HD, 10-32, 0.312LG	ATT PT	3
- 80	2598569	. BRACKET, GLIDE	1	
- 83	438601	. SCREW, BD HD, 10-32, 0.875LG	ATT PT	1
- 84	45690	. WASHER, 0.203ID, 0.4380D	ATT PT	3
- 85	332620	. SCREW, ED HD, 10-32, 0.500LG	ATT PT	2
- 86	2598591	. GLIDE	1	
- 87	2179	. SCREW, FL HD, 8-32, 0.625LG	ATT PT	2
- 88	2601734	. BRACKET ASM	1	
- 89	58207	. SCREW, UNDRCT, ED HD, 8-32, 0.250LG	ATT PT	2
- 90	2604653	. HANDLE	1	
- 91	25627	. SCREW, UNDRCT, ED HD, 8-32, 0.500LG	ATT PT	2
- 92	1096873	. WASHER, LOCK, SPRING- 0.168ID, 0.2960D	ATT PT	2
- 93	5501993	. THERMAL SWITCH, 122°F, N/C AS SPECIFIED	3	
- 93	5501994	. THERMAL SWITCH, 134°F, N/C AS SPECIFIED	3	
- 93A	2607131	. RETAINER	3	
- 94	2601867	. CLIP, THERMAL SWITCH	3	
- 95	10170	. SCREW, BD HD, 6-32, 0.250LG	ATT PT	3
- 96	255939	. BUMPER-GATE A	1	
- 97	3960	. NUT, HEX, 0.250-20	ATT PT	1
- 98	1993073	. BRACKET	1	
- 99	186759	. SCREW, BD HD, 8-32, 0.312LG	ATT PT	2
-100	2598570	. BRACKET, GATE STCP	1	
-101	186759	. SCREW, BD HD, 8-32, 0.312LG	ATT PT	2
-102	2598399	. HINGE BRACKET, UPPER	1	
-103	36844	. SCREW, SLOTTED HEX HD, 0.250-20, 0.625LG	ATT PT	2
-104	76574	. WASHER, LOCK, ET C. 267ID, 0.5100D	ATT PT	2
-105	36844	. SCREW, SLOTTED HEX HD, 0.250-20, 0.625LG	ATT PT	2
-106	76574	. WASHER, LOCK, ET C. 267ID, 0.5100D	ATT PT	2
-107	5499901	. PIN RETAINING	5	
-108	5499900	. CLAMP ASM	5	
-109	34512	. SCREW-BD. HD, 8-32, 0.375LG	ATT PT	10
-110	2603910	. BRACKET	3	
-111	34512	. SCREW, ED HD, 8-32, 0.375LG	ATT PT	6
-112	5298118	. BAFFLE ASM	8	
-113	19944	. SCREW, BD HD, 8-32, 0.750LG	ATT PT	16
-114	2181088	. SCREW, HEX, SOC 6-32, 0.875LG	ATT PT	16
-115	2598396	. HINGE BRACKET, LOWER	1	
-115A	36844	. SCREW, SLOTTED HEX HD, 0.250-20, 0.625LG	ATT PT	2

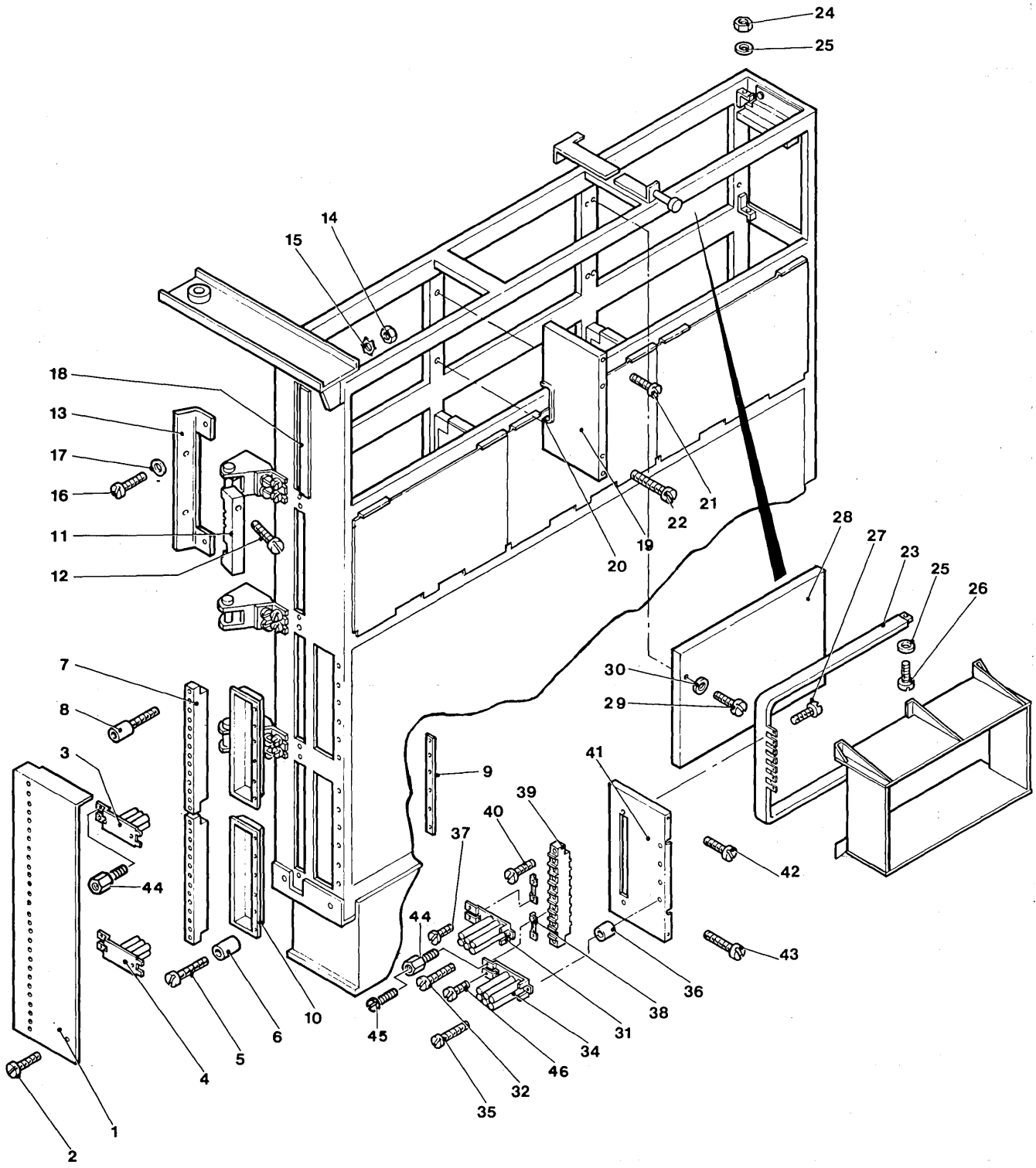


FIGURE 10A. 'B' GATE ASSEMBLY CHANGES FOR EC 393085. SEE LIST 10A.

FIGURE- INDEX NUMBER	PART NUMBER	DESCRIPTION				UNITS PER ASM.	USABLE ON CODE
		1	2	3	4		
		'B' GATE ASSEMBLY CHANGES FOR EC 393085					
10A-	2606871	'B' GATE ASSEMBLY (MACHINES WITH EC 393085) FOR NEXT HIGHER ASSEMBLY SEE FIGURE 2-19				REF	
- 1	2601731	. COVER				REF	
- 2	166759	. SCREW,BD HD,8-32,0.312LG				ATT PT	REF
- 3	2601037	. CAPACITOR PACK					2
- 4	2601038	. CAPACITOR PACK					2
- 5	438589	. SCREW,BD HD,8-32,1.500LG				ATT PT	4
- 6	2601039	. SPACER					4
- 7	5298053	. TERMINAL BLOCK					REF
- 8	2601729	. SPACER					REF
- 9	2601735	. PLATE FIXING					REF
- 10	2601040	. TUB					REF
- 11	2605676	. CLAMP					1
- 11	4140266	. CLAMP (USED ON MODEL 3)					1
- 12	2181088	. SCREW,SELF TAP,HEX SOC HD,6-32,0.875LG				ATT PT	2
- 13	2605720	. BRACKET ASM					1
- 14	257187	COMPONENT PARTS NOT REPLACEABLE					
- 14	257187	. NUT,HEX,6-32				ATT PT	2
- 15	62031	. WASHER,LOCK,IT,0.141ID,0.2950D				ATT PT	2
- 16	81693	. SCREW,BD HD,6-32,0.375LG				ATT PT	2
- 17	257966	. WASHER,0.156ID,0.3120D				ATT PT	2
- 18	48C755	. NYLON CHANNEL					AR
- 19	2607109	. BAFFLE					1
- 19	4140280	. BAFFLE (USED ON MODEL 3)					1
- 20	48C755	. NYLON CHANNEL					AR
- 21	811426	. SCREW,SELF TAP,FAN HD,6-32,0.375LG				ATT PT	2
- 22	5528	. SCREW,BD HD,8-32,0.625LG				ATT PT	2
- 23	2605392	. LAMINAR BUSBAR ASSEMBLY					1
- 24	5373223	COMPONENT PARTS NOT REPLACEABLE					
- 24	5373223	. NUT,BLACK OXIDE,HEX,4-40				ATT PT	2
- 25	2129550	. WASHER,BLACK OXIDE,0.156ID,0.3120D				ATT PT	4
- 26	5356580	. SCREW,BLACK OXIDE,BD HD,4-40,0.500LG				ATT PT	2
- 27	5298103	. SCREW,BD HD,UNDECT,10-32,0.750LG				ATT PT	7
- 28	NO NO	. BOARD ASM					REF
- 29	2457745	. SCREW,SELF TAP,FIL HD,6-32,1.000LG				ATT PT	REF
- 30	22066	. WASHER,0.140ID,0.2810D				ATT PT	REF
- 31	2605366	. CAPACITOR PACK					2
- 32	25627	. SCREW,BD HD,8-32,0.500LG				ATT PT	2
- 33	300607	. SPACER					2
- 34	2606452	. CAPACITOR PACK					1
- 35	25627	. SCREW,BD HD,8-32,0.500LG				ATT PT	1
- 36	300607	. SPACER					1
- 37	5298103	. SCREW,BD HD,UNDECT,10-32,0.375LG				ATT PT	8
- 38	2605678	. JUMPER					3
- 39	2605369	. TERMINAL BLOCK					1
- 40	5677	. SCREW,BD HD,10-32,0.750LG				ATT PT	2
- 41	2605764	. BAFFLE ASM					1
- 42	811426	COMPONENT PARTS NOT REPLACEABLE					
- 42	811426	. SCREW,SELF TAP,FAN HD,6-32,0.375LG				ATT PT	2
- 43	5528	. SCREW,BD HD,8-32,0.625LG				ATT PT	2
- 44	759024	. STUD (USED ON MODEL 3)					3
- 45	332620	. SCREW,BD HD- 10-32 X 1.250 LG (USED ON MODEL 3)					AR
- 46	5298103	. SCREW,BD HD-10-32					1
- 46	332620	. SCREW,BD HD- 10-32 X 1.250 LG (USED ON MODEL 3)					1

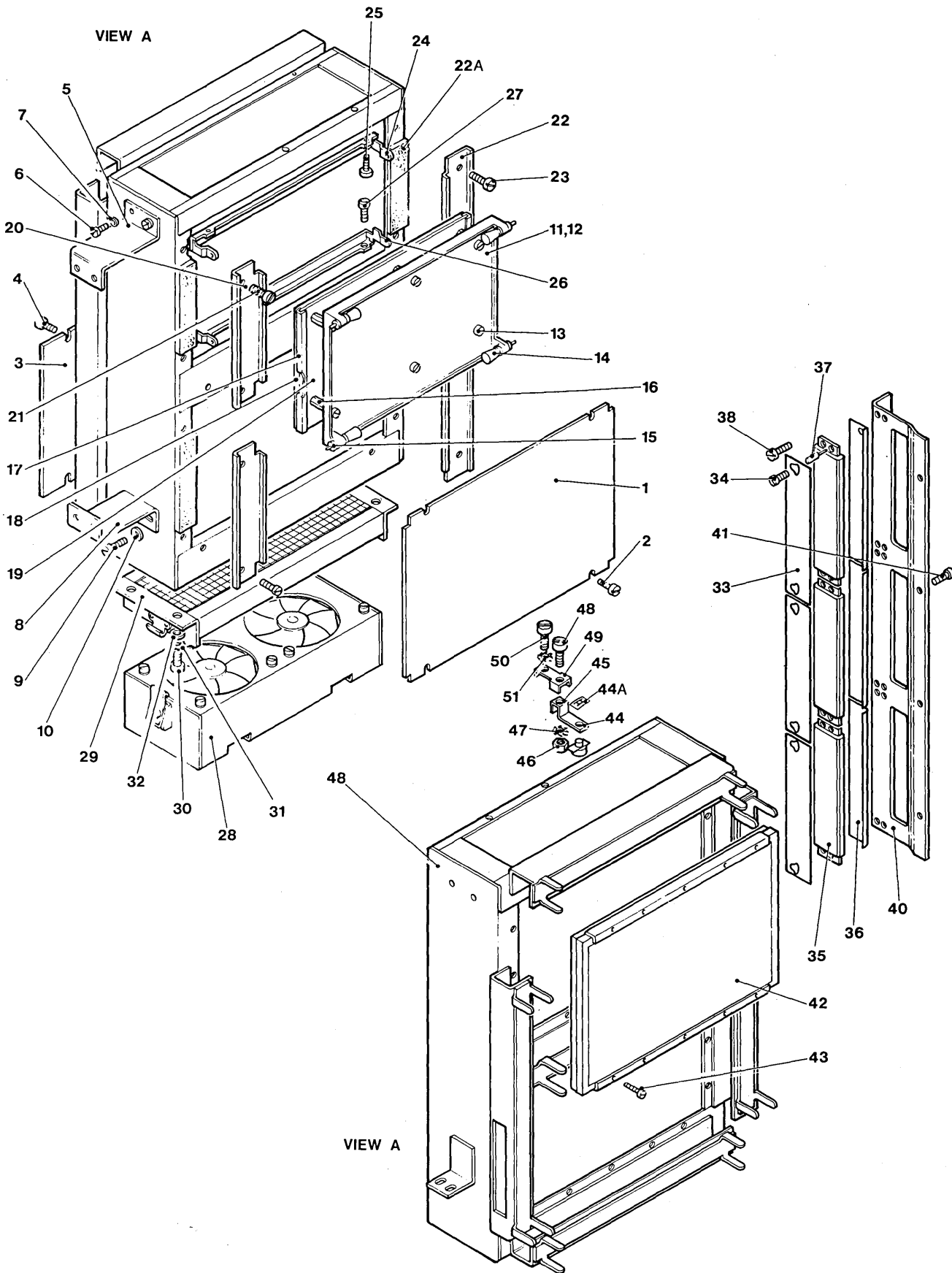


FIGURE 11. 'C' GATE ASSEMBLY WITHOUT EC 391245. SEE LIST 11.

FIGURE- INDEX NUMBER	PART NUMBER	DESCRIPTION	1 2 3 4				UNITS PER ASM.	USABLE ON CODE
		'C' GATE ASSEMBLY (MACHINES WITHOUT EC391245)						
11 -	2600854	'C' GATE ASSEMBLY FOR NEXT HIGHER ASSEMBLY SEE FIGURE 2				REF		
- 1	819012	. COVER ASM, DUMMY				1		
- 2	10170	. SCREW, BD HD, 6-32, 0.250LG			ATT PT	4		
- 3	819431	. COVER ASM, DUMMY				1		
- 4	2574808	. SCREW, NI PLATE, SELF TAP, 6-32, 0.38LG			ATT PT	4		
- 5	2600846	. BRACKET				1		
- 6	2566617	. SCREW, NI PLATE, BD HD, 8-32, 0.375LG			ATT PT	2		
- 7	2566646	. WASHER, NI PLATE, 0.17ID, 0.3750D			ATT PT	2		
- 8	2600846	. BRACKET				1		
- 9	2566617	. SCREW, NI PLATE, BD HD, 8-32, 0.375LG			ATT PT	2		
- 10	2566646	. WASHER, NI PLATE, 0.17ID, 0.3750D			ATT PT	2		
- 11	2601753	. COVER ASM				AR		
- 12	2601754	. COVER				1		
- 13	34512	. SCREW, BD HD, 8-32, 0.375LG			ATT PT	12		
- 14	760303	. CATCH				4		
- 15	811879	. SPACER-HINGE				4		
- 16	2601755	. SPACER				16		
- 17	471672	. CHANNEL				2		
- 18	2601758	. PAD				1		
- 19	2601757	. PANEL				1		
- 20	259840E	. CLAMP ASM				2		
- 21	2574662	. SCREW, BD HD, UNDRCT, 6-32, 0.375LG			ATT PT	4		
- 22	259840E	. CLAMP				2		
- 22A	2598407	. STRIP CLAMP				4		
- 23	256660E	. SCREW, NI PLATE, BD HD, 6-32, 0.500LG			ATT PT	4		
- 24	813452	. BRACKET				AR		
- 25	2574808	. SCREW, NI PLATE, SELF TAP, 6-32, 0.38LG			ATT PT	AR		
- 26	813451	. BRACKET				AR		
- 27	2574808	. SCREW, NI PLATE, SELF TAP, 6-32, 0.38LG			ATT PT	AR		
- 28	2601715	. COOLING UNIT ASM, 60HZ FOR DETAIL PARTS SEE FIGURE 13D				1		
- 28	2601714	. COOLING UNIT ASM, 50HZ FOR DETAIL PARTS SEE FIGURE 13C				1		
- 29	2601712	. PLENUM ASM, FAN EX				1		
- 30	2575295	. SCREW, BD HD, 10-32, 0.375LG			ATT PT	4		
- 31	2574799	. WASHER, NI PLATE, LOCK, 0.194ID, 0.3370D			ATT PT	4		
- 32	2566647	. WASHER, NI PLATE, 0.203ID, 0.4380D			ATT PT	4		
- 33	2598901	. COVER, TERMINAL BLOCK				3		
- 34	1127733	. SCREW, RD HD, 6-32, 0.250LG			ATT PT	6		
- 35	538812	. TERMINAL BOARD				3		
- 36	2198208	. MARKER STRIP				3		
- 37	210883	. STUD-SHIELD MIG, TAPPED, NO. 6-32				6		
- 38	2566608	. SCREW, NI PLATE, SLOT BE HD, 6-32, 0.500LG				6		
- 40	2598897	. BRACKET, TERMINAL BLOCK				1		
- 41	2566624	. SCREW, NI PLATE, BD HD, 6-32, 0.188LG			ATT PT	3		
- 42	NC NO	. CUSTOMIZED BOARD ASSEMBLY				REF		
- 43	2181088	. SCREW, HEX, SOC HD, 6-32, 0.875LG			ATT PT	8		
- 44	5501993	. THERMAL SWITCH, 122°F, N/C				1		
- 45	5502007	. CLIP, THERMAL SWITCH				1		
- 46	257187	. NET, HEX, 6-32			ATT PT	1		
- 47	56722	. WASHER LOCK, EI, 0.141ID, 0.3200D			ATT PT	1		
- 48	10170	. SCREW, BD HD, 6-32, 0.250LG			ATT PT	1		
- 49	260537	. CLIP				1		
- 50	10170	. SCREW, BD HD, 6-32, 0.250LG			ATT PT	1		
- 51	56722	. WASHER LOCK, EI, 0.141ID, 0.3200D			ATT PT	1		
- 52	2600838	. 'C' GATE				1		

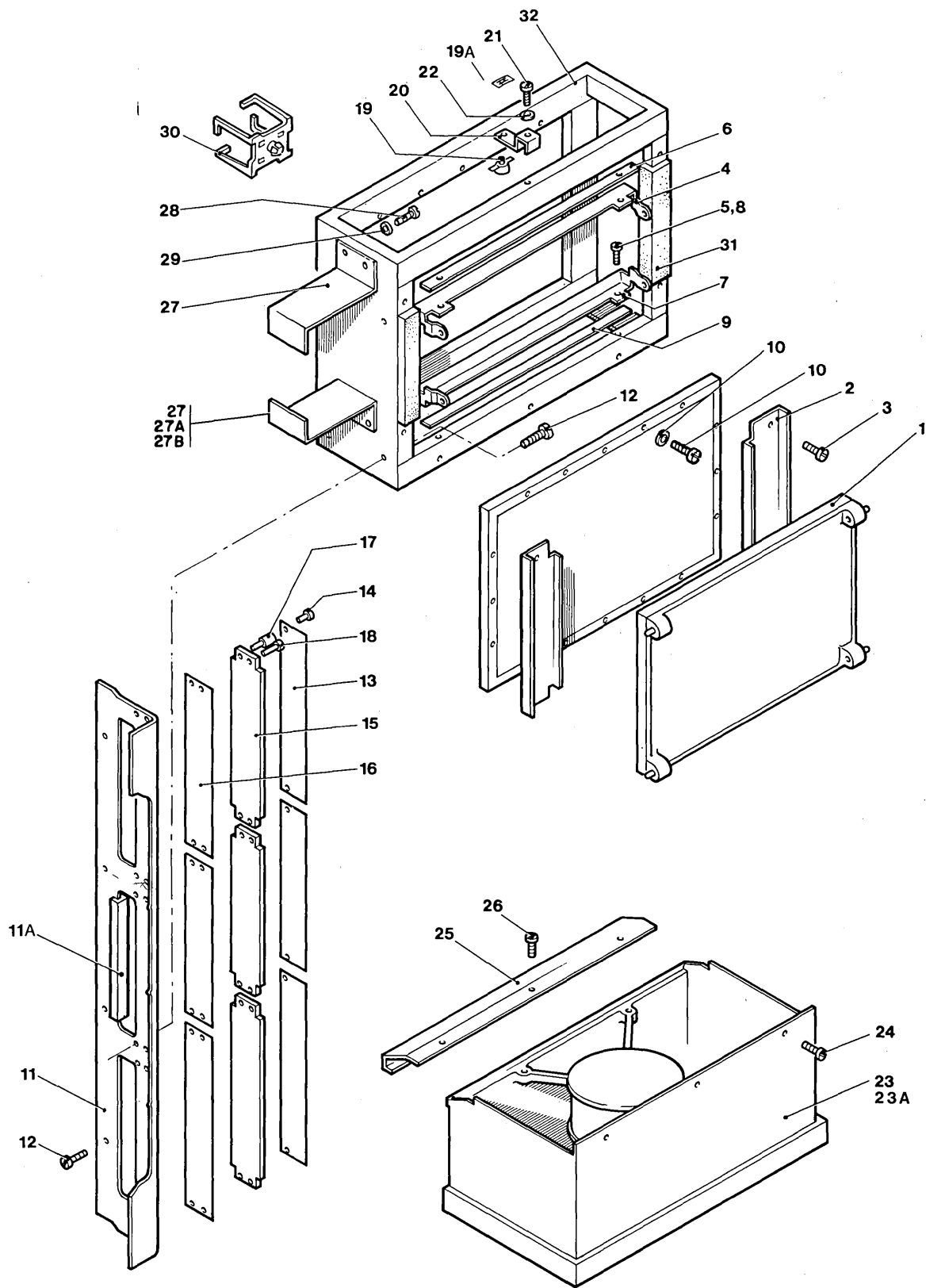


FIGURE 11A. 'C' GATE ASSEMBLY WITH EC 391456. SEE LIST 11A.

FIGURE- INDEX NUMBER	PART NUMBER	DESCRIPTION				UNITS PER ASM.	USABLE ON CODE
		1	2	3	4		
		'C' GATE ASSEMBLY (MACHINES WITH EC 391456)					
11A-	2604512	'C' GATE ASSEMBLY FOR NEXT HIGHER ASSEMBLY SEE FIGURE 2-210				REF	
- 1	2604511	. CARD COVER ASM				1	
- 2	2598406	. CLAMP ASM				2	
- 3	2566638	. SCREW, NI PLATE, BD HD, 6-32, 0.500LG ATT PT				4	
- 4	813452	. HINGE BRACKET				1	
- 5	2181007	. SCREW, HEX HD, SELF TAP, 6-32, 0.625LG ATT PT				2	
- 6	2604510	. SPACER				1	
- 7	813451	. HINGE BRACKET				1	
- 8	2181007	. SCREW, HEX HD, SELF TAP, 6-32, 0.625LG ATT PT				2	
- 9	2604510	. SPACER				1	
- 10	2181088	. SCREW, SOC HD, SELF TAP, 6-32, 0.875LG ATT PT				8	
- 10A	22066	. WASHER, 0.140ID, C, 2810D ATT PT				8	
- 11	2558897	. BRACKET, TERMINAL BLCK				1	
- 11A	518578	. CHANNEL, 6.6LG				1	
- 12	2566601	. SCREW, NI PLATE, BD HD, 6-32, 0.312LG ATT PT				2	
- 13	2598901	. SAFETY SHIELD				3	
- 14	1127733	. SCREW, BD HD, 6-32, 0.250LG ATT PT				6	
- 15	536812	. TERMINAL BLOCK				3	
- 16	2198208	. MARKER STRIP				3	
- 17	210883	. STUD				6	
- 18	2566608	. SCREW, NI PLATE, BD HD, 6-32, 0.500LG ATT PT				6	
- 19	5501993	. THERMAL SWITCH				1	
- 19A	2607131	. RETAINER, THERMAL SWITCH				1	
- 20	5502007	. CLIP				1	
- 21	10170	. SCREW, BD HD, 6-32, 0.250LG ATT PT				1	
- 22	56722	. WASHER, LOCK, ET, 0.141ID, 0.320OD, 0.022THK ATT PT				1	
- 23	1593581	. COOLING UNIT ASM, 50HZ ASSEMBLY COMPONENTS ARE NOT REPLACEABLE				1	
- 23	1593582	. COOLING UNIT ASM, 60HZ ASSEMBLY COMPONENTS ARE NOT REPLACEABLE				1	
- 23A	1994488	. . FILTER				1	
- 24	28413	. SCREW, BD HD, 10-32, 0.312LG ATT PT				3	
- 25	1993322	. ADAPTER ASSEMBLY				1	
- 26	28413	. SCREW, BD HD, 10-32, 0.312LG ATT PT				3	
- 27	2600846	. BRACKET				2	
- 27A	2566617	. SCREW, NI PLATE, BD HD, 8-32, 0.375LG				AR	
- 27B	2566646	. WASHER, NI PLATE, 0.170ID, 0.375OD				AR	
- 28	19944	. SCREW, BD HD- 8-32 X 0.750 LG ATT PT				AR	
- 29	1090448	. WASHER ATT PT				AR	
- 30	5476816	. QUADARM				15	
- 31	2598407	. STRIP, 6.40, 1.56				1	
- 32	2604505	. 'C' GATE FRAME				1	

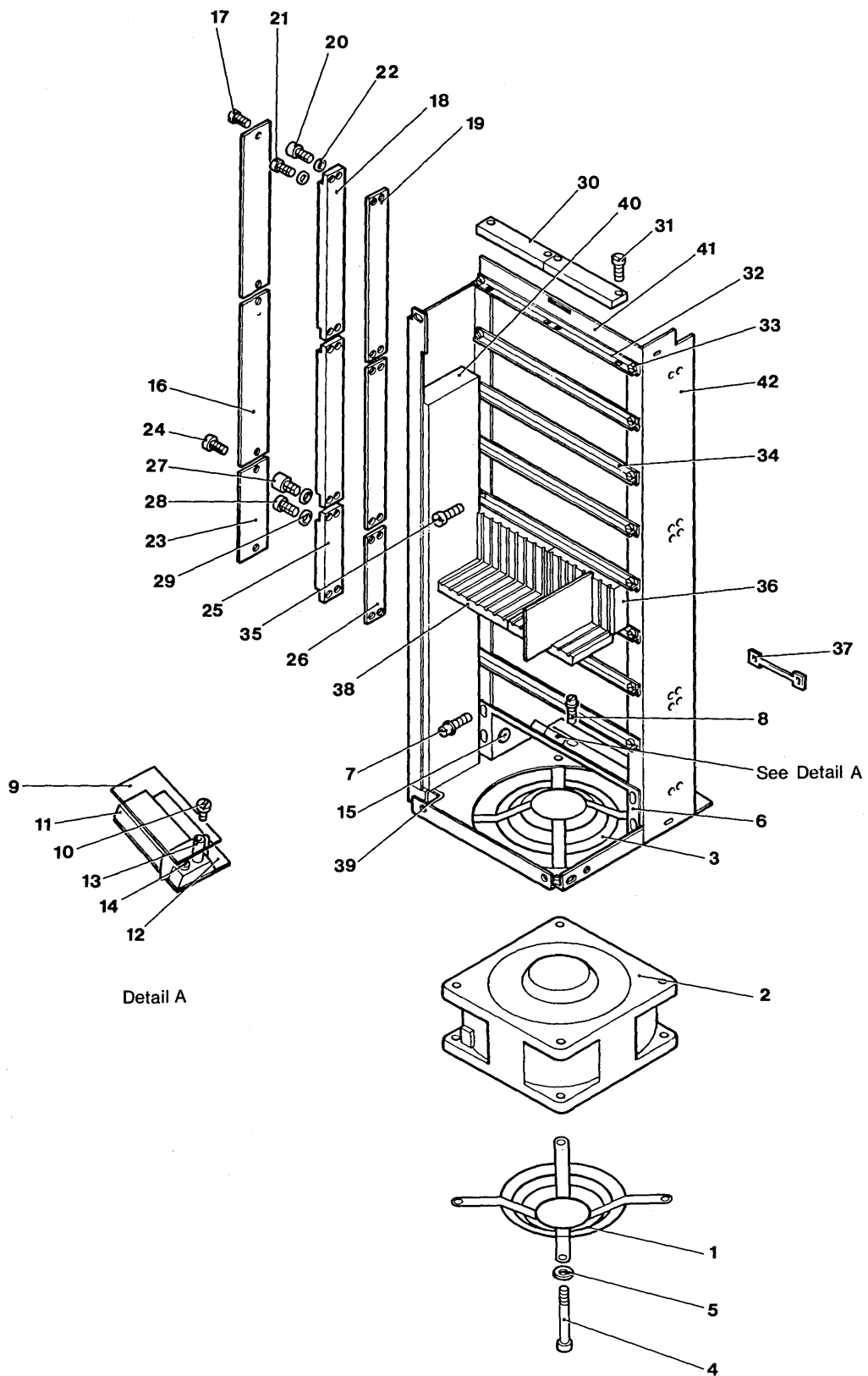


FIGURE 12. SMS GATE ASSEMBLY. SEE LIST 12.

FIGURE- INDEX NUMBER	PART NUMBER	DESCRIPTION				UNITS PER ASM.	USABLE ON CODE
		1	2	3	4		
		SMS GATE ASSEMBLY					
12 -	2598375	SMS GATE FOR NEXT HIGHER ASSEMBLY SEE FIGURE 2				REF	
- 1	2601771	. GUARD,FAN				1	
- 2	5150035	. FAN ASM				1	
- 3	2601771	. GUARD,FAN				1	
- 4	2598771	. SCREW,SLOT HEX HD,,10-32,30.5LG				ATT PT	4
- 5	2566647	. WASHER,NI PLATE,0.203ID,0.438OD				ATT PT	4
- 6	2598404	. DOCT					1
- 7	2574808	. SCREW,NI PLATE,SELF TAP,6-32,0.38LG				ATT PT	4
- 8	2574808	. SCREW,NI PLATE,SELF TAP,6-32,0.38LG				ATT PT	2
- 9	5235516	. COVER,TERM BLOCK					1
- 10	10170	. SCREW,BD HD,6-32,0.250LG				ATT PT	2
- 11	323337	. TERMINAL BOARD- 3 CBL SCREW TERMINALS					1
- 12	2162458	. INSULATOR-MARKER STRIP					1
- 13	210883	. STUD-SHIELD MTG,TAPPED,6-32				ATT PT	2
- 14	2598879	. SCREW,SELF TAP,6-32,0.500LG				ATT PT	2
- 15	317138	. GROMMET					1
- 16	2598901	. COVER,TERMINAL BLOCK					2
- 17	10170	. SCREW,BD HD,6-32,0.250LG				ATT PT	4
- 18	538812	. TERMINAL BOARD					2
- 19	2198208	. MARKER STRIP					2
- 20	5488913	. STUD,TAPPED,MCOUNTING,6-32				ATT PT	4
- 21	2566630	. SCREW,NI PLATE,BD HD,6-32,0.438LG				ATT PT	4
- 22	2566645	. WASHER,NI PLATE,0.156ID,0.312OD				ATT PT	8
- 23	361537	. COVER,TERMINAL- 10 PCS					1
- 24	10170	. SCREW,BD HD,6-32,0.250LG				ATT PT	2
- 25	522850	. TERMINAL BOARD-W/BARR 10DEL SCREW TERM					1
- 26	2198205	. MARKER STRIP					1
- 27	5488913	. STUD,TAPPED,MCOUNTING,6-32				ATT PT	2
- 28	2566630	. SCREW,NI PLATE,BD HD,6-32,0.438LG				ATT PT	2
- 29	2566645	. WASHER,NI PLATE,0.156ID,0.312OD				ATT PT	4
- 30	216091	. ADAPTER-CARD GUIDE					2
- 31	38264	. SCREW,FIL HD,4-40,0.375LG				ATT PT	4
- 32	2598498	. T-BAR ADAPTER					1
- 33	38348	. SCREW,FIL HD,6-32,0.188LG				ATT PT	2
- 34	2598497	. T-BAR,16 POSITICN					7
- 35	38348	. SCREW,FIL HD,6-32,0.188LG				ATT PT	14
- 36	216083	. CARD RECEPTACLE ASSEMBLY					16
- 37	353734	. RETAINER					24
- 38	216085	. GUIDE-CARD,8 POSITICN					18
- 39	237455	. CHANNEL,RUBBER					AR
- 40	806556	. LINER					1
- 41	813769	. TAPE,IDENTIFICATION-BLANK					1
- 42	2598390	. CHASSIS,SMS GATE					1

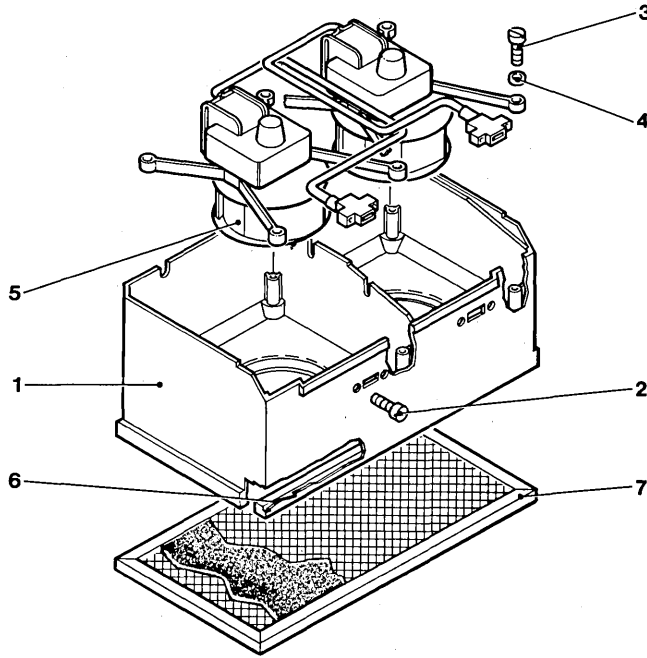


FIGURE 13A. COOLING UNIT ASSEMBLY 50 HZ. SEE LIST 13A.

FIGURE- INDEX NUMBER	PART NUMBER	DESCRIPTION				UNITS PER ASM.	USABLE ON CODE	
		1	2	3	4			
13A-	1993535	COOLING UNIT				REF		
		FOR NEXT HIGHER ASSEMBLY SEE FIGURE 10-76						
- 1	1994960	. HOUSING				1		
- 2	2637289	. SCREW				4		
- 3	2637290	. SCREW, 8-32				8		
- 4	60646	. WASHER, LOCK, IT, 0.168ID, 0.340OD				8		
- 5	1797462	. FAN, 50HZ				2		
- 6	475465	. SEAL-COVER				AR		
- 7	1994488	. FILTER				1		

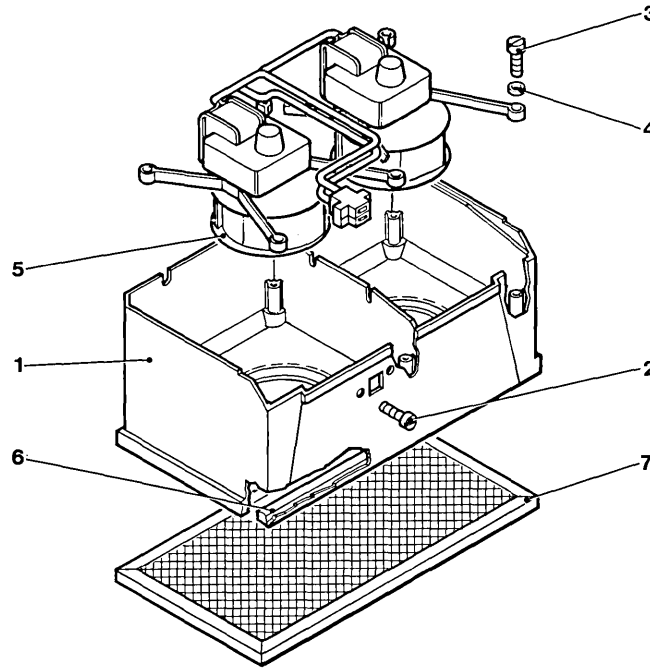


FIGURE 13B. COOLING UNIT ASSEMBLY 60 HZ. SEE LIST 13B.

FIGURE- INDEX NUMBER	PART NUMBER	DESCRIPTION				UNITS PER ASM.	USABLE ON CODE
		1	2	3	4		
		COOLING UNIT ASSEMBLY,60HZ					
13B-	1993536	COOLING UNIT FOR NEXT HIGHER ASSEMBLY SEE FIGURE 10-76 FOR WT USE ONLY				REF	
- 1	1993530	. HOUSING				1	
- 2	2637289	. SCREW		ATT PT	2		
- 3	2637290	. SCREW,8-32		ATT PT	8		
- 4	60646	. WASHER,LOCK,IT,0.168ID,0.340OD		ATT PT	2		
- 5	1797463	. FAN,60HZ				2	
- 6	475465	. SEAL-COVER				AR	
- 7	1994488	. FILTER				1	

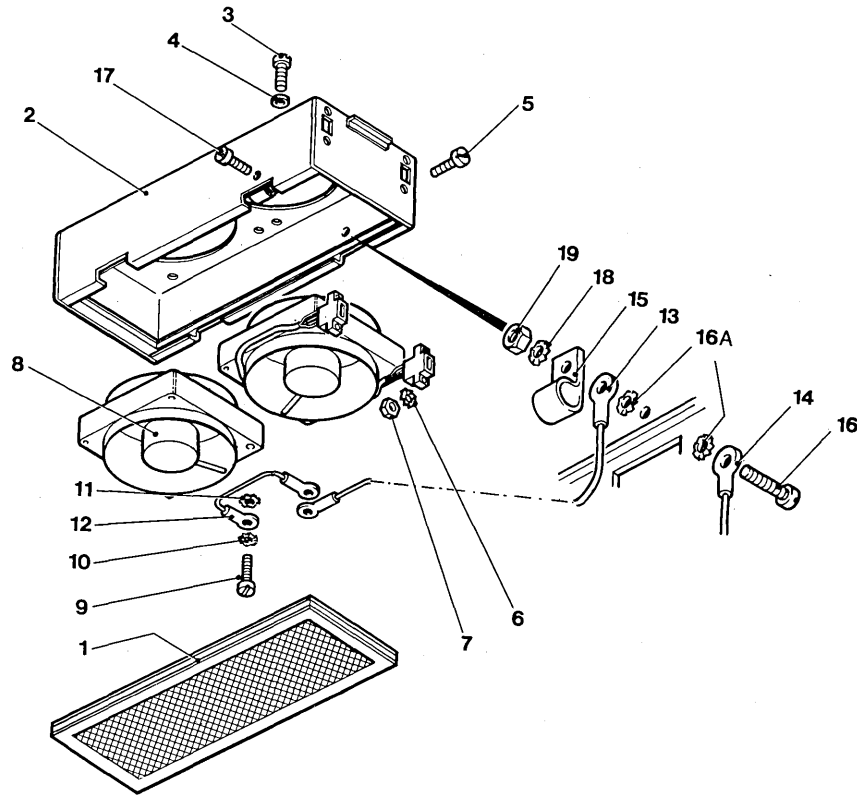


FIGURE 13C. COOLING UNIT ASSEMBLY 50 HZ. SEE LIST 13C.

FIGURE- INDEX NUMBER	PART NUMBER	DESCRIPTION				UNITS PER ASM.	USABLE ON CODE
		1	2	3	4		
		COOLING UNIT ASSEMBLY, 50HZ					
13C-	2601714	COOLING UNIT FOR NEXT HIGHER ASSEMBLY SEE FIGURE 11-28 AND 17-102				REF	
- 1	5421623	. FILTER-AIR				1	
- 2	2601716	. BOX, FAN ASM				1	
- 3	35739	. SCREW, BD HD, 6-32, 0.937LG		ATT PT	8		
- 4	56722	. WASHER, LOCK, ET, 0.141ID, 0.320OD		ATT PT	8		
- 5	322065	. SCREW, BD HD, 6-32, 0.625LG		ATT PT	4		
- 6	56722	. WASHER, LOCK, ET 0.141ID, 0.320OD		ATT PT	4		
- 7	257187	. NUT, HEX, 6-32		ATT PT	4		
- 8	2601718	. FAN ASM, 50HZ				2	
- 9	81693	. SCREW, BD HD, 6-32, 0.375LG		ATT PT	2		
- 10	6364	. WASHER, LOCK, SPRING, 0.141ID, 0.253OD		ATT PT	2		
- 11	56722	. WASHER, LOCK, ET 0.141ID, 0.320OD		ATT PT	2		
- 12	2607101	. JUMPER ASM FOR COMPONENT PARTS SEE FIG 20-31				1	
- 13	2607102	. JUMPER ASM FOR COMPONENT PARTS SEE FIG 20-31				11	
- 14	2607103	. JUMPER ASM FOR COMPONENT PARTS SEE FIG 20-31				1	
- 15	5213305	. CLAMP, LOOP				2	
- 16	35739	. SCREW, BD HD, 6-32, 0.375LG		ATT PT	1		
- 16A	56722	. WASHER, LOCK, ET, 0.141ID, 0.320OD		ATT PT	2		
- 17	186759	. SCREW, BD HD, 8-32, 0.312LG		ATT PT	1		
- 18	6364	. WASHER, LOCK, SPRING, 0.141ID, 0.253OD		ATT PT	2		
- 19	257187	. NUT, HEX, DOUBLE CHAMFER, 6-32		ATT PT	2		

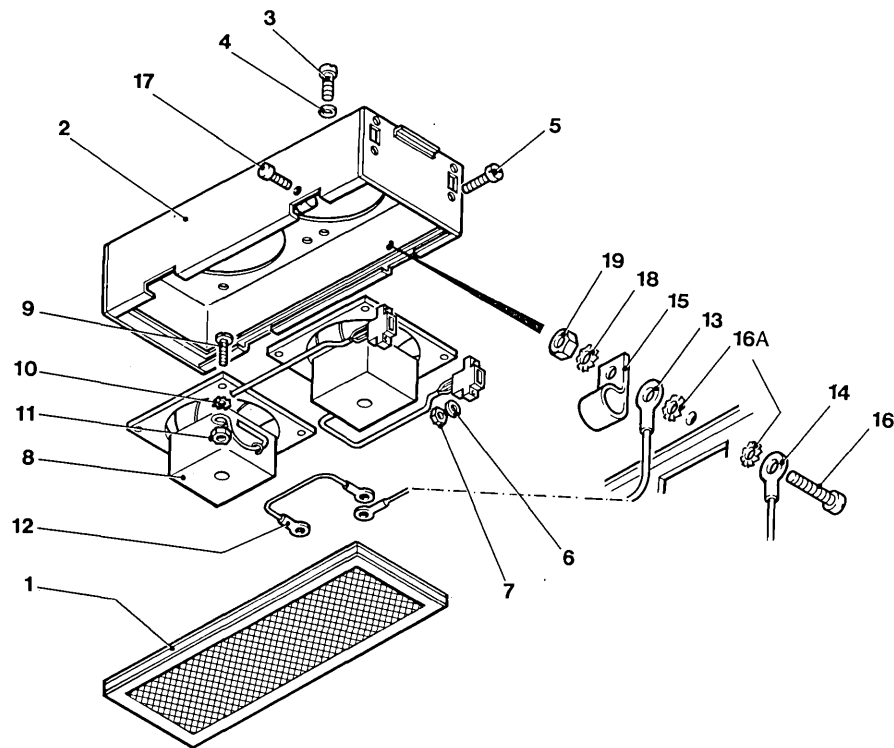


FIGURE 13D. COOLING UNIT ASSEMBLY 60 HZ. SEE LIST 13D.

FIGURE - INDEX NUMBER	PART NUMBER	DESCRIPTION				UNITS PER ASM.	USABLE ON CODE
		1	2	3	4		
		COOLING UNIT ASSEMBLY,60HZ					
13D-	2601715	COOLING UNIT				REF	
		FOR NEXT HIGHER ASSEMBLY SEE FIGURE 11-28 AND 17-102					
- 1	5421623	. FILTER-AIR				1	
- 2	2601716	. BOX,FAN ASM				1	
- 3	35739	. SCREW,BD HD,6-32,0.937LG				6	
- 4	56722	. WASHER, LOCK,ET 0.141ID,0.320OD				6	
- 5	322065	. SCREW,BD HD,6-32,0.625LG				4	
- 6	56722	. WASHER, LOCK,ET 0.141ID,0.320OD				4	
- 7	257187	. NUT, HEX,6-32				4	
- 8	2601717	. FAN ASM				2	
- 9	322065	. SCREW,BD HD,6-32,0.625LG				3	
- 10	56722	. WASHER, LOCK,EXT. T 0.150ID				3	
- 11	257187	. NUT, HEX,6-32				3	
- 12	2607101	. JUMPER ASM				1	
		FOR COMPONENT PARTS SEE FIG 20-31					
- 13	2607102	. JUMPER ASM				1	
		FOR COMPONENT PARTS SEE FIG 20-31					
- 14	2607103	. JUMPER ASM				1	
		FOR COMPONENT PARTS SEE FIG 20-31					
- 15	5213305	. CLAMP,LOOP 0.250ID 0.177 DIA MTG HOLE				2	
- 16	35739	. SCREW,BD HD,6-32,0.375LG				1	
- 16A	56722	. WASHER, LOCK,ET,0.141ID,0.320OD				2	
- 17	38235	. SCREW,BD HD,6-32,0.312LG				1	
- 18	6364	. WASHER, LOCK, SPRING,0.141ID,0.253OD				2	
- 19	257187	. NUT, HEX,6-32				2	

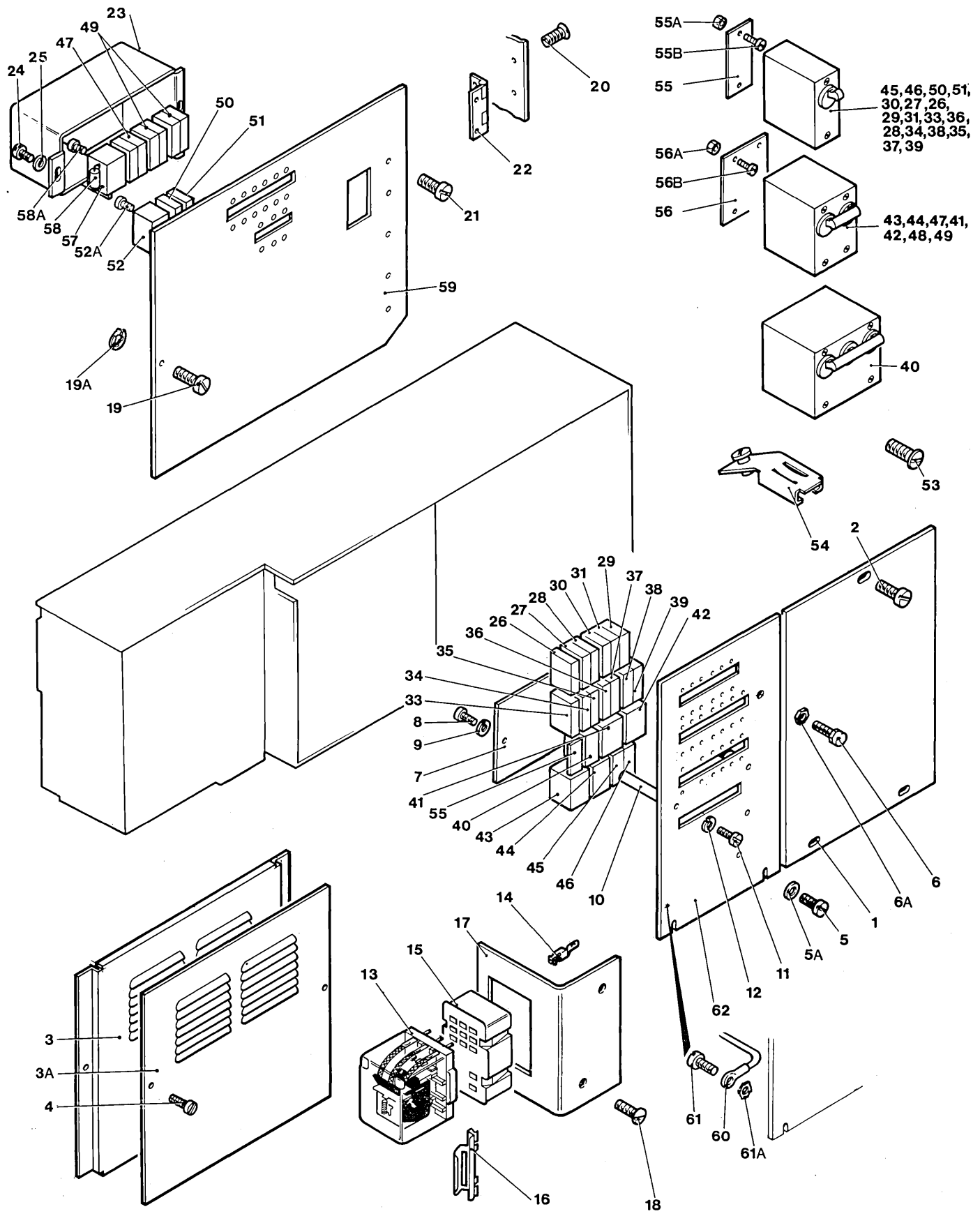


FIGURE 14. AC BOX ASSEMBLY. SHEET 1 OF 7. INDEX NOS. 1-62. SEE LIST 14.

FIGURE- INDEX NUMBER	PART NUMBER	DESCRIPTION	UNITS PER ASM.	USABLE ON CODE
		AC BOX ASSEMBLY (PART 1 OF 7)		
		CODE A 50HZ CODE B 60HZ		
14 -	2600736	AC BOX FOR NEXT HIGHER ASSEMBLY SEE FIGURE 2-177	REF	
- 1	2598863	. COVER	1	
- 2	2566609	. SCREW, NI PLATE, BD HD, 10-32, 0.500LG ATT PT	2	
- 3	2605793	. COVER, AC BOX	1	A
- 3A	2598944	. COVER, AC BOX	1	B
- 4	2566604	. SCREW, NI PLATE, BD HD, 10-32, 0.312LG ATT PT	2	
- 5	2575295	. SCREW, BD HD, 10-32, 0.375LG ATT PT	4	
- 5A	2566647	. WASHER, NI PLATE, 0.203ID, 0.438OD ATT PT	4	
- 6	255939	. SCREW ASM, 0.250-20		
		CONNECTOR PARTS NOT REPLACEABLE		
- 6A	3960	. NUT, 0.250-20		
- 7	2602059	. SHIELD	1	
- 8	2575295	. SCREW, BD HD, 10-32, 0.375LG ATT PT	2	
- 9	2574805	. WASHER, NI PLATE, LOCK, ET, 0.195ID, 0.395OD ATT PT	2	
- 10	2602060	. SPACER	2	
- 11	2575295	. SCREW, BD HD, 10-32, 0.375LG ATT PT	2	
- 12	2574805	. WASHER, NI PLATE, LOCK, ET, 0.195ID, 0.395OD ATT PT	2	
- 13	5414543	. RELAY	1	
- 14	5414545	. CONTACT, SOCKET	13	
- 15	5414544	. SOCKET, RELAY	1	
- 16	5414546	. CLIP, SOCKET MOUNTING ATT PT	2	
- 17	2602319	. BRACKET	1	
- 18	2566600	. SCREW, NI PLATE, BD HD, 6-32, 0.250LG ATT PT	2	
- 19	2566609	. SCREW, NI PLATE, BD HD, 10-32, 0.500LG ATT PT	1	
- 19A	257701	. CLIP, 0.125ID, 0.500OD, 0.020THK		
- 20	2599119	. SCREW, NI PLATE, FLT HD, 10-32, 0.375LG ATT PT	2	
- 21	2566604	. SCREW, NI PLATE, BD HD, 10-32, 0.312LG ATT PT	6	
- 22	473218	. HINGE	2	
- 23	2599198	. COVER	1	
- 23	2605707	. COVER FOR USE WITHOUT 1403	1	
- 24	2566603	. SCREW, NI PLATE, BD HD, 8-32, 0.312LG ATT PT	2	
- 25	2566646	. WASHER, NI PLATE, 0.171ID, 0.375OD ATT PT	2	
- 26	2574144	. CIRCUIT BREAKER	1	
- 27	2574144	. CIRCUIT BREAKER	1	
- 28	2574161	. CIRCUIT BREAKER	1	
- 29	2574144	. CIRCUIT BREAKER	1	
- 30	2574144	. CIRCUIT BREAKER	1	
- 31	2574138	. CIRCUIT BREAKER	1	
- 33	2601907	. CIRCUIT BREAKER	1	
- 34	2574144	. CIRCUIT BREAKER	1	
- 35	2601907	. CIRCUIT BREAKER, 70.5 AMP DC	1	
- 36	2574144	. CIRCUIT BREAKER	1	
- 37	2601908	. CIRCUIT BREAKER	1	
- 38	2574161	. CIRCUIT BREAKER	1	
- 39	2601908	. CIRCUIT BREAKER, 10 AMP DC	1	
- 40	2605716	. CIRCUIT BREAKER	1	
- 41	2580937	. CIRCUIT BREAKER	1	
- 42	2580937	. CIRCUIT BREAKER	1	
- 43	1993161	. CIRCUIT BREAKER	1	
- 44	1993161	. CIRCUIT BREAKER	1	
- 45	2607120	. CIRCUIT BREAKER	1	
- 46	2607120	. CIRCUIT BREAKER	1	
- 47	2574126	. CIRCUIT BREAKER	1	
- 49	2598906	. CIRCUIT BREAKER, 5A	2	
- 50	2574137	. CIRCUIT BREAKER	1	
- 51	2574137	. CIRCUIT BREAKER	1	
- 52	535292	. CIRCUIT PROTECTOR, 1 AMP	1	
- 52A	10170	. SCREW, BD HD, 6-32, 0.250LG ATT PT	2	
- 53	2566600	. SCREW, NI PLATE, BD HD, 6-32, 0.250LG ATT PT USED ON ITEMS 78526 TO 52	66	
- 54	2600658	. CONNECTOR, SCREW, 10-32 USED ON ITEMS 78526 TO 51	58	
- 55	2602058	. PLATE	8	
- 55A	2566629	. NUT, NI PLATE, HEX, 6-32 ATT PT	16	
- 55B	2566601	. SCREW, NI PLATE, BD HD, 6-32, 0.312LG ATT PT	16	
- 56	2601995	. PLATE, BLANKING	1	
- 56A	2566629	. NUT, NI PLATE, HEX, 6-32 ATT PT	4	
- 56B	2566601	. SCREW, NI PLATE, BD HD, 6-32, 0.312LG ATT PT ITEMS 78555 THROUGH 58A USED IN PLACE OF	4	

FIGURE- INDEX NUMBER	PART NUMBER	DESCRIPTION				UNITS PER ASM.	USABLE ON CODE
		1	2	3	4		
14 - 57	5351162	RESPECTIVE CIRCUIT BREAKERS					
- 58	2600832	. CONTACTOR				1	
- 58A	2566600	. DIODE ASM				1	
- 59	2598664	. SCREW, NI PLATE, BD HD, 6-32, 0.250 LG ATT PT				2	
- 60	5759071	. PANEL, SWITCH				1	
- 61	2598774	. JUMPER				1	
- 61A	2574805	. SCREW, NI PLATE, ED HD, 10-32, 0.187 LG ATT PT				2	
- 62	2598862	. WASHER, LOCK, NI PLATE, ET, 0.195 ID, 0.395 OD ATT PT				2	
		. PANEL, CIRCUIT BREAKER				1	

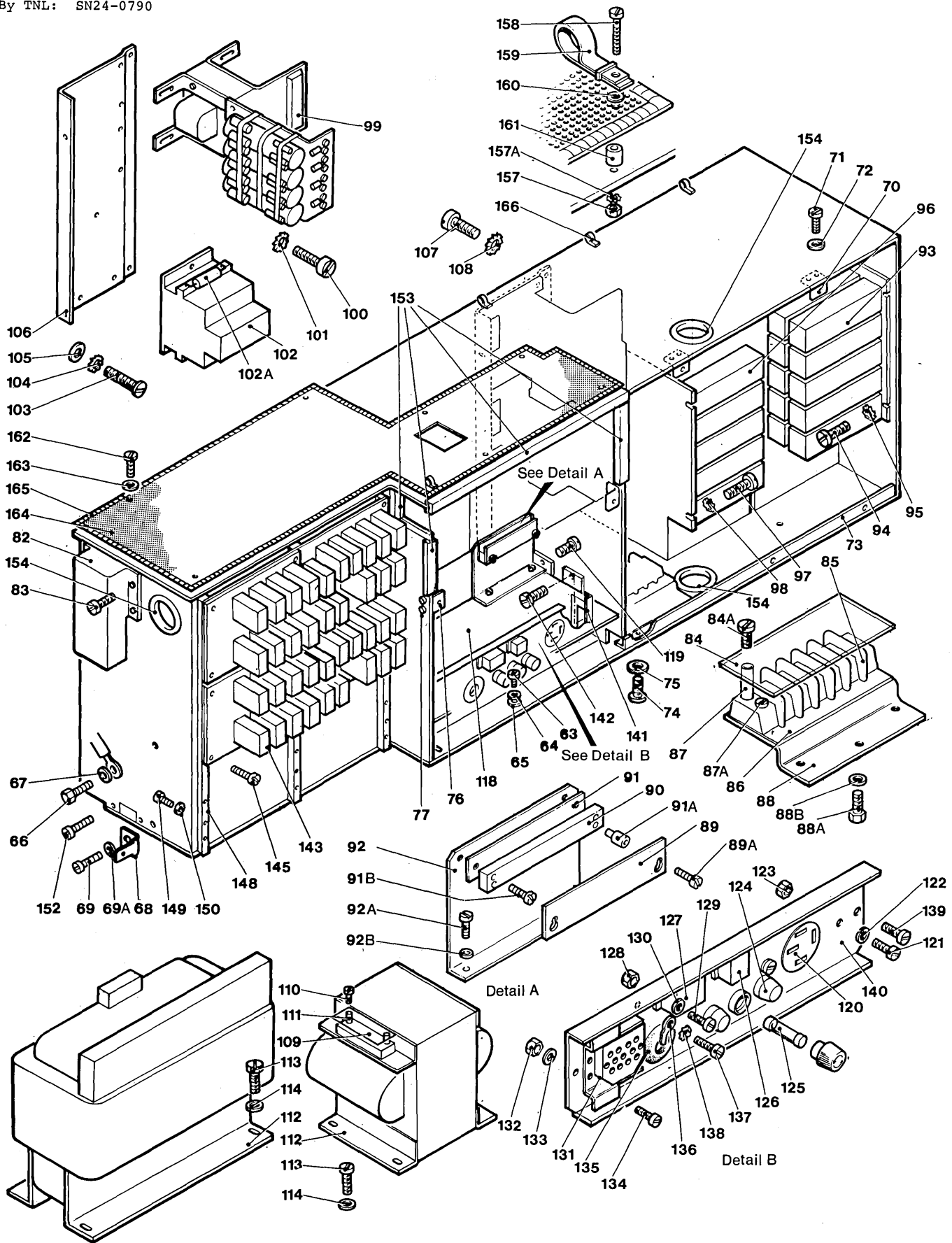


FIGURE 14. AC BOX ASSEMBLY. SHEET 2 OF 7. INDEX NOS. 63-166. SEE LIST 14.

FIGURE- INDEX NUMBER	PART NUMBER	DESCRIPTION				UNITS PER ASM.	USABLE ON CODE
		1	2	3	4		
		AC BOX ASSEMBLY (PART 2 OF 7)					
		CCODE A,USED CN 50HZ CODE B,USED CN 60HZ					
14 -	2600736	AC BOX ASSEMBLY (CONTINUED)				REF	
- 63	550550	. SCREW,HEX HD,,10-32,0.375LG		ATT PT		REF	
- 64	2574799	. WASHER,LOCK,SPRING,0.194ID,0.3370D		ATT PT		REF	
- 65	2574805	. WASHER,LOCK,ET,C.195ID,3950D		ATT PT		REF	
- 66	2566605	. SCREW,HEX HD,,0.250-20,0.625LG		ATT PT		1	
- 67	2575292	. WASHER,LOCK,NI PLATE,SPRING,0.255ID,0.4930D		ATT PT		1	
- 68	5271288	. TERMINAL				REF	
- 69	48594	. SCREW,BD HD,4-40,0.125LG		ATT PT		1	
- 69A	338169	. WASHER,LOCK,ET,C.115ID,C.2600D,0.019THK		ATT PT		1	
- 70	2598860	. BRACKET				2	
- 71	2566603	. SCREW,NI PLATE,BD HD,8-32,0.312LG		ATT PT		4	
- 72	2566646	. WASHER,NI PLATE,0.17ID,0.3750D		ATT PT		4	
- 73	2598857	. BRACKET				1	
- 74	2574810	. SCREW,NI PLATE,SELF TAP,10-32,0.375LG		ATT PT		5	
- 75	2506647	. WASHER,NI PLATE,0.203ID,0.4380D		ATT PT		5	
- 76	2598860	. BRACKET				2	
- 77	2566603	. SCREW,NI PLATE,BD HD,8-32,0.312LG		ATT PT		4	
- 82	2598866	. COVER,CABLE ASM				1	
- 83	2601761	. SCREW,SLOT BD HD,10-32,0.165LG		ATT PT		4	
- 84	535417	. SHIELD- 6 POSITION				1	
- 84A	10170	. SCREW,BD HD,6-32,0.250LG		ATT PT		2	
- 85	504670	. TERMINAL BOARD				1	
- 86	332628	. STRIP,MARKER-TERM BD 6 PCS 1 THROUGH 6				1	
- 87	4120221	. STUD		ATT PT		2	
- 87A	2574816	. SCREW,SLOT BD HD,6-32,0.625LG		ATT PT		2	
- 88	2599192	. PLATE				1	
- 88A	2574808	. SCREW,NI PLATE,SELF TAP,6-32,0.375LG		ATT PT		3	
- 88B	2566645	. WASHER,NI PLATE,0.156ID,0.3120D		ATT PT		3	
- 89	4120380	. SHIELD				AR	
- 89A	10170	. SCREW,BD HD,6-32,0.250LG		ATT PT		AR	
- 90	317450	. TERMINAL BOARD				AR	
- 91	4121398	. STRIP,MARKER				AR	
- 91A	5762407	. STUD				AR	
- 91B	35739	. SCREW,BD HD,6-32,0.438LG		ATT PT		AR	
- 92	2606836	. BRACKET MOUNTING				AR	
- 92A	2566606	. SCREW,NI PLATE,HEX HD,0.250-20,0.375LG		ATT PT		AR	
- 92B	2575293	. WASHER,0.265ID,C.5620D		ATT PT		AR	
- 93	2481730	. TRANSFORMER				1	
- 94	2566609	FOR DETAIL PARTS SEE ITEM 259 . SCREW,NI PLATE,BD HD,10-32,0.500LG		ATT PT		3	
- 95	2574799	. WASHER,NI PLATE,LOCK,0.194ID,0.3370D		ATT PT		3	
- 96	2481740	. TRANSFORMER				1	
- 97	2566609	FOR DETAIL PARTS SEE ITEM 308 . SCREW,NI PLATE,BD HD,10-32,0.500LG		ATT PT		3	
- 98	2574799	. WASHER,LOCK,NI PLATE,0.194ID,0.3370D		ATT PT		3	
- 99	2601811	. TRANSFORMER ASM				2	
-100	2575295	DETAIL PARTS NOT AVAILABLE . SCREW,BD HD,10-32,0.375LG		ATT PT		8	
-101	2574799	. WASHER,NI PLATE,LOCK,0.194ID,0.3370D		ATT PT		8	
-102	2128748	. CONTACTOR				1	
-102A	2600832	. DIODE ASM				1	
-103	2575295	. SCREW,BD HD,10-32,0.375LG		ATT PT		2	
-104	2574799	. WASHER,NI PLATE,LOCK,0.194ID,0.3370D		ATT PT		2	
-105	2566647	. WASHER,NI PLATE,0.203ID,0.4380D		ATT PT		2	
-106	2599191	. BRACKET				1	
-107	2575295	. SCREW,BD HD,10-32,0.375LG		ATT PT		4	
-108	2574799	. WASHER,NI PLATE,LOCK,0.194ID,0.3370D		ATT PT		4	
-109	337193	. SHIELD-TERMINAL BOARD 6 POSITION				1	
-110	10170	. SCREW,BD HD,6-32,0.250LG		ATT PT		2	
-111	210883	. STUD-SHIELD MTG,TAPPED,6-32		ATT PT		2	
-112	4116423	. TRANSFORMER				1	
-112	5252645	. TRANSFORMER				1	
-113	2566605	. SCREW,NI PLATE,HEX HD,,0.25-20,0.625LG		ATT PT		4	
-113	2566606	. SCREW,NI PLATE,HEX HD,,0.25-20,0.375LG		ATT PT		4	
-114	2575293	. WASHER,0.265ID,C.5620D		ATT PT		4	
-118	2605792	. TRAY				1	
-118	2598647	. TRAY				1	
-119	2566604	. SCREW,BD HD,10-32,0.312LG		ATT PT		5	
-120	322590	. RECEPTACLE,FEMALE,20 AMP,250 V				1	
-121	2566603	. SCREW,NI PLATE,BD HD,8-32,0.312LG		ATT PT		2	
-122	2574799	. WASHER,NI PLATE,LOCK,0.194ID,0.3370D		ATT PT		2	
-123	2566626	. NUT,NI PLATE,HEX,8-32		ATT PT		2	

FIGURE-INDEX NUMBER	PART NUMBER	DESCRIPTION	UNITS	USABLE
			PER ASM.	ON CODE
14-124	179946	. HCLDER,FUSE	3	
-125	111255	. FUSE,CARTRIDGE,0.75 AMP	3	
-126	2426171	. CCNNECTCR	REF	
-127	523269	. CONNECTOR,RECE,ELEC- 6 POS INSERT	1	
-128	2566623	. NUT,HEX,DOUBLE CHAMFER,4-40	2	
-129	2566634	. SCREW,BD HD,4-40,0.500LG	ATT PT	
-130	2574812	. WASHER,0.125ID,C.2500D	ATT PT	
-131	526522	. LATCH PIN ASM,CCNNECTOR	1	
-132	2566623	. NUT,HEX,DOUBLE CHAMFER,4-40,0.25 PL W	ATT PT	
-133	2574812	. WASHER,0.125ID,C.2500D	ATT PT	
-134	2566634	. SCREW,BD HD,4-40,0.500LG	ATT PT	
-135	338327	. GRMMET	1	
-136	5271288	. LUG	1	
-137	48594	. SCREW,BD HD,6-32,C.250LG	ATT PT	
-138	331869	. WASHER,LOCK,ET 0.155ID,0.2600D,0.015THK	ATT PT	
-139	2566604	. SCREW,NI PLATE,ED HD,10-32,0.312LG	ATT PT	
-140	2599193	. PANEL,I/C PLUG	2	
-141	2598860	. BRACKET	2	
-142	2566603	. SCREW,NI PLATE,BD HD,8-32,0.312LG	ATT PT	
-143	2605694	. PANEL ASM,SEQUENCE CHANNEL	4	
		FOR DETAIL PARTS SEE ITEM 399		
-145	2566608	. SCREW,NI PLATE,BD HD,6-32,0.500LG	ATT PT	27
-147	2566645	. WASHER,NI PLATE,0.156ID,0.312OD	ATT PT	27
-148	2605711	. SPACER	3	
-149	2566601	. SCREW,NI PLATE,ED HD,6-32,0.312LG	ATT PT	8
-150	2566650	. WASHER,NI PLATE,LOCK,0.141ID,0.253OD	ATT PT	8
-151	523269	. CCNNECTOR,RECE,ELEC- 6 POS INSERT	1	
-152	2566634	. SCREW,BD HD,4-40,0.500LG	ATT PT	2
-153	237455	. CHANNEL,RUBBER	AR	
-154	510388	. GRMMET	3	
-157	2566626	. NUT,NI PLATE,HEX,8-32	ATT PT	8
-157A	2574799	. WASHER LOCK,SERING,0.194ID,0.337OD	ATT PT	8
-158	19944	. SCREW,BD HD,8-32,C.750LG	ATT PT	8
-159	532393	. CLAMP-ADJUSTABLE CABLE	2	
-160	2566646	. WASHER,NI PLATE,C.17ID,0.375OD	ATT PT	2
-161	57100	. SPACER	8	
-163	2566646	. WASHER,NI PLATE,0.17ID,0.375OD	ATT PT	6
-164	2602073	. SCREEN,MESH	1	
-165	350830	. GRMMET	ATT PT	AR
-166	2604226	. CLIP,CABLE	3	

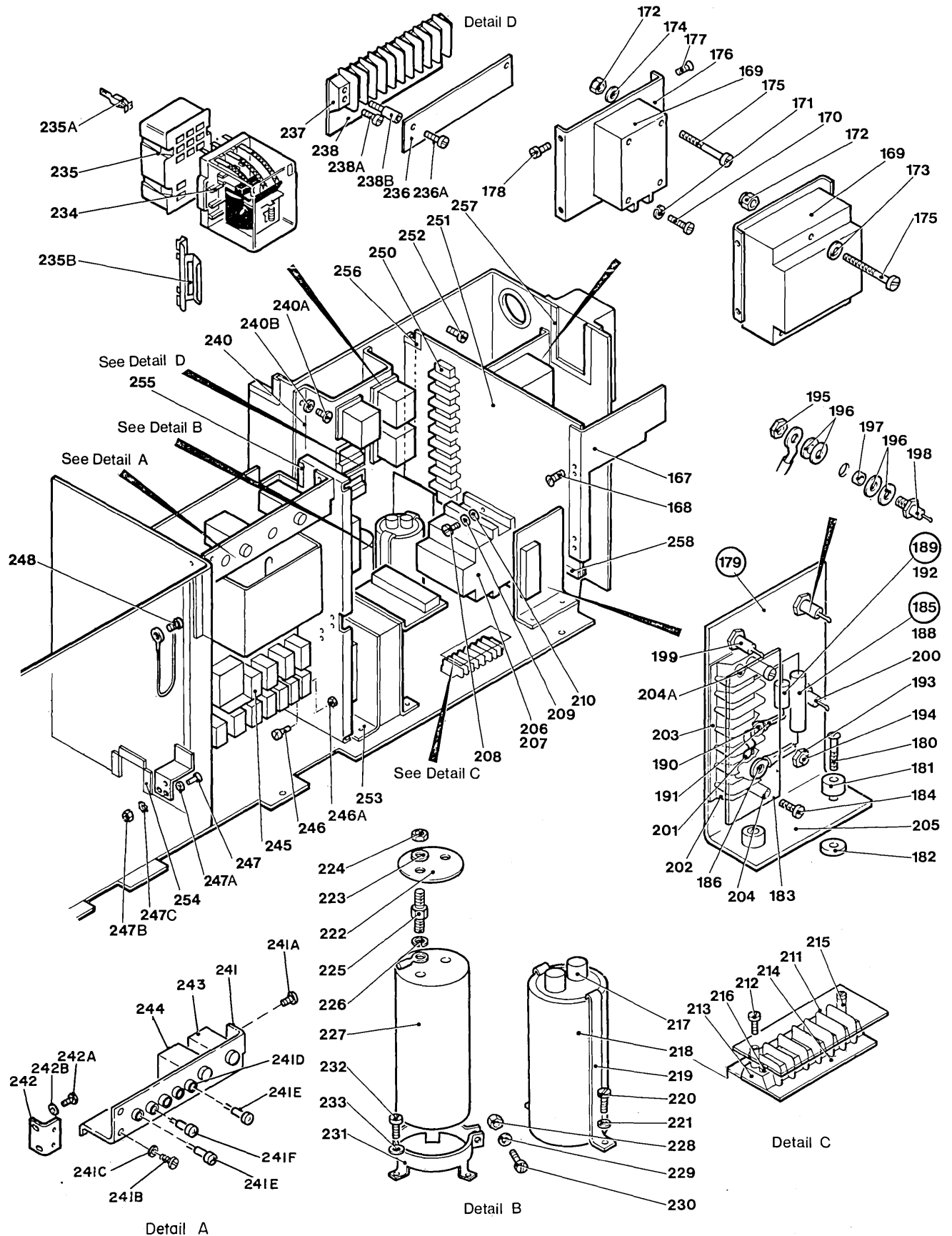


FIGURE 14. AC BOX ASSEMBLY. SHEET 3 OF 7. INDEX NOS. 167-258. SEE LIST 14.

FIGURE- INDEX NUMBER	PART NUMBER	DESCRIPTION	UNITS		USABLE ON CODE
			PER ASM.	REF	
		AC BOX ASSEMBLY (PART 3 OF 7)			
		CODE A, 50HZ CODE B, 60HZ			
14 -	2600736	AC BOX ASSEMBLY (CONTINUED)		REF	
-167	2599199	. COVER		1	
-168	2566600	. SCREW, NI PLATE, BD HD, 6-32, 0.250LG	ATT PT	2	
-169	2086875	. CIRCUIT BREAKER		1	A
-169	5214261	. CIRCUIT BREAKER			B
-170	2994	. SCREW, FIL HD, 10-32, 0.625LG	ATT PT	3	B
-171	56121	. WASHER, LOCK-IT 0.195ID, 0.381OD	ATT PT	3	B
-172	2601010	. NUT, HEX, LOCKING, 8-32	ATT PT	4	A
-172	2566626	. NUT, NI PLATE, HEX, 8-32	ATT PT	3	B
-173	2566647	. WASHER, NI PLATE, 0.203ID, 0.438OD	ATT PT	3	A
-174	2574804	. WASHER, LOCK, ET, NO 8, 0.365OD	ATT PT	4	B
-175	2601011	. SCREW, SLOT BD HD, 8-32	ATT PT	3	A
-175	2566625	. SCREW, NI PLATE, BD HD, 8-32, 0.500LG	ATT PT	4	B
-176	2598648	. PANEL		1	
-177	2599119	. SCREW, FLT HD, 10-32, 0.375LG	ATT PT	2	
-178	2566607	. SCREW, NI PLATE, SELF TAP, 10-32, 0.375LG	ATT PT	2	
-179	2599165	. ZENER DIODE SUPPLY ASM		1	
-180	5351113	. SCREW-CAPTIVE BD HD, 10-32, 1.000LG	ATT PT	2	
-181	5351115	. INSULATOR-BUSHING		2	
-182	5351114	. BUSHING-CAP		2	
-183	337193	. SHIELD-TERMINAL BOARD 6 POSITION		1	
-184	10170	. SCREW, BD HD, 6-32, 0.250LG	ATT PT	2	
-185	2607119	. RESISTOR ASM		1	
-186	334921	. TERMINAL-RING, 18-22 AWG, NO6 HOLE, INS		2	
-187	317304	. TUBING		AR	
-188	317357	. RESISTOR, 25 OHMS-10W		1	
-189	2599172	. RESISTOR ASM		1	
-190	334921	. TERMINAL-RING, 18-22 AWG, NO6 HOLE, INS		2	
-191	317304	. TUBING		AR	
-192	320610	. RESISTOR, FXL, COMP- 180 OHMS P/M 5% 2W		1	
-193	11598	. NUT, HEX, 10-32	ATT PT	1	
-194	38363	. SCREW, FIL HD, 8-32, 0.156LG	ATT PT	1	
-195	11598	. NUT, HEX, 10-32	ATT PT	1	
-196	533372	. WASHER, MICA, 0.199ID, 0.625OD		4	
-197	5724037	. SLEEVE		1	
-198	588479	. SEMICONDUCTOR DEVICE-DIODE, 150V 10A		1	
-199	588479	. SEMICONDUCTOR DEVICE-DIODE, 150V 10A		1	
-200	520908	. DIODE-TYPE EN		1	
-201	367115	. JUMPER-TERMINAL STRIP VDC DISTR BRS		1	
-202	317131	. TERMINAL BOARD- 6 DBL SCREW TERMINALS		1	
-203	322266	. MARKER STRIP- 6 POS NOS. 1 THROUGH 6		1	
-204	210883	. STUD-SHIELD MTG, TAPPED, 6-32	ATT PT	2	
-204A	38354	. SCREW, FIL HD, 6-32, 0.500LG	ATT PT	2	
-205	2599169	. HEATSINK		1	
-206	2128748	. CONTACTOR		1	B
-206	5364165	. CONTACTOR		1	A
-207	2600832	. DIODE ASM		1	
-208	2575295	. SCREW, BD HD, 10-32, 0.375LG	ATT PT	2	
-209	2574799	. WASHER, NI PLATE, LOCK, 0.194ID, 0.337OD	ATT PT	2	
-210	2566647	. WASHER, NI PLATE, 0.203ID, 0.438OD	ATT PT	2	
-211	337193	. SHIELD-TERMINAL BOARD 6 POSITION		1	
-212	10170	. SCREW, BD HD, 6-32, 0.250LG	ATT PT	2	
-213	317131	. TERMINAL BOARD- 6 TEL SCREW TERMINALS		1	
-214	322282	. MARKER STRIP- 6 POS NOS. 1 THROUGH 6		1	
-215	210883	. STUD-SHIELD MTG, TAPPED, 6-32	ATT PT	2	
-216	2566630	. SCREW, NI PLATE, BD HD, 6-32, 0.438LG	ATT PT	2	
-217	526378	. CAP-INSULATION		2	
-218	442688	. CAPACITOR		1	A
-218	524854	. CAPACITOR- 20MFD 330VAC		1	B
-219	1143060	. CLAMP		2	
-220	2566617	. SCREW, NI PLATE, BD HD, 8-32, 0.375LG	ATT PT	2	
-221	2566646	. WASHER, NI PLATE, 0.17ID, 0.375OD	ATT PT	2	
-222	5823357	. COVER, CAPACITOR		1	
-223	45690	. WASHER, 0.203ID, 0.438OD	ATT PT	2	
-224	11598	. NUT, HEX, 10-32	ATT PT	2	
-225	306855	. STUD-HEX, 10-32 THD BOTH ENDS 0.688LG	ATT PT	2	
-226	56079	. WASHER, LOCK-ET 0.195ID 0.410OD	ATT PT	2	
-227	5796427	. CAPACITOR, ELECTROLYTIC, 54000UF, 30VDC		1	
-228	2566626	. NUT, NI PLATE, HEX, 8-32	ATT PT	1	
-229	2574799	. WASHER, NI PLATE, 0.17ID, 0.375OD	ATT PT	1	
-230	2566618	. SCREW, NI PLATE, BD HD, 8-32, 10.0LG	ATT PT	1	
-231	5261284	. CLAMP		1	

FIGURE- INDEX NUMBER	PART NUMBER	DESCRIPTION				UNITS PER ASM.	USABLE ON CODE
		1	2	3	4		
14 -232	2566610	.	SCREW,BD HD,8-32,0.250LG		ATT PT	3	
-233	2566646	.	WASHER,NI PLATE,0.171ID,0.3750D		ATT PT	4	
-234	5414544	.	RELAY			3	
-235	5414543	.	RELAY			3	
-235A	5414545	.	CONTACT, SOCKET			39	
-235B	5414546	.	CLIP, SOCKET MOUNTING		ATT PT	6	
-236	5235516	.	SHIELD			2	
-236A	10170	.	SCREW,BD HD,6-32,0.250LG		ATT PT	4	
-237	323837	.	TERMINAL BLOCK, 3DBL SCREW TERMINALS			2	
-238	5364151	.	MARKER STRIP, 3 POSITIONS, 1 THROUGH 3			2	
-238A	38354	.	SCREW, FIL HD, 6-32, 0.500LG			4	
-238B	210883	.	SIUD			4	
-240	2606835	.	PANEL, RELAY			1	
-240A	2566607	.	SCREW, NI PLATE, BD HD, 10-32, 0.250LG		ATT PT	4	
-240B	2574799	.	WASHER, NI PLATE, LOCK, 0.194ID, 0.3370D		ATT PT	4	
-241	181265C	.	BRACKET (NEW STYLE)			1	
-241	2598557	.	BRACKET (CLD STYLE)			1	
-241A	2575295	.	SCREW, BD HE, 10-32, 0.375LG		ATT PT	2	
-241B	2566610	.	SCREW, BD HD, 8-32, 0.250LG		ATT PT	2	
-241C	2566646	.	WASHER, NI PLATE, 0.170ID, 0.3750D		ATT PT	2	
-241D	5353887	.	HOUSING			5	
-241E	5499812	.	LAMP, 24V-CLEAR			2	
-241F	5499815	.	LAMP, 24V-RED			3	
-242	2598598	.	BRACKET			1	
-242A	2566607	.	SCREW, NI PLATE, BD HD, 10-32, 0.250LG		ATT PT	2	
-242B	2566647	.	WASHER, NI PLATE, 0.203ID, 0.4380D		ATT PT	2	
-243	2229542	.	PROTECTOR-CIRCUIT OVERLOAD, 7A, 250V			1	
-244	2218599	.	PROTECTOR-CIRCUIT OVERLOAD, IOA, 250V			1	
-245	2598573	.	RELAY GATE ASM			1	
-246	2598610	.	FOR DETAIL PARTS SEE FIGURE 15 SCREW, BD HD, 8-32, 0.250LG		ATT PT	1	
-246A	2566626	.	NUT, HEX, 10-32		ATT PT	1	
-247	2566604	.	SCREW, NI PLATE, BD HD, 10-32, 0.312LG		ATT PT	3	
-247A	2566647	.	WASHER, NI PLATE, 0.203ID, 0.4380D		ATT PT	3	
-247B	2566626	.	NUT, NI PLATE, HEX, 8-32		ATT PT	1	
-247C	55901	.	WASHER, LOCK, ET, 0.168ID, 0.3810D		ATT PT	1	
-248	2606645	.	SCREW, FLT HD, 8-32, 0.312LG		ATT PT	1	
-250	NC NO	.	TERMINAL BLOCK ASSEMBLY			1	
-251	2598594	.	FOR DETAIL PARTS SEE ITEM 347 PANEL			1	
-252	2566617	.	SCREW, NI PLATE, BD HD, 8-32, 0.375LG		ATT PT	2	
-253	NC NO	.	TRANSFORMER ASSEMBLY				
-254	730432	.	FOR DETAIL PARTS SEE ITEM 375 GROMMET			AR	
-255	518578	.	RUBBER CHANNEL			AR	
-256	730432	.	GROMMET			AR	
-257	5213226	.	CHANNEL			AR	
-258	730432	.	GROMMET			AR	

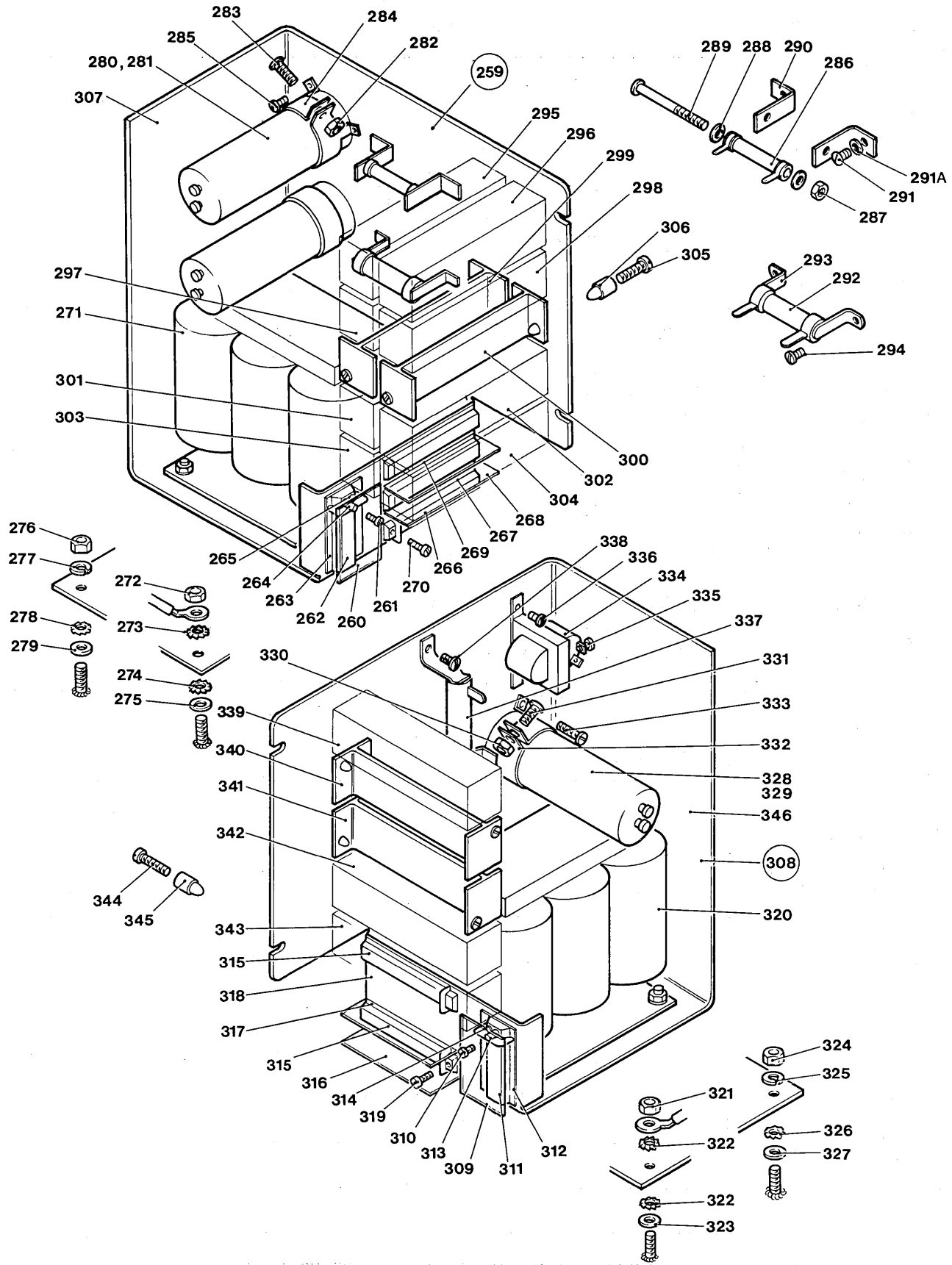


FIGURE 14. AC BOX ASSEMBLY. SHEET 4 OF 7. INDEX NOS. 259-346. SEE LIST 14.

FIGURE- INDEX NUMBER	PART NUMBER	DESCRIPTION	1 2 3 4				UNITS PER ASM.	USABLE ON CODE
		AC BOX ASSEMBLY (PART 4 OF 7)						
		CODE A,50HZ CODE E,50HZ						
14 -	2600736	AC BOX ASSEMBLY (CONTINUED)					REF	
-259	2481730	. . . TRANSFORMER					REF	
-260	350966	. . . COVER-TERMINAL BLOCK					1	
-261	10170	. . . SCREW,BD HD,6-32,0.250LG			ATT PT		2	
-262	479760	. . . SHIELD,TERMINAL BOARD					1	
-263	2481675	. . . MARKER STRIP					1	
-264	210883	. . . STUD-SHIELD MTG,TAPPED,NO. 6-32			ATT PT		2	
-265	322550	. . . SCREW,BD HD,6-32,0.500LG			ATT PT		2	
-266	2481664	. . . TERMINAL BLOCK					1	
-267	2481669	. . . MARKER STRIP					3	
-268	2481659	. . . INSULATOR STRIP					1	
-269	2481665	. . . MARKER STRIP					1	
-270	322550	. . . SCREW,BD HD,6-32,0.500LG			ATT PT		6	
-271	2481683	. . . TRANSFORMER/CABLE ASM					1	
-272	11598	. . . NUT,HEX,10-32			ATT PT		1	
-273	56079	. . . WASHER,LOCK-ET 0.195ID 0.410OD			ATT PT		2	
-275	45690	. . . WASHER,0.203ID,0.438OD			ATT PT		1	
-276	11598	. . . NUT,HEX,10-32			ATT PT		3	
-277	9092	. . . WASHER-LOCK,SPRING,0.194ID 0.337OD			ATT PT		3	
-278	45690	. . . WASHER,0.203ID,0.438OD			ATT PT		3	
-279	56079	. . . WASHER,LOCK-ET 0.195ID 0.410OD			ATT PT		3	
-280	5261375	. . . CAPACITOR,ELEC-500 UF P/M 10% 200VDC					2	
-281	362206	. . . COVER,CAPACITCR					2	
-282	11598	. . . NUT,HEX,10-32			ATT PT		2	
-283	55918	. . . SCREW,BD HD,10-32,0.625LG			ATT PT		2	
-284	320456	. . . BRACKET-CAPACITOR MOUNTING					2	
-285	55726	. . . SCREW,BD HD,6-32,0.188LG			ATT PT		2	
-286	221517	. . . RESISTOR,FXD,WW- 75 OHMS E/M 5% 10W					2	
-287	257189	. . . NUT,HEX,8-32			ATT PT		1	
-288	442959	. . . INSULATOR			ATT PT		2	
-289	436582	. . . SCREW,FIL HD,8-32,2.250LG			ATT PT		1	
-290	5762549	. . . BRACKET					2	
-291	221790	. . . SCREW,BD HD,8-32,0.188LG			ATT PT		2	
-291A	60646	. . . WASHER,LOCK,IT,0.168ID,0.340OD,0.023THK			ATT PT		2	
-292	472611	. . . RESISTOR					1	
-293	510316	. . . BRACKET-MTG,25W RESISTOR					2	
-294	55726	. . . SCREW,BD HD,6-32,0.188LG			ATT PT		2	
-295	2481719	. . . HEATSINK					1	
-296	2481718	. . . HEATSINK					1	
-297	2481719	. . . HEATSINK					1	
-298	2481718	. . . HEATSINK					1	
-299	2481719	. . . HEATSINK					1	
-300	2481718	. . . HEATSINK					1	
-301	2481719	. . . HEATSINK					1	
-302	2481719	. . . HEATSINK					1	
-303	2481719	. . . HEATSINK					1	
-304	2481719	. . . HEATSINK					1	
-305	5528	. . . SCREW,BD HD,8-32,0.625LG			ATT PT		30	
-306	2481678	. . . INSULATOR			ATT PT		30	
-307	2481733	. . . CHASSIS					1	
-308	2481740	. . . TRANSFORMER					REF	
-309	350966	. . . COVER-TERMINAL BLOCK					1	
-310	10170	. . . SCREW,BD HD,6-32,0.250LG			ATT PT		2	
-311	479760	. . . TERMINAL BLOCK					1	
-312	2481674	. . . MARKER STRIP					1	
-313	210883	. . . STUD-SHIELD MTG,TAPPED,NO. 6-32			ATT PT		2	
-314	322550	. . . SCREW,BD HD,6-32,0.500LG			ATT PT		2	
-315	2481664	. . . TERMINAL BLOCK					2	
-316	2609017	. . . SHIELD					1	
-317	2481669	. . . MARKER STRIP					1	
-318	2481665	. . . MARKER STRIP					1	
-319	322550	. . . SCREW,BD HD,6-32,0.500LG			ATT PT		4	
-320	2481684	. . . TRANSFORMER/CABLE ASM					1	
-321	11598	. . . NUT,HEX,10-32			ATT PT		1	
-322	56079	. . . WASHER,LOCK,ET 0.195ID 0.410OD			ATT PT		2	
-323	45690	. . . WASHER,0.203ID,0.438OD			ATT PT		1	
-324	11598	. . . NUT,HEX,10-32,0.375 FL W			ATT PT		3	
-325	9092	. . . WASHER,LOCK,SPRING,0.194ID 0.337OD			ATT PT		3	
-326	45690	. . . WASHER,0.203 ID,0.438OD			ATT PT		3	
-327	56079	. . . WASEER,LOCK-ET 0.195ID 0.410OD			ATT PT		3	
-328	5261375	. . . CAPACITOR,ELEC-500UF,P/M 10% 200V DC					1	
-329	362206	. . . COVER,CAPACITCR					1	

FIGURE- INDEX NUMBER	PART NUMBER	1 2 3 4	DESCRIPTION	UNITS PER ASM.	USABLE ON CODE
-331	5528	. .	SCREW,BD HD,8-32,0.625LG ATT PT	1	
-332	320456	. .	BRACKET	1	
-333	55726	. .	SCREW,BD HD,6-32,0.188LG ATT PT	1	
-334	5261219	. .	CHOKE,FILTER	1	
-335	55726	. .	SCREW,BD HD,6-32,0.188LG ATT PT	2	
-336	55726	. .	SCREW,ED HD,6-32,0.188LG ATT PT	2	
-337	522739	. .	RESISTOR,FXD,50 CHMS P/M 5% 50W	1	
-338	55726	. .	SCREW,BD HD,6-32,0.188LG ATT PT	2	
-339	2481718	. .	HEATSINK	1	
-340	2481718	. .	HEATSINK	1	
-341	2481719	. .	HEATSINK	1	
-342	2481719	. .	HEATSINK	1	
-343	2481719	. .	HEATSINK	1	
-344	5528	. .	SCREW,ED HD,8-32,0.625LG ATT PT	15	
-345	2481678	. .	INSULATOR ATT PT	15	
-346	2481743	. .	CHASSIS	1	

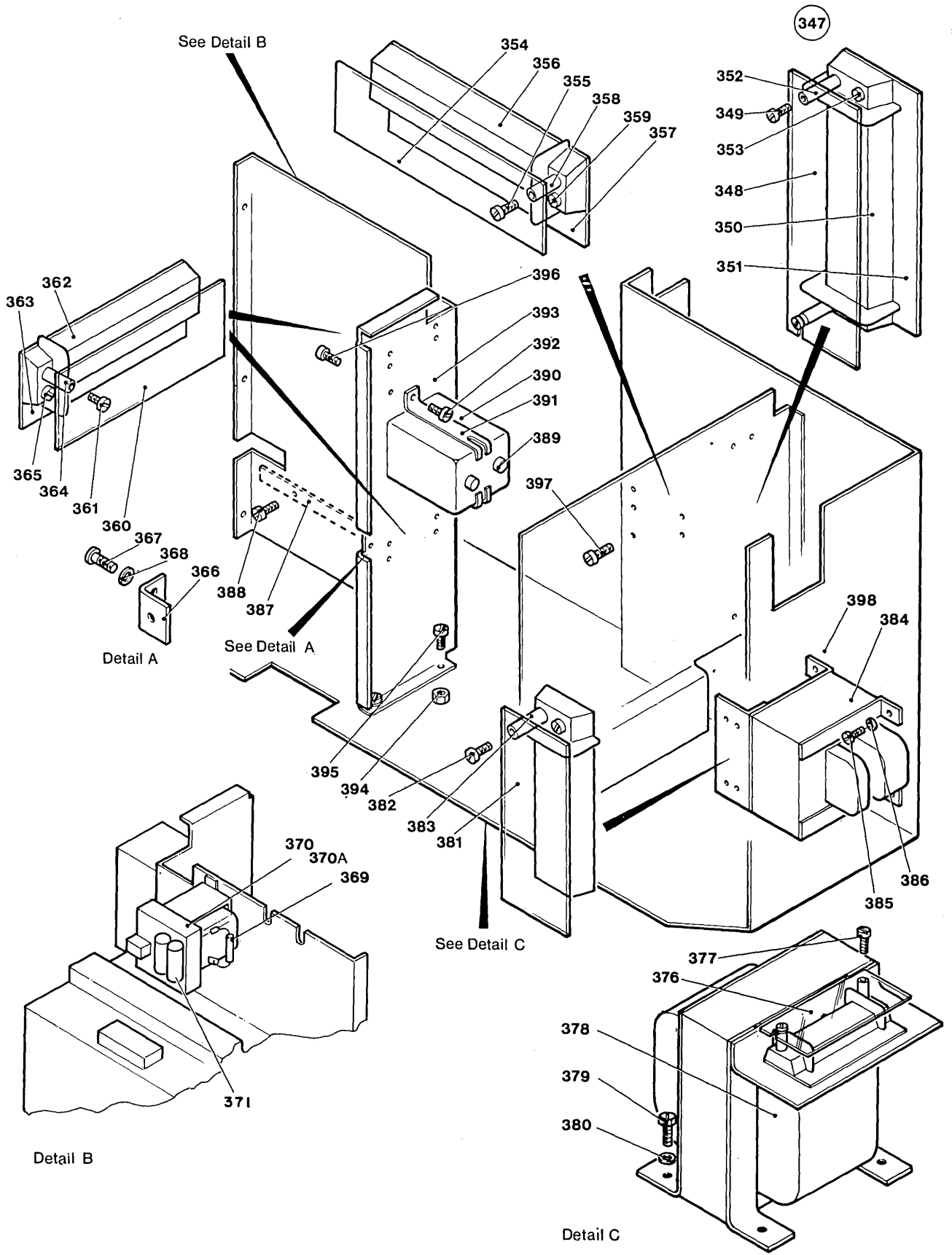


FIGURE 14. AC BOX ASSEMBLY. SHEET 5 OF 7. INDEX NOS. 347-398. SEE LIST 14.

FIGURE- INDEX NUMBER	PART NUMBER	DESCRIPTION	UNITS PER ASM.	USABLE ON CODE
		1 2 3 4		
		AC BOX ASSEMBLY (PART 5 OF 7)		
		CODE A, 50HZ CODE B, 60HZ		
14 -	2600736	AC BOX ASSEMBLY (CONTINUED)	REF	
-347	NC NO	. TERMINAL BLOCK ASSEMBLY	1	
-348	438894	. . SHIELD	1	
-349	10170	. . SCREW, BD HD, 6-32, 0.250LG ATT PT	2	
-350	283003	. . TERMINAL STRIP	1	
-351	2599144	. . STRIP, MARKER	1	
-352	2125898	. . SHIELD, STUD MOUNTING ATT PT	2	
-353	322065	. . SCREW, BD HD, 6-32, 0.625LG ATT PT	2	
-354	350977	. COVER	1	
-355	10170	. SCREW, BD HD, 6-32, 0.250LG ATT PT	2	
-356	317145	. TERMINAL BOARD- 8 DBL SCREW TERMINALS		
-357	4120241	. STRIP	1	
		USED ON WORLD TRADE MACHINES		
-357	362193	. MARKER STRIP- 10 POS NOS. 1 THROUGH 8 USED ON USA MACHINES	1	
-358	210883	. STUD-SHIELD MTG, TAPPED, 6-32 ATT PT	2	
-359	2566606	. SCREW, NI PLATE, BD HD, 6-32, 0.500LG ATT PT	2	
-360	337193	. SHIELD-TERMINAL BOARD 6 POSITION	2	
-361	10170	. SCREW, BD HD, 6-32, 0.250LG ATT PT	4	
-362	317131	. TERMINAL BOARD- 6 DBL SCREW TERMINALS	2	
-363	322266	. MARKER STRIP	2	
-364	210883	. STUD-SHIELD MTG, TAPPED, 6-32 ATT PT	4	
-365	2566630	. SCREW, NI PLATE, BD HD, 6-32, 0.438LG ATT PT	4	
-366	2598860	. BRACKET	1	
-367	2566603	. SCREW, NI PLATE, BD HD, 8-32, 0.312LG ATT PT	2	
-368	2566646	. WASHER, NI PLATE, 0.170ID, 0.375OD	2	
-369	2600832	. DICDE ASM	1	
		CCOMPONENT PARTS NOT REPLACEABLE		
-370	5351162	. CONTACTOR	1	
-370A	2566600	. SCREW, NI PLATE, BD HD, 6-32, 0.250LG ATT PT	2	
-371	2607549	. CAPACITOR ASM	2	
		CCOMPONENT PARTS NOT REPLACEABLE		
-375	NC NO	. TRANSFORMER ASSEMBLY	1	
-376	186945	. . SHIELD, TERMINAL BOARD- 8 POSITION	1	A
-376	4121399	. . SHIELD, TRANSFORMER	1	B
-377	55726	. . SCREW, BD HD, 6-32, 0.188LG ATT PT	1	
-378	5253828	. . TRANSFORMER	1	A
-378	5261395	. . TRANSFORMER	1	B
-379	2574810	. . SCREW, NI PLATE, SELF TAP, 10-32, 0.375LG ATT PT	4	A
-379	2566606	. . SCREW, NI PLATE, HEX HD, 0.25-20, 0.375LG ATT PT	4	B
-380	2566647	. . WASHER, NI PLATE, 0.203ID, 0.438OD ATT PT	4	A
-380	2575293	. . WASHER, 0.265ID, 0.562OD ATT PT	4	B
-381	350977	. COVER	1	
-382	10170	. SCREW, BD HD, 6-32, 0.250LG ATT PT	2	
-383	210883	. STUD-SHIELD MTG, TAPPED, NO. 6-32 ATT PT	2	
-384	4119224	. TRANSFORMER ASM, CONSTANT VOLTAGE	1	A
-384	1993806	. TRANSFORMER	1	B
-385	2566606	. SCREW, NI PLATE, HEX HD, 0.250-20, 0.375LG ATT PT	4	
-386	2575293	. WASHER, 0.265ID, 0.562OD ATT PT	4	
-387	2598861	. BRACKET	1	
-388	2566607	. SCREW, NI PLATE, BD HD, 10-32, 0.250LG ATT PT	3	
-389	526378	. CAP-INSULATION	2	
-390	361536	. CAPACITOR, PAPER-AC	1	
-390	5252817	. CAPACITOR	1	
-391	517197	. BRACKET-CAPACITOR MOUNTING	2	
-392	2566603	. SCREW, NI PLATE, BD HD, 8-32, 0.312LG ATT PT	2	
-393	2598649	. PANEL	1	
-394	2566626	. NUT, NI PLATE, HEX, 8-32 ATT PT	4	
-395	2566617	. SCREW, NI PLATE, BD HD, 8-32, 0.375LG ATT PT	7	
-396	2600645	. SCREW, COUNTERSUNK HD, 8-32, 0.31LG ATT PT	1	
-397	2566607	. SCREW, NI PLATE, BD HD, 10-32, 0.25LG ATT PT	1	
-398	2598645	. BOX, AC	1	

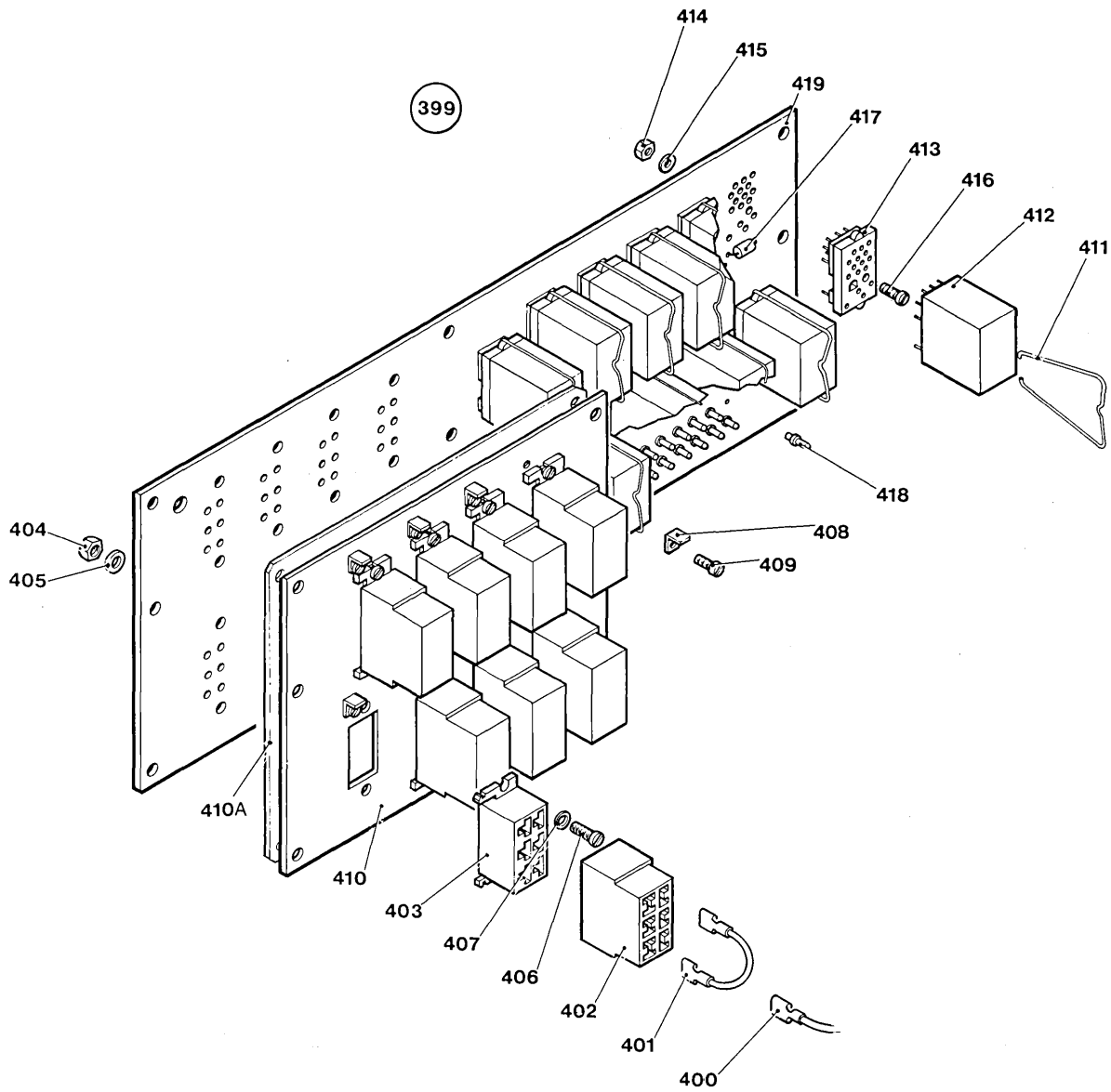


FIGURE 14. AC BOX ASSEMBLY. SHEET 6 OF 7. INDEX NOS. 399-419. SEE LIST 14.

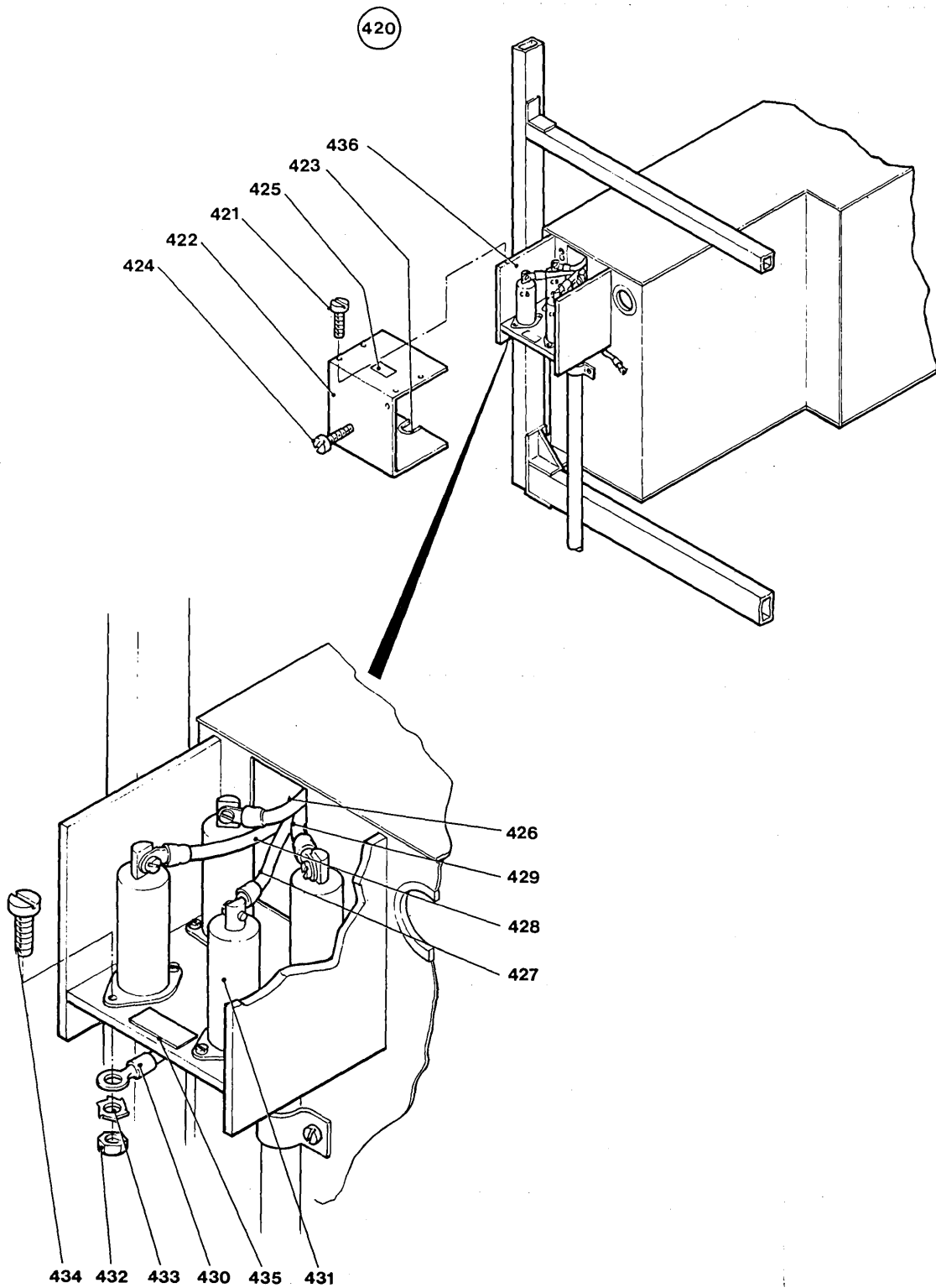


FIGURE 14. AC BOX ASSEMBLY. SHEET 7 OF 7. INDEX NOS. 420-436. SEE LIST 14.

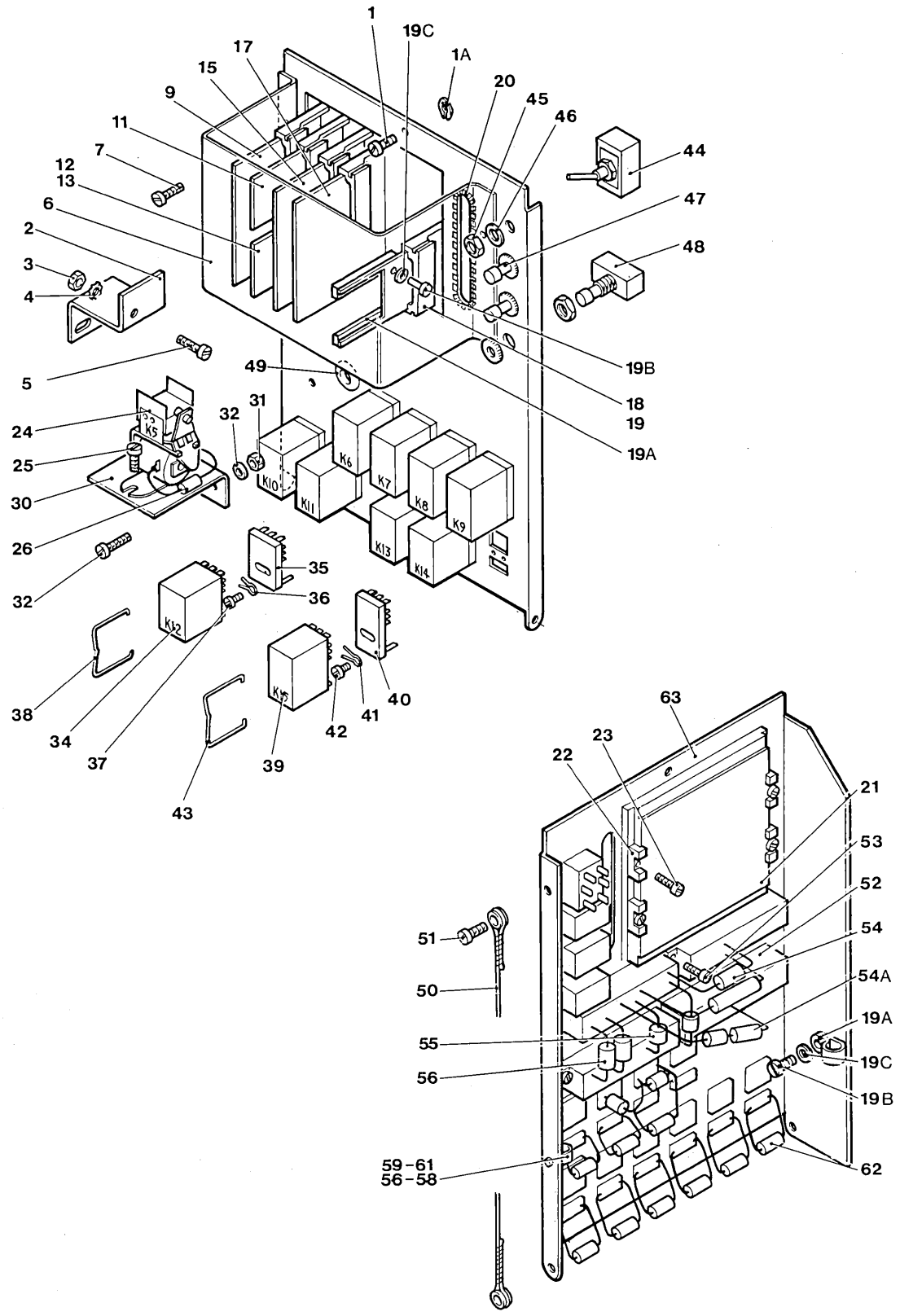


FIGURE 15. RELAY GATE ASSEMBLY. SEE LIST 15.

FIGURE- INDEX NUMBER	PART NUMBER	DESCRIPTION	UNITS PER ASM.	USABLE ON CODE
		RELAY GATE ASSEMBLY		
15 -	259E573	RELAY GATE ASM FCF NEXT HIGHER ASM SEE FIGURE 14	REF	
- 1	2604659	. SCREW, UNDRCT, HEX HD, 8-32, 0.250LG	ATT PT	1
- 1A	257701	. CIR CLIP, 0.125ID, 0.5000D, 0.020THK	ATT PT	1
- 2	259E599	. BRACKET		1
- 3	2566626	. NUT, NI PLATE, HEX, 8-32	ATT PT	1
- 4	55901	. WASHER, LOCK, ET, 0.168ID, 0.3810D, 0.023THK	ATT PT	1
- 5	2598611	. SCREW, SHOULDER, 8-32, 0.438LG	ATT PT	1
- 6	259E575	. COVER, RELAY GATE		1
- 7	25666C7	. SCREW, BD HD, 10-32, 0.250LG	ATT PT	2
- 9	811804	. GUIDE, CARD		1
- 11	811802	. GUIDE, CARD		1
- 13	811802	. GUIDE, CARD		1
- 15	811804	. GUIDE, CARD		1
- 17	811804	. GUIDE, CARD		1
- 18	259E469	. CABLE HARNESS		REF
- 19	811802	. GUIDE, CARD		1
- 19A	532393	. CLAMP, ADJUSTABLE CABLE		1
- 19B	2575295	. SCREW, BD HD, 10-32, 0.375LG	ATT PT	1
- 19C	2566647	. WASHER, NI PLATE, 0.203ID, 0.4380D	ATT PT	1
- 20	473442	. GROMMET		AR
- 21	2604368	. SLT BOARD (USED WITH ABM)		1
- 21	259E332	. SLT ECARD (BASIC)		1
- 22	E13179	. CLAMP-BOARD		4
- 23	357820	. SCREW, SOC HD, 4-40, 0.500LG	ATT PT	4
- 24	E25E51	. RELAY, TIME DELAY, 8 SECS (K5)		1
- 25	2566602	. SCREW, NI PLATE, BD HD, 4-40, 0.250LG	ATT PT	2
- 26	2111232	. DICDE		1
- 30	2602067	. BRACKET		1
- 31	2566629	. NUT, NI PLATE, HEX, 6-32	ATT PT	2
- 32	2574682	. SCREW, BD HD, UNDRCT, 6-32, 0.375LG	ATT PT	2
- 33	2574803	. WASHER, LOCK, IT, 0.141ID, 0.3050D	ATT PT	2
- 34	5318968	. RELAY, 4 POLE, (K6, K8, K10, K11, K12, K13 AND K14)		7
- 35	5318967	. SOCKET, RELAY		7
- 36	5364197	. GROUND JUMPER WIRE		7
- 37	338238	. SCREW, BD HD, 4-40, 0.312LG	ATT PT	7
- 38	5318966	. CLIP		7
- 39	5213449	. RELAY, 4-POLE, (K7, K9 AND K15)		3
- 40	5318967	. SOCKET, RELAY		3
- 41	5364197	. GROUND JUMPER WIRE		3
- 42	338238	. SCREW, BD HD, 4-40, 0.312LG	ATT PT	3
- 43	5318966	. CLIP		3
- 44	734879	. SWITCH, TOGGLE, DFDT,		1
- 45	179743	. NUT, HEX, 0.469-32	ATT PT	2
- 46	159373	. WASHER, LOCK-ET 0.469ID, 0.7500D	ATT PT	1
- 47	215680	. SWITCH, PUSH-NC 125V AC 1 AMP		2
- 48	215679	. SWITCH, PUSH-NO 125V AC 1 AMP		1
- 49	12307C	. GROMMET-RUBBER		1
- 50	2599186	. SUPPORT ASM		1
- 51	2600645	. SCREW, COUNTERSUNK HD, 8-32, 0.312LG	ATT PT	1
- 52	259E576	. TERMINAL BLOCK		4
- 53	236550	. SCREW, BD HD, 4-40, 0.375LG	ATT PT	8
- 54	259E577	. RESISTOR ASM		2
- 54A	2606622	CCMEONENT PARTS NOT REPLACEABLE . CAPACITOR ASM CCMEONENT PARTS NOT REPLACEABLE		1
- 55	2602320	. DIODE ASM CCMEONENT PARTS NOT REPLACEABLE		1
- 56	259E577	. RESISTOR ASM CCMEONENT PARTS NOT REPLACEABLE		2
- 59	532393	CCMEONENT PARTS NOT REPLACEABLE . CLAMP, ADJUSTABLE CABLE		1
- 60	2575295	. SCREW, BD HD, 10-32, 0.375LG	ATT PT	1
- 61	2566647	. WASHER, NI PLATE, 0.203ID, 0.4380D	ATT PT	1
- 62	2111232	. SEMICONDUCTOR DEVICE, DIODE-TYPE AM		11
- 63	259E574	. GATE, RELAY		1

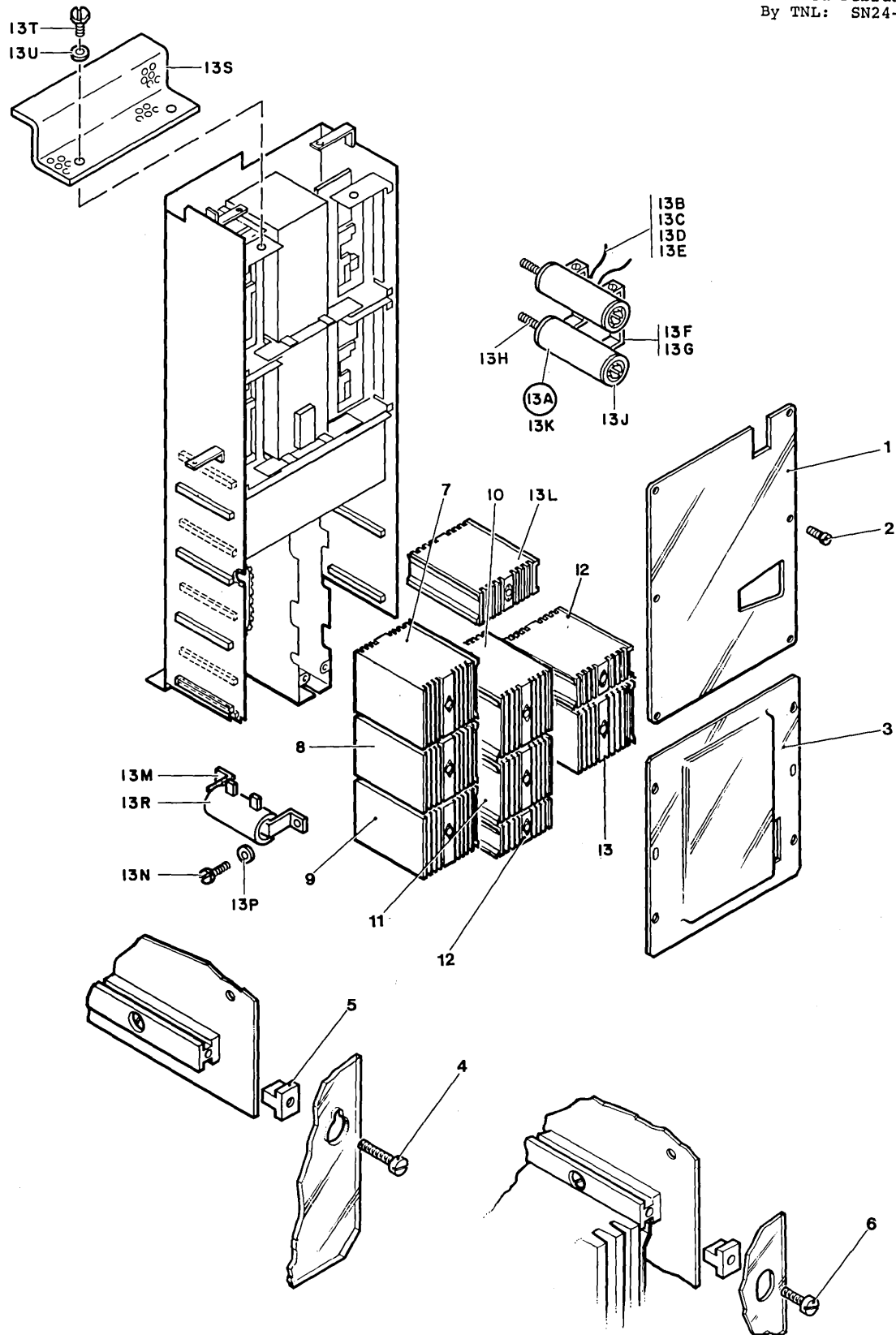


FIGURE 16. POWER FRAME ASSEMBLY. SHEET 1 OF 2. INDEX NCS. 1-13U. SEE LIST 16.

FIGURE- INDEX NUMBER	PART NUMBER	DESCRIPTION	1 2 3 4				UNITS PER ASM.	USABLE ON CODE
		POWER FRAME ASM (PART 1 OF 2)						
16 -	2598300	POWER FRAME FCR NEXT, HIGHER ASM SEE FIGURE 2-119				REF		
- 1	2598565	. COVER, TRANSFORMER BOX				1		
- 2	2566617	. SCREW, BD HD, 8-32, 0.375LG			ATT PT	6		
- 3	2602322	. COVER, REGULATOR				1		
- 4	438567	. SCREW, BD HD, 8-32, 1.125LG			ATT PT	8		
- 5	2599122	. KEEPER, DUAL REGULAR				12		
- 6	438586	. SCREW, BD HD, 8-32, 1.250LG			ATT PT	3		
- 7	5797470	. POWER SUPPLY ASM				1		
- 8	5797470	. POWER SUPPLY ASM				1		
- 9	2572740	. REGULATOR				1		
- 10	2557550	. REGULATOR				1		
- 11	2572730	. REGULATOR				1		
- 11		. REGULATOR, DUAL				1		
		USED ON MACHINES WITH EC 717920						
- 12	2557490	. REGULATOR, ADD CN (WITH 0-240K)				1		
- 12	2557490	. REGULATOR, ADD CN (ABOVE 240K)				2		
- 13	2557550	. REGULATOR (WITH 0-240K)				1		
- 13	2572730	. REGULATOR (ABOVE 240K)				1		
- 13A	4140262	. RESISTOR ASM, DOUBLE (USED ON MODEL 3)				1		
- 13A	4140475	. RESISTOR ASM, SINGLE (USED ON MODEL 3)				1		
- 13B	2598466	. . CABLE ASM				AR		
- 13C	38686	. . SCREW				AR		
- 13D	3960	. . NUT				AR		
- 13E	76574	. . LOCKWASHER				AR		
- 13F	2604987	. . JUMPER				AR		
- 13G	2566603	. . SCREW				AR		
- 13H	440487	. . SCREW				AR		
- 13J	513380	. . WASHER				AR		
- 13K	5261435	. . RESISTOR				AR		
- 13L	4140711	. REGULATOR (USED ON MODEL 3)				1		
- 13M	510316	. BRACKET				2		
- 13N	2566601	. SCREW				2		
- 13P	2566650	. LOCKWASHER				2		
- 13R	2641192	. RESISTOR				1		
- 13S	4140887	. SHIELD (USED ON MODEL 3)				1		
- 13T	140425	. SCREW			ATT PT	2		
- 13U	45690	. WASHER			ATT PT	2		

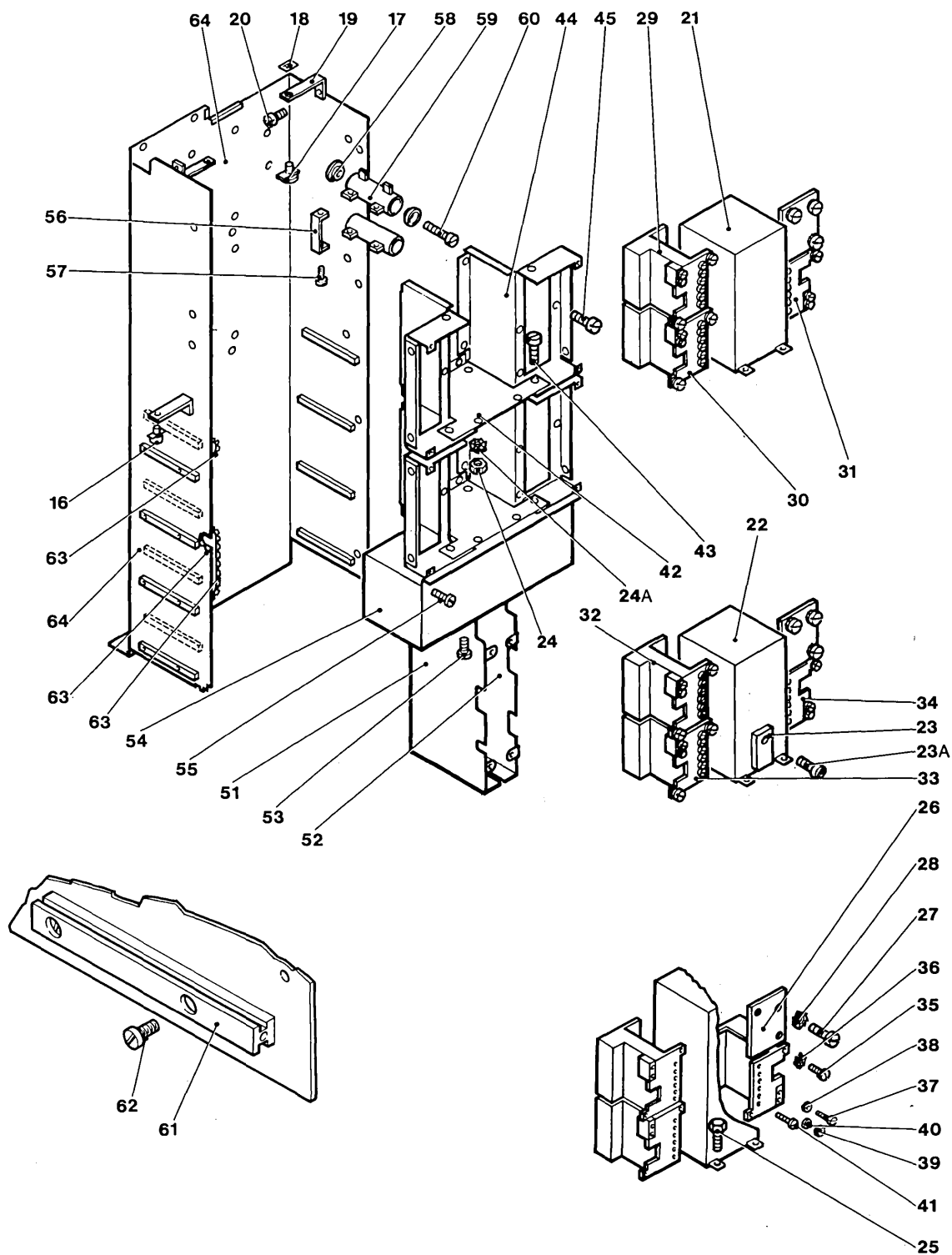


FIGURE 16. POWER FRAME ASSEMBLY. SHEET 2 OF 2. INDEX NCS. 16-64. SEE LIST 16.

FIGURE- INDEX NUMBER	PART NUMBER	DESCRIPTION				UNITS PER ASM.	USABLE ON CODE
		1	2	3	4		
		POWER FRAME ASSEMBLY (PART 2 OF 2)					
16 -	2598300	POWER FRAME (CONTINUED)				REF	
- 16	5501995	. THERMAL SWITCH, 140°F, N/C				1	
- 17	5501996	. THERMAL SWITCH, 155°F, N/C				2	
- 18	5501997	. CLIP, THERMAL SW, MOUNTING				3	
- 19	2602066	. BRACKET				3	
- 20	2566600	. SCREW, NI PLATE, BD HD, 6-32, 0.25LG				ATT PT	3
- 21	1993802	. TRANSFORMER					1
- 22	1993803	. TRANSFORMER					1
- 23	350965	. SAFETY SHIELD					2
- 23A	10170	. SCREW, BD HD, 6-32, 0.250LG				ATT PT	4
- 24	2575294	. NUT, HEX, 0.250-20				ATT PT	8
- 24A	2575292	. WASHER, LOCK, SPRING, 0.255ID				ATT PT	8
- 25	2566605	. SCREW, NI PLATE, HEX HD, 0.250-20				ATT PT	8
- 26	2599166	. COVER					2
- 27	232	. SCREW, FIL HD, 10-32, 0.500LG				ATT PT	6
- 28	9092	. WASHER-LOCK, SPRING, 0.194ID 0.3370D				ATT PT	6
- 29	1993610	. AC/DC MODULE ASM					1
- 29	2637650	. AC/DC MODULE ASM (USED ON MODEL 3)					1
- 30	1993470	. DC MODULE					1
- 31	1993390	. DC MODULE					1
- 32	1993460	. DC MODULE					1
- 32	2637340	. DC MODULE (USED ON MODEL 3)					1
- 33	1993480	. AC/DC MODULE ASM, 70 AMP					1
- 34	1993470	. DC MODULE					1
- 35	232	. SCREW, FIL HD, 10-32, 0.500LG				ATT PT	18
- 36	9092	. WASHER-LOCK, SPRING, 0.194ID 0.3370D				ATT PT	18
- 37	90261	. SCREW, BD HD, 0.250-20, 0.438LG				ATT PT	6
- 38	65756	. WASHER, LOCK-IT 0.267ID, 0.4780D				ATT PT	6
- 39	36109	. NUT, HEX, 0.250-20				ATT PT	6
- 40	65756	. LOCKWASHER, IT, 0.256 ID, 0.4780D				ATT PT	6
- 41	2566607	. SCREW, NI PLATE, BD HD, 10-32, 0.250LG				ATT PT	36
- 42	2598481	. BRACKET, TRANSFORMER MOUNTING					2
- 43	2575295	. SCREW, BD HD, 10-32, 0.375LG				ATT PT	8
- 44	2598405	. BRACKET, MOUNTING					4
- 45	2575295	. SCREW, BD HD, 10-32, 0.375LG				ATT PT	16
- 51	2600740	. BAFFLE ASM					1
- 52	2600741	. BAFFLE ASM					1
- 53	2566610	. SCREW, BD HD, 8-32, 0.250LG				ATT PT	8
- 54	2598939	. COOLING UNIT ASM, 50HZ COMPONENT PARTS NOT REPLACEABLE					1
- 54	2598940	. COOLING UNIT ASM, 60HZ COMPONENT PARTS NOT REPLACEABLE					1
- 54	2607457	. COOLING UNIT ASM, 50HZ USED ON MACHINES WITH EC 393108 COMPONENT PARTS NOT REPLACEABLE					1
- 54	2607498	. COOLING UNIT ASM, 60HZ USED ON MACHINES WITH EC 393108 COMPONENT PARTS NOT REPLACEABLE					1
- 55	2566603	. SCREW, NI PLATE, BD HD, 8-32, 0.312LG				ATT PT	2
- 56	2604987	. JUMPER					2
- 57	2566603	. SCREW, NI PLATE, BD HD, 8-32, 0.312LG				ATT PT	4
- 58	515380	. INSULATOR					4
- 59	5261435	. RESISTOR, FXD					2
- 60	440487	. SCREW, HEX HD, 10-32, 4.44LG				ATT PT	2
- 61	2598659	. RAIL ASM					13
- 62	2561756	. SCREW, BD HD, UNDRCT, 10-32, 0.875LG					26
- 63	730432	. GROMMET					AR
- 64	2598403	. FRAME, POWER					1

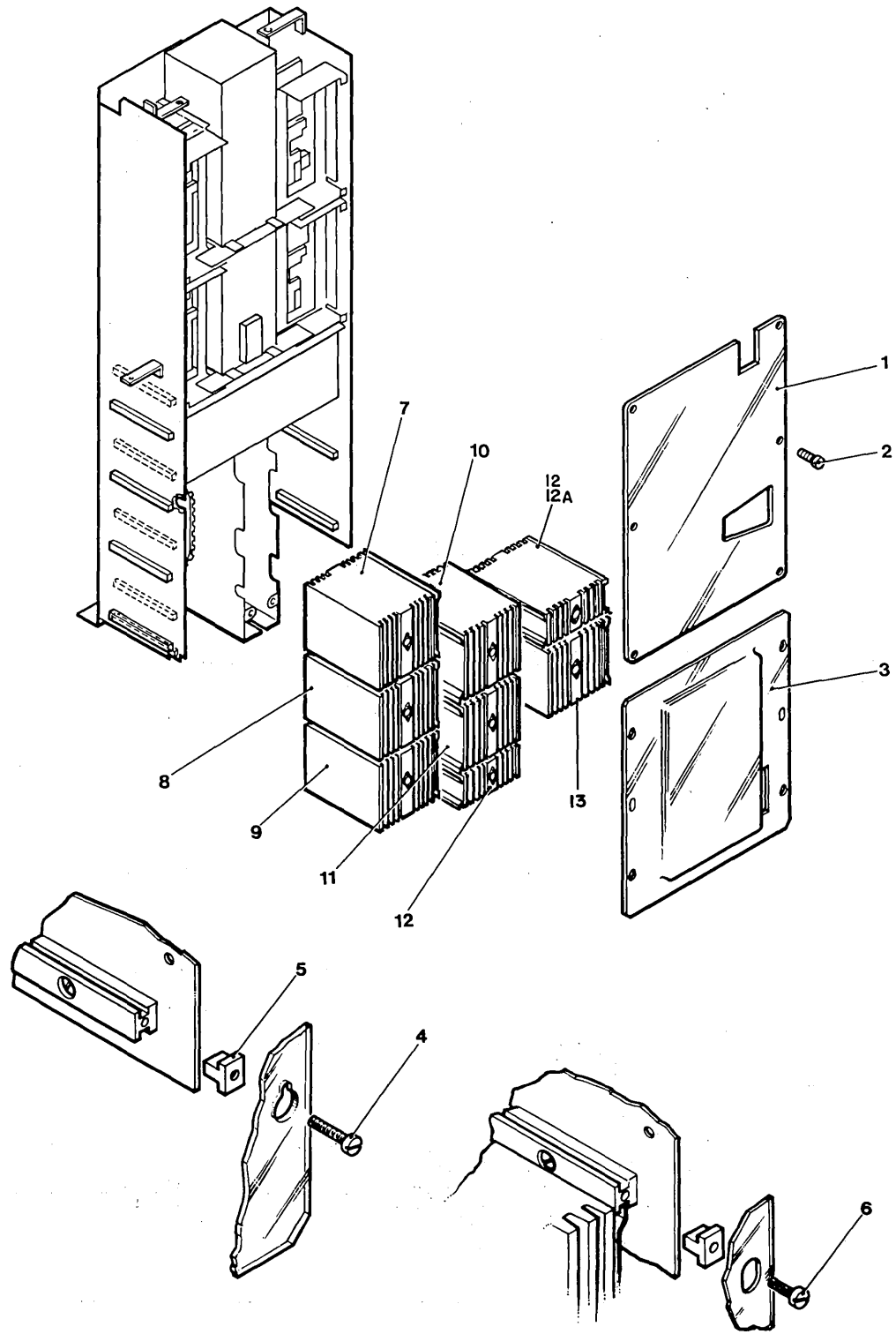


FIGURE 16. POWER FRAME ASSEMBLY. SHEET 1 OF 2. INDEX NCS. 1-13. SEE LIST 16.

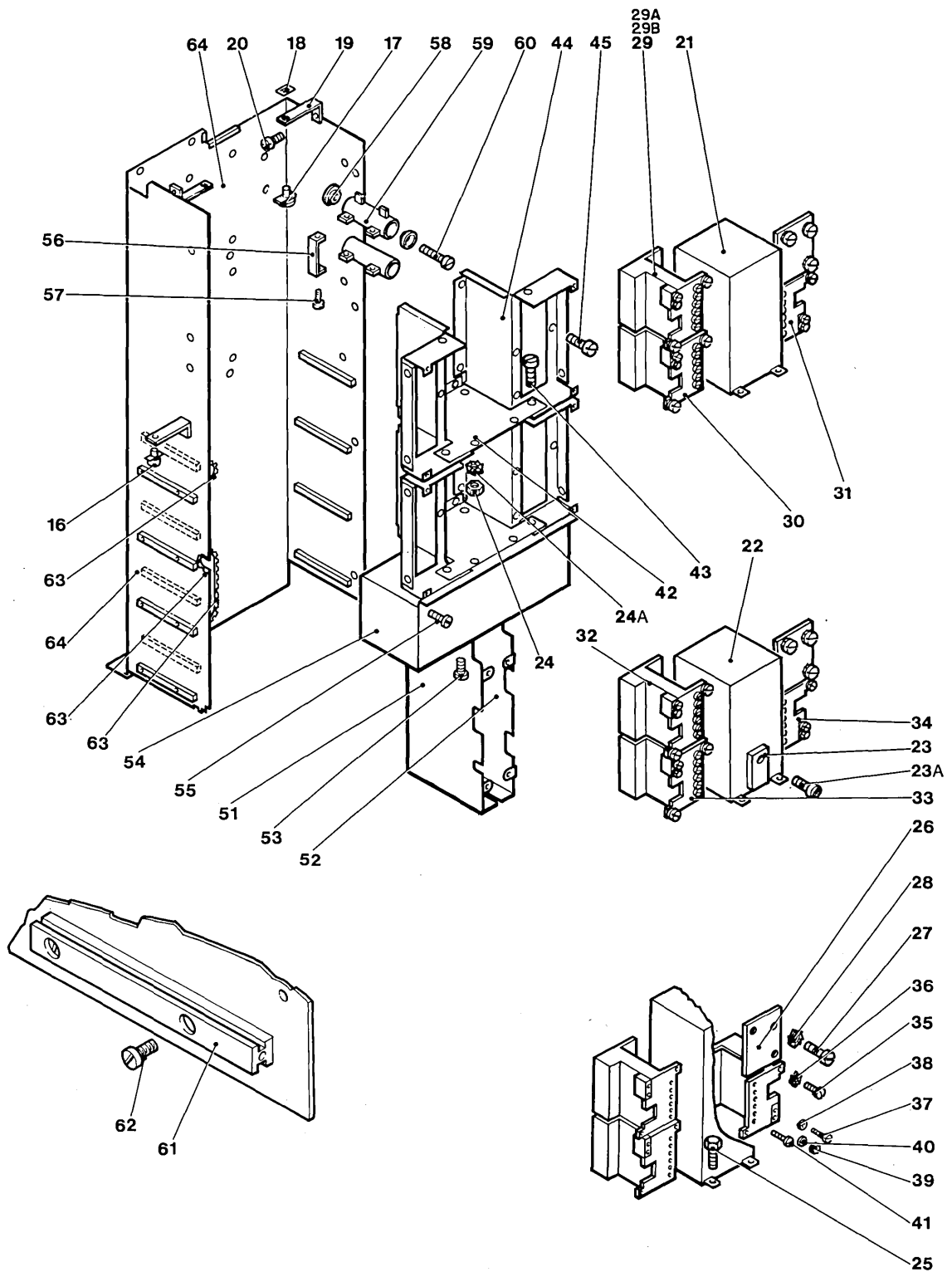


FIGURE 16. POWER FRAME ASSEMBLY. SHEET 2 OF 2. INDEX NCS. 16-64. SEE LIST 16.

FIGURE- INDEX NUMBER	PART NUMBER	DESCRIPTION				UNITS PER ASM.	USABLE ON CODE
		1	2	3	4		
		POWER FRAME ASSEMBLY (PART 2 OF 2)					
16 -	2598300	POWER FRAME (CONTINUED)				REF	
- 16	5501995	. THERMAL SWITCH, 140°F, N/C				1	
- 17	5501996	. THERMAL SWITCH, 155°F, N/C				2	
- 18	5501997	. CLIP, THERMAL SW, MOUNTING				3	
- 19	2602066	. BRACKET				3	
- 20	2566600	. SCREW, NI PLATE, BD HD, 6-32, 0.25LG				ATT PT	3
- 21	1993802	. TRANSFORMER				1	
- 22	1993803	. TRANSFORMER				1	
- 23	350965	. SAFETY SHIELD				2	
- 23A	10170	. SCREW, BD HD, 6-32, 0.250LG				ATT PT	4
- 24	2575294	. NUT, HEX, 0.250-20				ATT PT	8
- 24A	2575292	. WASHER, LOCK, SPRING, 0.255ID				ATT PT	8
- 25	2566605	. SCREW, NI PLATE, HEX HD, 6-32, 0.250-20				ATT PT	8
- 26	2599166	. COVER				2	
- 27	232	. SCREW, FIL HD, 10-32, 0.500LG				ATT PT	6
- 28	9092	. WASHER-LOCK, SPRING, 0.194ID 0.337OD				ATT PT	6
- 29	1993480	. AC/DC MODULE ASM, 70 AMP (0-240K)				1	
- 30	199347C	. DC MODULE				1	
- 31	1993390	. DC MODULE				1	
- 32	1993460	. DC MODULE				1	
- 33	1993480	. AC/DC MODULE ASM, 70 AMP				1	
- 34	1993470	. DC MODULE				1	
- 35	232	. SCREW, FIL HD, 10-32, 0.500LG				ATT PT	18
- 36	9092	. WASHER-LOCK, SPRING, 0.194ID 0.337OD				ATT PT	18
- 37	90261	. SCREW, BD HD, 0.250-20, 0.438LG				ATT PT	6
- 38	65756	. WASHER, LOCK-IT 0.267ID, 0.478OD				ATT PT	6
- 39	36109	. NUT, HEX, 0.250-20				ATT PT	6
- 40	65756	. LOCKWASHER, IT, 0.256 ID, 0.478OD				ATT PT	6
- 41	2566607	. SCREW, NI PLATE, ED HD, 10-32, 0.250LG				ATT PT	36
- 42	2598481	. BRACKET, TRANSFORMER MOUNTING				2	
- 43	2575295	. SCREW, BD HD, 10-32, 0.375LG				ATT PT	8
- 44	2598405	. BRACKET, MOUNTING				4	
- 45	2575295	. SCREW, BD HD, 10-32, 0.375LG				ATT PT	16
- 51	2600740	. BAFFLE ASM				1	
- 52	2600741	. BAFFLE ASM				1	
- 53	2566610	. SCREW, BD HD, 8-32, 0.250LG				ATT PT	8
- 54	2598939	. COOLING UNIT ASM, 50HZ COMPONENT PARTS NOT REPLACEABLE				1	
- 54	2598940	. COOLING UNIT ASM, 60HZ COMPONENT PARTS NOT REPLACEABLE				1	
- 54	2607457	. COOLING UNIT ASM, 50HZ				1	
- 54	2607498	USED ON MACHINES WITH EC 393108 COMPONENT PARTS NOT REPLACEABLE . COOLING UNIT ASM, 60HZ				1	
- 55	2566603	. SCREW, NI PLATE, BD HD, 8-32, 0.312LG				ATT PT	2
- 56	2604987	. JUMPER				2	
- 57	2566603	. SCREW, NI PLATE, BD HD, 8-32, 0.312LG				ATT PT	4
- 58	515380	. INSULATOR				4	
- 59	5261435	. RESISTOR, FXD				2	
- 60	440487	. SCREW, HEX HD, 10-32, 4.44LG				ATT PT	2
- 61	2598659	. RAIL ASM				13	
- 62	2561756	. SCREW, BD HD, UNDRCT, 10-32, 0.875LG				26	
- 63	730432	. GROMMET				AR	
- 64	2598403	. FRAME, POWER				1	

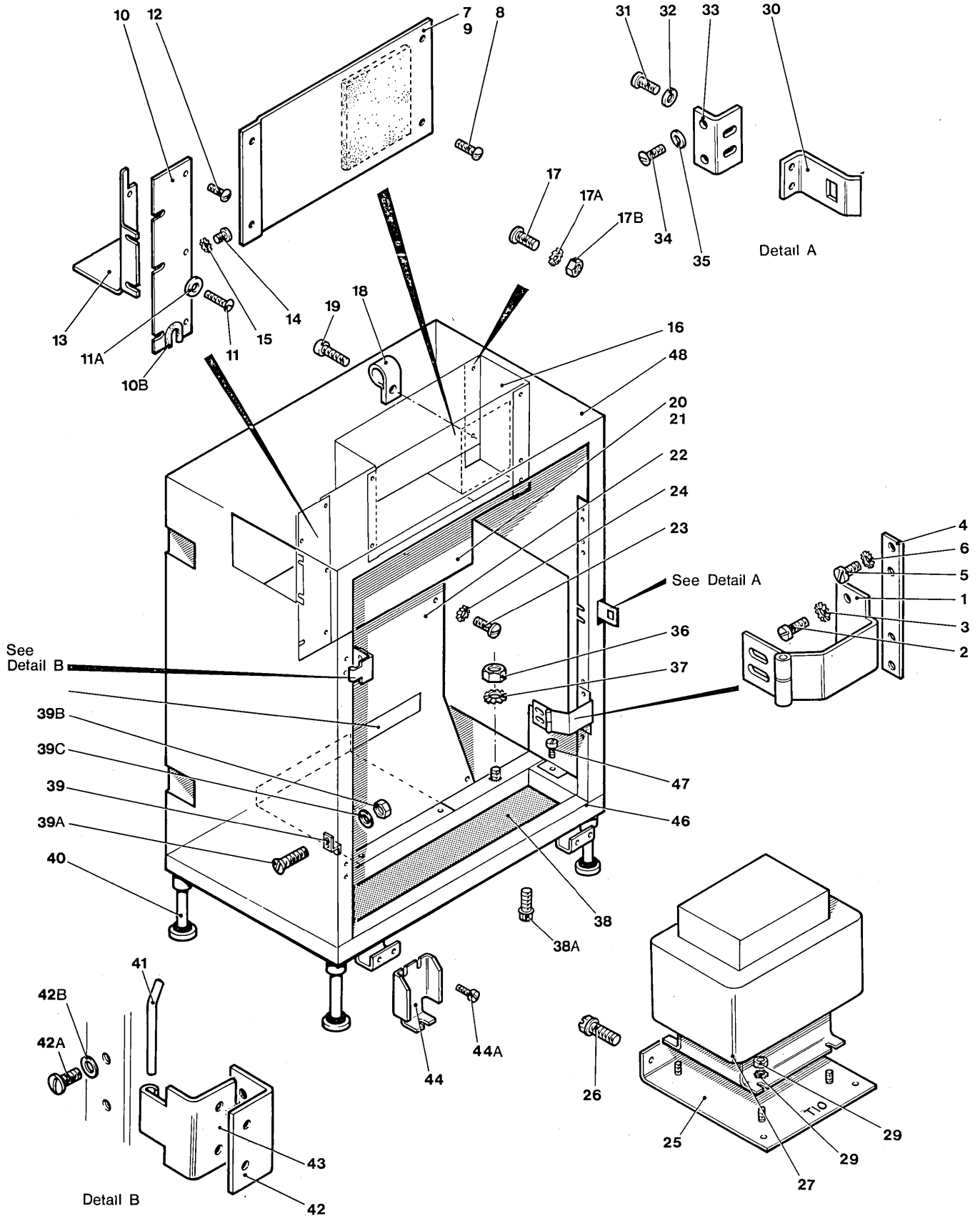


FIGURE 17. P/U FRAME GROUP-1403. SHEET 1 OF 5. INDEX NOS. 1-48. SEE LIST 17.

FIGURE- INDEX NUMBER	PART NUMBER	DESCRIPTION				UNITS PER ASM.	USABLE ON CODE
		1	2	3	4		
		P/U FRAME GROUP-1403 (PART 1 OF 5)					
		CODE A, USED CN MACHINES WITHOUT EC 393169 CODE E, USED CN MACHINES WITHOUT EC 393036					
17 -	2602046	P/U FRAME GROUP-1403 FOR NEXT HIGHER ASSEMBLY SEE FIGURE 4				REF	
- 1	2601690	. HINGE,GATE				2	
- 2	2566614	. SCREW,NI PLATE,HEX HD,,0.25-20,0.500LG ATT PT				4	
- 3	2574804	. WASHER,LOCK,NI FLATE,ET,0.168ID,0.3650D ATT PT				4	
- 4	2601689	. BAR,HINGE MOUNTING				2	
- 5	2566601	. SCREW,NI PLATE,BD HD,6-32,0.312LG ATT PT				4	
- 6	2574803	. WASHER,LOCK,IT,0.141ID,0.3050D ATT PT				4	
- 7	2601675	. PANEL ASM				1	
- 8	2566607	. SCREW,NI PLATE,BD HE,10-32,0.250LG ATT PT				4	
- 9	2601710	. . PAD				1	
- 10	2601704	. COVER				1	
- 10A	471672	. CHANNEL				AR	
- 11	2566608	. SCREW,NI PLATE,BD HE,10-32,0.500LG ATT PT				3	
- 11A	2574805	. WASHER,LOCK,NI FLATE,ET,0.195ID,0.3950D ATT PT				3	
- 12	2566610	. SCREW,BD HD,8-32,0.250LG ATT PT				3	
- 13	2601674	. DUCTING,CABLE				1	
- 14	2566624	. SCREW,NI PLATE,BD HD,6-32,0.188LG ATT PT				2	
- 15	2566625	. SCREW,NI FLATE,BD HE,8-32,0.500LG ATT PT				2	
- 16	2601673	. BRACKET,SEQ SUPPORT				1	
- 17	2601007	. SCREW,HD,6-32,0.500LG ATT PT				2	
- 17A	2574803	. WASHER,LOCK,IT,0.141ID,0.3050D ATT PT				2	
- 17B	2566629	. NUT,NI FLATE,HEX,6-32 ATT PT				2	
- 18	532393	. CLAMP				1	
- 19	2566609	. SCREW,NI PLATE,BD HE,10-32,0.500LG ATT PT				1	
- 20	NC NO	. PANEL ASSEMBLY FOR DETAIL PARTS SEE FIGURE 17 PART 4 ITEM 164				1	
- 21	2566607	. SCREW,NI PLATE,BD HD,10-32,0.25LG ATT PT				3	
- 22	2601700	. PLATE				1	
- 23	2566607	. SCREW,NI PLATE,BD HD,10-32,0.25LG ATT PT				4	
- 24	2574805	. WASHER,NI PLATE,LOCK,ET,0.195ID,0.3950D ATT PT				4	
- 25	2601666	. BRACKET,TRANSFORMER MOUNTING				1	
- 26	2574810	. SCREW,NI PLATE,SELF TAP,10-32,0.375LG ATT PT				4	
- 27	5252538	. TRANSFORMER				1	
- 28	2566612	. NUT,NI PLATE,HEX,10-32 ATT PT				4	
- 29	2574805	. WASHER,NI PLATE,LOCK,ET,0.195ID,0.3950D ATT PT				4	
- 30	2601677	. STRIKE				1	
- 31	2566600	. SCREW,NI PLATE,BD HD,6-32,0.25LG ATT PT				2	
- 32	2566645	. WASHER,NI PLATE,0.156ID,0.3120D ATT PT				2	
- 33	2601678	. BRACKET,STRIKE				1	
- 34	2566600	. SCREW,NI PLATE,BD HD,6-32,0.25LG ATT PT				2	
- 35	2566645	. WASHER,NI PLATE,0.156ID,0.3120D ATT PT				2	
- 36	2566612	. NUT,NI PLATE,HEX,10-32 ATT PT				1	
- 37	2574805	. WASHER,LOCK,NI PLATE,ET,0.195ID,0.3950D				1	
- 38	2601684	. PLATE,MESH				1	
- 38A	2574810	. SCREW,NI PLATE,SELF TAP,10-32,0.375LG ATT PT				11	
- 39	2602356	. BRACKET,LATCH				1	
- 39A	316807	. SCREW,FLT HD,6-32,0.132LG ATT PT				2	
- 39B	257187	. NUT,HEX,6-32 ATT PT				2	
- 39C	62031	. WASHER,LOCK,IT 0.141ID,0.2950D ATT PT				2	
- 40	2601670	. GLIDE				4	
- 41	2607148	. PIN,HINGE				2	
- 42	2601679	. BRACKET,COVER HINGE				2	
- 42A	2566600	. SCREW,NI PLATE,BD HD,6-32,0.250LG ATT PT				4	
- 42B	2574803	. WASHER,LOCK,IT,0.141ID,0.3050D ATT PT				4	
- 43	2601680	. BRACKET,HINGE				4	
- 43A	2566600	. SCREW,NI PLATE,BD HD,6-32,0.250LG ATT PT				4	
- 43B	2574803	. WASHER,LOCK,IT 0.141ID,0.3050D ATT PT				4	
- 44	5480534	. BRACKET,KICKFLATE				4	
- 44A	2575295	. SCREW,BD HD,10-32,0.375LG ATT PT				8	
- 45	2607149	. LABEL-CAUTION,POWER ON				1	
- 46	2601696	. FRAME CBM				1	
- 47	2574810	. SCREW,NI PLATE,SELF TAP,10-32,0.375LG ATT PT				10	
- 48	2601691	. BCX,POWER				1	

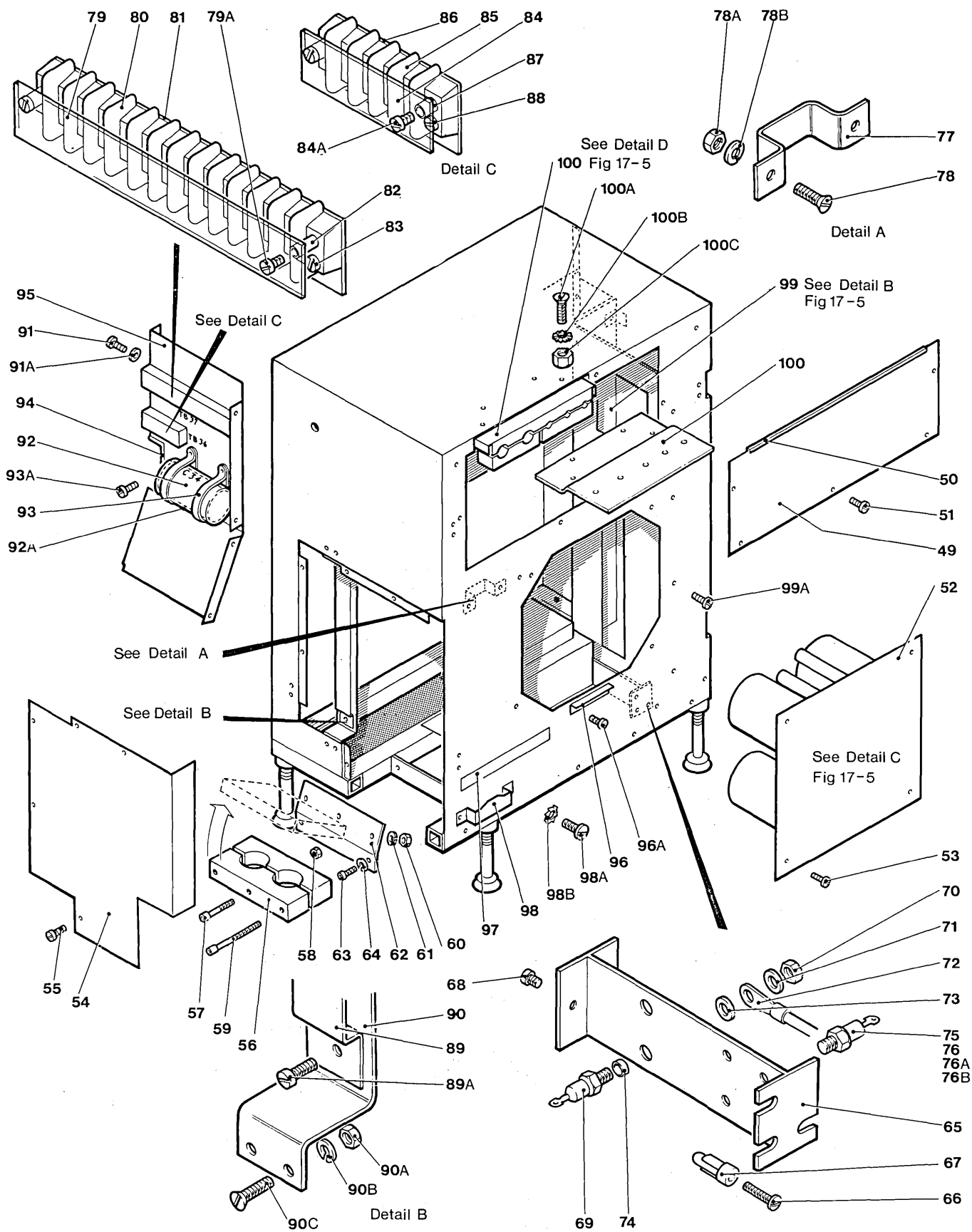


FIGURE 17. P/U FRAME GROUP-1403. SHEET 2 OF 5. INDEX NOS. 49-100. SEE LIST 17.

FIGURE- INDEX NUMBER	PART NUMBER	DESCRIPTION				UNITS PER ASM.	USABLE ON CODE
		1	2	3	4		
		P/U FRAME GROUP-1403 (PART 2 OF 5)					
		CODE A, USED CN MACHINES WITHOUT EC 393169 CODE E, USED CN MACHINES WITHOUT EC 393036					
17 -	2602046	P/U FRAME GROUP-1403				REF	
- 49	2601665	. GUARD				1	
- 50	473442	. CHANNEL STRIP				AR	
- 51	5488928	. SCREW, NI PLATE, HEX HD,, 6-32, 0.25LG ATT PT				5	
- 52	NC NO	. CAPACITOR PLATE ASSEMBLY FOR DETAIL PARTS SEE FIGURE 17 PART 5 ITEM 217				1	
- 53	2574810	. SCREW, NI PLATE, SELF TAP, 10-32, 0.375LG ATT PT				4	
- 54	2601686	. COVER, SIDE				1	
- 55	5488928	. SCREW, NI PLATE, HEX HD,, 6-32, 0.250LG ATT PT				5	
- 56	2601672	. CLAMP				2	
- 57	2601006	. SCREW, SOCKET HD, 0.312-18, 2.750LG ATT PT				1	
- 58	2566627	. NUT, HEX, 0.312-18 ATT PT				1	
- 59	2601005	. SCREW, SOCKET HD, 0.312-18, 3.00LG ATT PT ITEMS 78560 THROUGH 64 USED WITH CN FLOOR CABLING				2	
- 60	2566627	. NUT, HEX, 0.312-18 ATT PT				2	
- 61	2574800	. WASHER, LOCK, SPRING, C. 319ID, 0.5910D ATT PT				2	
- 62	2601666	. BRACKET				1	
- 63	2602299	. SCREW, HEX, SOCKET HD, 0.312-18, 0.500LG ATT PT				2	
- 64	2574800	. WASHER, LOCK, SPRING, C. 319ID, 0.5910D ATT PT				2	
- 65	2481716	. HEATSINK				1	
- 65	2481713	. HEATSINK				1	
- 66	2566632	. SCREW, BD HD, 8-32, 0.625LG ATT PT				3	
- 67	2481678	. INSULATOR ATT PT				3	
- 68	10170	. SCREW, BD HD, 6-32, 0.250LG ATT PT				1	
- 69	598479	. SEMICONDUCTOR DEVICE-DIODE, 150V 10A				3	A
- 70	11598	. NUT, HEX, 10-32 ATT PT				3	A
- 71	56121	. WASHER, LOCK, IT 0.195ID, 0.3810D ATT PT				3	A
- 72	316996	. TERMINAL, IUG-NCINSULATED, 9AWG, NO. 8 MTG HOLE				3	A
- 73	533372	. WASHER, C. 199ID, 0.6250D				6	A
- 74	533371	. BUSHING				3	A
- 75	598479	. SEMICONDUCTOR DEVICE-DIODE, 150V 10A				3	A
- 75	598479	. SEMICONDUCTOR DEVICE-DIODE, 150V, 10A				6	
- 76	11598	. NUT, HEX, 10-32 ATT PT				3	
- 76A	56121	. WASHER, LOCK-IT C. 195ID 0.3810D ATT PT				3	
- 76B	45690	. WASHER, 0.203ID, 0.4380D ATT PT				3	A
- 77	2601661	. CLAMP				1	
- 78	2566609	. SCREW, SLOTTED HEX HD, 0.250-20, 0.625LG ATT PT				2	
- 78A	2566612	. NUT, NI PLATE, 10-32 ATT PT				2	
- 78B	2574805	. WASHER LOCK, NI PLATE, ET, 0.195, 0.3950D ATT PT				2	
- 79	352826	. COVER, TERMINAL				1	
- 79A	10170	. SCREW, BD HD, 6-32, 0.250LG ATT PT				2	
- 80	323842	. TERMINAL BOARD- 12 DBL SCREW TERMINALS				1	
- 81	589814	. SIRIP, MARKER				1	
- 82	210883	. STUD-SHIELD MTG, TAPPED, NO. 6-32 ATT PT				2	
- 83	38354	. SCREW, FIL H 6-32, 0.500LG ATT PT				2	
- 84	2601601	. CLAMP				1	
- 84A	10170	. SCREW, BD HD, 6-32, 0.250LG ATT PT				2	
- 85	317485	. TERMINAL BOARD- 4 DBL SCREW TERMINALS				1	
- 86	527915	. MARKER SIRIP				1	
- 87	210883	. STUD-SHIELD MTG, TAPPED, 6-32 ATT PT				2	
- 88	38354	. SCREW, FIL HD, 6-32, 0.500LG ATT PT				2	
- 89	2601694	. CLAMP				1	
- 89A	2566609	. SCREW, NI PLATE, BD HD, 10-32, 0.500LG ATT PT				2	
- 90	2601893	. BRACKET				1	
- 90A	2566612	. NUT, NI PLATE, HEX, 10-32 ATT PT				4	
- 90B	2574805	. WASHER LOCK, NI PLATE, ET, 0.195ID, 0.3950D ATT PT				4	
- 90C	2599119	. SCREW, NI PLATE, FLAT HD, 10-32, 0.375LG ATT PT				4	
- 91	2566607	. SCREW, NI PLATE, BD HD, 10-32, 0.25LG ATT PT				4	
- 91A	2574805	. WASHER, NI PLATE, LOCK, ET, C. 195ID, 0.3950D ATT PT				4	
- 92	5261067	. CAPACITOR-ELECTROLYTIC, CAN TYPE				1	
- 92A	362206	. COVER, CAPACITOR				1	
- 93	2102370	. BRACKET				2	
- 93A	2566609	. SCREW, NI PLATE, BD HD, 10-32, 0.500LG ATT PT				2	
- 94	518578	. RUBBER CHANNEL				AR	
- 95	2601693	. SUPPORT				1	
- 96	2601696	. BRACKET				1	
- 96A	2574815	. SCREW, SELF TAP, NI PLATE, HEX HD,, 8-32, 0.250LG ATT PT				2	
- 97	5236793	. LABEL				1	
- 98	2578667	. SUPPORT, MALE				2	
- 98A	2566607	. SCREW, NI PLATE, BD HD, 10-32, -.250LG ATT PT				4	

FIGURE- INDEX NUMBER	PART NUMBER	DESCRIPTION	UNITS PER ASM.	USABLE ON CODE
		1 2 3 4		
17 - 98B - 99	2574805 NC NO	<ul style="list-style-type: none"> . WASHER, LOCK, NI PLATE, ET, 0.195 ID, 0.3950D ATT PT. . RECTIFIER MOUNTING ASSEMBLY 	4 1	
		FOR DETAIL PARTS SEE FIGURE 17 PART 5 ITEM 240		
- 99A	2566607	<ul style="list-style-type: none"> . SCREW, NI PLATE, BD HD, 10-32, 0.25LG 	1	
-100	2606839	<ul style="list-style-type: none"> . BRACKET 	1	
-100	NO NO	<ul style="list-style-type: none"> . CLAMP ASSEMBLY 	1	B
		FOR DETAIL PARTS SEE FIGURE 17 PART 5 ITEM 232		
-100A	2566612	<ul style="list-style-type: none"> . NUT, NI PLATE, HEX, 10-32 	4	
-100A	11598	<ul style="list-style-type: none"> . NUT, HEX, 10-32 		B
-100B	2574805	<ul style="list-style-type: none"> . WASHER, LOCK, NI PLATE, ET, 0.195ID, 0.3950D 	4	ATT PT
-100B	56079	<ul style="list-style-type: none"> . WASHER, LOCK, ET 0.195ID 0.4100D 	4	ATT PT
-100C	2574685	<ul style="list-style-type: none"> . SCREW, NI PLATE, FLAT HD, 10-32, 0.500LG 	4	ATT PT
-100C	367	<ul style="list-style-type: none"> . SCREW, FL HD, 10-32, 0.625LG 	4	ATT PT

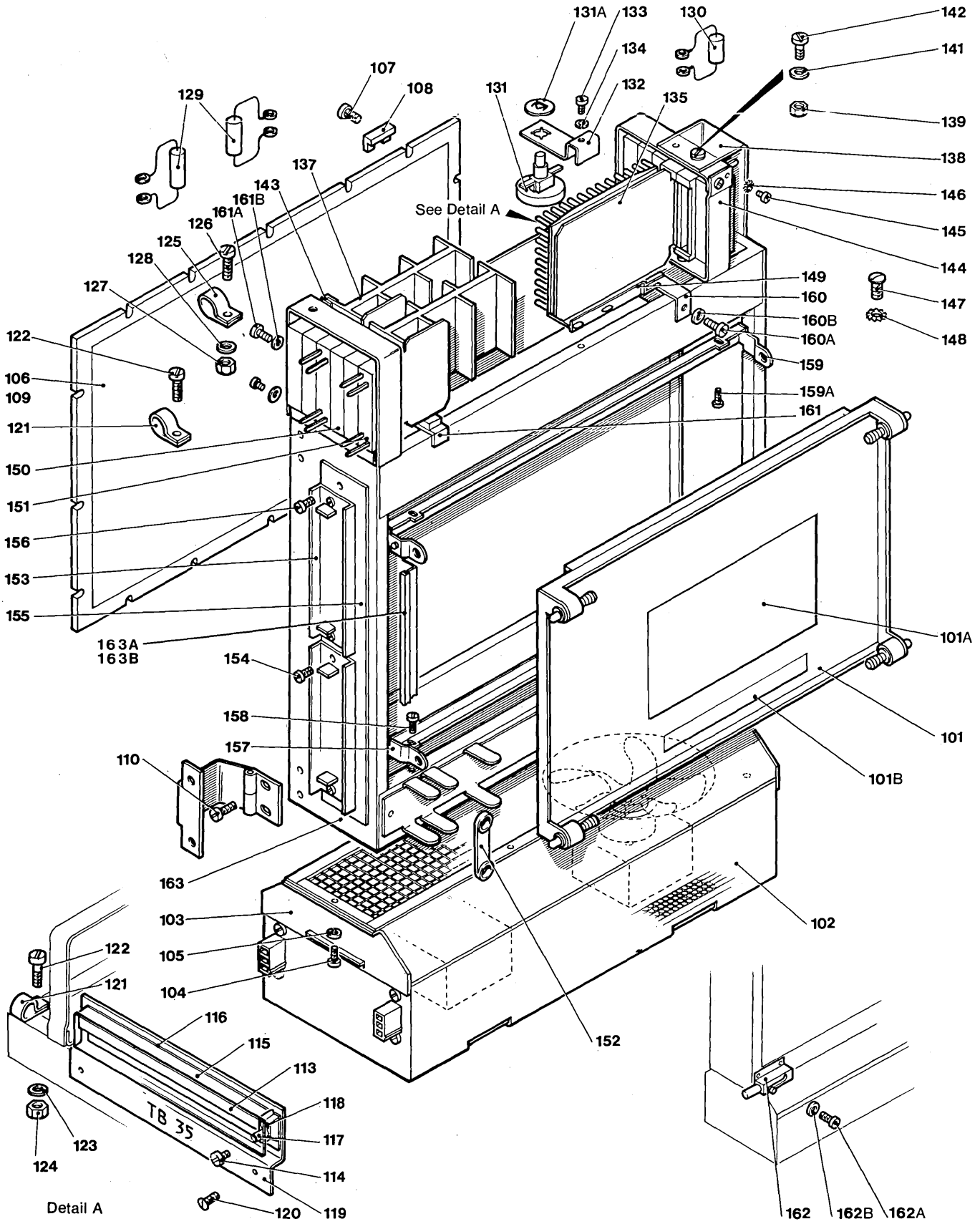


FIGURE 17. P/U FRAME GROUP-1403. SHEET 3 OF 5. INDEX NCS. 101-163. SEE LIST 17.

FIGURE- INDEX NUMBER	PART NUMBER	DESCRIPTION	UNITS PER ASM.				USABLE ON CODE
			1	2	3	4	
		P/U FRAME GROUP-1403 (PART 3 OF 5)					
		CODE A, USED CN MACHINES WITHOUT EC 393169 CODE E, USE CN MACHINES WITHOUT EC 393036					
17 -	2602046	P/U FRAME GROUP-1403				REF	
-101	2606866	. COVER ASM				1	
-101A	2636056	. LABEL				1	
-102	2601714	. COOLING UNIT ASSEMBLY,50HZ				1	
		FOR DETAIL PARTS SEE FIGURE 13C					
-102	2601715	. COOLING UNIT ASSEMBLY,60HZ FOR DETAIL PARTS SEE FIGURE 13D				1	
-103	2601657	. PLENUM ASM				1	
-104	2566617	. SCREW,NI PLATE,BD HD,8-32,0.375LG			ATT PT	6	
-105	60646	. WASHER,LOCK,IT 0.168ID,0.340OD			ATT PT	6	
-106	2599334	. CUSTOMIZED BOARD ASM				1	
-107	811417	. SCREW,HEX,SOCKET H,6-32,0.500LG			ATT PT	8	
-108	813179	. CLAMP-BOARD				8	
-109	811090	. LCCATOR-OVAL				152	
-110	58207	. SCREW,SLOT BD HD,8-32,0.250LG			ATT PT	4	
-113	533360	. COVER,TERMINAL BOARD				1	
-114	10170	. SCREW,BD HD,6-32,0.250LG			ATT PT	2	
-115	82353	. TERMINAL BOARD 14 DEL SCREW TERMINALS				1	
-116	620240	. INSULATOR				1	
-117	210883	. STUD-SHIELD MTG,TAPPED,NO. 6-32			ATT PT	2	
-118	38354	. SCREW,FII H,6-32,0.500LG			ATT PT	2	
-119	2601871	. BRACKET				1	
-120	10170	. SCREW,BD HD,6-32,0.250LG			ATT PT	2	
-121	327922	. CLAMP,CABLE-0.625 DIAMETER				2	
-122	25627	. SCREW,BD HD,8-32,0.500LG			ATT PT	2	
-123	22478	. WASHER,0.170ID,0.375OD			ATT PT	2	
-124	257189	. NUT,HEX,8-32			ATT PT	2	
-125	327922	. CLAMP,CABLE-0.625 DIAMETER				2	
-125	327922	. CLAMP,CABLE-0.625 DIAMETER				1	
-126	10170	. SCREW,BD HD,6-32,0.250LG			ATT PT	2	
-126	10170	. SCREW,BD HD,6-32,0.250LG			ATT PT	1	
-127	257189	. NUT,HEX,8-32			ATT PT	1	
-128	22478	. WASHER,0.170ID,0.375OD			ATT PT	1	
-129	2602367	. RESISTOR ASM				2	
-130	2602368	. CAPACITOR ASM				1	
-131	5501993	. THERMAL SWITCH,122°F,N/C				1	
-131A	2607131	. CLIP,RETAINING				1	
-132	5502007	. CLIP,THERMAL SWITCH				1	
-133	55726	. SCREW,BD HD,6-32,0.188LG			ATT PT	1	
-134	62031	. WASHER,LOCK-IT 0.141ID 0.295OD			ATT PT	1	
-135	375385	. CARD ASM				1	
-137	376841	. CARD ASM				2	
-138	2603661	. COVER				1	
-139	72828	. NUT,HEX,SELF LOCKING,8-32			ATT PT	1	
-141	22478	. WASHER,0.170ID,0.375OD			ATT PT	1	
-142	25627	. SCREW-BD. HD,8-32,0.500LG			ATT PT	1	
-143	518578	. RUBBER CHANNEL				1	
-144	2601687	. BRACKET,SMS SCC				4	
-145	436548	. SCREW,BD HD,4-40,0.188LG			ATT PT	8	
-146	338169	. WASHER,LOCK,ET,0.115ID,0.260D			ATT PT	8	
-147	2566610	. SCREW,BD HD,8-32,0.250LG			ATT PT	4	
-148	2574804	. WASHER,LOCK,ET,NO 8,0.365OD			ATT PT	4	
-149	216206	. GUIDE,SINGLE CARDLG				4	
-150	2601669	. CONNECTOR,DUMMY				8	
-151	216076	. TERMINAL BLOCK AND CONTACT ASSEMBLY				4	
-152	811427	. STRAP,CABLE				5	
-153	2602022	. CLAMP				2	
-154	10170	. SCREW,BD HD,6-32,0.250LG			ATT PT	4	
-155	2602021	. CRADLE				1	
-156	58207	. SCREW,BD HD,8-32,0.250LG			ATT PT	2	
-157	813451	. BRACKET				1	
-158	2574808	. SCREW,NI PLATE,HEX HD,6-32,0.380LG			ATT PT	2	
-159	813452	. BRACKET				1	
-159A	2574808	. SCREW,NI PLATE,HEX HD,6-32,0.380LG			ATT PT	2	
-160	2605765	. SUPPORT BRACKET				1	
-160A	10170	. SCREW,BD HD,6-32,0.250LG			ATT PT	1	
-160B	62031	. WASHER,LOCK,IT 0.141ID,0.295OD 0.021THK			ATT PT	1	
-161	2604480	. CARD SUPPORT				1	
-161A	10170	. SCREW,BD HD,6-32,0.250LG			ATT PT	1	
-161B	62031	. WASHER,LOCK,INTO.T,0.141ID,0.295OD,0.021THK			ATT PT	1	
-162	2602348	. SHOOT BOLT				1	

FIGURE- INDEX NUMBER	PART NUMBER	1 2 3 4	DESCRIPTION	UNITS PER ASM.	USABLE ON CODE
17 -162A	10180	.	SCREW,BD HD,6-32,0.250LG		
-162B	56722	.	WASHER,LOCK,EXT,T,0.150ID	ATT PT ATT PT	2 2
-163	2601695	.	GATE ASM,1403 PWR SUPPLY UNIT		1
-163A	2606868	.	CLAMP,LH		1
-163A	2606869	.	CLAMP,RH		1
-163B	38235	.	SCREW,BD HD- 6-32 X 0.312 LG		4

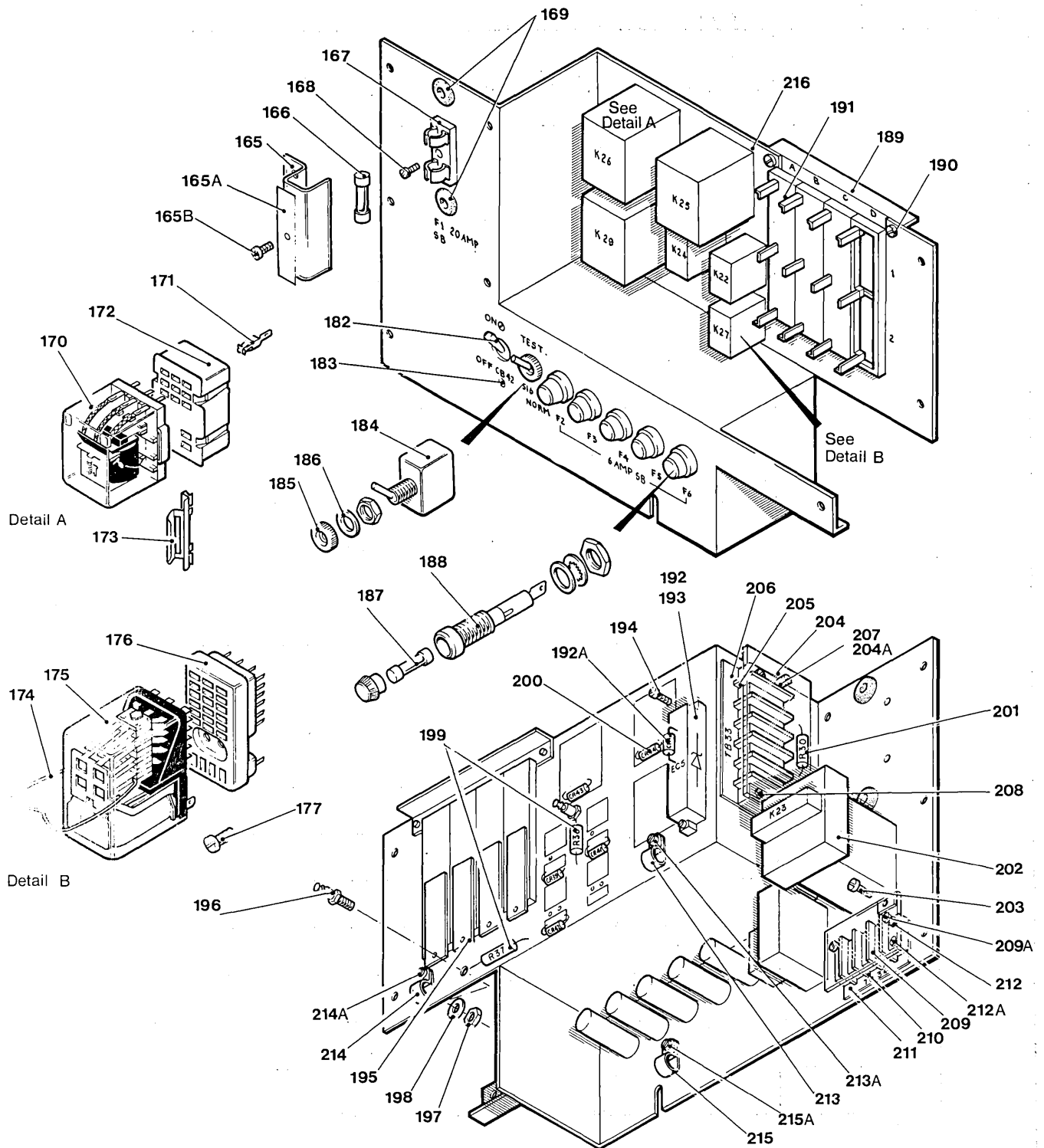


FIGURE 17. P/U FRAME GROUP-1403. SHEET 4 OF 5. INDEX NCS. 164-216. SEE LIST 17.

FIGURE- INDEX NUMBER	PART NUMBER	DESCRIPTION	UNITS PER ASM.	USABLE ON CODE
		1 2 3 4		
		P/U FRAME GROUP-1403 (PART 4 OF 5)		
		CODE A, USED CN MACHINES WITHOUT EC 393169 CODE B, USED CN MACHINES WITHOUT EC 393036		
17 -	2602046	P/U FRAME GROUP-1403		REF
-164	NC NO	. . . PANEL ASSEMBLY		
-165	2601880	. . . COVER, FUSE		1
-165A	1607258	. . . LABEL, WARNING		1
-165B	2566610	. . . SCREW, BD HD, 8-32, 0.250LG	ATT PT	2
-166	210474	. . . FUSE, CARTRIDGE, 20 AMP		1
-167	2602014	. . . HOLDER, FUSE		1
-168	2566601	. . . SCREW, NI PLATE, BD HD, 6-32, 0.312LG	ATT PT	1
-169	123070	. . . GRCMMET-RUBBER		2
-170	5414543	. . . RELAY		3
-171	5414545	. . . CONTACT, SOCKET		33
-172	5414544	. . . SOCKET, RELAY		3
-173	5414546	. . . CLIP, SOCKET MCOUNTING		6
-174	5318966	. . . CLIP		3
-175	5318968	. . . RELAY		3
-176	5318967	. . . SOCKET, RELAY		3
-177	2574813	. . . SCREW, BD HD, 4-40, 0.312LG	ATT PT	3
-182	2574144	. . . CIRCUIT BREAKER		1
-183	2566624	. . . SCREW, NI PLATE, BD HD, 6-32, 0.188LG	ATT PT	2
-184	2184150	. . . SWITCH		1
-185	79743	. . . NUT, BEZEL	ATT PT	1
-186	159373	. . . WASHER, LOCK, ET, 0.469ID, 0.750OD	ATT PT	1
-187	2130253	. . . FUSE		5
-188	179946	. . . HOLDER, FUSE		5
-189	2601682	. . . BRACKET		1
-190	2566600	. . . SCREW, NI PLATE, BD HD, 6-32, 0.25LG	ATT PT	2
-191	813329	. . . CARD, INTERFACE ASM		4
-192	2598576	. . . TERMINAL BLOCK		1
-192A	2605990	. . . RESISTOR/CAPACITOR ASM COMPONENT PARTS NOT REPLACEABLE		1
-193	2603912	. . . STRIP, MARKER		1
-194	236550	. . . SCREW, BD HD, 4-40, 0.375LG	ATT PT	2
-195	2601683	. . . CONNECTOR STRIP		4
-196	505367	. . . STANDOFF		2
-197	37913	. . . NUT HEX, 4-40,	ATT PT	2
-198	338169	. . . WASHER, LOCK, ET, 0.115ID, 0.260D	ATT PT	2
-199	620629	. . . RESISTOR, 1 KOHM, ±1%, 3WATT		2
-200	2111232	. . . SEMICONDUCTOR DEVICE, DIODE-TYPE AM		5
-201	208959	. . . RESISTOR, FXD, WW- 0.2 OHMS P/M 5% 5W		1
-202	5351162	. . . CONTACTOR, MAGNETIC		2
-203	2566600	. . . SCREW, NI PLATE, BD HD, 6-32, 0.25LG	ATT PT	1
-204	350965	. . . SHIELD, SAFETY		2
-204A	10170	. . . SCREW, BD HD, 6-32, 0.250LG	ATT PT	1
-205	2101337	. . . TERMINAL STRIP-5 POS		1
-206	2101357	. . . MARKER STRIP- 5 PCS NOS. 1 THROUGH 5		1
-207	2125898	. . . STUD, TAPPED MCOUNTING, 6-32	ATT PT	2
-208	2566608	. . . SCREW, NI PLATE, FIL HD, 6-32, 0.500LG	ATT PT	2
-209	352827	. . . COVER, TERMINAL 3 CN 141		1
-209A	10170	. . . SCREW, BD HD, 6-32, 0.250LG	ATT PT	2
-210	323841	. . . TERMINAL BOARD- 3 DBL SCREW TERMINALS		1
-211	323681	. . . MARKER STRIP- 3 PCS NOS. 1 THROUGH 3		1
-212	210883	. . . STUD-SHIELD MTG, TAPPED, 6-32	ATT PT	2
-212A	38354	. . . SCREW, FIL HD, 6-32, 0.500IG	ATT PT	2
-213	327922	. . . CLAMP		1
-213A	10170	. . . SCREW, BD HD, 6-32, 0.250LG	ATT PT	1
-214	2102366	. . . CLAMP		1
-214A	10170	. . . SCREW, BD HD, 6-32, 0.250LG	ATT PT	1
-215	2102365	. . . CLAMP		1
-215A	10170	. . . SCREW, BD HD, 6-32, 0.250LG	ATT PT	1
-216	2601699	. . . PANEL, SEQ		1

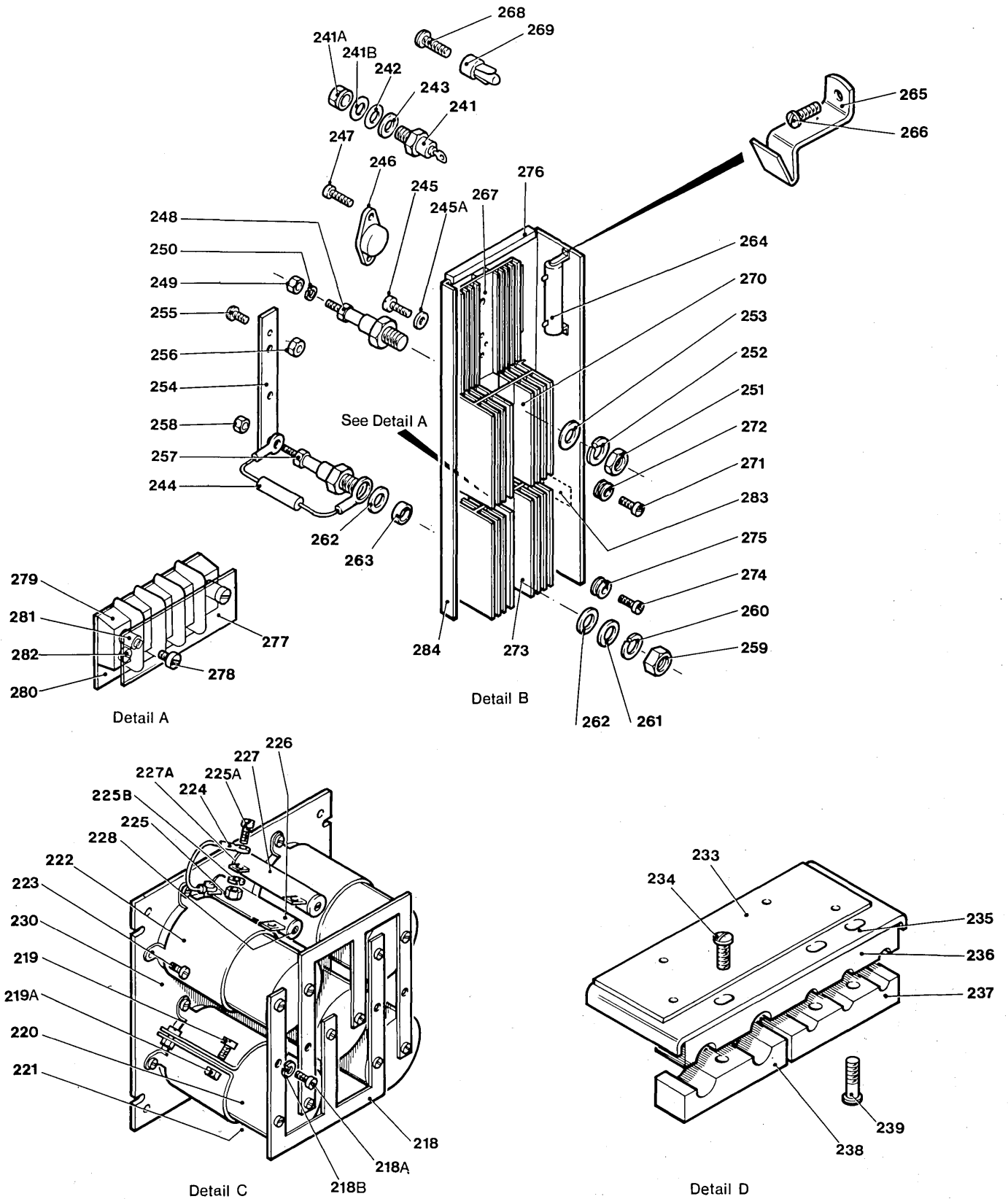


FIGURE 17. P/U FRAME GROUP-1403. SHEET 5 OF 5. INDEX NOS. 217-284. SEE LIST 17.

FIGURE- INDEX NUMBER	PART NUMBER	DESCRIPTION	UNITS PER ASM.	USABLE ON CODE
		P/U FRAME GROUP-1403 (PART 5 OF 5)		
		CODE A, USED CN MACHINES WITHOUT EC 393169 CODE E, USED CN MACHINES WITHOUT EC 393036		
17 -	2602046	P/U FRAME GROUP-1403	REF	
-217	NC NC	. CAPACITOR PLATE ASSEMBLY		
-218	2601701	. . PLATE,BUS EAR	2	
-218A	2575295	. . . SCREW,BD HD,10-32,0.375LG	4	
-218B	2574805	. . . WASHER,LOCK,NI PLATE,ET,0.195ID,0.395OD	4	
-219	256627	. . . SCREW,BD HD,8-32,0.500LG	10	
-219A	257189	. . . NUT,HEX,8-32	10	
-220	5214233	. . . CAPACITOR,FXD,20,000 UF P100M10/ 75V	5	
-221	337334	. . . COVER,CAPACITCR SAFETY	5	
-222	615583	. . . CLAMP,MOUNTING	5	
-223	2566610	. . . SCREW,BD HD,8-32,0.250LG	20	
-224	510418	. . . JUMPER	REF	
-225	257187	. . . NUT,HEX,6-32	1	
-225A	35739	. . . SCREW,BD HD,	1	
-225B	56722	. . . WASHER,LOCK,ET,0.141ID,0.320OD	1	
-226	222553	. . . RESISTOR,FXD,WW-100 OHMS E/M 10% 50W	2	
-227	507144	. . . WASHER-CENTERING 0.173ID,0.625OD	4	
-227A	2539872	. . . SPACER	2	
-228	504698	. . . SCREW,RD HD,8-32,4.750LG	2	
-230	2601702	. . . PLATE,CAPACITCR MOUNTING	1	
-232	NO NO	. CLAMP ASSEMBLY		B
-233	2601892	. . . SPACER	1	B
-234	438622	. . . SCREW,BE HE,0.250-20,0.375LG	3	R
-235	2601891	. . . PLATE	1	B
-236	2601881	. . . CLAMP	1	B
-237	2601883	. . . CLAMP BLOCK	1	B
-238	2601882	. . . CLAMP BLOCK	1	B
-239	59647	. . . SCREW,SLOTTED,HEX HD, 0.250-20,1.000LG	3	B
-240	NC NO	. RECTIFIER MOUNTING ASSEMBLY	1	
-241	127324	. . . SEMICONDUCTOR DEVICE,DIODE- 150V 30 AMP	1	
-241A	160017	. . . NUT,HEX,0.250-28	1	
-241B	3550	. . . WASHER,0.265ID,0.562OD	1	
-242	749467	. . . INSULATOR	1	
-243	525691	. . . WASHER-MICA	2	
-244	2607493	. . . CAPACITOR ASM (COMPONENT PARTS NOT REPLACEABLE)	6	
-245	2566608	. . . SCREW,NI PLATE,BD HD,6-32,0.500LG	1	
-245A	2574803	. . . WASHER,LCCCK,NI PLATE,IT,0.141ID,0.305OD	1	
-246	365649	. . . SEMICONDUCTOR DEVICE,DIODE-TYPE FN	1	
-247	2566608	. . . SCREW,NI PLATE,BD HD,6-32,0.500LG	2	
-248	5214179	. . . RECTIFIER	3	
-249	160017	. . . NUT,HEX,0.250-28	3	
-250	6935	. . . WASHER,LOCK-SPRING,0.255ID,0.493OD	3	
-251	8163	. . . NUT,HEX,0.375-24	3	
-252	10309	. . . WASHER,LOCK,SPRING 0.382ID,0.688OD	3	
-253	453	. . . WASHER,0.406ID,0.812OD	3	
-254	2601703	. . . BUS EAR	1	
-255	2566609	. . . SCREW,NI PLATE,BD HD,10-32,0.500LG	1	
-256	2574805	. . . WASHER,LOCK,NI PLATE,ET,0.195ID,0.395ID	1	
-257	5214179	. . . RECTIFIER	3	
-258	160017	. . . NUT,HEX,0.250-28	3	
-259	8163	. . . NUT,HEX,0.375-24	3	
-260	322572	. . . WASHER,LOCK-IT 0.385ID,0.678OD	3	
-261	453	. . . WASHER,0.406ID,0.812OD G.062TRK	3	
-262	521695	. . . INSULATOR,	6	
-263	2611724	. . . BUSHING	3	
-264	730483	. . . RESISTOR,FXD-WW-0.06 OHM E/M 10PCT 90W	1	
-265	510316	. . . BRACKET-MTG,25W RESISTOR	2	
-266	2566624	. . . SCREW,NI PLATE,BE HE,6-32,0.188LG	2	
-267	2601665	. . . HEATSINK	1	
-268	2566632	. . . SCREW,BD HD,8-32,0.625LG	4	
-269	2481678	. . . INSULATOR	4	
-270	2607454	. . . HEATSINK	1	
-271	2566632	. . . SCREW,BE HE,8-32,0.625LG	4	
-272	2481677	. . . INSULATOR	4	
-273	2607495	. . . HEATSINK	1	
-274	81693	. . . SCREW,BD HD,6-32,0.375LG	4	
-275	2481677	. . . INSULATOR	4	
-276	518375	. . . CHANNEL	AR	
-277	352827	. . . COVER,TERMINAL 3 CN 141	1	
-278	10170	. . . SCREW,BD HD,6-32,0.250LG	2	
-279	323841	. . . TERMINAL BOARD- 3 DBL SCREW TERMINALS	1	
-280	323681	. . . MARKER STRIP- 3 POS NOS. 1 THROUGH 3	1	

FIGURE- INDEX NUMBER	PART NUMBER	DESCRIPTION				UNITS PER ASM.	USABLE ON CODE
		1	2	3	4		
17 -281	210883	. .	STUD-SHIELD MIG,TAPPED,6-32		ATT PT	2	
-282	38354	. .	SCREW,FIL HD,6-32,0.500LG		ATT PT	2	
-283	845762	. .	LABEL,NOTICE			1	
-284	2601692	. .	DUCTING			1	

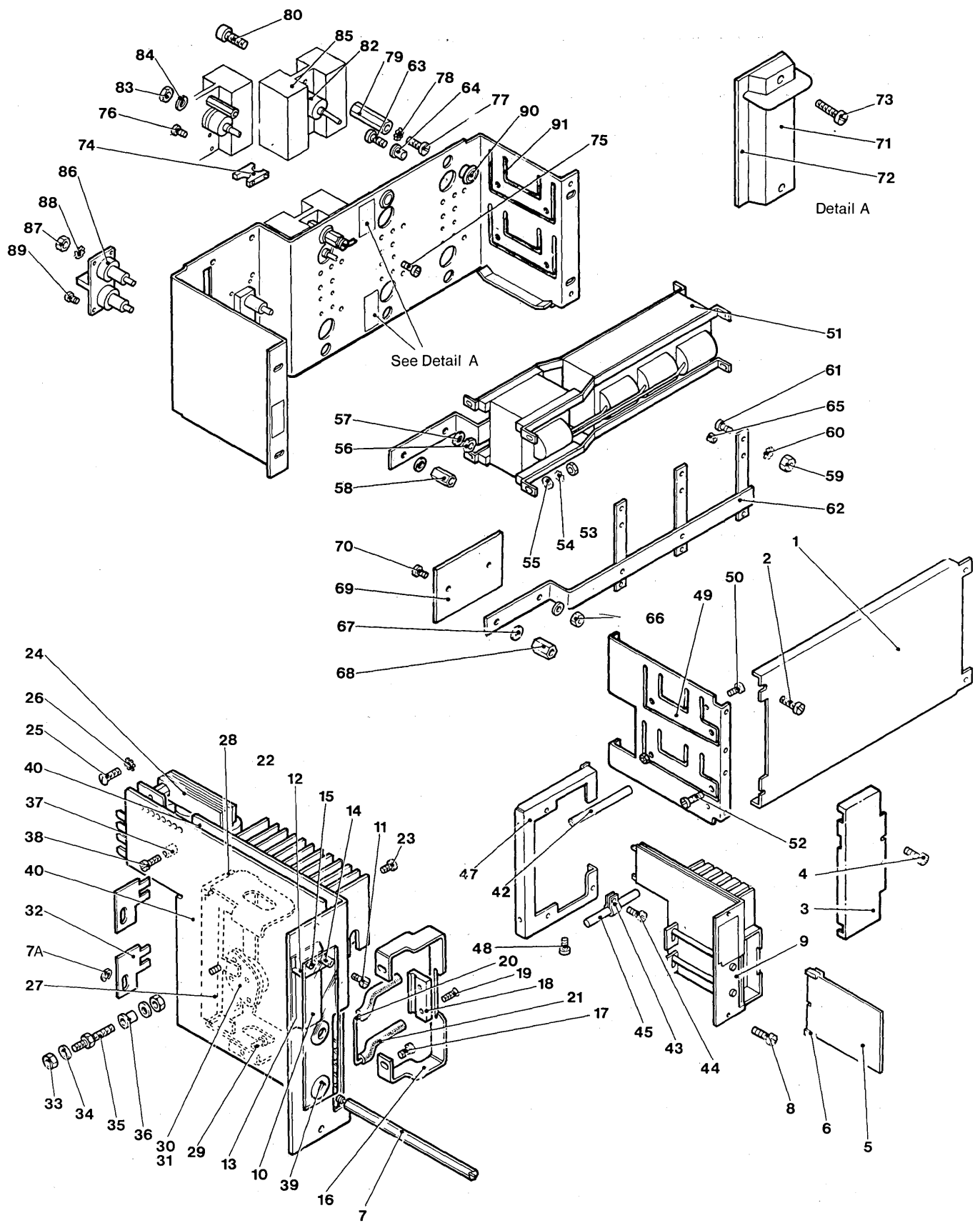


FIGURE 18. PHASE CONTROL REGULATOR ASSEMBLY WITH 0-240K STORAGE. SEE LIST 18.

FIGURE- INDEX NUMBER	PART NUMBER	DESCRIPTION	UNITS PER ASM.	USABLE ON CODE
		PHASE CCNTRCL REGULATR ASSEMBLY (WITH 0-240K STORAGE)		
18 -	2572750	PHASE CCNTRCL REGULATR USED CN MACHINES WITH 0-240K STORAGE PCR NEXT HIGHER ASSEMBLY SEE FIGURE 2	REF	
- 1	2361518	. COVER ASM		1
- 2	221790	. SCREW,BD HD,8-32,0.188LG	ATT PT	4
- 3	2610376	. COVER		1
- 4	58207	. SCREW,UNDRCT,BD HD,8-32,0.250LG	ATT PT	2
- 5	5861747	. CARD ASM		1
- 6	811804	. GUIDE,CARD		1
- 7	2610368	. KCD		2
- 7A	1092125	. RETAINING CLIP	ATT PT	2
- 8	186759	. SCREW,BD HD,8-32,0.312LG	ATT PT	2
- 9	2610379	. CCNTRCL ASM		1
- 10	2610361	. SAFETY SHIELD		1
- 11	10170	. SCREW,BD HD,6-32,0.250LG	ATT PT	2
- 12	317485	. TERMINAL BOARD- 4 TEL SCREW TERMINALS		1
- 13	527916	. MARKER STRIP		1
- 14	2108883	. STUD-SHIELD MTG,TAPPED,6-32	ATT PT	2
- 15	38354	. SCREW,FIL HD,6-32,0.500LG	ATT PT	2
- 16	2610364	. RETAINER		1
- 17	438548	. SCREW,BD HD,4-40,0.188LG	ATT PT	2
- 18	2610370	. CLAMP		1
- 19	438558	. SCREW,PLATE MTG		2
- 20	2361524	. CARD RETAINER		1
- 21	5785286	. CARD CUSHION		2
- 22	2610351	. HEATSINK		6
- 23	438548	. SCREW,BD HD,4-40,0.188LG	ATT PT	18
- 24	2610366	. TRANSFORMER		1
- 25	38235	. SCREW,BD HD,6-32,0.312LG	ATT PT	2
- 26	56722	. WASHER,LOCK,ET,0.141ID,0.2950D	ATT PT	2
- 27	2610365	. BRACKET		1
- 28	813329	. CONNECTOR		1
- 29	438548	. SCREW,BD HD,4-40,0.188LG	ATT PT	2
- 30	2391345	. TRANSISTOR-POWER NPN SILICON TYPE 357		5
- 31	5270517	. INSULATOR-MICA		5
- 32	2610369	. BUS STRAP		REF
- 33	37913	. NUT,HEX,4-40	ATT PT	20
- 34	257984	. WASHER,LOCK,SPRING,0.115ID,0.2120D	ATT PT	10
- 35	2610384	. STUD		10
- 36	2610372	. BUSHING		10
- 37	100366	. SPACER		1
- 38	438549	. SCREW,BD HD,4-40,0.438LG	ATT PT	1
- 39	5762057	. GROMMET		2
- 40	2610366	. CHASSIS		1
- 41	2610383	. CARD ASM		1
- 42	631810	. TUBING,FLEXIBLE,NCN-METALLIC		1
- 43	169698	. CLAMP-RELIEF		1
- 44	186759	. SCREW,BD HD,8-32,0.312LG	ATT PT	1
- 45	350839	. TUBING		1
- 46	2610362	. GUIDE RAIL		1
- 47	2610354	. MOUNTING PLATE		1
- 48	58207	. SCREW,UNDRCT,ED HD,8-32,0.250LG	ATT PT	5
- 49	2610363	. BARRIER		1
- 50	58207	. SCREW,UNDRCT,BD HD,8-32,0.250LG	ATT PT	3
- 51	2610356	. TRANSFORMER AND CHECK ASM		1
- 52	55918	. SCREW,ED HD,10-32,0.625LG	ATT PT	8
- 53	11598	. NUT,HEX,10-32	ATT PT	8
- 54	9092	. WASHER-LOCK,SERING,0.194ID 0.3370D	ATT PT	8
- 55	45690	. WASHER,0.203ID,0.4380D	ATT PT	8
- 56	2163845	. NUT,HEX,0.312-24	ATT PT	1
- 57	257983	. WASHER,LOCK-SERING 0.319ID,0.5910D	ATT PT	2
- 58	2610367	. SPACER	ATT PT	1
- 59	3960	. NUT,HEX,0.250-20	ATT PT	6
- 60	76574	. WASHER,LOCK,0.267ID,0.5100D	ATT PT	6
- 61	322029	. SCREW,BD HD,0.250-20,0.500LG	ATT PT	6
- 62	2610353	. BUS BAR		1
- 63	322065	. SCREW,BD HD,6-32,0.625LG	ATT PT	6
- 64	351540	. BUSHING INSULATOR		6
- 65	2610352	. INSULATOR		6
- 66	2163845	. NUT,HEX,0.312-24	ATT PT	1
- 67	257983	. WASHER,LOCK,SERING, 0.319ID,0.5910D	ATT PT	2
- 68	2610367	. SPACER	ATT PT	1
- 69	2610378	. COVER		1
- 70	80651	. SCREW,SELF TAP,PAN HD,6-32,0.375LG	ATT PT	2
- 71	2610373	. TERMINAL BOARD		1
- 72	2610374	. MARKER STRIP		1

FIGURE- INDEX NUMBER	PART NUMBER	1 2 3 4	DESCRIPTION	UNITS PER ASM.	USABLE ON CODE
18 - 73	35739		. SCREW, BD HD, 6-32, 0.938LG		
- 74	2610357		. INSULATOR	ATT PT	2
- 75	80651		. SCREW, SELF TAP, FAN HD, 6-32, 0.375LG	ATT PT	12
- 76	80652		. SCREW, SELF TAP, BD HD, 0.625LG	ATT PT	24
- 77	38666		. SCREW, HEX HD, 0.250-20, 0.500LG	ATT PT	12
- 78	76574		. WASHER, LOCK, 0.267, ET ID 0.5100D	ATT PT	6
- 79	2610371		. STANDOFF	ATT PT	6
- 80	322029		. SCREW, BD HD, 0.250-20, 0.500LG	ATT PT	6
- 82	2395852		. SILICON CONTROLLED RECTIFIER		6
- 83	18272		. NUT, HEX, 0.500-20	ATT PT	6
- 84	136987		. WASHER, LOCK, SPRING 0.509ID, 0.8790D	ATT PT	6
- 85	2610350		. HEAT SINK		6
- 86	2610360		. OUTPUT STUD ASM		6
- 87	8163		. NUT, HEX, 0.375-24	ATT PT	4
- 88	10309		. WASHER, LOCK, SPRING, 0.382ID	ATT PT	4
- 89	10170		. SCREW, BD HD, 6-32, 0.250LG	ATT PT	8
- 90	5762057		. GROMMET		6
- 91	2610355		. HOUSING		1

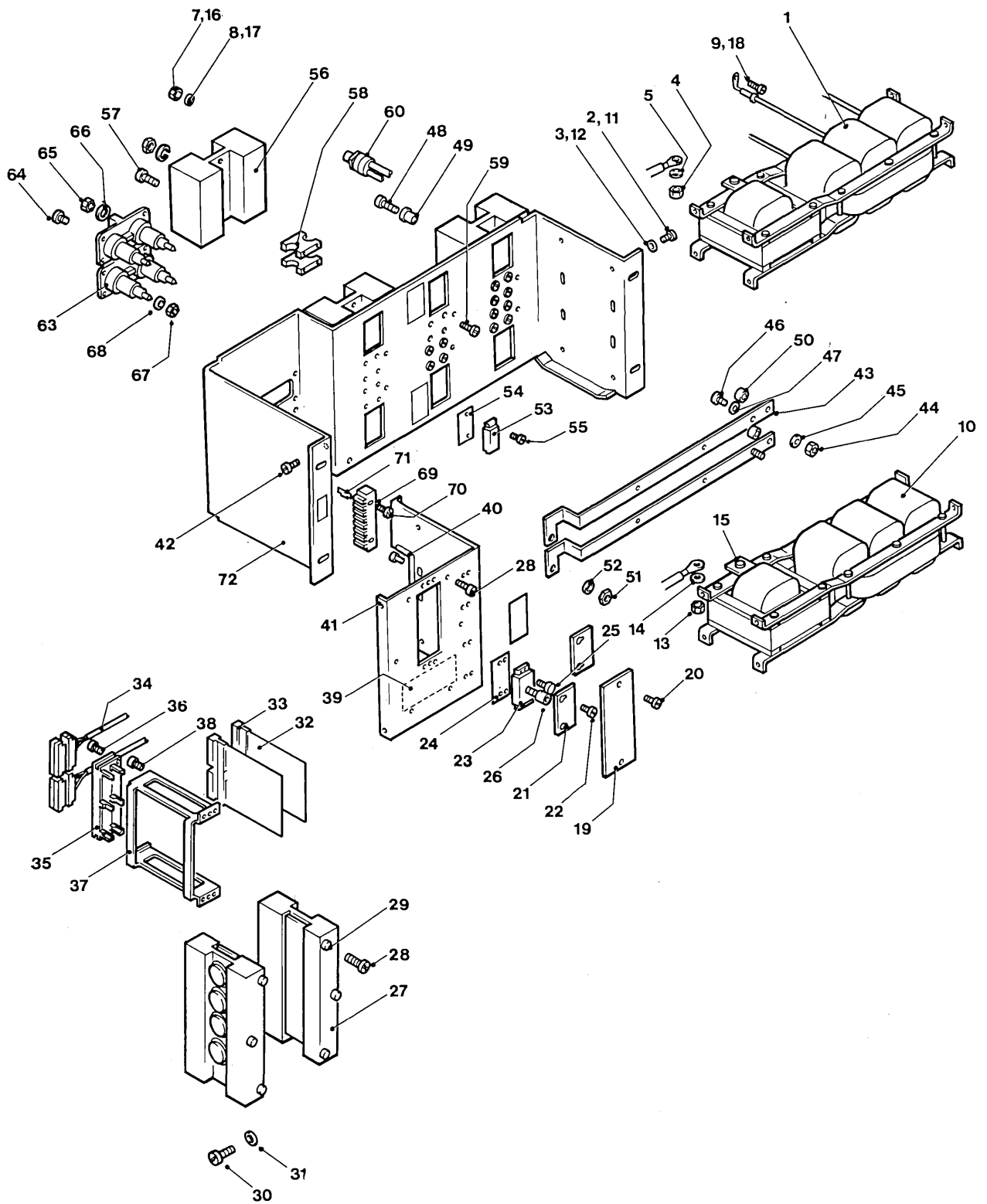


FIGURE 18A. PHASE CONTROL REGULATOR ASSEMBLY MACHINES ABOVE 240K. SEE LIST 18A.

FIGURE- INDEX NUMBER	PART NUMBER	DESCRIPTION				UNITS PER ASM.	USABLE ON CODE
		1	2	3	4		
		PHASE CONTROL REGULATOR ASSEMBLY (MACHINES ABOVE 240K)					
13A-	2605340	. PHASE CONTROL REGULATOR ASSEMBLY, 2x2.0V, 120A FCR NEXT HIGHER ASSEMBLY SEE FIGURE 2				REF	
- 1	2605346	. TRANSFORMER CHOKE ASSEMBLY CCOMPONENT PARTS NOT REPLACEABLE				1	
- 2	32042	. SCREW, BD HD, 10-32, 0.375LG				8	
- 3	56079	. WASHER, LOCK, ET, 0.195ID, 0.4100D				8	
- 4	36109	. NUT, HEX, 0.250-20				1	
- 5	76574	. WASHER, LOCK, ET, 0.256ID, 0.5100D				1	
- 6	322029	. SCREW, BD HD, 0.250-20, 0.500LG				1	
- 7	3960	. NUT, HEX, 0.250-20				6	
- 8	6935	. WASHER, LOCK, SPRING, 0.255ID, 0.4930D				6	
- 9	438623	. SCREW, BD HD, 0.250-20, 0.625LG				6	
- 10	2605347	. TRANSFORMER CHOKE ASSEMBLY CCOMPONENT PARTS NOT REPLACEABLE				1	
- 11	32042	. SCREW, BD HD, 10-32, 0.375LG				8	
- 12	56079	. WASHER, LOCK, ET, 0.195ID, 0.4100D				8	
- 13	36109	. NUT, HEX, 0.250-20				1	
- 14	76574	. WASHER, LOCK, ET, 0.256ID, 0.5100D				1	
- 15	322029	. SCREW, BD HD, 0.250-20, 0.500LG				1	
- 16	3960	. NUT, HEX, 0.250-20				6	
- 17	6935	. WASHER, LOCK, SPRING, 0.255ID, 0.4930D				6	
- 18	438623	. SCREW, BD HD, 0.250-20, 0.625LG				6	
- 19	2603175	. COVER ASSEMBLY COMPONENT PARTS NOT REPLACEABLE				1	
- 20	10170	. SCREW, BD HD, 6-32, 0.250LG				2	
- 21	5790504	. SHIELD-SAFETY				2	
- 22	10170	. SCREW, BD HD, 6-32, 0.250LG				4	
- 23	323833	. TERMINAL BLOCK				2	
- 24	515620	. MARKER STRIP				2	
- 25	322550	. SCREW, BD HD, 6-32, 0.500LG				4	
- 26	210883	. STUD				4	
- 27	2603176	. ACTIVE FILTER ASSEMBLY COMPONENT PARTS NOT REPLACEABLE				2	
- 28	322065	. SCREW, BD HD, 6-32, 0.625LG				6	
- 29	2481678	. INSULATOR				6	
- 30	34512	. SCREW, BD HD, 8-32, 0.375LG				2	
- 31	55901	. WASHER, LOCK, ET, 0.168ID, 0.3810D				2	
- 32	5861334	. CARD ASSEMBLY COMPONENT PARTS NOT REPLACEABLE				2	
- 33	811804	. GUIDE, CARD				2	
- 34	2603157	. CABLE ASSEMBLY				REF	
- 35	816696	. CONNECTOR ASSEMBLY COMPONENT PARTS NOT REPLACEABLE				1	
- 36	80651	. SCREW, PAN HD, SELF TAP, 6-32, 0.375LG				2	
- 37	2610424	. RETAINER, CARD CONNECTOR				1	
- 38	438566	. SCREW, BD HD, 6-32, 0.125LG				4	
- 39	5232809	. LABEL				1	
- 40	480755	. GRCMMET				AR	
- 41	2605345	. PLATE				1	
- 42	236849	. SCREW, BD HD, 10-32, 0.250LG				4	
- 43	2605350	. BUSBAR				2	
- 44	3960	. NUT, HEX, 0.250-20				6	
- 45	76574	. WASHER, LOCK, ET, 0.256ID, 0.5100D				6	
- 46	322029	. SCREW, BD HD, 0.250-20, 0.500LG				6	
- 47	76574	. WASHER, LOCK, ET, 0.256ID, 0.5100D				6	
- 48	322065	. SCREW, BD HD, 6-32, 0.625LG				6	
- 49	351540	. INSULATOR				6	
- 50	2610352	. INSULATOR				6	
- 51	38092	. NUT, HEX, 0.375-16				2	
- 52	10309	. WASHER, LOCK, SPRING, 0.382ID, 0.6880D				2	
- 53	2610373	. TERMINAL BLOCK				2	
- 54	2610374	. MARKER STRIP				2	
- 55	35739	. SCREW, BD HD, 6-32, 0.438LG				4	
- 56	2603143	. HEAT SINK				6	
- 57	80652	. SCREW, PAN HD, SELF TAP, 6-32, 0.625LG				12	
- 58	2610357	. INSULATOR				12	
- 59	80651	. SCREW, PAN HD, SELF TAP, 6-32, 0.375LG				24	
- 60	2395852	. SILICON CONTROLLED RECTIFIER, TYPE 227				6	
- 63	2610436	. OUTPUT STUD ASSEMBLY COMPONENT PARTS NOT REPLACEABLE				2	
- 64	10170	. SCREW, BD HD, 6-32, 0.250LG				8	
- 65	81663	. NUT, HEX, 0.375-16				4	
- 66	10309	. WASHER, LOCK, SPRING, 0.382ID, 0.6880D				4	
- 67	38092	. NUT, HEX, 0.375-16				4	
- 68	10309	. WASHER, LOCK, SPRING, 0.382ID, 0.6880D				4	
- 69	2603156	. INSULATOR				1	

FIGURE- INDEX NUMBER	PART NUMBER	DESCRIPTION				UNITS PER ASM.	USABLE ON CODE
		1	2	3	4		
18A- 70 - 71 - 72	80651 2557525 2605344	. SCREW, PAN HD, SELF TAP, 6-32, 0.375LG	ATT	PT	2 8 1		

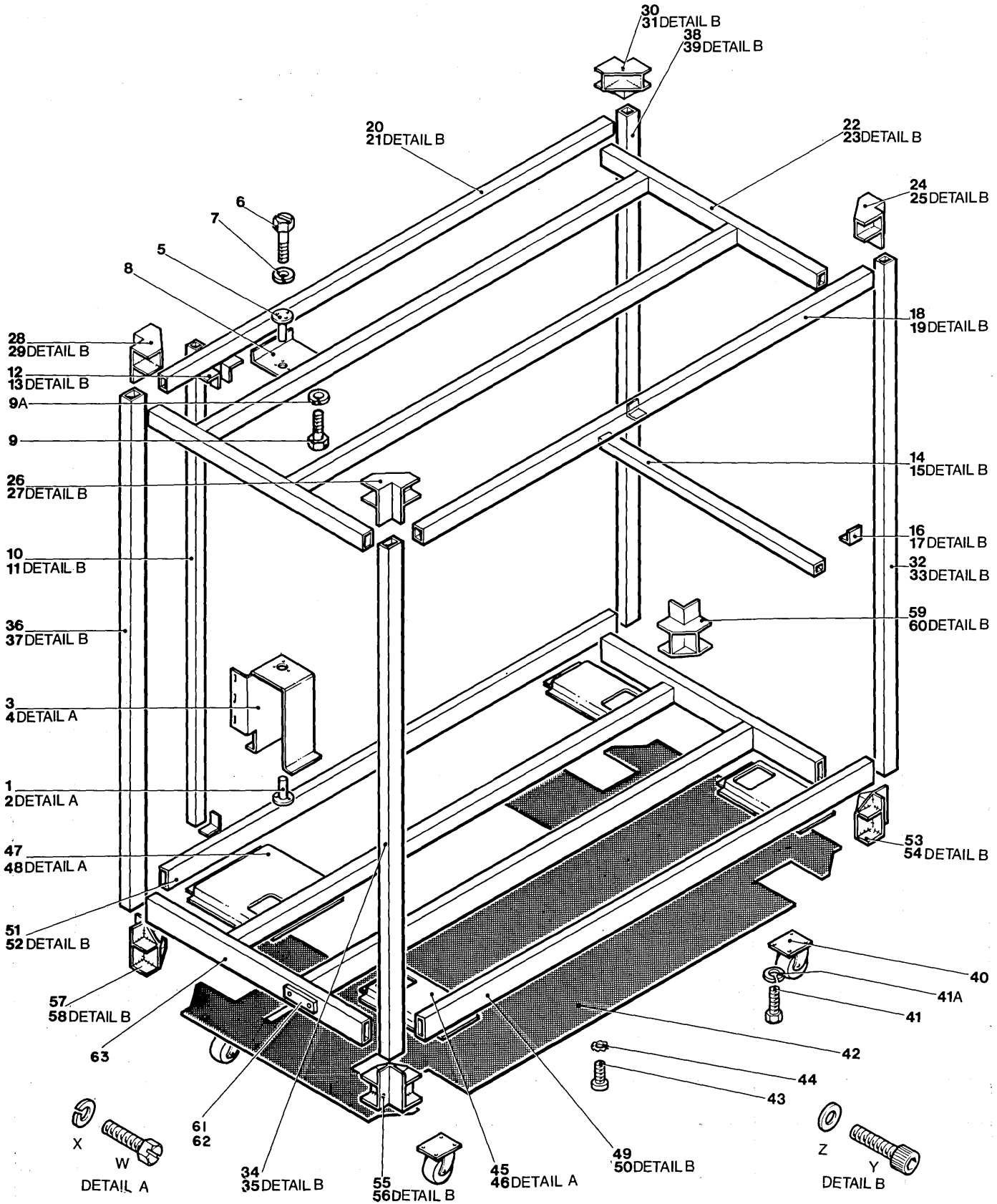


FIGURE 19. FRAME ASSEMBLY. SEE LIST 19.

FIGURE- INDEX NUMBER	PART NUMBER	DESCRIPTION				UNITS PER ASM.	USABLE ON CODE
		1	2	3	4		
		FRAME ASSEMBLY					
19 -	2598322	FRAME ASSEMBLY FCF NEXT HIGHER ASM SEE FIGURE 2-217				REF	
- 1	2598394	. SPIGOT				1	
- 2W	2566614	. SCREW, NI PLATE, HEX HD,, 0.25-20, 0.5LG				ATT PT	3
- 2X	2575292	. WASHER, LOCK, SPRING, 0.255ID				ATT PT	3
- 3	2598401	. SUPPORT PLATE, HINGE				1	
- 4W	2566614	. SCREW, NI PLATE, HEX HD,, 0.25-20, 0.5LG				ATT PT	7
- 4X	2575292	. WASHER, LOCK, NI PLATE, SPRING, 0.255ID				ATT PT	7
- 5	2598393	. PIN, HINGE				1	
- 6	2566605	. SCREW, NI PLATE, HEX HD,, 0.25-20, 0.625LG				ATT PT	3
- 7	2575292	. WASHER, LOCK, NI PLATE, SPRING, 0.255ID				ATT PT	3
- 8	2598400	. SUPPORT PLATE, UPPER HINGE				1	
- 9	2566605	. SCREW, NI PLATE, HEX HD,, 0.250-20, 0.625LG				ATT PT	4
- 9X	2575292	. WASHER, LOCK, NI PLATE, SPRING, 0.255ID				ATT PT	4
- 10	2598440	. TUBE, STEEL				1	
- 11Y	2561715	. SCREW-SOCKET HD, 0.250-20, 0.500LG				ATT PT	6
- 11Z	2561716	. WASHER, NI PLATE, 0.255ID				ATT PT	6
- 12	2600867	. BRACKET				3	
- 13Y	2561715	. SCREW-SOCKET HD, 0.250-20, 0.500LG				ATT PT	6
- 13Z	2561716	. WASHER, NI PLATE, 0.255ID				ATT PT	6
- 14	2598443	. TUBE, STEEL				1	
- 15Y	2561715	. SCREW-SOCKET HD, 0.250-20, 0.500LG				ATT PT	4
- 15Z	2561716	. WASHER, NI PLATE, 0.255ID				ATT PT	4
- 16	2600867	. BRACKET				2	
- 17Y	2561715	. SCREW-SOCKET HD, 0.250-20, 0.500LG				ATT PT	4
- 17Z	2561716	. WASHER, NI PLATE, 0.255ID				ATT PT	4
- 18	2598430	. TUBE, STEEL				1	
- 19Y	2561715	. SCREW-SOCKET HD, 0.250-20, 0.500LG				ATT PT	6
- 19Z	2561716	. WASHER, NI PLATE, 0.255ID				ATT PT	6
- 20	2598431	. TUBE, STEEL				1	
- 21Y	2561715	. SCREW-SOCKET HD, 0.250-20, 0.500LG				ATT PT	6
- 21Z	2561716	. WASHER, NI PLATE, 0.255ID				ATT PT	6
- 22	2600864	. FRAME, TOP				1	
- 23Y	2561715	. SCREW-SOCKET HD, 0.250-20, 0.500LG				ATT PT	12
- 23Z	2561716	. WASHER, NI PLATE, 0.255ID				ATT PT	12
- 24	2598587	. JOINT, CORNER				1	
- 25Y	2561715	. SCREW-SOCKET HD, 0.250-20, 0.500LG				ATT PT	4
- 25Z	2561716	. WASHER, NI PLATE, 0.255ID				ATT PT	4
- 26	2598586	. JOINT, CORNER				1	
- 27Y	2561715	. SCREW-SOCKET HD, 0.250-20, 0.500LG				ATT PT	4
- 27Z	2561716	. WASHER, NI PLATE, 0.255ID				ATT PT	4
- 28	2598587	. JOINT, CORNER				1	
- 29Y	2561715	. SCREW-SOCKET HD, 0.250-20, 0.500LG				ATT PT	4
- 29Z	2561716	. WASHER, NI PLATE, 0.255ID				ATT PT	4
- 30	2598586	. JOINT, CORNER				1	
- 31Y	2561715	. SCREW-SOCKET HD, 0.250-20, 0.500LG				ATT PT	4
- 31Z	2561716	. WASHER, NI PLATE, 0.255ID				ATT PT	4
- 32	2598428	. TUBE, STEEL				1	
- 33Y	2561715	. SCREW-SOCKET HD, 0.250-20, 0.500LG				ATT PT	4
- 33Z	2561716	. WASHER, NI PLATE, 0.255ID				ATT PT	4
- 34	2598426	. TUBE, STEEL				1	
- 35Y	2561715	. SCREW-SOCKET HD, 0.250-20, 0.500LG				ATT PT	4
- 35Z	2561716	. WASHER, NI PLATE, 0.255ID				ATT PT	4
- 36	2598427	. TUBE, STEEL				1	
- 37Y	2561715	. SCREW-SOCKET HD, 0.250-20, 0.500LG				ATT PT	4
- 37Z	2561716	. WASHER, NI PLATE, 0.255ID				ATT PT	4
- 38	2598429	. TUBE, STEEL				1	
- 39Y	2561715	. SCREW-SOCKET HD, 0.250-20, 0.500LG				ATT PT	4
- 39Z	2561716	. WASHER, NI PLATE, 0.255ID				ATT PT	4
- 40	513271	. CASTOR				4	
- 41	2566636	. SCREW, HEX HD,, 0.312-18, 0.7500LG				ATT PT	16
- 41A	257983	. WASHER LOCK, SPRING, 0.319ID, 0.5910D				ATT PT	16
- 42	2598583	. MESH, STEEL				1	
- 43	2574810	. SCREW, NI PLATE, SELF TAP, 10-32, 0.375LG				ATT PT	46
- 44	2574805	. WASHER, NI PLATE, LOCK, ET, 0.195ID, 0.3950D				ATT PT	46
- 45	2598448	. PLATE, CASTOR				3	
- 46W	2566614	. SCREW, NI PLATE, HEX HD,, 0.250-20, 0.500LG				ATT PT	12
- 46X	2575292	. WASHER, NI PLATE, LOCK, SPRING, 0.255ID				ATT PT	12
- 47	2598642	. PLATE, CASTER				1	
- 48W	2566614	. SCREW, NI PLATE, HEX HD,, 0.25-20, 0.500LG				ATT PT	6
- 48X	2575292	. WASHER, NI PLATE, LOCK, SPRING, 0.255ID				ATT PT	6
- 49	2598585	. JOINT, CORNER				1	
- 50Y	2561715	. SCREW-SOCKET HD, 0.250-20, 0.500LG				ATT PT	6
- 50Z	2561716	. WASHER, NI PLATE, 0.255ID				ATT PT	6
- 51	2598417	. TUBE, STEEL				1	
- 52Y	2561715	. SCREW-SOCKET HD, 0.250-20, 0.500LG				ATT PT	6

FIGURE-INDEX NUMBER	PART NUMBER	DESCRIPTION	UNITS PER ASM.	USABLE ON CODE
			1 2 3 4	
19 - 52Z	2561716	. WASHER,NI PLATE,0.255ID		
- 53	2598584	. JOINT,CORNER	6	
- 54Y	2561715	. SCREW-SOCKET HD,0.250-20,0.500LG	1	
- 54Z	2561716	. WASHER,NI PLATE,0.255ID	3	
- 55	2598585	. JOINT,CORNER	3	
- 56Y	2561715	. SCREW-SOCKET HD,0.250-20,0.500LG	1	
- 56Z	2561716	. WASHER,NI PLATE,0.255ID	3	
- 57	2598584	. JOINT,CORNER	3	
- 58Y	2561715	. SCREW-SOCKET HD,0.250-20,0.500LG	1	
- 58Z	2561716	. WASHER,NI PLATE,0.255ID	3	
- 59	2598585	. JCINT,CORNER	3	
- 60Y	2561715	. SCREW-SOCKET HD,0.250-20,0.500LG	1	
- 60Z	2561716	. WASHER,NI PLATE,0.255ID	3	
- 61	1985897	. STRIP	3	AR
- 62	5174643	. RIVET	AR	
- 63	2598425	. FRAME	1	

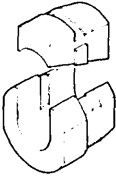
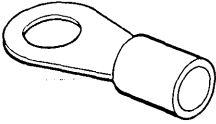
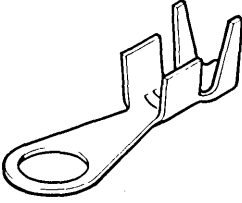
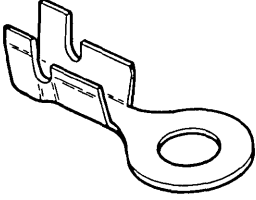
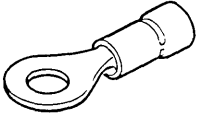
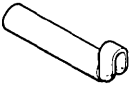
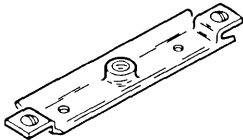
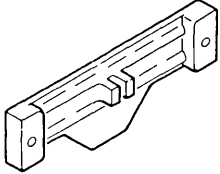
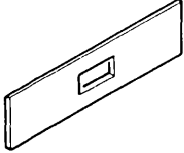
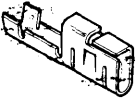
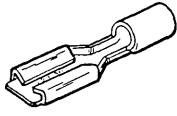
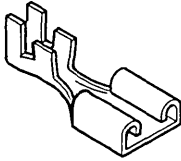
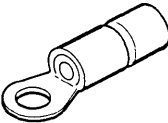
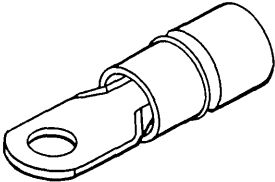
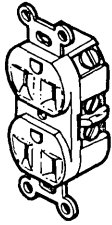
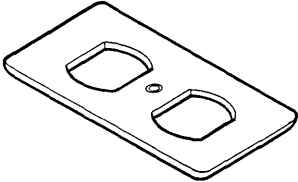
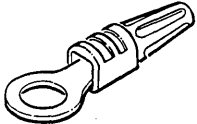
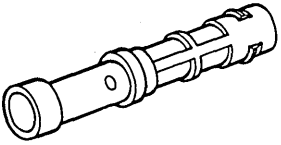
 <p>1</p>	 <p>2</p>	 <p>3</p>	 <p>4</p>
 <p>5</p>	<p>SIMILAR TO ITEM 5</p>	<p>SIMILAR TO ITEM 4</p>	 <p>8</p>
 <p>9</p>	 <p>10</p>	 <p>11</p>	 <p>12</p>
 <p>13</p>	 <p>14</p>	 <p>15</p>	<p>SIMILAR TO ITEM 4</p> <p>16 17</p>
<p>SIMILAR TO ITEM 5</p> <p>18 19 20 21</p>	 <p>22</p>	<p>SIMILAR TO ITEM 5</p> <p>23</p>	 <p>23A</p>
 <p>24</p>	 <p>24A</p>	<p>SIMILAR TO ITEM 5</p> <p>25</p>	 <p>26</p>

FIGURE 20. CABLE AND JUMPER ASM COMPONENT PARTS. SHEET 1 OF 7. INDEX NOS. 1-26. SEE LIST 20.

FIGURE- INDEX NUMBER	PART NUMBER	DESCRIPTION				UNITS PER ASM.	USABLE ON CODE
		CABLE AND JUMPER ASSEMBLY COMPONENT PARTS					
20 - 1	92748	. GFCMMET, STRAIN RELIEF				AR	
- 2	92784	. TERMINAL, RING, NC 8 STUD, AWG 22 - 18				AR	
- 3	186596	. TERMINAL, RING LUG, INSULATED				AR	
- 4	186961	. TERMINAL, RING, NC 6 STUD, NON-INSULATED				AR	
- 5	186968	. TERMINAL, RING, NC 8 STUD, AWG 12 - 10				AR	
- 6	186969	. TERMINAL, RING, 0.375 STUD				AR	
- 7	187459	. TERMINAL, LUG, NO 8 STUD, AWG 20				AR	
- 8	205914	. TERMINAL, KNIFE DISCONNECT				AR	
- 9	216208	. CLAMP, CABLE CONNECTOR				AR	
- 10	216209	. SUPPORT, CABLE CONNECTOR CARD				AR	
- 11	216210	. SPACER, CABLE CONNECTOR				AR	
- 12	216265	. TERMINAL, SLIP-CN				AR	
- 13	236915	. TERMINAL, SLIP-CN, AWG 20 - 18				AR	
- 14	236916	. TERMINAL, CONTACT, FEMALE, AWG 24 - 22				AR	
- 15	253740	. TERMINAL, RING, NO 6 HOLE, AWG 12 - 10				AR	
- 16	257284	. TERMINAL, RING				AR	
- 17	313289	. TERMINAL, RING, 10 STUD				AR	
- 18	322025	. TERMINAL, RING, 0.250 HOLE, AWG 16 - 14				AR	
- 19	334910	. TERMINAL, RING, NC 6 HOLE, AWG 16 - 14				AR	
- 20	334921	. TERMINAL, RING, NO 6 HOLE, AWG 22 - 18				AR	
- 21	334932	. TERMINAL, LUG, INSULATED, AWG 22 - 18				AR	
- 22	335327	. TERMINAL, LUG, SCREW SIZES 8 THRU 10				AR	
- 23	356705	. TERMINAL, RING, PRE-INSULATED				AR	
- 23A	357995	. OUTLET, CONVENIENCE, 3 WIRE GROUNDING				AR	
- 24	359018	. COVER, UTILITY BCX, SINGLE				AR	
- 24A	359695	. TERMINAL, RING, NC 10 HOLE, AWG 16 - 14				AR	
- 25	360370	. TERMINAL, RING, NC 8 HOLE, AWG 16 - 14				AR	
- 26	356594	. SOCKET, AWG 14 OR 16				AR	


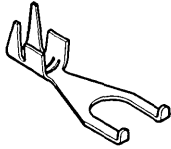
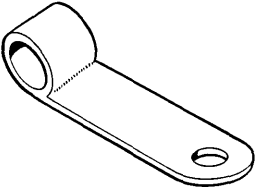
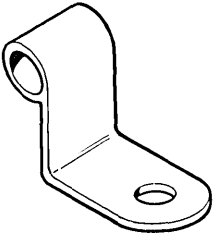
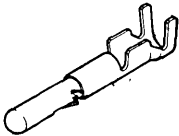
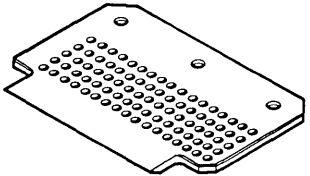
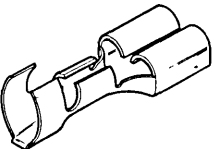

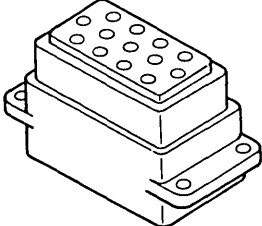
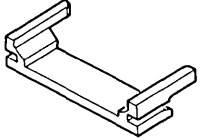
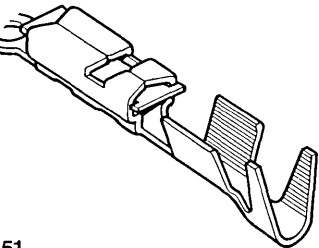
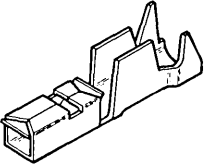
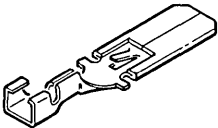
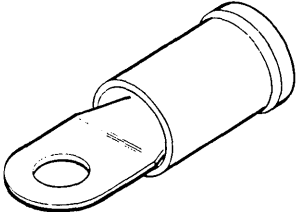
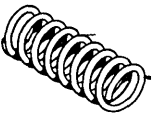
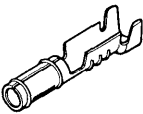
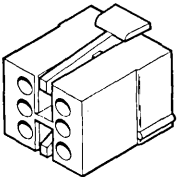
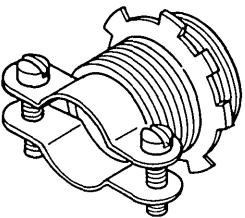
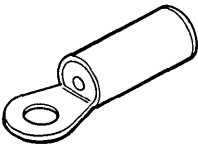
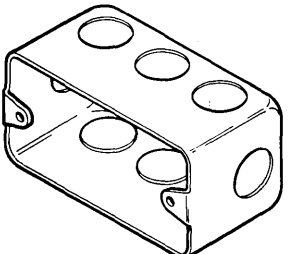
 <p>26A</p>	<p>SIMILAR TO</p> <p>ITEM 14</p> <p>27</p>	 <p>28</p>	<p>SIMILAR TO</p> <p>ITEM 3</p> <p>29 30 31 32 33 34 35 36 37 38 39 40 41</p>
 <p>42</p>	 <p>43</p>	 <p>44</p>	 <p>45</p>
 <p>46</p>	 <p>47 48</p>	 <p>49</p>	 <p>50</p>
 <p>51</p>	 <p>52</p>	 <p>53</p>	 <p>54</p>
 <p>55</p>	<p>SIMILAR TO</p> <p>ITEM 14</p> <p>56</p>	 <p>57</p>	 <p>58</p>
 <p>59</p>	 <p>60</p>	<p>SIMILAR TO</p> <p>ITEM 60</p> <p>61</p>	 <p>62</p>

FIGURE 20. CABLE AND JUMPER ASM COMPONENT PARTS. SHEET 2 OF 7. INDEX NOS. 26A-62. SEE LIST 20.

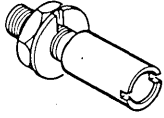
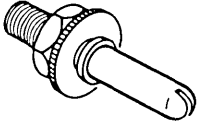
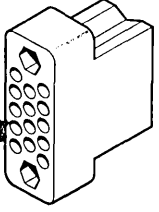
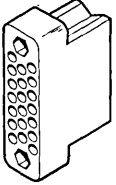
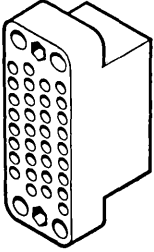
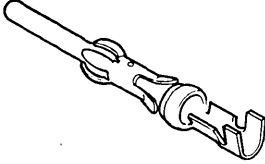
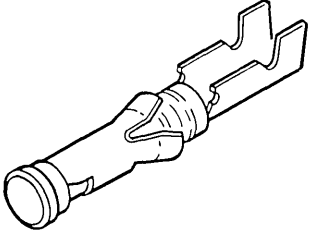
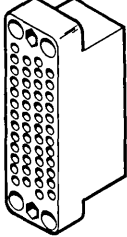
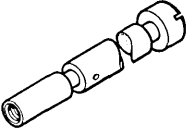
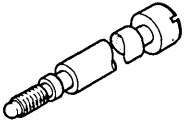
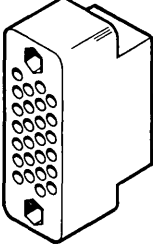
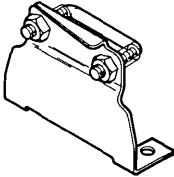
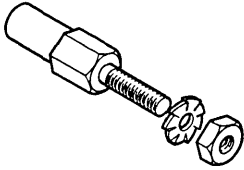
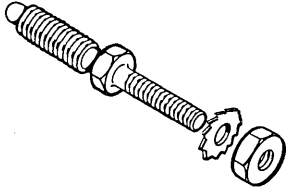
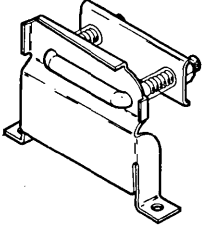
<p>SIMILAR TO ITEM 2</p> <p>63</p>	 <p>64</p>	 <p>65</p>	 <p>66</p>
 <p>67</p>	 <p>68</p>	 <p>69</p>	 <p>70</p>
<p>SIMILAR TO ITEM 69</p> <p>71</p>	<p>SIMILAR TO ITEM 70</p> <p>72</p>	 <p>73</p>	<p>SIMILAR TO ITEM 73</p> <p>74</p>
 <p>75</p>	 <p>76</p>	<p>SIMILAR TO ITEM 64</p> <p>77</p>	<p>SIMILAR TO ITEM 65</p> <p>78</p>
<p>SIMILAR TO ITEM 78</p> <p>79</p>	<p>SIMILAR TO ITEM 64</p> <p>80</p>	 <p>81</p>	<p>SIMILAR TO ITEM 81</p> <p>82</p>
 <p>83</p>	 <p>84</p>	 <p>85</p>	 <p>86</p>

FIGURE 20. CABLE AND JUMPER ASM COMECNENT PARTS. SHEET 3 OF 7. INDEX NOS. 63-86. SEE LIST 20.

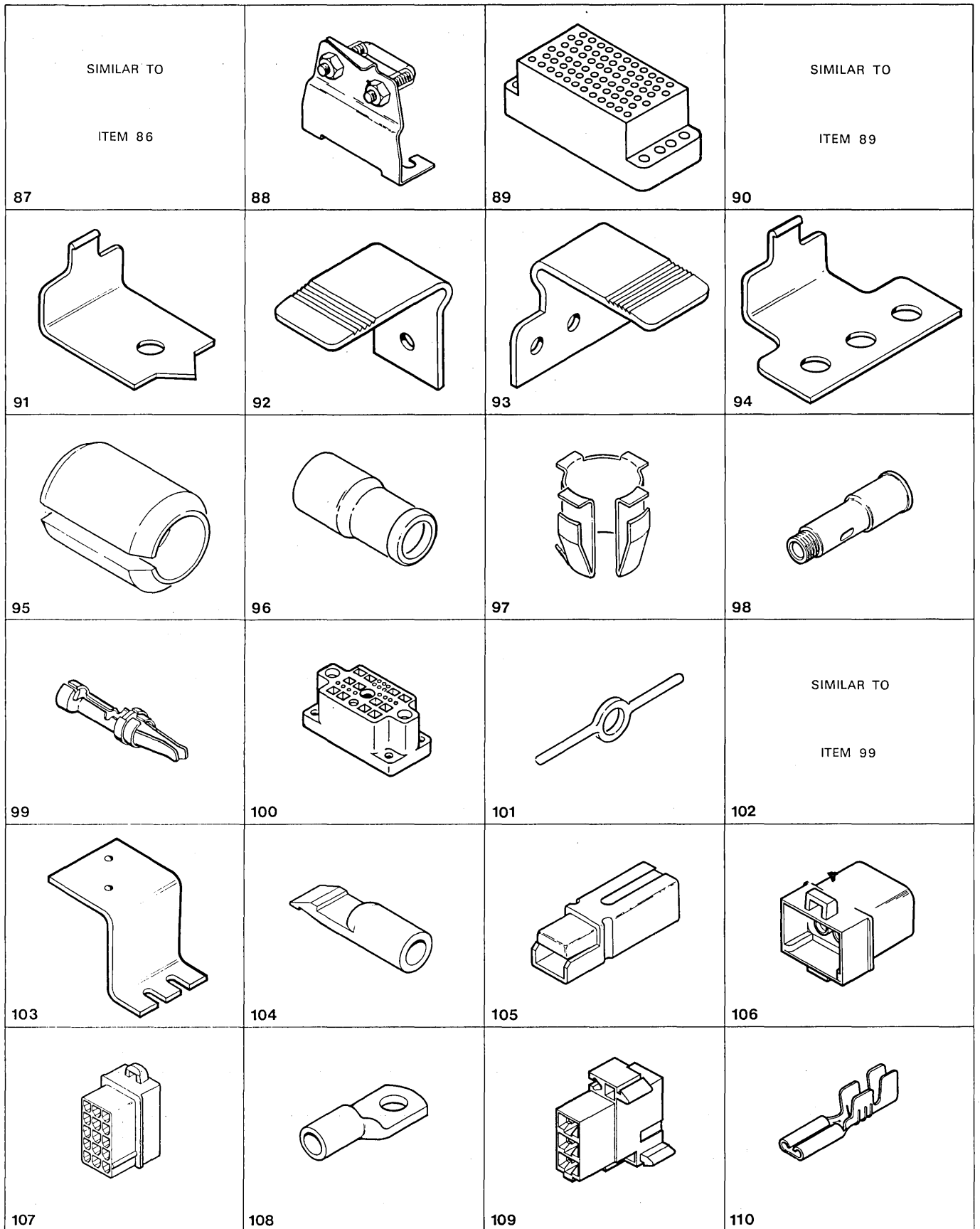


FIGURE 20. CABLE AND JUMPER ASM COMECNENT PARTS. SHEET 4 OF 7. INDEX NOS. 87-110. SEE LIST 20.

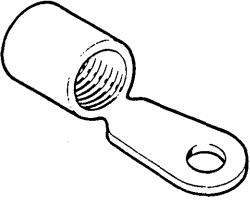
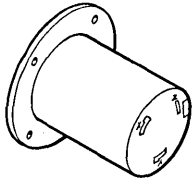

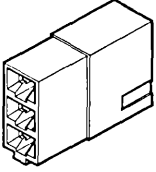
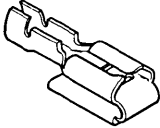
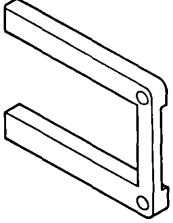
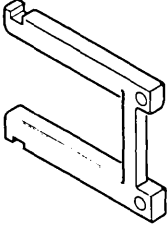
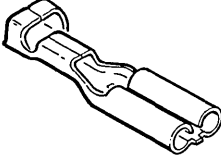
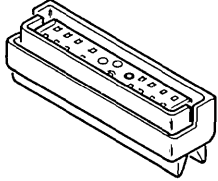
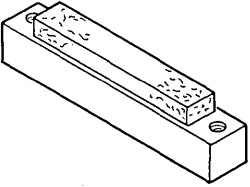
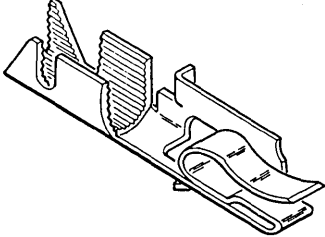
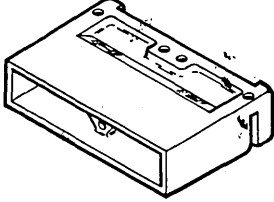
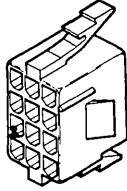
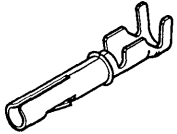
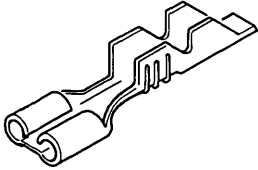
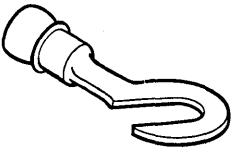
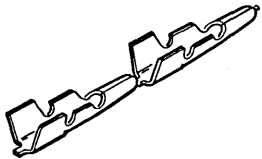
 <p>111</p>	<p>SIMILAR TO ITEM 42</p>	 <p>113</p>	 <p>114</p>
 <p>115</p>	 <p>116</p>	<p>SIMILAR TO ITEM 14</p>	 <p>118</p>
<p>SIMILAR TO ITEM 118</p>	 <p>120</p>	 <p>121</p>	 <p>122</p>
 <p>123</p>	 <p>124</p>	 <p>125</p>	 <p>126</p>
<p>SIMILAR TO ITEM 44</p>	 <p>128</p>	 <p>129</p>	<p>SIMILAR TO ITEM 22</p>
<p>SIMILAR TO ITEM 45</p>	 <p>132</p>	<p>SIMILAR TO ITEM 4</p>	 <p>134</p>

FIGURE 20. CABLE AND JUMPER ASM COMECNET PARTS. SHEET 5 OF 7. INDEX NOS. 111-134. SEE LIST 20.

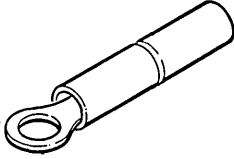
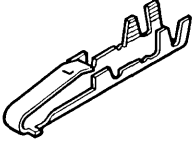
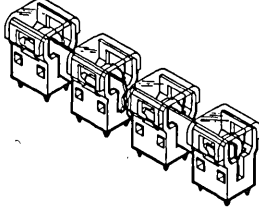
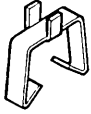
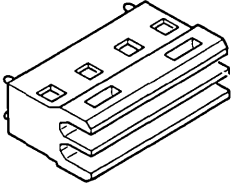
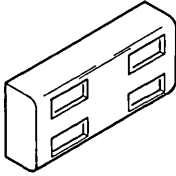
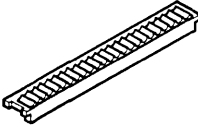
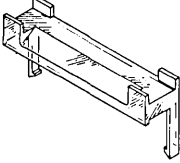
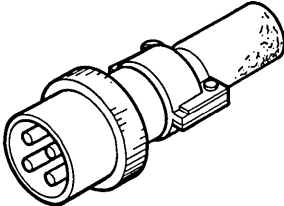
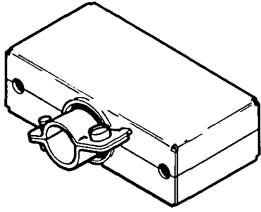
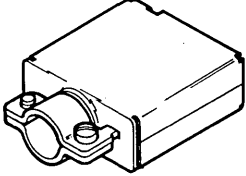
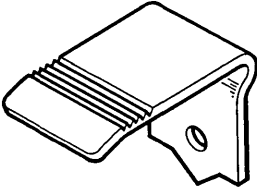
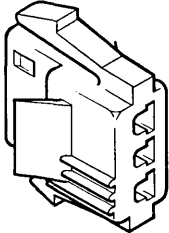
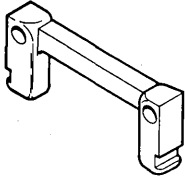
 <p>135</p>	<p>SIMILAR TO</p> <p>ITEM 4</p> <p>136</p>	<p>SIMILAR TO</p> <p>ITEM 134</p> <p>137</p>	<p>SIMILAR TO</p> <p>ITEM 5</p> <p>138</p>
 <p>139</p>	<p>SIMILAR TO</p> <p>ITEM 14</p> <p>140</p>	 <p>141 142</p>	 <p>143</p>
 <p>144</p>	 <p>145</p>	 <p>146</p>	 <p>147</p>
 <p>148</p>	<p>SIMILAR TO</p> <p>ITEM 24A</p> <p>149</p>	<p>SIMILAR TO</p> <p>ITEM 14</p> <p>150</p>	<p>SIMILAR TO</p> <p>ITEM 66</p> <p>151</p>
<p>THIS SPACE HAS BEEN LEFT BLANK INTENTIONALLY</p>	 <p>153</p>	<p>SIMILAR TO</p> <p>ITEM 69</p> <p>154</p>	 <p>155</p>
 <p>156</p>	<p>SIMILAR TO</p> <p>ITEM 47</p> <p>157</p>	 <p>158</p>	 <p>159</p>

FIGURE 20. CABLE AND JUMPER ASM COMPONENT PARTS. SHEET 6 OF 7. INDEX NOS. 135-159. SEE LIST 20.

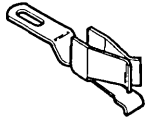
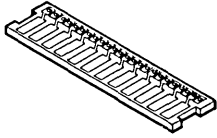
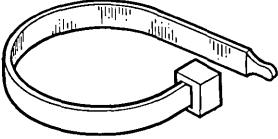
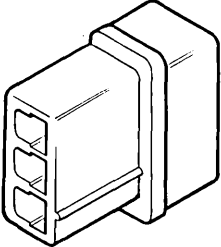
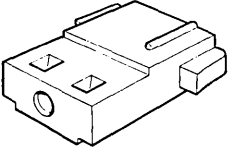
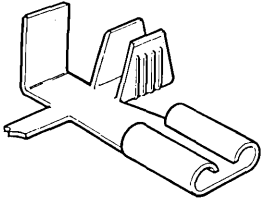
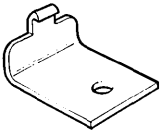
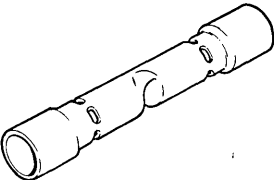
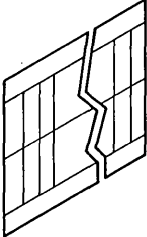
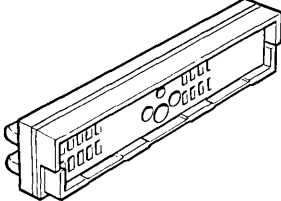
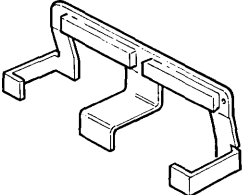
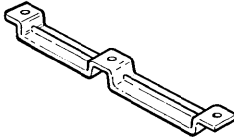
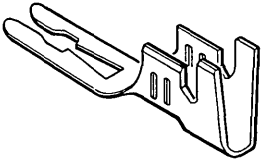
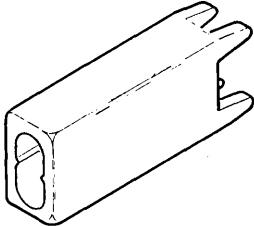
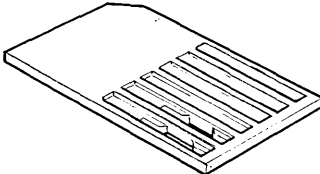
<p>SIMILAR TO ITEM 124</p> <p>160</p>	 <p>161</p>	 <p>162</p>	 <p>163</p>
<p>SIMILAR TO ITEM 128</p> <p>164</p>	 <p>165</p>	<p>SIMILAR TO ITEM 134</p> <p>166</p>	<p>SIMILAR TO ITEM 3</p> <p>167 168 169</p>
 <p>170</p>	<p>SIMILAR TO ITEM 44</p> <p>171</p>	<p>SIMILAR TO ITEM 128</p> <p>172</p>	 <p>173</p>
 <p>174</p>	 <p>175</p>	 <p>176</p>	 <p>177</p>
<p>SIMILAR TO ITEM 177</p> <p>178</p>	 <p>179</p>	 <p>180</p>	<p>SIMILAR TO ITEM 124</p> <p>181</p>
 <p>182</p>	 <p>183</p>	 <p>184</p>	<p>SIMILAR TO ITEM 184</p> <p>185</p>

FIGURE 20. CABLE AND JUMPER ASM COMPONENT PARTS. SHEET 7 OF 7. INDEX NOS. 160-185. SEE LIST 20.

NUMERICAL INDEX

Page of S135-0005-2
Revised February 25, 1977
By TNL: SN24-0790

PART NO.	LIST AND INDEX NO.	PART NO.	LIST AND INDEX NO.	PART NO.	LIST AND INDEX NO.	PART NO.	LIST AND INDEX NO.	
232	16 - 27	10170-CONT	8 - 34	19944-CONT	10 -113	35739-CONT	18 - 73	
	16 - 35			8A- 13		14 -158		18A- 55
367	2 - 14A			8A- 20	22066	9 - 19	36109	9 - 59
	17 -100C			9 - 39		10 - 73		10 - 17
453	17 -253			9 - 54		10A- 30		10 - 21
	17 -261			10 - 95		11A- 10A		10 - 26
2179	9 - 36			11 - 2	22478	1 - 17		16 - 39
	10 - 87			11 - 48		1 - 66		18A- 4
2994	14 -170			11 - 50		1 -119		18A- 13
3550	3A- 16			11A- 21		3A- 12	36844	4 - 21
	4 - 23		12 - 10		4 - 89		10 -103	
	4 - 69B		12 - 17		4 - 93		10 -105	
	4 - 97		12 - 24		4 -113		10 -115A	
	17 -241B		14 - 52A		4 -119		10 -118	
3960	9 - 28		14 - 84A		5 - 38	37913	5 -125A	
	9 - 41		14 - 89A		5 - 42A		7 - 96	
	10 - 97		14 -110		5 -151B		8 - 52	
	14 - 6A		14 -184		7 - 37C		17 -197	
	18 - 59		14 -212		7 - 54		18 - 33	
	18A- 7		14 -236A		17 -123	38051	5 - 90	
	18A- 16		14 -261		17 -128		5 - 95	
	18A- 44		14 -310		17 -141		5 - 99	
4636	5 -162		14 -349	25282	4 - 52		5 -108	
5528	6 - 44		14 -355	25627	7 - 53		5 -127	
	10A- 22		14 -361		10 - 91		6 - 6	
	10A- 43				10A- 32	38092	18A- 51	
	14 -305		14 -382		10A- 35		18A- 67	
	14 -331		16 - 23A		17 -122	38235	5 - 80	
	14 -344		17 - 68		17 -142		5 -101	
5677	7 - 30		17 - 79A		17 -219		6 - 42	
	10A- 40		17 - 84A	28413	4 - 25		7 - 11	
6364	5 - 81		17 -114		9 - 21A		7 - 49	
	5 - 91		17 -120		9 - 22A		7 - 73	
	5 - 96		17 -126		10 - 77		7 - 75	
	5 -100		17 -126		10 - 79		7 - 77	
	5 -109		17 -154		11A- 24		7 - 91	
	5 -128		17 -160A		11A- 26		8A- 22	
	5 -179		17 -161A	32042	1 - 23		8A- 34	
	13C- 10		17 -204A		1 - 57		13D- 17	
	13C- 18		17 -209A		1 - 72		17 -163B	
	13D- 18		17 -213A		1 -107		18 - 25	
6907	2 - 7		17 -214A		1 -131	38264	12 - 31	
6935	4 - 22		17 -215A		3C- 27	38348	12 - 33	
	17 -250				3C- 32		12 - 35	
	18A- 8		17 -278		18A- 2	38354	14 -204A	
	18A- 17		18 - 11		18A- 11		14 -238A	
8163	3A-19A		18 - 89	32617	1 - 22A			
	17 -251		18A- 20		1 - 71A		17 - 83	
	17 -259		18A- 22		5 -174		17 - 88	
	18 - 87		18A- 64		1 - 16		17 -118	
	18A- 65	10180	17 -162A	34512	1 - 20		17 -212A	
9092	14 -277	10309	3A-195		1 - 48		17 -282	
	14 -325		17 -252		1 - 65		18 - 15	
	16 - 28		18 - 88		1 - 69	38363	14 -194	
	16 - 36		18A- 52		1 - 98	38383	3A- 84	
	18 - 54		18A- 66		1 -118	38442	2 -134	
10009	1A - 21		18A- 68		1 -122		8A- 26	
10170	2 - 85A	11598	5 -140		1 -127	38443	8 - 8	
	3A-116A		14 -193		3C- 16		8 - 32	
	3C- 4A		14 -195		4 - 91		8A- 41	
	3C- 5A		14 -224		5 -119A		8A- 43	
	3D- 49A		14 -272		5 -135		8A- 53	
	4 - 72A		14 -276			38686	9 - 48	
	4 - 85		14 -282		9 - 46		9 - 51	
	5 - 29		14 -321		10 -109		18 - 77	
	5 - 32		14 -324		10 -111	45690	1 - 25A	
	5 - 37		17 - 70		10 -116A		1 - 74A	
	5 - 50		17 - 76		11 - 13		5 -141A	
	5 - 77		17 -100A		18A- 30		7 - 33	
	5 - 97		18 - 53	35739	5 -104		8A- 19A	
	5 -106	11891	3C- 11		7 - 23		10 - 84	
	5 -180	18272	18 - 83		13C- 3		14 -223	
	7 - 80	19852	2 - 70		13C- 16		14 -275	
	7 -107	19944	3A- 11		13D- 3		14 -278	
	7 -109		4 -112		13D- 16		14 -323	
	7 -111		4 -118		14 - 91B		14 -326	
							17 - 76B	

FOR PARTS NOT LOCATED, SEE SUPPLEMENTAL NUMERICAL INDEX PAGE X-13

PART NO.	LIST AND INDEX NO.	PART NO.	LIST AND INDEX NO.	PART NO.	LIST AND INDEX NO.	PART NO.	LIST AND INDEX NO.
45690-CONT	18 - 55	56722-CONT	6 - 26	76574-CONT	18 - 78	186924-CONT	7 - 56
48594	14 - 69		6 - 29		18A- 5		7 - 58
	14 -137		6 - 34		18A- 14	186938	1 -174
	14 -409		6 - 41		18A- 45	186945	14 -376
55726	1 - 37		6 - 61		18A- 47	186961	20 - 4
	1 - 87		8 - 19A	79743	17 -185	186962	20 -133
	6 - 33		11 - 47	80651	4 - 43A	186968	20 - 5
	6 - 60		11 - 51		18 - 70	186969	20 - 6
	7 - 46		11A- 22		18 - 75	187243	20 -134
	8 - 19		13C- 4		18A- 36	187459	20 - 7
	8A- 9		13C- 6		18A- 59	192049	4 - 45
	14 -285		13C- 11		18A- 70	194355	2 - 76
	14 -294		13C- 16A	80652	18 - 76	198981	5 -156
	14 -333		13D- 4		18A- 57	205855	4 - 84
	14 -335		13D- 6	81693	3C- 6	205914	20 - 8
	14 -336		13D- 10		5 -110	208529	7 - 47
	14 -338		13D- 16A		5 -160	208959	17 -201
	14 -377		17 -162B		10A- 16	209486	20 -173
	17 -133		17 -225B		13C- 9	210474	17 -166
55901	3C- 20		18 - 26		17 -274	210883	5 - 92
	3C- 24	57100	14 -161	82353	17 -115		9 - 57
	4 - 88	58207	1 - 28	90261	16 - 37		11 - 37
	4 - 92		1 - 77	91514	4 - 94		11A- 17
	5 -133		3D- 47A	91610	2 -143		12 - 13
	5 -136		4 - 76		2 -149		14 -111
			4 - 77A	92748	20 - 1		14 -204
	5 -150		4 - 87	92784	20 - 2		14 -215
	5 -155C		5 -120A	100366	18 - 37		14 -238B
	5 -165		5 -132	104698	7 - 50A		14 -264
	5 -167D		5 -149	111255	14 -125		14 -313
	5 -169		5 -152A	123070	15 - 49		14 -358
	5 -171		5 -164		17 -169		14 -364
	5 -183		6 - 54	123074	5 -122		
	5 -186		8 - 4	126036	10 - 10		14 -383
	6 - 37		8 - 6	127324	17 -241		17 - 82
	6 - 55		10 - 4	130987	18 - 84		17 - 87
	6 - 74		10 - 6	132767	8 - 46		17 -117
	7 - 10		10 - 89	149695	3A-227A		17 -212
	10 - 52		10 -117	149911	1 -162		17 -281
	14 -247C		17 -110	150209	2 - 72A		18 - 14
	15 - 4		17 -156	159373	15 - 46		18A- 26
	18A- 31		18 - 4		17 -186	215679	15 - 48
55918	14 -283		18 - 48	160017	17 -241A	215680	15 - 47
	18 - 52		18 - 50		17 -249	216076	17 -151
56079	3A- 84A	58297	5 -151A		17 -258	216083	12 - 36
	3C- 10	59647	17 -239	161351	1 -163	216085	12 - 38
	3C- 14	60646	1 - 30		1 -175	216091	12 - 30
	5 -141		1 - 79	169698	18 - 43	216128	8 - 51
	5 -175		3D- 48	179743	5 - 65	216206	17 -149
	7 - 31		6 - 45		5 - 69	216208	20 - 9
	9 - 31		13A- 4		5 - 71	216209	20 - 10
	14 -226		13B- 4		5 - 73	216210	20 - 11
	14 -273		14 -291A		5 - 75	216226	3D- 25A
	14 -279		17 -105		15 - 45	216265	20 - 12
	14 -322	61486	2 - 79	179946	14 -124	216885	3A- 83
	14 -327	62031	3C- 6A		17 -188	220929	8A- 61
	17 -100B		6 - 13	186036	2 - 49A	221517	14 -286
	18A- 3		6 - 21	186596	20 - 3	221790	14 -291
	18A- 12		10A- 15	186759	5 - 83		18 - 2
56121	3C- 28		17 - 39C		5 -155B	222553	17 -226
	14 -171		17 -134		5 -167C	228307	4 -100
	17 - 71		17 -160B		5 -168A	232398	14 -415
	17 - 76A		17 -161B		5 -172	236550	2 - 72
56722	1 - 39	65756	16 - 38		5 -185		15 - 53
	1 - 89		16 - 40		9 - 43		17 -194
	3C- 17	67873	4 - 18		9 - 69	236849	18A- 42
	5 - 30	72828	17 -139		10 - 2	236915	20 - 13
	5 - 34	76574	3A- 17		10 - 99	236916	20 - 14
	5 - 39A		9 - 49		10 -101	237455	12 - 39
	5 - 42		9 - 52		10A- 2		14 -153
	5 - 45A		9 - 60		13C- 17	237872	14 -423
	5 - 48		10 -104		18 - 8	251015	8 - 17
	5 - 51		10 -106		18 - 44		8A- 51
	6 - 4		10 -115B	186923	7 - 87	253220	2 - 87
	6 - 7		10 -119	186924	7 - 36	253453	20 -135
	6 - 16		18 - 60		7 - 39	253740	20 - 15

FOR PARTS NOT LOCATED, SEE SUPPLEMENTAL NUMERICAL INDEX PAGE X-13

PART NO.	LIST AND INDEX NO.	PART NO.	LIST AND INDEX NO.	PART NO.	LIST AND INDEX NO.	PART NO.	LIST AND INDEX NO.
255939	2 - 31	257986-CONT	7 - 81	322572	17 -260	356705	20 - 23
	2 - 33		8A- 16	322590	14 -120	357280	7 - 84
	9 - 27		8A- 23	322739	14 -337	357820	7 - 2
	9 - 40		8A- 28	322766	10 - 11		15 - 23
	10 - 96		8A- 37	323490	3D- 25	357995	2 - 78
	14 - 6		9 - 5A	323681	17 -211		20 - 23A
257187	3C- 7		10A- 17		17 -280	358542	5 -129
	3C- 19	260537	11 - 49	323836	9 - 55	359018	20 - 24
	5 - 33	260622	3B- 56		10 - '8	359695	20 - 24A
	5 - 39	283003	14 -350			360370	20 - 25
	5 - 41	300607	10A- 33	323837	12 - 11	360433	20 -166
	5 - 45		10A- 36		14 -237	361536	14 -390
	5 - 47	302090	7 - 20	323838	2 -105	361537	12 - 23
	5 -158		7 - 99		18A- 23	362193	14 -357
	6 - 3		8 - 53	323841	17 -210	362206	14 -281
	6 - 12		8A- 30		17 -279		14 -329
	6 - 15	302131	8A- 31	323842	17 - 80		17 - 92A
	6 - 20			327922	3A-102	364156	8 - 24
	6 - 25	306855	14 -225		17 -121		8A- 56
	6 - 28	308789	5 -154		17 -125	365323	2 - 88
	6 - 40	313289	20 - 17		17 -125	366433	1 - 59
	8A- 27	313649	9 - 68		17 -213		1 -109
	8A- 36	316807	17 - 39A	331869	14 -138		1 -133
	10A- 14	316996	17 - 72	332620	3C- 9	367115	14 -201
	11 - 46	317131	14 -202		3C- 13	368594	20 - 26
	13C- 7		14 -213		4 - 30	369208	5 -121
	13C- 19		14 -362		7 - 34A		5 -138
	13D- 7	317138	12 - 15		9 - 33	369649	17 -246
	13D- 11	317145	14 -356		9 - 66A	370841	17 -137
	13D- 19	317173	2 -200		10 - 32		
	17 - 39B	317227	2 -162		10 - 85	372688	5 -126
	17 -225	317304	14 -187	332628	14 - 86	375385	17 -135
257188	1 - 29		14 -191	332747	4 - 67A	418835	2 - 78
	1 - 78	317310	5 - 88		4 - 80		20 - 26A
257189	3C- 23		5 -102		4 - 83		20 - 27
	5 - 84	317357	14 -188		4 -116	430799	
	5 -137	317450	14 - 90		4 -122	438538	8A- 24
	5 -155A	317485	17 - 85		7 - 79	438541	7 - 4
	5 -167E		18 - 12	334910	20 - 19	438542	7 - 61
	5 -170	320451	2 -104	334921	14 -186	438548	2 -195
	6 - 36	320456	14 -284		14 -190		4 -124
	7 - 9		14 -332		20 - 20		5 -154A
	7 - 37A	320610	14 -192	334932	20 - 21		7 - 7
	7 -101	322025	20 - 18	335327	3A- 55		7 - 66
	10 - 51	322029	4 - 69A		20 - 22		17 -145
	14 -287		4 - 96	337193	14 -109		18 - 17
	14 -330		18 - 61		14 -183		18 - 23
	17 -124		18 - 80		14 -211		18 - 29
	17 -127		18A- 6		14 -360	438549	8 - 55
	17 -219A		18A- 15	337334	17 -221		8A- 15
257284	20 - 16		18A- 46	338169	7 - 97		18 - 38
257700	6 - 2	322034	3A- 15		14 - 69A	438550	5 -125
257701	6 - 67		4 - 96		17 -146		7 - 21
	14 - 19A	322061	2 - 68		17 -198		7 - 44
	15 - 1A	322065	13C- 5	338238	15 - 37		7 -100
257965	5 -116B		13D- 5		15 - 42		8A- 32
257969	8 - 10		13D- 9	338327	2 - 98	438551	14 -406
	8 - 21		14 -353		14 -135		7 - 63
	8A- 45		18 - 63	350830	14 -165		7 - 98
	8A- 55		18A- 28	350839	18 - 45	438558	18 - 19
257971	5 - 54A		18A- 48	350965	16 - 23	438560	2 -193
257982	4 - 9	322266	14 -203		17 -204	438566	18A- 38
	6 - 23		14 -363	350966	14 -260	438567	7 - 94
257983	18 - 57	322282	14 -214		14 -309	438573	8A- 29
	18 - 67	322550	5 - 93	350977	14 -354		8A- 38
	19 - 41A		7 - 26		14 -381	438582	14 -289
257984	18 - 34		10 - 9	351540	18 - 64	438587	5 -182
257985	5 -125B		10 - 12		18A- 49		16 - 4
	14 -405		14 -265	352784	2 - 86	438588	16 - 6
	14 -407		14 -270	352826	17 - 79	438589	7 -105
257986	1 - 38		14 -314	352827	17 -209		10 - 44
	1 - 88		14 -319		17 -277	438601	10A- 5
	3C- 4B		18A- 25	353734	12 - 37		9 - 32
	3C- 5B	322551	5 -130	353771	3D- 14	438622	10 - 83
	4 - 43B		9 - 76		3D- 19	438623	17 -234
	5 -159	322552	7 - 68	355369	7 - 71		18A- 9
							18A- 18

FOR PARTS NOT LOCATED, SEE SUPPLEMENTAL NUMERICAL INDEX PAGE X-13

PART NO.	LIST AND INDEX NO.	PART NO.	LIST AND INDEX NO.	PART NO.	LIST AND INDEX NO.	PART NO.	LIST AND INDEX NO.
438894	14 -348	523269-CONT	14 -403	719439	5 - 57	815151-CONT	10 - 14
440487	16 - 60	524854	14 -218	719551	5 - 59		10 - 25
442585	20 -136	526378	14 -217	725348	5 - 64		10 - 30
442688	14 -218		14 -389		5 - 74		10 - 33
442959	14 -288	526522	14 -131	725703	5 - 58	815933	20 - 51
471672	11 - 17	527916	17 - 86	725791	5 - 56	815934	20 - 52
	17 - 10A		18 - 13	730432	2 -158A	816696	18A- 35
472187	3D- 59	529691	17 -243		14 -254	816744	9 - 66
472611	14 -292	532393	3A- 46		14 -256		10 - 31
472729	8 - 27		3A- 81		14 -258	816883	20 -182
473218	14 - 22		3A- 88		16 - 63	817388	9 - 12
473442	15 - 20		3A-130	730483	17 -264	817393	9 - 13
	17 - 50		3A-150	731058	20 -140	817394	9 - 14
475465	13A- 6		3A-155	731626	9 - 5	817395	9 - 16
	13B- 6		3A-173		9 - 9	817398	9 - 10
479760	14 -262		3A-178		10 - 54A	817771	20 -183
	14 -311		3A-181		10 - 55A	817972	20 -146
479999	5 -116C		3A-184	734879	15 - 44	818268	20 -184
480755	10A- 18		3A-191	737901	5 - 70	818556	20 -147
	10A- 20		3A-232	738826	5 - 68	818579	9 - 11
	18A- 40		3B- 25		5 - 72		10 - 65
482188	5 -116A		3C- 15	740473	5 - 98	818632	10 - 56
482191	5 -116		3C- 18	740503	5 - 82	818633	10 - 59
482201	5 - 20		3C- 26	740513	5 -107	818634	10 - 60
482219	5 -117		3D- 49	740554	5 - 89	818686	20 -185
483651	20 - 28		14 -159		5 -103	818831	9 - 74
483657	20 -137		15 - 19A	740561	5 - 98	818917	9 - 74A
483672	20 -167		15 - 59	740608	5 - 82	818959	10 - 57
483673	20 -168		17 - 18	744229	4 - 8	818960	10 - 58
483674	20 - 29	533289	3A-108	749033	5 - 5	819012	9 - 1
483675	20 -169		3C- 4	749467	17 -242		10 - 54
483676	20 - 30		3C- 31	760303	11 - 14		11 - 1
483677	20 - 31	533360	17 -113	761386	3D- 15	819074	10 - 67
483678	20 - 32	533371	17 - 74		3D- 18	819075	10 - 70
483679	20 - 33	533372	14 -196	766330	5 -118	819076	10 - 69
483681	20 - 34		17 - 73	806556	12 - 40	819431	9 - 4
483682	20 - 35	535082	20 - 47	810751	5 -119		10 - 55
483683	20 - 36	535084	20 - 48	811090	17 -109		11 - 3
483685	20 - 37	535273	20 -138	811417	17 -107		5 - 9
483686	20 - 38	535292	14 - 52	811426	9 - 72	824467	5 - 8
483687	20 - 39	535417	14 - 84		9 - 75	824469	5 - 8
483689	20 - 40	535632	1A - 1		9 - 81	824471	5 - 18
483690	20 - 41	535694	3D- 44		10 -121	824476	5 - 1
483757	5 - 17	538812	11 - 35		10 -128	824477	5 - 3
483760	20 - 42		11A- 15		10A- 21	824478	5 - 4
483761	20 - 43		12 - 18		10A- 42	824560	5 - 3
483867	5 - 11	550578	2 -104A	811427	17 -152	824561	5 - 18
	5 - 12	553380	5 - 63	811742	9 - 80	824562	5 - 4
	5 - 14	555412	3A-211	811802	15 - 11	824569	5 - 1
	5 - 15	555414	3A-210		15 - 13	824581	5 - 10
	5 - 16	555415	8 - 44		15 - 19	824587	5 - 1
483999	20 - 44	556101	20 - 49		20 - 50	824589	5 - 6
491349	20 - 45			811804	15 - 9	824591	5 - 2
504870	14 - 85	587834	2 - 49		15 - 15	825851	15 - 24
505367	17 -196	587866	2 - 49B		15 - 17	827991	20 - 53
507144	17 -227	587874	2 - 50		18 - 6	838166	20 -148
510316	14 -293	587875	2 - 48		18A- 33	839526	20 - 54
	17 -265	589814	17 - 81	811879	11 - 15	845762	1A - 6
510388	14 -154	597097	4 - 72	813179	15 - 22		17 -283
510418	17 -224	598479	14 -198		17 -108	855262	1A - 8
515380	16 - 58		14 -199	813266	20 -141	855264	1A - 9
515620	2 -105A		17 - 69	813267	20 -142	855265	1A - 9
	18A- 24		17 - 75	813329	17 -191	855266	1A - 9
517197	14 -391		17 - 75		18 - 28	855270	1A - 9
518375	17 -276	598700	2 - 51	813451	11 - 26	855271	1A - 9
518578	11A- 11A	609678	20 -139		11A- 7	855272	1A - 9
	14 -255	615583	17 -222		17 -157	855282	1A - 17
	17 - 94	620240	17 -116	813452	11 - 24	855283	1A - 16
	17 -143	620629	17 -199		11A- 4	855284	1A - 5
520908	14 -200	626098	3C- 8		17 -159	855286	1A - 7
521695	17 -262	631810	18 - 42	813681	20 -143	857438	10 - 18
522550	9 - 58	634786	9 - 61	813769	12 - 41		10 - 22
522850	12 - 25		10 - 19	813801	20 -144		10 - 27
523267	20 - 46		10 - 23	813802	20 -145		14 - 63
523269	14 -127		10 - 28	815039	9 - 78	950550	8A- 3B
	14 -151	719117	5 - 2	815151	9 - 62	1073418	5 - 85
						1090873	5 -119B

PART NO.	LIST AND INDEX NO.	PART NO.	LIST AND INDEX NO.	PART NO.	LIST AND INDEX NO.	PART NO.	LIST AND INDEX NO.
1090873-CONT	7 - 37B	1993470-CONT	16 - 34	2127853	20 - 88	2280281	7 - 88
	10 - 92	1993480		2127854	20 - 89	2280290	7 - 37
1091173	8 - 49		16 - 33	2127855	20 - 90	2280297	7 - 90
1092125	18 - 7A	1993530	13B- 1	2127859	20 -153	2280298	7 - 35
1105806	20 - 55	1993535	10 - 76		20 -155	2280299	7 - 25
1124740	6 - 18		13A- REF	2127867	20 -154	2280308	7 - 62
1127037	20 - 56	1993536	10 - 76	2127984	20 -156	2280309	7 - 64
1127733	5 - 87		13B- REF	2127985	20 - 91		7 - 69
	11 - 34	1993581	9 - 21	2127986	20 - 92	2280311	7 - 78
	11A- 14	1993582	11A- 23	2127987	20 -174	2280312	7 - 86
1142791	14 -418	1993692	4 - 73	2127988	20 - 93	2280314	7 - 65
1142822	20 - 57	1993696	4 - 24	2127989	20 - 94	2280315	7 - 82
1143060	14 -219	1993697	4 - 29	2128748	14 -102	2280317	7 - 60
1144248	1 - 31	1993802	16 - 21		14 -206	2280328	7 - 12
	1 - 40	1993803	16 - 22	2129550	9 - 73		7 - 51
	1 - 81	1993806	14 -384		9 - 82	2280352	7 - 6
	1 - 90	1993822	9 - 22		10 -122	2280365	7 - 85
1149260	20 -170	1994488	9 - 21B		10 -124	2280380	7 - 67
1159913	20 -163		11A- 23A		10 -127	2280390	7 - 43
1160977	20 - 58		13A- 7		10A- 25	2280410	7 - 14
1161453	4 -109		13B- 7	2130253	17 -187	2280440	7 - 52
1161455	4 -104	1994823	1A - 14	2130294	4 -108	2280452	7 - 8
1161456	4 -103	1994833	2 -129	2145026	14 -414	2280525	7 - 3
1166114	20 -171	1994960	13A- 1	2145170	20 -157	2280578	7 - 29
1166115	20 -164	2086875	14 -169	2154330	7 - 59	2280585	7 - 76
1166117	20 -165	2100264	20 - 59	2162458	12 - 12	2280612	7 - 48
1202192	8 - 9	2101326	20 - 60	2163845	18 - 56	2280624	7 - 13
	8 - 20	2101327	20 - 61		18 - 66	2280664	7 - 32
	8A- 44	2101337	17 -205	2173181	5 - 7	2280702	7 - 25
	8A- 54	2101357	17 -206	2175684	6 - 63	2280706	7 - 17
1573500	9 - 21	2101492	20 -149	2176073	5 - 7	2280707	7 - 19
1573502	10 - 76	2102151	20 - 62	2180664	20 - 95	2280709	7 - 57
1573513	9 - 21B	2102365	17 -215	2180665	20 - 96	2280710	7 -106
	10 - 76A	2102366	3C- 5	2180666	20 - 97		7 -108
1574800	9 - 21		3D- 47	2180667	20 - 98	2280711	7 - 18
1574802	10 - 76		17 -214	2180671	20 - 99	2280721	7 - 70
1607258	17 -165A	2102370	17 - 93	2180672	20 -100	2280770	6 - 56
1797462	13A- 5	2111232	3C- 30	2180796	20 -101		7 - REF
1797463	13B- 5		14 -417	2180969	3D- 2		
1797541	2 -129		15 - 26		3D- 53		
1803084	2 -129		15 - 62	2181005	9 - 17	2280771	6 - 56
1812650	14 -241		17 -200		10 - 71		7 - REF
1812735	3B- 13	2114849	20 - 63	2181007	11A- 5		
1981182	2 - 44	2114985	14 -404		11A- 8		
1985649	4 - 66	2122016	20 -150	2181088	9 - 18	2280778	7 - 5
	4 - 78	2122039	8 - 38		9 - 20	2280781	7 - 1
	4 - 81		8A- 5		10 -114	2281128	20 -104
	4 -114	2122041	8 - 39		10A- 12	2281129	20 -105
	4 -120		8A- 7		11 - 43	2282675	3A- 41D
1985650	4 - 67	2122202	20 - 64		11A- 10		3A- 41E
	4 - 79	2122203	20 - 65	2181674	3C- 25	2361518	18 - 1
	4 - 82	2122214	20 - 66	2184150	17 -184	2361524	18 - 20
	4 -115	2122215	20 -151	2192503	20 -102	2391121	4 - 13
	4 -121	2122254	20 - 67	2198205	12 - 26		8 - 37
1985653	4 - 77	2122256	20 - 68	2198208	11 - 36		8A- 4
1985654	4 - 90	2122258	20 - 69		11A- 16	2391345	18 - 30
1985661	4 - 75	2122259	20 - 70	2218599	12 - 19	2395852	18 - 82
1985663	4 -111	2122260	20 - 71	2218670	14 -244		18A- 60
1993047	2 - 6	2122261	20 - 72	2229542	20 -103	2426171	3B- 40
1993073	9 - 42	2122471	20 - 73	2229542	14 -243		14 -126
	10 - 98	2122472	20 - 74	2232040	20 -158	2426172	20 -106
1993102	10 - 78	2122628	20 - 75	2274833	7 - 93	2457745	9 - 15
1993161	14 - 43	2122629	20 - 76	2278002	7 - 27		10 - 68
	14 - 44	2122636	20 - 77	2278072	7 -110		10 - 72
1993236	4 - 86	2122637	20 - 78	2278073	7 -103		10A- 29
1993244	4 - 41A	2122639	7 - 74	2278074	7 -102	2481659	14 -268
	4 - 71	2122734	20 - 79		7 -104	2481664	14 -266
1993247	4 - 95	2122735	20 - 80	2278090	7 - 95		14 -315
1993268	4 - 65	2122837	20 - 81	2278102	7 - 16	2481665	14 -269
	4 - 74	2122838	20 - 82	2278107	7 - 83		14 -318
	4 -117	2122839	20 - 83	2278185	7 - 55	2481669	14 -267
1993270	4 - 70	2123028	20 - 84	2280248	7 -112		14 -317
1993311	4 - 98	2123029	20 - 85	2280249	7 - 50	2481674	14 -312
1993322	11A- 25	2123033	20 - 86	2280257	7 - 34	2481675	14 -263
1993390	16 - 31	2123034	20 - 87	2280266	7 - 28	2481677	17 -272
1993460	16 - 32	2123141	7 - 15	2280274	7 - 38		17 -275
1993465	2 -132	2125898	14 -352				
			17 -207				

FOR PARTS NOT LOCATED, SEE SUPPLEMENTAL NUMERICAL INDEX PAGE X-13

PART NO.	LIST AND INDEX NO.	PART NO.	LIST AND INDEX NO.	PART NO.	LIST AND INDEX NO.	PART NO.	LIST AND INDEX NO.
2575292-CONT	3A-206	2598369	5 -111	2598501-CONT	3D- 40	2598769-CONT	2 -167
	4 - 33		5 -115	2598502	3A- 7	2598771	12 - 4
	14 - 67	2598372	5 - 66		3D- 41	2598774	14 - 61
	16 - 24A	2598373	5 -105	2598504	3A- 27	2598775	2 - REF
	19 - 2X	2598375	2 -114		3A- 67		
	19 - 4X	2598376	2 -115	2598515	9 - 92		
	19 - 7	2598384	5 - 67	2598516	10 -134	2598776	1 - 13
	19 - 9X	2598385	14 -400	2598565	16 - 1	2598777	1 - 12
	19 - 46X	2598390	12 - 42	2598569	9 - 25	2598779	3A- 95
2575293	19 - 48X	2598393	19 - 5	2598570	10 -100		3A-154
	2 - 70B	2598394	19 - 1	2598573	14 -245		3A-219
	4 - 34	2598395	2 - 20		15 - REF		3A-258
	4 - 64C		2 - 21	2598574	15 - 63	2598785	1 -128
	14 - 92B	2598396	10 -115	2598575	15 - 6	2598786	1 -128
	14 -114	2598397	9 - 47	2598576	5 -123	2598787	1 -128
	14 -380	2598398	9 - 50		15 - 52	2598788	1 -128
	14 -386	2598399	10 -102		17 -192	2598789	1 -128
2575294	2 - 32	2598400	19 - 8	2598577	15 - 54	2598790	1 - 11
	2 - 34	2598401	19 - 3		15 - 56	2598791	1 - 11
	2 - 70A	2598403	16 - 64	2598583	19 - 42	2598792	1 - 11
	3A-205	2598404	12 - 6	2598584	19 - 53	2598793	1 - 11
	3A-209	2598405	16 - 44		19 - 57	2598794	1 - 11
	16 - 24	2598406	11 - 22	2598585	19 - 49	2598795	1 - 11
2575295	1 - 55		11A- 2		19 - 55	2598796	1 - 11
	1 - 61	2598407	11 - 22A		19 - 59	2598797	1 - 11
	1 -105		11A- 31	2598586	19 - 26	2598798	1 - 11
	1 -111	2598408	11 - 20		19 - 30	2598799	1 - 11
	1 -140	2598413	2 - 21	2598587	19 - 24	2598855	1 -161
	1 -142	2598417	19 - 51		19 - 28	2598856	1 - 4
	1 -144	2598425	19 - 63	2598588	2 -166		1 -146
	1 -149	2598426	19 - 34	2598589	10 - 80	2598857	14 - 73
	1 -165	2598427	19 - 36	2598590	9 - 29	2598860	14 - 70
	1 -168	2598428	19 - 32	2598591	9 - 35		14 - 76
	1 -170	2598429	19 - 38		10 - 86		14 -141
	1 -172	2598430	19 - 18	2598592	2 - 46		14 -366
	2 - 17	2598431	19 - 20	2598594	14 -251	2598861	14 -387
	2 -189	2598437	2 - 22	2598597	14 -241	2598862	14 - 62
	2 -213	2598440	19 - 10	2598598	14 -242	2598863	14 - 1
	3A- 47	2598443	19 - 14	2598599	15 - 2	2598864	14 - 59
	3A-103	2598444	1 -150	2598610	14 -246	2598866	14 - 82
	3A-204		2 - 16	2598611	15 - 5	2598879	12 - 14
	3A-233	2598448	19 - 45	2598642	19 - 47	2598882	4 - 44
	3B- 19	2598459	3A- 38	2598643	2 - 18	2598890	3A-270
	3B- 22		3A-106		3A- 92	2598891	3A-271
	3B- 52		3A-259		9 - REF	2598892	3B- 3
	3B- 57		3A-295	2598644	2 - 19	2598897	11 - 40
	4 - 57A	2598463	3A-247		3A- 93		11A- 11
	11 - 30		3A-304		10 - REF	2598901	11 - 33
	14 - 5		3A-307				11A- 13
	14 - 8	2598464	3A- 99	2598645	14 -398		12 - 16
	14 - 11		3A-253	2598647	14 -118	2598906	14 - 49
	14 -100		3A-303	2598648	14 -176	2598908	9 - 64
	14 -103	2598465	3A- 97	2598649	14 -393		10 - 20
	14 -107		3A-251	2598654	3A-290	2598909	9 - 63A
	14 -208		3A-297	2598659	16 - 61		10 - 24
	14 -241A	2598466	3A-127	2598661	4 - 53	2598910	9 - 63
	15 - 19B		3A-166		4 - 60		10 - 29
	15 - 60		3A-235	2598667	17 - 98	2598911	9 - 65
	16 - 43		3A-244	2598694	4 - 43		10 - 13
	16 - 45		3A-299	2598756	1 - 10	2598922	3A-267
	17 - 44A	2598467	3A-128	2598757	1 - 10	2598923	3A-268
	17 -218A		3A-245	2598758	1 - 10	2598924	3A-269
2575804	4 - 68B		3A-296	2598759	1 - 10	2598926	3A-171
2579980	1 - 30A	2598469	3B- 29A	2598760	1 - 10		3B- 8
	1 - 80		15 - 18	2598761	1 - 10	2598927	3B- 28
2580937	14 - 41	2598472	3A- 98	2598762	1 - 10	2598929	3B- 2
	14 - 42		3A-252	2598763	1 - 10	2598930	3B- 5
2596652	2 - 40A		3A-298	2598764	1 - 10		3B- 49
2598300	16 - REF	2598481	16 - 42	2598765	1 - 10	2598932	3A- 42
		2598484	2 - 45		2 - 23		3A-163
2598322	2 -217	2598485	2 -171	2598769	2 - 52A		3A-214
	19 - REF	2598497	12 - 34		2 - 54	2598935	3A- 61
2598364	5 - 49	2598498	12 - 32		2 -116		3A-189
2598366	5 -114	2598500	3A- 62		2 -120	2598936	3A- 49
2598367	5 -113		3B- 14		2 -122		3A-190
2598368	5 -112	2598501	3A- 6		2 -123	2598938	3A- 26

FOR PARTS NOT LOCATED, SEE SUPPLEMENTAL NUMERICAL INDEX PAGE X-13

PART NO.	LIST AND INDEX NO.	PART NO.	LIST AND INDEX NO.	PART NO.	LIST AND INDEX NO.	PART NO.	LIST AND INDEX NO.
2598938-CONT	3A- 68	2599182	2 - 60	2600832-CONT	14 -102A	2601523	2 - 13
	3B- 7	2599186	15 - 50		14 -207	2601525	8 - 38A
	3B- 15	2599191	14 -106		14 -369		8A- 6
2598939	16 - 54	2599192	14 - 88	2600838	11 - 52	2601526	8 - 35
2598940	16 - 54	2599193	14 -140	2600840	3A- 23	2601529	8 - 16
2598941	3A- 30	2599194	3B- 56		3A- 69	2601530	8 - 25
	3A-176	2599195	3B- 55	2600842	3A- 24	2601531	5 -155
	3B- 30		3B- 56		3A- 67	2601532	5 - 46
	3B- 37	2599197	1 -164	2600845	3A- 21	2601534	8 - 15
2598944	14 - 3A	2599198	14 - 23		3A- 68	2601535	8 - 23
2598947	3A-288	2599199	14 -167		3B- 35	2601538	8 - 30
	3A-289	2599201	1 - 60	2600846	11 - 5		8A- 39
	3D- 34A		1 -110		11 - 8	2601540	5 -163
	9 - 67	2599205	2 - 35		11A- 27	2601541	8 - 33
2598953	3B- 1	2599206	3A- 91	2600847	2 - 28	2601542	5 -151
	3B- 31		3A-275	2600848	2 - 53	2601547	2 - 8
2598955	3A- 41	2599211	2 - 25	2600849	2 - 52	2601548	5 - 55
	3A-161	2599218	20 -109	2600854	2 -210		5 -188
	3A-215	2599242	3A- REF		11 - REF	2601558	5 - 28
2598958	3A-123			2600863	3A- 22	2601559	5 - 31
	3A-162				3A- 72	2601560	5 - 40
	3A-246			2600867	19 - 12	2601561	5 - 36
2598960	3A- 31				19 - 16	2601563	5 - 35
2598962	3A-216	2599243	2 -190	2600868	3A- 25		6 - 1
2598964	3A-124	2599278	3A- 44		3A- 71	2601568	7 - 45
	3A-241		3B- 43	2600869	4 - 35	2601569	2 - 3
2598968	3A-213		3A- 29	2600870	4 - 38	2601574	6 - 65
2598970	3A-220	2599285	3A-118	2600876	4 - 26	2601575	5 -157
2598971	3A- 43		3A-170	2600884	19 - 22	2601576	5 - 43
	3A-153		3B- 3	2600890	3C- 1	2601577	5 -144
	3B- 50	2599286	3B- 5	2600891	3A- 64	2601578	5 -148
2598972	3B- 6	2599287	3B- 49		3A-188	2601580	5 -147
	3B- 48		3B- 2	2600970	3A-207	2601582	5 -176
2598973	3A-164	2599288	15 - 21	2600979	3B- 29	2601583	5 -178
	3A-256	2599332	17 -106		3B- 42	2601584	6 - 10
2598976	3A-111	2599334	3B- 6	2600982	3A- 79	2601585	6 - 9
	3A-239	2600616	3B- 48		3A-187	2601588	5 -167B
2599000	3B- 38		3A- 35	2600984	3A- 28	2601589	5 -167A
2599001	3A-177	2600627	3A- 8		3A- 70	2601599	6 - 27
	3A-274	2600630	3A- 59	2601004	3C- 3	2601600	6 - 24
	3B- 39		3B- 44	2601005	17 - 59	2601601	6 - 53
2599003	9 - 26		20 -110	2601006	17 - 57		17 - 84
2599025	3B- 4	2600631	3A-217	2601007	17 - 17	2601602	6 - 22
2599079	3A- 39	2600636	3A-222	2601010	14 -172	2601605	6 - 59
	3A-172		14 -248	2601011	3D- 57	2601607	6 - 38
2599080	3A- 29	2600645	14 -396		14 -175	2601608	6 - 35
	3A-118		15 - 51	2601013	3A-121	2601609	6 - 30
	3A-170		14 - 54	2601018	2 -182	2601611	6 - 39
2599089	9 - 84	2600658	1 - 54	2601030	1A - 11	2601613	6 - 32
2599090	9 - 85	2600735	1 -104	2601036	10 - 38	2601614	5 -168
			1 -139		10 - 43	2601620	6 - 43
			1 -167	2601037	10 - 35	2601621	6 - 57
2599104	5 - 79		2 -177		10 - 36	2601622	6 - 58
2599105	5 - 76	2600736			10 - 37	2601624	6 - 17
2599106	5 - 94				10 - 40	2601625	5 -181
2599109	1 -166				10 - 41	2601627	8 - 13
2599119	14 - 20				10 - 42	2601628	8 - 31
	14 -177				10A- 3		8A- 40
	17 - 90C			2601038	10 - 34	2601629	8 - 11
2599122	16 - 5	2600740	16 - 51		10 - 39	2601631	5 -134
2599123	9 - 86	2600741	16 - 52		10A- 4	2601632	5 -131
2599127	10 -129	2600780	20 -111	2601039	10 - 45	2601635	2 - 2
2599144	14 -351	2600781	3A-249		10A- 6	2601638	5 -143
2599155	2 -173		3A-293	2601040	10 - 53	2601640	6 - 31
2599156	2 -112	2600782	20 -112		10A- 10	2601642	6 - 14
2599161	10 -130	2600784	3A-159	2601044	10 - 3	2601643	5 -177
	10 -131		3A-221	2601046	10 - 5	2601644	6 - 8
2599165	14 -179	2600795	10 - 48	2601049	3A- 60	2601645	6 - 5
2599166	16 - 26	2600802	10 - 15	2601511	8 - 7	2601650	2 - 1
2599169	14 -205	2600805	9 - 70	2601516	8 - 14		5 - REF
2599172	14 -189	2600812	3A-266E	2601519	6 - 11		
2599173	3B- 33	2600813	3A- 96	2601520	8 - 12		
2599176	3B- 33A	2600818	3A- 63		8 - 22	2601652	2 - 15
2599177	3C- 21		3B- 14		8A- 46	2601653	5 -173
2599178	2 - 37	2600829	3A-147		8A- 57	2601656	8 - 2
2599181	2 - 36	2600832	14 - 58	2601522	6 - 19		8A- 2

FOR PARTS NOT LOCATED, SEE SUPPLEMENTAL NUMERICAL INDEX PAGE X-13

PART NO.	LIST AND INDEX NO.	PART NO.	LIST AND INDEX NO.	PART NO.	LIST AND INDEX NO.	PART NO.	LIST AND INDEX NO.
2601658	4 - 50	2601735-CONT	10A- 9	2601936-CONT	3A-166C	2602084	5 - 46
2601659	4 - 59	2601743	1A - 2		3A-236	2602085	5 - 46
2601660	17 - 62	2601744	3A- 33		3A-238	2602086	5 - 28
2601661	17 - 77	2601745	3A-115		3A-242	2602087	5 - 28
2601663	4 - 62	2601746	3A-120		3A-291	2602088	5 - 31
	4 - 68	2601749	3B- 13	2601937	3A-126	2602089	5 - 31
2601664	4 - 57	2601750	3B- 13		3A-243	2602090	5 - 40
2601665	17 -267	2601751	3B- 13		3A-294	2602095	3A- 40B
2601666	17 - 25	2601753	11 - 11	2601938	3A-248		3A-109
2601668	4 - 42	2601754	11 - 12		3A-301	2602101	6 - 66
2601669	17 -150	2601755	11 - 16		3A-306	2602102	6 - 70
2601670	17 - 40	2601757	11 - 19	2601939	3A-100	2602103	6 - 71
2601672	17 - 56	2601758	11 - 18		3A-254	2602104	6 - 68
2601673	17 - 16	2601761	14 - 83		3A-302	2602105	6 - 62
2601674	17 - 13	2601764	2 - 67	2601942	2 -158	2602106	2 -214
2601675	17 - 7	2601771	12 - 1	2601943	2 -144	2602114	3B- 13
2601677	17 - 30		12 - 3	2601944	2 -135	2602115	3B- 13
2601678	17 - 33	2601772	3A- 3	2601945	2 -152	2602131	6 - 69
2601679	17 - 42		3A- 45	2601946	2 -150	2602134	4 - 26
2601680	17 - 43		3A-141	2601947	2 -215	2602267	3A- 50
2601681	4 - 51		3B- 45	2601948	2 -163		20 -113
2601682	17 -189		3D- 36	2601949	2 -154	2602286	3B- 55
2601683	17 -195	2601773	3A- 4	2601951	2 -131	2602290	1 - 9
2601684	17 - 38		3A- 65	2601952	2 -127	2602291	1 - 9
2601685	17 - 49		3A-142	2601953	2 -142	2602292	1 - 9
2601687	17 -144		3B- 17	2601954	2 -148	2602298	2 - 42
2601688	17 - 54		3D- 32	2601959	3A-225		3A- 54
2601689	17 - 4		3D- 37	2601960	3A-226	2602299	17 - 63
2601690	17 - 1	2601774	3A- 5		3A-228	2602302	1 -132
2601691	17 - 48		3A- 80	2601974	8 - 5	2602303	8 - 40
2601692	17 -284		3A-143	2601976	8 - 3	2602319	14 - 17
2601693	17 - 95		3D- 35	2601979	2 - 90	2602320	15 - 55
2601694	4 - 56	2601775	3A- 1	2601980	2 -109	2602322	16 - 3
2601695	17 -163		3A- 66	2601981	2 - 92	2602323	2 -117
2601696	17 - 46		3A-144	2601982	3A-203	2602324	1 -124
2601697	17 -103		3D- 38	2601987	3A- 34	2602348	17 -162
2601698	17 - 96	2601781	3B- 28	2601988	3A- 36	2602356	17 - 39
2601699	17 -216	2601783	4 - 49	2601995	2 -108	2602367	17 -129
2601700	17 - 22	2601786	2 -111		14 - 56	2602368	17 -130
2601701	17 -218	2601809	5 -124	2601999	1 -125	2602372	4 - 10
2601702	17 -230	2601811	14 - 99	2602000	1 -125	2602376	3D- 56
2601703	17 -254	2601825	3A-101	2602005	4 - 16	2602385	4 - 3
2601704	17 - 10		3A-263	2602006	4 - 7	2602387	3A-287
2601705	3D- 16	2601841	3A- 2	2602008	4 - 17	2602394	3A- 9
	3D- 26		3A-140	2602012	3D- 4		3A-138
	3D- 50	2601857	3A-227B	2602014	17 -167	2602410	5 -120
2601706	3D- 3	2601858	3A-230	2602016	3A-107	2603143	18A- 56
	3D- 12		3A-266B		3A-260	2603156	18A- 69
	3D- 20	2601865	4 - 41	2602017	3A-300	2603157	18A- 34
	3D- 27	2601867	10 - 94		2 - 83	2603170	18A- 27
2601708	3D- 33	2601870	3D- REF		2 - 95	2603175	18A- 19
2601709	3D- 34	2601871	17 -119	2602018	3A- 41B	2603660	3A-262
2601710	17 - 9	2601880	17 -165	2602019	3A- 41C	2603661	17 -138
2601712	11 - 29	2601881	17 -236	2602021	17 -155	2603880	1 -153
2601714	11 - 28	2601882	17 -238	2602022	17 -153	2603881	1 -173
	13C- REF	2601883	17 -237	2602024	4 - 31	2603886	3A-110A
	17 -102	2601884	2 - 14	2602043	3A-114	2603888	3A-110A
2601715	11 - 28	2601891	17 -235	2602046	4 - 69	2603890	3A-110
	13D- REF	2601892	17 -233		17 - REF	2603892	3A-110
	17 -102	2601893	17 - 90			2603910	10 -110
2601716	13C- 2	2601894	17 - 89			2603911	5 - 54
	13D- 2	2601906	2 - 69			2603912	17 -193
2601717	13D- 8	2601907	14 - 33	2602052	3A-272	2603938	1 -123
2601718	13C- 8		14 - 35	2602054	3A- 40A	2603939	1 -124
2601720	1A - 4	2601908	14 - 37		3A-117	2603941	1 - 7
2601721	1A - 3		14 - 39			2603980	1 - 3
2601722	1A - 3	2601916	3D- 13	2602058	14 - 55	2603981	1 - 3
2601729	10 - 46A		3D- 28	2602060	14 - 7	2604226	14 -166
	10A- 8	2601917	3D- 29	2602062	14 - 10	2604227	1 -130
2601731	10 - 1	2601918	3D- 30	2602063	2 -202	2604368	15 - 21
	10A- 1	2601919	3D- 31	2602064	2 -208	2604480	17 -161
2601732	3C- REF	2601923	3A-224	2602066	2 -186	2604492	8 - 26
2601733	10 - 46	2601925	3A-227	2602067	16 - 19	2604493	8 - 29
2601734	10 - 88	2601936	3A-125	2602073	15 - 30	2604494	8 - 54
2601735	10 - 47		3A-166A	2602074	14 -164	2604495	8 - 45
					3A-145	2604496	8 - 56

PART NO.	LIST AND INDEX NO.	PART NO.	LIST AND INDEX NO.	PART NO.	LIST AND INDEX NO.	PART NO.	LIST AND INDEX NO.
2604497	8 - 44A	2605721	8 - 41	2606461	8A- 18	2610371	18 - 79
2604498	8 - 43	2605757	3A-129A	2606469	5 - 19	2610372	18 - 36
2604499	8 - 50	2605758	3A-129A	2606473	5 -184	2610373	18 - 71
2604500	8 - 47	2605759	3A-129A	2606500	4 - 20		18A- 53
2604501	8 - 48		3A-129A	2606609	2 -142	2610374	18 - 72
2604503	3C- 29		3A-308	2606621	9 - 83		18A- 54
2604509	11A- 32	2605760	3A-129B	2606622	15 - 54A	2610376	18 - 3
2604510	11A- 6	2605761	3A- 91A	2606627	14 -419	2610378	18 - 69
	11A- 9	2605762	3A-287A	2606628	14 -399	2610379	18 - 9
2604511	11A- 1	2605764	10A- 41	2606630	14 -410A	2610383	18 - 41
2604512	11A- REF	2605765	17 -160	2606650	1A - 18	2610384	18 - 35
2604517	8 - 36	2605771	4 - 59	2606826	3A-266D	2610386	18 - 24
2604653	10 - 90	2605772	4 - 58	2606835	14 -240	2610424	18A- 37
2604659	4 - 61	2605773	4 - 58	2606836	14 - 92	2610436	18A- 63
	15 - 1	2605774	4 - 63	2606838	2 - 81	2611724	17 -263
2604687	3A-273		4 - 64		2 -125	2623425	2 -201
2604688	5 - 44	2605786	3A- 40	2606839	17 -100	2630454	2 -107
2604689	4 - 4	2605788	9 - 89	2606840	3A-129A	2630456	2 -106
2604690	3A-160	2605792	14 -118	2606865	3A-129A	2632558	5 - 10
	3A-255	2605793	14 - 3	2606866	17 -101	2637289	13A- 2
2604691	3A- 14	2605906	1A - 13	2606868	17 -163A		13B- 2
	3A-137	2605912	3A-112	2606869	17 -163A	2637290	13A- 3
2604692	3A- 10		3A-240	2606871	2 - 19		13B- 3
2604977	2 - 36A	2605948	20 -172		10A- REF	2637401	5 - 17
2604978	10 -116	2605953	8 - 1	2607101	13C- 12	2637402	5 - 8
2604979	3A-198		8A- 1		13D- 12	2637403	5 - 7
2604984	1A - 12	2605958	3A- 32	2607102	13C- 13	2637405	5 - 9
2604986	2 -206		3A- 94		13D- 13	2637409	5 - 8
2604987	16 - 56		3A-165	2607103	13C- 14	2637412	5 - 18
2604991	3A-166B		3A-261		13D- 14	2637413	5 - 13
	3A-237		3B- 16	2607109	10A- 19	2637414	5 - 17
2604994	1 - 58	2605959	3A- 94A	2607119	3B- 34	2637563	10 - 62
	1 -108	2605960	3A- 94A		14 -185	2637564	9 - 7
2604995	5 - 66A	2605962	8A- 17	2607120	14 - 45	2637567	9 - 8
	5 - 67A	2605963	8A- 25		14 - 46		10 - 63
	5 -111A	2605964	8A- 35	2607121	3A-129A	2641869	4 -102
	5 -112A	2605965	8A- 33	2607131	10 - 93A	2641870	4 -107
	5 -113A	2605966	8A- 50		11A- 19A	2698926	3B- 36
	5 -114A		8A- 60		17 -131A	4034285	2 - 71
	5 -115A	2605967	8A- 49	2607132	5 -139	4062756	4 - 46
		2605968	8A- 59	2607136	5 -139	4066640	5 - 20
2605340	2 -139	2605969	8A- 42	2607141	3A- 41A	4066641	5 - 20
	18A- REF	2605970	8A- 52	2607148	17 - 41	4106830	4 - 47
2605344	18A- 72	2605971	8A- 48	2607149	17 - 45	4116423	14 -112
2605345	18A- 41	2605972	8A- 62	2607493	17 -244	4119224	14 -384
2605346	18A- 1	2605973	8A- 11	2607494	17 -270	4120221	14 - 87
2605347	18A- 10	2605975	8A- 21	2607495	17 -273	4120241	14 -357
2605350	18A- 43	2605976	8A- 47	2607497	16 - 54	4120380	14 - 89
2605359	2 - 40		8A- 58	2607498	16 - 54	4121398	14 - 91
2605360	2 - 41	2605978	5 -161	2607537	4 - 19	4121399	14 -376
2605366	10A- 31	2605979	8A- 8	2607538	5 - 26	4204239	5 - 3
2605369	10A- 39	2605981	8A- 10	2607545	4 - 1	5150035	12 - 2
2605392	10A- 23	2605983	8A- 14	2607549	14 -371	5180378	5 -153
2605654	5 -142	2605990	17 -192A			5213226	14 -257
2605659	14 -427	2605991	3D- 34B	2609017	14 -316	5213276	3A- 85
	14 -429	2605996	8A- REF	2610350	18 - 85		3A-116
2605661	14 -436	2605997	8A- 3A	2610351	18 - 22		7 - 72
2605662	14 -422	2606007	2 -168	2610352	18 - 65	5213305	13C- 15
2605663	14 -420	2606008	2 - 25		18A- 50		13D- 15
2605665	3A-149	2606009	3A-147	2610353	18 - 62	5213430	14 -431
2605666	3A-149	2606020	3A- 73	2610354	18 - 47	5213449	15 - 39
2605667	14 -426		3A- 76	2610355	18 - 91	5214172	2 -196
2605668	14 -428	2606021	3A-145	2610356	18 - 51	5214179	17 -248
2605676	10A- 11	2606030	8A- 3	2610357	18 - 74		17 -257
2605678	10A- 38	2606056	17 -101A		18A- 58	5214233	17 -220
2605681	8 - 18	2606058	3B- 51	2610360	3A-199	5214261	14 -169
2605691	14 -410	2606426	8A- 19		18 - 86	5232809	18A- 39
2605692	8 - 40A	2606428	3C- 2	2610361	18 - 10	5232869	20 -114
2605694	14 -143	2606435	3A- 37	2610362	18 - 46	5235202	1A - 10
2605696	3B- 46		3A-105	2610363	18 - 49	5235516	12 - 9
2605699	8 - 42		3A-158	2610364	18 - 16		14 -236
2605707	14 - 23		3A-197	2610365	18 - 27	5235680	14 -425
2605711	14 -148		3A-257	2610366	18 - 40		14 -435
2605712	3A-266A		3A-276	2610367	18 - 58	5236656	5 - 86
2605716	14 - 40		3A-305		18 - 68	5236793	17 - 97
2605720	10A- 13	2606452	10A- 34	2610368	18 - 7	5236882	5 - 2
				2610369	18 - 32		
				2610370	18 - 18		

PART NO.	LIST AND INDEX NO.	PART NO.	LIST AND INDEX NO.	PART NO.	LIST AND INDEX NO.	PART NO.	LIST AND INDEX NO.
5242331	1A - 19	5353869	20 -122	5480636-CONT	1 - 96	5499901	9 - 44
5252538	17 - 27	5353888	5 - 25		1 -124		10 -107
5252645	14 -112	5353896	20 -123	5480637	1 - 45	5500183	1 - 24
5252805	5 -118	5356580	9 - 79		1 - 95		1 - 73
5252817	14 -390		10 -125		1 -123	5500184	1 - 25
5253828	14 -378		10A- 26		1 -123		1 - 74
5255237	14 -421	5357135	4 -101	5480687	1 - 44	5500189	1 - 22
5261067	17 - 92		4 -110	5480701	1 - 43		1 - 71
5261219	14 -334	5362301	20 -124		1 - 93	5501993	9 - 37
5261284	14 -231	5362302	20 -181	5480702	1 - 43		10 - 93
5261375	14 -280	5362306	20 -125		1 - 93		11 - 44
	14 -328	5364034	3D- 58	5480703	1 - 43		11A- 19
5261395	14 -378	5364151	14 -238		1 - 93		17 -131
5261435	16 - 59	5364165	14 -206	5480704	1 - 43	5501994	10 - 93
5270166	3C- 12	5364197	15 - 36		1 - 93	5501995	16 - 16
5270517	18 - 31		15 - 41	5488844	4 -125	5501996	16 - 17
5271288	4 -123	5364364	5 - 9	5488846	4 - 99	5501997	16 - 18
	14 - 68	5367677	14 -430	5488913	12 - 20	5502007	9 - 38
	14 -136	5369708	3C- 22		12 - 27		11 - 45
	14 -408	5373180	1 - 5	5488928	17 - 51		11A- 20
5271721	20 -115		1 -147		17 - 55		17 -132
5298053	10 - 50	5373218	4 - 2	5488929		5506079	1 - 56
	10A- 7	5373223	9 - 77		2 -101A		1 -106
5298103	10 - 16		10 -123	5489104	1 - 1	5506129	5 - 13
	10 - 49		10A- 24	5489105	1 - 1	5712241	14 -416
	10A- 27	5373660	5 - 62	5489106	1 - 1	5724037	14 -197
	10A- 37	5374446	14 -401	5489107	1 - 1	5731697	1A - 15
5298108	10 -126	5383249	3A-277	5489123	1 - 49	5758718	3D- 7
5298109	10 - 64			5489124	1 - 49	5758893	3D- 11
5298118	10 -112	5404480	20 -160	5489125	1 - 49		3D- 52
5298119	9 - 87	5408684	2 -100	5489126	1 - 49	5758948	3D- 1
	10 -132	5412496	2 -192	5489131	1 -137		3D- 54
5298120	9 - 71		20 -179	5489132	1 -135	5759071	3B- 18
	10 -120	5412499	2 -194	5489133	1 - 94		14 - 60
5311437	5 - 61		20 -180	5489141	1 - 8	5759093	3D- 17
5312429	20 -116	5412639	20 -126	5489150	1 - 6		3D- 21
5318920	9 - 56	5412642	20 -127		1 - 8	5759134	2 - 99
	10 - 7	5412643	20 -128	5492081	3D- 60	5759352	3D- 23
		5412817	20 -129	5496520	1 - 2	5759418	3D- 24
5318966	14 -411	5414543	14 - 13	5496521	1 - 2	5759968	3A-119
	15 - 38		14 -235	5496522	1 - 2		3A-122
	15 - 43		17 -170	5496523	1 - 2		3A-129
	17 -174	5414544	14 - 15	5496554	1 - 15	5759969	3A-286
5318967	15 - 35		14 -234		1 - 64	5761862	3D- 6
	15 - 40		17 -172		1 -117		3D- 51
	17 -176	5414545	14 - 14	5496556	1 - 1	5761863	3D- 8
5318968	14 -412		14 -235A	5496557	1 - 1	5762057	18 - 39
	15 - 34		17 -171	5496558	1 - 1		18 - 90
	17 -175		20 -161	5496559	1 - 1	5762407	14 - 91A
5319909	9 - 53	5414546	14 - 16	5496560	1 - 33	5762549	14 -290
			14 -235B		1 - 42	5785286	18 - 21
			17 -173		1 - 83	5790504	18A- 21
5323176	20 -175		3A-113		1 - 92	5795837	20 -130
5350006	9 - 2	5420242	13C- 1	5499762	1 - 18	5796427	14 -227
	9 - 90	5421623	13D- 1		1 - 67	5797470	16 - 7
	10 - 57A		9 - 23		1 -120		16 - 8
	10 - 58A	5476348	9 - 88	5499779	1 - 2	5800634	20 -131
	10 - 59A	5476816	10 -133	5499785	1 - 1	5800700	20 -162
	10 - 60A		11A- 30	5499786	1 - 34	5823357	14 -222
	10 - 63A		1 -143		1 - 84	5824095	2 - 85
5350020	5 - 6	5480534	1 -171	5499787	1 - 2	5825555	20 -132
5351113	14 -180		17 - 44	5499793	1 - 1	5861334	18A- 32
5351114	14 -182		1 -148	5499794	1 - 43	5861747	18 - 5
5351115	14 -181	5480539	1 - 99		1 - 93	5862500	7 - 92
5351162	14 - 57	5480606	1 - 99	5499795	1 - 99	8108642	4 - 48
	14 -370	5480607	1 - 99	5499801	1 - 49	8112294	1A - 8
	17 -202	5480608	1 - 99	5499810	4 - 14	8112295	1A - 9
5351177	20 -117	5480609	1 - 99		5 - 23	8112296	1A - 9
5352704	3B- 41	5480610	1 - 2	5499811	4 - 12	8112297	1A - 9
	14 -402	5480611	1 - 2		5 - 22	8112298	1A - 9
5352958	20 -118	5480612	1 - 2	5499812	4 - 11	8112299	1A - 9
5352960	20 -119	5480613	1 - 2		5 - 21	8112300	1A - 5
5352963	20 -159	5480614	1 - 50	5499815	4 - 15		
5352967	20 -120		1 -100		5 - 24		
5353E52	20 -121	5480615	1 - 52	5499900	9 - 45		
5353E67	2 -191		1 -102		10 -108		
	20 -177	5480636	1 - 46				
5353E68	20 -178						

FOR PARTS NOT LOCATED, SEE SUPPLEMENTAL NUMERICAL INDEX PAGE X-13

SUPPLEMENTAL NUMERICAL INDEX

PART NO.	LIST AND INDEX NO.	PART NO.	LIST AND INDEX NO.	PART NO.	LIST AND INDEX NO.	PART NO.	LIST AND INDEX NO.
2031	4 - 5						
3960	16 - 13D						
19944	11A- 28						
22478	4 - 5A						
34512	4 - 64D						
38235	5 -145						
38686	16 - 13C						
45690	5 -183B						
56079	2 - 12A						
56722	5 -146						
76574	16 - 13E						
179743	5 -117A						
210883	2 - 86						
317296	20 -176						
320427	2 - 12						
357390	17 -225A						
440487	16 - 13H						
504698	17 -228						
510316	16 - 13M						
513271	19 - 40						
515380	16 - 13J						
518611	2 - 11						
570290	5 -118A						
759024	10A- 44						
856575	5 -183C						
1090448	11A- 29						
1090873	4 - 6						
1090873	5 -183A						
1985879	19 - 61						
1993610	16 - 29						
2539872	17 -227A						
2566601	16 - 13N						
2566603	16 - 13G						
2566650	16 - 13P						
2574804	4 - 64E						
2598300	2 -119						
2598466	16 - 13B						
2604488	4 - 64F						
2604987	16 - 13F						
2605996	5 -166						
2607887	1A- 20						
2637340	16 - 31						
2637605	16 - 29						
2641192	16 - 13R						
4140262	16 - 13A						
4140265	8 -126						
4140266	10A- 11						
4140280	10A- 19						
4140475	16A- 13A						
4140476	8 - 1						
4140711	16 - 13L						
4142000	2 - 18						
4142000	9A-REF						
5174643	19 - 62						
5261435	16 - 13K						



READER'S COMMENT FORM

3135 Processing Unit (PC)

Order No. S135-0005-2

- Did you find the part you needed in the catalog?
- If you *did not* find the part in the catalog, how did you obtain the correct part number?
- What parts were you unable to find? (Include numbers if you were able to determine them by alternate means.)
- If you *did* find the part you needed in the catalog, but had unusual difficulty locating it, please send us the part number and page number. Include a description of your difficulty if you wish.

We would appreciate your comments. If you wish a reply, be sure to include your name and address.

Reply Requested?

Yes

No

NAME
STREET
CITY
STATE ZIP CODE

YOUR COMMENTS, PLEASE

Your answers to the questions on the back of this form, together with your comments, will help us produce better publications for your use. Each reply will be carefully reviewed by the persons responsible for writing and publishing this material. All comments and suggestions become the property of IBM.

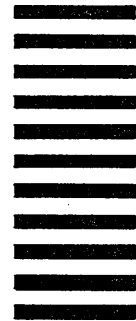
Please note: Requests for copies of publications and for assistance in utilizing your IBM system should be directed to your IBM representative or to the IBM branch office serving your locality.

Fold

Fold

FIRST CLASS
PERMIT NO. 170
ENDICOTT, N.Y.

BUSINESS REPLY MAIL
NO POSTAGE STAMP NECESSARY IF MAILED IN THE UNITED STATES



POSTAGE WILL BE PAID BY

IBM Corporation
Product Publications, K10
P.O. Box 6
Endicott, N. Y. 13760

Fold

Fold



International Business Machines Corporation
Data Processing Division
1133 Westchester Avenue, White Plains, New York 10604
(U.S.A. only)

IBM World Trade Corporation
821 United Nations Plaza, New York, New York 10017
(International)

Cut Along Line

3135 Processing Unit (P.U.) Printed in U.S.A. S135-0005-2



This Newsletter No. SN24-0790
Date February 25, 1977

②

Base Publication No. S135-0005-2
Unit 3135 Processing Unit

Previous Newsletters SN24-0745

IBM 3135 Processing Unit Parts Catalog

© IBM Corp. 1972, 1974, 1977

This Technical Newsletter provides replacement pages for the subject publication. Pages to be inserted and/or removed are:

i, ii	75, 75	129-132
ix, x	82A-82D Added	135-136
11-14	83-94	143-146
17-20	103, 104	159,160
37, 38	113, 114	X-1-X-12
49-52	121-124	X-13 Added
59-68		

Summary of Amendments

Corrects part numbers, descriptions, and adds 3135 Model 3

Note: Please file this cover letter at the back of the manual to provide a record of changes.





Technical Newsletter

①

This Newsletter No. SN24-0745
Date August 11, 1975
Base Publication No. S135-0005-2
Unit 3135 Processing Unit
Previous Newsletters None

IBM 3135 Processing Unit Parts Catalog

© IBM Corp. 1972, 1974

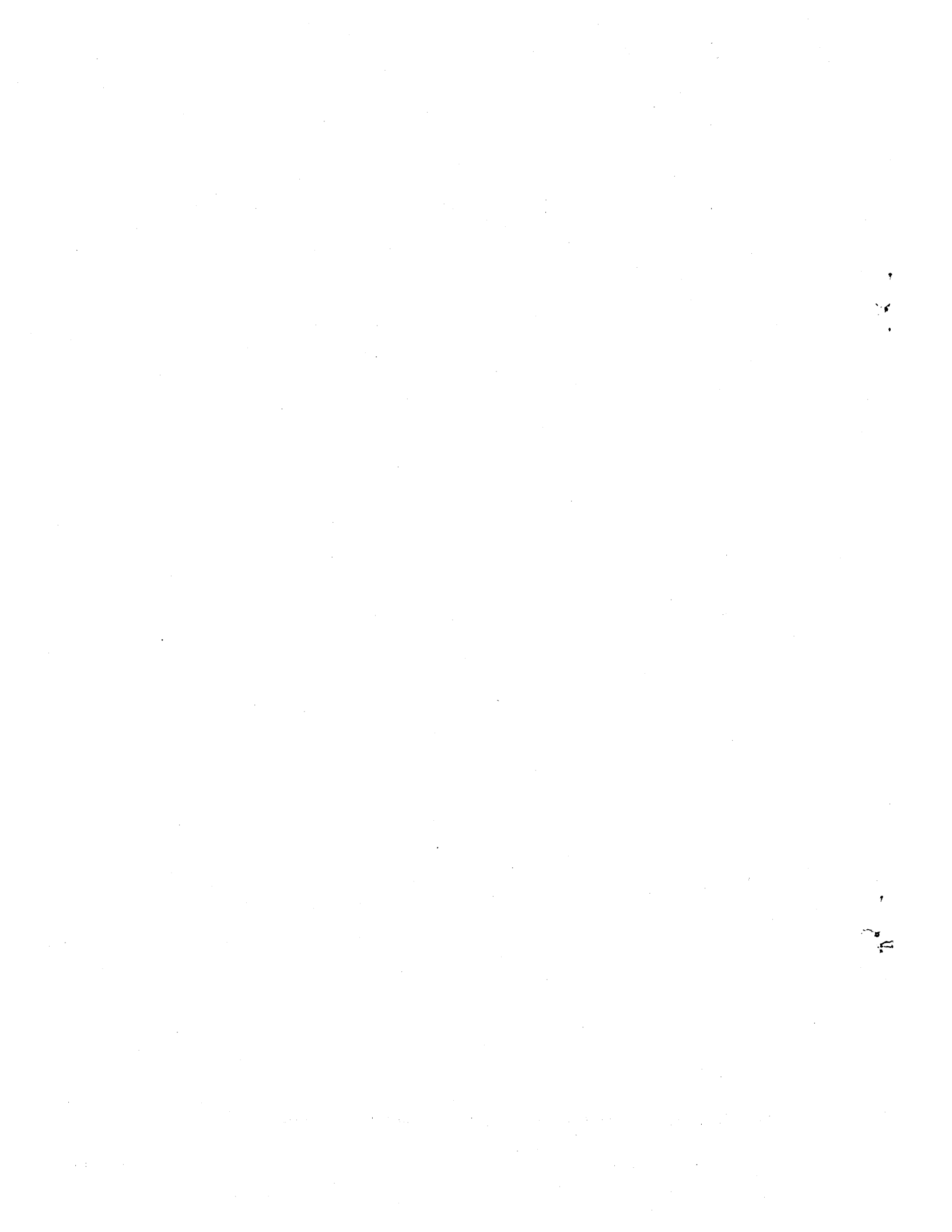
This Technical Newsletter provides replacement pages for the subject publication. Pages to be inserted and/or removed are:

xi, xii ✓	107, 108 —
17-20 ✓	123-126 —
49, 50 ✓	129-132 ✓
→ 79-82	141, 142 —
→ 85, 86	X-1, X-2 ✓
→ 91-102	X-5-X-12 ✓

Summary of Amendment

Corrects part descriptions and adds part numbers.

Note: Please file this cover letter at the back of the manual to provide a record of changes.





Technical Newsletter

This Newsletter No. SN24-0865
Date November 26, 1979
Base Publication No. S135-0005-2
Unit 3135 Processing Unit
Previous Newsletters SN24-0745
SN24-0790

IBM 3135 Processing Unit Parts Catalog

© IBM Corp. 1972, 1974

This Technical Newsletter provides replacement pages for the subject publication. Pages to be inserted and/or removed are:

5, 6
37, 38
81, 82
X-5, X-6

Summary of Amendments

Corrects part numbers and descriptions.

Note: Please file this cover letter at the back of the manual to provide a record of changes.



3135

3135

TAB INSERT FOR FRONT COVER

S135-0005-2

3135 Processing Unit (PC) Printed in U. S. A. S135-0005-2

IBM

**International Business Machines Corporation
Data Processing Division
1133 Westchester Avenue, White Plains, New York 10604
(U.S.A. only)**

**IBM World Trade Corporation
821 United Nations Plaza, New York, New York 10017
(International)**