

**2050 Processing Unit**

S123-0420-4

## PREFACE

This Illustrated Parts Catalog (IPC) contains listings and illustrations of all replaceable assemblies, subassemblies and detail parts released to Production Control on or before July 20, 1970, for the 2050 Processing Unit.

This 2050 Processing Unit Parts Catalog revision, Order No. S123-0420-4, obsoletes the previous level edition, Order No. 123-0420-3.

Requests for copies of IBM publications should be made to your IBM representative or to the IBM branch office serving your locality.

This manual has been prepared by the IBM Systems Development Division, Product Publications, Dept. B97-Parts Catalog Center, P.O. Box 390, Poughkeepsie, New York 12602

A form is provided at the back of this publication for reader's comments. If the form has been removed, comments may be sent to the above address.

HOW TO USE A PARTS CATALOG . . . . .	iii	Figure	Page
VISUAL INDEXES		V.	POWER DISTRIBUTION FRAME -03
I.	COVERS (2 sheets) . . . . .		v
Figure			
1	Cover and Shipping Groups (7 sheets) . . . . .		1
2	Console Tables, LH and RH . . . . .		17
II.	C. E. PANELS (2 sheets) . . . . .		vii
4	1052 Adapter . . . . .		19
5	C. E. Panel Assembly . . . . .		21
6	Panel B Assembly . . . . .		25
7	Panel A Assembly . . . . .		26
8	Panel G Assembly . . . . .		29
9	Panel F Assembly . . . . .		31
10	Panel L Assembly . . . . .		33
11	Panel N Assembly . . . . .		35
12	Panel M Assembly . . . . .		37
III.	CPU FRAME -01 (2 sheets) . . . . .		ix
13	CPU Final Assembly . . . . .		40
14	Memory Assembly . . . . .		43
15	CPU Frame Assembly . . . . .		45
16	Cooling Unit Assemblies . . . . .		49
17	A Gate Assembly . . . . .		51
18	B Gate Assembly . . . . .		54
19	C/D Gate Assembly . . . . .		57
20	E Gate Assembly . . . . .		60
IV.	MEMORY STORAGE FRAME -02 (3 sheets) . . . . .		xi
21	64K, 128K and 256K Core Storage Assemblies . . . . .		63
22	Memory Assembly (2 sheets) . . . . .		67
23	Core Storage Housing Assembly . . . . .		71
24	Array Assembly . . . . .		73
24A	64K Array Assembly . . . . .		75
25	Logic Frame Assembly . . . . .		78
26	Logic Cooling Housing Assembly . . . . .		81
27	CROSS and ROS Memory Storage Final Assembly (2 sheets) . . . . .		83
28	1 Fan Cooling Unit Assembly -60 HZ . . . . .		89
28A	1 Fan Cooling Unit Assembly -50 HZ . . . . .		91
16	Cooling Unit Assemblies . . . . .		49
29	Electrical Power Group -60 HZ . . . . .		93
30	Electrical Power Group -50 HZ . . . . .		96
31	Line Loss Detection Assembly . . . . .		99
31A	Board Assembly-Line Loss Detection . . . . .		100
32	Filter Box Assembly . . . . .		101
33	75 Amp Converter Inverter Assembly . . . . .		103
33A	75 Amp Converter Inverter Assembly . . . . .		106
33B	75 Amp Inverter Section Assembly (2 sheets) . . . . .		109
34	Upper Cover Resistor Assembly . . . . .		113
35	75 Amp Converter Assembly . . . . .		114
36	75 Amp Inverter Section Assembly (2 sheets) . . . . .		118
37	Tub and Liner Assembly . . . . .		122
38	Fan Assembly . . . . .		123
39	Fan Assembly . . . . .		125
40	50/60 HZ Fan Assemblies . . . . .		126
41	Final Assembly, Power Group 50/60 HZ (5 sheets) . . . . .		128
41A	Emergency Power-Off Control Assembly . . . . .		140
42	Divider Assembly . . . . .		142
43	6 VDC at 2.5 Pwr Supply Assembly . . . . .		144
44	3V, 6V Overvoltage . . . . .		147
45	Terminal Board-Remote O/V-O/C . . . . .		149
46	Remote O/V-O/C Assembly . . . . .		150
47	3V at 40 Amp Magnetic Amplifier Assembly . . . . .		151
47A	3V at 40 Amp Magnetic Amplifier Assembly . . . . .		154
48	6V at 40 Amp Magnetic Amplifier Assembly . . . . .		157
49	6V at 40 Amp Magnetic Amplifier Assembly . . . . .		160
50	18 VDC at 11 Amp and 30 VDC at 5 Amp Power Supply Assemblies . . . . .		163
51	3V at 20 Amp Magnetic Amplifier Assembly . . . . .		167

## CONTENTS (CONT)

Figure	Page	Figure	Page
51A	6V at 25 Amp Magnetic Amplifier Assembly . . . . .	76	Relay Gate Assembly . . . . . 234
	170	77	Component Assembly . . . . . 236
52	56V at 4 Amp Magnetic Amplifier Assembly . . . . .	78	50/60 HZ Fan Assemblies . . . . . 237
	173	67	Remote O/V-O/C Assembly . . . . . 208
53	60V at 8 Amp Power Supply Assembly . . . . .	68	60V at 8 Amp Power Supply Assembly . . . . .
	176		209
54	12 P/M 6 VDC at 5A O/V-O/C Power Supply Assembly . . . . .	69	56V at 4 Amp Magnetic Amplifier Assembly . . . . .
	179		212
55	48V at 2 Amp Magnetic Amplifier Assembly . . . . .	70	Remote O/V-O/C Assembly . . . . . 215
	182	71	18 VDC at 11 Amp Power Supply Assembly . . . . .
56	Overvoltage Assembly . . . . .		216
	185	72	3V at 40 Amp Magnetic Amplifier Assembly . . . . .
57	Overvoltage Power-Supply Assembly . . . . .		219
	187	72A	3V at 40 Amp Magnetic Amplifier Assembly . . . . .
58	Gate Relay Assembly . . . . .		222
	188	73	Remote O/V-O/C Assembly . . . . . 225
59	5 Second Time Delay Assembly . . . . .	74	6V at 40 Amp Magnetic Amplifier Assembly . . . . .
	190		226
60	I/O Interface Assembly . . . . .	79	Cable and Jumper Component Parts . . . . .
	191		239
61	Bell Assembly . . . . .		
	192		
62	Relay Assembly . . . . .		
	193		
63	Connector Panel Assembly . . . . .		
	194		
64	Voltage Sense Assembly (2 sheets) . . . . .		
	196		
70	Remote O/V-O/C Assembly . . . . .		
	215		
			NUMERICAL INDEX . . . . . X-1
VI.	512K MEMORY FRAME -04 (2 sheets) . . . . .		xxiv
65	Frame 04 Final Assembly (2 sheets) . . . . .		199
66	512K Power Module Relay Panel Assembly . . . . .		205
67	Remote O/V-O/C Assembly . . . . .		208
68	60V at 8 Amp Power Supply Assembly . . . . .		209
69	56V at 4 Amp Magnetic Amplifier Assembly . . . . .		212
70	Remote O/V-O/C Assembly . . . . .		215
71	18 VDC at 11 Amp Power Supply Assembly . . . . .		216
72	3V at 40 Amp Magnetic Amplifier Assembly . . . . .		219
72A	3V at 40 Amp Magnetic Amplifier Assembly . . . . .		222
73	Remote O/V-O/C Assembly . . . . .		225
74	6V at 40 Amp Magnetic Amplifier Assembly . . . . .		226
VII.	512K MEMORY POWER FRAME -05 (3 sheets) . . . . .		xxvi
75	Frame 05 512K Final Assembly 50/60 HZ (2 sheets) . . . . .		229



## HOW TO USE THIS ILLUSTRATED PARTS CATALOG (IPC)

## PART I

To find parts quickly, a general understanding of the structure of this catalog is necessary. The catalog is divided into three major sections:

- The Visual Index, containing overall views of the machine, with call-outs pointing to detailed figures.
- The Catalog Section, containing a pictorial breakdown of assemblies and subassemblies.
- The Numerical Index, which is a numerical list of all parts used in the machine, with cross-references to the figure on which the part is found.

VISUAL INDEX

The Visual Index, located before the Catalog Section, contains a reduced illustration of every figure in the Catalog Section. The reduced illustrations are tied together with flow arrows to form a natural progression from large assemblies to small assemblies and possibly subassemblies. In effect, a visual table of contents is formed by the Visual Index illustrations.

CATALOG SECTION

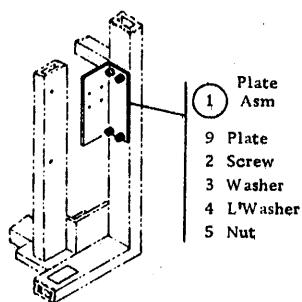
The Catalog Section contains the full-sized illustrations previously noted in the Visual Index. Index numbers on figures refer to corresponding entries in the Group Assembly Parts List accompanying each figure. Refer to part II for explanation of terms used in the Group Assembly Parts List.

NUMERICAL INDEX

The Numerical Index is located after the Catalog Section and contains a complete list, in numerical order, of all part numbers used on the machine. Listed with the part number is the index and figure number on which the part is illustrated. The numerical index makes it possible to locate a part when only the part number is known.

STACKED INDEX NUMBERS

Stacked Index numbers are used when showing a part and its attaching hardware. The sequence of a typical stack is shown at the right. The circled index number indicates the assembly is broken down within the figure.

ILLUSTRATION NOTES

Cross-reference notes are directly on the illustration. The illustration's next higher assembly reference, normally located in the upper left corner of the page will read: "For Parts Not Shown See Figure X". If an assembly is referenced to a lower level figure, the note located next to the index number will read: "See Figure X".

DOUBLE LINED DETAIL BOX

The double lined box differentiates between parts shown on the basic model and parts related to a level and/or feature difference. An explanation of the level or feature difference is given in the double lined box.

FINDING A PART

The Visual Index is the starting point for locating a part. The illustrations in the Visual Index are reduced versions of all illustrations in the Catalog Section; therefore, the illustrations can be used to find the assembly containing the desired part. Use references to the detailed figure in the Catalog Section, or to another Visual Index illustration, to determine location of part number.

Once the detailed figure in the catalog section is determined, finding the part on the figure and referring to the listing for the part number and description is all that is required in most cases. If the first catalog section figure referenced shows the assembly containing the required part, the index number for the assembly will reference a lower-level figure where the assembly is broken down to its component parts. If the figure referenced by the Visual Index contains neither the part nor an assembly containing the part, it is then necessary to go to the next higher assembly figure. This figure should then contain the part or an assembly containing the part; if not, an even higher level figure must be used. Refer back to the Visual Index for some other figure that could show the desired part.

**Note:** Many detailed parts are unavailable, because they are part of an inseparable assembly (two or more parts welded or bonded together), or because they are part of an assembly purchased as a unit. If parts are found on a welded or bonded assembly, the following note follows the description of the assembly: "Assembly components are not replaceable!" If the part is found on a purchased assembly, and the detail parts of this assembly do not have IBM part numbers, the note following the assembly description will read: "Assembly components are not available." In either case, you need to obtain the part number of the assembly, rather than the detailed part.

EXAMPLE FOR ORDERING PARTS

			REF
4 -	5726422	FAN ASM-P/S ENCLOSURE FOR NEXT HIGHER ASSEMBLY SEE FIGURE 1-184 FOR ILLUSTRATION SEE FIGURE 4	
- 1	334921	TERMINAL RING - 18-22 AWG, #6 HOLE, INS	2
- 2	187854	SHIELD, TERMINAL BLOCK - 2 POS	1
- 3	210984	SCREW, RD HD MACH-6-32 X .250 LG	ATT PT 1
- 4	5357050	FAN ASM-NO CONNECTOR	1
- 5	32042	SCREW, MACH BIND. HD 10-32 X .375 LG	ATT PT 2
- 6	5357066	BLADE	1
- 7	5357067	MOTOR 208V/230V 60CY 220V 50CY	1
- 8	130434	SCREW, MACH-SLOTTED HEX HD 10-32 X .375 LG	ATT PT 2
- 9	56079	WASHER, LOCK-EXT T .195ID .410 OD	ATT PT 1
- 10	5726436	HEADER-POWER SUPPLY FAN	1

If the entire fan is required, part number 5726422 should be ordered (all one dot items will be received). If only the subassembly is required, part number 5357050 should be ordered (all two dot items will be received). Each part may be ordered individually.

HOW TO USE THIS ILLUSTRATED PARTS CATALOG (IPC)

PART II

- ① **AR**  
As Required (AR) in the units per assembly column denotes that the quantity is used as required.
- ② **ATT PT**  
Attaching Parts: These parts are used to attach a subassembly to an assembly. The attaching parts are listed immediately following the part to be attached.
- ③ **COMM**  
Commercial hardware: When this indication appears in the part number column, it denotes hardware procurable from normal commercial sources and not identified by an IBM part number.
- ④ **INDENTURE**  
The relationship of a part to its next higher assembly is indicated by indentures. For example:  

1	2	3	4
Unit			
·	Assemblies and Detail Parts of Unit		
·	Attaching Parts for Assemblies & Detail Parts		
·	·	Subassemblies	
·	·	Attaching Parts for Subassemblies	
·	·	·	Detail Parts for Subassemblies, etc.
- ⑤ **LOZENGE**  
The lozenge in the part number column denotes the part is procurable but not recommended for field replacement, and that the next higher assembly should be ordered.

- ⑥ **NP**  
The entry NP in the part number column denotes the assembly is non-procurable and the detail parts should be ordered separately.

- ⑦ **NO NO.**  
When this indication appears in the part number column, it denotes a group of parts for which no assembly part number has been assigned, and the detail parts should be ordered separately.

- ⑧ **REF**  
This entry in the units per assembly column denotes an assembly which is completely assembled on a preceding illustration. Quantities for such items are found in its next higher assembly.

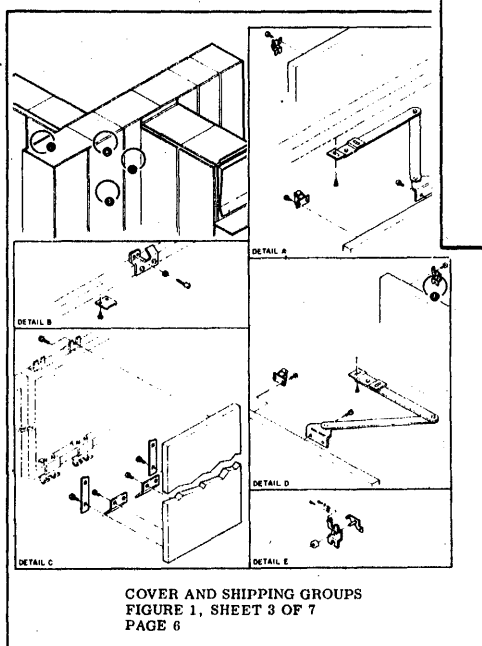
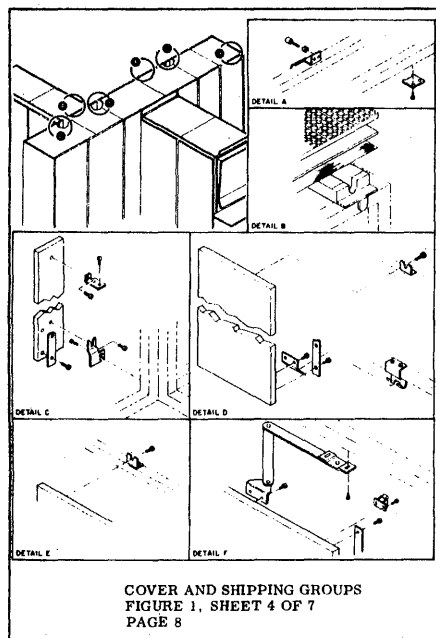
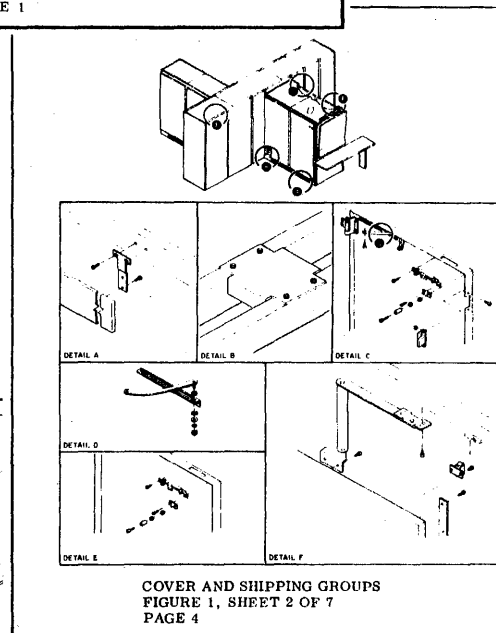
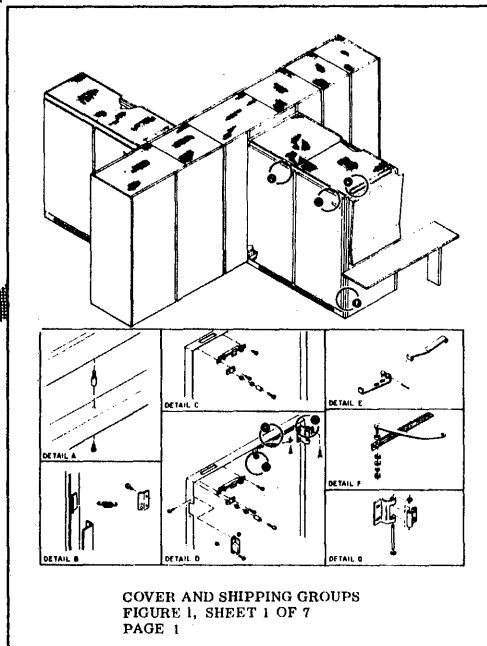
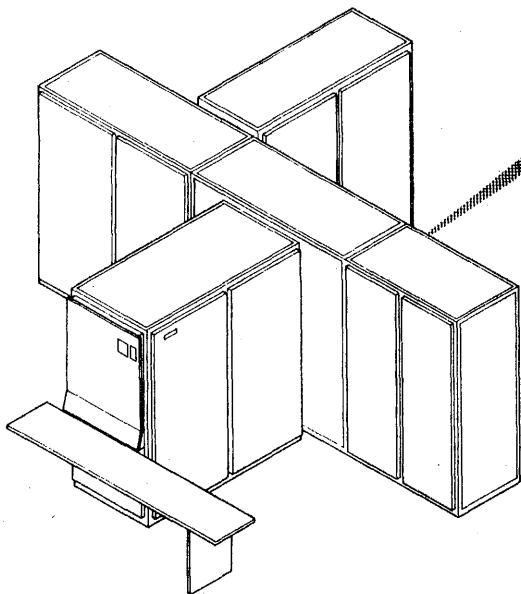
- ⑨ **SIMILAR ASSEMBLIES**  
If two assemblies contain a majority of identical parts, they are broken down on the same list. Common parts are shown by one index number. Parts peculiar to one or the other of the assemblies are listed separately and identified by Usable On Code.

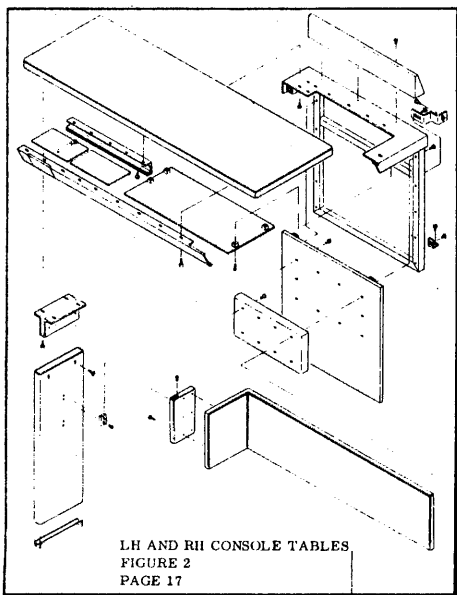
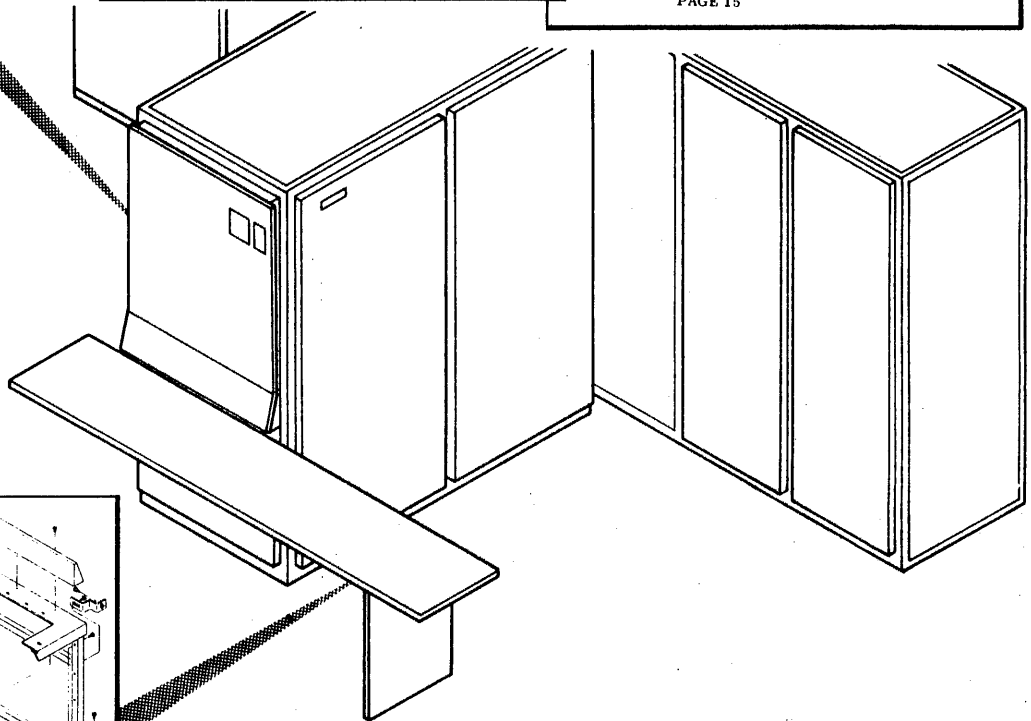
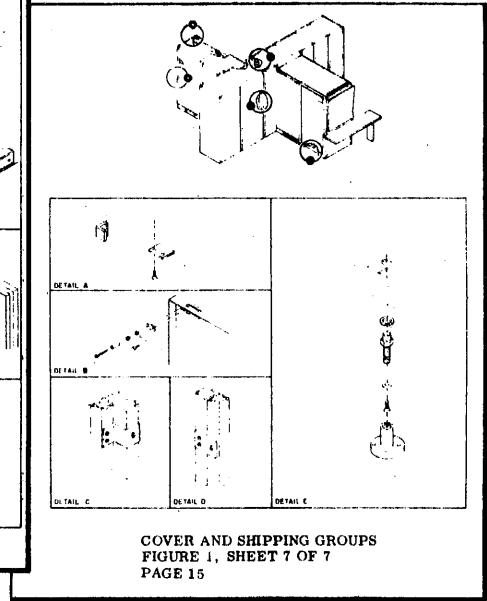
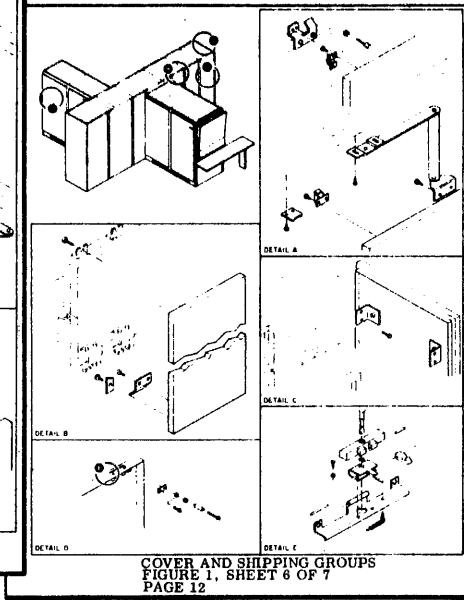
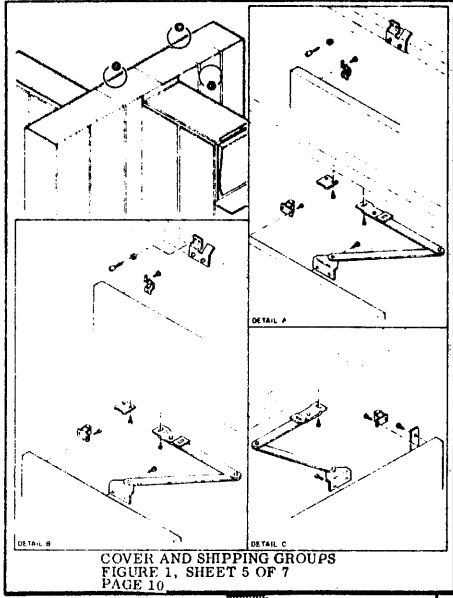
- ⑩ **USABLE ON CODE**  
Part application and interchangeability is indicated by the usable on code. If this column is blank, the parts pertain to all equipment(s) covered. Two types of codes are used. The alphabetic code denotes similar assemblies and/or features; the numeric code denotes level. Refer to the beginning of each list for the explanation of the code(s).

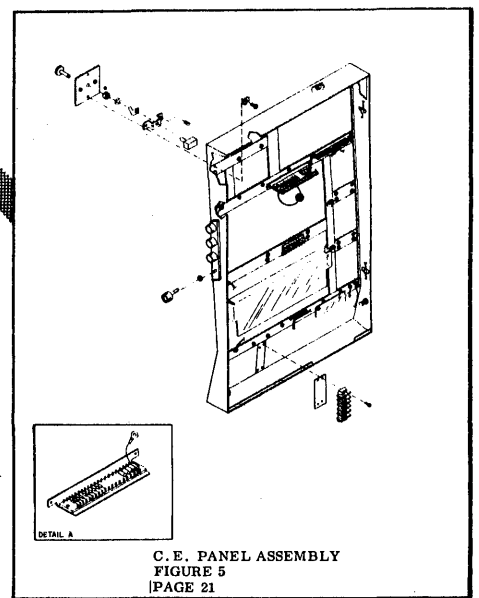
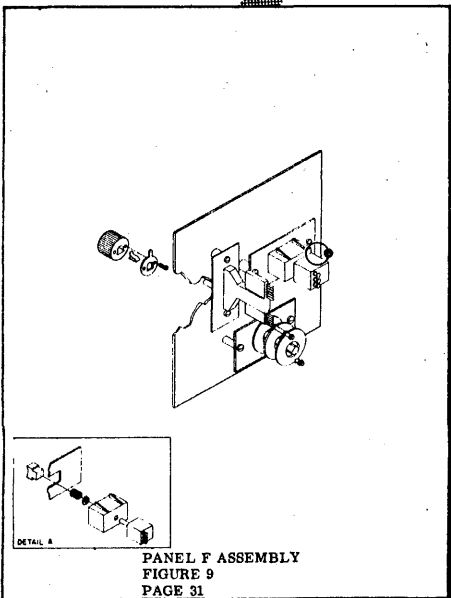
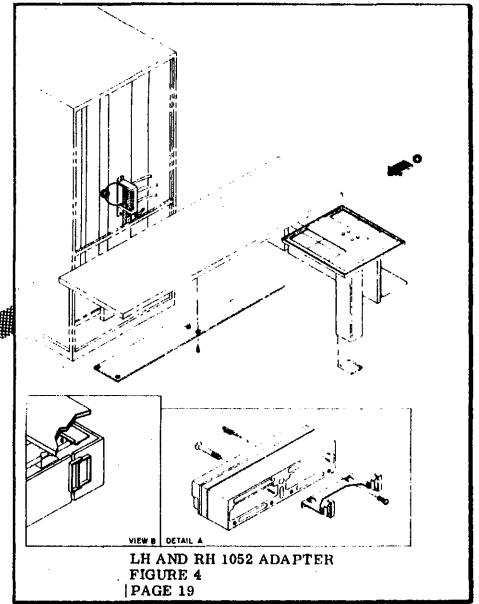
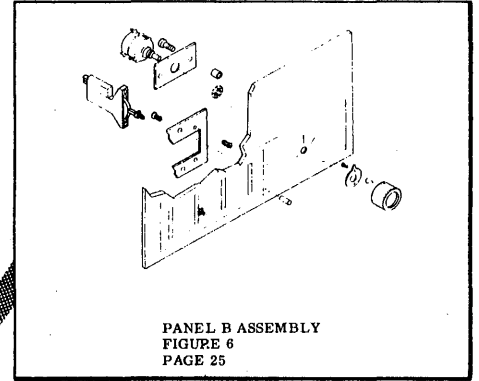
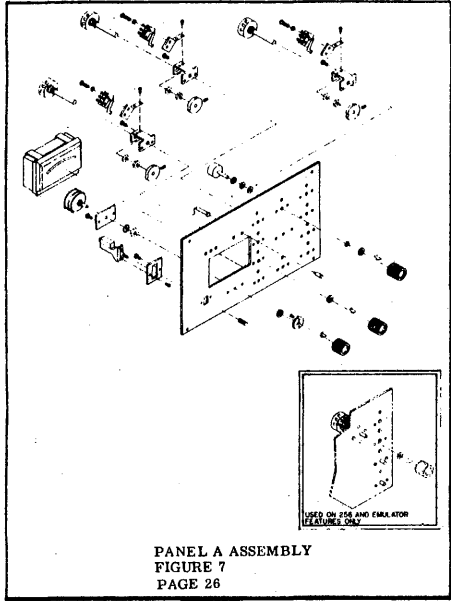
- ⑪ **SUFFIX CODE**  
The suffix code indicates the month (alphabetic) and the year (numeric) of the engineering change which affected interchangeability of the part.

EXAMPLE OF PARTS LIST

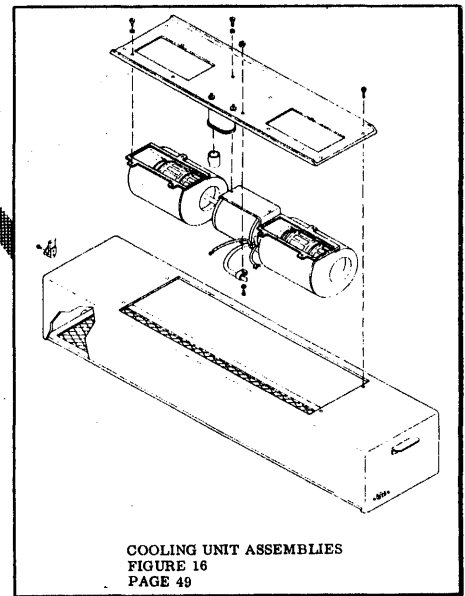
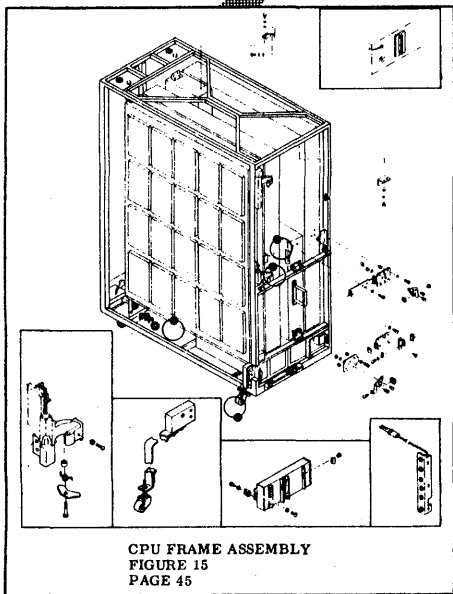
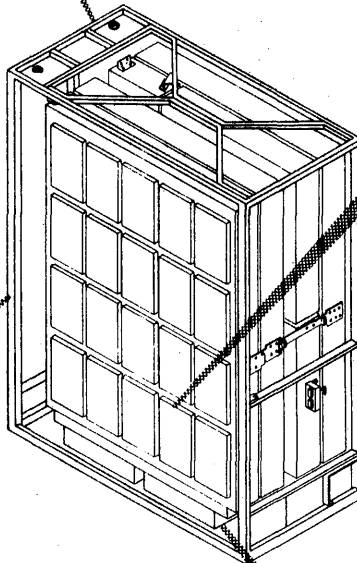
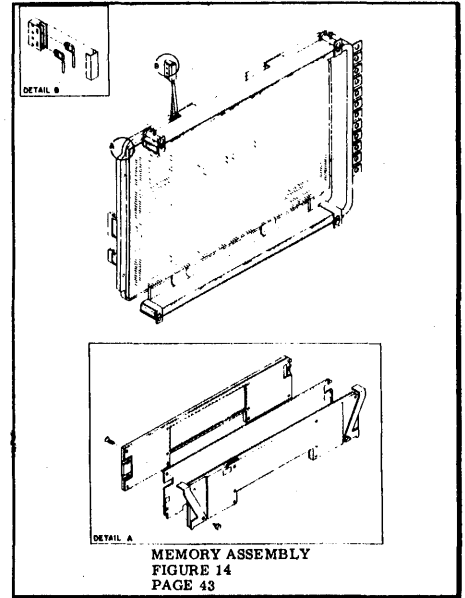
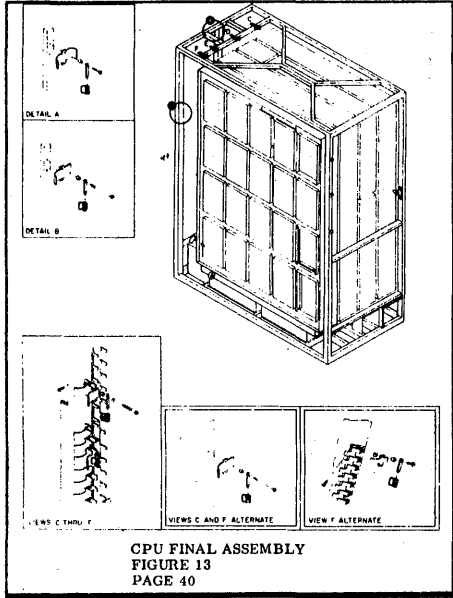
LIST AND INDEX NO.	PART NO.	DESCRIPTION				UNITS PER ASM.	USABLE ON CODE
		1	2	3	4		
		DRIVE MOTOR ASSEMBLY					
2-	⑨ 2199376 NP	⑩	CODE A USED ON 60 CYCLE ONLY	⑪			
-	2199386 NP		CODE B USED ON 50 CYCLE ONLY			⑧	⑩
-			CODE 1 USED ON ASM PRIOR TO B5 SUFFIX			REF	1A
- 1	2204176	④	MOTOR ASM, DRIVE-115/220 VOLTS 60 CYCLE			①	B
- 1	2199255		MOTOR ASM, DRIVE-220 VOLTS 50 CYCLE			REF	1B
- 2	79842		FOR NEXT HIGHER ASM SEE FIGURE 1-92				
- 3	2204116		FOR ILLUSTRATION SEE FIGURE 2				
- 4	NO NO.		②	PULLEY, 60 CYCLE	ATT PT	1	A
- 5	5526			PULLEY, 50 CYCLE		1	B
- 6	2204082	③		SETScrew, SPLINE DR CUP PT 8-32 X 3/8 LG		1	A
- 7	2204033			MOTOR ASM, 220V AC 60 CYCLE	ATT PT	1	B
- 8	COMM			MOTOR ASM, 220V AC 50 CYCLE		1	
- 8	2199258	⑤		SCREW, MACH BIND HD 8-32 X 0.625 LG		4	
- 9	2199401			· · FERRULE, OUTER		1	
- 9	2199402			· · FERRULE, INNER		1	
				· · MOTOR, 1/12 HP-220V 60CPS		1	
				· · MOTOR, DRIVE - 220V 50CPS		1	
				· PLATE, MOTOR MT-115/220 VOLTS 60 CYCLE		1	A
				· PLATE, MOTOR MT-220 VOLTS 50 CYCLE		1	B

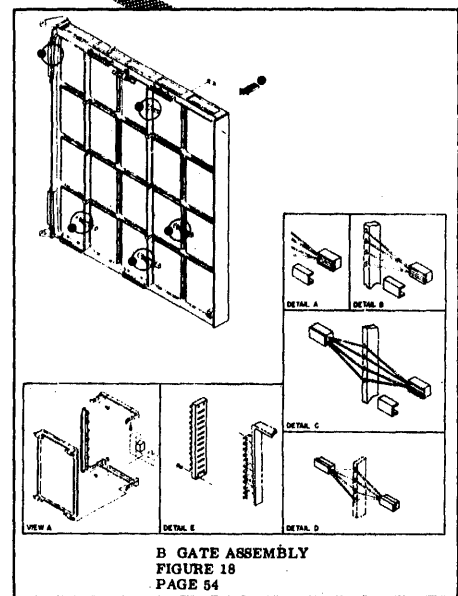
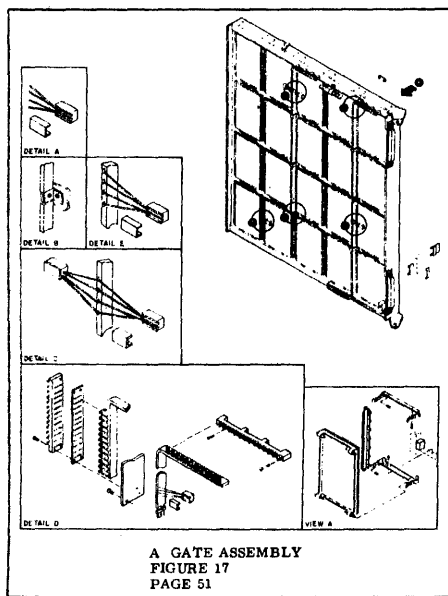
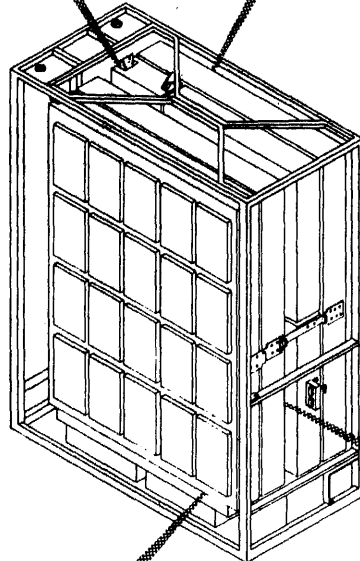
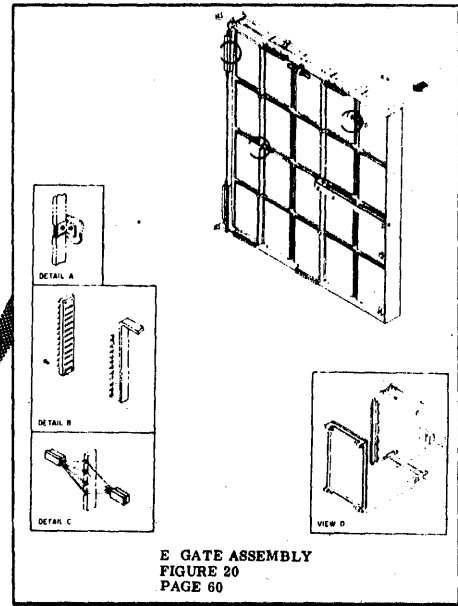
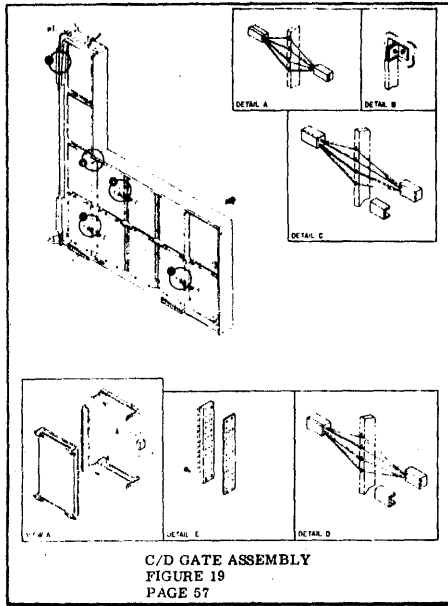




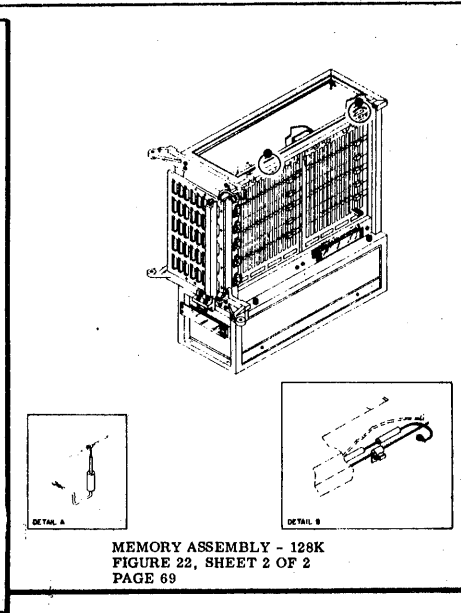
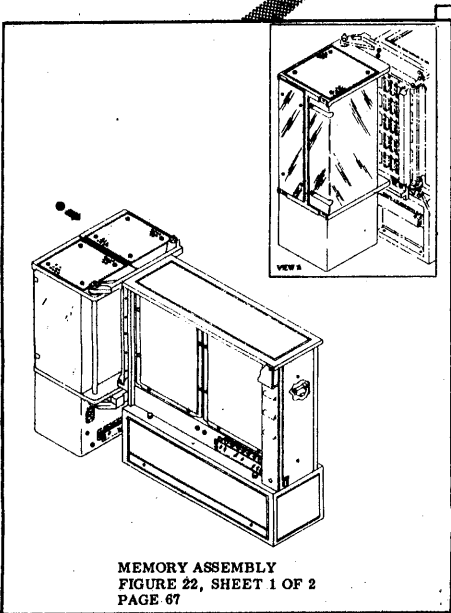
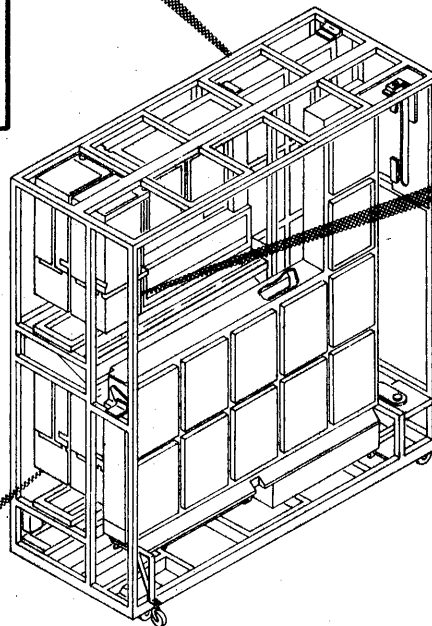
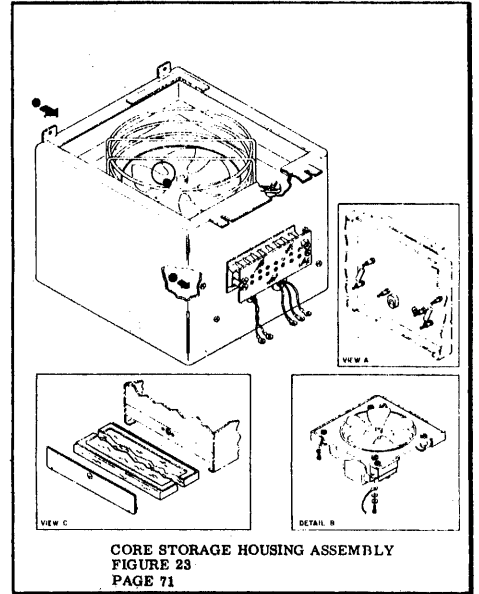
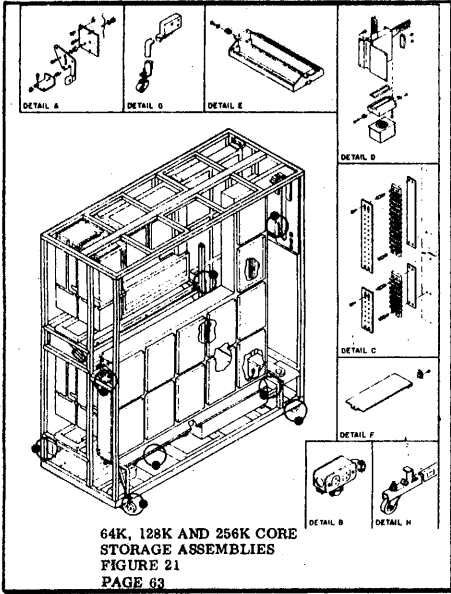


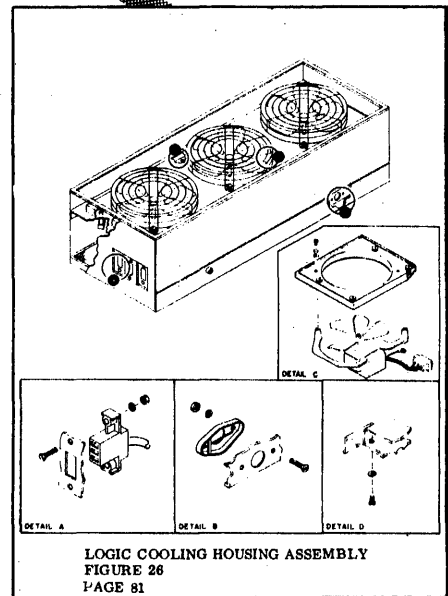
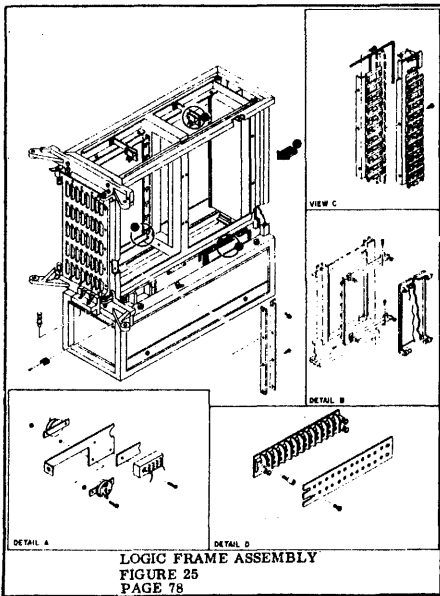
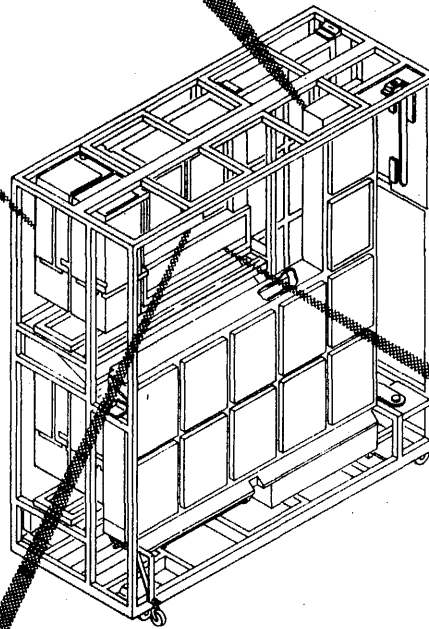
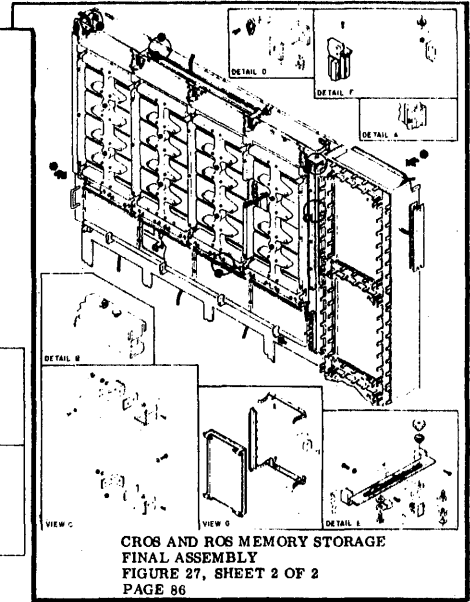
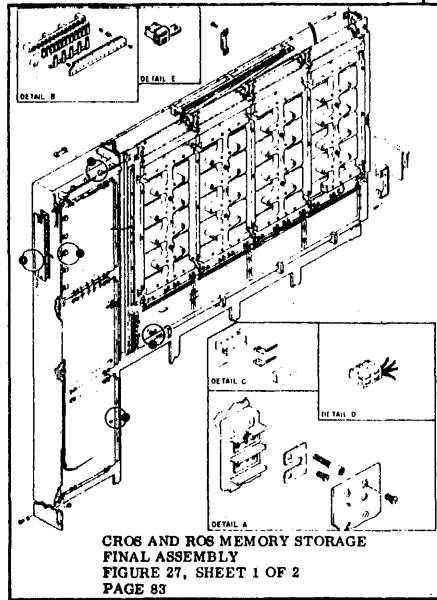
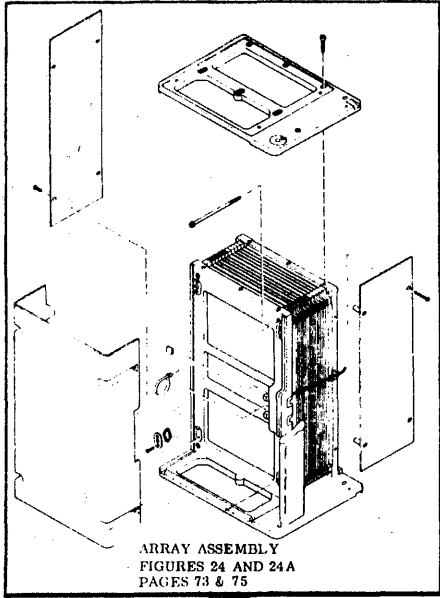


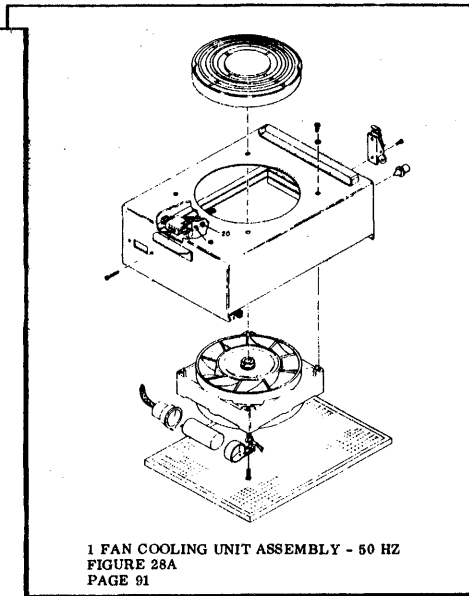
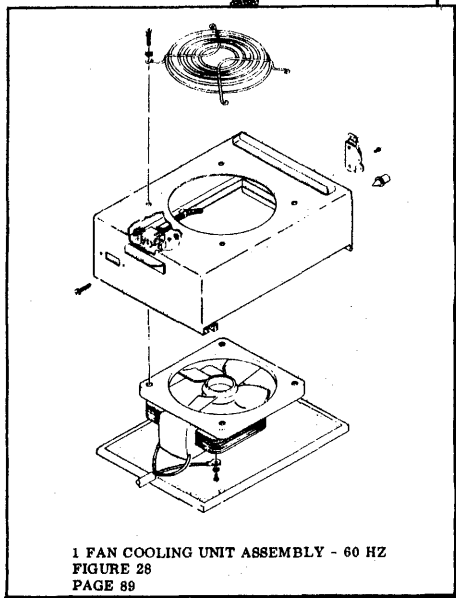
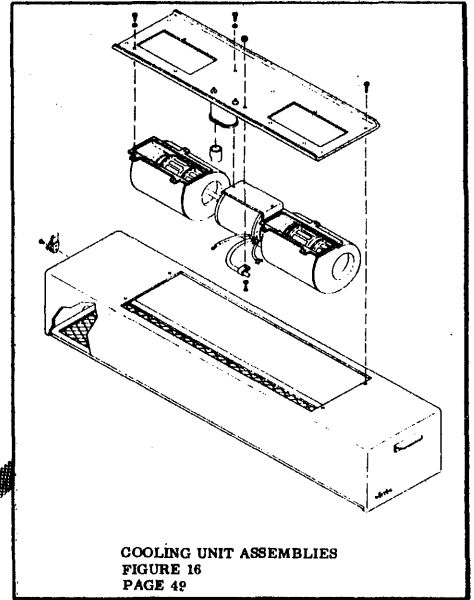
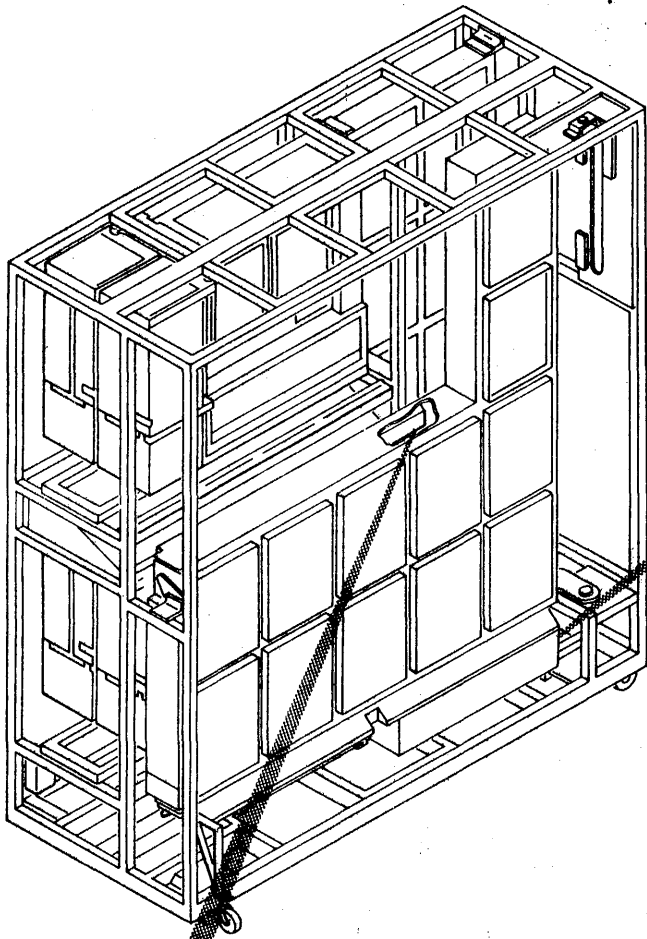


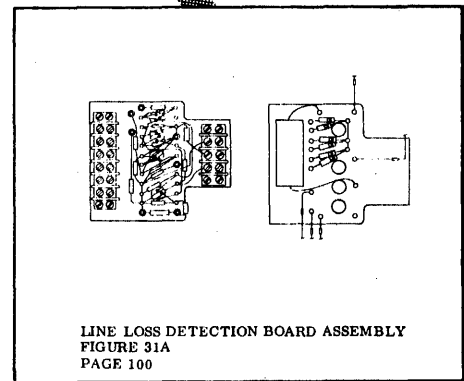
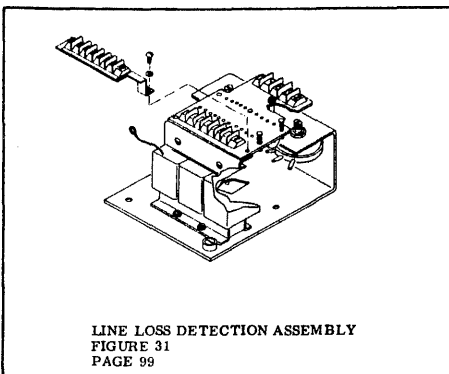
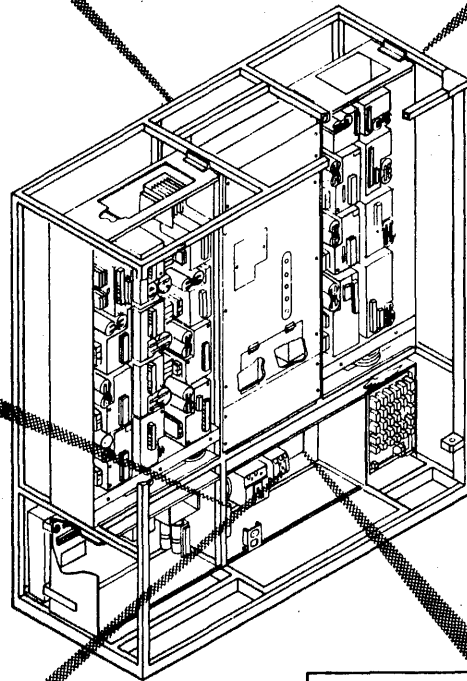
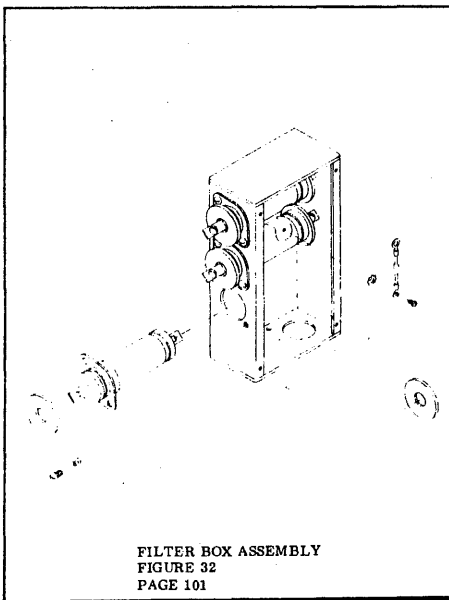
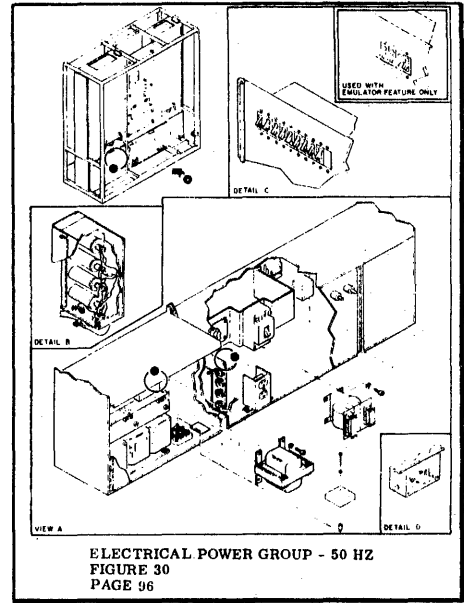
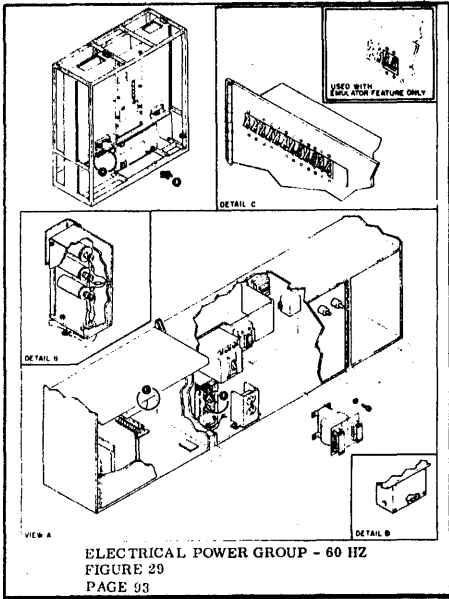


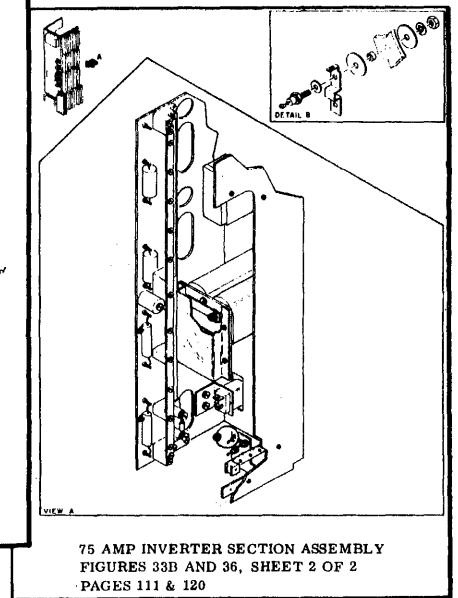
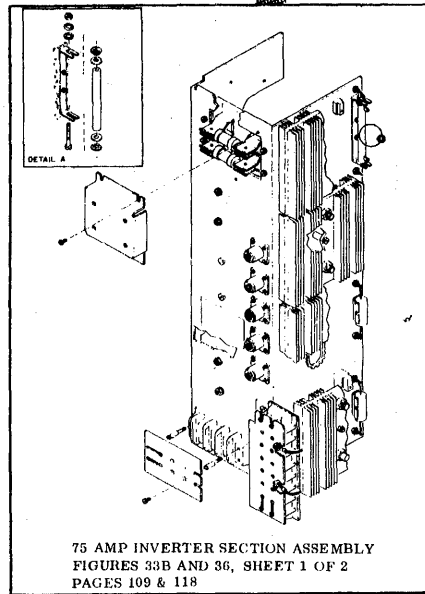
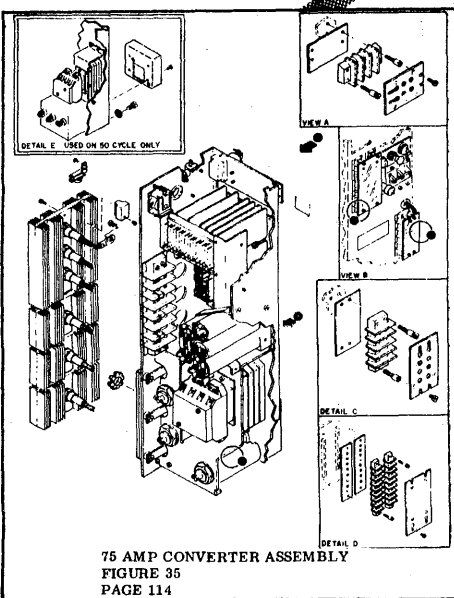
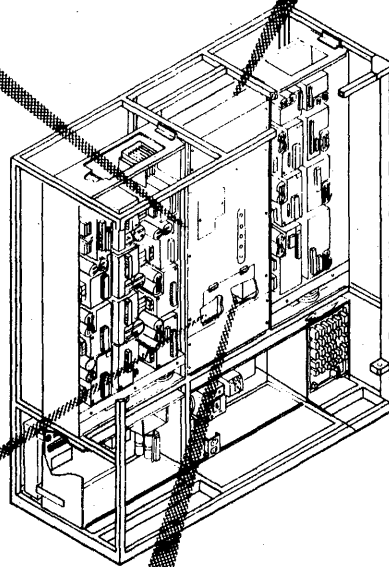
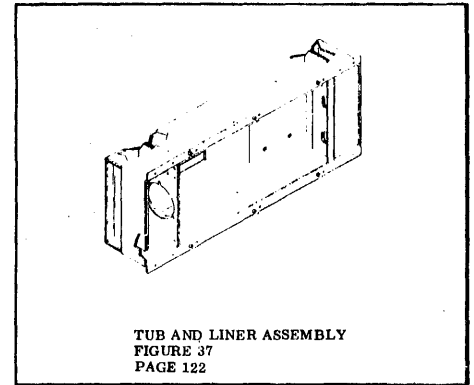
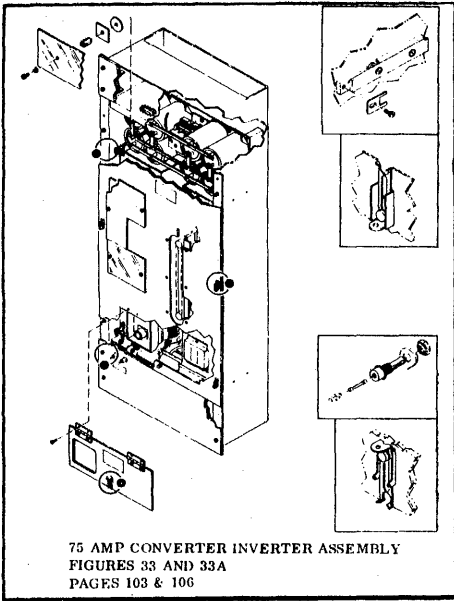


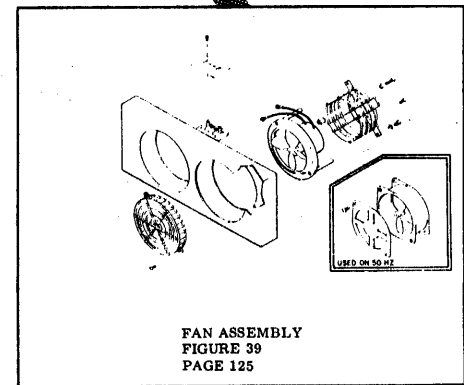
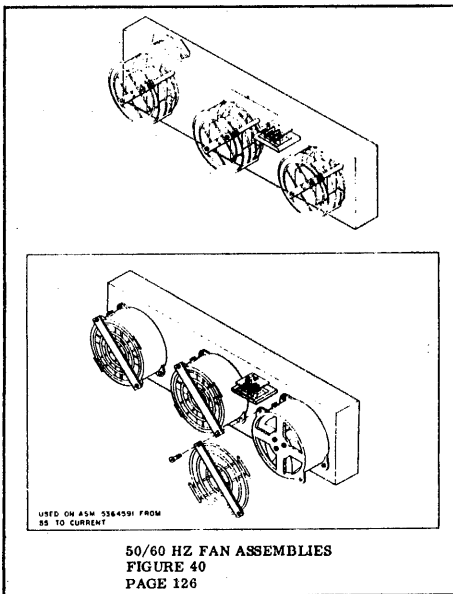
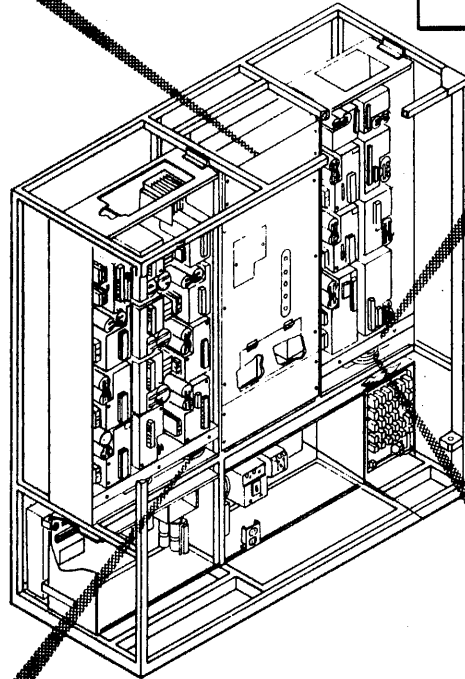
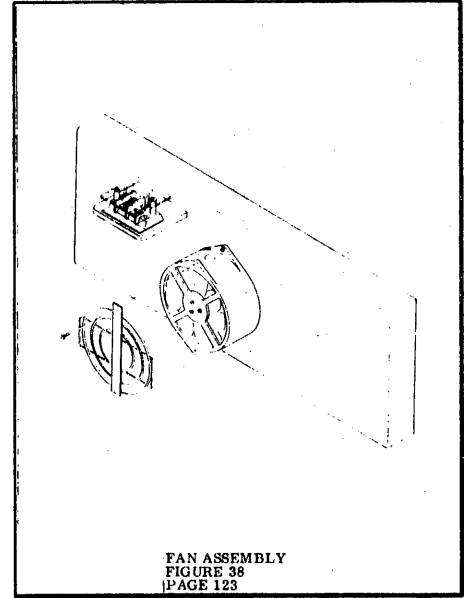
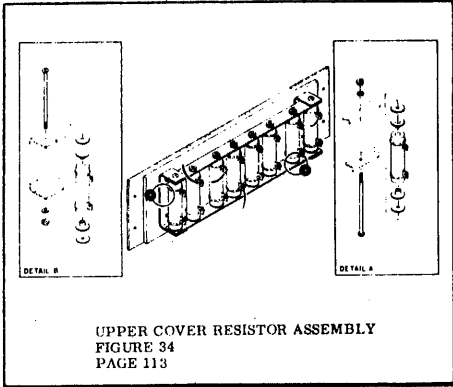


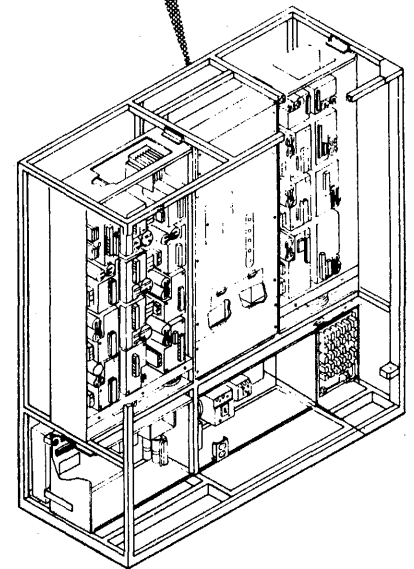
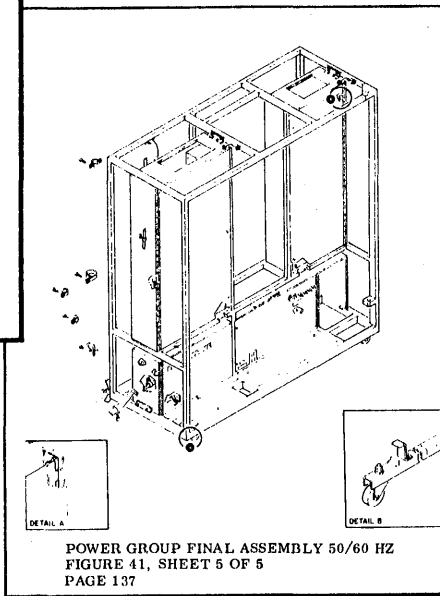
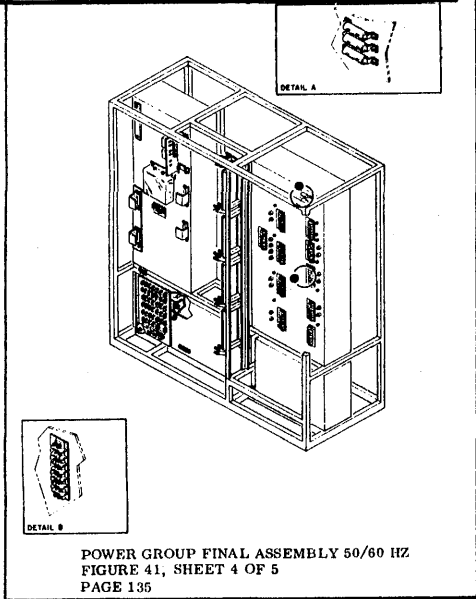
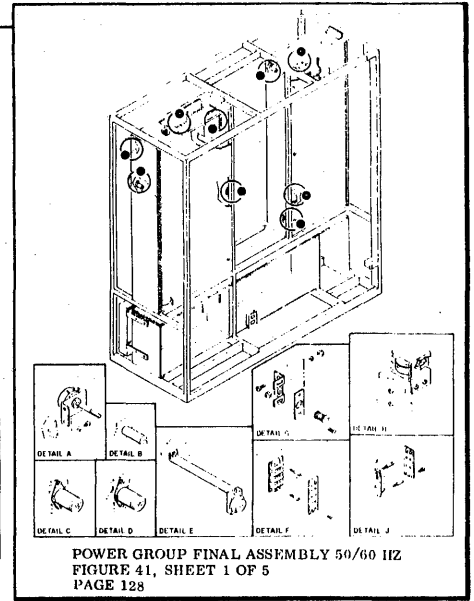
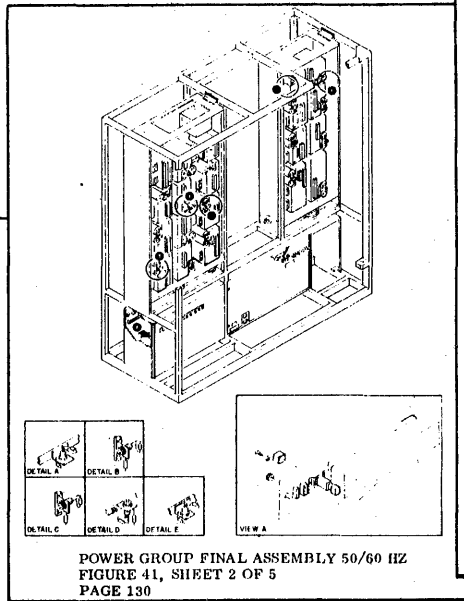
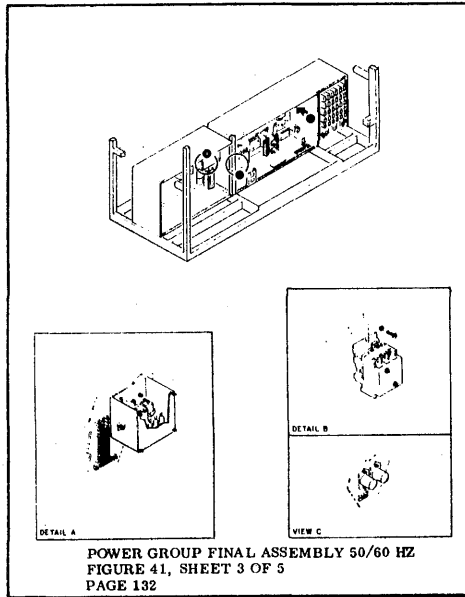


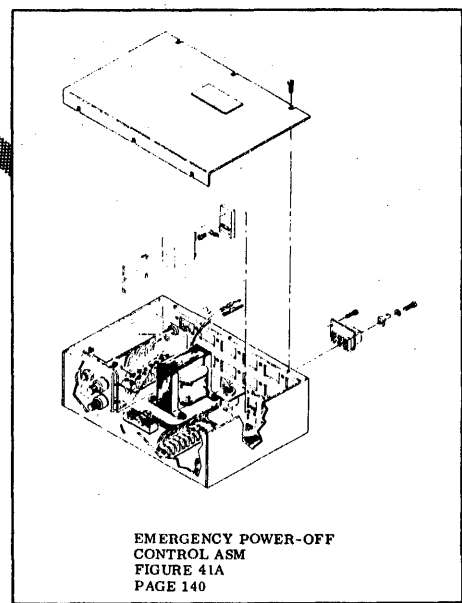
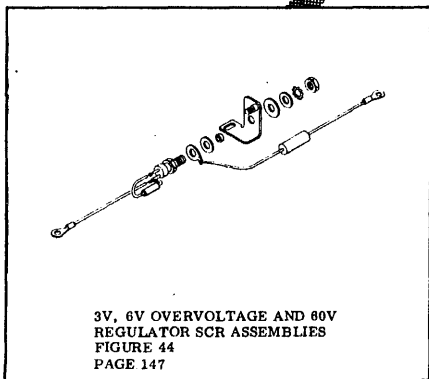
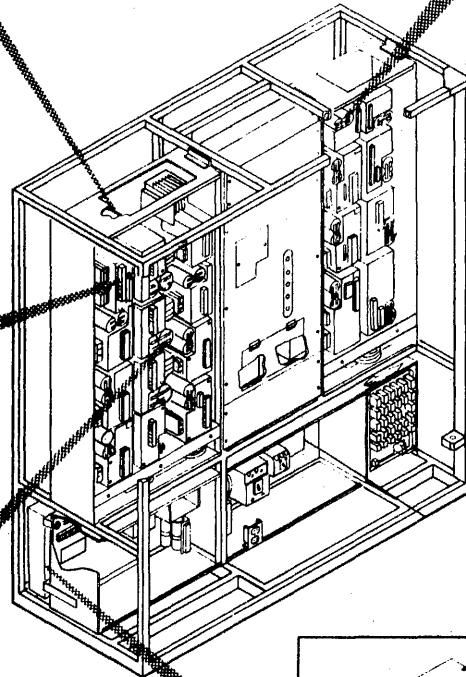
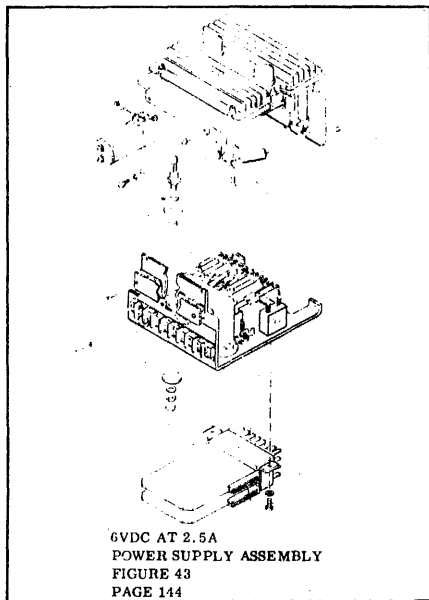
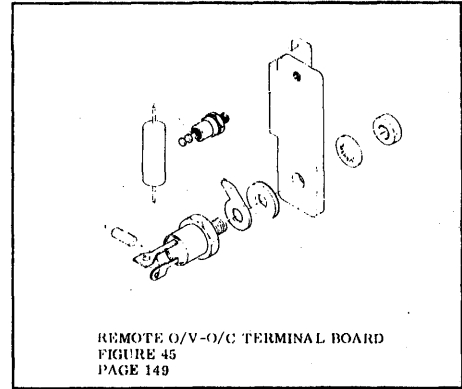
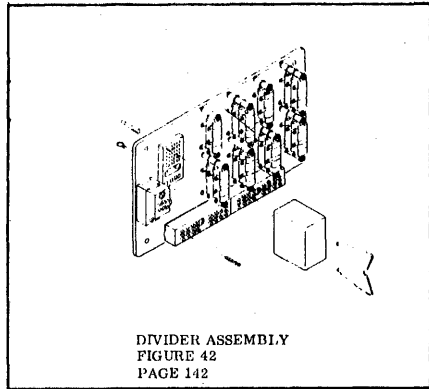




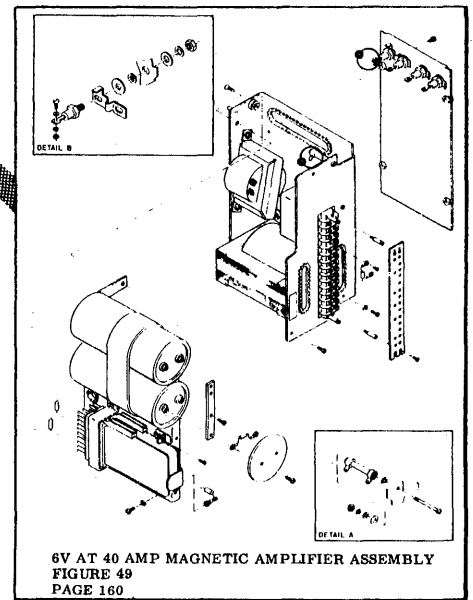
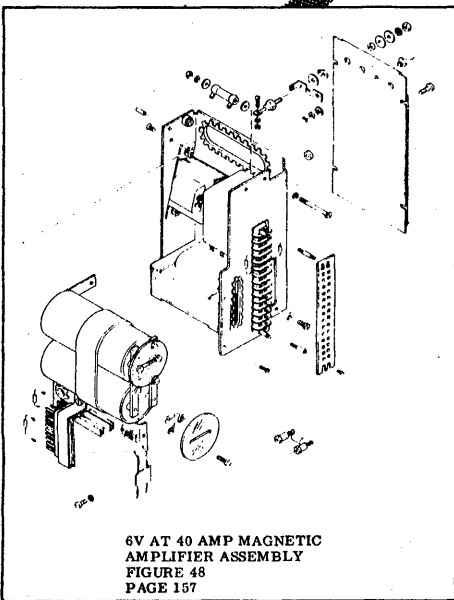
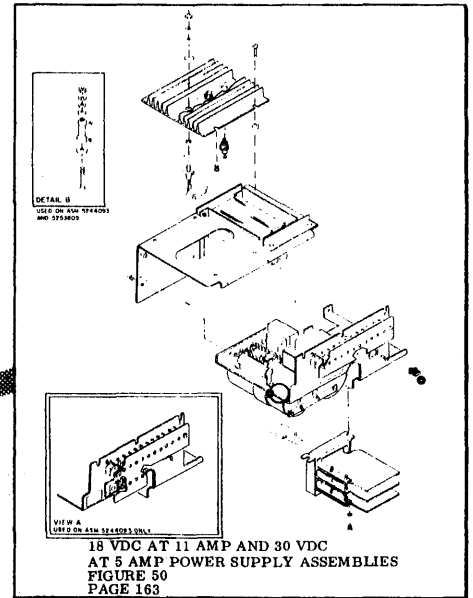
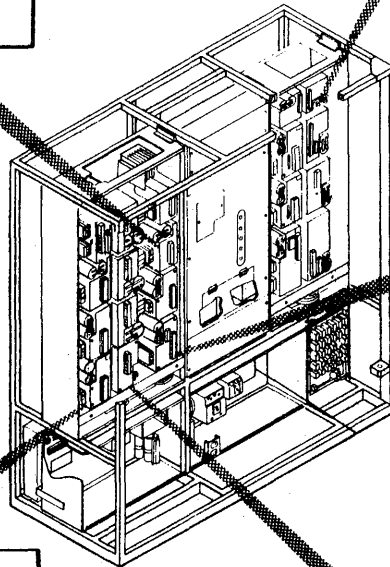
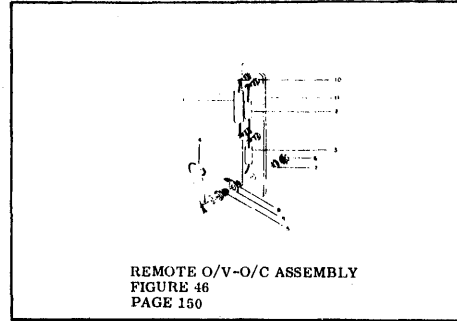
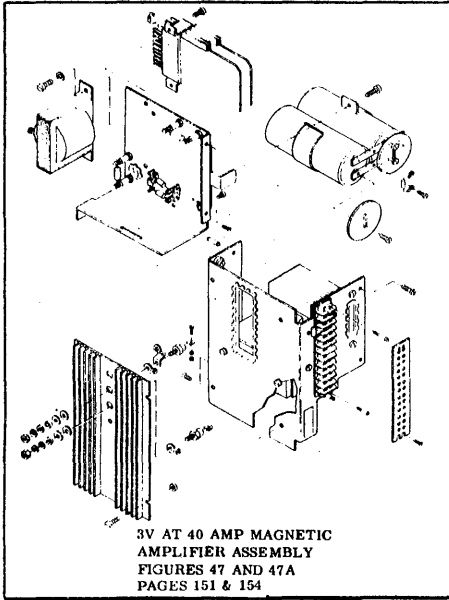


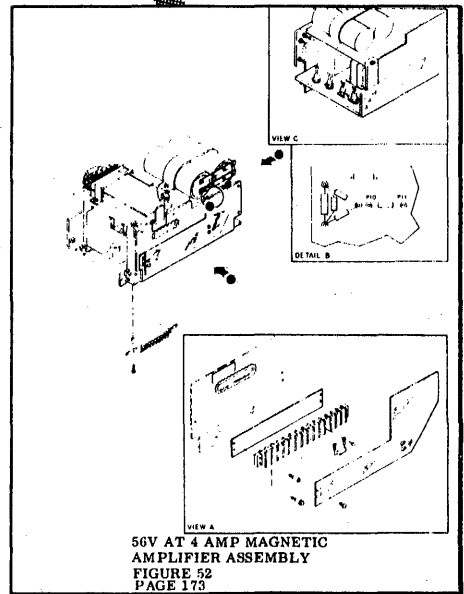
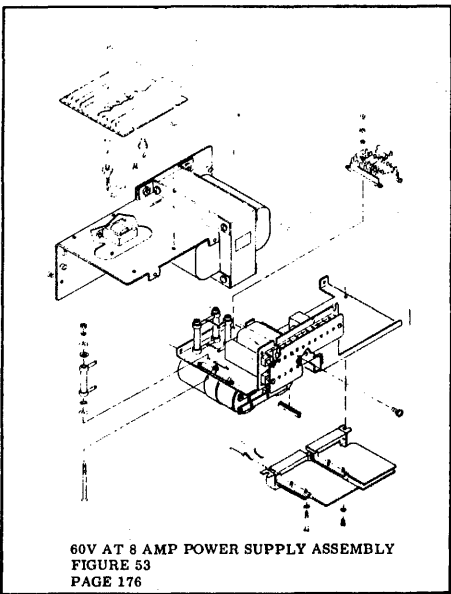
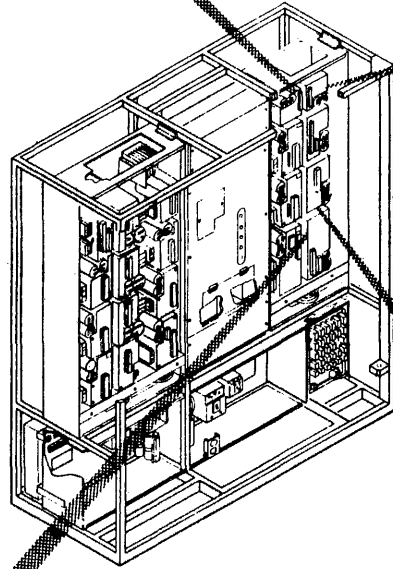
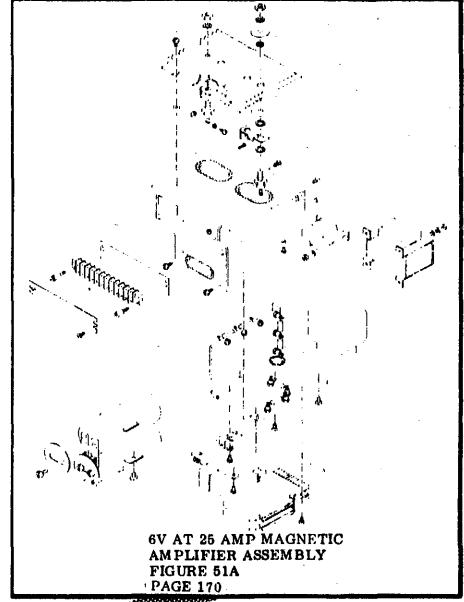
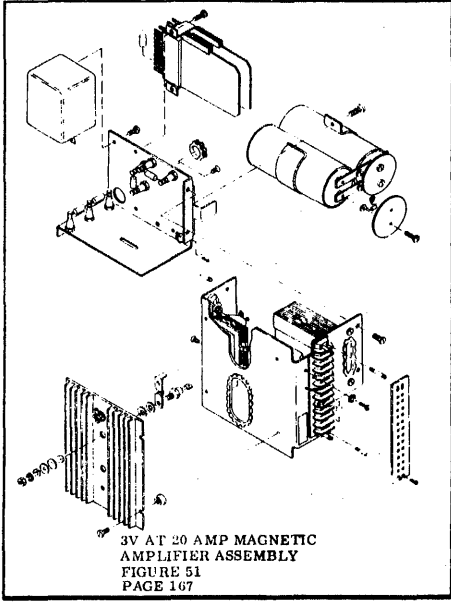


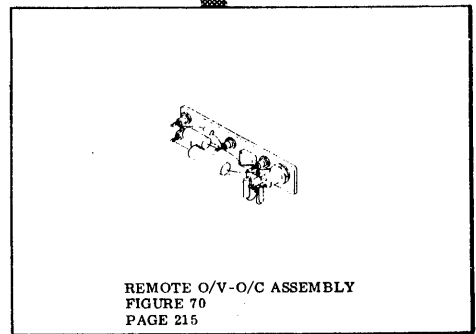
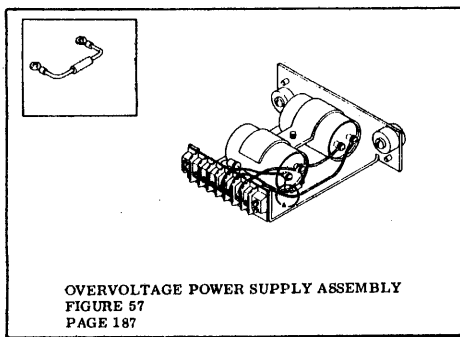
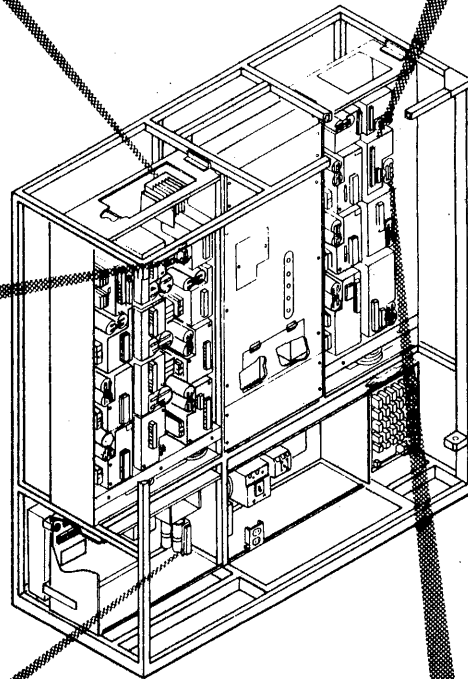
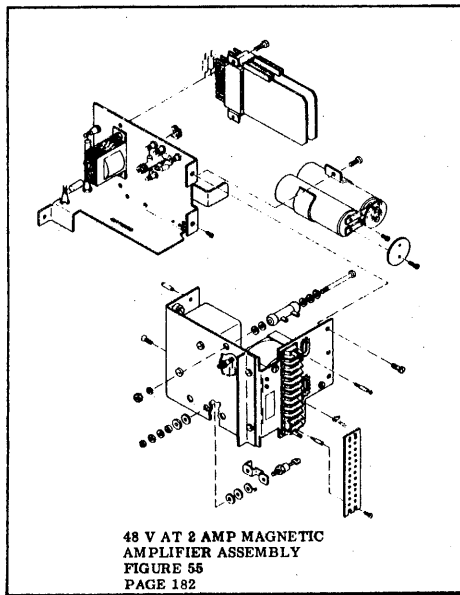
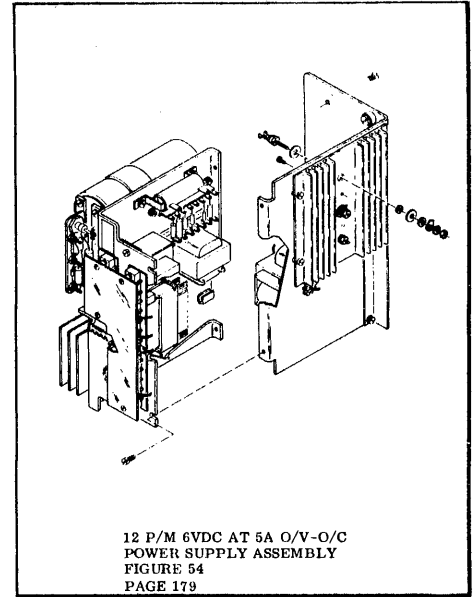
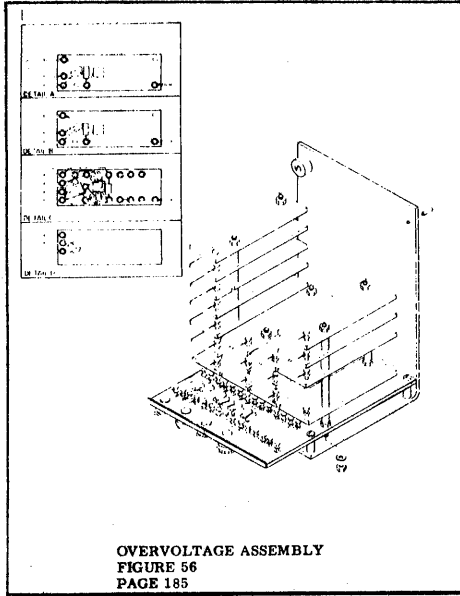


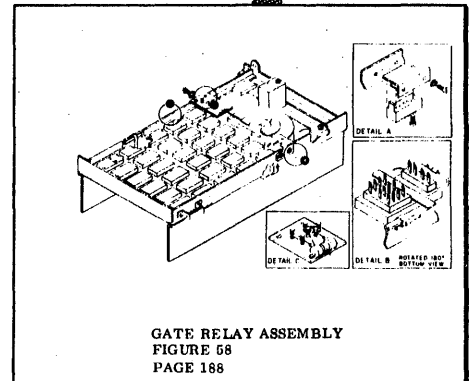
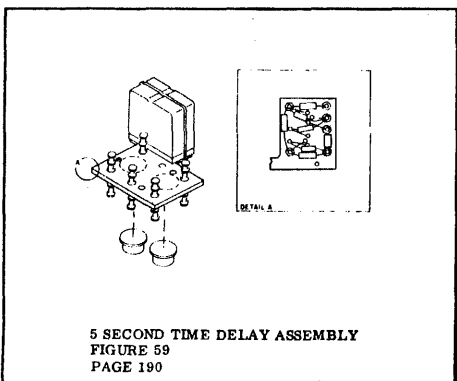
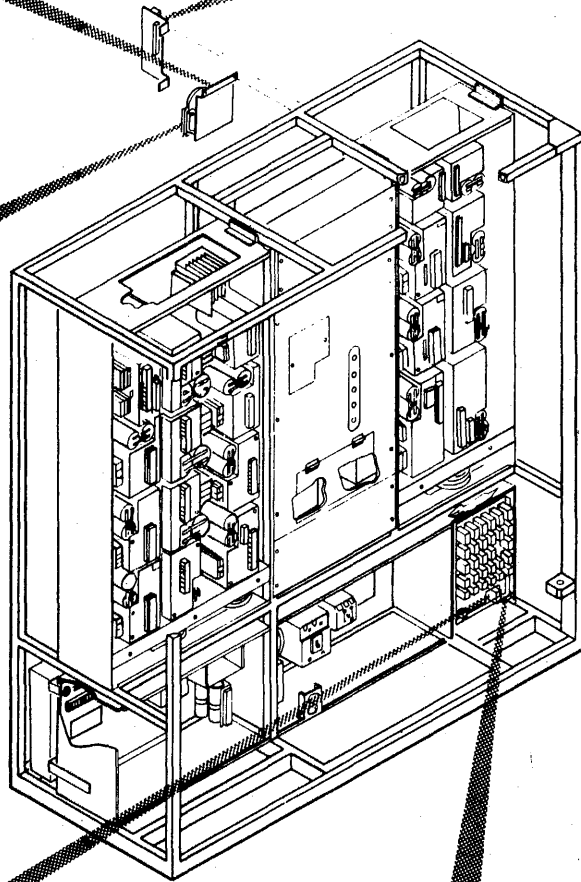
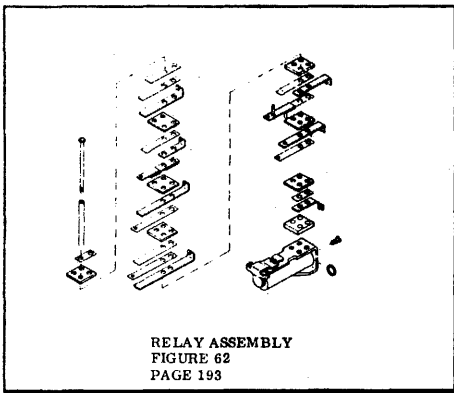
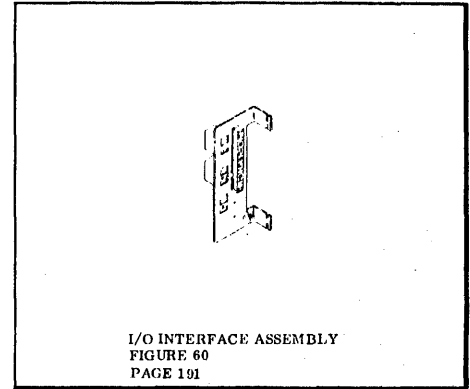
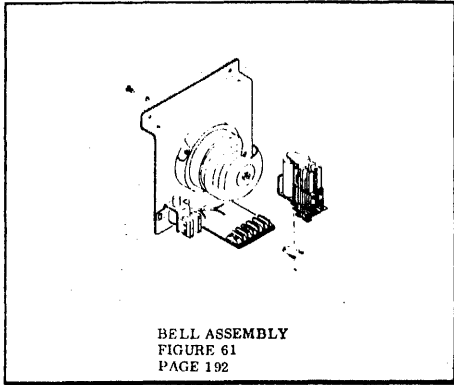


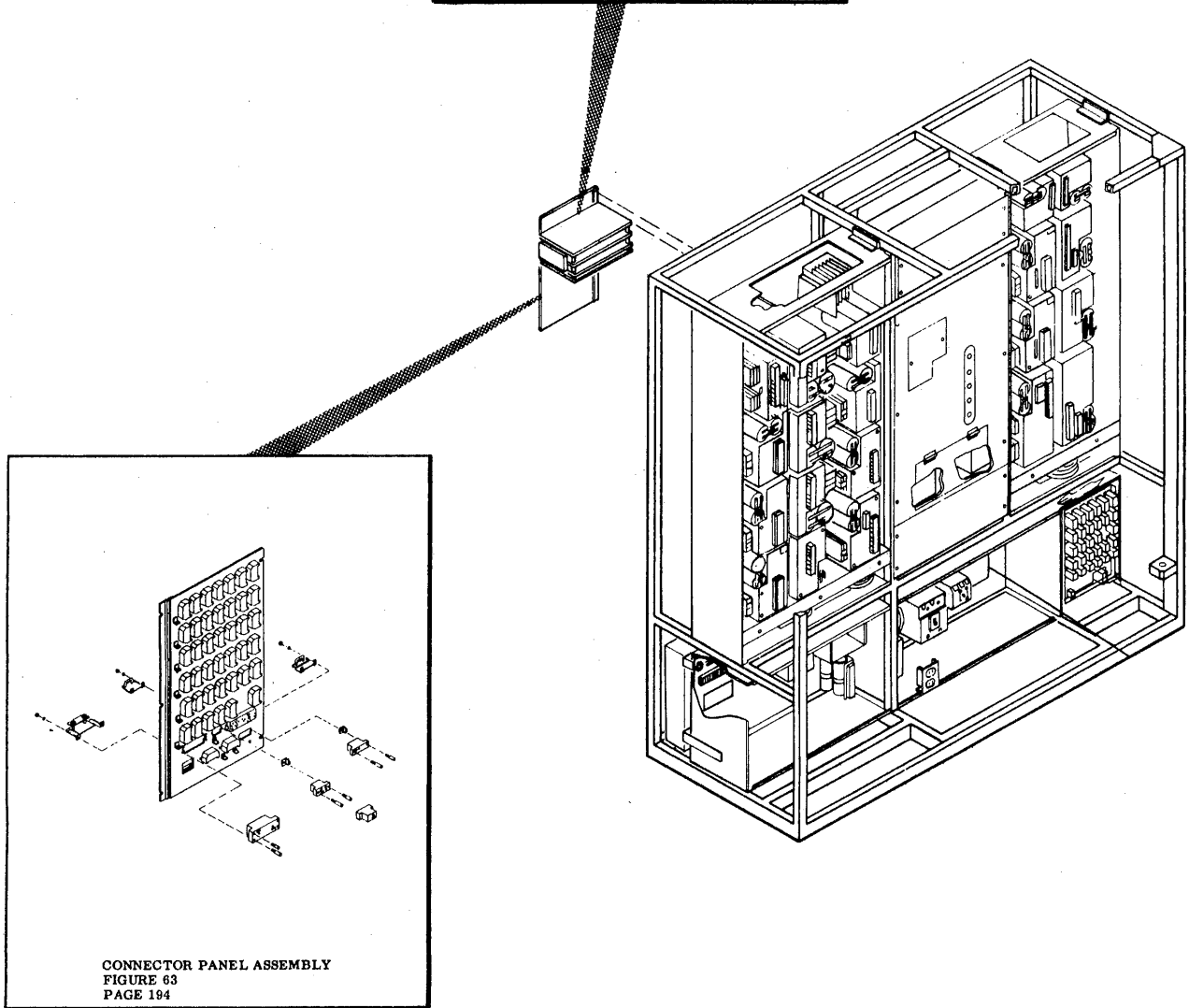
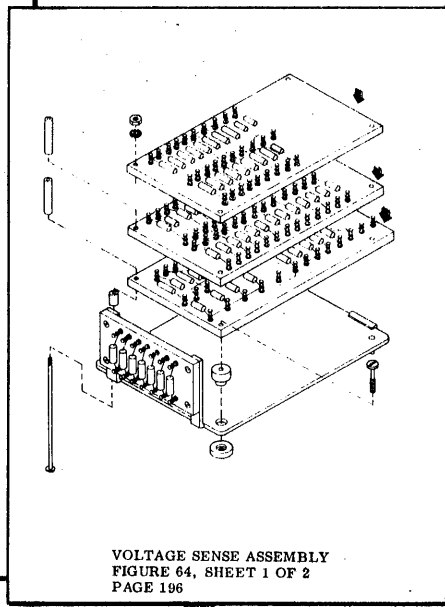
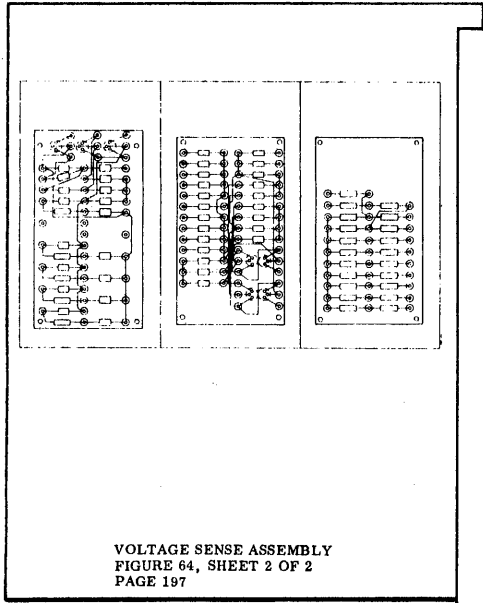


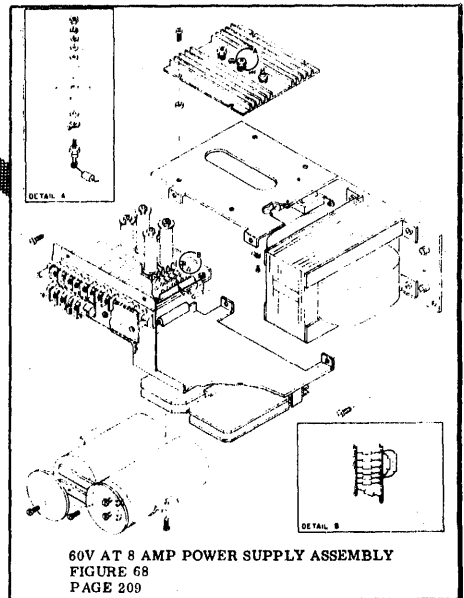
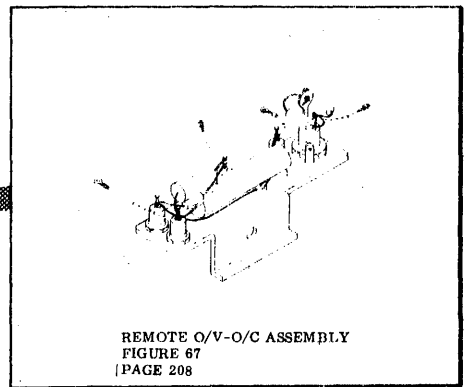
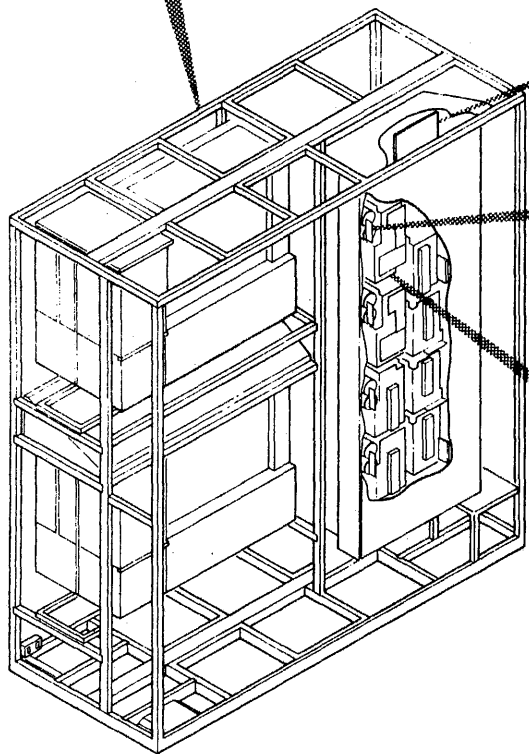
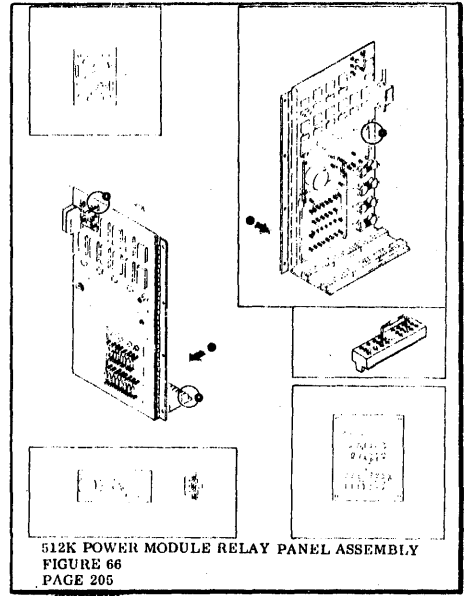
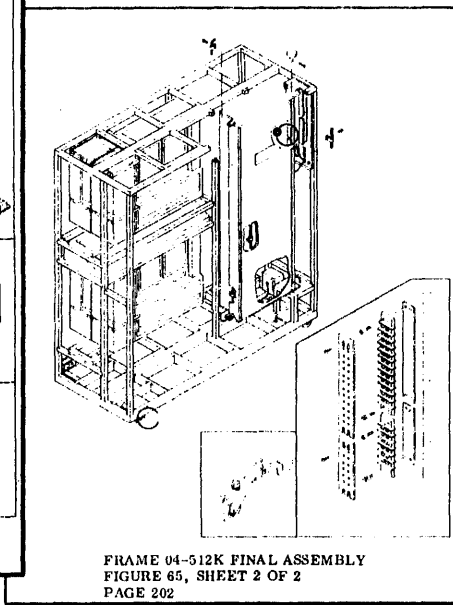
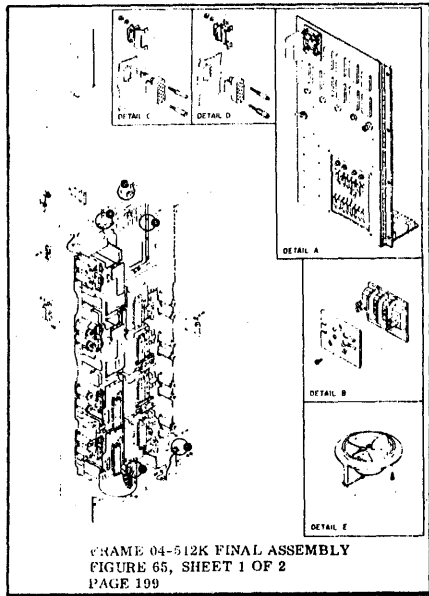


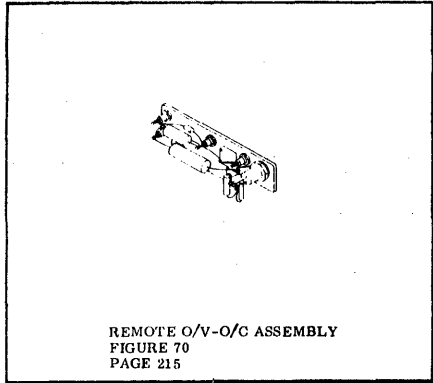




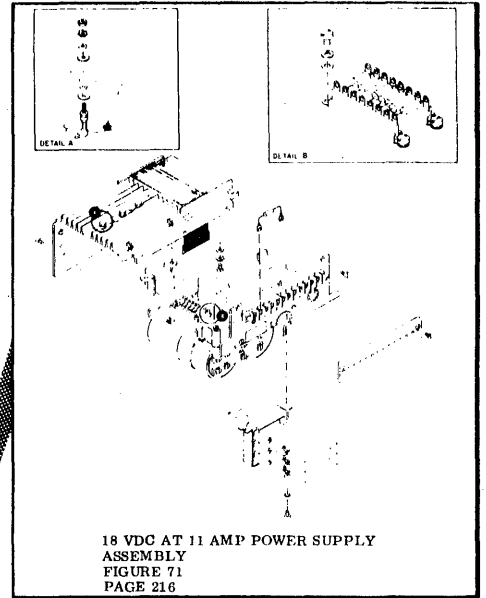




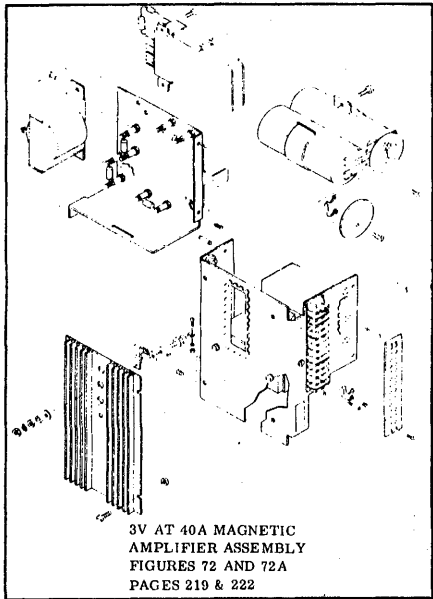




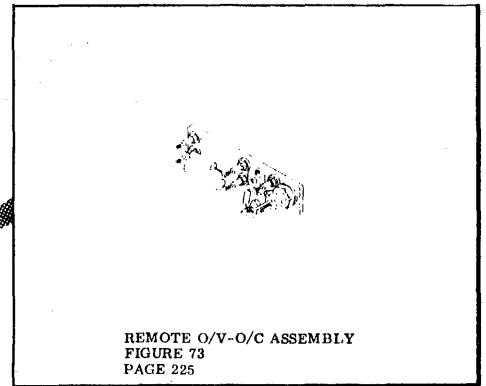
REMOTE O/V-O/C ASSEMBLY  
FIGURE 70  
PAGE 215



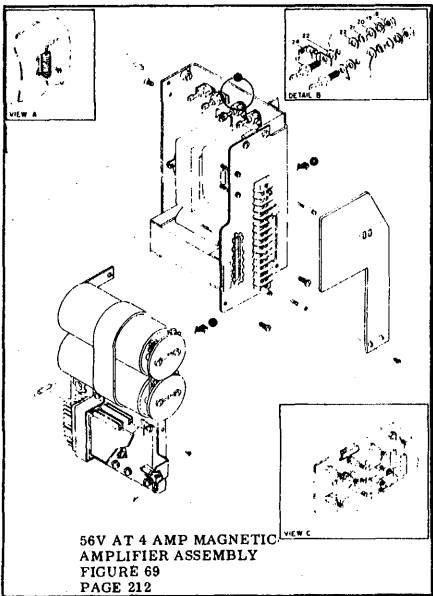
18 VDC AT 11 AMP POWER SUPPLY  
ASSEMBLY  
FIGURE 71  
PAGE 216



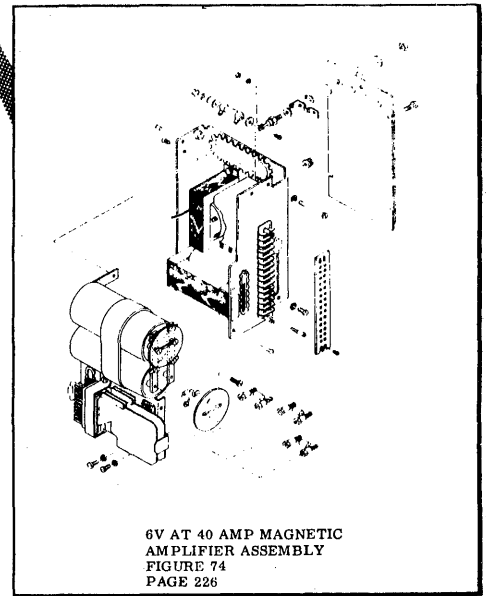
3V AT 40A MAGNETIC  
AMPLIFIER ASSEMBLY  
FIGURES 72 AND 72A  
PAGES 219 & 222



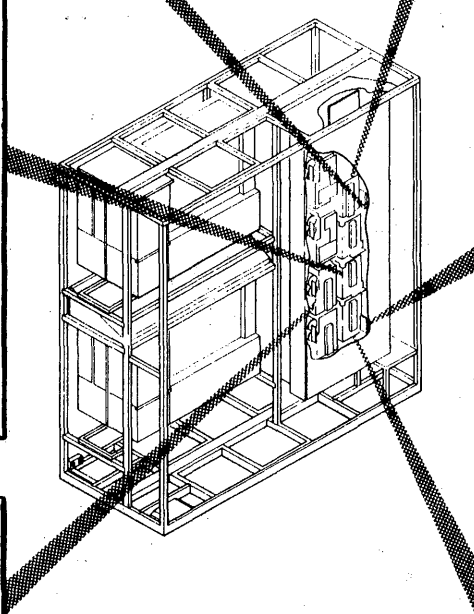
REMOTE O/V-O/C ASSEMBLY  
FIGURE 73  
PAGE 225

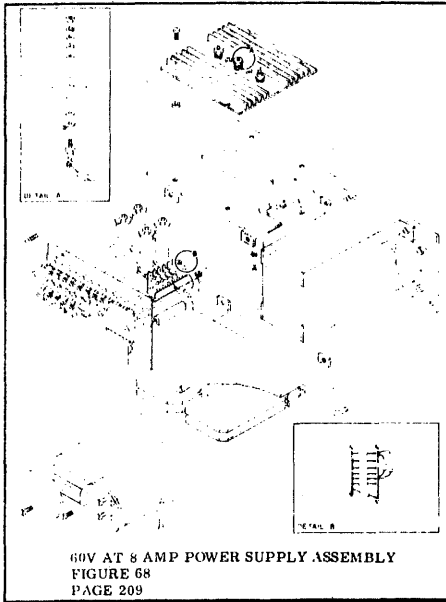


56V AT 4 AMP MAGNETIC  
AMPLIFIER ASSEMBLY  
FIGURE 69  
PAGE 212

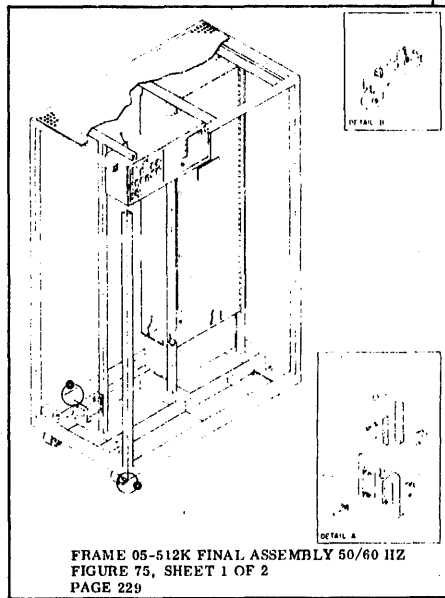


6V AT 40 AMP MAGNETIC  
AMPLIFIER ASSEMBLY  
FIGURE 74  
PAGE 226

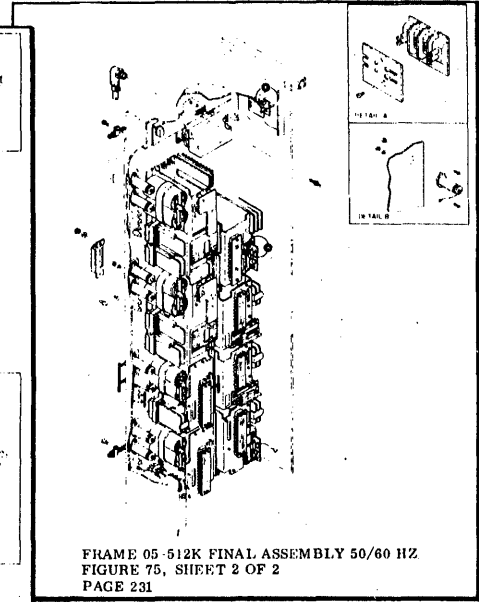




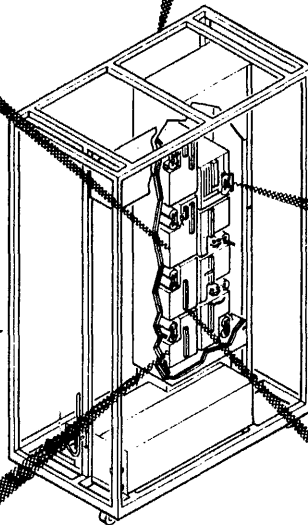
60V AT 8 AMP POWER SUPPLY ASSEMBLY  
FIGURE 68  
PAGE 209



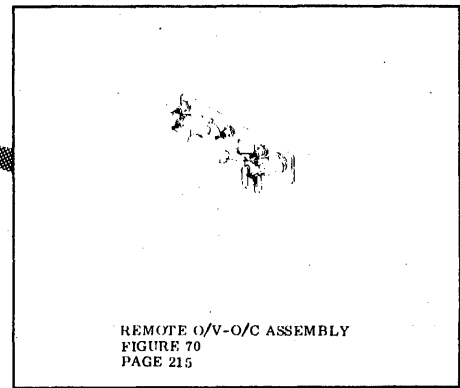
FRAME 05-512K FINAL ASSEMBLY 50/60 HZ  
FIGURE 75, SHEET 1 OF 2  
PAGE 229



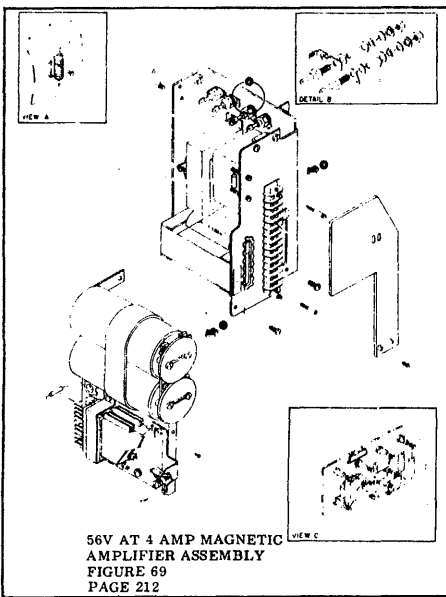
FRAME 05-512K FINAL ASSEMBLY 50/60 HZ  
FIGURE 75, SHEET 2 OF 2  
PAGE 231



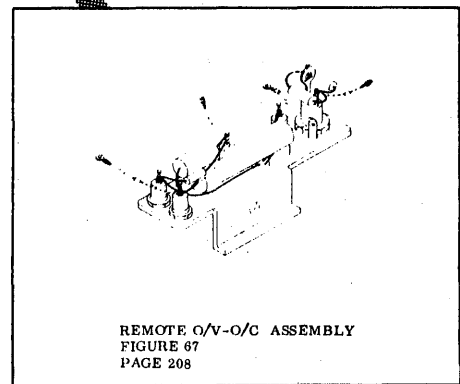
FRAME 05 NOT USED ON 384K AND 512K  
FEATURES FOR SYSTEMS AT E. C. 258549  
OR LATER (POWER COMPONENT REPACK-  
AGED IN FRAME 04)



REMOTE O/V-O/C ASSEMBLY  
FIGURE 70  
PAGE 215

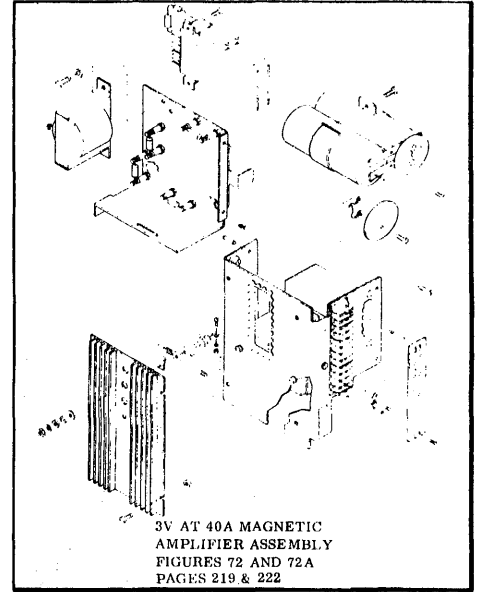
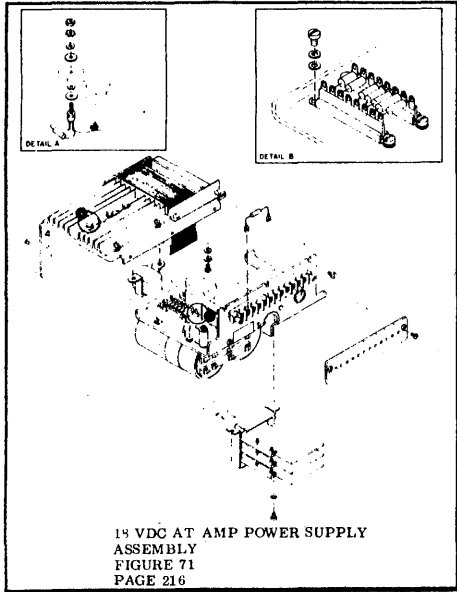


56V AT 4 AMP MAGNETIC  
AMPLIFIER ASSEMBLY  
FIGURE 69  
PAGE 212

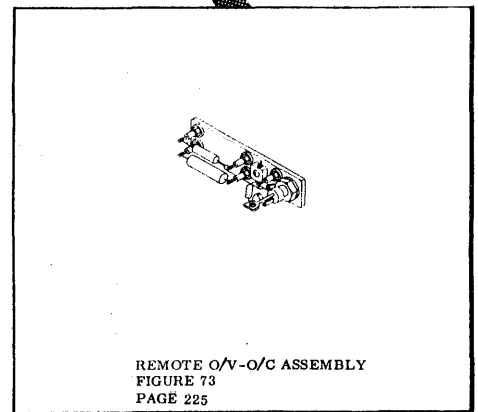
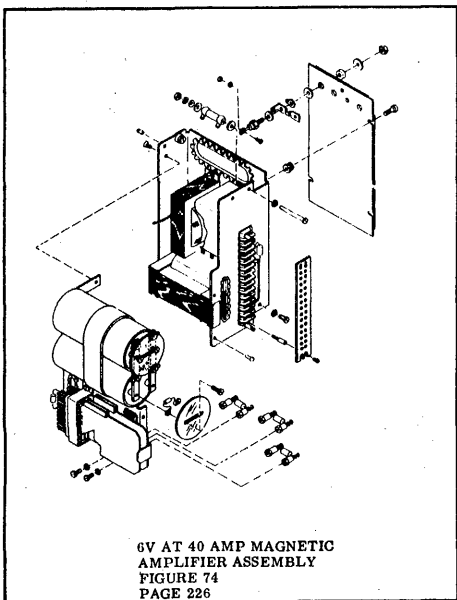
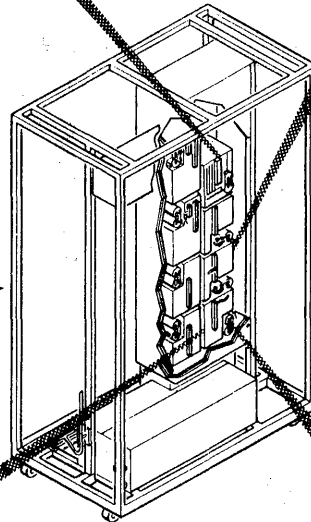


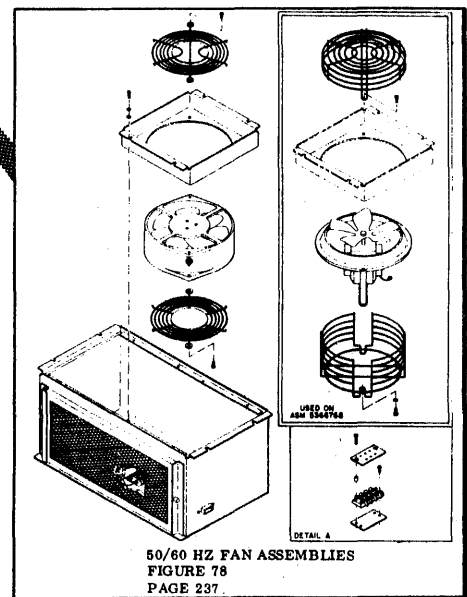
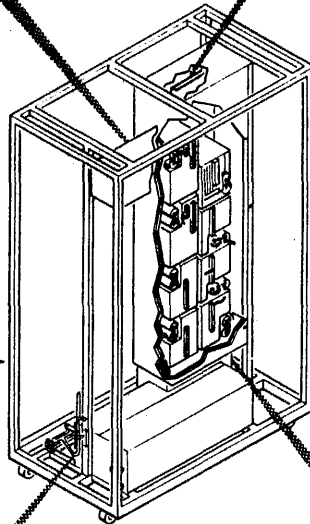
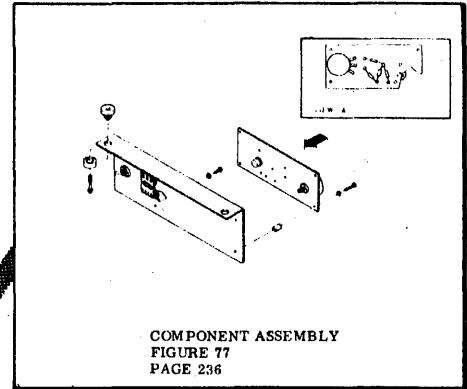
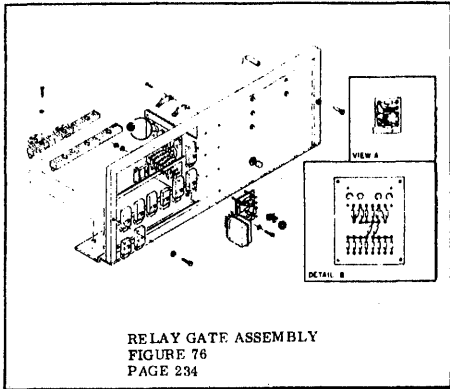
REMOTE O/V-O/C ASSEMBLY  
FIGURE 67  
PAGE 208





FRAME 05 NOT USED ON 384K AND 512K FEATURES FOR SYSTEMS AT E. C. 258549 OR LATER (POWER COMPONENT REPACKAGED IN FRAME 04)





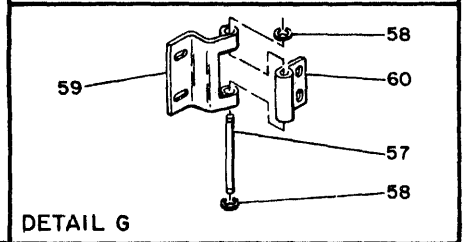
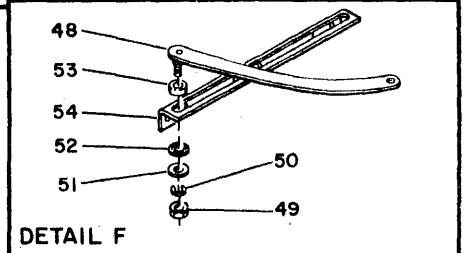
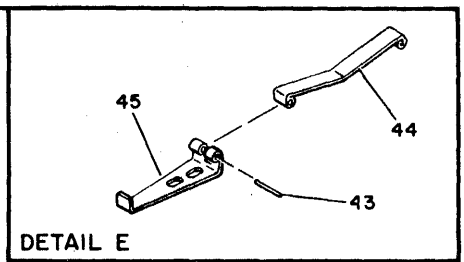
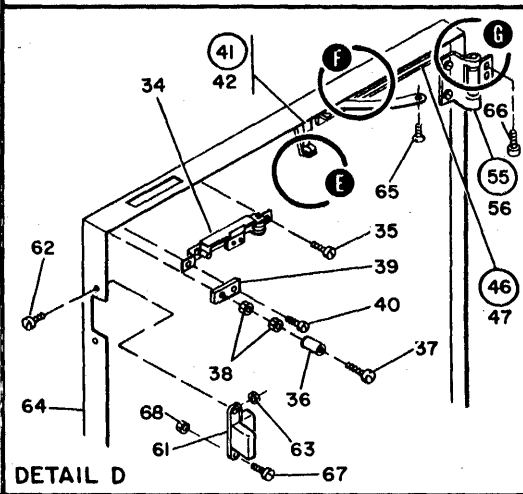
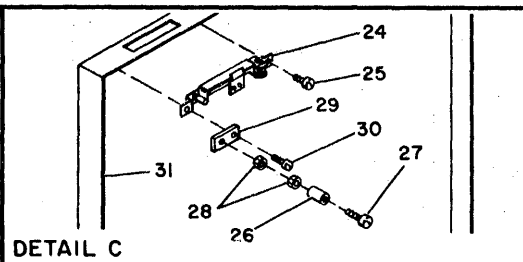
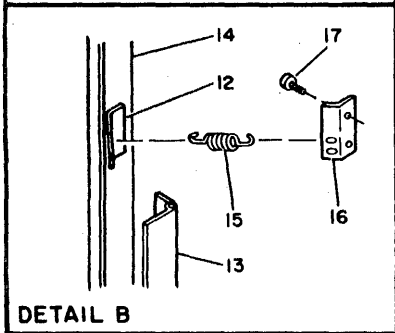
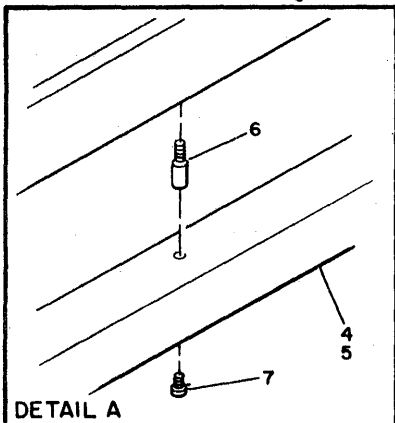
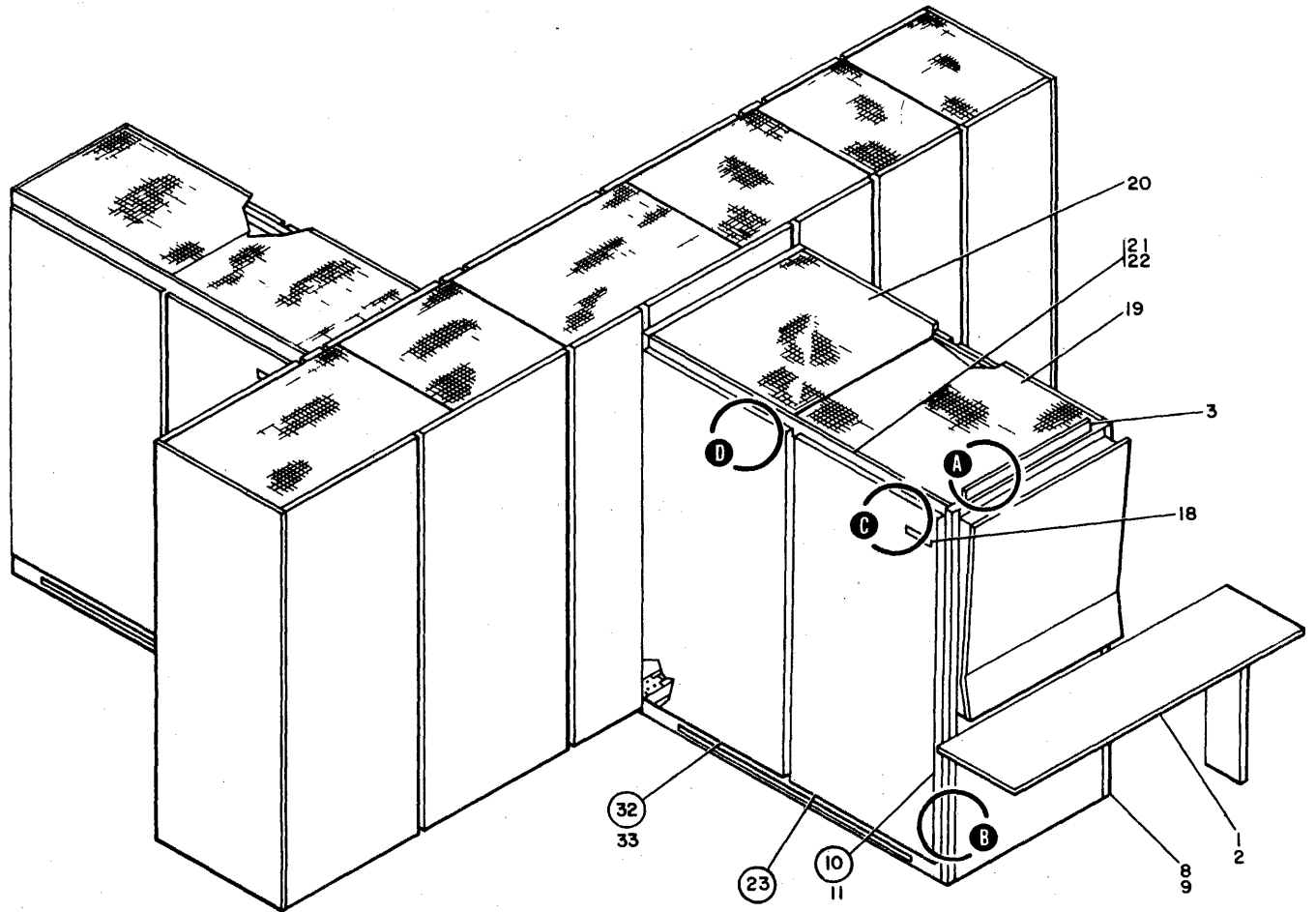


FIGURE 1. COVER AND SHIPPING GROUPS. SHEET 1 OF 7. INDEX NOS. 1-68. SEE LIST 1.

LIST AND INDEX NUMBER	PART NUMBER	DESCRIPTION	UNITS PER ASM.	USABLE ON CODE
		COVER AND SHIPPING GROUPS		
		CODE 1 USED ON ASM PRIOR TO K8 SUFFIX CODE 2 USED ON ASM FROM K8 TO CURRENT		
1 -	NO NO.	COVER AND SHIPPING GROUPS	REF	
- 1	5373130 NP	SEE FIG. 1 FOR ILLUSTRATION • CONSOLE TABLE, RH		
- 2	5373131 NP	SEE FIG. 2 FOR DETAIL BREAKDOWN • CONSOLE TABLE, LH		
- 3	5352156	SEE FIG. 2 FOR DETAIL BREAKDOWN • LABEL-ENGLISH AND GERMAN	1	
- 3	5352720	• LABEL-FRENCH	1	
- 4	5372905	• TRIM-UPPER	1	
- 5	731630	• SCREW, THD FORMING- 10-32 X 0.500 LG	7	
- 6	5349215	• STANDOFF	2	
- 7	34512	• SCREW, BIND. HD 8-32 X .375 LG	2	
- 8	5393226	• TRIM	1	1
- 8	5477962	• TRIM	1	2
- 9	731630	• SCREW, THD FORMING- 10-32 X 0.500 LG	4	
- 10	5393212	• HINGE AND TRIM ASM	1	
- 11	731630	• SCREW, THD FORMING- 10-32 X 0.500 LG	16	
- 12	5400612	• BRACKET-SPRING MTG	1	
- 13	5393211	• HINGE-TRIM	2	
- 14	5393213	• TRIM	1	
- 15	5400613	• SPRING-EXTENSION	2	
- 16	5400573	• BRACKET-TRIM SPRING	1	
- 17	58207	• SCREW, MACH-UNDRCT BIND HD 8-32 X 1/4 LG	2	
- 18	5364309	• LABEL-ENGLISH	1	
- 18	5364317	• LABEL-FRENCH	1	
- 18	5364319	• LABEL-GERMAN	1	
- 19	5373169	• COVER, TOP	1	
- 20	5373170	• COVER, TOP	1	
- 21	5372866	• TRIM	2	
- 22	731630	• SCREW, THD FORMING- 10-32 X 0.500 LG	10	
- 23	5400515	• COVER ASM-BLUE	1	
- 23	5400516	• COVER ASM-GREY	1	
- 23	5400517	• COVER ASM-RED	1	
- 23	5400518	• COVER ASM-YELLOW	1	
- 24	5372775	• LATCH ASSEMBLY	1	
- 25	34512	• SCREW, BIND. HD 8-32 X .375 LG	1	
- 26	597671	• BUMPER	2	
- 27	510379	• SCREW	2	
- 28	257187	• NUT, PLAIN, HEX- 6-32 X 3/8 FL W	2	
- 29	5373035	• BASE-BUMPER	2	
- 30	5528	• SCREW, MACH BIND HD 8-32 X .625 LG	2	
- 31	5403698	• COVER-BLUE	1	
- 32	5397712	• COVER ASSEMBLY-RED	1	
- 32	5397713	• COVER ASSEMBLY-YELLOW	1	
- 32	5397714	• COVER ASSEMBLY-BLUE	1	
- 32	5397715	• COVER ASSEMBLY-GRAY	1	
- 33	731630	• SCREW, THD FORMING- 10-32 X 0.500 LG	6	
- 34	5372775	• LATCH ASSEMBLY	1	
- 35	34512	• SCREW, BIND. HD 8-32 X .375 LG	1	
- 36	597671	• BUMPER	2	
- 37	510379	• SCREW	2	
- 38	257187	• NUT, PLAIN, HEX- 6-32 X 3/8 FL W	2	
- 39	5373035	• BASE-BUMPER	2	
- 40	5528	• SCREW, MACH BIND HD 8-32 X .625 LG	2	
- 41	5372895	• LOCK ASSEMBLY	1	
- 42	34512	• SCREW, BIND. HD 8-32 X .375 LG	2	
- 43	311462	• PIN, SPRING- 0.133 X 0.750 LG	1	
- 44	5372893	• CLIP	1	
- 45	5372894	• BRACKET	1	
- 46	5418257	• STAY MECHANISM ASSEMBLY-LEFT HAND	1	
- 47	34512	• SCREW, BIND. HD 8-32 X .375 LG	3	
- 48	5407558	• STAY ARM ASSEMBLY-L.H.	1	
- 49	257189	• NUT, HEX- 8-32	1	
- 50	1090873	• WASHER, LOCK, SPLIT RING- .168 ID, .296 OD	1	
- 51	22478	• WASHER, FL- 0.170 ID 0.375 OD 0.32 THK	1	
- 52	528287	• FELT-OIL LOWER	1	
- 53	5407562	• WASHER, FL- 5/16 ID X 5/8 OD X 1/8 THK	1	
- 54	5407559	• BRACKET ASSEMBLY, GUIDE-STAY MECHANISM	1	
- 55	5397716	• HINGE ASM-COVER	3	
- 56	32617	• SCREW, MACH-BIND HD 10-32 X 0.438 LG	6	
- 57	5372760	• PIN-HINGE	1	



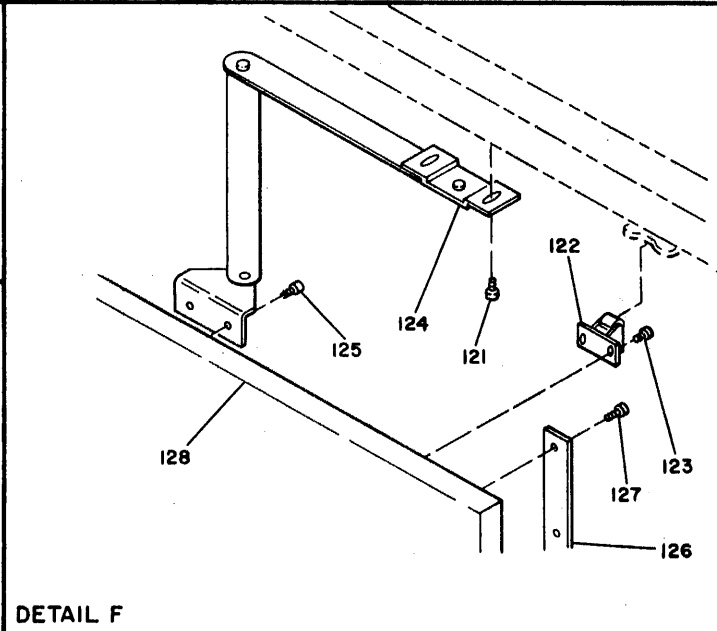
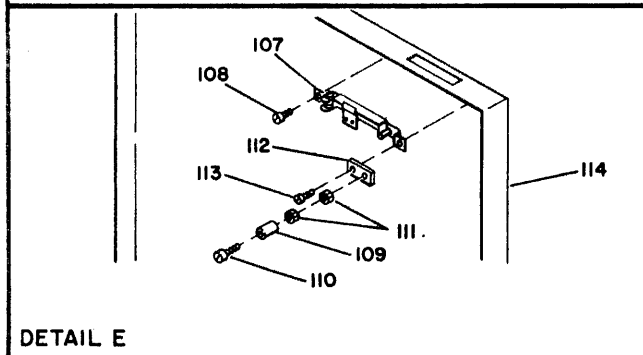
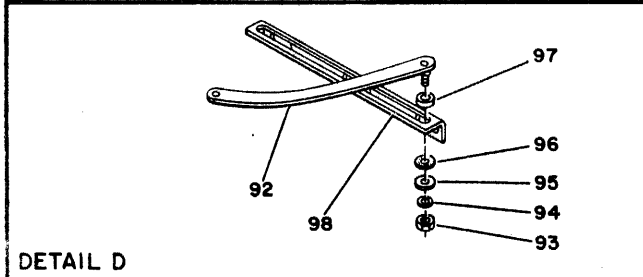
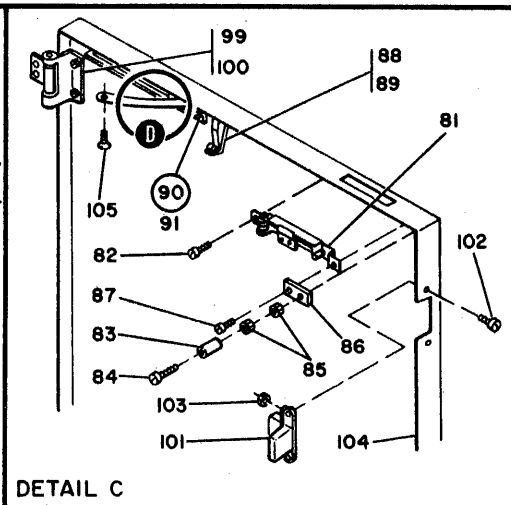
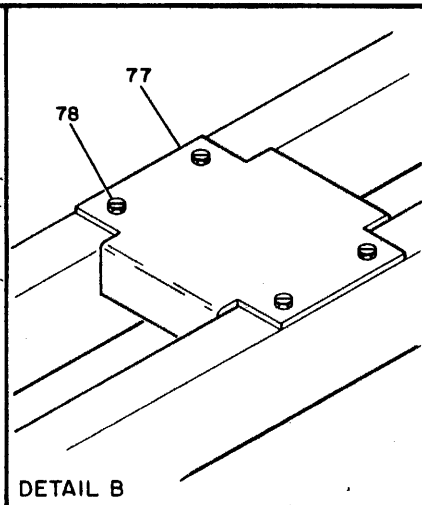
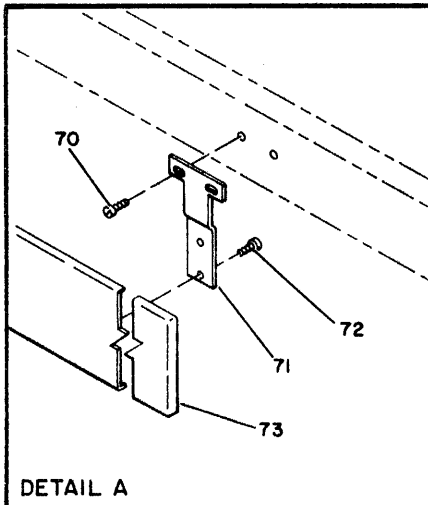
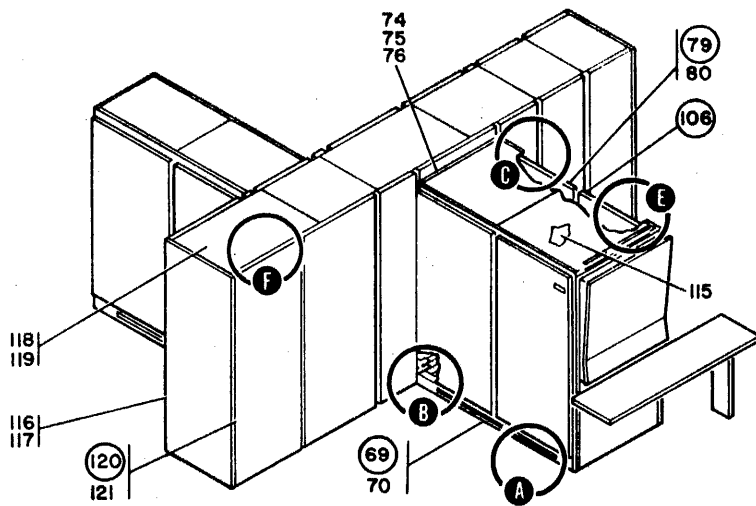


FIGURE 1. COVER AND SHIPPING GROUPS. SHEET 2 OF 7. INDEX NOS. 69-128. SEE LIST 1.

LIST AND INDEX NUMBER	PART NUMBER	DESCRIPTION	UNITS PER ASM.	USABLE ON CODE
1 - 69	5400448	• KICKPLATE ASSEMBLY	2	
- 70	731630	• SCREW, THD FORMING- 10-32 X 0.500 LG ATT PT	8	
- 71	5403879	• BRACKET KICKPLATE MTG	2	
- 72	381741	• SCREW, THREAD FORM-PAN HD 8-32 X 3/8 LG ATT PT	4	
- 73	5372831	• KICKPLATE, SIDE	1	
- 74	5372987	• TRIM-CLOSURE RH	1	
- 75	5372986	• TRIM-CLOSURE LH	1	
- 76	731630	• SCREW, THD FORMING- 10-32 X 0.500 LG ATT PT	8	
- 77	5372797	• BRACKET	4	
- 78	5372858	• SCREW, HEX HD 10-32 X .50 LG ATT PT	16	
- 79	5397728	• COVER ASSEMBLY-RED	1	
- 79	5397729	• COVER ASSEMBLY-YELLOW	1	
- 79	5397731	• COVER ASSEMBLY-BLUE	1	
- 79	5397732	• COVER ASSEMBLY-GRAY	1	
- 80	731630	• SCREW, THD FORMING- 10-32 X 0.500 LG ATT PT	6	
- 81	5372775	• LATCH ASSEMBLY		
- 82	34512	• SCREW, BIND. HD. 8-32 X .375 LG ATT PT	1	
- 83	597671	• BUMPER	2	
- 84	510379	• SCREW	2	
- 85	257187	• NUT, PLAIN, HEX- 6-32 X 3/8 FL W ATT PT	2	
- 86	5373035	• BASE-BUMPER	2	
- 87	5528	• SCREW, MACH BIND HD 8-32 X .625 LG ATT PT	2	
- 88	5372895	• LOCK ASSEMBLY	1	
- 89	34512	SEE INDEX 41 FOR DETAIL BREAKDOWN		
- 90	5418258	• SCREW, BIND. HD 8-32 X .375 LG ATT PT	2	
- 91	34512	• STAY MECHANISM ASSEMBLY-RIGHT HAND	1	
- 92	5407558	• SCREW, BIND. HD 8-32 X .375 LG ATT PT	3	
- 93	257189	• STAY ARM ASSEMBLY-L.H.	1	
- 94	1090873	• NUT, HEX- 8-32	1	
- 95	22478	• WASHER, LOCK, SPLIT RING- .168 ID, .296 OD ATT PT	1	
- 96	528287	• WASHER, FL- 0.170 ID 0.375 OD 0.32 THK ATT PT	1	
- 97	5407562	• FELT-OIL LOWER	1	
- 98	5407559	• WASHER, FL- 5/16 ID X 5/8 OD X 1/8 THK	1	
- 99	5397716	• BRACKET ASSEMBLY, GUIDE-STAY MECHANISM	1	
- 100	32617	• HINGE ASM-COVER	3	
- 101	5373003	SEE INDEX 55 FOR DETAIL BREAKDOWN		
- 102	367	• SCREW, MACH-BIND HD 10-32 X 0.438 LG ATT PT	6	
- 103	125930	• HINGE	3	
- 104	5403690	• SCREW, MACH-FL CSK HD 10-32 X 5/8 LG ATT PT	6	
- 104	5403691	• NUT-STOP, ELASTIC HEX 10-32 ATT PT	6	
- 104	5403692	• COVER-BLUE	1	
- 104	5403693	• COVER-GRAY	1	
- 105	5407422	• COVER-RED	1	
- 106	5400510	• COVER-YELLOW	1	
- 106	5400511	• SCREW, SHOULDER 10- 32 X .020 OD	1	
- 106	5400512	• COVER ASM-SOLID BLUE	1	
- 106	5400513	• COVER ASM-SOLID GRAY	1	
- 107	5372775	• COVER ASM-SOLID RED	1	
- 108	34512	• COVER ASM-SOLID YELLOW	1	
- 109	597671	• LATCH ASSEMBLY	1	
- 110	510379	• SCREW, BIND. HD 8-32 X .375 LG ATT PT	1	
- 111	257187	• BUMPER	2	
- 112	5373035	• NUT, PLAIN, HEX- 6-32 X 3/8 FL W ATT PT	2	
- 113	5528	• BASE-BUMPER	2	
- 114	5403694	• SCREW, MACH BIND HD 8-32 X .625 LG ATT PT	2	
- 114	5403695	• COVER-BLUE	1	
- 114	5403696	• COVER-GRAY	1	
- 114	5403697	• COVER-RED	1	
- 115	5403763	• COVER-YELLOW	1	
- 116	5373004	• SCREEN	1	
- 117	34512	• COVER END	1	
- 118	5373176	• SCREW, BIND. HD 8-32 X .375 LG ATT PT	4	
- 119	5403786	• COVER, TOP	1	
- 120	5418145	• SUPPORT-GRID COVER ATT PT	2	
- 121	731630	• COVER ASM, VENTED, HINGED	1	
- 122	513668	• SCREW, THD FORMING- 10-32 X 0.500 LG ATT PT	10	
- 123	55726	• CATCH, FRICTION LATCH	2	
- 124	5372922	• SCREW, MACH-BIND HD 6-32 X .188 LG ATT PT	4	
- 125	58207	• STAY MECHANISM ASM-LH	1	
- 126	5373048	• SCREW, MACH-UNDRCT BIND HD 8-32 X 1/4 LG ATT PT	2	
- 127	58207	• SEAL-VENTED COVER	1	
- 128	5418146	• SCREW, MACH-UNDRCT BIND HD 8-32 X 1/4 LG ATT PT	7	
		• COVER, VENTED	1	

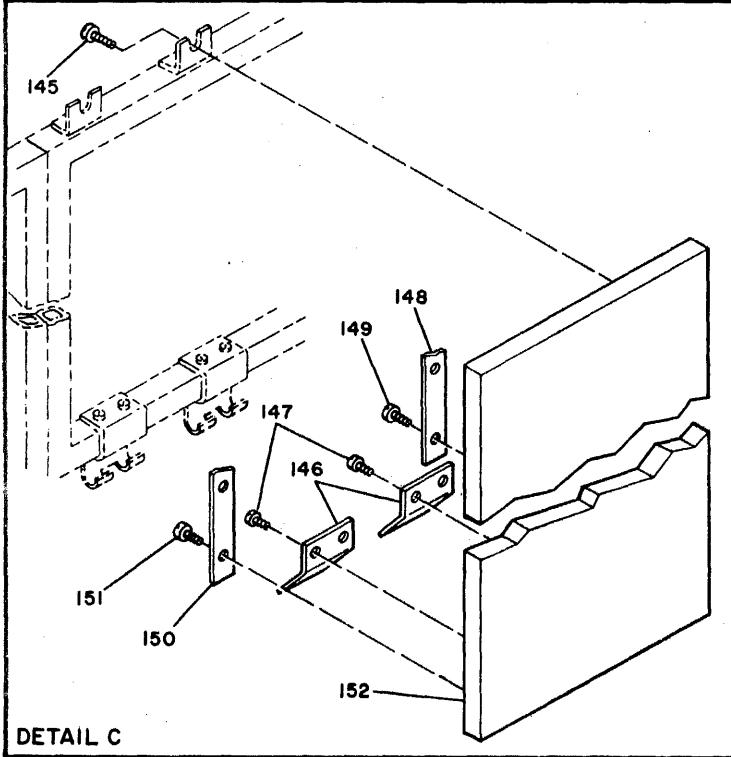
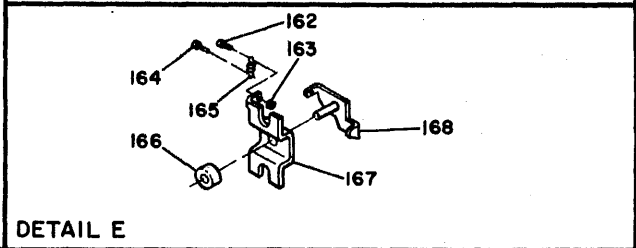
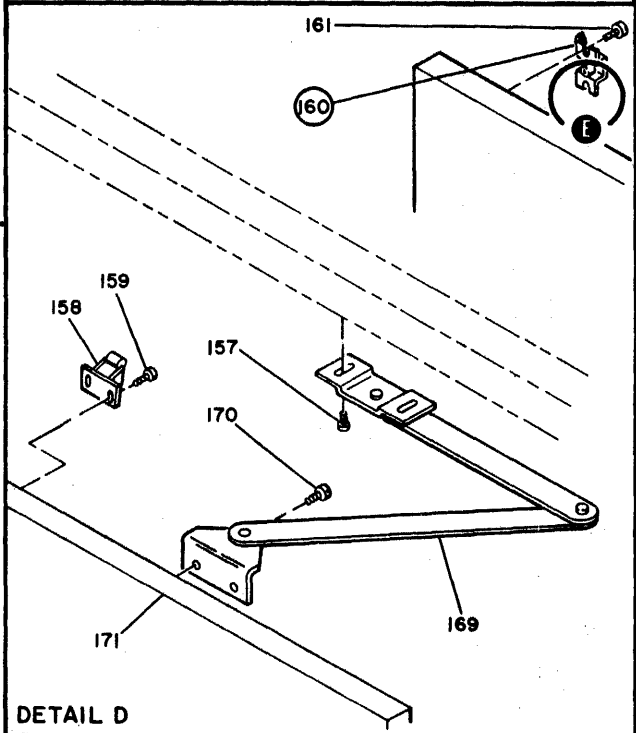
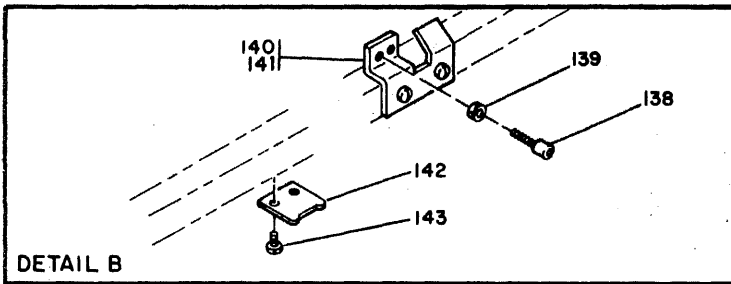
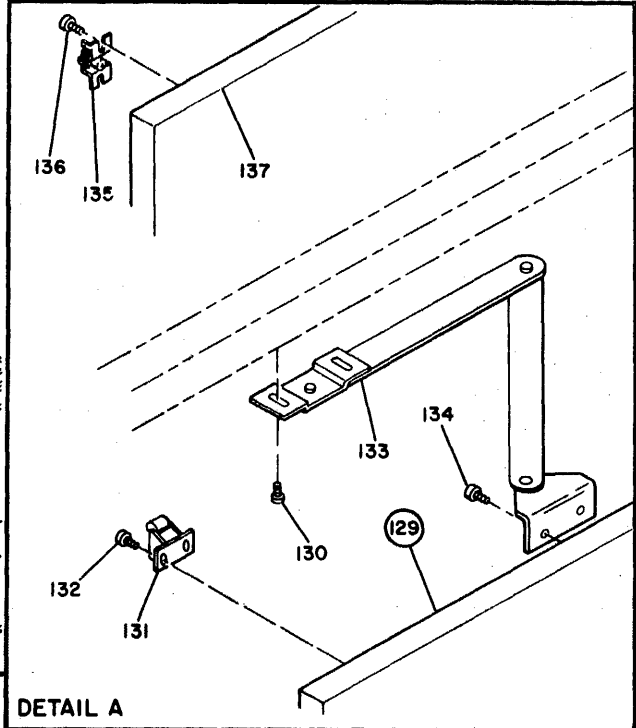
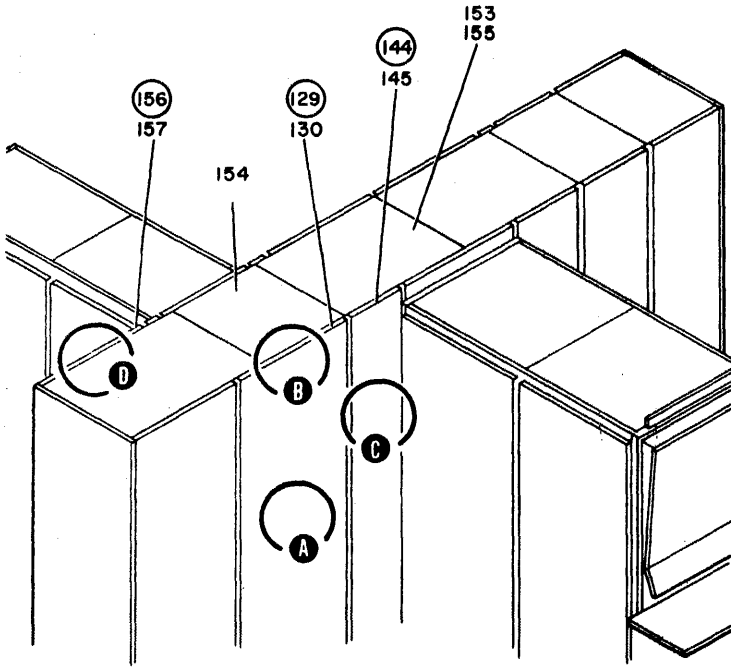


FIGURE 1. COVER AND SHIPPING GROUPS. SHEET 3 OF 7. INDEX NOS. 129-171. SEE LIST 1.



LIST AND INDEX NUMBER	PART NUMBER	DESCRIPTION	UNITS PER ASM.	USABLE ON CODE
1 -129	5420384	• COVER ASSEMBLY, MEMORY WALL FRONT USED FOR ABOVE FLOOR CABLING	AR	
-129	5418147	• COVER ASM, VENTED USED FOR BELOW FLOOR CABLING-DOMESTIC	AR	
-130	731630	• SCREW, THD FORMING- 10-32 X 0.500 LG ATT PT	10	
-131	513668	• • CATCH, FRICTION LATCH USED ON COVER ASM FOR ABOVE FLR CABLING	2	
-131	513668	• • CATCH, FRICTION LATCH	1	
-132	55726	• • SCREW, MACH-BIND HD 6-32 X .188 LG ATT PT	4	
-133	5372921	• • MECHANISM ASSEMBLY, STAY	1	
-134	58207	• • SCREW, MACH-UNDRCT BIND HD 8-32 X 1/4 LG ATT PT	2	
-135	5407568	• • LATCH ASSEMBLY USED ON COVER ASM FOR ABOVE FLR CABLING	1	
-136	58207	SEE INDEX 161 FOR DETAIL BREAKDOWN		
-137	5418185	• • SCREW, MACH-UNDRCT BIND HD 8-32 X 1/4 LG ATT PT	2	
-137	5418148	• • COVER, VENTED USED ON COVER ASM FOR ABOVE FLR CABLING	1	
-137	5418148	• • COVER, VENTED USED ON COVER ASM FOR BELOW FLR CABLING	1	
-138	5418113	• BUMPER	2	
-139	257189	• NUT, HEX- 8-32 ATT PT	2	
-140	5407565	• STRIKE, LATCH	1	
-141	28413	• SCREW, MACH-BIND HD 10-32 X 5/16 LG ATT PT	2	
-142	513669	• STRIKE-FRICTION LATCH	1	
-143	731626	• SCREW, PAN HEAD, 6-32 X .25 LONG ATT PT	2	
-144	5400520	• COVER ASM-VENTED	1	
-145	34512	• SCREW, BIND, HD 8-32 X .375 LG ATT PT	2	
-146	5373051	• • BRACKET-COVER	2	
-147	58207	• • SCREW, MACH-UNDRCT BIND HD 8-32 X 1/4 LG ATT PT	4	
-148	5373048	• • SEAL-VENTED COVER	1	
-149	58207	• • SCREW, MACH-UNDRCT BIND HD 8-32 X 1/4 LG ATT PT	7	
-150	5373063	• • PLATE SEAL	1	
-151	58207	• • SCREW, MACH-UNDRCT BIND HD 8-32 X 1/4 LG ATT PT	7	
-152	5373060	• • COVER-VENTED	1	
-153	5373176	• COVER, TOP	1	
-154	5373177	• COVER, TOP	2	
-155	5403786	• SUPPORT-GRID COVER ATT PT	6	
-156	5420385	• COVER ASSEMBLY, MEMORY WALL REAR USED FOR ABOVE FLOOR CABLING	1	
-156	5397802	• COVER-VENTED	1	
-157	731630	• SCREW, THD FORMING- 10-32 X 0.500 LG ATT PT	10	
-158	513668	• • CATCH, FRICTION LATCH USED ON COVER ASM FOR ABOVE FLR CABLING	2	
-158	513668	• • CATCH, FRICTION LATCH USED ON COVER ASM FOR BELOW FLR CABLING	1	
-159	55726	• • SCREW, MACH-BIND HD 6-32 X .188 LG ATT PT	4	
-160	5407568	• • LATCH ASSEMBLY USED ON COVER ASM FOR ABOVE FLR CABLING	1	
-161	58207	• • SCREW, MACH-UNDRCT BIND HD 8-32 X 1/4 LG ATT PT	2	
-162	186399	• • • SCREW, MACH-BIND HD 2-56 X 3/16 LG	1	
-163	47987	• • • NUT, PLAIN, HEX- 2-56 X 3/16 FL W	1	
-164	15887	• • • SCREW, MACH-BIND HD 2-56 X 1/8 LG	1	
-165	5418181	• • • SPRING, EXTENSION	1	
-166	5407564	• • • HUB, LATCH	1	
-167	5407566	• • • BRACKET, LATCH MOUNTING	1	
-168	5407563	• • • PLATE, LATCHING	1	
-169	5372921	• • MECHANISM ASSEMBLY, STAY	1	
-170	58207	• • SCREW, MACH-UNDRCT BIND HD 8-32 X 1/4 LG ATT PT	2	
-171	5418131	• • COVER, VENTED USED ON COVER ASM FOR ABOVE FLR CABLING	1	
-171	5372998	• • COVER-VENTED USED ON COVER ASM FOR BELOW FLR CABLING	1	

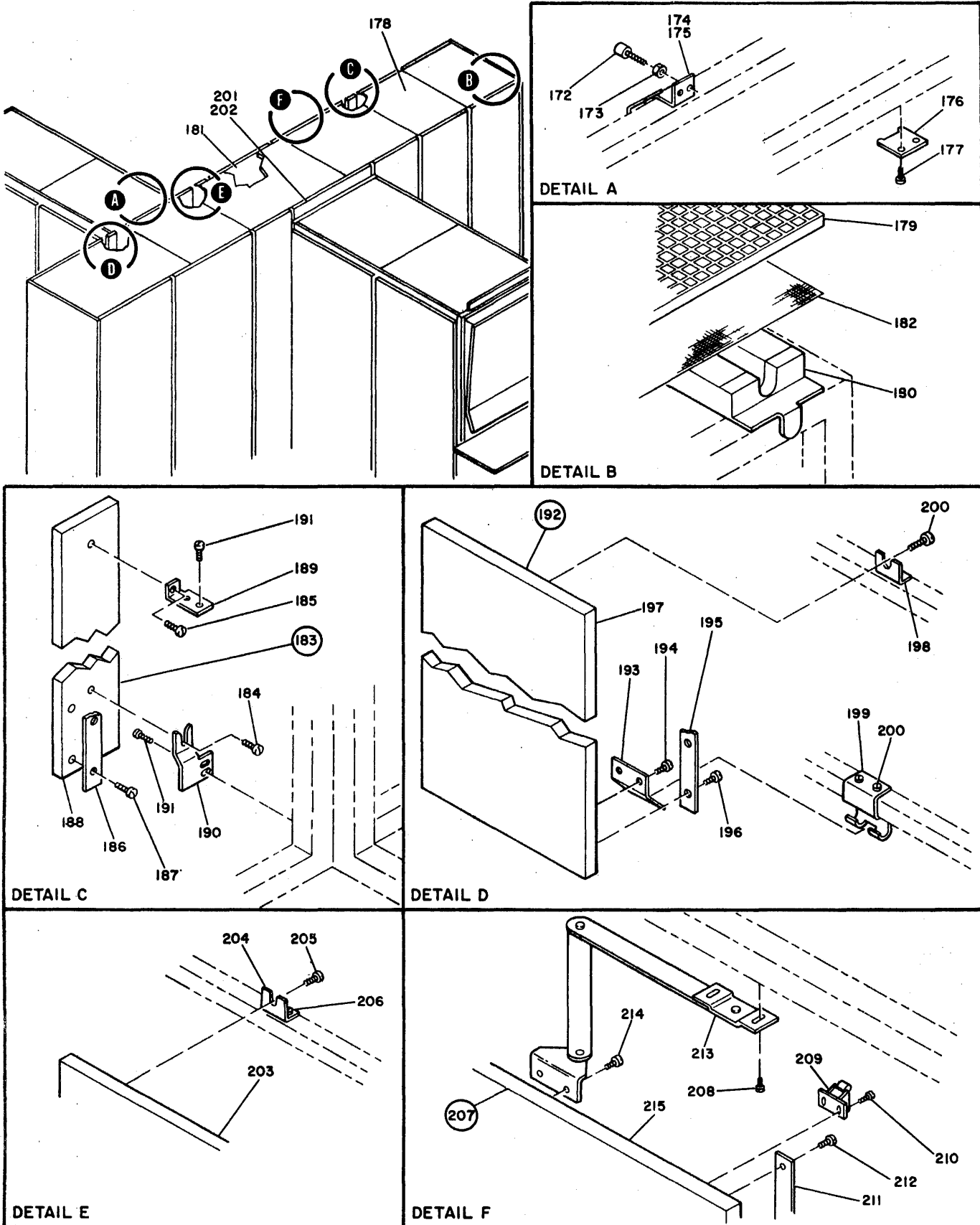


FIGURE 1. COVER AND SHIPPING GROUPS. SHEET 4 OF 7. INDEX NOS. 172-215. SEE LIST 1.

LIST AND INDEX NUMBER	PART NUMBER	DESCRIPTION	UNITS	USABLE
			PER ASM.	ON CODE
1 -172	5418113	• BUMPER	2	
-173	257189	• NUT,HEX- 8-32 ATT PT	2	
-174	5407565	• STRIKE,LATCH	1	
-175	28413	• SCREW,MACH-BIND HD 10-32 X 5/16 LG ATT PT	2	
-176	513669	• STRIKE-FRICTION LATCH	1	
-177	731626	• SCREW, PAN HEAD, 6-32 X .25 LONG ATT PT	2	
-178	5373178	• COVER,FRAME,24X43	1	
-179	5373179	• COVER	1	
-180	5403786	• SUPPORT-GRID COVER ATT PT	3	
-181	5421427	• SCREEN	1	
-182	5407476	• SCREEN	1	
-183	5418114	• COVER ASM,VENTED USED ON BASIC FINAL ASM	1	
-183	5418114	• COVER ASM,VENTED USED ON CONVERSION FEATURES	2	
-184	58207	• SCREW,MACH-UNDRCT BIND HD 8-32 X 1/4 LG ATT PT	2	
-185	336003	• SCREW	1	
-186	5373063	• PLATE SEAL	1	
-187	58207	• SCREW,MACH-UNDRCT BIND HD 8-32 X 1/4 LG ATT PT	7	
-188	5373028	• COVER-VENTED	1	
-189	5403817	• BRACKET-FILLER UPPER	2	
-190	5400631	• BRACKET-FILLER LOWER	2	
-191	731630	• SCREW,THD FORMING- 10-32 X 0.500 LG ATT PT	8	
-192	5407436	• COVER ASM,VENTED	1	
-193	5373051	• BRACKET-COVER	1	
-194	58207	• SCREW,MACH-UNDRCT BIND HD 8-32 X 1/4 LG ATT PT	2	
-195	5373063	• PLATE SEAL	2	
-196	58207	• SCREW,MACH-UNDRCT BIND HD 8-32 X 1/4 LG ATT PT	14	
-197	5407435	• COVER,VENTED	1	
-198	5372883	• BRACKET-TOP	1	
-199	5373059	• BRACKET-COVER MTG	1	
-200	731630	• SCREW,THD FORMING- 10-32 X 0.500 LG ATT PT	4	
-201	5372999	• COVER-VENTED	1	
-202	34512	• SCREW,BIND.HD 8-32 X .375 LG ATT PT	2	
-203	5373031	• COVER,VENTED	1	
-203	5400634	• COVER ASM-VENTED USED ON CONVERSION FEATURES USED ON BASIC FINAL ASM	1	
-204	5372883	• BRACKET-TOP	2	
-205	34512	• SCREW,BIND.HD 8-32 X .375 LG ATT PT	2	
-206	731630	• SCREW,THD FORMING- 10-32 X 0.500 LG ATT PT	10	
-207	5400634	• COVER ASM-VENTED USED ON CONVERSION FEATURES	1	
-207	5397801	• COVER ASM-VENTED USED ON BASIC FINAL ASM	1	
-208	731630	• SCREW,THD FORMING- 10-32 X 0.500 LG ATT PT	10	
-209	513668	• CATCH,FRICTION LATCH	2	
-210	55726	• SCREW,MACH-BIND HD 6-32 X .188 LG ATT PT	4	
-211	5373048	• SEAL-VENTED COVER	1	
-212	58207	• SCREW,MACH-UNDRCT BIND HD 8-32 X 1/4 LG ATT PT	7	
-213	5372922	• STAY MECHANISM ASM-LH	1	
-214	58207	• SCREW,MACH-UNDRCT BIND HD 8-32 X 1/4 LG ATT PT	2	
-215	5400632	• COVER-VENTED USED ON COVER ASM FOR CONVERSION FEATURE	1	
-215	5373002	• COVER-VENTED USED ON COVER ASM FOR BASIC FINAL ASM	1	

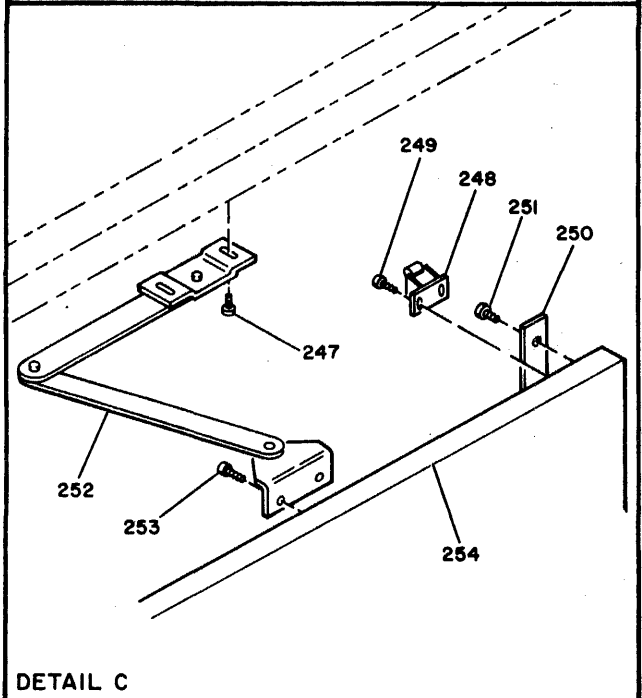
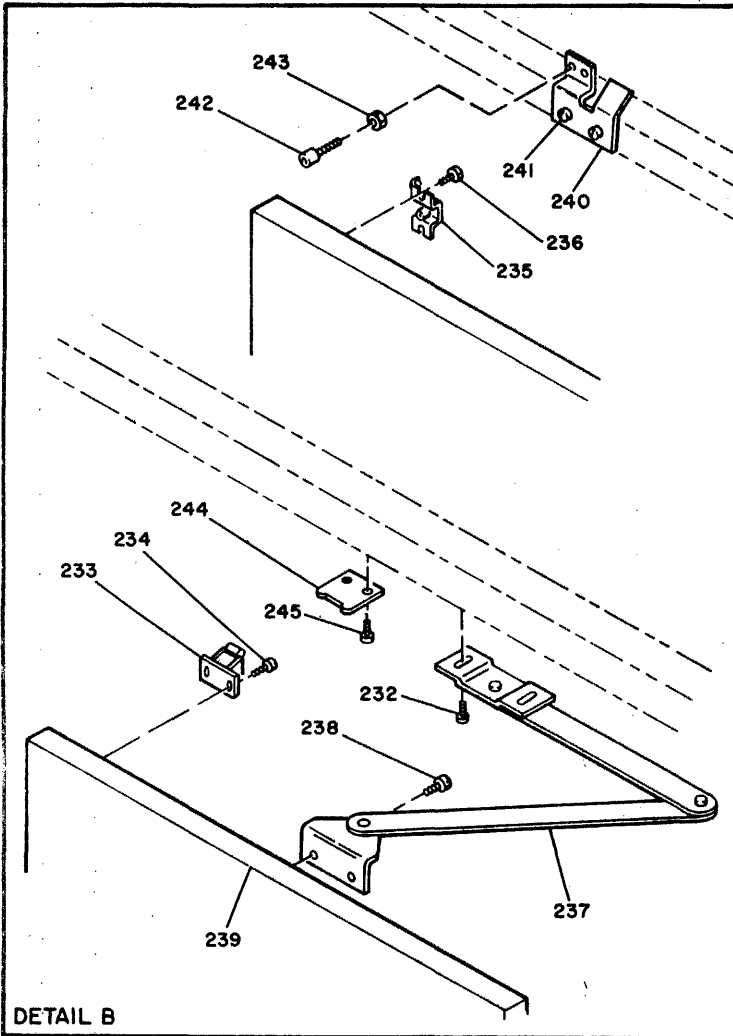
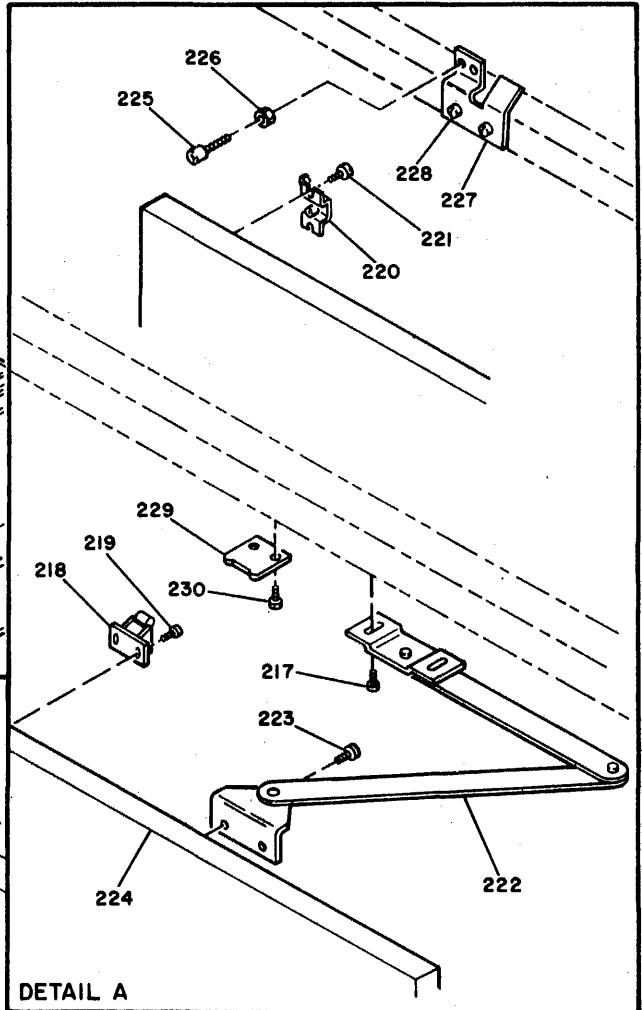
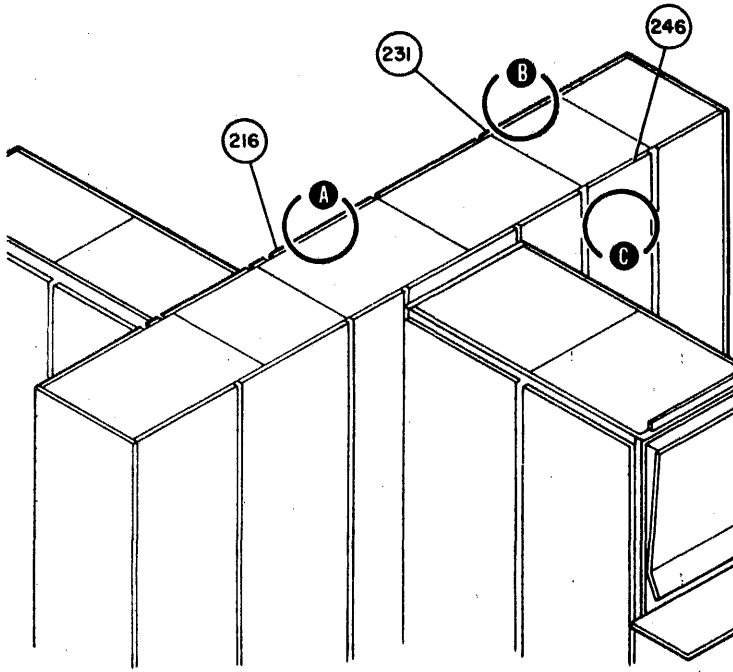


FIGURE 1. COVER AND SHIPPING GROUPS. SHEET 5 OF 7. INDEX NOS. 216-254. SEE LIST 1.



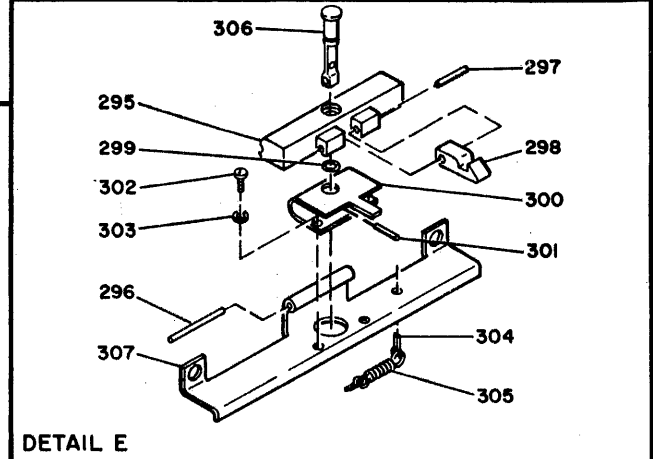
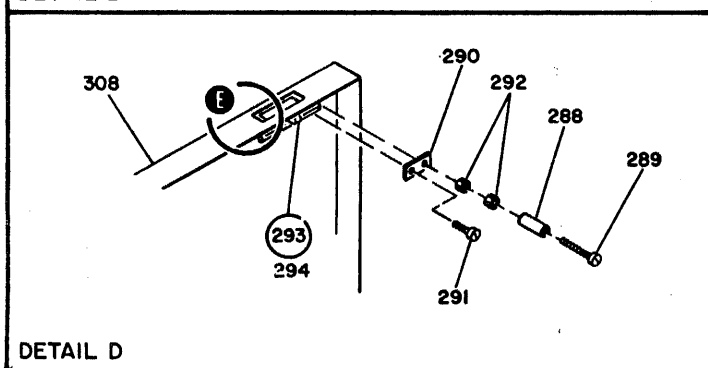
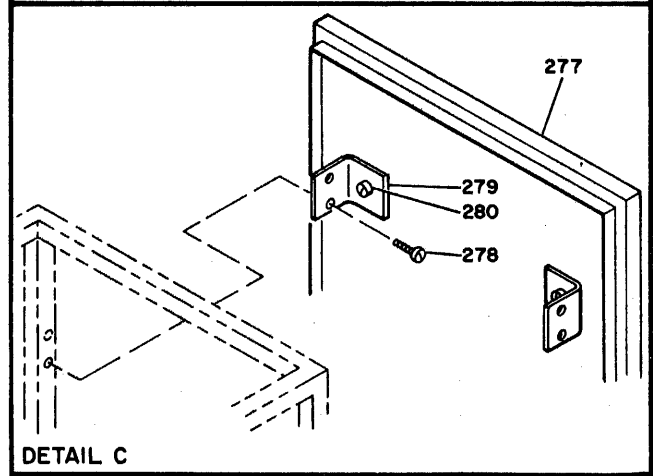
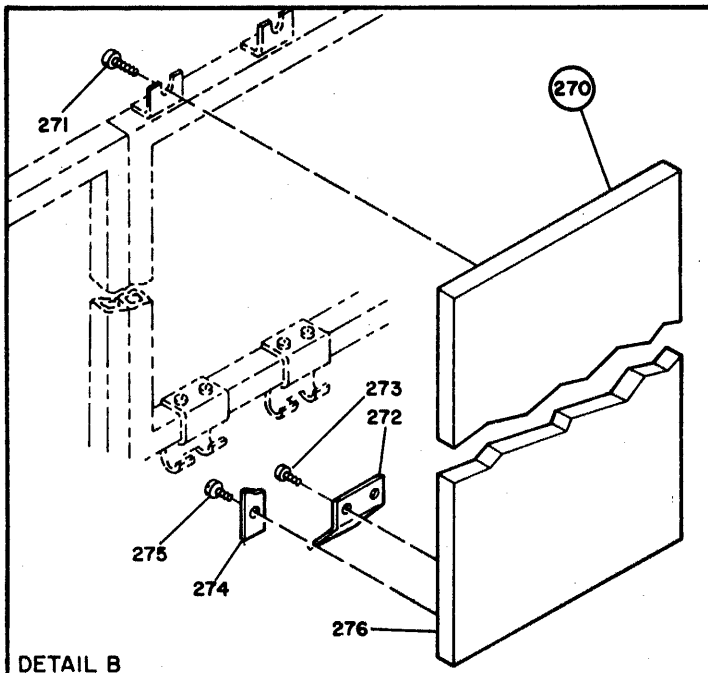
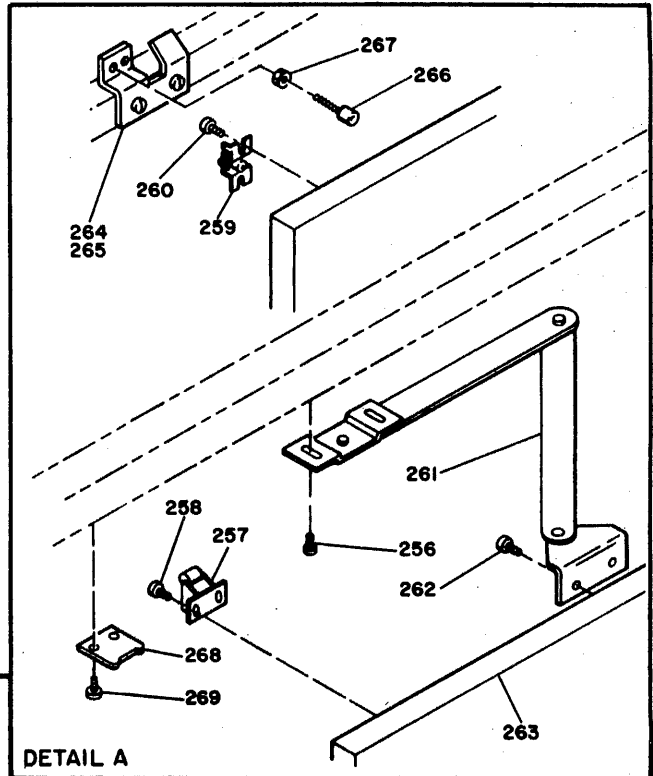
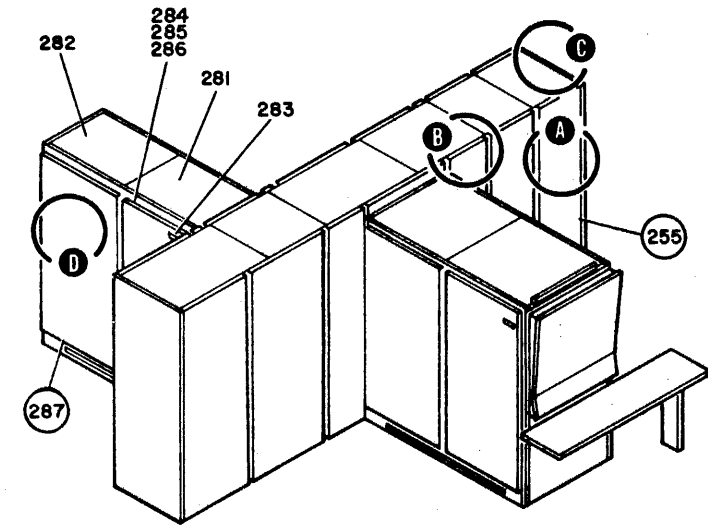


FIGURE 1. COVER AND SHIPPING GROUPS. SHEET 6 OF 7. INDEX NOS. 255-308. SEE LIST 1.

LIST AND INDEX NUMBER	PART NUMBER	DESCRIPTION	UNITS PER ASM.	USABLE ON CODE
1 -255	5420449	. COVER ASSEMBLY,VENTED USED FOR WORLD TRADE	1	
-255	5403472	. COVER ASSEMBLY,VENTED USED FOR DOMESTIC	1	
-256	731630	. SCREW,THD FORMING- 10-32 X 0.500 LG ATT PT	10	
-257	513668	. . CATCH, FRICTION LATCH USED ON COVER ASM-WORLD TRADE	1	
-257	513668	. . CATCH, FRICTION LATCH USED ON COVER ASM-DOMESTIC	2	
-258	55726	. . SCREW,MACH-BIND HD 6-32 X .188 LG ATT PT	2	
-259	5407568	. . LATCH ASSEMBLY	1	
-260	58207	USED ON COVER ASM-WORLD TRADE SEE INDEX 161 FOR DETAIL BREAKDOWN . . SCREW,MACH-UNDRCT BIND HD 8-32 X 1/4 LG ATT PT	2	
-261	5372921	. . MECHANISM ASSEMBLY,STAY	1	
-262	186759	. . SCREW,MACH-BIND HD 8-32 X 5/16 LG ATT PT	2	
-263	5420447	. . COVER,VENTED	1	
-263	5373000	USED ON COVER ASM-WORLD TRADE . . COVER,VENTED,HINGED,RH USED ON COVER ASM-DOMESTIC	1	
-264	5407565	. STRIKE,LATCH	1	
-265	28413	. SCREW,MACH-BIND HD 10-32 X 5/16 LG ATT PT	2	
-266	5418113	. BUMPER	2	
-267	257189	. NUT,HEX- 8-32 ATT PT	2	
-268	513669	. STRIKE-FRICTION LATCH	1	
-269	731626	. SCREW, PAN HEAD, 6-32 X .25 LONG ATT PT	2	
-270	5400519	. COVER ASM-VENTED	1	
-271	34512	. SCREW,BIND.HD 8-32 X .375 LG ATT PT	2	
-272	5373051	. . BRACKET-COVER	2	
-273	58207	. . SCREW,MACH-UNDRCT BIND HD 8-32 X 1/4 LG ATT PT	4	
-274	5373048	. . SEAL-VENTED COVER	1	
-275	58207	. . SCREW,MACH-UNDRCT BIND HD 8-32 X 1/4 LG ATT PT	7	
-276	5373060	. . COVER-VENTED	1	
-277	5729268	. COVER	1	
-277	5373004	USED FOR ABOVE FLOOR CABLING . COVER END	1	
-278	731630	USED FOR BELOW FLOOR CABLING . SCREW,THD FORMING- 10-32 X 0.500 LG ATT PT	8	
-279	5372883	. BRACKET-TOP	4	
-280	34512	. SCREW,BIND.HD 8-32 X .375 LG ATT PT	4	
-281	5373177	. COVER,TOP	1	
-282	5373176	. COVER,TOP	1	
-283	5364309	. LABEL-ENGLISH	1	
-283	5364317	. LABEL-FRENCH	1	
-283	5364319	. LABEL-GERMAN	1	
-284	5397728	. COVER ASSEMBLY-RED	1	
-284	5397729	. COVER ASSEMBLY-YELLOW	1	
-284	5397731	. COVER ASSEMBLY-BLUE	1	
-284	5397732	. COVER ASSEMBLY-GRAY	1	
-285	731630	. SCREW,THD FORMING- 10-32 X 0.500 LG ATT PT	6	
-286	5407422	. SCREW,SHOULDER 10- 32 X .020 OD ATT PT	1	
-287	5400510	. COVER ASM-SOLID BLUE	1	
-287	5400511	. COVER ASM-SOLID GRAY	1	
-287	5400512	. COVER ASM-SOLID RED	1	
-287	5400513	. COVER ASM-SOLID YELLOW	1	
-287	5420375	USED FOR DOMESTIC SEE INDEX 106 FOR DETAIL BREAKDOWN . COVER ASSEMBLY-BLUE	1	
-287	5420376	. COVER ASSEMBLY-GREY	1	
-287	5420377	. COVER ASSEMBLY-RED	1	
-287	5420378	. COVER ASSEMBLY-YELLOW	1	
-288	597671	. . BUMPER	2	
-289	5644	. . SCREW,MACH-FIL H 6-32 X 5/8 LG ATT PT	2	
-290	5373035	. . BASE-BUMPER	2	
-291	5528	. . SCREW,MACH BIND HD 8-32 X .625 LG ATT PT	2	
-292	257187	. . NUT,PLAIN,HEX- 6-32 X 3/8 FL W ATT PT	4	
-293	5418270	. . LATCH ASSEMBLY,LOCKING	1	
-294	34512	. . SCREW,BIND.HD 8-32 X .375 LG ATT PT	1	
-295	5420367	. . . BODY-LATCH	1	
-296	5420373	. . . BODY,PIN	1	
-297	5420372	. . . PIN-CATCH	1	
-298	5420369	. . . CATCH	1	
-299	332747	. . . RING,RETAINING-EXT 0.207 ID X 0.025 THK	1	
-300	5420370	. . . SPRING	1	





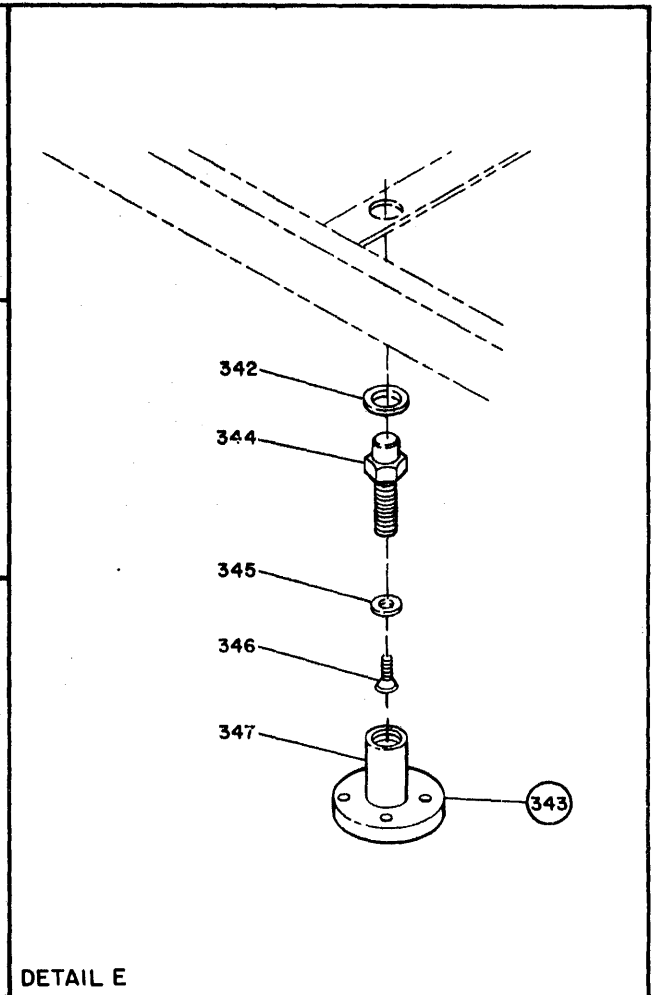
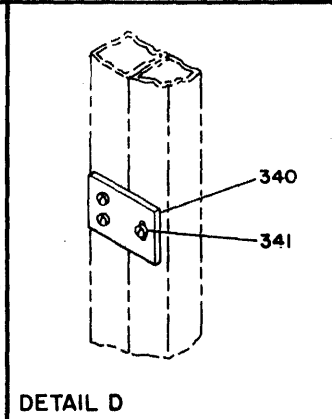
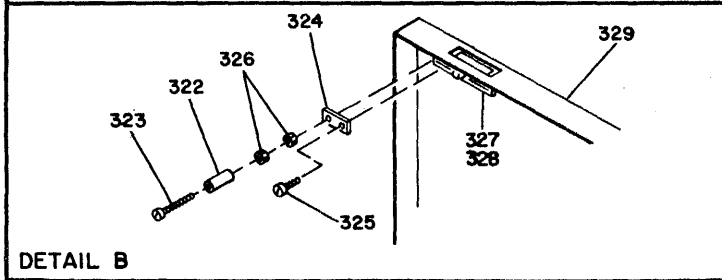
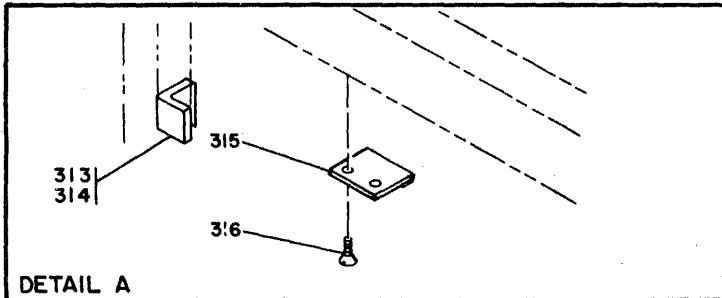
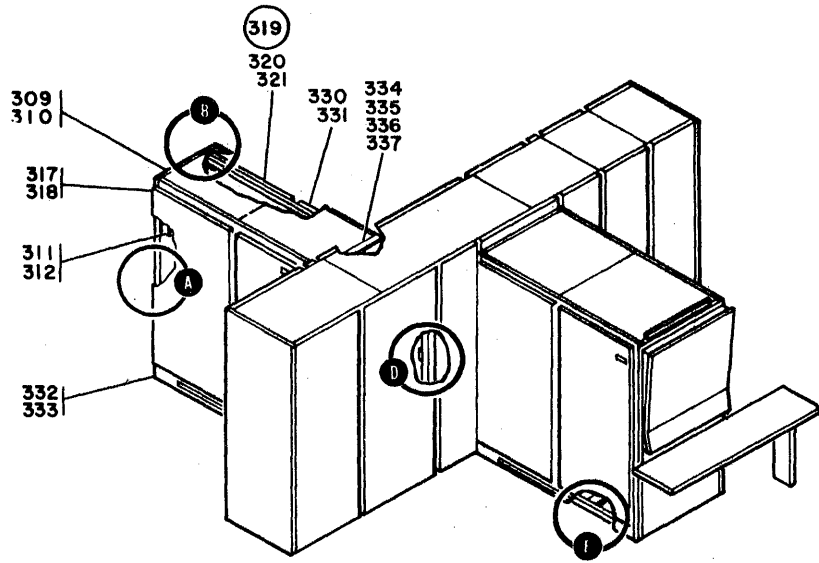


FIGURE 1. COVER AND SHIPPING GROUPS. SHEET 7 OF 7. INDEX NOS. 309-347. SEE LIST 1.



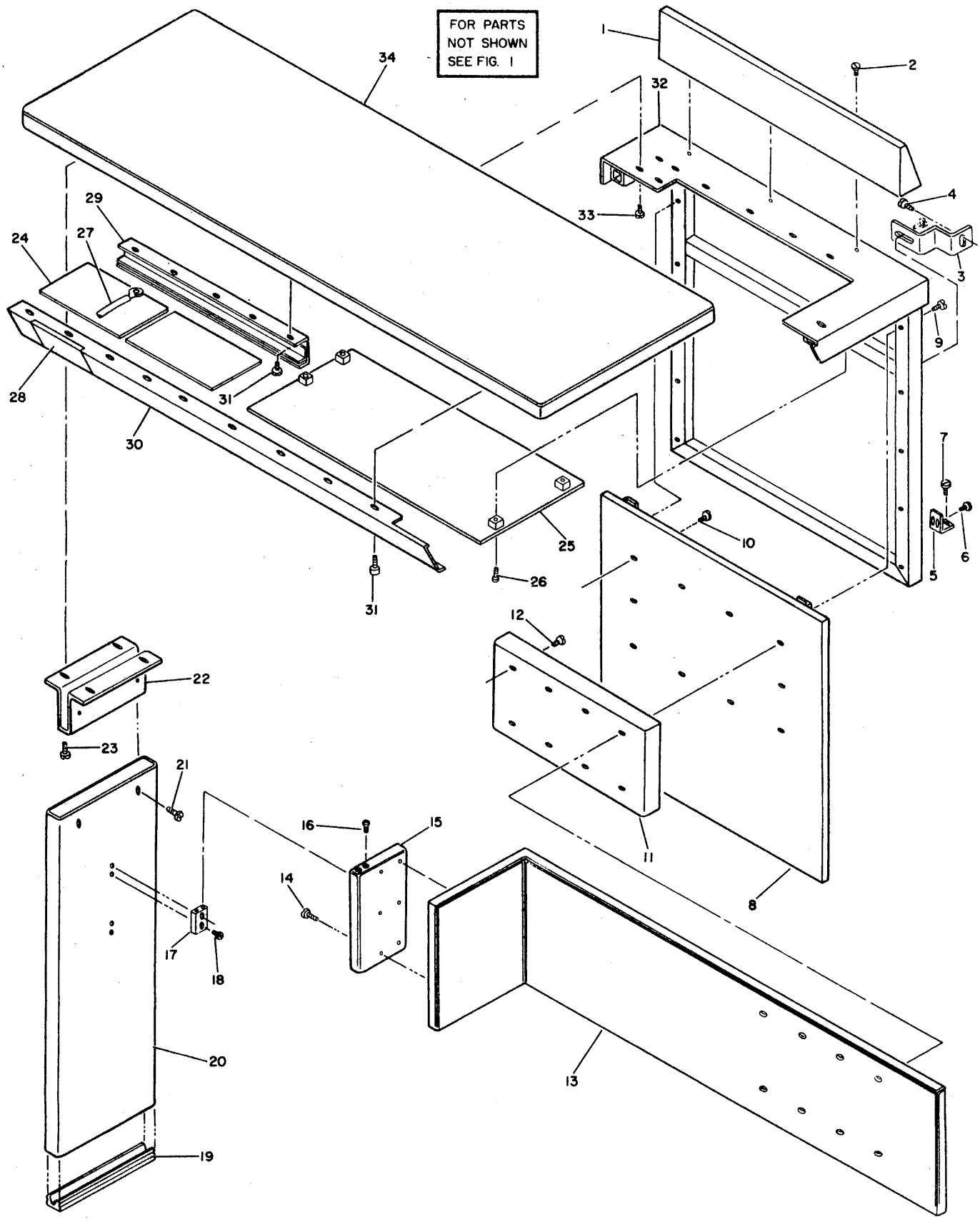
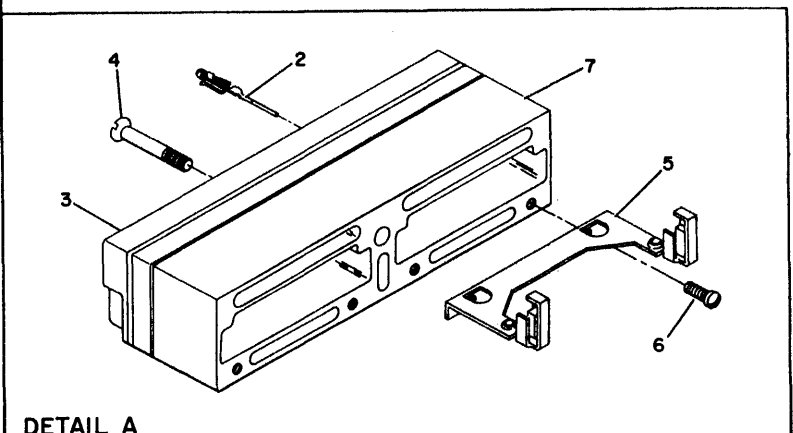
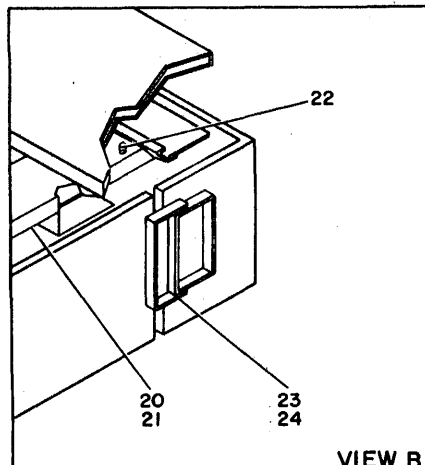
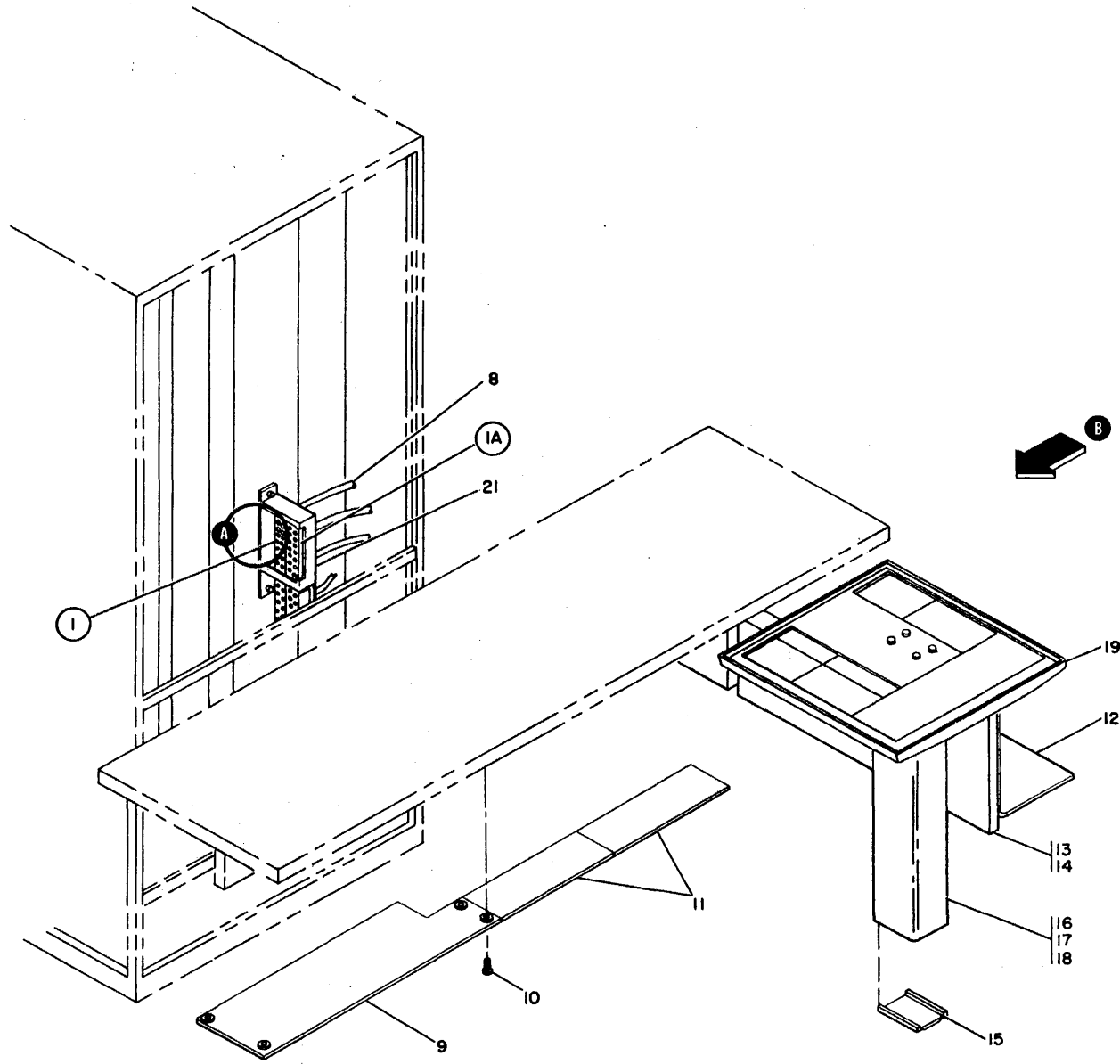


FIGURE 2. LH AND RH CONSOLE TABLES. SEE LIST 2.





VIEW B    DETAIL A

FIGURE 4. LH AND RH 1052 ADAPTER. SEE LIST 4.

LIST AND INDEX NUMBER	PART NUMBER	DESCRIPTION				UNITS PER ASM.	USABLE ON CODE
		1	2	3	4		
		LH AND RH 1052 ADAPTER					
4 -		CODE A USED ON LH ADAPTER CODE B USED ON RH ADAPTER					
-	5363826 NP	1052 ADAPTER, LH					
-	5363827 NP	1052 ADAPTER, RH					
-		SEE FIG. 4 FOR ILLUSTRATION					
- 1	5362304	• CONNECTOR ASSEMBLY, A STYLE				2	
- 1A	5362305	• CONNECTOR ASSEMBLY, B STYLE				2	
- 2	5362303	• CONTACT AND PIN ASSEMBLY				48	
- 3	5353867	• BLOCK, CONNECTOR-A STYLE USED ON CONNECTOR ASM 5362304				1	
- 3	5353868	• BLOCK, CONNECTOR-B STYLE USED ON CONNECTOR ASM 5362305				1	
- 4	109918	• SCREW, THD CUTTING-FLAT HD 4-40 X 1/2 LG ATT PT				2	
- 5	5353895	• BRACKET ASSEMBLY				2	
- 6	112628	• SCREW, THREAD FORMING, BIND HD, 3/8 IN. LG ATT PT				4	
- 7	5353902	• PIN GUIDE				1	
- 8	5277303	• CABLE ASSEMBLY-POWER ELECTRICAL SEE FIG. 79-22,-25,-35,-42F,-74,-76,-77, -79,-80,-89,-90,-91,-92,-93,-94 AND -95 FOR COMPONENT PARTS				AR	
- 8	5277305	• CABLE ASSEMBLY-POWER ELECTRICAL SEE FIG. 79-22,-25,-29,-34,-35,-42F,-74, -76,-77,-79,-80,-89,-96,-97,-98 AND -99 FOR COMPONENT PARTS				AR	
- 8	5277307	• CABLE ASSEMBLY-POWER ELECTRICAL SEE FIG. 79-22,-71,-74,-76,-77,-82,-83, -89,-92,-93,-95 AND -96 FOR COMPONENT PARTS				AR	
- 8	5364014	• CABLE ASM-KEYBD I/F-LOGIC TO TAIL GATE SEE FIG. 79-59,-74,-77,-90 AND -127 FOR COMPONENT PARTS				AR	
- 8	5364015	• CABLE ASM-PRINTER I/F-LOGIC TO TAIL GATE SEE FIG. 79-59,-74,-77,-96 AND -127 FOR COMPONENT PARTS				AR	
- 8	5364041	• CABLE ASSEMBLY-1052 POWER SEE FIG. 79-25,-40,-50 AND -61 FOR COMPONENT PARTS				AR	
- 8	5364048	• CABLE ASSEMBLY-OPERATOR CONSOLE SEE FIG. 79-59,-60,-74,-77 AND -90 FOR COMPONENT PARTS				AR	
- 8	5364073	• CABLE ASSEMBLY-TAIL GATE JUMPER SEE FIG. 79-74,-76,-77,-89,-90 AND -90A FOR COMPONENT PARTS				AR	
- 8	5364077	• CABLE ASSEMBLY-1052 ALARM SEE FIG. 79-11,-38,-54 AND -59 FOR COMPONENT PARTS				AR	
- 9	5443256	• COVER, RACEWAY-LH				1	A
- 9	5443255	• COVER, RACEWAY-RH				1	B
- 10	5677	• SCREW, MACH-BIND HD 10-32 X 3/4 LG ATT PT				4	
- 11	5349152	• COVER, RACEWAY				2	
- 12	5349429	• TRAY, R.H.				1	
- 13	5443250	• SKIRT, MODESTY-LH				1	A
- 13	5443249	• SKIRT, MODESTY-RH				1	B
- 14	55901	• WASHER, LOCK-EXT TEETH NO. 8 X 0.381 OD ATT PT				6	
- 15	5348453	• GLIDE-LEG				1	
- 16	5348452	• LEG-1052 TABLE				1	
- 17	232	• SCREW, MACH-FIL HD 10-32 X 1/2 LG ATT PT				4	
- 18	55901	• WASHER, LOCK-EXT TEETH NO. 8 X 0.381 OD ATT PT				4	
- 19	5443257	• TRAY, PRINTER AND KEYBOARD-LH				1	A
- 19	5443258	• TRAY, PRINTER AND KEYBOARD-RH				1	B
- 20	5443260	• COVER				1	
- 21	10170	• SCREW, MACH-BIND HD 6-32 X 1/4 LG ATT PT				4	
- 22	149695	• SCREW, CAP, SOC HD- 10-32 X 1 LG				6	
- 23	5443259	• ADAPTER, SPACER				1	
- 24	5350006	• SCREW, SELF TAPPING, 6-32 X .250 LONG ATT PT				3	

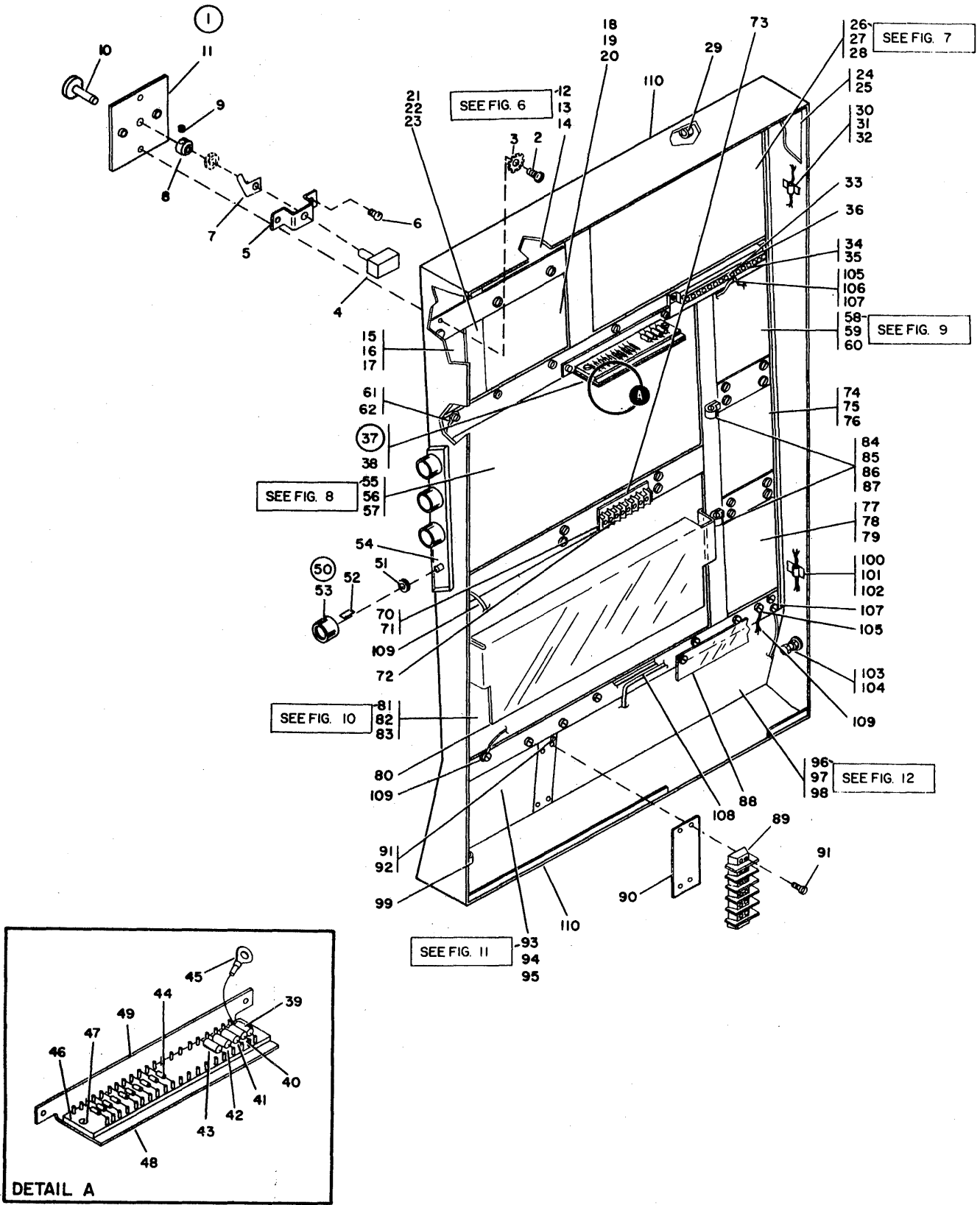


FIGURE 5. C.E. PANEL ASSEMBLY. SEE LIST 5.

LIST AND INDEX NUMBER	PART NUMBER	DESCRIPTION	UNITS PER ASM.	USABLE ON CODE
		1 2 3 4		
		C.E. PANEL ASSEMBLY		
5 -	5365100 NP	C.E. PANEL ASSEMBLY-ENGLISH		
-	5364400 NP	C.E. PANEL ASSEMBLY-FRENCH		
-	5364500 NP	C.E. PANEL ASSEMBLY-GERMAN		
		SEE FIG. 5 FOR ILLUSTRATION		
- 1	5364018	. PANEL C-ENGLISH	1	
- 1	5364361	. PANEL C-FRENCH	1	
- 1	5364458	. PANEL C-GERMAN	1	
- 2	34512	. SCREW,BIND.HD 8-32 X .375 LG ATT PT	2	
- 3	55901	. WASHER,LOCK-EXT TEETH NO. 8 X 0.381 OD ATT PT	2	
- 4	482219	. . SWITCH,PUSH PULL-DPDT	1	
- 5	5363971	. . BRACKET-SWITCH MTG	1	
- 6	186759	. . SCREW,MACH-BIND HD 8-32 X 5/16 LG ATT PT	2	
- 7	479999	. . SPRING, SAFETY	1	
- 8	482188	. . COLLAR-PULL SWITCH DETENT	1	
- 9	257965	. . SETSCREW-SPLINE DR CUP PT 4-40 X 3/8 LG ATT PT	1	
- 10	482192	. . STEM AND FLANGE ASSEMBLY-ENGLISH	1	
- 10	5352111	. . STEM AND FLANGE ASSEMBLY-FRENCH	1	
- 10	5352128	. . STEM AND FLANGE ASSEMBLY-GERMAN	1	
- 11	5363909	. . PANEL C-CONSOLE	1	
- 12	5364017	. PANEL B ASM-ENGLISH	1	
- 12	5364357	. PANEL B ASM-FRENCH	1	
- 12	5364455	. PANEL B ASM-GERMAN	1	
		SEE FIG. 6 FOR DETAIL BREAKDOWN		
- 13	34512	. SCREW,BIND.HD 8-32 X .375 LG ATT PT	4	
- 14	55901	. WASHER,LOCK-EXT TEETH NO. 8 X 0.381 OD ATT PT	4	
- 15	5363861	. PANEL E	1	
- 16	34512	. SCREW,BIND.HD 8-32 X .375 LG ATT PT	2	
- 17	55901	. WASHER,LOCK-EXT TEETH NO. 8 X 0.381 OD ATT PT	2	
- 18	5364312	. PANEL D-ENGLISH	1	
- 18	5365616	. PANEL D-FRENCH	1	
- 18	5365614	. PANEL D-GERMAN	1	
- 19	34512	. SCREW,BIND.HD 8-32 X .375 LG ATT PT	4	
- 20	55901	. WASHER,LOCK-EXT TEETH NO. 8 X 0.381 OD ATT PT	4	
- 21	5393915	. PANEL D/E-ENGLISH	1	
- 21	5364362	. PANEL D/E-FRENCH	1	
- 21	5364460	. PANEL D/E-GERMAN	1	
- 22	34512	. SCREW,BIND.HD 8-32 X .375 LG ATT PT	4	
- 23	55901	. WASHER,LOCK-EXT TEETH NO. 8 X 0.381 OD ATT PT	4	
- 24	5365452	. COVER,DUST	1	
- 25	10170	. SCREW,MACH-BIND HD 6-32 X 1/4 LG ATT PT	4	
- 26	5364016	. PANEL A ASM-ENGLISH	1	
- 26	5364357	. PANEL A ASM-FRENCH	1	
- 26	5364455	. PANEL A ASM-GERMAN	1	
		SEE FIG. 7 FOR DETAIL BREAKDOWN		
- 27	34512	. SCREW,BIND.HD 8-32 X .375 LG ATT PT	6	
- 28	55901	. WASHER,LOCK-EXT TEETH NO. 8 X 0.381 OD ATT PT	6	
- 29	532393	. CLAMP-ADJUSTABLE CABLE	2	
- 30	2114111	. CRADLE,CABLE	1	
- 31	2114110	. CLIP	1	
- 32	186758	. SCREW,MACH-BIND HD 8-32 X 0.438 ATT PT	1	
- 33	58207	. SCREW,MACH-UNDRCT BIND HD 8-32 X 1/4 LG	11	
- 34	5235293	. BUS BAR	1	
- 35	25627	. SCREW-BD. HD 8-32 X .500 LG ATT PT	4	
- 36	5364028	. INSULATOR	1	
- 37	5364033	. RESISTOR BOARD ASM	1	
- 38	25627	. SCREW-BD. HD 8-32 X .500 LG ATT PT	2	
- 39	5350096	. . RESISTOR,PRECISION,WW-99.9K P/M .02% 1/2W	1	
- 40	5350095	. . RESISTOR,PRECISION,WW-49.9K P/M .02% 1/2W	1	
- 41	5350094	. . RESISTOR,PRECISION,WW-9.9K P/M .02% 1/2W	1	
- 42	5350093	. . RESISTOR,PRECISION,WW-4.9K P/M .02% 1/2W	1	
- 43	5364079	. . RESISTOR,FXD,WW- 19.9K P/M .02% 1/2W	1	
- 44	216448	. . RESISTOR,FIXED-COMP 1.3K P/M 5% 1/4W	10	
- 45	92784	. . TERMINAL-RING,18-20 AWG #8 HOLE,INS	1	
- 46	5364031	. . TERMINAL BOARD ASM	1	
- 47	10170	. . SCREW,MACH-BIND HD 6-32 X 1/4 LG ATT PT	2	
- 48	5364032	. . INSULATOR	1	
- 49	5364029	. . BRACKET-TERM BOARD MTG	1	
- 50	482221	. KNOB ASSEMBLY,ROTARY	4	
- 51	5349203	. SPACER- 0.625 OD X 0.06 THK	4	
- 52	482195	. . SPRING-CONTROL KNOB	1	
- 53	482217	. . KNOB ASSEMBLY,ROTARY	1	
- 54	5364024	. PANEL K-ENGLISH-INSTRUCTION	1	
- 54	5364396	. PANEL K-FRENCH-INSTRUCTION	1	
- 54	5364491	. PANEL K-GERMAN-INSTRUCTION	1	



LIST AND INDEX NUMBER	PART NUMBER	DESCRIPTION	UNITS PER ASM.	USABLE ON CODE
5 - 55	5363883	• PANEL G ASM-ENGLISH	1	
- 55	5364374	• PANEL G ASM-FRENCH	1	
- 55	5364487	• PANEL G ASM-GERMAN	1	
- 56	34512	SEE FIG. 8 FOR DETAIL BREAKDOWN • SCREW,BIND.HD 8-32 X .375 LG ATT PT	6	
- 57	55901	• WASHER,LOCK-EXT TEETH NO. 8 X 0.381 OD ATT PT	6	
- 58	5364019	• PANEL F ASM-ENGLISH	1	
- 58	5364368	• PANEL F ASM-FRENCH	1	
- 58	5364464	• PANEL F ASM-GERMAN	1	
- 59	34512	SEE FIG. 9 FOR DETAIL BREAKDOWN • SCREW,BIND.HD 8-32 X .375 LG ATT PT	4	
- 60	55901	• WASHER,LOCK-EXT TEETH NO. 8 X 0.381 OD ATT PT	4	
- 61	615674	• JUMPER ASSEMBLY SEE FIG. 79-42B AND -126 FOR COMPONENT PARTS	AR	
- 62	55901	• WASHER,LOCK-EXT TEETH NO. 8 X 0.381 OD ATT PT	5	
- 70	5364099	• BUS BAR	1	
- 71	25627	• SCREW-BD. HD 8-32 X .500 LG ATT PT	4	
- 72	58207	• SCREW,MACH-UNDRCT BIND HD 8-32 X 1/4 LG	5	
- 73	5364098	• INSULATOR,BUS BAR	1	
- 74	5363866	• PANEL 4	1	
- 75	34512	• SCREW,BIND.HD 8-32 X .375 LG ATT PT	4	
- 76	55901	• WASHER,LOCK-EXT TEETH NO. 8 X 0.381 OD ATT PT	4	
- 77	5363879	• PANEL J-ENGLISH	1	
- 77	5364408	• PANEL J-FRENCH	1	
- 77	5364489	• PANEL J-GERMAN	1	
- 78	34512	• SCREW,BIND.HD 8-32 X .375 LG ATT PT	4	
- 79	55901	• WASHER,LOCK-EXT TEETH NO. 8 X 0.381 OD ATT PT	4	
- 80	5365454	• COVER,DUST	1	
- 81	5363881	• PANEL L ASM-ENGLISH	1	
- 81	5364403	• PANEL L ASM-FRENCH	1	
- 81	5364467	• PANEL L ASM-GERMAN	1	
- 82	34512	SEE FIG. 10 FOR DETAIL BREAKDOWN • SCREW,BIND.HD 8-32 X .375 LG ATT PT	6	
- 83	55901	• WASHER,LOCK-EXT TEETH NO. 8 X 0.381 OD ATT PT	6	
- 84	327923	• CLAMP,CABLE	2	
- 85	34512	• SCREW,BIND.HD 8-32 X .375 LG ATT PT	2	
- 86	1090873	• WASHER,LOCK,SPLIT RING- .168 ID, .296 OD ATT PT	2	
- 87	36883	• SPACER- 8-32 EXT AND INT THD 1-3/8 LG ATT PT	2	
- 88	5365453	• COVER,DUST	1	
- 89	2101338	• STRIP-TERMINAL,5 POS	1	
- 90	2101358	• MARKER-TERMINAL,5 POS	1	
- 91	322550	• SCREW	5	
- 92	56722	• WASHER,LOCK-EXT TEETH NO. 6	1	
- 93	5364023	• PANEL N ASM-ENGLISH	1	
- 93	5364395	• PANEL N ASM-FRENCH	1	
- 93	5364486	• PANEL N ASM-GERMAN	1	
- 94	34512	SEE FIG. 11 FOR DETAIL BREAKDOWN • SCREW,BIND.HD 8-32 X .375 LG ATT PT	4	
- 95	55901	• WASHER,LOCK-EXT TEETH NO. 8 X 0.381 OD ATT PT	4	
- 96	5363884	• PANEL M ASM-ENGLISH	1	
- 96	5364387	• PANEL M ASM-FRENCH	1	
- 96	5364479	• PANEL M ASM-GERMAN	1	
- 97	34512	SEE FIG. 12 FOR DETAIL BREAKDOWN • SCREW,BIND.HD 8-32 X .375 LG ATT PT	6	
- 98	55901	• WASHER,LOCK-EXT TEETH NO. 8 X 0.381 OD ATT PT	6	
- 99	532393	• CLAMP-ADJUSTABLE CABLE	2	
-100	2114111	• CRADLE,CABLE	1	
-101	349902	• CLIP	1	
-102	186758	• SCREW,MACH-BIND HD 8-32 X 0.438 ATT PT	1	
-103	149908	• SCREW,CAP,SOC HD- 1/4-20 X 1 LG	1	
-104	3960	• NUT,PLAIN,HEX- 1/4-20 X 7/16 FL W	1	
-105	257189	• NUT,HEX- 8-32	3	
-106	55901	• WASHER,LOCK-EXT TEETH NO. 8 X 0.381 OD	3	
-107	58207	• SCREW,MACH-UNDRCT BIND HD 8-32 X 1/4 LG	3	
-108	5363922	• CABLE ASSEMBLY SEE FIG. 79-28,-42B,-100 AND -102 FOR COMPONENT PARTS	AR	
-108	5363974	• CABLE ASSEMBLY-MARG. CHECK SEE FIG. 79-28,-28A,-30,-72,-84,-134 FOR COMPONENT PARTS	AR	
-108	5363980	• CABLE ASSEMBLY-AC CONT. SEE FIG. 79-22,-28,-28A,-30,-38,-42C, -45,-55A,-59,-72,-84,-109,-110 AND -134 FOR COMPONENT PARTS	AR	
-108	5363981	• CABLE ASSEMBLY	AR	



FOR PARTS  
NOT SHOWN  
SEE FIG. 5

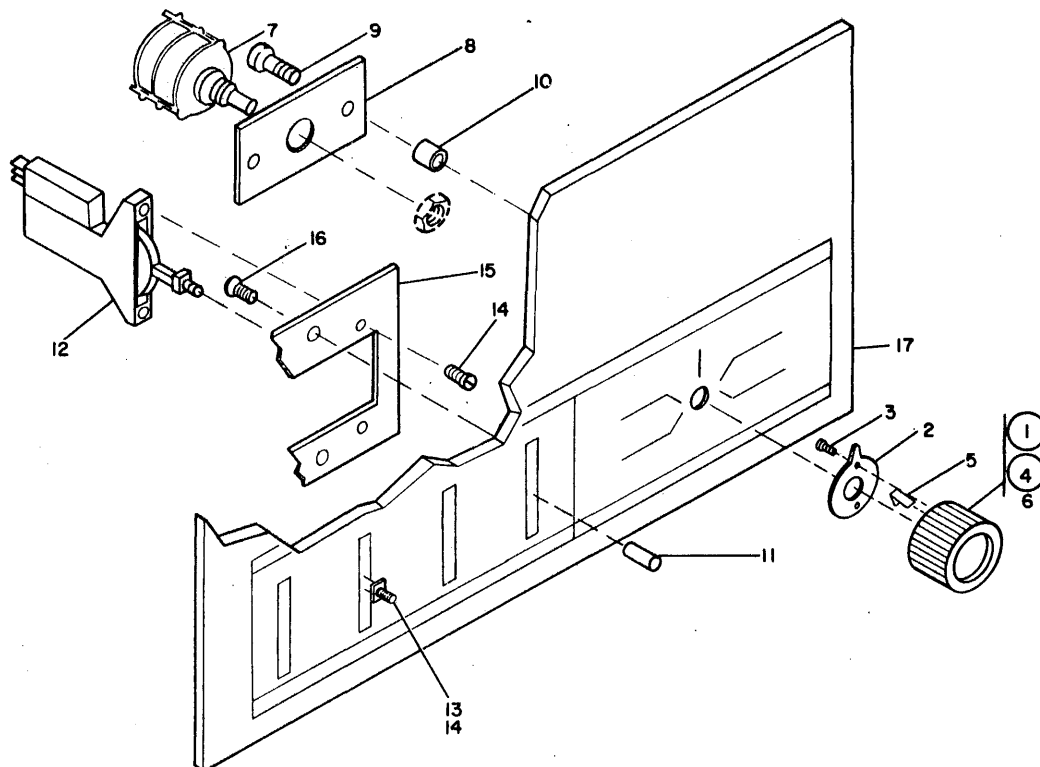
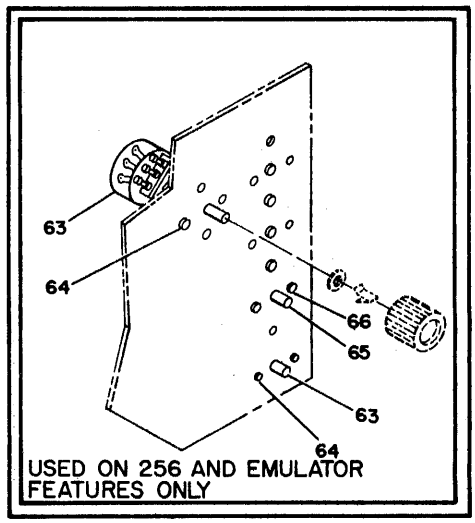
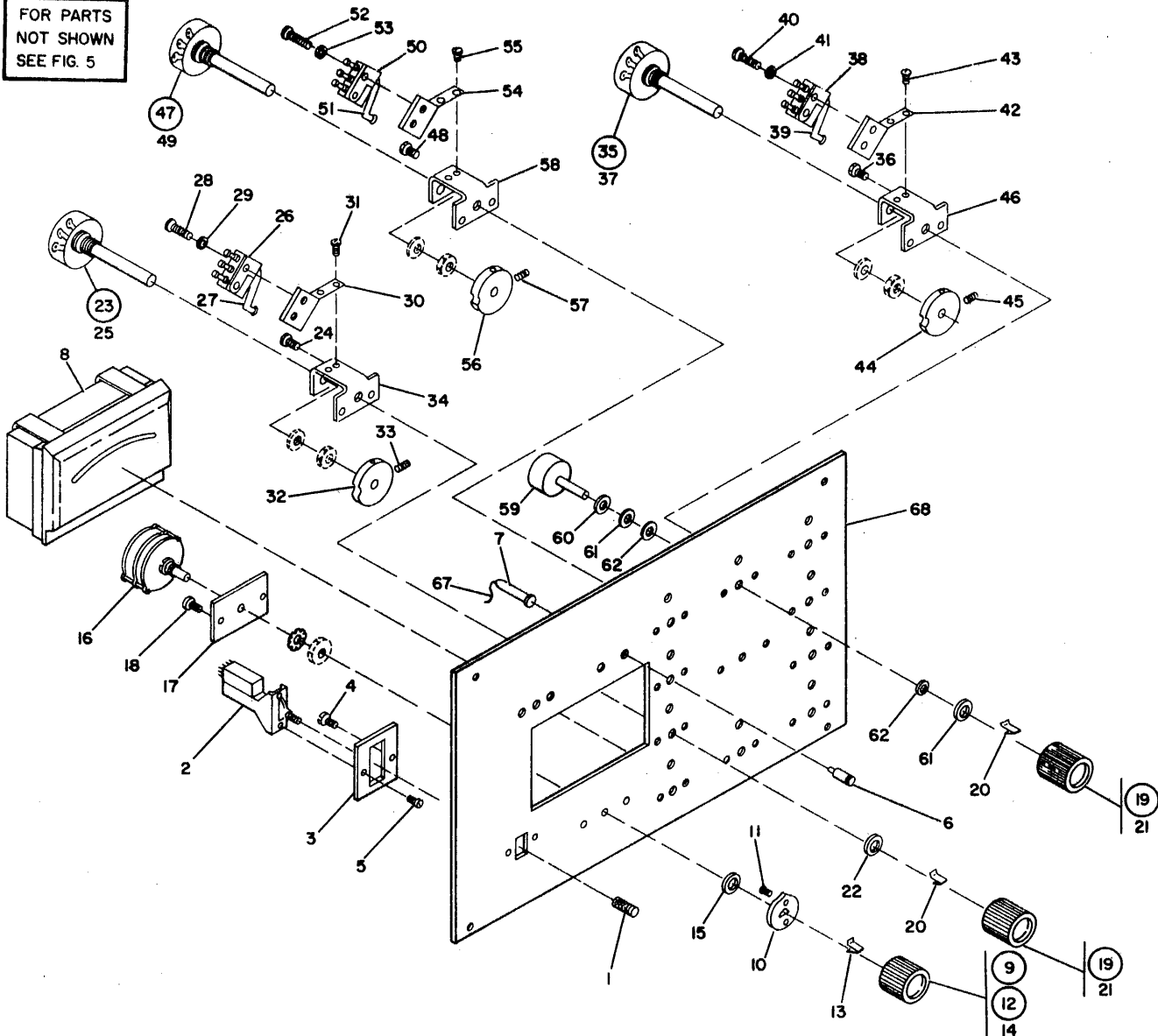


FIGURE 6. PANEL B ASSEMBLY. SEE LIST 6.

LIST AND INDEX NUMBER	PART NUMBER	DESCRIPTION				UNITS PER ASM.	USABLE ON CODE
		1	2	3	4		
		PANEL B ASSEMBLY					
6 -	5364017	PANEL B ASM-ENGLISH				REF	
-	5364357	PANEL B ASM-FRENCH				REF	
-	5364455	PANEL B ASM-GERMAN				REF	
		SEE FIG. 5-12 FOR NEXT HIGHER ASSEMBLY AND FIG. 6 FOR ILLUSTRATION					
- 1	727454	• KNOB ASSEMBLY-MODE SWITCH				1	
- 2	725379	• • POINTER				1	
- 3	1090623	• • • SCREW-Self TAPPING, 3/16 LG. ATT PT				2	
- 4	482221	• • • KNOB ASSEMBLY, ROTARY				1	
- 5	482195	• • • SPRING-CONTROL KNOB				1	
- 6	482217	• • • KNOB ASSEMBLY, ROTARY				1	
- 7	5363967	• SWITCH, ROTARY-6 POS				1	
- 8	5363947	• BRACKET-ROTARY SWITCH MTG				1	
- 9	186759	• SCREW, MACH-BIND HD 8-32 X 5/16 LG ATT PT				2	
- 10	5349203	• SPACER- 0.625 OD X 0.06 THK				1	
- 11	5362315	• KNOB-WHITE				4	
- 12	5700640	• SWITCH-LEVER				3	
- 13	5349002	• SWITCH, LEVER				1	
- 14	186712	• SCREW, MACH-BIND HD 3-48 X 3/16 LG ATT PT				8	
- 15	5363944	• PLATE				1	
- 16	186759	• SCREW, MACH-BIND HD 8-32 X 5/16 LG ATT PT				4	
- 17	5363907	• PANEL ASM-ENGLISH				1	
- 17	5364354	• PANEL ASM-FRENCH				1	
- 17	5364454	• PANEL ASM-GERMAN				1	

FOR PARTS  
NOT SHOWN  
SEE FIG. 5



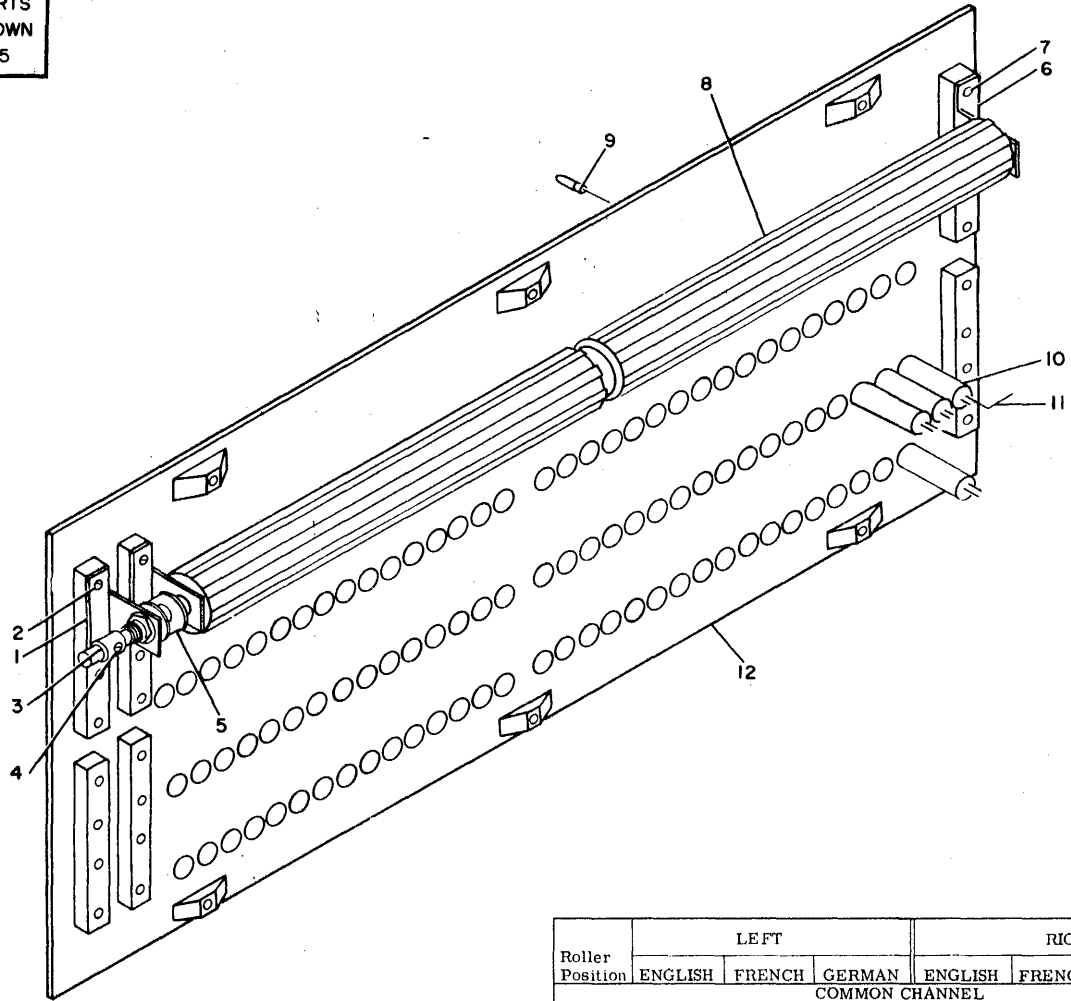
USED ON 256 AND EMULATOR  
FEATURES ONLY

FIGURE 7. PANEL A ASSEMBLY. SEE LIST 7.

LIST AND INDEX NUMBER	PART NUMBER	DESCRIPTION				UNITS PER ASM.	USABLE ON CODE
		1	2	3	4		
		PANEL A ASSEMBLY					
7 -	5364016	PANEL A ASM-ENGLISH				REF	
-	5364353	PANEL A ASM-FRENCH				REF	
-	5364452	PANEL A ASM-GERMAN				REF	
		SEE FIG. 5-26 FOR NEXT HIGHER ASSEMBLY AND FIG. 7 FOR ILLUSTRATION					
- 1	5362315	. KNOB-WHITE				1	
- 2	5700640	. SWITCH-LEVER				1	
- 3	5363949	. PLATE-LEVER SWITCH				1	
- 4	221790	. SCREW,MACH-BIND HD 8-32 X 3/16 LG ATT PT				2	
- 5	186712	. SCREW,MACH-BIND HD 3-48 X 3/16 LG				2	
- 6	5353890	. INDICATOR ASM-RED-3 VOLT				16	
- 7	5353888	. HOUSING				16	
- 8	5363830	. METER				1	
- 9	727454	. KNOB ASSEMBLY-MODE SWITCH				2	
- 10	725379	. . POINTER				1	
- 11	1090623	. . SCREW-SELF TAPPING, 3/16 LG. ATT PT				2	
- 12	482221	. . KNOB ASSEMBLY,ROTARY				1	
- 13	482195	. . . SPRING-CONTROL KNOB				1	
- 14	482217	. . . KNOB ASSEMBLY,ROTARY				1	
- 15	5349203	. SPACER- 0.625 OD X 0.06 THK				2	
- 16	5363961	. SWITCH,ROTARY-14 POS				2	
- 17	5363943	. BRACKET-ROTARY SWITCH MTG				2	
- 18	186759	. SCREW,MACH-BIND HD 8-32 X 5/16 LG ATT PT				4	
- 19	482220	. ROTARY KNOB ASM				10	
- 20	482195	. . SPRING-CONTROL KNOB				1	
- 21	482215	. . ROTARY KNOB ASM				1	
- 22	5349203	. SPACER- 0.625 OD X 0.06 THK				10	
- 23	5363941	. DASHPOT-CAM AND SWITCH				3	
- 24	186759	. SCREW,MACH-BIND HD 8-32 X 5/16 LG ATT PT				6	
- 25	5363940	. . RESISTOR,VAR-COMP 2K P/M 10% 2W				1	
- 26	808369	. . SWITCH,PRECISION-JAM DETECT				1	
- 27	5363960	. . ACTUATOR,SWITCH-INCLUDES HDWE AND INSUL				1	
- 28	NO NO.	. . SCREW,MACH 2-56 ATT PT				2	
- 29	NO NO.	. . WASHER,LOCK NO. 2 ATT PT				2	
- 30	5363939	. . BRACKET				1	
- 31	251970	. . SCREW-MACH BD. HD. 4-40 X 1/4 LG ATT PT				2	
- 32	5363937	. . CAM-MAR CHECK				1	
- 33	257959	. . SETSCREW-SPLINE DR CUP PT 4-40 X 3/16 LG ATT PT				2	
- 34	5363938	. . BRACKET-DASHPOT MTG				1	
- 35	5363969	. DASHPOT-CAM AND SWITCH				2	
- 36	186759	. SCREW,MACH-BIND HD 8-32 X 5/16 LG ATT PT				4	
- 37	5363955	. . RESISTOR,VAR-COMP 1K P/M 10% 2W				1	
- 38	808369	. . SWITCH,PRECISION-JAM DETECT				1	
- 39	5363960	. . ACTUATOR,SWITCH-INCLUDES HDWE AND INSUL				1	
- 40	NO NO.	. . SCREW,MACH 2-56 ATT PT				2	
- 41	NO NO.	. . WASHER,LOCK NO. 2 ATT PT				2	
- 42	5363939	. . BRACKET				1	
- 43	251970	. . SCREW-MACH BD. HD. 4-40 X 1/4 LG ATT PT				2	
- 44	5363937	. . CAM-MAR CHECK				1	
- 45	257959	. . SETSCREW-SPLINE DR CUP PT 4-40 X 3/16 LG ATT PT				2	
- 46	5363938	. . BRACKET-DASHPOT MTG				1	
- 47	5363968	. DASHPOT-CAM AND SWITCH				2	
- 48	186759	. SCREW,MACH-BIND HD 8-32 X 5/16 LG ATT PT				4	
- 49	5363954	. . RESISTOR,VAR-COMP 200 OHMS P/M 10% 2W				1	
- 50	808369	. . SWITCH,PRECISION-JAM DETECT				1	
- 51	5363960	. . ACTUATOR,SWITCH-INCLUDES HDWE AND INSUL				1	
- 52	NO NO.	. . SCREW,MACH 2-56 ATT PT				2	
- 53	NO NO.	. . WASHER,LOCK NO. 2 ATT PT				2	
- 54	5363939	. . BRACKET				1	
- 55	251970	. . SCREW-MACH BD. HD. 4-40 X 1/4 LG ATT PT				2	
- 56	5363937	. . CAM-MAR CHECK				1	
- 57	257959	. . SETSCREW-SPLINE DR CUP PT 4-40 X 3/16 LG ATT PT				2	
- 58	5363938	. . BRACKET-DASHPOT MTG				1	
- 59	5349132	. ADAPTER-ROTARY SWITCH				1	
- 60	3550	. WASHER,FL- 1/4 X 9/16 OD X 0.050 THK				1	
- 61	5349203	. SPACER- 0.625 OD X 0.06 THK				2	
- 62	18004	. WASHER,FLAT- .257 ID X .344 OD X .062THK				2	
- 63	5363969	. DASHPOT-CAM AND SWITCH				2	
		SEE INDEX 35 FOR DETAIL BREAKDOWN USED ON 256K AND EMULATOR FEATURES ONLY					
- 64	186759	. SCREW,MACH-BIND HD 8-32 X 5/16 LG ATT PT				4	
- 65	5363941	. DASHPOT-CAM AND SWITCH				1	
		SEE INDEX 23 FOR DETAIL BREAKDOWN USED ON 256K ONLY					



FOR PARTS  
NOT SHOWN  
SEE FIG. 5



Roller Position	LEFT			RIGHT		
	ENGLISH	FRENCH	GERMAN	ENGLISH	FRENCH	GERMAN
COMMON CHANNEL						
1	5390333	5364321	5364414	5390345	5390345	5390345
2	5390335	5390335	5364415	5390347	5390347	5364419
3	5390337	5364322	5364416	5390349	5390349	5364420
4	5390339	5390339	5364417	5390351	5390351	5364421
5	5390341	5364323	5390341	5390353	5364326	5364422
6	5390343	5364324	5364418	5390355	5364327	5364423
7	5373146	5373146	5373146	5390303	5390303	5390303
8	5373148	5373148	5373148	5390305	5390305	5390305
SELECTOR CHANNEL						
1	5390357	5364328	5390357	5390369	5364334	5390369
2	5390359	5364329	5390359	5390371	5364335	5390371
3	5390361	5364330	5364424	5390373	5364336	5364428
4	5390363	5364331	5364425	5390375	5364337	5364429
5	5390365	5364332	5364426	5390377	5390377	5364430
6	5390367	5364333	5364427	5390379	5390379	5364431
7	5365601	5365235	5365038	5390303	5390303	5390303
8	5373148	5373148	5373148	5390305	5390305	5390305
CPU NO. 1						
1	5373103	5364338	5373103	5373150	5364342	5373150
2	5373136	5364339	5373136	5373152	5364343	5373152
3	5373138	5364340	5373138	5373154	5364344	5373154
4	5373140	5364341	5373140	5373156	5364345	5373156
5	5373142	5373142	5373142	5373156	5364346	5364432
6	5373144	5373144	5373144	5390301	5390301	5390301
7	5373146	5373146	5373146	5390303	5390303	5390303
8	5364399	5365604	5365038	5390305	5390305	5390305
CPU NO. 2						
1	5390307	5390307	5390307	5390319	5390319	5390319
2	5390309	5390309	5390309	5390321	5364412	5364438
3	5390311	5364347	5364433	5390323	5364325	5364439
4	5390313	5364348	5364434	5390325	5364413	5364440
5	5390315	5364349	5390315	5390327	5390327	5390327
6	5390317	5364409	5364435	5390329	5390329	5364441
7	5390381	5364410	5364436	5390303	5390303	5390303
8	5364406	5364411	5364437	5390305	5390305	5390305

FIGURE 8. PANEL G ASSEMBLY. SEE LIST 8.





FOR PARTS  
NOT SHOWN  
SEE FIG. 5

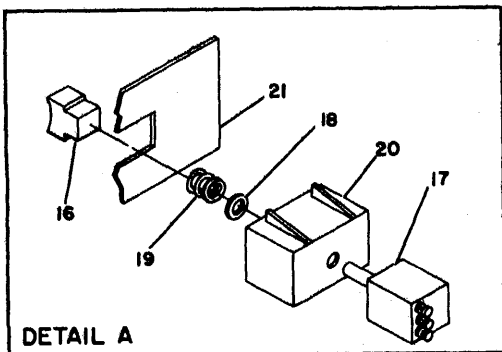
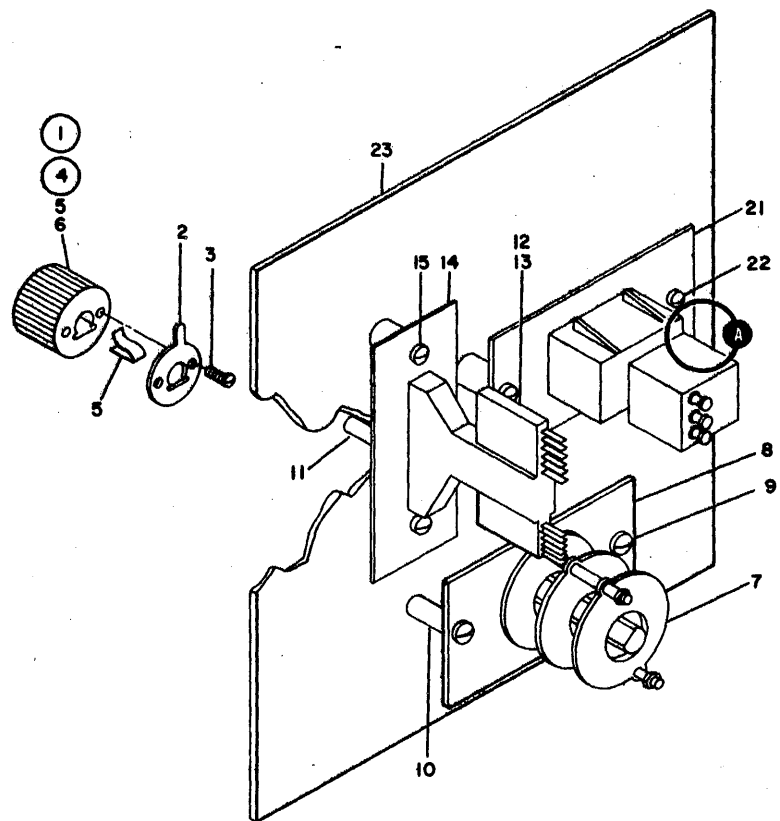


FIGURE 9. PANEL F ASSEMBLY. SEE LIST 9.

LIST AND INDEX NUMBER	PART NUMBER	DESCRIPTION				UNITS PER ASM.	USABLE ON CODE
		1	2	3	4		
		PANEL F ASSEMBLY					
9 -	5364019	PANEL F ASM-ENGLISH				REF	
-	5364368	PANEL F ASM-FRENCH				REF	
-	5364464	PANEL F ASM-GERMAN				REF	
		SEE FIG. 5-58 FOR NEXT HIGHER ASSEMBLY AND FIG. 9 FOR ILLUSTRATION					
- 1	727454	• KNOB ASSEMBLY-MODE SWITCH				1	
- 2	725379	• • POINTER				1	
- 3	1090623	• • SCREW-SELF TAPPING, 3/16 LG. ATT PT				2	
- 4	482221	• • KNOB ASSEMBLY, ROTARY				1	
- 5	482195	• • • SPRING-CONTROL KNOB				1	
- 6	482217	• • • KNOB ASSEMBLY, ROTARY				1	
- 7	5363967	• SWITCH, ROTARY-6 POS				1	
- 8	5363947	• BRACKET-ROTARY SWITCH MTG				1	
- 9	186759	• SCREW, MACH-BIND HD 8-32 X 5/16 LG ATT PT				2	
- 10	5349203	• SPACER- 0.625 OD X 0.06 THK				1	
- 11	5362315	• KNOB-WHITE				1	
- 12	5363982	• SWITCH, LEVER				1	
- 13	186712	• SCREW, MACH-BIND HD 3-48 X 3/16 LG ATT PT				2	
- 14	5363946	• PLATE				1	
- 15	10170	• SCREW, MACH-BIND HD 6-32 X 1/4 LG ATT PT				2	
- 16	5363965	• BUTTON-ENGLISH				1	
- 16	5364364	• BUTTON-FRENCH				1	
- 16	824567	• BUTTON-GERMAN				1	
- 17	553380	• SWITCH, PUSH-DPDT				1	
- 18	5311437	• NUT, SWITCH 0.469-32				1	
- 19	5311440	• SPRING, BUTTON				1	
- 20	5311415	• HOUSING, SWITCH AND LIGHT				1	
- 21	5363987	• PLATE-SWITCH				1	
- 22	186759	• SCREW, MACH-BIND HD 8-32 X 5/16 LG ATT PT				2	
- 23	5363919	• PANEL ASM-ENGLISH				1	
- 23	5364365	• PANEL ASM-FRENCH				1	
- 23	5364463	• PANEL ASM-GERMAN				1	

FOR PARTS  
NOT SHOWN  
SEE FIG. 5

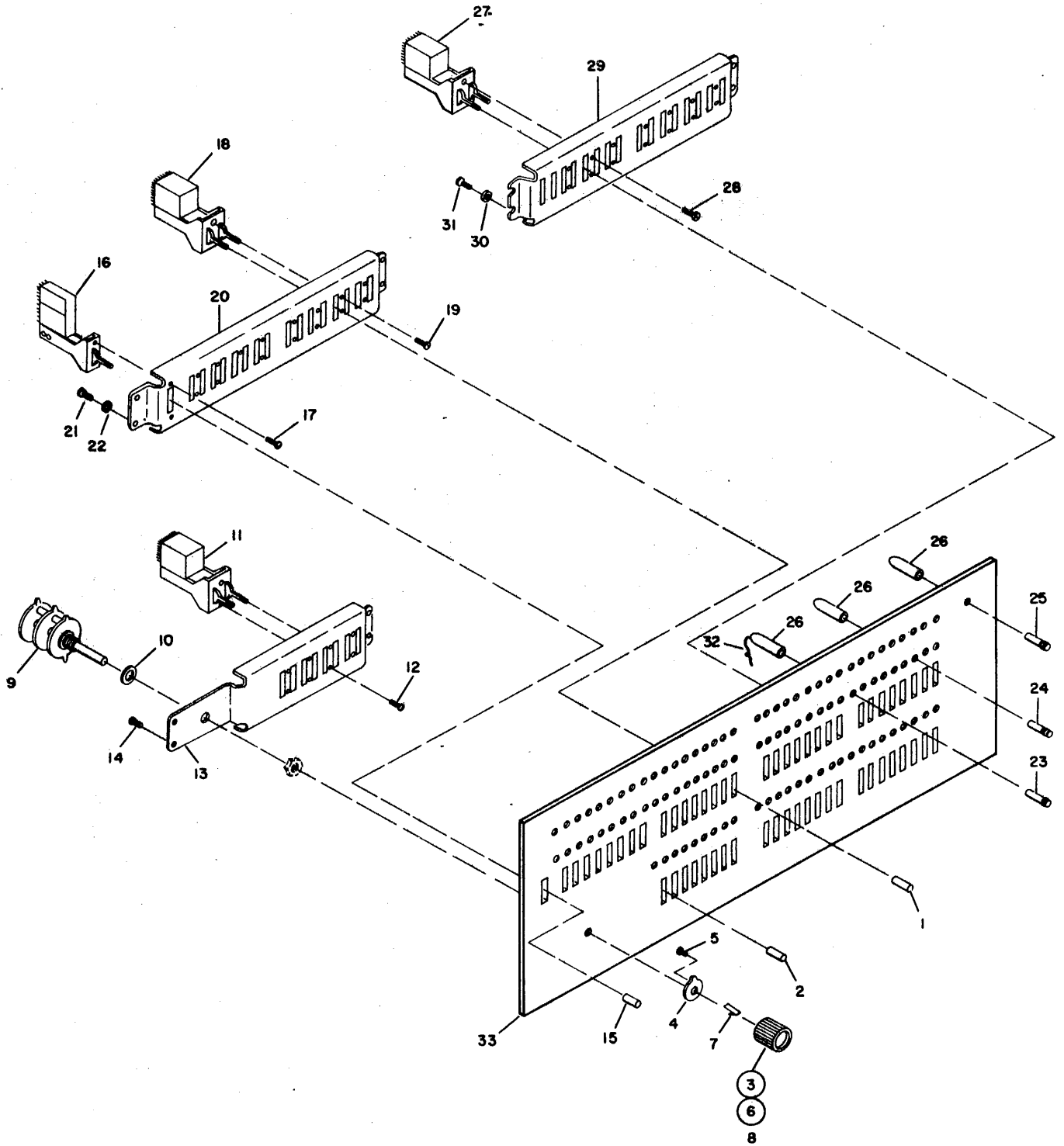


FIGURE 10. PANEL L ASSEMBLY. SEE LIST 10.

LIST AND INDEX NUMBER	PART NUMBER	DESCRIPTION	UNITS PER ASM.	USABLE ON CODE
		1 2 3 4		
		PANEL L ASSEMBLY		
10 -	5363881	PANEL L ASM-ENGLISH	REF	
-	5364403	PANEL L ASM-FRENCH	REF	
-	5364467	PANEL L ASM-GERMAN	REF	
		SEE FIG. 5-81 FOR NEXT HIGHER ASSEMBLY AND FIG. 10 FOR ILLUSTRATION		
- 1	5362314	. KNOB-BLACK	28	
- 2	5362315	. KNOB-WHITE	28	
- 3	727454	. KNOB ASSEMBLY-MODE SWITCH	1	
- 4	725379	. . POINTER	1	
- 5	1090623	. . SCREW-SELF TAPPING, 3/16 LG. ATT PT	2	
- 6	482221	. . . KNOB ASSEMBLY, ROTARY	1	
- 7	482195	. . . SPRING-CONTROL KNOB	1	
- 8	482217	. . . KNOB ASSEMBLY, ROTARY	1	
- 9	5363967	. SWITCH, ROTARY-6 POS	1	
- 10	5349203	. SPACER- 0.625 OD X 0.06 THK	1	
- 11	5349003	. SWITCH, LEVER-3 POLE DT	4	
- 12	186712	. SCREW, MACH-BIND HD 3-48 X 3/16 LG ATT PT	8	
- 13	5373107	. SUB PANEL	1	
- 14	81693	. SCREW, MACH-BIND HD 6-32 X 3/8 LG ATT PT	4	
- 15	5362315	. KNOB-WHITE	1	
- 16	5364054	. SWITCH, LEVER	1	
- 17	186712	. SCREW, MACH-BIND HD 3-48 X 3/16 LG ATT PT	2	
- 18	5349003	. SWITCH, LEVER-3 POLE DT	8	
- 19	186712	. SCREW, MACH-BIND HD 3-48 X 3/16 LG ATT PT	16	
- 20	5373108	. SUB PANEL	1	
- 21	81693	. SCREW, MACH-BIND HD 6-32 X 3/8 LG ATT PT	4	
- 22	257986	. WASHER, FLAT NO. 6 ATT PT	2	
- 23	5353883	. INDICATOR ASM-AMBER-3 VOLT	7	
- 24	5353889	. INDICATOR ASM, CLEAR	90	
- 25	5353890	. INDICATOR ASM-RED-3 VOLT	3	
- 26	5353888	. HOUSING	100	
- 27	5349003	. SWITCH, LEVER-3 POLE DT	16	
- 28	186712	. SCREW, MACH-BIND HD 3-48 X 3/16 LG ATT PT	32	
- 29	5383174	. SUB PANEL	2	
- 30	81693	. SCREW, MACH-BIND HD 6-32 X 3/8 LG ATT PT	8	
- 31	257986	. WASHER, FLAT NO. 6 ATT PT	2	
- 32	5364442	. JUMPER ASSEMBLY-27 TERMINAL	AR	
- 32	5364443	. JUMPER ASSEMBLY	AR	
- 32	5364444	. JUMPER ASSEMBLY-37 TERMINAL	AR	
		SEE FIG. 79-22, -22A AND -81 FOR COMPONENT PARTS		
- 33	5363869	. PANEL ASM-ENGLISH	1	
- 33	5364402	. PANEL ASM-FRENCH	1	
- 33	5364466	. PANEL ASM-GERMAN	1	

FOR PARTS  
NOT SHOWN  
SEE FIG. 5

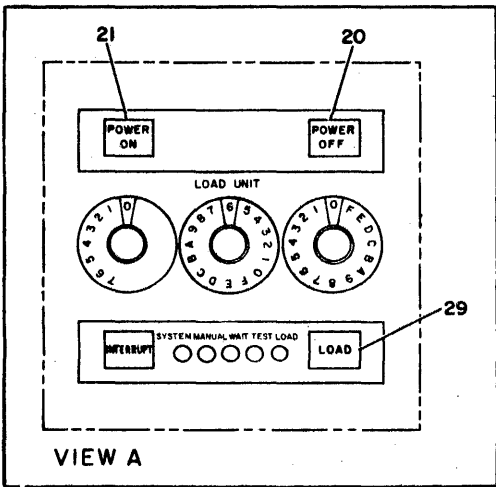
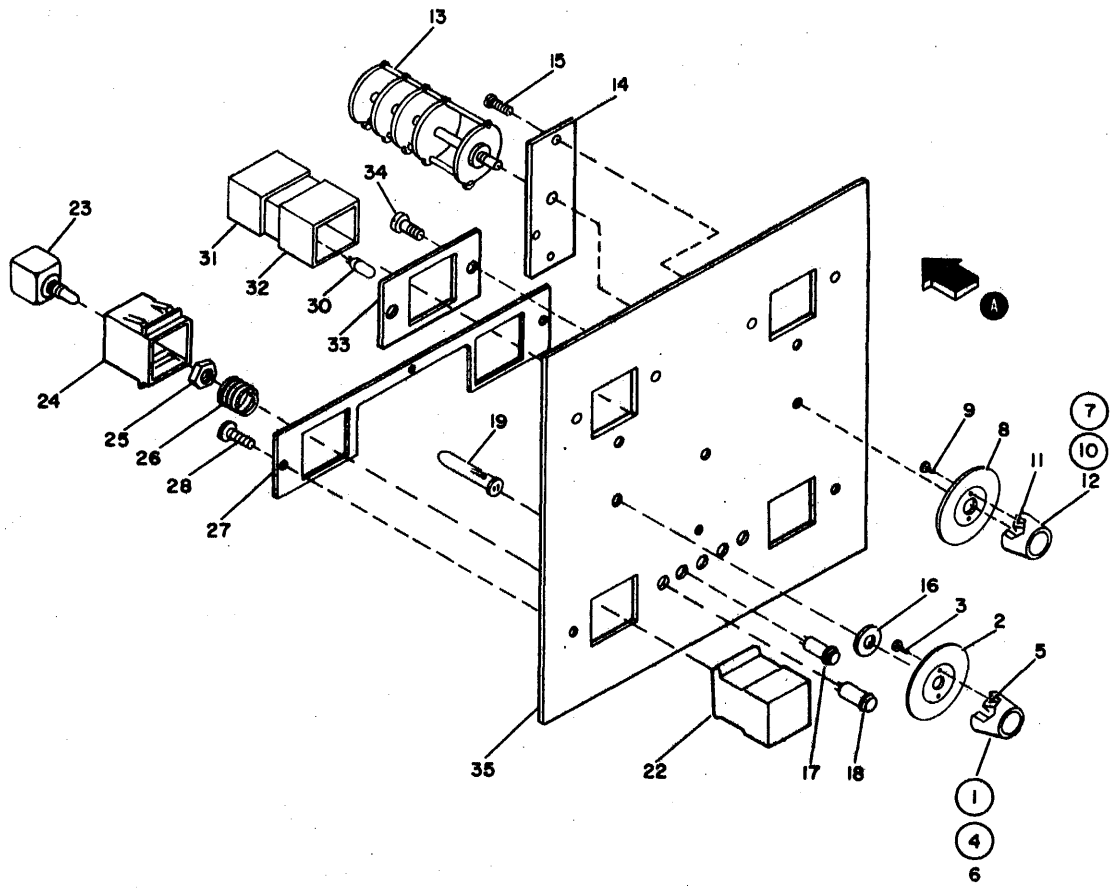


FIGURE 11. PANEL N ASSEMBLY. SEE LIST 11.

LIST AND INDEX NUMBER	PART NUMBER	DESCRIPTION	UNITS PER ASM.	USABLE ON CODE
		1 2 3 4		
		PANEL N ASSEMBLY		
11 -	5364023	PANEL N ASM-ENGLISH	REF	
-	5364395	PANEL N ASM-FRENCH	REF	
-	5364486	PANEL N ASM-GERMAN	REF	
		SEE FIG. 5-93 FOR NEXT HIGHER ASSEMBLY AND FIG. 11 FOR ILLUSTRATION		
- 1	5349220	. KNOB AND DIAL ASSEMBLY	1	
- 2	5349218	. . DIAL, 8 POS	1	
- 3	1090623	. . SCREW-SELF TAPPING, 3/16 LG. ATT PT	2	
- 4	482221	. . KNOB ASSEMBLY, ROTARY	1	
- 5	482195	. . . SPRING-CONTROL KNOB	1	
- 6	482217	. . . KNOB ASSEMBLY, ROTARY	1	
- 7	5349219	. KNOB AND DIAL ASSEMBLY	2	
- 8	5349217	. . DIAL, 16 POS	1	
- 9	1090623	. . SCREW-SELF TAPPING, 3/16 LG. ATT PT	2	
- 10	482221	. . KNOB ASSEMBLY, ROTARY	1	
- 11	482195	. . . SPRING-CONTROL KNOB	1	
- 12	482217	. . . KNOB ASSEMBLY, ROTARY	1	
- 13	5270179	. SWITCH, ROTARY-16 POS	3	
- 14	5363991	. BRACKET-SWITCH MTG	3	
- 15	186759	. SCREW, MACH-BIND HD 8-32 X 5/16 LG ATT PT	6	
- 16	5349203	. SPACER- 0.625 OD X 0.06 THK	3	
- 17	5353883	. INDICATOR ASM-AMBER-3 VOLT	1	
- 18	5353889	. INDICATOR ASM, CLEAR	4	
- 19	5353888	. HOUSING	5	
- 20	824476	. BUTTON-ENGLISH	1	
- 20	5351632	. BUTTON-FRENCH	1	
- 20	824569	. BUTTON-GERMAN	1	
- 21	719117	. BUTTON-ENGLISH	1	
- 21	5351638	. BUTTON-FRENCH	1	
- 21	824580	. BUTTON-GERMAN	1	
- 22	824478	. BUTTON-ENGLISH	1	
- 22	824478	. BUTTON-FRENCH	1	
- 22	824562	. BUTTON-GERMAN	1	
- 23	553380	. SWITCH, PUSH-DPDT	3	
- 24	5311415	. HOUSING, SWITCH AND LIGHT	3	
- 25	5311437	. NUT, SWITCH 0.469-32	3	
- 26	5311440	. SPRING, BUTTON	3	
- 27	5363988	. BRACKET-SWITCH MTG	1	
- 28	186759	. SCREW, MACH-BIND HD 8-32 X 5/16 LG ATT PT	3	
- 29	824477	. BUTTON-ENGLISH	1	
- 29	5351635	. BUTTON-FRENCH	1	
- 29	824560	. BUTTON-GERMAN	1	
- 30	2391279	. LAMP, INCANDESCENT- 28V 0.04 AMP	2	
- 31	719551	. SWITCH, SENSITIVE- 2 SPDT 125V AC 0.2 AMP	1	
- 32	473629	. HOUSING-SWITCH AND LAMP	1	
- 33	5363987	. PLATE-SWITCH	2	
- 34	186759	. SCREW, MACH-BIND HD 8-32 X 5/16 LG ATT PT	4	
- 35	5363935	. PANEL ASM-ENGLISH	1	
- 35	5364392	. PANEL ASM-FRENCH	1	
- 35	5364485	. PANEL ASM-GERMAN	1	

FOR PARTS  
NOT SHOWN  
SEE FIG. 5

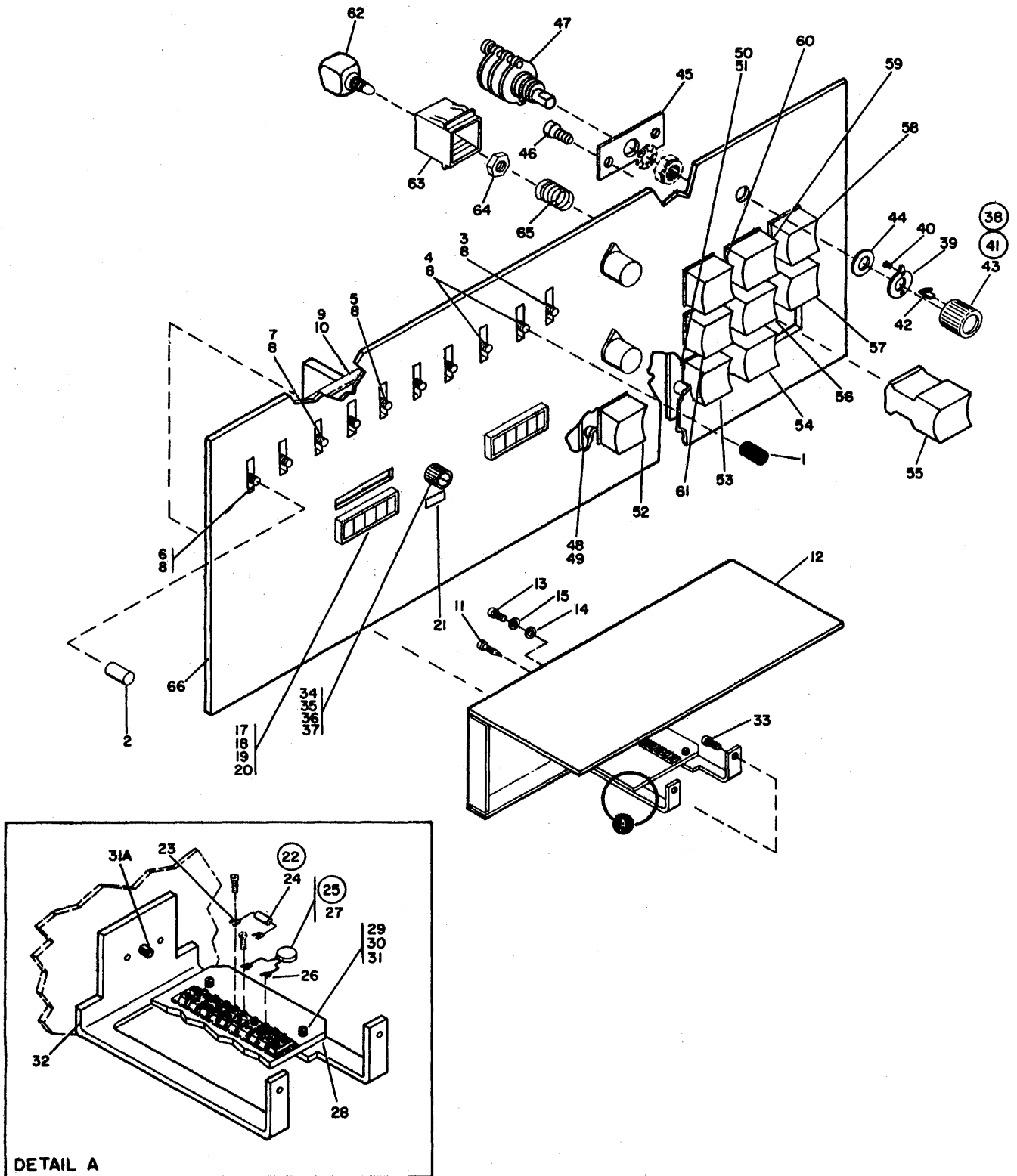


FIGURE 12. PANEL M ASSEMBLY. SEE LIST 12.

LIST AND INDEX NUMBER	PART NUMBER	DESCRIPTION	UNITS PER ASM.	USABLE ON CODE
		PANEL M ASSEMBLY		
12 -	5363884	PANEL M ASM-ENGLISH	REF	
-	5364387	PANEL M ASM-FRENCH	REF	
-	5364479	PANEL M ASM-GERMAN	REF	
		SEE FIG. 5-96 FOR NEXT HIGHER ASSEMBLY AND FIG. 12 FOR ILLUSTRATION		
- 1	5362314	. KNOB-BLACK	5	
- 2	5362315	. KNOB-WHITE	5	
- 3	5364056	. SWITCH, LEVER	1	
- 4	5363963	. SWITCH, LEVER	2	
- 5	5364055	. SWITCH, LEVER	1	
- 6	5270177	. SWITCH, LEVER	1	
- 7	5349002	. SWITCH, LEVER	5	
- 8	186712	. SCREW, MACH-BIND HD 3-48 X 3/16 LG	ATT PT	20
- 9	5383169	. BRACKET-SUB PANEL		1
- 10	186759	. SCREW, MACH-BIND HD 8-32 X 5/16 LG	ATT PT	4
- 11	740489	. RETAINER-COVER		1
- 12	5363875	. COVER		1
- 13	34512	. SCREW, BIND. HD 8-32 X .375 LG	ATT PT	2
- 14	22478	. WASHER, FL- 0.170 ID 0.375 OD 0.32 THK	ATT PT	2
- 15	1090873	. WASHER, LOCK, SPLIT RING- .168 ID, .296 OD	ATT PT	2
- 17	740503	. METER-60 HZ		2
- 17	740608	. METER-50 HZ		2
- 18	25627	. SCREW-BD. HD 8-32 X .500 LG	ATT PT	4
- 19	22478	. WASHER, FL- 0.170 ID 0.375 OD 0.32 THK	ATT PT	4
- 20	1090873	. WASHER, LOCK, SPLIT RING- .168 ID, .296 OD	ATT PT	4
- 21	5371671	. LABEL		1
- 22	5363851	. RESISTOR ASM		1
- 23	313361	. . TERMINAL-SPADE, 20-24 AWG, #4 HOLE, NON INS		2
- 24	317428	. . RESISTOR, FXD, COMP- 330 OHMS P/M 5% 1/2W		1
- 25	5363859	. CAPACITOR ASM		1
- 26	313361	. . TERMINAL-SPADE, 20-24 AWG, #4 HOLE, NON INS		2
- 27	472639	. . CAPACITOR, FXD, CERAMIC- 0.01 MFD P/M 20%		1
- 28	372688	. CARD ASM-TSTR, METER		1
- 29	34512	. SCREW, BIND. HD 8-32 X .375 LG	ATT PT	2
- 30	257986	. WASHER, FLAT NO. 6	ATT PT	2
- 31	6364	. WASHER, LOCK-SPLIT NO. 6 X 1/4 OD	ATT PT	2
- 31A	740491	. CLIP-TUBULAR, PERMANENT LOCK		1
- 32	5363874	. BRACKET-COVER		1
- 33	186759	. SCREW, MACH-BIND HD 8-32 X 5/16 LG	ATT PT	2
- 34	740513	. SWITCH, PUSH-OPDT 250V AC 1 AMP		1
- 35	81693	. SCREW, MACH-BIND HD 6-32 X 3/8 LG	ATT PT	2
- 36	257986	. WASHER, FLAT NO. 6	ATT PT	2
- 37	6364	. WASHER, LOCK-SPLIT NO. 6 X 1/4 OD	ATT PT	2
- 38	727454	. KNOB ASSEMBLY-MODE SWITCH		3
- 39	725379	. . POINTER		1
- 40	1090623	. . SCREW-SELF TAPPING, 3/16 LG.	ATT PT	2
- 41	482221	. . KNOB ASSEMBLY, ROTARY		1
- 42	482195	. . . SPRING-CONTROL KNOB		1
- 43	482217	. . . KNOB ASSEMBLY, ROTARY		1
- 44	5349203	. SPACER- 0.625 OD X 0.06 THK		3
- 45	5363947	. BRACKET-ROTARY SWITCH MTG		3
- 46	186759	. SCREW, MACH-BIND HD 8-32 X 5/16 LG	ATT PT	6
- 47	5363967	. SWITCH, ROTARY-6 POS		3
- 48	5363987	. PLATE-SWITCH		1
- 49	186759	. SCREW, MACH-BIND HD 8-32 X 5/16 LG	ATT PT	2
- 50	5363945	. BRACKET-SWITCH MTG		1
- 51	186759	. SCREW, MACH-BIND HD 8-32 X 5/16 LG	ATT PT	4
- 52	5350020	. BUTTON-ENGLISH		1
- 52	5351639	. BUTTON-FRENCH		1
- 52	5350020	. BUTTON-GERMAN		1
- 53	749033	. BUTTON-STOP		1
- 54	5311420	. BUTTON, BLANK		1
- 55	5276187	. BUTTON-ENGLISH		1
- 55	5351630	. BUTTON-FRENCH		1
- 55	5352144	. BUTTON-GERMAN		1
- 56	824467	. BUTTON-ENGLISH		1
- 56	5351634	. BUTTON-FRENCH		1
- 56	824567	. BUTTON-GERMAN		1
- 57	824466	. BUTTON-ENGLISH		1
- 57	5351633	. BUTTON-FRENCH		1
- 57	5352147	. BUTTON-GERMAN		1
- 58	824471	. BUTTON-ENGLISH		1
- 58	5351631	. BUTTON-FRENCH		1
- 58	5352145	. BUTTON-GERMAN		1





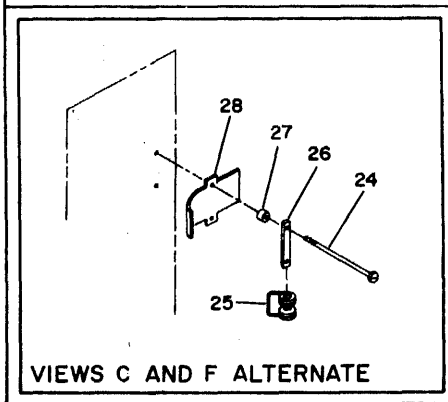
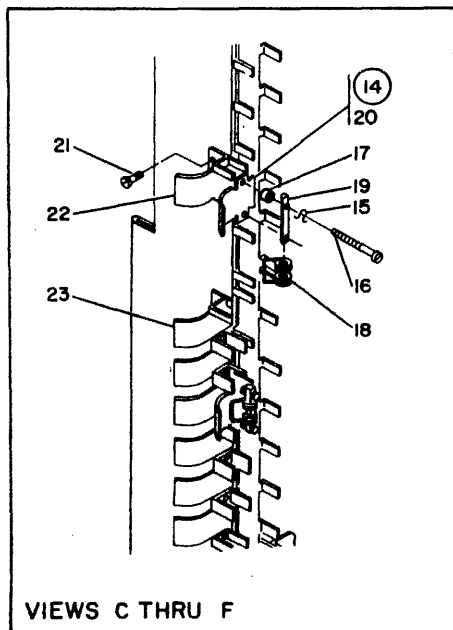
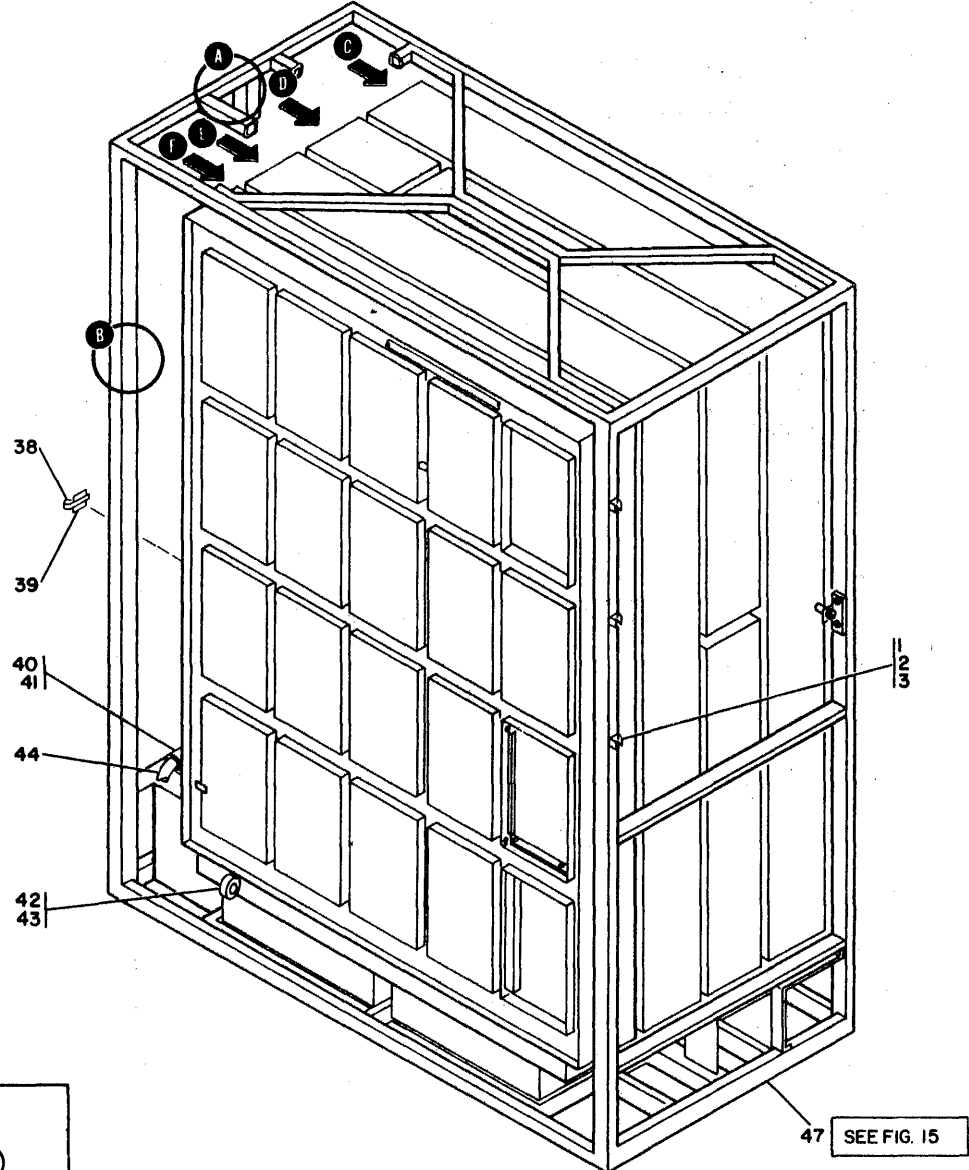
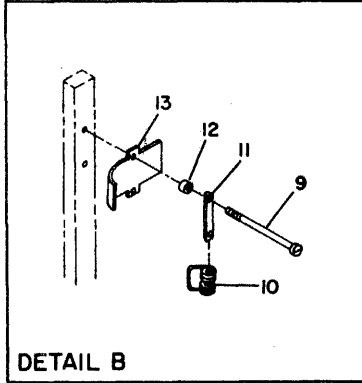
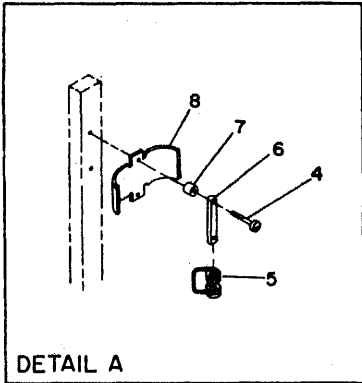


FIGURE 13. CPU FINAL ASSEMBLY. SEE LIST 13.

LIST AND INDEX NUMBER	PART NUMBER	DESCRIPTION				UNITS PER ASM.	USABLE ON CODE
		1	2	3	4		
		CPU FINAL ASSEMBLY					
13 -	5364000 NP	FINAL ASSEMBLY-CPU SEE FIG. 13 FOR ILLUSTRATION					
- 1	2114110	. CLIP				3	
- 2	2114111	. CRADLE,CABLE				3	
- 3	186758	. SCREW,MACH-BIND HD 8-32 X 0.438				3	
- 4	266	. SCREW,MACH-FIL H 10-32 X 1 LG				AR	ATT PT
- 5	813321	. SPRING,TORSION- 2 RH AND 2 LH FULL TURNS				AR	
- 6	813318	. BAR				AR	
- 7	813678	. SPACER- 0.260 ID 0.310 OD 0.204 LG				AR	
- 8	5372742	. FRONTPLATE				AR	
- 9	287502	. SCREW, MACH-FIL HD. 10-32 X 2.250 LG				AR	
- 10	813321	. SPRING,TORSION- 2 RH AND 2 LH FULL TURNS				AR	
- 11	813318	. BAR				AR	
- 12	813678	. SPACER- 0.260 ID 0.310 OD 0.204 LG				AR	
- 13	813319	. FRONTPLATE-CABLE CLAMP				AR	
- 14	815225	. PLATE-FRONT				AR	
- 14	815224	. PLATE ASSEMBLY,CABLE CLAMP-FRONT				AR	
- 14	815226	. PLATE ASM				AR	
- 15	815210	. . RING, RETAINING				2	
- 16	815174	. . SCREW, CLAMP USED ON CLAMP PN 815225				2	
- 16	815173	. . SCREW USED ON CLAMP PN 815224				2	
- 16	815175	. . SCREW, MACH USED ON CLAMP PN 815226				2	
- 17	815219	. . SPACER				2	
- 18	813321	. . SPRING,TORSION- 2 RH AND 2 LH FULL TURNS				1	
- 19	815220	. . BAR				1	
- 20	815217	. . BACKPLATE,CLAMP				1	
- 21	813706	. SCREW,SELF TAPPING- WASH HD 10-32 X 3/8				AR	
- 22	815167	. PLATE-BACK				AR	
- 22	815171	. BACKPLATE, CABLE CLAMP				AR	
- 22	815214	. PLATE-BACK				AR	
- 23	815166	. PLATE				AR	
- 23	815169	. BACKPLATE,CABLE CLAMP				AR	
- 24	287502	. SCREW, MACH-FIL HD. 10-32 X 2.250 LG				AR	
- 25	813321	. SPRING,TORSION- 2 RH AND 2 LH FULL TURNS				AR	
- 26	813318	. BAR				AR	
- 27	813678	. SPACER- 0.260 ID 0.310 OD 0.204 LG				AR	
- 28	813319	. FRONTPLATE-CABLE CLAMP				AR	
- 38	524519	. CABLE TIE,SELF CLINCHING				AR	
- 39	5412548	. BASE				AR	
- 39	5412547	. BASE				AR	
- 40	524515	. CLAMP-ADJUSTABLE CABLE				2	
- 41	4636	. SCREW,MACH-FL CSK HD 8-32 X 3/8 LG				1	ATT PT
- 42	533289	. CLAMP, CABLE				8	
- 43	734483	. SCREW,PAN HD- 6-32 X 0.380 LG				8	ATT PT
- 44	5363922	. CABLE ASM					
- 44	5363923	SEE FIG. 79-28,-428,-100 AND -102 FOR COMPONENT PARTS . CABLE ASM-CONNECTOR GATE AC				AR	
- 44	5364013	SEE FIG. 79-10,-28,-42C AND -54 FOR COMPONENT PARTS . CABLE ASM-VOLTAGE SENSE				AR	
- 44	5364073	SEE FIG. 79-2,-27,-28,-29,-30,-34,-36, -38,-55,-59 AND 107 FOR COMPONENT PARTS . CABLE ASM-TAIL GATE JUMPER				AR	
- 44	5364075	SEE FIG. 79-74,-76,-77,-89,-90 AND -90A FOR COMPONENT PARTS . CABLE ASM-CONVENIENCE OUTLET				AR	
- 44	5364076	SEE FIG. 79-31 AND -42E FOR COMPONENT PARTS . CABLE ASM-CONVENIENCE OUTLET				AR	
- 44	5364143	SEE FIG. 79-42E FOR COMPONENT PARTS . CABLE ASM-AC PWR TO LOGIC GATE BLOWER				AR	
- 44	5364144	. CABLE ASM-AC PWR TO LOGIC GATE BLOWER				AR	
- 44	5364562	SEE FIG. 79-17,-20A,-28,-42C AND -42D FOR COMPONENT PARTS . CABLE ASM-SELECTOR CHANNEL I				AR	
- 44	5364564	. CABLE ASM-SELECTOR CHANNEL III SEE FIG. 79-7,-8,-28,-28M AND -42M FOR COMPONENT PARTS				AR	
- 44	5365428	. CABLE ASM-COAX CHAN TO CHAN FEATURE				AR	
- 44	5365429	. CABLE ASM-COAX CHAN TO CHAN FEATURE				AR	



FOR PARTS  
NOT SHOWN  
SEE FIG. 17

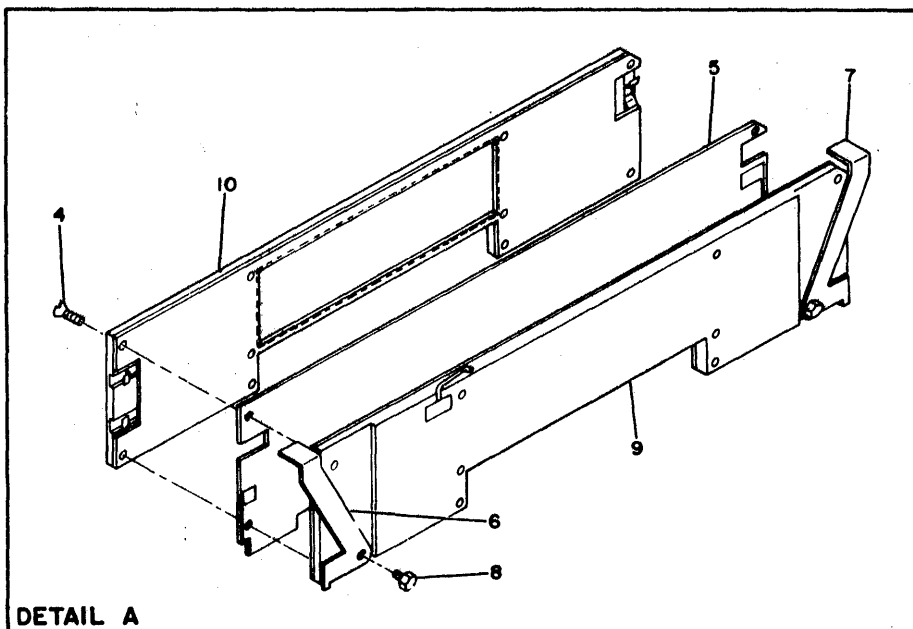
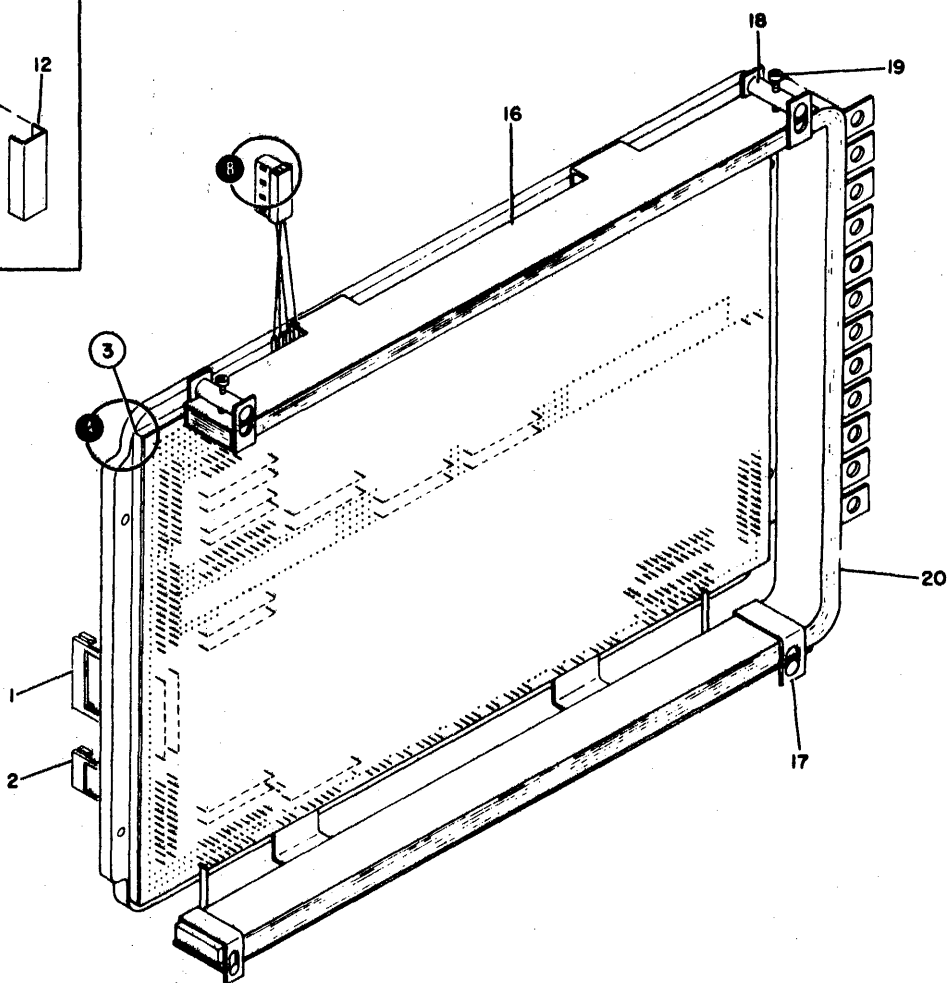
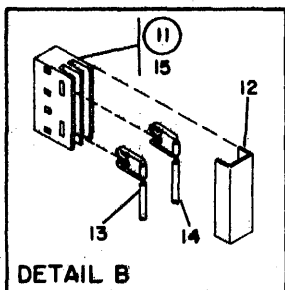


FIGURE 14. MEMORY ASSEMBLY. SEE LIST 14.



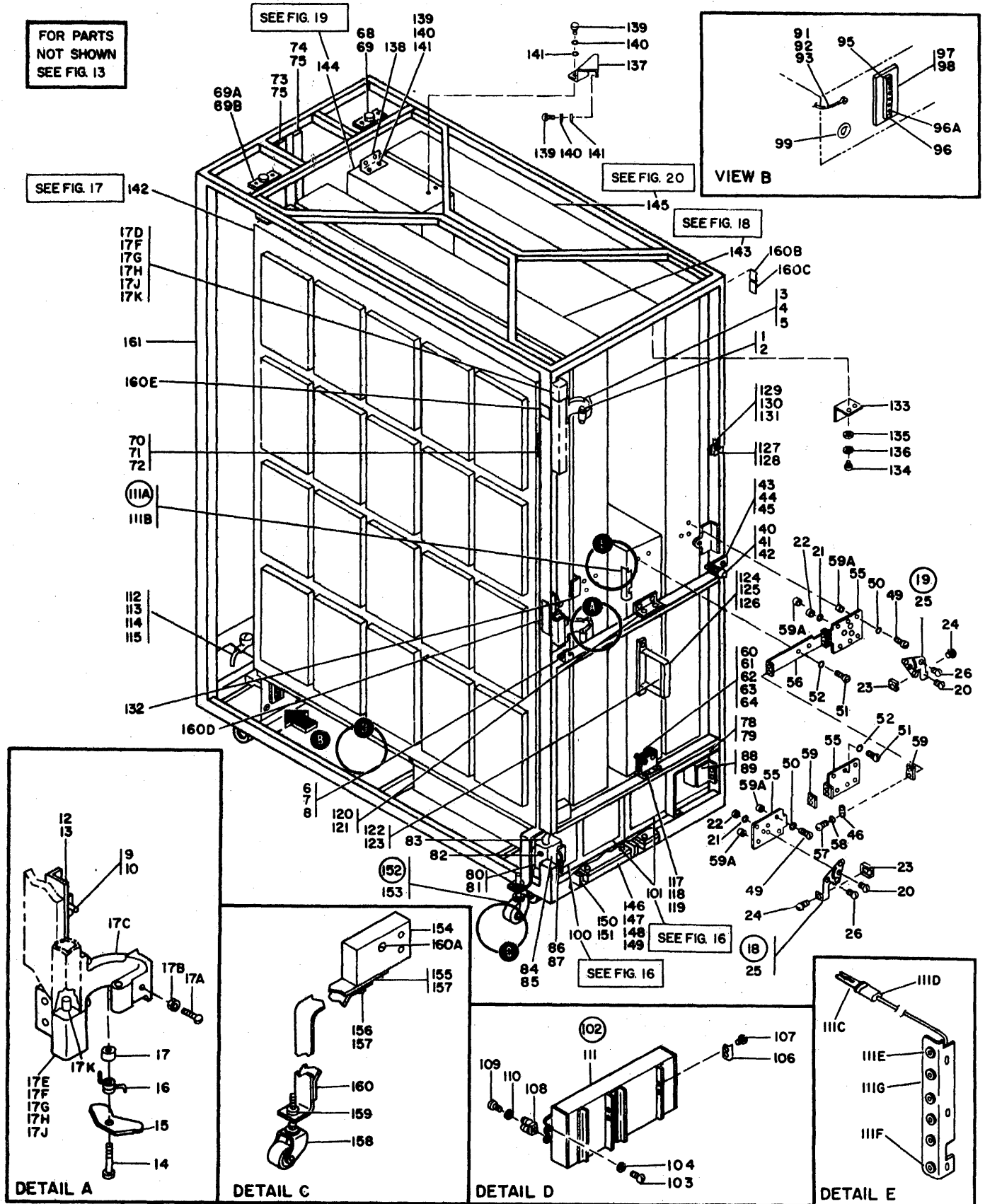


FIGURE 15. CPU FRAME ASSEMBLY. SEE LIST 15.

LIST AND INDEX NUMBER	PART NUMBER	DESCRIPTION	UNITS PER ASM.	USABLE ON CODE
		1 2 3 4		
		CPU FRAME ASSEMBLY		
		CODE 1 USED ON ASM PRIOR TO K8 SUFFIX CODE 2 USED ON ASM FROM K8 TO CURRENT		
15 -	5353209	FRAME ASSEMBLY-CPU SEE FIG.13-47 FOR NEXT HIGHER ASSEMBLY AND FIG.15 FOR ILLUSTRATION	REF	
- 1	5393203	• PIN,HINGE	2	
- 2	120211	• SCREW,MACH-HEX HD 10-32 X 1/2 LG	ATT PT	2
- 3	5393222	• HINGE,CE PANEL		2
- 4	4553	• SCREW,HEX HEAD- 3/8-16 X 3/4 LG	ATT PT	4
- 5	10309	• LOCKWASHER	ATT PT	4
- 6	5400502	• BRACKET,CAM CATCH		1
- 7	322029	• SCREW,MACH-BIND HD 1/4-20 X 1/2 LG	ATT PT	2
- 8	6935	• WASHER,LOCK-SPLIT 1/4 X 0.493 OD	ATT PT	2
- 9	5403816	• ROLLER ASM-LATCH		2
- 10	24107	• NUT,PLAIN,HEX- 3/8 X 9/16 FL W	ATT PT	2
- 12	5353247	• BRACKET-STUD MTG		2
- 13	332620	• SCREW,MACH BIND HD 10-32 X 1/2 LG	ATT PT	4
- 14	5400500	• PIN PIVOT,CATCH		1
- 15	5400503	• CATCH,PANEL		1
- 16	5400501	• SPRING		1
- 17	139326	• SPACER- .251 ID X 5/8 OD X .310 THK		1
- 17A	322061	• SCREW,MACH-BIND HD 10-32 X 1-1/4 LG		1
- 17B	11598	• NUT,PLAIN-HEX 10-32 X 3/8 FL W		1
- 17C	5393210	• HINGE,CE PANEL		1
- 17D	5400639	• HINGE BLOCK ASSEMBLY-TOP		1
- 17D	5474858	• HINGE ASSEMBLY-TOP		1
- 17E	5400640	• HINGE BLOCK ASSEMBLY-BOTTOM		1
- 17E	5474859	• HINGE ASSEMBLY-BOTTOM		1
- 17F	37935	• SCREW,MACH-HEX HD 3/8-16 X 1 LG	ATT PT	4
- 17F	5474861	• SCREW,CAP-HEX SOC HD 3/8-16 X 3-1/4 LG	ATT PT	4
- 17G	453	• WASHER,FL- 3/8 X 13/16 OD X 1/16 THK	ATT PT	2
- 17G	10309	• WASHER,LOCK-SPLIT 3/8	ATT PT	4
- 17H	10309	• LOCKWASHER	ATT PT	4
- 17H	22349	• NUT,PLAIN,HEX- 3/8-16	ATT PT	4
- 17J	5418142	• SHIM,HINGE ADJUSTING	ATT PT	AR
- 17K	5400603	• BEARING,HINGE TRIM		4
- 18	5353340	• HANDLE ASM-GATE LATCH LH		1
- 19	5353334	• HANDLE ASM-GATE LATCH RH		1
- 20	5403812	• SCREW,SHOULDER- 10-32 X 3/8 THD	ATT PT	4
- 21	9092	• WASHER-LOCK,SPLIT RING, .194 ID .3370D	ATT PT	4
- 22	11598	• NUT,PLAIN-HEX 10-32 X 3/8 FL W	ATT PT	4
- 23	5353336	• • KNOB-LATCH		1
- 24	119	• • SCREW,MACH-FL CSK HD 8-32 X 1/2 LG	ATT PT	1
- 25	5353028	• • HANDLE-GATE LATCH		1
- 25	5353335	USED ON HANDLE-GATE LATCH LH • • HANDLE-GATE LATCH,RH USED ON HANDLE-GATE LATCH RH		1
- 26	5353337	• • SCREW-GATE HANDLE CPU- 70	ATT PT	3
- 40	333064	• CAP,BOLT		2
- 41	59648	• SCREW-LOWER BRACKET	ATT PT	2
- 42	3960	• NUT,PLAIN,HEX- 1/4-20 X 7/16 FL W	ATT PT	4
- 43	5474733	• BRACKET,PANEL BUMPER		2
- 44	55918	• SCREW,MACH-BIND HD 10-32 X 5/8 LG	ATT PT	4
- 45	9092	• WASHER-LOCK,SPLIT RING, .194 ID .3370D	ATT PT	4
- 46	5353107	• BUMPER, GATE		3
- 49	234344	• SCREW,ASMD WASHER-FIL HD 1/4-20 X 1 LG		8
- 50	3550	• WASHER,FL- 1/4 X 9/16 OD X 0.050 THK		8
- 51	234340	• SCREW,ASM WASH-HEX HD SLOT 1/4-20 X 1/2		6
- 52	3550	• WASHER,FL- 1/4 X 9/16 OD X 0.050 THK		6
- 55	5353246	• PLATE LATCH		3
- 56	5353249	• BRACKET-BUMPER		1
- 57	25627	• SCREW-BD. HD 8-32 X .500 LG	ATT PT	8
- 58	22478	• WASHER,FL- 0.170 ID 0.375 OD 0.32 THK	ATT PT	8
- 59	5353251	• SHIM-BUMPER	ATT PT	AR
- 59A	5353252	• SPACER-LATCH PLATE		8
- 60	5703003	• SPACER		1
- 61	5703002	• BUSHING		2
- 62	322028	• SCREW,MACH-BIND HD 1/4-20 X 3/4 LG	ATT PT	2
- 63	6935	• WASHER,LOCK-SPLIT 1/4 X 0.493 OD	ATT PT	2
- 64	55586	• NUT,CHECK,HEX-1/4-20 X 1/8 FL W	ATT PT	2
- 68	236570	• CLIP		1
- 69	5372795	• PIN,HINGE		4
- 69A	5820770	• PLATE		2



LIST AND INDEX NUMBER	PART NUMBER	DESCRIPTION	UNITS	USABLE
			PER ASM.	ON CODE
		1 2 3 4		
15 - 698	58207	• SCREW,MACH-UNDRCT BIND HD 8-32 X 1/4 LG ATT PT	4	
- 70	5400504	• STOP,HINGE	1	
- 71	322029	• SCREW,MACH-BIND HD 1/4-20 X 1/2 LG ATT PT	2	
- 72	6935	• WASHER,LOCK-SPLIT 1/4 X 0.493 OD ATT PT	2	
- 73	5393036	• RACEWAY,FRAME B	4	
- 74	5393037	• RACEWAY,FRAME C	4	
- 75	472729	• SCREW,MACH-FL CSK HD 4-40 X 3/8 LG ATT PT	24	
- 78	5353199	• BRACKET-GATE SUPPORT	1	
- 79	731630	• SCREW,THD FORMING- 10-32 X 0.500 LG ATT PT	3	
- 80	206421	• COVER,CONVENIENCE OUTLET BOX	2	
- 81	53287	• SCREW,MACH-OVAL HD 6-32 X 3/4 LG ATT PT	2	
- 82	418835	• OUTLET-CONVENIENCE,220V USED ON 50 HZ ONLY	2	
- 82	5213803	• OUTLET,CONVENIENCE- 125V USED ON 60 HZ ONLY	2	
- 83	61486	• CONNECTOR-ELBOW	3	
- 84	194355	• BOX-OUTLET	2	
- 85	25627	• SCREW-BD. HD 8-32 X .500 LG ATT PT	8	
- 86	5397869	• BRACKET	1	
- 87	322620	• SCREW,MACH-BIND HD 10-32 X 1/2 LG ATT PT	2	
- 88	5397869	• BRACKET	1	
- 89	332620	• SCREW,MACH-BIND HD 10-32 X 1/2 LG ATT PT	2	
- 91	518614	• JUMPER ASSEMBLY-GROUND	AR	
- 92	28413	SEE FIG. 79-65 FOR COMPONENT PARTS		
- 93	56079	• SCREW,MACH-BIND HD 10-32 X 5/16 LG ATT PT	1	
- 95	352121	• WASHER,LOCK-EXT T .195 ID .410 OD ATT PT	1	
- 96	32042	• BUS BAR- 6 POS	1	
- 96A	236849	• SCREW, MACH BIND. HD 10-32 X 3/8 LG. ATT PT	2	
- 97	5331015	• SCREW,MACH-BIND HD 10-32 X 0.250 LG ATT PT	6	
- 98	438601	• INSULATOR	1	
- 99	334012	• SCREW,MACH-UNDRCT BIND HD 10-32 X 7/8 LG ATT PT	2	
-100	5357003	• CHANNEL-RUBBER	1	
-100	5357002	• COOLING UNIT ASSEMBLY- 50 HZ	2	
-100	5357002	• COOLING UNIT ASSEMBLY- 50 HZ SEE FIG. 16 FOR DETAIL BREAKDOWN	2	
-101	5357001	• COOLING UNIT ASSEMBLY- 60 HZ	6	
-101	5357002	• COOLING UNIT ASSEMBLY- 50 HZ SEE FIG. 16 FOR DETAIL BREAKDOWN	6	
-102	5357036	• HEADER ASSEMBLY	4	
-103	34512	• SCREW,BIND.HD 8-32 X .375 LG ATT PT	16	
-104	22478	• WASHER,FL- 0.170 ID 0.375 OD 0.32 THK ATT PT	16	
-106	5349887	• STRIKE-FAN HOUSING	2	
-107	5357136	• SCREW,PAN HD-SELF TAP 4-40 X .187 LG ATT PT	4	
-108	472168	• CLAMP-CABLE	1	
-109	112628	• SCREW,THREAD FORMING,BIND HD,3/8 IN. LG ATT PT	1	
-110	338169	• WASHER,LOCK-EXT TEETH NO. 4 X .260 OD ATT PT	1	
-111	5357040	• HEADER 5 BD	1	
-111A	5422644	• BRACKET ASSEMBLY,SYNC	1	
-111B	221790	• SCREW,MACH-BIND HD 8-32 X 3/16 LG ATT PT	3	
-111C	813195	• CONNECTOR, DISCRETE 26-24-22 AWG	6	
-111D	813197	• HOUSING-TERMINAL	6	
-111E	313735	• JACK	5	
-111F	321397	• JACK	1	
-111G	5422643	• BRACKET,SYNC	1	
-112	5236967	• JUMPER ASM-GRN/YEL 6 IN. 10AWG 1 LUG EA	AR	
-113	5236966	• JUMPER ASM-GRN/YEL 10 IN. 10AWG 1 LUG EA	AR	
-114	32042	SEE FIG. 79-42E FOR COMPONENT PARTS		
-115	56079	• SCREW, MACH BIND. HD 10-32 X 3/8 LG. ATT PT	8	
-117	38688	• WASHER,LOCK-EXT T .195 ID .410 OD ATT PT	8	
-118	3550	• SCREW-SUPPORT & TRIM MOUNTING .750 LONG	4	
-119	6935	• WASHER,FL- 1/4 X 9/16 OD X 0.050 THK	4	
-120	5353253	• WASHER,LOCK-SPLIT 1/4 X 0.493 OD	4	
-121	234340	• BRACKET-STA GATE	1	
-122	5372749	• SCREW,ASM WASH-HEX HD SLOT 1/4-20 X 1/2 ATT PT	2	
-123	5319854	• BAIL-SIDE	2	
-124	5372748	• SCREW,THD CUTTING-HEX HD 8-32 X 0.375 LG ATT PT	2	
-125	234340	• FRAME-CONSOLE	1	
-126	3960	• SCREW,ASM WASH-HEX HD SLOT 1/4-20 X 1/2 ATT PT	2	
-127	5353343	• NUT,PLAIN,HEX- 1/4-20 X 7/16 FL W ATT PT	2	
-128	236849	• LATCH-SPRING	1	
-129	5474736	• SCREW,MACH-BIND HD 10-32 X 0.250 LG ATT PT	2	
-130	32042	• BRACKET-LATCH SUPPORT	1	
-131	45690	• SCREW, MACH BIND. HD 10-32 X 3/8 LG. ATT PT	2	
-132	5372878	• WASHER, FL - NO.10 X 7/16 OD X 1/32 THK ATT PT	2	
-133	5372821	• HANDLE-B GATE	1	
-133	5372821	• BRACKET-R.O.S. MTG	1	



FOR PARTS  
NOT SHOWN  
SEE FIG. 15, 21

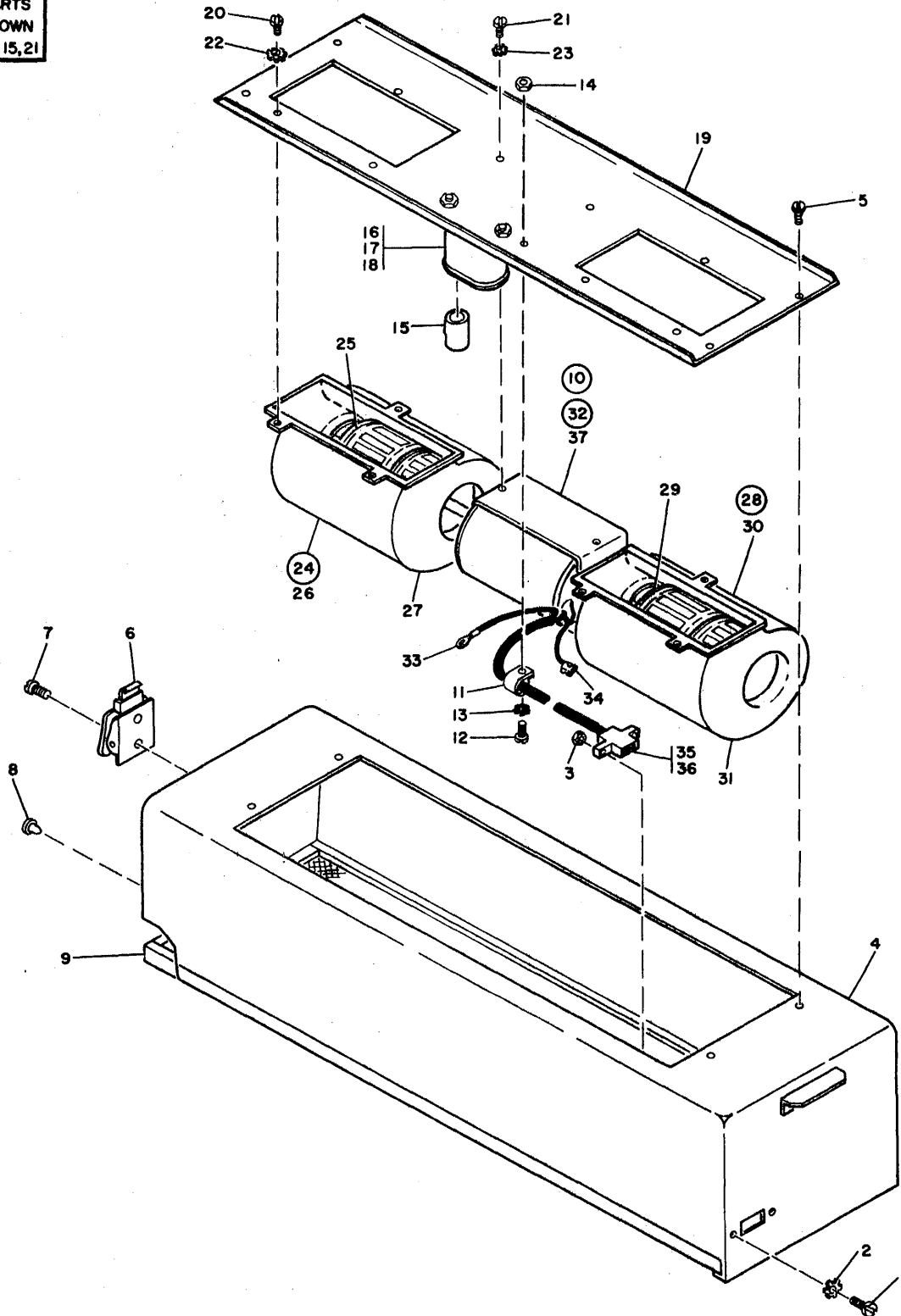
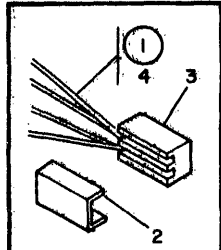


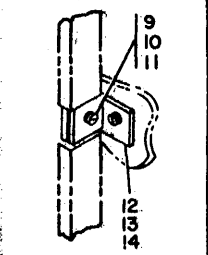
FIGURE 16. COOLING UNIT ASSEMBLIES. SEE LIST 16.

LIST AND INDEX NUMBER	PART NUMBER	DESCRIPTION	UNITS PER ASM,	USABLE ON CODE
		1 2 3 4		
		COOLING UNIT ASSEMBLIES		
16 -	5357001	COOLING UNIT ASSEMBLY- 60 HZ SEE FIG. 21-99 AND 15-100 FOR NEXT HIGHER ASSEMBLY	REF	
-	5357002	COOLING UNIT ASSEMBLY- 50 HZ SEE FIG. 21-99, 15-100 AND 15-101 FOR NEXT HIGHER ASSEMBLY AND FIG. 16 FOR ILLUSTRATION	REF	
-	5357003	COOLING UNIT ASSEMBLY- 50 HZ SEE FIG. 15-100 FOR NEXT HIGHER ASSEMBLY AND FIG. 16 FOR ILLUSTRATION	REF	
- 1	322065	• SCREW,MACH-BIND HD 6-32 X 5/8 LG	2	
- 2	56722	• WASHER,LOCK-EXT TEETH NO. 6	2	
- 3	257187	• NUT,PLAIN,HEX- 6-32 X 3/8 FL W	2	
- 4	5357011	• HOUSING-DUPLEX BLOWER	1	
- 5	740501	• SCREW,MACH-HEX HD 6-32 X 0.250 LG	ATT PT	4
- 6	5349888	• LATCH		1
- 7	5357136	• SCREW,PAN HD-SELF TAP 4-40 X .187 LG	ATT PT	2
- 8	5357135	• CATCH		1
- 9	5357013	• FILTER,AIR		1
- 10	5357004	• BLOWER ASSEMBLY-60 HZ USED ON COOLING UNIT ASM P/N 5357001		1
- 10	5357005	• BLOWER ASSEMBLY-50 HZ USED ON COOLING UNIT ASM P/N 5357002		1
- 10	5357006	• BLOWER ASSEMBLY-50 HZ USED ON COOLING UNIT ASM P/N 5357003		1
- 11	804109	• • CLAMP,LOOP- 3/8 ID 0.173 DIA MTG HOLE		1
- 12	81693	• • SCREW,MACH-BIND HD 6-32 X 3/8 LG	ATT PT	1
- 13	56722	• • WASHER,LOCK-EXT TOOTH 0.150 OD X 0.320	ATT PT	1
- 14	257187	• • NUT,PLAIN,HEX- 6-32 X 3/8 FL W	ATT PT	1
- 15	526378	• • CAP-INSULATION		1
- 16	5357137	• • CAPACITOR,P DIELEC- 3UUF P/M 10% 370V AC		1
- 17	11598	• • NUT,PLAIN-HEX 10-32 X 3/8 FL W	ATT PT	2
- 18	56079	• • WASHER,LOCK-EXT T 0.195 ID X 0.410 OD	ATT PT	2
- 19	5357012	• • PLATE-DUPLEX MOUNTING		1
- 20	81693	• • SCREW,MACH-BIND HD 6-32 X 3/8 LG	ATT PT	6
- 21	130434	• • SCREW-MACH,SLOTTED HEX HD NO.10-32 X.375	ATT PT	2
- 22	56722	• • WASHER,LOCK-EXT TEETH NO. 6	ATT PT	6
- 23	56079	• • WASHER,LOCK-EXT T .195 ID .410 OD	ATT PT	2
- 24	5357143	• • SCROLL AND WHEEL ASSEMBLY- 2.5 RIGHT USED ON 60 HZ ASM 5357004		1
- 24	5357145	• • SCROLL AND WHEEL ASSEMBLY, RIGHT HAND USED ON 50 HZ ASM 5357005		1
- 24	5357147	• • SCROLL AND WHEEL ASSEMBLY USED ON 50 HZ ASM 5357006		1
- 25	5357016	• • • WHEEL ASSEMBLY-BLOWER FAN USED ON ASM 5357143		1
- 25	5357024	• • • WHEEL ASSEMBLY-BLOWER FAN USED ON ASM 5357145		1
- 25	5357027	• • • WHEEL,BLOWER USED ON ASM 5357147		1
- 26	5357140	• • • SCROLL		1
- 27	5357141	• • • BELL MOUTH-SCROLL MOUNTING		1
- 28	5357142	• • SCROLL AND WHEEL ASSEMBLY- 2.5 LEFT USED ON 60 HZ ASM P/N 5357004		1
- 28	5357144	• • SCROLL AND WHEEL ASSEMBLY, LEFT HAND USED ON 50 HZ ASM P/N 5357005		1
- 28	5357146	• • SCROLL AND WHEEL ASSEMBLY USED ON 50 HZ ASM P/N 5357006		1
- 29	5357017	• • • WHEEL ASSEMBLY-BLOWER FAN USED ON ASM 5357142		1
- 29	5357025	• • • WHEEL ASSEMBLY-BLOWER FAN USED ON ASM 5357144		1
- 29	5357028	• • • WHEEL ASSEMBLY-BLOWER FAN USED ON ASM 5357146		1
- 30	5357140	• • • SCROLL		1
- 31	5357141	• • • BELL MOUTH-SCROLL MOUNTING		1
- 32	5357020	• • • MOTOR AND CONNECTOR ASSEMBLY		1
- 33	253740	• • • TERMINAL-RING,10-12 AWG,#6 HOLE,INS		1
- 34	517913	• • • TERMINAL,SLIP ON-18-16 AWG		3
- 35	5353853	• • • HOUSING		1
- 36	5353854	• • • CONTACT, MALE 16-20 WIRE		3
- 37	5357021	• • • MOTOR ASM- 3350 RPM 0.06 HP SP 50/60 HZ		1

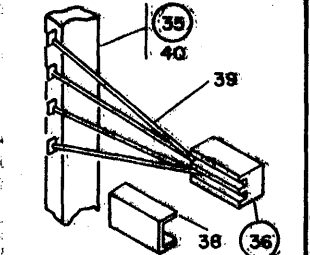
FOR PARTS  
NOT SHOWN  
SEE FIG. 15



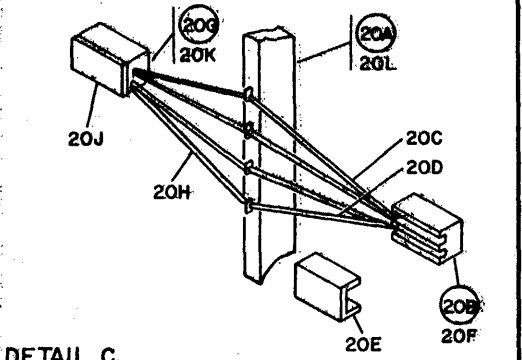
DETAIL A



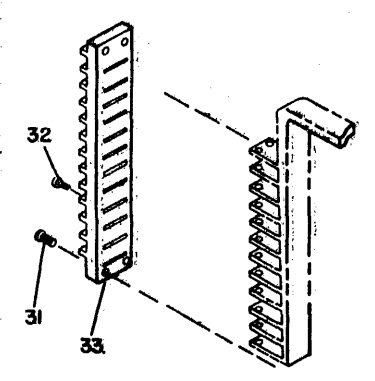
DETAIL B



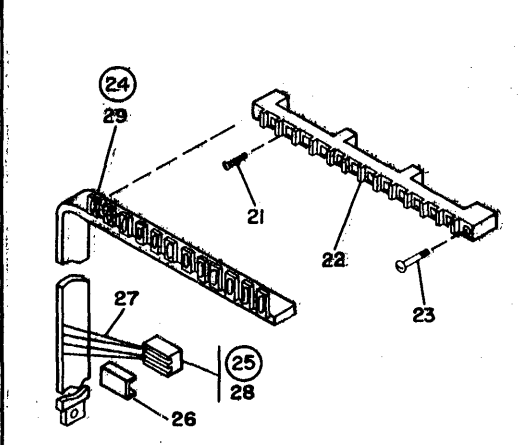
DETAIL F



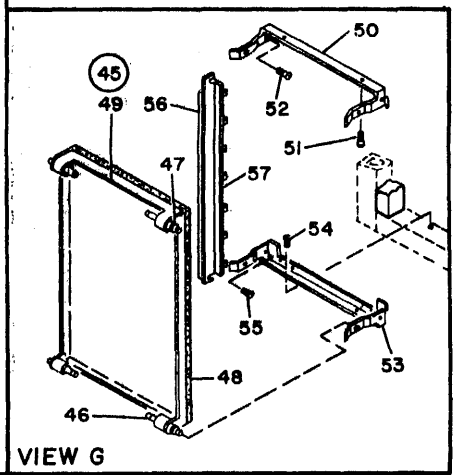
DETAIL C



DETAIL E



DETAIL D



VIEW G

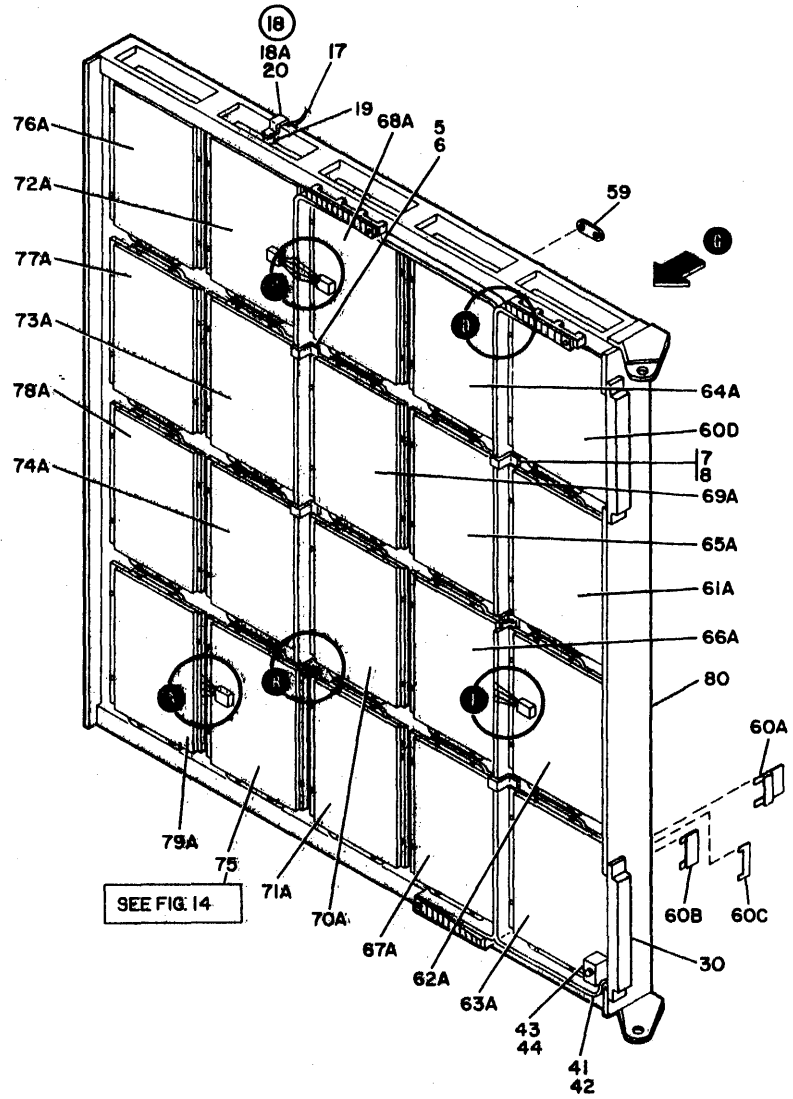


FIGURE 17. A GATE ASSEMBLY. SEE LIST 17.

LIST AND INDEX NUMBER	PART NUMBER	DESCRIPTION	UNITS PER ASM.	USABLE ON CODE
		1 2 3 4		
		A GATE ASSEMBLY		
17 -	NO NO.	GATE ASSEMBLY-A SEE FIG. 15-142 FOR NEXT HIGHER ASM AND FIG. 17 FOR ILLUSTRATION	NP	
- 1	811482	. CROSSOVER ASSEMBLY,VOLTAGE	20	
- 2	813802	. . COVER	2	
- 3	813801	. . HOUSING	2	
- 4	811484	. . CONTACT ASSEMBLY	4	
- 5	815946	. STRAP ASSEMBLY-BUS	2	
- 6	811426	. SCREW,MACH-PAN HD 6-32 X 3/8 IN. LG ATT PT	4	
- 7	815942	. BRACKET ASM	2	
- 8	811426	. SCREW,MACH-PAN HD 6-32 X 3/8 IN. LG ATT PT	4	
- 9	5356580	. SCREW,MACH-BIND HD 4-40 X 1/2 LG	2	
- 10	815039	. WASHER,FL-NO 4 X 1/8 ID X 1/4 OD	2	
- 11	5373223	. NUT,PLAIN,HEX- 4-40 X 0.250 FL W	2	
- 12	811742	. SUPPORT	2	
- 13	811426	. SCREW,MACH-PAN HD 6-32 X 3/8 IN. LG ATT PT	2	
- 14	2129550	. WASHER,FLAT- 5/16 OD 5/32 ID 1/32 THK ATT PT	2	
- 17	5357088	. CABLE ASM-THERMAL	1	
- 18	5428339	SEE FIG. 79-11,-33A AND -54 FOR COMPONENT PARTS		
- 18A	734483	. THERMAL SWITCH ASSEMBLY	2	
- 19	5428337	. SCREW,PAN HD- 6-32 X 0.380 LG ATT PT	2	
- 20	5428338	. . THERMAL SWITCH	1	
- 20A	5364042	. . BRACKET-MOUNTING	1	
- 20B	811483	. . CROSSOVER ASM	1	
- 20C	811485	. . . CROSSOVER ASSEMBLY	5	
- 20D	811495	. . . CONTACT ASM	2	
- 20E	811494	. . . CONTACT ASSEMBLY	2	
- 20F	811494	. . . COVER- 4 PIN BLK FOR HOUSING P/N 811486	1	
- 20G	811621	. . . HOUSING- 4 PIN NAT USES COVER P/N 811494	1	
- 20H	811496	. . . CROSSOVER ASSEMBLY	10	
- 20J	811496	. . . CONTACT ASSEMBLY	4	
- 20K	811494	. . . COVER- 4 PIN BLK FOR HOUSING P/N 811486	2	
- 20L	811486	. . . HOUSING- 4 PIN NAT USES COVER P/N 811494	2	
- 21	811530	. . . BUS ASSEMBLY, VERT., 3 BOARD	1	
- 22	811481	. SCREW,MACH- 6-32 X 1/4 LG	48	
- 23	811476	. TERMINAL BLOCK,BUS TO BUS	4	
- 24	38391	. SCREW MACHINE,FIL HD ATT PT	8	
- 25	5428141	. BUS AND CROSSOVER ASSEMBLY,VERTICAL	1	
- 26	811621	. . CROSSOVER ASSEMBLY	10	
- 27	811486	. . . HOUSING- 4 PIN NAT USES COVER P/N 811494	2	
- 28	811494	. . . COVER- 4 PIN BLK FOR HOUSING P/N 811486	2	
- 29	811496	. . . CONTACT ASSEMBLY	4	
- 30	815125	. . . BUS ASSEMBLY	1	
- 31	811509	. BUS ASSEMBLY,HORIZONTAL	1	
- 32	811422	. SCREW,HEX H- 8-32 X 0.625 LG ATT PT	4	
- 33	815151	. . SCREW-MACH NO. 8-32 X .2	1	
- 34	811474	. . TERMINAL BLOCK ASSEMBLY	1	
- 35	5428142	. BUS AND CROSSOVER ASSEMBLY,VERTICAL	1	
- 36	811621	. . CROSSOVER ASSEMBLY	10	
- 37	811486	. . . HOUSING- 4 PIN NAT USES COVER P/N 811494	2	
- 38	811494	. . . COVER- 4 PIN BLK FOR HOUSING P/N 811486	2	
- 39	811496	. . . CONTACT ASSEMBLY	4	
- 40	815125	. . . BUS ASSEMBLY	1	
- 41	811507	. BUS ASSEMBLY,HORIZONTAL	1	
- 42	811422	. SCREW,HEX H- 8-32 X 0.625 LG ATT PT	4	
- 43	813179	. CLAMP-BOARD	160	
- 44	811417	. SCREW,HEX SOCKET H- 6-32 X 1/2 LG ATT PT	160	
- 45	811869	. COVER ASSEMBLY-CARD	20	
- 46	815963	. . CATCH-PULL	4	
- 47	815964	. . SPACER-HINGE	4	
- 48	815263	. . BACKING, FOAM	AR	
- 49	811868	. . COVER-CARD	1	
- 50	811855	. BRACKET-HINGE	20	
- 51	734483	. SCREW,PAN HD- 6-32 X 0.380 LG ATT PT	40	
- 52	55726	. SCREW,MACH-BIND HD 6-32 X .188 LG ATT PT	40	
- 53	811854	. BRACKET-HINGE	20	
- 54	734483	. SCREW,PAN HD- 6-32 X 0.380 LG ATT PT	40	
- 55	55726	. SCREW,MACH-BIND HD 6-32 X .188 LG ATT PT	40	
- 56	811442	. SEAL	40	
- 57	811881	. RETAINER ASSEMBLY	37	
- 59	811427	. STRAP,CABLE	220	
- 60	5357729 NP	. BOARD ASM-01A-A1		
- 60A	811363	. . EXTENDER, CARD, 6 PAC	AR	
- 60B	811802	. . GUIDE-CARD	AR	



FOR PARTS  
NOT SHOWN  
SEE FIG. 15

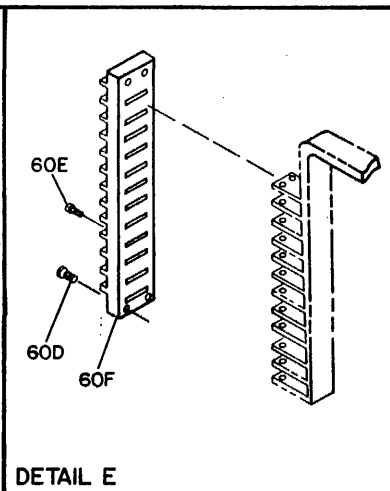
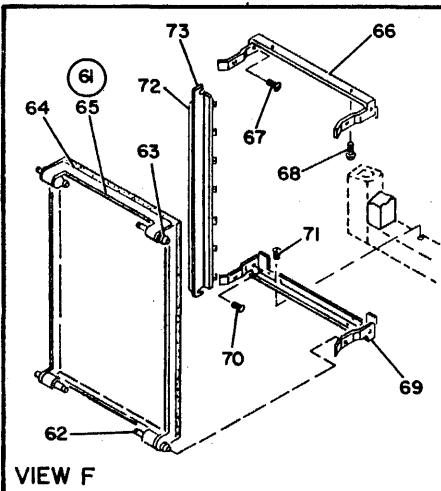
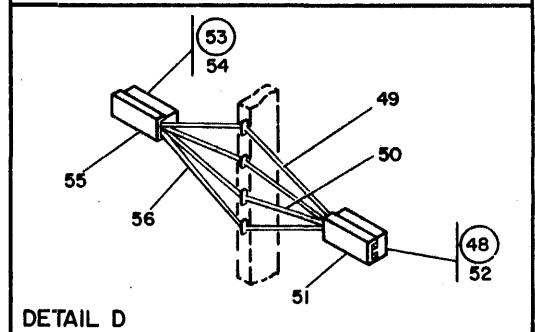
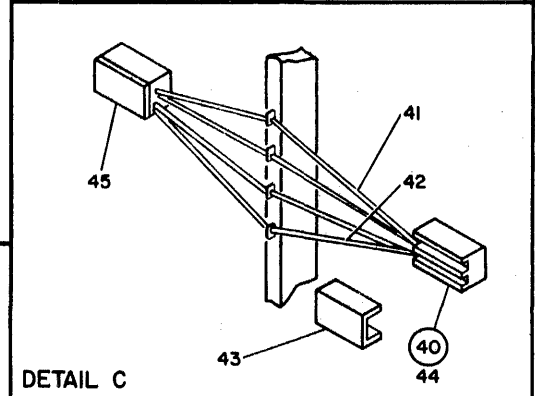
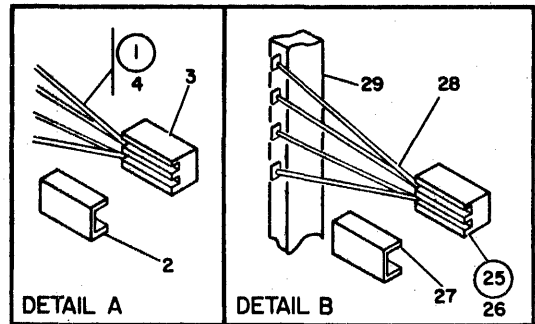
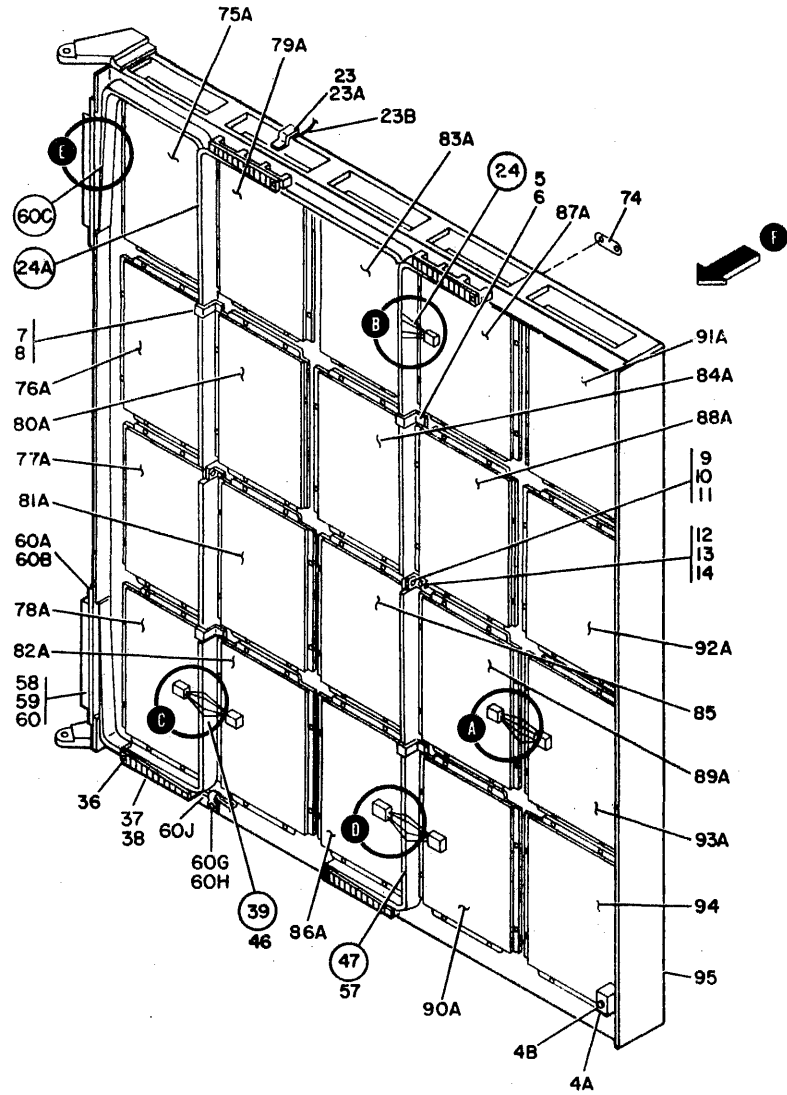


FIGURE 18. B GATE ASSEMBLY. SEE LIST 18.



LIST AND INDEX NUMBER	PART NUMBER	DESCRIPTION	UNITS PER ASM.	USABLE ON CODE
		<b>B GATE ASSEMBLY</b>		
18 -	NO NO.	GATE ASSEMBLY-B SEE FIG. 15-143 FOR NEXT HIGHER ASM SEE FIG. 18 FOR ILLUSTRATION	NP	
- 1	811482	. CROSSOVER ASSEMBLY,VOLTAGE	20	
- 2	813802	. . COVER	2	
- 3	813801	. . HOUSING	2	
- 4	811484	. . CONTACT ASSEMBLY	4	
- 4A	813179	. CLAMP-BOARD	AR	
- 4B	811417	. SCREW,HEX SOCKET H- 6-32 X 1/2 LG ATT PT	AR	
- 5	815946	. STRAP ASSEMBLY-BUS	2	
- 6	811426	. SCREW,MACH-PAN HD 6-32 X 3/8 IN. LG ATT PT	4	
- 7	815942	. BRACKET ASM	2	
- 8	811426	. SCREW,MACH-PAN HD 6-32 X 3/8 IN. LG ATT PT	4	
- 9	5356580	. SCREW,MACH-BIND HD 4-40 X 1/2 LG	2	
- 10	815039	. WASHER,FL-NO 4 X 1/8 ID X 1/4 OD	2	
- 11	5373223	. NUT,PLAIN,HEX- 4-40 X 0.250 FL W	2	
- 12	811742	. SUPPORT	2	
- 13	811426	. SCREW,MACH-PAN HD 6-32 X 3/8 IN. LG ATT PT	2	
- 14	2129550	. WASHER,FLAT- 5/16 OD 5/32 ID 1/32 THK ATT PT	2	
- 23	5428339	. THERMAL SWITCH ASSEMBLY	2	
- 23A	734483	. SCREW,PAN HD- 6-32 X 0.380 LG ATT PT	2	
- 23B	5357088	. CABLE ASM-THERMAL SEE FIG. 79-11,-33A AND -54 FOR COMPONENT PARTS	1	
- 24	5364053	. CROSSOVER ASM	1	
- 24A	5428141	. BUS AND CROSSOVER ASSEMBLY,VERTICAL	1	
- 25	811621	. . CROSSOVER ASSEMBLY	10	
- 26	811486	. . . HOUSING- 4 PIN NAT USES COVER P/N 811494	2	
- 27	811494	. . . COVER- 4 PIN BLK FOR HOUSING P/N 811486	2	
- 28	811496	. . . CONTACT ASSEMBLY	4	
- 29	811520	. . BUS ASSEMBLY, VERT., 2 BOARD	1	
- 29	815125	USED ON CROSSOVER ASM-5364053 . . BUS ASSEMBLY USED ON CROSSOVER ASM-5428141	1	
- 36	811481	. SCREW,MACH- 6-32 X 1/4 LG	48	
- 37	811476	. TERMINAL BLOCK,BUS TO BUS	4	
- 38	38391	. SCREW MACHINE,FIL HD ATT PT	8	
- 39	5364498	. BUS AND CROSSOVER ASSEMBLY,VERTICAL	1	
- 40	811483	. . CROSSOVER ASSEMBLY	5	
- 41	811485	. . . CONTACT ASM	2	
- 42	811495	. . . CONTACT ASSEMBLY	2	
- 43	811494	. . . COVER- 4 PIN BLK FOR HOUSING P/N 811486	1	
- 44	811486	. . . HOUSING- 4 PIN NAT USES COVER P/N 811494	1	
- 45	5365471	. . CROSSOVER ASSEMBLY	5	
- 46	811520	. . BUS ASSEMBLY, VERT., 2 BOARD	1	
- 47	5449014	. BUS AND CROSSOVER ASSEMBLY,VERTICAL	1	
- 48	811483	. . CROSSOVER ASSEMBLY	5	
- 49	811485	. . . CONTACT ASM	2	
- 50	811495	. . . CONTACT ASSEMBLY	2	
- 51	811494	. . . COVER- 4 PIN BLK FOR HOUSING P/N 811486	1	
- 52	811486	. . . HOUSING- 4 PIN NAT USES COVER P/N 811494	1	
- 53	811621	. . CROSSOVER ASSEMBLY	5	
- 54	811486	. . . HOUSING- 4 PIN NAT USES COVER P/N 811494	2	
- 55	811494	. . . COVER- 4 PIN BLK FOR HOUSING P/N 811486	2	
- 56	811496	. . . CONTACT ASSEMBLY	4	
- 57	815125	. . BUS ASSEMBLY	1	
- 58	320451	. TERMINAL BOARD- 10 DBL SCREW TERMINALS	1	
- 59	25627	. SCREW-BD. HD 8-32 X .500 LG ATT PT	4	
- 60	510186	. INSULATOR,STRIP	1	
- 60A	5462020	. BRACKET,TB MOUNTING	1	
- 60B	34512	. SCREW,BIND.HD 8-32 X .375 LG ATT PT	4	
- 60C	811507	. BUS ASSEMBLY,HORIZONTAL	1	
- 60D	811422	. SCREW,HEX H- 8-32 X 0.625 LG ATT PT	4	
- 60E	815151	. . SCREW-MACH NO. 8-32 X .2	24	
- 60F	811474	. . TERMINAL BLOCK ASSEMBLY	1	
- 60G	327922	. CLAMP, CABLE-.625 DIAMETER	3	
- 60H	32042	. SCREW, MACH BIND. HD 10-32 X 3/8 LG. ATT PT	3	
- 60J	5440639	. CABLE ASM-TB GATE B	1	
- 60J	5462363	. CABLE ASM-TB GATE B SEE FIG. 79-22 AND -106 FOR COMPONENT PARTS	1	
- 61	811869	. COVER ASSEMBLY-CARD	AR	
- 62	815963	. . CATCH-PULL	4	
- 63	815964	. . SPACER-HINGE	4	
- 64	815263	. . BACKING, FOAM	AR	



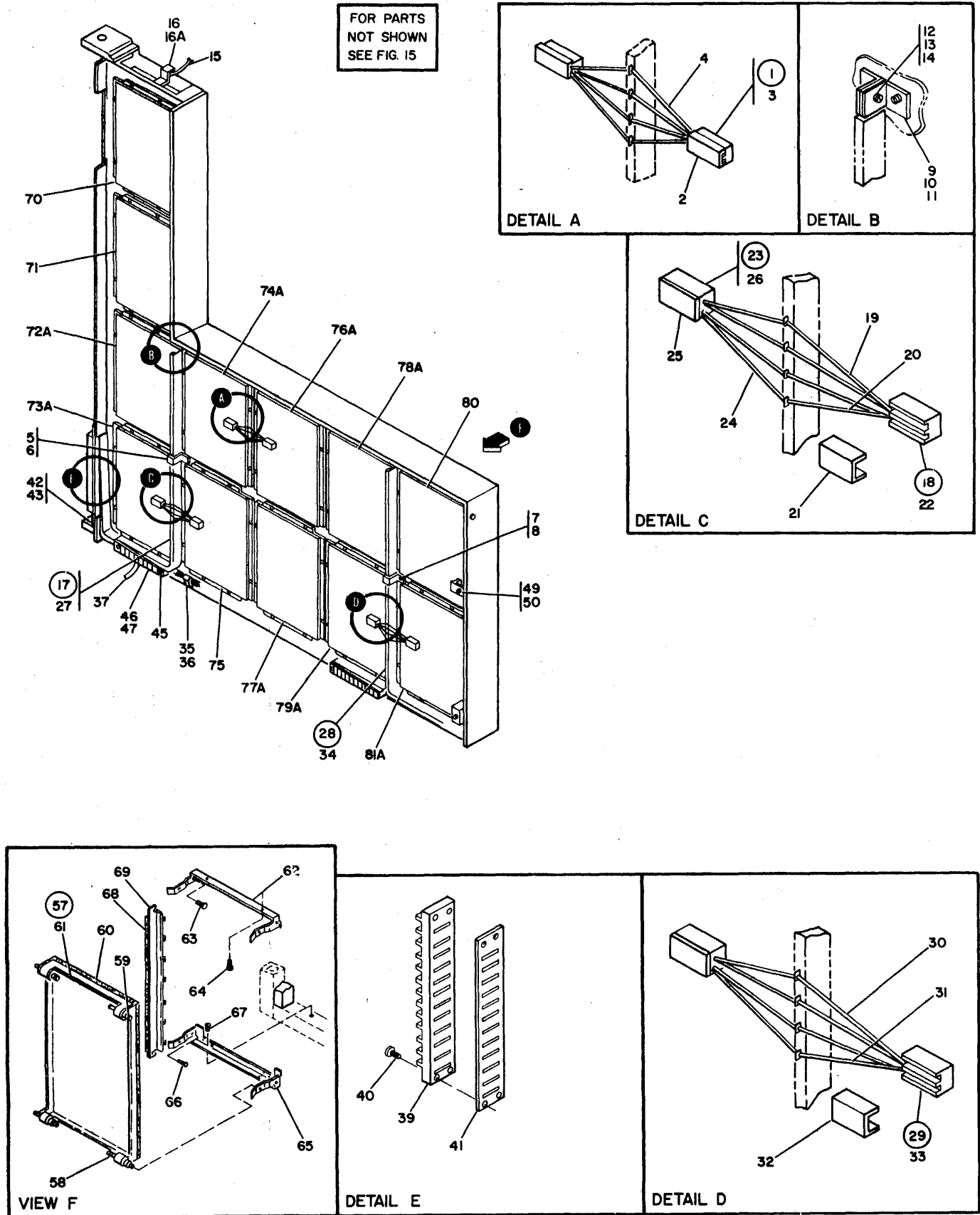


FIGURE 19. C/D GATE ASSEMBLY. SEE LIST 19.

LIST AND INDEX NUMBER	PART NUMBER	DESCRIPTION 1 2 3 4	UNITS PER ASM.	USABLE ON CODE
		C/D GATE ASSEMBLY		
19 -	NO NO.	GATE ASM-C/D SEE FIG. 15-144 FOR NEXT HIGHER ASM SEE FIG. 19 FOR ILLUSTRATION	REF	
- 1	811482	. CROSSOVER ASSEMBLY,VOLTAGE	10	
- 2	813802	. . COVER	2	
- 3	813801	. . HOUSING	2	
- 4	811484	. . CONTACT ASSEMBLY	4	
- 5	815946	. STRAP ASSEMBLY-BUS	1	
- 6	811426	. SCREW,MACH-PAN HD 6-32 X 3/8 IN. LG ATT PT	2	
- 7	815942	. BRACKET ASM	1	
- 8	811426	. SCREW,MACH-PAN HD 6-32 X 3/8 IN. LG ATT PT	2	
- 9	5356580	. SCREW,MACH-BIND HD 4-40 X 1/2 LG	2	
- 10	5373223	. NUT,PLAIN,HEX- 4-40 X 0.250 FL W	2	
- 11	815039	. WASHER,FL-NO 4 X 1/8 ID X 1/4 OD	2	
- 12	811742	. SUPPORT	2	
- 13	2129550	. WASHER,FLAT- 5/16 OD 5/32 ID 1/32 THK ATT PT	2	
- 14	811426	. SCREW,MACH-PAN HD 6-32 X 3/8 IN. LG ATT PT	2	
- 15	5449032	. CABLE ASM-THERMAL 1 BD	1	
		SEE FIG. 79-11,-33A AND -54 FOR COMPONENT PARTS		
- 16	5428339	. THERMAL SWITCH ASSEMBLY	1	
- 16A	734483	. SCREW,PAN HD- 6-32 X 0.380 LG ATT PT	1	
- 17	5364047	. CROSSOVER ASM	1	
- 18	811483	. . CROSSOVER ASSEMBLY	5	
- 19	811485	. . . CONTACT ASM	2	
- 20	811495	. . . CONTACT ASSEMBLY	2	
- 21	811494	. . . COVER- 4 PIN BLK FOR HOUSING P/N 811486	1	
- 22	811486	. . . HOUSING- 4 PIN NAT USES COVER P/N 811494	1	
- 23	811621	. . . CROSSOVER ASSEMBLY	5	
- 24	811496	. . . CONTACT ASSEMBLY	4	
- 25	811494	. . . COVER- 4 PIN BLK FOR HOUSING P/N 811486	2	
- 26	811486	. . . HOUSING- 4 PIN NAT USES COVER P/N 811494	2	
- 27	811520	. . BUS ASSEMBLY, VERT., 2 BOARD	1	
- 28	5364043	. CROSSOVER ASM	1	
- 29	811483	. . CROSSOVER ASSEMBLY	10	
- 30	811485	. . . CONTACT ASM	2	
- 31	811495	. . . CONTACT ASSEMBLY	2	
- 32	811494	. . . COVER- 4 PIN BLK FOR HOUSING P/N 811486	1	
- 33	811486	. . . HOUSING- 4 PIN NAT USES COVER P/N 811494	1	
- 34	815125	. . BUS ASSEMBLY	1	
- 35	327922	. CLAMP, CABLE-.625 DIAMETER	3	
- 36	32042	. SCREW, MACH BIND. HD 10-32 X 3/8 LG. ATT PT	2	
- 37	5440639	. CABLE ASM-TB TO POWER	1	
- 37	5440636	. CABLE ASSEMBLY-POWER TB,S GATE C AND D SEE FIG. 79-22A AND 79-106 FOR COMPONENT PARTS	1	
- 39	320451	. TERMINAL BOARD- 10 DBL SCREW TERMINALS	1	
- 40	25627	. SCREW-BD. HD 8-32 X .500 LG ATT PT	4	
- 41	510186	. INSULATOR,STRIP	1	
- 42	5462020	. BRACKET,TB MOUNTING	1	
- 43	34512	. SCREW,BIND.HD 8-32 X .375 LG ATT PT	4	
- 46	811476	. TERMINAL BLOCK,BUS TO BUS	2	
- 47	38391	. SCREW MACHINE,FIL HD ATT PT	4	
- 49	813179	. CLAMP-BOARD	64	
- 50	811417	. SCREW,HEX SOCKET H- 6-32 X 1/2 LG ATT PT	64	
- 57	811869	. COVER ASSEMBLY-CARD	AR	
- 58	815963	. . CATCH-PULL	4	
- 59	815964	. . SPACER-HINGE	4	
- 60	815263	. . BACKING, FOAM	AR	
- 61	811868	. . COVER-CARD	1	
- 62	811855	. BRACKET-HINGE	AR	
- 63	734483	. SCREW,PAN HD- 6-32 X 0.380 LG ATT PT	AR	
- 64	55726	. SCREW,MACH-BIND HD 6-32 X .188 LG ATT PT	AR	
- 65	811854	. BRACKET-HINGE	AR	
- 66	734483	. SCREW,PAN HD- 6-32 X 0.380 LG ATT PT	AR	
- 67	55726	. SCREW,MACH-BIND HD 6-32 X .188 LG ATT PT	AR	
- 68	811442	. SEAL	AR	
- 69	811881	. RETAINER ASSEMBLY	AR	
- 70	811066	. BOARD,DUMMY	1	
- 71	811066	. BOARD,DUMMY	1	
- 72	5357807 NP	. BOARD ASM-01C-A3		
- 72A	5357806	. . BOARD ASSEMBLY-CUSTOMIZED	1	
- 73	5357857 NP	. BOARD ASM-01C-A4		
- 73A	5357858	. . BOARD ASSEMBLY-CUSTOMIZED	1	
- 74	5357853 NP	. BOARD ASM-01C-B3		



FOR PARTS  
NOT SHOWN  
SEE FIG. 15

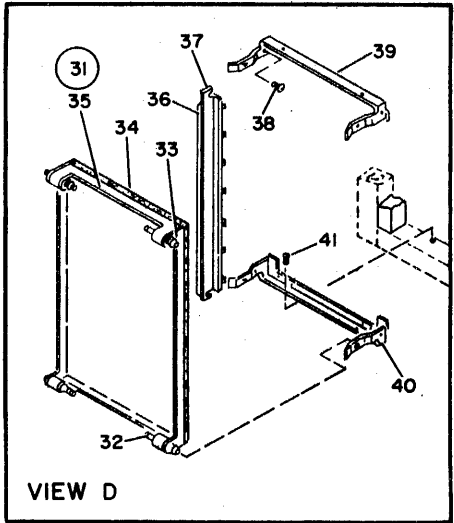
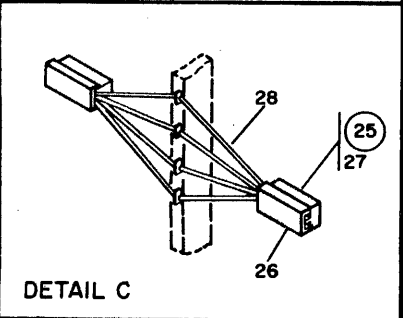
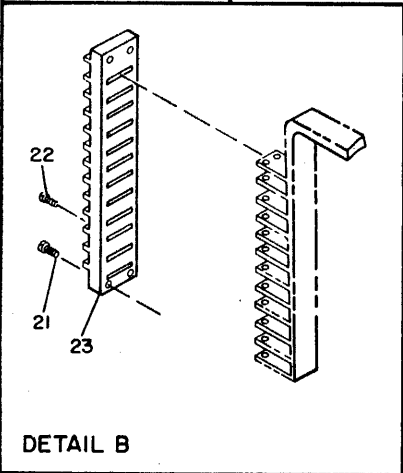
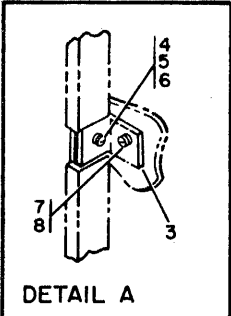
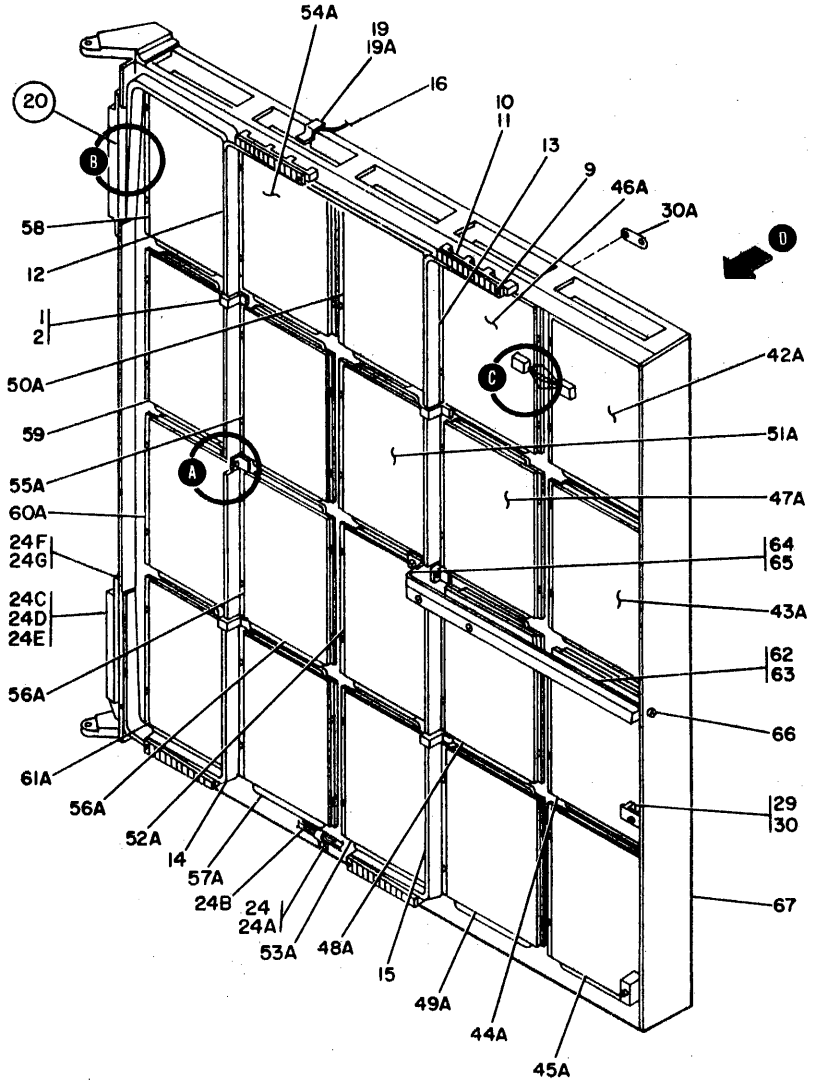


FIGURE 20. E GATE ASSEMBLY. SEE LIST 20.

LIST AND INDEX NUMBER	PART NUMBER	DESCRIPTION	UNITS PER ASM.	USABLE ON CODE
		E GATE ASSEMBLY		
20 -	NO NO.	GATE ASSEMBLY-E SEE FIG. 15-145 FOR NEXT HIGHER ASM AND FIG. 20 FOR ILLUSTRATION	NP	
- 1	815942	• BRACKET ASM	4	
- 2	811426	• SCREW, MACH-PAN HD 6-32 X 3/8 IN. LG	8	ATT PT
- 3	811742	• SUPPORT	2	
- 4	5356580	• SCREW, MACH-BIND HD 4-40 X 1/2 LG	2	ATT PT
- 5	815039	• WASHER, FL-NO 4 X 1/8 ID X 1/4 OD	2	ATT PT
- 6	5373223	• NUT, PLAIN, HEX- 4-40 X 0.250 FL W	2	ATT PT
- 7	811426	• SCREW, MACH-PAN HD 6-32 X 3/8 IN. LG	2	ATT PT
- 8	2129550	• WASHER, FLAT- 5/16 OD 5/32 ID 1/32 THK	2	ATT PT
- 9	811481	• SCREW, MACH- 6-32 X 1/4 LG	48	
- 10	811476	• TERMINAL BLOCK, BUS TO BUS	4	
- 11	38391	• SCREW MACHINE, FIL HD	8	ATT PT
- 12	5364057	• CROSSOVER ASM	1	
- 13	5364059	• CROSSOVER ASM	1	
- 14	5364058	• VERT BUS ASM	1	
- 15	5428142	• BUS AND CROSSOVER ASSEMBLY, VERTICAL	1	
- 16	5357088	• CABLE ASM-THERMAL SEE FIG. 79-11, -33A AND -54 FOR COMPONENT PARTS	1	
- 19	5428339	• THERMAL SWITCH ASSEMBLY	2	
- 19A	734483	• SCREW, PAN HD- 6-32 X 0.380 LG	2	ATT PT
- 20	811507	• BUS ASSEMBLY, HORIZONTAL	1	
- 21	811422	• SCREW, HEX H- 8-32 X 0.625 LG	4	ATT PT
- 22	815151	• SCREW-MACH NO. 8-32 X .2	24	
- 23	811474	• TERMINAL BLOCK ASSEMBLY	1	
- 24	327922	• CLAMP, CABLE-.625 DIAMETER	2	
- 24A	32042	• SCREW, MACH BIND. HD 10-32 X 3/8 LG.	2	ATT PT
- 24B	5440638	• CABLE ASM-TB GATE E	1	
- 24B	5440636	• CABLE ASM-TB GATE E	1	
- 24C	320451	SEE FIG. 79-22A AND -106 FOR COMPONENT PARTS		
- 24C	320451	• TERMINAL BOARD- 10 DBL SCREW TERMINALS	1	
- 24D	5528	• SCREW, MACH BIND HD 8-32 X .625 LG	4	ATT PT
- 24E	510186	• INSULATOR, STRIP	1	
- 24F	5462020	• BRACKET, TB MOUNTING	1	
- 24G	34512	• SCREW, BIND. HD 8-32 X .375 LG	4	ATT PT
- 25	811482	• CROSSOVER ASSEMBLY, VOLTAGE	20	
- 26	813802	• COVER	2	
- 27	813801	• HOUSING	2	
- 28	811484	• CONTACT ASSEMBLY	4	
- 29	813179	• CLAMP-BOARD	AR	
- 30	811417	• SCREW, HEX SOCKET H- 6-32 X 1/2 LG	AR	ATT PT
- 30A	811427	• STRAP, CABLE	AR	
- 31	811869	• COVER ASSEMBLY-CARD	AR	
- 32	760303	• CATCH-PULL	1	
- 33	811879	• SPACER-HINGE	1	
- 34	811878	• BACKING, FOAM	12	
- 35	811868	• COVER-CARD	12	
- 36	211442	• SEAL	AR	
- 37	811881	• RETAINER ASSEMBLY	AR	
- 38	55726	• SCREW, MACH-BIND HD 6-32 X .188 LG	AR	ATT PT
- 39	811855	• BRACKET-HINGE	AR	
- 40	811854	• BRACKET-HINGE	AR	
- 41	734483	• SCREW, PAN HD- 6-32 X 0.380 LG	AR	ATT PT
- 42	5357781	• BOARD ASM-01E-A1		
- 42A	5357780	• BOARD ASSEMBLY-CUSTOMIZED	1	
- 43	5357783	• BOARD ASM-01E-A2		
- 43A	5357782	• BOARD ASSEMBLY-CUSTOMIZED	1	
- 44	5357781	• BOARD ASM-01E A3		
- 44A	5357780	• BOARD ASSEMBLY-CUSTOMIZED	1	
- 45	5357783	• BOARD ASM-01E-A4		
- 45A	5357782	• BOARD ASSEMBLY-CUSTOMIZED	1	
- 46	5357789	• BOARD ASM-01E-B1		
- 46A	5357788	• BOARD ASSEMBLY-CUSTOMIZED	1	
- 47	5357791	• BOARD ASM-01E-B2		
- 47A	5357790	• BOARD ASSEMBLY-CUSTOMIZED	1	
- 48	5357789	• BOARD ASM-01E-B3		
- 48A	5357788	• BOARD ASSEMBLY-CUSTOMIZED	1	
- 49	5357791	• BOARD ASM-01E-B4		
- 49A	5357790	• BOARD ASSEMBLY-CUSTOMIZED	1	
- 50	811066	• BOARD, DUMMY	1	
- 51	5357799	• BOARD ASM-01E-C2		
- 51A	5357798	• BOARD ASSEMBLY-CUSTOMIZED	1	





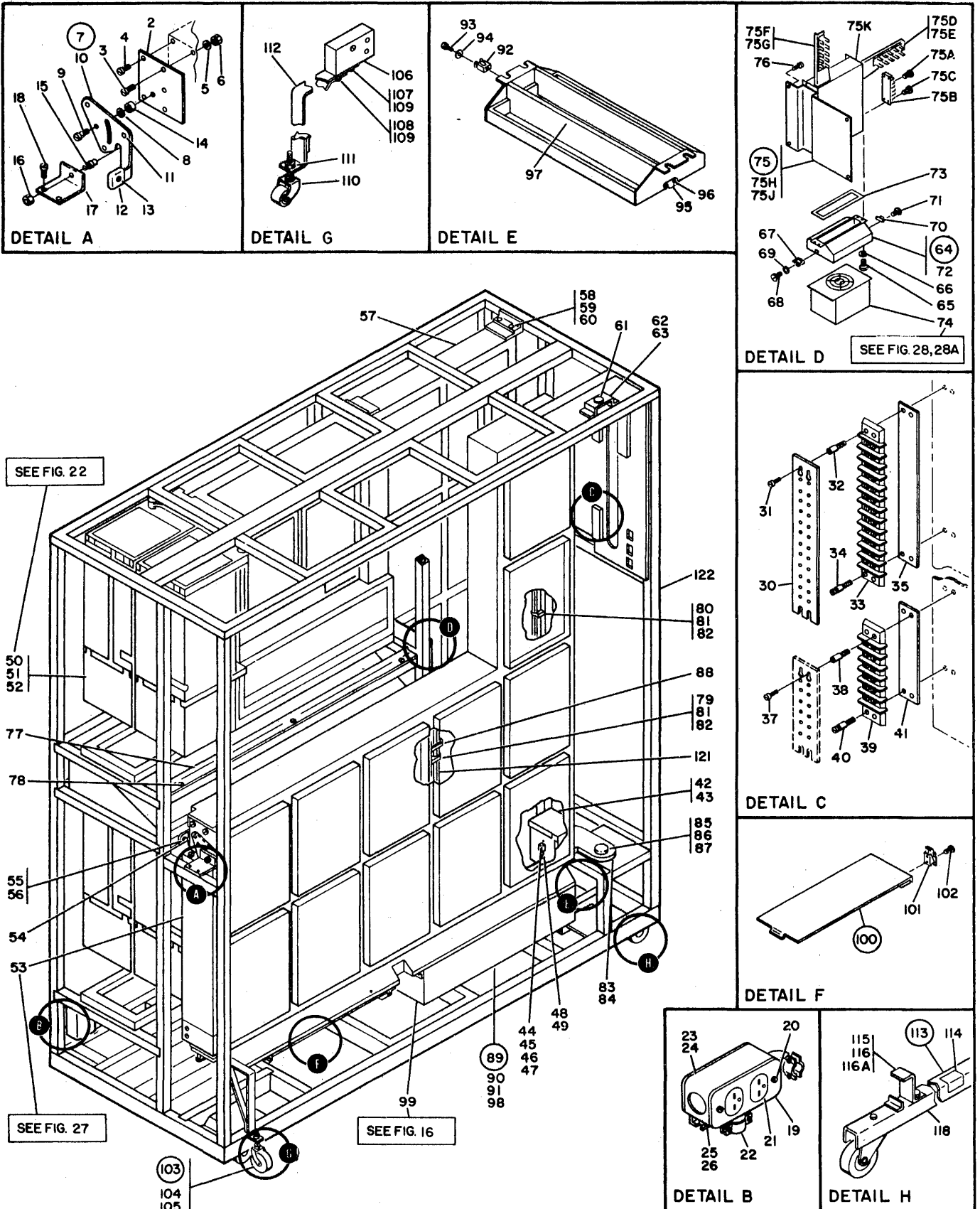


FIGURE 21. 64K, 128K AND 256K CORE STORAGE ASSEMBLIES. SEE LIST 21.

LIST AND INDEX NUMBER	PART NUMBER	DESCRIPTION				UNITS PER ASM.	USABLE ON CODE
		1	2	3	4		
		64K, 128K AND 256K CORE STORAGE ASSEMBLIES					
21 -	5363839 NP	CORE STORAGE ASSEMBLY-64K					
-	5363840 NP	CORE STORAGE ASSEMBLY-128K					
-	5363845 NP	CORE STORAGE ASSEMBLY-256K					
		SEE FIG. 21 FOR ILLUSTRATION					
- 2	5353280	• PLATE, STRIKER				1	
- 3	332620	• SCREW, MACH-BIND HD 10-32 X 1/2 LG				3	
- 4	507796	• SCREW, MACH-BIND HD 10-32 X 1 LG				1	
- 5	9092	• WASHER-LOCK, SPLIT RING, .194 ID .3370D				4	
- 6	11598	• NUT, PLAIN-HEX 10-32 X 3/8 FL W				4	
- 7	5353282	• HANDLE ASSEMBLY, GATE LATCH, RH				1	
- 8	8447	• SHIM				AR	
- 9	5403812	• SCREW, SHOULDER- 10-32 X 3/8 THD				2	
- 10	5353028	• HANDLE-GATE LATCH				1	
- 11	5353337	• SCREW-GATE HANDLE CPU- 70				3	
- 12	5353336	• KNOB-LATCH				1	
- 13	119	• SCREW, MACH-FL CSK HD 8-32 X 1/2 LG				1	
- 14	5353277	• LINK, RIGID				1	
- 15	5353339	• STUD-GATE LATCH				1	
- 16	24107	• NUT, PLAIN, HEX- 3/8 X 9/16 FL W				1	
- 17	5393067	• BRACKET				1	
- 18	5372858	• SCREW, HEX HD 10-32 X .50 LG				2	
- 19	206421	• COVER, CONVENIENCE OUTLET BOX				1	
- 20	53287	• SCREW, MACH-OVAL HD 6-32 X 3/4 LG				1	
- 21	418835	• OUTLET-CONVENIENCE, 220V				1	
- 21	5213803	• OUTLET, CONVENIENCE- 125V				1	
- 22	151598	• CLAMP-CABLE				1	
- 23	194355	• BOX-OUTLET				1	
- 24	34512	• SCREW, BIND, HD 8-32 X .375 LG				4	
- 25	5397869	• BRACKET				1	
- 26	32042	• SCREW, MACH BIND. HD 10-32 X 3/8 LG.				2	
- 30	187855	• SHIELD, BLOCK, 2 IN. X .062 X 7 3/4 LONG				2	
- 31	210984	• SCREW, RD HD MACH-6-32 X .250 LG				2	
- 32	210985	• STUD, EXT-INT 6-32 EXT 8-32 X 0.900 LG OA				2	
- 33	81898	• BLOCK, 12 DBL SCREW TERMINALS				2	
- 34	210986	• STUD-SHIELD MOUNTING				6	
- 35	510638	• MARKER STRIP				2	
- 37	210984	• SCREW, RD HD MACH-6-32 X .250 LG				1	
- 38	210985	• STUD, EXT-INT 6-32 EXT 8-32 X 0.900 LG OA				1	
- 39	317131	• TERMINAL BOARD- 6 DBL SCREW TERMINALS				1	
- 40	210986	• STUD-SHIELD MOUNTING				1	
- 41	322266	• MARKER STRIP- 6 POS NOS. 1 THRU 6				1	
- 42	5407507	• COVER-SAFETY CONNECTOR				1	
- 43	5350012	• SCREW, THD FORMING HEX WSR HD 8-32 X .25				2	
- 44	5353853	• HOUSING				1	
- 45	322551	• SCREW, MACH-BIND HD 6-32X3/4 LG				2	
- 46	257986	• WASHER, FLAT NO. 6				2	
- 47	6364	• WASHER, LOCK-SPLIT NO. 6 X 1/4 OD				2	
- 48	5368354	• BRACKET-CONNECTOR MTG				1	
- 49	5319854	• SCREW, THD CUTTING-HEX HD 8-32 X 0.375 LG				4	
- 50	2500610	• MEMORY ASSEMBLY- 64K				2	
- 50	2500610	• MEMORY ASSEMBLY- 128K				4	
- 50	2500610	• MEMORY ASSEMBLY- 256K				8	
		SEE FIG. 22 FOR DETAIL BREAKDOWN					
- 51	38688	• SCREW-SUPPORT & TRIM MOUNTING .750 LONG				8	
- 52	6935	• WASHER, LOCK-SPLIT 1/4 X 0.493 OD				8	
- 53	5400750	• FINAL ASSEMBLY, CROS				1	
- 53	5400770	• FINAL ASSEMBLY, ROS				1	
		SEE FIG. 27 FOR DETAIL BREAKDOWN					
- 54	5393123	• SPACER, BUMPER				2	
- 55	5353107	• BUMPER, GATE				1	
- 56	438579	• SCREW, MACH-FIL H 8-32 X 1-1/8 LG				2	
- 57	5373047	• GATE				1	
- 58	5319888	• SCREW, SELF TAPPING, 10-32 X .625 LONG				8	
- 59	47242	• WASHER, FL-NO. 12 X 1/2 OD X 0.062 THK				8	
- 60	9092	• WASHER-LOCK, SPLIT RING, .194 ID .3370D				8	
- 61	5372795	• PIN, HINGE				1	
- 62	5820770	• PLATE, SADDLE				1	
- 63	58207	• SCREW, MACH-UNDRCT BIND HD 8-32 X 1/4 LG				2	
- 64	5357054	• HEADER ASSEMBLY-IBD				1	
- 65	34512	• SCREW, BIND, HD 8-32 X .375 LG				4	
- 66	22478	• WASHER, FL- 0.170 ID 0.375 OD 0.32 THK				4	
- 67	472168	• CLAMP-CABLE				1	
- 68	112628	• SCREW, THREAD FORMING, BIND HD, 3/8 IN. LG				1	
- 69	338169	• WASHER, LOCK-EXT TEETH NO. 4 X .260 OD				1	

LIST AND INDEX NUMBER	PART NUMBER	DESCRIPTION	UNITS	USABLE
			PER ASM.	ON CODE
21 - 70	5349887	• • STRIKE-FAN HOUSING	1	
- 71	5357136	• • SCREW,PAN HD-SELF TAP 4-40 X .187 LG ATT PT	2	
- 72	5357056	• • HEADER,SINGLE BOARD-GATE	1	
- 73	349736	• SEAL	1	
- 74	5740086	• 1 FAN, 60 HZ COOLING UNIT	1	
- 74	5740087	SEE FIG. 28 FOR DETAIL BREAKDOWN • COOLING ASSEMBLY,1 FAN- 50 HZ SEE FIG. 28A FOR DETAIL BREAKDOWN	1	
- 75	5443186	• GATE AND RACEWAY ASSEMBLY	1	
- 75A	811481	• • SCREW,MACH- 6-32 X 1/4 LG	24	
- 75B	811474	• • TERMINAL BLOCK ASSEMBLY	1	
- 75C	811422	• • SCREW,HEX H- 8-32 X 0.625 LG ATT PT	4	
- 75D	5443185	• RACEWAY ASSEMBLY,HORIZONTAL	1	
- 75E	381741	• • SCREW,THREAD FORM-PAN HD 8-32 X 3/8 LG ATT PT	2	
- 75F	5443184	• • RACEWAY ASSEMBLY,VERTICAL	1	
- 75G	381741	• • SCREW,THREAD FORM-PAN HD 8-32 X 3/8 LG ATT PT	2	
- 75H	5443180	• • BRACKET,GATE SUPPORT	1	
- 75J	731629	• • SCREW,SELF TAPPING- 10-32 X 3/8 LG ATT PT	4	
- 75K	5443181	• • GATE- 2 BOARD HIGH	1	
- 76	332620	• SCREW,MACH-BIND HD 10-32 X 1/2 LG	4	
- 77	5421481	• BAFFLE,AIR	1	
- 78	731626	• SCREW, PAN HEAD, 6-32 X .25 LONG ATT PT	3	
- 79	349902	• CLIP	2	
- 80	2114110	• CLIP	2	
- 81	2114111	• CRADLE,CABLE	4	
- 82	25627	• SCREW-BD. HD 8-32 X .500 LG ATT PT	4	
- 83	236570	• CLIP	1	
- 84	5372795	• PIN,HINGE	1	
- 85	5353339	• STUD-GATE LATCH	1	
- 86	598700	• WASHER,FL- 0.780 ID 1.620 OD 1/32 THK	1	
- 87	24107	• NUT,PLAIN,HEX- 3/8 X 9/16 FL W	1	
- 88	556450	• CLAMP-ADJUSTABLE CABLE	2	
- 89	5357034	• HEADER ASSEMBLY	1	
- 89	5357036	• HEADER ASSEMBLY	1	
- 90	34512	• SCREW,BIND.HD 8-32 X .375 LG ATT PT	8	
- 91	22478	• WASHER,FL- 0.170 ID 0.375 OD 0.32 THK ATT PT	8	
- 92	472168	• • CLAMP-CABLE	1	
- 93	112628	• • SCREW,THREAD FORMING,BIND HD,3/8 IN. LG ATT PT	1	
- 94	338169	• • WASHER,LOCK-EXT TEETH NO. 4 X .260 OD ATT PT	1	
- 95	5349887	• • STRIKE-FAN HOUSING USED ON ASM 5357034	1	
- 95	5349887	• • STRIKE-FAN HOUSING USED ON ASM 5357036	2	
- 96	5357136	• • SCREW,PAN HD-SELF TAP 4-40 X .187 LG ATT PT	4	
- 97	5357038	• • HEADER USED ON ASM 5357034	1	
- 97	5357040	• • HEADER 5 BD USED ON ASM 5357036	1	
- 98	349736	• SEAL	AR	
- 99	5357001	• COOLING UNIT ASSEMBLY- 60 HZ	2	
- 99	5357002	• COOLING UNIT ASSEMBLY- 50 HZ SEE FIG. 16 FOR DETAIL BREAKDOWN	2	
-100	5421479	• PLATE ASSEMBLY,BLOWER	1	
-101	5349888	• • LATCH	1	
-102	5357136	• • SCREW,PAN HD-SELF TAP 4-40 X .187 LG ATT PT	2	
-103	5421463	• CASTER ASSEMBLY,OUTRIGGER	1	
-104	234341	• SCREW,ASMD WASHER-FIL HD 1/4-20 X 5/8 LG ATT PT	2	
-105	2181002	• SCREW,THREAD FORMING-8-32 X 3/4 LG ATT PT	1	
-106	5443212	• • BLOCK	1	
-107	234341	• • SCREW,ASMD WASHER-FIL HD 1/4-20 X 5/8 LG ATT PT	1	
-108	234344	• • SCREW,ASMD WASHER-FIL HD 1/4-20 X 1 LG ATT PT	1	
-109	3550	• • WASHER,FL- 1/4 X 9/16 OD X 0.050 THK ATT PT	2	
-110	587562	• • CASTER,SWIVEL- 2 IN. WHL 1/2-13 THD STUD	1	
-111	186950	• • NUT,PLAIN,HEX- 1/2-13 X 3/4 FL W ATT PT	2	
-112	5421462	• • BRACKET,OUTRIGGER	1	
-113	5469510	• OUTRIGGER ASSEMBLY	2	
-114	5474701	• • LABEL	1	
-115	5469509	• • BRACKET	2	
-116	180072	• • SCREW,CAP-SLOTTED HEX HD 5/16-18X0.875 LG ATT PT	4	
-116A	257983	• • WASHER,LOCK-APLIT 5/16 ATT PT	4	
-117	5469508	• • CHANNEL	1	
-118	5477977	• • CASTER	2	
-121	520663	• JUMPER ASSEMBLY SEE FIG. 79-42A FOR COMPONENT PARTS	AR	
-121	813760	• CABLE ASSEMBLY-BULK	AR	
-121	5364080	• CABLE ASM-DC & THERMAL LOGIC FRAME NO.1	AR	



FOR PARTS  
NOT SHOWN  
SEE FIG. 21

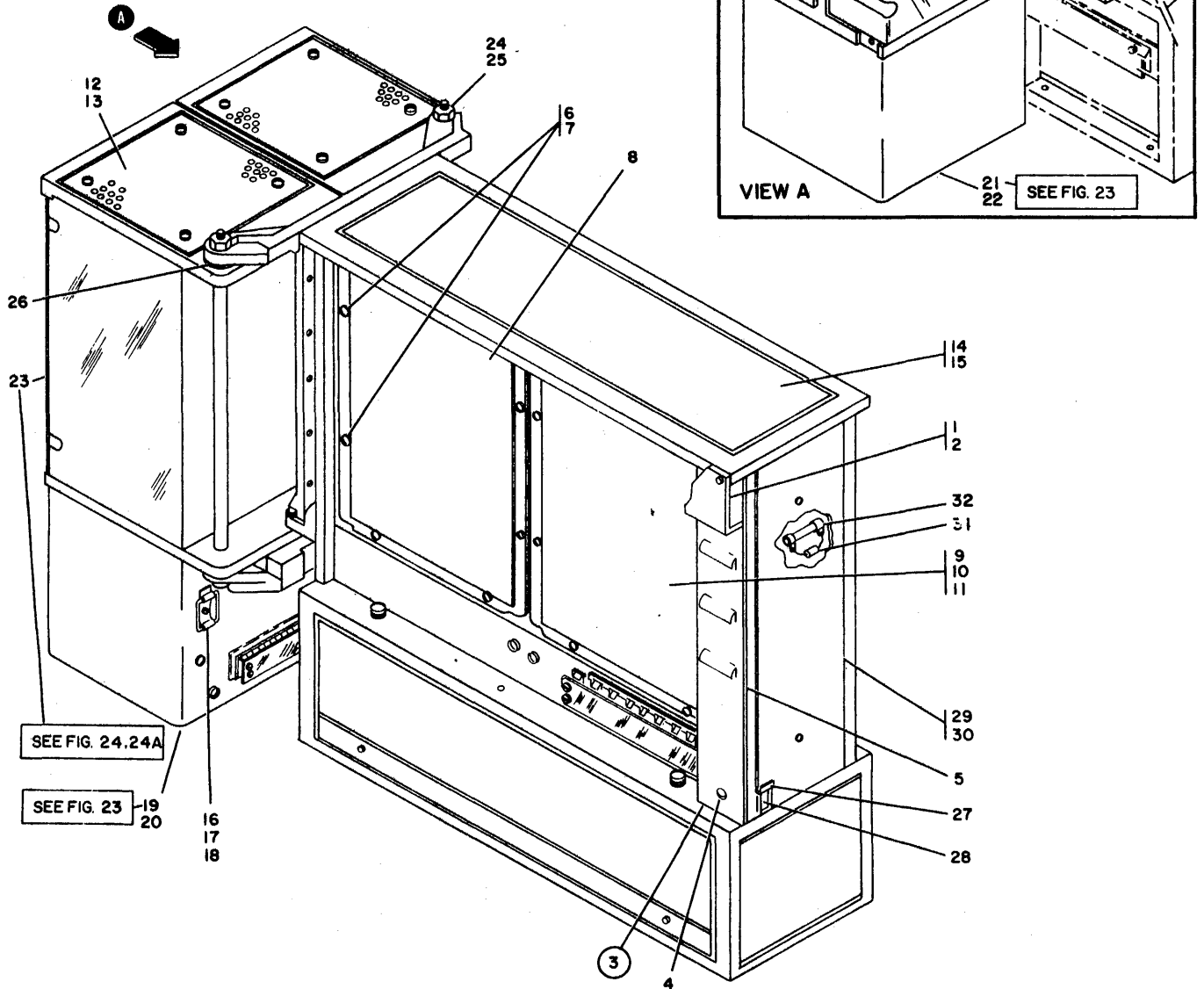


FIGURE 22. MEMORY ASSEMBLY. SHEET 1 OF 2. INDEX NOS. 1-32. SEE LIST 22.

LIST AND INDEX NUMBER	PART NUMBER	DESCRIPTION	UNITS PER ASM.	USABLE ON CODE
		1 2 3 4		
		MEMORY ASSEMBLY		
22 -	2500610	FINAL ASSEMBLY SEE FIG. 21-50 FOR NEXT HIGHER ASSEMBLY AND FIG. 22 FOR ILLUSTRATION	REF	
- 1	5391475	• SHIELD	1	
- 2	5350006	• SCREW, SELF TAPPING, 6-32 X .250 LONG ATT PT	3	
- 3	5368334	• COVER ASSEMBLY-SIDE	2	
- 4	5355379	• • STUD-OVAL HD	2	
- 5	5368335	• • COVER, SIDE	1	
- 6	813179	• CLAMP-BOARD	2	
- 7	38354	• SCREW, MACH-FIL H 6-32 X 1/2 LG ATT PT	2	
- 8	2511335	• BOARD ASSEMBLY	1	
- 9	2511333	• BOARD ASSEMBLY	1	
- 10	813179	• CLAMP-BOARD	6	
- 11	35739	• SCREW, MACH-BIND HD 6-32 X 15/16 LG ATT PT	14	
- 12	5355387	• COVER	2	
- 13	251970	• SCREW-MACH BD. HD. 4-40 X 1/4 LG ATT PT	8	
- 14	2500603	• COVER	1	
- 15	731626	• SCREW, PAN HEAD, 6-32 X .25 LONG ATT PT	6	
- 16	2114043	• CRADLE, CABLE	2	
- 17	2114680	• CLIP-CABLE	2	
- 18	10170	• SCREW, MACH-BIND HD 6-32 X 1/4 LG ATT PT	2	
- 19	5355536	• HOUSING ASSEMBLY, CORE STORAGE SEE FIG. 23 FOR DETAIL BREAKDOWN	1	
- 20	5347761	• SCREW, MACH-BIND HD 6-32UNC-2A X 0.312 LG ATT PT	4	
- 21	5355558	• HOUSING ASSEMBLY, CORE STORAGE SEE FIG. 23 FOR DETAIL BREAKDOWN	1	
- 22	5347761	• SCREW, MACH-BIND HD 6-32UNC-2A X 0.312 LG ATT PT	4	
- 23	2511311	• ARRAY ASSEMBLY SEE FIG. 24 FOR DETAIL BREAKDOWN	2	
- 23	5355510	• ARRAY ASSEMBLY-64K SEE FIG. 24A FOR DETAIL BREAKDOWN	2	
- 24	5347760	• NUT, HEX, JAM-0.375-16UNC-2B ATT PT	4	
- 25	5347538	• PIN-ARRAY HINGE ATT PT	4	
- 26	236624	• WASHER, BOWED ATT PT	4	
- 27	471672	• SEAL, RUBBER	1	
- 28	5311409	• SEAL	1	
- 29	5368337	• END COVER ASM, RES STACK	1	
- 30	5350006	• SCREW, SELF TAPPING, 6-32 X .250 LONG ATT PT	2	
- 31	483358	• CAPACITOR	1	
- 32	5347750	• RESISTOR, FXD, WW-115 OHMS P/M 1% 20W	1	

FOR PARTS  
NOT SHOWN  
SEE FIG. 21, 65

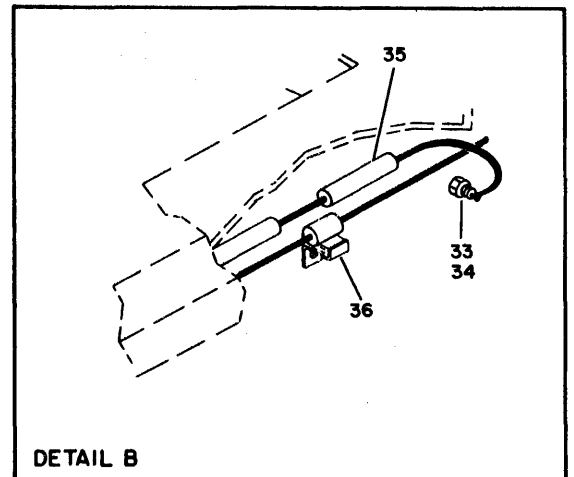
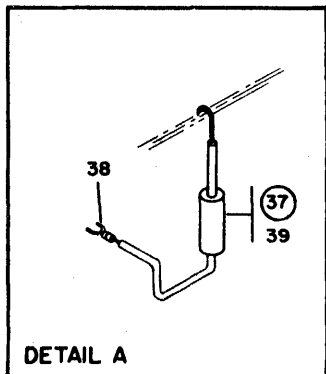
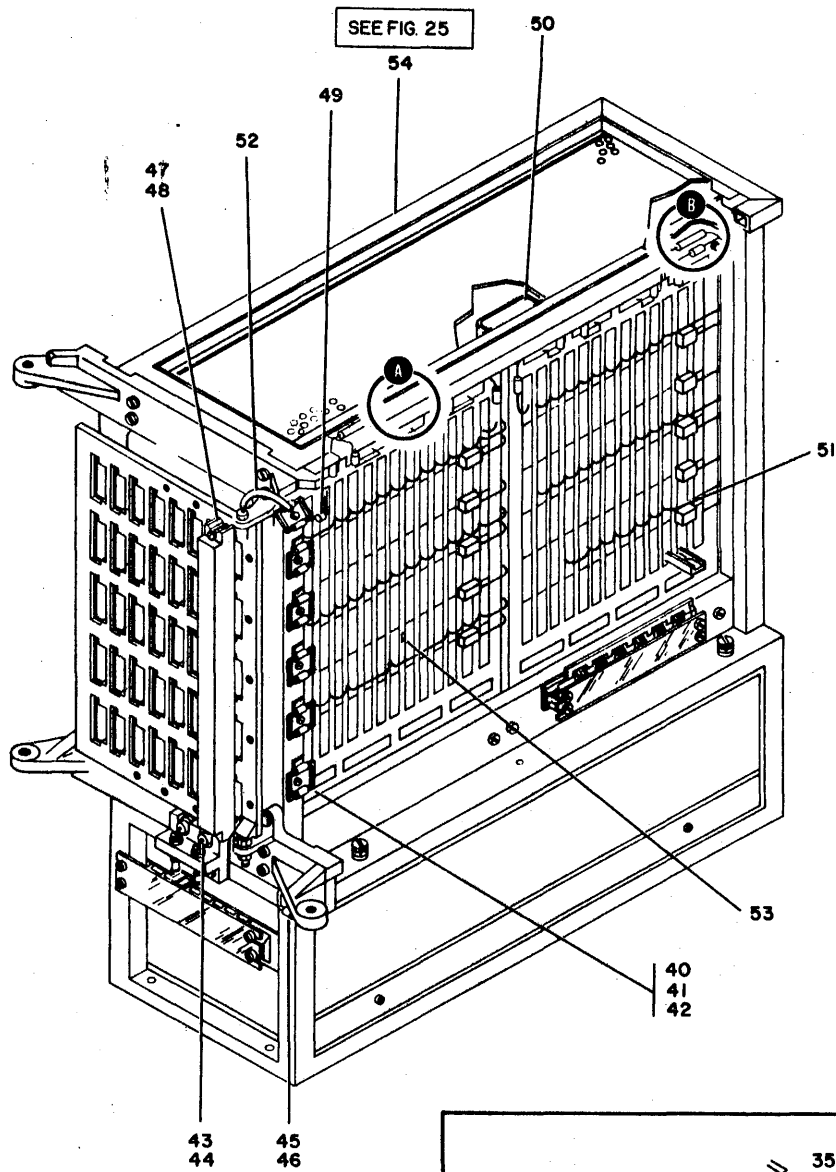


FIGURE 22. MEMORY ASSEMBLY. SHEET 2 OF 2. INDEX NOS. 33-54. SEE LIST 22.





FOR PARTS  
NOT SHOWN  
SEE FIG. 22  
SHEET 1

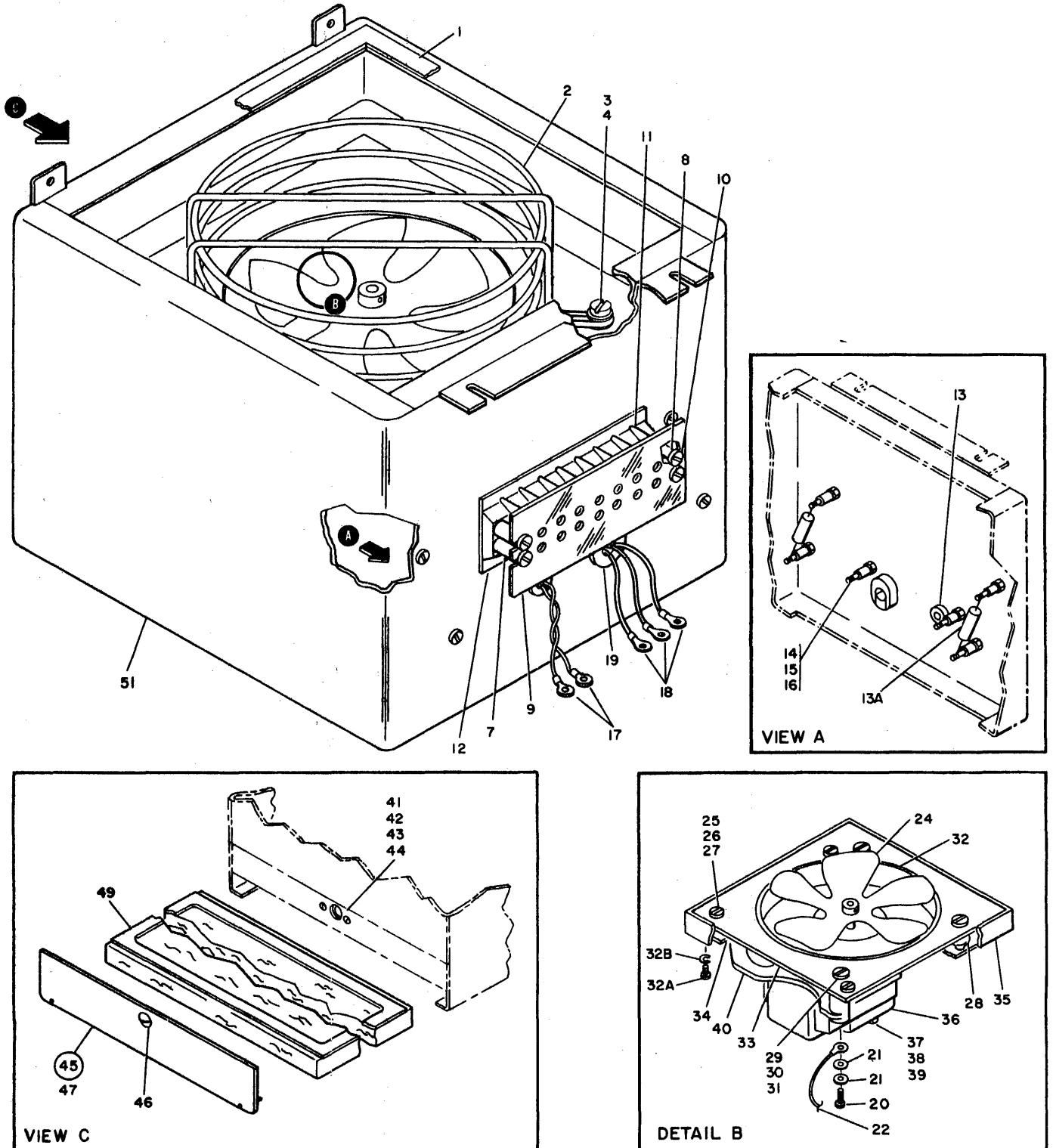


FIGURE 23. CORE STORAGE HOUSING ASSEMBLY. SEE LIST 23.

LIST AND INDEX NUMBER	PART NUMBER	DESCRIPTION				UNITS PER ASM.	USABLE ON CODE
		1	2	3	4		
		CORE STORAGE HOUSING ASSEMBLY					
23 -		CODE A USED ON ASM 5355536 CODE B USED ON ASM 5355558					
-	5355536	HOUSING ASSEMBLY, CORE STORAGE SEE FIG. 22-19 FOR NEXT HIGHER ASSEMBLY AND FIG. 23 FOR ILLUSTRATION				REF	A
-	5355558	HOUSING ASSEMBLY, CORE STORAGE SEE FIG. 22-21 FOR NEXT HIGHER ASSEMBLY AND FIG. 23 FOR ILLUSTRATION				REF	B
- 1	599303	. SEAL-URETHANE FOAM 1/2 W X 0.120 THK				AR	
- 2	5369696	. GUARD				1	
- 3	10170	. SCREW, MACH-BIND HD 6-32 X 1/4 LG				2	
- 4	6364	. WASHER, LOCK-SPLIT NO. 6 X 1/4 OD				2	
- 5	10170	. SCREW, MACH-BIND HD 6-32 X 1/4 LG				2	
- 6	6364	. WASHER, LOCK-SPLIT NO. 6 X 1/4 OD				2	
- 7	210884	. STUD-SHIELD MTG, NO. 6-32				3	A
- 8	210883	. STUD-SHIELD MTG, TAPPED, NO. 6-32				1	A
- 9	187479	. SHIELD TERMINAL BLOCK				1	A
- 10	10170	. SCREW, MACH-BIND HD 6-32 X 1/4 LG				1	A
- 11	317232	. TERMINAL BOARD- 6 DBL SCREW TERMINALS				1	A
- 12	589715	. STRIP-MARKER				1	A
- 13	1077722	. GROMMET, RUB-FOR 5/16 HOLE X 1/16 PNL				1	A
- 13A	5213444	. THERMISTOR				2	A
- 14	323925	. TERMINAL				6	
- 15	6364	. WASHER, LOCK-SPLIT NO. 6 X 1/4 OD				6	
- 16	257187	. NUT, PLAIN, HEX- 6-32 X 3/8 FL W				6	
- 17	334921	. TERMINAL-RING, 18-22 AWG, #6 HOLE, INS				2	A
- 18	5369641	. CABLE ASSEMBLY, POWER, ELECTRICAL SEE FIG. 79-21, -42 AND -104 FOR COMPONENT PARTS				AR	
- 19	107611	. BUSHING				1	
- 20	186759	. SCREW, MACH-BIND HD 8-32 X 5/16 LG				1	
- 21	55901	. WASHER, LOCK-EXT TEETH NO. 8 X 0.381 OD				2	
- 22	5369708	. JUMPER ASSEMBLY SEE FIG. 79-42 FOR COMPONENT PARTS				AR	
- 23	55901	. WASHER, LOCK-EXT TEETH NO. 8 X 0.381 OD				1	
- 24	5357066	. BLADE				1	
- 25	5369704	. SCREW, CAP-SLOT HD 6-32 X 15/16 LG				4	
- 26	5369705	. WASHER, FL-NO. 1 X 1/2 OD X 0.025 THK				4	
- 27	344015	. NUT, SELF LKG, HEX- 6-32 X 5/16 FL W				4	
- 28	5369700	. SHOCK MOUNT				4	
- 29	5369706	. SCREW, MACH-BIND HD 10-32 X 3/8 LG				2	
- 30	2101887	. WASHER, FL-NO. 10 X 7/16 OD X 1/32 THK				2	
- 31	5369707	. WASHER, LOCK-SPLIT 0.194 ID X 0.050 THK				2	
- 32	5369702	. SNUBBER-RUBBER, 4.5 DIA				1	
- 32A	10170	. SCREW, MACH-BIND HD 6-32 X 1/4 LG				2	
- 32B	6364	. WASHER, LOCK-SPLIT NO. 6 X 1/4 OD				2	
- 33	5369697	. SHROUD				1	
- 34	5369698	. PLATE, ADAPTER				1	
- 35	5369701	. SEAL, AIR				1	
- 36	5357067	. MOTOR 208V/230V 60CY 220V 50CY				1	
- 37	438571	. SCREW, BINDING HEAD, 6-32 NC X 1-3/4 LG.				2	
- 38	257986	. WASHER, FLAT NO. 6				2	
- 39	6364	. WASHER, LOCK-SPLIT NO. 6 X 1/4 OD				2	
- 40	5369699	. CASTING, MOTOR				1	
- 41	5355380	. RECEPTACLE				1	
- 42	52570	. SCREW, MACH-FL HD 2-56 X 1/4 LG				2	
- 43	37066	. WASHER, LOCK-SPLIT NO. 3 X 0.212 OD				2	
- 44	47987	. NUT, PLAIN, HEX- 2-56 X 3/16 FL W				2	
- 45	5355537	. SEAL ASSEMBLY				1	
- 46	5355378	. STUD-OVAL HD				1	
- 47	5355385	. SEAL-FILTER				1	
- 48	5355538	. FILTER ASSEMBLY				1	
- 51	5355393	. HOUSING				1	A
- 51	5355674	. HOUSING				1	B

FOR PARTS  
NOT SHOWN  
SEE FIG. 22  
SHEET 1

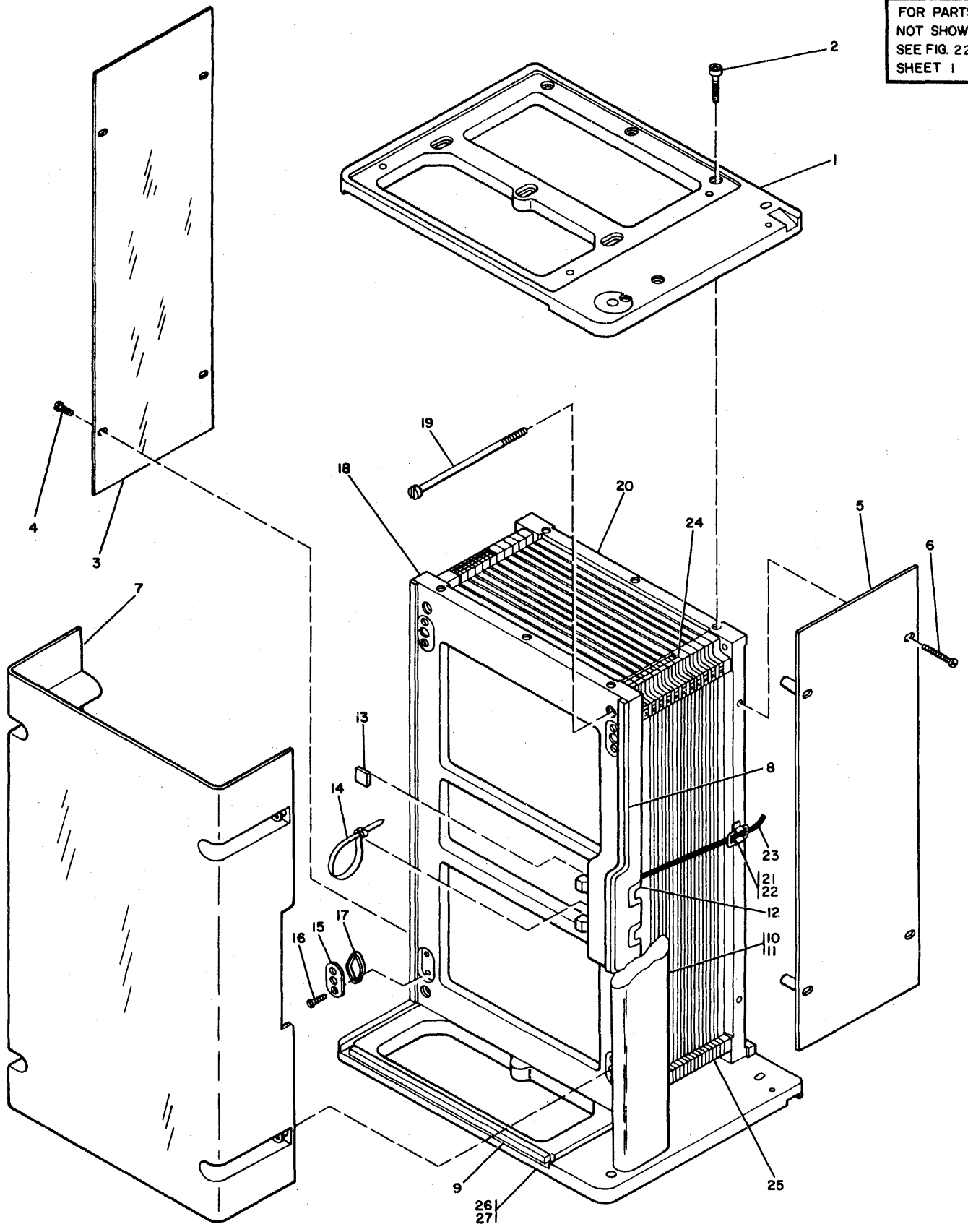


FIGURE 24. ARRAY ASSEMBLY. SEE LIST 24.



FOR PARTS  
NOT SHOWN  
SEE FIG. 22  
SHEET 1

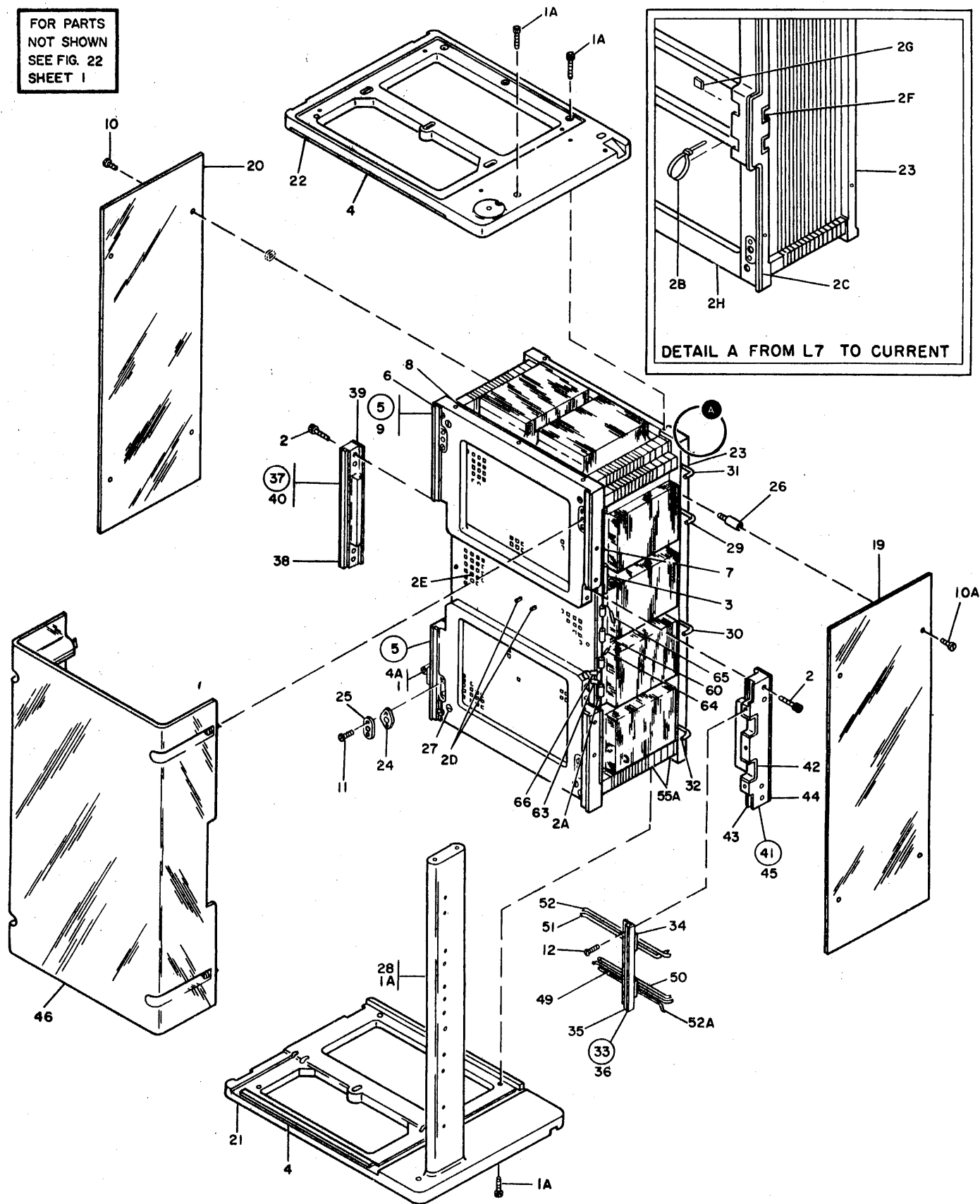


FIGURE 24A. 64K ARRAY ASSEMBLY. SEE LIST 24A.

LIST AND INDEX NUMBER	PART NUMBER	DESCRIPTION	UNITS	USABLE
			PER ASM.	ON CODE
		64K ARRAY ASSEMBLY		
		CODE 1 USED ON ASM FROM D6 TO CURRENT		
		CODE 2 USED ON ASM PRIOR TO P6 SUFFIX		
		CODE 3 USED ON ASM FROM P6 TO CURRENT		
		CODE 4 USED ON ASM PRIOR TO L7 SUFFIX		
		CODE 5 USED ON ASM FROM L7 TO CURRENT		
		CODE 6 USED ON ASM PRIOR TO D8 SUFFIX		
		CODE 7 USED ON AMS FROM D8 TO CURRENT		
24A-	5355510	ARRAY ASSEMBLY-64K	REF	
		FOR NEXT HIGHER ASSEMBLY SEE FIG. 22-23		
		FOR ILLUSTRATION SEE FIG. 24A		
- 1	203	• SCREW,MACH-FIL H 2-56 X 1/4 LG	12	
- 1A	101807	• SCREW,CAP,SOC HD- 8-32 X 5/8 LG	16	
- 2	251820	• SCREW,CAP,SOC HD- 6-32 X 1/2 LG	8	
- 2A	321271	• RESISTOR,FXD,COMP- 10 OHMS P/M 5% 1/2W	2	
- 2B	524519	• CABLE TIE,SELF CLINCHING	2	5
- 2C	599303	• SEAL-URETHANE FOAM 1/2W X 0.120 THK	AR	5
- 2D	811565	• CONNECTOR-SLIP-ON	2	
- 2E	813197	• HOUSING-TERMINAL	2	1
- 2F	821612	• SEAL,MAIN FILTER	2	5
- 2G	838480	• SEAL,PLENUM	2	5
- 2H	2500602	• SUPPORT-M779 ARRAY	1	5
- 3	9231749	• SLEEVE,INSULATION	6	
- 4	5313928	• SEAL,RESISTOR SHIELD	AR	
- 4A	5347640	• CLAMP-CABLE	12	1
- 5	5347759	• SUPPORT ASSEMBLY	2	4
- 6	5311306	• SEAL,SURGE TANK	24	
- 7	5347755	• INSULATOR-SUPPORT ARRAY	2	
- 8	5347756	• INSULATOR-SUPPORT ARRAY	1	
- 9	5355372	• SUPPORT-ARRAY	1	
- 10	5347761	• SCREW,MACH-BIND HD 6-32UNC-2A X 0.312 LG	4	
- 10A	5347761	• SCREW,MACH-BIND HD 6-32UNC-2A X 0.312 LG	4	6
- 10A	322552	• SCREW,MACH-BIND HD 6-32 X 7/8 LG	4	7
- 11	5437762	• SCREW,MACH-FLAT HD 2-56UNC-2A 0.261 LG	8	
- 12	5347763	• SCREW,MACH-FLAT HD 4-40UNC-2A X 0.245 LG	3	
- 19	5355363	• COVER	1	6
- 19	2500606	• COVER,INNER	1	7
- 20	5355364	• COVER	1	
- 21	5355373	• PLATE-ARRAY	1	
- 22	5355374	• PLATE-ARRAY	1	
- 23	5355377	• SUPPORT	1	
- 24	5355380	• RECETPACLE	4	
- 25	5355381	• RETAINER-LATCH	4	
- 26	5355383	• SPACER-ARRAY	4	6
- 27	5355384	• SCREW,MACH- 8-32 X 3-3/4 LG	4	
- 28	5355386	• STIFFENER-ARRAY	1	
- 29	5355520	• CABLE ASSEMBLY	1	
- 30	5355321	• CABLE ASSEMBLY	1	
- 31	5355522	• CABLE ASSEMBLY	1	
- 32	5355523	• CABLE ASSEMBLY	1	
- 33	5355552	• CLAMP ASSEMBLY	1	4
- 34	317889	• STRIP-PANEL SEALING	6	
- 35	5311306	• SEAL,SURGE TANK	6	
- 36	5355382	• CLAMP	1	
- 37	5355554	• BAR ASSEMBLY	1	4
- 38	5311306	• SEAL,SURGE TANK	6	
- 39	5347754	• INSULATOR-BAR ARRAY	1	
- 40	5355375	• BAR-ARRAY	1	
- 41	5355555	• BAR ASSEMBLY	1	4
- 42	317889	• STRIP-PANEL SEALING	24	
- 43	5311306	• SEAL,SURGE TANK	24	
- 44	5347754	• INSUALTOR-BAR ARRAY	1	
- 45	5355376	• BAR-ARRAY	1	
- 46	5355556	• COVER ASSEMBLY	1	
- 49	5355574	• CABLE ASSEMBLY	2	
- 50	5355575	• CABLE ASSEMBLY	2	
- 51	5355576	SEE FIG. 79-28Q AND -101 FOR COMPONENT PARTS		
- 51	5369764	• CABLE ASSEMBLY	2	2
		• CABLE ASSEMBLY,TERM GATE-BUMP TO ARRAY	1	3
		SEE FIG. 79-28Q,-101 AND -105		
		FOR COMPONENT PARTS		
- 52	5355577	• CABLE ASSEMBLY	2	
- 52A	5355578	• CABLE ASSEMBLY	1	1
- 55A	5355599	• SPACER,ARRAY	4	



FOR PARTS  
NOT SHOWN  
SEE FIG. 22  
SHEET 2

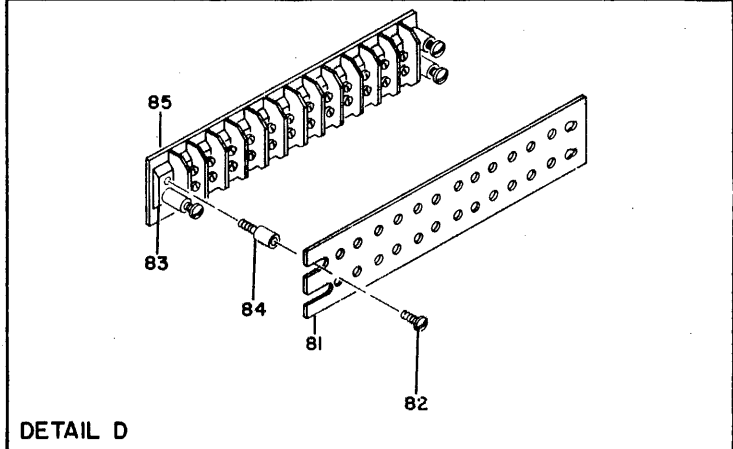
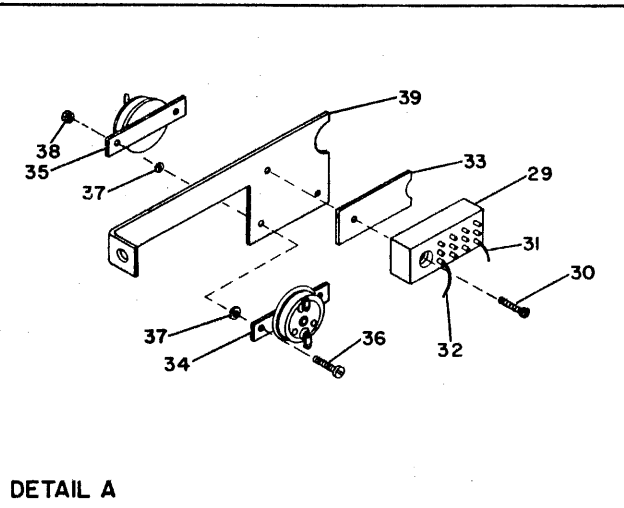
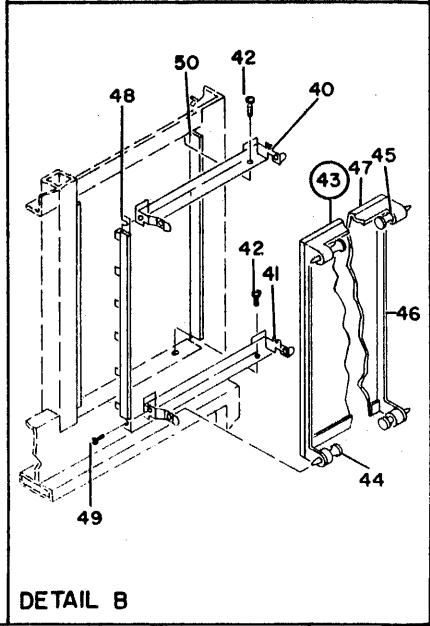
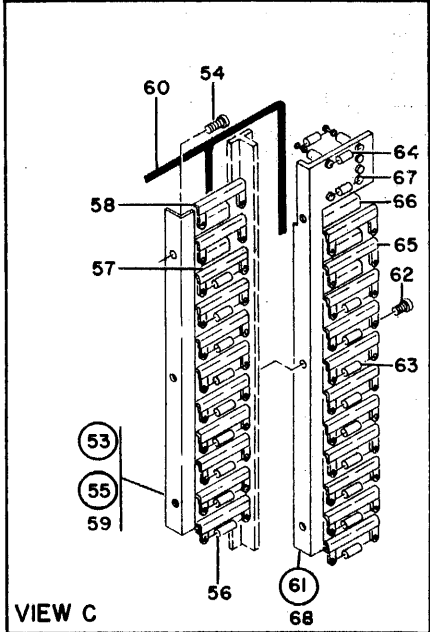
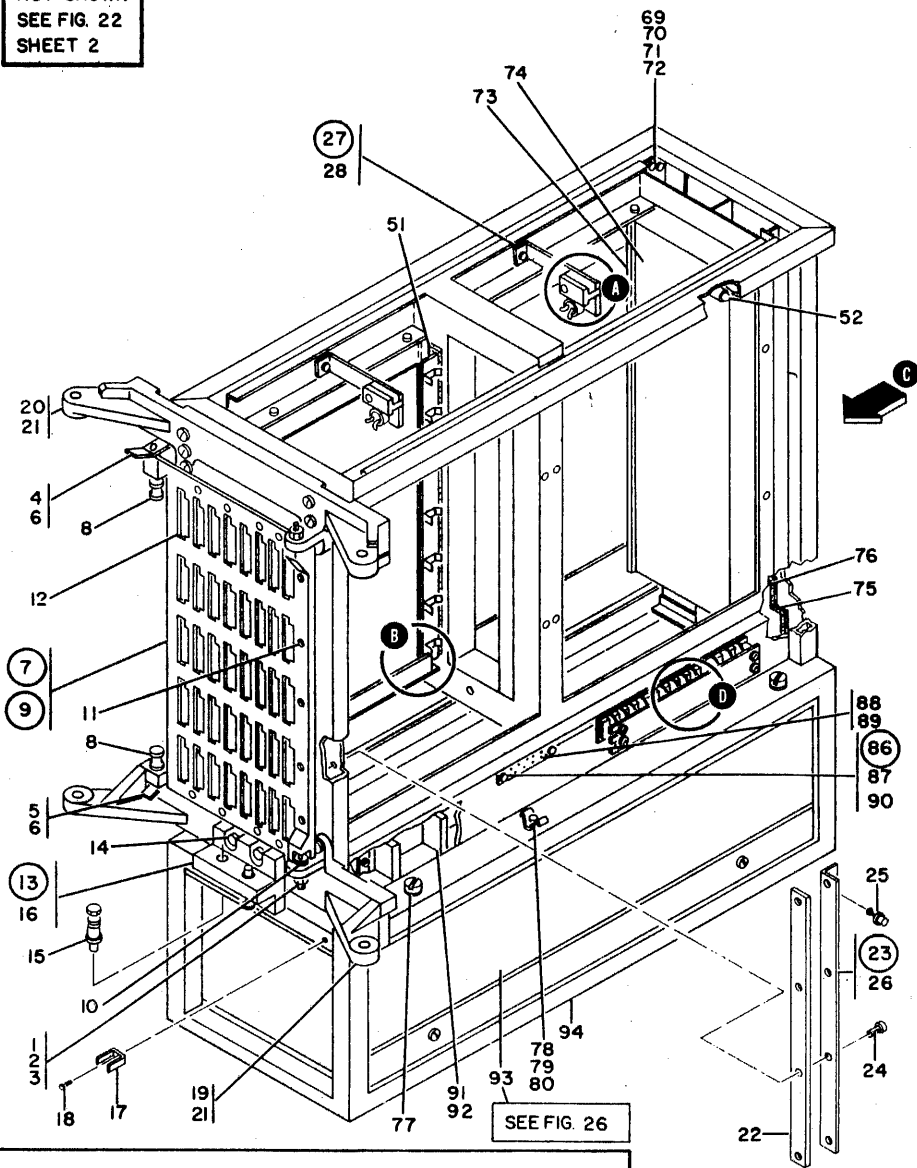


FIGURE 25. LOGIC FRAME ASSEMBLY. SEE LIST 25.



LIST AND INDEX NUMBER	PART NUMBER	DESCRIPTION	UNITS PER ASM.	USABLE ON CODE
		LOGIC FRAME ASSEMBLY		
25 -	5368339	FRAME ASSEMBLY, LOGIC SEE FIG. 22-54 FOR NEXT HIGHER ASSEMBLY AND FIG. 25 FOR ILLUSTRATION	REF	
- 1	5347539	. PIN-FRAME HINGE	2	
- 2	3960	. NUT, PLAIN, HEX- 1/4-20 X 7/16 FL W	ATT PT	2
- 3	27760	. WASHER, FL- 1/2 OD X 1/16 THK	ATT PT	2
- 4	5355388	. LATCH		1
- 5	5355389	. LATCH		1
- 6	5350012	. SCREW, THD FORMING HEX WSR HD 8-32 X .25	ATT PT	4
- 7	5355545	. BOARD ASSEMBLY, CONNECTOR		1
- 8	760303	. CATCH-PULL		2
- 9	5355367	. STIFFENER		1
- 10	5347744	. . . INSERT- 1/2 DIA		2
- 11	5369654	. . . INSERT		13
- 12	5810946	. . . CONNECTOR BOARD		1
- 13	5355585	. LATCH ASSEMBLY		1
- 14	322550	. SCREW	ATT PT	4
- 15	760303	. . CATCH-PULL		2
- 16	5355371	. . LATCH-ARRAY		1
- 17	472168	. CLAMP-CABLE		1
- 18	80651	. SCREW, THD CUTTING-PAN HD 6-32 X 0.375 LG	ATT PT	1
- 19	5355369	. HINGE		1
- 20	5355370	. HINGE		1
- 21	5319854	. SCREW, THD CUTTING-HEX HD 8-32 X 0.375 LG	ATT PT	12
- 22	5347673	. INSULATOR		1
- 23	5347675	BUS ASSEMBLY		1
- 24	507234	. SCREW, MACH-BIND HD 4-40 X 3/8 LG	ATT PT	4
- 25	5347670	. . TERMINAL, STANDOFF		59
- 26	5347677	. . BUSS-GROUND		1
- 27	5391393	. SWITCH ASSEMBLY, THERMAL		2
- 28	5350006	. SCREW, SELF TAPPING, 6-32 X .250 LONG	ATT PT	2
- 29	317767	. . TERMINAL BOARD ASM- 12 FEEDTHRU TERMINAL		1
- 30	438549	. . SCREW, MACH-BIND HD 4-40 X 7/16 LG	ATT PT	1
- 31	335239	. . JUMPER ASM-BLK 3 IN. 20AWG 1 LUG		2
- 32	354474	. . JUMPER ASSEMBLY, THERMAL SWITCH		2
- 33	317766	. . INSULATOR-TERMINAL BLOCK		1
- 34	5391385	. . THERMOSTAT, N/C 125 DEG F		1
- 35	5391340	. . THERMOSTAT, N/C 112 DEG F		1
- 36	507234	. . SCREW, MACH-BIND HD 4-40 X 3/8 LG	ATT PT	2
- 37	129334	. . WASHER	ATT PT	4
- 38	37913	. . NUT-HEX 4-40 X .250 ID	ATT PT	2
- 39	5391392	. . BRACKET, MOUNTING-THERMAL SWITCH		1
- 40	811851	. BRACKET-HINGE-UPPER		2
- 41	811850	. BRACKET-HINGE-LOWER		2
- 42	5350006	. SCREW, SELF TAPPING, 6-32 X .250 LONG	ATT PT	8
- 43	811865	. COVER ASSEMBLY-BOARD		2
- 44	760303	. . CATCH-PULL		4
- 45	811879	. . SPACER-HINGE		4
- 46	811864	. . COVER		1
- 47	811878	. . BACKING, FOAM		1
- 48	811895	. RETAINER ASSEMBLY, CABLE		4
- 49	10170	. SCREW, MACH-BIND HD 6-32 X 1/4 LG	ATT PT	8
- 50	5368349	. SEAL-RESISTOR COLUMN		1
- 51	216297	. SEAL, RUB STRIP- 11/16 W X 1/8 THK		AR
- 52	801502	. CATCH-BULLET NOSE		2
- 53	5391473	. RESISTOR ASSEMBLY		1
- 54	5350006	. SCREW, SELF TAPPING, 6-32 X .250 LONG		3
- 55	5368355	. . RESISTOR ASSEMBLY-22 POSITION		1
- 56	483358	. . . CAPACITOR		18
- 57	5347750	. . . RESISTOR, FXD, WW-115 OHMS P/M 1% 20W		21
- 58	5368396	. . . RESISTOR, FIXED, WIREWOUND-110 OHMS		1
- 59	5368340	. . . BRACKET, RESISTOR		1
- 60	5368591	. CABLE ASM-RESISTORS TO PNLs A1 & B1		1
		SEE FIG. 79-28Q FOR COMPONENT PARTS		
- 61	5368393	. . RESISTOR ASSEMBLY-22 POSITION		1
- 62	5350006	. . SCREW, SELF TAPPING, 6-32 X .250 LONG	ATT PT	3
- 63	483358	. . . CAPACITOR		18
- 64	595355	. . . CAPACITOR-TANTALUM 3 MFD P 15% M 75% 75V		4
- 65	5347750	. . . RESISTOR, FXD, WW-115 OHMS P/M 1% 20W		21
- 66	5368396	. . . RESISTOR, FIXED, WIREWOUND-110 OHMS		1
- 67	323925	. . . TERMINAL		6
- 68	5355350	. . . BRACKET		1
- 69	5355380	. RECEPTACLE		4
- 70	47987	. NUT, PLAIN, HEX- 2-56 X 3/16 FL W	ATT PT	8



FOR PARTS  
NOT SHOWN  
SEE FIG. 25

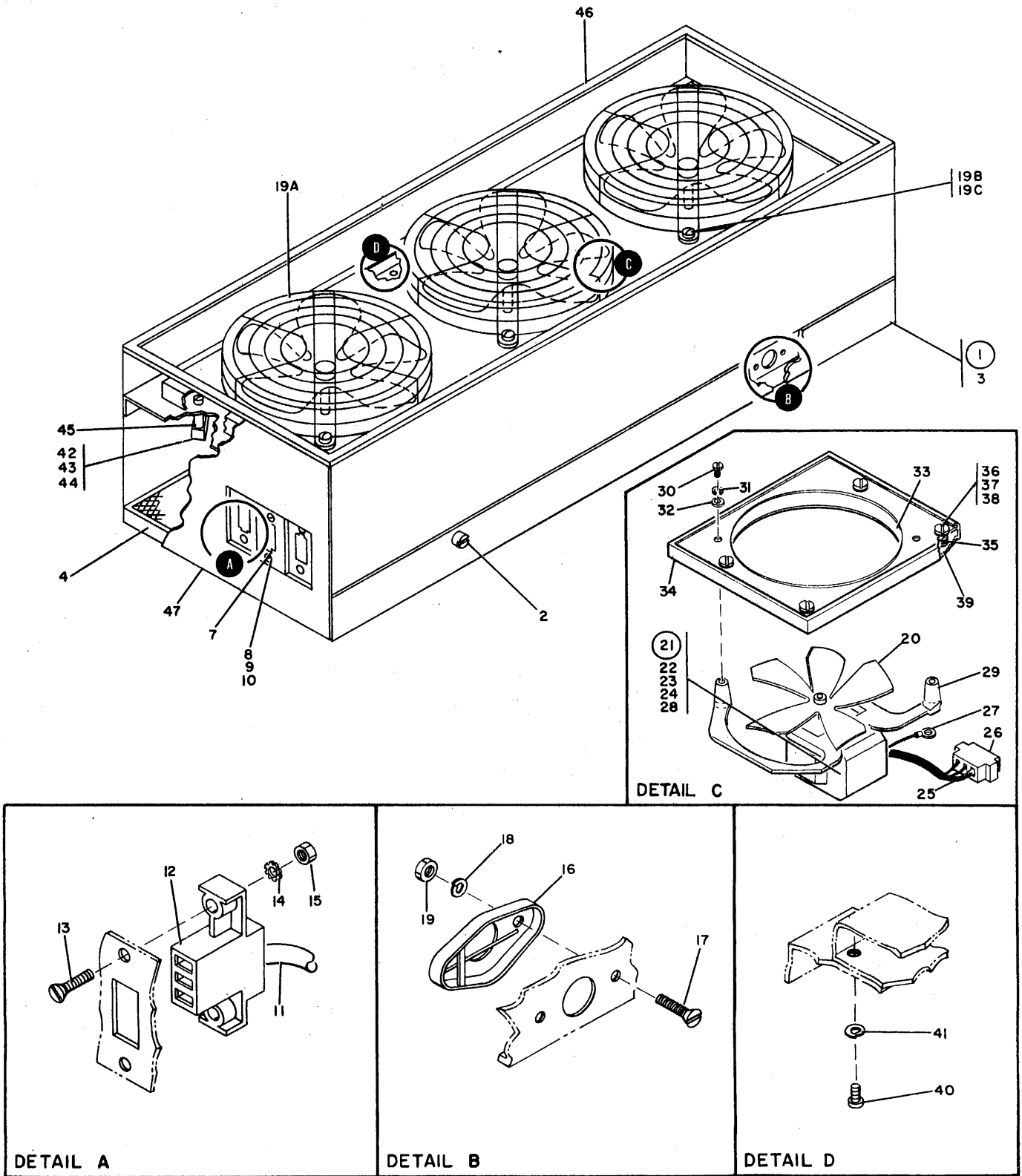


FIGURE 26. LOGIC COOLING HOUSING ASSEMBLY. SEE LIST 26.

LIST AND INDEX NUMBER	PART NUMBER	DESCRIPTION	UNITS PER ASM.	USABLE ON CODE
		1 2 3 4		
		LOGIC COOLING HOUSING ASSEMBLY		
26 -	5368326	HOUSING ASSEMBLY-LOGIC COOLING SEE FIG. 25-93 FOR NEXT HIGHER ASSEMBLY AND FIG. 26 FOR ILLUSTRATION	REF	
- 1	5368333	. RETAINER ASSEMBLY-FILTER	1	
- 2	5391434	. . STUD,TURNLOCK FASTENER	2	
- 3	5368332	. . RETAINER-FILTER	1	
- 4	5368328	. FILTER ASSEMBLY-LOGIC	1	
- 7	5353853	. HOUSING	1	
- 8	322065	. SCREW,MACH-BIND HD 6-32 X 5/8 LG	2	ATT PT
- 9	56722	. WASHER,LOCK-EXT TEETH NO. 6	2	ATT PT
- 10	257187	. NUT,PLAIN,HEX- 6-32 X 3/8 FL W	2	ATT PT
- 11	5355580	. CABLE ASSEMBLY-GATE COOLING	AR	
		SEE FIG. 79-20A,21,28,42A AND 49 FOR COMPONENT PARTS		
- 12	5353851	. HOUSING-CONNECTOR RECEPTACLE, 3 POS	2	
- 13	322065	. SCREW,MACH-BIND HD 6-32 X 5/8 LG	4	ATT PT
- 14	56722	. WASHER,LOCK-EXT TEETH NO. 6	4	ATT PT
- 15	257187	. NUT,PLAIN,HEX- 6-32 X 3/8 FL W	4	ATT PT
- 16	5355380	. RECEPTACLE	2	
- 17	52570	. SCREW,MACH-FL HD 2-56 X 1/4 LG	4	ATT PT
- 18	37066	. WASHER,LOCK-SPLIT NO. 3 X 0.212 OD	4	ATT PT
- 19	47987	. NUT,PLAIN,HEX- 2-56 X 3/16 FL W	4	ATT PT
- 19A	5369696	. GUARD	3	
- 19B	186759	. SCREW,MACH-BIND HD 8-32 X 5/16 LG	6	ATT PT
- 19C	55901	. WASHER,LOCK-EXT TEETH NO. 8 X 0.381 OD	6	ATT PT
- 20	5357066	. BLADE	3	
- 21	5357063	. MOTOR ASSEMBLY 208/230V 60CY 220V 50CY	3	
- 22	438571	. SCREW, BINDING HEAD, 6-32 NC X 1-3/4 LG.	6	ATT PT
- 23	257986	. WASHER,FLAT NO. 6	6	ATT PT
- 24	6364	. WASHER,LOCK-SPLIT NO. 6 X 1/4 OD	6	ATT PT
- 25	5353854	. . CONTACT, MALE 16-20 WIRE	2	
- 26	5353853	. . HOUSING	1	
- 27	5357065	. . JUMPER ASSEMBLY,6.38IN-NO.18 GREEN	1	
- 28	5357067	. . MOTOR 208V/230V 60CY 220V 50CY	1	
- 29	5369699	. CASTING,MOTOR	3	
- 30	5369706	. SCREW,MACH-BIND HD 10-32 X 3/8 LG	6	ATT PT
- 31	5369707	. WASHER,LOCK-SPLIT 0.194 1D X 0.050 THK	6	ATT PT
- 32	2101887	. WASHER,FL-NO. 10 X 7/16 OD X 1/32 THK	6	ATT PT
- 33	5369697	. SHROUD	3	
- 34	5369701	. SEAL,AIR	3	
- 35	5369700	. SHOCK MOUNT	12	
- 36	5369704	. SCREW,CAP-SLOT HD 6-32 X 15/16 LG	12	ATT PT
- 37	5369705	. WASHER,FL-NO. 1 X 1/2 OD X 0.025 THK	12	ATT PT
- 38	344015	. NUT,SELF LKG,HEX- 6-32 X 5/16 FL W	12	ATT PT
- 39	5369698	. PLATE,ADAPTER	3	
- 40	10170	. SCREW,MACH-BIND HD 6-32 X 1/4 LG	12	ATT PT
- 41	6364	. WASHER,LOCK-SPLIT NO. 6 X 1/4 OD	12	ATT PT
- 42	5353851	. HOUSING-CONNECTOR RECEPTACLE, 3 POS	3	
- 43	322550	. SCREW	6	ATT PT
- 44	56722	. WASHER,LOCK-EXT TEETH NO. 6	6	ATT PT
- 45	534705	. SPACER	6	ATT PT
- 46	599303	. SEAL-URETHANE FOAM 1/2 W X 0.120 THK	AR	
- 47	5368327	. HOUSING-COOLING	1	

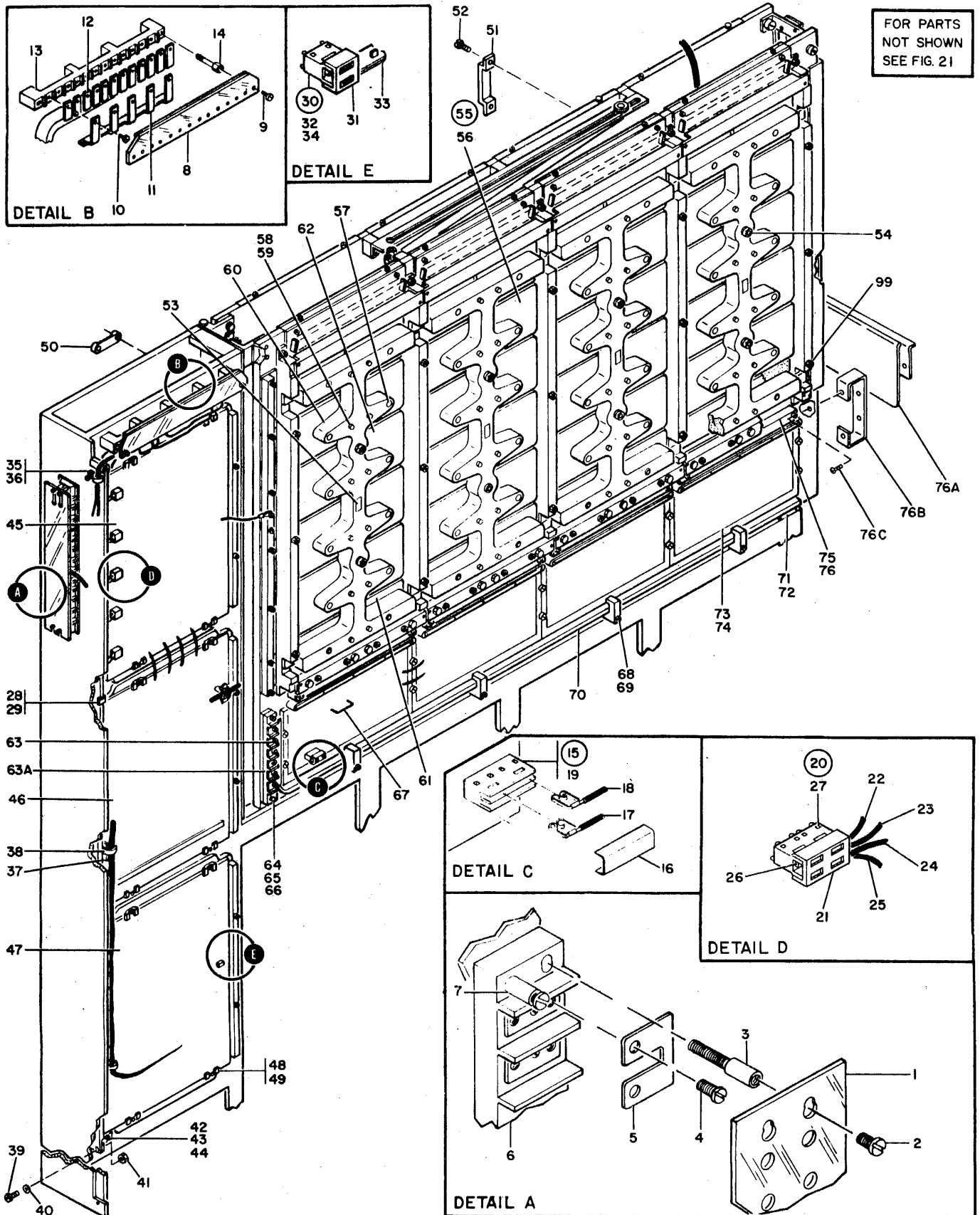


FIGURE 27. CROS NAD ROS MEMEORY STORAGE FIANL ASSEMBLY. SHEET 1 OF 2. INDEX NOS. 1-76C. SEE LIST 27.

LIST AND INDEX NUMBER	PART NUMBER	DESCRIPTION	UNITS PER ASM.	USABLE ON CODE
		CROS AND ROS MEMORY STORAGE FINAL ASSEMBLY		
27 -		CODE A USED ON ROS ASM CODE B USED ON CROS ASM		
-	5400770	FINAL ASSEMBLY,ROS	REF	A
-	5702900	FINAL ASSEMBLY,CROS	REF	B
-	5400750	FINAL ASSEMBLY,CROS SEE FIG 21-53 FOR NEXT HIGHER ASSEMBLY AND FIG. 27 FOR ILLUSTRATION	REF	B
- 1	811581	• SHIELD,TERMINAL BOARD	1	
- 2	5312043	• SCREW,MACH-BH 6-32 X 1/4 LG ATT PT	1	
- 3	347807	• STUD- 8-32 X 3/4 LG W/6-32 TAPPED HOLE	1	
- 4	811481	• SCREW,MACH- 6-32 X 1/4 LG	24	
- 5	5400663	• BUS BAR,2 POSITION	4	
- 6	811474	• TERMINAL BLOCK ASSEMBLY	1	
- 7	347805	• STUD,SHLDR-8-32 X 3/4 LG THD ATT PT	3	
- 8	811556	• COVER ASSEMBLY-FOAM	1	
- 9	10170	• SCREW,MACH-BIND HD 6-32 X 1/4 LG ATT PT	2	
- 10	34512	• SCREW,BIND.HD 8-32 X .375 LG	12	
- 11	811530	• BUS ASSEMBLY, VERT., 3 BOARD	1	
- 12	5703158	• JUMPER	1	
- 13	811476	• TERMINAL BLOCK,BUS TO BUS	1	
- 14	811536	• STANDOFF	2	
- 15	811483	• CROSSOVER ASSEMBLY	13	
- 16	813802	• COVER	1	
- 17	811495	• CONTACT ASSEMBLY	2	
- 18	811485	• CONTACT ASM	2	
- 19	813801	• HOUSING	1	
- 20	813080	• CROSSOVER,VOLTAGE,BUS TO BOARD,RIGHT	10	
- 21	813073	• CAPACITOR,VOLTAGE	1	
- 22	813078	• CONTACT ASSEMBLY	1	
- 23	813084	• CONTACT ASSEMBLY	1	
- 24	813085	• CONTACT ASSEMBLY	1	
- 25	813079	• CONTACT ASSEMBLY	1	
- 26	2391011	• DECOUPLER	1	
- 27	813072	• HOUSING	1	
- 28	5703007	• STRAP	2	
- 29	731626	• SCREW, PAN HEAD, 6-32 X .25 LONG ATT PT	2	
- 30	813268	• BUS ASSEMBLY-MINIATURE TO BOARD E2	3	
- 30	813271	• BUS ASSEMBLY-MINOATIRE TO BOARD E3	1	
- 31	813549	• CAP-MINIATURE BUS	AR	
- 32	813681	• CONTACT,MINIATURE BUS	AR	
- 33	813258	• BUS BAR	1	
- 33	813261	• USED ON ASM 813268 ONLY • BUS BAR • USED ON ASM 813271 ONLY	1	
- 34	813703	• HOUSING	AR	
- 35	327921	• CLAMP,CABLE	3	
- 36	38235	• SCREW,MACH-BIND HD 6-32 X 0.312 LG ATT PT	3	
- 37	5400672	• BRACKET,ANGLE-CABLE	6	
- 38	760221	• TIE,CABLE	6	
- 39	438550	• SCREW,MACH-BIND HD 4-40 X 1/2 LG	1	
- 40	257985	• WASHER,FLAT-NO. 4 X 0.250 OD X 0.028 THK	1	
- 41	37913	• NUT-HEX 4-40 X .250 ID	1	
- 42	811742	• SUPPORT	1	
- 43	811426	• SCREW,MACH-PAN HD 6-32 X 3/8 IN. LG ATT PT	1	
- 44	257986	• WASHER,FLAT NO. 6 ATT PT	1	
- 45	5811287	• BOARD ASM-O1C-E1	1	
- 46	5400719	• BOARD ASM-O1C-E2	1	A
- 46	5811289	• BOARD ASM-O1C-E2	1	B
- 47	5400821	• BOARD ASM-O1C-E3	1	A
- 47	5811335	• BOARD ASM-O1C-E3	1	B
- 48	813179	• CLAMP-BOARD	14	
- 49	811417	• SCREW,HEX SOCKET H- 6-32 X 1/2 LG ATT PT	14	
- 50	811427	• STRAP,CABLE	22	
- 51	5703328	• BUMPER,GATE	1	
- 52	322550	• SCREW ATT PT	2	
- 53	811825	• LABEL-CABLE	16	
- 54	5400689	• NUT,ROUND-KNURLED	32	
- 55	5702960	• SPIDER ASM	16	
- 56	33370	• SCREW,MACH-HEX HD 8-32 X 13/16 LG ATT PT	64	
- 57	58865	• SETSCREW-HDLS SPLINE DR 10-32 X 7/8 LG	12	







LIST AND INDEX NUMBER	PART NUMBER	DESCRIPTION	UNITS PER ASM.	USABLE ON CODE
27 - 77	811481	• SCREW,MACH- 6-32 X 1/4 LG	6	
- 78	2102367	• CLAMP-LOOP	1	
- 79	438589	• SCREW,MACH-BIND HD 8-32 X 1-1/2 LG	1	
- 80	438588	• SCREW,MACH-UNDRCT BIND HD 8-32 X 1-1/4	1	ATT PT
- 81	5702977	• TERMINAL BOARD ASM-7 POS	1	
- 82	5702978	• SPACER	1	
- 83	2114044	• CLIP,CABLE	1	
- 84	2114681	• CRADLE-CABLE	1	
- 85	322550	• SCREW	1	ATT PT
- 89	5702975	• BUS BAR	1	
- 90	5703155	• SUPPORT	1	
- 91	25627	• SCREW-BD. HD 8-32 X .500 LG	2	ATT PT
- 92	319300	• HANDLE	1	
- 93	55918	• SCREW,MACH-BIND HD 10-32 X 5/8 LG	2	ATT PT
- 94	5408113	• BASE PLANE ASSEMBLY	2	
- 95	5400666	• SHIELD-SENSE RESISTOR	1	
- 96	338238	• SCREW,MACH-BIND HD 4-40 X 0.312 LG	3	ATT PT
- 97	257985	• WASHER,FLAT-NO. 4 X 0.250 OD X 0.028 THK	3	ATT PT
- 98	5400656	• STUD,VERTICLE BAR	10	
- 99	5400657	• VERTICAL BAR	10	
-100	257189	• NUT,HEX- 8-32	50	ATT PT
-101	5702968	• STUD	23	
-102	5408095	• SENSE PLATE ASM,A&D	1	
-103	5408090	• SENSE PLATE ASM,A&C	1	
-104	1144956	• PAD-PIN BACKSTOP	AR	
-105	5408097	• CONNECTOR,SENSE-72 POSITION	5	
-106	438538	• SCREW,MACH-UNDRCT BIND HD 2-56 X 1/4 LG	12	ATT PT
-107	5408098	• CONNECTOR,SENSE-42 POSITION	1	
-108	15887	• SCREW,MACH-BIND HD 2-56 X 1/8 LG	12	ATT PT
-109	5408084	• BASE PLATE	1	
-110	5400658	• CONNECTOR ASSEMBLY-DRIVE	32	
-111	38354	• SCREW,MACH-FIL H 6-32 X 1/2 LG	64	ATT PT
-112	5400655	• SCREW,PRESSURE DRIVE CONNECTOR	4	
-113	147297	• RING,RETAINING-EXT 0.094 ID X 0.020 THK	4	
-114	5400648	• CHANNEL,DRIVE CONNECTOR	1	
-115	5400650	• CONNECTOR ASSEMBLY,DRIVE-PRESSURE UNIT	2	
-116	5400781	• RESISTOR ASSEMBLY	16	
-117	48594	• SCREW,MACH-BIND HD 6-32 X 0.250 LG	32	ATT PT
-118	124582	• CAPACITOR FXD TANTALUM	2	
-119	383608	• CAPACITOR-TANTALUM 6.2MFD P 80 M 20% 25V	1	
-120	5703052	• MODULE,RC NETWORK	22	
-121	5400778	• BOARD C13,DRIVE RESISTOR	1	
-122	5702966	• SPONGE,SHEET	16	
-123	5703002	• BUSHING	2	A
-124	322028	• SCREW,MACH-BIND HD 1/4-20 X 3/4 LG	2	ATT PT
-125	76574	• LOCKWASHER-EXT TOOTH ID .267 X OD .510	2	ATT PT
-126	3960	• NUT,PLAIN,HEX- 1/4-20 X 7/16 FL W	2	ATT PT
-127	5400662	• BRACKET	1	A
-128	5400661	• SPACER,INSULATION	1	A
-128A	5702998	• BRACKET ASM-GATE FASTENER	2	A
-128B	110286	• SCREW-MACHINE	2	ATT PT
-128C	55586	• NUT,CHECK,HEX-1/4-20 X 1/8 FL W	2	ATT PT
-128D	5703006	• SPACER	2	A
-129	5703002	• BUSHING	2	B
-130	322029	• SCREW,MACH-BIND HD 1/4-20 X 1/2 LG	2	ATT PT
-131	6935	• WASHER,LOCK-SPLIT 1/4 X 0.493 OD	2	ATT PT
-132	55586	• NUT,CHECK,HEX-1/4-20 X 1/8 FL W	2	ATT PT
-132A	5400753	• BRACKET	2	B
-132B	110286	• SCREW-MACHINE	2	ATT PT
-132C	55586	• NUT,CHECK,HEX-1/4-20 X 1/8 FL W	2	ATT PT
-132D	5703006	• SPACER	2	B
-133	5703003	• SPACER	1	B
-134	5400662	• BRACKET	1	B
-135	5702995	• GROMMET	2	A
-136	236550	• SCREW,MACH-BIND HD 4-40 X 0.375 LG	4	ATT PT
-137	5702996	• STUD-WING HD	2	A
-138	244111	• WASHER,STUD RETAINING-CAMLOC	2	
-143	5703285	• ARM,BASE PLATE	1	A
-144	32617	• SCREW,MACH-BIND HD 10-32 X 0.438 LG	1	ATT PT
-145	5703286	• NUT,SHOULDER	1	ATT PT
-146	5703282	• ROLLER-ARM	1	A
-147	234565	• SCREW,SHOULDER LATCH	1	A
-148	22478	• WASHER,FL- 0.170 ID 0.375 OD 0.32 THK	1	A
-149	1090873	• WASHER,LOCK,SPLIT RING- .168 ID, .296 OD	1	A
-150	257189	• NUT,HEX- 8-32	1	A
-151	5703284	• GUIDE,ARM	1	A

LIST AND INDEX NUMBER	PART NUMBER	DESCRIPTION				UNITS PER ASM.	USABLE ON CODE
		1	2	3	4		
27 -152	38352	•	SCREW,MACH-FIL H 6-32 X 3/8 LG	ATT PT	2		
-153	38443	•	SCREW,MACH-FL CSK HD 6-32 X 5/16 LG	ATT PT	1		
-154	5703283	•	BLOCK,MOUNTING-GUIDE		3	A	
-155	5644	•	SCREW,MACH-FIL H 6-32 X 5/8 LG	ATT PT	8		
-156	6364	•	WASHER,LOCK-SPLIT NO. 6 X 1/4 OD	ATT PT	8		
-156A	5703287	•	BLOCK,MOUNTING,ARM		1	A	
-157	5703000	•	PIN		2	A	
-158	5702999	•	HINGE		2	A	
-159	161351	•	WASHER,PLAIN FLAT		1	A	
-160	332747	•	RING,RETAINING-EXT 0.207 ID X 0.025 THK		2	A	
-161	5703001	•	BUSHING		4		
-162	38688	•	SCREW-SUPPORT & TRIM MOUNTING .750 LONG	ATT PT	4		
-163	6935	•	WASHER,LOCK-SPLIT 1/4 X 0.493 OD	ATT PT	4		
-164	3550	•	WASHER,FL- 1/4 X 9/16 OD X 0.050 THK	ATT PT	4		
-165	5703004	•	SPACER		2		
-165A	5703154	•	CLAMP ASM-CABLE		5		
-165B	322065	•	SCREW,MACH-BIND HD 6-32 X 5/8 LG	ATT PT	10		
-165C	62031	•	WASHER,LOCK-INT TEETH NO. 6 X 0.295 OD	ATT PT	10		
-165D	257986	•	WASHER,FLAT NO. 6	ATT PT	10		
-166	5400675	•	STRIP ASSEMBLY,GROUND		2		
-167	34512	•	SCREW,BIND.HD 8-32 X .375 LG	ATT PT	4		
-167A	5703008	•	BRACKET		8		
-167B	338238	•	SCREW, MACH-BD HD 4-40 NC X .3125 LG	ATT PT	16		
-168	5353145	•	GATE ASM-CROS MEMORY		1	A	
-168	5400574	•	GATE ASSEMBLY,CROS MEMORY		1	B	
-169	811869	•	COVER ASSEMBLY-CARD		3		
-170	815963	•	CATCH-PULL		4		
-171	815964	•	SPACER-HINGE		4		
-172	815263	•	BACKING, FOAM		1		
-173	811868	•	COVER-CARD		1		
-174	811881	•	RETAINER ASSEMBLY		6		
-175	811441	•	SEAL		1		
-176	811896	•	RETAINER		1		
-177	811854	•	BRACKET-HINGE		3		
-178	10170	•	SCREW,MACH-BIND HD 6-32 X 1/4 LG	ATT PT	12		
-179	811855	•	BRACKET-HINGE		3		
-180	811426	•	SCREW,MACH-PAN HD 6-32 X 3/8 IN. LG	ATT PT	12		
-181	811442	•	SEAL		6		
-182	5353146	•	BOARD,GATE		1		
-182	5372990	•	USED ON ASM 5353145 BOARD,GATE		1		
-183	5400736	•	USED ON ASM 5400754 CABLE ASSEMBLY-POWER DISTRIBUTION		AR		
-183	5400737	•	CABLE ASSEMBLY-POWER DISTRIBUTION		AR		
-183	5400738	•	CABLE ASSEMBLY-POWER DISTRIBUTION		AR		
-183	5400739	•	CABLE ASSEMBLY-POWER DISTRIBUTION		AR		
-183	5400740	•	CABLE ASSEMBLY-POWER DISTRIBUTION		AR		
-183	5400741	•	CABLE ASSEMBLY-POWER DISTRIBUTION		AR		
-183	5400742	•	CABLE ASSEMBLY-POWER DISTRIBUTION		AR		
-183	5400743	•	CABLE ASSEMBLY-POWER DISTRIBUTION		AR		
-183	5400744	•	CABLE ASSEMBLY-POWER DISTRIBUTION SEE FIG. 79-7,-8 AND -42A FOR COMPONENT PARTS		AR		
-183	5400788	•	CABLE ASSEMBLY-SENSE		AR		
-183	5400789	•	CABLE ASSEMBLY-SENSE SEE FIG. 79-28Q,-28R,-28S AND 28T FOR COMPONENT PARTS		AR		

FOR PARTS  
NOT SHOWN  
SEE FIG. 21

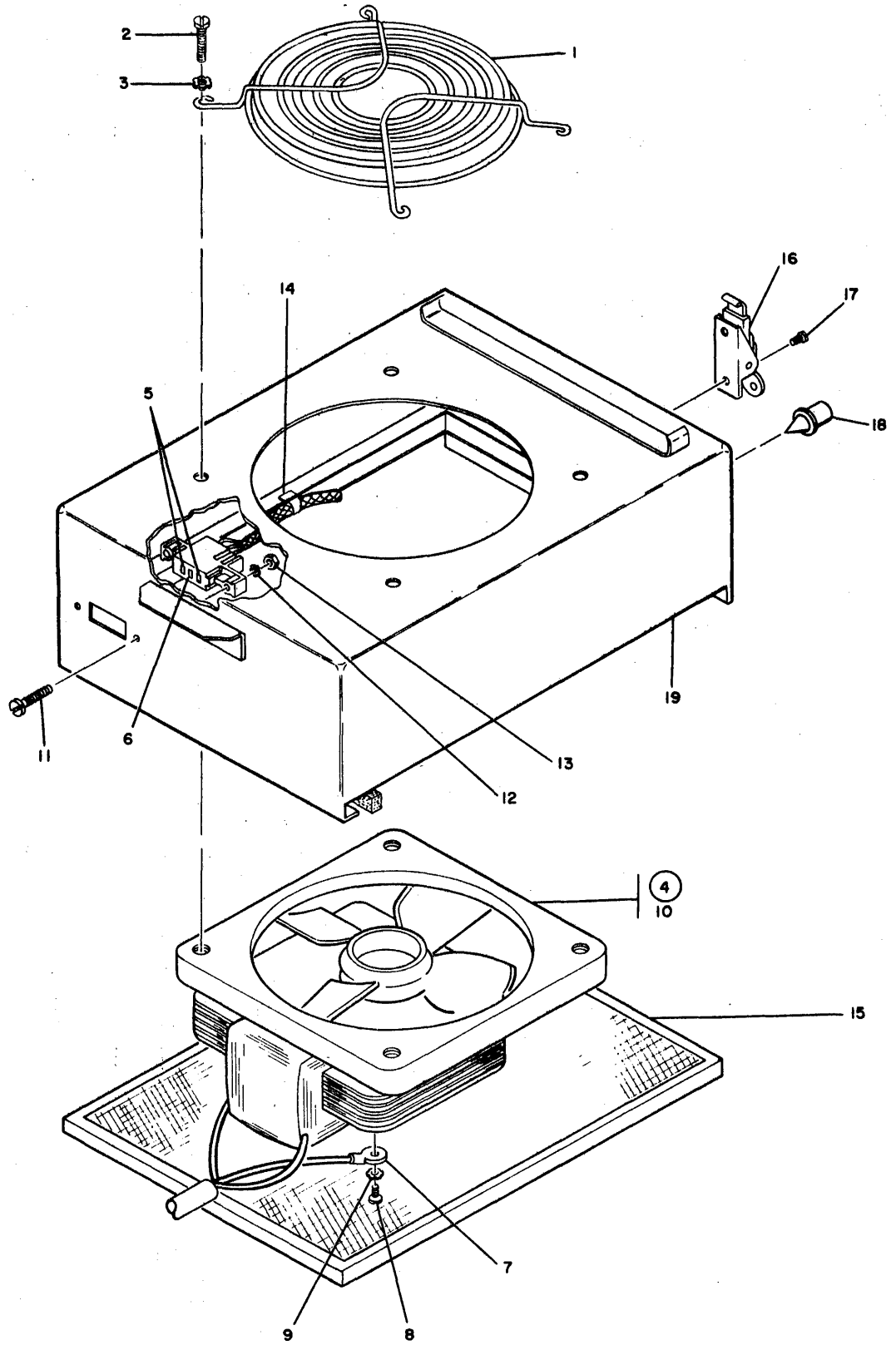


FIGURE 28. 1 FAN COOLING UNIT ASSEMBLY-60 HZ. SEE LIST 28.



FOR PARTS  
NOT SHOWN  
SEE FIG. 21

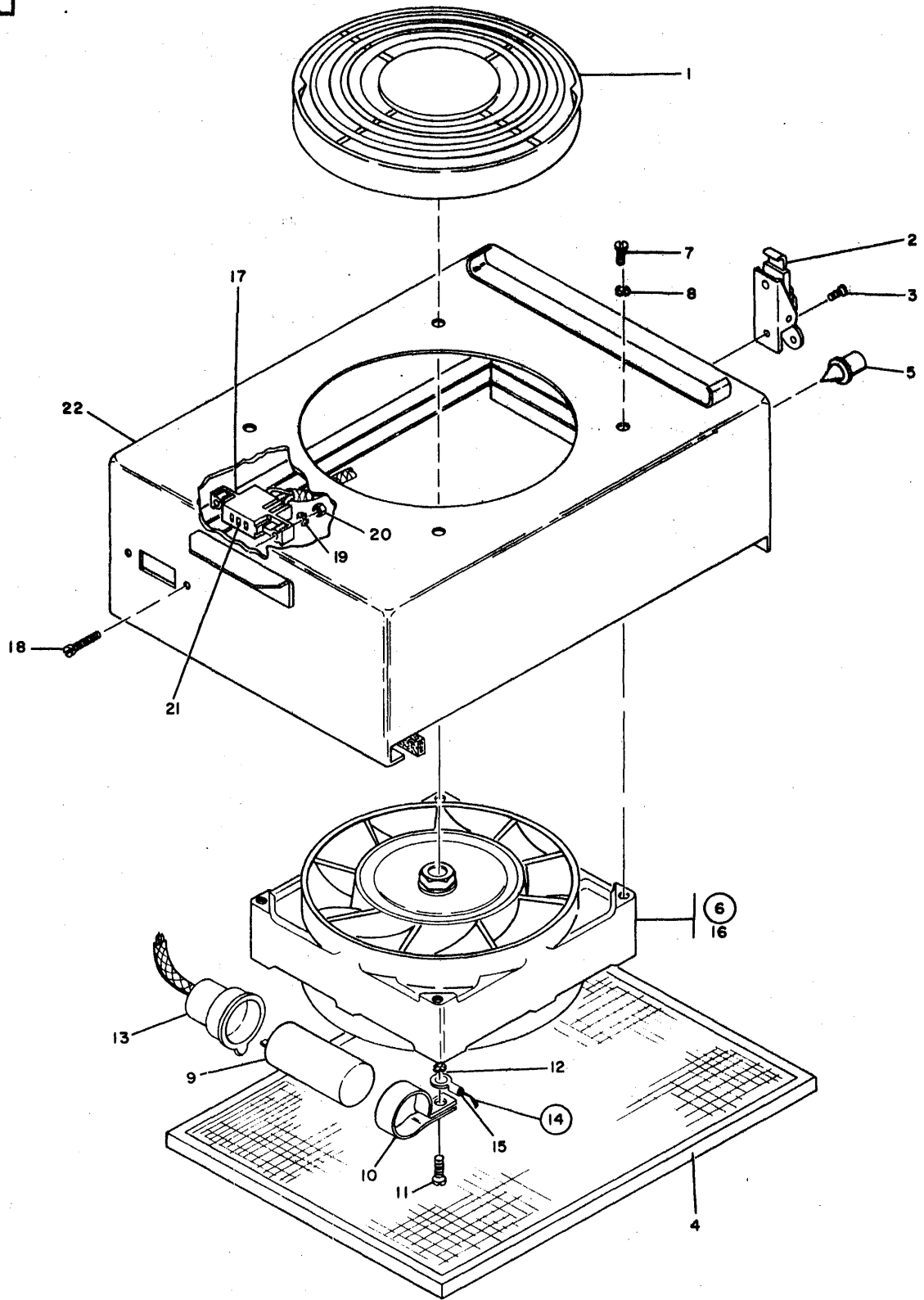


FIGURE 28A. 1 FAN COOLING UNIT ASSEMBLY-50 HZ. SEE LIST 28A.



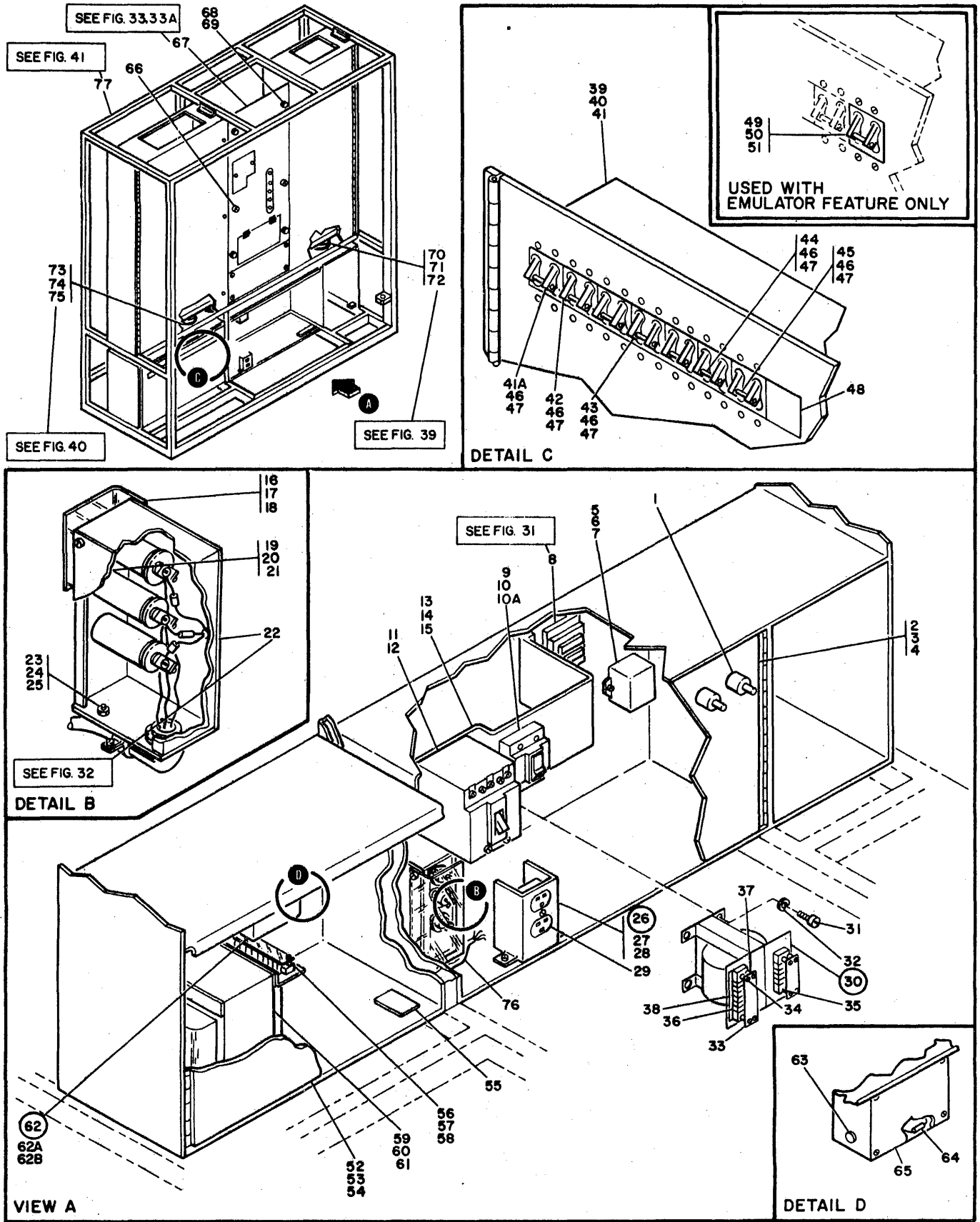


FIGURE 29. ELECTRICAL POWER GROUP-60 HZ. SEE LIST 29.

LIST AND INDEX NUMBER	PART NUMBER	DESCRIPTION				UNITS PER ASM.	USABLE ON CODE
		1	2	3	4		
		ELECTRICAL POWER GROUP-60 HZ					
		CODE 1 USED ON ASM PRIOR TO L9 SUFFIX CODE 2 USED ON ASM FROM L9 TO CURRENT					
29 -	5365220 NP	ELECTRICAL POWER GROUP-60 HZ SEE FIG. 29 FOR ILLUSTRATION					
- 1	303549	• FUSE,CARTRIDGE-SLOW BLOW 1.0 AMP 250V				2	
- 2	5364184	• COVER-AC PRIMARY				1	
- 3	58207	• SCREW,MACH-UNDRCT BIND HD 8-32 X 1/4 LG				5	
- 4	55901	• WASHER,LOCK-EXT TEETH NO. 8 X 0.381 OD				3	
- 5	515873	• TIMER,ADJUSTABLE 0-4.5-208V				1	
- 6	2300	• SCREW,MACH-FIL H 8-32 X 1/4 LG				2	
- 7	55901	• WASHER,LOCK-EXT TEETH NO. 8 X 0.381 OD				2	
- 8	5276241	• DETECTION ASM-LINE LOSS SEE FIG. 31 FOR DETAIL BREAKDOWN				1	
- 9	5719453	• CIRCUIT BREAKER- 3 POLE 30 AMP				1	
- 10	35739	• SCREW,MACH-BIND HD 6-32 X 15/16 LG				4	
- 10A	760731	• CLAMP-CB MOUNTING				4	
- 11	519043	• CIRCUIT BREAKER- 3P 240V AC 50 AMP				1	
- 12	322563	• SCREW				4	
- 13	5364156	• BRACKET-CIRCUIT BREAKER MTG				1	
- 14	186759	• SCREW,MACH-BIND HD 8-32 X 5/16 LG				4	
- 15	55901	• WASHER,LOCK-EXT TEETH NO. 8 X 0.381 OD				4	
- 16	5364297	• COVER,SAFETY				1	
- 17	58207	• SCREW,MACH-UNDRCT BIND HD 8-32 X 1/4 LG				2	
- 18	55901	• WASHER,LOCK-EXT TEETH NO. 8 X 0.381 OD				2	
- 19	5364155	• COVER-FILTER				1	
- 20	55726	• SCREW,MACH-BIND HD 6-32 X .188 LG				4	
- 21	56722	• WASHER,LOCK-EXT TEETH NO. 6				4	
- 22	5364222	• FILTER BOX ASSEMBLY SEE FIG. 32 FOR DETAIL BREAKDOWN				1	
- 23	34512	• SCREW,BIND HD 8-32 X .375 LG				2	
- 24	55901	• WASHER,LOCK-EXT TEETH NO. 8 X 0.381 OD				2	
- 25	257189	• NUT,HEX- 8-32				2	
- 26	5364516	• OUTLET, CONVENIENCE- 115VAC 20 AMP				1	
- 27	322550	• SCREW				1	
- 28	56722	• WASHER,LOCK-EXT TEETH NO. 6				1	
- 29	5213803	• . OUTLET,CONVENIENCE- 125V				1	
- 30	5213435	• TRANSFORMER ASM				1	
- 31	130434	• SCREW-MACH,SLOTTED HEX HD NO.10-32 X.375				4	
- 32	56079	• WASHER,LOCK-EXT T .195 ID .410 OD				5	
- 33	191480	• . SHIELD,8 POSITION				2	
- 34	210984	• . SCREW, RD HD MACH-6-32 X .250 LG				2	
- 35	210883	• . STUD-SHIELD MTG,TAPPED,NO. 6-32				2	
- 36	322766	• . BLOCK,TERMINAL				2	
- 37	210884	• . STUD-SHIELD MTG,NO. 6-32				6	
- 38	126036	• . MARKER STRIP,INSULATING				1	
- 39	5364543	• COVER,CIRCUIT BREAKER				1	
- 40	10170	• SCREW,MACH-BIND HD 6-32 X 1/4 LG				2	
- 41	56722	• WASHER,LOCK-EXT TEETH NO. 6				2	
- 41A	5270651	• CIRCUIT BREAKER-DP 0.4 AMP				1	
- 42	5270566	• CIRCUIT BREAKER-DP 0.8 AMP				1	
- 43	5270559	• CIRCUIT BREAKER- 2 POLE 0.65 AMPS 250VAC				3	
- 44	5364273	• CIRCUIT BREAKER-DP 15 AMP				1	
- 45	5270651	• CIRCUIT BREAKER-DP 0.4 AMP				1	
- 46	10170	• SCREW,MACH-BIND HD 6-32 X 1/4 LG				28	
- 47	56722	• WASHER,LOCK-EXT TEETH NO. 6				28	
- 48	5271216	• PLATE-CB				1	
- 49	5270559	• CIRCUIT BREAKER- 2 POLE 0.65 AMPS 250VAC USED WITH EMULATOR FEATURE ONLY				1	
- 50	10170	• SCREW,MACH-BIND HD 6-32 X 1/4 LG				4	
- 51	56722	• WASHER,LOCK-EXT TEETH NO. 6				4	
- 52	5364159	• COVER-AC PRIMARY				1	
- 53	58207	• SCREW,MACH-UNDRCT BIND HD 8-32 X 1/4 LG				5	
- 54	55901	• WASHER,LOCK-EXT TEETH NO. 8 X 0.381 OD				3	
- 55	138756	• PLATE,INST-LINE V PRESENT W/MACH PWR OFF				1	
- 56	337193	• SHIELD-TERMINAL BOARD 6 POSITION				1	
- 57	322552	• SCREW,MACH-BIND HD 6-32 X 7/8 LG				2	
- 58	316187	• SPACER- 0.186 ID X 1/4 OD X 5/16 THK				2	
- 59	5271245	• TRANSFORMER,POWER- 2300VA,60CPS- 115V				1	
- 60	438611	• SCREW,MACH-FIL H 1/4-20 X 3/8 LG				4	
- 61	76574	• LOCKWASHER-EXT TOOTH ID .267 X OD .510				5	
- 62	5262098	• TEMPERATURE CONTROL ASSEMBLY- 208VAC				1	
- 62	5262102	• TEMPERATURE CONTROL ASSEMBLY- 230VAC				1	
- 62A	236849	• SCREW,MACH-BIND HD 10-32 X 0.250 LG				3	





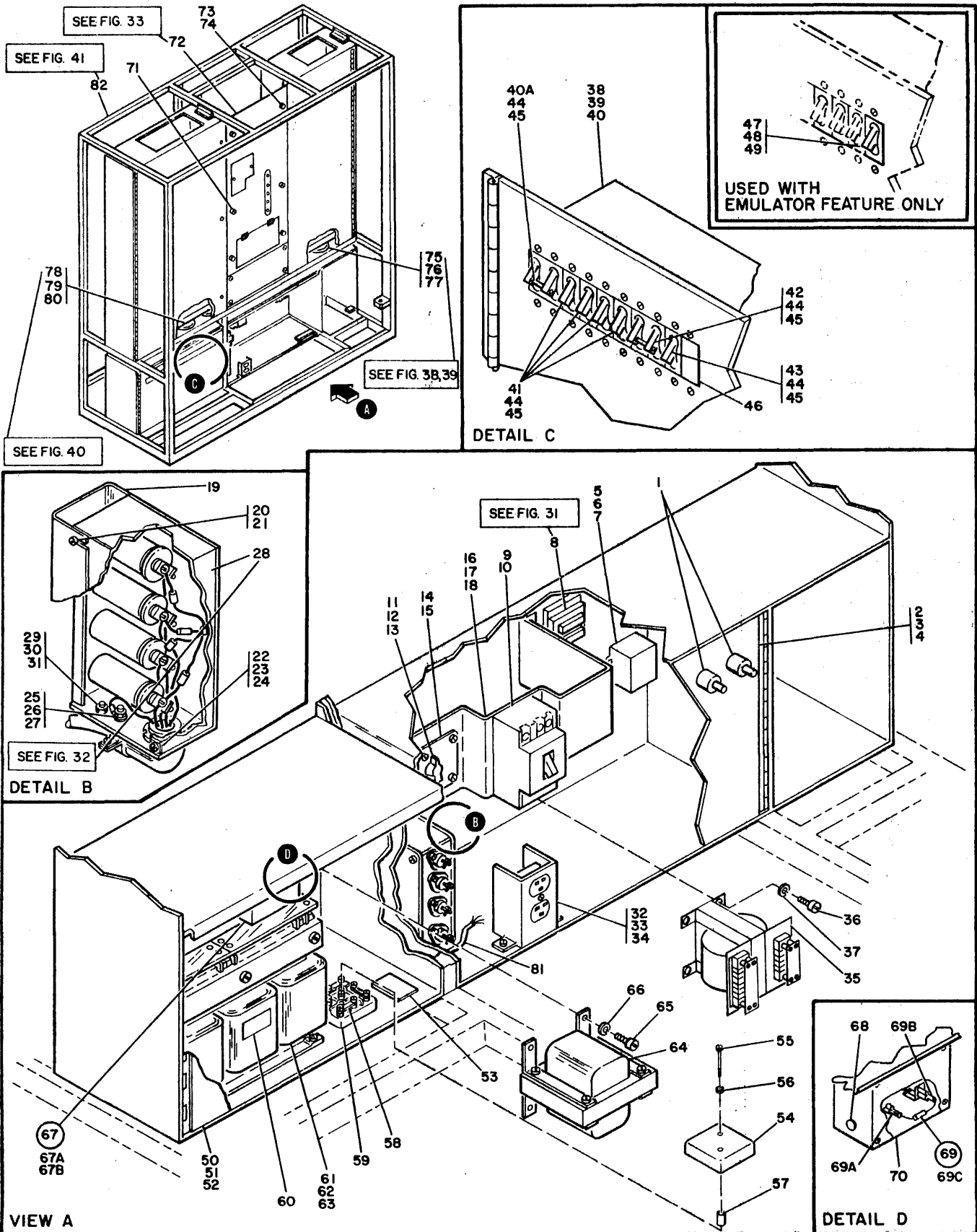


FIGURE 30. ELECTRICAL POWER GROUP-50 HZ. SEE LIST 30.

LIST AND INDEX NUMBER	PART NUMBER	DESCRIPTION				UNITS PER ASM.	USABLE ON CODE
		1	2	3	4		
		ELECTRICAL POWER GROUP-50 HZ					
30 -	5365230 NP	ELECTRICAL POWER GROUP-50 HZ SEE FIG. 30 FOR ILLUSTRATION					
- 1	78999	• FUSE, 0.5 AMPS				2	
- 2	5364126	• COVER				1	
- 3	58207	• SCREW,MACH-UNDRCT BIND HD 8-32 X 1/4 LG				5	
- 4	55901	• WASHER,LOCK-EXT TEETH NO. 8 X 0.381 OD				3	
- 5	806926	• TIMER				1	
- 6	2300	• SCREW,MACH-FIL H 8-32 X 1/4 LG				2	
- 7	55901	• WASHER,LOCK-EXT TEETH NO. 8 X 0.381 OD				2	
- 8	5364595	• DETECTION ASSEMBLY,LINE LOSS- 50 HZ SEE FIG. 31 FOR DETAIL BREAKDOWN				1	
- 9	8026896	• CIRCUIT BREAKER				1	
- 10	438602	• SCREW,MACH-BIND HD 10-32 X 1-1/2 LG				2	
- 11	8019065	• ROTARY SWITCH				1	
- 12	32042	• SCREW, MACH BIND. HD 10-32 X 3/8 LG.				4	
- 13	56079	• WASHER,LOCK-EXT T .195 ID .410 OD				4	
- 14	5364138	• PLATE				1	
- 15	10170	• SCREW,MACH-BIND HD 6-32 X 1/4 LG				2	
- 16	5364137	• BRACKET-CIRCUIT BREAKER				1	
- 17	186759	• SCREW,MACH-BIND HD 8-32 X 5/16 LG				4	
- 18	55901	• WASHER,LOCK-EXT TEETH NO. 8 X 0.381 OD				4	
- 19	8027125	• COVER				1	
- 20	81693	• SCREW,MACH-BIND HD 6-32 X 3/8 LG				2	
- 21	257986	• WASHER,FLAT NO. 6				2	
- 22	5364155	• COVER-FILTER				1	
- 23	55726	• SCREW,MACH-BIND HD 6-32 X .188 LG				2	
- 24	56722	• WASHER,LOCK-EXT TEETH NO. 6				2	
- 25	438623	• SCREW,MACH-BIND HD 1/4-20 X 5/8 LG				1	
- 26	3960	• NUT,PLAIN,HEX- 1/4-20 X 7/16 FL W				1	
- 27	76574	• LOCKWASHER-EXT TOOTH ID .267 X OD .510				1	
- 28	5364128	• FILTER BOX ASSEMBLY SEE FIG. 32 FOR DETAIL BREAKDOWN				1	
- 29	34512	• SCREW,BIND.HD 8-32 X .375 LG				2	
- 30	55901	• WASHER,LOCK-EXT TEETH NO. 8 X 0.381 OD				2	
- 31	257189	• NUT,HEX- 8-32				2	
- 32	5213803	• OUTLET,CONVENIENCE- 125V				1	
- 33	322550	• SCREW				1	
- 34	56722	• WASHER,LOCK-EXT TEETH NO. 6				1	
- 35	8026380	• TRANSFORMER				1	
- 36	130434	• SCREW-MACH,SLOTTED HEX HD NO.10-32 X.375				4	
- 37	56079	• WASHER,LOCK-EXT T .195 ID .410 OD				5	
- 38	5364543	• COVER,CIRCUIT BREAKER				1	
- 39	10170	• SCREW,MACH-BIND HD 6-32 X 1/4 LG				2	
- 40	56722	• WASHER,LOCK-EXT TEETH NO. 6				2	
- 40A	5270651	• CIRCUIT BREAKER-DP 0.4 AMP				1	
- 41	5213816	• CIRCUIT BREAKER				4	
- 42	5364273	• CIRCUIT BREAKER-DP 15 AMP				1	
- 43	5213818	• CIRCUIT BREAKER				1	
- 44	10170	• SCREW,MACH-BIND HD 6-32 X 1/4 LG				14	
- 45	56722	• WASHER,LOCK-EXT TEETH NO. 6				14	
- 46	5732323	• COVER, CIRCUIT BREAKER				1	
- 47	5213818	• CIRCUIT BREAKER USED WITH EMULATOR FEATURE ONLY				1	
- 48	10170	• SCREW,MACH-BIND HD 6-32 X 1/4 LG				2	
- 49	56722	• WASHER,LOCK-EXT TEETH NO. 6				2	
- 50	5364644	• COVER,AC PRIMARY				1	
- 51	58207	• SCREW,MACH-UNDRCT BIND HD 8-32 X 1/4 LG				5	
- 52	55901	• WASHER,LOCK-EXT TEETH NO. 8 X 0.381 OD				3	
- 53	138754	• DECAL,VOLTAGE-ENGLISH,JAPANESE				2	
- 54	8027126	• BOARD,SWITCHING				1	
- 55	221790	• SCREW,MACH-BIND HD 8-32 X 3/16 LG				2	
- 56	45690	• WASHER, FL - NO.10 X 7/16 OD X 1/32 THK				2	
- 57	234742	• STUD-INT 8-32 EXT 10-32 X 2 3/16 LG OA				2	
- 58	4064448	• JUMPER-SWITCH				4	
- 59	4121259	• SWITCH BOARD				1	
- 60	138756	• PLATE,INST-LINE V PRESENT W/MACH PWR OFF				1	
- 61	4116433	• TRANSFORMER,VARIABLE POWER				1	
- 62	36844	• SCREW,CAP-HEX HD SLOTTED 1/4-20 X 5/8 LG				4	
- 63	76574	• LOCKWASHER-EXT TOOTH ID .267 X OD .510				5	
- 64	4118360	• TRANSFORMER,AUTO				1	
- 65	130434	• SCREW-MACH,SLOTTED HEX HD NO.10-32 X.375				4	
- 66	56079	• WASHER,LOCK-EXT T .195 ID .410 OD				5	
- 67	5262099	• TEMPERATURE CONTROL ASSEMBLY				1	
- 67A	236849	• SCREW,MACH-BIND HD 10-32 X 0.250 LG				3	



FOR PARTS  
NOT SHOWN  
SEE FIG. 29,30

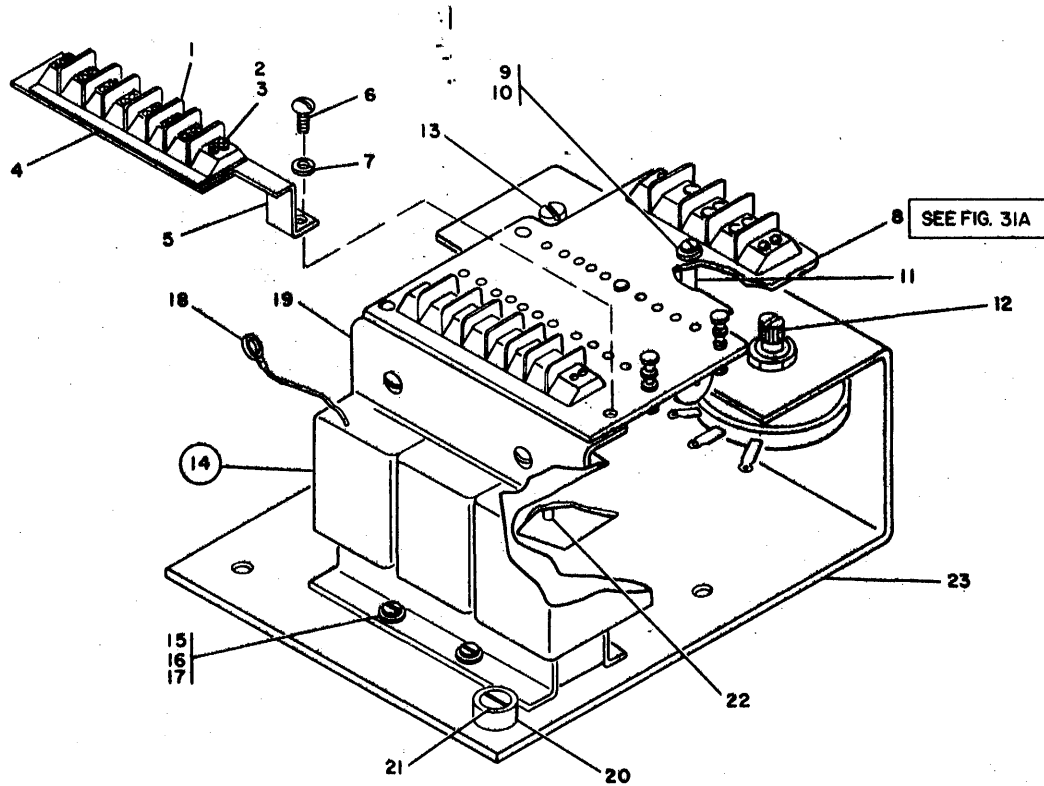


FIGURE 31. LINE LOSS DETECTION ASSEMBLY. SEE LIST 31.  
LINE LOSS DETECTION ASSEMBLY

31 -		LINE LOSS DETECTION ASSEMBLY	
		CODE A USED FOR 60 HZ CODE B USED FOR 50 HZ	
-	5276241	DETECTION ASM-LINE LOSS- 60 HZ SEE FIG. 29-8 FOR NEXT HIGHER ASSEMBLY AND FIG. 31 FOR ILLUSTRATION	REF A
-	5364595	DETECTION ASSEMBLY, LINE LOSS- 50 HZ SEE FIG. 30-8 FOR NEXT HIGHER ASSEMBLY AND FIG. 31 FOR ILLUSTRATION	REF B
-	1 317232	• TERMINAL BOARD- 6 DBL SCREW TERMINALS	1 B
-	2 81693	• SCREW, MACH-BIND HD 6-32 X 3/8 LG ATT PT	4
-	3 62031	• WASHER, LOCK-INT TEETH NO. 6 X 0.295 OD ATT PT	4
-	4 520678	• MARKER STRIP- 6 POS NOS. 1 THRU 6	1
-	5 5364596	• BRACKET, TB MOUNTING	1 B
-	6 81693	• SCREW, MACH-BIND HD 6-32 X 3/8 LG ATT PT	2
-	7 62031	• WASHER, LOCK-INT TEETH NO. 6 X 0.295 OD ATT PT	2
-	8 5276244	• BOARD ASM-LINE LOSS DETECTION SEE FIG. 31A FOR DETAIL BREAKDOWN	1
-	9 438568	• SCREW, MACH-UNDRCT BIND HD 6-32 X 1-1/8 ATT PT	1
-	10 6364	• WASHER, LOCK-SPLIT NO. 6 X 1/4 OD ATT PT	1
-	11 320297	• SPACER, SLV- 5/16 ID X 1/4 OD X 7/8 LG	1
-	12 524317	• RESISTOR, VAR-WW 100K P/M 10% 4W	1
-	13 208300	• POTENTIOMETER, 250 OHM P/M 10% 2W	1
-	14 5276243	• TRANSFORMER ASSEMBLY, .3VA 6PH 50-60CPS	1 A
-	14 5364594	• TRANSFORMER ASSEMBLY	1 B
-	15 10170	• SCREW, MACH-BIND HD 6-32 X 1/4 LG ATT PT	4
-	16 6364	• WASHER, LOCK-SPLIT NO. 6 X 1/4 OD ATT PT	4
-	17 257986	• WASHER, FLAT NO. 6 ATT PT	4
-	18 334921	• TERMINAL-RING, 18-22 AWG, #6 HOLE, INS	9
-	19 5276248	• BRACKET-BOARD MTG	1
-	20 5261315	• ADAPTER-CAPTIVE SCREW	2
-	21 5261314	• SCREW, CAPTIVE- 10-32 X 1/2 LG ATT PT	2
-	22 5261379	• PIN, STRAIGHT DOWEL	2
-	23 5276245	• PLATE-TRANSFORMER MTG	1

FOR PARTS  
NOT SHOWN  
SEE FIG. 31

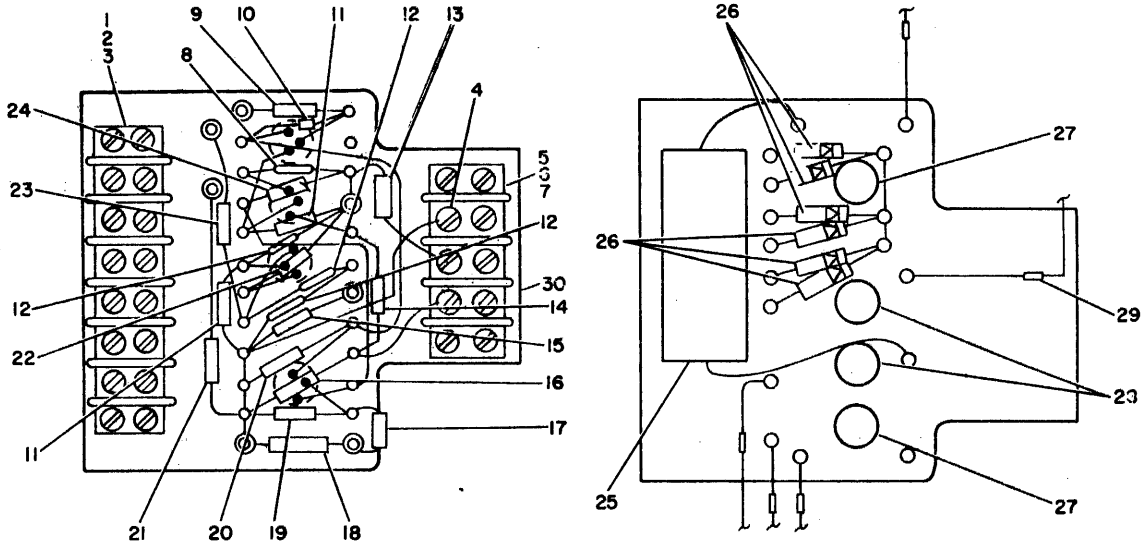


FIGURE 31A. BOARD ASSEMBLY-LINE LOSS DETECTION. SEE LIST 31A.  
BOARD ASSEMBLY-LINE LOSS DETECTION

31A-	5276244	BOARD ASM-LINE LOSS DETECTION SEE FIG. 31-8 FOR NEXT HIGHER ASSEMBLY AND FIG. 31A FOR ILLUSTRATION	REF
- 1	317232	• TERMINAL BOARD- 6 DBL SCREW TERMINALS	1
- 2	35739	• SCREW,MACH-BIND HD 6-32 X 15/16 LG ATT PT	4
- 3	62031	• WASHER,LOCK-INT TEETH NO. 6 X 0.295 OD ATT PT	4
- 4	334921	• TERMINAL-RING,18-22 AWG,#6 HOLE,INS	2
- 5	323837	• TERMINAL BOARD- 3 DBL SCREW TERMINALS	1
- 6	35739	• SCREW,MACH-BIND HD 6-32 X 15/16 LG ATT PT	4
- 7	62031	• WASHER,LOCK-INT TEETH NO. 6 X 0.295 OD ATT PT	4
- 8	491300	• DIODE,SEMICONDUCTOR- 35V AT 150 DEG.CENT	1
- 9	321271	• RESISTOR,FXD,COMP- 10 OHMS P/M 5% 1/2W	1
- 10	369631	• SEMICONDUCTOR DEVICE,DIODE	1
- 11	317018	• RESISTOR,FXD 1.6K PM 5% 1/2W	2
- 12	369611	• DIODE,SEMICONDUCTOR-ZENER,TYPE DY	3
- 13	364433	• SEMICONDUCTOR DEVICE,DIO-TYPE 1N537	1
- 14	317020	• RESISTOR,FXD,COMP- 2.2K P/M 5% 1/2W	1
- 15	317428	• RESISTOR,FXD,COMP- 330 OHMS P/M 5% 1/2W	1
- 16	322347	• RESISTOR,FXD,COMP- 560 OHMS P/M 5% 1/2W	1
- 17	213547	• RESISTOR,FXD,COMP- 15K P/M 5% 1/2W	1
- 18	529203	• CAPACITOR,FIXED,TANTALUM-47 UF 35V	1
- 19	213697	• RESISTOR,FXD,WW- 24K P/M 5 PCT 1/2W	1
- 20	317009	• RESISTOR,FXD 390 OHM P/M 5 PCT 0.5W	1
- 21	317026	• RESISTOR,FIXED COMP 9.1K,5%,1/2 WATT	1
- 22	333202	• RESISTOR,FXD,COMP-240 OHMS P/M 5% 1/2W	1
- 23	317428	• RESISTOR,FXD,COMP- 330 OHMS P/M 5% 1/2W	1
- 24	317015	• RESISTOR,FXD,COMP- 750 OHMS P/M 5% 1/2W	1
- 25	5213521	• CAPACITOR,FIXED,ELECT-1000 UF 25V	1
- 26	2111232	• SEMICONDUCTOR DEVICE,DIODE-TYPE AM	6
- 27	369654	• TRANSISTOR-NPN	2
- 28	369652	• TRANSISTOR-PNP	2
- 29	317296	• LABEL-NUMBERING L TO R 1 THRU 33	1
- 30	5276247	• BOARD PIN ASM	1

FOR PARTS  
NOT SHOWN  
SEE FIG. 29,30

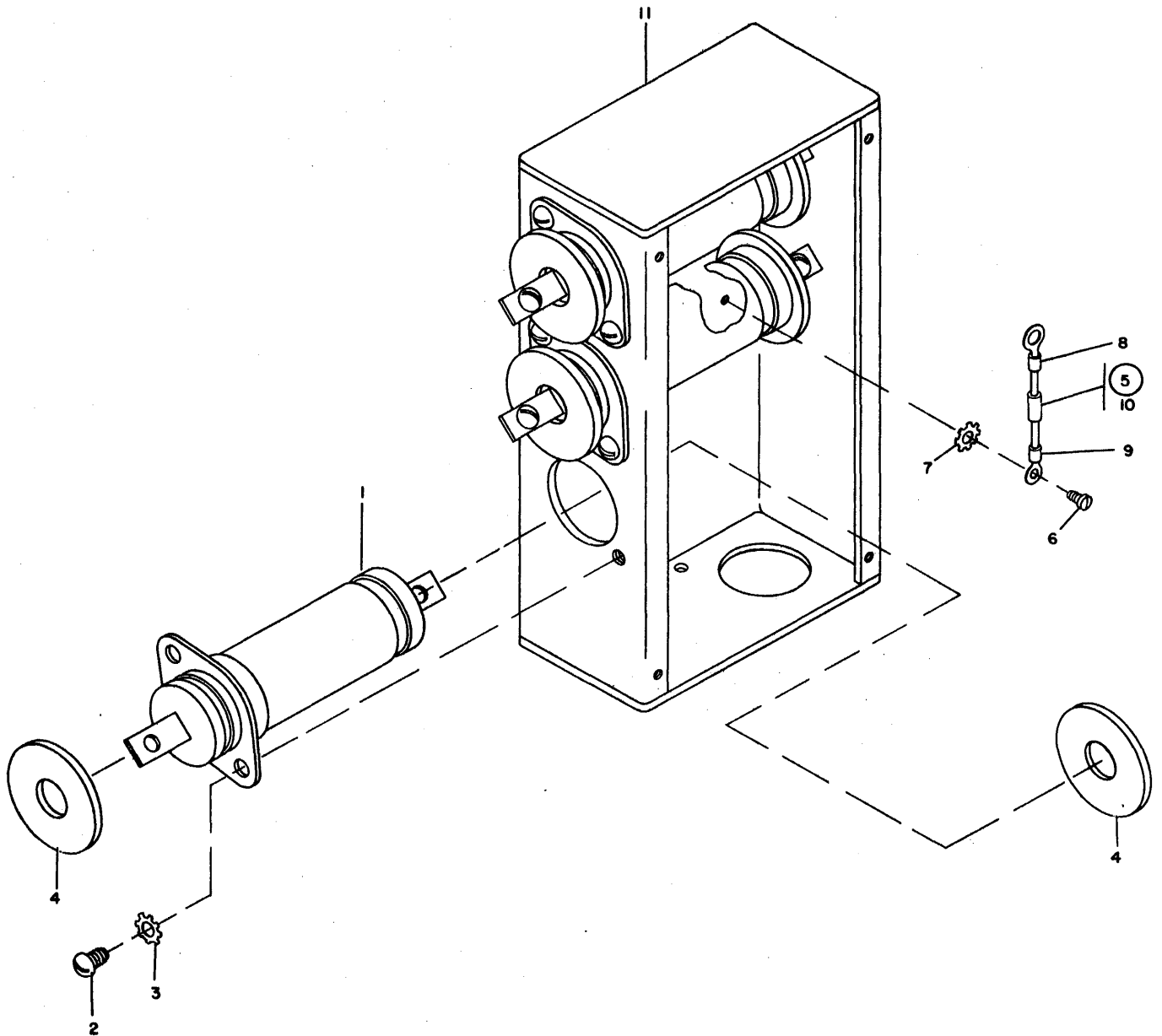


FIGURE 32. FILTER BOX ASSEMBLY. SEE LIST 32.





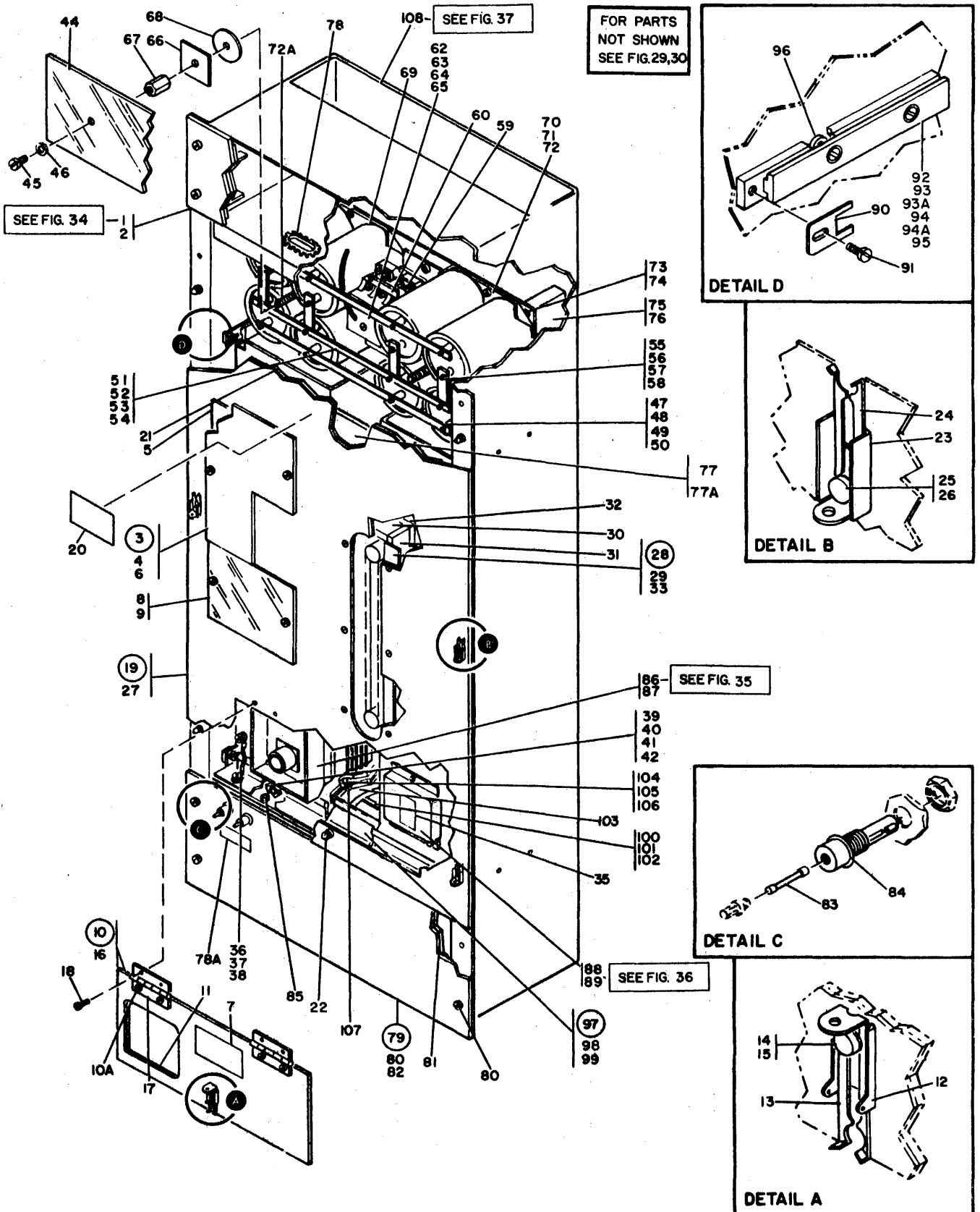


FIGURE 33. 75 AMP CONVERTER INVERTER ASSEMBLY. SEE LIST 33.

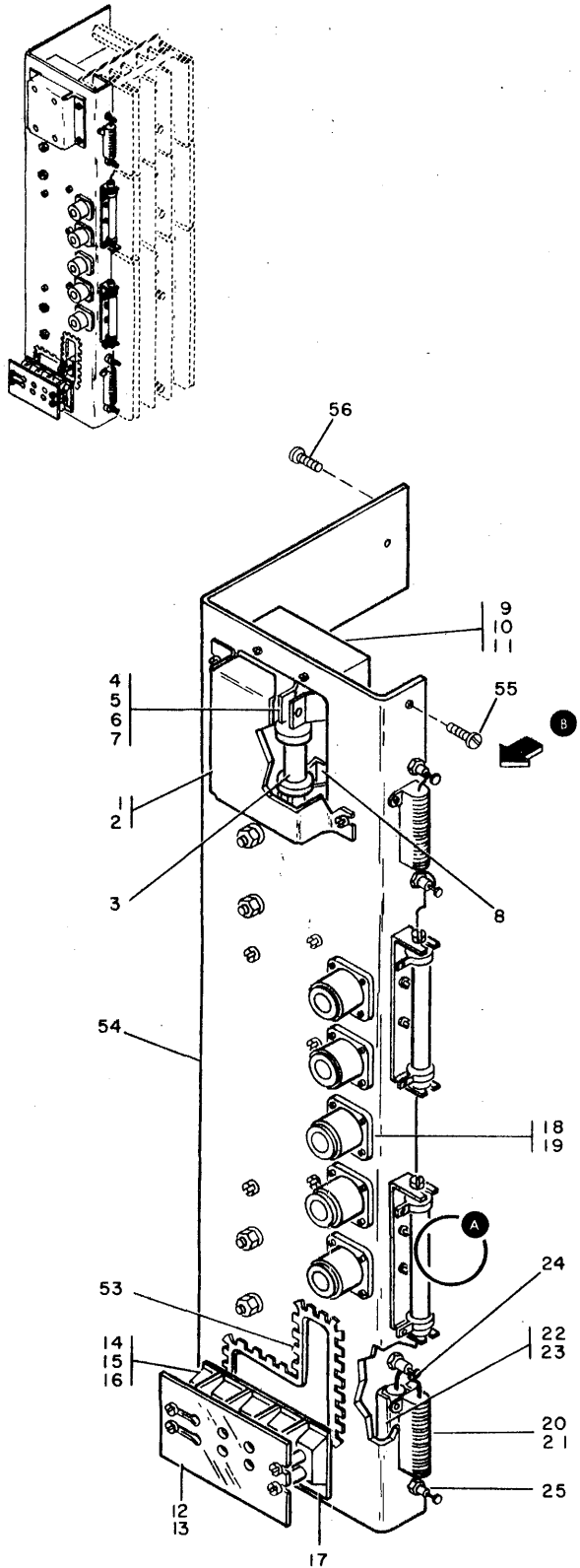
LIST AND INDEX NUMBER	PART NUMBER	DESCRIPTION				UNITS PER ASM.	USABLE ON CODE
		1	2	3	4		
		75 AMP CONVERTER INVERTER ASSEMBLY					
33 -		CODE A USED ON CONV. INV. ASM-60 HZ CODE B USED ON CONV. INV. ASM-50 HZ					
-	5703200	75 AMP CONVERTER INVERTER ASM USED PRIOR TO L9 SUFFIX				REF	A
-	5712000	SEE FIG. 29-67 FOR NEXT HIGHER ASSEMBLY AND FIG. 33 FOR ILLUSTRATION 75 AMP CONVERTER INVERTER ASM				REF	B
- 1	5712039	SEE FIG. 30-72 FOR NEXT HIGHER ASSEMBLY AND FIG. 33 FOR ILLUSTRATION • RESISTOR ASSEMBLY-UPPER COVER				1	
- 2	58207	• SCREW, MACH-UNDRCT BIND HD 8-32 X 1/4 LG				ATT PT	4
- 3	5261372	• CARD COVER ASM					1
- 4	438548	• SCREW, MACH-BIND HD 4-40 X 3/16 LG				ATT PT	2
- 5	5261576	• • INSULATOR-COVER					1
- 6	5703246	• • COVER					1
- 7	5709006	• PLATE, INSTRUCTION					1
- 8	5761493	• COVER-INDICATOR					1
- 9	251970	• SCREW-MACH BD. HD. 4-40 X 1/4 LG				ATT PT	2
- 10	5261381	• COVER ASM-HINGED					1
- 10A	55726	• SCREW, MACH-BIND HD 6-32 X .188 LG				ATT PT	4
- 11	5261577	• • INSULATOR, COVER					1
- 12	5261595	• • GUIDE					1
- 13	5261594	• • LATCH					1
- 14	5261591	• • RIVET, SOLID					1
- 15	5261383	• • WASHER, CUPPED- 15/64 ID X 7/16 OD				ATT PT	1
- 16	5703243	• • COVER, HINGED					1
- 17	5703242	• HINGE					2
- 18	55726	• SCREW, MACH-BIND HD 6-32 X .188 LG				ATT PT	4
- 19	5261593	• COVER ASM					1
- 20	5261629	• • LABEL-MAIN COVER					1
- 21	5261353	• • INSULATOR, COVER					1
- 22	5261592	• • STUD, SPRING CLIP- 1/4 X 3/8 OD X 1/2 LG					1
- 23	5261595	• • GUIDE					6
- 24	5261594	• • LATCH					6
- 25	5261591	• • RIVET, SOLID				ATT PT	6
- 26	5261383	• • WASHER, CUPPED- 15/64 ID X 7/16 OD				ATT PT	6
- 27	5703251	• • COVER					1
- 28	5261382	• SHIELD ASM					1
- 29	55726	• SCREW, MACH-BIND HD 6-32 X .188 LG				ATT PT	6
- 30	5261574	• • INSULATOR					2
- 31	5261573	• • INSULATOR					2
- 32	5261572	• • INSULATOR					1
- 33	5261569	• • COVER-OUTPUT					1
- 35	5261598	• PLATE, INSTRUCTION-FUSES					1
- 36	528484	• JUMPER ASSEMBLY-GROUND					AR
		SEE FIG. 79-43 FOR COMPONENT PART					
- 37	236849	• SCREW, MACH-BIND HD 10-32 X 0.250 LG				ATT PT	4
- 38	56079	• WASHER, LOCK-EXT T .195 ID .410 OD				ATT PT	4
- 39	216362	• CLAMP-CABLE					1
- 40	186758	• SCREW, MACH-BIND HD 8-32 X 0.438				ATT PT	1
- 41	1090873	• WASHER, LOCK, SPLIT RING- .168 ID, .296 OD				ATT PT	1
- 42	22478	• WASHER, FL- 0.170 ID 0.375 OD 0.32 THK				ATT PT	1
- 44	5703253	• SHIELD, SAFETY-CAPACITOR					1
- 45	322029	• SCREW, MACH-BIND HD 1/4-20 X 1/2 LG				ATT PT	2
- 46	3550	• WASHER, FL- 1/4 X 9/16 OD X 0.050 THK				ATT PT	2
- 47	5703256	• BUS BAR-CAPACITOR					2
- 48	32042	• SCREW, MACH BIND. HD 10-32 X 3/8 LG.				ATT PT	AR
- 49	9092	• WASHER-LOCK, SPLIT RING, .194 ID .3370D				ATT PT	8
- 50	45690	• WASHER, FL - NO.10 X 7/16 OD X 1/32 THK				ATT PT	8
- 51	5703256	• BUS BAR-CAPACITOR					1
- 52	32617	• SCREW, MACH-BIND HD 10-32 X 0.438 LG				ATT PT	4
- 53	9092	• WASHER-LOCK, SPLIT RING, .194 ID .3370D				ATT PT	4
- 54	45690	• WASHER, FL - NO.10 X 7/16 OD X 1/32 THK				ATT PT	4
- 55	5703255	• BUS BAR-CAPACITOR					4
- 56	28413	• SCREW, MACH-BIND HD 10-32 X 5/16 LG				ATT PT	AR
- 56	32042	• SCREW, MACH BIND. HD 10-32 X 3/8 LG.				ATT PT	AR
- 57	9092	• WASHER-LOCK, SPLIT RING, .194 ID .3370D				ATT PT	4
- 58	45690	• WASHER, FL - NO.10 X 7/16 OD X 1/32 THK				ATT PT	4
- 59	236849	• SCREW, MACH-BIND HD 10-32 X 0.250 LG				ATT PT	2
- 60	5708938	• BUS CONNECTOR					2
- 61	32042	• SCREW, MACH BIND. HD 10-32 X 3/8 LG.				ATT PT	6

LIST AND INDEX NUMBER	PART NUMBER	DESCRIPTION	UNITS PER ASM.	USABLE ON CODE
33 - 62	5276703	• RELAY-24 VDC COIL	1	
- 63	32042	• SCREW, MACH BIND. HD 10-32 X 3/8 LG. ATT PT	AR	
- 63	338238	• SCREW, MACH-BD HD 4-40 NC X .3125 LG ATT PT	AR	
- 64	9092	• WASHER-LOCK,SPLIT RING, .194 ID .3370D ATT PT	AR	
- 64	257984	• WASHER,LOCK-SPLIT 1/8 ID X 13/64 OD ATT PT	AR	
- 65	45690	• WASHER, FL - NO.10 X 7/16 OD X 1/32 THK ATT PT	AR	
- 65	257985	• WASHER,FLAT-NO. 4 X 0.250 OD X 0.028 THK ATT PT	AR	
- 66	5703249	• CLAMP-CAPACITOR	2	
- 67	222027	• SPACER-HEX 1/4-20 THD THRU HOLE 1 LG OA ATT PT	2	
- 68	5703248	• CLAMP-CAPACITOR	2	
- 69	5261442	• CAPACITOR,FIXED,ELECT- 3200 UF 200V	8	
- 70	5703247	• BASE	2	
- 71	236849	• SCREW,MACH-BIND HD 10-32 X 0.250 LG	8	
- 72	56079	• WASHER,LOCK-EXT T .195 ID .410 OD	8	
- 72A	363447	• BOLT,SQUARE NECK 1/4-20 X 4-3/4 LG	2	
- 73	5712023	• PLATE,MOUNTING-CAPACITOR	1	
- 74	325660	• SCREW-MACH FH 1/4-20 X .625 LG	4	
- 75	5712025	• PLATE,SUPPORT	2	
- 76	25895	• SCREW,MACH-FH 1/4-20 X 3/4 LG	4	
- 78	730432	• GROMMET,CATERPILLAR	AR	
- 78A	5709059	• NAMEPLATE, FAN FUSES	1	
- 79	5261597	• COVER ASM-BOTTOM	1	
- 80	58207	• SCREW,MACH-UNDRCT BIND HD 8-32 X 1/4 LG	4	
- 81	5261330	• INSULATOR-COVER BOTTOM	1	
- 82	5703262	• COVER-BOTTOM	1	
- 83	78999	• FUSE, 0.5 AMPS	2	
- 84	360882	• FUSEHOLDER- 15 AMP 250V AC	2	
- 85	53193	• GROMMET,RUB-FOR 7/16 HOLE X 3/32 PNL	1	
- 86	5703223	• 75 AMP CONVERTER ASSEMBLY- 60 HZ	1	A
- 86	5712003	• 75 AMP CONVERTER ASSEMBLY- 50 HZ SEE FIG. 35 FOR DETAIL BREAKDOWN	1	B
- 87	473536	• SEAL	AR	
- 88	5703202	• 75 AMP INVERTER SECTION ASM SEE FIG. 36 FOR DETAIL BREAKDOWN	1	
- 89	473536	• SEAL	AR	
- 90	5235193	• KEEPER-POWER SUPPLY	4	
- 91	186759	• SCREW,MACH-BIND HD 8-32 X 5/16 LG ATT PT	4	
- 92	5261608	• RAIL, MTG	4	
- 93	507796	• SCREW,MACH-BIND HD 10-32 X 1 LG ATT PT	8	
- 94	9092	• WASHER-LOCK,SPLIT RING, .194 ID .3370D ATT PT	8	
- 95	11598	• NUT,PLAIN-HEX 10-32 X 3/8 FL W ATT PT	8	
- 96	353526	• SPACER-LOWER TRIM	8	
- 97	5712034	• BAFFLE,AIR	1	
- 98	223528	• CHANNEL,RUBBER-COVER	AR	
- 99	5712024	• AIR BAFFLE	1	
-100	5700650	• MOTOR-FAN	1	A
-100	4120172	• FAN- 50 HZ	1	B
-101	32617	• SCREW,MACH-BIND HD 10-32 X 0.438 LG ATT PT	2	
-102	56121	• WASHER,LOCK-INT TEETH NO. 10 X 0.381 OD ATT PT	2	
-103	5712008	• PLATE,ADAPTER,FAN	1	B
-104	251970	• SCREW-MACH BD. HD. 4-40 X 1/4 LG ATT PT	3	
-105	9092	• WASHER-LOCK,SPLIT RING, .194 ID .3370D ATT PT	3	
-106	37913	• NUT-HEX 4-40 X .250 ID ATT PT	3	
-107	5261611	• SPACER	3	
-108	5261564	• TUB AND LINER ASSEMBLY SEE FIG. 37 FOR DETAIL BREAKDOWN	1	



LIST AND INDEX NUMBER	PART NUMBER	DESCRIPTION				UNITS PER ASM.	USABLE ON CODE
		1	2	3	4		
		75 AMP CONVERTER INVERTER ASSEMBLY					
33A-	5703200	75 AMP CONVERTER INVERTER ASM USED FROM TO CURRENT				REF	
		FOR NEXT HIGHER ASSEMBLY SEE FIG. 29-67 FOR ILLUSTRATION SEE FIG. 33A					
- 1	5712039	. RESISTOR ASSEMBLY-UPPER COVER				1	
		SEE FIG. 34 FOR DETAIL BREAKDOWN					
- 2	58207	. SCREW,MACH-UNDRCT BIND HD 8-32 X 1/4 LG ATT PT				4	
- 3	5261372	. CARD COVER ASM				1	
- 4	438548	. SCREW,MACH-BIND HD 4-40 X 3/16 LG ATT PT				2	
- 5	5261576	. . INSULATOR,COVER				1	
- 6	5703246	. . COVER				1	
- 7	5709006	. PLATE,INSTRUCTION				1	
- 8	5761493	. COVER,INDICATOR				1	
- 9	251970	. SCREW,MACH-BIND HD 4-40 X 1/4 LG ATT PT				2	
- 10	5261381	. COVER ASM-HINGED				1	
- 11	55726	. SCREW,MACH-BIND HD 6-32 X .188 LG ATT PT				4	
- 12	5261577	. . INSULATOR,COVER				1	
- 13	5261595	. . GUIDE				1	
- 14	5261594	. . LATCH				1	
- 15	5261591	. . RIVET,SOLID				1	
- 16	5261383	. . WASHER,CUPPED- 15/64 ID X 7/16 OD ATT PT				1	
- 17	5703243	. . COVER,HINGED				1	
- 18	5703242	. HINGE				2	
- 19	55726	. SCREW,MACH-BIND HD 6-32 X .188 LG ATT PT				4	
- 20	2611709	. COVER ASSEMBLY				1	
- 21	236849	. SCREW,MACH-BIND HD 10-32 X 0.250 LG ATT PT				6	
- 22	5261629	. . LABEL-MAIN COVER				1	
- 23	5261353	. . INSULATOR,COVER				1	
- 24	5261592	. . STUD,SPRING CLIP- 1/4 X 3/8 OD X 1/2 LG				1	
- 25	2611708	. . COVER				1	
- 26	5261382	. SHIELD ASM				1	
- 27	55726	. SCREW,MACH-BIND HD 6-32 X .188 LG ATT PT				6	
- 28	5261574	. . INSULATOR				2	
- 29	5261573	. . INSULATOR				2	
- 30	5261572	. . INSULATOR				1	
- 31	5261569	. . COVER-OUTPUT				1	
- 32	5261598	. PLATE,INSTRUCTION-FUSES				1	
- 33	528484	. JUMPER ASSEMBLY,GROUND				AR	
		SEE FIG. 79-43 FOR COMPONENT PART					
- 34	236849	. SCREW,MACH-BIND HD 10-32 X 0.250 LG ATT PT				4	
- 35	56079	. WASHER,LOCK-EXT T, 0.195 ID X 0.410 OD ATT PT				4	
- 36	356742	. CLAMP,LOOP- 0.250 ID, 0.177 DIA MTG HOLE				1	
- 37	186758	. SCREW,MACH-BIND HD 8-32 X 0.438 LG ATT PT				1	
- 38	1090873	. WASHER,LOCK,SPLIT RING- 0.168 ID, 0.296 OD ATT PT				1	
- 39	22478	. WASHER,FL- 0.170 ID X 0.375 OD X 0.32 THK ATT PT				1	
- 40	5703253	. SHIELD,SAFETY- CAPACITOR				1	
- 41	322029	. SCREW,MACH-BIND HD 1/4-20 X 1/2 LG ATT PT				2	
- 42	3550	. WASHER,FL- 1/4 X 9/16 OD X 0.050 THK ATT PT				2	
- 43	5703256	. BUS BAR-CAPACITOR				2	
- 44	32042	. SCREW,MACH-BIND HD 10-32 X 3/8 LG ATT PT				4	
- 45	9092	. WASHER,LOCK,SPLIT RING, 0.194 ID X 0.337 OD ATT PT				8	
- 46	45690	. WSHER,FL- N . 10 X 7/16 OD X 1/32 THK ATT PT				8	
- 47	5703256	. BUS BAR-CAPACITOR				1	
- 48	32617	. SCREW,MACH-BIND HD 10-32 X 0.438 LG ATT PT				4	
- 49	9092	. WASHER,LOCK,SPLIT RING 0.194 ID X 0.337 OD ATT PT				4	
- 50	45690	. WASHER,FL- NO. 10 X 7/16 OD X 1/32 THK ATT PT				4	
- 51	5703255	. BUS BAR-CAPACITOR				4	
- 52	32042	. SCREW,MACH-BIND HD 10-32 X 3/8 LG ATT PT				4	
- 53	9092	. WASHER,LOCK,SPLIT RING 0.194 ID X 0.337 OD ATT PT				4	
- 54	45690	. WASHER,FL- NO. 10 X 7/16 OD X 1/32 THK ATT PT				4	
- 55	236849	. SCREW,MACH-BIND HD 10-32 X 0.250 LG ATT PT				2	
- 56	5708938	. BUS CONNECTOR				2	
- 57	5276703	. CONTACTOR,MAGNETIC- 50 HZ				1	
- 58	28413	. SCREW,MACH-BIND HD 10-32 X 5/16 LG ATT PT				2	
- 59	56079	. WASHER,LOCK-EXT TOOTH 0.195 ID X 0.410 OD ATT PT				2	
- 60	45690	. WASHER,FL- NO. 10 X 7/16 OD X 1/32 THK ATT PT				2	
- 61	5703249	. CLAMP-CAPACITOR				2	
- 62	222027	. SPACER-HEX 1/4-20 THD THRU HOLE 1 LG OA ATT PT				2	
- 63	5703248	. CLAMP-CAPACITOR				2	
- 64	5261442	. CAPACITOR,FIXED, ELECT- 3200 UF 200V				8	
- 65	5703247	. BASE				2	
- 66	236849	. SCREW,MACH-BIND HD 10-32 X 0.250 LG ATT PT				8	
- 67	56079	. WASHER,LOCK-EXT T 0.195 ID X 0.410 OD ATT PT				8	





FOR PARTS  
NOT SHOWN  
SEE FIG. 33A

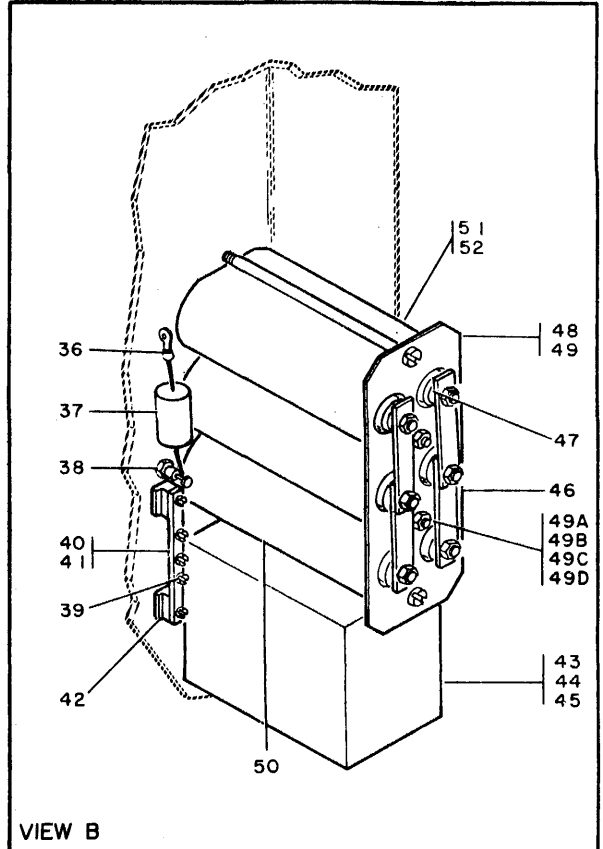
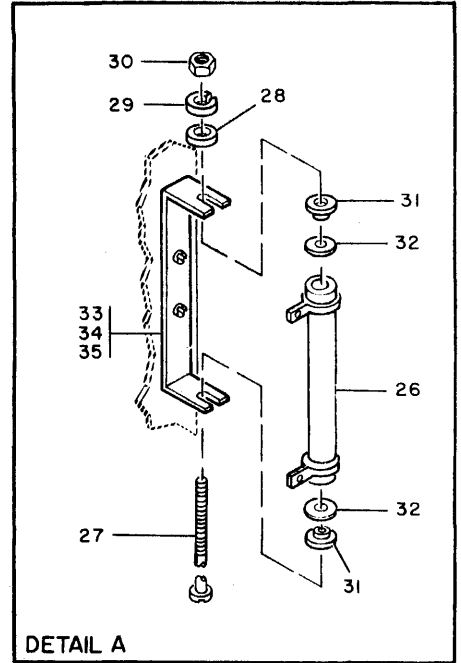


FIGURE 33B. 75 AMP INVERTER SECTION ASSEMBLY. SHEET 1 OF 2. INDEX NOS. 1-56. SEE LIST 33B.

LIST AND INDEX NUMBER	PART NUMBER	DESCRIPTION				UNITS PER ASM.	USABLE ON CODE
		1	2	3	4		
		75 AMP INVERTER SECTION ASSEMBLY					
33B- 25	2735	75 AMP INVERTER SECTION ASSEMBLY FOR NEXT HIGHER ASSEMBLY SEE FIG. 33A-85 FOR ILLUSTRATION SEE FIG. 33B				REF	
- 1	5703215	• SHIELD,FUSE				1	
- 2	10170	• SCREW,MACH-BIND HD 6-32 X 1/4 LG				2	
- 3	5261451	• FUSE,CARTRIDGE- 50 AMP 250V				2	
- 4	5703220	• PLATE,LOCKING-FUSE				4	
- 5	5703213	• STUD-FUSE BLOCK MTG				4	
- 6	6935	• WASHER,LOCK-SPLIT 1/4 X 0.493 OD				2	
- 7	36109	• NUT,PLAIN,HEX- 1/4-20 X 7/16 FL W				4	
- 8	5703214	• PLATE,LOCKING-FUSE				4	
- 9	5703212	• BLOCK-FUSE MTG				1	
- 10	332620	• SCREW,MACH-BIND HD 10-32 X 1/2 LG				4	
- 11	56079	• WASHER,LOCK-EXT T 0.195 ID X 0.410 OD				4	
- 12	5703264	• SHIELD,SAFETY				1	
- 13	210984	• SCREW,RD HD MACH- 6-32 X 0.250 LG				1	
- 14	5261460	• TERMINAL BOARD- 3 POS				1	
- 15	5703257	• STUD-SHIELD MTG				3	
- 16	5703258	• STUD-TAPPED				1	
- 17	5703260	• MARKER STRIP- 3 POS				1	
- 18	368353	• RECEPTACLE				5	
- 19	338238	• SCREW,MACH-BIND HD 4-40 X 0.3125 LG				20	
- 20	5240462	• RESISTOR,FXD,NW- 150 OHMS P/M 5% 50W				2	
- 21	438548	• SCREW,MACH-BIND HD 4-40 X 3/16 LG				4	
- 22	5703207	• CLIP				2	
- 23	48594	• SCREW,MACH-BIND HD 6-32 X 0.250 LG				4	
- 24	5213874	• CAPACITOR,FXD,PAPER DIELECTRIC, OIL UF				2	
- 25	5261458	• TERMINAL,INSULATED FEED THRU				4	
- 26	5261439	• RESISTOR,FXD,NW 30 OHMS P/M 5% 35W				2	
- 27	331982	• SCREW,MACH RD HD 8-32 X 1-1/4 LG				2	
- 28	22478	• WASHER,FL- 0.170 ID X 0.375 OD X 0.32 THK				2	
- 29	1090873	• WASHER,LOCK,SPLIT RING- 0.168 ID X 0.296 OD				2	
- 30	257189	• NUT,HEX- 8-32				2	
- 31	510468	• WASHER,CUPPED- 1/5 IN X 0.029 DIA				4	
- 32	321603	• WASHER,INSULATING 5/8 OD X 0.031 THK				4	
- 33	5703265	• BRACKET-RESISTOR MTG				2	
- 34	251970	• SCREW,MACH-BIND HD 4-40 X 1/4 LG				4	
- 35	56722	• WASHER,LOCK-EXT T NO. 6				4	
- 36	334921	• TERMINAL-RING, 18-22 AWG, NO. 6 HOLE, INS				2	
- 37	477974	• CAPACITOR,FXD,FILM- 0.47 MFD P/M 10% 400V				2	
- 38	5261459	• TERMINAL,STANDOFF				2	
- 39	28413	• SCREW,MACH-BIND HD 10-32 X 5/16 LG				6	
- 40	2572728	• BUS BAR				2	
- 41	80651	• SCREW,THD CUTTING-PAN HD 6-32 X 0.375 LG				8	
- 42	473531	• INSULATOR				4	
- 43	5261445	• COIL,R F				2	
- 44	3960	• NUT,PLAIN-HEX 1/4-20 X 7/16 FL W				4	
- 45	76574	• WASHER,LOCK,EXT T 0.267 ID X 0.510 OD				4	
- 46	5703259	• BUS BAR-CAPACITOR				4	
- 47	161351	• WASHER,PLAIN FLAT				2	
- 48	2572729	• PLATE,CAPACITOR MOUNTING				1	
- 49	332620	• SCREW,MACH-BIND HD 10-32 X 1/2 LG				2	
- 49A	2572789	• SCREW,FIL HD MACH, 6-32 NC				2	
- 49B	257986	• WASHER,FLAT NO. 6				2	
- 49C	6364	• WASHER,LOCK-SPLIT NO. 6X 1/4 OD				2	
- 49D	257187	• NUT,PLAIN,HEX-6-32				2	
- 50	5261388	• CAPACITOR,COMMUTATING- 2UF 400V DC				3	
- 51	5703211	• STANDOFF				2	
- 52	332620	• SCREW,MACH-BIND HD 10-32 X 1/2 LG				2	
- 53	730432	• GROMMET,CATERPILLAR				AR	
- 54	2572724	• CHASSIS,INVERTER SEC, 75 AMP-C/I				1	
- 55	32042	• SCREW,MACH-BIND HD 10-32 X 3/8 LG				4	
- 56	55918	• SCREW,MACH-BIND HD 10-32 X 5/8 LG				2	



FOR PARTS  
NOT SHOWN  
SEE FIG. 33A

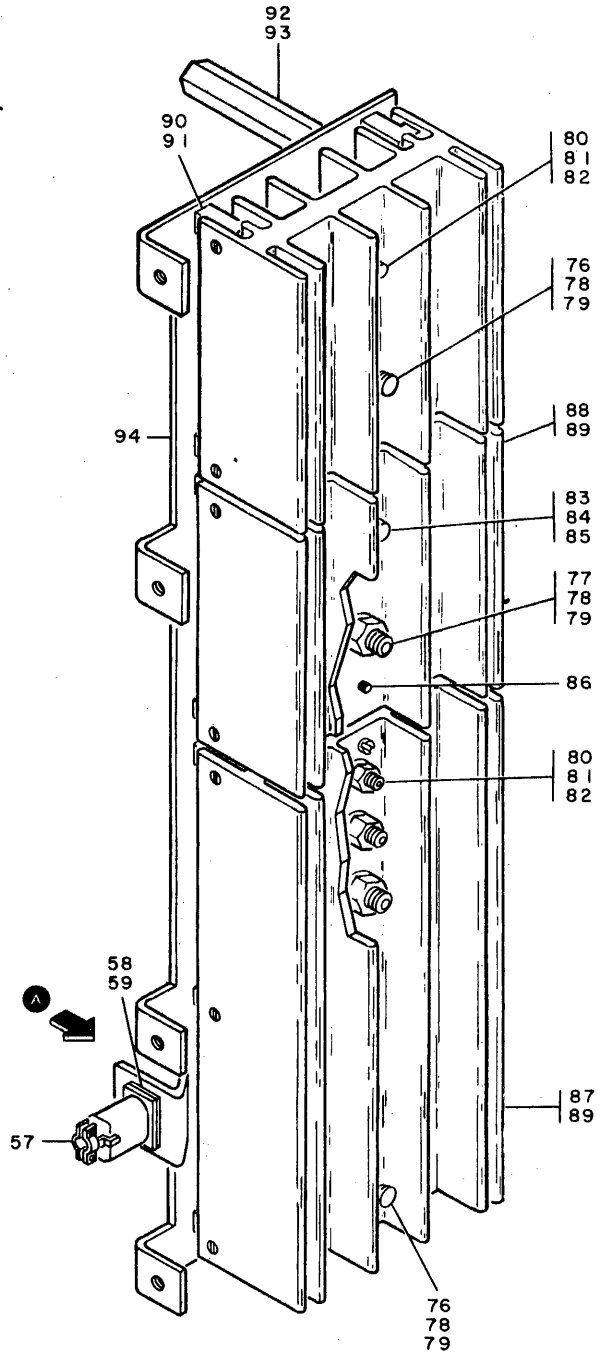
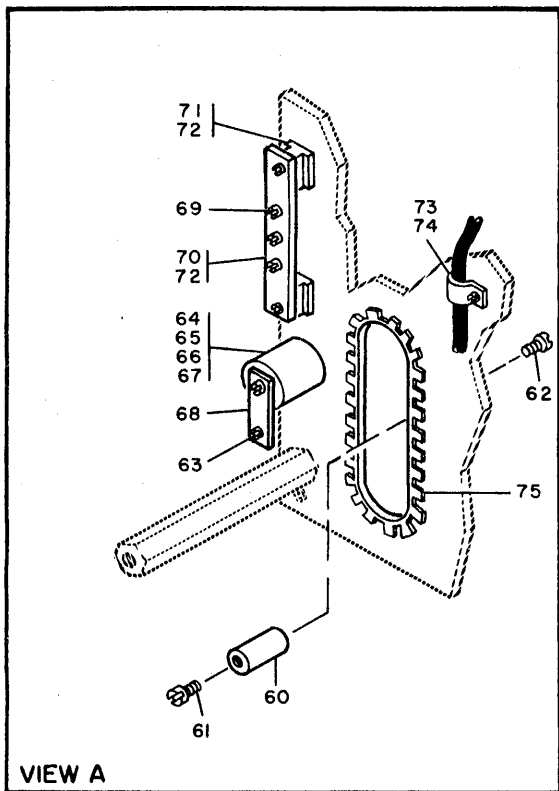


FIGURE 338. 75 AMP INVERTER SECTION ASSEMBLY. SHEET 2 OF 2. INDEX NOS. 57-94. SEE LIST 338.



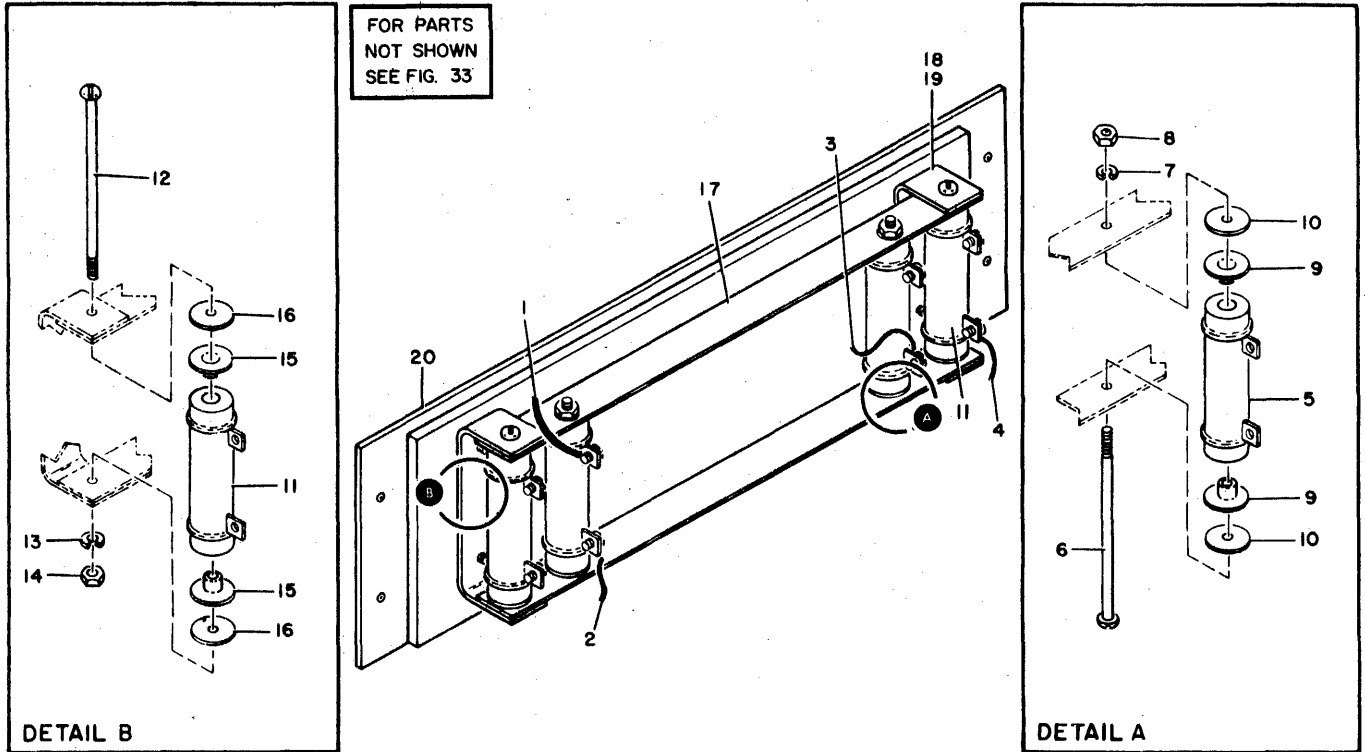


FIGURE 34. UPPER COVER RESISTOR ASSEMBLY. SEE LIST 34.

LIST AND INDEX NUMBER	PART NUMBER	DESCRIPTION	UNITS PER ASM.				USABLE ON CODE
			1	2	3	4	
		UPPER COVER RESISTOR ASSEMBLY					
34 -	5712039	RESISTOR ASSEMBLY-UPPER COVER SEE FIG. 33-1 FOR NEXT HIGHER ASSEMBLY AND FIG. 34 FOR ILLUSTRATION					REF
- 1	5758602	• JUMPER ASM- NO 8					2
- 2	5758615	• JUMPER ASM- NO 8					1
- 3	5758616	• JUMPER ASM- NO 8					1
- 4	5759610	• JUMPER ASM- NO 8					1
- 5	5261435	• RESISTOR,FXD,WW- 0.05 OHMS P/M 15% 155W					6
- 6	223410	• SCREW,MACH-RH 10-32 X 4-3/4 LG				ATT PT	6
- 7	56079	• WASHER,LOCK-EXT T .195 ID .410 OD				ATT PT	6
- 8	11598	• NUT,PLAIN-HEX 10-32 X 3/8 FL W				ATT PT	6
- 9	515380	• WASHER-CENTERING					12
- 10	515381	• WASHER,MICA					12
- 11	5261435	• RESISTOR,FXD,WW- 0.05 OHMS P/M 15% 155W					2
- 12	515718	• SCREW-FIL HD, NO. 8-32 X 5 IN LG				ATT PT	2
- 13	1090873	• WASHER,LOCK,SPLIT RING- .168 ID, .296 OD				ATT PT	2
- 14	257189	• NUT,HEX- 8-32				ATT PT	2
- 15	515380	• WASHER-CENTERING					4
- 16	515381	• WASHER,MICA					4
- 17	5712028	• BAR,RESISTOR MOUNTING					2
- 18	5712027	• BRACKET,RESISTOR					2
- 19	32042	• SCREW, MACH BIND. HD 10-32 X 3/8 LG.				ATT PT	4
- 20	5261599	• COVER ASM-TOP					1

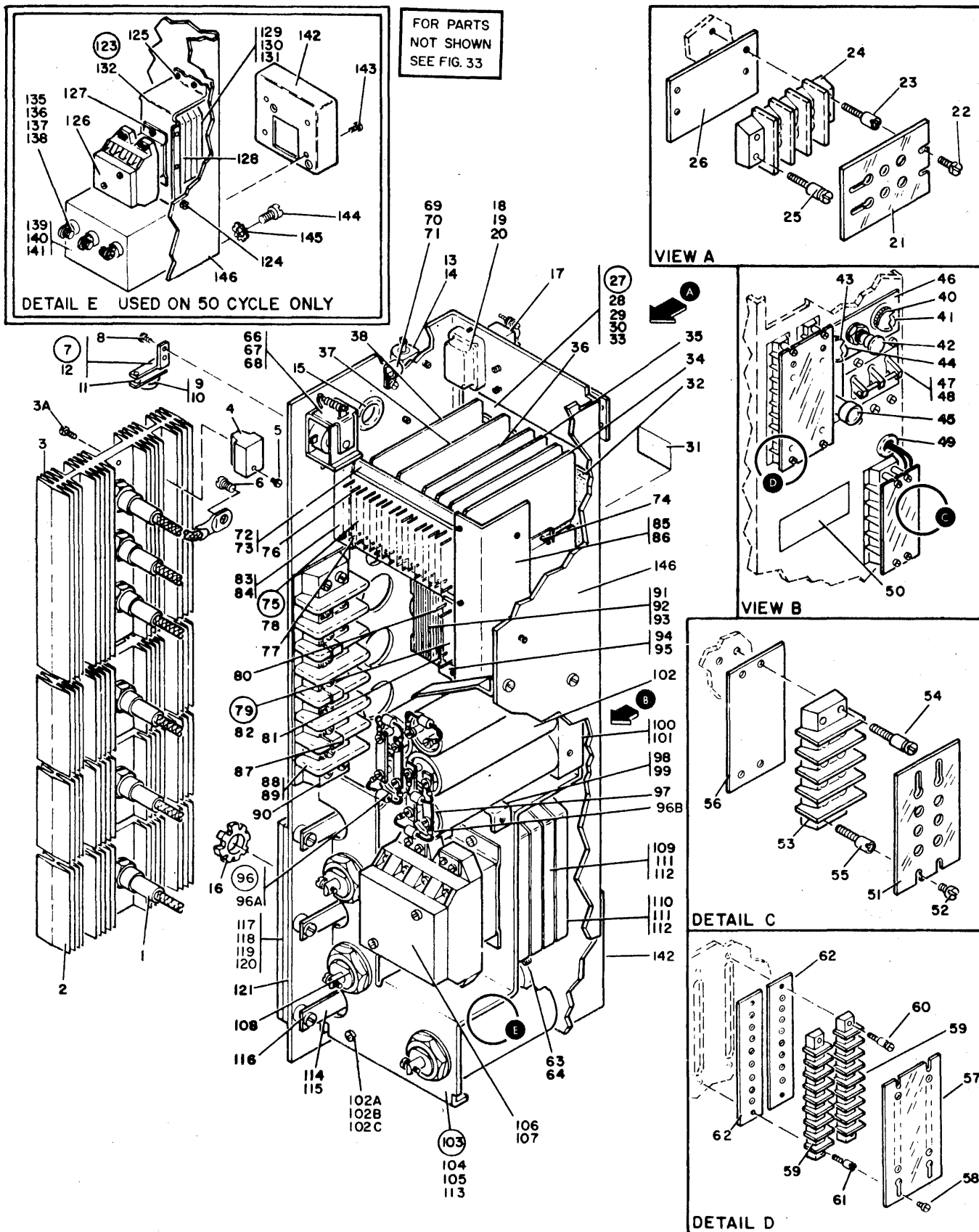


FIGURE 35. 75 AMP CONVERTER ASSEMBLY. SEE LIST 35.

LIST AND INDEX NUMBER	PART NUMBER	DESCRIPTION	UNITS	USABLE
			PER ASM.	ON CODE
		75 AMP CONVERTER ASSEMBLY		
35 -		CODE A USED ON CONVERTER ASM-60 HZ CODE B USED ON CONVERTER ASM-50 HZ		
-	5703223	75 AMP CONVERTER ASM-60 HZ	REF	A
-	5712003	75 AMP CONVERTER ASM-50 HZ	REF	B
		SEE FIG. 33-86 FOR NEXT HIGHER ASSEMBLY AND FIG. 35 FOR ILLUSTRATION		
- 1	5261456	• RECTIFIER,SILICON	6	
- 2	5703239	• HEATSINK-DIODE MTG	3	
- 3	5703238	• HEATSINK-DIODE MTG	1	
- 3A	79779	• SCREW,THD CTG-BIND HD NO. 6 X 3/4 LG ATT PT	10	
- 4	473531	• INSULATOR	10	
- 5	473544	• SCREW,BINDING HEAD SELF TAP NO 6 1/2 IN ATT PT	9	
- 6	32042	• SCREW, MACH BIND. HD 10-32 X 3/8 LG.	4	
- 7	5762133	• SWITCH ASM	1	
- 8	251970	• SCREW-MACH BD. HD. 4-40 X 1/4 LG ATT PT	2	
- 9	5257518	• THERMOSWITCH	1	
- 10	507234	• SCREW,MACH-BIND HD 4-40 X 3/8 LG ATT PT	2	
- 11	483111	• SPACER	2	
- 12	5762119	• BRACKET-THERMAL SWITCH	1	
- 13	5261438	• RESISTOR,FIXED-WW 750 OHMS P/M 3% 50W	2	
- 14	338238	• SCREW, MACH-BD HD 4-40 NC X .3125 LG ATT PT	4	
- 15	313997	• GROMMET,RUB-FOR 7/8 HOLE X 1/16 PNL	1	
- 16	730432	• GROMMET,CATERPILLAR	1	
- 17	204464	• CONNECTOR,PLUG,ELEC- 4 MALE CONTACTS	1	
- 18	5213765	• CONNECTOR,RECP,ELEC-4 FEMAL CONTACTS	1	
- 19	251970	• SCREW-MACH BD. HD. 4-40 X 1/4 LG ATT PT	AR	
- 20	150209	• WASHER,LOCK-INT TEETH NO. 4 X 17/64 OD	AR	
- 21	5703264	• SHIELD,SAFETY	1	
- 22	210984	• SCREW, RD HD MACH-6-32 X .250 LG ATT PT	1	
- 23	5703258	• STUD-TAPPED	1	
- 24	5261460	• TERMINAL BOARD-3 POS	1	
- 25	5703257	• STUD-SHIELD MTG ATT PT	3	
- 26	5703260	• MARKER STRIP-3 POS	1	
- 27	5712046	• RETAINER ASM-CARDS,75 AMP C/I	1	
- 28	332620	• SCREW,MACH-BIND HD 10-32 X 1/2 LG ATT PT	2	
- 29	45690	• WASHER, FL - NO.10 X 7/16 OD X 1/32 THK ATT PT	2	
- 30	9092	• WASHER-LOCK,SPLIT RING, .194 ID .3370D ATT PT	2	
- 31	5261304	• LABEL	1	
- 32	349736	• SEAL	1	
- 33	5712044	• PLATE, CARD RETAINER	1	
- 34	374223	• CARD ASM	1	
- 35	374982	• CARD ASM	2	
- 36	374785	• CARD ASM	1	
- 37	374788	• CARD ASM	1	
- 38	375316	• CARD ASSEMBLY	1	
- 40	5261463	• LAMP HOLDER-AMBER LENS	1	
- 41	5212657	• LAMP	1	
- 42	220918	• CIRCUIT BREAKER- 1 POLE 30V DC 5 AMP	1	
- 43	5261465	• LAMP HOLDER-GREEN LENS	1	
- 44	2414970	• LAMP,INCANDESCENT	1	
- 45	5261449	• SWITCH,PUSHBUTTON-SPST	1	
- 46	5703241	• NAMEPLATE	1	
- 47	5213479	• CIRCUIT BREAKER,3 POLE SPDT	1	
- 48	10170	• SCREW,MACH-BIND HD 6-32 X 1/4 LG ATT PT	6	
- 49	317138	• GROMMET,RUB-FOR 7/16 HOLE X 1/8 PNL	1	
- 50	5261702	• LABEL, CONVERTER	1	A
- 50	5261609	• LABEL	1	B
- 51	187858	• SHIELD,TERMINAL BLOCK- 30 AMP 4 POS	1	
- 52	210984	• SCREW, RD HD MACH-6-32 X .250 LG ATT PT	1	
- 53	91469	• TERMINAL BOARD- 4 DBL SCREW TERMINALS	1	
- 54	210986	• STUD-SHIELD MOUNTING ATT PT	3	
- 55	210985	• STUD,EXT-INT 6-32 EXT 8-32 X 0.900 LG OA ATT PT	1	
- 56	589759	• STRIP-MARKER	1	
- 57	5703244	• SHIELD-TERMINAL BOARD	1	
- 58	210984	• SCREW, RD HD MACH-6-32 X .250 LG ATT PT	1	
- 59	5261450	• TERMINAL BOARD-8 POS	2	
- 60	210884	• STUD-SHIELD MTG,NO. 6-32 ATT PT	3	
- 61	210883	• STUD-SHIELD MTG,TAPPED,NO. 6-32 ATT PT	1	
- 62	5261416	• MARKER STRIP-8 POS	2	
- 63	5261453	• CONNECTOR,RECP,ELEC-7 MALE CONTACTS	1	A
- 64	38235	• SCREW,MACH-BIND HD 6-32 X 0.312 LG ATT PT	4	
- 66	2128689	• RELAY,3 POLE DT 472 OHM 24 VOLT D.C.COIL	1	

LIST AND INDEX NUMBER	PART NUMBER	DESCRIPTION				UNITS PER ASM.	USABLE ON CODE
		1	2	3	4		
35 - 67	257187	•	NUT,PLAIN,HEX-	6-32 X 3/8 FL W	ATT PT	1	
- 68	6364	•	WASHER,LOCK-SPLIT NO.	6 X 1/4 OD	ATT PT	1	
- 69	101922	•	CLAMP,LOOP-	1/2 ID 11/64 DIA MTG HOLE		1	
- 70	10170	•	SCREW,MACH-BIND HD	6-32 X 1/4 LG	ATT PT	1	
- 71	6364	•	WASHER,LOCK-SPLIT NO.	6 X 1/4 OD	ATT PT	1	
- 72	5703236	•	T-BAR,CARD BLOCK MTG			2	
- 73	55726	•	SCREW,MACH-BIND HD	6-32 X .188 LG	ATT PT	4	
- 74	216085	•	GUIDE-CARD	8 POSITION LONG		1	
- 75	216083	•	CARD RECEPTACLE ASSEMBLY			1	
- 76	216087	•	•	SPRING-CONTACT		64	
- 77	216088	•	•	SPRING-CONTACT		64	
- 78	216082	•	•	CARD RECEPTACLE- 8 POSITION		1	
- 79	216076	•	•	TERMINAL BLOCK AND CONTACT ASSEMBLY		1	
- 80	216087	•	•	SPRING-CONTACT		8	
- 81	216088	•	•	SPRING-CONTACT		7	
- 82	216073	•	•	TERMINAL BLOCK AND CONTACT ASSEMBLY		1	
- 83	5703228	•	•	BRACKET-CARD BLOCK MTG		1	
- 84	236849	•	•	SCREW,MACH-BIND HD	10-32 X 0.250 LG	ATT PT	2
- 85	5703237	•	•	BRACKET-CARD BLOCK MOUNTING		1	
- 86	236849	•	•	SCREW,MACH-BIND HD	10-32 X 0.250 LG	ATT PT	2
- 87	5261434	•	•	JUMPER-TERM STRIP		3	
- 88	5261461	•	•	TERMINAL BOARD-7 POS		1	
- 89	5528	•	•	SCREW,MACH BIND HD	8-32 X .625 LG	ATT PT	AR
- 90	5261426	•	•	MARKER STRIP-7 POS		1	
- 91	5261443	•	•	TRANSFORMER-POWER STEP DOWN		1	
- 92	236849	•	•	SCREW,MACH-BIND HD	10-32 X 0.250 LG	ATT PT	4
- 93	56079	•	•	WASHER,LOCK-EXT T	.195 ID .410 OD	ATT PT	4
- 94	5703250	•	•	RETAINER		1	
- 95	55726	•	•	SCREW,MACH-BIND HD	6-32 X .188 LG	ATT PT	1
- 96	5261355	•	•	RESISTOR ASM-3.9K P/M 5% 1/2 W		5	
- 96A	317022	•	•	RESISTOR,FIXED,COMP- 3.9K P/M 5% 1/2WATT		1	
- 96B	334932	•	•	TERMINAL-RING,18-22 AWG, NO. 10 HOLE, INS		2	
- 97	5261596	•	•	BUS BAR-AC CAPACITOR		4	
- 98	5703233	•	•	RETAINING STRAP-CAPACITOR		1	
- 99	38235	•	•	SCREW,MACH-BIND HD	6-32 X 0.312 LG	ATT PT	2
-100	5703231	•	•	BRACKET-CAPACITOR MTG		1	
-101	28413	•	•	SCREW,MACH-BIND HD	10-32 X 5/16 LG	ATT PT	2
-102	208237	•	•	CAPACITOR,FXD,ELEC-4000UF P150 M10 30VDC		5	
-102A	32042	•	•	SCREW, MACH BIND. HD	10-32 X 3/8 LG.	1	
-102B	56079	•	•	WASHER,LOCK-EXT T	.195 ID .410 OD	1	
-102C	11598	•	•	NUT,PLAIN-HEX	10-32 X 3/8 FL W	1	
-103	5261452	•	•	COMPONENT MTG ASM		1	A
-104	186759	•	•	SCREW,MACH-BIND HD	8-32 X 5/16 LG	ATT PT	2
-105	28413	•	•	SCREW,MACH-BIND HD	10-32 X 5/16 LG	ATT PT	2
-106	5261448	•	•	RELAY-24 VDC COIL		1	
-107	236849	•	•	SCREW,MACH-BIND HD	10-32 X 0.250 LG	ATT PT	2
-108	5261446	•	•	FILTER-RFI		3	
-109	5261436	•	•	RESISTOR,FIXED-WW 5 OHMS P/M 10% 150W		3	
-110	5261437	•	•	RESISTOR,FIXED-WW 750 OHMS P/M 10% 150W		1	
-111	438605	•	•	SCREW,MACH-UNDRCT BIND H	10-32X2-3/4 LG	ATT PT	2
-112	45690	•	•	WASHER, FL - NO.10 X 7/16 OD X 1/32 THK	ATT PT	2	
-113	5703226	•	•	BRACKET-FILTER,CONN,RES MTG		1	
-114	5703230	•	•	TAB-BUS BAR		3	
-115	32042	•	•	SCREW, MACH BIND. HD	10-32 X 3/8 LG.	ATT PT	3
-116	5703229	•	•	BUSHING-INSULATING		3	
-117	5703234	•	•	BUS BAR		1	
-118	507796	•	•	SCREW,MACH-BIND HD	10-32 X 1 LG	ATT PT	1
-119	9092	•	•	WASHER-LOCK,SPLIT RING, .194 ID .337OD	ATT PT	3	
-120	11598	•	•	NUT,PLAIN-HEX	10-32 X 3/8 FL W	ATT PT	3
-121	5703235	•	•	INSULATOR-BUS BAR		1	
-123	5712004	•	•	SUB ASM-COMPONENT MOUNTING		1	B
-124	28413	•	•	SCREW,MACH-BIND HD	10-32 X 5/16 LG	ATT PT	3
-125	186759	•	•	SCREW,MACH-BIND HD	8-32 X 5/16 LG	ATT PT	2
-126	5261448	•	•	RELAY-24 VDC COIL		1	
-127	236849	•	•	SCREW,MACH-BIND HD	10-32 X 0.250 LG	ATT PT	1
-128	5261436	•	•	RESISTOR,FIXED-WW 5 OHMS P/M 10% 150W		3	
-129	5261437	•	•	RESISTOR,FIXED-WW 750 OHMS P/M 10% 150W		1	
-130	438605	•	•	SCREW,MACH-UNDRCT BIND H	10-32X2-3/4 LG	ATT PT	2
-131	45690	•	•	WASHER, FL - NO.10 X 7/16 OD X 1/32 THK	ATT PT	2	
-132	5762429	•	•	BRACKET		1	
-135	36844	•	•	SCREW,CAP-HEX HD SLOTTED	1/4-20 X 5/8 LG	3	
-136	3550	•	•	WASHER,FL- 1/4 X 9/16 OD X 0.050 THK		3	
-137	6935	•	•	WASHER,LOCK-SPLIT	1/4 X 0.493 OD	3	
-138	3960	•	•	NUT,PLAIN,HEX-	1/4-20 X 7/16 FL W	3	
-139	5213728	•	•	FILTER-3 SECT,40 AMP,250 VAC,50/60CPS		1	B
-140	11598	•	•	NUT,PLAIN-HEX	10-32 X 3/8 FL W	ATT PT	3



FOR PARTS  
NOT SHOWN  
SEE FIG. 33

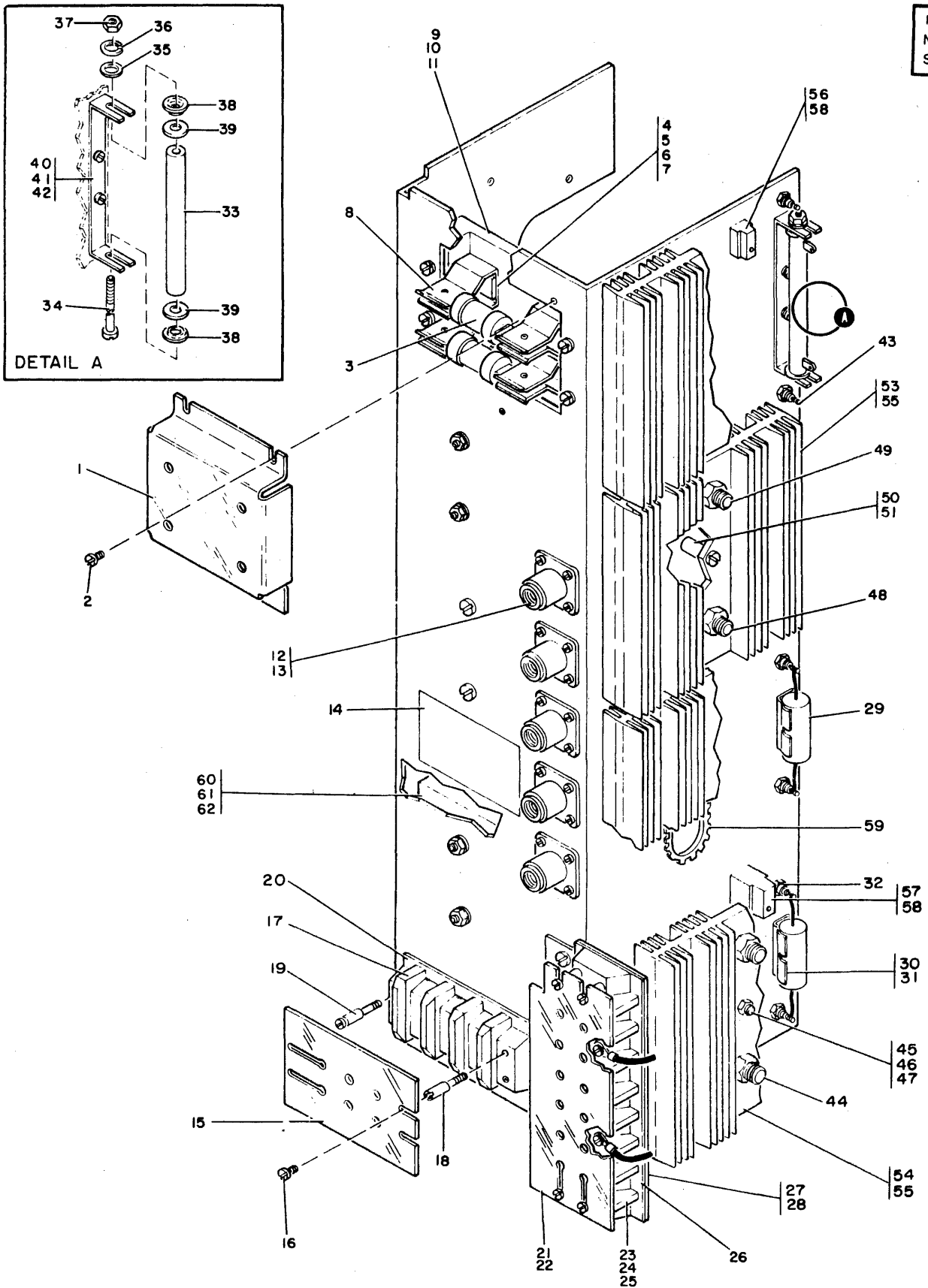


FIGURE 36. 75 AMP INVERTER SECTION ASSEMBLY. SHEET 1 OF 2. INDEX NOS. 1-62. SEE LIST 36.



LIST AND INDEX NUMBER	PART NUMBER	DESCRIPTION	UNITS PER ASM.	USABLE ON CODE
		75 AMP INVERTER SECTION ASSEMBLY		
36 -	5703202	75 AMP INVERTER SECTION ASM SEE FIG. 33-88 FOR NEXT HIGHER ASSEMBLY AND FIG. 36 FOR ILLUSTRATION	REF	
- 1	5703215	• SHIELD-FUSE	1	
- 2	10170	• SCREW,MACH-BIND HD 6-32 X 1/4 LG ATT PT	3	
- 3	5261451	• FUSE,CARTRIDGE-50 AMP 250V	2	
- 4	5703214	• PLATE,LOCKING-FUSE	4	
- 5	5703213	• STUD-FUSE BLOCK MTG ATT PT	4	
- 6	6935	• WASHER,LOCK-SPLIT 1/4 X 0.493 OD ATT PT	4	
- 7	36109	• NUT,PLAIN,HEX- 1/4-20 X 7/16 FL W ATT PT	4	
- 8	5703220	• CONTACT	4	
- 9	5703212	• BLOCK-FUSE MTG	1	
- 10	332620	• SCREW,MACH-BIND HD 10-32 X 1/2 LG ATT PT	4	
- 11	56079	• WASHER,LOCK-EXT T .195 ID .410 OD ATT PT	4	
- 12	368353	• RECEPTACLE	5	
- 13	338238	• SCREW, MACH-BD HD 4-40 NC X .3125 LG ATT PT	20	
- 14	5261701	• LABEL, INVERTER	1	
- 15	5703264	• SHIELD,SAFETY	1	
- 16	210984	• SCREW, RD HD MACH-6-32 X .250 LG ATT PT	1	
- 17	5261460	• TERMINAL BOARD-3 POS	1	
- 18	5703258	• STUD-TAPPED ATT PT	1	
- 19	5703257	• STUD-SHIELD MTG ATT PT	3	
- 20	5703260	• MARKER STRIP-3 POS	1	
- 21	5712033	• SHIELD,TERMINAL BOARD	1	
- 22	210984	• SCREW, RD HD MACH-6-32 X .250 LG ATT PT	1	
- 23	5213922	• TERMINAL BOARD,6 POSITION	1	
- 24	5703257	• STUD-SHIELD MTG ATT PT	3	
- 25	5703258	• STUD-TAPPED ATT PT	1	
- 26	5712029	• MARKER STRIP,TERMINAL BOARD	1	
- 27	5712026	• BRACKET, MTG	1	
- 28	186759	• SCREW,MACH-BIND HD 8-32 X 5/16 LG ATT PT	2	
- 29	5213874	• CAPACITOR,FXD,PAPER DIELECTRIC,0.1UF	2	
- 30	5703207	• CLIP, COMPONENT	2	
- 31	48594	• SCREW,MACH-BIND HD 6-32 X 0.250 LG ATT PT	4	
- 32	5261458	• TERMINAL-INSULATED FEED THRU	2	
- 33	5261439	• RESISTOR,FIXED-WW 30 OHMS P/M 5% 35W	2	
- 34	331982	• SCREW,MACH RD HD 8-32 X 1-1/4 LG ATT PT	2	
- 35	22478	• WASHER,FL- 0.170 ID 0.375 OD 0.32 THK ATT PT	2	
- 36	1090873	• WASHER,LOCK,SPLIT RING- .168 ID, .296 OD ATT PT	2	
- 37	257189	• NUT,HEX- 8-32 ATT PT	2	
- 38	510468	• WASHER,CUPPED- 1/5IN X .029 DIA	4	
- 39	321603	• WASHER,INSULATING 5/8 OD X 0.031 THK	4	
- 40	5703265	• BRACKET-RESISTOR MTG	2	
- 41	251970	• SCREW-MACH BD. HD. 4-40 X 1/4 LG ATT PT	4	
- 42	56722	• WASHER,LOCK-EXT TEETH NO. 6 ATT PT	4	
- 43	5261458	• TERMINAL-INSULATED FEED THRU	4	
- 44	5261454	• SEMICONDUCTOR DEVICE-CONTROLLED RECT	4	
- 45	55918	• SCREW,MACH-BIND HD 10-32 X 5/8 LG	4	
- 46	56079	• WASHER,LOCK-EXT T .195 ID .410 OD	4	
- 47	11598	• NUT,PLAIN-HEX 10-32 X 3/8 FL W	4	
- 48	5261457	• SEMICONDUCTOR DEVICE-CONTROLLED RECT	2	
- 49	5213925	• RECTIFIER	2	
- 50	5703206	• HEATSINK	2	
- 51	38235	• SCREW,MACH-BIND HD 6-32 X 0.312 LG ATT PT	2	
- 52	322065	• SCREW,MACH-BIND HD 6-32 X 5/8 LG ATT PT	2	
- 53	5703204	• HEATSINK-INVERTER	2	
- 54	5712036	• HEAT SINK-INVERTER	2	
- 55	79779	• SCREW,THD CTG-BIND HD NO. 6 X 3/4 LG ATT PT	12	
- 56	473531	• INSULATOR	9	
- 57	5712035	• INSULATOR,HEAT	3	
- 58	473544	• SCREW,BINDING HEAD SELF TAP NO 6 1/2 IN ATT PT	12	
- 59	730432	• GROMMET,CATERPILLAR	1	
- 60	5261445	• COIL,RF	2	
- 61	3960	• NUT,PLAIN,HEX- 1/4-20 X 7/16 FL W ATT PT	4	
- 62	76574	• LOCKWASHER-EXT TOOTH ID .267 X OD .510 ATT PT	4	

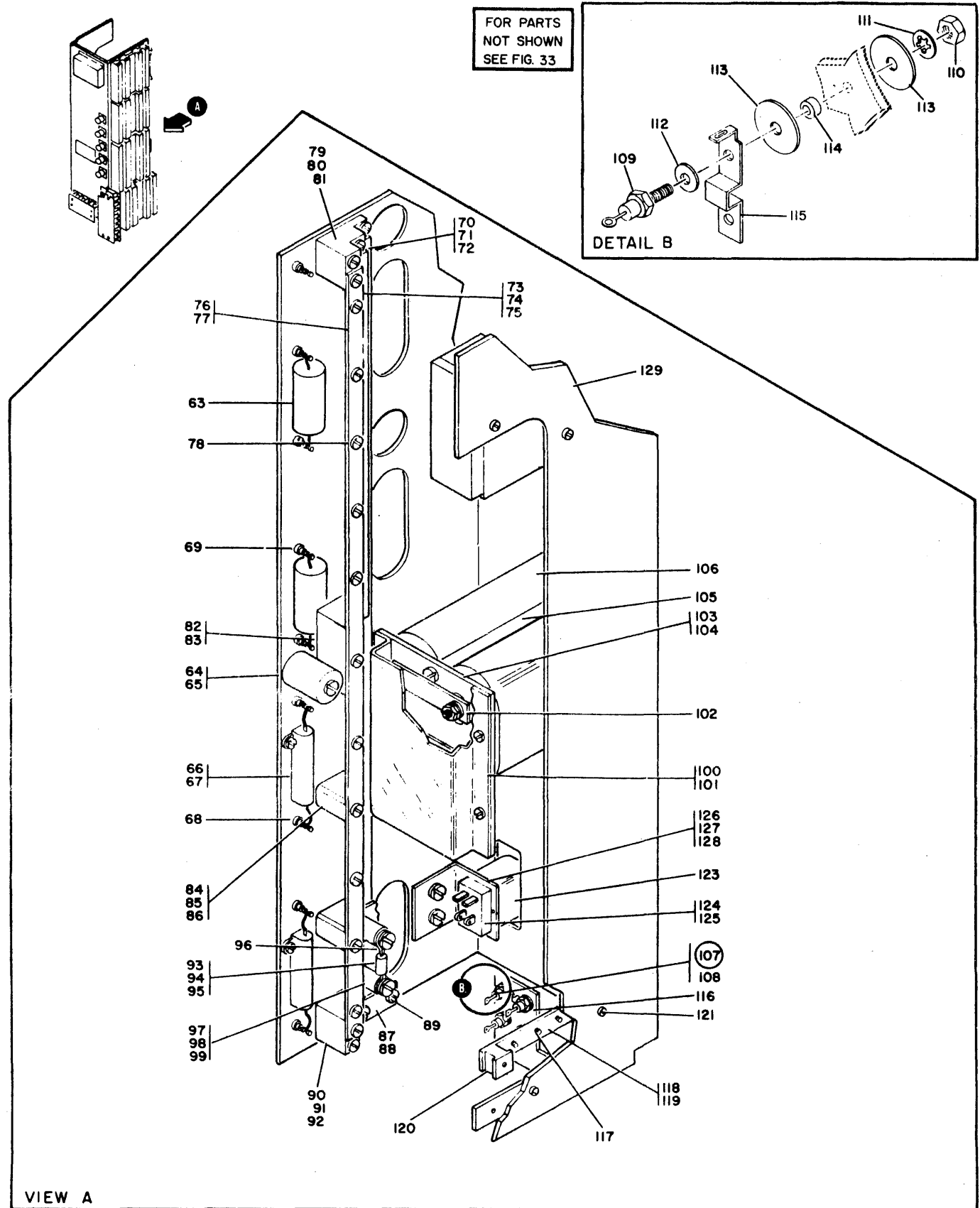


FIGURE 36. 75 AMP INVERTER SECTION ASSEMBLY. SHEET 2 OF 2. INDEX NOS. 63-129. SEE LIST 36.

LIST AND INDEX NUMBER	PART NUMBER	DESCRIPTION	UNITS PER ASM.	USABLE ON CODE
36 - 63	477974	• CAPACITOR,FXD,FILM- 0.47MFD P/M 10% 400V	2	
- 64	5712043	• STUD,EXTENSION	1	
- 65	90261	• SCREW,MACH-BIND HD 1/4-20 X 0.438 LG ATT PT	2	
- 66	5240462	• RESISTOR,FXD,WW-150 OHMS P/M 5% 50W	2	
- 67	438548	• SCREW,MACH-BIND HD 4-40 X 3/16 LG ATT PT	4	
- 68	5261458	• TERMINAL-INSULATED FEED THRU	2	
- 69	5261459	• TERMINAL,STANDOFF	2	
- 70	5712038	• BUS BAR	1	
- 71	58207	• SCREW,MACH-UNDRCT BIND HD 8-32 X 1/4 LG ATT PT	3	
- 72	236849	• SCREW,MACH-BIND HD 10-32 X 0.250 LG	8	
- 73	5703222	• BUS BAR	1	
- 74	25627	• SCREW-BD. HD 8-32 X .500 LG ATT PT	2	
- 75	236849	• SCREW,MACH-BIND HD 10-32 X 0.250 LG	5	
- 76	5703221	• BUS BAR	1	
- 77	25627	• SCREW-BD. HD 8-32 X .500 LG ATT PT	3	
- 78	236849	• SCREW,MACH-BIND HD 10-32 X 0.250 LG	10	
- 79	5703217	• BLOCK-BUS BAR MTG	1	
- 80	34512	• SCREW,BIND,HD 8-32 X .375 LG ATT PT	1	
- 81	438587	• SCREW,MACH-BIND HD 8-32 X 1-1/8 LG ATT PT	1	
- 82	5703219	• BLOCK-BUS BAR MTG	1	
- 83	438586	• SCREW,MACH-UNDRCT BIND HD 8-32 X 7/8 LG ATT PT	1	
- 84	5712037	• BLOCK,BUS BAR MOUNTING	2	
- 85	25627	• SCREW-BD. HD 8-32 X .500 LG ATT PT	2	
- 86	236849	• SCREW,MACH-BIND HD 10-32 X 0.250 LG ATT PT	2	
- 87	5703230	• TAB-BUS BAR	4	
- 88	25627	• SCREW-BD. HD 8-32 X .500 LG ATT PT	4	
- 89	28413	• SCREW,MACH-BIND HD 10-32 X 5/16 LG	4	
- 90	5703218	• BLOCK-BUS BAR MTG	1	
- 91	34512	• SCREW,BIND,HD 8-32 X .375 LG ATT PT	1	
- 92	438587	• SCREW,MACH-BIND HD 8-32 X 1-1/8 LG ATT PT	1	
- 93	216797	• RESISTOR,FXD,FILM- 24 OHMS P/M 5% 2W	2	
- 94	38235	• SCREW,MACH-BIND HD 6-32 X 0.312 LG ATT PT	4	
- 95	56722	• WASHER,LOCK-EXT TEETH NO. 6 ATT PT	4	
- 96	334932	• TERMINAL-RING,18-22 AWG,#10 HOLE,INS	4	
- 97	5703245	• STUD,EXTENSION	4	
- 98	81693	• SCREW,MACH-BIND HD 6-32 X 3/8 LG ATT PT	4	
- 99	56722	• WASHER,LOCK-EXT TEETH NO. 6 ATT PT	4	
-100	5703216	• SHIELD-CAPACITOR	1	
-101	55726	• SCREW,MACH-BIND HD 6-32 X .188 LG ATT PT	4	
-102	5703259	• BUS BAR-CAPACITOR	3	
-103	5703210	• PLATE-CAPACITOR MTG	1	
-104	332620	• SCREW,MACH-BIND HD 10-32 X 1/2 LG ATT PT	4	
-105	5703211	• STAND-OFF	2	
-106	5261388	• CAPACITOR,COMMUTATING-2 UF 400VDC	3	
-107	5703267	• DIODE ASM-75 AMP C/I	1	
-108	186759	• SCREW,MACH-BIND HD 8-32 X 5/16 LG ATT PT	2	
-109	5214094	• RECTIFIER, SILICON-12A, 1000V	4	
-110	11891	• NUT-PLAIN,HEX,10-32 X 3/8 FL W BR5 ATT PT	4	
-111	56121	• WASHER,LOCK-INT TEETH NO. 10 X 0.381 OD ATT PT	4	
-112	45690	• WASHER, FL - NO.10 X 7/16 OD X 1/32 THK ATT PT	4	
-113	217019	• WASHER, INSULATING	8	
-114	473582	• INSULATOR	4	
-115	478043	• JUMPER - PLATE	2	
-116	5703269	• BRACKET, DIODE MTG	1	
-117	28413	• SCREW,MACH-BIND HD 10-32 X 5/16 LG	3	
-118	5261466	• BUS BAR	1	
-119	80651	• SCREW,THD CUTTING-PAN HD 6-32 X 0.375 LG ATT PT	2	
-120	473531	• INSULATOR	2	
-121	80651	• SCREW,THD CUTTING-PAN HD 6-32 X 0.375 LG ATT PT	2	
-123	450957	• CONNECTOR, PLUG, ELECTRICAL, FEMALE	1	
-124	317286	• CONNECTOR,RECP,ELEC- 8 MALE CONTACTS	1	
-125	38348	• SCREW,MACH-FIL HD 6-32 X 0.188 LG ATT PT	2	
-126	5703209	• BRACKET-CONNECTOR MTG	1	
-127	236849	• SCREW,MACH-BIND HD 10-32 X 0.250 LG ATT PT	2	
-128	56079	• WASHER,LOCK-EXT T .195 ID .410 OD ATT PT	2	
-129	5703203	• CHASSIS-INVERTER SECTION	1	

FOR PARTS  
NOT SHOWN  
SEE FIG. 33 & 33A

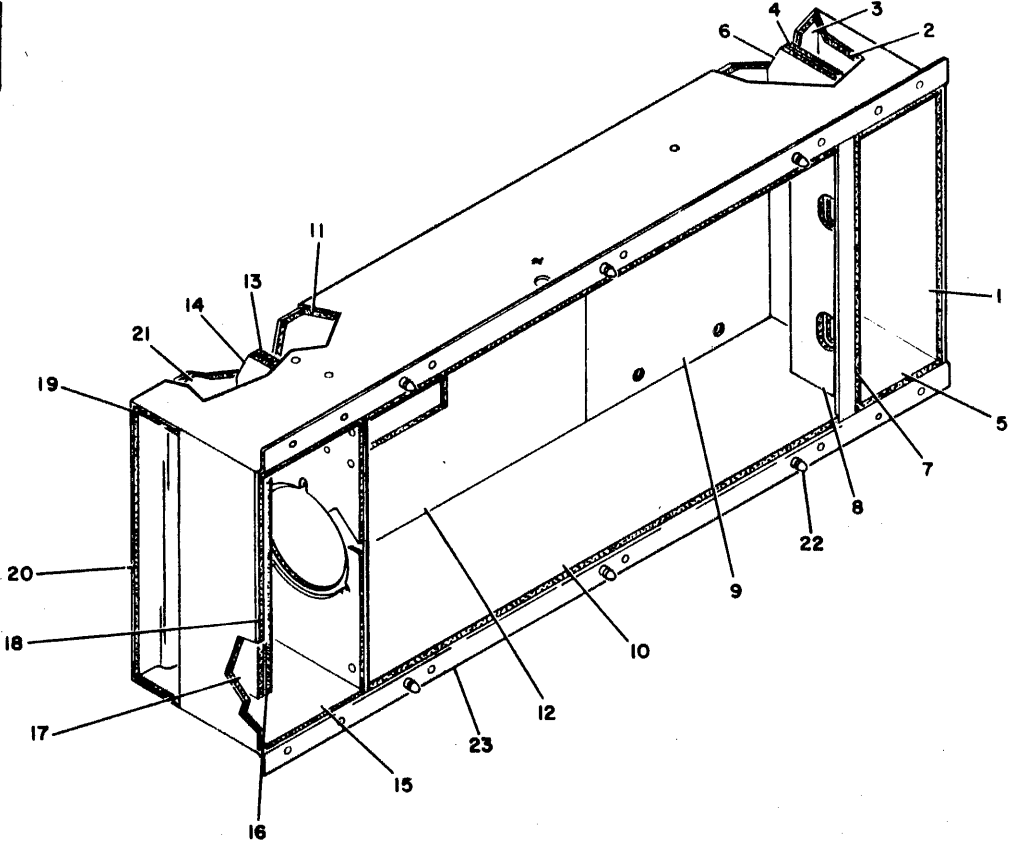


FIGURE 37. TUB AND LINER ASSEMBLY. SEE LIST 37.

LIST AND INDEX NUMBER	PART NUMBER	DESCRIPTION	UNITS PER ASM.				USABLE ON CODE
			1	2	3	4	
		TUB AND LINER ASSEMBLY					
37 -	2611714	TUB AND LINER ASSEMBLY FOR NEXT HIGHER ASM SEE FIG. 33A-99 FOR ILLUSTRATION SEE FIG. 37					REF
-	5261564	TUB AND LINER ASSEMBLY SEE FIG. 33-108 FOR NEXT HIGHER ASSEMBLY AND FIG. 37 FOR ILLUSTRATION					REF
- 1	5261553	• LINING-FELT					1
- 2	5261557	• LINING-FELT					1
- 3	5261556	• LINING-FELT					1
- 4	5261552	• LINING-FELT					1
- 5	5261565	• LINING-FELT					1
- 6	5261549	• LINING-FELT					1
- 7	5261555	• LINING-FELT					1
- 8	5261554	• LINING-FELT					1
- 9	5261558	• LINING-FELT					1
- 10	5261560	• LINING-FELT					1
- 11	5261559	• LINING-FELT					1
- 12	5261550	• LINING-FELT					1
- 13	5261562	• LINING-FELT					1
- 14	5261561	• LINING-FELT					1
- 15	5261566	• LINING-FELT					1
- 16	5261549	• LINING-FELT					1
- 17	5261552	• LINING-FELT					1
- 18	5261553	• LINING-FELT					1
- 19	5261563	• LINING-FELT					1
- 20	5261556	• LINING-FELT					1
- 21	5261551	• LINING-FELT					1
- 22	5261592	• STUD, SPRING CLIP- 1/4 X 3/8 OD X 1/2 LG					6
- 23	2611713	• TUB-75 AMP CONVERT-INVERT USED ON ASM 5261564 ONLY					1
- 23	5703252	• TUB-75 AMP CONVERT-INVERT USED ON ASM 5261564 ONLY					1

FOR PARTS  
NOT SHOWN  
SEE FIG. 30

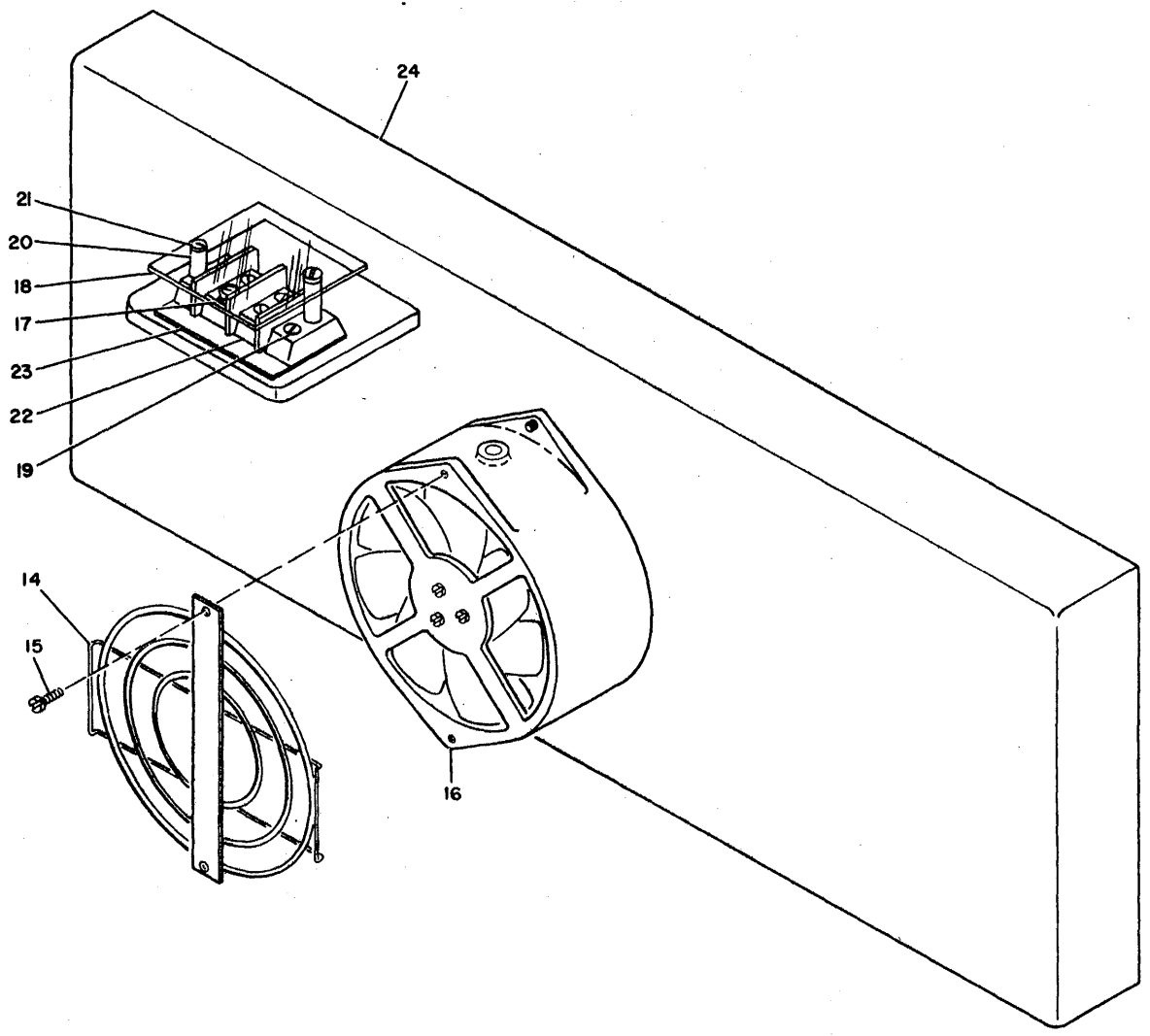


FIGURE 38. FAN ASSEMBLY. SEE LIST 38.



FOR PARTS  
NOT SHOWN  
SEE FIG. 29,30

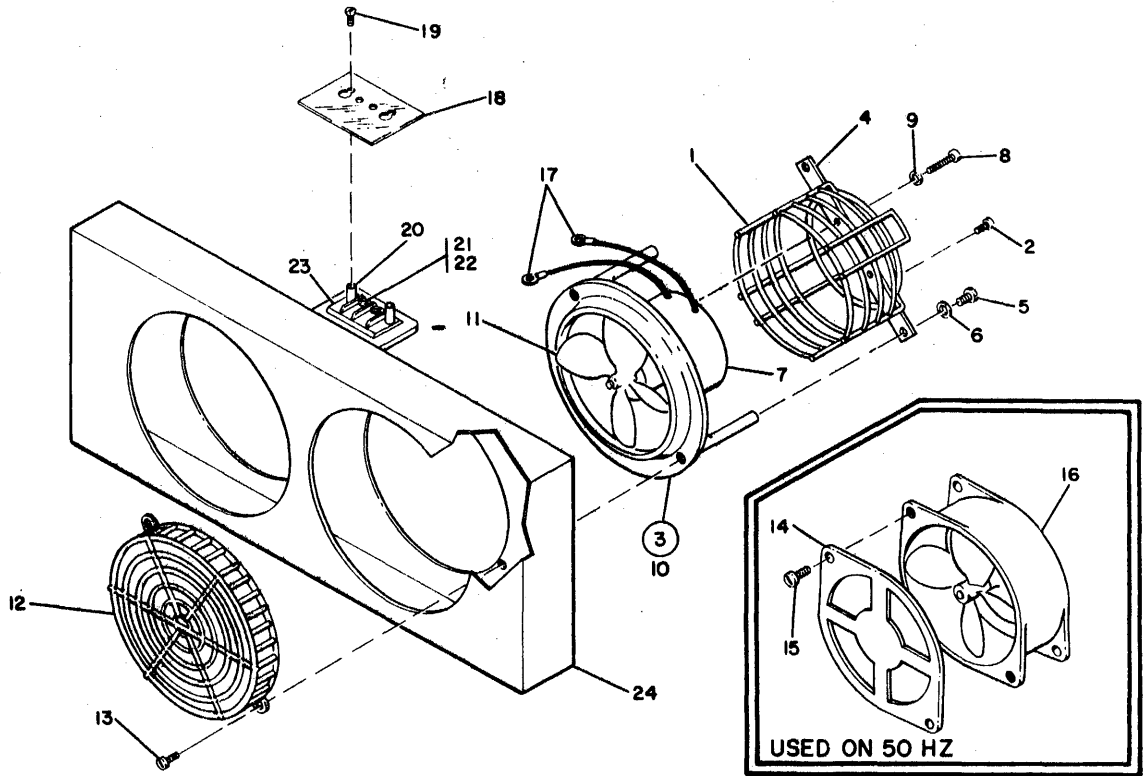
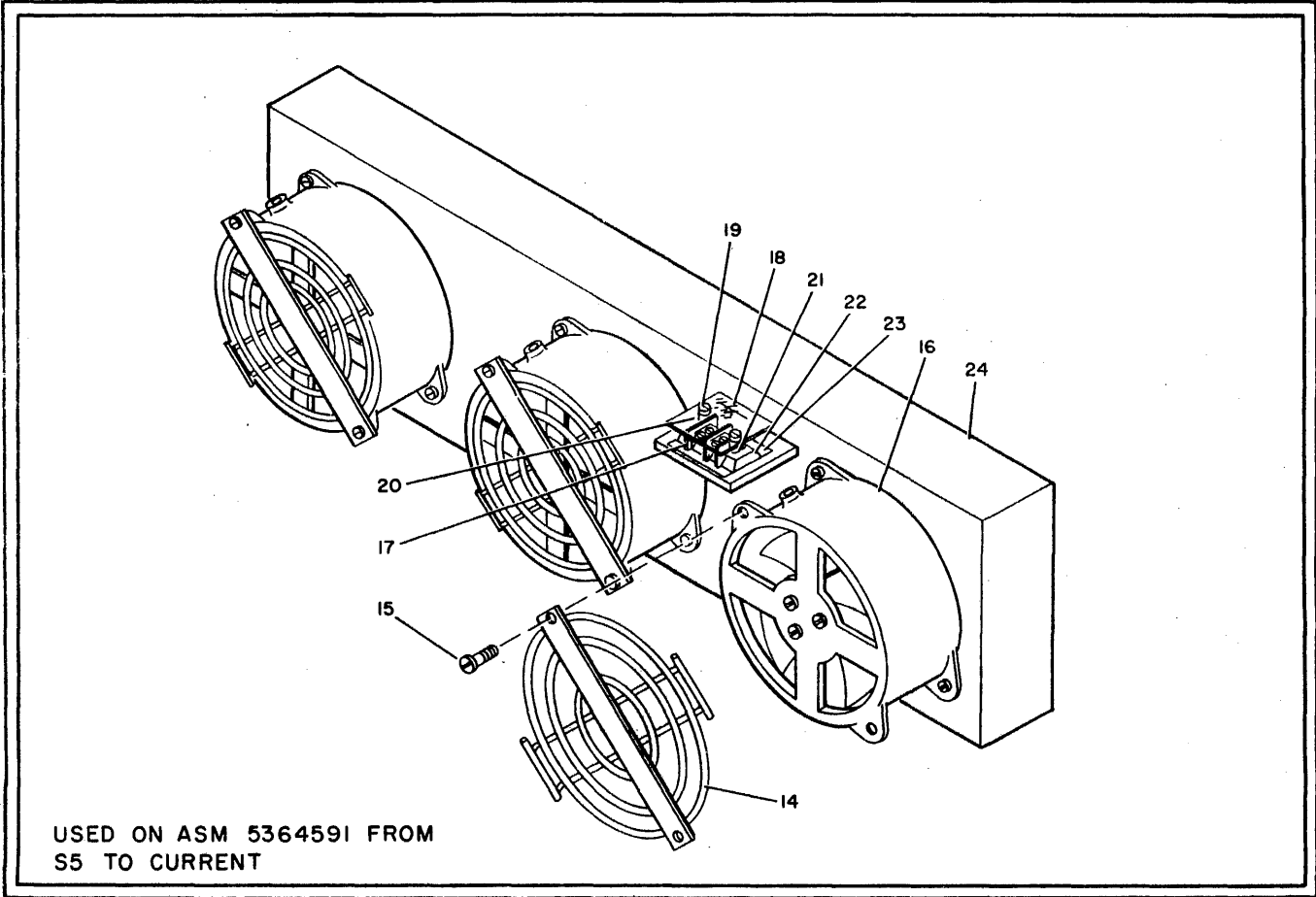
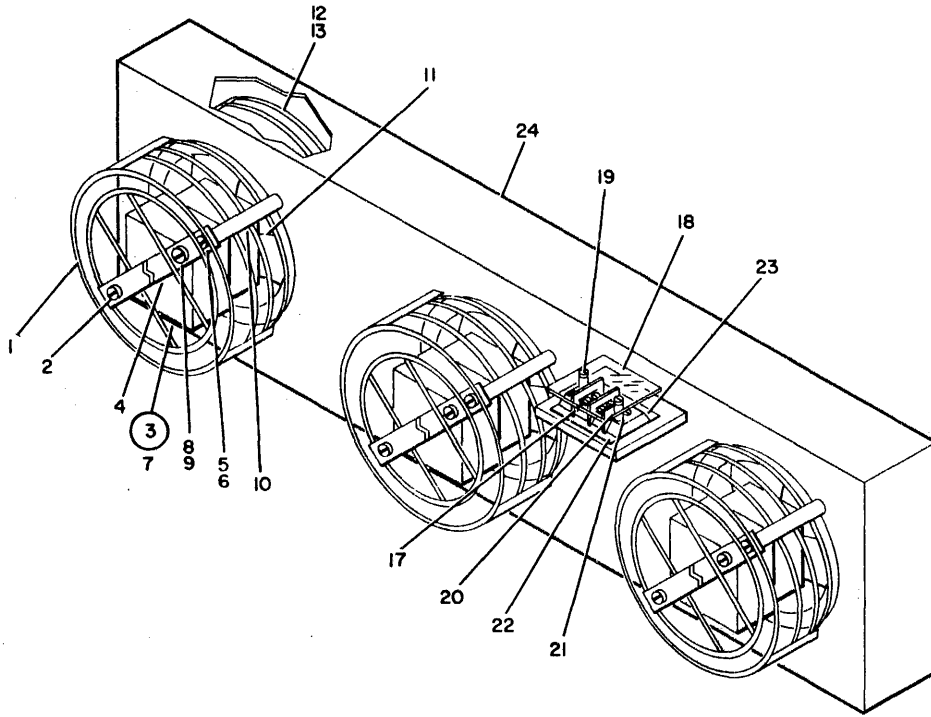


FIGURE 39. FAN ASSEMBLY. SEE LIST 39.  
FAN ASSEMBLY

		CODE A USED ON 60 HZ CODE B USED ON 50 HZ		
39 -	5364518	FAN ASSEMBLY-60HZ	REF	A
-	5364544	SEE FIG. 29-70 FOR NEXT HIGHER ASSEMBLY AND FIG. 39 FOR ILLUSTRATION FAN ASSEMBLY-50 HZ	REF	B
- 1	5357060	• GUARD 5 IN FAN	2	A
- 2	731630	• SCREW, THD FORMING- 10-32 X 0.500 LG	4	
- 3	5357050	• FAN ASM- 208/230V 60 HZ	2	A
- 4	5357068	• BRACKET-MOTOR MTG	1	
- 5	120211	• SCREW, MACH-HEX HD 10-32 X 1/2 LG	2	
- 6	56079	• WASHER, LOCK-EXT T .195 ID .410 OD	2	
- 7	5357067	• MOTOR 208V/230V 60CY 220V 50CY	1	
- 8	130434	• SCREW-MACH, SLOTTED HEX HD NO. 10-32 X .375	2	
- 9	56079	• WASHER, LOCK-EXT T .195 ID .410 OD	2	
- 10	5357069	• ORIFICE-FAN	1	
- 11	5357066	• BLADE	1	
- 12	5357059	• GUARD TOP	2	A
- 13	32042	• SCREW, MACH BIND. HD 10-32 X 3/8 LG.	4	
- 14	4103594	• GUARD-FAN	4	B
- 15	55918	• SCREW, MACH-BIND HD 10-32 X 5/8 LG	8	
- 16	4120172	• FAN- 50 HZ	2	B
- 17	334921	• TERMINAL-RING, 18-22 AWG, #6 HOLE, INS	4	
- 18	5319909	• COVER-TERM BLOCK 15A 2 POSITION	1	
- 19	322552	• SCREW, MACH-BIND HD 6-32 X 7/8 LG	2	
- 20	316187	• SPACER- 0.186 ID X 1/4 OD X 5/16 THK	2	
- 21	323836	• TERMINAL BOARD- 2 DBL SCREW TERMINALS	1	
- 22	35739	• SCREW, MACH-BIND HD 6-32 X 15/16 LG	2	
- 23	5318920	• STRIP T B MARKER	1	
- 24	5364505	• HOUSING, 2 FAN MOUNTING	1	

FOR PARTS  
NOT SHOWN  
SEE FIG.29,30



USED ON ASM 5364591 FROM  
S5 TO CURRENT

FIGURE 40. 50/60 HZ FAN ASSEMBLIES. SEE LIST 40.



LIST AND INDEX NUMBER	PART NUMBER	DESCRIPTION				UNITS PER ASM.	USABLE ON CODE
		1	2	3	4		
		50/60 HZ FAN ASSEMBLIES					
40 -		CODE A USED ON 60 HZ CODE B USED ON 50 HZ					
-	5364210	FAN ASSEMBLY- 60 HZ SEE FIG. 29-73 FOR NEXT HIGHER ASSEMBLY AND FIG. 40 FOR ILLUSTRATION				REF	A
-	5364591	FAN ASSEMBLY- 50 HZ SEE FIG. 30-78 FOR NEXT HIGHER ASSEMBLY AND FIG. 40 FOR ILLUSTRATION				REF	B
- 1	5357060	• GUARD 5 IN FAN				3	A
- 2	731630	• SCREW, THD FORMING- 10-32 X 0.500 LG ATT PT				6	A
- 3	5357050	• FAN ASM- 208/230V 60 HZ				3	A
- 4	5357068	• BRACKET-MOTOR MTG				1	
- 5	120211	• SCREW, MACH-HEX HD 10-32 X 1/2 LG ATT PT				2	
- 6	56079	• WASHER, LOCK-EXT T .195 ID .410 OD ATT PT				2	
- 7	5357067	• MOTOR 208V/230V 60CY 220V 50CY				1	
- 8	130434	• SCREW-MACH, SLOTTED HEX HD NO. 10-32 X .375 ATT PT				2	
- 9	56079	• WASHER, LOCK-EXT T .195 ID .410 OD ATT PT				2	
- 10	5357069	• ORIFICE-FAN				1	
- 11	5357066	• BLADE				1	
- 12	5357059	• GUARD TOP				3	A
- 13	32042	• SCREW, MACH BIND. HD 10-32 X 3/8 LG. ATT PT				6	A
- 14	4103594	• GUARD-FAN				6	B
- 15	55918	• SCREW, MACH-BIND HD 10-32 X 5/8 LG. ATT PT				12	B
- 16	4120172	• FAN- 50 HZ				3	B
- 17	334921	• TERMINAL-RING, 18-22 AWG, #6 HOLE, INS				6	
- 18	5235516	• COVER, TERMINAL BOARD				1	
- 19	35739	• SCREW, MACH-BIND HD 6-32 X 15/16 LG ATT PT				2	
- 20	316187	• SPACER- 0.186 ID X 1/4 OD X 5/16 THK				2	
- 21	322552	• SCREW, MACH-BIND HD 6-32 X 7/8 LG				2	
- 22	323837	• TERMINAL BOARD- 3 DBL SCREW TERMINALS				1	
- 23	5364151	• MARKER STRIP-3 POS				1	
- 24	5364187	• HOUSING-FAN MTG				1	



LIST AND INDEX NUMBER	PART NUMBER	DESCRIPTION				UNITS PER ASM.	USABLE ON CODE
		1	2	3	4		
		FINAL ASSEMBLY, POWER GROUP 50/60 HZ					
		CODE 1 USED ON ASM PRIOR TO N9 SUFFIX CODE 2 USED ON ASM FROM N9 TO CURRENT					
41 -	5364200	FINAL ASSEMBLY, POWER GROUP 50/60 HZ SEE FIGURE 29-77 AND 30-82 FOR NEXT HIGHER ASSEMBLY AND FIGURE 41 FOR ILLUSTRATION				REF	
- 1	369208	. DECAL, INST-HAZARDOUS AREA				2	
- 2	5271226	. STUD-CAMLOC				6	
- 3	808361	. WASHER SELF-LOCKING 300 ID				6	
- 4	5364183	. COVER-REGULATOR LEFT				1	
- 5	221790	. SCREW, MACH-BIND HD 8-32 X 3/16 LG ATT PT				7	
- 6	55901	. WASHER, LOCK-EXT TEETH NO. 8 X 0.381 OD ATT PT				7	
- 7	5364182	. COVER-REGULATOR				1	
- 8	221790	. SCREW, MACH-BIND HD 8-32 X 3/16 LG ATT PT				7	
- 9	55901	. WASHER, LOCK-EXT TEETH NO. 8 X 0.381 OD ATT PT				7	
- 14	5213431	. CAPACITOR, FIXED-FEED THRU 0.47 UF 100V				2	
- 14A	5399673	. TERMINAL-FEED THRU				38	
- 14B	65756	. WASHER, LOCK-INT TEETH 0.267 ID X 0.478 OD				38	
- 15	5364225	. CAPACITOR, FIXED, MYLAR-0.5 UF 100V				32	
- 16	55726	. SCREW, MACH-BIND HD 6-32 X .188 LG ATT PT				AR	
- 17	56722	. WASHER, LOCK-EXT TEETH NO. 6 ATT PT				AR	
- 18	236849	. SCREW, MACH-BIND HD 10-32 X 0.250 LG ATT PT				AR	
- 19	5364225	. CAPACITOR, FIXED, MYLAR-0.5 UF 100V				10	
- 20	35739	. SCREW, MACH-BIND HD 6-32 X 15/16 LG ATT PT				AR	
- 21	56722	. WASHER, LOCK-EXT TEETH NO. 6 ATT PT				AR	
- 22	236849	. SCREW, MACH-BIND HD 10-32 X 0.250 LG ATT PT				AR	
- 23	5210704	. JUMPER ASSEMBLY SEE FIG. 79-49 FOR COMPONENT PART				AR	
- 24	221790	. SCREW, MACH-BIND HD 8-32 X 3/16 LG ATT PT				AR	
- 25	55901	. WASHER, LOCK-EXT TEETH NO. 8 X 0.381 OD ATT PT				AR	
- 26	5428337	. SWITCH, THERMAL				3	
- 27	5477935	. CLIP, SPRING ATT PT				3	
- 28	5477936	. BRACKET, THERMAL SWITCH				3	
- 29	10170	. SCREW, MACH-BIND HD 6-32 X 1/4 LG ATT PT				3	
- 30	56722	. WASHER, LOCK-EXT TEETH NO. 6 ATT PT				3	
- 31	191477	. SHIELD				1	
- 32	210984	. SCREW, RD HD MACH-6-32 X .250 LG ATT PT				1	
- 33	210883	. STUD-SHIELD MTG, TAPPED, NO. 6-32 ATT PT				1	
- 34	323838	. BLOCK				1	
- 35	210884	. STUD-SHIELD MTG, NO. 6-32 ATT PT				3	
- 36	515620	. INSULATOR				1	
- 37	808360	. FASTENER				6	
- 38	5364295	. PLATE-DOOR LOCK				6	
- 39	316807	. SCREW, MACH-FH, NO. 6-32 X .375 LG ATT PT				12	
- 40	257187	. NUT, PLAIN, HEX- 6-32 X 3/8 FL W ATT PT				12	
- 41	5364296	. BRACKET-DOOR LOCK				6	
- 42	10170	. SCREW, MACH-BIND HD 6-32 X 1/4 LG ATT PT				12	
- 43	56722	. WASHER, LOCK-EXT TEETH NO. 6 ATT PT				24	
- 44	179743	. NUT, PLAIN, HEX- 15/32-32 X 9/16 FL W ATT PT				6	
- 45	5364149	. BRACKET-RELAY MTG				1	
- 46	10170	. SCREW, MACH-BIND HD 6-32 X 1/4 LG ATT PT				4	
- 47	5364148	. COVER-RELAY				1	
- 48	2128689	. RELAY, 3 POLE DT 472 OHM 24 VOLT D.C. COIL				1	
- 49	257187	. NUT, PLAIN, HEX- 6-32 X 3/8 FL W ATT PT				1	
- 50	56722	. WASHER, LOCK-EXT TEETH NO. 6 ATT PT				1	
- 51	2111232	. SEMICONDUCTOR DEVICE, DIODE-TYPE AM				1	
- 51A	5271793	. EMERGENCY POWER-OFF CONTROL ASSEMBLY MULTI SYSTEM EPO CONTROL FEATURE SEE FIG. 41A FOR DETAIL BREAKDOWN				1	
- 51B	186759	. SCREW, MACH-BIND HD 8-32 X 5/16 LG ATT PT				4	
- 51C	55901	. WASHER, LOCK-EXT TEETH NO. 8 X 0.381 OD ATT PT				4	
- 51D	5364560	. BRACKET				2	
- 51E	186759	. SCREW, MACH-BIND HD 8-32 X 5/16 LG ATT PT				4	
- 51F	55901	. WASHER, LOCK-EXT TEETH NO. 8 X 0.381 OD ATT PT				4	
- 52	187854	. SHIELD, TERMINAL BLOCK- 2 POS				1	
- 53	210984	. SCREW, RD HD MACH-6-32 X .250 LG ATT PT				1	
- 54	210883	. STUD-SHIELD MTG, TAPPED, NO. 6-32 ATT PT				1	
- 55	323836	. TERMINAL BOARD- 2 DBL SCREW TERMINALS				1	
- 56	210884	. STUD-SHIELD MTG, NO. 6-32 ATT PT				3	
- 57	5318920	. STRIP T B MARKER				1	
- 58	5364140	. DIVIDER ASM				1	
- 59	10170	SEE FIG. 42 FOR DETAIL BREAKDOWN . SCREW, MACH-BIND HD 6-32 X 1/4 LG ATT PT				4	
- 60	56722	. WASHER, LOCK-EXT TEETH NO. 6 ATT PT				5	

FOR PARTS  
NOT SHOWN  
SEE FIG. 29,30

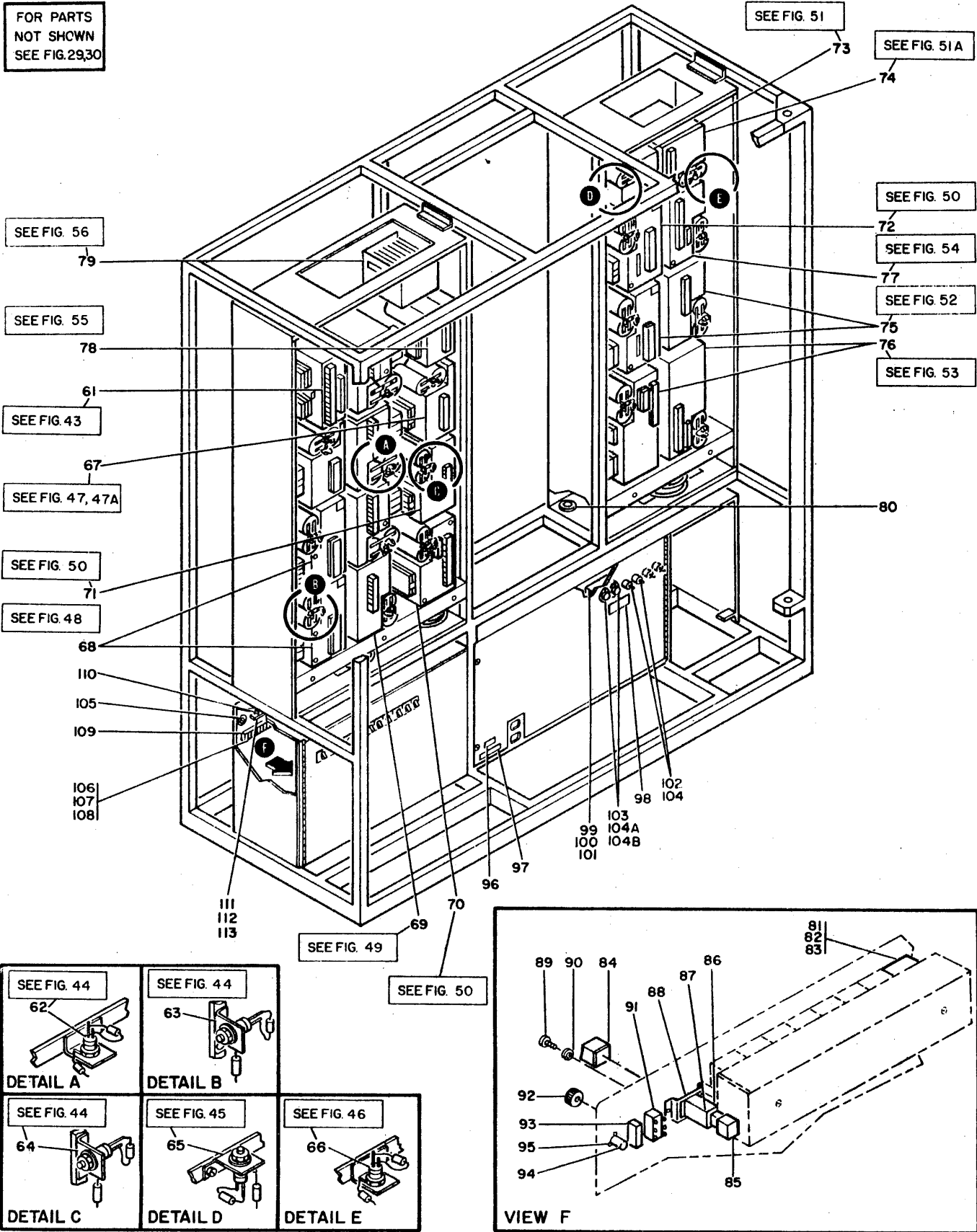


FIGURE 41. POWER GROUP FINAL ASSEMBLY-50/60 HZ. SHEET 2 OF 5. INDEX NOS. 61-113. SEE LIST 41.

LIST AND INDEX NUMBER	PART NUMBER	DESCRIPTION				UNITS PER ASM.	USABLE ON CODE
		1	2	3	4		
41 - 61	5712120	. POWER SUPPLY ASM- 6VDC AT 2.5A SEE FIG. 43 FOR DETAIL BREAKDOWN				1	
- 62	5351170	. OVERVOLTAGE S.C.R. ASSEMBLY,-3V SEE FIG. 44 FOR DETAIL BREAKDOWN				5	
- 63	5351140	. OVERVOLTAGE S.C.R. ASSEMBLY,6V SEE FIG. 44 FOR DETAIL BREAKDOWN				3	
- 64	5361903	. REGULATOR S.C.R. ASSEMBLY,60V SEE FIG. 44 FOR DETAIL BREAKDOWN				9	
- 65	5708902	. REMOTE O/V-O/C ASM SEE FIG. 45 FOR DETAIL BREAKDOWN				1	
- 66	5708903	. REMOTE O/V-O/C ASSEMBLY SEE FIG. 46 FOR DETAIL BREAKDOWN				1	
- 67	5261220	. MAGNETIC AMPLIFIER ASSEMBLY,3V AT 40A SEE FIG. 47 FOR DETAIL BREAKDOWN				5	1
- 67	5261220	. MAGNETIC AMPLIFIER ASSEMBLY- 3V AT 40A SEE FIG. 47A FOR DETAIL BREAKDOWN				5	2
- 68	5261240	. MAGNETIC AMPLIFIER ASSEMBLY- 6V 40A SEE FIG. 48 FOR DETAIL BREAKDOWN				2	
- 69	5709300	. MAG AMPL ASM SEE FIG. 49 FOR DETAIL BREAKDOWN				1	
- 70	5244090	. POWER SUPPLY ASM-18 VDC AT 11 AMP SEE FIG. 50 FOR DETAIL BREAKDOWN				1	
- 71	5253790	. POWER SUPPLY ASM-30 VDC AT 5 AMP SEE FIG. 50 FOR DETAIL BREAKDOWN				1	
- 72	5253800	. POWER SUPPLY ASM-18 VDC AT 11 AMP SEE FIG. 50 FOR DETAIL BREAKDOWN				1	
- 73	5712010	. MAGNETIC AMPLIFIER ASSEMBLY- 3V AT 20A SEE FIG. 51 FOR DETAIL BREAKDOWN				1	
- 74	5712030	. MAGNETIC AMPLIFIER ASSEMBLY,6V AT 25 AMP SEE FIG. 51A FOR DETAIL BREAKDOWN					
- 75	5261480	. MAG AMP ASM-56V AT 4 AMP SEE FIG. 52 FOR DETAIL BREAKDOWN				2	
- 76	5253780	. POWER SUPPLY ASM-60V AT 8 AMP SEE FIG. 53 FOR DETAIL BREAKDOWN				2	
- 77	5712160	. POWER SUPPLY ASSEMBLY SEE FIG. 54 FOR DETAIL BREAKDOWN				1	
- 78	5261280	. AMPLIFIER ASSEMBLY,48V AT 2AMP MAGNETIC SEE FIG. 55 FOR DETAIL BREAKDOWN				1	
- 79	5364170	. OVERVOLTAGE ASM SEE FIG. 56 FOR DETAIL BREAKDOWN				1	
- 80	730432	. GROMMET,CATERPILLAR				2	
- 81	5270651	. CIRCUIT BREAKER-DP 0.4 AMP				1	
- 82	10170	. SCREW,MACH-BIND HD 6-32 X 1/4 LG				4	ATT PT
- 83	56722	. WASHER,LOCK-EXT TEETH NO. 6				4	ATT PT
- 84	719117	. BUTTON-POWER ON				1	
- 85	719551	. SWITCH,SENSITIVE- 2 SPDT 125V AC 0.2 AMP				1	
- 86	473629	. HOUSING-SWITCH AND LAMP				1	
- 87	557542	. LAMP,INCANDESCENT- 28V 0.04 AMP				2	
- 88	5270142	. BRACKET-SWITCH				1	
- 89	10170	. SCREW,MACH-BIND HD 6-32 X 1/4 LG				2	ATT PT
- 90	56722	. WASHER,LOCK-EXT TEETH NO. 6				2	ATT PT
- 91	515847	. SWITCH,TOGGLE-DP DT				1	
- 92	189138	. KNOB-SWITCH BLACK				1	
- 93	215680	. SWITCH,PUSH-NC 125V AC 1 AMP				1	
- 94	556445	. LAMP,INCANDESCENT- 10V 14 MA				1	
- 95	368168	. CLIP-SPEED				1	
- 96	845762	. DECAL-VOLTAGE				1	
- 97	5404827	. PLATE				1	
- 98	5364692	. LABEL-FUSE WARNING				1	
- 99	5364171	. COVER-FUSE				1	
-100	10170	. SCREW,MACH-BIND HD 6-32 X 1/4 LG				2	ATT PT
-101	56722	. WASHER,LOCK-EXT TEETH NO. 6				2	ATT PT
-102	78952	. FUSE,CTRGE-LONG TIME DELAY 0.8 AMP 250V				2	
-103	107669	. FUSE,CARTRIDGE- 10 AMP 250V				2	
-104	360882	. FUSEHOLDER- 15 AMP 250V AC				4	
-104A	104615	. FUSE HOLDER - 15 AMP 250V AC				2	
-104B	34512	. SCREW,MACH-BIND HD 8-32 X 0.375 LG				4	
-105	730432	. GROMMET,CATERPILLAR				1	
-106	82353	. TERMINAL BOARD- 14 DBL SCREW TERMINALS				1	
-107	322550	. SCREW				4	ATT PT
-108	56722	. WASHER,LOCK-EXT TEETH NO. 6				4	ATT PT
-109	5364238	. STRIP-TB MARKER				1	
-110	236849	. SCREW,MACH-BIND HD 10-32 X 0.250 LG				6	ATT PT
-111	352121	. BUS BAR- 6 POS				1	
-112	32617	. SCREW,MACH-BIND HD 10-32 X 0.438 LG				2	ATT PT
-113	56079	. WASHER,LOCK-EXT T .195 ID .410 OD				3	ATT PT

FOR PARTS  
NOT SHOWN  
SEE FIG. 29,30

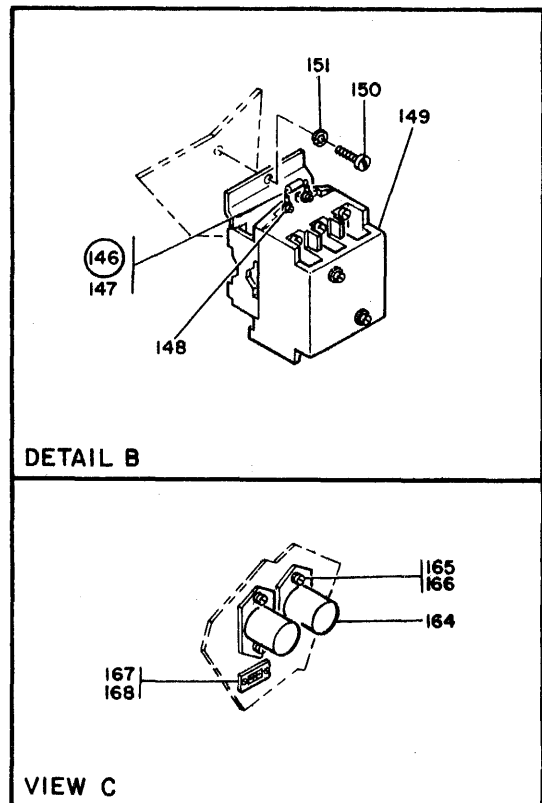
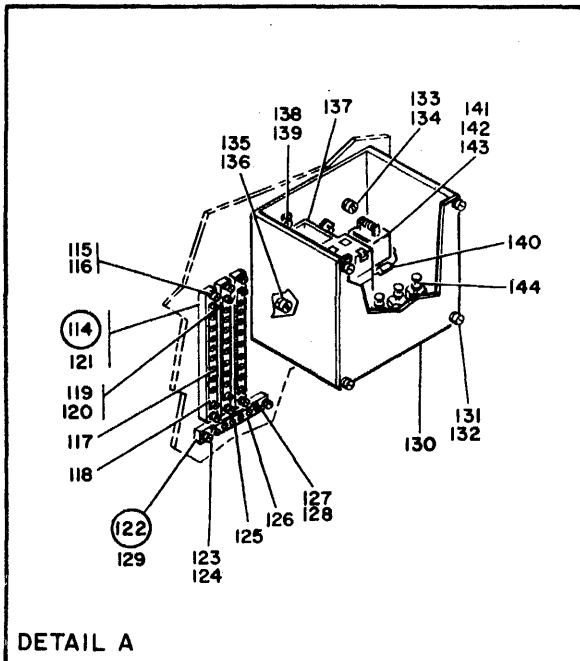
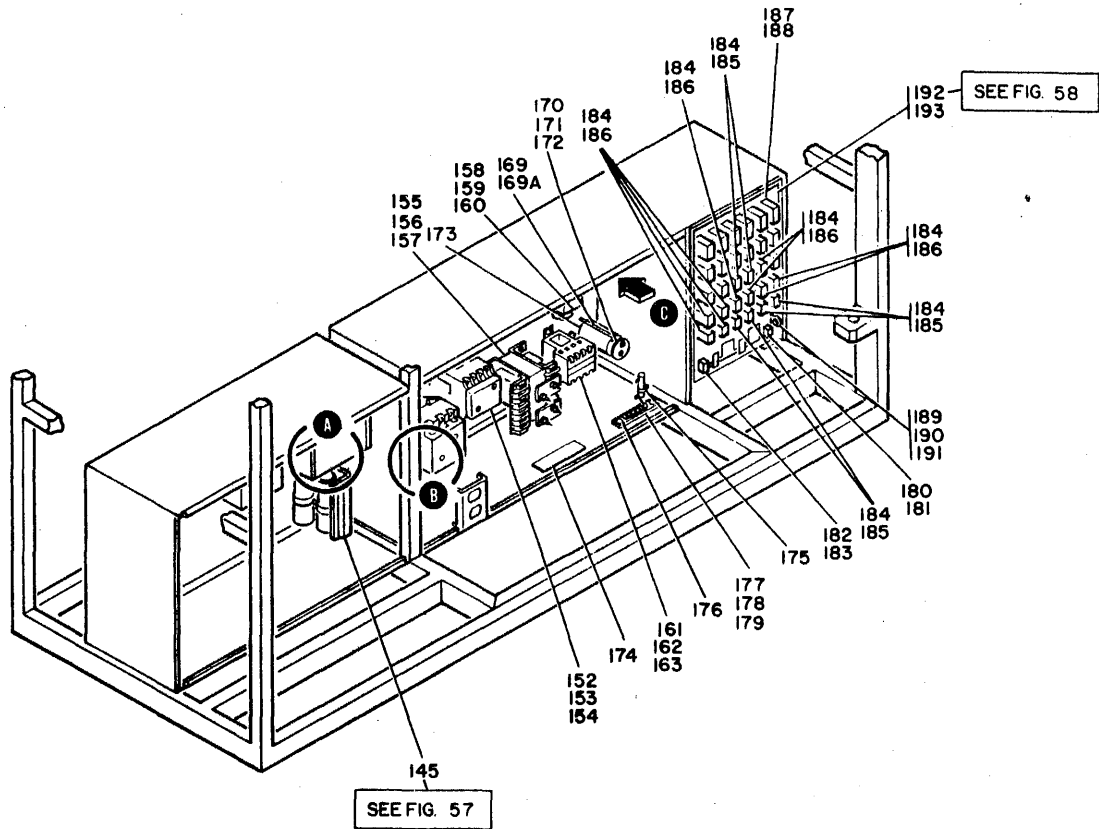


FIGURE 41. POWER GROUP FINAL ASSEMBLY-50/60 HZ. SHEET 3 OF 5. INDEX NOS. 114-193. SEE LIST 41.

LIST AND INDEX NUMBER	PART NUMBER	DESCRIPTION	UNITS PER ASM.	USABLE ON CODE
41 -114	596288	• BAR ASSEMBLY	3	
-115	322065	• SCREW,MACH-BIND HD 6-32 X 5/8 LG ATT PT	6	
-116	56722	• WASHER,LOCK-EXT TEETH NO. 6 ATT PT	6	
-117	10170	• • SCREW,MACH-BIND HD 6-32 X 1/4 LG	4	
-118	596469	• • BUS BAR- 4 POS 3/8 W X 1/8 H X 2-5/8 LG	1	
-119	38351	• • SCREW,MACH-FIL HD 6-32 X .312 LG ATT PT	2	
-120	56722	• • WASHER,LOCK-EXT TEETH NO. 6 ATT PT	2	
-121	596467	• • INSULATOR	1	
-122	596468	• BAR ASM-DC RETURN	1	
-123	322065	• SCREW,MACH-BIND HD 6-32 X 5/8 LG ATT PT	2	
-124	56722	• WASHER,LOCK-EXT TEETH NO. 6 ATT PT	2	
-125	10170	• • SCREW,MACH-BIND HD 6-32 X 1/4 LG	8	
-126	596293	• • BAR-DC RETURN	1	
-127	38351	• • SCREW,MACH-FIL HD 6-32 X .312 LG ATT PT	2	
-128	56722	• • WASHER,LOCK-EXT TEETH NO. 6 ATT PT	2	
-129	596292	• • INSULATOR	1	
-130	5364154	• COVER-RELAY	1	
-131	55726	• SCREW,MACH-BIND HD 6-32 X .188 LG ATT PT	4	
-132	56722	• WASHER,LOCK-EXT TEETH NO. 6 ATT PT	4	
-133	58207	• SCREW,MACH-UNDRCT BIND HD 8-32 X 1/4 LG	1	
-134	55901	• WASHER,LOCK-EXT TEETH NO. 8 X 0.381 OD	1	
-135	186759	• SCREW,MACH-BIND HD 8-32 X 5/16 LG	1	
-136	55901	• WASHER,LOCK-EXT TEETH NO. 8 X 0.381 OD	1	
-137	5351162	• CONTACTOR,MAGNETIC	1	
-138	10170	• SCREW,MACH-BIND HD 6-32 X 1/4 LG ATT PT	2	
-139	56722	• WASHER,LOCK-EXT TEETH NO. 6 ATT PT	2	
-140	2111232	• SEMICONDUCTOR DEVICE,DIODE-TYPE AM	2	
-141	2128689	• RELAY,3 POLE DT 472 OHM 24 VOLT D.C.COIL	1	
-142	257187	• NUT,PLAIN,HEX- 6-32 X 3/8 FL W ATT PT	1	
-143	56722	• WASHER,LOCK-EXT TEETH NO. 6 ATT PT	1	
-144	5399673	• TERMINAL-FEED THRU	3	
-145	5351111	• POWER SUPPLY ASSEMBLY,OVERVOLTAGE	2	
		SEE FIG. 57 FOR DETAIL BREAKDOWN		
-146	5270652	• DIODE ASM	4	
-147	2111232	• • SEMICONDUCTOR DEVICE,DIODE-TYPE AM	1	
-148	334921	• • TERMINAL-RING,18-22 AWG,#6 HOLE,INS	2	
-149	5270586	• RELAY-24 VDC COIL	1	
-150	58207	• SCREW,MACH-UNDRCT BIND HD 8-32 X 1/4 LG ATT PT	3	
-151	55901	• WASHER,LOCK-EXT TEETH NO. 8 X 0.381 OD ATT PT	3	
-152	5364165	• RELAY-24 VDC COIL	1	
-153	58207	• SCREW,MACH-UNDRCT BIND HD 8-32 X 1/4 LG ATT PT	2	
-154	55901	• WASHER,LOCK-EXT TEETH NO. 8 X 0.381 OD ATT PT	2	
-155	5351120	• AC POWER SUPPLY SUB ASSEMBLY	1	
-156	130434	• SCREW-MACH,SLOTTED HEX HD NO.10-32 X.375 ATT PT	4	
-157	56079	• WASHER,LOCK-EXT T .195 ID .410 OD ATT PT	5	
-158	2128689	• RELAY,3 POLE DT 472 OHM 24 VOLT D.C.COIL	1	
-159	257187	• NUT,PLAIN,HEX- 6-32 X 3/8 FL W ATT PT	1	
-160	6364	• WASHER,LOCK-SPLIT NO. 6 X 1/4 OD ATT PT	1	
-161	5351162	• CONTACTOR,MAGNETIC	1	
-162	38350	• SCREW,MACH-FIL H 6-32 X 1/4 LG ATT PT	2	
-163	6364	• WASHER,LOCK-SPLIT NO. 6 X 1/4 OD ATT PT	2	
-164	5364510	• CONNECTOR,FEMALE-PANEL MOUNT	2	
-165	55726	• SCREW,MACH-BIND HD 6-32 X .188 LG ATT PT	4	
-166	56722	• WASHER,LOCK-EXT TEETH NO. 6 ATT PT	6	
-167	523269	• CONNECTOR-ELECT 6 POS INSERT	1	
-168	251970	• SCREW-MACH BD. HD. 4-40 X 1/4 LG ATT PT	2	
-169	473422	• CLAMP,CAPACITOR	2	
-169A	473412	• INSULATOR,CLAMP	2	
-170	362206	• COVER, CAPACITOR	1	
-171	257187	• NUT,PLAIN,HEX- 6-32 X 3/8 FL W ATT PT	2	
-172	6364	• WASHER,LOCK-SPLIT NO. 6 X 1/4 OD ATT PT	2	
-173	332589	• CAPACITOR-ELECTROLYTIC 1500 MFD 60VDC	1	
-174	138756	• PLATE,INST-LINE V PRESENT W/MACH PWR OFF	1	
-175	335474	• RESISTOR,VAR 500 OHMS 10W	1	
-176	236849	• SCREW,MACH-BIND HD 10-32 X 0.250 LG	6	
-177	352121	• BUS BAR- 6 POS	1	
-178	32617	• SCREW,MACH-BIND HD 10-32 X 0.438 LG ATT PT	2	
-179	56079	• WASHER,LOCK-EXT T .195 ID .410 OD ATT PT	3	
-180	5318966	• RETAINER-RELAY	1	
-181	5318968	• RELAY,ARM-COIL 24V CONT 30V 5 AMP 4PDT	1	
-182	5364198	• RETAINER	1	
-183	5364164	• RELAY	1	
-184	5318966	• RETAINER-RELAY	15	
-185	5364161	• RELAY-4PDT 5AMP 18VDC	6	
-186	5318968	• RELAY,ARM-COIL 24V CONT 30V 5 AMP 4PDT	9	
-187	5351163	• RETAINER-RELAY	15	





FOR PARTS  
NOT SHOWN  
SEE FIG. 29,30

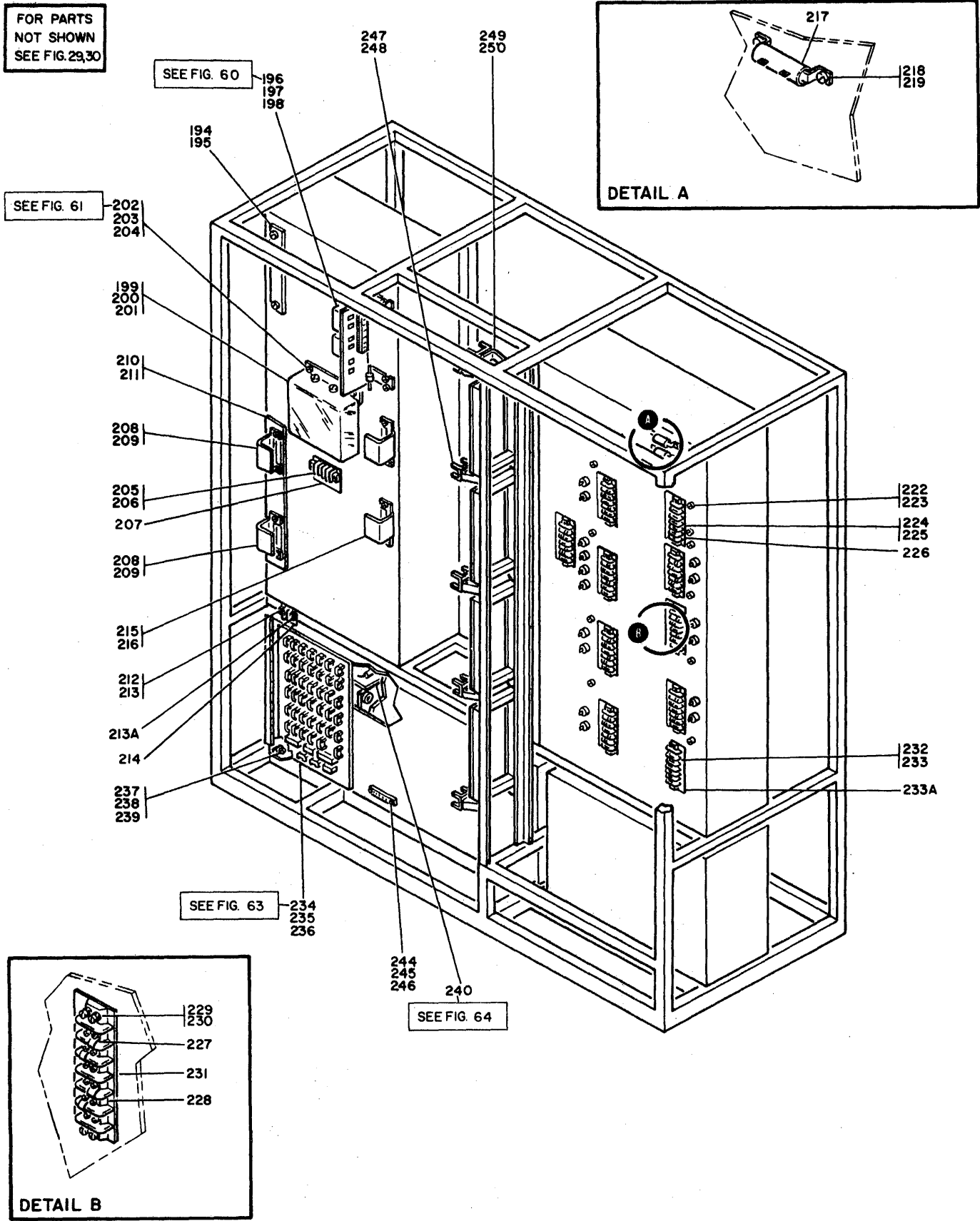


FIGURE 41. POWER GROUP FINAL ASSEMBLY-50/60 HZ. SHEET 4 OF 5. INDEX NOS. 194-250. SEE LIST 41.

LIST AND INDEX NUMBER	PART NUMBER	DESCRIPTION	UNITS PER ASM.	USABLE ON CODE
41 -194	5364541	. PLATE, MOUNTING	1	
-195	55726	. SCREW, MACH-BIND HD 6-32 X .188 LG ATT PT	2	
-195	35739	. SCREW, MACH-BIND HD 6-32 X 15/16 LG USED WHEN PLATE 5364541 IS NOT	4	
-196	5366746	. INTERFACE ASSEMBLY, I/O	1	
		SEE FIG. 60 FOR DETAIL BREAKDOWN USED WITH I/O INTERFACE TRANSIENT SEQUENCE FEATURE ONLY		
-197	35739	. SCREW, MACH-BIND HD 6-32 X 15/16 LG ATT PT	4	
-197	55726	. SCREW, MACH-BIND HD 6-32 X .188 LG USED WHEN I/O INTERFACE FEATURE IS NOT	4	
-198	257187	. NUT, PLAIN, HEX- 6-32 X 3/8 FL W ATT PT	4	
-199	5364158	. COVER-BELL	1	
-200	10170	. SCREW, MACH-BIND HD 6-32 X 1/4 LG ATT PT	3	
-201	56722	. WASHER, LOCK-EXT TEETH NO. 6 ATT PT	3	
-202	5364160	. BELL ASM	1	
		SEE FIG. 61 FOR DETAIL BREAKDOWN		
-203	34512	. SCREW, BIND. HD 8-32 X .375 LG ATT PT	2	
-204	55901	. WASHER, LOCK-EXT TEETH NO. 8 X 0.381 OD ATT PT	3	
-205	317310	. TERMINAL BOARD- 5 DBL SCREW TERMINALS	1	
-206	35739	. SCREW, MACH-BIND HD 6-32 X 15/16 LG ATT PT	4	
-207	740554	. STRIP-MARKER, 5 POSITION	1	
-208	5364561	. COVER, SAFETY	2	
-209	257187	. NUT, PLAIN, HEX- 6-32 X 3/8 FL W ATT PT	4	
-210	5366636	. COVER, PLATE	1	
-211	55726	. SCREW, MACH-BIND HD 6-32 X .188 LG ATT PT	2	
-212	323836	. TERMINAL BOARD- 2 DBL SCREW TERMINALS	1	
-213	35739	. SCREW, MACH-BIND HD 6-32 X 15/16 LG ATT PT	4	
-213A	350665	. CLAMP, CABLE	1	
-214	5318920	. STRIP T B MARKER	1	
-215	5364561	. COVER, SAFETY	2	
-216	257187	. NUT, PLAIN, HEX- 6-32 X 3/8 FL W ATT PT	4	
-217	597364	. RESISTOR, FXD WW 40 OHMS P/M 5% 25W	1	
-218	510316	. BRACKET-MTG, 25W RESISTOR	2	
-219	10170	. SCREW, MACH-BIND HD 6-32 X 1/4 LG ATT PT	2	
-222	58207	. SCREW, MACH-UNDRCT BIND HD 8-32 X 1/4 LG	18	
-223	55901	. WASHER, LOCK-EXT TEETH NO. 8 X 0.381 OD	18	
-224	317232	. TERMINAL BOARD- 6 DBL SCREW TERMINALS	1	
-225	35739	. SCREW, MACH-BIND HD 6-32 X 15/16 LG ATT PT	4	
-226	589715	. STRIP-MARKER	1	
-227	5364226	. JUMPER-BRASS	32	
-228	504870	. TERMINAL BOARD	8	
-229	322065	. SCREW, MACH-BIND HD 6-32 X 5/8 LG ATT PT	32	
-230	56722	. WASHER, LOCK-EXT TEETH NO. 6 ATT PT	32	
-231	332628	. STRIP, MARKER-TERM BD 6 POS 1 THRU 6	8	
-232	317314	. TERMINAL BOARD- 4 DBL SCREW TERMINALS	1	
-233	322065	. SCREW, MACH-BIND HD 6-32 X 5/8 LG ATT PT	4	
-233A	5355504	. STRIP, MARKER	1	
-234	5364150	. CONNECTOR PANEL ASM	1	
		SEE FIG 63 FOR DETAIL BREAKDOWN		
-235	34512	. SCREW, BIND. HD 8-32 X .375 LG ATT PT	5	
-236	55901	. WASHER, LOCK-EXT TEETH NO. 8 X 0.381 OD ATT PT	5	
-237	598273	. JUMPER ASSEMBLY	AR	
		SEE FIG. 79-49 FOR COMPONENT PART		
-238	221790	. SCREW, MACH-BIND HD 8-32 X 3/16 LG ATT PT	2	
-239	55901	. WASHER, LOCK-EXT TEETH NO. 8 X 0.381 OD ATT PT	2	
-240	5364230	. VOLTAGE SENSE ASSEMBLY	1	
		SEE FIG. 64 FOR DETAIL BREAKDOWN		
-244	596468	. BAR ASM-DC RETURN	1	
		SEE INDEX 122 FOR DETAIL BREAKDOWN		
-245	322065	. SCREW, MACH-BIND HD 6-32 X 5/8 LG ATT PT	2	
-246	56722	. WASHER, LOCK-EXT TEETH NO. 6 ATT PT	2	
-247	5400836	. RACEWAY	5	
-248	472729	. SCREW, MACH-FL CSK HD 4-40 X 3/8 LG ATT PT	15	
-249	5400835	. SUPPORT, RACEWAY	5	
-250	731630	. SCREW, THD FORMING- 10-32 X 0.500 LG	10	

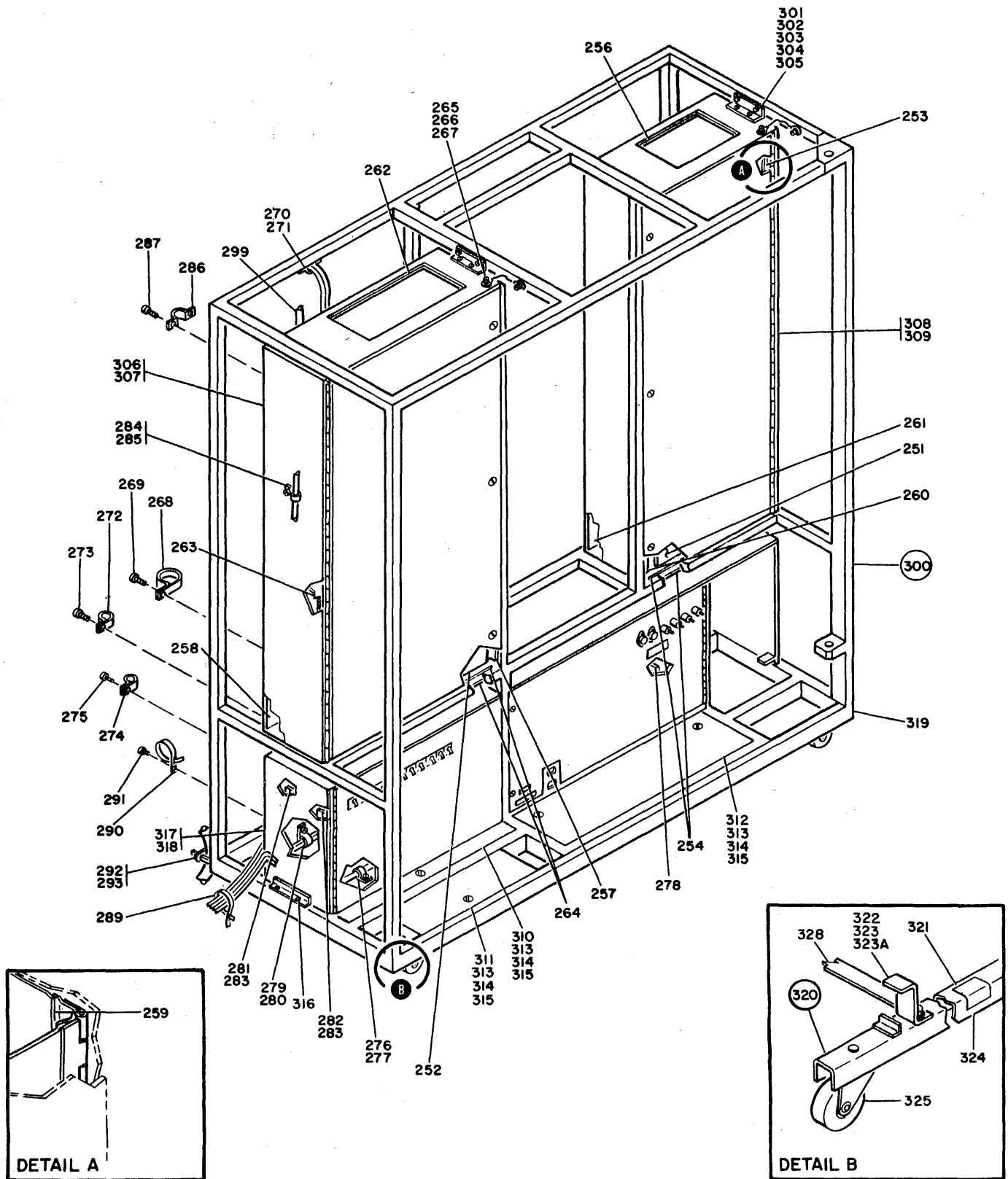


FIGURE 41. POWER GROUP FINAL ASSEMBLY-50/60 HZ. SHEET 5 OF 5. INDEX NOS. 251-328. SEE LIST 41.

LIST AND INDEX NUMBER	PART NUMBER	DESCRIPTION	UNITS PER ASM.	USABLE ON CODE
41 -251	5364212	• INSULATION-NOISE	1	
-252	5364213	• INSULATION-NOISE	1	
-253	5364568	• STRIP, NEOPRENE RUBBER	1	
-254	5364193	• INSULATION-NOISE	2	
-256	5364191	• INSULATION-NOISE	1	
-257	5364211	• INSULATION	1	
-258	5477939	• INSULATION-NOISE	1	
-259	5364216	• INSULATION-NOISE	1	
-260	5364199	• INSULATION-NOISE	1	
-261	5477940	• INSULATION-NOISE	1	
-262	5364189	• INSULATION	1	
-263	5364216	• INSULATION-NOISE	1	
-264	5364192	• INSULATION-NOISE	2	
-265	5236967	• JUMPER ASSEMBLY	AR	
		SEE FIG. 79-42E FOR COMPONENT PART		
-266	32042	• SCREW, MACH BIND. HD 10-32 X 3/8 LG.	ATT PT	AR
-267	56079	• WASHER, LOCK-EXT † .195 ID .410 OD	ATT PT	AR
-268	2102367	• CLAMP-LOOP		1
-269	186759	• SCREW, MACH-BIND HD 8-32 X 5/16 LG	ATT PT	1
-270	179207	• CLAMP-CABLE		2
-271	34512	• SCREW, BIND. HD 8-32 X .375 LG	ATT PT	4
-272	2102368	• CLAMP, LOOP- 0.880 ID 0.200 DIA MTG HOLE		1
-273	186759	• SCREW, MACH-BIND HD 8-32 X 5/16 LG	ATT PT	2
-274	356742	• CLAMP, LOOP- 0.250 ID 0.177 DIA MTG HOLE		3
-275	186759	• SCREW, MACH-BIND HD 8-32 X 5/16 LG	ATT PT	3
-276	2102367	• CLAMP-LOOP		1
-277	186759	• SCREW, MACH-BIND HD 8-32 X 5/16 LG	ATT PT	1
-278	5213226	• CONNECTOR, MALE		1
-279	534768	• CLAMP, CABLE		2
-280	186759	• SCREW, MACH-BIND HD 8-32 X 5/16 LG	ATT PT	2
-281	327922	• CLAMP, CABLE-.625 DIAMETER		1
-282	327923	• CLAMP, CABLE		1
-283	186759	• SCREW, MACH-BIND HD 8-32 X 5/16 LG	ATT PT	2
-284	2102369	• CLAMP, LOOP- 1.230 ID 0.200 DIA MTG HOLE		1
-285	32042	• SCREW, MACH BIND. HD 10-32 X 3/8 LG.	ATT PT	1
-286	327922	• CLAMP, CABLE-.625 DIAMETER		4
-287	19944	• SCREW, MACH-BIND HD 8-32 X 3/4 LG	ATT PT	4
-289	760221	• TIE, CABLE		6
-290	524515	• CLAMP-ADJUSTABLE CABLE		2
-290	179207	• CLAMP-CABLE		1
-291	4636	• SCREW, MACH-FL CSK HD 8-32 X 3/8 LG	ATT PT	2
-292	523250	• CLAMP-ADJUSTABLE CABLE		2
-293	4636	• SCREW, MACH-FL CSK HD 8-32 X 3/8 LG	ATT PT	2
-299	597383	• JUMPER ASSEMBLY		AR
		SEE FIG. 79-46 FOR COMPONENT PART		
-299	5364141	• CABLE ASM-AC TO LOGIC GATE NO.1-GATE A,B		AR
-299	5364142	• CABLE ASM-AC TO LOGIC GATE NO.2-GATE A,B		AR
-299	5364143	• CABLE ASM-AC TO LOGIC GATE NO.1-GATE E,C		AR
-299	5364144	• CABLE ASM-AC TO LOGIC GATE NO.2-GATE E,C		AR
		SEE FIG. 79-17,-20A,28,-42C AND -42D		
		FOR COMPONENT PARTS		
-299	5364145	• CABLE ASSEMBLY-MEMORY BLOWERS		AR
		SEE FIG. 79-17,-20A,-28,-28M,-42C		
		AND -42D FOR COMPONENT PARTS		
-299	5364206	• CABLE ASSEMBLY-INVERTER/CONVERTER, OUTPUT		AR
		SEE FIG. 79-18,-28,-28A,-28M,-42B,-44,-49		
		AND -50 FOR COMPONENT PARTS		
-299	5364207	• CABLE ASSEMBLY-DC CONTROL NO.1		AR
		SEE FIG. 79-20,-28,-28A,-28B,-28C,-28D,-28M,-35,-42,-42B,-42C,-42D,-44,-50,-50A,-53,-54,-62,-125 AND -129		
		FOR COMPONENT PARTS		
-299	5364208	• CABLE ASSEMBLY-INTERNAL BIAS, CABLE NO.1		AR
		SEE FIG. 79-28,-28A,-28M,-33,-42B,-42C,-44 AND -48 FOR COMPONENT PARTS		
-299	5364209	• CABLE ASSEMBLY-INTERNAL BIAS, CABLE NO.2		AR
		SEE FIG. 79-28,-33,42B,-42C,-44, AND -48 FOR COMPONENT PARTS		
-299	5364231	• CABLE ASSEMBLY-OVERVOLTAGE		AR
		SEE FIG. 79-28,-28A,-28B,-42D,-52 AND -53 FOR COMPONENT PARTS		
-299	5364233	• CABLE ASSEMBLY-DC CONTROL NO.2		AR
		SEE FIG. 79-20,-28,-28A,-28B,-28C,-28D,-28E,-28F,-28G,-28H,-28J,-28K,-28L,-28P,-28U,-35,-42C,-42D,-53,-57A,-64,-103 AND -123 FOR COMPONENT PARTS		



FOR PARTS  
NOT SHOWN  
SEE FIG. 77  
SHEET 1

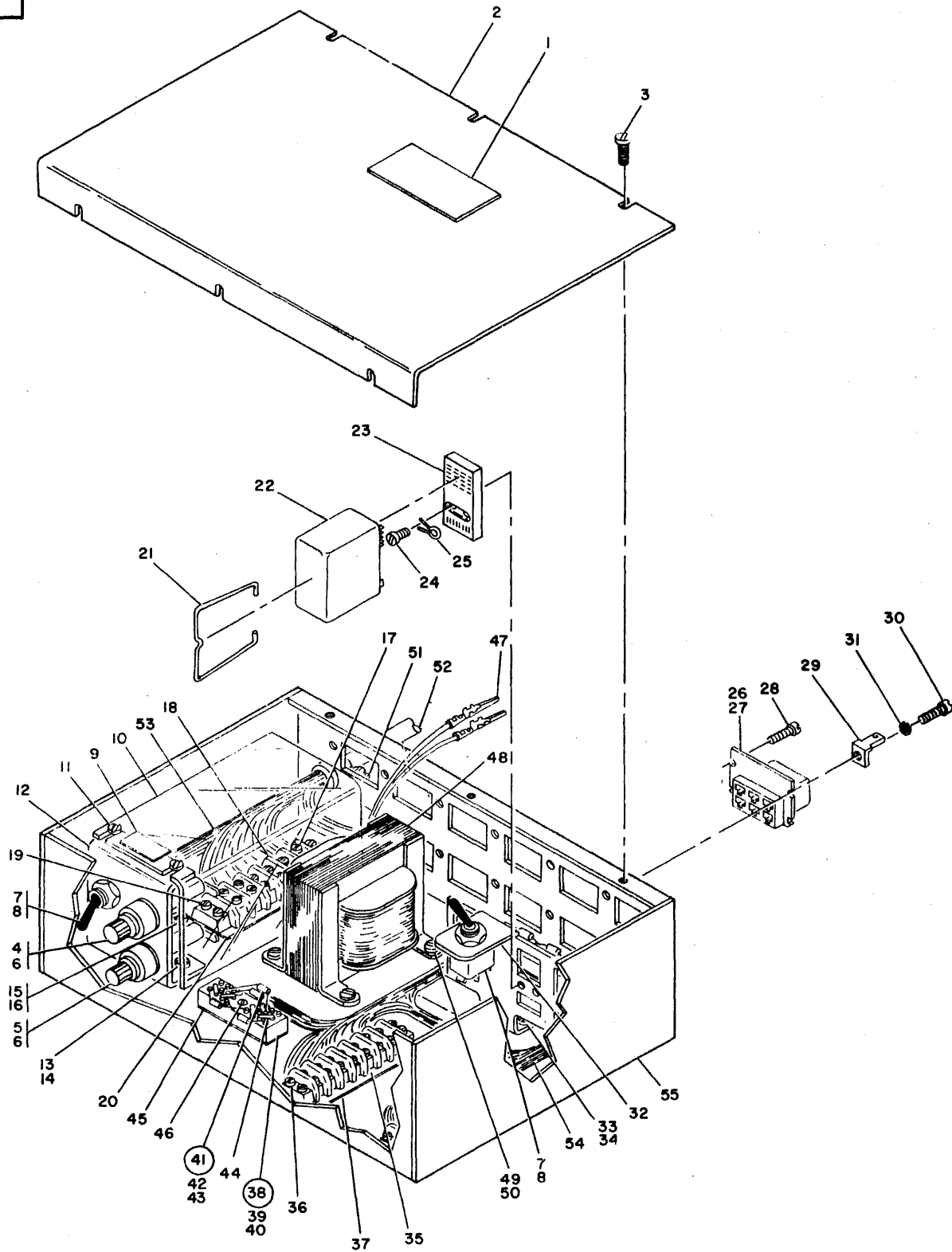


FIGURE 41A. EMERGENCY POWER-OFF CONTROL ASSEMBLY. SEE LIST 41A.

LIST AND INDEX NUMBER	PART NUMBER	DESCRIPTION	UNITS PER ASM.	USABLE ON CODE
		EMERGENCY POWER-OFF CONTROL ASSEMBLY		
41A-	5271793	EMERGENCY POWER-OFF CONTROL ASSEMBLY SEE FIG. 41-51A FOR NEXT HIGHER ASSEMBLY AND FIG. 41A FOR ILLUSTRATION	REF	
- 1	369207	• LABEL,VOLTAGE	1	
- 2	5271787	• COVER	1	
- 3	10170	• SCREW,MACH-BIND HD 6-32 X 1/4 LG ATT PT	6	
- 4	303805	• FUSE,1/4AMP SLD BLO- 250V	1	
- 5	6325	• FUSE,1 AMP	1	
- 6	360882	• FUSEHOLDER- 15 AMP 250V AC	2	
- 7	313246	• SWITCH,TOGGLE	1	
- 8	334635	• WASHER,LOCK-INT TEETH 0.476 ID 0.600 OD	1	
- 9	138754	• DECAL,VOLTAGE	1	
- 10	5271792	• COVER	1	
- 11	10170	• SCREW,MACH-BIND HD 6-32 X 1/4 LG ATT PT	2	
- 12	5271795	• BRACKET	1	
- 13	10170	• SCREW,MACH-BIND HD 6-32 X 1/4 LG ATT PT	2	
- 14	56722	• WASHER,LOCK-EXT TEETH NO. 6 ATT PT	2	
- 15	221790	• SCREW,MACH-BIND HD 8-32 X 3/16 LG	1	
- 16	55901	• WASHER,LOCK-EXT TEETH NO. 8 X 0.381 OD	1	
- 17	334921	• TERMINAL-RING,18-22 AWG,#6 HOLE,INS	6	
- 18	317131	• TERMINAL BOARD- 6 DBL SCREW TERMINALS	1	
- 19	35739	• SCREW,MACH-BIND HD 6-32 X 15/16 LG ATT PT	4	
- 20	513740	• MARKER STRIP- 6 POS NOS. 1 THRU 6	1	
- 21	5318966	• RETAINER-RELAY	3	
- 22	5271785	• RELAY,ENCLOSED 4PDT 5AMP- 20VDC	3	
- 23	5318967	• SOCKET,4 POSITION RELAY	3	
- 24	251970	• SCREW-MACH BD. HD. 4-40 X 1/4 LG	3	
- 25	5364197	• GROUND-RELAY	3	
- 26	5351177	• TERMINAL,SLIP ON-18-22 AWG	24	
- 27	523269	• CONNECTOR-ELECT 6 POS INSERT	12	
- 28	251970	• SCREW-MACH BD. HD. 4-40 X 1/4 LG ATT PT	24	
- 29	5271288	• TERMINAL,FIXED TAB	12	
- 30	438548	• SCREW,MACH-BIND HD 4-40 X 3/16 LG ATT PT	12	
- 31	338169	• WASHER,LOCK-EXT TEETH NO. 4 X .260 OD ATT PT	12	
- 32	5271786	• BRACKET	1	
- 33	10170	• SCREW,MACH-BIND HD 6-32 X 1/4 LG ATT PT	2	
- 34	56722	• WASHER,LOCK-EXT TEETH NO. 6 ATT PT	2	
- 35	512071	• TERMINAL BOARD- 7 DBL SCREW TERMINALS	2	
- 36	81693	• SCREW,MACH-BIND HD 6-32 X 3/8 LG ATT PT	8	
- 37	362243	• MARKER,TERMINAL STRIP	2	
- 38	302090	• CONNECTOR,RECP,ELEC- 24 FEMALE CONTACTS	2	
- 39	302088	• TERMINAL BOARD	1	
- 40	302089	• SPRING-TERMINAL BOARD CONTACT	8	
- 41	615354	• DIODE ASM- SILICON- TYPE AM	7	
- 42	187243	• TERMINAL,SMALL TAPER	2	
- 43	2111232	• SEMICONDUCTOR DEVICE,DIODE-TYPE AM	1	
- 44	205329	• JUMPER-BRASS,3/16	8	
- 45	302131	• INSULATOR,TERMINAL BLOCK	2	
- 46	236550	• SCREW,MACH-BIND HD 4-40 X 0.375 LG ATT PT	2	
- 47	360433	• TERMINAL-PLUG,16-18 AWG	2	
- 48	5313144	• TRANSFORMER-ISOLATION	1	
- 49	58207	• SCREW,MACH-UNDRCT BIND HD 8-32 X 1/4 LG ATT PT	4	
- 50	55901	• WASHER,LOCK-EXT TEETH NO. 8 X 0.381 OD ATT PT	5	
- 51	2100264	• RELIEF,CABLE STRAIN	1	
- 52	5271789	• CABLE ASM	1	
- 53	5271790	• CABLE ASSEMBLY	1	
- 54	5271791	• CABLE ASSEMBLY	1	
- 55	5271788	• BOX	1	

FOR PARTS  
NOT SHOWN  
SEE FIG. 41  
SHEET 1

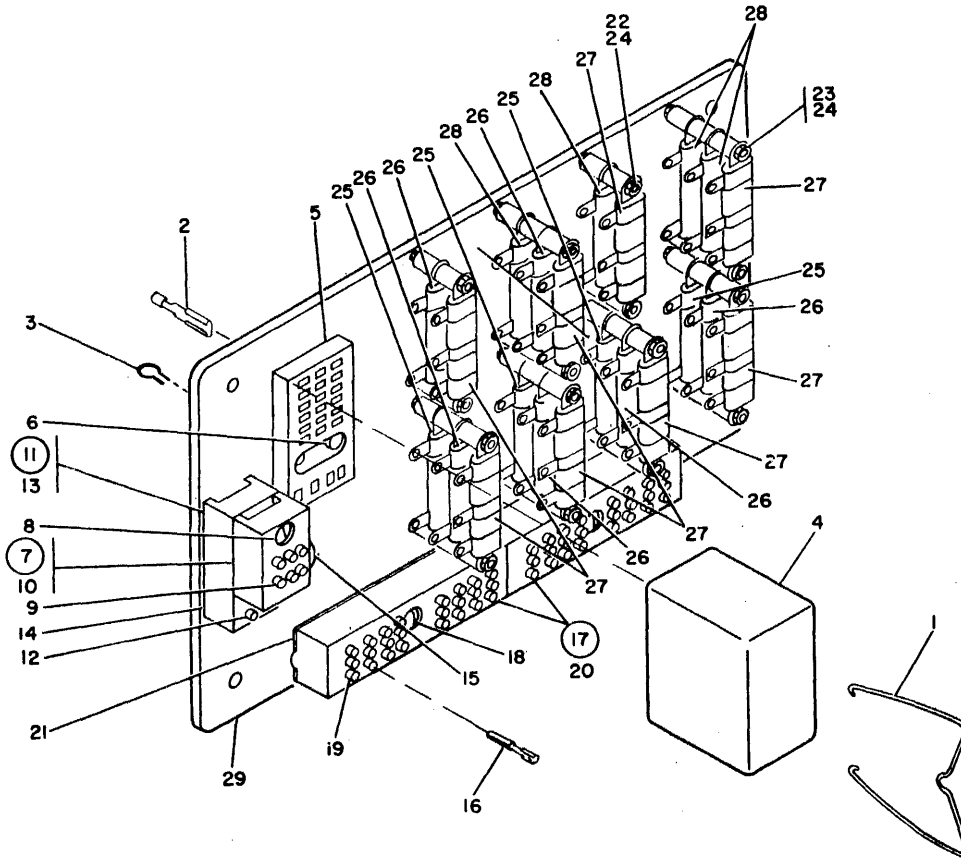


FIGURE 42. DIVIDER ASSEMBLY. SEE LIST 42.

LIST AND INDEX NUMBER	PART NUMBER	DESCRIPTION	UNITS PER ASM.				USABLE ON CODE
			1	2	3	4	
		DIVIDER ASSEMBLY					
		CODE 1 USED ON ASM PRIOR TO H9 SUFFIX CODE 2 USED ON ASM FROM H9 TO CURRENT					
42 -	5364140	DIVIDER ASSEMBLY SEE FIG. 41-58 FOR NEXT HIGHER ASSEMBLY AND FIG. 42 FOR ILLUSTRATION					REF
- 1	5351163	• RETAINER-RELAY					1
- 2	5276375	• TERMINAL LUG-NONINS 20-18AWG SLIP-ON					14
- 3	5364197	• GROUND-RELAY					1
- 4	5351156	• RELAY,ARM-COIL 24V CONT 30V 5 AMP 6PDT					1
- 5	5351139	• SOCKET,RELAY- 6 POSITION					1
- 6	438548	• SCREW,MACH-BIND HD 4-40 X 3/16 LG					1
- 7	324513	• TERMINAL BOARD ASSEMBLY- 6 FEEDTHRU TERM					1
- 8	438550	• SCREW,MACH-BIND HD 4-40 X 1/2 LG					1
- 8	236550	• SCREW,MACH-BIND HD 4-40 X 0.375 LG					1
- 9	302089	• SPRING-TERMINAL BOARD CONTACT					2
- 10	324514	• TERMINAL BOARD- 6 POSITION BLANK					1
- 11	317767	• TERMINAL BOARD ASM- 12 FEEDTHRU TERMINAL					1
- 12	302089	• SPRING-TERMINAL BOARD CONTACT					4
- 13	317768	• TERMINAL BOARD- 12 POSITION BLANK					1
- 14	317766	• INSULATOR-TERMINAL BLOCK					1
- 15	317138	• GROMMET,RUB-FOR 7/16 HOLE X 1/8 PNL					1
- 16	600844	• TERMINAL, SMALL TAPER, 55-24 AWG					19
- 17	302090	• CONNECTOR,RECP,ELEC- 24 FEMALE CONTACTS					2
- 18	438550	• SCREW,MACH-BIND HD 4-40 X 1/2 LG					2
- 19	302089	• SPRING-TERMINAL BOARD CONTACT					8
- 20	302088	• TERMINAL BOARD					1
- 21	302131	• INSULATOR,TERMINAL BLOCK					2
- 22	438554	• SCREW,MACH-BIND HD 4-40 X 1 LG					4
- 23	438555	• SCREW,MACH-UNDRCT BIND HD 4-40 X 1-1/4					12
- 24	1127763	• NUT					32





FOR PARTS  
NOT SHOWN  
SEE FIG. 41  
SHEET 2

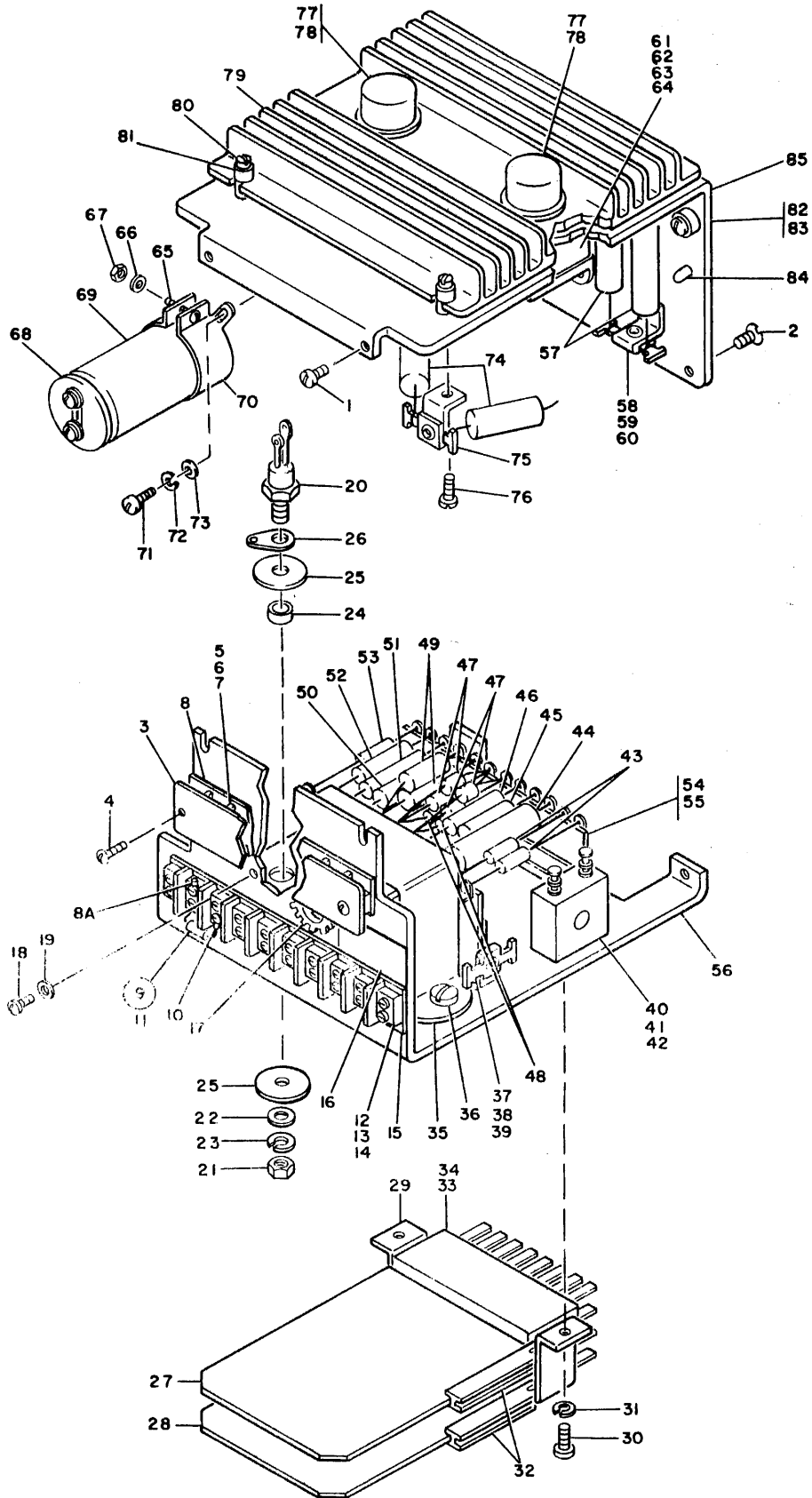


FIGURE 43. 6VDC AT 2.5A POWER SUPPLY ASSEMBLY. SEE LIST 43.

LIST AND INDEX NUMBER	PART NUMBER	DESCRIPTION	UNITS PER ASM.	USABLE ON CODE
		6VDC AT 2.5A POWER SUPPLY ASSEMBLY		
43 -	5712120	POWER SUPPLY ASM, 6VDC AT 2.5A FOR NEXT HIGHER ASM SEE FIG. 41-61 FOR ILLUSTRATION SEE FIG. 43	REF	
- 1	38235	• SCREW,MACH-BIND HD 6-32 X 0.312 LG	2	
- 2	38443	• SCREW,MACH-FL CSK HD 6-32 X 5/16 LG	2	
- 3	5276259	• COVER-TERMINAL BLOCK 6 POS	1	
- 4	10170	• SCREW,MACH-BIND HD 6-32 X 1/4 LG	2	ATT PT
- 5	5276265	• BLOCK-TERMINAL 6 POS 20 AMP	1	
- 6	210883	• STUD-SHIELD MTG TAPPED 6-32	2	ATT PT
- 7	56722	• WASHER,LOCK-EXT TEETH NO. 6	2	ATT PT
- 8	5266157	• MARKET STRIP - 6 POS	1	
- 8A	334921	• TERMINAL-RING, 18-22 AWG, NO. 6 HOLE, INS	4	
- 9	5708939	• CAPACITOR ASM- 0.100 MFD P/M 10% 100VDC	1	
- 10	334921	• TERMINAL-RING, 18-22 AWG, NO. 6 HOLE, INS	2	
- 11	217077	• CAPACITOR,FXD,POLY- 0.1 MFD P/M 10% 100V	1	
- 12	317145	• TERMINAL BOARD - 8 DBL SCREW TERMINALS	1	
- 13	322550	• SCREW,MACH-BIND HD 6-32 X 1/2 LG	4	ATT PT
- 14	56722	• WASHER,LOCK-EXT TEETH NO. 6	4	ATT PT
- 15	322267	• MARKER STRIP- 8 POS	1	
- 16	5261412	• LABEL- AC INPUT	1	
- 17	730432	• GROMMET,CATERPILLER	1	
- 18	10170	• SCREW,MACH-BIND HD 6-32 X 1/4 LG	1	
- 19	56722	• WASHER,LOCK-EXT TEETH NO. 6	1	
- 20	595256	• SEMICONDUCTOR DEVICE,DIODE- 5V 2AMP	1	
- 21	160017	• NUT,PLAIN,HEX- 1/4-28 X 7/16 FL W	1	ATT PT
- 22	3550	• WASHER,FL- 1/4 X 9/16 OD X 0.050 THK	1	ATT PT
- 23	76574	• WASHER,LOCK-EXT TOOTH 0.267 ID X 0.510 OD	1	ATT PT
- 24	5351173	• BUSHING-INSULATOR	1	
- 25	529691	• WASHER,MICA	2	
- 26	322765	• TERMINAL,LUG	1	
- 27	374812	• CARD ASSEMBLY-TSTR	1	
- 28	374989	• CARD ASSEMBLY-TSTR	1	
- 29	473530	• BRACKET-PLUG SUPPORT	1	
- 30	10170	• SCREW,MACH-BIND HD 6-32 X 1/4 LG	2	ATT PT
- 31	56722	• WASHER,LOCK-EXT TEETH NO. 6	2	ATT PT
- 32	216206	• GUIDE-SINGLE CARD LONG	2	
- 33	216076	• TERMINAL BLOCK AND CONTACT ASSEMBLY	2	
- 34	473547	• SPACER - 0.12 IN. THK	1	
- 35	5213503	• TRANSFORMER - 2500 CPS SQUARE WAVE	1	
- 36	221790	• SCREW,MACH-BIND HD 8-32 X 3/16 LG	2	ATT PT
- 37	478045	• TERMINAL,SOLDER	1	
- 38	55726	• SCREW,MACH-BIND HD 6-32 X 0.188 LG	1	ATT PT
- 39	56722	• WASHER,LOCK-EXT TEETH NO. 6	1	ATT PT
- 40	5266049	• COIL-ENCAP SATURABLE 320000 TURNS	1	
- 41	257187	• NUT,PLAIN,HEX- 6-32 X 3/8 FL W	4	ATT PT
- 42	56722	• WASHER,LOCK-EXT TEETH NO. 6	2	ATT PT
- 43	2111232	• SEMICONDUCTOR DEVICE,DIODE- TYPE AM	2	
- 44	369849	• CAPACITOR,ELECT- 50MFD 100 P/M 10% 2W	1	
- 45	492448	• RESISTOR,FXD,FILM- 130 OHMS P/M 5% 2W	1	
- 46	210324	• RESISTOR,FXD, WW- 0.1 OHM P/M 5% 5W	1	
- 47	5762086	• DIODE ASSEMBLY	4	
- 48	419190	• CAPACITOR,CERAMIC- 0.01 MFD P/M 10% 75 VDC	2	
- 49	334900	• RESISTOR,FXD,FILM- 43 OHMS P/M 5% 2W	2	
- 50	132784	• RESISTOR,FXD,COMP- 120 OHMS P/M 5% 1W	1	
- 51	491237	• RESISTOR,FXD,FILM- 68 OHMS P/M 5% 1W	1	
- 52	335138	• RESISTOR,FXD,COMP- 200 OHMS P/M 5% 2W	1	
- 53	323918	• RESISTOR,FXD,FILM- 180 OHMS P/M 5% 1/2W	1	
- 54	322887	• STRIP,TERMINAL- 12 POSITIONS	2	
- 55	55726	• SCREW,MACH-BIND HD 6-32 X 0.188 LG	4	ATT PT
- 56	5712123	• PLATE-TOP	1	
- 57	207310	• CAPACITOR,FXD,ELECT- 100 MFD 100 P/M 10% 25V	2	
- 58	478045	• TERMINAL,SOLDER	2	
- 59	55726	• SCREW,MACH-BIND HD 6-32 X 0.188 LG	2	ATT PT
- 60	56722	• WASHER,LOCK-EXT TEETH NO. 6	2	ATT PT
- 61	5261424	• CHOKE,FILTER- 0.0001 HENRIES AT 5VRMS, 12ADC	1	
- 62	55726	• SCREW,MACH-BIND HD 6-32 X 0.188 LG	2	ATT PT
- 63	56722	• WASHER,LOCK-EXT TEETH NO. 6	2	ATT PT
- 64	257986	• WASHER,FLAT- NO. 6	2	ATT PT
- 65	322065	• SCREW,MACH-BIND HD 6-32 X 5/8 LG	1	
- 66	56722	• WASHER,LOCK-EXT TEETH NO. 6	1	
- 67	257187	• NUT,PLAIN,HEX- 6-32 X 3/8 FL W	1	
- 68	5261296	• COVER-CAPACITOR	1	
- 69	5253847	• CAPACITOR,ELECT- 16000 MFD 100 P/M 10% 10VDC	1	
- 70	445304	• CLAMP	1	



FOR PARTS  
NOT SHOWN  
SEE FIG. 41  
SHEET 2

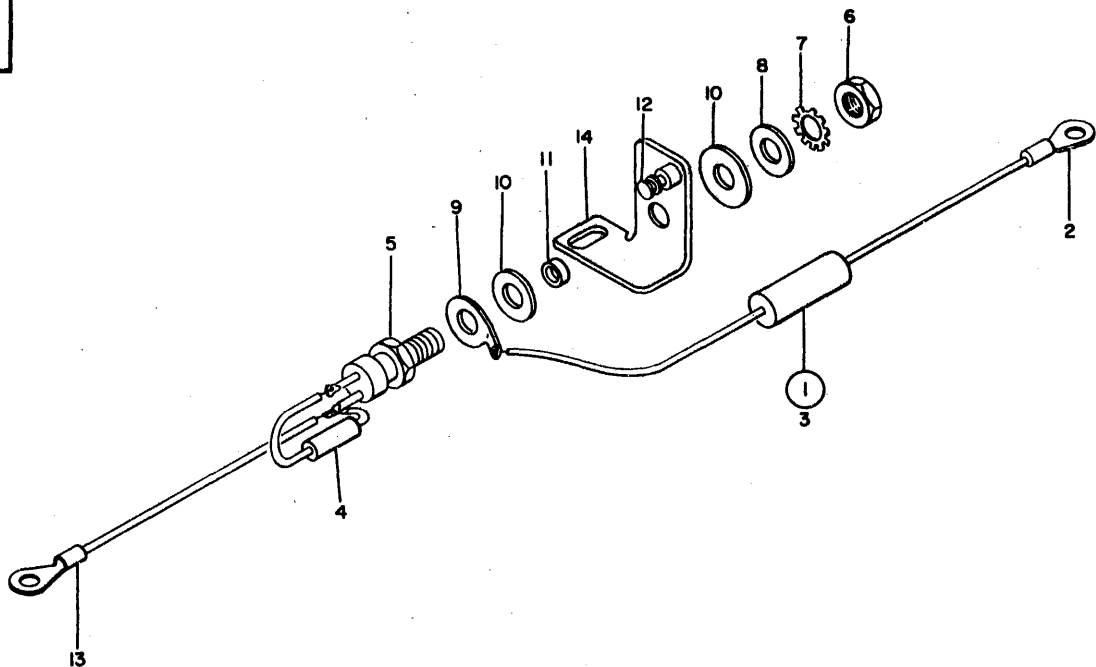


FIGURE 44. 3V, 6V OVERVOLTAGE AND 60V REGULATOR SCR ASSEMBLIES. SEE LIST 44.

LIST AND INDEX NUMBER	PART NUMBER	DESCRIPTION				UNITS PER ASM.	USABLE ON CODE
		1	2	3	4		
<b>3V, 6V OVERVOLTAGE AND 60V REGULATOR SCR ASSEMBLIES</b>							
44 -		CODE A USED ON ASM 5351140 CODE B USED ON ASM 5351170 CODE C USED ON ASM 5361903					
-	5351140	OVERVOLTAGE S.C.R. ASSEMBLY, 6V SEE FIG. 41-63 FOR NEXT HIGHER ASSEMBLY AND FIG. 44 FOR ILLUSTRATION				REF	A
-	5351170	OVERVOLTAGE S.C.R. ASSEMBLY, -3V SEE FIG. 41-62 FOR NEXT HIGHER ASSEMBLY AND FIG. 44 FOR ILLUSTRATION				REF	B
-	5361903	REGULATOR S.C.R. ASSEMBLY, 60V SEE FIG. 41-64 FOR NEXT HIGHER ASSEMBLY AND FIG. 44 FOR ILLUSTRATION				REF	C
- 1	5351143	• RESISTOR ASSEMBLY-0.10 OHMS 5W				1	A
- 1	5351169	• RESISTOR ASSEMBLY-0.05 OHMS 5W				1	B
- 1	5351198	• RESISTOR ASSEMBLY-1 OHM 5W				1	C
- 2	94856	• • LUG, TERMINAL				1	
- 3	207324	• • RESISTOR, FXD, WW- 0.1 OHM P/M 5% 5W USED ON RESISTOR ASM .1 OHM				1	
- 3	208225	• • RESISTOR, FXD, WW- 5 OHMS 5PCT 5W USED ON RESISTOR ASM .05 OHM				1	
- 3	207320	• • RESISTOR, WIREWOUND, AX. LEAD 1 OHM 5% 5W USED ON RESISTOR ASM 1 OHM				1	
- 4	491017	• CAPACITOR, ELECTROLYTIC-5 UF P/M 20% 50VDC				1	A
- 4	492570	• CAPACITOR, TANTALUM-220 UUF P/M 20% 10VDC				1	B
- 4	491017	• CAPACITOR, ELECTROLYTIC-5 UF P/M 20% 50VDC				1	C
- 5	483328	• SEMICONDUCTOR DEVICE, DIODE				1	A
- 5	483328	• SEMICONDUCTOR DEVICE, DIODE				1	B
- 5	483327	• SEMICONDUCTOR DEVICE, DIODE				1	C
- 6	160017	• NUT, PLAIN, HEX- 1/4-28 X 7/16 FL W				1	
- 7	76574	• LOCKWASHER-EXT TOOTH ID .267 X OD .510				1	
		ATT PT					
		ATT PT					



FOR PARTS  
NOT SHOWN  
SEE FIG. 41,65,75  
SHEET 2, 1,2

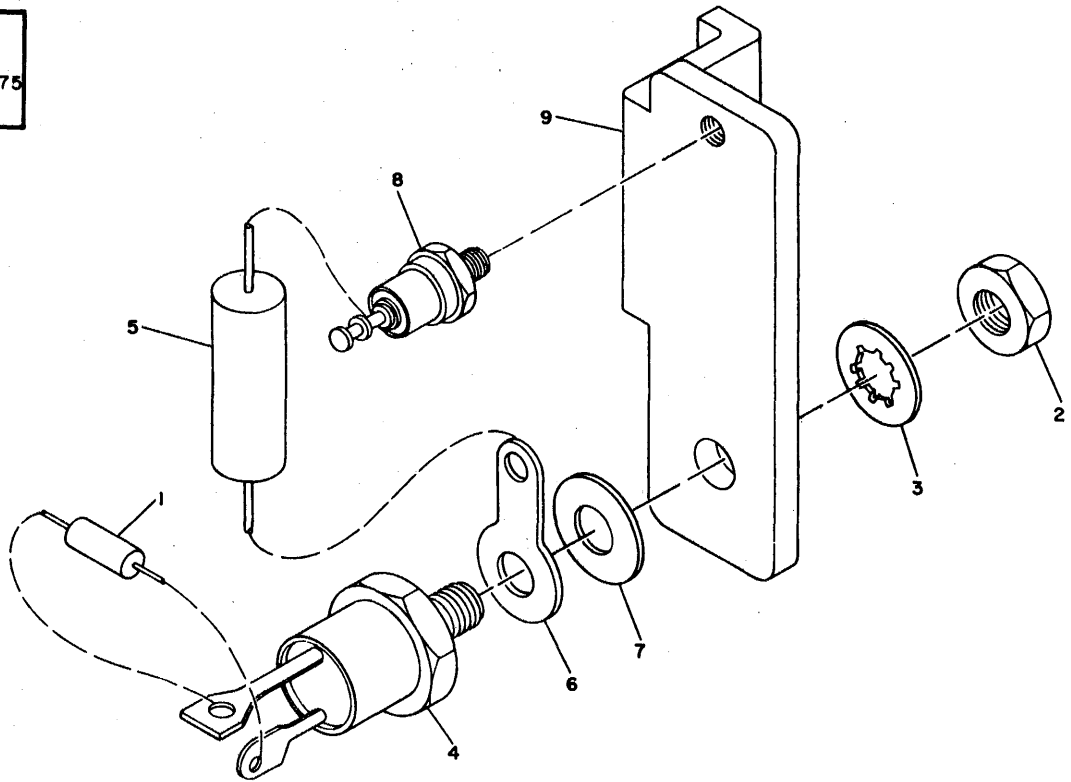


FIGURE 45. TERMINAL BOARD-REMOTE O/V-O/C. SEE LIST 45.

LIST AND INDEX NUMBER	PART NUMBER	DESCRIPTION				UNITS PER ASM.	USABLE ON CODE
		1	2	3	4		
		TERMINAL BOARD-REMOTE O/V-O/C					
45 -	5708902	REMOTE O/V-O/C ASM				REF	
		SEE FIG. 41-65, 65-67 AND 75-76 FOR NEXT HIGHER ASSEMBLY AND FIG. 45 FOR ILLUSTRATION					
- 1	491228	• CAPACITOR,FXD,FILM- 0.01MF P/M 10% 100V				1	
- 2	160017	• NUT,PLAIN,HEX- 1/4-28 X 7/16 FL W				1	
- 3	65756	• WASHER,LOCK-INT TEETH 0.267 ID X 0.478OD				1	
- 4	595256	• SEMICONDUCTOR DEVICE,O10- 5V 2 AMP				1	
- 5	207324	• RESISTOR,FXD,WW- 0.1 OHM P/M 5% 5W				1	
- 6	322765	• TERMINAL,LUG				1	
- 7	3550	• WASHER,FL- 1/4 X 9/16 OD X 0.050 THK				1	
- 8	5261459	• TERMINAL,STANDOFF				2	
- 9	5708926	• BRACKET				1	

FOR PARTS  
NOT SHOWN  
SEE FIG. 41  
SHEET 2

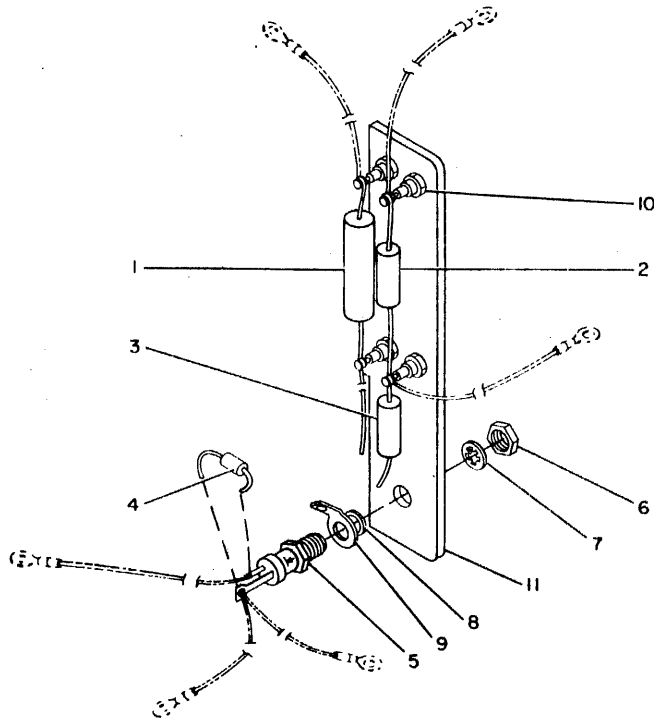


FIGURE 46. REMOTE O/V-OC ASSEMBLY. SEE LIST 46.

LIST AND INDEX NUMBER	PART NUMBER	DESCRIPTION				UNITS PER ASM.	USABLE ON CODE
		1	2	3	4		
		REMOTE O/V-O/C ASSEMBLY					
46 -	5708903	REMOTE O/V-O/C ASSEMBLY SEE FIG. 41-66 FOR NEXT HIGHER ASSEMBLY AND FIG. 46 FOR ILLUSTRATION				REF	
- 1	207324	• RESISTOR,FXD,WW- 0.1 OHM P/M 5% 5W				1	
- 2	481484	• RESISTOR				1	
- 3	481921	• RESISTOR,PRECISION 115 OHMS				1	
- 4	491228	• CAPACITOR,FXD,FILM- 0.01MF P/M 10% 100V				1	
- 5	595256	• SEMICONDUCTOR DEVICE,D10- 5V 2 AMP				1	
- 6	160017	• NUT,PLAIN,HEX- 1/4-28 X 7/16 FL W				1	ATT PT
- 7	65756	• WASHER,LOCK-INT TEETH 0.267 ID X 0.4780D				1	ATT PT
- 8	3550	• WASHER,FL- 1/4 X 9/16 OD X 0.050 THK				1	ATT PT
- 9	322765	• TERMINAL,LUG				1	
- 10	5261459	• TERMINAL,STANDOFF				4	
- 11	5708927	• BRACKET,MOUNTING,REMOTE O/V-O/C				1	



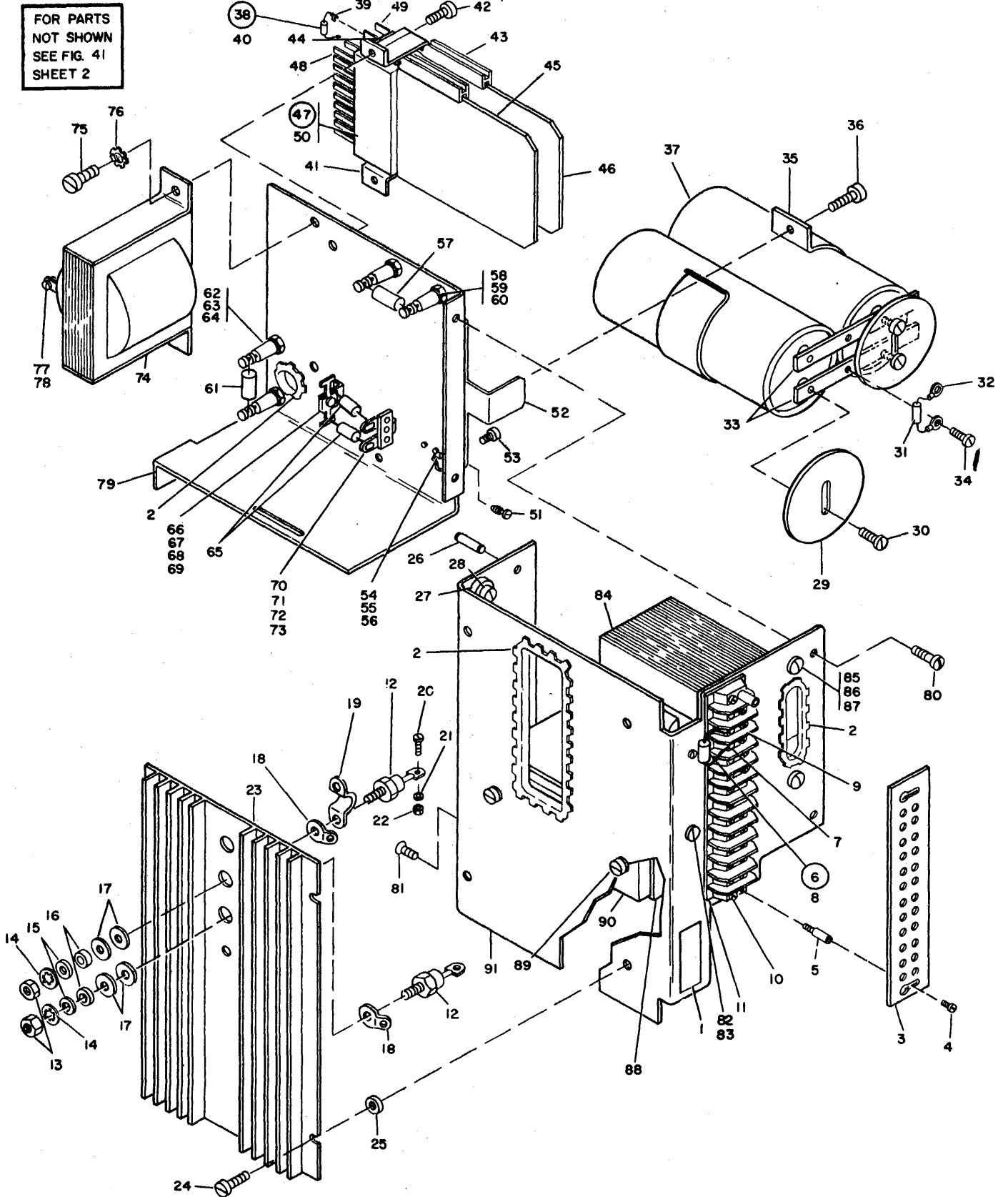


FIGURE 47. 3V AT 40 AMP MAGNETIC AMPLIFIER ASSEMBLY. SEE LIST 47.

LIST AND INDEX NUMBER	PART NUMBER	DESCRIPTION	UNITS PER ASM.	USABLE ON CODE
		3V AT 40 AMP MAGNETIC AMPLIFIER ASSEMBLY		
47 -	5261220	MAGNETIC AMPLIFIER ASSEMBLY, 3V AT 40A USED PRIOR TO N9 SUFFIX SEE FIG. 41-67 FOR NEXT HIGHER ASSEMBLY AND FIG. 47 FOR ILLUSTRATION	REF	
- 1	5261412	. LABEL	1	
- 2	730432	. GROMMET, CATERPILLAR	3	
- 3	191481	. SHIELD, TERMINAL BLOCK	1	
- 4	210984	. SCREW, RD HD MACH-6-32 X .250 LG	1	ATT PT
- 5	5261627	. STUD, EXTENSION	1	
- 6	5708939	. CAPACITOR ASM- 0.100MFD P/M 10% 100VDC	1	
- 7	334921	. . TERMINAL-RING, 18-22 AWG, #6 HOLE, INS	2	
- 8	217077	. . CAPACITOR, FXD-POLY- .1MFD P/M 10% 100VDC	1	
- 9	323839	. TERMINAL BOARD- 12 DBL SCREW TERMINALS	1	
- 10	5261626	. STUD	3	ATT PT
- 11	806569	. STRIP, MARKER	1	
- 12	5213402	. RECTIFIER, SILICON	4	
- 13	160017	. NUT, PLAIN, HEX- 1/4-28 X 7/16 FL W	4	ATT PT
- 14	65756	. WASHER, LOCK-INT TEETH 0.267 ID X 0.4780D	4	ATT PT
- 15	3550	. WASHER, FL- 1/4 X 9/16 OD X 0.050 THK	4	ATT PT
- 16	473592	. INSULATOR	3	
- 17	217017	. WASHER-INSULATING	6	
- 18	322765	. TERMINAL, LUG	1	
- 19	5261606	. JUMPER PLATE	1	
- 20	81693	. SCREW, MACH-BIND HD 6-32 X 3/8 LG	1	
- 21	56722	. WASHER, LOCK-EXT TEETH NO. 6	2	
- 22	38051	. NUT, PLAIN, HEX- 6-32 X 1/4 FL W STL	1	
- 23	5261322	. HEAT SINK	1	
- 24	34512	. SCREW, BIND, HD 8-32 X .375 LG	4	ATT PT
- 25	337549	. INSULATOR - HEAT SINK MOUNTING	4	
- 26	5261379	. PIN, STRAIGHT DOWEL	2	
- 27	5261315	. ADAPTER-CAPTIVE SCREW	2	
- 28	5261314	. SCREW, CAPTIVE- 10-32 X 1/2 LG	2	ATT PT
- 29	5240477	. SHIELD, CAPACITOR	2	
- 30	332620	. SCREW, MACH-BIND HD 10-32 X 1/2 LG	4	ATT PT
- 31	216792	. RESISTOR	1	
- 32	334932	. TERMINAL-RING, 18-22 AWG, #10 HOLE, INS	2	
- 33	5261327	. BUS BAR	2	
- 34	236849	. SCREW, MACH-BIND HD 10-32 X 0.250 LG	4	ATT PT
- 35	5261324	. BRACKET	1	
- 36	332620	. SCREW, MACH-BIND HD 10-32 X 1/2 LG	1	ATT PT
- 37	5709381	. CAPACITOR, FIXED, ELECT-100,000 UF 6V	2	
- 38	5261789	. CAPACITOR ASSEMBLY, 0.022UF, PORM 10 PCT	2	
- 39	334932	. . TERMINAL-RING, 18-22 AWG, #10 HOLE, INS	2	
- 40	492503	. . CAPACITOR, FXD, PAPER DIELECTRIC, 0.015UF	1	
- 41	473530	. BRACKET	1	
- 42	55726	. SCREW, MACH-BIND HD 6-32 X .188 LG	2	ATT PT
- 43	216207	. GUIDE-SINGLE CARD SHORT	2	
- 44	473547	. SPACER, 1 X 2 3/8 IN .12 IN THICK	1	
- 45	372973	. CARD	1	
- 46	372966	. CARD	1	
- 47	216076	. TERMINAL BLOCK AND CONTACT ASSEMBLY	2	
- 48	216088	. . SPRING-CONTACT	8	
- 49	216087	. . SPRING-CONTACT	8	
- 50	216073	. . TERMINAL BLOCK AND CONTACT ASSEMBLY	1	
- 51	5261354	. SCREW, MACH, CAPTIVE- 6-32 X 3/8 LG	1	
- 52	5261316	. BRACKET, CARD RETAINING	1	
- 53	479714	. SCREW, SHLDR-FLAT HD 4-40 X 19/64 LG	1	ATT PT
- 54	5261317	. BRACKET	1	
- 55	55726	. SCREW, MACH-BIND HD 6-32 X .188 LG	2	ATT PT
- 56	56722	. WASHER, LOCK-EXT TEETH NO. 6	2	ATT PT
- 57	509638	. RESISTOR, FXD 620 OHM P/M 5 PCT 2W	1	
- 58	533534	. TERMINAL	2	
- 59	10170	. SCREW, MACH-BIND HD 6-32 X 1/4 LG	2	ATT PT
- 60	62031	. WASHER, LOCK-INT TEETH NO. 6 X 0.295 OD	2	ATT PT
- 61	335017	. RESISTOR, FIXED COMP 240 OHMS PM 5% 1W	1	
- 62	533534	. TERMINAL	2	
- 63	10170	. SCREW, MACH-BIND HD 6-32 X 1/4 LG	2	ATT PT
- 64	62031	. WASHER, LOCK-INT TEETH NO. 6 X 0.295 OD	2	ATT PT
- 65	317019	. RESISTOR, FXD, COMP- 2000 OHMS P/M 5% 1/2W	2	
- 66	314047	. TERMINAL BOARD- 2 SOLDER LUGS	1	
- 67	38235	. SCREW, MACH-BIND HD 6-32 X 0.312 LG	1	ATT PT
- 68	62031	. WASHER, LOCK-INT TEETH NO. 6 X 0.295 OD	1	ATT PT
- 69	257187	. NUT, PLAIN, HEX- 6-32 X 3/8 FL W	1	ATT PT
- 70	478045	. TERMINAL, SOLDER	1	



FOR PARTS  
NOT SHOWN  
SEE FIG. 41  
SHEET 2

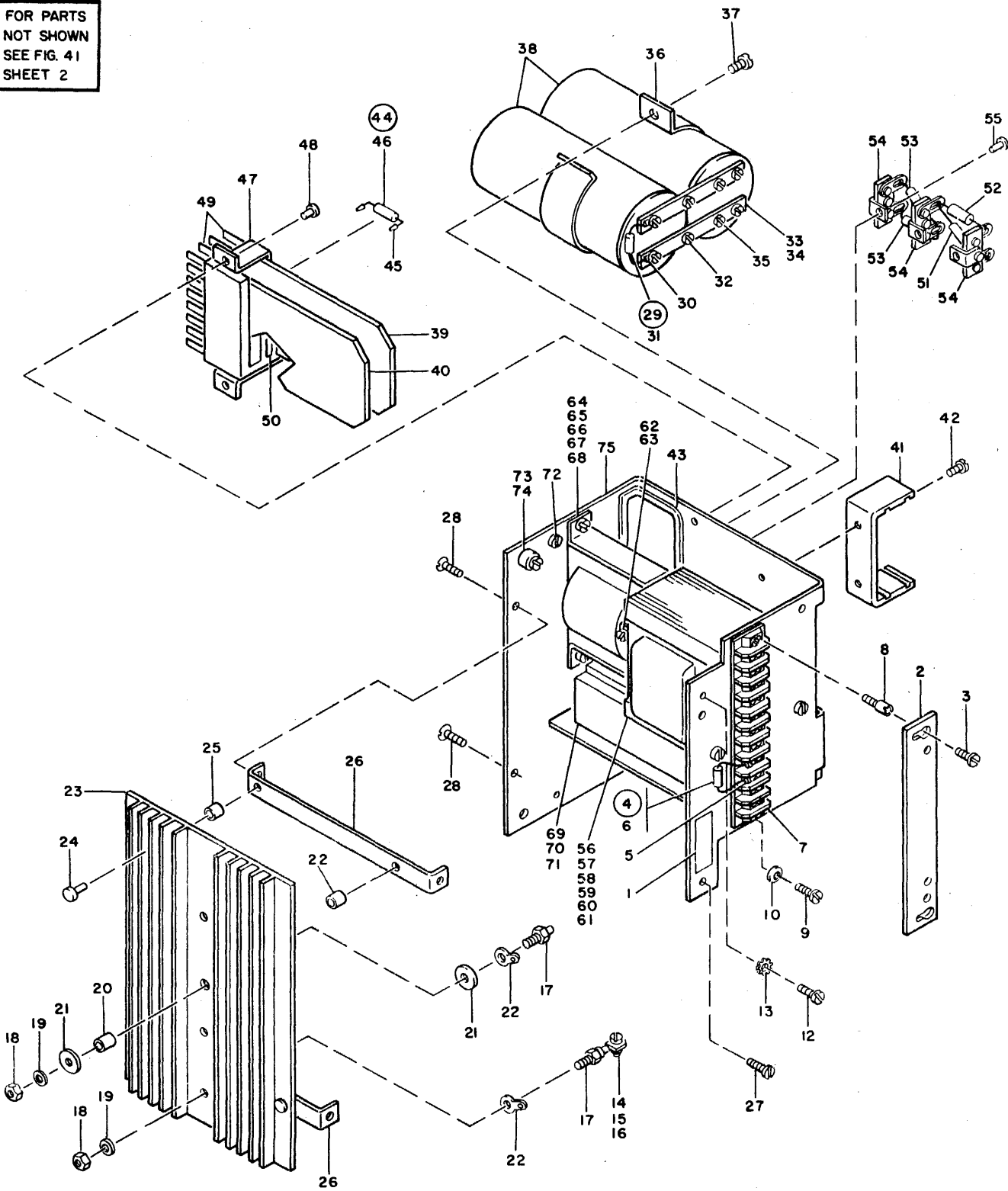


FIGURE 47A. 3V AT 40 AMP MAGNETIC AMPLIFIER ASSEMBLY. SEE LIST 47A.

LIST AND INDEX NUMBER	PART NUMBER	DESCRIPTION				UNITS PER ASM.	USABLE ON CODE
		1	2	3	4		
		3V AT 40 AMP MAGNETIC AMPLIFIER ASSEMBLY					
47A-	5261220	MAGNETIC AMPLIFIER ASSEMBLY, 3V AT 40A USED FROM N9 SUFFIX TO CURRENT FOR NEXT HIGHER ASSEMBLY SEE FIG. 41-67 FOR ILLUSTRATION SEE FIG. 47A				REF	
- 1	5261412	. LABEL				1	
- 2	352825	. COVER				1	
- 3	10170	. SCREW, MACH-BIND HD 6-32 X 1/4 LG ATT PT				2	
- 4	5708939	. CAPACITOR ASM- 0.1 MFD P/M 10% 100 VDC				1	
- 5	334921	. . TERMINAL-RING 18-22 AWG, NO. 6 HOLE, INS				2	
- 6	217077	. . CAPACITOR, FXD-POLY 0.1 MFD P/M 10% 100 VDC				1	
- 7	323839	. TERMINAL BOARD- 12 DBL SCREW TERMINALS				1	
- 8	5762407	. STUD, TAPPED MOUNTING ATT PT				2	
- 9	81693	. SCREW, MACH-BIND HD 6-32 X 3/8 LG ATT PT				2	
- 10	257986	. WASHER, FLAT- NO. 6 ATT PT				2	
- 11	806569	. STRIP, MARKER				1	
- 12	10170	. SCREW, MACH-BIND HD 6-32 1/4 LG				1	
- 13	56722	. WASHER, LOCK-EXT TEETH NO. 6				1	
- 14	81693	. SCREW, MACH-BIND HD 6-32 X 3/8 LG				1	
- 15	56722	. WASHER, LOCK-EXT TEETH NO. 6				1	
- 16	257187	. NUT, PLAIN, HEX- 6-32 X 3/8 FL W				1	
- 17	5213402	. RECTIFIER, SILICON				4	
- 18	160017	. NUT, PLAIN, HEX- 1/4-28 X 7/16 FL W ATT PT				4	
- 19	3550	. WASHER, FL- 1/4 X 9/16 OD X 0.50 THK ATT PT				4	
- 20	473592	. INSULATOR				2	
- 21	217017	. WASHER-INSULATING				8	
- 22	5762386	. TERMINAL				4	
- 23	2572766	. HEAT SINK				1	
- 24	5761907	. RIVET ATT PT				4	
- 25	337549	. INSULATOR-HEAT SINK MOUNTING				4	
- 26	2572763	. BRACKET-HEAT SINK				2	
- 27	10170	. SCREW, MACH-BIND HD 6-32 X 1/4 LG ATT PT				2	
- 28	38442	. SCREW, MACH-FL CSK HD 6-32 X 1/4 LG ATT PT				2	
- 29	5738338	. RESISTOR ASM- 12 OHMS 2W				1	
- 30	334932	. . TERMINAL-RING, 18-22 AWG, NO. 10 HOLE, INS				2	
- 31	216792	. . RESISTOR				1	
- 32	236849	. SCREW, MACH-BIND HD 10-32 X 0.250 LG				4	
- 33	5261327	. BUS BAR				2	
- 34	32617	. SCREW, MACH-BIND HD 10-32 X 0.438 LG ATT PT				4	
- 35	5240477	. SHIELD, CAPACITOR				2	
- 36	5261324	. BRACKET				2	
- 37	332620	. SCREW, MACH-BIND HD 10-32 X 1/2 LG ATT PT				1	
- 38	5709381	. CAPACITOR, FIXED, ELECT- 100,000 UF 6V				2	
- 39	372966	. CARD-AMPLIFIER				1	
- 40	372973	. CARD-O/C				1	
- 41	2572773	. HOLDER-CARD, SMS				1	
- 42	2572793	. RIVET ATT PT				2	
- 43	518578	. RUBBER CHANNEL				AR	
- 44	5261789	. CAPACITOR ASM- 0.022 MFD P/M 10%				1	
- 45	334932	. . TERMINAL-RING, 18-22 AWG, NO. 10 HOLE, INS				2	
- 46	492503	. . CAPACITOR, FXD, PAPER- 0.022 MFD P/M 10% 100V				1	
- 47	2572845	. BRACKET - SMS CONNECTOR				1	
- 48	2572793	. RIVET ATT PT				2	
- 49	216076	. TERMINAL BLOCK AND CONTACT ASSEMBLY				2	
- 50	473547	. SPACER- 0.12 THK				1	
- 51	509638	. RESISTOR, FXD- 620 OHM P/M 5% 2W				1	
- 52	335017	. RESISTOR, FXD, COMP- 240 OHMS P/M 5% 1W				1	
- 53	317019	. RESISTOR, FXD, COMP- 2000 OHMS P/M 5% 1/2W				2	
- 54	314047	. TERMINAL BOARD - 2 SOLDER LUGS				3	
- 55	2572793	. RIVET ATT PT				3	
- 56	5261223	. TRANSFORMER, POWER- 2500 CPS 409VA				1	
- 57	32617	. SCREW, MACH-BIND HD 10-32 X 0.438 LG ATT PT				3	
- 58	45690	. WASHER, FLAT- NO. 10 ATT PT				3	
- 59	9092	. WASHER, LOCK-MED SPRING NO. 10 ATT PT				3	
- 60	56079	. WASHER, LOCK-EXT TEETH NO. 10 ATT PT				1	
- 61	11598	. NUT, PLAIN, HEX- 10-32 ATT PT				3	
- 62	58207	. SCREW, MACH-UNDRCT BIND HD 8-32 X 1/4 LG				2	
- 63	55901	. WASHER, LOCK-EXT TEETH NO. 8				2	
- 64	5261229	. CHOKE, FILTER				1	
- 65	316807	. SCREW, MACH-FLAT CSK HD 6-32 X 0.375 LG ATT PT				2	
- 66	6364	. WASHER, LOCK-MED SPRING NO. 6 ATT PT				2	
- 67	56722	. WASHER, LOCK-EXT TEETH NO. 6 ATT PT				1	
- 68	257187	. NUT, PLAIN, HEX- 6-32 X 3/8 FL W ATT PT				2	
- 69	5261228	. REACTOR, SATURABLE				1	
- 70	5528	. SCREW, MACH-BIND HD 8-32 X 0.625 LG ATT PT				2	



FOR PARTS  
NOT SHOWN  
SEE FIG. 41  
SHEET 2

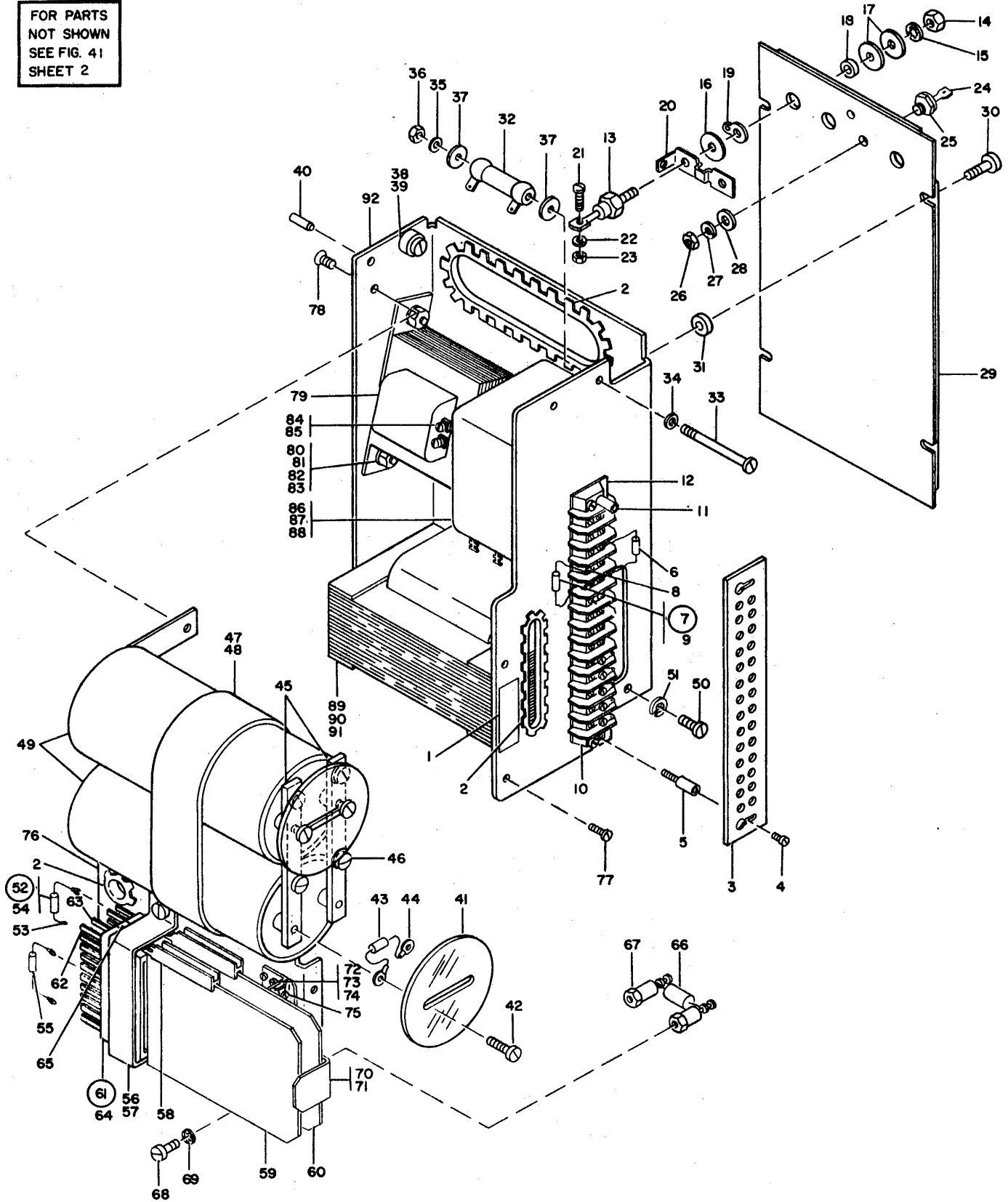
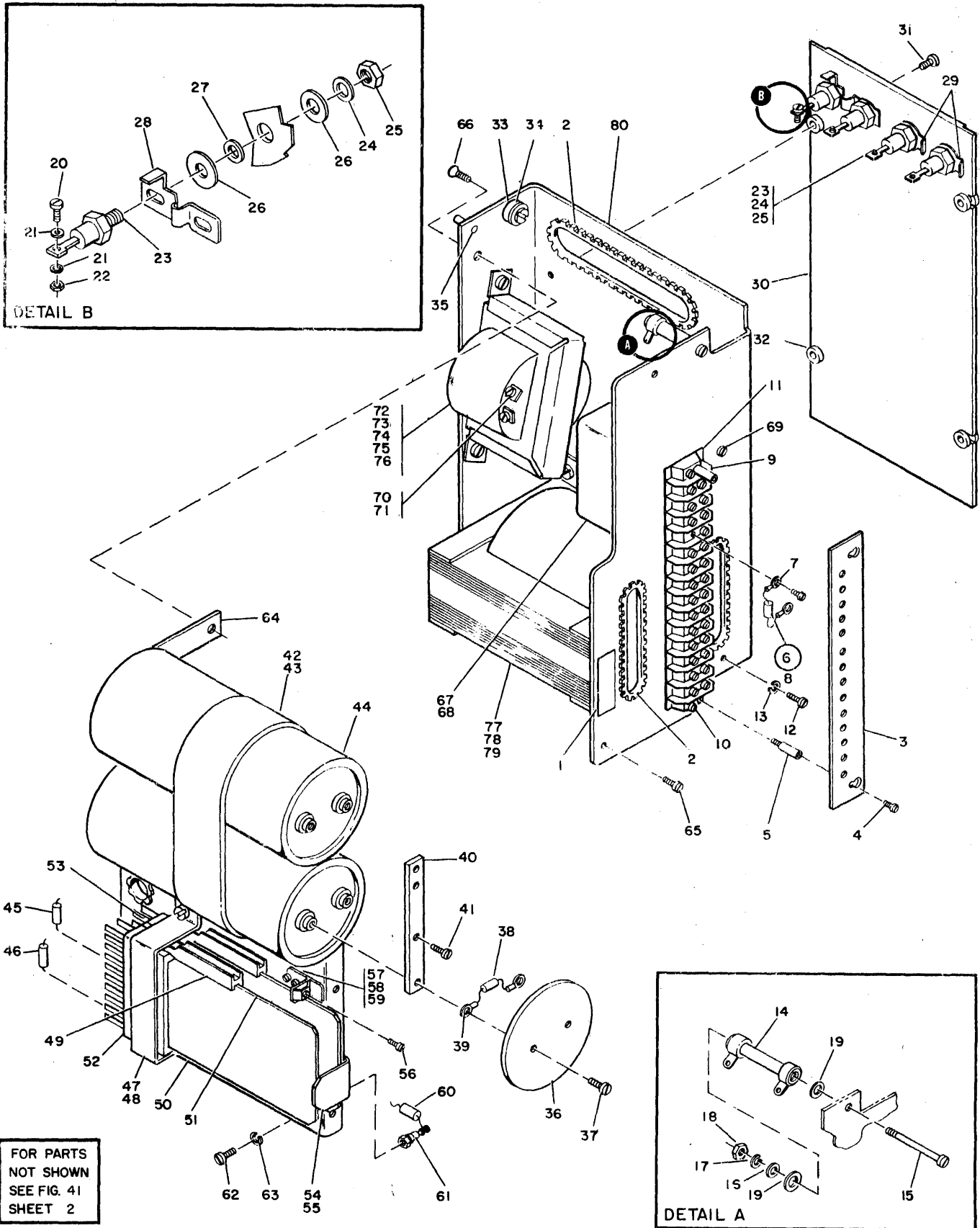


FIGURE 48. 6V AT 40 AMP MAGNETIC AMPLIFIER ASSEMBLY. SEE LIST 48.

LIST AND INDEX NUMBER	PART NUMBER	DESCRIPTION				UNITS PER ASM.	USABLE ON CODE
		1	2	3	4		
		6V AT 40 AMP MAGNETIC AMPLIFIER ASSEMBLY					
48 -	5261240	MAGNETIC AMPLIFIER ASSEMBLY- 6V 40A SEE FIG. 41-68 FOR NEXT HIGHER ASSEMBLY AND FIG. 48 FOR ILLUSTRATION				REF	
- 1	5261412	. LABEL				1	
- 2	730432	. GROMMET,CATERPILLAR				3	
- 3	187470	. SHIELD,TERMINAL BOARD				1	
- 4	210984	. SCREW, RD HD MACH-6-32 X .250 LG ATT PT				1	
- 5	5261627	. STUD,EXTENSION				1	
- 6	5261779	. CAPACITOR ASSEMBLY,0.015UF,100VDC				1	
- 7	5708939	. CAPACITOR ASM- 0.100MFD P/M 10% 100VDC				1	
- 8	334921	. . TERMINAL-RING,18-22 AWG,#6 HOLE,INS				2	
- 9	217077	. . CAPACITOR,FXD-POLY- .1MF P/M 10% 100VDC				1	
- 10	82353	. TERMINAL BOARD- 14 DBL SCREW TERMINALS				1	
- 11	5261626	. STUD ATT PT				3	
- 12	620240	. INSULATOR				1	
- 13	5213402	. RECTIFIER,SILICON				3	
- 14	160017	. NUT,PLAIN,HEX- 1/4-28 X 7/16 FL W ATT PT				3	
- 15	65756	. WASHER,LOCK-INT TEETH 0.267 ID X 0.4780D ATT PT				3	
- 16	3550	. WASHER,FL- 1/4 X 9/16 OD X 0.050 THK ATT PT				3	
- 17	217017	. WASHER-INSULATING				12	
- 18	473592	. INSULATOR				3	
- 19	322765	. TERMINAL,LUG				1	
- 20	5261606	. JUMPER PLATE				1	
- 21	81693	. SCREW,MACH-BIND HD 6-32 X 3/8 LG				1	
- 22	56722	. WASHER,LOCK-EXT TEETH NO. 6				2	
- 23	38051	. NUT,PLAIN,HEX- 6-32 X 1/4 FL W STL				1	
- 24	322765	. TERMINAL,LUG				1	
- 25	5213402	. RECTIFIER,SILICON				1	
- 26	160017	. NUT,PLAIN,HEX- 1/4-28 X 7/16 FL W ATT PT				1	
- 27	65756	. WASHER,LOCK-INT TEETH 0.267 ID X 0.4780D ATT PT				1	
- 28	3550	. WASHER,FL- 1/4 X 9/16 OD X 0.050 THK ATT PT				1	
- 29	5261323	. HEAT SINK				1	
- 30	34512	. SCREW,BIND.HD 8-32 X .375 LG ATT PT				4	
- 31	337549	. INSULATOR - HEAT SINK MOUNTING ATT PT				4	
- 32	443052	. RESISTOR-WIREWOUND,350 OHMS PM 5 PCT				1	
- 33	438570	. SCREW,MACH-BIND HD 6-32 X 1-1/2 LG ATT PT				1	
- 34	257986	. WASHER,FLAT NO. 6 ATT PT				1	
- 35	62031	. WASHER,LOCK-INT TEETH NO. 6 X 0.295 OD ATT PT				1	
- 36	257187	. NUT,PLAIN,HEX- 6-32 X 3/8 FL W ATT PT				1	
- 37	203801	. INSULATOR WASH- 0.172 ID 9/16 OD 1/16THK				2	
- 38	5261315	. ADAPTER-CAPTIVE SCREW				2	
- 39	5261314	. SCREW,CAPTIVE- 10-32 X 1/2 LG ATT PT				2	
- 40	5261379	. PIN,STRAIGHT DOWEL				2	
- 41	5240477	. SHIELD,CAPACITOR				2	
- 42	236849	. SCREW,MACH-BIND HD 10-32 X 0.250 LG ATT PT				4	
- 43	216797	. RESISTOR,FXD,FILM- 24 OHMS P/M 5% 2W				1	
- 44	334932	. TERMINAL-RING,18-22 AWG,#10 HOLE,INS				2	
- 45	5261327	. BUS BAR				2	
- 46	32042	. SCREW, MACH BIND. HD 10-32 X 3/8 LG. ATT PT				4	
- 47	5261326	. BRACKET-CAPACITOR				1	
- 48	55918	. SCREW,MACH-BIND HD 10-32 X 5/8 LG ATT PT				1	
- 49	5261247	. CAPACITOR,ELEC-60,000 UF P/M 10% 8VDC				2	
- 50	55726	. SCREW,MACH-BIND HD 6-32 X .188 LG				1	
- 51	56722	. WASHER,LOCK-EXT TEETH NO. 6				1	
- 52	5709058	. RESISTOR ASSEMBLY				1	
- 53	596255	. . TERMINAL,SLIP-ON				2	
- 54	334923	. . RESISTOR,FXD,COMP- 3.6K P/M 5% 1/2W				1	
- 55	5261789	. CAPACITOR ASSEMBLY,0.022UF,PORM 10 PCT				2	
- 56	473530	. BRACKET				1	
- 57	55726	. SCREW,MACH-BIND HD 6-32 X .188 LG ATT PT				2	
- 58	216207	. GUIDE-SINGLE CARD SHORT				2	
- 59	372975	. CARD				1	
- 60	372973	. CARD				1	
- 61	216076	. TERMINAL BLOCK AND CONTACT ASSEMBLY				2	
- 62	216088	. . SPRING-CONTACT				8	
- 63	216087	. . SPRING-CONTACT				8	
- 64	216073	. . TERMINAL BLOCK AND CONTACT ASSEMBLY				1	
- 65	473547	. SPACER,1 X 2 3/8 IN .12 IN THICK				1	
- 66	335017	. RESISTOR,FIXED COMP 240 OHMS PM 5% 1W				1	
- 67	533534	. TERMINAL				2	
- 68	10170	. SCREW,MACH-BIND HD 6-32 X 1/4 LG ATT PT				2	
- 69	62031	. WASHER,LOCK-INT TEETH NO. 6 X 0.295 OD ATT PT				2	
- 70	5261316	. BRACKET, CARD RETAINING				1	
- 71	479714	. SCREW,SHLDR-FLAT HD 4-40 X 19/64 LG ATT PT				1	







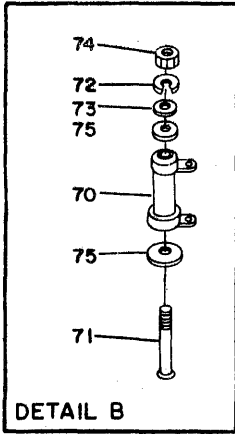
FOR PARTS  
NOT SHOWN  
SEE FIG. 41  
SHEET 2

FIGURE 49. 6V AT 40 AMP MAGNETIC AMPLIFIER ASSEMBLY. SEE LIST 49.

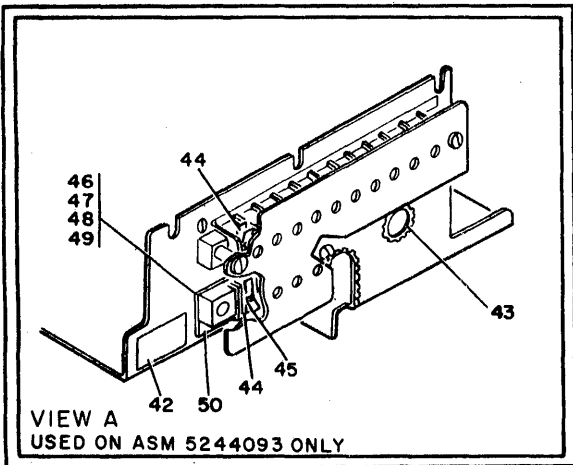
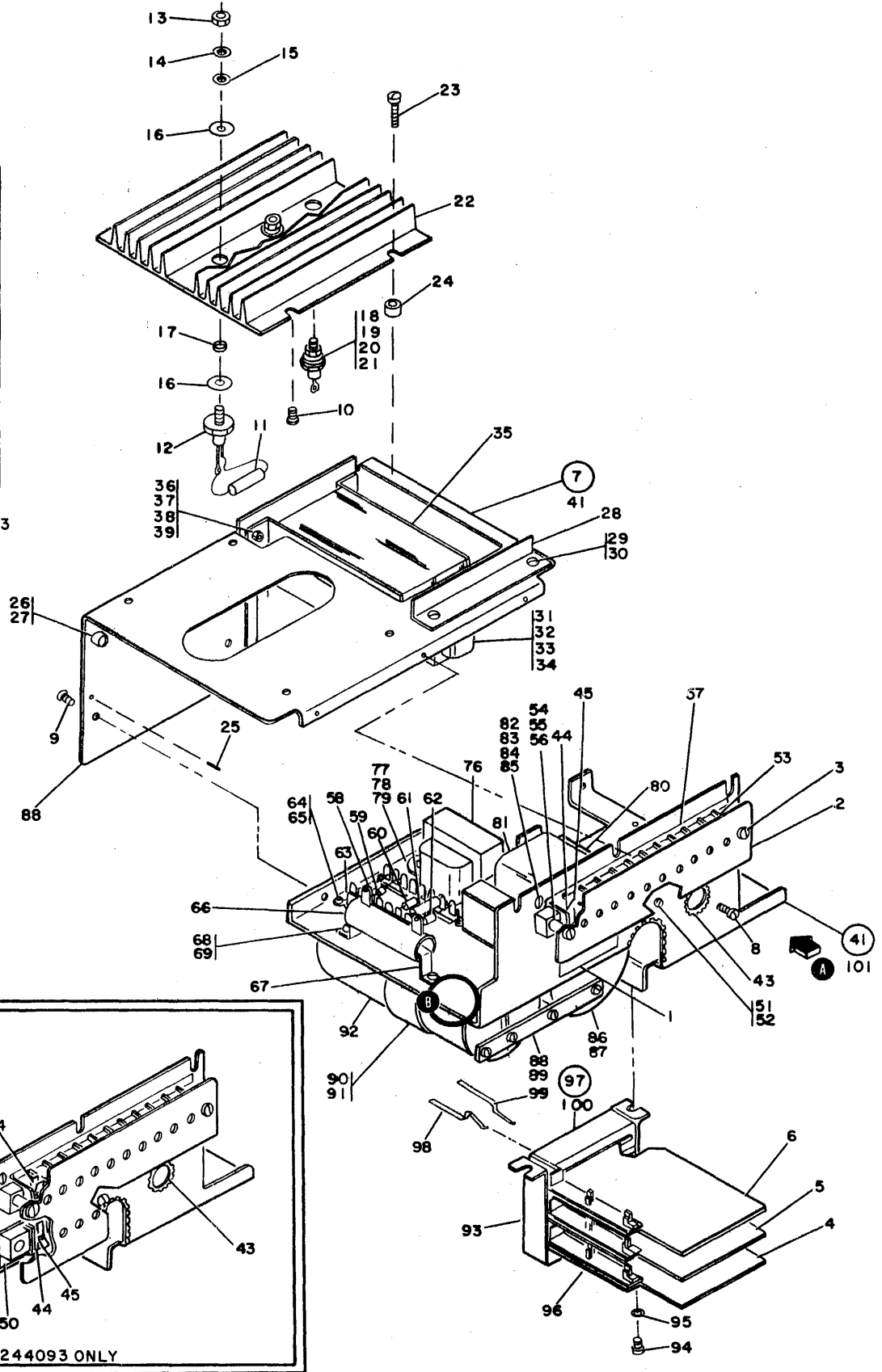
LIST AND INDEX NUMBER	PART NUMBER	DESCRIPTION				UNITS PER ASM.	USABLE ON CODE
		1	2	3	4		
		6V AT 40 AMP MAGNETIC AMPLIFIER ASSEMBLY					
49 -	5709300	MAGNETIC AMPLIFIER ASSEMBLY- 6V AT 40 AMP SEE FIG. 41-69 FOR NEXT HIGHER ASSEMBLY AND FIG. 49 FOR ILLUSTRATION				REF	
- 1	5261412	. LABEL				1	
- 2	730432	. GROMMET,CATERPILLAR				3	
- 3	533360	. SHIELD,TERMINAL BOARD				1	
- 4	10170	. SCREW,MACH-BIND HD 6-32 X 1/4 LG ATT PT				2	
- 5	5762407	. STUD,EXTENSION				2	
- 6	5708939	. CAPACITOR ASM- 0.100MFD P/M 10% 100VDC				1	
- 7	334921	. . TERMINAL-RING,18-22 AWG,#6 HOLE,INS				2	
- 8	217077	. . CAPACITOR,FXD-POLY- .1MFD P/M 10% 100VDC				1	
- 9	82353	. TERMINAL BOARD- 14 DBL SCREW TERMINALS				1	
- 10	35739	. SCREW,MACH-BIND HD 6-32 X 15/16 LG ATT PT				2	
- 11	351228	. STRIP,MARKER				1	
- 12	55726	. SCREW,MACH-BIND HD 6-32 X .188 LG				1	
- 13	56722	. WASHER,LOCK-EXT TEETH NO. 6				1	
- 14	443052	. RESISTOR-WIREWOUND,350 OHMS PM 5 PCT				1	
- 15	438570	. SCREW,MACH-BIND HD 6-32 X 1-1/2 LG ATT PT				1	
- 16	257986	. WASHER,FLAT NO. 6 ATT PT				1	
- 17	62031	. WASHER,LOCK-INT TEETH NO. 6 X 0.295 OD ATT PT				1	
- 18	257187	. NUT,PLAIN,HEX- 6-32 X 3/8 FL W ATT PT				1	
- 19	203801	. INSULATOR WASH- 0.172 ID 9/16 OD 1/16THK				2	
- 20	81693	. SCREW,MACH-BIND HD 6-32 X 3/8 LG				1	
- 21	56722	. WASHER,LOCK-EXT TEETH NO. 6				2	
- 22	38051	. NUT,PLAIN,HEX- 6-32 X 1/4 FL W STL				1	
- 23	5213402	. RECTIFIER,SILICON				4	
- 24	3550	. WASHER,FL- 1/4 X 9/16 OD X 0.050 THK ATT PT				4	
- 25	160017	. NUT,PLAIN,HEX- 1/4-28 X 7/16 FL W ATT PT				4	
- 26	217017	. WASHER-INSULATING				6	
- 27	473592	. INSULATOR				3	
- 28	5261606	. JUMPER PLATE				1	
- 29	5762386	. TERMINAL,LUG				2	
- 30	5261323	. HEAT SINK				1	
- 31	34512	. SCREW,BIND.HD 8-32 X .375 LG ATT PT				4	
- 32	337549	. INSULATOR - HEAT SINK MOUNTING				4	
- 33	5261315	. ADAPTER-CAPTIVE SCREW				2	
- 34	5261314	. SCREW,CAPTIVE- 10-32 X 1/2 LG ATT PT				2	
- 35	5261379	. PIN,STRAIGHT DOWEL				2	
- 36	5240477	. SHIELD,CAPACITOR				2	
- 37	32042	. SCREW, MACH BIND. HD 10-32 X 3/8 LG. ATT PT				4	
- 38	216797	. RESISTOR,FXD,FILM- 24 OHMS P/M 5% 2W				1	
- 39	334932	. TERMINAL-RING,18-22 AWG,#10 HOLE,INS				2	
- 40	5261327	. BUS BAR				2	
- 41	236849	. SCREW,MACH-BIND HD 10-32 X 0.250 LG ATT PT				4	
- 42	5261326	. BRACKET-CAPACITOR				1	
- 43	55918	. SCREW,MACH-BIND HD 10-32 X 5/8 LG ATT PT				1	
- 44	5261247	. CAPACITOR,ELEC-60,000 UF P/M 10% 8VDC				2	
- 45	5261789	. CAPACITOR ASSEMBLY,0.022UF,PORM 10 PCT				2	
- 46	5709058	. RESISTOR ASSEMBLY				1	
- 47	473530	. BRACKET				1	
- 48	55726	. SCREW,MACH-BIND HD 6-32 X .188 LG ATT PT				2	
- 49	216207	. GUIDE-SINGLE CARD SHORT				2	
- 50	372965	. CARD ASSEMBLY,TESTER				1	
- 51	372973	. CARD				1	
- 52	216076	. TERMINAL BLOCK AND CONTACT ASSEMBLY				2	
- 53	473547	. SPACER,1 X 2 3/8 IN .12 IN THICK				1	
- 54	5261316	. BRACKET, CARD RETAINING				1	
- 55	479714	. SCREW,SHLDR-FLAT HD 4-40 X 19/64 LG ATT PT				1	
- 56	5261354	. SCREW,MACH,CAPTIVE- 6-32 X 3/8 LG ATT PT				1	
- 57	5261317	. BRACKET				1	
- 58	10170	. SCREW,MACH-BIND HD 6-32 X 1/4 LG ATT PT				2	
- 59	56722	. WASHER,LOCK-EXT TEETH NO. 6 ATT PT				2	
- 60	335017	. RESISTOR,FIXED COMP 240 OHMS PM 5% 1W				1	
- 61	533534	. TERMINAL				2	
- 62	10170	. SCREW,MACH-BIND HD 6-32 X 1/4 LG ATT PT				2	
- 63	62031	. WASHER,LOCK-INT TEETH NO. 6 X 0.295 OD ATT PT				2	
- 64	5261328	. PLATE-POWER SUPPLY				1	
- 65	186759	. SCREW,MACH-BIND HD 8-32 X 5/16 LG ATT PT				2	
- 66	38452	. SCREW,MACH-FL CSK HD 8-32 X 5/16 LG ATT PT				1	
- 67	5261248	. REACTOR,SATURABLE				1	
- 68	38451	. SCREW,MACH-FL CSK HD 8-32 X 1/4 LG ATT PT				1	
- 69	58207	. SCREW,MACH-UNDRCT BIND HD 8-32 X 1/4 LG ATT PT				1	
- 70	58207	. SCREW,MACH-UNDRCT BIND HD 8-32 X 1/4 LG				2	
- 71	55901	. WASHER,LOCK-EXT TEETH NO. 8 X 0.381 OD				2	



FOR PARTS  
NOT SHOWN  
SEE FIG. 41  
SHEET 2



USED ON ASM 5244093  
AND 5253809



VIEW A  
USED ON ASM 5244093 ONLY

FIGURE 50. 18 VDC AT 11 AMP AND 30 VDC AT 5 AMP POWER SUPPLIES. SEE LIST 50.

LIST AND INDEX NUMBER	PART NUMBER	DESCRIPTION				UNITS PER ASM.	USABLE ON CODE
		1	2	3	4		
		18 VDC AT 11 AMP AND 30 VDC AT 5 AMP POWER SUPPLIES					
		CODE A USED ON ASM 5244090 CODE B USED ON ASM 5253790 CODE C USED ON ASM 5253800					
50 -	5244090	POWER SUPPLY ASM-18 VDC AT 11 AMP SEE FIG. 41-70 FOR NEXT HIGHER ASSEMBLY AND FIG. 50 FOR ILLUSTRATION				REF	A
-	5253790	POWER SUPPLY ASM-30 VDC AT 5 AMP SEE FIG. 41-71 FOR NEXT HIGHER ASSEMBLY AND FIG. 50 FOR ILLUSTRATION				REF	B
-	5253800	POWER SUPPLY ASM-18 VDC AT 11 AMP SEE FIG. 41-72 FOR NEXT HIGHER ASSEMBLY AND FIG. 50 FOR ILLUSTRATION				REF	C
- 1	5261412	. LABEL				1	B
- 1	5261412	. LABEL				1	C
- 2	5253820	. COVER-TERM BOARD				1	A
- 2	5253794	. COVER-TERMINAL BOARD				1	B
- 2	5253794	. COVER-TERMINAL BOARD				1	C
- 3	10170	. SCREW,MACH-BIND HD 6-32 X 1/4 LG				2	
- 4	372973	. CARD				1	
- 5	374826	. CARD ASSEMBLY				1	A
- 5	374794	. CARD ASM				1	B
- 5	374794	. CARD ASM				1	C
- 6	374981	. CARD ASSEMBLY				1	A
- 6	374981	. CARD ASSEMBLY				1	C
- 7	5244096	. PLATE ASM-BOT POWER SUPPLY 18V AT 11 AMP				1	A
- 7	5253798	. PLATE ASM-BOT POWER SUPPLY 30V AT 5 AMP				1	B
- 7	5253808	. PLATE ASM-BOT POWER SUPPLY 18V AT 11 AMP				1	C
- 8	81693	. SCREW,MACH-BIND HD 6-32 X 3/8 LG				3	
- 9	38443	. SCREW,MACH-FL CSK HD 6-32 X 5/16 LG				3	
- 10	183900	. SCREW,THD CTG-BIND HD 8-32 X 1/4 LG				2	
- 11	529203	. CAPACITOR,FIXED,TANTALUM-47 UF 35V				2	
- 12	5214104	. SEMICONDUCTOR- 11.5A 400V USED ON ASM 5244096 AND 5253808 ONLY				2	
- 12	5219971	. SEMICONDUCTOR DEVICE,DIODE USED ON ASM 5253798 ONLY				2	
- 13	160017	. NUT,PLAIN,HEX- 1/4-28 X 7/16 FL W				2	
- 13	11598	. NUT,PLAIN-HEX 10-32 X 3/8 FL W				2	
- 14	76574	. LOCKWASHER-EXT TOOTH ID .267 X OD .510				2	
- 14	56079	. WASHER,LOCK-EXT T .195 ID .410 OD				2	
- 15	3550	. WASHER,FL- 1/4 X 9/16 OD X 0.050 THK				2	
- 15	45690	. WASHER, FL - NO.10 X 7/16 OD X 1/32 THK				2	
- 16	217017	. WASHER-INSULATING USED ON ASM 5244096 ONLY				8	
- 16	217019	. WASHER, INSULATING USED ON ASM 5253798 ONLY				4	
- 16	529691	. WASHER-MICA USED ON ASM 5253808 ONLY				4	
- 17	5351173	. BUSHING-INSULATOR USED ON ASM 5244096 AND 5253808 ONLY				2	
- 17	533371	. BUSHING USED ON ASM 5253798 ONLY				2	
- 18	5213400	. RECTIFIER,SILICON USED ON ASM 5244096 AND 5253808 ONLY				1	
- 18	216197	. RECTIFIER,SILICON-ALLOY USED ON ASM 5253798 ONLY				1	
- 19	11598	. NUT,PLAIN-HEX 10-32 X 3/8 FL W				1	
- 20	56121	. WASHER,LOCK-INT TEETH NO. 10 X 0.381 OD				1	
- 21	45690	. WASHER, FL - NO.10 X 7/16 OD X 1/32 THK				1	
- 22	5253821	. HEAT SINK-DIODE USED ON ASM 5253798 ONLY				1	
- 22	5253807	. HEAT SINK-DIODE USED ON ASM 5244096 AND 5253808 ONLY				1	
- 23	337	. SCREW,MACH-FIL H 8-32 X 3/8 LG				4	
- 24	337549	. INSULATOR - HEAT SINK MOUNTING				4	
- 25	5261379	. PIN,STRAIGHT DOWEL				2	
- 26	5261315	. ADAPTER-CAPTIVE SCREW				2	

LIST AND INDEX NUMBER	PART NUMBER	DESCRIPTION	UNITS PER ASM.	USABLE ON CODE
50 - 27	5261314	• • SCREW,CAPTIVE- 10-32 X 1/2 LG	ATT PT	2
- 28	5253827	• • BRACKET-AIR TRANSFER		1
- 29	10170	• • SCREW,MACH-BIND HD 6-32 X 1/4 LG	ATT PT	2
- 30	56722	• • WASHER,LOCK-EXT TEETH NO. 6	ATT PT	2
- 31	5253835	• • TRANSFORMER		1
- 32	10170	• • SCREW,MACH-BIND HD 6-32 X 1/4 LG	ATT PT	2
- 33	56722	• • WASHER,LOCK-EXT TEETH NO. 6	ATT PT	2
- 34	257986	• • WASHER,FLAT NO. 6	ATT PT	2
- 35	5253803	• • TRANSFORMER-POWER STEP-DOWN USED ON ASM 5244096 AND 5253808 ONLY		1
- 35	5253793	• • TRANSFORMER,POWER USED ON ASM 5253798 ONLY		1
- 36	25891	• • SCREW,MACH-FL CSK HD 10-32 X 0.500 LG	ATT PT	4
- 37	56079	• • WASHER,LOCK-EXT T .195 ID .410 OD	ATT PT	4
- 38	45690	• • WASHER, FL - NO.10 X 7/16 OD X 1/32 THK	ATT PT	4
- 39	11598	• • NUT,PLAIN-HEX 10-32 X 3/8 FL W	ATT PT	4
- 39	367	• • SCREW,MACH-FL CSK HD 10-32 X 5/8 LG	ATT PT	4
- 40	5253796	• • PLATE-POWER SUPPLY MTG		1
- 41	5244093	• PLATE ASM-TOP POWER SUPPLY 18V AT 11 AMP		1
- 41	5253799	• PLATE ASM-TOP POWER SUPPLY 30V AT 5 AMP		1
- 41	5253809	• PLATE ASM-TOP POWER SUPPLY 18V AT 11 AMP		1
- 42	5261412	• • LABEL USED ON ASM 5244093 ONLY		1
- 43	730432	• • GROMMET,CATERPILLAR		2
- 44	5276270	• • TAB,TERMINAL USED ON ASM 5244093 ONLY		15
- 44	5276270	• • TAB,TERMINAL USED ON ASM 5253799 AND 5253809 ONLY		11
- 45	5276271	• • TAB,TERMINAL USED ON ASM 5244093 ONLY		15
- 45	5276271	• • TAB,TERMINAL USED ON ASM 5253799 AND 5253809 ONLY		15
- 46	5253824	• • TERMINAL BOARD-4 POS USED ON ASM 5244093 ONLY		1
- 47	322550	• • SCREW	ATT PT	1
- 48	210884	• • STUD-SHIELD MTG,NO. 6-32	ATT PT	1
- 49	56722	• • WASHER,LOCK-EXT TEETH NO. 6	ATT PT	2
- 50	5253823	• • MARKER STRIP-4 POS USED ON ASM 5244093 ONLY		1
- 51	10170	• • SCREW,MACH-BIND HD 6-32 X 1/4 LG		1
- 52	56722	• • WASHER,LOCK-EXT TEETH NO. 6		1
- 53	5253845	• • TERMINAL BOARD-12 POS		1
- 54	210883	• • STUD-SHIELD MTG,TAPPED,NO. 6-32	ATT PT	2
- 55	56722	• • WASHER,LOCK-EXT TEETH NO. 6	ATT PT	2
- 55	62031	• • WASHER,LOCK-INT TEETH NO. 6 X 0.295 OD USED ON ASM 5244093 AND 5253809 ONLY	ATT PT	2
- 56	257986	• • WASHER,FLAT NO. 6 USED ON ASM 5253799 ONLY	ATT PT	2
- 57	5253825	• • MARKER STRIP-12 POS		1
- 58	512400	• • RESISTOR,FXD,COMP- 200 OHMS P/M 5% 1W		1
- 59	213693	• • RESISTOR,FXD,COMP- 1K P/M 5% 1/2W		1
- 60	322347	• • RESISTOR,FXD,COMP- 560 OHMS P/M 5% 1/2W		1
- 60	133743	• • CAPACITOR,FXD,ELEC- .27MF P/M 10% 35VDC USED ON ASM 5244093 AND 5253809 ONLY		1
- 61	529203	• • CAPACITOR,FIXED,TANTALUM-47 UF 35V USED ON ASM 5244093 AND 5253809 ONLY		1
- 62	317276	• • RESISTOR,FXD,COMP- 1.2K P/M 5% 1/2W		1
- 62	334923	• • RESISTOR,FXD,COMP- 3.6K P/M 5% 1/2W USED ON ASM 5253799 ONLY		1
- 63	317200	• • TERMINAL BOARD- 8 LUG TERMINALS		2
- 64	438566	• • SCREW,MACH-BIND HD 6-32 X .125 LG USED ON ASM 5244093 AND 5253809 ONLY	ATT PT	4
- 64	55726	• • SCREW,MACH-BIND HD 6-32 X .188 LG USED ON ASM 5253799 ONLY	ATT PT	4
- 65	56722	• • WASHER,LOCK-EXT TEETH NO. 6 USED ON ASM 5253799 ONLY	ATT PT	4
- 66	353632	• • RESISTOR-WIREWOUND 25 OHMS 25 WATTS USED ON ASM 5244093 AND 5253809 ONLY		1
- 66	507142	• • RESISTOR- 100 OHMS 25W USED ON ASM 5253799 ONLY		1
- 67	510316	• • BRACKET-MTG,25W RESISTOR		2
- 68	55726	• • SCREW,MACH-BIND HD 6-32 X .188 LG	ATT PT	2
- 69	56722	• • WASHER,LOCK-EXT TEETH NO. 6	ATT PT	2





FOR PARTS  
NOT SHOWN  
SEE FIG. 41  
SHEET 2

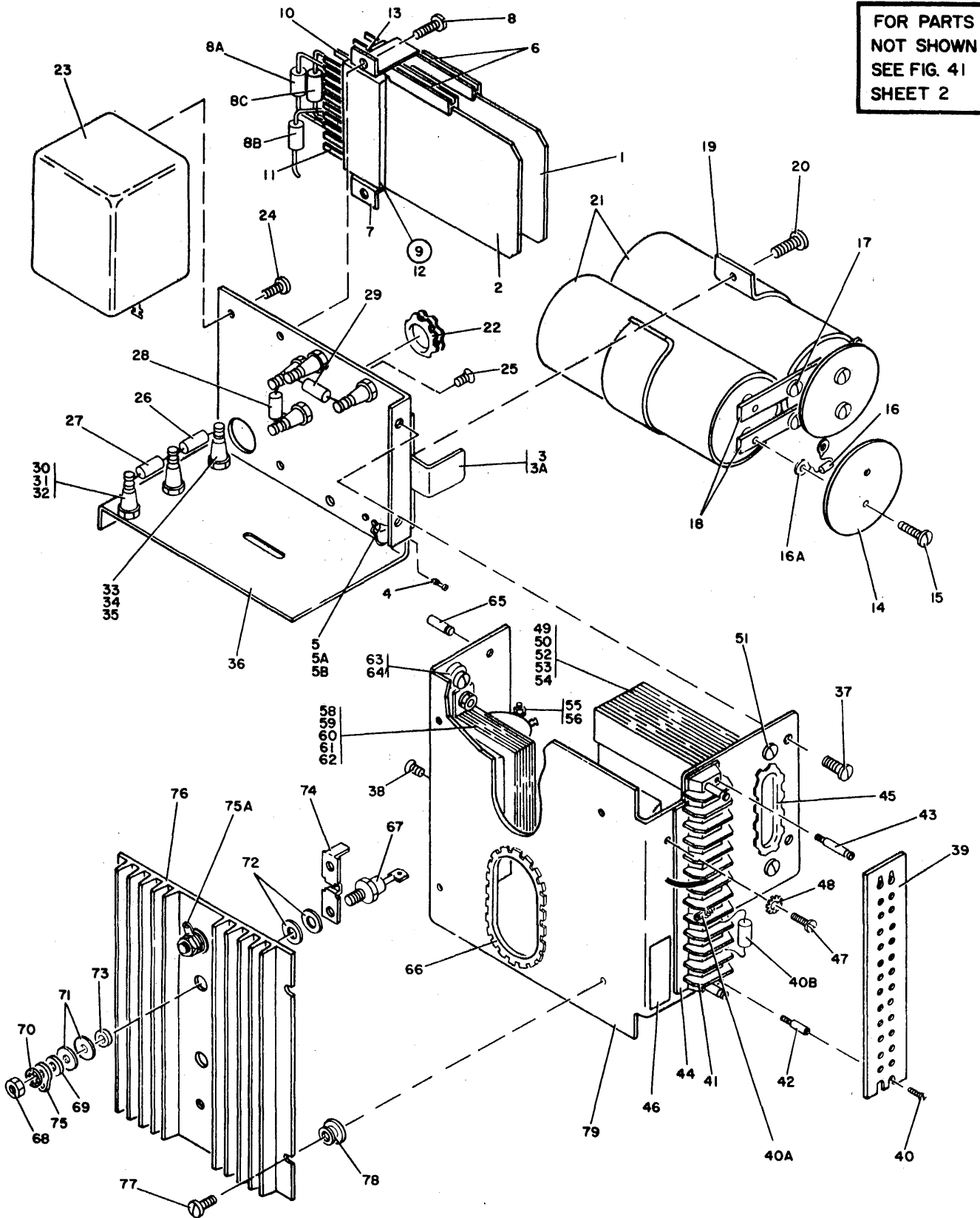


FIGURE 51. 3V AT 20 AMP MAGNETIC AMPLIFIER ASSEMBLY. SEE LIST 51.

LIST AND INDEX NUMBER	PART NUMBER	DESCRIPTION	UNITS PER ASM.	USABLE ON CODE
		3V AT 20 AMP MAGNETIC AMPLIFIER ASSEMBLY		
51 -	5712010	MAGNETIC AMPLIFIER ASSEMBLY- 3V AT 20A SEE FIG. 41-73 FOR NEXT HIGHER ASSEMBLY AND FIG. 51 FOR ILLUSTRATION	REF	
- 1	372966	• CARD	1	
- 2	374772	• CARD ASM	1	
- 3	5261316	• BRACKET, CARD RETAINING	1	
- 3A	479714	• SCREW,SHLDR-FLAT HD 4-40 X 19/64 LG	ATT PT	1
- 4	5261354	• SCREW,MACH,CAPTIVE- 6-32 X 3/8 LG		1
- 5	5261317	• BRACKET		1
- 5A	10170	• SCREW,MACH-BIND HD 6-32 X 1/4 LG	ATT PT	2
- 5B	56722	• WASHER,LOCK-EXT TEETH NO. 6	ATT PT	2
- 6	216207	• GUIDE-SINGLE CARD SHORT		2
- 7	473530	• BRACKET		1
- 8	55726	• SCREW,MACH-BIND HD 6-32 X .188 LG	ATT PT	2
- 8A	5261789	• CAPACITOR ASSEMBLY,0.022UF,PORM 10 PCT		2
- 9	216076	• TERMINAL BLOCK AND CONTACT ASSEMBLY		2
- 10	216087	• SPRING-CONTACT		8
- 11	216088	• SPRING-CONTACT		8
- 12	216073	• TERMINAL BLOCK AND CONTACT ASSEMBLY		1
- 13	473547	• SPACER,1 X 2 3/8 IN .12 IN THICK		1
- 14	362206	• COVER, CAPACITOR		2
- 15	236849	• SCREW,MACH-BIND HD 10-32 X 0.250 LG	ATT PT	4
- 16	132768	• RESISTOR,FXD,COMP-18 OHMS P/M 5% 1W		1
- 16A	334932	• TERMINAL-RING,18-22 AWG,#10 HOLE,INS		2
- 17	32042	• SCREW, MACH BIND. HD 10-32 X 3/8 LG.		4
- 18	5261313	• BUS BAR		2
- 19	5261239	• CLAMP		1
- 20	55918	• SCREW,MACH-BIND HD 10-32 X 5/8 LG	ATT PT	1
- 21	5709380	• CAPACITOR,ELEC,CAN- 66 UUF M10P50% 6VDC		2
- 22	730432	• GROMMET,CATERPILLAR		1
- 23	5261428	• REACTOR,SATURABLE		1
- 24	186759	• SCREW,MACH-BIND HD 8-32 X 5/16 LG	ATT PT	1
- 25	38451	• SCREW,MACH-FL CSK HD 8-32 X 1/4 LG	ATT PT	1
- 26	335328	• RESISTOR,FXD,COMP- 680 OHMS P/M 5% 2W		1
- 27	335017	• RESISTOR,FIXED COMP 240 OHMS PM 5% 1W		1
- 28	481443	• RESISTOR,FXD,FILM- 34.8 OHMS P/M 1% 500W		1
- 29	492448	• RESISTOR,FXD,FILM- 130 OHMS P/M 5% 2W		1
- 30	533534	• TERMINAL		6
- 31	10170	• SCREW,MACH-BIND HD 6-32 X 1/4 LG	ATT PT	6
- 32	62031	• WASHER,LOCK-INT TEETH NO. 6 X 0.295 OD	ATT PT	6
- 33	533534	• TERMINAL		1
- 34	38442	• SCREW,MACH-FL CSK HD 6-32 X 1/4 LG	ATT PT	1
- 35	62031	• WASHER,LOCK-INT TEETH NO. 6 X 0.295 OD	ATT PT	1
- 36	5261318	• PLATE		1
- 37	186759	• SCREW,MACH-BIND HD 8-32 X 5/16 LG	ATT PT	2
- 38	38452	• SCREW,MACH-FL CSK HD 8-32 X 5/16 LG	ATT PT	1
- 39	191481	• SHIELD, TERMINAL BLOCK		1
- 40	210984	• SCREW, RD HD MACH-6-32 X .250 LG	ATT PT	1
- 40A	334921	• TERMINAL-RING,18-22 AWG,#6 HOLE,INS		4
- 40B	5708939	• CAPACITOR ASM- 0.100MFD P/M 10% 100VDC		1
- 41	323839	• TERMINAL BOARD- 12 OBL SCREW TERMINALS		1
- 42	210883	• STUD-SHIELD MTG,TAPPED,NO. 6-32	ATT PT	1
- 43	210884	• STUD-SHIELD MTG,NO. 6-32	ATT PT	1
- 44	806569	• STRIP,MARKER		1
- 45	730432	• GROMMET,CATERPILLAR		1
- 46	5261412	• LABEL		1
- 47	55726	• SCREW,MACH-BIND HD 6-32 X .188 LG		1
- 48	56722	• WASHER,LOCK-EXT TEETH NO. 6		1
- 49	5261433	• TRANSFORMER,POWER		1
- 50	119	• SCREW,MACH-FL CSK HD 8-32 X 1/2 LG	ATT PT	2
- 51	25627	• SCREW-BD. HD 8-32 X .500 LG	ATT PT	4
- 52	22478	• WASHER,FL- 0.170 ID 0.375 OD 0.32 THK	ATT PT	4
- 53	22478	• WASHER,FL- 0.170 ID 0.375 OD 0.32 THK	ATT PT	4
- 54	257189	• NUT,HEX- 8-32	ATT PT	4
- 55	10170	• SCREW,MACH-BIND HD 6-32 X 1/4 LG		2
- 56	56722	• WASHER,LOCK-EXT TEETH NO. 6		2
- 58	5261219	• CHOKE,FILTER		1
- 59	4636	• SCREW,MACH-FL CSK HD 8-32 X 3/8 LG	ATT PT	2
- 60	22478	• WASHER,FL- 0.170 ID 0.375 OD 0.32 THK	ATT PT	2
- 61	55901	• WASHER,LOCK-EXT TEETH NO. 8 X 0.381 OD	ATT PT	2
- 62	257189	• NUT,HEX- 8-32	ATT PT	2
- 63	5261315	• ADAPTER-CAPTIVE SCREW		2
- 64	5261314	• SCREW,CAPTIVE- 10-32 X 1/2 LG	ATT PT	2
- 65	5261379	• PIN,STRAIGHT DOWEL		2



FOR PARTS  
NOT SHOWN  
SEE FIG. 41  
SHEET 2

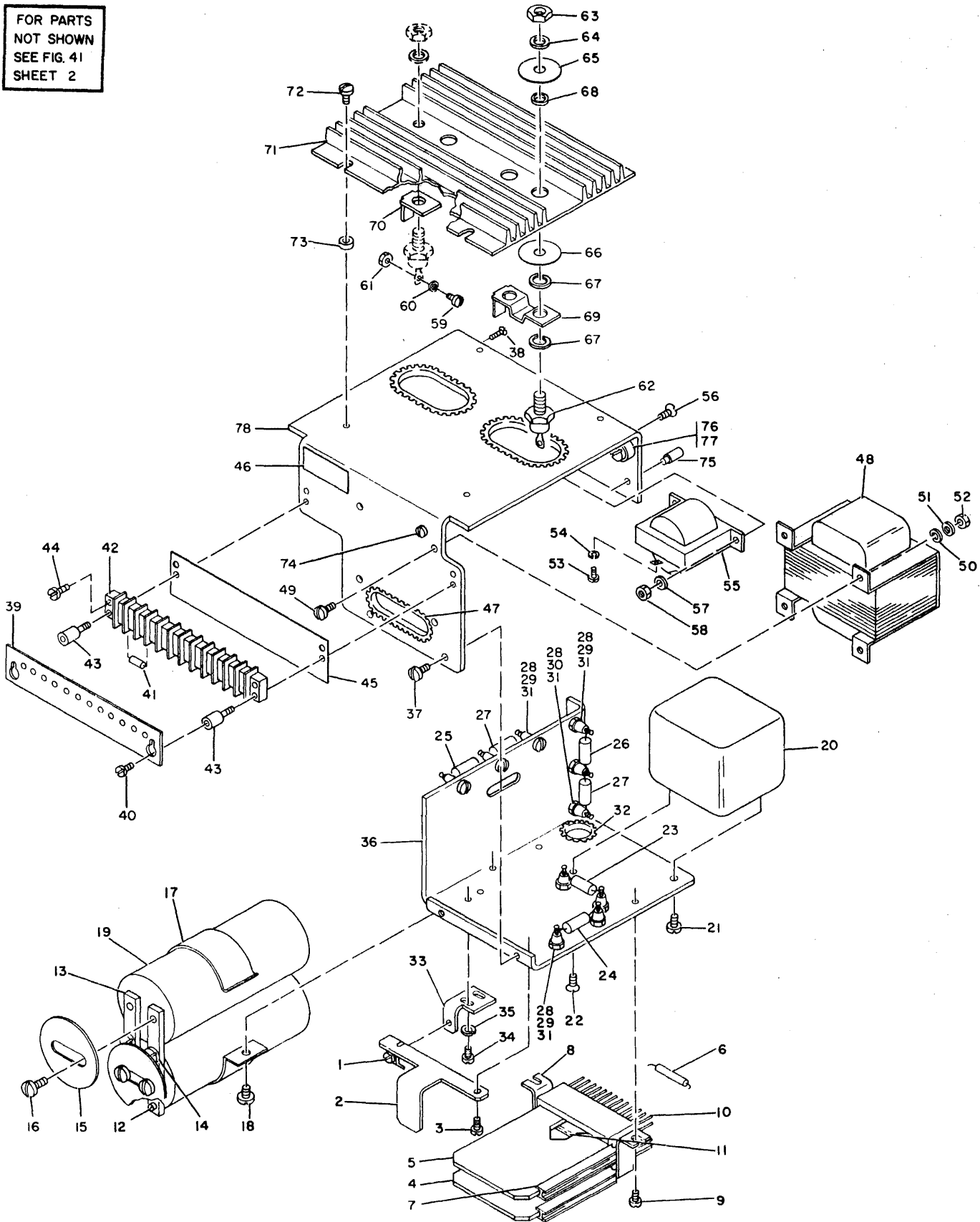


FIGURE 51A. 6 VOLT AT 25 AMP MAGNETIC AMPLIFIER ASSEMBLY. SEE LIST 51A.

LIST AND INDEX NUMBER	PART NUMBER	DESCRIPTION	UNITS	USABLE
			PER ASM.	ON CODE
		6 VOLT AT 25 AMP MAGNETIC AMPLIFIER ASSEMBLY		
51A-	5712030	MAGNETIC AMPLIFIER ASSEMBLY, 6V AT 25 AMP SEE FIG. 41-74 FOR NEXT HIGHER ASSEMBLY AND FIG. 51A FOR ILLUSTRATION	REF	
- 1	5261354	. SCREW, MACH, CAPTIVE- 6-32 X 3/8 LG	1	
- 2	5261316	. BRACKET, CARD RETAINING	1	
- 3	479714	. SCREW, SHLDR-FLAT HD 4-40 X 19/64 LG ATT PT	1	
- 4	372966	. CARD	1	
- 5	374772	. CARD ASM	1	
- 6	5261789	. CAPACITOR ASSEMBLY, 0.022UF, PORM 10 PCT	1	
- 7	216207	. GUIDE-SINGLE CARD SHORT	2	
- 8	473530	. BRACKET	1	
- 9	55726	. SCREW, MACH-BIND HD 6-32 X .188 LG ATT PT	2	
- 10	216076	. TERMINAL BLOCK AND CONTACT ASSEMBLY	2	
- 11	473547	. SPACER, 1 X 2 3/8 IN .12 IN THICK	1	
- 12	32617	. SCREW, MACH-BIND HD 10-32 X 0.438 LG	2	
- 13	5261313	. BUS BAR	2	
- 14	32042	. SCREW, MACH BIND. HD 10-32 X 3/8 LG. ATT PT	2	
- 15	362206	. COVER, CAPACITOR	2	
- 16	236849	. SCREW, MACH-BIND HD 10-32 X 0.250 LG ATT PT	4	
- 17	5261239	. CLAMP	1	
- 18	55918	. SCREW, MACH-BIND HD 10-32 X 5/8 LG ATT PT	1	
- 19	5709382	. CAPACITOR, FXD, ELECTROLYTIC, 0.047 UF	2	
- 20	5261418	. REACTOR, SATURABLE	1	
- 21	186759	. SCREW, MACH-BIND HD 8-32 X 5/16 LG ATT PT	1	
- 22	38452	. SCREW, MACH-FL CSK HD 8-32 X 5/16 LG ATT PT	1	
- 23	481443	. RESISTOR, FXD, FILM- 34.8 OHMS P/M 1% 500W	1	
- 24	492448	. RESISTOR, FXD, FILM- 130 OHMS P/M 5% 2W	1	
- 25	317077	. RESISTOR, FXD COMP, 10 OHMS P/M 5 PCT 2W	2	
- 26	2102155	. RESISTOR, AXIAL POWER, 500 OHM 5% 5 WATT	1	
- 27	335017	. RESISTOR, FIXED COMP 240 OHMS PM 5% 1W	1	
- 28	533534	. TERMINAL	10	
- 29	10170	. SCREW, MACH-BIND HD 6-32 X 1/4 LG ATT PT	8	
- 30	38442	. SCREW, MACH-FL CSK HD 6-32 X 1/4 LG ATT PT	2	
- 31	62031	. WASHER, LOCK-INT TEETH NO. 6 X 0.295 OD ATT PT	10	
- 32	730432	. GROMMET, CATERPILLAR	AR	
- 33	5261317	. BRACKET	1	
- 34	10170	. SCREW, MACH-BIND HD 6-32 X 1/4 LG ATT PT	2	
- 35	56722	. WASHER, LOCK-EXT TEETH NO. 6 ATT PT	2	
- 36	5261318	. PLATE	1	
- 37	186759	. SCREW, MACH-BIND HD 8-32 X 5/16 LG ATT PT	2	
- 38	38452	. SCREW, MACH-FL CSK HD 8-32 X 5/16 LG ATT PT	1	
- 39	191481	. SHIELD, TERMINAL BLOCK	1	
- 40	210984	. SCREW, RD HD MACH-6-32 X .250 LG ATT PT	1	
- 41	5708939	. CAPACITOR ASM- 0.100MFD P/M 10% 100VDC	1	
- 42	323839	. TERMINAL BOARD- 12 DBL SCREW TERMINALS	1	
- 43	210883	. STUD-SHIELD MTG, TAPPED, NO. 6-32 ATT PT	1	
- 44	210884	. STUD-SHIELD MTG, NO. 6-32 ATT PT	3	
- 45	806569	. STRIP, MARKER	1	
- 46	5261412	. LABEL	1	
- 47	730432	. GROMMET, CATERPILLAR	AR	
- 48	5261423	. TRANSFORMER, POWER	1	
- 49	186758	. SCREW, MACH-BIND HD 8-32 X 0.438 ATT PT	3	
- 50	55901	. WASHER, LOCK-EXT TEETH NO. 8 X 0.381 OD ATT PT	3	
- 51	22478	. WASHER, FL- 0.170 ID 0.375 OD 0.32 THK ATT PT	3	
- 52	257189	. NUT, HEX- 8-32 ATT PT	3	
- 53	10170	. SCREW, MACH-BIND HD 6-32 X 1/4 LG	2	
- 54	56722	. WASHER, LOCK-EXT TEETH NO. 6	2	
- 55	5261419	. CHOKE, FILTER	1	
- 56	4636	. SCREW, MACH-FL CSK HD 8-32 X 3/8 LG ATT PT	2	
- 57	55901	. WASHER, LOCK-EXT TEETH NO. 8 X 0.381 OD ATT PT	2	
- 58	257187	. NUT, PLAIN, HEX- 6-32 X 3/8 FL W ATT PT	2	
- 59	38235	. SCREW, MACH-BIND HD 6-32 X 0.312 LG	1	
- 60	62031	. WASHER, LOCK-INT TEETH NO. 6 X 0.295 OD	1	
- 61	38051	. NUT, PLAIN, HEX- 6-32 X 1/4 FL W STL	1	
- 62	5213402	. RECTIFIER, SILICON	4	
- 63	160017	. NUT, PLAIN, HEX- 1/4-28 X 7/16 FL W ATT PT	4	
- 64	3550	. WASHER, FL- 1/4 X 9/16 OD X 0.050 THK ATT PT	4	
- 65	529691	. WASHER-MICA ATT PT	3	
- 66	217017	. WASHER-INSULATING ATT PT	3	
- 67	65756	. WASHER, LOCK-INT TEETH 0.267 ID X 0.47800 ATT PT	4	
- 68	473592	. INSULATOR	3	
- 69	478043	. JUMPER - PLATE	1	
- 70	5762386	. TERMINAL	2	
- 71	5261320	. HEAT SINK	1	



FOR PARTS  
NOT SHOWN  
SEE FIG. 41  
SHEET 2

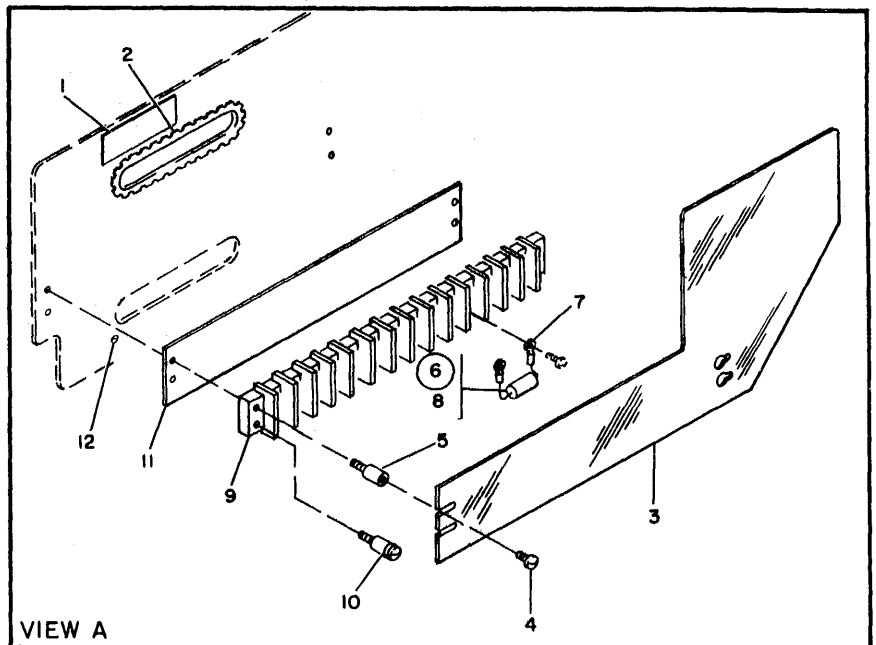
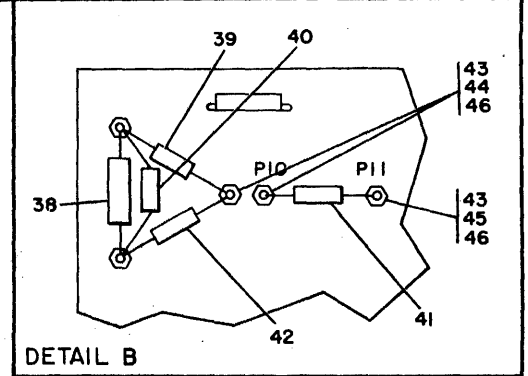
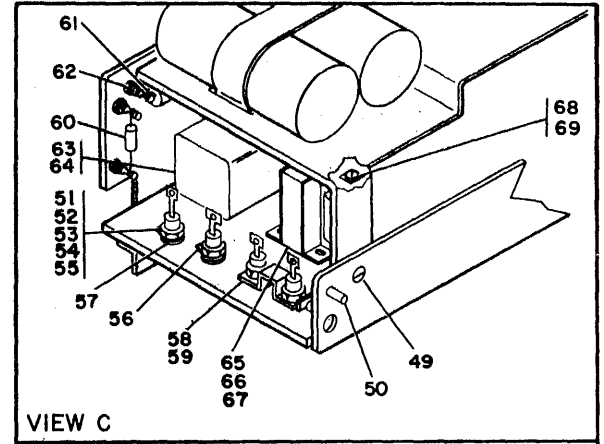
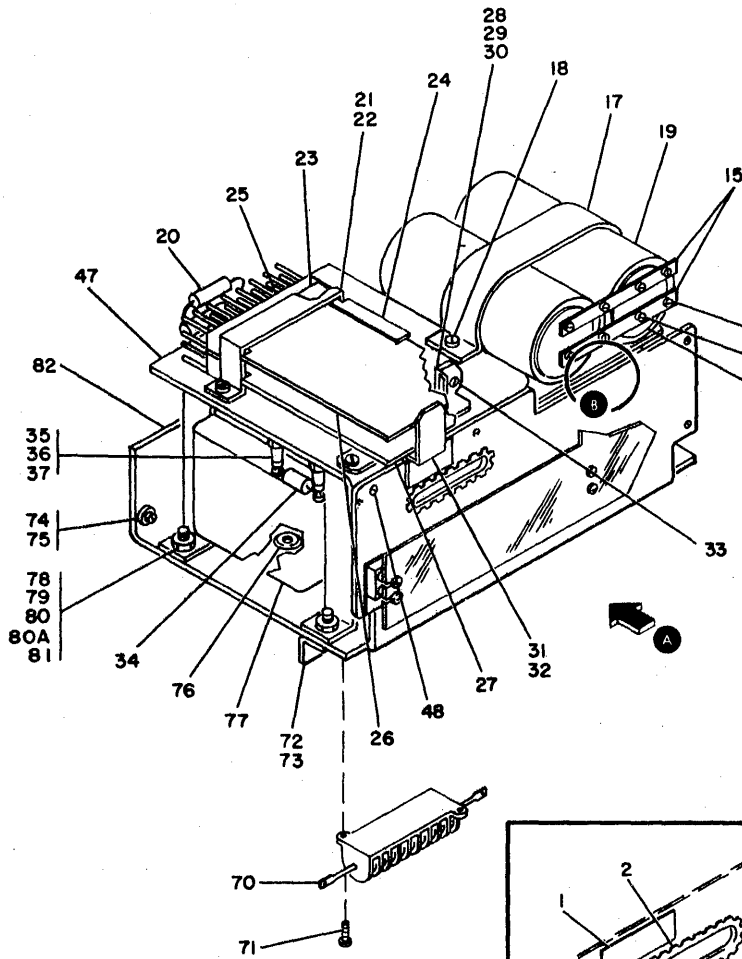


FIGURE 52. 56V AT 4 AMP MAGNETIC AMPLIFIER ASSEMBLY. SEE LIST 52.

LIST AND INDEX NUMBER	PART NUMBER	DESCRIPTION	UNITS PER ASM.	USABLE ON CODE
		56V AT 4 AMP MAGNETIC AMPLIFIER ASSEMBLY		
52 -	5261480	MAGNETIC AMPLIFIER ASSEMBLY- 56V AT 4AMP SEE FIG. 41-75 FOR NEXT HIGHER ASSEMBLY AND FIG. 52 FOR ILLUSTRATION	REF	
- 1	5261412	• LABEL	1	
- 2	730432	• GROMMET,CATERPILLAR	2	
- 3	5730854	• SHIELD,SAFETY	1	
- 4	210984	• SCREW, RD HD MACH-6-32 X .250 LG	1	ATT PT
- 5	210883	• STUD-SHIELD MTG,TAPPED,NO. 6-32	1	
- 6	5708939	• CAPACITOR ASM- 0.100MFD P/M 10% 100VDC	1	
- 7	334921	• • TERMINAL-RING,18-22 AWG,#6 HOLE,INS	2	
- 8	217077	• • CAPACITOR,FXD-POLY- .1MFD P/M 10% 100VDC	1	
- 9	317314	• TERMINAL BOARD- 4 DBL SCREW TERMINALS	1	
- 10	210884	• STUD-SHIELD MTG,NO. 6-32	3	ATT PT
- 11	5261294	• STRIP,MARKER	1	
- 12	55726	• SCREW,MACH-BIND HD 6-32 X .188 LG	1	
- 13	362206	• COVER, CAPACITOR	2	
- 14	236849	• SCREW,MACH-BIND HD 10-32 X 0.250 LG	4	ATT PT
- 15	5261313	• BUS BAR	2	
- 16	32617	• SCREW,MACH-BIND HD 10-32 X 0.438 LG	4	ATT PT
- 17	5261325	• BRACKET	1	
- 18	55918	• SCREW,MACH-BIND HD 10-32 X 5/8 LG	1	ATT PT
- 19	5261369	• CAPACITOR,ELEC-5000 UF P/M 10% 75VDC	2	
- 20	5261789	• CAPACITOR ASSEMBLY,0.022UF,PORM 10 PCT	2	
- 21	473530	• BRACKET	1	
- 22	55726	• SCREW,MACH-BIND HD 6-32 X .188 LG	2	ATT PT
- 23	473547	• SPACER,1 X 2 3/8 IN .12 IN THICK	1	
- 24	216207	• GUIDE-SINGLE CARD SHORT	2	
- 25	216076	• TERMINAL BLOCK AND CONTACT ASSEMBLY	2	
- 26	374771	• CARD ASM	1	
- 27	372973	• CARD	1	
- 28	5261317	• BRACKET	1	
- 29	10170	• SCREW,MACH-BIND HD 6-32 X 1/4 LG	2	ATT PT
- 30	56722	• WASHER,LOCK-EXT TEETH NO. 6	2	ATT PT
- 31	5261316	• BRACKET, CARD RETAINING	1	
- 32	479714	• SCREW,SHLDR-FLAT HD 4-40 X 19/64 LG	1	ATT PT
- 33	5261354	• SCREW,MACH,CAPTIVE- 6-32 X 3/8 LG	1	ATT PT
- 34	335017	• RESISTOR,FIXED COMP 240 OHMS PM 5% 1W	1	
- 35	533534	• TERMINAL	4	
- 36	10170	• SCREW,MACH-BIND HD 6-32 X 1/4 LG	4	ATT PT
- 37	62031	• WASHER,LOCK-INT TEETH NO. 6 X 0.295 OD	4	ATT PT
- 38	491319	• CAPACITOR-4700MFD 100V	1	
- 39	479168	• RESISTOR,FXD,FILM- 12.40K P/M 1% 1/8W	1	
- 40	5213445	• RESISTOR,FIXED,FILM-9.76K P/M 1 PCT 0.5W	1	
- 41	207324	• RESISTOR,FXD,WW- 0.1 OHM P/M 5% 5W	1	
- 42	481613	• RESISTOR	1	
- 43	533534	• TERMINAL	5	
- 44	10170	• SCREW,MACH-BIND HD 6-32 X 1/4 LG	3	ATT PT
- 45	38442	• SCREW,MACH-FI CSK HD 6-32 X 1/4 LG	2	ATT PT
- 46	62031	• WASHER,LOCK-INT TEETH NO. 6 X 0.295 OD	5	ATT PT
- 47	5261257	• PLATE-CAPACITOR	1	
- 48	186759	• SCREW,MACH-BIND HD 8-32 X 5/16 LG	2	ATT PT
- 49	38452	• SCREW,MACH-FL CSK HD 8-32 X 5/16 LG	1	ATT PT
- 50	5261379	• PIN,STRAIGHT DOWEL	2	
- 51	5213400	• RECTIFIER,SILICON	4	
- 52	11891	• NUT-PLAIN,HEX,10-32 X 3/8 FL W BRS	4	ATT PT
- 53	56121	• WASHER,LOCK-INT TEETH NO. 10 X 0.381 OD	4	ATT PT
- 54	45690	• WASHER, FL - NO.10 X 7/16 OD X 1/32 THK	4	ATT PT
- 55	217019	• WASHER, INSULATING	6	ATT PT
- 56	316996	• TERMINAL,LUG-NONINS 9AWG NO. 8 MTG HOLE	2	
- 57	473582	• INSULATOR	4	
- 58	478043	• JUMPER - PLATE	1	
- 59	217019	• WASHER, INSULATING	2	
- 60	332585	• RESISTOR	1	
- 61	492570	• CAPACITOR,TANTALUM-220 UUF P/M 20% 10VDC	1	
- 62	5261459	• TERMINAL,STANDOFF	2	
- 63	5261258	• REACTOR,SATURABLE	1	
- 64	186759	• SCREW,MACH-BIND HD 8-32 X 5/16 LG	2	ATT PT
- 65	5261259	• CHOKE,FILTER	1	
- 66	58207	• SCREW,MACH-UNDRCT BIND HD 8-32 X 1/4 LG	4	ATT PT
- 67	55901	• WASHER,LOCK-EXT TEETH NO. 8 X 0.381 OD	4	ATT PT
- 68	55726	• SCREW,MACH-BIND HD 6-32 X .188 LG	2	
- 69	56722	• WASHER,LOCK-EXT TEETH NO. 6	2	
- 70	5240462	• RESISTOR,FXD,WW-150 OHMS P/M 5% 50W	1	
- 71	438548	• SCREW,MACH-BIND HD 4-40 X 3/16 LG	2	ATT PT





FOR PARTS  
NOT SHOWN  
SEE FIG. 41  
SHEET 2

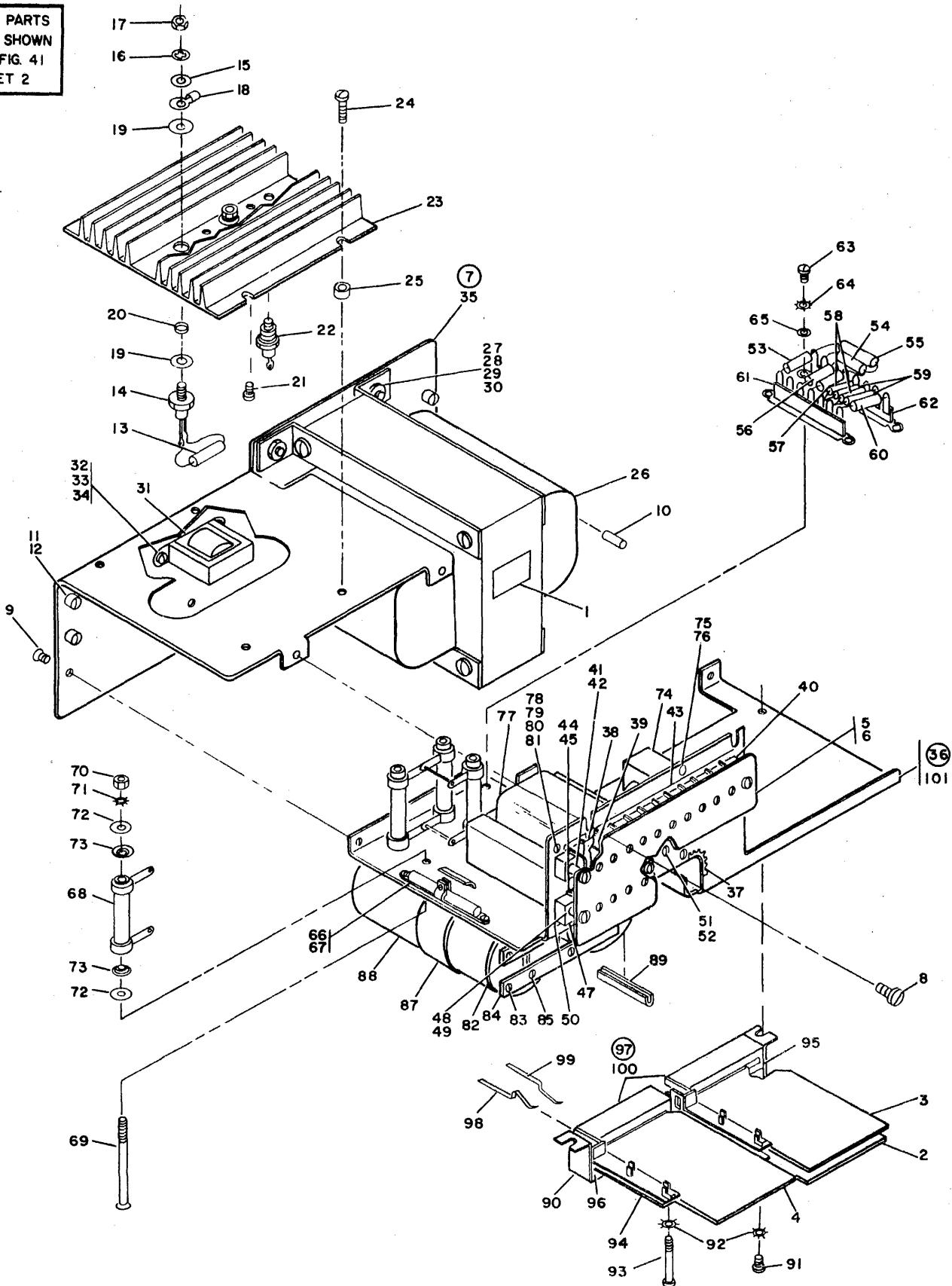


FIGURE 53. 60V AT 8 AMP POWER SUPPLY ASSEMBLY. SEE LIST 53.

LIST AND INDEX NUMBER	PART NUMBER	DESCRIPTION	UNITS PER ASM.	USABLE ON CODE
		60V AT 8 AMP POWER SUPPLY ASSEMBLY		
53 -	5253780	POWER SUPPLY ASM-60V AT 8 AMP SEE FIG. 41-76 FOR NEXT HIGHER ASSEMBLY AND FIG. 53 FOR ILLUSTRATION	REF	
- 1	5261412	. LABEL	1	
- 2	372973	. CARD	1	
- 3	374826	. CARD ASSEMBLY	1	
- 4	374981	. CARD ASSEMBLY	1	
- 5	5709464	. SHIELD	1	
- 6	210984	. SCREW, RD HD MACH-6-32 X .250 LG ATT PT	1	
- 7	5253788	. PLATE ASM-BOT POWER SUPPLY 60V AT 8 AMP	1	
- 8	81693	. SCREW, MACH-BIND HD 6-32 X 3/8 LG ATT PT	2	
- 9	38443	. SCREW, MACH-FL CSK HD 6-32 X 5/16 LG ATT PT	4	
- 10	5261379	. . PIN, STRAIGHT DOWEL	1	
- 11	5261315	. . ADAPTER-CAPTIVE SCREW	4	
- 12	5261314	. . SCREW, CAPTIVE- 10-32 X 1/2 LG ATT PT	4	
- 13	529203	. . CAPACITOR, FIXED, TANTALUM-47 UF 35V	2	
- 14	5213349	. . SEMICONDUCTOR DEVICE-CONTROLLED RECT	2	
- 15	3550	. . WASHER, FL- 1/4 X 9/16 OD X 0.050 THK ATT PT	2	
- 16	76574	. . LOCKWASHER-EXT TOOTH ID .267 X OD .510 ATT PT	2	
- 17	160017	. . NUT, PLAIN, HEX- 1/4-28 X 7/16 FL W ATT PT	4	
- 18	360370	. . TERMINAL-WIRE RING TONGUE	2	
- 19	529691	. . WASHER-MICA	4	
- 20	5351173	. . BUSHING-INSULATOR	2	
- 21	183900	. . SCREW, THD CTG-BIND HD 8-32 X 1/4 LG	2	
- 22	216197	. . RECTIFIER, SILICON-ALLOY	1	
- 23	5253807	. . HEAT SINK-DIODE	1	
- 24	337	. . SCREW, MACH-FIL H 8-32 X 3/8 LG ATT PT	4	
- 25	337549	. . INSULATOR - HEAT SINK MOUNTING	4	
- 26	5253783	. . TRANSFORMER-POWER	1	
- 27	325660	. . SCREW-MACH FH 1/4-20 X .625 LG ATT PT	4	
- 28	3550	. . WASHER, FL- 1/4 X 9/16 OD X 0.050 THK ATT PT	4	
- 29	76574	. . LOCKWASHER-EXT TOOTH ID .267 X OD .510 ATT PT	4	
- 30	3960	. . NUT, PLAIN, HEX- 1/4-20 X 7/16 FL W ATT PT	4	
- 31	5253835	. . TRANSFORMER	1	
- 32	55726	. . SCREW, MACH-BIND HD 6-32 X .188 LG ATT PT	2	
- 33	56722	. . WASHER, LOCK-EXT TEETH NO. 6 ATT PT	2	
- 34	257986	. . WASHER, FLAT NO. 6 ATT PT	2	
- 35	5253784	. . PLATE-POWER SUPPLY MTG	1	
- 36	5253789	. . PLATE ASM-TOP POWER SUPPLY 60V AT 8 AMP	1	
- 37	730432	. . GROMMET, CATERPILLAR	1	
- 38	5276271	. . TAB, TERMINAL	11	
- 39	5276270	. . TAB, TERMINAL	11	
- 40	5253845	. . TERMINAL BOARD-12 POS	1	
- 41	210884	. . STUD-SHIELD MTG, NO. 6-32 ATT PT	2	
- 42	62031	. . WASHER, LOCK-INT TEETH NO. 6 X 0.295 OD ATT PT	2	
- 43	5253825	. . MARKER STRIP-12 POS	1	
- 44	5276271	. . TAB, TERMINAL	4	
- 45	5276270	. . TAB, TERMINAL	4	
- 46	5253824	. . TERMINAL BOARD-4 POS	1	
- 47	210883	. . STUD-SHIELD MTG, TAPPED, NO. 6-32 ATT PT	1	
- 48	322550	. . SCREW	1	
- 49	62031	. . WASHER, LOCK-INT TEETH NO. 6 X 0.295 OD ATT PT	2	
- 50	5253823	. . MARKER STRIP-4 POS	1	
- 51	10170	. . SCREW, MACH-BIND HD 6-32 X 1/4 LG	1	
- 52	56722	. . WASHER, LOCK-EXT TEETH NO. 6	1	
- 53	479168	. . RESISTOR, FXD, FILM- 12.40K P/M 1% 1/8W	1	
- 54	5213445	. . RESISTOR, FIXED, FILM-9.76K P/M 1 PCT 0.5W	1	
- 55	491318	. . CAPACITOR, POLYESTER 0.22 MFD P/M 5 PCT	1	
- 56	481613	. . RESISTOR	1	
- 57	492384	. . RESISTOR, FXD, 422 OHMS 1/8W 1%	1	
- 58	301815	. . RESISTOR	2	
- 59	491227	. . CAPACITOR, FILM, .001 MMFD 10% 100 VOLTS	2	
- 60	512400	. . RESISTOR, FXD, COMP- 200 OHMS P/M 5% 1W	1	
- 61	317199	. . TERMINAL BOARD-14 POS	1	
- 62	317200	. . TERMINAL BOARD- 8 LUG TERMINALS	1	
- 63	55726	. . SCREW, MACH-BIND HD 6-32 X .188 LG ATT PT	4	
- 64	56722	. . WASHER, LOCK-EXT TEETH NO. 6 ATT PT	4	
- 65	257986	. . WASHER, FLAT NO. 6 ATT PT	4	
- 66	505375	. . RESISTOR-POWER 200 OHMS	1	
- 67	438548	. . SCREW, MACH-BIND HD 4-40 X 3/16 LG ATT PT	2	
- 68	5762466	. . RESISTOR	4	
- 69	5213285	. . SCREW, MACH-FL CSK HD 6-32 X 2-1/2 LG ATT PT	4	
- 70	56722	. . WASHER, LOCK-EXT TEETH NO. 6 ATT PT	4	
- 71	257187	. . NUT, PLAIN, HEX- 6-32 X 3/8 FL W ATT PT	4	



FOR PARTS  
NOT SHOWN  
SEE FIG. 41  
SHEET 2

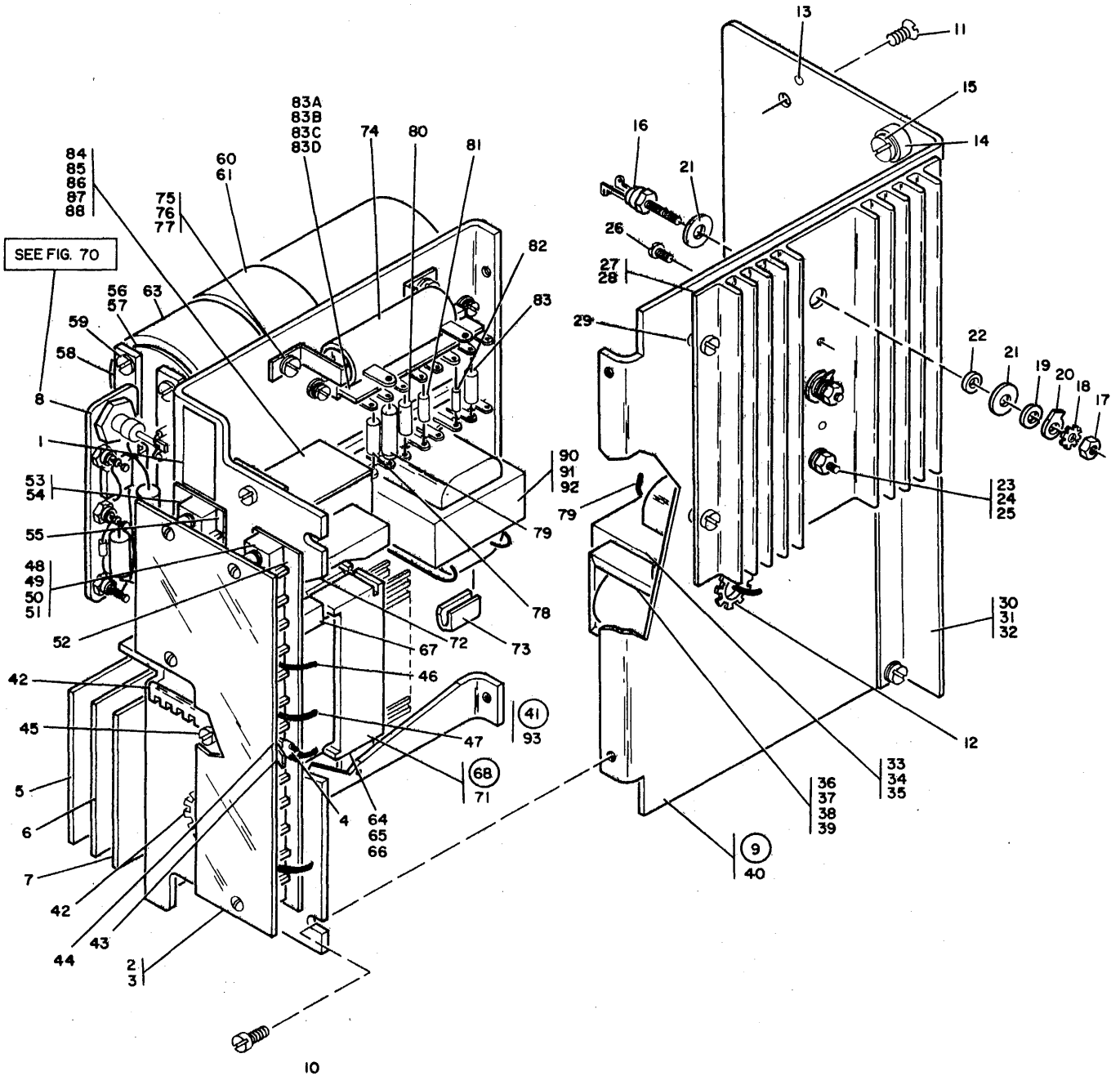


FIGURE 54. 12 P/M 6VDC AT 5A O/V O/C POWER SUPPLY ASSEMBLY. SEE LIST 54.

LIST AND INDEX NUMBER	PART NUMBER	DESCRIPTION	UNITS PER ASM.	USABLE ON CODE
		12 P/M 6 VDC AT 5 AMP O/V O/C POWER SUPPLY ASSEMBLY		
54 -	5712160	POWER SUPPLY ASSEMBLY- O/V O/C SEE FIG. 41-77 FOR NEXT HIGHER ASSEMBLY AND FIG. 54 FOR ILLUSTRATION	REF	
- 1	5261412	• LABEL	1	
- 2	5253820	• COVER-TERM BOARD	1	
- 3	10170	• SCREW,MACH-BIND HD 6-32 X 1/4 LG ATT PT	2	
- 4	596255	• TERMINAL,SLIP-ON	1	
- 5	374772	• CARD ASM	1	
- 6	374826	• CARD ASSEMBLY	1	
- 7	374981	• CARD ASSEMBLY	1	
- 8	5708932	• REMOTE O/V-O/C SEE FIG. 70 FOR DETAIL BREAKDOWN	1	
- 9	5712173	• PLATE ASSEMBLY	1	
- 10	81693	• SCREW,MACH-BIND HD 6-32 X 3/8 LG ATT PT	3	
- 11	38443	• SCREW,MACH-FL GSK HD 6-32 X 5/16 LG ATT PT	3	
- 12	730432	• GROMMET,CATERPILLAR	1	
- 13	5261379	• PIN,STRAIGHT DOWEL	2	
- 14	5261315	• ADAPTER-CAPTIVE SCREW	2	
- 15	5261314	• SCREW,CAPTIVE- 10-32 X 1/2 LG ATT PT	2	
- 16	5311759	• SEMICONDUCTOR DEVICE,DIODE	2	
- 17	160017	• NUT,PLAIN,HEX- 1/4-28 X 7/16 FL W ATT PT	2	
- 18	76574	• LOCKWASHER-EXT TOOTH ID .267 X OD .510 ATT PT	2	
- 19	3550	• WASHER,FL- 1/4 X 9/16 OD X 0.050 THK ATT PT	2	
- 20	15484	• LUG	2	
- 21	529691	• WASHER-MICA	8	
- 22	5351173	• BUSHING-INSULATOR	2	
- 23	216197	• RECTIFIER,SILICON-ALLOY	1	
- 24	11891	• NUT-PLAIN,HEX,10-32 X 3/8 FL W BRS ATT PT	1	
- 25	56079	• WASHER,LOCK-EXT T .195 ID .410 OD ATT PT	1	
- 26	183900	• SCREW,THD CTG-BIND HD 8-32 X 1/4 LG	2	
- 27	5253807	• HEAT SINK-DIODE	1	
- 28	337	• SCREW,MACH-FIL H 8-32 X 3/8 LG ATT PT	4	
- 29	337549	• INSULATOR - HEAT SINK MOUNTING	4	
- 30	5253827	• BRACKET-AIR TRANSFER	1	
- 31	10170	• SCREW,MACH-BIND HD 6-32 X 1/4 LG ATT PT	2	
- 32	56722	• WASHER,LOCK-EXT TEETH NO. 6 ATT PT	2	
- 33	5712169	• TRANSFORMER- 2500 HZ SQ WAVE	1	
- 34	58207	• SCREW,MACH-UNDRCT BIND HD 8-32 X 1/4 LG ATT PT	2	
- 35	55901	• WASHER,LOCK-EXT TEETH NO. 8 X 0.381 OD ATT PT	2	
- 36	5253835	• TRANSFORMER	1	
- 37	10170	• SCREW,MACH-BIND HD 6-32 X 1/4 LG ATT PT	2	
- 38	56722	• WASHER,LOCK-EXT TEETH NO. 6 ATT PT	2	
- 39	257986	• WASHER,FLAT NO. 6 ATT PT	2	
- 40	5712167	• PLATE	1	
- 41	5712163	• PLATE ASSEMBLY	1	
- 42	5240477	• SHIELD,CAPACITOR	2	
- 43	5276270	• TAB,TERMINAL	4	
- 44	5276271	• TAB,TERMINAL	11	
- 45	10170	• SCREW,MACH-BIND HD 6-32 X 1/4 LG	1	
- 46	334921	• TERMINAL-RING,18-22 AWG,#6 HOLE,INS	4	
- 47	596255	• TERMINAL,SLIP-ON	10	
- 48	5253845	• TERMINAL BOARD-12 POS	1	
- 49	210883	• STUD-SHIELD MTG,TAPPED,NO. 6-32 ATT PT	2	
- 50	56722	• WASHER,LOCK-EXT TEETH NO. 6 ATT PT	2	
- 51	257986	• WASHER,FLAT NO. 6 ATT PT	2	
- 52	5253825	• MARKER STRIP-12 POS	1	
- 53	5253824	• TERMINAL BOARD-4 POS	1	
- 54	322550	• SCREW ATT PT	2	
- 55	5253823	• MARKER STRIP-4 POS	1	
- 56	5240477	• SHIELD,CAPACITOR	2	
- 57	332620	• SCREW,MACH-BIND HD 10-32 X 1/2 LG ATT PT	4	
- 58	5253804	• BUS BAR-CAPACITOR	2	
- 59	236849	• SCREW,MACH-BIND HD 10-32 X 0.250 LG ATT PT	4	
- 60	5253822	• BRACKET-CAPACITOR MTG	1	
- 61	10295	• SCREW,MACH-BIND HD 10-32 X 1.125 LG ATT PT	1	
- 62	56079	• WASHER,LOCK-EXT T .195 ID .410 OD ATT PT	1	
- 63	1143248	• CAPACITOR,FIXED,ELECT-1500 UF 25V	2	
- 64	5253806	• BRACKET-CONNECTOR MTG	1	
- 65	10170	• SCREW,MACH-BIND HD 6-32 X 1/4 LG ATT PT	2	
- 66	56722	• WASHER,LOCK-EXT TEETH NO. 6 ATT PT	2	
- 67	216206	• GUIDE-SINGLE CARD LONG	3	
- 68	216076	• TERMINAL BLOCK AND CONTACT ASSEMBLY	3	
- 69	216088	• SPRING-CONTACT	8	
- 70	216087	• SPRING-CONTACT	8	



FOR PARTS  
NOT SHOWN  
SEE FIG. 41  
SHEET 2

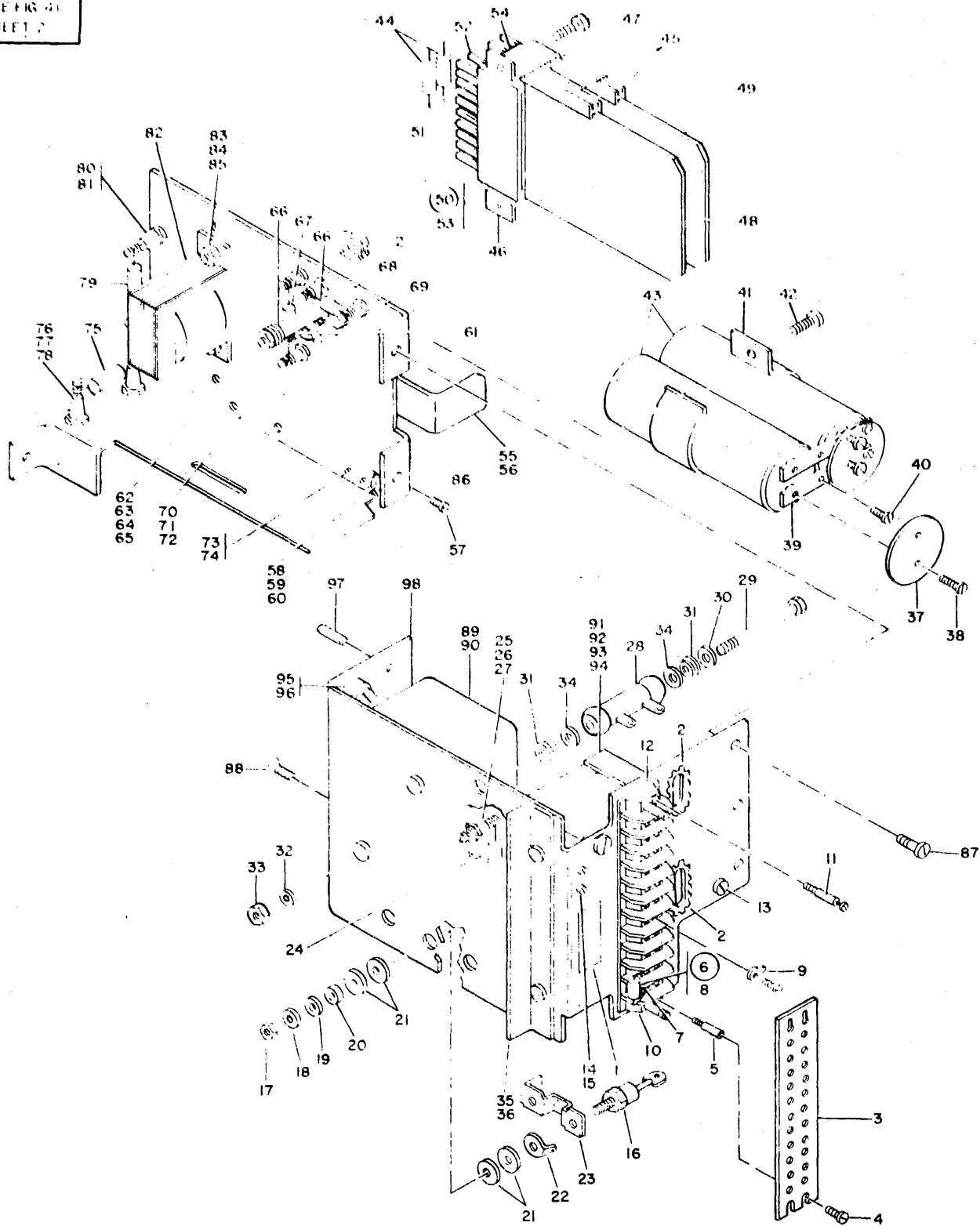


FIGURE 55. 48V AT 2 AMP MAGNETIC AMPLIFIER ASSEMBLY. SEE LIST 55.



LIST AND INDEX NUMBER	PART NUMBER	DESCRIPTION	UNITS PER ASM.	USABLE ON CODE
		48V AT 2 AMP MAGNETIC AMPLIFIER ASSEMBLY		
55 -	5261280	AMPLIFIER ASSEMBLY, 48V AT 2AMP MAGNETIC SEE FIG. 41-78 FOR NEXT HIGHER ASSEMBLY AND FIG. 55 FOR ILLUSTRATION	REF	
- 1	5261412	• LABEL	1	
- 2	730432	• GROMMET, CATERPILLAR	3	
- 3	187843	• SHIELD	1	
- 4	210984	• SCREW, RD HD MACH-6-32 X .250 LG	1	ATT PT
- 5	5261627	• STUD, EXTENSION	1	
- 6	5708939	• CAPACITOR ASM- 0.100MFD P/M 10% 100VDC	1	
- 7	334921	• TERMINAL-RING, 18-22 AWG, #6 HOLE, INS	2	
- 8	217077	• CAPACITOR, FXD-POLY- .1MFD P/M 10% 100VDC	1	
- 9	334921	• TERMINAL-RING, 18-22 AWG, #6 HOLE, INS	4	
- 10	80352	• STRIP	1	
- 11	5261626	• STUD	3	ATT PT
- 12	341492	• MARKER, TERMINAL	1	
- 13	38452	• SCREW, MACH-FL CSK HD 8-32 X 5/16 LG	2	
- 14	55726	• SCREW, MACH-BIND HD 6-32 X .188 LG	1	
- 15	56722	• WASHER, LOCK-EXT TEETH NO. 6	1	
- 16	5213400	• RECTIFIER, SILICON	4	
- 17	11891	• NUT-PLAIN, HEX, 10-32 X 3/8 FL W BRS	1	ATT PT
- 18	56121	• WASHER, LOCK-INT TEETH NO. 10 X 0.381 OD	4	ATT PT
- 19	45690	• WASHER, FL - NO.10 X 7/16 OD X 1/32 THK	1	ATT PT
- 20	473582	• INSULATOR	4	
- 21	217019	• WASHER, INSULATING	10	
- 22	316996	• TERMINAL, LUG-NONINS 9AWG NO. 8 MTG HOLE	2	
- 23	478043	• JUMPER - PLATE	1	
- 24	326367	• CAPACITOR, FXD, PAPER- 0.1 UF P/M 10% 400V	1	
- 25	533534	• TERMINAL	1	
- 26	10170	• SCREW, MACH-BIND HD 6-32 X 1/4 LG	1	ATT PT
- 27	62031	• WASHER, LOCK-INT TEETH NO. 6 X 0.295 OD	1	ATT PT
- 28	2102582	• RESISTOR, FXD, WW- 250 OHMS P/M 5% 25W	1	
- 29	438593	• SCREW-MACH-BIND HD NO. 8-32 X 2 1/2 LG	1	ATT PT
- 30	22478	• WASHER, FL- 0.170 ID 0.375 OD 0.32 THK	1	ATT PT
- 31	507144	• WASHER-CENTERING 0.173 ID X 5/8 OD	2	ATT PT
- 32	60646	• WASHER, LOCK-INT T NO. 8	1	ATT PT
- 33	257189	• NUT, HEX- 8-32	1	ATT PT
- 34	442958	• INSULATOR, WASH- 7/16 ID 3/4 OD 1/32 THK	2	
- 35	5261286	• BRACKET	1	
- 36	55726	• SCREW, MACH-BIND HD 6-32 X .188 LG	2	ATT PT
- 37	5261296	• COVER-CAPACITOR	2	
- 38	32042	• SCREW, MACH BIND. HD 10-32 X 3/8 LG.	4	ATT PT
- 39	5261306	• BUS BAR	2	
- 40	221790	• SCREW, MACH-BIND HD 8-32 X 3/16 LG	4	ATT PT
- 41	5261276	• CLAMP	1	
- 42	186758	• SCREW, MACH-BIND HD 8-32 X 0.438	1	ATT PT
- 43	5709383	• CAPACITOR, FIXED, ELECT-2500 UF 75 V	2	
- 44	5261789	• CAPACITOR ASSEMBLY, 0.022UF, PORM 10 PCT	2	
- 45	216207	• GUIDE-SINGLE CARD SHORT	2	
- 46	473530	• BRACKET	1	
- 47	55726	• SCREW, MACH-BIND HD 6-32 X .188 LG	2	ATT PT
- 48	372973	• CARD	1	
- 49	372969	• CARD	1	
- 50	216076	• TERMINAL BLOCK AND CONTACT ASSEMBLY	2	
- 51	216088	• SPRING-CONTACT	8	
- 52	216087	• SPRING-CONTACT	8	
- 53	216073	• TERMINAL BLOCK AND CONTACT ASSEMBLY	1	
- 54	473547	• SPACER, 1 X 2 3/8 IN .12 IN THICK	1	
- 55	5261316	• BRACKET, CARD RETAINING	1	
- 56	479714	• SCREW, SHLDR-FLAT HD 4-40 X 19/64 LG	2	ATT PT
- 57	5261354	• SCREW, MACH, CAPTIVE- 6-32 X 3/8 LG	1	
- 58	5261317	• BRACKET	1	
- 59	10170	• SCREW, MACH-BIND HD 6-32 X 1/4 LG	1	ATT PT
- 60	56722	• WASHER, LOCK-EXT TEETH NO. 6	1	ATT PT
- 61	239611	• RESISTOR, WW, ADJUSTABLE- 5K 10W	1	
- 62	438592	• SCREW, MACH-BIND HD 8-32 X 2-1/4 LG	1	ATT PT
- 63	60646	• WASHER, LOCK-INT T NO. 8	2	ATT PT
- 64	22478	• WASHER, FL- 0.170 ID 0.375 OD 0.32 THK	2	ATT PT
- 65	257189	• NUT, HEX- 8-32	1	ATT PT
- 66	419130	• WASHER, MICA, .195 I.D., 5/8 O.D. X .002 THCK	2	
- 67	501551	• RESISTOR, FIXED, WIREWOUND	1	
- 68	317429	• RESISTOR, FXD, COMP- 1.3K P/M 5% 1/2W	1	
- 69	492411	• CAPACITOR, FXD, FILM- 0.10 UF P/M 5% 100V	1	
- 70	533534	• TERMINAL	4	
- 71	10170	• SCREW, MACH-BIND HD 6-32 X 1/4 LG	4	ATT PT



FOR PARTS  
NOT SHOWN  
SEE FIG. 41  
SHEET 2

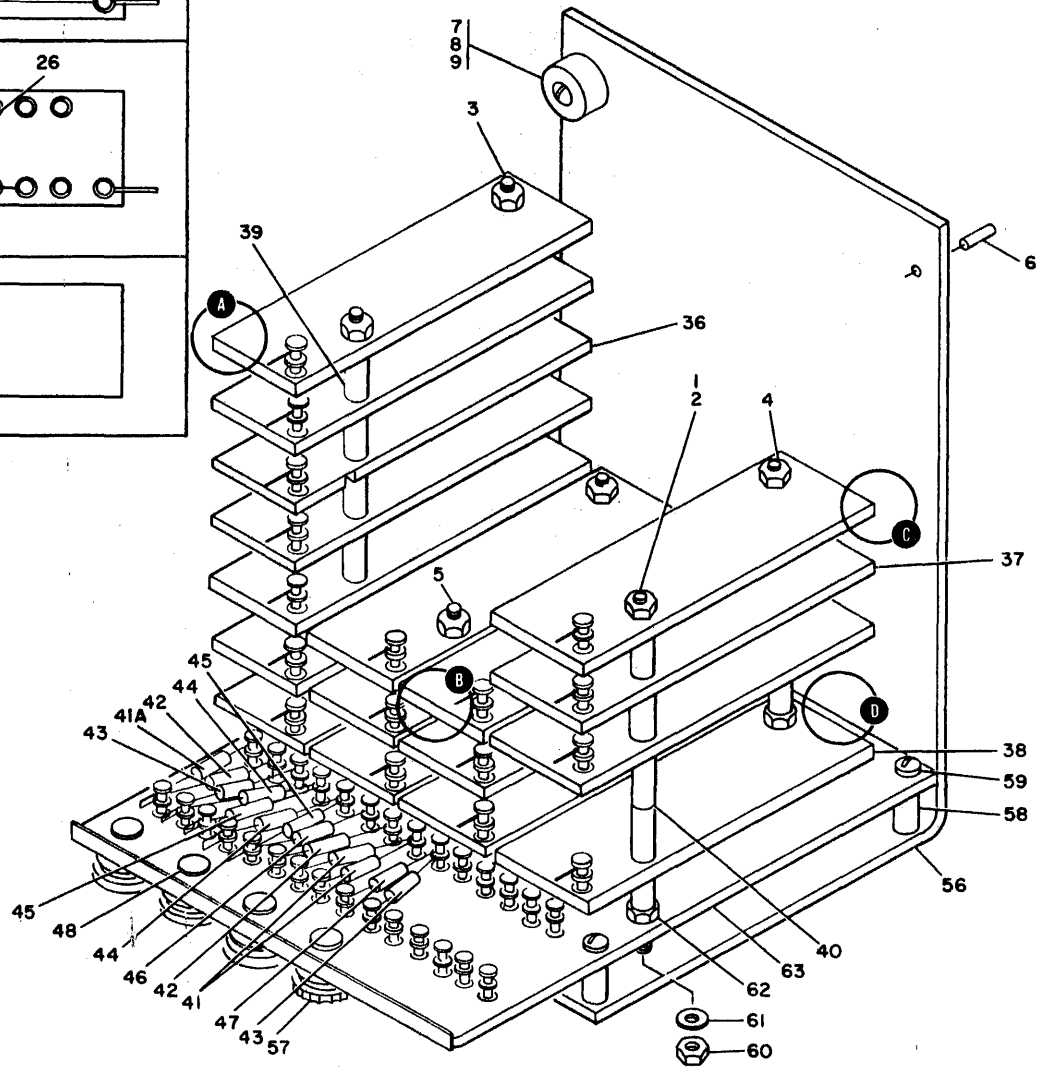
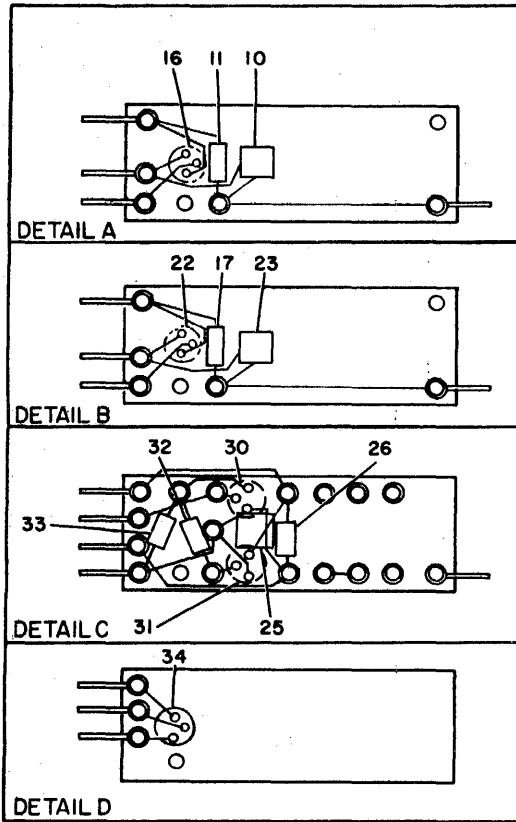
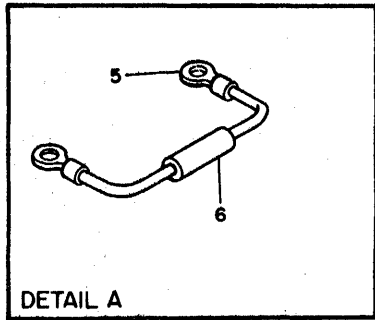


FIGURE 56. OVERVOLTAGE ASSEMBLY. SEE LIST 56.

LIST AND INDEX NUMBER	PART NUMBER	DESCRIPTION				UNITS PER ASM.	USABLE ON CODE
		1	2	3	4		
		OVERVOLTAGE ASSEMBLY					
56 -	5364170	OVERVOLTAGE ASM SEE FIG. 41-79 FOR NEXT HIGHER ASSEMBLY AND FIG. 56 FOR ILLUSTRATION				REF	
- 1	257187	• NUT,PLAIN,HEX- 6-32 X 3/8 FL W				8	
- 2	6364	• WASHER,LOCK-SPLIT NO. 6 X 1/4 OD				8	
- 3	5271669	• STUD				2	
- 4	5495780	• STUD				2	
- 5	322555	• SCREW,MACH-RH 6-32 X 2-1/4 LG				4	
- 6	5351116	• PIN,LOCATING				2	
- 7	5351115	• INSULATOR-BUSHING				2	
- 8	5351114	• BUSHING-CAP				2	
- 9	5351113	• SCREW-CAPTIVE BIND HD 10/32 X 1.0 LG ATT PT				2	
- 10	419184	• CAPACITOR-O 1MFD 75V				10	
- 11	213693	• RESISTOR,FXD,COMP- 1K P/M 5% 1/2W				10	
- 16	369652	• TRANSISTOR-PNP				10	
- 17	213693	• RESISTOR,FXD,COMP- 1K P/M 5% 1/2W				3	
- 22	369652	• TRANSISTOR-PNP				3	
- 23	419184	• CAPACITOR-O 1MFD 75V				3	
- 25	419184	• CAPACITOR-O 1MFD 75V				3	
- 26	213693	• RESISTOR,FXD,COMP- 1K P/M 5% 1/2W				3	
- 30	369654	• TRANSISTOR-NPN				3	
- 31	369652	• TRANSISTOR-PNP				3	
- 32	360902	• RESISTOR,FXD,COMP-270 MEGOHM P/M 5% 1/2W				3	
- 33	317006	• RESISTOR,FXD,COMP- 200 OHMS P/M 5% 1/2W				3	
- 34	369652	• TRANSISTOR-PNP				1	
- 36	5495783	• COMPONENT BOARD				13	
- 37	5361891	• COMPONENT BOARD				3	
- 38	5361890	• COMPONENT BOARD				1	
- 39	5361886	• SPACER				32	
- 40	323656	• SPACER- 3/16 ID X 5/16 OD X 1/2 THK				4	
- 41	360902	• RESISTOR,FXD,COMP-270 MEGOHM P/M 5% 1/2W				2	
- 41A	321196	• RESISTOR,FXD- 220 OHMS 1 WATT				1	
- 42	317008	• RESISTOR,FXD- 300 OHMS 1/2 WATT				2	
- 43	317009	• RESISTOR,FXD 390 OHM P/M 5 PCT 0.5W				2	
- 44	209002	• SEMICONDUCTOR DEVICE,DIODE				2	
- 45	491017	• CAPACITOR,ELECTROLYTIC-5 UF P/M20% 50VDC				2	
- 46	317432	• RESISTOR,FXD 470 OHM P/M 5% 1 WATT				1	
- 47	317015	• RESISTOR,FXD,COMP- 750 OHMS P/M 5% 1/2W				1	
- 48	483115	• POTENTIOMETER-250 OHMS P/M 5% 1W				4	
- 56	5495827	• FRAME				1	
- 57	483115	• POTENTIOMETER-250 OHMS P/M 5% 1W				4	
- 58	5361886	• SPACER				4	
- 59	322552	• SCREW,MACH-BIND HD 6-32 X 7/8 LG ATT PT				2	
- 60	257187	• NUT,PLAIN,HEX- 6-32 X 3/8 FL W				4	
- 61	6364	• WASHER,LOCK-SPLIT NO. 6 X 1/4 OD				4	
- 62	257187	• NUT,PLAIN,HEX- 6-32 X 3/8 FL W				8	
- 63	5361889	• COMPONENT BOARD				1	



FOR PARTS  
NOT SHOWN  
SEE FIG. 41  
SHEET 3

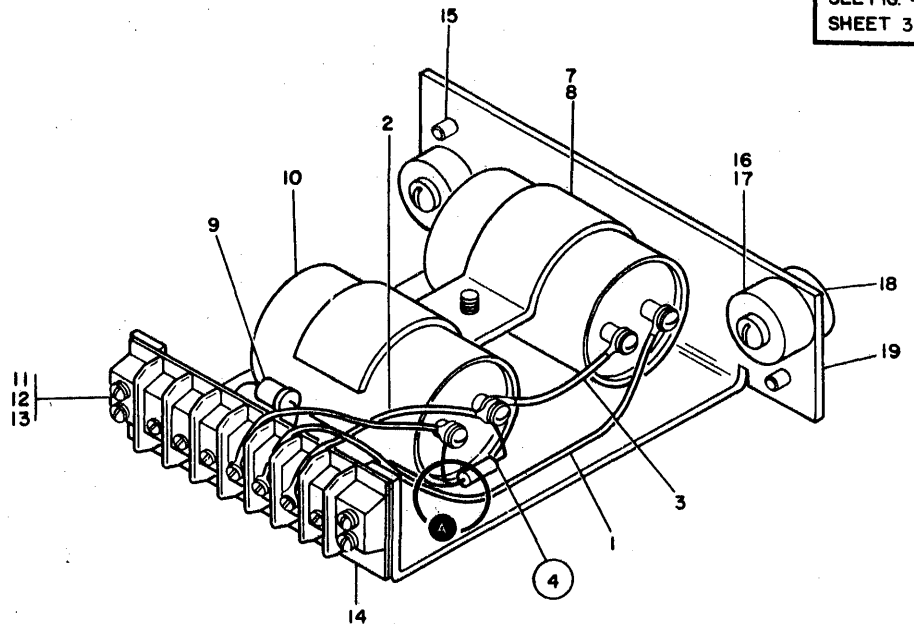


FIGURE 57. OVERVOLTAGE POWER SUPPLY ASSEMBLY. SEE LIST 57.

LIST AND INDEX NUMBER	PART NUMBER	DESCRIPTION				UNITS PER ASM.	USABLE ON CODE
		1	2	3	4		
		OVERVOLTAGE POWER SUPPLY ASSEMBLY					
57 -	5351111	POWER SUPPLY ASSEMBLY, OVERVOLTAGE SEE FIG. 41-145 FOR NEXT HIGHER ASSEMBLY AND FIG. 57 FOR ILLUSTRATION				REF	
- 1	442499	• JUMPER ASSEMBLY				1	
- 2	5351157	• JUMPER ASSEMBLY SEE FIG. 79-42B AND -48 FOR COMPONENT PARTS				AR	
- 3	2101310	• JUMPER ASSEMBLY SEE FIG. 79-48 FOR COMPONENT PARTS				AR	
- 4	5351145	• RESISTOR ASSEMBLY-1.5K 1/2W				2	
- 5	94856	• LUG, TERMINAL				2	
- 6	317017	• RESISTOR, FXD, COMP- 1.5K P/M 5% 1/2W				1	
- 7	552994	• CLAMP-CAPACITOR				1	
- 8	438588	• SCREW, MACH-UNDRCT BIND HD 8-32 X 1-1/4		ATT PT	1		
- 9	5323537	• SEMICONDUCTOR DEVICE, DIO- 200V 6 AMP				4	
- 10	483106	• CAPACITOR-CAN TYPE-ELECTROLYTIC 1500MFD				2	
- 11	521829	• STRIP-BARRIER				1	
- 12	322065	• SCREW, MACH-BIND HD 6-32 X 5/8 LG		ATT PT	4		
- 13	56722	• WASHER, LOCK-EXT TEETH NO. 6		ATT PT	4		
- 14	5351124	• STRIP, MARKER				1	
- 15	5351116	• PIN, LOCATING				2	
- 16	5351115	• INSULATOR-BUSHING				2	
- 17	5351113	• SCREW-CAPTIVE BIND HD 10/32 X 1.0 LG		ATT PT	2		
- 18	5351114	• BUSHING-CAP				2	
- 19	5351112	• FRAME				1	

FOR PARTS  
NOT SHOWN  
SEE FIG. 41  
SHEET 4

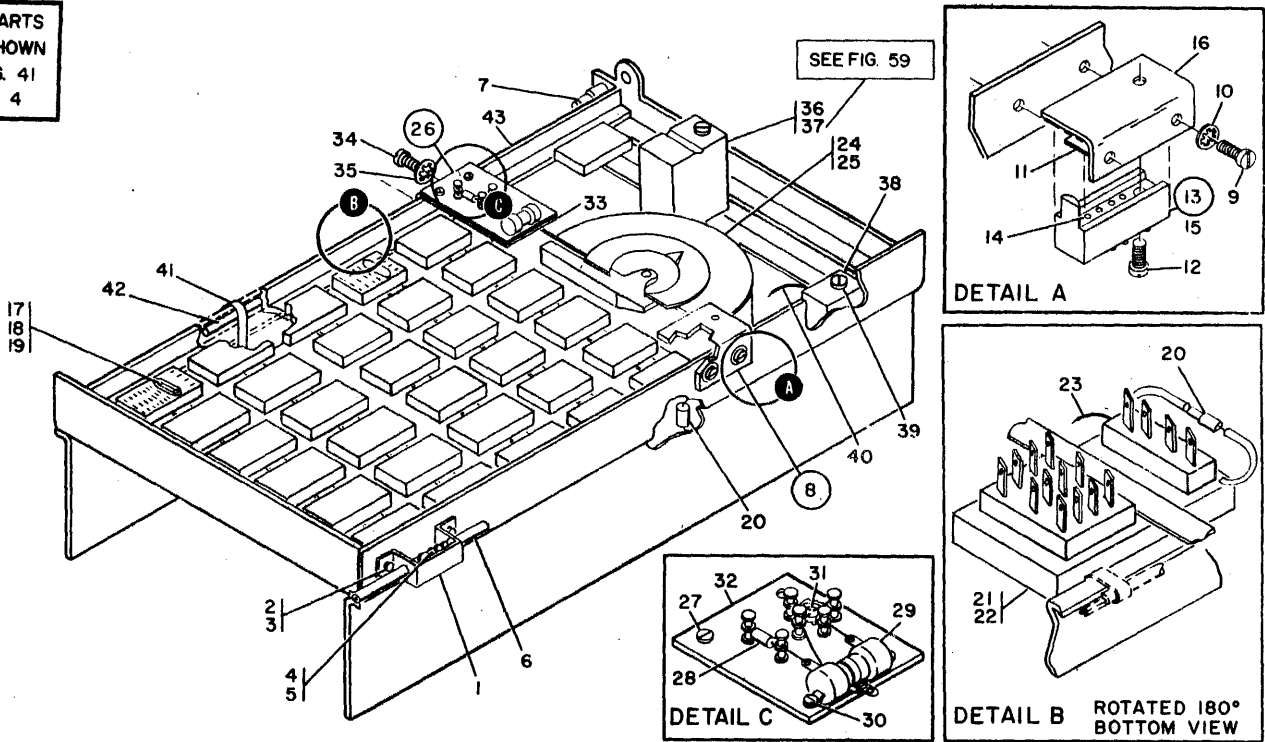


FIGURE 58. GATE RELAY ASSEMBLY. SEE LIST 58.  
GATE RELAY ASSEMBLY

58 -	5364220	GATE RELAY ASSEMBLY	REF
		SEE FIG. 41-192 FOR NEXT HIGHER ASSEMBLY AND FIG. 58 FOR ILLUSTRATION	
- 1	520658	• GUIDE-LATCH PIN	1
- 2	10170	• SCREW, MACH-BIND HD 6-32 X 1/4 LG	ATT PT 2
- 3	56722	• WASHER, LOCK-EXT TEETH NO. 6	ATT PT 2
- 4	528013	• STUD-LATCH	1
- 5	528012	• SPRING, HELICAL, COMPR	1
- 6	520657	• PIN-LATCH	1
- 7	760303	• CATCH-PULL	1
- 8	5364531	• TERMINAL BOARD ASSEMBLY	1
- 9	251970	• SCREW-MACH BD. HD. 4-40 X 1/4 LG	ATT PT 2
- 10	338169	• WASHER, LOCK-EXT TEETH NO. 4 X .260 OD	ATT PT 2
- 11	317766	• INSULATOR-TERMINAL BLOCK	1
- 12	438550	• SCREW, MACH-BIND HD 4-40 X 1/2 LG	ATT PT 1
- 13	317767	• TERMINAL BOARD ASM- 12 FEEDTHRU TERMINAL	1
- 14	302089	• SPRING-TERMINAL BOARD CONTACT	4
- 15	317768	• TERMINAL BOARD- 12 POSITION BLANK	1
- 16	5364529	• BRACKET, TERMINAL BOARD	1
- 17	5351139	• SOCKET, RELAY- 6 POSITION	15
- 18	438548	• SCREW, MACH-BIND HD 4-40 X 3/16 LG	ATT PT 15
- 19	5364197	• GROUND-RELAY	15
- 20	2111232	• SEMICONDUCTOR DEVICE, DIODE-TYPE AM	18
- 21	5318967	• SOCKET, 4 POSITION RELAY	16
- 22	438548	• SCREW, MACH-BIND HD 4-40 X 3/16 LG	ATT PT 16
- 23	5364197	• GROUND-RELAY	16
- 24	5214330	• SWITCH	1
- 25	81693	• SCREW, MACH-BIND HD 6-32 X 3/8 LG	ATT PT 2
- 26	5364511	• SENSE ASSEMBLY, POWER ON	1
- 27	251970	• SCREW-MACH BD. HD. 4-40 X 1/4 LG	ATT PT 2
- 28	335017	• RESISTOR, FIXED COMP 240 OHMS PM 5% 1W	1
- 29	5364515	• RESISTOR, PWR ADJ, WW- 2K P/M 10% 15W	1
- 30	38265	• SCREW, MACH-FIL H 4-40 X 7/16 LG	ATT PT 2
- 31	369652	• TRANSISTOR-PNP	1
- 32	5364513	• BOARD ASSEMBLY	1
- 33	5364514	• BRACKET	1
- 34	251970	• SCREW-MACH BD. HD. 4-40 X 1/4 LG	ATT PT 2



FOR PARTS  
NOT SHOWN  
SEE FIG. 58

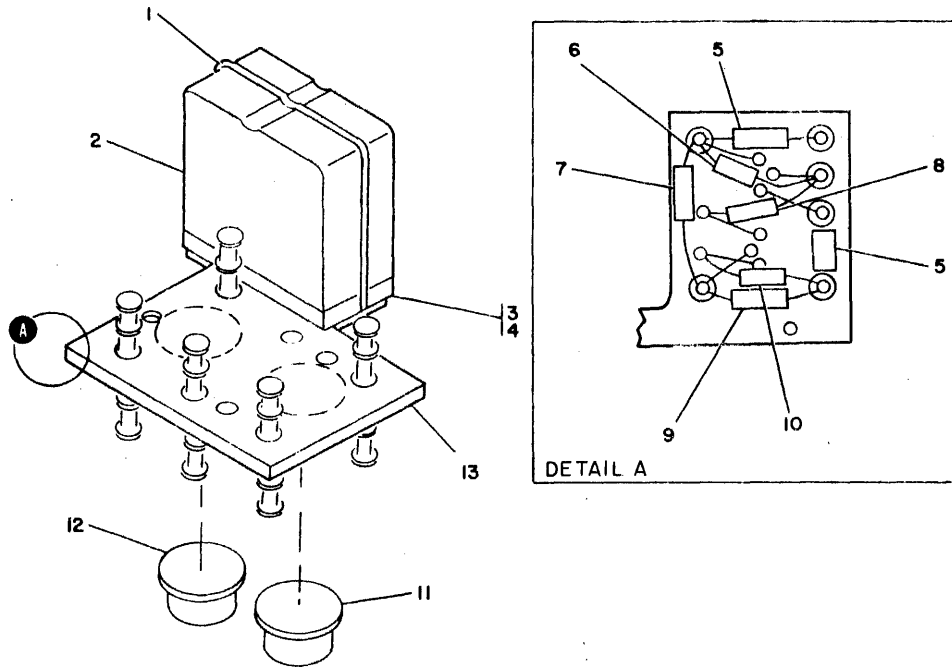


FIGURE 59. 5 SECOND TIME DELAY ASSEMBLY. SEE LIST 59.

LIST AND INDEX NUMBER	PART NUMBER	DESCRIPTION	UNITS PER ASM.	USABLE ON CODE
		1 2 3 4		
		5 SECOND TIME DELAY ASSEMBLY		
59 -	5276249	DELAY ASSEMBLY, TIME, 5 SECONDS SEE FIG. 58-39 FOR NEXT HIGHER ASSEMBLY AND FIG. 59 FOR ILLUSTRATION	REF	
- 1	5351163	• RETAINER-RELAY	1	
- 2	5351156	• RELAY, ARM-COIL 24V CONT 30V 5 AMP 6PDT	1	
- 3	5351139	• SOCKET, RELAY- 6 POSITION	1	
- 4	438550	• SCREW, MACH-BIND HD 4-40 X 1/2 LG ATT PT	1	
- 5	211232	• DIODE	2	
- 6	217082	• RESISTOR, FXD, COMP- 820 OHMS P/M 5% 1/4W	1	
- 7	216492	• RESISTOR, FIXED-COMP 110K P/M 5% 1/4W	1	
- 8	216452	• RESISTOR, FXD CARB, 2K OHM, 1/4W, 5%	1	
- 9	222098	• CAPACITOR, FIXED, TANTALUM-100 UF 10V	1	
- 10	597977	• DIODE, SEMICONDUCTOR- 700 OHMS 8.8V TY DT	1	
- 11	369654	• TRANSISTOR-NPN	1	
- 12	369652	• TRANSISTOR-PNP	1	
- 13	5276250	• BOARD ASM	1	



FOR PARTS  
NOT SHOWN  
SEE FIG. 41  
SHEET 4

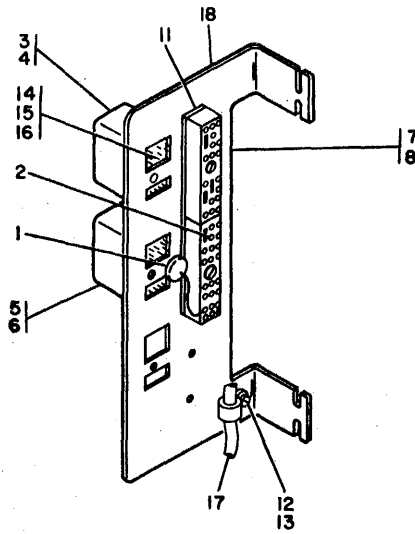


FIGURE 60. I/O INTERFACE ASSEMBLY. SEE LIST 60.

LIST AND INDEX NUMBER	PART NUMBER	DESCRIPTION	UNITS	USABLE
			PER ASM.	ON CODE
		I/O INTERFACE ASSEMBLY		
60 -	5366746	INTERFACE ASSEMBLY, I/O SEE FIG. 41-196 FOR NEXT HIGHER ASSEMBLY AND FIG. 60 FOR ILLUSTRATION	REF	
- 1	2100878	• RESISTOR, FXD, WW- 1K P/M 5% 5W	1	
- 2	205329	• JUMPER-BRASS, 3/16	4	
- 3	5364161	• RELAY-4PDT 5AMP 18VDC	1	
- 4	5318966	• RETAINER-RELAY	1	
- 5	5318968	• RELAY, ARM-COIL 24V CONT 30V 5 AMP 4PDT	1	
- 6	5318966	• RETAINER-RELAY	1	
- 7	302090	• CONNECTOR, RECP, ELEC- 24 FEMALE CONTACTS	2	
- 8	38266	• SCREW, MACH-FIL H 4-40 X 1/2 LG ATT PT	2	
- 11	302131	• INSULATOR, TERMINAL BLOCK	2	
- 12	533289	• CLAMP, CABLE	1	
- 13	10170	• SCREW, MACH-BIND HD 6-32 X 1/4 LG ATT PT	1	
- 14	5318967	• SOCKET, 4 POSITION RELAY	2	
- 15	438548	• SCREW, MACH-BIND HD 4-40 X 3/16 LG ATT PT	2	
- 16	5364197	• GROUND-RELAY	2	
- 17	5366748	• CABLE ASSEMBLY	AR	
- 18	5366745	SEE FIG. 79-28, -64A, -109 AND -110 FOR COMPONENT PARTS • BRACKET, RELAY	1	

FOR PARTS  
NOT SHOWN  
SEE FIG. 41  
SHEET 4

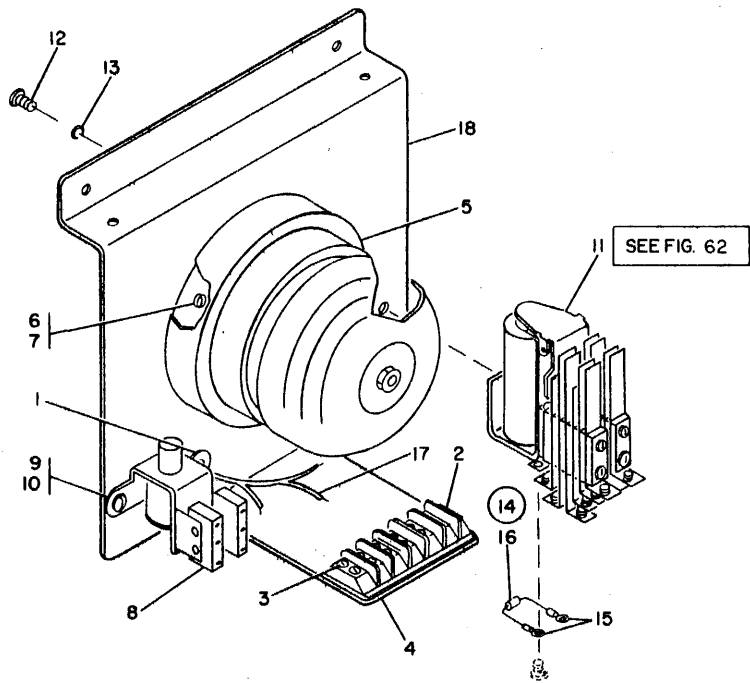


FIGURE 61. BELL ASSEMBLY. SEE LIST 61.

LIST AND INDEX NUMBER	PART NUMBER	DESCRIPTION				UNITS PER ASM.	USABLE ON CODE
		1	2	3	4		
		BELL ASSEMBLY					
61 -	5364160	BELL ASM				REF	
		SEE FIG. 41-202 FOR NEXT HIGHER ASSEMBLY AND FIG. 61 FOR ILLUSTRATION					
- 1	317138	• GROMMET, RUB-FOR 7/16 HOLE X 1/8 PNL				1	
- 2	317310	• TERMINAL BOARD- 5 DBL SCREW TERMINALS				1	
- 3	81693	• SCREW, MACH-BIND HD 6-32 X 3/8 LG				4	ATT PT
- 4	740554	• STRIP-MARKER, 5 POSITION				1	
- 5	5276380	• BELL, ALARM				1	
- 6	58207	• SCREW, MACH-UNDRCT BIND HD 8-32 X 1/4 LG				3	ATT PT
- 7	55901	• WASHER, LOCK-EXT TEETH NO. 8 X 0.381 OD				3	ATT PT
- 8	5327723	• RELAY, ARMATURE-DPDT TIME DELAY				1	
- 9	58207	• SCREW, MACH-UNDRCT BIND HD 8-32 X 1/4 LG				2	ATT PT
- 10	55901	• WASHER, LOCK-EXT TEETH NO. 8 X 0.381 OD				2	ATT PT
- 11	124843	• 40V DUO RELAY ASSEMBLY				1	
		SEE FIG. 62 FOR DETAIL BREAKDOWN					
- 12	58207	• SCREW, MACH-UNDRCT BIND HD 8-32 X 1/4 LG				2	ATT PT
- 13	55901	• WASHER, LOCK-EXT TEETH NO. 8 X 0.381 OD				2	ATT PT
- 14	5270652	• DIODE ASM				1	
- 15	334921	• TERMINAL-RING, 18-22 AWG, #6 HOLE, INS				2	
- 16	211232	• SEMICONDUCTOR DEVICE, DIODE-TYPE AM				1	
- 17	5364234	• CABLE ASSEMBLY-BELL				1	AR
		SEE FIG. 79-28, -42, -42C AND -58 FOR COMPONENT PARTS					
- 18	5364188	• BRACKET-BELL MTG				1	

FOR PARTS  
NOT SHOWN  
SEE FIG. 75

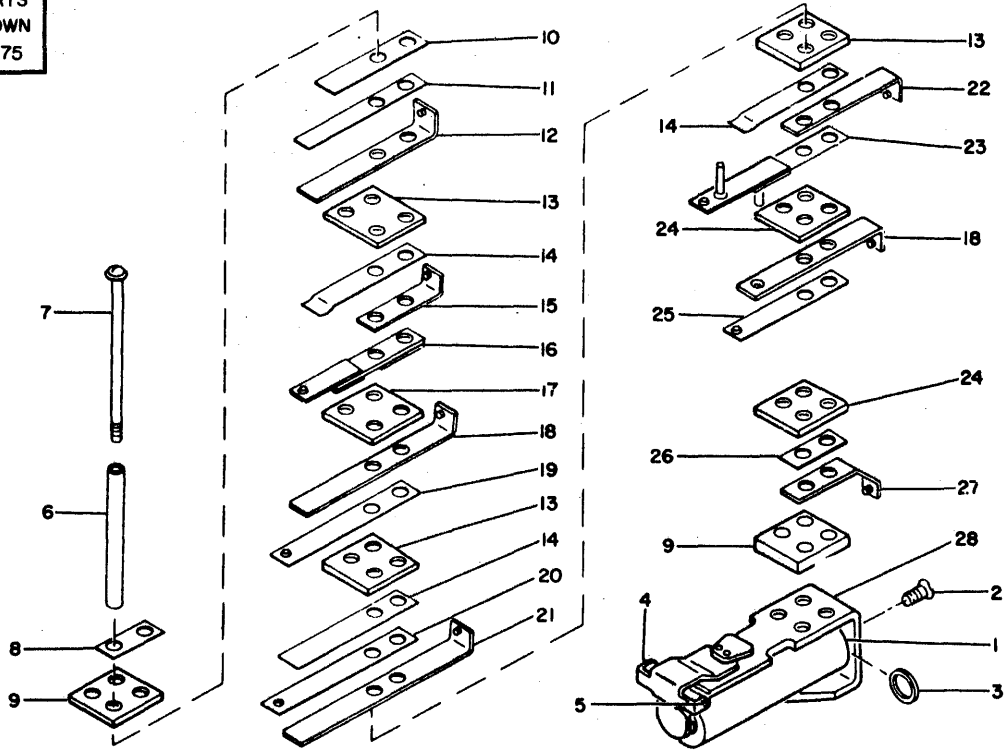


FIGURE 62. RELAY ASSEMBLY. SEE LIST 62.  
RELAY ASSEMBLY

62 -	124843	40V DUO RELAY ASSEMBLY	REF
		SEE FIG. 61-11 FOR NEXT HIGHER ASSEMBLY AND FIG. 62 FOR ILLUSTRATION	
- 1	154350	• COIL AND TERMINAL ASSEMBLY	1
- 2	19587	• SCREW, MACH-FL CSK HD 8-32 X 3/8 LG	ATT PT 1
- 3	115552	• WASHER-COIL MOUNTING	ATT PT 1
- 4	107177	• ARMATURE ASSEMBLY-MAGNET	1
- 5	165594	• PIVOT-ARMATURE	ATT PT 1
- 6	122311	• INSULATOR-SCR 0.128 ID 0.186 OD 1-9/32LG	2
- 7	173218	• SCREW, MACH-RD WASHER HD 5-40 X 1-15/32	ATT PT 2
- 8	121011	• PLATE-DUO RELAY TOP	2
- 9	120942	• INSULATOR-DUO RELAY	2
- 10	105826	• SPRING-STIFFENER	2
- 11	105832	• SPRING ASSEMBLY-UPPER CONTACT	2
- 12	189844	• TERMINAL ASSEMBLY-CONTACT	2
- 13	120924	• INSULATOR-DUO RELAY	3
- 14	125872	• SPRING-STIFFENER	6
- 15	141964	• TERMINAL ASSEMBLY-CONTACT	2
- 16	141977	• SPRING ASSEMBLY-OPERATING CONTACT	2
- 17	120925	• INSULATOR-DUO RELAY	1
- 18	141967	• TERMINAL ASSEMBLY-CONTACT	4
- 19	125877	• SPRING ASSEMBLY-CONTACT	2
- 20	120837	• SPRING ASSEMBLY-UPPER CONTACT	2
- 21	141971	• TERMINAL ASSEMBLY-CONTACT	2
- 22	141969	• TERMINAL ASSEMBLY-CONTACT	2
- 23	141981	• SPRING ASSEMBLY-OPERATING CONTACT	2
- 24	120926	• INSULATOR-DUO RELAY	2
- 25	121839	• SPRING ASSEMBLY-CONTACT	2
- 26	156909	• SPACER- 1 LG X 3/8 W X 1/16 THK	2
- 27	105835	• TERMINAL ASSEMBLY-CONTACT	2
- 28	165595	• YOKE ASSEMBLY MAGNET	1

FOR PARTS  
NOT SHOWN  
SEE FIG. 41  
SHEET 4

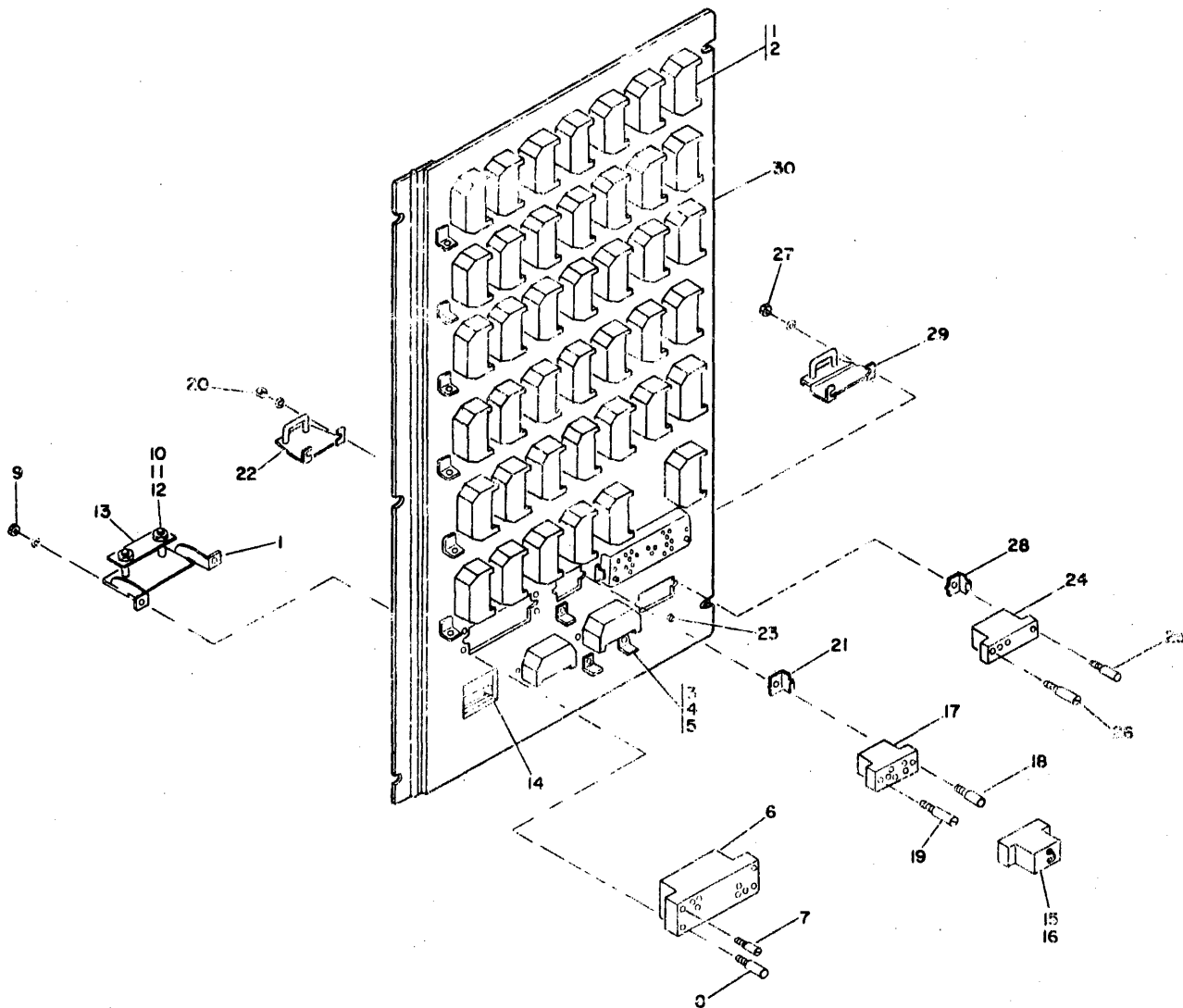


FIGURE 63. CONNECTOR PANEL ASSEMBLY. SEE LIST 63.



FOR PARTS  
NOT SHOWN  
SEE FIG. 41  
SHEET 4

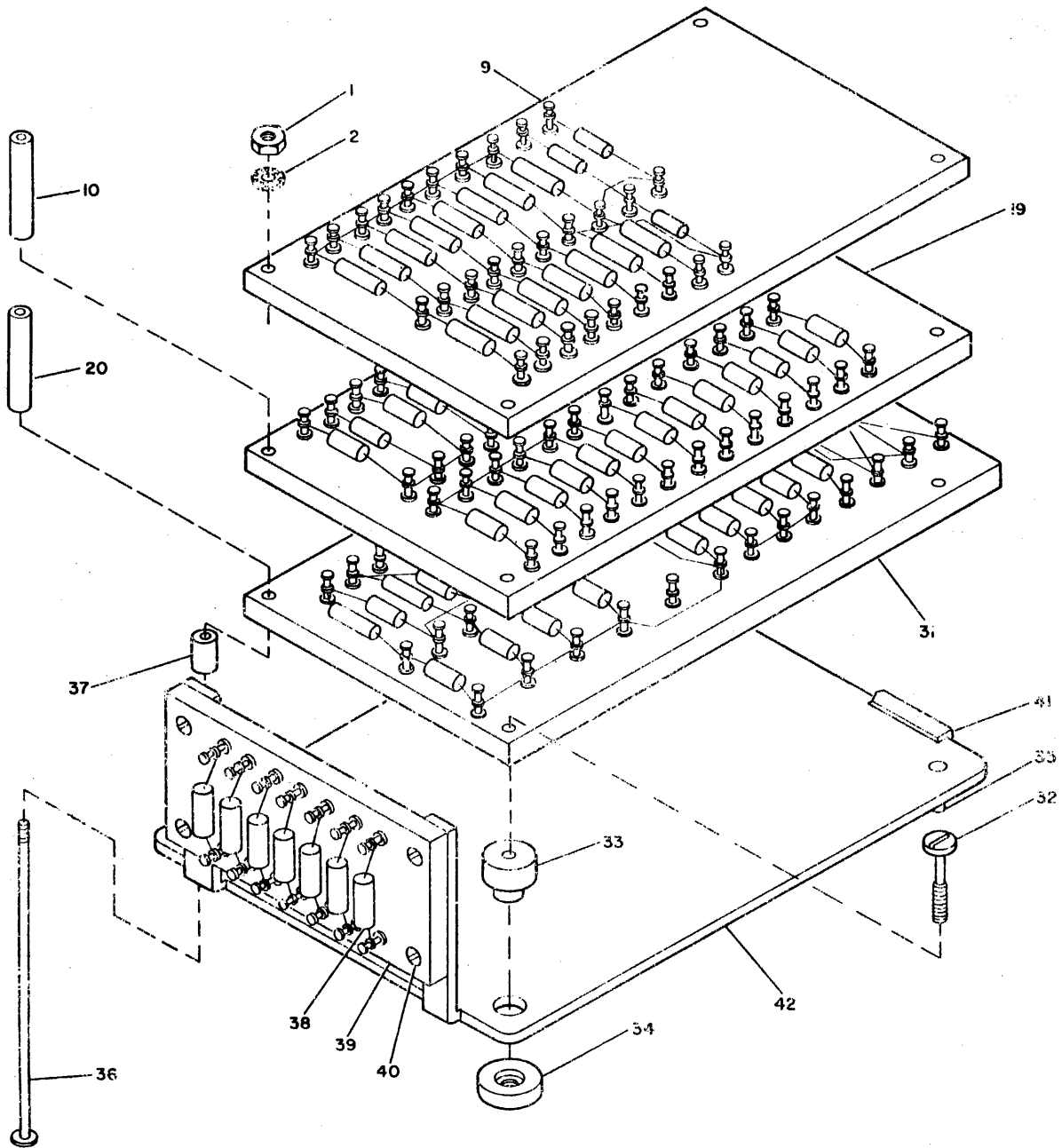


FIGURE 64. VOLTAGE SENSE ASSEMBLY. SHEET 1 OF 2. SEE LIST 64.

FOR PARTS  
NOT SHOWN  
SEE FIG. 41  
SHEET 4

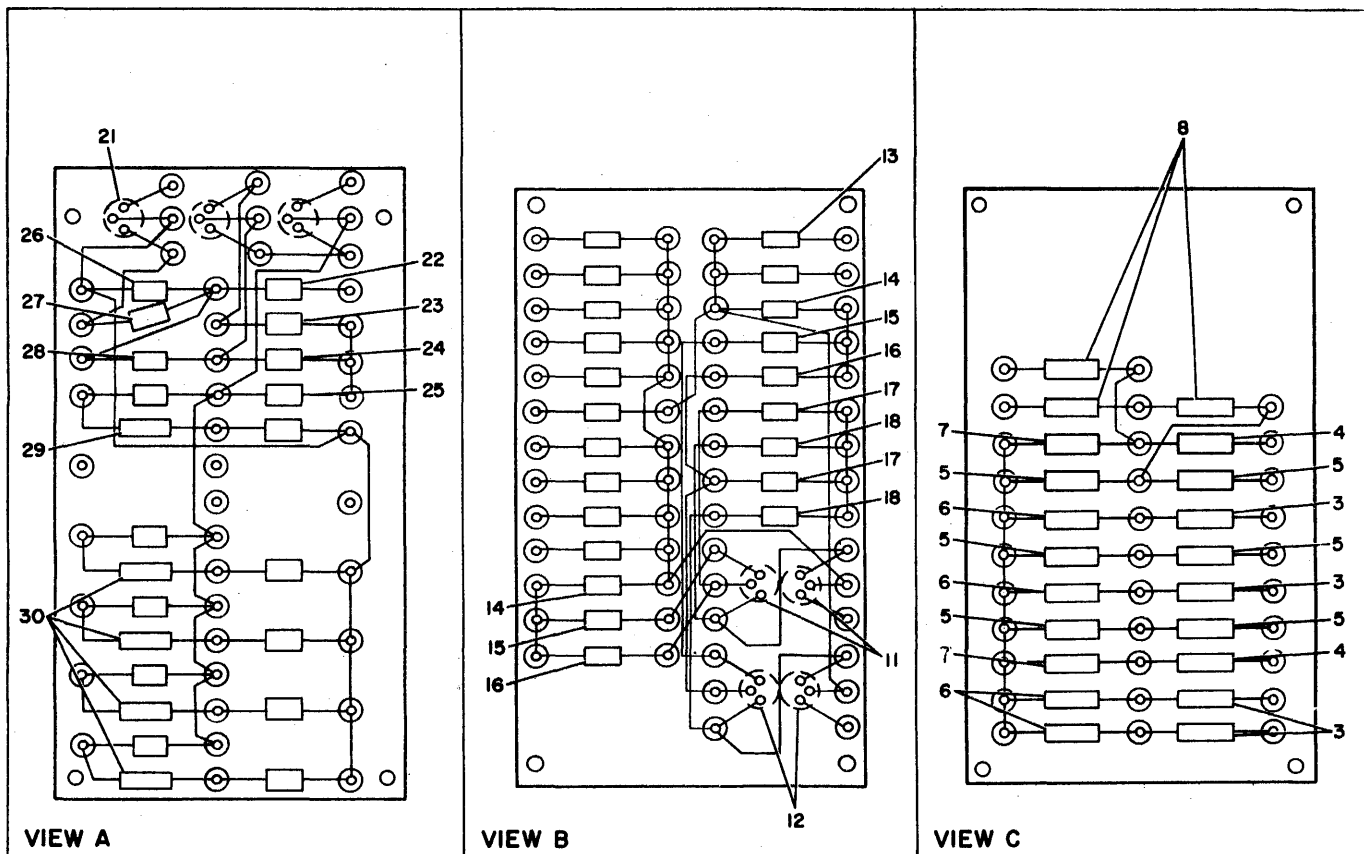
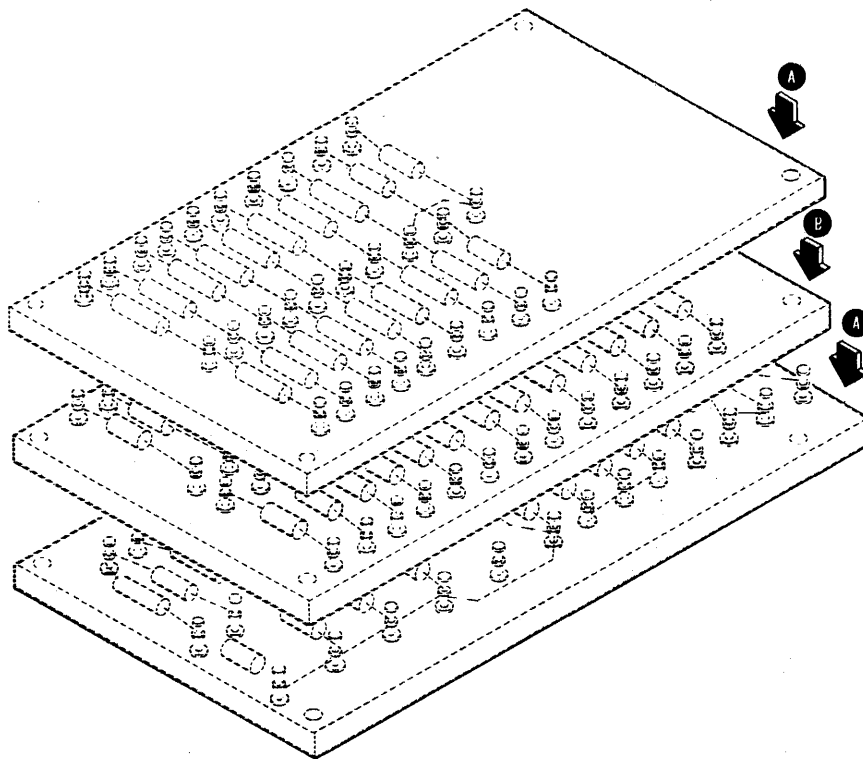


FIGURE 64. VOLTAGE SENSE ASSEMBLY. SHEET 2 OF 2. SEE LIST 64.

LIST AND INDEX NUMBER	PART NUMBER	DESCRIPTION				UNITS PER ASM.	USABLE ON CODE
		1	2	3	4		
		VOLTAGE SENSE ASSEMBLY					
64 -	5364230	VOLTAGE SENSE ASSEMBLY SEE FIG. 41-240 FOR NEXT HIGHER ASSEMBLY AND FIG. 64 FOR ILLUSTRATION				REF	
- 1	257187	• NUT, PLAIN, HEX- 6-32 X 3/8 FL W				4	
- 2	56722	• WASHER, LOCK-EXT TEETH NO. 6				4	
- 3	317006	• RESISTOR, FXD, COMP- 200 OHMS P/M 5% 1/2W				4	
- 4	440514	• RESISTOR, FXD, WW 150 OHM P/M 5 PCT 5W				2	
- 5	492584	• RESISTOR, FXD, WW- 100 OHMS P/M 1% 2W				6	
- 6	317004	• RESISTOR, FXD, CARBON- 120 OHMS 1/2W				4	
- 7	316144	• RESISTOR, FXD, WW- 50 OHMS P/M 1% 5W				2	
- 8	2111232	• SEMICONDUCTOR DEVICE, DIODE-TYPE AM				3	
- 9	5364272	• TERMINAL BOARD ASSEMBLY				1	
- 10	190822	• SPACER, NO. 4-DOUBLE CARD GUIDE				4	
- 11	369654	• TRANSISTOR-NPN				2	
- 12	369652	• TRANSISTOR-PNP				2	
- 13	2111232	• SEMICONDUCTOR DEVICE, DIODE-TYPE AM				12	
- 14	300721	• RESISTOR, FXD, COMP- 10K P/M 5% 1/2W				2	
- 15	317010	• RESISTOR, FXD, COMP- 430 OHMS P/M 5% 1/2W				2	
- 16	317001	• RESISTOR, FXD, COMP-1.1K P/M 5 PCT 1/2W				2	
- 17	2414815	• SEMICONDUCTOR DEVICE, DIODE				2	
- 18	317003	• RESISTOR, FXD, COMP- 47 OHMS P/M 5% 1/2W				2	
- 19	5364227	• TERMINAL BOARD ASSEMBLY				1	
- 20	190822	• SPACER, NO. 4-DOUBLE CARD GUIDE				4	
- 21	369654	• TRANSISTOR-NPN				3	
- 22	317003	• RESISTOR, FXD, COMP- 47 OHMS P/M 5% 1/2W				1	
- 23	317010	• RESISTOR, FXD, COMP- 430 OHMS P/M 5% 1/2W				1	
- 24	317016	• RESISTOR, FXD, COMP- 820 OHMS P/M 5% 1/2W				1	
- 25	300721	• RESISTOR, FXD, COMP- 10K P/M 5% 1/2W				1	
- 26	317004	• RESISTOR, FXD, CARBON- 120 OHMS 1/2W				1	
- 27	2111232	• SEMICONDUCTOR DEVICE, DIODE-TYPE AM				11	
- 28	369611	• DIODE, SEMICONDUCTOR-ZENER, TYPE DY				1	
- 29	320661	• RESISTOR, FXD, COMP- 3K P/M 5% 1W				1	
- 30	317057	• RESISTOR, FXD, COMP- 4.7K P/M 5% 1W				4	
- 31	5364228	• TERMINAL BOARD ASSEMBLY				1	
- 32	5351113	• SCREW-CAPTIVE BIND HD 10/32 X 1.0 LG				2	
- 33	5351114	• BUSHING-CAP				2	
- 34	5351115	• INSULATOR-BUSHING				2	
- 35	5351116	• PIN, LOCATING				2	
- 36	5312633	• SCREW, MACH BH 6-32 X 4 IN. LG				4	
- 37	225815	• ROLLER-RIBBON DRIVE				4	
- 38	334928	• RESISTOR, FXD, COMP- 1300 OHMS P/M 5% 1W				7	
- 39	5364229	• TERMINAL BOARD ASSEMBLY				1	
- 40	81693	• SCREW, MACH-BIND HD 6-32 X 3/8 LG				4	ATT PT
- 41	5213226	• CONNECTOR, MALE				6	
- 42	5364221	• BRACKET, VOLTAGE SENSE MOUNTING				1	



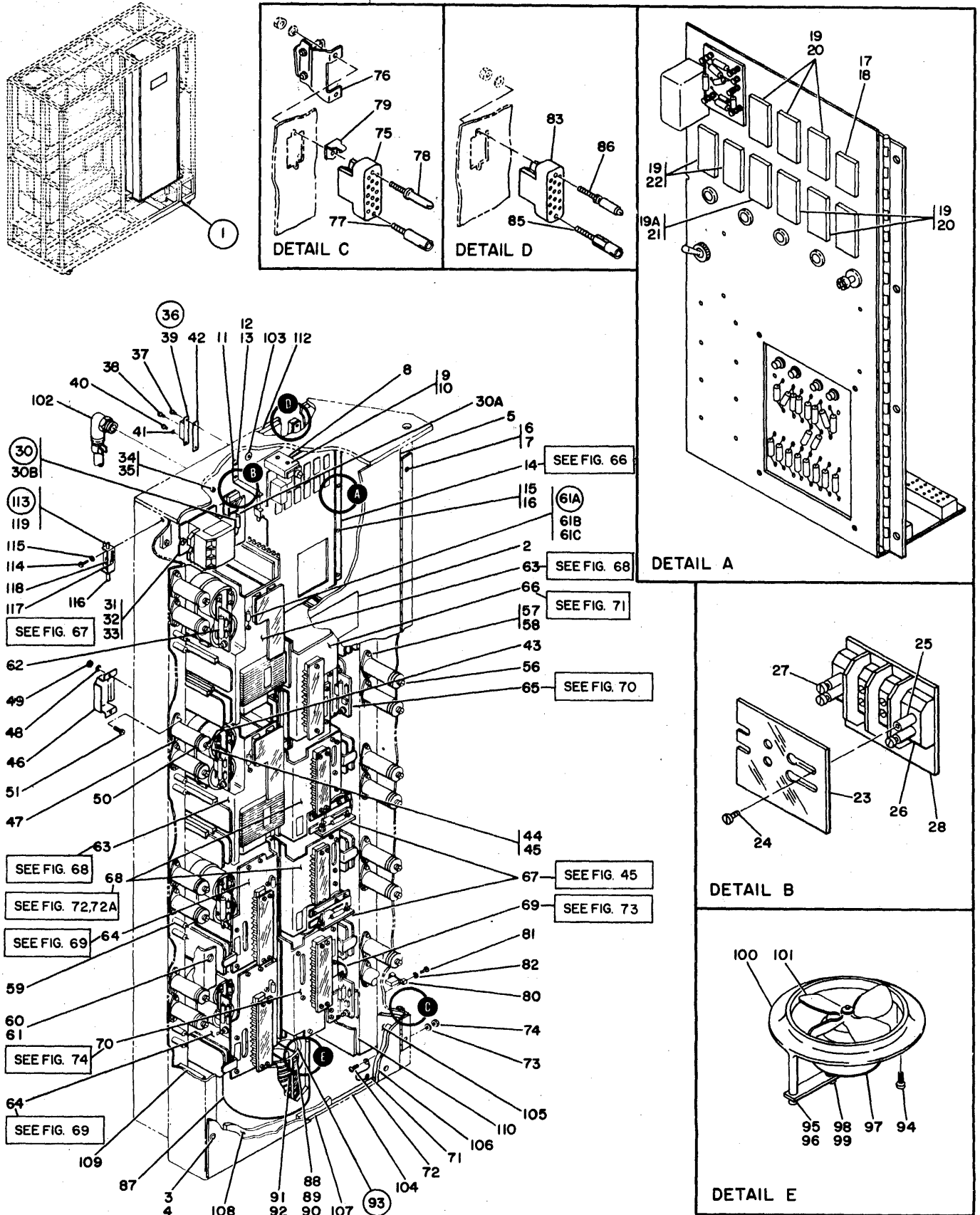


FIGURE 65. FRAME 04, 512K FINAL ASSEMBLY. SHEET 1 OF 2. INDEX NOS. 1-119. SEE LIST 65.

LIST AND INDEX NUMBER	PART NUMBER	DESCRIPTION	UNITS PER ASM.	USABLE ON CODE
		FRAME 04 512K FINAL ASSEMBLY		
		CODE 1 USED ON ASM PRIOR TO N9 SUFFIX CODE 2 USED ON ASM FROM N9 TO CURRENT		
65 -	5365240 NP	FRAME 04 512K FINAL ASSEMBLY SEE FIG. 65 FOR ILLUSTRATION		
- 1	5474710	• FINAL ASSEMBLY	1	
- 2	369208	• • DECAL, INST-HAZARDOUS AREA	1	
- 3	5271226	• • STUD-CAMLOC	4	
- 4	808361	• • WASHER SELF-LOCKING 300 ID ATT PT	4	
- 5	5474666	• • COVER	1	
- 6	28413	• • SCREW, MACH-BIND HD 10-32 X 5/16 LG ATT PT	5	
- 7	9092	• • WASHER-LOCK, SPLIT RING, .194 ID .33700 ATT PT	5	
- 8	5257518	• • THERMOSWITCH	1	
- 9	251970	• • SCREW-MACH BD. HD. 4-40 X 1/4 LG ATT PT	2	
- 10	257984	• • WASHER, LOCK-SPLIT 1/8 ID X 13/64 OD ATT PT	4	
- 11	5474668	• • BRACKET, LATCH	1	
- 12	186759	• • SCREW, MACH-BIND HD 8-32 X 5/16 LG ATT PT	2	
- 13	1090873	• • WASHER, LOCK, SPLIT RING- .168 ID, .296 OD ATT PT	2	
- 14	5474664	• • PANEL ASSEMBLY, RELAY SEE FIG. 66 FOR DETAIL BREAKDOWN	1	
- 15	186759	• • SCREW, MACH-BIND HD 8-32 X 5/16 LG ATT PT	4	
- 16	1090873	• • WASHER, LOCK, SPLIT RING- .168 ID, .296 OD ATT PT	4	
- 17	5318966	• • RETAINER-RELAY	1	
- 18	5213415	• • RELAY, ARM-COIL 3V CONT 30V 5 AMP 4PDT	1	
- 19	5351163	• • RETAINER-RELAY	8	
- 19A	5364198	• • RETAINER-RELAY	1	
- 20	5351156	• • RELAY, ARM-COIL 24V CONT 30V 5 AMP 6PDT	5	
- 21	5364164	• • RELAY, ARMATURE- 6V DC ENCLOSED	1	
- 22	5276325	• • RELAY, ENCLOSED, 18VDC	2	
- 23	187467	• • SHIELD, 2 POSITION	1	
- 24	210984	• • SCREW, RD HD MACH-6-32 X .250 LG ATT PT	1	
- 25	210883	• • STUD-SHIELD MTG, TAPPED, NO. 6-32 ATT PT	1	
- 26	323840	• • TERMINAL BOARD- 2 DBL SCREW TERMINALS	1	
- 27	210884	• • STUD-SHIELD MTG, NO. 6-32 ATT PT	3	
- 28	2101380	• • MARKER STRIP- 2 POS NOS. 1 AND 2	1	
- 30	5270652	• • DIODE ASM	1	
- 30A	334921	• • TERMINAL-RING, 18-22 AWG, #6 HOLE, INS	2	
- 30B	2111232	• • SEMICONDUCTOR DEVICE, DIODE-TYPE AM	1	
- 31	5276703	• • RELAY-24 VDC COIL	1	
- 32	58207	• • SCREW, MACH-UNDRCT BIND HD 8-32 X 1/4 LG ATT PT	2	
- 33	55901	• • WASHER, LOCK-EXT TEETH NO. 8 X 0.381 OD ATT PT	2	
- 34	58207	• • SCREW, MACH-UNDRCT BIND HD 8-32 X 1/4 LG	1	
- 35	1090873	• • WASHER, LOCK, SPLIT RING- .168 ID, .296 OD	1	
- 36	596468	• • BAR ASM-DC RETURN	1	
- 37	34512	• • SCREW, BIND, HD 8-32 X .375 LG ATT PT	2	
- 38	10170	• • SCREW, MACH-BIND HD 6-32 X 1/4 LG	4	
- 39	596469	• • BUS BAR- 4 POS 3/8 W X 1/8 H X 2-5/8 LG	1	
- 40	38351	• • SCREW, MACH-FIL HD 6-32 X .312 LG ATT PT	2	
- 41	56722	• • WASHER, LOCK-EXT TEETH NO. 6 ATT PT	2	
- 42	596467	• • INSULATOR	1	
- 43	5758605	• • JUMPER ASSEMBLY	16	
- 44	32042	SEE FIG. 79-46 FOR COMPONENT PARTS		
- 45	56079	• • SCREW, MACH BIND. HD 10-32 X 3/8 LG.	32	
- 46	5276892	• • WASHER, LOCK-EXT T .195 ID .410 OD	32	
- 47	322550	• • SHIELD-CAPACITOR	4	
- 48	56722	• • SCREW ATT PT	8	
- 49	257187	• • WASHER, LOCK-EXT TEETH NO. 6 ATT PT	16	
- 50	5364225	• • NUT, PLAIN, HEX- 6-32 X 3/8 FL W ATT PT	8	
- 51	10170	• • CAPACITOR, FIXED, MYLAR-0.5 UF 100V	8	
- 52	5364225	• • SCREW, MACH-BIND HD 6-32 X 1/4 LG ATT PT	8	
- 53	5364225	• • CAPACITOR, FIXED, MYLAR-0.5 UF 100V	8	
- 54	10170	• • SCREW, MACH-BIND HD 6-32 X 1/4 LG ATT PT	16	
- 55	56722	• • WASHER, LOCK-EXT TEETH NO. 6 ATT PT	16	
- 56	5213431	• • CAPACITOR, FIXED-FEED THRU 0.47 UF 100V	8	
- 57	808360	• • FASTENER	4	
- 60	179743	• • NUT, PLAIN, HEX- 15/32-32 X 9/16 FL W ATT PT	4	
- 61A	5364691	• • CAPACITOR ASSEMBLY	4	
- 61B	334921	• • TERMINAL-RING, 18-22 AWG, NO. 6 HOLE, INS	2	
- 61C	491319	• • CAPACITOR - 4700 MFD 100V	1	
- 62	5708934	• • REMOTE O/V-O/C ASSEMBLY	4	
- 63	5712180	SEE FIG. 67 FOR DETAIL BREAKDOWN • • POWER SUPPLY ASSEMBLY, 60 VDC AT 8 AMPS	2	
- 64	5712480	SEE FIG. 68 FOR DETAIL BREAKDOWN • • MAGNETIC AMPLIFIER ASSEMBLY, 56V AT 4 AMP	2	

LIST AND INDEX NUMBER	PART NUMBER	DESCRIPTION				UNITS PER ASM.	USABLE ON CODE
		1	2	3	4		
65 - 65	5708932	SEE FIG. 69 FOR DETAIL BREAKDOWN .. REMOTE O/V-O/C ASSEMBLY				1	
- 66	5712100	SEE FIG. 70 FOR DETAIL BREAKDOWN .. POWER SUPPLY ASSEMBLY, 18 VDC AT 11 AMP SEE FIG. 71 FOR DETAIL BREAKDOWN				1	
- 67	5708902	.. REMOTE O/V-O/C ASM SEE FIG. 45 FOR DETAIL BREAKDOWN				2	
- 68	5712020	.. MAGNETIC AMPLIFIER ASSEMBLY- 3V AT 40A SEE FIG. 72 FOR DETAIL BREAKDOWN				2	1
- 68	5712020	.. MAGNETIC AMPLIFIER ASSEMBLY - 3V AT 40A SEE FIG. 72A FOR DETAIL BREAKDOWN				2	2
- 69	5708904	.. REMOTE O/V-O/C ASM SEE FIG. 73 FOR DETAIL BREAKDOWN				1	
- 70	5712140	.. MAGNETIC AMPLIFIER ASSEMBLY- 6V AT 40A SEE FIG. 74 FOR DETAIL BREAKDOWN				1	
- 71	5210704	.. JUMPER ASSEMBLY SEE FIG. 79-49 FOR COMPONENT PARTS				1	
- 72	34512	.. SCREW,BIND.HD 8-32 X .375 LG				2	
- 73	55901	.. WASHER,LOCK-EXT TEETH NO. 8 X 0.381 OD				2	
- 74	257189	.. NUT,HEX- 8-32				2	
- 75	2122837	.. CONNECTOR,PLUG,ELECTRICAL,FEMALE				1	
- 76	2122839	.. CLAMP-STRAIN RELIEF				1	
- 77	2122202	.. SOCKET-GUIDE				1	
- 78	2122203	.. PIN,GUIDE,BRASS, /SUPPLIED W/HARDWARE/				1	
- 79	2127987	.. CATCH,LOCK SPG-26 POS CONNECTOR				2	
- 80	5353853	.. HOUSING				1	
- 81	322550	.. SCREW				2	
- 82	6364	.. WASHER,LOCK-SPLIT NO. 6 X 1/4 OD				2	
- 83	2122257	.. CONNECTOR,PLUG,ELEC-34 MALE CONTACTS				1	
- 84	2123033	.. CLAMP-STRAIN RELIEF				1	
- 85	2123028	.. JACK SCREW, SOCKET, FIXED				1	
- 86	2123029	.. JACKSCREW-STUD, FIXED				1	
- 87	5783222	.. FILTER,AIR				1	
- 88	5357059	.. GUARD TOP				1	
- 89	55918	.. SCREW, MACH BIND. HD 10-32 X 5/8 LG.				2	
- 90	9092	.. WASHER-LOCK,SPLIT RING, .194 ID .3370D				2	
- 91	5357060	.. GUARD 5 IN FAN				1	
- 92	83606	.. SCREW,THD CTG-BIND HD 10-32 X 5/16 LG				2	
- 93	5357050	.. FAN ASM- 208/230V 60 HZ				1	
- 94	5357068	.. BRACKET-MOTOR MTG				1	
- 95	120211	.. SCREW,MACH-HEX HD 10-32 X 1/2 LG				2	
- 96	56079	.. WASHER,LOCK-EXT T .195 ID .410 OD				2	
- 97	5357067	.. MOTOR 208V/230V 60HZ 220V 50HZ				1	
- 98	130434	.. SCREW-MACH,SLOTTED HEX HD NO.10-32 X.375				2	
- 99	56079	.. WASHER,LOCK-EXT T .195 ID .410 OD				2	
-100	5357069	.. ORIFICE-FAN				1	
-101	5357066	.. BLADE				1	
-102	61486	.. CONNECTOR-ELBOW				1	
-103	123070	.. GROMMET-RUBBER				2	
-104	5474673	.. INSULATION				2	
-105	5474675	.. INSULATION				1	
-106	5474676	.. INSULATION				1	
-107	5474678	.. INSULATION				1	
-108	5474677	.. INSULATION				1	
-109	5474674	.. INSULATION				1	
-110	5474696	.. INSULATION				2	
-112	5474671	.. INSULATION				1	
-113	760447	.. LATCH ASSEMBLY				1	
-114	186759	.. SCREW,MACH-BIND HD 8-32 X 5/16 LG				2	
-115	1090873	.. WASHER,LOCK,SPLIT RING- .168 ID, .296 OD				2	
-116	204499	.. PIN-LATCH RELAY GATE 3/8 DIA X 3-3/8 LG				1	
-117	610052	.. STUD-REL-GATE LATCH				1	
-118	220856	.. SPRING,HELICAL,COMPR- 9 TURNS				1	
-119	760446	.. BRACKET,LATCH				1	

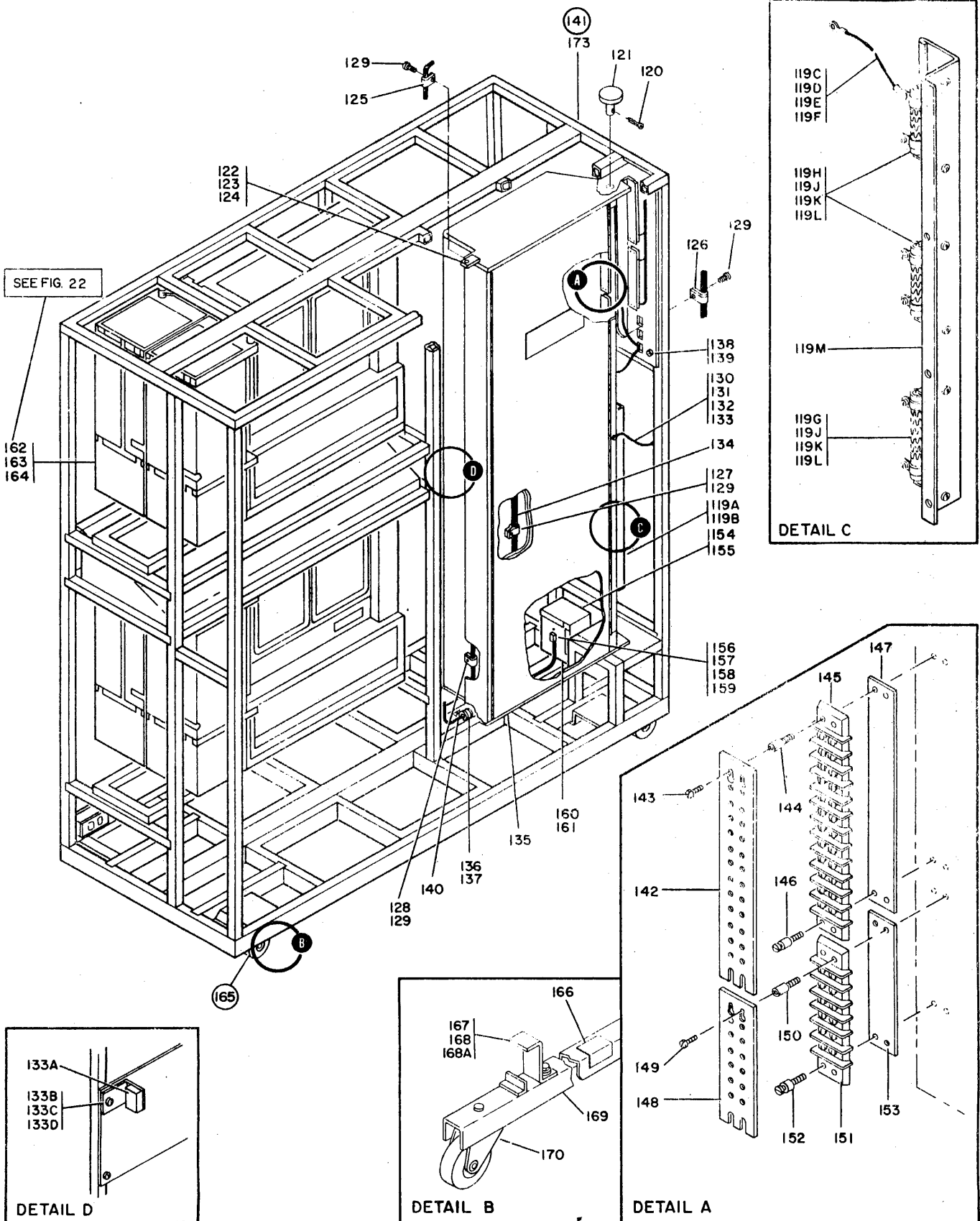
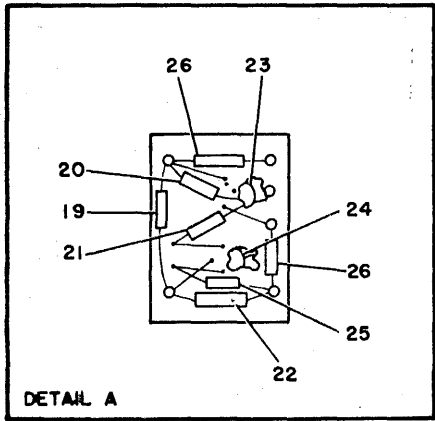


FIGURE 65. FRAME 04, 512K FINAL ASSEMBLY. SHEET 2 OF 2. INDEX NOS. 119A-173. SEE LIST 65.

LIST AND INDEX NUMBER	PART NUMBER	DESCRIPTION	UNITS PER ASM.	USABLE ON CODE
65 -119A	5477952	. . . RESISTOR ASSEMBLY	1	
-119B	236849	. . . SCREW,MACH-BIND HD 10-32 X 0.250 LG ATT PT	4	
-119C	5477953	. . . JUMPER ASSEMBLY SEE FIG. 79-48 AND -49 FOR COMPONENT PARTS	6	
-119D	42003	. . . SCREW,MACH-TRUSS HD 8-32 X 1/4 LG ATT PT	6	
-119E	60646	. . . WASHER,LOCK-INT TEETH NO. 8 ATT PT	6	
-119F	257189	. . . NUT,HEX- 8-32 ATT PT	6	
-119G	5477946	. . . RESISTOR,FIXED-WW 0.6 OHMS P/M 10% 110W	1	
-119H	5477945	. . . RESISTOR,FIXED-WW 0.3 OHMS P/M 10% 75W	2	
-119J	34512	. . . SCREW,MACH-BIND HD 8-32 X 0.375 LG ATT PT	6	
-119K	60646	. . . WASHER,LOCK-INT TEETH NO. 8 ATT PT	6	
-119L	257189	. . . NUT,HEX- 8-32 ATT PT	6	
-119M	5477947	. . . SHIELD,HEAT	1	
-120	5474667	. . . PIN,HINGE	2	
-121	37989	. . . PIN,COTTER	2	
-122	5474669	. . . BRACKET	1	
-123	32617	. . . SCREW,MACH-BIND HD 10-32 X 0.438 LG ATT PT	3	
-124	56079	. . . WASHER,LOCK-EXT T .195 ID .410 OD ATT PT	3	
-125	357433	. . . CLAMP,LOOP- 0.187 ID 0.203 DIA MTG HOLE	5	
-126	216885	. . . CLAMP-ADJUSTABLE	1	
-127	2102365	. . . CLAMP,LOOP- 0.330 ID 0.170 DIA MTG HOLE	1	
-128	327922	. . . CLAMP, CABLE-.625 DIAMETER	1	
-129	34512	. . . SCREW,BIND.HD 8-32 X .375 LG ATT PT	8	
-130	5820580	. . . JUMPER ASM	1	
-131	25627	. . . SCREW,MACH-BIND HD 8-32 X 1/2 LG ATT PT	1	
-132	55901	. . . WASHER,LOCK-EXT TEETH NO. 8 X 0.381 OD ATT PT	1	
-133	56079	. . . WASHER,LOCK-EXT T 0.195 ID X 0.410 OD ATT PT	1	
-134	5474690	. . . CABLE ASSEMBLY-HI FREQ. INPUT	AR	
-134	5474691	SEE FIG. 79-18,-28,-42B,-132 AND -133 FOR COMPONENT PARTS . . . CABLE ASSEMBLY-MARGINAL CHECK	AR	
-134	5474692	SEE FIG. 79-14,-20,-28,-28M,-35 AND -42C FOR COMPONENT PARTS . . . CABLE ASSEMBLY-DC DISTRIBUTION TO MEMORY	AR	
-134	5474693	SEE FIG. 79-7,-8,-28,-28M,-42A AND -42E FOR COMPONENT PARTS . . . CABLE ASM-512K MEMORY THERMISTOR SENSE	AR	
-134	5474694	SEE FIG. 79-3,-26,-28,-28M,-29,-34,-35 AND -87 FOR COMPONENT PARTS . . . CABLE ASSEMBLY-HI FREQ. DISTRIBUTION	AR	
-134	5474695	SEE FIG. 79-28,-42B,-44,-50A,-126 AND -140 FOR COMPONENT PARTS . . . CABLE ASSEMBLY-RELAY CONTROL	AR	
-134	2134555	SEE FIG. 79-22,-28,-28A,-28B,-28C,-28D, -30,-33,-35,-42B,-42C,-42D,-64 AND 137 FOR COMPONENT PARTS . . . JUMPER ASSEMBLY	AR	
-134	5343348	SEE FIG. 79-42B AND -48 FOR COMPONENT PARTS . . . JUMPER ASSEMBLY	AR	
-134	5760229	. . . JUMPER ASSEMBLY SEE FIG. 79-42C AND -42D FOR COMPONENT PARTS	AR	
-135	5474663	. . . FRAME ASSEMBLY- 512 POWER MODULE	1	
-136	532393	. . . CLAMP-ADJUSTABLE CABLE	25	
-137	2181008	. . . SCREW ATT PT	25	
-138	186759	. . . SCREW,MACH-BIND HD 8-32 X 5/16 LG	1	
-139	55901	. . . WASHER,LOCK-EXT TEETH NO. 8 X 0.381 OD	1	
-140	5802928	. . . CABLE ASSEMBLY SEE FIG. 79-28V,-63M,-120 AND -121 FOR COMPONENT PARTS	AR	
-140	5364080	. . . CABLE ASM-DC & THERMAL, LOGIC FRAME NO.1 SEE FIG. 79-4,-5,-6,-14,-28,-28M,-28N, -29,-30,-34,-42C,-42D AND -103 FOR COMPONENT PARTS	AR	
-140	5364081	. . . CABLE ASM-DC & THERMAL, LOGIC FRAME NO.2 SEE FIG. 79-14,-28,-28M,-28N,-30,-42C AND -42D FOR COMPONENT PARTS	AR	
-140	5364082	. . . CABLE ASSEMBLY-PDU TO LOGIC FRAME	AR	
-140	5364083	. . . CABLE ASSEMBLY-PDU TO LOGIC FRAME	AR	
-140	5364085	SEE FIG. 79-7,-8,-28,-42,-42A,-42C,-44 AND -69 FOR COMPONENT PARTS . . . CABLE ASSEMBLY-PDU TO LOGIC FRAME SEE FIG. 79-3,-5,-6,-28,-28M,-29,-34, -55A AND -82 FOR COMPONENT PARTS	AR	





FOR PARTS  
NOT SHOWN  
SEE FIG. 61  
SHEET 1

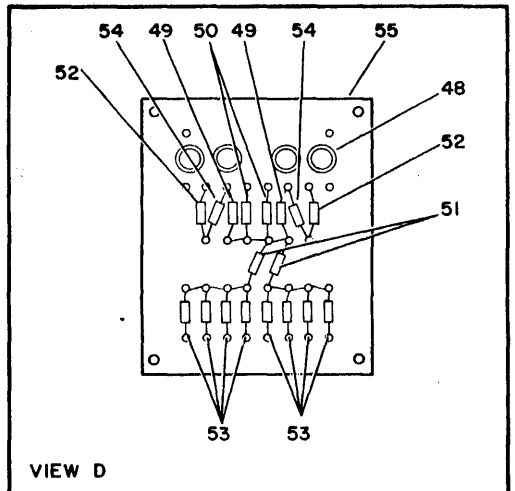
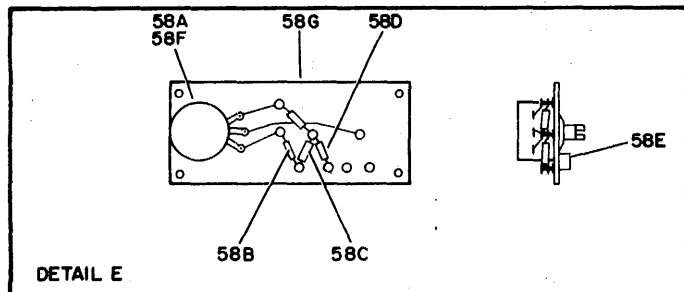
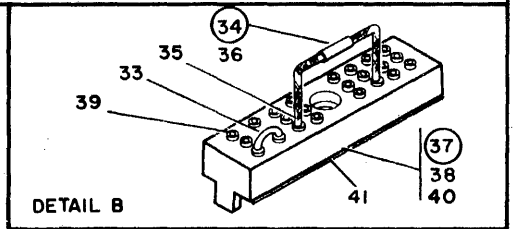
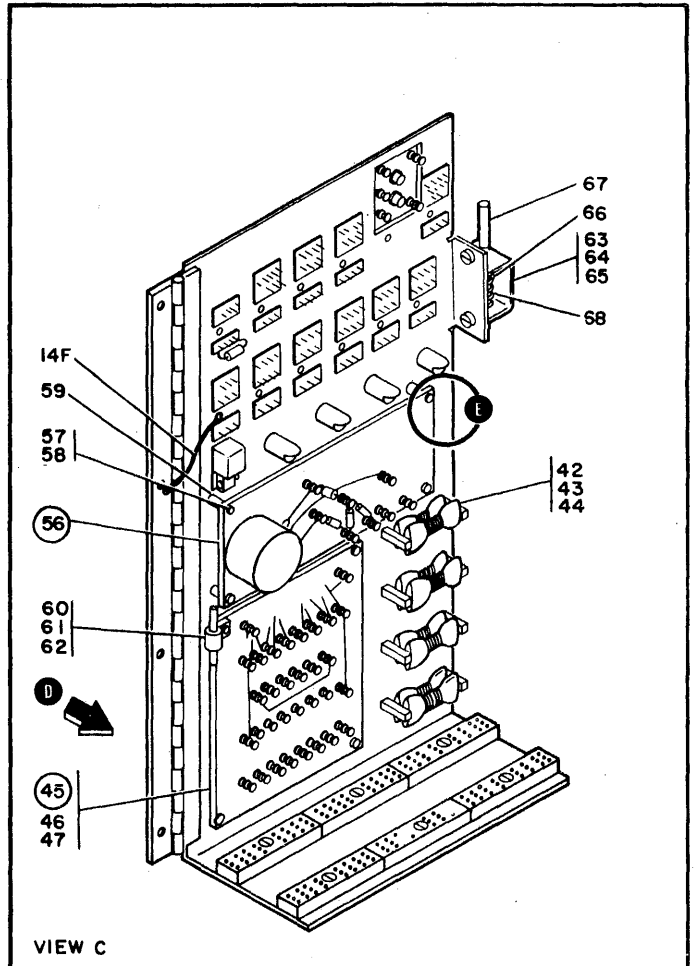
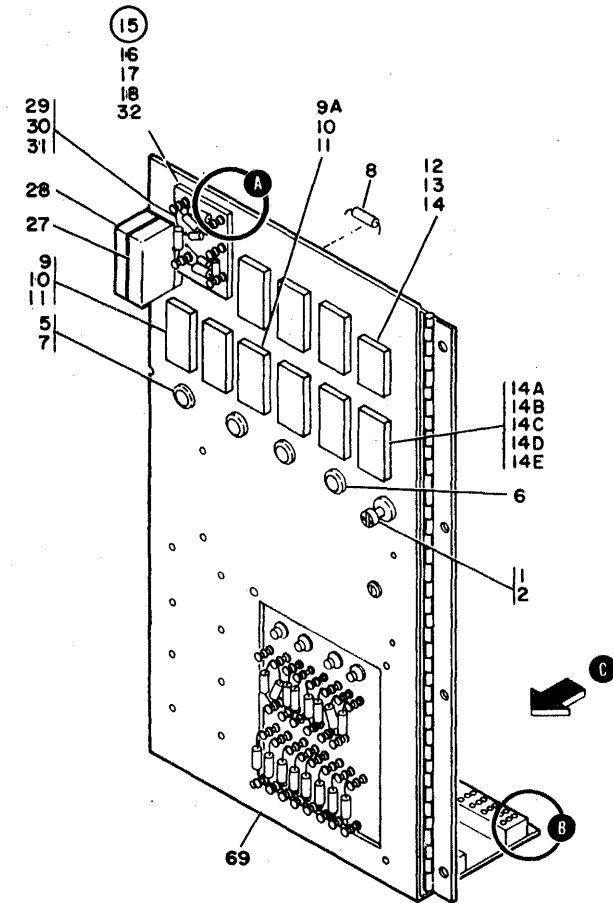


FIGURE 66. 512K POWER MODULE RELAY PANEL ASSEMBLY. SEE LIST 66.

LIST AND INDEX NUMBER	PART NUMBER	DESCRIPTION	UNITS PER ASM.	USABLE ON CODE
		512K POWER MODULE RELAY PANEL ASSEMBLY		
66 -	5474664	PANEL ASSEMBLY, RELAY SEE FIG. 65-14 FOR NEXT HIGHER ASSEMBLY AND FIG. 66 FOR ILLUSTRATION	REF	
- 1	189138	• KNOB-SWITCH BLACK	1	
- 2	215679	• SWITCH, PUSH-NO 125V AC 1 AMP	1	
- 5	5376712	• INDICATOR ASSEMBLY, 24V-WHITE	2	
- 6	5376713	• INDICATOR ASSEMBLY, 24V-RED	2	
- 7	5353888	• HOUSING	4	
- 8	2111232	• SEMICONDUCTOR DEVICE, DIODE-TYPE AM	9	
- 9	5351139	• SOCKET, RELAY- 6 POSITION	7	
- 9A	5364276	• SOCKET, RELAY 2 POS	1	
- 10	438548	• SCREW, MACH-BIND HD 4-40 X 3/16 LG ATT PT	8	
- 11	5364197	• GROUND-RELAY	8	
- 12	5318967	• SOCKET, 4 POSITION RELAY	1	
- 13	438548	• SCREW, MACH-BIND HD 4-40 X 3/16 LG ATT PT	1	
- 14	5364197	• GROUND-RELAY	1	
- 14A	5351139	• SOCKET, RELAY- 6 POSITION	1	
- 14B	438549	• SCREW, MACH-BIND HD 4-40 X 7/16 LG ATT PT	1	
- 14C	56722	• WASHER, LOCK-EXT TEETH NO. 6 ATT PT	1	
- 14D	37913	• NUT, HEX- 4-40 ATT PT	1	
- 14E	5364197	• GROUND-RELAY	1	
- 14F	5820594	• JUMPER ASSEMBLY SEE FIG. 79-42C AND -42D FOR COMPONENT PARTS	1	
- 15	5276683	• TIME DELAY ASSEMBLY	1	
- 16	338238	• SCREW, MACH-BD HD 4-40 NC X .3125 LG ATT PT	1	
- 17	338169	• WASHER, LOCK-EXT TEETH NO. 4 X .260 OD ATT PT	2	
- 18	257186	• NUT, PLAIN, HEX- 4-40 X 5/16 FL W ATT PT	1	
- 19	492475	• RESISTOR- 220K 1/4W	1	
- 20	217082	• RESISTOR, FXD, COMP- 820 OHMS P/M 5% 1/4W	1	
- 21	216452	• RESISTOR, FXD CARB, 2K OHM, 1/4W, 5%	1	
- 22	1132587	• CAPACITOR, ELEC- 100 MFD -10&75% 15 VDC	1	
- 23	369654	• TRANSISTOR-NPN	1	
- 24	369652	• TRANSISTOR-PNP	1	
- 25	597977	• DIODE, SEMICONDUCTOR- 700 OHMS 8.8V TY DT	1	
- 26	2111232	• SEMICONDUCTOR DEVICE, DIODE-TYPE AM	2	
- 27	5351163	• RETAINER-RELAY	1	
- 28	5351156	• RELAY, ARM-COIL 24V CONT 30V 5 AMP 6PDT	1	
- 29	5351139	• SOCKET, RELAY- 6 POSITION	1	
- 30	438550	• SCREW, MACH-BIND HD 4-40 X 1/2 LG ATT PT	1	
- 31	5364197	• GROUND-RELAY	1	
- 32	5276250	• BOARD ASM	1	
- 33	205331	• JUMPER- 0.125 BRASS	13	
- 34	615354	• DIODE ASM- SILICON- TYPE AM	3	
- 35	187243	• TERMINAL, SMALL TAPER	2	
- 36	2111232	• SEMICONDUCTOR DEVICE, DIODE-TYPE AM	1	
- 37	302090	• CONNECTOR, RECP, ELEC- 24 FEMALE CONTACTS	6	
- 38	438549	• SCREW, MACH-BIND HD 4-40 X 7/16 LG ATT PT	6	
- 39	302089	• SPRING-TERMINAL BOARD CONTACT	8	
- 40	302088	• TERMINAL BOARD	1	
- 41	302131	• INSULATOR, TERMINAL BLOCK	6	
- 42	5276705	• RESISTOR, FIXED, WIREWOUND	4	
- 43	5276706	• RESISTOR, FIXED, WIREWOUND	4	
- 44	438551	• SCREW, MACH-BIND HD 4-40 X 5/8 LG ATT PT	8	
- 45	5276660	• BOARD ASSEMBLY, VOLT SENSE	1	
- 46	10170	• SCREW, MACH-BIND HD 6-32 X 1/4 LG ATT PT	3	
- 47	6364	• WASHER, LOCK-SPLIT NO. 6 X 1/4 OD ATT PT	3	
- 48	369654	• TRANSISTOR-NPN	4	
- 49	317001	• RESISTOR, FXD, COMP-1.1K P/M 5 PCT 1/2W	2	
- 50	317010	• RESISTOR, FXD, COMP- 430 OHMS P/M 5% 1/2W	2	
- 51	300721	• RESISTOR, FXD, COMP- 10K P/M 5% 1/2W	2	
- 52	317003	• RESISTOR, FXD, COMP- 47 OHMS P/M 5% 1/2W	2	
- 53	2111232	• SEMICONDUCTOR DEVICE, DIODE-TYPE AM	8	
- 54	2414815	• SEMICONDUCTOR DEVICE, DIODE	2	
- 55	5276661	• BOARD ASSEMBLY, PIN	1	
- 56	5364656	• COMPONENT ASSEMBLY	1	
- 57	438551	• SCREW, MACH-BIND HD 4-40 X 5/8 LG ATT PT	4	
- 58	338169	• WASHER, LOCK-EXT TEETH NO. 4 X .260 OD ATT PT	4	
- 58A	208300	• POTENTIOMETER, 250 OHM P/M10% 2W	1	
- 58B	317009	• RESISTOR, FXD 390 OHM P/M 5 PCT 0.5W	2	
- 58C	209002	• SEMICONDUCTOR DEVICE, DIODE	1	
- 58D	317433	• RESISTOR, FXD, COMP- 560 OHMS P/M 5% 1W	1	
- 58E	369652	• TRANSISTOR-PNP	1	
- 58F	846555	• WASHER, LOCK-INT TEETH 0.380 ID	1	
- 58G	5364657	• TERMINAL BOARD - U/V	1	





FOR PARTS  
NOT SHOWN  
SEE FIG. 65,75  
SHEET 1, 2

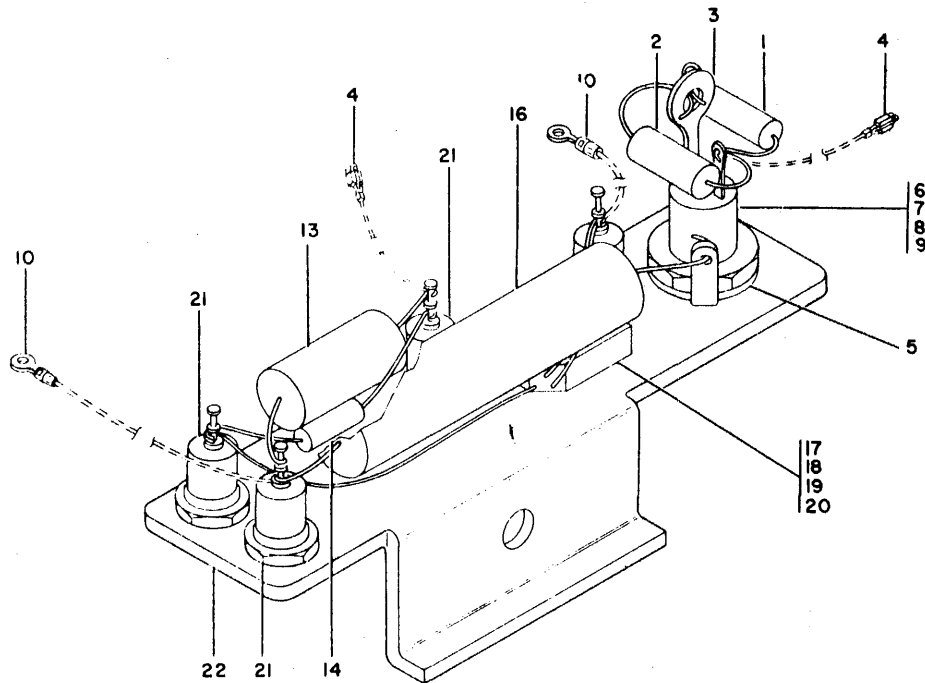


FIGURE 67. REMOTE O/V-O/C ASSEMBLY. SEE LIST 67.

QTY. INSTR. NUMBER	PART NUMBER	DESCRIPTION	UNITS PER ASM.	USABLE ON CODE
		REMOTE O/V-O/C ASSEMBLY		
67 -	5708934	REMOTE O/V-O/C ASSEMBLY SEE FIG. 65-62 AND 75-71 FOR NEXT HIGHER ASSEMBLY AND FIG. 67 FOR ILLUSTRATION	REF	
- 1	213693	• RESISTOR,FXD,COMP- 1K P/M 5% 1/2W	1	
- 2	491228	• CAPACITOR,FXD,FILM- 0.01MF P/M 10% 100V	1	
- 3	334910	• TERMINAL-RING,14-16 AWG,#6 HOLE,INS	1	
- 4	596255	• TERMINAL,SLIP-ON	2	
- 5	322765	• TERMINAL,LUG	1	
- 6	595256	• SEMICONDUCTOR DEVICE,D10- 5V 2 AMP	1	
- 7	3550	• WASHER,FL- 1/4 X 9/16 OD X 0.050 THK	1	ATT PT
- 8	65756	• WASHER,LOCK-INT TEETH 0.267 ID X 0.478OD	1	ATT PT
- 9	160017	• NUT,PLAIN,HEX- 1/4-28 X 7/16 FL W	1	ATT PT
- 10	359695	• TERMINAL,RING LUG-INSULATED	2	
- 13	317350	• RESISTOR,FXD COMP-CARBON 2K	1	
- 14	216425	• RESISTOR,FXD,CARBON- 75 OHMS P/M 5% 1/4W	1	
- 16	472250	• RESISTOR,FXD- 0.5 OHMS P/M 5% 10W	1	
- 17	529214	• RESISTOR,VAR- 100 OHMS P/M 5% 1W	1	
- 18	52618	• SCREW, MACHINE-FILLISTER HEAD	2	ATT PT
- 19	45624	• WASHER,FL-NO. 2 X 7/32 OD X 0.020 THK	2	ATT PT
- 20	47987	• NUT,PLAIN,HEX- 2-56 X 3/16 FL W	2	ATT PT
- 21	5261459	• TERMINAL,STANDOFF	4	
- 22	5713516	• BRACKET	1	

FOR PARTS  
NOT SHOWN  
SEE FIG. 65,75  
SHEET 1, 2

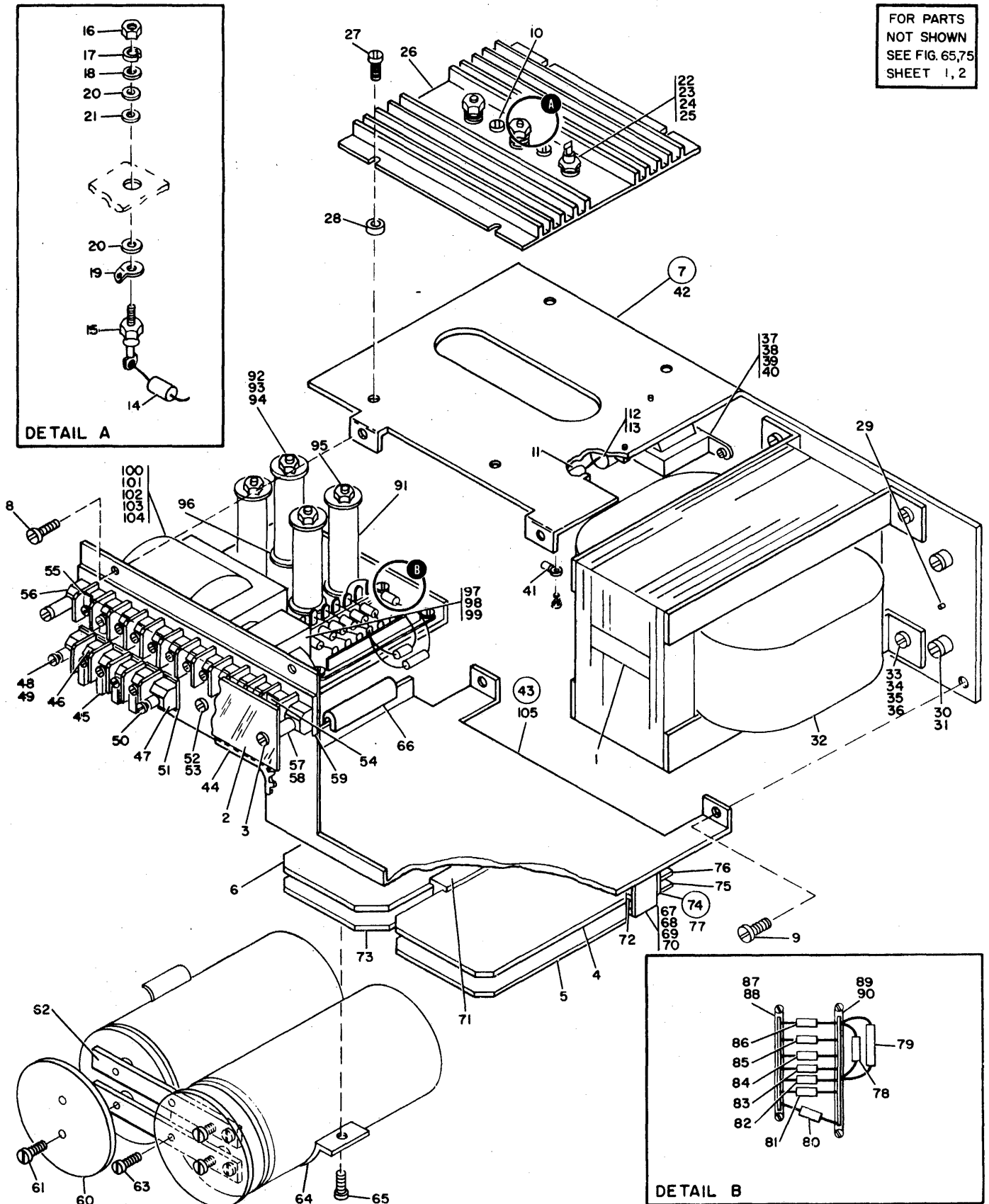
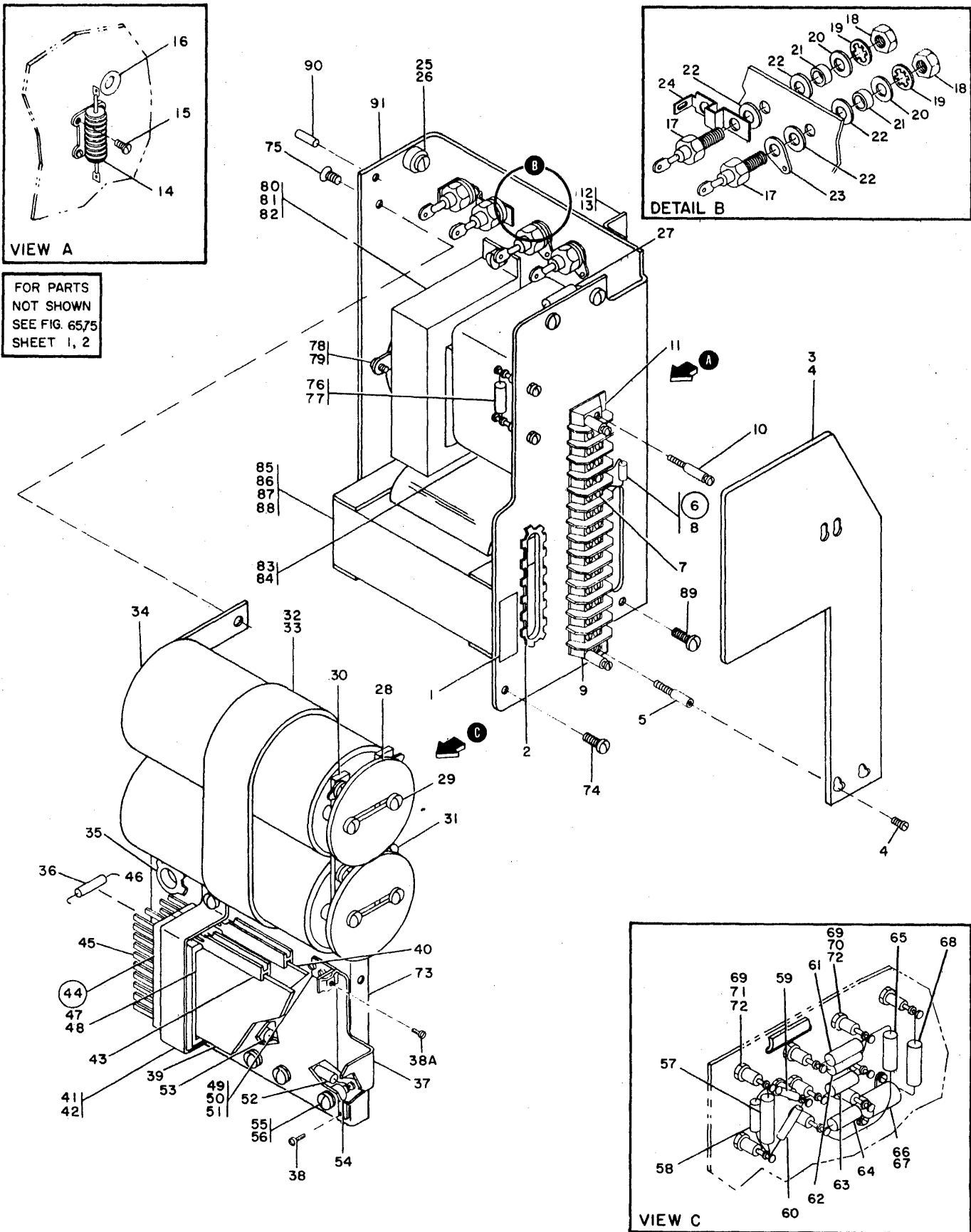


FIGURE 68. 60V AT 8 AMP POWER SUPPLY ASSEMBLY. SEE LIST 68.

LIST AND INDEX NUMBER	PART NUMBER	DESCRIPTION	UNITS	USABLE
			PER ASM.	ON CODE
		60V AT 8 AMP POWER SUPPLY ASSEMBLY		
68 -	5712180	POWER SUPPLY ASSEMBLY, 60V AT 8 AMP SEE FIG. 65-63 AND 75-72 FOR NEXT HIGHER ASSEMBLY AND FIG. 68 FOR ILLUSTRATION	REF	
- 1	5261412	. LABEL	1	
- 2	5709464	. SHIELD	1	
- 3	210984	. SCREW, RD HD MACH-6-32 X .250 LG	1	
- 4	374772	. CARD ASM	1	
- 5	374826	. CARD ASSEMBLY	1	
- 6	374981	. CARD ASSEMBLY	1	
- 7	5713600	. PLATE ASSEMBLY	1	
- 8	81693	. SCREW, MACH-BIND HD 6-32 X 3/8 LG	2	
- 9	38443	. SCREW, MACH-FL CSK HD 6-32 X 5/16 LG	4	
- 10	183900	. SCREW, THD CTG-BIND HD 8-32 X 1/4 LG	2	
- 11	5261389	. CAPACITOR, PAPER-0.022 UF P/M 1% 600VDC	1	
- 12	5240462	. RESISTOR, FXD, WW-150 OHMS P/M 5% 50W	1	
- 13	251970	. SCREW-MACH BD. HD. 4-40 X 1/4 LG	2	
- 14	529203	. CAPACITOR, FIXED, TANTALUM-47 UF 35V	2	
- 15	5214104	. SEMICONDUCTOR- 11.5A 400V	2	
- 16	160017	. NUT, PLAIN, HEX- 1/4-28 X 7/16 FL W	2	
- 17	76574	. LOCKWASHER-EXT TOOTH ID .267 X OD .510	2	
- 18	3550	. WASHER, FL- 1/4 X 9/16 OD X 0.050 THK	2	
- 19	322765	. TERMINAL, LUG	2	
- 20	217017	. WASHER-INSULATING	4	
- 21	5351173	. BUSHING-INSULATOR	2	
- 22	216197	. RECTIFIER, SILICON-ALLOY	1	
- 23	11891	. NUT-PLAIN, HEX, 10-32 X 3/8 FL W BRS	1	
- 24	56079	. WASHER, LOCK-EXT T .195 ID .410 OD	1	
- 25	45690	. WASHER, FL - NO.10 X 7/16 OD X 1/32 THK	1	
- 26	5253807	. HEAT SINK-DIODE	1	
- 27	337	. SCREW, MACH-FIL H 8-32 X 3/8 LG	4	
- 28	337549	. INSULATOR - HEAT SINK MOUNTING	4	
- 29	5261379	. PIN, STRAIGHT DOWEL	1	
- 30	5261315	. ADAPTER-CAPTIVE SCREW	4	
- 31	5261314	. SCREW, CAPTIVE- 10-32 X 1/2 LG	4	
- 32	5253783	. TRANSFORMER-POWER	1	
- 33	325660	. SCREW-MACH FH 1/4-20 X .625 LG	4	
- 34	3550	. WASHER, FL- 1/4 X 9/16 OD X 0.050 THK	4	
- 35	76574	. LOCKWASHER-EXT TOOTH ID .267 X OD .510	4	
- 36	3960	. NUT, PLAIN, HEX- 1/4-20 X 7/16 FL W	4	
- 37	5253835	. TRANSFORMER	1	
- 38	55726	. SCREW, MACH-BIND HD 6-32 X .188 LG	2	
- 39	56722	. WASHER, LOCK-EXT TEETH NO. 6	2	
- 40	257986	. WASHER, FLAT NO. 6	2	
- 41	323925	. TERMINAL	1	
- 42	5253784	. PLATE-POWER SUPPLY MTG	1	
- 43	5713599	. PLATE ASM, TOP-60VDC AT 8A	1	
- 44	730432	. GROMMET, CATERPILLAR	1	
- 45	5276271	. TAB, TERMINAL	4	
- 46	5276270	. TAB, TERMINAL	4	
- 47	5253824	. TERMINAL BOARD-4 POS	1	
- 48	322550	. SCREW	1	
- 49	62031	. WASHER, LOCK-INT TEETH NO. 6 X 0.295 OD	2	
- 50	210883	. STUD-SHIELD MTG, TAPPED, NO. 6-32	1	
- 51	5253823	. MARKER STRIP-4 POS	1	
- 52	10170	. SCREW, MACH-BIND HD 6-32 X 1/4 LG	1	
- 53	56722	. WASHER, LOCK-EXT TEETH NO. 6	1	
- 54	5276271	. TAB, TERMINAL	11	
- 55	5276270	. TAB, TERMINAL	11	
- 56	5253845	. TERMINAL BOARD-12 POS	1	
- 57	210884	. STUD-SHIELD MTG, NO. 6-32	2	
- 58	62031	. WASHER, LOCK-INT TEETH NO. 6 X 0.295 OD	2	
- 59	5253825	. MARKER STRIP-12 POS	1	
- 60	5240477	. SHIELD, CAPACITOR	2	
- 61	32617	. SCREW, MACH-BIND HD 10-32 X 0.438 LG	4	
- 62	5261327	. BUS BAR	2	
- 63	236849	. SCREW, MACH-BIND HD 10-32 X 0.250 LG	4	
- 64	5253822	. BRACKET-CAPACITOR MTG	1	
- 65	438602	. SCREW, MACH-BIND HD 10-32 X 1-1/2 LG	1	
- 66	237455	. RUBBER CHANNEL	2	
- 67	5253833	. CLAMP-CONNECTOR MTG	1	
- 68	10170	. SCREW, MACH-BIND HD 6-32 X 1/4 LG	2	
- 69	438570	. SCREW, MACH-BIND HD 6-32 X 1-1/2 LG	1	
- 70	56722	. WASHER, LOCK-EXT TEETH NO. 6	3	





FOR PARTS  
NOT SHOWN  
SEE FIG. 65,75  
SHEET 1, 2

FIGURE 69. 56V AT 4 AMP MAGNETIC AMPLIFIER ASSEMBLY. SEE LIST 69.

LIST AND INDEX NUMBER	PART NUMBER	DESCRIPTION	UNITS PER ASM.	USABLE ON CODE
		56V AT 4 AMP MAGNETIC AMPLIFIER ASSEMBLY		
69 -	5712480	MAGNETIC AMPLIFIER ASSEMBLY, 56V AT 4 AMP SEE FIG. 65-64 AND 75-73 FOR NEXT HIGHER ASSEMBLY AND FIG 69 FOR ILLUSTRATION	REF	
- 1	5261412	• LABEL	1	
- 2	730432	• GROMMET, CATERPILLAR	1	
- 3	5730854	• SHIELD, SAFETY	1	
- 4	210984	• SCREW, RD HD MACH-6-32 X .250 LG ATT PT	1	
- 5	210883	• STUD-SHIELD MTG, TAPPED, NO. 6-32 ATT PT	1	
- 6	5708939	• CAPACITOR ASM- 0.100MFD P/M 10% 100VDC	1	
- 7	334921	• . TERMINAL-RING, 18-22 AWG, #6 HOLE, INS	2	
- 8	217077	• . CAPACITOR, FXD-POLY- .1MFD P/M 10% 100VDC	1	
- 9	317314	• TERMINAL BOARD- 4 DBL SCREW TERMINALS	1	
- 10	210884	• STUD-SHIELD MTG, NO. 6-32 ATT PT	3	
- 11	5261294	• STRIP, MARKER	1	
- 12	5261307	• BRACKET	1	
- 13	55726	• SCREW, MACH-BIND HD 6-32 X .188 LG ATT PT	2	
- 14	5240462	• RESISTOR, FXD, WW-150 OHMS P/M 5% 50W	1	
- 15	438548	• SCREW, MACH-BIND HD 4-40 X 3/16 LG ATT PT	2	
- 16	53193	• GROMMET, RUB-FOR 7/16 HOLE X 3/32 PNL	1	
- 17	5213400	• RECTIFIER, SILICON	4	
- 18	11891	• NUT-PLAIN, HEX, 10-32 X 3/8 FL W BRS ATT PT	4	
- 19	56121	• WASHER, LOCK-INT TEETH NO. 10 X 0.381 OD ATT PT	4	
- 20	45690	• WASHER, FL - NO.10 X 7/16 OD X 1/32 THK ATT PT	4	
- 21	473582	• INSULATOR	4	
- 22	217019	• WASHER, INSULATING	8	
- 23	316996	• TERMINAL, LUG-NONINS 9AWG NO. 8 MTG HOLE	2	
- 24	478043	• JUMPER - PLATE	1	
- 25	5261315	• ADAPTER-CAPTIVE SCREW	2	
- 26	5261314	• SCREW, CAPTIVE- 10-32 X 1/2 LG ATT PT	2	
- 27	332585	• RESISTOR	1	
- 28	362206	• COVER, CAPACITOR	2	
- 29	236849	• SCREW, MACH-BIND HD 10-32 X 0.250 LG ATT PT	4	
- 30	5261313	• BUS BAR	2	
- 31	32617	• SCREW, MACH-BIND HD 10-32 X 0.438 LG ATT PT	4	
- 32	5261325	• BRACKET	1	
- 33	55918	• SCREW, MACH-BIND HD 10-32 X 5/8 LG ATT PT	1	
- 34	5261369	• CAPACITOR, ELEC-5000 UF P/M 10% 75VDC	2	
- 35	730432	• GROMMET, CATERPILLAR	1	
- 36	5261789	• CAPACITOR ASSEMBLY, 0.022UF, PORM 10 PCT	2	
- 37	5261316	• BRACKET, CARD RETAINING	1	
- 38	479714	• SCREW, SHLDR-FLAT HD 4-40 X 19/64 LG ATT PT	1	
- 38A	5261354	• SCREW, MACH, CAPTIVE- 6-32 X 3/8 LG	1	
- 39	374771	• CARD ASM	1	
- 40	374772	• CARD ASM	1	
- 41	473530	• BRACKET	1	
- 42	55726	• SCREW, MACH-BIND HD 6-32 X .188 LG ATT PT	2	
- 43	216207	• GUIDE-SINGLE CARD SHORT	2	
- 44	216076	• TERMINAL BLOCK AND CONTACT ASSEMBLY	2	
- 45	216087	• . SPRING-CONTACT	8	
- 46	216088	• . SPRING-CONTACT	8	
- 47	216073	• . TERMINAL BLOCK AND CONTACT ASSEMBLY	1	
- 48	473547	• SPACER, 1 X 2 3/8 IN .12 IN THICK	1	
- 49	5261317	• BRACKET	1	
- 50	10170	• SCREW, MACH-BIND HD 6-32 X 1/4 LG ATT PT	2	
- 51	56722	• WASHER, LOCK-EXT TEETH NO. 6 ATT PT	2	
- 52	335017	• RESISTOR, FIXED COMP 240 OHMS PM 5% 1W	1	
- 53	335017	• RESISTOR, FIXED COMP 240 OHMS PM 5% 1W	1	
- 54	533534	• TERMINAL	6	
- 55	10170	• SCREW, MACH-BIND HD 6-32 X 1/4 LG ATT PT	6	
- 56	62031	• WASHER, LOCK-INT TEETH NO. 6 X 0.295 OD ATT PT	6	
- 57	491319	• CAPACITOR-4700MFD 100V	1	
- 58	5213445	• RESISTOR, FIXED, FILM-9.76K P/M 1 PCT 0.5W	1	
- 59	479168	• RESISTOR, FXD, FILM- 12.40K P/M 1% 1/8W	1	
- 60	481613	• RESISTOR	1	
- 61	481447	• RESISTOR	1	
- 62	335131	• RESISTOR, FIXED COMP 100 OHM 5% 1 WATT	1	
- 63	207324	• RESISTOR, FXD, WW- 0.1 OHM P/M 5% 5W	1	
- 64	492448	• RESISTOR, FXD, FILM- 130 OHMS P/M 5% 2W	1	
- 65	217017	• WASHER-INSULATING	1	
- 66	5240461	• RESISTOR	1	
- 67	438548	• SCREW, MACH-BIND HD 4-40 X 3/16 LG ATT PT	2	
- 68	326367	• CAPACITOR, FXD, PAPER- 0.1 UF P/M 10% 400V	1	
- 69	533534	• TERMINAL	10	





FOR PARTS  
NOT SHOWN  
SEE FIG. 65,75  
SHEET 1,2

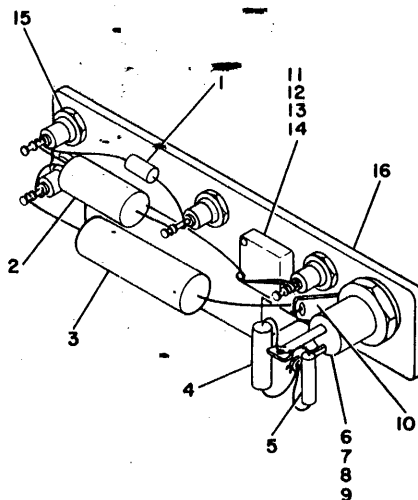


FIGURE 70. REMOTE O/V-O/C ASSEMBLY. SEE LIST 70.

LIST AND INDEX NUMBER	PART NUMBER	DESCRIPTION	UNITS	USABLE
			PER ASM.	ON CODE
		1 2 3 4		
		REMOTE O/V-O/C ASSEMBLY		
70 -	5708932	REMOTE O/V-O/C ASSEMBLY SEE FIG 54-8, 65-68 AND 75-74 FOR NEXT HIGHER ASSEMBLY AND FIG 70 FOR ILLUSTRATION	REF	
- 1	550051	• RESISTOR	1	
- 2	472579	• RESISTOR,FXD,COMP 510 OHM P/M 5 PCT 2W	1	
- 3	208226	• RESISTOR,FXD,WW 0.3 OHMS P/M 5% 1/2W	1	
- 4	491228	• CAPACITOR,FXD,FILM- 0.01MF P/M 10% 100V	1	
- 5	213693	• RESISTOR,FXD,COMP- 1K P/M 5% 1/2W	1	
- 6	595256	• SEMICONDUCTOR DEVICE,D10- 5V 2 AMP	1	
- 7	160017	• NUT,PLAIN,HEX- 1/4-28 X 7/16 FL W ATT PT	1	
- 8	65756	• WASHER,LOCK-INT TEETH 0.267 ID X 0.478OD ATT PT	1	
- 9	3550	• WASHER,FL- 1/4 X 9/16 OD X 0.050 THK ATT PT	1	
- 10	322765	• TERMINAL,LUG	1	
- 11	529214	• RESISTOR,VAR- 100 OHMS P/M 5% 1W	1	
- 12	52618	• SCREW, MACHINE-FILLISTER HEAD ATT PT	2	
- 13	45624	• WASHER,FL-NO. 2 X 7/32 OD X 0.020 THK ATT PT	2	
- 14	47987	• NUT,PLAIN,HEX- 2-56 X 3/16 FL W ATT PT	2	
- 15	5261459	• TERMINAL,STANDOFF	5	
- 16	5713516	• BRACKET	1	

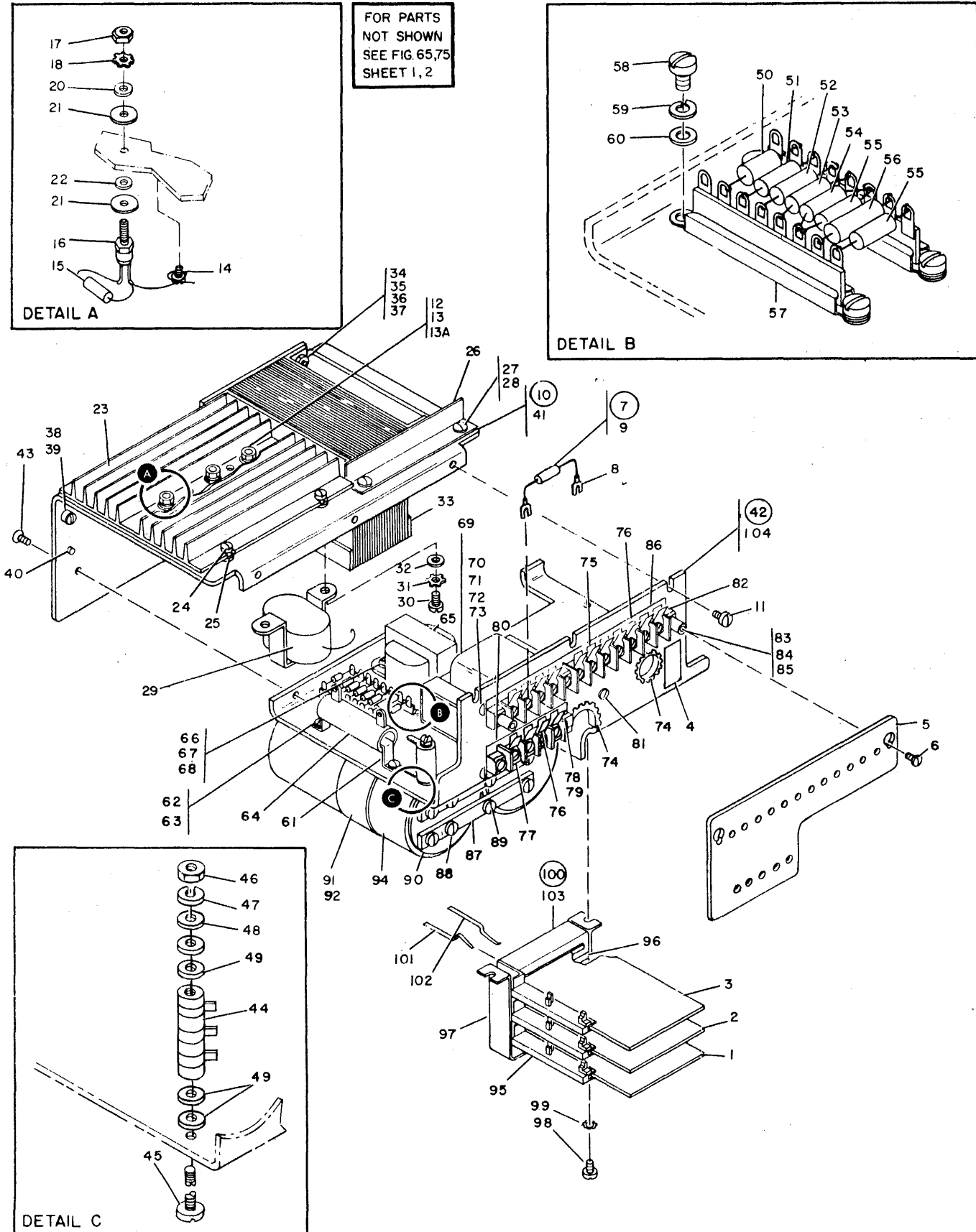


FIGURE 71. 18VDC AT 11 AMP POWER SUPPLY ASSEMBLY. SEE LIST 71.

LIST AND INDEX NUMBER	PART NUMBER	DESCRIPTION	UNITS PER ASM.	USABLE ON CODE
		18VDC AT 11 AMP POWER SUPPLY ASSEMBLY		
		CODE 1 USED ON ASM PRIOR TO L6 SUFFIX CODE 2 USED ON ASM L6 TO B8 SUFFIX CODE 3 USED ON ASM FROM B8 TO CURRENT		
71 -	5712100	18 VDC AT 11 AMPS POWER SUPPLY ASSEMBLY FOR NEXT HIGHER ASM SEE FIG. 65-66 AND 75-75 FOR ILLUSTRATION SEE FIG. 71	REF	
- 1	374772	• CARD ASSEMBLY	1	
- 2	374826	• CARD ASSEMBLY	1	
- 3	374981	• CARD ASSEMBLY	1	
- 4	5261412	• LABEL	1	
- 5	5253820	• COVER-TERM BOARD	1	
- 6	10170	• SCREW,MACH-BIND HD 6-32 X 1/4 LG ATT PT	2	
- 7	5708939	• CAPACITOR ASM- 0.100MFD 10% 100VDC	1	
- 8	334921	• TERMINAL-RING, 18-22 AWG, NO. 6 HOLE, INS	2	
- 9	217077	• CAPACITOR,FXD-POLY- .1MFD P/M 10% 100VDC	1	
- 10	5709325	• PLATE ASSEMBLY,BOTTOM,POWER SUPPLY, 18VDC	1	
- 11	81693	• SCREW,MACH-BIND HD 6-32 X 3/8 LG ATT PT	3	
- 12	216197	• RECTIFIER,SILICON-ALLOY	1	
- 13	11891	• NUT-PLAIN,HEX, 10-32 X 3/8 FL W BRS ATT PT	1	
- 13A	56079	• WASHER,LOCK-EXT T .195 ID .410 OD ATT PT	1	
- 14	5319854	• SCREW,THD CUTTING-HEX HD 8-32 X 0.375 LG	2	
- 15	529203	• CAPACITOR,FIXED,TANTALUM- 47 UF 35V	2	
- 16	5311759	• SEMICONDUCTOR DEVICE,DIODE	2	1
- 16	5214153	• SEMICONDUCTOR DEVICE,DIODE	2	2
- 16	5241104	• SEMICONDUCTOR- 11.5A 400V	2	3
- 17	160017	• NUT,PLAIN,HEX- 1/4-28 X 7/16 FL W ATT PT	2	
- 18	76574	• LOCKWASHER-EXT TOOTH ID .267 X OD .510 ATT PT	2	
- 20	3550	• WASHER,FL- 1/4 X 9/16 OD X 0.050 THK ATT PT	2	
- 21	217017	• WASHER-INSULATING ATT PT	4	
- 22	5351173	• BUSHING-INSULATOR ATT PT	2	
- 23	5253807	• HEAT SINK-DIODE	1	
- 24	337	• SCREW,MACH-FIL H 8-32 X 3/8 LG ATT PT	4	
- 25	337549	• INSULATOR - HEAT SINK MOUNTING	4	
- 26	5253827	• BRACKET-AIR TRANSFER	1	
- 27	55726	• SCREW,MACH-BIND HD 6-32 X .188 LG ATT PT	2	
- 28	56722	• WASHER,LOCK-EXT TEETH NO. 6 ATT PT	2	
- 29	5253835	• TRANSFORMER	1	
- 30	55726	• SCREW,MACH-BIND HD 6-32 X .188 LG ATT PT	2	
- 31	56722	• WASHER,LOCK-EXT TEETH NO. 6 ATT PT	2	
- 32	257986	• WASHER,FLAT NO. 6 ATT PT	2	
- 33	5253803	• TRANSFORMER-POWER STEP DOWN	1	
- 34	367	• SCREW,MACH-FL CSK HD 10-32 X 5/8 LG ATT PT	4	
- 35	45690	• WASHER,FL - NO. 10 X 7/16 OD X 1/32 THK ATT PT	4	
- 36	56079	• WASHER,LOCK-EXT T .195 ID .410 OD ATT PT	4	
- 37	11598	• NUT,PLAIN-HEX 10-32 X 3/8 FL W ATT PT	4	
- 38	5261315	• ADAPTER-CAPTIVE SCREW	2	
- 39	5261314	• SCREW,CAPTIVE- 10-32 X 1/2 LG ATT PT	2	
- 40	5261379	• PIN,STRAIGHT DOWEL	2	
- 41	5253796	• PLATE-POWER SUPPLY MTG	1	
- 42	5709323	• PLATE ASSEMBLY,TOP,POWER SUPPLY, 18VDC	1	
- 43	38443	• SCREW,MACH-FL CSK HD 6-32 X 5/16 LG ATT PT	3	
- 44	437261	• RESISTOR,VARIABLE,WIREWOUND	1	3
- 45	438592	• SCREW,MACH-BIND HD 8-32 X 2-1/4 LG ATT PT	1	
- 46	257189	• NUT,HEX- 8-32 ATT PT	1	
- 47	60646	• WASHER,LOCK-INT T NO. 8 ATT PT	1	
- 48	22478	• WASHER,FL- 0.170 ID 0.375 OD 0.32 THK ATT PT	1	
- 49	419130	• WASHER,MICA, .195 IS 5/8 OD X .002 THK ATT PT	4	
- 50	335138	• RESISTOR,FXD,COMP- 200 OHMS P/M 5% 2W	1	
- 51	321271	• RESISTOR,FXD,COMP- 10 OHMS P/M 5% 1/2W	1	
- 52	355683	• RESISTOR	1	2
- 53	492448	• RESISTOR,FXD,FILM- 130 OHMS P/M 5% 2W	1	
- 54	213693	• RESISTOR,FXD,COMP- 1K P/M 5% 1/2W	1	
- 55	317276	• RESISTOR,FXD,COMP- 1.2K P/M 5% 1/2W	2	
- 56	529203	• CAPACITOR,FIXED,TANTALUM- 47 UF 35V	1	
- 57	317200	• TERMINAL BOARD- 8 LUG TERMINALS	2	
- 58	55726	• SCREW,MACH-BIND HD 6-32 X .188 LG ATT PT	4	
- 59	56722	• WASHER,LOCK-EXT TEETH NO. 6 ATT PT	4	
- 60	257986	• WASHER,FLAT NO. 6 ATT PT	4	
- 61	510316	• BRACKET-MTG, 25W RESISTOR	2	
- 62	55726	• SCREW,MACH-BIND HD 6-32 X .188 LG ATT PT	2	
- 63	56722	• WASHER,LOCK-EXT TEETH NO. 6 ATT PT	2	
- 64	353632	• RESISTOR-WIREWOUND 25 OHMS 25 WATTS	1	
- 65	5266044	• TRANSFORMER,CONTROL	1	
- 66	10170	• SCREW,MACH-BIND HD 6-32 X 1/4 LG ATT PT	2	



FOR PARTS  
NOT SHOWN  
SEE FIG. 65, 75  
SHEET 1, 2

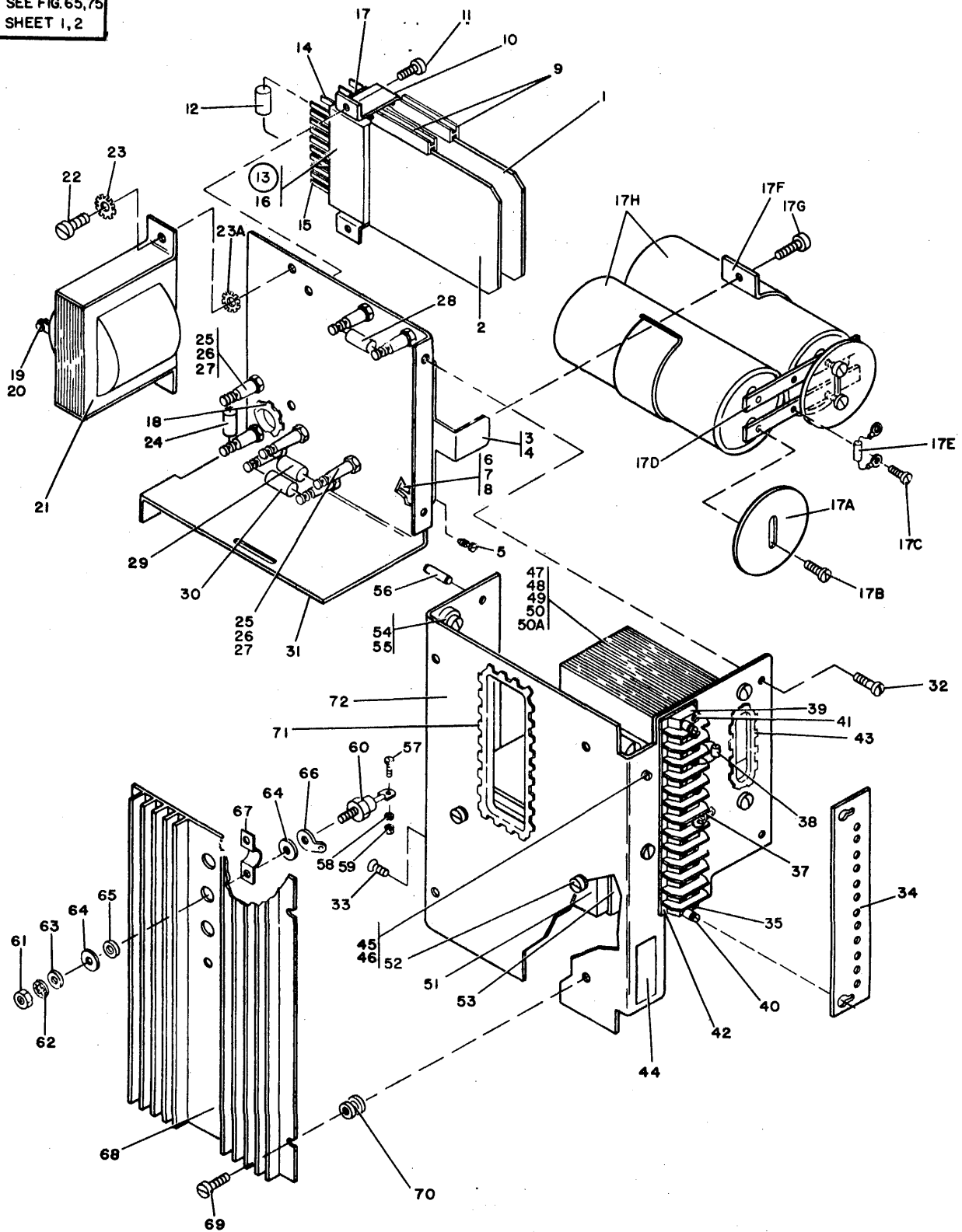


FIGURE 72. 3V AT 40 AMP MAGNETIC AMPLIFIER ASSEMBLY. SEE LIST 72.

LIST AND INDEX NUMBER	PART NUMBER	DESCRIPTION				UNITS PER ASM.	USABLE ON CODE
		1	2	3	4		
		3V AT 40A MAGNETIC AMPLIFIER ASSEMBLY					
72 -	5712020	MAGNETIC AMPLIFIER ASSEMBLY- 3V AT 40A USED PRIOR TO N9 SUFFIX SEE FIG. 65-68 AND 75-77 FOR NEXT HIGHER ASSEMBLY AND FIG. 72 FOR ILLUSTRATION				REF	
- 1	5261322	• HEAT SINK				1	
- 2	34512	• SCREW,BIND,HD 8-32 X .375 LG				4	
- 3	337549	• INSULATOR - HEAT SINK MOUNTING				4	
- 4	5213402	• RECTIFIER,SILICON				4	
- 5	160017	• NUT,PLAIN,HEX- 1/4-28 X 7/16 FL W				4	
- 6	65756	• WASHER,LOCK-INT TEETH 0.267 ID X 0.4780D				4	
- 7	3550	• WASHER,FL- 1/4 X 9/16 OD X 0.050 THK				4	
- 8	473592	• INSULATOR				3	
- 9	217017	• WASHER-INSULATING				6	
- 10	322765	• TERMINAL,LUG				1	
- 11	5261606	• JUMPER PLATE				1	
- 12	81693	• SCREW,MACH-BIND HD 6-32 X 3/8 LG				1	
- 13	38051	• NUT,PLAIN,HEX- 6-32 X 1/4 FL W STL				1	
- 14	56722	• WASHER,LOCK-EXT TEETH NO. 6				AR	
- 15	730432	• GROMMET,CATERPILLAR				1	
- 16	5261315	• ADAPTER-CAPTIVE SCREW				2	
- 17	5261314	• SCREW,CAPTIVE- 10-32 X 1/2 LG				2	
- 18	5261412	• LABEL				1	
- 19	191481	• SHIELD, TERMINAL BLOCK				1	
- 20	210984	• SCREW, RD HD MACH-6-32 X .250 LG				1	
- 21	5261627	• STUD,EXTENSION				1	
- 22	5708939	• CAPACITOR ASM- 0.100MFD P/M 10% 100VDC				1	
- 23	217077	• CAPACITOR,FXD-POLY- .1MFD P/M 10% 100VDC				1	
- 24	334921	• TERMINAL-RING,18-22 AWG,#6 HOLE,INS				2	
- 25	323839	• TERMINAL BOARD- 12 DBL SCREW TERMINALS				1	
- 26	5261626	• STUD				3	
- 27	806569	• STRIP,MARKER				1	
- 28	5738338	• RESISTOR ASSEMBLY- 12 OHM 2W				1	
- 29	5240477	• SHIELD,CAPACITOR				2	
- 30	332620	• SCREW,MACH-BIND HD 10-32 X 1/2 LG				4	
- 31	5261327	• BUS BAR				2	
- 32	236849	• SCREW,MACH-BIND HD 10-32 X 0.250 LG				4	
- 33	5261324	• BRACKET				1	
- 34	332620	• SCREW,MACH-BIND HD 10-32 X 1/2 LG				1	
- 35	5709381	• CAPACITOR,FIXED,ELECT-100,000 UF 6V				2	
- 36	5261789	• CAPACITOR ASSEMBLY,0.022UF,PORM 10 PCT				2	
- 37	473530	• BRACKET				1	
- 38	55726	• SCREW,MACH-BIND HD 6-32 X .188 LG				2	
- 39	473547	• SPACER,1 X 2 3/8 IN .12 IN THICK				1	
- 40	216207	• GUIDE-SINGLE CARD SHORT				2	
- 41	372966	• CARD				1	
- 42	374772	• CARD ASM				1	
- 43	216076	• TERMINAL BLOCK AND CONTACT ASSEMBLY				2	
- 43A	216088	• SPRING-CONTACT				8	
- 43B	216087	• SPRING-CONTACT				8	
- 44	5261316	• BRACKET, CARD RETAINING				1	
- 45	479714	• SCREW,SHLDR-FLAT HD 4-40 X 19/64 LG				1	
- 46	5261354	• SCREW,MACH,CAPTIVE- 6-32 X 3/8 LG				1	
- 47	509638	• RESISTOR,FXD 620 OHM P/M 5 PCT 2W				1	
- 48	335017	• RESISTOR,FIXED COMP 240 OHMS PM 5% 1W				1	
- 49	492448	• RESISTOR,FXD,FILM- 130 OHMS P/M 5% 2W				1	
- 50	481439	• RESISTOR,FXD,FILM- 30.9 OHMS 1PCT 1/2W				1	
- 51	533534	• TERMINAL				8	
- 52	10170	• SCREW,MACH-BIND HD 6-32 X 1/4 LG				8	
- 53	62031	• WASHER,LOCK-INT TEETH NO. 6 X 0.295 OD				8	
- 54	730432	• GROMMET,CATERPILLAR				1	
- 55	58207	• SCREW,MACH-UNDRCT BIND HD 8-32 X 1/4 LG				2	
- 56	60646	• WASHER,LOCK-INT T NO. 8				2	
- 57	5261229	• CHOKE,FILTER				1	
- 58	58207	• SCREW,MACH-UNDRCT BIND HD 8-32 X 1/4 LG				2	
- 59	60646	• WASHER,LOCK-INT T NO. 8				2	
- 60	5261317	• BRACKET				1	
- 61	55726	• SCREW,MACH-BIND HD 6-32 X .188 LG				2	
- 62	56722	• WASHER,LOCK-EXT TEETH NO. 6				2	
- 63	5261319	• PLATE				1	
- 64	186759	• SCREW,MACH-BIND HD 8-32 X 5/16 LG				2	
- 65	5261379	• PIN,STRAIGHT DOWEL				2	
- 66	5261223	• TRANSFORMER,POWER- 2500CPS 409VA				1	







LIST AND INDEX NUMBER	PART NUMBER	DESCRIPTION				UNITS PER ASM.	USABLE ON CODE
		1	2	3	4		
		3 VOLT AT 40 AMP MAGNETIC AMPLIFIER ASSEMBLY					
72A--	5712020	3V AT 40 AMP MAGNETIC AMPLIFIER ASSEMBLY USED FROM N9 SUFFIX TO CURRENT FOR NEXT HIGHER ASSEMBLY SEE FIG. 65-68 AND 75-77 FOR ILLUSTRATION SEE FIGURE 72A				REF	
- 1	372966	• CARD				1	
- 2	374772	• CARD ASM				1	
- 3	2572773	• HOLDER-CARD,SMS				1	
- 4	2572793	• RIVET				2	
- 5	518578	• RUBBER CHANNEL				AR	
- 6	5261789	• CAPACITOR ASSEMBLY, 0.022UF, PORM 10%				2	
- 7	2573845	• BRACKET				1	
- 8	2572793	• RIVET				2	
- 9	473537	• SPACER, 1 X 2-3/8 IN .12 IN THK				1	
- 10	216076	• TERMINAL BLOCK AND CONTACT ASSEMBLY				2	
- 11	509638	• RESISTOR,FXD 620 OHM P/M 5% 2W				1	
- 12	335017	• RESISTOR,FXD COMP 240 OHMS P/M 5% 1W				1	
- 13	481439	• RESISTOR,FXD,FILM- 30.9 OHMS 1% 1/2W				1	
- 14	492448	• RESISTOR,FXD,FILM- 130 OHMS P/M 5% 2W				1	
- 15	314047	• TERMINAL BOARD- 2 SOLDER LUGS				2	
- 16	2572793	• RIVET				2	
- 17	301679	• TERMINAL BOARD-STRIP TYPE 3 TERM				1	
- 18	2572793	• RIVET				2	
- 19	352825	• COVER-TERMINAL 12 ON 40				1	
- 20	10170	• SCREW,MACH-BIND HD 6-32 X 1/4 LG				2	
- 21	5708939	• CAPACITOR ASM- 0.100MFD P/M 10% 100VDC				1	
- 22	323839	• TERMINAL BOARD- 12 DBL SCREW TERMINALS				1	
- 23	81693	• SCREW,MACH-BIND HD 6-32 X 3/8 LG				2	
- 24	5762407	• STUD,TAPPED MOUNTING				2	
- 25	257986	• WASHER,FLAT NO. 6				2	
- 26	806569	• STRIP,MARKER				1	
- 27	5261412	• LABEL				1	
- 28	5261315	• ADAPTER-CAPTIVE SCREW				2	
- 29	5261314	• SCREW CAPTIVE-10-32 X 1/2 LG				2	
- 30	10170	• SCREW,MACH-BIND HD 6-32 X 1/4 LG				1	
- 31	56722	• WASHER,LOCK-EXT TEETH NO. 6				1	
- 32	5738338	• RESISTOR ASSEMBLY- 12 OHM 2W				1	
- 33	236849	• SCREW,MACH-BIND HD 10-32 X 0.250 LG				4	
- 34	5261327	• BUS BAR				2	
- 35	32617	• SCREW,MACH-BIND HD 10-32 X 0.438 LG				4	
- 36	5240477	• SHIELD,CAPACITOR				2	
- 37	5261324	• BRACKET				1	
- 38	332620	• SCREW,MACH-BIND HD 10-32 X 1/2 LG				1	
- 39	5709381	• CAPACITOR, FIXED, ELECT- 100,000 UF 6V				2	
- 40	81693	• SCREW,MACH-BIND HD 6-43 X 3/8 LG				1	
- 41	56722	• WASHER,LOCK-EXT TEETH NO. 6				1	
- 42	257187	• NUT,PLAIN,HEX- 6-32 X 3/8 FL W				1	
- 43	5213402	• RECTIFIER,SILICON				2	
- 44	160017	• NUT,PLAIN,HEX- 1/4-28 X 7/16 FL W				2	
- 45	3550	• WASHER,FL- 1/4 X 9/16 OD X 0.050 THK				2	
- 46	5762386	• TERMINAL				1	
- 47	5213402	• RECTIFIER,SILICON				2	
- 48	160017	• NUT,PLAIN,HEX- 1/4-28 X 7/16 FL W				2	
- 49	3550	• WASHER,FL- 1/4 X 9/16 OD X 0.050 THK				2	
- 50	473592	• INSULATOR				2	
- 51	5672386	• TERMINAL				2	
- 52	217017	• WASHER-INSULATION				8	
- 53	5261228	• REACTOR,SATURABLE				1	
- 54	5528	• SCREW,MACH BIND HD 8-32 X .625 LG				2	
- 55	54291	• SPACER- 0.191 ID X 3/8 OD X 3/8 THK				2	
- 56	2572766	• HEAT SINK				1	
- 57	5761907	• RIVET				4	
- 58	337549	• INSULATOR - HEAT SINK MOUNTING				4	
- 59	2572763	• BRACKET				2	
- 60	10170	• SCREW,MACH-BIND HD 6-32 X 1/4 LG				2	
- 61	38442	• SCREW,MACH-FL CSK HD 6-32 X 1/4 LG				2	
- 62	5261223	• TRANSFORMER,POWER- 2500CPS 409VA				1	
- 63	32617	• SCREW,MACH-BIND HD 10-32 X 0.438 LG				3	
- 64	45690	• WASHER,FL- NO. 10 X 7/15 OD X 1/32 THK				3	
- 65	9092	• WASHER-LOCK,SPLIT RING, .194 ID .337 OD				3	
- 66	11598	• NUT,PLAIN-HEX 10-32 X 3/8 FL W				3	
- 67	56079	• WASHER,LOCK-EXT T .195 ID .410 OD				1	
- 68	58207	• SCREW,MACH-UNDRCT BIND HD 8-32 X 1/4 LG				2	
- 69	55901	• WASHER,LOCK-EXT TEETH NO. 8 X 0.381 OD				2	
- 70	5261229	• CHOKE,FILTER				1	



FOR PARTS  
NOT SHOWN  
SEE FIG.65,75  
SHEET 1,2

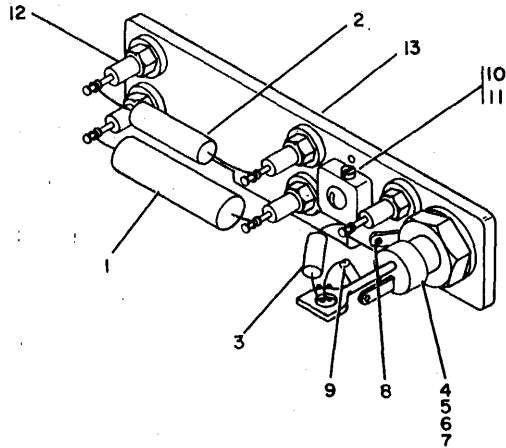


FIGURE 73. REMOTE O/V-O/C ASSEMBLY. SEE LIST 73.

LIST AND INDEX NUMBER	PART NUMBER	DESCRIPTION	UNITS PER ASM.	USABLE ON CODE
			1	2
		REMOTE O/V-O/C ASSEMBLY		
73 -	5708904	REMOTE O/V-O/C ASM SEE FIG. 65-69 AND 75-78 FOR NEXT HIGHER ASSEMBLY AND FIG 73 FOR ILLUSTRATION	REF	
- 1	207324	• RESISTOR,FXD,HW- 0.1 OHM P/M 5% 5W	1	
- 2	132784	• RESISTOR,FXD,COMP- 120 OHMS P/M 5% 1W	1	
- 3	508040	• RESISTOR,FXD,FILM- 68 OHMS P/M 5% 1/2W	1	
- 4	595256	• SEMICONDUCTOR DEVICE,D10- 5V 2 AMP	1	
- 5	160017	• NUT,PLAIN,HEX- 1/4-28 X 7/16 FL W	1	ATT PT
- 6	65756	• WASHER,LOCK-INT TEETH 0.267 ID X 0.4780D	1	ATT PT
- 7	3550	• WASHER,FL- 1/4 X 9/16 OD X 0.050 THK	1	ATT PT
- 8	322765	• TERMINAL,LUG	1	
- 9	491228	• CAPACITOR,FXD,FILM- 0.01MF P/M 10% 100V	1	
- 10	5213799	• RESISTOR-VAR WW 200 OHM 1W	1	
- 11	438539	• SCREW,MACH-UNDRCT BIND HD 2-56 X 5/16 LG	2	ATT PT
- 12	5261459	• TERMINAL,STANDOFF	5	
- 13	5266286	• BRACKET	1	

FOR PARTS  
NOT SHOWN  
SEE FIG. 65, 75  
SHEET 1, 2

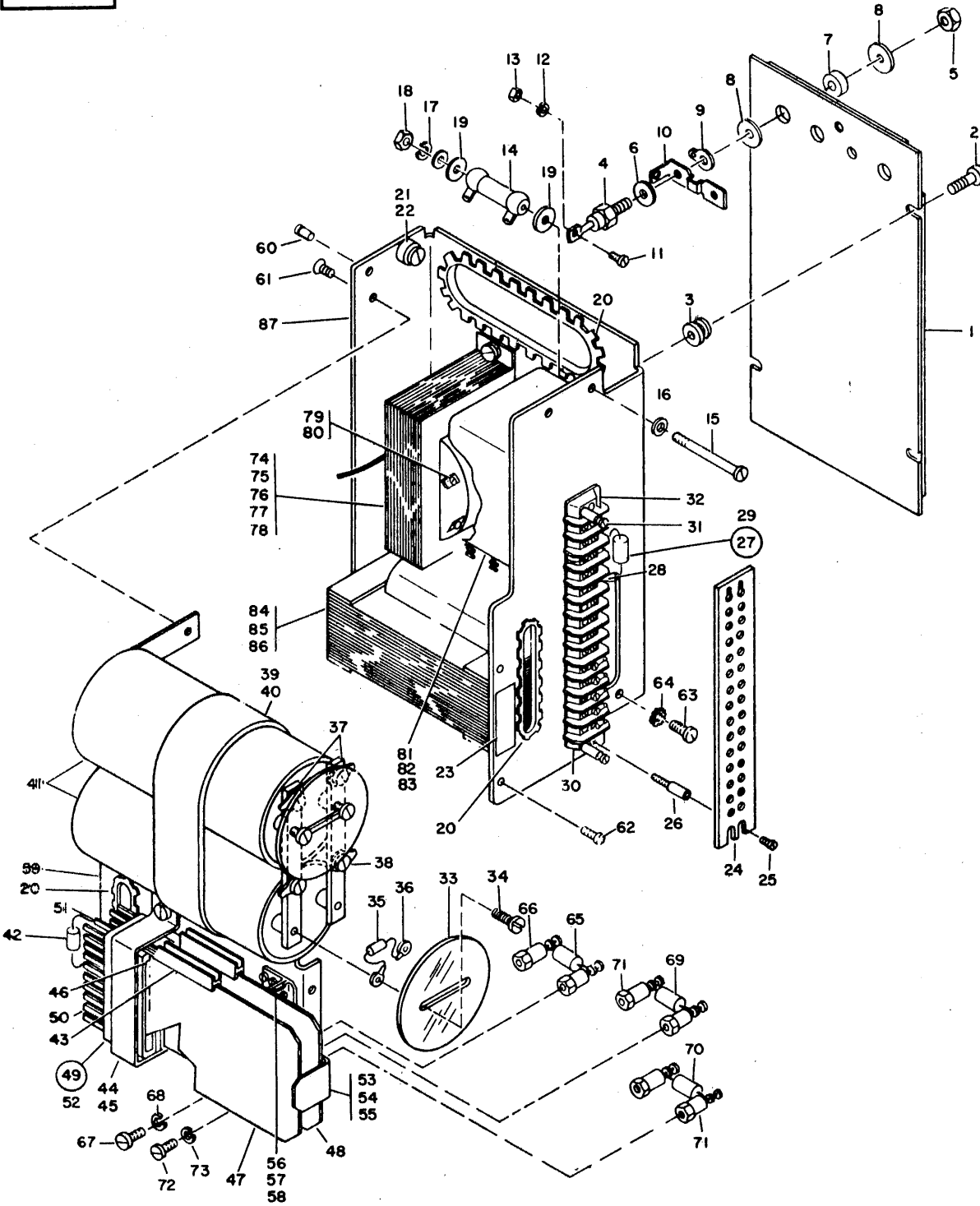


FIGURE 74. 6V AT 40 AMP MAGNETIC AMPLIFIER ASSEMBLY. SEE LIST 74.

LIST AND INDEX NUMBER	PART NUMBER	DESCRIPTION	UNITS PER ASM.	USABLE ON CODE
		6V AT 40 AMP MAGNETIC AMPLIFIER ASSEMBLY		
74 -	5712140	MAGNETIC AMPLIFIER ASSEMBLY- 6V AT 40A SEE FIG. 65-70 AND 75-79 FOR NEXT HIGHER ASSEMBLY AND FIG. 74 FOR ILLUSTRATION	REF	
- 1	5261323	• HEAT SINK	1	
- 2	34512	• SCREW,BIND,HD 8-32 X .375 LG ATT PT	4	
- 3	337549	• INSULATOR - HEAT SINK MOUNTING	4	
- 4	5213402	• RECTIFIER,SILICON	4	
- 5	160017	• NUT,PLAIN,HEX- 1/4-28 X 7/16 FL W ATT PT	4	
- 6	3550	• WASHER,FL- 1/4 X 9/16 OD X 0.050 THK ATT PT	4	
- 7	473592	• INSULATOR	3	
- 8	217017	• WASHER-INSULATING	6	
- 9	322765	• TERMINAL,LUG	2	
- 10	5261606	• JUMPER PLATE	1	
- 11	81693	• SCREW,MACH-BIND HD 6-32 X 3/8 LG	1	
- 12	56722	• WASHER,LOCK-EXT TEETH NO. 6	2	
- 13	38051	• NUT,PLAIN,HEX- 6-32 X 1/4 FL W STL	1	
- 14	443052	• RESISTOR-WIREWOUND,350 OHMS PM 5 PCT	1	
- 15	438570	• SCREW,MACH-BIND HD 6-32 X 1-1/2 LG ATT PT	1	
- 16	257986	• WASHER,FLAT NO. 6 ATT PT	1	
- 17	62031	• WASHER,LOCK-INT TEETH NO. 6 X 0.295 OD ATT PT	1	
- 18	257187	• NUT,PLAIN,HEX- 6-32 X 3/8 FL W ATT PT	1	
- 19	203801	• INSULATOR WASH- 0.172 ID 9/16 OD 1/16THK	2	
- 20	730432	• GROMMET,CATERPILLAR	3	
- 21	5261315	• ADAPTER-CAPTIVE SCREW	2	
- 22	5261314	• SCREW,CAPTIVE- 10-32 X 1/2 LG ATT PT	2	
- 23	5261412	• LABEL	1	
- 24	533360	• COVER-TERMINAL BOARD	1	
- 25	10170	• SCREW,MACH-BIND HD 6-32 X 1/4 LG ATT PT	2	
- 26	5762407	• STUD,TAPPED MOUNTING ATT PT	2	
- 27	5708939	• CAPACITOR ASM- 0.100MFD P/M 10% 100VDC	1	
- 28	334921	• TERMINAL-RING,18-22 AWG,#6 HOLE,INS	2	
- 29	217077	• CAPACITOR,FXD-POLY- .1MFD P/M 10% 100VDC	1	
- 30	82353	• TERMINAL BOARD- 14 DBL SCREW TERMINALS	1	
- 31	35739	• SCREW,MACH-BIND HD 6-32 X 15/16 LG ATT PT	2	
- 32	620240	• INSULATOR	1	
- 33	5240477	• SHIELD,CAPACITOR	2	
- 34	236849	• SCREW,MACH-BIND HD 10-32 X 0.250 LG ATT PT	4	
- 35	216797	• RESISTOR,FXD,FILM- 24 OHMS P/M 5% 2W	1	
- 36	334932	• TERMINAL-RING,18-22 AWG,#10 HOLE,INS	2	
- 37	5261327	• BUS BAR	2	
- 38	32042	• SCREW, MACH BIND. HD 10-32 X 3/8 LG. ATT PT	4	
- 39	5261326	• BRACKET-CAPACITOR	1	
- 40	55918	• SCREW,MACH-BIND HD 10-32 X 5/8 LG ATT PT	1	
- 41	5261247	• CAPACITOR,ELEC-60,000 UF P/M 10% 8VDC	2	
- 42	5261789	• CAPACITOR ASSEMBLY,0.022UF,PORM 10 PCT	2	
- 43	216207	• GUIDE-SINGLE CARD SHORT	2	
- 44	473530	• BRACKET	1	
- 45	55726	• SCREW,MACH-BIND HD 6-32 X .188 LG ATT PT	2	
- 46	473547	• SPACER,1 X 2 3/8 IN .12 IN THICK	1	
- 47	372965	• CARD ASSEMBLY,TESTER	1	
- 48	374772	• CARD ASM	1	
- 49	216076	• TERMINAL BLOCK AND CONTACT ASSEMBLY	2	
- 50	216088	• SPRING-CONTACT	8	
- 51	216087	• SPRING-CONTACT	8	
- 52	216073	• TERMINAL BLOCK AND CONTACT ASSEMBLY	1	
- 53	5261316	• BRACKET, CARD RETAINING	1	
- 54	479714	• SCREW,SHLDR-FLAT HD 4-40 X 19/64 LG ATT PT	1	
- 55	5261354	• SCREW,MACH,CAPTIVE- 6-32 X 3/8 LG ATT PT	1	
- 56	5261317	• BRACKET	1	
- 57	10170	• SCREW,MACH-BIND HD 6-32 X 1/4 LG ATT PT	2	
- 58	56722	• WASHER,LOCK-EXT TEETH NO. 6 ATT PT	2	
- 59	5261328	• PLATE-POWER SUPPLY	1	
- 60	5261379	• PIN,STRAIGHT DOWEL ATT PT	2	
- 61	38452	• SCREW,MACH-FL CSK HD 8-32 X 5/16 LG	1	
- 62	186759	• SCREW,MACH-BIND HD 8-32 X 5/16 LG ATT PT	2	
- 63	55726	• SCREW,MACH-BIND HD 6-32 X .188 LG ATT PT	1	
- 64	56722	• WASHER,LOCK-EXT TEETH NO. 6 ATT PT	1	
- 65	335017	• RESISTOR,FIXED COMP 240 OHMS PM 5% 1W	1	
- 66	533534	• TERMINAL	2	
- 67	10170	• SCREW,MACH-BIND HD 6-32 X 1/4 LG ATT PT	2	
- 68	62031	• WASHER,LOCK-INT TEETH NO. 6 X 0.295 OD ATT PT	2	
- 69	481439	• RESISTOR,FXD,FILM- 30.9 OHMS 1PCT 1/2W	1	
- 70	492448	• RESISTOR,FXD,FILM- 130 OHMS P/M 5% 2W	1	



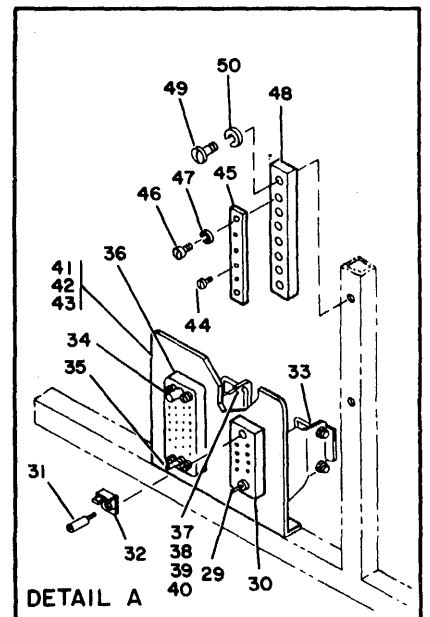
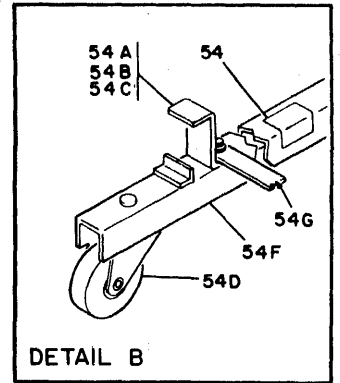
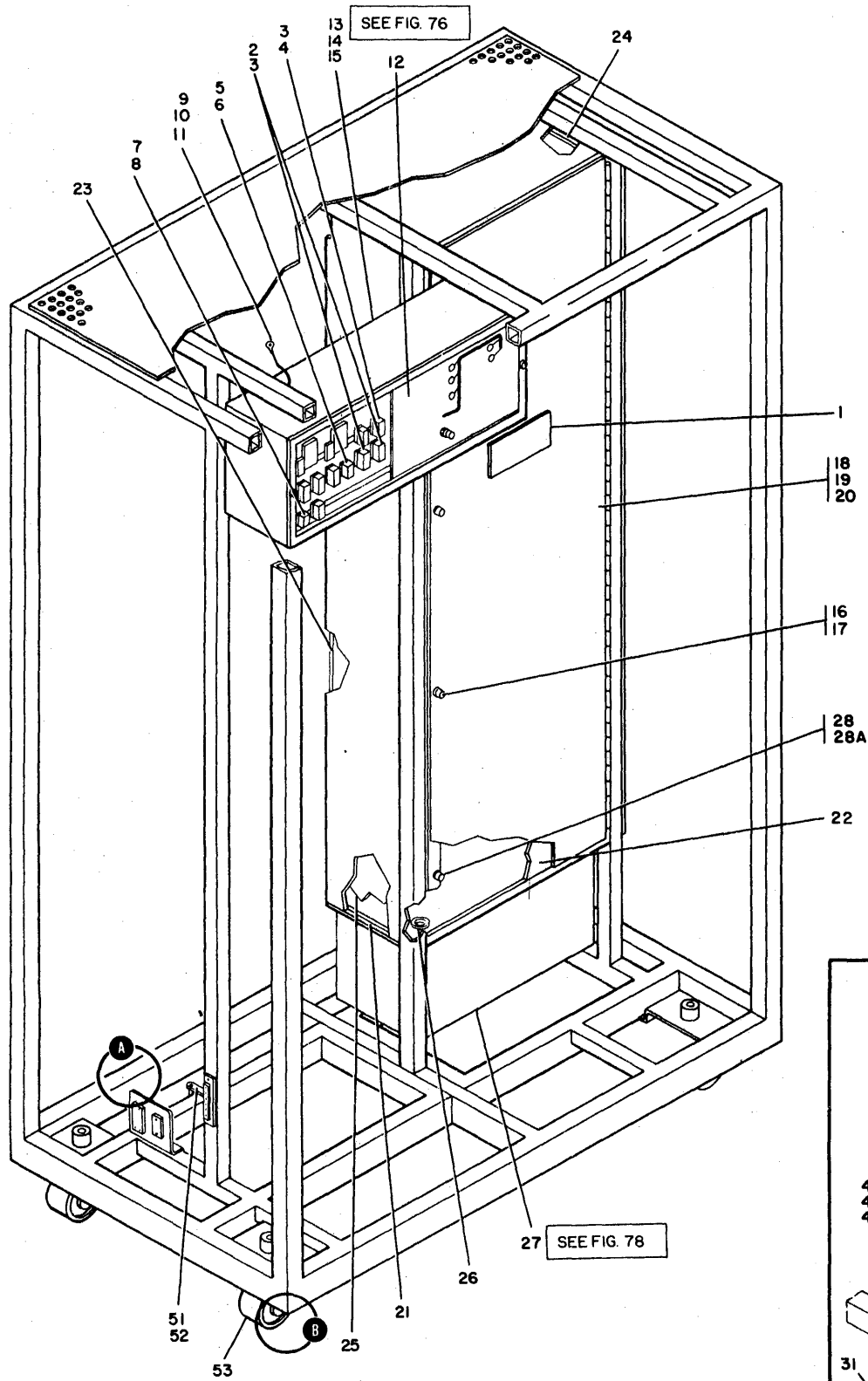


FIGURE 75. FRAME 5, 512K FINAL ASSEMBLY 50/60 HZ. SHEET 1 OF 2. INDEX NOS. 1-54G. SEE LIST 75.

LIST AND INDEX NUMBER	PART NUMBER	DESCRIPTION	UNITS PER ASM.	USABLE ON CODE
		FRAME 05 512K FINAL ASSEMBLY 50/60 HZ		
		CODE 1 USED ON ASM PRIOR TO N9 SUFFIX CODE 2 USED ON ASM FROM N9 TO CURRENT		
75 -	5366770	FINAL ASM, FRAME 5, 512K 50/60 HZ SEE FIG. 75 FOR ILLUSTRATION	REF	
- 1	369208	• DECAL, INST-HAZARDOUS AREA	1	
- 2	5276325	• RELAY, ENCLOSED, 18VDC	2	
- 3	5351163	• RETAINER-RELAY	7	
- 4	5351156	• RELAY, ARM-COIL 24V CONT 30V 5 AMP 6PDT	5	
- 5	5318966	• RETAINER-RELAY	1	
- 6	5213415	• RELAY, ARM-COIL 3V CONT 30V 5 AMP 4PDT	1	
- 7	5364198	• RETAINER	1	
- 8	5364164	• RELAY	1	
- 9	598273	• JUMPER ASM-POWER TO GROUND SEE FIG. 79-49 FOR COMPONENT PART	2	
- 10	58207	• SCREW, MACH-UNDRCT BIND HD 8-32 X 1/4 LG	ATT PT	4
- 11	55901	• WASHER, LOCK-EXT TEETH NO. 8 X 0.381 OD	ATT PT	4
- 12	5364663	• RELAY GATE ASSEMBLY SEE FIG. 76 FOR DETAIL BREAKDOWN		1
- 13	5276672	• ENCLOSURE-RELAY		1
- 14	32042	• SCREW, MACH BIND. HD 10-32 X 3/8 LG.	ATT PT	4
- 15	56079	• WASHER, LOCK-EXT T .195 ID .410 OD	ATT PT	4
- 16	5271226	• STUD-CAMLOC		4
- 17	808361	• WASHER SELF-LOCKING 300 ID	ATT PT	4
- 18	5276652	• COVER-REGULATOR TUB		1
- 19	221790	• SCREW, MACH-BIND HD 8-32 X 3/16 LG	ATT PT	6
- 20	55901	• WASHER, LOCK-EXT TEETH NO. 8 X 0.381 OD	ATT PT	6
- 21	5366644	• INSULATION-BOTTOM		1
- 22	5276655	• INSULATION-NOISE REGULATOR COVER		1
- 23	5364674	• INSULATION-REAR		1
- 24	5366648	• INSULATION-RIGHT SIDE		1
- 25	5366647	• INSULATION-LEFT SIDE		1
- 26	511553	• GROMMET, RUB-FOR 1 HOLE X 1/8 PNL		1
- 27	5366768	• FAN ASSEMBLY- 60 HZ USED ON 60 HZ ONLY		1
- 27	5366773	• FAN ASSEMBLY- 50 HZ USED ON 50 HZ ONLY SEE FIG. 78 FOR DETAIL BREAKDOWN		1
- 28	808360	• FASTENER		4
- 28A	179743	• NUT, PLAIN, HEX- 15/32-32 X 9/16 FL W	ATT PT	4
- 29	2122203	• PIN, GUIDE, BRASS, /SUPPLIED W/HARDWARE/		1
- 30	2122837	• CONNECTOR, PLUG, ELECTRICAL, FEMALE		1
- 31	2122202	• SOCKET-GUIDE		1
- 32	2127987	• CATCH, LOCK SPG-26 POS CONNECTOR		1
- 33	2122839	• CLAMP-STRAIN RELIEF		1
- 34	2123028	• JACK SCREW, SOCKET, FIXED		1
- 35	2123029	• JACKSCREW-STUD, FIXED		1
- 36	2122257	• CONNECTOR, PLUG, ELEC-34 MALE CONTACTS		1
- 37	2123033	• CLAMP-STRAIN RELIEF		1
- 38	38264	• SCREW, MACH-FIL H 4-40 X 3/8 LG	ATT PT	2
- 39	338169	• WASHER, LOCK-EXT TEETH NO. 4 X .260 OD	ATT PT	2
- 40	37913	• NUT-HEX 4-40 X .250 ID	ATT PT	2
- 41	5364660	• PANEL, CONNECTOR		1
- 42	34512	• SCREW, BIND. HD 8-32 X .375 LG	ATT PT	2
- 43	55901	• WASHER, LOCK-EXT TEETH NO. 8 X 0.381 OD	ATT PT	4
- 44	10170	• SCREW, MACH-BIND HD 6-32 X 1/4 LG		4
- 45	596469	• BUS BAR- 4 POS 3/8 W X 1/8 H X 2-5/8 LG		1
- 46	38352	• SCREW, MACH-FIL H 6-32 X 3/8 LG	ATT PT	2
- 47	6364	• WASHER, LOCK-SPLIT NO. 6 X 1/4 OD	ATT PT	2
- 48	596467	• INSULATOR		1
- 49	322065	• SCREW, MACH-BIND HD 6-32 X 5/8 LG	ATT PT	2
- 50	56722	• WASHER, LOCK-EXT TEETH NO. 6	ATT PT	2
- 51	523250	• CLAMP-ADJUSTABLE CABLE		1
- 52	38454	• SCREW, MACH-FL CSK HD 8-32 X 7/16 LG		1
- 53	5469510	• OUTRIGGER ASSEMBLY		2
- 54	5474701	• LABEL		1
- 54A	5469509	• BRACKET		2
- 54B	180072	• SCREW, CAP-SLOTTED HEX HD 5/16-18X0.875 LG	ATT PT	4
- 54C	257983	• WASHER, LOCK-SPLIT 5/16	ATT PT	4
- 54D	5477977	• CASTER		2
- 54F	5469508	• CHANNEL		1
- 54G	5474759	• BAR, SUPPORT-OUTRIGGER FRAME		2





LIST AND INDEX NUMBER	PART NUMBER	DESCRIPTION	UNITS PER ASM.	USABLE ON CODE
75 - 55	1141554	. LABEL, SAFETY	1	
- 56	5366637	. RESISTOR ASSEMBLY- 56 OHMS.38W	1	
- 57	359695	. . TERMINAL,RING LUG-INSULATED	1	
- 58	5247161	. . RESISTOR,FIXED-WW 0.56 OHMS P/M 1% 38W	1	
- 59	5276892	. SHIELD-CAPACITOR	4	
- 60	322065	. SCREW,MACH-BIND HD 6-32 X 5/8 LG	ATT PT	8
- 61	56722	. WASHER,LOCK-EXT TEETH NO. 6	ATT PT	8
- 62	257187	. NUT,PLAIN,HEX- 6-32 X 3/8 FL W	ATT PT	8
- 63	5364225	. CAPACITOR,FIXED,MYLAR-0.5 UF 100V		8
- 64	35739	. SCREW,MACH-BIND HD 6-32 X 15/16 LG	ATT PT	8
- 65	56722	. WASHER,LOCK-EXT TEETH NO. 6	ATT PT	8
- 66	257187	. NUT,PLAIN,HEX- 6-32 X 3/8 FL W	ATT PT	8
- 67	5364691	. CAPACITOR ASSEMBLY		4
- 68	334921	. . TERMINAL-RING,18-22 AWG,#6 HOLE,INS		2
- 69	491319	. . CAPACITOR-4700MFD 100V		20
- 70	5213431	. CAPACITOR,FIXED-FEED THRU 0.47 UF 100V		1
- 71	5708934	. REMOTE O/V-O/C ASSEMBLY		4
- 72	5712180	SEE FIG. 67 FOR DETAIL BREAKDOWN . POWER SUPPLY ASSEMBLY,60 VDC AT 8 AMPS		2
- 73	5712480	SEE FIG. 68 FOR DETAIL BREAKDOWN . MAGNETIC AMPLIFIER ASSEMBLY,56V AT 4 AMP		2
- 74	5708932	SEE FIG. 69 FOR DETAIL BREAKDOWN . REMOTE O/V-O/C ASSEMBLY		1
- 75	5712100	SEE FIG. 70 FOR DETAIL BREAKDOWN . POWER SUPPLY ASSEMBLY, 18 VDC AT 11 AMP		1
- 76	5708902	SEE FIG. 71 FOR DETAIL BREAKDOWN . REMOTE O/V-O/C ASM		2
- 77	5712020	SEE FIG. 45 FOR DETAIL BREAKDOWN . MAGNETIC AMPLIFIER ASSEMBLY- 3V AT 40A		2
- 77	5712020	SEE FIG. 72 FOR DETAIL BREAKDOWN . MAGNETIC AMPLIFIER ASSEMBLY- 3V AT 40A		2
- 78	5708904	SEE FIG. 72A FOR DETAIL BREAKDOWN . REMOTE O/V-O/C ASM		1
- 79	5712140	SEE FIG. 73 FOR DETAIL BREAKDOWN . MAGNETIC AMPLIFIER ASSEMBLY- 6V AT 40A		1
- 80	58207	SEE FIG. 74 FOR DETAIL BREAKDOWN . SCREW,MACH-UNDRCT BIND HD 8-32 X 1/4 LG		1
- 81	55901	. WASHER,LOCK-EXT TEETH NO. 8 X 0.381 OD		1
- 82	187467	. SHIELD, 2 POSITION		1
- 83	210984	. SCREW, RD HD MACH-6-32 X .250 LG	ATT PT	1
- 84	210883	. STUD-SHIELD MTG,TAPPED,NO. 6-32		1
- 85	323840	. TERMINAL BOARD- 2 DBL SCREW TERMINALS		1
- 86	210884	. STUD-SHIELD MTG,NO. 6-32		3
- 87	2101380	. MARKER STRIP- 2 POS NOS. 1 AND 2		1
- 88	5276716	. COVER-SAFETY CONTACTOR		1
- 89	5270652	. DIODE ASM		1
- 89A	334921	. . TERMINAL-RING,18-22 AWG,#6 HOLE,INS		2
- 89B	2111232	. . SEMICONDUCTOR DEVICE,DIODE-TYPE AM		1
- 90	5276703	. RELAY-24 VDC COIL		1
- 91	58207	. SCREW,MACH-UNDRCT BIND HD 8-32 X 1/4 LG	ATT PT	2
- 92	237327	. CLAMP-CABLE		1
- 93	465627	. ELBOW-3/4 MALE AND FEMALE		1
- 94	5364274	. BRACKET,THERMAL SWITCH		1
- 95	10170	. SCREW,MACH-BIND HD 6-32 X 1/4 LG	ATT PT	1
- 96	56722	. WASHER,LOCK-EXT TEETH NO. 6	ATT PT	1
- 97	5364275	. THERMAL SWITCH & BLOCK ASSEMBLY		1
- 98	81693	. SCREW,MACH-BIND HD 6-32 X 3/8 LG	ATT PT	1
- 99	5261458	. TERMINAL-INSULATED FEED THRU		2
-100	5351163	. RETAINER-RELAY		1
-101	5351156	. RELAY,ARM-COIL 24V CONT 30V 5 AMP 6PDT		1
-102	5364654	. COMPONENT ASSEMBLY		1
-103	5364236	SEE FIG. 77 FOR DETAIL BREAKDOWN . JUMPER ASSEMBLY		AR
-104	5364225	SEE FIG. 79-56 FOR COMPONENT PART . CAPACITOR,FIXED,MYLAR-0.5 UF 100V		8
-105	55726	. SCREW,MACH-BIND HD 6-32 X .188 LG	ATT PT	8
-106	35739	. SCREW,MACH-BIND HD 6-32 X 15/16 LG	ATT PT	8
-107	56722	. WASHER,LOCK-EXT TEETH NO. 6	ATT PT	16
-107A	257187	. NUT,PLAIN,HEX- 6-32 X 3/8 FL W	ATT PT	8
-108	478012	. CLAMP-ADJUSTABLE CABLE		3
-109	438573	. SCREW,MACH-FH 6-32 X 7/16 LG	ATT PT	3
-110	524515	. CLAMP-ADJUSTABLE CABLE		1
-111	38454	. SCREW,MACH-FL CSK HD 8-32 X 7/16 LG	ATT PT	1
-112	5210704	. JUMPER ASSEMBLY		1
-113	58207	. SCREW,MACH-UNDRCT BIND HD 8-32 X 1/4 LG	ATT PT	2
-114	55901	. WASHER,LOCK-EXT TEETH NO. 8 X 0.381 OD	ATT PT	2



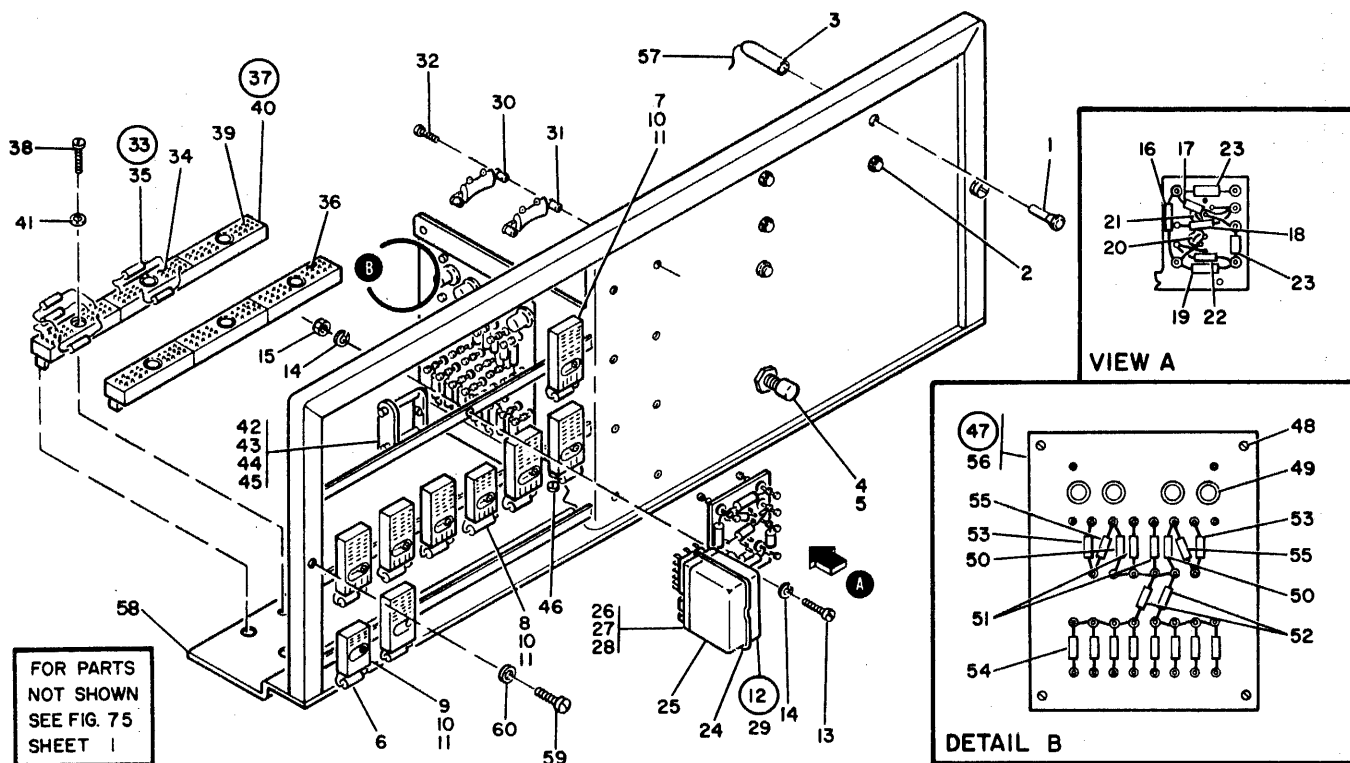


FIGURE 76. RELAY GATE ASSEMBLY. SEE LIST 76.

LIST AND INDEX NUMBER	PART NUMBER	DESCRIPTION	UNITS PER ASM.	USABLE ON CODE
			1	2
RELAY GATE ASSEMBLY				
76 -	5364663	RELAY GATE ASSEMBLY SEE FIG. 75-12 FOR NEXT HIGHER ASSEMBLY AND FIG. 76 FOR ILLUSTRATION	REF	
- 1	5376712	• INDICATOR ASSEMBLY, 24V-WHITE	2	
- 2	5376713	• INDICATOR ASSEMBLY, 24V-RED	3	
- 3	5353888	• HOUSING	5	
- 4	189138	• KNOB-SWITCH BLACK	1	
- 5	215679	• SWITCH, PUSH-NO 125V AC 1 AMP	1	
- 6	2111232	• SEMICONDUCTOR DEVICE, DIODE-TYPE AM	9	
- 7	5351139	• SOCKET, RELAY- 6 POSITION	7	
- 8	5318967	• SOCKET, 4 POSITION RELAY	1	
- 9	5364276	• SOCKET	1	
- 10	438548	• SCREW, MACH-BIND HD 4-40 X 3/16 LG ATT PT	9	
- 11	5364197	• GROUND-RELAY	9	
- 12	5276683	• TIME DELAY ASSEMBLY	1	
- 13	338238	• SCREW, MACH-BD HD 4-40 NC X .3125 LG ATT PT	1	
- 14	338169	• WASHER, LOCK-EXT TEETH NO. 4 X .260 OD ATT PT	2	
- 15	257186	• NUT, PLAIN, HEX- 4-40 X 5/16 FL W ATT PT	1	
- 16	492475	• RESISTOR- 220K 1/4W	1	
- 17	217082	• RESISTOR, FXD, COMP- 820 OHMS P/M 5% 1/4W	1	
- 18	216452	• RESISTOR, FXD CARB, 2K OHM, 1/4W, 5%	1	
- 19	1132587	• CAPACITOR, ELEC- 100 MFD -10% 15 VDC	1	
- 20	369654	• TRANSISTOR-NPN	1	
- 21	369652	• TRANSISTOR-PNP	1	
- 22	597977	• DIODE, SEMICONDUCTOR- 700 OHMS 8.8V TY DT	1	
- 23	2111232	• SEMICONDUCTOR DEVICE, DIODE-TYPE AM	2	
- 24	5351163	• RETAINER-RELAY	1	
- 25	5351156	• RELAY, ARM-COIL 24V CONT 30V 5 AMP 6PDT	1	
- 26	5351139	• SOCKET, RELAY- 6 POSITION	1	
- 27	438550	• SCREW, MACH-BIND HD 4-40 X 1/2 LG ATT PT	1	
- 28	5364197	• GROUND-RELAY	1	



FOR PARTS  
NOT SHOWN  
SEE FIG. 75  
SHEET 2

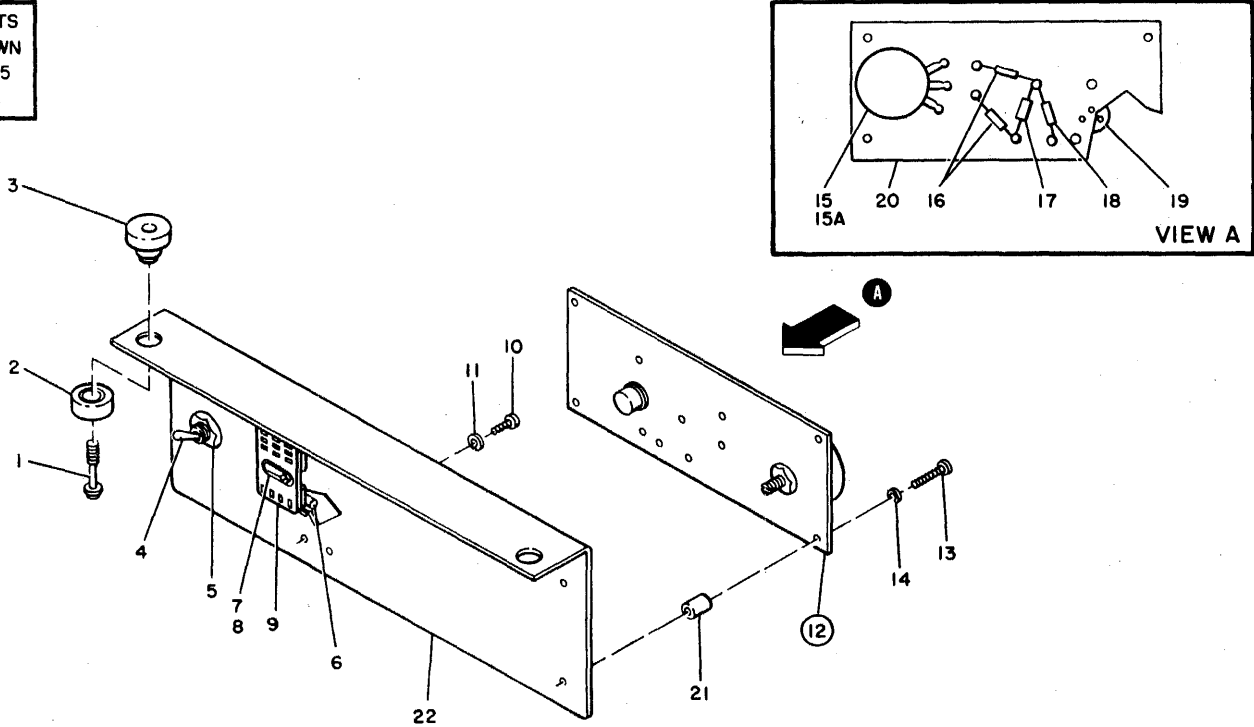


FIGURE 77. COMPONENT ASSEMBLY. SEE LIST 77.

LIST AND INDEX NUMBER	PART NUMBER	DESCRIPTION	UNITS PER ASM.	USABLE ON CODE
			1	2
		COMPONENT ASSEMBLY		
77 -	5364654	COMPONENT ASSEMBLY	REF	
		SEE FIG. 75-102 FOR NEXT HIGHER ASSEMBLY AND FIG. 77 FOR ILLUSTRATION		
- 1	5351113	• SCREW-CAPTIVE BIND HD 10/32 X 1.0 LG	2	
- 2	5351115	• INSULATOR-BUSHING	2	
- 3	5351114	• BUSHING-CAP	2	
- 4	738827	• SWITCH-TOGGLE DPDT 20V 0.02A	1	
- 5	216323	• NUT,DRESS,KNURL- 15/32-32 X 41/64 CHROME ATT PT	1	
- 6	2111232	• SEMICONDUCTOR DEVICE,DIODE-TYPE AM	1	
- 7	5364197	• GROUND-RELAY	1	
- 8	251970	• SCREW-MACH BD. HD. 4-40 X 1/4 LG	1	
- 9	5351139	• SOCKET,RELAY- 6 POSITION	1	
- 10	10170	• SCREW,MACH-BIND HD 6-32 X 1/4 LG	1	
- 11	56722	• WASHER,LOCK-EXT TEETH NO. 6	1	
- 12	5364656	• COMPONENT ASSEMBLY	1	
- 13	438551	• SCREW,MACH-BIND HD 4-40 X 5/8 LG ATT PT	4	
- 14	338169	• WASHER,LOCK-EXT TEETH NO. 4 X .260 OD ATT PT	4	
- 15	208300	• POTENTIOMETER,250 OHM P/M10% 2W	1	
- 15A	846555	• WASHER,LOCK-INT TEETH 0.380 ID ATT PT	1	
- 16	317009	• RESISTOR,FXD 390 OHM P/M 5 PCT 0.5W	2	
- 17	209002	• SEMICONDUCTOR DEVICE,DIODE	1	
- 18	317433	• RESISTOR,FXD,COMP- 560 OHMS P/M 5% 1W	1	
- 19	369652	• TRANSISTOR-PNP	1	
- 20	5364657	• TERMINAL BOARD-U/V	1	
- 21	316187	• SPACER- 0.186 ID X 1/4 OD X 5/16 THK	1	
- 22	5364655	• PANEL,COMPONENT	1	

FOR PARTS  
NOT SHOWN  
SEE FIG. 75  
SHEET 1

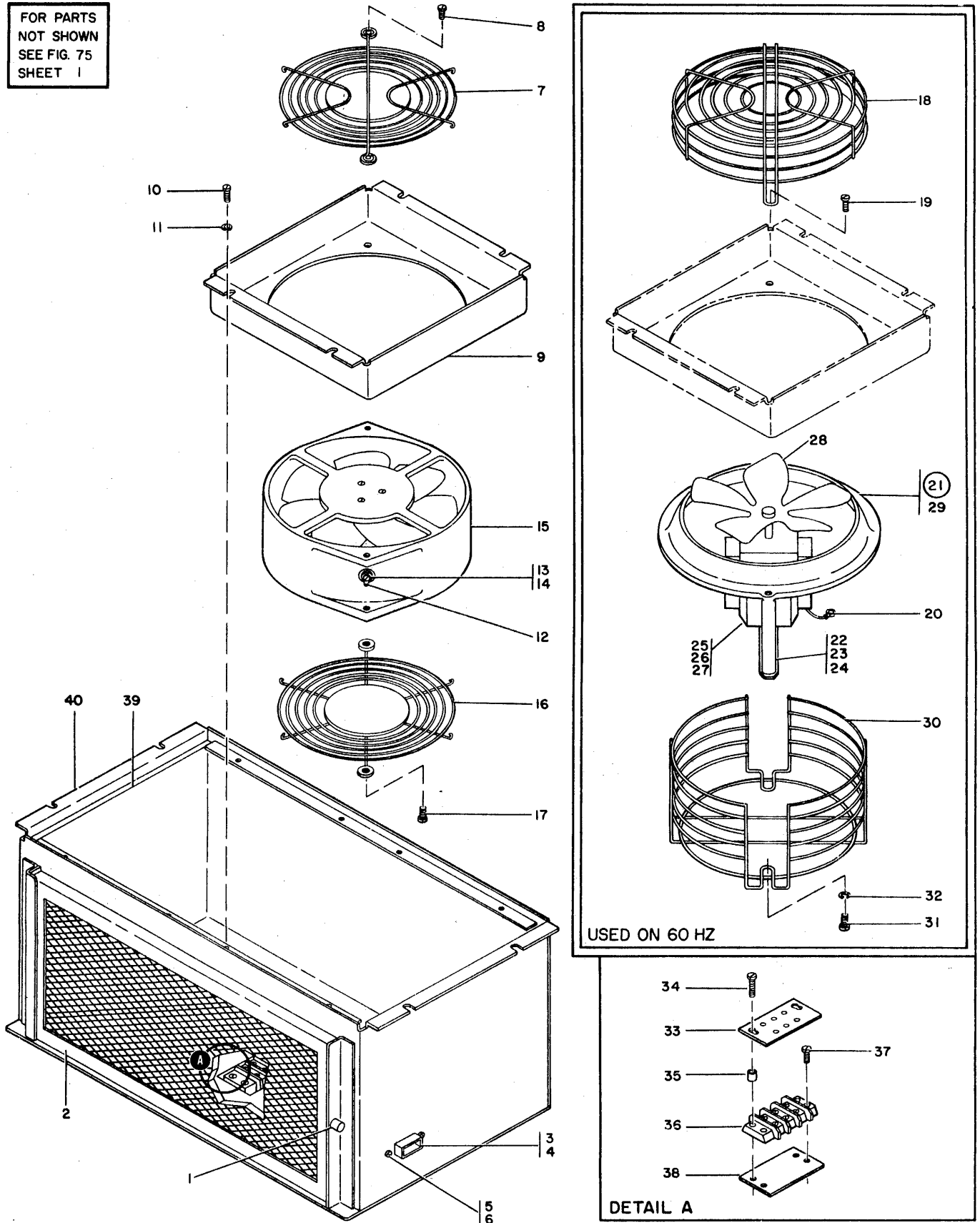


FIGURE 78. 50/60 HZ FAN ASSEMBLIES. SEE LIST 78.

LIST AND INDEX NUMBER	PART NUMBER	DESCRIPTION	UNITS	USABLE
			PER ASM.	ON CODE
		1 2 3 4		
50/60 HZ FAN ASSEMBLIES				
CODE A USED ON 60 HZ CODE B USED ON 50 HZ				
78 -				
-	5366768	FAN ASSEMBLY- 60 HZ	REF	A
-	5366773	FAN ASSEMBLY- 50 HZ SEE FIG. 75-27 FOR NEXT HIGHER ASSEMBLY AND FIG. 78 FOR ILLUSTRATION	REF	B
- 1	5357135	• CATCH	1	
- 2	5366769	• FILTER, AIR	1	
- 3	5353854	• CONTACT, MALE 16-20 WIRE	AR	
- 4	5353853	• HOUSING	1	
- 5	322550	• SCREW ATT PT	2	
- 6	257187	• NUT, PLAIN, HEX- 6-32 X 3/8 FL W ATT PT	2	
- 7	4103594	• GUARD-FAN	2	B
- 8	55918	• SCREW, MACH-BIND HD 10-32 X 5/8 LG ATT PT	8	
- 9	5276674	• HOUSING-FAN	2	
- 10	58207	• SCREW, MACH-UNDRCT BIND HD 8-32 X 1/4 LG ATT PT	8	
- 11	1090873	• WASHER, LOCK, SPLIT RING- .168 ID, .296 OD ATT PT	8	
- 12	334910	• TERMINAL-RING, 14-16 AWG, #6 HOLE, INS	AR	B
- 13	10170	• SCREW, MACH-BIND HD 6-32 X 1/4 LG ATT PT	AR	
- 14	56722	• WASHER, LOCK-EXT TEETH NO. 6	AR	
- 15	4120172	• FAN- 50 HZ	2	B
- 16	4103594	• GUARD-FAN	2	B
- 17	55918	• SCREW, MACH-BIND HD 10-32 X 5/8 LG ATT PT	8	
- 18	5357059	• GUARD TOP	2	A
- 19	32042	• SCREW, MACH BIND. HD 10-32 X 3/8 LG. ATT PT	8	
- 20	359695	• TERMINAL, RING LUG-INSULATED	AR	A
- 21	5357050	• FAN ASM- 208/230V 60 HZ	2	A
- 22	5357068	• BRACKET-MOTOR MTG	1	
- 23	120211	• SCREW, MACH-HEX HD 10-32 X 1/2 LG ATT PT	2	
- 24	56079	• WASHER, LOCK-EXT T .195 ID .410 OD ATT PT	2	
- 25	5357067	• MOTOR 208V/230V 60HZ 220V 50HZ	1	
- 26	130434	• SCREW-MACH, SLOTTED HEX HD NO. 10-32 X .375 ATT PT	2	
- 27	56079	• WASHER, LOCK-EXT T .195 ID .410 OD ATT PT	2	
- 28	5357066	• BLADE	1	
- 29	5357069	• ORIFICE-FAN	1	
- 30	5357060	• GUARD 5 IN FAN	2	A
- 31	83606	• SCREW, THD CTG-BIND HD 10-32 X 5/16 LG ATT PT	8	
- 32	56079	• WASHER, LOCK-EXT T .195 ID .410 OD ATT PT	2	
- 33	352827	• COVER, TERMINAL 3 ON 141	1	
- 34	322552	• SCREW, MACH-BIND HD 6-32 X 7/8 LG ATT PT	2	
- 35	316187	• SPACER- 0.186 ID X 1/4 OD X 5/16 THK	2	
- 36	323841	• TERMINAL BOARD- 3 DBL SCREW TERMINALS	1	
- 37	35739	• SCREW, MACH-BIND HD 6-32 X 15/16 LG ATT PT	2	
- 38	589716	• STRIP-MARKER	1	
- 39	5364653	• INSULATION	1	
- 40	5366772	• ENCLOSURE, FAN MTG	1	



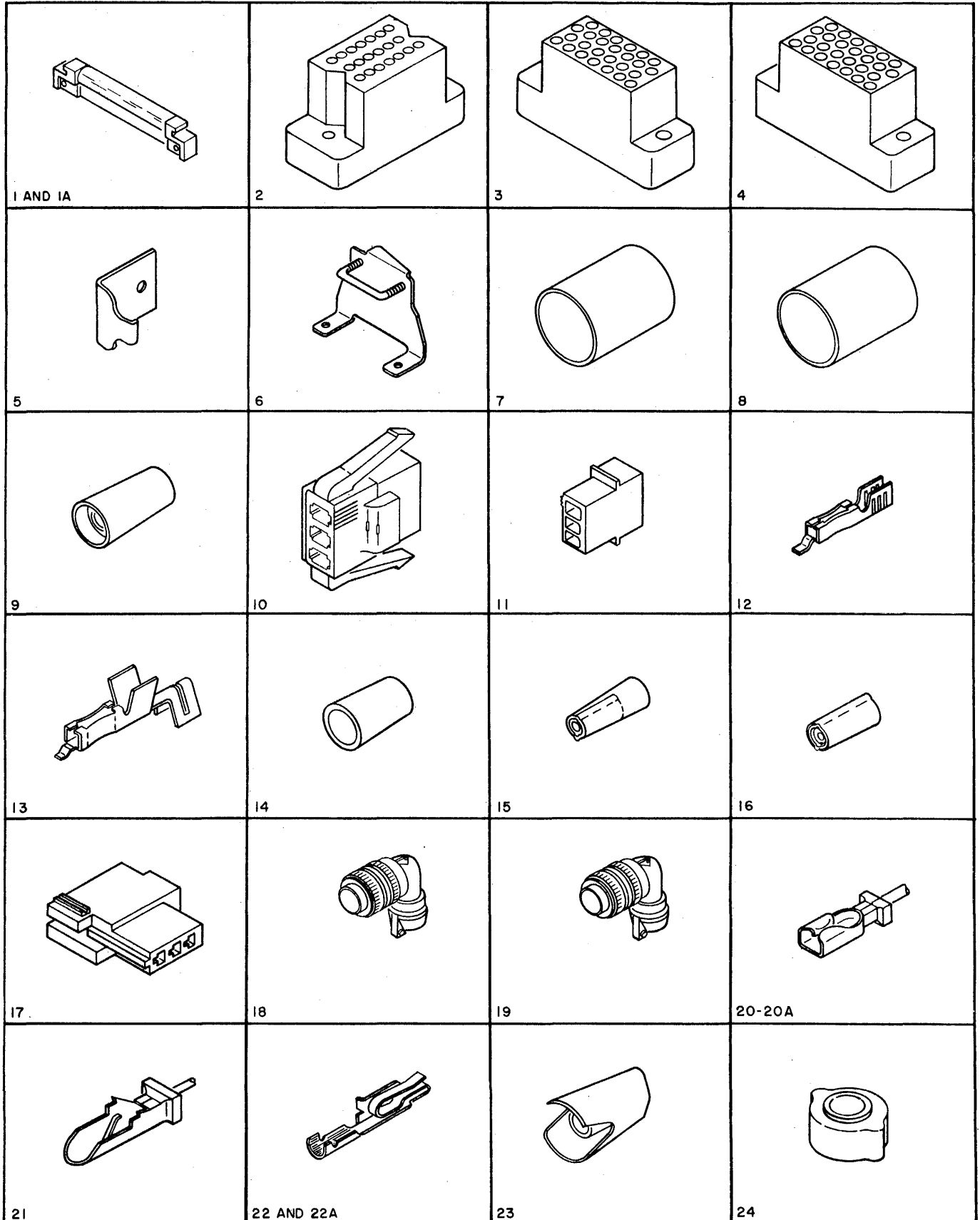


FIGURE 79. CABLE AND JUMPER ASSEMBLY COMPONENT PARTS. SHEET 1 OF 6. INDEX NOS. 1-24. SEE LIST 79.

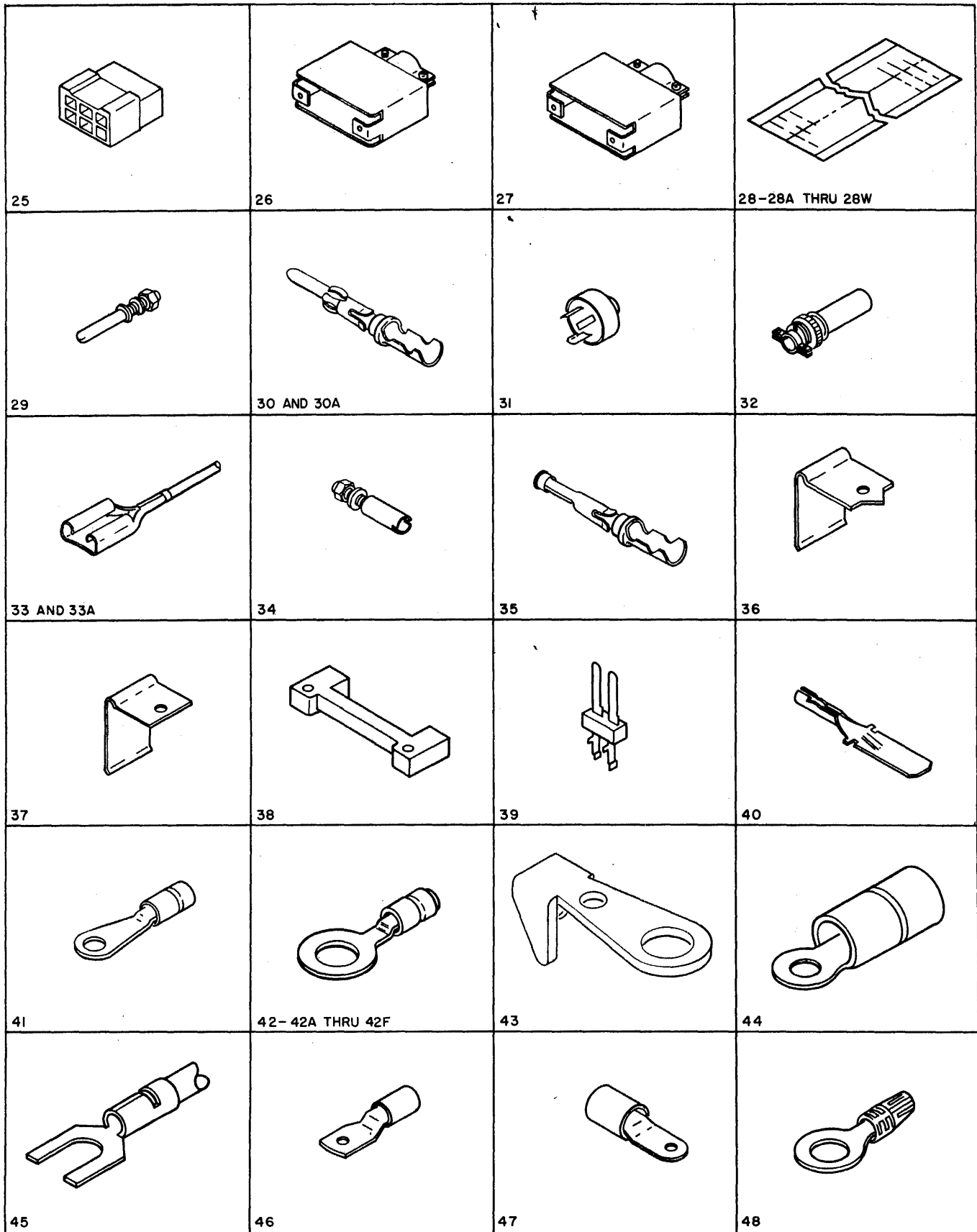


FIGURE 79. CABLE AND JUMPER ASSEMBLY COMPONENT PARTS. SHEET 2 OF 6. INDEX NOS. 25-48. SEE LIST 79.

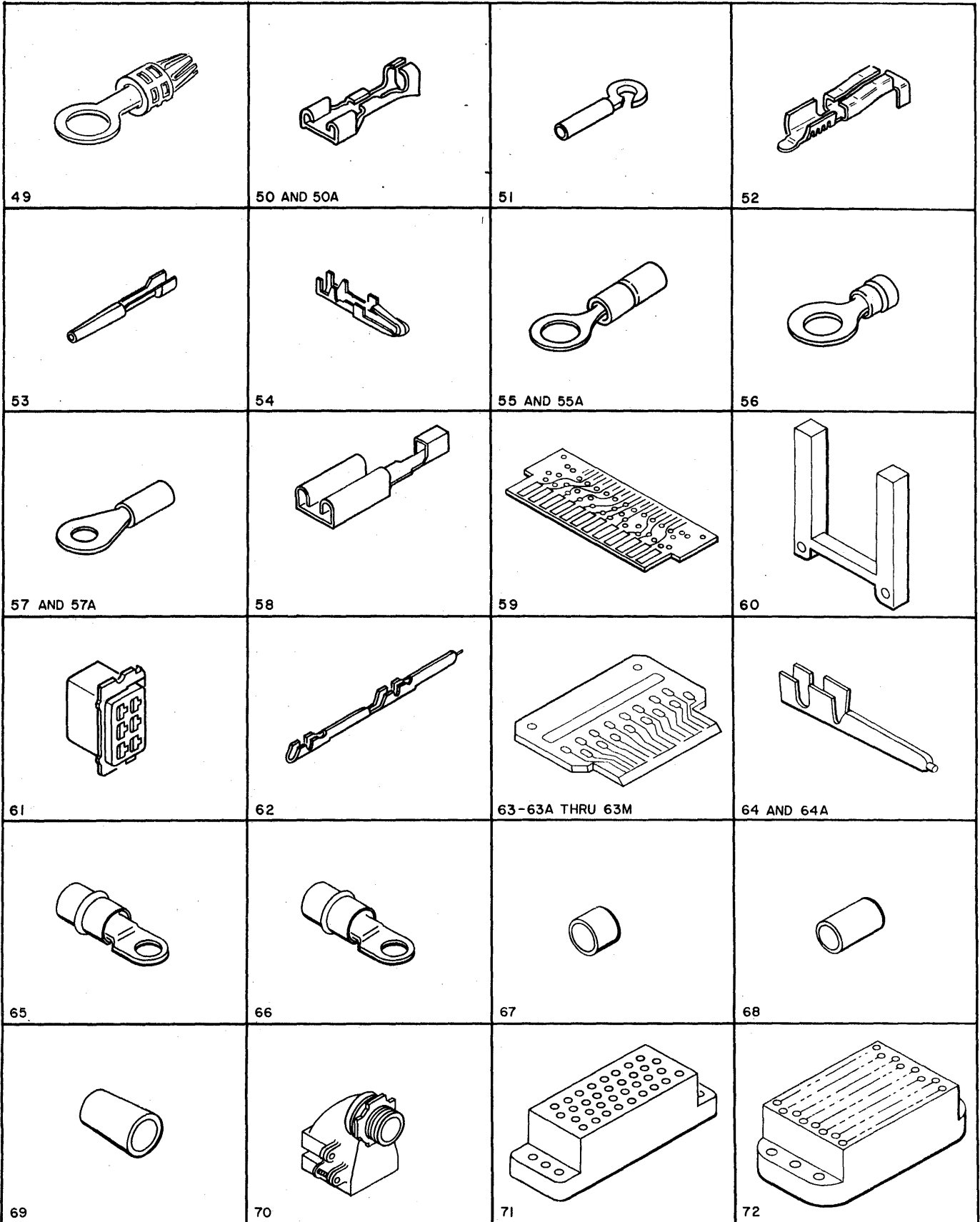


FIGURE 79. CABLE AND JUMPER ASSEMBLY COMPONENT PARTS. SHEET 3 OF 6. INDEX NOS. 49-72. SEE LIST 79.

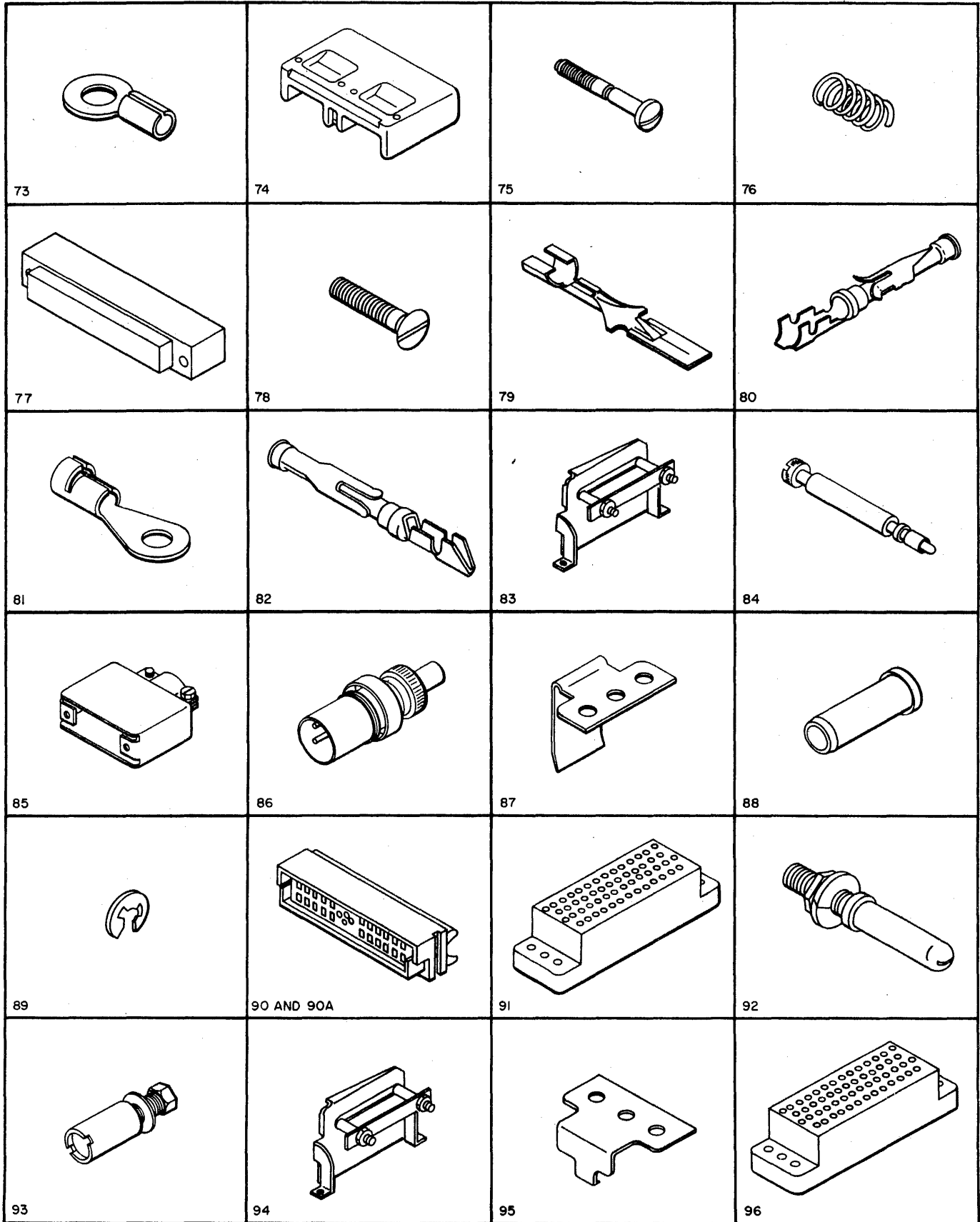


FIGURE 79. CABLE AND JUMPER ASSEMBLY COMPONENT PARTS. SHEET 4 OF 6. INDEX NOS. 73-96. SEE LIST 79.

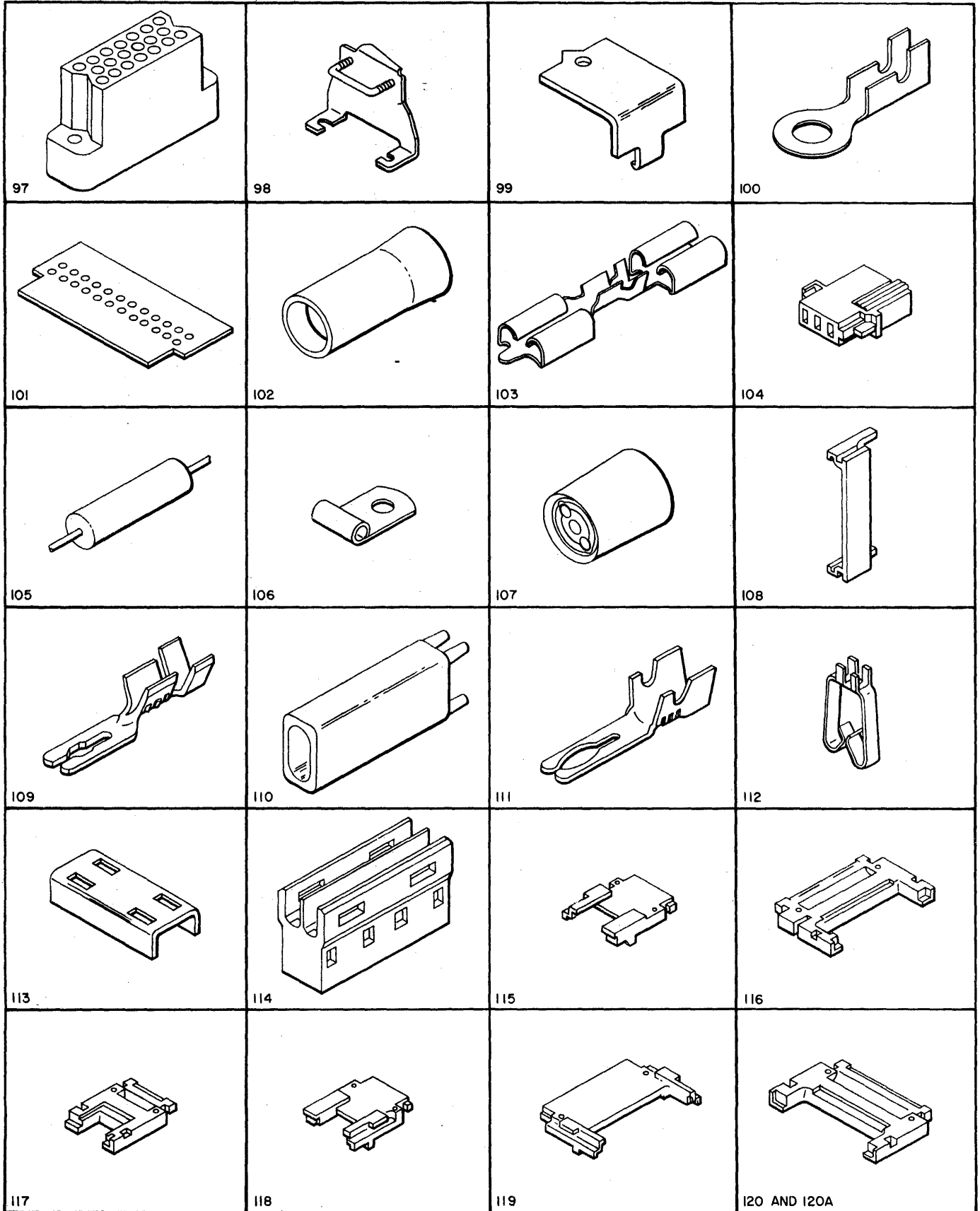


FIGURE 79. CABLE AND JUMPER ASSEMBLY COMPONENT PARTS. SHEET 5 OF 6. INDEX NOS. 97-120A. SEE LIST 79.

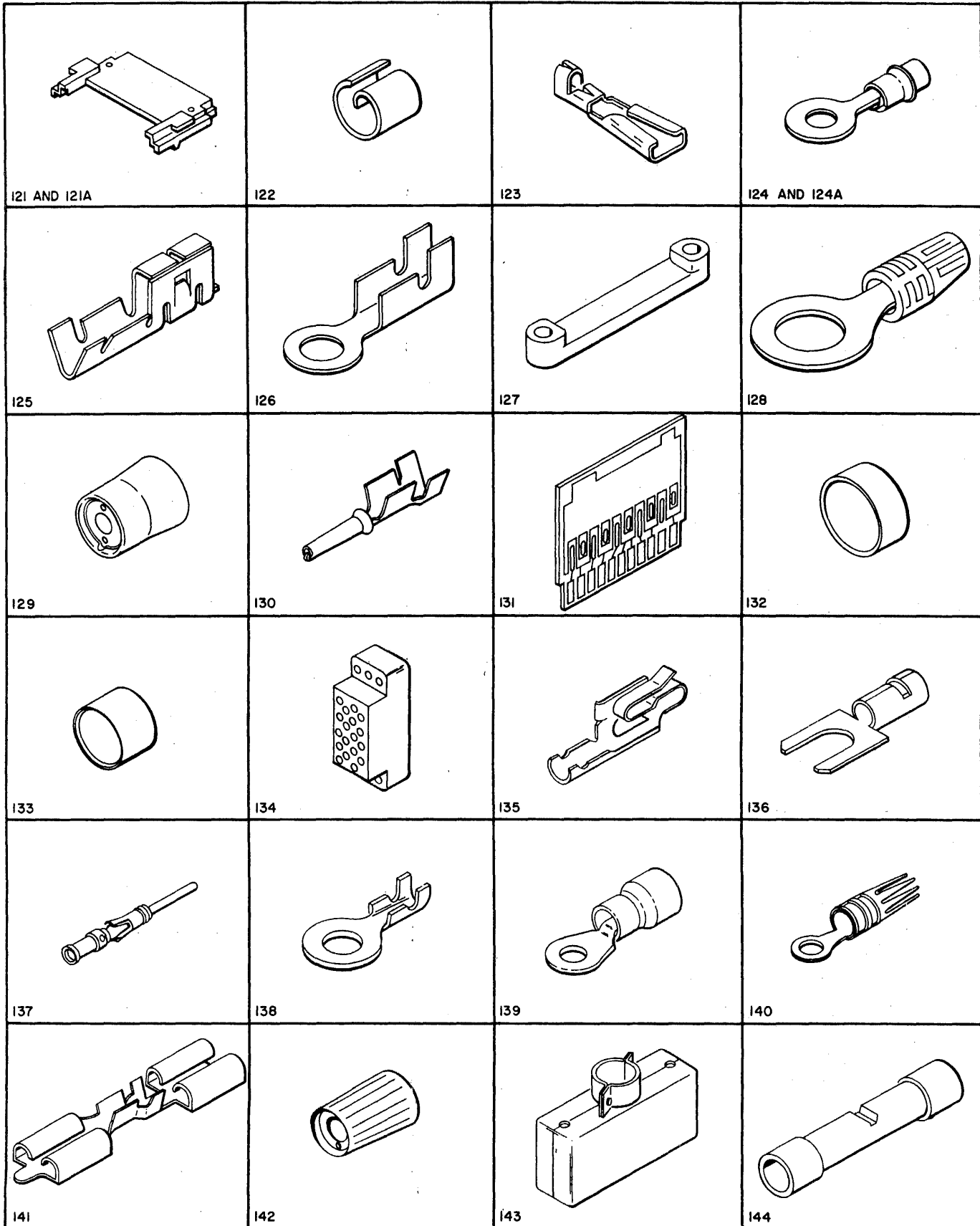


FIGURE 79. CABLE AND JUMPER ASSEMBLY COMPONENT PARTS. SHEET 6 OF 6. INDEX NOS. 121-144. SEE LIST 79.

LIST AND INDEX NUMBER	PART NUMBER	DESCRIPTION	UNITS PER ASM.	USABLE ON CODE
		CABLE AND JUMPER ASSEMBLY COMPONENT PARTS		
79 -	NO NO.	COMPONENT PARTS-CABLE SEE FIG. 79 FOR ILLUSTRATION	NP	
- 1	811751	• STRAIN RELIEF	AR	
- 1A	811752	• BLOCK, STRAIN RELIEF	AR	
- 2	2122255	• BLOCK, MALE- 20 POSITIONS	AR	
- 3	2122837	• CONNECTOR, PLUG, ELECTRICAL, FEMALE	AR	
- 4	2122838	• BLOCK-26 POS	AR	
- 5	2127987	• CATCH, LOCK SPG-26 POS CONNECTOR	AR	
- 6	2122839	• CLAMP-STRAIN RELIEF	AR	
- 7	350836	• SHEATH, CONNECTOR-OUTER	AR	
- 8	350837	• SHEATH, CONNECTOR-INNER	AR	
- 9	535640	• CONNECTOR, COMPRESSION, .460 LONG	AR	
- 10	725557	• CONNECTOR, PLUG- 3 CIRCUIT	AR	
- 11	725558	• CONNECTOR, CAP-3 CIRCUIT	AR	
- 12	811563	• CONNECTOR-SLIP-ON	AR	
- 13	811832	• TERMINAL LUG-NONINS 20AWG 2 WIRE SLIP-ON	AR	
- 14	2134542	• CONNECTOR, SHIELDED WIRE	AR	
- 15	2134616	• CONNECTOR, .210 WIRE HOLE	AR	
- 16	2161570	• CONNECTOR	AR	
- 17	5271721	• CONNECTOR BODY, PLUG-3 CONTACT	AR	
- 18	5276474	• CONNECTOR, PLUG, ELEC-3 MALE CONTACTS	AR	
- 19	5276475	• CONNECTOR, PLUG, ELEC-7 FEMALE CONTACTS	AR	
- 20	5351177	• TERMINAL, SLIP ON-18-22 AWG	AR	
- 20A	5353852	• CONTACT, FEMALE 16-20 WIRE	AR	
- 21	5353854	• CONTACT, MALE 16-20 WIRE	AR	
- 22	5362301	• CONTACT, LARGE SERPENT. 20-24AWG	AR	
- 22A	5404480	• CONTACT, GREAT SERPENT	AR	
- 23	188609	• FERRULE, CABLE, SHIELED	AR	
- 24	645018	• FERRULE-SHIELDED WIRE 0.275 ID	AR	
- 25	523268	• HOUSING-TAB	AR	
- 26	2127895	• CATCH, LOCK SPG-14 AND 20 POS CONN	AR	
- 27	2130443	• HOOD	AR	
- 28	317296	• LABEL-NUMBERING L TO R 1 THRU 33	AR	
- 28A	317297	• LABEL, QUICK	AR	
- 28B	317298	• LABEL-NUMBERING L TO R 67 THRU 99	AR	
- 28C	317299	• LABEL-NUMBERING L TO R 100 THRU 124	AR	
- 28D	317300	• LABEL-NUMBERING L TO R 125 THRU 149	AR	
- 28E	325439	• LABEL-NUMBERING L TO R 301 THRU 450	AR	
- 28F	325440	• LABEL-NUMBERING L TO R 451 THRU 600	AR	
- 28G	334219	• LABEL-NUMBERING L TO R 150 THRU 174	AR	
- 28H	334220	• LABEL-NUMBERING L TO R 175 THRU 199	AR	
- 28J	596341	• LABEL-NUMBERING L TO R 225 THRU 249	AR	
- 28K	596342	• LABEL-NUMBERING L TO R 250 THRU 274	AR	
- 28L	596343	• LABEL-NUMBERING L TO R 275 THRU 299	AR	
- 28M	598381	• LABEL-LETTERS L TO R UP. CASE A THRU Z	AR	
- 28N	598382	• LABEL	AR	
- 28P	5327807	• LABELS-QUICK NOS. 300 THRU 324	AR	
- 28Q	5347748	• LABEL-QUICK	AR	
- 28R	5347749	• LABEL-QUICK	AR	
- 28S	5700591	• LABEL-QUICK	AR	
- 28T	5703197	• LABEL	AR	
- 28V	811825	• LABEL-CABLE	AR	
- 28W	5400709	• LABEL, QUICK	AR	
- 29	2122203	• PIN, GUIDE, BRASS, /SUPPLIED W/HARDWARE/	AR	
- 30	2122258	• PIN-CONTACT, MALE 20/22 AWG	AR	
- 30A	2127867	• PIN	AR	
- 31	624037	• PLUG	AR	
- 32	538724	• CONNECTOR, PLUG, ELECTRICAL	AR	
- 33	5213274	• TERMINAL, SLIP ON-18-22 AWG	AR	
- 33A	430798	• TERMINAL, SLIP ON- 18-20 AWG	AR	
- 34	2122202	• SOCKET-GUIDE	AR	
- 35	2122259	• TERMINAL, SOCKET CONTACT-22-20 AWG	AR	
- 36	2127984	• SPRING, LOCKING- 14 AND 20 POS CONNECTOR	AR	
- 37	2127986	• SPRING-LOCKING-26 POS CONNECTOR	AR	
- 38	5352960	• STRAIN RELIEF-COAX TWO-HI APPLICATION	AR	
- 39	5357070	• THERMAL SWITCH ASM-GATE	AR	
- 40	523255	• TERMINAL, QUICK DISCONNECT- 14/18AWG	AR	
- 41	82725	• TERMINAL, LUG-INS 6AWG 17/64 MTG HOLE	AR	
- 42	92784	• TERMINAL-RING, 18-20 AWG #8 HOLE, INS	AR	
- 42A	186968	• TERMINAL-RING, 10-12 AWG, #8 HOLE, INS	AR	
- 42B	334910	• TERMINAL-RING, 14-16 AWG, #6 HOLE, INS	AR	
- 42C	334921	• TERMINAL-RING, 18-22 AWG, #6 HOLE, INS	AR	
- 42D	334932	• TERMINAL-RING, 18-22 AWG, #10 HOLE, INS	AR	
- 42E	2101326	• TERMINAL, RING-12-10 AWG	AR	

LIST AND INDEX NUMBER	PART NUMBER	DESCRIPTION	UNITS PER ASM.	USABLE ON CODE
79 - 42F	2114849	• TERMINAL, RING 14-16 WIRE NO. 6 STUD	AR	
- 43	113750	• TERMINAL,LUG-NONINS 16AWG NO. 8 MTG HOLE	AR	
- 44	253740	• TERMINAL-RING,10-12 AWG,#6 HOLE,INS	AR	
- 45	313361	• TERMINAL-SPADE,20-24 AWG,#4 HOLE,NON INS	AR	
- 46	335327	• TERMINAL,LUG- SCREW SIZES 8 THRU 10	AR	
- 47	335970	• TERMINAL,LUG- 8 AWG 1/4 MTG HOLE	AR	
- 48	359695	• TERMINAL,RING LUG-INSULATED	AR	
- 49	360370	• TERMINAL-WIRE RING TONGUE	AR	
- 50	523267	• TERMINAL,QUICK DISCONNECT- 14/18AWG	AR	
- 50A	1127037	• TERMINAL,SLIP ON-16-18 AWG	AR	
- 51	526048	• TERMINAL,LUG-14-16 AWG NO. 8 MTG SLOT	AR	
- 52	596255	• TERMINAL,SLIP-ON	AR	
- 53	600844	• TERMINAL, SMALL TAPER, 55-24 AWG	AR	
- 54	609687	• CONTACT	AR	
- 55	806715	• TERMINAL,LUG-INS 22/26AWG NO. 8 MTG HOLE	AR	
- 55A	253453	• TERMINAL-RING,22-26 AWG,#6 HOLE,INS	AR	
- 56	124439	• TERMINAL,RING-10 AWG	AR	
- 57	2101327	• TERMINAL,LUG-INS 10/12AWG 1/4 MTG HOLE	AR	
- 57A	339156	• TERMINAL,SLIP ON	AR	
- 58	5276375	• TERMINAL LUG-NONINS 20-18AWG SLIP-ON	AR	
- 59	5800610	• CARD ASM-TERMINATOR	AR	
- 60	5352967	• STRAIN RELIEF, 20 STRANDS-.05 DIA	AR	
- 61	523269	• CONNECTOR-ELECT 6 POS INSERT	AR	
- 62	802570	• TERMINAL,LUG-TAPER 18/20AWG 0.617 LG OA	AR	
- 63	5815828	• CARD	AR	
- 63A	5800659	• CARD ASSEMBLY	AR	
- 63B	5800660	• CARD ASM	AR	
- 63C	5800662	• CARD ASSEMBLY	AR	
- 63D	5800664	• CARD ASSEMBLY	AR	
- 63E	5800665	• CARD ASM	AR	
- 63F	5800666	• CARD ASSEMBLY	AR	
- 63G	5800667	• CARD ASM	AR	
- 63H	5800668	• CARD ASM	AR	
- 63J	5800669	• CARD ASSEMBLY	AR	
- 63K	5800670	• CARD ASSEMBLY	AR	
- 63L	5800677	• CARD ASM	AR	
- 63M	5800674	• CARD ASM	AR	
- 64	187243	• TERMINAL,SMALL TAPER	AR	
- 64A	360433	• TERMINAL-PLUG,16-18 AWG	AR	
- 65	511544	• TERMINAL,LUG-INS 6AWG NO. 10 MTG HOLE	AR	
- 66	335971	• TERMINAL,LUG-INSULATED BARREL,NO. 10-12	AR	
- 67	2152788	• FERRULE,.453 OUTSIDE AND .400 INSIDE DIA	AR	
- 68	2152789	• FERRULE,.337 OUTSIDE AND .297 INSIDE DIA	AR	
- 69	535640	• CONNECTOR,COMPRESSION,.460 LONG	AR	
- 70	458813	• CLAMP	AR	
- 71	2122256	• CONNECTOR,RECP,ELEC-34 FEMALE CONTACTS	AR	
- 72	2122628	• JACKSOCKET-LONG SHIELD TYPE	AR	
- 73	1092019	• CLIP	AR	
- 74	5362306	• COVER,CONNECTOR BLOCK	AR	
- 75	5362308	• SCREW	AR	
- 76	1105806	• SPRING	AR	
- 77	5353896	• STRAIN RELIEF ASSEMBLY	AR	
- 78	438560	• SCREW-MACH-FLAT H 4-40 X 1 LG	AR	
- 79	827991	• TERMINAL,QUICK DISCONNECT	AR	
- 80	2122261	• SOCKET, CONTACT-18-16 AWG	AR	
- 81	187459	• TERMINAL,LUG-NONINS 20AWG NO.8 MTG HOLE	AR	
- 82	2127890	• SOCKET-CONTACT AWG 26-24	AR	
- 83	2123033	• CLAMP-STRAIN RELIEF	AR	
- 84	2122629	• JACK,SCREW,HAND-LONG SHIELD TYPE	AR	
- 85	2127893	• HOOD-180 DEG 2 PIECE 34 POSITION	AR	
- 86	719495	• CONNECTOR-30AMP	AR	
- 87	2127988	• SPRING,LOCKING-30 AND 50 POS CONNECTOR	AR	
- 88	595720	• RIVET, ROLLED FLANGE	AR	
- 89	264641	• RING,RETAINING-EXT 0.114 ID X 0.025 THK	AR	
- 90	5353867	• BLOCK, CONNECTOR-A STYLE	AR	
- 90A	5353869	• CONNECTOR BLOCK	AR	
- 91	2122472	• CONNECTOR, 50 PLACE FEMALE	AR	
- 92	2122734	• PIN,GUIDE CORNER 34 AND 50 POSITION	AR	
- 93	2122735	• PIN-SOCKET GUIDE	AR	
- 94	2123034	• CLAMP, CABLE 50 PLACE	AR	
- 95	2127989	• CATCH-LOCKING SPRING	AR	
- 96	5353868	• BLOCK, CONNECTOR-B STYLE	AR	
- 97	2122254	• BLOCK, FEMALE- 20 POSITIONS	AR	
- 98	2123032	• CLAMP, STRAIN RELIEF- 20 POSITIONS	AR	
- 99	2127985	• CATCH,LOCKING SPRING- 14 AND 20 POS CONN	AR	
-100	186960	• TERMINAL,RING	AR	





PART NO.	LIST AND INDEX NO.	PART NO.	LIST AND INDEX NO.	PART NO.	LIST AND INDEX NO.	PART NO.	LIST AND INDEX NO.
71	1 -304	4636-CONT	47 - 89	9092-CONT	33B- 82	10170-CONT	52 - 36
119	15 - 24		51 - 59		35 - 30		52 - 44
	21 - 13		51A- 56		35 -119		53 - 51
	50 - 82		55 - 83		35 -141		53 - 91
	51 - 50		72 - 71		41 -314		54 - 3
	53 - 78	5528	1 - 30		47A- 59		54 - 31
	54 - 85		1 - 40		65 - 7		54 - 37
	68 -101		1 - 87		65 - 90		54 - 45
	71 - 70		1 -113		72A- 65		54 - 65
203	22 - 46		1 -291	10170	4 - 21		54 - 91
	24 - 22		1 -325		5 - 25		55 - 26
	24A- 1		20 - 240		5 - 47		55 - 59
232	4 - 17		35 - 89		8 - 2		55 - 71
266	13 - 4		47A- 70		8 - 7		55 - 77
337	43 - 80		72A- 54		9 - 15		58 - 2
	50 - 23	5644	1 -289		22 - 18		60 - 13
	53 - 24		1 -323		22 - 42		63 - 23
	54 - 28		27 -155		23 - 3		65 - 38
	68 - 27	5677	2 - 18		23 - 5		65 - 51
	71 - 24		2 - 26		23 - 10		65 - 57
367	1 - 62		4 - 10		23 - 32A		66 - 46
	1 - 67	6325	41A- 5		25 - 49		66 - 64
	1 -102	6364	12 - 31		25 - 80		68 - 52
	1 -320		12 - 37		26 - 40		68 - 68
	50 - 39		21 - 47		27 - 9		68 - 98
	71 - 34		23 - 4		27 -178		69 - 50
453	15 - 17G		23 - 6		29 - 40		69 - 55
909	33A- 91		23 - 15		29 - 46		69 - 71
2300	29 - 6		23 - 32B		29 - 50		71 - 6
	30 - 6		23 - 39		30 - 15		71 - 66
3550	7 - 60		26 - 24		30 - 39		71 - 81
	15 - 50		26 - 41		30 - 44		71 - 98
	15 - 52		27 -156		30 - 48		72 - 52
	15 -118		31 - 10		31 - 15		72A- 20
	15 -157		31 - 16		33B- 2		72A- 30
	21 -109		33B- 49C		35 - 48		72A- 60
	27 -164		35 - 68		35 - 70		74 - 25
	33 - 46		35 - 71		36 - 2		74 - 57
	33A- 42		41 -160		41 - 29		74 - 67
	35 -136		41 -163		41 - 42		75 - 44
	43 - 22		41 -172		41 - 46		75 - 95
	44 - 8		47A- 66		41 - 59		76 - 46
	45 - 7		56 - 2		41 - 82		77 - 10
	46 - 8		56 - 61		41 - 89		78 - 13
	47 - 15		65 - 82		41 -100		54 - 61
	47A- 19		65 -159		41 -117	10295	15 - 5
	48 - 16		66 - 47		41 -125	10309	15 - 17G
	48 - 28		72A- 72		41 -138		15 - 17H
	49 - 24		75 - 47		41 -200	11598	15 - 178
	50 - 15	6935	15 - 8		41 -219		15 - 22
	51A- 64		15 - 63		41A- 3		16 - 17
	53 - 15		15 - 72		41A- 11		21 - 6
	53 - 28		15 -119		41A- 13		33 - 95
	54 - 19		21 - 52		41A- 33		33B- 81
	67 - 7		27 -131		43 - 4		34 - 8
	68 - 18		27 -163		43 - 18		35 -102C
	68 - 34		29 - 69		43 - 30		35 -120
	70 - 9		30 - 74		47 - 59		35 -140
	71 - 20		33B- 6		47 - 63		36 - 47
	72 - 7		33B- 85		47A- 3		43 - 78
	72A- 45		35 -137		47A- 12		47A- 61
	72A- 49		36 - 6		47A- 27		50 - 13
	73 - 7		65 -164		48 - 68		50 - 19
	74 - 6	8447	21 - 8		48 - 73		50 - 39
3960	5 -104	9092	15 - 21		49 - 4		71 - 37
	15 - 42		15 - 45		49 - 58		72A- 66
	15 -126		15 -136		49 - 62	11891	36 -110
	25 - 2		15 -141		50 - 3		51 - 68
	27 -126		15 -149		50 - 29		52 - 52
	30 - 26		21 - 5		50 - 32		54 - 24
	33B- 44		21 - 60		50 - 51		55 - 17
	35 -138		33 - 49		50 - 77		68 - 23
	36 - 61		33 - 53		50 - 94		69 - 18
	41 -305		33 - 57		51 - 5A		71 - 13
	53 - 30		33 - 64		51 - 31	15484	54 - 20
	68 - 36		33 - 94		51 - 55	15887	1 -164
4553	15 - 4		33 -105		51A- 29		27 -108
4636	13 - 41		33A- 45		51A- 34	18004	7 - 62
	41 -291		33A- 49		51A- 53	18272	33B- 78
	41 -293		33A- 53		52 - 29	19587	62 - 2

PART NO.	LIST AND INDEX NO.	PART NO.	LIST AND INDEX NO.	PART NO.	LIST AND INDEX NO.	PART NO.	LIST AND INDEX NO.
19944	41 -287	32042-CONT	2 - 21	34512-CONT	5 - 22	37989	65 -121
22349	15 - 17H		2 - 23		5 - 27	38051	47 - 22
22478	1 - 51		2 - 31		5 - 56		48 - 23
	1 - 95		2 - 33		5 - 59		49 - 22
	12 - 14		15 - 96		5 - 75		51A- 61
	12 - 19		15 -114		5 - 78		72 - 13
	15 - 58		15 -130		5 - 82		74 - 13
	15 -104		15 -151		5 - 85	38235	27 - 36
	21 - 66		18 - 60H		5 - 94		33B- 61
	21 - 91		19 - 36		5 - 97		35 - 64
	27 -148		20 - 24A		12 - 13		35 - 99
	33 - 42		21 - 26		12 - 29		36 - 51
	33A- 39		30 - 12		15 -103		36 - 94
	33B- 28		33 - 48		18 - 60B		43 - 1
	36 - 35		33 - 56		19 - 43		47 - 67
	48 - 81		33 - 61		20 - 24G		47 - 71
	49 - 74		33 - 63		20 - 63		51A- 59
	50 - 73		33A- 44		20 - 66		76 - 48
	50 - 84		33A- 52		21 - 24	38264	75 - 38
	51 - 52		33B- 55		21 - 65	38265	58 - 30
	51 - 53		34 - 19		21 - 90	38266	60 - 8
	51 - 60		35 - 6		27 - 10		63 - 10
	51A- 51		35 -102A		27 -167	38348	33B- 59
	52 - 80		35 -115		29 - 23		36 -125
	53 - 79		39 - 13		30 - 29	38350	41 -162
	54 - 87		40 - 13		32 - 6	38351	41 -119
	55 - 30		41 -266		36 - 80		41 -127
	55 - 64		41 -285		36 - 91		65 - 40
	68 -102		48 - 46		41 -104B	38352	27 -152
	71 - 48		49 - 37		41 -203		75 - 46
	71 - 71		51 - 17		41 -235	38354	22 - 7
	74 - 76		51A- 14		41 -271		27 -111
24107	15 - 10		55 - 38		47 - 24	38391	17 - 23
	21 - 16		65 - 44		48 - 30		18 - 38
	21 - 87		71 - 88		49 - 31		19 - 47
25627	5 - 35		74 - 38		51 - 77		20 - 11
	5 - 38		75 - 14		51A- 72	38434	14 - 4
	5 - 71		78 - 19		65 - 37	38442	47A- 28
	12 - 18	32617	1 - 56		65 - 72		51 - 34
	15 - 57		1 -100		65 -119J		51A- 30
	15 - 85		27 -144		65 -129		52 - 45
	18 - 59		33 - 52		72 - 2		55 - 81
	19 - 40		33 -101		74 - 2		69 - 70
	21 - 82		33A- 48		75 - 42		72A- 61
	27 - 72		41 -112	35739	22 - 11		74 - 72
	27 - 91		41 -178		29 - 10	38443	27 -153
	36 - 74		47A- 34		31A- 2		43 - 2
	36 - 77		47A- 57		31A- 6		50 - 9
	36 - 85		50 - 87		38 - 19		53 - 9
	36 - 88		51A- 12		39 - 22		54 - 11
	51 - 51		52 - 16		40 - 19		68 - 9
	65 -131		53 - 83		41 - 20		71 - 43
25891	50 - 36		65 -123		41 -195	38447	76 - 43
25895	33 - 76		68 - 61		41 -197	38450	47 - 81
	33A- 72		69 - 31		41 -206		72 - 76
27760	25 - 3		72A- 35		41 -213	38451	48 - 87
28413	1 -141		72A- 63		41 -225		49 - 68
	1 -175	33370	27 - 56		41A- 19		51 - 25
	1 -228	34512	1 - 7		49 - 10		74 - 82
	1 -241		1 - 25		74 - 31	38452	48 - 78
	1 -265		1 - 35		75 - 64		49 - 66
	2 - 6		1 - 42		75 -106		51 - 38
	15 - 92		1 - 47		78 - 37		51A- 22
	33 - 56		1 - 82	36109	33B- 7		51A- 38
	33A- 58		1 - 89		36 - 7		52 - 49
	33B- 39		1 - 91	36844	30 - 62		55 - 13
	33B- 63		1 -108		35 -135		55 - 88
	33B- 69		1 -117	36883	5 - 87		69 - 75
	35 -101		1 -145	37066	23 - 43		74 - 61
	35 -105		1 -202		25 - 71	38454	48 - 80
	35 -124		1 -205		26 - 18		49 - 73
	36 - 89		1 -271		25 - 38		74 - 75
	36 -117		1 -280	37913	27 - 41		75 - 52
	47A- 72		1 -294		33 -106		75 -111
	65 - 6		1 -310		63 - 9	38686	41 -303
	72A- 75		1 -328		63 - 20	38688	15 -117
32042	2 - 2		5 - 2		63 - 27		21 - 51
	2 - 4		5 - 13		66 - 140		27 -162
	2 - 7		5 - 16		75 - 40		65 -163
	2 - 9		5 - 19	37935	15 - 17F	42003	65 -119D

PART NO.	LIST AND INDEX NO.	PART NO.	LIST AND INDEX NO.	PART NO.	LIST AND INDEX NO.	PART NO.	LIST AND INDEX NO.
44262	41 -193	55726-CONT	33A- 11	55901-CONT	28 - 9	55918-CONT	51A- 18
45624	67 - 19		33A- 19		29 - 4		52 - 18
	70 - 13		33A- 27		29 - 7		65 - 89
45690	15 -131		35 - 73		29 - 15		69 - 33
	30 - 56		35 - 95		29 - 18		74 - 40
	33 - 50		36 -101		29 - 24		78 - 8
	33 - 54		41 - 16		29 - 54		78 - 17
	33 - 58		41 -131		30 - 4	56079	15 - 93
	33 - 65		41 -165		30 - 7		15 -115
	33A- 46		41 -195		30 - 18		16 - 18
	33A- 50		41 -197		30 - 30		16 - 23
	33A- 54		41 -211		30 - 52		29 - 32
	33A- 60		43 - 38		32 - 7		29 - 62B
	33A- 90		43 - 55		35 -145		29 - 72
	35 - 29		43 - 59		41 - 6		29 - 75
	35 -112		43 - 62		41 - 9		30 - 13
	35 -131		43 - 71		41 - 25		30 - 37
	36 -112		47 - 42		41 - 51C		30 - 66
	47A- 58		47 - 55		41 - 51F		30 - 67B
	50 - 15		47 - 82		41 -134		30 - 77
	50 - 21		48 - 50		41 -136		30 - 80
	50 - 38		48 - 57		41 -151		32 - 3
	51 - 69		49 - 12		41 -154		33 - 38
	52 - 54		49 - 48		41 -191		33 - 72
	55 - 19		50 - 64		41 -204		33A- 35
	68 - 25		50 - 68		41 -223		33A- 59
	69 - 20		51 - 8		41 -236		33A- 67
	71 - 35		51 - 47		41 -239		33A- 92
	72A- 64		51A- 9		41A- 16		33B- 11
	76 - 60		51A- 74		41A- 50		34 - 7
47242	15 -135		52 - 12		47 - 76		35 - 93
	15 -140		52 - 22		47 - 86		35 -102B
	21 - 59		52 - 68		47A- 63		36 - 11
47987	1 -163		52 - 73		48 - 82		36 - 46
	23 - 44		53 - 32		48 - 85		36 -128
	25 - 70		53 - 63		49 - 71		39 - 6
	26 - 19		53 - 75		49 - 75		39 - 9
	67 - 20		54 - 76		50 - 83		40 - 6
	70 - 14		54 - 83B		51 - 61		40 - 9
48594	1 -302		55 - 14		51A- 50		41 -113
	27 -117		55 - 36		51A- 57		41 -157
	33B- 23		55 - 47		52 - 67		41 -179
	36 - 31		55 - 73		52 - 79		41 -267
52570	23 - 42		68 - 38		53 - 80		47A- 60
	25 - 72		68 - 88		54 - 35		48 - 91
	26 - 17		68 - 90		54 - 86		49 - 79
52618	67 - 18		69 - 13		55 - 84		50 - 14
	70 - 12		69 - 42		55 - 93		50 - 37
53193	33 - 85		69 - 78		61 - 7		54 - 25
	33A- 83		69 - 89		61 - 10		54 - 62
	52 - 76		71 - 27		61 - 13		65 - 45
	69 - 16		71 - 30		65 - 33		65 - 96
53287	15 - 81		71 - 58		65 - 73		65 - 99
	21 - 20		71 - 62		65 -132		65 -124
54291	47A- 71		72 - 38		65 -139		65 -133
	72A- 55		72 - 61		68 -103		68 - 24
55586	15 - 64		72 - 73		69 - 82		71 - 13A
	27 -128C		74 - 45		69 - 87		71 - 36
	27 -132		74 - 63		71 - 72		72A- 67
	27 -132C		75 -105		72 - 68		74 - 86
55726	1 -123	55901	4 - 14		72A- 69		75 - 15
	1 -132		4 - 18		74 - 77		78 - 24
	1 -159		5 - 3		74 - 80		78 - 27
	1 -210		5 - 14		75 - 11		78 - 32
	1 -219		5 - 17		75 - 20	56121	33 -102
	1 -234		5 - 20		75 - 43		36 -111
	1 -249		5 - 23		75 - 81		50 - 20
	1 -258		5 - 28		75 -114		51 - 70
	17 - 52		5 - 57	55918	15 - 44		52 - 53
	17 - 55		5 - 60		27 - 93		55 - 18
	18 - 68		5 - 62		33B- 56		69 - 19
	18 - 71		5 - 76		33B- 86	56722	5 - 92
	19 - 64		5 - 79		33B- 93		16 - 2
	19 - 67		5 - 83		36 - 45		16 - 13
	20 - 38		5 - 95		38 - 15		16 - 22
	29 - 20		5 - 98		39 - 15		26 - 9
	30 - 23		5 -106		40 - 15		26 - 14
	33 - 10A		23 - 21		48 - 48		26 - 44
	33 - 18		23 - 23		49 - 43		28 - 3
	33 - 29		26 - 19C		51 - 20		28 - 12

PART NO.	LIST AND INDEX NO.	PART NO.	LIST AND INDEX NO.	PART NO.	LIST AND INDEX NO.	PART NO.	LIST AND INDEX NO.
56722-CONT	28A- 8	56722-CONT	53 - 64	58207-CONT	5 -107	62031-CONT	55 - 72
	28A- 12		53 - 70		15 - 69B		55 - 78
	28A- 19		53 - 76		21 - 63		68 - 49
	29 - 21		53 - 92		29 - 3		68 - 58
	29 - 28		54 - 32		29 - 17		69 - 56
	29 - 41		54 - 38		29 - 53		69 - 72
	29 - 47		54 - 50		30 - 3		72 - 53
	29 - 51		54 - 66		30 - 51		74 - 17
	30 - 24		54 - 77		33 - 2		74 - 68
	30 - 34		54 - 830		33 - 80		74 - 73
	30 - 40		54 - 92		33A- 2	65756	41 - 148
	30 - 45		55 - 15		33A- 74		45 - 3
	30 - 49		55 - 60		33A- 78		46 - 7
	33B- 35		55 - 74		36 - 71		47 - 14
	36 - 42		57 - 13		41 -133		48 - 15
	36 - 95		58 - 3		41 -150		48 - 27
	36 - 99		64 - 2		41 -153		51A- 67
	41 - 17		65 - 41		41 -190		67 - 8
	41 - 21		65 - 48		41 -222		70 - 8
	41 - 30		65 - 58		41A- 49		72 - 6
	41 - 43		66 - 14C		47 - 75		73 - 6
	41 - 50		66 - 65		47 - 77	76574	27 -125
	41 - 60		68 - 39		47A- 62		29 - 61
	41 - 83		68 - 53		48 - 88		30 - 27
	41 - 90		68 - 70		49 - 69		30 - 63
	41 -101		68 - 93		49 - 70		33B- 45
	41 -108		68 - 99		52 - 66		33B- 66
	41 -116		69 - 51		54 - 34		36 - 62
	41 -120		69 - 79		61 - 6		41 -304
	41 -124		71 - 28		61 - 9		43 - 23
	41 -128		71 - 31		61 - 12		44 - 7
	41 -132		71 - 59		65 - 32		50 - 14
	41 -139		71 - 63		65 - 34		53 - 16
	41 -143		71 - 67		69 - 81		53 - 29
	41 -166		71 - 79		72 - 55		54 - 18
	41 -201		71 - 84		72 - 58		68 - 17
	41 -230		71 - 99		72A- 68		68 - 35
	41 -246		72 - 14		74 - 79		71 - 18
	41A- 14		72 - 62		74 - 83	78952	41 -102
	41A- 34		72 - 74		75 - 10	78999	30 - 1
	43 - 7		72A- 31		75 - 80		33 - 83
	43 - 14		72A- 41		75 - 91		33A- 81
	43 - 19		72A- 74		75 -113	79779	35 - 3A
	43 - 31		74 - 12		78 - 10		36 - 55
	43 - 39		74 - 58		27 - 57	80352	55 - 10
	43 - 42		74 - 64	58865	15 - 41	80650	43 - 76
	43 - 60		75 - 50	59648	47 - 78	80651	25 - 18
	43 - 63		75 - 61	60646	50 - 72		33B- 41
	43 - 66		75 - 65		55 - 32		33B- 72
	43 - 72		75 - 96		55 - 63		36 -119
	47 - 21		75 -107		65 -119E		36 -121
	47 - 56		76 - 44		65 -119K	81693	10 - 14
	47 - 83		77 - 11		71 - 47		10 - 21
	47A- 13		78 - 14		72 - 56		10 - 30
	47A- 15	58207	1 - 17		72 - 59		12 - 35
	47A- 67		1 -125		15 - 83		16 - 12
	48 - 22		1 -127	61486	65 -102		16 - 20
	48 - 51		1 -134		27 -165C		28A- 7
	48 - 74		1 -136	62031	31 - 3		28A- 11
	49 - 13		1 -147		31 - 7		30 - 20
	49 - 21		1 -149		31A- 3		31 - 2
	49 - 59		1 -151		31A- 7		31 - 6
	50 - 30		1 -161		47 - 60		36 - 98
	50 - 33		1 -170		47 - 64		41A- 36
	50 - 49		1 -184		47 - 68		47 - 20
	50 - 52		1 -187		47 - 72		47A- 9
	50 - 55		1 -194		48 - 35		47A- 14
	50 - 65		1 -196		48 - 69		48 - 21
	50 - 69		1 -212		49 - 17		49 - 20
	50 - 78		1 -214		49 - 63		50 - 8
	50 - 95		1 -221		50 - 55		53 - 8
	51 - 5B		1 -223		51 - 32		54 - 10
	51 - 48		1 -236		51 - 35		58 - 25
	51 - 56		1 -251		51A- 31		61 - 3
	51A- 35		1 -253		51A- 60		64 - 40
	51A- 54		1 -260		52 - 37		66 - 61
	52 - 30		1 -273		52 - 46		68 - 8
	52 - 69		1 -275		53 - 42		71 - 11
	53 - 33		5 - 33		53 - 49		72 - 12
	53 - 52		5 - 72		55 - 27		72A- 23

PART NO.	LIST AND INDEX NO.	PART NO.	LIST AND INDEX NO.	PART NO.	LIST AND INDEX NO.	PART NO.	LIST AND INDEX NO.
81693-CONT	72A- 40	130434-CONT	30 - 36	186399	1 -162	186759-CONT	74 - 62
	74 - 11		30 - 65	186596	79 -140	186924	14 - 19
81898	75 - 98		39 - 8	186712	6 - 14	186944	65 -148
	21 - 33		40 - 8		7 - 5	186950	15 -159
82353	65 -145		41 -156		9 - 13		21 -111
	41 -106		65 - 98		10 - 12	186959	79 -126
	48 - 10		78 - 26		10 - 17	186960	79 -100
	49 - 9	130987	338- 79		10 - 19	186968	79 - 42A
	74 - 30	132768	51 - 16		10 - 28	187243	41A- 42
82725	79 - 41	132771	68 - 82		12 - 8		66 - 35
83606	2 - 12	132784	43 - 50	186758	5 - 32		76 - 34
	2 - 14		73 - 2		5 -102		79 - 64
	65 - 92	133743	50 - 60		13 - 3	187459	79 - 81
	78 - 31	138754	30 - 53		33 - 40	187467	65 - 23
90261	338- 67		41A- 9		33A- 37		75 - 82
	36 - 65	138756	29 - 55		47 - 85	187470	48 - 3
91469	35 - 53		30 - 60		51A- 49	187479	23 - 9
91610	338- 74		41 -174		52 - 78	187843	55 - 3
	338- 91	139326	15 - 17		55 - 42	187854	41 - 52
92748	29 - 63	141964	62 - 15		55 - 92	187855	21 - 30
	30 - 68	141967	62 - 18		69 - 86		65 -142
92784	5 - 45	141969	62 - 22		72 - 67	187858	35 - 51
	32 - 8	141971	62 - 21	186759	1 -238	188609	79 - 23
	79 - 42	141977	62 - 16		1 -262	189138	41 - 92
94856	44 - 2	141981	62 - 23		5 - 6		66 - 1
	57 - 5	147297	27 -113		6 - 9		76 - 4
95961	25 - 75	149695	4 - 22		6 - 16	189844	62 - 12
101807	24 - 2	149908	5 -103		7 - 18	190822	64 - 10
	24 - 11	150209	35 - 20		7 - 24		64 - 20
	24 - 27	151598	21 - 22		7 - 36	191477	41 - 31
	24A- 1A	154350	62 - 1		7 - 48	191480	29 - 33
101922	35 - 69	156909	62 - 26		7 - 64	191481	47 - 3
104615	41 -104A	160017	338- 84		7 - 66		51 - 39
105826	62 - 10		43 - 21		9 - 9		51A- 39
105832	62 - 11		44 - 6		9 - 22		72 - 19
105835	62 - 27		45 - 2		11 - 15	194355	15 - 84
107177	62 - 4		46 - 6		11 - 28		21 - 23
107611	23 - 19		47 - 13		11 - 34	203801	48 - 37
107669	41 -103		47A- 18		12 - 10		49 - 19
109918	4 - 4		48 - 14		12 - 33		74 - 19
110286	27 -128B		48 - 26		12 - 46	204464	35 - 17
	27 -132B		49 - 25		12 - 49	204499	65 -116
112628	4 - 6		50 - 13		12 - 51	205329	41A- 44
	15 -109		51A- 63		23 - 20		60 - 2
	21 - 68		53 - 17		26 - 19B	205331	66 - 33
	21 - 93		54 - 17		29 - 14		76 - 36
113750	79 - 43		67 - 9		30 - 17	206421	15 - 80
115552	62 - 3		68 - 16		33 - 91		21 - 19
120211	15 - 2		70 - 7		33A- 87	207310	43 - 57
	15 -139		71 - 17		35 -104	207320	44 - 3
	39 - 5		72 - 5		35 -125	207324	44 - 3
	40 - 5		72A- 44		36 - 28		45 - 5
	65 - 95		72A- 48		36 -108		46 - 1
	78 - 23		73 - 5		41 - 51B		52 - 41
120837	62 - 20		74 - 5		41 - 51E		69 - 63
120924	62 - 13	161351	27 -159		41 -135		73 - 1
120925	62 - 17		338- 47		41 -269	208225	44 - 3
120926	62 - 24	165594	62 - 5		41 -273	208226	70 - 3
120942	62 - 9	165595	62 - 28		41 -275	208237	35 -102
121011	62 - 8	167141	15 -148		41 -277	208300	31 - 13
121839	62 - 25		41 -315		41 -280		66 - 58A
122311	62 - 6	173218	62 - 7		41 -283		77 - 15
123070	65 -103	179207	41 -270		47 - 80	208970	43 - 74
124439	79 - 56		41 -290		48 - 77	209002	56 - 44
124582	27 -118	179743	41 - 44		49 - 65		66 - 58C
124843	61 - 11		65 - 61		51 - 24		77 - 17
	62 - REF		75 - 28A		51 - 37		43 - 46
125360	1 -305	180072	21 -116		51A- 21	210324	23 - 8
125872	62 - 14		41 -323		51A- 37	210883	29 - 35
125877	62 - 19		65 -168		52 - 48		35 - 61
125930	1 - 63		75 - 54B		52 - 64		41 - 33
	1 - 68	180894	29 - 68		55 - 87		41 - 54
	1 -103		30 - 73		55 - 90		43 - 6
	1 -321	183900	28 - 8		65 - 12		50 - 54
	33A- 93		50 - 10		65 - 15		51 - 42
126036	29 - 38		53 - 21		65 -114		51A- 43
129334	22 - 34		54 - 26		65 -138		52 - 5
	25 - 37		68 - 10		69 - 74		53 - 47
130434	16 - 21	186036	1 -346		69 - 84		54 - 49
	29 - 31		338- 65		72 - 64		65 - 25

PART NO.	LIST AND INDEX NO.	PART NO.	LIST AND INDEX NO.	PART NO.	LIST AND INDEX NO.	PART NO.	LIST AND INDEX NO.
210883-CONT	68 - 50	216076-CONT	43 - 33	216792	47 - 31	236550-CONT	42 - 8
	69 - 5		47 - 47		47A- 31	236570	15 - 68
	71 - 83		47A- 49	216797	36 - 93		21 - 83
210884	75 - 84		48 - 61		48 - 43	236624	22 - 26
	23 - 7		49 - 52		49 - 38	236849	15 - 96A
	29 - 37		50 - 97		74 - 35		15 - 128
	35 - 60		51 - 9	216885	65 - 126		29 - 62A
	41 - 35		51A- 10	217017	47 - 17		29 - 71
	41 - 56		52 - 25		47A- 21		29 - 74
	50 - 48		53 - 97		48 - 17		30 - 67A
	51 - 43		54 - 68		49 - 26		30 - 76
	51A- 44		55 - 50		50 - 16		30 - 79
	52 - 10		68 - 74		51A- 66		32 - 2
	53 - 41		69 - 44		68 - 20		33 - 37
	65 - 27		71 - 100		69 - 65		33 - 59
	68 - 57		72 - 43		71 - 21		33 - 71
	69 - 10		72A- 10		72 - 9		33A- 21
	75 - 86		74 - 49		72A- 52		33A- 34
210984	21 - 31	216082	35 - 78		74 - 8		33A- 55
	21 - 37	216083	35 - 75	217019	36 - 113		33A- 66
	29 - 34	216085	35 - 74		50 - 16		35 - 84
	33B- 13	216087	35 - 76		51 - 71		35 - 86
	35 - 22		35 - 80		52 - 55		35 - 92
	35 - 52		47 - 49		52 - 59		35 - 107
	35 - 58		48 - 63		55 - 21		35 - 127
	36 - 16		50 - 99		69 - 22		36 - 72
	36 - 22		51 - 10	217077	43 - 11		36 - 75
	41 - 32		53 - 99		47 - 8		36 - 78
	41 - 53		54 - 70		47A- 6		36 - 86
	47 - 4		55 - 52		48 - 9		36 - 127
	48 - 4		68 - 76		49 - 8		41 - 18
	51 - 40		69 - 45		52 - 8		41 - 22
	51A- 40		71 - 102		55 - 8		41 - 110
	52 - 4		72 - 43B		69 - 8		41 - 176
	53 - 6		74 - 51		71 - 9		47 - 34
	55 - 4	216088	35 - 77		72 - 23		47A- 32
	65 - 24		35 - 81		74 - 29		48 - 42
	65 - 143		47 - 48	217082	59 - 6		48 - 90
	65 - 149		48 - 62		66 - 20		49 - 41
	68 - 3		50 - 98		76 - 17		49 - 78
	69 - 4		51 - 11	220856	65 - 118		50 - 89
	72 - 20		53 - 98	220918	35 - 42		51 - 15
	75 - 83		54 - 69	221790	7 - 4		51A- 16
210985	21 - 32		55 - 51		15 - 111B		52 - 14
	21 - 38		68 - 75		30 - 55		53 - 85
	35 - 55		69 - 46		35 - 144		54 - 59
	65 - 144		71 - 101		41 - 5		65 - 119B
	65 - 150		72 - 43A		41 - 8		68 - 63
210986	21 - 34		74 - 50		41 - 24		69 - 29
	21 - 40	216197	50 - 18		41 - 238		71 - 89
	35 - 54		53 - 22		41A- 15		72 - 32
	65 - 146		54 - 23		43 - 36		72A- 33
	65 - 152		68 - 22		48 - 84		74 - 34
211232	59 - 5		71 - 12		55 - 40		74 - 85
211442	20 - 36		43 - 32		75 - 19		75 - 92
213547	31A- 17	216206	50 - 96		33 - 67	237327	50 - 80
213693	50 - 59		53 - 94	222027	33A- 62	237455	53 - 89
	56 - 11		54 - 67		59 - 9		54 - 73
	56 - 17		68 - 71	222098	34 - 6		68 - 66
	56 - 26		71 - 95	223528	33 - 98	237816	41 - 299
	67 - 1	216207	47 - 43		33A- 96	239611	50 - 70
	70 - 5		48 - 58	225815	64 - 37		55 - 61
	71 - 54		49 - 49	234340	15 - 51		27 - 138
213697	31A- 19		51 - 6		15 - 121	244111	22 - 44
215679	66 - 2		51A- 7		15 - 125	250697	22 - 44
	76 - 5		52 - 24		41 - 302	251820	24A- 2
215680	41 - 93		55 - 45		41 - 307	251970	7 - 31
216073	35 - 82		69 - 43		41 - 309		7 - 43
	47 - 50		72 - 40		41 - 318		7 - 55
	48 - 64		74 - 43	234341	41 - 318		22 - 13
	50 - 100		79 - 125		15 - 153		33 - 9
	51 - 12	216265	25 - 51		15 - 155		33 - 104
	53 - 100	216297	77 - 5		21 - 104		33A- 9
	54 - 71	216323	33 - 39		21 - 107		33B- 34
	55 - 53	216362	67 - 14	234344	15 - 49		35 - 8
	68 - 77	216425	5 - 44		15 - 156		35 - 19
	69 - 47	216448	59 - 8		21 - 108		36 - 41
	71 - 103	216452	66 - 21	234565	27 - 147		41 - 168
	74 - 52		76 - 18	234742	30 - 57		41A- 24
216076	35 - 79	216492	59 - 7	236550	27 - 136		41A- 28
					41A- 46		58 - 9

PART NO.	LIST AND INDEX NO.	PART NO.	LIST AND INDEX NO.	PART NO.	LIST AND INDEX NO.	PART NO.	LIST AND INDEX NO.
251970-CONT	58 - 27	257189-CONT	51 - 54	301679	72A- 17	317026	31A- 21
	58 - 34		51 - 62	301815	53 - 58	317057	64 - 30
	58 - 37		51A- 52	302088	41A- 39	317077	51A- 25
	63 - 2		52 - 81		42 - 20	317082	30 - 69A
	65 - 9		53 - 81		66 - 40	317131	21 - 39
	68 - 13		54 - 88		76 - 40		41A- 18
	77 - 8		55 - 33	302089	41A- 40		65 -151
253453	79 - 55A		55 - 65		42 - 9	317138	35 - 49
253740	16 - 33		55 - 85		42 - 12		42 - 15
	79 - 44		55 - 94		42 - 19		61 - 1
255629	33B- 89		65 - 74		58 - 14	317145	43 - 12
257186	66 - 18		65 -119F		66 - 39	317199	53 - 61
	76 - 15		65 -119L		76 - 39		68 - 87
	1 - 28		68 -104	302090	41A- 38	317200	50 - 63
	1 - 38		69 - 88		42 - 17		53 - 62
	1 - 85		71 - 46		60 - 7		54 - 83A
	1 -111		71 - 73		66 - 37		68 - 89
	1 -292		72 - 69		76 - 37		71 - 57
	1 -326		74 - 78	302131	41A- 45	317232	23 - 11
	16 - 3		75 -115		42 - 21		31 - 1
	16 - 14	257284	79 -138		60 - 11		31A- 1
	23 - 16	257957	8 - 4		66 - 41		41 -224
	26 - 10	257959	7 - 33		76 - 41	317276	50 - 62
	26 - 15		7 - 45		29 - 1		71 - 55
	28 - 13		7 - 57	303549	41A- 4	317286	33B- 58
	28A- 20	257965	5 - 9	311462	1 - 43		36 -124
	33B- 49D	257966	1 -301	313246	41A- 7	317296	31A- 29
	35 - 67	257983	21 -116A	313361	12 - 23		79 - 28
	41 - 40		41 -323A		12 - 26	317297	79 - 28A
	41 - 49		65 -168A		79 - 45	317298	79 - 288
	41 -142		75 - 54C	313735	15 -111E	317299	79 - 28C
	41 -159	257984	1 -303	313997	35 - 15	317300	79 - 28D
	41 -171		33 - 64	314047	47 - 66	317310	41 -205
	41 -198		65 - 10		47A- 54		61 - 2
	41 -209	257985	27 - 40		72A- 15	317314	41 -232
	41 -216		27 - 97	316144	64 - 7		52 - 9
	43 - 41		33 - 65	316187	29 - 58		69 - 9
	43 - 67	257986	10 - 22		38 - 20	317350	67 - 13
	47 - 69		10 - 31		39 - 20	317428	12 - 24
	47 - 73		12 - 30		40 - 20		31A- 15
	47A- 16		12 - 36		66 - 59		31A- 23
	47A- 68		21 - 46		77 - 21	317429	55 - 68
	48 - 36		23 - 38		78 - 35	317432	56 - 46
	49 - 18		26 - 23	316807	41 - 39	317433	66 - 58D
	51A- 58		27 - 44		47A- 65		77 - 18
	53 - 71		27 -165D		72A- 71	317766	25 - 33
	56 - 1		30 - 21		51 - 75		42 - 14
	56 - 60		31 - 17	316996	52 - 56		58 - 11
	56 - 62		33B- 49B		55 - 22	317767	25 - 29
	64 - 1		43 - 64		69 - 23		42 - 11
	65 - 49		43 - 73	317001	64 - 16		58 - 13
	68 - 94		47A- 10		66 - 49	317768	42 - 13
	72A- 42		48 - 34		76 - 50		58 - 15
	72A- 73		49 - 16	317003	64 - 18	317889	24A- 34
	74 - 18		50 - 34		64 - 22		24A- 42
	75 - 62		50 - 56		66 - 52	319300	27 - 92
	75 - 66		50 - 79		76 - 53	320297	31 - 11
	75 -107A		53 - 34	317004	64 - 6	320451	18 - 58
	76 - 45		53 - 65		64 - 26		19 - 39
	78 - 6		54 - 39	317006	56 - 33		20 - 24C
257189	1 - 49		54 - 51		64 - 3	320661	64 - 29
	1 - 93		54 - 83C	317008	56 - 42	321196	56 - 41A
	1 -139		65 -158	317009	31A- 20	321269	54 - 82
	1 -173		66 - 62		56 - 43	321271	24A- 2A
	1 -226		68 - 40		66 - 58B		31A- 9
	1 -243		71 - 32		77 - 16		71 - 51
	1 -267		71 - 60	317010	64 - 15	321397	15 -111F
	5 -105		71 - 68		64 - 23	321603	33B- 32
	27 -100		71 - 85		66 - 50		36 - 39
	27 -150		72A- 25		76 - 51	322025	79 -124
	29 - 25		74 - 16	317015	31A- 24	322028	15 - 62
	30 - 31	259009	79 -123		54 - 78		27 -124
	33B- 30	264641	1 - 58		56 - 47	322029	15 - 7
	34 - 14		79 - 89	317016	64 - 24		15 - 71
	36 - 37	287502	13 - 9	317017	57 - 6		27 -130
	47 - 87		13 - 24	317018	31A- 11		33 - 45
	48 - 83	300721	64 - 14	317019	47 - 65		33A- 41
	49 - 76		64 - 25		47A- 53		41 -316
	50 - 74		66 - 51	317020	31A- 14	322061	15 - 17A
	50 - 85		76 - 52	317022	35 - 96A	322065	16 - 1



PART NO.	LIST AND INDEX NO.	PART NO.	LIST AND INDEX NO.	PART NO.	LIST AND INDEX NO.	PART NO.	LIST AND INDEX NO.
322065-CONT	26 - 8 26 - 13 27 -165B 28 - 2 28 - 11 28A- 18 36 - 52 41 -115 41 -123 41 -229 41 -233 41 -245 43 - 65 57 - 12 75 - 49 75 - 60 21 - 41 65 -153 43 - 15 31A- 16 50 - 60 54 - 80 5 - 91 25 - 14 26 - 43 27 - 52 27 - 85 29 - 27 30 - 33 33B- 62 41 -107 43 - 13 50 - 47 53 - 48 54 - 54 65 - 47 65 - 81 68 - 48 71 - 78 78 - 5 21 - 45 65 -157 24 - 6 24A- 10A 29 - 57 38 - 21 39 - 19 40 - 21 56 - 59 78 - 34 56 - 5 41 -313 29 - 12 15 - 87 43 - 26 44 - 9 45 - 6 46 - 9 47 - 18 48 - 19 48 - 24 67 - 5 68 - 19 70 - 10 72 - 10 73 - 8 74 - 9 29 - 36 43 - 54 56 - 40 38 - 22 39 - 21 41 - 55 41 -212 31A- 5 40 - 22 41 - 34 47 - 9 47A- 7 51 - 41	323839-CONT 51A- 42 72 - 25 72A- 22 65 - 26 75 - 85 78 - 36 43 - 53 22 - 33 23 - 14 25 - 67 68 - 41 42 - 7 324513 324514 325439 325440 325660 33A- 70 53 - 27 68 - 33 55 - 24 69 - 68 27 - 35 66 - 60 327922 18 - 60G 19 - 35 20 - 24 41 -281 41 -286 65 -128 5 - 84 41 -282 33B- 27 36 - 34 332585 52 - 60 69 - 27 41 -173 332620 15 - 13 15 - 89 21 - 3 21 - 76 33B- 10 33B- 49 33B- 52 35 - 28 36 - 10 36 -104 47 - 30 47 - 36 47A- 37 50 - 87 54 - 57 72 - 30 72 - 34 72A- 38 41 -231 1 -299 27 -160 15 - 40 31A- 22 15 - 99 334012 79 - 28G 79 - 28H 41A- 8 334635 334768 32 - 9 79 -124A 43 - 49 54 - 89 67 - 3 78 - 12 79 - 42B 23 - 17 31 - 18 31A- 4 33B- 36 38 - 17 39 - 17 40 - 17 41 -148 41A- 17 43 - 10	323840 323841 323918 323925 324513 324514 325439 325440 325660 326367 327921 327922 327923 331982 332585 332589 332620 332628 332747 333064 333202 334012 334219 334220 334635 334768 334900 334910 334921	334921-CONT 43 - 8A 47 - 7 47A- 5 48 - 8 49 - 7 51 - 40A 52 - 7 54 - 46 55 - 7 55 - 9 61 - 15 65 - 30A 65 - 61B 69 - 7 71 - 8 72 - 24 74 - 28 75 - 68 75 - 89A 79 - 42C 48 - 54 50 - 62 64 - 38 28A- 15 35 - 96B 36 - 96 47 - 32 47 - 39 47A- 30 47A- 45 48 - 44 49 - 39 51 - 16A 74 - 36 79 - 42D 47 - 61 47A- 52 48 - 66 49 - 60 51 - 27 51A- 27 52 - 34 55 - 79 58 - 28 69 - 52 69 - 53 72 - 48 72A- 12 74 - 65 69 - 62 43 - 52 68 - 80 71 - 50 25 - 31 79 - 46 51 - 26 55 - 75 41 -175 68 - 83 79 - 47 79 - 66 1 -185 29 - 56 43 - 81 47 - 25 47A- 25 48 - 31 49 - 32 50 - 24 51 - 78 51A- 73 53 - 25 54 - 29 68 - 28 71 - 25 72 - 3 72A- 58 74 - 3 15 -110 21 - 69	334923 334928 334932 335017 335131 335138 335239 335327 335328 335474 335486 335970 335971 336003 337193 337549 338169	338169-CONT 21 - 94 41A- 31 58 - 10 58 - 35 63 - 5 63 - 11 66 - 17 66 - 58 75 - 39 76 - 14 77 - 14 27 - 96 27 -167B 33 - 63 33B- 19 35 - 14 36 - 13 66 - 16 76 - 13 79 - 57A 55 - 12 342077 343747 344015 347805 347807 349736 349902 350665 350836 350837 351228 352121 352825 352827 352870 353526 353598 353632 354474 355683 356705 356742 357433 359695 360363 360370 360433 360882 360902 362206 362243 363447 364433 368168 368353	21 - 94 41A- 31 58 - 10 58 - 35 63 - 5 63 - 11 66 - 17 66 - 58 75 - 39 76 - 14 77 - 14 27 - 96 27 -167B 33 - 63 33B- 19 35 - 14 36 - 13 66 - 16 76 - 13 79 - 57A 55 - 12 342077 343747 344015 347805 347807 349736 349902 350665 350836 350837 351228 352121 352825 352827 352870 353526 353598 353632 354474 355683 356705 356742 357433 359695 360363 360370 360433 360882 360902 362206 362243 363447 364433 368168 368353

PART NO.	LIST AND INDEX NO.	PART NO.	LIST AND INDEX NO.	PART NO.	LIST AND INDEX NO.	PART NO.	LIST AND INDEX NO.
368353-CONT	36 - 12	374989	43 - 28	438589	27 - 79	473582	36 - 114
369207	15 - 160E	375316	35 - 38	438592	50 - 71		51 - 73
	41A- 1	381741	1 - 72		55 - 62		52 - 57
369208	41 - 1		21 - 75E		71 - 45		55 - 20
	65 - 2		21 - 75G	438593	55 - 29		69 - 21
	75 - 1	383608	27 - 119	438601	15 - 98	473592	47 - 16
369214	43 - 77	418835	15 - 82	438602	15 - 147		47A- 20
369611	31A- 12		21 - 21		30 - 10		48 - 18
	64 - 28	419130	50 - 75		50 - 91		49 - 27
369631	31A- 10		51 - 72		53 - 87		51A- 68
369652	31A- 28		55 - 66		68 - 65		72 - 8
	56 - 16		71 - 49		71 - 92		72A- 50
	56 - 22	419184	56 - 10	438605	35 - 111		74 - 7
	56 - 31		56 - 23		35 - 130	473629	11 - 32
	56 - 34		56 - 25	438611	29 - 60		41 - 86
	58 - 31	419190	43 - 48	438623	30 - 25	475992	25 - 92
	59 - 12	430798	79 - 33A	440514	64 - 4	477974	33B- 37
	64 - 12	437261	71 - 44	442499	57 - 1		36 - 63
	66 - 24	438538	27 - 106	442958	53 - 72	478012	75 - 108
	66 - 58E	438539	73 - 11		55 - 34		76 - 42
	76 - 21	438547	27 - 69		68 - 96	478043	36 - 115
	77 - 19	438548	33 - 4		48 - 32		51 - 74
369654	31A- 27		33A- 4	443052	49 - 14		51A- 69
	56 - 30		33B- 21		74 - 14		52 - 58
	59 - 11		35 - 143	445304	43 - 70		55 - 23
	64 - 11		36 - 67	450957	33B- 57		69 - 24
	64 - 21		41A- 30		36 - 123	478045	43 - 37
	66 - 23		42 - 6	458813	79 - 70		43 - 58
	66 - 48		52 - 71	465627	75 - 93		43 - 75
	76 - 20		53 - 67	471672	22 - 27		47 - 70
	76 - 49		58 - 18		25 - 76	479168	52 - 39
369849	43 - 44		58 - 22	472168	15 - 108		53 - 53
372688	12 - 28		58 - 39		21 - 67		68 - 86
372965	49 - 50		60 - 15		21 - 92		69 - 59
	74 - 47		63 - 4		25 - 17	479714	47 - 53
372966	47 - 46		66 - 10	472250	67 - 16		48 - 71
	47A- 39		66 - 13	472579	70 - 2		49 - 55
	51 - 1		69 - 15	472639	12 - 27		51 - 3A
	51A- 4		69 - 67	472707	33B- 73		51A- 3
	72 - 41		76 - 10	472729	15 - 75		52 - 32
	72A- 1	438549	25 - 30		41 - 248		55 - 56
372969	55 - 49		66 - 148	473412	41 - 169A		69 - 38
372973	47 - 45		66 - 38	473422	41 - 169		72 - 45
	47A- 40		76 - 38	473530	43 - 29		74 - 54
	48 - 60	438550	22 - 48		47 - 41	479999	5 - 7
	49 - 51		27 - 39		48 - 56	481439	72 - 50
	50 - 4		42 - 8		49 - 47		72A- 13
	52 - 27		42 - 18		51 - 7		74 - 69
	53 - 2		58 - 12		51A- 8	481443	51 - 28
	55 - 48		59 - 4		52 - 21		51A- 23
372975	48 - 59		66 - 30		55 - 46	481447	69 - 61
374223	35 - 34		76 - 27		69 - 41	481484	46 - 2
374771	52 - 26	438551	27 - 74		72 - 37	481613	52 - 42
	69 - 39		27 - 76		74 - 44		53 - 56
374772	51 - 2		66 - 44	473531	33B- 42		68 - 85
	51A- 5		66 - 57		33B- 71		69 - 60
	54 - 5		77 - 13		35 - 4	481921	46 - 3
	68 - 4	438552	27 - 76C		36 - 56	482188	5 - 8
	69 - 40		76 - 32		36 - 120	482192	5 - 10
	71 - 1	438553	27 - 59	473536	33 - 87	482195	5 - 52
	72 - 42	438554	42 - 22		33 - 89		6 - 5
	72A- 2	438555	42 - 23	473537	72A- 9		7 - 13
	74 - 48	438560	79 - 78	473544	35 - 5		7 - 20
374785	35 - 36	438566	50 - 64		36 - 58		9 - 5
374788	35 - 37	438568	31 - 9	473547	43 - 34		10 - 7
374794	50 - 5	438570	48 - 33		47 - 44		11 - 5
	50 - 5		49 - 15		47A- 50		11 - 11
374812	43 - 27		53 - 93		48 - 65		12 - 42
374826	50 - 5		68 - 69		49 - 53	482215	7 - 21
	53 - 3		74 - 15		51 - 13	482217	5 - 53
	54 - 6	438571	23 - 37		51A- 11		6 - 6
	68 - 5		26 - 22		52 - 23		7 - 14
	71 - 2	438573	75 - 109		53 - 95		9 - 6
374981	50 - 6	438579	21 - 56		54 - 72		10 - 8
	50 - 6	438586	36 - 83		55 - 54		11 - 6
	53 - 4	438587	27 - 65		68 - 72		11 - 12
	54 - 7		36 - 81		69 - 48		12 - 43
	68 - 6		36 - 92		71 - 96	482219	5 - 4
	71 - 3	438588	27 - 80		72 - 39	482220	7 - 19
374982	35 - 35		57 - 8		74 - 46	482221	5 - 50

PART NO.	LIST AND INDEX NO.	PART NO.	LIST AND INDEX NO.	PART NO.	LIST AND INDEX NO.	PART NO.	LIST AND INDEX NO.
482221-CONT	6 - 4	510316-CONT	54 - 75	528287	1 - 52	595720	79 - 88
	7 - 12		71 - 61		1 - 96	596255	48 - 53
	9 - 4	510379	1 - 27	528484	33 - 36		54 - 4
	10 - 6		1 - 37		33A- 33		54 - 47
	11 - 4		1 - 84	529203	31A- 18		67 - 4
	11 - 10		1 -110		50 - 11		79 - 52
	12 - 41	510468	33B- 31		50 - 61	596288	41 -114
483106	57 - 10		36 - 38		53 - 13	596292	41 -129
483111	35 - 11	510638	21 - 35		54 - 79	596293	41 -126
483115	56 - 48		65 -147		68 - 14	596341	79 - 28J
	56 - 57	511096	33A- 68		71 - 15	596342	79 - 28K
483327	44 - 5	511544	79 - 65		71 - 56	596343	79 - 28L
483328	44 - 5	511553	75 - 26	529214	67 - 17	596467	41 -121
	44 - 5	512068	25 - 83		70 - 11		65 - 42
483358	22 - 31	512071	41A- 35	529691	43 - 25		75 - 48
	25 - 56	512400	50 - 58		44 - 10	596468	41 -122
	25 - 63		53 - 60		50 - 16		41 -244
491017	44 - 4		54 - 83		51A- 65		65 - 36
	44 - 4	513668	1 -122		53 - 19	596469	41 -118
	56 - 45		1 -131		54 - 21		65 - 39
491227	53 - 59		1 -131	532393	5 - 29		75 - 45
491228	45 - 1		1 -158		5 - 99	596524	25 - 88
	46 - 4		1 -158		65 -136	597364	41 -217
	67 - 2		1 -209	533289	13 - 42	597383	41 -299
	70 - 4		1 -218		60 - 12	597671	1 - 26
	73 - 9		1 -218	533360	49 - 3		1 - 36
491237	43 - 51		1 -233		74 - 24		1 - 83
491300	31A- 8		1 -233	533371	50 - 17		1 -109
491318	53 - 55		1 -248	533534	47 - 58		1 -288
	68 - 79		1 -257		47 - 62		1 -322
491319	52 - 38		1 -257		48 - 67	597977	59 - 10
	65 - 61C	513669	1 -142		49 - 61		66 - 25
	69 - 57		1 -176		51 - 30		76 - 22
	75 - 69		1 -229		51 - 33	598273	41 -189
492384	53 - 57		1 -244		51A- 28		41 -237
	68 - 84		1 -268		52 - 35		75 - 9
492411	55 - 69	513740	41A- 20		52 - 43	598363	41 -299
492448	43 - 45	515380	34 - 9		55 - 25	598381	79 - 28M
	51 - 29		34 - 15		55 - 70	598382	79 - 28N
	51A- 24	515381	34 - 10		55 - 76	598700	1 -342
	54 - 81		34 - 16		55 - 80		21 - 86
	68 - 81	515620	41 - 36		69 - 54	599303	23 - 1
	69 - 64	515718	34 - 12		69 - 69		24 - 8
	71 - 53	515847	41 - 91		72 - 51		24A- 2C
	72 - 49	515873	29 - 5		74 - 66		26 - 46
	72A- 14	517913	16 - 34		74 - 71	600844	42 - 16
	74 - 70	518578	47A- 43		26 - 45		79 - 53
492475	66 - 19		72A- 5	534705	41 -279	601185	2 - 10
	76 - 16	518614	15 - 91	534768	79 - 9	609687	79 - 54
492503	47 - 40	519043	29 - 11	535640	79 - 69	610052	65 -117
	47A- 46	520657	58 - 6		79 - 32	610434	5 -109
492570	44 - 4		66 - 67	538724	70 - 1	615354	41A- 41
	52 - 61	520658	58 - 1	550051	57 - 7		66 - 34
	69 - 76		66 - 63	552994	9 - 17		76 - 33
492584	64 - 5	520663	21 -121	553380	11 - 23	615674	5 - 61
501551	55 - 67	520678	31 - 4		12 - 62	620240	48 - 12
503498	32 - 10	521829	57 - 11	555432	79 -142		74 - 32
504870	41 -228	523171	79 -107	556445	41 - 94	624037	79 - 31
504879	79 -128	523250	41 -292	556450	21 - 88	645018	79 - 24
505375	53 - 66		75 - 51	557542	41 - 87	719117	11 - 21
507142	50 - 66	523255	79 - 40	559275	79 -102		41 - 84
507144	53 - 73	523267	79 - 50	587562	15 -158	719495	79 - 86
	55 - 31	523268	79 - 25		21 -110	719551	11 - 31
	68 - 95	523269	41 -167	587834	1 -344		41 - 85
507234	25 - 24		41A- 27	587866	1 -345	725379	6 - 2
	25 - 36		63 - 1	587874	1 -347		7 - 10
	35 - 10		79 - 61	587875	1 -343		9 - 2
507796	21 - 4	524317	31 - 12	589715	23 - 12		10 - 4
	33 - 93	524515	13 - 40		41 -226		12 - 39
	35 -118		41 -290	589716	78 - 38	725557	63 - 14
508040	73 - 3		75 -110	589759	35 - 56		79 - 10
509638	47 - 57	524519	13 - 38	594234	2 - 27	725558	79 - 11
	47A- 51		24 - 14	595256	43 - 20	727454	6 - 1
	72 - 47		24A- 2B		45 - 4		7 - 9
	72A- 11	526048	79 - 51		46 - 5		9 - 1
510186	18 - 60	526378	16 - 15		67 - 6		10 - 3
	19 - 41	528012	58 - 5		70 - 6		12 - 38
	20 - 24E		66 - 68		73 - 4		33 - 78
510316	41 -218	528013	58 - 4	595355	22 - 39	730432	33A- 75
	50 - 67		66 - 66		25 - 64		33B- 53

PART NO.	LIST AND INDEX NO.	PART NO.	LIST AND INDEX NO.	PART NO.	LIST AND INDEX NO.	PART NO.	LIST AND INDEX NO.
730432-CONT	338- 75	734483-CONT	20 - 65	811427-CONT	20 - 30A	811496-CONT	18 - 28
	35 - 16	738827	77 - 4		27 - 50		18 - 56
	36 - 59	740489	12 - 11	811441	27 -175		19 - 24
	41 - 80	740491	12 - 31A	811442	17 - 56	811507	17 - 41
	41 -105	740501	16 - 5		18 - 72		18 - 60C
	43 - 17	740503	12 - 17		19 - 68		20 - 20
	47 - 2	740513	12 - 34		27 -181	811509	17 - 30
	48 - 2	740554	41 -207	811474	17 - 33	811520	18 - 29
	49 - 2		61 - 4		18 - 60F		18 - 46
	50 - 43	740608	12 - 17		20 - 23		19 - 27
	51 - 22	749033	12 - 53		21 - 75B	811530	17 - 20L
	51 - 45	749089	2 - 16		27 - 6		27 - 11
	51 - 66	760221	27 - 38	811476	17 - 22	811536	27 - 14
	51A- 32		41 -289		18 - 37	811556	27 - 8
	51A- 47		58 - 41		19 - 46	811563	79 - 12
	52 - 2	760303	20 - 32		20 - 10	811565	24A- 2D
	53 - 37		25 - 8		27 - 13	811581	27 - 1
	54 - 12		25 - 15	811481	17 - 21	811621	17 - 20G
	55 - 2		25 - 44		18 - 36		17 - 25
	68 - 44		58 - 7		20 - 9		17 - 36
	69 - 2	760446	65 -119		21 - 75A		18 - 25
	69 - 35	760447	65 -113		27 - 4		18 - 53
	71 - 74	760731	29 - 10A		27 - 63		19 - 23
	72 - 15	801391	25 - 87		27 - 77	811742	17 - 12
	72 - 54	801502	25 - 52	811482	17 - 1		18 - 12
	72 - 75	802570	79 - 62		18 - 1		19 - 12
	74 - 20	803125	79 -130		19 - 1		20 - 3
731058	79 -141	804109	16 - 11		20 - 25		27 - 42
731626	1 -143	806569	47 - 11	811483	14 - 11	811751	79 - 1
	1 -177		47A- 11		17 - 20B	811752	79 - 1A
	1 -230		51 - 44		18 - 40	811802	14 - 1
	1 -245		51A- 45		18 - 48		17 - 60B
	1 -269		72 - 27		19 - 18		79 -108
	21 - 78		72A- 26		19 - 29	811804	14 - 2
	22 - 15	806715	79 - 55		27 - 15		17 - 60C
	27 - 29	806926	30 - 5	811484	17 - 4	811825	27 - 53
731629	21 - 75J	808360	41 - 37		18 - 4		79 - 28V
731630	1 - 5		65 - 60		19 - 4	811832	79 - 13
	1 - 9		75 - 28		20 - 28	811850	25 - 41
	1 - 11	808361	41 - 3	811485	14 - 13	811851	25 - 40
	1 - 22		65 - 4		17 - 20C	811854	17 - 53
	1 - 33		75 - 17		18 - 41		18 - 69
	1 - 70	808369	7 - 26		18 - 49		19 - 65
	1 - 76		7 - 38		19 - 19		20 - 40
	1 - 80		7 - 50		19 - 30		27 -177
	1 -121	811066	18 - 85		27 - 18	811855	17 - 50
	1 -130		18 - 94	811486	14 - 15		18 - 66
	1 -157		19 - 70		17 - 20F		19 - 62
	1 -191		19 - 71		17 - 20K		20 - 39
	1 -200		19 - 75		17 - 26		27 -179
	1 -206		19 - 80		17 - 37	811864	25 - 46
	1 -208		20 - 50		18 - 26	811865	25 - 43
	1 -217		20 - 58		18 - 44	811868	17 - 49
	1 -232		20 - 59		18 - 52		18 - 65
	1 -247	811363	17 - 60A		18 - 54		19 - 61
	1 -256	811417	17 - 44		19 - 22		20 - 35
	1 -278		18 - 4B		19 - 26		27 -173
	1 -285		19 - 50	811494	19 - 33	811869	17 - 45
	1 -314		20 - 30		14 - 12		18 - 61
	1 -318		27 - 49		17 - 20E		19 - 57
	1 -331	811422	17 - 31		17 - 20J		20 - 31
	1 -333		17 - 42		17 - 27		27 -169
	1 -337		18 - 60D		17 - 38	811878	20 - 34
	15 - 79		20 - 21		18 - 27		25 - 47
	15 -134		21 - 75C		18 - 43	811879	20 - 33
	39 - 2	811426	17 - 6		18 - 51		25 - 45
	40 - 2		17 - 8		18 - 55	811881	17 - 57
	41 -250		17 - 13		19 - 21		18 - 73
734483	13 - 43		18 - 6		19 - 25		19 - 69
	17 - 18A		18 - 8		19 - 32		20 - 37
	17 - 51		18 - 13	811495	14 - 14		27 -174
	17 - 54		19 - 6		17 - 20D	811895	25 - 48
	18 - 23A		19 - 8		18 - 42	811896	27 -176
	18 - 67		19 - 14		18 - 50	813072	27 - 27
	18 - 70		20 - 2		19 - 20	813073	27 - 21
	19 - 16A		20 - 7		19 - 31	813078	27 - 22
	19 - 63		27 - 43		27 - 17	813079	27 - 25
	19 - 66		27 -180	811496	17 - 20H	813080	27 - 20
	20 - 19A	811427	17 - 59		17 - 28	813084	27 - 23
	20 - 41		18 - 74		17 - 39	813085	27 - 24

PART NO.	LIST AND INDEX NO.	PART NO.	LIST AND INDEX NO.	PART NO.	LIST AND INDEX NO.	PART NO.	LIST AND INDEX NO.
813179	17 - 43 18 - 4A 19 - 49 20 - 29 22 - 6 22 - 10 27 - 48	815214	13 - 22	1132587	66 - 22 76 - 19	2122255	79 - 2
813194	22 - 49 79 - 109	815217	13 - 20	1135130	14 - 8	2122256	79 - 71
813195	15 - 111C 22 - 38 79 - 111	815219	13 - 17	1141554	75 - 55	2122257	65 - 83 75 - 36
813197	15 - 1110 22 - 53 24A - 2E 79 - 110	815220	13 - 19	1143248	50 - 92 54 - 63 71 - 94	2122258	63 - 16 79 - 30
813258	27 - 33	815224	13 - 14	1144956	27 - 104	2122259	79 - 35
813261	27 - 33	815225	13 - 14	2100264	41A - 51	2122260	79 - 137
813268	27 - 30	815226	13 - 14	2100878	60 - 1	2122261	79 - 80
813271	27 - 30	815263	17 - 48 18 - 64 19 - 60	2101310	57 - 3	2122471	79 - 134
813318	13 - 6 13 - 11 13 - 26	815942	17 - 7 18 - 7 19 - 7 20 - 1	2101326	79 - 42E	2122472	63 - 6 79 - 91
813319	13 - 13 13 - 28	815946	17 - 5 18 - 5 19 - 5	2101327	79 - 57	2122628	79 - 72
813321	13 - 5 13 - 10 13 - 18 13 - 25	815963	17 - 46 18 - 62 19 - 58	2101338	5 - 89	2122629	79 - 84
813350	79 - 120	815964	17 - 47 18 - 63 19 - 59	2101358	5 - 90	2122734	79 - 92
813351	79 - 121	821612	24 - 12 24A - 2F	2101380	65 - 28 75 - 87	2122735	79 - 93
813549	27 - 31	824466	12 - 57	2101887	23 - 30 26 - 32	2122837	65 - 75 75 - 30 79 - 3
813678	13 - 7 13 - 12 13 - 27	824467	12 - 56	2102155	51A - 26	2122838	79 - 4
813681	27 - 32 79 - 112	824468	12 - 61	2102365	65 - 127	2122839	65 - 76 75 - 33
813703	27 - 34	824471	12 - 58	2102367	27 - 78 41 - 268 41 - 276	2123028	63 - 8 65 - 85
813706	13 - 21	824476	11 - 20	2102368	41 - 272	2123029	65 - 85 75 - 34
813760	21 - 121	824477	11 - 29	2102369	41 - 284	2123032	63 - 29 79 - 98
813801	17 - 3 18 - 3 19 - 3	824478	11 - 22 11 - 22	2102582	55 - 28	2123033	65 - 84 75 - 37
813802	20 - 27 27 - 19 79 - 114	824560	11 - 29	2111232	31A - 26 41 - 51 41 - 140 41 - 147	2123034	63 - 8 65 - 86 75 - 35 63 - 29
813803	79 - 120A	824562	11 - 22	2114043	41 - 43 43 - 43 58 - 20	2127853	63 - 22
813804	79 - 121A	824563	12 - 61	2114044	61 - 16 64 - 8 64 - 13 64 - 27	2127859	79 - 143
813805	79 - 117	824567	9 - 16 12 - 56	2114110	66 - 8 66 - 26 66 - 36	2127867	79 - 30A
813806	79 - 118	824569	11 - 20	2114111	66 - 53 75 - 89B 76 - 6 76 - 23	2127890	79 - 82
813807	79 - 115	824580	11 - 21	2114680	76 - 6 76 - 23 76 - 35 76 - 54	2127893	79 - 85
815039	17 - 10 18 - 10 19 - 11 20 - 5	824582	15 - 160C	2114681	77 - 6 22 - 16 22 - 40	2127895	79 - 85 79 - 26 79 - 36
815080	27 - 67	824583	15 - 160B	2114849	79 - 42F	2127984	63 - 21
815125	17 - 29 17 - 40 18 - 29 18 - 57	1077722	23 - 13	2114985	63 - 12	2127985	63 - 28 79 - 99
815151	17 - 32 18 - 60E 20 - 22	1090623	6 - 3 7 - 11 9 - 3	2122202	66 - 8 66 - 26 66 - 53 75 - 89B	2127986	79 - 99
815166	13 - 23	1090873	1 - 50 1 - 94 5 - 86	2122203	76 - 6 76 - 23 76 - 35 77 - 6	2127987	65 - 79 75 - 32 79 - 5
815167	13 - 22	1092019	79 - 73	2122214	22 - 16 22 - 40 25 - 78	2127988	79 - 87
815169	13 - 23	1105806	79 - 76	2122215	22 - 41 25 - 79 27 - 83	2127989	79 - 95
815171	13 - 22	1127037	30 - 69C	2122254	27 - 41 28 - 31 21 - 80	2128689	35 - 66 41 - 48 41 - 141 41 - 158
815173	13 - 16	1127763	42 - 24		13 - 1 21 - 80 5 - 30 5 - 100	2129550	17 - 14 18 - 14 19 - 13 20 - 8
815174	13 - 16				13 - 2 21 - 81	2130443	79 - 27
815175	13 - 16				22 - 17	2134542	79 - 14
815204	79 - 119				27 - 84	2134555	65 - 134
815205	79 - 116				2114849	2134616	79 - 15
815210	13 - 15				79 - 42F	2152788	79 - 67
					2114985	2152789	79 - 68
					2122202	2154301	22 - 43
					2122203	2160821	79 - 129
					2122214	2161570	79 - 16
					2122215	2172166	28 - 1
					2122254	2181002	15 - 160A
							21 - 105
							65 - 137
							27 - 26
							11 - 30
							64 - 17
							66 - 54
							76 - 55
							79 - 105
							35 - 44

PART NO.	LIST AND INDEX NO.	PART NO.	LIST AND INDEX NO.	PART NO.	LIST AND INDEX NO.	PART NO.	LIST AND INDEX NO.
2500602	24 - 18	5213400-CONT	55 - 16	5244093	50 - 41	5253838-CONT	68 - 100
	24A- 2H		69 - 17	5244096	50 - 7	5253839	50 - 81
2500603	22 - 14	5213402	47 - 12	5247161	75 - 58		71 - 69
2500606	24 - 5		47A- 17	5253780	41 - 76	5253840	50 - 81
	24A- 19		48 - 13		53 - REF	5253845	50 - 53
2500610	21 - 50		48 - 25	5253783	53 - 26		53 - 40
	21 - 50		49 - 23		68 - 32		54 - 48
	21 - 50		51A- 62	5253784	53 - 35		68 - 56
	22 - REF		72 - 4		68 - 42		71 - 82
	65 - 162		72A- 43	5253786	50 - 92	5253847	43 - 69
2511310	24 - 24		72A- 47		53 - 88	5257518	35 - 9
2511311	22 - 23		74 - 4	5253787	53 - 101		65 - 8
	24 - REF	5213415	65 - 18		68 - 105	5261219	51 - 58
			75 - 6	5253788	53 - 7	5261220	41 - 67
2511333	22 - 9	5213430	32 - 1	5253789	53 - 36		41 - 67
2511335	22 - 8	5213431	41 - 14	5253790	41 - 71		47 - REF
2572724	338- 54		65 - 59		50 - REF		47A- REF
2572725	338- 94		75 - 70	5253793	50 - 35	5261223	47 - 84
2572726	338- 88		29 - 30	5253794	50 - 2		47A- 56
2572727	338- 87	5213435	23 - 13A		50 - 2		72 - 66
2572728	338- 40	5213444	52 - 40	5253796	50 - 40		72A- 62
2572729	338- 48	5213445	53 - 54		71 - 41	5261226	47 - 91
2572733	338- 92		68 - 78	5253797	50 - 101		72 - 77
2572735	33A- 85		69 - 58		71 - 104	5261228	47 - 88
2572736	33A- 73		35 - 47	5253798	50 - 7		47A- 69
2572763	47A- 26	5213479	43 - 35	5253799	50 - 41	5261229	72 - 70
	72A- 59	5213503	31A- 25	5253800	41 - 72		72A- 53
2572765	47A- 75	5213521	35 - 139		50 - REF		47 - 74
	72A- 76	5213728	35 - 18	5253803	50 - 35		47A- 64
2572766	47A- 23	5213765	73 - 10		71 - 33		48 - 79
	72A- 56	5213799	15 - 82	5253804	50 - 88		49 - 72
2572773	47A- 41	5213803	21 - 21		54 - 58		72 - 57
	72A- 3		29 - 29	5253806	71 - 87		72A- 70
2572789	338- 49A		30 - 32		50 - 93		74 - 74
2572793	47A- 42	5213816	30 - 41		54 - 64	5261236	51 - 79
	47A- 48	5213818	30 - 43	5253807	71 - 97		51A- 78
	47A- 55		30 - 47		50 - 22	5261239	51 - 19
	72A- 4	5213874	338- 24		53 - 23		51A- 17
	72A- 8		36 - 29		54 - 27	5261240	41 - 68
	72A- 16	5213922	36 - 23		68 - 26		48 - REF
	72A- 18	5213925	338- 83	5253808	71 - 23	5261243	48 - 89
2572845	47A- 47		36 - 49		50 - 7		49 - 77
2573845	72A- 7	5214094	36 - 109	5253809	50 - 41		74 - 84
2611708	33A- 25	5214104	50 - 12	5253820	50 - 2	5261247	48 - 49
2611709	33A- 20		68 - 15		54 - 2		49 - 44
2611713	37 - 23	5214153	71 - 16		71 - 5		74 - 41
2611714	33A- 99	5214330	58 - 24	5253821	50 - 22	5261248	48 - 86
	37 - REF	5219971	50 - 12	5253822	50 - 90		49 - 67
2735	338- 25	5231749	24A- 3		53 - 86		74 - 81
4062615	28A- 10	5235193	33 - 90		54 - 60	5261249	48 - 92
4062616	28A- 13		33A- 86		68 - 64		49 - 80
4064448	30 - 58	5235293	5 - 34	5253823	71 - 91		74 - 87
4065157	28A- 1	5235516	40 - 18		50 - 50	5261253	52 - 77
4065182	28A- 16	5236966	15 - 113		53 - 50		69 - 85
4103594	38 - 14	5236967	15 - 112		54 - 55	5261256	52 - 82
	39 - 14		41 - 265		68 - 51		69 - 91
	40 - 14	5239098	35 - 146	5253824	71 - 80	5261257	52 - 47
	78 - 7	5240461	69 - 66		50 - 46		69 - 73
	78 - 16	5240462	338- 20		53 - 46	5261258	52 - 63
4116231	28A- 9		36 - 66		54 - 53		69 - 83
4116433	30 - 61		52 - 70		68 - 47	5261259	52 - 65
4118360	30 - 64		68 - 12		71 - 77		69 - 80
4120172	33 - 100		69 - 14	5253825	50 - 57	5261266	55 - 98
	38 - 16	5240477	47 - 29		53 - 43	5261267	55 - 86
	39 - 16		47A- 35		54 - 52	5261270	71 - 75
	40 - 16		48 - 41		68 - 59	5261276	55 - 41
	78 - 15		49 - 36		71 - 86	5261280	41 - 78
4121259	30 - 59		50 - 86	5253826	53 - 96		55 - REF
5210704	41 - 23		53 - 82		68 - 73	5261283	55 - 91
	65 - 71		54 - 42	5253827	50 - 28	5261286	55 - 35
	75 - 112		54 - 56		54 - 30	5261288	55 - 89
5212657	35 - 41		68 - 60		71 - 26	5261289	55 - 82
5213226	41 - 278		71 - 90	5253833	53 - 90	5261294	52 - 11
	64 - 41		72 - 29		68 - 67		69 - 11
5213274	79 - 33		72A- 36	5253835	50 - 31	5261296	43 - 68
5213285	53 - 69		74 - 33		53 - 31		55 - 37
	68 - 92	5241094	338- 80		54 - 36	5261304	35 - 31
5213349	53 - 14	5241104	71 - 16		68 - 37	5261306	55 - 39
5213400	50 - 18	5244090	41 - 70		71 - 29	5261307	52 - 72
	51 - 67		50 - REF	5253838	53 - 77		69 - 12
	52 - 51						

PART NO.	LIST AND INDEX NO.	PART NO.	LIST AND INDEX NO.	PART NO.	LIST AND INDEX NO.	PART NO.	LIST AND INDEX NO.
5261313	51 - 18	5261326-CONT	49 - 42	5261412-CONT	72 - 18	5261561	37 - 14
	51A- 13		74 - 39		72A- 27	5261562	37 - 13
	52 - 15	5261327	47 - 33		74 - 23	5261563	37 - 19
	69 - 30		47A- 33	5261416	35 - 62	5261564	33 - 108
5261314	31 - 21		48 - 45	5261418	51A- 20		37 - REF
	43 - 82		49 - 40	5261419	51A- 55	5261565	37 - 5
	47 - 28		50 - 88	5261423	51A- 48	5261566	37 - 15
	47A- 73		53 - 84	5261424	43 - 61	5261569	33 - 33
	48 - 39		68 - 62	5261426	35 - 90		33A- 31
	49 - 34		72 - 31	5261428	51 - 23	5261570	35 - 142
	50 - 27		72A- 34	5261433	51 - 49	5261572	33 - 32
	51 - 64		74 - 37	5261434	35 - 87		33A- 30
	51A- 77	5261328	48 - 76	5261435	34 - 5	5261573	33 - 31
	52 - 75		49 - 64		34 - 11		33A- 29
	53 - 12		74 - 59	5261436	35 - 109	5261574	33 - 30
	54 - 15	5261329	47 - 90		35 - 128		33A- 28
	55 - 96		72 - 72	5261437	35 - 110	5261576	33 - 5
	68 - 31	5261330	33 - 81		35 - 129		33A- 5
	69 - 26		33A- 79	5261438	35 - 13	5261577	33 - 11
	71 - 39	5261353	33 - 21	5261439	33B- 26		33A- 12
	72 - 17		33A- 23		36 - 33	5261591	33 - 14
	72A- 29	5261354	47 - 51	5261442	33 - 69		33 - 25
	74 - 22		48 - 75		33A- 64		33A- 15
5261315	31 - 20		49 - 56	5261443	35 - 91	5261592	33 - 22
	43 - 83		51 - 4	5261445	33B- 43		33A- 24
	47 - 27		51A- 1		36 - 60		37 - 22
	47A- 74		52 - 33	5261446	35 - 108	5261593	33 - 19
	48 - 38		55 - 57	5261448	35 - 106	5261594	33 - 13
	49 - 33		69 - 38A		35 - 126		33 - 24
	50 - 26		72 - 46	5261449	35 - 45		33A- 14
	51 - 63		74 - 55	5261450	35 - 59	5261595	33 - 12
	51A- 76	5261355	35 - 96	5261451	33B- 3		33 - 23
	52 - 74	5261369	52 - 19		36 - 3		33A- 13
	53 - 11		69 - 34	5261452	35 - 103	5261596	35 - 97
	54 - 14	5261372	33 - 3	5261453	35 - 63	5261597	33 - 79
	55 - 95		33A- 3	5261454	33B- 76		33A- 77
	68 - 30	5261379	31 - 22		36 - 44	5261598	33 - 35
	69 - 25		43 - 84	5261456	35 - 1		33A- 32
	71 - 38		47 - 26	5261457	33B- 77	5261599	34 - 20
	72 - 16		48 - 40		36 - 48	5261606	47 - 19
	72A- 28		49 - 35	5261458	33B- 25		48 - 20
	74 - 21		50 - 25		36 - 32		49 - 28
5261316	47 - 52		51 - 65		36 - 43		72 - 11
	48 - 70		51A- 75		36 - 68		74 - 10
	49 - 54		52 - 50		75 - 99	5261608	33 - 92
	51 - 3		53 - 10	5261459	33B- 38		33A- 88
	51A- 2		54 - 13		36 - 69	5261609	35 - 50
	52 - 31		55 - 97		45 - 8	5261611	33 - 107
	55 - 55		68 - 29		46 - 10	5261626	47 - 10
	69 - 37		69 - 90		52 - 62		48 - 11
	72 - 44		71 - 40		67 - 21		55 - 11
	74 - 53		72 - 65		69 - 77		72 - 26
5261317	47 - 54		74 - 60		70 - 15	5261627	47 - 5
	48 - 72	5261381	33 - 10		73 - 12		48 - 5
	49 - 57		33A- 10	5261460	33B- 14		55 - 5
	51 - 5	5261382	33 - 28		35 - 24		72 - 21
	51A- 33		33A- 26		36 - 17	5261629	33 - 20
	52 - 28	5261383	33 - 15	5261461	35 - 88		33A- 22
	55 - 58		33 - 26	5261463	35 - 40	5261701	36 - 14
	69 - 49		33A- 16	5261465	35 - 43	5261702	35 - 50
	72 - 60	5261388	33B- 50	5261466	33B- 70	5261779	48 - 6
	74 - 56		36 - 106		36 - 118	5261789	47 - 38
5261318	51 - 36	5261389	68 - 11	5261480	41 - 75		47A- 44
	51A- 36	5261412	43 - 16		52 - REF		48 - 55
5261319	47 - 79		47 - 1	5261549	37 - 6		49 - 45
	72 - 63		47A- 1		37 - 16		51 - 8A
5261320	51A- 71		48 - 1	5261550	37 - 12		51A- 6
5261321	51 - 76		49 - 1	5261551	37 - 21		52 - 20
5261322	47 - 23		50 - 1	5261552	37 - 4		55 - 44
	72 - 1		50 - 1		37 - 17		69 - 36
5261323	48 - 29		50 - 42	5261553	37 - 1		72 - 36
	49 - 30		51 - 46		37 - 18		72A- 6
	74 - 1		51A- 46	5261554	37 - 8		74 - 42
5261324	47 - 35		52 - 1	5261555	37 - 7	5262000	14 - REF
	47A- 36		53 - 1	5261556	37 - 3		17 - 75
	72 - 33		54 - 1		37 - 20	5262005	14 - 5
	72A- 37		55 - 1	5261557	37 - 2	5262010	14 - 9
5261325	52 - 17		68 - 1	5261558	37 - 9	5262014	14 - 6
	69 - 32		69 - 1	5261559	37 - 11	5262015	14 - 20
5261326	48 - 47		71 - 4	5261560	37 - 10	5262016	14 - 7

PART NO.	LIST AND INDEX NO.	PART NO.	LIST AND INDEX NO.	PART NO.	LIST AND INDEX NO.	PART NO.	LIST AND INDEX NO.
5262017	14 - 18	5276270-CONT	53 - 45	5318967-CONT	66 - 12	5349220	11 - 1
5262018	14 - 17		54 - 43		76 - 8	5349429	4 - 12
5262019	14 - 16		68 - 46	5318968	41 -181	5349886	28 - 14
5262020	14 - 10		68 - 55		41 -186	5349887	15 -106
5262035	30 - 69B	5276271	50 - 45		60 - 5		21 - 70
5262036	30 - 69		50 - 45	5319854	15 -123		21 - 95
5262037	29 - 64		53 - 38		21 - 49		21 - 95
5262065	14 - 3		53 - 44		25 - 21	5349888	16 - 6
5262096	29 - 65		54 - 44		65 -161		21 -101
	30 - 70		68 - 45		71 - 14		28 - 16
5262098	29 - 62		68 - 54	5319888	21 - 58		28A- 2
5262099	30 - 67		71 - 76	5319909	38 - 18	5350006	4 - 24
5262102	29 - 62	5276325	65 - 22		39 - 18		22 - 2
5266044	50 - 76		75 - 2	5323537	57 - 9		22 - 30
	53 - 74	5276375	42 - 2	5327723	61 - 8		25 - 28
	54 - 90		79 - 58	5327807	79 - 28P		25 - 42
	68 - 97	5276380	61 - 5	5331015	15 - 97		25 - 54
	71 - 65	5276474	79 - 18	5343348	65 -134		25 - 62
5266049	43 - 40	5276475	79 - 19	5347538	22 - 25	5350012	21 - 43
5266157	43 - 8	5276652	75 - 18	5347539	25 - 1		25 - 6
5266286	73 - 13	5276655	75 - 22	5347639	22 - 36		65 -155
5266294	43 - 85	5276660	66 - 45	5347640	22 - 45	5350020	12 - 52
5266305	43 - 79		76 - 47		24 - 21		12 - 52
5270142	41 - 88	5276661	66 - 55		24A- 4A	5350093	5 - 42
5270177	12 - 6		76 - 56	5347655	22 - 35	5350094	5 - 41
5270179	11 - 13	5276672	75 - 13	5347670	25 - 25	5350095	5 - 40
5270559	29 - 43	5276674	78 - 9	5347673	25 - 22	5350096	5 - 39
	29 - 49	5276683	66 - 15	5347675	25 - 23	5351111	41 -145
5270566	29 - 42		76 - 12	5347677	25 - 26		57 - REF
5270586	41 -149	5276703	33 - 62	5347744	25 - 10	5351112	57 - 19
5270651	29 - 41A		33A- 57	5347746	22 - 52	5351113	56 - 9
	29 - 45		65 - 31	5347748	79 - 28Q		57 - 17
	30 - 40A		75 - 90	5347749	79 - 28R		64 - 32
	41 - 81	5276705	66 - 42	5347750	22 - 32		76 - 59
5270652	41 -146		76 - 30		25 - 57		77 - 1
	61 - 14	5276706	66 - 43		25 - 65	5351114	56 - 8
	65 - 30		76 - 31	5347754	24A- 39		57 - 18
	75 - 89	5276716	75 - 88		24A- 44		64 - 33
5271216	29 - 48	5276892	65 - 46	5347755	24A- 7		77 - 3
5271226	41 - 2		75 - 59	5347756	24A- 8	5351115	56 - 7
	65 - 3	5277303	4 - 8	5347759	24A- 5		57 - 16
	75 - 16	5277305	4 - 8	5347760	22 - 24		64 - 34
5271245	29 - 59	5277307	4 - 8	5347761	22 - 20		77 - 2
5271288	41A- 29	5311306	24A- 6		22 - 22	5351116	56 - 6
	63 - 3		24A- 35		24 - 4		57 - 15
5271669	56 - 3		24A- 38		24A- 10		64 - 35
5271721	79 - 17		24A- 43		24A- 10A	5351120	41 -155
5271723	79 -132	5311409	22 - 28	5347762	24 - 16	5351124	57 - 14
5271724	79 -133	5311415	9 - 20	5347763	24A- 12	5351139	42 - 5
5271785	41A- 22		11 - 24	5348452	4 - 16		58 - 17
5271786	41A- 32		12 - 63	5348453	4 - 15		59 - 3
5271787	41A- 2	5311420	12 - 54	5349002	6 - 13		66 - 9
5271788	41A- 55	5311437	9 - 18		12 - 7		66 - 14A
5271789	41A- 52		11 - 25	5349003	10 - 11		66 - 29
5271790	41A- 53		12 - 64		10 - 18		76 - 7
5271791	41A- 54	5311440	9 - 19		10 - 27		76 - 26
5271792	41A- 10		11 - 26	5349114	2 - 34		77 - 9
5271793	41 - 51A		12 - 65	5349115	2 - 22	5351140	41 - 63
	41A- REF	5311759	54 - 16	5349116	2 - 20		44 - REF
5271795	41A- 12		71 - 16	5349118	2 - 17	5351141	44 - 14
5276181	12 - 60	5312043	25 - 82	5349125	2 - 19		44 - 14
5276187	12 - 55		27 - 2	5349132	7 - 59	5351142	44 - 12
5276241	29 - 8	5312633	64 - 36	5349152	2 - 24	5351143	44 - 1
	31 - REF	5313144	41A- 48		4 - 11	5351145	57 - 4
5276243	31 - 14	5313928	24 - 9	5349174	2 - 28	5351156	41 -188
5276244	31 - 8		24A- 4	5349192	2 - 34		42 - 4
	31A- REF	5318920	38 - 23	5349195	2 - 28		59 - 2
5276245	31 - 23		39 - 23	5349203	5 - 51		65 - 20
5276247	31A- 30		41 - 57		6 - 10		66 - 28
5276248	31 - 19		41 -214		7 - 15		75 - 4
5276249	58 - 36	5318966	41 -180		7 - 22		75 -101
	59 - REF		41 -184		7 - 61		76 - 25
5276250	59 - 13		41A- 21		9 - 10	5351157	57 - 2
	66 - 32		60 - 4		10 - 10	5351162	41 -137
	76 - 29		60 - 6		11 - 16		41 -161
5276259	43 - 3		65 - 17		12 - 44	5351163	41 -187
5276265	43 - 5		75 - 5	5349215	1 - 6		42 - 1
5276270	50 - 44	5318967	41A- 23	5349217	11 - 8		59 - 1
	50 - 44		58 - 21	5349218	11 - 2		65 - 19
	53 - 39		60 - 14	5349219	11 - 7		66 - 27



PART NO.	LIST AND INDEX NO.	PART NO.	LIST AND INDEX NO.	PART NO.	LIST AND INDEX NO.	PART NO.	LIST AND INDEX NO.
5357748	17 - 70A	5357852	19 - 74A	5363939-CONT	7 - 54	5364079	5 - 43
5357749	17 - 70	5357853	19 - 74	5363940	7 - 25	5364080	21 -121
5357750	17 - 71A	5357854	18 - 90A	5363941	7 - 23		65 -140
5357751	17 - 71		20 - 55A		7 - 65	5364081	21 -121
5357752	17 - 72A		20 - 57A	5363943	7 - 17		65 -140
5357753	17 - 72	5357855	18 - 90	5363944	6 - 15	5364082	21 -121
5357754	17 - 73A		20 - 55	5363945	12 - 50		65 -140
5357755	17 - 73		20 - 57	5363946	9 - 14	5364083	21 -121
5357756	17 - 74A	5357857	19 - 73	5363947	6 - 8		65 -140
5357757	17 - 74	5357858	19 - 73A		9 - 8	5364085	21 -121
5357760	17 - 76A	5359174	20 - 52A		12 - 45		65 -140
5357761	17 - 76	5359175	20 - 52	5363949	7 - 3	5364086	21 -121
5357762	17 - 77A	5361886	56 - 39	5363954	7 - 49		65 -140
5357763	17 - 77		56 - 58	5363955	7 - 37	5364088	21 -121
5357764	17 - 78A	5361889	56 - 63	5363960	7 - 27		65 -140
5357765	17 - 78	5361890	56 - 38		7 - 39	5364089	21 -121
5357766	17 - 79A	5361891	56 - 37		7 - 51		65 -140
5357767	17 - 79	5361894	42 - 25	5363961	7 - 16	5364090	21 -121
5357768	18 - 75A	5361896	42 - 26	5363962	8 - 5		65 -140
5357769	18 - 75	5361898	42 - 27	5363963	12 - 4	5364098	5 - 73
5357770	18 - 76A	5361899	42 - 28	5363965	9 - 16	5364099	5 - 70
5357771	18 - 76	5361902	44 - 14	5363966	12 - 59	5364126	30 - 2
5357776	18 - 79A	5361903	41 - 64		12 - 59	5364127	32 - 11
5357777	18 - 79		44 - REF	5363967	6 - 7	5364128	30 - 28
5357778	18 - 80A	5362301	79 - 22		9 - 7		32 - REF
5357779	18 - 80	5362302	79 -135		10 - 9	5364133	30 - 81
5357780	18 - 77A	5362303	4 - 2		12 - 47	5364134	30 - 81
	20 - 42A	5362304	4 - 1	5363968	7 - 47	5364135	30 - 81
	20 - 44A	5362305	4 - 1A	5363969	7 - 35	5364136	30 - 81
5357781	18 - 77	5362306	79 - 74		7 - 63	5364137	30 - 16
	20 - 42	5362308	79 - 75	5363971	5 - 5	5364138	30 - 14
	20 - 44	5362314	10 - 1	5363974	5 -108	5364140	41 - 58
5357782	18 - 78A		12 - 1	5363980	5 -108		42 - REF
	20 - 43A	5362315	6 - 11	5363981	5 -108	5364141	41 -299
	20 - 45A		7 - 1	5363982	9 - 12	5364142	41 -299
5357783	18 - 78		9 - 11	5363987	9 - 21	5364143	13 - 44
	20 - 43		10 - 2		11 - 33		41 -299
	20 - 45		10 - 15		12 - 48	5364144	13 - 44
5357784	18 - 83A		12 - 2	5363988	11 - 27		41 -299
5357785	18 - 83	5363819	8 - 3	5363991	11 - 14	5364145	41 -299
5357786	18 - 84A	5363826	4 - REF	5364000	13 - REF	5364148	41 - 47
5357787	18 - 84	5363827	4 - REF	5364011	5 -108	5364149	41 - 45
5357788	18 - 81A	5363830	7 - 8	5364012	5 -108	5364150	41 -234
	20 - 46A	5363839	21 - REF	5364013	13 - 44		63 - REF
	20 - 48A	5363840	21 - REF	5364014	4 - 8	5364151	40 - 23
5357789	18 - 81	5363845	21 - REF	5364015	4 - 8	5364154	41 -130
	20 - 46	5363851	12 - 22	5364016	5 - 26	5364155	29 - 19
	20 - 48	5363859	12 - 25		7 - REF		30 - 22
5357790	18 - 82A	5363861	5 - 15	5364017	5 - 12	5364156	29 - 13
	20 - 47A	5363864	8 - 12		6 - REF	5364158	41 -199
	20 - 49A	5363866	5 - 74	5364018	5 - 1	5364159	29 - 52
5357791	18 - 82	5363869	10 - 33	5364019	5 - 58	5364160	41 -202
	20 - 47	5363873	12 - 66		9 - REF		61 - REF
	20 - 49	5363874	12 - 32	5364023	5 - 93	5364161	41 -185
5357792	18 - 87A	5363875	12 - 12		11 - REF		60 - 3
5357793	18 - 87	5363879	5 - 77	5364024	5 - 54	5364164	41 -183
5357794	18 - 88A	5363881	5 - 81	5364028	5 - 36		65 - 21
5357795	18 - 88		10 - REF	5364029	5 - 49		75 - 8
5357798	18 - 86A	5363883	5 - 55	5364031	5 - 46	5364165	41 -152
	20 - 51A		8 - REF	5364032	5 - 48	5364166	32 - 11
	20 - 53A	5363884	5 - 96	5364033	5 - 37	5364170	41 - 79
5357799	18 - 86		12 - REF	5364041	4 - 8		56 - REF
	20 - 51	5363900	19 - 82	5364042	17 - 20A	5364171	41 - 99
	20 - 53	5363903	7 - 68	5364043	19 - 28	5364178	63 - 30
5357800	18 - 91A	5363907	6 - 17	5364046	7 - 67	5364182	41 - 7
5357801	18 - 91	5363909	5 - 11	5364047	19 - 17	5364183	41 - 4
5357802	18 - 92A	5363919	9 - 23	5364048	4 - 8	5364184	29 - 2
5357803	18 - 92	5363922	5 -108	5364053	18 - 24	5364185	58 - 43
5357804	18 - 89A		13 - 44	5364054	10 - 16	5364186	38 - 24
	20 - 54A	5363923	13 - 44	5364055	12 - 5	5364187	40 - 24
	20 - 56A	5363934	65 -140	5364056	12 - 3	5364188	61 - 18
5357805	18 - 89	5363935	11 - 35	5364057	20 - 12	5364189	41 -262
	20 - 54	5363937	7 - 32	5364058	20 - 14	5364191	41 -256
	20 - 56		7 - 44	5364059	20 - 13	5364192	41 -264
5357806	19 - 72A		7 - 56	5364071	8 - 1	5364193	41 -254
5357807	19 - 72	5363938	7 - 34	5364073	4 - 8	5364197	41A- 25
5357808	19 - 76A		7 - 46		13 - 44		42 - 3
5357809	19 - 76		7 - 58	5364075	13 - 44		58 - 19
5357812	19 - 78A	5363939	7 - 30	5364076	13 - 44		58 - 23
5357813	19 - 78		7 - 42	5364077	4 - 8		58 - 40

PART NO.	LIST AND INDEX NO.	PART NO.	LIST AND INDEX NO.	PART NO.	LIST AND INDEX NO.	PART NO.	LIST AND INDEX NO.
5364197-CONT	60 - 16	5364319	1 - 18	5364538	41 -299	5366769	78 - 2
	66 - 11		1 -283	5364541	41 -194	5366770	75 - REF
	66 - 14	5364350	7 - 68	5364542	30 - 81	5366772	78 - 40
	66 - 14E	5364353	7 - REF	5364543	29 - 39	5366773	75 - 27
	66 - 31	5364354	6 - 17		30 - 38		78 - REF
	76 - 11	5364357	5 - 12	5364544	30 - 75	5368326	25 - 93
	76 - 28		5 - 26		39 - REF		26 - REF
	77 - 7		6 - REF	5364560	41 - 51D	5368327	26 - 47
5364198	41 -182	5364361	5 - 1	5364561	41 -208	5368328	26 - 4
	65 - 19A	5364362	5 - 21		41 -215	5368332	26 - 3
	75 - 7	5364364	9 - 16	5364562	13 - 44	5368333	26 - 1
5364199	41 -260	5364365	9 - 23		41 -299	5368334	22 - 3
5364200	29 - 77	5364368	5 - 58	5364563	41 -299	5368335	22 - 5
	30 - 82		9 - REF	5364564	13 - 44	5368337	22 - 29
	41 - REF	5364374	5 - 55		41 -299	5368339	22 - 54
5364203	29 - 76		8 - REF	5364568	41 -253		25 - REF
5364204	29 - 76	5364378	12 - 61	5364590	30 - 75	5368340	25 - 59
5364205	29 - 76	5364381	65 -140		38 - REF	5368341	25 - 94
5364206	41 -299	5364387	5 - 96	5364591	30 - 78	5368346	25 - 89
5364207	41 -299		12 - REF		40 - REF	5368347	25 - 86
5364208	41 -299	5364392	11 - 35	5364594	31 - 14	5368349	25 - 50
5364209	41 -299	5364395	5 - 93	5364595	30 - 8	5368354	21 - 48
5364210	29 - 73		11 - REF		31 - REF		65 -160
	40 - REF	5364396	5 - 54	5364596	31 - 5	5368355	25 - 55
5364211	41 -257	5364400	5 - REF	5364643	30 - 81	5368393	25 - 61
5364212	41 -251	5364402	10 - 33	5364644	30 - 50	5368396	25 - 58
5364213	41 -252	5364403	5 - 81	5364653	78 - 39		25 - 66
5364216	41 -259		10 - REF	5364654	75 -102	5368588	22 - 52
	41 -263	5364405	12 - 66		77 - REF	5368591	25 - 60
5364218	32 - 5	5364408	5 - 77	5364655	77 - 22	5369641	23 - 18
5364220	41 -192	5364442	5 -109	5364656	66 - 56	5369646	79 -104
	58 - REF		10 - 32		77 - 12	5369654	25 - 11
5364221	64 - 42	5364443	5 -109	5364657	66 - 58G	5369678	22 - 51
5364222	29 - 22		8 - 11		77 - 20	5369696	23 - 2
	32 - REF		10 - 32	5364660	75 - 41		26 - 19A
5364225	41 - 15	5364444	5 -109	5364663	75 - 12	5369697	23 - 33
	41 - 19		10 - 32		76 - REF		26 - 33
	65 - 50	5364445	5 -109	5364664	76 - 58	5369698	23 - 34
	65 - 56	5364446	5 -109	5364665	75 -116		26 - 39
	75 - 63	5364447	5 -109	5364666	75 -116	5369699	23 - 40
	75 -104	5364451	7 - 68	5364667	75 -116		26 - 29
5364226	41 -227	5364452	7 - REF	5364668	75 -116	5369700	23 - 28
5364227	64 - 19	5364454	6 - 17	5364669	75 -116		26 - 35
5364228	64 - 31	5364455	5 - 12	5364673	76 - 57	5369701	23 - 35
5364229	64 - 39		5 - 26	5364674	75 - 23		26 - 34
5364230	41 -240		6 - REF	5364691	65 - 61A	5369702	23 - 32
	64 - REF	5364458	5 - 1		75 - 67	5369704	23 - 25
5364231	41 -299	5364460	5 - 21	5364692	41 - 98		26 - 36
5364233	41 -299	5364463	9 - 23	5364695	75 -117	5369705	23 - 26
	58 - 42	5364464	5 - 58	5365041	65 -141		26 - 37
5364234	61 - 17		9 - REF	5365100	5 - REF	5369706	23 - 29
5364236	41 -299	5364466	10 - 33	5365220	29 - REF		26 - 30
	75 -103	5364467	5 - 81	5365230	30 - REF	5369707	23 - 31
5364237	29 - 76		10 - REF	5365240	65 - REF		26 - 31
5364238	41 -109	5364478	12 - 66	5365428	13 - 44	5369708	23 - 22
5364239	41 -299	5364479	5 - 96	5365429	13 - 44	5369722	24A- 60
5364243	41 -299		12 - REF	5365452	5 - 24	5369727	24A- 63
5364245	41 -299	5364485	11 - 35	5365453	5 - 88	5369730	24A- 64
5364272	64 - 9	5364486	5 - 93	5365454	5 - 80	5369731	24A- 65
5364273	29 - 44		11 - REF	5365471	18 - 45	5369756	22 - 47
	30 - 42	5364487	5 - 55	5365473	5 -108	5369762	22 - 52
5364274	75 - 94		8 - REF	5365614	5 - 18	5369764	24 - 23
5364275	75 - 97	5364489	5 - 77	5365616	5 - 18		24A- 51
5364276	58 - 38	5364491	5 - 54	5366635	29 - 66	5371671	12 - 21
	66 - 9A	5364498	18 - 39		30 - 71	5372742	13 - 8
	76 - 9	5364500	5 - REF	5366636	41 -210	5372748	15 -124
5364278	41 -299	5364501	32 - 4	5366637	75 - 56	5372749	15 -122
5364279	41 -299	5364505	39 - 24	5366644	75 - 21	5372760	1 - 57
5364282	41 -299	5364510	41 -164	5366647	75 - 25	5372775	1 - 24
5364286	41 -299	5364511	58 - 26	5366648	75 - 24		1 - 34
5364294	29 - 76	5364513	58 - 32	5366656	75 -116		1 - 81
5364295	41 - 38	5364514	58 - 33	5366663	79 -106		1 -107
5364296	41 - 41	5364515	58 - 29	5366744	41 -299	5372789	41 -319
5364297	29 - 16	5364516	29 - 26	5366745	60 - 18	5372795	15 - 69
5364298	42 - 29	5364518	29 - 70	5366746	41 -196		21 - 61
5364309	1 - 18		39 - REF		60 - REF		21 - 84
	1 -283	5364522	41 -299	5366748	60 - 17	5372797	1 - 77
5364312	5 - 18	5364529	58 - 16	5366767	75 -116	5372804	1 -340
5364317	1 - 18	5364530	41 -299	5366768	75 - 27	5372821	15 -133
	1 -283	5364531	58 - 8		78 - REF	5372823	15 -137

PART NO.	LIST AND INDEX NO.	PART NO.	LIST AND INDEX NO.	PART NO.	LIST AND INDEX NO.	PART NO.	LIST AND INDEX NO.
5372824	15 - 138	5373134	2 - 3	5400501	15 - 16	5403691	1 - 104
5372831	1 - 73	5373169	1 - 19	5400502	15 - 6	5403692	1 - 104
5372855	1 - 60	5373170	1 - 20	5400503	15 - 15	5403693	1 - 104
5372858	1 - 66	5373176	1 - 118	5400504	15 - 70	5403694	1 - 114
	1 - 78		1 - 153	5400510	1 - 106		1 - 308
	1 - 316		1 - 282		1 - 287	5403695	1 - 114
	1 - 341	5373177	1 - 154	5400511	1 - 106		1 - 308
	21 - 18		1 - 281		1 - 287	5403696	1 - 114
5372866	1 - 21	5373178	1 - 178	5400512	1 - 106		1 - 308
	1 - 317	5373179	1 - 179		1 - 287	5403697	1 - 114
5372877	1 - 59	5373223	17 - 11	5400513	1 - 106		1 - 308
5372878	15 - 132		18 - 11		1 - 287	5403698	1 - 31
5372883	1 - 198		19 - 10	5400515	1 - 23		1 - 329
	1 - 204		20 - 6		1 - 319	5403699	1 - 329
	1 - 279	5375636	12 - 59	5400516	1 - 23	5403700	1 - 329
	1 - 313	5376712	66 - 5		1 - 319	5403701	1 - 329
5372884	1 - 311		76 - 1	5400517	1 - 23	5403741	1 - 246
5372893	1 - 44	5376713	66 - 6		1 - 319	5403763	1 - 115
5372894	1 - 45		76 - 2	5400518	1 - 23	5403786	1 - 119
5372895	1 - 41	5383169	12 - 9		1 - 319		1 - 155
	1 - 88	5383174	10 - 29	5400519	1 - 270		1 - 180
5372905	1 - 4	5391340	25 - 35	5400520	1 - 144	5403792	5 - 110
5372921	1 - 133	5391385	25 - 34	5400573	1 - 16	5403812	15 - 20
	1 - 169	5391389	22 - 51	5400574	27 - 168		21 - 9
	1 - 222	5391390	22 - 51	5400603	15 - 17K	5403816	15 - 9
	1 - 237	5391392	25 - 39	5400612	1 - 12	5403817	1 - 189
	1 - 261	5391393	25 - 27	5400613	1 - 15	5403879	1 - 71
5372922	1 - 124	5391403	22 - 52	5400631	1 - 190	5403918	18 - 93A
	1 - 213	5391404	22 - 52	5400632	1 - 215	5403919	18 - 93
	1 - 252	5391416	24A - 66	5400633	1 - 224	5404480	79 - 22A
5372985	21 - 122	5391417	25 - 85	5400634	1 - 203	5404827	41 - 97
5372986	1 - 75	5391434	26 - 2		1 - 207	5407422	1 - 65
	1 - 335	5391444	22 - 52	5400635	1 - 216		1 - 105
5372987	1 - 74	5391450	25 - 84	5400639	15 - 17D		1 - 286
	1 - 336	5391473	25 - 53	5400640	15 - 17E	5407435	1 - 197
5372989	1 - 334	5391474	25 - 81	5400648	27 - 114	5407436	1 - 192
5372990	27 - 182	5391475	22 - 1	5400650	27 - 115	5407476	1 - 182
5372998	1 - 171	5393036	15 - 73	5400655	27 - 112	5407506	41 - 300
5372999	1 - 201	5393037	15 - 74	5400656	27 - 98	5407507	21 - 42
5373000	1 - 263	5393067	21 - 17	5400657	27 - 99		65 - 154
5373001	1 - 254	5393090	1 - 309	5400658	27 - 110	5407558	1 - 48
5373002	1 - 215	5393093	20 - 62	5400661	27 - 128		1 - 92
5373003	1 - 61	5393095	20 - 64	5400662	27 - 127	5407559	1 - 54
	1 - 101	5393123	21 - 54		27 - 134		1 - 98
5373004	1 - 116	5393203	15 - 1	5400663	27 - 5	5407562	1 - 53
	1 - 277	5393210	15 - 17C	5400666	27 - 95		1 - 97
5373028	1 - 188	5393211	1 - 13	5400672	27 - 37	5407563	1 - 168
5373031	1 - 203	5393212	1 - 10	5400675	27 - 166	5407564	1 - 166
5373035	1 - 29	5393213	1 - 14	5400689	27 - 54	5407565	1 - 140
	1 - 39	5393222	15 - 3	5400709	79 - 28W		1 - 174
	1 - 86	5393226	1 - 8	5400719	27 - 46		1 - 227
	1 - 112	5393915	5 - 21	5400727	27 - 73		1 - 240
	1 - 290	5397712	1 - 32	5400736	27 - 183		1 - 264
	1 - 324		1 - 330	5400737	27 - 183	5407566	1 - 167
5373047	21 - 57	5397713	1 - 32	5400738	27 - 183	5407568	1 - 135
5373048	1 - 126		1 - 330	5400739	27 - 183		1 - 160
	1 - 148	5397714	1 - 32	5400740	27 - 183		1 - 220
	1 - 211		1 - 330	5400741	27 - 183		1 - 235
	1 - 250	5397715	1 - 32	5400742	27 - 183		1 - 259
	1 - 274		1 - 330	5400743	27 - 183	5407700	20 - 60A
5373051	1 - 146	5397716	1 - 55	5400744	27 - 183		20 - 61A
	1 - 193		1 - 99	5400745	27 - 63A	5407701	20 - 60
	1 - 272	5397728	1 - 79	5400750	21 - 53		20 - 61
5373059	1 - 199		1 - 284		27 - REF	5408084	27 - 109
5373060	1 - 152	5397729	1 - 79	5400753	27 - 132A	5408090	27 - 103
	1 - 276		1 - 284	5400770	21 - 53	5408095	27 - 102
5373063	1 - 150	5397731	1 - 79		27 - REF	5408097	27 - 105
	1 - 186		1 - 284	5400778	27 - 121	5408098	27 - 107
	1 - 195	5397732	1 - 79	5400781	27 - 116	5408113	27 - 94
5373097	2 - 5		1 - 284	5400788	27 - 183	5412547	13 - 39
5373107	10 - 13	5397801	1 - 207	5400789	27 - 183	5412548	13 - 39
5373108	10 - 20	5397802	1 - 156	5400821	27 - 47	5412817	79 - 103
5373110	8 - 8	5397869	15 - 86	5400835	41 - 249	5418113	1 - 138
5373126	2 - 32		15 - 88	5400836	41 - 247		1 - 172
5373128	2 - 8		21 - 25	5403472	1 - 255		1 - 225
5373129	2 - 32	5399673	41 - 14A	5403686	1 - 64		1 - 242
5373130	1 - 1		41 - 144	5403687	1 - 64		1 - 266
	2 - REF	5400448	1 - 69	5403688	1 - 64	5418114	1 - 183
5373131	1 - 2		1 - 332	5403689	1 - 64		1 - 183
	2 - REF	5400500	15 - 14	5403690	1 - 104	5418131	1 - 171

PART NO.	LIST AND INDEX NO.	PART NO.	LIST AND INDEX NO.	PART NO.	LIST AND INDEX NO.	PART NO.	LIST AND INDEX NO.
5418132	1 -224	5443255	2 - 25	5477952	65 -119A	5703217	36 - 79
5418134	1 -231		4 - 9	5477953	65 -119C	5703218	36 - 90
5418135	1 -239	5443256	2 - 25	5477962	1 - 8	5703219	36 - 82
5418142	15 - 17J		4 - 9	5477977	21 -118	5703220	33B- 4
5418145	1 -120	5443257	4 - 19		41 -325		36 - 8
5418146	1 -128	5443258	4 - 19		65 -170	5703221	36 - 76
5418147	1 -129	5443259	4 - 23		75 - 54D	5703222	36 - 73
5418148	1 -137	5443260	4 - 20	5495780	56 - 4	5703223	33 - 86
5418181	1 -165	5443261	2 - 1	5495783	56 - 36		33A- 84
5418185	1 -137	5443262	2 - 15	5495785	41 -299		35 - REF
5418257	1 - 46	5443263	2 - 30	5495827	56 - 56	5703224	35 -146
5418258	1 - 90	5443264	2 - 30	5672386	72A- 51	5703226	35 -113
5418270	1 -293	5443265	2 - 13	5700591	79 - 28S	5703228	35 - 83
	1 -327	5443266	2 - 13	5700640	6 - 12	5703229	35 -116
5420366	1 -306	5449014	18 - 47		7 - 2	5703230	33B- 68
5420367	1 -295	5449032	19 - 15	5700650	33 -100		35 -114
5420368	1 -307	5462020	18 - 60A		33A- 98		36 - 87
5420369	1 -298		19 - 42	5702900	27 - REF	5703231	35 -100
5420370	1 -300		20 - 24F	5702957	27 - 60	5703233	35 - 98
5420372	1 -297	5462355	15 -150	5702958	27 - 61	5703234	35 -117
5420373	1 -296	5462363	18 - 60J	5702959	27 - 62	5703235	35 -121
5420375	1 -287	5462364	65 -173	5702960	27 - 55	5703236	35 - 72
5420376	1 -287	5462367	15 -146	5702966	27 -122	5703237	35 - 85
5420377	1 -287	5462368	41 -311	5702968	27 -101	5703238	35 - 3
5420378	1 -287	5462369	41 -312	5702973	27 - 70	5703239	35 - 2
5420380	1 -319	5462378	41 -310	5702975	27 - 89	5703241	35 - 46
5420381	1 -319	5469508	21 -117	5702976	27 - 68	5703242	33 - 17
5420382	1 -319		41 -324	5702977	27 - 64		33A- 18
5420383	1 -319		65 -169		27 - 81	5703243	33 - 16
5420384	1 -129		75 - 54F	5702978	27 - 66		33A- 17
5420385	1 -156	5469509	21 -115		27 - 82	5703244	35 - 57
5420386	1 -216		41 -322	5702987	27 - 76B	5703245	36 - 97
5420447	1 -263		65 -167	5702990	27 - 76A	5703246	33 - 6
5420448	1 -239		75 - 54A	5702995	27 -135		33A- 6
5420449	1 -255	5469510	21 -113	5702996	27 -137	5703247	33 - 70
5420450	1 -231		41 -320	5702998	27 -128A		33A- 65
5421373	1 -315		65 -165	5702999	27 -158	5703248	33 - 68
5421374	41 -317		75 - 53	5703000	27 -157		33A- 63
5421375	41 -308	5474663	65 -135	5703001	27 -161	5703249	33 - 66
5421376	41 -306	5474664	65 - 14	5703002	15 - 61		33A- 61
5421379	41 -301		66 - REF		27 -123	5703250	35 - 94
5421427	1 -181	5474665	66 - 69		27 -129	5703251	33 - 27
5421462	15 -160	5474666	65 - 5	5703003	15 - 60	5703252	37 - 23
	21 -112	5474667	65 -120		27 -133	5703253	33 - 44
5421463	15 -152	5474668	65 - 11	5703004	27 -165		33A- 40
	21 -103	5474669	65 -122	5703006	27 -128D	5703255	33 - 55
5421479	21 -100	5474671	65 -112		27 -132D		33A- 51
5421481	21 - 77	5474673	65 -104	5703007	27 - 28	5703256	33 - 47
5422643	15 -111G	5474674	65 -109	5703008	27 -167A		33 - 51
5422644	15 -111A	5474675	65 -105	5703009	27 - 75		33A- 43
5428141	17 - 24	5474676	65 -106	5703052	27 -120		33A- 47
	18 - 24A	5474677	65 -108	5703154	27 -165A	5703257	33B- 15
5428142	17 - 35	5474678	65 -107	5703155	27 - 90		35 - 25
	20 - 15	5474690	65 -134	5703158	27 - 12		36 - 19
5428337	17 - 19	5474691	65 -134	5703197	79 - 28T		36 - 24
	41 - 26	5474692	65 -134	5703200	29 - 67	5703258	33B- 16
5428338	17 - 20	5474693	65 -134		29 - 67		35 - 23
5428339	17 - 18	5474694	65 -134		33 - REF		36 - 18
	18 - 23	5474695	65 -134		33A- REF		36 - 25
	19 - 16	5474696	65 -110	5703202	33 - 88	5703259	33B- 46
	20 - 19	5474701	21 -114		36 - REF		36 -102
5437762	24A- 11		41 -321	5703203	36 -129	5703260	33B- 17
5440636	13 - 44		65 -166	5703204	36 - 53		35 - 26
	19 - 37		75 - 54	5703206	33B- 60		36 - 20
	20 - 24B	5474710	65 - 1		36 - 50	5703262	33 - 82
5440638	20 - 24B	5474733	15 - 43		33B- 22		33A- 80
5440639	18 - 60J	5474734	15 -160D	5703207	36 - 30	5703264	33B- 12
	19 - 37	5474736	15 -129		36 -126		35 - 21
5443180	21 - 75H	5474758	41 -328	5703209	36 -103		36 - 15
5443181	21 - 75K	5474759	75 - 54G	5703210	36 -103		36 - 15
5443184	21 - 75F	5474858	15 - 17D	5703211	33B- 51	5703265	33B- 33
5443185	21 - 75D	5474859	15 - 17E		36 -105		36 - 40
5443186	21 - 75	5474861	15 - 17F	5703212	33B- 9	5703266	35 -142
5443212	15 -154	5477935	41 - 27		36 - 9	5703267	36 -107
	21 -106	5477936	41 - 28	5703213	33B- 5	5703269	36 -116
5443249	4 - 13	5477939	41 -258		36 - 5	5703276	27 - 71
5443250	4 - 13	5477940	41 -261	5703214	33B- 8	5703279	27 - 58
5443252	2 - 11	5477945	65 -119H		36 - 4	5703282	27 -146
5443253	2 - 29	5477946	65 -119G	5703215	33B- 1	5703283	27 -154
5443254	2 - 29	5477947	65 -119H		36 - 1	5703284	27 -151
				5703216	36 -100	5703285	27 -143

PART NO.	LIST AND INDEX NO.	PART NO.	LIST AND INDEX NO.	PART NO.	LIST AND INDEX NO.	PART NO.	LIST AND INDEX NO.
5703286	27 -145	5712030	41 - 74	5762429	35 -132		
5703287	27 -156A		51A- REF	5762466	53 - 68		
5703328	27 - 51	5712033	36 - 21		68 - 91		
5708902	41 - 65	5712034	33 - 97	5762573	33A- 89		
	45 - REF		33A- 95	5765808	19 - 79A		
	65 - 67	5712035	36 - 57	5765809	19 - 79		
	75 - 76	5712036	36 - 54	5765810	19 - 81A		
5708903	41 - 66	5712037	36 - 84	5765811	19 - 81		
	46 - REF	5712038	36 - 70	5780950	19 - 77A		
5708904	65 - 69	5712039	33 - 1	5780951	19 - 77		
	73 - REF		33A- 1	5783222	65 - 87		
	75 - 78		34 - REF	5800530	79 -131		
5708926	45 - 9	5712043	33B- 64	5800610	79 - 59		
5708927	46 - 11		36 - 64	5800659	79 - 63A		
5708932	54 - 8	5712044	35 - 33	5800660	79 - 63B		
	65 - 65	5712046	35 - 27	5800662	79 - 63C		
	70 - REF	5712100	65 - 66	5800664	79 - 63D		
	75 - 74		71 - REF	5800665	79 - 63E		
5708934	65 - 62		75 - 75	5800666	79 - 63F		
	67 - REF	5712120	41 - 61	5800667	79 - 63G		
	75 - 71		43 - REF	5800668	79 - 63H		
5708938	33 - 60	5712123	43 - 56	5800669	79 - 63J		
	33A- 56	5712140	65 - 70	5800670	79 - 63K		
5708939	43 - 9		74 - REF	5800674	79 - 63M		
	47 - 6		75 - 79	5800677	79 - 63L		
	47A- 4	5712160	41 - 77	5802225	13 - 44		
	48 - 7		54 - REF	5802236	22 - 50		
	49 - 6	5712163	54 - 41	5802425	13 - 44		
	51 - 40B	5712166	54 - 93	5802426	13 - 44		
	51A- 41	5712167	54 - 40	5802427	13 - 44		
	52 - 6	5712168	54 - 84	5802428	13 - 44		
	55 - 6	5712169	54 - 33	5802429	13 - 44		
	69 - 6	5712173	54 - 9	5802430	13 - 44		
	71 - 7	5712180	65 - 63	5802431	13 - 44		
	72 - 22		68 - REF	5802434	13 - 44		
	72A- 21		75 - 72	5802435	13 - 44		
	74 - 27	5712480	65 - 64	5802436	13 - 44		
5709006	33 - 7		69 - REF	5802437	13 - 44		
	33A- 7		75 - 73	5802439	13 - 44		
5709058	48 - 52	5713516	67 - 22	5802440	13 - 44		
	49 - 46		70 - 16	5802441	13 - 44		
5709059	33 - 78A	5713599	68 - 43	5802924	13 - 44		
	33A- 76	5713600	68 - 7	5802928	21 -121		
5709300	41 - 69	5719453	29 - 9		65 -140		
	49 - REF	5729268	1 -277	5802929	21 -121		
5709323	71 - 42	5730854	52 - 3		65 -140		
5709325	71 - 10		69 - 3	5802945	13 - 44		
5709380	51 - 21	5732323	30 - 46	5802946	13 - 44		
5709381	47 - 37	5738338	47A- 29	5805019	79 -101		
	47A- 38		72 - 28	5810946	25 - 12		
	72 - 35		72A- 32	5811287	27 - 45		
	72A- 39	5740008	28A- 6	5811289	27 - 46		
5709382	51A- 19	5740086	21 - 74	5811335	27 - 47		
5709383	55 - 43		28 - REF	5815828	79 - 63		
5709464	53 - 5	5740087	21 - 74	5820580	65 -130		
	68 - 2		28A- REF	5820594	66 - 14F		
5712000	30 - 72	5740089	28 - 19	5820770	15 - 69A		
	33 - REF		28A- 22		21 - 62		
5712003	33 - 86	5758602	34 - 1	8019065	30 - 11		
	35 - REF	5758605	65 - 43	8026380	30 - 35		
5712004	35 -123	5758615	34 - 2	8026896	30 - 9		
5712008	33 -103	5758616	34 - 3	8027125	30 - 19		
5712010	41 - 73	5759610	34 - 4	8027126	30 - 54		
	51 - REF	5760229	65 -134				
5712020	65 - 68	5761493	33 - 8				
	65 - 68		33A- 8				
	72 - REF	5761907	47A- 24				
	72A- REF		72A- 57				
	75 - 77		33B- 90				
	75 - 77	5762034	43 - 47				
5712023	33 - 73	5762086	35 - 12				
	33A- 69	5762119	35 - 7				
5712024	33 - 99	5762133	47A- 22				
	33A- 97	5762386	49 - 29				
5712025	33 - 75		51A- 70				
	33A- 71		72A- 46				
5712026	36 - 27	5762407	47A- 8				
5712027	34 - 18		49 - 5				
5712028	34 - 17		72A- 24				
5712029	36 - 26		74 - 26				

READER'S COMMENT FORM

2050 Processing Unit

S123-0420-4

● How did you use this publication?

- As a reference source
- As a classroom text
- As .....

● Based on your own experience, rate this publication...

- As a reference source:
 

.....	.....	.....	.....	.....
Very	Good	Fair	Poor	Very
Good				Poor
- As a text:
 

.....	.....	.....	.....	.....
Very	Good	Fair	Poor	Very
Good				Poor

● What is your occupation? .....

● We would appreciate your other comments; please give specific page and line references where appropriate. If you wish a reply, be sure to include your name and address.

● Thank you for your cooperation. No postage necessary if mailed in the U.S.A.

**YOUR COMMENTS, PLEASE .....**

Your answers to the questions on the back of this form, together with your comments, will help us produce better publications for your use. Each reply will be carefully reviewed by the persons responsible for writing and publishing this material. All comments and suggestions become the property of IBM.

Please note: Requests for copies of publications and for assistance in utilizing your IBM system should be directed to your IBM representative or to the IBM sales office serving your locality.

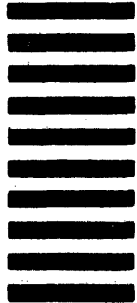
.....CUT ALONG THIS LINE .....

fold

fold

FIRST CLASS  
PERMIT NO. 419  
POUGHKEEPSIE, N.Y.

**BUSINESS REPLY MAIL**  
NO POSTAGE STAMP NECESSARY IF MAILED IN THE UNITED STATES



POSTAGE WILL BE PAID BY .....

**IBM CORPORATION  
P.O. BOX 390  
POUGHKEEPSIE, N.Y. 12602**

ATTENTION: PARTS CATALOGS, DEPT. B97

fold

fold

0902

2050

TAB INSERT FOR FRONT COVER

S 123-0420-4

IBM 2050 Printed in U.S.A. S 123-0420-4

**IBM**

**International Business Machines Corporation  
Data Processing Division  
1133 Westchester Avenue, White Plains, New York 10604  
[U.S.A. only]**

**IBM World Trade Corporation  
821 United Nations Plaza, New York, New York 10017  
[International]**