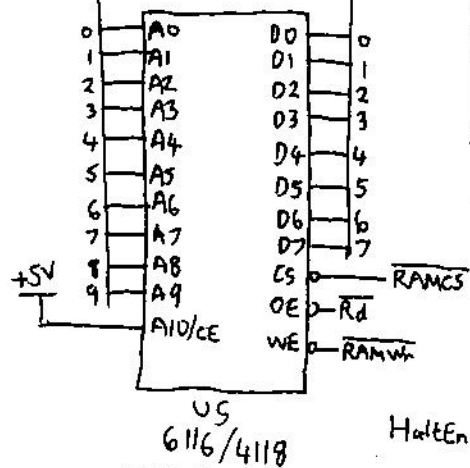
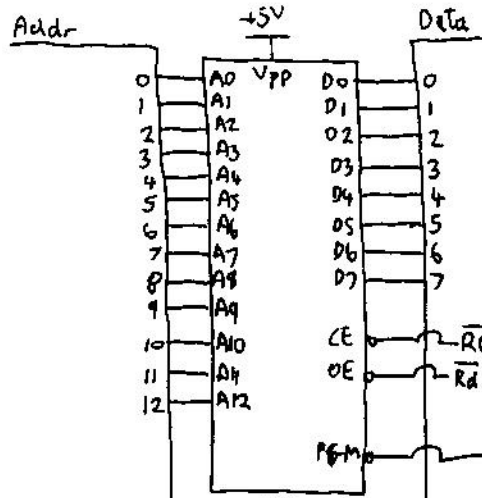
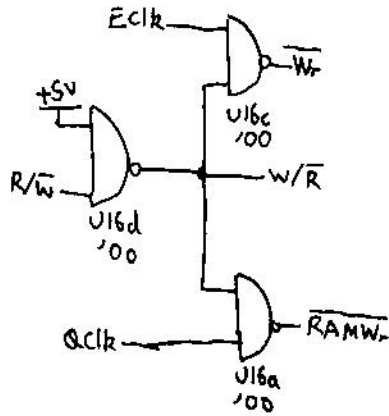
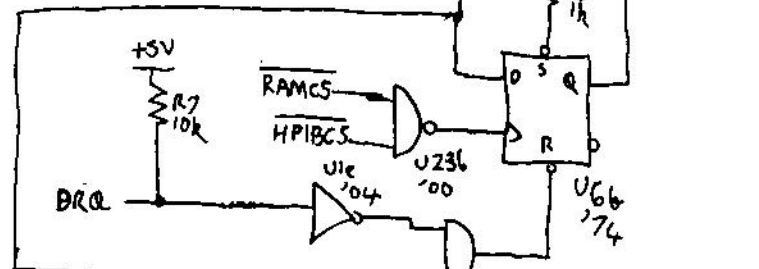
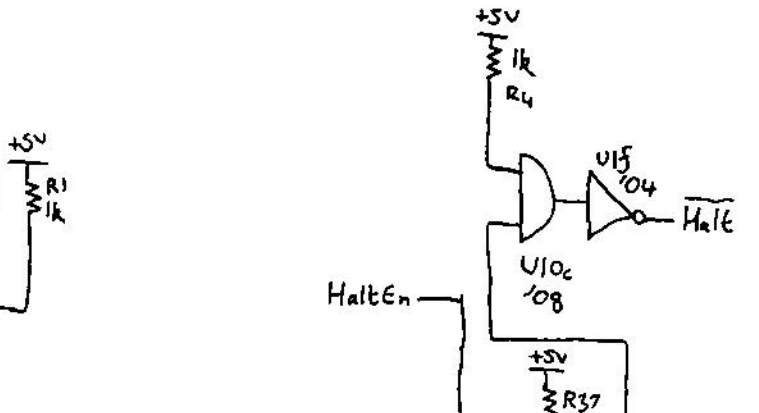


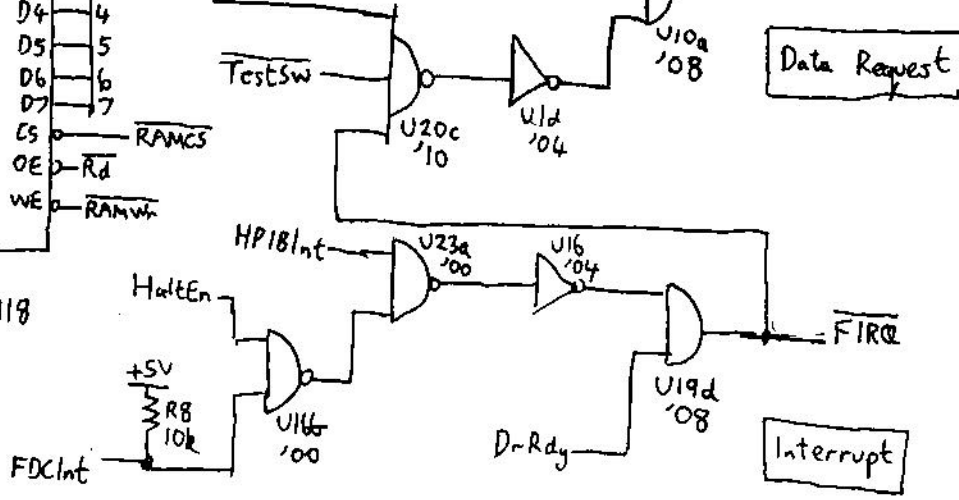
Bus Control



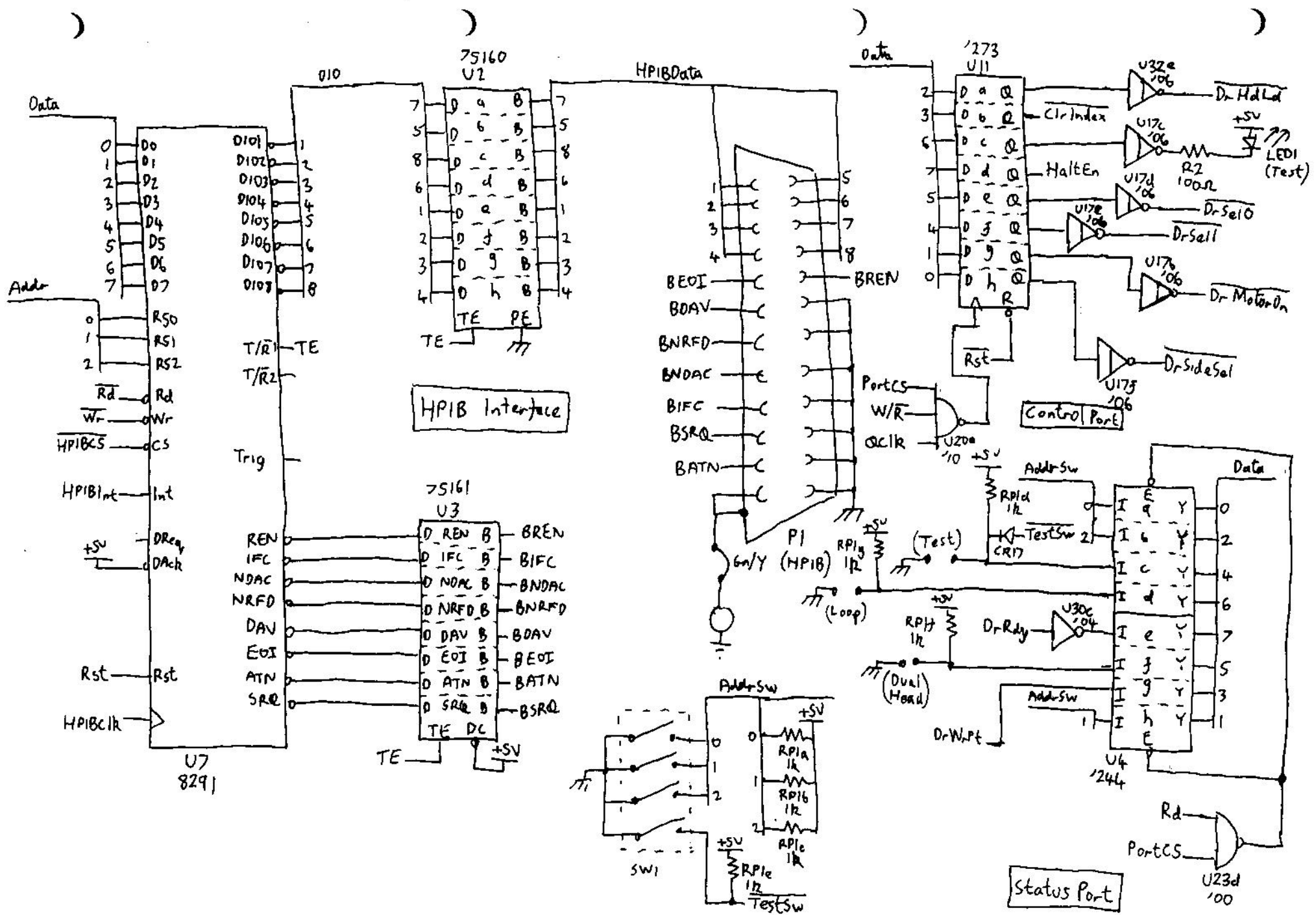
Memory

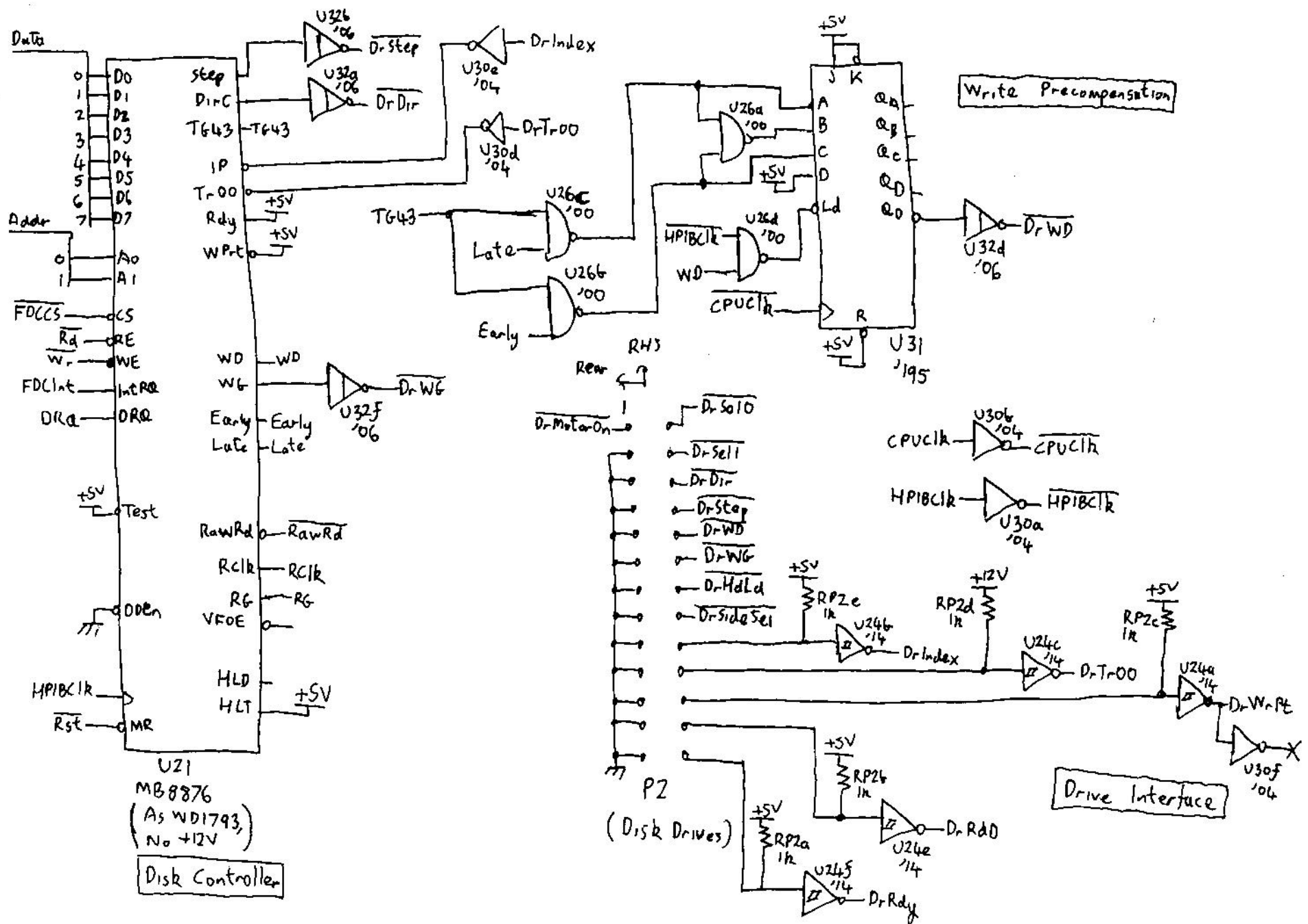


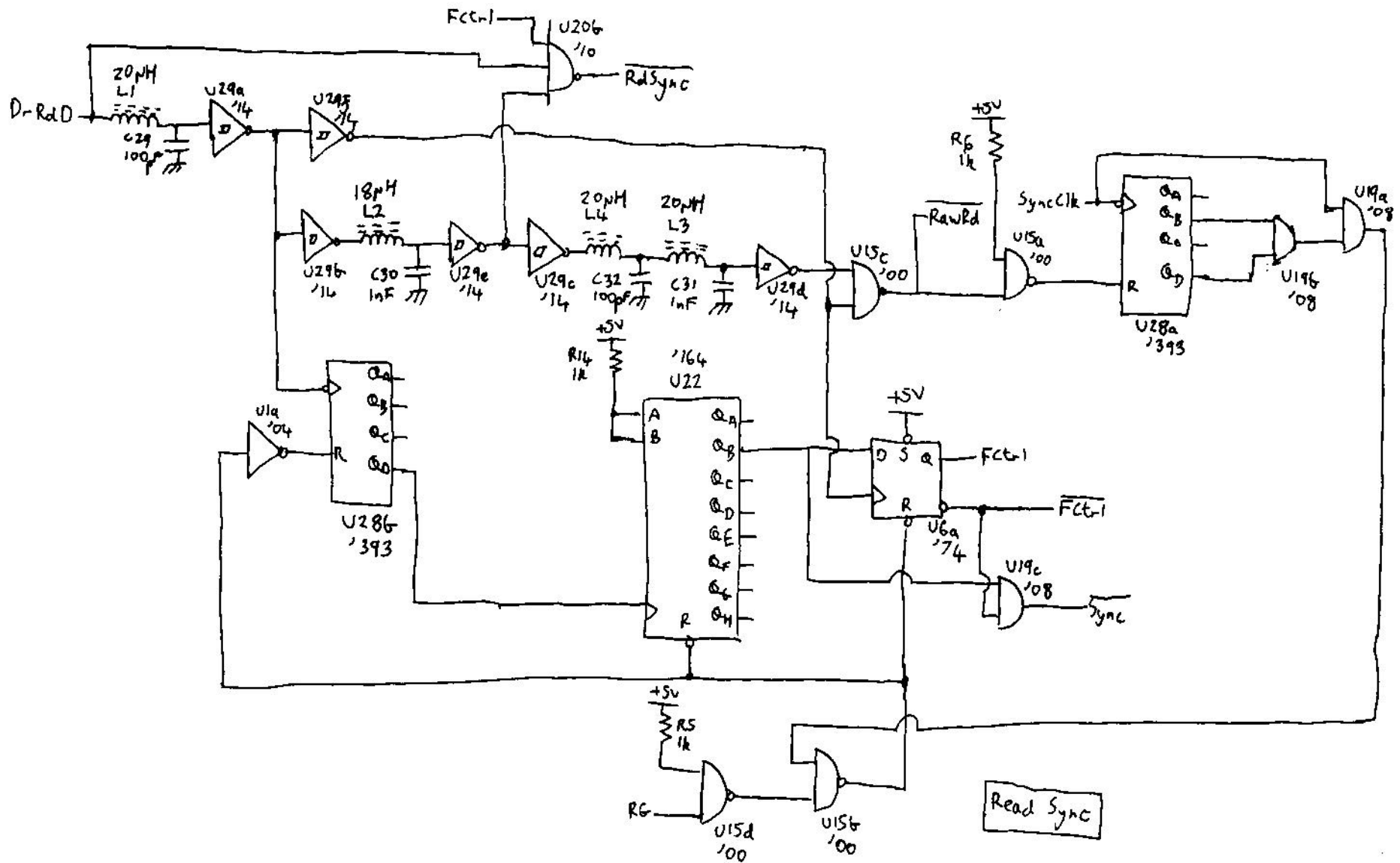
Data Request

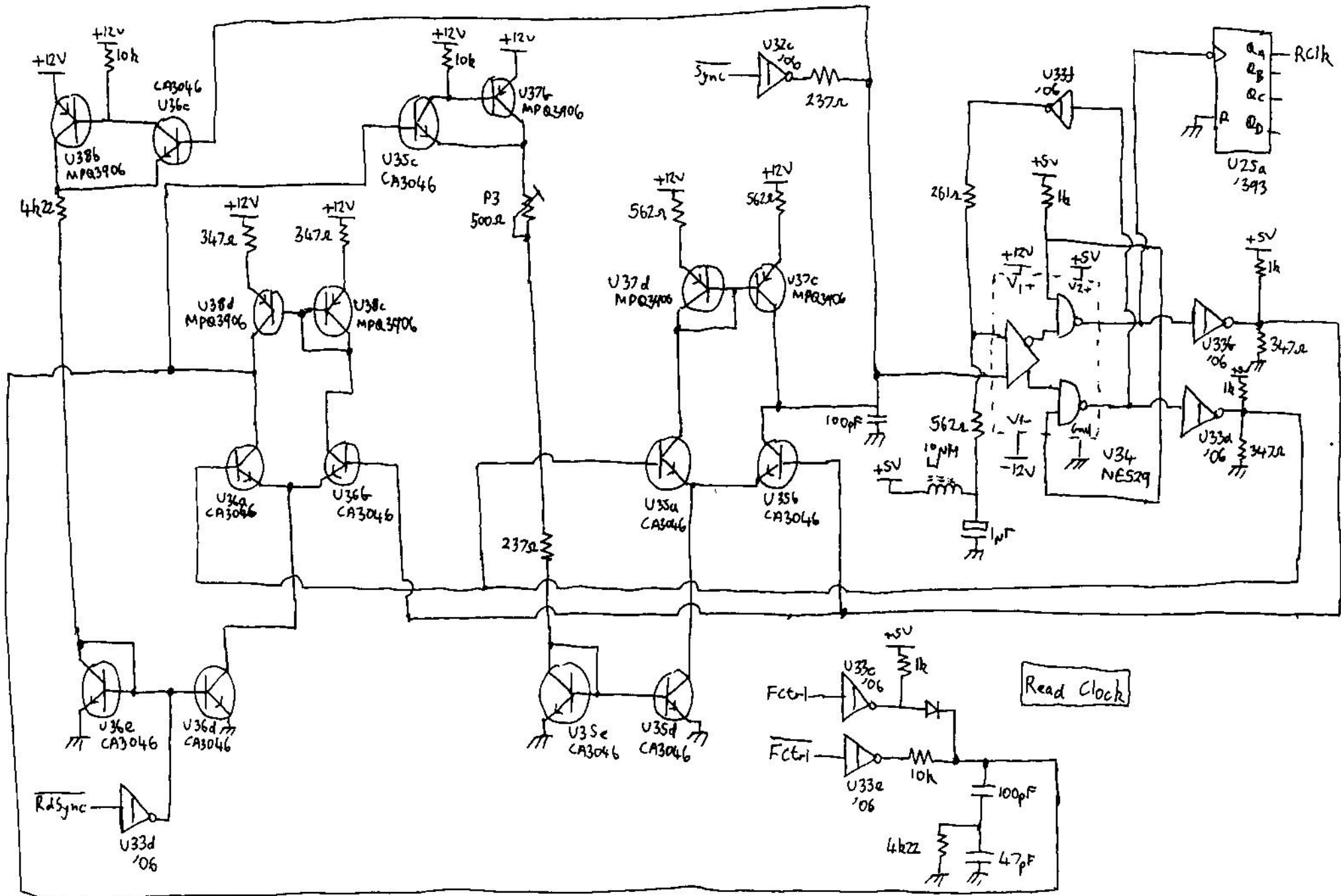


Interrupt

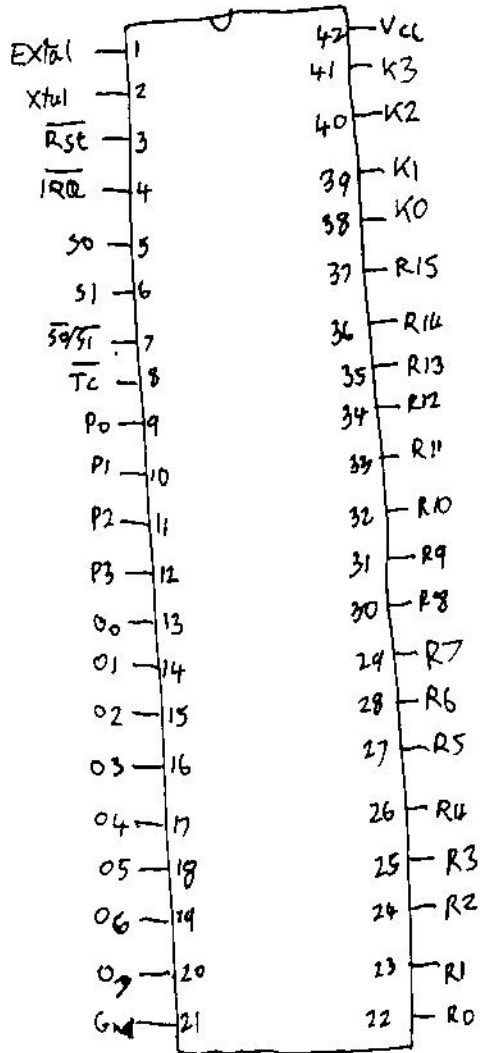




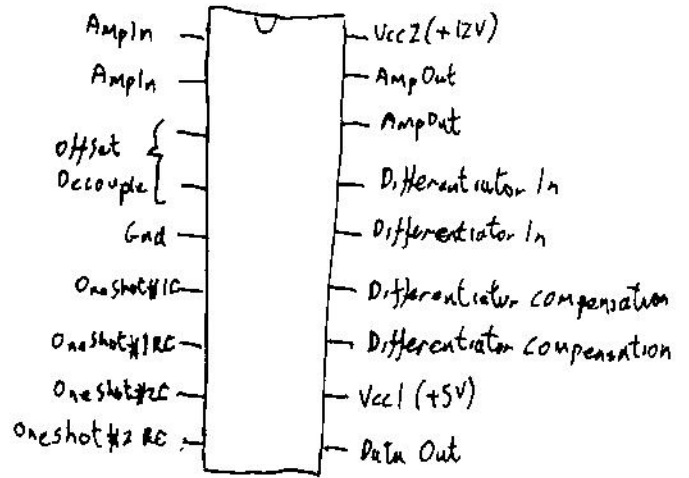




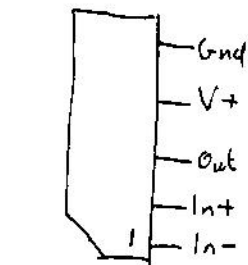
FC6 PCB



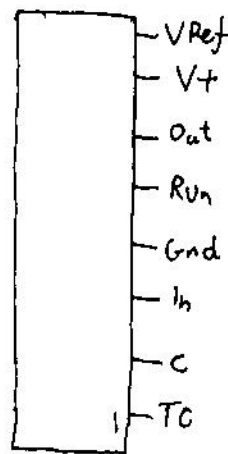
MB8843  
4-bit Microcontroller



MC3470  
Disk Read Chain

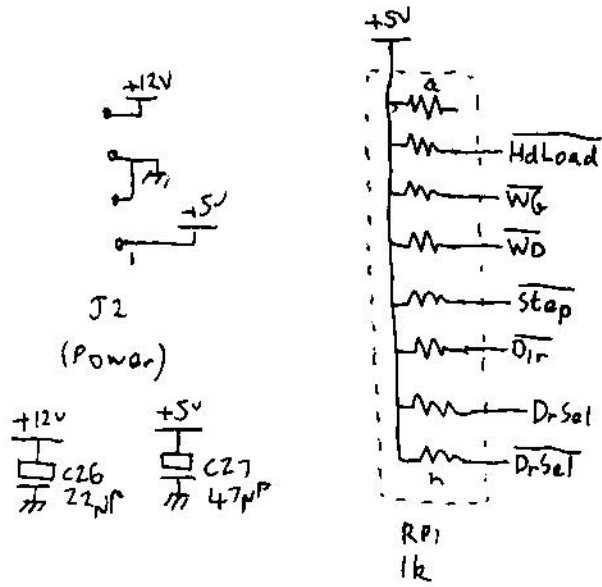
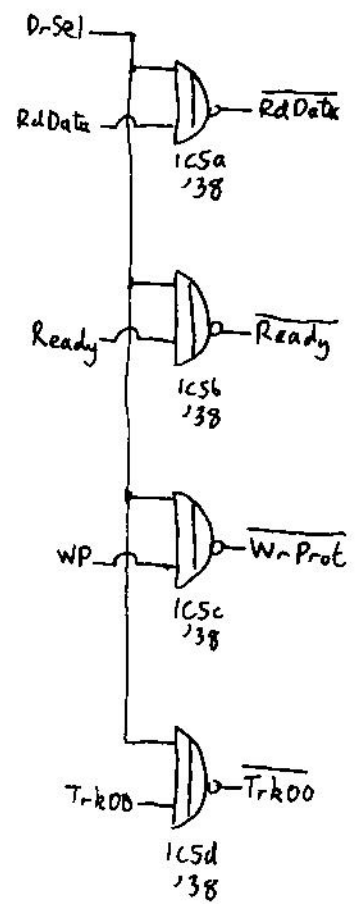
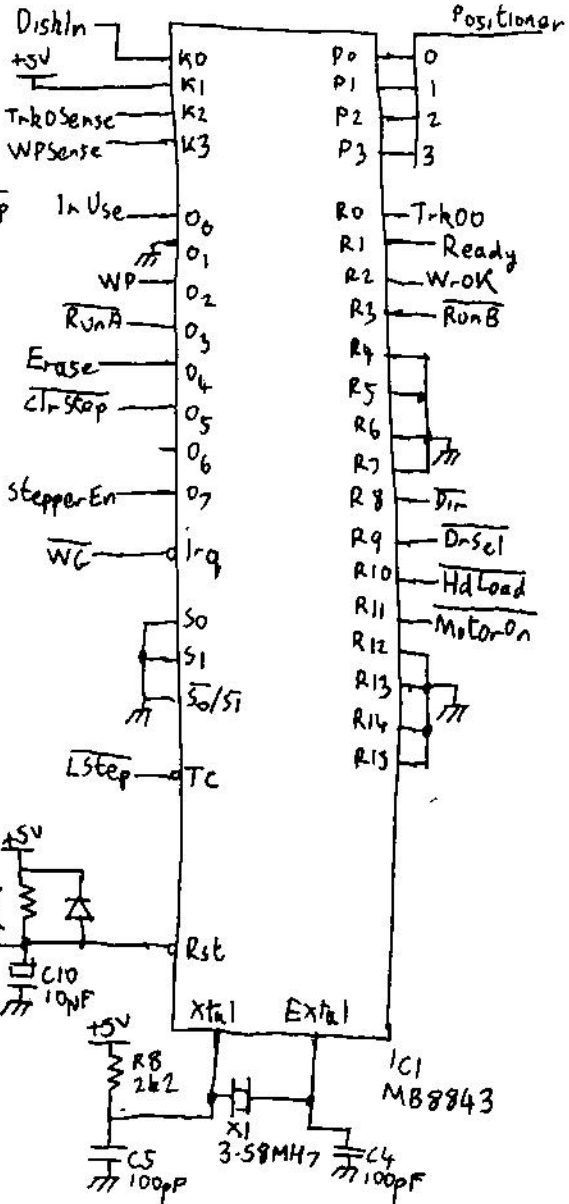
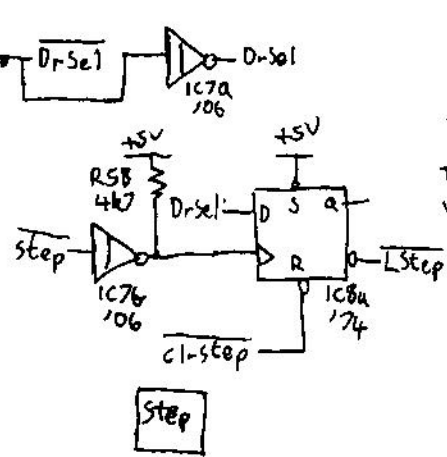
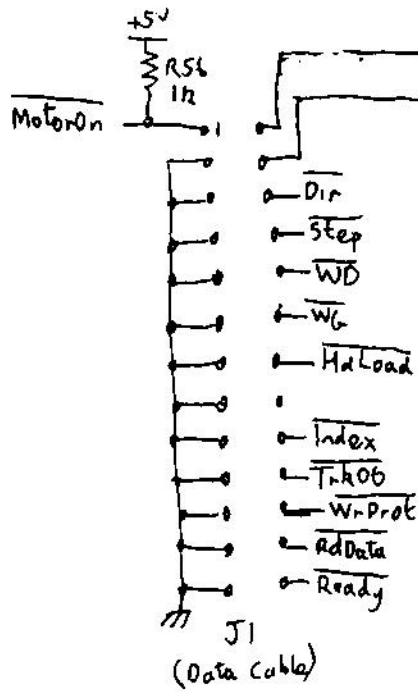


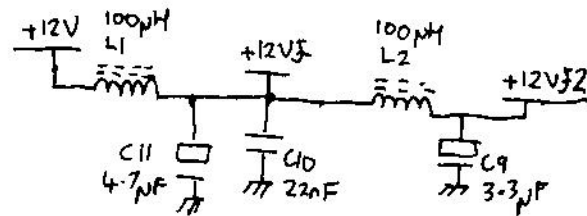
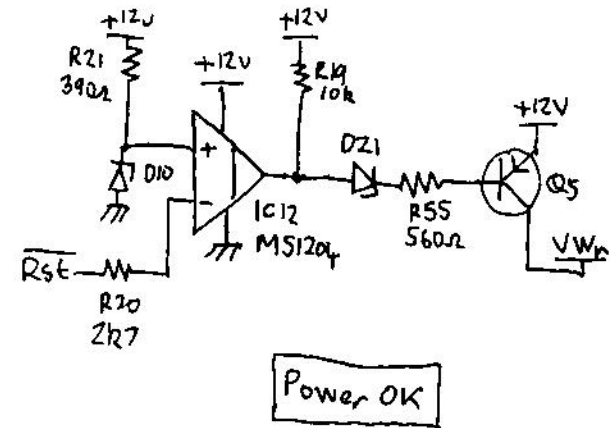
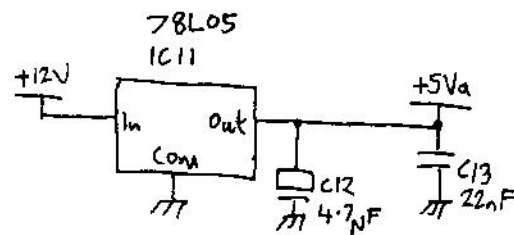
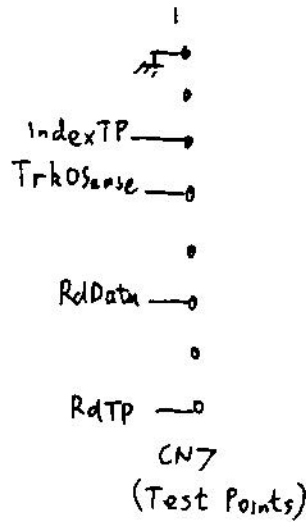
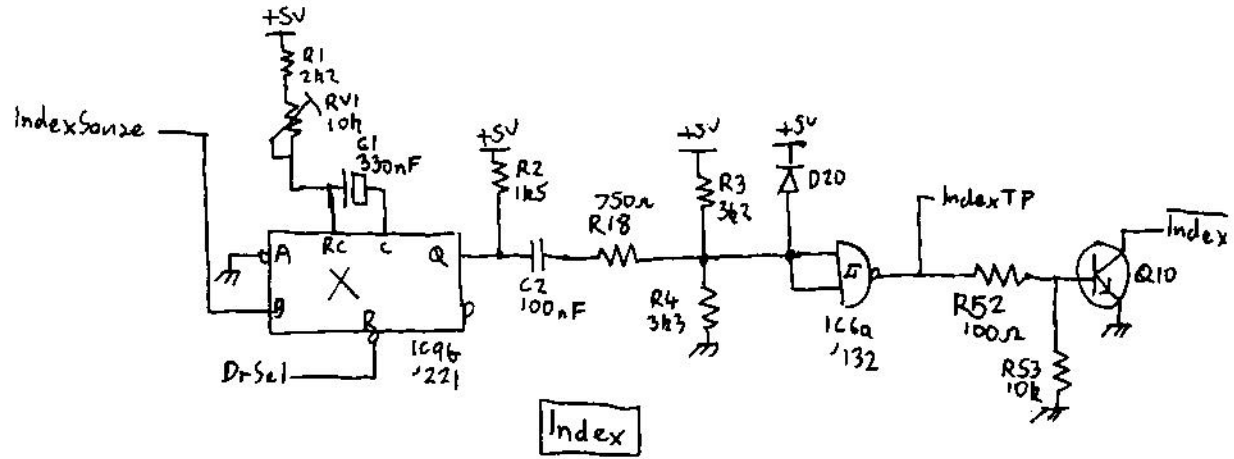
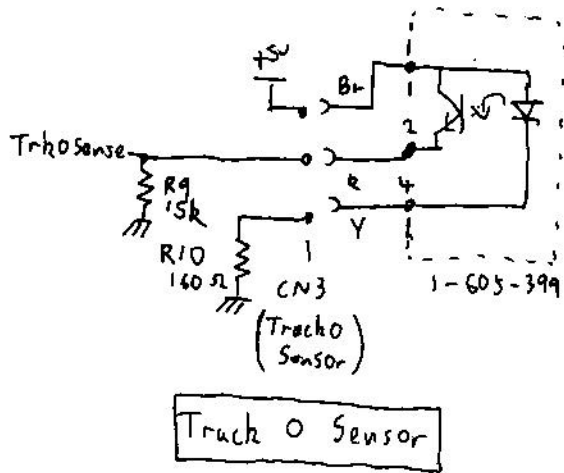
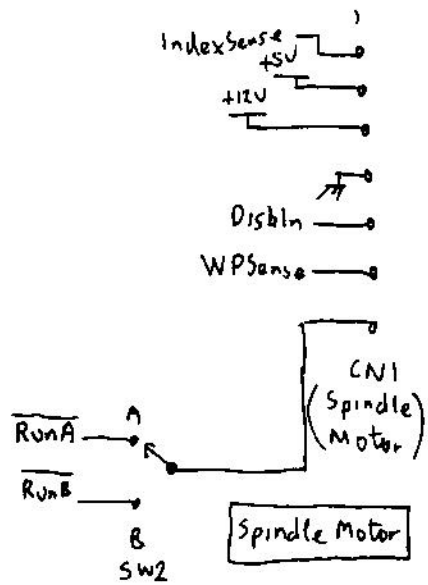
MS1204  
Comparator

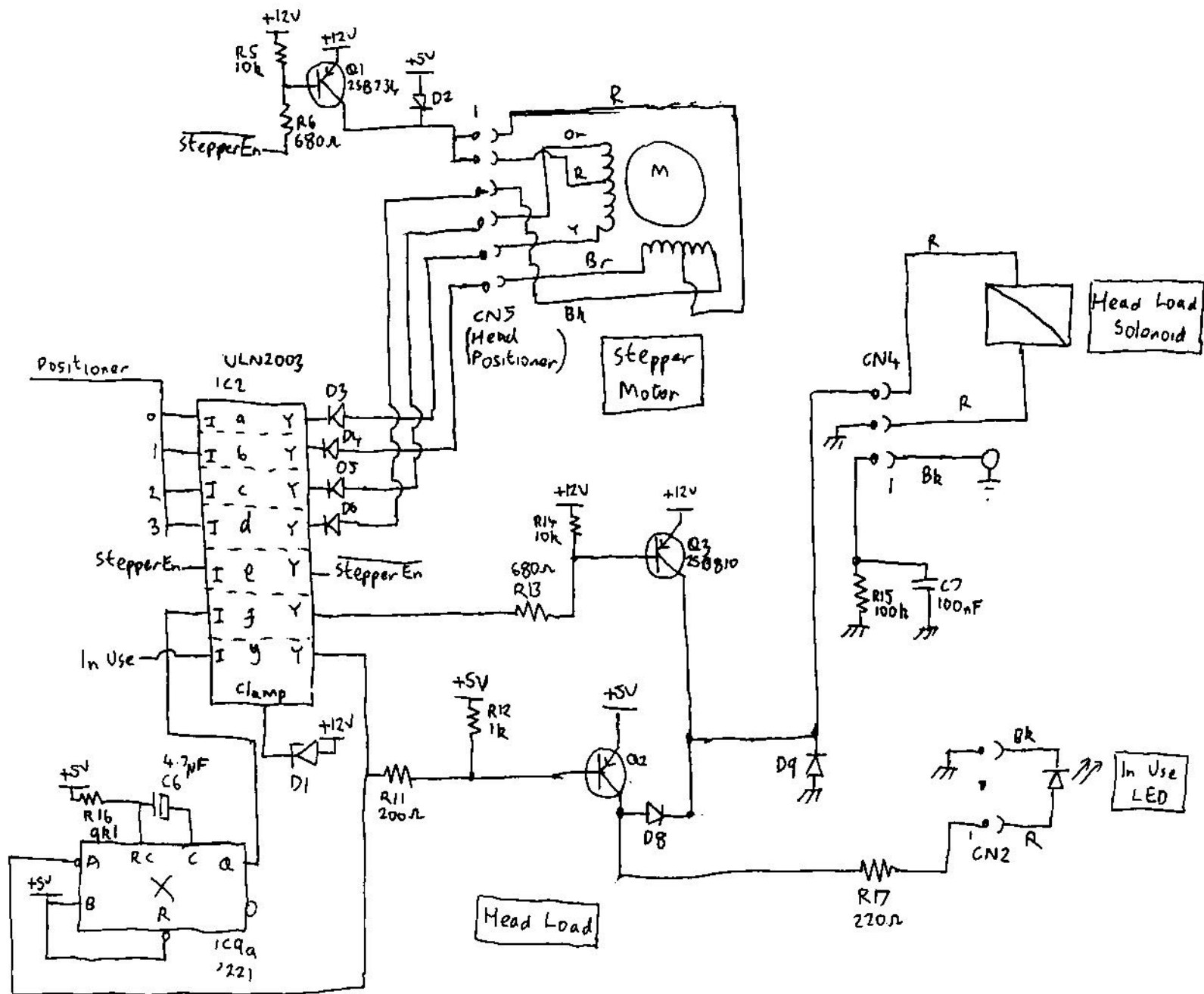


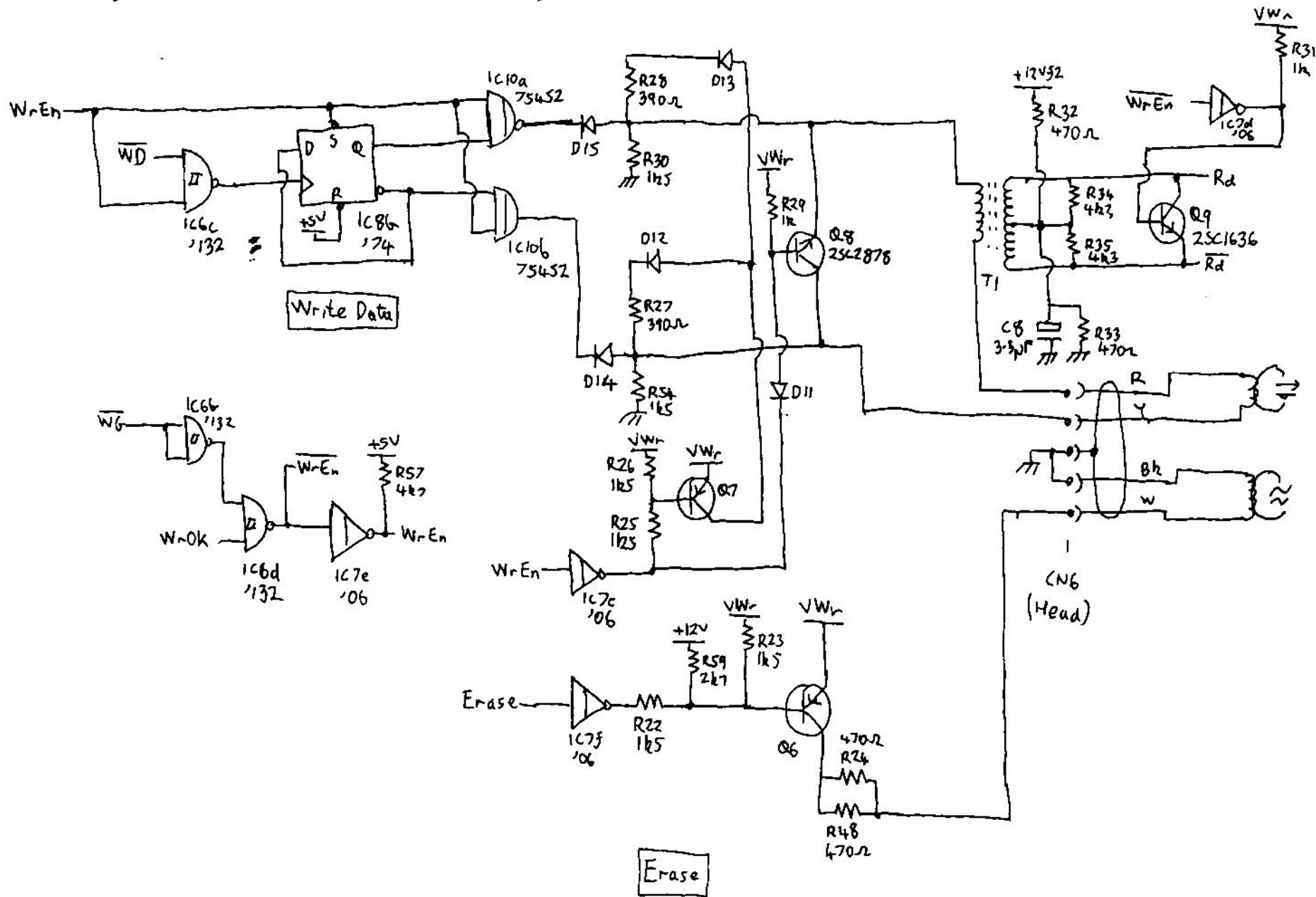
CX-069  
Motor Controller

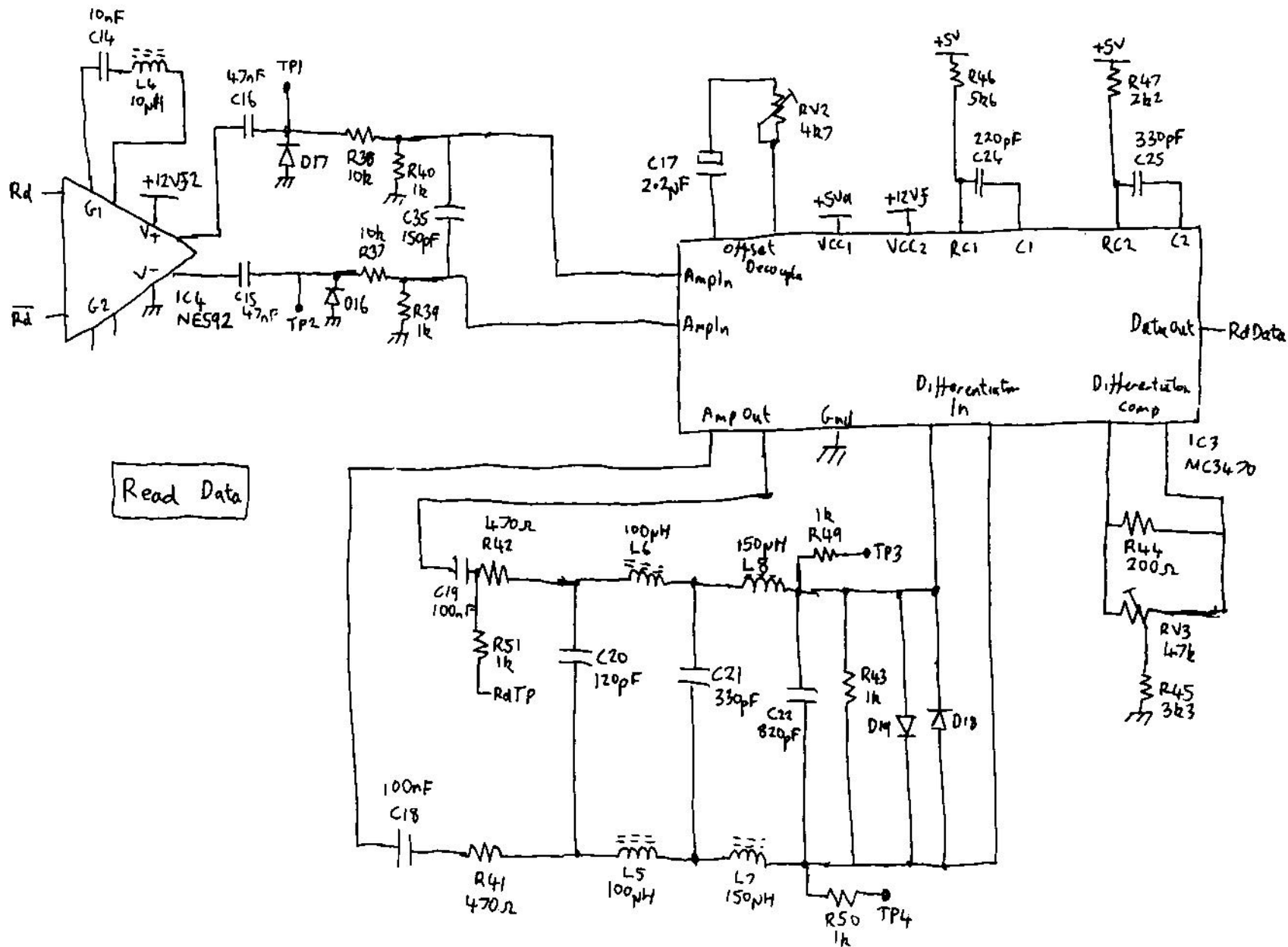


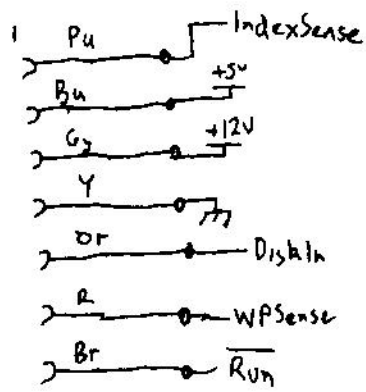




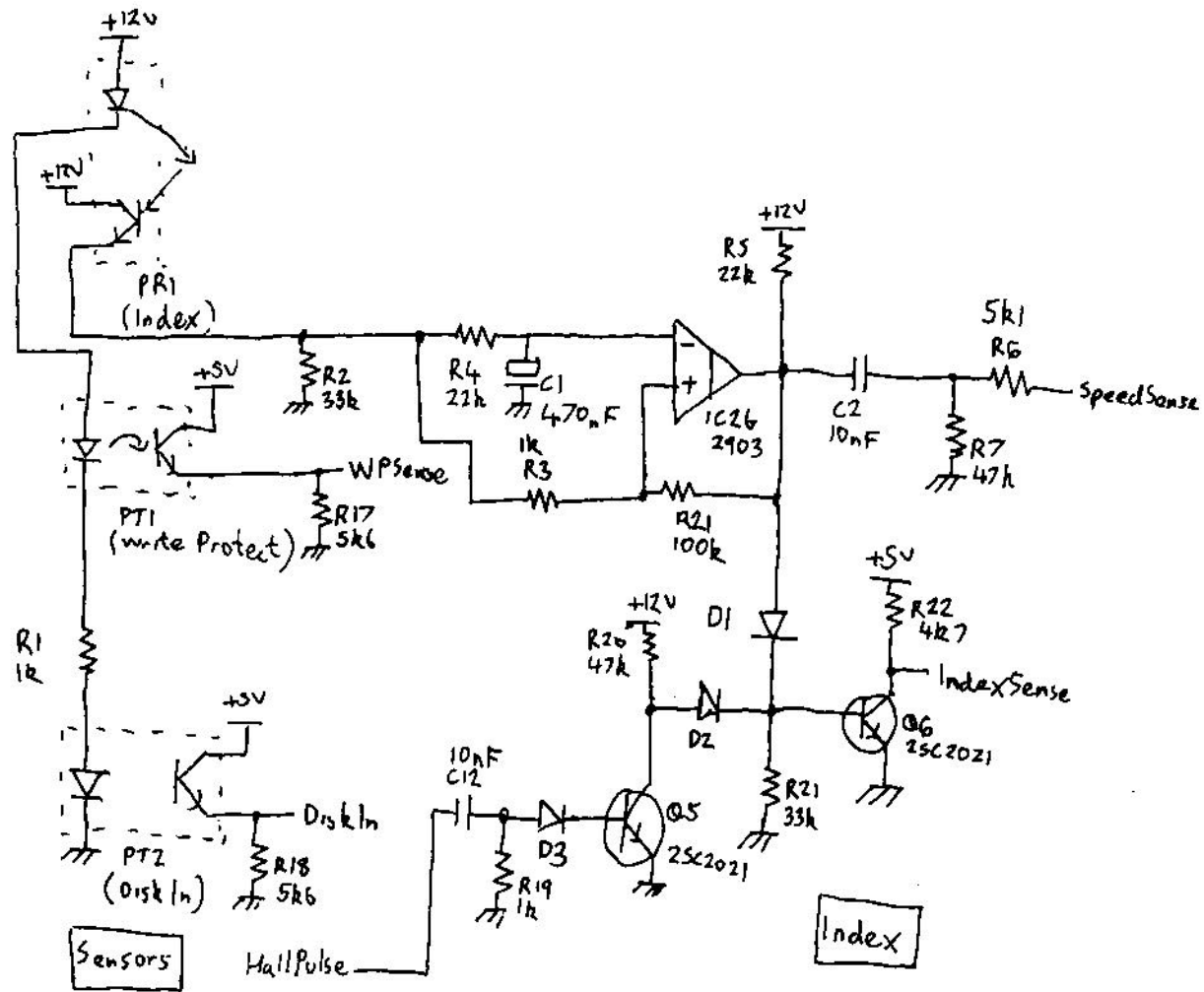
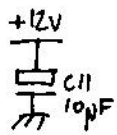


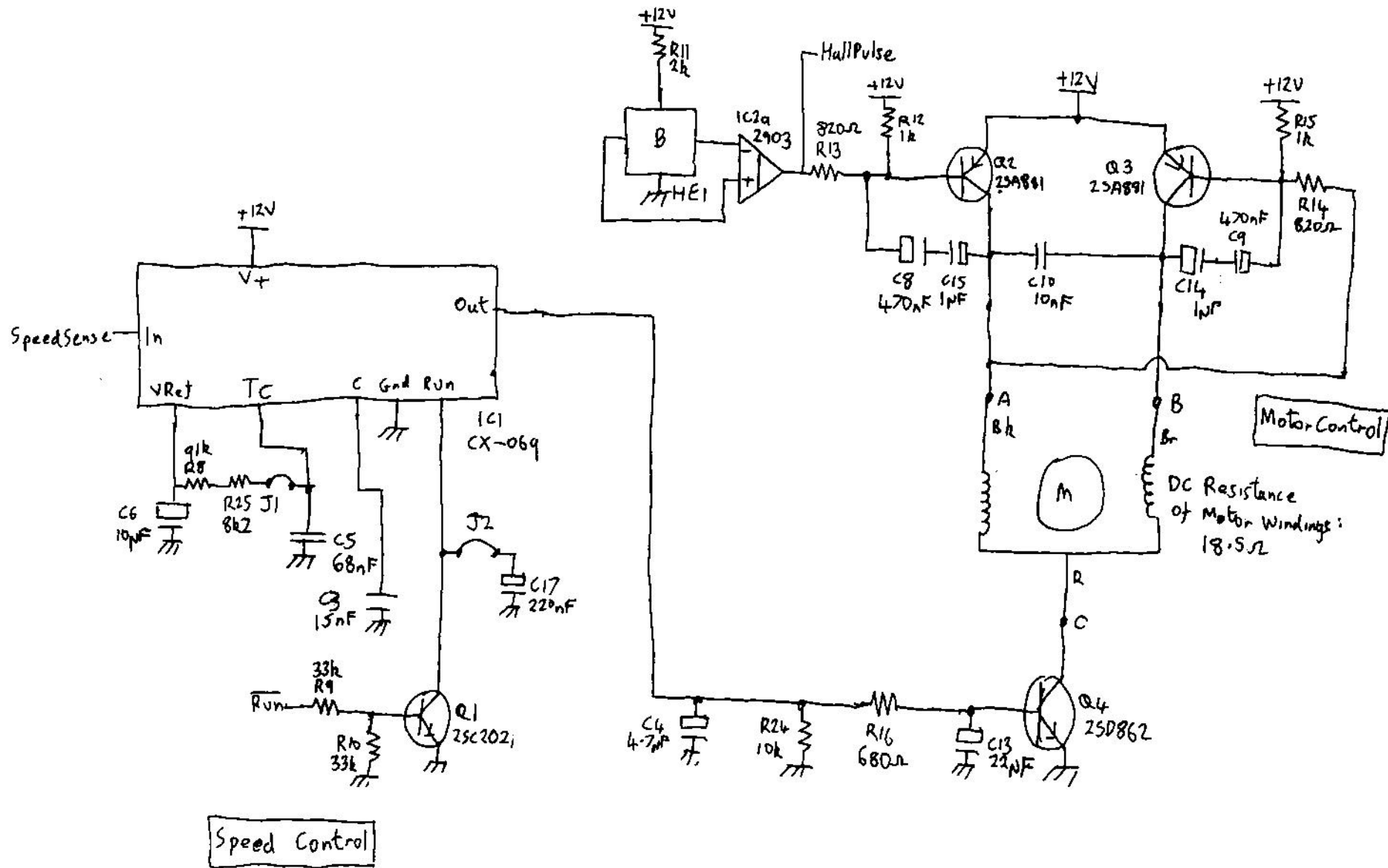


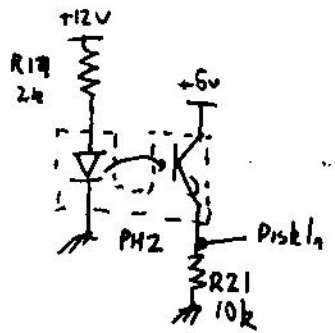
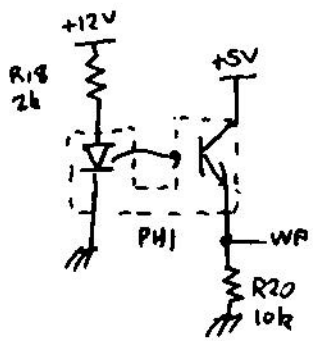
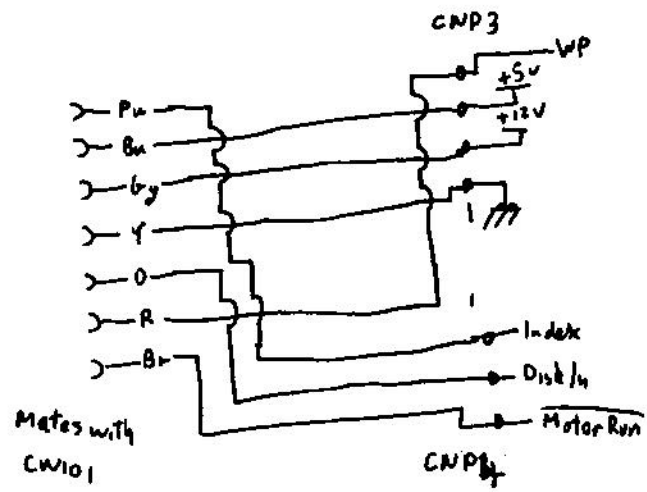




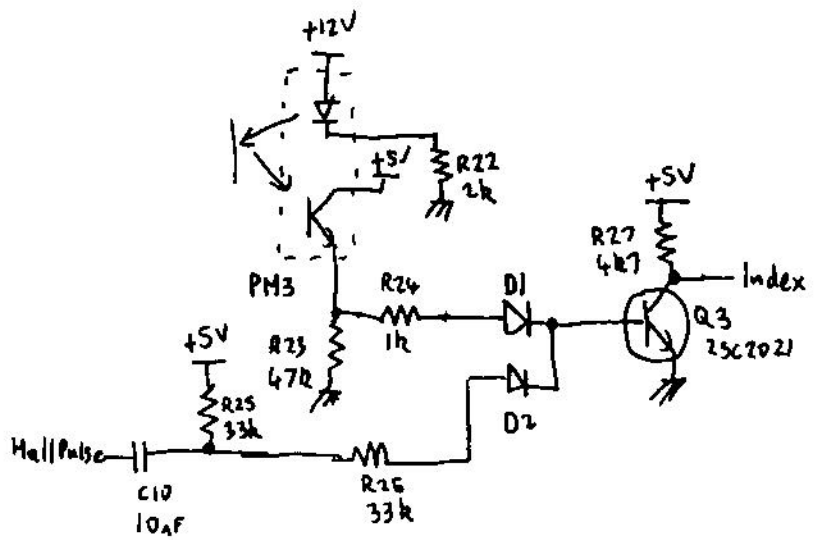
(To CNI)





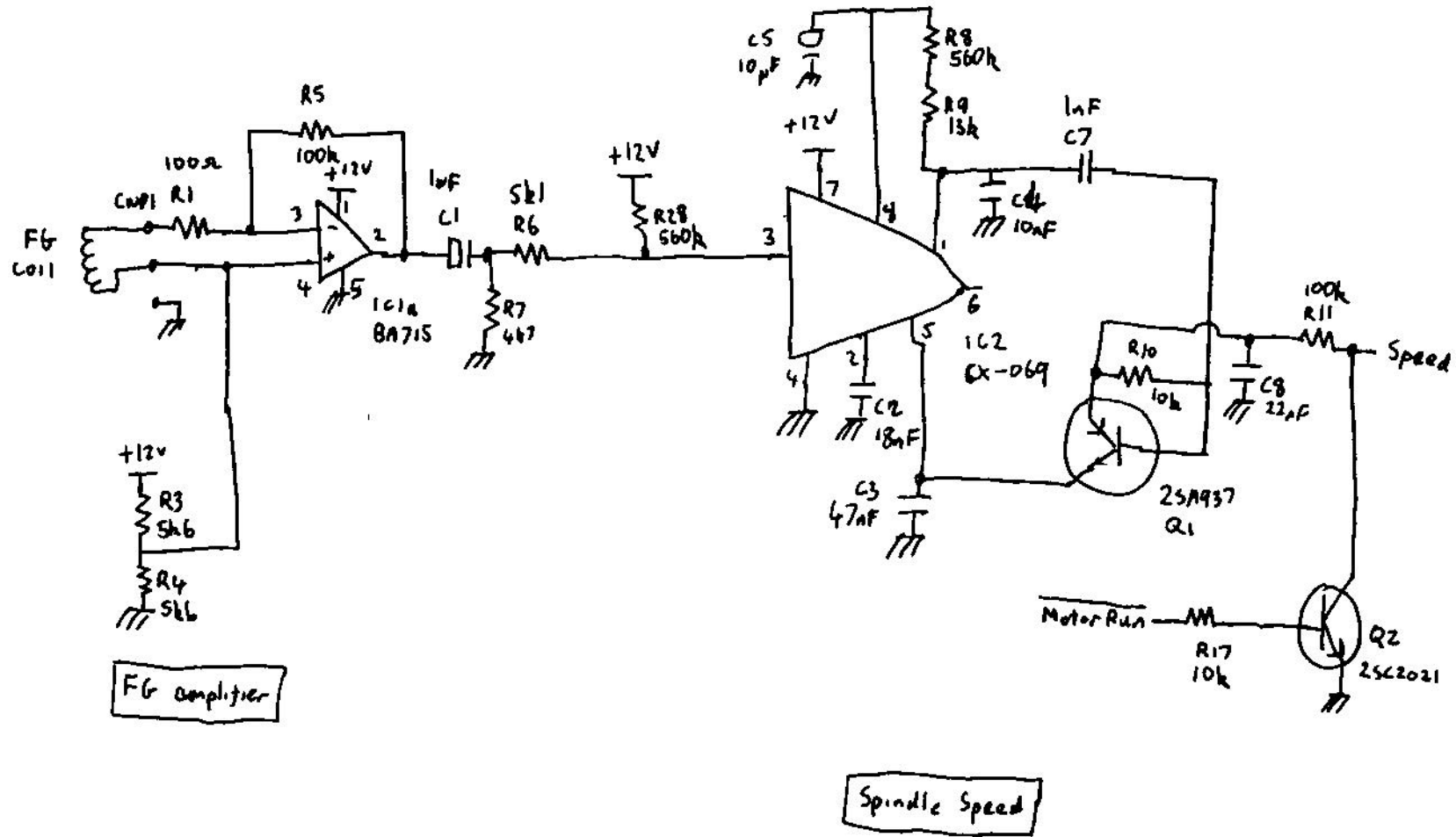


Sensors

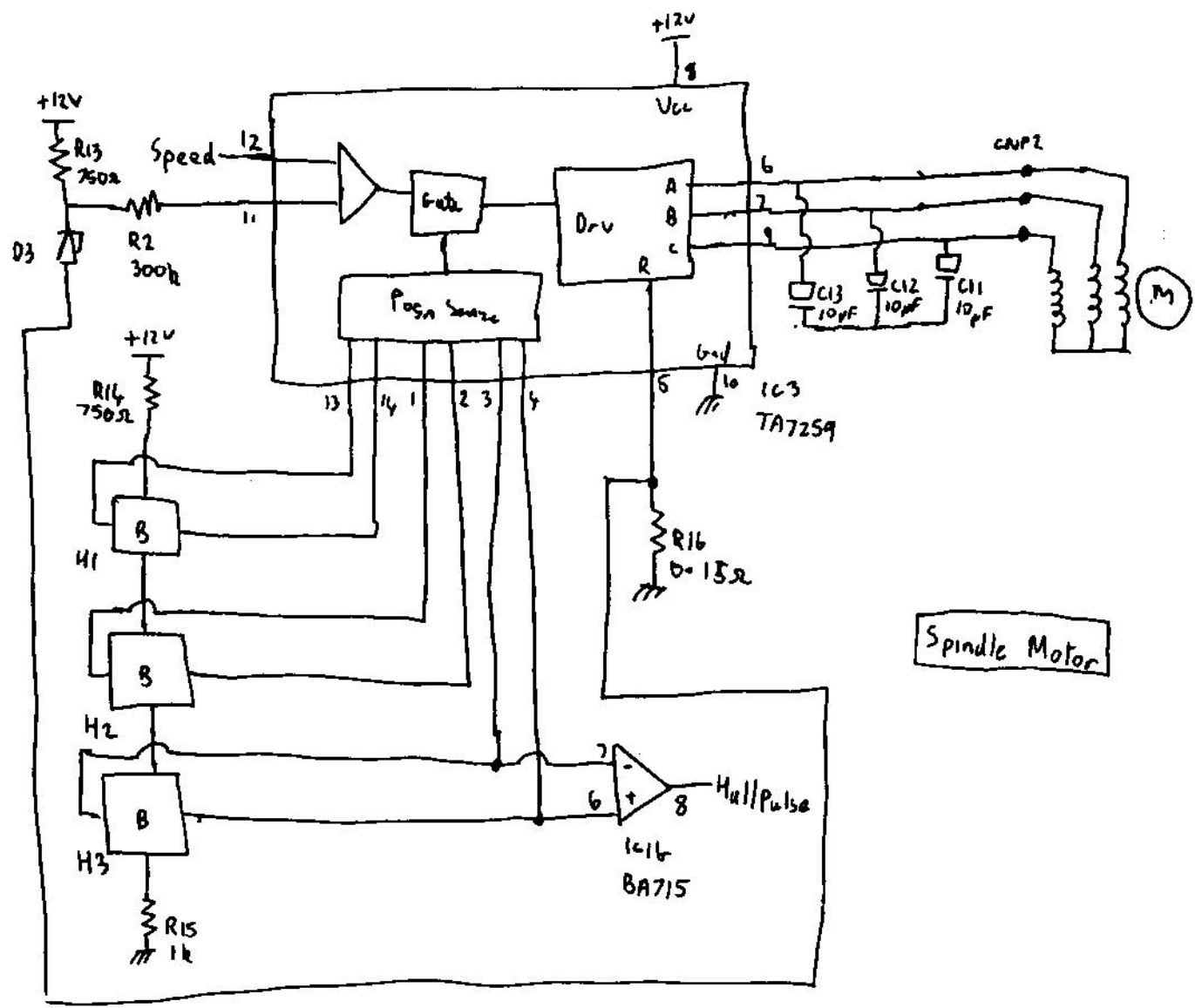


Sony Floppy Drive Spindle Motor Slot ①





Sony Floppy Drive Spindle Motor sheet 2



Sony Floppy Drive Spindle Motor sheet (3)