

Connecting an HP Personal Computer Plotter (HP-IB) to the HP 150

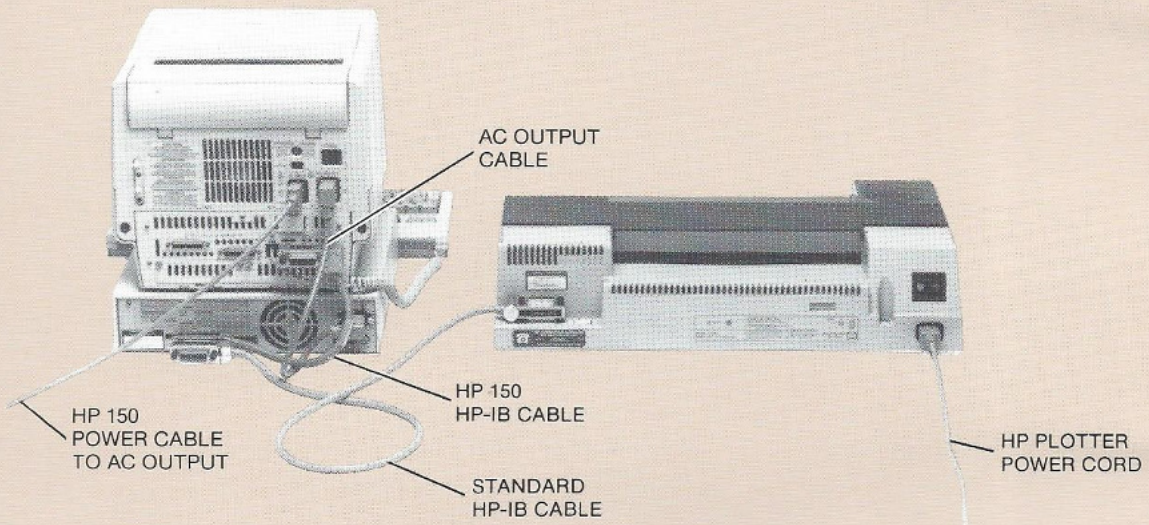
Typical Configuration for an HP 150 Graphics System Using the HP-IB Interface*

| COMPUTER SYSTEM | GRAPHICS EQUIPMENT | MODEL/PART NUMBER |
|---|---|--|
| HP 150 Standard System (includes monitor, keyboard, MS™-DOS 2.0) Mass Storage Device | Personal Computer Plotter Standard HP-IB Cable | HP 7470 or HP 7475, Option 002 HP 10833 A, B, C or D or equivalent |

*Check with your software supplier for specific hardware and memory requirements for your system.

Connection Instructions

The photograph below shows how to connect the HP 7470 or HP 7475 Option 002 plotter to your HP 150 Computer.



Instructions for Plotter Switches

Set the plotter switches on the back panel as shown below. This will set the plotter address code to 05.



Configuring the Computer

Set the "PLT:" field to HP-IB.

Communication Verification

Load your plotter pens and paper. Then run the following Series 100 BASIC program to confirm communication between your computer and plotter. If they are communicating, the plotter will label: COMMUNICATION OK.

```

10 OPEN "D",1,"PLT"
20 PRINT #1,"IN;SP1;PA500,500;"
30 PRINT #1,"LB COMMUNICATIONS OK"+CHR$(3)
40 PRINT #1,"PA0,0;SPO;"
50 END
    
```

Optional Communication Verification

Communication can also be verified by loading the demonstration provided with the HP 150. Ensure that the demo is configured to support a plotter, and run the CREATE GRAPHS AND SLIDES section. The demo will give instructions for producing a plot.