

HP 3000 Computer Systems

HP 30240A

ThinLAN 3000/V Link

Local Area Network Interface Controller

(LANIC)

Installation and Service Manual



**HEWLETT
PACKARD**

HEWLETT-PACKARD COMPANY
Roseville Networks Division
8000 Foothills Boulevard
Roseville, California 95678

Manual Part Number 30240-90002

E0188

Printed in U.S.A.

January 1988

Notice

The information contained in this document is subject to change without notice.

HEWLETT-PACKARD COMPANY MAKES NO WARRANTY OF ANY KIND WITH REGARD TO THIS MATERIAL, INCLUDING, BUT NOT LIMITED TO, THE IMPLIED WARRANTIES OF MERCHANTABILITY AND FITNESS FOR A PARTICULAR PURPOSE. Hewlett-Packard shall not be liable for errors contained herein or for incidental or consequential damages in connection with the furnishing, performance or use of this material.

Hewlett-Packard assumes no responsibility for the use or reliability of its software on equipment that is not furnished by Hewlett-Packard.

This document contains proprietary information, which is protected by copyright. All rights are reserved. No part of this document may be photocopied, reproduced or translated to another language without the prior written consent of Hewlett-Packard Company.

Copyright © 1988 by HEWLETT-PACKARD COMPANY

Reader Comment Sheet

Information Networks Group

ThinLAN 3000/V Link LANIC

30242-90002 January 1988

We welcome your evaluation of this manual. Your comments and suggestions help us to improve our publications. Please explain your answers under Comments, below, and use additional pages if necessary.

Is this manual technically accurate? Yes No

Are the concepts and wording easy to understand? Yes No

Is the format of this manual convenient in size, arrangement, and readability? Yes No

Comments:

This form requires no postage stamp if mailed in the U.S. For locations outside the U.S., your local company representative will ensure that your comments are forwarded.

FROM:

Date _____

Name _____

Company _____

Address _____

FOLD

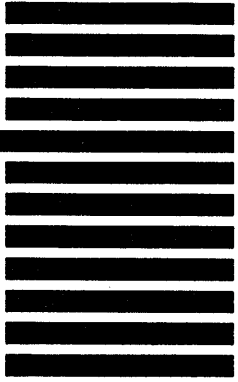
FOLD



NO POSTAGE
NECESSARY
IF MAILED
IN THE
UNITED STATES

BUSINESS REPLY MAIL

FIRST CLASS PERMIT NO. 256 ROSEVILLE, CALIFORNIA



POSTAGE WILL BE PAID BY ADDRESSEE

Publications Manager
HEWLETT-PACKARD COMPANY
Roseville Networks Division
8000 Foothills Boulevard
Roseville, California 95678-6598

FOLD

FOLD

Printing History

New editions are complete revisions of the manual. Update packages, which are issued between editions, contain additional and replacement pages to be merged into the manual by the customer. The dates on the title page change only when a new edition or a new update is published. No information is incorporated into a reprinting unless it appears as a prior update; the edition does not change when an update is incorporated.

A software code may be printed before the date; this indicates the version level of the software product at the time the manual or update was issued. Many product updates and fixes do not require manual changes and, conversely, manual corrections may be done without accompanying product changes. Therefore, do not expect a one-to-one correspondence between product updates and manual updates.

First EditionJanuary 1988

Safety Considerations

GENERAL - This product and related documentation must be reviewed for familiarization with safety markings and instructions before operation.

SAFETY SYMBOLS



Instruction manual symbol: the product will be marked with this symbol when it is necessary for the user to refer to the instruction manual in order to protect the product against damage.



Indicates hazardous voltages.



Indicates earth (ground) terminal (sometimes used in manual to indicate circuit common connected to ground chassis).

WARNING

The **WARNING** sign denotes a hazard. It calls attention to a procedure or practice that, if not correctly performed or adhered to, could result in personal injury. Do not proceed beyond a **WARNING** sign until the indicated conditions are fully understood and met.

CAUTION

The **CAUTION** sign denotes a hazard. It calls attention to an operating procedure or practice that, if not correctly performed or adhered to, could result in

damage to or destruction of part or all of the product. Do not proceed beyond a **CAUTION** sign until the indicated conditions are fully understood and met.

CAUTION

STATIC SENSITIVE DEVICES

When any two materials make contact, their surfaces are crushed on the atomic level and electrons pass back and forth between the objects. On separation, one surface comes away with excess electrons (negatively charged) while the other is electron deficient (positively charged). The level of charge that is developed depends on the type of material. Insulators can easily build up charges in excess of 20,000 volts. A person working at a bench or walking across a floor can build up a charge of many thousands of volts. The amount of static voltage developed depends on the rate of generation of the charge and the capacitance of the body holding the charge. If the discharge happens to go through a semiconductor device and the transient current pulse is not effectively diverted by protection circuitry, the resulting current flow through the device can raise the temperature of internal junctions to their melting points. MOS structures are also susceptible to dielectric damage due to high fields.

Safety Considerations (continued)

The resulting damage can range from complete destruction to latent degradation. Small geometry semiconductor devices are especially susceptible to damage by static discharge.

The LANIC card is shipped in a transparent static shielding bag. The card should be kept in this bag at all times until it is installed in the system. Save this bag for storing or transporting the card. When installing the card in the system, do not touch any components. Hold the card by its edges.

WARNING

SAFETY EARTH GROUND - The computer in which this product is installed is a safety class I product and is provided with a protective earthing terminal. An uninterruptible safety ground must be provided from the main source to the product input wiring terminals, power cord, or supplied power cord set. Whenever it is likely that the protection has been impaired, or before the power cord is removed from the wall receptacle, the interface cable connector must be removed from the computer system and insulated from exposed conductive surfaces.

WARNING

At infrequent intervals, exposed metal surfaces of the interface cables may be subject to transient hazardous voltages due to strong electrical disturbances

(such as lightning or disturbances in the electrical utilities power grid) in the area surrounding the network to which this product is connected. These surfaces should be handled with caution, especially when the interface cables are not connected to a properly grounded computer system.

SERVICING

WARNING

Any servicing, adjustment, maintenance, or repair of assemblies or subassemblies of the computer system must be performed only by qualified personnel.

WARNING

This product is not designed for attachment to a network serving an area which contains multiple unconnected power system safety grounds. Before installing this product, verify that all of the power system safety grounds are securely interconnected in the area served by the local network. Special caution should be taken for cable systems run between buildings or exposed to weather environments.

WARNING

Do not connect this product to an ungrounded "thick" network coaxial cable as defined by this manual.

Preface

This manual provides installation and servicing information for the HP 30240A ThinLAN 3000/V Link *Local Area Network Interface Controller* (LANIC) card.

This manual is organized as follows:

Chapter 1 **General Information**

Chapter 2 **Installation**

Chapter 3 **Principles of Operation**

Chapter 4 **Maintenance**

Appendix A **Configuration Information**

Related documents include the following manuals:

LAN Cable and Accessories Installation Manual, part number 5959-7680

LAN 3000 Diagnostic and Troubleshooting Guide, part number 30242-90003

HP 3000 System Operation and Resource Management Reference Manual, part number 32033-90005

Contents

Chapter 1	
General Information	Page
	1-1
Introduction	1-1
General Description	1-1
Equipment Supplied	1-3
System Interface	1-4
Link Address	1-5
Specifications	1-6
Standard Specifications	1-6
Option 242 Specifications	1-8
LANIC Specifications	1-10
Chapter 2	
Installation	Page
	2-1
Introduction	2-1
Current Requirements	2-1
Channel Address Switch	2-2
Cables	2-3
Standard Cables	2-3
Option 242 Cable	2-4
Installing the LANIC	2-5
Start Up and Verification	2-8
Reshipment	2-9
Chapter 3	
Principles of Operation	Page
	3-1
Introduction	3-1
Functional Description	3-1
LAN Interface Controller (LANIC)	3-1
Host to LANIC Communication	3-2
LANIC MPU and Firmware	3-3
Local Communications Controller	3-3
Direct Memory Access	3-3
Firmware Download and Configuration	3-4
Firmware Download	3-4
Setting Station Address	3-4
Queue Initialization	3-4
Transmit Operation	3-5

Contents (continued)

Types of Packets Transmitted	3-5
Transmit Buffer Management	3-5
Queuing of Transmit Buffers	3-5
Transmit Operation Example	3-5
Receive Operation	3-6
Types of Packets Received	3-6
Receive Buffer Management	3-6
Queuing of Received Packets	3-6
Receiver Blind Spots	3-6
Receive Operation Example	3-7
Error Management	3-8
Selftest Operation	3-8
System Interrupt	3-8
SINTR0 Selftest Interrupt	3-9
SINTR1 LANIC Interrupt	3-9
Interactive Command Completion	3-9
Interactive Command Acknowledgment	3-10
Batch Command Completion	3-10
Fatal Error Response	3-10
LANIC Resets	3-11
Power-On Reset	3-11
Hard Reset	3-11
Soft Reset	3-12
Z-80 Reset	3-12
Power-Fail Warn	3-12
Self Test	3-13
Manually Initiated Self Test	3-13
Remotely Initiated Self Test	3-13
Idle Self Test	3-13
Visual Indicators	3-13
Attachment Unit Interface (AUI) Circuitry	3-14
MAU Power Control Circuit	3-15
LEDs	3-15
DO LED Pair	3-19
CL LED Pair	3-19
CR LED Pair	3-19
H Through N and * LEDs	3-20
TX, RX, MN, DL, RO, Q, and IT LEDs	3-20
Medium Attachment Unit	3-22
Receiver	3-22
Transmitter	3-22
Jabber Fault Detection	3-22
Collision Detection	3-23

Contents (continued)

Chapter 4	
Maintenance	Page
	4-1
Introduction	4-1
Repair Philosophy	4-1
Self Test	4-2

Appendix A	
Configuration Information	Page
	A-1
Introduction	A-1
Configuration Dialog	A-1

Index	Page
	Index-1

Figures and Tables

Figure	Page
Figure 1-1. Typical Local Network (LAN).....	1-2
Figure 1-2. HP 3000 Series 39-58 System Architecture.....	1-4
Figure 1-3. HP 3000 Series 68 and 70 System Architecture.....	1-5
Figure 2-1. LANIC Switch and LED Locations.....	2-2
Figure 2-2. LANIC Cable Diagram.....	2-3
Figure 2-3. ThinMAU AUI Cable Diagram.....	2-3
Figure 2-4. ThickMAU AUI Cable Diagram.....	2-4
Figure 3-1. LANIC Functional Block Diagram.....	3-2
Figure 3-2. AUI Interface Diagram.....	3-14
Figure 3-3. LANIC LEDs.....	3-16
Figure 3-4. MAU Functional Block Diagram.....	3-23
Figure 4-1. LANIC Switch and LED Locations.....	4-4

Table	Page
Table 1-1. ThinLAN Specifications.....	1-6
Table 1-2. ThickLAN Specifications.....	1-8
Table 1-3. LANIC Specifications.....	1-10
Table 3-1. LANIC Resets and Their Effects.....	3-11
Table 4-1. Selftest LEDs and Subtest Descriptions.....	4-5
Table 4-2. Reporting of Unexpected Results from Self Test.....	4-8

Introduction

This manual presents installation and service instructions for the HP 30240A ThinLAN 3000/V Link Local Area Network Interface Controller. This chapter has general information about the HP 30240A ThinLAN 3000/V Link product, and includes a description and specifications.

General Description

The HP 30240A ThinLAN 3000/V link is an implementation of the IEEE 802.2 and IEEE 802.3 Local Area Network (LAN) standards and is used in HP 3000 computer systems. The HP 30240A allows the HP 3000 to communicate with other HP 3000's over an IEEE 802.3, Type 10BASE2 Local Area Network (LAN).

The IEEE 802.3 Local Area Networks (LANs) consist of three major elements: a coaxial cable transmission medium, units to access this medium (Medium Attachment Units, MAUs), and controllers. For the HP 30240A, the controller is the Local Area Network Interface Controller (LANIC).

The HP 30240A ThinLAN 3000/V link is available for use with the HP 3000 Series 42 and 52; and the HP 3000 Series 48, 58, 68, and 70. Except for the Series 37, the LANIC and MAU are the same for all other HP 3000 Series; however, two different LANIC cables are offered (see the paragraph "Equipment Supplied").

The ThinLAN 3000/V link functions as an intelligent Direct Memory Access (DMA) channel which communicates with the host system via the system I/O backplane. Local intelligent control is provided by a microprocessor and firmware on the LAN Interface Controller (LANIC). An 8-bit Z-80B microprocessor (MPU) on the LANIC handles all the LAN/3000-to-host communication and performs many link-level operations independently of the host. An 82586 Local Communications Controller (LCC) on the LANIC performs high-speed serial operations, packet address checking, network contention control, packet formatting, and Cyclic Redundancy Check (CRC) generation and checking. The LCC is controlled by the Z-80B through local (card-resident) memory.

A fitting called a BNC "T" for the ThinMAU or a *tap* for the ThickMAU, pierces the coaxial cable and provides a connection from the cable to the Medium Attachment Unit (MAU). An Attachment Unit Interface (AUI) cable connects the MAU to the LAN Interface Controller (LANIC). The LANIC, besides controlling the other LAN elements, also is the interface with the Local Area Network to the computer system. A typical Local Area Network is shown in Figure 1-1.

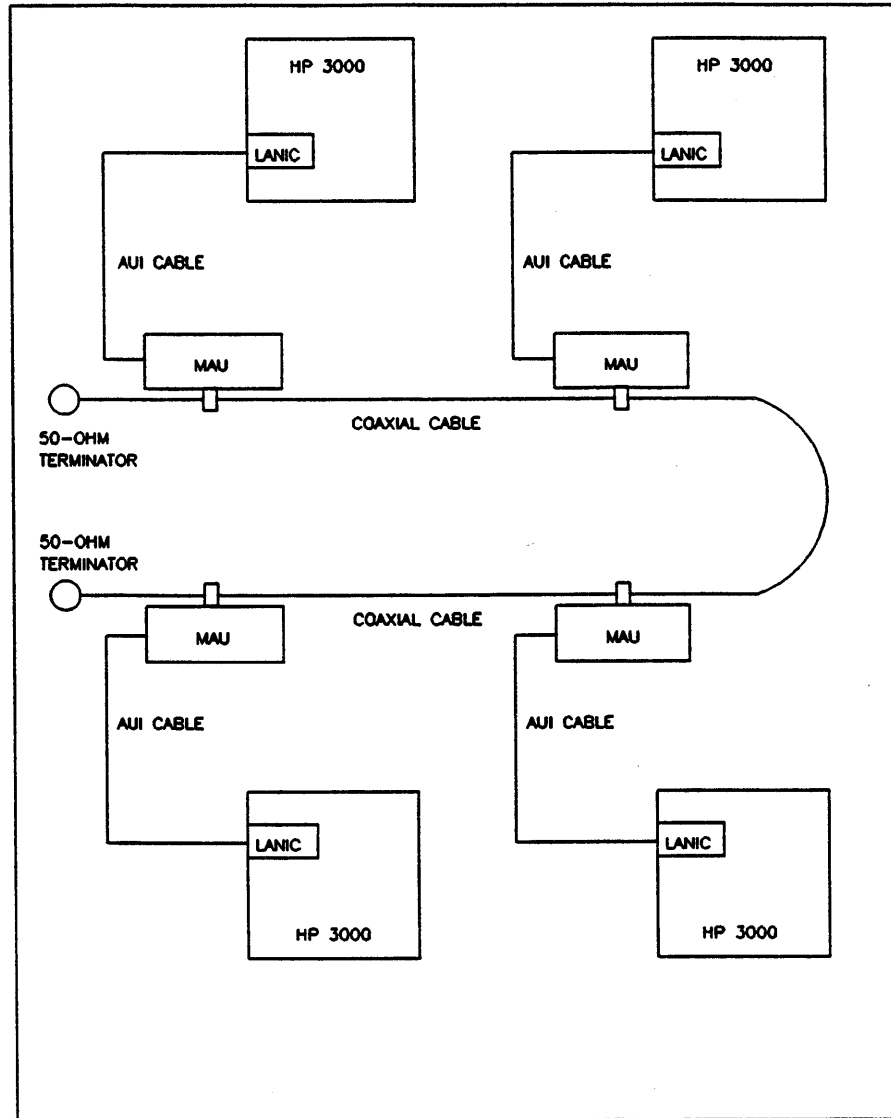


Figure 1-1. Typical Local Area Network (LAN)

Equipment Supplied

Standard equipment supplied with the HP 30240A is listed below:

Standard Equipment

1	Thin Medium Attachment Unit Assembly	28641-60004
1	BNC "T" Connector	1250-0781
1	BNC "T" Connector Cover	1252-1650
1	BNC "T" Connector Cover Instruction Sheet	5955-2252
1	ThinMAU Installation Manual	28641-90001

Option 242 - ThickMAU Option

Delete:

BNC "T" Connector	1250-0781
BNC "T" Connector Cover	1252-1650
Connector Cover Instruction Sheet	5959-2252
Thin Medium Attachment Unit Assembly	28641-60004
ThinMAU Instruction Manual	28641-90001

Add:

Coaxial Tap	0362-0819
MAU	30241-60102
6-metre AUI Cable	92254A

In addition, one of the following options (depending on the HP 3000 type) adds the following equipment:

Option 300 for the HP 3000 Series 42 and 52

1	Series 4X/6X LAN Interface Controller (LANIC card)	30242-60001
1	Series 42/52 LANIC Internal Cable	30241-60002
1	ThinLAN 3000/V Link Installation and Service Manual	30240-90002

Option 400 for the HP 3000 Series 48 and 58

1	Series 4X/6X LAN Interface Controller (LANIC card)	30242-60001
1	Series 48/58 LANIC Internal Cable	30241-60003
1	ThinLAN 3000/V Link Installation and Service Manual	30240-90002

Option 500 for the HP 3000 Series 68 and 70

1	Series 4X/6X LAN Interface Controller (LANIC card)	30242-60001
1	Series 68, and 70 LANIC Internal Cable	30241-60003
1	ThinLAN 3000/V Link Installation and Service Manual	30240-90002

System Interface

As noted previously, the ThinLAN 3000/V link interfaces to the host computer system through the LAN Interface Controller (LANIC). The LANIC functions as an I/O channel and fits into the backplane of HP 3000 Series 42, 44, 48, 58, 68, and 70 computers.

Figure 1-2 shows how the LANIC connects to a Series 42, 48, 52, or 58 computer system. The CPU, Memory, Asynchronous Data Communications Controller (ADCC) or Advanced Terminal Processor (ATP), General Input/Output Controller (GIC), Intelligent Network Processor (INP), and LANIC all physically fit into the backplane (the backplane is called the Intermodule Bus (IMB)).

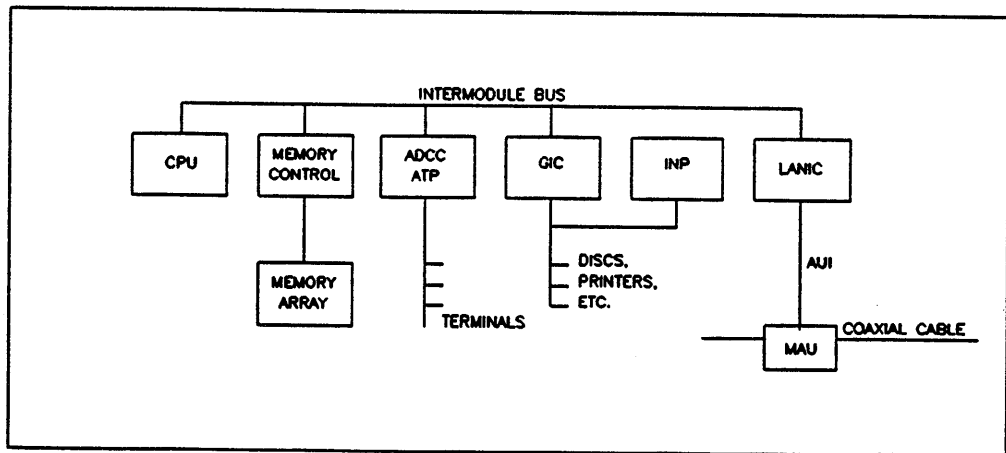


Figure 1-2. HP 3000 Series 39 through 58 System Architecture

The architecture for the Series 68 and 70 computers is significantly different than the other HP 3000 series, as shown in Figure 1-3. The CPU and memory fit into the Central System Bus (CSB), and one or more IMBs connect to the CSB via Common Bus Interfaces (CBIs) and IMB Interfaces (IMBIs). I/O DMA operations do not go directly to memory, but are handled by the IMBI.

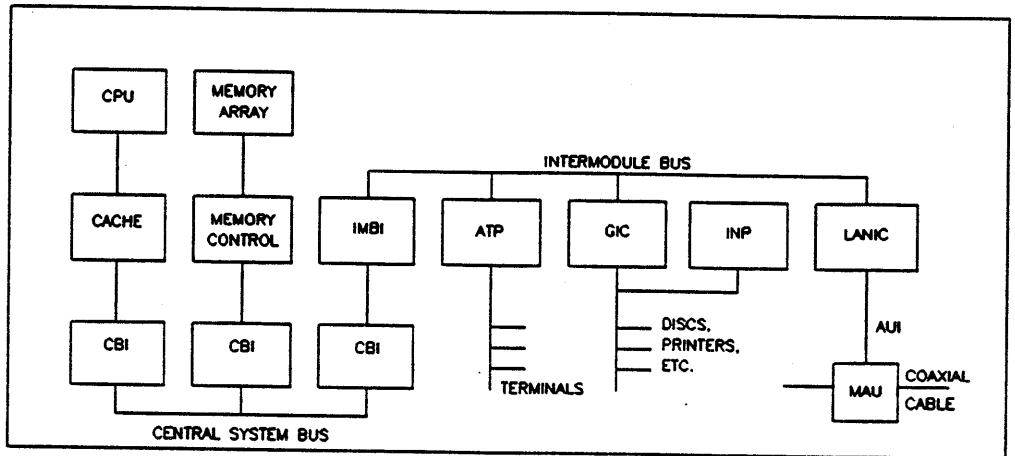


Figure 1-3. HP 3000 Series 68 and 70 System Architecture

Link Address

The last six hexadecimal digits of the link level address for the LANIC are indicated on the board stiffener to the left of the channel address switch (CHAN ADDR) on a label titled "Station Address". The full address is 08 00 09 XX XX XX, where XX XX XX represents the value on the label.

Specifications

Standard Specifications

Table 1-1. ThinLAN Specifications

Features

Compatible with IEEE 802.3 Standard for access to Type 10BASE2 coaxial cable.

Carrier-Sense Multiple Access with Collision Detection (CSMA/CD) protocol controls network access using no master node.

On-board node self test that checks the operation of the node hardware including the ThinMAU.

Every node on the network cable is accessible by any other node on the network with no store and forward.

10 Megabit-per-second hardware data transfer rate.

Each 185-metre cable segment supports up to 30 nodes.

VSLI implementation for reliability and lower cost.

Microprocessor off-loads host computer and gather network statistics.

Electrical Characteristics

Data Rate: Transmitted in bursts of 10 Mbits/sec.

Maximum Coaxial Cable Length: 185 metres for one segment.

Maximum Distance from Node to Network Trunk: One metre maximum for external AUI cable.

Required Distance Between T's on Coaxial Cable Trunk: Each ThinMAU must be located on the coaxial cable at least 0.5 metre apart.

ThinMAU at AUI Connector

AUI signaling conforms to IEEE 802.3.

CO terminated but unused.

Operating voltage: 8.0V to 13.50V at 400mA maximum.

Table 1-1. ThinLAN Specifications (Continued)

ThinMAU at Coaxial Cable

Coax signaling compatible with IEEE 802.3 recommended signaling levels.

Receiver based collision detection.

Compatible with any coaxial cable meeting IEEE 802.3 type 10, base 2 physical specifications.

ThinMAU Physical Characteristics

Size: 152 mm long by 114 mm wide by 25 mm thick (6.00 by 4.50 by 1.00 inches).

Weight: 0.90 kg (2.0 lbs).

ThinMAU Power Requirements

8.0 to 13.50 volts

0.400 ampere maximum

Environmental Specifications

Complete environmental specifications are in the *LAN Cable and Accessories Installation Manual* (part number 5955-7680).

Option 242 Specifications

Table 1-2. ThickLAN Specifications

Features

Compatible with IEEE 802.3 Standard for access to 0.4-inch diameter baseband coaxial cable.

Carrier-Sense Multiple Access with Collision Detection (CSMA/CD) protocol controls network access using no master node.

On-board node self test that checks the operation of the node hardware including the AUI and ThickMAU.

Every node on the network cable is accessible by any other node on the network with no store forward.

10 Megabit-per-second hardware data transfer rate.

Each 500-metre cable segment supports up to 100 nodes.

VLSI implementation for reliability and lower cost.

Microprocessor off-loads host computer and gathers network statistics.

Electrical Characteristics

Date Rate: Transmitted in bursts of 10 Mbits/sec.

Maximum Coaxial Cable Length: 500 metres for one segment.

Maximum Distance from Node to Network Trunk: 48-metres maximum for external AUI cable.

Required Distance Between Taps on coaxial Cable Trunk: Each ThickMAU with its cable tap must be located on the coaxial at a position that is an exact multiple of 2.5 metres from the end of the cable. The coaxial cable available from HP is marked every 2.5 metres to show where ThickMAUs may connect.

ThickMAU Coaxial Cable to AUI Cable Isolation

+/-707V DC, 500V AC RMS, 50/60 Hz

Will conduct repetitive surges of up to 4A without damage (between the shields).

Table 1-2. ThickLAN Specifications (Continued)

ThickMAU at AUI Connector

AUI signaling conforms to IEEE 802.3.

CO terminated but unused.

Jabber is reset 500 millisecond after Jabber Fault is removed

ThickMAU at Coaxial Cable

Coax signaling compatible with IEEE 802.3 recommended signaling levels.

Receiver based collision detection.

Will tap any .04-inch coaxial cable meeting IEEE 802.3 physical specifications.

ThickMAU Physical Characteristics

Size: 320 mm long by 95 mm wide by 30 mm thick (12.25 by 3.75 by 1.25 inches).

Weight: 0.55 kg (1.2 lbs).

ThickMAU Power Requirements

9.5 to 15.75 volts.

0.4 amp maximum

Environmental Specifications

Complete environmental specifications are in the *LAN Cable and Accessories Installation Manual* (part number 5955-7680).

LANIC Specifications

Table 1-3. LANIC Specifications

LANIC at AUI Connector

AUI signaling conforms to IEEE 802.3.

CO not driven.

VP +12V +/-6% @ 0.5A; overcurrent protected @ 1.2A maximum.

Interframe spacing = 9.6 usec minimum.

LANIC Physical Characteristics

Size: 331 mm long by 28.5 mm wide by 22.5 mm thick (13.04 by 11.2 by 0.89 inches).

Weight: 739 grams (26 ounces).

LANIC Power Requirements

Voltage	Current	Power Dissipation
+5V +/-0.5V	4.7A	23.5W
+12V +/-0.6V	0.5A	6.0W (either MAU attached)

Introduction

This chapter contains information on installing and verifying proper operation of the LANIC card, part number 30242-60001. Information on installing the MAU is in the *LAN Cable and Accessories Installation Manual*, part number 5955-7680.

CAUTION

Some of the components used in this product are susceptible to damage by static discharge. Refer to the Safety Considerations information at the front of this manual before handling the card.

Current Requirements

The LANIC circuit card obtains its operating voltages from the host computer. The current requirements of the card are listed in the power requirements entry of Table 1-3.

All HP 3000 Computer systems can supply adequate current to accommodate the LANIC card without the need for any power supply modification. However, it is possible that the +12V supply in the HP 3000 system may be set to a low voltage such that the VP lead on the AUI cable may not provide the minimum voltage specified by IEEE 802.3 (+11.28V). If MAU replacement does not correct an apparent MAU problem, the VP voltage should be checked. This is done by connecting an accurate voltmeter between the +12 and GND test points near the LEDs on the LANIC card. This must be done when the MAU is connected to the LANIC and MAU power is on (as indicated by the VP LED). MAU power can be turned on by executing the LANIC self test. Consult the appropriate HP 3000 CE handbook for instructions on adjusting the +12V power on the particular system involved.

Channel Address Switch

For the LANIC card, the channel address is set by a CHAN ADDR rotary switch, SW2, located on the front edge of the card. See Figure 2-1 for the location of SW2. SW2 can be set to any value between 1 and 15, however, ensure that no GICs, ADCCs, or SIBs are set to the same channel number. While it is physically possible to set the address switch to values 1 to 15, you should exercise some caution in your choice of channel number. For instance, in all HP machines, it is assumed that the console has a DRT of 8. Therefore, choosing to make the LANIC channel address of 1 in a 4X, 5X, or in the first IMB of a 6X/7X machine will cause problems. Once you have set SW2 to a value, jot the value down. The formula used to calculate the DRT number from the hardware address is: $(\text{IMB\#} \times 128) + (\text{channel\#} \times 8) + \text{device \#}$.

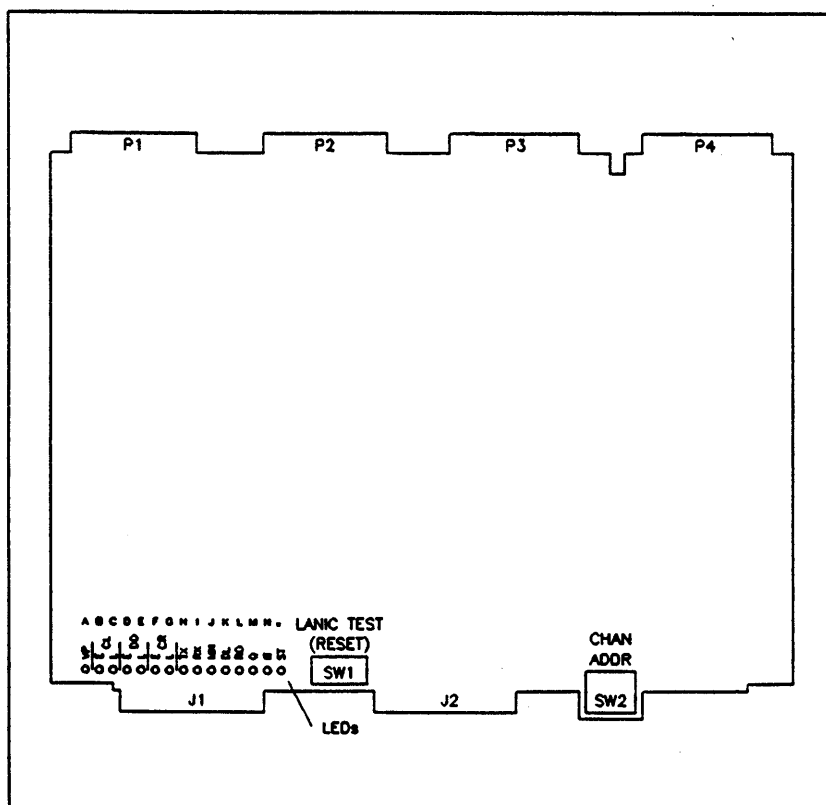


Figure 2-1. LANIC Switch and LED Locations

Cables

Standard Cables

Two cables are used to connect the LANIC to the MAU: an internal LANIC cable and the AUI cable. The LANIC cable has a hood connector on one end and a female 15-pin D connector on the other. A cabling diagram for the LANIC cable is shown in Figure 2-2.

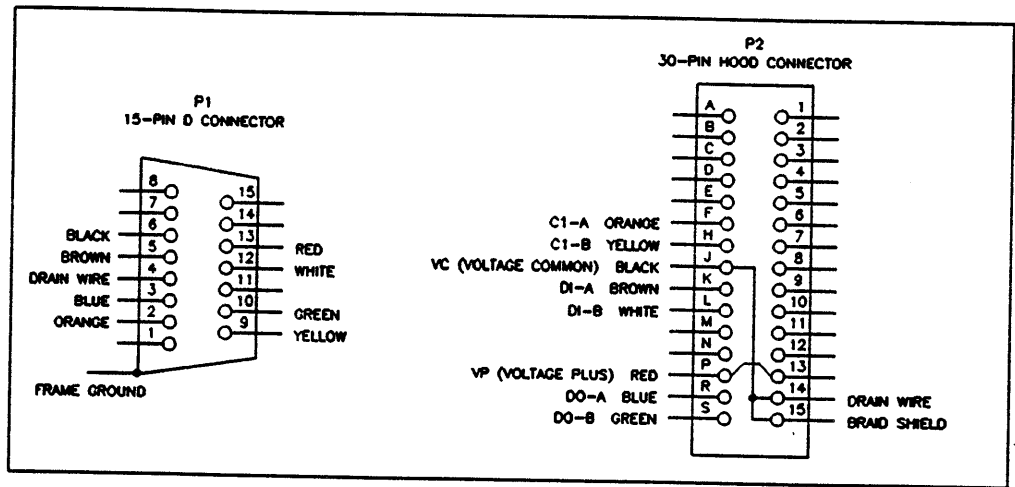


Figure 2-2. LANIC Cable Diagram

For the ThinMAU the AUI cable uses a male 15-pin D connector on one end and the other end is wired directly into the ThinMAU. See Figure 2-3 for the cabling diagram.

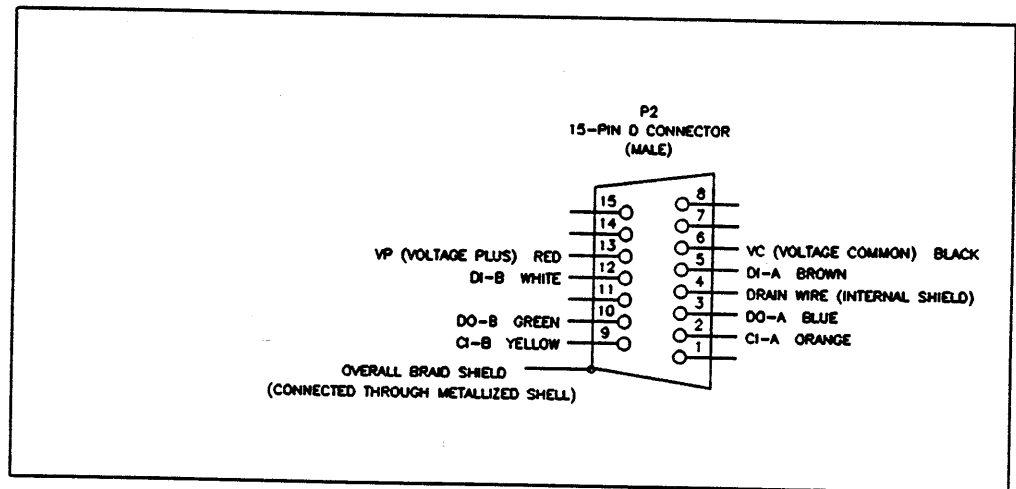


Figure 2-3. ThinMAU AUI Cable Diagram

Option 242 Cable

For the ThickMAU the AUI cable uses a male 15-pin D connector on one end and a female 15-pin D connector on the other. See Figure 2-4 for this cabling diagram.

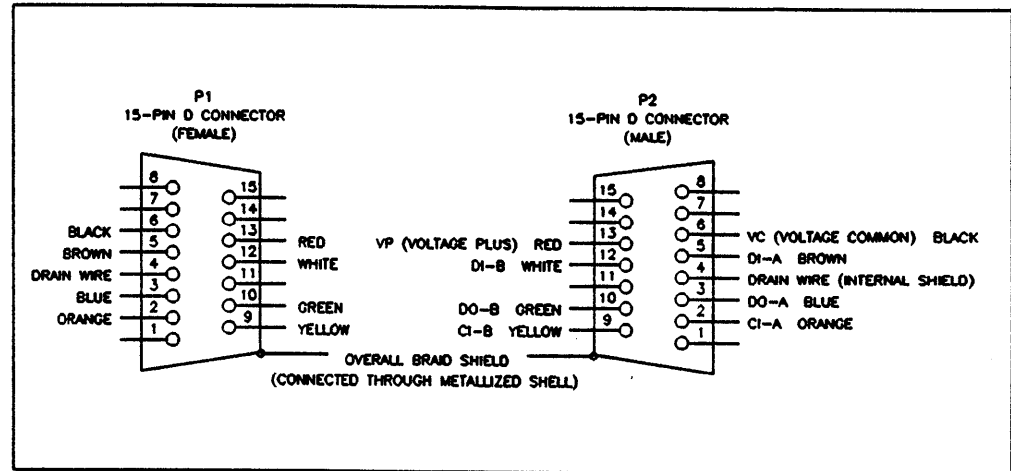


Figure 2-4. ThickMAU AUI Cable Diagram

Installing the LANIC

CAUTION

Some of the Components used in this product are susceptible to damage by static discharge. Refer to the Safety Considerations information at the front of this manual before handling the card.

Install the LANIC as follows:

CAUTION

All system power must be off when installing or removing any device or card in the system.

1. Before installing the LANIC, perform a full HP 3000 backup.
2. Shut down MPE.
3. Ensure that SW2 is set to the intended channel address. (It may be useful to obtain an IOMAP of all devices presently on the system. Refer to the *HP 3000 System Operation and Resource Management Reference Manual*, part number 32033-90005 for details.)
4. Turn off all system power.
5. Open the door of the I/O section card cage on the back of the HP 3000 Computer system.
6. Insert the LANIC card into a vacant card cage slot as follows:

The LANIC is considered to be a high-speed channel and, must be configured so that its priority is higher than any GIC. Priority is established by the position of I/O cards in the card cage; the closer to the CPU (or the IMBI in the case of the Series 68 and 70), the higher the priority.

Series 42 and 52. The LANIC can be installed in any slot in the range of 13 through 25. The adding of the LANIC card may require the movement of cards in the card cage to give the LANIC the required relative priority.

Slots 13 and 14 are unique in the Series 42 and 52 in that they are interdependent upon slot 15 in some situations. Specifically, if either a GIC, SIB, or LANIC occupies slot 13 and/or 14, and if slots 16 through 25 have one or more GICs, SIBs, or LANICs, then a GIC, SIB, or LANIC *MUST* be in slot 15.

Note that the card in slot 15 need not be identical to the others under consideration. For instance, if a LANIC is in slot 13, and a GIC or SIB is in 16 through 25, then any may be installed in 15.

If ADCCs are installed in 13 and 14, as is commonly the case, then put the LANIC in slot 15.

Series 48 and 58. The LANIC can be installed in any slot in the range of 14 through 24 (card cage 1) and any slot in the range of 1 through 7 (card cage 2). The adding of the LANIC card may require the movement of cards in the card cage(s) to give the LANIC the required relative priority.

Series 68 and 70. The LANIC must be installed in the I/O portion of the card cage. The adding of the LANIC card may require the movement of cards in the card cage to give the LANIC the required relative priority.

Special considerations apply to the placement of GICs, SIBs, and LANICs in Series 68 and 70 systems:

Between a GIC, SIB, or LANIC, and the next GIC, SIB, or LANIC, there may be a maximum of nine slots.

The "next" card need not be identical to its neighbor as long as it is one of the three types (GIC, SIB, or LANIC)

As an example, an SIB in slot 10 with a LANIC in slot 21, and GICs in slots 22 and 23, is not legal because there are greater than nine slots between the SIB and the LANIC. (The device cards such as INPs, AIBs, etc., do not matter in this case.)

An SIB in slot 10, LANIC in slot 17, and GIC in slot 22 is legal because there are nine or fewer slots between each card.

Finally, this limitation does not span IMBs. Each IMB must conform only individually.

7. Record the location of the LANIC in the configuration section of the System Support Log.

8. Connect the hood connector of the appropriate LANIC cable (part number 30241-60002 for Series 42 and 52; part number 30241-60003 for Series 48, 58, 68, and 70) to connector J2 of the LANIC card. Connect the other end of the LANIC cable as follows:

Series 42 and 52. Fasten the LANIC cable connecting box to the grounding strip at the bottom of the SPU (system processor unit) frame with the captive thumbscrew attached. Be sure the raised mounting lug is inserted in a hole in the grounding strip. Tighten the thumbscrew securely. Connect the ThinMAU AUI cable to the LANIC cable connector.

Series 48 and 58. Fasten the LANIC cable connector, with its mounting panel attached, to the junction panel on the side of the card cage. Use only cutout numbers 2, 3, 5, 6, 7, or 8 for the LANIC cable. Connect the ThinMAU AUI cable to the LANIC cable connector.

Series 68 and 70. Fasten the LANIC cable connector, with its mounting panel attached, to the junction panel on the side of the card cage. Connect the ThinMAU AUI cable to the LANIC cable connector. Note that the junction panel on Series 68 and 70 systems consists of two sets of 24 slots with a cable trough above and below each set. In each set of 24 slots, there are 12 upper and 12 lower slots. The LANIC internal cable should be installed in one of the lowest 12 slots with the MAU AUI cable routed through the lower cable trough.

Start Up and Verification

For start up and preliminary verification of the LANIC, perform the following:

1. Turn on computer system power.
2. A self test, which is contained on the card, will execute at power on. There are 15 LEDs on the front edge of the LANIC card (see Figure 2-1). The seven LEDs on the top are used to indicate activity on the AUI cable. The eight LEDs on the bottom are used by self test.

The power-on self test begins with all eight selftest LEDs blinking on and off in unison for approximately 10 seconds. Thereafter, the bottom LED (labeled "ST") is lit to indicate that the self test is in progress, and the remaining seven selftest LEDs will perform a binary count, incrementing from 0000001 to 0101110 and executing a self test for each binary code displayed. Some tests require several seconds to execute, some tests require much less, but the LEDs will be lit for at least 100 milliseconds for every test, thus each code will be visible as the LEDs increment the count. No binary codes are skipped. The binary codes and the self tests they represent are listed in Chapter 4.

Watch the LEDs as the selftest program executes. If the self test completes with no errors, the ST LED will be on and the other seven LEDs will be off (a code of all zeros) for five seconds. After five seconds, the ST LED will go off, and the remaining LEDs will reflect activity on the LANIC. If the self test fails, the code of the test that failed will be displayed for a minimum of 20 seconds. This display will continue until the system accesses the link, while the selftest LED blinks slowly.

Note that if the self test indicates failure 36H or 46H, this could indicate that the MAU is not connected. Verify that it is connected. If the failures are still indicated, the error could be in the MAU, or the coaxial cable. If the LANIC fails self test, refer to Chapter 4 for maintenance procedures, and for further information on the self test.

3. Start up the system in accordance with the procedures contained in Appendix A of this manual and in the *HP 3000 System Operation and Resource Management Reference Manual*, part number 32033-90005.
4. Run the LAN diagnostic on the LANIC/MAU combination. Refer to the *LAN/3000 Diagnostic and Troubleshooting Guide*, part number 30242-90003 for information on running the diagnostic.

Reshipment

If any item of the ThinLAN 3000/V link is to be shipped to Hewlett-Packard for any reason, attach a tag identifying the owner and indicating the reason for shipment. Include the part number of the item being shipped.

Pack the item in the original factory packing material, if available. If the original material is not available, good commercial packing material should be used. Commercial packing and shipping companies have the facilities and materials to repack the item. **BE SURE TO OBSERVE ANTI-STATIC PRECAUTIONS.**

Introduction

This chapter has a description of the HP 30240A ThinLAN 3000/V Link, Local Area Network Interface Controller (LANIC). The description gives the principles of operation.

Functional Description

The HP 30240A ThinLAN 3000/V link is an implementation of the IEEE 802.2 and IEEE 802.3 Local Area Network (LAN) standards and is used to allow HP 3000 computer systems to communicate with other HP 3000's over a Local Area Network (LAN). The IEEE 802.2 Local Area Network standard defines a logical link control protocol, and IEEE 802.3 Local Area Network standard defines a bus utilizing CSMA/CD (Carrier Sense Multiple Access/Collision Detect) as the access method.

The ThinLAN 3000/V link functions as an intelligent Direct Memory Access (DMA) channel which communicates with the host system via the system backplane. Local intelligent control is provided by a microprocessor and firmware on the LAN Interface Controller (LANIC).

The ThinLAN 3000/V link consists of a LAN Interface Controller (LANIC), an Attachment Unit Interface (AUI), and a Medium Attachment Unit (MAU). The MAU attaches to a coaxial cable which connects the various computer systems together on the Local Area Network; and the LANIC provides the interface between the LAN and the computer system.

LAN Interface Controller (LANIC)

The LANIC is an intelligent DMA channel which communicates with the host system via the system backplane. On the network end of the LANIC, the AUI carries bit-serial data and control information to and from the MAU, which attaches directly to the network coaxial cable. A functional block diagram of the LANIC is shown in Figure 3-1.

Host to LANIC Communication

The host communicates with LANIC through channel registers and data structures stored in system memory. Basic channel communication registers provide for channel identification, interrupt control, and diagnostics. Of primary importance are the Control Register (CR) and Status Register (SR), which provide for the input and output of control and status information. Link-level commands and status are passed via two queue structures stored in system memory shared by the LANIC and the host.

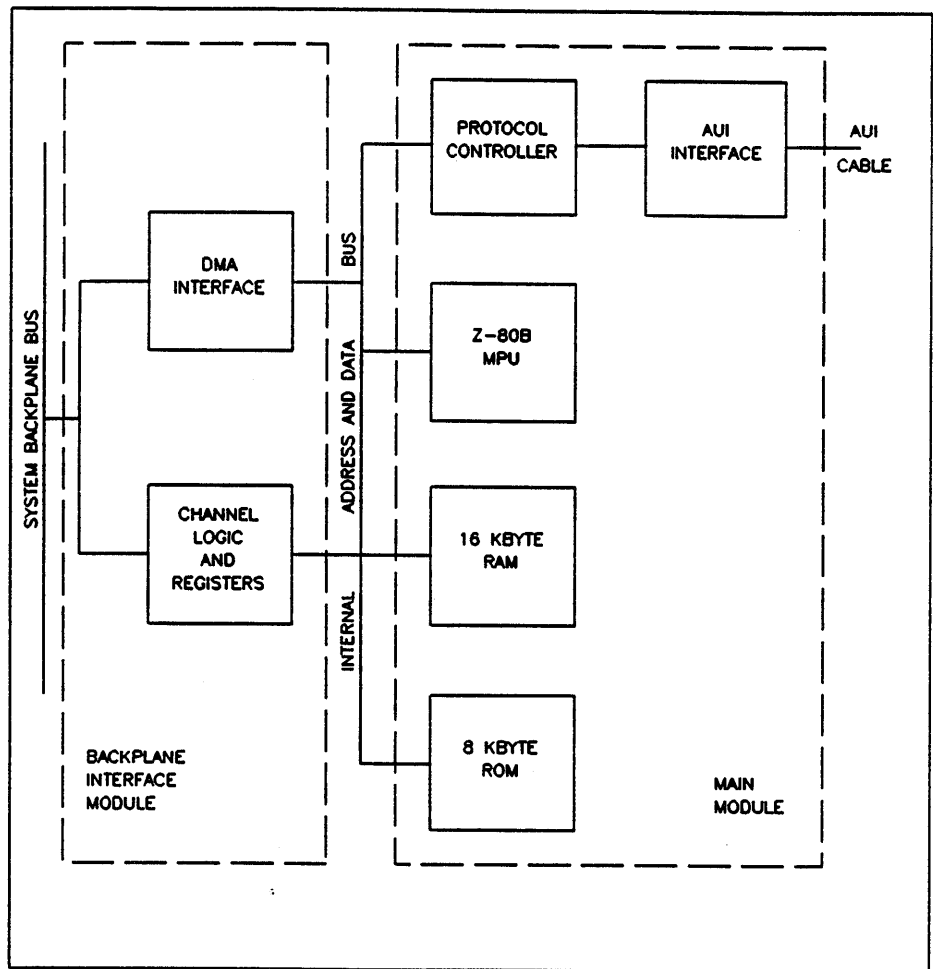


Figure 3-1. LANIC Functional Block Diagram

LANIC MPU and Firmware

Local intelligent control is provided by a microprocessor (MPU) and firmware on the LANIC card. An 8-bit microprocessor, type Z-80B, handles all the LANIC-to-host communication and performs many link-level operations independently of the host. The MPU also is responsible for performing an on-board self test to detect and locate hardware faults. The firmware for the MPU resides in both ROM and RAM. The ROM firmware has the self test, MPU interrupt control, and bootstrap programs. The link-level operational firmware is downloaded into LANIC RAM from system memory.

Local Communications Controller

The Local Communications Controller (LCC) is a high-performance LSI device that performs most of the data link and physical link functions for the local network architecture. The LCC performs high-speed serial operations, packet address checking, network contention control, packet formatting, and CRC (Cyclic Redundancy Check) generation/checking. The LCC is controlled by the MPU through local memory.

Direct Memory Access

The LANIC can transfer data directly to and from system memory. Once the host has given the LANIC the location of data buffers in system memory, data is transferred without host intervention. This allows maximum system performance by uploading the task of packet transmission and reception from the host, allowing the host to spend more of its time on other processing.

Firmware Download and Configuration

Although the self test, diagnostic, and bootstrap firmware are all resident in ROM, the operational firmware must be downloaded from the host into the LANIC local memory. After the firmware is downloaded, control is passed to it and the LANIC is ready to be configured. Configuration comprises the 82586 chip configuration, setting the station address, and initializing the command response queues.

Firmware Download

The host initiates the downloading of firmware from system memory to the LANIC local RAM. The LANIC performs the actual transfer via its DMA facility. After the transfer, the LANIC computes the checksum of the data in local RAM and compares it with the checksum computed by the host. This ensures that the download firmware is transferred correctly. The entire firmware may be downloaded via a sequence of download operations. The host has full control of firmware operation and can suspend firmware execution at any time and dump LANIC memory and hardware status to system memory.

Setting Station Address

The LANIC supports both globally and locally administered addressing. Globally administered addressing is supported by a ROM on the LANIC that has a unique 48-bit address code. This address can be read by the host. Setting the station address is accomplished by a process involving the Duplicate Address Check (DAC) protocol. The host supplies the LANIC with a candidate station address. The LANIC sends an Exchange Identification (XID) packet with this address in the destination field. If any node is using the same station address, it sends the packet back to the LANIC. The LANIC waits for any response to come back before establishing its station address. If the DAC protocol fails, the host is notified to take further action.

Queue Initialization

Once operational, most of the communication between the host and the LANIC is via a pair of queue structures in system memory. One queue, the Command Queue (CQ), is used by the host to send commands to the LANIC. The other queue, the Response Queue (RQ), is used by the LANIC to return status to the host. Each queue is fixed in size with fixed-length entries, however these parameters are programmable when the queues are configured by the host. The head and tail pointers are stored in system memory along with each queue. The host informs the LANIC of new entries in the CQ by means of the READ_QUEUE command. The LANIC informs the host of new RQ entries by means of the system interrupt facility.

Transmit Operation

Types of Packets Transmitted

The LANIC can transmit any size packet up to the maximum packet size. Short packets are automatically padded to meet minimum packet length requirements.

Transmit Buffer Management

The host is responsible for setting aside transmit buffers in system memory. The starting address and length of each buffer is sent to the LANIC via the XMIT request. Each buffer is identified by a unique ID number. When the LANIC has successfully transmitted a transmit buffer, or when it encounters an irrecoverable error, it returns the ID number and status to the host via the Response Queue (RQ). The host must ensure that transmit buffers are frozen in system memory from the time the XMIT request is entered into the CQ until the LANIC returns the buffer ID in the RQ.

Queuing of Transmit Buffers

The transmit operation requires a number of steps and there is no way to predict when a transmit buffer is actually sent. Transmit buffers queue up in the CQ and in an internal transmit queue. The buffer at the head of the transmit queue is processed when no receive packets are being processed. Even then, there may be a delay due to the CSMA/CD protocol.

Transmit Operation Example

A transmit frame is assembled by the host in system memory. The host then adds to the CQ an XMIT request containing the address and length of the transmit frame and the ID number. The LANIC will process this command after it completes operations in progress and gets the command from the CQ. The LANIC then copies the contents of the frame buffer from system memory to its local memory. The next phase is undertaken by the 82586 LCC chip. The 82586 handles the CSMA/CD protocol, serializes the data from the local memory buffer, sends it out on the network, and generates the frame check sequence. After the 82586 LCC is finished with the frame, LANIC firmware records the frame completion status and ID number in the RQ.

Receive Operation

Types of Packets Received

The LANIC will only receive packets addressed to its station address (except when promiscuous mode is configured). These packets may be individually addressed, broadcast, or multicast, if the LANIC has been configured for such operation. Packets that are shorter than minimum or longer than maximum are not returned to the host, however, the statistical counters are updated.

Receive Buffer Management

The host is responsible for setting aside receive buffers in system memory. The starting address and length of each buffer are sent to the LANIC via the RECV command. These buffers are identified via a unique ID number. When the LANIC fills a receive buffer, it returns the ID number to the host via the Response Queue (RQ). From the time that the host enters the buffer descriptor into the CQ until the LANIC returns the ID number in the RQ, the host must ensure that the buffer is frozen in physical memory. Since neither the host nor the LANIC have control over what time a packet arrives, there must be a sufficient number of buffers ready for the LANIC to receive bursts of packets, otherwise packets will be lost. For further information on lost packets, see the paragraph "Receiver Blind Spots".

Queuing of Received Packets

Received packets may be queued by the LANIC before being reported to the host. In order to report received packets to the host, the LANIC microprocessor must access system memory. However, it may not be able to do this during a burst of receive packets because the LANIC DMA capability will be saturated with packet transfers to system memory. The microprocessor will update the RQ as soon as a lull in received packet traffic occurs.

Receiver Blind Spots

Under certain conditions, the LANIC can fail to receive a packet. The following conditions are necessary for the LANIC to receive a packet at any time:

The receiver must be turned on.

There must be a buffer ready to receive the packet.

The LANIC must be able to write to memory fast enough to prevent losing data.

If any of the above conditions are not met, receive packets will be lost.

Receive Operation Example

The host allocates one or more receive buffers and enters RECV commands containing the buffer descriptors and IDs into the CQ. The LANIC removes these descriptors from the CQ and puts them on an internal queue, and turns the 82586 LCC receiver on. The LCC prepares for packet reception by taking the first buffer descriptor off the internal queue. The LCC looks at the destination address of all packets on the network. When the destination address matches the LANIC station address, the LCC deserializes the packet and starts writing it to system memory using the current receive buffer descriptor. At the end of the packet, the LCC compares the CRC and re-uses the buffer descriptor if there was an error in packet reception. Otherwise, the LCC records the packet reception, prepares the next buffer descriptor from the internal queue, and interrupts the microprocessor. When the microprocessor acknowledges the interrupt, the LCC adds the status and ID number of the completed packet(s) to the RQ.

Error Management

The LANIC detects command, system, and network errors, takes recovery action when appropriate, and reports status to the host. Command format errors are simply reported to the host, but do not result in any interruption of operations in progress. The LANIC attempts recovery of certain errors, such as ThickMAU jabber, and if recovery is successful, the LANIC reports the recovery to the host for logging, and continues operation. When the LANIC detects a non-recoverable error, such as a system memory error, it aborts all operations in progress, reports the nature of the error to the host via the system interrupt mechanism, and waits for further action by the host.

Selftest Operation

The LANIC executes a self-contained selftest program on system reset, or under host software control. Additionally, self test can be initiated via a switch on the card, or by power-on. The LANIC selftest program tests a portion of the LANIC hardware. The selftest result code is displayed visually on the LANIC card (see Chapter 4), and can be programmatically read by the host via a channel register dedicated to selftest result codes.

System Interrupt

The LANIC can request a host software interrupt via two pseudo-device interrupts. When the host issues the OBII command to the LANIC, the data returned has either a zero or a one in bit 15, corresponding to the interrupting device number. Device number zero corresponds to the interrupt called SINTR0, and device number one corresponds to the interrupt called SINTR1. If both interrupt requests, SINTR0 and SINTR1, are active simultaneously the interrupt code for SINTR0 is returned.

Operation of the LANIC IRQ (Interrupt Request) is as follows:

If either or both of SINTR0 and SINTR1 are set and the interrupt mask, MASKF, is set, then the channel asserts the IRQ line on the backplane. Eventually, the host detects that IRQ is asserted and invokes the microcode routine to handle interrupts. This microcode performs an IPOLL to determine which channel(s) are requesting, and then an OBII to determine which device on the channel to service. After determining which channel and device to service, the microcode issues a WIOC command to clear SINTR, and dispatches the appropriate software interrupt routine.

SINTR0 Selftest Interrupt

The SINTR0 interrupt request is activated by the ROM-based selftest firmware when the self test sequence completes or whenever an idle self test failure is detected. The host software reads the STR channel register to determine the type of error detected. A more detailed description of the self test is contained in Chapter 4.

SINTR1 LANIC Interrupt

This interrupt is activated by either the ROM-based kernel firmware or by the downloaded operational firmware to signal the host software that some event in the LANIC has occurred. Host software reads the SR channel register to determine what type of event has occurred. The types of events fall into two groups: those related to a command issued to LANIC by the host software, and those resulting from internal LANIC operations.

Interactive Command Completion

This response is given when the LANIC completes the execution of an interactive command. The command-specific bits of the response code contain status and error codes whose meanings depend on the associated command as shown below.

0	1	2	3	4	5	6	7	8	9	10	11	12	13	14	15
0	0	0		Completion status						Command code					

- Command code = Command code originally given
Completion status = See below and paragraph "Self test"
- 00 - command executed correctly
 - 01 - sync between driver and LANIC established (e.g., an all-ones word written into CR)
 - 02 - illegal length command
 - 03 - command not found
 - 04 - command doesn't match length
 - 08 - host buffer crosses bank boundary
 - 09 - non-word address on download or dump
 - 0A - checksum didn't check (DOWNLOAD command)
 - 0B - illegal start address (START CODE command)

Interactive Command Acknowledgment

This response is given after the firmware reads the first word of a multiple-word command from the CR. This response is useful for avoiding the host software busy-wait on CRFULL after the first word of a multiple-word command has been written to the DR. This problem is due to the fact that the first word may not be accepted by the LANIC for several milliseconds, but the succeeding words are handshaken with negligible delay. A command acknowledgment response is not given for a single-word command as it is followed by a command completion response anyway. See below.

0	1	2	3	4	5	6	7	8	9	10	11	12	13	14	15
0	0	1													

Batch Command Completion

The response shown below is given when the firmware completes the execution of a batch command:

0	1	2	3	4	5	6	7	8	9	10	11	12	13	14	15
0	1	0													

Fatal Error Response

The fatal error response is given when an event occurs that requires the LANIC to be re-initialized. All operations in progress are aborted and pending operations are suspended. The LANIC is in the KERNEL state after giving this response.

0	1	2	3	4	5	6	7	8	9	10	11	12	13	14	15
1	1	0													

Catastrophe code = fatal error type (41H = SW, 42H = HW)
Additional information = error number

LANIC Resets

There are three types of resets on the LANIC: power-on reset, hard reset, and soft reset. The power-on reset is the highest priority and the soft reset is the lowest priority. The resets are nested such that a higher priority reset includes all lower priority resets. Table 3-1 summarizes the LANIC reset operations.

Table 3-1. LANIC Resets and Their Effects

Affected Function	PON	Hardrst	INIT IOCL	Softrst
MAUPOWER	OFF	OFF	OFF	OFF
SELFTEST	YES	YES	NO	NO
VISIND	ON	ON	ON	---
MHSEN	OFF	OFF	OFF	OFF
SLVHS	RESET	---	---	---
MASTER H/S	RESET	RESET	RESET	RESET
CRFUL	0	0	0	---
MASKF	0	0	0	---
SINTR0	0	0	0	---
SINTR1	0	0	0	---
Z-80 RESET	PULSE	PULSE	LATCH	NO

Power-On Reset

The PON signal on the backplane causes a power-on reset. The entire hardware and firmware state of LANIC is initialized and all LANIC operations on the backplane cease. When the PON goes active, the LANIC enters the SELFTEST state.

Hard Reset

Hard reset aborts all operations in progress on the LANIC, resets all control registers, and forces the LANIC into the SELFTEST state. Self test is then performed and the internal status of the firmware prior to the reset is unrecoverable. LANIC commands (except further hard resets) must not be issued until the selftest sequence has completed. At the end of the selftest sequence, the LANIC will go to the KERNEL state, waiting for commands from the host.

Hard reset is started by the backplane commands PON, SRST, IOCL, INIT, WREG14, WREG15, and by activating the selftest switch.

The HARDRST clears the channel interrupt mask flip-flop MASKF, clears both SINTR0 and SINTR1 interrupt requests, and illuminates the VISIND visual indicators (LEDs). In addition, the master handshake enable flip-flop, MHSEN, is cleared.

Soft Reset

Soft reset suspends all hardware operations in progress and puts the LANIC into the KERNEL state, waiting for further commands. In this way, most of the LANIC internal state information is preserved. The microprocessor is not reset and information pertaining to the RQ entries remains valid. The firmware is forced to the KERNEL state and communication with the host software is restricted to the CR and SR only.

The soft reset is typically issued when a LANIC failure has been detected by the host (e.g., LANIC is unresponsive). The firmware is thus forced to communicate with the host software. Since self-test has not been performed, diagnostics of the firmware can take place by issuing the MEMORY_DUMP command.

Soft reset can be initiated by the LANIC or by host software. The LANIC hardware initiates soft reset by detecting certain system bus errors. These errors are: system bus timeout, memory parity error, bus parity error, or memory bounds violation. System software can initiate a soft reset by writing register 14 (ABORT register) on the LANIC with bit 15=1.

Z-80 Reset

The IOCL and INIT commands effect a HARDRST, but the microprocessor remains reset. This feature is useful for diagnostics which need to reset the hardware registers without initiating the selftest sequence. The microprocessor remains reset until a normal HARDRST is issued.

Power-Fail Warn

When the backplane power-fail warn signal (PFW) is active, the LANIC is prevented from requesting or initiating a system bus master handshake. If the PFW signal becomes active while the LANIC is requesting, but has not yet been acknowledged bus master, then the LANIC backs off from requesting the bus while PFW is active.

Self Test

The LANIC has a selftest feature that performs tests of internal circuitry and provides a status code indicating the result. Before the execution of each selftest step, the step number is written to the STR and the VISIND registers. When the self test is complete, the LANIC interrupts the host and enters the KERNEL state where it is ready to accept interactive commands.

Manually Initiated Self Test

Self test is manually initiated by the selftest switch on the LANIC card. The location of this switch is shown in Figure 2-1 in Chapter 2.

Remotely Initiated Self Test

Self test is remotely initiated by the backplane command WREG15, or by the backplane signals PON or SRST (Power On or System Reset).

Idle Self Test

During operation of the LANIC, various tests of hardware are performed when no other tasks are being processed. If a hardware failure is detected, an error code is placed into the STR register and the host interrupt request is set.

Visual Indicators

Fifteen light-emitting diodes (LEDs) are used on the LANIC card to indicate LANIC activity. The locations of the LEDs are shown in Figure 2-1 in Chapter 2. Eight of the LEDs are used for self test results and are described in Chapter 4; the remaining seven LEDs are used for indicating activity on the LANIC card and the LAN network. These LEDs are described in the paragraph "LEDs", later in this chapter.

Attachment Unit Interface (AUI) Circuitry

The Attachment Unit Interface (AUI) is the interface between the LANIC board and the Medium Attachment Unit (MAU). The AUI, MAU, and the coaxial trunk cable comprise an *analog network*. The analog network provides the physical connection between Local Area Network (LAN) nodes.

A block diagram of the AUI interface circuitry is shown in Figure 3-2. The AUI interface consists of four blocks:

- A type 8023 chip
- Level 1 circuitry
- MAU power control
- AUI activity trace LEDs

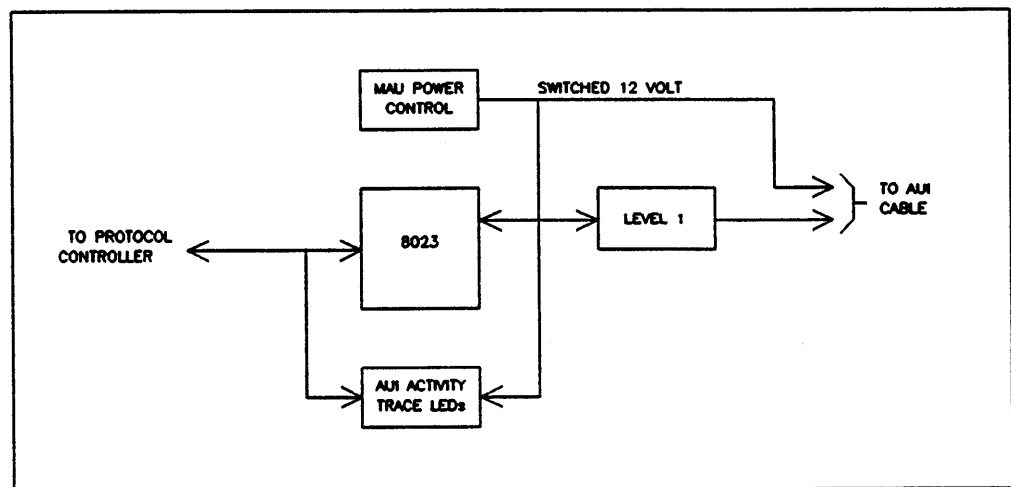


Figure 3-2. AUI Interface Block Diagram

The 8023 chip performs the following functions:

- Decodes receive clock
- Decodes receive data
- Generates transmit clock
- Encodes transmit data with clock
- Decodes CONTROL IN
- Detects carrier present
- Loops transmit data to receive data for diagnostics

The AUI side of the 8023 chip consists of two balanced receivers (DATA5IN + CONTROL5IN) and one balanced driver (DATA5OUT). The signals from these circuits are put through a passive balancing network and are then transformer coupled to the AUI pairs.

MAU Power Control Circuit

The MAU power control circuit provides three functions:

1. **12-Volt Switch:** The Z-80B MPU can turn the 12V to the AUI on or off
2. **12-Volt Current Protect:** If the current to the AUI goes above 1.2A, the power control circuit switches the +12V off, thus protecting the LANIC and the system from shorts in the AUI cable or MAU. The Z-80B will detect the fault and attempt to restart MAU power. If the attempt fails, the Z-80B notifies the host system of the fault.
3. **12-Volt Sense:** The Z-80B can determine if power to the AUI is on or off. However, it is not able to accurately measure the exact voltage being supplied. The IEEE 802.3 standard requires VP (+12V) to be greater than 11.28 volts. It is possible that the +12-volt power supply may be adjusted low enough such that less than 11.28 volts is present at the LANIC edge under load. If faulty ThinMAU operation is suspected, and ThinMAU replacement has not corrected the problem, the VP voltage should be checked. The VP voltage can be checked by connecting an accurate voltmeter between the +12V and GND test points on the LANIC. If the voltage under load is found to be less than 11.28V, the system +12V power supply must be checked and adjusted to the upper end of the allowable range. If the power supply is already set at the upper end of its range, the LANIC may need to be replaced. Consult the appropriate *CE Handbook* for details.

LEDs

The LANIC uses 15 LEDs to monitor activities on the card and the LAN network. The locations of the LEDs are shown in Chapter 2, Figure 2-1; the labels and functions of the LEDs are shown in Figure 3-3.

The seven LEDs labeled A through G monitor activity on the AUI interface. The eight LEDs labeled H through N and * monitor LANIC MPU activity. A great deal of information about the state of the network and the LANIC and system software can be gained by studying the LEDs. They are provided as an aid in problem detection and resolution.

Each of the 15 LEDs is labeled with two different labels. The single alphabetic labels are helpful for quick reference to the LEDs; the two-letter mnemonics are intended to remind users of the function being indicated by the LED.

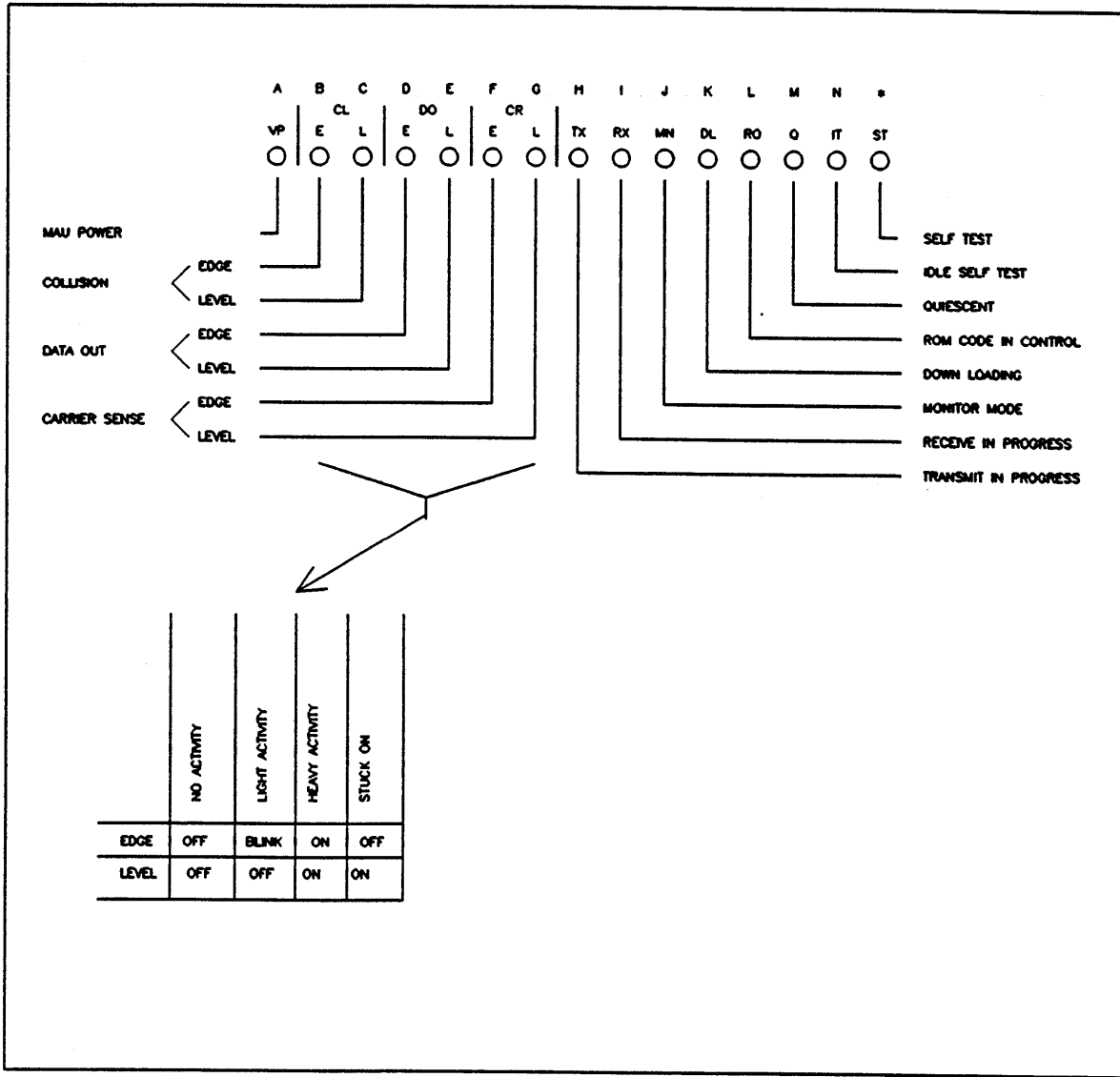


Figure 3-3. LANIC LEDs

The meanings of the eight MPU (microprocessor unit) activity monitoring LEDs are as follows:

Mnemonic	MPU Activity in Progress
TX	On when the LANIC is processing and transmitting a frame.
RX	On when the LANIC is processing a frame that was received at an address which the LANIC recognized as its own.
MN	On when the LANIC is monitoring all link activity, or is monitoring activity sent to a particular address not its own.
DL	On when the LANIC receives a command from the SPU (system processor unit) to start downloading operating firmware. Off when the SPU commands the MPU to begin to execute the downloaded feature.
RO	On when ROM-resident firmware is being executed by the MPU. Off when downloaded firmware is being executed by the MPU.
Q	On when the MPU is quiescent. During such times, it is checking for activity that requires attention.
IT	On when the MPU is executing an idle test of internal LANIC circuitry. During idle test, the MPU tests hardware on the LANIC that can be exercised without affecting readiness to process frames. The idle test also runs before the node becomes operational on the link.
ST	On when the MPU is executing the ROM-resident self test, which verifies proper operation of the LAN hardware subsystem. When the ST LED is lit, the other seven MPU activity LEDs are interpreted as self test progress and failure indicators, rather than according to the mnemonics given above. For details of the use of self test, see Chapter 4 of this manual and the <i>LAN/3000 Diagnostic and Troubleshooting Guide</i> , part number 30242-90003.

The seven AUI activity LEDs are intended to be used as aids in determining activity on the network, and whether the source of this activity is this node or some other node on the network. These seven LEDs monitor the four functions shown below.

Mnemonic	Function Monitored
DO	<u>D</u> ata <u>O</u> ut. On when data is transferred from this LANIC to the Data Out AUI pair.
CL	<u>C</u> o <u>L</u> lision Detect. On when a collision is detected by the MAU on this node. Since the MAU detects collisions whether it is transmitting or not, the CL indicator comes on for every collision that occurs on this coaxial cable. The CL indicator does not come on when the MAU sends an SQE heartbeat after transmission.
CR	<u>C</u> a <u>R</u> rier Sense. On when data is detected coming into the node on the Data In AUI pair, or on when the collision function is detecting collisions. The CR indicator does not come on due to SQE heartbeat.
VP	<u>V</u> oltage <u>P</u> lus. This LED indicates the voltage present on this 12-volt supply lead to the MAU.

Each of the indicators for DO, CL, and CR consist of a pair of LEDs, labeled *E* and *L*. The pair is driven in such a manner that all conditions of activity from occasional isolated events to continuous events can be distinguished by the unaided eye. This is accomplished in the following manner:

Each time that the event being monitored by an LED pair begins, the *E* LED is turned on and remains on for 6 msec regardless of the length of the event. The *L* LED turns on at the beginning of the event and turns off at the end of the event.

Following this algorithm, a single isolated event of short duration produces a 6 msec blink of the *E* LED, and the *L* LED is on for the length of the event, which is short. Therefore, the *L* LED appears to remain off.

As the frequency of events of short duration increases, the *E* LED appears to be constantly lit, and the *L* LED begins to glow.

When short duration events occur constantly, both the *E* and *L* LEDs will appear to be constantly lit.

A single event of very long duration produces a single 6 msec blink of the *E* LED at the beginning of the event, and the *L* LED turns on and stays on for a long time, until the event is completed.

Continuously occurring events of very long duration will cause the *E* LED to blink at the beginning of each event for 6 msec, and the *L* LED will appear to be constantly lit.

Events on a normally-operating network are all of short duration. For instance, a maximum length frame requires only 1.2 msec to transmit; a minimum length frame requires only 51 μ sec to transmit. Collisions have a maximum duration of

only 49 μ sec. For events of short duration such as these, the *E* and *L* LEDs can be visualized as a sort of two-column bar graph. Frequency of activity is increasing as the frequency of flashing of the *E* LED increases while the *L* LED is off or very dim. When the *E* LED is always on, the *L* LED indicates further increase in activity by becoming brighter and brighter until it reaches full intensity. This state of the *E* and *L* LEDs indicates continuous short events.

To understand the indications given by the DO, CL, and CR LEDs, it is necessary to understand how the signals that drive these LEDs are related to the signals on the AUI cable.

DO LED Pair

The event indicated by the DO LED pair is the enabling of the data encoder by the protocol controller on the LANIC. The event begins when the encoder is turned on. While the encoder is on, a continuous stream of encoded data bits is transmitted by the LANIC to the DO AUI pair. The event ends when the data encoder is disabled. When the encoder is disabled, data bits are no longer sent to the DO pair. The transmission of a single frame to the AUI DO pair is one event, and will cause the *E* LED to blink on for 6 msec. The *L* LED will be lit for the length of time required to transmit the data bits to the AUI pair, a maximum of 1.2 msec for a maximum length frame.

CL LED Pair

The event indicated by the CL LED pair is the occurrence of the Signal Quality Error (Collision) signal on the Control In pair of the AUI cable. When the MAU, whether it is transmitting to the coaxial cable or not, detects a collision on the cable, it sends the SQE signal to the LANIC on the CI pair. SQE is signalled by a 10 MHz signal on the CI pair. The event begins when the first transition is received at the LANIC, and ends 200 nsec after the last transition is received.

The SQE heartbeat, which is a short burst of 10 MHz signal on the CI pair after each transmission by the LANIC on DO, does not cause the *E* LED to blink, although it does cause the *L* LED to light for approximately 1 μ sec, which is too short to be seen. Likewise, no collision occurring on the network within 5.3 μ sec of cessation of transmission by the LANIC will light the *E* LED. The SQE heartbeat is blocked from triggering the *E* LED so that the CL LEDs will indicate the frequency of collisions occurring on the network.

CR LED Pair

The event indicated by the CR LED pair is the reception of data on the Data In pair in the AUI cable, or the occurrence of the collision event described above. The event begins when the first data transition arrives on the AUI DI pair, or when the collision event begins, whichever occurs first. The event ends 200 nsec after the last data transition on the DI pair, or when the collision event ends, whichever occurs last.

H Through N and * LEDs

When the LANIC has been reset either by power-up of the system or by the operating software, all eight of the MPU activity indicators (LEDs H through N and *) will be on continuously. This indicates that the MPU is not executing. Additionally, the VP LED will be off, which indicates that the MAU is not powered. The other AUI activity indicator LEDs will all be off.

After the LANIC has successfully passed self test, and the pass code pattern has been displayed as required, the * LED will be off, and the other seven MPU activity indicator LEDs will now indicate the MPU activity. The * LED being off indicates that the H-N LEDs are to be interpreted as individual activity indicators according to their two-letter mnemonics. (See the following paragraphs.)

TX, RX, MN, DL, RO, Q, and IT LEDs

When self test passes, the SPU is interrupted and notified of the event. Between the time that this interrupt is given and the time when the SPU begins to access the LANIC, the RO and Q LEDs will be lit. This indicates that the LANIC is executing ROM code and is quiescent, while waiting for the SPU to take control. In addition, the VP LED will be lit, indicating that the MAU is powered. Any activity on the network coaxial cable will be indicated by the state of the CL and CR LED pairs. The LANIC will never transmit in this state, and therefore, the DO LED pair will remain inactive.

When the SPU prepares the LANIC for operation, it first must download the operating firmware from system memory to the LANIC. When this process begins, the DL LED turns on, and the Q and IT LEDs will go off. After each download command, the Q LED lights for a few milliseconds. At least seven download commands occur, but they may not be separately distinguishable. However, the pattern that occurs on one working system will occur on all other working systems, so if suspicious, compare the download pattern on the suspected system with a system that works.

After the download is complete, the SPU will instruct the MPU to begin to execute the downloaded firmware. When this occurs, the RO and DL LEDs will go off. The Q and IT LEDs will turn on.

A short time later the SPU will instruct the LANIC to set its individual address. When this occurs, the LANIC performs a duplicate address check, which is accomplished by transmitting 10 frames to the network with a 500 millisecond separation between frames. The TX and the DO E LED will both come on for each of the 10 frames. In addition, the CR E LED will indicate that the frames were sent to the coaxial cable and caused the carrier to come on. If collisions are encountered, the frames will be retried up to 15 times each, with resultant activity indicated by the CL LEDs. The RX LED will not light during the duplicate address check due to our own transmission, even though the duplicate address check frame is addressed to the transmitting LANIC. If the RX LED lights during duplicate address checking, it is due either to a duplicate station

being detected or to an ordinary frame being address to the LANIC. If a reply to the duplicate address check is received, this will cause the address check to fail, no further check frames will be sent, and the system software will close the link and clear the LANIC, forcing all the LANIC MPU LEDs to come on and stay on.

If the duplicate address check passes, the link is opened, and frame transmission and reception will commence. The LEDs will indicate activity as it occurs.

During normal network operation, frame transmission causes the LEDs to operate in the following manner, assuming that the network and the LANIC were both idle before the transmit request arrived at the LANIC from the SPU:

While idle, the VP, Q, and IT LEDs are on.

When the MPU begins processing the transmit command, the Q and IT LEDs go off, and the TX LED comes on. The LANIC begins the transmit process by reading the frame from the system to the on-card memory.

Once the frame is in LANIC local memory, and the network is free, the serial transmission process begins. This causes the DO *E* LED to light. The DO *L* LED will also be turned on for the duration of the frame transmission, but this may or may not be visible, depending upon the length of the individual frame being sent.

The serial data reaches the MAU and is transmitted to the coaxial cable. The MAU begins to receive its own signal from the coax, and sends it back down the AUI cable. The LANIC detects data arriving on the DI pair of the AUI cable, and the CR *E* LED is lit. The CR *L* LED will also be lit for the duration of the frame, but this may or may not be visible. If the DO *L* LED is visible, the CR *L* LED will also be visible for approximately the same length of time.

If no collision is occurs, the CR and DO *E* LEDs will go off after 6 millisecond, followed quickly by the transmit LED going off, and the Q and IT LEDs coming on. If a collision is encountered, the CL *E* LED will come on, and the frame will be retransmitted up to 15 times. The retransmissions will cause the DO and CR *E* LEDs to appear to be on, and the DO and CR *L* LEDs will probably appear to be partially lit, with the intensity of the *L* LEDs determined by frame length, number of retransmissions required, and the time separation of the retransmissions. The CL LEDs will also display behavior similar to the CR and DO LEDs if multiple retransmissions are required before the frame is successfully transmitted. In the collision case, it must be remembered that other network activity will also cause the CL and CR LEDs to light, and the activity caused by the LANIC will be superimposed on the network activity being displayed by the CR and CL LEDs. A little experience at observing the LEDs will allow the occurrence of single or multiple collisions to be easily distinguished.

Medium Attachment Unit

A functional block diagram of the MAU is shown in Figure 3-4. As shown, the MAU has four functional areas:

- **Receive Function.** Receives serial data bit streams from the coaxial cable and sends these to the LANIC.
- **Transmit Function.** Accepts serial data bit streams from the LANIC, and transmits this data to the coaxial cable.
- **Jabber Fault Detection.** Detects an abnormally long output data stream ("jabber") from the LANIC, and inhibits transmission to the coaxial cable.
- **Collision Detection.** Detects the presence of two or more simultaneous transmissions on the coaxial cable and informs the LANIC of this condition.

Receiver

The coaxial receiver has a high input impedance. (The high impedance is necessary to allow up to 100 users to connect to the coax and not load down the cable.) The data received from the coax is then amplified and shaped to compensate for attenuation caused by the coaxial cable. The data is then sent through a cable driver to the LANIC via the twisted pair of the AUI cable. The MAU also has a DC squelch function which turns off the AUI cable driver when no data is present on the coax as is indicated by a lack of DC component in signals on the coaxial cable.

Since the receiver passes all data from the coaxial cable to the AUI cable, the receiver also monitors data sent by its own LANIC, thus implementing a local loop-back and monitoring function.

Transmitter

The transmitter accepts data from the LANIC and transmits this data to the coaxial cable. Data is transmitted to the cable using a high-impedance current sink. Current drive of the coaxial cable causes multiple transmitters' signals to add without damage to the transmitters. The coaxial cable driver adheres to the recommended value for drive level specified in the IEEE 802.3 Standard.

Jabber Fault Detection

If the LANIC should try to send data for a time longer than the longest data packet allowed, the network throughput could be affected. (If the LANIC transmitted continuously, no other node could access the network.) The jabber fault detection circuitry detects any attempt by the MAU to transmit for longer than 20 milliseconds, and prevents this from happening by turning the transmitter

off. The LANIC is informed of the shut-off condition by a continuous signal (SQE) on the CI pair of the AUI cable. The MAU is prevented from transmitting until 500 milliseconds after the Jabber Fault is removed.

Collision Detection

When a collision occurs on the coaxial cable, the DC voltage on the cable increases in magnitude and the collision detection circuitry senses this condition. The LANIC is informed of this condition by a signal sent from the MAU on the CONTROL IN (CI) cable pair (part of the AUI cable). The collision detection scheme employed implements receiver-based collision detection. This means that the presence of two or more transmitters can be detected even when the MAU is not transmitting.

To insure that the collision detection circuitry is working satisfactorily, it is tested each time a data packet is sent. At the end of each transmitted packet, a 'Heartbeat', or SEQ (Signal Quality Error) test signal (which is a short burst of the collision indicator signal) is sent to the LANIC.

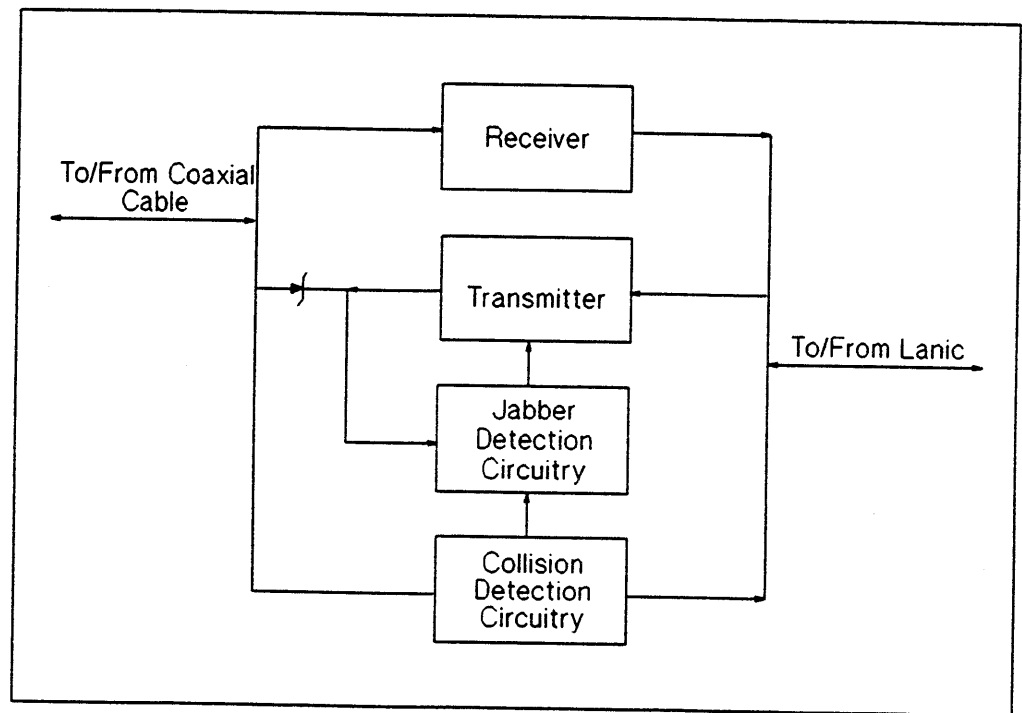


Figure 3-4. MAU Functional Block Diagram

Introduction

This chapter contains general maintenance instructions for the LANIC card. Included is the repair philosophy for the LANIC card and information on the self test. See the *LAN/3000 Diagnostic and Troubleshooting Guide*, part number 30242-90003, for detailed procedures to be used in troubleshooting networks containing the ThinLAN 3000/V link, and for diagnostic procedures to be used in isolating failures in ThinLAN 3000/V nodes to the field replaceable assembly.

CAUTION

Some of the components used in this product are susceptible to damage by static discharge. Refer to the Safety Considerations information at the front of this manual before handling the card.

Repair Philosophy

Field repair of the LANIC cards is limited to the replacement of the card itself. To exchange a LANIC card, remove it from the system and prepare it for reshipment to Hewlett-Packard in accordance with the instructions presented in Chapter 2.

Self Test

A self test is included in ROM on the LANIC card. The self test runs at power-on, when the LANIC TEST (RESET) switch on the LANIC card is pressed, or when invoked by the LAN diagnostic.

NOTE

The self test consists of several tests which check approximately half the circuitry on the LANIC card as well as performing a simple test of the MAU. The ThinLAN 3000/V link diagnostic *must* be run to perform a complete test of the LANIC card. See the *LAN/3000 Diagnostic and Troubleshooting Guide*, part number 30242-90003 for a description of the diagnostic.

CAUTION

Pressing the LANIC test performs a hard reset on the LANIC card before the self test is initiated. Networking operations in progress will be disrupted by pressing the reset switch. Once self test has started, allow it to complete prior to pressing the switch again. Pressing the selftest switch when the link is open or while self test is active has a slight possibility of crashing the system.

To run the LANIC self test, perform the following:

1. Determine that the LANIC is not in use. This can be done by typing

```
:SHOWDEV nn
```

at any terminal on the system, where *nn* is the logical device number of the LANIC. If you see

```
LDEV   AVAIL   OWNERSHIP   VOL. . .etc.
 36     AVAIL
```

or something similar, the LANIC is not in use. If you see

```
LDEV   AVAIL   OWNERSHIP   VOL . . .etc.
 36     UNAVAIL   SYS #1
```

the LANIC is probably in use, and you should do a

```
NETCONTROL NET=xxxx;STOP
```

before proceeding.

2. Open the computer card cage door and observe the selftest LEDs (see Figure 4-1 for the locations of the LEDs). Note whether the LEDs indicate normal activity or whether the ST/* LED is blinking slowly and LEDs H through N are displaying a steady pattern. If a steady pattern is being displayed by LEDs H through N, make a written record of which LEDs are lit. (This information may be needed later if the problem is intermittent.)
3. Press the LANIC TEST RESET switch (see Figure 4-1) to initiate the self test.
4. Observe the selftest LEDs. Refer to Table 4-1 for the meanings of the various LED patterns. If the self test completes with no errors, the selftest LED (ST/*) will be on and LEDs H through N will be off (a code of all zeros) for a period of five seconds. After five seconds, the ST/* LED will go off and LEDs H through N will reflect activity on the LANIC. If the self test fails, the code of the test that failed will be displayed by LEDs H through N and the ST/* LED will blink slowly for at least 20 seconds (allowing time for the code to be noted).
5. If the LANIC fails self test, except as noted below, replace the LANIC card in accordance with the procedures given in Chapter 2. Re-run the self test after the new card is installed. If the new card passes self test and there still appears to be a problem on the network, run the LAN diagnostic (it is possible for the LANIC to pass self test and still not be functioning properly). The diagnostic tests more of the LANIC card circuitry and also tests the AUI and MAU. Refer to the *LAN/3000 Diagnostic and Troubleshooting Guide*, part number 30242-90003, for information on running the LAN diagnostic.

NOTE

The last test of the test sequence (2E, Loopback on Medium) requires that the ThinMAU be connected to the LANIC. If it is not connected to the LANIC, the last test will report a failure. The LANIC, however, may not be defective in this case.

-
6. If an intermittent problem is suspected, the self test may be looped by holding the LANIC TEST RESET switch in with an alligator clip. The self test will then loop until a failure is detected, and will preserve the failure code as described in step 4 as long as the switch remains in.
 7. If the self test completes with no error indications, the LAN/3000 diagnostic must also be run to completely check the LANIC, AUI cable, and MAU. Run the diagnostic as described in the *LAN/3000 Diagnostic and Troubleshooting Guide*, part number 30242-90003.

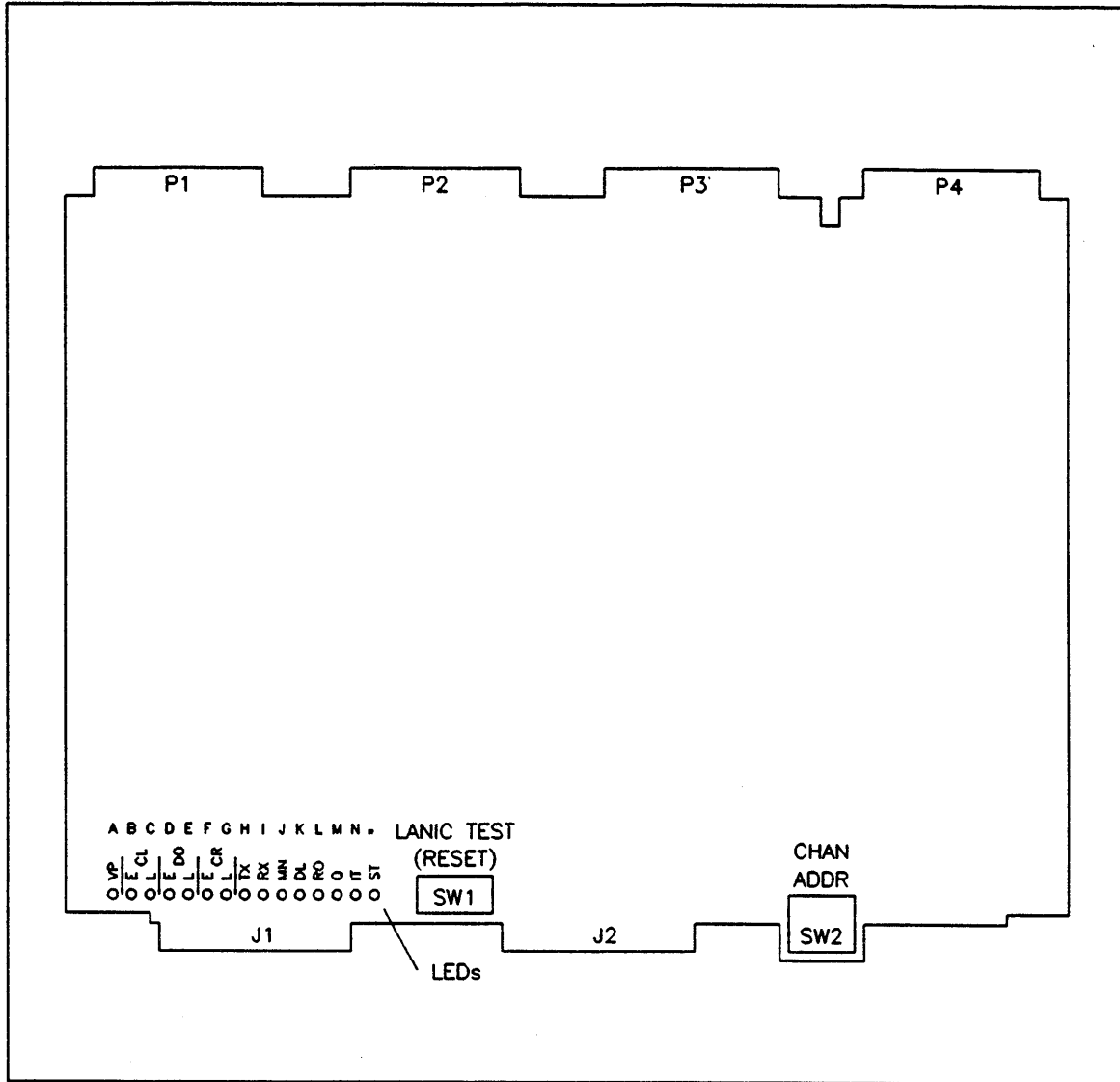


Figure 4-1. LANIC Switch and LED Locations

Table 4-1. Selftest LEDs and Subtest Descriptions

CODE		LED INDICATION								SUBTEST	DESCRIPTION
HEX NO.	H	I	J	K	L	M	N	*			
1	0	0	0	0	0	0	0	1	1	Z-80	Instruction set
2	0	0	0	0	0	0	1	0	1	EPROM	Checksum
3	0	0	0	0	0	0	1	1	1	Station Address PROM	Checksum
4	0	0	0	0	1	0	0	0	1	High Byte Latch	
5	0	0	0	0	1	0	1	1	1	Byte RAM Data	Even addresses
6	0	0	0	0	1	1	0	1	1	Byte RAM Data	Odd addresses
7	0	0	0	0	1	1	1	1	1	Byte RAM Address	Incrementing addresses
8	0	0	0	1	0	0	0	0	1	Byte RAM Address	Decrementing addresses
9	0	0	0	1	0	0	1	1	1	Word RAM	Address tests
A	0	0	0	1	0	1	0	1	1	Word/Byte Address	Address mapping
B	0	0	0	1	0	1	1	1	1	Z-80	Memory reference instructions
C	0	0	0	1	1	0	0	0	1	MDIAG register SYSCON register	Proper state after reset
D	0	0	0	1	1	0	1	1	1	CTC	Data test
E	0	0	0	1	1	1	0	1	1	CTC	Mode 0 counting
F	0	0	0	1	1	1	1	1	1	CTC	Mode 2 counting
10	0	0	1	0	0	0	0	0	1	CTC	Mode 4 counting
11	0	0	1	0	0	0	1	1	1	Interrupt PAL	Bit 4 set and cleared
12	0	0	1	0	0	1	0	1	1	Z-80 interrupt	
13	0	0	1	0	0	1	1	1	1	Z-80 NMI	Non-Maskable Interrupt
14	0	0	1	0	1	0	0	1	1	MHSDIS	DMA Handshake Disabled

Table 4-1. Selftest LEDs and Subtest Descriptions (Continued)

CODE		LED INDICATION								SUBTEST	DESCRIPTION
HEX NO.	H	I	J	K	L	M	N	*			
15	0	0	1	0	1	0	1	1	1	PADDR to BADDR bus	Low 15 bits
16	0	0	1	0	1	1	0	1	1	ZBANKL register	Low Z-80 bank bit
17	0	0	1	0	1	1	1	1	1	ZBANKH register	Eight high Z-80 bank bits
18	0	0	1	1	0	0	0	0	1	Preliminary FIFO	INREADY, ADVREADY, OUTREADY
19	0	0	1	1	0	0	1	1	1	FIFO Data	BDATA(7)
1A	0	0	1	1	0	1	0	1	1	FIFO Data	BEA(7,8)
1B	0	0	1	1	0	1	1	1	1	FIFO Data	BDATA(2:6)
1C	0	0	1	1	1	0	0	0	1	FIFO Data	BDATA(0,1,13:15)
1D	0	0	1	1	1	0	1	1	1	FIFO Data	BDATA(8:12)
1E	0	0	1	1	1	1	0	1	1	FIFO Data	BA(11:15)
1F	0	0	1	1	1	1	1	1	1	FIFO Data	BA(6:10)
20	0	1	0	0	0	0	0	0	1	FIFO Data	BA(1:5)
21	0	1	0	0	0	0	1	1	1	R14	Configuration register
22	0	1	0	0	0	1	0	1	1	OBII register	Value; Channel number not 0
23	0	1	0	0	0	1	1	1	1	COMCON register	Values from reset
24	0	1	0	0	1	0	0	1	1	MAU Power	On/Off (AUI/MAU not required)
25	0	1	0	0	1	0	1	1	1	R13	CR, CR Full Bit
26	0	1	0	0	1	1	0	1	1	R15	Selftest Result register

Table 4-1. Selftest LEDs and Subtest Descriptions (Continued)

CODE												
HEX NO.	LED INDICATION									SUBTEST	DESCRIPTION	
	H	I	J	K	L	M	N	*				
27	0	1	0	0	1	1	1	1	1	82586	Interrupt	
28	0	1	0	1	0	0	0	0	1	82586	Reset	
29	0	1	0	1	0	0	1	1	1	PBUS register addressing		
2A	0	1	0	1	0	1	0	0	1	82586	RAM addressing	
2B	0	1	0	1	0	1	1	1	1	82586	Diagnose	
2C	0	1	0	1	1	0	0	0	1	8023	Loopback	
2D	0	1	0	1	1	0	1	1	1	82586	Write to FIFOs	
2E	0	1	0	1	1	1	0	1	1	MAU	Loopback on medium	

* ST (Selftest) LED

The final test in Table 4-1, the MAU loopback test, sends the following frame on the coaxial cable:

DESTINATION ADDRESS = SOURCE ADDRESS =

the unique station address of this LANIC, from the station address PROM, which may also be found on the LANICs identifying label

TYPE FIELD: 2 bytes containing the data field length, 1134 bytes

DATA FIELD: 3 SAP bytes - 0, 1, 3EH - identifying this frame as a test response frame with null DSAP and SSAP

31 ASCII bytes =

"HP3000_NODE_XXXXXXXXXXXX_TEST.", where XXXXXXXXXXXX is the station address in ASCII

1100 bytes with a binary incrementing pattern

Table 4-2. Reporting of Unexpected Results from Self Test

CODE		LED INDICATION INDICATION								DESCRIPTION OF FAILURE
HEX NO.	H	I	J	K	L	M	N	*		
7A	1	1	1	1	0	1	0	1	The 82586 failed to clear its command word.	
7B	1	1	1	1	0	1	1	1	Self-Test Result register (R15) bit 0 bad.	
7C	1	1	1	1	1	0	0	1	Z-80 stack underflow during self-test.	
7D	1	1	1	1	1	0	1	1	Unexpected Z-80 Non-Maskable Interrupt (NMI).	
7E	1	1	1	1	1	1	0	1	Unexpected Z-80 interrupt.	
7F	1	1	1	1	1	1	1	1	The LANIC was reset, but self-test never started, or LED circuitry failed. Certain system resets will freeze the LANIC processor and leave the LEDs in this state. This condition, then, only indicates a LANIC failure at power-on, when the self-test switch is pressed, or when the LANIC diagnostic starts self-test.	

* ST (Selftest) LED

Note that the above codes are displayed *without* the "*" LED flashing.

Introduction

This appendix describes how to configure MPE to include the ThinLAN 3000/V link.

The MPE configuration must be modified when a LANIC card is added to the computer system. Before configuring MPE, install the LANIC card as described in Chapter 2.

Configuration Dialog

The following configuration dialog deals only with configuring a LANIC card into the system. The complete configuration dialog is contained in the *HP 3000 System Operation and Resource Management Reference Manual*, part number 32033-90005.

To begin the configuration dialog, log onto the system as MANAGER.SYS, define the output files as shown below, and initiate a SYSDUMP as outlined in the following steps.

NOTE

Where necessary to distinguish user input from computer output, the user input is underlined>. The "Step No." in the dialog below corresponds to the "Step Number" in the dialog contained in the *HP 3000 System Operation and Resource Management Reference Manual*, part number 32033-90005.

It is essential that the LANIC driver, IOLAN0.PUB.SYS be present when the UPDATE or COLDSTART or RELOAD is done. You may verify that the driver is present by typing:

```
:LISTF IOLAN0.PUB.SYS
```

Define the output files and initiate SYSDUMP as follows:

```
:HELLO MANAGER.SYS  
  
:FILE T;DEV=TAPE  
:FILE L;DEV=LP  
:SYSDUMP *T,*L
```

Step No. Prompt and Response

- 1 ANY CHANGES? YES
- 2 SYSTEM ID=HP 32033v.uu.ff? **RETURN**
- 3 MEMORY SIZE? **RETURN**
- 4 I/O CONFIGURATION CHANGES? YES
- 5 LIST I/O DEVICES? NO
- 6 LIST CS DEVICES? NO
- 7 HIGHEST DRT = xx.?

xx is the current highest hardware device address that can be assigned. Press **RETURN** if xx is satisfactory. Otherwise, enter a higher DRT number.

- 8 LOGICAL DEVICE #?

To specify a device to be added or removed, enter the logical device number (ldev) of that device.

Entering 0 or **RETURN** ends the I/O Configuration Changes procedure.

The dialog now prints the DEVICE NAME? prompt. Press **RETURN**.

- 9 DRT #?

To add a device, enter its DRT entry number. This number is supplied by your C.E. The formula used to calculate the DRT number from the hardware address is:

$$(IMB\# \times 128) + (\text{channel}\# \times 8) + \text{device \#}$$

To remove a device, enter 0; the dialog returns to the LOGICAL DEVICE #? prompt.

- 10 UNIT #? 0
- 11 SOFTWARE CHANNEL #? 0
- 12 TYPE? 17
- 13 SUBTYPE? 9
- 38 DRIVER NAME? IOLANO

Step No. Prompt and Response

43 DEVICE CLASSES?

Enter a device class name (up to eight alphanumeric characters, beginning with a letter). Multiple class names, separated by commas, may be entered at one time.

The dialog now prints the LOGICAL DEVICE #? prompt described in step 8. If all I/O configuration is complete, press **RETURN** and the I/O configuration portion of the SYSDUMP dialog will end.

If I/O configuration is not yet complete, enter a logical device number and repeat the above configuration procedure.

46 MAX # OF OPENED SPOOLFILES = xxx ? **RETURN**

47 LIST I/O DEVICES? NO

48 LIST C/S DEVICES? YES

49 TERMINAL TYPE CHANGES? NO

57 CLASS CHANGES? NO

69 LIST I/O DEVICES? NO

70 ADDITIONAL DRIVER CHANGES? NO

The dialog now prints the I/O CONFIGURATION CHANGES? prompt described in step 4. If all I/O configuration is complete, press **RETURN** and the dialog continues at step 77. Otherwise, enter YES, and repeat the configuration procedure from step 4.

77 SYSTEM TABLE CHANGES? NO

97 MISC CONFIGURATION CHANGES? NO

112 LOGGING CHANGES? NO

119 DISC ALLOCATION CHANGES? NO

133 SCHEDULING CHANGES? **RETURN**

134 SEGMENT LIMIT CHANGES? NO

142 SYSTEM PROGRAM CHANGES? NO

144 SYSTEM SL CHANGES? NO

Step No.

Prompt and Response

153 ENTER DUMP DATE? Enter one of the following:

RETURN

Copies the modified MPE.

mm/dd/yy

mm/dd/yy is some date in the future. Copies the modified MPE and the current accounting structure (but no files).

mm/dd/yy

where mm/dd/yy is usually the date of the most recent system backup. Copies the modified MPE, the current accounting structure, and any files that were changed on or since the specified date.

0

Copies the entire system (MPE, the current accounting structure, and all files).

154 ENTER DUMP FILE SUBSETS? **RETURN**

155 LIST FILES DUMPED? **RETURN**

156 You are now requested to assign the serial storage device (a tape if you initiated SYSDUMP as shown at the beginning of this dialog) on which you have arranged for the system to be copied.

Once the system has been copied, the following message is printed:

END OF SUBSYSTEM

Special Characters

8023 chip, 3-14

A

Address code, 3-4
Address, link, 1-5
Attachment unit interface, 3-14
AUI, 3-14

B

Batch command completion, 3-10
Blind spots, 3-6
Buffer ID number, 3-5
Buffer management, 3-5
Buffer management, receive, 3-6

C

Collision detection, 3-23
Cables, 2-3
 Standard, 2-3
 Option 242, 2-4
Channel address switch, 2-2
CL LEDs, 3-19
Coaxial cable transmission medium, 1-1
Code, address, 3-4
Command acknowledgment, 3-10
Command completion, batch, 3-10
Command errors, 3-8
Command queue, 3-4
Communication, host to LANIC, 3-2
Configuration dialog, A-1
CR LEDs, 3-19
Current requirements, 2-1

D

DAC protocol, 3-4
Description
 functional, 3-1
 general, 1-1

- Dialog, configuration, A-1
- Direct memory access, 3-3
- DMA, 1-1, 3-1, 3-3
- DO LEDs, 3-19
- Duplicate address check, 3-4

E

- Error management, 3-8
- Errors, 3-8
- Error, response to fatal, 3-10
- Example, receive operation, 3-7
- Example, transmit operation, 3-5
- Exchange identification packet, 3-4

F

- Failure to receive a packet, 3-6
- Fatal error response, 3-10
- Firmware configuration, 3-4
- Firmware downloading, 3-4
- Firmware, 3-3
- Functional description, 3-1
 - LANIC, 3-1

G

- General description, 1-1
- Global addressing, 3-4

H

- H through N and * LEDs, 3-20
- Hard reset, 3-11
- Host to LANIC communication, 3-2

I

- ID number, 3-5
- IEEE 802, 1-1
- Installation
 - channel address switch, 2-2
 - current requirements, 2-1
 - switches, 2-2
- Installing the LANIC, 2-5
- Intelligent control, 3-3
- Interactive command acknowledgment, 3-10
- Interactive command completion, 3-9

Interface, system, 1-4
Interrupt request, 3-8
Interrupt, system, 3-8
Interrupt, SINTR0 self test, 3-9
Interrupt, SINTR1, 3-9
IRQ, 3-8

J

Jabber fault detection, 3-22

L

LAN controller, 1-1
LAN, 1-1
LANIC functional description, 3-1
LANIC interrupt, 3-9
LANIC resets, 3-11
LANIC specifications, 1-10
LANIC, 1-1
LCC, 3-3
LEDs H through N and *, 3-20
LEDs, 3-15
Link address, 1-5
Local addressing, 3-4
Local Area Network, 1-1
Local Communications Controller, 3-3

M

Medium attachment unit, 3-22
MAU power control circuit, 3-15
Microprocessor, 3-3
MPU, 3-3

N

Network errors, 3-8

O

Option 242 cable, 2-4
Option 242 specifications, 1-8

P

Packets, receive, 3-6
Packet, failure to receive, 3-6
Power-fail warn, 3-12
Power-on reset, 3-11

Q

Queue initialization, 3-4
Queuing of received packets, 3-6
Queuing of transmit buffers, 3-5

R

Receiver, 3-22
Receive buffer management, 3-6
Receive operation example, 3-7
Receive operation, 3-6
Receive packets, 3-6
Receiver blind spots, 3-6
Repair philosophy, 4-1
Resets, 3-11
Reshipment, 2-9
Response to fatal error, 3-10

S

Standard specifications, 1-6
Self test, 3-8, 3-13, 4-2
Selftest interrupt, 3-9
Serial interface chip, 3-14
Setting station address, 3-4
SINTR0 selftest interrupt, 3-9
SINTR1 LANIC interrupt, 3-9
Soft reset, 3-11
Specifications
 LANIC, 1-10
 Option 242, 1-18
 Standard, 1-6
Standard Cables, 2-3
Start up, 2-8
Station address, 3-4
Switches, 2-2
System errors, 3-8
System interface, 1-4
System interrupt, 3-8

T

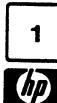
Transmitter, 3-22
Transmission medium, 1-1
Transmit buffer management, 3-5
Transmit operation example, 3-5
Transmit operation, 3-5
TX, RX, MN, DL, RO, Q, and IT LEDs, 3-20

Z

Z-80 reset, 3-12

SALES & SUPPORT OFFICES

Arranged alphabetically by country



Product Line Sales/Support Key

- S** Sales only for specific product line
- P** Support only for specific products
- A** Analytical
- M** Components
- C** Computer Systems
- E** Electronic Instruments & Measurement Systems
- M** Medical Products
- P** Personal Computation Products
- S** Sales only for specific product line
- P** Support only for specific products

IMPORTANT: These symbols designate general product line capability. They do not sure sales or support availability for all products within a line, at all locations. Contact your local sales office for information regarding locations where P support is available for specific products.

HEADQUARTERS OFFICES

There is no sales office listed for your area, contact one of these headquarters offices.

NORTH/CENTRAL AFRICA

Hewlett-Packard S.A.
rue du Bois-du-Lan
1-1217 MEYRIN 1, Switzerland
Tel: (022) 83 12 12
Telex: 27835 hmea
Cable: HEWPACKSA Geneva

ASIA

Hewlett-Packard Asia Ltd.
/F, 26 Harbour Rd.,
anchal, HONG KONG
P.O. Box 863, Hong Kong
Tel: 5-8330833
Telex: 76793 HPA HX
Cable: HPSIAL TD

CANADA

Hewlett-Packard (Canada) Ltd.
77 Goreway Drive
MISSISSAUGA, Ontario L4V 1M8
Tel: (416) 678-9430
Telex: 069-8644

SOUTH EUROPE

Hewlett-Packard Ges.m.b.H.
Bilgasse 1
D.Box 72
1222 VIENNA, Austria
Tel: (222) 2500-0
Telex: 13 4425 HEPA A

SOUTH EUROPE

Hewlett-Packard S.A.
D. Hooplaan 241
D.Box 999
-1183 AG AMSTELVEEN
Netherlands
Tel: 20 547999
Telex: 18 919 hpner
Cable: HEWPACKSA Athens

MIDDLE EAST

Hewlett-Packard S.A.
Mediterranean and Middle East
Operations
na Centre
Kifissias Ave.
adissas-Amarousion, ATHENS
Greece
Tel: 682 88 11
Telex: 21-6588 HPAT GR
Cable: HEWPACKSA Athens

UNITED KINGDOM

Hewlett-Packard Ltd.
9 Mile Ride
thampstead, WOKINGHAM
shire, IRGII 3LL
0344 773 100
Telex: 848805

SOUTH USA

Hewlett-Packard Co.
10000 Cherry Road
FARMVILLE, MD 20850
Tel: (301) 948-8370

NORTHWESTERN USA

Hewlett-Packard Co.
1 Tollview Drive
LIVING MEADOWS, IL 60008
Tel: (312) 255-9800

SOUTH USA

Hewlett-Packard Co.
3000 South Park Place
ANTATTA, GA 30339
Tel: (404) 955-1500

WESTERN USA

Hewlett-Packard Co.
5161 Lankershim Blvd.
NORTH HOLLYWOOD, CA 91601
Tel: (818) 505-5600

OTHER INTERNATIONAL AREAS

Hewlett-Packard Co.
Intercontinental Headquarters
3495 Deer Creek Road
PALO ALTO, CA 94304
Tel: (415) 857-1501
Telex: 034-8300
Cable: HEWPACK

ALGERIA

Bureau de Liaison
Hewlett-Packard Alger
Villa des Lions
9, Hal Galloul
DZ-BORDJ EL BAHRI
Tel: 76 03 36
Telex: 51260 dliondz

ANGOLA

Telectra Angola LDA
Empresa Técnica de Equipamentos
Rua Barbosa Rodrigues, 41-1 DT.
Calxa Postal 6487
LUANDA
Tel: 35515,35516
Telex: 3134
E.P.

ARGENTINA

Hewlett-Packard Argentina S.A.
Montaneses 2140/50
1428 BUENOS AIRES
Tel: 781-4059/69
Cable: HEWPACKARG
A.C.E.P.
Biotron S.A.C.I.M.e.I.
Av. Paso Colon 221, Piso 9
1399 BUENOS AIRES
Tel: 541-333-490,
541-322-587
Telex: 17595 BIONAR
M

ARGENTINA

Laboratorio Rodriguez
Corswant S.R.L.
Misiones, 1156 - 1876
Bernal, Oeste
BUENOS AIRES
Tel: 252-3958, 252-4991
A
Argentina Esanco S.R.L.
A/ASCO 2328
1416 BUENOS AIRES
Tel: 541-58-1981, 541-59-2767
Telex: c/o 9400 HPARGENTINA
A

AUSTRALIA

Adelaide, South Australia
Office
Hewlett-Packard Australia Ltd.
153 Greenhill Road
PARKSIDE, S.A. 5063
Tel: 272-5911
Telex: 82536
Cable: HEWPARD Adelaide
A*,C,CM,E,P
Brisbane, Queensland
Office
Hewlett-Packard Australia Ltd.
10 Payne Road
THE GAP, Queensland 4061
Tel: 30-4133
Telex: 42133
Cable: HEWPARD Brisbane
A,C,CM,E,M,P

CANBERRA, AUSTRALIA

Capital Territory
Office
Hewlett-Packard Australia Ltd.
Thynne Street, Fern Hill Park
BRUCE, A.C.T. 2617
P.O. Box 257,
JAMISON, A.C.T. 2614
Tel: 51 6999
Telex: 62650
Cable: HEWPARD Canberra
C,CM,E,P

MELBOURNE, VICTORIA

Office
Hewlett-Packard Australia Ltd.
31-41 Joseph Street
P.O. Box 221
BLACKBURN, Victoria 3130
Tel: 895-2895
Telex: 31-024
Cable: HEWPARD Melbourne
A,C,CM,E,M,P

PERTH, WESTERN AUSTRALIA

Office
Hewlett-Packard Australia Ltd.
261 Stirling Highway
CLAREMONT, W.A. 6010
Tel: 383-2188
Telex: 93859
Cable: HEWPARD Perth
C,CM,E,P

SYDNEY, NEW SOUTH WALES

Office
Hewlett-Packard Australia Ltd.
17-23 Talavera Road
P.O. Box 308
NORTH RYDE, N.S.W. 2113
Tel: 888-4444
Telex: 21561
Cable: HEWPARD Sydney
A,C,CM,E,M,P

AUSTRIA

Hewlett-Packard Ges.m.b.H.
Verkaufsbuero Graz
Grottenhofstrasse 94
A-8052 GRAZ
Tel: (0316) 28-30-66
Telex: 312375
C,E
Hewlett-Packard Ges.m.b.H.
Liebigasse 1
P.O. Box 72
A-1222 VIENNA
Tel: (0222) 2500-0
Telex: 134425 HEPA A
A,C,CM,E,M,P

BAHRAIN

Green Salon
P.O. Box 557
MANAMA
Tel: 255503-250950
Telex: 84419
P

WAEEL PHARMACY

P.O. Box 648
MANAMA
Tel: 256123
Telex: 25503 WAEEL BN
E,M

Zayani Computer Systems
218 Shaik Mubarak Building
Government Avenue
P.O. Box 5918

MANAMA

Tel: 276278
Telex: 9015 plans bn
P

BELGIUM

Hewlett-Packard Belgium S.A./N.V.
Blvd de la Woluwe, 100
Woluwedal
B-1200 BRUSSELS
Tel: (02) 762-32-00
Telex: 23-494 paloben bru
A,C,CM,E,M,P

BERMUDA

Applied Computer Technologies
Atlantic House Building
Par-La-Ville Road
HAMILTON 5
Tel: 295-1816
Telex: 380 3589/ACT BA
P

BOLIVIA

Arreliano Ltda
Av. 20 de Octubre #2125
Casilla 1383
LA PAZ
Tel: 368541
M

BRAZIL

Hewlett-Packard do Brasil
I.e.C. Ltda.
Alameda Rio Negro, 750
ALPHAVILLE
06400 Barueri SP
Tel: (011) 421.1311
Telex: (011) 33872 HPBR-BR
Cable: HEWPACK Sao Paulo
A,C,CM,E,M,P
Hewlett-Packard do Brasil
I.e.C. Ltda.
Praça de Botafogo 228
6° Andar-conj 614
Edifício Argentina - Ala A
22250 RIO DE JANEIRO, RJ
Tel: (021) 552-6422
Telex: 21905 HPBR-BR
Cable: HEWPACK Rio de Janeiro
A,C,CM,E,P
Convex/Van Den
Rua Jose Bonifacio
458 Todos Os Santos
CEP 20771
RIO DE JANEIRO, RJ
Tel: 591-0197
Telex: 33487 EGLB BR
A
ANAMED I.C.E.I. Ltda.
Rua Bage, 103
04012 SAO PAULO, SP
Tel: (011) 572-6537
Telex: 24720 HPBR-BR
M
Datatronix Electronica Ltda.
Av. Pacaembu 746-C11
SAO PAULO, SP
Tel: (118) 260111
CM

BRUNEI

Komputer Wisman Sdn Bhd
Room 1
3rd Floor, Tumasek Plaza
Jalan Tutong
BANDAR SERI BEGAWAN
Tel: 23918,25603
C,E,P

CAMEROON

Beriac
B. P. 23
DOUALA
Tel: 420153
Telex: 5351
C,P

CANADA

Alberta
Hewlett-Packard (Canada) Ltd.
3030 3rd Avenue N.E.
CALGARY, Alberta T2A 6T7
Tel: (403) 235-3100
A,C,CM,E*,M,P*
Hewlett-Packard (Canada) Ltd.
11120-178th Street
EDMONTON, Alberta T5S 1P2
Tel: (403) 486-6666
A,C,CM,E,M,P
British Columbia
Hewlett-Packard (Canada) Ltd.
10691 Shellbridge Way
RICHMOND,
British Columbia V6X 2W8
Tel: (604) 270-2277
Telex: 610-922-5059
A,C,CM,E*,M,P*
Hewlett-Packard (Canada) Ltd.
121 - 3350 Douglas Street
VICTORIA, British Columbia V8Z 3L1
Tel: (604) 381-6616
C

MANITOBA

Hewlett-Packard (Canada) Ltd.
1825 Inkster Blvd.
WINNIPEG, Manitoba R2X 1R3
Tel: (204) 694-2777
A,C,CM,E,M,P*
New Brunswick
Hewlett-Packard (Canada) Ltd.
814 Main Street
MONCTON, New Brunswick E1C 1E6
Tel: (506) 855-2841
C

NOVA SCOTIA

Hewlett-Packard (Canada) Ltd.
Suite 111
900 Windmill Road
DARTMOUTH, Nova Scotia B3B 1P7
Tel: (902) 469-7820
C,CM,E*,M,P*

ONTARIO

Hewlett-Packard (Canada) Ltd.
3325 N. Service Rd., Unit W03
BURLINGTON, Ontario L7N 3G2
Tel: (416) 335-8644
C,M*



SALES & SUPPORT OFFICES

Arranged alphabetically by country

CANADA (Cont'd)

Hewlett-Packard (Canada) Ltd.
496 Days Road
KINGSTON, Ontario K7M 5R4
Tel: (613) 384-2088
C

Hewlett-Packard (Canada) Ltd.
552 Newbold Street
LONDON, Ontario N6E 2S5
Tel: (519) 686-9181
A,C,CM,E*,M,P*

Hewlett-Packard (Canada) Ltd.
6877 Goreway Drive
MISSISSAUGA, Ontario L4V 1M8
Tel: (416) 678-9430
Telex: 069-8644
A,C,CM,E,M,P

Hewlett-Packard (Canada) Ltd.
2670 Queensview Dr.
OTTAWA, Ontario K2B 8K1
Tel: (613) 820-6483
A,C,CM,E*,M,P*

Hewlett-Packard (Canada) Ltd.
The Oaks Plaza, Unit #9
2140 Regent Street
SUDBURY, Ontario, P3E 5S8
Tel: (705) 522-0202
C

Hewlett-Packard (Canada) Ltd.
3790 Victoria Park Ave.
WILLOWDALE, Ontario M2H 3H7
Tel: (416) 499-2550
C,E

Quebec
Hewlett-Packard (Canada) Ltd.
17500 Trans Canada Highway
South Service Road
KIRKLAND, Quebec H9J 2X8
Tel: (514) 697-4232
Telex: 058-21521
A,C,CM,E,M,P*

Hewlett-Packard (Canada) Ltd.
1150 rue Claire Fontaine
QUEBEC CITY, Quebec G1R 5G4
Tel: (418) 648-0726
C

Hewlett-Packard (Canada) Ltd.
130 Robin Crescent
SASKATOON, Saskatchewan S7L 6M7
Tel: (306) 242-3702
C

CHILE

ASC Ltda.
Austria 2041
SANTIAGO
Tel: 223-5946, 223-6148
Telex: 340192 ASC CK
C,P

Jorge Calcagni y Cia
Av. Italia 634 Santiago
Casilla 16475
SANTIAGO 9
Tel: 222-0222
Telex: 440283 JCYCLZ
CM,E,M

Metrolab S.A.
Monjitas 454 of. 206
SANTIAGO
Tel: 395752, 398296
Telex: 340866 METLAB CK
A

Olympia (Chile) Ltda.
Av. Rodrigo de Araya 1045
Casilla 256-V
SANTIAGO 21
Tel: 225-5044
Telex: 340892 OLYMP
Cable: Olympiachile Santiagochile
C,P

CHINA, People's Republic of

China Hewlett-Packard Co., Ltd.
47/F China Resources Bldg.
26 Harbour Road
HONG KONG
Tel: 5-8330833
Telex: 76793 HPA HX
Cable: HP ASIA LTD
A*,M*

China Hewlett-Packard Co., Ltd.
P.O. Box 9610, Beijing
4th Floor, 2nd Watch Factory Main Bldg.
Shuang Yu Shou, Bei San Huan Road
Hai Dian District
BEIJING
Tel: 28-0567
Telex: 22601 CTSHP CN
Cable: 1920 Beijing
A,C,CM,E,M,P

China Hewlett-Packard Co., Ltd.
CHP Shanghai Branch
23/F Shanghai Union Building
100 Yan An dong Lu
SHANGHAI
Tel: 265550
Telex: 33571 CHPSB CN
Cable: 3416 Shanghai
A,C,CM,E,M,P

COLOMBIA

Instrumentación
H. A. Langebaek & Kier S.A.
Carrera 4A No. 52A-26
Apartado Aereo 6287
BOGOTA 1, D.E.
Tel: 212-1466
Telex: 44400 INST CO
Cable: AARIS Bogota
CM,E,M

Nefromedicas Ltda.
Calle 123 No. 9B-31
Apartado Aereo 100-958
BOGOTA D.E., 10
Tel: 213-5267, 213-1615
Telex: 43415 HEGAS CO
A

Compumundo
Avenida 15 # 107-80
BOGOTA D.E.
Tel: 214-4458
Telex: 45466 SUMA CO
P

Carvajal, S.A.
Calle 29 Norte No. 6A-40
Apartado Aereo 46
CALI
Tel: 368-1111
Telex: 55650
C,E,P

CONGO

Seric-Congo
B. P. 2105
BRAZZAVILLE
Tel: 815034
Telex: 5262

COSTA RICA

Cientifica Costarricense S.A.
Avenida 2, Calle 5
San Pedro de Montes de Oca
Apartado 10159
SAN JOSE
Tel: 24-38-20, 24-08-19
Telex: 2367 GALGUR CR
CM,E,M

O. Fischel R. Y. Cia. S.A.
Apartados 434-10174
SAN JOSE
Tel: 23-72-44
Telex: 2379
Cable: OFIR
A

CYPRUS

Telerexa Ltd.
P.O. Box 1152
7 A Afroditis Avenue
NICOSIA
Tel: 45 628, 62 698
Telex: 2894 LEVIDO CY
E,M,P

DENMARK

Hewlett-Packard A/S
Kongevejen 25
DK-3460 **BIRKEROD**
Tel: (02) 81-66-40
Telex: 37409 hpas dk
A,C,CM,E,M,P

Hewlett-Packard A/S
Røllghedsvej 32
DK-8240 **RIBSKOV**, Aarhus
Tel: (06) 17-60-00
Telex: 37409 hpas dk
C,E

DOMINICAN REPUBLIC

Microprog S.A.
Juan Tomás Mejía y Cotes No. 60
Arroyo Hondo
SANTO DOMINGO
Tel: 565-8268
Telex: 4510 ARENTA DR (RCA)
P

ECUADOR

CYEDE Cia. Ltda.
Avenida Eloy Alfaro 1749
y Belgica
Casilla 6423 CCI
QUITO
Tel: 245-0975, 243-052
Telex: 22548 CYEDE ED
E,P

Medtronics
Valladolid 524 Madrid
P.O. 9171, **QUITO**
Tel: 2-238-951
Telex: 2298 ECUAME ED
A

Hospitalar S.A.
Robles 625
Casilla 3590
QUITO
Tel: 545-250, 545-122
Telex: 2485 HOSPTEL ED
Cable: HOSPITALAR-Quito
M
Ecuador Overseas Agencies C.A.
Calle 9 de Octubre #818
P.O. Box 1296, Guayaquil
QUITO
Tel: 306022
Telex: 3361 PBCGYE ED
M

EGYPT

Sakrcro Enterprises
P.O. Box 259
ALEXANDRIA
Tel: 802908, 808020, 805302
Telex: 54333
C

International Engineering Associates
24 Hussein Hegazi Street
Kasr-el-Aini
CAIRO
Tel: 23829, 21641
Telex: 93830 IEA UN
Cable: INTEGASSO
E

Sakrcro Enterprises
70 Mossadak Street
Dokki, Giza
CAIRO
Tel: 706 440, 701 087
Telex: 9337
C

S.S.C. Medical
40 Gezerat El Arab Street
Mohandessin
CAIRO
Tel: 803844, 805998, 810263
Telex: 20503 SSC UN
M*

EL SALVADOR

IPESA de El Salvador S.A.
29 Avenida Norte 1223
SAN SALVADOR
Tel: 26-6858, 26-6868
Telex: 301 20539 IPESA SAL
A,C,CM,E,P

ETHIOPIA

Seric-Ethiopia
P.O. Box 2764
ADDIS ABABA
Tel: 185114
Telex: 21150
C,P

FINLAND

Hewlett-Packard Oy
Pilsankalliontie 17
02200 **ESPOO**
Tel: 00358-0-88721
Telex: 121563 HEWPA SF
C,CM,P

FRANCE

Hewlett-Packard France
Z.I. Mercure B
Rue Berthelot
13763 Les Milles Cedex
AIX-EN-PROVENCE
Tel: (42) 59-41-02
Telex: 410770F
A,C,E,M

Hewlett-Packard France
64, Rue Marchand Saillant
61000 **ALENCON**
Tel: (33) 29 04 42
C**

Hewlett-Packard France
Batiment Levitan
2585, route de Grasse
Bretelle Autoroute
06800 **ANTIBES**
Tel: (93) 74-59-19
C

Hewlett-Packard France
28 Rue de la République
Boite Postale 503
25026 **BESANCON**
Tel: (81) 83-16-22
Telex: 361157
C,E*

Hewlett-Packard France
13 Place Napoléon III
29000 **BREST**
Tel: (98) 41-87-90
E

Hewlett-Packard France
Chemin des Mouilles
Boite Postale 162
69131 **ECULLY Cedex** (Lyon)
Tel: (78) 133-81-25
Telex: 310617F
A,C,E,M,P*

Hewlett-Packard France
Parc d'activités du Bois Briand
Avenue du Lac
91040 **EVRY Cedex**
Tel: (60) 77-83-83
Telex: 692315F
C

Hewlett-Packard France
5, avenue Raymond Chanas
38320 **EYBENS** (Grenoble)
Tel: (76) 62-57-98
Telex: 980124 HP GRENOB EYBE
C

Hewlett-Packard France
Rue Fernand. Forest
Z.A. Kergaradec
29239 **GOUESNOU**
Tel: (98) 41-87-90

Hewlett-Packard France
Parc Club des Tanneries
Batiment B4
4, Rue de la Faisanderie
67380 **LINCOLSHEIM**
(Strasbourg)
Tel: (88) 76-15-00
Telex: 890141F
C,E*,M*,P*

Hewlett-Packard France
Centre d'affaires Paris-Nord
Bâtiment Ampère
Rue de la Commune de Paris
Boite Postale 300
93153 **LE BLANC-MESNIL**
Tel: (1) 865-44-52
Telex: 211032F
C,E,M

Hewlett-Packard France
Parc d'activités Cadéra
Quartier Jean-Mermoz
Avenue du Président JF Kennedy
33700 **MERIGNAC** (Bordeaux)
Tel: (56) 34-00-84
Telex: 550105F
C,E,M

Hewlett-Packard France
3, Rue Graham Bell
BP 5149
57074 **METZ Cedex**
Tel: (87) 36-13-31
Telex: 860602F
C,E

Hewlett-Packard France
Miniparc-ZIRST
Chemin du Vieux Chêne
38240 **MEYLAN** (Grenoble)
Tel: (76) 90-38-40
C

Hewlett-Packard France
Bat.A l'Erable
Bureau vert du Bois Briand
44085 **NANTES Cedex**
Tel: (40) 50-32-22
Telex: 711085F
A,C,E,CM*,P

Hewlett-Packard France
125, Rue du Faubourg Bannier
45000 **ORLEANS**
Tel: (38) 62-20-31
E,P*

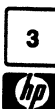
Hewlett-Packard France
Zone Industrielle de Courtaouev
Avenue des Tropiques
91947 **LES ULIS Cedex** (Orsay)
Tel: (69) 07-78-25
Telex: 800048F
A,C,CM,E,M,P**

Hewlett-Packard France
15, Avenue de L'Amiral-Bruix
75782 **PARIS Cedex 16**
Tel: (1) 45-02-75-00
Telex: 613663F
C,P*

Hewlett-Packard France
124, Boulevard Tournasse
64000 **PAU**
Tel: (59) 80-38-02
Telex: 550365F
C,E*

SALES & SUPPORT OFFICES

Arranged alphabetically by country



Hewlett-Packard France
Place Sainte Croix
5000 POITIERS
Tel: (49) 41-27-07
Telex: 792335F
.E*

Hewlett-Packard France
7, Rue de Chativiesle
1100 REIMS
Tel: (26) 88-69-79
.P*

Hewlett-Packard France
arc d'activités de la Poterie
de Louis Kerautel-Botmel
5000 RENNES
Tel: (99) 51-42-44
Telex: 740912F
.C,E,M,P*

Hewlett-Packard France
1 Avenue de Bretagne
100 ROUEN
Tel: (35) 63-57-66
Telex: 770035F
E

Hewlett-Packard France
Rue Thomas-Mann
Boite Postale 56
033 STRASBOURG Cedex
Tel: (88) 28-56-46
Telex: 890141F
E,M,P*

Hewlett-Packard France
Périgole
Chemin du Pigeonnier de la Cèpière
08 TOULOUSE Cedex
Tel: (61) 40-11-12
Telex: 531639F
.E,M,P*

Hewlett-Packard France
3 Cardoulines
Biment B2
Route des Dolines
Centre d'activité de Valbonne
Antipolis
560 VALBONNE (Nice)
Tel: (93) 65-39-40

Hewlett-Packard France
Rue Baudin
100 VALENCE
Tel: (75) 42-76-16
.

Hewlett-Packard France
100
2 de Bois Briand
40 VIGY (Metz)
Tel: (8) 771 20 22

Hewlett-Packard France
Centre d'activité des Prés
Rue Papin
58 VILLENEUVE D'ASCQ Cedex
Tel: (20) 47 78 78
Telex: 160124F
E,M,P

Hewlett-Packard France
Centre d'activités Paris-Nord 11
Rue des 3 Sœurs
20 VILLEPINTE
Tel: (1) 48 63 80 80
Telex: 211032F
M,P*

BON
Gabon
Box 89
BEVILLE
721 484
Telex: 5230

FRANCO FEDERAL PUBLIC

Hewlett-Packard GmbH
Vertriebszentrum Mitte
Hewlett-Packard-Strasse
180 BAD HOMBURG
Tel: (08172) 400-0
Telex: 410 844 hpbhg
E,M,P

Hewlett-Packard GmbH
Geschäftsstelle
Hauptstrasse 2-4
100 BERLIN 30
Tel: (030) 21 99 04-0
Telex: 018 3405 hpbld
E,M,P

Hewlett-Packard GmbH
Vertriebszentrum Südwest
Kardstrasse 2
30 BOBLINGEN
Tel: (07031) 645-0
Telex: 7265 743 hep
E,M,P

Hewlett-Packard GmbH
Geschäftsstelle
Schleefstr. 28a
D-4600 DORTMUND-41
Tel: (0231) 45001
Telex: 822858 hepdad
A,C,E

Hewlett-Packard GmbH
Vertriebszentrum Nord
Kapstadtring 5
D-2000 HAMBURG 60
Tel: (040) 63804-1
Telex: 021 63 032 hphhd
A,C,E,M,P

Hewlett-Packard GmbH
Geschäftsstelle
Heldering 37-39
D-3000 HANNOVER 61
Tel: (0511) 5706-0
Telex: 092 3259
A,C,CM,E,M,P

Hewlett-Packard GmbH
Geschäftsstelle
Rosslauer Weg 2-4
D-6800 MANNHEIM
Tel: (0621) 70 05-0
Telex: 0482105
A,C,E

Hewlett-Packard GmbH
Geschäftsstelle
Messerschmittstrasse 7
D-7910 NEU ULM
Tel: (0731) 70 73-0
Telex: 0712816 HP ULM-D
A,C,E*

Hewlett-Packard GmbH
Geschäftsstelle
Emmericher Strasse 13
D-8500 NÜRNBERG 10
Tel: (0911) 5205-0
Telex: 0283 860 hpnbg
C,CM,E,M,P

Hewlett-Packard GmbH
Vertriebszentrum West
Berliner Strasse 111
D-4030 RATINGEN 3
Tel: (02102) 494-0
Telex: 589 070 hprad
A,C,E,M,P

Hewlett-Packard GmbH
Vertriebszentrum Süd
Eschenstrasse 5
D-8028 TAUFKIRCHEN
Tel: (089) 61 20 7-0
Telex: 0524985
A,C,CM,E,M,P
Hewlett-Packard GmbH
Geschäftsstelle
Ermislaallee
7517 WALDBRONN 2
Tel: (07243) 602-0
Telex: 782 838 hep
A,C,E

GREAT BRITAIN
See United Kingdom

GREECE
Hewlett-Packard A.E.
178, Kifissias Avenue
6th Floor
Halandri-ATHENS
Greece
Tel: 6471543, 6471673, 6472971
Telex: 221 286 HPHLGR
A,C,CM**,E,M,P

Kostas Karayannis S.A.
8, Omirou Street
ATHENS 133
Tel: 32 30 303, 32 37 371
Telex: 215962 RKAR GR
A,C*,CM,E
Impexin
Intelect Div.
209 Mesogion
11525 ATHENS
Tel: 6474481/2
Telex: 216286
P

Harli Company
38, Mihalakopoulou
ATHENS 612
Tel: 7236071
Telex: 218787
M*
Heliarco
P.O. Box 87528
18507 PIRAEUS
Tel: 4827049
Telex: 241441
A

GUATEMALA
IPESA
Avenida Reforma 3-48, Zona 9
GUATEMALA CITY
Tel: 316627, 317853, 66471/5
Telex: 3055765 IPESA GU
A,C,CM,E,M,P

HONG KONG
Hewlett-Packard Hong Kong, Ltd.
G.P.O. Box 795
5th Floor, Sun Hung Kai Centre
30 Harbour Road
HONG KONG
Tel: 5-8323211
Telex: 66678 HEWPA HX
Cable: HEWPACK HONG KONG
E,C,P

CET Ltd.
10th Floor, Hua Asia Bldg.
64-66 Gloucester Road
HONG KONG
Tel: (5) 200922
Telex: 85148 CET HX
CM

Schmidt & Co. (Hong Kong) Ltd.
18th Floor, Great Eagle Centre
23 Harbour Road, Wanchai
HONG KONG
Tel: 5-8330222
Telex: 74766 SCHMC HX
A,M

ICELAND
Hewlett-Packard Iceland
Hoefdabakka 9
110 REYKJAVIK
Tel: (1) 67 1000
A,C,CM,E,M,P

INDIA
Computer products are sold through Blue Star Ltd. All computer repairs and maintenance service is done through Computer Maintenance Corp.

Blue Star Ltd.
B. D. Patel House
Near Sardar Patel Colony
AHMEDABAD 380 014
Tel: 403531, 403532
Telex: 0121-234
Cable: BLUE FROST
A,C,CM,E

Blue Star Ltd.
40/4 Lavelle Road
BANGALORE 560 001
Tel: 57881, 567780
Telex: 0845-430
Cable: BLUESTAR
A,C*,CM,E

Blue Star Ltd.
Band Box House
Prabhadevi
BOMBAY 400 025
Tel: 4933101, 4933222
Telex: 011-71051
Cable: BLUESTAR
A,M

Blue Star Ltd.
Sahas
414/2 Vir Savarkar Marg
Prabhadevi
BOMBAY 400 025
Tel: 430-6155, 430-6556
Telex: 011-71193 BSSS IN
Cable: FROSTBLUE
A,CM,E,M

Blue Star Ltd.
Kalyan, 19 Vishwas Colony
Alkapuri, BORDA, 390 005
Tel: 65235, 65236
Cable: BLUE STAR
A

Blue Star Ltd.
7 Hare Street
CALCUTTA 700 001
Tel: 230131, 230132
Telex: 031-61120 BSNF IN
Cable: BLUESTAR
A,M,C,E

Blue Star Ltd.
133 Kodambakkam High Road
MADRAS 600 034
Tel: 472056, 470238
Telex: 041-379
Cable: BLUESTAR
A,M

Blue Star Ltd.
13 Community Center
New Friends Colony
NEW DELHI 110 065
Tel: 633182, 636674
Telex: 031-61120
Cable: BLUEFROST
A,C*,CM,E,M

Blue Star Ltd.
15/16 C Wellesley Rd.
PUNE 411 011
Tel: 22775
Cable: BLUE STAR
A

Blue Star Ltd.
2-2-47/1108 Bolarum Rd.
SECUNDERABAD 500 003
Tel: 72057, 72058
Telex: 0155-459
Cable: BLUEFROST
A,C,E

Blue Star Ltd.
T.C. 7/603 Poornima
Maruthunkuzhi
TRIVANDRUM 695 013
Tel: 65799, 65820
Telex: 0884-259
Cable: BLUESTAR
E

Computer Maintenance Corporation Ltd.
115, Sarojini Devi Road
SECUNDERABAD 500 003
Tel: 310-184, 345-774
Telex: 031-2960
C**

INDONESIA
BERCA Indonesia P.T.
P.O. Box 496/Jkt.
Jl. Abdul Muis 62
JAKARTA
Tel: 21-373009
Telex: 46748 BERSAL IA
Cable: BERSAL JAKARTA
P

BERCA Indonesia P.T.
P.O. Box 2497/Jkt
Antara Bldg., 11th Floor
Jl. Medan Merdeka Selatan 17
JAKARTA-PUSAT
Tel: 343989
Telex: 46748 BERSAL IA
A,C,E,M,P

BERCA Indonesia P.T.
Jalan Kutal 24
SURABAYA
Tel: 67118
Telex: 31146 BERSAL SB
Cable: BERSAL-SURABAYA
A*,E,M,P

IRAQ
Hewlett-Packard Trading S.A.
Service Operation
Al Mansoor City 9B/3/7
BAGHDAD
Tel: 551-49-73
Telex: 212-455 HEPAIRAQ IK
C

IRELAND
Hewlett-Packard Ireland Ltd.
82/83 Lower Leeson Street
DUBLIN 2
Tel: 0001 608800
Telex: 30439
C,E,P

Cardiac Services Ltd.
128 Dublin Industrial Estate
DUBLIN 11
Tel: (01) 307499
Telex: 32254
M

ISRAEL
Eidan Electronic Instrument Ltd.
P.O. Box 1270
JERUSALEM 91000
18, Ohallav St.
JERUSALEM 94467
Tel: 533 221, 553 242
Telex: 25231 AB/PAKRD IL
A,M

Computation and Measurement Systems (CMS) Ltd.
11 Masad Street
67060
TEL-AVIV
Tel: 388 388
Telex: 33569 Motil IL
C,CM,E,P

ITALY
Hewlett-Packard Italiana S.p.A.
Traversa 99C
Via Giulio Petroni, 19
I-70124 BARI
Tel: (080) 41-07-44
C,M
Hewlett-Packard Italiana S.p.A.
Via Emilia, 51/C
I-40011 BOLOGNA Anzola Dell'Emilia
Tel: (051) 731061
Telex: 511630
C,E,M



SALES & SUPPORT OFFICES

Arranged alphabetically by country

ITALY (Cont'd)

Hewlett-Packard Italiana S.p.A.
Via Principe Nicola 43G/C
I-95126 CATANIA
Tel: (095) 37-10-87
Telex: 970291
C

Hewlett-Packard Italiana S.p.A.
Via G. di Vittorio 9
20094 CORSICO (Milano)
Tel: (02) 448351

Hewlett-Packard Italiana S.p.A.
Viale Brigata Bisagno 2
16129 GENOVA
Tel: (010) 541141

Hewlett-Packard Italiana S.p.A.
Viale G. Modugno 33
I-16156 GENOVA PEGLI
Tel: (010) 68-37-07
Telex: 215238
C,E

Hewlett-Packard Italiana S.p.A.
Via G. di Vittorio 9
I-20063 CERNUSCO SUL
NAVIGLIO
(Milano)

Tel: (02) 923691
Telex: 334632
A,C,CM,E,M,P

Hewlett-Packard Italiana S.p.A.
Via Nuova Rivoitana 95
20090 LIMITO (Milano)
Tel: (02) 92761

Hewlett-Packard Italiana S.p.A.
Via Nuova San Rocco a
Capodimonte, 62/A
I-80131 NAPOLI
Tel: (081) 7413544
Telex: 710698
A*,C,E,M

Hewlett-Packard Italiana S.p.A.
Via Orazio 16
80122 NAPOLI
Tel: (081) 7611444

Hewlett-Packard Italiana S.p.A.
Via Peilizzo 15
35128 PADOVA
Tel: (049) 8070166
Telex: 430315
A,C,E,M

Hewlett-Packard Italiana S.p.A.
Viale C. Pavese 340
I-00144 ROMA EUR
Tel: (06) 54831
Telex: 610514
A,C,E,M,P*

Hewlett-Packard Italiana S.p.A.
Via di Casellina 57/C
I-50018 SCANDICCI-FIRENZE
Tel: (055) 753863
C,E,M

Hewlett-Packard Italiana S.p.A.
Corso Svizzera, 185
I-10144 TORINO
Tel: (011) 74 4044
Telex: 221079
A*,C,E

Hewlett-Packard Italiana S.p.A.
Via di Casellina 57/C
I-50018 SCANDICCI-FIRENZE
Tel: (055) 753863
C,E,M

Hewlett-Packard Italiana S.p.A.
Corso Svizzera, 185
I-10144 TORINO
Tel: (011) 74 4044
Telex: 221079
A*,C,E

Hewlett-Packard Italiana S.p.A.
Corso Svizzera, 185
I-10144 TORINO
Tel: (011) 74 4044
Telex: 221079
A*,C,E

Hewlett-Packard Italiana S.p.A.
Corso Svizzera, 185
I-10144 TORINO
Tel: (011) 74 4044
Telex: 221079
A*,C,E

Hewlett-Packard Italiana S.p.A.
Corso Svizzera, 185
I-10144 TORINO
Tel: (011) 74 4044
Telex: 221079
A*,C,E

Hewlett-Packard Italiana S.p.A.
Corso Svizzera, 185
I-10144 TORINO
Tel: (011) 74 4044
Telex: 221079
A*,C,E

Hewlett-Packard Italiana S.p.A.
Corso Svizzera, 185
I-10144 TORINO
Tel: (011) 74 4044
Telex: 221079
A*,C,E

Hewlett-Packard Italiana S.p.A.
Corso Svizzera, 185
I-10144 TORINO
Tel: (011) 74 4044
Telex: 221079
A*,C,E

Hewlett-Packard Italiana S.p.A.
Corso Svizzera, 185
I-10144 TORINO
Tel: (011) 74 4044
Telex: 221079
A*,C,E

Hewlett-Packard Italiana S.p.A.
Corso Svizzera, 185
I-10144 TORINO
Tel: (011) 74 4044
Telex: 221079
A*,C,E

Hewlett-Packard Italiana S.p.A.
Corso Svizzera, 185
I-10144 TORINO
Tel: (011) 74 4044
Telex: 221079
A*,C,E

Hewlett-Packard Italiana S.p.A.
Corso Svizzera, 185
I-10144 TORINO
Tel: (011) 74 4044
Telex: 221079
A*,C,E

Yokogawa-Hewlett-Packard Ltd.
Towa Building
2-3, Kaigan-dori, 2 Chome Chuo-ku
KOBE, 650
Tel: (078) 392-4791
C,E

Yokogawa-Hewlett-Packard Ltd.
Kumagaya Asahi 82 Bldg.
3-4 Taikuba
KUMAGAYA, Saitama 360
Tel: (0485) 24-6563
C,CM,E

Yokogawa-Hewlett-Packard Ltd.
Asahi Shinbun Dalichi Seimei Bldg.
4-7, Hanabata-cho
KUMAMOTO, 860
Tel: (0963) 54-7311
C,E

Yokogawa-Hewlett-Packard Ltd.
Shin-Kyoto Center Bldg.
614, Higashi-Shiokoji-cho
Karasuma-Nishiru
Shiokoji-dori, Shimogyo-ku
KYOTO, 600
Tel: 075-343-0921
C,E

Yokogawa-Hewlett-Packard Ltd.
Mito Mitsui Bldg.
4-73, Sanno-maru, 1 Chome
MITO, Ibaraki 310
Tel: (0292) 25-7470
C,CM,E

Yokogawa-Hewlett-Packard Ltd.
Meiji-Seimei Kokubun Bldg.
7-8 Kokubun, 1 Chome, Sendai
MIYAGI, 980
Tel: (0222) 25-1011
C,E

Yokogawa-Hewlett-Packard Ltd.
Gohda Bldg. 2F.
2-10 Gohda 1 Chome
Okaya-Shi
NAGANO, 394
Tel: (0266) 23 0851
C,E

Yokogawa-Hewlett-Packard Ltd.
Nagoya Kokusai Center Building
47-1, Nagono, 1 Chome
Nakamura-ku
NAGOYA, 450
Tel: (052) 571-5171
C,CM,E,M

Yokogawa-Hewlett-Packard Ltd.
Sai-Kyo-Ren Building
1-2 Dote-cho
OHMIYA OHMIYA, Saitama 330
Tel: (0486) 45-8031

Yokogawa-Hewlett-Packard Ltd.
Chuo Bldg.,
4-20 Nishinakajima, 5 Chome
Yodogawa-ku
OSAKA, 532
Tel: (06) 304-6021
Telex: YHPOSA 523-3624
C,CM,E,M,P*

Yokogawa-Hewlett-Packard Ltd.
27-15, Yabe, 1 Chome
SAGAMIHARA Kanagawa, 229
Tel: 0427 59-1311

Yokogawa-Hewlett-Packard Ltd.
Motoshiro-cho Dal-ich Seimei Bldg. 1F
219-21 Motoshiro-cho,
Hamamatsu-shi
SHIZUOKA, 430
Tel: (0534) 56 1771
C,E

Yokogawa-Hewlett-Packard Ltd.
Dalichi Seimei Bldg.
7-1, Nishi Shinjuku, 2 Chome
Shinjuku-ku, TOKYO 160
Tel: 03-346-4611
C,E,M

Yokogawa Hewlett-Packard Ltd.
9-1, Takakura-cho
Hachioji-shi, TOKYO, 192
Tel: 0426-42-1261
C,E

Yokogawa-Hewlett-Packard Ltd.
29-21 Takaido-Higashi, 3 Chome
Suginami-ku TOKYO 168
Tel: (03) 331-6111
Telex: 232-2024 YHPTOK
C,CM,E,P*

Yokogawa-Hokushin Electric
Corporation
Shinjuku-NS Bldg. 10F
4-1 Nishi-Shinjuku 2-Chome
Shinjuku-ku
TOKYO, 163
Tel: (03) 349-1859
Telex: J27584
A

Yokogawa-Hokushin Electric Corp.
9-32 Nokacho 2 Chome
2 Chome Musashino-shi
TOKYO, 180
Tel: (0422) 54-1111
Telex: 02822-421 YEW MTK J
A

Yokogawa-Hewlett-Packard Ltd.
Meiji-Seimei
Utsunomiya Oodori Building
1-5 Oodori, 2 Chome
UTSUNOMIYA, Tochigi 320
Tel: (0286) 33-1153
C,E

Yokogawa-Hewlett-Packard Ltd.
Yasuda Seimei Nishiguchi Bldg.
30-4 Tsuruya-cho, 3 Chome
Kanagawa-ku, YOKOHAMA 221
Tel: (045) 312-1252
C,CM,E

JORDAN
Scientific and Medical Supplies Co.
P.O. Box 1387
AMMAN
Tel: 24907, 39907
Telex: 21456 SABCO JO
C,E,M,P

KENYA
ADCOM Ltd., Inc., Kenya
P.O. Box 30070
NAIROBI
Tel: 331955
Telex: 22639
E,M

KOREA
Samsung Hewlett-Packard Co. Ltd.
Dongbang Yeouido Building
12-16th Floors
36-1 Yeouido-Dong
Youngdeungpo-Ku
SEOUL
Tel: 784-4666, 784-2666
Telex: 25166 SAMSAN K
C,CM,E,M,P

Young In Scientific Co., Ltd.
Youngwha Building
547 Shinasa Dong, Kangnam-Ku
SEOUL 135
Tel: 546-7771
Telex: K23457 GINSCO
A

Dongbang Healthcare
Products Co. Ltd.
Suite 301 Medical Supply Center
Bldg. 1-31 Dongsungdong
Jong Ro-gu, SEOUL
Tel: 764-1171, 741-1641
Telex: K25706 TKBKO
Cable: TKBEEKPO
M

KUWAIT
Al-Khaldiya Trading & Contracting
P.O. Box 830
SAFAT
Tel: 424910, 411726
Telex: 22481 AREEG KT
Cable: VISCOUNT
E,M,A

Gulf Computing Systems
P.O. Box 25125
SAFAT
Tel: 435969
Telex: 23648
P

Photo & Cine Equipment
P.O. Box 270
SAFAT
Tel: 2445111
Telex: 22247 MATIN KT
Cable: MATIN KUWAIT
P

W.J. Towell Computer Services
P.O. Box 5897
SAFAT
Tel: 2462640/1
Telex: 30338 TOWELL KT
C

LEBANON
Computer Information Systems S.A.L.
Chammars Building
P.O. Box 11-8274 Dora
BEIRUT
Tel: 89 40 73
Telex: 42309
C,E,M,P

LIBERIA
Unichemicals Inc.
P.O. Box 4509
MONROVIA
Tel: 224282
Telex: 4509
E

MADAGASCAR
Technique et Precision
12, rue de Nice
P.O. Box 1227
101 ANTANANARIVO
Tel: 22090
Telex: 22255
P

LUXEMBOURG
Hewlett-Packard Belgium S.A./N.V.
Blvd de la Woluwe, 100
Woluwedal
B-1200 BRUSSELS
Tel: (02) 762-32-00
Telex: 23-494 paloben bru
A,C,CM,E,M,P

MALAYSIA
Hewlett-Packard Sales (Malaysia)
Sdn. Bhd.
9th Floor
Chung Khiew Bank Building
46, Jalan Raja Laut
50350 KUALA LUMPUR
Tel: 2986555
Telex: 31011 HPSM MA
A,C,E,M,P*

Protel Engineering
P.O. Box 1917
Lot 662A, Section 64
23/4 Pending Road
Kuching, SARAWAK
Tel: 36299
Telex: 70904 PROMAL MA
Cable: PROTELENG
A,E,M

MALTA
Philip Toledo Ltd.
Birkirkara P.O. Box 11
Notabile Rd.
MRIEHEL
Tel: 447 47, 455 66, 4915 25
Telex: Media MW 649
E,M,P

MAURITIUS
Blanche Birger Co. Ltd.
18, Jules Koenig Street
PORT LOUIS
Tel: 20828
Telex: 4296
P

MEXICO
Hewlett-Packard de Mexico,
S.A. de C.V.
Rio Nio No. 4049 Desp. 12
Fracc. Cordoba
JUAREZ
Tel: 161-3-15-62
P

Hewlett-Packard de Mexico,
S.A. de C.V.
Condominio Kadereya
Circulo del Mezon No. 186 Desp. 6
COL. DEL PRADO - 76030 Qro.
Tel: 463-6-02-71
P

Hewlett-Packard de Mexico,
S.A. de C.V.
Monti Morelos No. 299
Fraccionamiento Loma Bonita 45060
GUADALAJARA, Jalisco
Tel: 36-31-48-00
Telex: 0684 186 ECOMÉ
P

Hewlett-Packard de Mexico,
S.A. de C.V.
Monti Morelos No. 299
Fraccionamiento Loma Bonita 45060
GUADALAJARA, Jalisco
Tel: 36-31-48-00
Telex: 0684 186 ECOMÉ
P

Hewlett-Packard de Mexico,
S.A. de C.V.
Monti Morelos No. 299
Fraccionamiento Loma Bonita 45060
GUADALAJARA, Jalisco
Tel: 36-31-48-00
Telex: 0684 186 ECOMÉ
P

Hewlett-Packard de Mexico,
S.A. de C.V.
Monti Morelos No. 299
Fraccionamiento Loma Bonita 45060
GUADALAJARA, Jalisco
Tel: 36-31-48-00
Telex: 0684 186 ECOMÉ
P

Hewlett-Packard de Mexico,
S.A. de C.V.
Monti Morelos No. 299
Fraccionamiento Loma Bonita 45060
GUADALAJARA, Jalisco
Tel: 36-31-48-00
Telex: 0684 186 ECOMÉ
P

Hewlett-Packard de Mexico,
S.A. de C.V.
Monti Morelos No. 299
Fraccionamiento Loma Bonita 45060
GUADALAJARA, Jalisco
Tel: 36-31-48-00
Telex: 0684 186 ECOMÉ
P

Hewlett-Packard de Mexico,
S.A. de C.V.
Monti Morelos No. 299
Fraccionamiento Loma Bonita 45060
GUADALAJARA, Jalisco
Tel: 36-31-48-00
Telex: 0684 186 ECOMÉ
P

Hewlett-Packard de Mexico,
S.A. de C.V.
Monti Morelos No. 299
Fraccionamiento Loma Bonita 45060
GUADALAJARA, Jalisco
Tel: 36-31-48-00
Telex: 0684 186 ECOMÉ
P

SALES & SUPPORT OFFICES

Arranged alphabetically by country

5



Hewlett-Packard de Mexico,
A. de C.V.
Carretera del Valle
19 Ote. 4th Piso
Ciudad del Valle
Municipio de Garza Garcia Nuevo Leon
220 MONTERREY, Nuevo Leon
Tel: 83-78-42-40
Telex: 382410 HPMY

Impresoras y Sistemas del Noreste, S.A.
Carretera Orinoco #171 Oriente
Cajon de Guzman 2001
Ciudad del Valle
MONTERREY
Tel: 559-4415, 575-3837
Telex: 483164
E

Hewlett-Packard de Mexico,
A. de C.V.
Carretera de Independencia No. 2000 Ote.
Ciudad del Valle
MONTERREY, COAH.
Tel: 171-18-21-99

ROCCO
Abblissement Hubert Dolbeau & Fils
Rue Karatchi
3-11133
SABLANCA
Tel: 3041-82, 3068-38
Telex: 23051, 22822

rep
Rue Agadir
Site Postale 156
SABLANCA 01
Tel: 272093, 272095
Telex: 23 739

ma-Maroc
pt. Seric
Rue Lapebie
SABLANCA
Tel: 260980
Telex: 21641

NETHERLANDS
Hewlett-Packard Nederland B.V.
Lindendreef 16
-1187 XR AMSTELVEEN
P.O. Box 667
-1180 AR AMSTELVEEN
Tel: (020) 547-6911
Telex: 13 216 HEPA NL
A,C,M,E,M,P
Hewlett-Packard Nederland B.V.
Lindendreef 2
2906VK CAPELLE A/D IJSEL
P.O. Box 41
2900AA CAPELLE A/D IJSEL
Tel: (10) 51-64-44
Telex: 21261 HEPAC NL

Hewlett-Packard Nederland B.V.
Rooftop Petersstraat 134-136
5612 LV EINDHOVEN
P.O. Box 2342
5600 CH EINDHOVEN
(040) 326911
Telex: 51484 hepae nl
A,C,M,E,M,P

NEW ZEALAND
Hewlett-Packard (N.Z.) Ltd.
Riverside Road
P.O. Box 26-189
Wellington, AUCKLAND
687-159
Tel: HEWPAK Auckland
M,E,P

Hewlett-Packard (N.Z.) Ltd.
-190 Willis Street
WELLINGTON
P.O. Box 9443
Riteway Place, WELLINGTON 3
877-199
Tel: HEWPAK Wellington
M,E,P

Northrop Instruments & Systems Ltd.
Khyber Pass Road
P.O. Box 8602
WELLINGTON
794-091
Telex: 60805

Northrop Instruments & Systems Ltd.
Mandeville St.
P.O. Box 8388
WELLINGTON
488-873
Telex: 4203

Northrop Instruments & Systems Ltd.
Sturdee House
85-87 Ghuznee Street
P.O. Box 2406
WELLINGTON
Tel: 850-091
Telex: NZ 3380
A,M

NIGERIA
Elmeco Nigeria Ltd.
46, Calcutta Crescent Apapa
P.O. Box 244and
LAGOS
E

NORTHERN IRELAND
See United Kingdom

NORWAY
Hewlett-Packard Norge A/S
Folke Bernadottes vei 50
P.O. Box 3558
N-5033 FYLLINGSDALEN (Bergen)
Tel: 0047/5/16 55 40
Telex: 76621 hpnas n
C,E,M

Hewlett-Packard Norge A/S
Osterdalen 16-18
P.O. Box 34
N-1345 OESTERAAS
Tel: 0047/2/24 60 90
Telex: 76621 hpnas n
A,C,M,E,M,P
Hewlett-Packard Norge A/S
Boehmergt. 42
Box 2470
N-5037 SOLHEIMSVIK
Tel: 0047/5/29 00 90

OMAN
Khimjil Ramdas
P.O. Box 19
MUSCAT/SULTANATE OF OMAN
Tel: 795 901
Telex: 3489 BROKER MB MUSCAT
P

Suhail & Saud Bahwan
P.O. Box 169
MUSCAT/SULTANATE OF OMAN
Tel: 734 201-3
Telex: 5274 BAHWAN MB
E

Intac LLC
P.O. Box 9196
MINA AL FAHAL/SULTANATE OF OMAN
Tel: 561 695, 5602078, 561010
Telex: 5298 Tawoos On
A,C,M

PAKISTAN
Mushko & Company Ltd.
House No. 16, Street No. 16
Sector F-6/3
ISLAMABAD
Tel: 824545
Cable: FEMUS Islamabad
A,E,P
Mushko & Company Ltd.
Oosman Chambers
Abdullah Haroon Road
KARACHI 0302
Tel: 524131, 524132
Telex: 2894 MUSKO PK
Cable: COOPERATOR Karachi
A,E,P

PANAMA
Electronico Balboa, S.A.
Calle Samuel Lewis, Ed. Alfa
Apartado 4929
PANAMA 5
Tel: 84-2700
Telex: 3483 ELECTRON PG
C,M,E,M,P

PERU
Cia Electro Médica S.A.
Los Flamencos 145
San Isidro
Casilla 1030
LIMA 1
Tel: 41-4325, 41-3705
Telex: Pub. Booth 25306 PEC PISIDR
C,M,E,M,P
SAMS S.A.
Arenida Republica de Panama 3534
San Isidro, LIMA
Tel: 419928/417108
Telex: 20450 PE LIBERTAD
A,C,P

PHILIPPINES
The Online Advanced Systems Corp.
2nd Floor, Electra House
115-117 Esteban Street
Legaspi Village, Makati
Metro MANILA
Tel: 815-38-10 (up to 16)
Telex: 63274 ONLINE PN
A,C,E,M,P

PORTUGAL
Mundinter Intercambio
Mundial de Comércio S.A.R.L.
Av. Antonio Augusto Aguiar 138
Apartado 2761
LISBON
Tel: (19) 53-21-31, 53-21-37
Telex: 16691 munter p
M

Soquimica
Av. da Liberdade, 220-2
1298 LISBOA Codex
Tel: 56-21-82
Telex: 13316 SABASA
A

Telectra-Empresa Técnica de
Equipamentos Eléctricos S.A.R.L.
Rua Rodrigo da Fonseca 103
P.O. Box 2531
LISBON 1
Tel: (19) 68-60-72
Telex: 12598
C,M,E

C.P.C.S.I.
Rua de Costa Cabral 575
4200 PORTO
Tel: 499 174/495173
Telex: 26054
C,P

PUERTO RICO
Hewlett-Packard Puerto Rico
101 Muñoz Rivera Av
Esu. Calle Ochoa
HATO REY, Puerto Rico 00918
Tel: (809) 754-7800
A,C,C,M,E,P

QATAR
Computer Arabia
P.O. Box 2750
DOHA
Tel: 428555
Telex: 4806 CHPARB
P
Nasser Trading & Contracting
P.O. Box 1563
DOHA
Tel: 422170
Telex: 4439 NASSER DH
M

SAUDI ARABIA
Modern Electronics Establishment
Hewlett-Packard Division
P.O. Box 281
Thuobah
AL-KHOBAR 31952
Tel: 895-1760, 895-1764
Telex: 671 106 HPMEEK SJ
Cable: ELECTA AL-KHOBAR
C,E,M

Modern Electronics Establishment
Hewlett-Packard Division
P.O. Box 1228
Redec Plaza, 6th Floor
JEDDAH
Tel: 644 96 28
Telex: 4027 12 FARNAS SJ
Cable: ELECTA JEDDAH
A,C,C,M,E,M,P

Modern Electronics Establishment
Hewlett-Packard Division
P.O. Box 22015
RIYADH 11495
Tel: 491-97 15, 491-63 87
Telex: 202049 MEERYD SJ
C,E,M
Abdul Ghanl El Ajou Corp.
P.O. Box 78
RIYADH
Tel: 40 41 717
Telex: 200 932 EL AJOU
P

SCOTLAND
See United Kingdom

SENEGAL
Societe Hussein Ayad & Cie.
76, Avenue Georges Pompidou
B.P. 305
DAKAR
Tel: 32339
Cable: AYAD-Dakar
E

Moneger Distribution S.A.
1, Rue Parent
B.P. 148
DAKAR
Tel: 215 671
Telex: 587
P
Systeme Service Conseil (SSC)
14, Avenue du Parachois
DAKAR ETOILE
Tel: 219976
Telex: 577
C,P

SINGAPORE
Hewlett-Packard Singapore (Sales) Pte. Ltd.
#08-00 Inchcape House
450-2 Alexandra Road
Alexandra P.O. Box 58
SINGAPORE, 9115
Tel: 4731788
Telex: 34209 HPSGSO RS
Cable: HEWPACK, Singapore
A,C,E,M,P

Dynamar International Ltd.
Unit 05-11 Block 6
Kolam Ayer Industrial Estate
SINGAPORE 1334
Tel: 747-6188
Telex: 26283 RS
CM

SOUTH AFRICA
Hewlett-Packard So Africa (Pty.) Ltd.
P.O. Box 120
Howard Place CAPE PROVINCE 7430
Pine Park Center, Forest Drive
Pinelands
CAPE PROVINCE 7405
Tel: (021) 53 7954
Telex: 57-20006
A,C,C,M,E,M,P

Hewlett-Packard So Africa (Pty.) Ltd.
2nd Floor Juniper House
92 Overport Drive
DURBAN 4067
Tel: (031) 28-4178
Telex: 6-22954
C

Hewlett-Packard So Africa (Pty.) Ltd.
6 Linton Arcade
511 Cape Road
Linton Grange
PORT ELIZABETH 6001
Tel: 041-301201
Telex: 24-2916
C

Hewlett-Packard So Africa (Pty.) Ltd.
Fountain Center
Kalkoen Str.
Monument Park Ext 2
PRETORIA 0105
Tel: (012) 45 5725
Telex: 32163
C,E

Hewlett-Packard So Africa (Pty.) Ltd.
9 Eastern Service Road
Eastgate Ext. 3
SANDTON 2144
Tel: 802-5111, 802-5125
Telex: 4-20877 SA
Cable: HEWPACK Johannesburg
A,C,C,M,E,M,P

SPAIN
Hewlett-Packard Española, S.A.
Calle Entenza, 321
08029 BARCELONA
Tel: 3/322 24 51, 321 73 54
Telex: 52803 hpbee
A,C,E,M,P

Hewlett-Packard Española, S.A.
Calle San Vicente S/N
Edificio Albia II-7B
48001 BILBAO
Tel: 4/423 83 06
A,C,E,M

Hewlett-Packard Española, S.A.
Ctra. de la Coruña, Km. 16, 400
Las Rozas
E-MADRID
Tel: (1) 637.00.11
Telex: 23515 HPE
C,M

Hewlett-Packard Española, S.A.
Avda. S. Francisco Javier, S/N
Planta 10. Edificio Sevilla 2
41005 SEVILLA
Tel: 54/64 44 54
Telex: 72933
A,C,M,P

Hewlett-Packard Española, S.A.
Isabel La Católica, 8
46004 VALENCIA
Tel: (96) 351 59 44
Telex: 63435
C,P

SALES & SUPPORT OFFICES

Arranged alphabetically by country

SPAIN (Cont'd)

Hewlett-Packard Española, S.A.
Av. de Zugazarte, 8
Edificio El Abra 4
Las Arenas-Guecho
VIZCAYA
Tel: (94) 464 3255, 464 2933
Telex: 33032

SWEDEN

Hewlett-Packard Sverige AB
Östra Tullgatan 3
S-20011 **MALMÖ**
Box 6132
Tel: (040) 70270
Telex: (854) 17886 (via Spånga office)
C,P

Hewlett-Packard Sverige AB
Västra Vintergatan 9
S-70344 **ÖREBRO**
Tel: (19) 10-48-80
Telex: (854) 17886 (via Spånga office)
C

Hewlett-Packard Sverige AB
Skalhögsgatan 9, Kista
Box 19
S-16393 **SPÅNGA**
Tel: (08) 750-2000
Telex: (854) 17886
Telefax: (08) 7527781
A,C,CM,E,M,P

Hewlett-Packard Sverige AB
Box 266
Topasgatan 1A
S-42123 **VÄSTRA-FRÖLUNDA**
(Gothenburg)
Tel: (031) 89-10-00
Telex: (854) 17886 (via Spånga office)
A,C,CM,E,M,P

SUDAN

Mediterranean Engineering & Trading Co.
Ltd.
P.O. Box 1025
KHARTOUM
Tel: 41184
Telex: 24052
C,P

SWITZERLAND

Hewlett-Packard (Schweiz) AG
Clarastrasse 12
CH-4058 **BASEL**
Tel: (61) 33-59-20
A,C,E,P

Hewlett-Packard (Schweiz) AG
7, rue du Bois-du-Lan
Case postale 365
CH-1217 **MEYRIN 1**
Tel: (0041) 22-83-11-11
Telex: 27333 HPAG CH
A,C,CM,E,M,P

Hewlett-Packard (Schweiz) AG
Allmend 2
CH-8967 **WIDEN**
Tel: (0041) 57 31 21 11
Telex: 53933 hpag ch
Cable: HPAG CH
A,C,CM,E,M,P

Hewlett-Packard (Schweiz) AG
Schwamendingenstrasse 10
8050 ZÜRICH
Tel: (0041) 1 315 81 81
Telex: 823 537 HPAG CH
C,P

SYRIA

General Electronic Inc.
Nuri Basha Ahnaf Ebn Kays Street
P.O. Box 5781

DAMASCUS

Tel: 33-24-87
Telex: 411 215
Cable: ELECTROBOR DAMASCUS
E

Middle East Electronics
P.O.Box 2308
Abu Rumaneh
DAMASCUS
Tel: 33 45 92
Telex: 411 771
M

TAIWAN

Hewlett-Packard Taiwan Ltd.
THM Office
2, Huan Nan Road
CHUNG LI, Taoyuan
Tel: (034) 929-666
C

Hewlett-Packard Taiwan Ltd.
Kaohsiung Office
11/F, 456, Chung Hsiao 1st Road
KAHSIUNG
Tel: (07) 2412318
C,E

Hewlett-Packard Taiwan Ltd.
8th Floor, Hewlett-Packard Building
337 Fu Hsing North Road
TAIPEI
Tel: (02) 712-0404
Telex: 24439 HEWPACK
Cable: HEWPACK Taipei
A,C,CM,E,M,P

Ing Lih Trading Co.
6th Floor, 112, Sec. 1,
Chung Hsiao East Road
TAIPEI 100
Tel: (02) 394-8191
Telex: 22894 SANKWANG
A

THAILAND

Unimesa Co. Ltd.
30 Patpong Ave., Suriwong
BANGKOK 10500
Tel: 235-5727, 234-0991/3
Telex: 84439 Simonco TH
Cable: UNIMESA Bangkok
A,C,E,M

Bangkok Business Equipment Ltd.
5/5-6 Dejo Road
BANGKOK
Tel: 234-8670, 234-8671
Telex: 87699-BEQUIPT TH
Cable: BUSIQUIPT Bangkok
P

TOGO

Societe Africaine De Promotion
B.P. 12271
LOME
Tel: 21-62-88
Telex: 5304
P

TRINIDAD & TOBAGO

Caribbean Telecoms Ltd.
Corner McAllister Street &
Eastern Main Road, Laventille
P.O. Box 732
PORT-OF-SPAIN
Tel: 624-4213
Telex: 22561 CARTEL WG
Cable: CARTEL, PORT OF SPAIN
CM,E,M,P

Computer and Controls Ltd.
P.O. Box 51
66 Independence Square
PORT-OF-SPAIN
Tel: 623-4472
Telex: 3000 POSTLX WG, ACCT
LOOGO AGENCY 1264
A,P
Feral Assoc.
8 Fitzgerald Lane
PORT-OF-SPAIN
Tel: 62-36864, 62-39255
Telex: 22432 FERALCO
Cable: FERALCO
M

TUNISIA

Tunisie Electronique S.A.R.L.
31 Avenue de la Liberte
TUNIS
Tel: 280-144
C,E,P

Tunisie Electronique S.A.R.L.
94, Av. Jugurtha, Mutuelleville
1002 **TUNIS-BELVEDERE**
Tel: 280144
Telex: 13238
C,E,P

Corema S.A.
1 ter. Av. de Carthage
TUNIS
Tel: 253-821
Telex: 12319 CABAM TN
M

TURKEY

E.M.A
Mediha Eldem Sokak No. 41/6
Yenisehir
ANKARA
Tel: 319175
Telex: 42321 KTX TR
Cable: EMATRADE ANKARA
M
Teknim Company Ltd.
Iran Caddesi No. 7
Karaklidere
ANKARA
Tel: 275800
Telex: 42155 TKNM TR
C,E

Kurt & Kurt A.S.
Mithatpasa Caddesi No. 52
Kat 4 Kizilay
ANKARA
Tel: 318875/6/7/8
Telex: 42490 MESR TR
A

Saniva Bilgisayar Sistemleri A.S.
Buyukdere Caddesi 103/6
Gayrettepe
ISTANBUL
Tel: 1673180
Telex: 26345 SANI TR
C,P

Best Inc.
Esentepe, Gazeteciler Sitesi
Keskin Kalem
Sokak 6/3, Gayrettepe
ISTANBUL
Tel: 172 1328, 173 3344
Telex: 42490
A

UNITED ARAB

EMIRATES

Emitac Ltd.
P.O. Box 1641
SHARJAH
Tel: 591181

Telex: 68136 EMITAC EM
Cable: EMITAC SHARJAH
E,C,M,P,A

Emitac Ltd.
P.O. Box 2711
ABU DHABI

Telex: 820419-20
Cable: EMITACH ABUDHABI

Emitac Ltd.
P.O. Box 8391
DUBAI
Tel: 377591

Emitac Ltd.
P.O. Box 473
RAS AL KHAIMAH
Tel: 28133, 21270

UNITED KINGDOM

ENGLAND

Hewlett-Packard Ltd.
Miller House
The Ring, **BRACKNELL**
Berks RG12 1XN
Tel: 0344 424898
Telex: 848733
E

Hewlett-Packard Ltd.
Elstree House, Elstree Way
BOREHAMWOOD, Herts WD6 1SG
Tel: 01 207 5000
Telex: 8952716
C,E

Hewlett-Packard Ltd.
Oakfield House, Oakfield Grove
Clifton **BRISTOL**, Avon BS8 2BN
Tel: 0272 736806
Telex: 444302
C,E,P

Hewlett-Packard Ltd.
9 Bridewell Place
LONDON EC4V 6BS
Tel: 01 583 6565
Telex: 298163
C,P

Hewlett-Packard Ltd.
Pontefract Road
NORMANTON, West Yorkshire WF6 1RN
Tel: 0924 895566
Telex: 557355
C,P

Hewlett-Packard Ltd.
The Quadrangle
106-118 Station Road
REDHILL, Surrey RH1 1PS
Tel: 0737 68655
Telex: 947234
C,E,P

Hewlett-Packard Ltd.
Avon House
435 Stratford Road
Shirley, **SOLIHULL, West Midlands**
B90 4BL
Tel: 021 745 8800
Telex: 339105
C,E,P

Hewlett-Packard Ltd.
Heathside Park Road
Cheadle Heath
STOCKPORT
Cheshire
SK3 ORB
Tel: 061-428-0828
Telex: 668068
A,C,E,M,P

Hewlett-Packard Ltd.
Harmon House
No. 1 George Street
UXBRIDGE, Middlesex UX8 1YN
Tel: 895 720 20
Telex: 893134/5
C,CM,E,M,P

Hewlett-Packard Ltd.
King Street Lane
Winnesh, **WOKINGHAM**
Berkshire RG11 5AR
Tel: 0734 784774
Telex: 847178
A,C,E,M,P

NORTHERN IRELAND

Hewlett-Packard (Ireland) Ltd.
Carrickfergus Industrial Centre
75 Belfast Road, Carrickfergus
CO. ANTRIM BT38 8PM
Tel: 09603 67333
C,E

Cardiac Services Company
95A Finaghy Road South
BELFAST, BT10 0BY
Tel: 0232-625566
Telex: 747626
M

SCOTLAND

Hewlett-Packard Ltd.
1/3 Springburn Place
College Milton North
EAST KILBRIDE, G74 3NU
Tel: 03552-49261
Telex: 779615
C,E

Hewlett-Packard Ltd.
SOUTH QUEENSFERRY
West Lothian, EH30 9TG
Tel: 031 331 1188
Telex: 72682
C,CM,E,M,P

UNITED STATES

Alabama

Hewlett-Packard Co.
2100 Riverchase Center
Building 100 - Suite 118
BIRMINGHAM, AL 35244
Tel: (205) 988-0547
A,C,M,P*

Hewlett-Packard Co.
420 Wynn Drive
HUNTSVILLE, AL 35805
Tel: (205) 830-2000
C,CM,E,M*

Alaska

Hewlett-Packard Co.
3601 C St., Suite 1416
ANCHORAGE, AK 99503
Tel: (907) 563-8855
C,E

Arizona

Hewlett-Packard Co.
8080 Pointe Parkway West
PHOENIX, AZ 85044
Tel: (602) 273-8000
A,C,CM,E,M,P

Hewlett-Packard Co.
3400 East Britannia Dr.
Bldg. C, Suite 124
TUCSON, AZ 85706
Tel: (602) 573-7400
C,E,M*

California

Hewlett-Packard Co.
99 South Hill Dr.
BRISBANE, CA 94005
Tel: (415) 330-2500
C

Hewlett-Packard Co.
5060 E. Clinton Avenue, Suite 102
FRESNO, CA 93727
Tel: (209) 252-9652
C,M

Hewlett-Packard Co.
1421 S. Manhattan Av.
FULLERTON, CA 92631
Tel: (714) 999-6700
C,CM,E,M

Hewlett-Packard Co.
7408 Hollister Ave. #A
GOLETA, CA 93117
Tel: (805) 685-6100
C,E

Hewlett-Packard Co.
2525 Grand Avenue
LONG BEACH, CA 90815
Tel: (213) 498-1111
C

Hewlett-Packard Co.
5651 West Manchester Ave.
LOS ANGELES, CA 90045
Tel: (213) 337-8000
Telex: 910-325-6608
C,M

SALES & SUPPORT OFFICES

Arranged alphabetically by country

7



wlett-Packard Co.
55 Porter Drive
LO ALTO, CA 94304
: (415) 857-8000
C

wlett-Packard Co.
14 So. Market Court, Suite A
CRAMENTO, CA 95834
: (916) 929-7222
C,E,M

wlett-Packard Co.
16 Aero Drive
N DIEGO, CA 92123
: (619) 279-3200
M,E,M

wlett-Packard Co.
25 W. Las Positas Blvd.
EASANTON, CA 94566
: (415) 460-0282

wlett-Packard Co.
13 Scott Boulevard
NTA CLARA, CA 95054
: (408) 988-7000
bx: 910-338-0586
C,M,E

wlett-Packard Co.
10 W. Hillcrest Dr.
DUSAND OAKS, CA 91320
5) 373-7000
M,E

orado
wlett-Packard Co.
5 Center Green Court South
te A
ULDER, CO 80301
(303) 499-6655
E

wlett-Packard Co.
nverness Place, East
GLEWOOD, CO 80112
(303) 649-5000
C,M,E,M

necticut
wlett-Packard Co.
Sylvan Av.
DGEPORT, CT 06606
(203) 371-6454

wlett-Packard Co.
3arnes Industrial Road South
LINGFORD, CT 06492
(203) 265-7801
C,M,E,M

ida
wlett-Packard Co.
1 N.W. 62nd Street
YT LAUDERDALE, FL 33309
(305) 973-2600
M,P*

wlett-Packard Co.
0 South Point Parkway
e 301
AKSONVILLE, FL 32216
(904) 636-9955
M**

wlett-Packard Co.
East Drive, Suite B
LBORNE, FL 32901
(305) 729-0704
E

wlett-Packard Co.
7 Lake Ellenor Drive
ANDO, FL 32809
(305) 859-2900
C,M,E,P*

wlett-Packard Co.
0 Bayou Blvd.
ding 5
ISACOLA, FL 32503
(904) 476-8422
M

wlett-Packard Co.
J W. Idlewild, #150
IPA, FL 33614
(813) 884-3282
M,P

rgia
wlett-Packard Co.
J South Park Place
ANTA, GA 30339
(404) 955-1500
x: 810-766-4890
C,M,E,M,P*

wlett-Packard Co.
7 Parkway Lane
e 300
ICROSS, GA 30092
(404) 448-1894
P

Hawaii
Hewlett-Packard Co.
Kawaiahao Plaza, Suite 190
567 South King Street
HONOLULU, HI 96813
Tel: (808) 526-1555
A,C,E,M

Idaho
Hewlett-Packard Co.
11309 Chinden Blvd.
BOISE, ID 83707
Tel: (208) 323-2700
C

Illinois
Hewlett-Packard Co.
304 Eldorado Road
P.O. Box 1607
BLOOMINGTON, IL 61701
Tel: (309) 662-9411
A,C,E,M**

Hewlett-Packard Co.
525 W. Monroe, #1308
CHICAGO, IL 60606
Tel: (312) 930-0010
C

Hewlett-Packard Co.
1200 East Diehl Road
NAPERVILLE, IL 60566
Tel: (312) 357-8800
C

Hewlett-Packard Co.
5201 Tollview Drive
ROLLING MEADOWS, IL 60008
Tel: (312) 255-9800
Telex: 910-687-1066
A,C,CM,E,M

Indiana
Hewlett-Packard Co.
11911 N. Meridian St.
CARMEL, IN 46032
Tel: (317) 844-4100
A,C,CM,E,M

Hewlett-Packard Co.
111 E. Ludwig Road
Suite 108
FT. WAYNE, IN 46825
Tel: (219) 482-4283
C,E

Iowa
Hewlett-Packard Co.
4070 22nd Av. SW
CEDAR RAPIDS, IA 52404
Tel: (319) 390-4250
C,E,M

Hewlett-Packard Co.
4201 Corporate Dr.
WEST DES MOINES, IA 50265
Tel: (515) 224-1435
A**, C,M**

Kansas
Hewlett-Packard Co.
7804 East Funston Road, Suite 203
WICHITA, KS 67207
Tel: (316) 684-8491
C,E

Kentucky
Hewlett-Packard Co.
10300 Linn Station Road, Suite 100
LOUISVILLE, KY 40223
Tel: (502) 426-0100
A,C,M

Louisiana
Hewlett-Packard Co.
160 James Drive East
ST. ROSE, LA 70087
P.O. Box 1449
KENNER, LA 70063
Tel: (504) 467-4100
A,C,E,M,P

Maryland
Hewlett-Packard Co.
3701 Koppers Street
BALTIMORE, MD 21227
Tel: (301) 644-5800
Telex: 710-862-1943
A,C,CM,E,M

Hewlett-Packard Co.
2 Choke Cherry Road
ROCKVILLE, MD 20850
Tel: (301) 948-6370
A,C,CM,E,M

Massachusetts
Hewlett-Packard Co.
1775 Minuteman Road
ANDOVER, MA 01810
Tel: (617) 682-1500
A,C,CM,E,M,P*

Hewlett-Packard Co.
32 Hartwell Avenue
LEXINGTON, MA 02173
Tel: (617) 861-8960
C,E

Michigan
Hewlett-Packard Co.
4326 Cascade Road S.E.
GRAND RAPIDS, MI 49506
Tel: (616) 957-1970
C,M

Hewlett-Packard Co.
39550 Orchard Hill Place Drive
NOVI, MI 48050
Tel: (313) 349-9200
A,C,E,M

Hewlett-Packard Co.
1771 W. Big Beaver Road
TROY, MI 48064
Tel: (313) 643-6474
C

Minnesota
Hewlett-Packard Co.
2025 W. Larpenteur Ave.
ST. PAUL, MN 55113
Tel: (612) 644-1100
A,C,CM,E,M

Missouri
Hewlett-Packard Co.
1001 E. 101st Terrace Suite 120
KANSAS CITY, MO 64131-3368
Tel: (816) 941-0411
A,C,CM,E,M

Hewlett-Packard Co.
13001 Hollenberg Drive
BRIDGETON, MO 63044
Tel: (314) 344-5100
A,C,E,M

Nebraska
Hewlett-Packard
11626 Nicholas St.
OMAHA, NE 68154
Tel: (402) 493-0300
C,E,M

New Jersey
Hewlett-Packard Co.
120 W. Century Road
PARAMUS, NJ 07653
Tel: (201) 265-5000
A,C,CM,E,M

Hewlett-Packard Co.
20 New England Av. West
PISCATAWAY, NJ 08854
Tel: (201) 562-6100
A,C,CM,E

New Mexico
Hewlett-Packard Co.
7801 Jefferson N.E.
ALBUQUERQUE, NM 87109
Tel: (505) 823-6100
C,E,M

Hewlett-Packard Co.
1460 Trinity Dr., Suite 3
LOS ALAMOS, NM 87544
Tel: (505) 662-6700
C,E

New York
Hewlett-Packard Co.
5 Computer Drive South
ALBANY, NY 12205
Tel: (518) 458-1550
A,C,E,M

Hewlett-Packard Co.
9600 Main Street
CLARENCE, NY 14031
Tel: (716) 759-8621
C,E

Hewlett-Packard Co.
200 Cross Keys Office Park
FAIRPORT, NY 14450
Tel: (716) 223-9950
A,C,CM,E,M

Hewlett-Packard Co.
7641 Henry Clay Blvd.
LIVERPOOL, NY 13088
Tel: (315) 451-1820
A,C,CM,E,M

Hewlett-Packard Co.
No. 1 Pennsylvania Plaza
55th Floor
34th Street & 8th Avenue
MANHATTAN NY 10119
Tel: (212) 971-0800
C,M*

Hewlett-Packard Co.
2975 Westchester Avenue
PURCHASE, NY 10577-2590
Tel: (914) 935-6300
C,CM,E

Hewlett-Packard Co.
15 Myers Corner Rd.
Hollowbrook Park, Suite 2D
WAPPINGER FALLS, NY 12590
Tel: (914) 298-9125
CM,E

Hewlett-Packard Co.
3 Crossways Park West
WOODBURY, NY 11797
Tel: (516) 682-7800
A,C,CM,E,M

North Carolina
Hewlett-Packard Co.
305 Gregson Dr.
CARY, NC 27511
Tel: (919) 467-6600
C,CM,E,M,P*

Hewlett-Packard Co.
9600-H Southern Pine Blvd.
CHARLOTTE, NC 28210
Tel: (704) 527-8780
C*

Hewlett-Packard Co.
5605 Roanne Way
GREENSBORO, NC 27420
Tel: (919) 852-1800
A,C,CM,E,M,P*

Ohio
Hewlett-Packard Co.
2717 S. Arlington Road
AKRON, OH 44312
Tel: (216) 644-2270
C,E

Hewlett-Packard Co.
4501 Erskine Road
CINCINNATI, OH 45242
Tel: (513) 891-9870
C,M

Hewlett-Packard Co.
15885 Sprague Road
CLEVELAND, OH 44136
Tel: (216) 243-7300
A,C,CM,E,M

Hewlett-Packard Co.
9080 Springboro Pike
MIAMISBURG, OH 45342
Tel: (513) 433-2223
A,C,CM,E*,M

Hewlett-Packard Co.
One Maritime Plaza, 5th Floor
720 Water Street
TOLEDO, OH 43604
Tel: (419) 242-2200
C

Hewlett-Packard Co.
675 Brooksedge Blvd.
WESTERVILLE, OH 43081
Tel: (614) 891-3344
C,CM,E*

Oklahoma
Hewlett-Packard Co.
3525 N.W. 56th St.
Suite C-100
OKLAHOMA CITY, OK 73112
Tel: (405) 946-9499
C,E*,M

Hewlett-Packard Co.
3840 S. 103rd E. Ave., #100
TULSA, OK 74146
Tel: (918) 665-3300
A**, C,E,M*,P*

Oregon
Hewlett-Packard Co.
9255 S. W. Pioneer Court
WILSONVILLE, OR 97070
Tel: (503) 682-8000
A,C,E*,M

Pennsylvania
Hewlett-Packard Co.
50 Dorchester Rd.
HARRISBURG, PA 17112
Tel: (717) 657-5900
C

Hewlett-Packard Co.
111 Zeta Drive
PITTSBURGH, PA 15238
Tel: (412) 782-0400
A,C,E,M

Hewlett-Packard Co.
2750 Monroe Boulevard
VALLEY FORGE, PA 19482
Tel: (215) 666-9000
A,C,CM,E,M

South Carolina
Hewlett-Packard Co.
Brookside Park, Suite 122
1 Harbison Way
COLUMBIA, SC 29210
Tel: (803) 732-0400
C,M

Hewlett-Packard Co.
545 N. Plessantburg Dr.
Suite 100
GREENVILLE, SC 29607
Tel: (803) 232-8002
C

Tennessee
Hewlett-Packard Co.
One Energy Centr. Suite 200
Pelissippi Pkwy.
KNOXVILLE, TN 37932
Tel: (615) 966-4747
A,C,M



SALES & SUPPORT OFFICES

Arranged alphabetically by country

UNITED STATES (Cont'd)

Hewlett-Packard Co.
3070 Directors Row
Directors Square
MEMPHIS, TN 38131
Tel: (901) 346-8370
A,C,M

Hewlett-Packard Co.
220 Great Circle Road, Suite 116
NASHVILLE, TN 37228
Tel: (615) 255-1271
A,C,E,M,P

Texas
Hewlett-Packard Co.
1826-P Kramer Lane
AUSTIN, TX 78758
Tel: (512) 835-6771
C,E,P*

Hewlett-Packard Co.
5700 Cromo Dr
EL PASO, TX 79912
Tel: (915) 833-4400
C,E*,M**

Hewlett-Packard Co.
3952 Sandshell Drive
FORT WORTH, TX 76137
Tel: (817) 232-9500
C

Hewlett-Packard Co.
10535 Harwin Drive
HOUSTON, TX 77036
Tel: (713) 776-6400
A,C,E,M,P*

Hewlett-Packard Co.
3301 Royal Lane
IRVING, TX 75063
Tel: (214) 869-3377
C,E

Hewlett-Packard Co.
109 E. Toronto, Suite 100
McALLEN, TX 78503
Tel: (512) 630-3030
C

Hewlett-Packard Co.
930 E. Campbell Rd.
RICHARDSON, TX 75081
Tel: (214) 231-6101
A,C,CM,E,M,P*

Hewlett-Packard Co.
1020 Central Parkway South
SAN ANTONIO, TX 78232
Tel: (512) 494-9336
A,C,E,M,P*

Utah
Hewlett-Packard Co.
3530 W. 2100 South St.
SALT LAKE CITY, UT 84119
Tel: (801) 974-1700
A,C,E,M

Virginia
Hewlett-Packard Co.
840 Greenbrier Circle
Suite 101
CHESAPEAKE, VA 23320
Tel: (804) 424-7105
C,E,M

Hewlett-Packard Co.
4305 Cox Road
GLEN ALLEN, VA 23060
Tel: (804) 747-7750
A,C,E,M,P*

Hewlett-Packard Co.
Tanglewood West Bldg.
Suite 240
3959 Electric Road
ROANOKE, VA 24018
Tel: (703) 774-3444
C,E,P

Washington
Hewlett-Packard Co.
15815 S.E. 37th Street
BELLEVUE, WA 98006
Tel: (206) 643-4000
A,C,CM,E,M

Hewlett-Packard Co.
North 708 Argonne Road
SPOKANE, WA 99212-2793
Tel: (509) 922-7000
C

West Virginia
Hewlett-Packard Co.
501 56th Street
CHARLESTON, WV 25304
Tel: (304) 925-0492
A,C,M

Wisconsin
Hewlett-Packard Co.
275 N. Corporate Dr.
BROOKFIELD, WI 53005
Tel: (414) 792-8800
A,C,E*,M

URUGUAY
Pablo Ferrando S.A.C. e I.
Avenida Italia 2877
Casilla de Correo 370
MONTEVIDEO
Tel: 80-3805
Telex: Public Booth 901
A,C,M,E,M

Olympia de Uruguay S.A.
Maquinas de Oficina
Avda. del Libertador 1997
Casilla de Correos 6644
MONTEVIDEO
Tel: 91-1809, 98-3807
Telex: 6342 OROU UY
P

VENEZUELA
Hewlett-Packard de Venezuela C.A.
3A Transversal Los Ruices Norte
Edificio Segre 2 & 3
Apartado 50933
CARACAS 1050
Tel: (582) 239-4133
Telex: 251046 HEWPACK
A,C,CM,E,M,P

Hewlett-Packard de Venezuela, C.A.
Centro Ciudad Comercial Tamanaco
Nivel C-2 (Nueva Etapa)
Local 53H05
Chua, **CARACAS**
Tel: 928291
P

Albis Venezolana S.R.L.
Av. Las Marias, Ota. Alix,
El Pedregal
Apartado 81025
CARACAS 1080A
Tel: 747984, 742146
Telex: 24009 ALBIS VC
A

Tecnologica Medica del Caribe, C.A.
Multicentro Empresarial del Este
Ave. Libertador
Edif. Libertador
Nucleo "C" - Oficina 51-52
CARACAS
Tel: 339867/333780
M

Hewlett-Packard de Venezuela C.A.
Residencias Tia Betty Local 1
Avenida 3 y con Calle 75
MARACAIBO, Estado Zulia
Apartado 2646
Tel: (5861) 80304
Telex: 62464 HPMAR
C,E*

Hewlett-Packard de Venezuela C.A.
Urb. Lomas de Este
Torre Trebol — Piso 11
VALENCIA, Estado Carabobo
Apartado 3347
Tel: (5841) 222992
C,P

YUGOSLAVIA
Do Hermes
General Zdanova 4
YU-11000 **BEOGRAD**
Tel: (011) 342 641
Telex: 11433
A,C,E,M,P

Do Hermes
Celovska 73
YU-61000 **LJUBLJANA**
Tel: (061) 553 170
Telex: 31583
A,C,E,M,P
Elektrotehna
Titova 51
YU-61000 **LJUBLJANA**
CM

Do Hermes
Kralja Tomislava 1
YU-71000 **SARAJEVO**
Tel: (071) 35 859
Telex: 41634
C**P

ZAIRE
Computer & Industrial Engineering
25, Avenue de la Justice
B.P. 12797
KINSHASA, Gombe
Tel: 32063
Telex: 21552
C,P

ZAMBIA
R.J. Tilbury (Zambia) Ltd.
P.O. Box 32792
LUSAKA
Tel: 215590
Telex: 40128
E

ZIMBABWE
Field Technical Sales (Private) Limited
45, Kelvin Road North
P.O. Box 3458
SALISBURY
Tel: 705 231
Telex: 4-122 RH
E,P

August 1986

Manual Part Number: 30242-90002
Printed in U.S.A., January 1988
Edition 1
E0188

