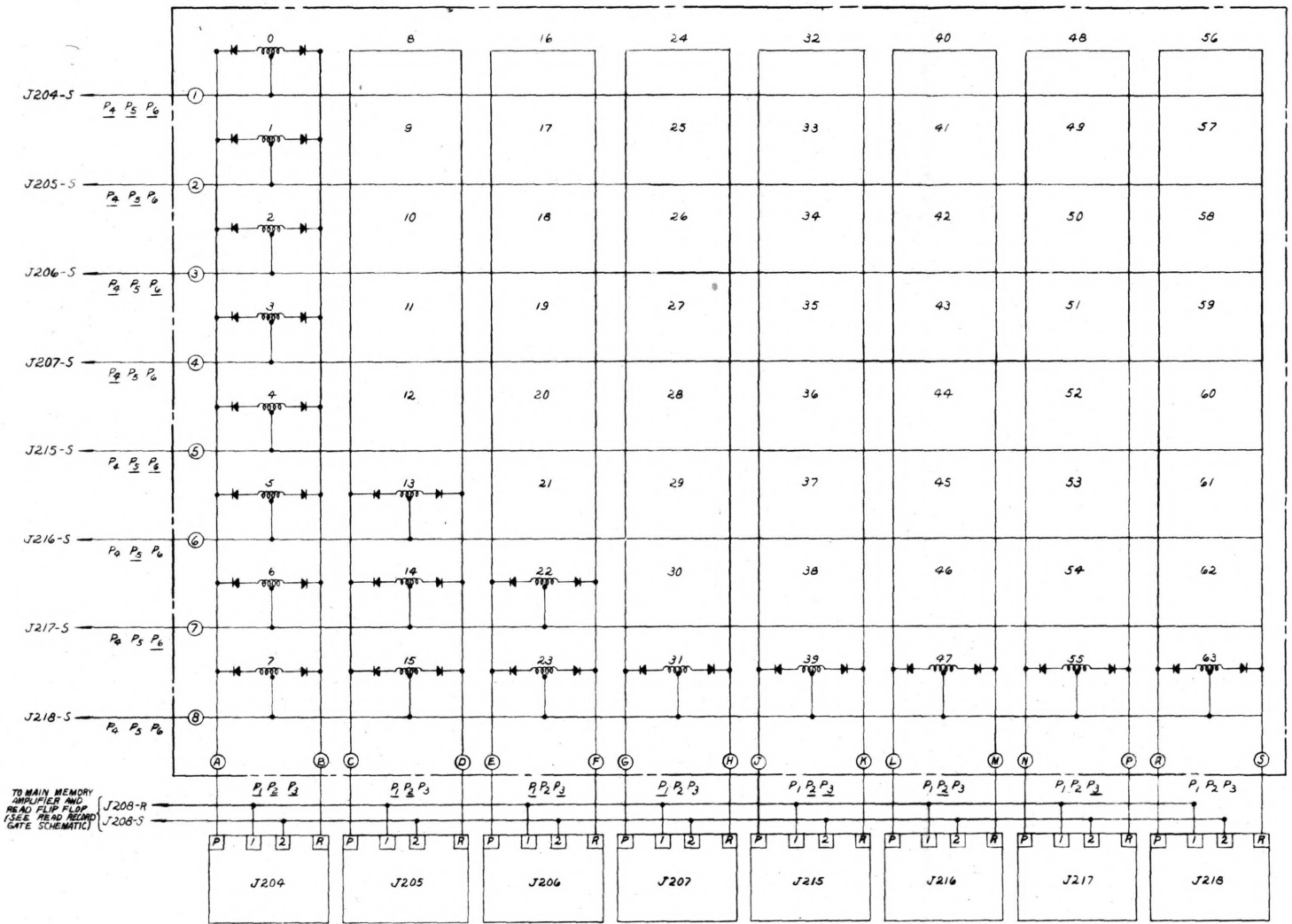


May 20, 1959

LGP-30 COMPUTER CHECK-OUT PRINTS

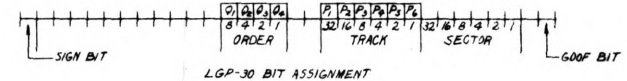
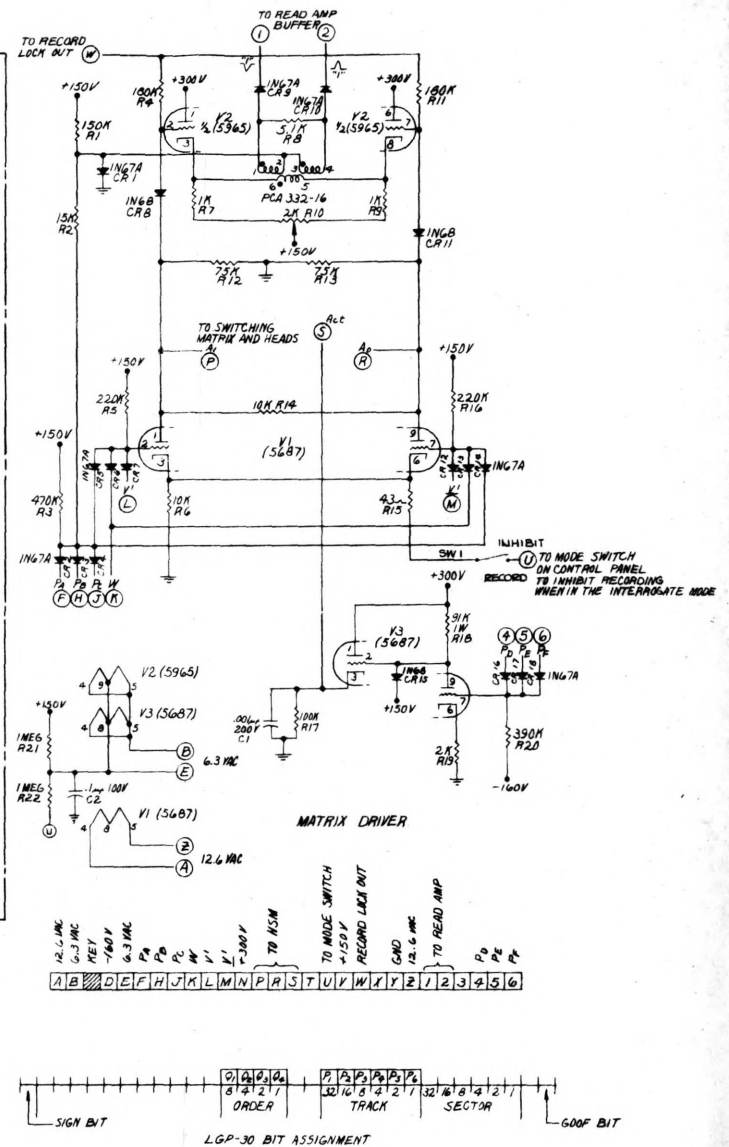
D	311951	Head Switching Matrix Schematic
D	312105	Installation LGP-30
C	312140	Power Sequence
C	312142	Control Panel Schematic
R	312144	Memory Section Internal Wiring
R	312146	Memory Drum Wiring Diagram
R	312148	Logic Section Internal Wiring
B	312150	Triple Inverter Schematic
B	312151	Triple Flip Flop Schematic
B	312152	Cathode Follower Schematic
B	312153	Thyratron Schematic
B	312154	Clock Generator Schematic
B	312155	Matrix Driver Schematic
B	312156-1	Read Flip Flop Schematic
B	312156-2	Read Flip Flop Schematic
B	312157	Record Amplifier Schematic
B	312158	Read Record Gate Diagram
C	312159	Vertical Deflection Amplifier Schematic
B	312160	Horizontal Sweep Generator Schematic
B	312166	Display Controls
D	312605	System Cables
A	312613	Line Cord
R	312618	Power Sequence Internal Wiring
C	312619	Power Supply
D	312623	Digital Display
B	313691	Terminal Connections
D	314172	Flexowriter Schematic
D	314611	Logic Board Schematic

Serial 335



TO MAIN MEMORY AMPLIFIER AND READ FLIP FLOP (SEE HEAD RECORD GATE SCHEMATIC)

11100 FASTZ
ADDED SWITCH
* 1 TO CONTACT U
OR W/V | 2-7-77
OR W/V | 2-7-77
OR W/V | 2-7-77

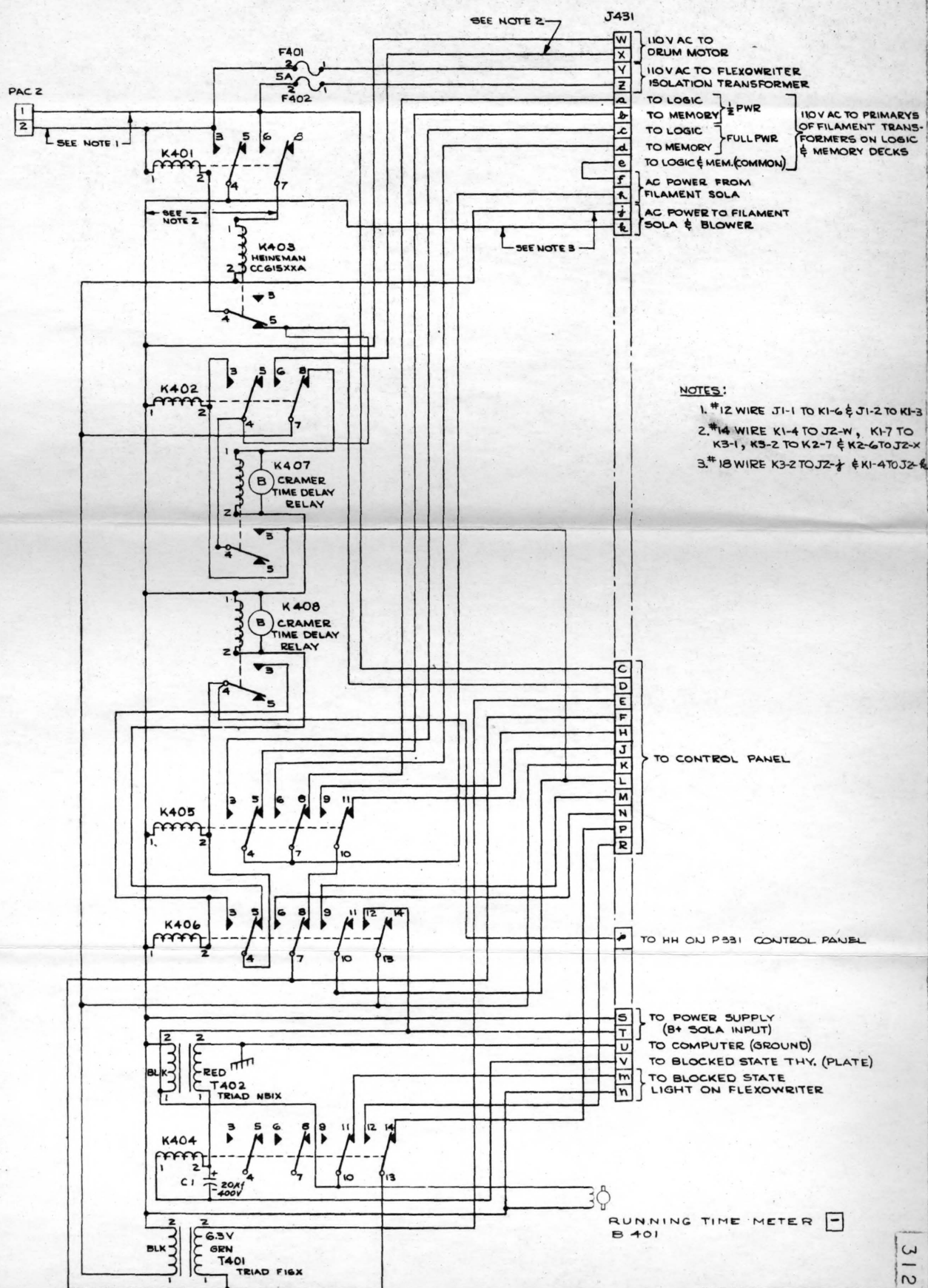


LGP-30 HEAD SWITCHING MATRIX-SCHEMATIC

LIBROSCOPE CORPORATION
IRVINE, CALIFORNIA, U.S.A.

311951

1-10-12-13-14
 ADDED RUNNING TIME METER
 E-4
 1-17-19-2
 1-21-23-5
 2-12-13-5
 REMOVED
 JUMPER WIRES
 FROM TO
 J-451-1 K-407-4
 K-408-4 K-407-5
 K-407-5 K-408-4
 K-405-2 K-402-2
 K-405-10 K-402-4
 K-405-5 K-402-4
 J-451-7 K-405-4
 ADDED
 JUMPER WIRES
 FROM TO
 J-451-1 K-407-5
 K-408-4 K-406-4
 K-406-4 K-405-2
 K-406-2 K-406-10
 K-406-10 K-407-5
 K-407-4 K-407-4
 K-405-5 K-402-4
 J-451-7 K-405-4
 DR. M. W. 12-4-54
 CR. J. 1-1-55

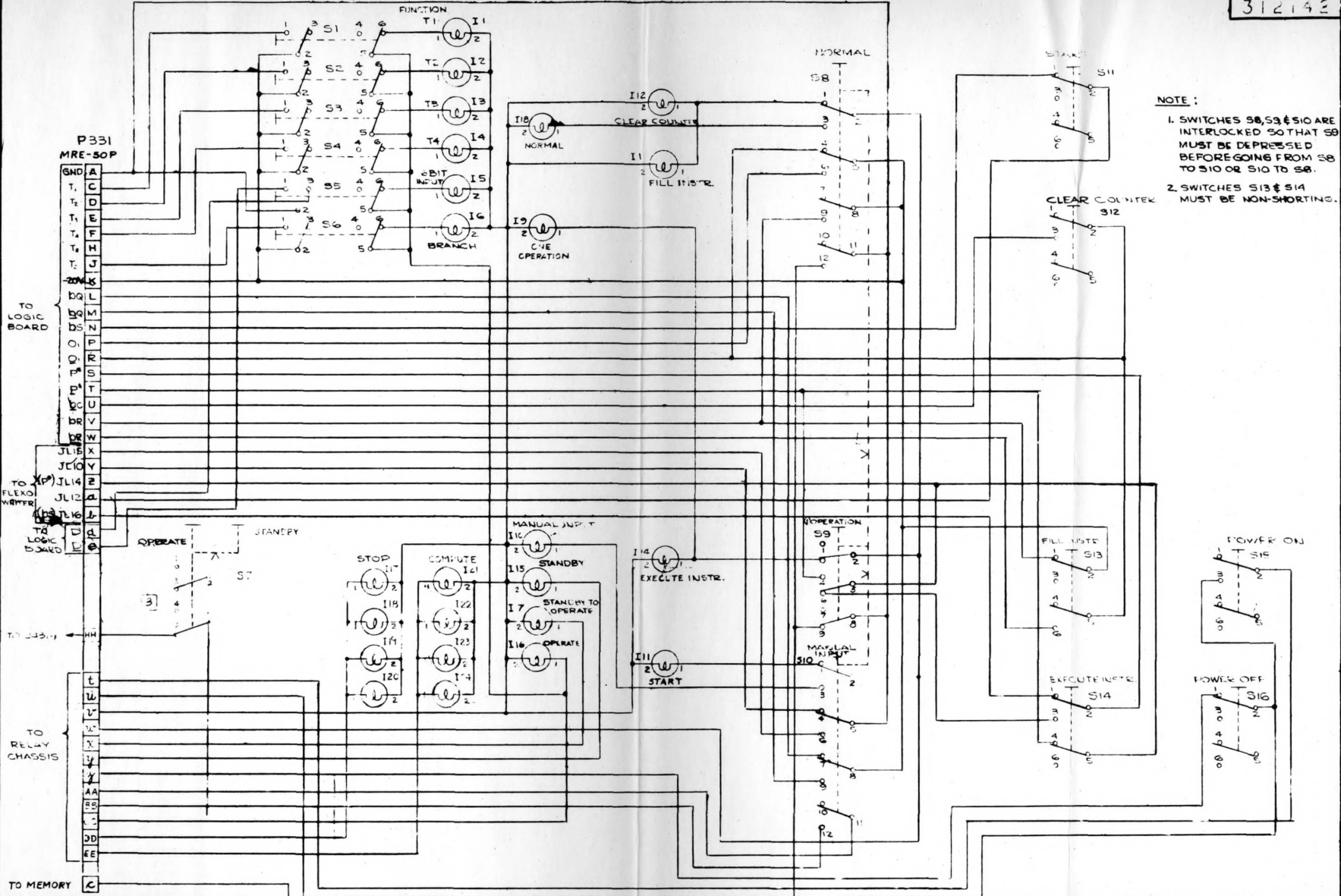


- NOTES:**
- #12 WIRE J1-1 TO K1-6 & J1-2 TO K1-3
 - #14 WIRE K1-4 TO J2-W, K1-7 TO K3-1, K3-2 TO K2-7 & K2-6 TO J2-X
 - #18 WIRE K3-2 TO J2-Z & K1-4 TO J2-Z


NA 312613
 LGP-30 POWER SEQUENCE CONTROL UNIT SCHEMATIC
 BRASCOPE
 NONE 312140

LPG-30 POWER SEQUENCE CONTROL UNIT SCHEMATIC

312140



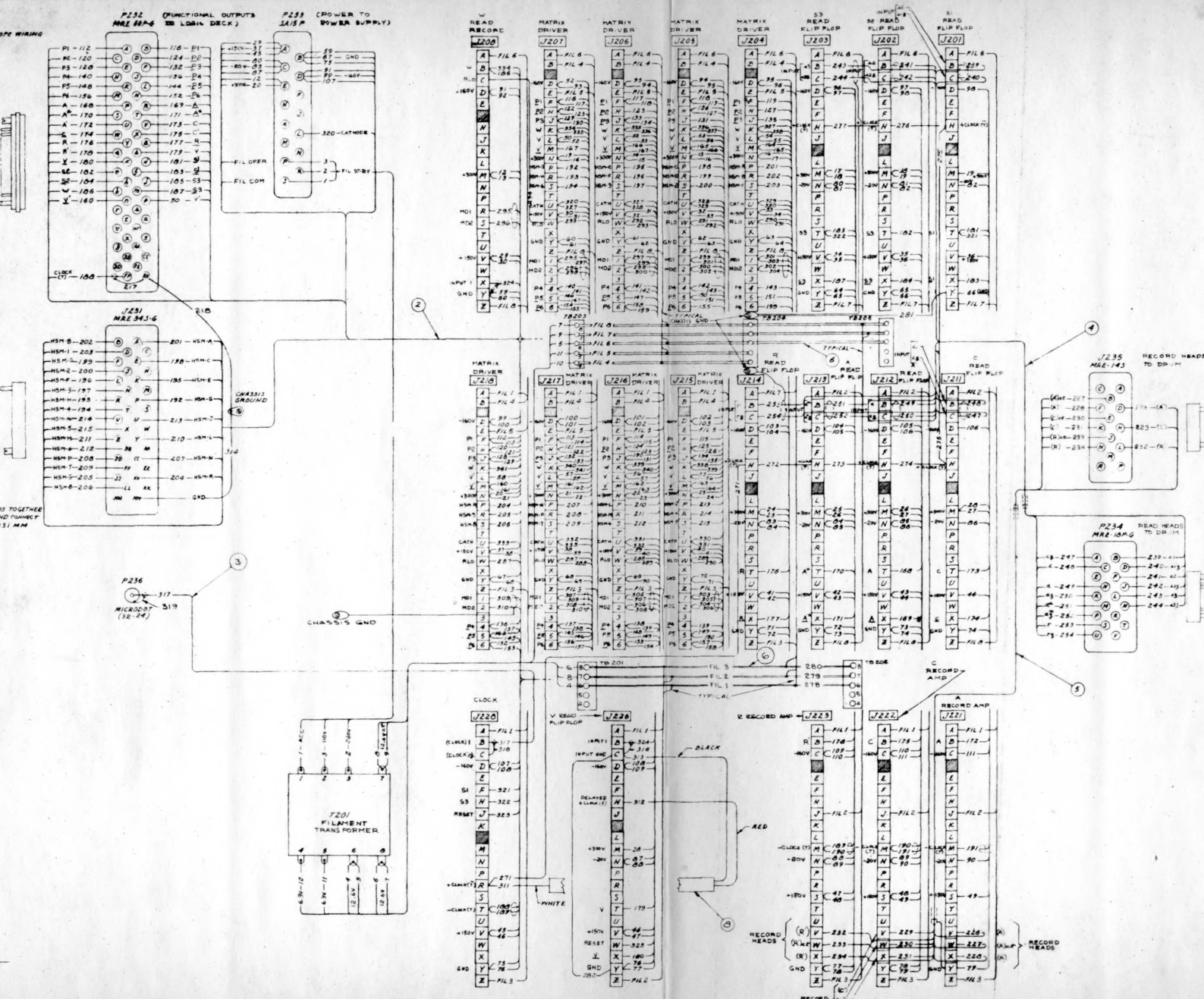
1	10-16-54
2	ADD'D BY JC
3	REVISION 10-16-54
4	REVISION 10-16-54
5	REVISION 10-16-54
6	REVISION 10-16-54
7	REVISION 10-16-54
8	REVISION 10-16-54
9	REVISION 10-16-54
10	REVISION 10-16-54
11	REVISION 10-16-54
12	REVISION 10-16-54
13	REVISION 10-16-54
14	REVISION 10-16-54
15	REVISION 10-16-54
16	REVISION 10-16-54
17	REVISION 10-16-54
18	REVISION 10-16-54
19	REVISION 10-16-54
20	REVISION 10-16-54
21	REVISION 10-16-54
22	REVISION 10-16-54
23	REVISION 10-16-54
24	REVISION 10-16-54
25	REVISION 10-16-54
26	REVISION 10-16-54
27	REVISION 10-16-54
28	REVISION 10-16-54
29	REVISION 10-16-54
30	REVISION 10-16-54

UNLESS OTHERWISE SPECIFIED		CONTROL PANEL SCHEMATIC		 LIBRASCOPE INCORPORATED BLENDALE, CALIFORNIA, U.S.A.
DIMENSIONS ARE IN INCHES TOLERANCES ON DIMENSIONS FRACTIONAL ± 1/64 8 PLACES ± .005 4 PLACES ± .008 ANGULAR ± 1° BREAK EDGES .005 MAX.	MATERIAL APPLIED FINISH	DRAWN BY CHECKED BY DATE	APPROVED BY DATE	
SCALE NONE				DRAWING NO. 312142

NA-212149

NOTE 1. WIRE IN ACCORDANCE WITH LIBRARYSCOPE WIRING INSTRUCTION MANUAL

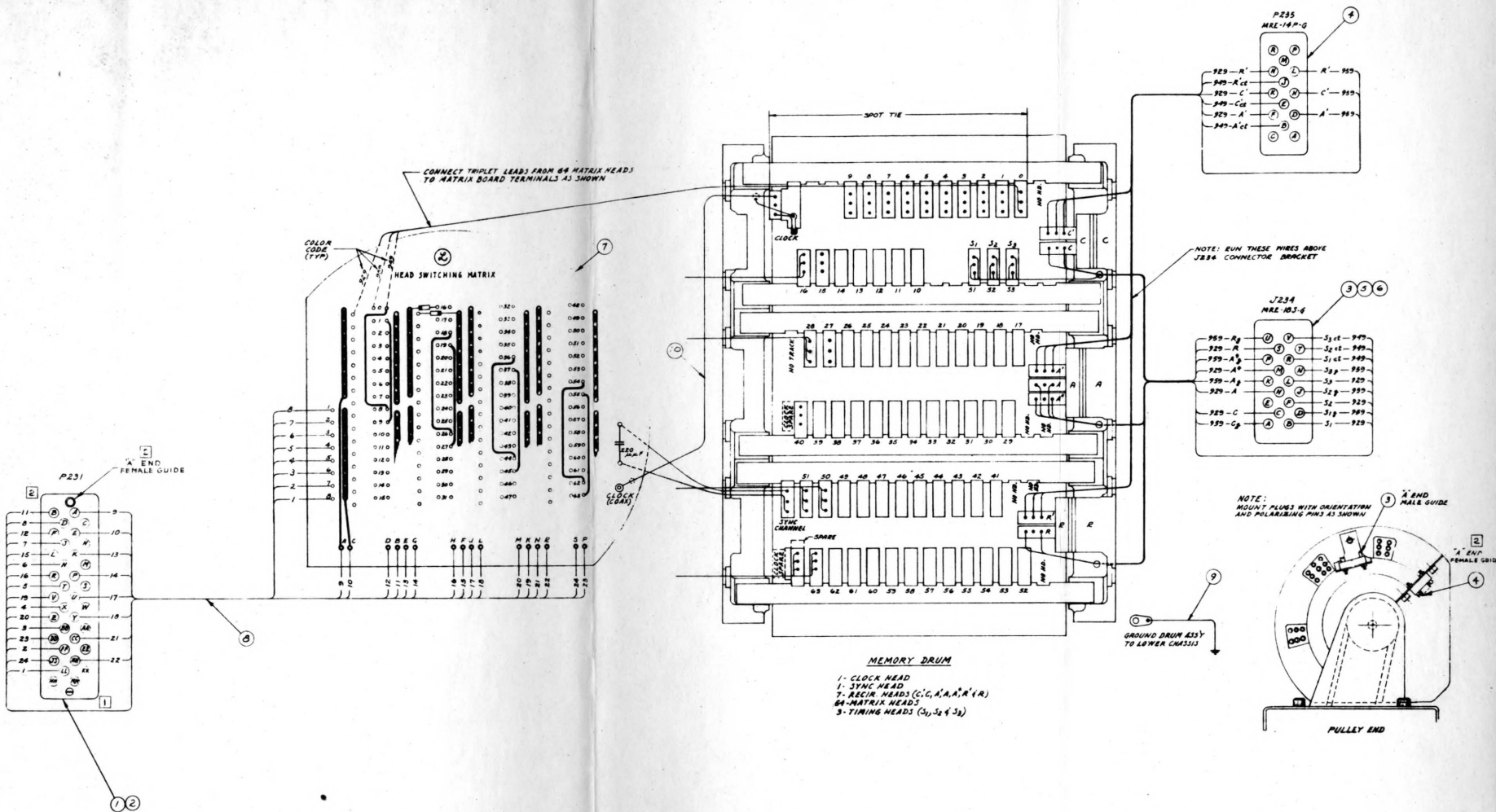
NOTE 2. THE SHIELDS TOGETHER AND CONNECT TO PIN 7231 MM



HAIRNESS B (FOR REF ONLY)

WIRE NO.	WIRE DESCRIPTION	FROM	TO	WIRE NO.	WIRE DESCRIPTION
1	122006-4000	P233-S	T201-1	91	122006
2	-4933	P233-R	T201-3	92	122006
3	-4930	P233-P	T201-2	93	
4	-6999	T201-6	T201-8	94	
5	-6999	T201-6	T201-8	95	
6		T201-6	T201-6	96	
7		T201-6	T201-6	97	
8		T201-7	T201-7	98	
9	-6999	T201-7	T201-7	99	
10	-6999	T201-4	T201-4	100	
11	-6999	T201-6	T201-8	101	
12	-2999	P233-E	J200-M	102	
13		J200-M	J201-N	103	
14		J201-N	J200-N	104	
15		J200-N	J201-N	105	
16		J200-N	J201-N	106	
17		J200-N	J201-N	107	
18		J201-M	J201-M	108	
19		J201-M	J201-M	109	
20		J201-M	J201-N	110	
21		J201-N	J201-N	111	
22		J201-N	J201-N	112	
23		J201-N	J201-N	113	
24		J201-N	J201-M	114	
25		J201-N	J201-N	115	
26		J201-M	J201-M	116	
27		J201-M	J201-M	117	
28		J201-M	J201-M	118	
29		P233-A	J200-V	119	
30		J200-V	J201-V	120	
31		J201-V	J200-V	121	
32		J200-V	J201-V	122	
33		J200-V	J201-V	123	
34		J201-V	J201-V	124	
35		J201-V	J201-V	125	
36		J201-V	J201-V	126	
37		P233-B	J201-W	127	
38		J201-W	J201-V	128	
39		J201-V	J201-V	129	
40		J201-V	J201-V	130	
41		J201-V	J201-V	131	
42		J201-V	J201-V	132	
43		J201-V	J201-V	133	
44		J201-V	J201-V	134	
45		P233-A	J200-V	135	
46		J200-V	J201-V	136	
47		J201-V	J201-V	137	
48		J201-V	J201-V	138	
49	-2999	J222-S	J221-L	139	
50	-1099	P232-A	J201-L	140	
51		J201-L	J201-L	141	
52		J201-L	J201-L	142	
53		J201-L	J201-L	143	
54		J201-L	J201-L	144	
55		J201-L	J201-L	145	
56		J201-L	J201-L	146	
57		J201-L	J201-L	147	
58	-1999	J201-L	J201-L	148	
59	-2999	P233-B	J200-V	149	
60		J200-V	J201-V	150	
61		J201-V	J200-V	151	
62		J200-V	J201-V	152	
63		J201-V	J201-V	153	
64		J201-V	J201-V	154	
65		J201-V	J201-V	155	
66		J201-V	J201-V	156	
67		P233-B	J201-W	157	
68		J201-W	J201-V	158	
69		J201-V	J201-V	159	
70		J201-V	J201-V	160	
71		J201-V	J201-V	161	
72		J201-V	J201-V	162	
73		J201-V	J201-V	163	
74		J201-V	J201-V	164	
75		P233-B	J200-V	165	
76		J200-V	J201-V	166	
77		J201-V	J201-V	167	
78		J201-V	J201-V	168	
79		J201-V	J201-V	169	
80		P233-C	J200-N	170	
81		J200-N	J201-N	171	
82		J201-N	J200-N	172	
83		P233-C	J201-N	173	
84		J201-N	J201-N	174	
85		J201-N	J201-N	175	
86		J201-N	J201-N	176	
87		P233-C	J200-N	177	
88		J200-N	J201-N	178	
89		J201-N	J200-N	179	
90	122006-2999	J212-N	J211-N	180	122006

NOTES:
 1. WIRE IN ACCORDANCE WITH LIBRASCOPE WIRING INSTRUCTION MANUAL.
 2. SEE DWG NO 311951 FOR SCHEMATIC (HEAD SWITCHING MATRIX)



QTY	DESCRIPTION	REF	WIRE	MICRODOT CABLE CAT. NO. 80-3904
9	GROUND WIRE	R1A		
8	HARNESSES	1		
7	HEAD SWITCHING MATRIX			
6	SCREW			
5	WHEEL PLUG			
4	WINCHESTER PLUG CAT. NO. MRE-103-G			
3	WINCHESTER RECFACE CARTRIDGE MRE-103-G			
2	WINCHESTER HOOD CAT. NO. MRE-30-F			
1	WINCHESTER PLUG CAT. NO. MRE-34-F-G			

48-3108-1

DWG No. 48-3108-1

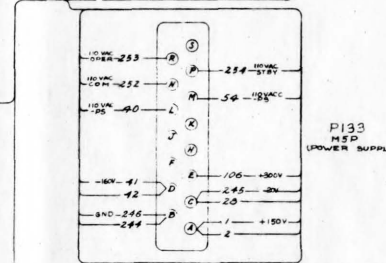
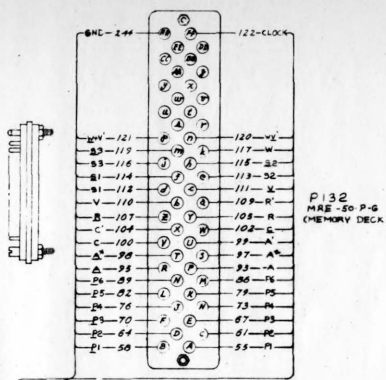
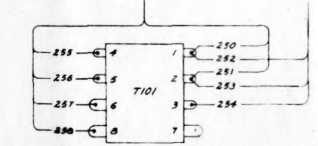
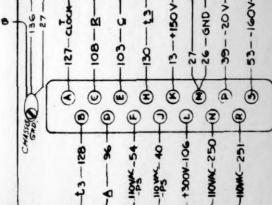
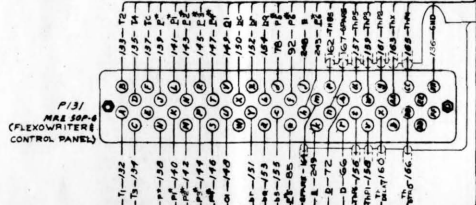
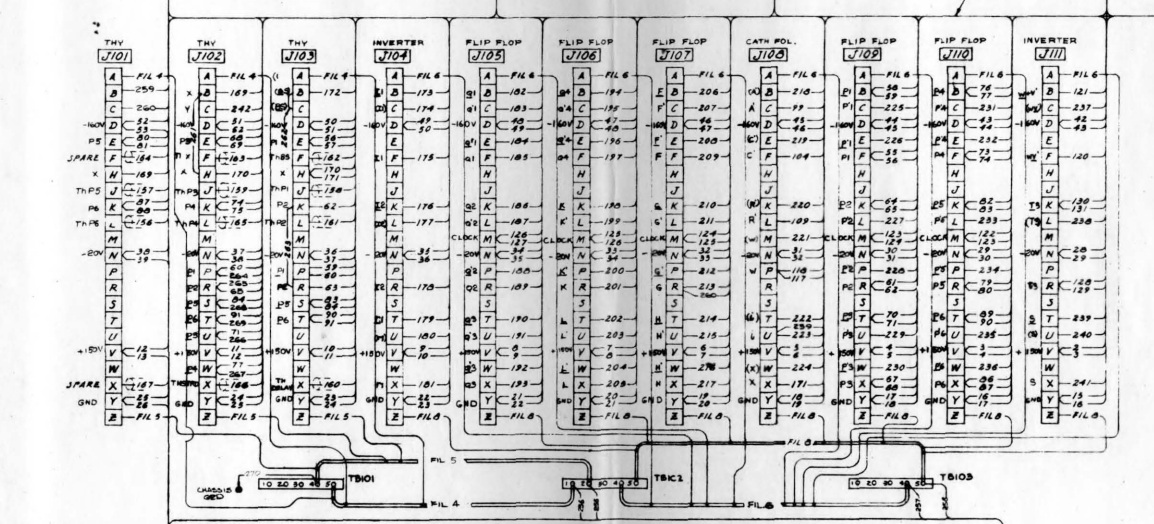
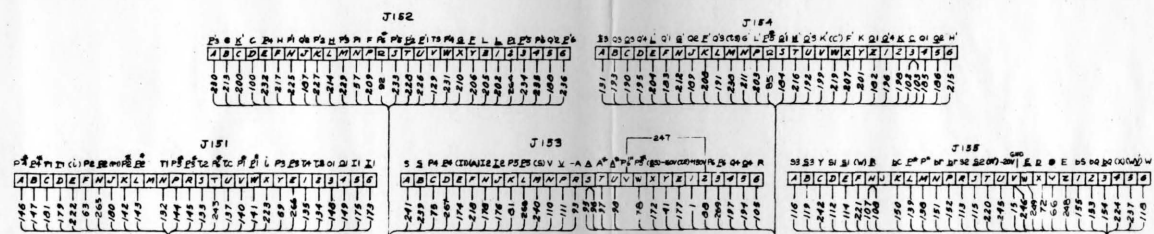
LIBRASCOPE
 MEMPHIS, TENNESSEE
 ELIZABETH, CALIFORNIA, U.S.A.

DESCRIPTION
 MEMORY DRUM
 INTERNAL WIRING DIAGRAM

DATE: 11/22/57

92146

NOTES:
 1. WIRE IN ACCORDANCE WITH LIBRASCOPRE WIRING INSTRUCTION MANUAL.



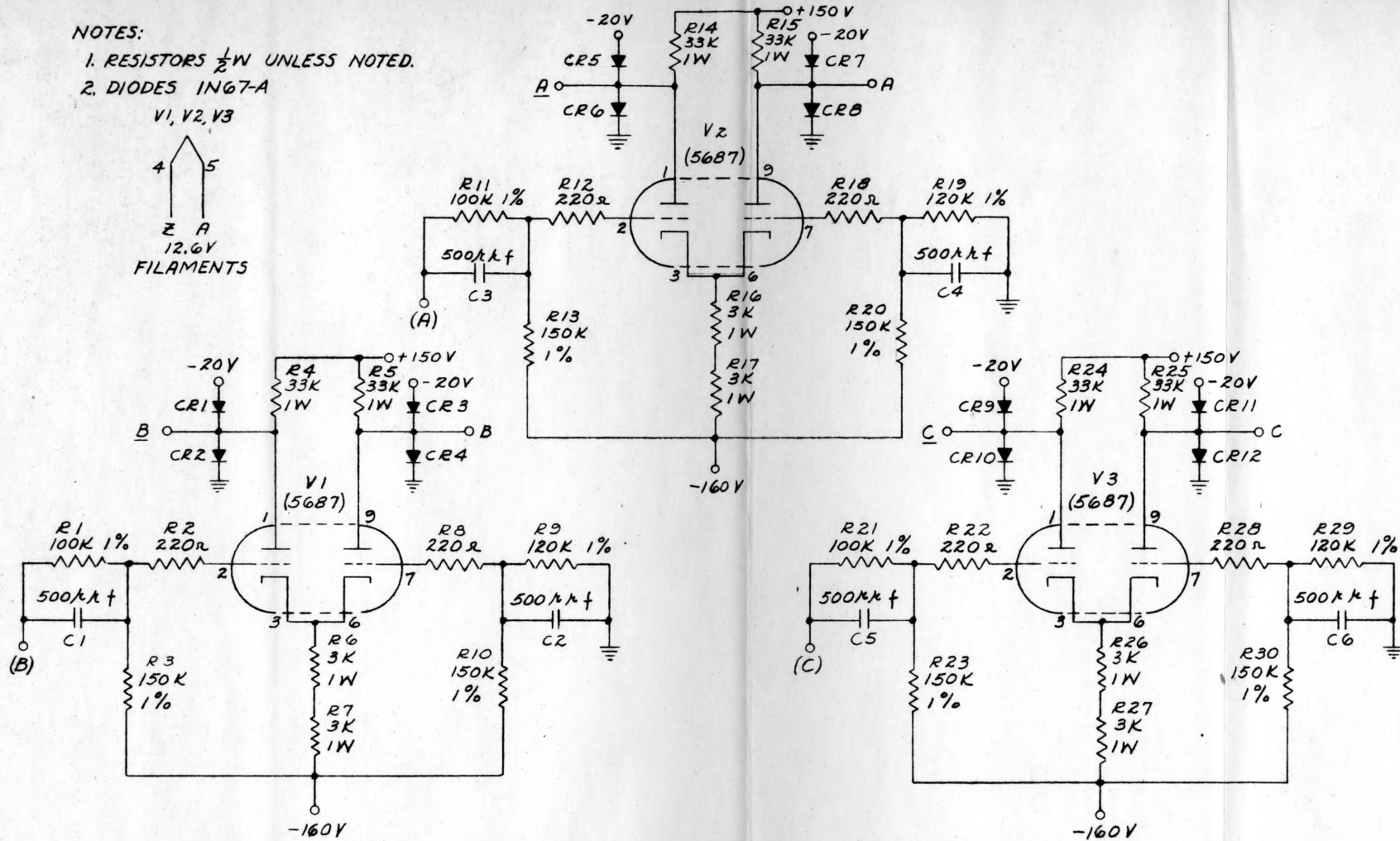
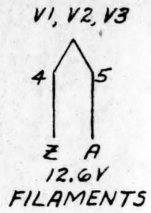
NOTE:
 HARNESS

WIRE NO.	WIRE CO.
1	122000
2	
3	
4	
5	
6	
7	
8	
9	
10	
11	
12	
13	
14	
15	
16	
17	
18	
19	
20	
21	
22	
23	
24	
25	
26	
27	
28	
29	
30	
31	
32	
33	
34	
35	
36	
37	
38	
39	
40	
41	
42	
43	
44	
45	
46	
47	
48	
49	
50	
51	
52	
53	
54	
55	
56	
57	
58	
59	
60	
61	
62	
63	
64	
65	
66	
67	
68	
69	
70	
71	
72	
73	
74	
75	
76	
77	
78	
79	
80	
81	
82	122000

REVISIONS
 1 - 60 12340
 2 - 60 12340
 3 - 60 12340
 4 - 60 12340
 5 - 60 12340
 6 - 60 12340
 7 - 60 12340
 8 - 60 12340
 9 - 60 12340
 10 - 60 12340
 11 - 60 12340
 12 - 60 12340
 13 - 60 12340
 14 - 60 12340
 15 - 60 12340
 16 - 60 12340
 17 - 60 12340
 18 - 60 12340
 19 - 60 12340
 20 - 60 12340
 21 - 60 12340
 22 - 60 12340
 23 - 60 12340
 24 - 60 12340
 25 - 60 12340
 26 - 60 12340
 27 - 60 12340
 28 - 60 12340
 29 - 60 12340
 30 - 60 12340
 31 - 60 12340
 32 - 60 12340
 33 - 60 12340
 34 - 60 12340
 35 - 60 12340
 36 - 60 12340
 37 - 60 12340
 38 - 60 12340
 39 - 60 12340
 40 - 60 12340
 41 - 60 12340
 42 - 60 12340
 43 - 60 12340
 44 - 60 12340
 45 - 60 12340
 46 - 60 12340
 47 - 60 12340
 48 - 60 12340
 49 - 60 12340
 50 - 60 12340
 51 - 60 12340
 52 - 60 12340
 53 - 60 12340
 54 - 60 12340
 55 - 60 12340
 56 - 60 12340
 57 - 60 12340
 58 - 60 12340
 59 - 60 12340
 60 - 60 12340
 61 - 60 12340
 62 - 60 12340
 63 - 60 12340
 64 - 60 12340
 65 - 60 12340
 66 - 60 12340
 67 - 60 12340
 68 - 60 12340
 69 - 60 12340
 70 - 60 12340
 71 - 60 12340
 72 - 60 12340
 73 - 60 12340
 74 - 60 12340
 75 - 60 12340
 76 - 60 12340
 77 - 60 12340
 78 - 60 12340
 79 - 60 12340
 80 - 60 12340
 81 - 60 12340
 82 - 60 12340

NOTES:

1. RESISTORS $\frac{1}{2}$ W UNLESS NOTED.
2. DIODES 1N67-A



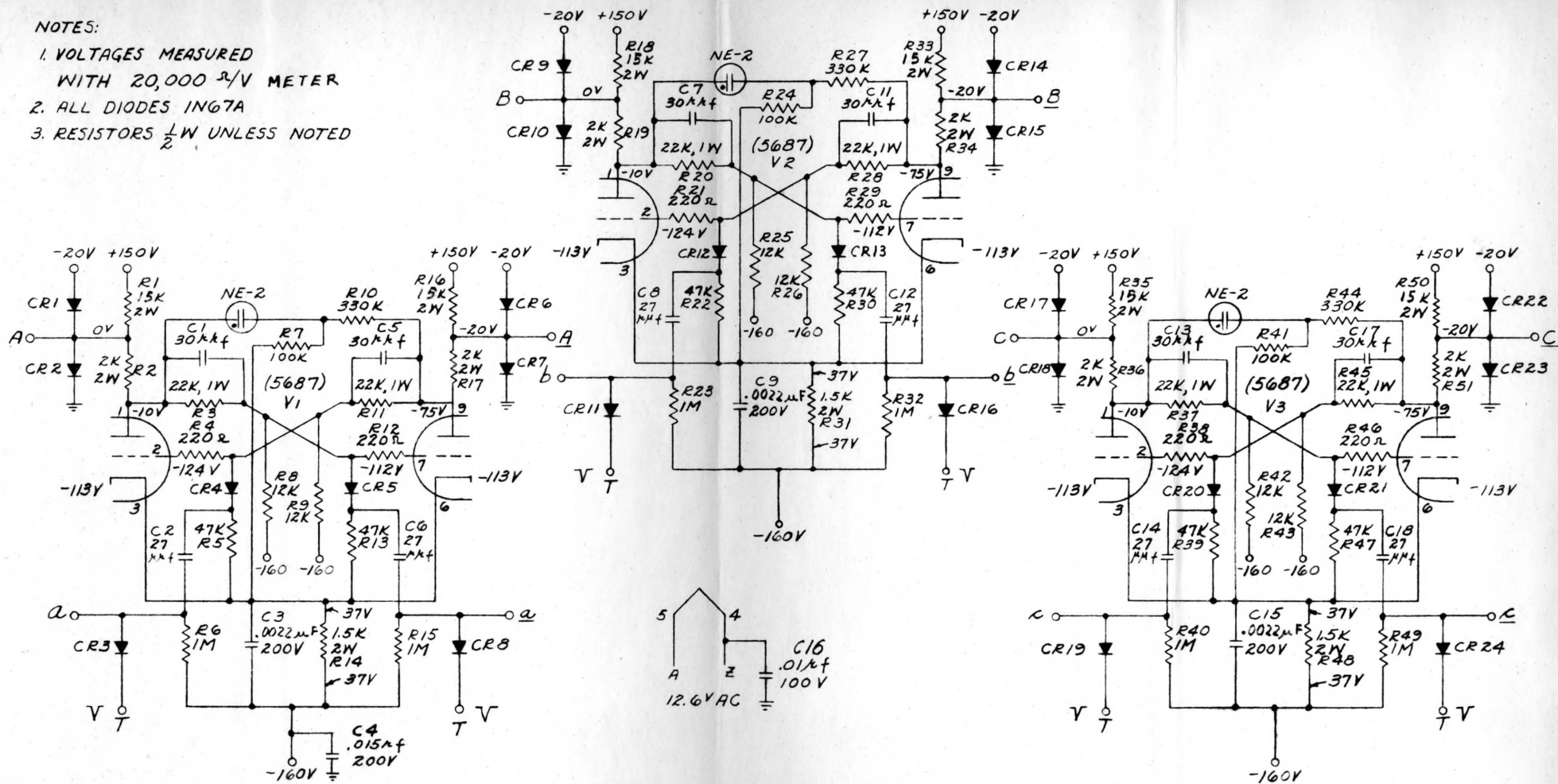
FIL G	A	(A)	-160V	A	B	(B)	-20V	B	C	(C)	+150V	C	GND	FIL B								
A	B	C	D	E	F	G	H	J	K	L	M	N	P	R	S	T	U	V	W	X	Y	Z

MATERIAL	TOLERANCES	TITLE	LIBRASCOPE LIBRASCOPE INCORPORATED INCORPORATED GLENDALE, CALIFORNIA GLENDALE, CALIFORNIA		
APPLIED FINISH	FRACTIONAL $\pm 1/64"$ 3 PLACE DEC. $\pm .008"$ 4 PLACE DEC. $\pm .0008"$ ANGULAR $\pm 1^\circ$ BREAK EDGES .008 MAX.	LGP-30 INVERTER	DRAWN DATE	CHECKED DATE	APP'D DATE
			12-9-55	4/1/56	4/11/56
			LIBRASCOPE DRAWING NUMBER 312150		

REVISIONS

NOTES:

1. VOLTAGES MEASURED WITH 20,000 Ω/V METER
2. ALL DIODES 1N67A
3. RESISTORS 1/2 W UNLESS NOTED



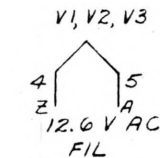
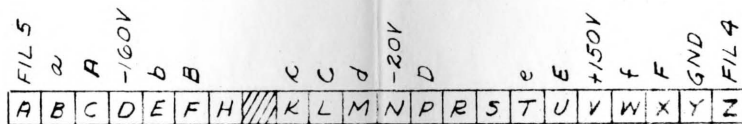
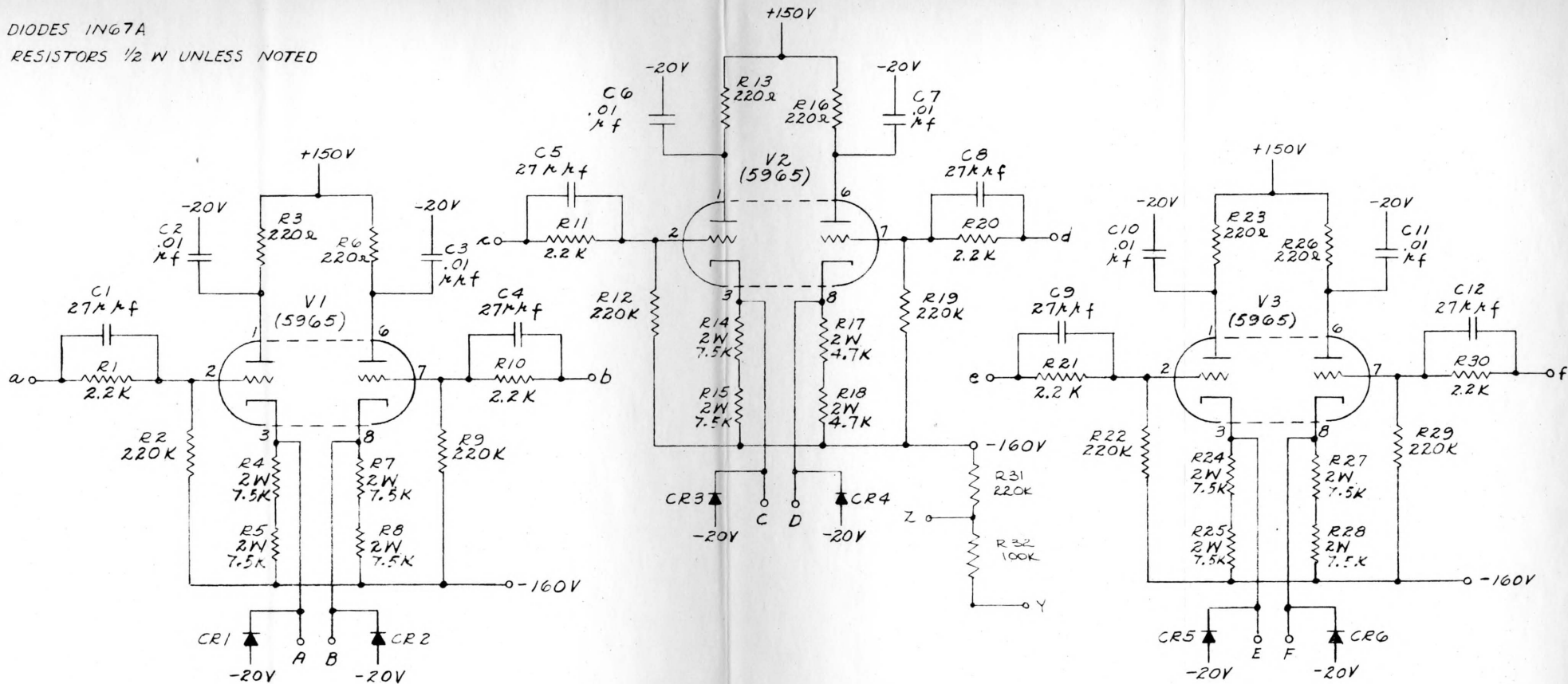
FIL 5	A	B	-160V	A	B	b	T	-20V	b	B	C	C	+150V	C	GND	FIL 4					
A	B	C	D	E	F		J	K	L	M	N	P	R	S	T	U	V	W	X	Y	Z

MATERIAL	TOLERANCES	TITLE	LIBRASCOPE INCORPORATED GLENDALE, CALIFORNIA	
APPLIED FINISH	FRACTIONAL ± 1/64" 3 PLACE DEC. ± .003" 4 PLACE DEC. ± .0005" ANGULAR ± 1° BREAK EDGES .005 MAX.	LGP-30 FLIP FLOP	LIBRASCOPE DRAWING NUMBER	312151
		DRAWN DATE 12-19-55	CHECKED DATE 4-4-56	APP'VD DATE 4/11/56

REVISIONS

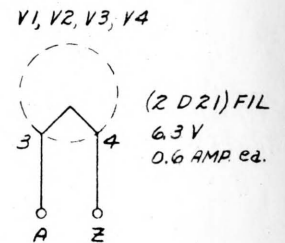
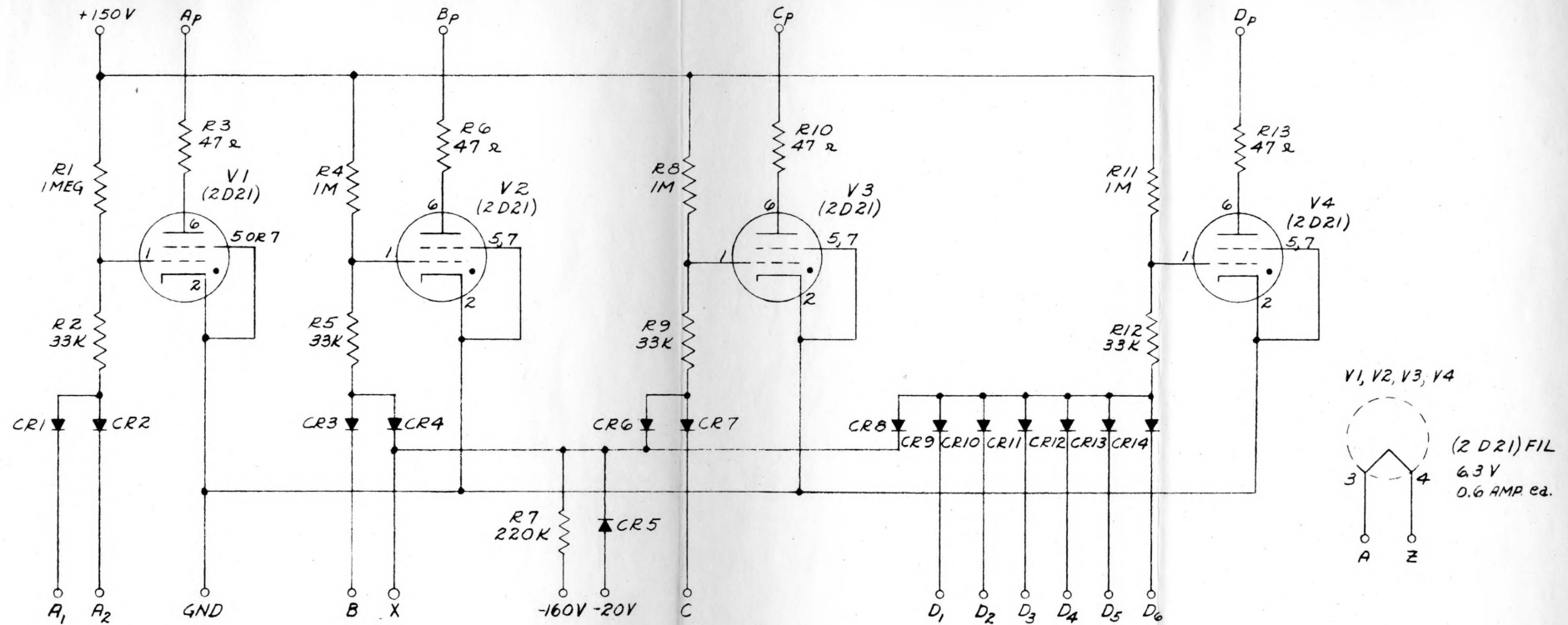
NOTES:

1. ALL DIODES 1N67A
2. ALL RESISTORS 1/2 W UNLESS NOTED



8/17/56
ADDED R 22 AND R 32
REVISIONS

MATERIAL	TOLERANCES	TITLE		LIBRASCOPE	
	FRACTIONAL ± 1/64"	LGP-30 CATHODE FOLLOWER		LIBRASCOPE INCORPORATED	
APPLIED FINISH	3 PLACE DEC. ± .005"	DRAWN DATE	CHECKED DATE	GLENDALE, CALIFORNIA	
	4 PLACE DEC. ± .0005"	12-13-55	4-11-56	LIBRASCOPE DRAWING NUMBER	
	ANGULAR ± 1°	APP'D DATE		312152	
	BREAK EDGES .005 MAX.	4-11-56			



NOTES:
 1. ALL RESISTORS 1/2 WATT.
 2. ALL DIODES 1N67A

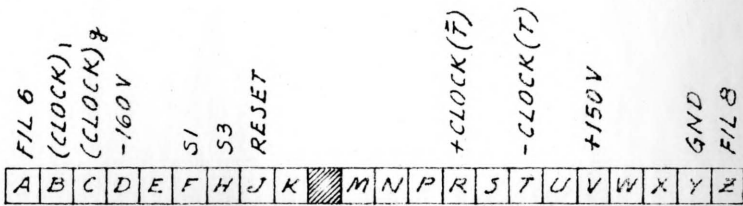
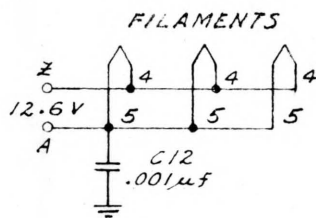
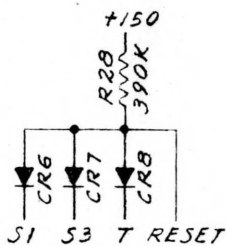
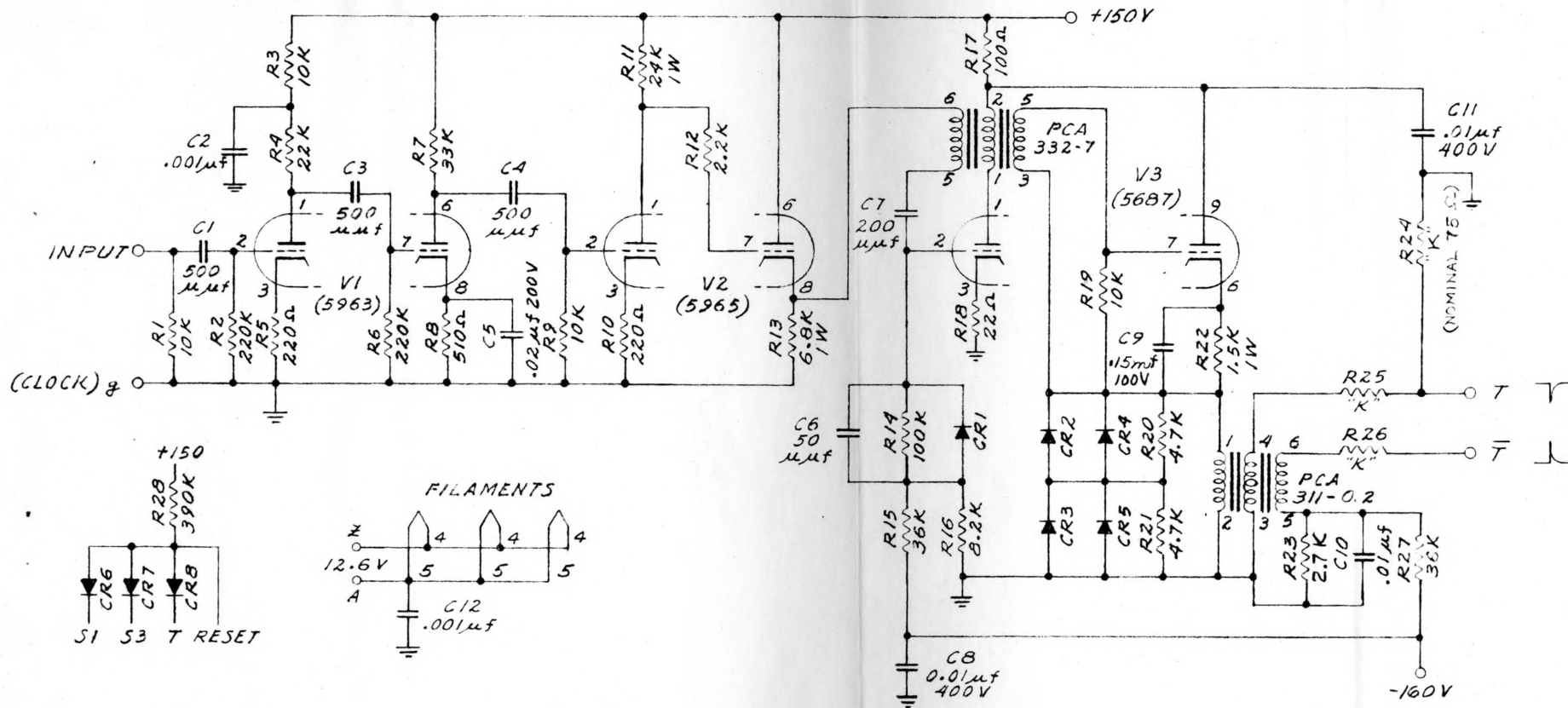
FIL A	A1	A2	-160V	B	AP	X	Bp	C	Cp	-20V	D1	D2	D3	D4	D5	+150	D6	DP	GND	FIL 5
A	B	C	D	E	F	H	J	K	L	N	P	R	S	T	U	V	W	X	Y	Z

REVISIONS

MATERIAL	TOLERANCES	TITLE	LIBRASCOPE
APPLIED FINISH	FRACTIONAL ± 1/64" 3 PLACE DEC. ± .005" 4 PLACE DEC. ± .0005" ANGULAR ± 1° BREAK EDGES .005 MAX.	LGP-30 THYRATRON CARD	LIBRASCOPE INCORPORATED GLENDALE, CALIFORNIA
	DRAWN DATE 12-13-55	CHECKED DATE 1-11-56	LIBRASCOPE DRAWING NUMBER 312153
		APPLY'D DATE 1/1/56	

NOTES:

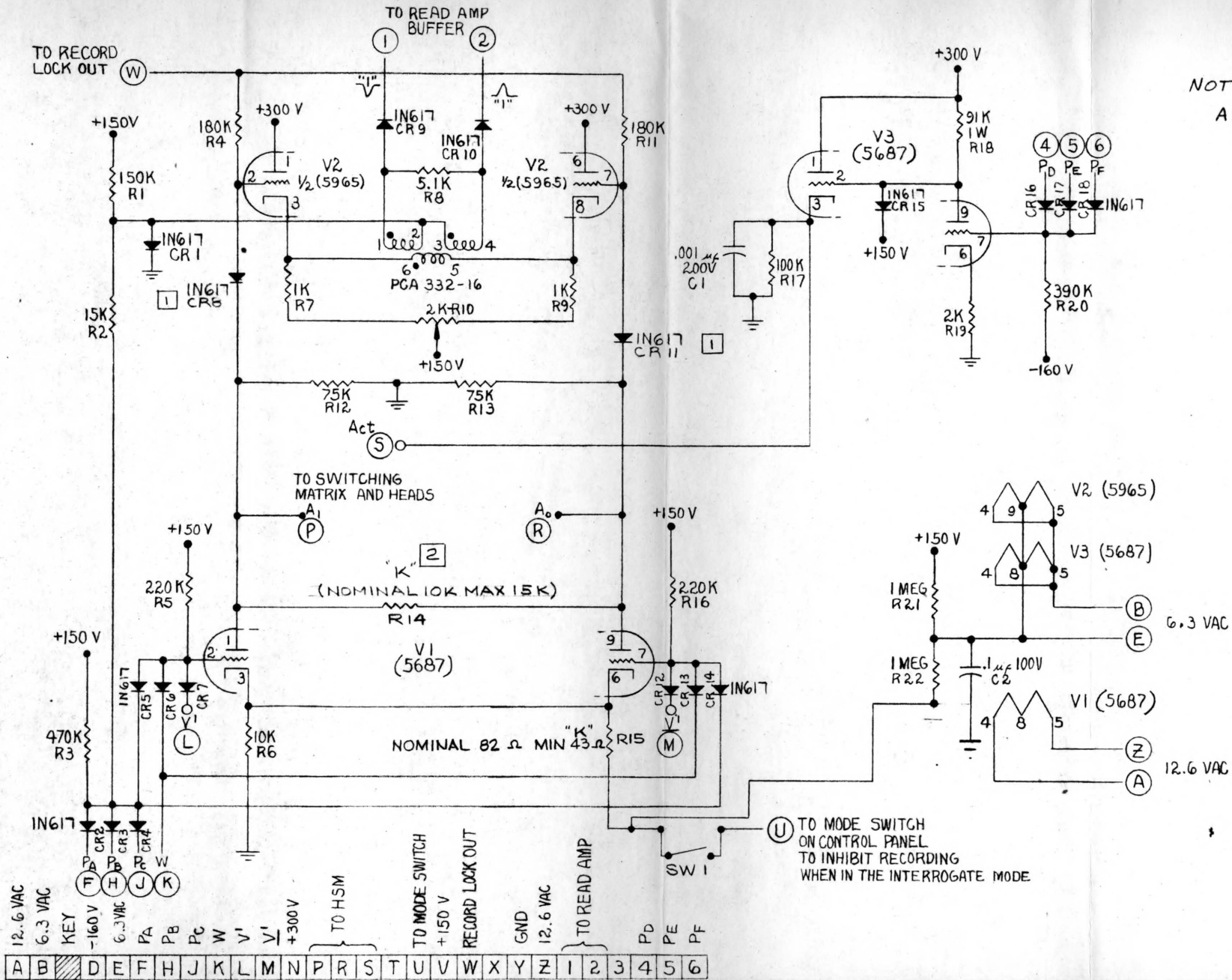
1. ALL DIODES 1N67A
2. ALL RESISTORS 1/2 W UNLESS NOTED.



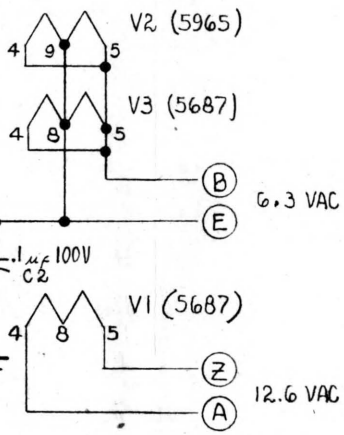
1-1	EO. 17264
R24 - 1K 1W	
CHANGED TO "K"	
(NOMINAL 75Ω)	
DB JPA	4-22-57
CH 222	4-22-57
CH 222	4-22-57
HEWSON 11-30-56	
O. NO. 16056	
R23 WAS 5.1 K	
C10 WAS .001μf	
1	400V
REVISIONS	

MATERIAL	TOLERANCES	TITLE	LIBRASCOPE
APPLIED FINISH	FRACTIONAL ± 1/64"	LGP-30 CLOCK GEN	LIBRASCOPE
	3 PLACE DEC. ± .005"	SCHEMATIC	INCORPORATED
	4 PLACE DEC. ± .0005"		GLENDALE, CALIFORNIA
	ANGULAR ± 1°	DRAWN DATE	LIBRASCOPE DRAWING NUMBER
	BREAK EDGES .005 MAX.	ERHARDT	312154
		11-9-55	
		CHECKED DATE	
		5-11-56	
		APP'D DATE	
		ABans 4/1/56	

DR MW	3-17-59
CH	2-2 3-18-59
R15 WAS 43Ω	
4	EO 29975
DR MW	2-9-59
CH	2-9-59
ADDED SWITCH "1" TO CONTACT "L"	
3-1	EO 28411
DR SRA	6-11-58
CH	6-12-58
INCORPORATED EO 29275	
R14 K (NOMINAL 2K MAX 15K)	
WAS R14 10K	
2-1	EO 23013
EO 15455	
DR	2-22-59
1-2	ING7A WAS ING8A
REVISIONS	



NOTES
ALL RESISTORS 1/2 WT.
UNLESS NOTED

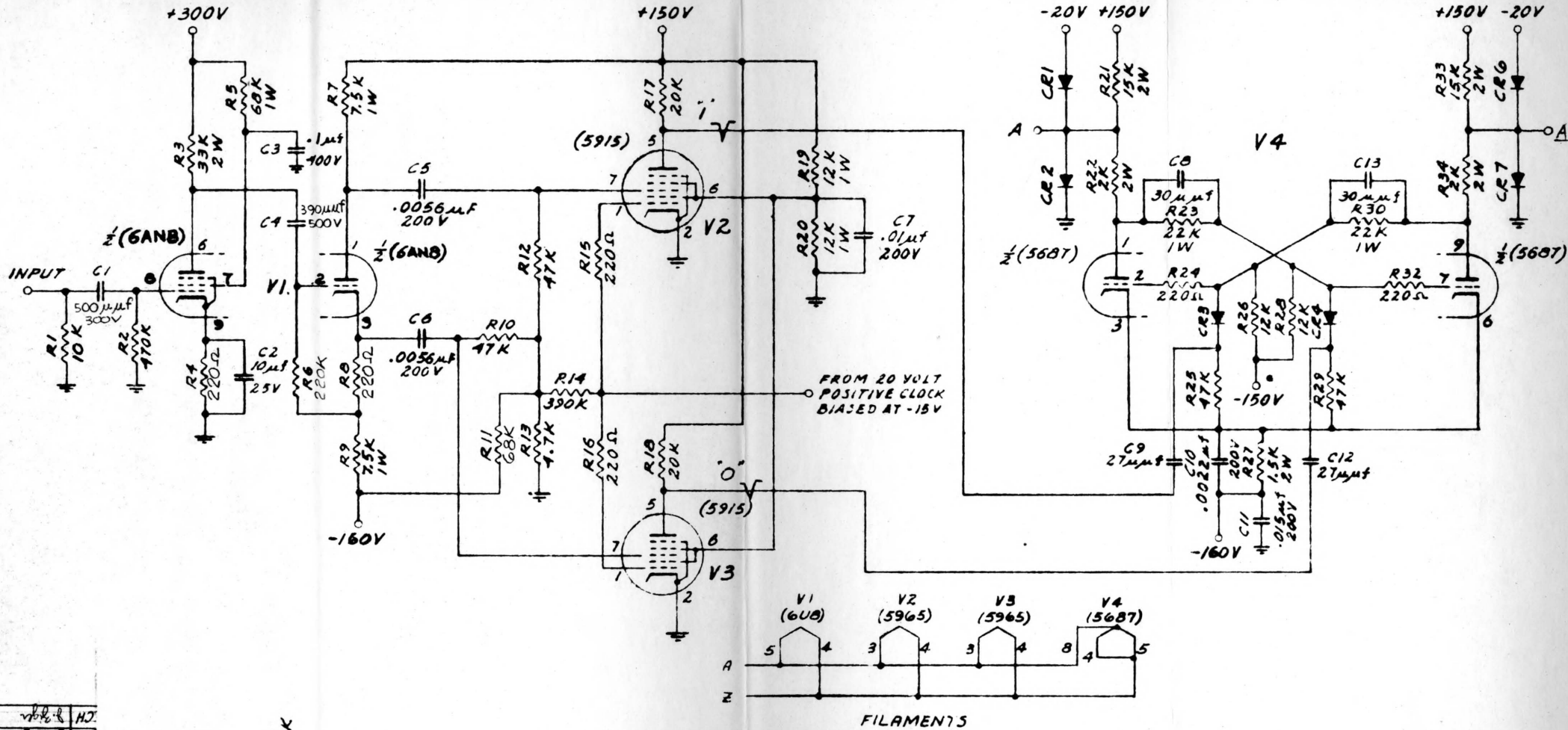


A B C D E F G H I J K L M N P R S T U V W X Y Z 1 2 3 4 5 6

MATERIAL	TOLERANCES	TITLE	LIBRASCOPE
APPLIED FINISH	FRACTIONAL ± 1/64" 3 PLACE DEC. ± .005" 4 PLACE DEC. ± .0005" ANGULAR ± 1° BREAK EDGES .005 MAX.	LGP-30 MATRIX DRIVER	LIBRASCOPE INCORPORATED GLENDALE, CALIFORNIA
	DRAWN DATE	CHECKED DATE	APP'D DATE
	17/8/56 4-12-56	4-13-56	4/12/56
LIBRASCOPE DRAWING NUMBER			312155

NOTES:

1. ALL DIODES 1N617
2. RESISTORS 1/8W UNLESS NOTED.



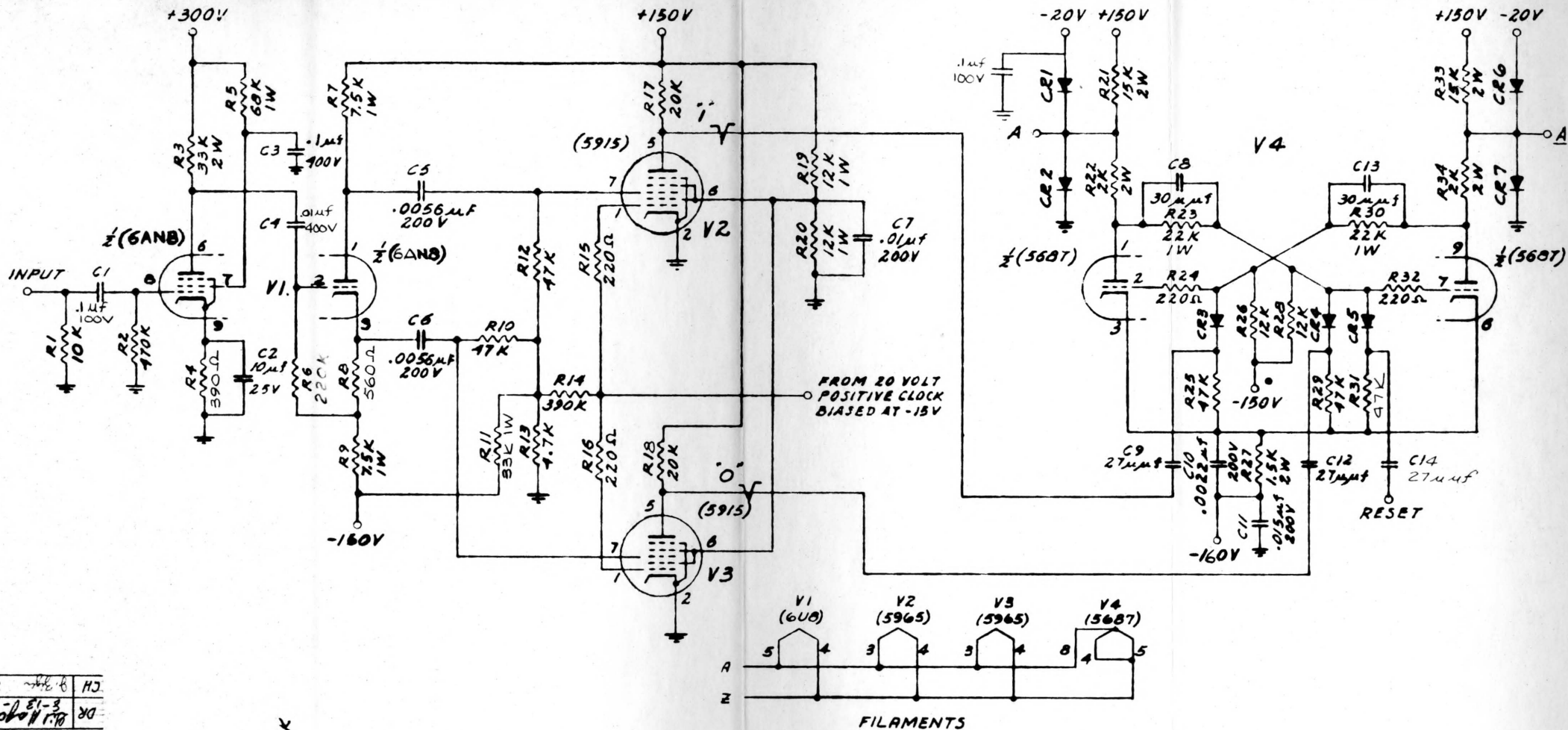
FIL 6	INPUT	GND	-160V	(\bar{T}) + CLOCK	+300V	-20V	A	+150V	RESET	A	GND	FIL 7									
A	B	C	D	E	F	G	H	J	L	M	N	P	R	S	T	U	V	W	X	Y	Z

MATERIAL	TOLERANCES	TITLE	LIBRASCOPY
APPLIED FINISH	FRACTIONAL $\pm 1/16"$ 3 PLACE DEC. $\pm .008"$ 4 PLACE DEC. $\pm .0008"$ ANGULAR $\pm 1'$ BREAK EDGES .008" MIN.	READ FLIP-FLOP SCHEMATIC	LIBRASCOPY INCORPORATED GLENNDALE, CALIFORNIA
	DRAWN DATE E. J. HART 11-7-58	CHECKED DATE G. J. HART 11-11-58	APPROVED DATE J. HART 11/11/58
			LIBRASCOPY DRAWING NUMBER 312156-1

REVISED	REDAWN	DR. TRA	7-12-58
2-1 E.O. 23058	100K CHANGED TO 220K	DR. H. H. HOGAN	8-13-58
8-13-58			
8-13-58			

NOTES:-

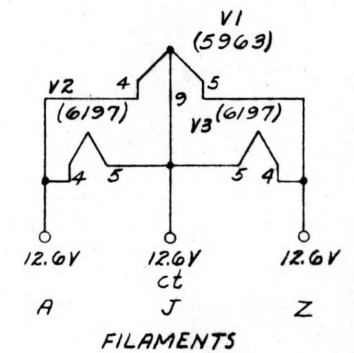
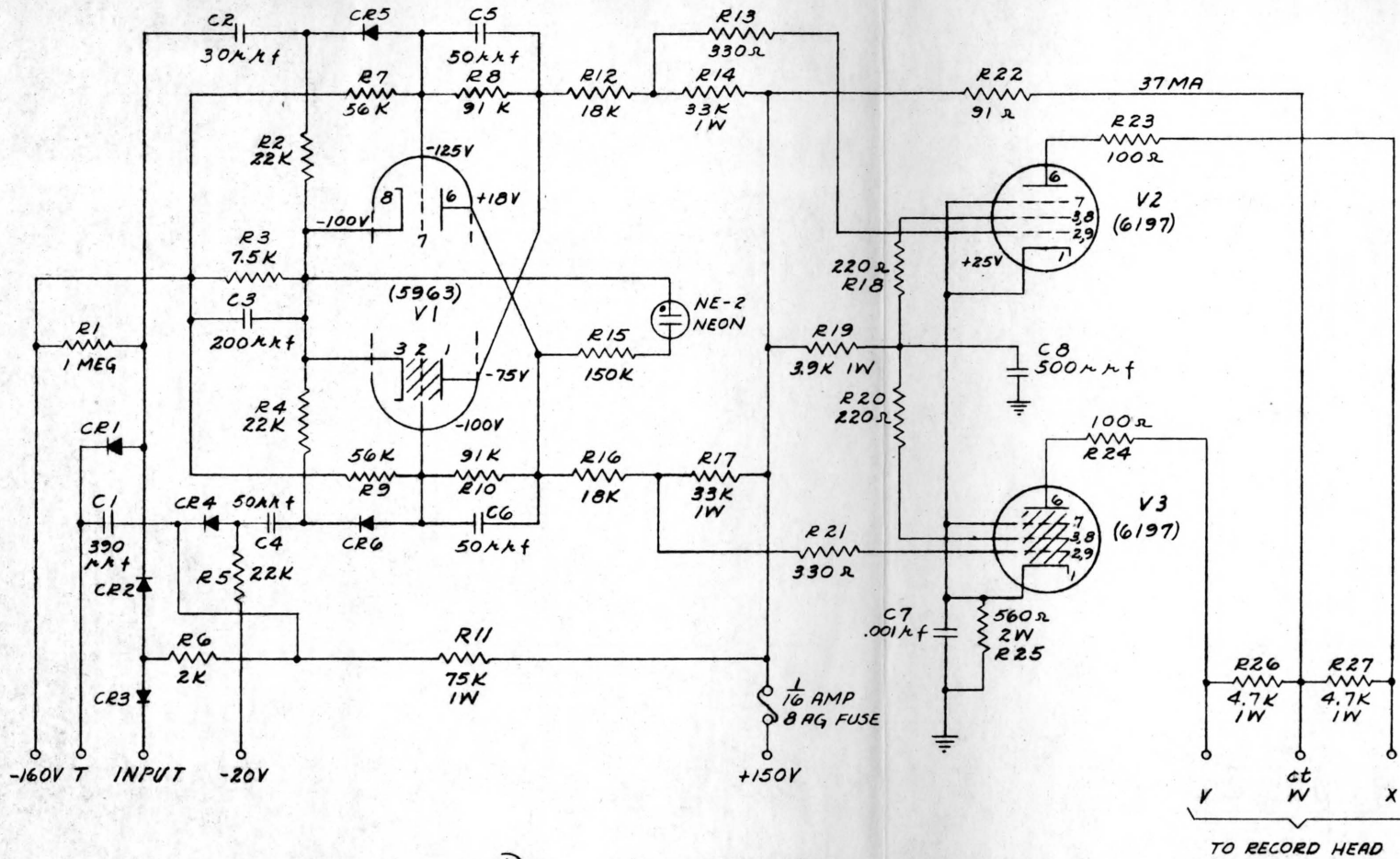
1. ALL DIODES INGIT
2. RESISTORS 1/2W UNLESS NOTED.



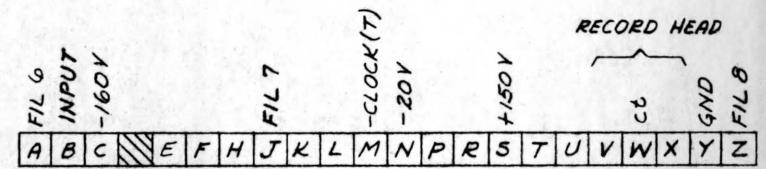
FILE	INPUT	GND	-160V	(7) +CLOCK	+300V	-20V	A	+150V	RESET	A	GND	FIL 7								
A	B	C	D	E	F	H	J	L	M	N	P	R	S	T	U	V	W	X	Y	Z

1-EO 23034	REVISED BY	DR	7-12-58
1-EO 23034	REVISION	CH	7-12-58
21 E.O.#23059	RG SHOWN	DR	8-13-58
AS 100K	CHANGE TO	CH	8-13-58
220K		CH	8-13-58
		CH	8-13-58

MATERIAL	TOLERANCES	TITLE MAIN MEMORY RFF ASSY. SCHEMATIC	LIBRASCOPY INCORPORATED BLENDALE, CALIFORNIA
APPLIED FINISH	FRACTIONAL ± 1/64" 3 PLACE DEC. ± .008" 4 PLACE DEC. ± .0008" ANGULAR ± 1° BREAK EDGES .008 MAX.	DRAWN DATE 11-7-55 CHECKED DATE P.C.V.D. DATE	LIBRASCOPY DRAWING NUMBER 312156-2



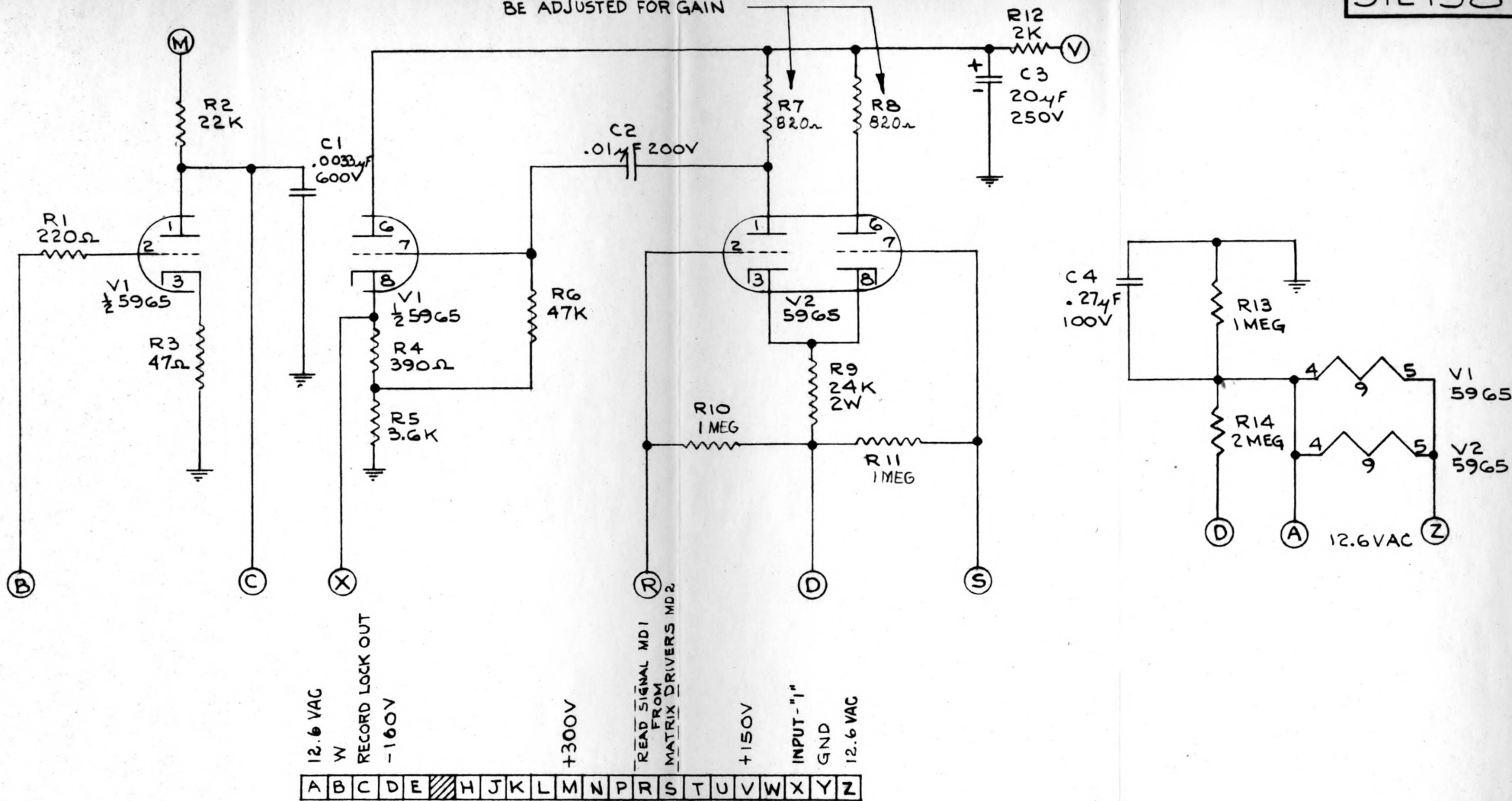
- NOTES:
1. ALL DIODES 1N67A
 2. RESISTORS 1/2W UNLESS NOTED



REVISIONS

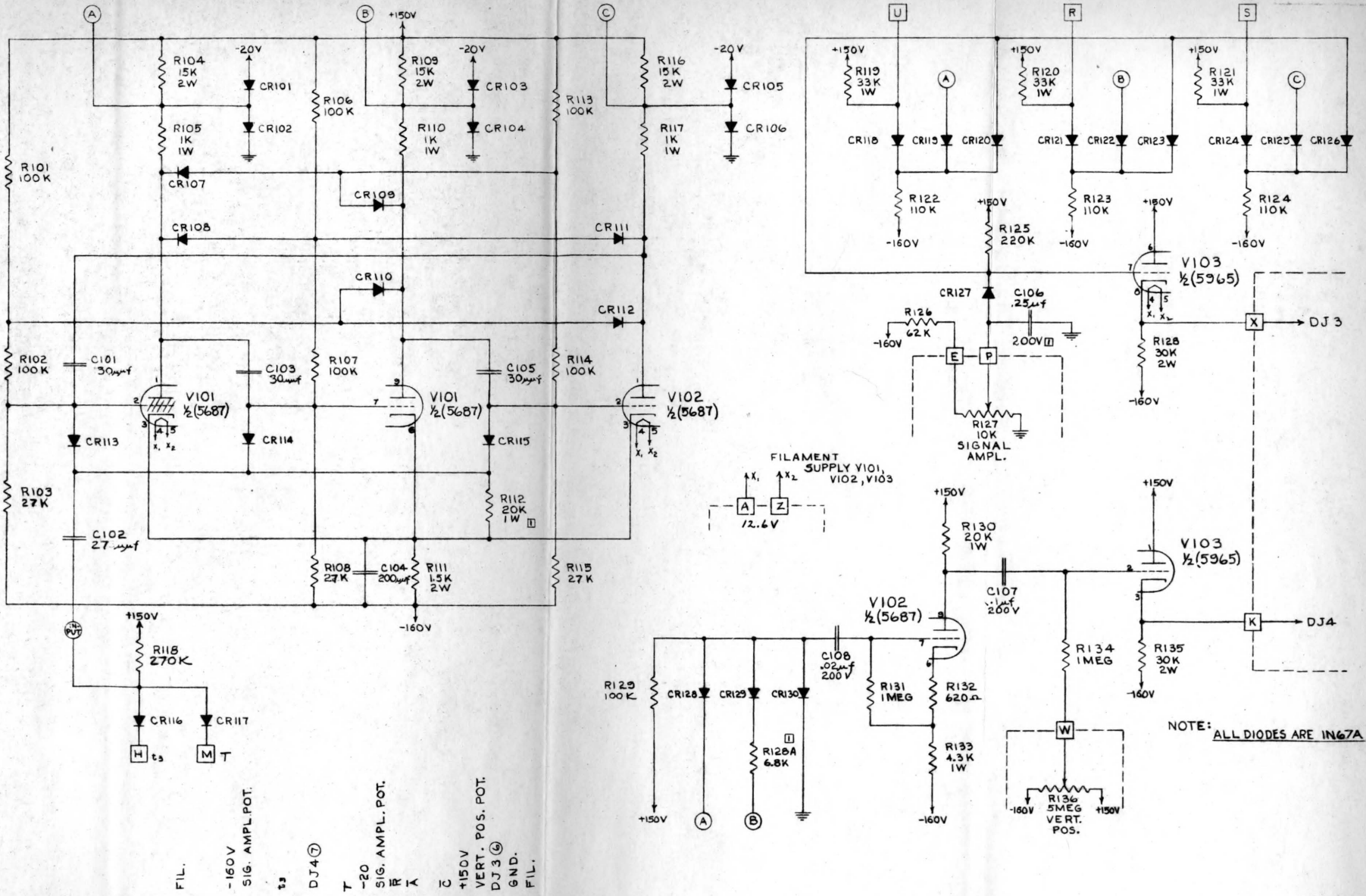
MATERIAL	TOLERANCES	TITLE DOUBLE ENDED RECORD AMP		LIBRASCOPE INCORPORATED GLENDALE, CALIFORNIA	
APPLIED FINISH	FRACTIONAL ± 1/64" 3 PLACE DEC. ± .005" 4 PLACE DEC. ± .0005" ANGULAR ± 1° BREAK EDGES .005 MAX.	DRAWN DATE 12-9-55	CHECKED DATE 1/1/56	APP'D DATE 1/1/56	LIBRASCOPE DRAWING NUMBER 312157

KEEP EQUAL BUT MAY
BE ADJUSTED FOR GAIN



UNLESS OTHERWISE SPECIFIED	LGP 30 READ RECORD GATE SCHEMATIC			LIBRASCOPE T.M. REG. LIBRASCOPE INCORPORATED GLENDALE, CALIFORNIA, U.S.A.
	DIMENSIONS ARE IN INCHES	MATERIAL		
TOLERANCES ON DIMENSIONS	APPLIED FINISH			SCALE DRAWING NO. 312158
FRACTIONAL ± 1/64	SCALE			
3 PLACES ± .005	DATE			
4 PLACES ± .0005	CHECKED DATE			
ANGULAR ± 1°	APP'D DATE			
BREAK EDGES .005 MAX.	DATE			

REVISIONS



FIL. -160V SIG. AMPL. POT. DJ4
 T -20V SIG. AMPL. POT. DJ4
 C +150V VERT. POS. POT. DJ3
 DJ3 GND. FIL.

A B C D E F G H J K L M N P R S T U V W X Y Z

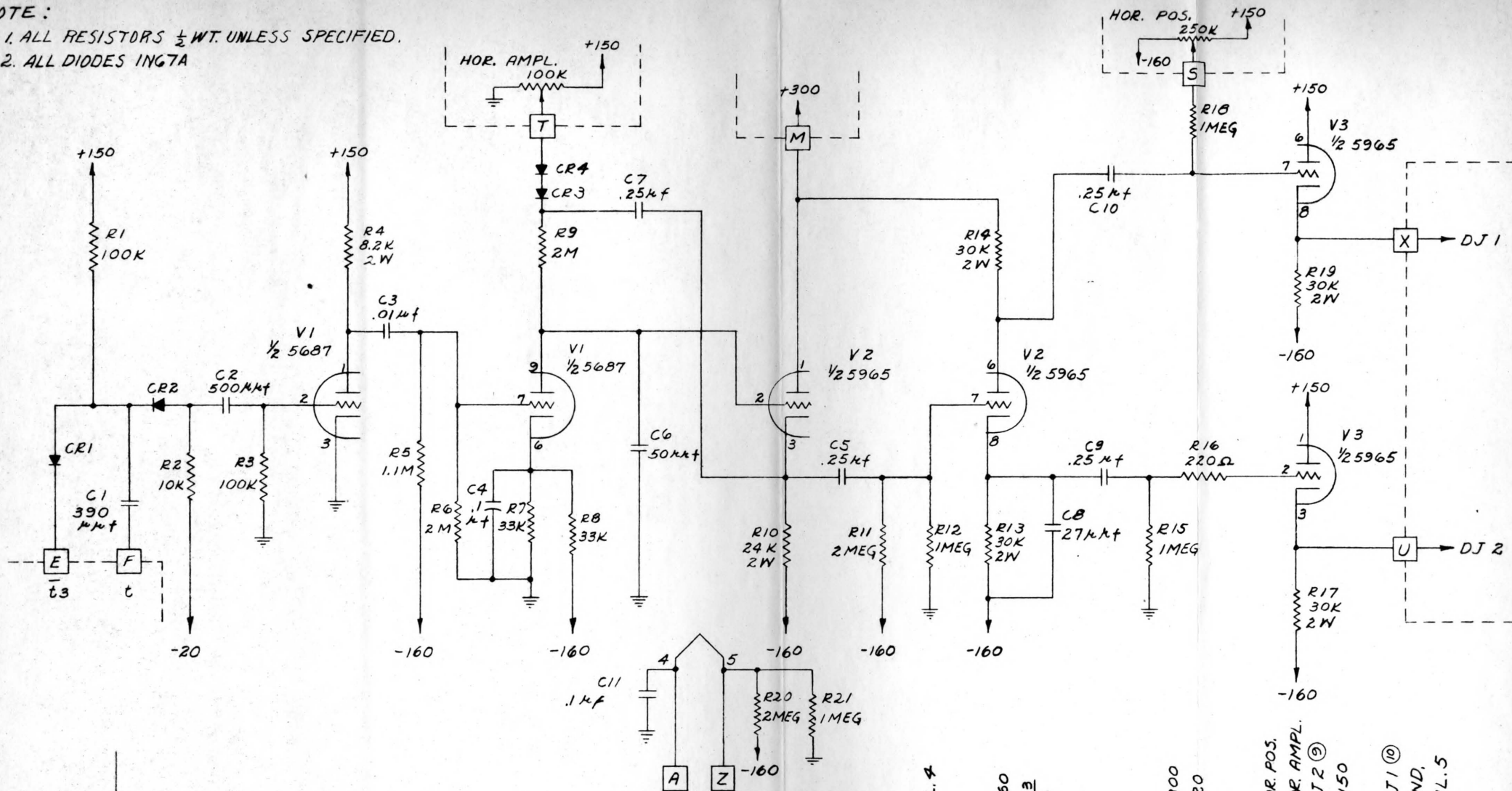
NOTE: ALL DIODES ARE IN67A

REVISIONS
 1-3 E.C.W. 7.5.50
 1-4 A.W.S. 8.12.50
 1-5 W.W. 10.11.50
 1-6 W.W. 11.12.50
 1-7 W.W. 12.1.51
 1-8 W.W. 1.1.51
 1-9 W.W. 1.1.51
 1-10 W.W. 1.1.51
 1-11 W.W. 1.1.51
 1-12 W.W. 1.1.51
 1-13 W.W. 1.1.51
 1-14 W.W. 1.1.51
 1-15 W.W. 1.1.51
 1-16 W.W. 1.1.51
 1-17 W.W. 1.1.51
 1-18 W.W. 1.1.51
 1-19 W.W. 1.1.51
 1-20 W.W. 1.1.51

UNLESS OTHERWISE SPECIFIED		LGP-30 VERTICAL DEFLECTION AMPLIFIER		 LIBRASCOPE INCORPORATED GLENDALE, CALIFORNIA, U.S.A.
DIMENSIONS ARE IN INCHES		TOLERANCES UNLESS SHOWN		
FRACTIONAL ± 1/64		MATERIAL		APPLIED FINISH DRAWN DATE CHECKED DATE APPROVED DATE
3 PLACES ± .008		APPLIED FINISH		
4 PLACES ± .0005		APPLIED FINISH		SCALE DRAWING NO. 312159
ANGULAR ± 1°		APPLIED FINISH		
BREAK EDGES .005 R.A.		APPLIED FINISH		

NOTE:

1. ALL RESISTORS $\frac{1}{2}$ WT. UNLESS SPECIFIED.
2. ALL DIODES 1N7A

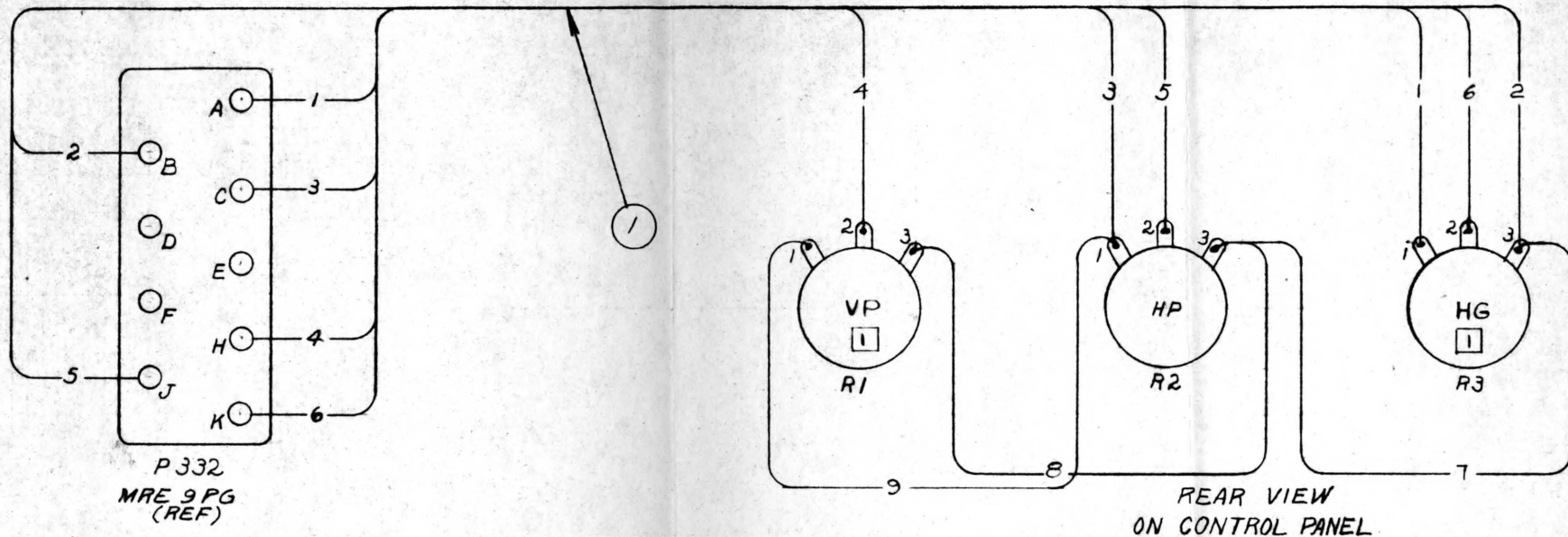


FIL. 4	-160	t3	T	+300	-20	HOR. POS.	HOR. AMPL.	DJ2	+150	DJ1	GND.	FIL. 5										
A	B	C	D	E	F	G	H	J	K	L	M	N	P	R	S	T	U	V	W	X	Y	Z

MATERIAL	TOLERANCES	TITLE DIGITAL DISPLAY HORIZONTAL SWEEP		LIBRASCOPE INCORPORATED GLENDALE, CALIFORNIA	
APPLIED FINISH	FRACTIONAL $\pm 1/64"$ 3 PLACE DEC. $\pm .008"$ 4 PLACE DEC. $\pm .0008"$ ANGULAR $\pm 1'$ BREAK EDGES .005 MAX.	DRAWN DATE 3-22-56	CHECKED DATE 4-16-56	APP'VD DATE 4/15/56	LIBRASCOPE DRAWING NUMBER 312160

NOTE:

1. WIRE IN ACCORDANCE WITH LIBRASCOPE WIRING INSTRUCTION MANUAL.



JUMPER WIRES

WIRE NO.	WIRE DESCRIPTION	FROM	TO
7	1220006-1444	R3-3	R2-3
8	1220006-1444	R2-3	R1-3
9	1220006-1666	R2-1	R1-1

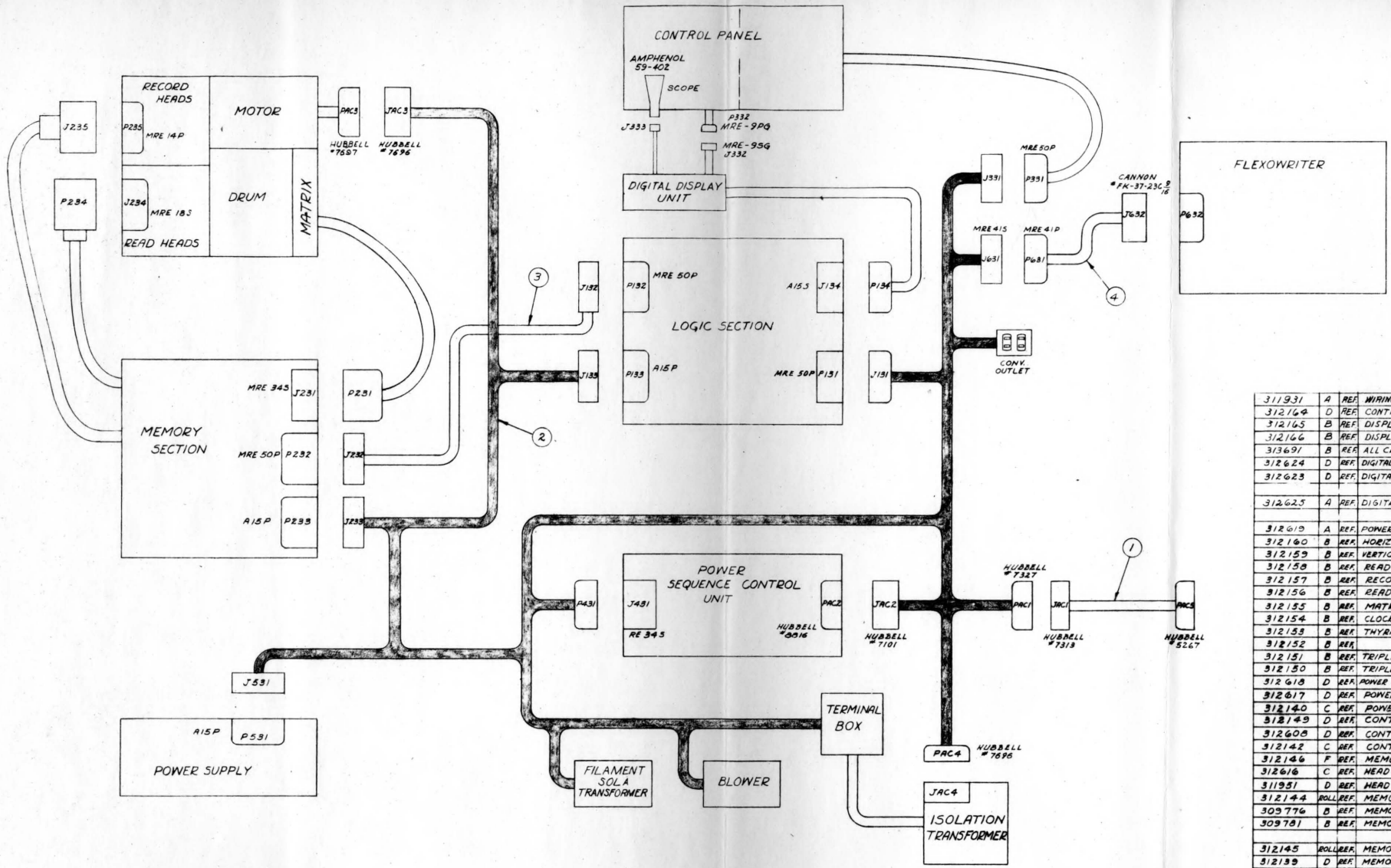
1
1
1

DR ASHTON	7-22-57
CH AA	7-22-57
R1, VP WAS HG	
R3, HG WAS VP	
JUMPER WIRES -	
WIRE NO 7 FROM R3-3	
TO R2-3 WAS WIRE NO 7	
FROM R1-3 TO R2-3	
WIRE NO 8 FROM	
R2-3 TO R1-3 WAS WIRE	
NO 8 FROM R2-3 TO R3-3	
WIRE NO 9 FROM	
R2-1 WAS WIRE NO	
9 FROM R2-1 TO R3-	
1-	EO 17687
REVISIONS	

NEXT ASSY 311879

1	3/2/65	1	HARNES- DISPLAY CONTROLS
ITEM NO.	DWG. NO.	NO. REQ.	DESCRIPTION

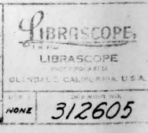
MATERIAL	TOLERANCES	TITLE	LIBRASCOPE
APPLIED FINISH	FRACTIONAL ± 1/64" 3 PLACE DEC. ± .008" 4 PLACE DEC. ± .0005" ANGULAR ± 1° BREAK EDGES .008 MAX.	DISPLAY CONTROLS INTERNAL WIRING	LIBRASCOPE INCORPORATED GLENDALE, CALIFORNIA
		DRAWN DATE 4-26-58 CHECKED DATE APPR'D DATE 7/27/58	LIBRASCOPE DRAWING NUMBER 312166

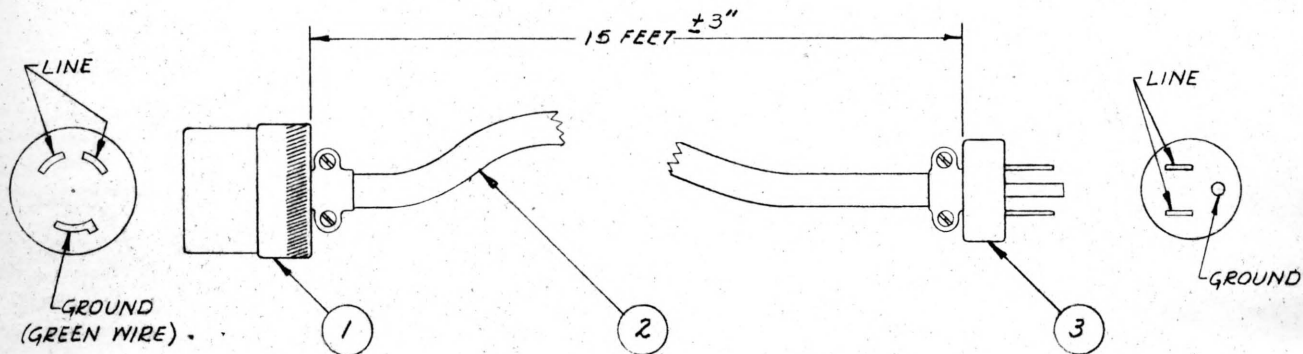


311931	A	REF	WIRING CHECK-OUT POWER SEQUENCE CONTROL
312164	D	REF	CONTROL PANEL WIRING CHECK-OUT
312165	B	REF	DISPLAY CONTROLS HARNESS
312166	B	REF	DISPLAY CONTROLS INTERNAL WIRING
313691	B	REF	ALL CARDS - TERMINAL CONNECTIONS
312624	D	REF	DIGITAL DISPLAY HARNESS
312623	D	REF	DIGITAL DISPLAY INTERNAL WIRING
312625	A	REF	DIGITAL DISPLAY WIRING CHECK-OUT
312619	A	REF	POWER SUPPLY SCHEMATIC
312160	B	REF	HORIZONTAL SHEEP GENERATOR - SCHEMATIC
312159	B	REF	VERTICAL DEFLECTION AMPLIFIER - SCHEMATIC
312158	B	REF	READ RECORD GATE - SCHEMATIC
312157	B	REF	RECORD AMP - SCHEMATIC
312156	B	REF	READ FLIP-FLOP - SCHEMATIC
312155	B	REF	MATRIX DRIVER - SCHEMATIC
312154	B	REF	CLOCK GENERATOR - SCHEMATIC
312153	B	REF	THYRATRON - SCHEMATIC
312152	B	REF	CATHODE FOLLOWER - SCHEMATIC
312151	B	REF	TRIPLE FLIP-FLOP - SCHEMATIC
312150	B	REF	TRIPLE INVERTER - SCHEMATIC
312618	D	REF	POWER SEQUENCE CONTROL-INTERNAL WIRING DIAGRAM
312617	D	REF	POWER SEQUENCE CONTROL - HARNESS
312140	C	REF	POWER SEQUENCE CONTROL - SCHEMATIC
312149	D	REF	CONTROL PANEL - INTERNAL WIRING DIAGRAM
312609	D	REF	CONTROL PANEL - HARNESS
312142	C	REF	CONTROL PANEL - SCHEMATIC
312146	F	REF	MEMORY DRUM-INTERNAL WIRING DIAGRAM
312616	C	REF	HEAD SWITCHING MATRIX - HARNESS
311951	D	REF	HEAD SWITCHING MATRIX - SCHEMATIC
312144	ROLL	REF	MEMORY SECTION-INTERNAL WIRING DIAGRAM
309776	B	REF	MEMORY SECTION-HARNESS, RECORD HEADS
309781	B	REF	MEMORY SECTION-HARNESS, READ HEADS
312145	ROLL	REF	MEMORY SECTION - HARNESS 'B'
312139	D	REF	MEMORY SECTION - FUNCTIONAL
311950	D	REF	LOGIC SECTION - SCHEMATIC, LOGIC BOARD
312140	ROLL	REF	LOGIC SECTION-INTERNAL WIRING DIAGRAM
312147	D	REF	LOGIC SECTION - HARNESS
312141	D	REF	LOGIC SECTION - FUNCTIONAL
312615	A	REF	MATERIAL LIST - BULK ITEMS

DRAWING NO.	SIZE	NO. SHEETS	TITLE
4	312611	C	1 FLEXOWRITER CABLE
3	312612	C	1 MEMORY-LOGIC CABLE
2	312143	ROLL	1 SYSTEM HARNESS
1	312613	A	1 LINE CORD

NA 310530





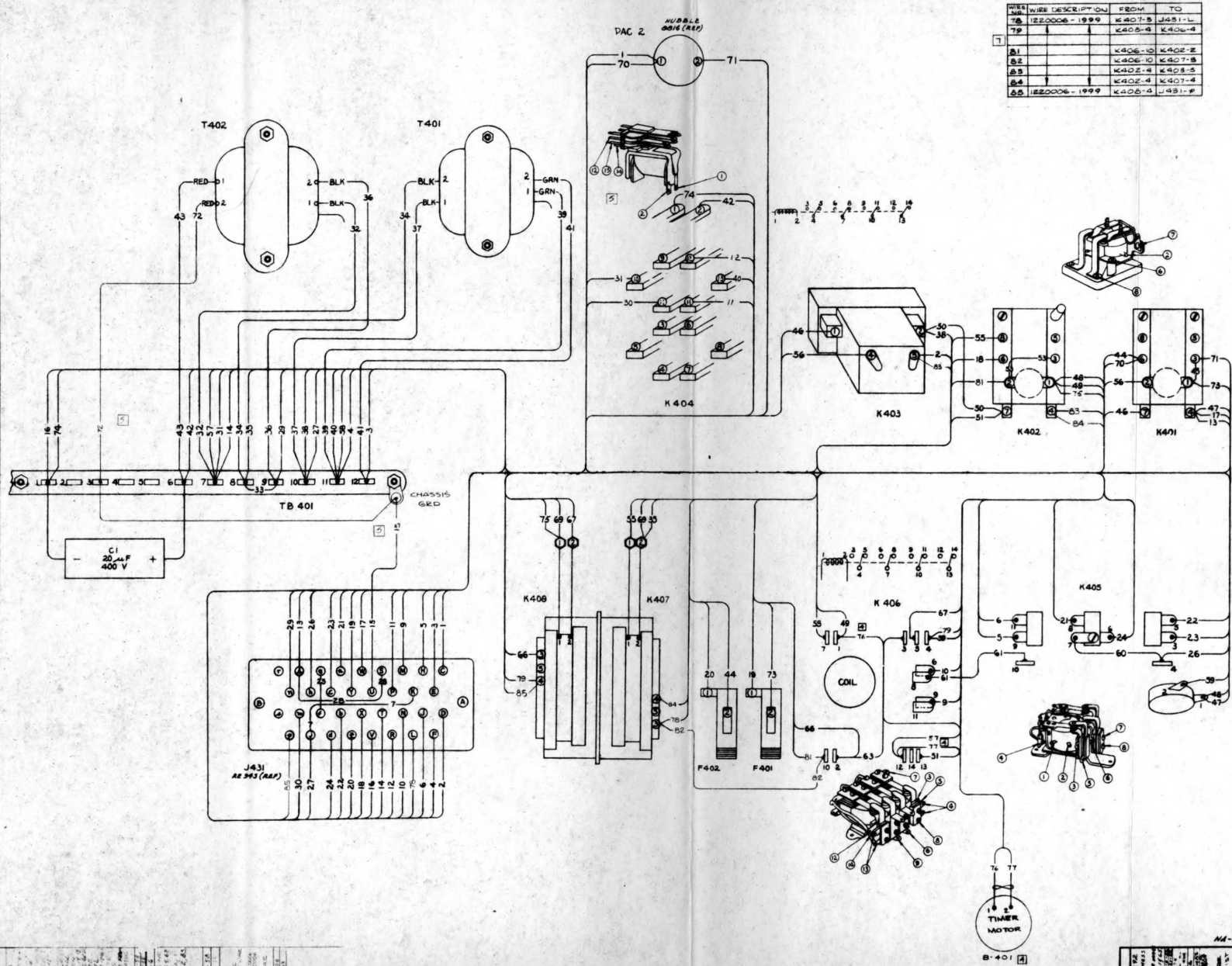
- NOTE: 1- IN PLACE OF ITEM 3, AN ELEC. CORD & SUPPLY CO.
MP-15 PLUG OR EQUAL, MAY BE MOLDED TO CORD.

3		1	HUBBELL CAP CAT. No. 5267
2		15'-3"	50 CORD No. 12. NEOPRENE JACKET-3 WIRE
1		1	HUBBELL CONNECTOR CAT. No. 7313
ITEM No.	DWG No.	No. REQ	DESCRIPTION

N.A. 312605

REVISIONS 1 EO 15084 ITEM 3 WAS HUBBELL CAT. NO. 9965 DR. PHILLIPS 4-11-56 CH. PHILLIPS 4-11-56 2-1 EO 18220 DR. JPA 8-2-57 CH. AA 8-5-57	UNLESS OTHERWISE SPECIFIED DIMENSIONS ARE IN INCHES TOLERANCES ON DIMENSIONS FRACTIONAL $\pm 1/64$ 3 PLACES $\pm .008$ 4 PLACES $\pm .0005$ ANGULAR $\pm 1^\circ$ BREAK EDGES .008 MAX.	LQP-30 LINE CORD MATERIAL APPLIED FINISH	LIBRASCOPE T.M. REG. LIBRASCOPE INCORPORATED GLENDALE, CALIFORNIA, U.S.A.
	DRAWN DATE <i>Phillips 1-4-56</i>	CHECKED DATE <i>Phillips 3-26-56</i>	APP'VD DATE <i>J. Coan 3/19/56</i>
DRAWING NO. 312613			

NOTE:
 1. WIRE IN ACCORDANCE WITH LIBRASCOPE WIRING INSTRUCTION MANUAL.
 2. SEE DWG No. 312140 FOR SCHEMATIC DIAGRAM.



WIRE	WIRE DESCRIPTION	FROM	TO
7	1220006-5999	J431-C	J431-L
8	19999	-D	K3-3
9		-E	TB1-11
10		-F	TB1-12
11		-G	TB1-11
12	29999	A	K4-1E
13	69999	A	K1-4
14	59999	T	TB1-7
15	29999	V	TB401-1
16	79999	W	K1-2
17	79999	X	K2-5
18	49999	Y	F1-1
19	49999	Z	F2-1
20	29999	A	K3-3
21	29999	B	K3-3
22	29999	C	K3-3
23	49999	A	K3-3
24	49999	B	K3-3
25	49999	C	K3-3
26	59999	H	K3-4
27	69999	J	TB1-10
28	29999	K	TB1-9
29	29999	L	TB1-9
30	29999	M	K4-10
31	29999	N	K4-10
32	29999	O	K4-10
33	29999	P	K4-10
34	29999	Q	K4-10
35	29999	R	K4-10
36	29999	S	K4-10
37	29999	T	K4-10
38	29999	U	K4-10
39	29999	V	K4-10
40	29999	W	K4-10
41	29999	X	K4-10
42	29999	Y	K4-10
43	29999	Z	K4-10
44	29999	A	K4-10
45	29999	B	K4-10
46	29999	C	K4-10
47	29999	D	K4-10
48	29999	E	K4-10
49	29999	F	K4-10
50	29999	G	K4-10
51	29999	H	K4-10
52	29999	I	K4-10
53	29999	J	K4-10
54	29999	K	K4-10
55	29999	L	K4-10
56	29999	M	K4-10
57	29999	N	K4-10
58	29999	O	K4-10
59	29999	P	K4-10
60	29999	Q	K4-10
61	29999	R	K4-10
62	29999	S	K4-10
63	29999	T	K4-10
64	29999	U	K4-10
65	29999	V	K4-10
66	29999	W	K4-10
67	29999	X	K4-10
68	29999	Y	K4-10
69	29999	Z	K4-10
70	29999	A	K4-10
71	29999	B	K4-10
72	29999	C	K4-10
73	29999	D	K4-10
74	29999	E	K4-10

WIRE	DESCRIPTION	FROM	TO
1	1220006-5999	J431-C	J431-L
2	19999	-D	K3-3
3		-E	TB1-11
4		-F	TB1-12
5		-G	TB1-11
6		-J	K3-11
7		-M	K3-3
8		-N	K3-3
9		-P	K4-1E
10		-Q	K4-1E
11		-R	K4-1E
12	29999	A	K4-1E
13	69999	A	K1-4
14	59999	T	TB1-7
15	29999	V	TB401-1
16	79999	W	K1-2
17	79999	X	K2-5
18	49999	Y	F1-1
19	49999	Z	F2-1
20	29999	A	K3-3
21	29999	B	K3-3
22	29999	C	K3-3
23	49999	A	K3-3
24	49999	B	K3-3
25	49999	C	K3-3
26	59999	H	K3-4
27	69999	J	TB1-10
28	29999	K	TB1-9
29	29999	L	TB1-9
30	29999	M	K4-10
31	29999	N	K4-10
32	29999	O	K4-10
33	29999	P	K4-10
34	29999	Q	K4-10
35	29999	R	K4-10
36	29999	S	K4-10
37	29999	T	K4-10
38	29999	U	K4-10
39	29999	V	K4-10
40	29999	W	K4-10
41	29999	X	K4-10
42	29999	Y	K4-10
43	29999	Z	K4-10
44	29999	A	K4-10
45	29999	B	K4-10
46	29999	C	K4-10
47	29999	D	K4-10
48	29999	E	K4-10
49	29999	F	K4-10
50	29999	G	K4-10
51	29999	H	K4-10
52	29999	I	K4-10
53	29999	J	K4-10
54	29999	K	K4-10
55	29999	L	K4-10
56	29999	M	K4-10
57	29999	N	K4-10
58	29999	O	K4-10
59	29999	P	K4-10
60	29999	Q	K4-10
61	29999	R	K4-10
62	29999	S	K4-10
63	29999	T	K4-10
64	29999	U	K4-10
65	29999	V	K4-10
66	29999	W	K4-10
67	29999	X	K4-10
68	29999	Y	K4-10
69	29999	Z	K4-10
70	29999	A	K4-10
71	29999	B	K4-10
72	29999	C	K4-10
73	29999	D	K4-10
74	1220006-29999	TB401-1	K4-1

JUMPER WIRES			
WIRE	WIRE DESCRIPTION	FROM	TO
7	1220006-5999	J431-K	J431-J
8	1220006-5999	J431-S	J431-X
22	19999	TB401-7	T402-BLK 1
33		TB401-8	TB401-3
34		TB401-5	T402-BLK 2
36		TB401-9	T402-BLK 2
37		TB401-10	T401-BLK 1
39		TB401-11	T401-GRN 1
41		TB401-12	T401-GRN 2
43		TB401-6	T402-RED 1
45		K401-1	K402-3
53	19999	K402-2	K402-3
60	59999	K405-4	K402-7
62	19999	K406-2	K406-3
73	19999	T402-RED 1	T402-RED 2
13	19999	J431-U	CHASSIS GRD
25	1220006-5999	J431-S	J431-V
50	1220007-7999	K402-7	K403-3
61	1220006-1999	K405-8	K406-8
65			
75	1220006-5999	K402-1	K408-1
76	1220006-7999	K401-1	K408-1
77	1220006-1999	K401-8	K408-1E

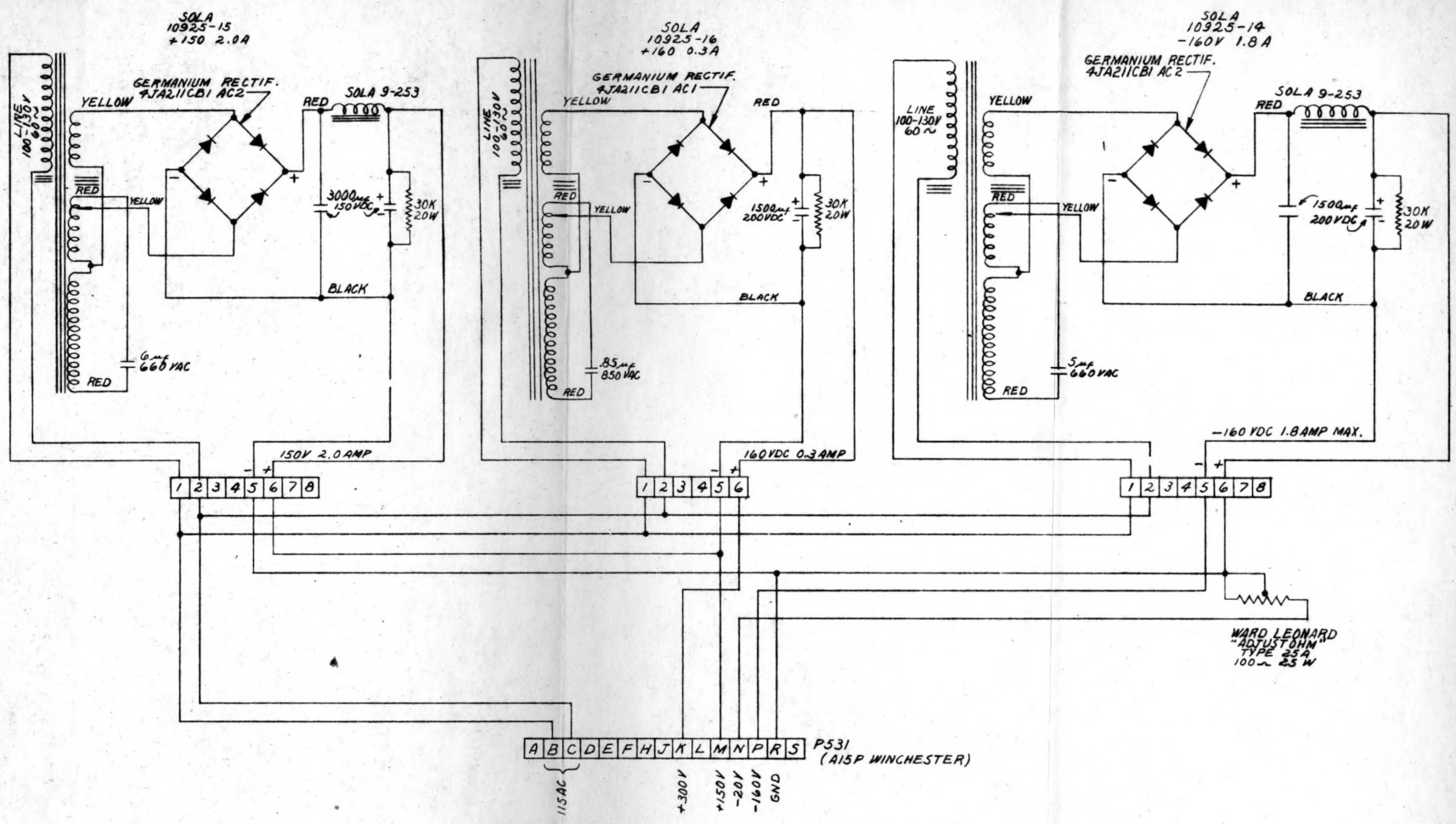
312617 HARNESS DESCRIPTION

DWG No. 31238

LGP-30 POWER SEQUENCE CONTROL INTERNAL WIRING

LIBRASCOPE LIBRASCOPE CORPORATION BURENDALE, CALIFORNIA, U.S.A.

312618

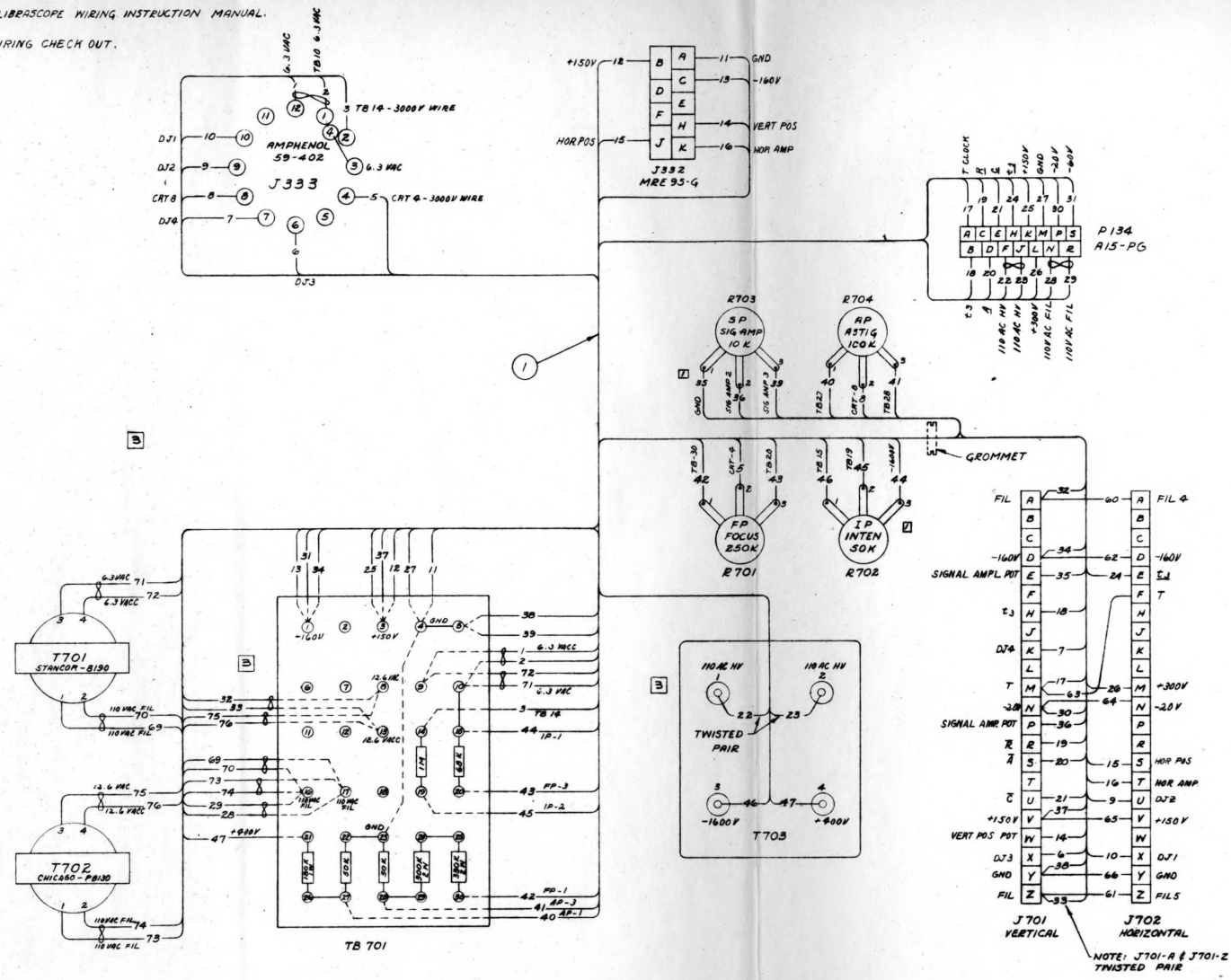


REVISED BY MEDRAMM
 11/28/54

NA-314009

UNLESS OTHERWISE SPECIFIED		LGP-30 POWER SUPPLY SCHEMATIC		 LIBRASCOPE INCORPORATED GLENDALE, CALIFORNIA U.S.A.
DIMENSIONS ARE IN DECIMALS FRACTIONAL ± 1/64 3 PLACES ± .008 4 PLACES ± .0008 ANGULAR ± 1° BREAK EDGES .005 MAX.	MATERIAL: APPLIED FINISH:	DRAWN: 5-21-54 CHECKED: 5-23-54 APPROVED: 5-23-54	SCALE: DRAWING NO. 312619	

NOTE:
 1. WIRE IN ACCORDANCE WITH LIBRASCOPE WIRING INSTRUCTION MANUAL.
 2. []
 3. SEE DWG NO. 312625 FOR WIRING CHECK OUT.



REAR VIEW

DIGITAL DISPLAY JUMPER WIRES				
WIRE NO.	WIRE DESCRIPTION	REMARKS	FROM	TO
60	1220006 - 4999		J701-A	J702-A
61	-4999		J701-Z	J702-Z
62	-1666		J701-D	J702-D
63	-1999		J701-M	J702-F
64	-1555		J701-N	J702-N
65	-1444		J701-V	J702-V
66	1220006 - 1111		J701-Y	J702-Y
67				
68				
69		TWISTED PAIR	T701-1	TB701-17
70		PAIR	T701-2	TB701-16
71		TWISTED PAIR	T701-3	TB701-10
72		PAIR	T701-4	TB701-9
73		TWISTED PAIR	T702-1	TB701-17
74		PAIR	T702-2	TB701-16
75		TWISTED PAIR	T702-3	TB701-8
76	1220006 - 1111	PAIR	T702-4	TB701-13

NOTE: J701-A & J701-Z TWISTED PAIR

1	ED 15697	1	12/15/57
2	12/15/57	2	12/15/57
3	12/15/57	3	12/15/57
4	12/15/57	4	12/15/57
5	12/15/57	5	12/15/57
6	12/15/57	6	12/15/57
7	12/15/57	7	12/15/57
8	12/15/57	8	12/15/57
9	12/15/57	9	12/15/57
10	12/15/57	10	12/15/57
11	12/15/57	11	12/15/57
12	12/15/57	12	12/15/57
13	12/15/57	13	12/15/57
14	12/15/57	14	12/15/57
15	12/15/57	15	12/15/57
16	12/15/57	16	12/15/57
17	12/15/57	17	12/15/57
18	12/15/57	18	12/15/57
19	12/15/57	19	12/15/57
20	12/15/57	20	12/15/57
21	12/15/57	21	12/15/57
22	12/15/57	22	12/15/57
23	12/15/57	23	12/15/57
24	12/15/57	24	12/15/57
25	12/15/57	25	12/15/57
26	12/15/57	26	12/15/57
27	12/15/57	27	12/15/57
28	12/15/57	28	12/15/57
29	12/15/57	29	12/15/57
30	12/15/57	30	12/15/57
31	12/15/57	31	12/15/57
32	12/15/57	32	12/15/57
33	12/15/57	33	12/15/57
34	12/15/57	34	12/15/57
35	12/15/57	35	12/15/57
36	12/15/57	36	12/15/57
37	12/15/57	37	12/15/57
38	12/15/57	38	12/15/57
39	12/15/57	39	12/15/57
40	12/15/57	40	12/15/57
41	12/15/57	41	12/15/57
42	12/15/57	42	12/15/57
43	12/15/57	43	12/15/57
44	12/15/57	44	12/15/57
45	12/15/57	45	12/15/57
46	12/15/57	46	12/15/57
47	12/15/57	47	12/15/57
48	12/15/57	48	12/15/57
49	12/15/57	49	12/15/57
50	12/15/57	50	12/15/57
51	12/15/57	51	12/15/57
52	12/15/57	52	12/15/57
53	12/15/57	53	12/15/57
54	12/15/57	54	12/15/57
55	12/15/57	55	12/15/57
56	12/15/57	56	12/15/57
57	12/15/57	57	12/15/57
58	12/15/57	58	12/15/57
59	12/15/57	59	12/15/57
60	12/15/57	60	12/15/57
61	12/15/57	61	12/15/57
62	12/15/57	62	12/15/57
63	12/15/57	63	12/15/57
64	12/15/57	64	12/15/57
65	12/15/57	65	12/15/57
66	12/15/57	66	12/15/57
67	12/15/57	67	12/15/57
68	12/15/57	68	12/15/57
69	12/15/57	69	12/15/57
70	12/15/57	70	12/15/57
71	12/15/57	71	12/15/57
72	12/15/57	72	12/15/57
73	12/15/57	73	12/15/57
74	12/15/57	74	12/15/57
75	12/15/57	75	12/15/57
76	12/15/57	76	12/15/57
77	12/15/57	77	12/15/57
78	12/15/57	78	12/15/57
79	12/15/57	79	12/15/57
80	12/15/57	80	12/15/57
81	12/15/57	81	12/15/57
82	12/15/57	82	12/15/57
83	12/15/57	83	12/15/57
84	12/15/57	84	12/15/57
85	12/15/57	85	12/15/57
86	12/15/57	86	12/15/57
87	12/15/57	87	12/15/57
88	12/15/57	88	12/15/57
89	12/15/57	89	12/15/57
90	12/15/57	90	12/15/57
91	12/15/57	91	12/15/57
92	12/15/57	92	12/15/57
93	12/15/57	93	12/15/57
94	12/15/57	94	12/15/57
95	12/15/57	95	12/15/57
96	12/15/57	96	12/15/57
97	12/15/57	97	12/15/57
98	12/15/57	98	12/15/57
99	12/15/57	99	12/15/57
100	12/15/57	100	12/15/57

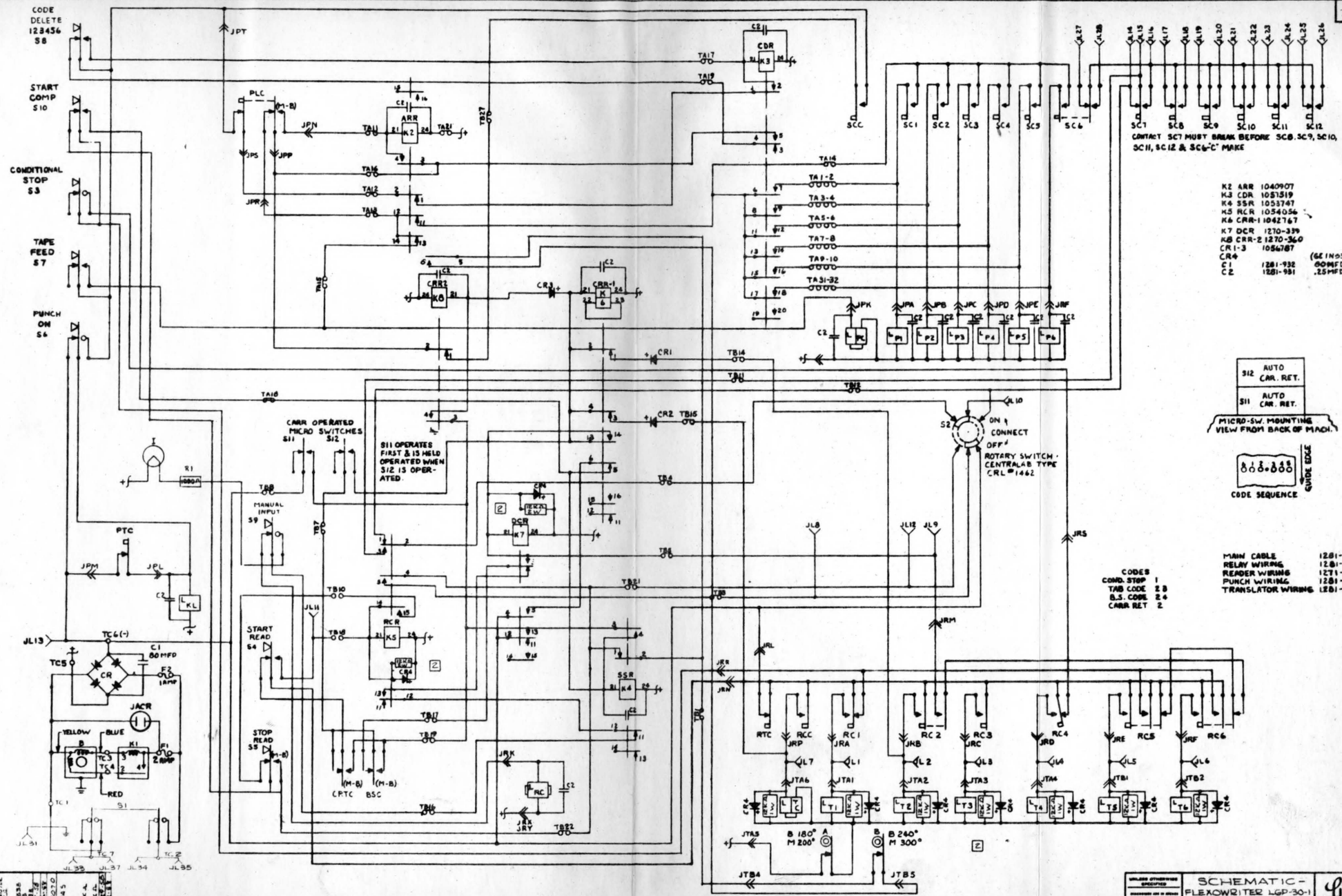
NA-311888

1	312624	1	HARNES - DIGITAL DISPLAY
ITEM NO.	DRAWING NO.	REV.	DESCRIPTION
LIBRASCOPE CORPORATION 1600 WEST 14TH AVENUE DENVER, COLORADO 80202 LIBRASCOPE INCORPORATED GLENDALE, CALIFORNIA, U.S.A.			
LGP-30 DIGITAL DISPLAY INTERNAL WIRING		DRAWING NO. 312623	

PIN	TRIPLE FLIP FLOP	TRIPLE INVERTER	MATRIX DRIVER	READ FLIP FLOP	CLOCK SIN. GEN.	TRIPLE CAT. FOL.	THYRATRON	READ RECORD GATE	RECORD AMP	VERT. DEFL. AMP.	HORIZ. SWEEP
A	12.6 VAC	12.6 VAC	12.6 VAC	6.3 VAC	12.6 VAC	12.6 VAC	6.3 VAC	12.6 VAC	12.6 VAC	12.6 VAC	12.6 VAC
B	\bar{A}	\bar{A}	6.3 VAC	INPUT	INPUT	a	A ₁	W	INPUT		
C	a	a	KEY	GND *	GND	A	A ₂	RECORD LOCKOUT	-160V		
D	-160V	-160V	-160V	-160V	-160V	-160V	-160V	-160V	KEY	-160V	-160V
E	\bar{a}	KEY	6.3 VAC			b	B			SIG. AMP POT	t ₃
F	A	A	P _A			B	A _P	KEY			T
H	KEY		P _B	T			X			t ₃	
J			P _C			KEY	B _P		12.6 Vct		
K	\bar{B}	\bar{B}	W	KEY		c	C			DJ4 (7)	
L	b	b	V'	KEY		C	C _P				
M	T		V'	+300V		d	KEY	+300V	T	t	+300V
N	-20V	-20V	+300V	-20V		-20V	-20V		-20V	-20V	-20V
P	\bar{J}		\bar{P}			D	D ₁			SIG. AMP. POT.	
R	B	B	B		T \bar{A}		D ₂	MD1		\bar{R}	KEY
S			B'				D ₃	MD2	+150	\bar{A}	HOR. POS.
T	\bar{C}	\bar{C}	P _C	A	IV	e	D ₄			KEY	HOR. AMPL.
U	c	c	CATH			E	D ₅			\bar{C}	DJ2 (9)
V	+150V	+150V	+150V	+150V	+150V	+150V	+150V	+150V	TO RECORD HEAD	+150V	+150V
W	\bar{Z}		RECORD LOCKOUT	RESET *		b	D ₆		CT HEAD	VERT. POS. POT	
X	C	C		\bar{A}		F	D _P	BUFFER OUTPUT "1"	TO RECORD HEAD	DJ3 (6)	DJ1 (10)
Y	GND	GND	GND	GND	GND	GND	GND	GND	GND	GND	GND
Z	12.6 VAC	12.6 VAC	12.6 VAC	6.3 VAC	12.6 VAC	12.6 VAC	6.3 VAC	12.6 VAC	12.6 VAC	12.6 VAC	12.6 VAC
1			MD1								
2			MD2								
3											
4			P _D								
5			P _E								
6			P _F								

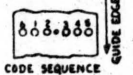
REVISIONS

MATERIAL	TOLERANCES	TITLE	LIBRASCOPE LIBRASCOPE INCORPORATED GLENDALE, CALIFORNIA		
APPLIED FINISH	FRACTIONAL ± 1/64" 3 PLACE DEC. ± .005" 4 PLACE DEC. ± .0005" ANGULAR ± 1° BREAK EDGES .005 MAX.	LGP-30 CARDS TERMINAL CONNECTIONS	LIBRASCOPE DRAWING NUMBER 313691		
		DRAWN DATE	CHECKED DATE	APP'D DATE	
		4-11-56	7-12-56	8/1/56	



- K2 ARR 1040907
- K3 CDR 1051519
- K4 SSR 1053747
- K5 RCR 1054056
- K6 CRR-1 1042767
- K7 DCR 1270-379
- K8 CRR-2 1270-360
- CR1-3 1056787
- CR4 (6E1H050)
- C1 1281-932 60MFD 450V
- C2 1281-981 .25MFD 100V

S12 AUTO CAR. RET.
S11 AUTO CAR. RET.
MICRO-SW. MOUNTING VIEW FROM BACK OF PACK.



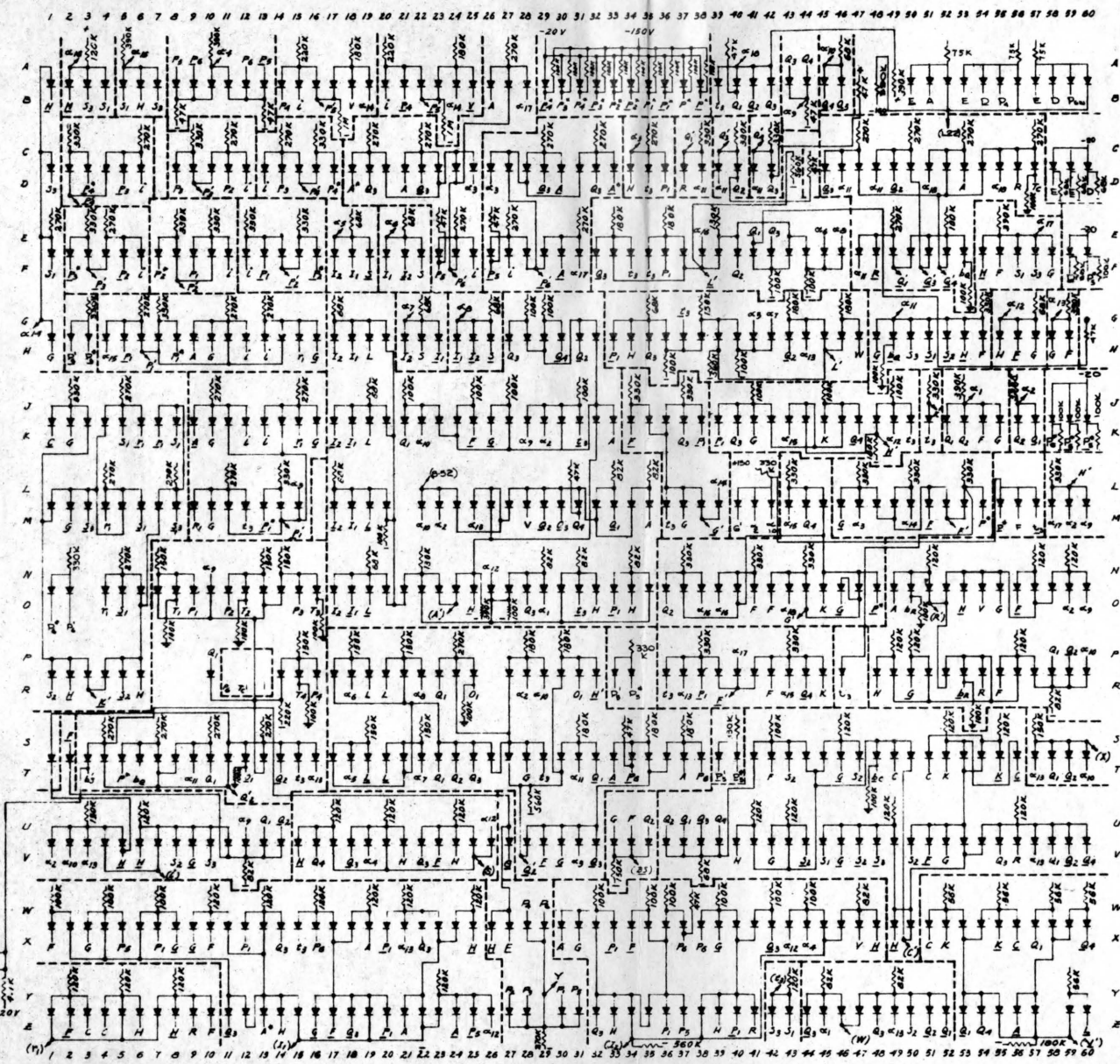
MAIN CABLE 1281-925
RELAY WIRING 1281-926
READER WIRING 1271-246
PUNCH WIRING 1281-927
TRANSLATOR WIRING 1281-928

CODES COND. STOP 1
TAB CODE 2 B
B.S. CODE 2 A
CARA RET 2

NO. 2014	NO. 2014
NO. 2015	NO. 2015
NO. 2016	NO. 2016
NO. 2017	NO. 2017
NO. 2018	NO. 2018
NO. 2019	NO. 2019
NO. 2020	NO. 2020
NO. 2021	NO. 2021
NO. 2022	NO. 2022
NO. 2023	NO. 2023
NO. 2024	NO. 2024
NO. 2025	NO. 2025
NO. 2026	NO. 2026
NO. 2027	NO. 2027
NO. 2028	NO. 2028
NO. 2029	NO. 2029
NO. 2030	NO. 2030
NO. 2031	NO. 2031
NO. 2032	NO. 2032
NO. 2033	NO. 2033
NO. 2034	NO. 2034
NO. 2035	NO. 2035
NO. 2036	NO. 2036
NO. 2037	NO. 2037
NO. 2038	NO. 2038
NO. 2039	NO. 2039
NO. 2040	NO. 2040
NO. 2041	NO. 2041
NO. 2042	NO. 2042
NO. 2043	NO. 2043
NO. 2044	NO. 2044
NO. 2045	NO. 2045
NO. 2046	NO. 2046
NO. 2047	NO. 2047
NO. 2048	NO. 2048
NO. 2049	NO. 2049
NO. 2050	NO. 2050

LIBRASCOPE CORPORATION	
SHEMATIC - FLEXOWRITER LGP-30-1 SER. 13 & UP	
REVISION 01	
DATE 1-15-58	
DRAWN BY WILKINS	
CHECKED BY WILKINS	
APPROVED BY WILKINS	
LIBRASCOPE CORPORATION, GLENDALE, CALIFORNIA, U.S.A.	
314172	

- J151
 - A - D17
 - B - D3
 - C - D9
 - D - K7
 - E - Y4
 - F - O11
 - G - F8
 - H - Z1
 - I - F7
 - J - F6
 - K - R0
 - L - D0
 - M - F12
 - N - F7
 - O - F10
 - P - F10
 - Q - D57
 - R - H0
 - S - F0
 - T - M13
 - U - X7
 - V - K13
 - W - O15
 - X - D8
 - Y - Z18
 - Z - R18
 - AA - O18
 - AB - M15
 - AC - X18
 - AD - D18
 - AE - M10
 - AF - R16
 - AG - Z17
 - AH - F19
 - AI - R20
 - AJ - D21
 - AK - D21
 - AL - F22
 - AM - F22
 - AN - F26
 - AO - M20
 - AP - D23
 - AQ - R21
 - AR - Z23
 - AS - F23
 - AT - F24
 - AU - F24
 - AV - F20
 - AW - F20
 - AX - F20
 - AY - F20
 - AZ - F20
- J152
 - A - F3
 - B - X3
 - C - X3
 - D - Z4
 - E - Z4
 - F - Z4
 - G - Z4
 - H - Z4
 - I - Z4
 - J - Z4
 - K - Z4
 - L - Z4
 - M - Z4
 - N - Z4
 - O - Z4
 - P - Z4
 - Q - Z4
 - R - Z4
 - S - Z4
 - T - Z4
 - U - Z4
 - V - Z4
 - W - Z4
 - X - Z4
 - Y - Z4
 - Z - Z4
- J153
 - A - F22
 - B - F22
 - C - B14
 - D - B21
 - E - B22
 - F - B23
 - G - B23
 - H - B23
 - I - B23
 - J - B23
 - K - B23
 - L - B23
 - M - B23
 - N - B23
 - O - B23
 - P - B23
 - Q - B23
 - R - B23
 - S - B23
 - T - B23
 - U - B23
 - V - B23
 - W - B23
 - X - B23
 - Y - B23
 - Z - B23
- J154
 - A - G37
 - B - E32
 - C - F32
 - D - F37
 - E - F37
 - F - F37
 - G - F37
 - H - F37
 - I - F37
 - J - F37
 - K - F37
 - L - F37
 - M - F37
 - N - F37
 - O - F37
 - P - F37
 - Q - F37
 - R - F37
 - S - F37
 - T - F37
 - U - F37
 - V - F37
 - W - F37
 - X - F37
 - Y - F37
 - Z - F37
- J155
 - A - E42
 - B - F40
 - C - F40
 - D - F40
 - E - F40
 - F - F40
 - G - F40
 - H - F40
 - I - F40
 - J - F40
 - K - F40
 - L - F40
 - M - F40
 - N - F40
 - O - F40
 - P - F40
 - Q - F40
 - R - F40
 - S - F40
 - T - F40
 - U - F40
 - V - F40
 - W - F40
 - X - F40
 - Y - F40
 - Z - F40



- F - J152-P - H54 - H59 - K54 - O41 - O42 - R42 - R55 - T48 - U34 - X1 - X10 - Z10 - F55
- G - J152-Y - H56 - K25 - K54 - M11 - O56 - V43 - V23 - Y31 - Z34 - Z2 - Z17 - Z2 - Z27
- H - J152-B - R80 - M1 - H10 - H37 - H80 - K2 - K10 - K41 - K53 - M10 - H37 - O55 - H53 - H62 - K3 - X31 - Z30
- I - J152-X - H16 - H40 - K46 - K26 - M46 - O46 - R50 - T46 - Y3 - Y30 - Y46 - X0 - X9 - X39 - Z16 - Z27
- M - J142-F - B6 - D34 - H48 - H88 - O52 - O34 - R6 - R40 - Y21 - Y24 - Y40 - Z6 - Z14 - Z33 - Z39
- J - J152-L - D1 - R2 - F34 - H53 - O53 - R6 - Y8 - Y18 - Y25 - X40 - X49 - Z0 - O25 - T1 - X26
- K - J154-T - H49 - O49 - H45 - T54 - X52
- L - J154-L - T53 - X55
- M - J152-E - H19 - K19 - A19 - R20
- N - J152-I - H19 - O19 - T19 - T20 - E60
- O - J154-A - D40 - K21 - K54 - P40 - P50 - R23 - T10 - T23 - T50 - U13 - V50 - X57
- Q - J154-E - E41 - K37 - M33 - T32 - U37 - E52 - E53
- R - J154-T - D40 - F40 - K53 - K58 - O36 - T4 - U58 - U36
- S - J154-S - D41 - D19 - K51 - H48 - M29 - P39 - T14 - T39 - U14 - V59 - Z51
- T - J154-B - H10 - H40 - D30 - D42 - E42 - H27 - H33 - K37 - K40 - Q80 - T25 - Z22 - Z53 - Z58
- U - J154-C - H40 - D22 - D29 - P45 - F32 - M30 - U30 - Y10 - Y32 - X42 - Z1 - Z10 - Z44
- V - J154-A - H4 - M31 - H44 - O39 - Y16 - Z54
- W - J154-S - H48 - H30 - K47 - R44 - Y00 - X60
- X - J152-H - Z36 - F1 - F36 - M9 - O9 - T1 - X12 - Z36 - Y30
- Y - J152-F - F13 - H8 - H58 - K30 - K39 - O33 - R30 - X20 - X54 - Z20 - X40
- Z - J152-K - A0 - F23 - M7 - X5 - Z37 - Y31
- AA - J152-L - A13 - F24 - Z43
- AB - J152-A - A12 - T30 - X16 - X37 - X30 - W29
- AC - J152-S - A9 - T34
- AD - J152-A - D26 - D21 - D53 - H9 - K33 - M35 - O49 - T37 - X19 - X30 - Z21
- AE - J152-S - D30 - F30 - K19 - T33 - E56
- AF - J152-D - T49 - T51 - X51 - E5 - Z4
- AG - J154-S - K1 - T54 - X56
- AH - J154-A - D37 - D56 - R54 - V54 - Z9 - Z41
- AI - J154-H - F40
- AJ - J153-N - D10 - M20 - O54 - X47
- AK - J153-P - D27
- AL - J153-D - D4 - D5 - F1 - F50 - K5 - K0 - V48 - E43
- AM - J153-E - H51 - M6 - O5
- AN - J153-A - A1 - T43 - T47 - V8 - V50 - Z50
- AO - J153-S - H24 - K5 - V44 - Y47
- AP - J153-A - D3 - D7 - D1 - F37 - H50 - Y10 - Z42
- AQ - J153-B - H3 - M0 - Y40
- AR - J151-X - D15 - D20 - D6 - D12 - F13 - F6 - F11 - F12 - F25 - F21 - H12 - H10 - K12 - K13
- AS - J151-C - H18 - M4 - O3 - O4
- AT - J151-B - K6 - K7 - K18
- AU - J151-B - H10 - F20 - H10 - M10
- AV - J151-B - H43 - H24 - K10 - O10
- AW - J151-N - F17 - H17 - H21 - O17
- AX - J153-J - F21 - H25 - K17 - M17
- AY - J152-V - B19 - D35 - F34 - F38 - K30 - K51 - M12 - M36 - R36 - T16 - T29 - X18
- AZ - J154-A - G37 - K31 - O31
- BA - J153-E - H47
- BB - J153 - O29 - Z49
- BC - J156 - K47 - M23 - M59 - O59 - R20 - V1
- BD - C34 - D23 - D26 - L15 - M47 - Y31
- BE - A10 - Y19 - K49
- BF - E17 - G41 - T40
- BG - E20 - E45 - K10
- BH - G21 - G41 - T22
- BI - G24 - E46 - E22
- BJ - G44 - K23 - M40 - H10 - O10 - U12
- BK - A43 - K22 - M21 - P60 - R29 - T80 - V2
- BL - G49 - D30 - D39 - D41 - D44 - D45 - M47 - T9 - T51
- BM - G55 - K49 - H28 - U26 - X43 - Z26
- BN - G50 - H44 - M25 - R37 - T16 - T57 - V3 - Y57 - X21 - Z49
- BO - G1 - Z13 - Z24 - L33 - M60
- BP - A5 - H4 - K43 - M43 - R43
- BQ - A6 - Z10 - O30 - O39
- BR - E57 - E20 - F31 - M50 - P40
- BS - A40 - D51 - D55 - O45

LIBRASCOPE CORPORATION
 11500 WILSON AVENUE
 BELLFLOWER, CALIFORNIA, U.S.A.

LOGIC BOARD SCHEMATIC

DATE: 1964-05-20
 DRAWN BY: J. W. JONES

314611