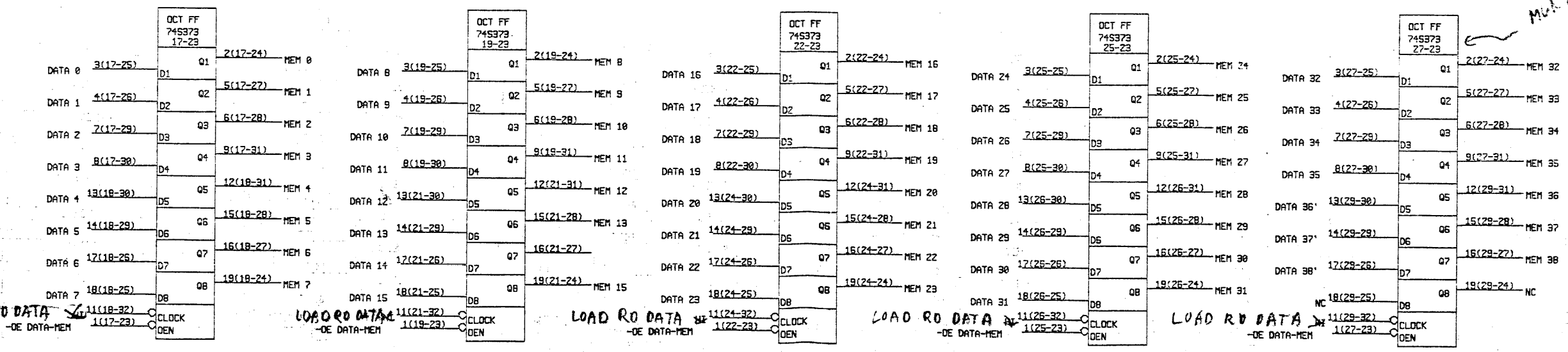
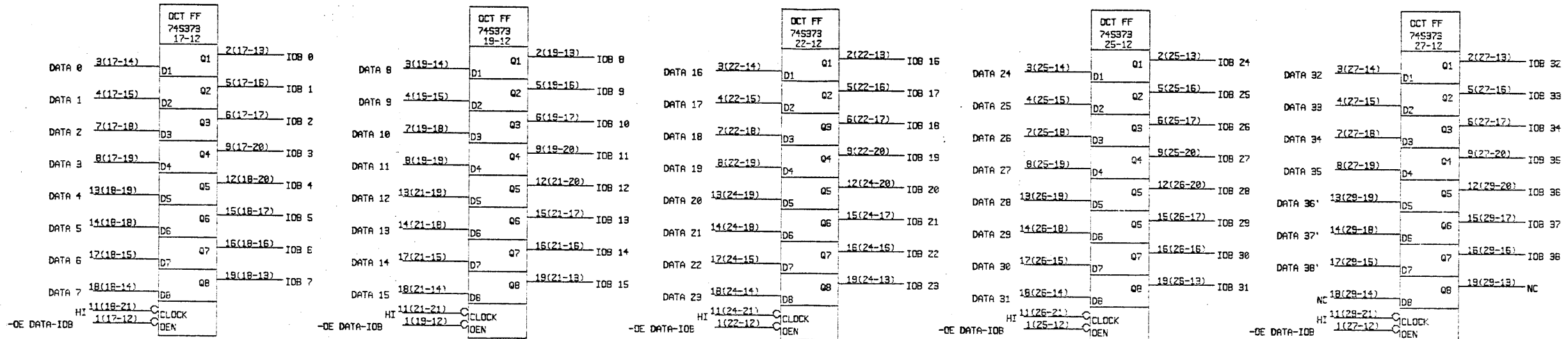
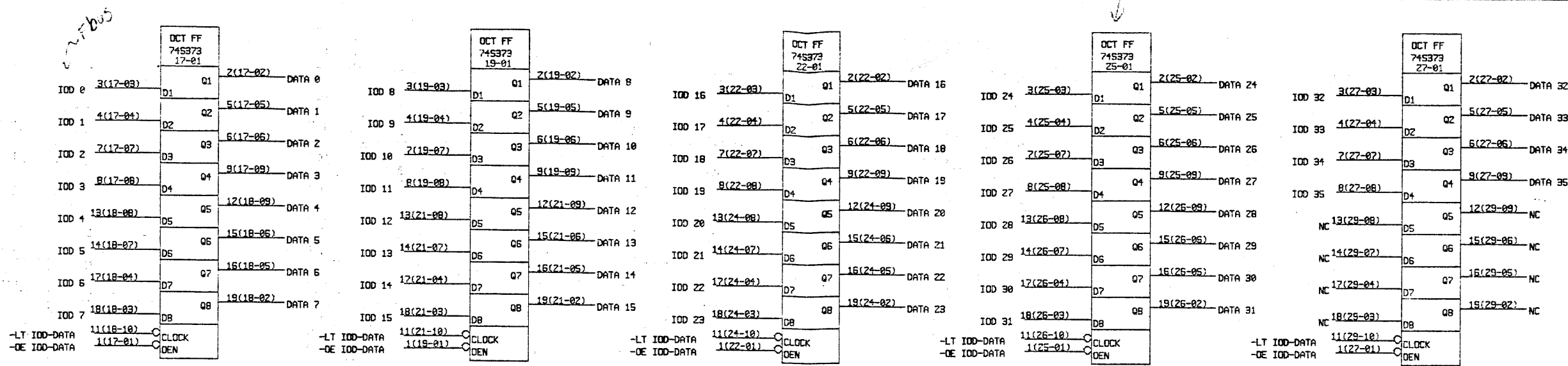
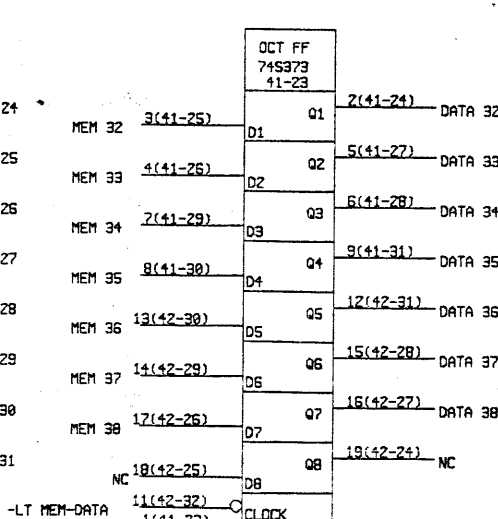
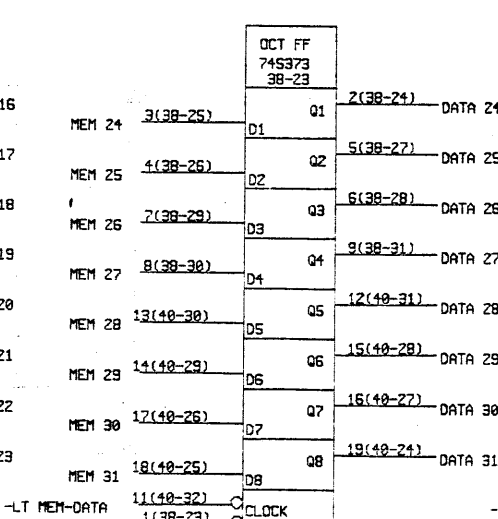
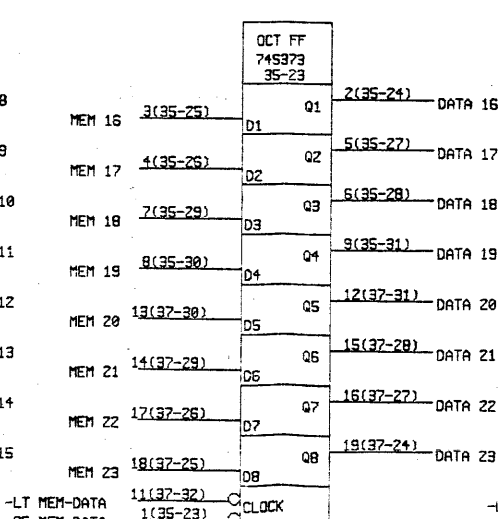
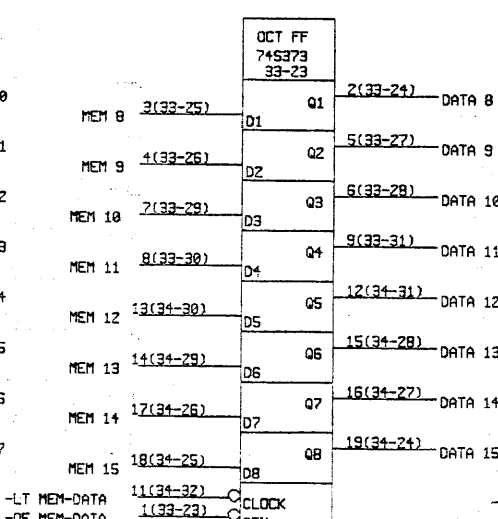
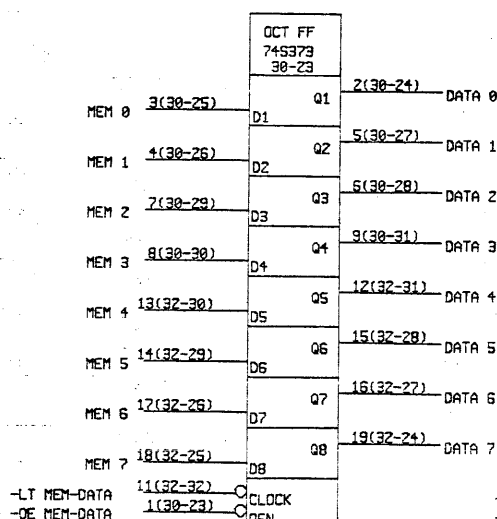
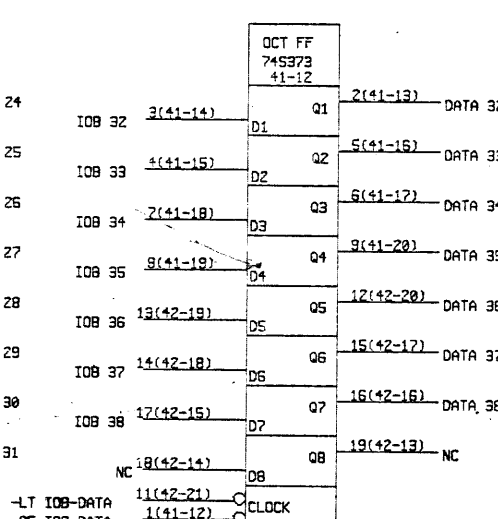
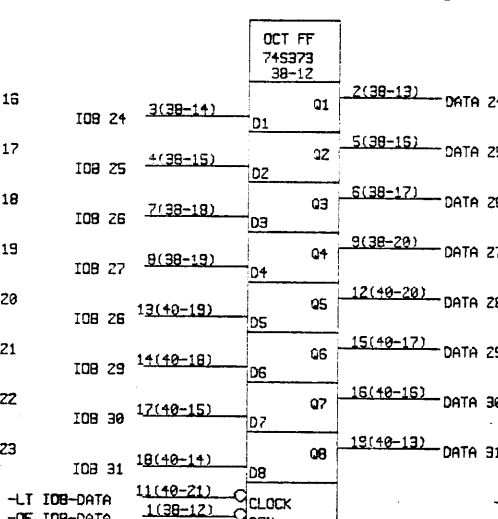
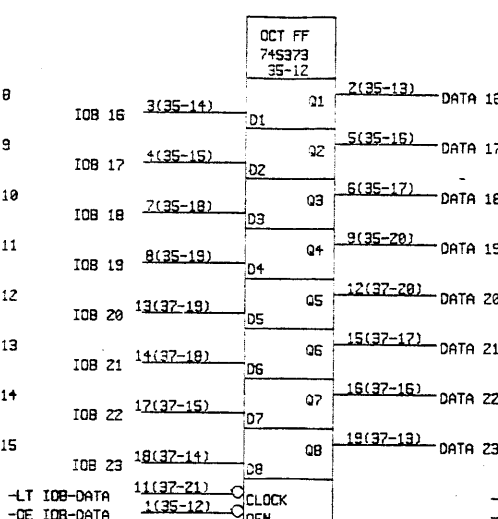
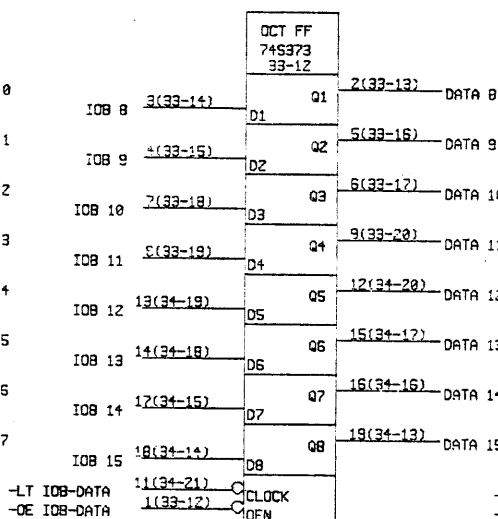
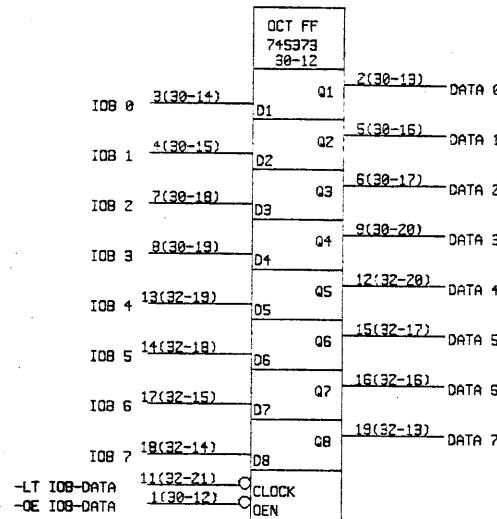
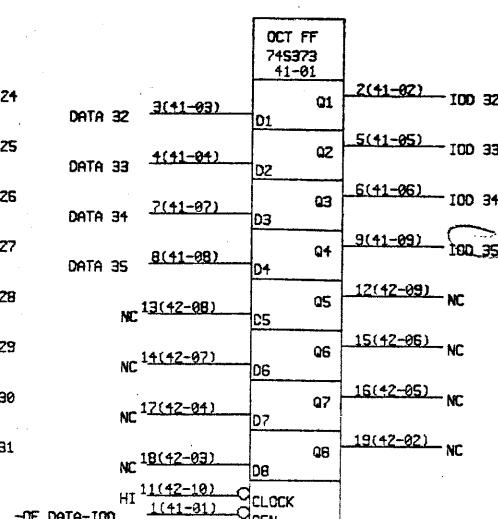
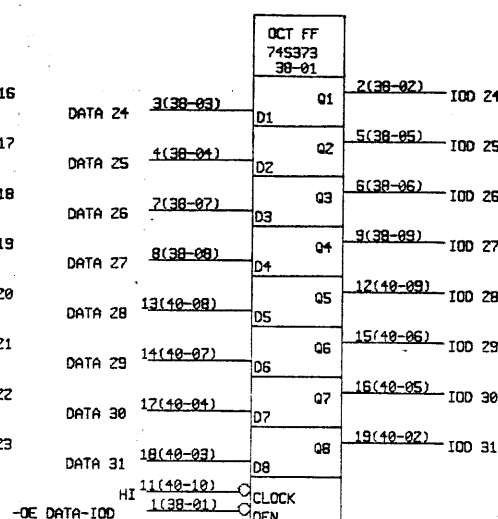
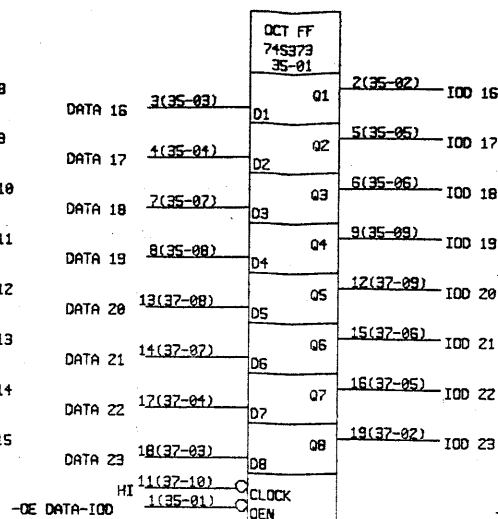
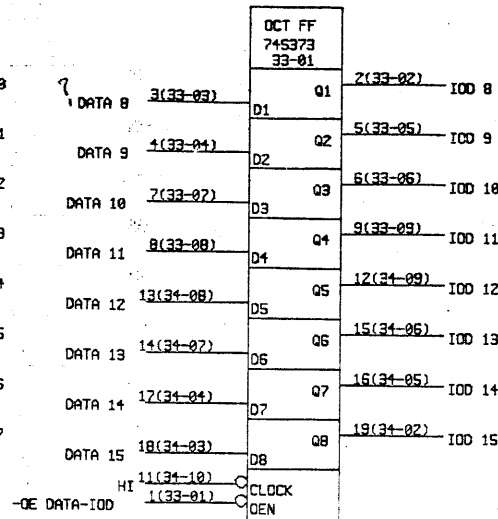
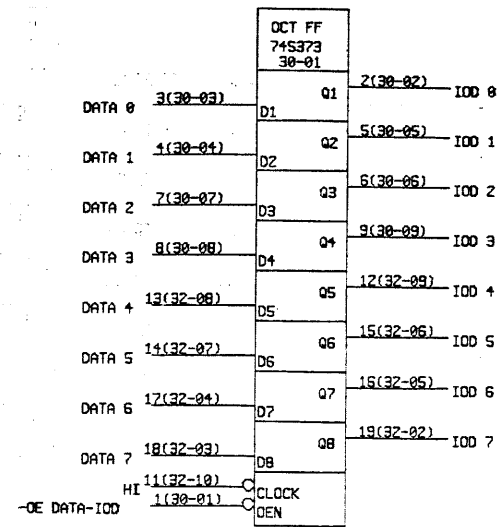
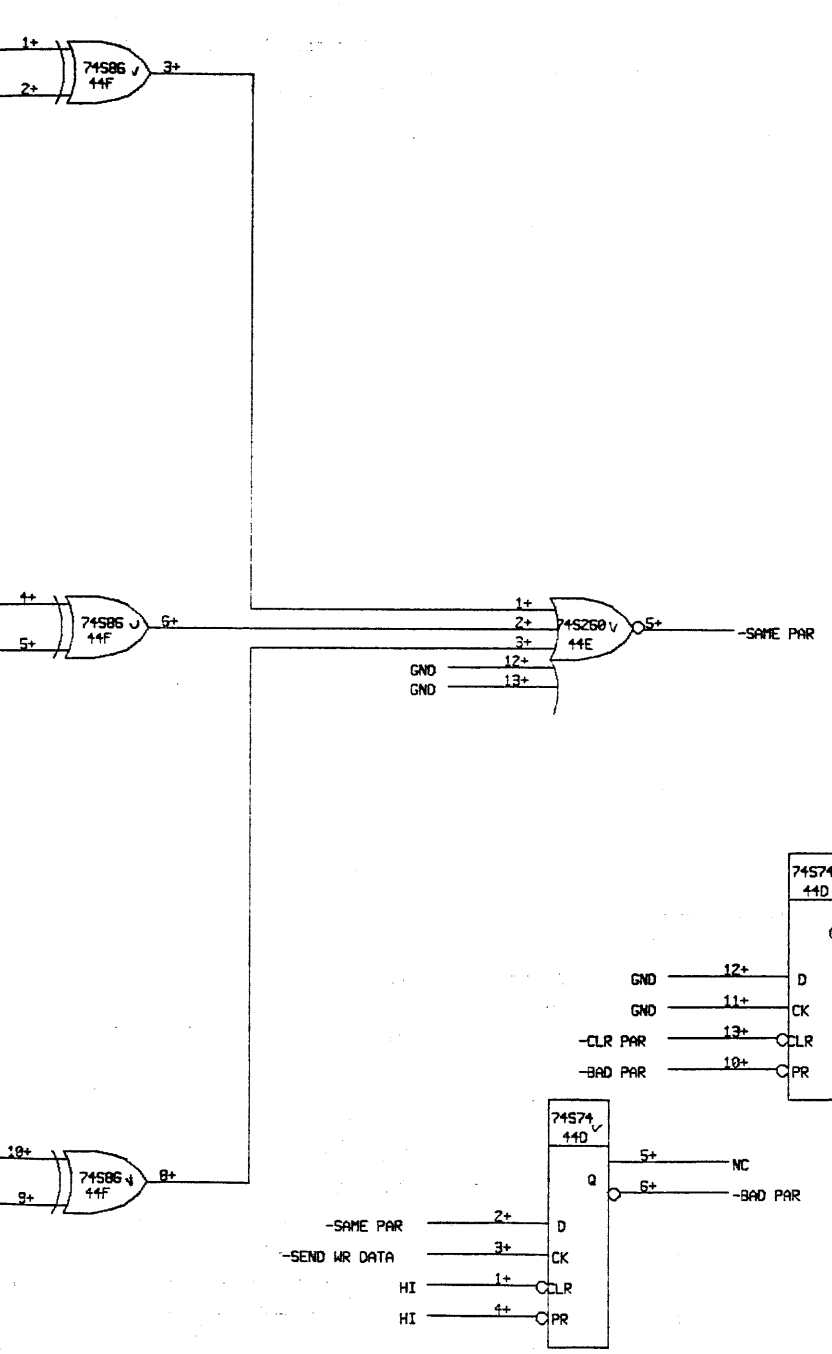
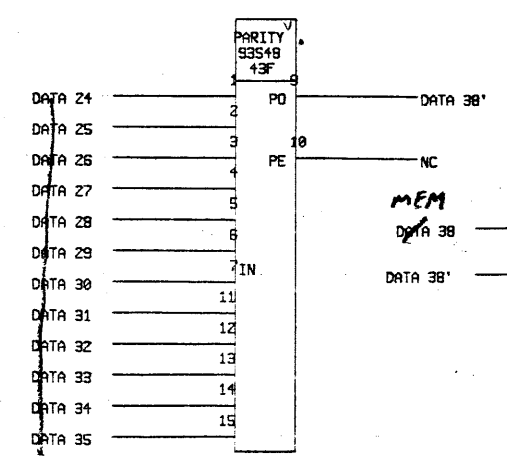
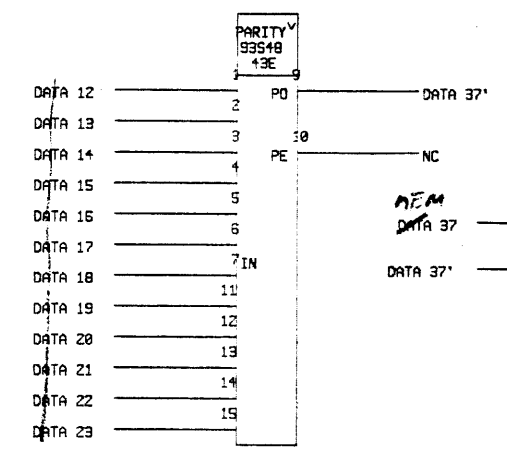
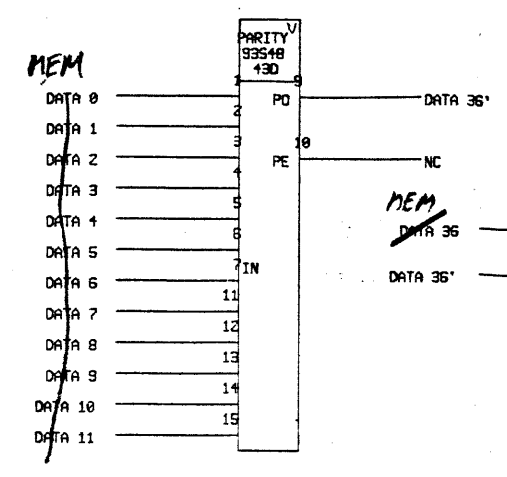
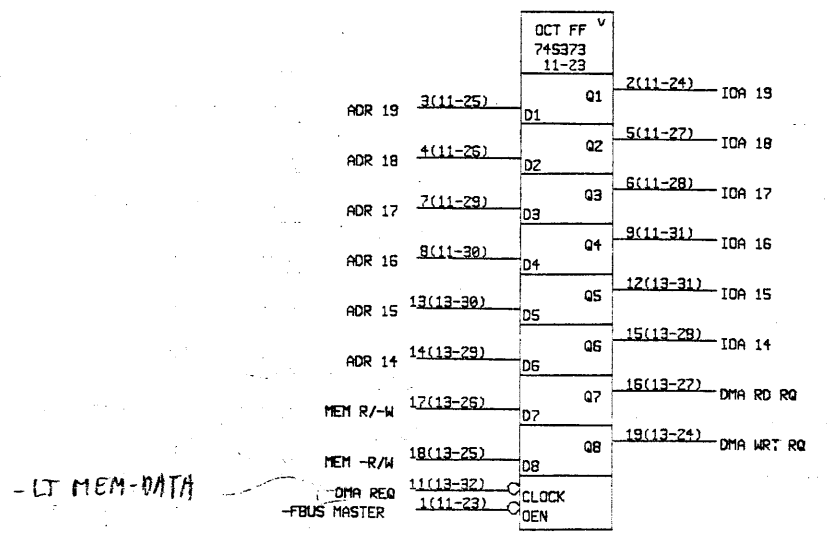
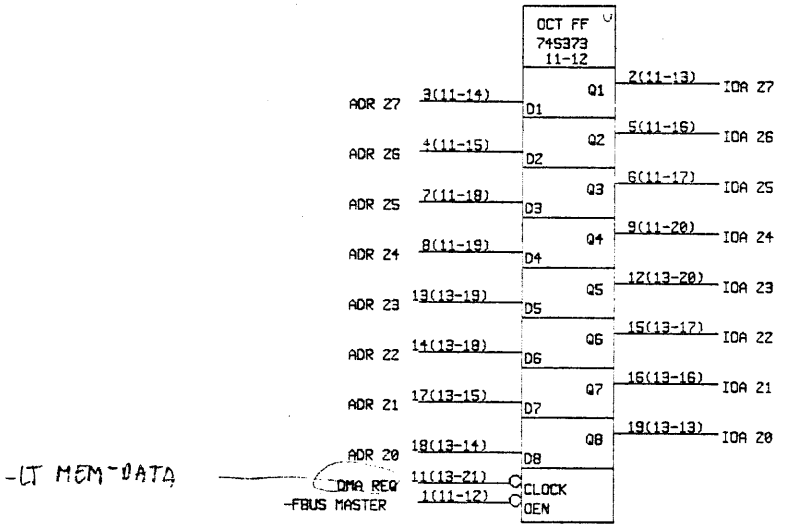
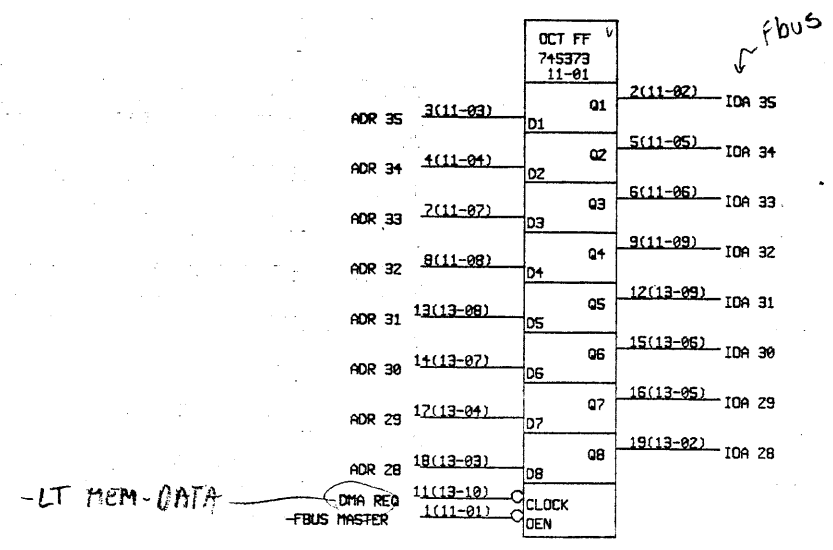


*MIND 7 DE
374 JAMES*



MU. 6-11-07 row 34

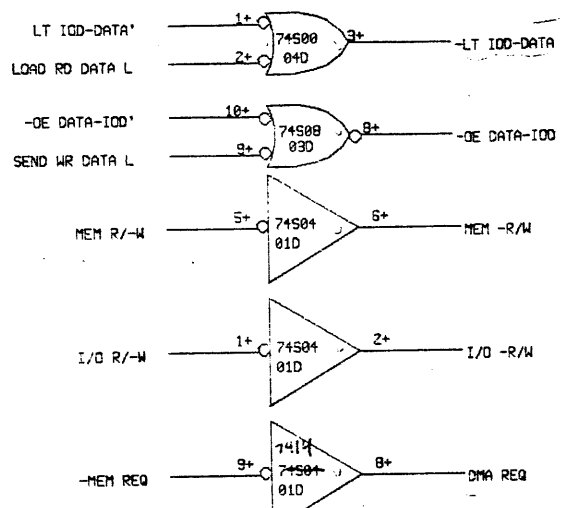
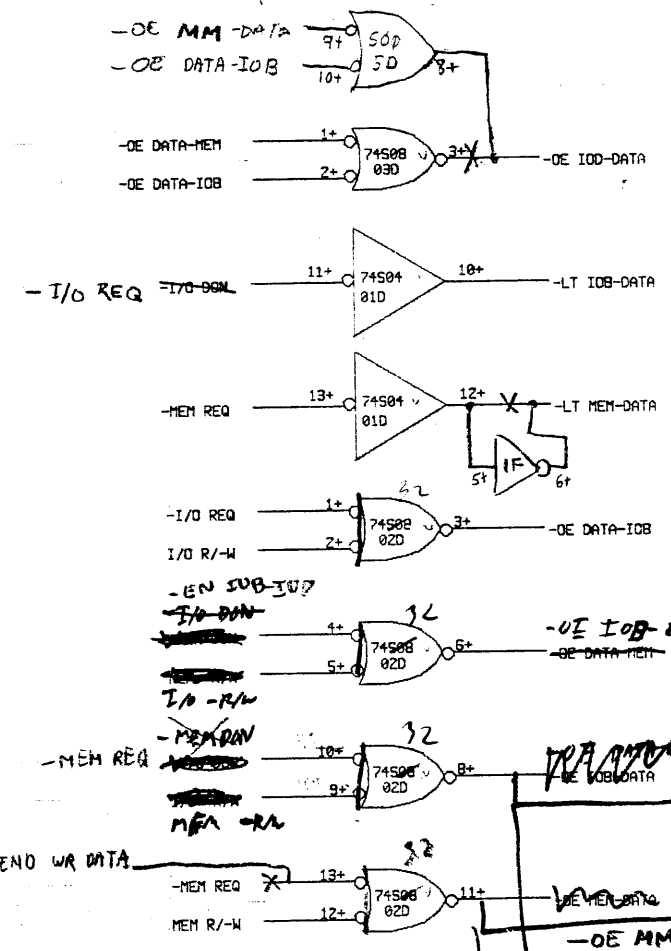
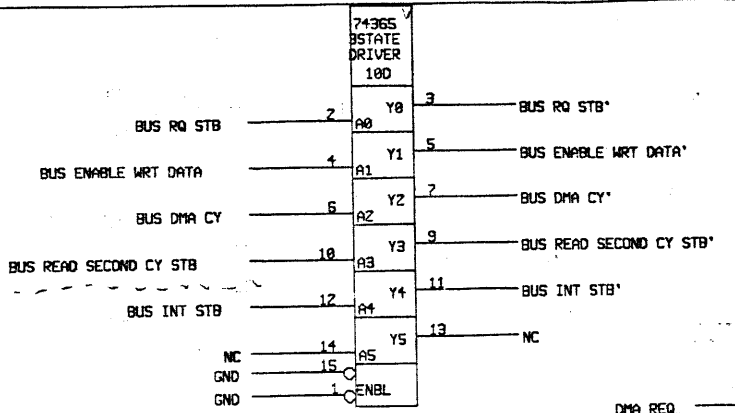




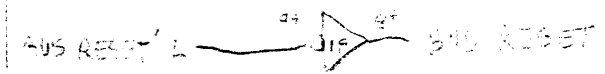
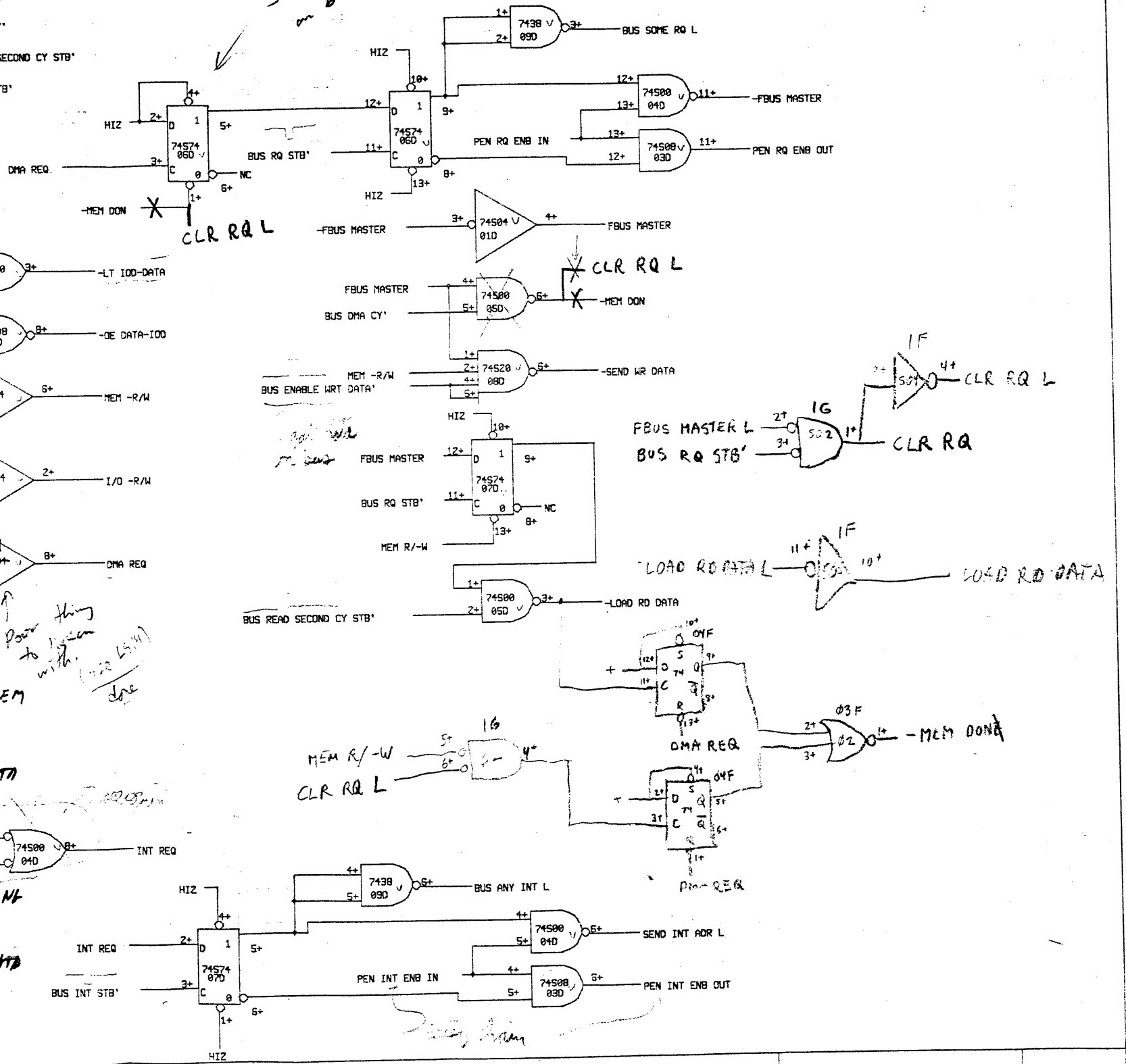
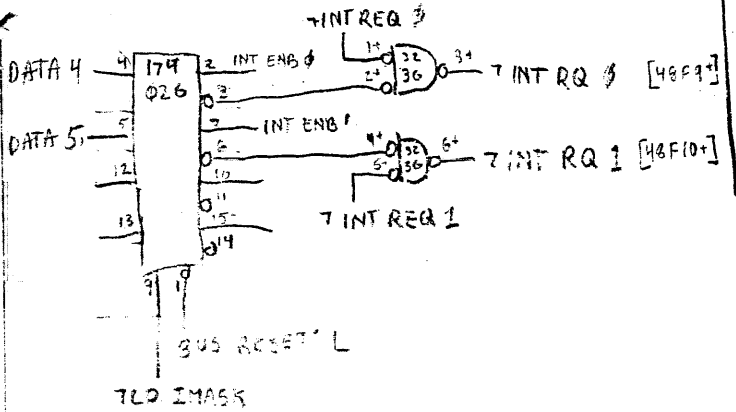
FOONLY INC.		PANOFSKY BOX INTERFACE ADDRESS LATCH AND PARITY		22-JAN-80 17:11	
DRAWN BY: PHIL GOSSETT		PAGE OF		NUMBER	
APPROVED BY:		PROJECT:		REV.	
				PAN2.DRW [4,71]	

*This must really be
-OE IOB-DATA
744500*

*is not allowed
on BUS RESET!*

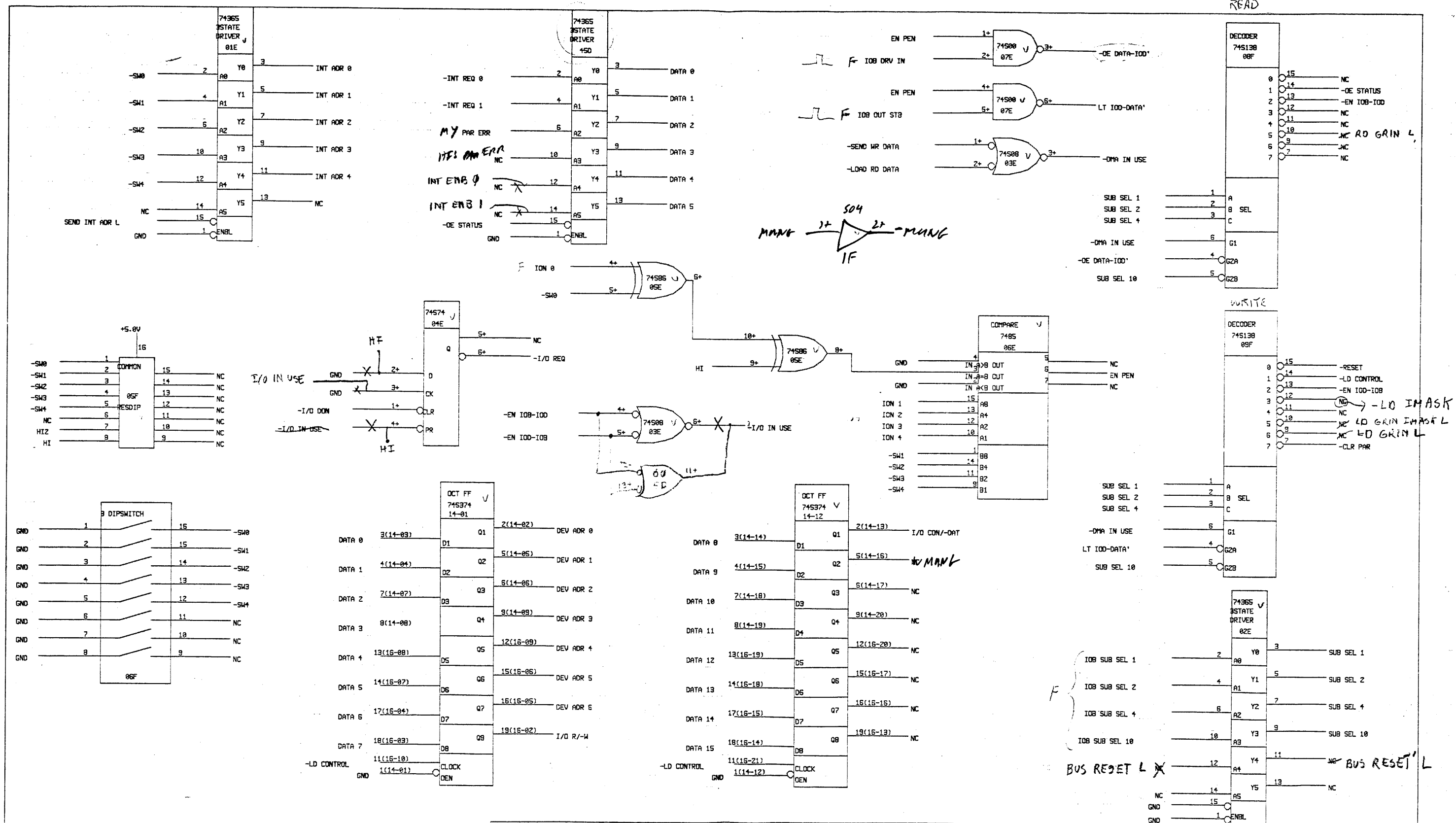


*Power thing
to be done
with
(see LHM)
Joe*



FOONLY, INC		PANOFSKY BOX INTERFACE CONTROL		22-JAN-80 19:33	
DRAWN BY: PHIL COSSETT		PAGE 1 OF 1		NUMBER	
APPROVED BY:		PROJECT:		REV.	
				PAN3.DRW [4,71]	

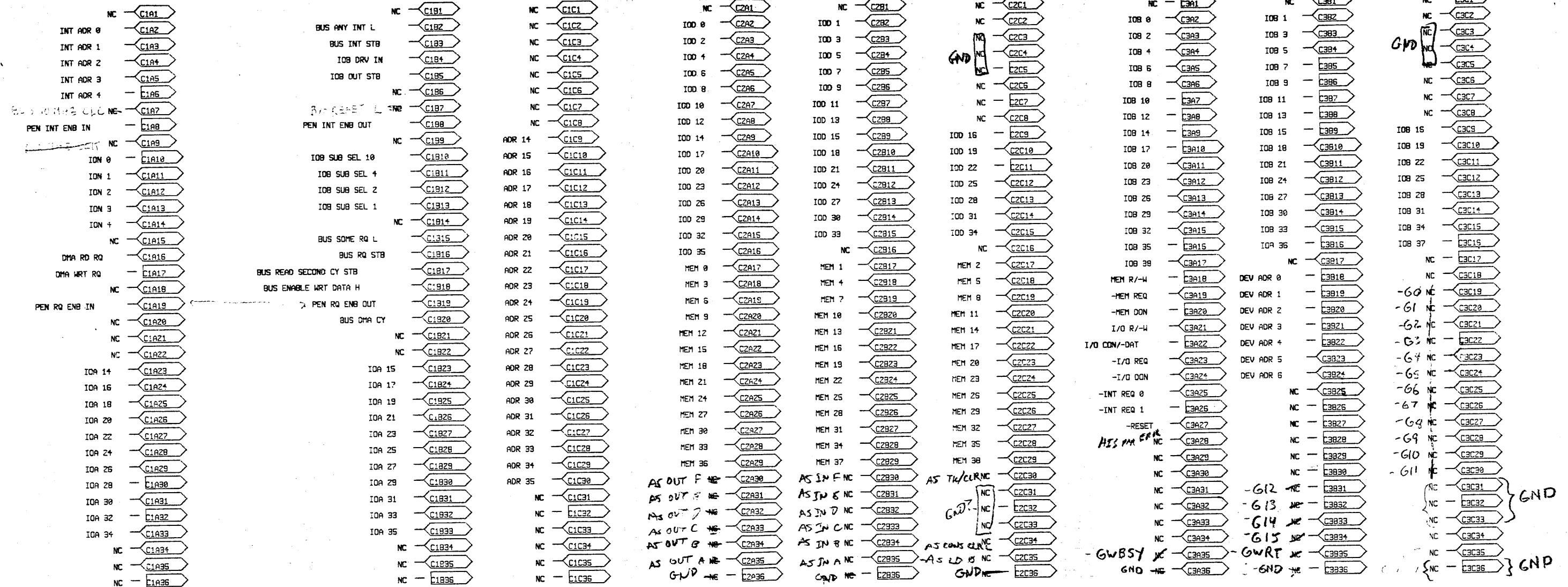
IOB DRV IN
" OUT STB
Fbus → F2
F2 → Fbus



FOONLY INC.		PANOFSKY BOX INTERFACE CONTROL		22-JAN-80 20:06	
DRAWN BY: PHIL GOSSETT		PAGE OF		NUMBER	
APPROVED BY:		PROJECT:		PAN4.DRW [4,71]	
				REV.	

10 Mhz clock on upper 9C3A29 (CON1) BUS 10 MHZ CLC

C1A7



FOONLY INC.		PANOFSKY BOX INTERFACE		22-JAN-80 20:02	
		CONNECTORS		PAN5.DRW [4, 71]	
DRAWN BY:	PHIL GOSSETT	PAGE	OF	NUMBER	REV.
APPROVED BY:		PROJECT:			