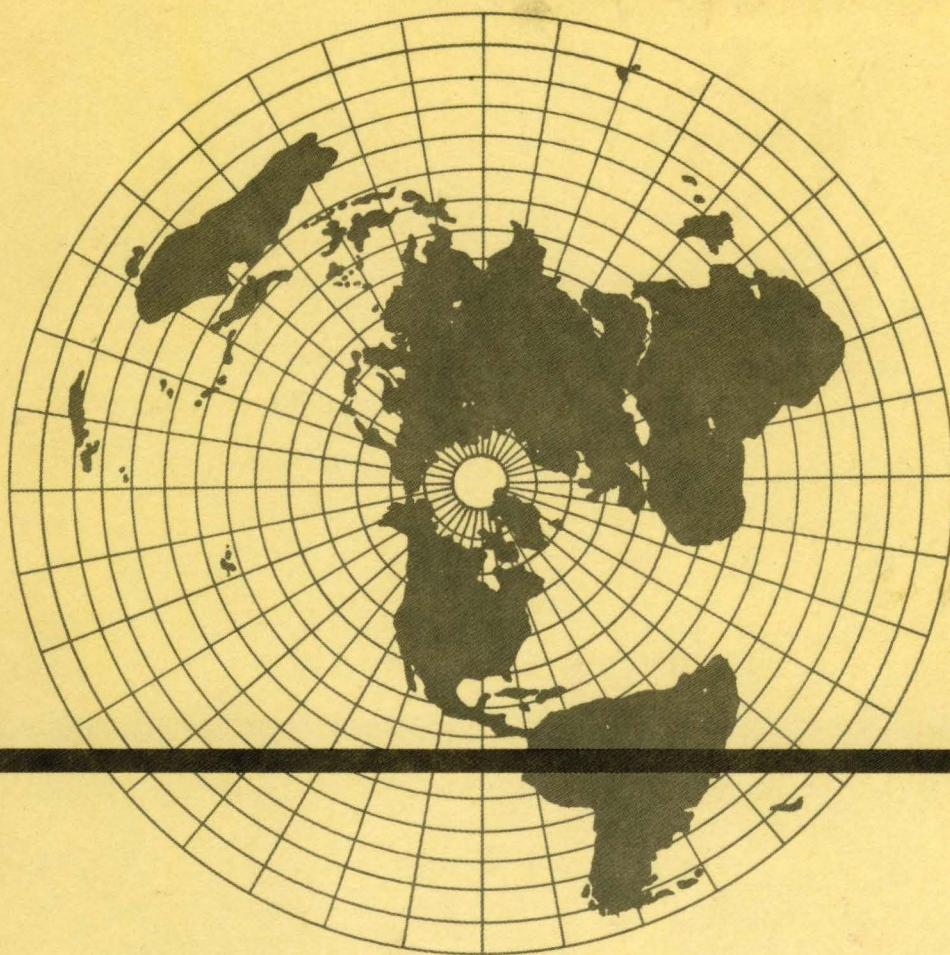


**SIGNAL COMPARATOR
MODEL 6.143**

Publ. No. 00 800.2023-0



EAI

PROPERTY OF
POLYTECHNIC INSTITUTE OF BROOKLYN
E. E. DEPT.

R _____

EAI[®]

ELECTRONIC ASSOCIATES, INC. *West Long Branch, New Jersey*

**SIGNAL COMPARATOR
MODEL 6.143**

Publ. No. 00 800.2023-0

© ELECTRONIC ASSOCIATES, INC. 1963
ALL RIGHTS RESERVED

PRINTED IN U.S.A.

November 1966

RELATED PUBLICATIONS

The table below lists other publications which may be of interest to the readers of this manual. Unless otherwise indicated by title or footnote, all are maintenance handbooks. Note that maintenance handbooks directly applicable to a particular system are normally supplied with the system.

<u>Title</u>	<u>Publication Number</u>
Handbook of Analog Computation	00 800.0001- 2
TR-20 Computer Operators Reference Handbook	00 800.2003-1
Sine-Cosine Diode Function Generators, Models 16.313 and 16.314	00 800.2005-0
TR-20 Maintenance Manual	00 800.2006-0
Transport Delay Simulator, Type 2.448	00 800.2009-0
Reactor Kinetics Group, Type 2.475	00 800.2010-0
Dual DC Amplifier, Model 6.282	00 800.2011-0
Quarter-Square Multiplier 7.045	00 800.2013-0
Dual X ² Diode Function Generator 16.101	00 800.2016-0
Dual Log X Diode Function Generator 16.126	00 800.2017-0
Dual One-Half Log X Diode Function Generator 16.133	00 800.2018-0
Variable Diode Function Generator	00 800.2019-0
Variable Diode Function Generator 16.156	00 800.2020-0
Signal Comparator 6.143	00 800.2023-0
Repetitive Operation Display Unit 34.034 and 34.035	00 800.2024-1
Dual Coefficient Attenuators 42.183, 42.187 and 42.188	00 800.2025-0
Reference Regulator 43.037	00 800.2027-0
Bi-Polar Multiplier, Models 7.117 and 7.137	00 800.2038-0

NOTICE

In order to enable us to process your requests for spare parts and replacement items quickly and efficiently, we request your conformance with the following procedure:

1. Please specify the type number and serial number of the basic unit as well as the EAI part number and description of the part when inquiring about replacement items such as potentiometer assemblies or cups, relays, transformers, precision resistors, etc.
2. When inquiring about items as servo multipliers, resolvers, networks, printed circuit assemblies, etc., please specify the serial numbers of the major equipment with which the units are to be used, such as: Console, Type 8811, Memory Module, Type 4.204, Serial No. 000, etc. If at all possible, please include the purchase order or the EAI project number under which the equipment was originally procured.

Your cooperation in supplying the required information will speed the processing of your requests and aid in assuring that the correct items are supplied.

It is the policy of Electronic Associates, Inc. to supply equipment patterned as closely as possible to the requirements of the individual customer. This is accomplished, without incurring the prohibitive costs of custom design, by substituting new components, modifying standard components, etc., wherever necessary to expedite conformance with requirements. As a result, this instruction manual, which has been written to cover standard equipment, may not entirely concur in its content with the equipment supplied. It is felt, however, that a technically qualified person will find the manual a fully adequate guide in understanding, operating, and maintaining the equipment actually supplied.

Electronic Associates, Inc. reserves the right to make changes in design, or to make additions to or improvements in its product without imposing any obligation upon itself to install them on products previously manufactured.

UNITED STATES AND CANADIAN OPERATIONS

Marketing Division

SALES OFFICE

EASTERN REGION

Eastern Regional Office: West Long Branch, N. J., Tel: 201-229-1100, TWX 510-239-9208, Telex 01-26655, Cable: PACE West Long Branch, N. J.
Special System Department: West Long Branch, N. J., Tel: 201-229-1100, TWX 510-239-9208, Telex 01-26655, Cable: PACE West Long Branch, N. J.
Customer Services: West Long Branch, N. J., Tel: 201-229-1100, TWX 510-239-9208, Telex 01-26655, Cable PACE West Long Branch, N. J.
Northeastern District Office: 875 Providence Highway, Dedham, Massachusetts, Tel: 617-326-6756

SOUTHEASTERN REGION

Southeastern Regional Office: 12260 Wilkins Avenue, Rockville, Maryland, Tel: 301-933-4100

CENTRAL REGION

Central Regional Office: 33166 Des Plaines Ave., Des Plaines, Illinois, Tel: 312-296-8171
Cleveland District Office: 6741 Ridge Road, Parma, Ohio, Tel: 216-842-1840

SOUTHERN REGION

Southern Regional Office: 3514 Cedar Springs Road, Room 211, Dallas, Texas, Tel: 214-528-4920
Houston District Office: 7007 Gulf Freeway, Room 128, Houston, Texas, Tel: 713-MI-4-3678
Huntsville District Office: Holiday Office Center, Suite 2, 3322 South Memorial Parkway, Huntsville, Ala., Tel: 205-881-7031

WESTERN REGION

Western Regional Office: 1500 East Imperial Highway, El Segundo, California, Tel: 213-322-3124, TWX 910-348-6284
San Francisco District Office: 4151 Middlefield Road, Palo Alto, California, Tel: 415-321-0363, TWX 910-373-1241

CUSTOMER SERVICES OFFICES

EASTERN REGION

Eastern U.S. Headquarters: West Long Branch, N. J., Tel: 201-229-1100, TWX 510-239-9208, Telex 01-26655, Cable: PACE West Long Branch, N. J.
Northeastern District Office: 875 Providence Highway, Dedham, Massachusetts, Telephone: 617-326-6756
Princeton, New Jersey: U.S. Route No. 1, Princeton, New Jersey, P.O. Box 582, Telephone: 609-452-2900
Resident Field Engineers: Bedford, Mass./Florham Park, N. J./Washington, D.C./Baltimore, Md./Eatontown, N. J.

SOUTHEASTERN REGION

Southeastern Regional Office: 12260 Wilkins Avenue, Rockville, Maryland, Telephone: 301-933-4100

CENTRAL REGION

Central Regional Office: 3166 Des Plaines Ave., Des Plaines, Illinois, Tel: 312-296-8171
Cleveland District Office: 6741 Ridge Road, Parma, Ohio, Telephone: 216-842-1840
Resident Field Engineers: Detroit, Michigan/Pittsburgh, Pennsylvania/Dayton, Ohio/Warren, Michigan

SOUTHERN REGION

Southern Regional Office: 3514 Cedar Springs Road, Dallas, Texas, Telephone: 214-528-4920
Houston District Office: 7007 Gulf Freeway, Room 128, Houston, Texas, Telephone: 713-MI 4-3678
Huntsville District Office: Holiday Office Center, Suite 14, 3322 South Memorial Parkway, Huntsville, Ala., Tel: 205-881-7031
Resident Field Engineers: San Antonio, Texas/Alamogordo, New Mexico/Tulsa, Oklahoma/Houston, Texas.

WESTERN REGION

Western U.S. Headquarters: CUSTOMER REPAIR FACILITY, 1500 East Imperial Highway, El Segundo, California, Telephone: 213-322-3220, TWX 910-348-6284
Western U.S. Headquarters: CUSTOMER SERVICES FACILITY, 1500 East Imperial Highway, El Segundo, California, Telephone: 213-322-3220, TWX 910-348-6284
San Francisco District Office: 4151 Middlefield Road, Palo Alto, California, Telephone: 415-321-0363, TWX 910-373-1241
Denver Area: 70 South Benton Drive, Denver, Colorado, Telephone: 303-233-0818
Resident Field Engineers: Edwards, California/Pasadena, California/Moffet Field, California/Douglas Aircraft, Huntington Beach, California

CANADA

Toronto Office: Allan Crawford Associates, Ltd., 65 Martin Ross Avenue, Downsview Ontario, Canada, Tel: 416-636-4910

COMPUTATION CENTERS

Princeton Computation Center: U.S. Route No. 1, Princeton, New Jersey, P.O. Box 582, Tel: 609-452-2900
Los Angeles Computation Center: 1500 East Imperial Highway, El Segundo, California, Tel: 213-322-3220, TWX 910-348-6284
San Francisco Computation Center: 4151 Middlefield Road, Palo Alto, California, Tel: 415-321-7801, TWX 415-492-9211
Washington, D.C. Computation Center: 12260 Wilkins Avenue, Rockville, Maryland, Tel: 301-933-4100

Research and Computation Division

Research and Computation Division Headquarters: U.S. Route No. 1, Princeton, New Jersey, P.O. Box 582, Tel: 609-452-2900

Engineering and Manufacturing Division

Engineering Department: West Long Branch, N. J., Tel: 201-229-1100, TWX 510-239-9208, Telex 01-26655, Cable: PACE West Long Branch, N. J.
Manufacturing Department: West Long Branch, N. J., Tel: 201-229-1100, TWX 510-239-9208, Telex 01-26655, Cable: PACE West Long Branch, N. J.

Other Departments, Divisions and Subsidiaries

Instrument Division: Long Branch, New Jersey, Tel: 201-229-4400, TWX 510-239-9208, Cable: PACE West Long Branch, N. J.
Pacific Data Systems, Inc.: 1058 East First Street, Santa Ana, California, Tel: 714-547-9183, TWX 714-531-0188
Scientific Instruments Department: 4151 Middlefield Road, Palo Alto, California, Tel: 415-321-7801, TWX 910-373-1241

INTERNATIONAL OPERATIONS

SALES & CUSTOMER SERVICES OFFICES

UNITED KINGDOM & SCANDINAVIA

Electronic Associates, Ltd.: Burgess Hill, Sussex, England, Tel: Burgess Hill (Sussex) 5101-10, 5201-5, Telex: 87183, Cable: PACE Burgess Hill

BURGESS HILL

Northern Area Office: Roberts House, Manchester Road, Altrincham, Cheshire, Tel: Altrincham 5426

SWEDEN

EAI-Electronic Associates-AB: Hagavagen 14, Solna 3, Sweden, Tel: Stockholm 82-40-96; 82-40-97, Telex Stockholm 10064, Cable: PACE STOCKHOLM

EUROPEAN CONTINENT

EAI-European Continental Regional Office: Centre International, 22nd Floor, Place Rogier, Brussels 1, Belgium, Tel: Brussels 18-40-04, Telex: 2.21-106, Cable: PACEBELG Brussels

FRANCE

EAI-Electronic Associates SARL: 72-74, rue de la Tombe Issoire, Paris 14e, France, Tel: 535.01.07

GERMANY

EAI-Electronic Associates GMBH: 5100 Aachen, Bergdriesch 37, West Germany, Tel: Aachen 2 60 42; 2 60 41, Telex 832.676 eai d

AUSTRALIA & NEW ZEALAND

EAI-Electronic Associates, Pty., Ltd.: 26 Albany St., Leonards, N.S.W. Australia, Tel: 43-1557, 43-2705, Cable: PACEAUS, Sydney
Victorian Office: 34 Queens Road, Melbourne S. C. 2, Australia, Tel: 26-1329, Cable: PACEAUS, Melbourne

JAPAN

EAI-Electronic Associates, (Japan) Inc.: 9th Mori Building, 1-3 Shiba-Atagocho, Minato-Ku, Tokyo 2, Japan; Tel: 433-4671, Telex: 7814285, Cable: EAIJAFACE

ENGINEERING AND MANUFACTURING

Electronic Associates, Ltd.: Burgess Hill, Sussex, England, Tel: Burgess Hill (Sussex) 5101-10, 5201-5, Telex: 87183, Cable: PACE BURGESS HILL

COMPUTATION CENTERS

European Computation Center: Centre International, 22nd Floor, Place Rogier, Brussels 1, Belgium, Tel: Brussels 18-40-04, Telex: 2.21-106, Cable: PACEBELG Brussels
United Kingdom Computation Center: Electronic Associates, Ltd., Burgess Hill, Sussex, England, Tel: Burgess Hill (Sussex) 5101-10, Telex: 871-183, Cable: PACE BURGESS HILL
Australian Computation Center: 34 Queens Road, Melbourne S.C. 2, Australia, Tel: 26-1329, Cable: PACEAUS, Melbourne



ELECTRONIC ASSOCIATES, INC. West Long Branch, New Jersey

ADVANCED SYSTEMS ANALYSIS AND COMPUTATION SERVICES/ANALOG COMPUTERS/DIGITAL COMPUTERS/HYBRID ANALOG-DIGITAL COMPUTATION EQUIPMENT/ANALOG AND DIGITAL PLOTTERS/SIMULATION SYSTEMS/SCIENTIFIC AND LABORATORY INSTRUMENTS/INDUSTRIAL PROCESS CONTROL SYSTEMS/PHOTOGRAMMETRIC EQUIPMENT/RANGE INSTRUMENTATION SYSTEMS/TEST AND CHECK-OUT SYSTEMS/MILITARY AND INDUSTRIAL RESEARCH AND DEVELOPMENT SERVICES/FIELD ENGINEERING AND EQUIPMENT MAINTENANCE SERVICES.

CONTENTS

	<u>Page</u>
1. GENERAL	1
2. PATCHING	1
3. CIRCUIT DESCRIPTION	2
4. WIRING	4
5. ADJUSTMENT AND TEST PROCEDURE	4
APPENDIX 1 - REPLACEABLE PARTS LIST	A1-1
APPENDIX 2 - DRAWINGS	A2-1

ILLUSTRATIONS

<u>Figure Number</u>	<u>Title</u>	<u>Page</u>
1.	<i>Signal Comparator 6.143</i>	1
2.	<i>Comparator Patching</i>	2
3.	<i>Comparator Amplifier, Simplified Schematic</i>	3
4.	<i>Comparator Test Circuit</i>	4

SIGNAL COMPARATOR 6.143

1. GENERAL.

The Signal Comparator consists of a three-stage transistorized amplifier and DPDT relay. This unit is used to automatically perform a switching function according to the magnitude and sign of the signal voltage relative to a bias signal.

The front panel of the comparator forms a portion of the patch panel and provides terminations for the input signal IN_1 , and the bias signal IN_2 . In addition there is a termination for each of the relay contacts which perform the desired switching functions. (See figure 1.)

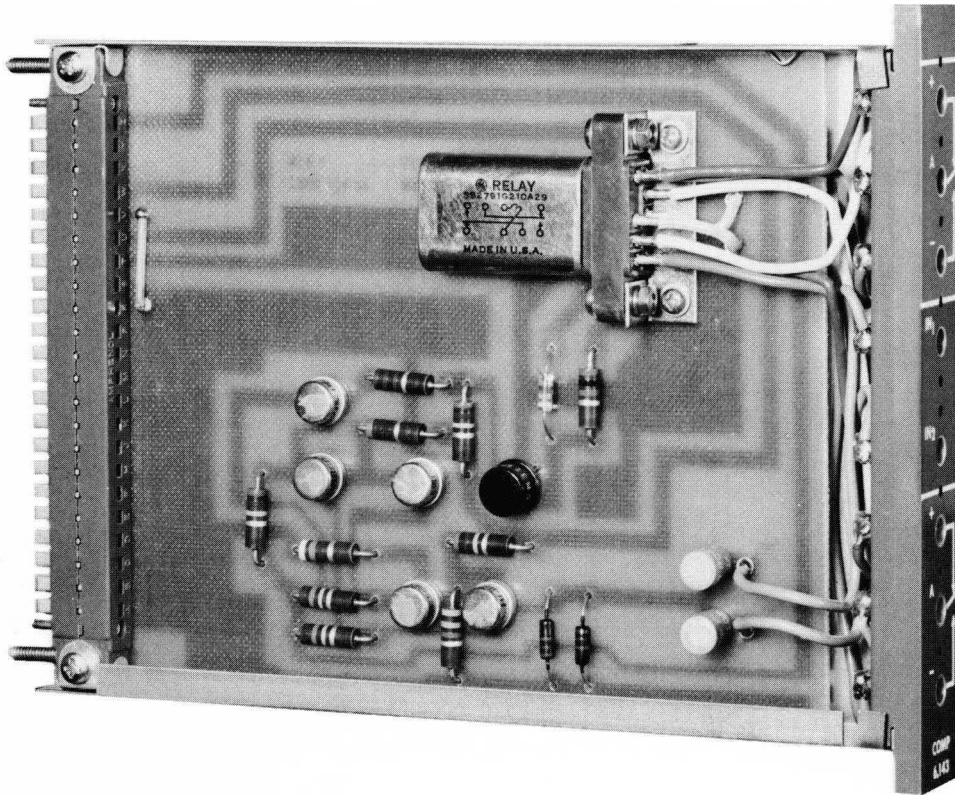


Figure 1. Signal Comparator 6.143

2. PATCHING.

Figure 2 illustrates a typical example of how a comparator may be used. IN_1 is connected to the output terminal of an amplifier whose output voltage is compared to the switching level voltage. The IN_2 termination is connected to the arm of a potentiometer; the potentiometer is then set to the desired switching level voltage. The relay contacts are connected to the circuit that is to be controlled.

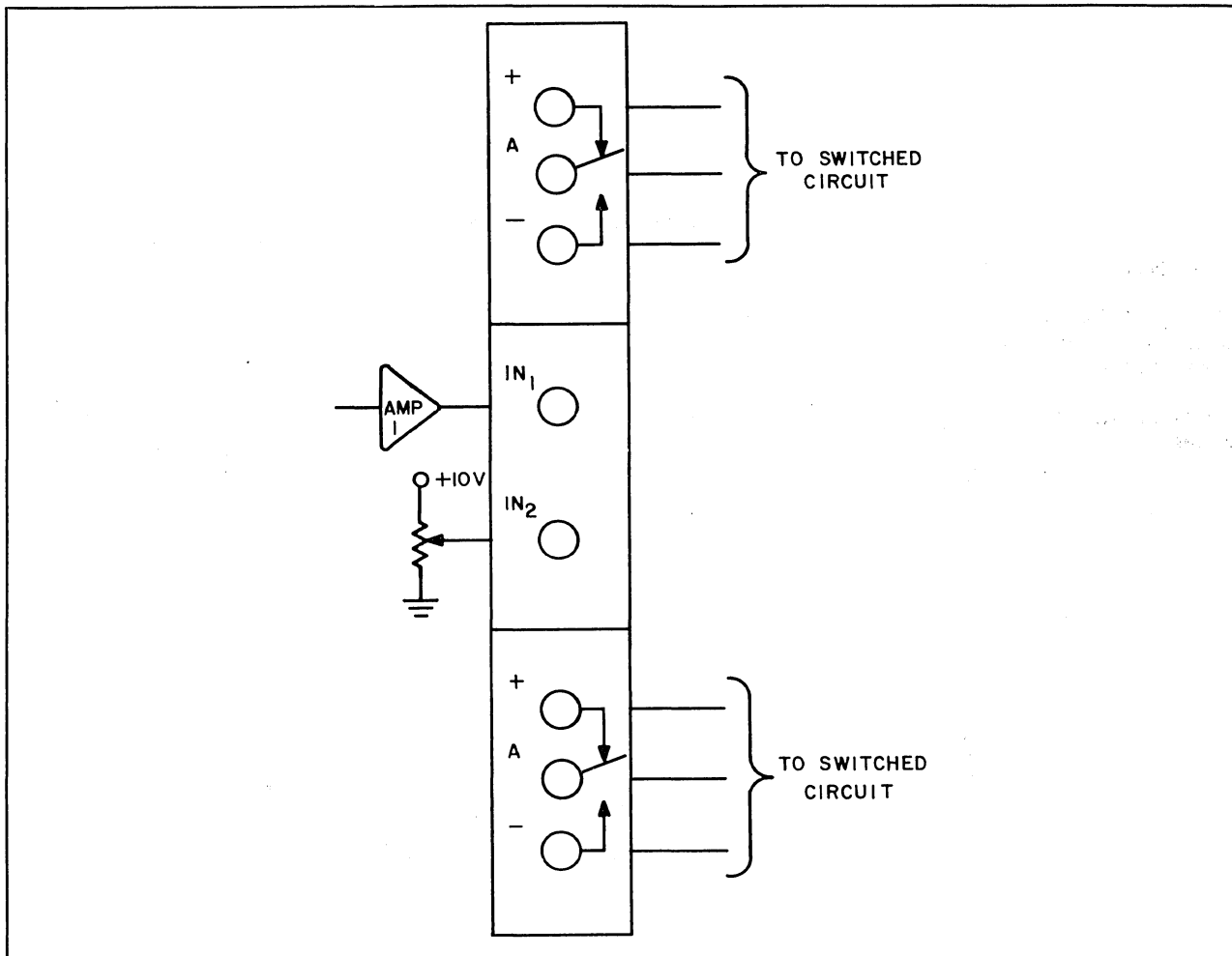


Figure 2. Comparator Patching

3. CIRCUIT DESCRIPTION.

The Comparator circuitry (with patch panel connections) is shown on schematic drawing B006 134 0S, and in the simplified schematic drawing, figure 3. Also shown in figure 3 is the external attenuator patched to input IN₂ to establish the switching level.

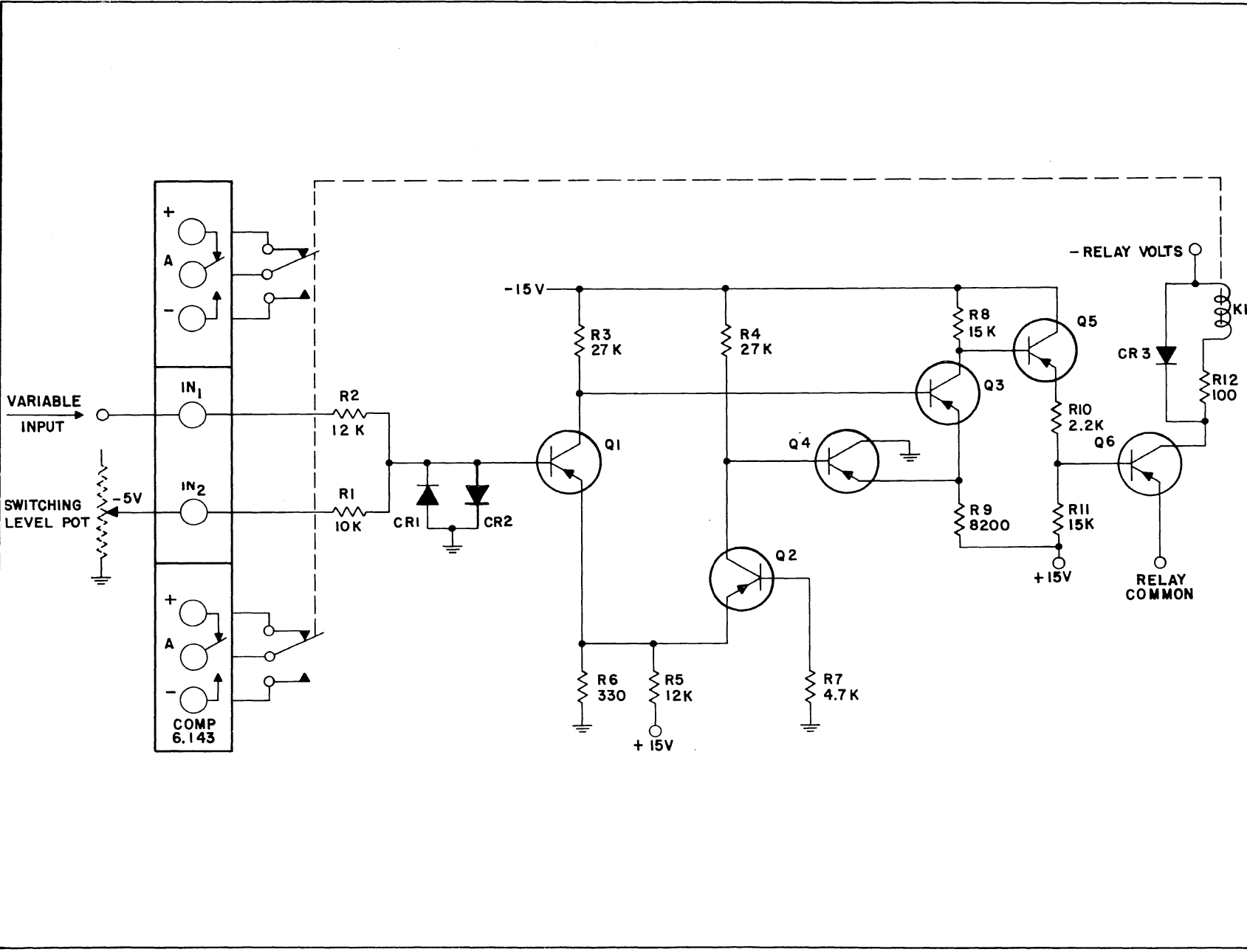
In figure 3 the switching level is assumed to be +5 volts and the voltage at the arm of the attenuator patched to input IN₂ is approximately -5 volts. As long as the input to IN₁ remains above +5 volts, the base of Q1 is positive and the transistor is cut off. With this condition, Q6 is also non-conducting and relay K1 is de-energized. The relay contacts remain in the position shown with the arms resting on the plus contacts.

The conditions in the amplifier at this time are as follows: Q1 is cut off, as mentioned above; Q3 is conducting, because the base is returned to the -15 volt supply through R3, and the emitter is connected to the +15 volt supply through R9 (Q4 is not conducting, as explained below); Q5 is cut off by the bias developed across R8. No current flows in the emitter circuit through R10, and Q6 is reverse-biased to cutoff through R11.

The drift caused by increased temperature is reduced through the use of Q2 and Q4. Note that an increase in temperature will increase I_{co} in the input transistor Q1 and a similar increase will occur in Q2. These changes are applied to the base and emitter of Q3, respectively, causing the two increases to cancel.

When the input at IN₁ drops to +5 volts, the base of Q1 is at zero potential with respect to ground; the transistor conducts because of the slight forward bias applied to the emitter through R5. Collector current in R3 biases Q3 to cutoff and, as a result, Q5 is driven into conduction. Since Q5 is connected as an emitter-follower, Q6 also conducts because of the forward bias developed across R11. Relay K1 in the collector circuit is energized and the relay transfers to the minus contacts.

Figure 3. Comparator Amplifier, Simplified Schematic



SIGNAL COMPARATOR 6.143

When Q1 conducts, the emitter current through R6 develops cutoff bias for the emitter of Q2. As Q2 is turned off, Q4 conducts, drawing current through R9 which applies reverse bias to the emitter of Q3. Thus the emitter receives a negative signal at the same time as the positive signal is applied to the base.

Diodes CR1 and CR2 protect the input transistor by limiting the amount of voltage which can be applied across the base-emitter junction. In the output circuit of Q6, the diode CR3 protects the transistor against momentary application of a high forward bias to the collector caused by the collapsing field around the relay coil when the circuit is broken.

4. WIRING.

The following table provides the necessary data for wiring comparator connectors:

PIN	FUNCTION
T	RELAY COMMON
U	-RELAY VOLTAGE
V	±GROUND
W	+15V
Z	-15V

5. ADJUSTMENT AND TEST PROCEDURE.

To check the comparator switch-time and sensitivity, patch in accordance with the circuit shown in figure 4. Set switches S1 and S2 to the positions shown in figure 4, the scope sensitivity to 0.1V/CM dc, the scope sweep to 2 milliseconds/CM and the voltmeter to the 0.1 volt range. Connect -10 volts to R1 and adjust R1 for zero reading on the voltmeter. Measure the distance between the top and bottom of the triangular wave as twice the comparator switch time (1 CM equals 2 milliseconds). Move switch S2 to ground R3. Set the scope sweep to 50 milliseconds/CM and set the sensitivity to 0.5 millivolts/CM. Measure the difference between the peak-to-peak voltage as switching sensitivity. Typically, the switch time is 7 milliseconds; the maximum permissible time is 10 milliseconds. Typically, the maximum sensitivity is .5 millivolts; the minimum permissible is 3 millivolts.

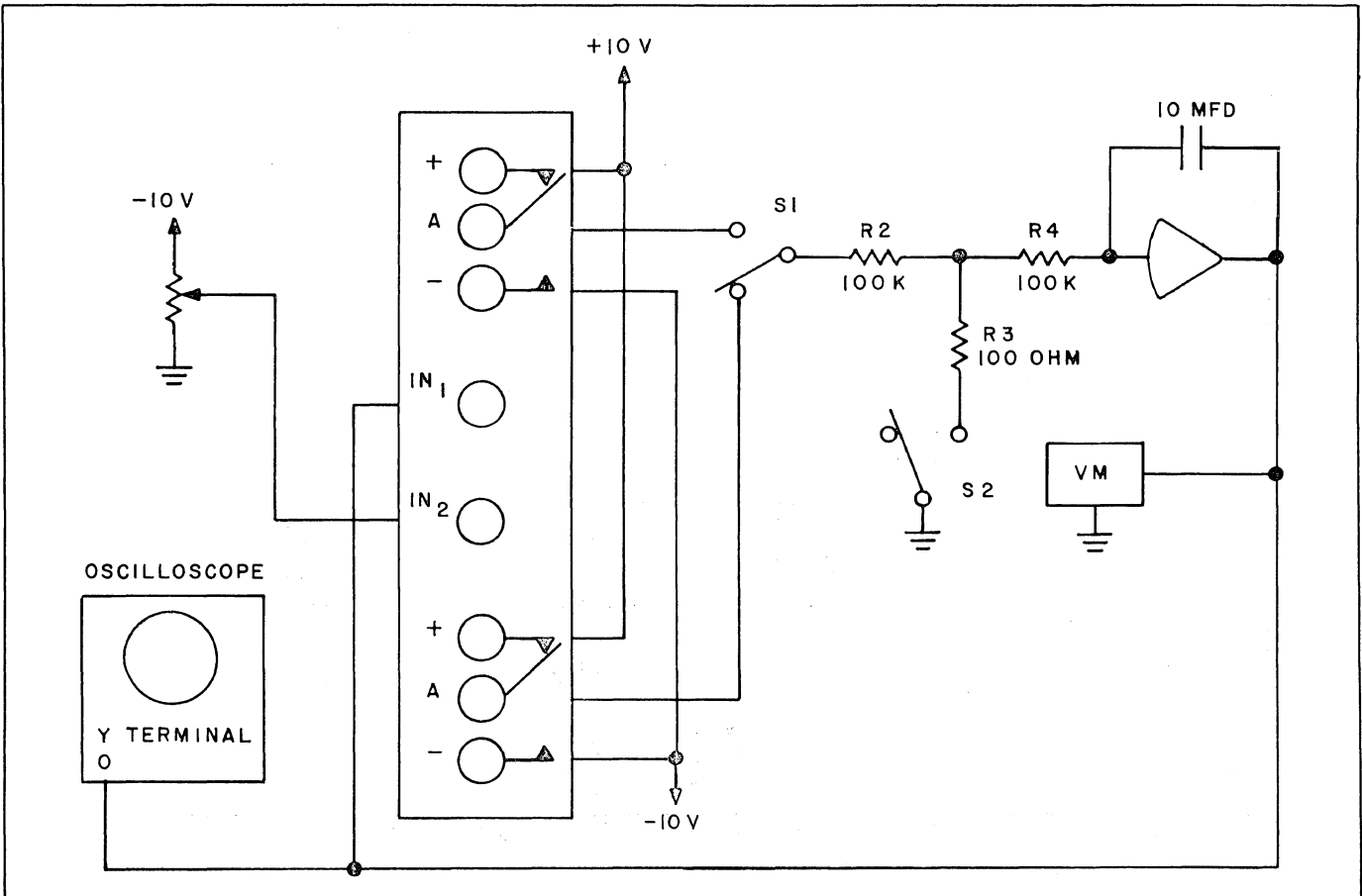


Figure 4. Comparator Test Circuit

APPENDIX 1
REPLACEABLE PARTS LIST
SIGNAL COMPARATOR, MODEL 6.143

This appendix contains a Replaceable Parts List for the equipment described in this manual. In each case, a brief description of the part is listed. Where applicable, a reference symbol (schematic designation) is included. To enable a particular sheet to be readily located, an index precedes the individual replaceable parts lists.

The category column in the parts list indicates the availability of each listed part so that a replacement part can be obtained as quickly as possible.

Category "A" - The parts in category "A" are standard electronic items that are usually available from any commercial electronic supplier. In order to expedite obtaining items of this nature, it is suggested that they be purchased from a local source whenever possible. If necessary these parts may be purchased from EAI by specifying the EAI Part Number.

Category "B" - The parts in category "B" are proprietary items that are available only from EAI.



*If other than factory parts are used for replacement of
Category "B" items, EAI cannot assume the responsibility
if a unit does not perform within its published specifications.*

ORDERING INFORMATION

In order to enable us to process your requests for spare parts and replacement items quickly and efficiently, we request your conformance with the following procedure:

1. Please specify the type number and serial number of the basic unit as well as the EAI part number and description of the part when inquiring about replacement items such as potentiometer assemblies or cups, relays, transformers, precision resistors, etc.
2. When inquiring about items such as servo multipliers, resolvers, networks, printed circuit assemblies, etc., please specify the serial numbers of the major equipment with which the units are to be used, such as: Console, Type 8811, Memory Module, Type 4.204, Serial No. 000, etc. If at all possible, please include the purchase order or the EAI project number under which the equipment was originally procured.

Your cooperation in supplying the required information will speed the processing of your requests and aid in assuring that the correct items are supplied.

PLEASE NOTE THAT EAI RESERVES THE RIGHT TO MAKE PART SUBSTITUTIONS WHEN REQUIRED. IN ALL CASES EAI GUARANTEES THAT THESE SUBSTITUTIONS ARE ELECTRICALLY AND PHYSICALLY COMPATIBLE WITH THE ORIGINAL COMPONENT.

PARTS LIST INDEX

SIGNAL COMPARATOR, MODEL 6.143

<u>Title</u>	<u>Page</u>
6.143 Relay Comparator Amplifier	-----
6.143 Relay Comparator Amplifier	A1-3

ITEM	REF. DESIG.	DESCRIPTION	EAI NO.	*CAT.
1		Connector Block: Lettered (COMP 6.143)	00 542.0363-5	B
<u>6.134 RELAY COMPARATOR AMPLIFIER</u>				
1	CR1,2	Diode	00 614.0007-0	B
2	CR3	Diode	00 614.0043-0	B
3	K1	Relay: 430 ohm DC Coil, 2 Form C Contacts	00 618.0126-0	B
4	Q1 thru 5	Transistor	00 686.0032-0	B
5	Q6	Transistor: 2N321	00 686.0004-0	A
6	R1	Resistor, Fixed, Wirewound, Precision: 10K ohms $\pm 1\%$, 0.2W	00 638.0288-0	B
7	R2	Resistor, Fixed, Wirewound, Precision: 12K ohms $\pm 1\%$, 0.2W	00 638.0289-0	B
8	R3,4,8	Resistor, Fixed, Composition: 27K ohms $\pm 5\%$, 1/2W	00 626.0273-0	A
9	R5	Resistor, Fixed, Composition: 15K ohms $\pm 5\%$, 1/2W	00 626.0153-0	A
10	R6,13	Resistor, Fixed, Composition: 47K ohms $\pm 5\%$, 1/2W	00 626.0473-0	A
11	R7	Resistor, Fixed, Composition: 4.7K ohms $\pm 5\%$, 1/2W	00 626.0472-0	A
12	R9	Resistor, Fixed, Composition: 8.2K ohms $\pm 5\%$, 1/2W	00 626.0822-0	A
13	R10	Resistor, Fixed, Composition: 2.2K ohms $\pm 5\%$, 1/2W	00 626.0222-0	A
14	R11	Resistor, Fixed, Composition: 12K ohms $\pm 5\%$, 1/2W	00 626.0123-0	A
15	R12	Resistor, Fixed, Composition: 100 ohms $\pm 5\%$, 1/2W	00 626.0101-0	A
16	XK1	Socket, Relay: 8 Contacts	00 650.0046-0	A
17		Connector: 22 Contacts; Male	00 542.0488-0	A

*NOTE: THE CATEGORY COLUMN IS DESIGNED TO INDICATE AVAILABILITY OF PARTS.
A - INDICATES PARTS THAT SHOULD BE PURCHASED LOCALLY.
B - INDICATES PARTS THAT SHOULD BE PURCHASED FROM EAI.

UNIT TITLE
RELAY COMPARATOR AMPLIFIER

MODEL NO.
6.143 Sh. 1 of 1 Sh.

DATE 11 / 9 / 66

APPENDIX 2

DRAWINGS

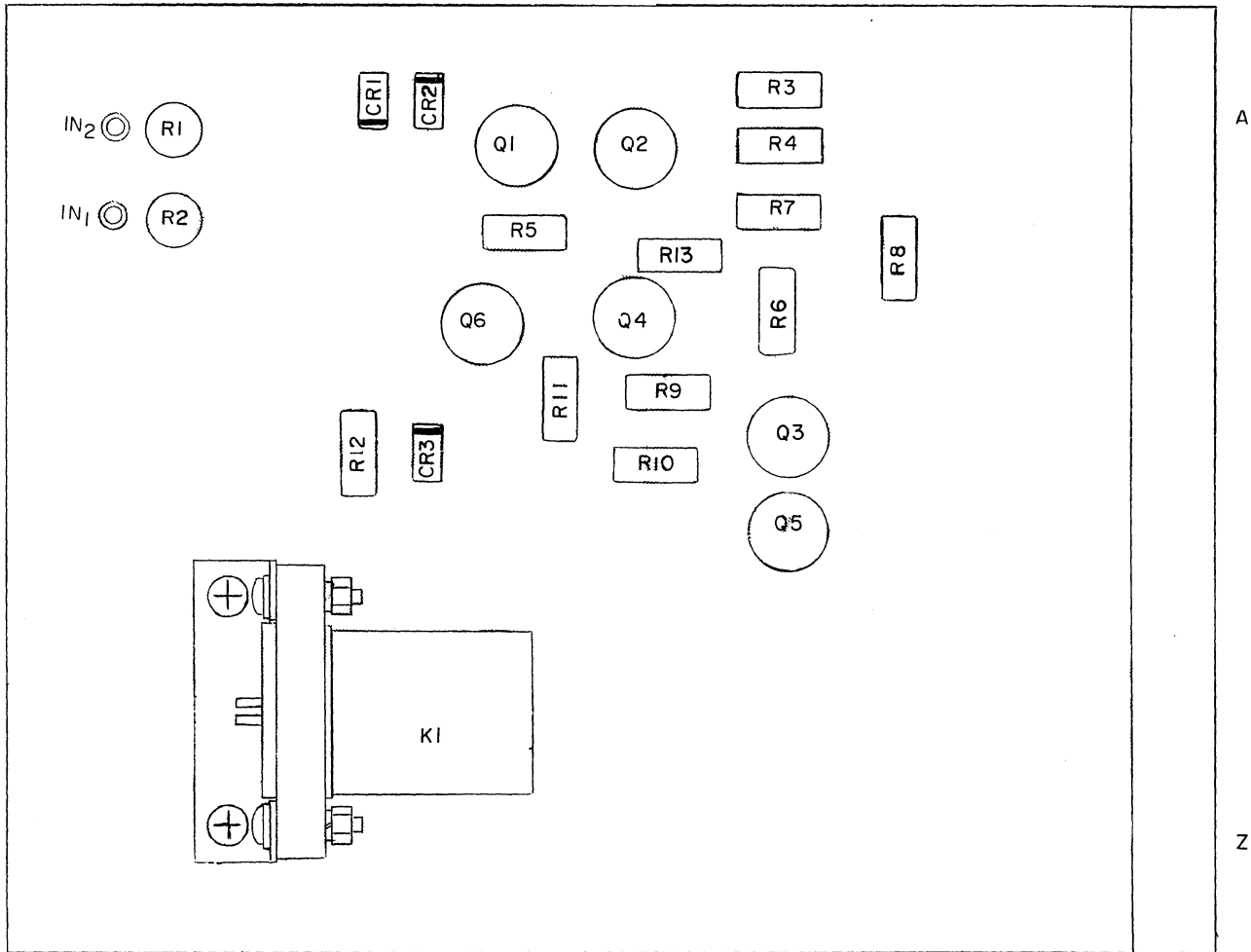
SIGNAL COMPARATOR, MODEL 6.143

This appendix contains necessary schematics and wiring diagrams of equipment described in this manual. To facilitate locating a particular sheet, an index is provided that lists the model number of each unit or component, the type of drawings, and the associated drawing number. The drawings are bound into the manual in the order listed under the index Drawing Number column.

EAI drawings are prepared in accordance with standard drafting practices for electro-mechanical and electronic equipment. All symbols are in accordance with current government standards.

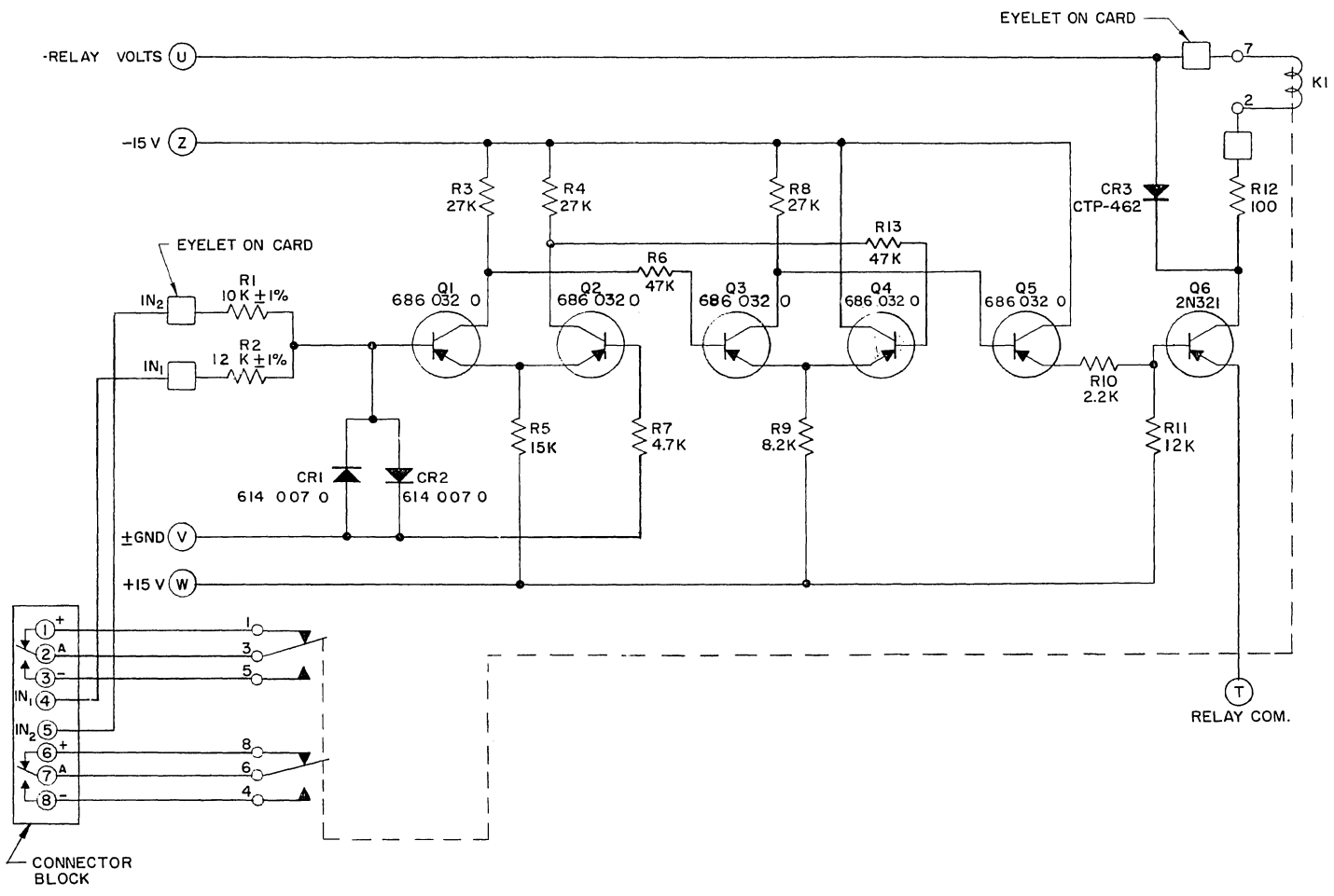
INDEX

<u>Unit or Component</u>	<u>Type of Drawing</u>	<u>Drawing Number</u>
6.143 Signal Comparator	Schematic	B006 134 0S



6.134 Relay Comparator

NOTE:
1. ALL RESISTORS ARE 10% 1/2 W UNLESS OTHERWISE SPECIFIED.



UNLESS OTHERWISE SPECIFIED
 DIMENSIONS ARE IN INCHES
 CAPACITANCE IS IN MMFD
 RESISTANCE IS IN OHMS
 TOLERANCE ON
 FRACTIONS DECIMALS ANGLES
 ±1/64 ±.005 ±
 * TOL. OF MATERIAL SUPPLIED

ELECTRONIC ASSOCIATES, INC. LONG BRANCH, NEW JERSEY	
SCHEMATIC RELAY COMPARATOR AMPLIFIER	
SHT. NO.	
SIZE	
REV. NO.	
PROJECT	1830 B 006 134 OS
SHEET / OF / SHEETS	

MANUAL COMMENT SHEET

Date _____

From _____

Company _____

Address _____

Title _____

Type of System _____

Manual Title _____

EAI Project No. _____ Publication No. _____

FOLD

FOLD

Check appropriate block and explain in space provided.

- Error (Page ____ or Drawing No. _____)
- Addition (Page ____, Drawing, Procedure, Etc.)
- Other

Explanation:

FOLD

FOLD

CUT ALONG LINE

Fold, Staple, and Mail

No Postage Necessary if Mailed in U.S.A.

STAPLE

STAPLE

FOLD

FOLD

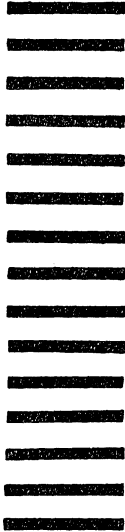
FIRST CLASS
PERMIT NO. 9
W.LONG BRANCH, N.J.

BUSINESS REPLY CARD
NO POSTAGE NECESSARY IF MAILED IN THE UNITED STATES

POSTAGE WILL BE PAID BY

ELECTRONIC ASSOCIATES, INC.
185 Monmouth Parkway
West Long Branch, New Jersey 07764

DEPT. 113



CUT ALONG LINE

FOLD

FOLD

STAPLE

STAPLE