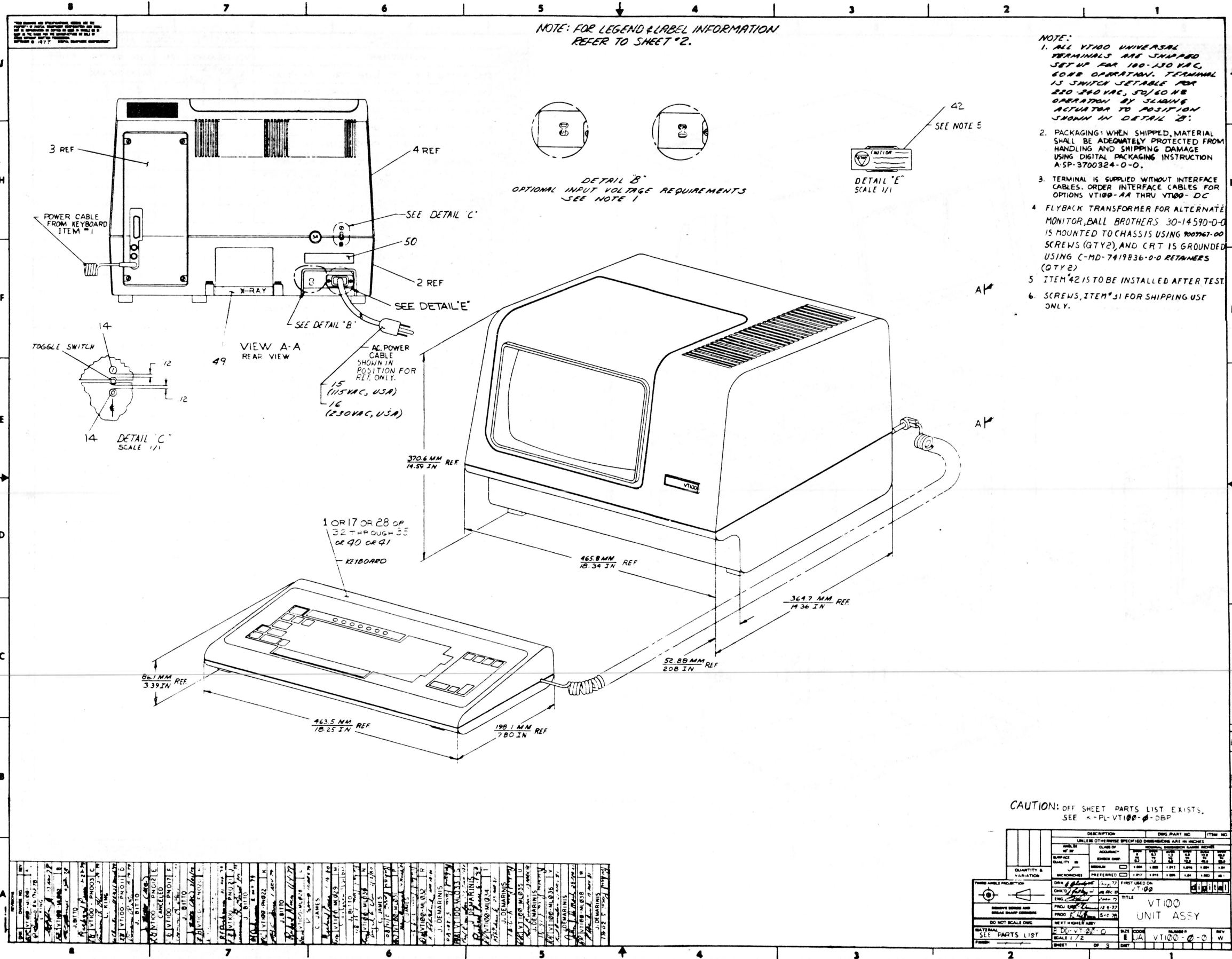


DC10-3



ITEM NO.	DESCRIPTION	QTY	UNIT	REF
1	Terminal	1		
2	Terminal	1		
3	Terminal	1		
4	Terminal	1		
5	Terminal	1		
6	Terminal	1		
7	Terminal	1		
8	Terminal	1		
9	Terminal	1		
10	Terminal	1		
11	Terminal	1		
12	Terminal	1		
13	Terminal	1		
14	Terminal	1		
15	Terminal	1		
16	Terminal	1		
17	Terminal	1		
18	Terminal	1		
19	Terminal	1		
20	Terminal	1		
21	Terminal	1		
22	Terminal	1		
23	Terminal	1		
24	Terminal	1		
25	Terminal	1		
26	Terminal	1		
27	Terminal	1		
28	Terminal	1		
29	Terminal	1		
30	Terminal	1		
31	Terminal	1		
32	Terminal	1		
33	Terminal	1		
34	Terminal	1		
35	Terminal	1		
36	Terminal	1		
37	Terminal	1		
38	Terminal	1		
39	Terminal	1		
40	Terminal	1		
41	Terminal	1		
42	Terminal	1		
43	Terminal	1		
44	Terminal	1		
45	Terminal	1		
46	Terminal	1		
47	Terminal	1		
48	Terminal	1		
49	Terminal	1		
50	Terminal	1		
51	Terminal	1		
52	Terminal	1		
53	Terminal	1		
54	Terminal	1		
55	Terminal	1		
56	Terminal	1		
57	Terminal	1		
58	Terminal	1		
59	Terminal	1		
60	Terminal	1		
61	Terminal	1		
62	Terminal	1		
63	Terminal	1		
64	Terminal	1		
65	Terminal	1		
66	Terminal	1		
67	Terminal	1		
68	Terminal	1		
69	Terminal	1		
70	Terminal	1		
71	Terminal	1		
72	Terminal	1		
73	Terminal	1		
74	Terminal	1		
75	Terminal	1		
76	Terminal	1		
77	Terminal	1		
78	Terminal	1		
79	Terminal	1		
80	Terminal	1		
81	Terminal	1		
82	Terminal	1		
83	Terminal	1		
84	Terminal	1		
85	Terminal	1		
86	Terminal	1		
87	Terminal	1		
88	Terminal	1		
89	Terminal	1		
90	Terminal	1		
91	Terminal	1		
92	Terminal	1		
93	Terminal	1		
94	Terminal	1		
95	Terminal	1		
96	Terminal	1		
97	Terminal	1		
98	Terminal	1		
99	Terminal	1		
100	Terminal	1		

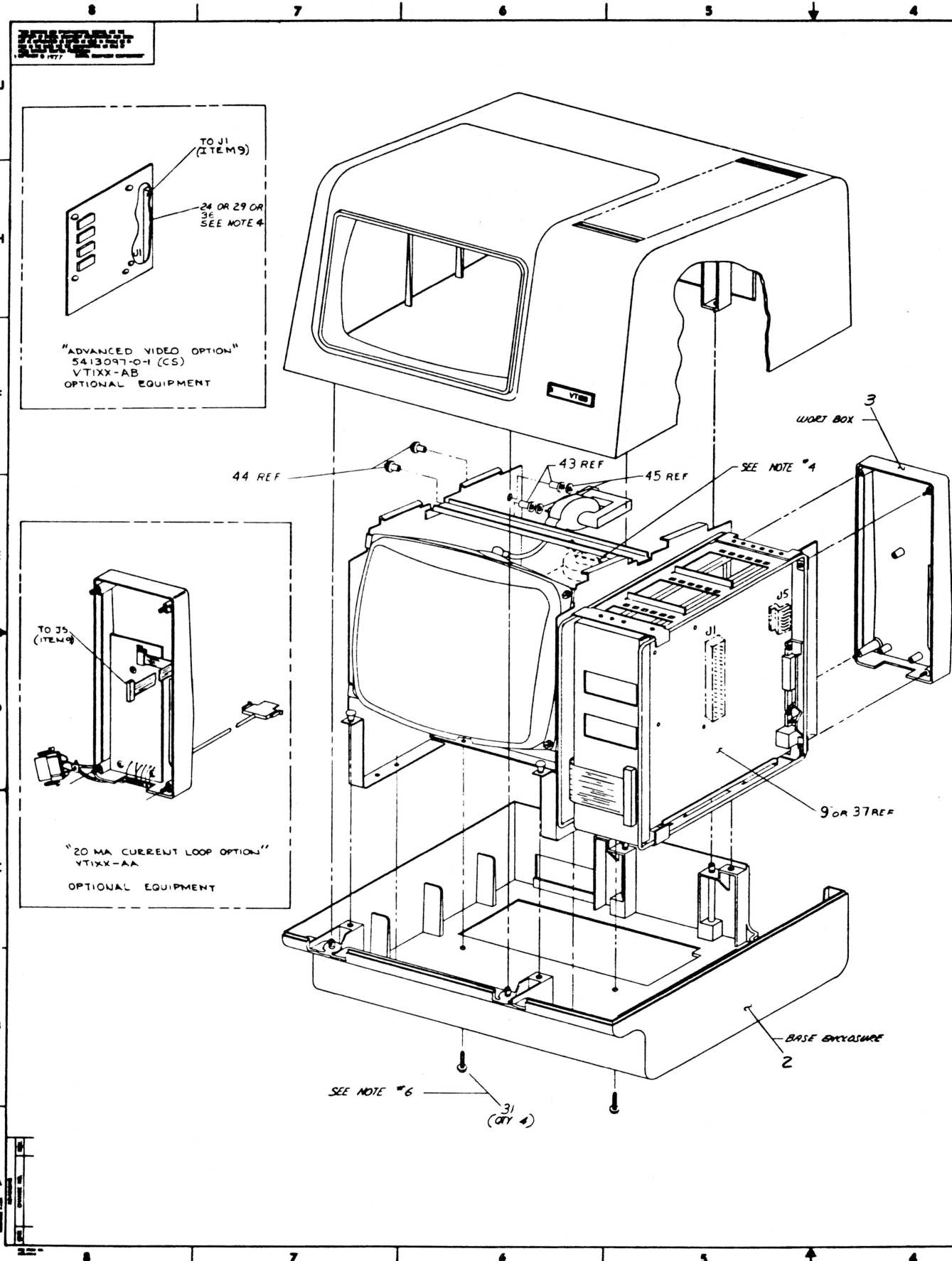
CAUTION: OFF SHEET PARTS LIST EXISTS. SEE K-PL-VT100-0-DBP

ITEM NO.	DESCRIPTION	QTY	UNIT	REF
1	Terminal	1		
2	Terminal	1		
3	Terminal	1		
4	Terminal	1		
5	Terminal	1		
6	Terminal	1		
7	Terminal	1		
8	Terminal	1		
9	Terminal	1		
10	Terminal	1		
11	Terminal	1		
12	Terminal	1		
13	Terminal	1		
14	Terminal	1		
15	Terminal	1		
16	Terminal	1		
17	Terminal	1		
18	Terminal	1		
19	Terminal	1		
20	Terminal	1		
21	Terminal	1		
22	Terminal	1		
23	Terminal	1		
24	Terminal	1		
25	Terminal	1		
26	Terminal	1		
27	Terminal	1		
28	Terminal	1		
29	Terminal	1		
30	Terminal	1		
31	Terminal	1		
32	Terminal	1		
33	Terminal	1		
34	Terminal	1		
35	Terminal	1		
36	Terminal	1		
37	Terminal	1		
38	Terminal	1		
39	Terminal	1		
40	Terminal	1		
41	Terminal	1		
42	Terminal	1		
43	Terminal	1		
44	Terminal	1		
45	Terminal	1		
46	Terminal	1		
47	Terminal	1		
48	Terminal	1		
49	Terminal	1		
50	Terminal	1		
51	Terminal	1		
52	Terminal	1		
53	Terminal	1		
54	Terminal	1		
55	Terminal	1		
56	Terminal	1		
57	Terminal	1		
58	Terminal	1		
59	Terminal	1		
60	Terminal	1		
61	Terminal	1		
62	Terminal	1		
63	Terminal	1		
64	Terminal	1		
65	Terminal	1		
66	Terminal	1		
67	Terminal	1		
68	Terminal	1		
69	Terminal	1		
70	Terminal	1		
71	Terminal	1		
72	Terminal	1		
73	Terminal	1		
74	Terminal	1		
75	Terminal	1		
76	Terminal	1		
77	Terminal	1		
78	Terminal	1		
79	Terminal	1		
80	Terminal	1		
81	Terminal	1		
82	Terminal	1		
83	Terminal	1		
84	Terminal	1		
85	Terminal	1		
86	Terminal	1		
87	Terminal	1		
88	Terminal	1		
89	Terminal	1		
90	Terminal	1		
91	Terminal	1		
92	Terminal	1		
93	Terminal	1		
94	Terminal	1		
95	Terminal	1		
96	Terminal	1		
97	Terminal	1		
98	Terminal	1		
99	Terminal	1		
100	Terminal	1		

VT100 UNIT ASSY

SCALE 1/2

SHEET 1 OF 3



MODEL NUMBER	VARIATIONS	SERIAL LABEL INFORMATION					
		VOLTS	AMPS	PH	HZ	WATTS	WIRES
VT100-AA	DBL KEYBD EIA 115V LINE CORD USA PLUG	120/220/240	2.5/1.3		50/60	300 MAX	
VT100-AB	DBL KEYBD EIA 230V LINE CORD 20A PLUG						
VT100-NA	VT100-AA WITH DEC FORM KEY CAPS						
VT100-NB	VT100-AB WITH DEC FORM KEY CAPS						
VT100-WA	VT100-AA WITH WORD PROCESSING KEYCAPS						
VT100-WB	VT100-AB WITH WORD PROCESSING KEYCAPS						
VT100-WC	VT100 WITH AVO, FR. CANADIAN WP KEYCAPS, FOREIGN LANGUAGE ROMS, & 120V PLUG						
VT100-WD	VT100 WITH AVO, FR. CANADIAN WP KEYCAPS, FOREIGN LANGUAGE ROMS, & 230V 20A PLUG						
VT100-WE	VT100 WITH AVO, FRENCH WP KEYCAPS, FOREIGN LANGUAGE ROMS AND 120V PLUG						
VT100-WF	VT100 WITH AVO, FRENCH WP KEYCAPS, FOREIGN LANGUAGE ROMS, & 230V 20A PLUG						
VT100-WG	VT100 WITH AVO, DUTCH KEYCAPS, FOREIGN LANGUAGE ROMS, AND 120V PLUG						
VT100-WH	VT100 WITH AVO, DUTCH KEYCAPS, FOREIGN LANGUAGE ROMS, & 230V 20A PLUG						
VT100-WJ	VT100 WITH AVO, GERMAN KEYCAPS, FOREIGN LANGUAGE ROMS, & 120 V PLUG						
VT100-WK	VT100 WITH AVO, GERMAN KEYCAPS, FOREIGN LANGUAGE ROMS, & 230V 20A PLUG						
VT100-WY	VT100 WITH AVO, WP KEYCAPS, FOREIGN LANGUAGE ROMS, AND 120 V PLUG						
VT100-WZ	VT100 WITH AVO, WP KEYCAPS, FOREIGN LANGUAGE ROMS, AND 230V 20A PLUG						
VT100-LA	VT100-AA WITH P40 TUBE AND BONDED FACE PLATE						
VT100-LB	VT100-AB WITH P40 TUBE AND BONDED FACE PLATE						
VT100-PA	(PRIVATE BRAND) VT100-AA EXCEPT DARK GREY TRIM, 120V						
VT100-PB	(PRIVATE BRAND) VT100-AB EXCEPT DARK GREY TRIM, 220/240V						
VT100-PC	(PRIVATE BRAND) VT100-PA WITHOUT ELECTRONICS 120V						
VT100-PD	(PRIVATE BRAND) VT100-PB WITHOUT ELECTRONICS 240V						
VT100-PE	(PRIVATE BRAND) VT100-PA WITHOUT ELECT. & NO KYBD 120V						
VT100-PF	(PRIVATE BRAND) VT100-PB WITHOUT ELECT. & NO KYBD 240V	120/220/240	2.5/1.3		50/60	300 MAX	

DESCRIPTION: VT100 UNIT ASSY

DATE: 8-27-77

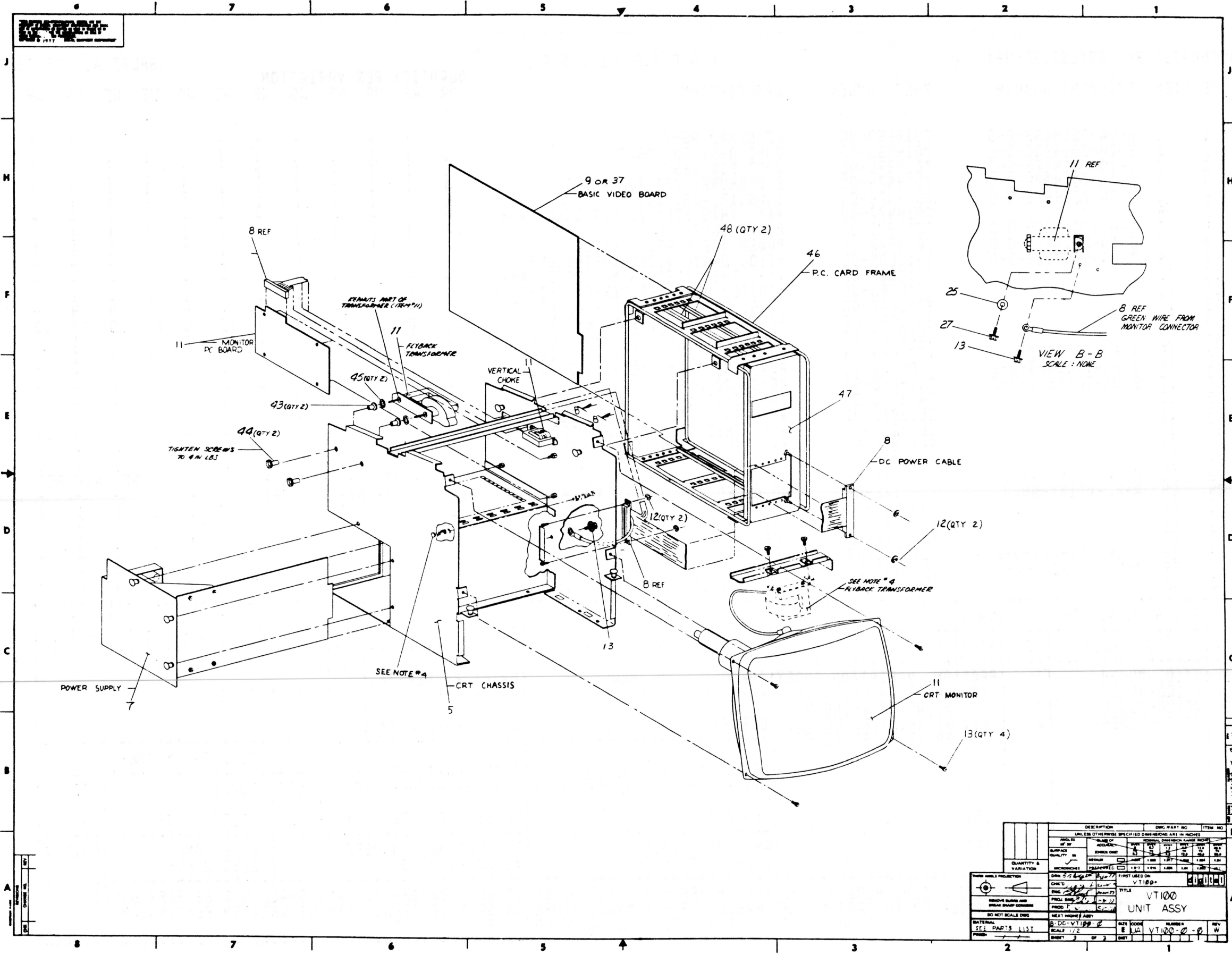
SCALE: 1/2"

SEE PARTS LIST

VT100-0-0

VT100-0-0

VT100-0-0



QUANTITY & VARIATION		DESCRIPTION	QTY	UNIT	ITEM NO.
1		POWER SUPPLY	1		1
1		CRT CHASSIS	1		2
1		BASIC VIDEO BOARD	1		3
1		P.C. CARD FRAME	1		4
1		CRT MONITOR	1		5
1		DC POWER CABLE	1		6
2		FLYBACK TRANSFORMER	2		7
2		VERTICAL CHOKE	2		8
2		MONITOR PC BOARD	2		9
2		MONITOR CONNECTOR	2		10
2		SCREW	2		11
2		SCREW	2		12
2		SCREW	2		13
2		SCREW	2		14
2		SCREW	2		15
2		SCREW	2		16
2		SCREW	2		17
2		SCREW	2		18
2		SCREW	2		19
2		SCREW	2		20
2		SCREW	2		21
2		SCREW	2		22
2		SCREW	2		23
2		SCREW	2		24
2		SCREW	2		25
2		SCREW	2		26
2		SCREW	2		27
2		SCREW	2		28
2		SCREW	2		29
2		SCREW	2		30
2		SCREW	2		31
2		SCREW	2		32
2		SCREW	2		33
2		SCREW	2		34
2		SCREW	2		35
2		SCREW	2		36
2		SCREW	2		37
2		SCREW	2		38
2		SCREW	2		39
2		SCREW	2		40
2		SCREW	2		41
2		SCREW	2		42
2		SCREW	2		43
2		SCREW	2		44
2		SCREW	2		45
2		SCREW	2		46
2		SCREW	2		47
2		SCREW	2		48
2		SCREW	2		49
2		SCREW	2		50
2		SCREW	2		51
2		SCREW	2		52
2		SCREW	2		53
2		SCREW	2		54
2		SCREW	2		55
2		SCREW	2		56
2		SCREW	2		57
2		SCREW	2		58
2		SCREW	2		59
2		SCREW	2		60
2		SCREW	2		61
2		SCREW	2		62
2		SCREW	2		63
2		SCREW	2		64
2		SCREW	2		65
2		SCREW	2		66
2		SCREW	2		67
2		SCREW	2		68
2		SCREW	2		69
2		SCREW	2		70
2		SCREW	2		71
2		SCREW	2		72
2		SCREW	2		73
2		SCREW	2		74
2		SCREW	2		75
2		SCREW	2		76
2		SCREW	2		77
2		SCREW	2		78
2		SCREW	2		79
2		SCREW	2		80
2		SCREW	2		81
2		SCREW	2		82
2		SCREW	2		83
2		SCREW	2		84
2		SCREW	2		85
2		SCREW	2		86
2		SCREW	2		87
2		SCREW	2		88
2		SCREW	2		89
2		SCREW	2		90
2		SCREW	2		91
2		SCREW	2		92
2		SCREW	2		93
2		SCREW	2		94
2		SCREW	2		95
2		SCREW	2		96
2		SCREW	2		97
2		SCREW	2		98
2		SCREW	2		99
2		SCREW	2		100

VT1000-0-0

VT1000-0-0

VT1000 UNIT ASSY
SCALE 1/2
REV. 1
DATE 1/72
BY JJA
CHK W

LINE	ITEM	DOCUMENT NUMBER	PART NUMBER	DESCRIPTION	QUANTITY PER VARIATION												
					AA	AB	NA	NB	WA	WB	WC	WD	WE	WF	WG	WH	
1	1	D-UA-7014653-0-0	7014653-00	KEYBOARD ASSY	1	1	-	-	-	-	-	-	-	-	-	-	-
2	2	E-IA-7014980-0-0	7014980-00	BASE ASSY ENCLOSURE	1	1	1	1	1	1	1	1	1	1	1	1	1
3	3	D-IA-7014976-0-0	7014976-00	WORT BOX ASSY	1	1	1	1	1	1	1	1	1	1	1	1	1
4	4	D-IA-7014974-0-0	7014974-00	ENCLOSURE, CRT TOP ASSY	1	1	1	1	1	1	1	1	1	1	1	1	1
5	5	D-IA-7014975-0-0	7014975-00	CHASSIS ASSY CRT	1	1	1	1	1	1	1	1	1	1	1	1	1
6	6		7014977-00	*** THIS ITEM IS NOT USED ***	-	-	-	-	-	-	-	-	-	-	-	-	-
7	7	D-AD-7014979-0-0	7014979-00	POWER SUPPLY ASSY	1	1	1	1	1	1	1	1	1	1	1	1	1
8	8	D-IA-7014978-0-0	7014978-01	POWER CABLE ASSY. VT100	1	1	1	1	1	1	1	1	1	1	1	1	1
9	9	D-UA-5413009-0-0	5413009-00	VT100 BASIC VIDEO CONTROLLER	1	1	1	1	1	1	1	1	1	1	1	1	1
10	10		7419836-00	*** THIS ITEM IS NOT USED ***	-	-	-	-	-	-	-	-	-	-	-	-	-
11	11		3016080-00	MONITOR ASSY,CRT,DIRECT DRIVE RA	1	1	1	1	1	1	1	1	1	1	1	1	1
12	12		9010007-00	RING, RETAINING, EXTERNAL FOR 7/8	4	4	4	4	4	4	4	4	4	4	4	4	4
13	13		9009967-00	SCREW, HEX, SLO1, SEMS 6-32X .312L	10	10	10	10	10	10	10	10	10	10	10	10	10
14	14		3615680-00	LABEL, ADHESIVE BACK, SWITCH POSIT	1	1	1	1	1	1	1	1	1	1	1	1	1
15	15	A-PS-1700083-0-0	1700083-09	PWR CORD, TERM. 75IN, 18-3, 125V 10	1	-	1	-	1	-	1	-	1	-	1	-	1
16	16	A-PS-1700083-0-0	1700083-10	PWR CORD, TERM. 75IN, 18-3, 250V 6	-	1	-	1	-	1	-	1	-	1	-	1	-
17	17	D-UA-7014653-0-0	7014653-02	KEYBOARD ASSY.	-	-	1	1	-	-	-	-	-	-	-	-	-
18	18		7414213-00	*** THIS ITEM IS NOT USED ***	-	-	-	-	-	-	-	-	-	-	-	-	-
19	19		3613210-01	*** THIS ITEM IS NOT USED ***	-	-	-	-	-	-	-	-	-	-	-	-	-
20	20		3613210-02	*** THIS ITEM IS NOT USED ***	-	-	-	-	-	-	-	-	-	-	-	-	-
21	21		3613211-01	*** THIS ITEM IS NOT USED ***	-	-	-	-	-	-	-	-	-	-	-	-	-
22	22		3700324-00	INSTR PKG DISPLAY VT100	1	1	1	1	1	1	1	1	1	1	1	1	1
23	23	E-UA-VT1XX-AA-0	VT1XX-AA	VT100 20MA CURRENT LOOP OPTION W	REF	REF	REF	REF	REF	REF	REF	REF	REF	REF	REF	REF	REF
24	24	A-PL-VT1XX-AB-0	VT1XX-AB	ADVANCED VIDEO OPTION FOR VT100	REF	REF	REF	REF	REF	REF	REF	REF	REF	REF	REF	REF	REF
25	25		9006659-00	WASHER, FLAT, .375 O.D. X .156 I	1	1	1	1	1	1	1	1	1	1	1	1	1
26	26		9007649-00	*** THIS ITEM IS NOT USED ***	-	-	-	-	-	-	-	-	-	-	-	-	-
27	27		9010112-00	SCREW, TAPPING, TYPE B, HEX, SLOT,	1	1	1	1	1	1	1	1	1	1	1	1	1
28	28	E-UA-7014653-0-0	7014653-03	KEYBOARD ASSY.	-	-	-	-	1	1	-	-	-	-	-	-	-
29	29	D-CS-5413097-0-1	5413097-00	VT100 ADVANCED VIDEO	-	-	-	-	4	4	-	-	-	-	-	-	-
30	30		9009313-01	SUPPORT, C.BD., FLAME RET., NATURAL	-	-	-	-	4	4	4	4	4	4	4	4	4

REVISION HISTORY		BASIC PART NO: VT100		DRN: B. BLODGETT	DATE: 3-SEP-77	D I G I T A L	
ENG	ECO NUMBER	REV	SECTION A OF B	CHK'D: D. HEALY	DATE: 24-SEP-77	TITLE PARTS LIST	
GB	VT100-MLO34	T	SECTION. VARIATION INDEX	DES.ENG.: E. WEDEKING	DATE: 26-JUN-78	DOCUMENT NUMBER	
JD	VT100-MLO35	U	(A) AA, AB, NA, NB, WA, WB,	RESP.ENG.: G. DOUMANI	DATE: 26-JUN-78	SIZE	CODE
JD	VT100-MLO36	V	WC, WD, WE, WF, WG, WH,	MFG.ENG.: K. HOFFMAN	DATE: 7-JUL-78	K	PL
JD	VT100-MLO38	W	(B) WJ, WK, WY, WZ, LA, LB,	ASSEMBLY NUMBER: E-UA-VT100-0-0	TOP DOCUMENT NUMBER: #B-DD-VT100-0	VT100-0-DBP	W
			(C)	FILE NAME: Z1607W.PLS	EDIT #		
			(D)				
			(E)				
			(F)				

"THIS DRAWING AND SPECIFICATIONS HEREIN, ARE THE PROPERTY OF DIGITAL EQUIPMENT CORPORATION AND SHALL NOT BE REPRODUCED OR COPIED OR USED IN WHOLE OR IN PART AS THE BASIS FOR THE MANUFACTURE OR SALE OF ITEMS WITHOUT WRITTEN PERMISSION. COPYRIGHT (C) 1981. DIGITAL EQUIPMENT CORPORATION"

AUTOMATED BY PRTLST.3P(44)

PARTS LIST

SHEET A2 OF A2

LINE	ITEM	DOCUMENT NUMBER	PART NUMBER	DESCRIPTION	QUANTITY PER VARIATION								SHEET A2 OF A2			
					AA	AB	NA	NB	WA	WB	WC	WD	WE	WF	WG	WH
31	31		9010135-00	SCREW, FLAT, SLOT 8-32X 1/2	4	4	4	4	4	4	4	4	4	4	4	4
32	32	E-UA-7014653-0-0	7014653-05	KEYBD ASSY FR CANADIAN WP KEYCAP	-	-	-	-	-	-	1	1	-	-	-	-
33	33	E-UA-7014653-0-0	7014653-06	KEYBD ASSY FRENCH + WP KEYCAPS	-	-	-	-	-	-	-	-	1	1	-	-
34	34	E-UA-7014653-0-0	7014653-07	KEYBD ASSY DUTCH WP KEYCAPS	-	-	-	-	-	-	-	-	-	-	1	1
35	35	E-UA-7014653-0-0	7014653-08	*** THIS ITEM IS NOT USED ***	-	-	-	-	-	-	-	-	-	-	-	-
36	36	D-UA-5413097-0-0	5413097-03	VT100 ADVANCED VIDEO	-	-	-	-	-	-	1	1	1	1	1	1
37	37	D-UA-5413009-0-0	5413009-02	VT100 BASIC VIDEO	-	-	-	-	-	-	1	1	1	1	1	1
38	38		3016080-53	*** THIS ITEM IS NOT USED ***	-	-	-	-	-	-	-	-	-	-	-	-
39	39	D-IA-7014974-0-0	7014974-02	*** THIS ITEM IS NOT USED ***	-	-	-	-	-	-	-	-	-	-	-	-
40	40	D-UA-7014653-0-0	7014653-10	*** THIS ITEM IS NOT USED ***	-	-	-	-	-	-	-	-	-	-	-	-
41	41	D-UA-7014653-0-0	7014653-09	*** THIS ITEM IS NOT USED ***	-	-	-	-	-	-	-	-	-	-	-	-
42	42		3616157-00	LABEL, CORRECT VOLTAGE SETTING, CA	1	1	1	1	1	1	1	1	1	1	1	1
43	43	B-IA-7423018-0-0	7423018-00	ISOLATION MOUNT	2	2	2	2	2	2	2	2	2	2	2	2
44	44	B-MD-7423006-0-0	7423006-00	SCREW, HEX WASHER HD, 4-40	2	2	2	2	2	2	2	2	2	2	2	2
45	45		9008193-00	WASHER, NYLON, FLAT .312 X .812	2	2	2	2	2	2	2	2	2	2	2	2
46	46	E-IA-7016624-0-0	7016624-00	FRAME, PC CARD ASSY	1	1	1	1	1	1	1	1	1	1	1	1
47	47	D-IA-7419469-0-0	7419469-00	STOP P.C. CARD	1	1	1	1	1	1	1	1	1	1	1	1
48	48		1212405-00	CARD GUIDE, NYLON	2	2	2	2	2	2	2	2	2	2	2	2
49	49	A-PS-3617544-0-0	3617544-00	LABEL, X-RAY RADIATION	1	1	1	1	1	1	1	1	1	1	1	1
50	50		3617674-01	LABEL, SERIAL & POWER W/UL & CSA	1	1	1	1	1	1	1	1	1	1	1	1

D	I	G	I	T	A	L	TITLE	SECTION A OF B	SIZE	CODE	DOCUMENT NUMBER	REV
							VT100 UNIT ASSY.		K	PL	VT100-0-DBP	W

LINE	ITEM	DOCUMENT NUMBER	PART NUMBER	DESCRIPTION	QUANTITY PER VARIATION											
					WJ	WK	WY	WZ	LA	LB	PA	PB	PC	PD	PE	PF
1	1	D-UA-7014653-0-0	7014653-00	KEYBOARD ASSY	-	-	-	-	1	1	-	-	-	-	-	-
2	2	E-IA-7014980-0-0	7014980-00	BASE ASSY ENCLOSURE	1	1	1	1	1	1	1	1	1	1	1	1
3	3	D-IA-7014976-0-0	7014976-00	WORT BOX ASSY	1	1	1	1	1	1	1	1	1	1	1	1
4	4	D-IA-7014974-0-0	7014974-00	ENCLOSURE, CRT TOP ASSY	1	1	1	1	1	1	1	1	1	1	1	1
5	5	D-IA-7014975-0-0	7014975-00	CHASSIS ASSY CRT	1	1	1	1	1	1	1	1	1	1	1	1
6	6		7014977-00	*** THIS ITEM IS NOT USED ***	-	-	-	-	-	-	-	-	-	-	-	-
7	7	D-AD-7014979-0-0	7014979-00	POWER SUPPLY ASSY	1	1	1	1	1	1	1	1	1	1	1	1
8	8	D-IA-7014978-0-0	7014978-01	POWER CABLE ASSY. VT100	1	1	1	1	1	1	1	1	1	1	1	1
9	9	D-UA-5413009-0-0	5413009-00	VT100 BASIC VIDEO CONTROLLER	-	-	-	-	1	1	1	1	1	1	1	1
10	10		7419836-00	*** THIS ITEM IS NOT USED ***	-	-	-	-	-	-	-	-	-	-	-	-
11	11		3016080-00	MONITOR ASSY CRT, DIRECT DRIVE RA	1	1	1	1	-	-	1	1	1	1	1	1
12	12		9010007-00	RING, RETAINING, EXTERNAL FOR 7/8	4	4	4	4	4	4	4	4	4	4	4	4
13	13		9009967-00	SCREW, HEX, SLOT, SEMS 6-32X .312L	10	10	10	10	10	10	10	10	10	10	10	10
14	14		3615680-00	LABEL, ADHESIVE, BACK, SWITCH POSIT	1	1	1	1	1	1	1	1	1	1	1	1
15	15	A-PS-1700083-0-0	1700083-09	PWR CORD, TERM. 75IN, 18-3, 125V 10	1	-	1	-	1	-	1	-	1	-	1	-
16	16	A-PS-1700083-0-0	1700083-10	PWR CORD, TERM. 75IN, 18-3, 250V 5	-	1	-	1	-	1	-	1	-	1	-	1
17	17	D-UA-7014653-0-0	7014653-02	*** THIS ITEM IS NOT USED ***	-	-	-	-	-	-	-	-	-	-	-	-
18	18		7414213-00	*** THIS ITEM IS NOT USED ***	-	-	-	-	-	-	-	-	-	-	-	-
19	19		3613210-01	*** THIS ITEM IS NOT USED ***	-	-	-	-	-	-	-	-	-	-	-	-
20	20		3613210-02	*** THIS ITEM IS NOT USED ***	-	-	-	-	-	-	-	-	-	-	-	-
21	21		3613211-01	*** THIS ITEM IS NOT USED ***	-	-	-	-	-	-	-	-	-	-	-	-
22	22		3700324-00	INSTR PKG DISPLAY VT100	1	1	1	1	1	1	1	1	1	1	1	1
23	23	E-UA-VT1XX-AA-0	VT1XX-AA	VT100 20MA CURRENT LOOP OPTION W	REF	REF	REF	REF	REF	REF	REF	REF	REF	REF	REF	REF
24	24	A-PL-VT1XX-AB-0	VT1XX-AB	ADVANCED VIDEO OPTION FOR VT100	-	-	-	-	REF	REF	REF	REF	REF	REF	REF	REF
25	25		9006659-00	WASHER, FLAT, .375 O.D. X .156 I	1	1	1	1	1	1	1	1	1	1	1	1
26	26		9007649-00	*** THIS ITEM IS NOT USED ***	-	-	-	-	-	-	-	-	-	-	-	-
27	27		9010112-00	SCREW, TAPPING, TYPE B, HEX, SLOT,	1	1	1	1	1	1	1	1	1	1	1	1
28	28	E-UA-7014653-0-0	7014653-03	KEYBOARD ASSY.	-	-	1	1	-	-	-	-	-	-	-	-
29	29	D-CS-5413097-0-1	5413097-00	*** THIS ITEM IS NOT USED ***	-	-	-	-	-	-	-	-	-	-	-	-
30	30		9009313-01	SUPPORT, C.BD., FLAME RET., NATURAL	4	4	4	4	-	-	-	-	-	-	-	-

REVISION HISTORY		BASIC PART NO: VT100		DRN: B. BLODGETT		DATE: 3-SEP-77		D I G I T A L			
ENG:	ECO NUMBER	REV	SECTION B OF B	CHK'D: D. HEALY		DATE: 24-SEP-77		TITLE PARTS LIST			
GB	VT100-MLO34	T	SECTION. VARIATION INDEX:	DES.ENG.: E. WEDEKING		DATE: 26-JUN-78		DOCUMENT NUMBER			
JD	VT100-MLO35	U	(A) AA, AB, NA, NB, WA, WB,	RESP.ENG.: G. DOUMANI		DATE: 26-JUN-78		SIZE CODE NUMBER REV			
JD	VT100-MLO36	V	WC, WD, WE, WF, WG, WH	MFG.ENG.: K. HOFFMAN		DATE: 7-JUL-78		K PL VT100-0-DBP W			
JD	VT100-MLO38	W	(B) WJ, WK, WY, WZ, LA, LB,	ASSEMBLY NUMBER:		TOP DOCUMENT NUMBER:		FILE NAME: EDIT #			
			(C) PA, PB, PC, PD, PE, PF	E-UA-VT100-0-0		#B-DD-VT100-0		Z1607W.PLS 15			

"THIS DRAWING AND SPECIFICATIONS HEREIN, ARE THE PROPERTY OF DIGITAL EQUIPMENT CORPORATION AND SHALL NOT BE REPRODUCED OR COPIED OR USED IN WHOLE OR IN PART AS THE BASIS FOR THE MANUFACTURE OR SALE OF ITEMS WITHOUT WRITTEN PERMISSION. COPYRIGHT (C) 1981. DIGITAL EQUIPMENT CORPORATION"

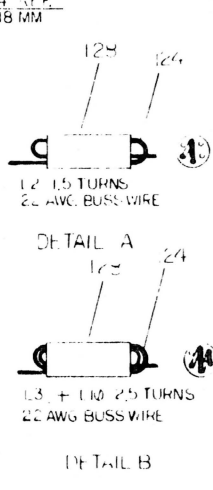
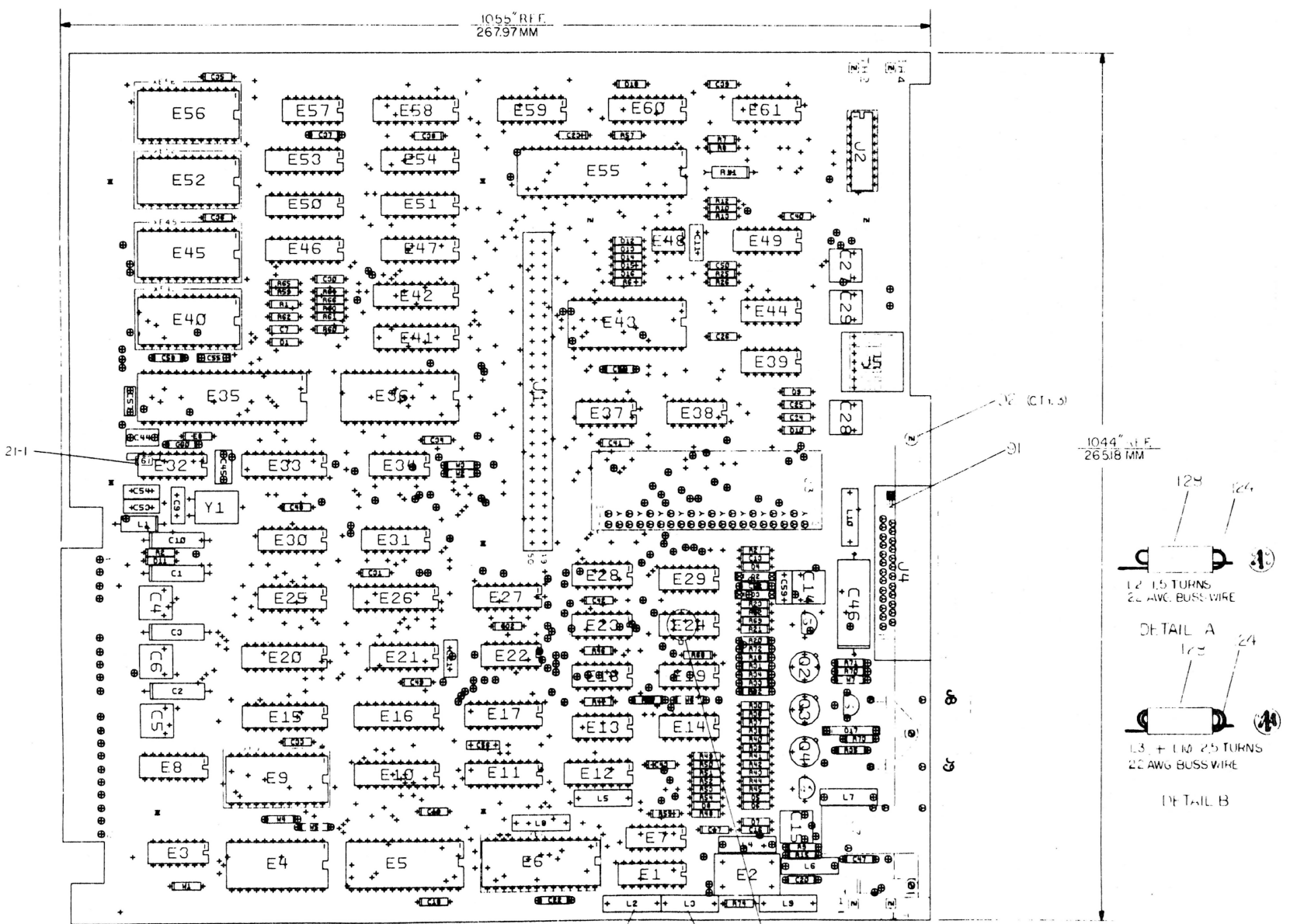
LINE	ITEM	DOCUMENT NUMBER	PART NUMBER	DESCRIPTION	QUANTITY PER VARIATION													
					WJ	WK	WY	WZ	LA	LB	PA	PB	PC	PD	PE	PF		
31	31		9010135-00	SCREW, FLAT, SLOT 8-32X 1/2	4	4	4	4	4	4	4	4	4	4	4	4		
32	32	E-UA-7014653-0-0	7014653-05	*** THIS ITEM IS NOT USED ***	-	-	-	-	-	-	-	-	-	-	-	-		
33	33	E-UA-7014653-0-0	7014653-06	*** THIS ITEM IS NOT USED ***	-	-	-	-	-	-	-	-	-	-	-	-		
34	34	E-UA-7014653-0-0	7014653-07	*** THIS ITEM IS NOT USED ***	-	-	-	-	-	-	-	-	-	-	-	-		
35	35	E-UA-7014653-0-0	7014653-08	KEYBD ASSY GERMAN WP KEYCAPS	1	1	-	-	-	-	-	-	-	-	-	-		
36	36	D-UA-5413097-0-0	5413097-03	VT100 ADVANCED VIDEO	1	1	1	1	-	-	-	-	-	-	-	-		
37	37	D-UA-5413009-0-0	5413009-02	VT100 BASIC VIDEO	1	1	1	1	-	-	-	-	-	-	-	-		
38	38		3016080-53	MONITOR ASSY W/P40PHOSPHOR CRT N	-	-	-	-	1	1	-	-	-	-	-	-		
39	39	D-IA-7014974-0-0	7014974-02	ENCLOSURE CRT TOP ASSY W/DK. GRA	-	-	-	-	-	-	1	1	1	1	1	1		
40	40	D-UA-7014653-0-0	7014653-10	KEYBD ENCLOSURE ASSY NO KEYBD	-	-	-	-	-	-	-	-	-	-	1	1		
41	41	D-UA-7014653-0-0	7014653-09	KEYBD/KEYCAP ASSY DARK GRAY	-	-	-	-	-	-	1	1	1	1	1	1		
42	42		3616157-00	LABEL, CORRECT VOLTAGE SETTING, CA	1	1	1	1	1	1	1	1	1	1	1	1		
43	43	B-IA-7423018-0-0	7423018-00	ISOLATION MOUNT.	2	2	2	2	2	2	2	2	2	2	2	2		
44	44	B-MD-7423006-0-0	7423006-00	SCREW, HEX WASHER HD, 4-40	2	2	2	2	2	2	2	2	2	2	2	2		
45	45		9008193-00	WASHER, NYLON, FLAT .312 X .812	2	2	2	2	2	2	2	2	2	2	2	2		
46	46	E-IA-7016624-0-0	7016624-00	FRAME, PC CARD ASSY	1	1	1	1	1	1	1	1	1	1	1	1		
47	47	D-IA-7419469-0-0	7419469-00	STOP P.C. CARD	1	1	1	1	1	1	1	1	1	1	1	1		
48	48		1212405-00	CARD GUIDE, NYLON	2	2	2	2	2	2	2	2	2	2	2	2		
49	49	A-PS-3617544-0-0	3617544-00	LABEL, X-RAY RADIATION	1	1	1	1	1	1	1	1	1	1	1	1		
50	50		3617674-01	LABEL, SERIAL & POWER W/UL & CSA	1	1	1	1	1	1	1	1	1	1	1	1		

D	I	G	I	T	A	L	TITLE	SECTION B OF B	SIZE	CODE	DOCUMENT NUMBER	REV
							VT100 UNIT ASSY.		K	PL	VT100-0-DBP	W

1055 REF. 267.97MM

PEWORK INSTRUCTIONS

1. ADD A CAPACITOR C61 (ITEM # 125) FROM E32 PIN 6 TO E32 PIN 8



SEE DETAIL A AND NOTE 3
 SEE DETAIL B AND NOTE 3
 SEE NOTE 1

NOTES: 1. 124 (ITEM # 125) CAN BE EITHER THE 14 OR 16 PIN VERSION. B. USE ONLY THE 14 PIN VERSION. C. USE ONLY THE 14 PIN VERSION FOR FUTURE USE. D. USE ONLY THE 14 PIN VERSION FOR FUTURE USE. E. USE ONLY THE 14 PIN VERSION FOR FUTURE USE. F. USE ONLY THE 14 PIN VERSION FOR FUTURE USE. G. USE ONLY THE 14 PIN VERSION FOR FUTURE USE. H. USE ONLY THE 14 PIN VERSION FOR FUTURE USE. I. USE ONLY THE 14 PIN VERSION FOR FUTURE USE. J. USE ONLY THE 14 PIN VERSION FOR FUTURE USE.

STEP	Y AXIS	STEP	TURNS
REPEAT	X AXIS	STEP	TURNS

ETCH REV. F.P.S.									
------------------	--	--	--	--	--	--	--	--	--

SIGNATURES	DATE	TITLE
DRN.		digital
CHK'D.		
RECH. ENG.		
PROJ. ENG.		
SCALE		
SHT. 1 OF 1		
NEXT HIGHER ASSY. P. NO.		

LINE	ITEM	DOCUMENT NUMBER	PART NUMBER	DESCRIPTION	QTY PER VARIATION				REFERENCE DESIGNATOR
					00	01	02	99	
1		D-MD-5013008-0-0	5013008-00	VT100 BASIC VIDEO	1	1	1	1	
			1000005-00	6.8 MMF 100V 5%200PPM MICA	1	1	1	1	C9
			1000014-00	68.0 MMF 100V 5%200PPM MICA	1	1	1	1	C11
			1000016-00	100.0 MMF 100V 5%200PPM MICA	2	2	2	2	C21,C54
			1000076-00	39 MFD 10V 10% S.TANT	1	1	1	1	C10
			1005306-00	6.8MFD 35V 10% S.TANT	3	3	3	3	C1,C2,C3
			1010274-01	.22 MFD 50V +80-20% Z5U CER	12	12	12	12	C4-C6,C14,C15,C27-C29,C44,C45, C55,C56
8	9	SEE NOTE	1012784-00	.047 MFD 50V +80-20% CER	26	26	26	26	C7,C8,C13,C18-C20,C22,C24,C25, C30-C43,C48-C50
9	10		1013466-12	2200.0 MMF 50V 10% X7R CER	1	1	1	1	C26
10	11	SEE NOTE	1100114-00	D 664 QS\75PCB PIV= 25V SP	11	11	11	11	D4-D8,D11-D16
11	12		1105796-00	1N 4004 PIV=400 I= 1A DC41 SP	2	2	2	2	D9,D10
12	13		1109502-03	1N 4742A VZ= 12.0 5% 1W	1	1	1	1	D3
13	14		1110994-00	1N 751A VZ= 5.1 5% .40W	1	1	1	1	D1
14	15		1114974-00	1N 4741A VZ= 11.0 5% 1W	1	1	1	1	D2
15	16		1215006-06	SOCKET 24PIN IC LOW PROFILE	5	5	5	5	XE9,XE40,XE45,XE52,XE56
16	17		1211666-00	SOCKET 18PIN IC LOW PROFILE	1	1	1	1	J2
17	18		1214063-01	HEADER.150 50POS STRAIGHT	1	1	1	1	J1
18	19		1214828-00	CONN, 25POS RCPT	1	1	1	1	J4
19	20		1214829-00	CONN, 40POS RT ANGLE	1	1	1	1	J3
20	21		1215046-01	CONN 7POS RT ANGLE	1	1	1	1	J5
21	22		1300005-07	R NETWORK 15-4.7K 5.0% 16PIN	3	3	3	3	E8,E12,E59
22	23		1300219-00	68.0 .25 W 5.0% CC	1	1	1	1	R40
23	24		1300229-00	100.0 .25 W 5.0% CC	1	1	1	1	R34
24	25		1300250-00	150.0 .25 W 5.0% CC	1	1	1	1	R51
25	26		1300271-00	220.0 .25 W 5.0% CC	1	1	1	1	R41
26	27		1300295-00	330.0 .25 W 5.0% CC	3	3	3	3	R1,R46,R47
27	28		1300315-00	470.0 .50 W 5.0% CC	1	1	1	1	R11
28	29		1300316-00	470.0 .25 W 5.0% CC	2	2	2	2	R21,R55

REVISION HISTORY		BASIC PART NO: 5413009		DRN:	T. SHETRAWSKI	DATE:	30-MAR-78	D I G I T A L	
ENG:	ECO NUMBER	REV	SECTION A OF A	CHK'D:	T. SHETRAWSKI	DATE:	11-MAR-78	TITLE	PARTS LIST
RP	5413009-PN009	M	SECTION VARIATION INDEX					VT100 BASIC VIDEO	
JD	5413009-PN010	N	[A] 00,01,02,99						
	5413009-MLO11	P	[B]						
RP	MLO12	R	[C]	DES.ENG:	D. PUCCI	DATE:	30-MAR-78		
CJ	5413009-MLO13	S	[D]						
RP	5413009-MLO14	T	[E]	RESP.ENG.:	D. PUCCI	DATE:	30-MAR-78	DOCUMENT NUMBER	
RP	5413009-MLO15	U	[F]						
RP	5413009-MLO16	V	[H]					SIZE CODE NUMBER	REV
DP	5413009-MLO17	W	[J]						
DP	5413009-MLO18	Y	[K]	MFG.ENG.:	T. CORCIARI	DATE:	30-MAR-78	K PL 5413009-0-DBP	AA
JD	5413009-MLO19	Z	[L]						
RP	5413009-MLO20	AA	[M]	ASSEMBLY NUMBER:	E-UA-5413009-0-0	TOP DOCUMENT NUMBER:	B-DD-5413009-0-0	FILE NAME:	MLO1AA.PLS
			[N]						EDIT # 11

"THIS DRAWING AND SPECIFICATIONS HEREIN, ARE THE PROPERTY OF DIGITAL EQUIPMENT CORPORATION AND SHALL NOT BE REPRODUCED OR COPIED OR USED IN WHOLE OR IN PART AS THE BASIS FOR THE MANUFACTURE OR SALE OF ITEMS WITHOUT WRITTEN PERMISSION. COPYRIGHT (C) 1981. DIGITAL EQUIPMENT CORPORATION"

LINE	ITEM	DOCUMENT NUMBER	PART NUMBER	DESCRIPTION	QTY PER VARIATION				REFERENCE DESIGNATOR
					00	01	02	99	
69	69		1300365-00	1.0 K .25 W 5.0 % CC	2	2	2	2	R36, R67
70	70		1300398-00	1.80 K .25 W 5.0 % CC	1	1	1	1	R31
71	71		1300417-00	2.20 K .25 W 5.0 % CC	5	5	5	5	R18, R20, R22, R23, R27
72	72		1300426-00	2.70 K .25 W 5.0 % CC	1	1	1	1	R7
73	73		1300447-00	4.70 K .25 W 5.0 % CC	1	1	1	1	R25
74	74	SEE NOTE	1300479-00	10.0 K .25 W 5.0 % CC	4	4	4	4	R2, R6, R12, R26
75	75		1301317-00	10.0 .25 W 5.0 % CC	1	1	1	1	R57
76	76		1301422-00	7.50 K .25 W 5.0 % CC	8	8	8	8	R59-R66
77	77		1301424-00	680.0 .25 W 5.0 % CC	1	1	1	1	R37
78	78		1301425-00	300.0 .25 W 5.0 % CC	1	1	1	1	R50
79	79		1301475-00	1.10 K .25 W 5.0 % CC	1	1	1	1	R32
80	80	SEE NOTE	1301874-00	5.60 K .25 W 5.0 % CC	1	1	1	1	R9
81	81	SEE NOTE	1301972-00	270.0 .25 W 5.0 % CC	1	1	1	1	R38
82	82		1302379-00	75.0 .25 W 5.0 % CC	4	4	4	4	R35, R45, R52, R54
83	83		1302391-00	20.0 K .25 W 5.0 % CC	2	2	2	2	R43, R46
84	84		1303178-00	620.0 .25 W 5.0 % CC	1	1	1	1	R49
85	85		1303187-00	620.0 K .25 W 5.0 % CC	1	1	1	1	R8
86	86		1304333-00	1.96 K .25 W 1.0 % RN55D-F10	1	1	1	1	R15
87	87		1313580-00	360.0 .25 W 5.0 % CC	1	1	1	1	R39
88	88		1314673-00	36.0 .25 W 5.0 % CC	1	1	1	1	R53
89	89		1501913-00	2N 2904A PNP 600MW SI 60 40 Y	3	3	3	3	Q2, Q3, Q4
90	90		1503409-00	DEC6534D PNP 310MW SI 40 90	1	1	1	1	Q1
91	91	SEE NOTE	1509524-00	2N 3904 NPN 310MW SI 40 40 M	1	1	1	1	Q5
92	92		1810694-06	XTAL 24.8832 MHZ	1	1	1	1	Y1
93	93		1814830-00	OSCILLATOR, XTAL 24.073 MHZ	1	1	1	1	E2
94	94		1909686-00	7404 INVERTER GATE-HEX 1I	1	1	1	1	E38
95	95		1909928-00	7416 INVERTER GATE-HEX 1I	2	2	2	2	E14, E18
96	96		1909929-00	7417 BUFFER GATE-HEX 1INP	1	1	1	1	E29
97	97		1910236-00	DEC 7426 NAND GATE-QUAD 2IN, 0	1	1	1	1	E7
98	98		1910322-00	DEC 1488L DRIVER, LINE, QUAD, EI	1	1	1	1	E39
99	99		1910548-00	74S157 MUX 1 OF 2 (QUAD)	1	1	1	1	E1
100	100		1912697-00	LS174 FF-D HEX W/CLEAR	2	2	2	2	E49, E61
101	101		1912799-00	LS00 NAND-GATE-QUAD 2IN, P	2	2	2	2	E23, E34
102	102		1912803-00	6504 INVERTER GATE, HEL	1	1	1	1	E19
103	103		1912815-00	LS30 NAND GATE-SINGLE 8IN	1	1	1	1	E3
104	104		1912818-00	LS38 NAND BUFFER-QUAD 2IN	1	1	1	1	E28
105	105		1912824-00	LS74 FF-D DUAL, EDGE TRIGG	2	2	2	2	E13, E22
106	106		1912842-00	LS138 DECODER-THREE INPUT,	1	1	1	1	E27
107	107		1912843-00	LS139 DECODER, 2 OF 4 (DUAL	1	1	1	1	E31
108	108		1912854-00	LS193 COUNTER, SYNCHR, 4BIT,	3	3	3	3	E21, E25, E30
109	109		1912863-00	LS273 FF-D OCTAL W/CLEAR	2	2	2	2	E16, E20
110	110		1913105-00	PB 8224C DRIVER/GEN CLOCK F	1	1	1	1	E32
111	111		1913109-00	8228 BUFFER, DATA BASE FOR	1	1	1	1	E36
112	112		1913130-00	DEC 1489A RECEIVER, LINE, QUAD,	2	2	2	2	E37, E44
113	113		1914084-00	74S299 SHIFT REG, 8BIT RIGH	1	1	1	1	E10
114	114		1914156-00	LM 393 VOLT. COMPARATOR DUAL	1	1	1	1	E48
115	115		1914213-00	81LS97 BUFFER GATE-OCTAL 2I	4	4	4	4	E15, E41, E42, E58
116	116		1914214-00	LS374 FF-D OCTAL EDGE TRIG	2	2	2	2	E26, E33

D	I	G	I	T	A	L	TITLE	SECTION	OF	SIZE	CODE	DOCUMENT NUMBER	REV
							VT100 BASIC VIDEO	A	A	K	PL	5413009-0-DBP	AA

LINE	ITEM	DOCUMENT NUMBER	PART NUMBER	DESCRIPTION	QTY PER VARIATION				REFERENCE DESIGNATOR
					00	01	02	99	
77	81		1914423-01	CUSTOM LSI-BIPOLAR LS	1	1	1	1	E6
78	82		1914424-01	CUSTOM LSI-BIPOLAR L	1	1	1	1	E5
79	83		2112623-02	DUAL BAUD RATE GEN/PROG DIVIDER	1	1	1	1	E60
80	84		2113106-01	1K MOS RAM 250NS	2	2	2	2	E11,E17
81	85		2113107-01	F 8251A PUSART COMM. INTERFA	1	1	1	1	E43
82	86		2113108-01	8080A-1 MICROPROCESSOR UNIT	1	1	1	1	E35
83	87		2113937-00	UART 125K BUAD	1	1	1	1	E55
84	88		2114212-00	P 2114-2 RAM,1024X4,STATIC	6	6	6	6	E46,E47,E50,E51,E53,E54
85	89		2114524-01	ROM 100X14BIT,ERASABLE,	1	1	1	1	E24
86	90		23018E2-00	E2-03	1	1	1	1	E4
87	91		9006010-01	SCREW,PAN,PHIL 4-40X 5/16 SS	3	3	3	3	
88	92		9006557-00	NUT,KEP 4-40X 1/4 AF	3	3	3	3	
89	93		9009185-00	JUMPER, WIRE, INSULATED, BLACK B	4	4	4	4	W1,W3,W4,W7
90	95		23061E2-00	E2-02	1	-	-	-	E56
91	96		23032E2-00	E2-02	1	-	-	-	E52
92	97		23033E2-00	E2-02	1	-	-	-	E45
93	98		23034E2-00	E2-02	1	-	-	-	E40
94	102		1001610-00	.01 MFD 50V +80-20% 25U CER	4	4	4	4	C16,C17,C23,C51
95	103		1301320-00	1.20 K .25 W 5.0 % CC	1	1	1	1	R30
96	104		1301322-00	180.0 .25 W 5.0 % CC	1	1	1	1	R33
97	105		1301477-00	82.0 .25 W 5.0 % CC	1	1	1	1	R42
98	106		1300202-00	47.0 .25 W 5.0 % CC	1	1	1	1	R44
99	107		1303155-00	21.50 K .25 W 1.0 % RN55D-F10	1	1	1	1	R10
100	108		1309412-00	18.20 K .25 W 1.0 % RN55D-F10	1	1	1	1	R13
101	109		1609620-00	2.2 UH #RFS2.2	1	1	1	1	L1
102	110		1002603-00	18.0 MMF 100V 55200PPM MICA	1	1	1	1	C53
103	112		1013466-05	56.0 MMF 50V 5% CER	1	1	1	1	C47
104	113		23180E2-00	E2-02	-	1	1	-	E56
105	114		23181E2-00	E2-02	-	1	1	-	E52
106	115		23182E2-00	E2-02	-	1	1	-	E45
107	116		23183E2-00	E2-02	-	1	1	-	E40
108	117		1215006-07	SOCKET 28PIN IC LOW PROFILE	1	1	1	1	XE6
109	118		23094E2-00	E2-03,E2-04	-	-	1	-	E9
110	119	A-SF-3700553-0-0	3700553-00	PKG MODULE 5413009	REF	REF	REF	REF	
111	120	A-SF-3700426-0-0	3700426-00	INSTR PKG. BULK CARTON 99-06476-	REF	REF	REF	REF	
112	121		1300005-03	R NETWORK 13-10K 5.0 % 14PIN	1	1	1	1	E57
113	122		9105740-55	WIRE(WRAP)30AWG UL1423	A/R	A/R	A/R	A/R	
114	123		1000021-00	220.0 MMF 100V 5%200PPM MICA	1	1	1	1	C57
115	124		9107560-01	WIRE,BUSS,22AWG	A/R	A/R	A/R	A/R	

116 NOTE: THE FOLLOWING COMPONENTS ARE OPTIONAL AND ARE NOT TO BE INSERTED:
 117 NOTE: C46 PART #1001796, C52 PART #1012784,
 118 NOTE: D17 PART #1110766, R71 PART #1300479, R69,R72 PART #1301808,
 119 NOTE: R73 PART #1301874, R70 PART #1301972, Q6 PART #1509524.

D	I	G	I	T	A	L	TITLE	SECTION A OF A	SIZE	CODE	DOCUMENT NUMBER	REV
							VT100 BASIC VIDEO		K	PL	5413009-0-DBP	AA

Y01

AUTOMATED BY PRTLST.1D(11)

PARTS LIST

SHEET A4 OF A4

LINE ITEM DOCUMENT NUMBER

PART NUMBER

DESCRIPTION

QTY PER VARIATION

00 01 02 99 REFERENCE DESIGNATOR

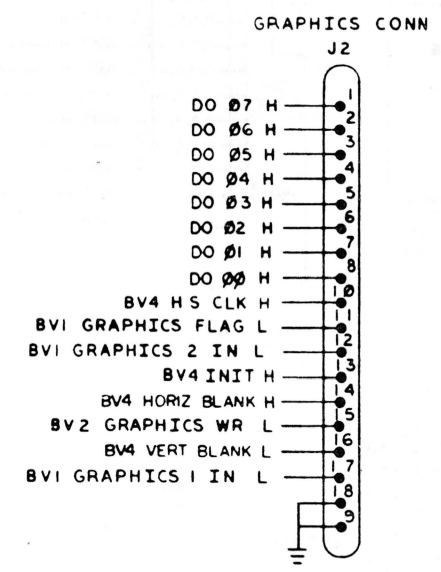
100 NOTE: FOR INDIVIDUAL FIELD SERVICE/CUSTOMER SPARES SHIPMENTS USE PACKAGING INSTRUCTION, A-SP-3700553-0-0;
101 NOTE: FOR BULK INTERPLANT SHIPMENTS USE PACKAGING INSTRUCTION, A-SP-3700426-0-0 VARIATION -02

D	I	G	I	T	A	L	TITLE	SECTION A OF A	SIZE	CODE	DOCUMENT NUMBER	REV
							VT100 BASIC VIDEO		K	FL	5413009-0-DBP	AA

THIS DRAWING AND SPECIFICATIONS HEREIN ARE THE PROPERTY OF DIGITAL EQUIPMENT CORPORATION AND SHALL NOT BE REPRODUCED OR COPIED OR USED IN WHOLE OR IN PART AS THE BASIS FOR THE MANUFACTURE OR SALE OF OTHER EQUIPMENT WITHOUT THE WRITTEN PERMISSION OF DIGITAL EQUIPMENT CORPORATION © 1972

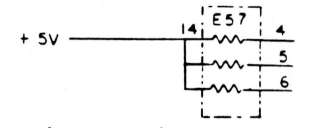
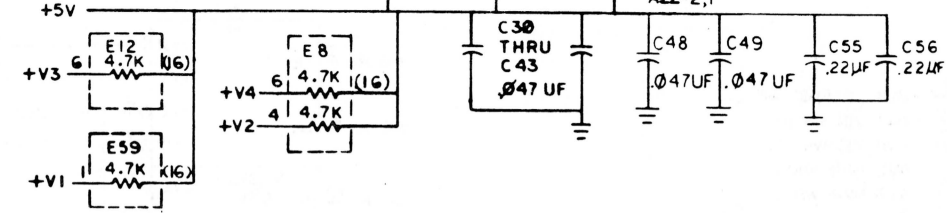
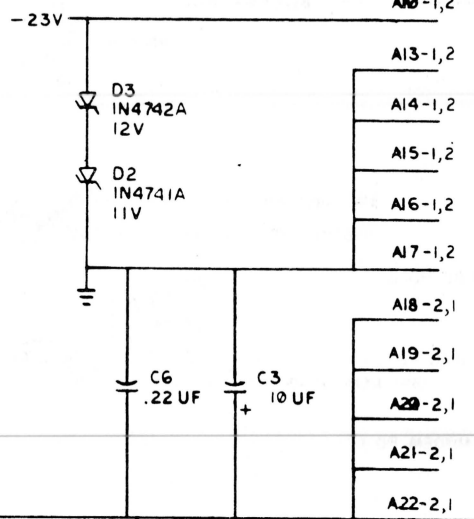
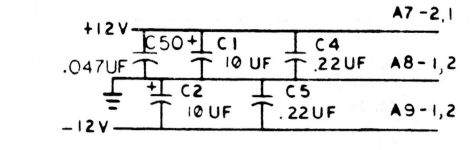
ADVANCED VIDEO CONN.

- A00 H
- A01 H
- A02 H
- A03 H
- A04 H
- A05 H
- A06 H
- A07 H
- A08 H
- A09 H
- A10 H
- A11 H
- A12 H
- A13 H
- A14 H
- A15 H
- DB 00 H
- DB 01 H
- DB 02 H
- DB 03 H
- DB 04 H
- DB 05 H
- DB 06 H
- DB 07 H
- BV4 DMA ENA L
- BV4 HOLD REQ H
- BV6 MEM RD L
- BV6 MEM WR L
- BV1 MEM DISABLE L
- BV2 SEL ATT RAM L
- BV2 SEL 8-12K L
- LBA 0 H
- LBA 1 H
- LBA 2 H
- LBA 3 H
- LBA 4 H
- LBA 5 H
- LBA 6 H
- LBA 7 H
- BV4 WRITE LB L
- BV4 CHAR CLK H
- BV1 BOLD L
- BV1 BLINK L
- BV1 UNDERLINE L
- BV1 ALT CHAR SET L
- +5V
- GND
- BV1 ADVANCED VIDEO L



EDGE CONN

- BV4 HORIZ DRIVE H A1-1,2
- A2-1,2
- DIRECT DRIVE VIDEO A3-2,1
- BV4 VERT DRIVE L A4-2,1
- LBA 6 H A11-1,2

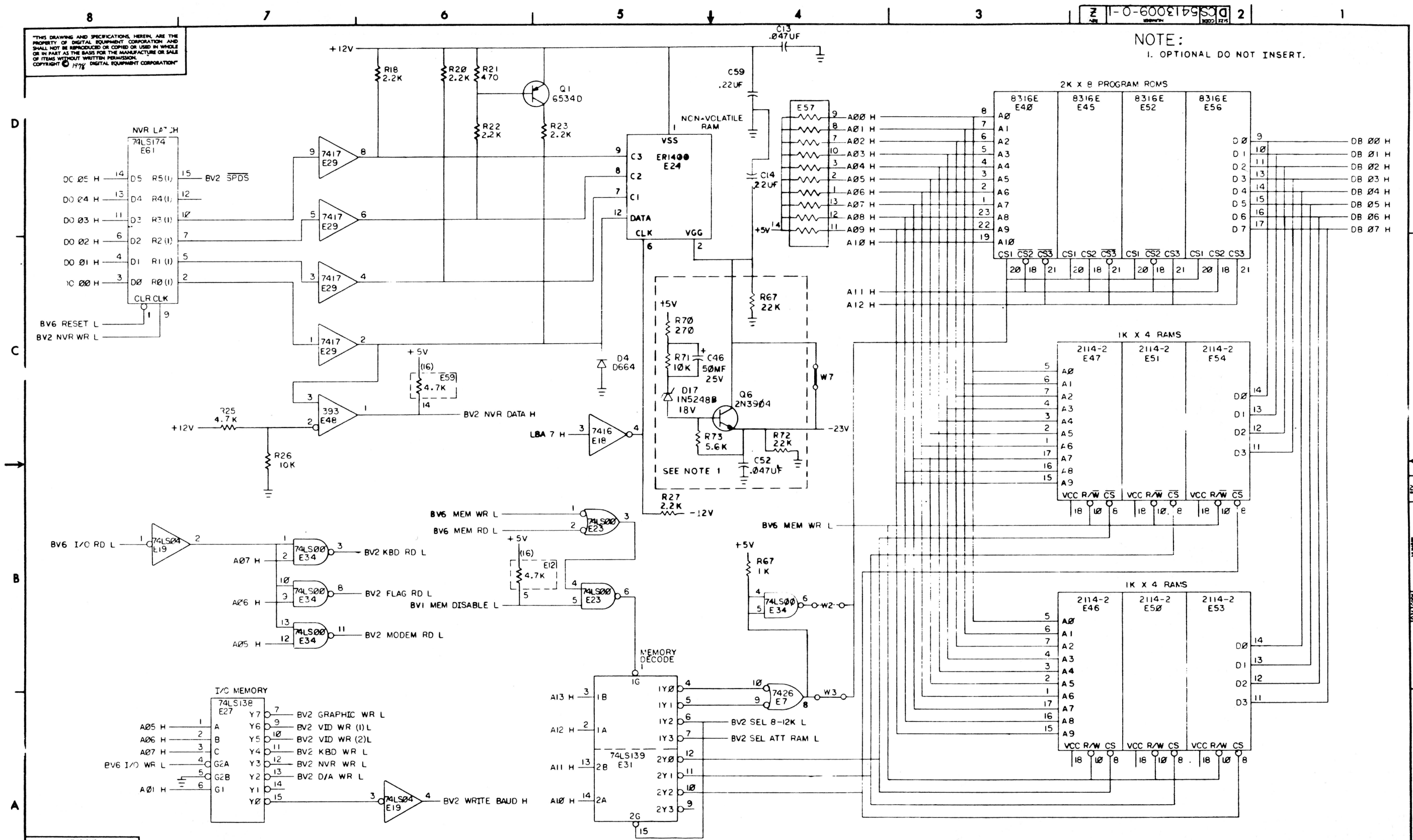


REV.	DATE	BY	CHKD	DESCRIPTION
1	10-6-78	R. PUCCI		5413009-ML001 C
2	11-25-78	R. PUCCI		5413009-ML002 D
3	12-20-78	R. PUCCI		5413009-ML003 S
4	1-5-79	R. PUCCI		5413009-ML004 U
5	1-5-79	R. PUCCI		5413009-ML007 V
6	1-5-79	R. PUCCI		5413009-ML009 W
7	1-5-79	R. PUCCI		5413009-ML010 Y
8	1-5-79	R. PUCCI		5413009-ML021 Z

DRN. <i>[Signature]</i>	FIRST USED ON	VT100
CHKD. <i>[Signature]</i>	TITLE	VT100
ENG. <i>[Signature]</i>	NUMBER	BASIC VIDEO
PROD. <i>[Signature]</i>	REV.	Z
NEXT HIGHER ASBY.	SCALE	1 OF 6
E-UA-5413009-0-0	SIZE CODE	D
5413009-0-1	NUMBER	1
SHEET	DIST.	

THIS DRAWING AND SPECIFICATIONS, HEREIN, ARE THE PROPERTY OF DIGITAL EQUIPMENT CORPORATION AND SHALL NOT BE REPRODUCED OR COPIED OR USED IN WHOLE OR IN PART AS THE BASIS FOR THE MANUFACTURE OR SALE OF ITEMS WITHOUT WRITTEN PERMISSION. COPYRIGHT © 1978 DIGITAL EQUIPMENT CORPORATION

NOTE:
1. OPTIONAL DO NOT INSERT.

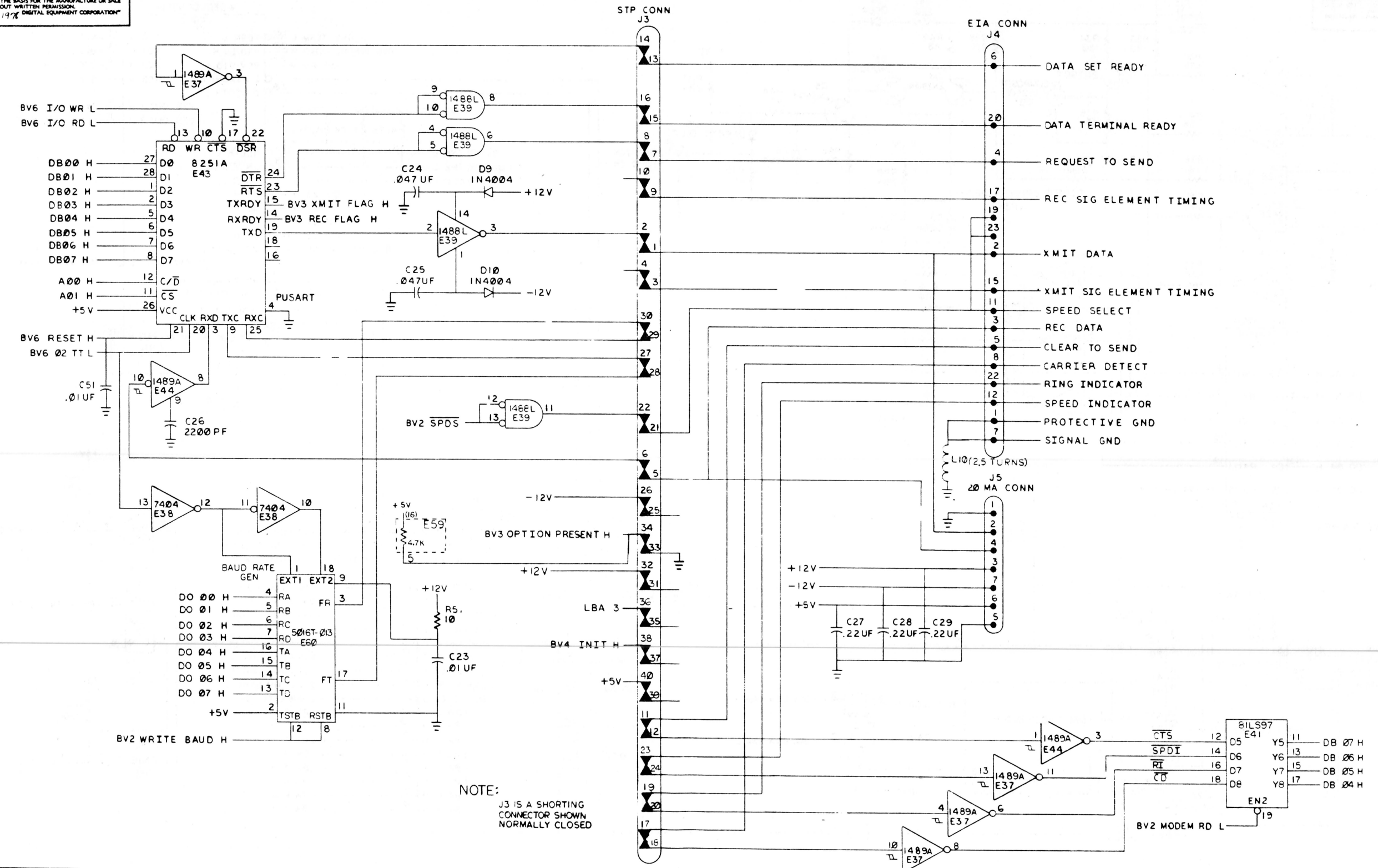


REVISIONS		
CHK	CHANGE NO.	REV.

TITLE	VT100 BASIC VIDEO (BV2)	SIZE CODE	D CS	NUMBER	5413009-0-1	REV.	2
SCALE	++	SHEET	2	OF	6	DIST.	

D CS 5413009-0-1

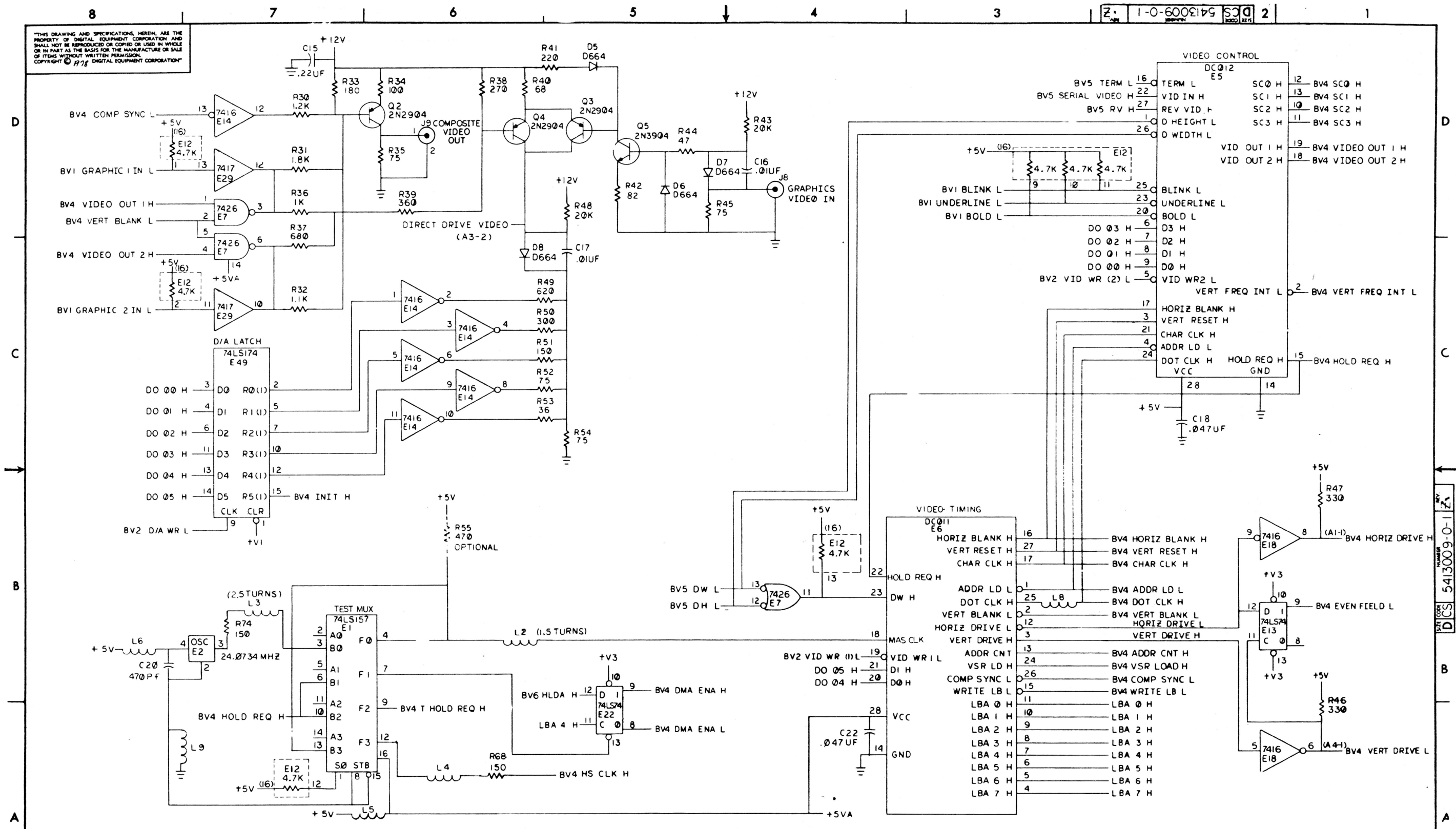
THIS DRAWING AND SPECIFICATIONS, HEREIN, ARE THE PROPERTY OF DIGITAL EQUIPMENT CORPORATION AND SHALL NOT BE REPRODUCED OR COPIED OR USED IN WHOLE OR IN PART AS THE BASIS FOR THE MANUFACTURE OR SALE OF ITEMS WITHOUT WRITTEN PERMISSION. COPYRIGHT © 1977 DIGITAL EQUIPMENT CORPORATION



NOTE:
J3 IS A SHORTING
CONNECTOR SHOWN
NORMALLY CLOSED

REVISIONS		
CHK	CHANGE NO.	REV.

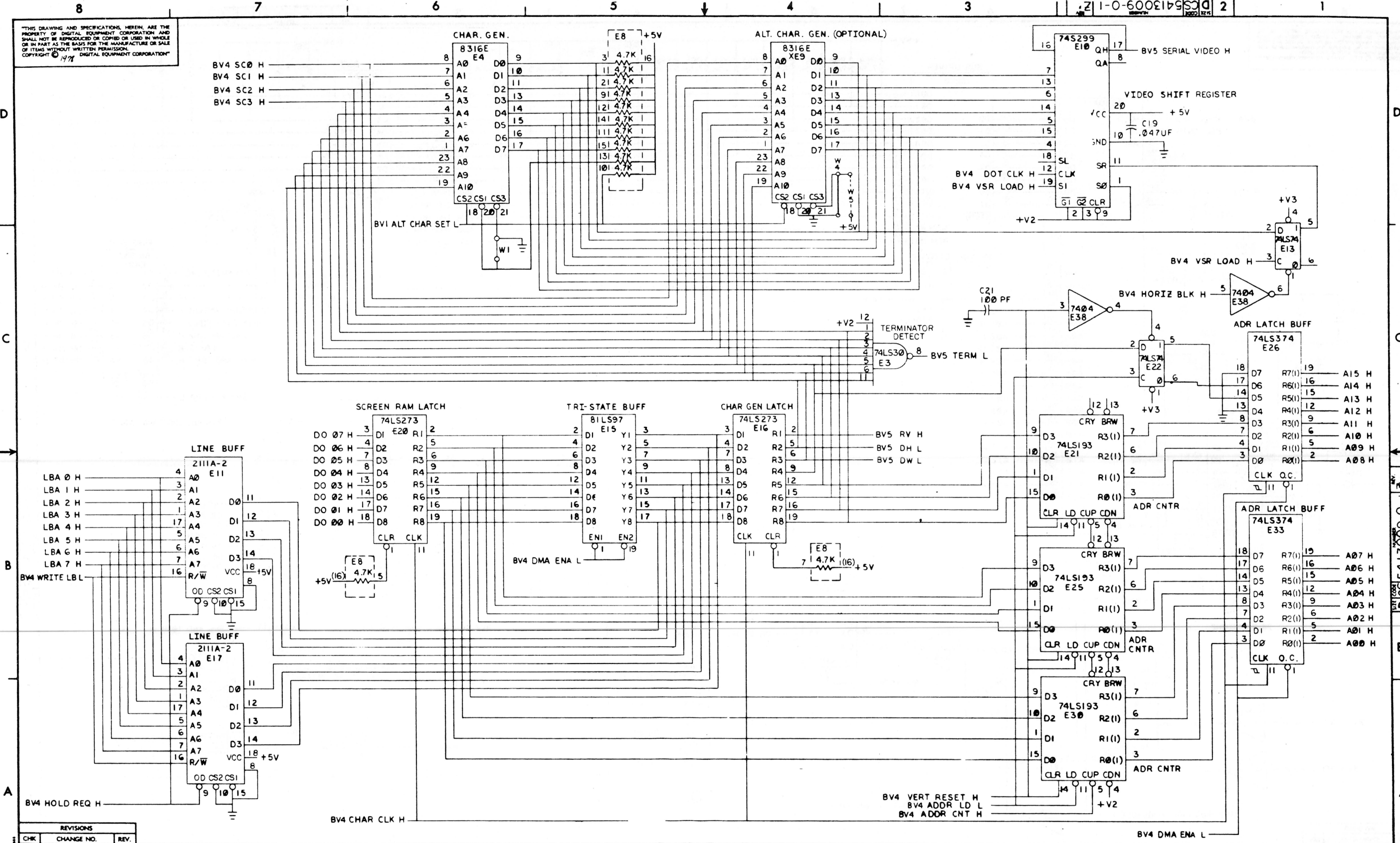
THIS DRAWING AND SPECIFICATIONS HEREIN ARE THE PROPERTY OF DIGITAL EQUIPMENT CORPORATION AND SHALL NOT BE REPRODUCED OR COPIED OR USED IN WHOLE OR IN PART AS THE BASIS FOR THE MANUFACTURE OR SALE OF ITEMS WITHOUT WRITTEN PERMISSION. COPYRIGHT © 1978 DIGITAL EQUIPMENT CORPORATION



REVISIONS		
CHK	CHANGE NO.	REV.

THIS DRAWING AND SPECIFICATIONS, HEREIN, ARE THE PROPERTY OF DIGITAL EQUIPMENT CORPORATION AND SHALL NOT BE REPRODUCED OR COPIED OR USED IN WHOLE OR IN PART AS THE BASIS FOR THE MANUFACTURE OR SALE OF ITEMS WITHOUT WRITTEN PERMISSION. COPYRIGHT © 1977 DIGITAL EQUIPMENT CORPORATION

DCS 5413009-0-1

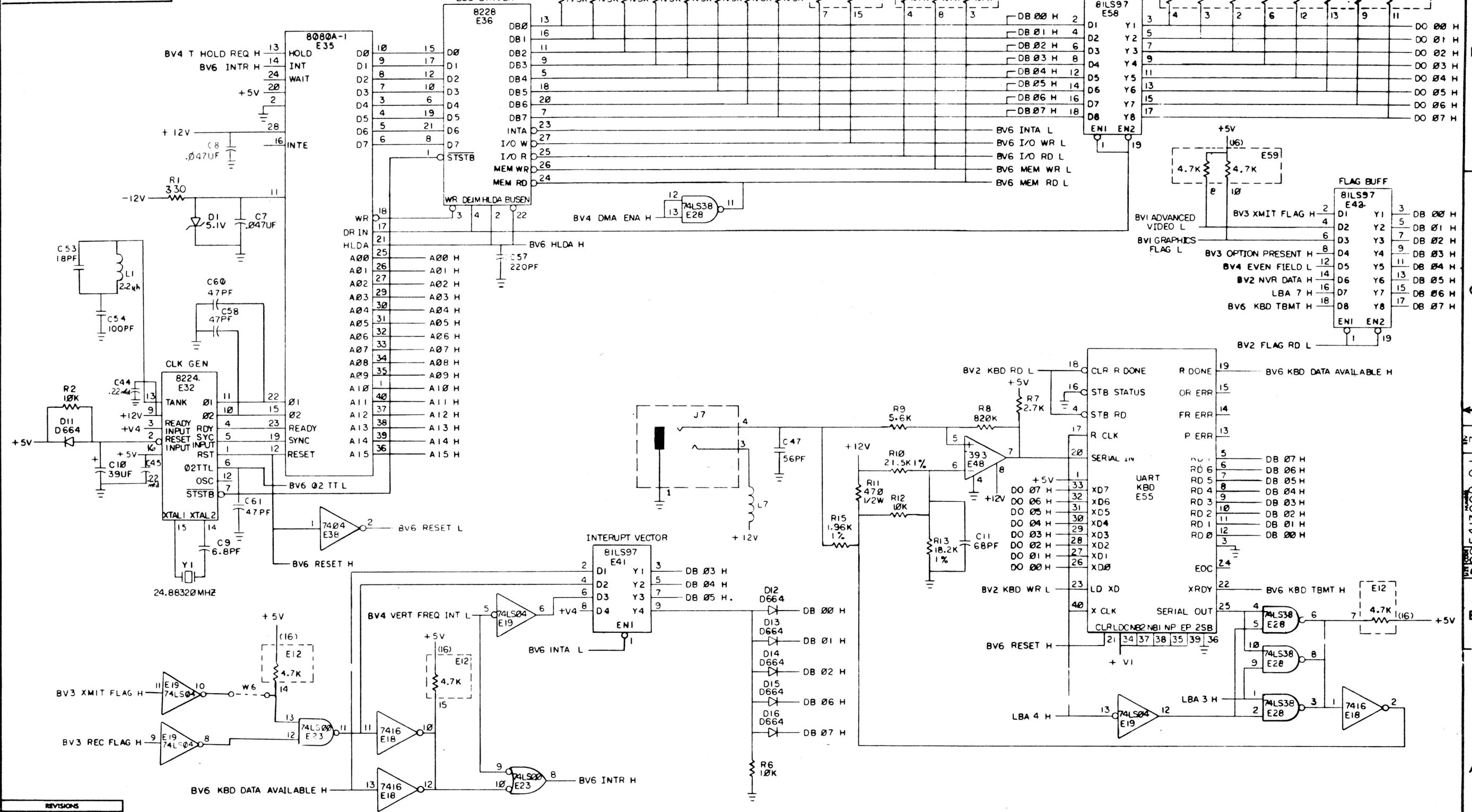


REVISIONS		
CHK	CHANGE NO.	REV.

TITLE	VT100	SIZE CODE	NUMBER	REV.
BASIC VIDEO (BV5)	DCS 5413009-0-1	D	5	2
SCALE	SHEET 5 OF 6	DIST.		

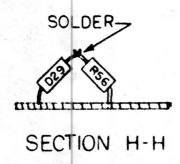
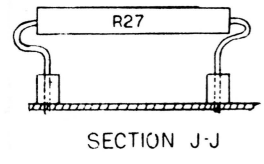
DCS 5413009-0-1

THIS DRAWING AND SPECIFICATIONS HEREIN ARE THE PROPERTY OF DIGITAL EQUIPMENT CORPORATION AND SHALL NOT BE REPRODUCED OR COPIED IN WHOLE OR IN PART AS THE BASIS FOR THE MANUFACTURE OR SALE OF ITEMS WITHOUT WRITTEN PERMISSION. COPYRIGHT © 1978 DIGITAL EQUIPMENT CORPORATION



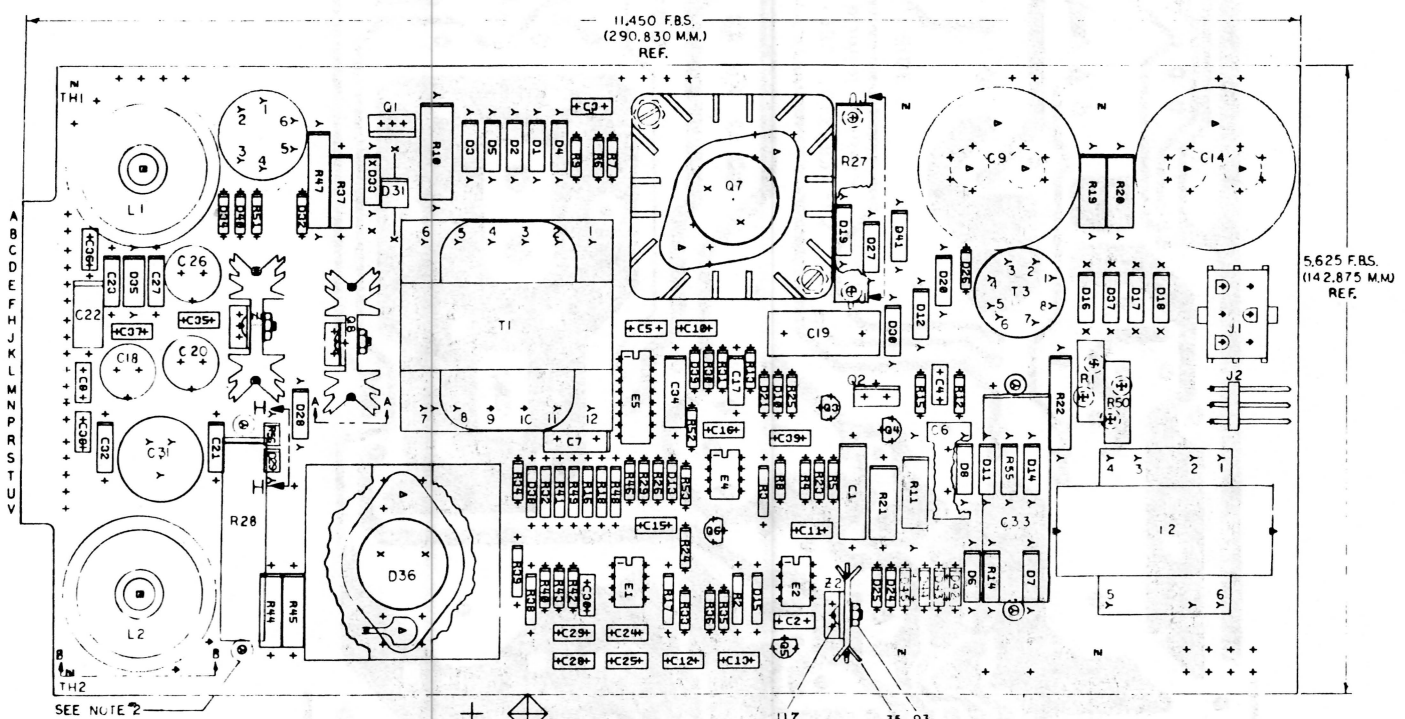
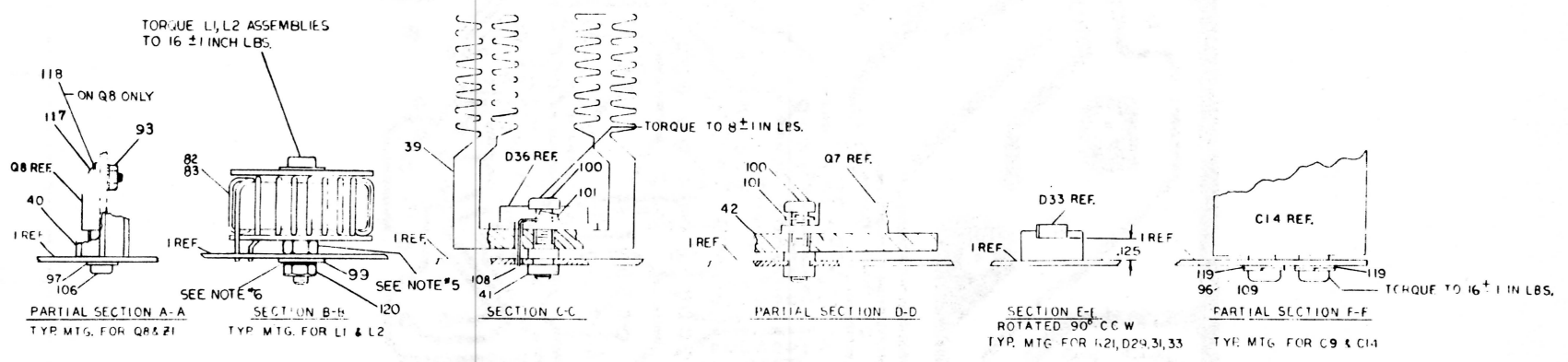
REVISIONS			TITLE	SIZE CODE	NUMBER	REV.
CHK	CHANGE NO.	REV.	VT100 BASIC VIDEO (BV6)	D	DCS 5413009-0-1	Z
			SCALE	SHEET	6 OF 6	DIST.

A B C D E F G H J



NOTES:
5. BEFORE ASSEMBLING ITEMS* 82&83, THE NUT USED ON THESE ASSEMBLIES SHOULD BE LOCKED INTO PLACE USING PERMAPOND 240/240S OR LL TITE 414.

6. MAXIMUM ALLOWABLE PROTRUSION ON SIDE TWO OF ETCH BOARD FROM BOTTOM OF ETCH BOARD TO BOTTOM OF NYLON OR SCREW PROTRUSION IS 130 MIL.



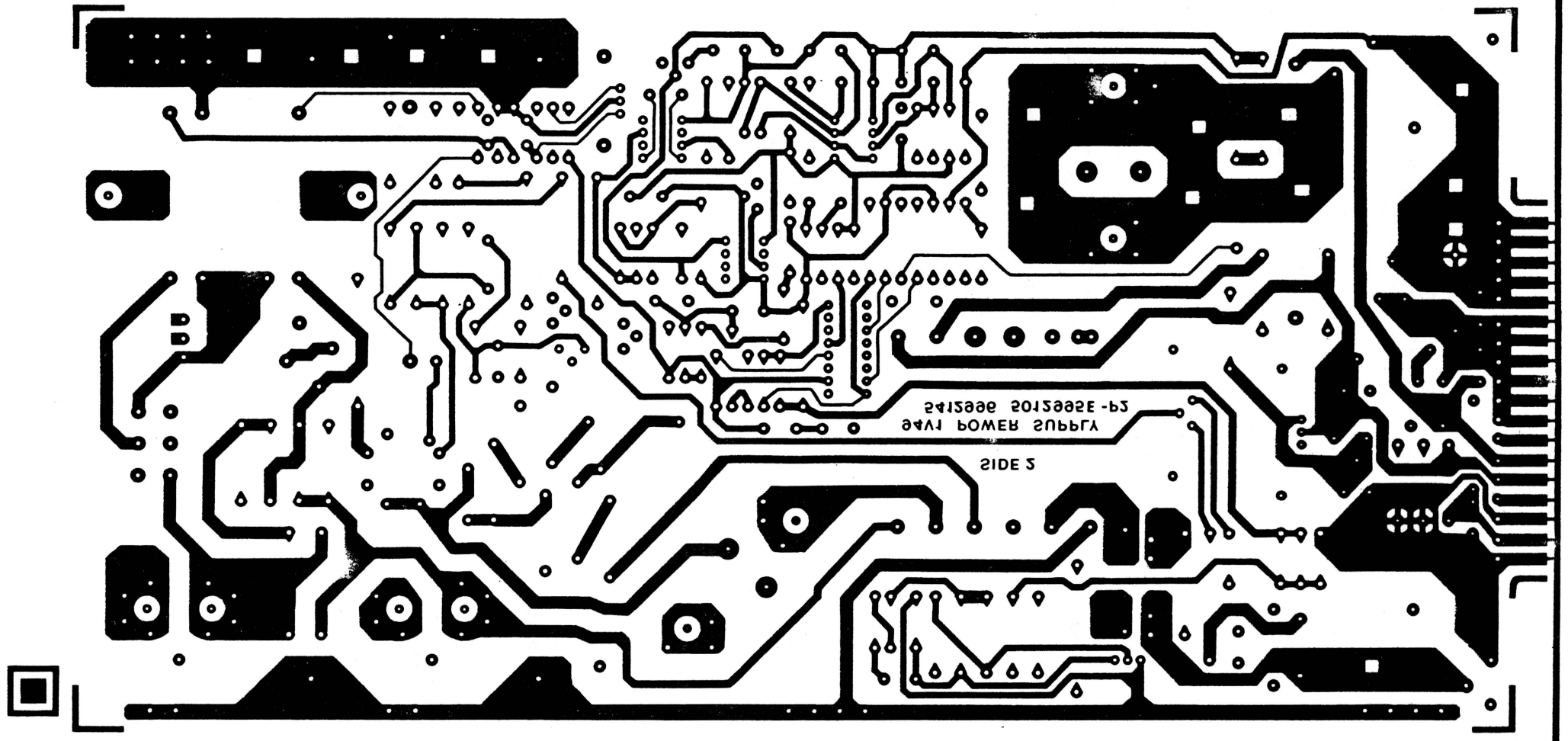
NOTES:
1. THIS BOARD REQUIRES U/L APPROVAL.
2. R27, R28, R30 AND C28 ARE MOUNTED UP OFF THE BOARD USING CERAMIC STAND OFFS.
3. R25 SHOULD BE REPLACED WITH DISCRETE RESISTOR.
4. SH. CA. 3 ARE 'D' SIZE.
SEE NOTES TOP OF SHEET.

CHANGE NO.	REV.	DATE	BY	CHKD.	APP.
1	1	11/27/73
2	1	12/11/73
3	1	1/10/74
4	1	2/27/74
5	1	4/29/74

ETCH REV.	DATE	BY	CHKD.	APP.
1	11/27/73
2	12/11/73
3	1/10/74
4	2/27/74
5	4/29/74

SIGNATURES		DATE	digital
DRN	...	11/27/73	
CHKD.	...	12/11/73	
ENG.	...	1/10/74	
PROJ. ENG.	...	2/27/74	
PROD.	...	4/29/74	
SCALE	1/1		
SHT.	1 OF 3		
NEXT HIGHER ASSY. B-00-5412996-C			

A B C D E F G H J



2412996 2012996E-03
 0000104 0002142
 V448 POWER SUPPLY

SIDE 3

UNF APPROVAL

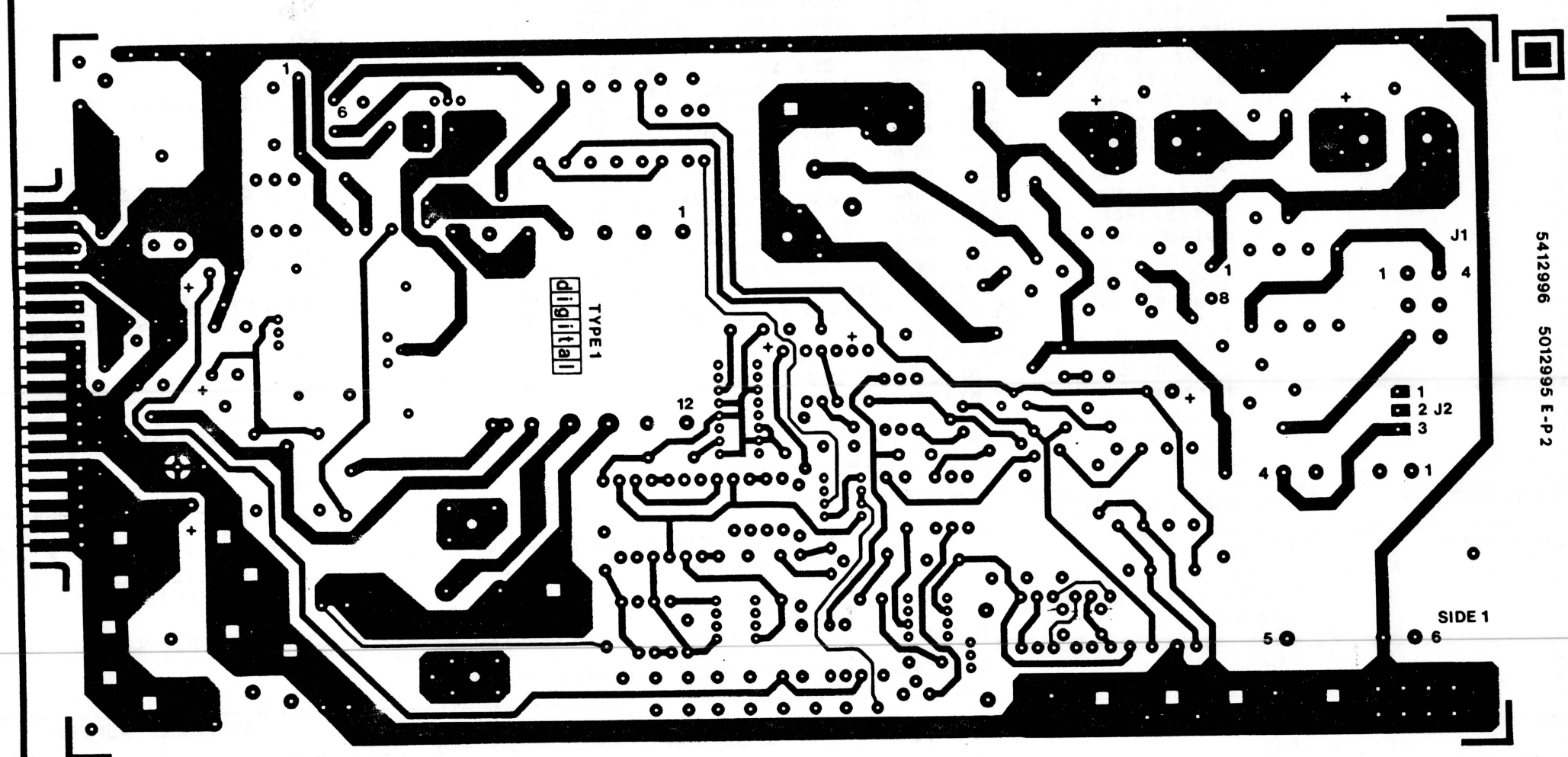
THIS DRAWING AND SPECIFICATIONS BELONG TO THE PROPERTY OF DIGITAL EQUIPMENT CORPORATION AND SHALL NOT BE REPRODUCED OR COPIED OR USED IN WHOLE OR IN PART AS THE BASIS FOR THE MANUFACTURE OR SALE OF ITEMS WITHOUT WRITTEN PERMISSION. COPYRIGHT © 1974 DIGITAL EQUIPMENT CORPORATION.

1 2 3 4 5 6 7 8

A B C D

DUA 5412996-0-0 N

THIS DRAWING AND SPECIFICATIONS HEREIN ARE THE PROPERTY OF DIGITAL EQUIPMENT CORPORATION AND SHALL NOT BE REPRODUCED OR COPIED OR USED IN WHOLE OR IN PART AS THE BASIS FOR THE MANUFACTURE OR SALE OF ITEMS WITHOUT WRITTEN PERMISSION. COPYRIGHT © 1979 DIGITAL EQUIPMENT CORPORATION



U/L APPROVAL

5412996 5012995 E-P2

SIDE 1

REVISIONS		
CHK	CHANGE NO	REV.

TITLE	H7831 POWER SUPPLY	SIZE CODE	D UA	NUMBER	5412996-0-0	REV.	N
SCALE	2/1	SHEET	3	OF	3	DIST.	

8 7 6 5 4 3 2 1

D C B A

D C B A

8 7 6 5 4 3 2 1

D C B A

LINE ITEM	DOCUMENT NUMBER	PART NUMBER	DESCRIPTION	QTY PER VARIATION	REFERENCE DESIGNATOR
				00	
1	1	E-MD-5012995-0-0	5012995-00 H7831 POWER SUPPLY	1	
2	2	1000009-00	33.0 MMF 100V 5%200PPM MICA	1	C2
3	3	1000016-00	100.0 MMF 100V 5%200PPM MICA	3	C5,C15,C16
4	4	1000039-00	.056 MFD 200V 10% MYLR	1	C1
5	5	1000042-00	1000.0 MMF 100V 5%200PPM MICA	5	C13,C24,C25,C28,C29
6	6	1000055-00	2200.0 MMF 250V 20% Y5S DISC	2	C3,C4
7	7	1001610-00	.01 MFD 50V +80-20% 25U CER	5	C30,C35,C36,C37,C38
8	8	1004812-00	15 MFD 20V 10% S.TANT	1	C34
9	9	1005507-00	1 MFD 100V +50-10% AL EL	1	C22
10	10	1011847-01	.01 MFD 400V 10% POLYPRCP	1	C6
11	11	1015202-02	.0033 MFD 1600V 10% POLYPROP	1	C19
12	12	1001776-00	1 MFD 35V 10% S.TANT	1	C17
13	13	1010274-00	.22 MFD 50V +80-20% Z5U CER	4	C8,C10,C11,C12
14	14	1012607-00	560 MFD 20V+100-10% AL EL	1	C26
15	15	1012607-04	270 MFD 40V+100-10% AL EL	1	C20
16	16	1012607-05	20 MFD 200V+100-10% AL EL	1	C18
17	17	1013456-11	.22 MFD 50V +80-20% Z5U CER	4	C21,C23,C27,C32
18	18	1014170-00	2700.0 MMF 100V 1% 70PPM MICA	1	C7
19	19	1014277-00	3800 MFD 6.3V +75-10% AL EL	1	C31
20	20	1014861-00	590 MFD 200V +50-10% AL EL	2	C9,C14
21	21	1014883-00	470 MFD 50V +75-10% AL EL	1	C33
22	22	1100114-00	D 664 GS\75PCB PIV= 25V SP	5	D10,D13,D39,D40,D21
23	23	1105796-00	1N 4004 PIV=400 I= 1A D041 SP	8	D32,D34,D24,D25,D42-D45
24	24	1105873-00	4M5-1AZ1 VZ= 5.1 1% .400W	1	D38
25	25	1109991-01	4M6.8AZ1 VZ= 6.8 1% .40W	1	D15
26	26	1112594-01	A115B PIV=200 I= 3A	1	D31
27	27	1112595-00	A114F PIV= 50 I= 1A	7	D1,D2,D3,D5,D12,D41,D20
28	28	1112595-01	A114B PIV=200 I= 1A	6	D4,D6,D7,D8,D11,D14
29	29	1112595-02	A114M PIV=600 I= 1A	2	D27,D28
30	30	1115529-00	UES2601 PIV=50V I=30A	1	D36

REVISION HISTORY		BASIC PART NO: 5412996		DRN:	VIN PARECHANIAN	DATE:	2-20-78	DIGITAL			
ENG	ECO NUMBER	REV	SECTION A OF A	CHK'D:	KENT GLEEZEN	DATE:	7-JUL-80	TITLE PARTS LIST			
---	INIT	B	SECTION VARIATION INDEX	CHK'D:	KENT GLEEZEN	DATE:	7-JUL-80	H7831 POWER SUPPLY			
KH	PN001	C	[A] 00								
LK	PN002	D	[B]								
JB	PN003	E	[C]	DES.ENG:	BOB PEDERSEN	DATE:	7-JUN-78				
JB	PN004	F	[D]								
EJ	PN005	H	[E]					DOCUMENT NUMBER			
CJ	5412996-ML006	J	[F]	RESP.ENG.:	BOB PENDERSON	DATE:	7-JUN-78	SIZE	CODE	NUMBER	REV
RP	ML008	K	[H]					K	PL	5412996-0-DBP	P
RP	ML009-5412996	L	[J]								
GC	5412996-ML011	M	[K]	MFG.ENG.:	T. CORCIARI	DATE:	7-JUN-78				
GC	5412996-ML015	N	[L]								
GC	5412996-ML016	P	[M]	ASSEMBLY NUMBER:		TOP DOCUMENT NUMBER:		FILE NAME:	EDIT #		
			[N]	E-UA-5412996-0-0		B-DD-5412996-0-0		Z1085P.PLS	42		

"THIS DRAWING AND SPECIFICATIONS HEREIN, ARE THE PROPERTY OF DIGITAL EQUIPMENT CORPORATION AND SHALL NOT BE REPRODUCED OR COPIED OR USED IN WHOLE OR IN PART AS THE BASIS FOR THE MANUFACTURE OR SALE OF ITEMS WITHOUT WRITTEN PERMISSION. COPYRIGHT (C) 1981. DIGITAL EQUIPMENT CORPORATION "

LINE	ITEM	DOCUMENT NUMBER	PART NUMBER	DESCRIPTION	QTY	PER VARIATION	REFERENCE DESIGNATOR
					00		
31	31		1114602-00	UES1302 PIV=100V I= 4A	2		D29,D33
32	32		1115112-00	PIV=800V I=1A	2		D19,D30
33	33		1115182-00	1N 5626 PIV=600 I= 3A	4		D16,D17,D18,D37
34	34		1115224-00	VOLY.TRANS.SUPPRESS 12.1	1		D35
35	35		1215228-00	HEAT SINK,TO-220,VERTICAL MNT	1		
36	36		1212204-10	HEADER.156 3POS RT ANGLE	1		J2
37	38		1212297-05	MATE-N-LOK 6PIN UNIV HEADER	1		J1
38	39		1211987-03	HEAT SINK	1		
39	40		1213921-03	HEAT SINK,TAB MNT SEMI 2.5" HIGH	2		
40	41		1214789-00	INSERT,THREADED 6-32 ,BRASS,ELEC	4		
41	42		1210012-04	HT SINK W/HOLES	1		
42	43		1300219-00	68.0 .25 W 5.0 % CC	2		R9,R12
43	44		1300249-00	150.0 .50 W 5.0 % CC	1		R14
44	45		1300271-00	220.0 .25 W 5.0 % CC	1		R6
45	46		1300288-00	270.0 2.0 W10.0 % CC	1		R10
46	47		1300316-00	470.0 .25 W 5.0 % CC	2		R13,R46
47	48		1300365-00	1.0 K .25 W 5.0 % CC	3		R26,R35,R43
48	49		1300417-00	2.20 K .25 W 5.0 % CC	1		R8
49	50		1300426-00	2.70 K .25 W 5.0 % CC	1		R23
50	51		1300488-00	12.0 K .25 W 5.0 % CC	1		R4
51	52		1300496-00	15.0 K .25 W 5.0 % CC	1		R24
52	53		1300536-00	100.0 K 1.0 W10.0 % CC	2		R19,R20
53	54		1301317-00	10.0 .25 W 5.0 % CC	3		R7,R15,R25
54	55		1302091-00	330.0 K .25 W 5.0 % CC	2		R30,R51
55	56		1302177-00	47.0 K .25 W 5.0 % CC	1		R31
56	57		1302388-00	2.0 K .25 W 5.0 % CC	1		R29
57	58		1310867-00	680.0 K .25 W 5.0 % CC	1		R33
58	59		1303187-00	820.0 K .25 W 5.0 % CC	1		R5
59	60		1304833-00	1.96 K .25 W 1.0 % RN55D-F10	1		R3
60	61		1304854-00	5.11 K .25 W 1.0 % RN55D-F10	4		R32,R41,R48,R49
61	62		1304862-00	1.62 K .25 W 1.0 % RN55D-F10	1		R16
62	63		1304868-00	2.74 K .25 W 1.0 % RN55D-F10	1		R2
63	64		1305108-00	1.47 K .25 W 1.0 % RN55D-F10	1		R39
64	66		1309422-00	5.10 .25 W 5.0 % CC	1		R34
65	67		1309595-00	1.0 M .25 W 5.0 % CC	3		R36,R40,R42
66	68		1310188-00	300.0 10.0 W 5.0 % WW	1		R28
67	69		1311338-00	82.0 3.0 W 5.0 % WW	2		R21,R11
68	70		1305336-00	200.0 K .25 W 1.0 % RN55D-F10	1		R17
69	71		1313014-00	.01 3.75 W 3.0 % WW	3		R37,R44,R45
70	72		1317917-00	500.0 13.0 W 5.0 % WW	1		R27
71	73		1314187-00	6.19 K .25 W 1.0 % RN55D-F10	1		R18
72	74		1314270-00	5.0 15.0 % NTC THERM	2		R1,R50
73	75		1314350-00	1.0 2.0 W10.0 % FUSE	2		R22,R47
74	76		1510705-00	XA 05 NPN 500MW SI 60 50 P	2		Q3,Q6
75	77		1510706-00	XA 55 PNP 500MW SI 60 50 P	2		Q4,Q5
76	78		1517910-00	2N 6547 NPN TO-3	1		Q7
77	79		1514271-00	D 44Q1 NPN 31W SI	3		Q1,Q2,Q8
78	80		1614272-00	PULSE XFMR,4 WOUND	1		T3

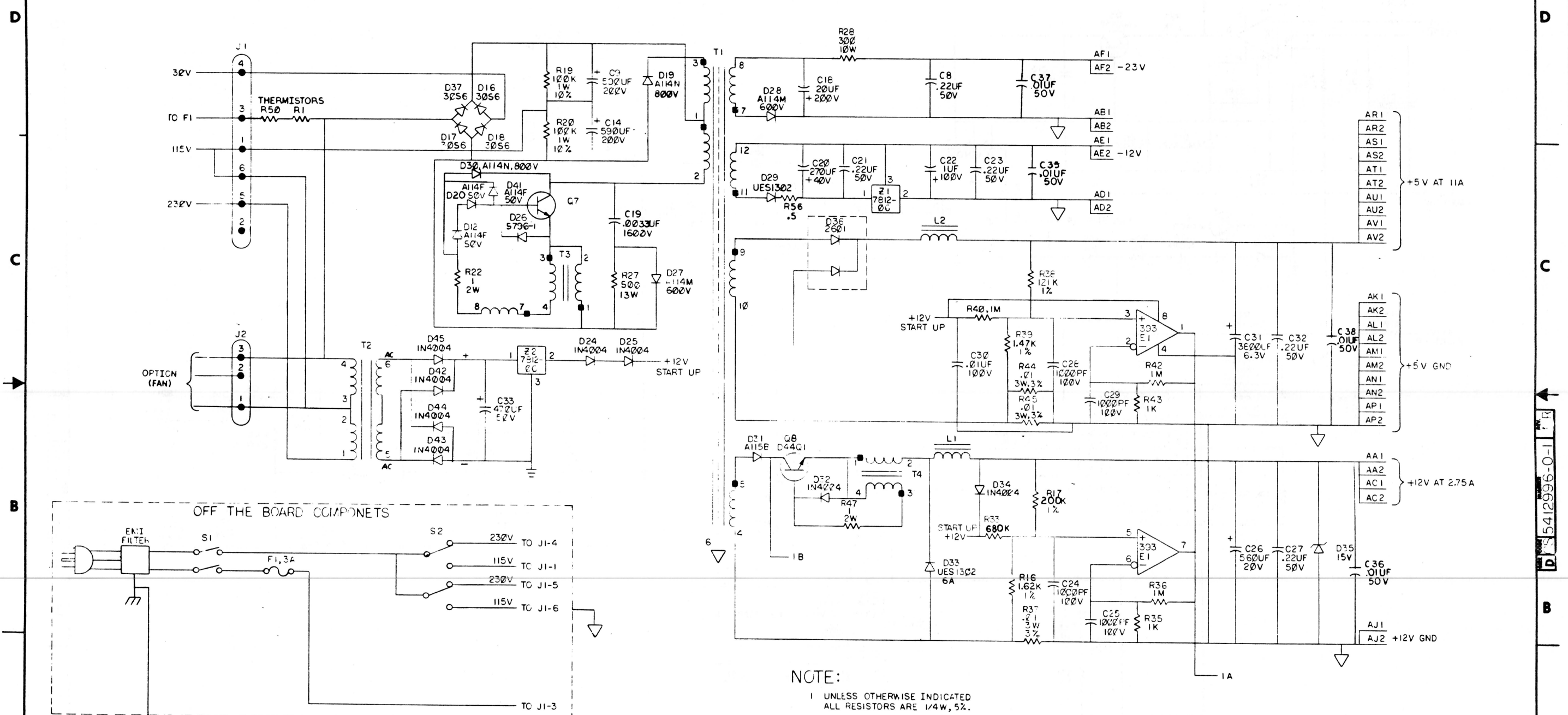
D	I	G	I	T	A	L	TITLE	SECTION A	OF A	SIZE	CODE	DOCUMENT NUMBER	REV
							H7831 POWER SUPPLY			K	PL	5412996-0-DBP	P

LINE ITEM	DOCUMENT NUMBER	PART NUMBER	DESCRIPTION	QTY PER VARIATION 00	REFERENCE DESIGNATOR
79	81	1614273-00	PULSE XFMR, TRI-WOUND	1	T4
80	82	1615251-00	42.0 UH VARIABLE L 11A	1	L2
81	83	1615252-00	210.0 UH VARIABLE 2.75A	1	L1
82	84	1615253-00	XFMR P=AB S=25V	1	T2
83	85	1615668-01	XFMR P=240/480 S=120	1	T1
84	86	1910282-00	301AN OP AMP	1	E2
85	87	1911944-00	555CN TIMER, FUNCT. BLOCK	1	E4
86	88	1912048-06	DEC 7812 VOLT REG, FIX +12V	2	Z1, Z2
87	89	1914156-00	LM 393 VOLT. COMPARATOR DUAL	1	E1
88	90	1914250-00	3524 MODULATOR-REGULATING	1	E5
89	93	9006557-00	NUT, KEP , 4-40X 1/4 AF	3	
90	97	9008172-00	WASHER, FLAT, SS .250 OD X .125 I	4	
91	99	9006660-00	WASHER, FLAT, .375 O.D. X .187 I	2	
92	100	9007793-01	SCREW, PAN, PHIL 6-32X 9/16 SS	4	
93	101	9007801-00	WASHER, LOCK, S.S. #6	4	
94	106	9009236-01	SCREW, TAPPING, TYPE F, PAN , PHIL,	4	
95	108	9009676-00	TERM LUG 1POS SOLDER	1	
96	109	9009795-00	SCREW, PAN, SLOT, SEMS 10-32X 3/8	4	
97	110	9009798-00	SPACER, CERAMIC, .186 ODX.078 ID	10	
98	112	1300197-00	33.0 .25 W 5.0 % CC	1	R52
99	113	1302466-00	100.0 K .25 W 5.0 % CC	1	R53
100	114	1305255-00	121.0 K .25 W 1.0 % RN55D-F10	1	R33
101	115	1001765-00	.005 MFD 100V 20% Z5T DISC	1	C39
102	117	9006010-01	SCREW, PAN, PHIL 4-40X 5/16 SS	3	
103	118	9009769-00	WASHER, RECTANGULAR .405X.225X.0	1	
104	119	9006664-00	WASHER, FLAT, .437 OD X .218 ID	4	
105	120	9006563-00	NUT, KEP , 8-32 X11/32AF	2	
106	121	1105796-01	5796-1PIV=400 I=1A D041	1	D26
107	122	1300285-00	270.0 .50 W 5.0 % CC	1	R55
108	123	1311867-00	.50 3.0 W 1.0 % WW	1	R56

109 NOTE: SEE E-UA-5412996-0-0 FOR ADDITIONAL INSERTION INFORMATION
 110 NOTE: USE 1313191-00 UNTIL EXISTING STOCK HAS BEEN DEPLETED THEN USE 1317917-00.

D	I	G	I	T	A	L	TITLE	H7831 POWER SUPPLY	SECTION A OF A	SIZE	CODE	DOCUMENT NUMBER	REV
										K	PL	5412996-0-DBP	P

THIS DRAWING AND SPECIFICATIONS, HEREIN, ARE THE PROPERTY OF DIGITAL EQUIPMENT CORPORATION AND SHALL NOT BE REPRODUCED OR COPIED OR USED IN WHOLE OR IN PART AS THE BASIS FOR THE MANUFACTURE OR SALE OF ITEMS WITHOUT WRITTEN PERMISSION.
 COPYRIGHT © 1977, DIGITAL EQUIPMENT CORPORATION

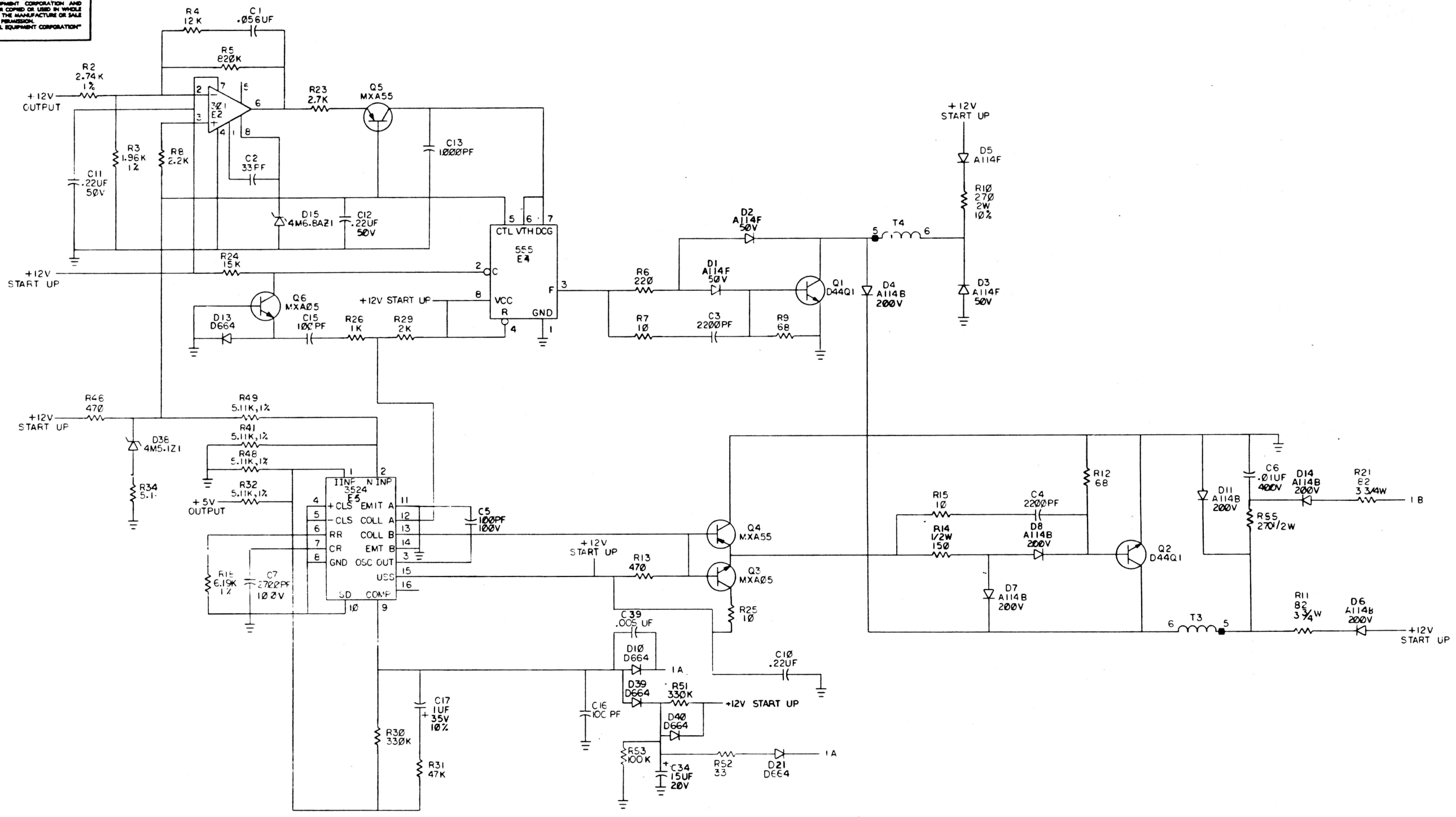


NOTE:
 1 UNLESS OTHERWISE INDICATED
 ALL RESISTORS ARE 1/4W, 5%.

REV.	CHG.	BY	DATE	DESCRIPTION
1		J. BITTO	11/17/77	INITIAL DESIGN
2		L. KING	11/17/77	REVISION
3		J. BITTO	11/17/77	REVISION
4		J. BITTO	11/17/77	REVISION
5		J. BITTO	11/17/77	REVISION
6		J. BITTO	11/17/77	REVISION
7		J. BITTO	11/17/77	REVISION
8		J. BITTO	11/17/77	REVISION

DRN: 5412996-0-1	FIRST USED ON: H7831	DIGITAL
CHK'D: [Signature]	TITLE: H7831 POWER SUPPLY	
ENGR: [Signature]		
PROJ. ENG: [Signature]		
PROD. [Signature]		
NEXT HIGHER ASSY:		
B-DD-5412996-C	SIZE CODE: DCS	NUMBER: 5412996-C-1
SCALE: 1 OF 2	DIST.:	REV. R

"THIS DRAWING AND SPECIFICATIONS HEREIN ARE THE PROPERTY OF DIGITAL EQUIPMENT CORPORATION AND SHALL NOT BE REPRODUCED OR COPIED OR USED IN WHOLE OR IN PART AS THE BASIS FOR THE MANUFACTURE OR SALE OF ITEMS WITHOUT WRITTEN PERMISSION. COPYRIGHT © 1977 DIGITAL EQUIPMENT CORPORATION"

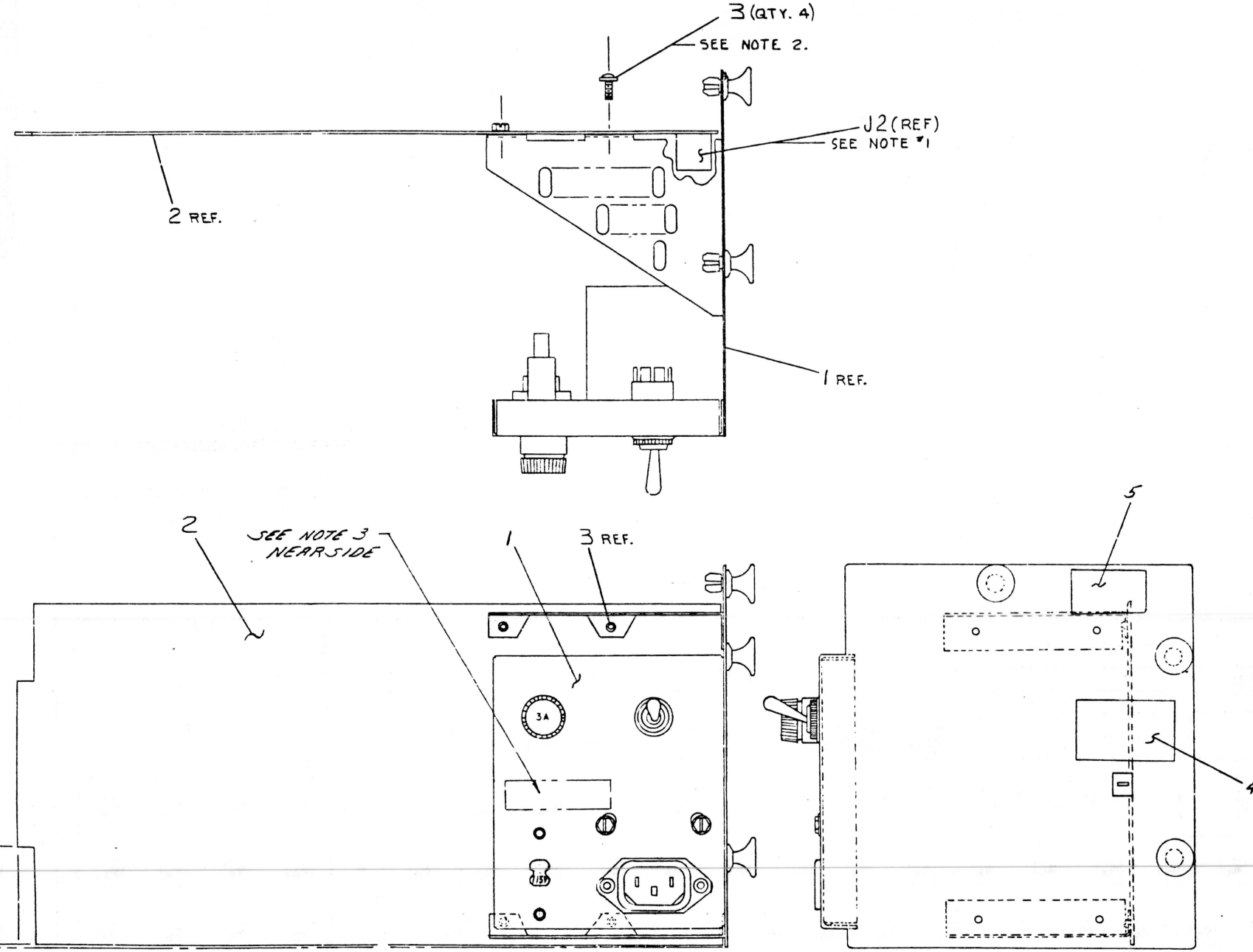


REVISIONS		
CHK	CHANGE NO.	REV.

D CS 5412996-0-1

THIS DRAWING AND SPECIFICATIONS, HEREIN, ARE THE PROPERTY OF DIGITAL EQUIPMENT CORPORATION AND SHALL NOT BE REPRODUCED OR COPIED OR USED IN WHOLE OR IN PART AS THE BASIS FOR THE MANUFACTURE OR SALE OF ITEMS WITHOUT WRITTEN PERMISSION. COPYRIGHT © 1977, DIGITAL EQUIPMENT CORPORATION.

- NOTES:
- CONNECT PLUG FROM ITEM 1 (7015052-00) TO J2 ON ITEM 2 (5412996).
 - INSTALL ITEM 3 AS SHOWN, TYP. 4 PLACES.
 - IDENTIFICATION: STAMP USING 1/8" CHARACTER HEIGHT AS INDICATED BELOW TO HIGHEST LEVEL OF SUBASSEMBLY SPECIFIED ON PURCHASE ORDER AND LOCATE APPROX. AS SHOWN ON DRAWING.
A.) PART NUMBER
B.) REVISION
C.) VENDOR IDENTIFICATION.
 - LOCATE ITEM NO. 4 & 5 APPROX AS SHOWN.
 - ADD CSA LABEL 3613211-G1 FOR ALL FAR EAST BUILT UNITS AS DIRECTED BY CORPORATE PRODUCT SAFETY. LABEL TO BE LOCATED UNDER SERIAL LABEL.
 - FOR INDIVIDUAL FIELD SERVICE OR CUSTOMER SPARES SHIPMENTS USE PACKAGING INSTRUCTIONS A-SP-3700552-0-0; FOR BULK INTERPLANT SHIPMENTS USE PACKAGING INSTRUCTION A-SP-3700437-0-0 VARIATION - 00



CAUTION: OFF SHEET PARTS LIST EXIST. REFER TO K-PL-7014979-0-DBP

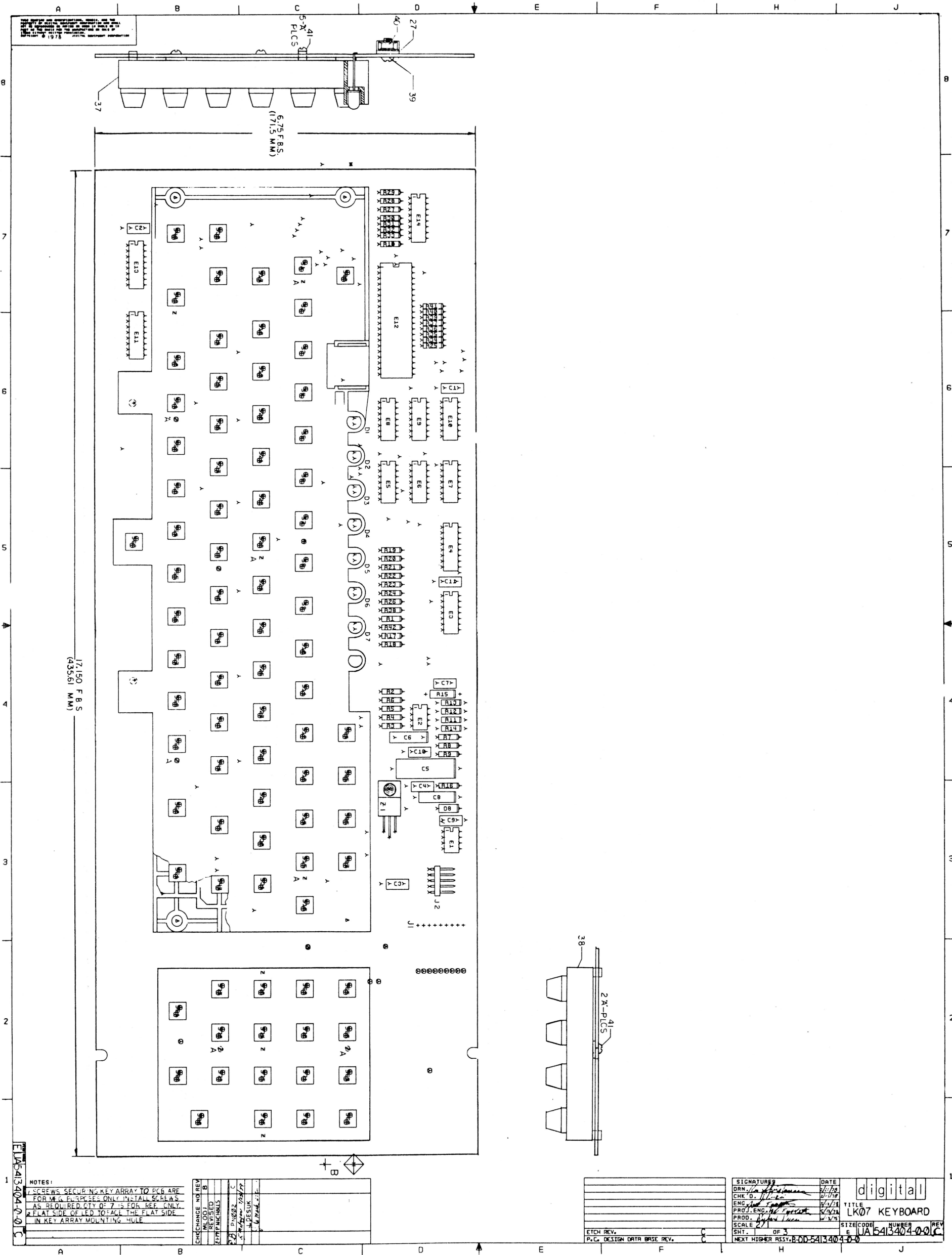
REV	CHG	NO	DATE	BY	APP	DESCRIPTION
A						
B						
C						
D						
E						
F						
G						
H						
I						
J						
K						
L						
M						
N						
O						
P						
Q						
R						
S						
T						
U						
V						
W						
X						
Y						
Z						

QUANTITY & VARIATION	DESCRIPTION	DWG. PART NO.	ITEM NO.
	UNLESS OTHERWISE SPECIFIED DIMENSIONS ARE IN INCHES		
	ANGLES 10° 30°		
	GLASS OF ACCURACY		
	SURFACE QUALITY IN		
	MICROINCHES		
	THIRD ANGLE PROJECTION		
	REMOVE BURRS AND BREAK SHARP CORNERS		
	DO NOT SCALE DWG		
	MATERIAL SEE PARTS LIST		
	FINISH		
	FIRST USED ON		
	TITLE		
	SIZE CODE NUMBER REV.		
	DIST.		

POWER SUPPLY ASSY.

SIZE D AD 7014979-0-0 H

1 ML



NOTES:
 1. SCREWS SECURING KEY ARRAY TO PCB ARE FOR M.G. PURPOSES ONLY. INSTALL SCREWS AS REQUIRED. CITY OF 7-15 FOR REF. ONLY.
 2. FLAT SIDE OF LEAD TO FACE THE FLAT SIDE IN KEY ARRAY MOUNTING HOLE.


CHANGE NO	REV	DATE	BY	REASON
1	A	12/17/77	DESIGN	INITIAL
2	B	1/17/78	DESIGN	REVISED
3	C	2/17/78	DESIGN	REVISED

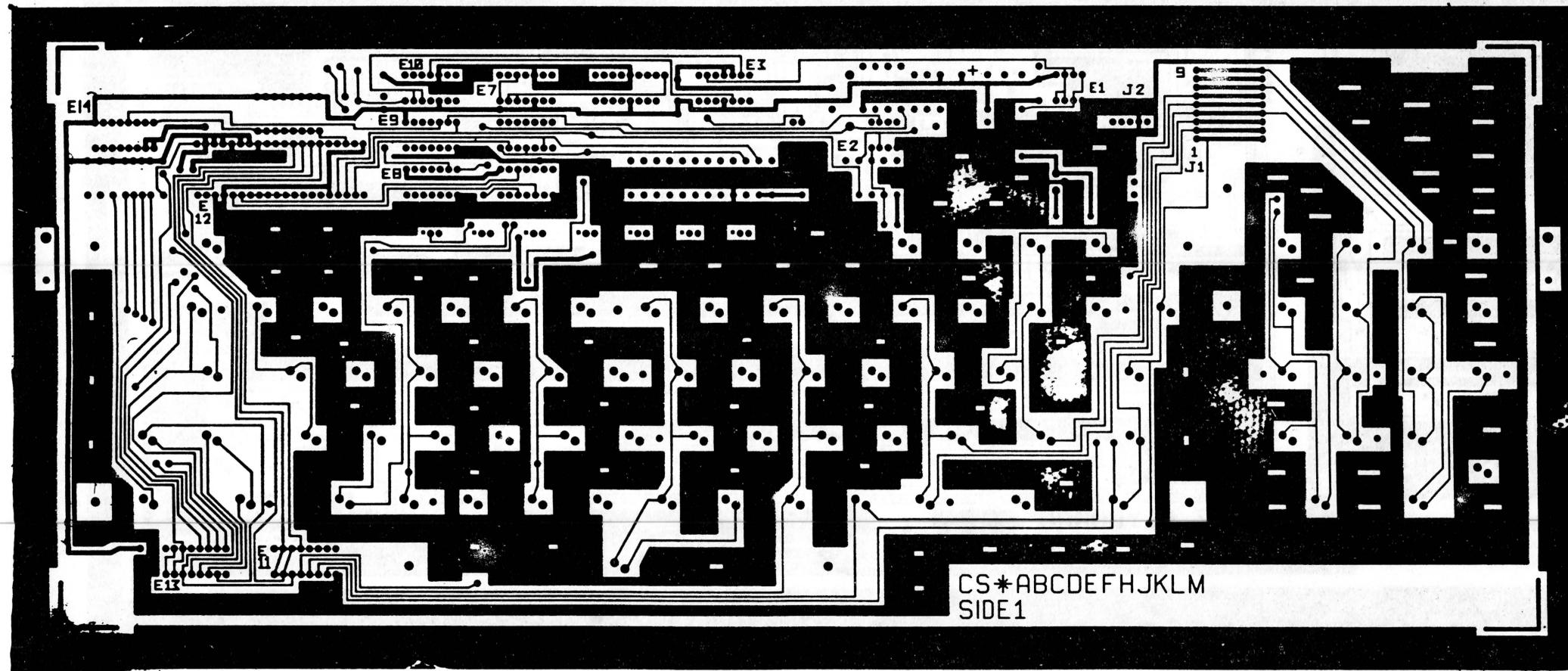
ETCH REV.	
P.C. DESIGN DATA BASE REV.	C

SIGNATURES	DATE	digital
DRN. <i>[Signature]</i>	2/1/78	
CHK. D. <i>[Signature]</i>	2/1/78	
ENG. <i>[Signature]</i>	2/1/78	
PROD. <i>[Signature]</i>	2/1/78	
SCALE 271	OF 3	SIZE CODE
SHT. 1		NUMBER
NEXT HIGHER ASST. R-00-5413404-0-0		REV
		E

EL5413404-0-0

THIS DRAWING AND SPECIFICATIONS ARE THE PROPERTY OF MILITARY EQUIPMENT CORPORATION AND SHALL NOT BE REPRODUCED OR COPIED IN WHOLE OR IN PART AS THE BASIS FOR THE MANUFACTURE OR SALE OF ITEMS WITHOUT WRITTEN PERMISSION. COPYRIGHT © MILITARY EQUIPMENT CORPORATION 1979

5413404
5013403C-PI  L1

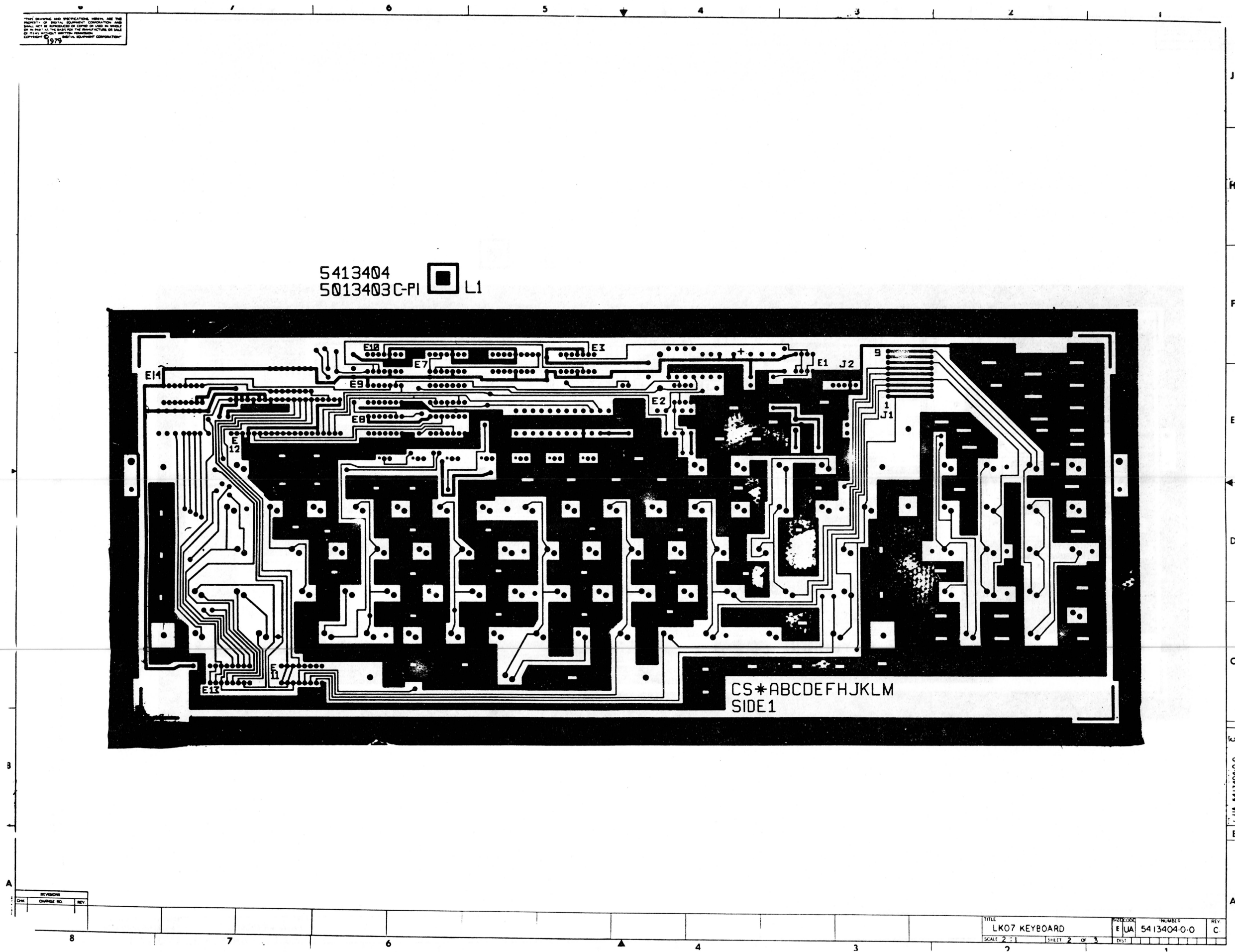


CS*ABCDEFGHIJKLM
SIDE 1

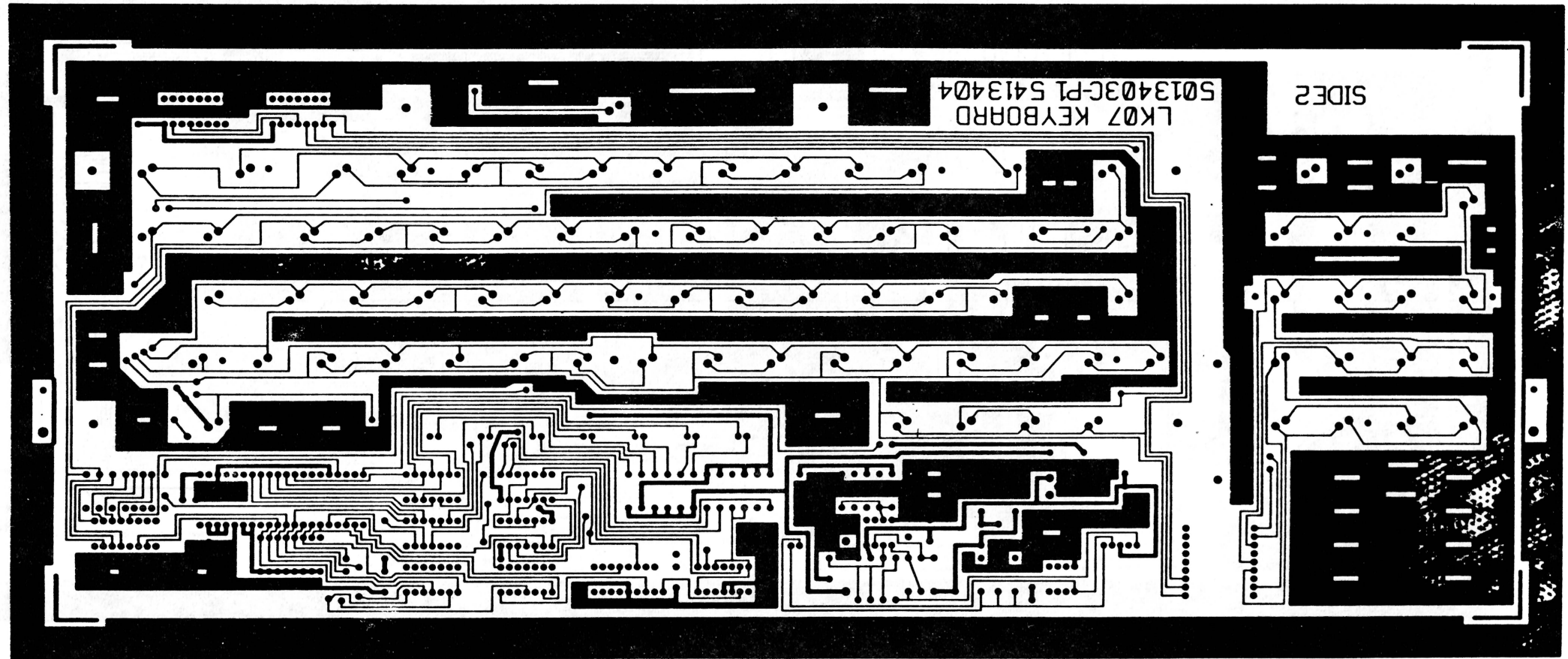
REVISIONS		
CHK	CHANGE NO.	REV

TITLE	LK07 KEYBOARD	SIZE/COO	NUMBER	REV
SCALE	2:1	SHEET	2 OF 3	
		DIST		

I. UA. 5413404-0-0



EUA 5413404-0



□ L2

LINE ITEM	DOCUMENT NUMBER	PART NUMBER	DESCRIPTION	QTY PER VARIATION	REFERENCE DESIGNATOR
1	D-MD-5013403-0-0	5013403-00	DRILL & ETCH DRAWING	1	
2		1000014-00	68.0 MMF 100V 5%200PPM MICA	1	C7
3		1000075-00	25 MFD 25V +75-10% AL EL	1	C5
4		1001634-00	1600.0 MMF 100V 5%200PPM MICA	1	C6
5		1005306-00	6.8MFD 35V 10% S.TANT	1	C8
6		1012784-00	.047 MFD 50V +80-20% CER	6	C1, C2, C4, C9-C11
7		1105275-00	D 672 TR= 15NS PIV= 60V SI	1	D8
8		1110324-01	LED 1MCD 10MA PIV=3.750 MIN. LE	7	D1-D7
9		1215048-00	CONN 5POS RT ANGLE	1	J2
10		1300309-00	390.0 .25 W 5.0 % CC	2	R16, R42
11		1300315-00	470.0 .50 W 5.0 % CC	1	R15
12		1300365-00	1.0 K .25 W 5.0 % CC	6	R10, R19, R21-R24
13		1300439-00	3.30 K .25 W 5.0 % CC	9	R26-R33, R38
14		1300479-00	10.0 K .25 W 5.0 % CC	11	R2, R3, R17, R25, R34-R37, R39-R41
15		1301401-00	750.0 .25 W 5.0 % CC	1	R1
16		1301425-00	300.0 .25 W 5.0 % CC	2	R18, R20
17		1301874-00	5.60 K .25 W 5.0 % CC	3	R5, R7, R9
18		1302391-00	20.0 K .25 W 5.0 % CC	2	R4, R6
19		1303155-00	21.50 K .25 W 1.0 % RN55D-F10	1	R12
20		1303187-00	820.0 K .25 W 5.0 % CC	1	R8
21		1303312-00	10.0 K .25 W 1.0 % RN55D-F10	1	R11
22		1304833-00	1.96 K .25 W 1.0 % RN55D-F10	1	R14
23		1309412-00	18.20 K .25 W 1.0 % RN55D-F10	1	R13
24		1909686-00	7404 INVERTER GATE-HEX 1I	1	E9
25		1910406-00	75451 DRIVER PERIPH, DUAL	1	E1
26		1910741-00	7406 INVERTER GATE-HEX 1I	1	E8
27		1912536-01	7805 VOLT REG FIX +5V	1	Z1
28		1912649-00	LS75 LATCH 4BIT, BISTABLE	1	E4
29		1912799-00	LS00 NAND-GATE-QUAD 2IN, P	1	E5
30		1912823-00	LS73 FF-JK DUAL W/CLEAR	1	E3

REVISION HISTORY		BASIC PART NO: 5413404		DRN: T SHETRAWSKI DATE: 23-JUL-79		D I G I T A L	
ENG:	ECO NUMBER	REV	SECTION A OF A	CHK'D:	T SHETRAWSKI	DATE:	23-JUL-79
RP	5413404-MLO01	B	SECTION VARIATION INDEX	DES.ENG:	M MORGESTERN	DATE:	23-JUL-79
J.D	5413404-PN002	C	[A] 00	RESP.ENG.:	M MORGESTERN	DATE:	23-JUL-79
J.B	5413404-PN003	D	[B]	MFG.ENG.:	T CORCIARI	DATE:	23-JUL-79
CJ	5413404-MLO04	E	[C]	ASSEMBLY NUMBER:	D-UA-5413404-0-0	TOP DOCUMENT NUMBER:	
CJ	5413404-MLO05	F	[D]			FILE NAME:	20783F.PLS
			[E]			EDIT #	11
			[F]				
			[H]				
			[J]				
			[K]				
			[L]				
			[M]				
			[N]				

"THIS DRAWING AND SPECIFICATIONS HEREIN, ARE THE PROPERTY OF DIGITAL EQUIPMENT CORPORATION AND SHALL NOT BE REPRODUCED OR COPIED OR USED IN WHOLE OR IN PART AS THE BASIS FOR THE MANUFACTURE OR SALE OF ITEMS WITHOUT WRITTEN PERMISSION. COPYRIGHT (C) 1981. DIGITAL EQUIPMENT CORPORATION"

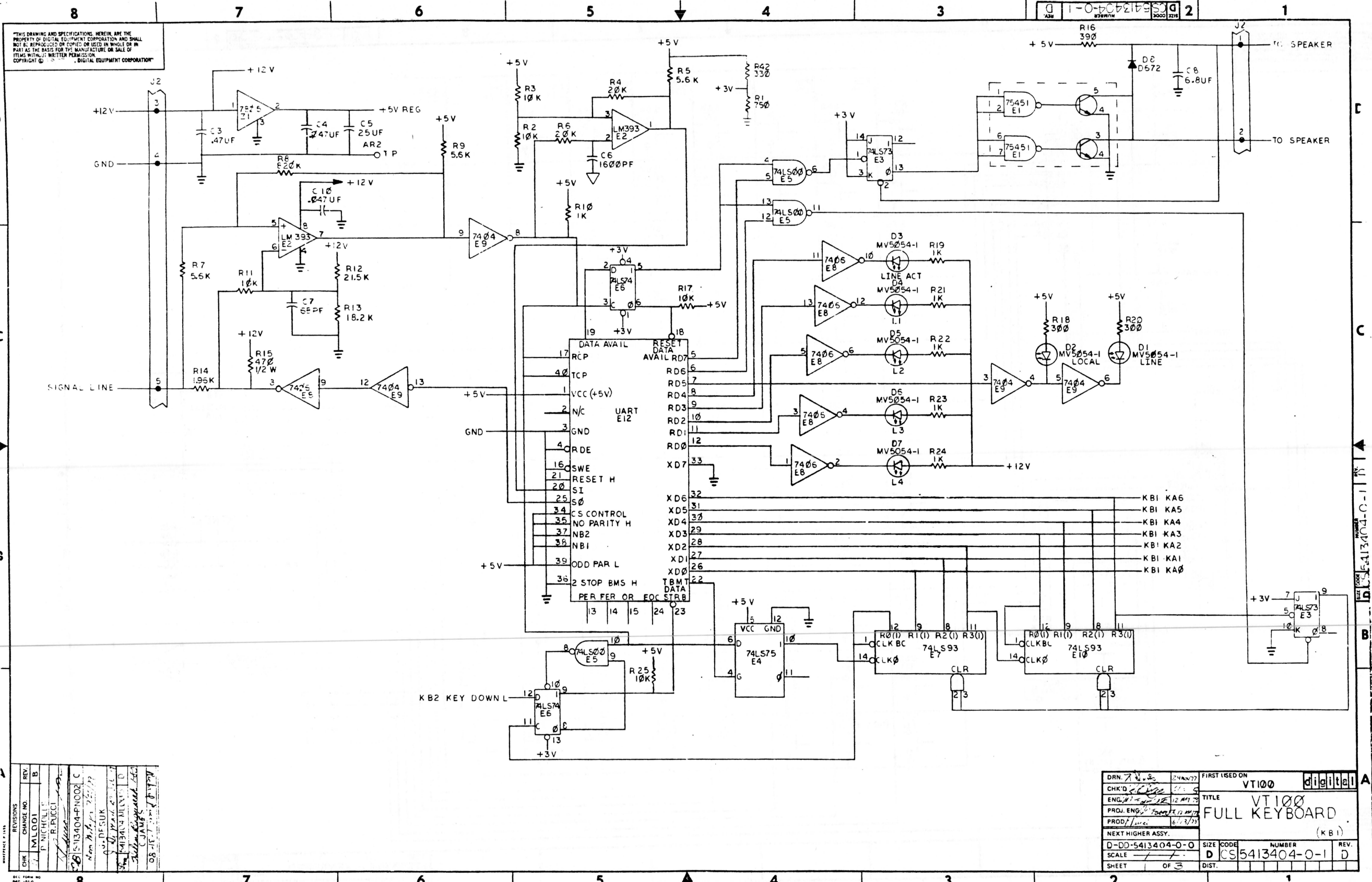
P A R T S L I S T

QTY PER VARIATION REFERENCE DESIGNATOR

LINE ITEM	DOCUMENT NUMBER	PART NUMBER	DESCRIPTION	QTY	REFERENCE DESIGNATOR
31		1912824-00	LS74 FF-D DUAL, EDGE TRIGG	1	E6
32		1912844-00	LS151 MUX 1 OF 8 & DATA	1	E14
33		1913949-00	LS93 COUNTER, DECADE, 4BIT	2	E7, E10
34		1913950-00	LS156 DECODER, 2 OF 4 (DUAL)	2	E11, E13
35		1914156-00	LM 393 VOLT. COMPARATOR DUAL	1	E2
36		2114137-51	UART MOS N-CHANNEL	1	E12
37		7013910-00	KEYBOARD ARRAY ASSY	1	
38		7014561-00	18 KEY NUMERIC PAD ASSY	1	
39		9006020-01	SCREW, PAN, PHIL 6-32X 1/4 SS	1	
40		9008185-00	NUT, KEP 6-32X1/4 AF	1	
41		9010033-00	SCREW, PAN, PHILLIPS 4-24 X 3/8	7	
42		1012312-01	.47 MFD 50V +80-20% CER	1	C3

DI	GI	TI	RA	L	TITLE	SECTION A OF A	SIZE	CODE	DOCUMENT NUMBER	REV
					W100 FULL KEYBOARD		K	PL	5413404-0-DBP	F

THIS DRAWING AND SPECIFICATIONS HEREIN ARE THE PROPERTY OF DIGITAL EQUIPMENT CORPORATION AND SHALL NOT BE REPRODUCED OR COPIED OR USED IN WHOLE OR IN PART AS THE BASIS FOR THE MANUFACTURE OR SALE OF ITEMS WITHOUT WRITTEN PERMISSION OF DIGITAL EQUIPMENT CORPORATION.

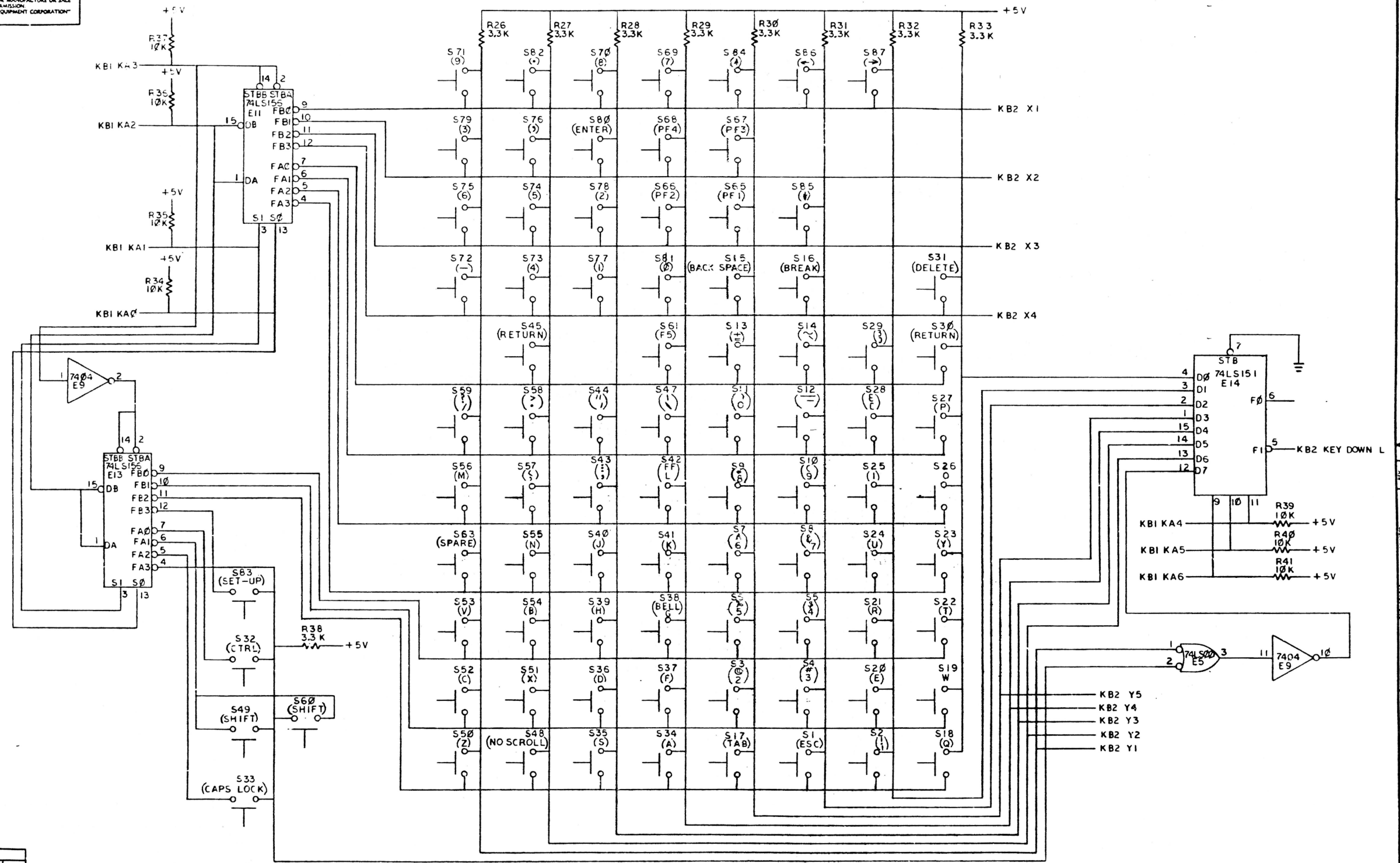


REV.	CHG.	BY	DATE	DESCRIPTION
1		M.L.O.O.1	12/11/77	INITIAL DESIGN
2		R. PUCCI	1/12/78	REVISED FOR MANUFACTURE
3		R. PUCCI	1/12/78	REVISED FOR MANUFACTURE
4		R. PUCCI	1/12/78	REVISED FOR MANUFACTURE
5		R. PUCCI	1/12/78	REVISED FOR MANUFACTURE
6		R. PUCCI	1/12/78	REVISED FOR MANUFACTURE
7		R. PUCCI	1/12/78	REVISED FOR MANUFACTURE
8		R. PUCCI	1/12/78	REVISED FOR MANUFACTURE

DRN: 7-10-77	24/11/77	FIRST USED ON	VT100
CHK'D: C.L.P.	12/11/77	TITLE	VT100
ENG: J.E.	12/11/77	TITLE	FULL KEYBOARD
PROJ. ENG: J.E.	12/11/77		(KBI)
PROD: J.E.	12/11/77		
NEXT HIGHER ASSY:			
D-DD-5413404-0-0	SIZE CODE	NUMBER	REV.
SCALE	D	CS5413404-0-1	D
SHEET	OF 3	DIST.	

THIS DRAWING AND SPECIFICATIONS HEREIN ARE THE PROPERTY OF DIGITAL EQUIPMENT CORPORATION AND SHALL NOT BE REPRODUCED OR COPIED OR USED IN WHOLE OR IN PART AS THE BASIS FOR THE MANUFACTURE OR SALE OF ITEMS WITHOUT WRITTEN PERMISSION. COPYRIGHT © 1977 DIGITAL EQUIPMENT CORPORATION.

1-0-707219-2



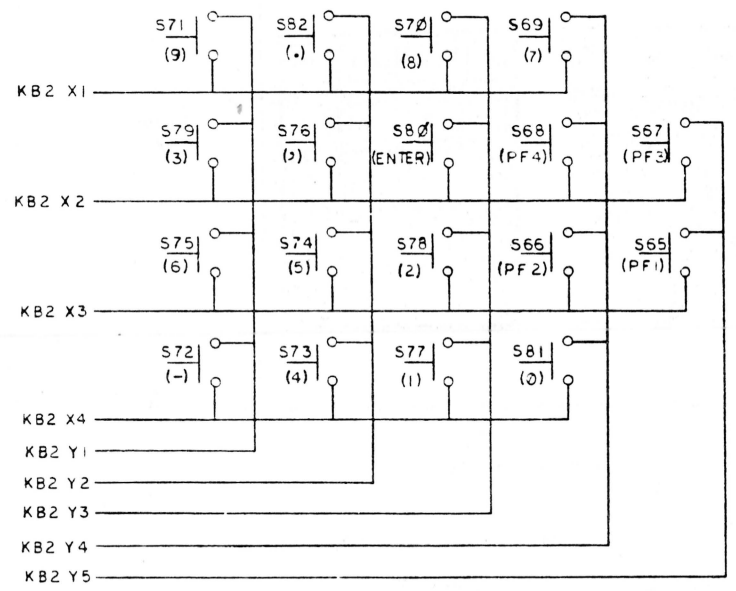
REVISIONS		
CHK	CHANGE NO.	REV.

TITLE: VT100 FULL KEYBOARD (KB2)
 SIZE CODE: DCS
 NUMBER: 5413404-0-1
 REV.: D
 SCALE: 1/1
 SHEET: 2 OF 3
 DIST.:

8 7 6 5 4 3 2 1

"THIS DRAWING AND SPECIFICATIONS HEREIN ARE THE PROPERTY OF DIGITAL EQUIPMENT CORPORATION AND SHALL NOT BE REPRODUCED OR COPIED OR USED IN WHOLE OR IN PART AS THE BASIS FOR THE MANUFACTURE OR SALE OF ITEMS WITHOUT WRITTEN PERMISSION. COPYRIGHT © 1977 DIGITAL EQUIPMENT CORPORATION"

DCS5413404-0-1

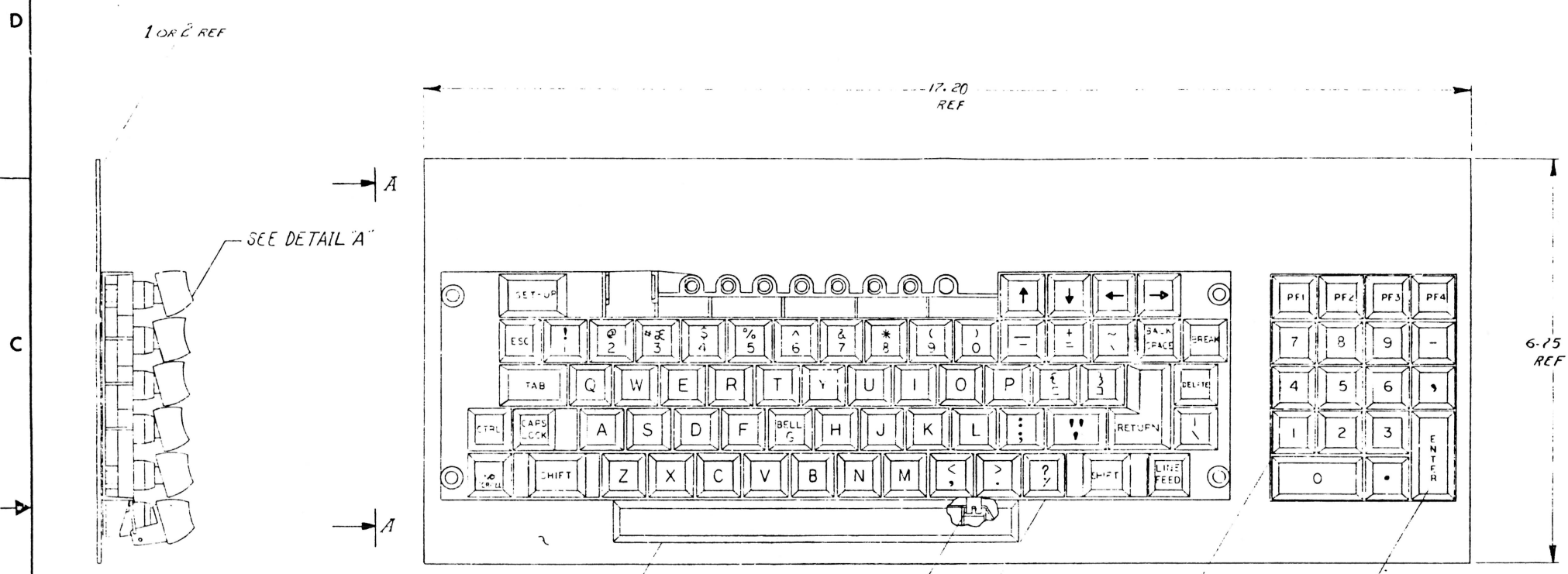


REVISIONS		
CHK	CHANGE NO.	REV

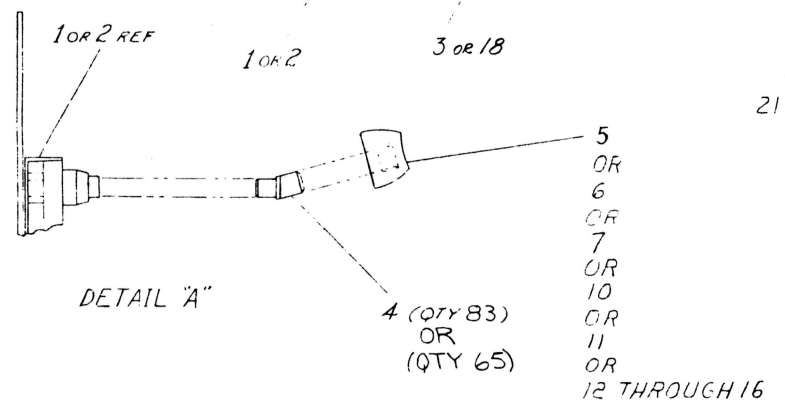
TITLE: VT100 FULL KEYBOARD (KB3)
 SIZE CODE: DCS5413404-0-1
 NUMBER: D
 SCALE: / / SHEET 3 OF 3
 DIST.:

THIS DRAWING AND SPECIFICATIONS HEREIN ARE THE PROPERTY OF DIGITAL EQUIPMENT CORPORATION AND SHALL NOT BE REPRODUCED OR TRANSMITTED IN ANY FORM OR BY ANY MEANS, ELECTRONIC OR MECHANICAL, INCLUDING PHOTOCOPYING, RECORDING, OR BY ANY INFORMATION STORAGE AND RETRIEVAL SYSTEM, WITHOUT THE WRITTEN PERMISSION OF DIGITAL EQUIPMENT CORPORATION.

NOTES:
 1. THE NUMERIC KEY PAD IS NOT AVAILABLE ON THE E-UA-5413404-01 VARIATION.
 2. STANDARD VT100 BASIC KEYCAP SET (1214333-02, ITEM 5) AND NUMERIC PAD (1214333-01, ITEM 3) SHOWN. FOR KEYCAP ARRANGEMENTS REFER TO LEC DRAWING NUMBER D-AR-7015765-0-1.
 3. FOR INDIVIDUAL FIELD SERVICE/CUSTOMER SPARES SHIPMENTS, USE PACKAGING INSTRUCTIONS A-SP-3700555-0-0; FOR BULK INTERPLANT SHIPMENTS, USE PACKAGING INSTRUCTIONS A-SP-3700439-0-0 VARIATION -00.



VIEW A-A



DETAIL 'A'

REV	CHG	NO.	DATE	BY	APP	DESCRIPTION
1						
2						
3						
4						
5						
6						
7						
8						

OFF SHEET PARTS LIST EXISTS
 SEE K-PL-7015765-0-03P

DESCRIPTION	DWG/PART NO.	ITEM NO.
UNLESS OTHERWISE SPECIFIED DIMENSIONS ARE IN INCHES		
ANGLES		
CLASS OF ACCURACY	NOMINAL DIMENSION RANGE (INCHES)	
SURFACE QUALITY	OVER 0 TO 0.25	OVER 0.25 TO 0.50
	OVER 0.50 TO 1.00	OVER 1.00 TO 2.00
CHECK ONE	1.004	1.008
	1.012	1.018
MEDIUM	1.026	1.034
	1.042	1.054
QUANTITY & VARIATION	MICROMETRES	
	1.012	1.018
	1.026	1.034
	1.042	1.054
THIRD ANGLE PROJECTION	FIRST USED ON	
REMOVE BURRS AND BREAK SHARP CORNERS	VT100	
DO NOT SCALE DWG	TITLE	
MATERIAL	KEY BOARD /	
SEE PARTS LIST	KEY CAP ASSY	
FINISH	SCALE	NUMBER
NONE	1:1	7015765-0-0
	SHEET	DIST.
	OF 1	

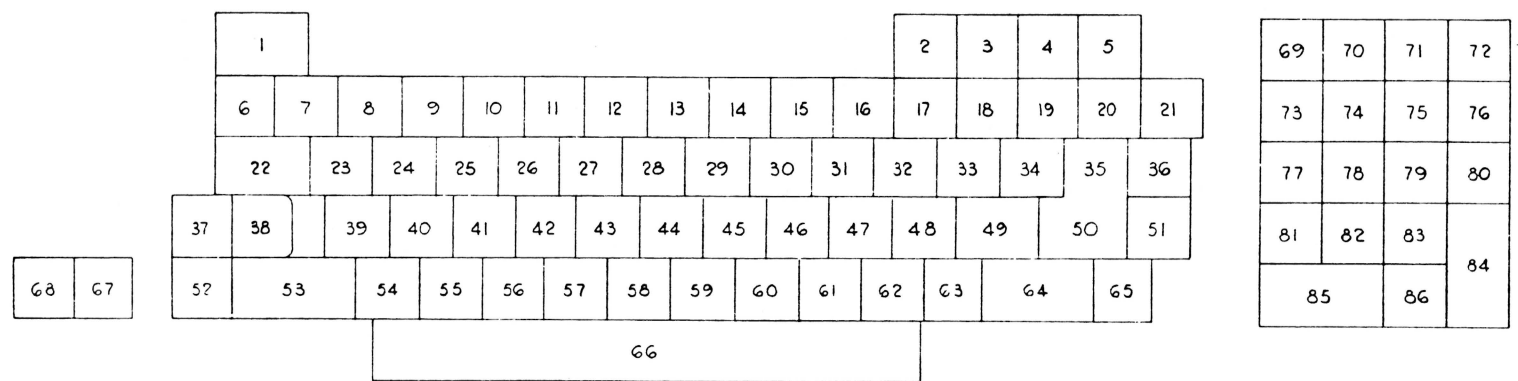
LINE	ITEM	DOCUMENT NUMBER	PART NUMBER	DESCRIPTION	QUANTITY PER VARIATION										
					00	01	02	03	04	05	06	07	08	09	
1	1	E-AD-5413404-0-0	5413404-00	VT100 FULL KEYBOARD	1	-	1	1	1	1	1	1	1	1	1
2	2	E-AD-5413404-0-0	5413404-01	KEYBOARD ASSY (64 KEYS)	-	1	-	-	-	-	-	-	-	-	-
3	3	C-AD-7015050-0-0	7015050-00	SPACE BAR ASSY	1	1	1	1	1	1	1	1	1	1	-
4	4		1214332-00	SW,ARRAY CAP ADAPTER	83	65	83	83	83	83	83	83	83	83	83
5	5		1214333-72	KEYCAP SET,VT100	64PCS	1	1	-	-	-	-	-	-	-	-
6	6		1214333-91	KEYCAP SET,LA120/34 VT100	18PCS	1	-	-	-	-	-	-	-	-	-
7	7		1214333-C0	KEYCAP SET,VT100-NA	82PCS	-	-	1	-	-	-	-	-	-	-
8	8		7420120-00	*** THIS ITEM IS NOT USED ***	-	-	-	-	-	-	-	-	-	-	-
9	9	D-AR-7015765-0-1		KEYBOARD/KEYCAP ASSY	REF	REF	REF	REF	REF	REF	REF	REF	REF	REF	REF
10	10		1214333-J0	KEYCAP SET,VT100-WA	82PCS	-	-	-	1	-	-	-	-	-	-
11	11		1214333-W2	SW,KEY BD CAP COMP SET U3-W1	-	-	-	-	1	-	-	-	-	-	-
12	12		1214333-CP	KEYCAP SET,VT100-WB	82PCS	-	-	-	-	1	-	-	-	-	-
13	13		1214333-CB	KEYCAP SET,VT100-WB	82PCS	-	-	-	-	-	1	-	-	-	-
14	14		1214333-BU	KEYCAP SET,VT100-WB	82PCS	-	-	-	-	-	-	1	-	-	-
15	15		1214333-EY	KEYCAP SET,VT100-WB	82PCS	-	-	-	-	-	-	-	1	-	-
16	16		1214333-2Y	KEYCAP SET,VT100	64PCS	-	-	-	-	-	-	-	-	-	1
17	17		1214333-3W	KEYCAP SET,LA120/34 VT100	18PCS	-	-	-	-	-	-	-	-	-	1
18	18	D-AD-7015050-0-0	7015050-01	SPACE BAR ASSY. GRAY	-	-	-	-	-	-	-	-	-	-	1
19	19	A-SP-3700555-0-0	3700555-00	PKG KEYBOARD 7015765	1	1	1	1	1	1	1	1	1	1	1
20	20	A-SP-3700439-0-0	3700439-00	INSTR PKG. BULK CARTON 99-06476-	1	1	1	1	1	1	1	1	1	1	1
21	21	C-MD-7424160-0-0	7424160-00	SPACE BAR EQUALIZER CLIP	2	2	2	2	2	2	2	2	2	2	2

REVISION HISTORY			BASIC PART NO: 7015765			DRN: ANGEL COLON			DATE: 3 APR 78			D I G I T A L		
ENG	ECO NUMBER	REV	SECTION A OF A			CHK'D: D. HEALY			DATE: 7 APR 78			TITLE PARTS LIST		
---	INITIAL	F	SECTION. VARIATION INDEX			DES.ENG.: E. WEDEKING			DATE: 10 MAY 78			DOCUMENT NUMBER		
JD	7015765-ML005	F	[A]	00,01,02,03,04,05,	RESP.ENG.: G. DOUMANI			DATE: 17 MAY 7			SIZE	CODE	NUMBER	REV
JD	7015765-ML006	H	[B]	06,07,08,09	MFG.ENG.: K. HOFFMAN			DATE: 10 MAY 78			K	PL	7015765-0-DBP	H
			[C]		ASSEMBLY NUMBER:			TOP DOCUMENT NUMBER:			FILE NAME:			EDIT #
			[D]		D-AD-7015765-0-0			#B-DD-7015765-0			Z1933H.PLS			6
			[E]											
			[F]											

"THIS DRAWING AND SPECIFICATIONS HEREIN, ARE THE PROPERTY OF DIGITAL EQUIPMENT CORPORATION AND SHALL NOT BE REPRODUCED OR COPIED OR USED IN WHOLE OR IN PART AS THE BASIS FOR THE MANUFACTURE OR SALE OF ITEMS WITHOUT WRITTEN PERMISSION. COPYRIGHT (C) 1981. DIGITAL EQUIPMENT CORPORATION "

THIS DRAWING AND SPECIFICATIONS HEREIN ARE THE PROPERTY OF DIGITAL EQUIPMENT CORPORATION AND SHALL NOT BE REPRODUCED OR COPIED OR USED IN WHOLE OR IN PART AS THE BASIS FOR THE MANUFACTURE OR SALE OF ITEMS WITHOUT WRITTEN PERMISSION.
 COPYRIGHT © 1978 DIGITAL EQUIPMENT CORPORATION

NOTES:
 1. THE FOLLOWING TABLE (SHEET 2) LISTS VARIATION NUMBERS FOR 124333 KEYCAPS, INDICATING THE SPECIFIC KEYBOARD POSITION OF EACH AS USED ON VARIOUS MODELS.



KEYBOARD CAP POSITIONS
 (SEE NOTE 1 TABLE, SHEET 2)

REV	CHG	NO	DATE	BY	APP
1	7015765-ML002	A		L. KING	
2	7015765-ML002	B		V. KING	
3	7015765-ML002	C		F. C. JAMES	
4	7015765-ML002	D		J. DEMARINIS	
5	7015765-ML003	E		J. DEMARINIS	
6	7015765-ML004	F		F. HARNDEN	

THIRD ANGLE PROJECTION	DRN. <i>Richard James</i>	25 JUN 79	FIRST USED ON	VT100
	CHK'D. <i>Richard James</i>	20 JUN 79	TITLE	KEYBD CAP-POSITION ARRANGEMENT
REMOVE BURRS AND BREAK SHARP CORNERS	PROJ. ENG. <i>Richard James</i>	20 JUN 79	SIZE	D
DO NOT SCALE DWG	PROD. <i>Richard James</i>	20 JUN 79	CODE	AR 7015765-0-1
MATERIAL	D-AD-7015765-C-0	SCALE	NONE	NUMBER
FINISH	SHEET 1 OF 2	DIST.		REV. F.

REV. F. NUMBER D-AD-7015765-0-1

8

7

6

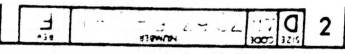
5

4

3

2

1



"THIS DRAWING AND SPECIFICATIONS HEREIN, ARE THE PROPERTY OF DIGITAL EQUIPMENT CORPORATION AND SHALL NOT BE REPRODUCED OR COPIED OR USED IN WHOLE OR IN PART AS THE BASIS FOR THE MANUFACTURE OR SALE OF ITEMS WITHOUT WRITTEN PERMISSION. COPYRIGHT © 1975 DIGITAL EQUIPMENT CORPORATION"

KEYCAP VARIATION (1214333-XX) POSITIONS (SEE NOTE 1, SHEET 1)

Table with columns 1-36 and rows D, C, B, A. Rows include keyboard models like VT100, VT100-NA, and VT100-XX. Columns represent key positions from 1 to 36.

REVISIONS table with columns: CHK, CHANGE NO, REV.

Metadata table with fields: TITLE (KEYBD CAP-POSITION ARRANGEMENT), SIZE CODE (D), NUMBER (7015785-0-), REV. (E), SHEET 2 OF 2.

8

7

6

5

4

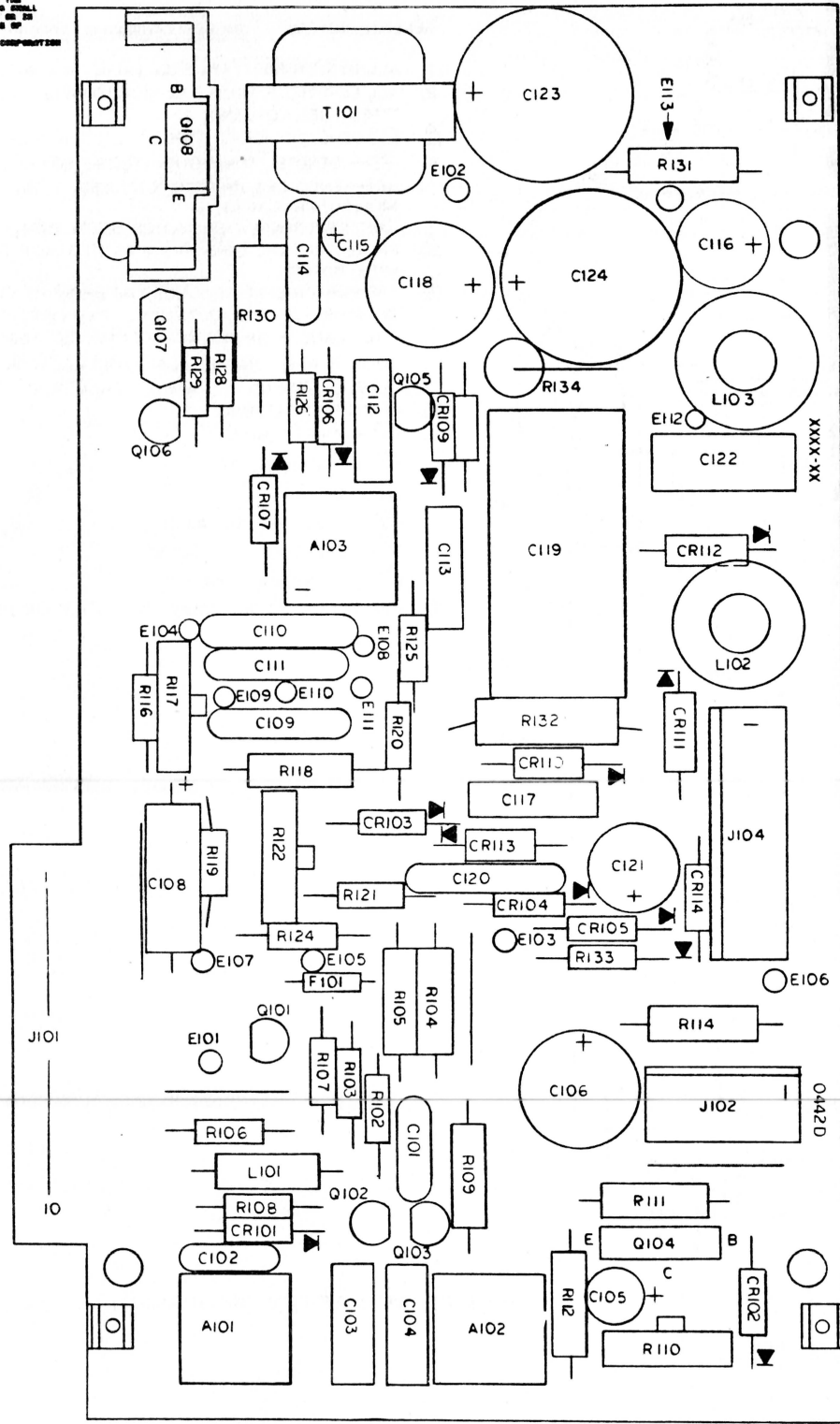
3

2

1

REV. E
NUMBER 7015785-0-1
DRAWING

THIS DRAWING AND SPECIFICATIONS, HEREIN, ARE THE PROPERTY OF BALL BROTHERS, INC. AND SHALL NOT BE REPRODUCED OR COPIED IN WHOLE OR IN PART OR THE ENTIRE FOR THE PURPOSES OF THIS OR OTHER WITHOUT WRITTEN PERMISSION. BALL BROTHERS, INC. 1978



REF SYM	DESCRIPTION	PART NUMBER
RESISTOR, FIXED, CARBON, 5%, 1/4W UNLESS NOTED		
R101	47	70-16-0470
R102	30	70-16-0300
R103	47	70-16-0470
R104	220, 1/2W	1-011-2254
R105	820, 1/2W	1-011-2268
R106	470	70-16-0471
R107	360	70-16-0361
R108	100K	70-16-0104
R109	180, 1/2W	1-011-2252
R110	VAR; 250 20%, CO VERT HGT	70-89-0251
R111	12, 1/2W	1-011-2224
R112	15, 1/2W	1-011-2226
R113	NOT USED	
R114	1.5K; 1/2W	1-011-2274
R115	NOT USED	
R116	62K	70-16-0623
R117	100K, 20P	1-011-5435
R118	30K; 1/2W	1-011-2305
R119	9.1K	70-16-0912
R120	8.2K	70-16-0825
R121	100K	70-16-0104
R122	VAR; 2.5M 20%, CO FOC ADJ	1-011-5566
R123	NOT USED	
R124	510	70-16-0511
R125	7K	70-16-0102
R126	20K	70-16-0203
R127	3.3K	70-16-0332
R128	15K	70-16-0153
R129	2.4K	70-16-0242
R130	56 10; 3W, WW	1-011-2521
R131	1.2; 1/2W, CO	1-011-2520
R132	1.2 10%; 2W, WW	1-011-1395
R133	6.8K	70-16-0682
R134	1.8, 2W	1-011-2417
R135	NOT USED	
TRANSFORMER		
T2	HIGH VOLTAGE	6-003-0586
T101	HORIZ DRIVER	1-017-5402
MISCELLANEOUS		
	*CRT SOCKET	1-022-0427
	WIRE STRD GRN	1-038-0345
	HEATSINK	1-015-5059
	WIRE STRD BLU	1-038-0346
	WIRE STRD RED	1-038-0342
	CONTACT, FEMALE 2	1-034-0362
	MONSCR 6-32X1/4	3-011-0310
	NUT 6-32	3-012-0161
	LK WSHR #6	3-013-0160
	PWB	1-029-0442
	CONTACT, MALE	1-034-0295
	CONN SHELL, 1 CONT FEMALE	1-034-0323
WIRE TERMINATION DATA		
E103	CRT SOCKET YEL LEAD	
E105	CRT SOCKET BRN LEAD	
E107	CRT SOCKET BLK LEAD	
E108	CRT SOCKET RED LEAD	
E109	CRT SOCKET WHT LEAD	
E110	GRN WIRE, 6.5 INCHES	
E111	CRT SOCKET GRN LEAD	
E112	BLUE WIRE, 10 INCHES	
E113	RED WIRE, 10 INCHES	

REF SYM	DESCRIPTION	PART NUMBER
RES TRIM, 60K, VERT HOLD		
A101	RES TRIM, 60K, VERT HOLD	1-011-8006
A102	RES TRIM, 20K, VERT LIN	1-011-8005
A103	RES TRIM, 2.5K, VIDEO CENTER	1-011-8001
CAPACITOR, FIXED, UF UNLESS NOTED		
C101	270PF 5%, 500V, DM	1-012-0396
C102	.005 20%, 100V, CD	10-12-7508
C103	.22 10%, 100V, MY	1-012-2277
C104	.22 10%, 100V, MY	1-012-2277
C105	.68 50V, E	1-012-2264
C106	470, 6.3V, E	1-012-2158
C107	NOT USED	
C108	22, 25V, E	1-012-1380
C109	.01 20%, 1000V, CD	1-012-2214
C110	.02 20%, 1000V, CD	1-012-2217
C111	.01 20%, 1000V, CD	1-012-2214
C112	.0022 10%, 630V, MY	1-012-2254
C113	.0047 20%, 630V, MY	1-012-2279
C114	.08 20%, 100V, CD	10-12-7209
C115	1, 50V, E	1-012-2189
C116	50, 50V, E	1-012-2157
C117	.047 20%, 250V, MY	1-012-2240
C118	220, 25V, E	1-012-2159
C119	10 10%, 100V, MY	1-012-2255
C120	.02 20%, 500V, CD	1-012-0780
C121	50, 50V, E	1-012-2157
C122	.022 10%, 250V, PP	1-012-2297
C123	10, 25V, ER	1-012-2273
C124	10, 25V, ER	1-012-2273
DIODE		
CR1	00424	1-021-0424
CR101	00410	1-021-0410
CR102	00410	1-021-0410
CR103	00410	1-021-0410
CR104	00410	1-021-0410
CR105	00410	1-021-0410
CR106	00410	1-021-0410
CR107	00410	1-021-0410
CR108	NOT USED	
CR109	00410	1-021-0410
CR110	00403	1-021-0403
CR111	00458	1-021-0458
CR112	00458	1-021-0458
CR113	00403	1-021-0403
CR114	00410	1-021-0410
FUSE		
F101	2A-125V P100	1-028-0247
CONNECTORS		
J102	CONNECTOR, 4 PIN MALE	1-039-0146
J102	NOT USED	
J104	CONNECTOR, 7 PIN MALE	1-039-0145
COIL		
L1	VERTICAL CHOKE	6-003-0572
L2	DEFLECTION, TVX 120/12V	1-023-0246
L101	560UH	1-016-0302
L102	LINEARITY	1-016-0328
L103	WIDTH	1-016-0303
TRANSISTOR		
Q101	2N6830	1-015-1172
Q102	2N6027	1-015-1157
Q103	MPS-A65	1-015-1186
Q104	MJE3055	1-015-1156
Q105	2N4124	1-015-1139
Q106	2N4124	1-015-1139
Q107	MPS-405	1-015-1159
Q108	BU407	1-015-1210

NOTES: 1. REFERENCE SCHEMATIC 1-024-0603
 2. ALL REFERENCE SYMBOL NUMBERS 1 TO 99 ARE USED FOR ALL OFF BOARD COMPONENTS AND NUMBERS 100 TO 999 ARE USED FOR THE PWA COMPONENTS.
 3. ALL PWA COMPONENTS PRECEDED WITH AN ASTERISK ARE NOT PART OF THE BASIC BOARD 6-200-0001.

COPIED BY WRITTEN PERMISSION OF BALL BROTHERS INC.

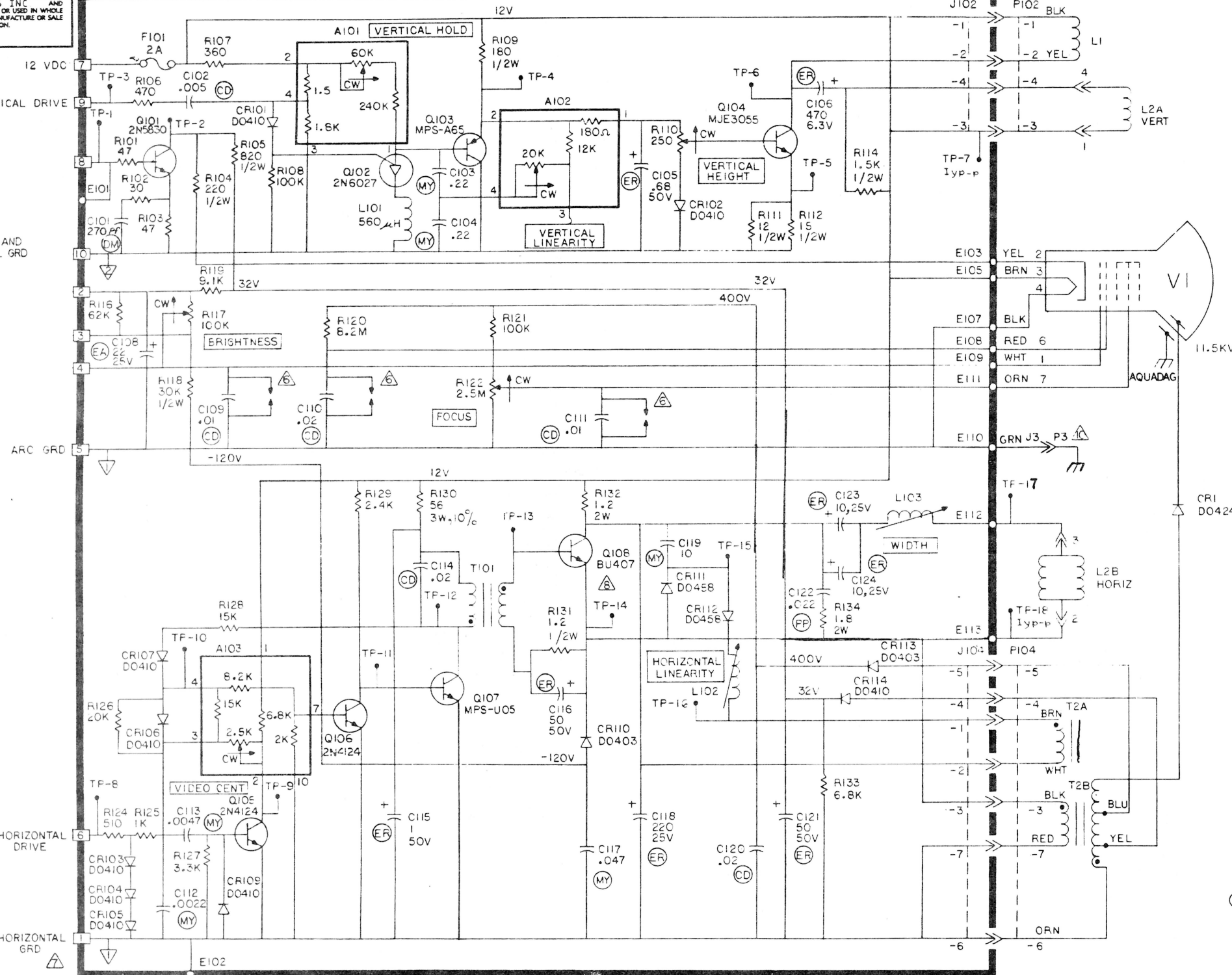
NOTES:
 1. FLYBACK TRANSFORMER REPLACEMENT 3014590-01
 2. PRINTED CIRCUIT BOARD REPLACEMENT 3014590-02

CHG	NO	REV

SIGNATURES		DATE	digital
DRN.	<i>[Signature]</i>	2-18-78	
CHK'D.	<i>[Signature]</i>	6-6-78	
ENG.	<i>[Signature]</i>	12-6-78	
PROJ. ENG.	<i>[Signature]</i>	12-6-78	
PROD.			
SCALE			TITLE SCHEMATIC
SHT. 1 OF 2			TVX120/DEC 12 VOLT
ETCH REV.			SIZE CODE NUMBER REV
P.C. DESIGN DATA BASE REV.			D CS. 3014590-0-1 A

THIS DRAWING AND SPECIFICATIONS HEREIN ARE THE PROPERTY OF BALL BROTHERS INC AND SHALL NOT BE REPRODUCED OR COPIED OR USED IN WHOLE OR IN PART AS THE BASIS FOR THE MANUFACTURE OR SALE OF ITEMS WITHOUT WRITTEN PERMISSION. COPYRIGHT ©

CS 3014590-0-1 2



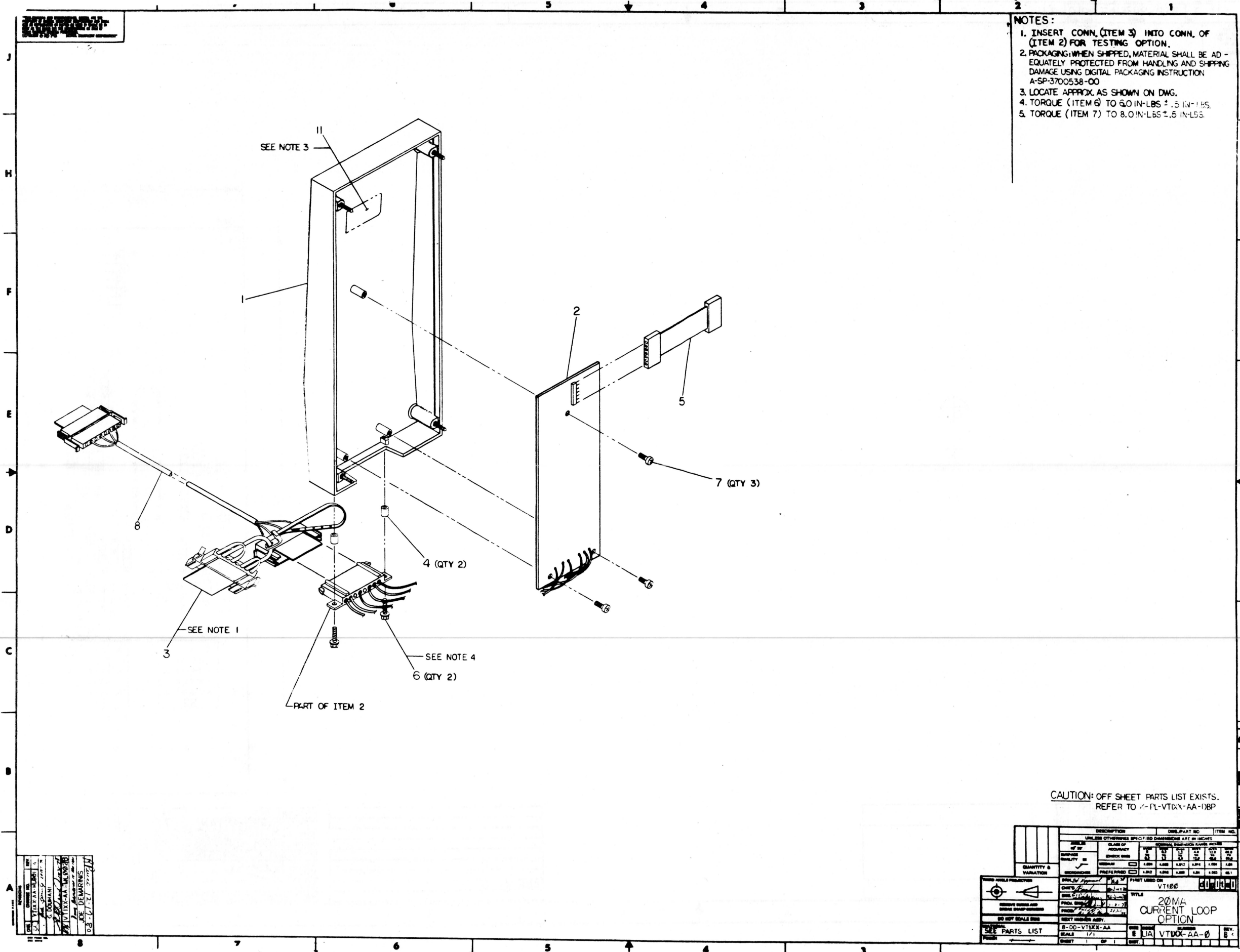
GENERAL NOTES: UNLESS OTHERWISE SPECIFIED

1. ALL RESISTORS 1/4W, 5% VALUE IN OHMS.
2. ALL CAPACITOR VALUES IN MICROFARADS. FOR CAPACITOR TYPES, SEE NOTE NO. 9.
3. □ DENOTES J101 PC CARD EDGE CONNECTOR.
4. → DENOTES CONNECTION TO OFF BOARD COMPONENTS.
5. REFERENCE DESIGNATIONS NOT USED: J103, C107, CR108, R101, R113, R115, R123. LAST REFERENCE DESIGNATION USED: R134, C124
6. PROTECTIVE ARC GAPS ARE AN INTEGRAL PART OF PRINTED WIRE BOARD.
7. THE PWB CIRCUIT GROUNDS ARE BROUGHT OUT SEPARATELY TO PINS 1, 5 AND 10 OF J101. PWB CIRCUIT GROUNDS FOR PINS 1 AND 5 OF J101 ARE CONNECTED TOGETHER BY A JUMPER WIRE ON THE BOARD AND ARE CONNECTED TO CHASSIS GROUND VIA A WIRE FROM E110.
8. DENOTES HEATSINK
9. DM = DIPPED MICA
CD = CERAMIC DISC
MY = MYLAR
EA = ELECTROLYTIC AXIAL
ER = ELECTROLYTIC RADIAL
PF = POLYPROPYLENE
△ GROUNDED TO AQUADAG BY SPRING

COPIED BY WRITTEN PERMISSION OF BALL BROS.

REV.	NO.

DRN. <i>Jim D...</i>	DATE <i>12/20/78</i>	FIRST USED ON
CHK'D <i>P. L...</i>	DATE <i>12-6-78</i>	VT100
ENG. <i>P. L...</i>	DATE <i>12-8-78</i>	TITLE
PROJ. ENG. <i>P. L...</i>	DATE <i>12-8-78</i>	SCHEMATIC
PROD.		TVX120/DEC
		12 VOLT
NEXT HIGHER ASSY.		
E-UA-VT100-0-0	SIZE CODE	NUMBER
SCALE NONE	D	CS 3014590-0-1
SHEET 2 OF 2	DIST.	REV. A



- NOTES:**
1. INSERT CONN. (ITEM 3) INTO CONN. OF (ITEM 2) FOR TESTING OPTION.
 2. PACKAGING: WHEN SHIPPED, MATERIAL SHALL BE ADEQUATELY PROTECTED FROM HANDLING AND SHIPPING DAMAGE USING DIGITAL PACKAGING INSTRUCTION A-SP-3700538-00
 3. LOCATE APPROX. AS SHOWN ON DWG.
 4. TORQUE (ITEM 6) TO 6.0 IN-LBS ± .5 IN-LBS.
 5. TORQUE (ITEM 7) TO 8.0 IN-LBS ± .5 IN-LBS.

CAUTION: OFF SHEET PARTS LIST EXISTS. REFER TO 4-PL-VT1XX-AA-08BP

REV	DATE	DESCRIPTION
1	12-17-80	REVISED TO 20MA CURRENT LOOP OPTION
2	12-17-80	REVISED TO 20MA CURRENT LOOP OPTION
3	12-17-80	REVISED TO 20MA CURRENT LOOP OPTION
4	12-17-80	REVISED TO 20MA CURRENT LOOP OPTION
5	12-17-80	REVISED TO 20MA CURRENT LOOP OPTION
6	12-17-80	REVISED TO 20MA CURRENT LOOP OPTION
7	12-17-80	REVISED TO 20MA CURRENT LOOP OPTION
8	12-17-80	REVISED TO 20MA CURRENT LOOP OPTION

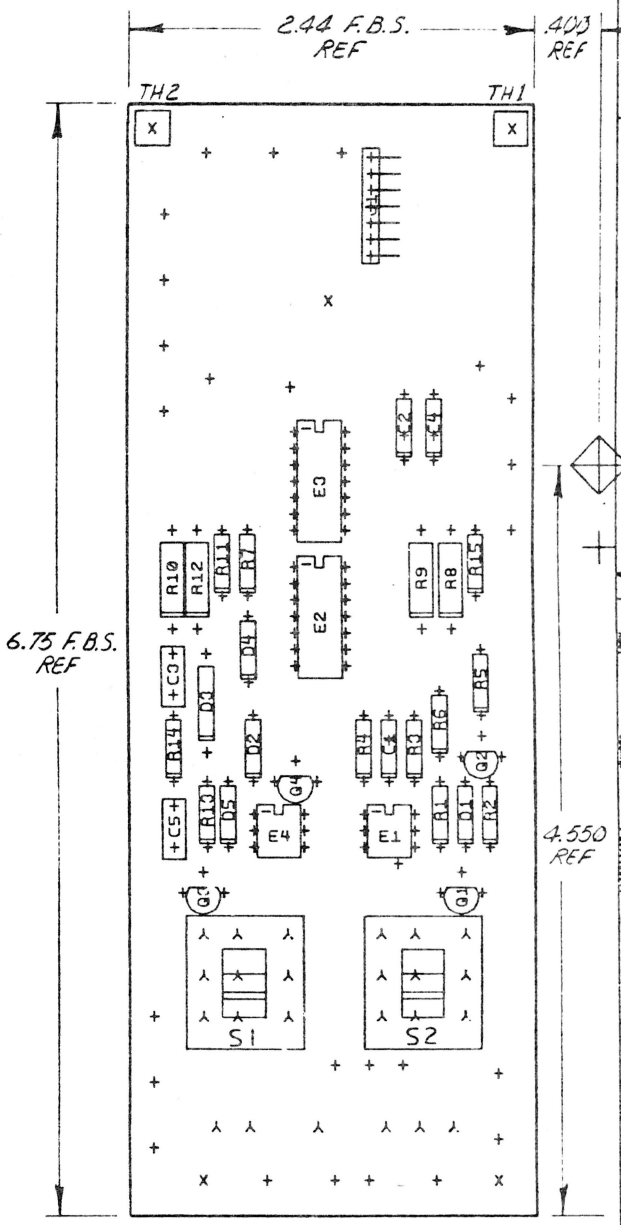
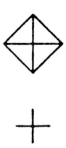
DESCRIPTION		QTY	UNIT	ITEM NO.
UNLESS OTHERWISE SPECIFIED DIMENSIONS ARE IN INCHES				
QTY	DESCRIPTION	UNIT	ITEM NO.	
1	CONNECTOR			
2	CONNECTOR			
3	CONNECTOR			
4	CONNECTOR			
5	CONNECTOR			
6	CONNECTOR			
7	CONNECTOR			
8	CONNECTOR			
9	CONNECTOR			
10	CONNECTOR			
11	CONNECTOR			
12	CONNECTOR			
13	CONNECTOR			
14	CONNECTOR			
15	CONNECTOR			
16	CONNECTOR			
17	CONNECTOR			
18	CONNECTOR			
19	CONNECTOR			
20	CONNECTOR			
21	CONNECTOR			
22	CONNECTOR			
23	CONNECTOR			
24	CONNECTOR			
25	CONNECTOR			
26	CONNECTOR			
27	CONNECTOR			
28	CONNECTOR			
29	CONNECTOR			
30	CONNECTOR			
31	CONNECTOR			
32	CONNECTOR			
33	CONNECTOR			
34	CONNECTOR			
35	CONNECTOR			
36	CONNECTOR			
37	CONNECTOR			
38	CONNECTOR			
39	CONNECTOR			
40	CONNECTOR			
41	CONNECTOR			
42	CONNECTOR			
43	CONNECTOR			
44	CONNECTOR			
45	CONNECTOR			
46	CONNECTOR			
47	CONNECTOR			
48	CONNECTOR			
49	CONNECTOR			
50	CONNECTOR			
51	CONNECTOR			
52	CONNECTOR			
53	CONNECTOR			
54	CONNECTOR			
55	CONNECTOR			
56	CONNECTOR			
57	CONNECTOR			
58	CONNECTOR			
59	CONNECTOR			
60	CONNECTOR			
61	CONNECTOR			
62	CONNECTOR			
63	CONNECTOR			
64	CONNECTOR			
65	CONNECTOR			
66	CONNECTOR			
67	CONNECTOR			
68	CONNECTOR			
69	CONNECTOR			
70	CONNECTOR			
71	CONNECTOR			
72	CONNECTOR			
73	CONNECTOR			
74	CONNECTOR			
75	CONNECTOR			
76	CONNECTOR			
77	CONNECTOR			
78	CONNECTOR			
79	CONNECTOR			
80	CONNECTOR			
81	CONNECTOR			
82	CONNECTOR			
83	CONNECTOR			
84	CONNECTOR			
85	CONNECTOR			
86	CONNECTOR			
87	CONNECTOR			
88	CONNECTOR			
89	CONNECTOR			
90	CONNECTOR			
91	CONNECTOR			
92	CONNECTOR			
93	CONNECTOR			
94	CONNECTOR			
95	CONNECTOR			
96	CONNECTOR			
97	CONNECTOR			
98	CONNECTOR			
99	CONNECTOR			
100	CONNECTOR			

4-PL-VT1XX-AA-08

8 7 6 5 4 3 2 1

THIS DRAWING AND SPECIFICATIONS, HEREIN, ARE THE PROPERTY OF DIGITAL EQUIPMENT CORPORATION AND SHALL NOT BE REPRODUCED OR COPIED OR USED IN WHOLE OR IN PART AS THE BASIS FOR THE MANUFACTURE OR SALE OF ITEMS WITHOUT WRITTEN PERMISSION.
 COPYRIGHT © 1978 DIGITAL EQUIPMENT CORPORATION

COMPONENT SIDE VIEW



NOTES:

STEP E	+ Y AXIS	STEP 0	TIMES
REPEAT	-> X AXIS	2.750	2.5 / 2.750

CHK CHANGE NO	REV	DATE
543206-FN000	C	
REVISED & REDRAWN		
J. DEMARINIS		10-1-80

ETCH REV. D

SIGNATURES	DATE	TITLE
ORN.V. PARECHANTIAN	11-77	digital
CHK D.M. MORTENSEN	11-77	
MECH.ENG. M. MORTENSEN	4-78	
PROJ.ENG. N. FORRESTER	5-78	
PROD. R. PUCCI	6-78	
SCALE 2/1	SIZE CODE 0 UA	NUMBER 5413206-3-0
SHT. 1 OF 1		REV C
NEXT HIGHER ASSY. B-DD-5413206-0		

8 7 6 5 4 3 2 1 WO#150220

LINE	ITEM	DOCUMENT NUMBER	PART NUMBER	DESCRIPTION	QTY PER VARIATION	REFERENCE DESIGNATOR
					00	
1	1	D-4D-5013205-0-0	5013205-00	ETCH BOARD FOR 5413205	1	
2	2		1000022-00	270.0 MMF 100V 5%200PPM MICA	2	C3,C5
3	3		1001610-00	.01 MFD 50V +20-20% 25U CER	3	C1,C2,C4
4	4		1105275-00	D 672 TR= 15NS PIV= 60V SI	3	D1,D2,D4
5	5		1105610-00	MCL1301 CL31MA FROM10-80V	1	D3
6	6		1215048-01	CONN 7POS RT ANGLE	1	J1
7	7		1215089-00	SW,SLIDE 3P 1A DBLE THROW	2	S1,S2
8	8		1301522-00	27.0 .25 W 5.0 % CC	1	R2
9	9		1300250-00	150.0 .25 W 5.0 % CC	2	R11,R15
10	10		1300296-00	330.0 .50 W 5.0 % CC	4	R8,R9,R10,R12
11	11		1300309-00	390.0 .25 W 5.0 % CC	2	R1,R14
12	12		1300391-00	1.50 K .25 W 5.0 % CC	1	R7
13	13		1300444-00	3.90 K .25 W 5.0 % CC	1	R6
14	14		1300539-00	120.0 K .25 W 5.0 % CC	1	R4
15	15		1301327-00	68.0 K .25 W 5.0 % CC	1	R13
16	16		1301401-00	750.0 .25 W 5.0 % CC	1	R3
17	17		1301422-00	7.50 K .25 W 5.0 % CC	1	R5
18	18		1509338-00	DEC6531B NPN 310MA SI 40 90 P	2	Q1,Q2
19	19		1510705-00	XA 05 NPN 500MA SI 60 50 P	1	Q4
20	20		1510706-00	XA 55 PNP 500MA SI 60 50 P	1	Q3
21	21		1916959-00	POTOTRANSISTOR	2	E1,E4
22	22		1912817-00	LS37 NAND GATE-QUAD 2IN,P	1	E2
23	23		1913130-00	DEC 14#9A RECEIVER,LINE,QUAD,	1	E3
24	24		1113003-00	IN 5282 PIV=55 I=500M D035	1	D5

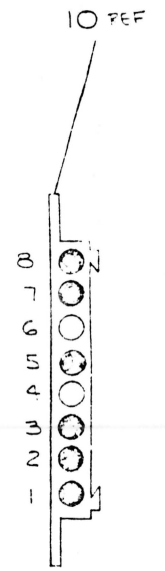
REVISION HISTORY		BASIC PART NO: 5413206		DRN:	T. SHETRAWSKI	DATE:	30-MAR-78	D I G I T A L			
ENG	ECO NUMBER	REV	SECTION A OF A	CHK'D:	T. SHETRAWSKI	DATE:	30-MAR-78	TITLE PARTS LIST			
	INIT	B	SECTION VARIATION INDEX					20 MA ADAPTER			
JB	5413206-PN001	C	(A) 00					DOCUMENT NUMBER			
			(B)	DES.ENG:	M. MORGENSTERN	DATE:	30-MAR-78	SIZE CODE NUMBER REV			
			(C)	RESP.ENG.:	M. MORGENSTERN	DATE:	30-MAR-78	K	PL	5413206-0-DBP	C
			(D)	MFG.ENG.:	T. CURCIARI	DATE:	30-MAR-78	ASSEMBLY NUMBER: TOP DOCUMENT NUMBER: FILE NAME: EDIT #			
			(E)					D-4A-5413206-0-0 VI100 13206C.PLS 6			
			(F)								
			(G)								
			(H)								
			(J)								
			(K)								
			(L)								
			(M)								
			(N)								

"THIS DRAWING AND SPECIFICATIONS HEREIN, ARE THE PROPERTY OF DIGITAL EQUIPMENT CORPORATION AND SHALL NOT BE REPRODUCED OR COPIED OR USED IN WHOLE OR IN PART AS THE BASIS FOR THE MANUFACTURE OR SALE OF ITEMS WITHOUT WRITTEN PERMISSION. COPYRIGHT (C) 1980, DIGITAL EQUIPMENT CORPORATION"

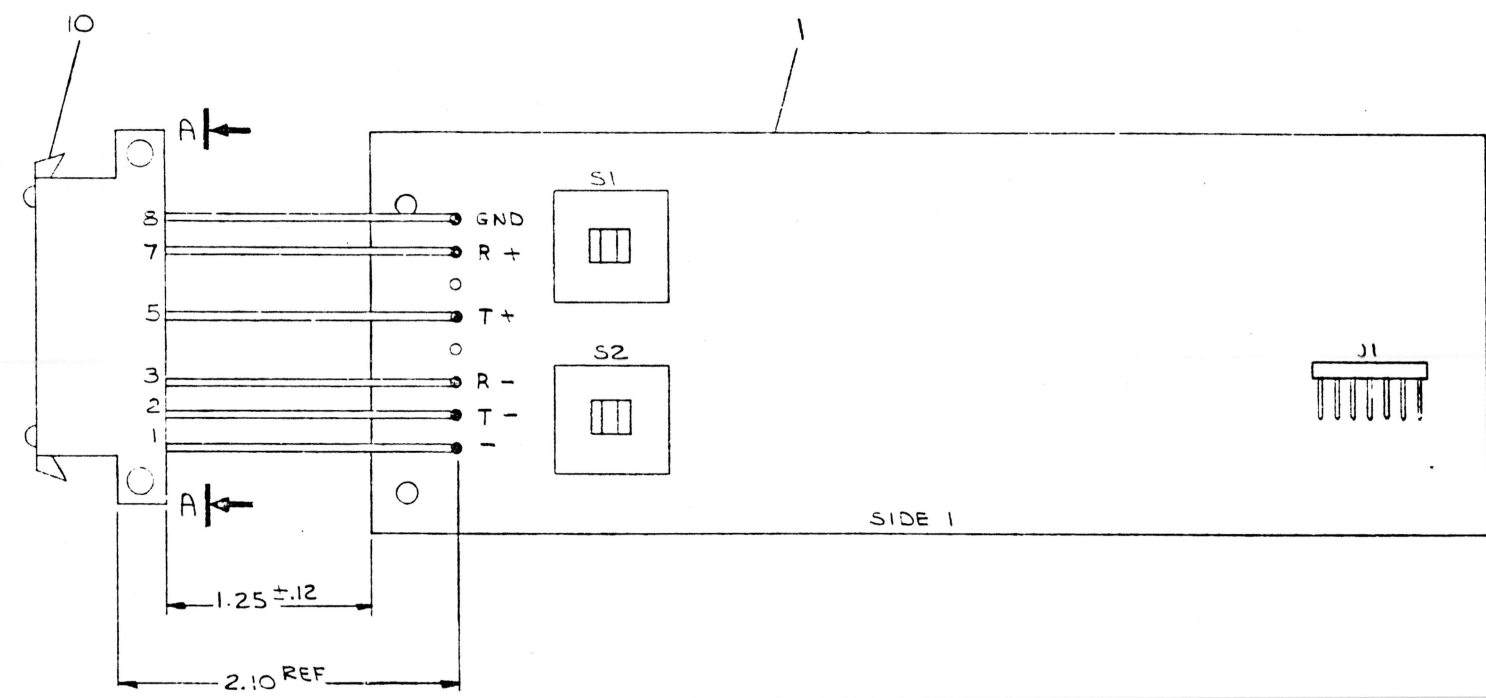
"THIS DRAWING AND SPECIFICATIONS HEREIN ARE THE PROPERTY OF DIGITAL EQUIPMENT CORPORATION AND SHALL NOT BE REPRODUCED OR COPIED OR USED, IN WHOLE OR IN PART, AS THE BASIS FOR THE MANUFACTURE OR SALE OF ITEMS WITHOUT WRITTEN PERMISSION.
 COPYRIGHT © 1977 DIGITAL EQUIPMENT CORPORATION"

WIRE TABLE							
ITEM NO.	AWG	CCLOR	FROM		TO		REMARKS
			CONN	WITH	CONN	WITH	
IO	22	YELLOW	PIN 8		ITEM 1	GND	
		GREEN				R+	
		WHITE		5		T+	
		RED		3		R-	
		BLACK		2		T-	
IO	22	VIOLET	PIN 1		ITEM 1	-	

NOTES:
 1. FOR INDIVIDUAL FIELD SERVICE / CUSTOMER SPARES SHIPMENTS USE PACKAGING INSTRUCTIONS A-SP-3700550-0-0. FOR BULK INTERPLANT SHIPMENTS USE PACKAGING INSTRUCTIONS A-SP-3700429-0-0, VARIATION-03



VIEW A-A (REAR VIEW)



SIDE 1

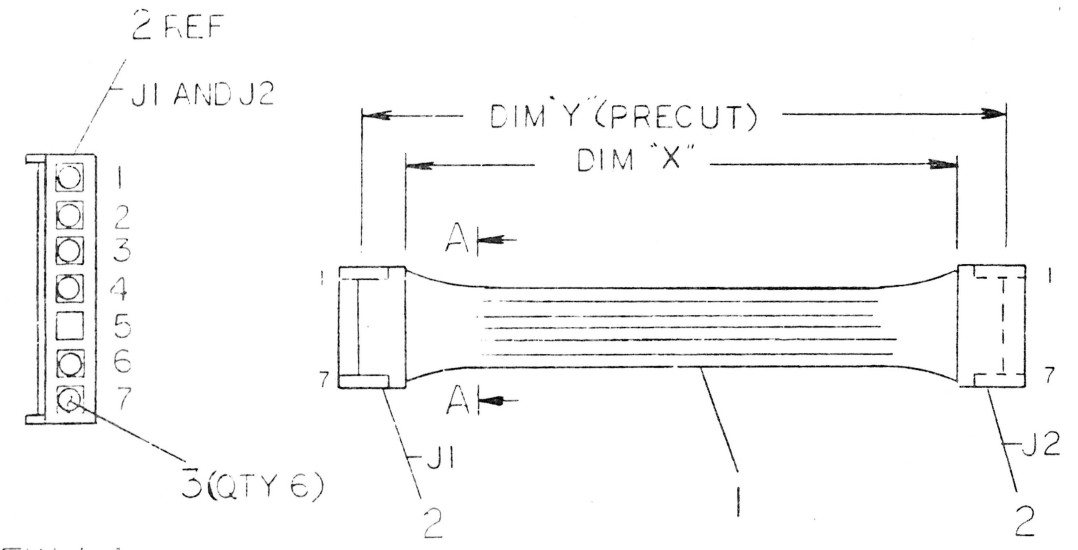
CAUTION: OFF SHEET PARTS LIST EXISTS, SEE K-PL-7015273-0-DBP.

REV	CHANGE NO.	DATE	BY	CHKD
1	1	15 AUG 80	J. DE MARTINIS	
2	1		J. DE MARTINIS	
3	1		J. DE MARTINIS	

THIRD ANGLE PROJECTION	DESCRIPTION	DWG. PART NO.	ITEM NO.
	UNLESS OTHERWISE SPECIFIED DIMENSIONS ARE IN INCHES		
REMOVE BURRS AND BREAK SHARP CORNERS	ANGLES 10° 30°	CLASS OF ACCURACY	ADDITIONAL DECIMAL RANGE INCHES
	SURFACE QUALITY IN	MEDIUM	0.004 0.008 0.012 0.016 0.024 0.04
DO NOT SCALE DIM	QUANTITY & VARIATION	PREFERRED	0.012 0.016 0.025 0.04 0.05 0.1
MATERIAL SEE PARTS LIST	DRM	580277	FIRST USED ON
	ENGR	11-76	VT 100
FINISH	PROJ ENG	11-76	TITLE
	NEXT HIGHER ASSY.		20 MA ADAPTER ASSY
	SCALE 2/1	SIZE D	CODE
	SHEET 1 OF 1	DIST.	NUMBER
			7015273-0-0
			REV. B

"THIS DRAWING AND SPECIFICATIONS, HEREIN, ARE THE PROPERTY OF DIGITAL EQUIPMENT CORPORATION AND SHALL NOT BE REPRODUCED OR COPIED OR USED IN WHOLE OR IN PART AS THE BASIS FOR THE MANUFACTURE OR SALE OF ITEMS WITHOUT WRITTEN PERMISSION. COPYRIGHT © 1978, DIGITAL EQUIPMENT CORPORATION"

WIRE TABLE						
ITEM NUMBER	DESCRIPTION		FROM		TO	
	AWG	COLOR	CONNECTION	WITH	CONNECTION	WITH
1	24	BLK	J1-1	3	J2-1	3
			J1-2		J2-2	
			J1-3		J2-3	
			J1-4		J2-4	
			J1-6		J2-6	
	24	BLK	J1-7	3	J2-7	3



LEGEND		
NUMBER	DIM 'X' VARIATION	DIM 'Y' (PRECUT) REF
7015506-0B	2.0 IN ±.25 IN.	2.75 IN.

ITEM NO.	DESCRIPTION	DWG./PART NO.	ITEM NO.
12	CONTACT, FIN	1214979-00	3
2	HOUSING, 7 CONN	1215047-01	2
AVR	WIRE, 24AWG, STRD (BLK)	9107450-00	1

UNLESS OTHERWISE SPECIFIED DIMENSIONS ARE IN INCHES		NOMINAL DIMENSION RANGE INCHES						
ANGLES	CLASS OF ACCURACY	OVER 0 TO 0.2	OVER 0.2 TO 1.2	OVER 1.2 TO 4.0	OVER 4.0 TO 12.0	OVER 12.0 TO 40.0	OVER 40.0 TO 80.0	
±0° 30'	CHECK ONE							
SURFACE QUALITY IN	MEDIUM	±.004	±.005	±.012	±.018	±.024	±.04	
MICROMETRES	PREFERRED	±.012	±.016	±.025	±.04	±.062	±.1	

THIRD ANGLE PROJECTION	DRN. <i>6/24/78</i>	FIRST USED ON	VT100
REMOVE BURRS AND BREAK SHARP CORNERS	CHK'D <i>A. G. B.</i>	TITLE	CABLE, INTERNAL 20MA ADAPTOR
DO NOT SCALE DWG	ENG. <i>W. J. P.</i>	SIZE	CODE
MATERIAL SEE PARTS LIST	PROJ. ENG. <i>W. J. P.</i>	E- UA-VTXX-AA	NUMBER
FINISH	PROD. <i>W. J. P.</i>	SCALE NONE	7015506-0-0
	NEXT HIGHER ASSY.	SHEET 1 OF 1	REV. 1

REVISIONS	CHANGE NO.	REV.
CHK	7015506-ML031	A
	C. JAMES	

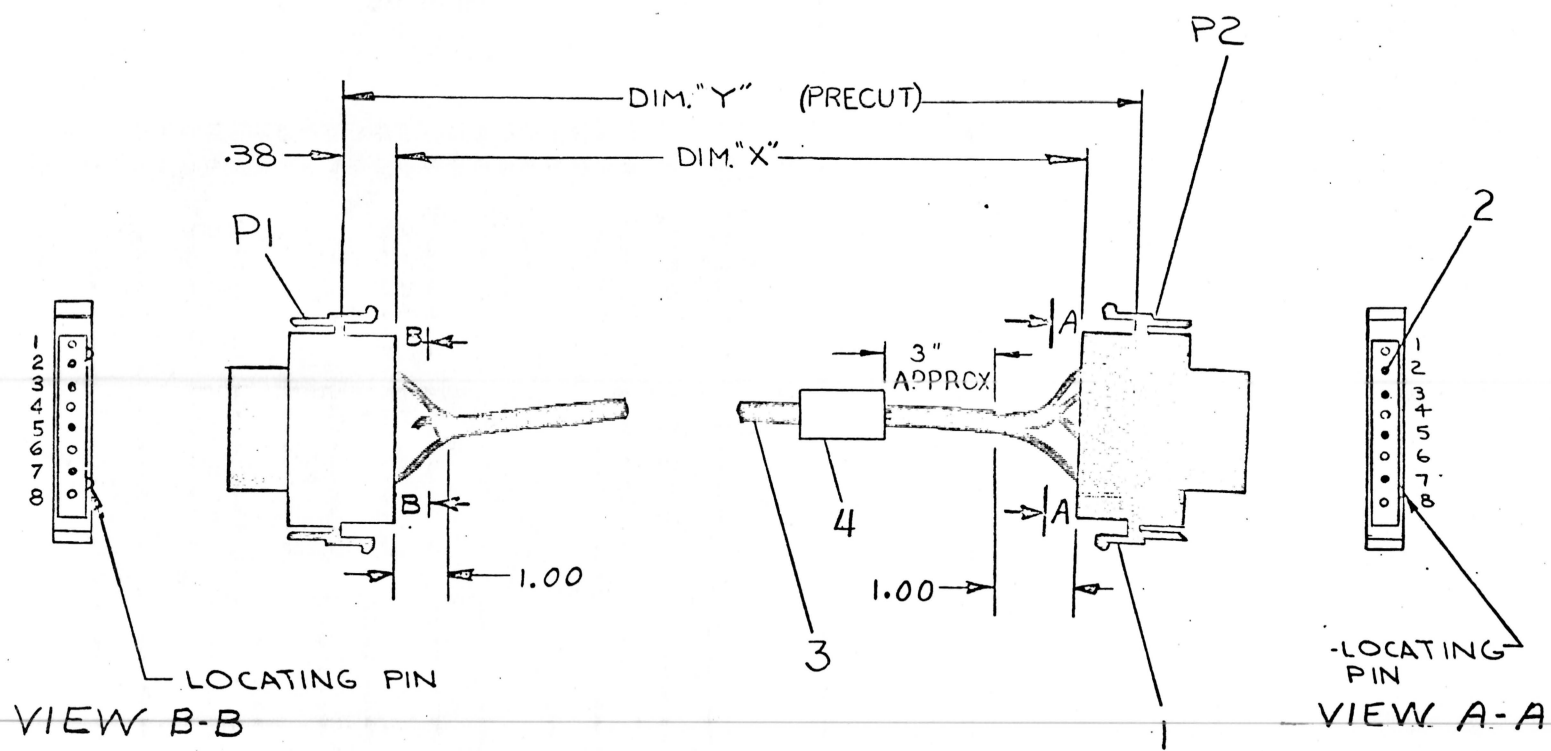
DWG FORM NO. 1

This drawing and specifications, herein, are the property of Digital Equipment Corporation and shall not be reproduced or copied or used in whole or in part as the basis for the manufacture or sale of items without written permission.

LEGEND		
NUMBER	DIM "X" VARIATION	DIM "Y" (PRECUT) REF
BC05F-15	15 FT. ± 3 IN.	15 FT. .75 IN. ± 3 IN.
BC05F-9	9 FT. ± 2 IN.	9 FT. .75 IN. ± 2 IN.

WIRE TABLE				
ITEM NO	DESCRIPTION		FROM	TO
	AWG	COLOR	CONNECTION	CONNECTION
3	22	BLK	P1-2	P2-3
3	22	RED	P1-3	P2-2
3	22	WHT	P1-5	P2-7
3	22	GRN	P1-7	P2-5

NOTES:
1. ASSEMBLE CABLE I.D. LABEL TO AREA AS SHOWN BELOW.



CAUTION: FOR OFF SHEET PARTS LIST SEE K-PL-BC05F-0-DBP.

REV.	CHANGE NO.	BY	DATE
A	0001	R. FITCH	11-8-71
B	0019	R. FITCH	11-9-71
C	0002	J. BITTO	7/18/75
D	ML003	J. DESUK	19 MAY 81

FIRST USED ON OPTION MODEL	QTY.	DESCRIPTION	PART NO.	ITEM NO.
DF11				
UNLESS OTHERWISE SPECIFIED				
DIMENSION IN INCHES				
DECIMALS ± .005	FRACTIONS ± 1/64	ANGLES ± 0°30'		
FINAL SURFACE QUALITY REMOVE BURRS AND BREAK SHARP CORNERS				
MATERIAL		NEXT HIGHER ASS'Y		
FINISH		SCALE		
		SHEET 1 OF 1		
TITLE		CABLE INTERFACE		
BC05F		EQUIPMENT CORPORATION		
SIZE CODE		NUMBER		
CUA		BC05F-0-0		
REV.		D		

4 | 3 | 2 | 1

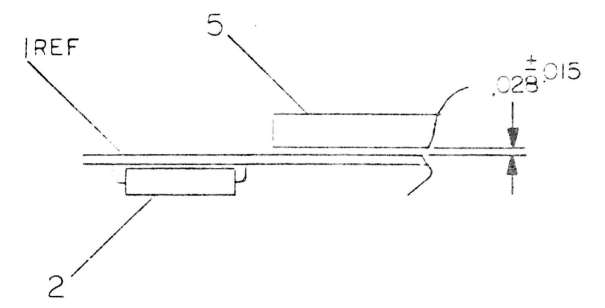
A | B | C | D

DEC FORM NO. DRC

8 7 6 5 4 3 2 1
 F DUA 5413097-0-0

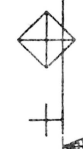
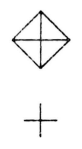
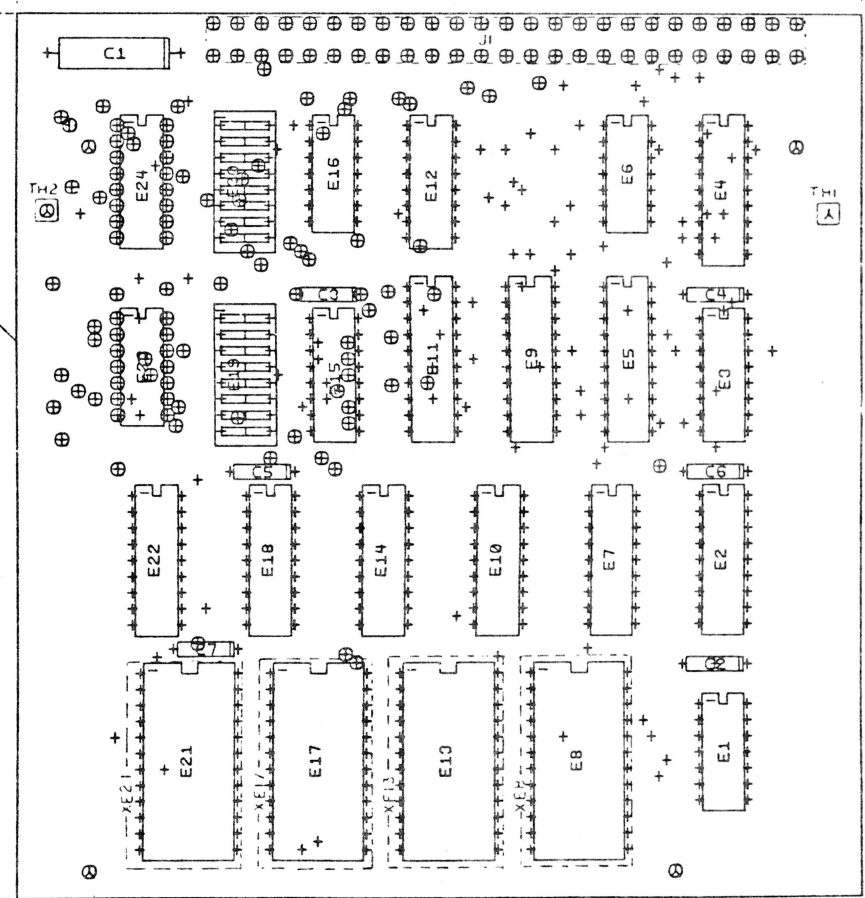
THIS DRAWING AND SPECIFICATIONS, HEREIN, AND THE PROPERTY OF DIGITAL EQUIPMENT CORPORATION AND SHALL NOT BE REPRODUCED OR COPIED OR USED IN WHOLE OR IN PART IN THE MANUFACTURE OR SALE OF THIS OR ANY OTHER PRODUCT OF DIGITAL EQUIPMENT CORPORATION WITHOUT EXPRESS PERMISSION.

COMPONENT SIDE VIEW



5.187 REF.
131.75 MM.

5.60 REF.
142.24 MM.



NOTES: 1. CONN. MOUNTED ON SIDE 2

STEP E → Y AXIS — STEP — TIMES 2 ML 2
 REPEAT → X AXIS 2.250 STEP 1 TIMES

CHK CHANGE NO. REV	
DESIGNED BY	
DRAWN BY	
INSP. BY	
DATE	

ETCH REV. C-P 3

SIGNATURES		DATE	
DRN.			
CHK'D.			
MECH. ENG.			
PROJ. ENG.			
SCALE 2/1			
SHT. 1 OF 1			
NEXT HIGHER ASSY. 3-DD-5413097-3			

digital

TITLE VT100
ADVANCED VIDEO

SIZE CODE NUMBER REV
 D UA 5413097-0-0 F

1 WO# 104159

DUA 5413097-0-0 F

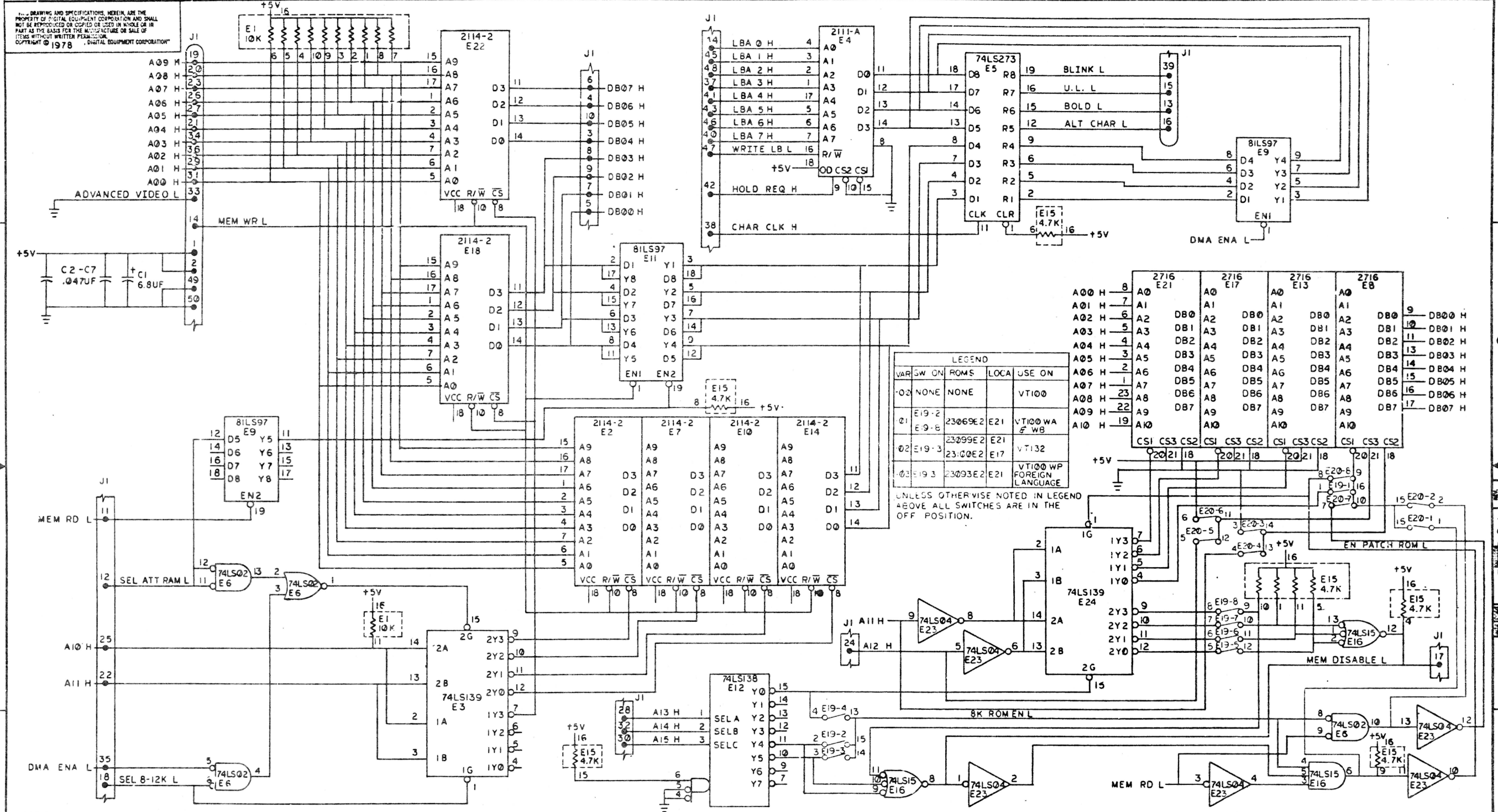
LINE ITEM	DOCUMENT NUMBER	PART NUMBER	DESCRIPTION	QTY PER VARIATION				REFERENCE DESIGNATOR
				00	01	02	03	
1	D-MD-5013096-0-0	5013096-00	DRILL & ETCH DRAWING	1	1	1	1	
2		1005306-00	6.8MFD 35V 10% S.TANT	1	1	1	1	C1
3		1012784-00	.047 MFD 50V +80-20% CER	6	6	6	7	C2-C7
4		1215006-06	SOCKET 24PIN IC LOW PROFILE	4	4	4	4	XE8,XE13,XE17,XE21
5		1214060-01	HEADER.150 50POS	1	1	1	1	J1
6		1300005-03	R NETWORK 13-10K 5.0 % 14PIN	1	1	1	1	E1
7		1300005-07	R NETWORK 15-4.7K 5.0 % 16PIN	1	1	1	1	E15
8		1912801-00	LS02 NOR-GATE-QUAD 2IN	1	1	1	1	E6
9		1912803-00	74LS04 INVERTER GATE,HEX	1	1	1	1	E23
10		1912809-00	LS15 NAND GATE-TRIPLE 3IN	1	1	1	1	E16
11		1912842-00	LS138 DECODER-THREE INPUT,	1	1	1	1	E12
12		1912843-00	LS139 DECODER, 2 OF 4(DUAL	2	2	2	2	F3,E24
13		1912863-00	LS273 FF-D OCTAL W/CLEAR	1	1	1	1	E5
14		1914213-00	81LS97 BUFFER GATE-OCTAL 2I	2	2	2	2	E9,E11
15		2113106-01	1K MOS RAM 250NS	1	1	1	1	E4
16		2114212-00	P 2114-2 RAM,1024X4,STATIC	6	6	6	6	E2,E7,E10,E14,E18,E22
17		1211164-04	SW,DIP 1P 1A 8POS	2	2	2	2	E19,E20
18		23069E2-00	E2-02,E2-04 RO	-	1	-	-	E21
19		23099E2-00	E2-02	-	-	1	-	E21
20		23100E2-00	E2-02	-	-	1	-	E17
21		23093E2-00	E2-02,E2-04	-	-	-	1	E21
22	A-SP-3700554-0-0	3700554-00	PKG MODULE 5413097	REF	REF	REF	REF	
23	A-SP-3700438-0-0	3700438-05	PKG. BULK CARTON 9906476-29	REF	REF	REF	REF	

24 NOTE: FOR INDIVIDUAL FIELD SERVICE/CUSTOMER SPARES SHIPMENT USE PACKAGING INSTRUCTION A-SP-3700554-0-0.

25 NOTE: FOR BULK INTERPLANT SHIPMENT USE PACKAGING INSTRUCTIONS A-SP-3700438-00.

REVISION HISTORY		BASIC PART NO: 5413097		DRN:	T. SHETRAWSKI	DATE:	10-MAR-78	D I G I T A L			
ENG!	ECO NUMBER	REV	SECTION A OF A	CHK'D:	T. SHETRAWSKI	DATE:	10-MAR-78	TITLE PARTS LIST			
---	INIT	A	SECTION.VARIATION INDEX	---	5413097-ML002	C	[A] 00,01,02,03	VT100 ADV VIDE0			
CJ	5413097-ML003	D	[B]	DES.ENG:	D. PUCCI	DATE:	10-MAR-78	DOCUMENT NUMBER			
CJ	5413097-ML004	E	[C]	RESP.ENG.:	D. PUCCI	DATE:	10-MAR-78	SIZE	CODE	NUMBER	REV
DP	5413097-ML005	F	[D]	MFG.ENG.:	T. CORCIARI	DATE:	10-MAR-78	K	PL	5413097-0-DBP	H
RB	5413097-ML006	H	[E]	ASSEMBLY NUMBER:	D-UA-5413097-0-0	TOP DOCUMENT NUMBER:	B-DD-5413097-0-0	FILE NAME:		Z1081H.PLS	EDIT #
			[F]								9
			[G]								
			[H]								
			[I]								
			[J]								
			[K]								
			[L]								
			[M]								
			[N]								

"THIS DRAWING AND SPECIFICATIONS HEREIN, ARE THE PROPERTY OF DIGITAL EQUIPMENT CORPORATION AND SHALL NOT BE REPRODUCED OR COPIED OR USED IN WHOLE OR IN PART AS THE BASIS FOR THE MANUFACTURE OR SALE OF ITEMS WITHOUT WRITTEN PERMISSION. COPYRIGHT (C) 1981. DIGITAL EQUIPMENT CORPORATION "



REVISIONS

REV.	CHANGE NO.	BY	DATE
1	1	EC	11/15/78
2	2	EC	11/15/78
3	3	EC	11/15/78
4	4	EC	11/15/78
5	5	EC	11/15/78
6	6	EC	11/15/78
7	7	EC	11/15/78
8	8	EC	11/15/78

DRN. <i>...</i>	DATE <i>...</i>	FIRST USED ON	VT100
CHK. <i>...</i>	DATE <i>...</i>	TITLE	VT100
ENG. <i>...</i>	DATE <i>...</i>	ADVANCED VIDEO	
PROJ. <i>...</i>	DATE <i>...</i>		
PROD. <i>...</i>	DATE <i>...</i>		
NEXT HIGHER ASBY.			
B-00-5413097-0	SIZE	CODE	NUMBER
SCALE	D	CS	5413097-0-1
SHEET 1 OF 1	DIST.		

DIGITAL EQUIPMENT CORPORATION PARTS LIST

MADE BY	D. HEALY	CHECKED	D. HEALY	SECTION
DATE	14-JUN-78	DATE	14-JUN-78	A1
ENG	E. WEDEKING	PROD	K. HOFFMAN	ISSUED SECTION
DATE	10-JUL-78	DATE	10-JUL-78	A2

QUANTITY / VARIATION

NOTES:

ITEM NO.	DRAWING NO.	PART NO.	DESCRIPTION	VT100-AA	VT100-AB	VT100-NA	VT100-NB	VT100-WA	VT100-WB	VT100-WC	VT100-WD	VT100-WE	VT100-WF	VT100-WG	VT100-WH	REF DESIGNATION
1	EK-VT100-UG-001	EK-VT100-UG	GUIDE, USERS VT100	1	1	1	1	1	1	1	1	1	1	1	1	
2		3615741	LABEL, SET-UP, VT100	1	1	1	1	1	1	-	-	-	-	-	-	
3		VT100-AA	TERM., VIDEO, W/115V PLUG	1	-	-	-	-	-	-	-	-	-	-	-	
4		VT100-AB	TERM., VIDEO, W/230V PLUG	-	1	-	-	-	-	-	-	-	-	-	-	
5		VT100-NA	TERM., VIDEO, DECFORM, W/115V PLUG	-	-	1	-	-	-	-	-	-	-	-	-	
6		VT100-NB	TERM., VIDEO, DECFORM, W/230V PLUG	-	-	-	1	-	-	-	-	-	-	-	-	
7		VT100-WA	TERM., VIDEO, WORD PROCESSING, W/115V PLUG.	-	-	-	-	1	-	-	-	-	-	-	-	
8		VT100-WB	TERM., VIDEO, WORD PROCESSING, W/230V PLUG.	-	-	-	-	-	1	-	-	-	-	-	-	
9	A-SP-VT100-W-0		INSTALLATION NOTES, WORD PROCESSING TERMINAL.	-	-	-	-	1	1	1	1	1	1	1	1	
10		VT100-WC	TERM, VIDEO, FR. CANADIAN WP W/115V PLUG	-	-	-	-	-	-	1	-	-	-	-	-	
11		VT100-WD	TERM, VIDEO, FR. CANADIAN WP W/230V PLUG	-	-	-	-	-	-	-	1	-	-	-	-	
12		VT100-WE	TERM, VIDEO, FRENCH WP W/115V PLUG	-	-	-	-	-	-	-	-	1	-	-	-	
13		VT100-WF	TERM, VIDEO, FRENCH WP W/230V PLUG	-	-	-	-	-	-	-	-	-	1	-	-	
14		VT100-WG	TERM, VIDEO, DUTCH, WP W/115V PLUG	-	-	-	-	-	-	-	-	-	-	1	-	
15		VT100-WH	TERM, VIDEO, DTUCH, WP W/230V PLUG	-	-	-	-	-	-	-	-	-	-	-	1	
16		VT100-WJ	TERM, VIDEO, GERMAN WP W/115V PLUG	-	-	-	-	-	-	-	-	-	-	-	-	
17		VT100-WK	TERM, VIDEO, GERMAN WP W/230V PLUG	-	-	-	-	-	-	-	-	-	-	-	-	
18		VT100-WY	TERM, VIDEO, WP W/115V PLUG	-	-	-	-	-	-	-	-	-	-	-	-	

E.C.O. NO.
ML032
ML037

"THIS DRAWING AND SPECIFICATIONS, HEREIN, ARE THE PROPERTY OF DIGITAL EQUIPMENT CORPORATION AND SHALL NOT BE REPRODUCED OR COPIED OR USED IN WHOLE OR IN PART AS THE BASIS FOR THE MANUFACTURE OR SALE OF ITEMS WITHOUT WRITTEN PERMISSION. COPYRIGHT ©1978 DIGITAL EQUIPMENT CORPORATION"

TITLE
SHIPPING LIST VT100

ASSY NO. 4
SHEET 1 OF 4

SIZE CODE NUMBER
B PL VT100-0
INSERTION PARTS LIST DATA BASE REV

REV.
E

DIGITAL EQUIPMENT CORPORATION PARTS LIST					QUANTITY / VARIATION											NOTES:		
MADE BY D. HEALY DATE 14-JUN-78		CHECKED D. HEALY DATE 14-JUN-78		SECTION A2	VT100-AA	VT100-AB	VT100-NA	VT100-NB	VT100-WA	VT100-WB	VT100-WC	VT100-WD	VT100-WE	VT100-WF	VT100-WG	VT100-WH		
ENG E. WEDEKING DATE 10-JUL-78		PROD K. HOFFMAN DATE 10-JUL-78		ISSUED SECTION A2														
ITEM NO.	DRAWING NO.	PART NO.	DESCRIPTION	REF DESIGNATION														
19		VT100-WZ	TERM, VIDEO, WP W/230V PLUG	-	-	-	-	-	-	-	-	-	-	-	-	-		
20		3615741-01	LABEL, SET-UP, VT100 FOR SYSTEMS	-	-	-	-	-	-	1	1	1	1	1	1			
21		AA-H989A-TA	VT100 FOREIGN LANGUAGE SUPPLEMENT	-	-	-	-	-	-	1	1	1	1	1	1			
22		VT100-LA	TERM, VIDEO, W/P40 TUBE	1	-	-	-	-	-	-	-	-	-	-	-			
23		VT100-LB	TERM, VIDEO, W/P40 TUBE	-	1	-	-	-	-	-	-	-	-	-	-			
24		VT100-PA	VT100-AA EXCEPT DARK GRAY 120V PRIVATE BRAND	-	-	-	-	-	-	-	-	-	-	-	-			
25		VT100-PB	VT100-AB EXCEPT DARK GRAY 240V PRIVATE BRAND	-	-	-	-	-	-	-	-	-	-	-	-			
26		VT100-PC	VT100-PA WITHOUT ELECTRONICS 120V PRIVATE BRAND	-	-	-	-	-	-	-	-	-	-	-	-			
27		VT100-PD	VT100-PB WITHOUT ELECTRONICS 240V PRIVATE BRAND	-	-	-	-	-	-	-	-	-	-	-	-			
28		VT100-PE	VT100-PA WITHOUT ELECTRONICS & NO KEYBOARD 120V PRIVATE BRAND	-	-	-	-	-	-	-	-	-	-	-	-			
29		VT100-PF	VT100-PB WITHOUT ELECTRONICS & NO KEYBOARD 240V PRIVATE BRAND	-	-	-	-	-	-	-	-	-	-	-	-			
30		EK-VT100-RC	VT100 PROGRAM REF CARD	1	1	1	1	1	1	1	1	1	1	1	1			

E.C.O. NO.

"THIS DRAWING AND SPECIFICATIONS, HEREIN, ARE THE PROPERTY OF DIGITAL EQUIPMENT CORPORATION AND SHALL NOT BE REPRODUCED OR COPIED OR USED IN WHOLE OR IN PART AS THE BASIS FOR THE MANUFACTURE OR SALE OF ITEMS WITHOUT WRITTEN PERMISSION. COPYRIGHT ©1978 DIGITAL EQUIPMENT CORPORATION"

TITLE
SHIPPING LIST VT100

ASSY NO.
SHEET 2 OF 4

SIZE B	CODE PL	NUMBER VT100-0
INSERTION PARTS LIST DATA BASE REV		

REV.
E

DIGITAL EQUIPMENT CORPORATION PARTS LIST

QUANTITY / VARIATION

NOTES:

MADE BY DATE	D. HEALY 14-JUN-78	CHECKED DATE	D. HEALY 14-JUN-78	SECTION B1
ENG DATE	E. WEDEKING 10-JUL-78	PROD DATE	K. HOFFMAN 10-JUL-78	ISSUED SECTION B2

ITEM NO.	DRAWING NO.	PART NO.	DESCRIPTION	QUANTITY / VARIATION												REF DESIGNATION	
				VT100-WJ	VT100-WK	VT100-WY	VT100-WZ	VT100-LA	VT100-LB	VT100-PA	VT100-PB	VT100-PC	VT100-PD	VT100-PE	VT100-PF		
1	EK-VT100-UG-001	EK-VT100-UG	GUIDE, USERS VT100	1	1	1	1	1	1	-	-	-	-	-	-	-	
2		3615741	LABEL, SETUP, VT100	-	-	-	-	1	1	-	-	-	-	-	-	-	
3		VT100-AA	TERM., VIDEO, W/115V PLUG	-	-	-	-	-	-	-	-	-	-	-	-	-	
4		VT100-AB	TERM., VIDEO, W/230V PLUG	-	-	-	-	-	-	-	-	-	-	-	-	-	
5		VT100-NA	TERM., VIDEO, DECFORM, W/115V PLUG	-	-	-	-	-	-	-	-	-	-	-	-	-	
6		VT100-NB	TERM., VIDEO, DECFORM, W/230V PLUG	-	-	-	-	-	-	-	-	-	-	-	-	-	
7		VT100-WA	TERM., VIDEO, WORD PROCESSING W/115V PLUG.	-	-	1	-	-	-	-	-	-	-	-	-	-	
8		VT100-WB	TERM., VIDEO, WORD PROCESSING, W/230V PLUG.	-	-	-	1	-	-	-	-	-	-	-	-	-	
9	A-SP-VT100-W-0		INSTALLATION NOTES, WORD PROCESSING TERMINAL.	1	1	1	1	-	-	-	-	-	-	-	-	-	
10		VT100-WC	TERM, VIDEO, FR. CANADIAN WP W/115V PLUG	-	-	-	-	-	-	-	-	-	-	-	-	-	
11		VT100-WD	TERM, VIDEO, FR. CANADIAN WP W/230V PLUG	-	-	-	-	-	-	-	-	-	-	-	-	-	
12		VT100-WE	TERM, VIDEO, FRENCH WP W/115V PLUG	-	-	-	-	-	-	-	-	-	-	-	-	-	
13		VT100-WF	TERM, VIDEO, FRENCH WP W/230V PLUG	-	-	-	-	-	-	-	-	-	-	-	-	-	
14		VT100-WG	TERM, VIDEO, DUTCH WP W/115V PLUG	-	-	-	-	-	-	-	-	-	-	-	-	-	
15		VT100-WH	TERM, VIDEO, DUTCH WP W/230V PLUG	-	-	-	-	-	-	-	-	-	-	-	-	-	
16		VT100-WJ	TERM, VIDEO, GERMAN WP W/115V PLUG	1	-	-	-	-	-	-	-	-	-	-	-	-	
17		VT100-WK	TERM, VIDEO, GERMAN WP W/230V PLUG	-	1	-	-	-	-	-	-	-	-	-	-	-	
18		VT100-WY	TERM, VIDEO, WP W/115V PLUG	-	-	1	-	-	-	-	-	-	-	-	-	-	

E.C.O. NO. *THIS DRAWING AND SPECIFICATIONS, HEREIN, ARE THE PROPERTY OF DIGITAL EQUIPMENT CORPORATION AND SHALL NOT BE REPRODUCED OR COPIED OR USED IN WHOLE OR IN PART AS THE BASIS FOR THE MANUFACTURE OR SALE OF ITEMS WITHOUT WRITTEN PERMISSION. COPYRIGHT © 1978 DIGITAL EQUIPMENT CORPORATION*	TITLE SHIPPING LIST VT100	ASSY NO. #	SIZE B	CODE PL	NUMBER VT100-0	REV. E
SHEET 3 OF 4			INSERTION PARTS LIST DATA BASE REV			

DIGITAL EQUIPMENT CORPORATION PARTS LIST				QUANTITY / VARIATION										NOTES:			
MADE BY DATE	D. HEALY 14-JUN-78	CHECKED DATE	D. HEALY 14-JUN-78	SECTION B2	VT100-WJ	VT100-WK	VT100-WY	VT100-WZ	VT100-LA	VT100-LB	VT100-PA	VT100-PB	VT100-PC	VT100-PD	VT100-PE	VT100-PF	
ENG DATE	E. WEDEKING 10-JUL-78	PROD DATE	K. HOFFMAN 10-JUL-78	ISSUED SECTION B2	REF DESIGNATION												
ITEM NO.	DRAWING NO.	PART NO.	DESCRIPTION														
19		VT100-WZ	TERM, VIDEO, WP W/230V PLUG	-	-	-	1	-	-	-	-	-	-	-	-	-	
20		3615741-01	LABEL, SET-UP, VT100 FOR SYSTEMS	1	1	1	1	-	-	-	-	-	-	-	-	-	
21		AA-H989A-TA	VT100 FOREIGN LANGUAGE SUPPLEMENT	1	1	1	1	-	-	-	-	-	-	-	-	-	
22		VT100-LA	TERM, VIDEO, W/P40 TUBE	-	-	-	-	1	-	-	-	-	-	-	-	-	
23		VT100-LB	TERM, VIDEO, W/P40 TUBE	-	-	-	-	-	1	-	-	-	-	-	-	-	
24		VT100-PA	VT100-AA EXCEPT DRAK GRAY 120V PRIVATE BRAND	-	-	-	-	-	-	1	-	-	-	-	-	-	
25		VT100-PB	VT100-AB EXCEPT DARK GRAY 240V PRIVATE BRAND	-	-	-	-	-	-	-	1	-	-	-	-	-	
26		VT100-PC	VT100-PA WITHOUT ELECTRONICS 120V PRIVATE BRAND	-	-	-	-	-	-	-	-	1	-	-	-	-	
27		VT100-PD	VT100-PB WITHOUT ELECTRONICS 240V PRIVATE BRAND	-	-	-	-	-	-	-	-	-	-	1	-	-	
28		VT100-PE	VT100-PA WITHOUT ELECTRONICS & NO KEYBOARD 120V PRIVATE BRAND	-	-	-	-	-	-	-	-	-	-	-	1	-	
29		VT100-PF	VT100-PB WITHOUT ELECTRONICS & NO KEYBOARD 240V PRIVATE BRAND	-	-	-	-	-	-	-	-	-	-	-	-	1	
30		EK-VT100-RC	VT100 PROGRAM REF CARD	1	1	1	1	1	1	1	1	1	1	1	1	1	

E.C.O. NO.

"THIS DRAWING AND SPECIFICATIONS, HEREIN, ARE THE PROPERTY OF DIGITAL EQUIPMENT CORPORATION AND SHALL NOT BE REPRODUCED OR COPIED OR USED IN WHOLE OR IN PART AS THE BASIS FOR THE MANUFACTURE OR SALE OF ITEMS WITHOUT WRITTEN PERMISSION. COPYRIGHT © 1978 DIGITAL EQUIPMENT CORPORATION"

TITLE
SHIPPING LIST VT100

ASSY NO.
SHEET 4 OF 4

SIZE B	CODE PL	NUMBER VT100-0	REV. E
INSERTION PARTS LIST DATA BASE REV			

This document contains confidential proprietary information of DEC. This information shall not be disclosed to persons outside the employ of DEC, except by DEC personnel so authorized by DEC, and shall be returned to DEC upon termination of such employment. Copyright © Digital Equipment Corporation.

DIGITAL EQUIPMENT CORPORATION MAYNARD, MASSACHUSETTS						
ENGINEERING SPECIFICATION				DATE 6/28/79		
TITLE VT100-W Word Processing Terminals Installation Notes						
REVISIONS						
REV	DESCRIPTION	CHG NO	ORIG	DATE	APPD BY	DATE
A	ECO CHANGE	VT100-W.TREMBLAY ML028		3/12/79	W. Tremblay (Aut)	6/21/80

The VT100 family of Word Processing Terminals consists of the basic VT100 terminal assembly to which, parts have been added or substituted to make unique terminals, dedicated to word processing applications in various languages.

Table 1 lists the unique parts make-up of the various VT100 Word Processing Terminals.

The VT100 incorporates a user set-up option which is activated by the set-up key on the keyboard. To maintain order among DEC Word Processing Systems using the VT100, a WORD PROCESSING STANDARD SET-UP had been defined. These settings are preset at the factory.

Table 2 shows the correct set-up B settings for VT100-WA and VT100-WB variations. Table 3 shows the correct settings for VT100-WC through VT100-WX, VT100-WY, and VT100-WZ.

Verify that the terminal is set-up correctly. If necessary, change incorrect settings then store the settings in the VT100's semi-permanent memory (Ref: VT100 User Guide EK-VT100-0011).

Unique to the VT100 Word Processing Terminal is a Word Processing Advanced Video Module P/N 5413097-xx. Table 5 illustrates ROM and jumper placement for the various modules.

Also unique to the VT100 Foreign Word Processing Terminals is a language set-up mode called the set-up C mode. Table No. 4 explains how to use the set-up C mode to select any one of 5 different languages.

Table 1
Word Processing VT100 Unique Parts

Variation	Basic Unit	Unique Part	Part Number
VT100-WA	VT100-AA	Word Proc. Key Bd.	7015765-03
		Word Proc. Advanced Video Module	5413097-01
VT100-WB	VT100-AB	Word Proc. Key Bd.	7015765-03
		Word Proc. Advanced Video Module	5413097-01
VT100-WC		French Canadian Key Bd.	7015765-05
		For. Language/Advanced Video Module w/ROM A	5413097-03
		Basic Video Board	5413009-02

ENG Walt Tremblay	APPD Don Young	SIZE A	CODE SP	NUMBER VT100-W	REV A
----------------------	-------------------	-----------	------------	-------------------	----------

EN-1076A-16-R073-(392)
 DRA 107A SHEET 1 OF 8

Table 1 (continued)
Word Processing VT100 Unique Parts

Variation	Basic Unit	Unique Part	Part Number
VT100-WD		French Canadian Key Bd.	7015765-05
		For. Language Advanced Video Module w/ROM A	5413097-03
		Basic Video Board	5413009-02
VT100-WE		French Key Bd.	7015765-06
		For. Language Advanced Video Module w/ROM A	5413097-03
		Basic Video Board	5413009-02
VT100-WF		French Key Bd.	7015765-06
		For. Language Advanced Video Module w/ROM A	5413097-03
		Basic Video Board	5413009-02
VT100-WG		Dutch Key Bd.	7015765-07
		For. Language Advanced Video Module w/ROM A	5413097-03
		Basic Video Board	5413009-02
VT100-WH		Dutch Key Bd.	7015765-07
		For. Language Advanced Video Module w/ROM A	5413097-03
		Basic Video Board	5413009-02
VT100-WJ		German Key Bd.	7015765-08
		For. Language Advanced Video Module w/ROM A	5413097-03
		Basic Video Board	5413009-02
VT100-WK		German Key Bd.	7015765-08
		For. Language Advanced Video Module w/ROM A	5413097-03
		Basic Video Board	5413009-02
VT100-WY		Word Proc. Key Bd.	7015765-03
		For. Language Advanced Video Module w/ROM A	5413097-03
		Basic Video Board	5413009-02
VT100-WZ		Word Proc. Key Bd.	7015765-03
		For. Language Advanced Video Module w/ROM A	5413097-03
		Basic Video Board	5413009-02

Table 2
Word Processing User Option Set-up "B"
VT100-WA Set-up B

SET-UP B
TO EXIT PRESS "SET-UP"

1100 0101 0000 0010 T SPEED 9600 R SPEED 9600

SET-UP B mode may only be entered from SET-UP A mode. To enter SET-UP B from SET-UP A, press the 5 key on the main keyboard. The display will have a presentation similar to the figure shown above.

The table shown below explains the function of each bit and their proper setting.

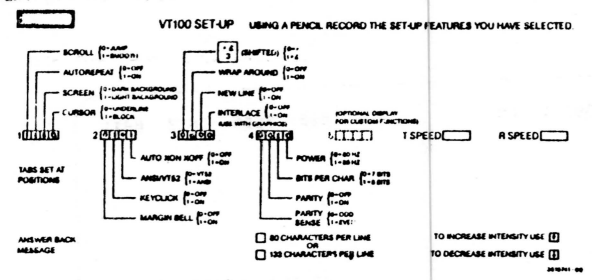


Table 2
Word Processing User Option Set-up "B"
VT100-WB Set-up B

SET-UP B
TO EXIT PRESS "SET-UP"

1100 0101 1000 0011 T SPEED 9600 R SPEED 9600

SET-UP B mode may only be entered from SET-UP A mode. To enter SET-UP B from SET-UP A, press the 5 key on the main keyboard. The display will have a presentation similar to the figure shown above.

The table shown below explains the function of each bit and their proper setting.

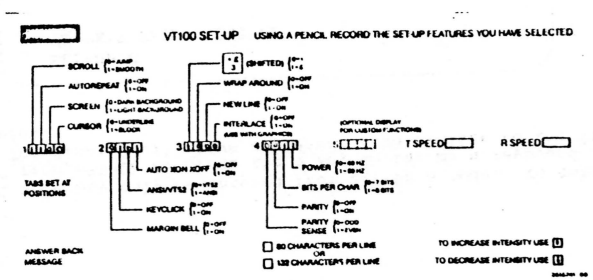


Table 3
Word Processing User Option Set-up "B"

VT100-WC-WK, WY, and WZ Set-up B

```

SET-UP B
TO EXIT PRESS "SET-UP"

1100 0101 0000 0001          P=00 T 9600 R 9600
    
```

NOTE: For WC and WD variations Group 4 should contain all zero's, unless 50 Hz, local echo and/or parity check is desired.

SET-UP B mode may only be entered from SET-UP A mode. To enter SET-UP B from SET-UP A, press the 5 key on the main keyboard. The display will have a presentation similar to the figure shown above.

The table shown below explains the function of each bit and their proper setting.

If the parity setting (P=?) is incorrect, it can be changed by holding the shift key down and pressing the P key repeatedly until the desired setting is displayed.

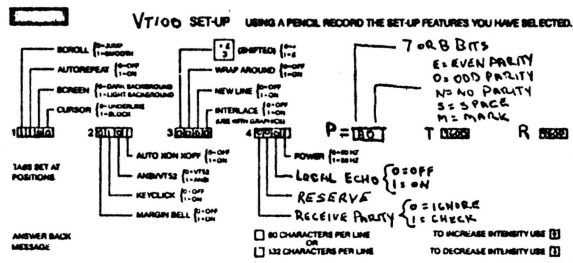


Table 4
Word Processing User Option Set-Up C

The SET-up C mode for VT100 variations -WC through WK, -WY and -WZ allows you to select any one of the following languages.

French Canadian
 French
 Dutch
 German
 English

SET-UP C mode may only be entered from SET-UP A mode. To enter SET-UP C from SET-UP A, press the 5 key on the main keyboard twice. The display will have a presentation similar to the figure shown below.

```

SET-UP C
TO EXIT PRESS "SET-UP"

DISPLAY ENGLISH      KEYBOARD ENGLISH
    
```

To change the language setting for the display and/or keyboard, advance the cursor until it is positioned above the incorrect language setting then press the number 6 key repeatedly until the desired language setting is displayed.

For terminals set-up for French all numbers (0-9) on the main keyboard are in the shifted position, therefore, they can only be accessed by holding the shift key down and then pressing the desired number key.

It is suggested that the "Caps Lock" key ("Shift Lock" in the French keyboard mode) be always engaged when doing set-up functions to eliminate confusion during set-up.

Table 5
Word Processing Adv. Video Module
ROM and Jumper Locations

VT100-WA & WB 5413097-01

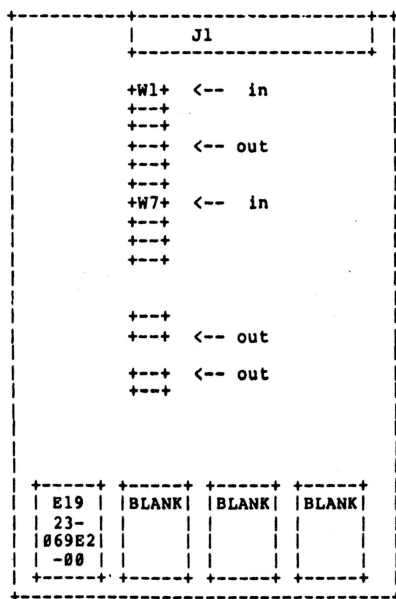


Table 5 (continued)
Word Processing Adv. Video Module
ROM and Jumper Locations

VT100-WC-WK, WY & WZ 5413097-03

