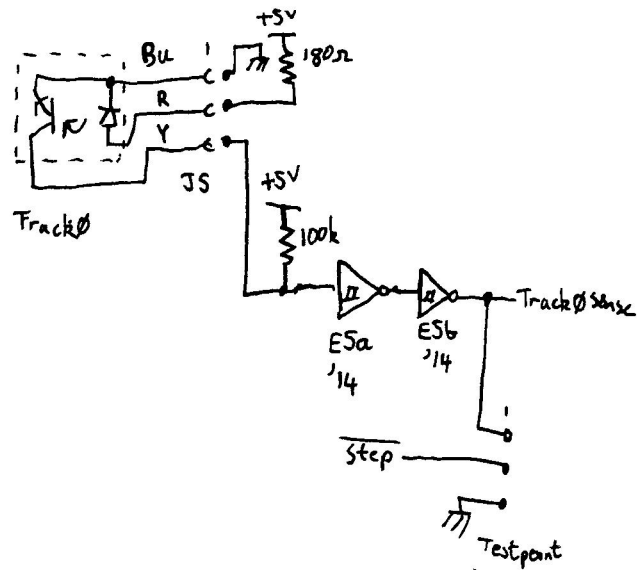
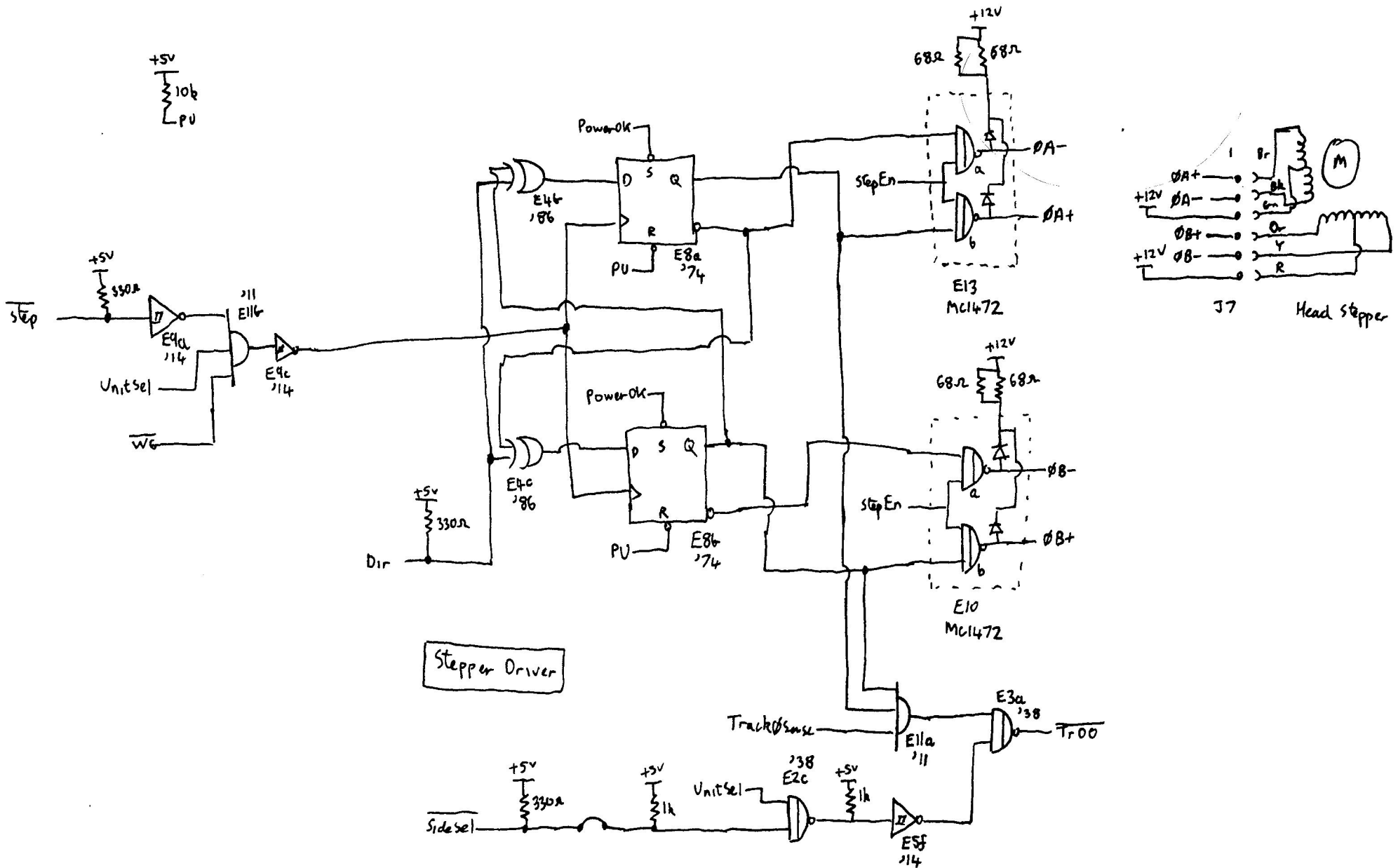
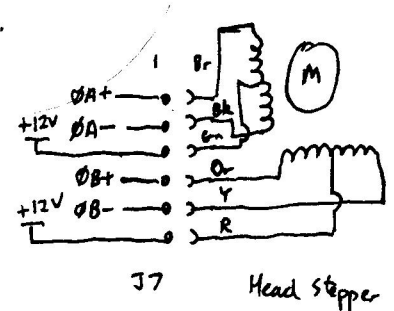


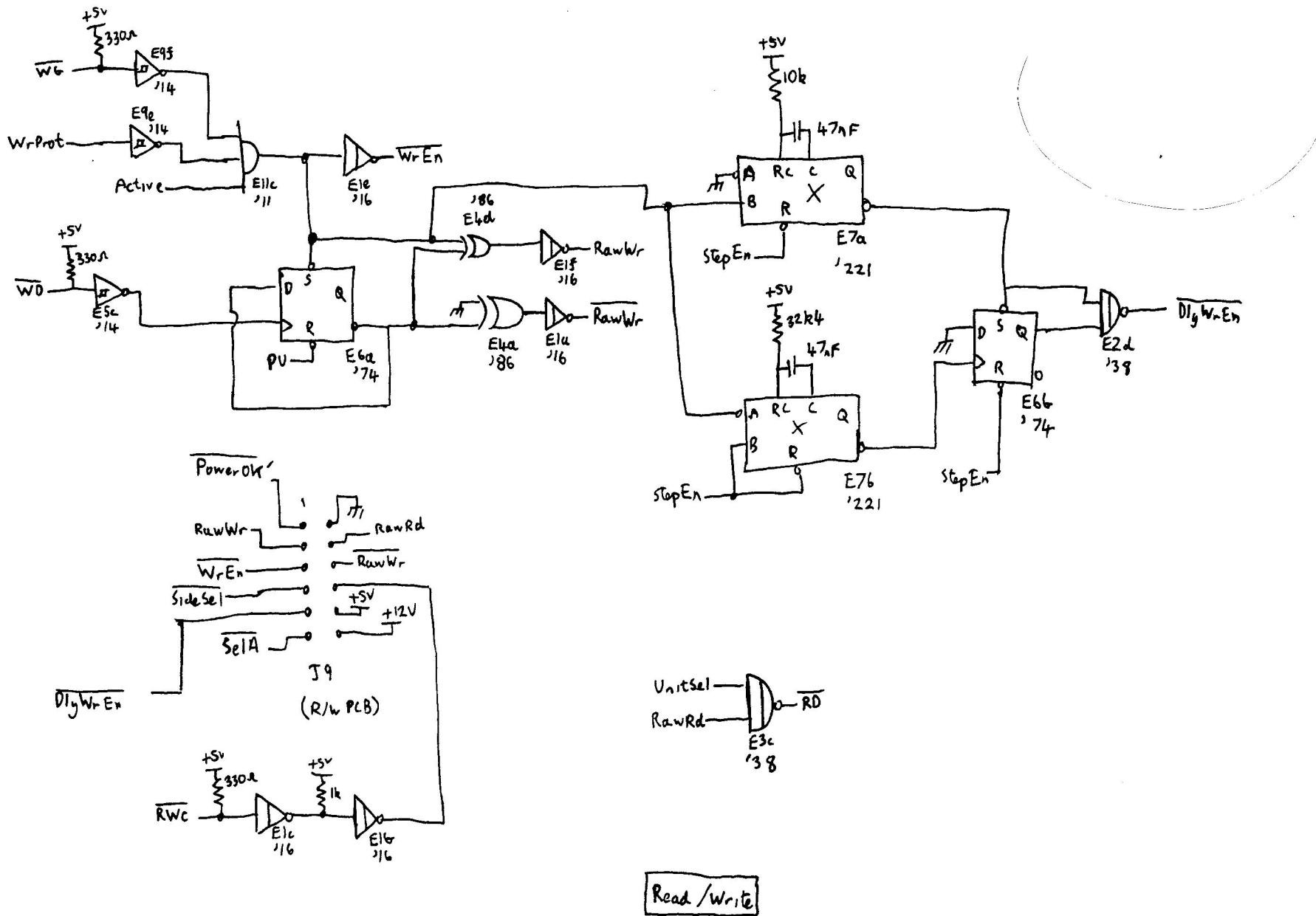
Sensors

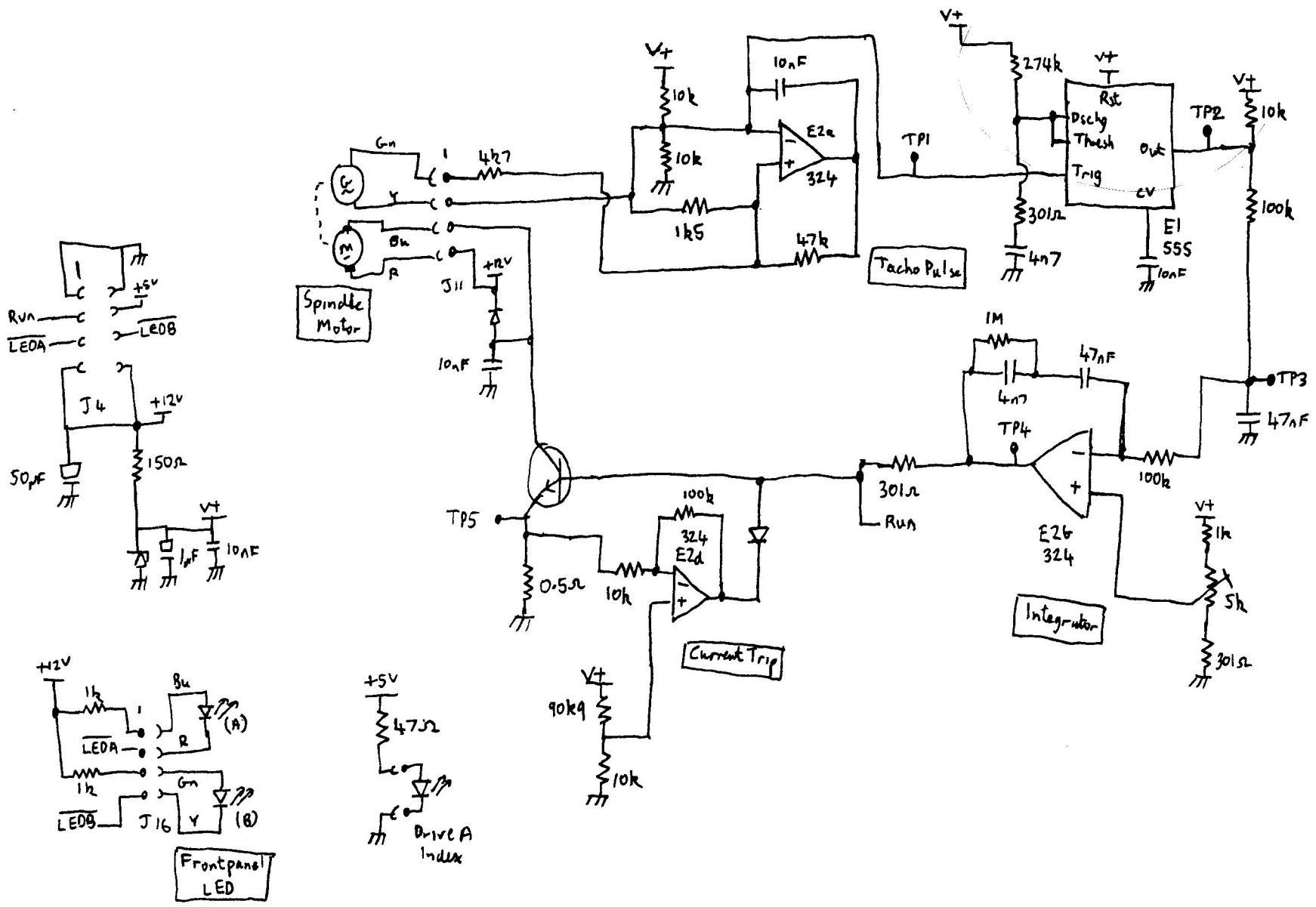




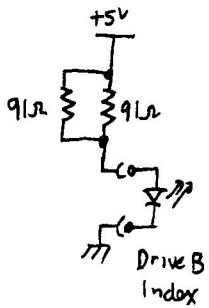
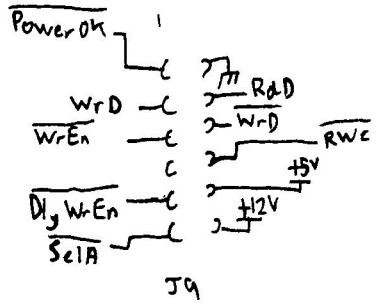
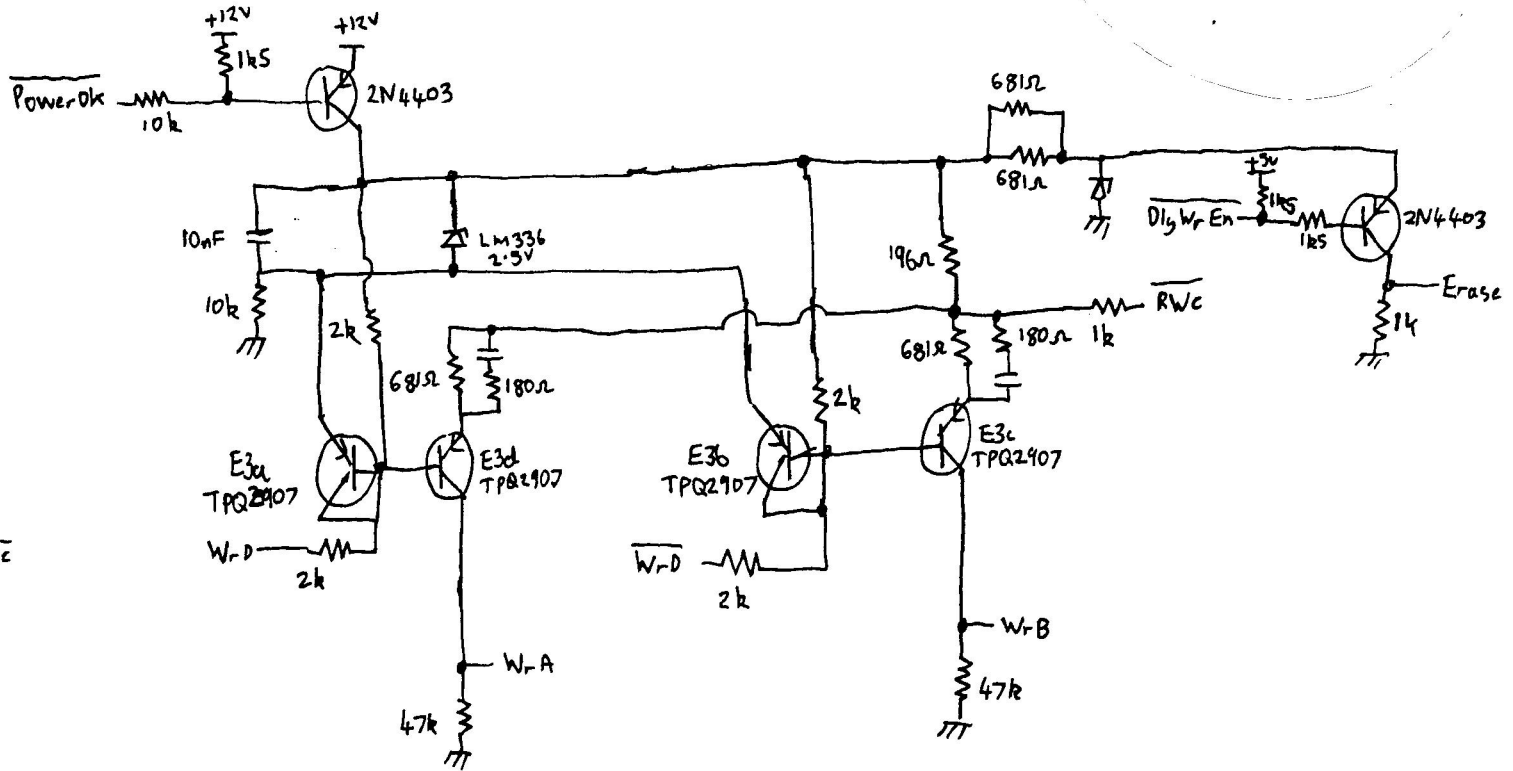
Stepper Driver





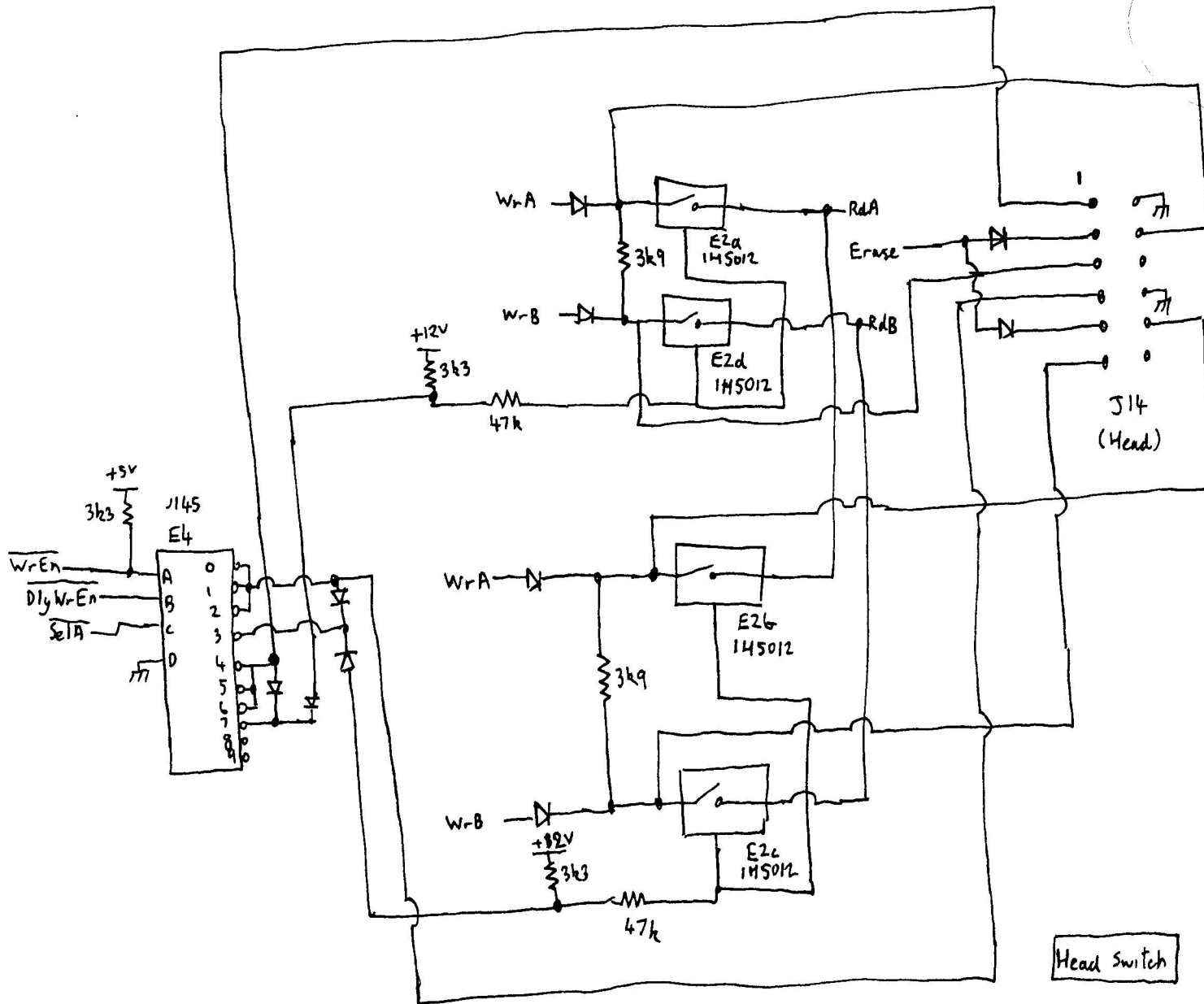


RX50 Spindle Motor Speed Control PCB



Write

RX50 R/W PCB sheet ①



RX50 R/W PCB sheet (2)

