

This drawing and specifications herein are the property of IBM. No part hereof may be reproduced or copied in whole or in part for any other purpose without the written permission of IBM. © 1983 IBM CORPORATION

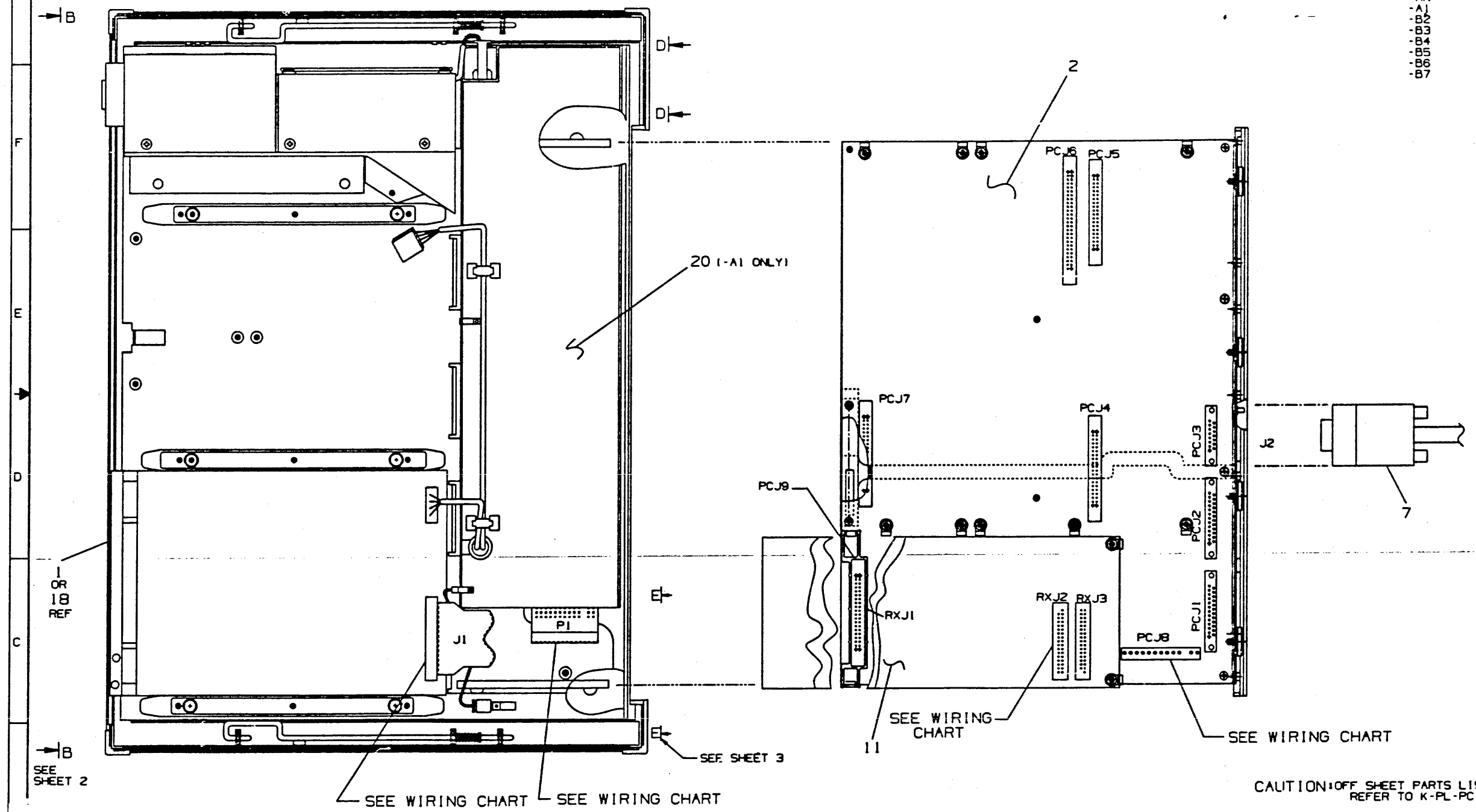
WIRING CHART

ITEM NO.	FROM	TO	REMARKS
	J1 (BA25-B) PART OF ITEM 1	RXJ2 (5415482-00) PART OF ITEM 11	J1 USED TO IDENTIFY CABLE
39	P1 (BA25-B) PART OF ITEM 1	PCJ8 (5415488-01) PART OF ITEM 2	P1 USED TO IDENTIFY CABLE
7		PCJ3 (5415488-01) PART OF ITEM 2	CONNECTION SHOWN AS REFERENCE. DO NOT CONNECT BEFORE SHIPPING. SHIP SEPERATELY.

LEGEND		
PART NUMBER	REV	DESCRIPTION
PC100-A THRU -AN	SEE DD	AS SHOWN

- NOTES:
- ITEM #23 (NOT SHOWN ON THIS ASSY) WILL BE SHIPPED SEPARATELY AND INSTALLED AT CUSTOMER SITE.
 - PLACE ITEM 17 OR 22 OR 33 OR 34 OR 35 OR 36 OVER A.C. POWER INLET.
 - ITEM #16, QTY OF 2 TO BE SHIPPED LOOSE PIECE. QUANTITY OF 2 WILL BE PLACED ON SHIPPING CONTAINER. MARK ITEM 16, BLANK BAR CODE LABEL, WITH PART NO. AND PART REVISION PER JEC. PACKAGING LOGO SPECIFICATION 9905210.
 - THE POWER SUPPLY VOLTAGE SELECT SWITCH MUST BE IN THE PROPER POSITION AS INDICATED:

-VARIATION	SWITCH POSITION
-A	115V
-AN	115V
-A1	115V
-B2	115V
-B3	230V
-B4	230V
-B5	230V
-B6	230V
-B7	230V



SEE SHEET 2

SEE SHEET 3

ITEM 1 SHOWN WITH COVER REMOVED

CAUTION: OFF SHEET PARTS LIST EXISTS REFER TO K-PL-PC100-0-DBP

REV.	CHG. NO.	DATE	BY	DESCRIPTION
A	1	10/1/83	...	INIT. ENCL. 1001
B	1	10/1/83
C	1	10/1/83
D	1	10/1/83
E	1	10/1/83
F	1	10/1/83
G	1	10/1/83
H	1	10/1/83
I	1	10/1/83
J	1	10/1/83
K	1	10/1/83
L	1	10/1/83
M	1	10/1/83
N	1	10/1/83
O	1	10/1/83
P	1	10/1/83
Q	1	10/1/83
R	1	10/1/83
S	1	10/1/83
T	1	10/1/83
U	1	10/1/83
V	1	10/1/83
W	1	10/1/83
X	1	10/1/83
Y	1	10/1/83
Z	1	10/1/83

DESCRIPTION	DRAWING NO.	PART NO.
UNLESS OTHERWISE SPECIFIED DIMENSIONS ARE IN INCHES AND THE FOLLOWING TOLERANCES APPLY (PER DEC STD 114)		
DIMENSION RANGE IN INCHES		
0.000 - 0.250	±0.005	
0.250 - 0.500	±0.005	
0.500 - 1.000	±0.005	
1.000 - 2.000	±0.005	
2.000 - 3.000	±0.005	
3.000 - 4.000	±0.005	
4.000 - 6.000	±0.005	
6.000 - 10.000	±0.005	
10.000 - 18.000	±0.005	
18.000 - 30.000	±0.005	
30.000 - 48.000	±0.005	
48.000 - 72.000	±0.005	
72.000 - 108.000	±0.005	
108.000 - 162.000	±0.005	
162.000 - 243.000	±0.005	
243.000 - 364.000	±0.005	
364.000 - 546.000	±0.005	
546.000 - 819.000	±0.005	
819.000 - 1224.000	±0.005	
1224.000 - 1836.000	±0.005	
1836.000 - 2754.000	±0.005	
2754.000 - 4131.000	±0.005	
4131.000 - 6195.000	±0.005	
6195.000 - 9292.000	±0.005	
9292.000 - 13938.000	±0.005	
13938.000 - 20907.000	±0.005	
20907.000 - 31360.000	±0.005	
31360.000 - 47040.000	±0.005	
47040.000 - 70560.000	±0.005	
70560.000 - 105840.000	±0.005	
105840.000 - 158760.000	±0.005	
158760.000 - 238140.000	±0.005	
238140.000 - 357210.000	±0.005	
357210.000 - 535800.000	±0.005	
535800.000 - 803700.000	±0.005	
803700.000 - 1205550.000	±0.005	
1205550.000 - 1808325.000	±0.005	
1808325.000 - 2712487.000	±0.005	
2712487.000 - 4068730.000	±0.005	
4068730.000 - 6103095.000	±0.005	
6103095.000 - 9154642.000	±0.005	
9154642.000 - 13731963.000	±0.005	
13731963.000 - 20602944.000	±0.005	
20602944.000 - 30904416.000	±0.005	
30904416.000 - 46356624.000	±0.005	
46356624.000 - 69534936.000	±0.005	
69534936.000 - 104302404.000	±0.005	
104302404.000 - 156453606.000	±0.005	
156453606.000 - 234680409.000	±0.005	
234680409.000 - 352020614.000	±0.005	
352020614.000 - 528030921.000	±0.005	
528030921.000 - 792046382.000	±0.005	
792046382.000 - 1188069573.000	±0.005	
1188069573.000 - 1782104360.000	±0.005	
1782104360.000 - 2673156540.000	±0.005	
2673156540.000 - 4009734810.000	±0.005	
4009734810.000 - 6014602215.000	±0.005	
6014602215.000 - 9021903322.000	±0.005	
9021903322.000 - 13532854983.000	±0.005	
13532854983.000 - 20299282474.000	±0.005	
20299282474.000 - 30448923711.000	±0.005	
30448923711.000 - 45673385566.000	±0.005	
45673385566.000 - 68509078349.000	±0.005	
68509078349.000 - 102763617523.000	±0.005	
102763617523.000 - 154145426284.000	±0.005	
154145426284.000 - 231218139426.000	±0.005	
231218139426.000 - 346827209139.000	±0.005	
346827209139.000 - 520240813708.000	±0.005	
520240813708.000 - 780361220562.000	±0.005	
780361220562.000 - 1170541830843.000	±0.005	
1170541830843.000 - 1755812746264.000	±0.005	
1755812746264.000 - 2633719119396.000	±0.005	
2633719119396.000 - 3950578679094.000	±0.005	
3950578679094.000 - 5925868018641.000	±0.005	
5925868018641.000 - 8888702027961.000	±0.005	
8888702027961.000 - 13333053041941.000	±0.005	
13333053041941.000 - 20000000000000.000	±0.005	

DO NOT SCALE DRAWING

REMOVE BURRS AND BREAK SHARP CORNERS

SEE PARTS LIST

QUANTITY & VARIATION

DATE: 27-11-82

TITLE: RAINBOW

DECLASSIFICATION NUMBER: E UA PC100-0-DBU L

THIS DRAWING AND SPECIFICATIONS, HEREINAFTER THE PROPERTY OF DIGITAL EQUIPMENT CORPORATION AND SHALL NOT BE REPRODUCED OR COPIED OR USED IN WHOLE OR IN PART AS THE BASIS FOR THE MANUFACTURE OR SALE OF ITEMS WITHOUT WRITTEN PERMISSION.
 COPYRIGHT © 1984 DIGITAL EQUIPMENT CORPORATION

WIRING CHART

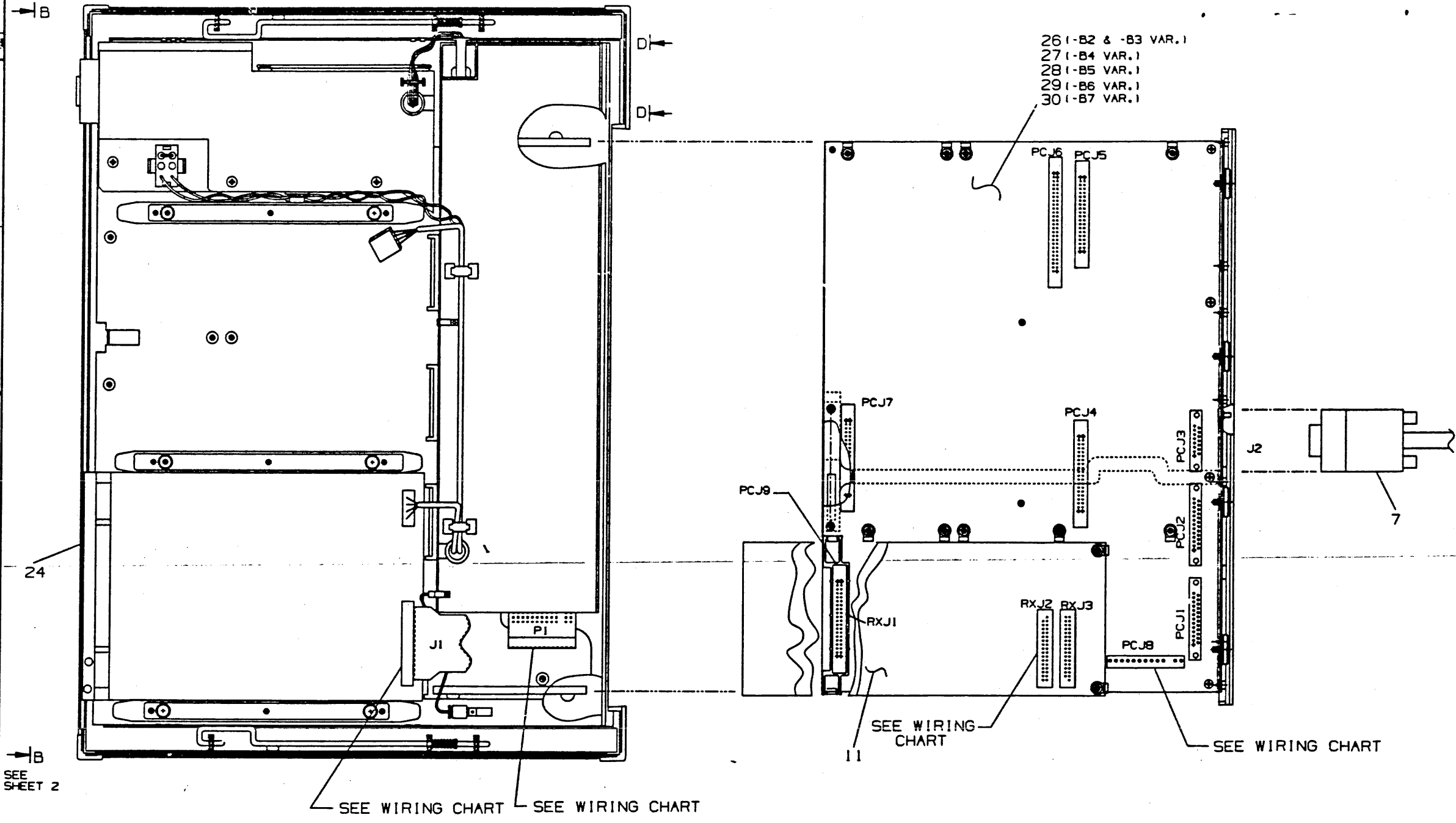
ITEM NO.	FROM	TO	REMARKS
	J1 (BA25-B1) PART OF ITEM 24	RXJ2 (5415482-00) PART OF ITEM 11	J1 USED TO IDENTIFY CABLE
39	P1 (BA25-B1) PART OF ITEM 24	PCJ8 PART OF CPU ASSY.	P1 USED TO IDENTIFY CABLE
7	---	PCJ3 PART OF CPU ASSY.	CONNECTION SHOWN AS REFERENCE. DO NOT CONNECT BEFORE SHIPPING SHIP SEPARATELY.

LEGEND

PART NUMBER	REV	DESCRIPTION
PC100-B2 THRU -B7	SEE DD	AS SHOWN

J
I
E
F
D
C
A

J
I
F
D
C
A



SEE SHEET 2

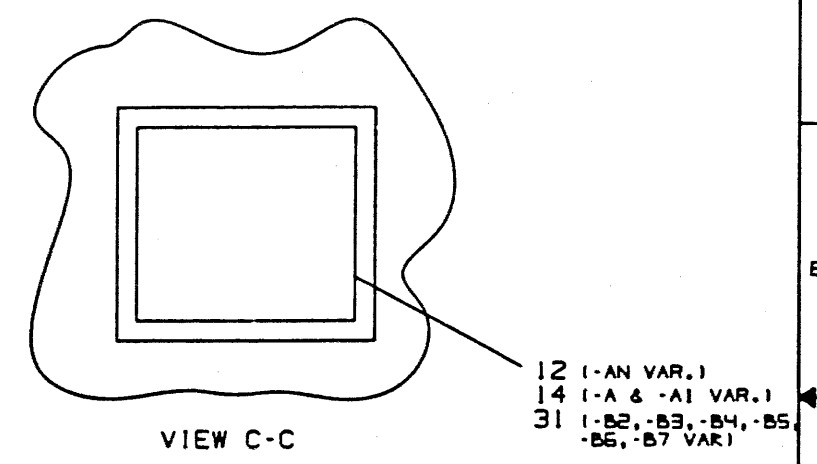
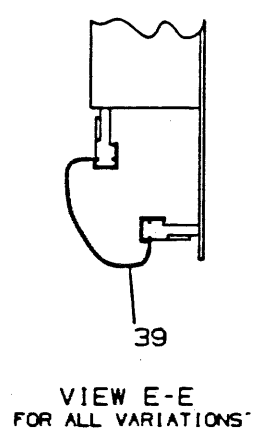
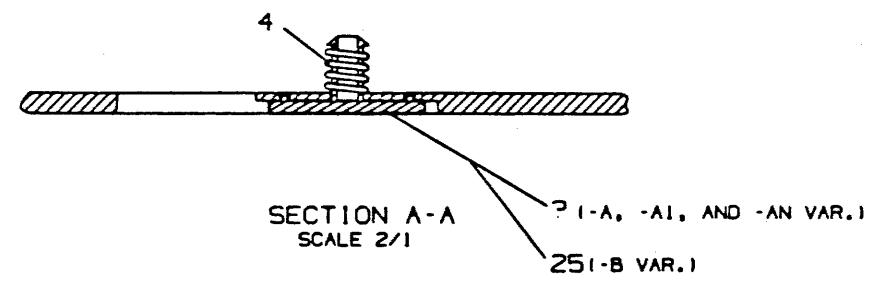
ITEM 24 SHOWN WITH COVER REMOVED

REVISION HISTORY

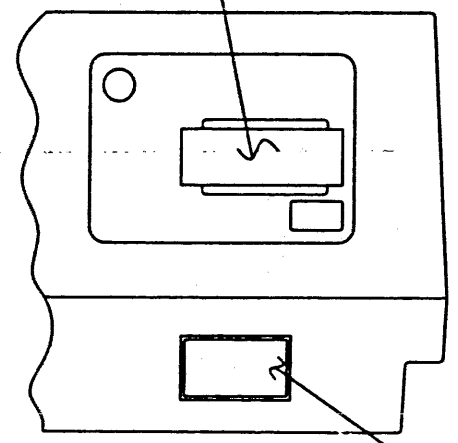
DATE	REV	DESCRIPTION

THESE DRAWINGS AND SPECIFICATIONS, HEREINAFTER THE PROPERTY OF DIGITAL EQUIPMENT CORPORATION AND SHALL NOT BE REPRODUCED OR COPIED OR USED IN WHOLE OR IN PART AS THE BASIS FOR THE MANUFACTURE OR SALE OF ITEMS WITHOUT WRITTEN PERMISSION.
 COPYRIGHT © 1984 DIGITAL EQUIPMENT CORPORATION

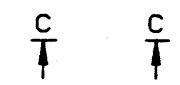
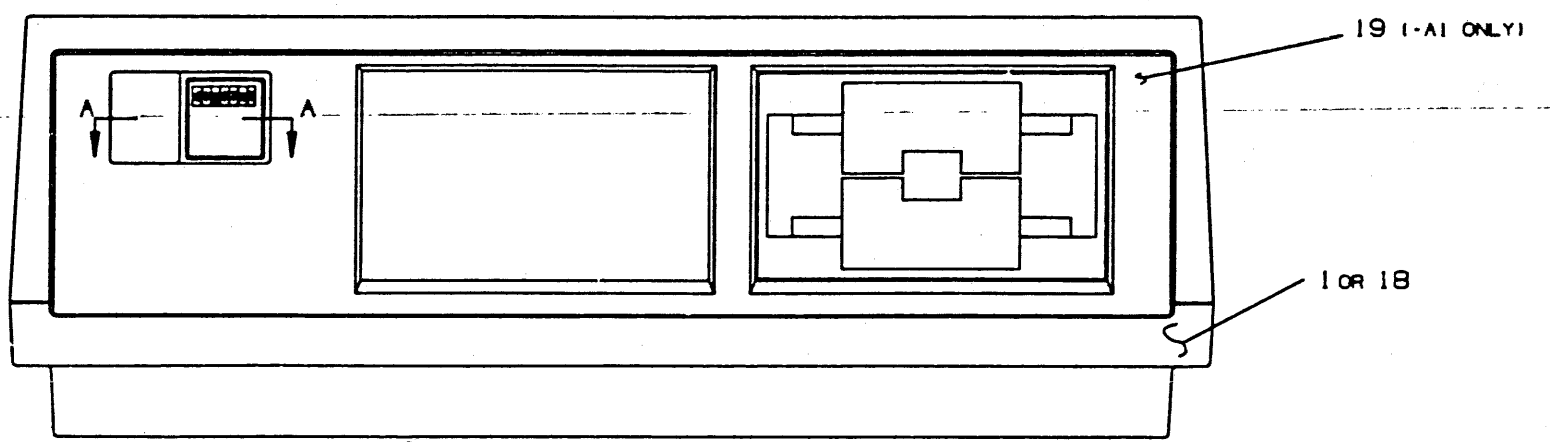
LEGEND		
PART NUMBER	REV	DESCRIPTION
PC100-A THRU -AN	SEE DD	AS SHOWN
PC100-B2 THRU -B7	SEE DD	AS SHOWN



- 17 (-A & -AN VAR.)
- 22 (-A1 VAR.)
- 33 (-B2 VAR.)
- 34 (-B3 & -B7 VAR.)
- 35 (-B5 & -B6 VAR.)
- 36 (-B4 VAR.)



- 15 (-A & -AN VAR.)
- 21 (-A1 VAR.)
- 40 (-B2 THRU -B7 VAR.)



REVISION HISTORY		
DATE	ECO HISTORY	REV
SEE SHEET 1		

LINE	ITEM	TOP DOCUMENT	PART NUMBER	MIN REV	DESCRIPTION	QTY PER VARIATION									
						A6	AN A6	A1 A2	B2 A2	B3 A3	B4 A2	B5 A2	B6 A2	B7 A2	
1	1	E-UA-BA25-0-0	BA25 -B		BA25-A,RX50-AA,H7842-A,120/240V	1	1	-	-	-	-	-	-	-	-
2	2	D-AD-7019974-0-DBU	7019974-00		CPU ASSY, RAINBOW 100	1	1	1	-	-	-	-	-	-	-
3	3	D-IA-7427256-0-DBU	7427256-03		MEDALLION,RAINBOW 100	1	1	1	-	-	-	-	-	-	-
4	4		1220113-01		SPRING,COMPRESSION .3000DX .380	1	1	1	1	.1	1	-	1	1	1
5	5		9010318-02		*** THIS ITEM IS NOT USED ***	-	-	-	-	-	-	-	-	-	-
6	6	A-PA-3700695-0-0	3700695-02		PKG SYSTEM BA25 SMALL UNIT	1	1	1	-	-	-	-	-	-	-
7	7		1700283-00		CABLE,ASSY VIDEO B&W CT-150	1	1	1	1	1	1	1	1	1	1
8	8		3620218-01		*** THIS ITEM IS NOT USED ***	-	-	-	-	-	-	-	-	-	-
9	9		3617905-01		*** THIS ITEM IS NOT USED ***	-	-	-	-	-	-	-	-	-	-
10	10		3620215-02		*** THIS ITEM IS NOT USED ***	-	-	-	-	-	-	-	-	-	-
11	11	E-UA-5415482-0-0	5415482-00		PC100 RX50 CONTROLLER	1	1	1	1	1	1	1	1	1	1
12	12		3620218-05		LABEL,REGULATIONS,PC INTERIM	-	1	-	-	-	-	-	-	-	-
13	13		1700289-00		*** THIS ITEM IS NOT USED ***	-	-	-	-	-	-	-	-	-	-
14	14		3620218-07		LABEL,PC100	1	-	1	-	-	-	-	-	-	-
15	15		3620215-06		LABEL,PWR.RATING CT 120/220-240	1	1	-	-	-	-	-	-	-	-
16	16		3618460-06		LABEL,BAR CODE BLANK .50 X4.0	4	4	4	4	4	4	4	4	4	4
17	17		3616157-00		LABEL,CORRECT VOLTAGE SETTING,CA	1	1	-	-	-	-	-	-	-	-
18	18	E-UA-BA25-0-0	BA25 -A		SMALL SYSTEM UNIT ENCLOSURE	-	-	1	-	-	-	-	-	-	-
19	19	E-UA-RX50-0-DBU	RX50 -AA		DUAL 5.25" SINGLE SIDED FLOPPY D	-	-	1	-	-	-	-	-	-	-
20	20	E-UA-H7842-0-0	H7842-B		H7842-A EXCEPT 120V ONLY	-	-	1	-	-	-	-	-	-	-
21	21		3620215-08		LABEL,PWR.RATING CT 120V 3.	-	-	1	-	-	-	-	-	-	-
22	22		3621750-01		LABEL,PERMANENTLY SET FOR 120V	-	-	1	-	-	-	-	-	-	-
23	23		1700402-01		CABLE ASSY 16COND 26AWG 10'LG	1	1	1	1	1	1	1	1	1	1
24	24	E-UA-BA25-0-0	BA25 -CB		BA25-CA,RX50-AA,H7842-D,120/240V	-	-	-	1	1	1	1	1	1	1
25	25	D-IA-7427256-0-DBU	7427256-06		MEDALLION WITH SCRIPT,RAINBOW	-	-	-	1	1	1	1	1	1	1
26	26	D-AD-7019974-0-DBU	7019974-02		CPU ASSY, RAINBOW 100B LANG CL1	-	-	-	1	1	-	-	-	-	-
27	27	D-AD-7019974-0-DBU	7019974-03		CPU ASSY, RAINBOW 100B LANG CL2	-	-	-	-	-	1	-	-	-	-
28	28	D-AD-7019974-0-DBU	7019974-04		CPU ASSY, RAINBOW 100B LANG CL3	-	-	-	-	-	-	1	-	-	-
29	29	D-AD-7019974-0-DBU	7019974-05		CPU ASSY, RAINBOW 100B LANG CL4	-	-	-	-	-	-	-	1	-	-
30	30	D-AD-7019974-0-DBU	7019974-06		CPU ASSY, RAINBOW 100B LANG CL5	-	-	-	-	-	-	-	-	1	-

REVISION HISTORY			BASIC PART NO: PC100		DRN:	S. AZEVEDO	DATE:	23-JUL-82				D I G I T A L			
ENG	ECO NUMBER	REV	SECTION A OF A		CHK'D:	D. HEALY	DATE:	8-DEC-82				TITLE PARTS LIST			
---	INITIAL	A	SECTION.VARIATION INDEX		DES.ENG:	D. MOORE <td>DATE:</td> <td colspan="4">8-DEC-82 <td colspan="4">DOCUMENT NUMBER</td> </td>	DATE:	8-DEC-82 <td colspan="4">DOCUMENT NUMBER</td>				DOCUMENT NUMBER			
DD	PC100-ML001	B	[A]A ,AN,A1,B2,B3,B4,		RESP.ENG.:	F. CHALOUX <td>DATE:</td> <td colspan="4">8-DEC-82 <td>SIZE</td> <td>CODE</td> <td>NUMBER</td> <td>REV</td> </td>	DATE:	8-DEC-82 <td>SIZE</td> <td>CODE</td> <td>NUMBER</td> <td>REV</td>				SIZE	CODE	NUMBER	REV
FC	PC100-ML002	C	B5,B6,B7		MFG.ENG.:	B. PORTER <td>DATE:</td> <td colspan="4">8-DEC-82 <td>K</td> <td>PL</td> <td>PC100-0-DBP</td> <td>L</td> </td>	DATE:	8-DEC-82 <td>K</td> <td>PL</td> <td>PC100-0-DBP</td> <td>L</td>				K	PL	PC100-0-DBP	L
FC	PC100-ML003	D	[B]		ASSEMBLY NUMBER:	E-UA-PC100-0-DBU <td>TOP DOCUMENT NUMBER:</td> <td colspan="4">#B-DD-PC100-0</td> <td>FILE NAME:</td> <td colspan="2">Z5232L.PLS</td> <td>EDIT #</td>	TOP DOCUMENT NUMBER:	#B-DD-PC100-0				FILE NAME:	Z5232L.PLS		EDIT #
FC	PC100-ML005	E	[C]									RELEASE DATE:	31-DEC-84		
AJ	PC100-ML007	H	[D]												
AJ	PC100-ML008	J	[E]												
AJ	PC100-ML010	K	[F]												
AJ	PC100-ML0011	L													

"THIS DRAWING AND THE SPECIFICATIONS CONTAINED HEREIN ARE CONFIDENTIAL AND PROPRIETARY. THEY ARE THE PROPERTY OF DIGITAL EQUIPMENT CORPORATION AND SHALL NOT BE REPRODUCED OR COPIED OR USED IN WHOLE OR IN PART AS THE BASIS FOR THE MANUFACTURE OR SALE OF ITEMS WITHOUT WRITTEN PERMISSION. THIS IS AN UNPUBLISHED WORK PROTECTED UNDER THE FEDERAL COPYRIGHT LAWS."

LINE ITEM	TOP DOCUMENT	PART NUMBER	MIN REV	DESCRIPTION	QTY PER VARIATION								
					A	AN	A1	B2	B3	B4	B5	B6	B7
					VARIATION REVISION LEVEL:								
					A6	A6	A2	A2	A3	A2	A2	A2	A2
31	31	3620218-09		LABEL,PC100-B	-	-	-	1	1	1	1	1	1
32	32	3620218-12		*** THIS ITEM IS NOT USED ***	-	-	-	-	-	-	-	-	-
33	33	3617905-07		LABEL,EQUIP SET 100-120V ENG,FR,	-	-	-	1	-	-	-	-	-
34	34	3617905-09		LABEL,EQUIP SET 220-240V ENG,FR,	-	-	-	-	1	-	-	-	-
35	35	3617905-11		LABEL,EQUIP SET 220-240V ENG,SWD	-	-	-	-	-	-	1	1	-
36	36	3617905-12		LABEL,EQUIP SET 220-240V ENG,FR,	-	-	-	-	-	1	-	-	-
37	37	A-PA-3700695-0-0		3700695-05	-	-	-	1	1	1	1	1	1
38	38			3620215-09	-	-	-	-	-	-	-	-	-
39	39			1700318-02	1	1	1	1	1	1	1	1	1
40	40			3620215-13	-	-	-	1	1	1	1	1	1

- 41 NOTE: 3620215-11 IS A REQUIRED ALTERNATE FOR ITEM 37 (WHEN MFG AT ZGO)
- 42 NOTE: 3620215-10 IS A REQUIRED ALTERNATE FOR ITEM 15 (WHEN MFG AT ZGO)
- 43 NOTE: 3620218-10 IS A REQUIRED ALTERNATE FOR ITEM 14 (WHEN MFG AT ZGO)
- 44 NOTE: 3620218-11 IS A REQUIRED ALTERNATE FOR ITEM 30 (WHEN MFG AT ZGO)
- 45 NOTE: 36-20215-12 IS REQUIRED FOR 3620215-13(WHEN MFG AT ZGO)

D	I	G	I	T	A	L	TITLE	SECTION A OF A	SIZE	CODE	DOCUMENT NUMBER	REV
							RAINBOW		K	PL	PC100-0-DBP	L

DRAWING NO.	NO. OF SHTS.	PART NO.	DESCRIPTION	REVISIONS															
				A1	A2	A3	A4	A4	A5	A5	A6	A6	A6	A6					
		PC100-A	PERSONAL COMPUTER, Z80 & 8088 64KB RAM, 24x80/132 CHARACTERS, Rx50 FLOPPY, PRINTER PORT, ASYNC/ SYNC PORT, 120/240V																
		PC100-AN	NON FCC COMPLAINT PC100-A, 120/240V																
		PC100-A1	PC100-A EXCEPT 120V ONLY																
		PC100-B2	PERSONAL COMPUTER, Z80 & 8088, 128KB RAM, 24x80/132 CHARACTERS, Rx50 FLOPPY, 120, ENGLISH-GERMAN- FRENCH																
		PC100-B3	PERSONAL COMPUTER, Z80 & 8088, 128KB RAM, 24x80/132 CHARACTERS, Rx50 FLOPPY, PRINTER PORT, ASYNC/ SYNC PORT, 240V, ENGLISH-GERMAN- FRENCH																
		PC100-B4	PERSONAL COMPUTER, Z80 & 8088, 128KB RAM, 24x80/132 CHARACTERS, Rx50 FLOPPY PRINTER PORT, ASYNC/SYNC PORT, 240V, ENGLISH-DUTCH-FRENCH																

NOTES:

REVISION HISTORY		REV.	A	A	A	A	B	B	C	C	D	E	F
DATE	ECO NO.	INITIAL	ML001	ML002	ML003	ML004	ML005	ML006	ML007	ML008	ML010	ML011	

THIS DRAWING AND THE SPECIFICATIONS CONTAINED HEREIN ARE CONFIDENTIAL AND PROPRIETARY. THEY ARE THE PROPERTY OF DIGITAL EQUIPMENT CORPORATION AND SHALL NOT BE REPRODUCED OR COPIED OR USED IN WHOLE OR IN PART AS THE BASIS FOR THE MANUFACTURE OR SALE OF ITEMS WITHOUT WRITTEN PERMISSION. THIS IS AN UNPUBLISHED WORK PROTECTED UNDER THE FEDERAL COPYRIGHT LAWS.



DRN.	D. HEALY	DATE	02 DEC 82
CHK'D	D. HEALY	DATE	02 DEC 82
DES. ENG.	F. CHALOUX	DATE	02 DEC 82
RESP. ENG.	F. CHALOUX	DATE	02 DEC 82
MFG. ENG.	B. PORTER	DATE	02 DEC 82

TITLE			
RAINBOW			
DOCUMENT NUMBER			
SIZE	CODE	NUMBER	REV.
B	DD	PC100-0	F
SHEET 1 OF 2			

DRAWING NO.	NO. OF SHTS.	PART NO.	DESCRIPTION	REVISIONS																	
		PC100-B5	PERSONAL COMPUTER, Z80 & 8088, 128KB									A1	A2	A2							
			RAM, 24x80/132 CHARACTERS, Rx50																		
			FLOPPY, PRINTER PORT, ASYNC/SYNC																		
			PORT, 240V, ENGLISH-FINNISH-SWEDISH																		
		PC100-B6	PERSONAL COMPUTER, Z80 & 8088, 128KB									A1	A2	A2							
			RAM, 24x80/132 CHARACTERS, Rx50																		
			FLOPPY, PRINTER PORT, ASYNC/SYNC																		
			PORT, 240V, ENGLISH-DANISH-NORWEGIAN																		
		PC100-B7	PERSONAL COMPUTER, Z80 & 8088, 128KB									A1	A2	A2							
			RAM, 24x80/132 CHARACTERS, Rx50																		
			FLOPPY, PRINTER PORT, ASYNC/SYNC																		
			PORT, 240V, ENGLISH-SPANISH-ITALIAN																		
E-UA-PC100-0-DBU			RAINBOW	A	B	C	D	D	E	F	H	J	K	L							
K-PL-PC100-0-DBP			RAINBOW (PL)	A	B	C	D	D	E	F	H	J	K	L							
B-TC-PC100-0-1			RAINBOW (TC)	A	A	A	A	A	A	B	B	B	B	B							
A-SP-PC100-0-0			PC100-B SYSTEM SPECIFICATION					A	A	A	A	A	A	A							
MP-0149J-00			RAINBOW PC100-B (MP)	REF	REF	REF	REF	REF	REF	REF	REF	REF	REF	REF							

NOTES:

REVISION HISTORY		ECO NO.	REV.	INITIAL	A	A	A	A	B	B	C	C	D	E	F
DATE															



TITLE		DOCUMENT NUMBER		
RAINBOW		SIZE	CODE	NUMBER
		B	DD	PC100-0
				REV. F
		SHEET 2 OF 2		

DRAWING NO.	NO. OF SHTS.	PART NO.	DESCRIPTION	REVISIONS															
				A	B	C	D	E	F	G	H	I	J	K	L	M	N	O	P
		5416206-01	PC100-B MOTHER BOARD	A	B	B2	C	C	D										
D-CS-5416206-0-1	11		PC100-B MOTHER BOARD	A	B	C	C	C	D										
E-UA-5416206-0-0	1		PC100-B MOTHER BOARD	A	B	B	B	B	C										
K-PL-5416206-0-DBP	4		PC100-B MOTHER BOARD	A	B	C	D	E	F										
K-PC-5416206-0-DBE			PC DESIGN DATA BASE	A	A	A	A	A	A										
		5016205-01	ETCHED CIRCUIT BOARD	C1	C	C	C	C	C										
B-DD-5016205-0-0	1		DRAWING DIRECTORY	A	A	A	A	A	A										

NOTES:

REVISIONS		DATE	CHG NO.	INIT	REV.
		6-83			A
		8-83		ML001	B
		11-83		ML002	C
		1-84		ML003	D
		5-84		ML004	E
		9-85		ML005	F

THIS DRAWING AND SPECIFICATIONS, HEREIN, ARE THE PROPERTY OF DIGITAL EQUIPMENT CORPORATION AND SHALL NOT BE REPRODUCED OR COPIED OR USED IN WHOLE OR IN PART AS THE BASIS FOR THE MANUFACTURE OR SALE OF ITEMS WITHOUT WRITTEN PERMISSION.
 COPYRIGHT © 1983 DIGITAL EQUIPMENT CORPORATION



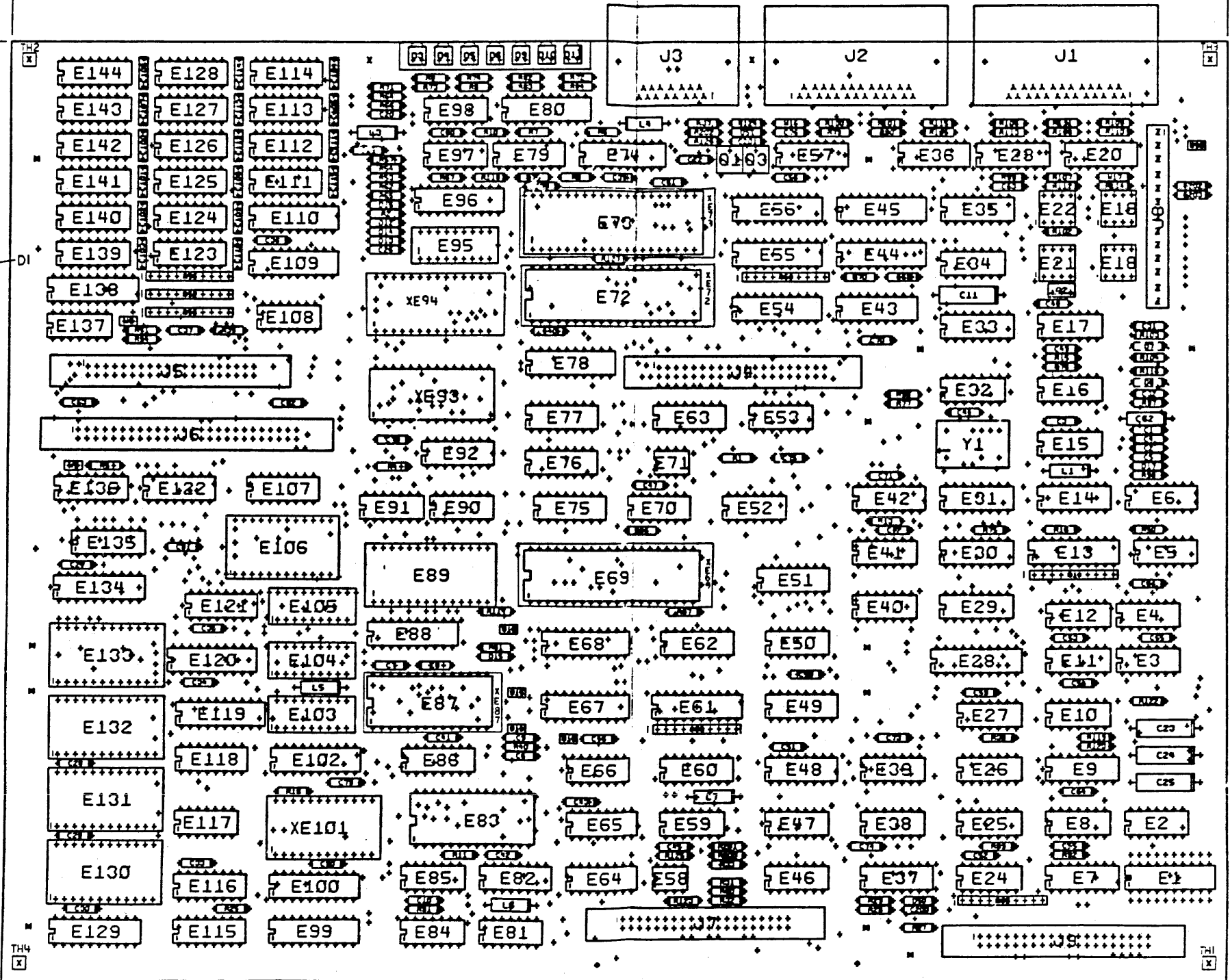
USED ON OPTION/MODEL	DRN. PEG LENNON	27JUN83	TITLE	PC100-B MOTHER BOARD
	CHK'D PEG LENNON	27JUN83	SIZE	B
	ENG. D. NELSON	27JUN83	CODE	DD
	PROD. L. HARDER	27JUN83	NUMBER	5416206-0-0
			REV.	F
			SHEET 1 OF 1	

A B C D E F H

MARK PART REVISION NEAR OR NEXT TO 54 PART NO.

ICs4 +.030
-.010
264.16 MM
F.C.S.

14.00 +.030
-.010
355.6 MM
F.C.S.



JOB NAME: 16206Y CL
MIFORW VERSION 7C(1) 12/13:OPTIONS: CHX/C/F/WI

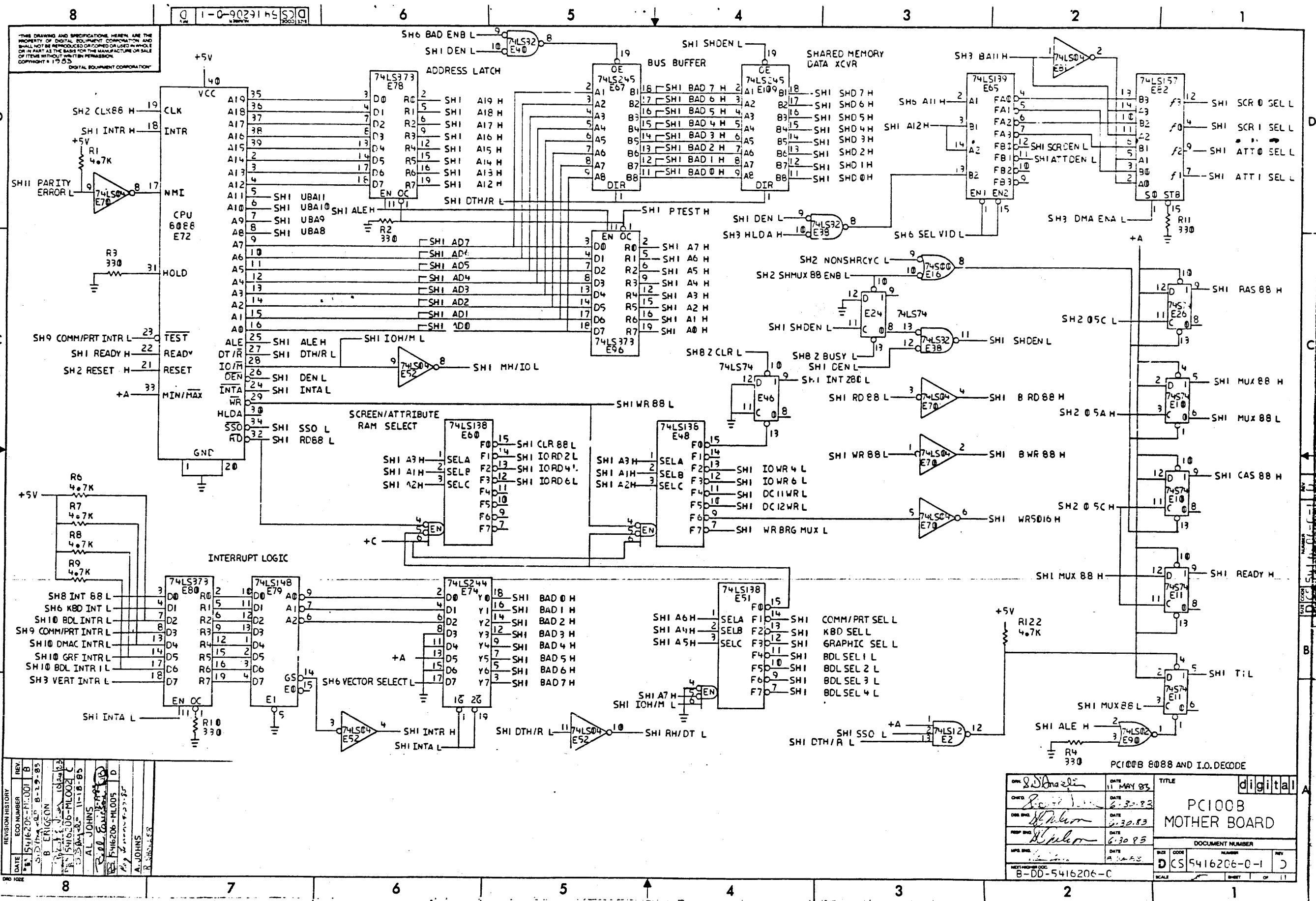
DATE	12/13/80
DESIGNER	...
CHECKED	...
DATE	...
SCALE	...
TOP DOC NO.	P. DD 5-110-200-0-0
REV.	...
ETCH REV.	...

DATE	...
DESIGNER	...
CHECKED	...
DATE	...
SCALE	...
TOP DOC NO.	P. DD 5-110-200-0-0
REV.	...
ETCH REV.	...



DATE	...
DESIGNER	...
CHECKED	...
DATE	...
SCALE	...
TOP DOC NO.	P. DD 5-110-200-0-0
REV.	...
ETCH REV.	...

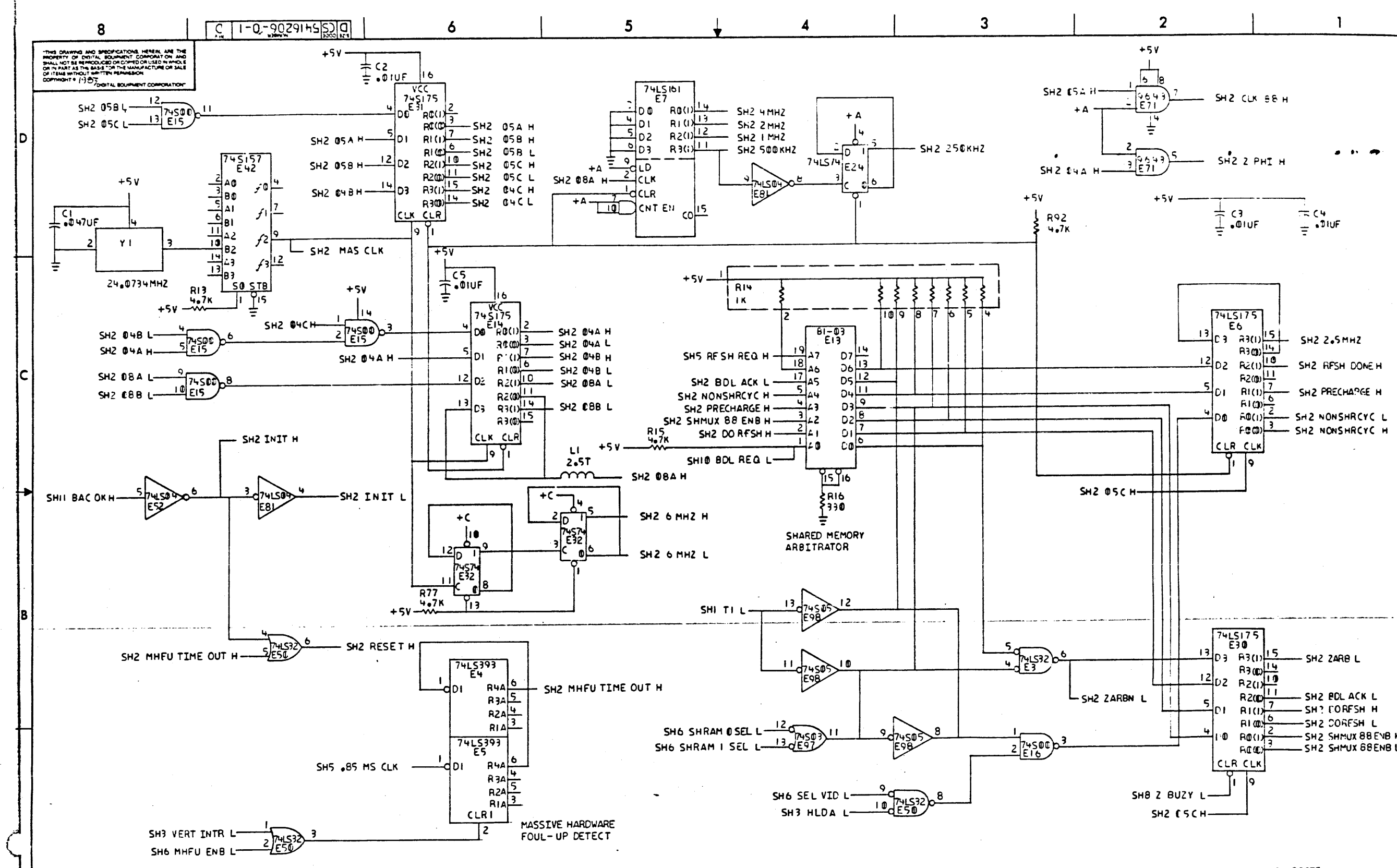
DATE	...
DESIGNER	...
CHECKED	...
DATE	...
SCALE	...
TOP DOC NO.	P. DD 5-110-200-0-0
REV.	...
ETCH REV.	...



REVISION HISTORY

REV.	DATE	DESCRIPTION
1	11-18-85	INITIAL DESIGN
2	11-18-85	REVISED FOR MANUFACTURE
3	11-18-85	REVISED FOR MANUFACTURE
4	11-18-85	REVISED FOR MANUFACTURE
5	11-18-85	REVISED FOR MANUFACTURE
6	11-18-85	REVISED FOR MANUFACTURE
7	11-18-85	REVISED FOR MANUFACTURE
8	11-18-85	REVISED FOR MANUFACTURE

DESIGNED BY: <i>S. S. Anzani</i>	DATE: 11 MAY 85	TITLE: digital
CHECKED BY: <i>R. J. ...</i>	DATE: 6-30-85	PC1008 MOTHER BOARD
DESIGNED BY: <i>R. J. ...</i>	DATE: 6-30-85	DOCUMENT NUMBER
PREPARED BY: <i>R. J. ...</i>	DATE: 6-30-85	5416206-0-1
DATE: 6-30-85	SCALE: 1 OF 11	

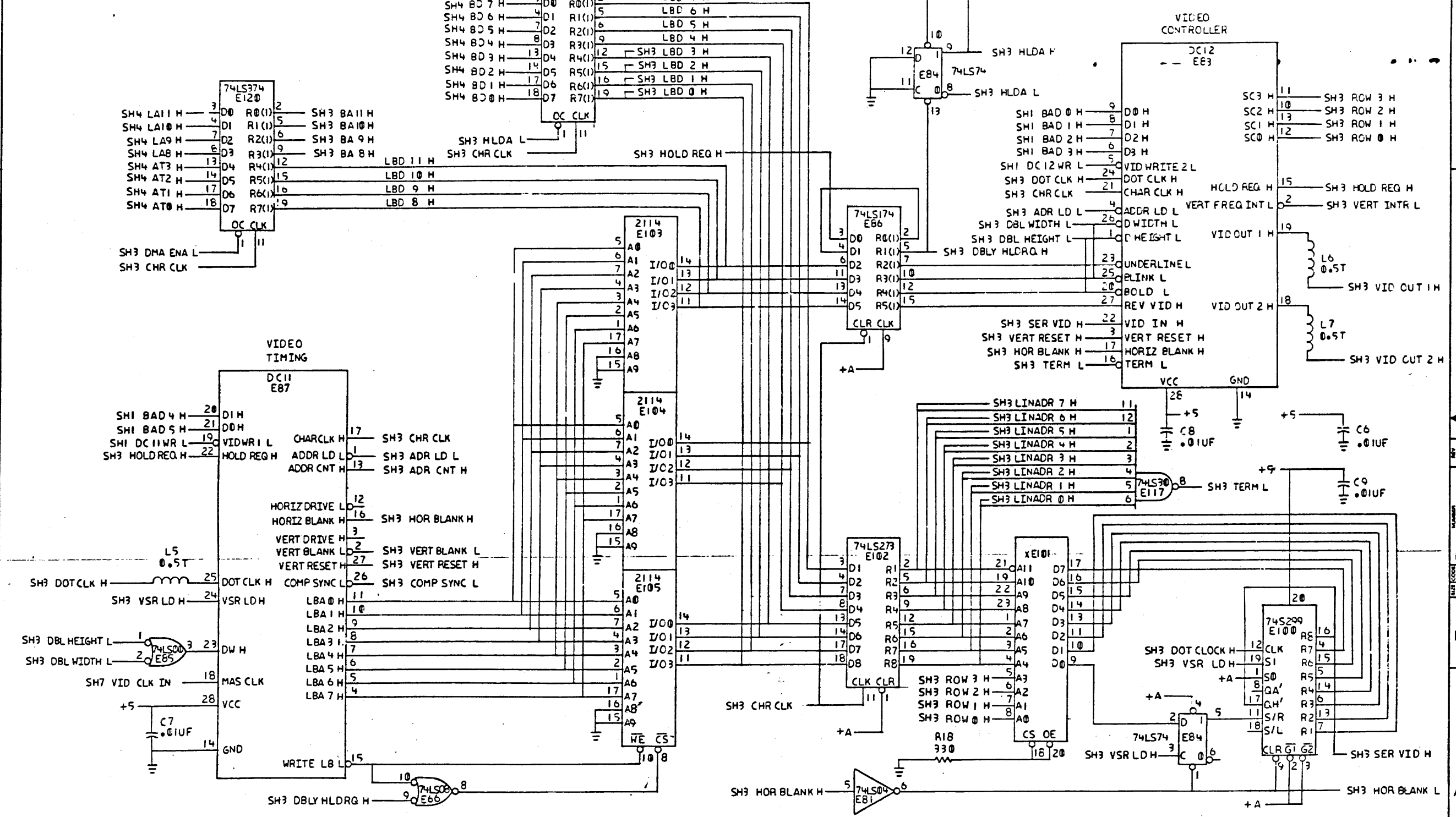


REVISION HISTORY				DOCUMENT NUMBER			
DATE	ECO NUMBER	REV		SIZE	CODE	NUMBER	REV
				D	C	5416206-0-1	0

TITLE: **PC100B MOTHER BOARD**

SCALE: *(blank)* SHEET 2 OF 11

THIS DRAWING AND SPECIFICATIONS HEREAFTER ARE THE PROPERTY OF DIGITAL EQUIPMENT CORPORATION AND SHALL NOT BE REPRODUCED OR COPIED OR USED IN WHOLE OR IN PART AS THE BASIS FOR THE MANUFACTURE OR SALE OF ITEMS WITHOUT WRITTEN PERMISSION. COPYRIGHT © 1983 DIGITAL EQUIPMENT CORPORATION



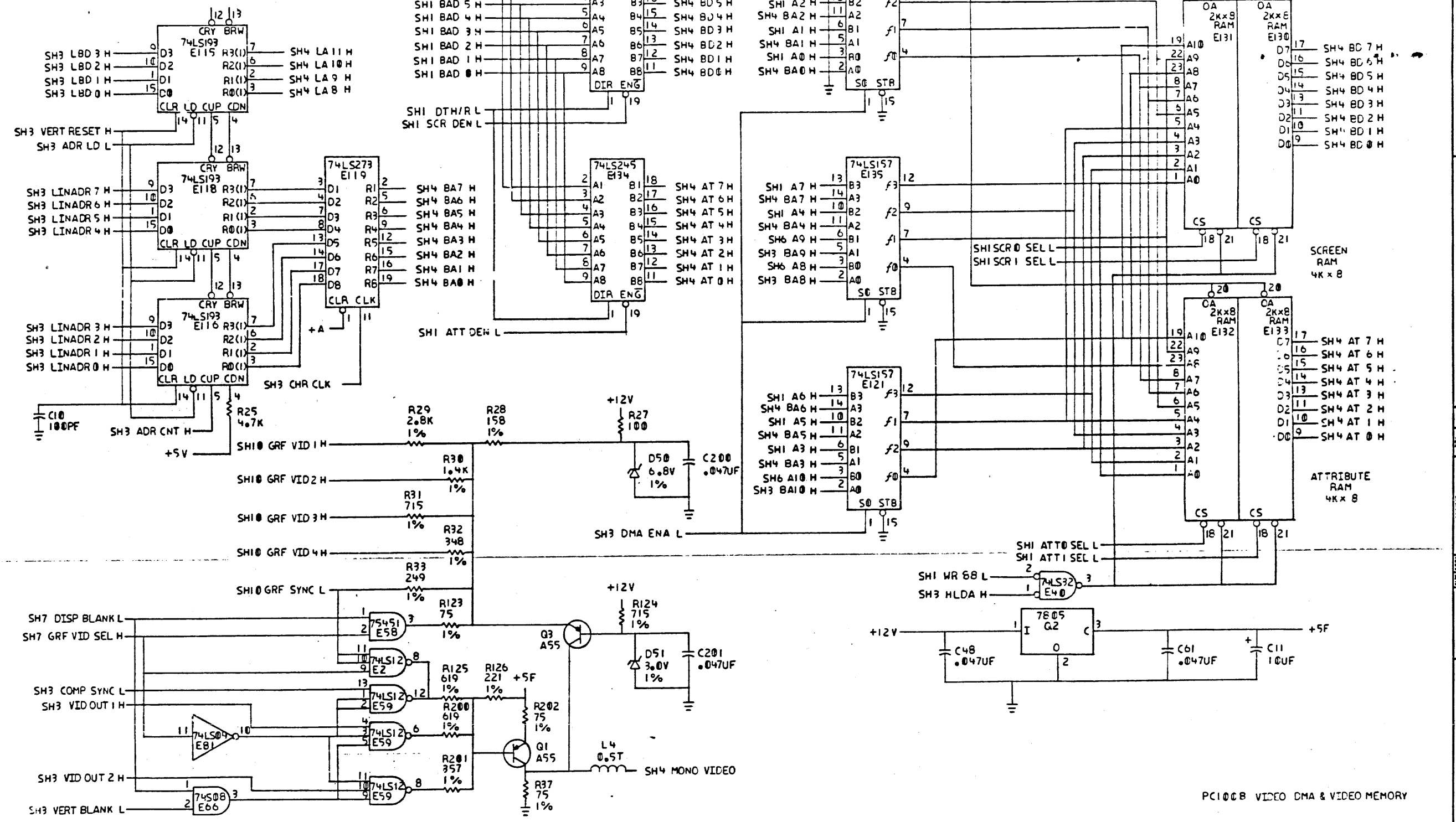
REVISION HISTORY		
DATE	ECO NUMBER	REV.

TITLE
PC100B
MOTHER BOARD

DOCUMENT NUMBER			
SIZE	CODE	NUMBER	REV.
D	CS	5416 206-C-1	D
SCALE		SHEET 3 OF 11	

THIS DRAWING AND SPECIFICATIONS HEREIN ARE THE PROPERTY OF DIGITAL EQUIPMENT CORPORATION AND SHALL NOT BE REPRODUCED OR COPIED OR USED IN WHOLE OR IN PART AS THE BASIS FOR THE MANUFACTURE OR SALE OF THIS WITHOUT WRITTEN PERMISSION. COPYRIGHT © 1983 DIGITAL EQUIPMENT CORPORATION.

LINE ADDRESS COUNTERS

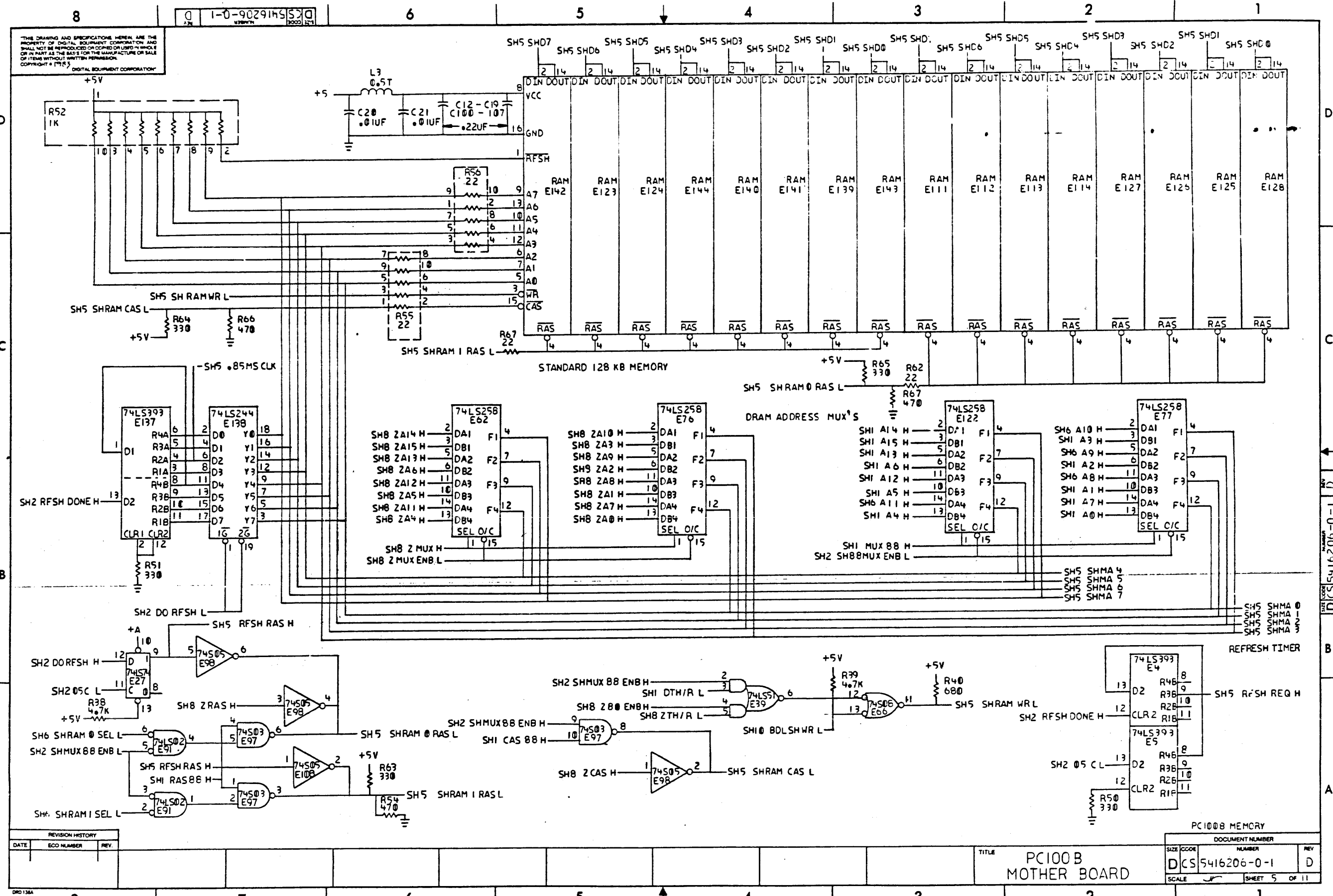


REVISION HISTORY		
DATE	ECO NUMBER	REV.

TITLE
PCI00B
MOTHER BOARD

DOCUMENT NUMBER		
SIZE	CODE	NUMBER
D	CS	5416206-0-1
SCALE	SHEET	4 OF 11

THIS DRAWING AND SPECIFICATIONS HEREIN ARE THE PROPERTY OF DIGITAL EQUIPMENT CORPORATION AND SHALL NOT BE REPRODUCED OR COPIED OR USED IN WHOLE OR IN PART AS THE BASIS FOR THE MANUFACTURE OR SALE OF ITEMS WITHOUT WRITTEN PERMISSION. COPYRIGHT © 1975



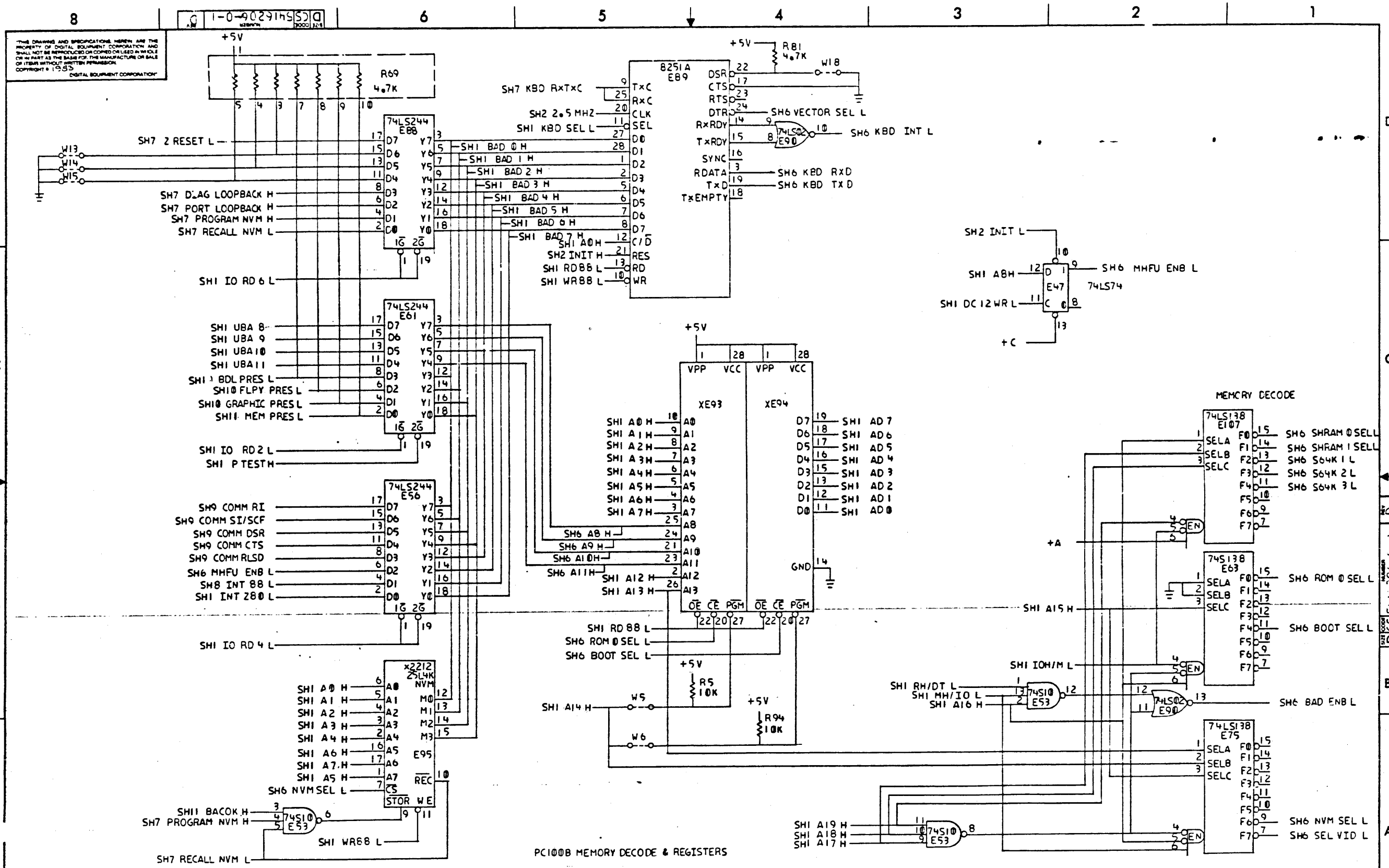
REVISION HISTORY		
DATE	ECO NUMBER	REV.

TITLE
PC100B
MOTHER BOARD

DOCUMENT NUMBER			
SIZE	CODE	NUMBER	REV
D	CS	5416206-0-1	D
SCALE			SHEET 5 OF 11

D:\CS\5416206-0-1

THIS DRAWING AND SPECIFICATIONS HEREBY ARE THE PROPERTY OF DIGITAL EQUIPMENT CORPORATION AND SHALL NOT BE REPRODUCED OR COPIED OR USED IN WHOLE OR IN PART AS THE BASIS FOR THE MANUFACTURE OR SALE OF ITEMS WITHOUT WRITTEN PERMISSION. COPYRIGHT © 1985 DIGITAL EQUIPMENT CORPORATION.



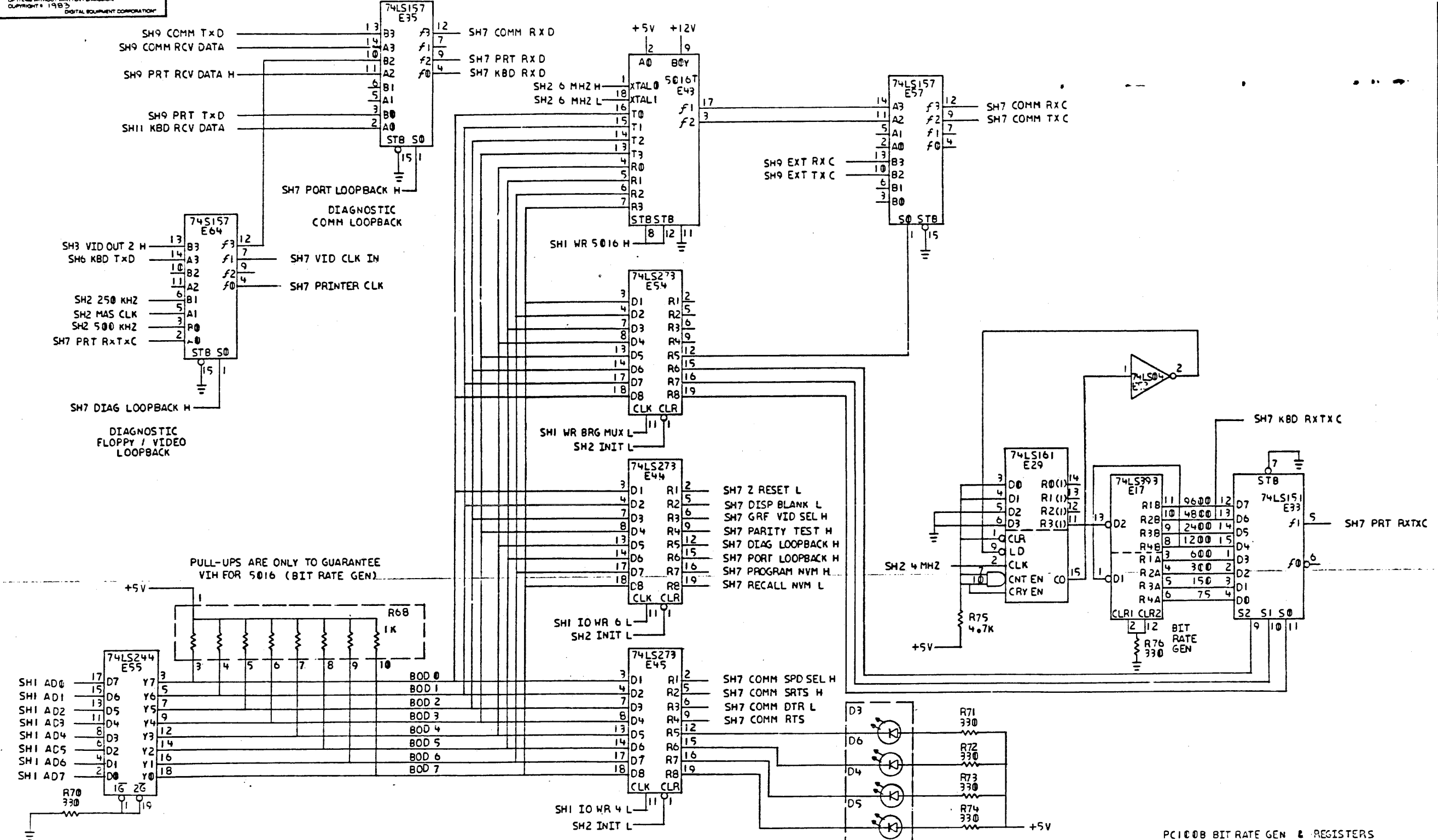
REVISION HISTORY		
DATE	ECO NUMBER	REV.

TITLE
PC100B
MOTHER BOARD

DOCUMENT NUMBER		
SIZE CODE	NUMBER	REV.
D	5416206-0-1	D
SCALE	SHEET 6 OF 11	



THIS DRAWING AND SPECIFICATIONS HEREBY ARE THE PROPERTY OF DIGITAL EQUIPMENT CORPORATION AND SHALL NOT BE REPRODUCED OR COPIED OR USED IN WHOLE OR IN PART AS THE BASIS FOR THE MANUFACTURE OR SALE OF ITEMS WITHOUT WRITTEN PERMISSION. COPYRIGHT © 1983 DIGITAL EQUIPMENT CORPORATION.

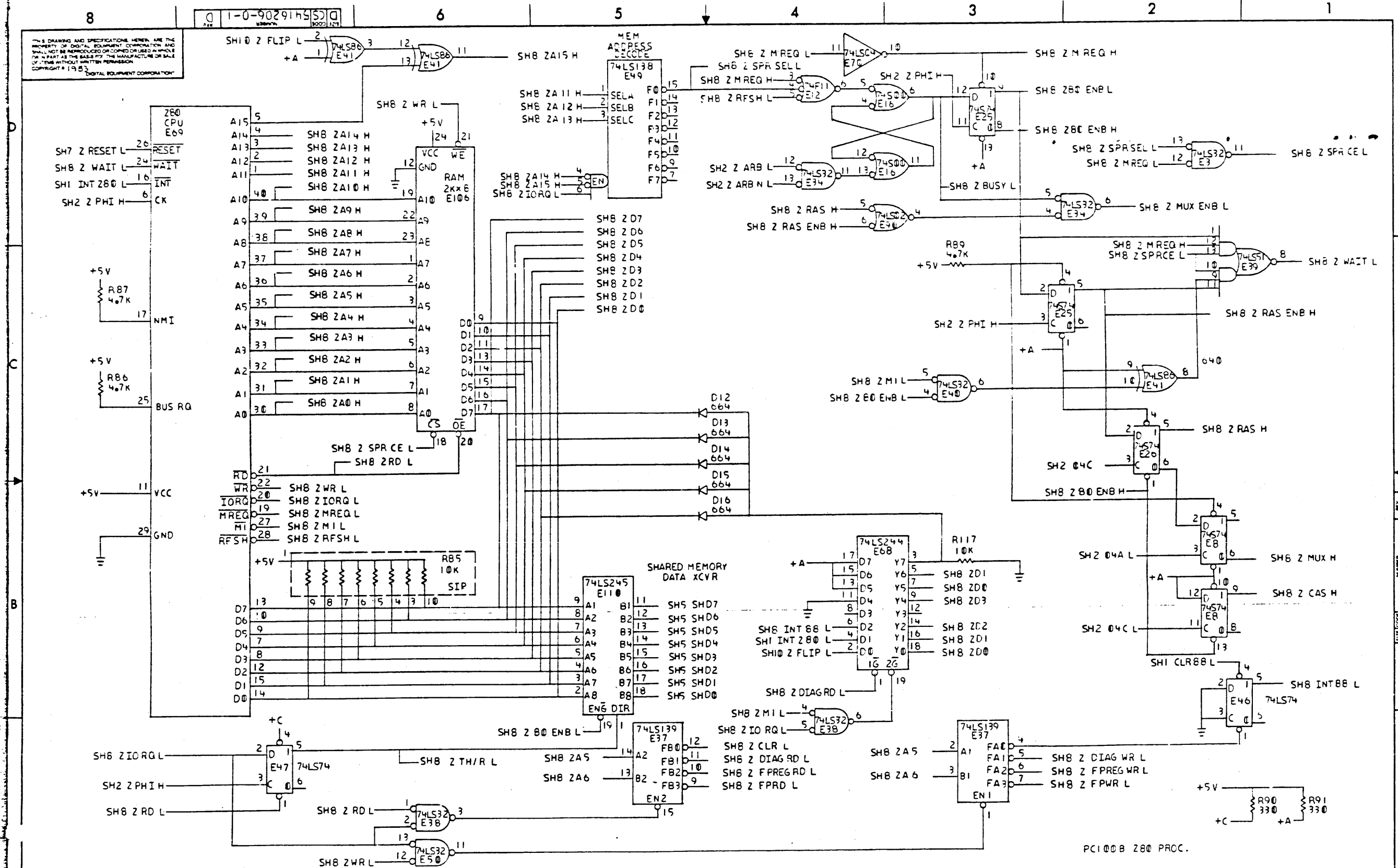


REVISION HISTORY		
DATE	ECO NUMBER	REV

TITLE
PCI00B
MOTHER BOARD

DOCUMENT NUMBER		
SIZE	CODE	NUMBER
DCS	5416206-0-1	1
SCALE	SHEET	7 OF 11

THIS DRAWING AND SPECIFICATIONS HEREIN ARE THE PROPERTY OF DIGITAL EQUIPMENT CORPORATION AND SHALL NOT BE REPRODUCED OR COPIED OR USED IN WHOLE OR IN PART AS THE BASIS FOR THE MANUFACTURE OR SALE OF ITEMS WITHOUT WRITTEN PERMISSION. COPYRIGHT © 1985. DIGITAL EQUIPMENT CORPORATION.

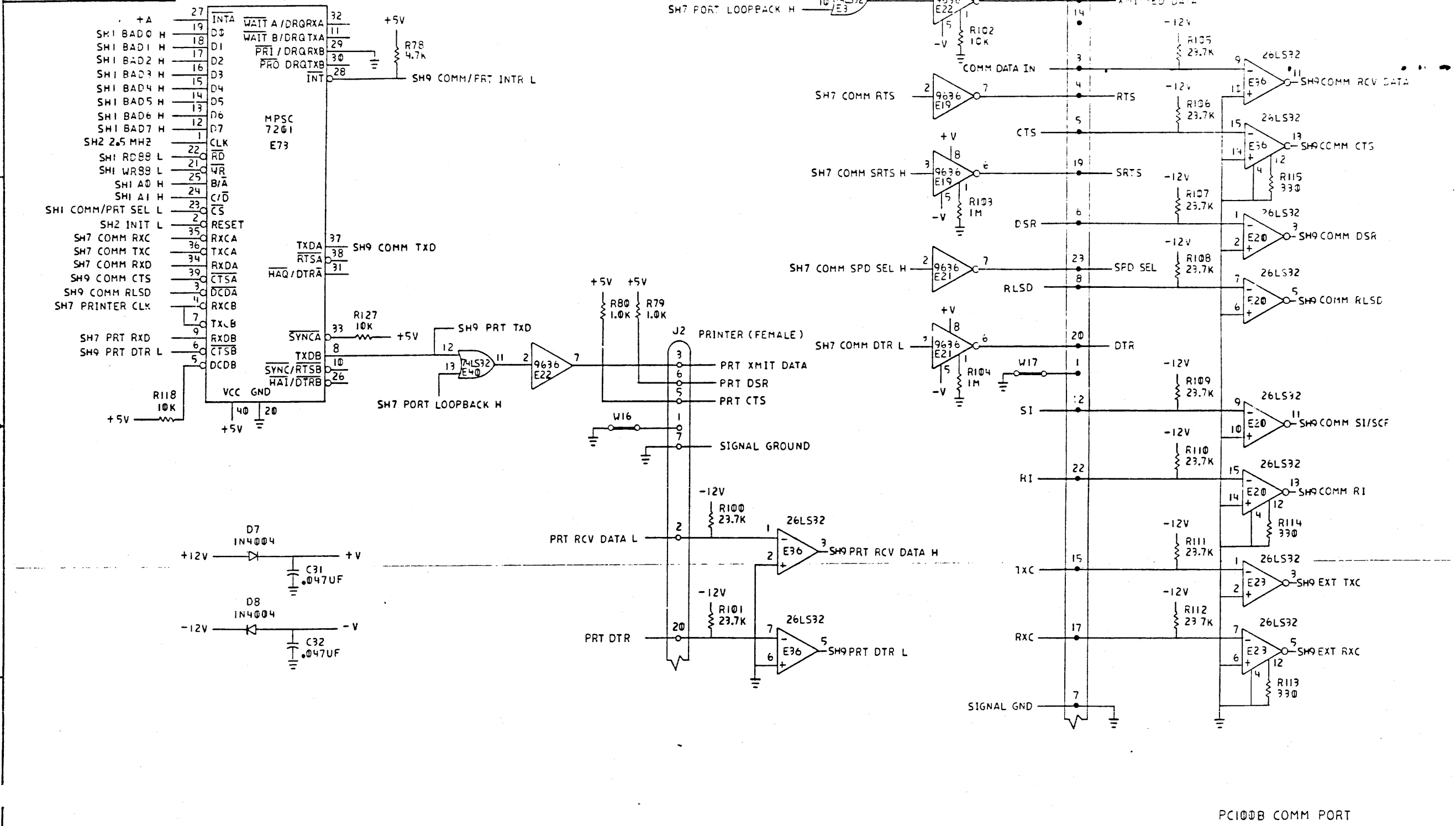


REVISION HISTORY		
DATE	ECO NUMBER	REV

TITLE
PCI00B
MOTHER BOARD

DOCUMENT NUMBER		
SIZE	CODE	NUMBER
D	CS	5416206-0-1
SCALE	SHEET	2 OF 11

THIS DRAWING AND THE SPECIFICATIONS CONTAINED HEREIN ARE CONFIDENTIAL AND PROPRIETARY. THEY ARE THE PROPERTY OF DIGITAL EQUIPMENT CORPORATION AND SHALL NOT BE REPRODUCED OR COPIED OR USED IN WHOLE OR IN PART AS THE BASIS FOR THE MANUFACTURE OR SALE OF ITEMS WITHOUT WRITTEN PERMISSION. THIS IS AN UNCLASSIFIED WORK PROTECTED UNDER THE FEDERAL COPYRIGHT LAWS, 1976.

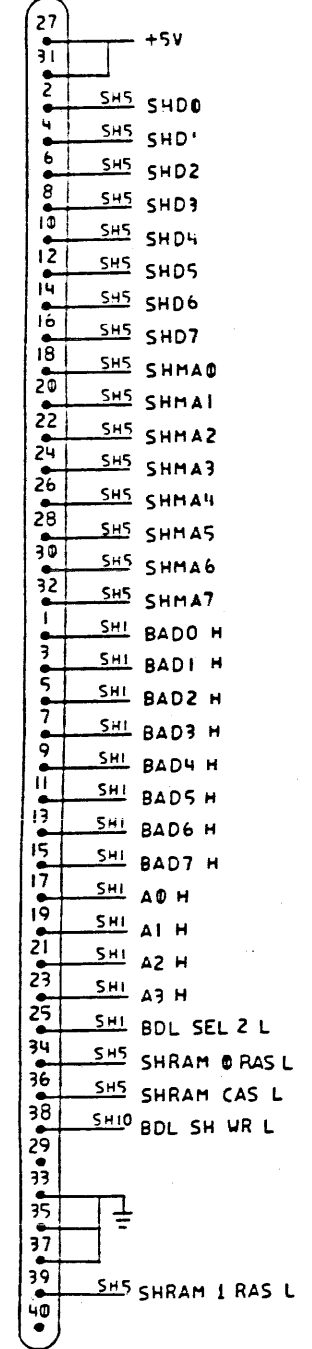


REVISION HISTORY		
REV	ECO NUMBER	DATE

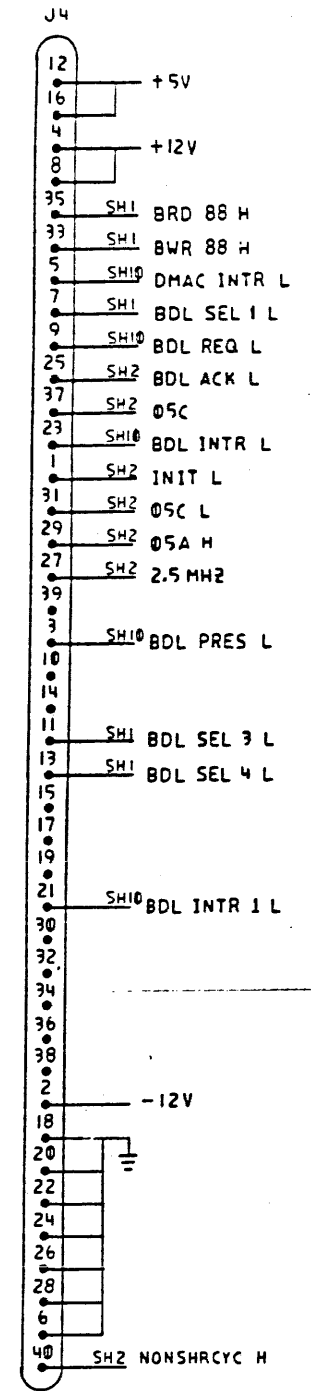
PCI00B MOTHER BOARD

DOCUMENT NUMBER	
SIZE CODE	NUMBER
D/CS	5416206-0-1
SCALE	SHEET 9 OF 11

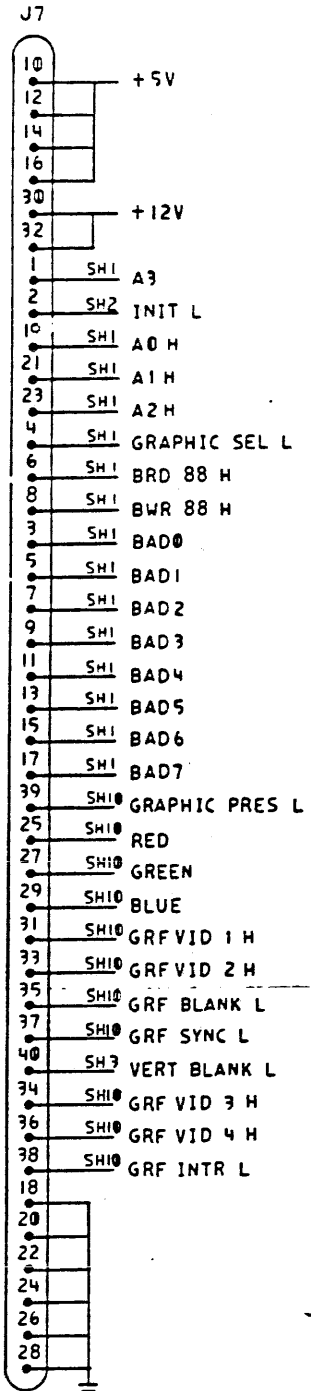
RIGHT CONN.
J5 EXTENDED COMMS. CONNECTORS



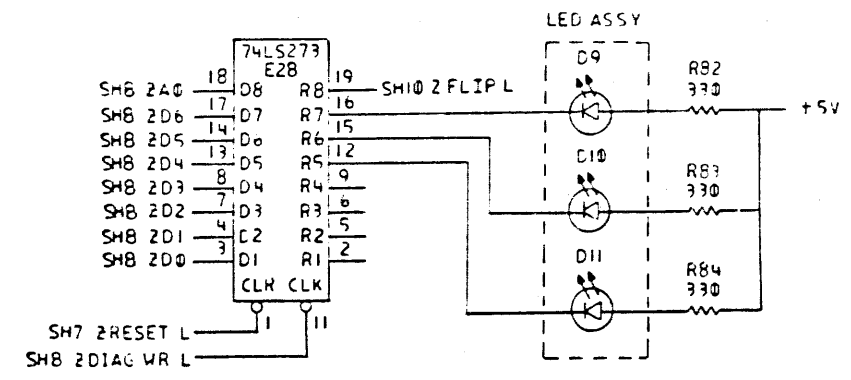
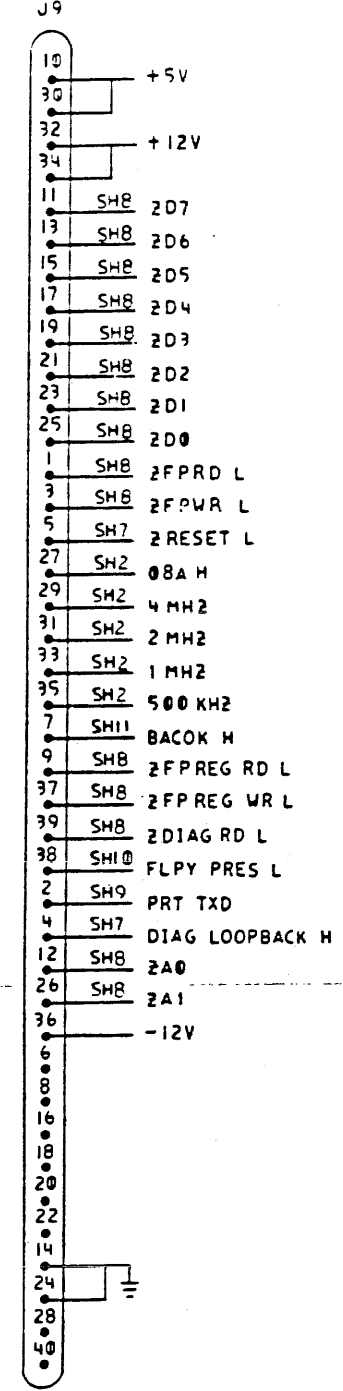
LEFT CONN.
J4



GRAPHICS
J7



RX50 CONTROLLER
J9



PC100B INTERCONNECT

REVISION HISTORY		
REV	ECO NUMBER	DATE

TITLE
PC100B
MOTHER BOARD

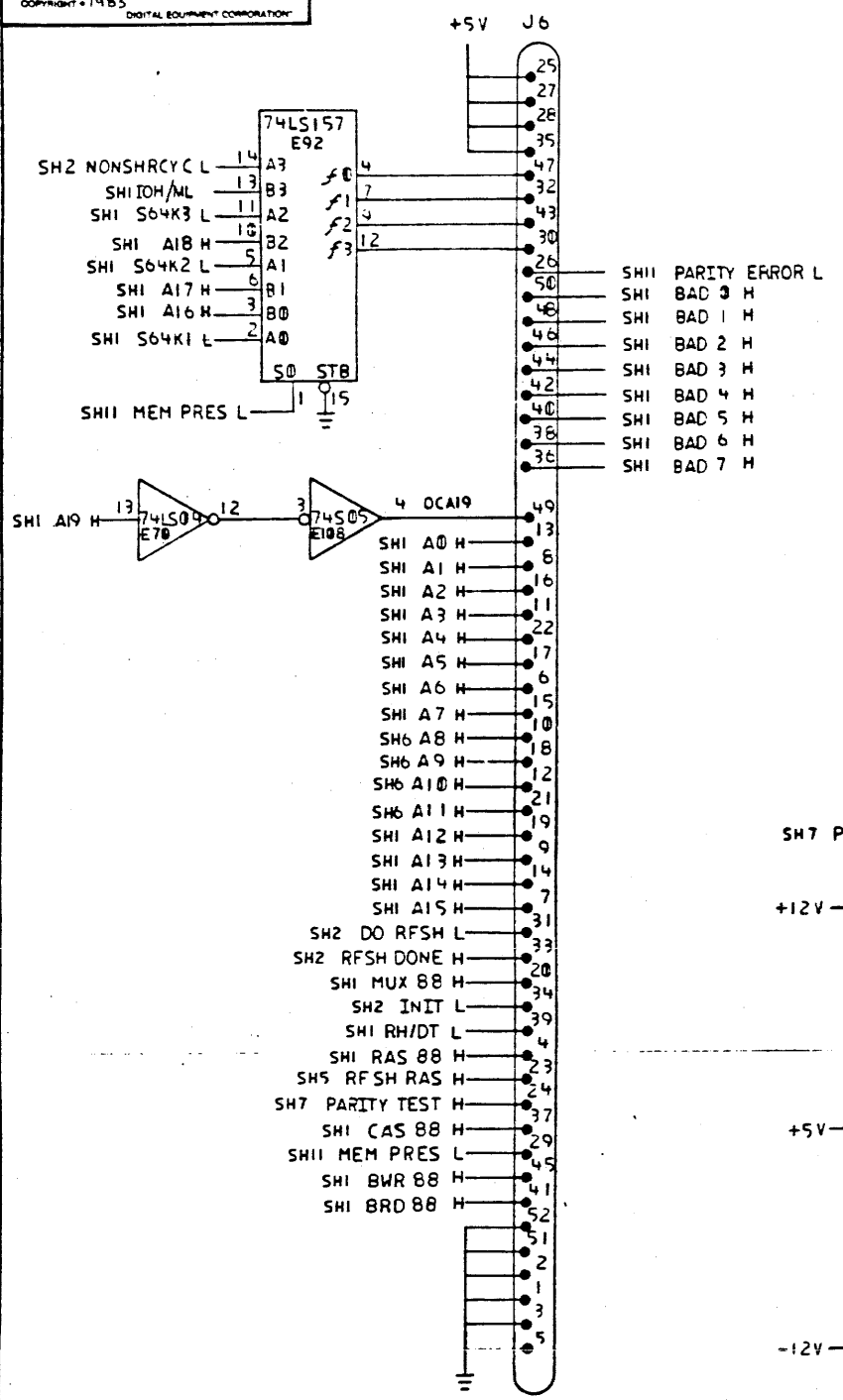
DOCUMENT NUMBER		
SIZE	CODE	NUMBER
D	CS	5416206-0-1

SCALE: --- SHEET 10 OF 11

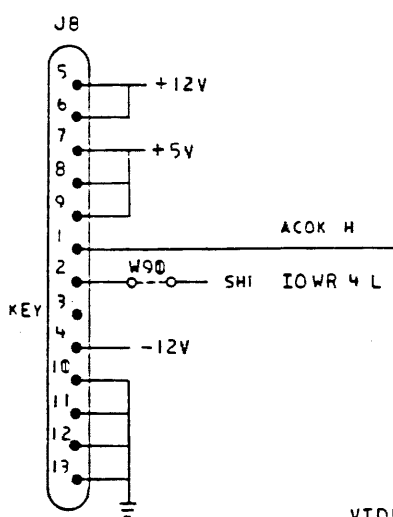
THIS DRAWING AND SPECIFICATIONS HEREIN ARE THE PROPERTY OF DIGITAL EQUIPMENT CORPORATION AND SHALL NOT BE REPRODUCED OR COPIED OR USED IN WHOLE OR IN PART AS THE BASIS FOR THE MANUFACTURE OR SALE OF ITEMS WITHOUT WRITTEN PERMISSION. COPYRIGHT © 1985 DIGITAL EQUIPMENT CORPORATION.

1-0-90291HS S3D

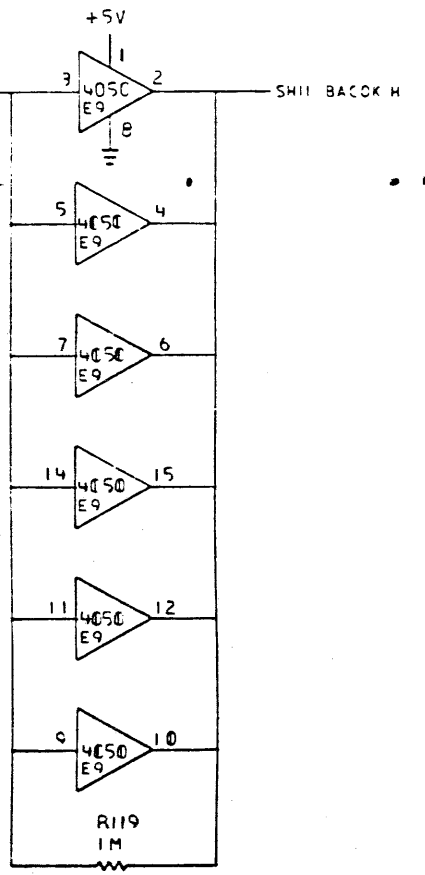
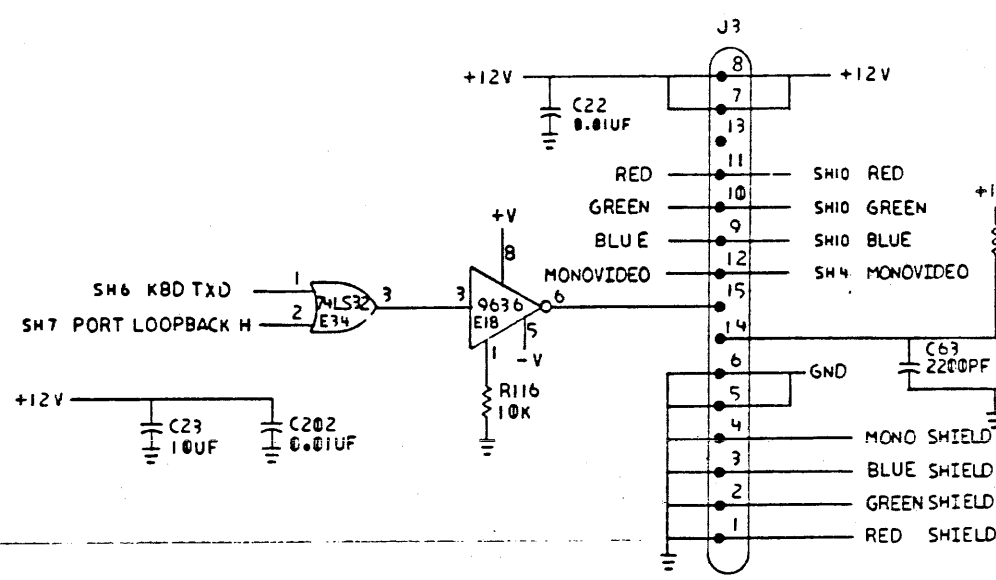
MEMORY OPTION CONN



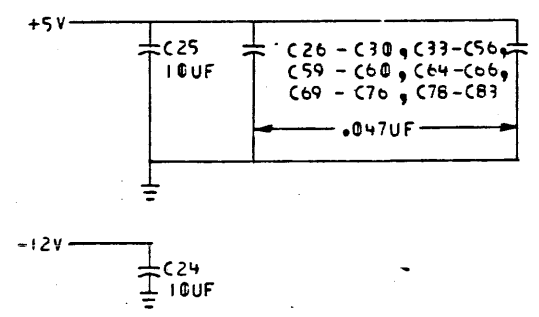
POWER



VIDEO



NOTES:
RESISTORS ARE 1/4W, 5% UNLESS OTHERWISE SPECIFIED



REVISION HISTORY		
DATE	ECO NUMBER	REV

PC104B INTERCONNECT

TITLE PCI00B MOTHER BOARD

DOCUMENT NUMBER		
SIZE CODE	NUMBER	REV
D	CS5416206-G-1	3
SCALE	SHEET 11 OF 11	

LINE ITEM	TOP DOCUMENT	PART NUMBER	MIN REV	DESCRIPTION	QTY	PER VARIATION	REFERENCE DESIGNATOR
				VARIATION REVISION LEVEL:	01		
					D1		
1	1	5016205-01		CIRCUIT DRILL AND ETCH	1		
2	2	1000064-00		3.9MFD 10V 10% S.TANT	1		C62
3	3	1001610-00		.01 MFD 50V +80-20% Z5U CER	12		C2-C9,C20,C21,C22,C202
4	4	1012784-00		.047 MFD 50V +80-20% CER	54		C1,C26-C56,C59-C61,C64-C66, CONT C69-C76,C78-C83,C200,C201
5	5	1013466-06		100.0 MMF 50V 5% CER	1		C10
6	6	1014265-00		.22 MFD 50V +80-20% CER	16		C100-C115
7	7	1013466-12		2200.0 MMF 50V 10% X7R CER	1		C63
8	8	1017472-00		10 MFD 35V +75-10% AL EL	4		C23-C25,C11
9	9	1100114-00		PIV= 25 IO=135 MA	6		D12-D17
10	10	1105796-00		PIV= 400 IO= 1.00A 1N4004 DO-41	2		D7,D8
11	11	1120306-02		LED,RED 7 GANGED	1		D3-D6,D9-D11
12	12	1109991-01		VZ= 6.8 1% 400 MW D	1		D50
13	13	1105871-01		VZ= 3.0 1% 250 MW	1		D51
14	14	1215006-03		*** THIS ITEM IS NOT USED ***	-		
15	15	1215006-06		SKT,IC 24PIN DIP TIN SOLD	1		XE101
16	16	1215006-07		SKT,IC 28PIN DIP TIN SOLD	3		XE87,XE93,XE94
17	17	1215006-08		SKT,IC 40PIN DIP TIN SOLD	3		XE69,XE72,XE73
18	18	1215901-05		PCB,HEADER 02PIN(1X02).100CC STR	7		W13-W15,W90,W18,W5,W6
19	19	1220365-02		CONN,D SUB 15PIN ASSY 90D	1		J3
20	20	1220365-03		CONN,D SUB 25PIN ASSY 90D	1		J1
21	21	1220399-04		CONN,D SUB 25SKT ASSY RT ANGLE	1		J2
22	22	1215699-05		PCB,HEADER 12POS(1X13).156CC STR	1		J8
23	23	1219066-00		*** THIS ITEM IS NOT USED ***	-		
24	24	1219066-03		PCB HEADER 52PIN(2X26).100CC STR	1		J6
25	25	1300295-00		330.0 .25 W 5.0 % CF	26		R3,R4,R10,R11,R16,R64,R65,R18, CONT R50,R51,R70,R113-R115,R2,R76, CONT R90,R91,R71-R74,R82-R84,R53
26	26	1300316-00		470.0 .25 W 5.0 % CF	3		R66,R67,R54
27	27	1300365-00		1.0 K .25 W 5.0 % CF	2		R79,R80

REVISION HISTORY			BASIC PART NO: 5416206		
ENG	ECO NUMBER	REV	SECTION A OF A	DRN: M FUNARO	DATE: 15-JUN-83
---	INITIAL	A	SECTION VARIATION INDEX	CHK'D: DICK BARRIERE	DATE: 27-JUN-83
BE	5416206-ML001	B	[A] 01	DES.ENG: D. NELSON	DATE: 27-JUN-83
B.E	5416206-ML002	C	[B]	RESP.ENG.: D. NELSON	DATE: 27-JUN-83
DN	5416206-ML003	D	[C]	MFG.ENG.: L. HARDER	DATE: 27-JUN-83
AJ	5415486.ML004	E	[D]	ASSEMBLY NUMBER:	TOP DOCUMENT NUMBER:
AJ	5416206-ML005	F	[E]	E-UA-5416206-0-0	B-DD-5416206-0-0
			[F]		FILE NAME: Z6723F.PLS
			[H]		EDIT # 29
			[J]		
			[K]		
			[L]		
			[M]		
			[N]		

"THIS DRAWING AND THE SPECIFICATIONS CONTAINED HEREIN ARE CONFIDENTIAL AND PROPRIETARY. THEY ARE THE PROPERTY OF DIGITAL EQUIPMENT CORPORATION AND SHALL NOT BE REPRODUCED OR COPIED OR USED IN WHOLE OR IN PART AS THE BASIS FOR THE MANUFACTURE OR SALE OF ITEMS WITHOUT WRITTEN PERMISSION. THIS IS AN UNPUBLISHED WORK PROTECTED UNDER THE FEDERAL COPYRIGHT LAWS."

LINE	ITEM	TOP DOCUMENT	PART NUMBER	MIN REV	DESCRIPTION	VARIATION REVISION LEVEL:	QTY PER VARIATION		REFERENCE DESIGNATOR
							01	D1	
28	28		1300447-00		4.70 K .25 W 5.0 % CF		19		R1,R6-R9,R92,R25,R122,R15,R13, CONT R89,R38,R39,R75,R77,R78,R81,R86, CONT R87
29	29		1300479-00		10.0 K .25 W 5.0 % CF		7		R102,R117,R116,R118,R127,R5,R94
30	30		1301424-00		680.0 .25 W 5.0 % CF		1		R40
31	31		1301969-00		22.0 .25 W 5.0 % CF		2		R62,R57
32	32		1309595-00		1.0 M .25 W 5.0 % CF		3		R103,R104,R119
33	33		1312930-00		5.10 K .25 W 5.0 % CF		1		R98
34	34		1302466-00		100.0 K .25 W 5.0 % CF		2		R97,R120
35	35		1313597-00		23.70 K .25 W 1.0 % RN55D-F10		11		R100,R101,R105-R112,R99
36	36		1316334-02		R NETWORK 9-10K 2.0 % 10PIN		1		R85
37	37		1316395-00		R NETWORK 9-4.7K 2.0 % 10PIN		1		R69
38	38		1316334-01		R NETWORK 5-22 +-2 OHM 10PIN		2		R55,R56
39	39		1316395-02		R NETWORK 9-1.0K 2.0 % 10PIN		3		R14,R52,R68
40	40		1303064-00		75.0 .25 W 1.0 % RN55D-F10		3		R37,R123,R202
41	41		1300229-00		100.0 .25 W 5.0 % CF		1		R27
42	42		1313584-00		158.0 .25 W 1.0 % RN55D-F10		1		R28
43	43		1319531-01		221.0 .25 W 1.0 % RN55D-F10		1		R126
44	44		1317404-00		249.0 .25 W 1.0 % RN55D-F10		1		R33
45	45		1304858-00		348.0 .25 W 1.0 % RN55D-F10		1		R32
46	46		1318341-25		357.0 .25 W 1.0 % RN55D-F10		1		R201
47	47		1305126-00		619.0 .25 W 1.0 % RN55D-F10		2		R125,R200
48	48		1316839-00		715.0 .25 W 1.0 % RN55D-F10		2		R31,R124
49	49		1313589-00		1.40 K .25 W 1.0 % RN55D-F10		1		R30
50	50		1305145-00		2.80 K .25 W 1.0 % RN55D-F10		1		R29
51	51		1510706-00		XA 55 PNP 500MW SI 60 50 P		2		Q1,Q3
52	52		1618238-02		BEAD,FERRITE .1380DX.330LG		5		L3-L7
53	53		1618437-00		BEAD,FERRITE .23600X.394LG		1		L1
54	54		1814830-00		OSCILLATOR, XTAL 24.073 MHZ		1		Y1
55	55		1910406-00		75451 DRIVER,PERIPH,DUAL,		1		E58
56	56		1910532-00		74S00 NAND GATE-QUAD 2IN		2		E15,E16
57	57		1910533-00		74S03 NAND GATE-QUAD 2IN,0		1		E97
58	58		1910535-00		74S05 INVERTER GATE-HEX 1		2		E98,E108
59	59		1910536-00		74S10 NAND GATE-TRIPLE 3IN		1		E53
60	60		1910544-00		74S74 FF-D DUAL,EDGE TRIGG		6		E8,E10,E11,E25,E26,E32
61	61		1910548-00		74S157 MUX 1 OF 2 (QUAD)		2		E42,E64
62	62		1910957-00		74S175 FF-D QUAD COMMON CLO		2		E14,E31
63	63		1912389-00		74S08 AND GATE-QUAD 2IN,PO		1		E66
64	64		1912536-01		7805 VOLT REG,FIX +5V		1		Q2
65	65		1912697-00		LS174 FF-D HEX W/CLEAR		1		E86
66	66		1912799-00		LS00 NAND-GATE-QUAD 2IN,P		1		E85
67	67		1912801-00		LS02 NOR-GATE-QUAD 2IN		2		E90,E91
68	68		1912803-00		LS04 INVERTER GATE,HEX		3		E52,E70,E81
69	69		1912815-00		LS30 NAND GATE-SINGLE 8IN		1		E117
70	70		1912816-00		LS32 OR GATE-QUAD 2IN,POS		5		E3,E34,E38,E40,E50
71	71		1912820-00		LS51 A-O-I GATE 2-WIDE 2I		1		E39
72	72		1912824-00		LS74 FF-D DUAL,EDGE TRIGG		5		E24,E27,E46,E47,E84
73	73		1912829-00		LS86 X-OR GATE-QUAD 2IN		1		E41

LINE	ITEM	TOP DOCUMENT	PART NUMBER	MIN REV	DESCRIPTION	QTY	PER VARIATION	REFERENCE DESIGNATOR
					VARIATION REVISION LEVEL:	01		
						D1		
74	74		1912842-00		LS138 DECODER-THREE INPUT,	6		E48,E49,F51,E60,E75,E107
75	75		1912843-00		LS139 DECODER, 2 OF 4(DUAL	2		E37,E65
76	76		1912844-00		LS151 MUX 1 OF 8 & DATA	1		E33
77	77		1912847-00		LS157 MUX 1 OF 2(QUAD)	7		E35,E57,E82,E92,E121,E135,E136
78	78		1912849-00		LS161 COUNTER,SYNCHR,4BIT	2		E7,E29
79	79		1912853-00		LS175 FF-D QUAD	2		E6,E30-
80	80		1912854-00		LS193 COUNTER,SYNCHR,4BIT,	3		E115,E116,E118
81	81		1912859-00		LS258 MUX 1 OF 2 (DUAL),	4		E62,E76,E77,E122
82	82		1912863-00		LS273 FF-D OCTAL W/CLEAR	6		E28,E44,E45,E54,E102,E119
83	83		1914084-00		74S299 SHIFT REG.,8BIT RIGH	1		E100
84	84		1914214-00		LS374 FF-D OCTAL EDGE TRIG	2		E99,E120
85	85		1914423-01		CUSTOM LSI-BIPOLAR LS	1		E87
86	86		1914424-01		CUSTOM LSI-BIPOLAR L	1		E83
87	87		1914451-00		LS393 COUNTER,BINARY,4BIT	4		E4,E5,E17,E137
88	88		1915123-03		26LS32-3 RECEIVER,LINE RS232	3		E20,E23,E36
89	89		1915193-00		LS244 DRIVER,LINE,OCTAL,TR	7		E55,E56,E61,E68,E74,E88,E138
90	90		1915218-00		LS245 TRANSCEIVER,BUS,OCTA	5		E67,E109,E110,E129,E134
91	91		1915219-00		LS373 FF-D OCTAL-TRANSPARE	3		E78,E80,E96
92	92		1915415-00		9636 DRIVER,DUAL,EIA RS-	4		E18,E19,E21,E22
93	93		1916028-01		9643 DRIVER,TTL TO MOS,D	1		E71
94	94		1919018-00		LS148 PRIORITY ENCODER,8 T	1		E79
95	95		1920460-01		LS12 NAND GATE 3-IN	2		E2,E59
96	96		1921310-01		74F11 AND GATE,TRIPLE,3-IN	1		E12
97	97		2112623-03		DUAL BAUD RATE GEN/PROG DIVIDER	1		E43
98	98		2113107-01	F	8251A PUSART COMM. INTERFA	1		E89
99	99		2113628-00		4050B BUFFER/CONVERTER GAT	1		E9
100	100		2114212-00	P	2114-2 RAM,1024X4,STATIC	3		E103-E105
101	101		2117872-01		RAM 2KX8 I/O MUXD 20	5		E106,E130-E133
102	102		2118470-01		4864-1 MOS RAM 64K X1,200	16		E111-E114,E123-E128,E139-E144
103	103		2118856-00		CONTROLLER,MULTI-PROTOCOL SERIAL	1		E73
104	104		2119148-00		Z80A MICROPROCESSOR 40PIN	1		E69
105	105		2119533-01		8088 MICROPROCESSOR 5MHZ	1		E72
106	106		2120263-01		2212 RAM 256X4 NON-VOLATI	1		E95
107	107		23013E5-00		*** THIS ITEM IS NOT USED ***	-		
108	108		23020E3-00		*** THIS ITEM IS NOT USED ***	-		
109	109		23090B1-00		B1-03	1		E13
110	110		9006732-00		EYELET,ROLLED 0.1210DX0.219	6		
111	111		9009185-00		JUMPER, WIRE, INSULATED, BLACK B	2		W16,W17
112	112		9107560-01		WIRE,BUSS 22AWG TIN BARE	A/R		
113	113		1911675-00		74S138 DECODER/DEMUX 3-8 LI	1		E63
114	114		23014E5-00		*** THIS ITEM IS NOT USED ***	-		
115	115		23037E3-00		*** THIS ITEM IS NOT USED ***	-		
116	116		23019E5-00		*** THIS ITEM IS NOT USED ***	-		
117	117		23022E5-00		*** THIS ITEM IS NOT USED ***	-		
118	118		1219066-08		/REPLACED BY 12-19066-00	4		J4,J5,J7,J9

LINE ITEM	TOP DOCUMENT	PART NUMBER	MIN REV	DESCRIPTION	QTY PER VARIATION 01	REFERENCE DESIGNATOR
-----------	--------------	-------------	------------	-------------	-------------------------	----------------------

VARIATION REVISION LEVEL: D1

- 119 NOTE: P/N 21-18472-01 IS AN ALT. FOR PRIME P/N 21-18470-01. MIXING OF ALT. AND PRIME PARTS NOT ALLOWED.
- 120 NOTE: P/N 21-18467-01 AN ALT. FOR P/N 21-18470-01. MIXING OF ALT. AND PRIME PARTS NOT ALLOWED.
- 121 NOTE: P/N 2118472-02, 2118467-02, AND 2118470-02 IS AND ALT. PART FOR PRIME P/N 2118470-01.
- 122 NOTE: MIXING OF PRIME AND ALT. PARTS ON A SINGLE BOARD IS NOT ALLOWED.
- 123 NOTE: MIXING OF ALT. PARTS ON A SINGLE BOARD IS NOT ALLOWED.

D I G I T A L	TITLE PC 100-B MOTHER BD	SECTION A OF A	SIZE K	CODE PL	DOCUMENT NUMBER 5416206-0-DBP	REV F
---------------	-----------------------------	----------------	-----------	------------	----------------------------------	----------

LINE	ITEM	TOP DOCUMENT	PART NUMBER	MIN REV	DESCRIPTION	QTY PER VARIATION							
						00	01	02	03	04	05	06	07
						E3	B3	B3	B3	B3	B3	B3	A1
1	1	B-DD-5415486-0	5415486-01	F	PC100 MOTHERBOARD	1	-	-	-	-	-	-	-
2	2	E-MD-7427719-0-DBU	7427719-01	B	KEEL,SUPPORT,RAINBOW 100	1	1	-	-	-	-	-	1
3	3	D-AD-7019941-0-DBU	7019941-00		CONN. PANEL ASSY.	1	1	-	-	-	-	-	1
4	4		9010411-01		SCREW,THD RL,FLAT PHIL F/PLAS	2	2	-	-	-	-	-	2
5	5		9008451-05		*** THIS ITEM IS NOT USED ***	-	-	-	-	-	-	-	-
6	6		9010099-00		*** THIS ITEM IS NOT USED ***	-	-	-	-	-	-	-	-
7	7		9000049-44		SCREW,SEMS PAN PHIL 4-	3	3	-	-	-	-	-	3
8	8		9009948-00		WASHER,FLAT NYLON	1	1	-	-	-	-	-	1
9	9		9009321-00		*** THIS ITEM IS NOT USED ***	-	-	-	-	-	-	-	-
10	10		9006010-01		SCREW,MACH PAN PHIL 4-	1	1	-	-	-	-	-	1
11	11		1219857-01		STANDOFF,NYLON	11	11	-	-	-	-	-	11
12	12	D-MD-7428524-0-DBU	7428524-01		CONNECTOR,FASTENER,RAINBOW 100	1	1	-	-	-	-	-	1
13	13	B-DD-5416206-0	5416206-01	D	PC100-B MOTHER BOARD	-	1	-	-	-	-	-	1
14	14	D-AD-7019974-0-DBU	7019974-01	B	CPU ASSY RAINBOW 100B W/O ROM	-	-	1	1	1	1	1	-
15	15		23020E5-00		E5-02	-	-	1	-	-	-	-	-
16	16		23015E5-00		E5-02	-	-	-	1	-	-	-	-
17	17		23016E5-00		E5-02	-	-	-	-	1	-	-	-
18	18		23017E5-00		E5 02	-	-	-	-	-	1	-	-
19	19		23018E5-00		E5-02	-	-	-	-	-	-	1	-
20	20	A-PA-3700705-0-0	3700705-06		PKG CPU 701997X	REF	REF	REF	REF	REF	REF	REF	REF
21	21	A-PA-3700705-0-0	3700705-01		PKG CPU 701997X	REF	REF	REF	REF	REF	REF	REF	REF
22	22	D-MD-7428702-0-DBU	7428702-02		RESTRAINT,PC BOARD	1	1	-	-	-	-	-	1
23	23		9008451-06		SCREW,LOCK,STANDOFF ONLY .060TH	6	6	-	-	-	-	-	6
24	24		4901223-00		ADHESIVE, ANAEROBIC, RESIN BASE	A/R	A/R	-	-	-	-	-	A/R
25	25		3623792-01		LABEL,INSTALLED SPECIAL OPTION	-	-	-	-	-	-	-	1
26	26		23074E5-00		E5-01,E5-02 ROM	-	-	-	-	-	-	-	1
27	27		23073E5-00		E5-01,E5-02 ROM	-	-	-	-	-	-	-	1
28	28		3623793-01		LABEL,RED DOT	-	-	-	-	-	-	-	2
29	29		3623793-03		LABEL,YELLOW DOT	-	-	-	-	-	-	-	1
30	30		23063E3-00		E3-03	-	-	-	-	-	-	-	1

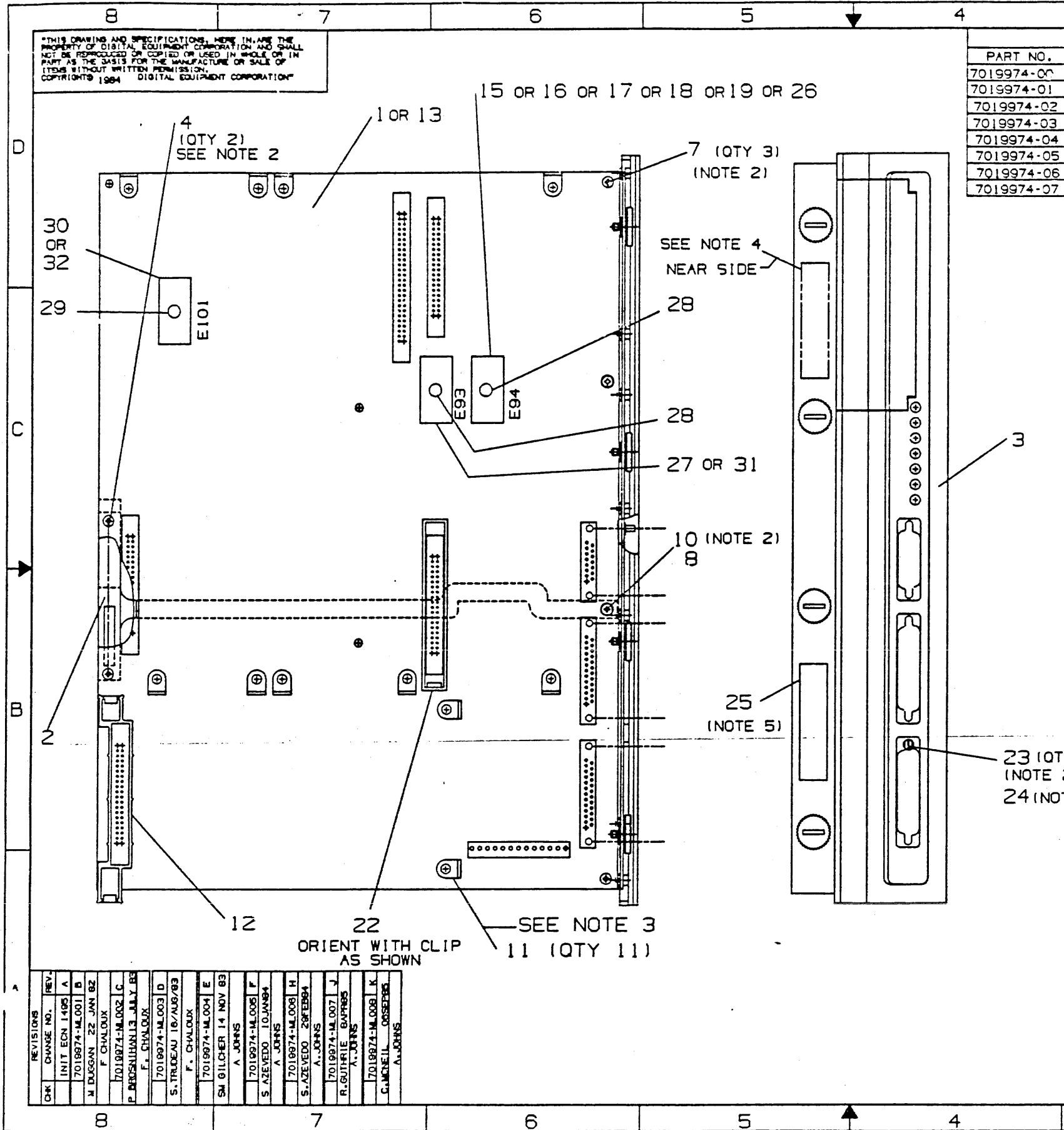
REVISION HISTORY			BASIC PART NO: 7019974			DRN: D. HEALY		DATE: 24-AUG-82		DIGITAL			
ENG	ECO NUMBER	REV	SECTION A OF A			CHK'D: D. HEALY		DATE: 18-OCT-82		TITLE PARTS LIST			
---	INITIAL	A	SECTION VARIATION INDEX			DES.ENG: D. DICKLEMAN		DATE: 18-OCT-82		DOCUMENT NUMBER			
FC	7019974-ML001	B	[A]00,01,02,03,04,05,			RESP.ENG.: F. CHALOUX		DATE: 18-OCT-82		K	PL	7019974-0-DBP	K
FC	7019974-ML002	C	06,07			MFG.ENG.: L. HARDER		DATE: 18-OCT-82		RELEASE DATE: 09-OCT-85			
FC	7019974-ML003	D	[B]			ASSEMBLY NUMBER:		TOP DOCUMENT NUMBER:		FILE NAME:		EDIT #	
AJ	7019974-ML004	E	[C]			B-DD-PC100-0-0		D-AD-7019974-0-DBU		Z5346K.PLS		4	
AJ	7019974-ML005	F	[D]										
AJ	7019974-ML006	H	[E]										
AJ	7019974-ML007	J	[F]										
AJ	7019974-ML008	K											

"THIS DRAWING AND THE SPECIFICATIONS CONTAINED HEREIN ARE CONFIDENTIAL AND PROPRIETARY. THEY ARE THE PROPERTY OF DIGITAL EQUIPMENT CORPORATION AND SHALL NOT BE REPRODUCED OR COPIED OR USED IN WHOLE OR IN PART AS THE BASIS FOR THE MANUFACTURE OR SALE OF ITEMS WITHOUT WRITTEN PERMISSION. THIS IS AN UNPUBLISHED WORK PROTECTED UNDER THE FEDERAL COPYRIGHT LAWS."

LINE ITEM	TOP DOCUMENT	PART NUMBER	MIN REV	DESCRIPTION	QTY PER VARIATION								
					00	01	02	03	04	05	06	07	
					VARIATION REVISION LEVEL:								
					E3	B3	B3	B3	B3	B3	B3	B3	A1
31	31	23022E5-00		E5-02	-	1	-	-	-	-	-	-	-
32	32	23037E3-00		E3-03	-	1	-	-	-	-	-	-	-

DIGITAL	TITLE	SECTION A OF A	SIZE	CODE	DOCUMENT NUMBER	REV
	CPU ASSY, RAINBOW 100		K	PL	7019974-0-DBP	K

THIS DRAWING AND SPECIFICATIONS, HEREIN, ARE THE PROPERTY OF DIGITAL EQUIPMENT CORPORATION AND SHALL NOT BE REPRODUCED OR COPIED OR USED IN WHOLE OR IN PART AS THE BASIS FOR THE MANUFACTURE OR SALE OF ITEMS WITHOUT WRITTEN PERMISSION. COPYRIGHT © 1984 DIGITAL EQUIPMENT CORPORATION



LEGEND		
PART NO.	REV	VARIATION
7019974-00	E3	AS SHOWN
7019974-01	B3	AS SHOWN
7019974-02	B3	AS SHOWN
7019974-03	B3	AS SHOWN
7019974-04	B3	AS SHOWN
7019974-05	B3	AS SHOWN
7019974-06	B3	AS SHOWN
7019974-07	A1	AS SHOWN

- NOTES:
1. APPLY ITEM #24 TO ITEM #23 BEFORE ASSY.
 2. TORQUE REQUIREMENTS:
 A) ITEM 4, 4-5 IN-LBS.
 B) ITEM 7, 7-8 IN-LBS.
 C) ITEM 23, 5-6 IN-LBS.
 D) ITEM 10, 4-5 IN-LBS.
 3. FOR -00 VAR. 1219857-01, ADDITIONAL STANDOFF, FOR GRAPHICS OPTION CAN ONLY BE INSTALLED ON ETCH REV "F" OR HIGHER OF 5415486-01.
 4. PART TO BE MARKED WITH PART NUMBER, PART REVISION AND VENDOR PER DEC STD 178 IN THE DESIGNATED AREA.
 5. LOCATE LABEL CENTRAL BETWEEN THUMB SCREWS.
 6. REF DES SHOWN (EX: E93, E94, E101) REFER TO D-CS-5416206-0-1.

CAUTION: OFF SHEET PARTS LIST EXISTS SEE: K-PL-7019974-0-DBP

REV.	CHG	NO.	DATE	BY
INIT	EON	1495	A	
7019974-ML001	B			
7019974-ML002	C			
7019974-ML003	D			
7019974-ML004	E			
7019974-ML005	F			
7019974-ML006	G			
7019974-ML007	H			
7019974-ML008	I			
7019974-ML009	J			
7019974-ML010	K			
7019974-ML011	L			

DESCRIPTION	DRAWING NO.	PART NO.	ITC NO.																					
UNLESS OTHERWISE SPECIFIED DIMENSIONS ARE IN INCHES AND THE FOLLOWING TOLERANCES APPLY (PER DEC STD 1141)																								
DIMENSION RANGE IN INCHES																								
<table border="1"> <tr> <th>APPLICABLE DIMENSION RANGE</th> <th>OVER 0.2 TO 0.3</th> <th>OVER 0.3 TO 0.5</th> <th>OVER 0.5 TO 1.0</th> <th>OVER 1.0 TO 2.0</th> <th>OVER 2.0 TO 5.0</th> <th>OVER 5.0 TO 10.0</th> </tr> <tr> <td>FORM</td> <td>±.004</td> <td>±.0075</td> <td>±.012</td> <td>±.018</td> <td>±.024</td> <td>±.030</td> </tr> <tr> <td>SURFACE QUALITY</td> <td colspan="6">NONE</td> </tr> </table>				APPLICABLE DIMENSION RANGE	OVER 0.2 TO 0.3	OVER 0.3 TO 0.5	OVER 0.5 TO 1.0	OVER 1.0 TO 2.0	OVER 2.0 TO 5.0	OVER 5.0 TO 10.0	FORM	±.004	±.0075	±.012	±.018	±.024	±.030	SURFACE QUALITY	NONE					
APPLICABLE DIMENSION RANGE	OVER 0.2 TO 0.3	OVER 0.3 TO 0.5	OVER 0.5 TO 1.0	OVER 1.0 TO 2.0	OVER 2.0 TO 5.0	OVER 5.0 TO 10.0																		
FORM	±.004	±.0075	±.012	±.018	±.024	±.030																		
SURFACE QUALITY	NONE																							
THIRD ANGLE PROJECTION	DATE	TITLE																						
	27 AUG 82	CPU ASSY RAINBOW 100																						
DO NOT SCALE DRAWING	DATE	DOCUMENT NUMBER																						
REMOVE BURRS AND BREAK SHARP CORNERS	27 AUG 82	D AD 7019974-0-DBU K																						
MATERIAL SEE PARTS LIST	DATE	SCALE 1/1																						
FINISH NONE	27 AUG 82	SHEET 1 OF 1																						

DRAWING NO.	NO. OF SHTS.	PART NO.	DESCRIPTION	REVISIONS															
				A	B	C	D												
		5415482-00	PC100 RX50 CONTROLLER	A	B	C	D												
E-UA-5415482-0-0	1		PC100 RX50 CONTROLLER	A	B	C	C												
D-CS-5415482-0-1	2		PC100 RX50 CONTROLLER	A	B	C	C												
K-PL-5415482-0-DBP	2		PC100 RX50 CONTROLLER	A	B	C	C												
K-PC-5415482-0-DBC			P.C. DESIGN DATA BASE	B	B	C	C												
B-DD-5015481-0-0	1		DRAWING DIRECTORY	-	-	A	B												
K-SP-5415482-0-DBP	22		PC100 RX50 CONTROLLER SPEC.	-	-	-	A												

NOTES:

REVISIONS		DATE	CHG NO.	INT.	REV.	A	B	C	D
		7/82							
		1/83	ML001						
		3/83	ML002						
		6-83	ML003						

THIS DRAWING AND SPECIFICATIONS, HEREIN, ARE THE PROPERTY OF DIGITAL EQUIPMENT CORPORATION AND SHALL NOT BE REPRODUCED OR COPIED OR USED IN WHOLE OR IN PART AS THE BASIS FOR THE MANUFACTURE OR SALE OF ITEMS WITHOUT WRITTEN PERMISSION.

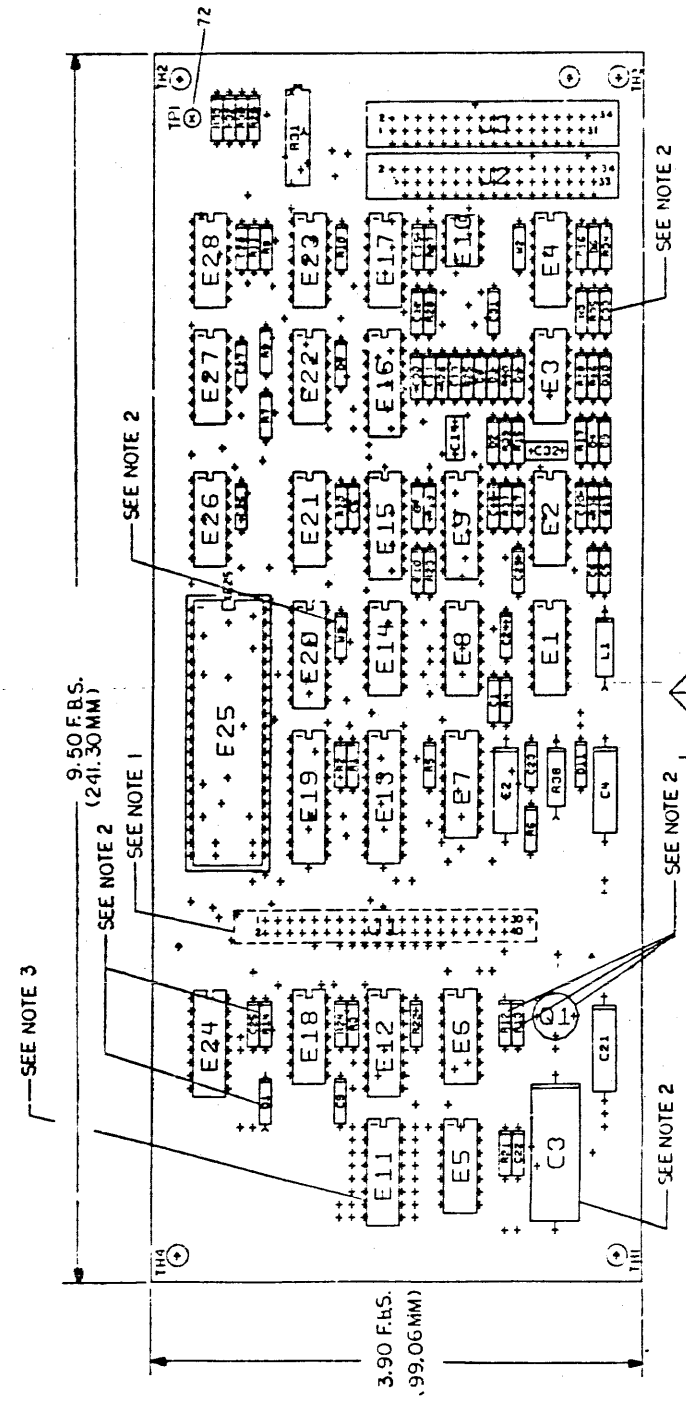
COPYRIGHT © 1982 DIGITAL EQUIPMENT CORPORATION



USED ON OPTION/MODEL	PC100	DRN. J. COTE	13JUL82	TITLE	PC100 RX50 CONTROLLER				
		CHK'D J. COTE	13JUL82	SIZE	DD	NUMBER	5415482-0	REV.	D
		ENG. D. LEBLANC	13JUL82	SHEET	1	OF	1		
		PROD. E. TOMPKINS	13JUL82						

THIS DRAWING IS THE PROPERTY OF THE UNITED STATES GOVERNMENT AND IS LOANED TO YOU. IT AND ITS CONTENTS ARE NOT TO BE DISTRIBUTED OUTSIDE YOUR AGENCY.

A B C D E F H J



SEE NOTE 3

9.50 F.S.
(241.30MM)

SEE NOTE 2

SEE NOTE 2

SEE NOTE 1

SEE NOTE 2

SEE NOTE 2

SEE NOTE 2

SEE NOTE 2

SEE NOTE 2

SEE NOTE 2

SEE NOTE 2

SEE NOTE 2

SEE NOTE 2

SEE NOTE 2

SEE NOTE 2

NOTES: 1. J1 IS MOUNTED ON SIDE 2.
2. U1A, U1B, U1C, U1D, U1E, U1F, U1G, U1H, U1I, U1J, U1K, U1L, U1M, U1N, U1O, U1P, U1Q, U1R, U1S, U1T, U1U, U1V, U1W, U1X, U1Y, U1Z, U1AA, U1AB, U1AC, U1AD, U1AE, U1AF, U1AG, U1AH, U1AI, U1AJ, U1AK, U1AL, U1AM, U1AN, U1AO, U1AP, U1AQ, U1AR, U1AS, U1AT, U1AU, U1AV, U1AW, U1AX, U1AY, U1AZ, U1BA, U1BB, U1BC, U1BD, U1BE, U1BF, U1BG, U1BH, U1BI, U1BJ, U1BK, U1BL, U1BM, U1BN, U1BO, U1BP, U1BQ, U1BR, U1BS, U1BT, U1BU, U1BV, U1BW, U1BX, U1BY, U1BZ, U1CA, U1CB, U1CC, U1CD, U1CE, U1CF, U1CG, U1CH, U1CI, U1CJ, U1CK, U1CL, U1CM, U1CN, U1CO, U1CP, U1CQ, U1CR, U1CS, U1CT, U1CU, U1CV, U1CW, U1CX, U1CY, U1CZ, U1DA, U1DB, U1DC, U1DD, U1DE, U1DF, U1DG, U1DH, U1DI, U1DJ, U1DK, U1DL, U1DM, U1DN, U1DO, U1DP, U1DQ, U1DR, U1DS, U1DT, U1DU, U1DV, U1DW, U1DX, U1DY, U1DZ, U1EA, U1EB, U1EC, U1ED, U1EE, U1EF, U1EG, U1EH, U1EI, U1EJ, U1EK, U1EL, U1EM, U1EN, U1EO, U1EP, U1EQ, U1ER, U1ES, U1ET, U1EU, U1EV, U1EW, U1EX, U1EY, U1EZ, U1FA, U1FB, U1FC, U1FD, U1FE, U1FF, U1FG, U1FH, U1FI, U1FJ, U1FK, U1FL, U1FM, U1FN, U1FO, U1FP, U1FQ, U1FR, U1FS, U1FT, U1FU, U1FV, U1FW, U1FX, U1FY, U1FZ, U1GA, U1GB, U1GC, U1GD, U1GE, U1GF, U1GG, U1GH, U1GI, U1GJ, U1GK, U1GL, U1GM, U1GN, U1GO, U1GP, U1GQ, U1GR, U1GS, U1GT, U1GU, U1GV, U1GW, U1GX, U1GY, U1GZ, U1HA, U1HB, U1HC, U1HD, U1HE, U1HF, U1HG, U1HH, U1HI, U1HJ, U1HK, U1HL, U1HM, U1HN, U1HO, U1HP, U1HQ, U1HR, U1HS, U1HT, U1HU, U1HV, U1HW, U1HX, U1HY, U1HZ, U1IA, U1IB, U1IC, U1ID, U1IE, U1IF, U1IG, U1IH, U1II, U1IJ, U1IK, U1IL, U1IM, U1IN, U1IO, U1IP, U1IQ, U1IR, U1IS, U1IT, U1IU, U1IV, U1IW, U1IX, U1IY, U1IZ, U1JA, U1JB, U1JC, U1JD, U1JE, U1JF, U1JG, U1JH, U1JI, U1JJ, U1JK, U1JL, U1JM, U1JN, U1JO, U1JP, U1JQ, U1JR, U1JS, U1JT, U1JU, U1JV, U1JW, U1JX, U1JY, U1JZ, U1KA, U1KB, U1KC, U1KD, U1KE, U1KF, U1KG, U1KH, U1KI, U1KJ, U1KK, U1KL, U1KM, U1KN, U1KO, U1KP, U1KQ, U1KR, U1KS, U1KT, U1KU, U1KV, U1KW, U1KX, U1KY, U1KZ, U1LA, U1LB, U1LC, U1LD, U1LE, U1LF, U1LG, U1LH, U1LI, U1LJ, U1LK, U1LL, U1LM, U1LN, U1LO, U1LP, U1LQ, U1LR, U1LS, U1LT, U1LU, U1LV, U1LW, U1LX, U1LY, U1LZ, U1MA, U1MB, U1MC, U1MD, U1ME, U1MF, U1MG, U1MH, U1MI, U1MJ, U1MK, U1ML, U1MM, U1MN, U1MO, U1MP, U1MQ, U1MR, U1MS, U1MT, U1MU, U1MV, U1MW, U1MX, U1MY, U1MZ, U1NA, U1NB, U1NC, U1ND, U1NE, U1NF, U1NG, U1NH, U1NI, U1NJ, U1NK, U1NL, U1NM, U1NN, U1NO, U1NP, U1NQ, U1NR, U1NS, U1NT, U1NU, U1NV, U1NW, U1NX, U1NY, U1NZ, U1OA, U1OB, U1OC, U1OD, U1OE, U1OF, U1OG, U1OH, U1OI, U1OJ, U1OK, U1OL, U1OM, U1ON, U1OO, U1OP, U1OQ, U1OR, U1OS, U1OT, U1OU, U1OV, U1OW, U1OX, U1OY, U1OZ, U1PA, U1PB, U1PC, U1PD, U1PE, U1PF, U1PG, U1PH, U1PI, U1PJ, U1PK, U1PL, U1PM, U1PN, U1PO, U1PP, U1PQ, U1PR, U1PS, U1PT, U1PU, U1PV, U1PW, U1PX, U1PY, U1PZ, U1QA, U1QB, U1QC, U1QD, U1QE, U1QF, U1QG, U1QH, U1QI, U1QJ, U1QK, U1QL, U1QM, U1QN, U1QO, U1QP, U1QQ, U1QR, U1QS, U1QT, U1QU, U1QV, U1QW, U1QX, U1QY, U1QZ, U1RA, U1RB, U1RC, U1RD, U1RE, U1RF, U1RG, U1RH, U1RI, U1RJ, U1RK, U1RL, U1RM, U1RN, U1RO, U1RP, U1RQ, U1RR, U1RS, U1RT, U1RU, U1RV, U1RW, U1RX, U1RY, U1RZ, U1SA, U1SB, U1SC, U1SD, U1SE, U1SF, U1SG, U1SH, U1SI, U1SJ, U1SK, U1SL, U1SM, U1SN, U1SO, U1SP, U1SQ, U1SR, U1SS, U1ST, U1SU, U1SV, U1SW, U1SX, U1SY, U1SZ, U1TA, U1TB, U1TC, U1TD, U1TE, U1TF, U1TG, U1TH, U1TI, U1TJ, U1TK, U1TL, U1TM, U1TN, U1TO, U1TP, U1TQ, U1TR, U1TS, U1TT, U1TU, U1TV, U1TW, U1TX, U1TY, U1TZ, U1UA, U1UB, U1UC, U1UD, U1UE, U1UF, U1UG, U1UH, U1UI, U1UJ, U1UK, U1UL, U1UM, U1UN, U1UO, U1UP, U1UQ, U1UR, U1US, U1UT, U1UU, U1UV, U1UW, U1UX, U1UY, U1UZ, U1VA, U1VB, U1VC, U1VD, U1VE, U1VF, U1VG, U1VH, U1VI, U1VJ, U1VK, U1VL, U1VM, U1VN, U1VO, U1VP, U1VQ, U1VR, U1VS, U1VT, U1VU, U1VV, U1VW, U1VX, U1VY, U1VZ, U1WA, U1WB, U1WC, U1WD, U1WE, U1WF, U1WG, U1WH, U1WI, U1WJ, U1WK, U1WL, U1WM, U1WN, U1WO, U1WP, U1WQ, U1WR, U1WS, U1WT, U1WU, U1WV, U1WW, U1WX, U1WY, U1WZ, U1XA, U1XB, U1XC, U1XD, U1XE, U1XF, U1XG, U1XH, U1XI, U1XJ, U1XK, U1XL, U1XM, U1XN, U1XO, U1XP, U1XQ, U1XR, U1XS, U1XT, U1XU, U1XV, U1XW, U1XX, U1XY, U1XZ, U1YA, U1YB, U1YC, U1YD, U1YE, U1YF, U1YG, U1YH, U1YI, U1YJ, U1YK, U1YL, U1YM, U1YN, U1YO, U1YP, U1YQ, U1YR, U1YS, U1YT, U1YU, U1YV, U1YW, U1YX, U1YY, U1YZ, U1ZA, U1ZB, U1ZC, U1ZD, U1ZE, U1ZF, U1ZG, U1ZH, U1ZI, U1ZJ, U1ZK, U1ZL, U1ZM, U1ZN, U1ZO, U1ZP, U1ZQ, U1ZR, U1ZS, U1ZT, U1ZU, U1ZV, U1ZW, U1ZX, U1ZY, U1ZZ.

CHANGE NO. REV. 1
SWIS462-1
H1002
DESIGNED BY
CHECKED BY
DATE

STEP 1
REPAIR

5415462-0-0

SIGNATURE: [Signature]
DATE: 11/24/72
TITLE: DIGITAL
CONTROLLER
NO. 5415462-0-0

ETCH REV. CL P1

A B C D E F H J

LINE	ITEM	DOCUMENT NUMBER	PART NUMBER	DESCRIPTION	QTY	PER VARIATION	REFERENCE DESIGNATOR
					00		
1	1	D-MD-5015481-0-0	5015481-00	CIRCUIT DRILL & ETCH	1		
2	2		1000022-00	270.0 MMF 100V 5%200PPM MICA	1		C32
3	3		1001610-00	.01 MFD 50V +80-20% Z5U CER	10	CONT	C5,C6,C8,C11,C12,C13,C16,C17,C19,C20
4	4		1001631-00	390.0 MMF 100V 5%200PPM MICA	1		C14
5	5		1005306-00	6.8MFD 35V 10% S.TANT	1		C2
6	6		1012084-03	*** THIS ITEM IS NOT USED ***	-		
7	7		1012784-00	.047 MFD 50V +80-20% CER	10		C22-C31
8	8		1013466-04	33.0 MMF 50V 5% CER	1		C15
9	9		1013466-05	100.0 MMF 50V 5% CER	2		C1,C10
10	10		1013466-07	220.0 MMF 50V 5% CER	1		C7
11	11		1013466-19	470.0 MMF 50V 5% CER	1		C18
12	12		1013466-27	820.0 MMF 50V 5% X7R CER	1		C9
13	13		1017472-00	10 MFD 35V +50-10% AL EL	2		C4,C21
14	14		1102421-01	DEC 753 VZ= 6.2 1% .40W	1		D6
15	15		1110488-00	*** THIS ITEM IS NOT USED ***	-		
16	16		1110994-00	1N 751A VZ= 5.1 5% .40W	1		D11
17	17		1111577-00	1N 4454 TR= 4NS PIV= 50 S	6		D2-D5,D7,D9
18	18		1215006-02	*** THIS ITEM IS NOT USED ***	-		
19	19		1215006-08	SKT,IC 40PIN DIP TIN SOLD	1		XE25
20	20		1219065-00	*** THIS ITEM IS NOT USED ***	-		
21	21		1219952-01	*** THIS ITEM IS NOT USED ***	-		
22	22		1300229-00	100.0 .25 W 5.0 % CF	1		R20
23	23		1300250-00	150.0 .25 W 5.0 % CF	5		R7-R11
24	24		1300274-00	220.0 .50 W 5.0 % CF	1		R38
25	25		1300309-00	390.0 .25 W 5.0 % CF	1		R24
26	26		1300365-00	1.0 K .25 W 5.0 % CF	6		R6,R15,R16,R21,R22,R37
27	27		1300444-00	3.90 K .25 W 5.0 % CF	2		R4,R23
28	28		1300447-00	*** THIS ITEM IS NOT USED ***	-		
29	29		1300479-00	10.0 K .25 W 5.0 % CF	3		R1-R3

REVISION HISTORY			BASIC PART NO: 5415482			DRN: R.Z. BUREAU			DATE: 31-MAR-82			D I G I T A L		
ENG	ECO NUMBER	REV	SECTION A OF A	CHK'D:	J. LEPKOWSSKI	DATE:	31-MAR-82	TITLE PARTS LIST						
	INITIAL	A	SECTION VARIATION INDEX					PC100 RX50 CONTROLLER						
DL	5415482-ML001	B	[A] 00	DES.ENG:	DAN LEBLANC	DATE:	12-JUL-82	DOCUMENT NUMBER						
DL	5415482-ML002	C	[B]	RESP.ENG.:	DAN LEBLANC	DATE:	12-JUL-82	SIZE	CODE	NUMBER	REV			
			[C]	MFG.ENG.:	ED TOMPKINS	DATE:	12-JUL-82	K	PL	5415482-0-DBP	C			
			[D]	ASSEMBLY NUMBER:	D-UA-5415482-0-0	TOP DOCUMENT NUMBER:	#D-B3-5415482-0	FILE NAME:	Z4363C.PLS	EDIT #:	21			
			[E]											
			[F]											
			[G]											
			[H]											
			[J]											
			[K]											
			[L]											
			[M]											
			[N]											

"THIS DRAWING AND SPECIFICATIONS HEREIN, ARE THE PROPERTY OF DIGITAL EQUIPMENT CORPORATION AND SHALL NOT BE REPRODUCED OR COPIED OR USED IN WHOLE OR IN PART AS THE BASIS FOR THE MANUFACTURE OR SALE OF ITEMS WITHOUT WRITTEN PERMISSION. COPYRIGHT (C) 1983. DIGITAL EQUIPMENT CORPORATION "

AUTOMATED BY PRTLST.3P(44)

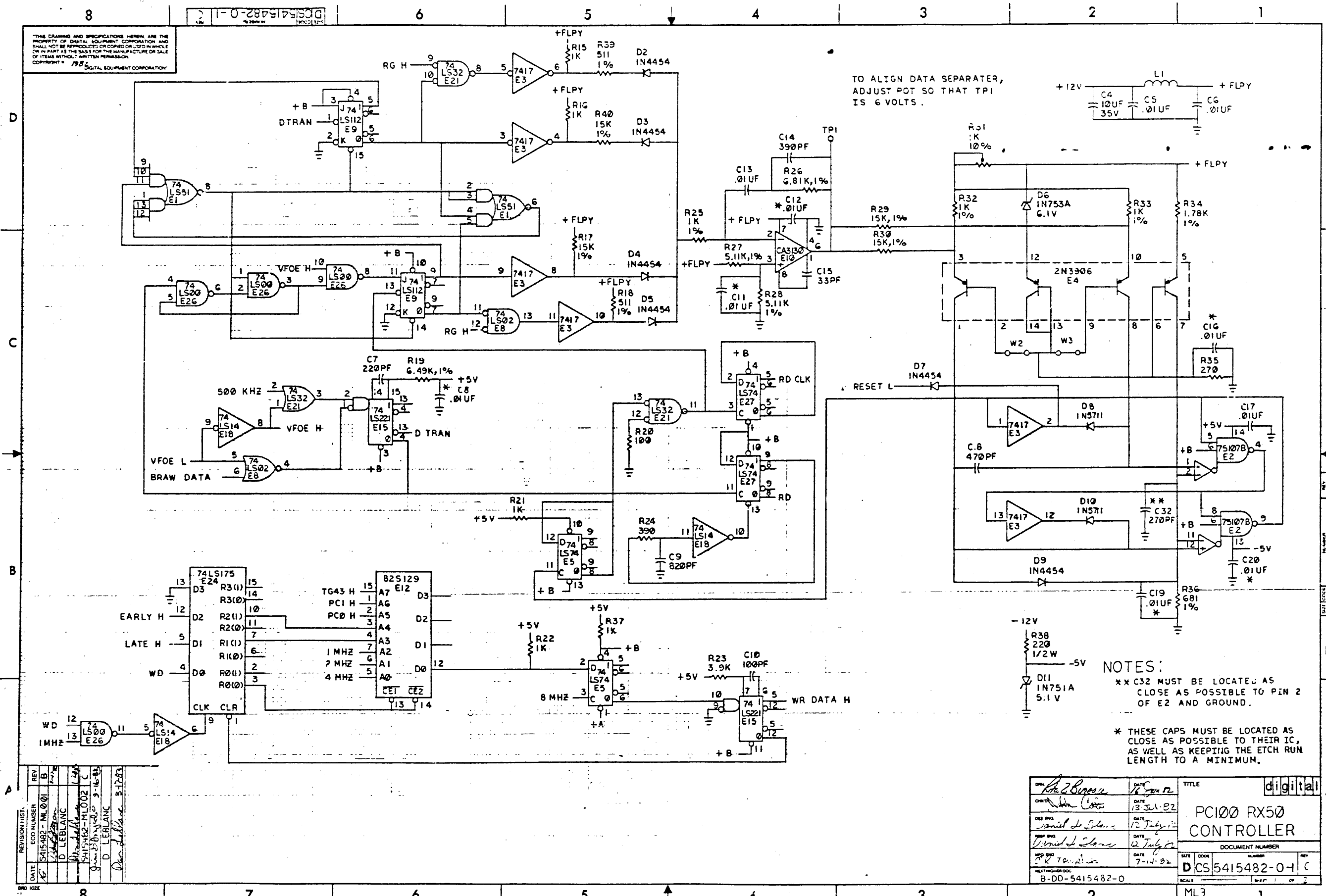
PARTS LIST

SHEET A2 OF A2

LINE	ITEM	DOCUMENT NUMBER	PART NUMBER	DESCRIPTION	QTY PER VARIATION 00	REFERENCE DESIGNATOR
30	30		1301972-00	270.0 .25 W 5.0 % CF	1	R35
31	31		1302395-00	*** THIS ITEM IS NOT USED ***	-	
32	32		1302411-00	511.0 .25 W 1.0 % RN55D-F10	2	R18,R39
33	33		1302612-00	1.78 K .25 W 1.0 % RN55D-F10	1	R34
34	34		1302872-00	681.0 .25 W 1.0 % RN55D-F1	1	R36
35	35		1303114-00	1.0 K .25 W 1.0 % RN55D-F10	3	R25,R32,R33
36	36		1304854-00	5.11 K .25 W 1.0 % RN55D-F10	2	R27,R28
37	37		1304870-00	6.81 K .25 W 1.0 % RN55D-F10	1	R26
38	38		1309143-07	1.0 K .75 W10.0 % POT	1	R31
39	39		1313752-00	15.0 K .25 W 1.0 % RN55D-F10	4	R17,R40,R29,R30
40	40		1317399-00	6.49 K .25 W 1.0 % RN55D-F10	1	R19
41	41		1510706-00	*** THIS ITEM IS NOT USED ***	-	
42	42		1517999-00	3906 PNP 900MW ARRAY 14PIN	1	E4
43	43		1618238-02	BEAD,FERRITE .1380DX.330LG	1	L1
44	44		1909929-00	7417 BUFFER GATE-HEX 1INP	1	E3
45	45		1910268-00	DEC 75107B RECEIVER,LINE,DUAL,	1	E2
46	46		1911219-00	7438 NAND GATE-QUAD 2IN,B	3	E17,E22,E23
47	47		1912799-00	LS00 NAND-GATE-QUAD 2IN,P	2	E14,E26
48	48		1912801-00	LS02 NOR-GATE-QUAD 2IN	1	E8
49	49		1912816-00	LS32 OR GATE-QUAD 2IN,POS	2	E21,E28
50	50		1912820-00	LS51 A-0-I GATE 2-WIDE 2I	2	E1,E6
51	51		1912824-00	LS74 FF-D DUAL,EDGE TRIGG	2	E5,E27
52	52		1912834-00	LS112 FF-JK,DUAL,EDGE TRIG	1	E9
53	53		1912848-00	LS158 MUX 1 OF 2 (QUAD)	1	E16
54	54		1912853-00	LS175 FF-D QUAD	1	E24
55	55		1912858-00	LS221 ONE SHOT-DUAL,SCHMIT	2	E7,E15
56	56		1912863-00	LS273 FF-D OCTAL W/CLEAR	1	E19
57	57		1913414-00	LS14 INVERTER GATE-HEX SC	1	E18
58	58		1913471-00	LS367 DRIVER,BUS,HEX,TRI-	1	E20
59	59		1914466-00	3130E OP AMP MOS/FET IN,CM	1	E10
60	60		1915193-00	LS244 DRIVER,LINE,OCTAL,T	1	E13
61	61		2118823-00	1793-02 FLOPPY DISK FORMAT	1	E25
62	62		23640A2-00	A2-05,A2-08 R0	1	E12
63	63		9009185-00	JUMPER, WIRE, INSULATED, BLACK B	2	W2,W3
64	64		9009743-00	*** THIS ITEM IS NOT USED ***	-	
65	65		9107256-00	*** THIS ITEM IS NOT USED ***	-	
66	66		1300539-00	120.0 K .25 W 5.0 % CF	1	R5
67	67		1219952-04	PCB HEADER 34PIN(2X17).100CC STR	1	J3
68	68		1219952-03	PCB HEADER 34PIN(2X17).100CC STR	1	J2
69	69		1110603-00	1N 5711 TM=100PS PIV= 70V HM	2	D8,D10
70	70		9105740-55	*** THIS ITEM IS NOT USED ***	-	
71	71		1219065-03	CONN,P+S 48SKT(2X24).100CC	1	J1
72	72		1215901-09	PCB,HEADER 01 PIN(1X01).100 CC S	1	TP1

D	I	G	I	T	A	L	TITLE	PC100 RX50 CONTROLLER	SECTION A OF A	SIZE	CODE	DOCUMENT NUMBER	REV
										K	PL	5415482-0-DBP	C

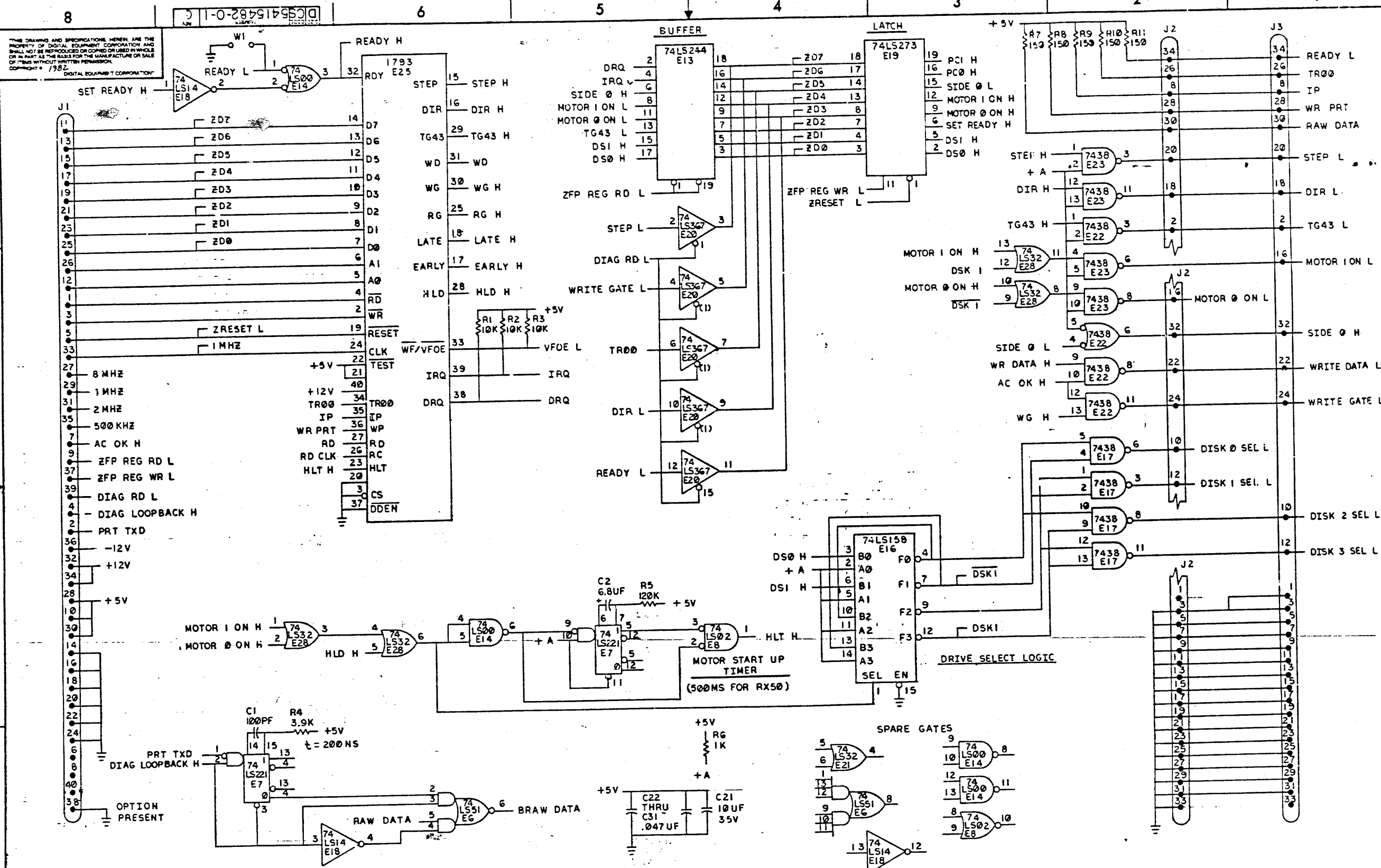
THE DRAWING AND SPECIFICATIONS HEREIN ARE THE PROPERTY OF DIGITAL EQUIPMENT CORPORATION AND SHALL NOT BE REPRODUCED OR COPIED OR USED IN WHOLE OR IN PART AS THE BASIS FOR THE MANUFACTURE OR SALE OF ITEMS WITHOUT WRITTEN PERMISSION. COPYRIGHT © 1982 DIGITAL EQUIPMENT CORPORATION.



DATE	REV	ECO NUMBER	DESCRIPTION
	A	5415482-ML001	Initial Design
	B	5415482-ML002	Design Changes
	C	5415482-ML003	Design Changes
	D	5415482-ML004	Design Changes
	E	5415482-ML005	Design Changes

DATE	REV	ECO NUMBER	DESCRIPTION
13 Jul 82	1	13 Jul 82	Initial Design
12 July 82	2	12 July 82	Design Changes
7-14-82	3	7-14-82	Design Changes

TITLE	digital
PC100 RX50	CONTROLLER
DOCUMENT NUMBER	D CS 5415482-01 C
SCALE	ML3



REVISION HISTORY		
DATE	ECO NUMBER	REV.

DOCUMENT NUMBER		REV
DCS5415482-0-1		C
SCALE	SHEET 2 OF 2	