

LEGEND	
NUMBER	VARIATION
RXVII-AA	RX01-AA & RXVII INTERFACE, 115V, 60HZ
RXVII-AC	RX01-AC & RXVII INTERFACE, LOW V, 50HZ
RXVII-AD	RX01-AD & RXVII INTERFACE, HIGH V, 50HZ
RXVII-BA	RX01-BA & RXVII INTERFACE, 115V, 60HZ
RXVII-BC	RX01-BC & RXVII INTERFACE, LOW V, 50HZ
RXVII-BD	RX01-BD & RXVII INTERFACE, HIGH V, 50HZ
RXVII-0	LSI-II BUS INTERFACE (M7946)
RXVII-DA	RX01-DA & RXVII INTERFACE, 115V, 60HZ
RXVII-DD	RX01-DD & RXVII INTERFACE, 230V, 50HZ

- NOTES:**
- MODULE M7726 & CABLE ASSY BC05L ARE SUPPLIED WITH RX01 FLOPPY DISK ASSY.
 - RED STRIPE ON BC05L CABLE INDICATES PIN "A" ON THE CONNECTOR.
 - "DUAL DRIVE FRONT PLATE" (ITEM 10) IS NOT SHOWN ON THIS DRAWING. FOR ASSEMBLY INFORMATION, SEE DEC DRAWING E-UA-RX01-0-0.
 - ITEM #13 (7012405) WILL BE USED WITH RXVII-DA AND DD WHEN THEY ARE PUT INTO A D322 DATA SYSTEM. REFER TO PRINT E-UA-D322-0-0 FOR FURTHER INFORMATION.

REV.	DATE	BY	CHKD.	DESCRIPTION
1	11/15/75	I. MORRIS		REVISED TO ADD PART 13
2	11/15/75	I. MORRIS		REVISED TO ADD PART 13
3	11/15/75	I. MORRIS		REVISED TO ADD PART 13
4	11/15/75	I. MORRIS		REVISED TO ADD PART 13
5	11/15/75	I. MORRIS		REVISED TO ADD PART 13
6	11/15/75	I. MORRIS		REVISED TO ADD PART 13
7	11/15/75	I. MORRIS		REVISED TO ADD PART 13
8	11/15/75	I. MORRIS		REVISED TO ADD PART 13

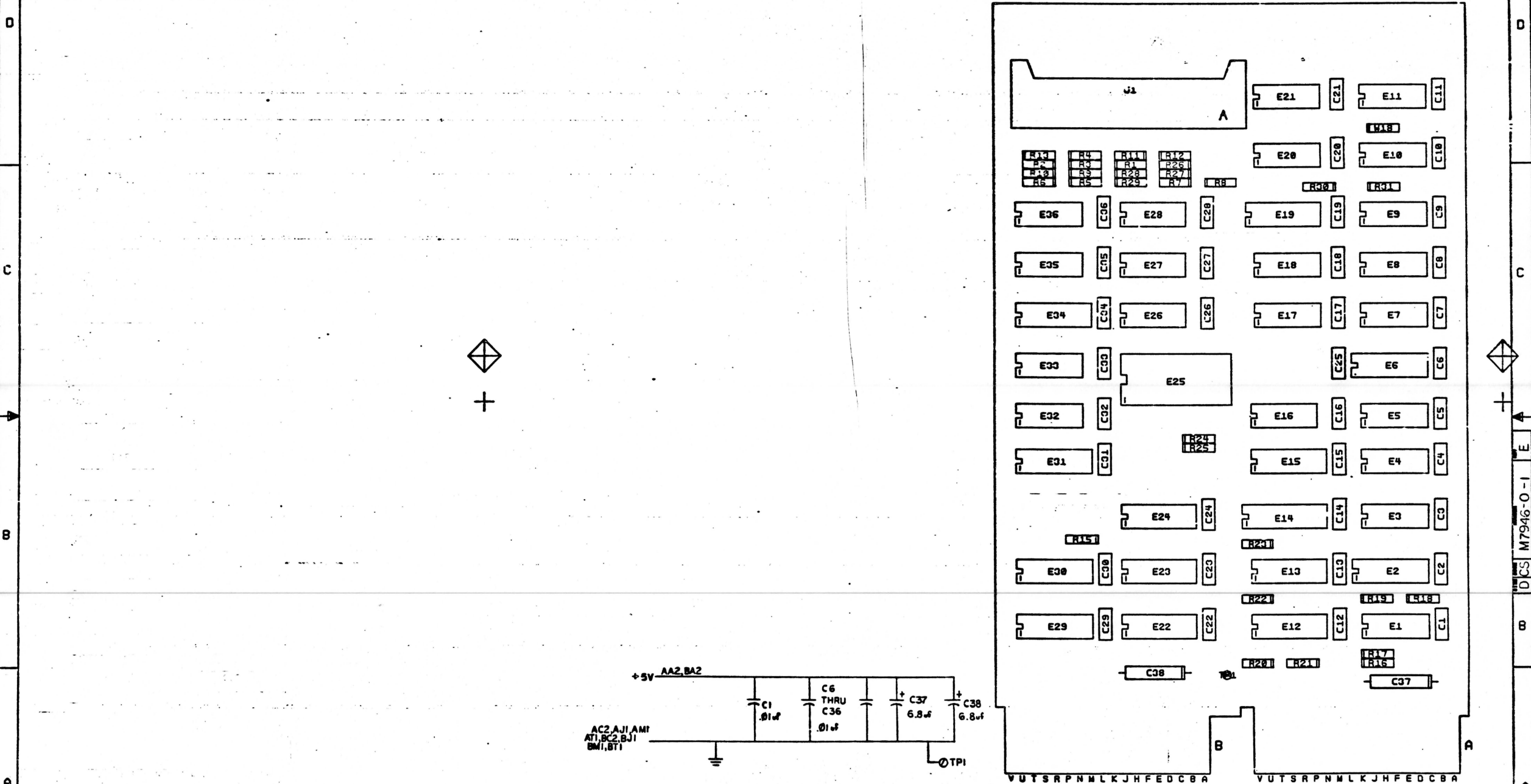
QTY	DESCRIPTION	DWG. PART NO.	ITEM NO.
1	CABLE ASSY W/MOUNTING B.M.T.	C-AD-7012405-0-0	13
4	WASHER, SPRING LOCK *B	9006690-00	12
4	SCR, PHL PAN HD, *B-32X.50	9006039-01	11
1	PLATE, FRONT, DUAL DRIVE	D-IA-7412853-00	10
1	RX01 FLOPPY DISC DRIVE	E-UA-RX01-00-0	9
1	RX01 FLOPPY DISC DRIVE	E-UA-RX01-0A-0	8
	CUST. PACKAGING INST.	A-PZ-3700193-0-0	REF
	IN-PLANT PACKAGING INST	A-PZ-3700193-0-0	REF
	RX01-BD FLOPPY DISK DRIVE	E-UA-RX01-BD-0	7
	RX01-BC FLOPPY DISK DRIVE	E-UA-RX01-BC-0	6
	RX01-BA FLOPPY DISK DRIVE	E-UA-RX01-BA-0	5
	RX01-AD FLOPPY DISK DRIVE	E-UA-RX01-AD-0	4
	RX01-AC FLOPPY DISK DRIVE	E-UA-RX01-AC-0	3
	RX01-AA FLOPPY DISK DRIVE	E-UA-RX01-AA-0	2
1	RXVII LSI-II BUS INTERFACE	D-CG-M7946-0-1	1

THIRD ANGLE PROJECTION		DRN. <i>[Signature]</i>	FIRST USED ON
REMOVE BURRS AND BREAK SHARP CORNERS		CHKD. <i>[Signature]</i>	LSI-II
DO NOT SCALE DWG		PROJ. ENG. <i>[Signature]</i>	TITLE
NEXT HIGHER ASSY.		PROC. <i>[Signature]</i>	RXVII FLOPPY DISK SYSTEM
MATERIAL	SCALE	SIZE	NUMBER
H	NONE	D	UA RXVII-0-0
FINISH	SHEET	DIST.	REV.
	1 OF 1		C

8 7 6 5 4 3 2 1

THIS DRAWING AND SPECIFICATIONS, WHETHER AND THE PROPERTY OF THE UNITED STATES GOVERNMENT AND SHALL NOT BE REPRODUCED OR TRANSMITTED IN ANY FORM OR BY ANY MEANS, ELECTRONIC OR MECHANICAL, INCLUDING PHOTOCOPYING, RECORDING, OR BY ANY INFORMATION STORAGE AND RETRIEVAL SYSTEM, WITHOUT PERMISSION IN WRITING FROM THE UNITED STATES GOVERNMENT.

1-0-9702W SOD



NOTES:
 1. JUMPER REMOVED EQUALS ASSERTION.
 2. REFERENCE DESIGNATION C2-C5 AND E2-E5 ARE NOT USED.
 3. JUMPERS ARE TO BE IMPLEMENTED USING 30 AWG WIRE-WRAP WIRE. SEE THE LOGIC HANDBOOK FOR RECOMMENDED TOOLS.

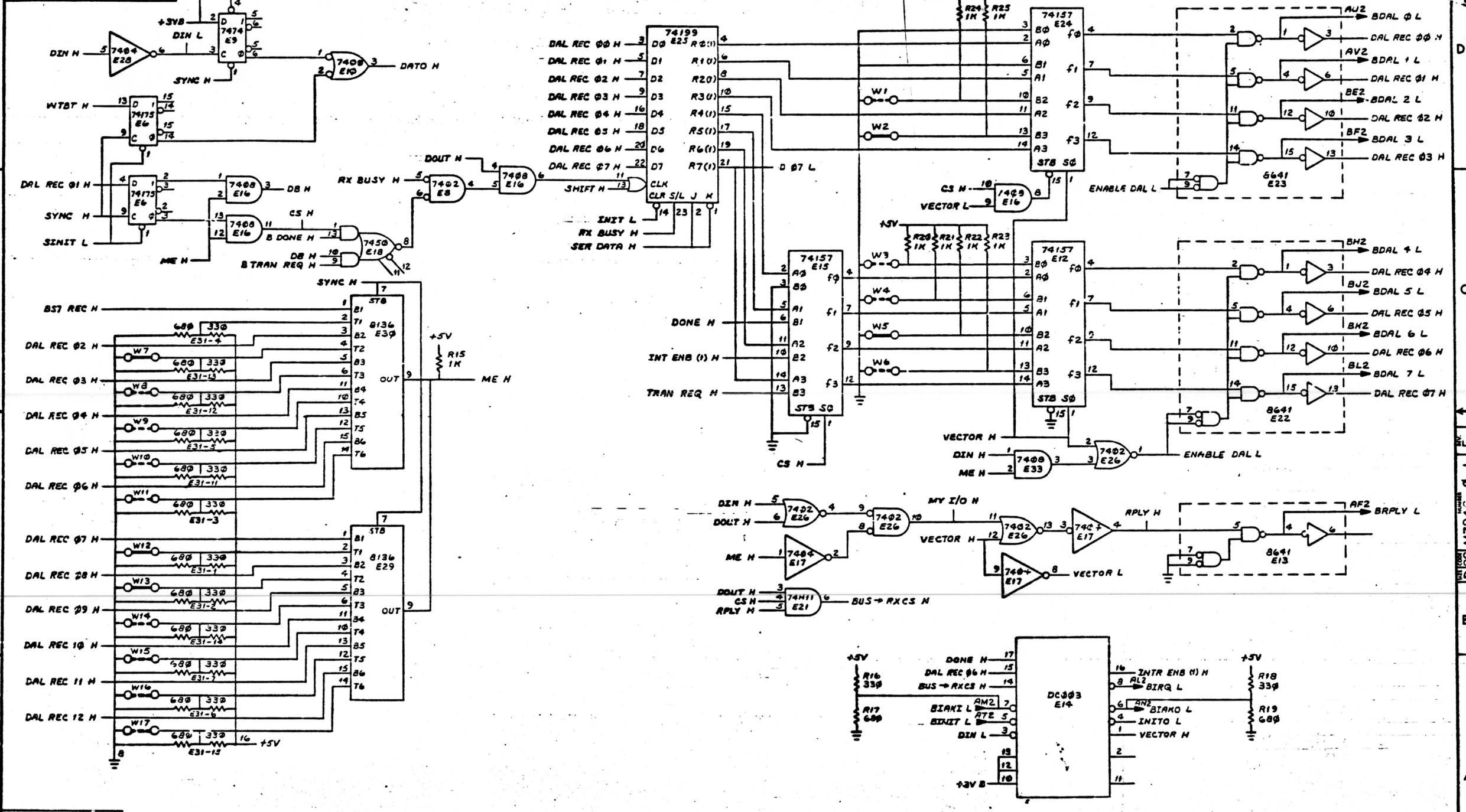
STEP	E	→ Y AXIS	STEP	TIMES
REPEAT		→ X AXIS	STEP	TIMES

CHANGE NO	REV	DATE	BY
1	1	11-75	J. CURTIS

SIGNATURES		DATE	digital
DRN.	J. VINCENT	10-75	
CHK'D.	F. FERGUSON	11-75	
RECH. ENG.	M. LEWANDOWSKI	11-75	TITLE RXV11
PROD. ENG.	M. LEWANDOWSKI	11-75	LSI II INTERFACE
PROD.	D. DEROME	11-75	SIZE CODE
SCALE	2/1		NUMBER
SHT.	1 OF 3		DCS M7946-C-1
NEXT HIGHER ASSY. D-UA-M7946-0-0			REV

8 7 6 5 4 3 2 1 MS# 150994

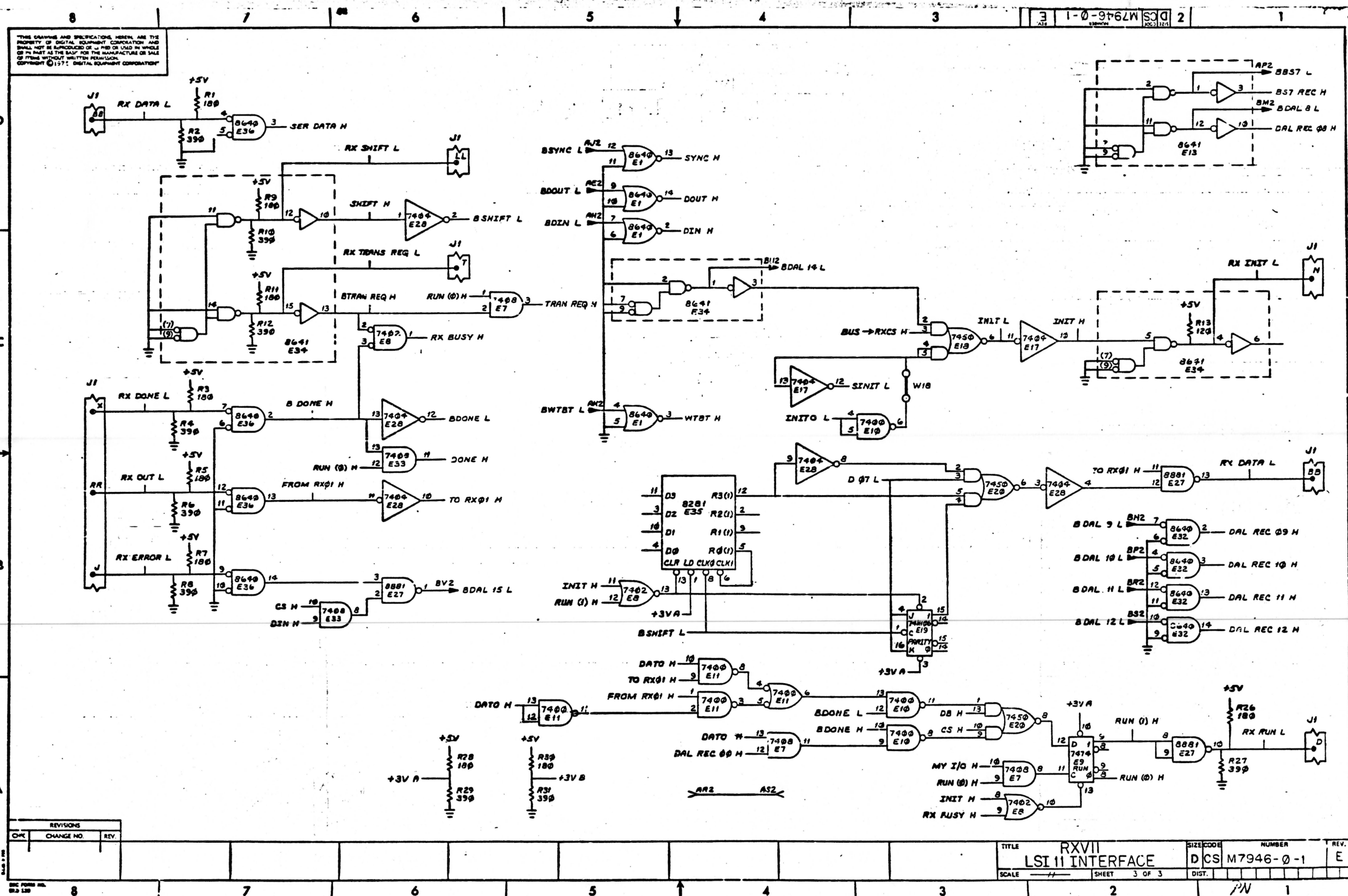
THIS DRAWING AND SPECIFICATIONS HEREIN ARE THE PROPERTY OF DIGITAL EQUIPMENT CORPORATION AND SHALL NOT BE REPRODUCED OR COPIED OR USED IN WHOLE OR IN PART AS THE BASIS FOR THE MANUFACTURE OR SALE OF ITEMS WITHOUT WRITTEN PERMISSION OF DIGITAL EQUIPMENT CORPORATION



REVISIONS		
CHK	CHANGE NO.	REV.

TITLE		RXVII LSI II INTERFACE		SIZE/CODE		NUMBER		REV.	
SCALE		SHEET 2 OF 3		DIST.		DCS M7946-0-1		2	

THIS DRAWING AND SPECIFICATIONS HEREIN ARE THE PROPERTY OF DIGITAL EQUIPMENT CORPORATION AND SHALL NOT BE REPRODUCED OR IN WHOLE OR IN PART AS THE BASIS FOR THE MANUFACTURE OR SALE OF ITEMS WITHOUT WRITTEN PERMISSION. COPYRIGHT © 1971, DIGITAL EQUIPMENT CORPORATION



REVISIONS		
CHK	CHANGE NO.	REV.

TITLE	RXVII LSI 11 INTERFACE	SIZE CODE	NUMBER	REV.
SCALE		SHEET	3 OF 3	E