

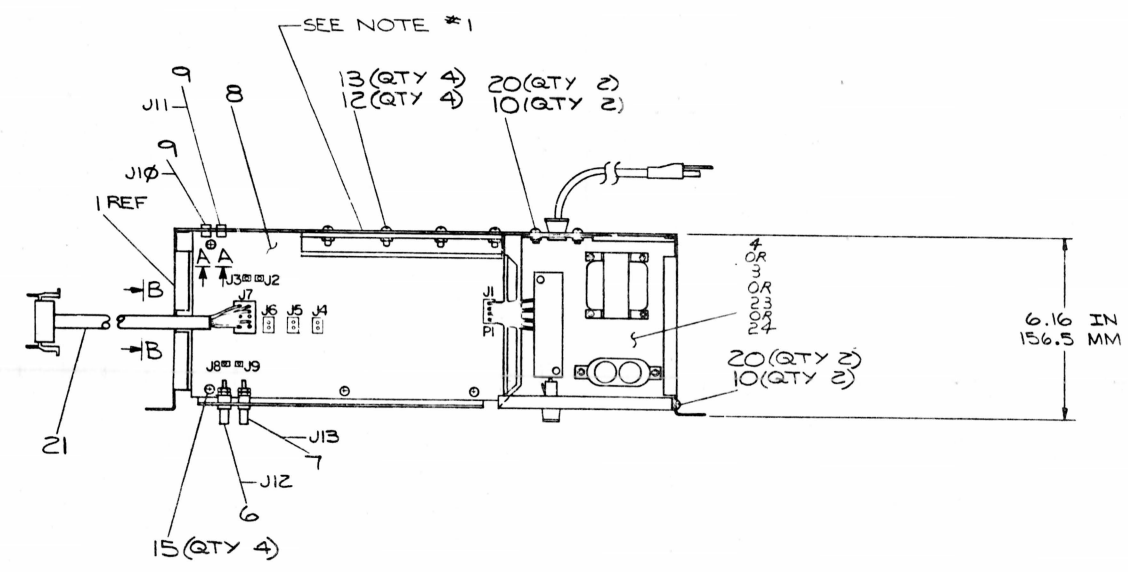
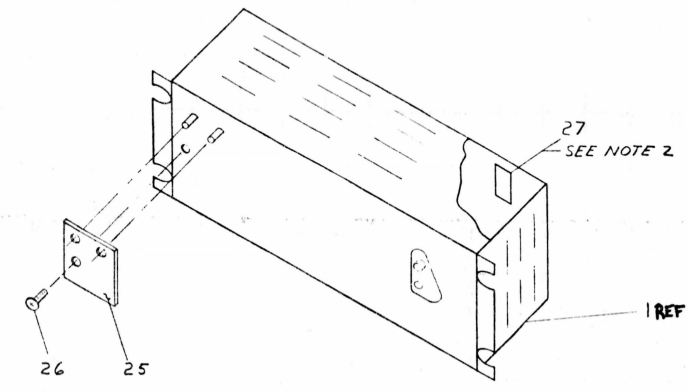


THIS DRAWING AND SPECIFICATIONS, HEREIN, ARE THE PROPERTY OF DIGITAL EQUIPMENT CORPORATION AND SHALL NOT BE REPRODUCED OR COPIED OR USED IN WHOLE OR IN PART AS THE BASIS FOR THE MANUFACTURE OR SALE OF ANY EQUIPMENT WITHOUT WRITTEN PERMISSION. COPYRIGHT © 1977 DIGITAL EQUIPMENT CORPORATION

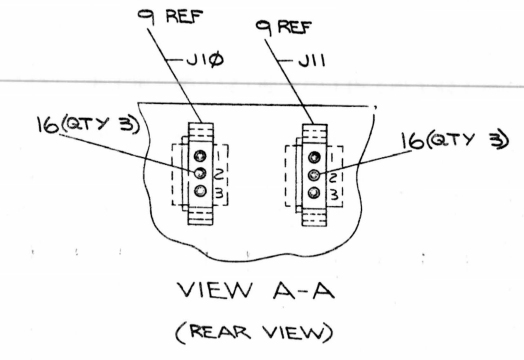
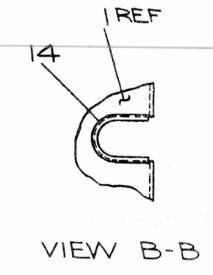
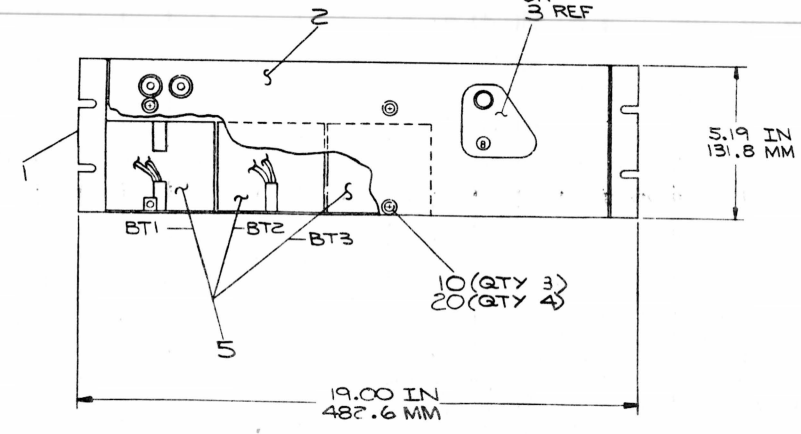
WIRE TABLE					
ITEM NO	DESCRIPTION	FROM	TO	REMARKS	
	AWG	COLOR	CONN WITH	CONN WITH	
5			BT1	J4	
5			BT2	J5	
5			BT3	J6	
17	*18	ORN	J10-1	J11-1	16
			J11-2	J10-2	16
				J2	SLDR
			J11-3	J10-3	16
17	*18	ORN	J11-3		
18	*14	BLK	J13	J9	SLDR
19	*14	RED	J12	J8	SLDR
30A			PI	J1	

LEGEND	
NUMBER	VARIATION
H7112-A	120 V 60 HZ
H7112-B	240 V 50 HZ
H7112-C	120 V 50 HZ
H7112-D	240 V 60 HZ

NOTES:  
 1. ADD THERMAL COMPOUND (ITEM #1) BETWEEN HEAT SINK AND CHASSIS (ITEM #1).  
 2. APPLY "ID LABEL" ON THE INSIDE OF ITEM #1.



TOP VIEW SHOWN WITH "COVER" (ITEM #2) REMOVED



REV	DESCRIPTION	DATE
1	INITIAL DESIGN	10/1/77
2	REVISED	10/1/77
3	REVISED	10/1/77
4	REVISED	10/1/77
5	REVISED	10/1/77
6	REVISED	10/1/77
7	REVISED	10/1/77
8	REVISED	10/1/77

DESCRIPTION	DWG. PART NO.	ITEM NO.										
BATTERY CHARGER (H7112)												
<table border="1"> <tr> <th>CLASS OF ACCURACY</th> <th>CLASS OF SURFACE QUALITY</th> <th>CLASS OF QUANTITY &amp; VARIATION</th> </tr> <tr> <td>0.004</td> <td>0.004</td> <td>0.004</td> </tr> </table>			CLASS OF ACCURACY	CLASS OF SURFACE QUALITY	CLASS OF QUANTITY & VARIATION	0.004	0.004	0.004				
CLASS OF ACCURACY	CLASS OF SURFACE QUALITY	CLASS OF QUANTITY & VARIATION										
0.004	0.004	0.004										
DATE: 10/1/77	DESIGNER: [Signature]	DRW. BY: [Signature]										
<table border="1"> <tr> <th>FINISH</th> <th>SCALE</th> <th>SHEET</th> <th>OF</th> <th>TOTAL SHEETS</th> </tr> <tr> <td>A-PL-H7112-0-0</td> <td>1/2</td> <td>2</td> <td></td> <td>2</td> </tr> </table>			FINISH	SCALE	SHEET	OF	TOTAL SHEETS	A-PL-H7112-0-0	1/2	2		2
FINISH	SCALE	SHEET	OF	TOTAL SHEETS								
A-PL-H7112-0-0	1/2	2		2								

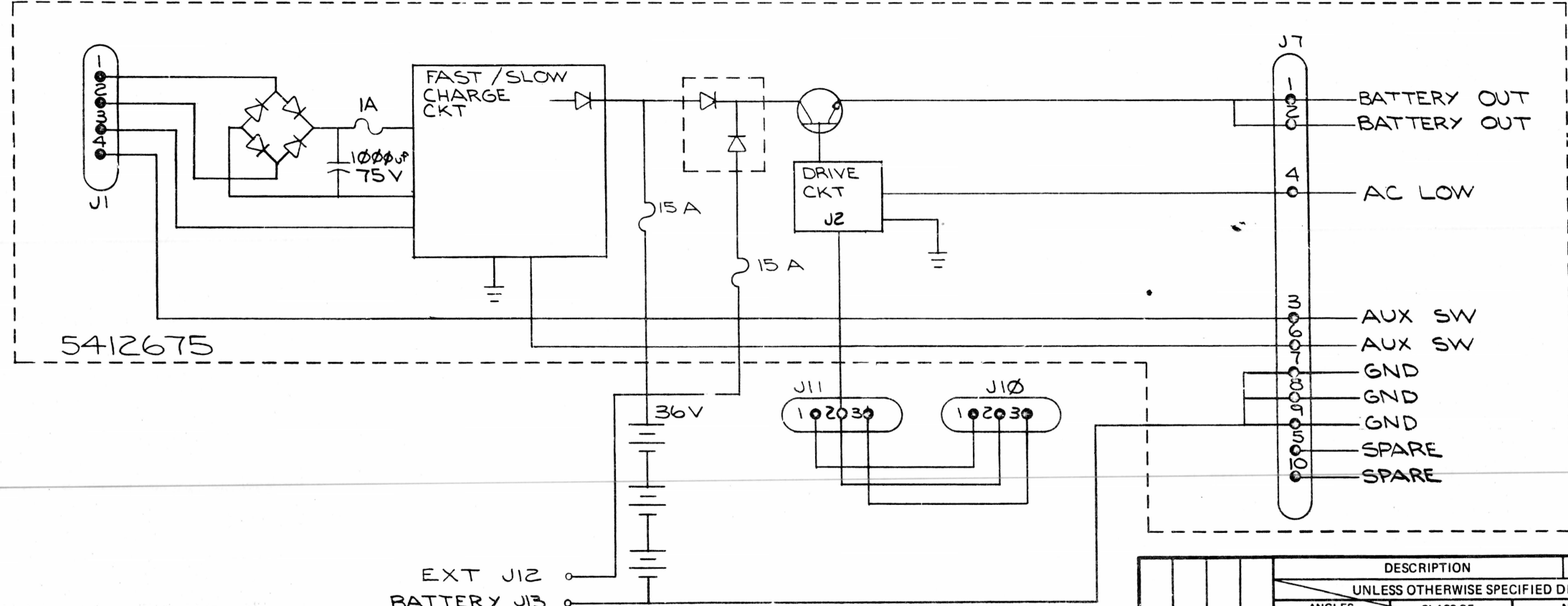
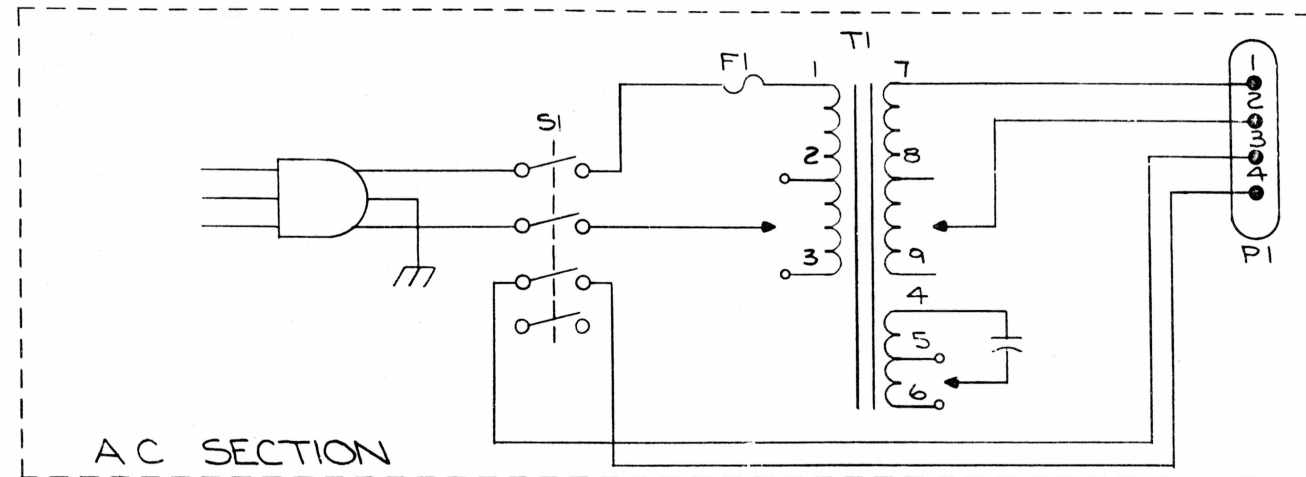
DIGITAL EQUIPMENT CORPORATION MAYNARD, MASSACHUSETTS						QUANTITY VARIATION																
PARTS LIST						H7112-A	H7112-B	H7112-C	H7112-D													
MADE BY M. P. DUGGAN		CHECKED <i>R. Martel</i>		SECTION 1																		
DATE 6 MAY 77		DATE 16 Sept 77																				
ENG <i>Dan Sheehan</i>		PROD <i>E. Blair</i>		ISSUED SECT. 1																		
DATE 16 Sept 77		DATE 16 Sept 77																				
ITEM NO.	DWG NO./PART NO.	DESCRIPTION																				
1	E-IA-7013950-0-0	CHASSIS ASSY (WELDMENT)				1	1	1	1													
2	D-MD-7418577-0-0	COVER				1	1	1	1													
3	E-AD-7014122-00	AC BRACKET ASSY (120V60HZ)				1	-	-	-													
4	E-AD-7014122-01	AC BRACKET ASSY (240V50HZ)				-	1	-	-													
5	1212499-00	BATTERY, 12V, LEAD-ACID				3	3	3	3													
6	1209352-01	POST, BINDING (RED)				1	1	1	1													
7	1209352-05	POST, BINDING (BLK)				1	1	1	1													
8	D-UA-5412675-0-0	BATTERY CHARGER BOARD				1	1	1	1													
9	1209350-03	CONN. HSG (3 SKT)				2	2	2	2													
10	9006037-01	SCR, PHL PAN HD #8-32 X .38 LG				7	7	7	7													
11	9008268 00	THERMAL COMPOUND				A/R	A/R	A/R	A/R													
12	9006039-01	SCR, PHL PAN HD #8-32 X .50 LG				4	4	4	4													
13	9006563-00	NUT, KEP #8-32				4	4	4	4													
14	9007036-00	GROMMET, CATERPILLAR				A/R	A/R	A/R	A/R													
15	9006020-01	SCR, PHL PAN HD #6-32 X .25 LG				4	4	4	4													
16	1209379-00	SKT, CONTACT (20-14 AWG)				6	6	6	6													
17	9107360-33	WIRE, #18 AWG STRD (ORN)				A/R	A/R	A/R	A/R													
18	9107370-00	WIRE, #14 AWG STRD (BLK)				A/R	A/R	A/R	A/R													
19	9107370-22	WIRE, #14 AWG STRD (RED)				A/R	A/R	A/R	A/R													
20	9006690-00	LOCKWASHER, SPLIT #8				8	8	8	8													
21	D-IA-7014547-0-0	CABLE, BATTERY BACK UP				1	1	1	1													
22	9007880-00	TIE, CABLE				6	6	6	6													
TITLE BATTERY CHARGER (H7112)				ASSY NO. E-AD-H7112-0-0		SIZE A	CODE PL	NUMBER H7112-0-0					REV B	ECO NO. H7112-00002								
SHEET 1 OF 2				DIST																		

DEC FORM  
DRA 110

DIGITAL EQUIPMENT CORPORATION MAYNARD, MASSACHUSETTS						QUANTITY / VARIATION																
PARTS LIST						H7112-A	H7112-B	H7112-C	H7112-D													
MADE BY M.P. DUGGAN		CHECKED R. MARTEL		SECTION 1																		
DATE 6-MAY-77		DATE 16-SEPT-77																				
ENG D. SHEEHAN		PROD E. BLAIR		ISSUED SECT. 1																		
DATE 16-SEPT-77		DATE 16-SEPT-77																				
ITEM NO.	DWG NO. / PART NO.	DESCRIPTION																				
23	E-AD-7014122-02	AC BRACKET ASSY				-	-	1	-													
24	E-AD-7014122-03	AC BRACKET ASSY				-	-	-	1													
25	7015391-0-0	SHIELD ASSY				1	1	1	1													
26	9008905-01	SCREW, PHL PAN HD 8 - 32 x 1.125 lg				1	1	1	1													
27	9009255-01	LABEL, POWER SUPPLY				1	1	1	1													
TITLE BATTERY CHARGER (H7112)				ASSY NO. E-AD-H7112-0-0		SIZE A	CODE PL	NUMBER H7112-0-0					REV B	ECO NO.								
SHEET 2 OF 2				DIST																		

DEC FORM DEC 16 (325)-1031-N870  
DRA 110

"THIS DRAWING AND SPECIFICATIONS, HEREIN, ARE THE PROPERTY OF DIGITAL EQUIPMENT CORPORATION AND SHALL NOT BE REPRODUCED OR COPIED OR USED IN WHOLE OR IN PART AS THE BASIS FOR THE MANUFACTURE OR SALE OF ITEMS WITHOUT WRITTEN PERMISSION. COPYRIGHT © 1977, DIGITAL EQUIPMENT CORPORATION"



REV.	CHANGE NO.	DESCRIPTION
A	H7112-0000 2	16th 77
		16th 77
		16th 77

D. SHEEHAN  
 16th 77

DESCRIPTION	DWG./PART NO.	ITEM NO.
UNLESS OTHERWISE SPECIFIED DIMENSIONS ARE IN INCHES		
ANGLES ±0° 30'	CLASS OF ACCURACY	NOMINAL DIMENSION RANGE INCHES
SURFACE QUALITY IN	(CHECK ONE)	OVER 0 TO 0.2
	MEDIUM	OVER 0.2 TO 1.2
MICROINCHES	PREFERRED	OVER 1.2 TO 4.0
		OVER 4.0 TO 12.0
		OVER 12.0 TO 40.0
		OVER 40.0 TO 80.0
		OVER 80.0 TO 100.0
QUANTITY & VARIATION		
THIRD ANGLE PROJECTION	DRN. <i>MPD</i> 16 SEPT 77	FIRST USED ON H7112
REMOVE BURRS AND BREAK SHARP CORNERS	CHK'D <i>DM</i> 16 SEPT 77	TITLE H7112 INTERCONNECT ION DIAGRAM
DO NOT SCALE DWG	PROJ. ENG. <i>Shelton</i> 16 SEPT 77	digital
	PROD. <i>Blair</i> 16 SEPT 77	
MATERIAL	B-DD-H7112-Ø	SIZE CODE C IC
FINISH	SCALE	NUMBER H7112-Ø-3
	SHEET / OF /	REV. A

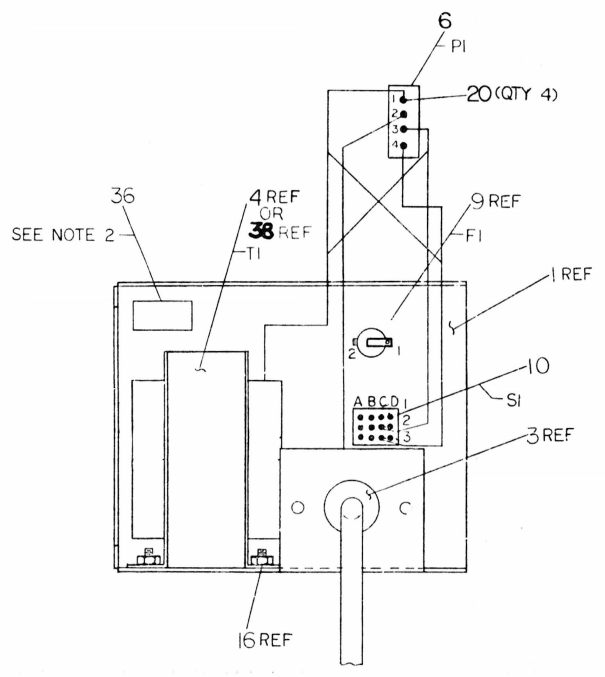
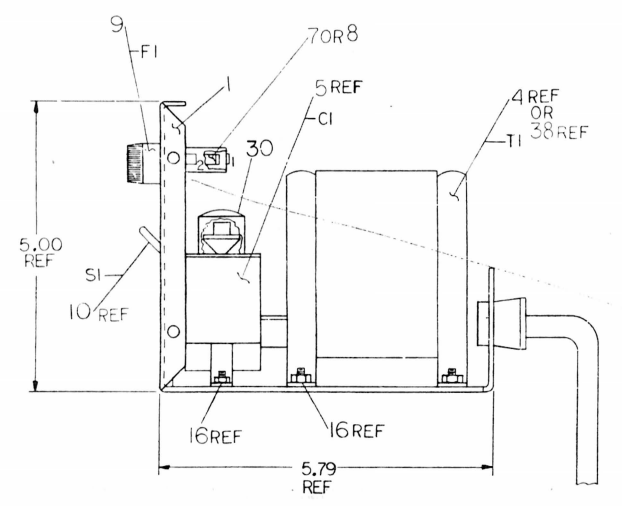
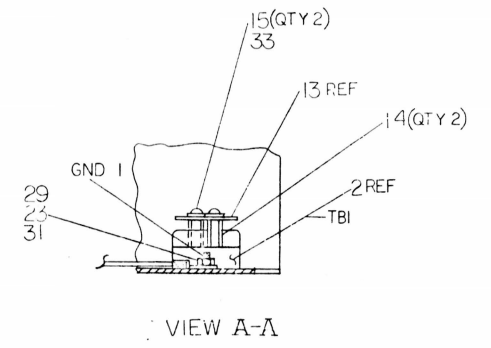
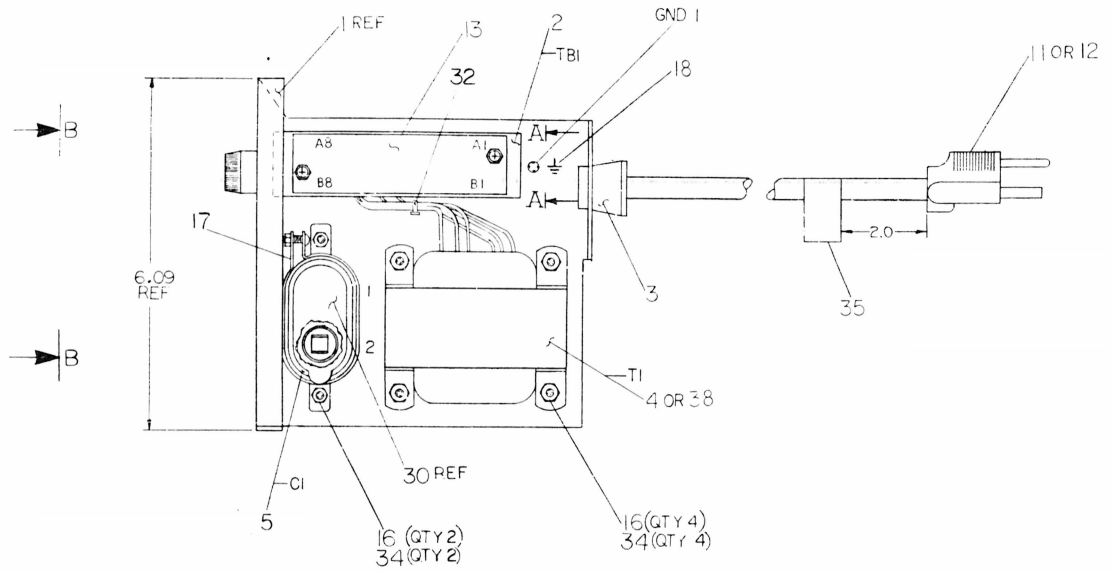
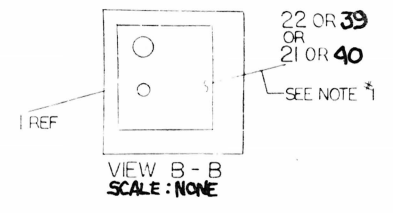
SIZE CODE NUMBER REV.



THIS DRAWING AND SPECIFICATIONS HEREBY ARE THE PROPERTY OF DIGITAL EQUIPMENT CORPORATION AND SHALL NOT BE REPRODUCED OR COPIED OR USED IN WHOLE OR IN PART WITHOUT THE WRITTEN PERMISSION OF DIGITAL EQUIPMENT CORPORATION.

LEGEND	
PART NO.	VARIATION
7014122-00	120 V 60 HZ
7014122-01	240V 50 HZ
7014122-02	120V 50 HZ
7014122-03	240V 60 HZ

- NOTES:
- INSTALL "DECAL" (ITEMS 21 OR 22 OR 39 OR 40) BEFORE INSTALLING SWITCH (ITEM 10) OR FUSE HOLDER (ITEM 9).
  - APPLY ID LABEL ON THE INSIDE OF ITEM 1.



QTY	DESCRIPTION	UNIT	PRICE	TOTAL
1	DECAL H7112 D		3614818-03	40
1	DECAL H7112 C		3614818-02	39
1	TRANSFORMER		1615338-00	38
6	SHRINK TUBING		9107254-00	37
1	ID LABEL		9009255-01	36
1	LABE-AC LINE CORD WARNING		3611448	35
6	WASH, PLAT #8		9006666-00	34
2	WASH, FLAT #6		9006656-00	33
1	WASH, EXT TOOTH LOCK #10		9007651-00	31
1	BOOT, CAP TERM		1213683-00	30
1	TERM, RING TONGUE		9007930-00	29
1	TUBING, SHRINK (RED)		9107305-02	28
1	WIRE #18 AWG STRD (BLU)		9107360-66	27
1	WIRE #18 AWG STRD (ORN)		9107360-33	26
1	WIRE #18 AWG STRD (RED)		9107360-22	25
1	WIRE #18 AWG STRD (BRN)		9107360-11	24
1	NUT, KEPS #18-32		9006565-00	23
1	DECAL H7112 B		3614818-01	22
1	DECAL H7112 A		3614818-00	21
4	SKT, CONTACT (1A-20 AWG)		1209379-00	20
13	TERMINAL RING		9007329-00	19
1	DECAL, GROUND SYMBOL		3615683-00	18
1	BRKT, CAP MTG		121226-00	17
6	NUT, KEPS #8-32		9006563-00	16
2	SCR, PHLX AND G-32Y-25LS		9006020-01	15
2	STAND-OFF		9006851-00	14
1	PLEXI COVER		900748313-00	13
1	LINE CORD (240V)		1700043-00	12
1	LINE CORD (120V)		1700043-01	11
1	SWITCH		1211080-01	10
1	FUSE HOLDER, PANEL		1211348-00	9
1	FUSE .5 AMP (SLO BLO)		9007209-00	8
1	FUSE 1.0 AMP (SLO BLO)		9007212-00	7
1	CONN, FEMALE (4 SK)		1210821-04	6
1	CAP, 2.0MFD 660 V		1015033-05	5
1	TRANSFORMER		1614198-00	4
1	BUSHING, STRAIN RELIEF		3009768-01	3
1	TERMINAL BLOCK		9006903-00	2
1	BRACKET, A.C.		3614818-00	1

REV	DESCRIPTION	DATE
1	ISSUED FOR PRODUCTION	11/14/73
2	REVISED TO ADD PARTS LIST	11/14/73
3	REVISED TO ADD DIMENSIONS	11/14/73
4	REVISED TO ADD MATERIAL	11/14/73
5	REVISED TO ADD FINISH	11/14/73
6	REVISED TO ADD SCALE	11/14/73
7	REVISED TO ADD SHEET	11/14/73
8	REVISED TO ADD DIST	11/14/73

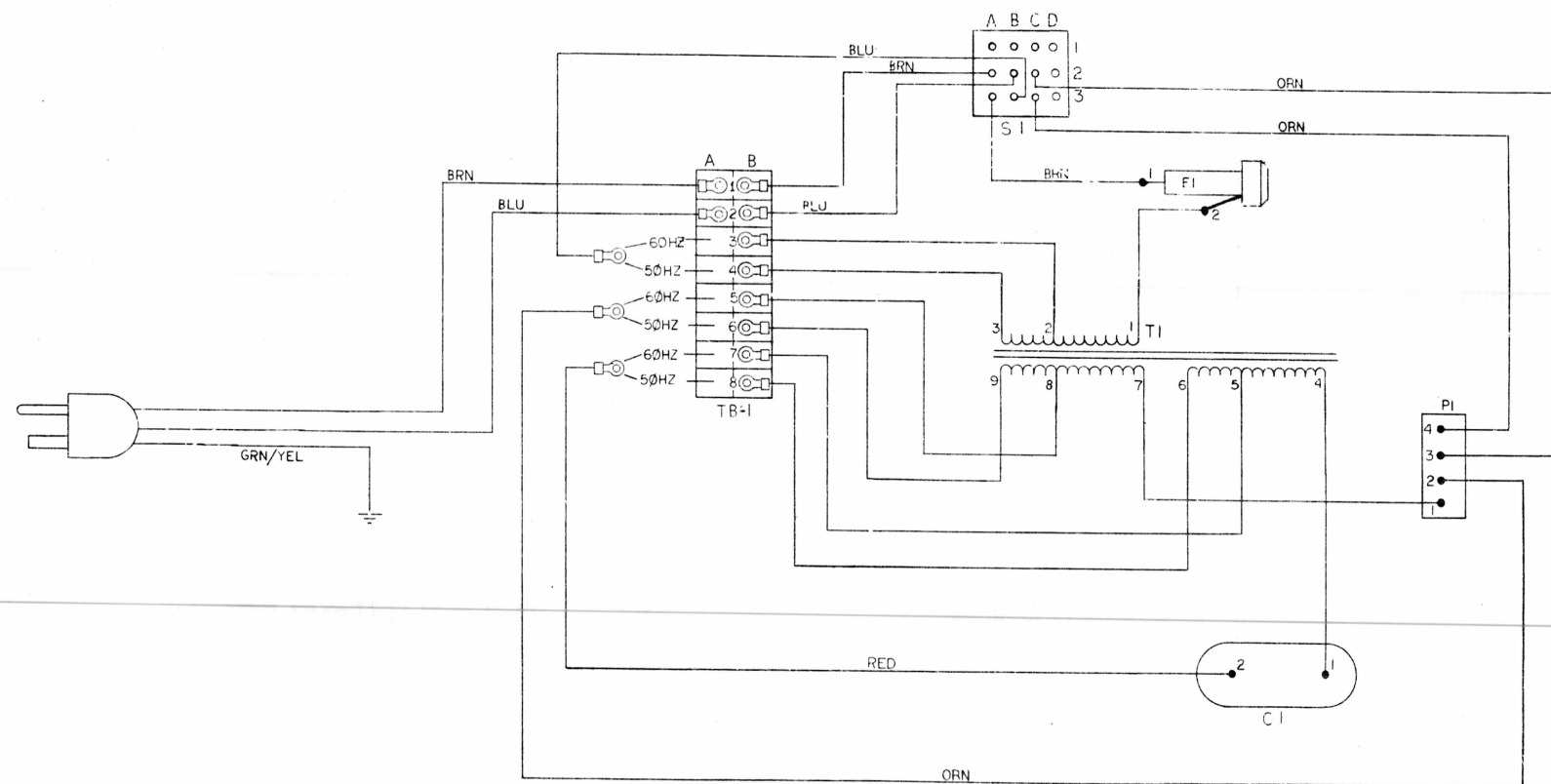
SYMBOL		DESCRIPTION		QTY		UNIT PRICE		TOTAL	
1	1	DECAL H7112 D	3614818-03	40					
1	1	DECAL H7112 C	3614818-02	39					
1	1	TRANSFORMER	1615338-00	38					
6	6	SHRINK TUBING	9107254-00	37					
1	1	ID LABEL	9009255-01	36					
1	1	LABE-AC LINE CORD WARNING	3611448	35					
6	6	WASH, PLAT #8	9006666-00	34					
2	2	WASH, FLAT #6	9006656-00	33					
1	1	WASH, EXT TOOTH LOCK #10	9007651-00	31					
1	1	BOOT, CAP TERM	1213683-00	30					
1	1	TERM, RING TONGUE	9007930-00	29					
1	1	TUBING, SHRINK (RED)	9107305-02	28					
1	1	WIRE #18 AWG STRD (BLU)	9107360-66	27					
1	1	WIRE #18 AWG STRD (ORN)	9107360-33	26					
1	1	WIRE #18 AWG STRD (RED)	9107360-22	25					
1	1	WIRE #18 AWG STRD (BRN)	9107360-11	24					
1	1	NUT, KEPS #18-32	9006565-00	23					
1	1	DECAL H7112 B	3614818-01	22					
1	1	DECAL H7112 A	3614818-00	21					
4	4	SKT, CONTACT (1A-20 AWG)	1209379-00	20					
13	13	TERMINAL RING	9007329-00	19					
1	1	DECAL, GROUND SYMBOL	3615683-00	18					
1	1	BRKT, CAP MTG	121226-00	17					
6	6	NUT, KEPS #8-32	9006563-00	16					
2	2	SCR, PHLX AND G-32Y-25LS	9006020-01	15					
2	2	STAND-OFF	9006851-00	14					
1	1	PLEXI COVER	900748313-00	13					
1	1	LINE CORD (240V)	1700043-00	12					
1	1	LINE CORD (120V)	1700043-01	11					
1	1	SWITCH	1211080-01	10					
1	1	FUSE HOLDER, PANEL	1211348-00	9					
1	1	FUSE .5 AMP (SLO BLO)	9007209-00	8					
1	1	FUSE 1.0 AMP (SLO BLO)	9007212-00	7					
1	1	CONN, FEMALE (4 SK)	1210821-04	6					
1	1	CAP, 2.0MFD 660 V	1015033-05	5					
1	1	TRANSFORMER	1614198-00	4					
1	1	BUSHING, STRAIN RELIEF	3009768-01	3					
1	1	TERMINAL BLOCK	9006903-00	2					
1	1	BRACKET, A.C.	3614818-00	1					

AC BRACKET ASSEMBLY

MATERIAL: SEE PARTS LIST  
 SCALE: 1/1  
 SHEET: 2 OF 2  
 DIST: EAD 7014122-0-0

ALL DIMENSIONS AND SPECIFICATIONS, HEREIN, ARE THE PROPERTY OF SULLAIR EQUIPMENT CORPORATION AND SHALL NOT BE REPRODUCED OR COPIED OR USED IN WHOLE OR IN PART AS THE BASIS FOR THE MANUFACTURE OR SALE OF ITEMS WITHOUT WRITTEN PERMISSION.  
 COPYRIGHT © 1977 SULLAIR EQUIPMENT CORPORATION

WIRE TABLE										
ITEM NO	DESCRIPTION	FROM				TO				REMARKS
		COLOR	AWG	CONN	WITH	CONN	WITH	LENGTH		
11	BRN					TBI-A1	19	3"		
OR	BLU					TBI-A2	19	3"		
12	GRN/YEL					GS-1	29	3.63"		
21	BRN	18		TBI-B1	19	SI-A2	Sldr, 37	8"		
27	BLU	18		TBI-B2	19	SI-B2	Sldr, 37	8"		
24	BRN	18		SI-A3	Sldr, 37	FI-1	Sldr, 27	6"		
26	ORN	18		SI-C2	Sldr, 37	PI-3	20	14.5"	60 HZ	
26	ORN	18		SI-C3	Sldr, 37	PI-4	20	14.5"	50 HZ	
	BLK	18		TI-1		FI-2	Sldr, 28	8.5"		
	BLK			TI-2		TBI-B3	19	2"		
	BLK			TI-3		TBI-B4	19	3"		
	BLK			TI-4		CI-1	Sldr	6.5"		
	BLK			TI-5		TBI-B7	19	4"		
	BLK			TI-6		TBI-B8	19	4.5"		
	BLK			TI-7		PI-1	20	11"		
	BLK			TI-8		TBI-B5	19	4"		
	BLK			TI-9		TBI-B6	19	4.5"		
27	BLU	18		SI-B3	Sldr, 37	TBI-A3	19	9"		
25	RED	18		CI-2	Sldr	TBI-A7	19	9"		
26	ORN	18		PI-2	20	TBI-A5	19	14"	60 HZ	
27	BLU	18		SI-3	Sldr, 37	TBI-A4	19	9"		
25	RED	18		CI-2	Sldr	TBI-A8	19	9"		
26	ORN	18		PI-2	20	TBI-A6	19	14"	50 HZ	



REVISIONS		
CHK	CHANGE NO.	REV.

DEC FORM NO 8  
 ONE 106

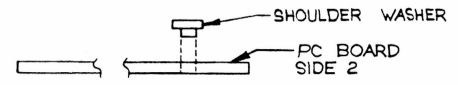
TITLE BRACKET A.C. ASSEMBLY  
 SCALE 1/1 SHEET 2 OF 2  
 SIZE CODE E AD NUMBER 7014122-0-0  
 REV. B

THIS DRAWING AND SPECIFICATIONS, WHETHER OR NOT THE PROPERTY OF DIGITAL EQUIPMENT CORPORATION, ARE HEREBY MADE PUBLIC BY THE ISSUANCE OF THIS DRAWING OR BY THE SALE OF THIS DRAWING WITHOUT ANY RESTRICTIONS.

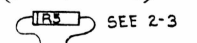
COMPONENT SIDE VIEW

**REWORK INSTRUCTIONS:**

ECO #1  
 COMPONENT ADD SIDE 2  
 1-1. ADD SHOULDER WASHER INTO 6 Δ HOLES FROM SIDE 2 WITH TAPERED SIDE DOWN



ECO #2  
 COMPONENT DELETES SIDE 1:  
 2-1 R5 (P.N. 1300398)  
 2-2 R11 (P.N. 1300365)  
 COMPONENT ADDS SIDE 1:  
 2-3 R5 (P.N. 1309582) BENDING LEADS AS SHOWN:  
 2-4 R11 (P.N. 1300479)



48,21,45,46,47

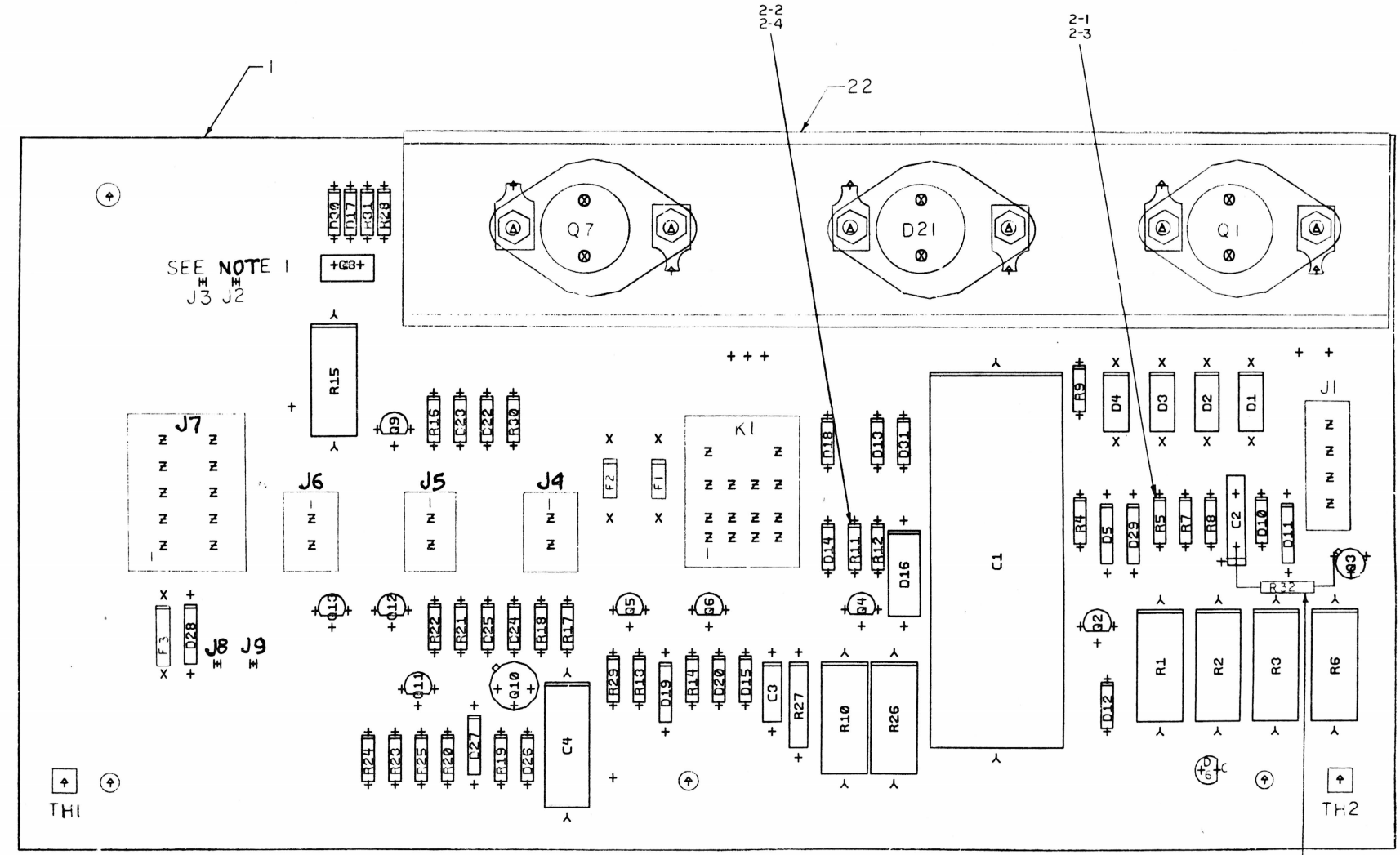
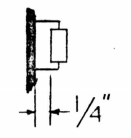
**MODULE REWORK AT RELEASE**

ETCH CUT-SIDE 2  
 O-1 AT Q3

**COMPONENT ADD-SIDE 1**

O-2 ADD R32 BETWEEN C2 & Q3

NOTE: LIFT R1-3,5,6,10,26,27,15 & D16 ABOVE BOARD AS SHOWN



NOTES: DO NOT FILL J2, J3, J8 & J9 WITH SOLDER

CHG	NO	REV	DATE	BY	CHK'D
1	5412675-1	B			
2		A			
3		C			
4		D			
5		E			
6		F			
7		G			
8		H			
9		I			
10		J			
11		K			
12		L			
13		M			
14		N			
15		O			
16		P			
17		Q			
18		R			
19		S			
20		T			
21		U			
22		V			
23		W			
24		X			
25		Y			
26		Z			

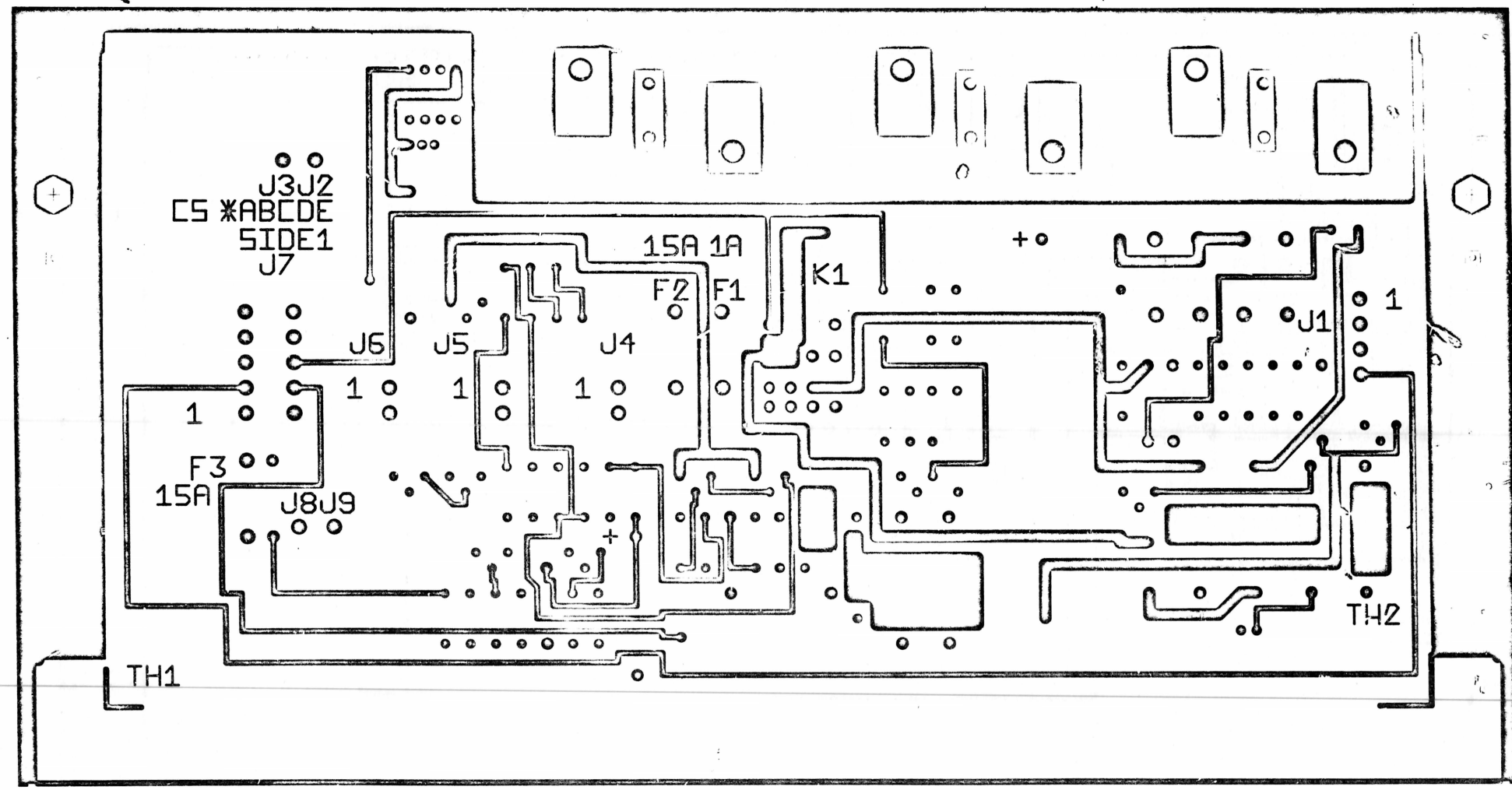
ETCH REV.	B
P.C. DESIGN DATA BASE REV.	BL

SIGNATURES	DATE	TITLE
DRN. <i>[Signature]</i>		
CHK'D. <i>[Signature]</i>		
ENG. <i>[Signature]</i>		
PROJ. ENG. <i>[Signature]</i>		
PROD. <i>[Signature]</i>		
SCALE		
SHT. 1 OF 3		
NEXT HIGHER ASSY. B-DD-5412675-0		

digital
BATTERY CHARGER
SIZE CODE
NUMBEP
REV
UA5412675-006

THIS DRAWING AND THE PARTS LIST THEREON ARE THE PROPERTY OF THE AIR FORCE. IT IS TO BE KEPT IN CONFIDENCE AND NOT TO BE REPRODUCED OR TRANSMITTED IN ANY FORM OR BY ANY MEANS, ELECTRONIC OR MECHANICAL, INCLUDING PHOTOCOPYING, RECORDING, OR BY ANY INFORMATION STORAGE AND RETRIEVAL SYSTEM, WITHOUT WRITTEN PERMISSION FROM THE AIR FORCE.

□ L1 5412675 5012674B



VIEWED FROM SIDE 1

REVISIONS		
CHK	CHANGE NO.	REV.

DEC FORM NO. 848 117

TITLE <b>BATTERY CHARGER</b>		SIZE CODE D	NUMBER LA5412675 -0-0	REV. C
SCALE 2:1	SHEET 2 OF 3	DIST		

8

7

6

5

4

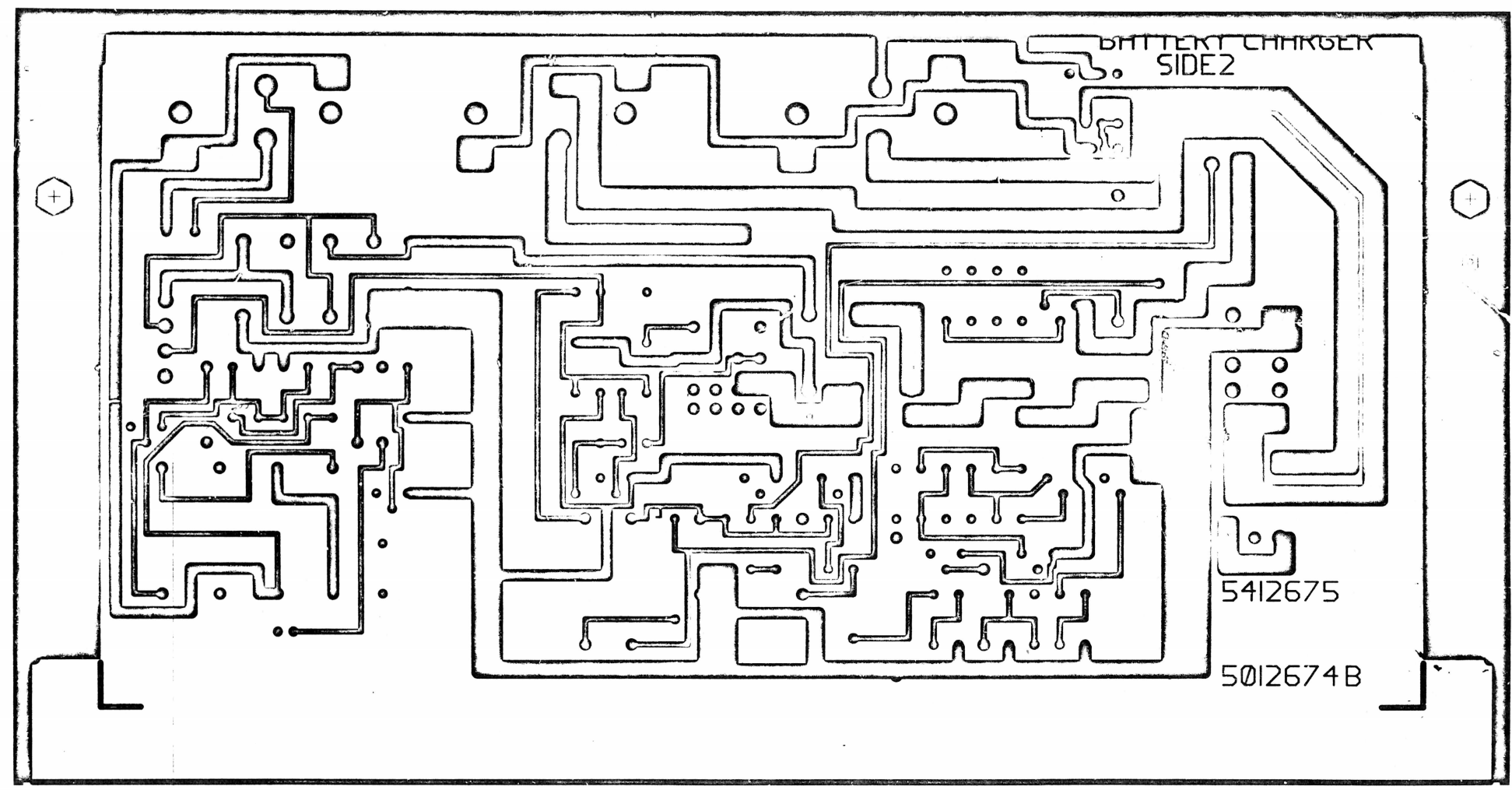
3

2

1



THIS DRAWING AND SPECIFICATION SHALL BE THE PROPERTY OF THE U.S. GOVERNMENT. IT IS TO BE KEPT IN CONFIDENCE AND IS NOT TO BE REPRODUCED OR DISSEMINATED IN ANY MANNER WITHOUT THE EXPRESS WRITTEN PERMISSION OF THE U.S. GOVERNMENT.



0-1

VIEWED FROM SIDE 1

REVISIONS		
CHK	CHANGE NO	REV

TITLE	SIZE CODE	NUMBER	REV
BATTERY CHARGER	D	UA 5412675	0-0 C
SCALE 2:1	SHEET 3 OF 3	DIST	

LINE	ITEM	DOCUMENT NO.	PART NO.	DESCRIPTION	QTY	REFERENCE DESIGNATORS
1	1	D-MD-5412674-0-0	5012674-00	5412675	1	
2	2		1014426-00	1000 MFD 75V	1	C1
3	3		1000076-00	39 MFD 10V 10% 150D S.TA (10-00	1	C2
4	4		1002627-00	2.2MFD 20V 10% 150D S.TA (10	1	C3
5	5		1002781-00	100 MFD 25V 6% 30D AL EL (10-12	1	C4
6	6		1114192-00	PIV=200 I=30A COM. ANODE	1	D21
7	7		1102349-00	1N 3030B VZ= 27.0 5% 1W Y	1	D16
8	8		1104860-00	1N 746A VZ= 3.3 5%	4	D5,D19,D27,D29
9	9		1105275-00	D 672 TR= 15NS PIV= 60V SP	6	D10,D22,D23,D24,D25,D26
10	10		1105648-00	1N 4744 VZ= 15.0 10% 1W Y	1	D15
11	11		1105796-00	1N 4004 PIV=400 I= 1A D041 SP	8	D12,D13,D14,D17,D18,D20,D30, CONT D31
12	12		1110420-00	1N 5624 PIV=200 I= 5A	4	D1,D2,D3,D4
13	13		1110713-00	SZ710910 VZ= 5.1 2% M	1	D11
14	14		1110856-00	1N 970B VZ= 24.0 5% .40W Y	1	D28
15	15		1110864-00	LED 2MCD@10MA	1	D6
16	16		1211342-10	MATE-N-LOK 10PIN FC TYPE	1	J7
17	17		1211342-04	MATE-N-LOK 4PIN FC TYPE	1	J1
18	18		1211342-02	MATE-N-LOK 2PIN FC TYPE	3	J4,J5,J6
19	19		1210929-00	FUSE, SUB-MINI, 15.000A, 32V, AXIAL LEAD	2	F2,F3
20	20		1210929-02	FUSE, SUB-MINI 1.000A, 125V, AXIAL LEAD	1	F1
21	21		1213071-02	INSULATOR,RUBBER SILICONE SM	3	
22	22		1212645-01	HEAT SINK,CHANNEL	1	
23	23		1214425-00	RLY,G.F., 48V COIL,DPDT,10A	1	K1
24	24		1305815-00	5 5W 5% WW (13-00	1	R1
25	25		1301880-00	390 2W 10% CC (13-00	1	R2
26	26		1300402-00	1.8 K 2W 10% CC (13-00	2	R3,R6
27	27		1300365-00	1 K 1/4W 5% CC (13-00	5	R4,R14,R23,R29,R30
28	28		1309582-00	2 K 3W 5% WW (13-00	1	R5
29	29		1309415-00	11.5 K 1/4W 1% RN55D-F 100PPM (13-00	1	R7

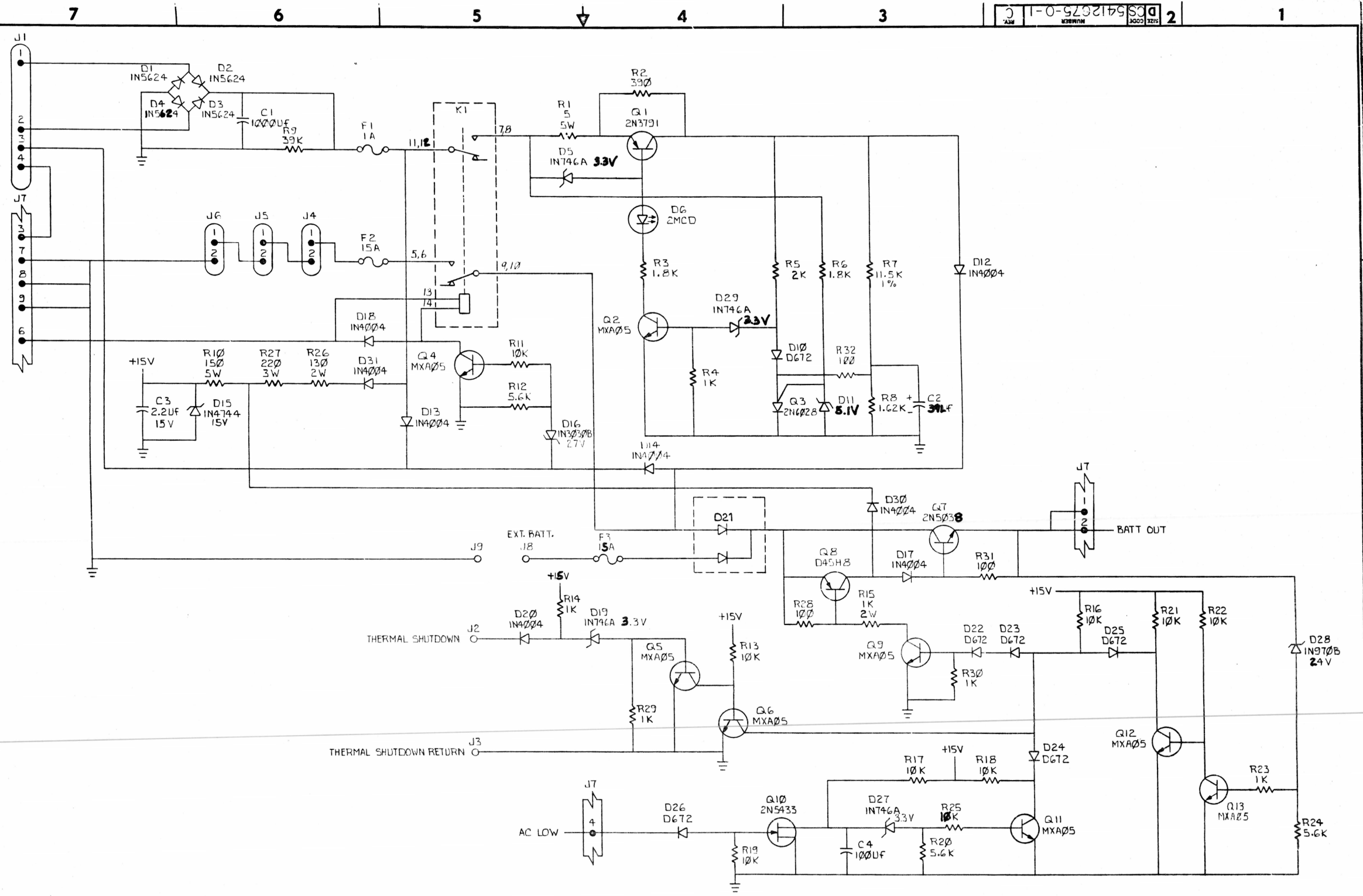
REVISION HISTORY				VARIATIONS FOR THIS ASSY.			
CHK	ECD NO	REV		FIRST USED ON:			
W.H	00002	C	00	DIGITAL EQUIPMENT CORPORATION MAYNARD, MASSACHUSETTS			
				MADE BY:	R. KOPPENAL	DATE:	27-JAN-78
				TITLE PARTS LIST			
				CHECKED:	KENT GLEEZEN	DATE:	27-JAN-78
				BATTERY CHARGER			
				DSN.ENG.:	DAN SHEEHAN	DATE:	27-JAN-78
				SIZE	CODE	DOCUMENT NUMBER	REV
				PROD.:	ED BLAIR	DATE:	27-JAN-78
				K	PL	5412675-0-0	C
				RESP.ENG.:	DAN SHEEHAN	DATE:	27-JAN-78
				ASSY.NO.:	D-UA-5412675-0-0	EDIT#	
							9

\*THIS DRAWING AND SPECIFICATIONS HEREIN, ARE THE PROPERTY OF DIGITAL EQUIPMENT CORPORATION AND SHALL NOT BE REPRODUCED OR COPIED OR USED IN WHOLE OR IN PART AS THE BASIS FOR THE MANUFACTURE OR SALE OF ITEMS WITHOUT WRITTEN PERMISSION. COPYRIGHT 1978, DIGITAL EQUIPMENT CORPORATION \*

LINE ITEM	DOCUMENT NO.	PART NO.	DESCRIPTION	QTY	REFERENCE DESIGNATORS
30	30	1304862-00	1.62 K 1/4W 1% RN55D-F 100PPM	(13-00) 1	R8
31	31	1302514-00	39 K 1/4W 5% CC	(13-00) 1	R9
32	32	1301898-00	150 5W 5% WW	(13-00) 1	R10
33	33	1301874-00	5.6 K 1/4W 5% CC	(13-00) 3	R12,R20,R24
34	34	1300479-00	10 K 1/4W 5% CC	(13-00) 9	R11,R13,R16,R18,R19,R21,R22, CONT R25,R17
35	35	1301952-00	1 K 2W 5% CC	(13-00) 1	R15
36	36	1304832-00	130 2W 5% CC	(13-00) 1	R26
37	37	1312123-00	220 3W 1% WW	(13-00) 1	R27
38	38	1300229-00	100 1/4W 5% CC	(13-00) 3	R28,R31,R32
39	39	1509581-00	2N 3791 PNP 150WC SI 60 30 M	1	Q1
40	40	1510705-00	XA 05 NPN 500MW SI 60 50 P	8	Q2,Q4,Q5,Q6,Q9,Q11,Q12,Q13
41	41	1510877-00	2N 6028 UJT 300MW R67B	1	Q3
42	42	1510969-00	2N 5038 NPN 140WC SI 90 50 Y	1	Q7
43	43	1510708-00	D 45H8 PNP 50WT SI 60 60 Y	1	Q8
44	44	1511686-00	DEC5433 FET N 350MW 10 25 1A 20U	1	Q10
45	45	9006013-01	SCREW,PAN ,PHIL, 4-40X 1/2 SS/PAS	6	
46	46	9009676-00	TERM LUG 1POS SOLDER	6	
47	47	9006557-00	NUT,KEF , 4-40X 1/4 AF	6 CS	
48	48	9007632-00	WASHER, FIBER #6 SHOULDER WASHER OD. 5/16	6	

DIGITAL EQUIPMENT CORPORATION MAYNARD, MASSACHUSETTS	TITLE BATTERY CHARGER	PARTS LIST	SIZE! CODE! K PL	DOCUMENT NUMBER 5412675-0-0	REV! C
---	--------------------------	------------	---------------------	--------------------------------	-----------

THIS DRAWING AND SPECIFICATIONS HEREIN ARE THE PROPERTY OF DIGITAL EQUIPMENT CORPORATION AND SHALL NOT BE REPRODUCED OR COPIED OR USED IN WHOLE OR IN PART AS THE BASIS FOR THE MANUFACTURE OR SALE OF ITEMS WITHOUT WRITTEN PERMISSION. COPYRIGHT © 1977, DIGITAL EQUIPMENT CORPORATION



REV.	CHANGE NO.	DATE	BY
1	5412675-00001	B	J. DREW
2	5412675-00002	C	J. DREW
3	5412675-00003	D	J. DREW
4	5412675-00004	E	J. DREW
5	5412675-00005	F	J. DREW
6	5412675-00006	G	J. DREW
7	5412675-00007	H	J. DREW
8	5412675-00008	I	J. DREW

DRN: R. Koppal	5/25/77	FIRST USED ON	H7112
CHK'D: [Signature]	8/8/77	TITLE	BATTERY CHARGER
ENG: [Signature]	8/8/77	PROJ. ENG. DESIGNED BY	J. DREW
PROD. [Signature]	8/15/77	NEXT HIGHER ASSY.	
D-UA-5412675-0-0	SCALE	SIZE CODE	NUMBER
SHEET 1 OF 1	DIST.	D CS	5412675-0-1
			REV. C