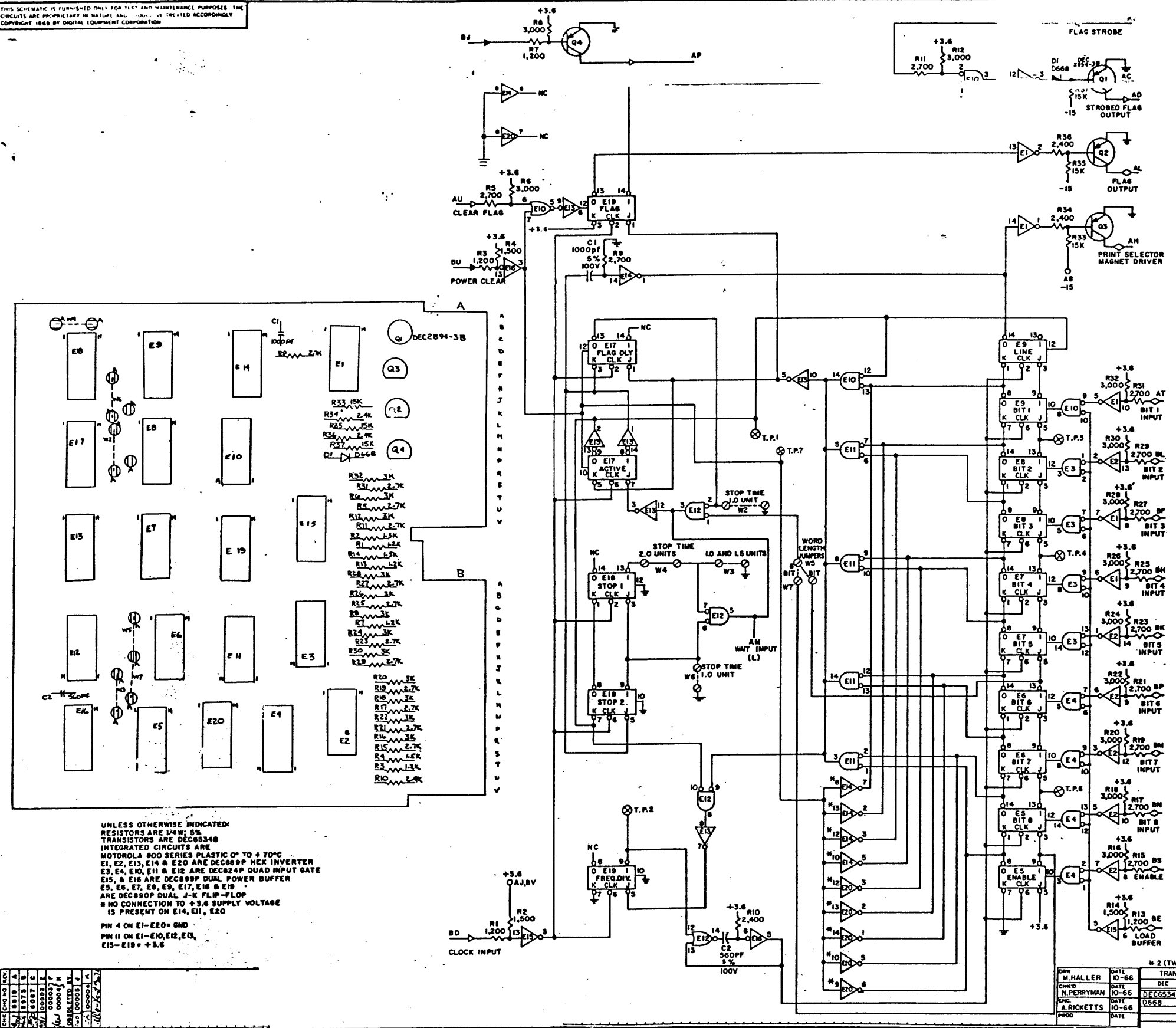


THIS SCHEMATIC IS FURNISHED ONLY FOR TEST AND MAINTENANCE PURPOSES. THE CIRCUITS ARE PROPRIETARY IN NATURE AND SHOULD BE TREATED ACCORDINGLY. COPYRIGHT 1969 BY DIGITAL EQUIPMENT CORPORATION.



ITEM NO.	DEC PART NO.	DESCRIPTION	QTY
22	9008337-03	HANDLE, FLIP CHIP - WHITE	2
21	9006731	FEED THRU EYELET	138
20	9006735	SPLIT LUG	13
19	9006732	EYELET #6S4-7	4
18	1905290	I.C. DEC 899P	2
17	1904822	I.C. DEC 899P	5
16	1904821	I.C. DEC 824P	5
15	1904820	I.C. DEC 890P	8
14	1503099	TRANS DEC 2894-3B EPOXY CAN TO-B	1
13	1503409-01	TRANS. DEC 6534B	3
12	1303177	RES. 2.4K 1/4W 5%	3
11	1301320	RES. 1.2K 1/4W 5%	4
10	1300496	RES. 15K 1/4W 5%	3
9	1300432	RES. 3K 1/4W 5%	12
8	1300426	RES. 2.7K 1/4W 5%	12
7	1300391	RES. 1.5K 1/4W 5%	3
6	1102161	DIODE D668	1
5	1000042	CAP. 1000PF 100V 5% NICA	1
4	1000025	CAP. 560PF 100V 5% D.M.	1
3	5003976	ETCHED CIRCUIT BOARD	1
2	B-MH-W707-0-6	MODULE ECO HISTORY	4
1	D-AH-W707-0-5	ASSY/DRILLING HOLE LAYOUT	

REV	DATE	BY	CHKD	APP'D
1	10-66	M.HALLER		
2	10-66	N.PERRYMAN		
3	10-66	A.RICKETTS		

DATE	BY	CHKD	APP'D
10-66	M.HALLER		
10-66	N.PERRYMAN		
10-66	A.RICKETTS		

\* 2 (TWO) IN3606 IN SERIES

TRANSISTOR & DIODE CONVERSION CHART

TRANSISTOR	DIODE	TRANSISTOR	DIODE
DEC6534B	MPS6534	DEC6534B	MPS6534
D668	D668	D668	D668

TELETYPE TRANSMITTER

DIGITAL EQUIPMENT CORPORATION

DATE: 10-66

REV. 12/66