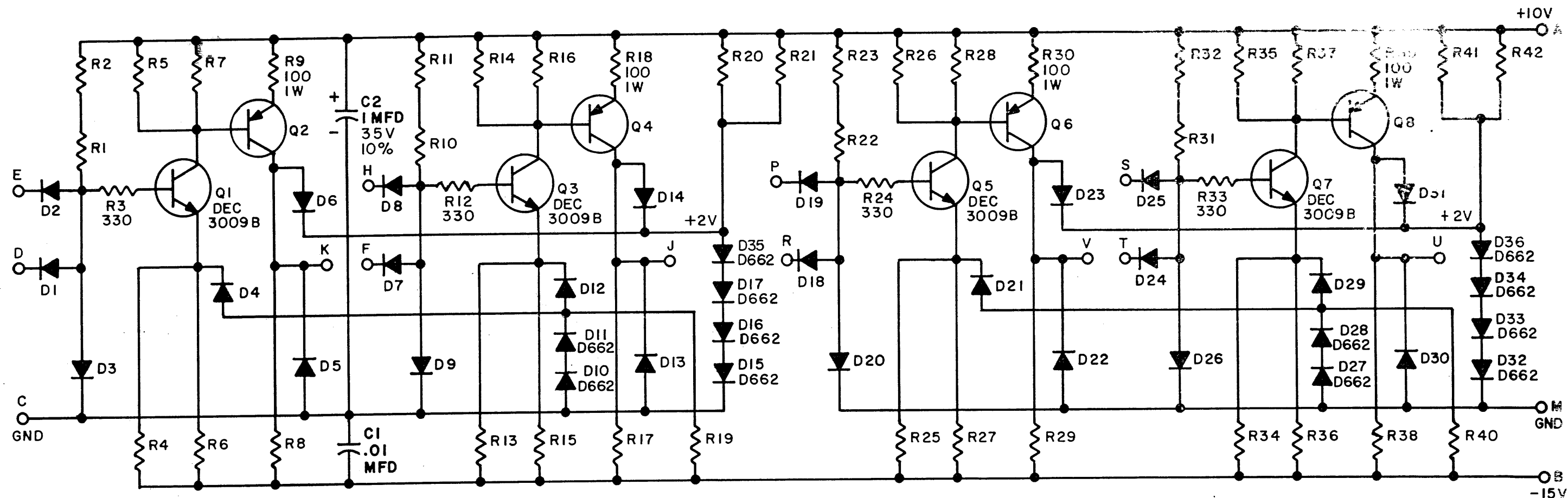
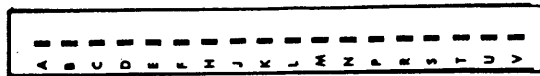


THIS SCHEMATIC IS FURNISHED ONLY FOR TEST AND MAINTENANCE PURPOSES. THE CIRCUITS ARE PROPRIETARY IN NATURE AND SHOULD BE TREATED ACCORDINGLY. COPYRIGHT 1967 BY DIGITAL EQUIPMENT CORPORATION



UNLESS OTHERWISE INDICATED:
 TRANSISTORS ARE 2N4258
 DIODES ARE D664
 RESISTORS ARE 2,200
 RESISTORS ARE 1/4 W, 5%



PARTS LIST A-PL-W693-0-0

REVISIONS CHK CHG NO. REV. 6521 A 6918 B 6959 C	DRN. <i>m. Keller</i> DATE 5-22-67 CHK'D <i>R. Sel...</i> DATE 5/23/67 ENG. <i>G. Wyman</i> DATE 5/25/67 PROD. DATE		TRANSISTOR & DIODE CONVERSION CHART <table border="1"> <tr> <th>DEC</th> <th>EIA</th> <th>DEC</th> <th>EIA</th> </tr> <tr> <td>DEC3009B</td> <td>2N3009</td> <td></td> <td></td> </tr> <tr> <td>2N4258</td> <td>SAME</td> <td></td> <td></td> </tr> <tr> <td>D662</td> <td>IN645</td> <td></td> <td></td> </tr> <tr> <td>D664</td> <td>IN3606</td> <td></td> <td></td> </tr> </table>				DEC	EIA	DEC	EIA	DEC3009B	2N3009			2N4258	SAME			D662	IN645			D664	IN3606			digital EQUIPMENT CORPORATION MAYNARD, MASSACHUSETTS		TITLE DEC TO CTUL LINE DRIVER W6 3 SIZE B CODE CS NUMBER W693-0-1 REV. D PRINTED CIRCUIT REV. C		
	DEC	EIA	DEC	EIA																											
	DEC3009B	2N3009																													
	2N4258	SAME																													
D662	IN645																														
D664	IN3606																														

PINK

DIST. 324 44 435 359