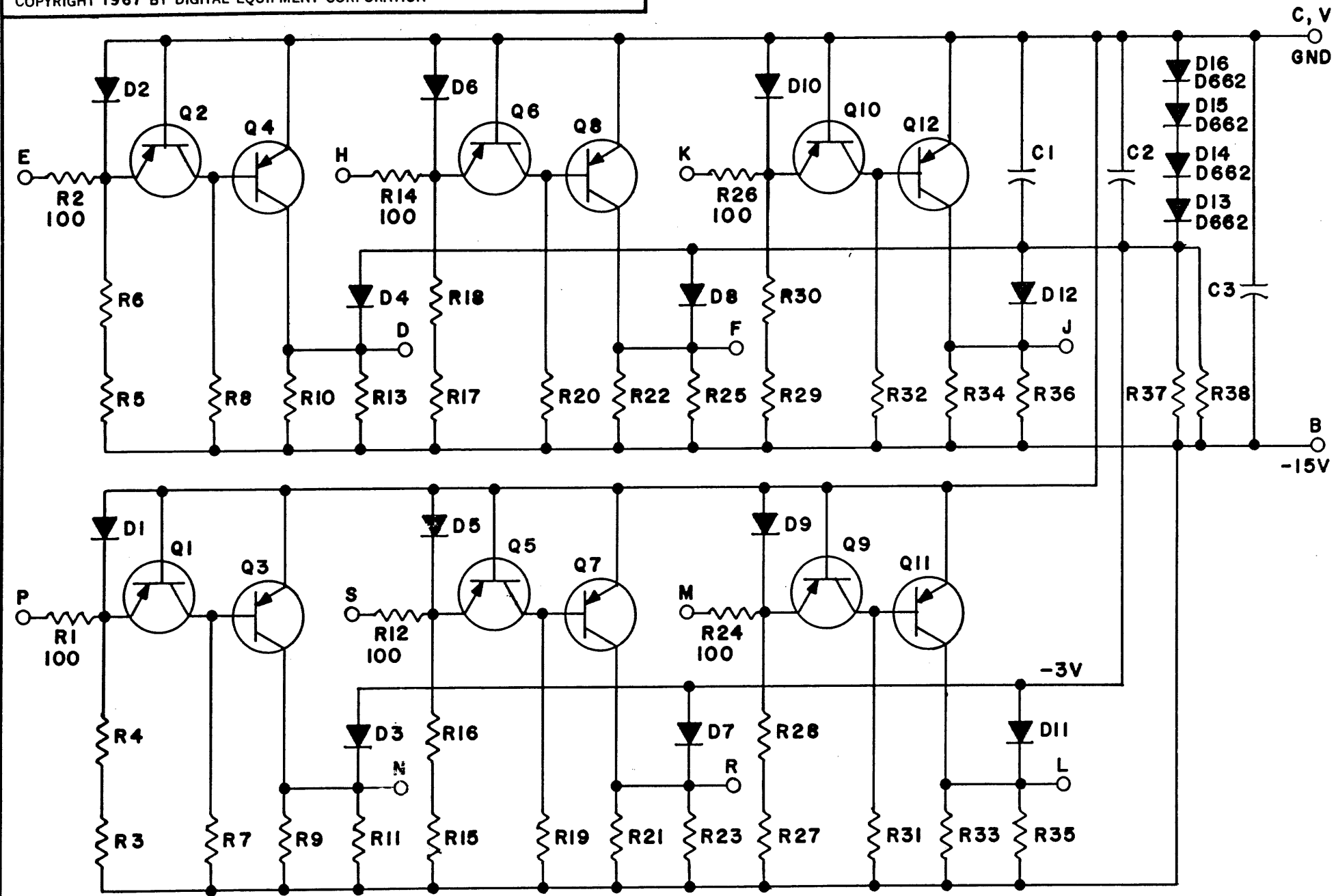
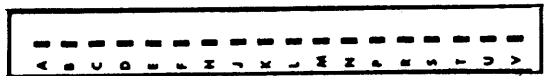


THIS SCHEMATIC IS FURNISHED ONLY FOR TEST AND MAINTENANCE PURPOSES. THE CIRCUITS ARE PROPRIETARY IN NATURE AND SHOULD BE TREATED ACCORDINGLY. COPYRIGHT 1967 BY DIGITAL EQUIPMENT CORPORATION



UNLESS OTHERWISE INDICATED:
 TRANSISTORS ARE 2N4258
 RESISTORS ARE 2,700; 1/4W; 5%
 DIODES ARE D664
 CAPACITORS ARE .01 MFD



REVISIONS	CHK	CHG	NO.	REV.

DRN.	DATE
<i>M. Haller</i>	11-9-67
CHK'D	DATE
<i>R. Schreiner</i>	11/10/67
ENG.	DATE
<i>R. Wynn</i>	11/22/67
PROD.	DATE

TRANSISTOR & DIODE CONVERSION CHART			
DEC	EIA	DEC	EIA
2N4258	SAME		
D662	1N645		
D664	1N3606		

digital
 EQUIPMENT CORPORATION
 MAYNARD, MASSACHUSETTS

TITLE				POSITIVE LEVEL CONVERTER W514			
SIZE	CODE	NUMBER		REV.			
B	CS	W514-0-1					
PRINTED CIRCUIT REV.							A