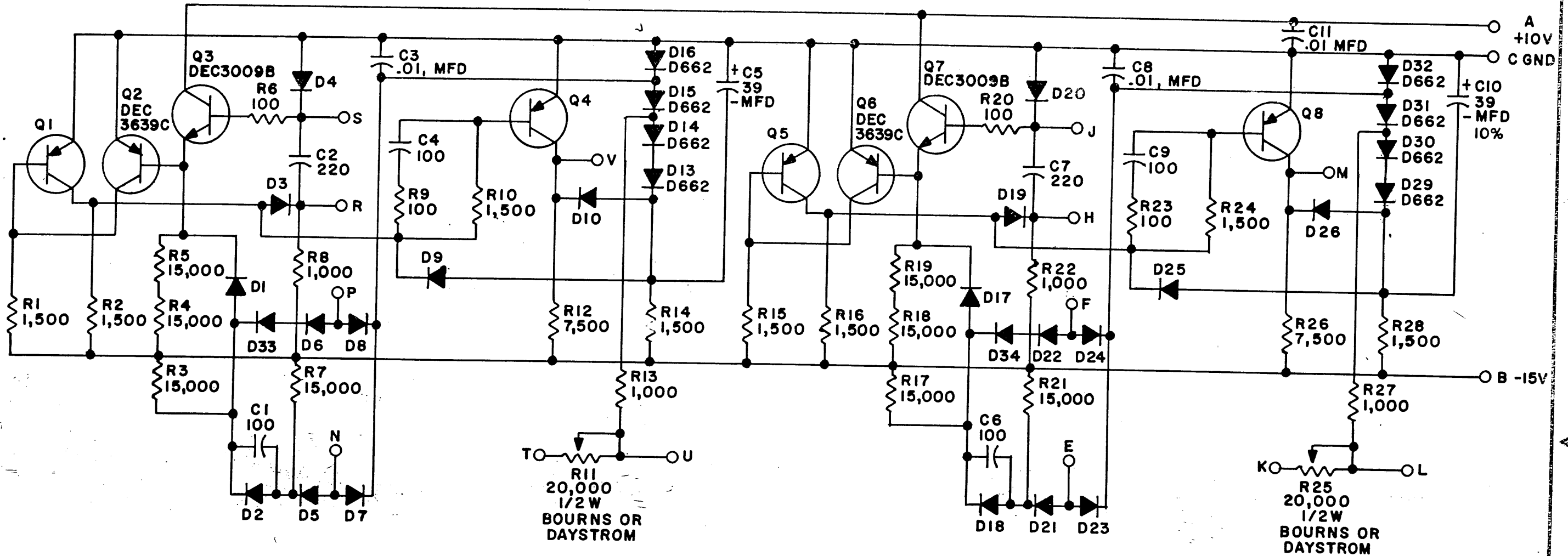


THIS SCHEMATIC IS FURNISHED ONLY FOR TEST AND MAINTENANCE PURPOSES. THE CIRCUITS ARE PROPRIETARY IN NATURE AND SHOULD BE TREATED ACCORDINGLY. COPYRIGHT 1964 BY DIGITAL EQUIPMENT CORPORATION



UNLESS OTHERWISE INDICATED:
RESISTORS ARE 1/4W; 5%
CAPACITORS ARE MMFD
DIODES ARE D664
TRANSISTORS ARE DEC3639

< A B C D E F G H I J K L M N O P Q R S T U >

PARTS LIST A-PL-R302-0-0

REVISIONS	CHK CHG NO. REV.	7	L	M	N	P	R	S	T	U	DRN. A. OUELLETTE DATE 6-12-64	TRANSISTOR & DIODE CONVERSION CHART				TITLE DELAY R302													
	DAW 4856	REV. REDR 5538										5	DEC	EIA	DEC		EIA	DATE 6-17-64	DEC	EIA	DATE 6-17-64	DATE	DATE	DATE	DATE				
	REV. REDR 5975	6									ENG. R. BANK DATE 6-17-64	DEC3639	2N3639																
											PROD.	D662	IN645																
												D664	IN3606																
												DEC3639C	2N3639																
<p>digital EQUIPMENT CORPORATION MAYNARD, MASSACHUSETTS</p>												SIZE B	CODE CS	NUMBER R302-0-1	REV. U														
<p>DEC FORM NO. DRB 102</p>												<p>PRINTED CIRCUIT REV. LM</p>																	
<p>5 PINK</p>												<p>DIST 324 434 435² 359</p>																	