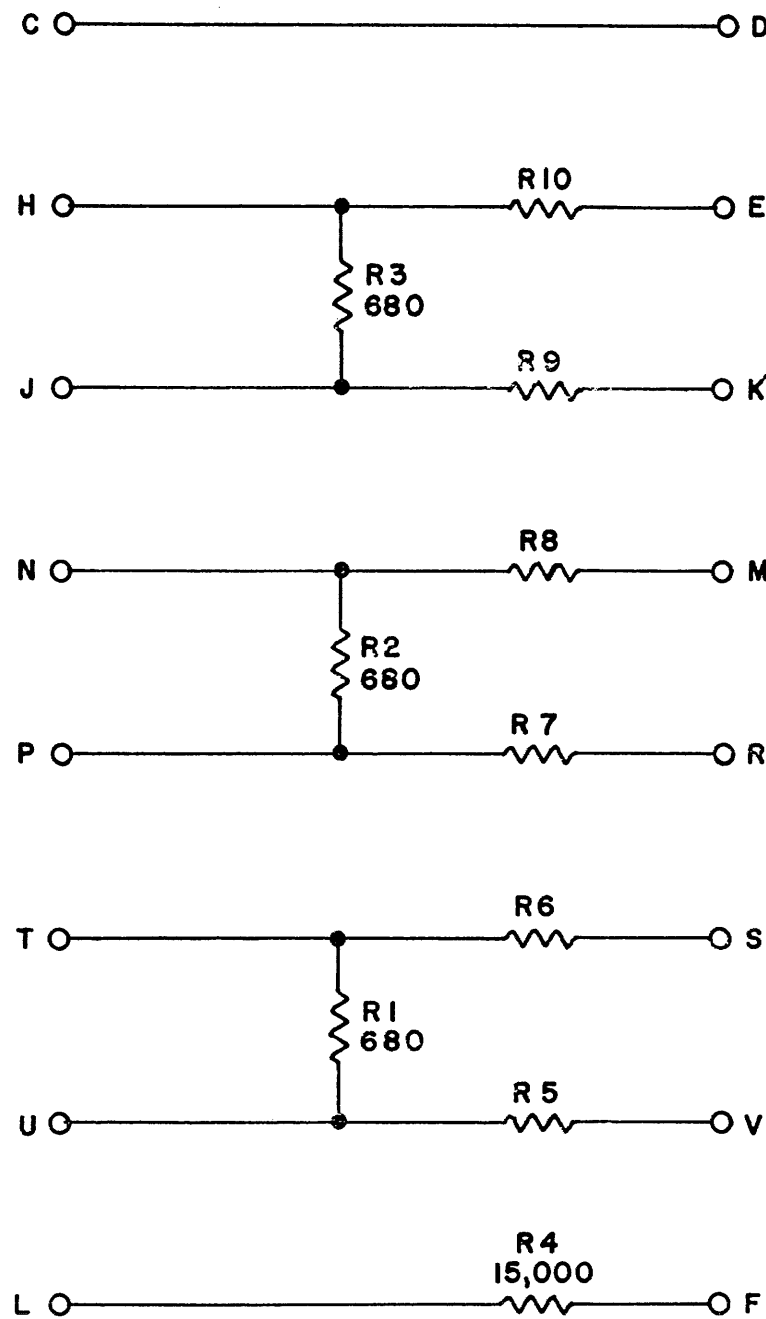




THIS SCHEMATIC IS FURNISHED ONLY FOR TEST AND MAINTENANCE PURPOSES. THE CIRCUITS ARE PROPRIETARY IN NATURE AND SHOULD BE TREATED ACCORDINGLY. COPYRIGHT 1967 BY DIGITAL EQUIPMENT CORPORATION



UNLESS OTHERWISE INDICATED:  
RESISTORS ARE 1,000  
RESISTORS ARE 1/4W, 5%



PARTS LIST A-PL-G706-0-0

REVISIONS CHK CHG NO. REV.	DRN. <i>M. Waller</i>	DATE 10-12-67	TRANSISTOR & DIODE CONVERSION CHART				 EQUIPMENT CORPORATION MAYNARD, MASSACHUSETTS	TITLE DECTAPE ATTENUATOR G706			
	CHK'D <i>[Signature]</i>	DATE 11/12/67	DEC	EIA	DEC	EIA		SIZE B	CODE CS	NUMBER G706-0-1	REV. A
	ENG. <i>D. Gross</i>	DATE 10/16/67						PRINTED CIRCUIT REV. A B			
	PROD. I	DATE									

