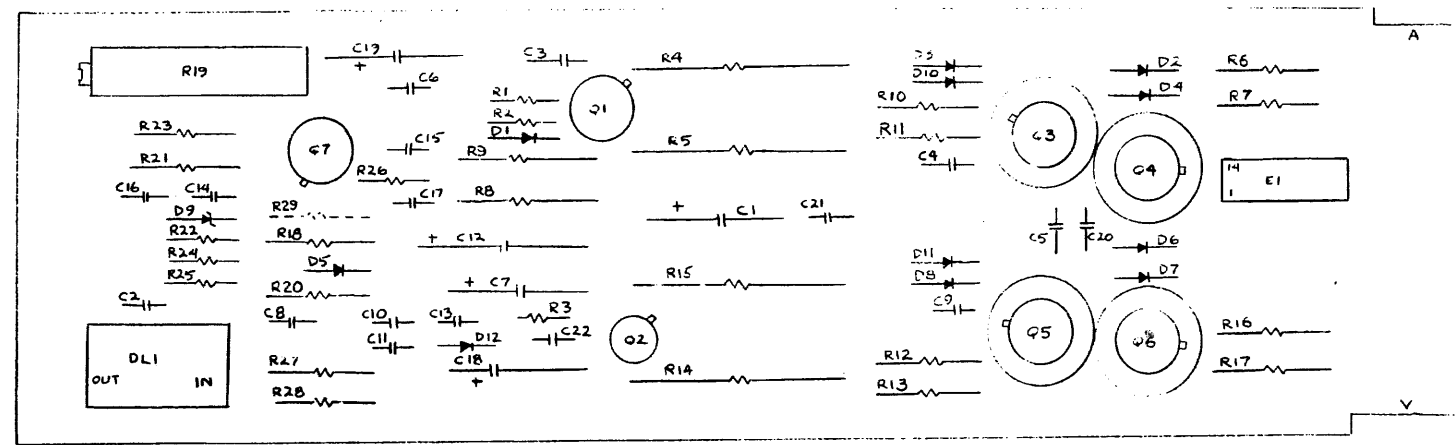
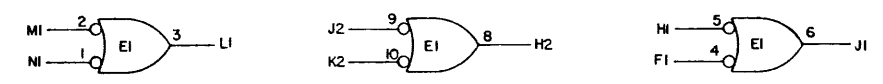
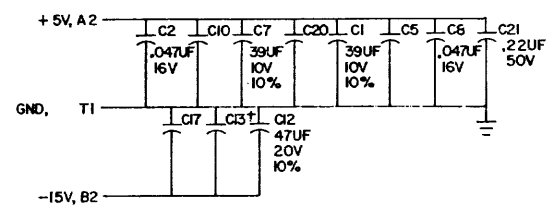
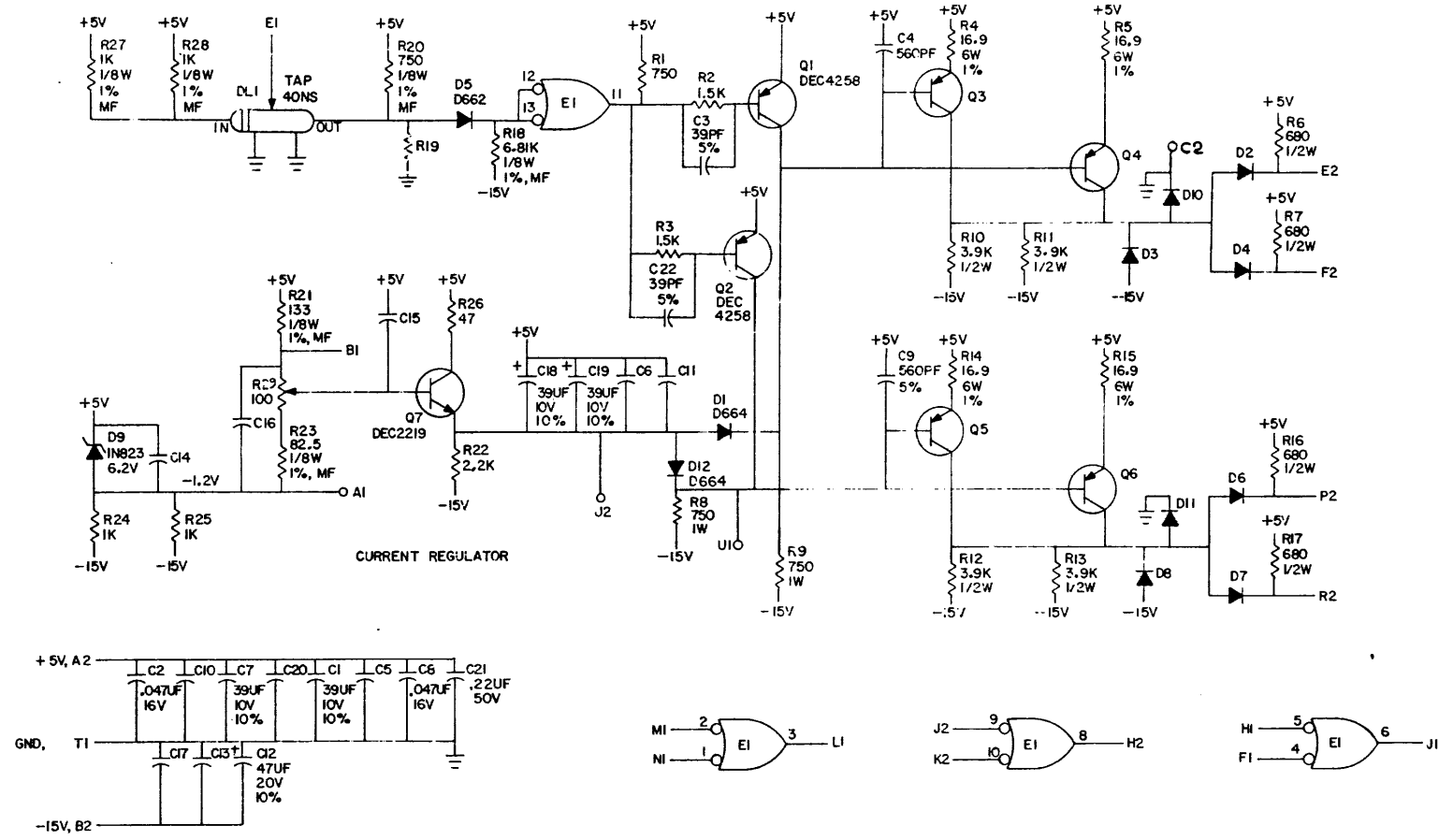


THIS SCHEMATIC IS FURNISHED ONLY FOR TEST AND MAINTENANCE PURPOSES. THE CIRCUITS ARE PROPRIETARY IN NATURE AND SHOULD BE TREATED ACCORDINGLY. COPYRIGHT 1971 BY DIGITAL EQUIPMENT CORPORATION



UNLESS OTHERWISE INDICATED:
 DIODES = D672
 RESISTORS = 1/4W, 5%
 TRANSISTORS = DEC3762 WITH HEATSINK
 CAPACITORS = .01UF, 100V, 20%
 E1 = DEC74H00
 PIN 14 = +5V
 PIN 7 = GND
 NOTE:
 PINS C1 AND N2 ARE USED IN THE BACKPLANE FOR CURRENT LOOPS. THEY CANNOT BE USED ON THE MODULE.
 DOTTED COMPONENTS ARE NOT USED IN THIS MODULE.

STEP NO.	DEC PART NO.	DESCRIPTION	QTY.
39	1010274	TAP, 22UF 50V	1
38	900R268	WAFERIZED THERMAL COPPER	1
37	9008337-01	HANDLE, FLIP CHIP - GREEN	1
36	9006732	EYELET WGS 4-7	2
35	1909056	I.C. DEC 74H00	1
34	1609429	DV 540 VARIABLE DELAY	1
33	1509649	TRANSISTOR 2N 3762	4
32	1505321	TRANSISTOR DEC 4258	2
31	1501881	TRANSISTOR DEC 2219-S	1
30	1309679	RES. 16.9, 6W, 1%	4
29	1305410	TRIMPOT 100	1
28	1302955	RES. 750, 1/8W, 1% MF	1
27	1304870	RES. 6.81K, 1/8W, 1% MF	1
26	1303114	RES. 1K, 1/8W, 1% MF	2
25	1303038	RES. 133, 1/8W, 1% MF	1
24	1302875	RES. 82.5, 1/8W, 1% MF	1
23	1302388	RES. 750, 1W, 5%	2
22	1301401	RES. 750, 1W, 5%	1
21	1300443	RES. 3.9K, 1W, 5%	4
20	1300417	RES. 2.2K, 1W, 5%	1
19	1300391	RES. 1.5K, 1W, 5%	2
18	1300375	RES. 1K, 1W, 5%	2
17	1300347	RES. 680, 1W, 5%	4
16	1300202	RES. 47, 1W, 5%	1
15	1202313	HEAT SINK 22116	4
14	1105508	DIODE 1N823	1
13	1105275	DIODE D672	8
12	1100114	DIODE D664	2
11	1100113	DIODE D662	1
10	1009678	CAP. .047UF, 16V, 50% -20%	2
9	1004814	CAP. 47UF, 20V, 10% S. TANT	1
8	1001610	CAP. .01UF, 100V, 10%	10
7	1000076	CAP. 39UF, 10V, 10% S. TANT	4
6	1000025	CAP. 560PF, 100V, 5%	2
5	1000010	CAP. 39PF, 100V, 5%	2
4	5009401	ETCHED CIRCUIT BOARD	1
3	B-MH-G230-0-6	MODULE ECC HISTORY	
2	D-AH-G230-0-5	ASSY/HCL DRAWING LAYOUT	
1	K-CO-G230-0-4	X-Y COORDINATE HCL LOCATION	
PARTS LIST			

REV.	DATE	BY	CHKD	APP'D
1	1/1/75			

TRANSISTOR & DIODE CONVERSION CHART			
DEC	EA	DEC	EA
D672	1N823	1N823	SAME
D662	1N423	1N423	SAME
D664	1N425	1N425	SAME
D664	1N425	1N425	SAME

TITLE		NUMBER		REV.	
X AND Y CURRENT GENERATOR G230		6230-0-1		D	

DIGITAL EQUIPMENT CORPORATION
 PRINTED CIRCUIT REV. 0