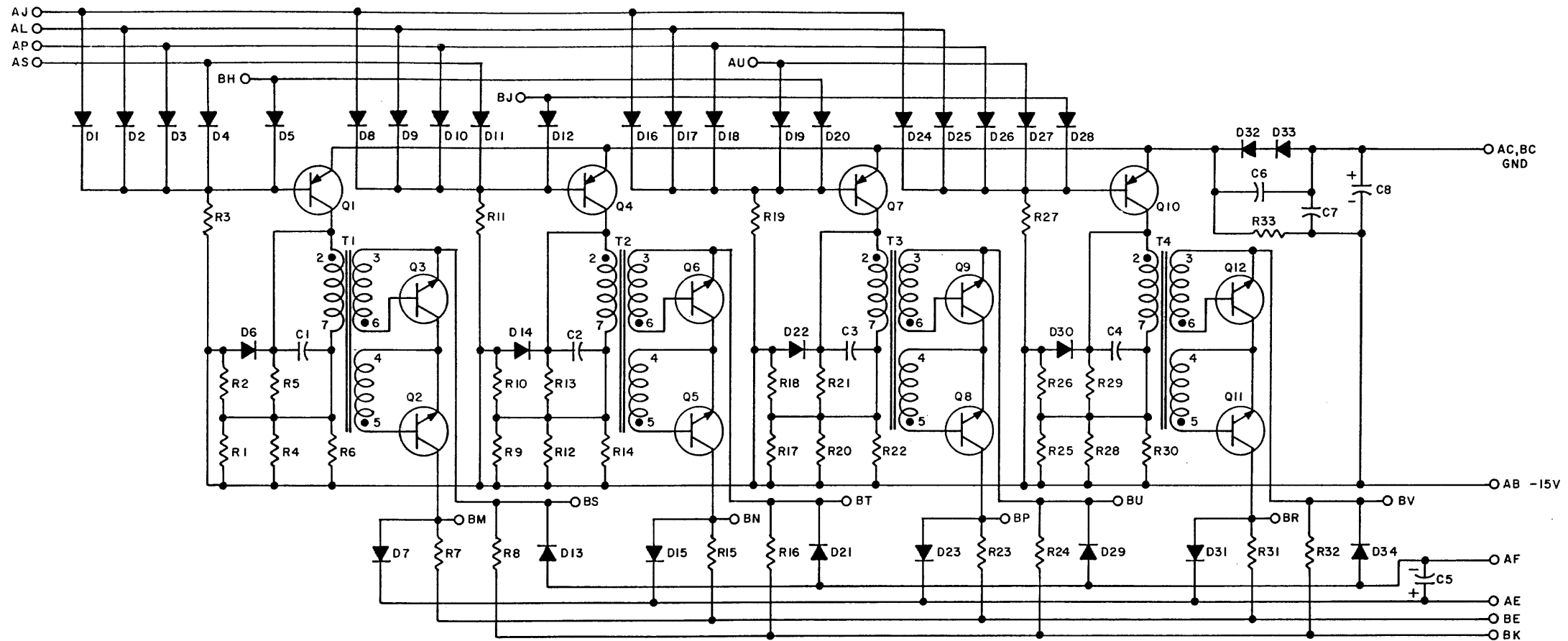


THIS SCHEMATIC IS FURNISHED ONLY FOR TEST AND MAINTENANCE PURPOSES. THE CIRCUITS ARE PROPRIETARY IN NATURE AND SHOULD BE TREATED ACCORDINGLY. COPYRIGHT 1965 BY DIGITAL EQUIPMENT CORPORATION



T1-T4	TRANSFORMER T-2050	I605794-04
Q2,Q3,Q5,Q6,Q8,Q9,Q11,Q12	TRANSISTOR DEC1010	I509322
Q1,Q4,Q7,Q10	TRANSISTOR DEC2894-3B	I503099
R7,R8,R15,R16,R23,R24,R31,R32	RES. 10K 1/4W 5% CC	I300479
R5,R13,R21,R29	RES. 2.2K 1/4W 5% CC	I300417
R3,R11,R19,R27	RES. 7.5K 1/4W 5% CC	I301422
R18,R20,R22,R25,R26,R28,R30,R33 R1,R2,R4,R6,R9,R10,R12,R14,R17, D32,D33	RES. 1.2K 1/4W 10% CC	I300386
D7,D13,D15,D21,D23,D29,D31,D34	DIODE D662	I100113
D24-D28,D30	DIODE D670	I102162
D1-D6,D8-D12,D14,D16-D20,D22,	DIODE D664	I100114
C8	CAP. 1MFD 35V 10% S.TANT	I001776
C6,C7	CAP. .01MFD 100V 20% DISC	I001610
C5	CAP. 1MFD 150V 10% FOIL	I000063
C1-C4	CAP. 56MMF 100V 5% D.M.	I000012
	PARTS LIST	A-PL-G206-0-0
REFERENCE DESIGNATION	DESCRIPTION	PART NO.

REV	CHG	NO.	REV.
NJP	5561	B	
REV	BY	NO.	DATE

DEC FORM NO. DRC 102

DRN.	DATE
H. PORTER	2-2-65
CHK'D	DATE
N. PERRYMAN	2-11-65
ENG.	DATE
T. HUGHES	2-11-65
PROD.	DATE

TRANSISTOR & DIODE CONVERSION CHART			
DEC	EIA	DEC	EIA
DEC1010	NONE		
DEC2894-3B	NONE		
D662	IN645		
D664	IN3606		
D670	IN3653		

**digital**  
EQUIPMENT CORPORATION  
MAYNARD, MASSACHUSETTS

TITLE			
SIZE	CODE	NUMBER	REV.
C	CS	G206-0-1	D
PRINTED CIRCUIT REV.			B

Dist. 324, 434, 435, 359

REV. D  
NUMBER  
G206-0-1