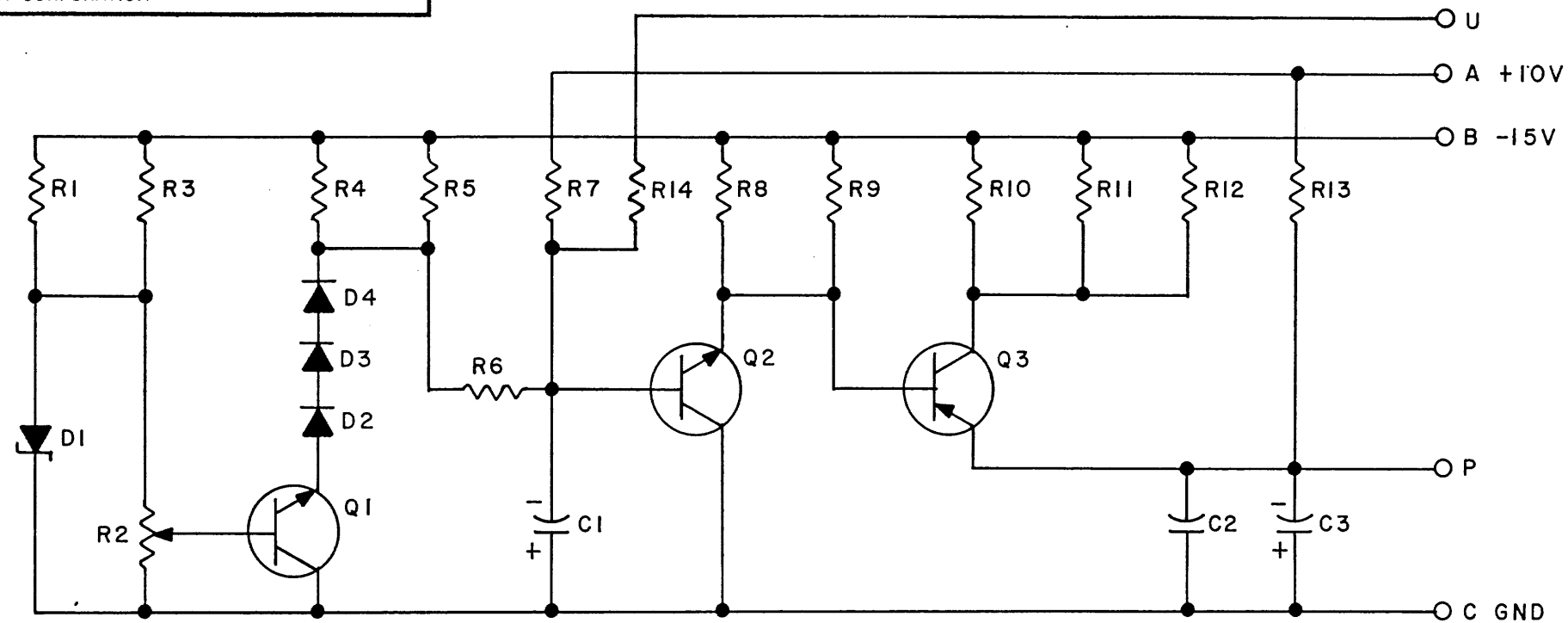
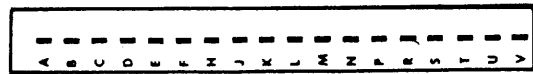


THIS SCHEMATIC IS FURNISHED ONLY FOR TEST AND MAINTENANCE PURPOSES. THE CIRCUITS ARE PROPRIETARY IN NATURE AND SHOULD BE TREATED ACCORDINGLY. COPYRIGHT 1968 BY DIGITAL EQUIPMENT CORPORATION



NOTE:  
MOUNT Q3 WITH HEAT SINK COMPOUND



R14	RES. 5.11K 1/8W 1% 100MFP	1304854
R8, R9	RES. 1K 1/4W 5% CC	1300365
Q3	TRANSISTOR DEC3790-S	1503399
Q1, Q2	TRANSISTOR 2N2219A-S	1501881
R13	RES. 1.5K 1/4W 5% CC	1300391
R10-R12	RES. 22 2W 10% CC	1301417
R7	RES. 1.96K 1/8W 1% 100MFP	1304833
R6	RES. 348 1/8W 1% 100MFP	1304858
R2	RES. 1K BOURNS TRIMPOT	1305450
R1, R3-R5	RES. 750 1/4W 5% CC	1301401
D2, D3, D4	DIODE D662	1100113
D1	DIODE IN756A 8.2V 1/4W	1103441
C3	CAP. 6.8MFD 35V 20% S.TANT	1000067
C2	CAP. .01MFD 100V 20% DISC	1001610
C1	CAP. 47MFD 20V 20% S.TANT	1000079
PARTS LIST		A-PL-G023-0-0
REFERENCE DESIGNATION	DESCRIPTION	PART NO.
PARTS LIST		

REVISIONS	CHK	CHG NO.	REV.
	RMS	6865	B
	REV & REDR	7119	C
		00001	F

DRN.	M. HALLER	DATE	7-26-67
CHK'D	R. SILVERMAN	DATE	7-31-67
ENG.	D. J. CHIN	DATE	7-31-67
PROD.	I	DATE	

TRAN	IS
DEC	
DEC 2219A	
2N3790	
IN756A	

TRANSISTOR & DIODE CONVERSION CHART		
EIA	DEC	EIA
N2219		
2N2219		
2N3790		
IN756A		

**digital**  
EQUIPMENT CORPORATION  
MAYNARD, MASSACHUSETTS

TITLE			
MASTER SLICE CONTROL G023			
SIZE	CODE	NUMBER	REV.
B	CS	G023-0-1	F
PRINTED CIRCUIT REV.			F