

"THE MATERIAL HEREIN IS FOR INFORMATION PURPOSES ONLY AND IS SUBJECT TO CHANGE WITHOUT NOTICE. DIGITAL EQUIPMENT CORPORATION ASSUMES NO RESPONSIBILITY FOR ANY ERRORS WHICH MAY APPEAR HEREIN."

DRAWING DIRECTORY

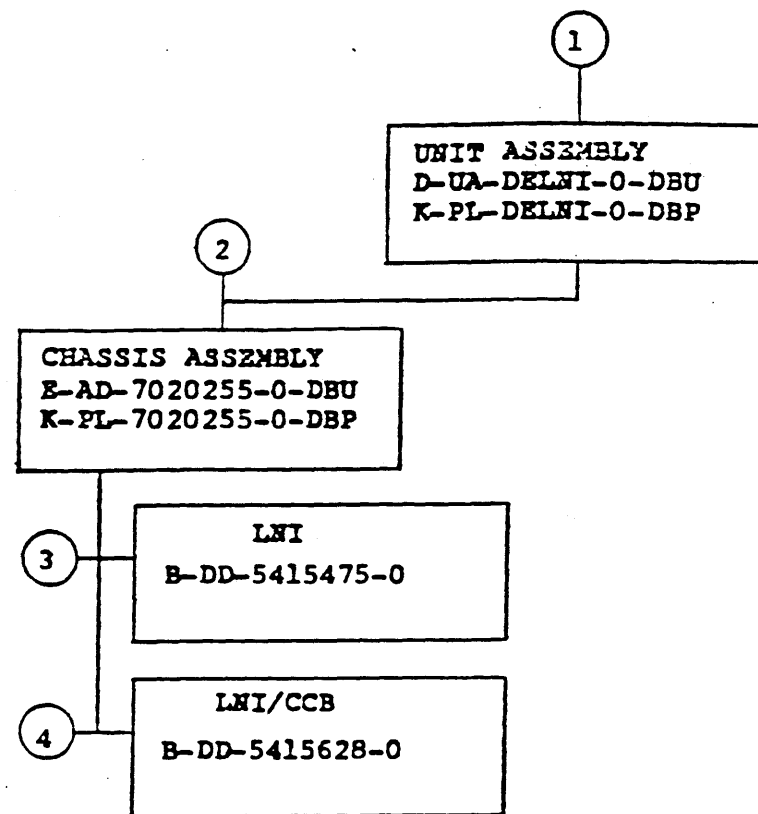
"THIS DRAWING AND SPECIFICATIONS HEREIN ARE THE PROPERTY OF DIGITAL EQUIPMENT CORPORATION AND SHALL NOT BE REPRODUCED OR COPIED OR USED IN WHOLE OR IN PART AS THE BASIS FOR THE MANUFACTURE OR SALE OF ITEMS WITHOUT WRITTEN PERMISSION. COPYRIGHT © 1982 DIGITAL EQUIPMENT CORPORATION."

Table with 2 columns: VAR, TITLE. Contains entries for DELNI-AA and DELNI-AB, both titled LOCAL NETWORK INTER-CONNECT.

Table for revisions with columns: REVISIONS, CHANGE NO., REV., CHK, INITIAL. Includes revision A and B.

Main drawing area, mostly blank.

Form with fields for USED CN OPTION/MODEL, DRN. (W. CLARK), DATE (22SEP82), CHK'D. (W. CLARK), DATE (27JUN83), PROJ. ENG. (R. BATEMAN), DATE (24 MAY 93), PROD. (R. WHITE), DATE (27JUN83), TITLE (DELNI UNIT ASSEMBLY), SIZE (B), CODE (DD), NUMBER (DELNI-0), REV (B).



TITLE	SHEET	OF	SIZE	CODE	NUMBER	REV.
DELNI UNIT ASSEMBLY	SHEET 2 OF	3	B	DD	DELNI-0	B

FIND NO.	DRAWING NO.	DESCRIPTION	TYPE	FIND NO.	DRAWING NO.	DESCRIPTION	TYPE
1	MP-01656-01	DELNI (PRINT SET ORDER NO.) MP	-				
	B-TC-DELNI-0-1	DELNI (FIELD MAINTENANCE PRINT SET) TC	-				
	D-UA-DELNI-0-DBU	UNIT ASSY DELNI	E/M				
	K-PL-DELNI-0-DBP	UNIT ASSY DELNI (PL)	E/M				
	E-IA-7427581-0-DBU	ENCLOSURE, TOP	M				
	K-PL-7427581-0-DBP	ENCLOSURE, TOP (PL)	M				
	E-MD-7427582-0-DBU	ENCLOSURE, BOTTOM	M				
	A-PS-3612680-0-0	DECAL, GROUND SIGN	M				
	A-PS-3621103-0-0	LABEL, DELNI-DRESS	M				
	A-SP-DELNI-0-0	DELNI ENGINEERING SPECIFICATION					
2	E-AD-7020255-0-DBU	CHASSIS ASSY	E/M				
	K-PL-7020255-0-DBP	CHASSIS ASSY (PL)	E/M				
	E-IA-7427579-0-DBU	COVER	M				
	K-PL-7427579-0-DBP	COVER (PL)	M				
	E-IA-7427580-0-DBU	CHASSIS	M				
	K-PL-7427580-0-DBP	CHASSIS (PL)	M				
3	B-DD-5415475-0	LNI	E/M				
4	B-DD-5415628-0	LNI/CCB	E/M				
5	K-PL-3700729-0-0	PACKAGING INSTRUCTIONS	-				

TYPE
E ELECTRICAL
M MECHANICAL
E/M ELECTRO/MECHANICAL

digital

TITLE
DELNI UNIT ASSEMBLY

SHEET 3 OF 3

SIZE CODE
B DD

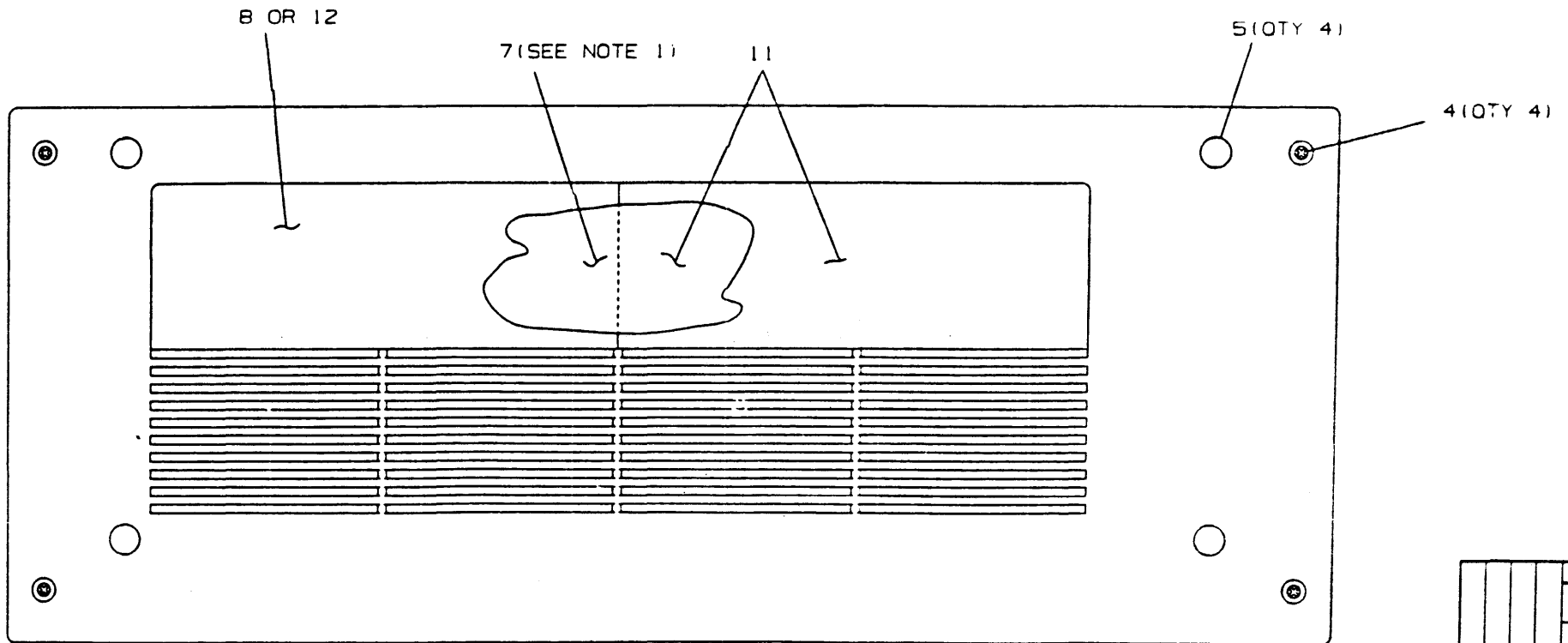
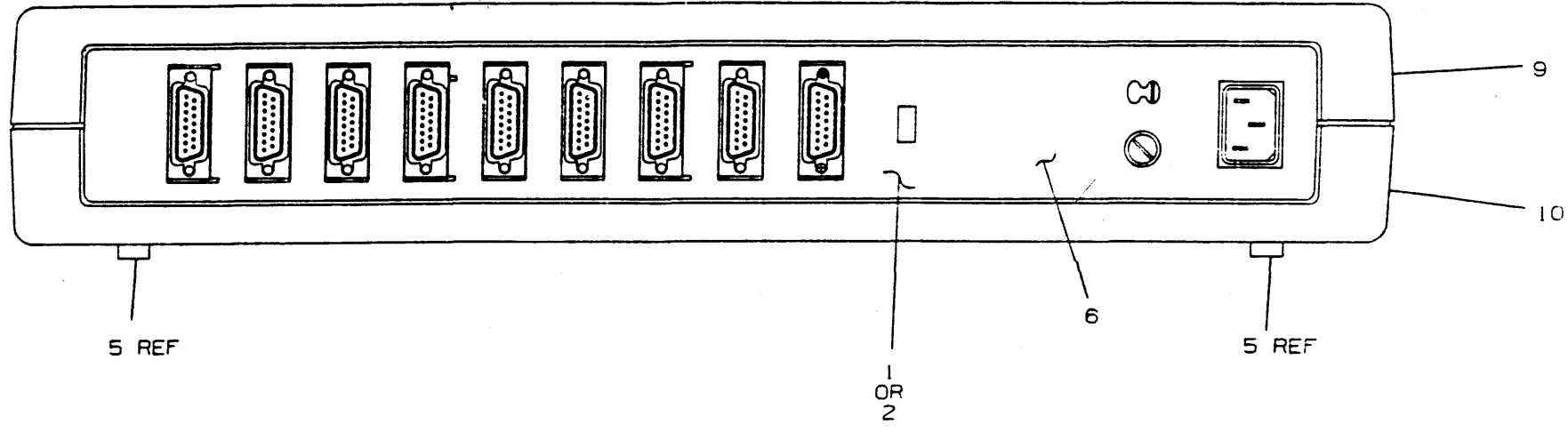
NUMBER
DELNI-0

REV.
B

"THIS DRAWING AND SPECIFICATIONS, HEREIN, ARE THE PROPERTY OF DIGITAL EQUIPMENT CORPORATION AND SHALL NOT BE REPRODUCED OR COPIED OR USED IN WHOLE OR IN PART AS THE BASIS FOR THE MANUFACTURE OR SALE OF ITEMS WITHOUT WRITTEN PERMISSION. COPYRIGHT © 1984 DIGITAL EQUIPMENT CORPORATION"

LEGEND		
PART NO.	REV	VARIATION
DELNI-AA	D1	REF. E-AD-7020255-0-DBU
DELNI-AB	D1	REF. E-AD-7020255-0-DBU

NOTES:
 1. ON -AB VARIATION ONLY, REMOVE AND DISCARD FCC PORTION OF LABEL, ITEM 7.



CAUTION: OFF SHEET PARTS LIST EXISTS. REFER TO K-PL-DELNI-0-DBP.

REV.	CHG. NO.	INITIAL	DATE
A		DELNI-TROOD	28 FEB 84
B		R. BATEMAN	28 FEB 84
C		WC DELNI-TROOD	03 AUG 84
D		K. GAGNON	03 AUG 84
E		D. YONADA	03 AUG 84
F		TM DELNI-TROOD	28 DEC 84
G		A. HAYNES	28 DEC 84
H		D. YONADA	28 DEC 84

DESCRIPTION	DRAWING NO.	PART NO.	ITEM NO.
UNLESS OTHERWISE SPECIFIED DIMENSIONS ARE IN INCHES AND THE FOLLOWING TOLERANCES APPLY (PER DEC STD 114)			
INCH TOLERANCES	ANGLES ±.01	APPLICABLE DIMENSION RANGE	
		DIMENSION RANGE IN INCHES	
.X ± .1	SURFACE QUALITY	OVER 12.0	OVER 12.0
.XX ± .02		OVER 12.0	OVER 12.0
.XXX ± .005	FINISHES	OVER 12.0	OVER 12.0
		OVER 12.0	OVER 12.0
THIRD ANGLE PROJECTION	DRN BRUCE LAWRENCE	DATE 22 JUN 83	TITLE DELNI UNIT ASSY
DO NOT SCALE DRAWING	CHK'D W. CLARK	DATE 27 JUN 83	DOCUMENT NUMBER D U A DELNI-0-DBU
REMOVE BURRS AND BREAK SHARP CORNERS	DES. ENG. R. BATEMAN	DATE 27 JUN 83	SCALE 1/1
MATERIAL SEE PARTS LIST	REP. ENG. R. BATEMAN	DATE 27 JUN 83	SHEET 1 OF 1
FINISH NONE	SPR. ENG. R. WHITE	DATE 27 JUN 83	
	TOP DOC. B-DD-DELNI-0		

D U A DELNI-0-DBU

LINE	ITEM	TOP DOCUMENT	PART NUMBER	MIN REV	DESCRIPTION	QTY PER VARIATION	
						AA	AB
1	1	E-AD-7020255-0-DBU	7020255-00		CHASSIS ASSY	1	1
2	2	BLANK			*** THIS ITEM IS NOT USED ***	-	-
3	3		3700729-01		CUSTOMER	1	1
4	4		1216682-04		SCREW,CAPTIV HEX SLOT 6 32	4	4
5	5		9010076-00		BUMPER,DOME HD ADH BACK POLYUR	4	4
6	6		3621103-01		LABEL,DELNI-DRESS	1	1
7	7		3621987-02		LABEL,DELNI REGULATORY INNER	1	1
8	8		3621987-01		LABEL,DELNI REGULATORY OUTER	1	-
9	9	E-IA-7427581-0-0	7427581-01		ENCLOSURE, TOP	1	1
10		E-MD-7427582-0-0	7427582-01		ENCLOSURE, BOTTOM	1	1
11	11		3622207-02		LABEL, CAUTION, WARNING, DELNI	2	2
12	12		3621987-03		LABEL, DELNI REGULATORY UL CLASSI	-	1
13	13	SEE NOTE 1	1700083-09		PWR CORD, TERM 3-18 SJT 125	1	-
14	14	A-EL-DELNI-IN-001			MANUAL, INST, OWNER	1	-

15 NOTE: 1. ITEMS 13 & 14 ARE ADDED TO THE SHIPPING PACKAGE PER PRINT #3700729-00.

REVISION HISTORY			BASIC PART NO: DELNI		DRN:	W. CLARK	DATE:	13-OCT-82	DIGITAL			
ENG	ECO NUMBER	REV	SECTION A OF A		CHK'D:	W. CLARK	DATE:	27-JUN-83	TITLE PARTS LIST DELNI UNIT ASSEMBLY			
---	INITIAL	A	SECTION VARIATION INDEX		DES.ENG:	R. BATEMAN	DATE:	13-OCT-82	DOCUMENT NUMBER			
NB	DELNI-TW001	B	[A]AA,AB		RESP.ENG.:	R. BATEMAN	DATE:	13-OCT-82	SIZE	CODE	NUMBER	REV
DV	DELNI-TW002	C	[B]		MFG.ENG.:	R. WHITE	DATE:	27-JUN-83	K	PL	DELNI-O-DBP	D
DV	DELNI-TW003	D	[C]		ASSEMBLY NUMBER:	E-UA-DELNI-O-DBU	TOP DOCUMENT NUMBER:	#B-DD-DELNI-O	FILE NAME:		Z5662D.PLS	EDIT #
			[D]						RELEASE DATE:		09-MAR-85	17
			[E]									
			[F]									

"THIS DRAWING AND THE SPECIFICATIONS CONTAINED HEREIN ARE CONFIDENTIAL AND PROPRIETARY. THEY ARE THE PROPERTY OF DIGITAL EQUIPMENT CORPORATION AND SHALL NOT BE REPRODUCED OR COPIED OR USED IN WHOLE OR IN PART AS THE BASIS FOR THE MANUFACTURE OR SALE OF ITEMS WITHOUT WRITTEN PERMISSION. THIS IS AN UNPUBLISHED WORK PROTECTED UNDER THE FEDERAL COPYRIGHT LAWS."

DRAWING NO.	NO. OF SHTS.	PART NO.	DESCRIPTION	REVISIONS															
				A	B	C	D	E	F	G	H	I	J	K	L	M	N	O	P
		5415475-00	LOCAL NETWORK INTERCONNECT	A	B	C	D												
D-UA-5415475-0-0	1		LOCAL NETWORK INTERCONNECT	A	B	C	D												
D-CS-5415475-0-1	14		LOCAL NETWORK INTERCONNECT	A	B	C	D												
K-PL-5415475-0-DBP	3		LOCAL NETWORK INTERCONNECT	A	B	C	D												
K-PC-5415475-0-DBC	-		P.C. DESIGN DATABASE	D	D	D	E												
		5015474-00	ETCH CIRCUIT BOARD	D1	D1	D1	E1												
B-DD-5015474-0-0	1		DRAWING DIRECTORY	A	B	C	D												

NOTES: Jerry Hutchison 2/23/84

REVISIONS		DATE	CHG NO.	INIT	REV.
		4-83		A	
		6-83	ML001	B	
		2-84	TW002	C	
		6-84	TW003	D	

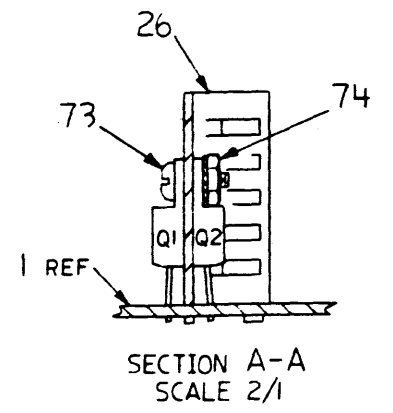
"THIS DRAWING AND SPECIFICATIONS, HEREIN, ARE THE PROPERTY OF DIGITAL EQUIPMENT CORPORATION AND SHALL NOT BE REPRODUCED OR COPIED OR USED IN WHOLE OR IN PART AS THE BASIS FOR THE MANUFACTURE OR SALE OF ITEMS WITHOUT WRITTEN PERMISSION.



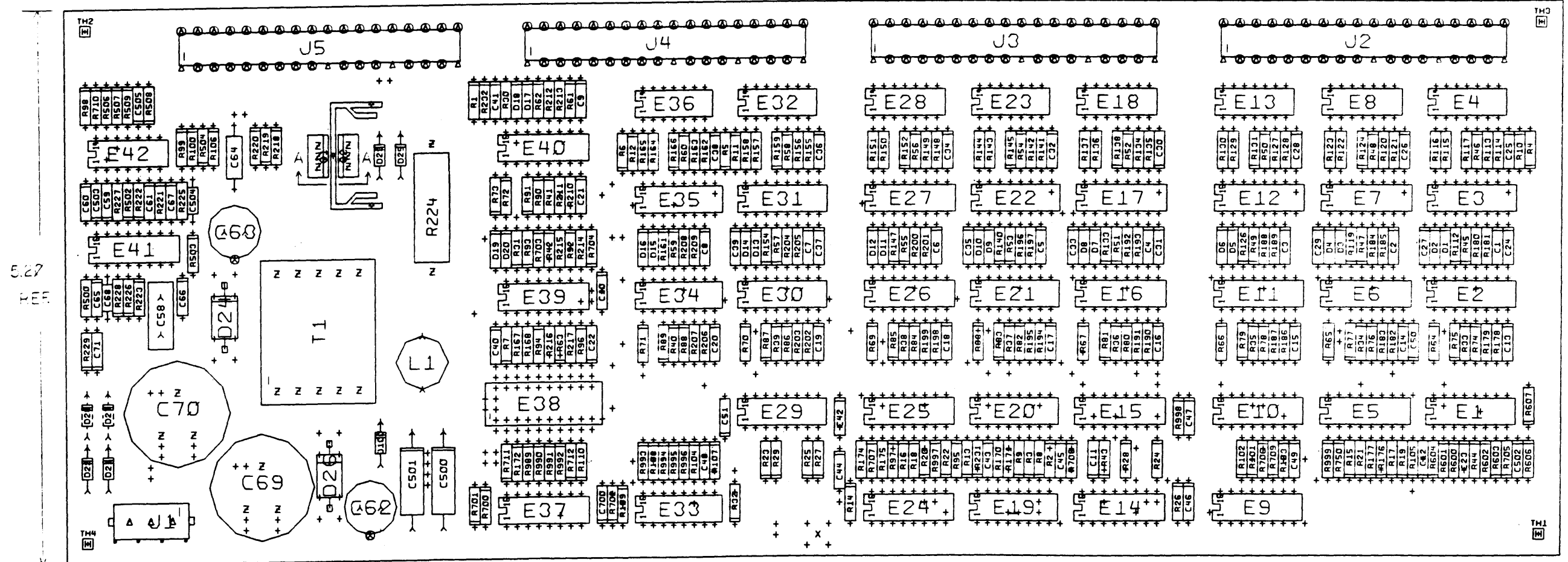
COPYRIGHT © 1983 DIGITAL EQUIPMENT CORPORATION

USED ON OPTION/MODEL	DRN. R. RHOADES	22MAR83	TITLE			
	CHK'D J.H.	06APR83	LOCAL NETWORK INTERCONNECT			
	ENG. Jerry HUTCHISON	07APR83	SIZE	CODE	NUMBER	REV.
	PROD. JOHN COBB	07APR83	B	DD	5415475-0-0	D
			SHEET 1 OF 1			

THIS DRAWING AND SPECIFICATIONS, HEREIN, AND THE PROPERTY OF DIGITAL EQUIPMENT CORPORATION AND SHALL NOT BE REPRODUCED OR COPIED OR USED IN WHOLE OR IN PART AS THE BASIS FOR THE MANUFACTURE OR SALE OF ITEMS WITHOUT WRITTEN PERMISSION.
 COPYRIGHT © 1974 DIGITAL EQUIPMENT CORPORATION



14.20 REF.



NOTES:
 1. SPARE LOCATIONS:
 NOTES: E5, E9, E29, E38, R124, R131,
 R138, R143, R152, R159, R166, R177, P98, R100, R106,
 P602, R750, C3, C70C, D27, D28, R989, R999,
 2. REF. DES. NOT USED: C52-C57, C72-C499,
 C506-C699, D29-D99, R111, R18, R125, R132, R139,
 R146, R153, R160, R169, R173, R230, R233-R499,
 R501, R505, R510-R599, R605, R608-R699,
 STEP E → Y AXIS 5.20 STEP 1 TIMES
 REPEAT → X AXIS STEP 1 TIMES

CHANGE NO.	REV.	DATE	BY	CHK'D.
1	1	12/17/75	YONADA	

NOTES:
 NOTE 2 CONTINUED: R713-R749, R751-R988
 3. HEATSINK TABS MAY BE SOLDERED IN FOR MECHANICAL FASTENING ONLY.
 4. CUTTING LEADS TO LENGTH ON J2, J3, J4. J5 IS NOT REQUIRED. MAX LENGTH IS .120.
 5. UL RATING IS LPWR

ETCH REV.	EIP2
-----------	------

SIGNATURES		DATE	digital
DRN.		2-12-75	
CHK'D.		2-20-75	
MECH. ENG.			TITLE DELNI LOGIC
PROJ. ENG.			BO:HD
PROD.			
SCALE	1 OF 1	SIZE CODE	NUMBER
SHT.	D	UA	3415475-02
NEXT HIGHER ASSY: B-20-5415475-02			REV

LINE	ITEM	TOP DOCUMENT	PART NUMBER	MIN REV	DESCRIPTION	VARIATION REVISION LEVEL:	QTY	PER VARIATION	REFERENCE DESIGNATOR
							00		
							D1		
1	1	D-MD-5015474-0-0	5015474-00		DRILL & ETCH		1		
2	2		1001383-00		4700.0 MMF 100V 3%200PPM MICA		1		C58
3	3		1012607-00		560 MFD 20V+100-10% AL EL		1		C62
4	4		1012607-02		180 MFD 50V+100-10% AL EL		1		C63
5	5		1012784-00		.047 MFD 50V +80-20% CER		33		C24-C51,C59-C61,C503,C505
6	6		1013466-06		100.0 MMF 50V 5% CER		1		C65
7	7		1013466-09		1000.0 MMF 50V 10% X7R CER		1		C23
8	8		1013466-10		3300.0 MMF 50V 5% CER		1		C64
9	9		1013466-12		2200.0 MMF 50V 10% X7R CER		2		C66,C71
10	10		1013466-15		1200.0 MMF 50V 10% CER		10		C13-C22
11	11		1013466-16		.010 MFD 50V 10% X7R CER		1		C67
12	12		1013466-17		150.0 MMF 50V 5% CER		11		C1-C10,C11
13	13		1013466-18		330.0 MMF 50V 5% CER		1		C502
14	14		1013466-22		.1 MFD 50V +80-20% Z5U CER		1		C504
15	15		1013466-46		.047 MFD 50V 10% X7R CER		1		C68
16	16		1014228-00		1000 MFD 50V +75-10% AL EL		2		C69,C70
17	17	BLANK			*** THIS ITEM IS NOT USED ***		-		
18	18		1017472-00		10 MFD 35V +75-10% AL EL		2		C500,C501
19	19		1100114-00		PIV= 25 IO=135 MA		20		D1-D20
20	20		1103340-00		VZ= 6.8 5% 1 W 1N4736A		1		D100
21	21		1105796-00		PIV= 400 IO= 1.00A 1N4004 D0-41		3		D21-D23
22	22		1114602-00		RECT,ULTRA FAST PIV= 100 IO= 4.0		1		D24
23	23		1105648-01		VZ= 15.0 5% 1 W 1N4744A		1		D25
24	24		1120954-01		RECT. ASSY PIV= 20 IO= 3.00A		1		D26
25	25		1211342-03		MATE-N-LOK 03PIN(1X03).200CC HDR		1		J1
26	26		1217561-00		HEAT SINKS,T0-220 1.390X1.00		1		
27	27		1220856-01		PCB HEADER 18SKT(1X18).156CC STR		4		J2-J5
28	28		1300219-00		68.0 .25 W 5.0 % CF		1		R1
29	29		1300247-00		120.0 .25 W 5.0 % CF		10		R2-R6,R94,R95,R218,R711,R712
30	30		1300271-00		220.0 .25 W 5.0 % CF		1		R232

REVISION HISTORY			BASIC PART NO: 5415475			DRN: RITA Z. BUREAU DATE: 21-JAN-83			D I G I T A L				
ENG	ECO NUMBER	REV	SECTION A OF A			CHK'D:	HANS ROLLA	DATE:	16-MAR-83	TITLE PARTS LIST			
DV	5415475-ML001	B	SECTION VARIATION INDEX			DES.ENG:	J. HUTCHINSON	DATE:	16-MAR-83	DOCUMENT NUMBER			
DV	5415475-TW002	C	[A] 00			RESP.ENG.:	DON VONADA	DATE:	16-MAR-83	SIZE	CODE	NUMBER	REV
DV	5415475-TW003	D	[B]			MFG.ENG.:	JOHN COBB	DATE:	16-MAR-83	K	PL	5415475-0-DBP	D
			[C]			ASSEMBLY NUMBER:		TOP DOCUMENT NUMBER:		RELEASE DATE: 19-SEP-84			
			[D]			D-UA-5415475-0-0		B-DD-5415475-0-0		FILE NAME: 24312D.PLS			
			[E]							EDIT # 6			
			[F]										
			[G]										
			[H]										
			[I]										
			[J]										
			[K]										
			[L]										
			[M]										
			[N]										

"THIS DRAWING AND THE SPECIFICATIONS CONTAINED HEREIN ARE CONFIDENTIAL AND PROPRIETARY. THEY ARE THE PROPERTY OF DIGITAL EQUIPMENT CORPORATION AND SHALL NOT BE REPRODUCED OR COPIED OR USED IN WHOLE OR IN PART AS THE BASIS FOR THE MANUFACTURE OR SALE OF ITEMS WITHOUT WRITTEN PERMISSION. THIS IS AN UNPUBLISHED WORK PROTECTED UNDER THE FEDERAL COPYRIGHT LAWS."

AUTOMATED BY PRTLST.5R(55)

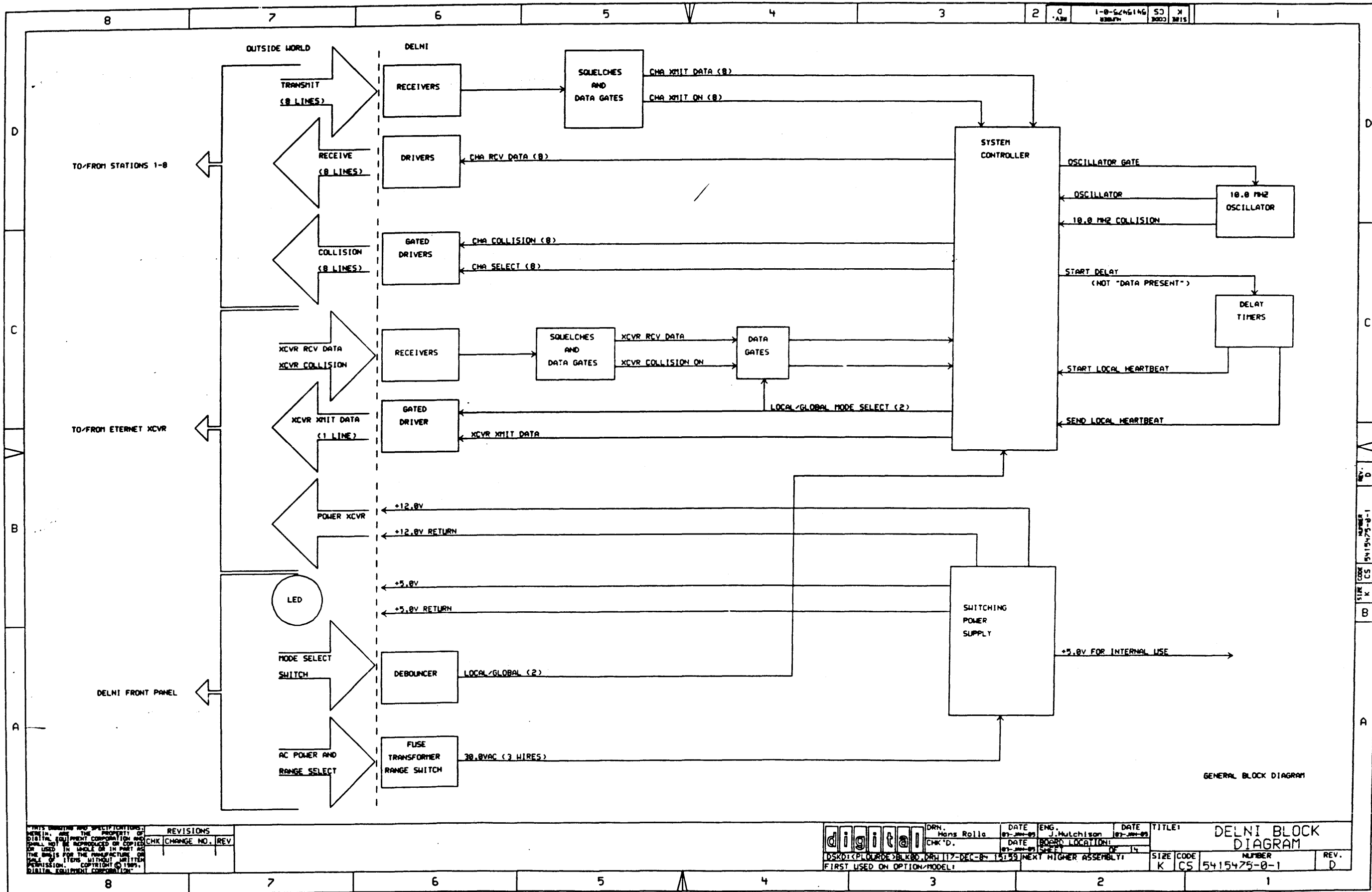
PARTS LIST

SHEET A3 OF A3

LINE ITEM	TOP DOCUMENT	PART NUMBER	MIN REV	DESCRIPTION	QTY	PER VARIATION	REFERENCE DESIGNATOR
				VARIATION REVISION LEVEL:	00		
					D1		
69	69	1912108-00		339 VOLT CMPRTR, QUAD	1		E42
70	70	1916820-00		SG3525J MODULATOR-REGULATING	1		E41
71	71	1918203-00		10116 LINE RECEIVER, TRIPLE	11		E1, E2, E6, E11, E16, E21, E26, E30, E34, E39, E40
72	72	BLANK		*** THIS ITEM IS NOT USED ***	-	CONT	
73	73	9006010-01		SCREW, MACH PAN PHIL	4-		
74	74	9006557-00		NUT, HEX EXT TOOTH LCKWSHR	4-40		

- 75 NOTE: 1. SPARE LOCATIONS: E5, E9, E29, E38, R106, R124, R131, R138, R145, R152,
- 76 NOTE: R159, R166, R177, R602, R98-R100, R750, R989-R999, C12, C700, D27, D28.
- 77 NOTE: 2. REFERENCE DESIGNATORS NOT USED: C52-C57, C72-C499, C506-C699,
- 78 NOTE: D29-D99, R111, R118, R125, R132, R139, R146, R153, R160, R169, R173,
- 79 NOTE: R230, R233-R499, R501, R505, R510-R599, R605, R608-R699, R713-R749, R751-R988.

D	I	G	I	T	A	L	TITLE	DELNI	SECTION A	OF A	SIZE	CODE	DOCUMENT NUMBER	REV
											K	PL	5415475-0-DBP	D



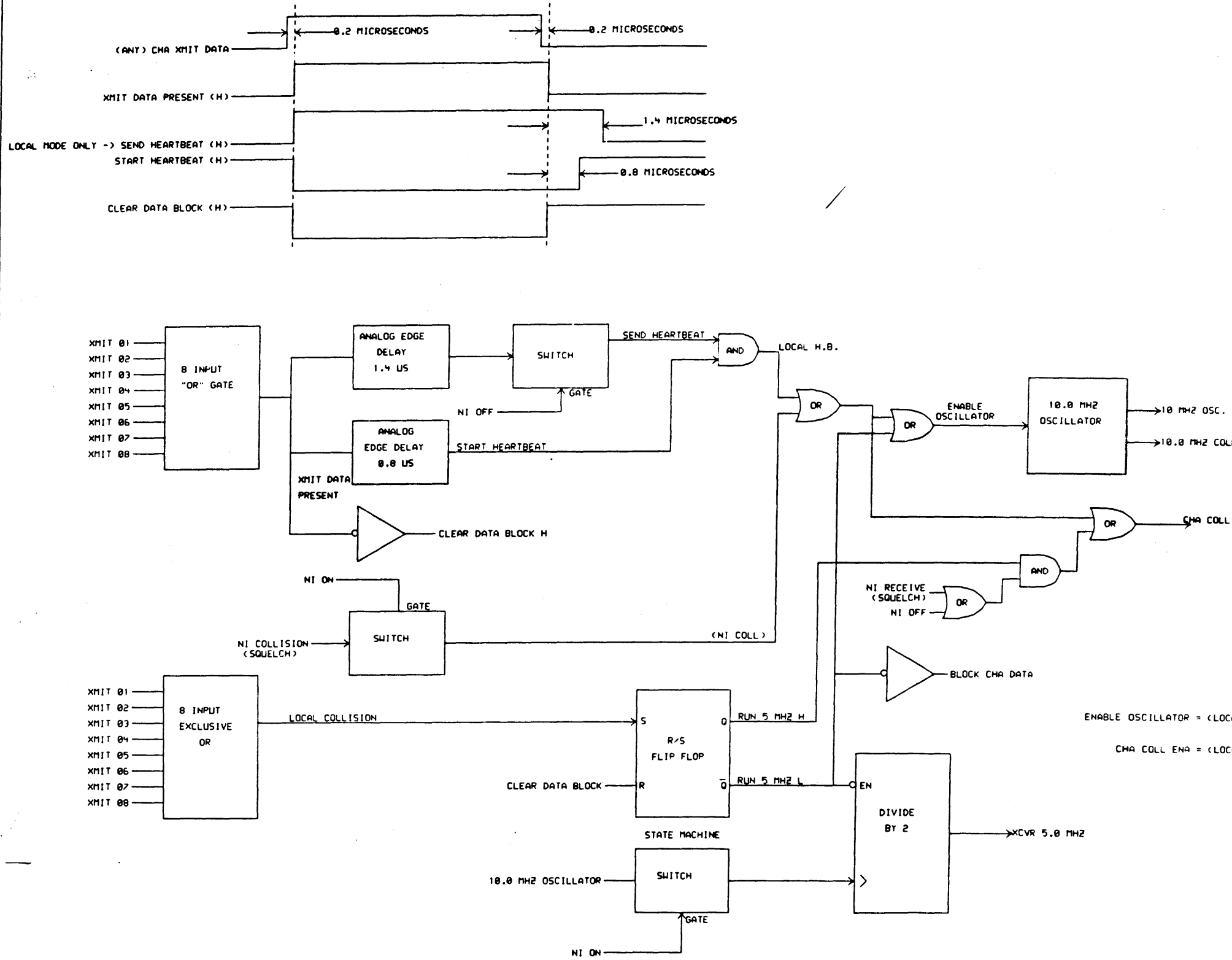
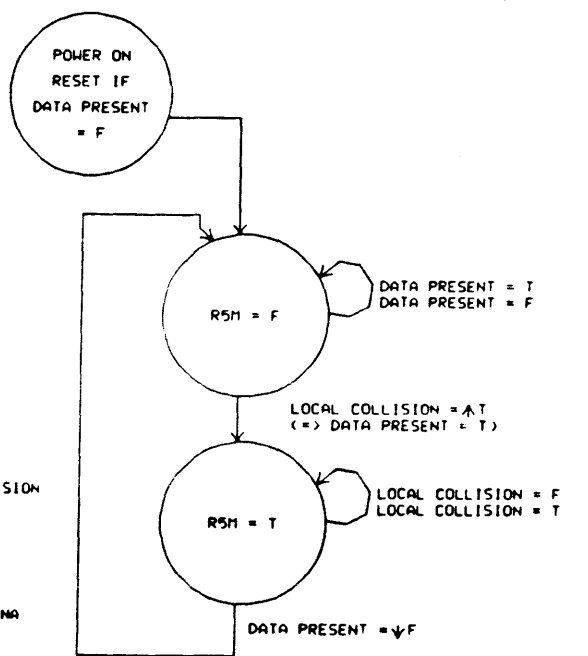
GENERAL BLOCK DIAGRAM

THIS DRAWING AND SPECIFICATIONS HEREIN ARE THE PROPERTY OF DIGITAL EQUIPMENT CORPORATION AND SHALL NOT BE REPRODUCED OR COPIED OR USED IN WHOLE OR IN PART AS THE BASIS FOR THE MANUFACTURE OR SALE OF ITEMS WITHOUT WRITTEN PERMISSION. COPYRIGHT © 1989, DIGITAL EQUIPMENT CORPORATION.

REVISIONS	
CHK	CHANGE NO. REV

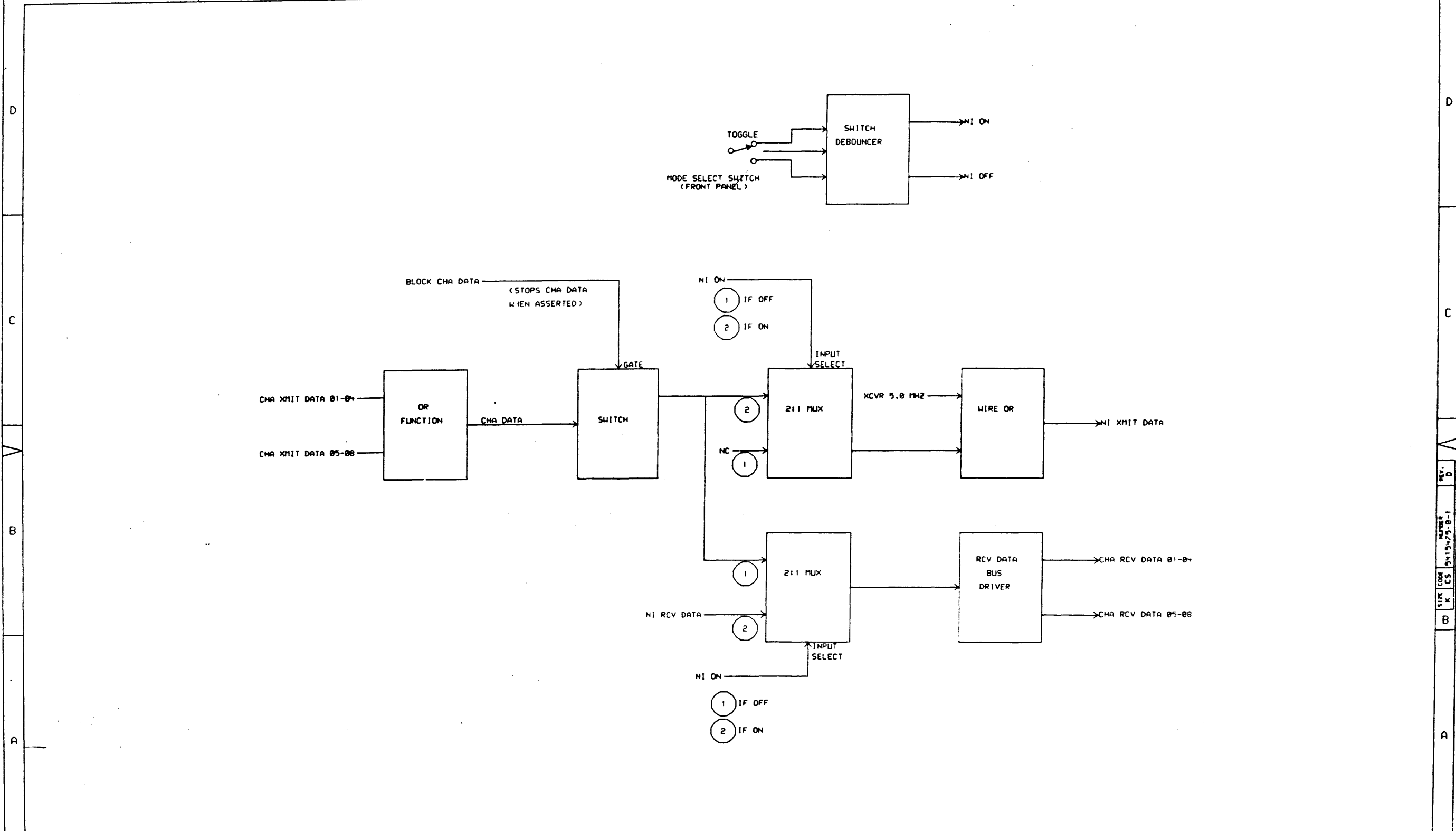
digital	DRN. Mans Rolle	DATE 07-20-89	ENG. J. Mutchison	DATE 07-20-89	TITLE1 DELNI BLOCK DIAGRAM
	CHK'D.	DATE 07-20-89	BOOK LOCATION: 14	REV. 14	
DSR(DT) (P) (D) (E) (B) (K) (D) (R) (H) (I) (7) (D) (E) (C) (E) (R) (Y) (1) (5) (S) (I) (N) (E) (X) (T) (H) (I) (G) (H) (E) (R) (A) (S) (S) (E) (M) (B) (L) (Y)					SIZE CODE K CS
FIRST USED ON OPTION/MODEL:					NUMBER 5415475-0-1
					REV. D

STATE DIAGRAM DEFINES RUN 5 MHZ
 STATE VARIABLE = R5M = RUN 5 MHZ
 INPUT VARIABLES : DATA PRESENT LOCAL COLLISION
 OUTPUT VARIABLE : R5M



REV.	CHG.	NO.	REV.

digital	DRN. Mans Rollo	DATE 28-NOV-84	ENG. J. Hutchison	DATE 28-NOV-84	TITLE: SYSTEM CONTROLLER CONTROL PATH
	CHK'D.	DATE 28-NOV-84	BOARD LOCATION: 2	SHEET 14	
OSKD: <PLOURDE> BLK20, DRW 107-FEB-84 09142 NEXT HIGHER ASSEMBLY:					SIZE CODE K CS
FIRST USED ON OPTION/MODEL:					NUMBER 5415475-0-1
					REV. D



REV. D
 NUMBER 5415475-0-1
 SIZE CODE K CS

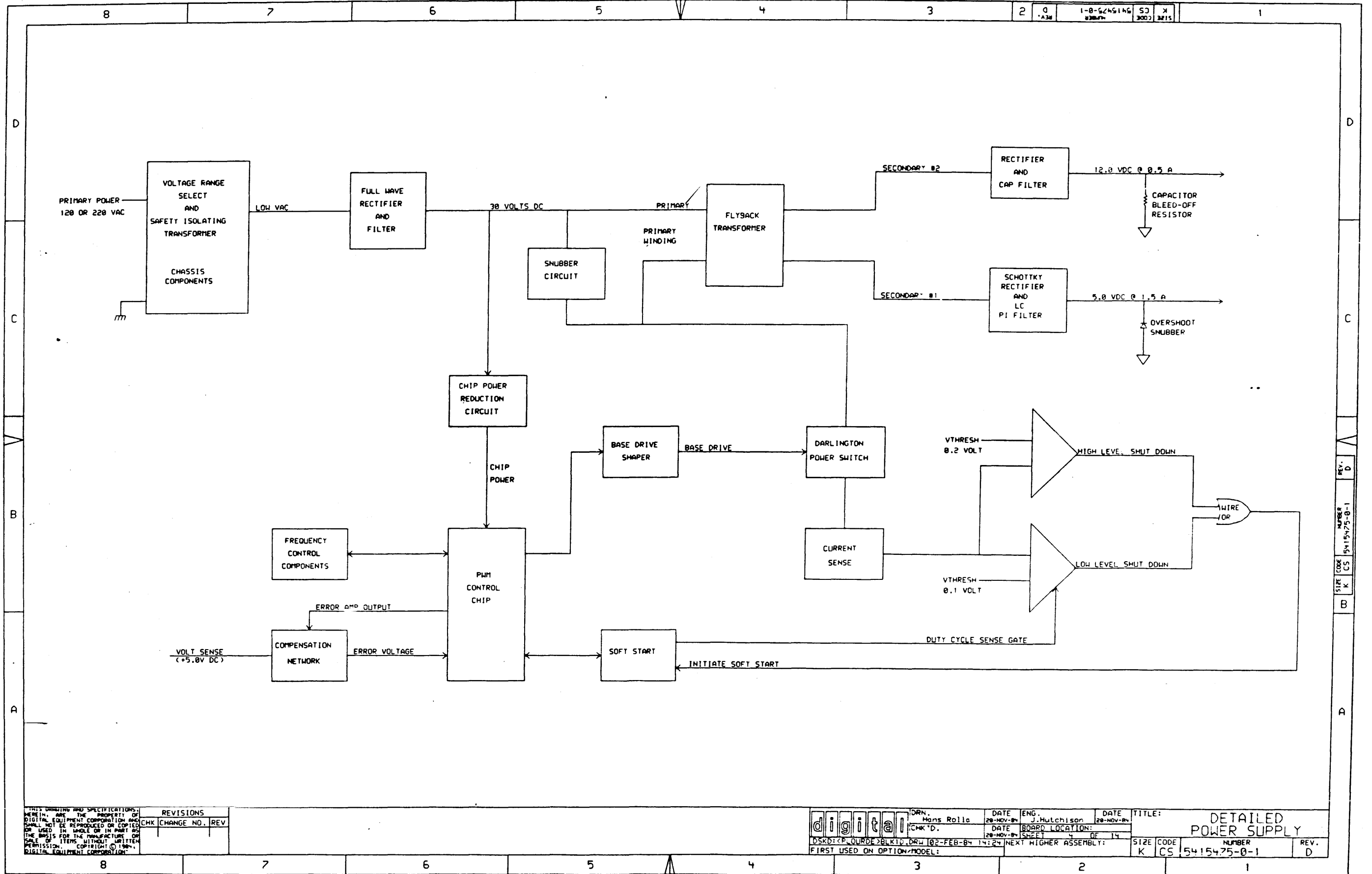
THIS DRAWING AND SPECIFICATIONS ARE THE PROPERTY OF DIGITAL EQUIPMENT CORPORATION AND SHALL NOT BE REPRODUCED OR COPIED OR USED IN WHOLE OR IN PART AS THE BASIS FOR THE MANUFACTURE OR SALE OF ITEMS WITHOUT WRITTEN PERMISSION. COPYRIGHT © 1984, DIGITAL EQUIPMENT CORPORATION.

REVISIONS	
CHK	CHANGE NO. REV.

--	--	--	--	--	--	--	--	--	--

digital	DRN. Mans Rollo	DATE 28-NOV-84	ENG. J. Mulchison	DATE 28-NOV-84
	CHK'D.	DATE 28-NOV-84	BOARD LOCATION: 2 RE 14	SHEET 2 OF 14
DSKD:CPLOURDE>BLK3D.DRW [02-FEB-84 14:25		NEXT HIGHER ASSEMBLY:		
FIRST USED ON OPTION/MODEL:				

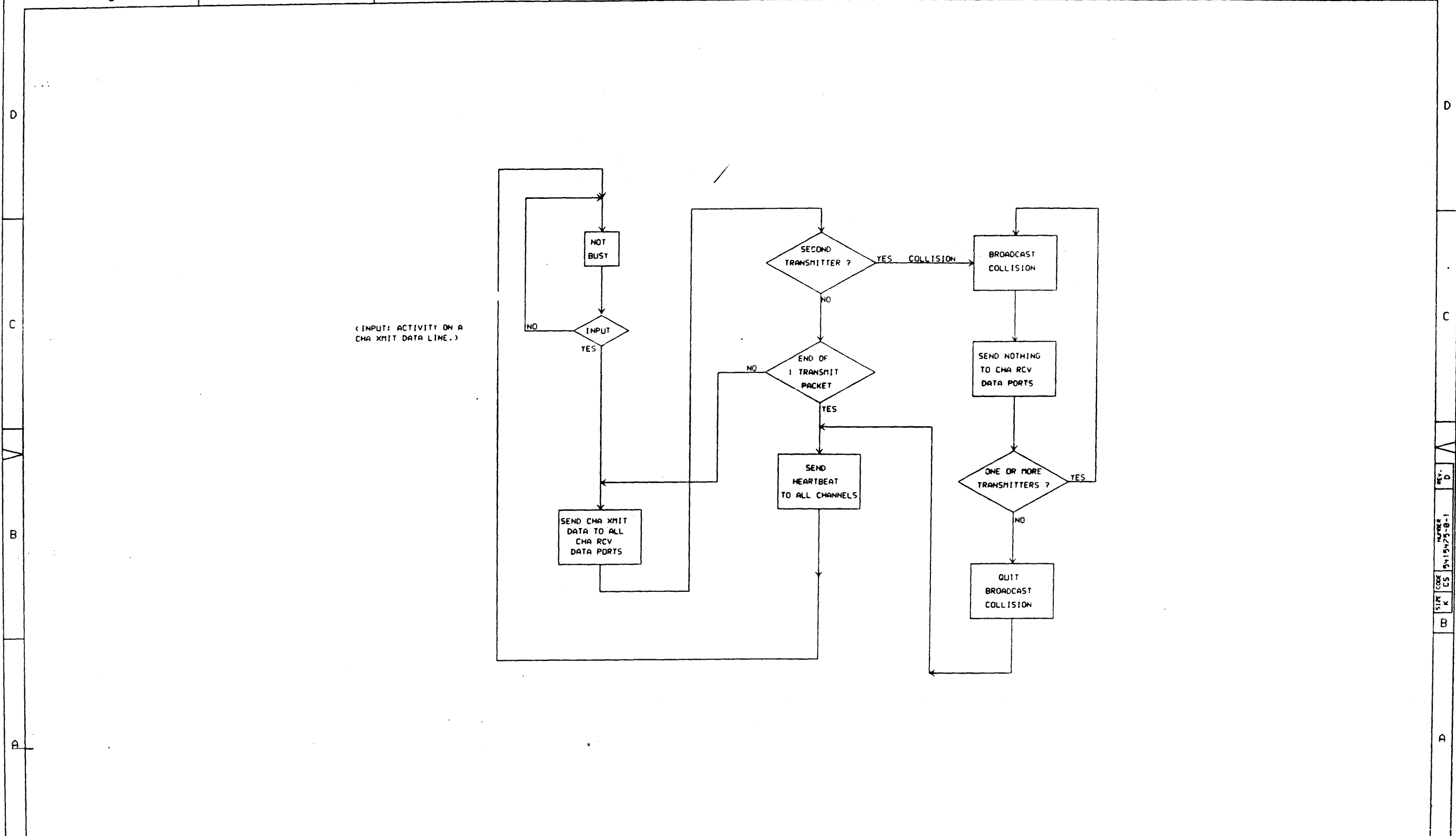
TITLE: SYSTEM CONTROLLER DATA PTH			
SIZE CODE	NUMBER	REV.	
K CS	5415475-0-1	D	



THESE DRAWINGS AND SPECIFICATIONS, HEREIN, ARE THE PROPERTY OF DIGITAL EQUIPMENT CORPORATION AND SHALL NOT BE REPRODUCED OR COPIED OR USED IN WHOLE OR IN PART AS THE BASIS FOR THE MANUFACTURE OR SALE OF ITEMS WITHOUT WRITTEN PERMISSION. COPYRIGHT © 1984, DIGITAL EQUIPMENT CORPORATION.

REVISIONS	
CHK	CHANGE NO. REV

digital	DRN.	DATE	ENG.	DATE	TITLE:
	Mans Rollo	28-NOV-84	J. Hutchison	28-NOV-84	DETAILED POWER SUPPLY
	CHK'D.	DATE	BOARD LOCATION:		
		28-NOV-84	SHEET 4 OF 14		
DSKD:\P_QUIRDE\BLK12.DRW 102-FEB-84 14:24 NEXT HIGHER ASSEMBLY:					SIZE CODE
FIRST USED ON OPTION/MODEL:					K CS
					NUMBER
					5415475-0-1
					REV.
					D

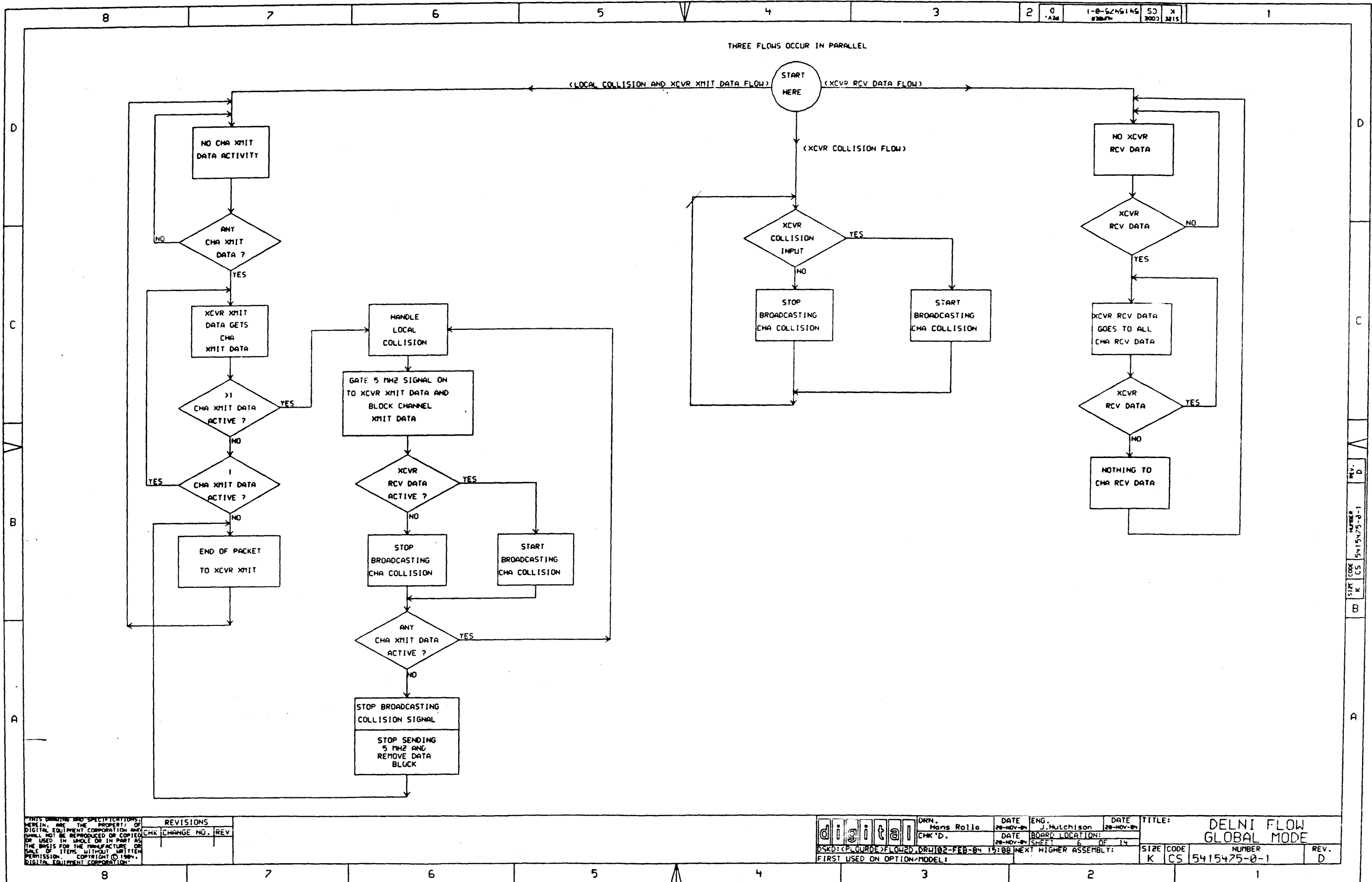


(INPUT: ACTIVITY ON A CHA XMIT DATA LINE.)

THIS DRAWING AND SPECIFICATIONS ARE THE PROPERTY OF DIGITAL EQUIPMENT CORPORATION AND SHALL NOT BE REPRODUCED OR COPIED OR USED IN WHOLE OR IN PART AS THE BASIS FOR THE MANUFACTURE OR SALE OF ITEMS WITHOUT WRITTEN PERMISSION. COPYRIGHT © 1984, DIGITAL EQUIPMENT CORPORATION.

REVISIONS	
CHK	CHANGE NO. REV

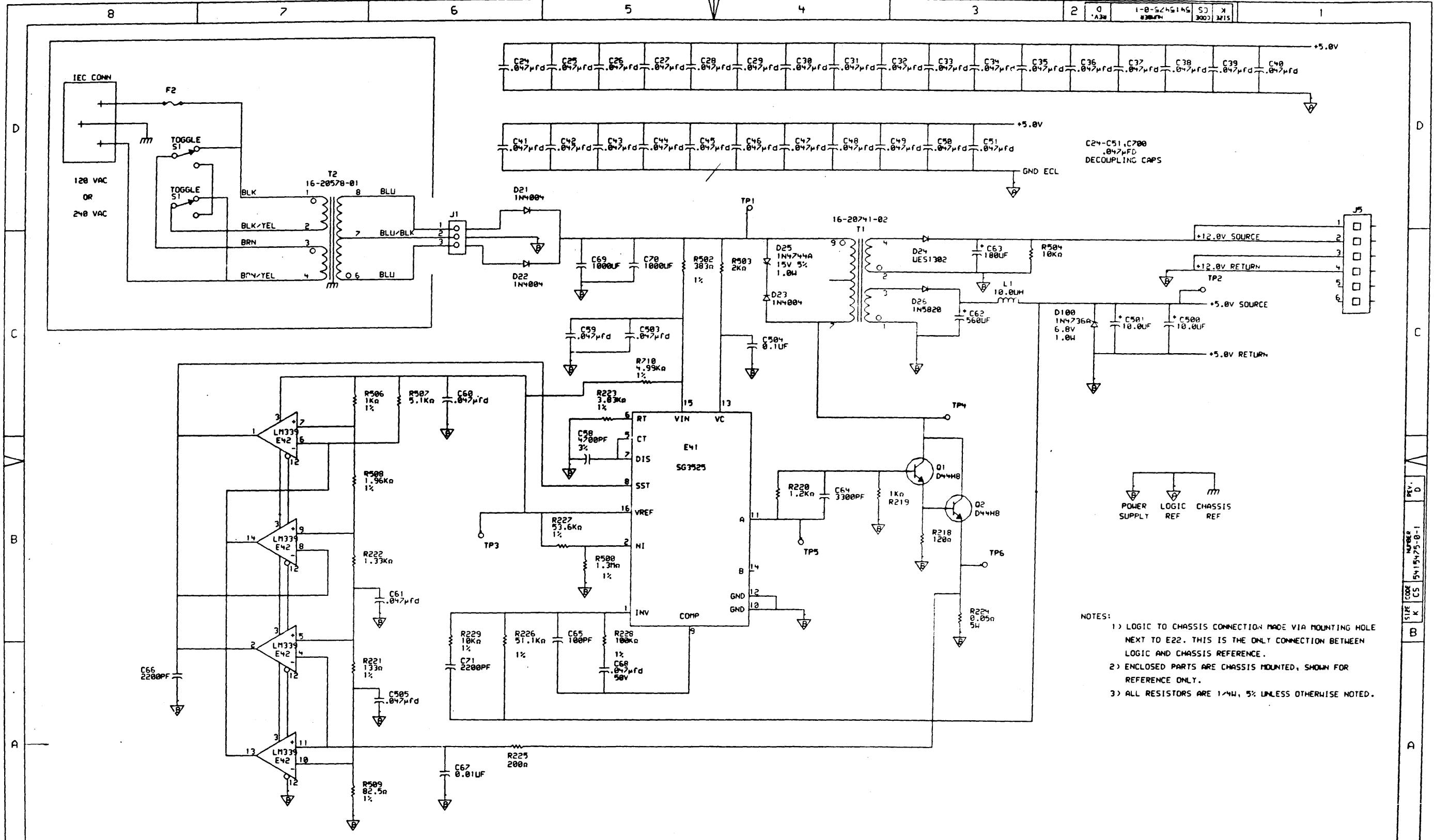
DRN. Mans Rollo	DATE 28-NOV-84	ENG. J. Mulchison	DATE 28-NOV-84	TITLE: DELNI FLOW LOCAL MODE
CHK'D.	DATE 28-NOV-84	BOARD LOCATION: 4 OF 14	SHEET 4 OF 14	SIZE CODE K CS
OSKD: <PLOWRDE> FLOWL1 DRW 07-FEB-84 09:46 NEXT HIGHER ASSEMBLY:				NUMBER 5415475-0-1
FIRST USED ON OPTION/MODEL:				REV. D



THIS DRAWING AND SPECIFICATIONS, HEREIN, ARE THE PROPERTY OF DIGITAL EQUIPMENT CORPORATION AND SHALL NOT BE REPRODUCED OR COPIED OR USED IN WHOLE OR IN PART AS THE BASIS FOR THE MANUFACTURE OR SALE OF ITEMS WITHOUT WRITTEN PERMISSION. COPYRIGHT © 1984, DIGITAL EQUIPMENT CORPORATION.

REVISIONS	
CHK	CHANGE NO. REV

digital	OWN. Hans Rolfe	DATE 28-NOV-84	ENG. J. Mulchison	DATE 28-NOV-84	TITLE: DELNI FLOW GLOBAL MODE
	CHK'D.	DATE 28-NOV-84	BOARD LOCATION: 6 OF 14	SHEET 6 OF 14	
DSKD:PLOURDE\FLOW2D.DRW\02-FEB-84 15:08 NEXT HIGHER ASSEMBLY:					SIZE CODE NUMBER REV. K CS 5415475-0-1 D
FIRST USED ON OPTION/MODEL:					



C24-C51, C700
.047µFD
DECOUPLING CAPS

- NOTES:
- 1) LOGIC TO CHASSIS CONNECTION MADE VIA MOUNTING HOLE NEXT TO E22. THIS IS THE ONLY CONNECTION BETWEEN LOGIC AND CHASSIS REFERENCE.
 - 2) ENCLOSED PARTS ARE CHASSIS MOUNTED, SHOWN FOR REFERENCE ONLY.
 - 3) ALL RESISTORS ARE 1/4W, 5% UNLESS OTHERWISE NOTED.

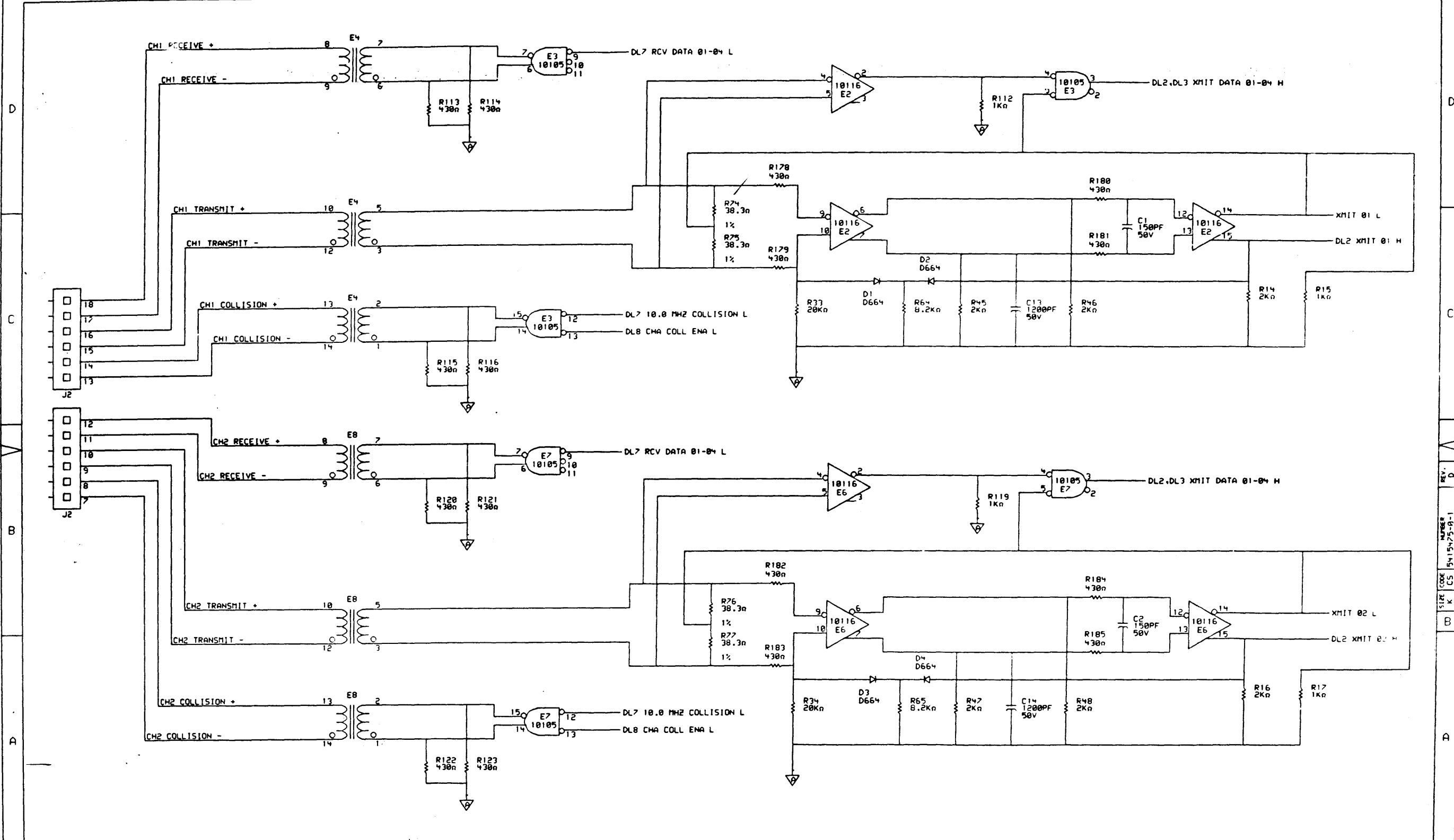
REV. D
5415475-0-1
K CS

THIS DRAWING AND SPECIFICATIONS, HEREIN, ARE THE PROPERTY OF DIGITAL EQUIPMENT CORPORATION AND SHALL NOT BE REPRODUCED OR COPIED OR USED IN WHOLE OR IN PART AS THE BASIS FOR THE MANUFACTURE OR SALE OF ITEMS WITHOUT WRITTEN PERMISSION. COPYRIGHT © 1984, DIGITAL EQUIPMENT CORPORATION.

REVISIONS	CHK	CHANGE NO.	REV

DATE	ENG.	DATE	TITLE:
28-NOV-84	J. J. J.		DELNI (DL1) POWER SUPPLY
DATE	BOARD LOCATION:	SHEET	OF
SIZE	CODE	NUMBER	REV.
K	CS	5415475-0-1	D

OSKDI:CPLOURDE:LNTPSD:DWJ22-FEB-84 16:11 NEXT HIGHER ASSEMBLY: FIRST USED ON OPTION MODEL:

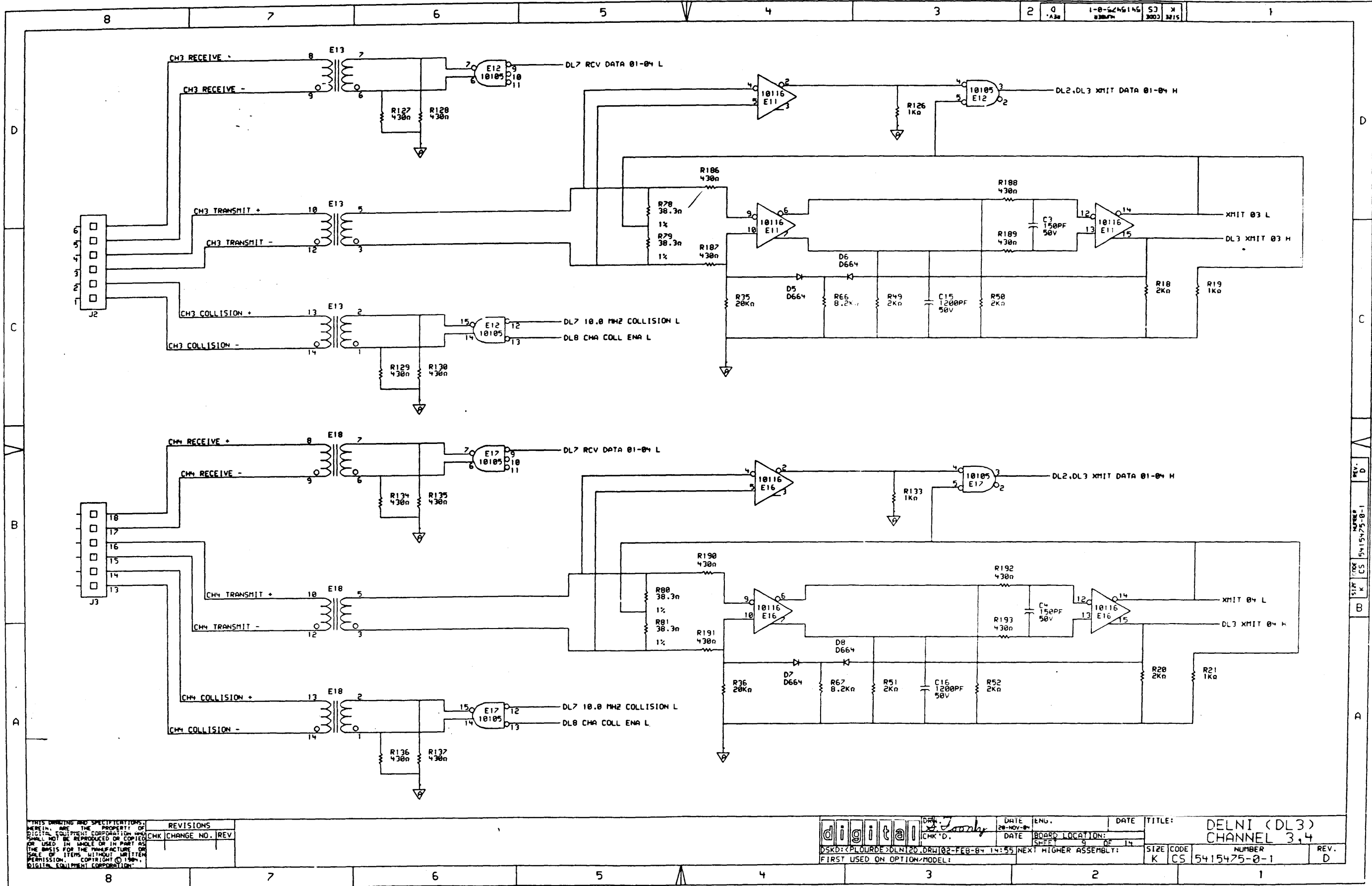


THIS DRAWING AND SPECIFICATIONS ARE THE PROPERTY OF DIGITAL EQUIPMENT CORPORATION AND SHALL NOT BE REPRODUCED OR COPIED IN WHOLE OR IN PART AS THE BASIS FOR THE MANUFACTURE OR SALE OF ITEMS WITHOUT WRITTEN PERMISSION. COPYRIGHT © 1984 DIGITAL EQUIPMENT CORPORATION.

REVISIONS	
CHK	CHANGE NO. REV

	DATE	ENG.	DATE	TITLE:
	20-NOV-84			DELNI (DL2) CHANNEL 1,2
DATE	BOARD LOCATION:	SHEET	OF	14
DATE				
DSKD:\PLOURDE\DLN1\DL2\DRW102-FEB-84 14:55 NEXT HIGHER ASSEMBLY:				SIZE CODE K CS 5415475-0-1
FIRST USED ON OPTION/MODEL:				NUMBER REV. D

REV. D
 SIZE CODE CS 5415475-0-1

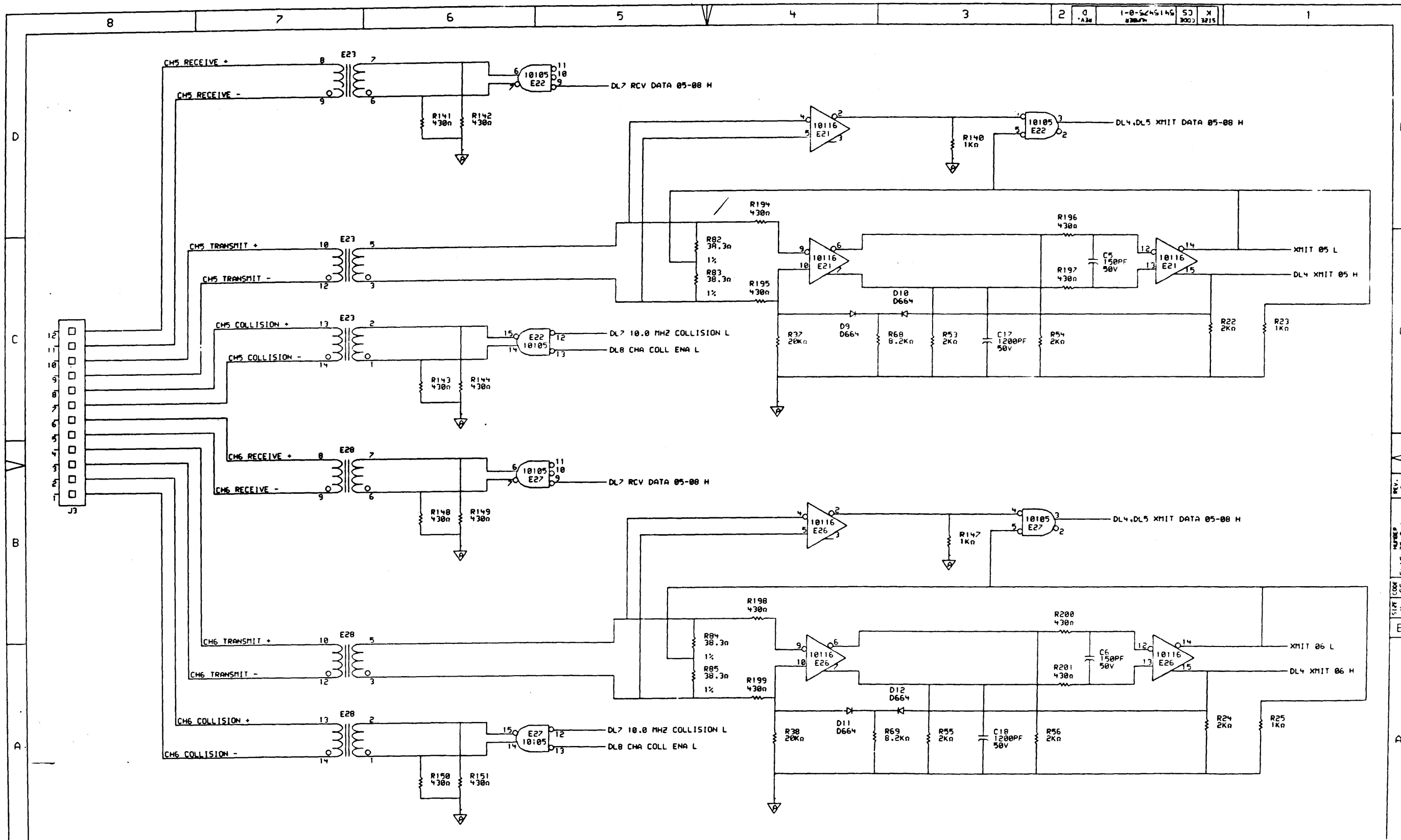


REV. D
 NUMBER 5415475-0-1
 CS
 SHEET 9 OF 14

ALL PARTS DRAWING AND SPECIFICATIONS HEREIN ARE THE PROPERTY OF DIGITAL EQUIPMENT CORPORATION AND SHALL NOT BE REPRODUCED OR COPIED OR USED IN WHOLE OR IN PART AS THE BASIS FOR THE MANUFACTURE OR SALE OF ITEMS WITHOUT WRITTEN PERMISSION. COPYRIGHT © 1984, DIGITAL EQUIPMENT CORPORATION.

REVISIONS
CHK CHANGE NO. REV

DATE: 28-NOV-84	ENG.:	DATE:	TITLE: DELNI (DL3) CHANNEL 3,4
DATE: 02-FEB-84 14:55	CHK'D.:	BOARD LOCATION:	NUMBER: 5415475-0-1
DSKD: <PLOURDE>DLN120, DRW102-FEB-84			REV. D
FIRST USED ON OPTION/MODEL:			SIZE CODE: K CS



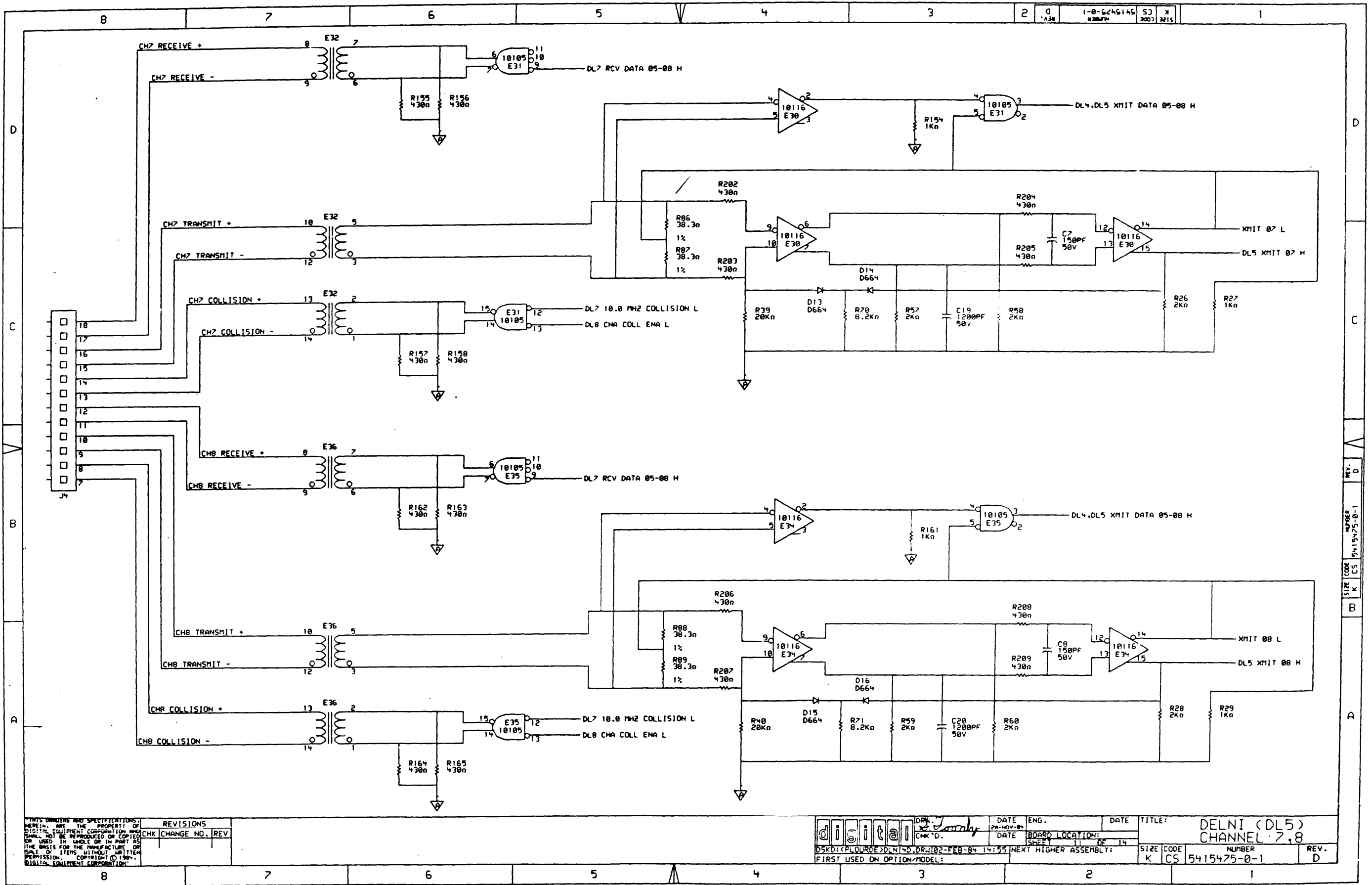
THIS DRAWING AND SPECIFICATIONS ARE THE PROPERTY OF DIGITAL EQUIPMENT CORPORATION AND SHALL NOT BE REPRODUCED OR COPIED OR USED IN WHOLE OR IN PART AS THE BASIS FOR THE MANUFACTURE OR SALE OF ITEMS WITHOUT WRITTEN PERMISSION. COPYRIGHT © 1984 DIGITAL EQUIPMENT CORPORATION.

REVISIONS	DATE	BY	CHK'D.
1			

REV.	DATE	BY	CHK'D.
1			

	DATE	26-NOV-84	ENG.		DATE		TITLE:	DELNI (DL4)		
	DATE		DATE	BOARD LOCATION:	SHEET	18	OF	14		
FIRST USED ON OPTION MODEL:							SIZE	CODE	NUMBER	REV.
							K	CS	5415475-0-1	D

REV. D
 NUMBER 5415475-0-1
 SIZE CODE K CS



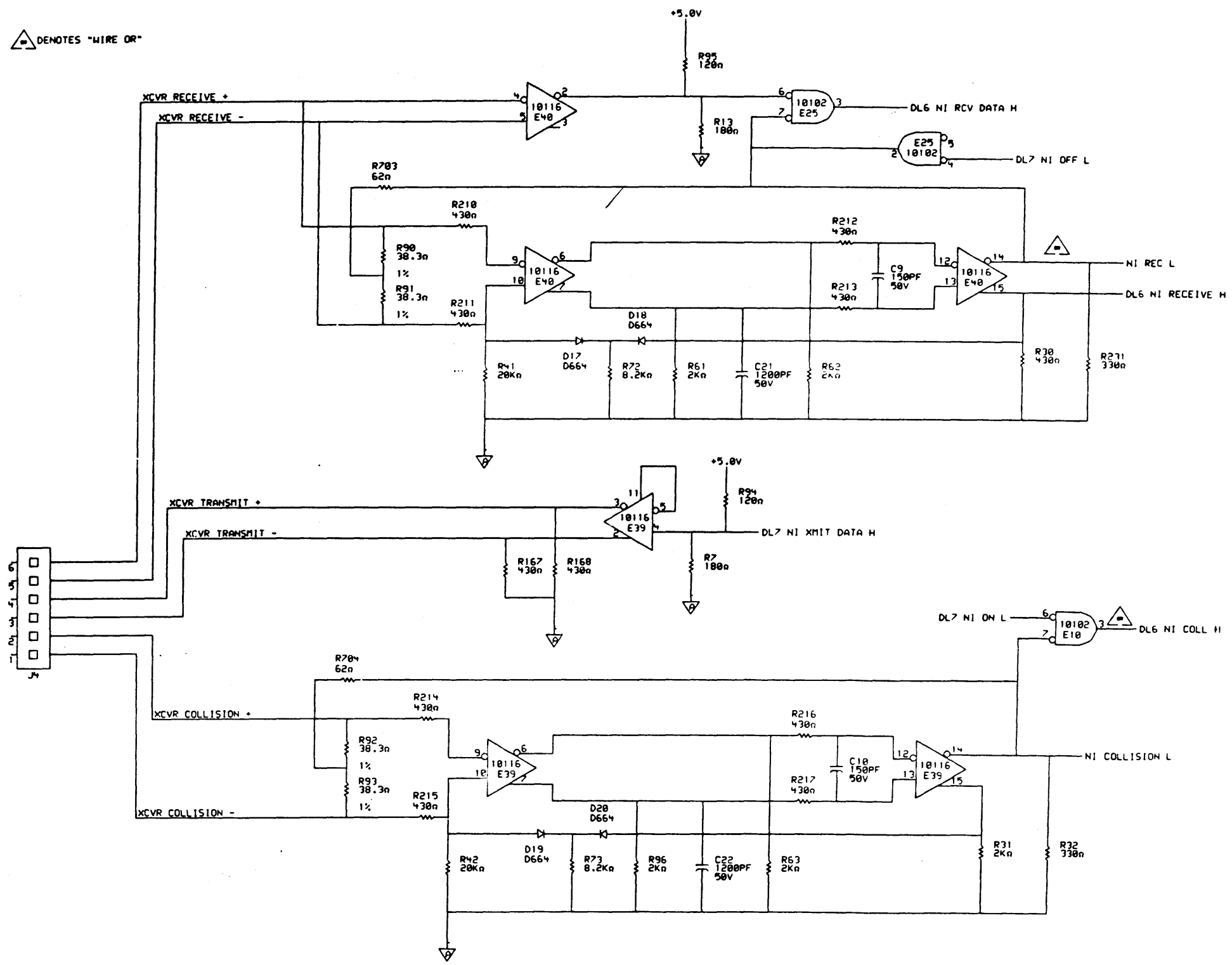
THIS DRAWING AND SPECIFICATIONS HEREIN ARE THE PROPERTY OF DIGITAL EQUIPMENT CORPORATION AND SHALL NOT BE REPRODUCED OR COPIED OR USED IN WHOLE OR IN PART AS THE BASIS FOR THE MANUFACTURE OF SALE OF ITEMS WITHOUT WRITTEN PERMISSION. COPYRIGHT © 1984 DIGITAL EQUIPMENT CORPORATION

REVISIONS	
CHK	CHANGE NO. REV

DATE	28-NOV-84	ENG.	DATE		TITLE:	DELNI (DL5) CHANNEL 7,8	
DATE		DATE		BOARD LOCATION:			
				SHEET	11	OF	14
OSKD: <PLOURDE>DLN1ND.DRW102-FEB-84 14:55	NEXT HIGHER ASSEMBLY:		SIZE	CODE	NUMBER	REV.	
FIRST USED ON OPTION/MODEL:			K	CS	5415475-0-1	D	

REV. D
 5415475-0-1
 CS K CS

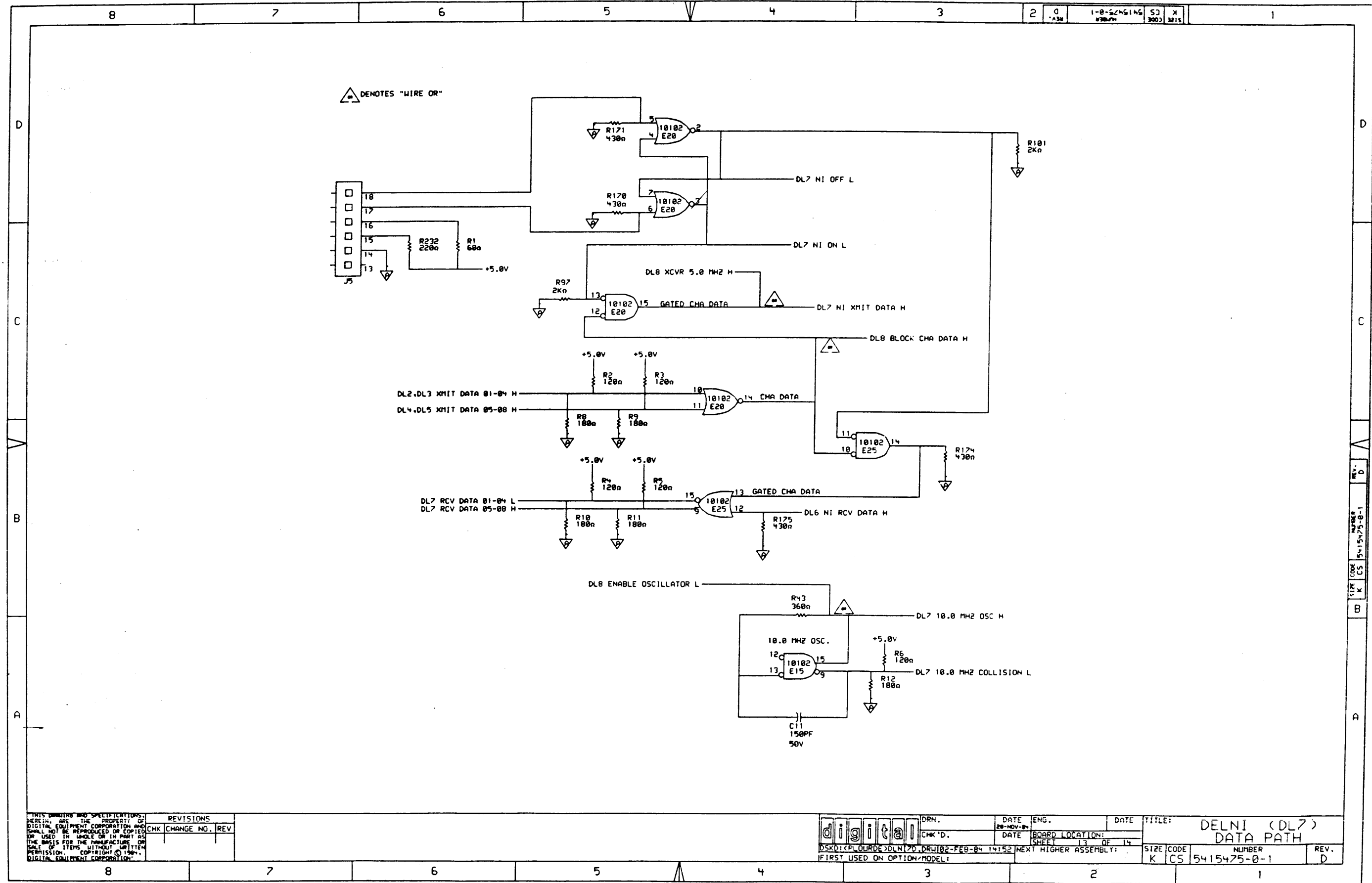
△ DENOTES "WIRE OR"



REV. D
NUMBER 5415475-0-1
SIZE CODE K CS

REVISIONS	
CHK	CHANGE NO. REV

TITLE: DELNI (DL6) XCVR INTERFACE
 DATE: 28-NOV-84
 BOARD LOCATION: SHEET 12 OF 14
 SIZE CODE K CS NUMBER 5415475-0-1 REV. D
 FIRST USED ON OPTION/MODEL:



REV. D
SIZE CODE K CS
5415475-0-1

THIS DRAWING AND SPECIFICATIONS
HEREIN ARE THE PROPERTY OF
DIGITAL EQUIPMENT CORPORATION AND
SHALL NOT BE REPRODUCED OR COPIED
OR USED IN WHOLE OR IN PART AS
THE BASIS FOR THE MANUFACTURE OR
SALE OF ITEMS WITHOUT WRITTEN
PERMISSION. COPYRIGHT © 1984
DIGITAL EQUIPMENT CORPORATION

REVISIONS		
CHK	CHANGE NO.	REV

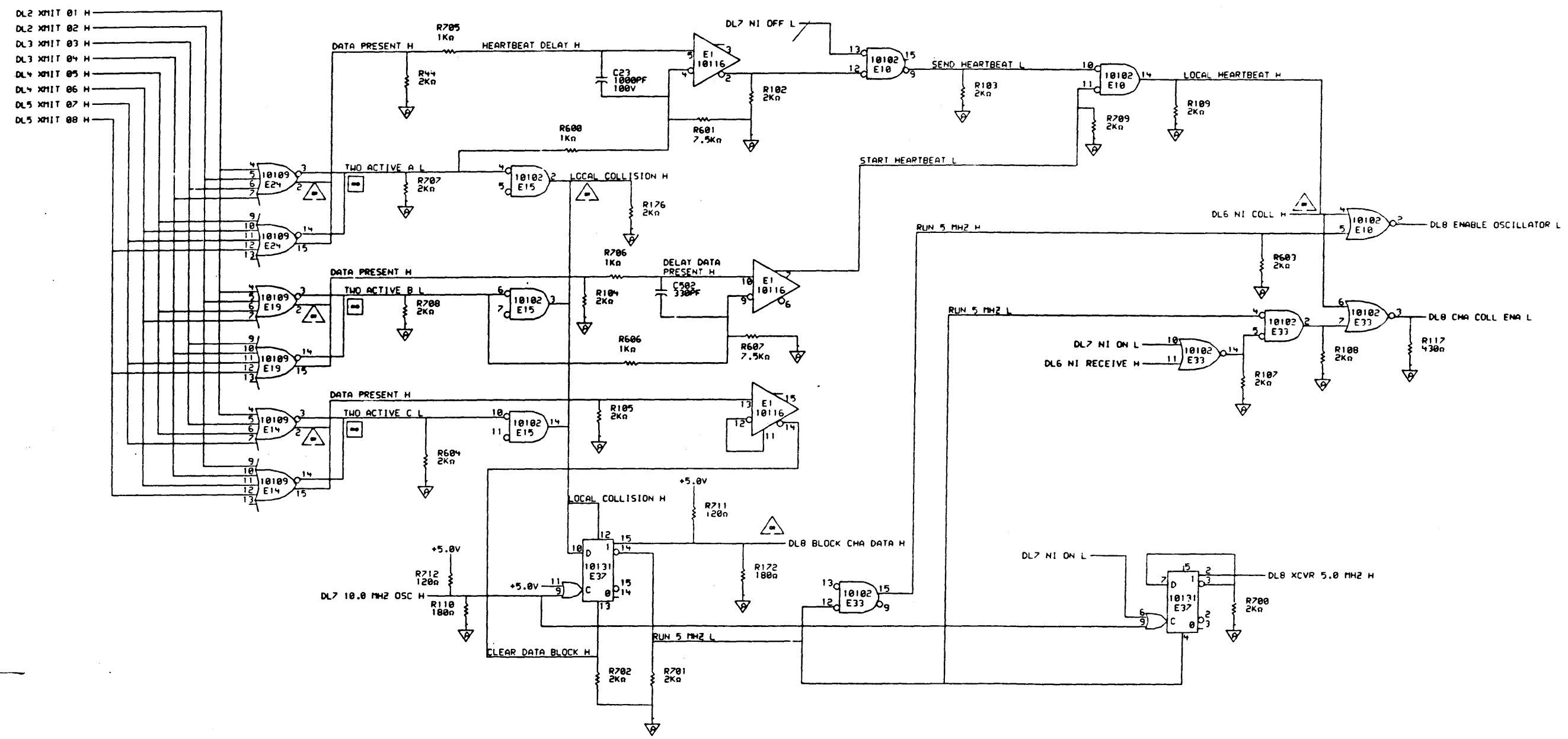
digital
DRN.
CHK'D.
FIRST USED ON OPTION MODEL:

DATE	ENG.	DATE	TITLE:
28-NOV-84			DELNI (DL7)
DATE	BOARD LOCATION:	SHEET 13	OF 14
DATE	NEXT HIGHER ASSEMBLY:	SIZE CODE	NUMBER
		K CS	5415475-0-1

REV. D	
NUMBER	REV. D
5415475-0-1	D

△ DENOTES "WIRE OR"
 □ DENOTES "WIRE AND"

NOTE: DISAGREEMENT BETWEEN "BUBBLES" AND ASSERTION SENSE OF NAME IMPLIES COMPLEMENT OF NAMED ACTION.



THIS DRAWING AND SPECIFICATIONS ARE THE PROPERTY OF DIGITAL EQUIPMENT CORPORATION AND SHALL NOT BE REPRODUCED OR COPIED OR USED IN WHOLE OR IN PART AS THE BASIS FOR THE MANUFACTURE OR SALE OF ITEMS WITHOUT WRITTEN PERMISSION. COPYRIGHT © 1984, DIGITAL EQUIPMENT CORPORATION.

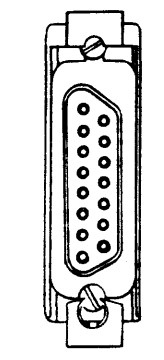
REVISIONS	
CHK	CHANGE NO. REV

digital	DRAWN: <i>J. J. J.</i>	DATE: 28-NOV-84	ENG.	DATE	TITLE: DELNI (DL8) CONTROLLER
	CHK'D:	DATE	BOARD LOCATION: SHEET 14 OF 14	SIZE CODE: K CS	NUMBER: 5415475-0-1
OSK0: <PLOURCE>DLN190.DRW102-FEB-84 14:54 NEXT HIGHER ASSEMBLY: FIRST USED ON OPTION/MODEL:					REV. D

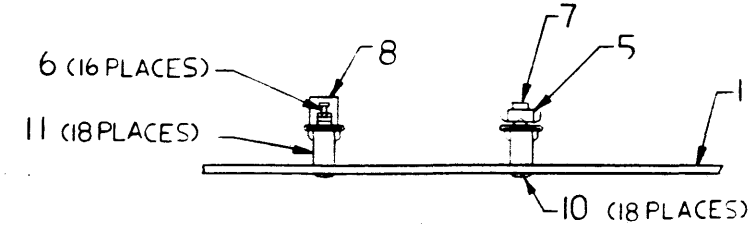
REV. D
 SIZE K CS
 NUMBER 5415475-0-1

THIS DRAWING AND SPECIFICATIONS, HEREIN, ARE THE PROPERTY OF DIGITAL EQUIPMENT CORPORATION AND SHALL NOT BE REPRODUCED OR COPIED OR USED IN WHOLE OR IN PART WITHOUT WRITTEN PERMISSION.
 COPYRIGHT © 1984 DIGITAL EQUIPMENT CORPORATION

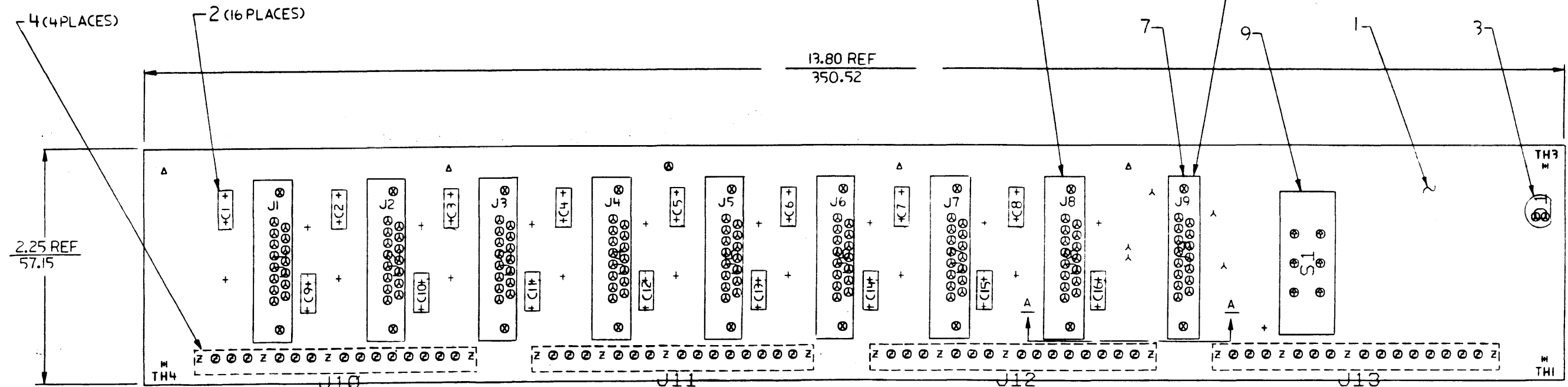
COMPONENT SIDE VIEW



DETAIL B



VIEW A-A



NOTES: 1. ITEM 6 TWO FLAT WASHERS MUST BE ASSEMBLED UNDER LOCKING POST
 2. ITEM 5 MUST LATCH WITH A DOWNWARD MOTION. (SEE DETAIL B)

STEP E + Y AXIS 2600 STEP 3 TIMES
 REPEAT → X AXIS — STEP — TIMES

CHG	NO	REV	
5415628-TW	B		
D. VONADA			

ETCH REV. CP2

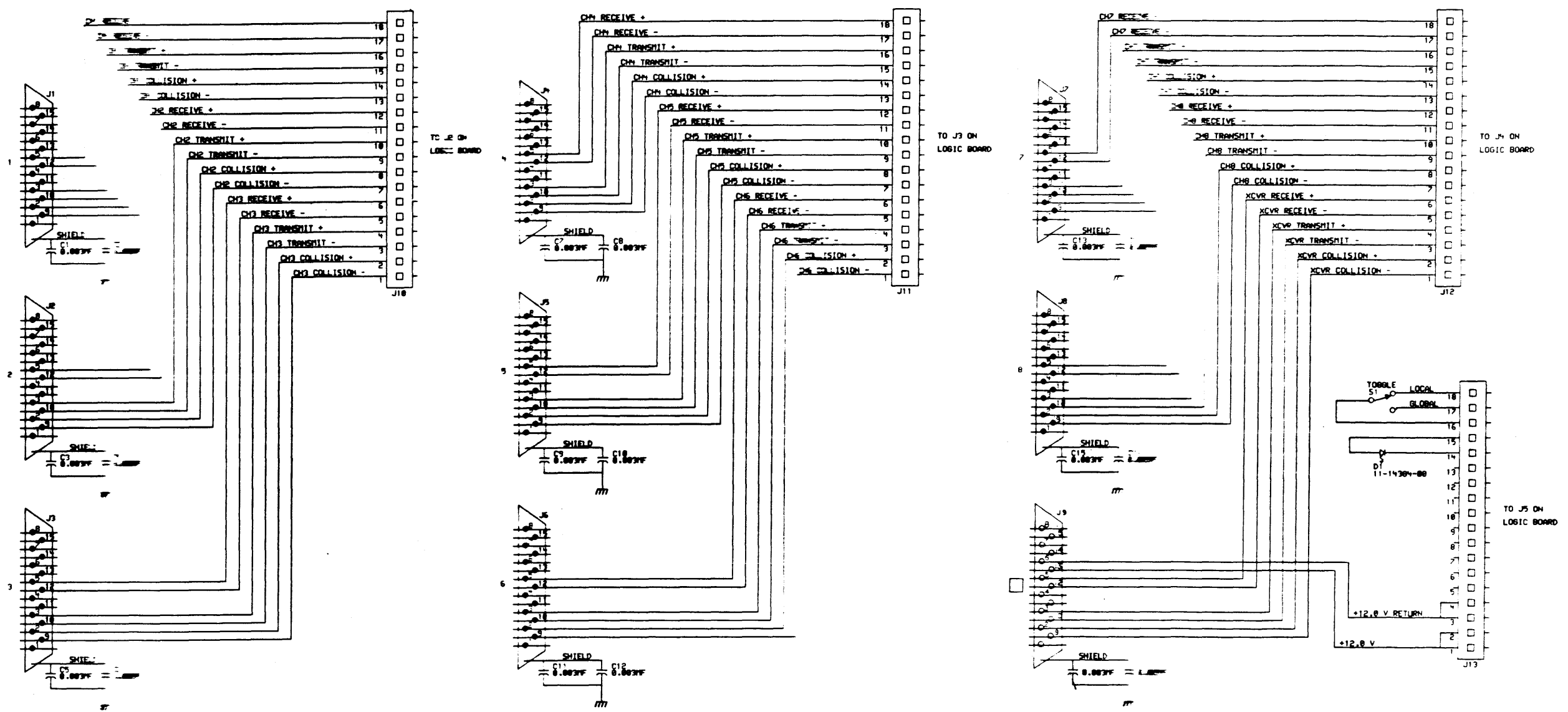
SIGNATURES		DATE	digital
DRN. Dan Gardner		9-2-84	
CHK'D. P. Gagnon		9-2-84	TITLE LNI/CCB
MECH. ENG. Paul Gagnon		9-2-84	
PROJ. ENG. Dan Gardner		9-2-84	SIZE CODE NUMBER REV D UA 5415628-0-0 B
PROD. Bill Pender (UP)		9-2-84	
SCALE 2-1			
SHT. 1 OF 1			
NEXT HIGHER ASSY. B-DD-5415628-0-0			

LINE ITEM	TOP DOCUMENT	PART NUMBER	MIN REV DESCRIPTION	VARIATION REVISION LEVEL:	QTY PER VARIATION	REFERENCE DESIGNATOR
1	1	D-MD-5015627-0-0	5015627-01	CIRCUIT DRILL & ETCH	1	
2	2		1013963-00	3300.0 MMF 500V 20% Z5U DISC	16	C1-C16
3	3		1114384-00	LED 105MW 35MA GREEN	1	D1
4	4		1215546-01	PCB,HEADER 18PIN(1X18).156CC STR	4	J10-J13
5	5		1218489-01	LATCH ASSY,SLIDE .290 LG	1	
6	6		1218672-01	CONN,D SUB LOCKING POST ASSY	16	
7	7		1220350-01	CONN,D SUB 15SKT ASSY STR TIN PL	1	J9
8	8		1220360-01	CONN,D SUB 15SKT ASSY STRAIGHT P	8	J1-J8
9	9		1221172-01	SW,SLIDE 2PDT 3A	1	S1
10	10		9009643-02	SCREW,SEMS PAN PHIL 4-	18	
11	11		9010407-01	STANDOFF,PC BOARD 4-40	18	

- 12 NOTE: 1. ASSEMBLE 5,7,11 TOGETHER FORMING CONN ASSY J-9. NOTE: MAY USE
 13 NOTE: 1221808-01 AS REPLACEMENT FOR CONN ASSY'S J-9 ABOVE. NOTE: REPLACE
 14 NOTE: QTY 1 ITEM 5, QTY 1 ITEM 7, QTY 2 ITEM 11.
 15 NOTE: 2. ASSEMBLE 6,8,11 TOGETHER FORMING CONN ASSY'S J-1 - J-8.
 16 NOTE: 3. MAY USE 1221634-01 AS REPLACEMENT FOR CONN ASSY'S J-1 - J-8 ABOVE.
 17 NOTE: 4. REPLACES QTY 16 ITEM 6, QTY 8 ITEM 8, QTY 16 ITEM 11.
 18 NOTE: 5. ASSY'S ARE THEN PUT ONTO PCB USING ADDITIONAL SCREWS.
 19 NOTE: 6. PART #9009643-02, SCREWS TO PUT ABOVE ASSY'S ONTO PCB.

REVISION HISTORY			BASIC PART NO: 5415628			D I G I T A L		
ENG	ECO NUMBER	REV	SECTION A OF A	DRN:	JOHN COTE	DATE:	9-MAR-83	
---	INITIAL	A	SECTION VARIATION INDEX	CHK'D:	JOHN COTE	DATE:	9-MAR-83	TITLE PARTS LIST
DV	5415628-TW001	B	[A] 01					LNI/CCB
ML	5415628-TW002	C	[B]	DES.ENG:	B. CRONIN	DATE:	9-MAR-83	DOCUMENT NUMBER
			[C]					SIZE CODE NUMBER REV
			[D]	RESP.ENG.:	DON VONADA	DATE:	9-MAR-83	K PL 5415628-0-DBP C
			[E]					
			[F]	MFG.ENG.:	J. COBB	DATE:	9-MAR-83	RELEASE DATE: 22-OCT-85
			[G]					
			[H]	ASSEMBLY NUMBER:	D-UA-5415628-0-0	TOP DOCUMENT NUMBER:	B-DD-5415628-0-0	FILE NAME: Z4833C.PLS
			[I]					EDIT # 4
			[J]					
			[K]					
			[L]					
			[M]					
			[N]					

"THIS DRAWING AND THE SPECIFICATIONS CONTAINED HEREIN ARE CONFIDENTIAL AND PROPRIETARY. THEY ARE THE PROPERTY OF DIGITAL EQUIPMENT CORPORATION AND SHALL NOT BE REPRODUCED OR COPIED OR USED IN WHOLE OR IN PART AS THE BASIS FOR THE MANUFACTURE OR SALE OF ITEMS WITHOUT WRITTEN PERMISSION. THIS IS AN UNPUBLISHED WORK PROTECTED UNDER THE FEDERAL COPYRIGHT LAWS."



THIS DRAWING AND SPECIFICATIONS HEREIN ARE THE PROPERTY OF DIGITAL EQUIPMENT CORPORATION AND SHALL NOT BE REPRODUCED OR COPIED OR USED IN WHOLE OR IN PART AS THE BASIS FOR THE MANUFACTURE OR SALE OF ITEMS WITHOUT WRITTEN PERMISSION. COPYRIGHT © 1983, DIGITAL EQUIPMENT CORPORATION.

DRN.	DATE	ENG.	DATE	TITLE:
CHK.	DATE	BOARD LOCATION:		DELNI (CCB)
				CABLE CONN BOARD
FIRST USED ON OPTION/NOTE:				SIZE CODE
				D
				NUMBER
				5415628-0-1
				REV.
				B

DRN.	DATE	ENG.	DATE	TITLE:
CHK.	DATE	BOARD LOCATION:		DELNI (CCB)
FIRST USED ON OPTION/NOTE:				CABLE CONN BOARD
				SIZE CODE
				D
				NUMBER
				5415628-0-1
				REV.
				B

digital

PARTS LIST

QUANTITY / VARIATION

NOTES:

DRN. B. CLARK	DES. ENG. R. BATEMAN	DATE 30 JUN 83	DATE 30 JUN 83	DATE 30 JUN 83
CHK'D. B. CLARK	RESP. ENG. R. BATEMAN	DATE 30 JUN 83	DATE 30 JUN 83	DATE 30 JUN 83

ITEM NO.	DRAWING NO.	PART NO.	DESCRIPTION	QUANTITY / VARIATION								REFERENCE DESIGNATORS	
				DELNI-AA	DELNI-AB								
1	B-TC-DELNI-0-1	MP-01656-01	DELNI FIELD MAINTENANCE PRINT SET	1	1								

ECO NO.	THIS DRAWING AND SPECIFICATIONS HEREIN ARE THE PROPERTY OF DIGITAL EQUIPMENT CORPORATION AND SHALL NOT BE REPRODUCED OR COPIED OR USED IN WHOLE OR IN PART AS THE BASIS FOR THE MANUFACTURE OR SALE OF ITEMS WITHOUT WRITTEN PERMISSION. COPYRIGHT © 1982 DIGITAL EQUIPMENT CORPORATION	SHIPPING LIST DELNI	ASSY. NO.	SIZE	CODE	NUMBER	REV.
			B-DD-DELNI-0	B	PL	DELNI-0	A
SECTION A1 OF A1			SHEET 1 OF 1				