

I T E M #	DRAWING NUMBER	DESCRIPTION	T Y P E	I T E M #	DRAWING NUMBER	DESCRIPTION	T Y P E
1	K-PL-DECSA-0-DBP	COMMUNICATIONS SERVER UNA	E/M				
				9	K-SP-DECSA-0-DBF1	PAM ENG SPECIFICATION	
	2	B-DD-7019937-0-0					
	3	K-DD-DCSAX-L					
	4	K-DD-DCSAX-UA					
	5	K-PL-DECSK-A-DBP					
	6	K-RM-DECSA-0					
	7	K-TC-DECSA-0					
	8	K-SP-M3112-0-DBF1					

TYPE: E = ELECTRICAL
M = MECHANICAL
E/M = ELECTRO/MECHANICAL

digital

TITLE:
DRAWING DIRECTORY
DECSA

SHEET 2 OF 2	SIZE K	CODE DD	NUMBER DECSA-0-DBF	REV C
--------------	--------	---------	--------------------	-------

DRAWING NO.	NO. SHTS	PART NO.	DESCRIPTION	REVISIONS
B-TC-DECSA-0 E-UA-7019937-0-DRU K-PL-7019937-0-DRP R-DD-M7133-YA-0	4 3 1	7019937-00	ETHERNET COMMUNICATIONS SERVER W/1 PAM SET, NO LINE CARDS, 120V/240V 512 KBYTE MEMORY	- - - - - E3
		7019937-01	ETHERNET COMMUNICATIONS SERVER W/2 PAM SETS, NO LINE CARDS, 120V/240V 512 KBYTE MEMORY	- - - - - E3
		7019937-04	ETHERNET COMMUNICATIONS SERVER W/1 PAM SET, NO LINE CARDS, 120V/240V 1 MEG MEMORY	- - - - - E3
		MP-J1385	COMMUNICATIONS SERVER (PRINT SET)	- - - - - B
			COMMUNICATIONS SERVER (TC)	- - - - - K
			COMMUNICATIONS SERVER (PL)	- - - - - K
		11/24 C.P.U.	- - - - - A	

NOTES:

	A	B	C	D	E	F	H	J
R E V								
R E V I S I O N Y	E	I	M	M	M	M	M	M
	C	N	K	K	K	K	K	K
	O	I	0	0	0	0	0	0
	T	0	0	0	0	0	0	0
	N	2	3	4	5	6	7	9
	O							
D	0	0	1	1	0	0	0	1
A	7	9	0	2	3	5	8	1
T	/	/	/	/	/	/	/	/
E	3	8	8	8	8	3	8	8
	4	4	4	4	5	5	5	6

THIS DRAWING AND THE SPECIFICATIONS CONTAINED HEREIN ARE CONFIDENTIAL AND PROPRIETARY. THEY ARE THE PROPERTY OF DIGITAL EQUIPMENT CORPORATION AND SHALL NOT BE REPRODUCED OR COPIED OR USED IN WHOLE OR IN PART AS THE BASIS FOR THE MANUFACTURE OR SALE OF ITEMS WITHOUT WRITTEN PERMISSION. THIS IS AN UNPUBLISHED WORK PROTECTED UNDER THE FEDERAL COPYRIGHT LAWS.

DRN: D. CHIASSON

DATE: 07-SEP-84

d i g i t a l

CHK'D: J. FALKOWSKI

DATE: 11-SEP-84

TITLE
COMMUNICATIONS SERVER

DES. ENG.: J. DOHERTY

DATE: 02-JUL-84

SHEET 1 OF 1

EDIT:
6

RESP. ENG.: J. DOHERTY

DATE: 02-JUL-84

DOCUMENT NUMBER

J.C. Tremblay 12-12-86

DD FILENAME: 7019937J.DDF

MFG. ENG.: W. BROOKE

DATE: 10-AUG-84

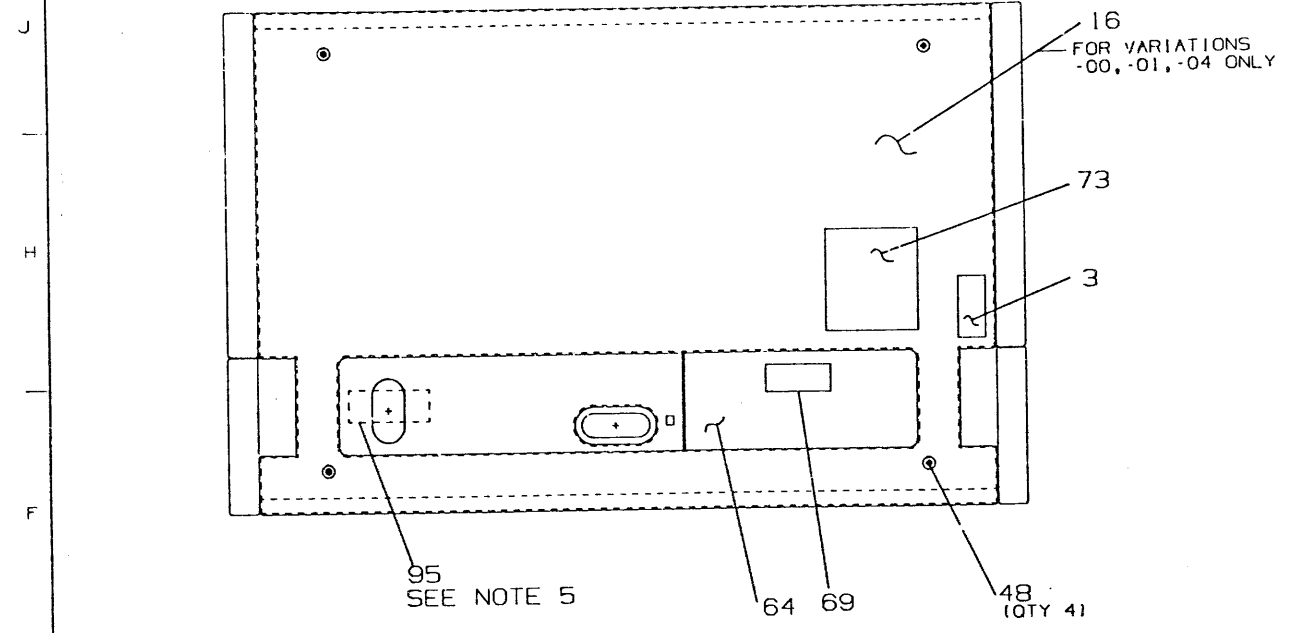
SIZE	CODE	NUMBER	REV
K	DD	7019937-0-0	J

THIS DRAWING AND THE IDENTIFICATION CONTAINED HEREIN ARE UNCLASSIFIED AND PROPRIETARY. THEY ARE THE PROPERTY OF THE FEDERAL BUREAU OF INVESTIGATION AND SHALL NOT BE REPRODUCED OR COPIED OR USED IN WHOLE OR IN PART AS THE BASIS FOR THE MANUFACTURE OR SALE OF ITEMS UNLESS WRITTEN PERMISSION HAS BEEN OBTAINED FROM THE FEDERAL BUREAU OF INVESTIGATION UNDER THE FEDERAL COPYRIGHT LAWS.

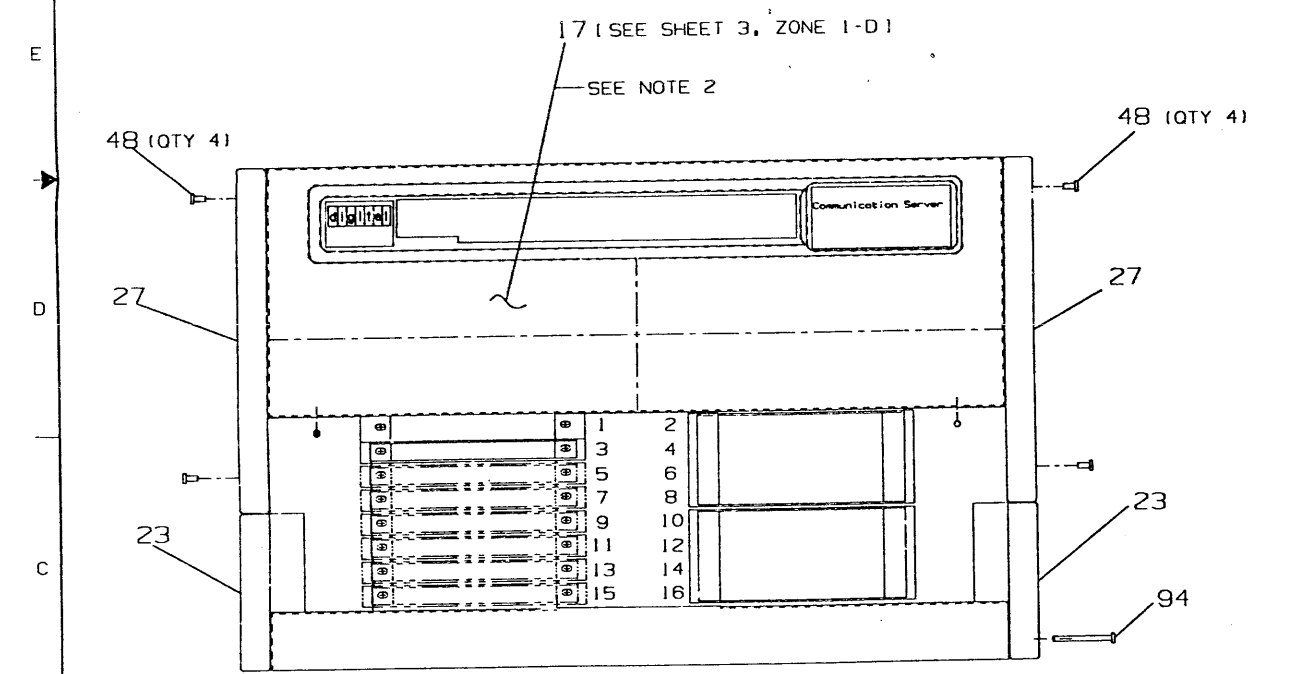
LEGEND		
PART NO.	REV	VARIATION
7019937-00	E3	UNA-1 PAM SET
7019937-01	E3	UNA-2 PAM SETS
7019937-02		DELETED
7019937-03		DELETED
7019937-04	E3	UNA-1 PAM, 1 MEG

NOTE:

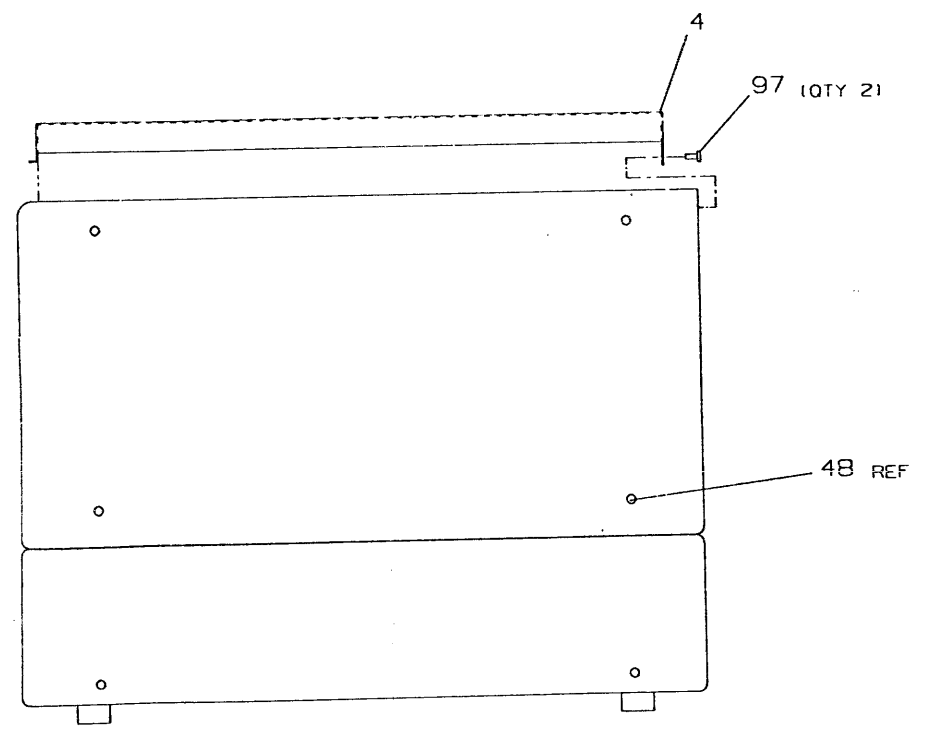
1. DELETED.
2. SCREW DRIVERS (ITEMS 87 AND 88), KEYS (PART OF ITEM 36), TURNAROUND CONNECTORS, (ITEM 90, QTY 2), POWER CORD (ITEM 93) AND CABLE CLIPS (ITEM 29, QTY 2) TO BE PLACED IN PLASTIC BAG (ITEM 84) AND TAPED TO TOP OF UNIT.
3. SET VOLTAGE SELECT SWITCH FOR 220/240; ALL VARIATIONS.
5. REMOVE ENTIRE REAR BACKING BEFORE INSTALLING LABEL.



REAR VIEW



FRONT VIEW
VARIATION -01 SHOWN



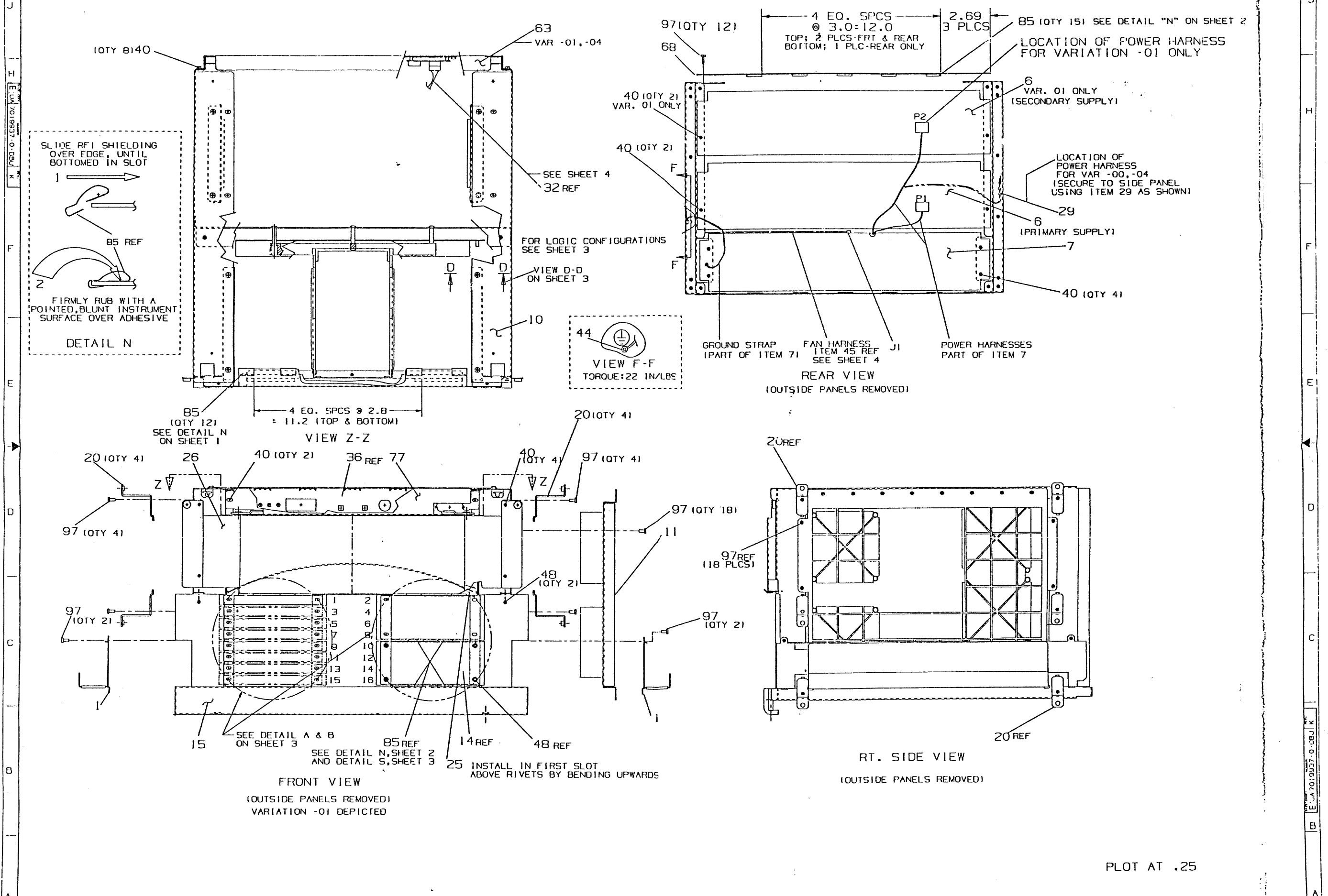
RT. SIDE VIEW
(LESS REAR PANEL)

PLOT AT .50

CAUTION: OFF SHEET PARTS LIST EXISTS.
REFER TO K-PL-7019937-0-DBP.

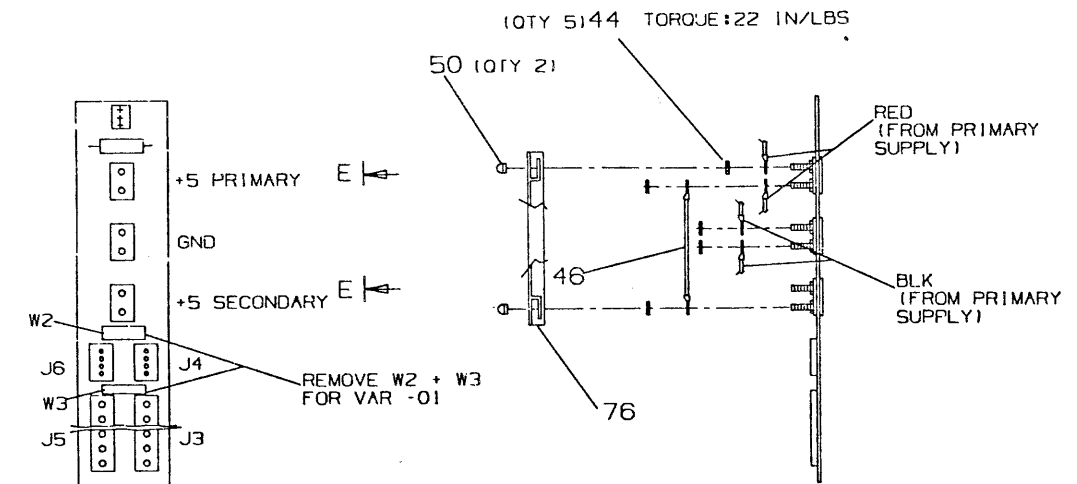
REV.	DATE	BY	CHK.	DESCRIPTION
1	10 OCT 82	G. GRAVES		ISSUE FOR PRODUCTION
2	18 JAN 83	S. BAUCOM		REVISED FOR VARIATION -01
3	18 JAN 83	S. BAUCOM		REVISED FOR VARIATION -02
4	18 JAN 83	J. BUZYNSKI		REVISED FOR VARIATION -03
5	18 JAN 83	V. ADAMETZ		REVISED FOR VARIATION -04
6	18 JAN 83	M. LAWRENCE		REVISED FOR VARIATION -05
7	18 JAN 83	M. LAWRENCE		REVISED FOR VARIATION -06
8	18 JAN 83	M. LAWRENCE		REVISED FOR VARIATION -07
9	18 JAN 83	M. LAWRENCE		REVISED FOR VARIATION -08
10	18 JAN 83	M. LAWRENCE		REVISED FOR VARIATION -09
11	18 JAN 83	M. LAWRENCE		REVISED FOR VARIATION -10
12	18 JAN 83	M. LAWRENCE		REVISED FOR VARIATION -11
13	18 JAN 83	M. LAWRENCE		REVISED FOR VARIATION -12
14	18 JAN 83	M. LAWRENCE		REVISED FOR VARIATION -13
15	18 JAN 83	M. LAWRENCE		REVISED FOR VARIATION -14
16	18 JAN 83	M. LAWRENCE		REVISED FOR VARIATION -15
17	18 JAN 83	M. LAWRENCE		REVISED FOR VARIATION -16
18	18 JAN 83	M. LAWRENCE		REVISED FOR VARIATION -17
19	18 JAN 83	M. LAWRENCE		REVISED FOR VARIATION -18
20	18 JAN 83	M. LAWRENCE		REVISED FOR VARIATION -19
21	18 JAN 83	M. LAWRENCE		REVISED FOR VARIATION -20

DESCRIPTION		DRAWING NO.		PART NO.		ITEM NO.	
UNLESS OTHERWISE SPECIFIED DIMENSIONS ARE 1/16 INCHES AND THE FOLLOWING TOLERANCES APPLY (PER DEC STD 114)							
INCHES TOLERANCES	ANGLES	DIMENSION RANGE IN INCHES					
		OVER 12.00	3.00 - 12.00	0.10 - 3.00	0.01 - 0.10	0.005 - 0.01	0.001 - 0.005
.01	.01	.01	.01	.01	.01	.01	.01
SURFACE QUALITY		FINISH		DATE		TITLE	
AS SHOWN		NONE		10 OCT 82		COMMUNICATION SERVER	
QUANTITY & VARIATION		THIRD ANGLE PROJECTION		DATE		DRAWN BY	
AS SHOWN		AS SHOWN		18 JAN 83		S. BAUCOM	
FINISH		DATE		DATE		DATE	
NONE		18 JAN 83		18 JAN 83		18 JAN 83	
TOP DOC: K-DD-7019937-0-0		SCALE: 1/2		SHEET: 1 OF 4		MKS	

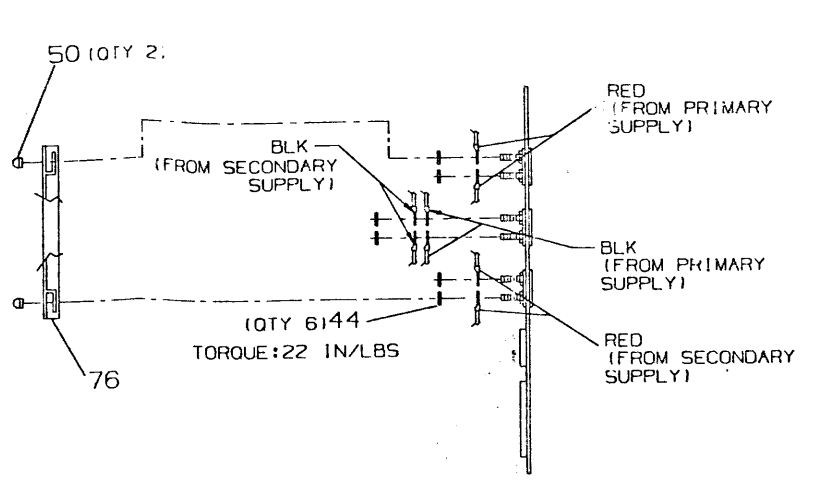


REVISION HISTORY		
DATE	ECO. HISTORY	REV

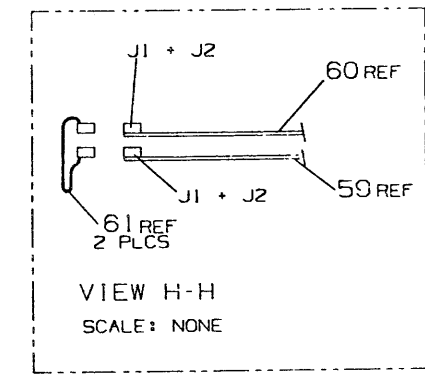
PROPERTY OF FEDERAL EQUIPMENT CORPORATION AND SHALL NOT BE REPRODUCED OR TRANSMITTED IN ANY FORM OR BY ANY MEANS WITHOUT WRITTEN PERMISSION. THIS IS AN UNCLASSIFIED WORK PRODUCT UNDER THE FEDERAL COPYRIGHT LAWS.



VIEW D-D
BACKPLANE CONNECTIONS
SCALE: NONE

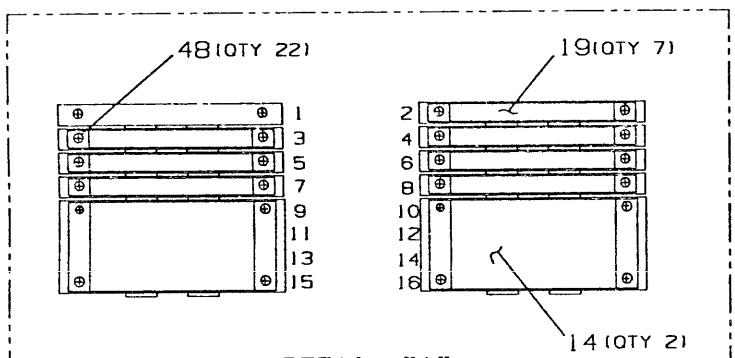


VIEW E-E
VARIATION -01 ONLY
SCALE: NONE

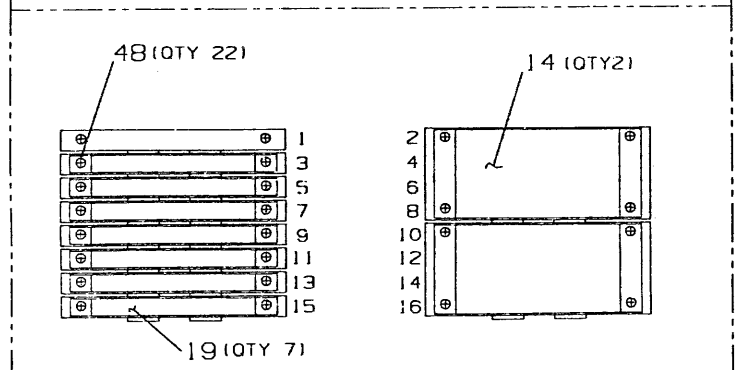


VIEW D-D CABLING

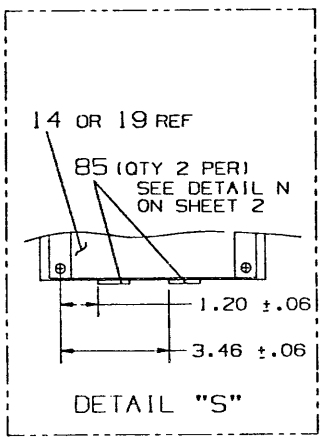
SECONDARY +15 PWR HARNESS (7018768) TO J6
SECONDARY PWR SUPPLY SIGNAL HARNESS (1700556-01) TO J5
PRIMARY +15 PWR HARNESS (7018748) TO J4
PRIMARY PWR SUPPLY SIGNAL HARNESS (1700336-01) TO J3



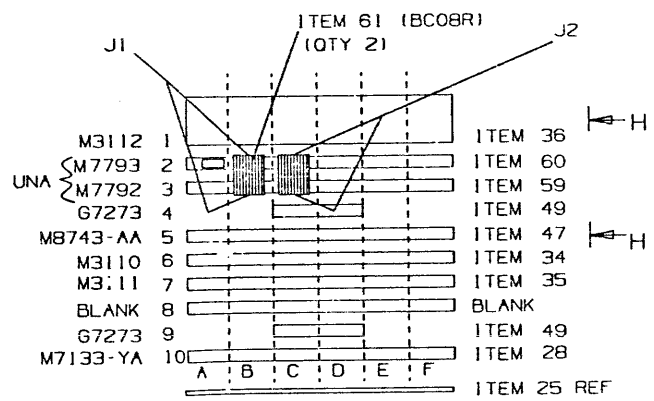
DETAIL "A"
VARIATIONS -00, -04 ONLY
SEE DETAIL "S"



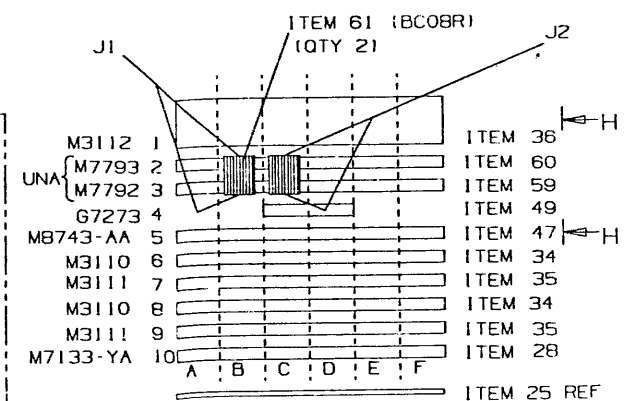
DETAIL "B"
VARIATION -01 ONLY
SEE DETAIL "S"



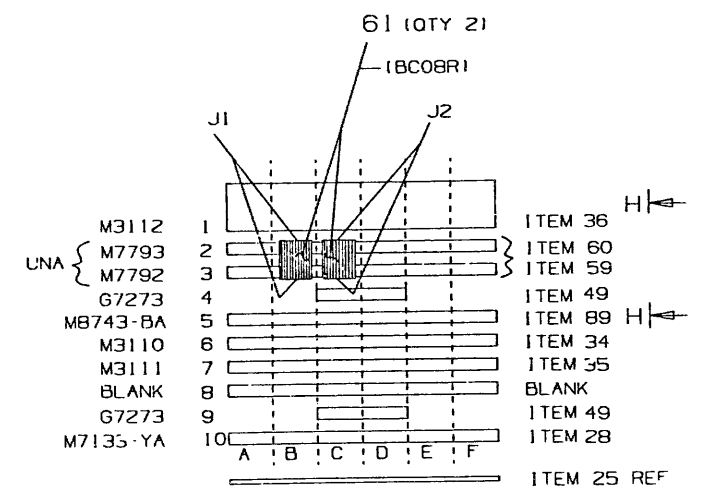
DETAIL "S"



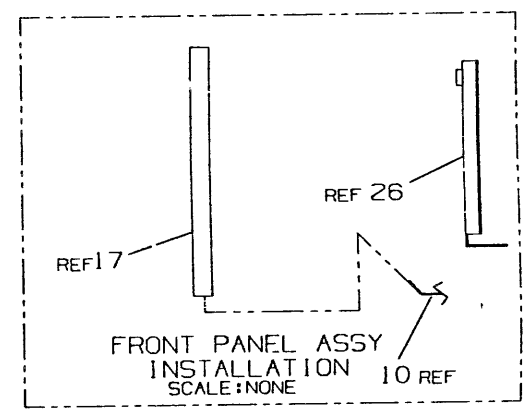
LOGIC CONFIGURATION
VARIATION -00 ONLY



LOGIC CONFIGURATION
VARIATION -01 ONLY



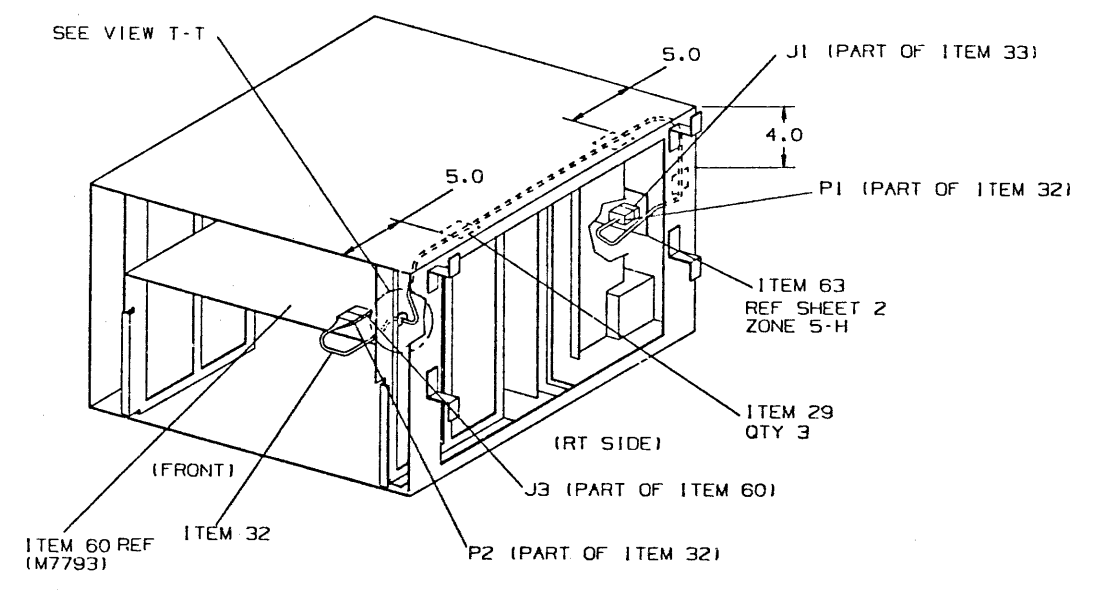
LOGIC CONFIGURATION
VARIATION -04 ONLY



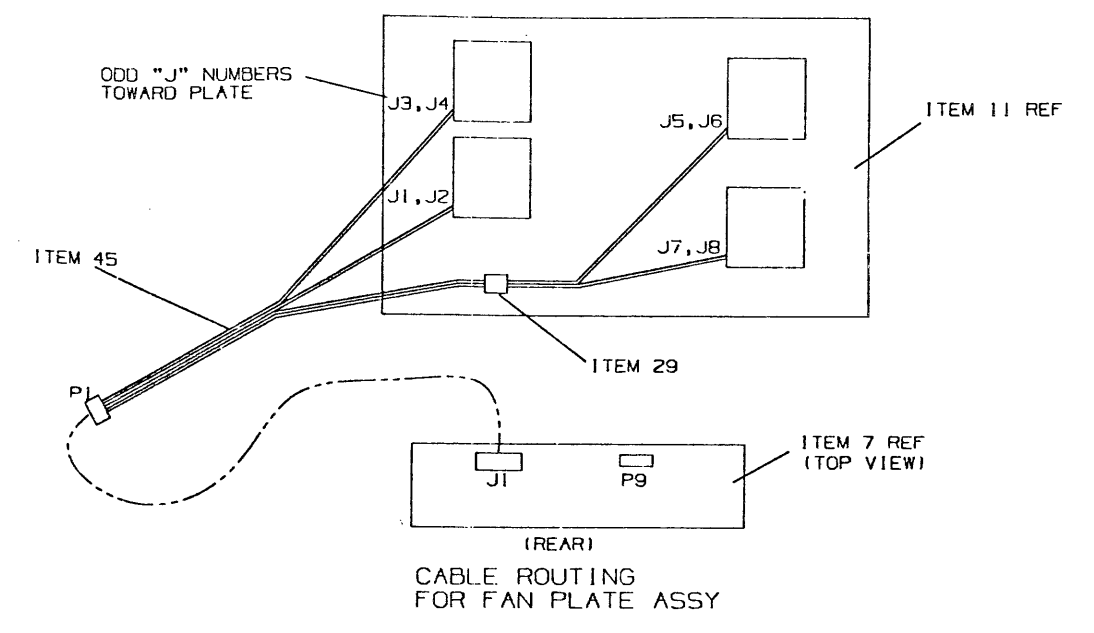
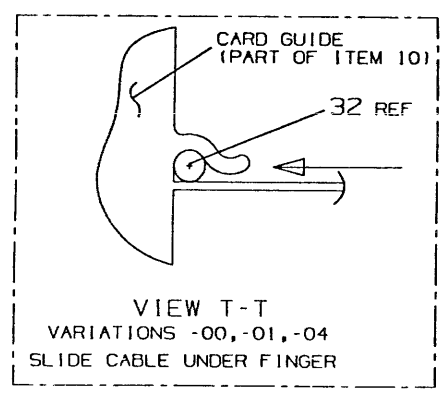
PLOT AT .25

REVISION HISTORY			DOCUMENT NUMBER	
DATE	ECO HISTORY	REV	SIZE/SCALE	NUMBER
			E UA	7019937-0-DBU K
			SCALE 1/2	SHEET 3 OF 4

PART OF THE SPECIFICATION FOR THE MANUFACTURE OR SALE OF ITEMS WITHOUT WRITTEN PERMISSION. THIS IS AN UNPUBLISHED WORK PROTECTED UNDER THE FEDERAL COPYRIGHT LAWS.



CABLE ROUTING
 VARIATIONS -00,-01,-04
 SCALE: NONE
 DIMENSIONS ARE APPROXIMATE



PLOT AT .25

REVISION HISTORY		
DATE	ECO HISTORY	REV

DOCUMENT NUMBER		
SIZE CODE	MARKER	REV
E UA	7019937-0-DBU	K
SCALE 1/2	SHEET 4	OF 4

EUA 7019937-0-DBU K

LINE	ITEM	TOP DOCUMENT	PART NUMBER	MIN REV	DESCRIPTION	QUANTITY PER VARIATION/REVISION		
						00 E3	01 E3	04 E3
1	1	C-MD-7430432-0-DBU	74-30432-01		PLATE,CABLE,R.H.	1	1	1
2	2		70-19131-01		*** THIS ITEM IS NOT USED ***	-	-	-
3	3	A-PS-3616073-0-0	36-16073-00		LABEL,10 W/COPY VERTICAL	1	1	1
4	4	D-IA-7019563-0-DBU	70-19563-00		COVER ASSY (TOP)	1	1	1
5	5		70-19563-01		*** THIS ITEM IS NOT USED ***	-	-	-
6	6	E-AD-7013762-0-0	70-13762-00		POWER SUPPLY ASSY.	1	2	1
7	7	E-IA-7013763-0-0	70-13763-00		AC INPUT ASSY.	1	1	1
8	8		70-07032-00		*** THIS ITEM IS NOT USED ***	-	-	-
9	10	E-IA-7019090-0-DBU	70-19090-01		FRAME ASSY	1	1	1
10	11	E-AD-7020930-0-DBU	70-20930-01		FAN PLATE ASSY	1	1	1
11	12		90-09765-00		*** THIS ITEM IS NOT USED ***	-	-	-
12	14	B-MD-7426712-0-DBU	74-26712-01		PANEL,FILLER,L.C.	2	2	2
13	15	E-MD-7430503-0-DBU	74-30503-01		PANEL,LOWER FRONT	1	1	1
14	16	E-MD-7431196-0-DBU	74-31196-01		PANEL,REAR	1	1	1
15	17	E-IA-7020934-0-DBU	70-20934-01		UPPER FRONT PANEL ASSY.	1	1	1
16	18	B-MD-7427012-0-DBU	74-27012-01		*** THIS ITEM IS NOT USED ***	-	-	-
17	19	D-MD-7430547-0-DBU	74-30547-03		HANDLE,LC	7	7	7
18	20	D-IA-7427000-0-DBU	74-27000-01		TAB,MOUNTING	8	8	8
19	22		74-26979-01		*** THIS ITEM IS NOT USED ***	-	-	-
20	23	D-IA-7020953-0-DBU	70-20953-01		LOWER SIDE PANEL REWORK	2	2	2
21	24	E-MD-7426398-0-DBU	74-26398-02		*** THIS ITEM IS NOT USED ***	-	-	-
22	25	D-MD-7427950-0-DBU	74-27950-01		SHIELD,LOGIC	1	1	1
23	26	D-AD-7020935-0-DBU	70-20935-01		LOGIC COVER PLATE ASSY	1	1	1
24	27	D-IA-7020954-0-DBU	70-20954-01		LOGIC DIAGRAM, CONTROL MODULE	2	2	2
25	28	D-UA-M7133-0-0	M7133-YA		K0F11-UA CPU,LINE CLOCK,2 SER LNS,	1	1	1
26	29		12-13912-00		CLIP,CABLE 1/2	7	6	7
27	31	A-PA-3700670-0-0	37-00670-01		PKG COMM SERVER 7019937-00	1	1	1
28	32	D-IA-7018798-0-0	70-18798-04		UNA BULKHEAD CABLE ASSY.	1	1	1
29	33	D-AD-7018799-0-0	70-18799-01		*** THIS ITEM IS NOT USED ***	-	-	-
30	34	D-UA-M3110-0-0	M3110-00		PROTOCOL ASSIST #1 W SPECIAL CHAR	1	2	1
31	35	D-UA-M3111-0-0	M3111-00		PROTOCOL ASSIST #2 W SPECIAL CHAR	1	2	1
32	36	D-UA-M3112-0-0	M3112-00		CONSOLE BOOT TERMINATOR,HEX	1	1	1

REVISION HISTORY			KPL MATRIX FORMAT			SECTION A OF A			DRN: A.ROCHA			DIGITAL		
ENG	ECO NUMBER	REV	SECTION/VARIATION INDEX			DATE: 03-JUN-82			TITLE PARTS LIST			COMMUNICATION SERVER		
JD	7019937-MK001	A	[A]	00,01,04	CHK'D: B. CLARK			DATE: 03-JUN-82			16-DEC-86			
JD	7019937-MK003	B	[B]		DES.ENG: M. CONNELL			DATE: 03-JUN-82			DOCUMENT NUMBER			
MJL	7019937-MK004	C	[C]		RESP.ENG.: J. BUZYNSKI			SIZE: K			CODE: PL			
JD	7019937-MK005	D	[D]		DATE: 08-JUN-86			NUMBER: 7019937-0-DBP			REV: K			
GG	7019937-MK006	E	[E]		MFG.ENG: R. WHITE			RELEASE DATE: 01-DEC-86			RELEASE STATUS: RELEASED			
GG	7019937-MK007	F	[F]		DATE: 03-JUN-86			BASIC PART NUMBER: 7019937			ASSEMBLY NUMBER: E-UA-7019937-0-DBU			
ML	7019937-MK008	G	[G]		TOP DOCUMENT NUMBER: K-DD-7019937-0-0			FILE NAME: 7019937K.PLS			EDIT #: 11			
ML	7019937-MK009	H	[H]		"THIS DRAWING AND THE SPECIFICATIONS CONTAINED HEREIN ARE CONFIDENTIAL AND PROPRIETARY. THEY ARE THE PROPERTY OF DIGITAL EQUIPMENT CORPORATION AND SHALL NOT BE REPRODUCED OR COPIED OR USED IN WHOLE OR IN PART AS THE BASIS FOR THE MANUFACTURE OR SALE OF ITEMS WITHOUT WRITTEN PERMISSION. THIS IS AN UNPUBLISHED WORK PROTECTED UNDER THE FEDERAL COPYRIGHT LAWS."									

LINE	ITEM	TOP DOCUMENT	PART NUMBER	MIN REV	DESCRIPTION	QUANTITY PER VARIATION/REVISION		
						00 E3	01 E3	04 E3
33	37		90-07636-00		*** THIS ITEM IS NOT USED ***	-	-	-
34	39		90-08905-01		*** THIS ITEM IS NOT USED ***	-	-	-
35	40		90-00049-16		SCREW,SEMS PAN PHIL 8-32	10	10	10
36	41		90-06563-00		*** THIS ITEM IS NOT USED ***	-	-	-
37	42		90-06550-00		*** THIS ITEM IS NOT USED ***	-	-	-
38	44		90-06555-00		NUT,HEX EXT TOOTH LCKWSHR 10-32X	6	7	6
39	45	D-IA-7016765-0-0	70-11755-00		FAN HARNESS ASSY.	1	1	1
40	46	C-IA-7020291-0-03U	70-20291-00		WIRE, JUMPER	1	-	1
41	47		M9EC6-AA		ECC MOS RAM (M8743-AA)	1	1	-
42	48		90-00049-40		SCREW,SEMS PAN PHIL 8-32	28	28	28
43	49	D-UA-37273-0-0	67273-00		BUS GRANT & NON-PROCESSOR GRANT JU	2	1	2
44	50		90-06510-00		NUT,CAP,RELOCK 10-32X .433AF NYLON	2	2	2
45	51		70-17306-01		*** THIS ITEM IS NOT USED ***	-	-	-
46	52		70-19307-01		*** THIS ITEM IS NOT USED ***	-	-	-
47	55		70-12250-0J		*** THIS ITEM IS NOT USED ***	-	-	-
48	56		BC085-05		*** THIS ITEM IS NOT USED ***	-	-	-
49	59	D-UA-M7792-0-0	M7792-00		DEUNA PORT MODULE(UNIBUS TO ETHERN	1	1	1
50	60	D-UA-M7793-0-0	M7793-00		PCL11-A,TXM REGISTERS HEX	1	1	1
51	61	D-UA-M00628-0-0	5.03R-0F		H355 TO H956 3M SHIELDED,REVERSED	2	2	2
52	62		74-27532-01		*** THIS ITEM IS NOT USED ***	-	-	-
53	63	D-A0-7020935-0-DRU	70-20935-01		SHIELD REAR ASSY	1	1	1
54	64	A-PS-3620278-0-C	36-20278-02		LABEL,DECSA,SHORT	1	1	1
55	68	D-IA-7427540-0-DEU	74-27540-01		PANEL,FRAME	1	1	1
56	69	A-PS-3617674-0-0	36-17674-00		LABEL,SERIAL/POWER W/O UL + CSA LO	1	1	1
57	73	A-PS-3618307-0-0	36-18307-05		ASSY,04,01	1	1	1
58	76	C-M0-7427624-0-DRU	74-27624-01		SHIELD,BACKPLANE	1	1	1
59	77	A-PS-3620282-0-0	36-20282-01		LABEL,CONTROL PANEL ENGLISH	1	1	1
60	78		90-10139-01		*** THIS ITEM IS NOT USED ***	-	-	-
61	79		DMP11-A0		*** THIS ITEM IS NOT USED ***	-	-	-
62	80		74-26382-02		*** THIS ITEM IS NOT USED ***	-	-	-
63	81		74-26382-03		*** THIS ITEM IS NOT USED ***	-	-	-
64	82		74-27539-02		*** THIS ITEM IS NOT USED ***	-	-	-
65	83		74-27539-03		*** THIS ITEM IS NOT USED ***	-	-	-
66	84		90-06557-23		BAG,POLY RECLOSE 4 MIL THK CLEAR	1	1	1
67	85		12-21494-01		SHIELDING,RFI	47	47	47
68	86		90-03264-00		*** THIS ITEM IS NOT USED ***	-	-	-
69	87		47-00060-00		DRIVER,SCREW	1	1	1
70	88		47-00043-00		SCREWDRIVER,PHILLIPS #1	1	1	1
71	89	K-PL-MS11-P-DRP1	MS11-PR		1MB ECC MOS RAM (M8743-BA,512K X 2	-	-	1
72	90		12-15335-02		CONN,D SUB 25POS SE	2	2	2
73	91	C-M0-7428989-0-DEU	74-28989-01		*** THIS ITEM IS NOT USED ***	-	-	-
74	92		90-09718-00		*** THIS ITEM IS NOT USED ***	-	-	-
75	93		17-00033-02		PWR CORD,TERM 3-14 SJT 125V	1	1	1
76	94		90-00062-63		SCREW,THD RL PAN,SERATD,F/METL	4	4	4
77	95	A-PS-3617905-0-0	36-17905-17		LABEL,WARNING EQUIP. RATING,220-24	1	1	1
78	97		90-00062-23		SCREW,THD RL PAN,SERATD,F/METL	58	58	58

1 GEN: 1. VARIATIONS -02 AND -03 ARE NOT USED.

D	I	G	I	T	A	L	TITLE	SECTION A OF A	SIZE	CODE	DOCUMENT NUMBER	REV
							COMMUNICATION SERVER		K	PL	7019937-0-09P	K

LINE ITEM	TOP DOCUMENT	PART NUMBER	MIN REV	DESCRIPTION	00 E3	01 E3	04 E3	QUANTITY PER VARIATION/REVISION
-----------	--------------	-------------	------------	-------------	----------	----------	----------	---------------------------------

2 GEN: THE M7133-YA IS THE PREFERRED VALUE ENGINEERED PART. HOWEVER, PART NUMBER M7133-00 MAY BE USED.

D	I	G	I	T	A	L	TITLE	SECTION A OF A	SIZE	CODE	DOCUMENT NUMBER	REV
							COMMUNICATION SERVER		K	PL	7019937-0-DBP	K

LINE	ITEM	TOP DOCUMENT	PART NUMBER	MIN REV	DESCRIPTION	QUANTITY PER VARIATION/REVISION		
						00 E3	01 E3	04 E3
1	1	C-MD-7430432-0-DBU	74-30432-01		PLATE,CABLE,R.H.	1	1	1
2	2		70-19101-01		*** THIS ITEM IS NOT USED ***	-	-	-
3	3	A-PS-3616073-0-0	36-16073-00		LABEL, ID W/COPY VERTICAL	1	1	1
4	4	D-IA-7019563-0-DBU	70-19563-00		COVER ASSY (TOP)	1	1	1
5	5		70-19563-01		*** THIS ITEM IS NOT USED ***	-	-	-
6	6	E-AD-7018762-0-0	70-18762-00		POWER SUPPLY ASSY.	1	2	1
7	7	E-IA-7018763-0-0	70-18763-00		AC INPUT ASSY.	1	1	1
8	8		90-97032-00		*** THIS ITEM IS NOT USED ***	-	-	-
9	10	E-IA-7019090-0-DBU	70-19090-01		FRAME ASSY	1	1	1
10	11	E-AD-7020930-0-DBU	70-20930-01		FAN PLATE ASSY	1	1	1
11	12		90-09755-00		*** THIS ITEM IS NOT USED ***	-	-	-
12	14	B-MD-7426712-0-DBU	74-26712-01		PANEL,FILLER,L.C.	2	2	2
13	15	E-MD-7430503-0-DBU	74-30503-01		PANEL,LOWER FRONT	1	1	1
14	16	E-MD-7431196-0-DBU	74-31196-01		PANEL,REAR	1	1	1
15	17	E-IA-7020934-0-DBU	70-20934-01		UPPER FRONT PANEL ASSY.	1	1	1
16	18	B-MD-7427012-0-DBU	74-27012-01		*** THIS ITEM IS NOT USED ***	-	-	-
17	19	D-MD-7430547-0-DBU	74-30547-03		HANDLE,LC	7	7	7
18	20	D-IA-7427000-0-DBU	74-27000-01		TAB,MOUNTING	8	8	8
19	22		74-26979-01		*** THIS ITEM IS NOT USED ***	-	-	-
20	23	D-IA-7020953-0-DBU	70-20953-01		LOWER SIDE PANEL REWORK	2	2	2
21	24	E-MD-7426398-0-DBU	74-26398-02		*** THIS ITEM IS NOT USED ***	-	-	-
22	25	D-MD-7427950-0-DBU	74-27950-01		SHIELD,LOGIC	1	1	1
23	26	D-AD-7020935-0-DBU	70-20935-01		LOGIC COVER PLATE ASSY	1	1	1
24	27	D-IA-7020954-0-DBU	70-20954-01		LOGIC DIAGRAM, CONTROL MODULE	2	2	2
25	28	D-UA-47133-0-0	M7133-YA		KDF11-UA CPU,LINE CLOCK,2 SER LNS,	1	1	1
26	29		12-13912-00		CLIP,CABLE 1/2	7	6	7
27	31	A-PA-3700670-0-0	37-00670-01		PKG COMM SERVER 7019937-00	1	1	1
28	32	D-IA-7018798-0-0	70-18798-04		UNA BULKHEAD CABLE ASSY.	1	1	1
29	33	D-AD-7018799-0-0	70-18799-01		*** THIS ITEM IS NOT USED ***	-	-	-
30	34	D-UA-43110-0-0	M3110-00		PROTOCOL ASSIST #1 W SPECIAL CHAR	1	2	1
31	35	D-UA-M3111-0-0	M3111-00		PROTOCOL ASSIST #2 W SPECIAL CHAR	1	2	1
32	36	D-UA-M3112-0-0	M3112-00		CONSOLE BOGT TERMINATOR,HEX	1	1	1

REVISION HISTORY			KPL MATRIX FORMAT SECTION A OF A			DRN: A.ROCHA			DATE: 08-JUN-82			DIGITAL		
ENG	ECO NUMBER	REV	SECTION/VARIATION INDEX			CHK'D:	B. CLARK			TITLE PARTS LIST				
---	INITIAL	A	[A]	00,01,04	DATE:	08-JUN-82 16-DEC-86			COMMUNICATION SERVER					
JD	7019937-MK001	B	[B]		DES.ENG:	M.CONNELL			DOCUMENT NUMBER					
JD	7019937-MK003	C	[C]		DATE:	09-JUN-82			NUMBER					
MJL	7019937-MK004	D	[D]		RESP.ENG.:	J.BUZYNSKI			REV					
JD	7019937-MK005	E	[E]		DATE:	08-JUN-86			K PL 7019937-0-DBP K					
GG	7019937-MK006	F	[F]		MFG.ENG.:	R.WHITE			RELEASE DATE: 01-DEC-86					
GG	7019937-MK007	H	[H]		DATE:	08-JUN-86			RELEASE STATUS: RELEASED					
ML	7019937-MK008	J	[J]											
ML	7019937-MK009	K	[K]											
BASIC PART NUMBER:			ASSEMBLY NUMBER:			TOP DOCUMENT NUMBER:			FILE NAME:			EDIT #		
7019937			E-UA-7019937-0-DBU			K-DD-7019937-0-0			7019937K.PLS			11		
<p>"THIS DRAWING AND THE SPECIFICATIONS CONTAINED HEREIN ARE CONFIDENTIAL AND PROPRIETARY. THEY ARE THE PROPERTY OF DIGITAL EQUIPMENT CORPORATION AND SHALL NOT BE REPRODUCED OR COPIED OR USED IN WHOLE OR IN PART AS THE BASIS FOR THE MANUFACTURE OR SALE OF ITEMS WITHOUT WRITTEN PERMISSION. THIS IS AN UNPUBLISHED WORK PROTECTED UNDER THE FEDERAL COPYRIGHT LAWS."</p>														

LINE ITEM	TOP DOCUMENT	PART NUMBER	MIN REV	DESCRIPTION	QUANTITY PER VARIATION/REVISION		
					00 E3	01 E3	04 E3
33	37	90-07636-00		*** THIS ITEM IS NOT USED ***	-	-	-
34	39	90-08905-01		*** THIS ITEM IS NOT USED ***	-	-	-
35	40	90-00049-16		SCREW,SEMS PAN PHIL 8-32	10	10	10
36	41	90-06563-00		*** THIS ITEM IS NOT USED ***	-	-	-
37	42	90-06660-00		*** THIS ITEM IS NOT USED ***	-	-	-
38	44	90-06565-00		NUT,HEX EXT TOOTH LCKWSHR 10-32X	6	7	6
39	45	D-IA-7018765-0-0		FAN HARNESS ASSY.	1	1	1
40	46	C-IA-7020291-0-DBU		WIRE, JUMPER	1	-	1
41	47		MDECS-AA	ECC MOS RAM (M8743-AA)	1	1	-
42	48	90-00049-40		SCREW,SEMS PAN PHIL 8-32	28	28	28
43	49	D-UA-67273-0-0		G7273-00 BUS GRANT & NON-PROCESSOR GRANT JU	2	1	2
44	50	90-07610-00		NUT,CAP,RELOCK 10-32X .438AF NYLON	2	2	2
45	51	70-19306-01		*** THIS ITEM IS NOT USED ***	-	-	-
46	52	70-19307-01		*** THIS ITEM IS NOT USED ***	-	-	-
47	55	70-18250-0J		*** THIS ITEM IS NOT USED ***	-	-	-
48	56		BC085-05	*** THIS ITEM IS NOT USED ***	-	-	-
49	59	D-UA-M7792-0-0		M7792-00 DEUNA PORT MODULE(UNIBUS TO ETHERN	1	1	1
50	60	D-UA-M7793-0-0		M7793-00 PCL11-A,TXM REGISTERS HEX	1	1	1
51	61	D-UA-70088R-0-0		70088R-00 CORR-JF H355 TO H956 3M SHIELDED,REVERSED	2	2	2
52	62	74-27538-01		*** THIS ITEM IS NOT USED ***	-	-	-
53	63	D-AD-7020955-0-DBU		70-20955-01 SHIELD REAR ASSY	1	1	1
54	64	A-PS-3620278-0-C		36-20278-02 LABEL,DECSA,SHORT	1	1	1
55	68	D-IA-7427540-0-DBU		74-27540-01 PANEL,FRAME	1	1	1
56	69	A-PS-3517674-0-0		36-17674-00 LABEL,SERIAL/POWER W/O UL + CSA LO	1	1	1
57	73	A-PS-3518307-0-0		36-18307-05 ASSY,04,01	1	1	1
58	76	C-MD-7427624-0-DBU		74-27624-01 SHIELD,BACKPLANE	1	1	1
59	77	A-PS-3620282-0-0		36-20282-01 LABEL,CONTROL PANEL ENGLISH	1	1	1
60	78	90-10339-01		*** THIS ITEM IS NOT USED ***	-	-	-
61	79		DNP11-AD	*** THIS ITEM IS NOT USED ***	-	-	-
62	80	74-26382-02		*** THIS ITEM IS NOT USED ***	-	-	-
63	81	74-26382-03		*** THIS ITEM IS NOT USED ***	-	-	-
64	82	74-27539-02		*** THIS ITEM IS NOT USED ***	-	-	-
65	83	74-27539-03		*** THIS ITEM IS NOT USED ***	-	-	-
66	84	99-06557-23		99-06557-23 BAG,POLY RECLOSE 4 MIL THK CLEAR	1	1	1
67	85	12-21494-01		12-21494-01 SHIELDING,RFI	47	47	47
68	86	90-08264-00		*** THIS ITEM IS NOT USED ***	-	-	-
69	87	47-00060-00		47-00060-00 DRIVER,SCREW	1	1	1
70	88	47-00043-00		47-00043-00 SCREWDRIIVER,PHILLIPS #1	1	1	1
71	89	K-PL-MG11-P-DBP1		MS11 -PB 1MB ECC MOS RAM (M8743-BA,512K X 2	-	-	1
72	90	12-15336-02		12-15336-02 CONN,D SUB 25POS SE	2	2	2
73	91	C-MD-7428989-0-DBU		74-28989-01 *** THIS ITEM IS NOT USED ***	-	-	-
74	92	90-09718-00		90-09718-00 *** THIS ITEM IS NOT USED ***	-	-	-
75	93	17-00083-02		17-00083-02 PWR CORD,TERM 3-14 SJT 125V	1	1	1
76	94	90-00062-68		90-00062-68 SCREW,THD RL PAN,SERATD,F/METL	4	4	4
77	95	A-PS-3617905-0-0		36-17905-17 LABEL,WARNING EQUIP. RATING,220-24	1	1	1
78	97	90-00062-23		90-00062-23 SCREW,THD RL PAN,SERATD,F/METL	58	58	58

1 GEN: 1. VARIATIONS -02 AND -03 ARE NOT USED.

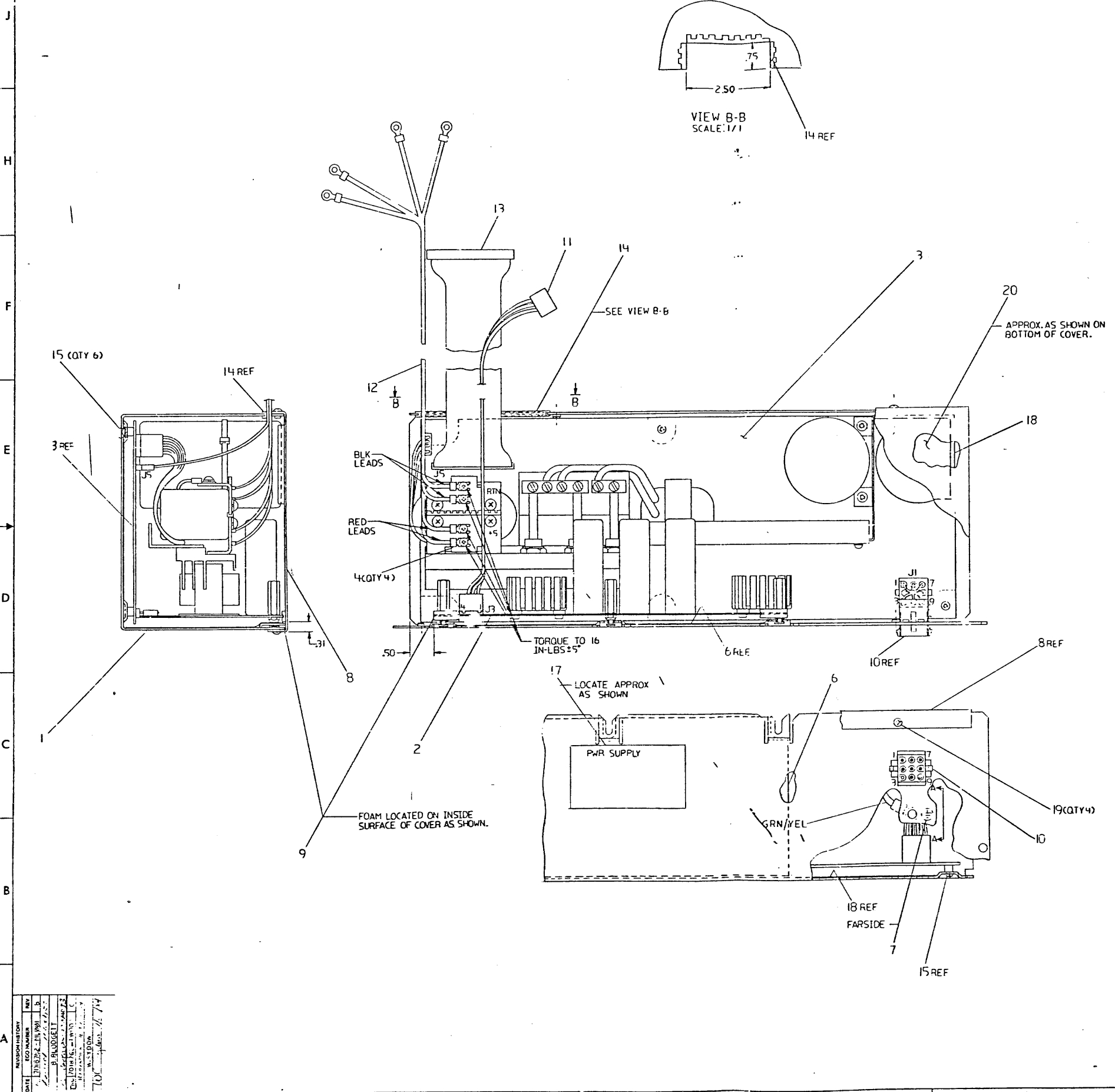
D	I	G	I	T	A	L	TITLE	SECTION A OF A	SIZE	CODE	DOCUMENT NUMBER	REV
							COMMUNICATION SERVER		K	PL	7019937-0-DBP	K

LINE ITEM	TOP DOCUMENT	PART NUMBER	MIN REV	DESCRIPTION	00 E3	01 E3	04 E3	QUANTITY PER VARIATION/REVISION
-----------	--------------	-------------	------------	-------------	----------	----------	----------	---------------------------------

2 GEN: THE M7133-YA IS THE PREFERRED VALUE ENGINEERED PART. HOWEVER, PART NUMBER M7133-00 MAY BE USED.

D	I	G	I	T	A	L	TITLE	COMMUNICATION SERVER	SECTION A	OF A	SIZE	CODE	DOCUMENT NUMBER	REV
											K	PL	7019937-0-DBP	K

THE REVISIONS AND DIMENSIONS HEREIN ARE THE PROPERTY OF DIGITAL EQUIPMENT CORPORATION AND SHALL NOT BE REPRODUCED OR TRANSMITTED IN ANY FORM OR BY ANY MEANS, ELECTRONIC OR MECHANICAL, INCLUDING PHOTOCOPYING, RECORDING, OR BY ANY INFORMATION STORAGE AND RETRIEVAL SYSTEM.
 482 DIGITAL EQUIPMENT CORPORATION



REVISION HISTORY

DATE	ECO NUMBER	REV.	BY	APP.
11/22/82	1	1	THE TOUGHSQUANT	
11/22/82	2	2		
11/22/82	3	3		

QUANTITY & VARIATION	THIRD ANGLE PROJECTION	APPLICABLE TOLERANCES	CHECK QTY	DIMENSION RANGE INCHES						ITEM NO.		
				OVER 0 TO	OVER 0 TO	OVER 0 TO	OVER 0 TO	OVER 0 TO	OVER 0 TO			
10 REF GRN/YEL		20 ± .0025		0 TO 1	1 TO 2	2 TO 3	3 TO 4	4 TO 6	6 TO 10	10 TO 18	18 TO 30	
16 (TORQUE TO 22 INCH LBS ± 5%)		1.75 ± .0025										

DESCRIPTION	DRAWING NO.	PART NO.	ITEM NO.
POWER SUPPLY ASSY	7018762-0-0-DBP(Z4171C)		
TITLE POWER SUPPLY ASSY DATE: 11/22/82 DRAWN BY: THE TOUGHSQUANT CHECKED BY: [Signature] APPR'D BY: [Signature] DATE: 11/22/82 MATERIAL: SEE PARTS LIST FINISH: [Symbol]			
DOCUMENT NUMBER EUA 7018762-0-0 SCALE: 1/1 SHEET: TW 1			FIN. C

LINE	ITEM	TOP DOCUMENT	PART NUMBER	MIN REV	DESCRIPTION	QTY	PER VARIATION
					VARIATION REVISION LEVEL:	00	00
1	1	E-IA-7426319-0-0	7426319-01		BRKT PWR SUPPLY MTG.	1	
2	2		H7211-00		COMM OPT PS: +15V 2A, -15V 3A, +12	1	
3	3		H7200-00		5V POWER MODULE: 5V 70A, 300V 200	1	
4	4		9010174-01		SCREW, SEMS PAN PHIL 8-	4	
5	5		9007651-00		WASHER, LOCK EXTERNAL STEEL	1	
6	6	C-MD-7425494-0-0	7425494-00		INSULATOR, P.C. BOARD	1	
7	7		3612680-00		DECAL, GROUND SIGN PER 3E6 *	1	
8	8	D-MD-7427005-0-0	7427005-01		COVER, POWER SUPPLY	1	
9	9	SEE NOTE 1	9009059-01		TAPE, FOAM ADH .50 WDX .25	10	
10	10	D-IA-7018784-0-0	7018784-00		AC INPUT EXTENDER	1	
11	11	D-IA-7018768-0-0	7018768-00		COMM. PWR HARNESS	1	
12	12	D-IA-7018767-0-0	7018767-00		5V PWR HARNESS	1	
13	13		1700356-01		CABLE ASSY 24COND RIBBON 26" LG	1	
14	14		9007035-00		GROMMET, CATERPILLAR POLYAMIDE	4	
15	15		9009984-00		SCREW, SEMS PAN PHIL 6-	6	
16	16		9006565-00		NUT, HEX EXT TOOTH LCKWSHR 10-32	1	
17	17		9009255-00		LABEL, POWER SUPPLY, 2-15/16 " L	1	
18	18	C-MD-7425401-0-0	7425401-00		INSULATOR, SHIELD	1	
19	19		9010174-00		SCREW, SEMS PAN PHIL 6-	4	
20	20	SEE NOTE	9009087-00		FOAM, TAPE, SINGLE SIDED 1/8 THK	4	

REVISION HISTORY			BASIC PART NO: 7018762			D I G I T A L		
ENG	ECO NUMBER	REV	SECTION A OF A	DRN:	A.ROCHA	DATE:	28-SEP-82	
---	INITIAL	X03	SECTION VARIATION INDEX	CHK'D:	A.ROCHA	DATE:	28-SEP-82	TITLE PARTS LIST
---	INITIAL	X04	[A]00					POWER SUPPLY ASSY
---	INITIAL	A		DES.ENG:	B. BLODGETT	DATE:	28-SEP-82	DOCUMENT NUMBER
BB	7018762-ML001	B	[B]					SIZE CODE NUMBER REV
WS	7018762-TW002	C	[C]	RESP.ENG.:	B.STANDISH	DATE:	28-SEP-82	K PL 7018762-0-DBP C
			[D]	MFG.ENG.:	G.ABREU	DATE:	28-SEP-82	RELEASE DATE: 07-AUG-84
			[E]	ASSEMBLY NUMBER:		TOP DOCUMENT NUMBER:		FILE NAME: EDIT #
			[F]	E-AD-7018762-0-0		E-UA-7019937-0-0		Z4151C.PLS 16

"THIS DRAWING AND THE SPECIFICATIONS CONTAINED HEREIN ARE CONFIDENTIAL AND PROPRIETARY. THEY ARE THE PROPERTY OF DIGITAL EQUIPMENT CORPORATION AND SHALL NOT BE REPRODUCED OR COPIED OR USED IN WHOLE OR IN PART AS THE BASIS FOR THE MANUFACTURE OR SALE OF ITEMS WITHOUT WRITTEN PERMISSION. THIS IS AN UNPUBLISHED WORK PROTECTED UNDER THE FEDERAL COPYRIGHT LAWS."

THIS DRAWING AND SPECIFICATIONS HEREIN ARE THE PROPERTY OF DIGITAL EQUIPMENT CORPORATION AND SHALL NOT BE REPRODUCED OR TRANSMITTED IN ANY FORM OR BY ANY MEANS WITHOUT WRITTEN PERMISSION OF DIGITAL EQUIPMENT CORPORATION.

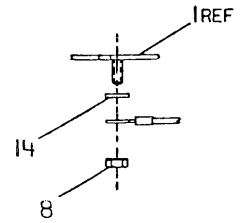
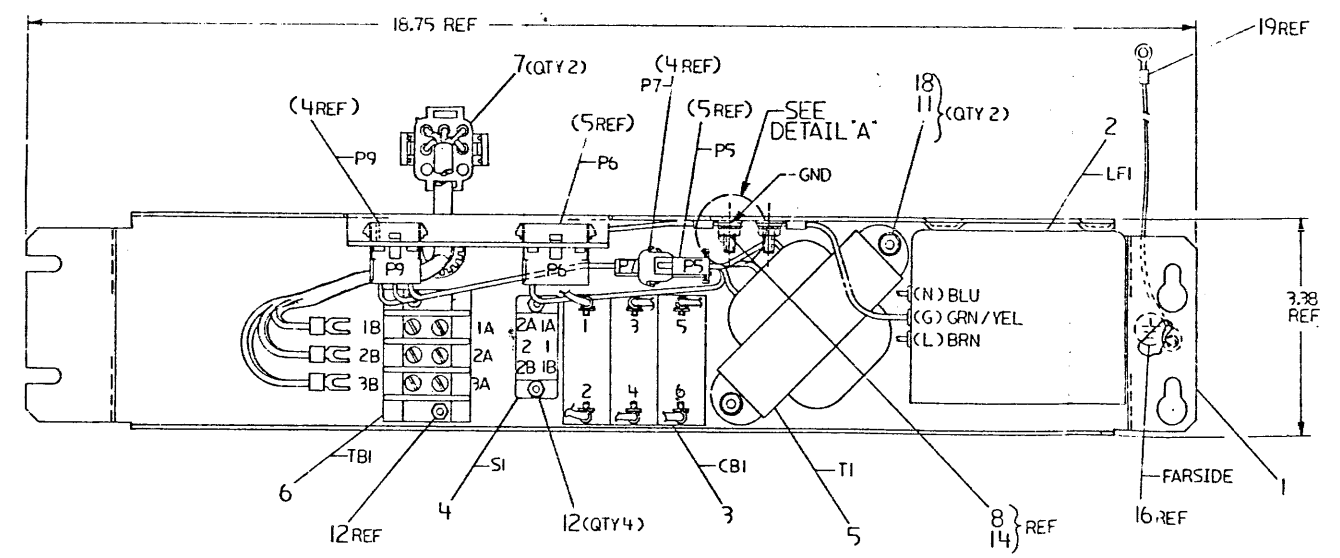
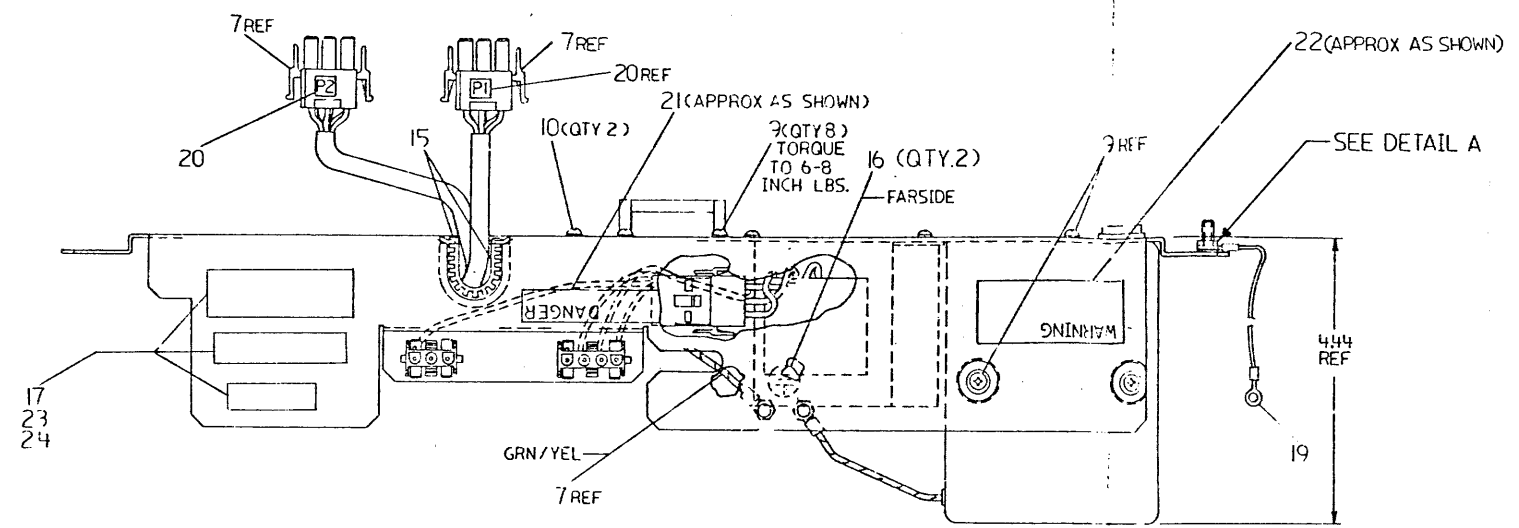
WIRE TABLE		FROM		TO			REMARKS
ITEM NO.	DESCRIPTION	POINT	CONN	POINT	CONN	TERM	
2	BLU	LF1-N					
2	GRN/YEL	LF1-G				GND-STD	
2	BRN	LF1-L				CBI-3	
4		P5					SEE NOTE 1
	BRN	17REF (P7-1)				CBI-1	
	BRN	13REF (SI-2A)				CBI-1	
	BRN	23REF (CBI-2)		27REF		CBI-4	
	BRN	1 REF (TBI-3A)		26REF		CBI-4	
	BLU	19REF (SI-1)				CBI-6	
	ORN	(P7-1)					
	ORN	2 REF (SI-1B)				TRI-2A	
	ORN	(SI-2B)					
	RED	5 REF (SI-1A)				TBI-1A	
4	RED	6 REF (P7-3)				TBI-1A	SEE NOTE 1

WIRE TABLE		FROM		TO		REMARKS
ITEM NO.	DESCRIPTION	POINT	CONN	POINT	CONN	
7	RED				P1, P2	
(QTY 2)	ORN				P1, P2	
	GRN/YEL				P1, P2	

TO		REMARKS
POINT	CONN	
	TBI-1B	
	TBI-2B	
	TBI-3B	
	GND-STD	

LEGEND
PART NO. 7018763-00 REV. B2 VARIATION AS SHOWN

NOTES:
1 WIRE LIST ENTITIES WITH POINT NUMBERS REFERENCED, I.E. (1 REF), ARE POINTS FROM THE D-1A-7013763-G-0, AC SWITCH ASSY, ITEM 4.



DETAIL 'A'
SCALE: NONE
TYP 3 PLACES
(TORQUE TO 22 IN-LBS ± 5%)

CAUTION: FOR PARTS LIST REFER TO K-PL-7018763-0-DBP.

REVISION HISTORY
REV. NO. DATE BY
1 11/24/82 J. J. [unclear]
2 12/1/82 J. J. [unclear]
3 12/1/82 J. J. [unclear]
4 12/1/82 J. J. [unclear]
5 12/1/82 J. J. [unclear]
6 12/1/82 J. J. [unclear]
7 12/1/82 J. J. [unclear]
8 12/1/82 J. J. [unclear]
9 12/1/82 J. J. [unclear]
10 12/1/82 J. J. [unclear]
11 12/1/82 J. J. [unclear]
12 12/1/82 J. J. [unclear]
13 12/1/82 J. J. [unclear]
14 12/1/82 J. J. [unclear]
15 12/1/82 J. J. [unclear]
16 12/1/82 J. J. [unclear]
17 12/1/82 J. J. [unclear]
18 12/1/82 J. J. [unclear]
19 12/1/82 J. J. [unclear]
20 12/1/82 J. J. [unclear]
21 12/1/82 J. J. [unclear]
22 12/1/82 J. J. [unclear]
23 12/1/82 J. J. [unclear]
24 12/1/82 J. J. [unclear]
25 12/1/82 J. J. [unclear]
26 12/1/82 J. J. [unclear]
27 12/1/82 J. J. [unclear]
28 12/1/82 J. J. [unclear]
29 12/1/82 J. J. [unclear]
30 12/1/82 J. J. [unclear]
31 12/1/82 J. J. [unclear]
32 12/1/82 J. J. [unclear]
33 12/1/82 J. J. [unclear]
34 12/1/82 J. J. [unclear]
35 12/1/82 J. J. [unclear]
36 12/1/82 J. J. [unclear]
37 12/1/82 J. J. [unclear]
38 12/1/82 J. J. [unclear]
39 12/1/82 J. J. [unclear]
40 12/1/82 J. J. [unclear]
41 12/1/82 J. J. [unclear]
42 12/1/82 J. J. [unclear]
43 12/1/82 J. J. [unclear]
44 12/1/82 J. J. [unclear]
45 12/1/82 J. J. [unclear]
46 12/1/82 J. J. [unclear]
47 12/1/82 J. J. [unclear]
48 12/1/82 J. J. [unclear]
49 12/1/82 J. J. [unclear]
50 12/1/82 J. J. [unclear]

DESCRIPTION	DRAWING NO.	PART NO.	ITEM NO.
UNLESS OTHERWISE SPECIFIED DIMENSIONS ARE IN INCHES AND THE FOLLOWING TOLERANCES APPLY (PER DEC STD 114)			
INCHES TOLERANCES	ANGLES TYP	APPLICABLE DIMENSION RANGE	
		OVER 9 TO 12	OVER 12 TO 48
SURFACE QUALITY	MICROINCHES	TO 12	TO 48
		TO 12	TO 48
QUANTITY & VARIATION			
THIRD ANGLE PROJECTION	DATE 11/24/82	TITLE AC INPUT ASSY	DIGITAL
DO NOT SCALE	DATE 11/24/82	DATE 11/24/82	
REMOVE BURRS AND BREAK SHARP CORNERS	DATE 11/24/82	DATE 11/24/82	
MATERIAL	DATE 11/24/82	DATE 11/24/82	

AUTOMATED BY VAXKPL (V1.2)

P A R T S L I S T

SHEET A1 OF A1
QUANTITY PER VARIATION/REVISION

LINE	ITEM	TOP DOCUMENT	PART NUMBER	MIN REV	DESCRIPTION	QUANTITY
1	1	E-IA-7426313-0-0	74-26313-01		PANEL, AC INPUT	1
2	2		12-25624-01		FILTER, LINE, LINE, EMI/RFI 115/250V	1
3	3		12-19732-01		CKT BRK 15/15/1.5A 3P MAGNETIC	1
4	4	D-IA-7018764-0-0	70-13764-00		AC SWITCH ASSY.	1
5	5		16-19934-01		XFMRA P=3 S=120V 300MA	1
6	6		90-07631-00		TERM BLOCK 03POS(2X02).437CC CL	1
7	7	D-IA-7019769-0-0	70-13769-00		AC POWER SUPPLY HARNESS	2
8	8		90-06565-00		NUT, HEX EXT TOOTH LCKWSHR 10-32X	3
9	9		90-10174-00		SCREW, SEMS PAN PHIL 6-32	8
10	10		90-09546-00		SCREW, SEMS PAN PHIL 4-40	2
11	11		90-06563-00		NUT, HEX EXT TOOTH LCKWSHR 8-32X	2
12	12		90-06557-00		NUT, HEX EXT TOOTH LCKWSHR 4-40X	4
13	13		90-06660-00		*** THIS ITEM IS NOT USED ***	-
14	14		90-07651-00		WASHER, LOCK EXTERNAL STEEL	3
15	15	SEE NOTE 1	90-07035-00		GROMMET, CATERPILLAR POLYAMIDE 1	4
16	16		36-12680-00		LABEL, GROUND SYMBOL BLACK	2
17	17		36-16073-00		LABEL, ID W/COPY VERTICAL	1
18	18		90-10174-01		SCREW, SEMS PAN PHIL 8-32	2
19	19		70-11412-0X		CABLE CHASSIS GND.	1
20	20	A-CC-740972-0-0	74-09872-02		PWR HARNESS DECAL, BLACK ON CLEAR	1
21	21		36-15037-03		LABEL, "DANGER-HIGH CURRENT"	1
22	22		36-19551-01		LABEL, WARNING REMOVE POWER	1
23	23		36-17674-00		LABEL, SERIAL/POWER W/O UL + CSA LO	1
24	24		36-13211-01		DECAL, CLEAR PREPRINTED CSA 1-1/4 X	1

1 GEN: QTY. FOR ITEM 15 IS SHOWN IN INCHES.

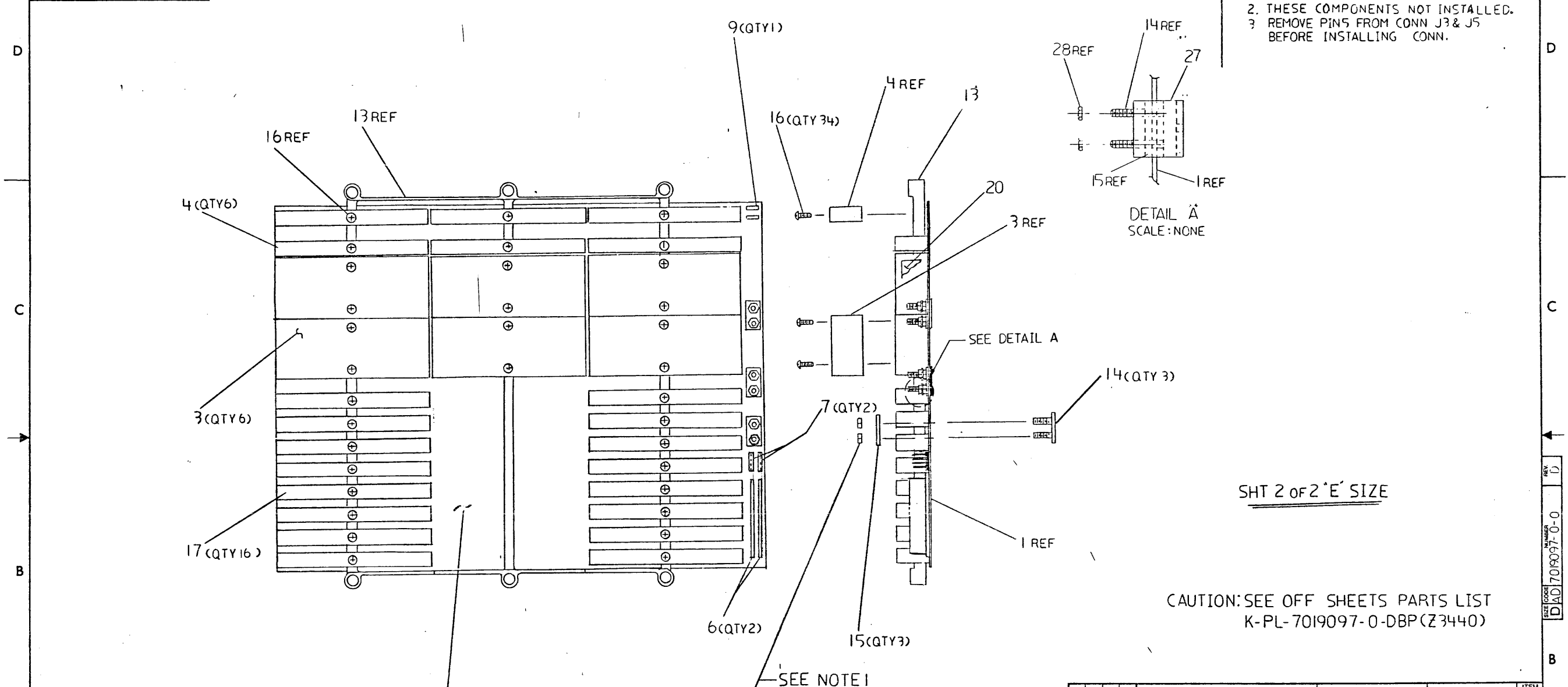
REVISION HISTORY			KPL MATRIX FORMAT		SECTION A OF A		DRN: A. ROCHA		DIGITAL		
ENG	ECO NUMBER	REV	SECTION/VARIATION INDEX		DATE:	CHK'D:	TITLE	PARTS LIST			
	INITIAL	A	[A]	00	10-AUG-82	A. ROCHA	AC INPUT ASSY				
JB	7018763-TW001	B	[B]		19-AUG-86						
ML	7018763-MK002	C	[C]			B. BLODGETT					
			[D]		10-AUG-82			DOCUMENT NUMBER			
			[E]					SIZE	CODE	NUMBER	REV
			[F]			B. STANDISH		K	PL	7018763-0-DBP	C
			[H]		10-AUG-82			RELEASE DATE: 18-AUG-36			
			[J]			G. ABREU		RELEASE STATUS: RELEASED			
					10-AUG-82						
			BASIC PART NUMBER:		ASSEMBLY NUMBER:		TOP DOCUMENT NUMBER:		FILE NAME:		EDIT #
			7018763		E-AD-7018763-0-0		E-UA-7019937-0-0		7018763C.PLS		1

"THIS DRAWING AND THE SPECIFICATIONS CONTAINED HEREIN ARE CONFIDENTIAL AND PROPRIETARY. THEY ARE THE PROPERTY OF DIGITAL EQUIPMENT CORPORATION AND SHALL NOT BE REPRODUCED OR COPIED OR USED IN WHOLE OR IN PART AS THE BASIS FOR THE MANUFACTURE OR SALE OF ITEMS WITHOUT WRITTEN PERMISSION. THIS IS AN UNPUBLISHED WORK PROTECTED UNDER THE FEDERAL COPYRIGHT LAWS."

THIS DRAWING AND SPECIFICATIONS HEREIN ARE THE PROPERTY OF DIGITAL EQUIPMENT CORPORATION AND SHALL NOT BE REPRODUCED OR COPIED OR USED IN WHOLE OR IN PART AS THE BASIS FOR THE MANUFACTURE OR SALE OF ITEMS WITHOUT WRITTEN PERMISSION.
 COPYRIGHT © 1982 DIGITAL EQUIPMENT CORPORATION

Q 0-0-760610Z
 0000 3215

- NOTES:
1. TORQUE ITEM 28 (NUT) TO $22 \frac{IN}{LBS} \pm 5\%$ 6 PLACES.
 2. THESE COMPONENTS NOT INSTALLED.
 3. REMOVE PINS FROM CONN J3 & J5 BEFORE INSTALLING CONN.



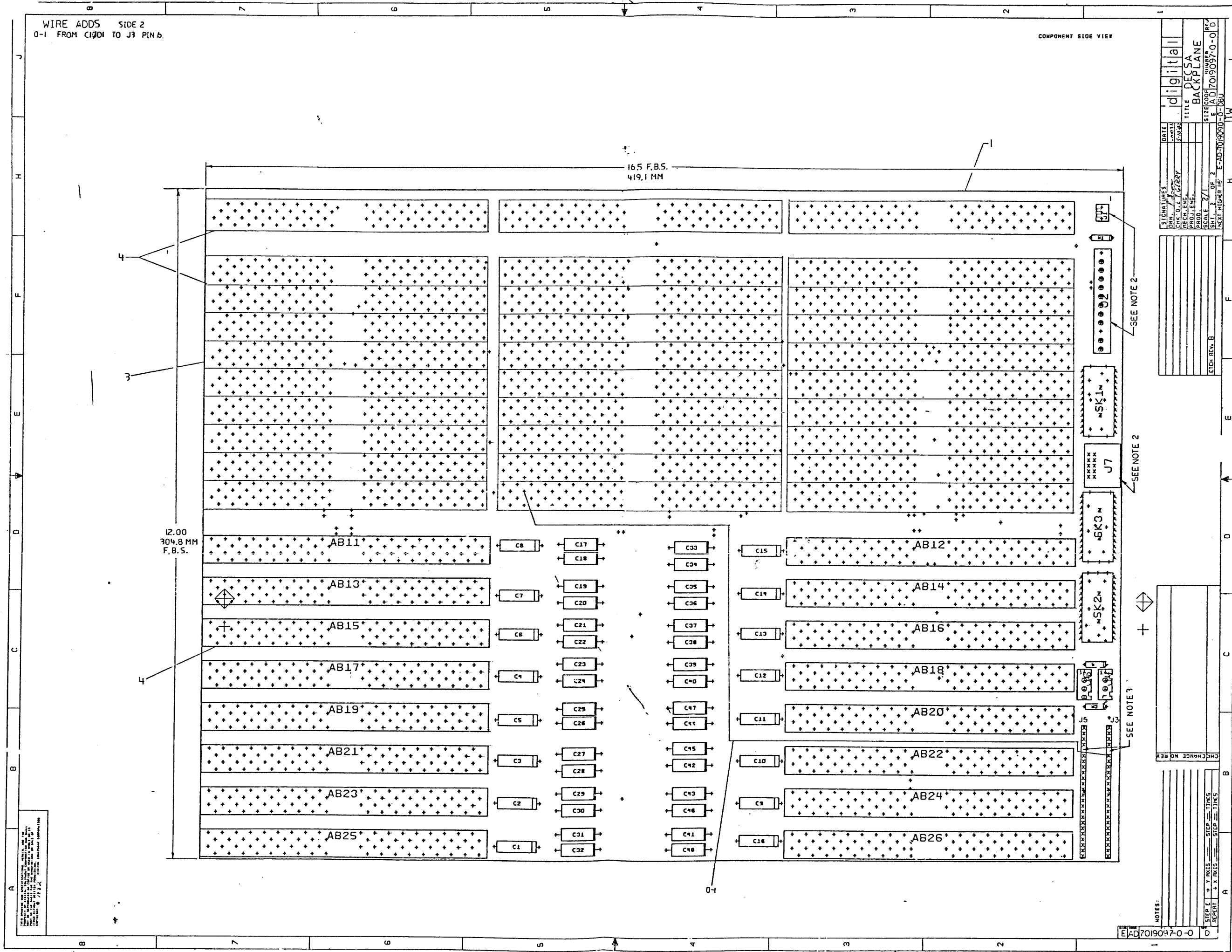
DATE	ECO NUMBER	REV.
7/7/77	7019097-TW001	B
		A
		C
		D

J. BUZYNSKI
 J. BUZYNSKI
 J. BUZYNSKI
 JOHN BUZYNSKI

DESCRIPTION	DRAWING NO.	PART NO.	ITEM NO.					
UNLESS OTHERWISE SPECIFIED DIMENSIONS ARE IN INCHES AND THE FOLLOWING TOLERANCES APPLY (PER DEC STD 114)								
INCHES TOLERANCES	ANGLES $\pm 0^{\circ}30'$	APPLICABLE DIMENSION RANGE	DIMENSION RANGE IN INCHES					
			OVER 0 TO 0.2	OVER 0.2 TO 1.2	OVER 1.2 TO 4.0	OVER 4.0 TO 12.0	OVER 12.0 TO 40.0	OVER 40.0 TO 80.0
X = $\pm .1$ XX = $\pm .02$ XXX = $\pm .005$	SURFACE QUALITY	(CHECK ONE)	$\pm .02$	$\pm .03$	$\pm .05$	$\pm .10$	$\pm .15$	
QUANTITY & VARIATION	MICROINCHES		$\pm .004$	$\pm .008$	$\pm .012$	$\pm .018$	$\pm .024$	
THIRD ANGLE PROJECTION	OWN <i>M. B. ...</i>	DATE 22 July 82	TITLE digital					
DO NOT SCALE DRAWING	CHKD <i>[Signature]</i>	DATE 5-5-83	DECSA BACKPLANE					
REMOVE BURRS AND BREAK SHARP CORNERS	DESIGN <i>[Signature]</i>	DATE 5-11-83	DOCUMENT NUMBER					
MATERIAL	ISSUED <i>[Signature]</i>	DATE 5-11-83	SIZE CODE	NUMBER	REV.			
FINISH	WPA ENCL <i>[Signature]</i>	DATE 5-11-83	DAD	7019097-0-0	D	SCALE NONE	SHEET 1 OF 2	
	NEXT HIGHER DOC E-1A-7019090-0-DBU							

WIRE ADDS SIDE 2
0-1 FROM C1001 TO J3 PIN 6.

COMPONENT SIDE VIEW



DATE	1/1/71	DESIGNED BY	W. J. GERRY
CHK. D. E. TERRY	DATE	TITLE	digital
MECH. ENG.		BA	CKPLANE
PROJ. ENG.		STAGE	1
PROD.		SHEET	2/1
DATE	1/1/71	OF	2
STAGE	1	OF	2
PROJECT NO.	EAD-7019037-0-000		
NEXT NUMBER	EAD-7019037-0-001		

SIGNATURES	
DRN.	
CHK. D. E. TERRY	
MECH. ENG.	
PROJ. ENG.	
PROD.	
DATE	
STAGE	
SHEET	
OF	
PROJECT NO.	
NEXT NUMBER	

CHANGE NO	
REV	
DATE	
BY	
DESCRIPTION	

NOTES:	
STEP 1	Y AXIS
STEP 2	X AXIS
STEP 3	TICKS
STEP 4	TICKS

EAD 7019037-0-0

LINE ITEM	TOP DOCUMENT	PART NUMBER	MIN REV	DESCRIPTION	QTY PER VARIATION	REFERENCE DESIGNATOR
				VARIATION REVISION LEVEL:	00	
1	D-MD-5014989-0-0	5014989-00		DRILL & ETCH BRD.	1	
2		1004812-00		15 MFD 20V 10% S.TANT	16	C1-C16
3		1210258-01		CONN,CARD 288PIN SLOTTED OPEN EN	6	
4		1211425-00		CONN,CARD 72PIN SLOTTED DOUBLE	6	
5		1212518-04		PCB,HEADER 24POS(1X24).100CC STR	2	J3,J5
6		1216122-00		PCB,HEADER 04PIN(1X04).156CC KEY	2	J4,J6
7	BLANK			*** THIS ITEM IS NOT USED ***	-	
8		9009185-00		JUMPER, WIRE, INSULATED, BLACK B	3	W1-W3
9	BLANK			*** THIS ITEM IS NOT USED ***	-	
10		1017472-00		10 MFD 35V +75-10% AL EL	32	C17-C48
11		7426658-01		FRAME,BACK PLANE	1	
12		7427025-01		PLATE,STUD,PC BOARD	3	SK1-SK3
13		7427026-01		PLATE,PC BOARD	3	
14		9006120-06		SCREW, FILL POZI 8-	34	
15		1211425-03		CONN,CARD 72PIN	16	AB11-AB26
16	BLANK			*** THIS ITEM IS NOT USED ***	-	
17		7411881-01		DECAL	1	
18	SEE NOTE	9105740-44		WIRE(WRAP) 30AWG KYNAR UL14	42	
19	SEE NOTE	9107688-44		WIRE(WRAP) 24AWG KYNAR UL13	2	
20		9905016-05		CARTON,DIE CUT,SELF LOCK	1	
21	K-WL-7019097-0-DBW			WIRE LIST	REF	
22	BLANK			*** THIS ITEM IS NOT USED ***	-	
23	C-MD-7429166-0-DBU	7429166-01		BRACKET,GROUND	1	
24		9006565-00		NUT,HEX EXT TOOTH LCKWSHR 10-32	6	

25 NOTE: ITEMS 22 & 23 ARE IN INCHES.

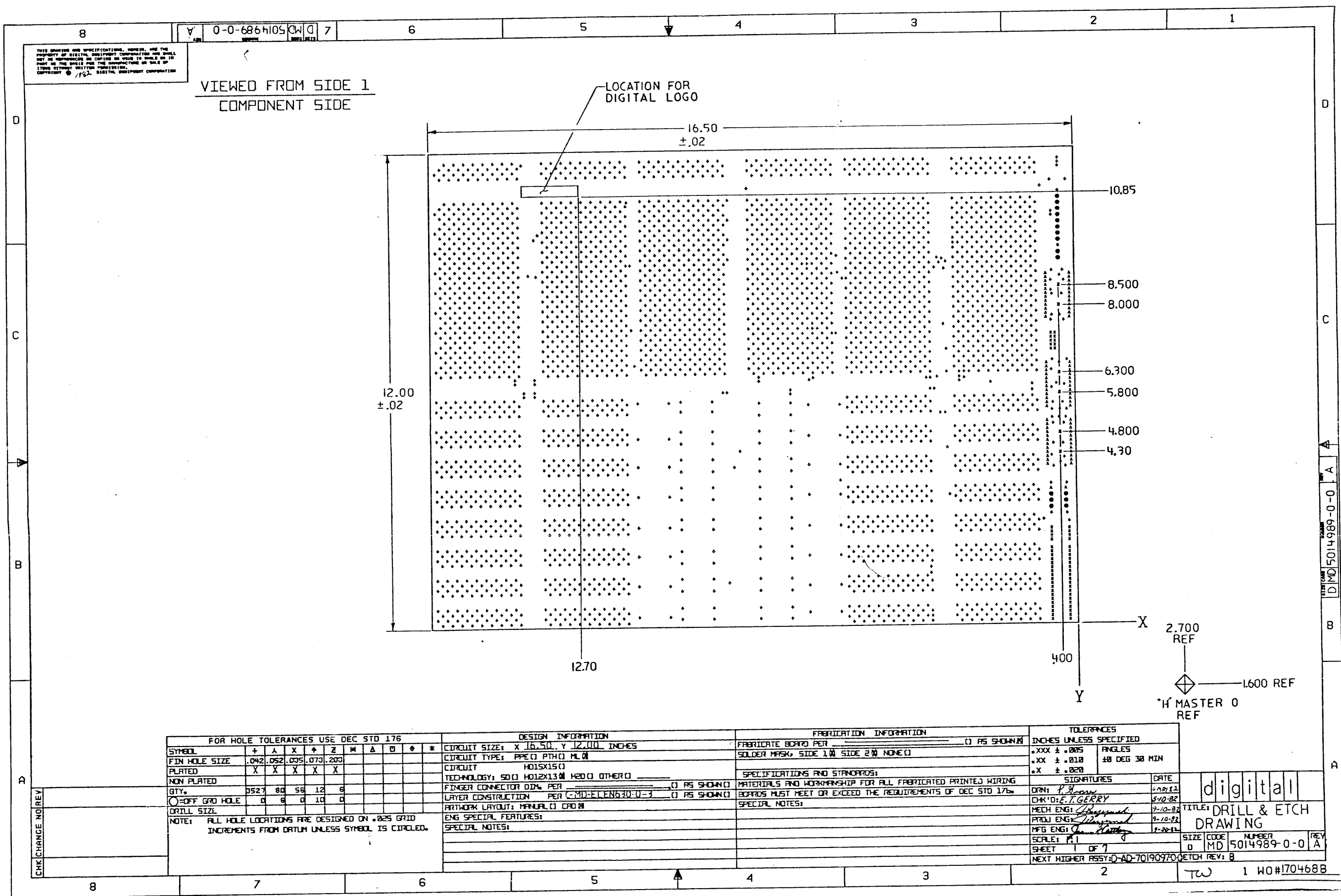
REVISION HISTORY			BASIC PART NO: 7019097		DRN: P. GROSSE		DATE: 28-SEP-82		D I G I T A L	
ENG	ECO NUMBER	REV	SECTION A OF A	CHK'D:	F. GERRY	DATE:	28-SEP-82	TITLE	PARTS LIST	
	INITIAL	A	SECTION VARIATION INDEX					DECSA	BACKPLANE	
JB	7019097-TW001	B	[A] 00	DES.ENG:	J. WEAVER	DATE:	28-SEP-82	DOCUMENT NUMBER		
JB	7019097-TW002	C	[B]	RESP.ENG.:	J. BUZYNSKI	DATE:	28-SEP-82	SIZE	CODE	NUMBER
JB	7019097-TW003	D	[C]	MFG.ENG.:	J. GRIEVE	DATE:	28-SEP-82	K	RL	7019097-0-DBP
			[D]	ASSEMBLY NUMBER:		TOP DOCUMENT NUMBER:		RELEASE DATE:	21-AUG-84	
			[E]	E-UA-7019097-0-0		E-IA-7019090-0-DBU		FILE NAME:	Z3440D.PLS	
			[F]					EDIT #	37	
			[G]							
			[H]							
			[I]							
			[J]							
			[K]							
			[L]							
			[M]							
			[N]							

"THIS DRAWING AND THE SPECIFICATIONS CONTAINED HEREIN ARE CONFIDENTIAL AND PROPRIETARY. THEY ARE THE PROPERTY OF DIGITAL EQUIPMENT CORPORATION AND SHALL NOT BE REPRODUCED OR COPIED OR USED IN WHOLE OR IN PART AS THE BASIS FOR THE MANUFACTURE OR SALE OF ITEMS WITHOUT WRITTEN PERMISSION. THIS IS AN UNPUBLISHED WORK PROTECTED UNDER THE FEDERAL COPYRIGHT LAWS."

THIS DRAWING AND SPECIFICATIONS, HEREON, AND THE PROPERTY OF BSETEL, BELL TELEPHONE CORPORATION AND SHALL NOT BE REPRODUCED OR CAPTION OR USED IN WHOLE OR IN PART IN THE SERVICE OF THE MANUFACTURE OR SALE OF OTHER TELEPHONE EQUIPMENT. COPYRIGHT © 1962 BSETEL, BELL TELEPHONE CORPORATION

VIEWED FROM SIDE 1
COMPONENT SIDE

LOCATION FOR
DIGITAL LOGO



FOR HOLE TOLERANCES USE DEC STD 176										DESIGN INFORMATION			FABRICATION INFORMATION			TOLERANCES	
SYMBOL	+	A	X	+	Z	M	A	D	*	CIRCUIT SIZE: X 16.50 Y 12.00 INCHES	FABRICATE BOARD PER	INCHES UNLESS SPECIFIED		SIGNATURES		DATE	
FIN HOLE SIZE	.042	.052	.075	.073	.200					CIRCUIT TYPE: APEC PTHO ML	SOLDER MASK: SIDE 1 () SIDE 2 () NONE ()	.XXX ± .005	ANGLES				
PLATED	X	X	X	X	X					CIRCUIT	H015X15 ()	.XX ± .010	±8 DEG 30 MIN				
NON PLATED										TECHNOLOGY: 50 () H012X13 () H20 () OTHER ()	SPECIFICATIONS AND STANDARDS:						
BTY.	0527	80	56	12	6					FINGER CONNECTOR DIM PER	MATERIALS AND WORKMANSHIP FOR ALL FABRICATED PRINTED WIRING						
OFF GRO HOLE	0	6	0	10	0					LAYER CONSTRUCTION PER C:MD-ELEN630:0-3 () AS SHOWN ()	BOARDS MUST MEET OR EXCEED THE REQUIREMENTS OF DEC STD 176						
DRILL SIZE										ARTWORK LAYOUT: MANUAL () CAD ()	SPECIAL NOTES:						
NOTE:	ALL HOLE LOCATIONS ARE DESIGNED ON .025 GRID INCREMENTS FROM DATUM UNLESS SYMBOL IS CIRCLED.										ENG SPECIAL FEATURES:						
											SPECIAL NOTES:						

digital

TITLE: DRILL & ETCH
DRAWING

SIZE CODE NUMBER
D MD 5014989-0-0 A

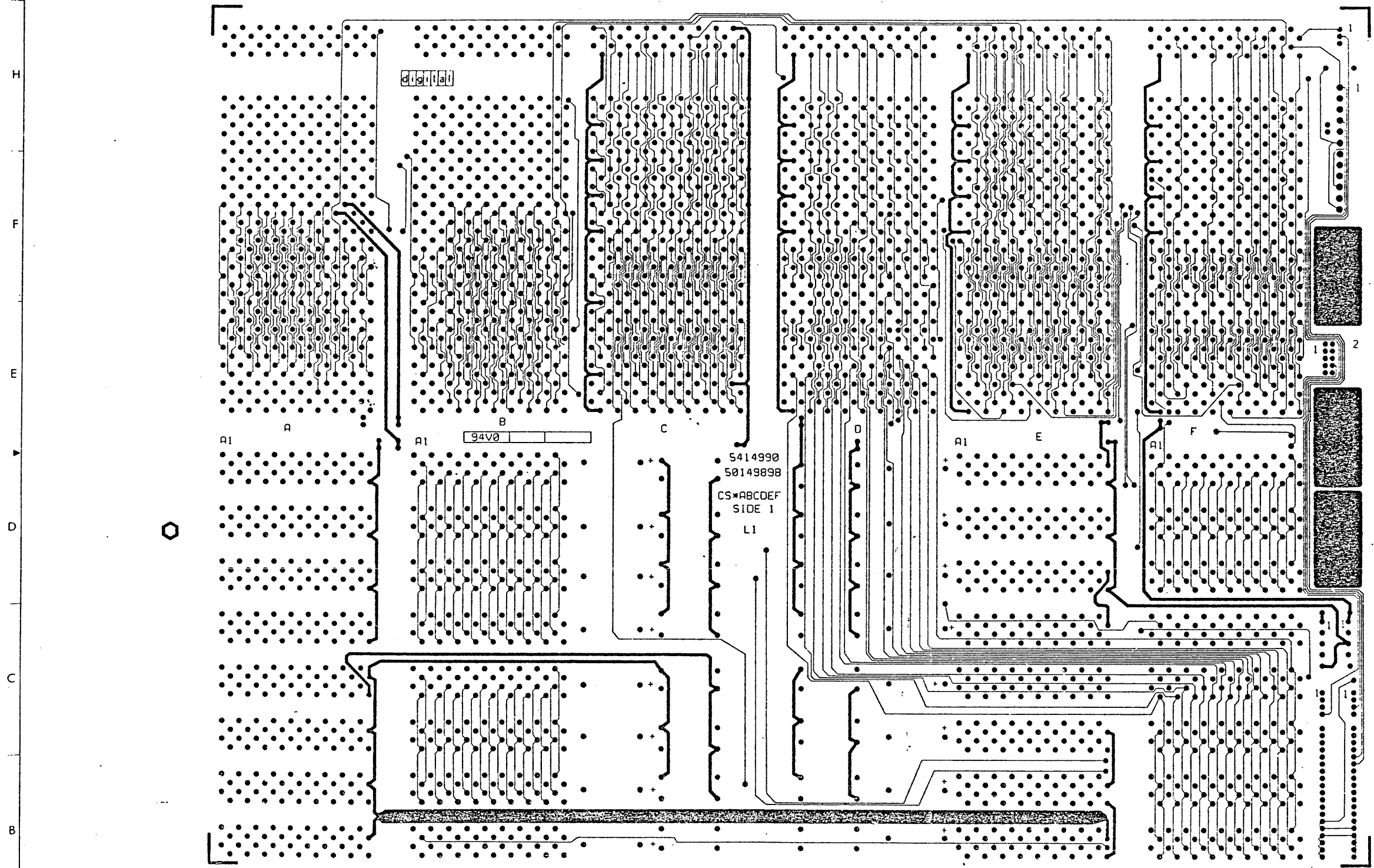
SHEET 1 OF 7

NEXT HIGHER ASSY: D-AD-70190970-0-1

ETCH REV: B

TW 1 WO#170468B

LAYER 1

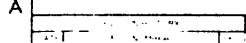


5414998
50149898
CS*ABCDEF
SIDE 1
L1

digital

94V0

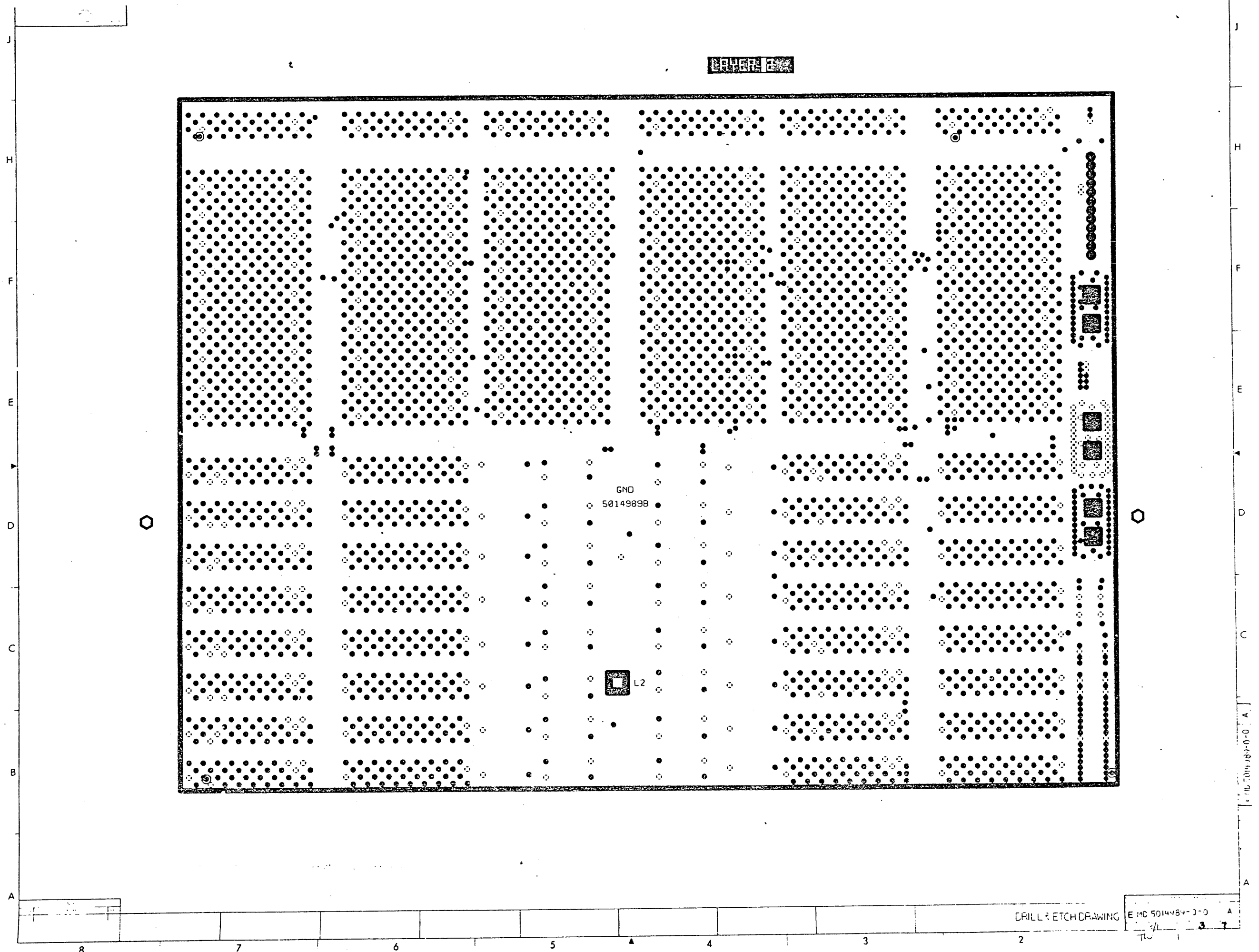
DRILL & ETCH DRAWING E MD 5014989-0-0 A



1.14.5014989-0-0 A

8 7 6 5 4 3 2 1

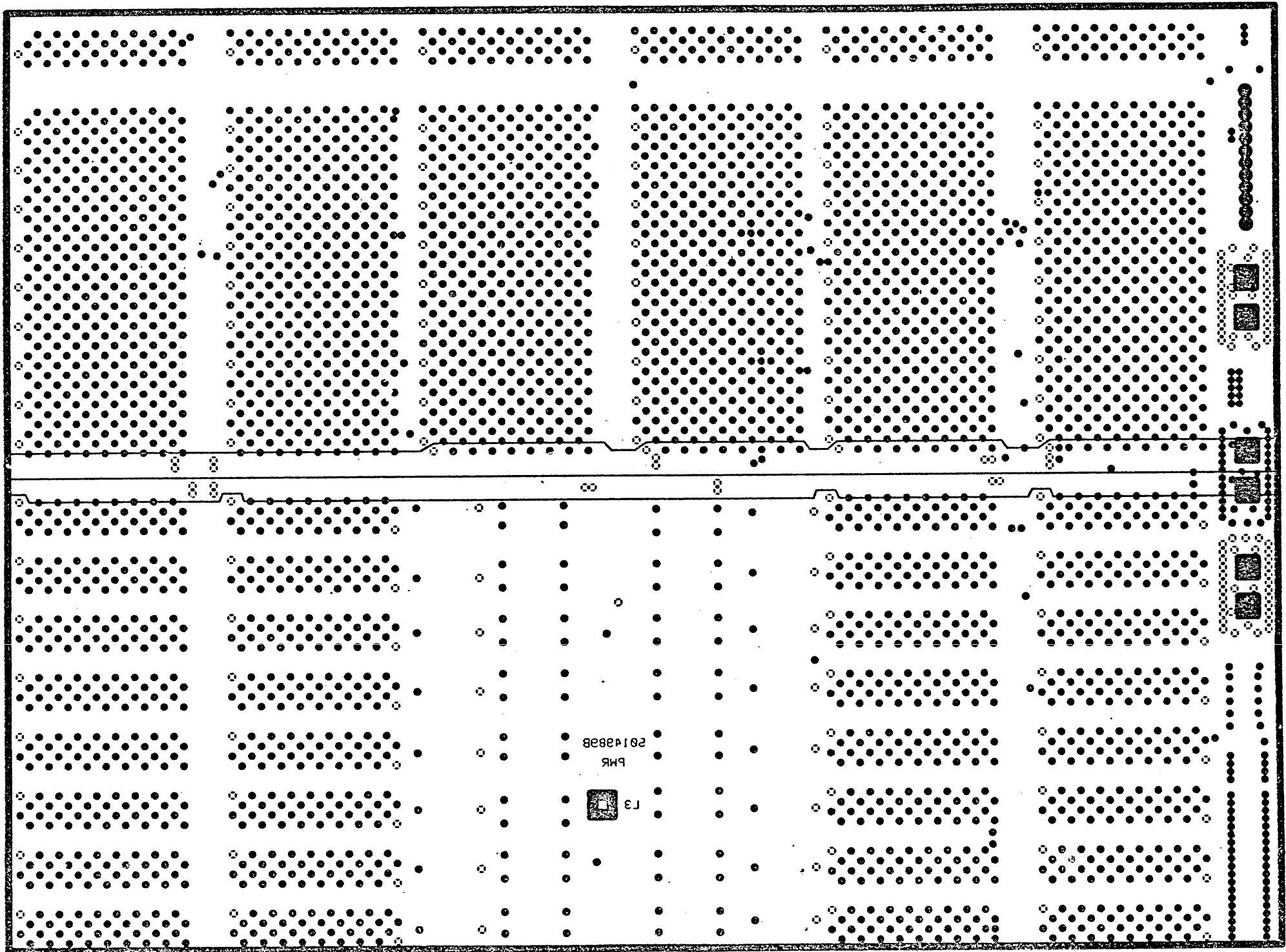
LEVEL 16



DRILL & ETCH DRAWING
E MC 5014989-0-0
REV 1 3 7

REV. 1

J
H
F
E
D
C
B
A



J
H
F
E
D
C
B
A

DATE	DESIGNED BY	CHKD BY

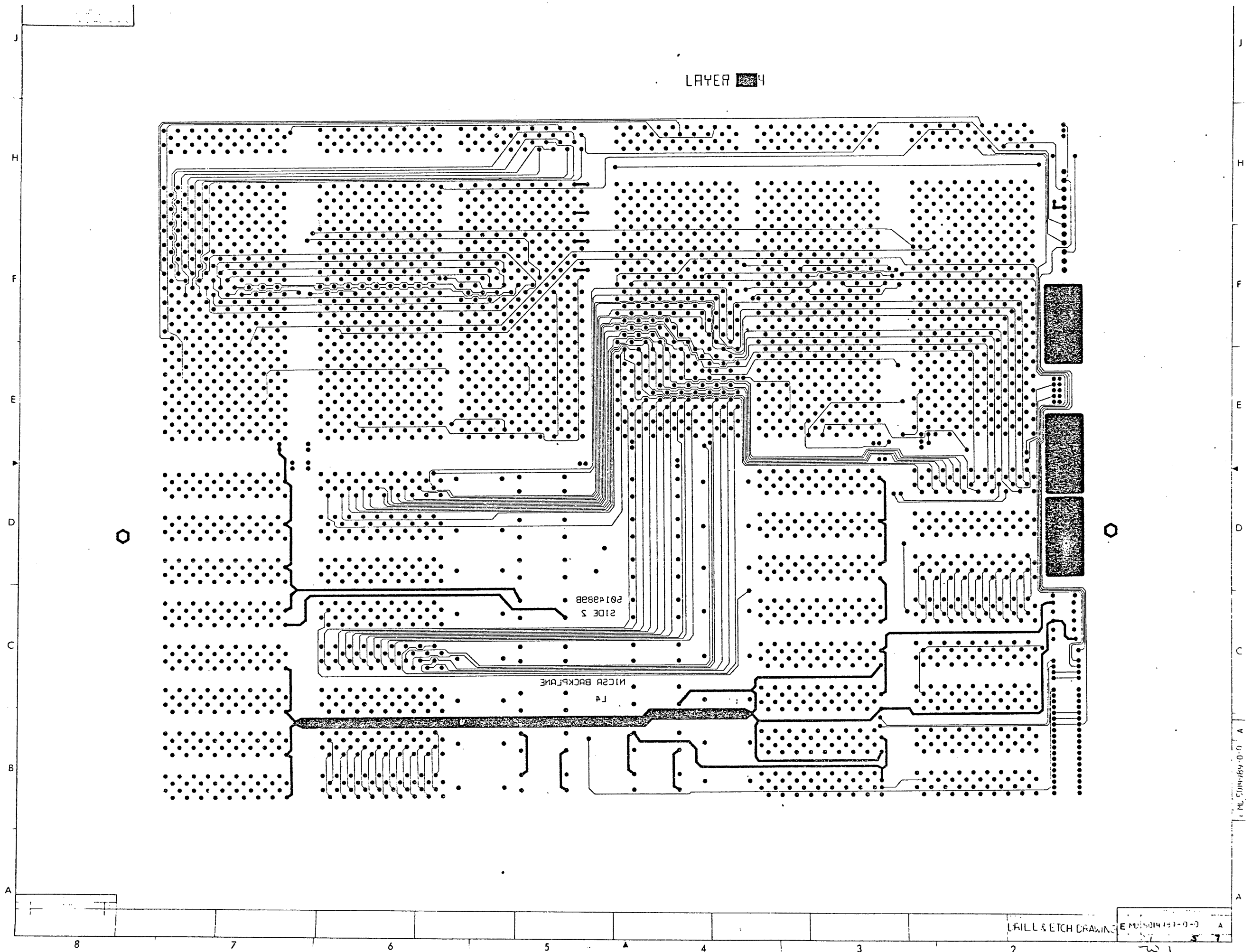
8 7 6 5 4 3 2

DRILL & ETCH DRAWING

DOCUMENT NUMBER	REV
E 110 5014950-0-0	A
DATE	BY
TW	1

E 110 5014950-0-0

LAYER 4



J
H
F
E
D
C
B
A

J
H
F
E
D
C
B
A

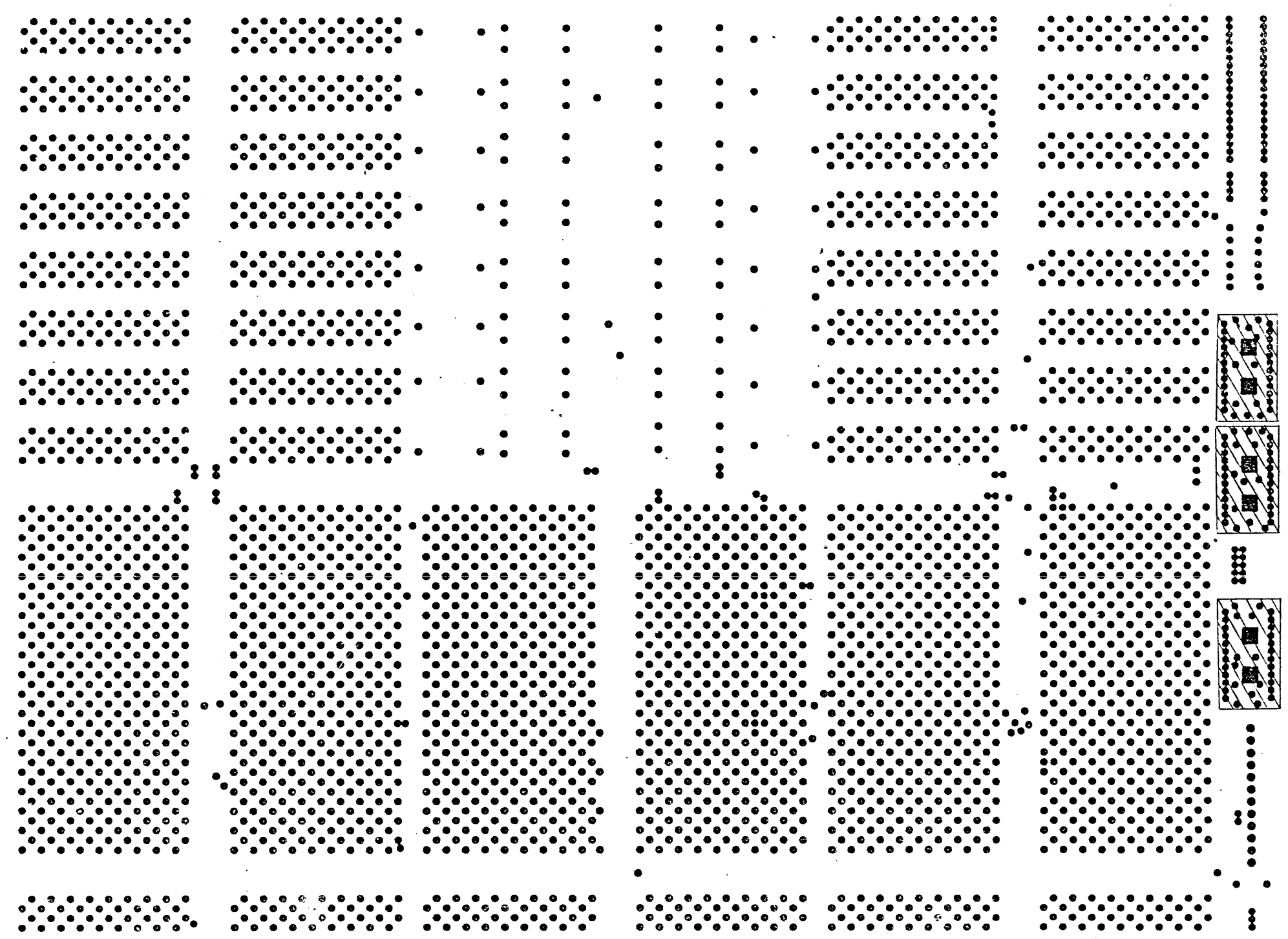
8 7 6 5 4 3 2

L1 & ETCH DRAWING E M15014 137-0-0 A

1 ML 511118V-0-0

1984

J
H
F
E
D
C
B
A



SOLDERMASK REWORK
VIEWED FROM SIDE 1

DATE: _____
BY: _____

8	7	6	5	4	3	2	1
---	---	---	---	---	---	---	---

DRILL & ETCH DRAWING

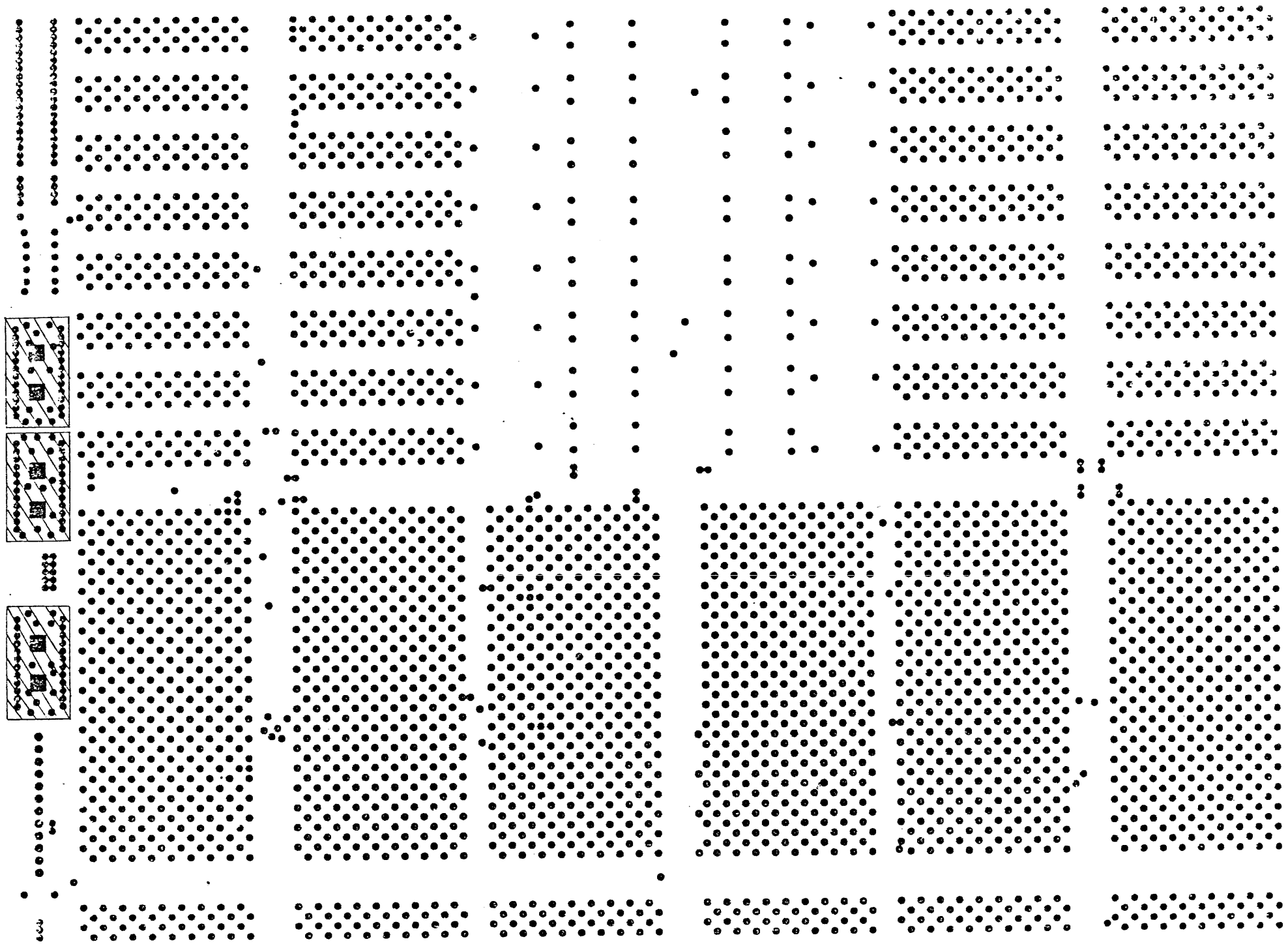
E MO 504489-0-0 A
6-7

J
H
F
E
D
C
B
A

1 MIL 504489-0-0-A

1982

J
H
F
E
D
C
B
A



SOLDERMASK REWORK
VIEWED FROM SIDE 2

0	1	2	3	4	5	6	7	8	9
---	---	---	---	---	---	---	---	---	---

DRILL & ETCH DRAWING

E MD 504989-0-0	A
2-1	7 7

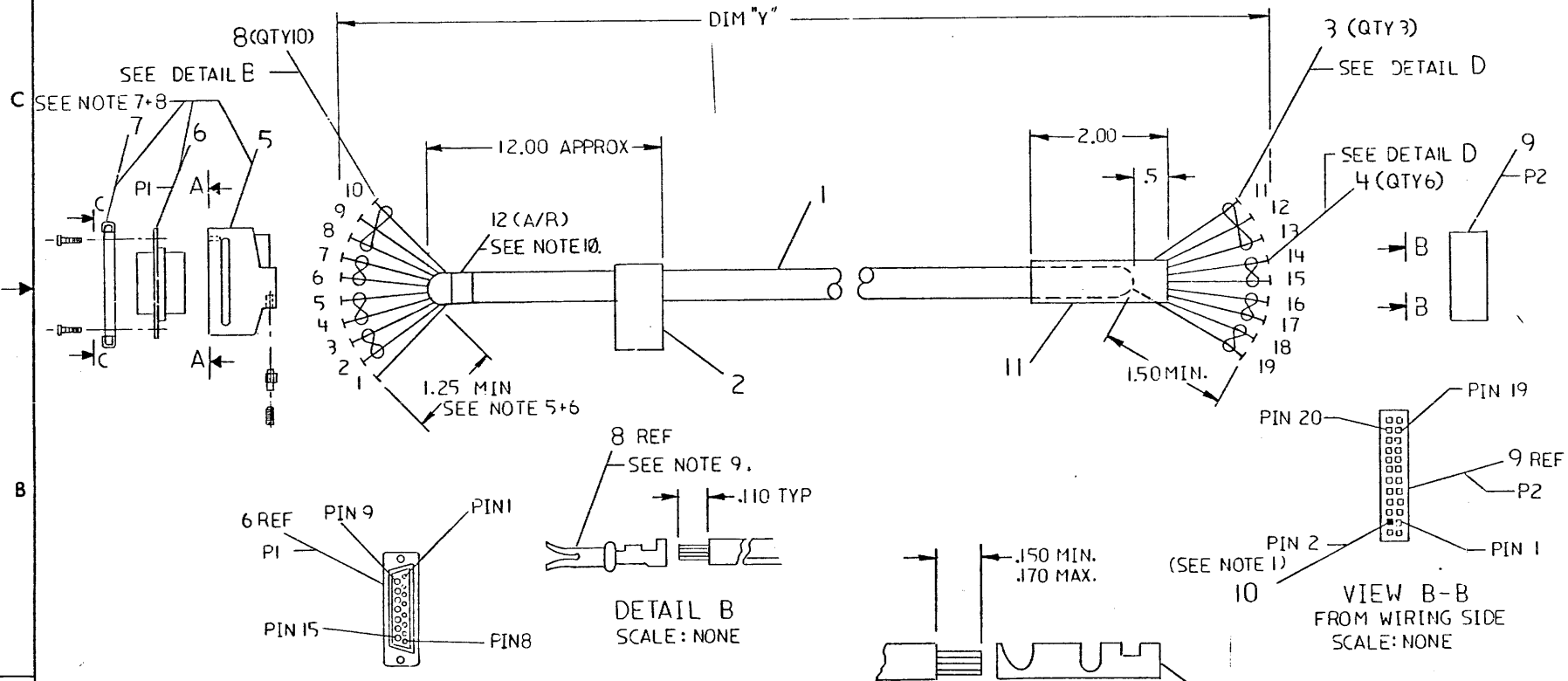
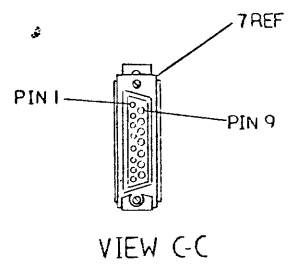
MD 504989-0-0 A

THIS DRAWING AND SPECIFICATIONS, HEREIN, ARE THE PROPERTY OF DIGITAL EQUIPMENT CORPORATION AND SHALL NOT BE REPRODUCED OR COPIED OR USED IN WHOLE OR IN PART AS THE BASIS FOR THE MANUFACTURE OR SALE OF ITEMS WITHOUT WRITTEN PERMISSION.
 © 1982 DIGITAL EQUIPMENT CORPORATION

WIRE TABLE										
ITEM NO.	DESCRIPTION	AWG	COLOR	FROM			TO			REMARKS
				POINT	CONNECTION	TERM	POINT	CONNECTION	TERM	
	SHIELD			1	PI-1	8,6				SHIELD DRAIN WIRE
1	28		BLU	2	PI-2	8,6	19	P2-14	4,9	COLLISION PRESENCE +
			GRN	3	PI-9	8,6	18	P2-15	4,9	
			WHT	4	PI-5	8,6	17	P2-6	4,9	RECEIVE +
1	28		GRY	5	PI-12	8,6	16	P2-7	4,9	RECEIVE -
			ORG	6	PI-3	8,6	15	P2-10	4,9	TRANSMIT +
1	28		YEL	7	PI-10	8,6	14	P2-11	4,9	TRANSMIT -
			RED	9	PI-13	8,6	11	P2-1	3,9	POWER
			VIO	10	PI-15	8,6	12	P2-20	3,9	FUSE LOW
1	24		BLK	8	PI-6	8,6	13	P2-4	3,9	POWER RETURN

LEGEND		
NUMBER	DIM "Y" (PRE CUT)	REV
7018798-08	7 FT. 10 IN ± 2 IN.	B2
7018798-04	4 FT. 0 IN ± 2 IN.	B2
7018798-03	3 FT. 0 IN ± 2 IN.	A1
7018798-07	7 FT. 0 IN ± 2 IN.	A1

- NOTES:
- KEYING PLUG (ITEM 10) IS INSERTED INTO P2-2.
 - REMOVE JACKET & OUTER BRAID 1.50" TO ALLOW SEPARATION OF WIRES, P2 END.
 - STRIP FOIL SHIELD FROM WIRES, P2 SIDE.
 - CUT "SHIELD WIRE" FLUSH WITH OUTER JACKET, (P2 SIDE ONLY).
 - REMOVE JACKET & OUTER BRAID TO ALLOW SEPARATION OF WIRES, P1 SIDE.
 - STRIP FOIL SHIELD FROM WIRES 1.00 IN.
 - MOVE PLASTIC HOOD UP TO P1 CONNECTOR & ATTACH SLIDE LATCH ASSY. ITEM NO. 7 USING SLIDE LATCH ASSY SCREWS PROVIDED (DISCARD WASHERS & NUTS - ITEM NO. 7) TIGHTEN 3 IN - LBS. (DISCARD TWO CONNECTOR MOUNTING SCREWS HOOD ASSY) ITEM NO. 5.
 - TIGHTEN STRAIN RELIEF SET SCREW ON PLASTIC HOOD. 3 IN - LBS.
 - HAND CRIMP TOOLS: AMP P/N 90302-1 BERG ELECTRIC P/N HT-95
 - ADD ITEM NO. 12 FLUSH WITH OUTER JACKET.
 - DO NOT USE MORE THAN 8 FT (2.5M) OR ETHERNET SPECIFICATION MAY BE VIOLATED IN STANDARD CONFIGURATIONS.



CAUTION: SEE OFF SHEET PARTS LIST
 K-PL-7018798-0-DBF (MK1172.PLS)

REVISION HISTORY	
DATE	DESCRIPTION
12 MAY 82	INITIAL DESIGN
11 JUN 82	REVISED TO ADD PINS 19, 20
11 JUN 82	REVISED TO ADD PINS 1, 2
11 JUN 82	REVISED TO ADD PINS 15, 8
11 JUN 82	REVISED TO ADD PINS 9, 10
11 JUN 82	REVISED TO ADD PINS 19, 20
11 JUN 82	REVISED TO ADD PINS 1, 2
11 JUN 82	REVISED TO ADD PINS 15, 8
11 JUN 82	REVISED TO ADD PINS 9, 10

DESCRIPTION	DRAWING NO.	PART NO.	ITEM NO.
UNLESS OTHERWISE SPECIFIED DIMENSIONS ARE IN INCHES AND THE FOLLOWING TOLERANCES APPLY (PER DEC STD 114)			
INCHES TOLERANCES	ANGLES ± 0° 30'	APPLICABLE DIMENSIONAL RANGE	
		OVER TO	OVER TO
X = ± .1	SURFACE QUALITY	0 TO 0.2	0.2 TO 0.5
XX = ± .02		0.5 TO 1.0	1.0 TO 2.0
XXX = ± .005		2.0 TO 4.0	4.0 TO 8.0
QUANTITY & VARIATION	MICROINCHES	± .004	± .008 ± .012 ± .016 ± .024 ± .04
THIRD ANGLE PROJECTION	DRN: <i>[Signature]</i>	DATE: 12 MAY 82	TITLE: UNA BULKHEAD CABLE ASSY
DO NOT SCALE DRAWING	CHKD: <i>[Signature]</i>	DATE: 11/6/82	DOCUMENT NUMBER: DIA 7018798-0-0
REMOVE BURRS AND BREAK SHARP CORNERS	DES. ENG: <i>[Signature]</i>	DATE: 11/1/82	SCALE: 1/1
MATERIAL	RESP. ENG: <i>[Signature]</i>	DATE: 11/1/82	SHEET 1 OF 1
SEE PARTS LIST	MFG. ENG: <i>[Signature]</i>	DATE: 2.5.82	
FINISH	NEXT HIGHER DOC.		

DRAWING NO.	NO. SHTS	PART NO.	DESCRIPTION	REVISIONS
		5413867-00	PART REVISION	E1 F1 F2
		5413867-YA	PART REVISION	E1 F1 F2
K-PL-5413867-0-03P	4		H7211 COMMUNICATION REG	A B C D E F H
D-CS-5413867-0-1	2		H7211 COMMUNICATION REG	A B C D E F F
E-UA-5413867-0-0	3		H7211 COMMUNICATION REG	A B C D D E F
K-DD-5013866-0	1		DRAWING DIRECTORY	A
		5013866-00	ETCHED BOARD	B B B B B B B
K-PC-5413867-0-03G			PC DESIGN DATA BASE	B B B B B B B

NOTES:

		B	C	D	E	F	H
	D						
	E						
	V						
R							
E	H	E	T	T	T	L	M
V	I	C	W	W	W	K	K
I	S	O	O	O	O	O	O
S	T		O	O	O	O	O
I	O	N	1	2	3	4	5
O	R	O					
N	Y						
		D	N	D	A	N	M
		A	O	E	P	O	A
		T	V	C	R	V	Y
		E	B	B	B	B	B
			1	2	3	5	6

THIS DRAWING AND THE SPECIFICATIONS CONTAINED HEREIN ARE CONFIDENTIAL AND PROPRIETARY. THEY ARE THE PROPERTY OF DIGITAL EQUIPMENT CORPORATION AND SHALL NOT BE REPRODUCED OR COPIED OR USED IN WHOLE OR IN PART AS THE BASIS FOR THE MANUFACTURE OR SALE OF ITEMS WITHOUT WRITTEN PERMISSION. THIS IS AN UNPUBLISHED WORK PROTECTED UNDER THE FEDERAL COPYRIGHT LAWS.

DRN: M. VACHEROT	DATE: 25JUN86	d i g i t a l	
CHK'D: B. DUBOIS	DATE: 25JUN86	TITLE	H7211 COMMUNICATION REG
DES. ENG.: L. FIELD	DATE: 25JUN86	SHEET 1 OF 1	EDIT: 6
RESP. ENG.: L. FIELD	DATE: 25JUN86	DOCUMENT NUMBER	
MFG. ENG.: A. RIVERA	DATE: 25JUN86	DD FILENAME: 5413867.DDF	
		SIZE CODE NUMBER	REV H
		K DD 5413867-0-0	

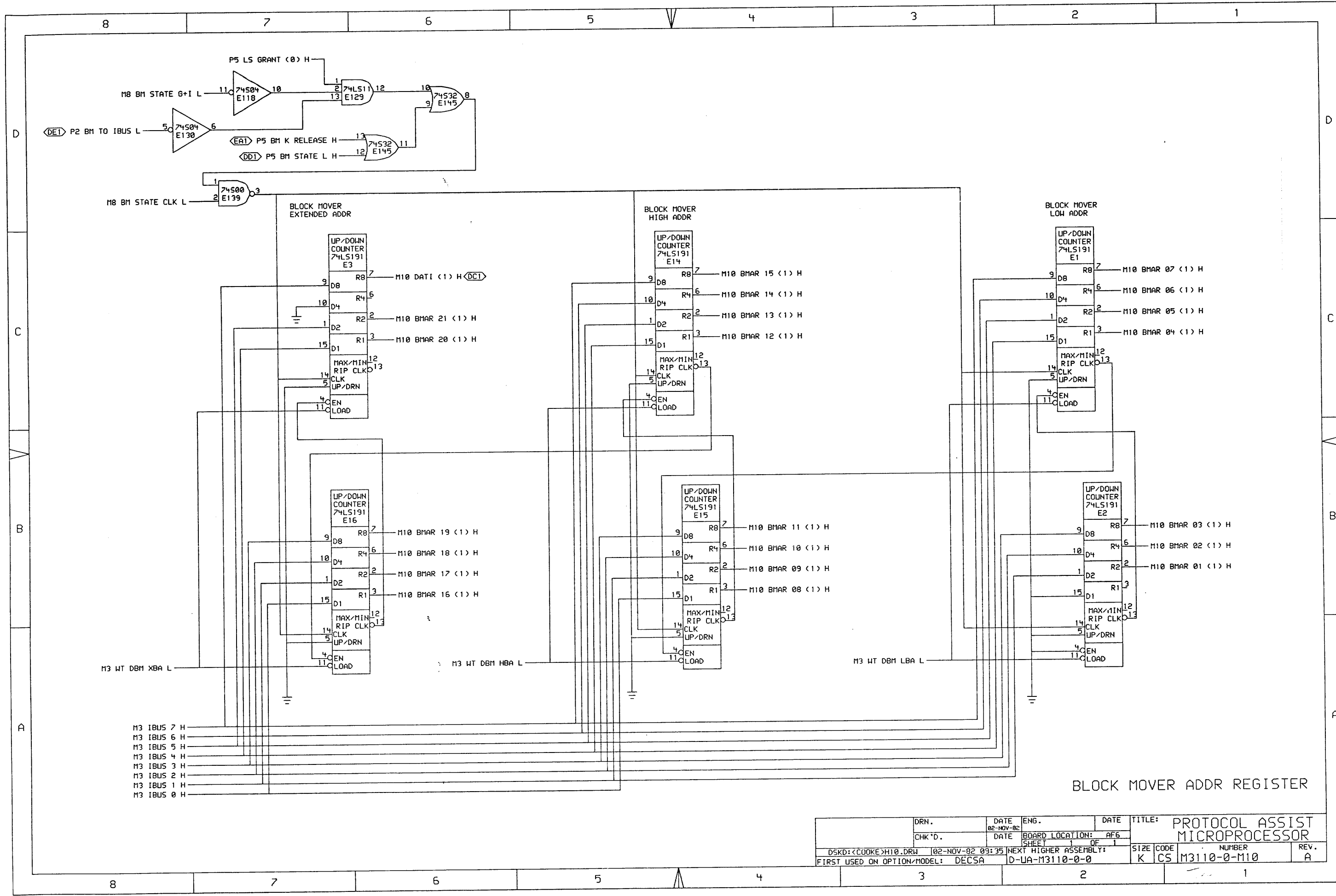
DRAWING NO.	NO. SHTS	PART NO.	DESCRIPTION	REVISIONS
K-PL-5413857-0-0PP	4	5413857	PART REV	- - - - - K1 K2 K3
D-UA-5413857-0-0	3		H7200 MAJOR BOARD	A B C D E F H J K L M
D-CS-5413857-0-1	3		H7200 MAJOR BOARD	A H H D E F H J J K L
K-DD-5013356-C	1		H7200 MAJOR BOARD	A B C D E F H J L L M
		5013356	ETCHED BOARD	- - - - - - - - - - A
				C C C C C C C C C C

NOTES:

	A	B	C	D	E	F	H	J	K	L	M
R											
E											
V											
R											
E											
V											
I											
S											
I											
O											
R											
N											
Y											
D	-	1	2	9	1	4	9	1	1	7	5
A		1	/	/	/	/	/	/	1	/	/
T		/	8	8	8	8	8	8	/	8	8
E		8	2	2	3	3	3	4	8	5	6
		1							4		

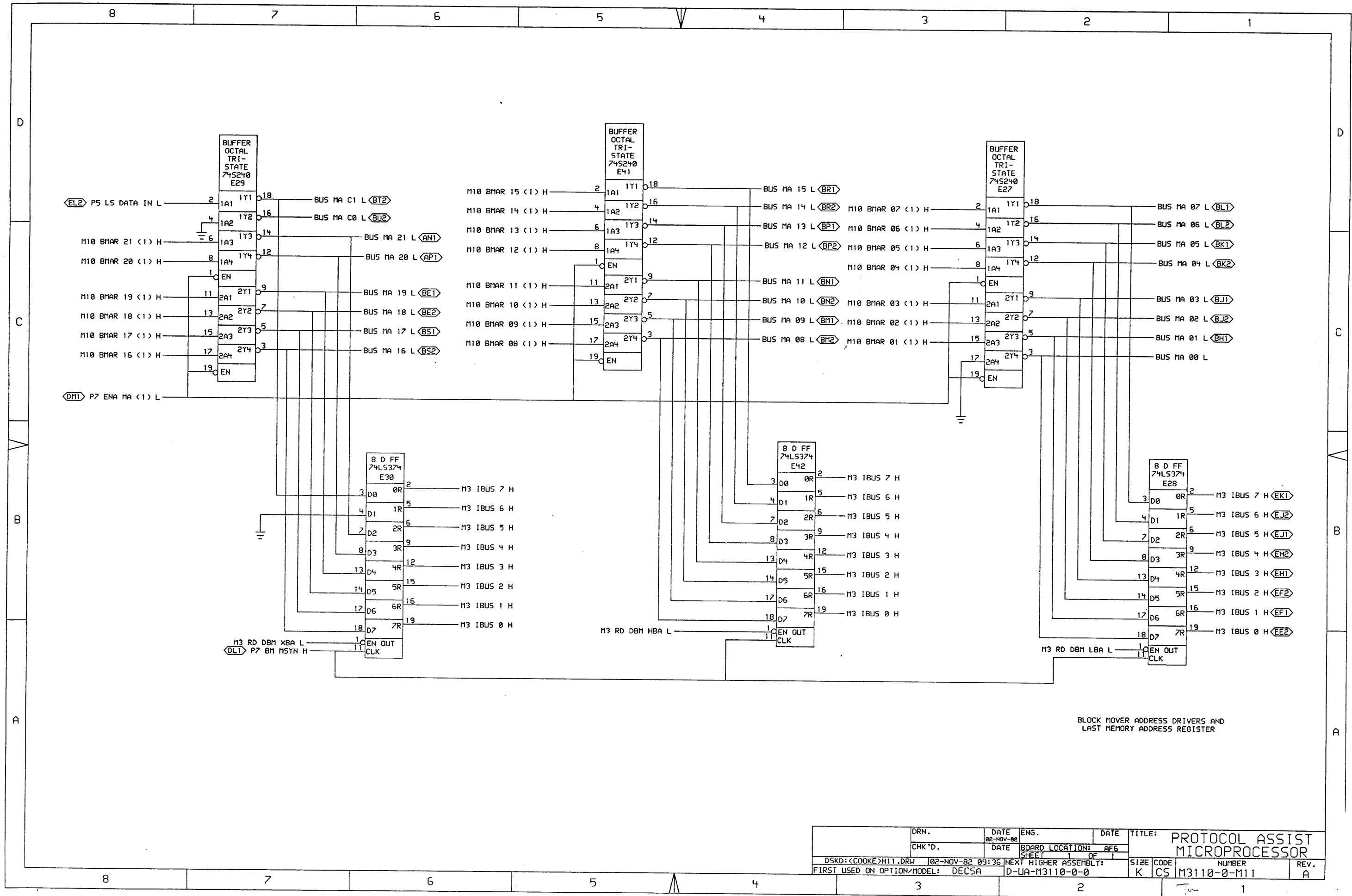
THIS DRAWING AND THE SPECIFICATIONS CONTAINED HEREIN ARE CONFIDENTIAL AND PROPRIETARY. THEY ARE THE PROPERTY OF DIGITAL EQUIPMENT CORPORATION AND SHALL NOT BE REPRODUCED OR COPIED OR USED IN WHOLE OR IN PART AS THE BASIS FOR THE MANUFACTURE OR SALE OF ITEMS WITHOUT WRITTEN PERMISSION. THIS IS AN UNPUBLISHED WORK PROTECTED UNDER THE FEDERAL COPYRIGHT LAWS.

DRN: B. WOODRUFF	DATE: 27-JUN-86	d i g i t a l
CHK'D: R. DUBOIS	DATE: 27-JUN-86	TITLE H7200 MAJOR BOARD
DES. ENG.: C. LANDINO	DATE: 16-NOV-81	SHEET 1 OF 1 EDIT: 1
RESP. ENG.: O. PENA	DATE: 27-JUN-86	DOCUMENT NUMBER
		DD FILENAME: 13857M.DDF
MFG. ENG.: A. RIVERA	DATE: 27-JUN-86	SIZE CODE NUMBER REV K DD 5413857-0 M



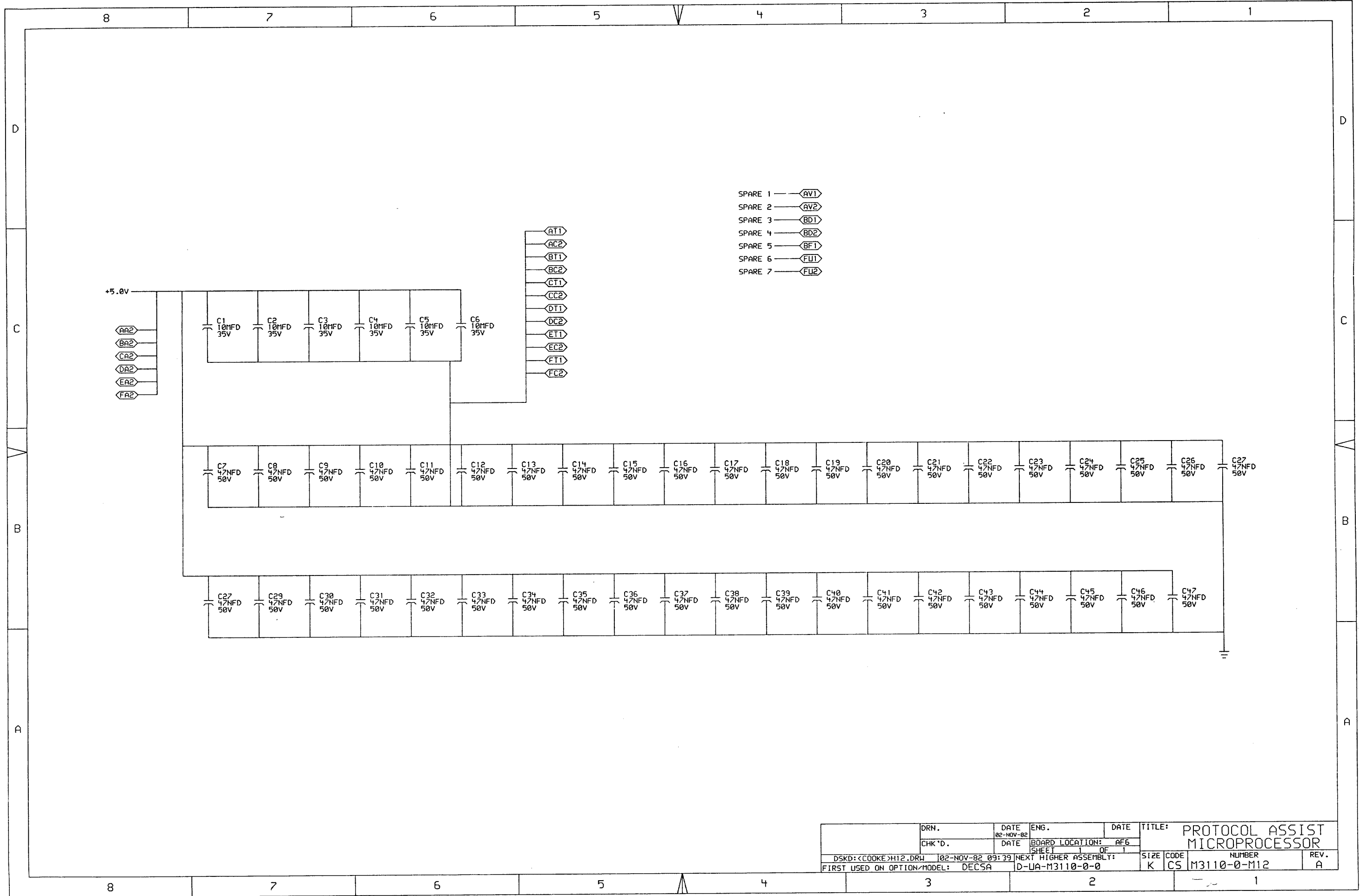
BLOCK MOVER ADDR REGISTER

DRN.	DATE	ENG.	DATE	TITLE:
CHK'D.	02-NOV-82			PROTOCOL ASSIST
		BOARD LOCATION:	AF6	MICROPROCESSOR
DSKD:<COOKE>M10.DRW	102-NOV-82 09:35	SHEET	1 OF 1	SIZE CODE NUMBER
FIRST USED ON OPTION/MODEL:	DECSA	NEXT HIGHER ASSEMBLY:	D-UA-M3110-0-0	K CS M3110-0-M10
				REV. A



BLOCK MOVER ADDRESS DRIVERS AND
LAST MEMORY ADDRESS REGISTER

DRN.	DATE	ENG.	DATE	TITLE:	PROTOCOL ASSIST MICROPROCESSOR		
CHK'D.	02-NOV-82	BOARD LOCATION:	AF6	SIZE	CODE	NUMBER	REV.
D-UA-M3110-0-0				K	CS	M3110-0-M11	A
D-UA-M3110-0-0				NEXT HIGHER ASSEMBLY:			
D-UA-M3110-0-0				FIRST USED ON OPTION/MODEL:			



DRN.	DATE	ENG.	DATE	TITLE:
CHK'D.	82-NOV-82			PROTOCOL ASSIST MICROPROCESSOR
	DATE	BOARD LOCATION:	AF6	
		SHEET	1	
DSKD: <COOKE>H12.DRW 02-NOV-82 09:39 NEXT HIGHER ASSEMBLY:				SIZE
FIRST USED ON OPTION/MODEL: DECSA D-LA-M3110-0-0				K CS
				NUMBER
				M3110-0-M12
				REV.
				A

THIS DRAWING AND THE SPECIFICATIONS CONTAINED HEREIN ARE CONFIDENTIAL AND PROPRIETARY. THEY ARE THE PROPERTY OF DIGITAL EQUIPMENT CORPORATION AND SHALL NOT BE REPRODUCED OR COPIED OR USED IN WHOLE OR IN PART AS THE BASIS FOR MANUFACTURING OR SALE OF ITEMS WITHOUT WRITTEN PERMISSION. THIS IS AN UNPUBLISHED WORK PROTECTED UNDER THE FEDERAL COPYRIGHT LAWS.

DRAWING DIRECTORY

ITEM	DRAWING NO.	NO. OF SHTS	PART NO.	DESCRIPTION	TYPE	REVISIONS									
1			M3110-00	MODULE REV		-	-	C1	D1	E1	F1	F2	F3	F4	
2	D-UA-M3110-0-0	2		P.A.M.		A	B	C	D	E1	F	H	J	K	
3	K-PL-M3110-0-DBP	2		P.A.M.		A	A	B	C	C	D	E	E	E	
4	E-EC-5014976-0-0	3		ETCH CURCUIT DRAWING		A	A	B	C	D1	E	E	F	H	
5	D-MD-5014976-0-0	5		DRILL & ETCH DRAWING		A	A	A	A	A	B	B	B	B	
6			5014976-00	ETCHED BOARD		C	C	C	C	C	D1	D1	D1	D1	
7	K-CS-M3110-0-M1	1		P.A.M.		A	A	A	A	A	A	A	A	A	
8	K-CS-M3110-0-M2	1		P.A.M.		A	A	A	B	B	B	B	B	B	
9	K-CS-M3110-0-M3	1		P.A.M.		A	B	B	C	D	D	D	D	D	
10	K-CS-M3110-0-M4	1		P.A.M.		A	A	A	A	A	A	B	B	B	
11	K-CS-M3110-0-M5	1		P.A.M.		A	A	A	A	A	A	A	A	A	
12	K-CS-M3110-0-M6	1		P.A.M.		A	A	B	B	B	C	C	D	D	
13	K-CS-M3110-0-M7	1		P.A.M.		A	A	A	A	A	A	A	A	A	
14	K-CS-M3110-0-M8	1		P.A.M.		A	A	A	A	A	A	A	A	B	
15	K-CS-M3110-0-M9	1		P.A.M.		A	A	A	A	A	A	A	A	A	
16	K-CS-M3110-0-M10	1		P.A.M.		A	A	A	A	A	A	A	A	A	
17	K-CS-M3110-0-M11	1		P.A.M.		A	A	A	A	A	A	A	A	A	
18	K-CS-M3110-0-M12	1		P.A.M.		A	A	A	A	A	A	A	A	A	
19	K-CS-M3110-0-M13	1		P.A.M.		A	A	A	A	A	A	A	A	A	
20	K-CS-M3110-0-M14	1		P.A.M.						A	A	A	B	B	
21	K-PC-M3110-0-DBI			PC DATA BASE		C	C	C	C	C	D	D	E	F	
22	K-CS-M3110-0-DBS			CS DATA BASE		A	B	C	D	E	E	F	F	H	

NOTES:

DD REV	A	B	C	D	E	F	H	J	K
--------	---	---	---	---	---	---	---	---	---

REVISION HISTORY			CONT. REVISION HISTORY			MADE BY: T. WALSH DATE: 22 OCT 82		d i g i t a l			
ENG	ECO NUMBER	REV	ENG	ECO NUMBER	REV	CHECKED BY: T. WALSH DATE: 22 OCT 82		TITLE DRAWING DIRECTORY			
--	INITIAL	A				JUN-20-85		PROTOCOL ASSIST MICROPROCESSOR			
	TW001	B				DESIGN ENGINEER: J. BUZYNSKI DATE: 22 OCT 82					
	TW002	C				RESPONSIBLE ENG: M. LAWRENCE DATE: 22 OCT 82					
	TW003	D				PRODUCTION ENG: B. BROOKE DATE: 22 OCT 82					
	TW004	E									
	TW04A	F									
JD	MK005	H									
JD	MK006	J									
JD	MK007	K									

SIZE	CODE	DOCUMENT NUMBER	REV.
K	DD	M3110-0-0	K

THIS DRAWING AND THE SPECIFICATIONS CONTAINED HEREIN ARE CONFIDENTIAL AND PROPRIETARY. THEY ARE THE PROPERTY OF DIGITAL EQUIPMENT CORPORATION AND SHALL NOT BE REPRODUCED OR COPIED OR USED IN WHOLE OR IN PART AS THE BASIS FOR MANUFACTURING OR SALE OF ITEMS WITHOUT WRITTEN PERMISSION. THIS IS AN UNPUBLISHED WORK PROTECTED UNDER THE FEDERAL COPYRIGHT LAWS.

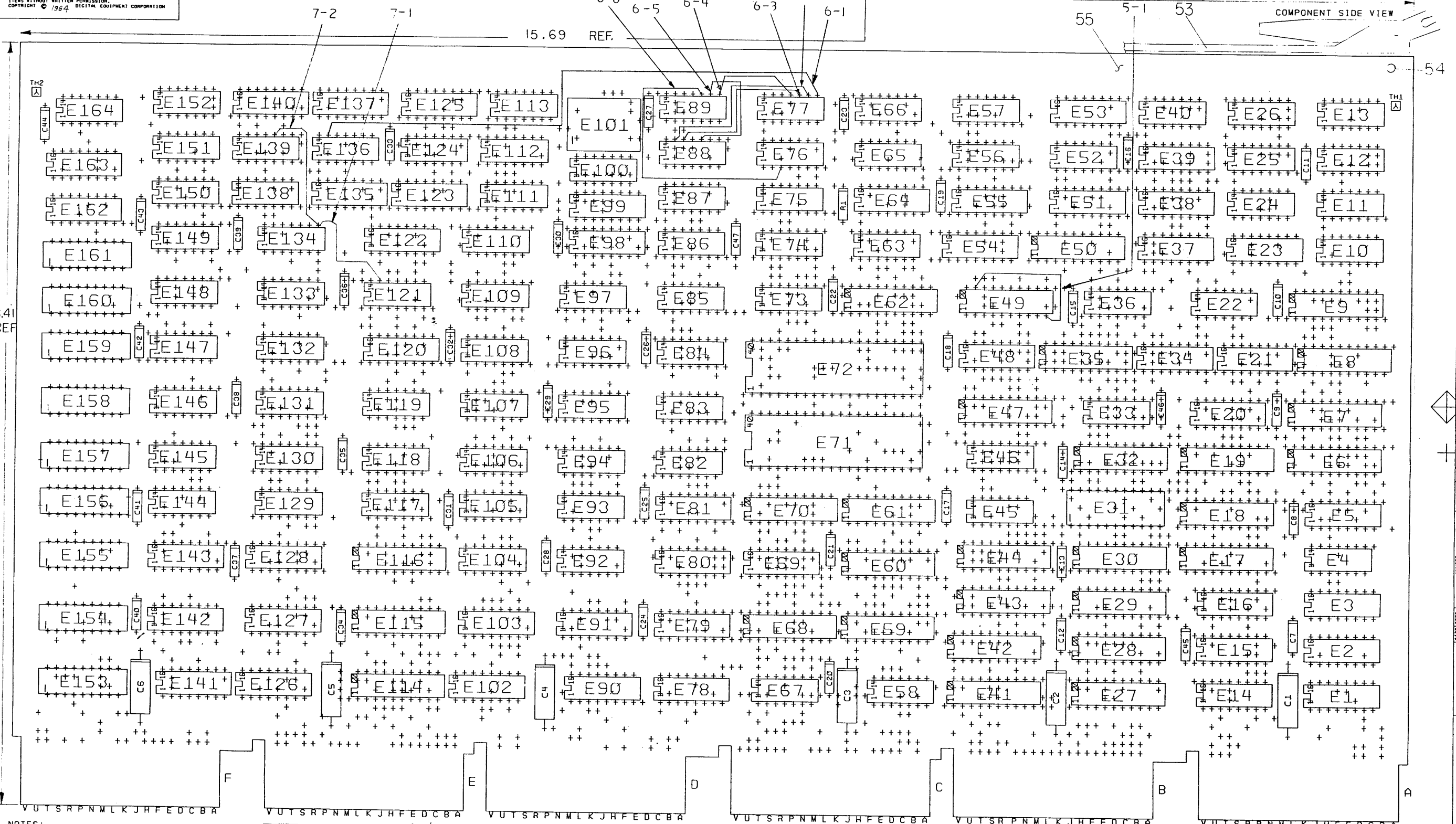
DRAWING DIRECTORY

ITEM	DRAWING NO.	NO. OF SHTS	PART NO.	DESCRIPTION	TYPE	REVISIONS																	
						E2	E3	E4															
1			M3110-0	MODULE REV		E2	E3	E4															
2	D-UA-M3110-0	2		P.A.M.		E2	E3	E4															
3	K-PL-M3110-0-DBP	2		P.A.M.		C	E	E															
4	E-EC-5014976-0-0	3		ETCH CIRCUIT DRAWING		D1	D2	D3															
5	D-MD-5014976-0-0	5		DRILL AND ETCH DRAWING		A	A	A															
6			5014976	ETCHED BOARD		C	C	C															
7	K-CS-M3110-0-M1	1		P.A.M.		A	A	A															
8	K-CS-M3110-0-M2	1		P.A.M.		B	B	B															
9	K-CS-M3110-0-M3	1		P.A.M.		D	D	D															
10	K-CS-M3110-0-M4	1		P.A.M.		B	B	B															
11	K-CS-M3110-0-M5	1		P.A.M.		A	A	A															
12	K-CS-M3110-0-M6	1		P.A.M.		B1	B1	B1															
13	K-CS-M3110-0-M7	1		P.A.M.		A	A	A															
14	K-CS-M3110-0-M8	1		P.A.M.		A	A	B															
15	K-CS-M3110-0-M9	1		P.A.M.		A	A	A															
16	K-CS-M3110-0-M10	1		P.A.M.		A	A	A															
17	K-CS-M3110-0-M11	1		P.A.M.		A	A	A															
18	K-CS-M3110-0-M12	1		P.A.M.		A	A	A															
19	K-CS-M3110-0-M13	1		P.A.M.		A	A	A															
20	K-CS-M3110-0-M14	1		P.A.M.		A	A	A															
21	K-PC-M3110-0-DBI			PC DATA BASE		C	C	C															
22	K-CS-M3110-0-DBS			CS DATA BASE		E	F	H															

NOTES: SHEET 2 FOR ETCHED BOARD REV C, "SPECIAL REVS"

REVISION HISTORY			CONT. REVISION HISTORY			MADE BY: T. WALSH DATE: 22 OCT 82			DIGITAL		
ENG	ECO NUMBER	REV	ENG	ECO NUMBER	REV	CHECKED BY: T. WALSH DATE: 22 OCT 82 <i>J. Walsh Jun. 20, 85</i>			TITLE DRAWING DIRECTORY		
						DESIGN ENGINEER: J. BUZYNSKI DATE: 22 OCT 84 <i>J.C. Tremblay 6-20-85</i>			PROTOCOL ASSIST MICROPROCESSOR		
						RESPONSIBLE ENG: M. LAWRENCE DATE: 22 OCT 82					
						PRODUCTION ENG: B. BROOKE DATE: 22 OCT 82			SIZE CODE DOCUMENT NUMBER REV. K DD M3110-0-0 K		
									SHEET 2 OF 2 MKO		

THIS DRAWING AND SPECIFICATIONS, HEREIN, ARE THE PROPERTY OF DIGITAL EQUIPMENT CORPORATION AND SHALL NOT BE REPRODUCED OR COPIED OR USED IN WHOLE OR IN PART AS THE BASIS FOR THE MANUFACTURE OR SALE OF ITEMS WITHOUT WRITTEN PERMISSION. COPYRIGHT © 1984 DIGITAL EQUIPMENT CORPORATION



NOTES:

STEP E → Y AXIS STEP O TIMES

REPERT → X AXIS STEP O TIMES

CHG	NO	REV	DATE	BY	CHK'D
M3110	1W4	F	4-13-84	P. GROSSE	
				F. GAROFALO	

ETCH REV. DIP 2

SIGNATURES	DATE	digital
DRN. P. GROSSE	4-13-84	
CHK'D. F. GAROFALO	4-13-84	TITLE PROTOCOL
MECH. ENG. <i>[Signature]</i>	4-6-84	ASSIST MICRO PROC
PROJ. ENG. <i>[Signature]</i>	4-6-84	
PROD. <i>[Signature]</i>	4-6-84	
SCALE 2:1	SIZE CODE	NUMBER
SHT. 1 OF 2	d UA	M3110-0-0
NEXT HIGHER ASSY. K-DD-M3110-0	REV	K

8

REV K 0-0-011EW D

6

5

4

3

2

1

THIS DRAWING AND THE SPECIFICATIONS CONTAINED HEREIN ARE CONFIDENTIAL AND PROPRIETARY. THEY ARE THE PROPERTY OF DIGITAL EQUIPMENT CORPORATION AND SHALL NOT BE REPRODUCED OR COPIED OR USED IN WHOLE OR IN PART AS THE BASIS FOR MANUFACTURE OR SALE OF ITEMS WITHOUT WRITTEN PERMISSION. THIS IS AN UNPUBLISHED WORK PROTECTED UNDER THE FEDERAL COPYRIGHT LAWS. 1984

REWORK INSTRUCTIONS: M3110-MK005.

WIRE ADDS SIDE 1: (P/N 9105740-55)
5-1 FROM E49-10 TO E49-19.

REWORK INSTRUCTIONS: M3110-MK006: ETCH REV. D1.

WIRE ADDS SIDE 1 (P/N 9105740-55) SEE E-EC-5214976-0-0 REV. F FOR ETCH CUTS.

- 6-1 FROM E77-8 TO E136-13.
- 6-2 FROM E77-9 TO E88-13.
- 6-3 FROM E77-10 TO E88-12.
- 6-4 FROM E77-11 TO E89-8.
- 6-5 FROM E89-9 TO E88-10.
- 6-6 FROM E89-10 TO E76-3.

REWORK INSTRUCTIONS: M3110-MK007: ETCH REV D1

WIRE ADDS SIDE 1: (P/N 9105740-55) (SEE E-EC-5014976-0-0 REVH FOR ETCH CUTS)
7-1 FROM E134-8 TO E121-13
7-2 FROM E134-8 TO E139-10

D

C

B

A

D

C

B

A

REVISION HISTORY		
REV	ECO NUMBER	DATE

DRD 138C EN-01285-18-REVA(306) 8

7

6

5

4

3

2

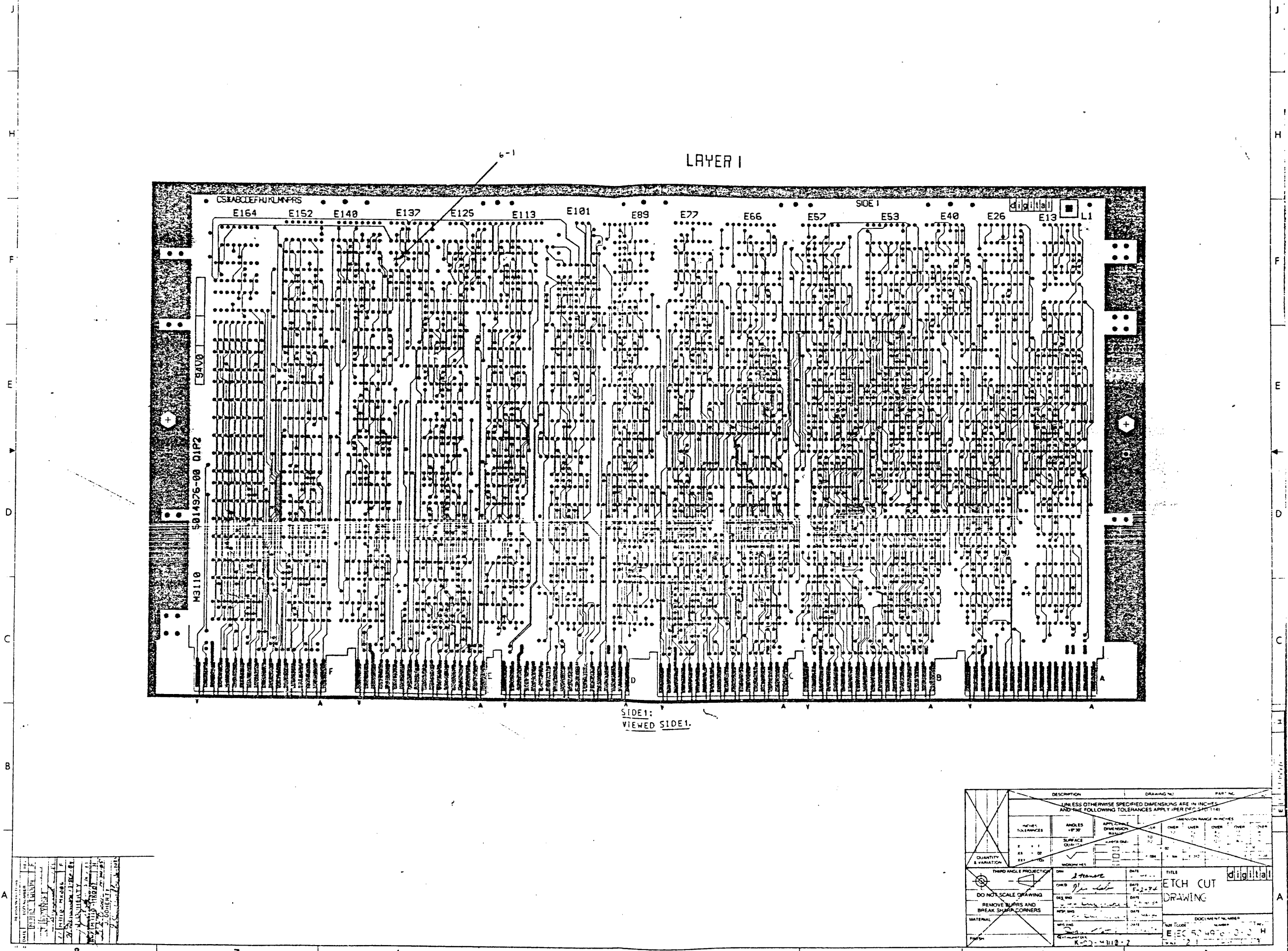
MKO 1

TITLE PROTOCOL ASSIST MICRO PROC

DOCUMENT NUMBER			
SIZE	CODE	NUMBER	REV.
D	UA	M3110-0-0	K
SCALE NONE		SHEET 2 OF 2	

REV K 0-0-011EW D

REVISIONS



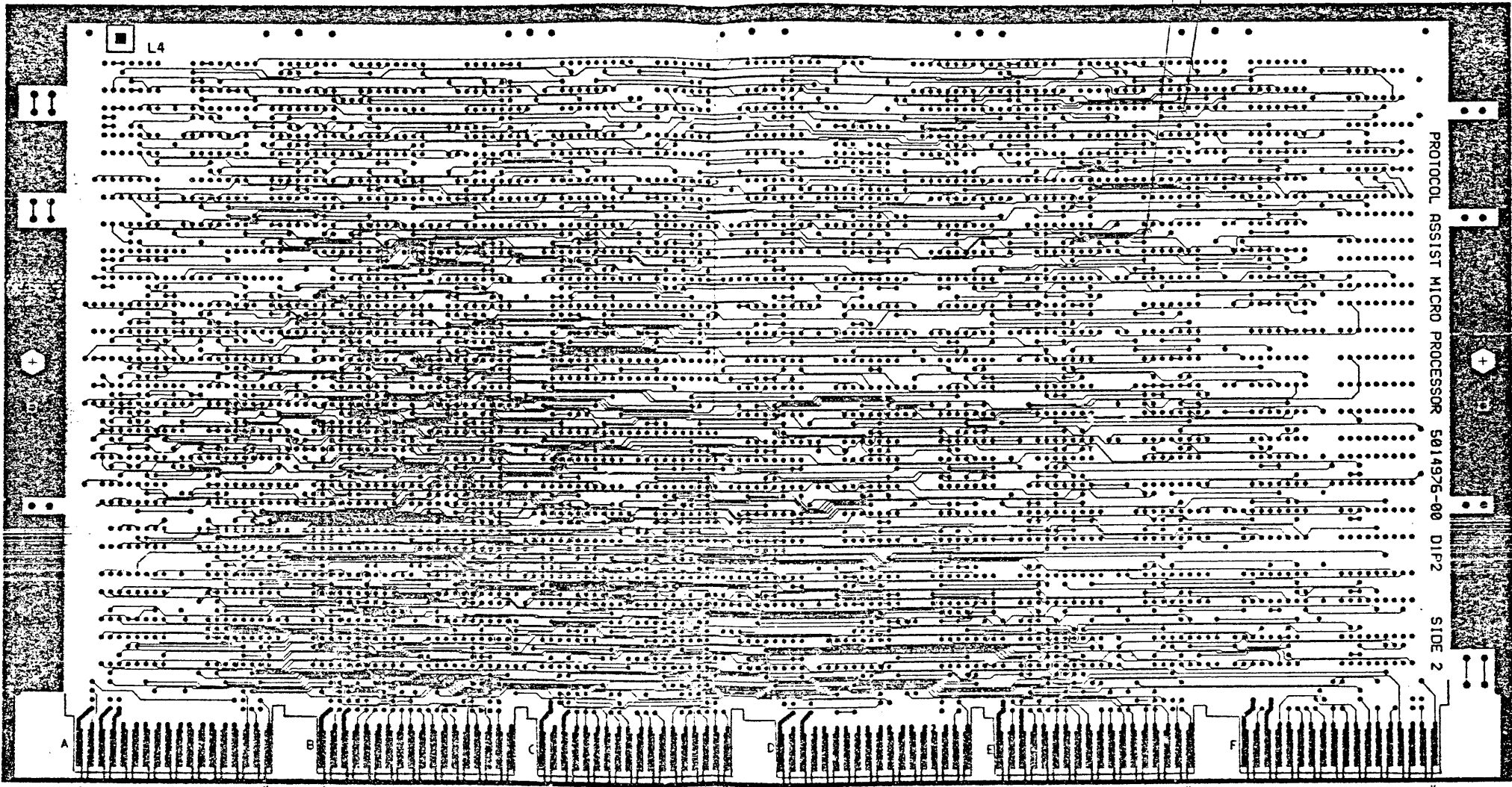
NO.	DATE	BY	DESCRIPTION
1			
2			
3			
4			
5			
6			
7			
8			

DESCRIPTION		DRAWING NO.		PART NO.	
UNLESS OTHERWISE SPECIFIED DIMENSIONS ARE IN INCHES AND THE FOLLOWING TOLERANCES APPLY (PER REF. 214)					
ANGLES ± 30'	APPLICABLE DIMENSIONS ± 0.010	DIMENSION RANGE		± 0.010	± 0.010
± 0.010	± 0.010	± 0.010	± 0.010	± 0.010	± 0.010
± 0.010	± 0.010	± 0.010	± 0.010	± 0.010	± 0.010
THIRD ANGLE PROJECTION	DATE	TITLE		digital	
DO NOT SCALE DRAWING	DATE	ETCH CUT		DRAWING	
REMOVE BURRS AND BREAK SHARP CORNERS	DATE	ELEC 50496-00-01 H		MKO	
MATERIAL	DATE	ELEC 50496-00-01 H		MKO	
FINISH	DATE	ELEC 50496-00-01 H		MKO	

LAYER 4

7-1

7-2



SIDE 2
VIEWED SIDE 1.

PROTOCOL ASSIST MICRO PROCESSOR 5014976-00 DIP2 SIDE 2

8	7	6	5	4	3	2	1
---	---	---	---	---	---	---	---

TITLE
ETCH CUT DRAWING

EIEC 504976-00 H
2 3

MKO

THIS DRAWING IS THE PROPERTY OF THE U.S. GOVERNMENT AND IS TO BE REPRODUCED AND TRANSMITTED IN ANY FORM AND BY ANY MEANS, ELECTRONIC OR MECHANICAL, INCLUDING PHOTOCOPYING, RECORDING, OR BY ANY INFORMATION STORAGE AND RETRIEVAL SYSTEM, WITHOUT PERMISSION IN WRITING FROM THE DIRECTOR, ARMY AIR FORCE ENGINEERING CENTER, WRIGHT-PATTERSON AIR FORCE BASE, OHIO 45433-3995.

REWORK INSTRUCTIONS: M311Z-MK224 ETCH REV. D1:

ETCH CUTS SIDE 1:

6-1 AT E136-13.

REWORK INSTRUCTIONS: M3110-MK007 ETCH REV. D1:

ETCH CUTS SIDE 2:

7-1 AT E134-6

7-2 AT E139-10

REVISIONS		
NO.	CHANGE NO.	REV.

TITLE	ETCH CUT DRAWING	SCALE	AS SHOWN	SHEET	4	OF	4	DATE	10-1-77	BY		REV	4
-------	------------------	-------	----------	-------	---	----	---	------	---------	----	--	-----	---

LINE ITEM	TOP DOCUMENT	PART NUMBER	MIN REV DESCRIPTION	QTY PER VARIATION	REFERENCE DESIGNATOR
			VARIATION REVISION LEVEL:	00	
1	55	D-MD-5014976-0-0	5014976-00 DRILL & ETCH BD	1	
2	50		1012784-00 .047 MFD 50V +80-20% CER	41	C7-C47
3	49		1017472-00 10 MFD 35V +75-10% AL EL	6	C1-C6
4	53		1216988-02 HANDLE,MODULE,HEX TWO EJECTORS	1	
5	37		1300005-01 R NETWORK 13-1K 5.0 % 14PIN	2	E96,E117
6	47		1300316-00 470.0 .25 W 5.0 % CF	1	R1
7	52		1811660-39 OSCILLATOR, XTAL 40.5504 MHZ	1	E101
8	13		1910532-00 74S00 NAND GATE-QUAD 2IN	6	E25,E66,E93,E108,E133,E139
9	7		1910534-00 74S04 INVERTER GATE-HEX 1I	5	E11,E76,E118,E121,E130
10	12		1910536-00 74S10 NAND GATE-TRIPLE 3IN	3	E24,E77,E136
11	27		1910537-00 74S11 AND GATE-TRIPLE 3INP	4	E52,E92,E106,E149
12	29		1910539-00 74S20 NAND GATE-DUAL 4INPU	4	E56,E75,E88,E134
13	8		1910542-00 74S64 A-O-I GATE 4-2-3-2	5	E12,E13,E26,E131,E150
14	2		1910544-00 74S74 FF-D DUAL,EDGE TRIGG	7	E4,E74,E83,E85,E94,E107,E119
15	48		1910544-01 74S74-60GG-D DUAL,EDGE TRIG	4	E86,E95,E113,E124
16	39		1910545-00 74S112 FF-JK DUAL,EDGE TRIG	10	E98,E99,E120,E122,E123,E125, E135,E137,E162,E163
17	11		1910548-00 74S157 MUX 1 OF 2 (QUAD)	3	E23,E34,E48
18	3		1910550-00 74S174 FF-D HEX	2	E5,E20
19	20		1910956-00 74S151 MUX 1 OF 8	1	E37
20	21		1910957-00 74S175 FF-D QUAD COMMON CLO	3	E38,E51,E53
21	36		1911675-00 74S138 DECODER/DEMUX 3-8 LI	2	E90,E102
22	46		1911712-00 74S51 AND-OR GATE-INVERT D	1	E146
23	40		1912388-00 74S02 NOR GATE-QUAD 2IN,PO	4	E109,E110,E111,E152
24	32		1912389-00 74S08 AND GATE-QUAD 2IN,PO	5	E65,E82,E89,E105,E138
25	42		1912647-00 LS257 MUX 1 OF 2 (QUAD)	3	E126,E127,E128
26	35		1912660-00 74S253 MUX 1 OF 4 (DUAL)	6	E78,E79,E80,E81,E91,E103
27	28		1912728-00 74S251 MUX 1 OF 8 TRI-STA	3	E54,E55,E69
28	38		1912746-00 DEC 74S37 NAND GATE-QUAD 2IN	3	E97,E112,E148
29	24		1912799-00 LS00 NAND-GATE-QUAD 2IN,P	2	E46,E144

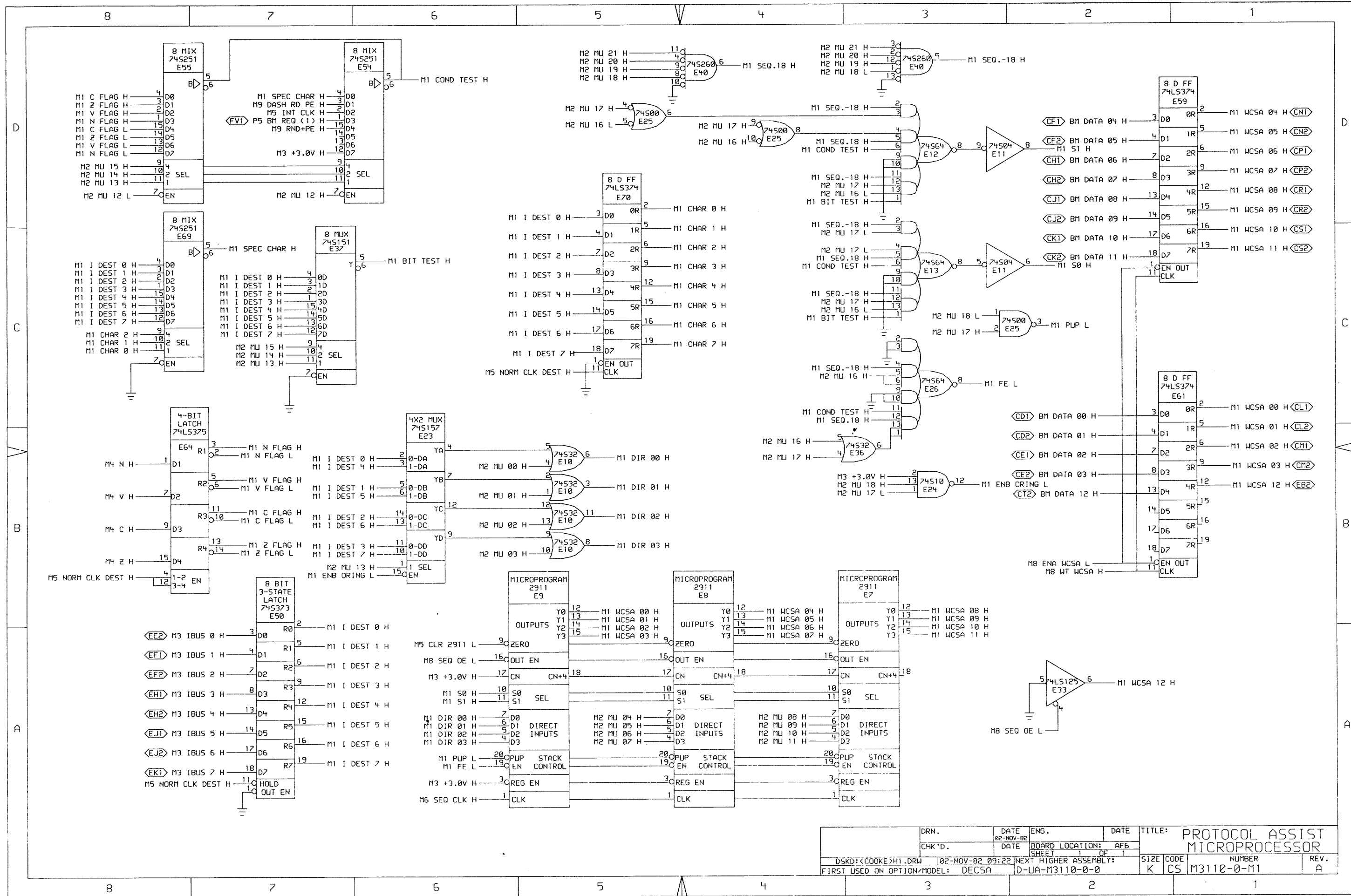
REVISION HISTORY			BASIC PART NO: M3110		DRN: P.TELLIER		DATE: 22-NOV-82		DIGITAL			
ENG	ECO NUMBER	REV	SECTION A OF A	CHK'D:	DATE:	TITLE	PARTS LIST	DOCUMENT NUMBER	SIZE	CODE	NUMBER	REV
---	INITIAL	A	SECTION VARIATION INDEX	<i>J. Garofalo</i>	31-AUG-84	PROTOCOL ASSIST MICRO PROC						
JB	M3110-TW002	B	[A] 00	F. GAROFALO	22-NOV-82							
JB	M3110-TW03A	C	[B]									
JB	M3110-TW04A	D	[C]	DES. ENG: J. COOKE	22-NOV-82							
JD	M3110-MK005	E	[D]									
			[E]	RESP. ENG: <i>J. Cooke</i>	31-AUG-84							
			[F]		06-AUG-84							
			[H]									
			[J]									
			[K]	MFG. ENG.: R. WHITE	06-AUG-84	RELEASE DATE: 31-AUG-84						
			[L]									
			[M]	ASSEMBLY NUMBER:		TOP DOCUMENT NUMBER:	FILE NAME:	EDIT #				
			[N]	ID-UA-M3110-0-0		#B-DD-M3110-0	MK1134.PLS	26				

"THIS DRAWING AND THE SPECIFICATIONS CONTAINED HEREIN ARE CONFIDENTIAL AND PROPRIETARY. THEY ARE THE PROPERTY OF DIGITAL EQUIPMENT CORPORATION AND SHALL NOT BE REPRODUCED OR COPIED OR USED IN WHOLE OR IN PART AS THE BASIS FOR THE MANUFACTURE OR SALE OF ITEMS WITHOUT WRITTEN PERMISSION. THIS IS AN UNPUBLISHED WORK PROTECTED UNDER THE FEDERAL COPYRIGHT LAWS."

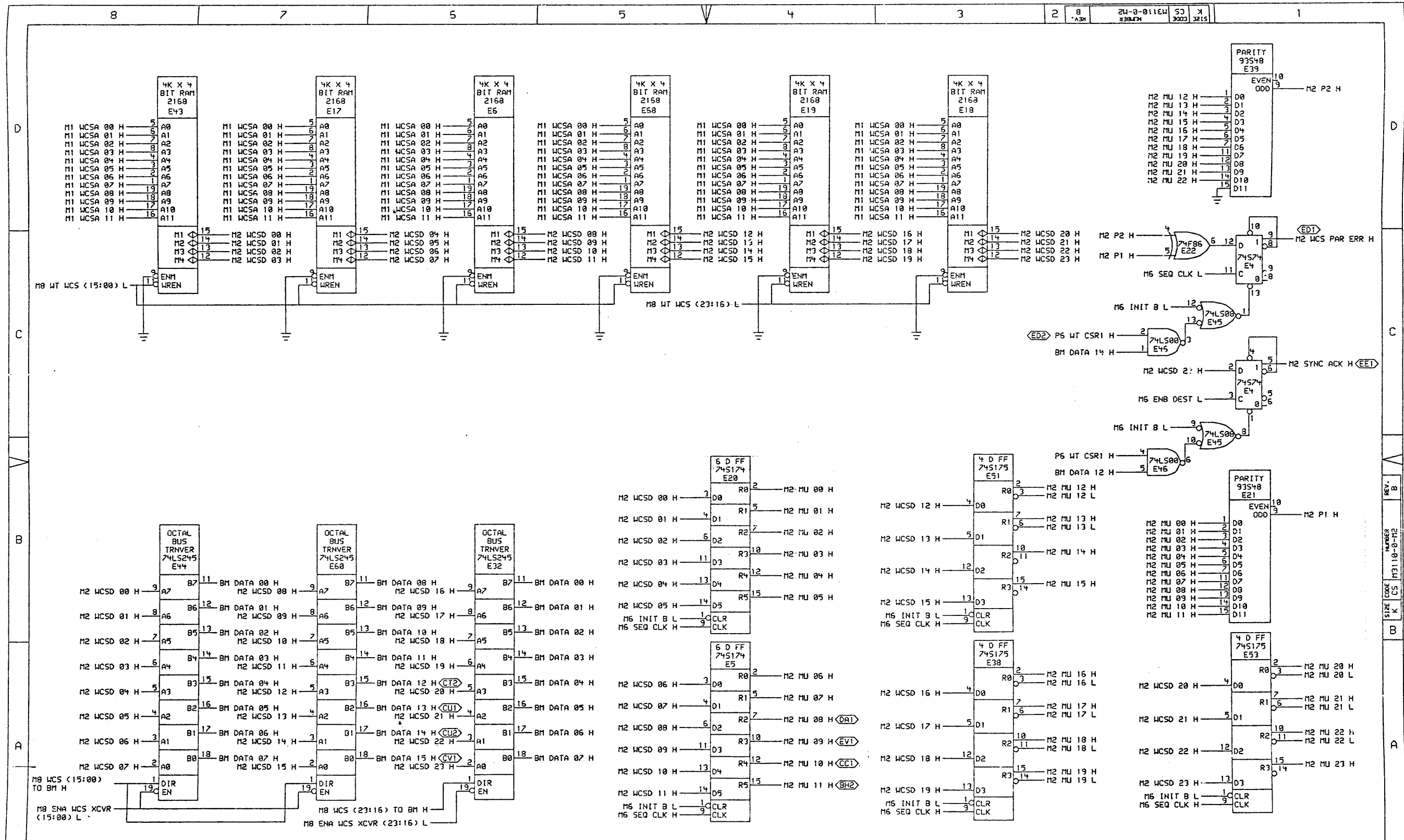
LINE ITEM	TOP DOCUMENT	PART NUMBER	MIN REV DESCRIPTION	QTY PER VARIATION	REFERENCE DESIGNATOR
				00	
				VARIATION REVISION LEVEL:	
30	23	1912805-00	LS08 AND GATE-QUAD 2IN,PO	2	E45,E73
31	43	1912808-00	LS11 AND GATE-TRIPLE 3IN	1	E129
32	44	1912813-00	LS27 NOR GATE-TRIPLE 3IN	1	E132
33	30	1912824-00	LS74 FF-D DUAL,EDGE TRIGG	2	E58,E63
34	45	1912833-00	LS109 FF-JK DUAL,POS EDGE	1	E140
35	31	1912871-00	LS375 LATCH	1	E64
36	34	1913245-00	2901 BIPOLAR MICROPROCESSO	2	E71,E72
37	6	1913340-00	74S32 OR GATE-QUAD 2IN	5	E10,E36,E87,E104,E145
38	14	1913462-00	74S240 OCTAL BUFFER,INVERTI	3	E27,E29,E41
39	26	1913670-00	74S373 LATCH,8BIT TRANS TRI	2	E50,E62
40	41	1913671-00	74S374 FF-D,OCTAL,TRI STATE	2	E115,E116
41	1	1913939-00	LS191 COUNTER,SYNCHR. UP/D	9	E1,E2,E3,E14,E15,E16,E141,E142, E143
42	22	1914085-00	74S260 NOR GATE-DUAL,POS	6	E40,E57,E84,E100,E147,E151
43	15	1914214-00	LS374 FF-D OCTAL EDGE TRIG	6	E28,E30,E42,E59,E61,E70
44	9	1914866-00	AM 93S48PCGEN/CHECK PARITY, 4B	2	E21,E39
45	19	1915193-00	LS244 DRIVER,LINE,OCTAL,T	3	E35,E47,E114
46	17	1915218-00	LS245 TRANSCEIVER,BUS,OCT	3	E32,E44,E60
47	18	1915932-00	LS125 BUFFER,QUAD BUS	1	E33
48	5	1916680-01	2911A MICROPROGRAM SEQUENC	3	E7,E8,E9
49	51	2114523-00	4K MOS RAM 55NS 18PIN	8	E153-E160
50	4	2119250-00	4KX4 STATIC RAM 55NS	6	E6,E17,E18,E19,E43,E68
51	25	23083B1-00	B1-01	1	E49
52	16	23065D2-00	D2-01	1	E31
53	54	9009000-00	EYELET,ROLLED 0.1210DX0.156	12	
54	57	1215006-05	SKT,IC 22PIN DIP TIN GOLD	1	XE31
55	58	1914086-00	74S30 NAND GATE-POS 8IN	1	E164
56	59	1921315-01	74F86 EXCLUSIVE OR GATE,QU	1	E22
57	60	2114523-03	2147H-1 4K MOS RAM 35NS 18	1	E161
58	61	1921332-01	74F280 PARITY GEN/CHECK,9-B	1	E67
59	62	9105740-55	WIRE(WRAP) 30AWG KYNAR LUL14	A/R	

CONT

D	I	G	I	T	A	L	TITLE	SECTION A OF A	SIZE	CODE	DOCUMENT NUMBER	REV
							PROTOCOL ASSIST MICRO PROC		K	PL	M3110-0-DBP	E



DRN.	DATE	ENG.	DATE	TITLE:
CHK'D.	02-NOV-82			PROTOCOL ASSIST
		BOARD LOCATION:	AF6	MICROPROCESSOR
DSKD: <<COOKE>HI.DRW	02-NOV-82 09:22	NEXT HIGHER ASSEMBLY:		NUMBER
FIRST USED ON OPTION/MODEL:	DECSA	D-UA-M3110-0-0		REV.
				A

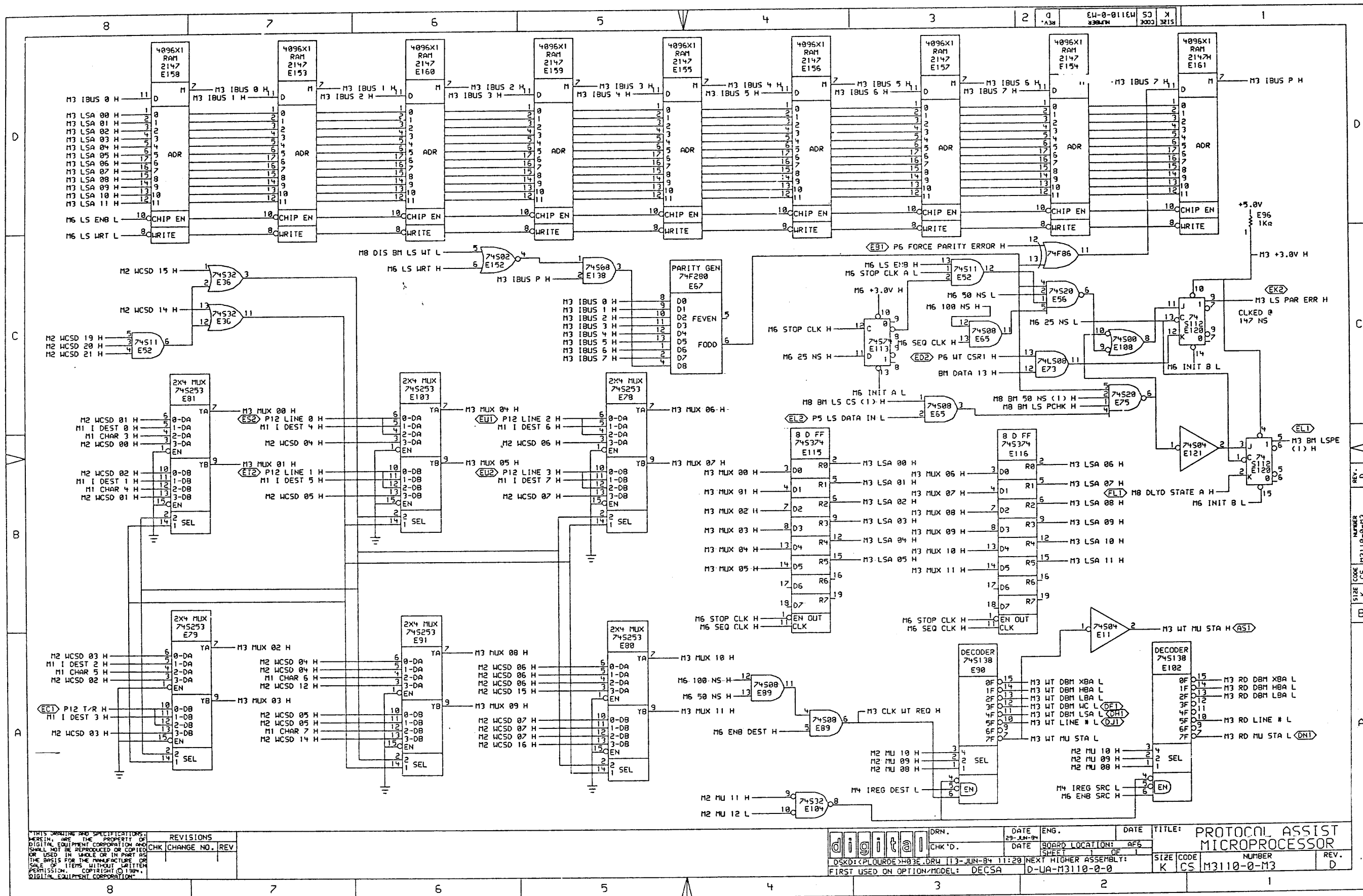


THIS DRAWING AND SPECIFICATIONS HEREIN ARE THE PROPERTY OF DIGITAL EQUIPMENT CORPORATION AND SHALL NOT BE REPRODUCED OR COPIED OR USED IN WHOLE OR IN PART AS THE BASIS FOR THE MANUFACTURE OR SALE OF ITEMS WITHOUT WRITTEN PERMISSION. COPYRIGHT © 1984, DIGITAL EQUIPMENT CORPORATION.

REVISIONS		
CHK	CHANGE NO.	REV

	DRN.	DATE	ENG.	DATE	TITLE:
	CHK'D.	17-MAR-84	AF6	11-03	PROTOCOL ASSIST MICROPROCESSOR
DSKD: (PLOURD)H2.DRW 24-MAR-84 11:03 NEXT HIGHER ASSEMBLY:		SHEET 1 OF 1		SIZE	CODE
FIRST USED ON OPTION/MODEL: DECSA		D-UA-M3110-0-0		NUMBER	REV.
				K, CS	B

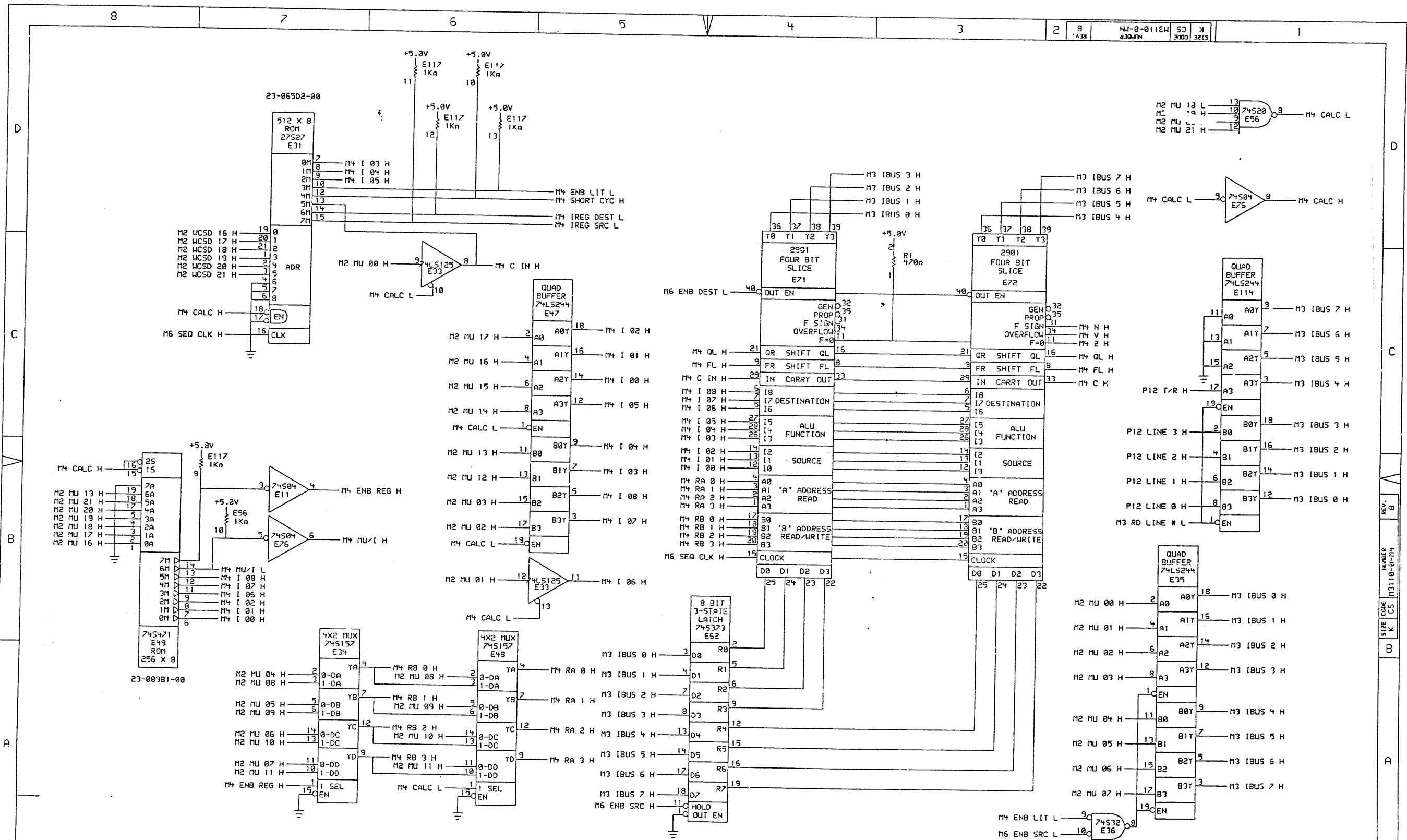
REV. B
NUMBER M3110-0-M2
SIZE K
CODE CS



THIS DRAWING AND SPECIFICATIONS ARE THE PROPERTY OF DIGITAL EQUIPMENT CORPORATION AND SHALL NOT BE REPRODUCED OR COPIED OR USED IN WHOLE OR IN PART AS THE BASIS FOR THE MANUFACTURE OR SALE OF ITEMS WITHOUT WRITTEN PERMISSION. COPYRIGHT © 1984, DIGITAL EQUIPMENT CORPORATION.

CHK	CHANGE NO.	REV

	DRN.	DATE	ENG.	DATE	TITLE:
	CHK'D.	29-JUN-84	AF6		PROTOCOL ASSIST MICROPROCESSOR
DSKD: C:\PL\DRIVE\403E.DRW 113-JUN-84 11:20 NEXT HIGHER ASSEMBLY:					SIZE CODE K CS M3110-0-M3
FIRST USED ON OPTION/MODEL: DEC5A 0-UA-M3110-0-0					NUMBER 1
					REV. D

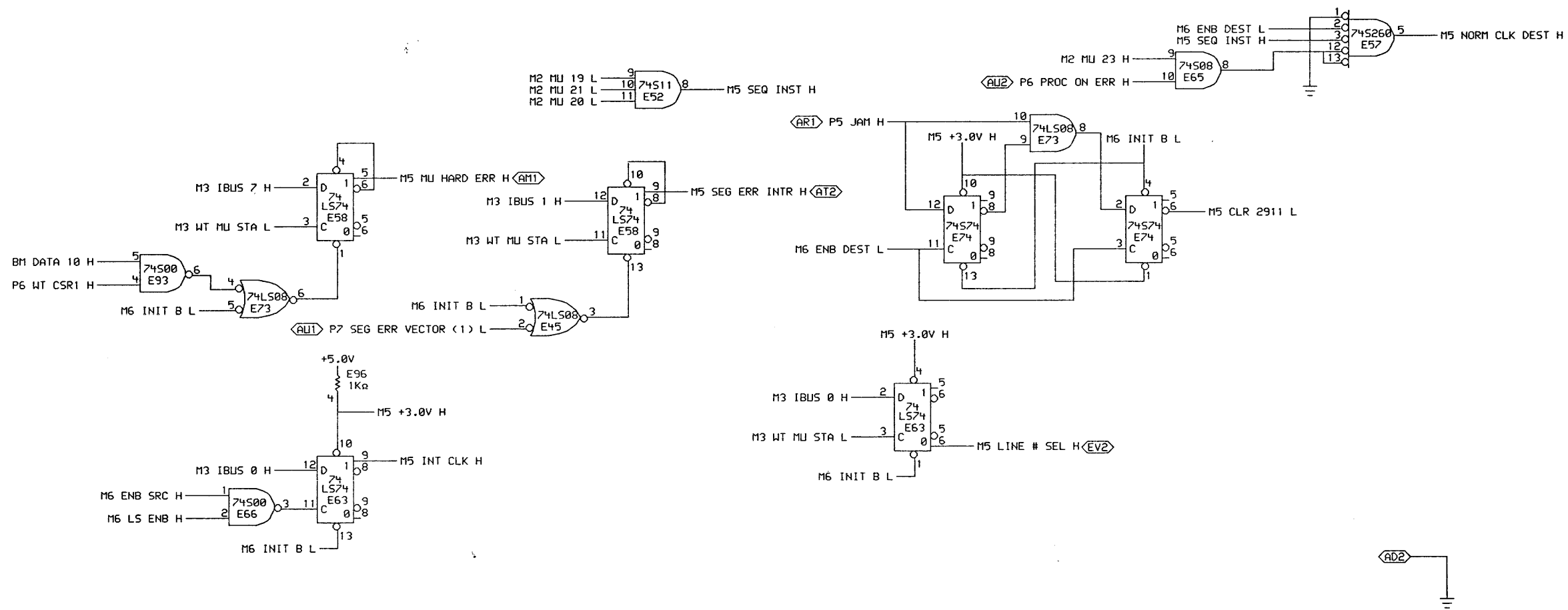


REV	CHG	NO.	REV
1	1	1	1

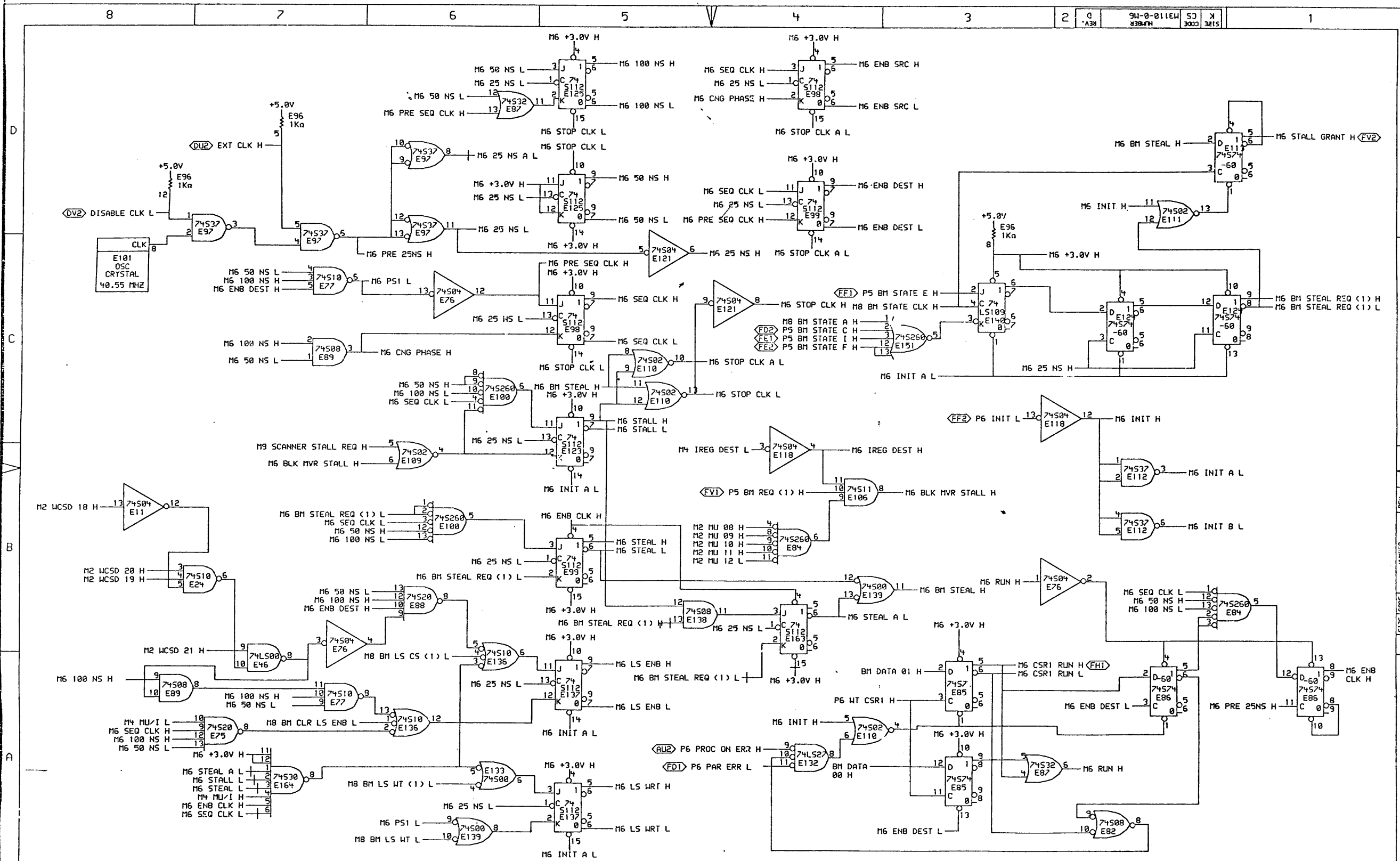
digital	DRN.	DATE	ENG.	DATE	TITLE:
	CHK'D.	10-AUG-84			PROTOCOL ASSIST
					MICROPROCESSOR
XTRA: <DENSMORE>H4.DRW 10-AUG-84 07:01			NEXT HIGHER ASSEMBLY:		SIZE CODE
FIRST USED ON OPTION/MODEL: DECSA			D-UA-M3110-0-0		K CS
				NUMBER	REV.
				M3110-0-M4	B

DENSMORE, XTRA: <DENSMORE>H4.DPL.1, SCALE 1, "D" RELEASE BOX, SIGNED OFF

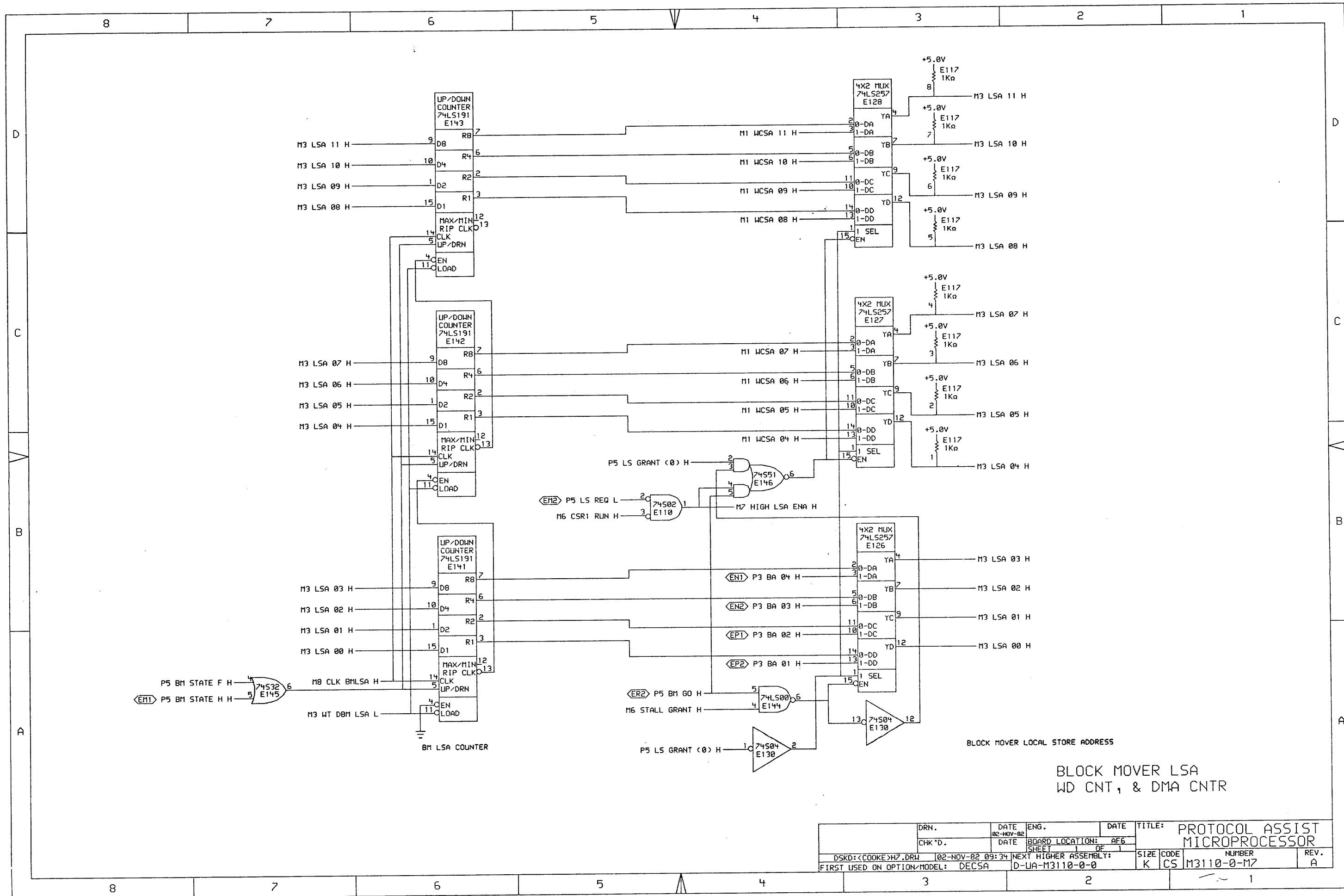
MK0



DRN.	DATE	ENG.	DATE	TITLE:
CHK'D.	DATE	BOARD LOCATION:	AF6	PROTOCOL ASSIST
DSKD: <COOKE>H5.DRW	02-NOV-82 09:31	NEXT HIGHER ASSEMBLY:		MICROPROCESSOR
FIRST USED ON OPTION/MODEL:	DECSA	D-UA-M3110-0-0	SIZE	CODE
			K	CS
			NUMBER	REV.
			M3110-0-M5	A

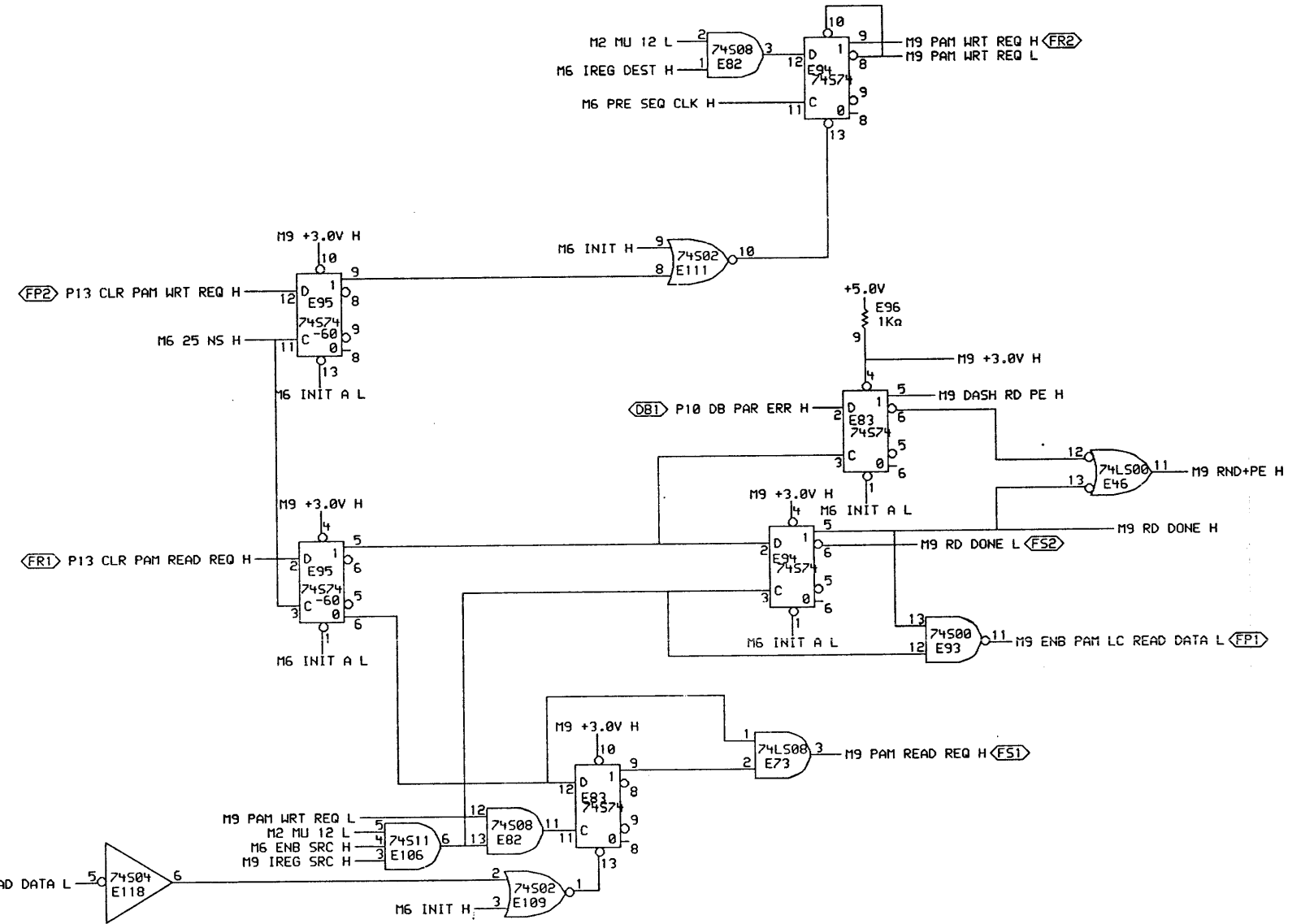
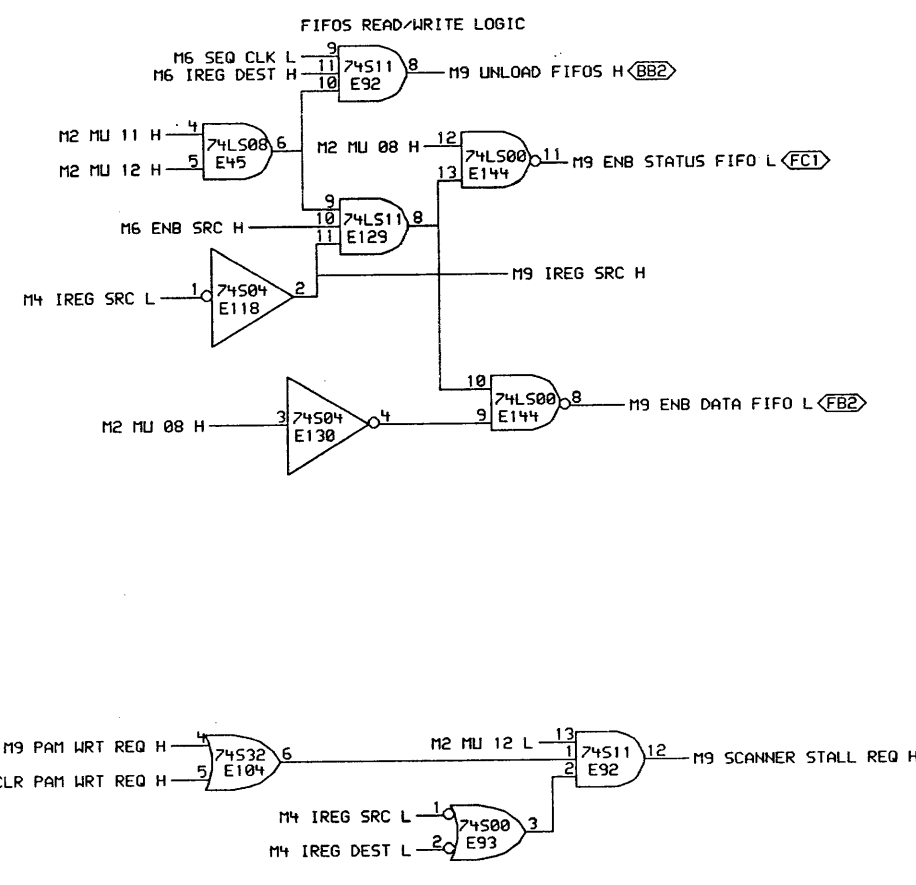


digital	DRN. FLOWRDE CHK'D.	DATE 18-SEP-87	ENG. M. LAWRENCE	DATE 9/13/84	TITLE: PROTOCOL ASSIST MICROPROCESSOR
XTRA: CEN:SHORE:DRW 18-SEP-87 10:36 NEXT HIGHER ASSEMBLY:		DATE	BOARD LOCATION: REF5	SHEET 1 OF	SIZE CODE NUMBER
FIRST USED ON OPTION/MODEL: DECSA		D-UA-M3110-0-0		K CS M3110-0-M6	REV. D

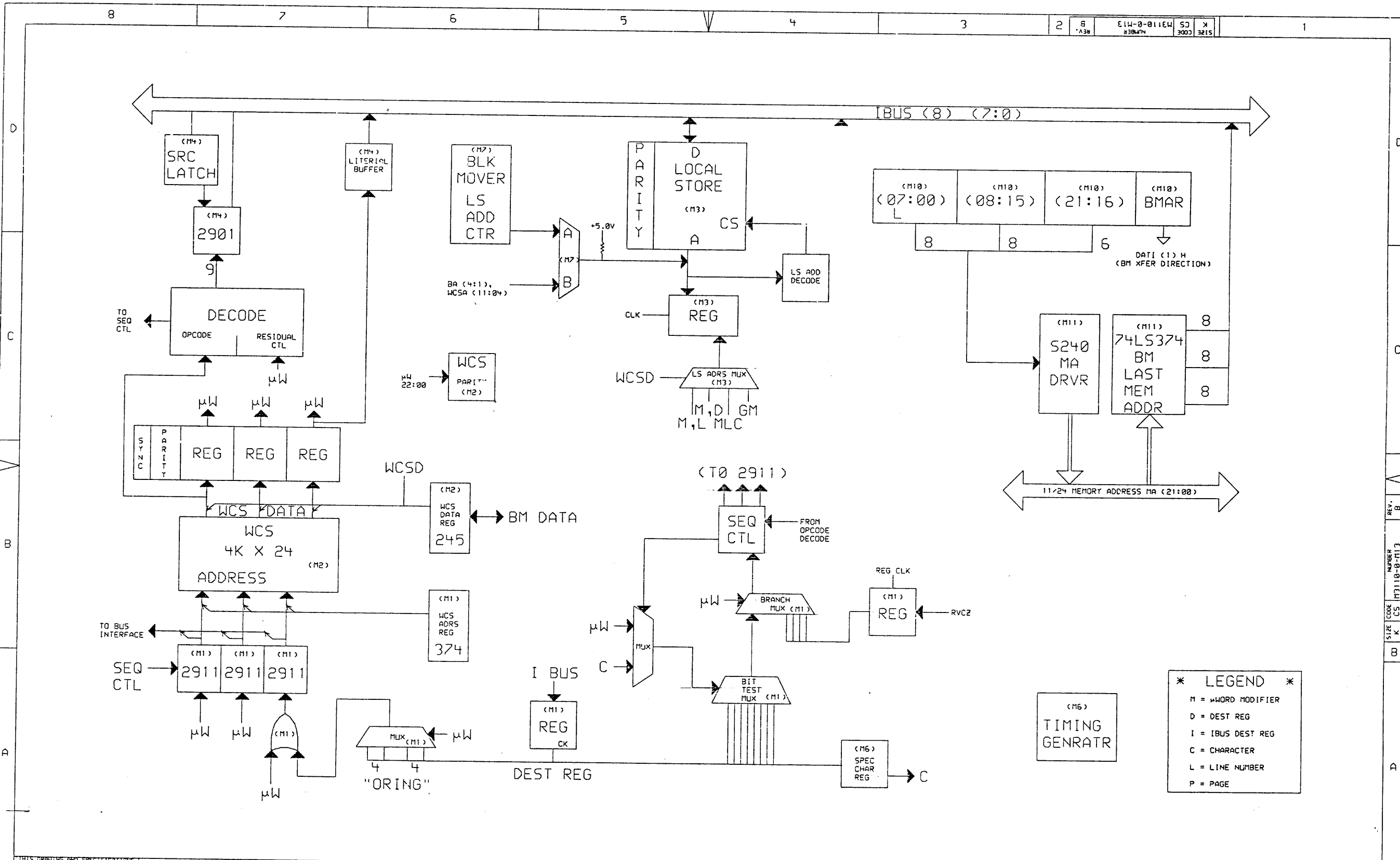


BLOCK MOVER LOCAL STORE ADDRESS
 BLOCK MOVER LSA
 WD CNT, & DMA CNTR

DRN.	DATE	ENG.	DATE	TITLE:
CHK'D.	DATE	BOARD LOCATION:	AF6	PROTOCOL ASSIST
DSKD: <COOKE>H7.DRW	02-NOV-82 09:34	NEXT HIGHER ASSEMBLY:		MICROPROCESSOR
FIRST USED ON OPTION/MODEL:	DECSA	D-UA-M3110-0-0	SIZE CODE	NUMBER
			K CS	M3110-0-M7
				REV. A



DRN.	DATE	ENG.	DATE	TITLE:
CHK'D.	DATE	BOARD LOCATION:	AF6	PROTOCOL ASSIST
DSKD: <COOKE>M9.DRW 102-NOV-82 09:35				NUMBER
FIRST USED ON OPTION/MODEL: DECSA				REV.
NEXT HIGHER ASSEMBLY: D-UA-M3110-0-0				A
SIZE	CODE	NUMBER		
K	CS	M3110-0-M9		



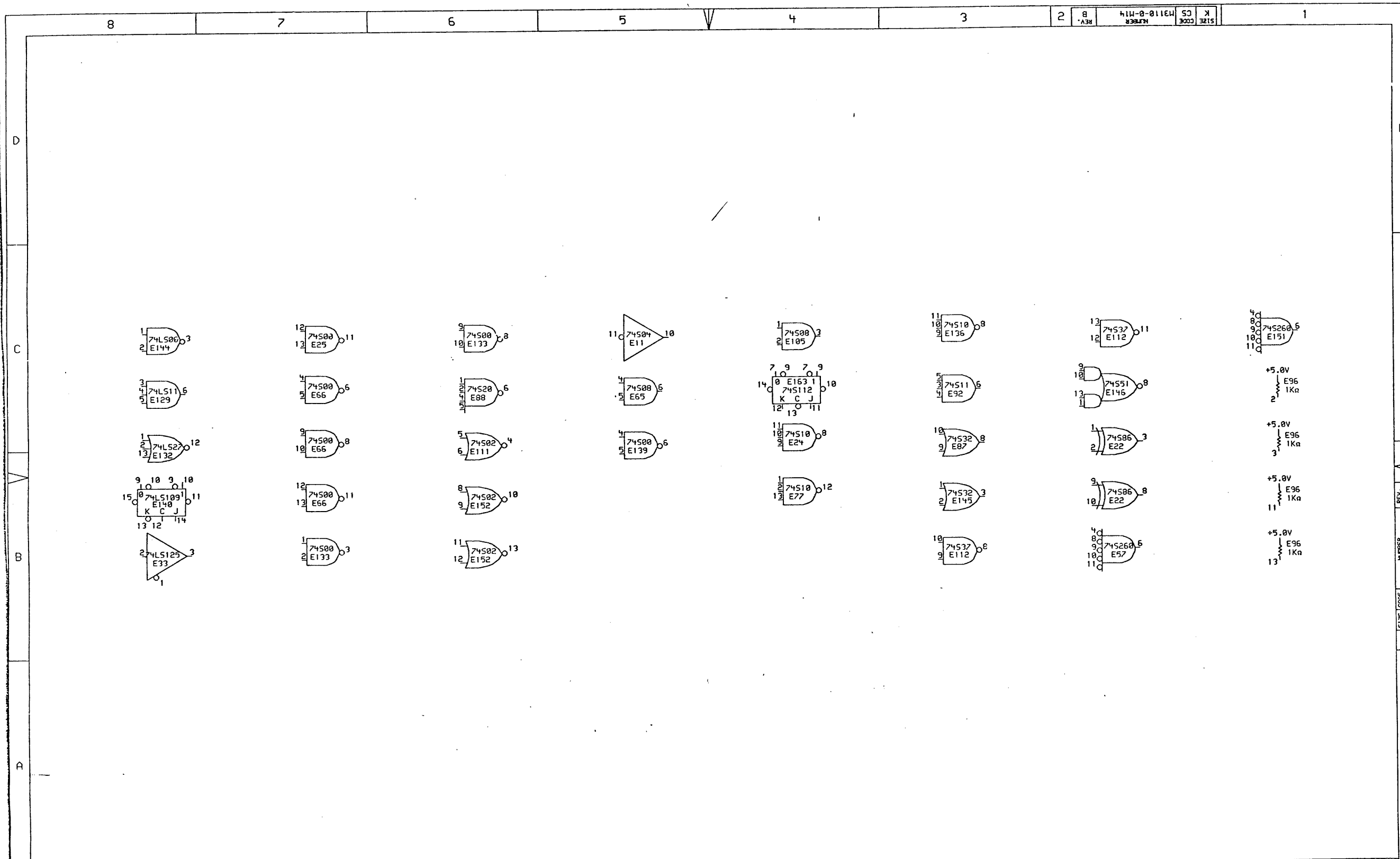
* LEGEND *

- M = WORD MODIFIER
- D = DEST REG
- I = IBUS DEST REG
- C = CHARACTER
- L = LINE NUMBER
- P = PAGE

THIS DRAWING AND SPECIFICATIONS ARE THE PROPERTY OF DIGITAL EQUIPMENT CORPORATION AND SHALL NOT BE REPRODUCED OR COPIED OR USED IN WHOLE OR IN PART AS THE BASIS FOR THE MANUFACTURE OR SALE OF ITEMS WITHOUT WRITTEN PERMISSION. COPYRIGHT © 1980, DIGITAL EQUIPMENT CORPORATION.

REVISIONS	
CHK	CHANGE NO. REV

digital	DRN. R. DAME	DATE 16-JAN-81	ENG.	DATE	TITLE: PROTOCOL ASSIST MICROPROCESSOR
	CHK'D.				
DSKD: <PLOURDE>M13.DRW 105-DEC-83 11:05		NEXT HIGHER ASSEMBLY:		SIZE CODE NUMBER	REV.
FIRST USED ON OPTION/MODEL: DECSA		D-UA-M3110-0-0		K CS M3110-0-M13	B



THIS DRAWING AND SPECIFICATIONS ARE THE PROPERTY OF DIGITAL EQUIPMENT CORPORATION AND SHALL NOT BE REPRODUCED OR COPIED OR USED IN WHOLE OR IN PART AS THE BASIS FOR THE MANUFACTURE OR SALE OF ITEMS WITHOUT WRITTEN PERMISSION. COPYRIGHT © 1984 DIGITAL EQUIPMENT CORPORATION.		<table border="1"> <thead> <tr> <th colspan="2">REVISIONS</th> </tr> <tr> <th>CHK</th> <th>CHANGE NO. REV</th> </tr> </thead> <tbody> <tr> <td>M3110-MY6</td> <td>B</td> </tr> </tbody> </table>		REVISIONS		CHK	CHANGE NO. REV	M3110-MY6	B	<table border="1"> <tr> <td>DRN.</td> <td>CAMP</td> <td>DATE</td> <td>ENG.</td> <td>DATE</td> </tr> <tr> <td></td> <td></td> <td>18-SEP-84</td> <td>L. LAWRENCE</td> <td></td> </tr> <tr> <td>CHK'D.</td> <td></td> <td>DATE</td> <td>BOARD LOCATION</td> <td>AF5</td> </tr> <tr> <td></td> <td></td> <td></td> <td>SHEET</td> <td>1 OF 1</td> </tr> </table>		DRN.	CAMP	DATE	ENG.	DATE			18-SEP-84	L. LAWRENCE		CHK'D.		DATE	BOARD LOCATION	AF5				SHEET	1 OF 1	<table border="1"> <tr> <td colspan="2">TITLE: PROTOCOL ASSIST MICROPROCESSOR</td> </tr> <tr> <td>SIZE</td> <td>CODE</td> </tr> <tr> <td>K</td> <td>CS</td> </tr> <tr> <td>NUMBER</td> <td>REV.</td> </tr> <tr> <td>M3110-0-M14</td> <td>B</td> </tr> </table>		TITLE: PROTOCOL ASSIST MICROPROCESSOR		SIZE	CODE	K	CS	NUMBER	REV.	M3110-0-M14	B
REVISIONS																																											
CHK	CHANGE NO. REV																																										
M3110-MY6	B																																										
DRN.	CAMP	DATE	ENG.	DATE																																							
		18-SEP-84	L. LAWRENCE																																								
CHK'D.		DATE	BOARD LOCATION	AF5																																							
			SHEET	1 OF 1																																							
TITLE: PROTOCOL ASSIST MICROPROCESSOR																																											
SIZE	CODE																																										
K	CS																																										
NUMBER	REV.																																										
M3110-0-M14	B																																										
FIRST USED ON OPTION/MODEL: DECSA		NEXT HIGHER ASSEMBLY: D-UA-M3110-0-0		MKO																																							

8 7 6 5 4 3 2 1

D C B A

REV. B

NUMBER M3110-0-M14

SIZE CODE CS K CS

B

A

THIS DRAWING AND THE SPECIFICATIONS CONTAINED HEREIN ARE CONFIDENTIAL AND PROPRIETARY. THEY ARE THE PROPERTY OF DIGITAL EQUIPMENT CORPORATION AND SHALL NOT BE REPRODUCED OR COPIED OR USED IN WHOLE OR IN PART AS THE BASIS FOR MANUFACTURING OR SALE OF ITEMS WITHOUT WRITTEN PERMISSION. THIS IS AN UNPUBLISHED WORK PROTECTED UNDER THE FEDERAL COPYRIGHT LAWS.

DRAWING DIRECTORY

ITEM	DRAWING NO.	NO. OF SHTS	PART NO.	DESCRIPTION	TYPE	REVISIONS																
						C1	D1	D2	E2	F2	F3	H3	J	K	L	M						
1			M3111-00																			
2	D-UA-M3111-0-0	2		PROTOCOL ASSIST BM SCANNER	A	B	C	C	D	E	F	H	J									
3	K-PL-M3111-0-0	2		PROTOCOL ASSIST BM SCANNER	A	B	B	C	D	E	F	H	J									
4	D-EC-5014979-0-0	2		ETCH CUT DRAWING	A	B	C	C	D	E	F	H	J									
5	D-MD-5014979-0-0	5		DRILL & ETCH DRAWING	A	A	A	A	B	B	B	C	C									
6			5014979-00	ETCHED BOARD	C	C	C	C	D1	D1	D1	E1	E1									
7	K-CS-M3111-0-P1	1		PROTOCOL ASSIST BM SCANNER	A	A	A	A	A	A	A	B	B									
8	K-CS-M3111-0-P2	1		PROTOCOL ASSIST BM SCANNER	A	A	A	A	A	A	B	B	B									
9	K-CS-M3111-0-P3	1		PROTOCOL ASSIST BM SCANNER	A	A	A	A	A	A	B	C	C									
10	K-CS-M3111-0-P4	1		PROTOCOL ASSIST BM SCANNER	A	A	A	A	A	B	B	C	C									
11	K-CS-M3111-0-P5	1		PROTOCOL ASSIST BM SCANNER	A	A	A	A	A	A	A	B	B									
12	K-CS-M3111-0-P6	1		PROTOCOL ASSIST BM SCANNER	A	A	A	A	A	A	A	B	B									
13	K-CS-M3111-0-P7	1		PROTOCOL ASSIST BM SCANNER	A	A	A	A	B	B	B	C	C									
14	K-CS-M3111-0-P8	1		PROTOCOL ASSIST BM SCANNER	A	A	A	A	A	A	A	A	A									
15	K-CS-M3111-0-P9	1		PROTOCOL ASSIST BM SCANNER	A	A	A	A	A	A	A	B	C									
16	K-CS-M3111-0-P10	1		PROTOCOL ASSIST BM SCANNER	A	A	A	A	A	A	A	A	A									
17	K-CS-M3111-0-P11	1		PROTOCOL ASSIST BM SCANNER	A	A	B	B	B	B	B	B	C	D								
18	K-CS-M3111-0-P12	1		PROTOCOL ASSIST BM SCANNER	A	A	B	B	C	C	D	D	E									
19	K-CS-M3111-0-P13	1		PROTOCOL ASSIST BM SCANNER	A	B	B	B	B	B	B	B	C	C								
20	K-CS-M3111-0-P14	1		PROTOCOL ASSIST BM SCANNER	A	A	B	B	B	B	B	B	B	B								
21	K-CS-M3111-0-P15	1		PROTOCOL ASSIST BM SCANNER	A	A	B	B	B	B	B	B	B	B								
22	K-CS-M3111-0-P16	1		PROTOCOL ASSIST BM SCANNER	A	A	A	A	A	A	A	A	A	A								
23	K-CS-M3111-0-P17	1		PROTOCOL ASSIST BM SCANNER	A	A	B	B	B	B	B	B	B	B								
24	K-CS-M3111-0-P18	1		PROTOCOL ASSIST BM SCANNER	A	A	B	B	B	B	B	B	B	B								
25	K-CS-M3111-0-P19	1		PROTOCOL ASSIST BM SCANNER	A	A	A	A	A	A	A	A	A	A								

NOTES:	DD																						
	REV	A	B	C	D	E	F	H	J	K													

REVISION HISTORY			CONT. REVISION HISTORY			MADE BY: T. F. WALSH						
ENG	ECO NUMBER	REV	ENG	ECO NUMBER	REV	DATE: 19 OCT 82	d i g i t a l					
JF	INITIAL	A				CHECKED BY: T. F. WALSH						
	M3111-TW001	B				DATE: 22 OCT 82	16-JULY-85					
	M3111-TW002	C				DESIGN ENGINEER: J. BUZYNSKI						
	M3111-TW003	D				DATE: 22 OCT 82	J.C. Tremblay					
	M3111-TW004	E					16-JULY-85					
ML	M3111-MK005	F				RESPONSIBLE ENG: J. BUZYNSKI						
ML	M3111-MK006	H				DATE: 22 OCT 82	J.C. Tremblay					
ML	M3111-MK007	J					16-JULY-85					
ML	M3111-MK008	K				PRODUCTION ENG: W. S. ASHTON						
						DATE: 22 OCT 82	SIZE	CODE	DOCUMENT NUMBER	REV.		
							K	DD	M3111-0-0	K		
							SHEET 1 OF 4		MKO			

THIS DRAWING AND THE SPECIFICATIONS CONTAINED HEREIN ARE CONFIDENTIAL AND PROPRIETARY. THEY ARE THE PROPERTY OF DIGITAL EQUIPMENT CORPORATION AND SHALL NOT BE REPRODUCED OR COPIED OR USED IN WHOLE OR IN PART AS THE BASIS FOR MANUFACTURING OR SALE OF ITEMS WITHOUT WRITTEN PERMISSION. THIS IS AN UNPUBLISHED WORK PROTECTED UNDER THE FEDERAL COPYRIGHT LAWS.

DRAWING DIRECTORY

ITEM	DRAWING NO.	NO. OF SHTS	PART NO.	DESCRIPTION	TYPE	REVISIONS											
						A	B	C	D	E	F	G	H	I	J	K	
26	K-CS-M3111-0-P20	1		PROTOCOL ASSIST BM SCANNER		A	A	A	A	A	A	A	A	A	A		
27	K-CS-M3111-0-P21	1		PROTOCOL ASSIST BM SCANNER		A	A	A	A	A	A	A	A	A	A		
28	K-CS-M3111-0-P22	1		PROTOCOL ASSIST BM SCANNER		A	A	B	B	B	B	B	B	B	B		
29	K-PC-M3111-0-DBI	-		PC DATA BASE		A	A	A	A	B	B	B	C	C			
30	K-CS-M3111-0-DBS	-		CS DATA BASE		A	B	C	C	D	E	F	H	J			
31	K-CS-M3111-0-P23	1		PROTOCOL ASSIST BM SCANNER		-	-	-	-	A	A	A	B	B			

NOTES:

DD	A	B	C	D	E	F	H	J	K
REV									

REVISION HISTORY			CONT. REVISION HISTORY			MADE BY:	d i g i t a l	
ENG	ECO NUMBER	REV	ENG	ECO NUMBER	REV	DATE:		
						CHECKED BY:	TITLE	
						DATE:	DRAWING DIRECTORY	
						DESIGN ENGINEER:	PROTOCOL ASSIST BM SCANNER	
						DATE:		
						RESPONSIBLE ENG:		
						DATE:		
						PRODUCTION ENG:	SIZE CODE DOCUMENT NUMBER REV.	
						DATE:	K DD M3111-0-0 K	
							SHEET 2 OF 4	MKO

THIS DRAWING AND THE SPECIFICATIONS CONTAINED HEREIN ARE CONFIDENTIAL AND PROPRIETARY. THEY ARE THE PROPERTY OF DIGITAL EQUIPMENT CORPORATION AND SHALL NOT BE REPRODUCED OR COPIED OR USED IN WHOLE OR IN PART AS THE BASIS FOR MANUFACTURING OR SALE OF ITEMS WITHOUT WRITTEN PERMISSION. THIS IS AN UNPUBLISHED WORK PROTECTED UNDER THE FEDERAL COPYRIGHT LAWS.

DRAWING DIRECTORY

ITEM	DRAWING NO.	NO. OF SHTS	PART NO.	DESCRIPTION	TYPE	REVISIONS														
						1	2	3	4	5	6	7	8	9	10	11	12			
1			M3111-00			E1	F1	H1												
2	D-UA-M3111-0-0	2		PROTOCOL ASSIST BM SCANNER		C1	C2	C3												
3	K-PL-M3111-0-0	2		PROTOCOL ASSIST BM SCANNER		C1	C2	C3												
4	D-EC-5014979-0-0	3		ETCH CUT DRAWING		C1	C2	C3												
5	D-MD-5014979-0-0	5		DRILL & ETCH DRAWING		A	A	A												
6			5014979-00	ETCHED BOARD		C	C	C												

NOTES:

SHEET 3 FOR ETCHED BOARD REV C, "SPECIAL REVS"

DD
REV

H J K

REVISION HISTORY			CONT. REVISION HISTORY			MADE BY:	DIGITAL
ENG	ECO NUMBER	REV	ENG	ECO NUMBER	REV	DATE:	
						CHECKED BY:	
						DATE:	
						DESIGN ENGINEER:	
						DATE:	
						RESPONSIBLE ENG:	
						DATE:	
						PRODUCTION ENG:	
						DATE:	
TITLE							DRAWING DIRECTORY
SIZE							CODE
K							DD
DOCUMENT NUMBER							REV.
M3111-0-0							K
SHEET 3 OF 4							MKO

THIS DRAWING AND THE SPECIFICATIONS CONTAINED HEREIN ARE CONFIDENTIAL AND PROPRIETARY. THEY ARE THE PROPERTY OF DIGITAL EQUIPMENT CORPORATION AND SHALL NOT BE REPRODUCED OR COPIED OR USED IN WHOLE OR IN PART AS THE BASIS FOR MANUFACTURING OR SALE OF ITEMS WITHOUT WRITTEN PERMISSION. THIS IS AN UNPUBLISHED WORK PROTECTED UNDER THE FEDERAL COPYRIGHT LAWS.

DRAWING DIRECTORY

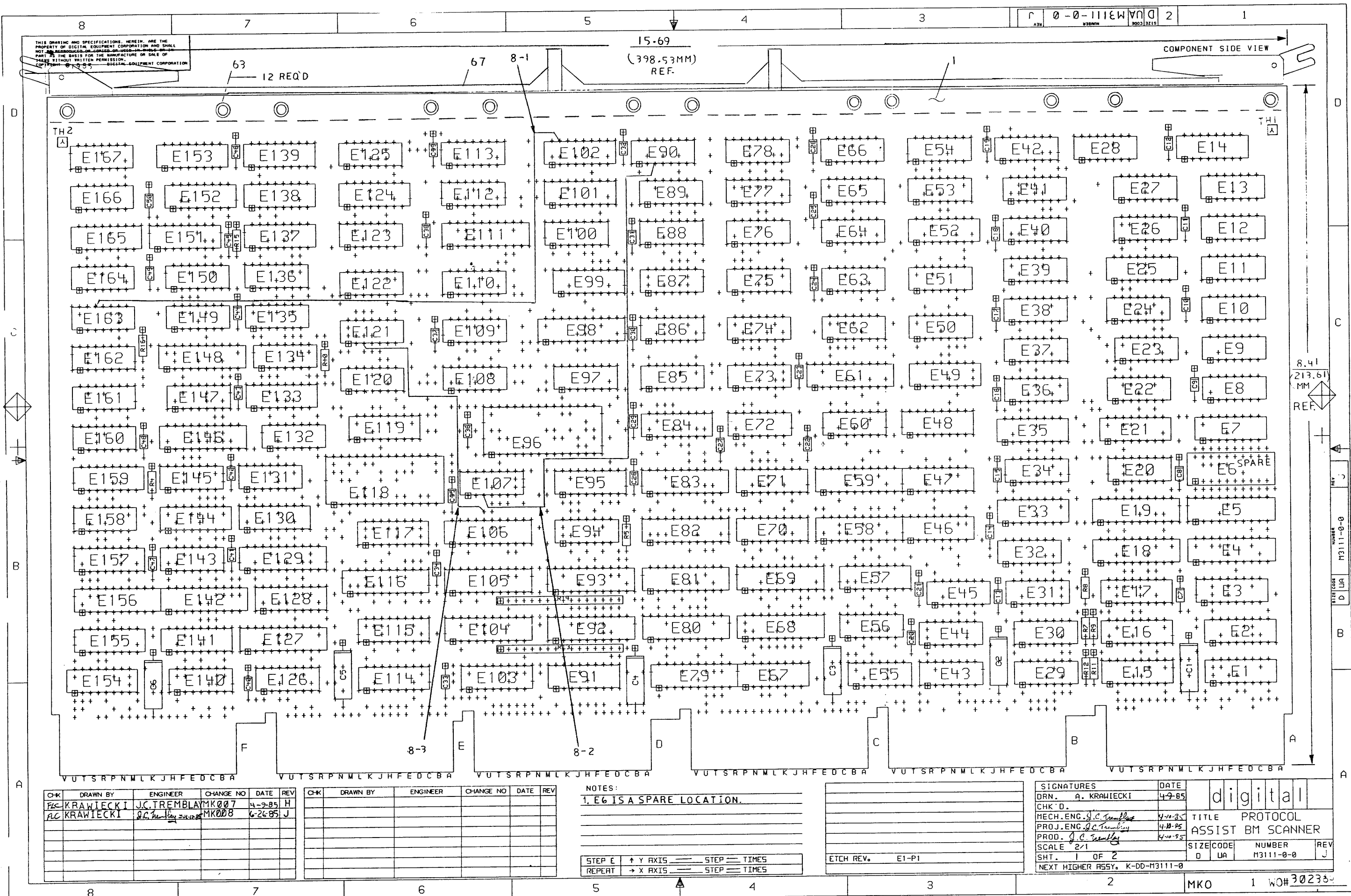
ITEM	DRAWING NO.	NO. OF SHTS	PART NO.	DESCRIPTION	TYPE	REVISIONS														
						1	2	3	4	5	6	7	8	9	10					
1			M3111-00		H2															
2	D-UA-M3111-0-0	2		PROTOCOL ASSIST BM SCANNER	F1															
3	K-PL-M3111-0-0	2		PROTOCOL ASSIST BM SCANNER	F1															
4	D-EC-5014979-0-0	3		ETCH CUT DRAWING	F1															
5	D-MD-5014979-0-0	5		DRILL & ETCH DRAWING	B															
6			5014979-00	ETCHED BOARD	D1															

NOTES:

SHEET 4 FOR ETCHED BOARD REV D1, "SPECIAL REVS"

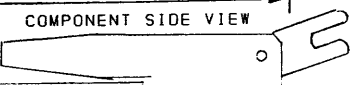
DD REV K

REVISION HISTORY			CONT. REVISION HISTORY			MADE BY: DATE:	DIGITAL
ENG	ECO NUMBER	REV	ENG	ECO NUMBER	REV		
						CHECKED BY: DATE:	TITLE DRAWING DIRECTORY
						DESIGN ENGINEER: DATE:	PROTOCOL ASSIST BM SCANNER
						RESPONSIBLE ENG: DATE:	
						PRODUCTION ENG: DATE:	SIZE CODE DOCUMENT NUMBER REV. K DD M3111-0-0 K
							SHEET 4 OF 4 MKO



THIS DRAWING AND SPECIFICATIONS, HEREIN, ARE THE PROPERTY OF DIGITAL EQUIPMENT CORPORATION AND SHALL NOT BE REPRODUCED OR COPIED OR USED IN ANY MANNER PART OR IN WHOLE FOR THE MANUFACTURE OR SALE OF TRADE WITHOUT WRITTEN PERMISSION. DIGITAL EQUIPMENT CORPORATION 0-0-1111-0

0-0-1111-0 2



8.41
213.61
MM
REF.

SIZE CODE
D UA
M3111-0-0

CHK	DRAWN BY	ENGINEER	CHANGE NO	DATE	REV
PC	KRAWIECKI	J.C. TREMBLAY	MK007	4-2-85	H
PC	KRAWIECKI	J.C. TREMBLAY	MK008	6-26-85	J

CHK	DRAWN BY	ENGINEER	CHANGE NO	DATE	REV

NOTES:
1. E6 IS A SPARE LOCATION.

STEP	E	↑ Y AXIS	STEP	TIMES
REPEAT	→ X AXIS	STEP	TIMES	

SIGNATURES	DATE
DRN. A. KRAWIECKI	4-2-85
CHK'D.	
MECH. ENG. J.C. Tremblay	4-2-85
PROJ. ENG. J.C. Tremblay	4-10-85
PROD. J.C. Tremblay	4-10-85

SCALE 2/1
SHT. 1 OF 2
NEXT HIGHER ASSY. K-DD-M3111-0

digital		TITLE	PROTOCOL
		ASSIST	BM SCANNER
SIZE CODE	D UA	NUMBER	M3111-0-0
REV	J		

MK0 1 W# 30233

THIS DRAWING AND THE SPECIFICATIONS CONTAINED HEREIN ARE CONFIDENTIAL AND PROPRIETARY. THEY ARE THE PROPERTY OF DIGITAL EQUIPMENT CORPORATION AND SHALL NOT BE REPRODUCED OR COPIED OR USED IN WHOLE OR IN PART AS THE BASIS FOR MANUFACTURE OR SALE OF ITEMS WITHOUT WRITTEN PERMISSION. THIS IS AN UNPUBLISHED WORK PROTECTED UNDER THE FEDERAL COPYRIGHT LAWS. 1985

REWORK INSTRUCTIONS M3111-MK008:

WIRE ADDS SIDE 1 (P/N 9105740 -55).

- 8-1 FROM E163-12 TO E102-15.
- 8-2 FROM E107-3 TO E90-3.
- 8-3 FROM PTH BELOW E107-3 TO E121-3.

REV 0-0-1111EWND

REV J
NUMBER M3111-0-0
SIZE CODE DUA

REVISION HISTORY		
REV	ECO NUMBER	DATE

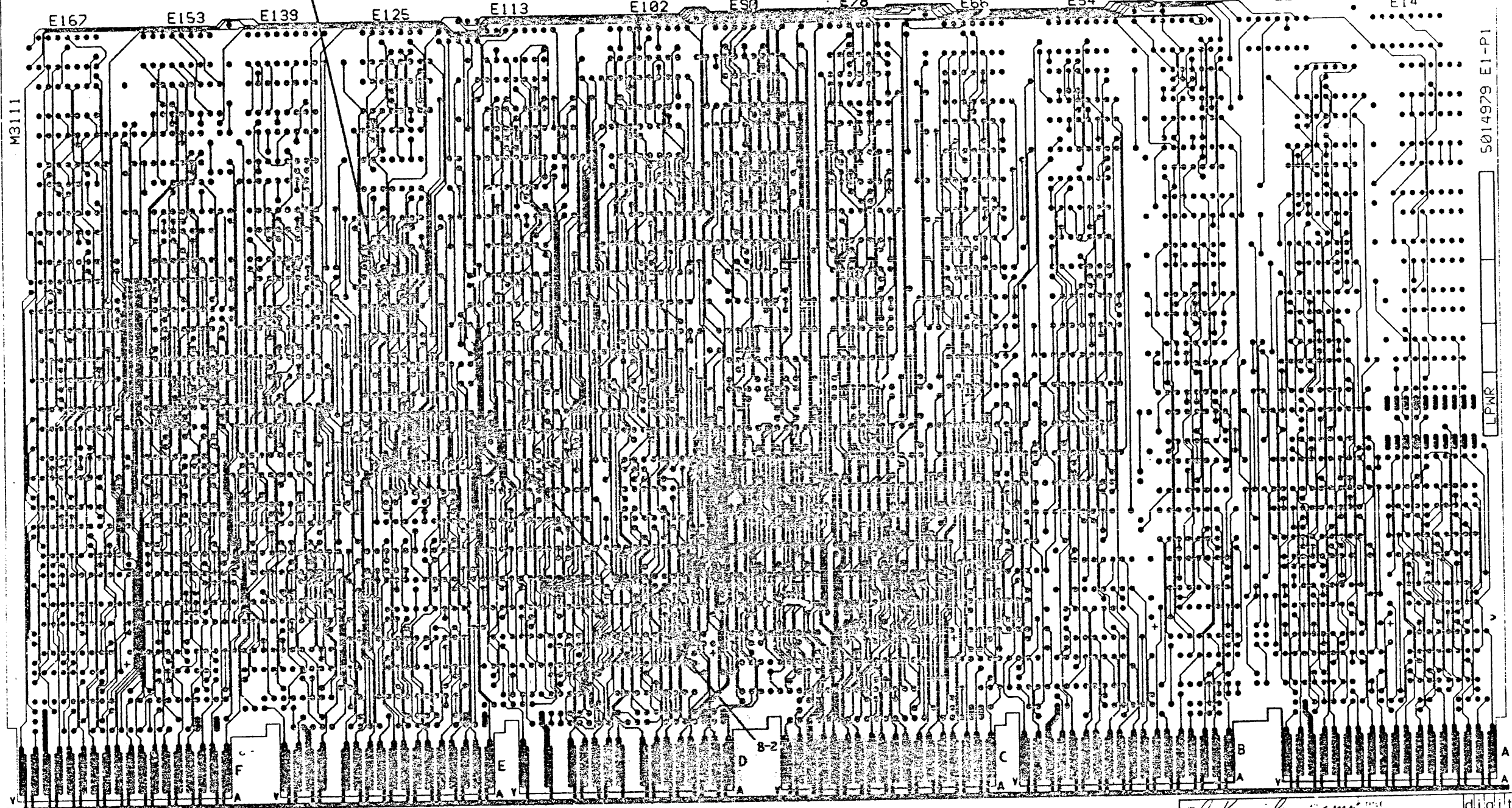
TITLE
PROTOCOL ASSIST
B.M. SCANNER

DOCUMENT NUMBER		
SIZE CODE	NUMBER	REV
DUA	M3111-0-0	J
SCALE NONE		SHEET 2 OF 2

DEC5014979-0-0

1985

CSXABCDEFGHIJKLMNPRS



5014979 E1-P1

REV	DATE	BY	CHKD
1			
2			
3			
4			
5			
6			
7			
8			

U. Krawiec 5-APR-85
 J. C. Taylor 10-APR-85
 J. C. Taylor 10-APR-85
 J. C. Taylor 10-APR-85
 M. L. Taylor 7-12-85
 K-DD-M3111-0 2/1 1 3
 MKO 1
 digital
 ETCH CUT DRAWING
 DEC 5014979-0-0 J

DEC5014979-0-0

8

D.E.C.5014979-0-0

0

0

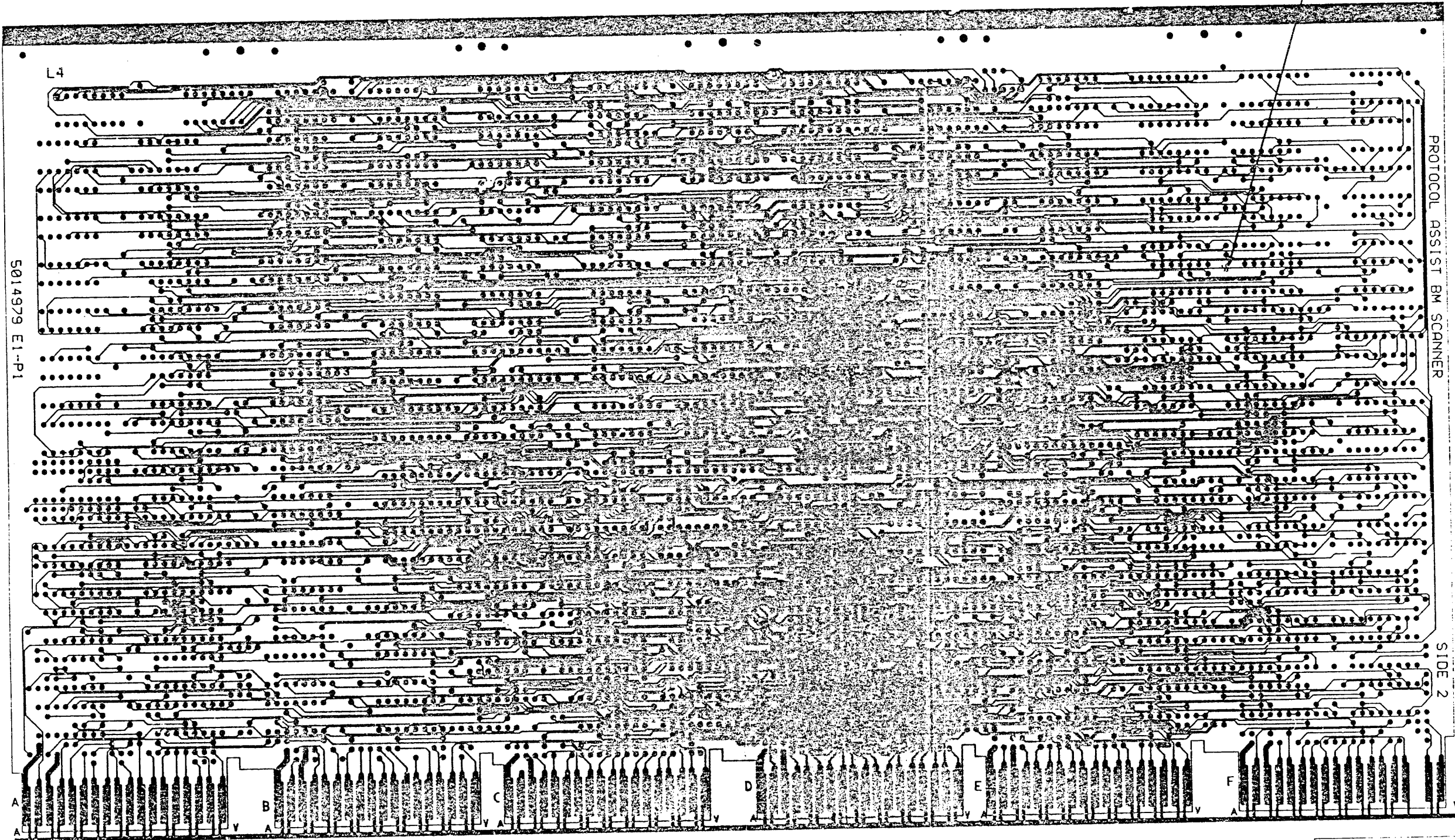
4

3

2

1985

8-3



L4

5014979 E1-P1

PROTOCOL ASSIST BM SCANNER

SIDE 2

D

C

B

A

D

C

B

A

8

7

6

5

4

3

2

MKO

1

ETCH CUT DRAWING

D.E.C.5014979-0-0 J

2/1

2

3

D.E.C.5014979-0-0

THIS DRAWING AND THE SPECIFICATIONS CONTAINED HEREIN ARE CONFIDENTIAL AND PROPRIETARY. THEY ARE THE PROPERTY OF DIGITAL EQUIPMENT CORPORATION AND SHALL NOT BE REPRODUCED OR COPIED OR USED IN WHOLE OR IN PART AS THE BASIS FOR MANUFACTURE OR SALE OF ITEMS WITHOUT WRITTEN PERMISSION. THIS IS AN UNPUBLISHED WORK PROTECTED UNDER THE FEDERAL COPYRIGHT LAWS. 1979

REV 0-0-6764105 DEC 5014979-0-0

REWORK INSTRUCTIONS M3111-MK008: (ETCH REV. E1-P1).

ETCH CUTS SIDE 1:

- 8-1 CUT ETCH BELOW E121-3 AS SHOWN. (ONE PLACE ONLY)
- 8-2 CUT ETCH AT E107-3.

ETCH CUTS SIDE 2:

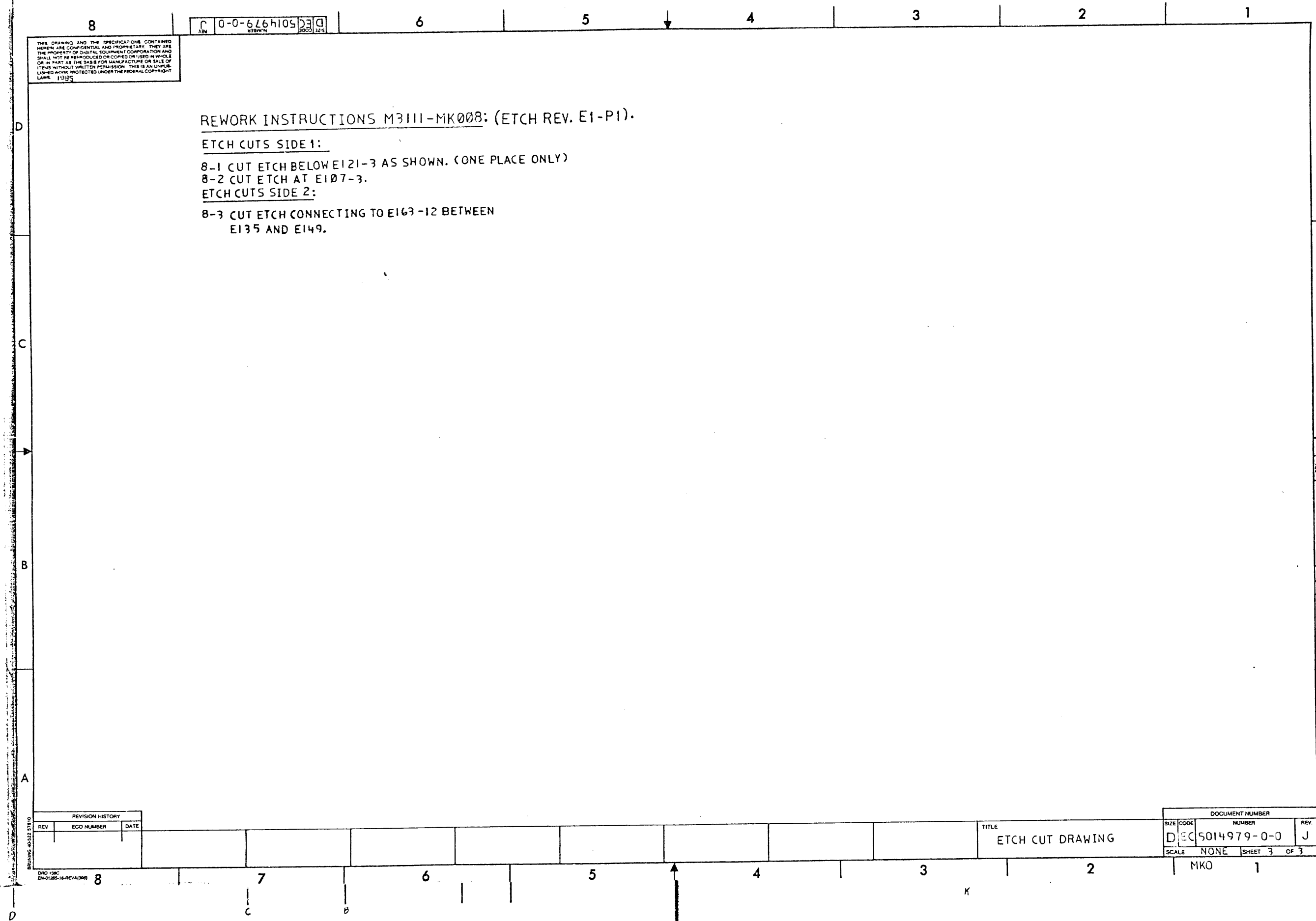
- 8-3 CUT ETCH CONNECTING TO E163-12 BETWEEN E135 AND E149.

REVISION HISTORY		
REV	ECO NUMBER	DATE

DWG 138C EN-01285-16-REV A (288)

DOCUMENT NUMBER			
SIZE	CODE	NUMBER	REV.
D	EC	5014979-0-0	J
SCALE		NONE	SHEET 3 OF 3

MKO 1



D
C
B
A
 REV 0-0-6764105 DEC 5014979-0-0 J
 D EC 5014979-0-0 J
 SCALE NONE SHEET 3 OF 3

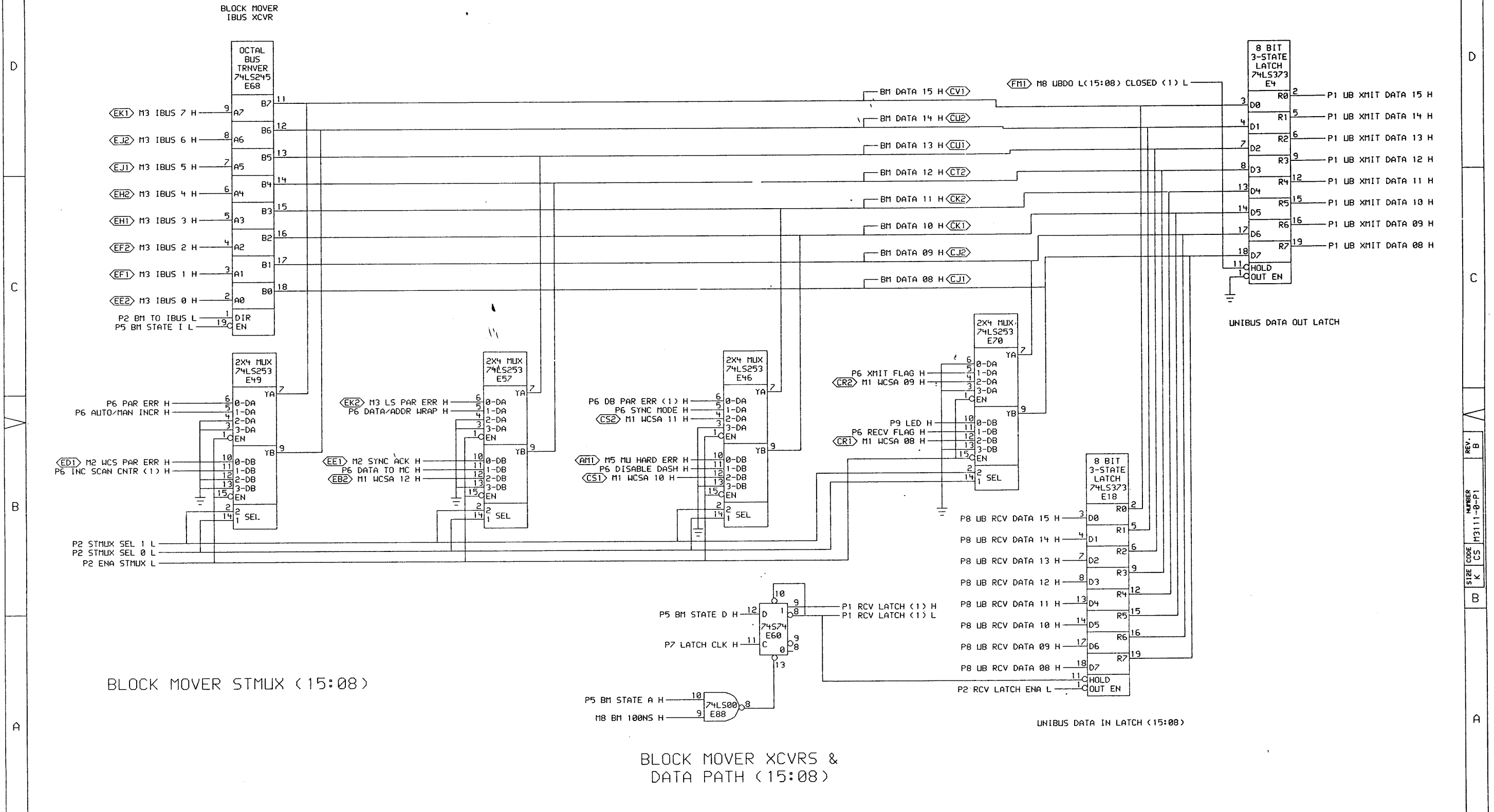
LINE	ITEM	TOP DOCUMENT	PART NUMBER	MIN REV	DESCRIPTION	QTY	PER VARIATION	REFERENCE DESIGNATOR
					VARIATION REVISION LEVEL:	00	A1	
1	1		5014979-00		DRILL AND ETCH PROTOCGL ASSIST	1		
2	65		1012784-00		.047 MFD 50V +80-20% CER	44		C7-C50
3	66		1017472-00		10 MFD 35V +75-10% AL EL	6		C1-C6
4	67		1216988-02		HANDLE,MODULE,HEX TWO EJECTORS	1		
5	61		1300309-00		390.0 .25 W 5.0 % CF	2		R8,R11
6	59		1300365-00		1.0 K .25 W 5.0 % CF	6		R4,R5,R9,R10,R15,R16
7	60		1301322-00		180.0 .25 W 5.0 % CF	2		R7,R12
8	68		1319037-00		R NETWORK 10-110 2.0 % 16PIN	2		R13,R14
9	4		1909705-00		DEC 8881 NAND GATE-QUAD 2IN O	1		E31
10	22		1910532-00		74500 NAND GATE-QUAD 2IN	7		E62,E66,E109,E125,E149,E90,E113
11	8		1910534-00		74S04 INVERTER GATE-HEX 1I	4		E38,E94,E110,E145
12	20		1910536-00		74S10 NAND GATE-TRIPLE 3IN	2		E37,E54
13	21		1910537-00		74S11 AND GATE-TRIPLE 3INP	2		E50,E77
14	16		1910542-00		74S64 A-D-I GATE 4-2-3-2	2		E108,E27
15	6		1910544-00		74S74 FF-D DUAL,EDGE TRIGG	2		E60,E167
16	71		1910544-01		74S74-60GG-D DUAL,EDGE TRIG	3		E41,E78,E134
17	31		1910550-00		74S174 FF-D HEX	2		E95,E119
18	39		1910957-00		74S175 FF-D QUAD COMMON CLO	2		E14,E84
19	18		1911469-00		DEC 8640 RECEIVER,BUS,QUAD,U	6		E29,E30,E43,E44,E45,E55
20	2		1911579-00		/REPLACED BY 19-14987-00	4		E1,E2,E3,E17
21	17		1911675-00		74S138 DECODER/DEMUX 3-8 LI	5		E101,E102,E124,E138,E139
22	33		1912096-00		DEC 74S86 XOR GATE,QUAD 2IN	3		E34,E158,E166
23	35		1912125-00		74S135 XOR/NOR GATE-QUAD 2I	1		E33
24	30		1912388-00		74S02 NOR GATE-QUAD 2IN,PO	5		E85,E107,E120,E147,E161
25	29		1912389-00		74S08 AND GATE-QUAD 2IN,PO	2		E72,E112
26	52		1912646-00		LS253 MUX 1 OF 4 (DUAL)	8		E46-E49,E57,E67,E70,E71
27	43		1912661-00		74S189 MEMORY READ/WRITE	2		E144,E152
28	54		1912697-00		LS174 FF-D HEX W/CLEAR	1		E115
29	40		1912731-00		DEC 8646A TRANSCEIVER,4BIT BUS	2		E92,E93
30	55		1912746-00		DEC 74S37 NAND GATE-QUAD 2IN	1		E11

REVISION HISTORY			BASIC PART NO: M3111		DRN:	D.SIREEN	DATE: 04-FEB-82	DIGITAL		
ENGR	ECO NUMBER	REV	SECTION A OF A	CHK'D:		DATE:	TITLE	PARTS LIST		
---	INITIAL	X01	SECTION VARIATION INDEX	E.T.GERRY		15-JUL-85	PROTOCOL ASSIST B.M. SCANNER (PLUTO)			
---	INITIAL	A	[A] 00							
JB	M3111-TW001	B	[B]	J.C. TREMBLAY		15-JUL-85				
JB	M3111-TW003	C	[C]	J.BUZYNSKI		8-FEB-82		DOCUMENT NUMBER		
JB	INACTIVATE	D	[D]				SIZE	CODE	NUMBER	REV
JB	M3111-MK005A	E	[E]	J.C. TREMBLAY		15-JUL-85				
ML	M3111-MK006	F	[F]	J.C. TREMBLAY		26-JUN-85	K	PL	M3111-0-0	J
JCT	M3111-MK007	H	[H]							
JCT	M3111-MK008	J	[J]							
			[K]							
			[L]							
			[M]							
			[N]							
MFG.ENG.: W.BROOKE						DATE: 26-JUN-85	RELEASE DATE: 26-JUN-85			
ASSEMBLY NUMBER:						TOP DOCUMENT NUMBER:	FILE NAME:		EDIT #	
D-UA-M3111-0-0						MK-DD-M3111-0	MK1186.PLS		33	

"THIS DRAWING AND THE SPECIFICATIONS CONTAINED HEREIN ARE CONFIDENTIAL AND PROPRIETARY. THEY ARE THE PROPERTY OF DIGITAL EQUIPMENT CORPORATION AND SHALL NOT BE REPRODUCED OR COPIED OR USED IN WHOLE OR IN PART AS THE BASIS FOR THE MANUFACTURE OR SALE OF ITEMS WITHOUT WRITTEN PERMISSION. THIS IS AN UNPUBLISHED WORK PROTECTED UNDER THE FEDERAL COPYRIGHT LAWS."

LINE ITEM	TOP DOCUMENT	PART NUMBER	MIN REV	DESCRIPTION	VARIATION REVISION LEVEL:	QTY PER VARIATION	REFERENCE DESIGNATOR
						00	
						A1	
31	14	1912799-00		LS00 NAND-GATE-QUAD 2IN,P		4	E8,E40,E88,E89
32	13	1912801-00		LS02 NOR-GATE-QUAD 2IN		4	E24,E53,E63,E73
33	19	1912803-00		LS04 INVERTER GATE,HEX		2	E22,E131
34	12	1912805-00		LS08 AND GATE-QUAD 2IN,PO		7	E20,E36,E42,E64,E87,E97,E150
35	58	1912807-00		LS10 NAND GATE-TRIPLE 3IN		1	E136
36	10	1912808-00		LS11 AND GATE-TRIPLE 3IN		2	E13,E135
37	46	1912811-00		LS21 AND GATE-DUAL 4IN,PO		1	E126
38	9	1912813-00		LS27 NOR GATE-TRIPLE 3IN		3	E10,E75,E123
39	38	1912816-00		LS32 OR GATE-QUAD 2IN,POS		2	E74,E100
40	25	1912820-00		LS51 A-O-I GATE 2-WIDE 2I		3	E121,E122,E132
41	7	1912824-00		LS74 FF-D DUAL,EDGE TRIGG		6	E23,E26,E39,E65,E76,E163
42	5	1912833-00		LS109 FF-JK DUAL,POS EDGE		6	E21,E25,E52,E99,E133,E137
43	43	1912847-00		LS157 MUX 1 OF 2(QUAD)		3	E114,E157,E165
44	15	1912849-00		LS161 COUNTER,SYNCHR,4BIT		1	E151
45	3	1912851-00		LS169 COUNTER,SYNCH. UP/DG		1	E7
46	42	1912853-00		LS175 FF-D QUAD		3	E35,E153,E159
47	53	1912863-00		LS273 FF-D OCTAL W/CLEAR		2	E58,E59
48	36	1912867-00		LS298 MUX 1 OF 4,2IN W/S		1	E117
49	48	1913340-00		74S32 OR GATE-QUAD 2IN		4	E51,E86,E160,E28
50	47	1913493-00		74S241 OCTAL BUFFER,TRI-STA		1	E106
51	24	1913671-00		74S374 FF-D,OCTAL,TRI STATE		4	E79,E80,E82,E129
52	70	1913671-50		74S374 FF-D,OCTAL,TRI STATE		3	E61,E111,E148
53	34	1913788-00		26S10 TRANSCEIVER,BUS,QUA		2	E91,E103
54	51	1913939-00		LS191 COUNTER,SYNCHR. UP/D		1	E141
55	27	1914085-00		74S260 NOR GATE-DUAL,POS		4	E56,E140,E164,E143
56	23	1914086-00		74S30 NAND GATE-POS 8IN		2	E32,E162
57	41	1914214-00		LS374 FF-D OCTAL EDGE TRIG		4	E81,E83,E105,E142
58	11	1914438-00	DC	013 UNIBUS INTERRUPT-BIP		2	E15,E16
59	56	1914451-00		LS393 COUNTER,BINARY,4BIT		2	E9,E12
60	44	1914768-00	C	67401J MEMORY FIFO,SERIAL		4	E128,E130,E154,E155
61	49	1915193-00		LS244 DRIVER,LINE,OCTAL,TR		3	E104,E127,E156
62	32	1915218-00		LS245 TRANSCEIVER,BUS,OCTA		2	E68,E69
63	26	1915219-00		LS373 FF-D OCTAL-TRANSPARE		4	E4,E5,E18,E19
64	57	23031K4-00	K4-01			1	E146
65	69	23042K4-00	K4-01			1	E98
66	72	23079C6-00	C6-01			1	E118
67	73	23080C6-00	C6-01			1	E96
68	28	23085B1-00	B1-01			1	E116
69	63	9009000-00		EYELET,ROLLED	0.1210DX0.156	12	
70	74	9105740-55		WIRE(WRAP)	30AWG KYNAR UL14	20	

D	I	G	I	T	A	L	TITLE	SECTION A OF A	SIZE	CODE	DOCUMENT NUMBER	REV
							PROTOCOL ASSIST B.M. SCANNER (PLUTO)				M3111-0-0	J



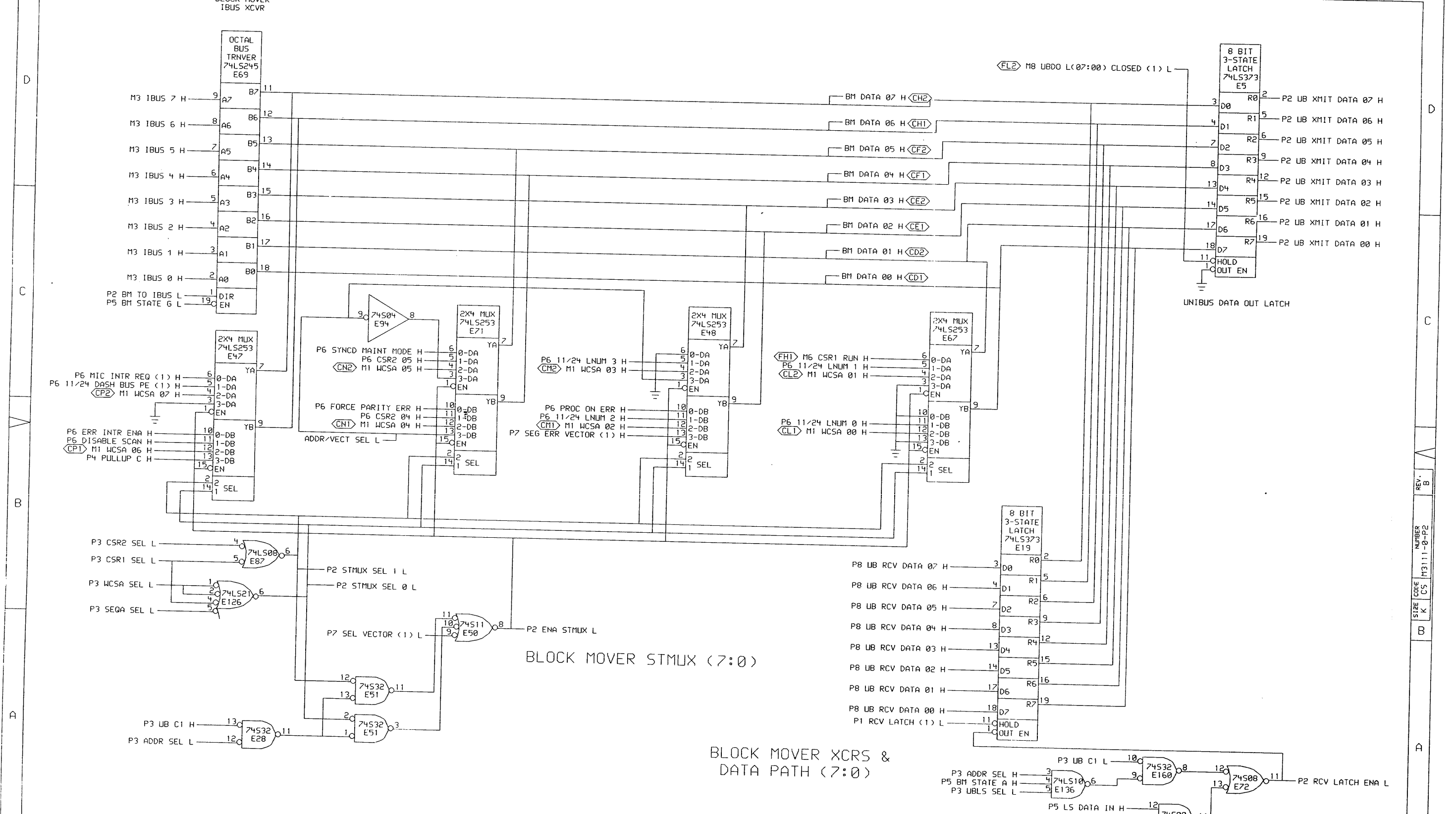
BLOCK MOVER STMUX (15:08)

BLOCK MOVER XCVRS & DATA PATH (15:08)

THIS DRAWING AND SPECIFICATIONS HEREIN ARE THE PROPERTY OF DIGITAL EQUIPMENT CORPORATION AND SHALL NOT BE REPRODUCED OR COPIED OR USED IN WHOLE OR IN PART FOR THE BASIS FOR THE MANUFACTURE OR SALE OF ITEMS WITHOUT WRITTEN PERMISSION. COPYRIGHT © 1985, DIGITAL EQUIPMENT CORPORATION.

REVISIONS	CHK	CHANGE NO.	REV.
1	AKC	M3111-0-P1	B

DRN. WEAVER	DATE 11-APR-85	ENG. JCTREMBLAY	DATE 4-15-85	TITLE: PROTOCOL ASSIST BM SCANNER
CHK-D	DATE BOARD LOCATION: AFZ	DATE 4/15/85	SHEET 1 OF 1	SIZE CODE NUMBER REV. K CS M3111-0-P1 B
XTRA: <DENSMORE> V12.DRW 111-APR-85 10:49		NEXT HIGHER ASSEMBLY: D-UA-M3111-0-0		MKO 1
FIRST USED ON OPTION/MODEL: DECSA				

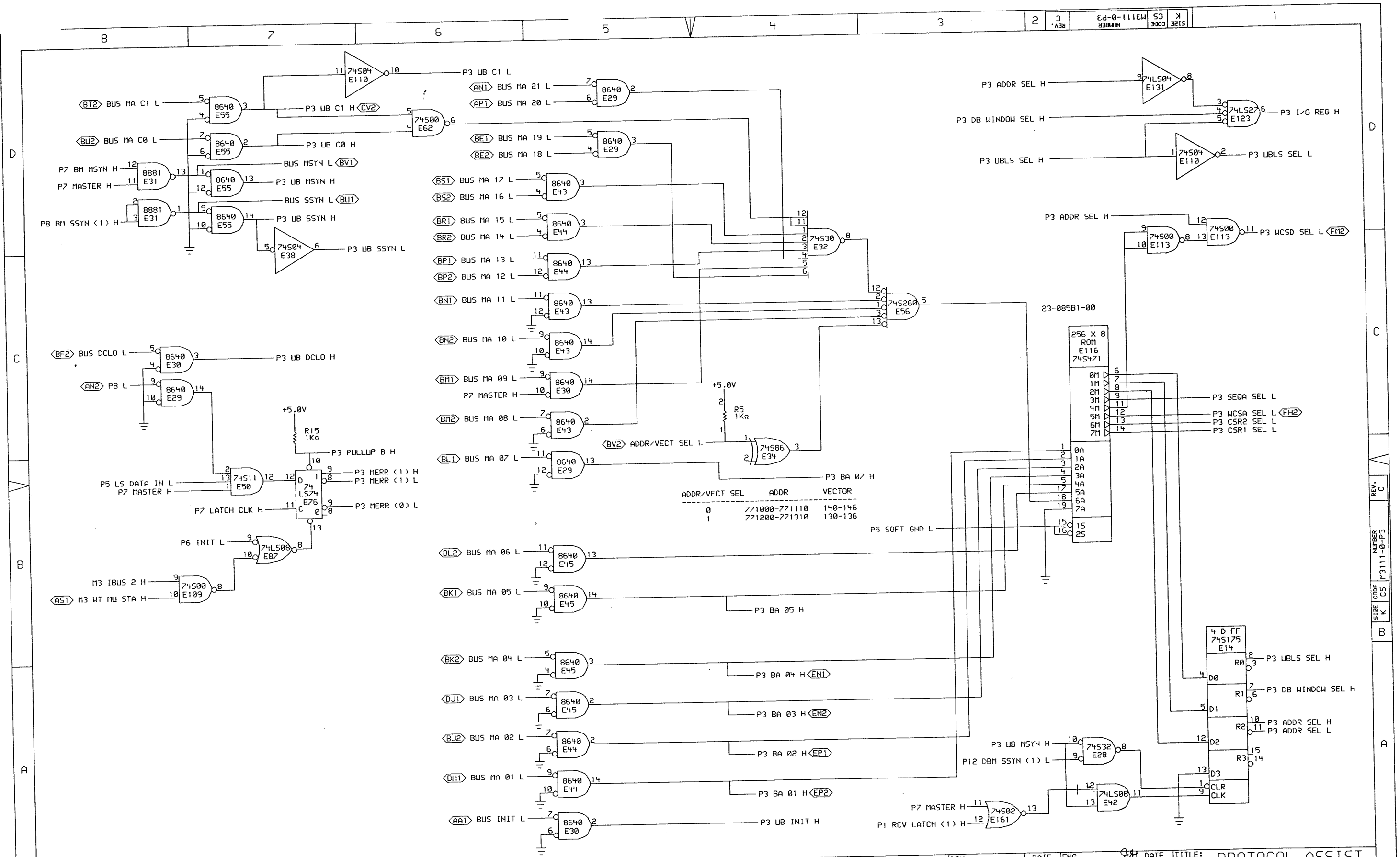


THIS DRAWING AND SPECIFICATIONS, HEREIN, ARE THE PROPERTY OF DIGITAL EQUIPMENT CORPORATION AND SHALL NOT BE REPRODUCED OR COPIED OR USED IN WHOLE OR IN PART AS THE BASIS FOR THE MANUFACTURE OR SALE OF ITEMS WITHOUT WRITTEN PERMISSION. COPYRIGHT © 1985, DIGITAL EQUIPMENT CORPORATION.

CHK	CHANGE NO.	REV
FCC	MK 006	B

DRN. J. J. Tremblay	DATE 05-APR-85	ENG. J.C. TREMBLAY	DATE 02-APR-85	TITLE: PROTOCOL ASSIST BM SCANNER
CHG. 4/5/84	DATE	BOARD LOCATION: AF7	SHEET 1 OF 1	
XTRA: <DENSHORE> V13.DRW 14-FEB-85 16:26	NEXT HIGHER ASSEMBLY: D-LIA-M3111-0-0	SIZE CODE K CS	NUMBER M3111-0-P2	REV. B
FIRST USED ON OPTION/MODEL: DECSA				

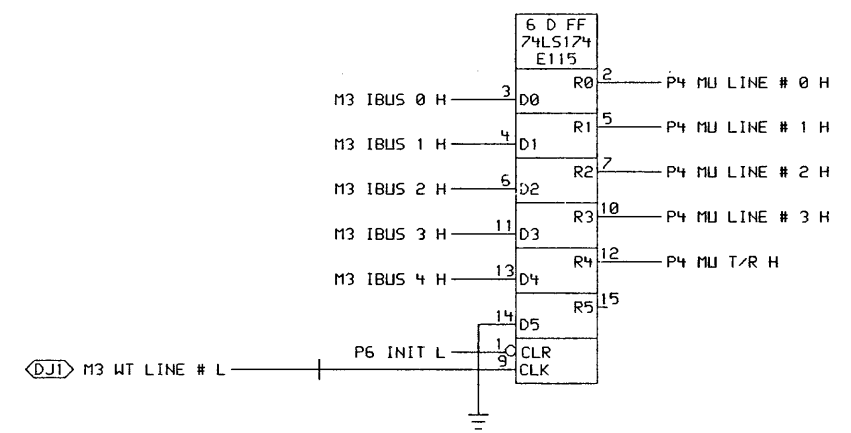
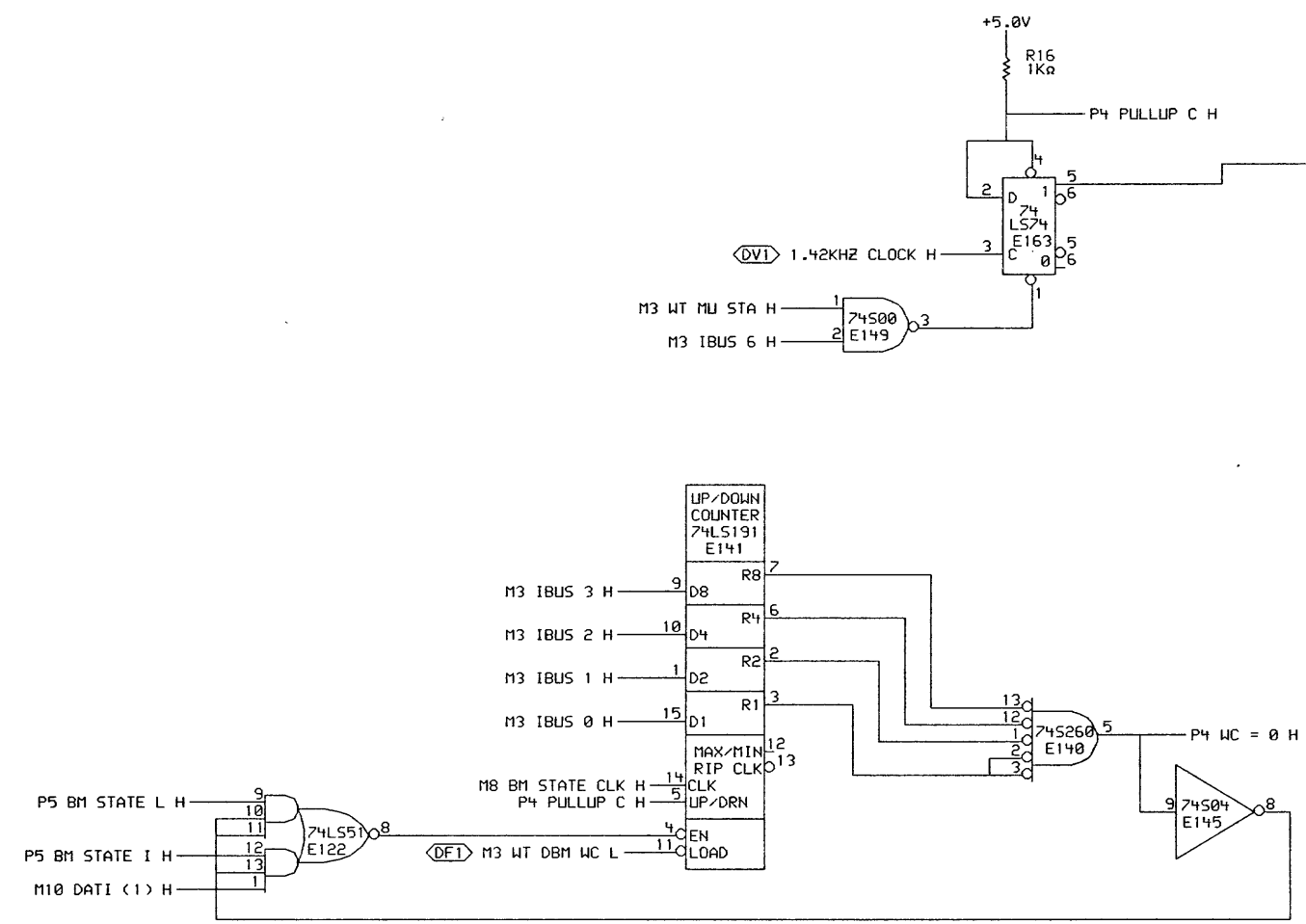
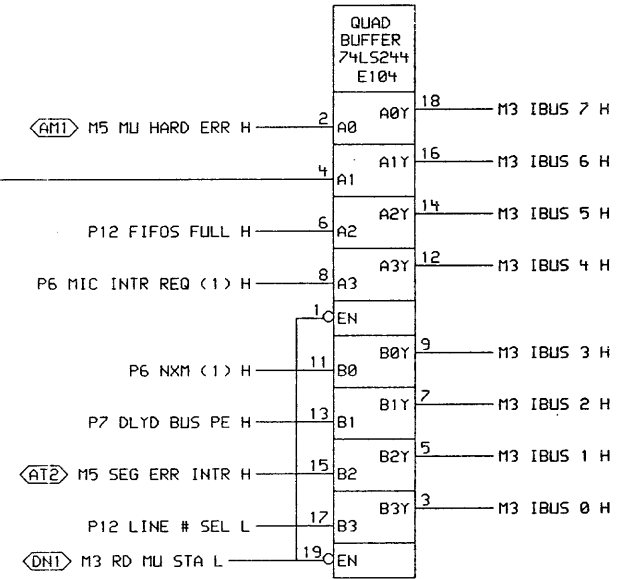
REV. B
NUMBER M3111-0-P2
SIZE CODE K CS



THIS DRAWING AND SPECIFICATIONS ARE THE PROPERTY OF DIGITAL EQUIPMENT CORPORATION AND SHALL NOT BE REPRODUCED OR COPIED OR USED IN WHOLE OR IN PART AS THE BASIS FOR THE MANUFACTURE OR SALE OF ITEMS WITHOUT WRITTEN PERMISSION. COPYRIGHT © 1985, DIGITAL EQUIPMENT CORPORATION.

REVISIONS		
CHK	CHANGE NO.	REV
RC	MK007	C

digital	DRN. WEAVER	DATE 11-APR-85	ENG JCTREMBLAY	DATE 14-15-85	TITLE: PROTOCOL ASSIST BM SCANNER
	CHK'D [Signature]	DATE 11-APR-85 10:52	BOARD LOCATION: AF7	SHEET 1 OF 1	SIZE CODE NUMBER REV. K CS M3111-0-P3 C
XTRA: CDENSHORE V14.DRW			FIRST USED ON OPTION/MODEL: DECSA D-UA-M3111-0-0		MK0 1



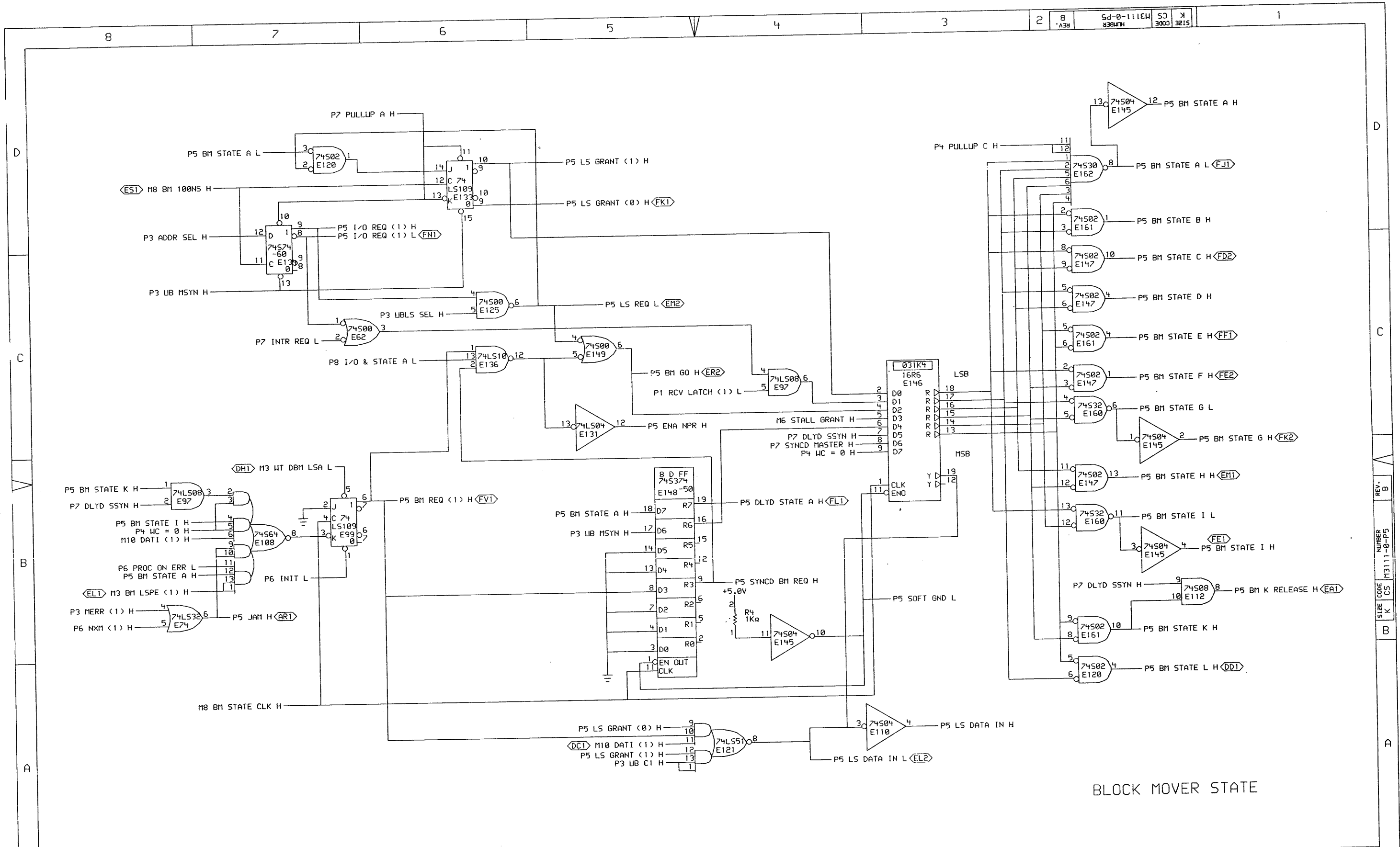
BLOCK MOVER LSA
WD CNT, & DMA CNTR

THIS DRAWING AND SPECIFICATIONS HEREIN ARE THE PROPERTY OF DIGITAL EQUIPMENT CORPORATION AND SHALL NOT BE REPRODUCED OR COPIED OR USED IN WHOLE OR IN PART AS THE BASIS FOR THE MANUFACTURE OR SALE OF ITEMS WITHOUT WRITTEN PERMISSION. COPYRIGHT © 1985, DIGITAL EQUIPMENT CORPORATION.

CHK	CHANGE NO.	REV
FTC	MK007	C

REVISIONS	DATE	ENG.	DATE	TITLE
	11-APR-85	JCTREMBLY	4-15-85	PROTOCOL ASSIST
				BM SCANNER

DRN. WEAYER	DATE 11-APR-85	ENG. JCTREMBLY	DATE 4-15-85	TITLE: PROTOCOL ASSIST
CHK'D. [Signature]	DATE 4/16/85	BOARD LOCATION: AF2	SHEET 1 OF 1	BM SCANNER
XTRA: <DENSMORE>V15.DRW 110-APR-85 10:53		NEXT HIGHER ASSEMBLY:		SIZE CODE NUMBER REV.
FIRST USED ON OPTION/MODEL: DECSA		D-LA-M3111-0-0		K CS M3111-0-P4 C



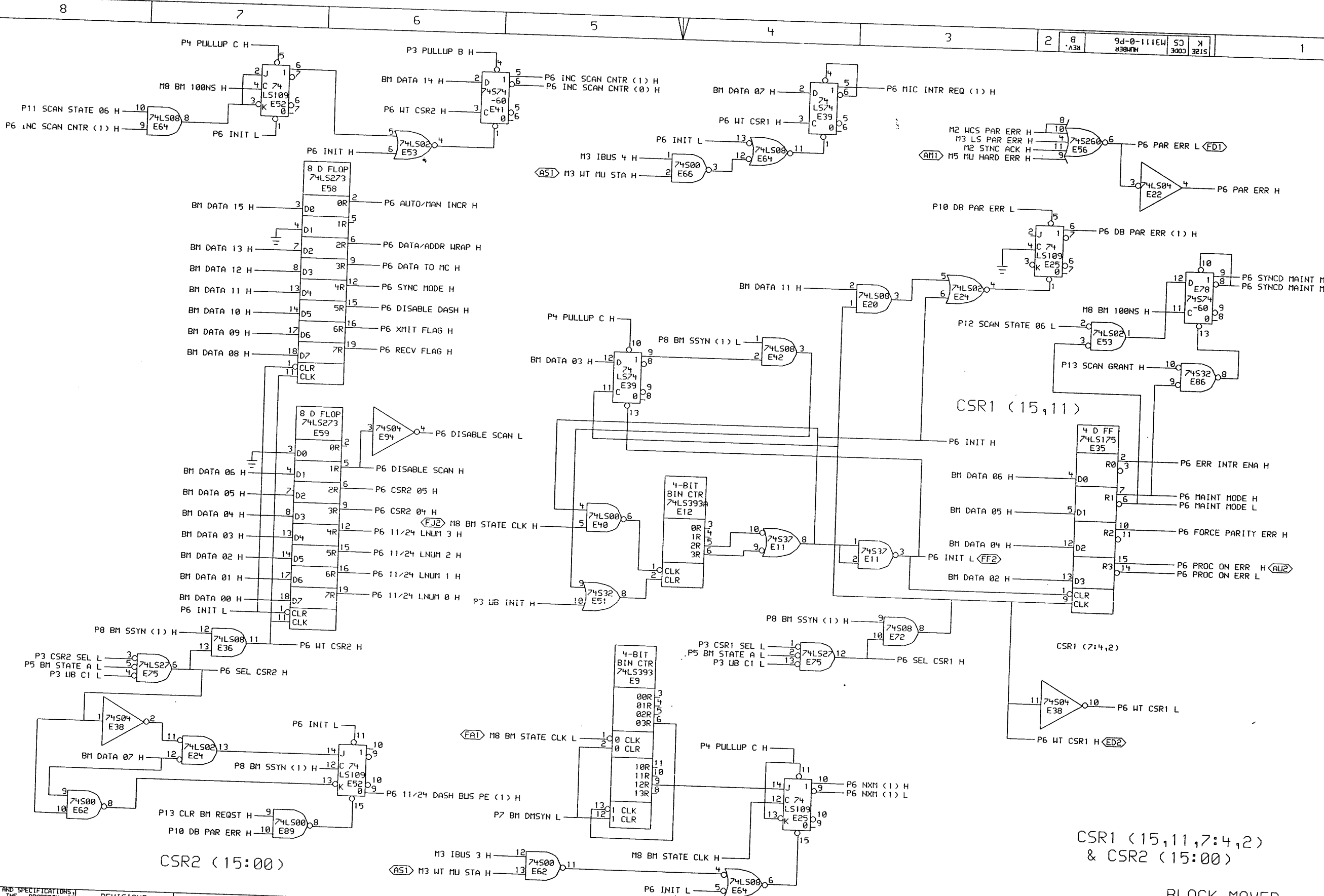
BLOCK MOVER STATE

THIS DRAWING AND SPECIFICATIONS HEREIN ARE THE PROPERTY OF DIGITAL EQUIPMENT CORPORATION AND SHALL NOT BE REPRODUCED OR COPIED OR USED IN WHOLE OR IN PART AS THE BASIS FOR THE MANUFACTURE OR SALE OF ITEMS WITHOUT WRITTEN PERMISSION. COPYRIGHT © 1985, DIGITAL EQUIPMENT CORPORATION.

REVISIONS	CHK	CHANGE NO.	REV
	77C	MA007	B

DRN. WEAVER
 DATE 11-APR-85
 ENG. JCTREMBLAY
 DATE 4-15-85
 BOARD LOCATION: AF7
 SHEET 1 OF 1
 NEXT HIGHER ASSEMBLY:
 D-UA-M3111-0-0
 FIRST USED ON OPTION/MODEL: DECSA

TITLE: PROTOCOL ASSIST BM SCANNER		SIZE CODE	NUMBER	REV.
M3111-0-P5		K CS	M3111-0-P5	B
MK0				



CSR2 (15:00)

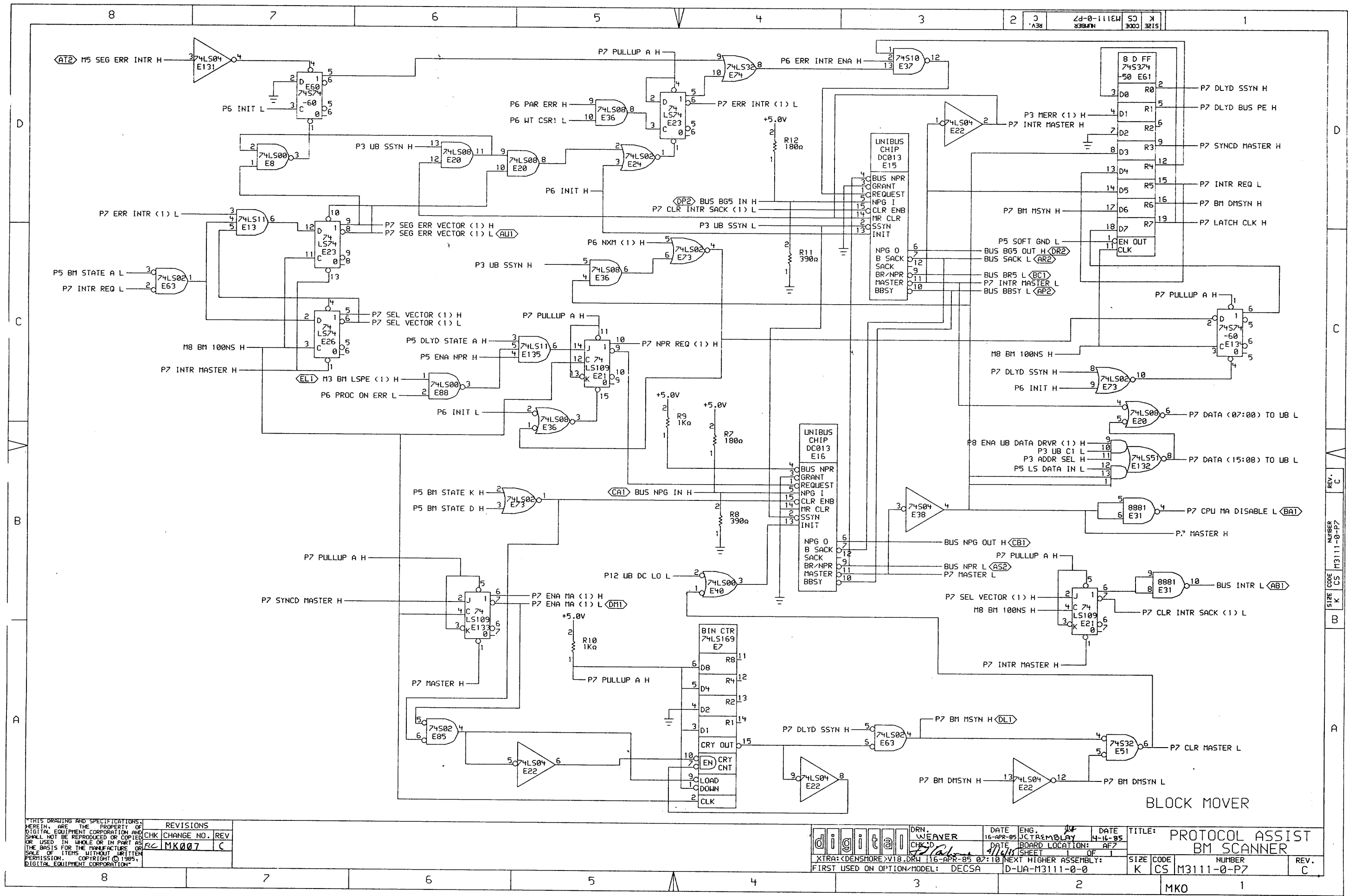
CSR1 (15,11,7:4,2)
& CSR2 (15:00)

BLOCK MOVER

THIS DRAWING AND SPECIFICATIONS HEREIN ARE THE PROPERTY OF DIGITAL EQUIPMENT CORPORATION AND SHALL NOT BE REPRODUCED OR COPIED OR USED IN WHOLE OR IN PART AS THE BASIS FOR THE MANUFACTURE OR SALE OF ITEMS WITHOUT WRITTEN PERMISSION. COPYRIGHT © 1985, DIGITAL EQUIPMENT CORPORATION.	
REVISIONS	CHK CHANGE NO. REV
RC MK001	B

digital	DRN. WEAVER	DATE 11-APR-85	ENG. JCT REMBLAY	DATE 4-15-85	TITLE: PROTOCOL ASSIST
	CHK'D. [Signature]	DATE 11-APR-85	DATE BOARD LOCATION: AF7	DATE 4/15/85	BM SCANNER
XTRA: <DENSMORE>V17.DRW		11-APR-85 10:56	NEXT HIGHER ASSEMBLY:	SIZE CODE K CS	NUMBER M3111-0-P6
FIRST USED ON OPTION/MODEL: DECSA		D-UA-M3111-0-0		REV. B	

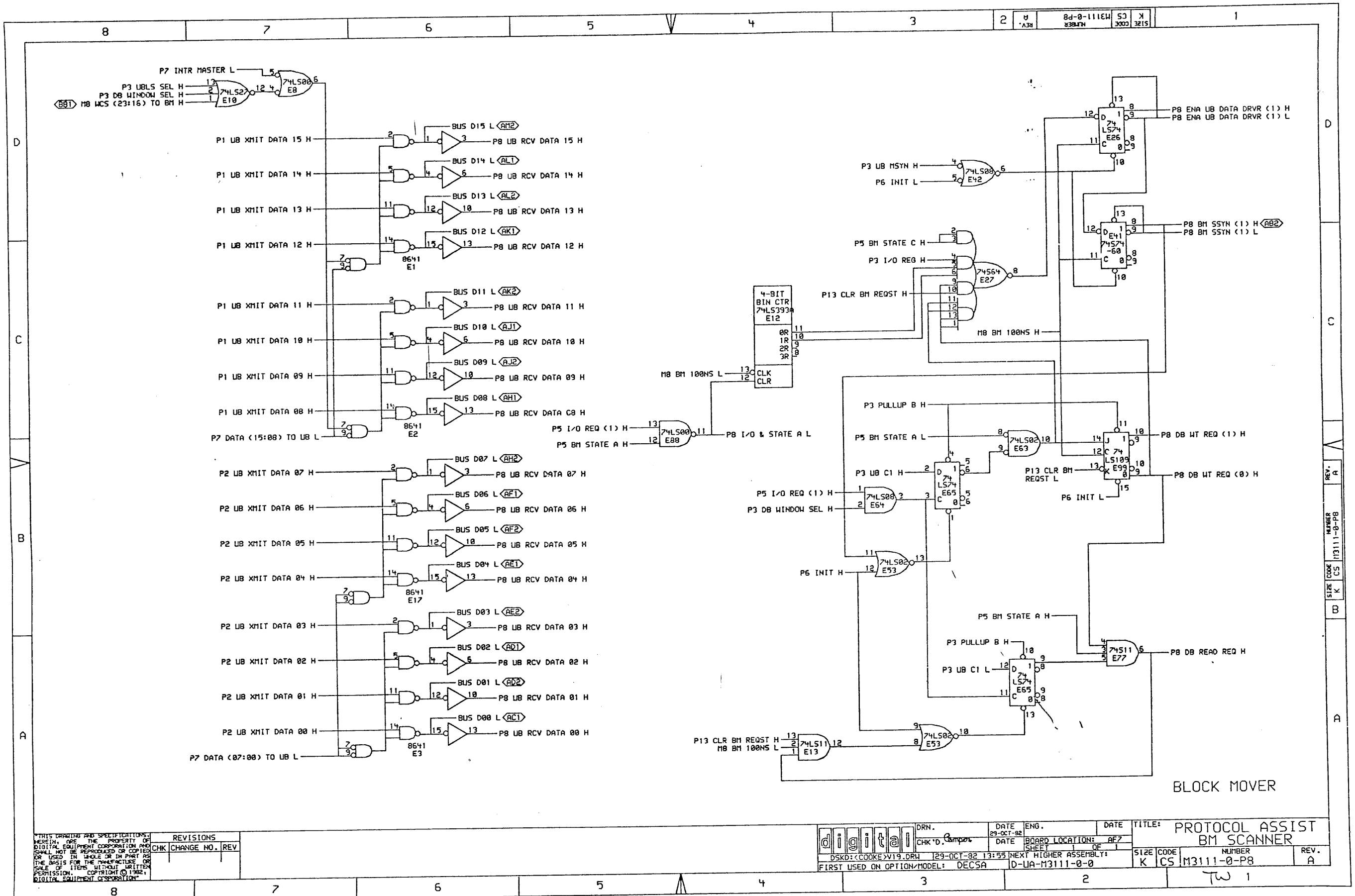
REV. B
NUMBER M3111-0-P6
SIZE CODE K CS



THIS DRAWING AND SPECIFICATIONS ARE THE PROPERTY OF DIGITAL EQUIPMENT CORPORATION AND SHALL NOT BE REPRODUCED OR COPIED OR USED IN WHOLE OR IN PART AS THE BASIS FOR THE MANUFACTURE OR SALE OF ITEMS WITHOUT WRITTEN PERMISSION. COPYRIGHT © 1985, DIGITAL EQUIPMENT CORPORATION.

REVISIONS		
CHK	CHANGE NO.	REV
RC	MK007	C

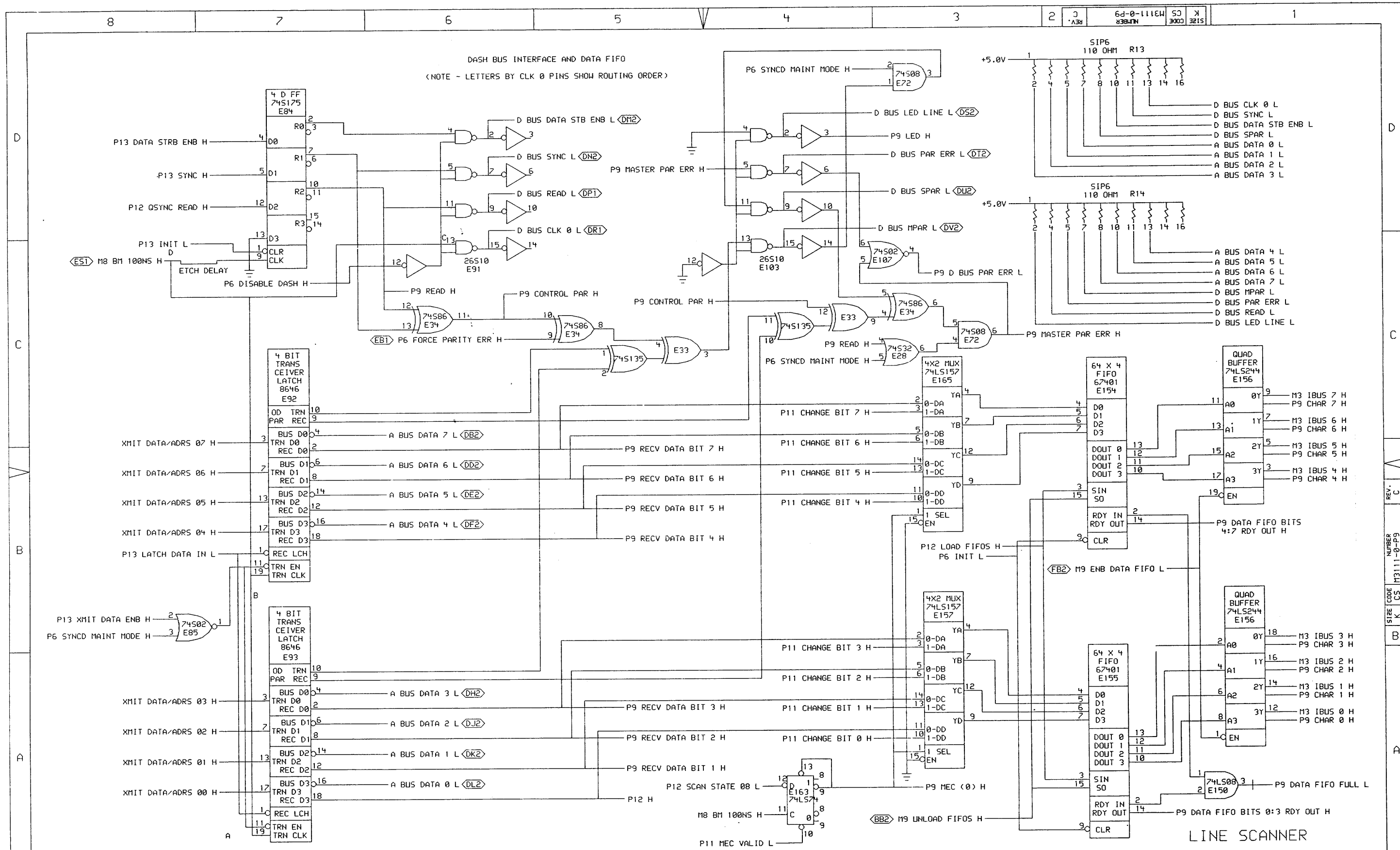
digital	DRN. WEAVER	DATE 16-APR-85	ENG. JCTREMBLAY	DATE 4-16-85	TITLE: PROTOCOL ASSIST BM SCANNER
	CHK'D	DATE 4/16/85	BOARD LOCATION: AF7	SHEET 1 OF 1	SIZE CODE K CS M3111-0-P7
XTRA: <DENSMORE>V18.DRW 116-APR-85 07:10 NEXT HIGHER ASSEMBLY:					REV. C
FIRST USED ON OPTION/MODEL: DECSA D-UA-M3111-0-0					MKO 1



THIS DRAWING AND SPECIFICATIONS, HEREIN, ARE THE PROPERTY OF DIGITAL EQUIPMENT CORPORATION AND SHALL NOT BE REPRODUCED OR COPIED OR USED IN WHOLE OR IN PART FOR THE BASIS FOR THE MANUFACTURE OR SALE OF ITEMS WITHOUT WRITTEN PERMISSION. COPYRIGHT © 1982, DIGITAL EQUIPMENT CORPORATION.

REVISIONS	
CHK	CHANGE NO. REV

DRN.	DATE	ENG.	DATE	TITLE:
CHK'D. <i>Compos</i>	29-OCT-82			PROTOCOL ASSIST
BOARD LOCATION:	AF2			BM SCANNER
SHEET	1	OF	1	
DSKD: <COOKE>V19.DRW	129-OCT-82 13:55	NEXT HIGHER ASSEMBLY:	SIZE	CODE
FIRST USED ON OPTION/MODEL:	DECSA	D-UA-M3111-0-0	K	CS
			M3111-0-P8	NUMBER
				REV.
				A

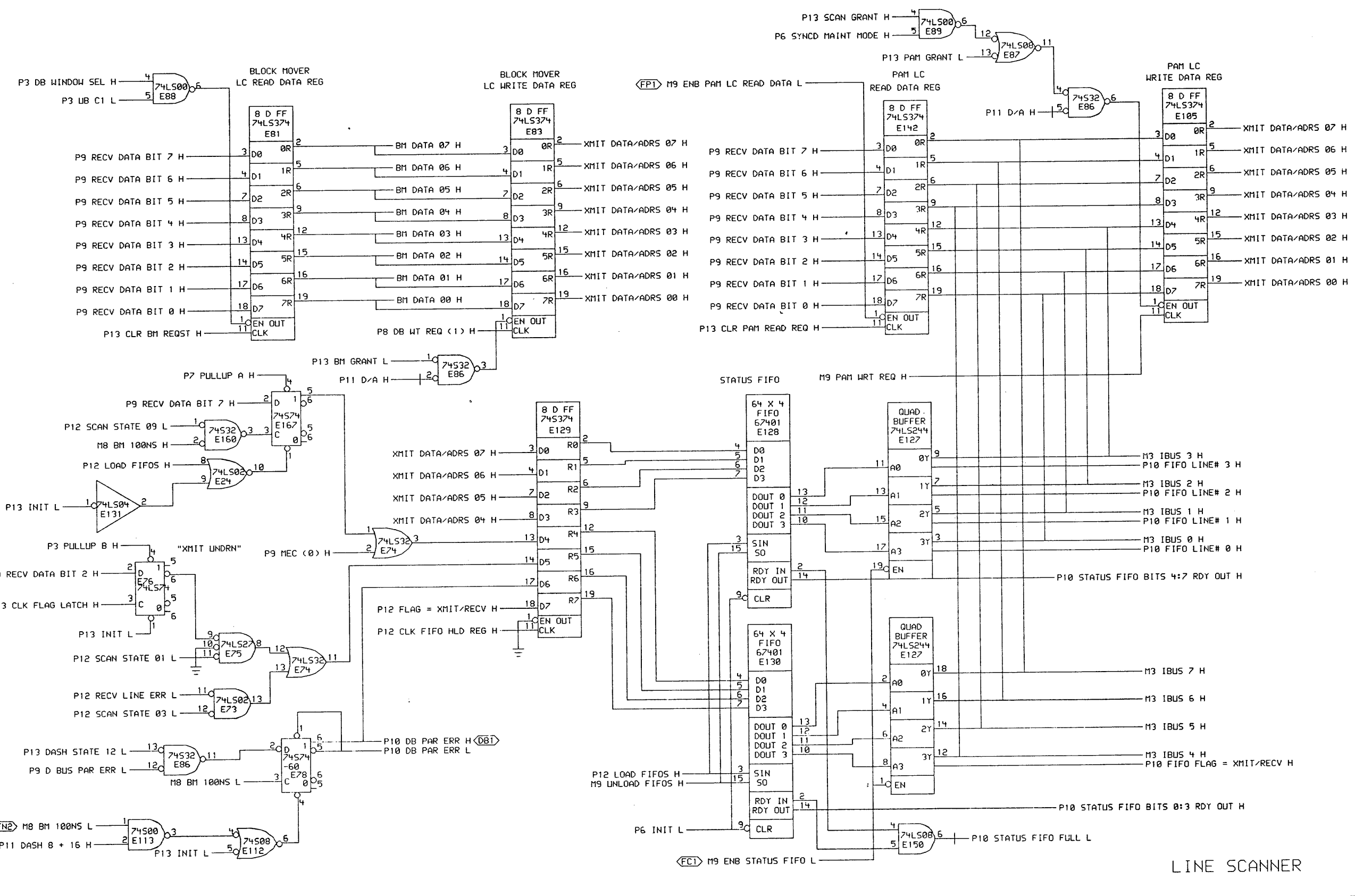


THIS DRAWING AND SPECIFICATIONS HEREIN ARE THE PROPERTY OF DIGITAL EQUIPMENT CORPORATION AND SHALL NOT BE REPRODUCED OR COPIED OR USED IN WHOLE OR IN PART AS THE BASIS FOR THE MANUFACTURE OR SALE OF ITEMS WITHOUT WRITTEN PERMISSION. COPYRIGHT © 1985, DIGITAL EQUIPMENT CORPORATION.

REVISIONS	CHK	CHANGE NO.	REV
		M3111-MK8	C

DRN	H. Symonore	DATE	17-JUL-85	ENG.	J.C. TREMBLAY	DATE	17-JUL-85
CHK'D	T. Talbot	DATE	17-JUL-85	BOARD LOCATION	AF7		
XTRA: <DENSTORE>V20.DRN 117-JUL-85 06:40				NEXT HIGHER ASSEMBLY:			
FIRST USED ON OPTION/MODEL: DECSA				D-UA-M3111-0-0			

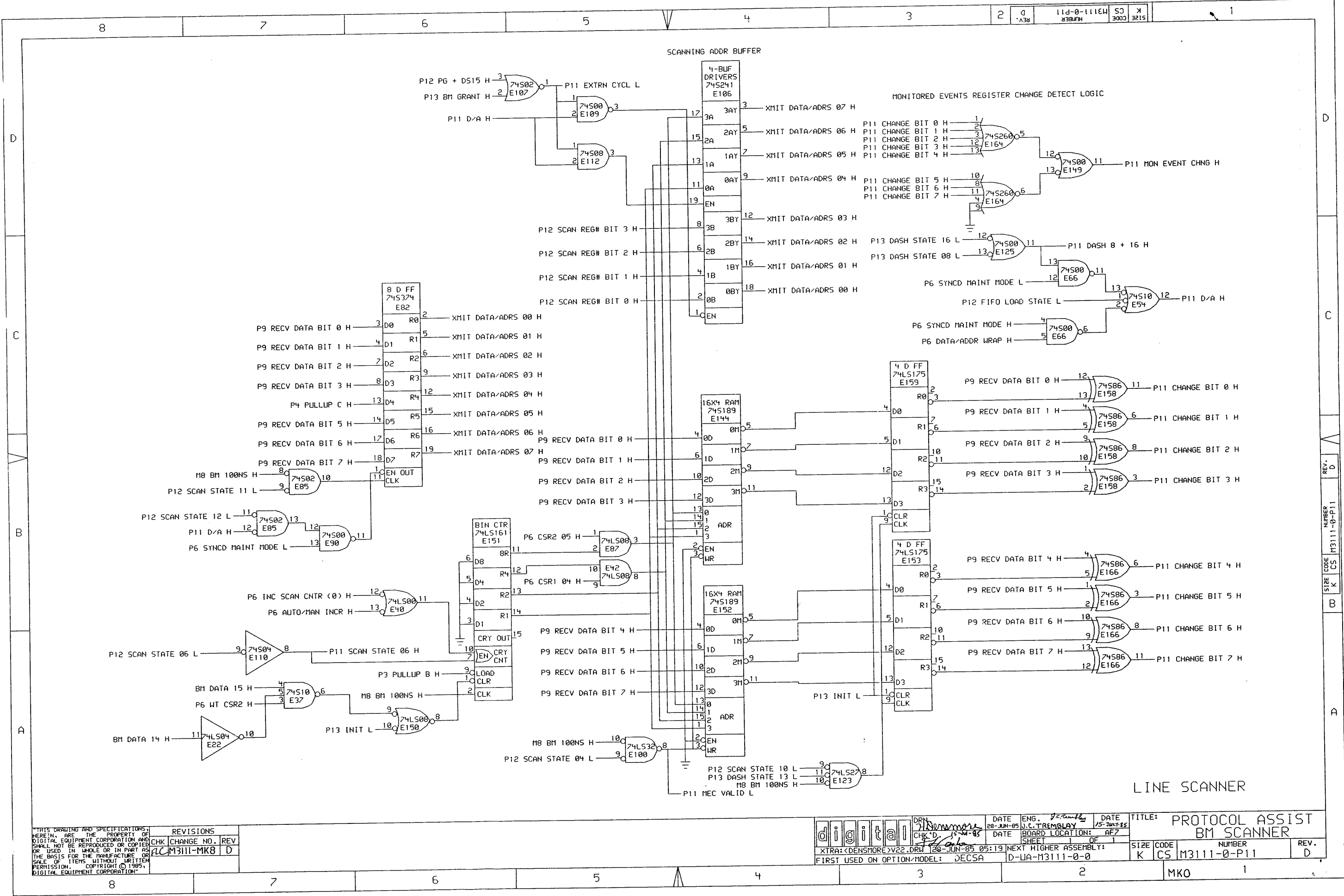
TITLE: PROTOCOL ASSIST		BM SCANNER	
SIZE CODE	NUMBER	REV.	
K CS	M3111-0-P9	C	
M3111-0-P9		MK0	



THIS DRAWING AND SPECIFICATIONS ARE THE PROPERTY OF DIGITAL EQUIPMENT CORPORATION AND SHALL NOT BE REPRODUCED OR COPIED OR USED IN WHOLE OR IN PART AS THE BASIS FOR THE MANUFACTURE OR SALE OF ITEMS WITHOUT WRITTEN PERMISSION. COPYRIGHT © 1982, DIGITAL EQUIPMENT CORPORATION.

REV.	CHK	CHANGE NO.	REV

	DRN.	DATE	ENG.	DATE	TITLE:
	CHK'D. Campos	29-OCT-82		29-OCT-82	PROTOCOL ASSIST BM SCANNER
OSKD: <COOKE>V21.DRW		DATE	BOARD LOCATION:	SHEET	OF
FIRST USED ON OPTION/MODEL: DECSA		29-OCT-82 13:56	AF2	1	1
		NEXT HIGHER ASSEMBLY:	D-UA-M3111-0-0	SIZE	CODE
				K	CS
				NUMBER	REV.
				M3111-0-P10	A

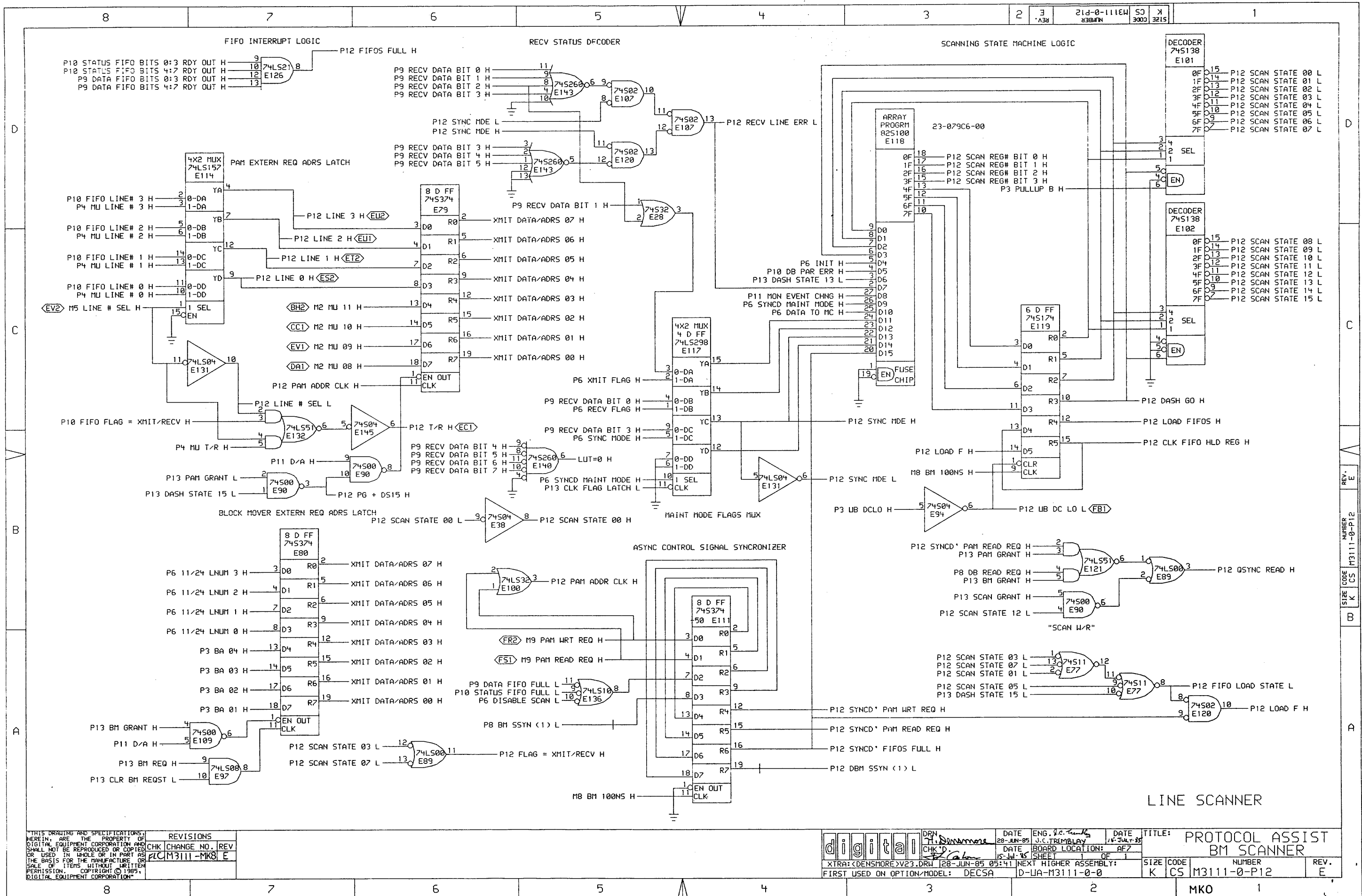


THIS DRAWING AND SPECIFICATIONS
HEREIN ARE THE PROPERTY OF
DIGITAL EQUIPMENT CORPORATION AND
SHALL NOT BE REPRODUCED OR COPIED
OR USED IN WHOLE OR IN PART AS
THE BASIS FOR THE MANUFACTURE OR
SALE OF ITEMS WITHOUT WRITTEN
PERMISSION. COPYRIGHT © 1989,
DIGITAL EQUIPMENT CORPORATION

CHK	CHANGE NO.	REV.
MC	M3111-MK8	D

digit XTRA: <DENSMORE>V22.DRL 128-JUN-85 05:19 FIRST USED ON OPTION/MODEL: DECSEA	DRN: <i>J. Tremblay</i> CHK'D: <i>15-M-85</i> DATE: 28-JUN-85	ENGR: <i>J.C. Tremblay</i> DATE: 15-JULY-85 BOARD LOCATION: AF7	TITLE: PROTOCOL ASSIST BM SCANNER
	SHEET 1 OF 1	NEXT HIGHER ASSEMBLY:	SIZE CODE K CS M3111-0-P11
	MKO	2	1

REV. D
NUMBER M3111-0-P11
SIZE CODE CS
K
B
A

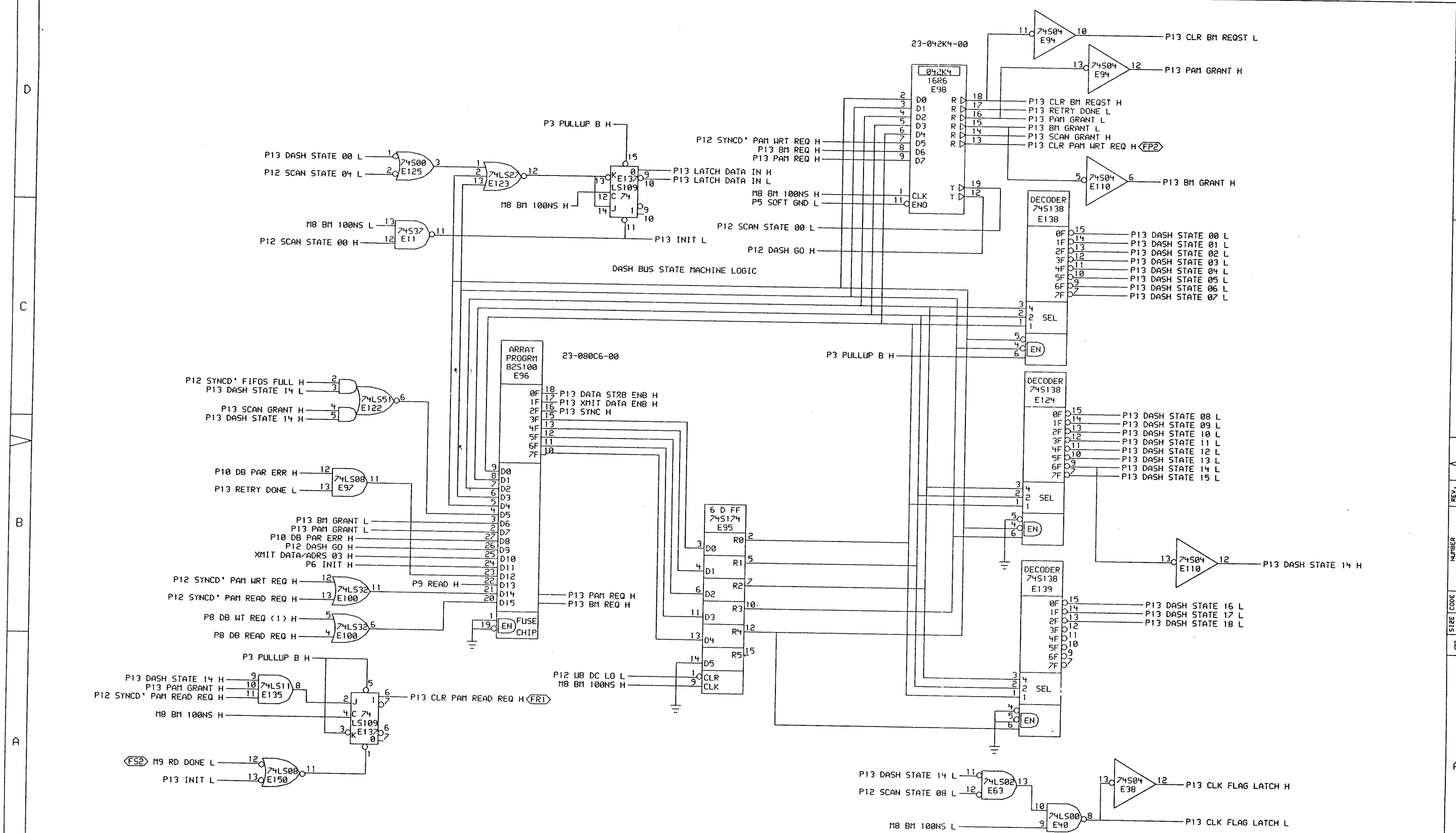


THIS DRAWING AND SPECIFICATIONS ARE THE PROPERTY OF DIGITAL EQUIPMENT CORPORATION AND SHALL NOT BE REPRODUCED OR COPIED OR USED IN WHOLE OR IN PART AS THE BASIS FOR THE MANUFACTURE OR SALE OF ITEMS WITHOUT WRITTEN PERMISSION. COPYRIGHT © 1989 DIGITAL EQUIPMENT CORPORATION

REVISIONS
CHK CHANGE NO. REV
PLCM3111-MKS E

DRN J. Dinamore	DATE 28-JUN-85	ENG. J.C. Tremblay	DATE 14-JUL-85	TITLE: PROTOCOL ASSIST BM SCANNER
CHK J. Dinamore	DATE 15-JUL-85	BOARD LOCATION: AF7	SHEET 1 OF 1	
XTRA: <DENSMORE>V23.DRW [28-JUN-85 05:41]	NEXT HIGHER ASSEMBLY:	SIZE CODE K CS	NUMBER M3111-0-P12	REV. E
FIRST USED ON OPTION/MODEL: DECSA	D-LA-M3111-0-0			

MKO 1



DASH BUS STATE MACHINE LOGIC

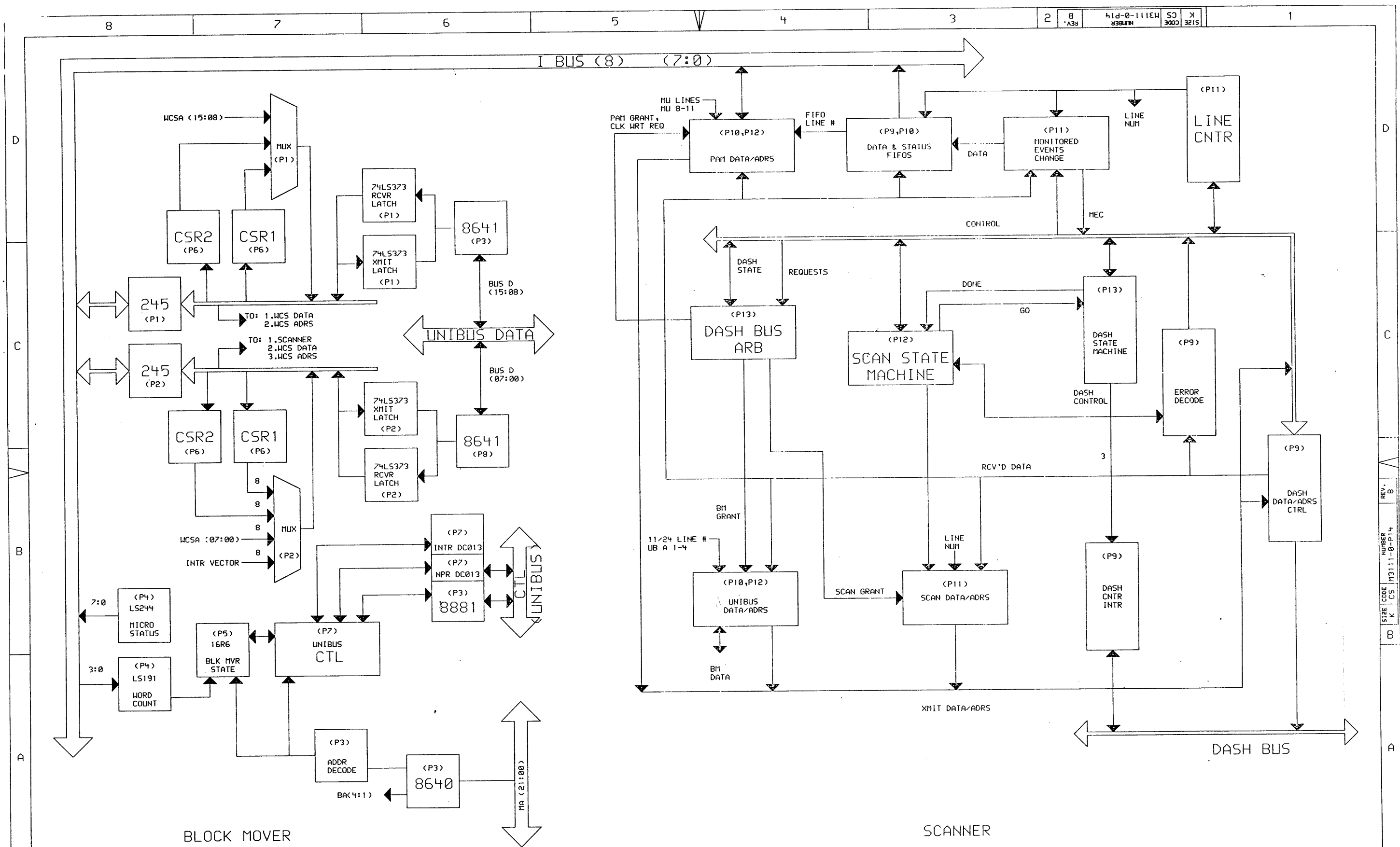
LINE SCANNER

THIS DRAWING AND SPECIFICATIONS HEREIN ARE THE PROPERTY OF DIGITAL EQUIPMENT CORPORATION AND SHALL NOT BE REPRODUCED OR COPIED OR USED IN WHOLE OR IN PART AS THE BASIS FOR THE MANUFACTURE OR SALE OF ITEMS WITHOUT WRITTEN PERMISSION. COPYRIGHT © 1985, DIGITAL EQUIPMENT CORPORATION.

REVISIONS	CHK	CHANGE NO.	REV
	CC	MK007	C

	DRN. WEAVER	DATE 16-APR-85	ENG. JCTREMBLAY	DATE 4-14-85	TITLE: PROTOCOL ASSIST BM SCANNER
	CHK'D	DATE 4/16/85	DATE BOARD LOCATION: AF2	SHEET 1 OF 1	SIZE CODE K CS
XTRA: <DENSMORE>V24.DRW 116-APR-85 07:34 NEXT HIGHER ASSEMBLY:			D-UA-M3111-0-0		NUMBER M3111-0-P13
FIRST USED ON OPTION/MODEL: DECSA					REV. C

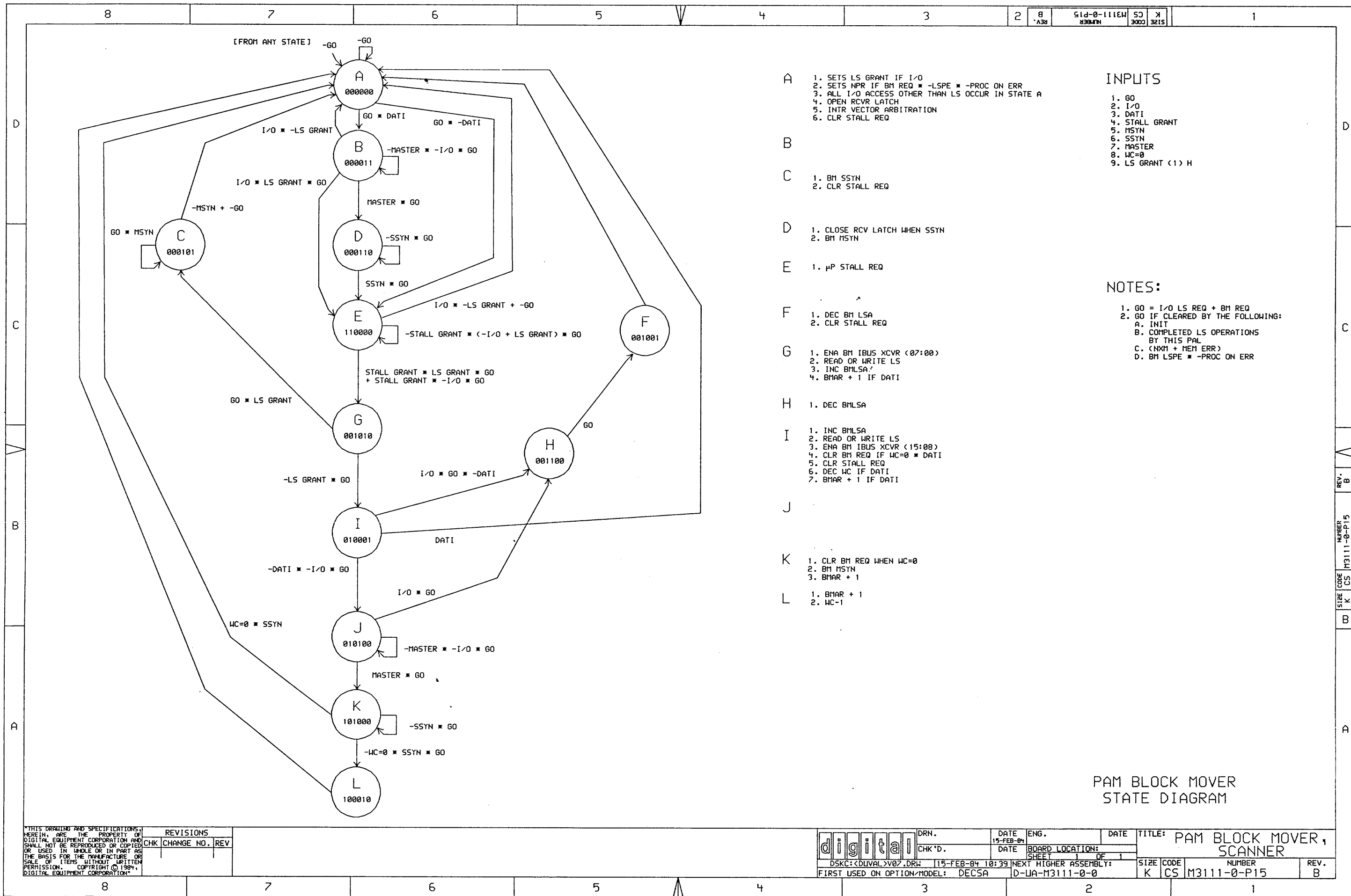
REV. C
NUMBER M3111-0-P13
SIZE CODE K CS



THIS DRAWING AND SPECIFICATIONS HEREIN ARE THE PROPERTY OF DIGITAL EQUIPMENT CORPORATION AND SHALL NOT BE REPRODUCED OR COPIED OR USED IN WHOLE OR IN PART AS THE BASIS FOR THE MANUFACTURE OR SALE OF ITEMS WITHOUT WRITTEN PERMISSION. COPYRIGHT © 1983, DIGITAL EQUIPMENT CORPORATION

REVISIONS	
CHK	CHANGE NO. REV

digital	DRN.	DATE	ENG.	DATE	TITLE: PROTOCOL ASSIST
	CHK'D.	20-DEC-83			BM SCANNER
DSKB: <DANE>11BLK.DRW 02-DEC-83 11:14 NEXT HIGHER ASSEMBLY:					SIZE CODE NUMBER
FIRST USED ON OPTION/MODEL: DECSA D-UA-M3111-0-0					K CS M3111-0-P14
					REV. B

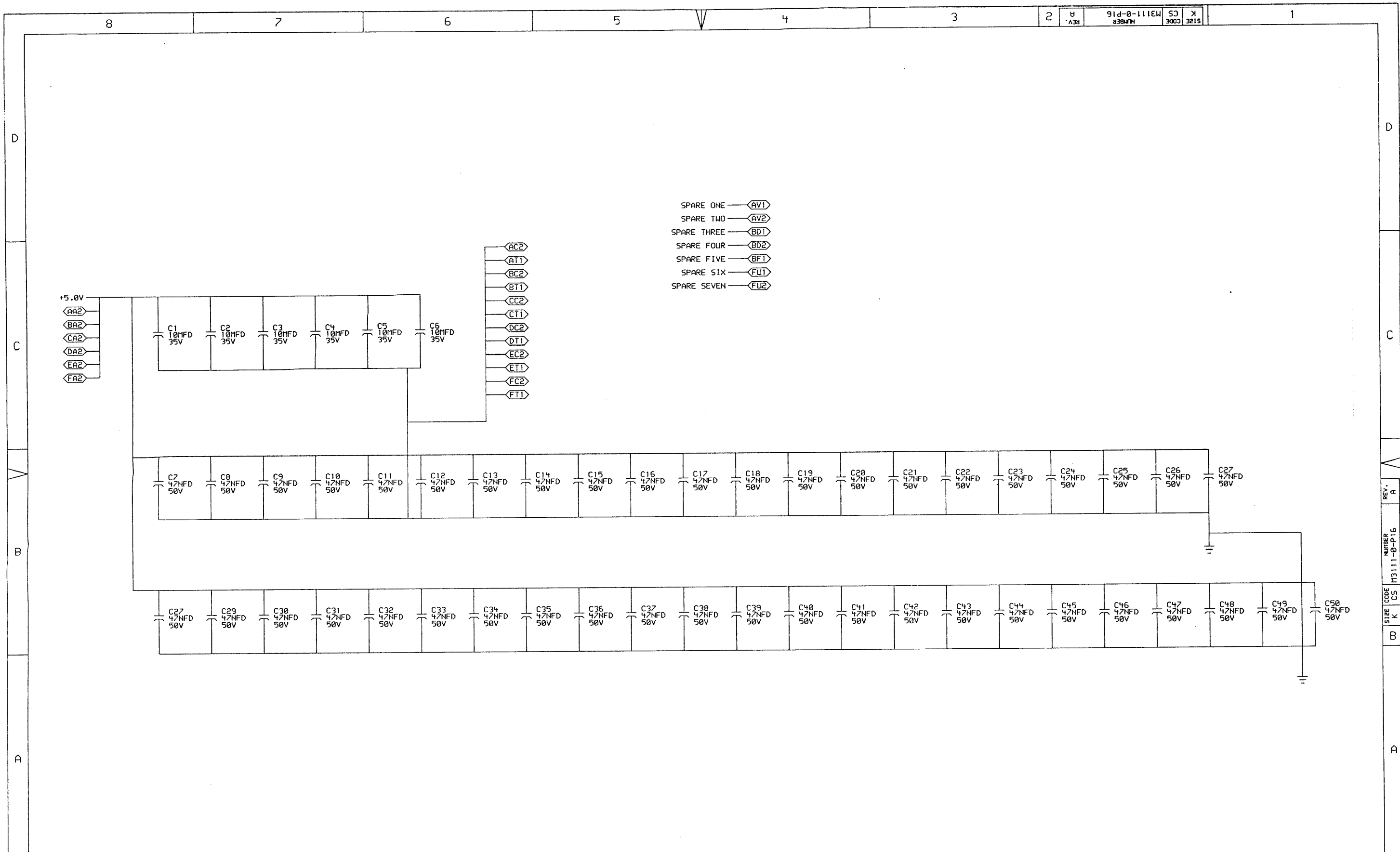


- A**
 - SETS LS GRANT IF I/O
 - SETS NPR IF BM REQ * -LSPE * -PROC ON ERR
 - ALL I/O ACCESS OTHER THAN LS OCCUR IN STATE A
 - OPEN RCVR LATCH
 - INTR VECTOR ARBITRATION
 - CLR STALL REQ
- B**
- C**
 - BM SSYN
 - CLR STALL REQ
- D**
 - CLOSE RCVR LATCH WHEN SSYN
 - BM MSYN
- E**
 - μP STALL REQ
- F**
 - DEC BM LSA
 - CLR STALL REQ
- G**
 - ENA BM IBUS XCVR (07:00)
 - READ OR WRITE LS
 - INC BMLSA?
 - BMAR + 1 IF DATI
- H**
 - DEC BMLSA
- I**
 - INC BMLSA
 - READ OR WRITE LS
 - ENA BM IBUS XCVR (15:00)
 - CLR BM REQ IF WC=0 * DATI
 - CLR STALL REQ
 - DEC WC IF DATI
 - BMAR + 1 IF DATI
- J**
- K**
 - CLR BM REQ WHEN WC=0
 - BM MSYN
 - BMAR + 1
- L**
 - BMAR + 1
 - WC-1

- INPUTS**
- GO
 - I/O
 - DATI
 - STALL GRANT
 - MSYN
 - SSYN
 - MASTER
 - WC=0
 - LS GRANT (1) H

- NOTES:**
- GO = I/O LS REQ + BM REQ
 - GO IF CLEARED BY THE FOLLOWING:
 - A. INIT
 - B. COMPLETED LS OPERATIONS BY THIS PAL
 - C. (NRM + MEM ERR)
 - D. BM LSPE * -PROC ON ERR

PAM BLOCK MOVER STATE DIAGRAM



- SPARE ONE — AV1
- SPARE TWO — AV2
- SPARE THREE — BD1
- SPARE FOUR — BD2
- SPARE FIVE — BF1
- SPARE SIX — FU1
- SPARE SEVEN — FU2

THIS DRAWING AND SPECIFICATIONS, HEREIN, ARE THE PROPERTY OF DIGITAL EQUIPMENT CORPORATION AND SHALL NOT BE REPRODUCED OR COPIED OR USED IN WHOLE OR IN PART AS THE BASIS FOR THE MANUFACTURE OR SALE OF ITEMS WITHOUT WRITTEN PERMISSION. COPYRIGHT © 1982, DIGITAL EQUIPMENT CORPORATION.

REVISIONS		
CHK	CHANGE NO.	REV

	DRN.	DATE	ENG.	DATE	TITLE:
	CHK'D. <i>Compton</i>	29-OCT-82	AFZ	29-OCT-82	PROTOCOL ASSIST BM SCANNER
DSKD: <COOKE>V25.DRW		129-OCT-82 13:52	NEXT HIGHER ASSEMBLY:	1	
FIRST USED ON OPTION/MODEL: DECSA		D-UA-M3111-0-0			
SIZE	CODE	NUMBER	REV.		
K	CS	M3111-0-P16	A		

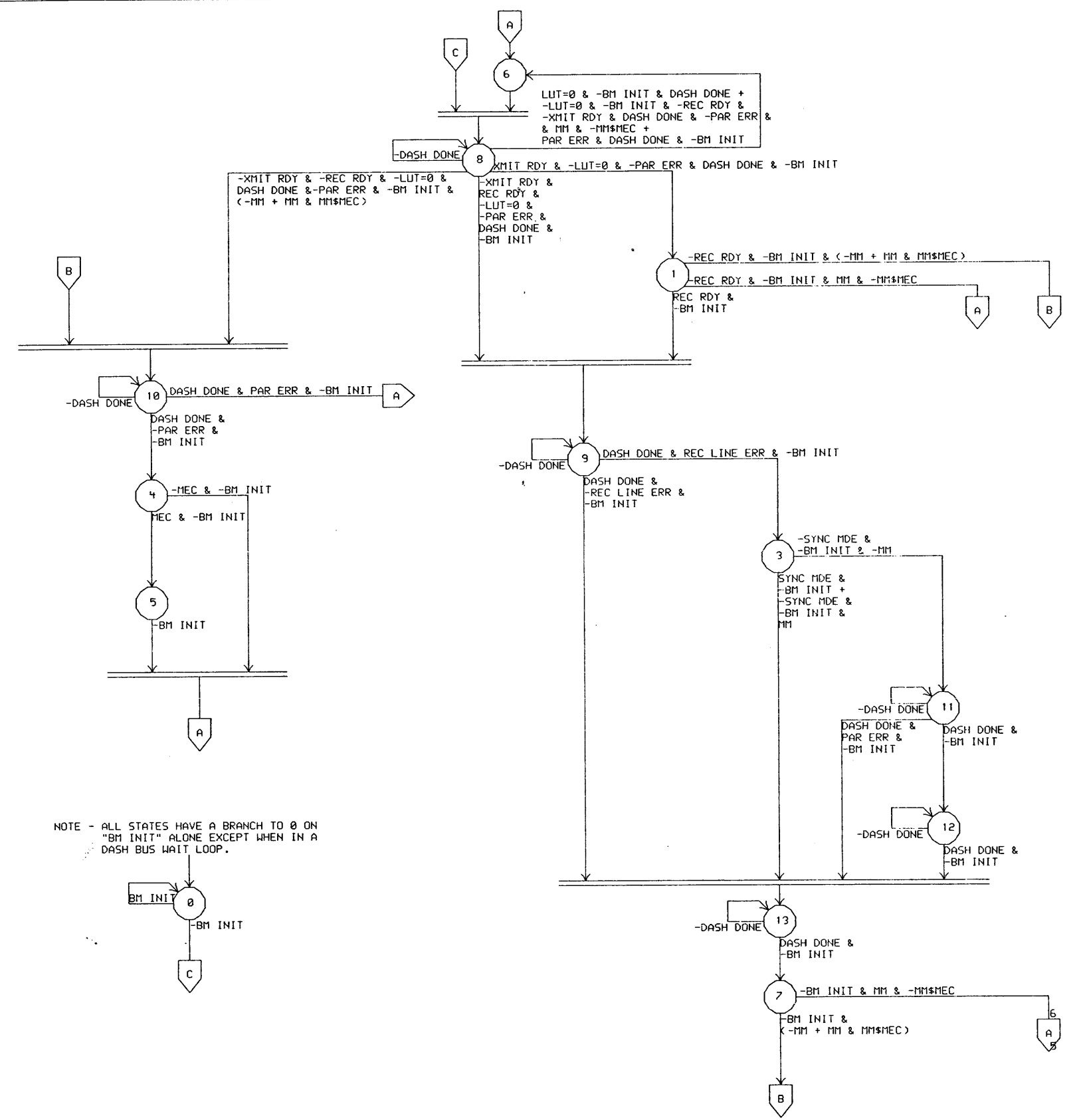
SIZE CODE NUMBER REV. A
 K CS M3111-0-P16
 D

COMMENTS:

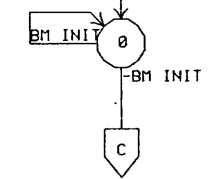
- STATE 0: INIT STATE
THIS STATE DOES THE INIT FOR THE SCANNER LOGIC
- STATE 8: READ STATUS (#1001)
THIS STATE READS THE LINE STATUS TO CHECK IF SERVICE NEEDED.
- STATE 9: READ RCV STATUS (#0001)
READS THE RCV STATUS REG TO CHECK FOR RCV CHAR ERRORS
- STATE 3: LOAD RCV ERR BITS
LOADS THE FIFO WITH THE CONTENTS OF THE RCV STATUS REG. IF THERE IS AN ERROR.
- STATE 11: READ COMMAND REG. (#0011)
READ FOR A RWH OF THE LINE'S COMMAND REG.
- STATE 12: WRITE COMMAND REG. (#0011)
WRITES COMMAND REG. (NO PAR ERR) SETTING BIT 5 (RESET ERROR)
- STATE 13: READ RCV CHAR (#0000)
READ THE RCV CHAR
- STATE 7: LOAD RCV CHAR
LOADS THE RCV CHAR IN THE DATA DATA FIFO AND THE LINE NUMBER IN THE STATUS FIFO
- STATE 1: LOAD XMIT FLAG
LOADS LINE NUMBER OF XMIT FLAG IN STATUS FIFO
- STATE 2: NOT USED
- STATE 10: READ MON. EVENTS. (#1011)
READS THE MON. EVENTS REG ON THE LINE ALSO READS OLD VALUE FROM RAM.
- STATE 4: CHECK MEC
CHECKS OLD VALUE AGAINST NEW FOR CHANGES ALSO WRITES RAM WITH NEW VALUE.
- STATE 5: LOAD CHANGE DATA
LOADS FIFO WITH CHANGE DATA IF CHANGE
- STATE 6: INCR CNTR
INCR. THE SCANNING CNTR TO POINT TO THE NEXT LINE

REVISION HISTORY:

V.6 - SCM 4/1/82
V.7 - SCM 4/20/82



NOTE - ALL STATES HAVE A BRANCH TO 0 ON "BM INIT" ALONE EXCEPT WHEN IN A DASH BUS WAIT LOOP.

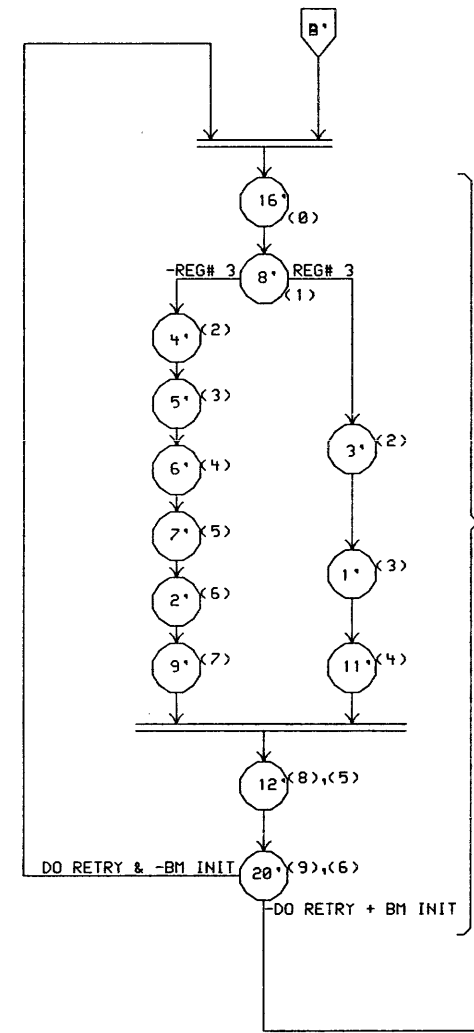


REVISIONS		
CHK	CHANGE NO.	REV

digital	DRN.	DATE	ENG.	DATE	TITLE:
	CHK'D.	20-DEC-83			SCANNER PLA STATE DIAGRAM
DSKB: <DAME>SCANST.DRW 102-DEC-83 11:24		NEXT HIGHER ASSEMBLY:		SIZE CODE	NUMBER
FIRST USED ON OPTION/MODEL: DECSA		D-UA-M3111-0-0		K CS	M3111-0-P17
					REV. B

NOTES: -IN MAINT MODE ALL STATES ARE THE SAME
D/A IS ASSERTED OR NEGATED DEPENDING
THE ASSERTION OR NEGATION OF THE
DATA/ADRS WRAP BIT RESPECTIVELY.
FOR A DATA WRAP THE DATA FROM THE LAST
DASH BUS EXTERNAL WRITE IS WRAPED
AROUND. FOR AN ADDRESS WRAP THE ADDRESS
OF THE READ IS WRAPED AROUND.

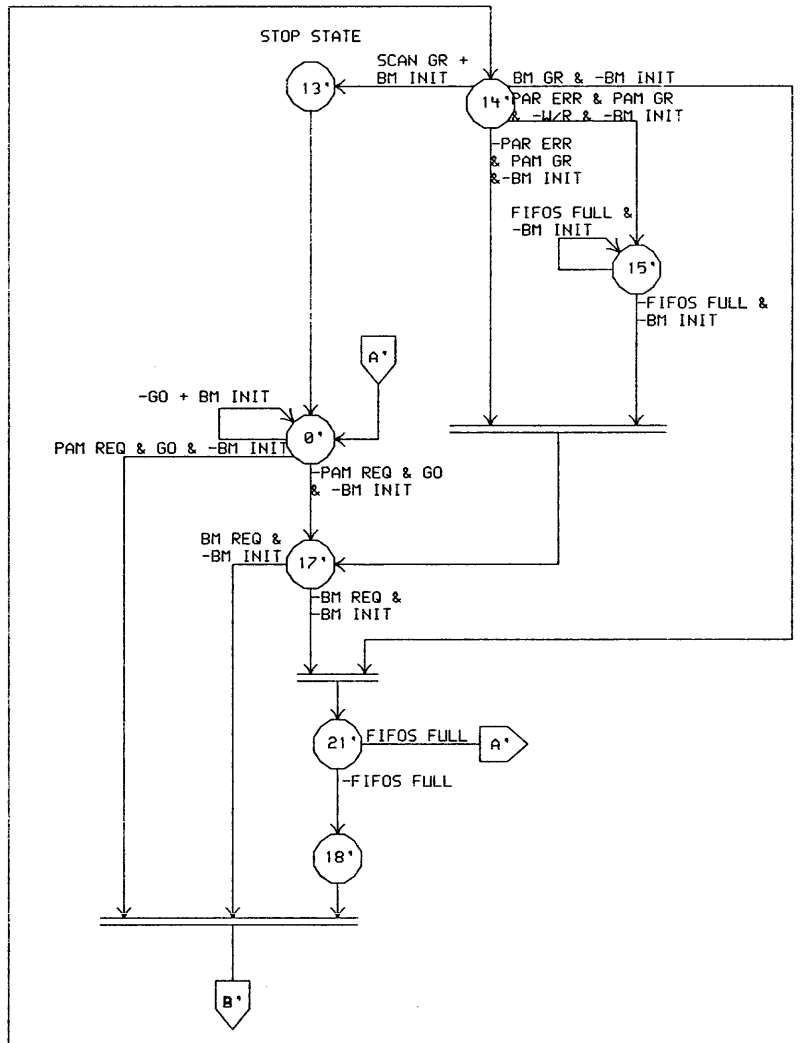
DASH BUS
CYCLE CONTROL



THESE STATES ARE THE DASH BUS CYCLE
AND CANNOT BE INTERRUPTED BY BM INIT.
THE NUMBERS IN PARENS CORRESPOND TO
CLOCK CYCLES ON THE DASH TIMING DIAGRAMS
THE LEFT SIDE ARE THE LONG CYCLES THE
RIGHT SIDE ARE THE SHORT CYCLES

STATES 15', 17', & 18'
BRANCH TO INIT (0')
IF "BM INIT" IS ASSERTED

DASH BUS ARBITRATION



COMMENTS

- STATE 0: INIT/IDLE STATE
LOOPS IN THIS STATE WHILE INIT OR DASH
BUS CYCLE NOT REQUESTED (NOT GO)
- STATE 13: STOP STATE
STOP STATE IS ALWAYS PASSED THROUGH
WHEN CYCLE(S) ARE DONE TO INFORM THE SCAN
PLA THAT THE REQUEST FINISHED
- STATE 14: LAST GRANT CHECK
CHECKS TO SEE WHO GOT SERVICED LAST
(I.E. PAM, BLOCK MOVER OR SCANNER)
AND GOES TO THE APPROPRIATE STATE
TO ARB. TO DETERMINE THE NEXT REQUESTOR
TO GET SERVICE
- STATE 15: PAR ERR LINE# LOAD
IN THE EVENT OF A PAM WRITE ACCESS PAR
ERROR THIS STATE LOADS THE LINE NUMBER IN THE
STATUS FIFO TO INFORM THE PAM OF THAT
- STATE 17: BLOCK MOVER ARB.
THIS STATE ARBITRATES FOR THE BLOCK MOVER. IT
IS ONLY ENTERED IF THE PAM DOES NOT WANT SERVICE
OR HAS ALREADY HAD ONE DASH ACCESS THIS CYCLE.
LEAVING THIS STATE SETS BLOCK MOVER GRANT IF THE
BLOCK MOVER REQUESTED SERVICE.
- STATE 18: SCANNER ARB.
AFTER PAM AND BLOCK MOVER HAVE HAD SERVICE,
OR NEITHER HAVE REQUESTED SERVICE THIS STATE
GRANTS THE SCANNER THE SERVICE IT ORIGINALLY
REQUESTED
- STATE 20: CHECK PAR ERR
LAST CYCLE IN DASH BUS ACCESS ALSO CHECKS IF
A RETRY IS NEEDED AND HAS NOT BEEN DONE ONCE
ALREADY (I.E. DO RETRY ASSERTED). ALSO CHECK
IF AN INIT OCCURED DURING THE DASH BUS CYCLE

REVISION HISTORY:

V.14 - SCM 4/8/82
V.15 - SCM 4/13/82

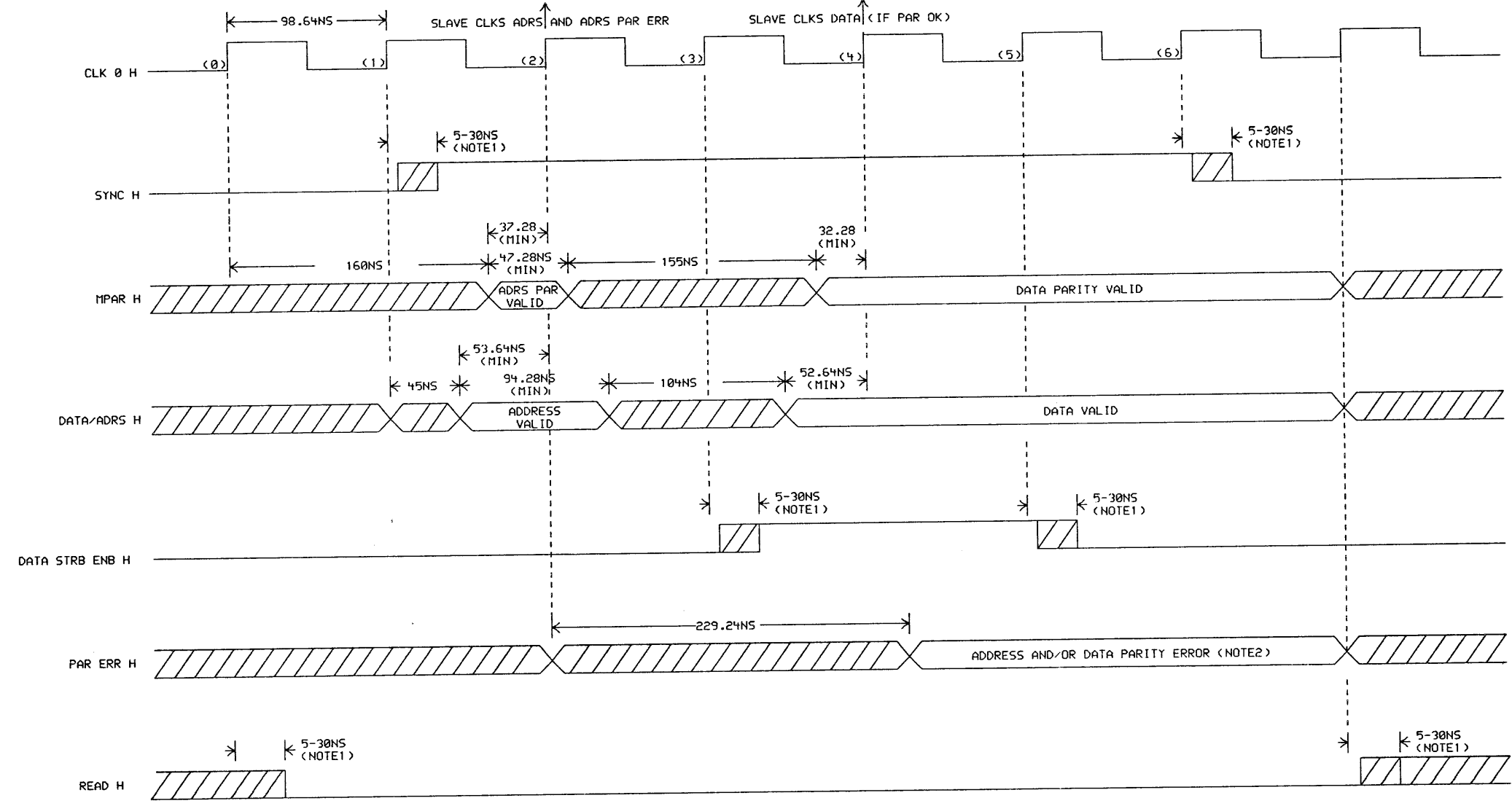
THIS DRAWING AND SPECIFICATIONS
HEREIN ARE THE PROPERTY OF
DIGITAL EQUIPMENT CORPORATION AND
SHALL NOT BE REPRODUCED OR COPIED
OR USED IN WHOLE OR IN PART AS
THE BASIS FOR THE MANUFACTURE OR
SALE OF ITEMS WITHOUT WRITTEN
PERMISSION. COPYRIGHT © 1984,
DIGITAL EQUIPMENT CORPORATION

REVISIONS		
CHK	CHANGE NO.	REV

digital	DRN.	DATE	ENG.	DATE	TITLE:
	CHK'D.	18-FEB-84			DASH BUS PLA STATE DIAGRAM
DSKC: <DUVAL>V05.DRW		18-FEB-84 09:04	NEXT HIGHER ASSEMBLY:		SIZE CODE
FIRST USED ON OPTION/MODEL: DECSA		D-UA-M3111-0-0			NUMBER
					REV.
					B

DASH BUS HARDWARE REGISTER WRITE CYCLE

(NOTE - ALL SIGNALS GENERATED AT MASTER ARE SHOWN AT THE OUTPUT OF THE SLAVES RECEIVERS. ALL SIGNALS GENERATED BY THE SLAVE ARE SHOWN AT THE INPUT TO THE SLAVES DRIVERS)
 (NOTE - ALL TIMES ARE MAX TIMES UNLESS OTHERWISE SPECIFIED)



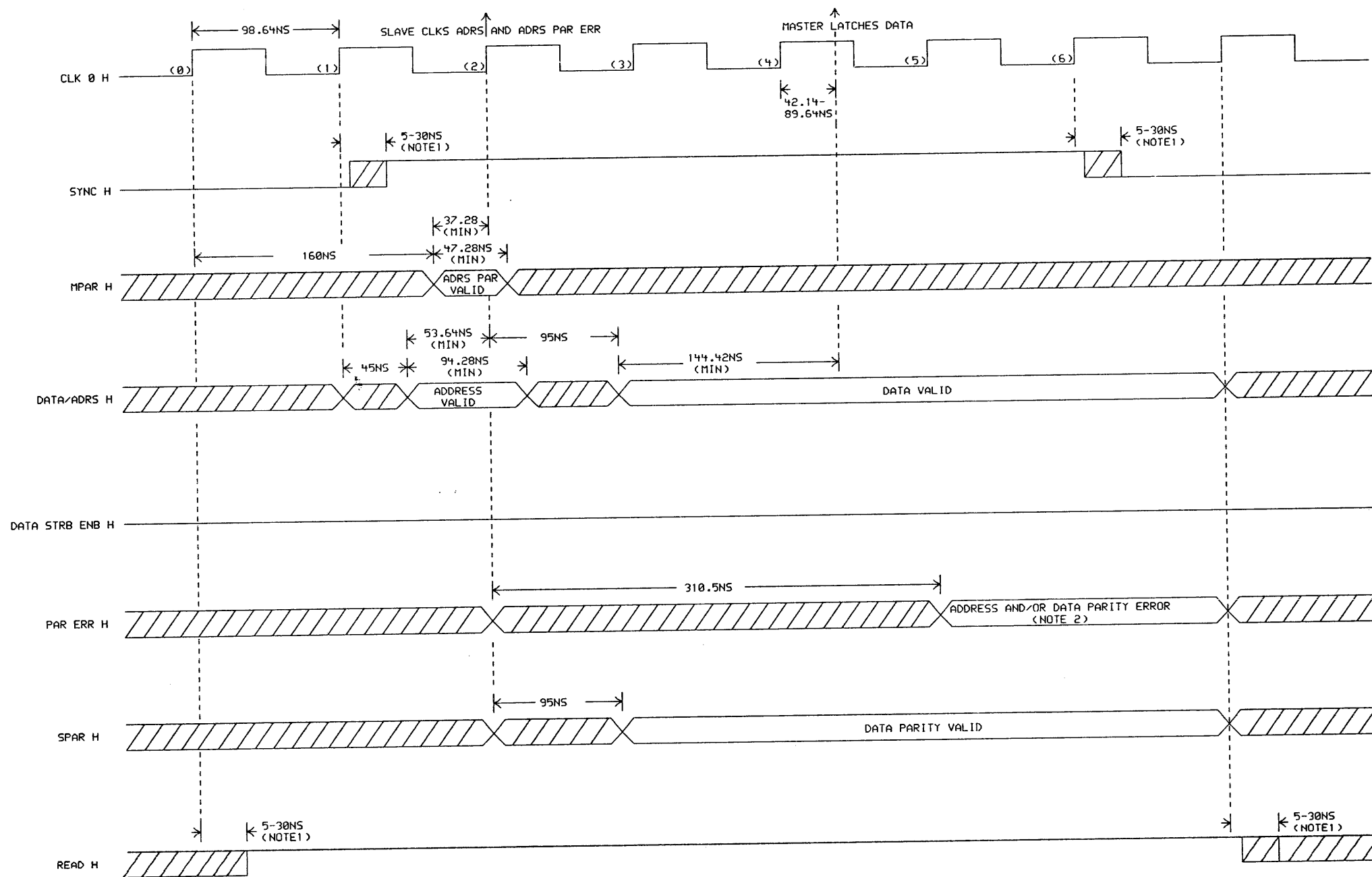
(NOTE1 - SYNC, DATA STRB ENB, READ, AND CLK 0 ARE IN THE SAME XCEIVER CHIP, KEEP EQUAL LOADING ON THE RECEIVER OUTPUT TO INSURE THERE WILL BE NO SKEW BETWEEN THESE SIGNALS SEE ELECTRICAL REQ. SEC. OF DASH BUS FUNC. SPEC.)
 (NOTE2 - DATA OR ADDRESS PARITY ERROR SHOWN AT SLAVE AT LATEST TIME ALLOWED TO REPORT TO MASTER.)

DRN.	DATE	ENG.	DATE	TITLE:
CHK'D.	02-NOV-82			PROTOCOL ASSIST
		BOARD LOCATION:		BM SCANNER
		SHEET 1 OF 1		
DSKD: <MAYHEW>LCDSH.DRW	102-NOV-82 10:25	NEXT HIGHER ASSEMBLY:	SIZE	CODE
FIRST USED ON OPTION/MODEL: DECSA	D-UA-M3111-0-0		K	CS
			NUMBER	REV.
			M3111-0-P19	A

DASH BUS HARDWARE REGISTER READ CYCLE

(NOTE - ALL SIGNALS GENERATED AT MASTER ARE SHOWN AT THE OUTPUT OF THE SLAVES RECEIVERS. ALL SIGNALS GENERATED BY THE SLAVE ARE SHOWN AT THE INPUT TO THE SLAVES DRIVERS)

(NOTE - ALL TIMES ARE MAX TIMES UNLESS OTHERWISE SPECIFIED)



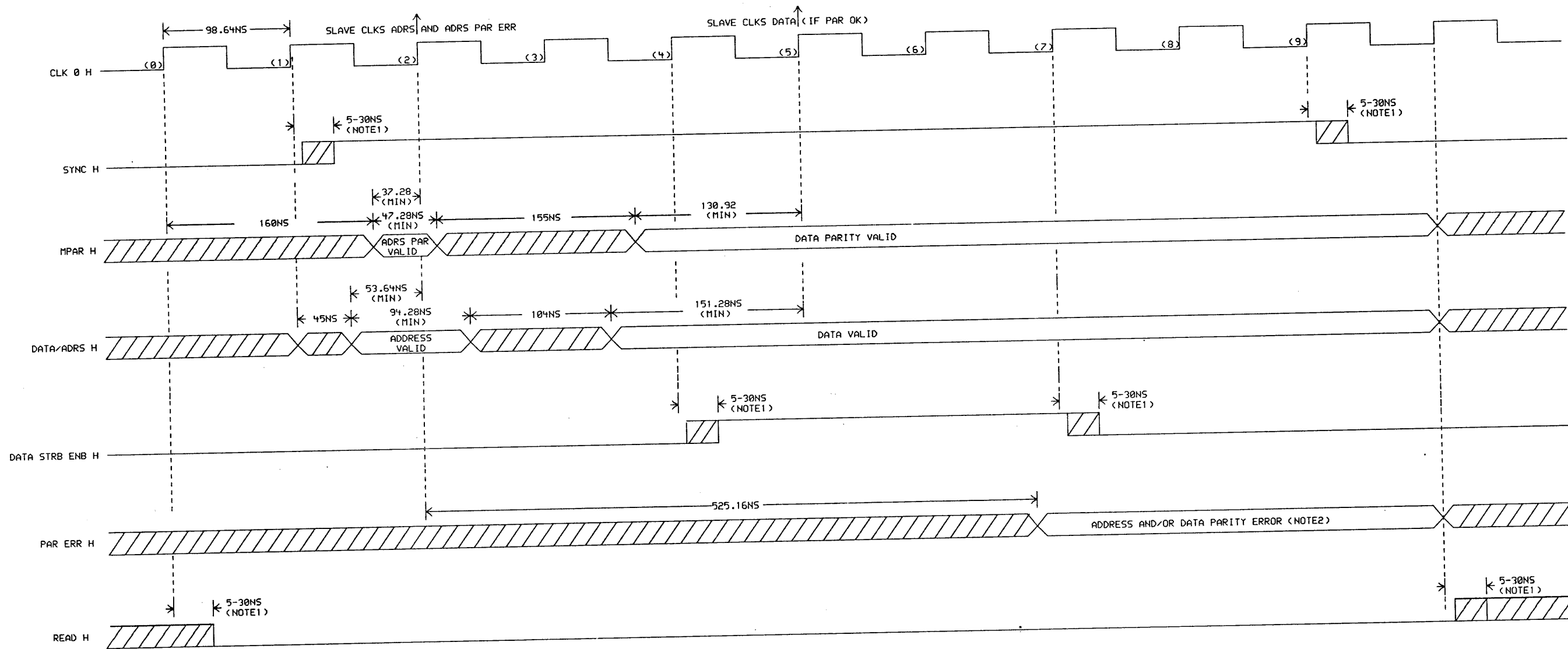
(NOTE1 - SYNC, DATA STRB ENB, READ, AND CLK 0 ARE IN THE SAME RECEIVER CHIP; KEEP EQUAL LOADING ON THE RECEIVER OUTPUT TO INSURE THERE WILL BE NO SKEW BETWEEN THESE SIGNALS SEE ELECTRICAL REQ. SEC. OF DASH BUS FUNC. SPEC.)

(NOTE2 - DATA PARITY ERROR SHOWN AT SLAVE AS REPORTED BY MASTER.)

DRN.	DATE	ENG.	DATE	TITLE:
CHK'D.	82-NOV-82			PROTOCOL ASSIST
		BOARD LOCATION:		BM SCANNER
DSKD: <MAYHEW> LDCSR.DRW	02-NOV-82 10:24	SHEET 1 OF 1	SIZE	NUMBER
FIRST USED ON OPTION/MODEL:	DECSA	NEXT HIGHER ASSEMBLY:	K CS	M3111-0-P20
		D-UA-M3111-0-0	REV.	A

DASH BUS LSI REGISTER WRITE CYCLE

(NOTE - ALL SIGNALS GENERATED AT MASTER ARE SHOWN AT THE OUTPUT OF THE SLAVES RECEIVERS. ALL SIGNALS GENERATED BY THE SLAVE ARE SHOWN AT THE INPUT TO THE SLAVES DRIVERS)
 (NOTE - ALL TIMES ARE MAX TIMES UNLESS OTHERWISE SPECIFIED)

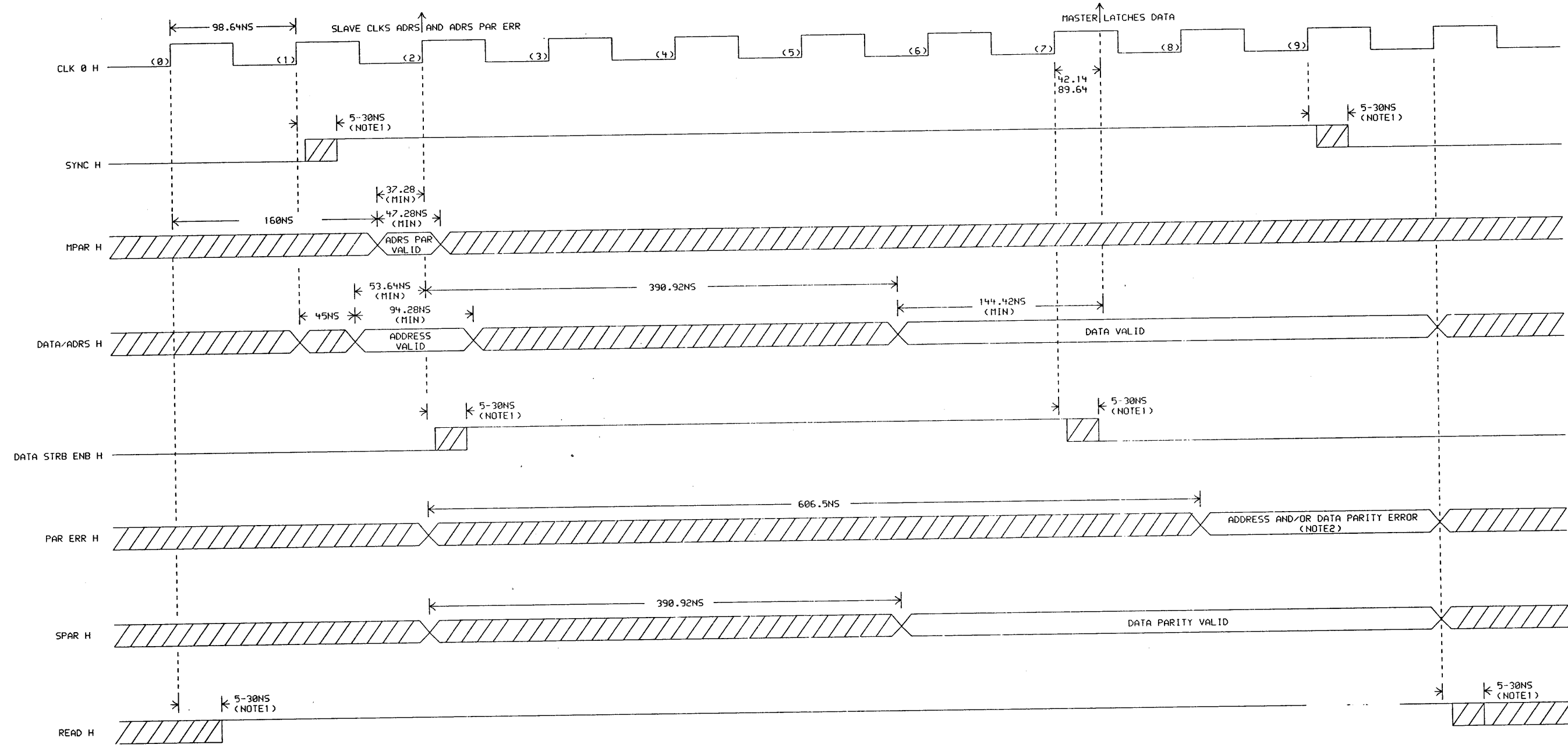


(NOTE1 - SYNC, DATA STRB ENB, READ, AND CLK 0 ARE IN THE SAME XCEIVER CHIP, KEEP EQUAL LOADING ON THE RECEIVER OUTPUT TO INSURE THERE WILL BE NO SKEW BETWEEN THESE SIGNALS SEE ELECTRICAL REQ. SEC. OF DASH BUS FUNC. SPEC.)
 (NOTE2 - DATA OR ADDRESS PARITY ERROR SHOWN AT SLAVE AT LATEST TIME ALLOWED TO REPORT TO MASTER.)

DRN.	DATE	ENG.	DATE	TITLE: PROTOCOL ASSIST BM SCANNER
CHK'D.	02-NOV-82			
	02-NOV-82 10:23	BOARD LOCATION:	SHEET 1 OF 1	SIZE CODE
DSKD: <MATHFW>LCDLW.DRW	02-NOV-82 10:23	NEXT HIGHER ASSEMBLY:	K CS	NUMBER
FIRST USED ON OPTION/MODEL: DECSA	D-LA-M3111-0-0			M3111-0-P21
				REV. A

DASH BUS LSI REGISTER READ CYCLE

<NOTE - ALL SIGNALS GENERATED AT MASTER ARE SHOWN AT THE OUTPUT OF THE SLAVES RECEIVERS. ALL SIGNALS GENERATED BY THE SLAVE ARE SHOWN AT THE INPUT TO THE SLAVES DRIVERS>
 <NOTE - ALL TIMES ARE MAX TIMES UNLESS OTHERWISE SPECIFIED>

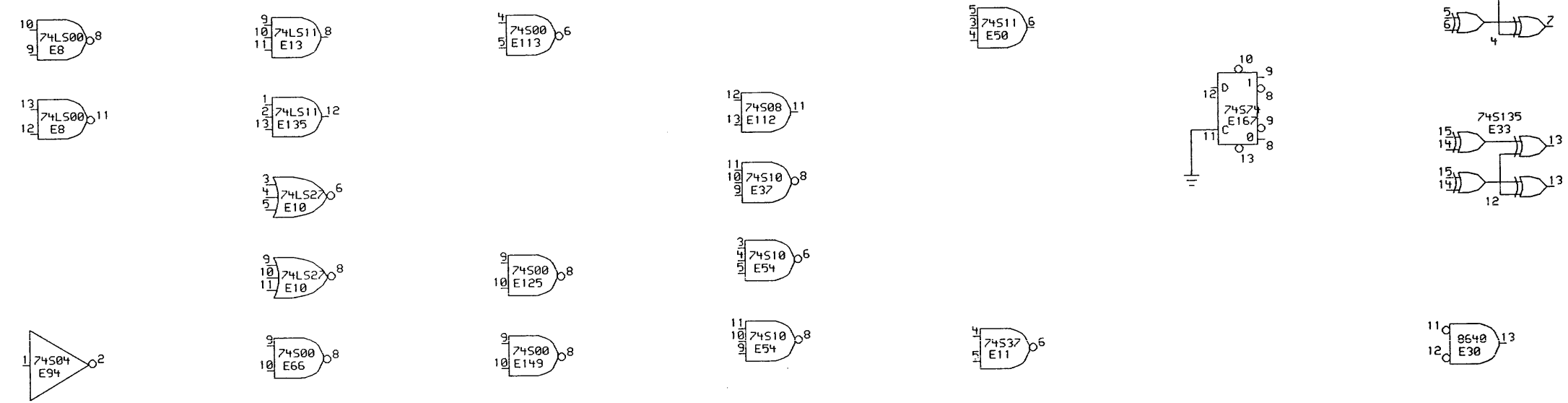


<NOTE1 - SYNC, DATA STRB ENB, READ, AND CLK 0 ARE IN THE SAME RECEIVER CHIP, KEEP EQUAL LOADING ON THE RECEIVER OUTPUT TO INSURE THERE WILL BE NO SKEW BETWEEN THESE SIGNALS SEE ELECTRICAL REQ. SEC. OF DASH BUS FUNC. SPEC.>
 <NOTE2 - DATA PARITY ERROR SHOWN AT SLAVE AS REPORTED BY MASTER.>

THIS DRAWING AND SPECIFICATIONS HEREIN ARE THE PROPERTY OF DIGITAL EQUIPMENT CORPORATION AND SHALL NOT BE REPRODUCED OR COPIED OR USED IN WHOLE OR IN PART AS THE BASIS FOR THE MANUFACTURE OR SALE OF ITEMS WITHOUT WRITTEN PERMISSION. COPYRIGHT © 1983, DIGITAL EQUIPMENT CORPORATION.

REVISIONS	
CHK	CHANGE NO. REV

digital	DRN.	DATE	ENG.	DATE	TITLE: PROTOCOL ASSIST
	CHK'D.	20-DEC-83			BM SCANNER
DSKD: <NAME>LCL.R.DRW		02-DEC-83 11:38	NEXT HIGHER ASSEMBLY:	SIZE CODE	NUMBER
FIRST USED ON OPTION/MODEL: DECSA		D-LA-M3111-0-0		K CS	M3111-0-P22



REVISIONS		
CHK	CHANGE NO.	REV
rc	MK007	B

THIS DRAWING AND SPECIFICATIONS HEREIN ARE THE PROPERTY OF DIGITAL EQUIPMENT CORPORATION AND SHALL NOT BE REPRODUCED OR COPIED OR USED IN WHOLE OR IN PART AS THE BASIS FOR THE MANUFACTURE OR SALE OF ITEMS WITHOUT WRITTEN PERMISSION. COPYRIGHT © 1985, DIGITAL EQUIPMENT CORPORATION.

digital	DRN. HEAVER	DATE 18-APR-85	ENG. J.C. TREMBLAY	DATE 18-APR-85	TITLE: PROTOCOL ASSIST
	CHK'D F. CARBONE	DATE 18-APR-85	BOARD LOCATION: AF7	SHEET 1 OF 1	BM SCANNER
XTRA: <DENSMORE>V260.DRW		18-APR-85 05:11	NEXT HIGHER ASSEMBLY:		SIZE CODE NUMBER REV.
FIRST USED ON OPTION/MODEL: DECSA		D-UA-M3111-0-0			K CS M3111-0-P23 B

THIS DRAWING AND THE SPECIFICATIONS CONTAINED HEREIN ARE CONFIDENTIAL AND PROPRIETARY. THEY ARE THE PROPERTY OF DIGITAL EQUIPMENT CORPORATION AND SHALL NOT BE REPRODUCED OR COPIED OR USED IN WHOLE OR IN PART AS THE BASIS FOR MANUFACTURING OR SALE OF ITEMS WITHOUT WRITTEN PERMISSION. THIS IS AN UNPUBLISHED WORK PROTECTED UNDER THE FEDERAL COPYRIGHT LAWS.

DRAWING DIRECTORY

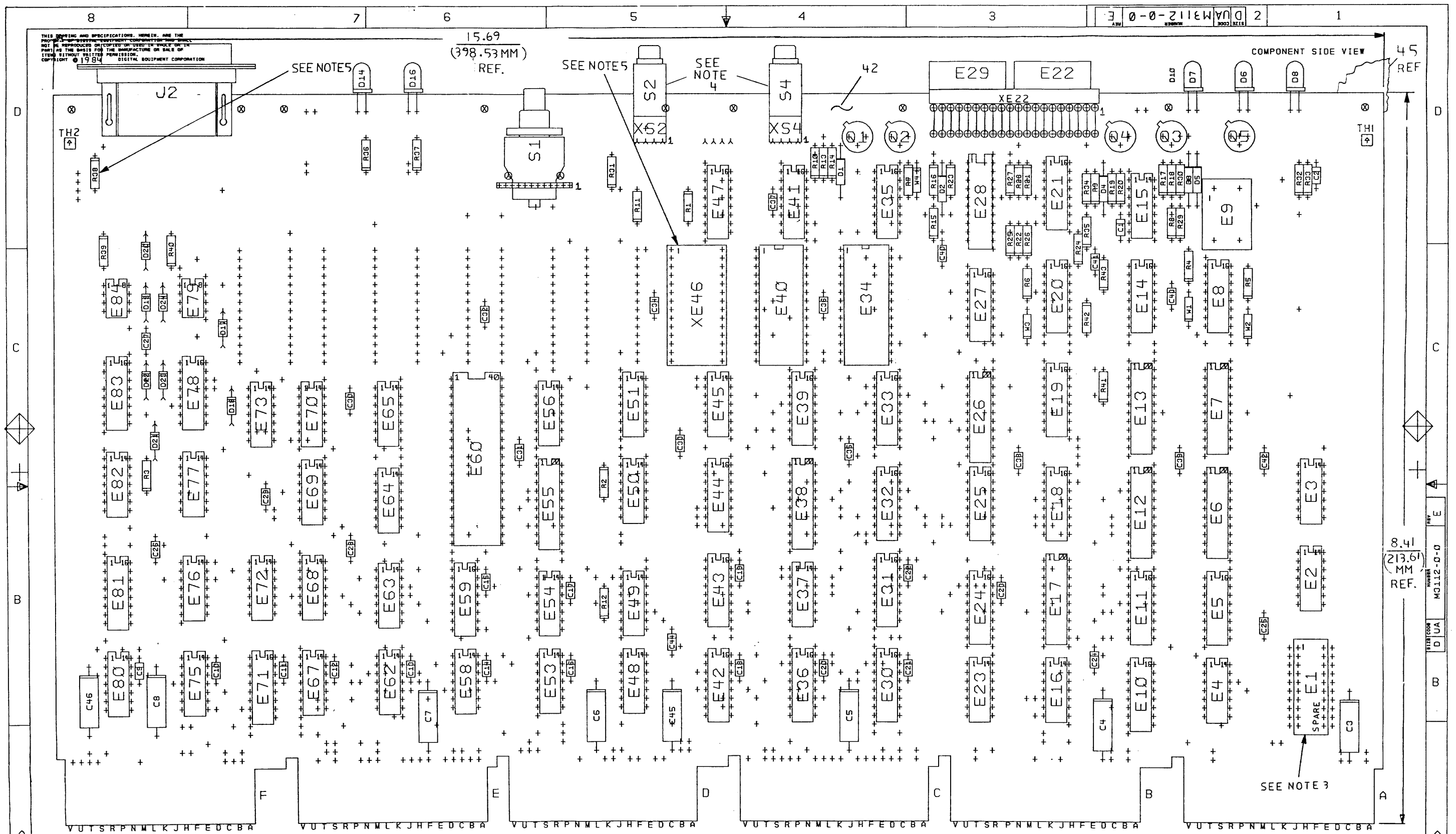
ITEM	DRAWING NO.	NO. OF SHTS	PART NO.	DESCRIPTION	TYPE	REVISIONS													
						A1	B1	C1	D1	D2	D3								
1			M3112-00	MODULE REV															
2	D-UA-M3112-0-0	3		DECSA CONSOLE		A	B	C	D	E	E								
3	K-PL-M3112-0-0	3		DECSA CONSOLE		A	B	C	D	E	F								
4	D-EC-5014994-0-0	2		ETCH CUT DRAWING		A	A	B	C	C	C								
5	D-MD-5014994-0-0	3		DRILL & ETCH DRAWING		A	A	A	B	B	B								
6			5014994	ETCHED BOARD		B	B	B	C1	C1	C1								
7	K-CS-M3112-0-K1	1		CONSOLE, COOT TERM.		A	A	A	A	A	A								
8	K-CS-M3112-0-K2	1		CONSOLE, BOOT TERM.		A	A	A	A	A	A								
9	K-CS-M3112-0-K3	1		CONSOLE, BOOT TERM.		A	A	A	A	A	A								
10	K-CS-M3112-0-K4	1		CONSOLE, BOOT TERM.		A	A	A	A	A	A								
11	K-CS-M3112-0-K5	1		CONSOLE, BOOT TERM.		A	A	A	A	A	A								
12	K-CS-M3112-0-K6	1		CONSOLE, BOOT TERM.		A	A	A	A	A	A								
13	K-CS-M3112-0-K7	1		CONSOLE, BOOT TERM.		A	A	A	A	A	A								
14	K-CS-M3112-0-K8	1		CONSOLE, BOOT TERM.		A	A	A	A	A	A								
15	K-CS-M3112-0-K9	1		CONSOLE, BOOT TERM.		A	B	B	C	C	C								
16	K-CS-M3112-0-K10	1		CONSOLE, BOOT TERM.		A	A	A	B	B	B								
17	K-CS-M3112-0-K11	1		CONSOLE, BOOT TERM.		A	A	A	A	A	A								
18	K-CS-M3112-0-K12	1		CONSOLE, BOOT TERM.		A	A	A	A	A	A								
19	K-PC-M3112-0-DBI			PC DATA BASE		B	B	B	B	B	C								
20	K-CS-M3112-0-DBS			CS DATA BASE		A	B	C	D	D	E								
21	K-CS-M3112-0-K13	1		CONSOLE, BOOT TERM.		-	-	-	A	A	B								

NOTES:

						DD REV	A	B	C	D	E	F							
--	--	--	--	--	--	--------	---	---	---	---	---	---	--	--	--	--	--	--	--

REVISION HISTORY			CONT. REVISION HISTORY			MADE BY: T. WALSH DATE: 19 OCT 82		d i g i t a l			
ENG	ECO NUMBER	REV	ENG	ECO NUMBER	REV			TITLE DRAWING DIRECTORY			
	M3112-TW001	B				CHECKED BY: T. WALSH DATE: 01 NOV 82		DECSA CONSOLE			
	M3112-TW002	C				DESIGN ENGINEER: M. LAWRENCE DATE: 01 APR 85					
	M3112-TW003	D				RESPONSIBLE ENG: M. LAWRENCE DATE: 01 APR 85					
ML	M3112-MK004	E				PRODUCTION ENG: W. BROOKE DATE: 01 APR 85					
ML	M3112-MK005	F						SIZE	CODE	DOCUMENT NUMBER	REV.
								K	DD	N3112-0	F

THIS DRAWING AND SPECIFICATIONS HEREIN ARE THE PROPERTY OF DIGITAL EQUIPMENT CORPORATION. NO PART BE REPRODUCED OR COPIED OR USED IN WHOLE OR IN PART FOR THE BASIS FOR THE MANUFACTURE OR SALE OF ITEMS WITHOUT WRITTEN PERMISSION. COPYRIGHT © 1984 DIGITAL EQUIPMENT CORPORATION



CHK	DRAWN BY	ENGINEER	CHANGE NO	DATE	REV
JF	A. KRAWIECKI	J. BUZYNSKI	M3112-MK3	14-MAY-84	D
AC	A. KRAWIECKI	M.L. J.C. [Signature]	MK004	02-APP-85	E

NOTES: 1. LED SHOULD NOT PROTRUDE BEYOND HANDLE.
 2. PIN 1 IS ON SAME SIDE AS DATE CODE & VENDOR IDENTIFICATION. IDENTIFICATION NUMBERS SHOULD FACE MODULE.
 3. E1 IS A SPARE LOCATION.
 4. D26, D25 ARE MOUNTED IN S2 AND S4 RESPECTIVELY.
 5. R38, E46 NOT NORMALLY INSERTED.

STEP E	↑ Y AXIS	STEP	TIMES
REPEAT	→ X AXIS	STEP	TIMES

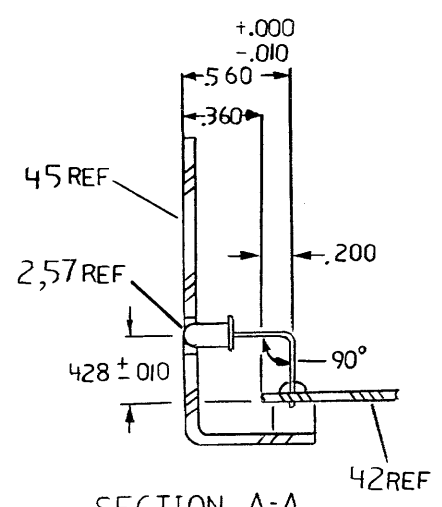
ETCH REV.	C1-P2
-----------	-------

SIGNATURES		DATE	digital
DRN.	A. KRAWIECKI	11/2/84	
CHK'D.	[Signature]	11/2/84	
MECH. ENG.	[Signature]	5-15-84	
PROJ. ENG.	[Signature]	5-15-84	
PROD.	[Signature]	5-15-84	TITLE
SCALE 2/1			DESCA CONSOLE
SHT. 1 OF 2			SIZE CODE NUMBER REV
NEXT HIGHER ASSY. K-DD-M3112-0			D UA M3112-0-0 E

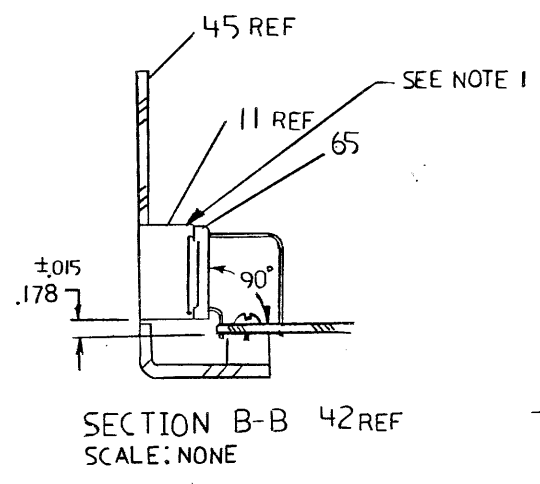
8.41 (213.61) MM REF.

SEE NOTE 3

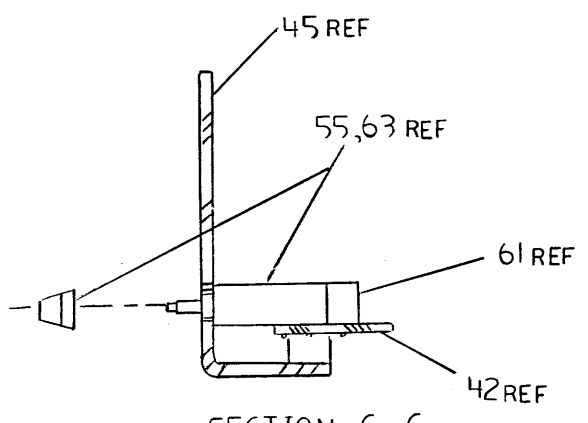
THIS DRAWING AND THE SPECIFICATIONS CONTAINED HEREIN ARE CONFIDENTIAL AND PROPRIETARY. THEY ARE THE PROPERTY OF DIGITAL EQUIPMENT CORPORATION AND SHALL NOT BE REPRODUCED OR COPIED OR USED IN WHOLE OR IN PART AS THE BASIS FOR MANUFACTURE OR SALE OF ITEMS WITHOUT WRITTEN PERMISSION. THIS IS AN UNPUBLISHED WORK PROTECTED UNDER THE FEDERAL COPYRIGHT LAWS. 1984



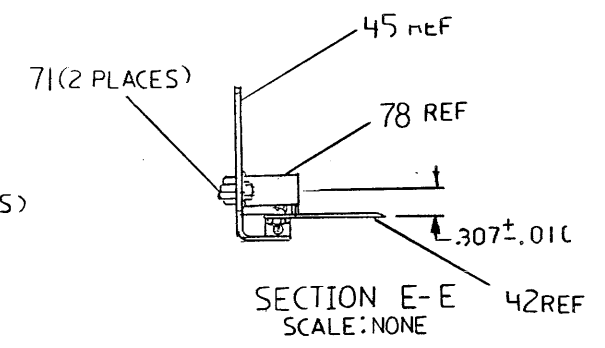
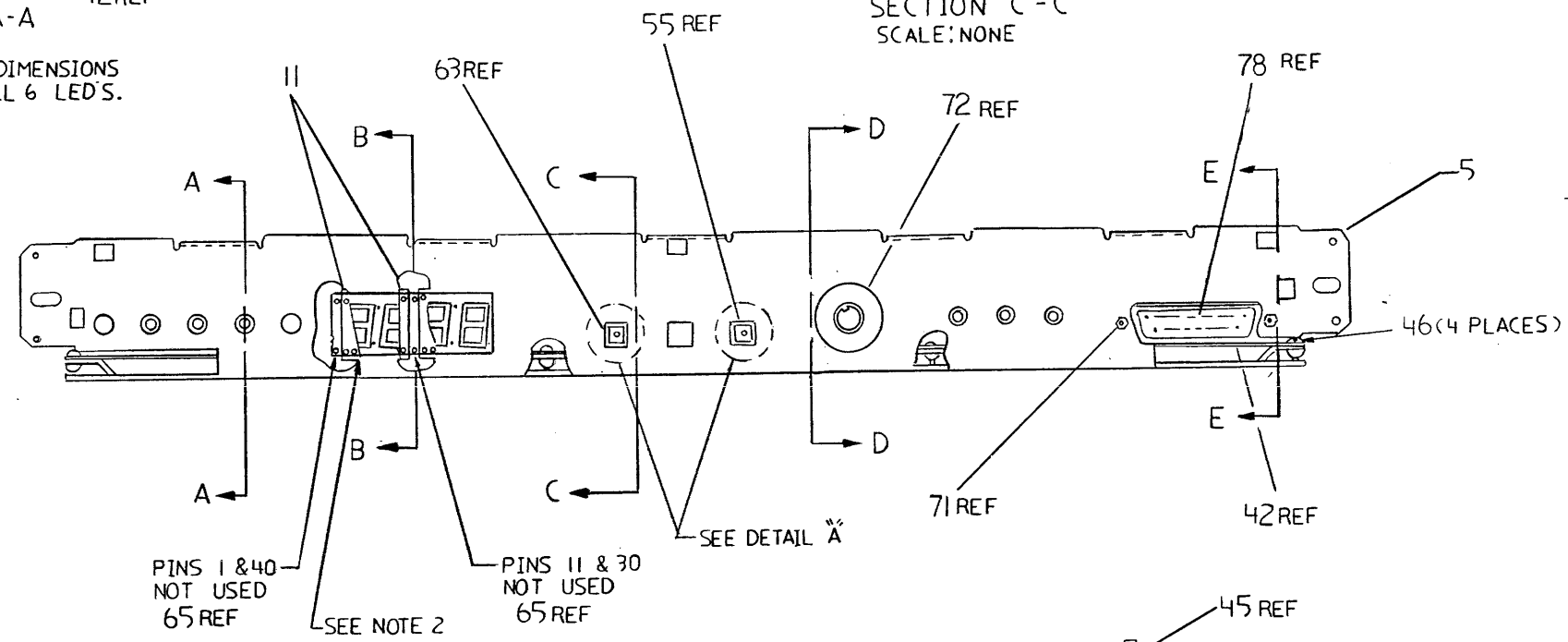
SECTION A-A
SCALE: NONE
NOTE: SAME DIMENSIONS FOR ALL 6 LED'S.



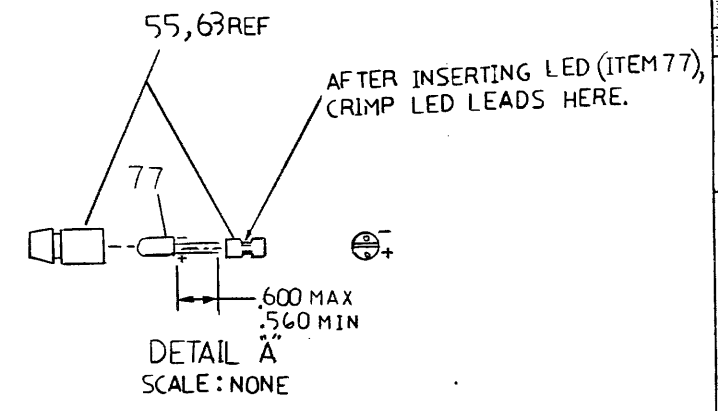
SECTION B-B 42 REF
SCALE: NONE



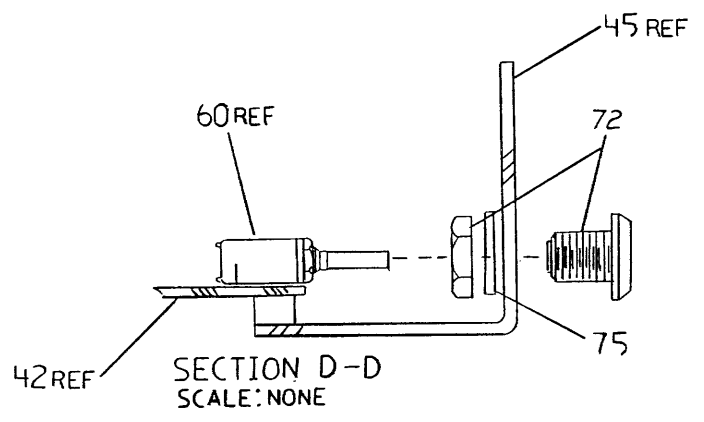
SECTION C-C
SCALE: NONE



SECTION E-E
SCALE: NONE



DETAIL A
SCALE: NONE



SECTION D-D
SCALE: NONE

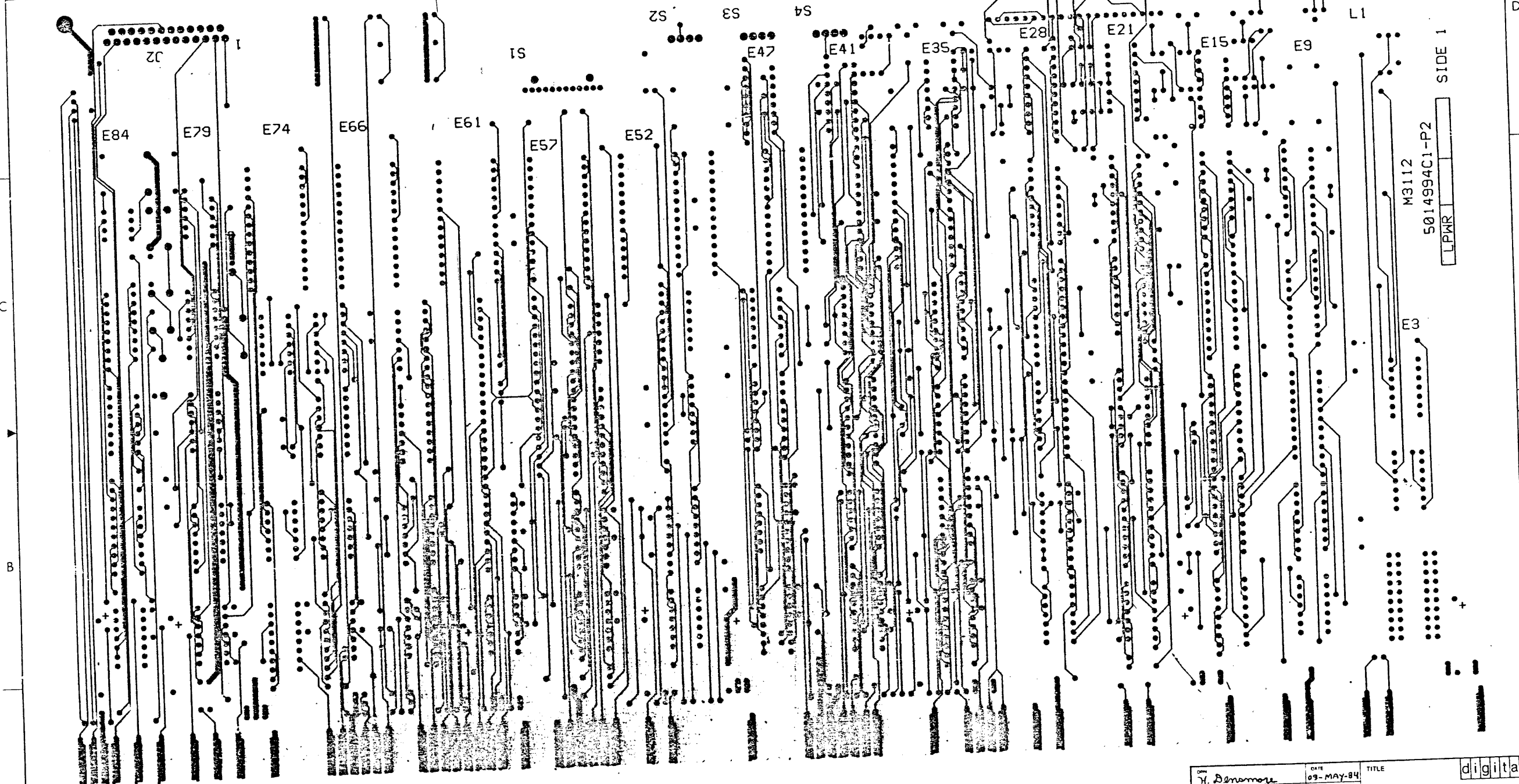
REVISION HISTORY		
DATE	ECO NUMBER	REV

TITLE
DECSA CONSOLE

DOCUMENT NUMBER			
SIZE	CODE	NUMBER	REV
DUA	M3112-0-0		E
SCALE 1:1		SHEET 2 OF 2	

MKO

THIS DRAWING AND THE SPECIFICATIONS CONTAINED HEREIN ARE THE PROPERTY OF THE UNITED STATES GOVERNMENT. IT IS TO BE REPRODUCED IN WHOLE OR IN PART BY ANYONE WITHOUT PERMISSION. THIS IS AN UNCLASSIFIED DOCUMENT AND DOES NOT CONTAIN INFORMATION THAT IS SUBJECT TO THE FEDERAL COPYRIGHT ACT.



REV	DESCRIPTION	DATE
C	M3112 - MK003	1/15/84
B	J. BUTYNSKI	1/15/84
A		

DATE	09-MAY-84	TITLE	digital
DESIGNER	J. Butynski	DATE	15-MAY-84
DESIGNED BY	J. Butynski	DATE	15-MAY-84
CHECKED BY	J. Butynski	DATE	15-MAY-84
FOR DOC. NO.	D-UA-M3112-0-0	SCALE	2/1
DOCUMENT NUMBER		D EC 5014994-0-0 C	

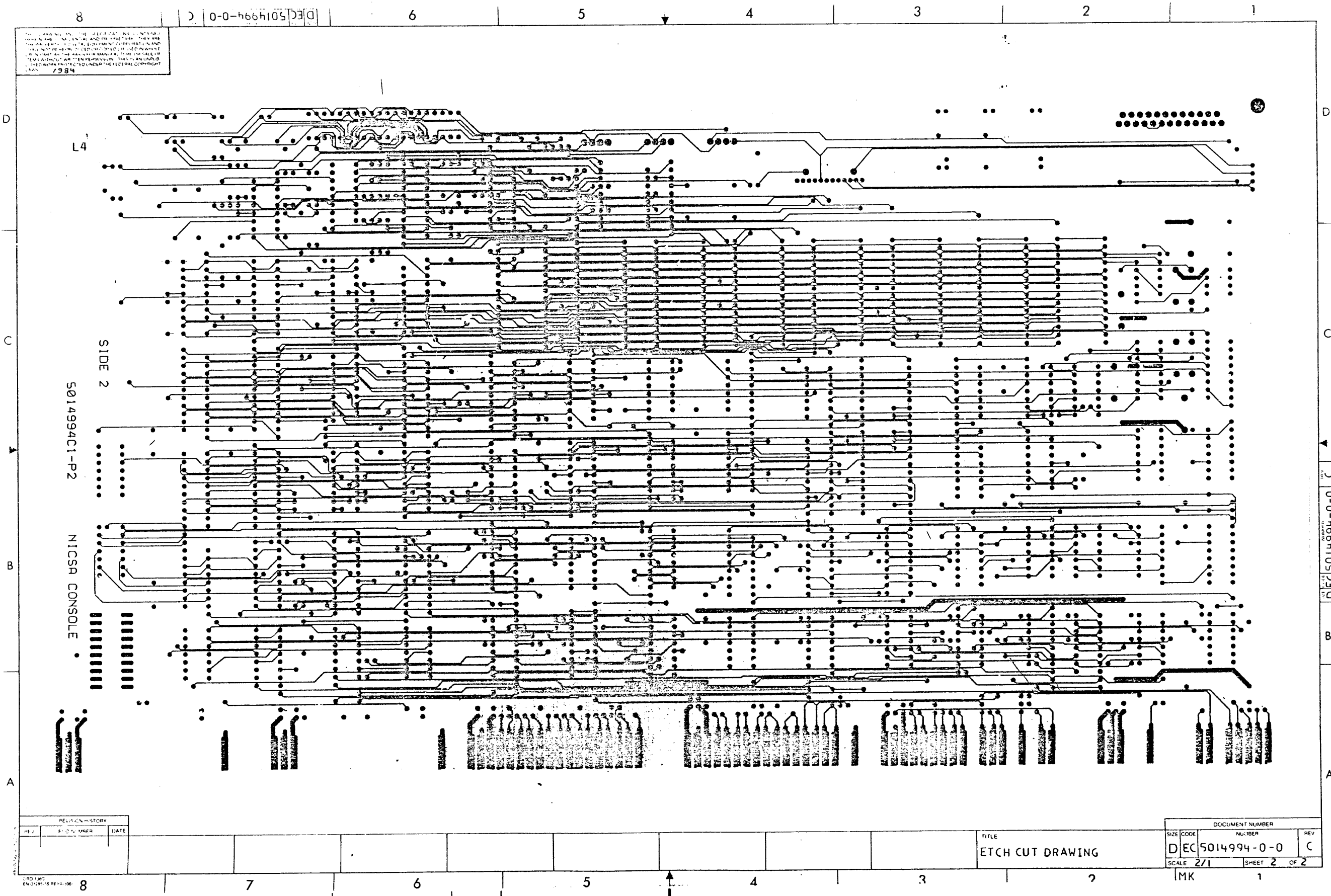
M3112
5014994C1-P2
LPWR SIDE 1

8 7 6 5 4 3 2 1

8 7 6 5 4 3 2 1

D C B A

ALL DIMENSIONS IN THIS DRAWING ARE UNLESS OTHERWISE SPECIFIED IN MILLIMETERS AND DECIMALS THEREOF. THEY ARE THE PROPERTY OF THE COMPANY AND WILL BE KEPT CONFIDENTIAL AND NOT TO BE REPRODUCED OR TRANSMITTED IN ANY FORM OR BY ANY MEANS, ELECTRONIC OR MECHANICAL, INCLUDING PHOTOCOPYING, RECORDING, OR BY ANY INFORMATION STORAGE AND RETRIEVAL SYSTEM, WITHOUT THE WRITTEN PERMISSION OF THE COMPANY. THIS DRAWING IS UNCLASSIFIED UNDER THE FEDERAL COPYRIGHT ACT OF 1976.



REVISION HISTORY		
REV.	DESCRIPTION	DATE

TITLE
ETCH CUT DRAWING

DOCUMENT NUMBER		
SIZE	CODE	NUMBER
DEC	5014994	0-0
SCALE 2/1		SHEET 2 OF 2

8

7

6

5

4

3

2

1

IMK

DEC 5014994-0-0

6

5

4

3

2

1

D

C

A

B

A

D

C

A

B

A

DEC 5014994-0-0

L4

SIDE 2

5014994C1-P2

NICSAR CONSOLE

PARTS LIST

LINE	ITEM	TOP DOCUMENT	PART NUMBER	MIN REV	DESCRIPTION	QTY PER VAR/REV	REFERENCE DESIGNATORS
1	42	D-MD-5014994-0-0	50-14994-00		NISCA CONSOLE	1	
2	56		10-12784-00		.047 MFD 50V +80-20% CER	38	C1,C2,C9-C44
3	59		10-17472-00		10 MFD 35V +75-10% AL EL	8	C3-C8,C45,C46
4	1		11-01938-00		VZ= 2.4 SX 400 MW 1N4370A	5	D1-D5
5	3		11-05796-00		PIV= 400 IO= 1.00A 1N4004 DO-41	8	D17-D24
6	2		11-10324-01		LED 1MCD@10MA PIV=3 .750 MIN. LE	3	D6-D8
7	57		11-14384-00		LED 105MW 35MA GREEN	2	D14,D16
8	54		12-15006-07		SKT,IC 28PIN DIP TIN SOLD	1	XE46
9	64	#BLANK			*** THIS ITEM IS NOT USED ***	-	
10	63		12-18945-02		SW,PB,LT 1PST NO-MAINTAIN .25A	1	S4
11	61		12-19918-01		SKT,SWITCH 4PIN RT ANGLE	2	XS2,XS4
12	65		12-19919-01		SKT,IC 40PIN DIP GOLD PLATE	1	XE22
13	60		12-20006-01		SW,ROT 2P 4POS	1	S1
14	53		13-00005-01		R NETWORK 13-1K 5.0 X 14PIN	1	E37
15	35		13-00229-00		100.0 .25 W 5.0 % CF	3	R12,R36,R37
16	39		13-00316-00		470.0 .25 W 5.0 % CF	3	R31,R32,R34
17	17		13-00365-00		1.0 K .25 W 5.0 % CF	16	R1-R11,R33,R35,R41-R43
18	36		13-00447-00		4.70 K .25 W 5.0 % CF	5	R13,R15,R17,R19,R29
19	38		13-01522-00		27.0 .25 W 5.0 % CF	8	R21-R28
20	37		13-02377-00		39.0 .25 W 5.0 % CF	5	R14,R16,R18,R20,R30
21	40	#BLANK			*** THIS ITEM IS NOT USED ***	-	
22	41		13-03312-00		27.40 K .25 W 1.0 % RN55D-F10	2	R39,R40
23	52		13-09417-00		R NETWORK 14-180 14-390 16PIN	4	E31,E43,E59,E71
24	51		15-09649-01		3762 PNP 4W SI 40 35	5	Q1-Q5
25	50		18-11660-23		OSCILLATOR, XTAL 5.5296 MHZ	1	E9
26	31		19-09705-00		DEC 8881 NAND GATE-QUAD 2IN 0	1	E80
27	49		19-10544-01		74S74-60GG-D DUAL,EDGE TRIG	1	E50
28	23		19-11469-00		DEC 8640 RECEIVER,BUS,QUAD,UN	6	E53,E54,E58,E62,E67,E75
29	13		19-11579-00		/REPLACED BY 19-14987-00	4	E24,E30,E36,E42
30	10		19-11675-00		74S138 DECODER/DEMUX 3-8 LI	1	E21
31	9		19-12646-00		LS253 MUX 1 OF 4 (DUAL)	8	E8,E10,E11,E14,E18-E20,E25
32	16		19-12661-00		74S189 MEMORY READ/WRITE	2	E33,E39

REVISION HISTORY		KPL MODULE FORMAT		SECTION A OF A		DRN: B. DEMPSKI		DIGITAL	
ENG	ECO NUMBER	REV	SECTION/VARIATION INDEX	CHK'D:	F. GAROFALO	TITLE		PARTS LIST	
	INITIAL	A	[A] 00 [M]	DATE:	11-JUN-82	DECSA CONSOLE			
JB	M3112-TW001	B	[B] [N]	DES.ENG:	J. WEAVER	DOCUMENT NUMBER			
JB	M3112-MK002	C	[C] [P]	DATE:	11-JUN-82	SIZE	CODE	NUMBER	REV
JB	M3112-MK003	D	[D] [Q]			K	PL	M3112-0-0	F
ML	M3112-MK004	E	[E] [R]	RESP.ENG.:	J. BUZYNSKI	RELEASE DATE:		13-MAR-86	
JB	M3112-MK005	F	[F] [S]	DATE:	02-APR-85	RELEASE STATUS:		RELEASED	
			[H] [T]	MFG.ENG.:	W. BROOKE				
			[J] [V]	DATE:	02-APR-85				
			[K] [W]						
			[L] [Y]						
		BASIC PART NUMBER:		ASSEMBLY NUMBER:		TOP DOCUMENT NUMBER:		FILE NAME:	
		M3112		D-UA-M3112-0-0		K-DD-M3112-0		MK1094.PLS	
								EDIT #	
								1	

"THIS DRAWING AND THE SPECIFICATIONS CONTAINED HEREIN ARE CONFIDENTIAL AND PROPRIETARY. THEY ARE THE PROPERTY OF DIGITAL EQUIPMENT CORPORATION AND SHALL NOT BE REPRODUCED OR COPIED OR USED IN WHOLE OR IN PART AS THE BASIS FOR THE MANUFACTURE OR SALE OF ITEMS WITHOUT WRITTEN PERMISSION. THIS IS AN UNPUBLISHED WORK PROTECTED UNDER THE FEDERAL COPYRIGHT LAWS."

LINE	ITEM	TOP DOCUMENT	PART NUMBER	MIN REV	DESCRIPTION	QTY PER VAR/REV	REFERENCE DESIGNATORS
						00	
						D2	
33	6		19-12799-00		LS00 NAND-GATE-QUAD 2IN,P	2	E4,E15
34	4		19-12803-00		LS04 INVERTER GATE,HEX	3	E2,E16,E56
35	27		19-12805-00		LS08 AND GATE-QUAD 2IN,PO	2	E65,E73
36	12		19-12807-00		LS10 NAND GATE-TRIPLE 3IN	2	E23,E51
37	48		19-12808-00		LS11 AND GATE-TRIPLE 3IN	1	E63
38	26		19-12810-00		LS20 NAND GATE-DUAL 4IN	1	E64
39	28		19-12811-00		LS21 AND GATE-DUAL 4IN,PO	3	E68,E72,E77
40	47		19-12813-00		LS27 NOR GATE-TRIPLE 3IN	1	E76
41	20		19-12816-00		LS32 OR GATE-QUAD 2IN,POS	4	E45,E48,E69,E70
42	33		19-12824-00		LS74 FF-D DUAL,EDGE TRIGG	1	E82
43	7		19-12843-00		LS139 DECODER, 2 OF 4(DUAL	2	E5,E41
44	14		19-12847-00		LS157 MUX 1 OF 2(QUAD)	3	E27,E32,E35
45	21		19-12851-00		LS169 COUNTER,SYNCH. UP/DO	1	E47
46	32		19-12853-00		LS175 FF-D QUAD	2	E81,E83
47	8		19-12863-00		LS273 FF-D OCTAL W/CLEAR	6	E6,E7,E12,E13,E17,E26
48	5		19-13414-00		LS14 INVERTER GATE-HEX SC	1	E3
49	11		19-13478-00	MAN	6710 SEGMENT DISPLAY LED,	2	E22,E29
50	15		19-13493-00		74S241 OCTAL BUFFER,TRI-STA	1	E28
51	19		19-13939-00		LS191 COUNTER,SYNCHR. UP/D	1	E44
52	24		19-14214-00		LS374 FF-D OCTAL EDGE TRIG	1	E55
53	22		19-14451-00		LS393 COUNTER,BINARY,4BIT	1	E49
54	18		19-15193-00		LS244 DRIVER,LINE,OCTAL,TR	1	E38
55	34		19-15415-00		9636 DRIVER,DUAL,EIA RS-4	1	E84
56	30		19-19542-01		9639 RECEIVER,LINE,DUAL	1	E79
57	25		21-17312-00		UART DL-11 SOFTWARE	1	E60
58	29		21-19305-01		201 SWITCH,ANALOG,QUAD	1	E78
59	46		90-08301-01		SCREW,MACH PAN PHIL 4-	4	
60	45		70-19151-00		CBT HANDLE ASSY.	1	
61	44	#BLANK			*** THIS ITEM IS NOT USED ***	-	
62	43		90-09185-00		JUMPER, WIRE, INSULATED, BLACK B	4	W1-W4
63	55		12-18945-06		SW,PB,LT 1PST NO-MOMENTARY .25A	1	S2
64	56	#BLANK	12-09941-02		*** THIS ITEM IS NOT USED ***	-	
65	62		12-20449-01		*** THIS ITEM IS NOT USED ***	-	
66	66	#BLANK	11-19827-01		*** THIS ITEM IS NOT USED ***	-	
67	67	#BLANK			*** THIS ITEM IS NOT USED ***	-	
68	68	#BLANK			*** THIS ITEM IS NOT USED ***	-	
69	69	#BLANK	91-05740-55		*** THIS ITEM IS NOT USED ***	-	
70	70	#BLANK	91-07688-55		*** THIS ITEM IS NOT USED ***	-	
71	71		90-08451-01		SCREW LOCK,STANDOFF ONLY .060TH	2	
72	72		12-16178-06		LOCK,PLASTIC 3POS ASSY	1	
73	73		23-112E4-00		E4-01,E4-02,E4-03,E4-06,E4-07ROM	1	E34
74	74		23-113E4-00		E4-01,E4-02,E4-03,E4-06,E4-07ROM	1	E40
75	75		90-09750-00		O-RING, RUBBER, .94 OD X .75 ID	1	
76	76	#BLANK	91-07776-55		*** THIS ITEM IS NOT USED ***	-	
77	77		11-24447-01		LED 1.5MCD@20MA RED T1 .100CC	2	D25,D26
78	78		12-20398-07		CONN,D SUB 25PIN ASSY RT ANGLE	1	J2
79	79	SEE NOTE 3	23-421E4-00		E4-06,E4-11 U REF	1	
80	80				*** THIS ITEM IS NOT USED ***	-	
81	81				*** THIS ITEM IS NOT USED ***	-	

D	I	G	I	T	A	L	TITLE	SECTION A	OF A	SIZE	CODE	DOCUMENT NUMBER	REV
							DECSA CONSOLE			K	PL	N3112-0-0	F

AUTOMATED BY VAXKPL (V1.1)

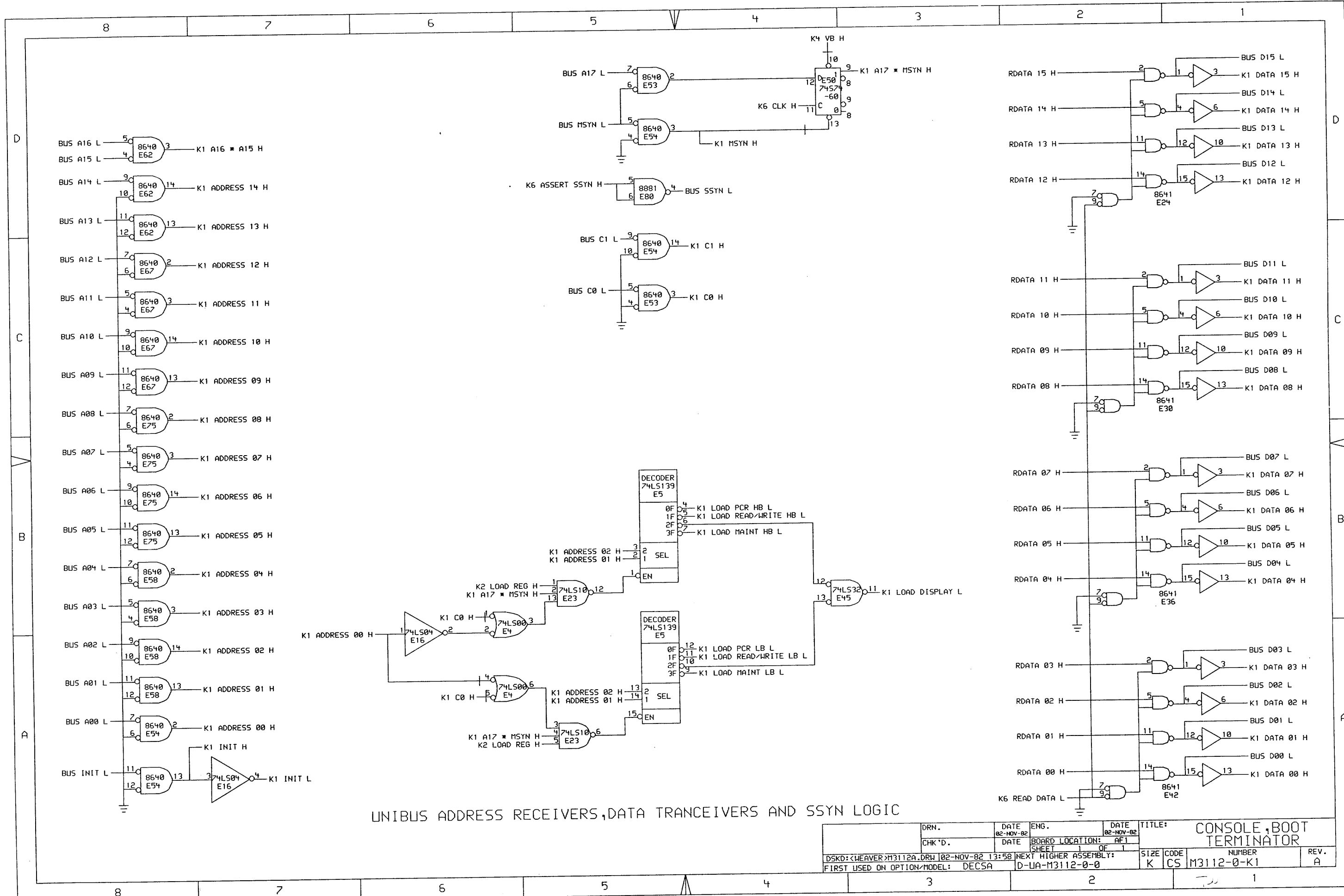
P A R T S L I S T

SHEET A3 OF A3

LINE ITEM	TOP DOCUMENT	PART NUMBER	MIN REV	DESCRIPTION	QTY PER VAR/REV 00 D2	REFERENCE DESIGNATORS
-----------	--------------	-------------	------------	-------------	-----------------------------	-----------------------

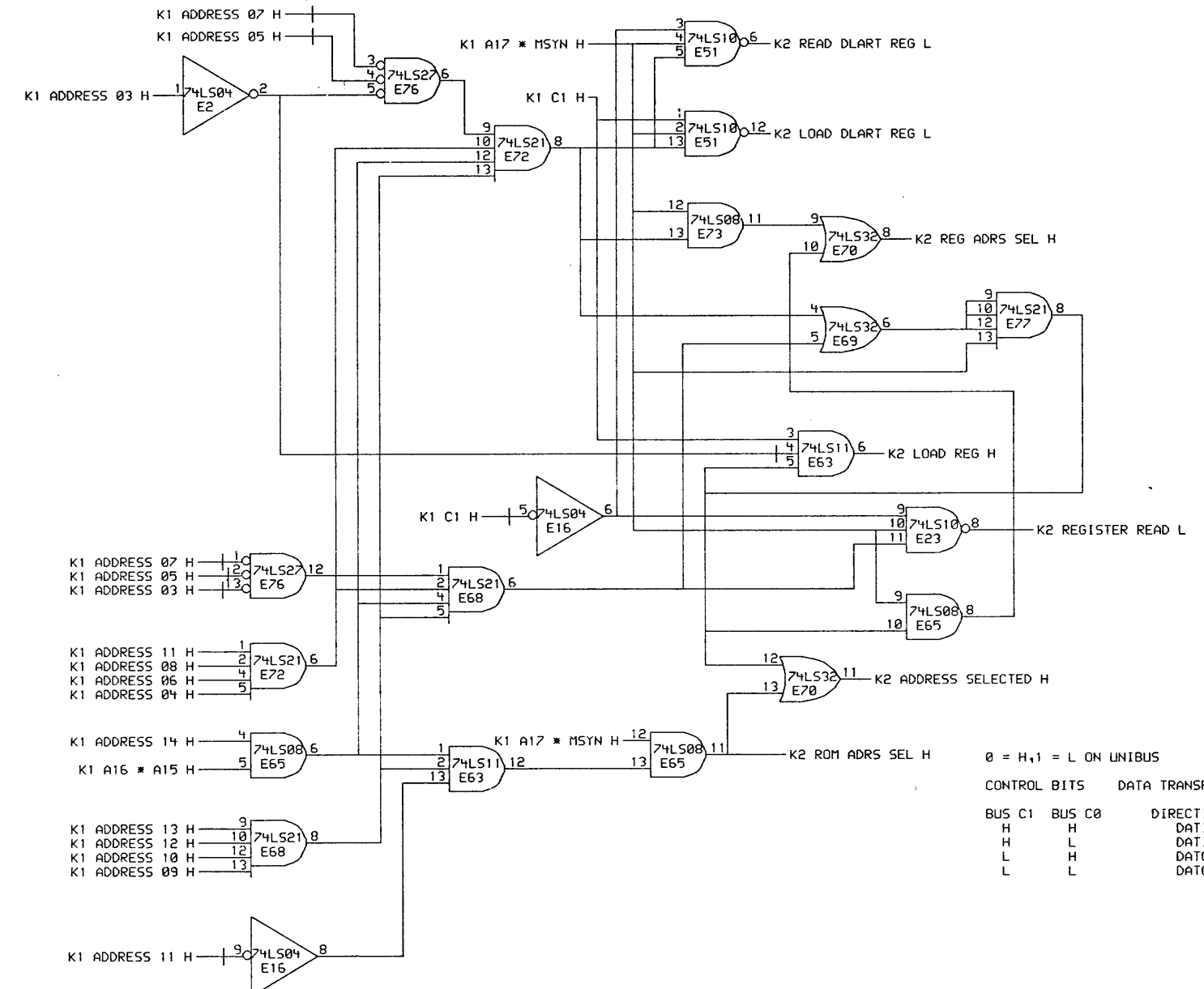
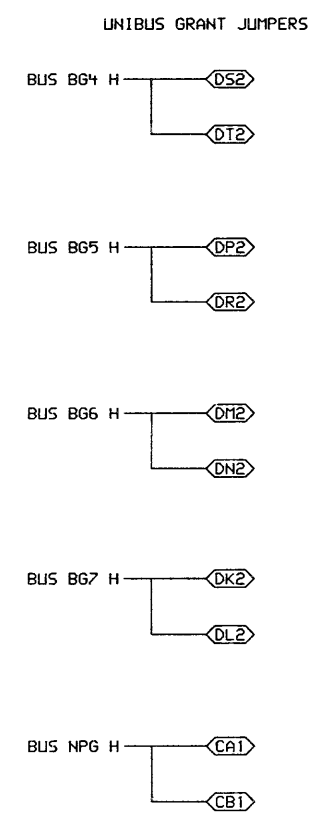
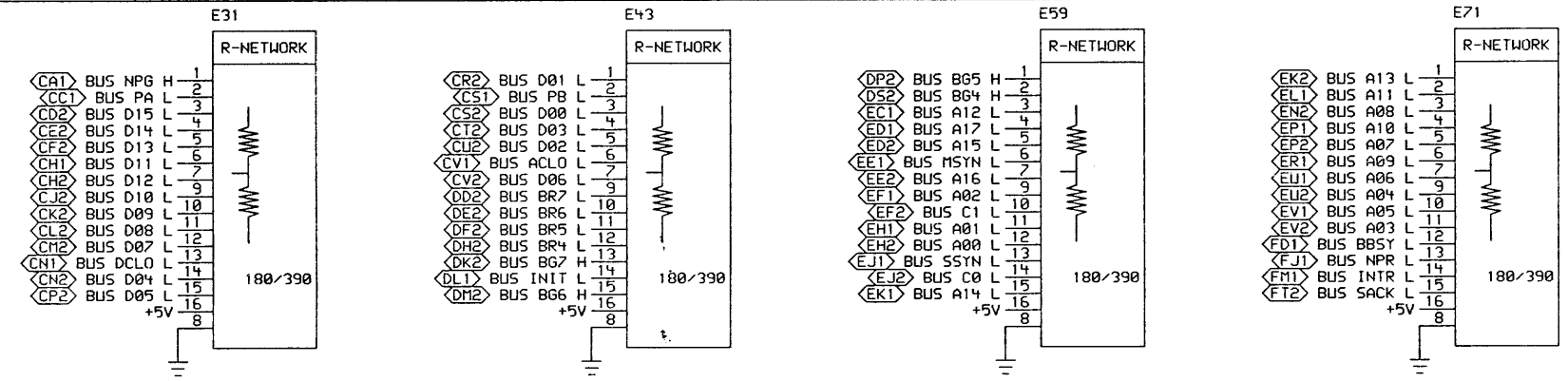
- 1 GEN: NOTE 1. R38 AND E46 ARE NOT NORMALLY INSERTED.
- 2 GEN: NOTE 2. E1 IS A SPARE IC LOCATION.
- 3 GEN: NOTE 3. LINE 79 E46 IS FOR MANUFACTURING USE ONLY.

D	I	G	I	T	A	L	TITLE	SECTION A OF A	SIZE	CODE	DOCUMENT NUMBER	REV
							DECSA CONSOLE		K	PL	M3112-0-0	F



UNIBUS ADDRESS RECEIVERS, DATA TRANCEIVERS AND SSYN LOGIC

DRN.	DATE 02-NOV-82	ENG.	DATE 02-NOV-82	TITLE: CONSOLE, BOOT TERMINATOR
CHK'D.	DATE	BOARD LOCATION: AF1	SHEET 1 OF 1	SIZE CODE NUMBER REV. K C5 M3112-0-K1 A
DSKD: <WEAVER>M3112A.DRW 02-NOV-82 13:58		NEXT HIGHER ASSEMBLY: D-UA-M3112-0-0		FIRST USED ON OPTION/MODEL: DECSA

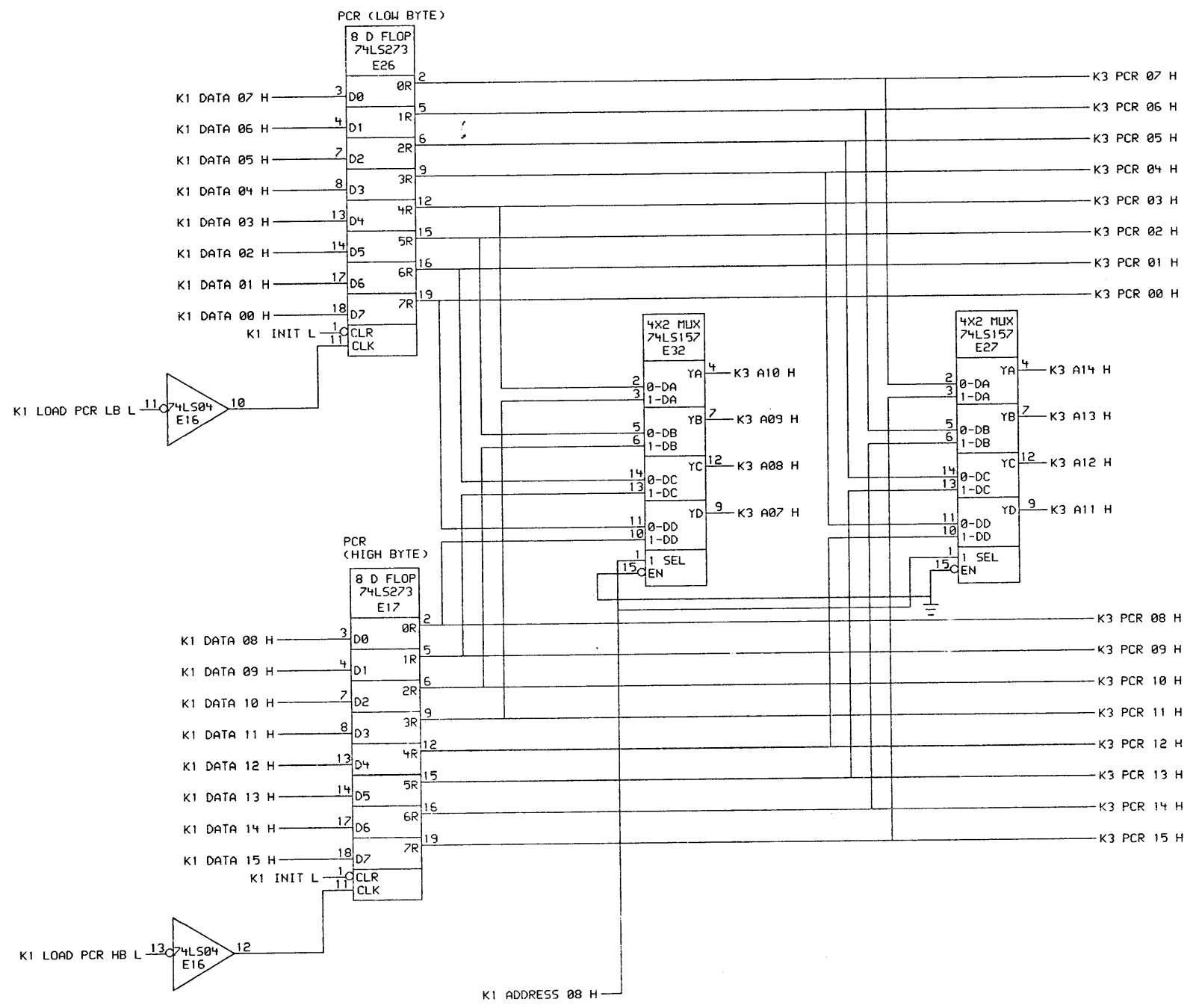


0 = H, 1 = L ON UNIBUS

CONTROL BITS	DATA TRANSFER	DIRECTION	ACTION TAKEN
H	H	DATI	READ REGISTER
H	L	DATIP	READ REGISTER
L	H	DATO	LOAD REGISTER (WORD)
L	L	DATOB	LOAD REGISTER (BYTE)

REGISTER DECODE AND UNIBUS TERMINATOR

DRN.	DATE	ENG.	DATE	TITLE:
CHK'D.	DATE	BOARD LOCATION:	AFT	CONSOLE, BOOT TERMINATOR
DSKD: <WEAVER>M3112B.DRW 02-NOV-82 13:53 NEXT HIGHER ASSEMBLY:				SIZE CODE
FIRST USED ON OPTION/MODEL: DECSA D-UA-M3112-0-0				NUMBER
				REV. A



PAGE CONTROL REGISTER (PCR)

DRN.	DATE 02-NOV-82	ENG.	DATE 02-NOV-82	TITLE: CONSOLE, BOOT TERMINATOR
CHK'D.	DATE	BOARD LOCATION: SHEET 1 OF 1	AF1	
DSKD: <LEAVER>M3112C.DRW 02-NOV-82 13:59		NEXT HIGHER ASSEMBLY: D-UA-M3112-0-0		SIZE CODE K CS
FIRST USED ON OPTION/MODEL: DECSA			NUMBER M3112-0-K3	REV. A

8

7

6

5

4

3

2

1

D

D

C

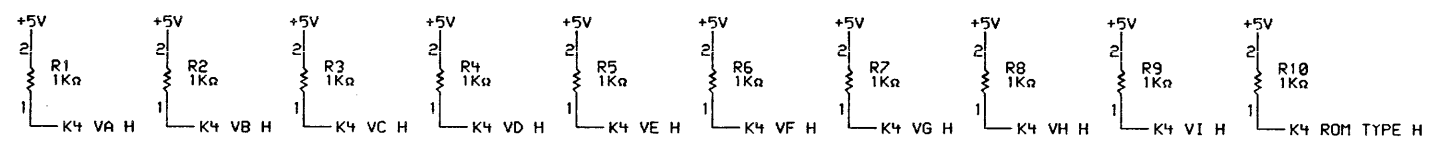
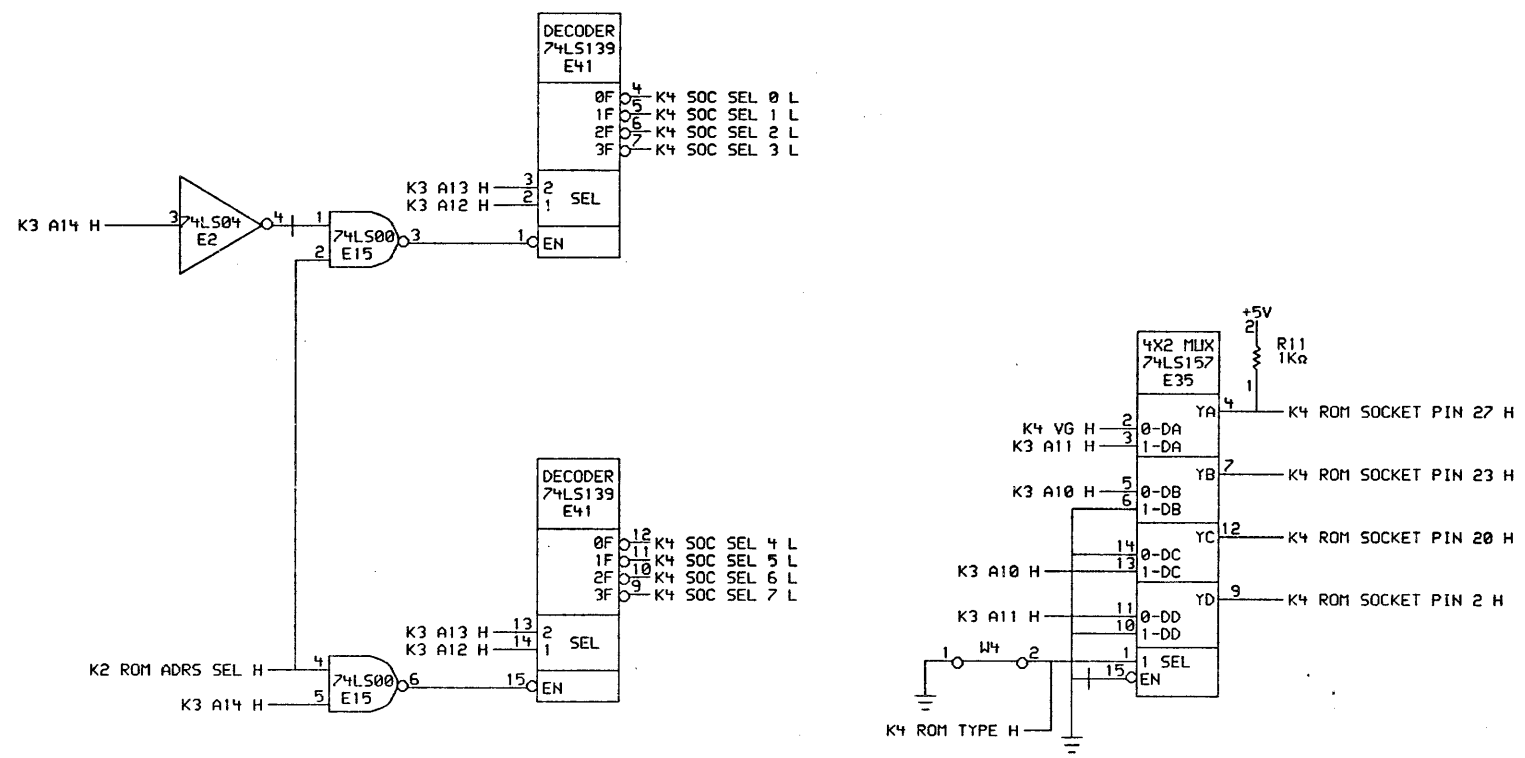
C

B

B

A

A



SOCKET SELECTION LOGIC

DRN.	DATE	ENG.	DATE	TITLE:
CHK'D.	02-NOV-82		02-NOV-82	CONSOLE, BOOT TERMINATOR
	DATE	BOARD LOCATION:	SHEET	OF
		AF1	1	1
DSKD: (C:\EAVEP\M3112.D) 02-NOV-82 14:00 NEXT HIGHER ASSEMBLY:				SIZE
FIRST USED ON OPTION/MODEL: DECSA D-UA-M3112-0-0				CODE
				NUMBER
				M3112-0-K4
				REV.
				A

8

7

6

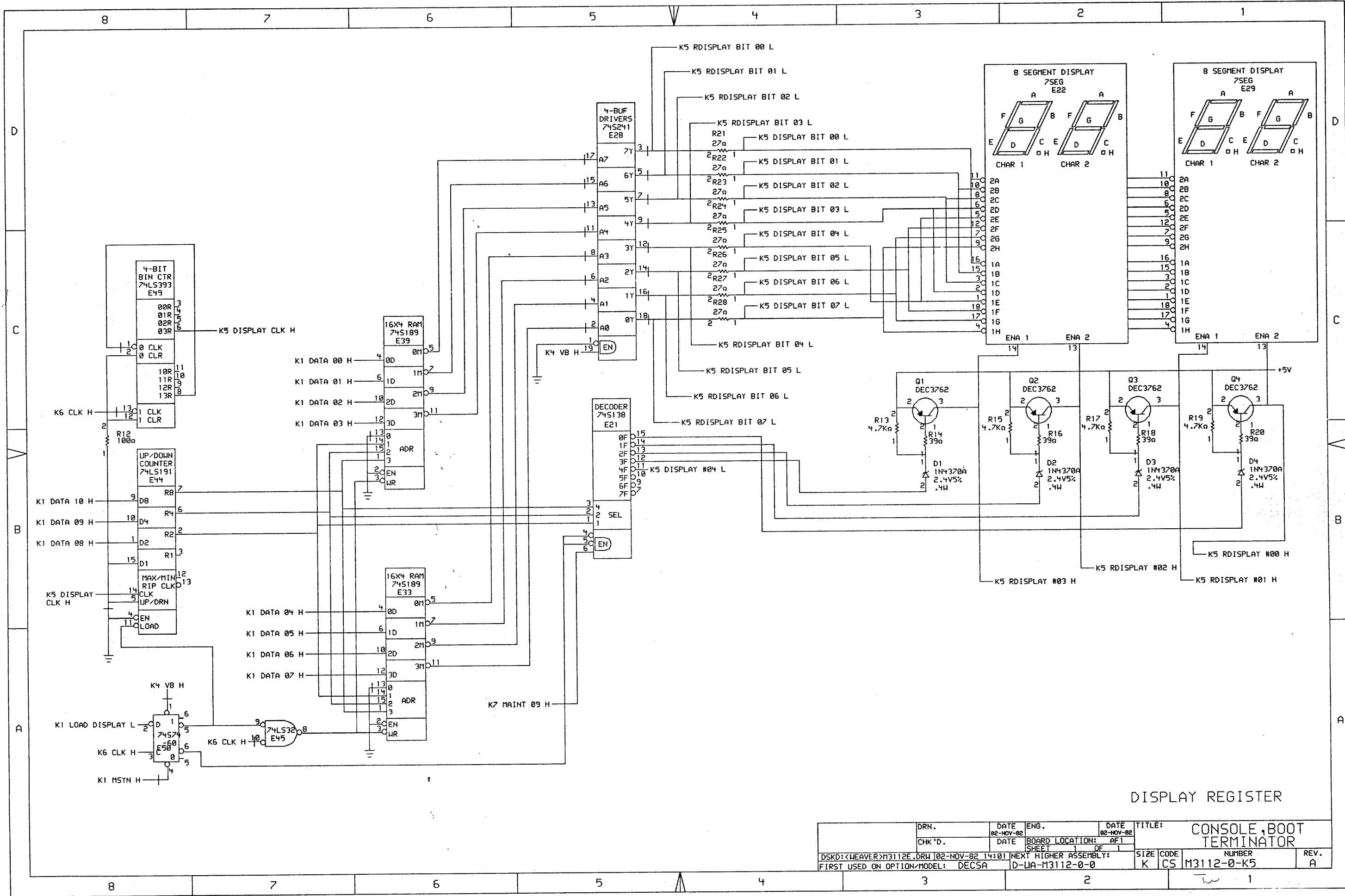
5

4

3

2

1



DISPLAY REGISTER

DRN.	DATE	ENG.	DATE	TITLE:
CHK'D.	02-NOV-82		02-NOV-82	CONSOLE BOOT TERMINATOR
	DATE	BOARD LOCATION:		
		AF1		
		SHEET 1 OF 1		
DSKD: <WEAVER>M3112E.DRW 02-NOV-82 14:01 NEXT HIGHER ASSEMBLY:				SIZE CODE NUMBER
FIRST USED ON OPTION/MODEL: DECSA D-UA-M3112-0-0				K CS M3112-0-K5
				REV. A

8

7

6

5

4

3

2

1

D

C

B

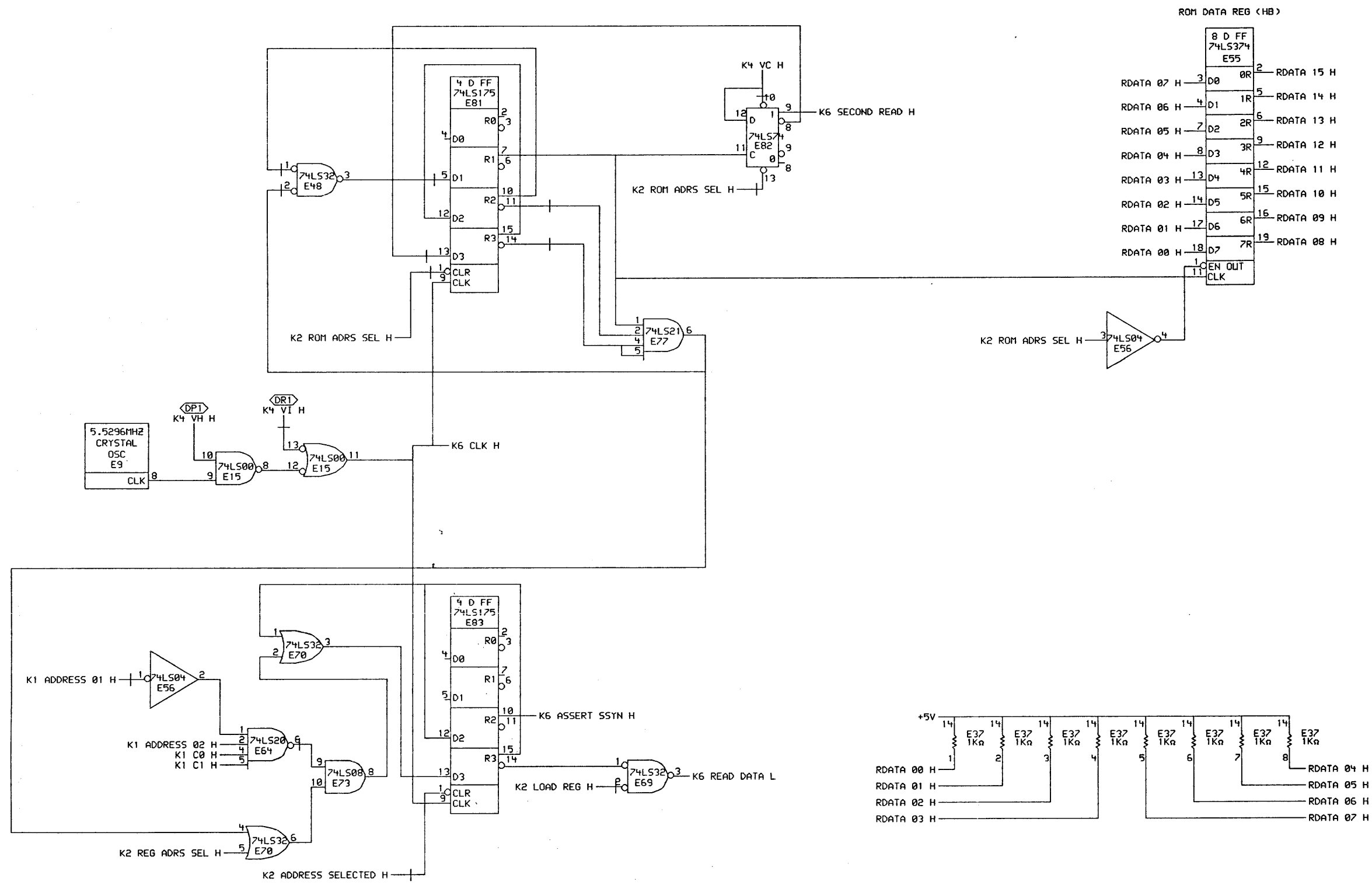
A

D

C

B

A



ROM DATA REG (HB)

8 D FF		74LS374		E55	
RDATA 07 H	3	D0	0R	2	RDATA 15 H
RDATA 06 H	4	D1	1R	5	RDATA 14 H
RDATA 05 H	7	D2	2R	6	RDATA 13 H
RDATA 04 H	8	D3	3R	9	RDATA 12 H
RDATA 03 H	13	D4	4R	12	RDATA 11 H
RDATA 02 H	14	D5	5R	15	RDATA 10 H
RDATA 01 H	17	D6	6R	16	RDATA 09 H
RDATA 00 H	18	D7	7R	19	RDATA 08 H
		EN OUT		11	
		CLK			

TIMING CIRCUIT AND ROM DATA REGISTER

DRN.	DATE	ENG.	DATE	TITLE:
CHK'D.	02-NOV-02	AF1	02-NOV-02	CONSOLE BOOT TERMINATOR
DSKD: CLEAVER\M3112F.DRW [02-NOV-02 14:01] NEXT HIGHER ASSEMBLY:				NUMBER
FIRST USED ON OPTION/MODEL: DECSA D-UA-M3112-0-0				REV. A
SIZE	CODE	NUMBER		
K	CS	M3112-0-K6		

8

7

6

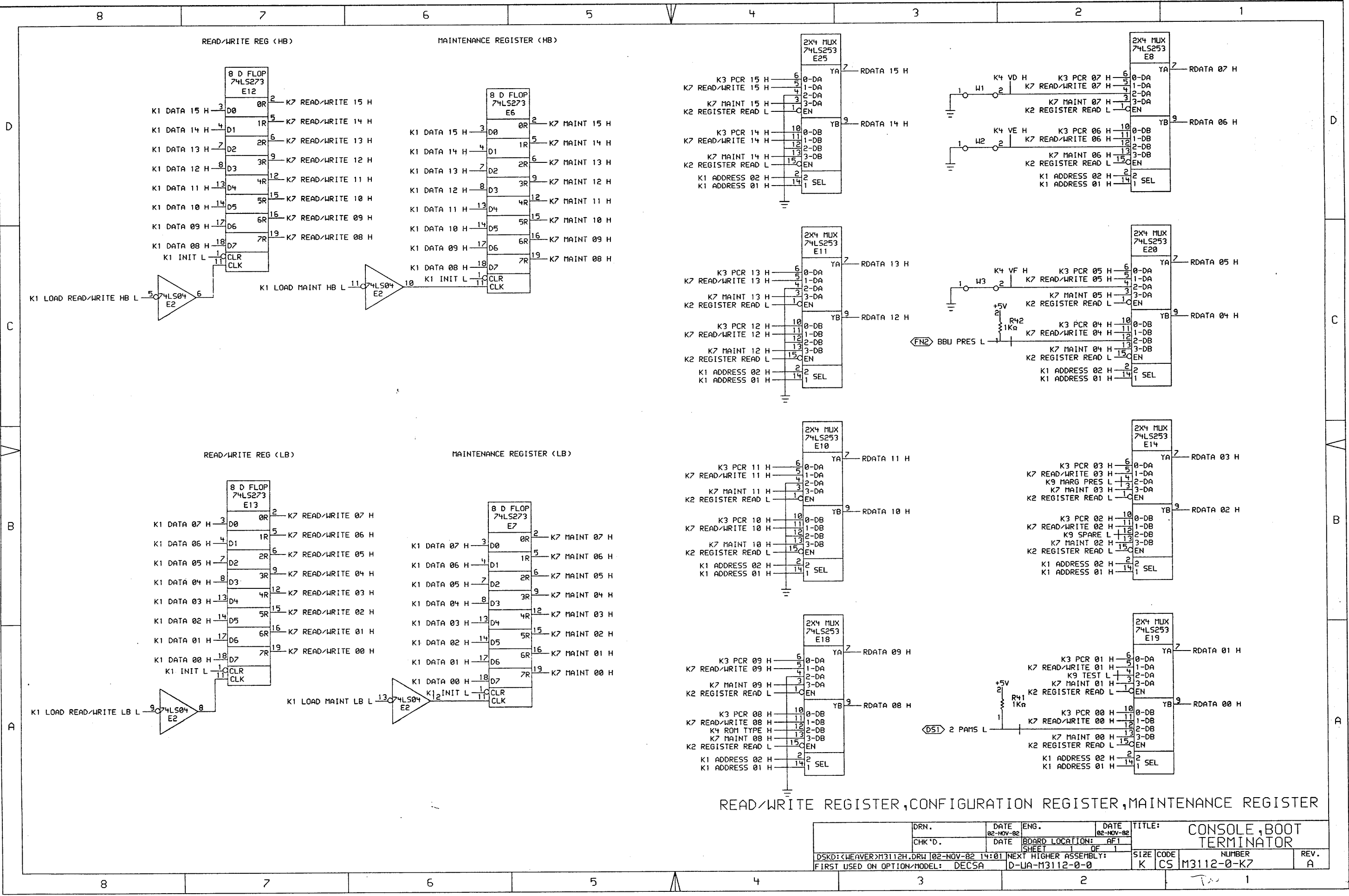
5

4

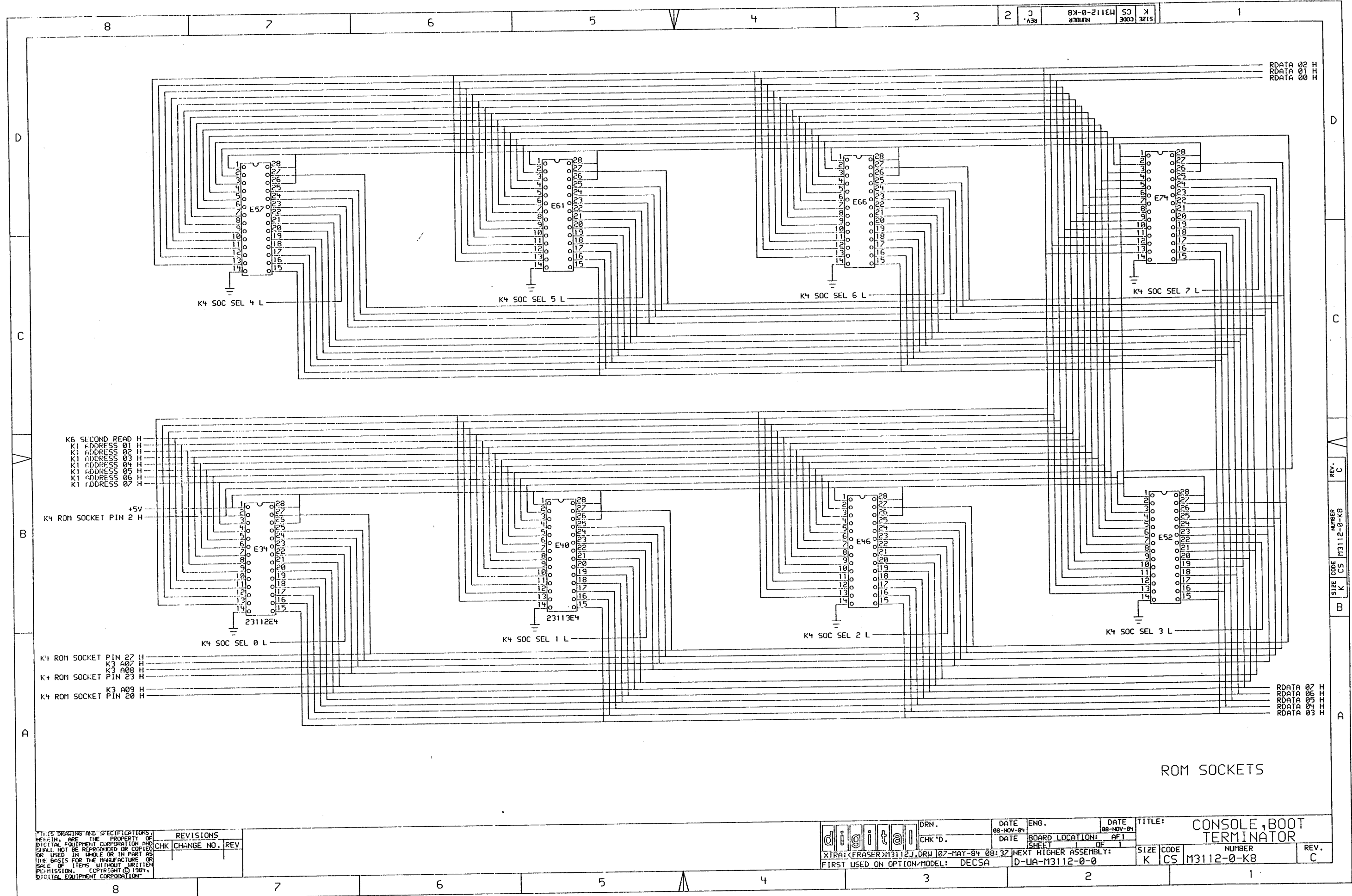
3

2

1



DRN.	DATE	ENG.	DATE	TITLE:
CHK'D.	02-NOV-02		02-NOV-02	CONSOLE BOOT TERMINATOR
BOARD LOCATION: AF1				NUMBER
SHEET 1 OF 1				K CS
NEXT HIGHER ASSEMBLY: DECSA				M3112-0-K7
FIRST USED ON OPTION/MODEL: D-UA-M3112-0-0				REV. A

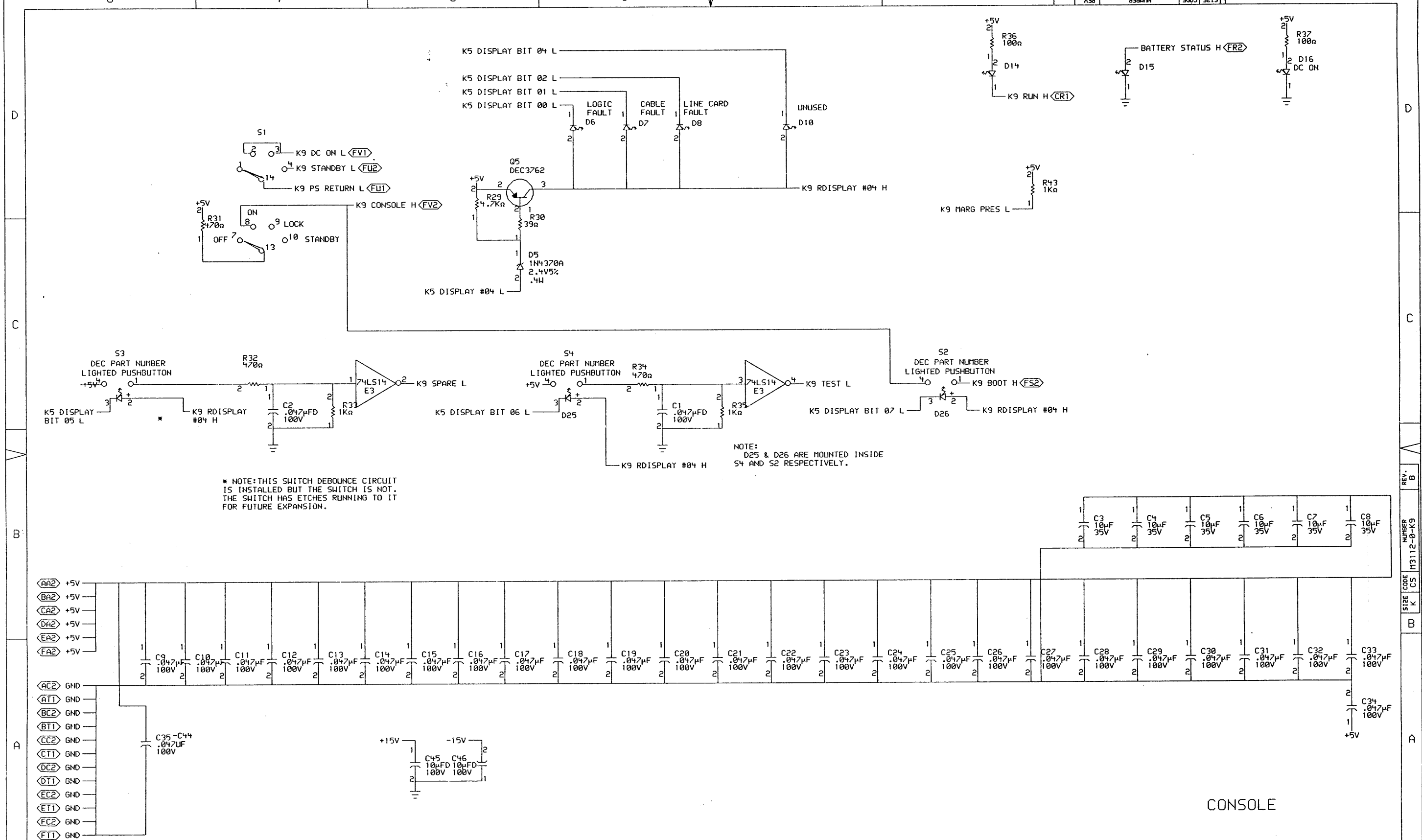


ROM SOCKETS

THIS DRAWING AND SPECIFICATIONS
HEREIN ARE THE PROPERTY OF
DIGITAL EQUIPMENT CORPORATION AND
SHALL NOT BE REPRODUCED OR COPIED
OR USED IN WHOLE OR IN PART AS
THE BASIS FOR THE MANUFACTURE OR
SALE OF ITEMS WITHOUT WRITTEN
PERMISSION. COPYRIGHT © 1984
DIGITAL EQUIPMENT CORPORATION

REVISIONS	
CHK	CHANGE NO. REV

	DRN.	DATE	ENG.	DATE	TITLE:
	CHK'D.	08-NOV-84	AF1	08-NOV-84	CONSOLE, BOOT TERMINATOR
XTRA: <FRASER>M3112J.DRW 07-MAY-84 08:37		NEXT HIGHER ASSEMBLY:		SIZE	CODE
FIRST USED ON OPTION/MODEL: DECSA		D-UA-M3112-0-0		K	CS
				NUMBER	REV.
				M3112-0-K8	C

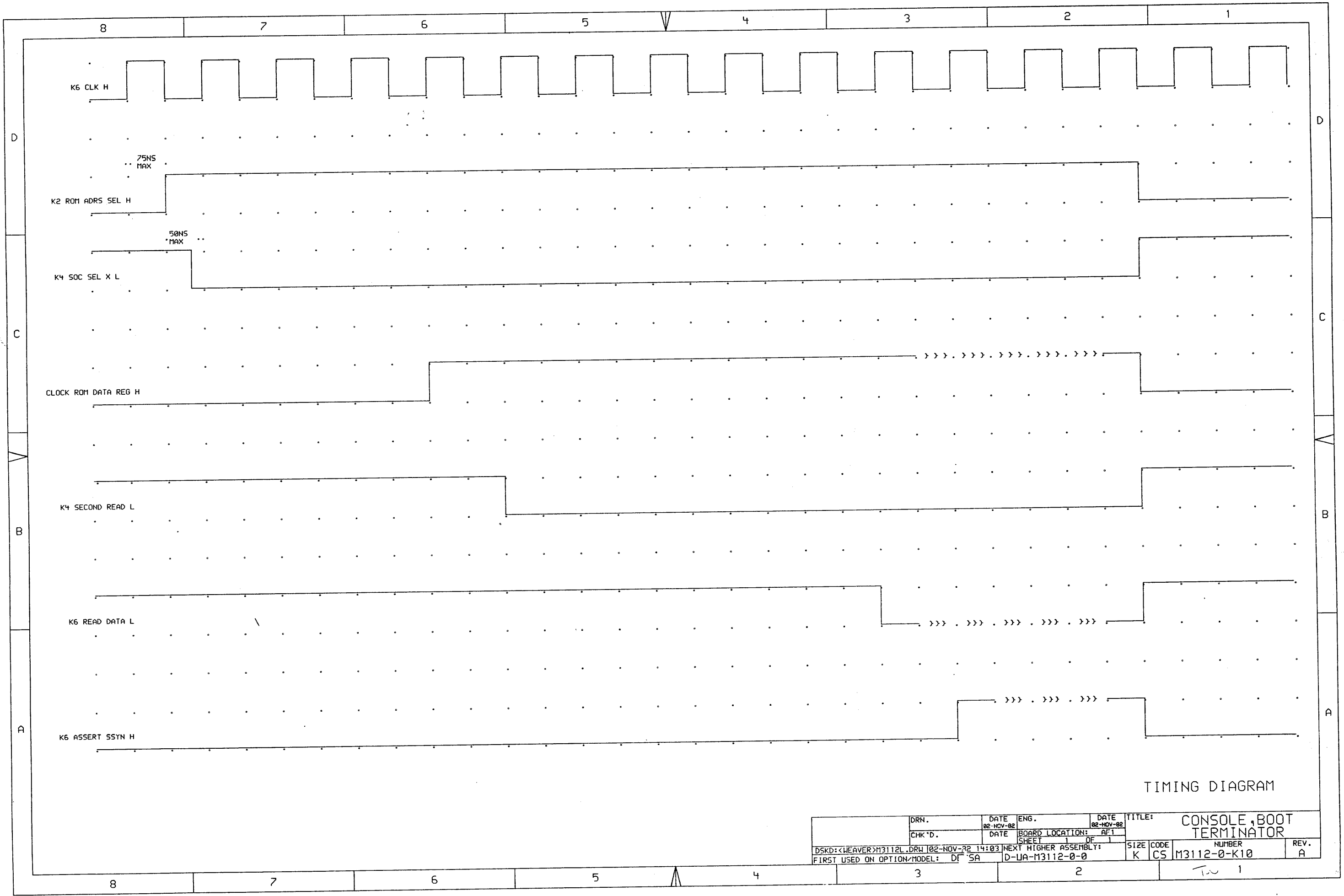


THIS DRAWING AND SPECIFICATIONS HEREIN ARE THE PROPERTY OF DIGITAL EQUIPMENT CORPORATION AND SHALL NOT BE REPRODUCED OR COPIED OR USED IN WHOLE OR IN PART AS THE BASIS FOR THE MANUFACTURE OR SALE OF ITEMS WITHOUT WRITTEN PERMISSION. COPYRIGHT © 1984, DIGITAL EQUIPMENT CORPORATION.

CHK	CHANGE NO.	REV
M	K003	B

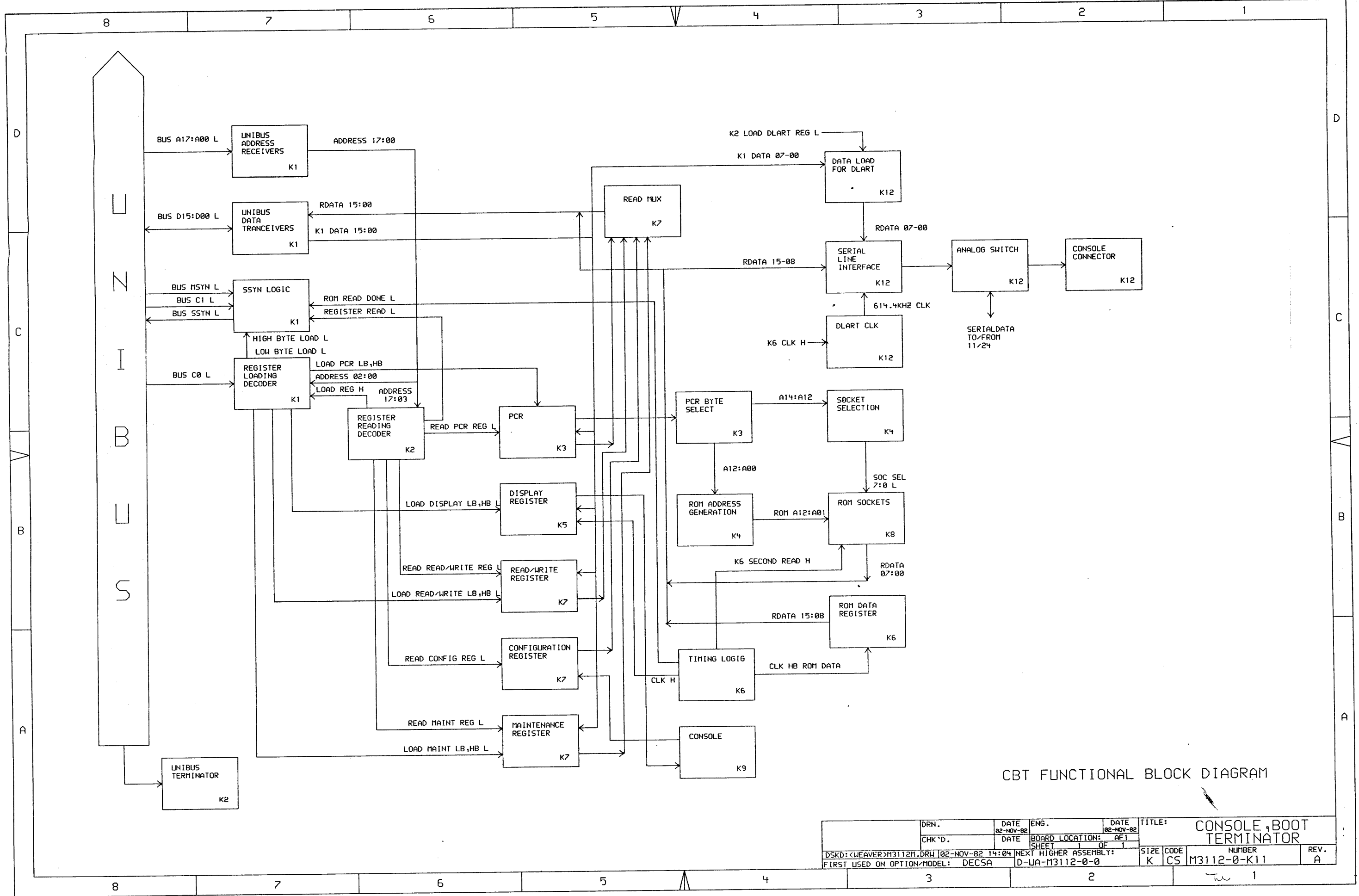
REVISIONS	DATE	ENG.	DATE	TITLE:
	31-OCT-84			CONSOLE, BOOT TERMINATOR

digital	DRN.	DATE	ENG.	DATE	TITLE:
	CHK'D.	31-OCT-84			CONSOLE, BOOT TERMINATOR
XTRA: <DENSHORE>M3112K.DRI		05:28			
FIRST USED ON OPTION/MODEL:	DECSA				



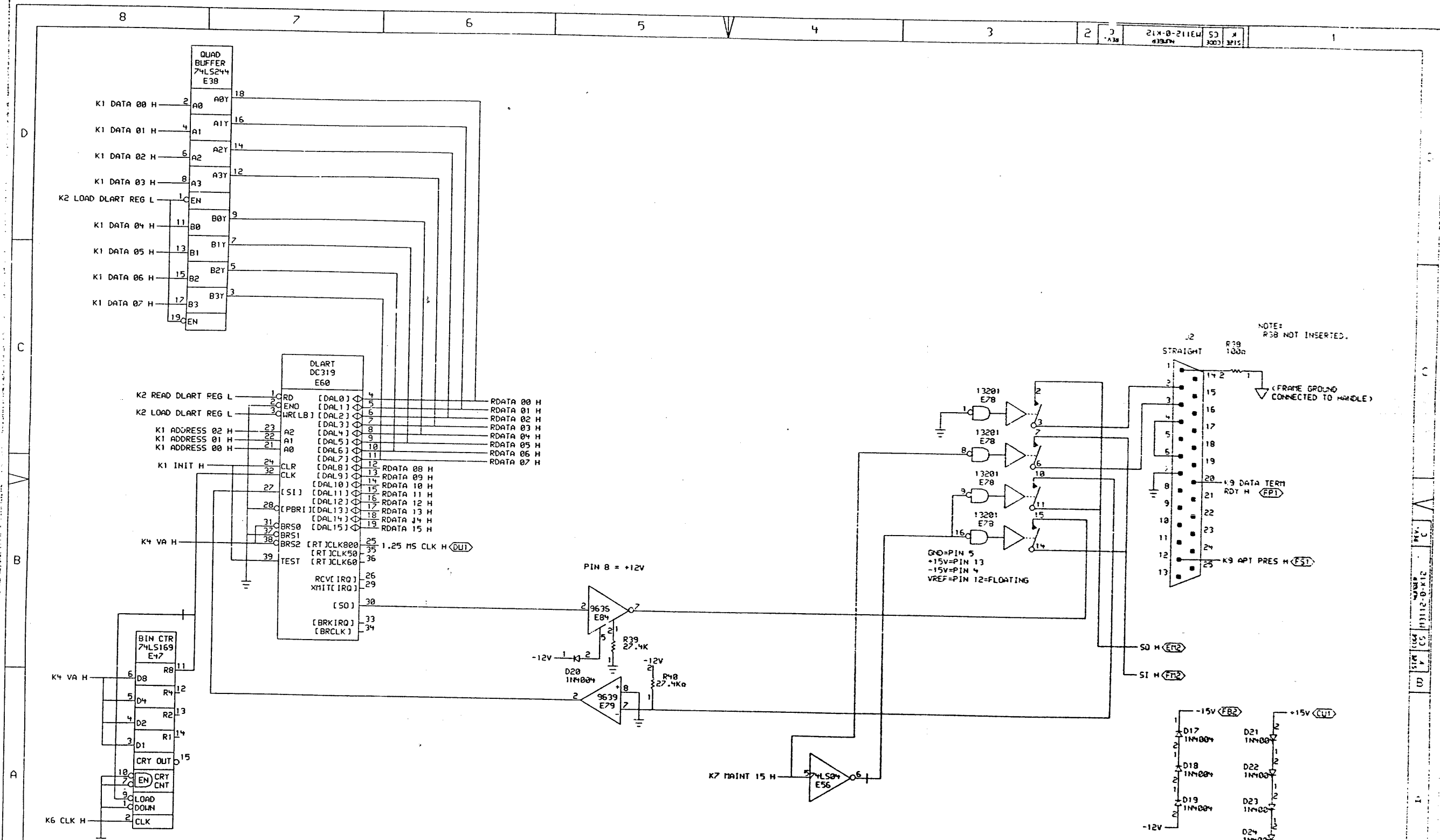
TIMING DIAGRAM

DRN.	DATE	ENG.	DATE	TITLE:
CHK'D.	02-NOV-82		02-NOV-82	CONSOLE, BOOT TERMINATOR
	DATE	BOARD LOCATION:	AF1	
		SHEET	1	OF
DSKD: <WEAVER> M3112L.DRW 02-NOV-82 14:03 NEXT HIGHER ASSEMBLY:				SIZE CODE
FIRST USED ON OPTION/MODEL: D1 SA D-UA-M3112-0-0				K CS
				NUMBER
				M3112-0-K10
				REV.
				A



CBT FUNCTIONAL BLOCK DIAGRAM

DRN.	DATE	ENG.	DATE	TITLE:
CHK'D.	02-NOV-82		02-NOV-82	CONSOLE, BOOT TERMINATOR
		BOARD LOCATION:	AF1	
		SHEET	OF	1
DSKD: <CLEAVER>M3112M.DRW 02-NOV-82 14:04 NEXT HIGHER ASSEMBLY:				SIZE
FIRST USED ON OPTION/MODEL: DECSA D-UA-M3112-0-0				K CS
				NUMBER
				M3112-0-K11
				REV.
				A

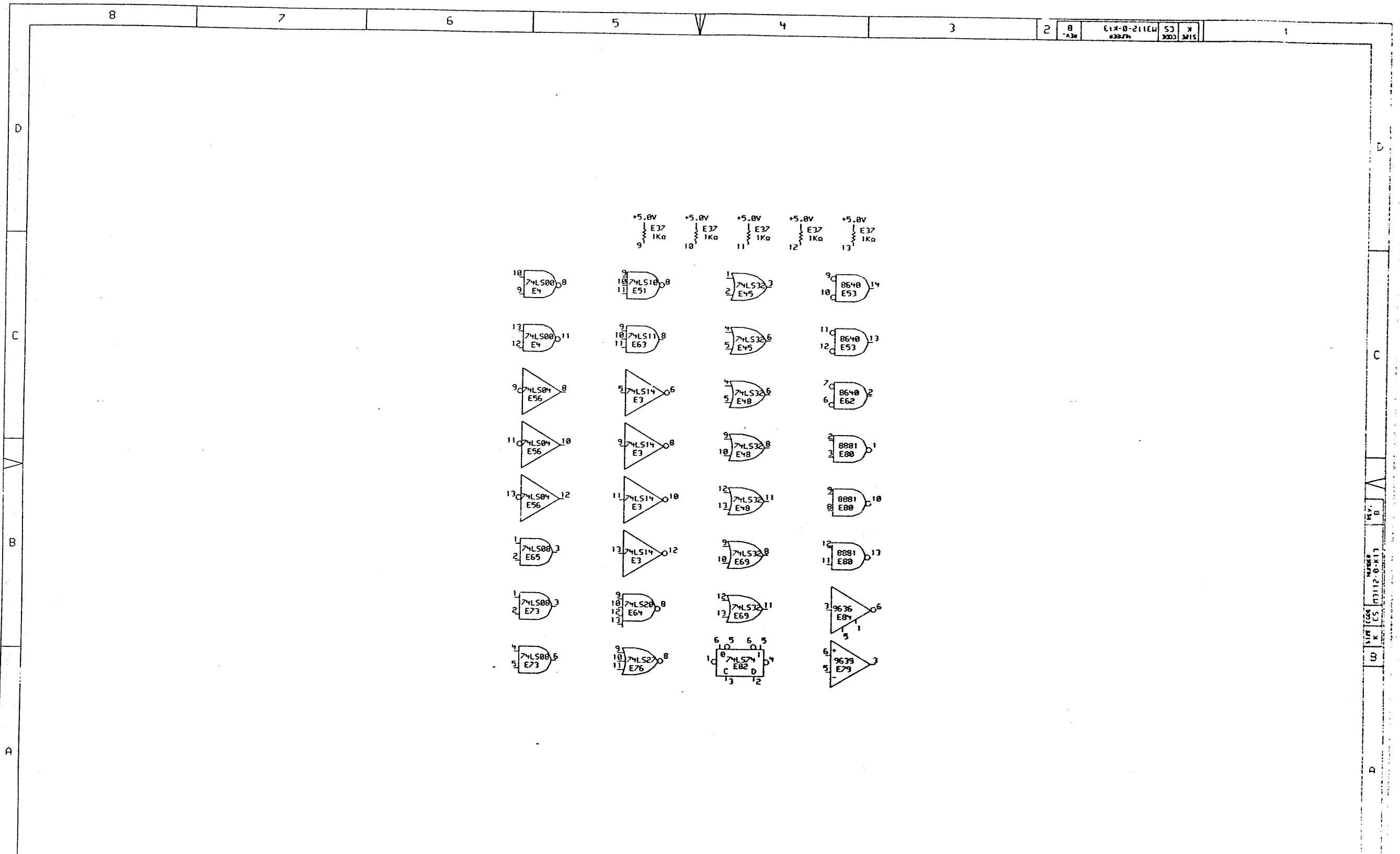


SERIAL LINE INTERFACE

THIS DRAWING AND SPECIFICATIONS HEREIN ARE THE PROPERTY OF DIGITAL EQUIPMENT CORPORATION AND SHALL NOT BE REPRODUCED OR COPIED IN WHOLE OR IN PART AS THE BASIS FOR THE MANUFACTURE OR SALE OF ITEMS WITHOUT WRITTEN PERMISSION. COPYRIGHT © 1986 DIGITAL EQUIPMENT CORPORATION.

REV	CHANGE NO.	CHK
1	1	MK005

DRN. LEAVER	DATE ENG. 27-MAR-86	DATE 11-11-86	TITLE: CONSOLE BOOT TERMINATOR
CHK'D. CENTER	DATE 03-28-86	DATE 03-28-86	SIZE CODE: K
XTRAL CENTER	DATE 03-28-86	DATE 03-28-86	SIZE CODE: K
FIRST USED ON OPTION MODEL: 000SA	DATE 0-UA-M3112-0-0	DATE 0-UA-M3112-0-0	SIZE CODE: K



THIS DRAWING AND SPECIFICATIONS
 HEREIN ARE THE PROPERTY OF
 DIGITAL EQUIPMENT CORPORATION AND
 SHALL NOT BE REPRODUCED OR COPIED,
 OR USED IN WHOLE OR IN PART AS
 THE BASIS FOR THE MANUFACTURE OR
 SALE OF ITEMS WITHOUT WRITTEN
 PERMISSION. COPYRIGHT © 1986,
 DIGITAL EQUIPMENT CORPORATION

REVISIONS		
CHK	CHANGE NO.	REV
	1 MK005	B

	DRN. MEYER	DATE 07-08-86	ENG. 000 1-0-86	DATE 07-08-86	TITLE: CONSOLE BOOT TERMINATOR
	CHK'D. CHANTER	DATE 07-08-86	NO. 0000	LOCATION: 601	
FIRST USED ON OPTION: DECSA			D-UA-M3112-0-0		SIZE: K CS
			NUMBER: M3112-0-K13		REV: B

THIS DRAWING AND THE SPECIFICATIONS CONTAINED HEREIN ARE CONFIDENTIAL AND PROPRIETARY. THEY ARE THE PROPERTY OF DIGITAL EQUIPMENT CORPORATION AND SHALL NOT BE REPRODUCED OR COPIED OR USED IN WHOLE OR IN PART AS THE BASIS FOR MANUFACTURING OR SALE OF ITEMS WITHOUT WRITTEN PERMISSION. THIS IS AN UNPUBLISHED WORK PROTECTED UNDER THE FEDERAL COPYRIGHT LAWS.

DRAWING DIRECTORY

ITEM	DRAWING NO.	NO. OF SHTS	PART NO.	DESCRIPTION	TYPE	REVISIONS								
						A	B	C1	D1	C2	D2	D3		
1			M3100-00	SYNC/ASYN SERIAL LINE UNIT		A	B	C1	D1	C2	D2	D3		
2	D-UA-M3100-0-0	2		UNIT ASSEMBLY		A	B	C	D	E	E	F		
3	K-PL-M3100-0-DBP	2		PARTS LIST		A	B	C	D	C1	E	F		
4	K-PC-M3100-0-DBI	-		PC DATA BASE		D	D	D	E	D	E	E		
5	K-CS-M3100-0-DBS	-		SUDS DATA BASE		A	B	C	D	C	D	D		
6	K-CS-M3100-0-SLUI	1		SCHEMATIC		A	B	B	B	B	B	B		
7	K-CS-M3100-0-SLU2	1		SCHEMATIC		A	B	C	D	C	D	D		
8	K-CS-M3100-0-SLU3	1		SCHEMATIC		A	B	B	B	B	B	B		
9	K-CS-M3100-0-SLU4	1		SCHEMATIC		A	B	B	C	B	C	C		
10	K-CS-M3100-0-SLU5	1		SCHEMATIC		A	B	B	C	B	C	C		
11	K-CS-M3100-0-SLU6	1		SCHEMATIC		A	B	B	C	B	C	C		
12	K-CS-M3100-0-SLU7	1		SCHEMATIC		A	B	C	D	C	D	D		
13	K-CS-M3100-0-SLU8	1		SCHEMATIC		A	B	B	C	B	C	C		
14			5014426-00	ETCHED BOARD		C	D	D	E	D	E	E		
15	D-MD-5014426-0-0	6		DRILL AND ETCH DRAWING		A	B	B	C	B	C	C		
16	D-EC-5014426-0-0	3		ETCH CUT DRAWING		A	B	B	C	B	C	C		

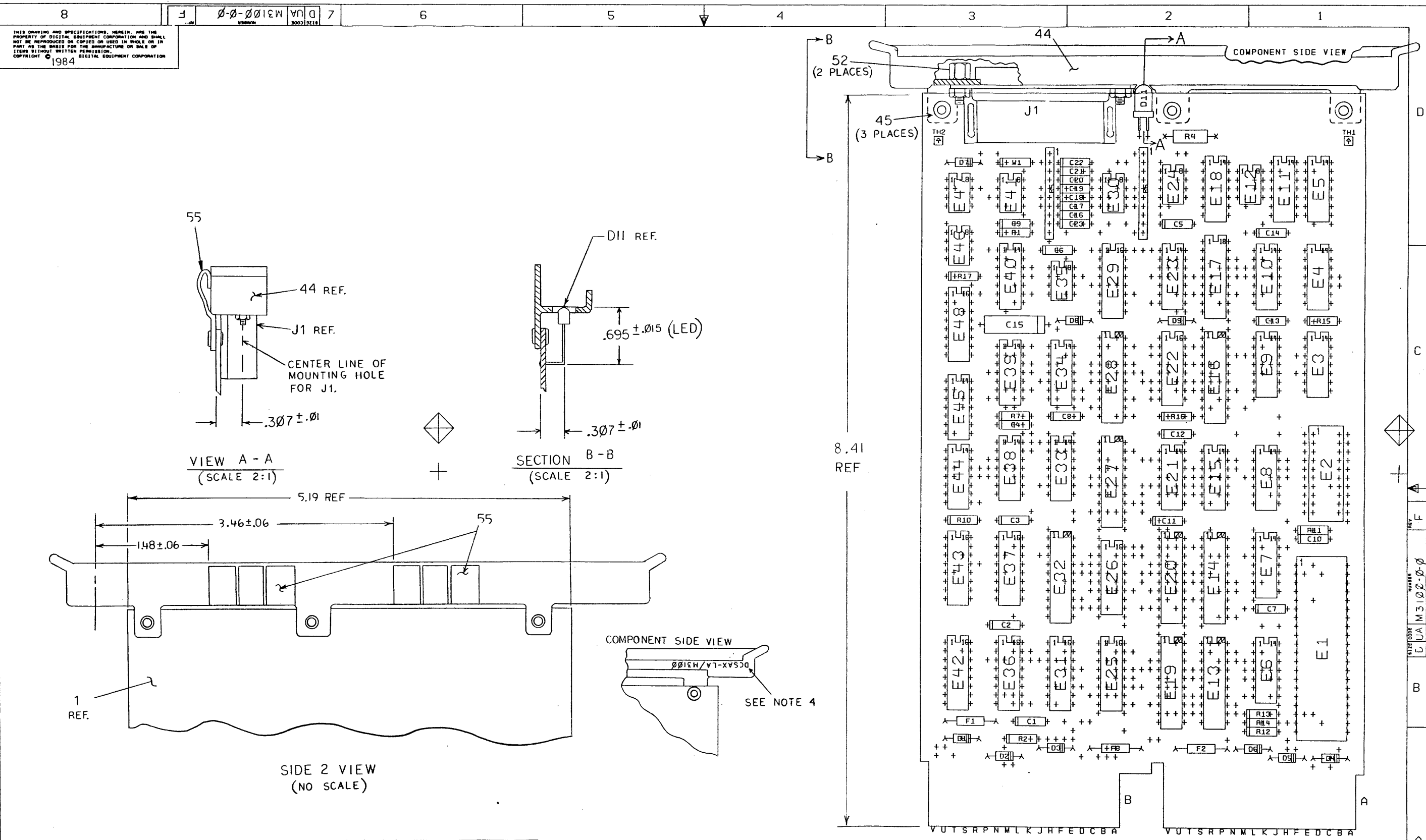
NOTES:

DD
REV

A B C D E E F

REVISION HISTORY			CONT. REVISION HISTORY			MADE BY: A. KRAWIECKI DATE: 10 SEP 84		d i g i t a l			
ENG	ECO NUMBER	REV	ENG	ECO NUMBER	REV	CHECKED BY: B. FRASER DATE: 10 SEP 84 <i>B. Fraser</i> 11-APR-85		TITLE DRAWING DIRECTORY			
--	INITIAL	A				DESIGN ENGINEER: J. DOHERTY DATE: 10 SEP 84		SYNC/ASYN SERIAL LINE UNIT			
	M3100-TW001	B				RESPONSIBLE ENG: J. DOHERTY DATE: 10 SEP 84 <i>J. Doherty</i> 11-APR-85					
	M3100-TW002	C				PRODUCTION ENG: W. BROOKE DATE: 10 SEP 84		SIZE CODE DOCUMENT NUMBER REV.			
JD	M3100-MK004	E						K DD M3100-0 F			
ML	M3100-MK005	F						SHEET 1 OF 1 MKO			

THIS DRAWING AND SPECIFICATIONS, HEREIN, ARE THE PROPERTY OF DIGITAL EQUIPMENT CORPORATION AND SHALL NOT BE REPRODUCED OR COPIED OR USED IN WHOLE OR IN PART AS THE BASIS FOR THE MANUFACTURE OR SALE OF ITEMS WITHOUT WRITTEN PERMISSION.
 COPYRIGHT © 1984 DIGITAL EQUIPMENT CORPORATION



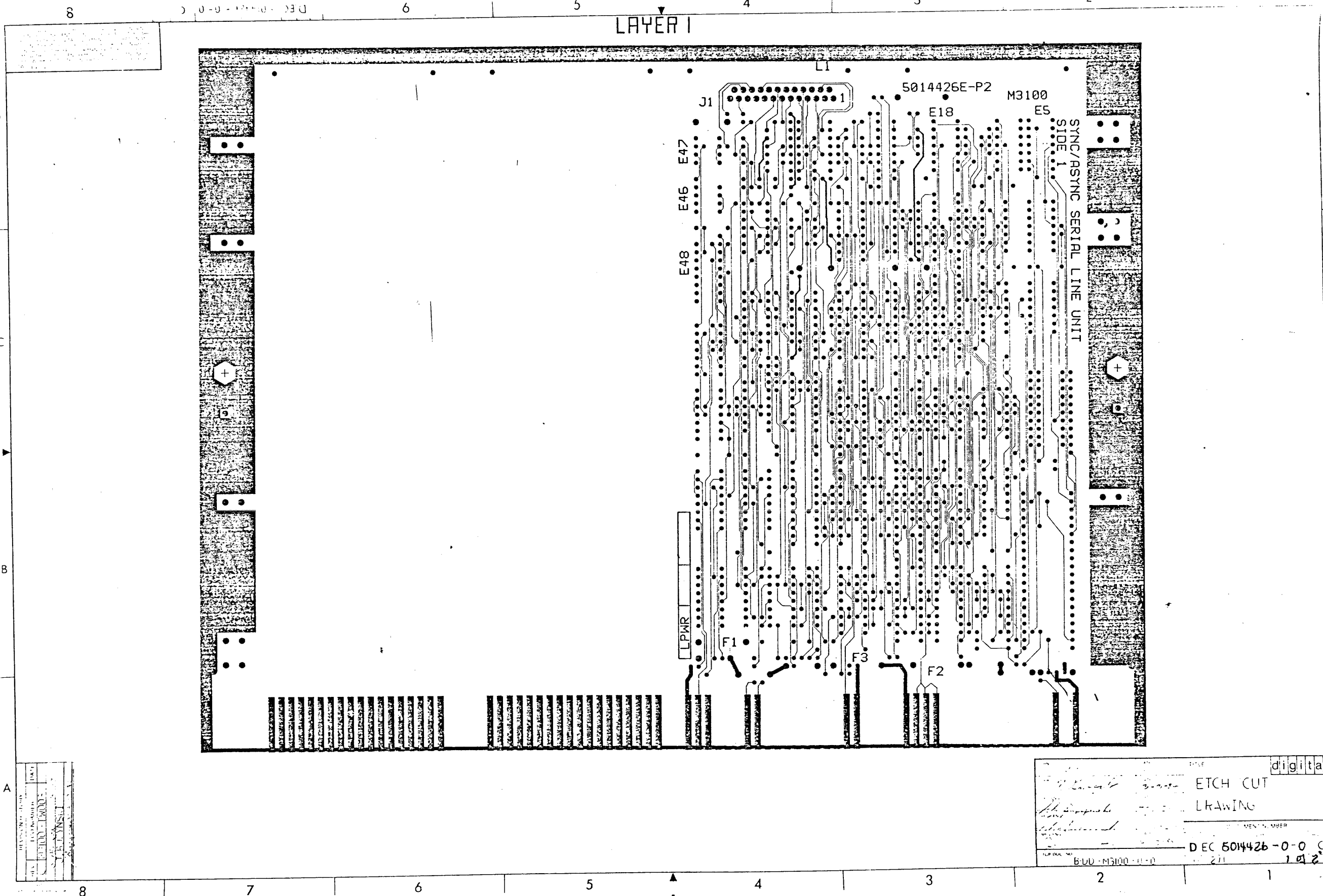
NOTES:
 1. UL RATING IS LPWR.
 2. R4, C16-C23 ARE NOT INSTALLED. (OPT.)
 3. E2 IS A SPARE LOCATION.
 4. STAMP LOCATION / DIRECTION OF MODULE TYPE.

STEP E	↑ Y AXIS 0.00	STEP 0	TIMES
REPEAT	→ X AXIS 5.19	STEP 1	TIMES

CHK/CHANGE NO	REV	DATE	BY	APP
M3100-TW3	D	12/11/83	J. BLUZYSKI	
M3100-MK000-H	E	1/14/84	L. Kowalski	
M3100-MK5	F	7/1/85	P. Lawrence	
M3100-MK5	F	7/1/85	M. Lawrence	
M3100-MK5	F	7/1/85	C. Lawrence	

ETCH REV.	E-P2
-----------	------

SIGNATURES	DATE	digital
DRN BUD DEMPSKI	3-6-84	
CHK'D. P. Dempski	3-7-84	
MECH. ENG. P. Dempski	4-22-84	
PROJ. ENG. P. Dempski	4-22-84	TITLE SYNC/ASYNC
PROD. P. Dempski	4-22-84	SERIAL LINE UNIT
SCALE 2:1		SIZE CODE NUMBER
SHT. 1 OF 1		D UA M3100-0-0
NEXT HIGHER ASSY. K-DD-M3100-0		REV F



REVISED DRAWING
 DATE
 BY
 CHECKED
 APPROVED
 DESIGNED
 DRAWN

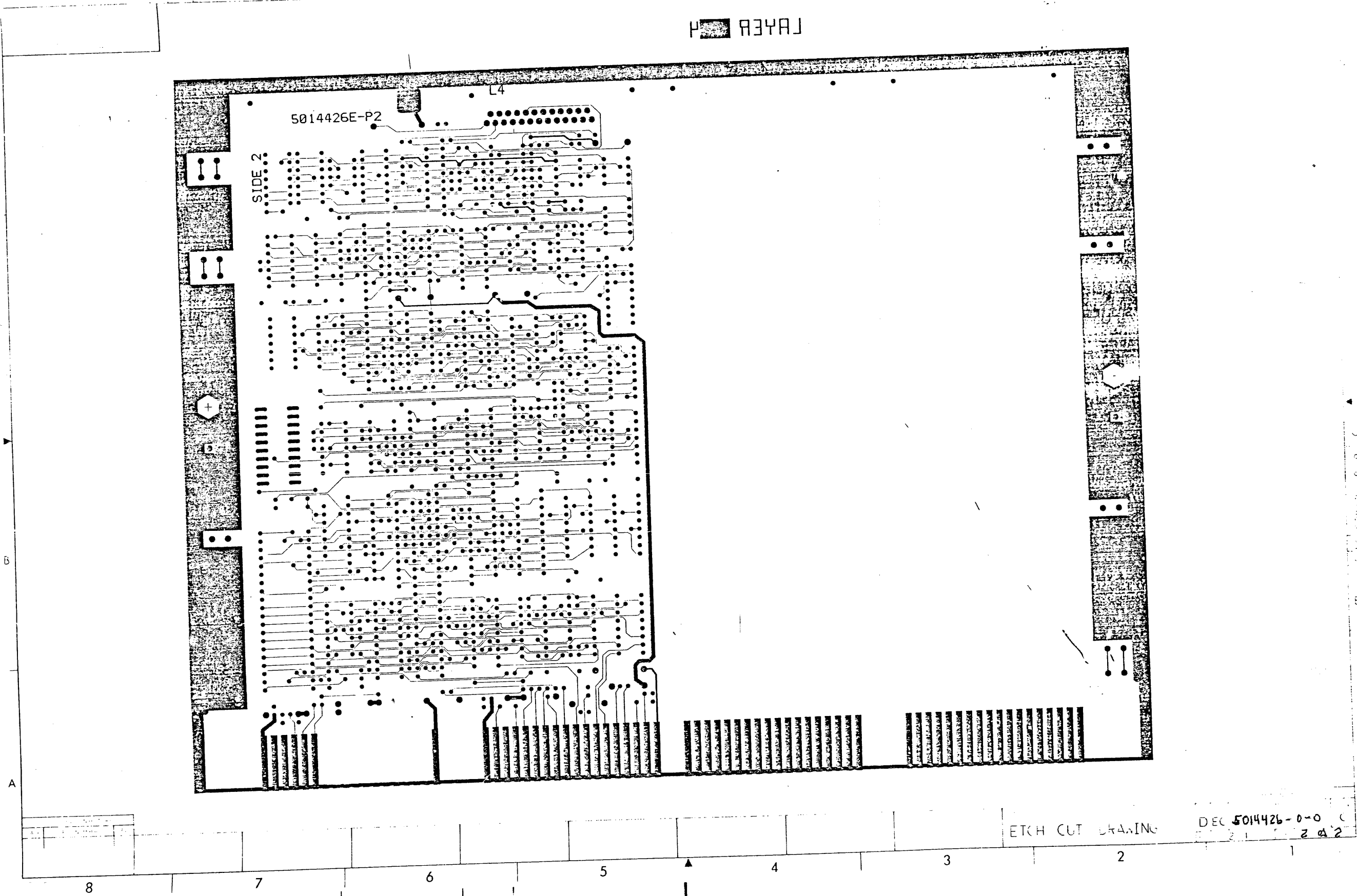
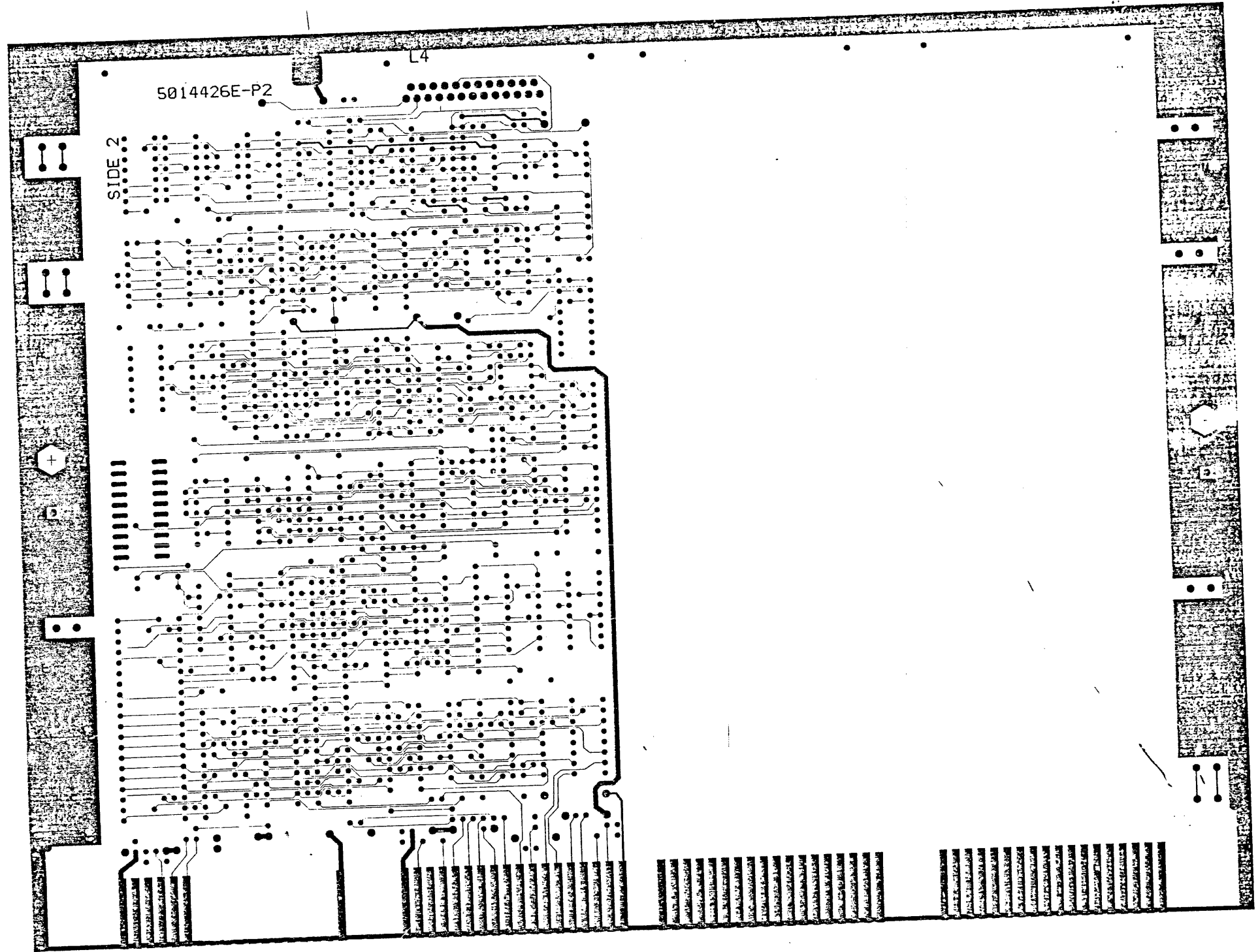
digital
 ETCH CUT
 DRAWING
 DOCUMENT NUMBER
 DEC 5014426-0-0 C
 211 1 of 2
 BUU-M3100-0-0

LAYER 4

5014426E-P2

L4

SIDE 2



ETCH CUT DRAWING

DEC 5014426-0-0 C
2 2 2

ET 5014426-0-0 C

AUTOMATED BY PRTLST.40(50)

PARTS LIST

SHEET A1 OF A2

LINE	ITEM	TOP DOCUMENT	PART NUMBER	MIN REV	DESCRIPTION	QTY	PER VARIATION	REFERENCE DESIGNATOR
					VARIATION REVISION LEVEL:	00		
						D3		
1	38	D-MD-5014426-0-0	5014426-00		MERC SYNC/ASYN LINE UNIT	1		
2	40		1012784-00		.047 MFD 50V +80-20% CER	13		C1-C9,C11-C14
3	1		1105796-00		PIV= 400 IOM 1.00A 1N4004 DO-41	9		D1,D2,D3,D4,D5,D6,D7,D8,D9
4	2		1110324-01		LED 1MCD@10MA PIV=3 .750 MIN. LE	1		D11
5	42		1205747-00		FUSE, SUB-MINI, 5.000A, 125V, A	1		F1
6	48		1210929-02		FUSE, SUB-MINI 1.000A, 125V, A	2		F2,F3
7	43	BLANK	1220449-01		*** THIS ITEM IS NOT USED ***	-		
8	35		1300271-00		220.0 .25 W 5.0 S CF	2		R1,R11
9	36		1300295-00		330.0 .25 W 5.0 S CF	2		R2,R7
10	8		1909712-00		DEC 8242 COMPARATOR-4BIT N,	1		E6
11	28		1910534-00		74804 INVERTER GATE-HEX 1I	1		E33
12	31		1910544-00		74874 FF-D DUAL,EDGE TRIGG	2		E38,E8
13	22		1910545-00		748112 FF-JK DUAL,EDGE TRIG	1		E22
14	32		1912388-00		74802 NOR GATE-QUAD 2IN,PO	1		E39
15	29		1912389-00		74808 AND GATE-QUAD 2IN,PO	1		E34
16	16		1912801-00		LS02 NOR-GATE-QUAD 2IN	1		E15
17	5		1912803-00		LS04 INVERTER GATE,HEX	2		E3,E10
18	19		1912805-00		LS08 AND GATE-QUAD 2IN,PO	1		E18
19	11		1912807-00		LS10 NAND GATE-TRIPLE 3IN	1		E9
20	7		1912808-00		LS11 AND GATE-TRIPLE 3IN	1		E5
21	34		1912813-00		LS27 NOR GATE-TRIPLE 3IN	1		E45
22	6		1912820-00		LS51 A-O-I GATE 2-WIDE 2I	1		E4
23	21		1912824-00		LS74 FF-D DUAL,EDGE TRIGG	4		E21,E23,E44,E7
24	27		1912842-00		LS138 DECODER-THREE INPUT,	1		E29
25	30		1912853-00		LS175 FF-D QUAD	1		E37
26	15		1912863-00		LS273 FF-D OCTAL W/CLEAR	1		E14
27	14		1913493-00		748241 OCTAL BUFFER,TRI-STA	1		E13
28	26		1913671-00		748374 FF-D,OCTAL,TRI STATE	1		E27
29	24		1913788-00		26810 TRANSCEIVER,BUS,QUA	4		E25,E31,E42,E43
30	33		1914085-00		748260 NOR GATE-DUAL,POS	1		E40

REVISION HISTORY			BASIC PART NO: M3100		DRN:	F.SMART	DATE:	22-JAN-82	DIGITAL			
ENG:	ECO NUMBER	REV	SECTION A OF A		CHK'D:	F GAROFALO	DATE:	11-APR-85	PARTS LIST			
---	INITIAL	B	SECTION VARIATION INDEX				DATE: <td>22-JAN-82</td> <td colspan="3">SERIAL</td>	22-JAN-82	SERIAL			
JB	M3100-TW002	IC	[A]	00					LINE UNIT			
JB	M3100-TW003	ID	[B]									
JD	M3100-MK004	IE	[C]		DES.ENG:	JOHN BUZYNSKI	DATE:	19-AUG-83	DOCUMENT NUMBER			
ML	M3100-MK005	IF	[D]						SIZE:	CODE:	NUMBER	REV
			[E]		RESP.ENG.:	M.LAWRENCE	DATE:	11-APR-85	K	PL	M3100-0-0	F
			[F]									
			[G]		MFG.ENG.:	W.BROOKE	DATE:	02-APR-85	RELEASE DATE: 03-APR-85			
			[H]									
			[I]		ASSEMBLY NUMBER:		TOP DOCUMENT NUMBER:		FILE NAME:		EDIT #	
			[J]		ID-UA-M3100-0-0		#K-DD-M3100-0		MK1140,PLS		16	
			[K]									
			[L]									
			[M]									
			[N]									

"THIS DRAWING AND THE SPECIFICATIONS CONTAINED HEREIN ARE CONFIDENTIAL AND PROPRIETARY. THEY ARE THE PROPERTY OF DIGITAL EQUIPMENT CORPORATION AND SHALL NOT BE REPRODUCED OR COPIED OR USED IN WHOLE OR IN PART AS THE BASIS FOR THE MANUFACTURE OR SALE OF ITEMS WITHOUT WRITTEN PERMISSION. THIS IS AN UNPUBLISHED WORK PROTECTED UNDER THE FEDERAL COPYRIGHT LAWS."

AUTOMATED BY PRTLST.40(50)

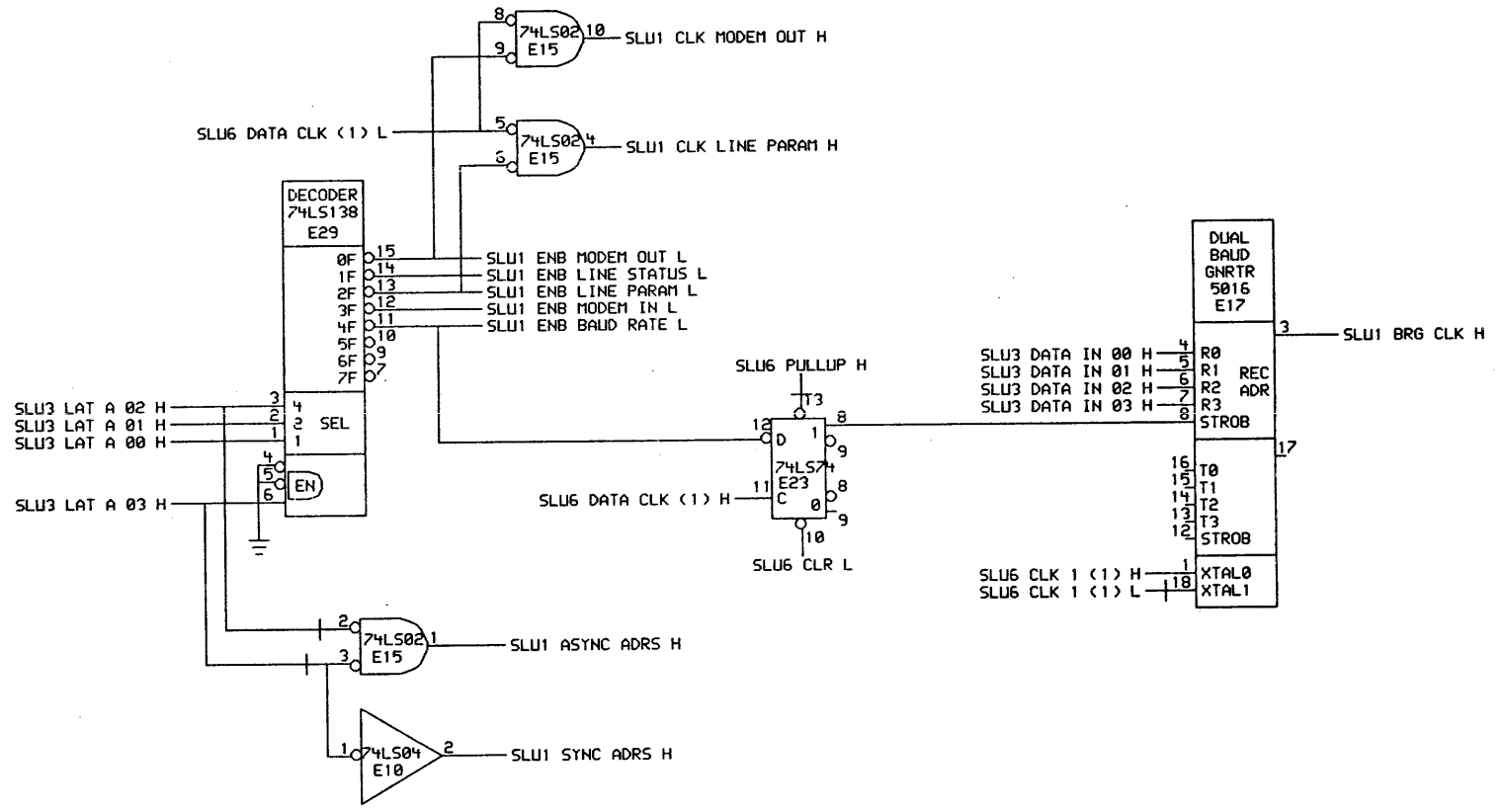
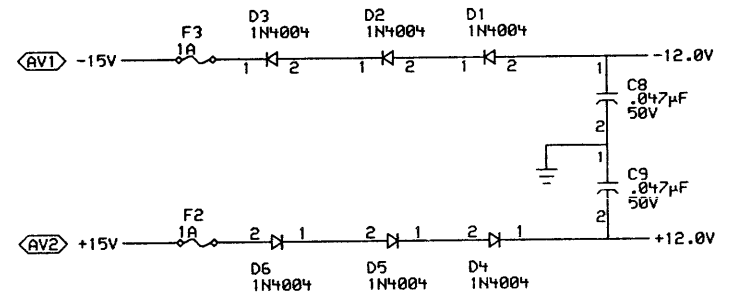
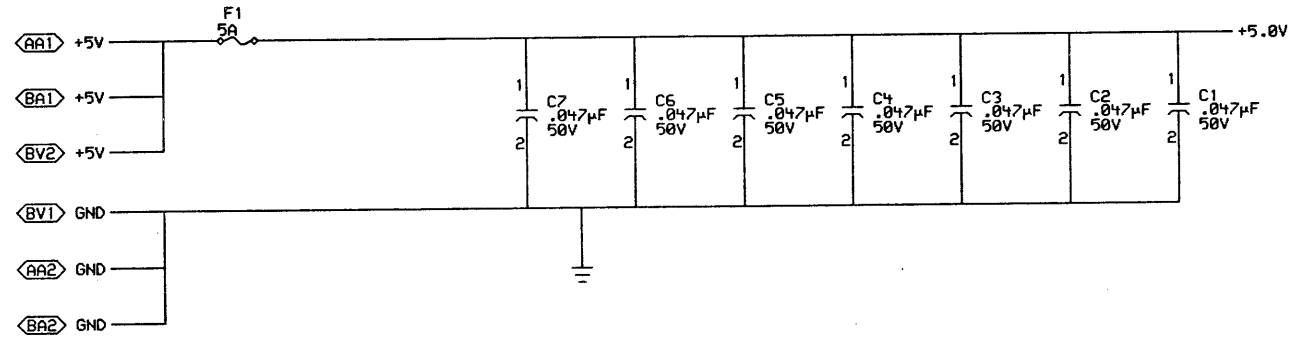
PARTS LIST

SHEET A2 OF A2

LINE	ITEM	TOP DOCUMENT	PART NUMBER	MIN REV	DESCRIPTION	QTY	PER VARIATION	REFERENCE DESIGNATOR
					VARIATION REVISION LEVEL:	00		
						D3		
31	12		1914451-00		LS393 COUNTER,BINARY,4BIT	1		E11
32	25		1914866-00	AM	93848PCGEN/CHECK PARITY, 4B	2		E26,E36
33	20		1915193-00		LS244 DRIVER,LINE,OCTAL,TR	2		E20,E32
34	17		1915219-00		LS373 FF-D OCTAL-TRANSPARE	2		E16,E28
35	23		1915415-00		9636 DRIVER,DUAL,EIA R8-	3		E24,E30,E41
36	13		1919542-01		9639 RECEIVER,LINE,DUAL	4		E12,E35,E46,E47
37	3		2112517-01		RECIEVER/TRANSMITTER	1		E1
38	18		2112623-00		DUAL BAUD RATE GEN/PROG DIVIDER,	1		E17
39	39		9009185-00		JUMPER, WIRE, INSULATED, BLACK B	1		W1
40	44	D-MD-7430547-0-DBU	7430547-02		HANDLE,LC	1		
41	45		9009000-00		EYELET,ROLLED 0.1210DX0.156	3		
42	51		1319728-01		R NETWORK 8-27K 1.0 % 10PIN	2		R5,R6
43	52		9008451-01		SCREW LOCK,STANDOFF ONLY .060TH	2		
44	54		1300365-00		1.0 K .25 W 5.0 % CF	6		R10,R12-R16
45	55		1221494-01		SHIELDING,RFI	2		
46	56		1912837-00		LS123 ONE SHOT-DUAL,RETRIG	1		E48
47	57		1005334-00		3.3MFD 20V 10% 8.TANT	1		C15
48	58		1300539-00		120.0 K .25 W 5.0 % CF	1		R17
49	59		1013466-12		2200.0 MMF 50V 10% X7R CER	1		C10
50	60		1913670-00		74S373 LATCH,8BIT TRANS TRI	1		E19
51	61		1220398-07		CONN,D SUB 25PIN ASSY RT ANGLE	1		J1

52 NOTE: 1.R4,C16-C23 ARE NOT INSTALLED.(OPTIONAL)
 53 NOTE: 2.SPARE I.C. LOCATION E2.

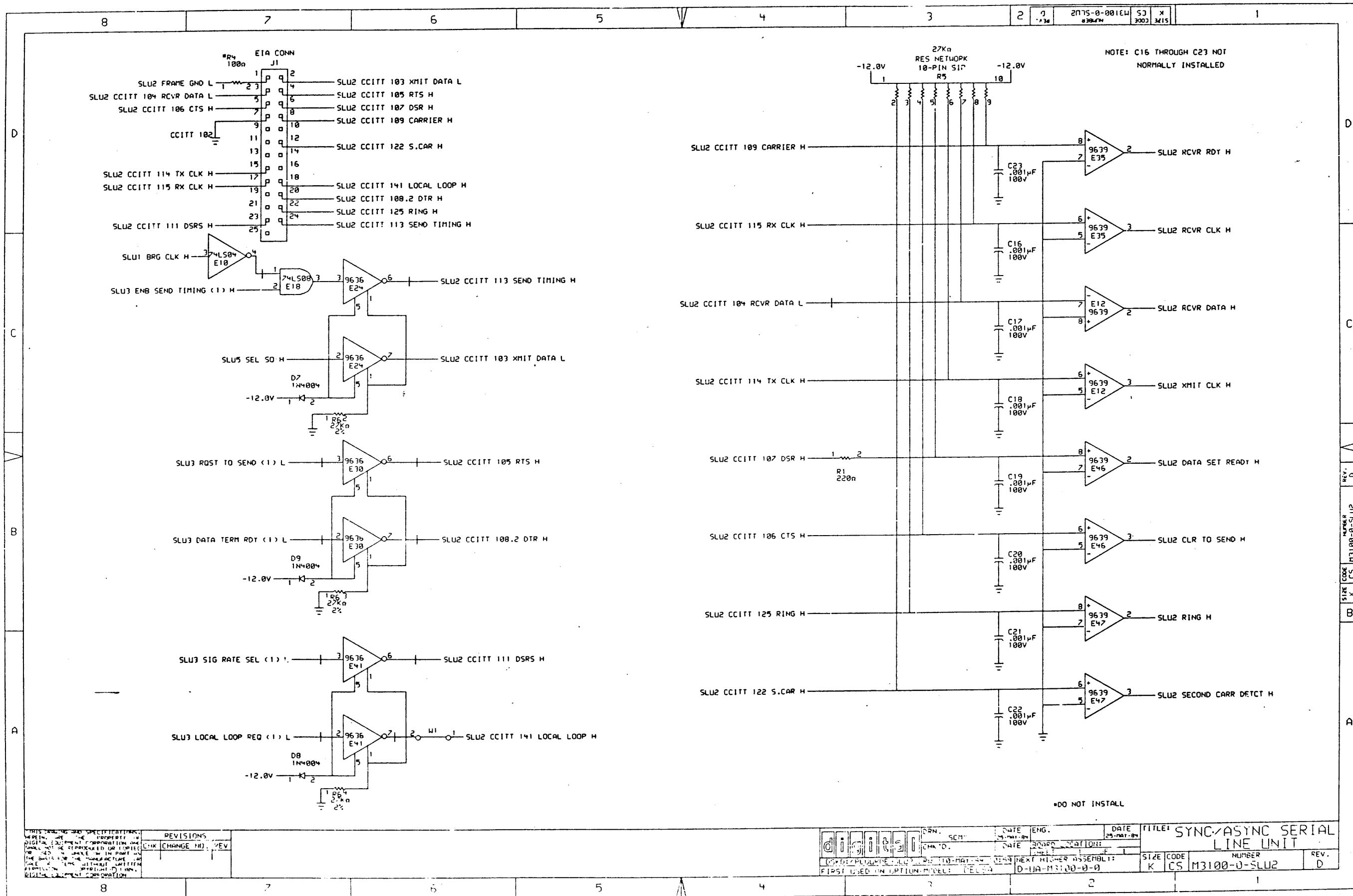
D	I	G	I	T	A	L	TITLE	SECTION A OF A	SIZE	CODE	DOCUMENT NUMBER	REV
							SYNC/ASYNC SERIAL LINE UNIT		K	PL	M3100-0-0	F



"THIS DRAWING AND SPECIFICATIONS HEREIN ARE THE PROPERTY OF DIGITAL EQUIPMENT CORPORATION AND SHALL NOT BE REPRODUCED OR COPIED OR USED IN WHOLE OR IN PART AS THE BASIS FOR THE MANUFACTURE OR SALE OF ITEMS WITHOUT WRITTEN PERMISSION. COPYRIGHT © 1983, DIGITAL EQUIPMENT CORPORATION"

REVISIONS		
CHK	CHANGE NO.	REV.

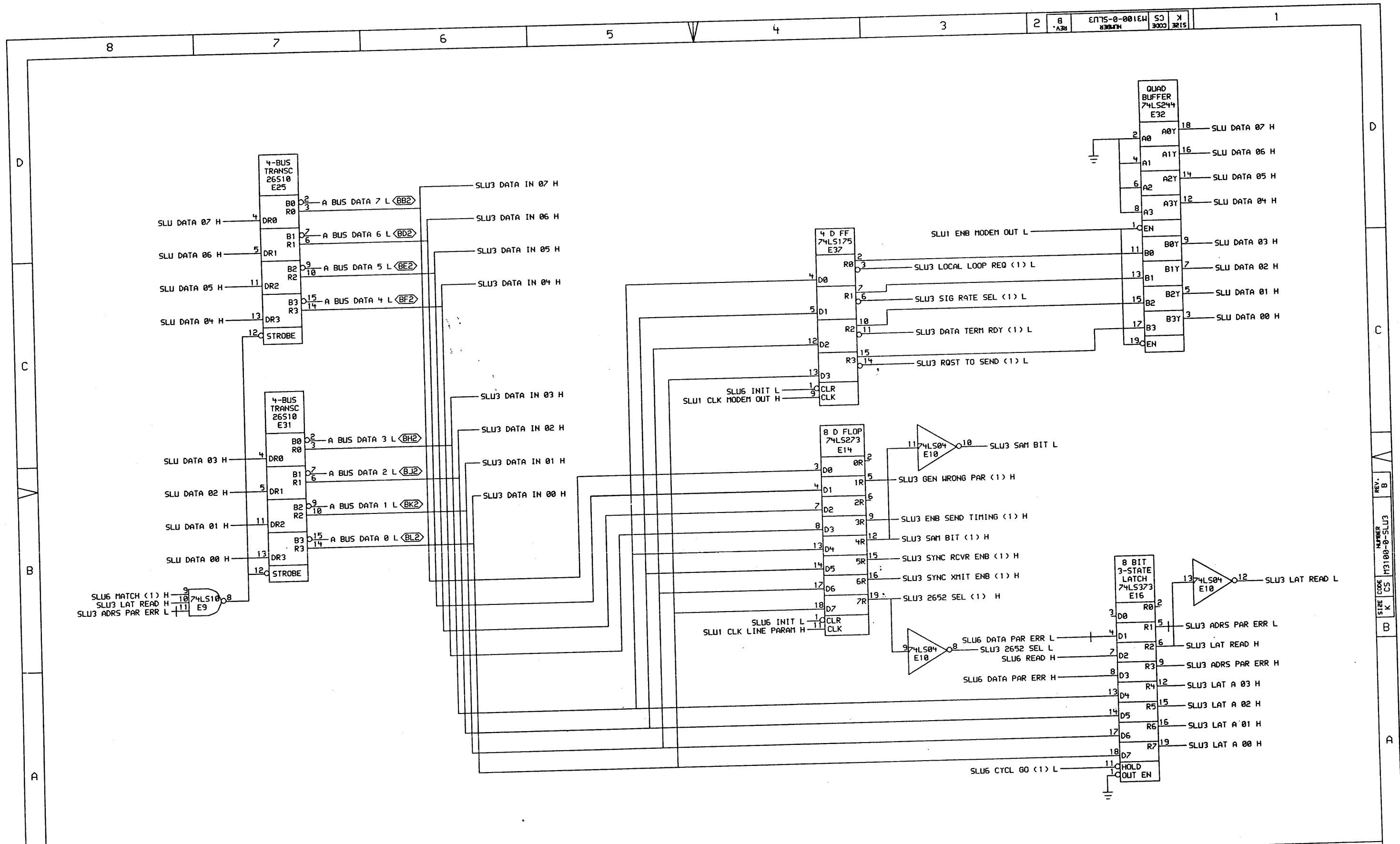
DRN.	DATE 28-MAY-83	ENG [Signature]	DATE 28-MAY-83	TITLE: SYNC/ASYNC SERIAL LINE UNIT
CHK'D [Signature]	DATE 28-MAY-83	BOARD LOCATION: 1	SHEET 1 OF 1	SIZE CODE K CS
DSKD: <<CAMPOS>>F3100A.DRW	120-MAY-83 11:34	NEXT HIGHER ASSEMBLY: D-LIA-M3100-0-0	NUMBER M3100-0-SLU1	REV. B
FIRST USED ON OPTION/MODEL: DECSA				



THIS DRAWING AND SPECIFICATIONS ARE THE PROPERTY OF THE COMPANY. NO PART OF THIS DRAWING OR SPECIFICATIONS MAY BE REPRODUCED OR COPIED IN ANY FORM OR BY ANY MEANS WITHOUT WRITTEN PERMISSION OF THE COMPANY.

REVISIONS	
NO.	DESCRIPTION

DATE: 25-NOV-81	ENG.:	DATE: 25-NOV-81	TITLE: SYNC/ASYNC SERIAL LINE UNIT
DATE: 25-NOV-81	SCHEMATIC:	DATE: 25-NOV-81	SIZE: K CS
DATE: 25-NOV-81	BOARD LAYOUT:	DATE: 25-NOV-81	NUMBER: M3100-0-SLU2
DATE: 25-NOV-81	TEST PROCEDURE:	DATE: 25-NOV-81	REV. D
DATE: 25-NOV-81	ASSEMBLY:	DATE: 25-NOV-81	

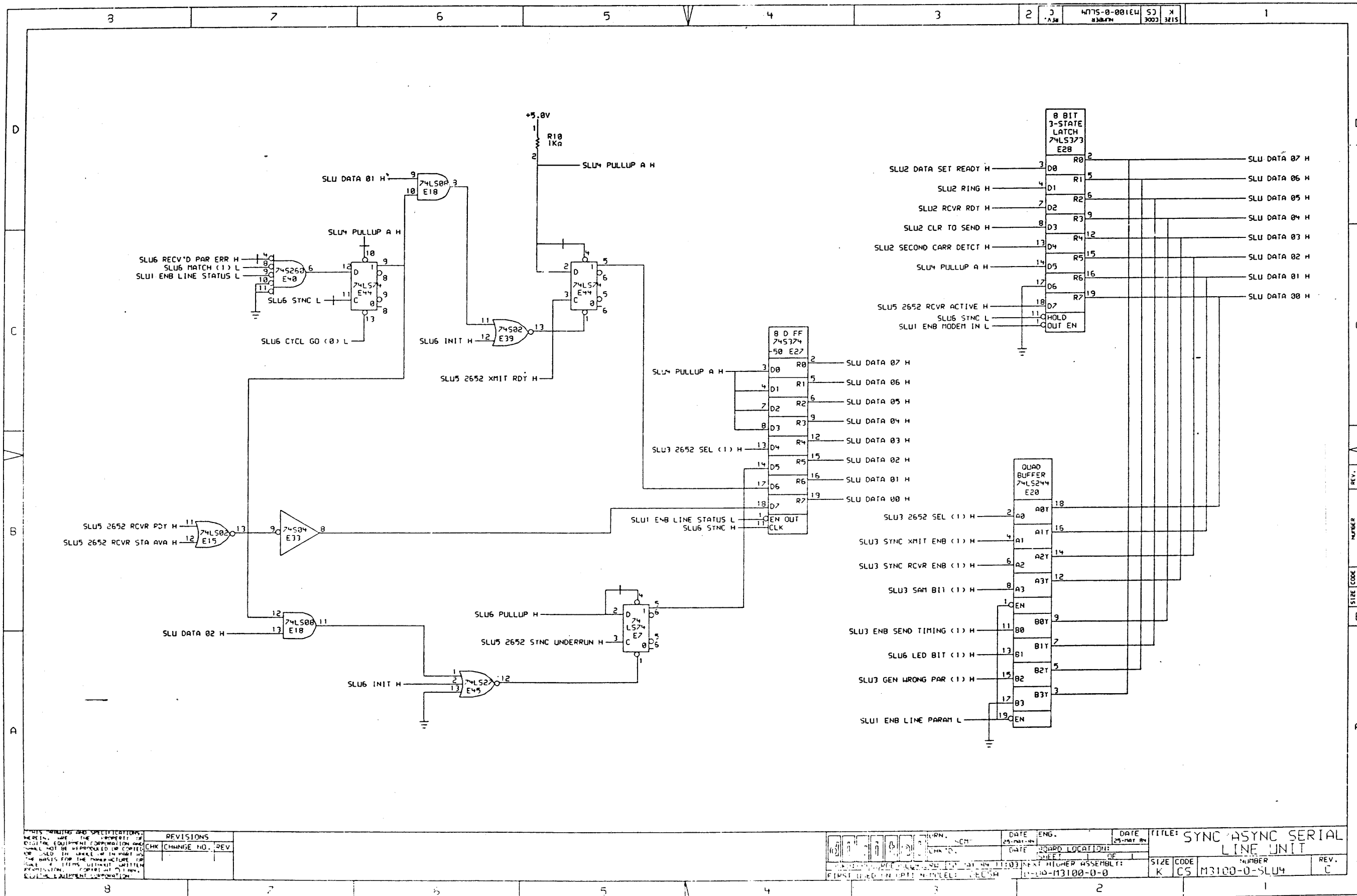


THIS DRAWING AND SPECIFICATIONS ARE THE PROPERTY OF DIGITAL EQUIPMENT CORPORATION AND SHALL NOT BE REPRODUCED OR COPIED OR USED IN WHOLE OR IN PART AS THE BASIS FOR THE MANUFACTURE OR SALE OF ITEMS WITHOUT WRITTEN PERMISSION. COPYRIGHT © 1983, DIGITAL EQUIPMENT CORPORATION.

REVISIONS	
CHK	CHANGE NO. REV

	DRN.	DATE 20-MAY-83	ENG. <i>John Raymond</i>	DATE 20-MAY-83	TITLE: SYNC/ASYNC SERIAL LINE UNIT
	CHK'D. <i>Compos</i>	DATE 8-14-83	BOARD LOCATION: 1 OF 1	SHEET	SIZE CODE K CS M3100-0-SLU3
DSKD: <CAMPOS>F3100C.DRW		20-MAY-83 11:34	NEXT HIGHER ASSEMBLY: D-UA-M3100-0-0	NUMBER	REV. B
FIRST USED ON OPTION/MODEL: DECSA				1	TW

REV. B
NUMBER M3100-0-SLU3
SIZE CODE K CS



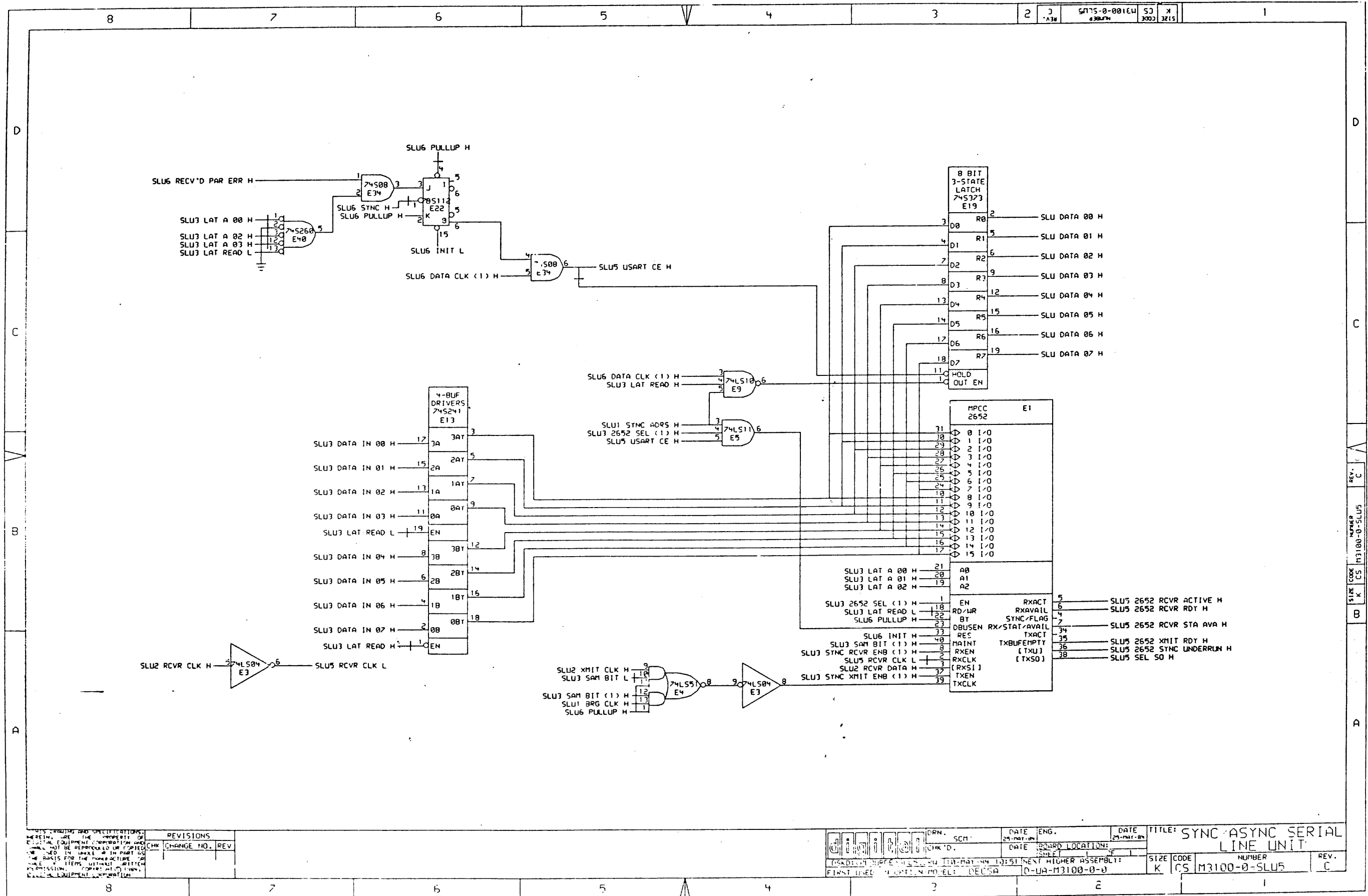
THIS DRAWING AND SPECIFICATIONS
HEREIN ARE THE PROPERTY OF
THE EQUIPMENT CORPORATION AND
SHALL NOT BE REPRODUCED OR
COPIED IN WHOLE OR IN PART
OR FOR ANY PURPOSE WITHOUT
WRITTEN PERMISSION OF THE
EQUIPMENT CORPORATION.

REVISIONS	
CHK	CHANGE NO. REV.

DATE	ENG.	DATE	ENG.

TITLE: SYNC/ASYNC SERIAL LINE UNIT			
SIZE	CODE	NUMBER	REV.
K	CS	M3100-0-SLU4	C

REV. C
NUMBER M3100-0-SLU4
SIZE K
CODE CS

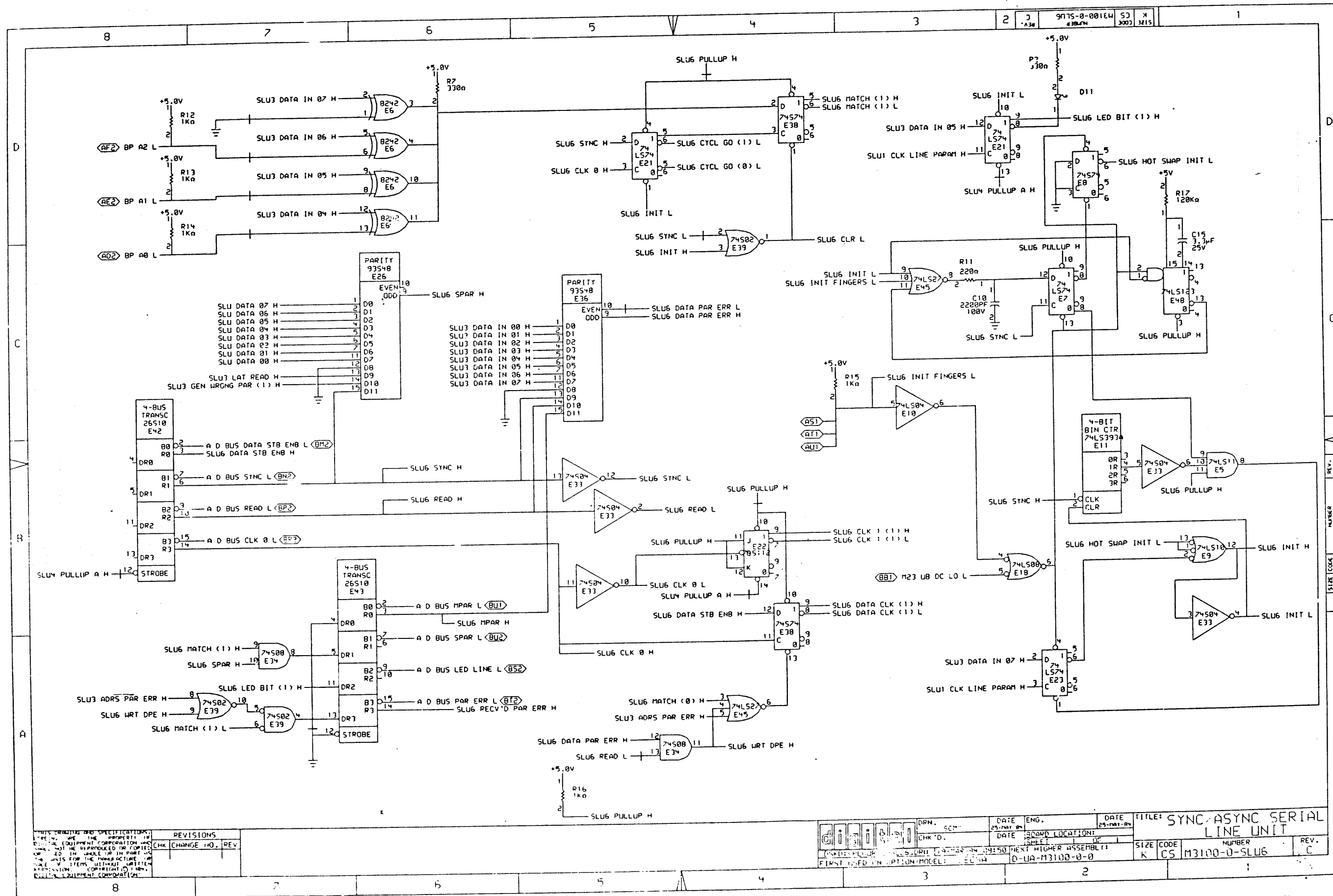


ALL DIMENSIONS AND SPECIFICATIONS ARE THE PROPERTY OF THE MANUFACTURER AND SHALL NOT BE REPRODUCED OR COPIED IN WHOLE OR IN PART OR FOR ANY PURPOSE WITHOUT WRITTEN PERMISSION. COMPANY AND TRADE MARKS ARE THE PROPERTY OF THEIR RESPECTIVE OWNERS.

REVISIONS	
CHK	CHANGE NO. REV

DATE	ENG.	DATE	ENG.
25-10-84		25-10-84	
DATE	BOARD LOCATION	DATE	BOARD LOCATION
DATE	DESIGN MODEL	DATE	DESIGN MODEL

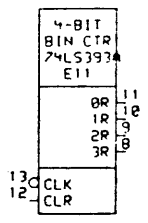
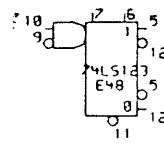
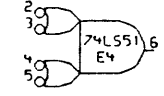
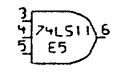
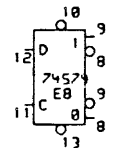
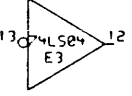
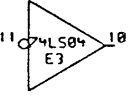
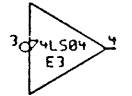
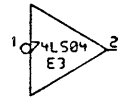
TITLE: SYNC/ASYNC SERIAL LINE UNIT			
SIZE	CODE	NUMBER	REV.
K	CS	M3100-0-SLU5	C



REVISIONS	
CHK	CHANGE NO. REV.

DATE	ENG.	DATE	25-MAR-81	TITLE:	SYNC-ASYNCR SERIAL LINE UNIT
CHK'D.	SCH.	DATE		BOARD LOCATION:	
		SHEET			
FIRST USED IN OPTION MODEL:					
				SIZE CODE	NUMBER
				K	CS M3100-0-SLU6
				REV.	C

SPARE GATES

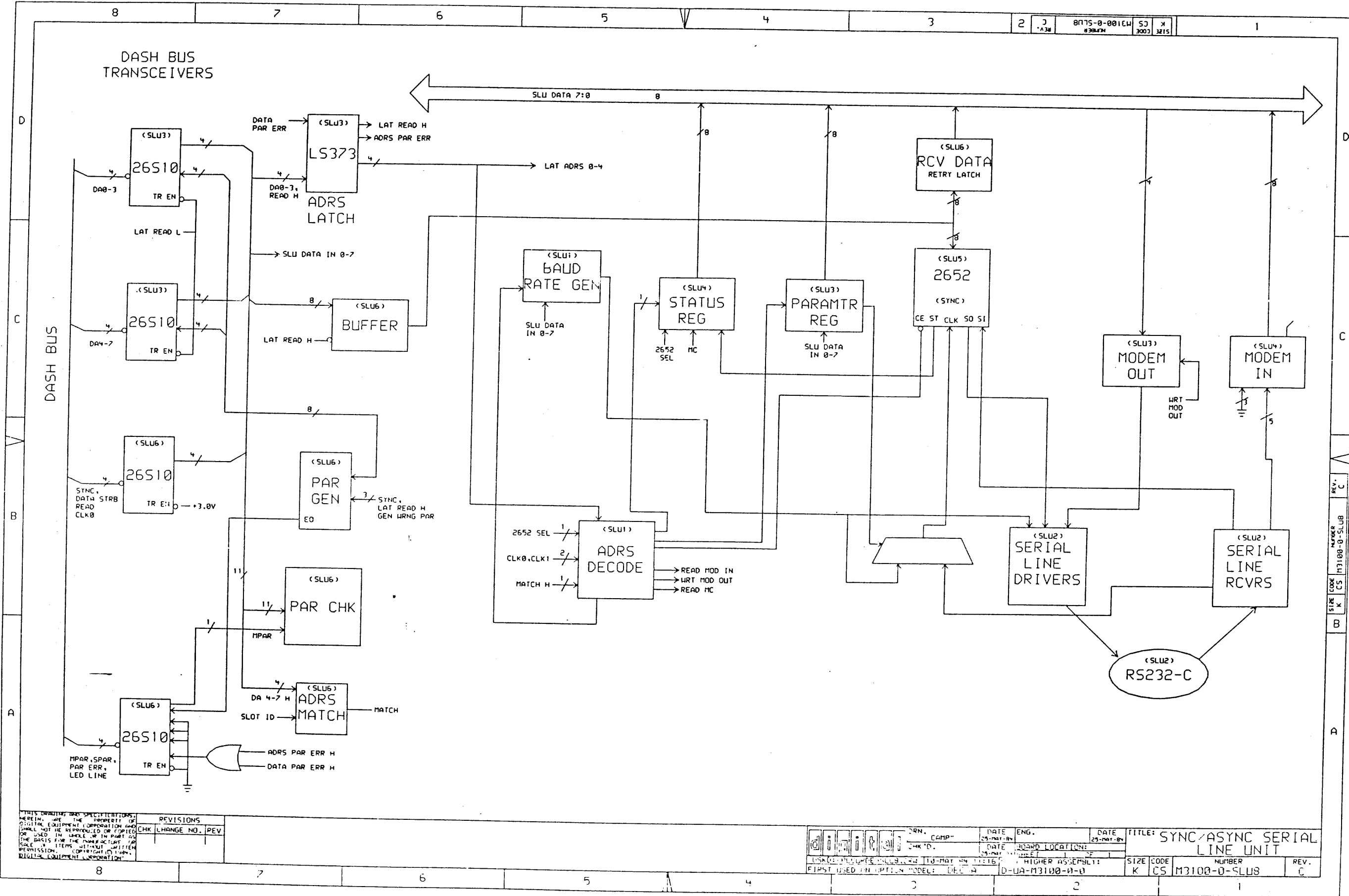


THEY CARRYING AND SPECIFICATIONS
 HEREIN ARE THE PROPERTY OF
 DIGITAL EQUIPMENT CORPORATION AND
 SHALL NOT BE REPRODUCED OR COPIED
 FOR USE IN WHOLE OR IN PART OR
 ON THE BASIS FOR THE MANUFACTURE OR
 REPAIR OF ITEMS WITHOUT WRITTEN
 PERMISSION OF DIGITAL EQUIPMENT
 CORPORATION.

REVISIONS		
CHK	CHANGE NO.	REV.

ORIN. SCH.	DATE	ENG.	DATE
CHK'D.	DATE	DRAPD LOCATION:	SHEET
EXT HIGHER ASSEMBLY:		EXT HIGHER ASSEMBLY:	
FIRST USED ON OPTION MODEL: DEC5A		10-UA-M3100-0-0	

TITLE: SYNC/ASYNC SERIAL LINE UNIT			
SIZE	CORE	NUMBER	REV.
K	CS	M3100-0-SLU7	D



THIS DRAWING AND SPECIFICATIONS ARE THE PROPERTY OF QUALITY EQUIPMENT CORPORATION AND SHALL NOT BE REPRODUCED OR COPIED OR USED IN WHOLE OR IN PART AS THE BASIS FOR THE MANUFACTURE OF ANY ITEMS WITHOUT WRITTEN PERMISSION. COPYRIGHT © 1984 QUALITY EQUIPMENT CORPORATION.

REVISIONS	
CHK	CHANGE NO. / REV.

DRN. CAMP	DATE 25-MAY-84	ENG.	DATE 25-MAY-84	TITLE: SYNC/ASYN SERIAL LINE UNIT
CHK'D.	DATE 25-MAY-84	DATE 25-MAY-84	DATE 25-MAY-84	ADSD LOCATIONS:
FIRST USED IN OPTION MODEL: DEC 84				HIGHER ASSEMBLY:
SIZE	CODE	NUMBER	REV.	
K	CS	M3100-0-SLUS	C	

THIS DRAWING AND THE SPECIFICATIONS CONTAINED HEREIN ARE CONFIDENTIAL AND PROPRIETARY. THEY ARE THE PROPERTY OF DIGITAL EQUIPMENT CORPORATION AND SHALL NOT BE REPRODUCED OR COPIED OR USED IN WHOLE OR IN PART AS THE BASIS FOR MANUFACTURING OR SALE OF ITEMS WITHOUT WRITTEN PERMISSION. THIS IS AN UNPUBLISHED WORK PROTECTED UNDER THE FEDERAL COPYRIGHT LAWS.

DRAWING DIRECTORY

ITEM	DRAWING NO.	NO. OF SHTS	PART NO.	DESCRIPTION	TYPE	REVISIONS																
						A1	A2															
1		-	M3101-00	V.35 LINE CARD		A1	A2															
2	D-UA-M3101-0-0	1		UNIT ASSEMBLY		A	B															
3	K-PL-M3101-0-DBP	2		PARTS LIST		A	B															
4	K-CS-M3101-0-DBS	-		SUDS DATA BASE		A	A															
5	K-CS-M3101-0-SL1	1		SCHEMATIC		A	A															
6	K-CS-M3101-0-SL2	1		SCHEMATIC		A	A															
7	K-CS-M3101-0-SL3	1		SCHEMATIC		A	A															
8	K-CS-M3101-0-SL4	1		SCHEMATIC		A	A															
9	K-CS-M3101-0-SL5	1		SCHEMATIC		A	A															
10	K-CS-M3101-0-SL6	1		SCHEMATIC		A	A															
11	K-CS-M3101-0-SL7	1		SCHEMATIC		A	A															
12	K-CS-M3101-0-SL8	1		SCHEMATIC		A	A															
13	K-CS-M3101-0-SL9	1		SCHEMATIC		A	A															
14	K-CS-M3101-0-SL10	1		SCHEMATIC		A	A															
15	K-CS-M3101-0-SL11	1		SCHEMATIC		A	A															
16	K-CS-M3101-0-SL12	1		SCHEMATIC		A	A															
17	K-CS-M3101-0-SL13	1		SCHEMATIC		A	A															
18	K-PC-MM3101-0-DBI	-		PC DATA BASE		C	C															
19	K-DD-5014991-0-0	1		DRAWING DIRECTORY		A	A															

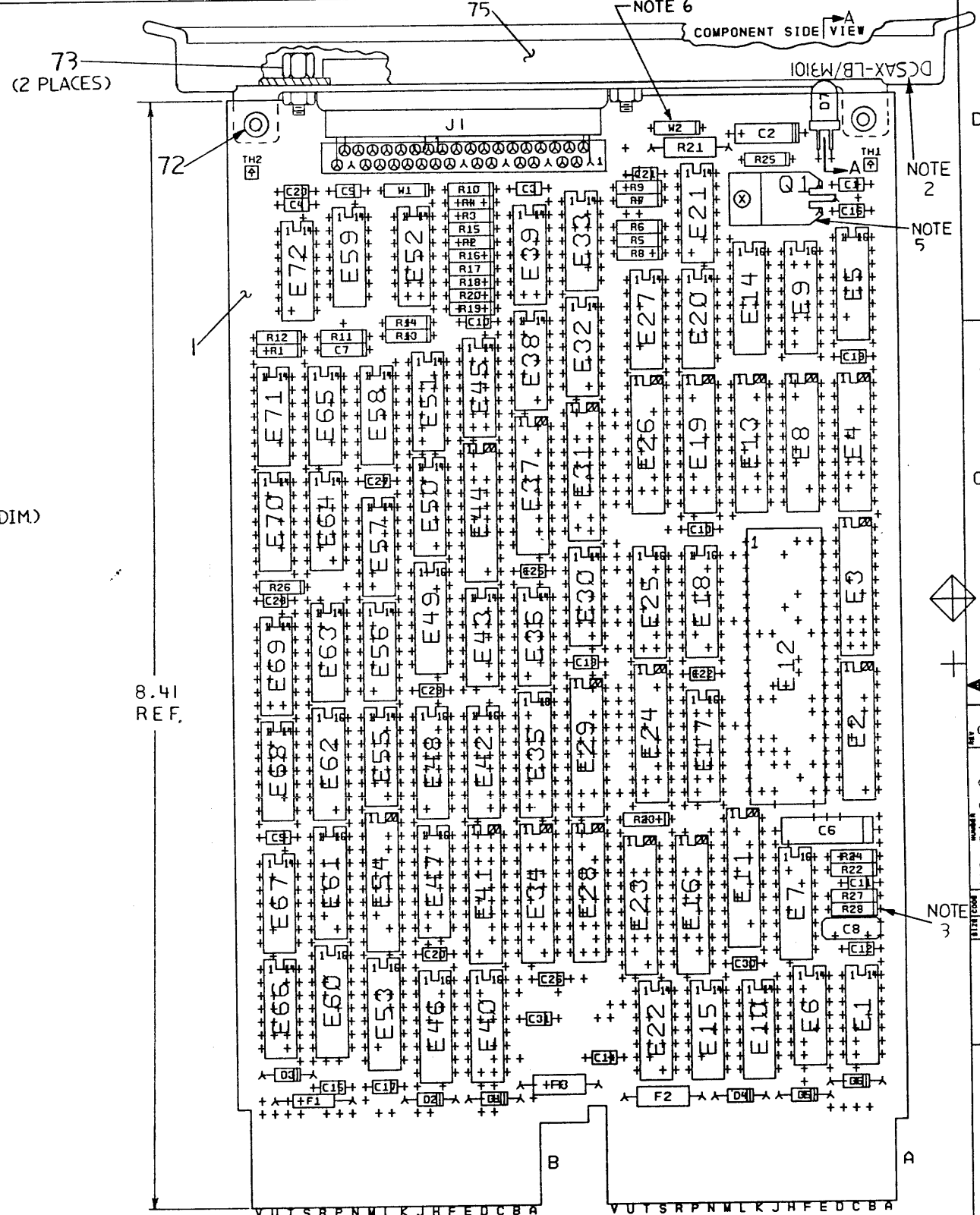
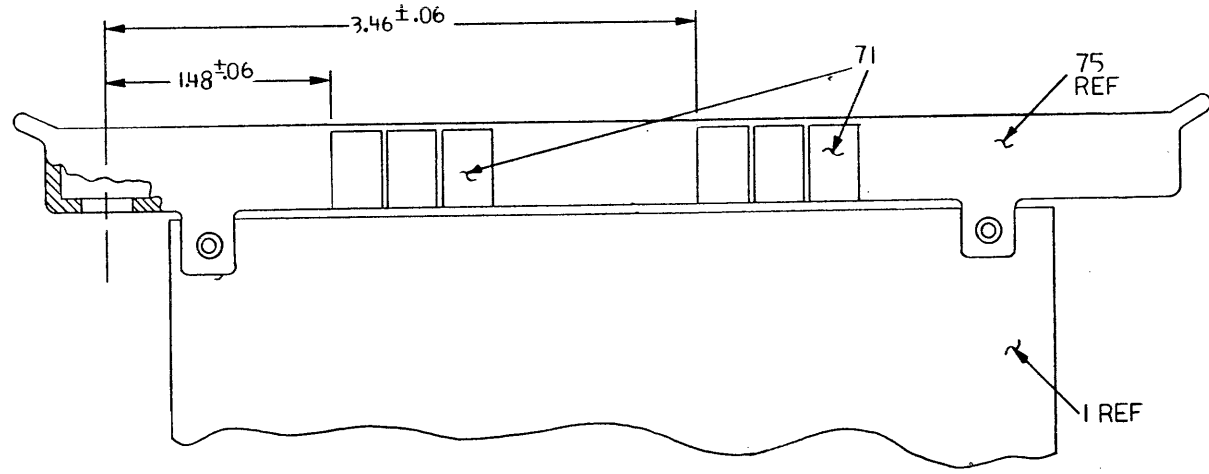
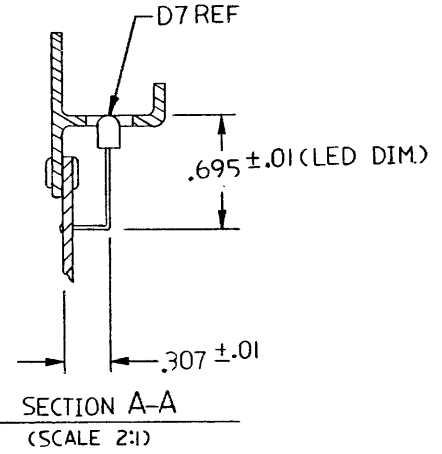
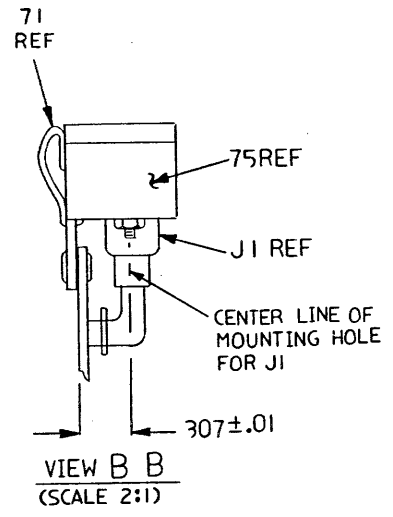
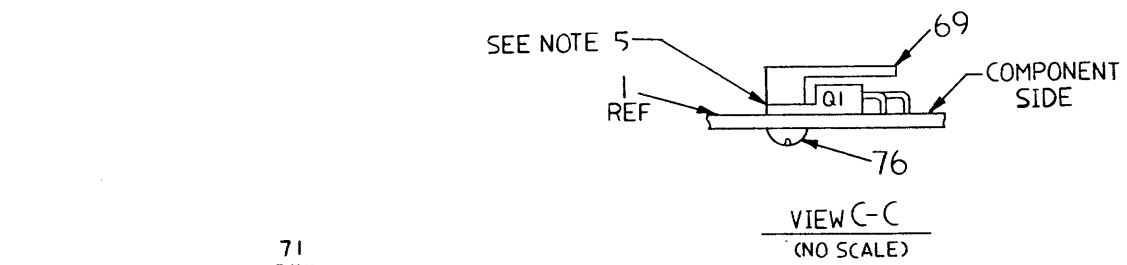
NOTES:

						DD																
						REV	A	B														

REVISION HISTORY			CONT. REVISION HISTORY			MADE BY: A. KRAWIECKI DATE: 10 SEP 84		d i g i t a l				
ENG	ECO NUMBER	REV	ENG	ECO NUMBER	REV	CHECKED BY: J. FALKOWSKI DATE: 10 SEP 84		TITLE DRAWING DIRECTORY				
--	INITIAL	A				DESIGN ENGINEER: J. DOHERTY DATE: 10 SEP 84		V.35 LINE CARD				
JD	M3101-MK001	B				RESPONSIBLE ENG: J. DOHERTY DATE: 10 SEP 84						
						PRODUCTION ENG: W. BROOKE DATE: 10 SEP 84		SIZE	CODE	DOCUMENT NUMBER	REV.	
								K	DD	M3101-0-0	B	
										SHEET 1 OF 1		MKO

THIS DRAWING AND SPECIFICATIONS, HEREIN, ARE THE PROPERTY OF DIGITAL EQUIPMENT CORPORATION AND SHALL NOT BE REPRODUCED OR COPIED OR USED IN WHOLE OR IN PART AS THE BASIS FOR THE MANUFACTURE OR SALE OF ITEMS WITHOUT WRITTEN PERMISSION.
 COPYRIGHT © 1974 DIGITAL EQUIPMENT CORPORATION

8 7 6 5 4 3 2 1



NOTES: 1. UL REQUIREMENT IS LPWR
 2. STAMP LOCATION/DIRECTION OF MODULE TYPE: DC S AX - L B / M 3 1 0 1
 3. SPARE LOCATIONS ARE: E49, E65, R28
 4. REF DESIGNATION C24 IS NOT USED

STEP E	↑ Y AXIS	STEP D	TIMES
REPEAT	→ X AXIS	STEP I	TIMES

CHANGE NO	REV	DATE	BY	CHK'D
1	B			
2	A			
3	A			
4	A			
5	A			
6	A			

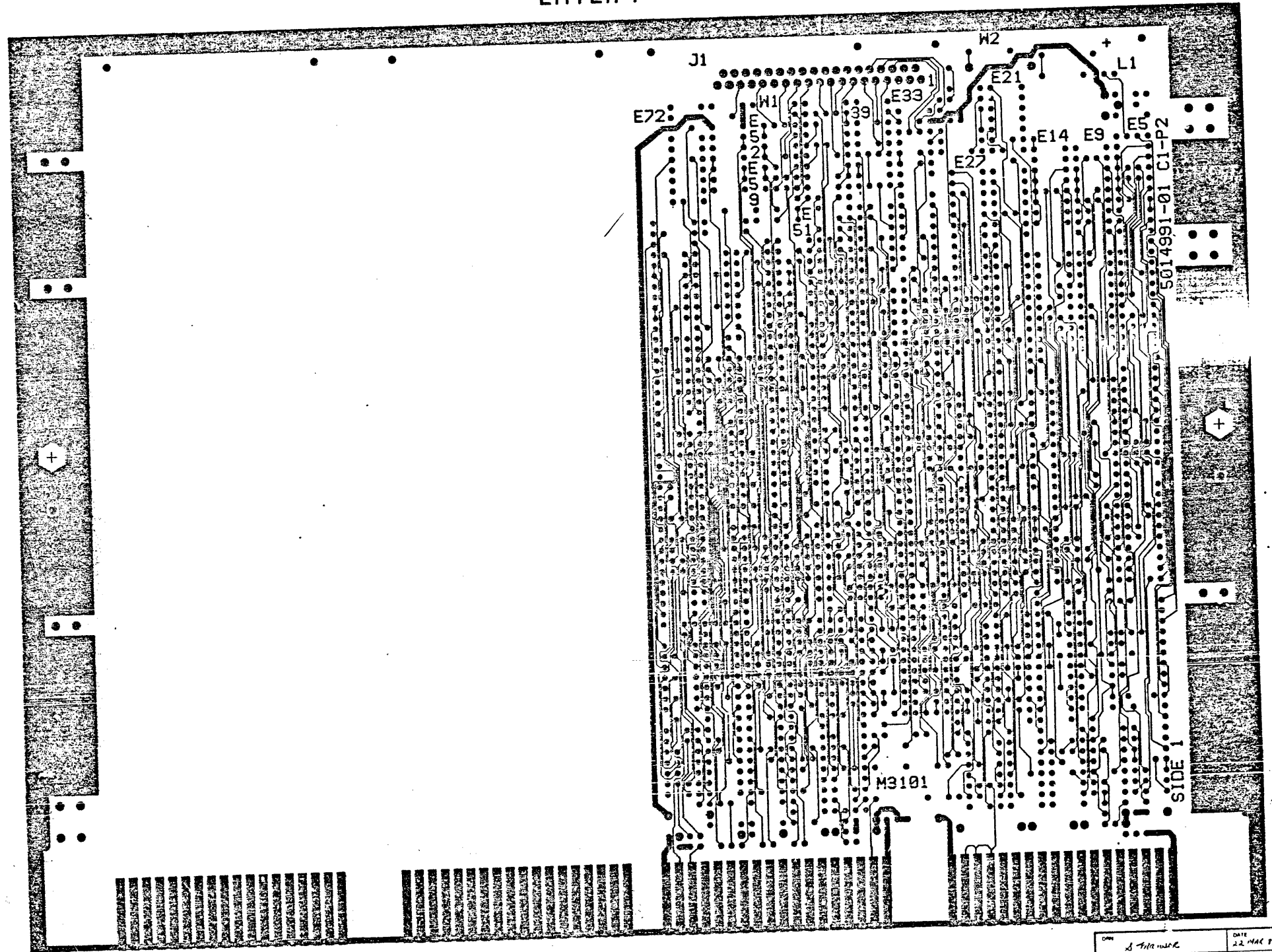
5. INSTALL ITEM 77 (THERMAL COMPOUND) BETWEEN ITEM 68 (Q1) AND ITEM 69 (HEAT SINK).
 6. W2 IS NOT NORMALLY INSTALLED.

ETCH REV.	CIP2
-----------	------

SIGNATURES		DATE	TITLE
DRN. <i>J. J. ...</i>		1/10/75	
CHK'D. <i>J. J. ...</i>		20 MAR 75	
MECH. ENG. <i>J. J. ...</i>		26 MAR 75	
PROJ. ENG. <i>J. J. ...</i>		26 MAR 75	
PROD. ENG. <i>J. J. ...</i>		26 MAR 75	
SCALE 2-1	SHT. 1 OF 1		SIZE CODE NUMBER REV
			D UA M3101-0-0 B

THIS DRAWING AND THE SPECIFICATIONS CONTAINED HEREIN ARE CONFIDENTIAL AND PROPRIETARY. THEY ARE THE PROPERTY OF DIGITAL EQUIPMENT CORPORATION AND SHALL NOT BE REPRODUCED OR COPIED OR USED IN WHOLE OR IN PART ANYWHERE WITHOUT THE WRITTEN PERMISSION OF DIGITAL EQUIPMENT CORPORATION. THIS IS AN UNCLASSIFIED WORK PROTECTED UNDER THE FEDERAL COPYRIGHT LAWS 1984.

LAYER 1

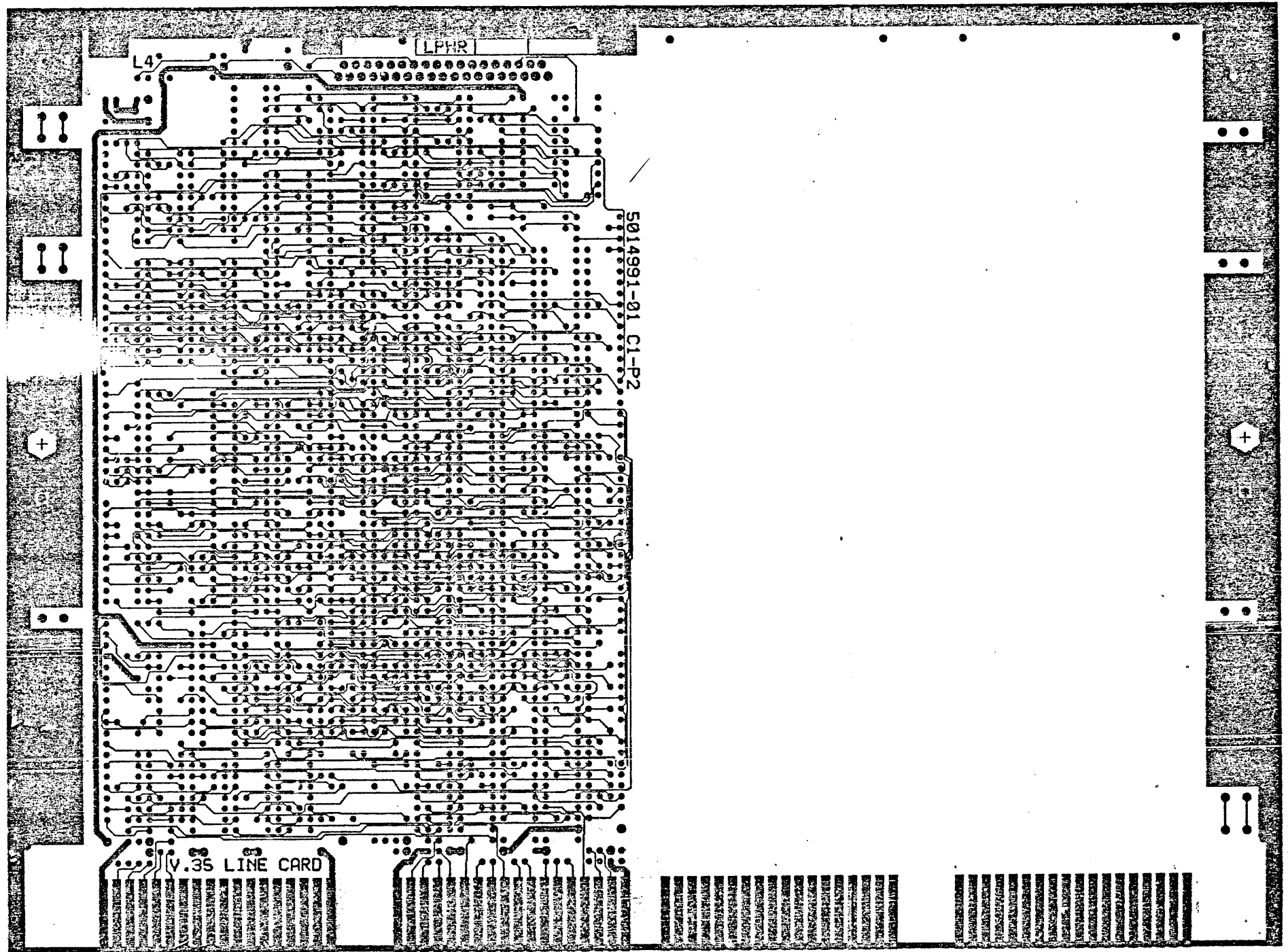


REV	ECO NUMBER	DATE

DRW	<i>S. F. HARR</i>	DATE	22 MAR 84	TITLE	digital			
CHK'D	<i>J. J. WOLF</i>	DATE	26 MAR 84			ETCH CUT	DRAWING	
DES'GND	<i>John Desquard</i>	DATE	26 MAR 84	DOCUMENT NUMBER				
APP'G	<i>John Desquard</i>	DATE	26 MAR 84	SIZE	CODE			
WFO'G	<i>John Desquard</i>	DATE	26 MAR 84	D	EC			
TOP DOC NO	B-DD-5014991-0-0		SCALE	2:1	SHEET	1	OF	2

THIS DRAWING AND SPECIFICATIONS HEREIN ARE THE PROPERTY OF DIGITAL EQUIPMENT CORPORATION AND SHALL NOT BE REPRODUCED OR COPIED OR USED IN WHOLE OR IN PART AS THE BASIS FOR THE MANUFACTURE OR SALE OF ITEMS WITHOUT WRITTEN PERMISSION. COPYRIGHT © 1984 DIGITAL EQUIPMENT CORPORATION.

LAYER 1



REVISION HISTORY		
DATE	ECO NUMBER	REV

TITLE
ETCH CUT DRAWING

DOCUMENT NUMBER		
SIZE CODE	NUMBER	REV.
DEC	5014991-0-0	A
SCALE 2/1	SHEET 2 OF 2	

8 7 6 5 4 3 2 1

8 7 6 5 4 3 2 1

8 7 6 5 4 3 2 1

AUTOMATED BY PRTLST,4Q(50)

PARTS LIST

SHEET A1 OF A3

LINE	ITEM	TOP DOCUMENT	PART NUMBER	MIN REV	DESCRIPTION	QTY PER VARIATION	REFERENCE DESIGNATOR
					VARIATION REVISION LEVEL:	00	
1	1	D-MD-5014991-0-0	5014991-01		V.35 LINE CARD	1	
2	2		1105796-00		PIV= 400 IO= 1.00A 1M4004 DO-41	6	D1-D6
3	3		1220398-05		CONN,D SUB 37PIN ASSY RT ANGLE	1	J1
4	4		1300005-01		R NETWORK 13-1K 5.0 % 14PIN	1	E5
5	5		1300228-00		100.0 .50 W 5.0 % CF	1	R21
6	6		1300247-00		120.0 .25 W 5.0 % CF	3	R2,R5,R8
7	7		1300271-00		220.0 .25 W 5.0 % CF	1	R1
8	8		1300295-00		330.0 .25 W 5.0 % CF	2	R25,R26
9	9		1300365-00		1.0 K .25 W 5.0 % CF	2	R23,R24
10	10		1300539-00		120.0 K .25 W 5.0 % CF	1	R22
11	11		1301890-00		560.0 .25 W 5.0 % CF	2	R19,R20
12	12		1312929-00		51.0 .25 W 5.0 % CF	6	R3,R4,R6,R7,R9,R10
13	13		1312930-00		5.10 K .25 W 5.0 % CF	1	R27
14	14		1909712-00		DEC 8242 COMPARTOR-4BIT N,	1	E1
15	15		1910268-00		DEC 75107B RECEIVER,LINE,DUAL,	2	E33,E39
16	16		1910327-00		DEC 1488L DRIVER,LINE,QUAD,EI	1	E59
17	17		1913130-00		DEC 1489A RECEIVER,LINE,QUAD,	1	E72
18	18		1910532-00		74S00 NAND GATE-QUAD 2IN	1	E38
19	19		1910534-00		74S04 INVERTER GATE-HEX 1I	1	E57
20	20		1910544-00		74S74 FF-D DUAL,EDGE TRIGG	2	E50,E58
21	21		1910545-00		74S112 FF-JK DUAL,EDGE TRIG	1	E62
22	22		1910548-00		74S157 MUX 1 CF 2 (QUAD)	1	E18
23	23		1911675-00		74S138 DECODER/DEMUX 3-8 LI	1	E48
24	24		1912388-00		74S02 NOR GATE-QUAD 2IN,PO	1	E67
25	25		1912389-00		74S08 AND GATE-QUAD 2IN,PO	1	E64
26	26		1912742-00		75112 DRIVER,DUAL LINE	1	E52
27	27		1912801-00		LS02 NOR-GATE-QUAD 2IN	2	E32,E55
28	28		1912803-00		LS04 INVERTER GATE,HEX	3	E15,E27,E30
29	29		1912805-00		LS08 AND GATE-QUAD 2IN,PO	1	E22
30	30		1912807-00		LS10 NAND GATE-TRIPLE 3IN	1	E70

REVISION HISTORY		BASIC PART NO: M3101		DRN: S.MANSOR	DATE: 24-CCT-83	DIGITAL	
ENG:	ECO NUMBER	REV	SECTION A OF A	CHK'D: E.T.GERRY	DATE: 24-CCT-83	TITLE PARTS LIST	
---	INITIAL	A	SECTION VARIATION INDEX	DES.ENG: D.REMBUSKI	DATE: 25-OCT-83	DOCUMENT NUMBER	
JD	M3101-MK001	B	(A) 00	RESP.ENG.: J.BOZYNSKI	DATE: 25-OCT-83	SIZE: K	PL: M3101-0-DBP
			(B)	IMFG.ENG.: BILL SWAN	DATE: 16-DEC-83	RELEASE DATE: 15-OCT-84	
			(C)	ASSEMBLY NUMBER:	TOP DOCUMENT NUMBER:	FILE NAME:	EDIT #:
			(D)	ID-UA-M3101-0-0	B-DD-M3101-0-0	MK1141,PLS	15
			(E)				
			(F)				
			(G)				
			(H)				
			(I)				
			(J)				
			(K)				
			(L)				
			(M)				
			(N)				

"THIS DRAWING AND THE SPECIFICATIONS CONTAINED HEREIN ARE CONFIDENTIAL AND PROPRIETARY. THEY ARE THE PROPERTY OF DIGITAL EQUIPMENT CORPORATION AND SHALL NOT BE REPRODUCED OR COPIED OR USED IN WHOLE OR IN PART AS THE BASIS FOR THE MANUFACTURE OR SALE OF ITEMS WITHOUT WRITTEN PERMISSION. THIS IS AN UNPUBLISHED WORK PROTECTED UNDER THE FEDERAL COPYRIGHT LAWS."

LINE	ITEM	TOP DOCUMENT	PART NUMBER	MIN REV	DESCRIPTION	QTY PER VARIATION	REFERENCE DESIGNATOR
						00	
							VARIATION REVISION LEVEL:
31	31		1912813-00		LS27 NOR GATE-TRIPLE 3IN	1	E66
32	32		1912820-00		LS51 A-O-I GATE 2-WIDE 2I	1	E36
33	33		1912824-00		LS74 FF-D DUAL,EDGE TRIGG	7	E10,E43,E45,E51,E56,E58,E63
34	34		1912830-00		LS90 COUNTER,ASYNCH UP,DE	1	E71
35	35		1912837-00		LS123 ONE SHOT-DUAL,RETRIG	1	E7
36	36		1912847-00		LS157 MUX 1 OF 2(QUAD)	1	E25
37	37		1912849-00		LS161 COUNTER,SYNCHR,4BIT	3	E5,E9,E14
38	38		1912853-00		LS175 FF-D QUAD	1	E42
39	39		1912863-00		LS273 FF-D OCTAL W/CLEAR	1	E29
40	40		1913340-00		74S32 OP GATE-QUAD 2IN	1	E21
41	41		1913493-00		74S241 OCTAL BUFFER,TRI-STA	1	E24
42	42		1913670-00		74S373 LATCH,8BIT TRANS TRI	2	E41,E54
43	43		1913671-50		74S374 FF-D,OCTAL,TRI STATE	1	E16
44	44		1913788-00		26S19 TRANSCRIVER,BUS,GUA	4	E40,E46,E53,E60
45	45		1914085-00		74S260 NOR GATE-DUAL,POS	1	E69
46	46		1914866-00	AM	93S48PCGEN/CHECK PARITY, 4B	3	E17,E47,E61
47	47		1915193-00		LS244 DRIVER,LINE,OCTAL,I	4	E3,E11,E28,E34
48	48		1915219-00		LS245 TRANSCRIVER,BUS,OCT	1	E2
49	49		1915219-00		LS373 FF-D OCTAL-TRANSPARE	1	E23
50	50		1915932-00		LS125 BUFFER,QUAD BUS	1	E20
51	51		2112517-01		RECEIVER/TRANSMITTER	1	E12
52	52		2112623-00		DUAL BAUD RATE GEN/PRGG DIVIDER,	1	E35
53	53		2119250-00		4KX4 STATIC RAM 55NS	4	E4,E8,E13,E19
54	54		9009185-00		JUMPER, WIRE, INSULATED, BLACK B	1	W1
55	55		1110324-01		LED 1MCD@10MA PIV=3.750 MIN. LE	1	D7
56	56		1012784-00		.047 MFD 50V +80-20% CER	26	C1,C3-C5,C9-C23,C25-C31
57	57		1001776-00		1 MFD 35V 10% S.TANT	1	C2
58	58		1005334-00		3.3MFD 20V 10% S.TANT	1	C6
59	59		1013466-12		2200.0 MME 50V 10% X7R CER	1	C7
60	60		23060K5-00		K5-03 PAL,OCTAL,REG	1	E26
61	61		23049K4-00		K4-03 PAL,HEX REG	1	E31
62	62		23131J5-00		J5-03 PAL,LOGIC	1	E37
63	63		23132J5-00		J5-03 PAL,LOGIC	1	E44
64	64		1205747-00		FUSE, SUB-MINI, 5.000A, 125V, A	1	F1
65	65		1210929-02		FUSE, SUB-MINI 1.000A, 125V, A	2	F2,F3
66	66		1316736-00		374.0 .25 W 1.0 % RN55D-F10	4	R11,R12,R15,R16
67	67		1316115-00		35.70 .25 W 1.0 % RN55D-F10	4	R13,R14,R17,R18
68	68		1914437-00		7905 VOLT REG,FLX -5V	1	Q1
69	69		7414765-00		HEATSINK	1	
70	70		1002424-00		1200.0 MME 100V 5%200PPM NICA	1	C8
71	71		1221494-01		SHIELDING,RFI	2	
72	72		9009000-00		EYELET,ROLLED 0.1210DX0.156	2	
73	73		9008451-01		SCREW LOCK,STANDOFF ONLY .060TH	2	
74	75	D-MD-7430547-0-DRU	7430547-04		HANDLE,LC	1	
75	76		9006010-01		SCREW,MACH PAN PHIL 4-	1	
76	77		9008269-00		COMPOUND, THERMAL JOINT	A/R	

D	I	G	I	T	A	L	TITLE	SECTION A OF A	SIZE	CODE	DOCUMENT NUMBER	REV
							V-35 LINE CARD		K	PL	M3101-0-CBP	B

AUTOMATED BY PRTLST.4Q(50)

PARTS LIST

SHEET A3 OF A3

LINE ITEM TOP DOCUMENT

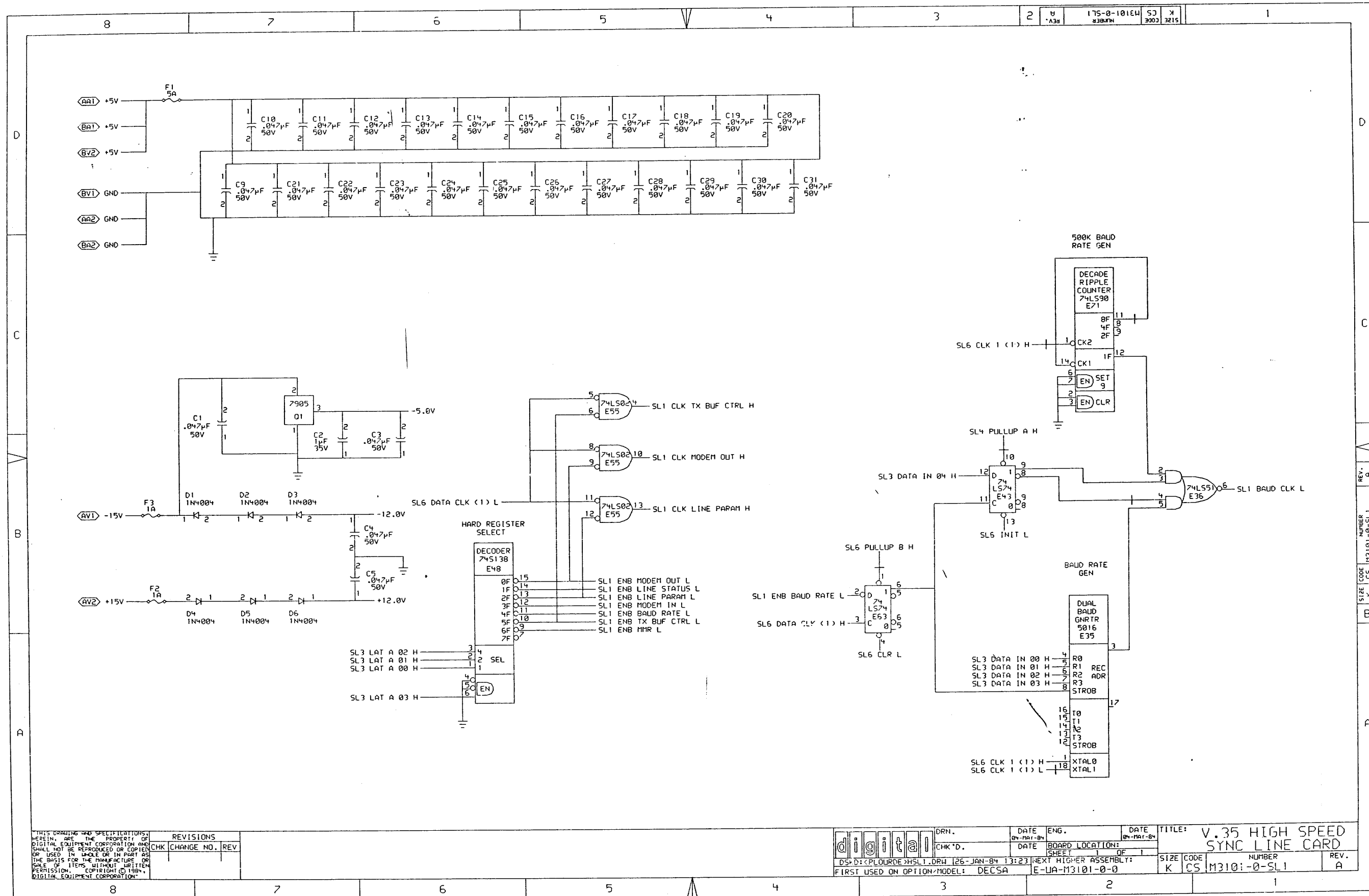
MIN
PART NUMBER REV DESCRIPTION
VARIATION REVISION LEVEL:

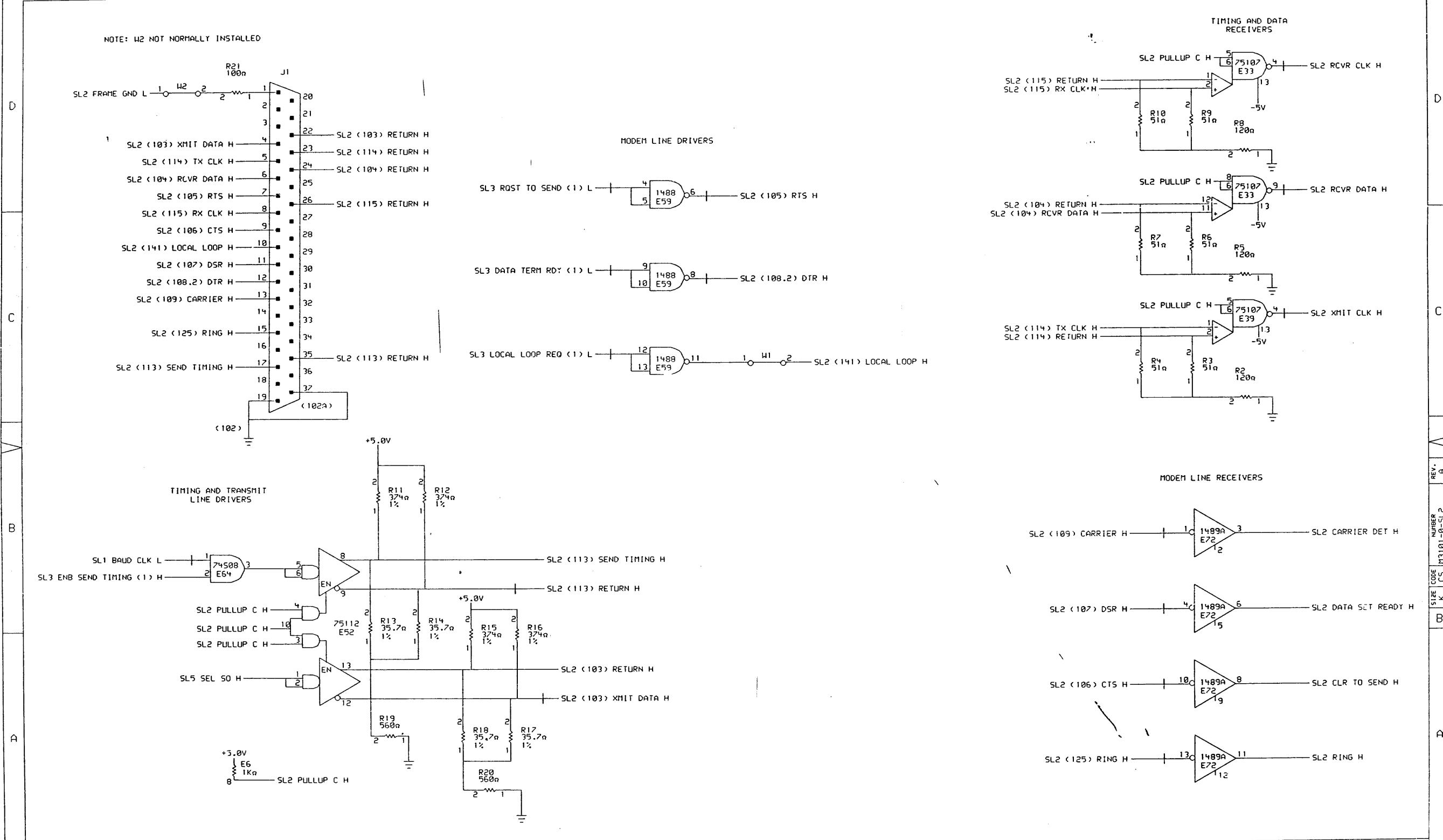
QTY PER VARIATION
00

REFERENCE DESIGNATOR

77 NOTE: DO NOT INSTALL JUMPER W2 (CUSTOMER OPTION).
78 NOTE: REF.DES. C24 IS NOT USED.
79 NOTE: SPARE LOCATIONS ARE E49,E65,R28.

D	I	G	I	T	A	L	TITLE	SECTION A OF A	SIZE	CODE	DOCUMENT NUMBER	REV
							V.35 LINE CARD		K	PL	M3101-0-DBP	B

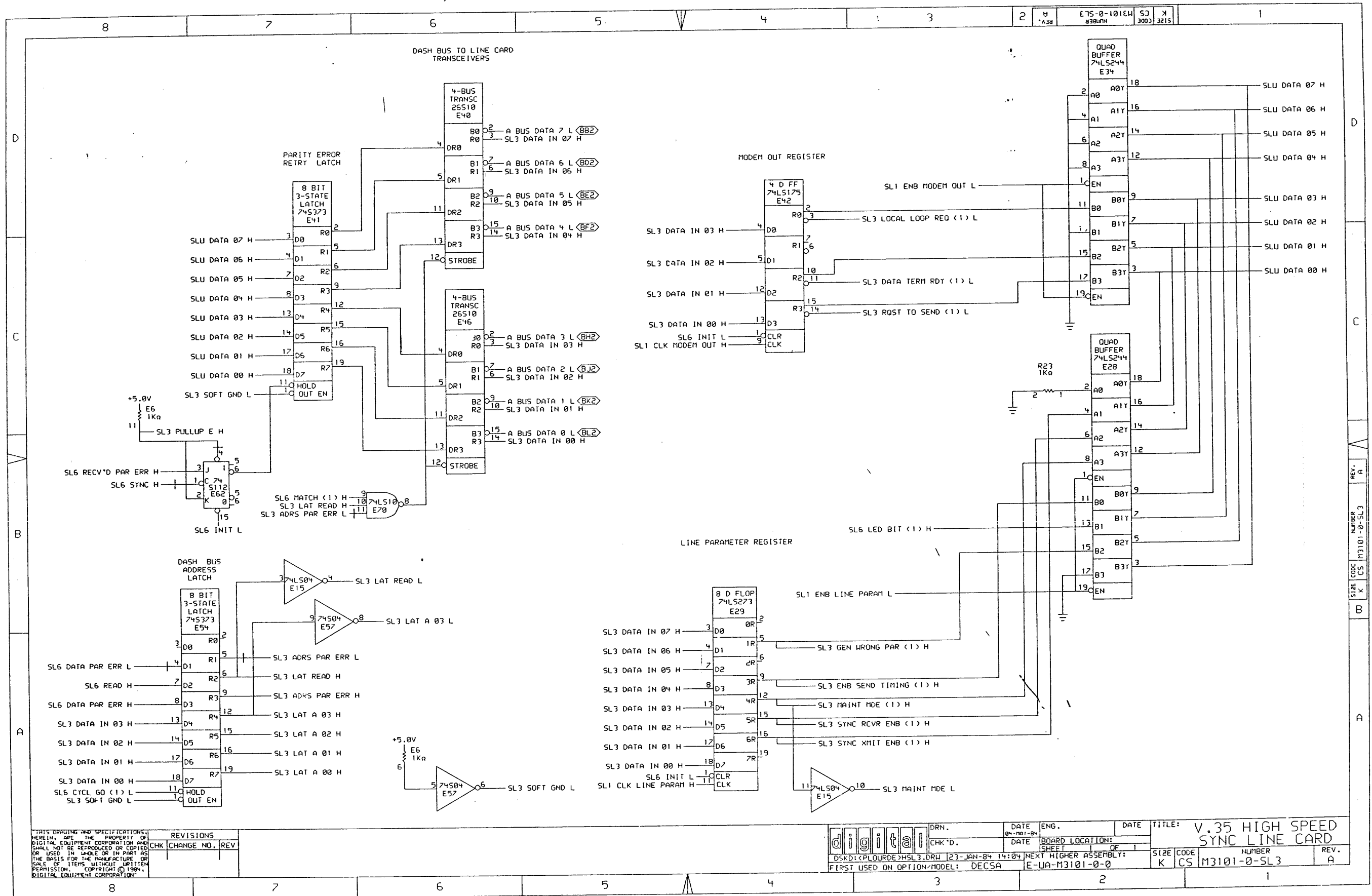




THIS DRAWING AND SPECIFICATIONS ARE THE PROPERTY OF DIGITAL EQUIPMENT CORPORATION AND SHALL NOT BE REPRODUCED OR COPIED OR USED IN WHOLE OR IN PART AS THE BASIS FOR THE MANUFACTURE OR SALE OF ITEMS WITHOUT WRITTEN PERMISSION. COPYRIGHT © 1984, DIGITAL EQUIPMENT CORPORATION.

REVISIONS		
CHK	CHANGE NO.	REV.

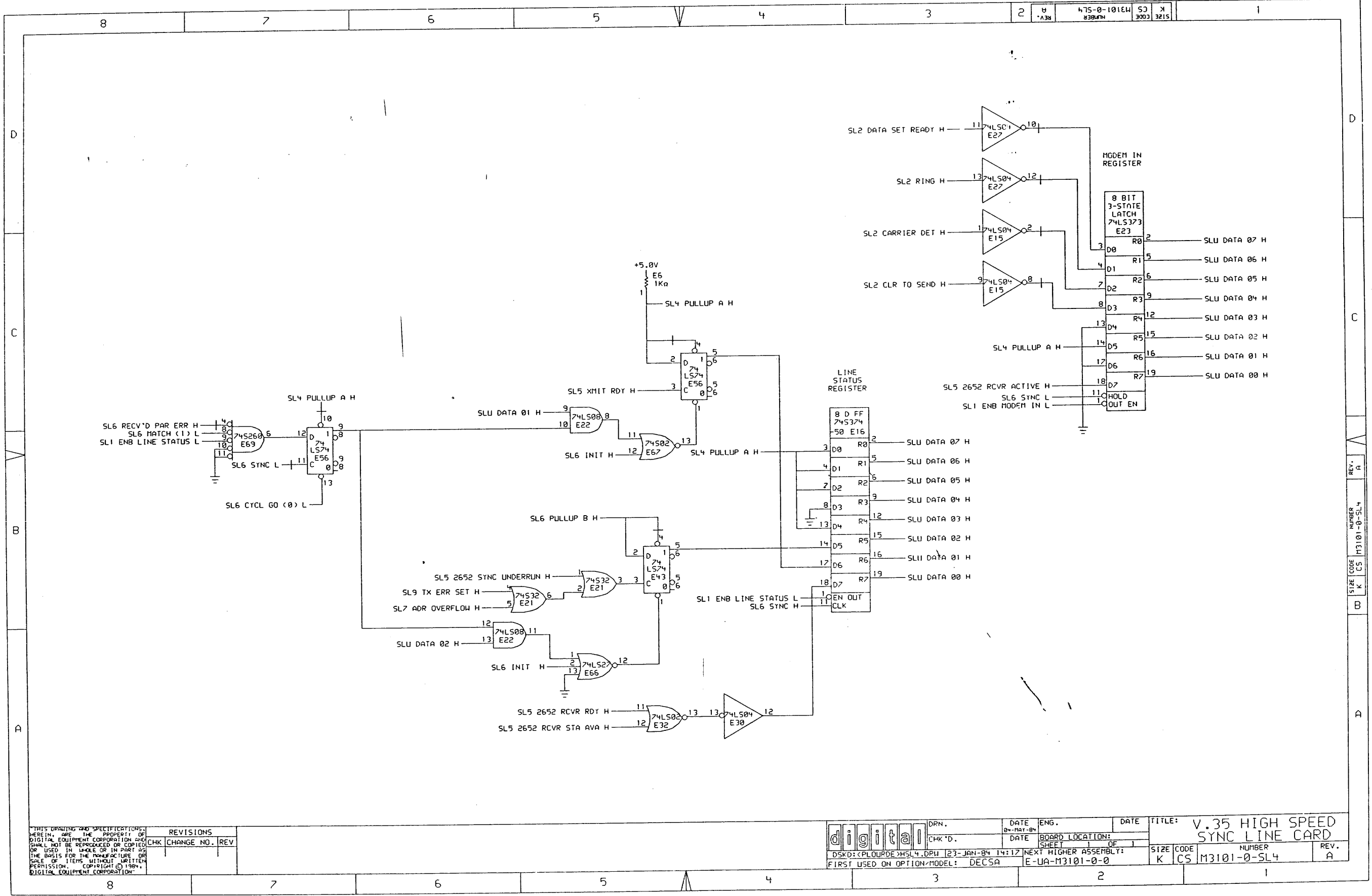
	DRN.	DATE	ENG.	DATE	TITLE: V.35 HIGH SPEED SYNC LINE CARD
	CHK'D.	DATE	BOARD LOCATION:	SHEET 1 OF 1	SIZE CODE K CS M3101-0-SL2
DSKD: <PLOURDE>SL2.DRW 25-JAN-84 13:25 NEXT HIGHER ASSEMBLY: E-LA-M3101-0-0			NUMBER REV. A		



THIS DRAWING AND SPECIFICATIONS HEREIN, ARE THE PROPERTY OF DIGITAL EQUIPMENT CORPORATION AND SHALL NOT BE REPRODUCED OR COPIED OR USED IN WHOLE OR IN PART AS THE BASIS FOR THE MANUFACTURE OR SALE OF ITEMS, WITHOUT WRITTEN PERMISSION. COPYRIGHT © 1984, DIGITAL EQUIPMENT CORPORATION.

REVISIONS		
CHK	CHANGE NO.	REV.

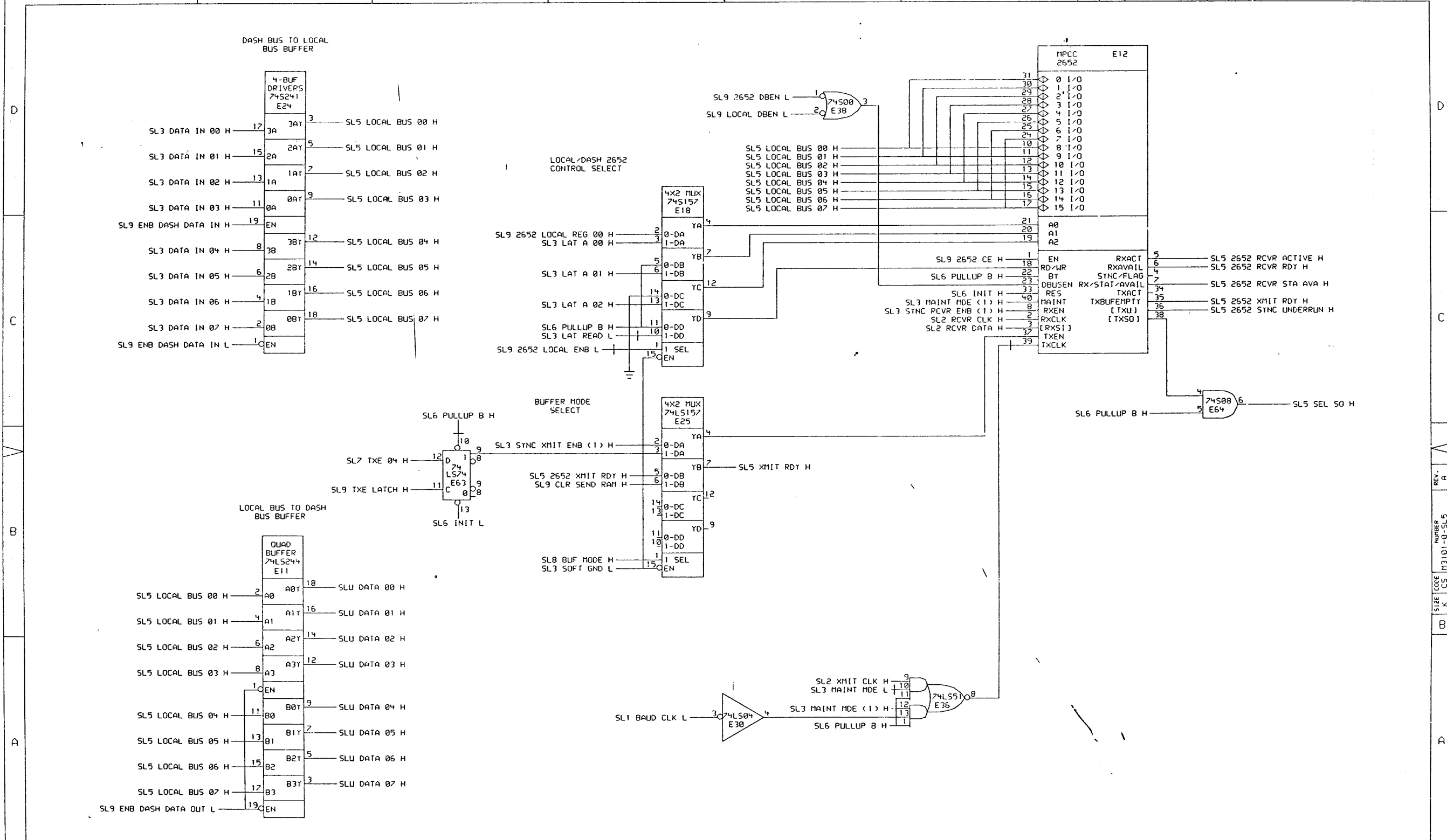
	DRN.	DATE	ENG.	DATE	TITLE: V.35 HIGH SPEED SYNC LINE CARD
	CHK'D.	DATE			
D:\KD:\PLOURDE\HSL3.DRW [23-JAN-84 14:04]		NEXT HIGHER ASSEMBLY:		SIZE CODE	NUMBER
FIRST USED ON OPTION/MODEL: DECSA		E-UA-M3101-0-0		K CS	M3101-0-SL3
					REV. A



THIS DRAWING AND SPECIFICATIONS, HEREIN, ARE THE PROPERTY OF DIGITAL EQUIPMENT CORPORATION AND SHALL NOT BE REPRODUCED OR COPIED OR USED IN WHOLE OR IN PART AS THE BASIS FOR THE MANUFACTURE OR SALE OF ITEMS WITHOUT WRITTEN PERMISSION. COPYRIGHT © 1984, DIGITAL EQUIPMENT CORPORATION.

REVISIONS		
CHK	CHANGE NO.	REV

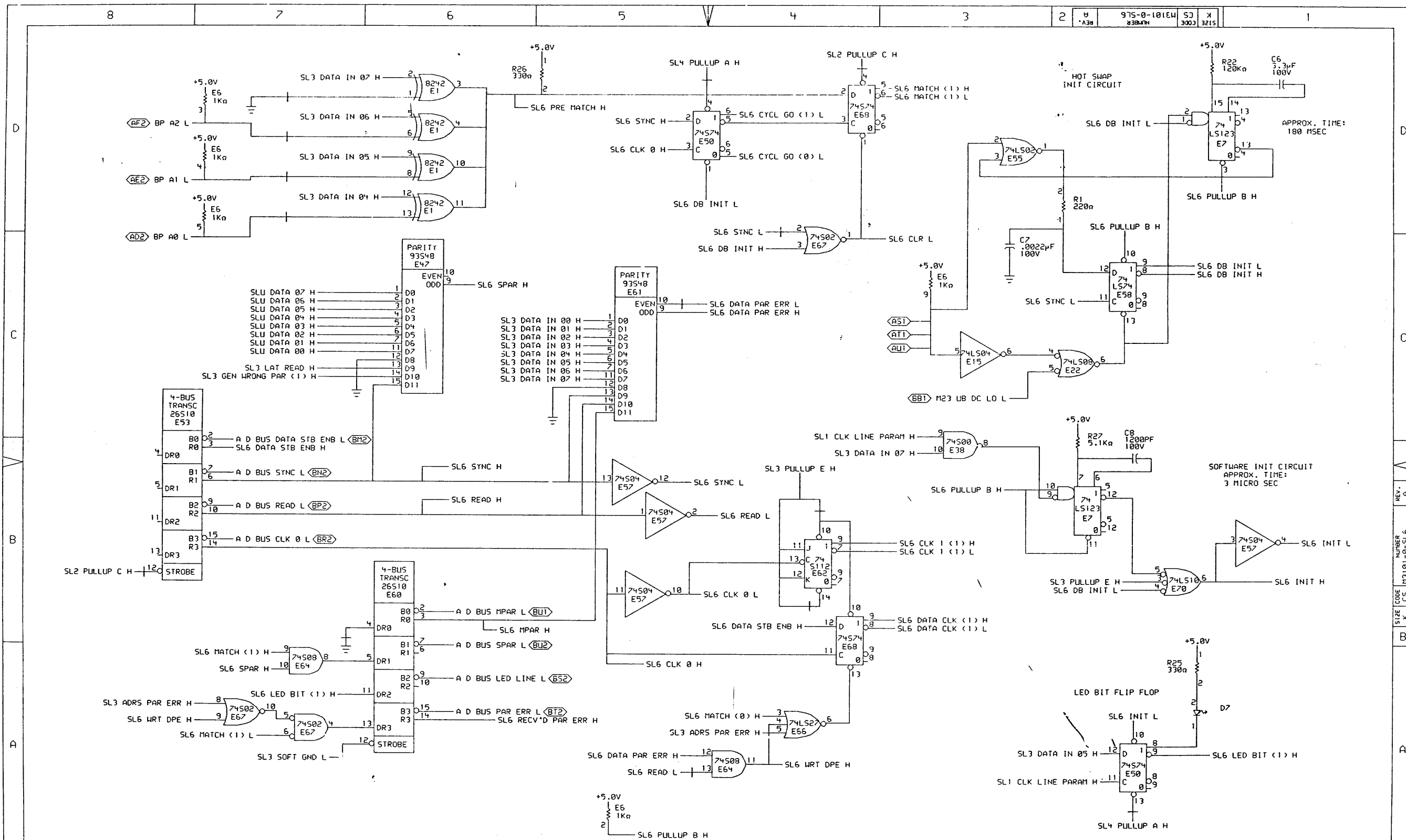
digital	DRN.	DATE	ENG.	DATE	TITLE: V.35 HIGH SPEED SYNC LINE CARD
	CHK'D.	DATE	BOARD LOCATION:	SHEET 1 OF 1	
DSK0:CPLOUPDE\HSL4.DPL [23-JAN-84 14:17] NEXT HIGHER ASSEMBLY:					SIZE CODE
FIRST USED ON OPTION MODEL: DECSA E-UA-M3101-0-0					K CS
					NUMBER
					M3101-0-SL4
					REV.
					A



THIS DRAWING AND SPECIFICATIONS, HEREIN, ARE THE PROPERTY OF DIGITAL EQUIPMENT CORPORATION AND SHALL NOT BE REPRODUCED OR COPIED OR USED IN WHOLE OR IN PART AS THE BASIS FOR THE MANUFACTURE OR SALE OF ITEMS WITHOUT WRITTEN PERMISSION. COPYRIGHT © 1984, DIGITAL EQUIPMENT CORPORATION.

REVISIONS		
CHK	CHANGE NO.	REV

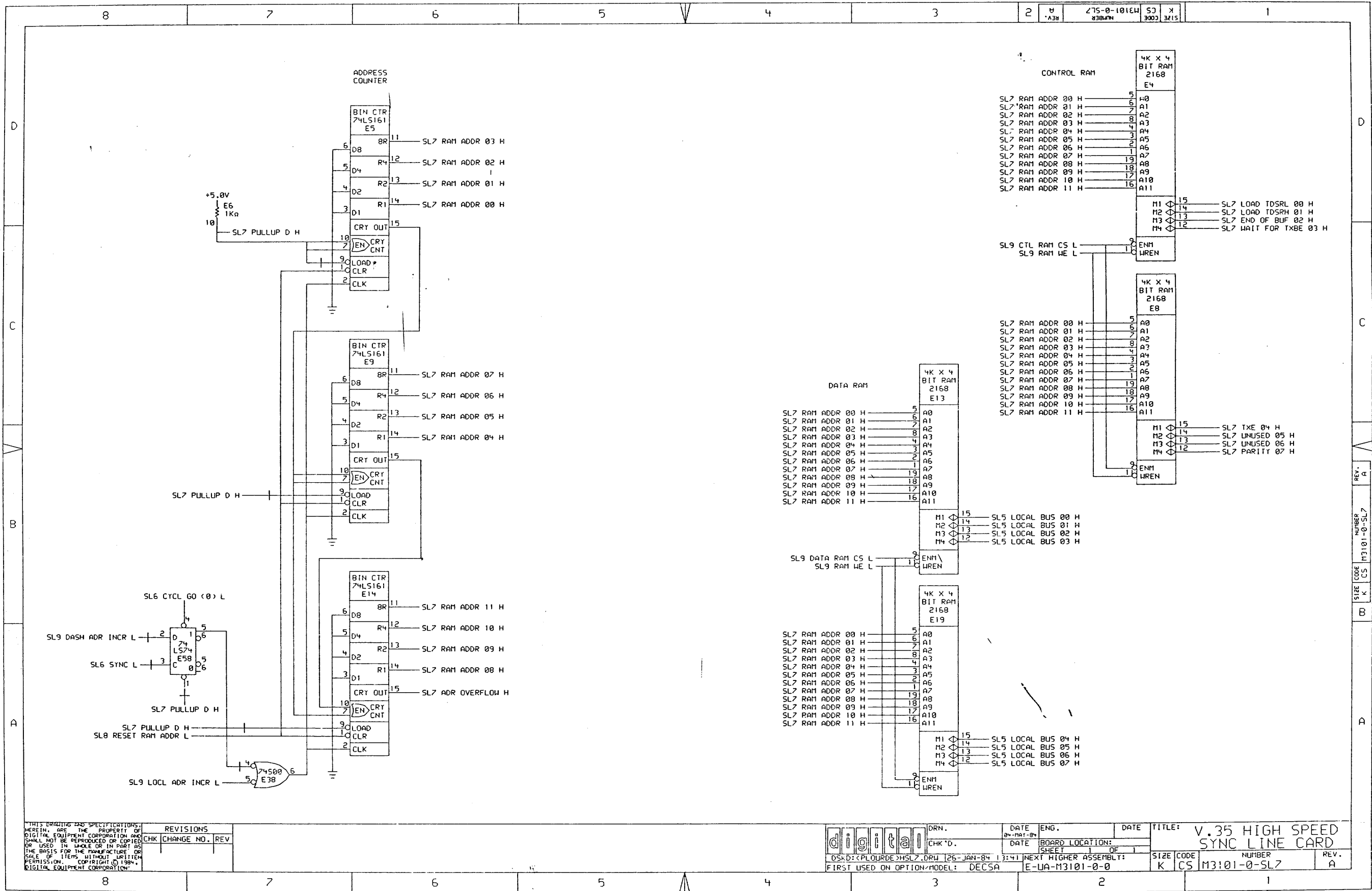
digital	DRN.	DATE	ENG.	DATE	TITLE: V.35 HIGH SPEED SYNC LINE CARD
	CHK'D.	DATE	BOARD LOCATION:	SHEET 1 OF 1	SIZE CODE K CS M3101-0-SL5
DSKD: <PLQURDE>HSL5.DRI [23-JAN-84 14:18] NEXT HIGHER ASSEMBLY:			FIRST USED ON OPTION MODEL: DECSA		REV. A



THIS DRAWING AND SPECIFICATIONS, HEREIN, ARE THE PROPERTY OF DIGITAL EQUIPMENT CORPORATION AND SHALL NOT BE REPRODUCED OR COPIED OR USED IN WHOLE OR IN PART AS THE BASIS FOR THE MANUFACTURE OR SALE OF ITEMS WITHOUT WRITTEN PERMISSION. COPYRIGHT © 1984, DIGITAL EQUIPMENT CORPORATION.

REVISIONS		
CHK	CHANGE NO.	REV

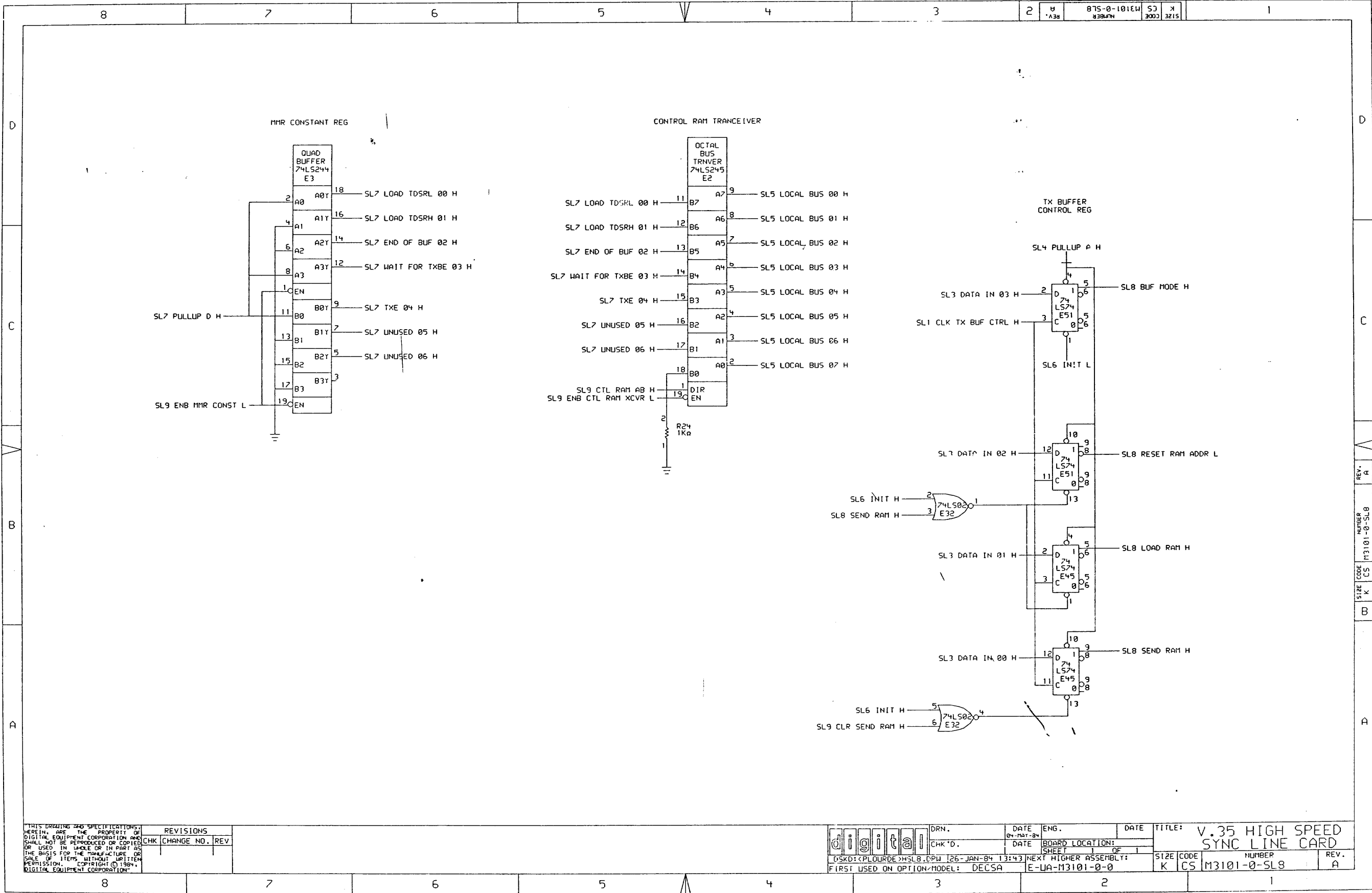
digital	DRN.	DATE	ENG.	DATE	TITLE: V.35 HIGH SPEED SYNC LINE CARD
	CHK'D.	DATE	BOARD LOCATION:	SHEET	OF 1
DSKD: <PLOURDE> \SL6.DRW [23-JAN-84 14:20] NEXT HIGHER ASSEMBLY:					SIZE CODE NUMBER REV.
FIRST USED ON OPTION/MODEL: DECSA E-UA-M3101-0-0					K CS M3101-0-SL6 A



THIS DRAWING AND SPECIFICATIONS, HEREIN, ARE THE PROPERTY OF DIGITAL EQUIPMENT CORPORATION AND SHALL NOT BE REPRODUCED OR COPIED OR USED IN WHOLE OR IN PART AS THE BASIS FOR THE MANUFACTURE OR SALE OF ITEMS WITHOUT WRITTEN PERMISSION. COPYRIGHT © 1984 DIGITAL EQUIPMENT CORPORATION.

REVISIONS		
CHK	CHANGE NO.	REV

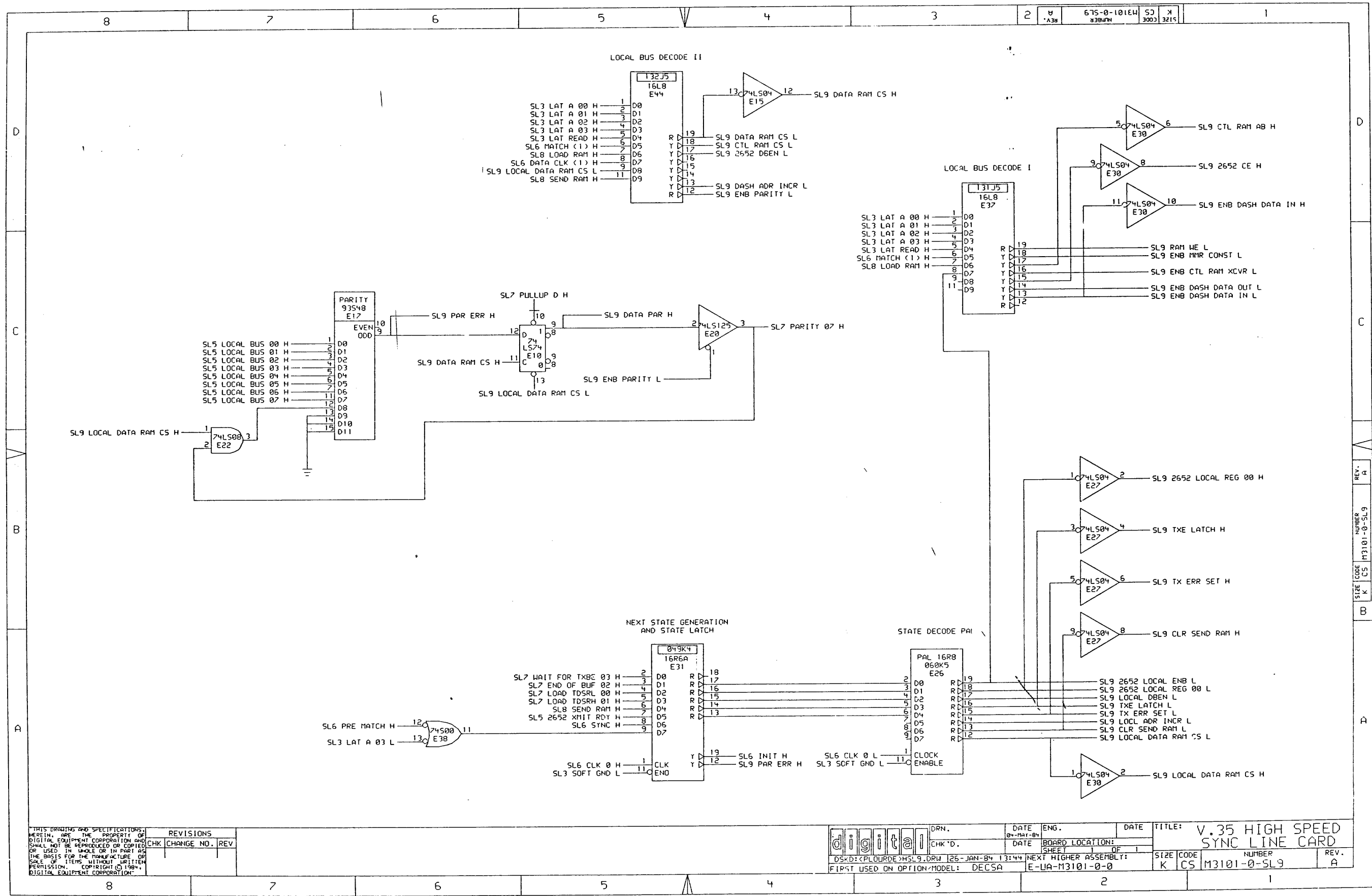
DRN.	DATE	ENG.	DATE	TITLE:
CHK'D.	04-MAY-84			V.35 HIGH SPEED SYNC LINE CARD
DATE		BOARD LOCATION:		SIZE
SHEET		OF		CODE
FIRST USED ON OPTION MODEL: DECSA				NUMBER
E-UA-M3101-0-0				M3101-0-SL7
				REV.
				A



THIS DRAWING AND SPECIFICATIONS, HEREIN, ARE THE PROPERTY OF DIGITAL EQUIPMENT CORPORATION AND SHALL NOT BE REPRODUCED OR COPIED OR USED IN WHOLE OR IN PART AS THE BASIS FOR THE MANUFACTURE OR SALE OF ITEMS WITHOUT WRITTEN PERMISSION. COPYRIGHT © 1984, DIGITAL EQUIPMENT CORPORATION.

REVISIONS		
CHK	CHANGE NO.	REV

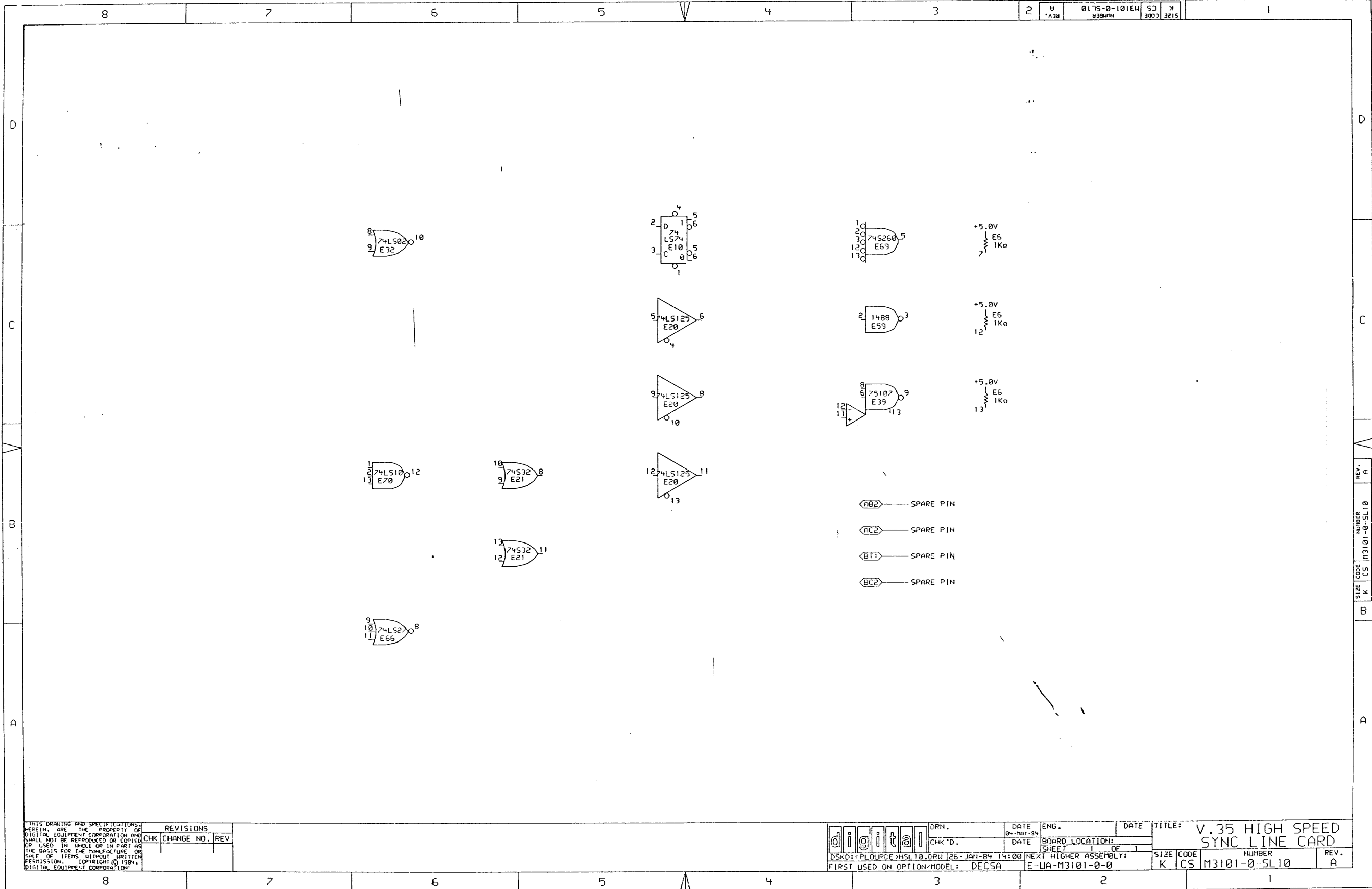
digital	DRN.	DATE	ENG.	DATE	TITLE: V.35 HIGH SPEED SYNC LINE CARD
	CHK'D.	DATE	BOARD LOCATION:	SHEET 1 OF 1	SIZE CODE NUMBER REV. K CS M3101-0-SL8 A
OSKD: <PLOURDE>MSL8.OPW [26-JAN-84 13:43] NEXT HIGHER ASSEMBLY: FIRST USED ON OPTION/MODEL: DECSA E-UA-M3101-0-0					



THIS DRAWING AND SPECIFICATIONS HEREIN ARE THE PROPERTY OF DIGITAL EQUIPMENT CORPORATION AND SHALL NOT BE REPRODUCED OR COPIED OR USED IN WHOLE OR IN PART AS THE BASIS FOR THE MANUFACTURE OR SALE OF ITEMS WITHOUT WRITTEN PERMISSION. COPYRIGHT © 1984, DIGITAL EQUIPMENT CORPORATION.

REVISIONS		
CHK	CHANGE NO.	REV

DRN.	DATE	ENG.	DATE	TITLE:
CHK'D.	DATE	BOARD LOCATION:	SHEET	V.35 HIGH SPEED SYNC LINE CARD
DSKD: <PLOURDE> SL9.DRW 26-JAN-84 13:44	NEXT HIGHER ASSEMBLY:	SIZE	CODE	NUMBER
FIRST USED ON OPTION MODEL: DECSA	E-LA-M3101-0-0	K	CS	M3101-0-SL9
				REV. A

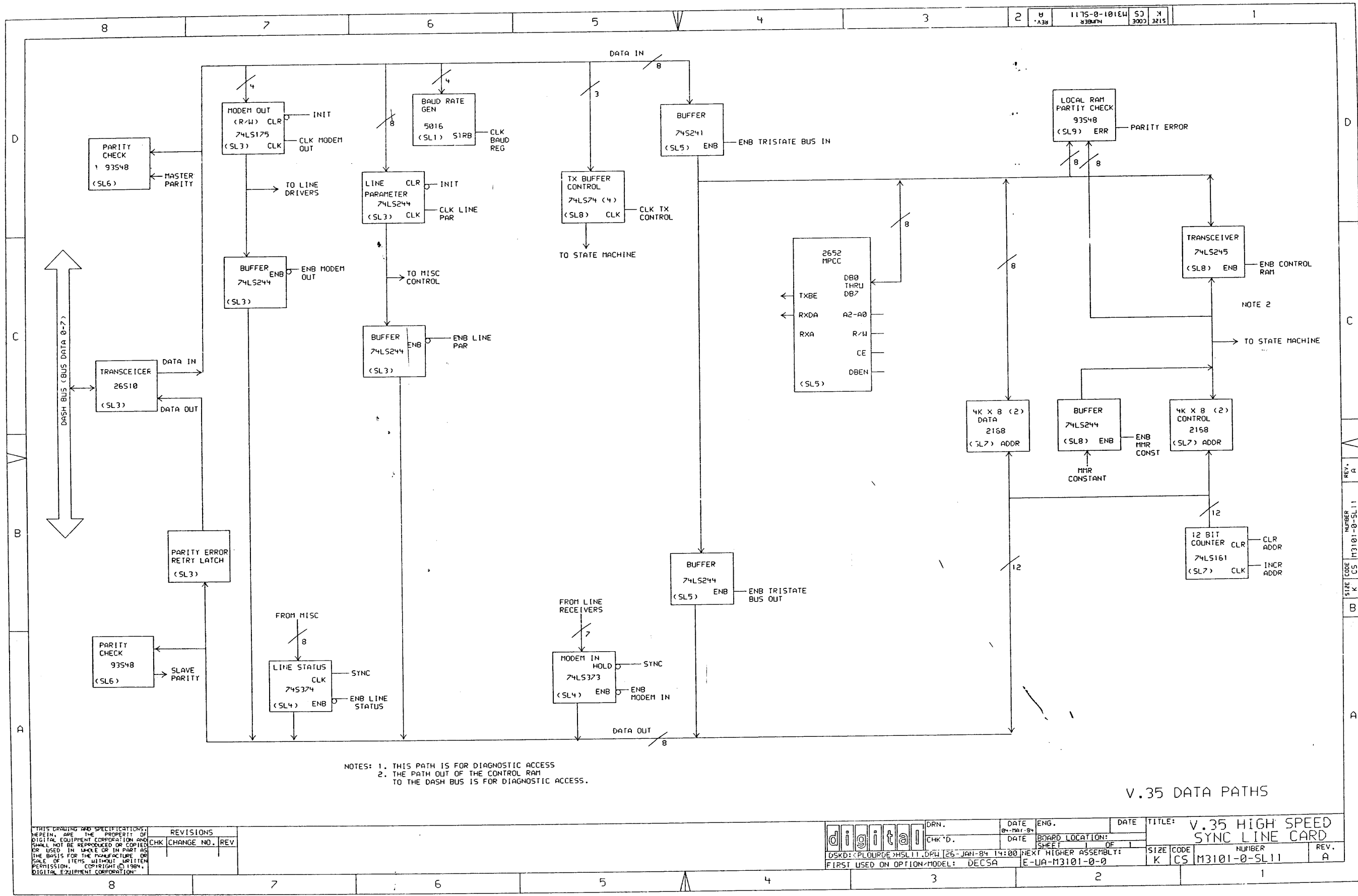


REV. A
 0175-0-5L10
 K CS M3101-0-SL10
 SIZE CODE 301 3215

THIS DRAWING AND SPECIFICATIONS
 HEREIN ARE THE PROPERTY OF
 DIGITAL EQUIPMENT CORPORATION AND
 SHALL NOT BE REPRODUCED OR COPIED
 OR USED IN WHOLE OR IN PART AS
 THE BASIS FOR THE MANUFACTURE OR
 SALE OF ITEMS WITHOUT WRITTEN
 PERMISSION. COPYRIGHT © 1984,
 DIGITAL EQUIPMENT CORPORATION.

REVISIONS		
CHK	CHANGE NO.	REV

digital	DRN.	DATE	ENG.	DATE	TITLE: V.35 HIGH SPEED SYNC LINE CARD
	CHK'D.	DATE	BOARD LOCATION:	SHEET	OF
DSKD: PLOUPDE HSL10.DPW [26-JAN-84 14:00] NEXT HIGHER ASSEMBLY:					SIZE CODE NUMBER REV.
FIRST USED ON OPTION/MODEL: DECSA E-UA-M3101-0-0					K CS M3101-0-SL10 A



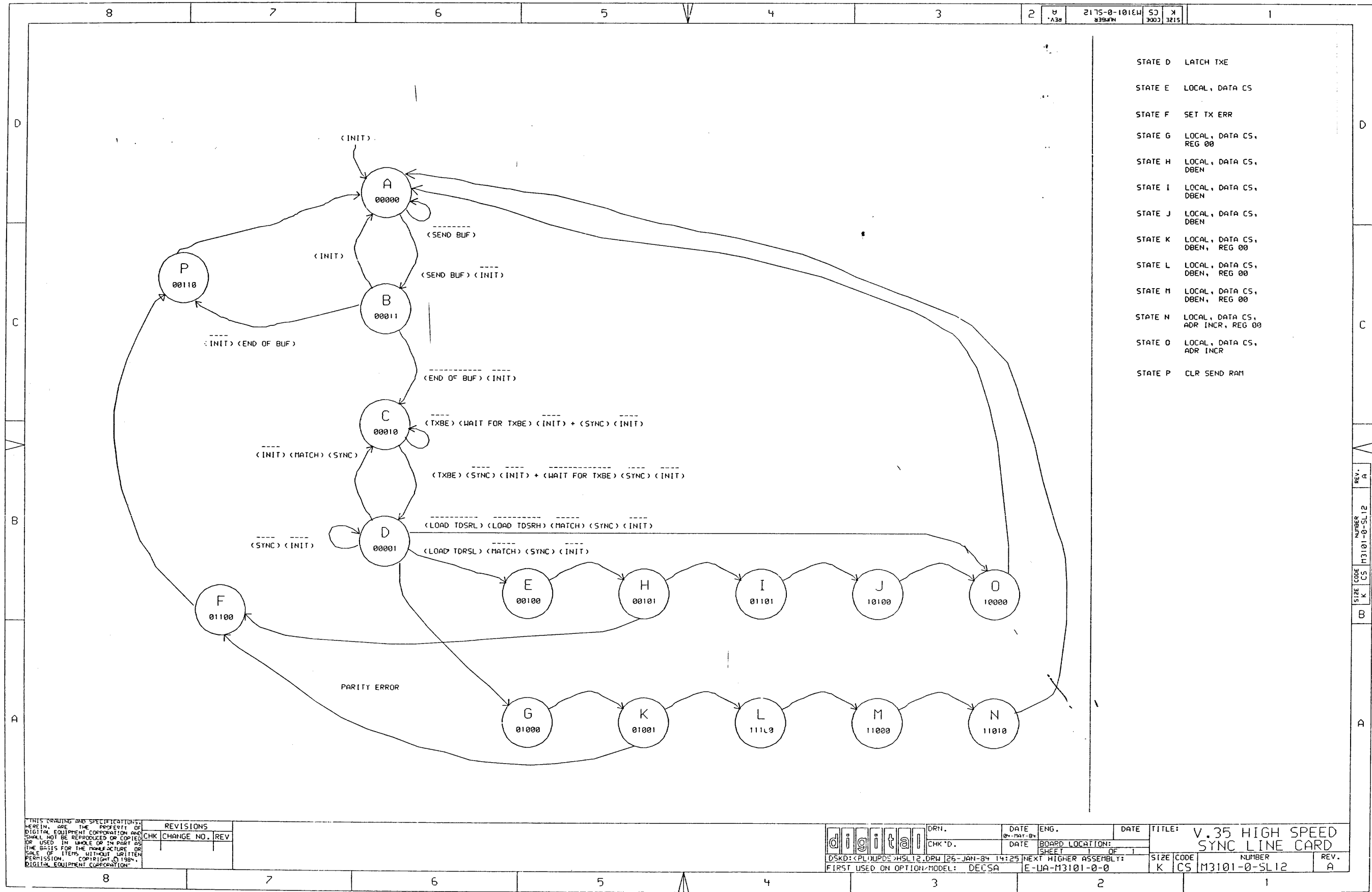
NOTES: 1. THIS PATH IS FOR DIAGNOSTIC ACCESS
 2. THE PATH OUT OF THE CONTROL RAM TO THE DASH BUS IS FOR DIAGNOSTIC ACCESS.

V.35 DATA PATHS

THIS DRAWING AND SPECIFICATIONS HEREIN ARE THE PROPERTY OF DIGITAL EQUIPMENT CORPORATION AND SHALL NOT BE REPRODUCED OR COPIED OR USED IN WHOLE OR IN PART AS THE BASIS FOR THE MANUFACTURE OR SALE OF ITEMS WITHOUT WRITTEN PERMISSION. COPYRIGHT © 1984 DIGITAL EQUIPMENT CORPORATION.

REV.	CHK	CHANGE NO.	REV.

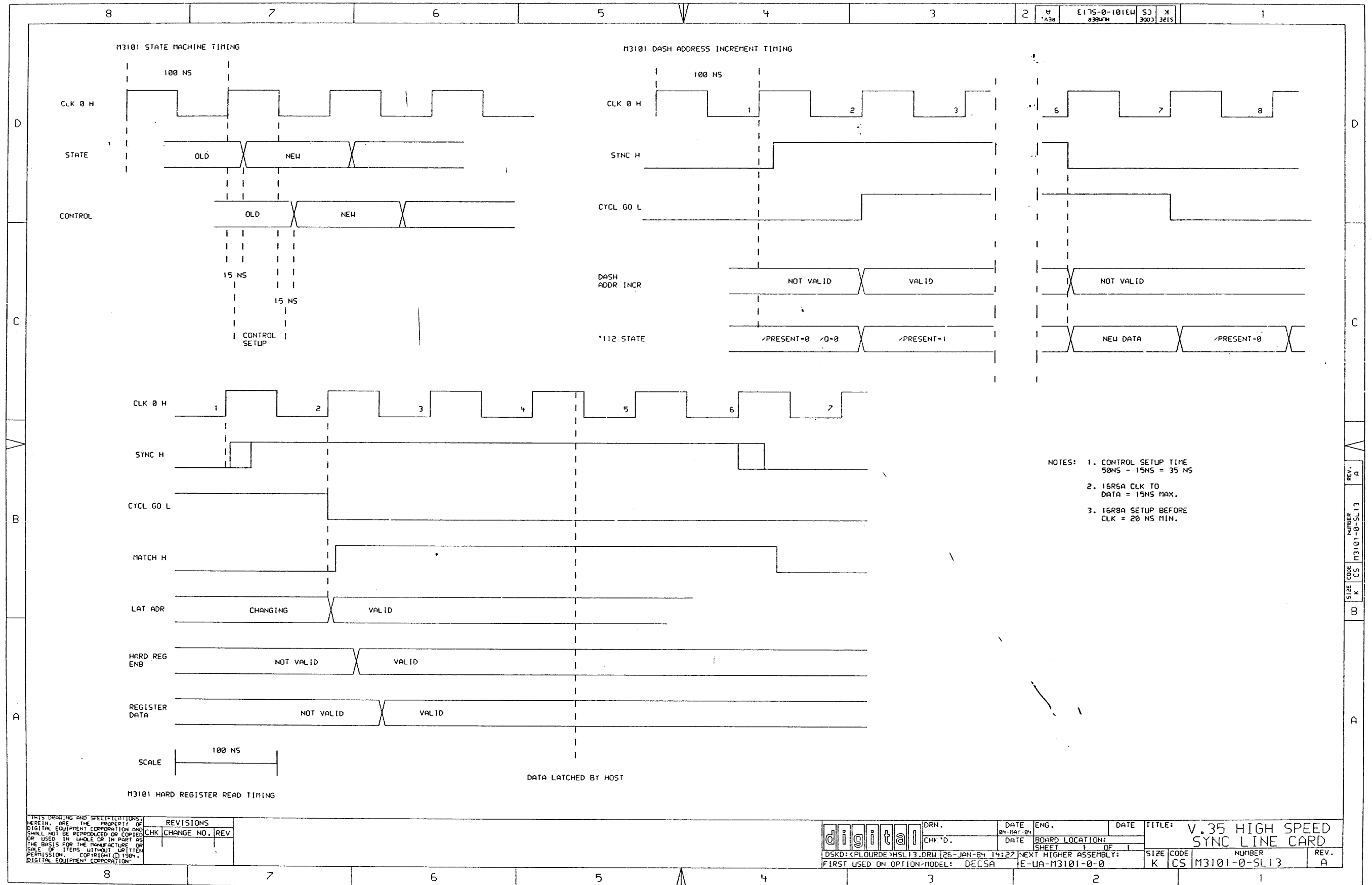
digital	DRN.	DATE	ENG.	DATE	TITLE: V.35 HIGH SPEED SYNC LINE CARD
	CHK'D.	DATE	BOARD LOCATION:	SHEET	OF 1
DSKD: <PLOURDE>HSL11.DRW [26-JAN-84 14:00]		NEXT HIGHER ASSEMBLY:		SIZE	CODE
FIRST USED ON OPTION/MODEL: DECSA		E-LA-M3101-0-0		K	CS M3101-0-SL11
				NUMBER	REV.
					A



THIS DRAWING AND SPECIFICATIONS HEREIN ARE THE PROPERTY OF DIGITAL EQUIPMENT CORPORATION AND SHALL NOT BE REPRODUCED OR COPIED OR USED IN WHOLE OR IN PART AS THE BASIS FOR THE MANUFACTURE OR SALE OF ITEMS WITHOUT WRITTEN PERMISSION. COPYRIGHT © 1984, DIGITAL EQUIPMENT CORPORATION.

REVISIONS		
CHK	CHANGE NO.	REV.

digital	DRN.	DATE	ENG.	DATE	TITLE: V.35 HIGH SPEED SYNC LINE CARD
	CHK'D.	DATE	BOARD LOCATION:	SHEET 1 OF 1	SIZE CODE NUMBER REV. K CS M3101-0-SL12 A
DSKD: <P>L0UPDS >HSL12.DRW 26-JAN-84 14:25			NEXT HIGHER ASSEMBLY: E-UA-M3101-0-0		
FIRST USED ON OPTION/MODEL: DEC5A					



- NOTES:
- CONTROL SETUP TIME
50NS - 15NS = 35 NS
 - 16R5A CLK TO DATA = 15NS MAX.
 - 16R8A SETUP BEFORE CLK = 20 NS MIN.

THIS DRAWING AND SPECIFICATIONS, HEREIN, ARE THE PROPERTY OF DIGITAL EQUIPMENT CORPORATION AND SHALL NOT BE REPRODUCED OR COPIED OR USED IN WHOLE OR IN PART AS THE BASIS FOR THE MANUFACTURE OR SALE OF ITEMS WITHOUT WRITTEN PERMISSION. COPYRIGHT © 1984, DIGITAL EQUIPMENT CORPORATION.

REVISIONS		
CHK	CHANGE NO.	REV

digital	DRN.	DATE	ENG.	DATE	TITLE:
	CHK'D.	84-11-27			V.35 HIGH SPEED SYNC LINE CARD
DSKD: <PLOURDE>HSL13.DRW		26-JAN-84 14:27	NEXT HIGHER ASSEMBLY:		SIZE CODE NUMBER REV.
FIRST USED ON OPTION/MODEL: DECSA		E-UA-M3101-0-0	K	CS	M3101-0-SL13 A

REV. A
NUMBER M3101-0-SL13
SIZE CODE CS
B
A

THIS DRAWING AND THE SPECIFICATIONS CONTAINED HEREIN ARE CONFIDENTIAL AND PROPRIETARY. THEY ARE THE PROPERTY OF DIGITAL EQUIPMENT CORPORATION AND SHALL NOT BE REPRODUCED OR COPIED OR USED IN WHOLE OR IN PART AS THE BASIS FOR MANUFACTURING OR SALE OF ITEMS WITHOUT WRITTEN PERMISSION. THIS IS AN UNPUBLISHED WORK PROTECTED UNDER THE FEDERAL COPYRIGHT LAWS.

DRAWING DIRECTORY

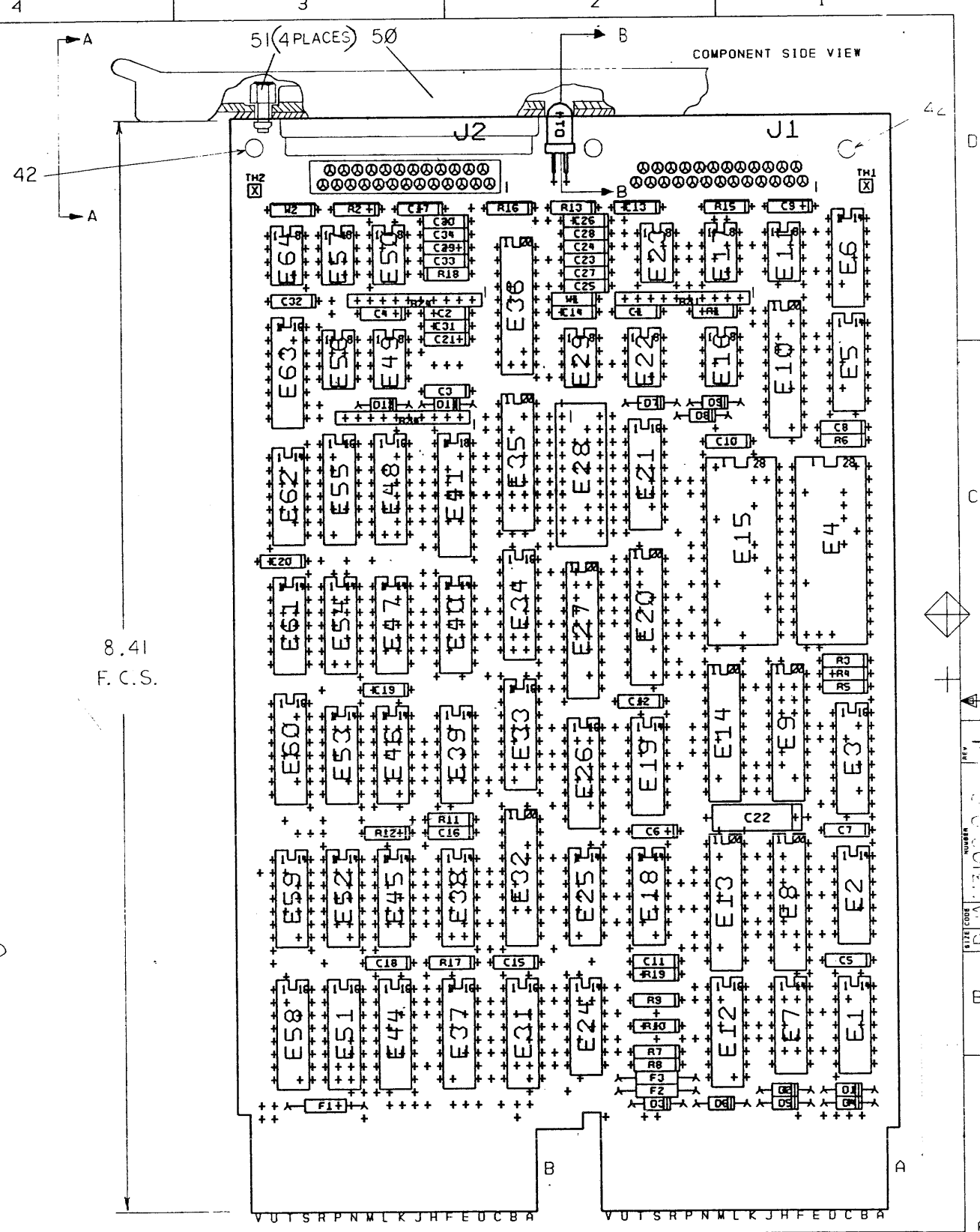
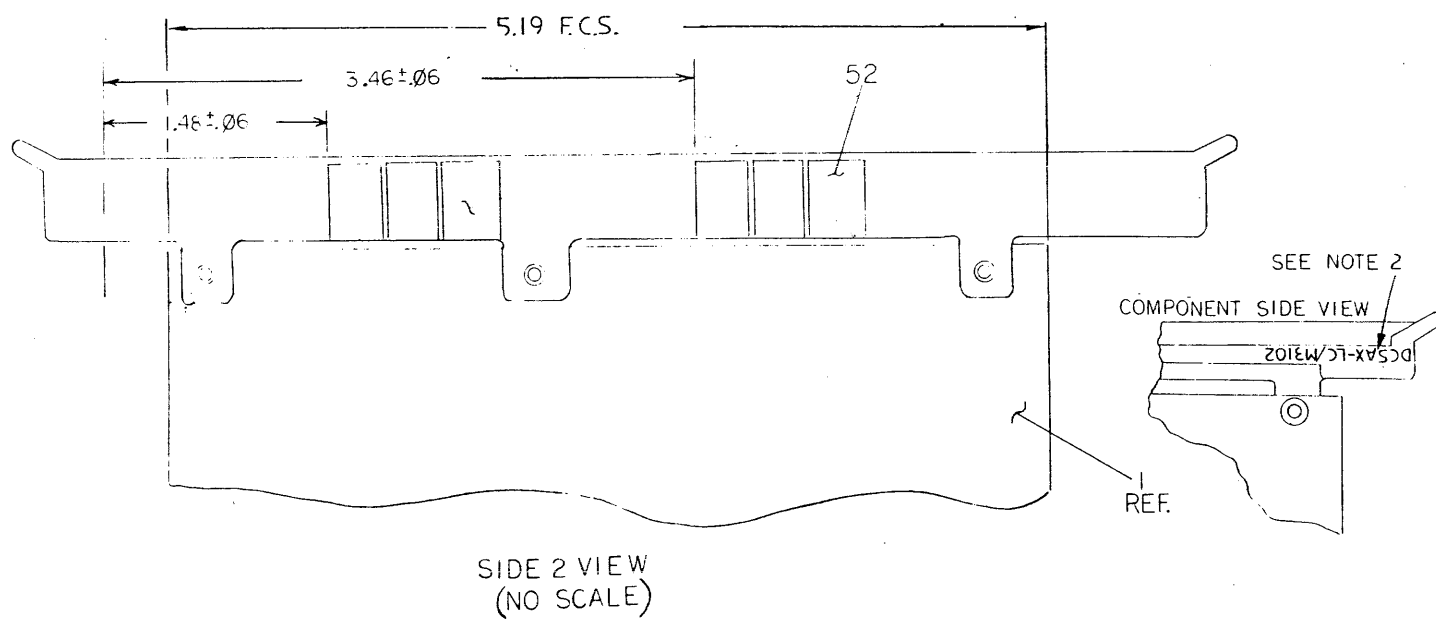
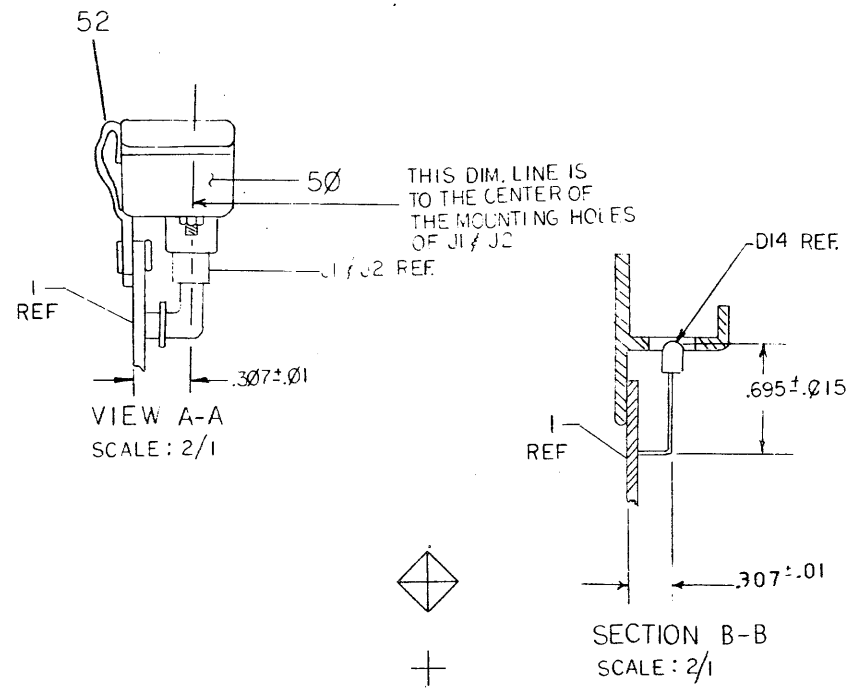
ITEM	DRAWING NO.	NO. OF SHTS	PART NO.	DESCRIPTION	TYPE	REVISIONS														
						A	B	C	D	E	F	G	H	J	K	L				
1			M3102-00	DUAL RS-232 LINE CARD		A	B1	C1	D1	E1	D2	E2	E3	E4						
2	D-UA-M3102-0-0	1		UNIT ASSEMBLY																
3	K-PL-M3102-0-DBP	2		PARTS LIST		A	B	C	D	E	F	F	H	J						
4	K-CS-M3102-0-DBS			SUDS DATA BASE		A	B	C	D	E	D1	F	H	J						
5	K-CS-M3102-0-SLU1	1		SUDS SCHEMATIC		A	B	C	D	E	D	E	E	E						
6	K-CS-M3102-0-SLU2	1		SUDS SCHEMATIC		A	A	A	A	A	A	A	A	A						
7	K-CS-M3102-0-SLU3	1		SUDS SCHEMATIC		A	A	A	B	C	B	C	C	C						
8	K-CS-M3102-0-SLU4	1		SUDS SCHEMATIC		A	A	A	B	C	B	C	C	C						
9	K-CS-M3102-0-SLU5	1		SUDS SCHEMATIC		A	A	A	A	B	A	B	B	B						
10	K-CS-M3102-0-SLU6	1		SUDS SCHEMATIC		A	B	B	B	C	B	C	C	C						
11	K-CS-M3102-0-SLU7	1		SUDS SCHEMATIC		A	A	B	B	B	B	B	B	B						
12	K-CS-M3102-0-SLU8	1		SUDS SCHEMATIC		A	A	A	A	B	A	B	B	B						
13	K-CS-M3102-0-SLU9	1		SUDS SCHEMATIC		A	A	A	A	A	A	A	A	A						
14	K-CS-M3102-0-SLU10	1		SUDS SCHEMATIC		A	A	B	C	D	C	D	D	D						
15	K-PC-M3102-0-DBI			PC DATABASE		A	A	A	B	B	B	B	B	B						
						B	B	B	B	C	B	C	C	D						
16			5014992-00	ETCHED BOARD		B	B	B	B	C	B	C	C	D						
17	D-MD-5014992-0-0	2		DRILL AND ETCH DRAWINGS		A	A	A	A	B	A	B	B	C						
18	D-EC-5014992-0-0	1		ETCH CUT DRAWING		A	B	C	C	D	C	D	D	E						

NOTES:

DD	A	B	C	D	E	F	F	H	J
REV									

REVISION HISTORY			CONT. REVISION HISTORY			MADE BY: A. KRAWIECKI DATE: 10 SEP 84		d i g i t a l	
ENG	ECO NUMBER	REV	ENG	ECO NUMBER	REV	CHECKED BY: J. FALKOWSKI DATE: 11 SEP 84		TITLE: DRAWING DIRECTORY	
--	INITIAL	A				DESIGN ENGINEER: J. DOHERTY DATE: 30 JUL 84		DUAL RS-232 LINE CARD	
	M3102-TW001	B				RESPONSIBLE ENG: J. DOHERTY DATE: 30 JUL 84		SIZE: K	
	M3102-TW002	C				PRODUCTION ENG: W. BROOKE DATE: 10 AUG 84		CODE: DD	
	M3102-TW003	D						DOCUMENT NUMBER: M3102-0-0	
	M3102-TW004	E						REV: J	
	M3102-MK005	F						SHEET 1 OF 1	
	M3102-MK006	H						MKO	
ML	M3102-MK007	J							

THIS DRAWING AND SPECIFICATIONS, HEREIN, ARE THE PROPERTY OF DIGITAL EQUIPMENT CORPORATION AND SHALL NOT BE REPRODUCED OR COPIED OR USED IN WHOLE OR IN PART AS THE BASIS FOR THE MANUFACTURE OR SALE OF ITEMS WITHOUT WRITTEN PERMISSION.
 COPYRIGHT © DIGITAL EQUIPMENT CORPORATION 1984



NOTES:
 1. 3/4" STEP (REFER TO 2ML2).
 2. STAMP LOCATION/DIRECTION OF MODULE - PI.
 3. E24 IS SPARE LOCATION.
 4. IN REQ. IS LPWK.
 5. R15, R16, C23-C34 OPTIONAL.

STEP 1	↑ Y AXIS	STEP 2	TIMES
REPEAT	→ X AXIS	5.250	STEP 1 TIMES

CHANGE NO	REV	DESCRIPTION
M3102-TWH	1	
J. WATSON	2	
M3102-MK005	F	
L. B. WOOD	S	
J. D. HELETT		
M3102-MK007	H	
P. J. DUNN		
M. LAWRENCE		
M3102-MK007	J	
P. J. DUNN		
M. LAWRENCE		

6. E30, E42 & E43 IC, POSITIONS NOT USED.

ETCH REV. D PI

SIGNATURES		DATE	digital
DRN <i>Frank E. Smith</i>		11-17-83	
CHK'D <i>E.T. GERRY</i>		11-18-83	TITLE DUAL RS-232
MECH. ENG. <i>John G. ...</i>		11-18-83	LINE CARD
PROJ. ENG. <i>...</i>		11-18-83	SIZE CODE NUMBER REV
PROD. <i>...</i>		11-18-83	D UA M3102-0-0 J
SCALE 2:1			
SHT. 1 OF 1			
NEXT HIGHER ASSY: B-DD-M3102-0-0			

MK 1 W0#173383

AUTOMATED BY PRTLST,4Q(50)

PARTS LIST

SHEET A2 OF A2

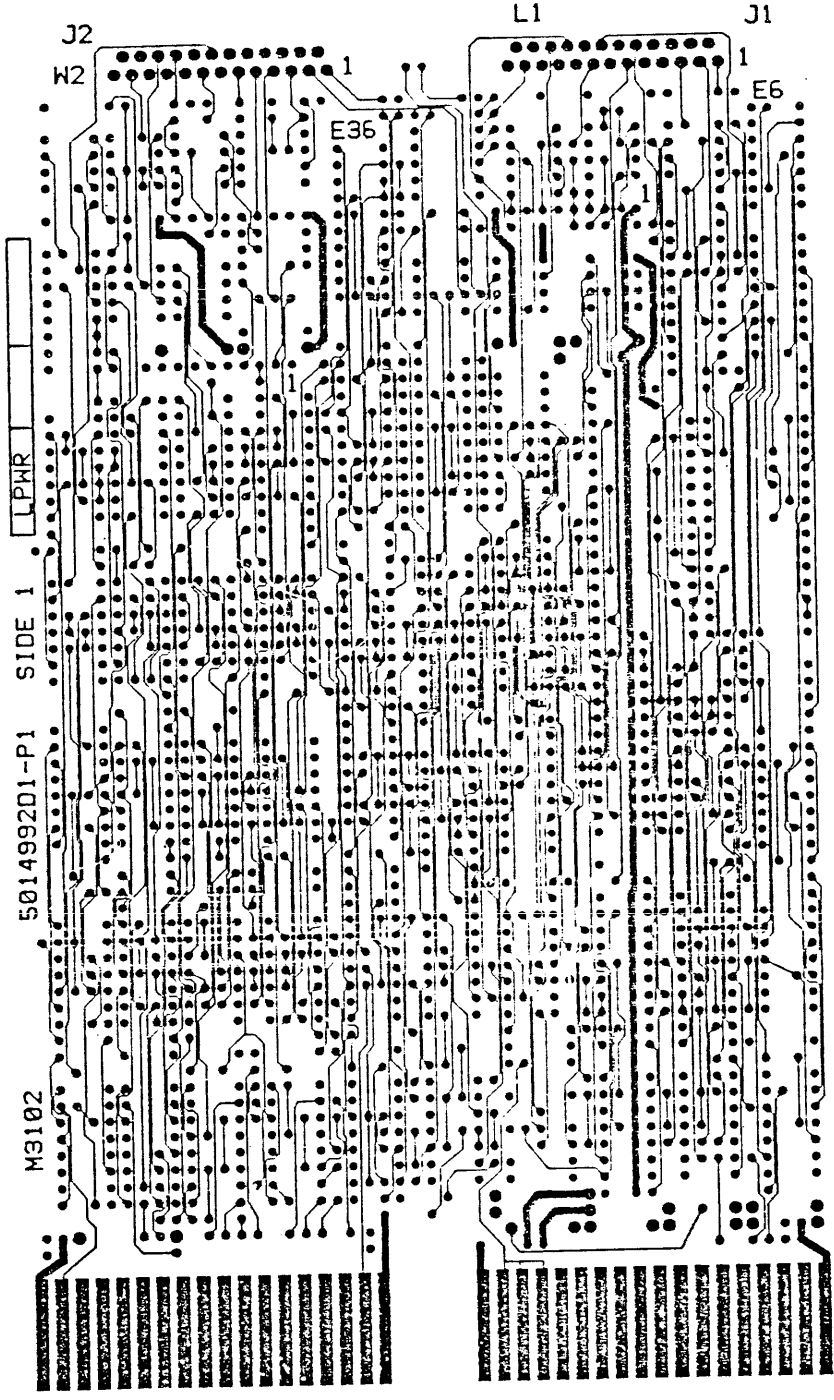
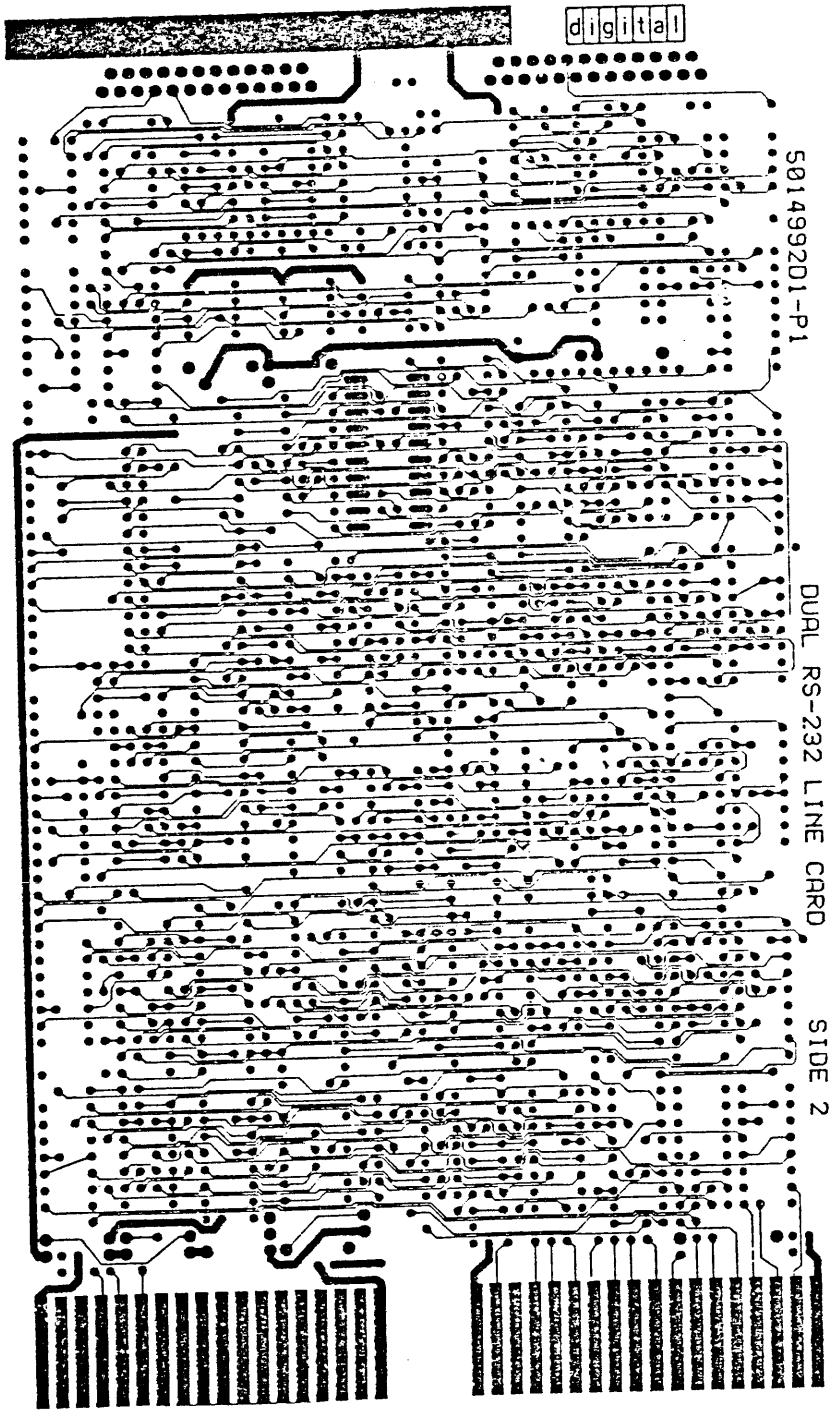
LINE ITEM	TOP DOCUMENT	PART NUMBER	MIN REV	DESCRIPTION	VARIATION REVISION LEVEL:	QTY PER VARIATION	REFERENCE DESIGNATOR
						00	
						E4	
31	29	1914085-00		74S260 NOR GATE-DUAL,POS		1	E62
32	9	1914214-00		LS374 FF-D OCTAL EDGE TRIG		2	E10,E36
33	6	1914451-00		LS393 COUNTER,BINARY,4BIT		1	E6
34	11	1914866-00	AM	93S48PCGEN/CHECK PARITY, 4B		2	E12,E31
35	8	1915193-00		LS244 DRIVER,LINE,OCTAL,TR		3	E9,E27,E35
36	12	1915219-00		LS373 FF-D OCTAL-TRANSPARE		1	E32
37	13	1915415-00		9635 DRIVER,DUAL,EIA RS-		5	E16,E22,E29,E49,E56
38	10	1919542-01		9639 RECEIVER,LINE,DUAL		6	E11,E17,E23,E50,E57,E64
39	24	2112623-00		DUAL BAUD RATE GEN/PROG DIVIDER,		1	E41
40	4	2118623-00		2661-3COMMUNICATIONS,INTER		2	E4,E15
41	50	D-MD-7430547-0-DBU		7430547-01		1	
42	42			HANDLE,LC		1	
43	38			EYELET,ROLLED 0.1210DX0.156		2	
44	51			JUMPER, WIRE, INSULATED, BLACK B		2	W1,W2
45	52			SCREW LOCK,STANDOFF ONLY .060TH		4	
46	54			SHIELDING,RFI		2	
47	55			LS123 ONE SHOT-DUAL,RETRIG		1	E3
48	56			3.3MFD 20V 10% S.TANT		1	C22
49	57			120.0 K .25 W 5.0 % CF		1	R19
				2200.0 MMF 50V 10% X7R CER		1	C7

D	I	G	I	T	A	L	TITLE	DUAL RS-232 LINE CARD	SECTION A OF A	SIZE	CODE	DOCUMENT NUMBER	REV
										K	PL	M3102-0-DBP	J

THIS DRAWING AND SPECIFICATIONS HERETO ARE THE PROPERTY OF DIGITAL EQUIPMENT CORPORATION, INC. AND ARE TO BE KEPT CONFIDENTIAL AND NOT TO BE REPRODUCED OR TRANSMITTED IN ANY FORM OR BY ANY MEANS, ELECTRONIC OR MECHANICAL, INCLUDING PHOTOCOPYING, RECORDING, OR BY ANY INFORMATION STORAGE AND RETRIEVAL SYSTEM, WITHOUT THE WRITTEN PERMISSION OF DIGITAL EQUIPMENT CORPORATION.
 1985

0-0-266h105030

A B C D



D C B A

DEC 5014992-0-0

REVISIONS
 DATE

digital

ETCH CUT DRAWING

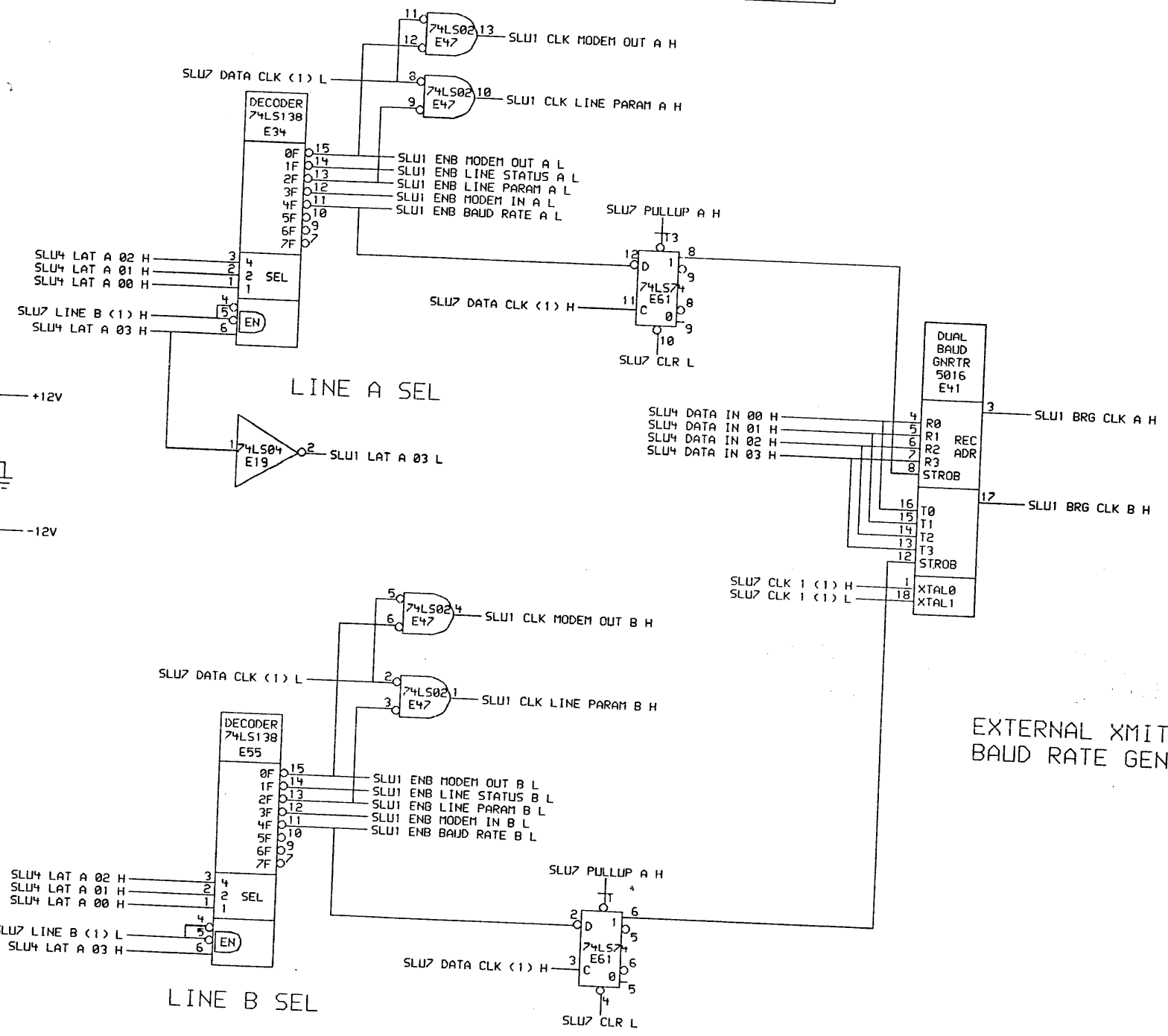
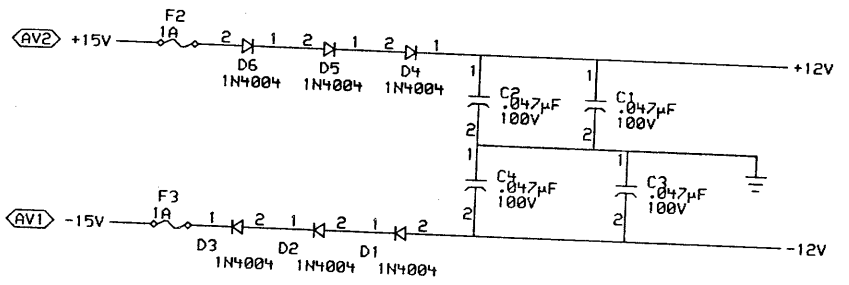
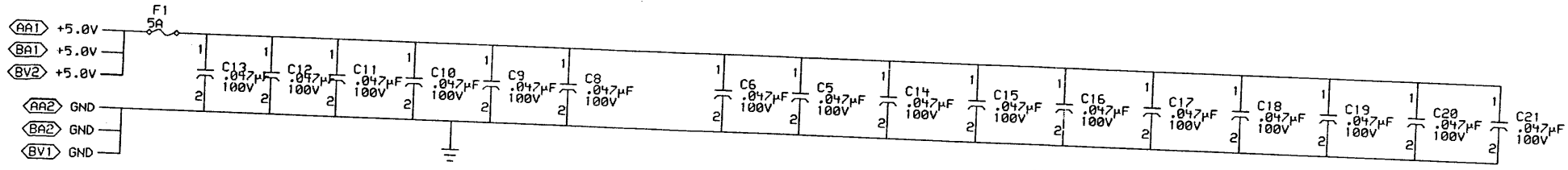
BY: *Strasser* 11-14-85
A. Krawinkel 7-FEB-86
Peter W. Nuber 6-FEB-85
Peter W. Nuber 6-FEB-85
J. Gandy 7-FEB-85

DEC 5014992-0-0 E
 D-UA-M3102-0-0 2/1 1 1

LINE ITEM	TOP DOCUMENT	PART NUMBER	MIN REV	DESCRIPTION	QTY PER VARIATION	REFERENCE DESIGNATOR
				VARIATION REVISION LEVEL:	00	
					E4	
1	40	D-MD-5014992-0-0	5014992-00	DRILL&ETCH BOARD M3102 DUAL RS-2	1	
2	39		1012784-00	.047 MFD 50V +80-20% CER	20	C1-C6,C8-C21
3	1		1103796-00	PIV= 400 IO= 1,00A 1M4004 DO-41	11	D1-D9,D11,D12
4	2		1110324-00	LED 1MCD@10MA PIV=3	1	D14
5	44		1205747-00	FUSE, SUB-MINI, 5,000A, 125V, A	1	F1
6	48		1210929-02	FUSE, SUB-MINI 1,000A, 125V, A	2	F2,F3
7	43		1220398-07	CONN,D SUB 25PIN ASSY RT ANGLE	2	J1,J2
8	31		1300271-00	220.0 .25 W 5.0 % CF	3	R1,R2,R18
9	35		1300295-00	330.0 .25 W 5.0 % CF	2	R10,R13
10	33		1300365-00	1.0 K .25 W 5.0 % CF	6	R7,R8,R9,R11,R12,R17
11	32		1300479-00	10.0 K .25 W 5.0 % CF	4	R3,R4,R5,R6
12	37		1319728-01	R NETWORK 8-27K 1.0 % 10PIN	3	R24,R31,R34
13	16		1909712-00	DEC 8242 COMPARATOR-4BIT N,	1	E24
14	21		1910534-00	74S04 INVERTER GATE-HEX 1I	1	E38
15	3		1910544-00	74S74 FF-D DUAL,EDGE TRIGG	3	E1,E45,E52
16	30		1910545-00	74S112 FF-JK DUAL,EDGE TRIG	1	E63
17	22		1912388-00	74S02 NOR GATE-QUAD 2IN,PO	1	E39
18	17		1912389-00	74S08 AND GATE-QUAD 2IN,PO	2	E25,E59
19	25		1912801-00	LS02 NOR-GATE-QUAD 2IN	2	E46,E47
20	5		1912803-00	LS04 INVERTER GATE,HEX	2	E5,E19
21	23		1912805-00	LS08 AND GATE-QUAD 2IN,PO	1	E40
22	7		1912807-00	LS10 NAND GATE-TRIPLE 3IN	2	E7,E18
23	26		1912813-00	LS27 NOR GATE-TRIPLE 3IN	1	E53
24	27		1912824-00	LS74 FF-D DUAL,EDGE TRIGG	3	E54,E61,E2
25	28		1912833-00	LS109 FF-JK DUAL,POS EDGE	1	E60
26	19		1912842-00	LS138 DECODER-THREE INPUT,	2	E34,E55
27	15		1912853-00	LS175 FF-D QUAD	4	E21,E26,E33,E48
28	14		1913493-00	74S241 OCTAL BUFFER,TRI-STA	1	E20
29	46		1913671-50	74S374 FF-D,OCTAL,TRI STATE	3	E8,E13,E14
30	20		1913788-00	26S10 TRANSCEIVER,BUS,QUA	4	E37,E44,E51,E58

REVISION HISTORY		BASIC PART NO: M3102		DRN: <i>AWK</i>	DATE: 12-JUN-85	D I G I T A L			
ENG	ECO NUMBER	REV	SECTION A OF A	DRN: <i>F. Garofalo</i>	DATE: 20-JAN-82	TITLE PARTS LIST			
---	INITIAL	X02	SECTION, VARIATION INDEX	CHK'D: <i>F. Garofalo</i>	DATE: 20-JAN-82	DUAL RS-232 LINE CARD			
---	INITIAL	A	[A] 00						
JB	M3102-TW001	B	[B]	DES,ENG: <i>W.L. Hyde</i>	DATE: 12-JUN-85	DOCUMENT NUMBER			
JB	M3102-TW002	C	[C]						
JB	M3102-TW03A	D	[D]						
JB	M3102-TW004	E	[E]	RESP,ENG.: <i>W.L. Hyde</i>	DATE: 12-JUN-85	SIZE	CODE	NUMBER	REV
JD	M3102-MK005	F	[F]		DATE: 25-FEB-82	K	PL	M3102-0-DBP	J
JD	M3102-MK006	H	[H]						
PD	M3102-MK007	J	[J]	MFG,ENG.: <i>W.L. Hyde</i>	DATE: 12-JUN-85	RELEASE DATE: 12-JUN-85			
			[K]		DATE: 25-FEB-82				
			[L]						
			[M]	ASSEMBLY NUMBER:	TOP DOCUMENT NUMBER:	FILE NAME:	EDIT #		
			[N]	D-UA-M3102-0-0	MK-DD-M3102-0	MK1143,PLS	56		

"THIS DRAWING AND THE SPECIFICATIONS CONTAINED HEREIN ARE CONFIDENTIAL AND PROPRIETARY. THEY ARE THE PROPERTY OF DIGITAL EQUIPMENT CORPORATION AND SHALL NOT BE REPRODUCED OR COPIED OR USED IN WHOLE OR IN PART AS THE BASIS FOR THE MANUFACTURE OR SALE OF ITEMS WITHOUT WRITTEN PERMISSION. THIS IS AN UNPUBLISHED WORK PROTECTED UNDER THE FEDERAL COPYRIGHT LAWS."



EXTERNAL XMIT
BAUD RATE GEN

REG SELECT & BAUD RATE GEN

DRN.	DATE	ENG.	DATE	TITLE:
CHK'D.	DATE	BOARD LOCATION:	SHEET	1 OF 1
OSKD:CBUZYNSKI\M3102A.DRW\02-NOV-82 09:58		NEXT HIGHER ASSEMBLY:		D-UA-M3102-0-0
FIRST USED ON OPTION/MODEL:	DECSA	SIZE	CODE	NUMBER
		K	CS	M3102-0-SLU1
				REV. A

8

7

6

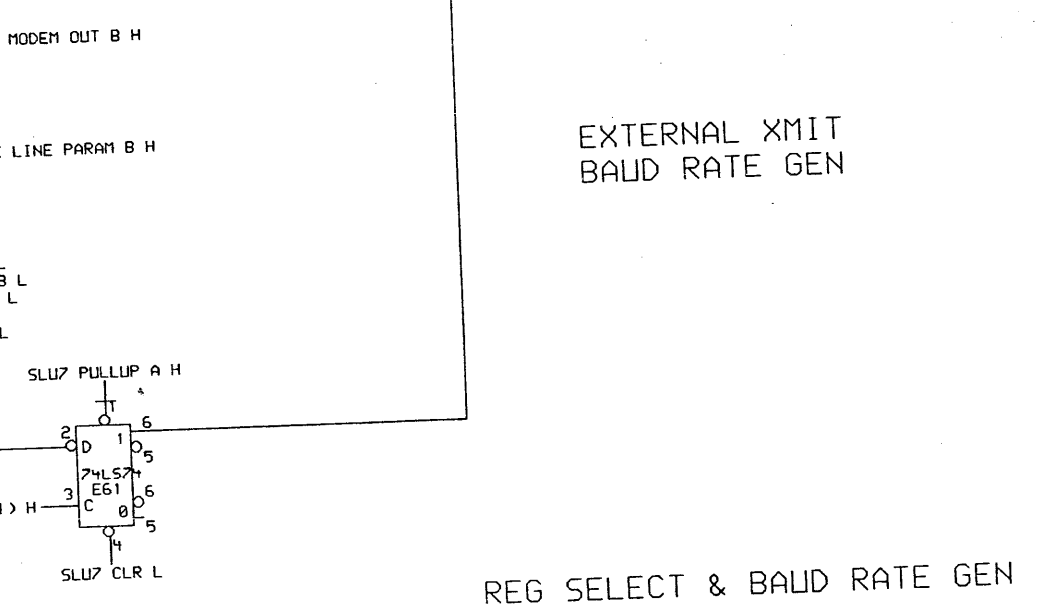
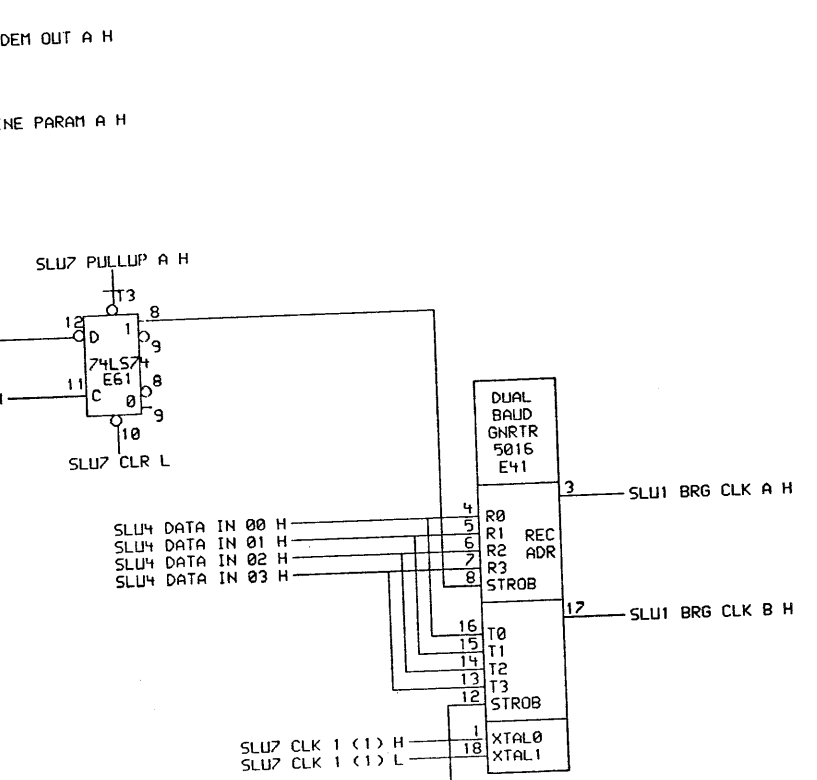
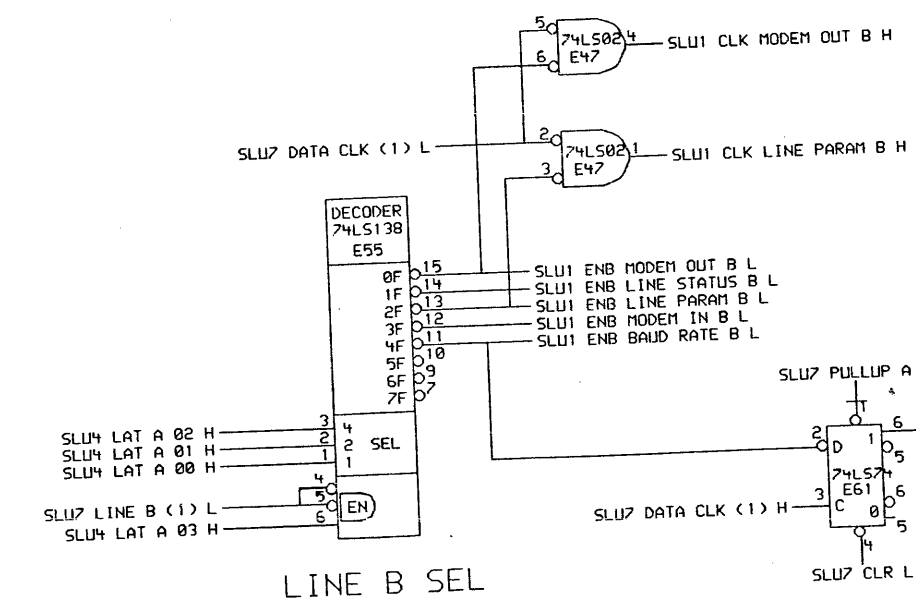
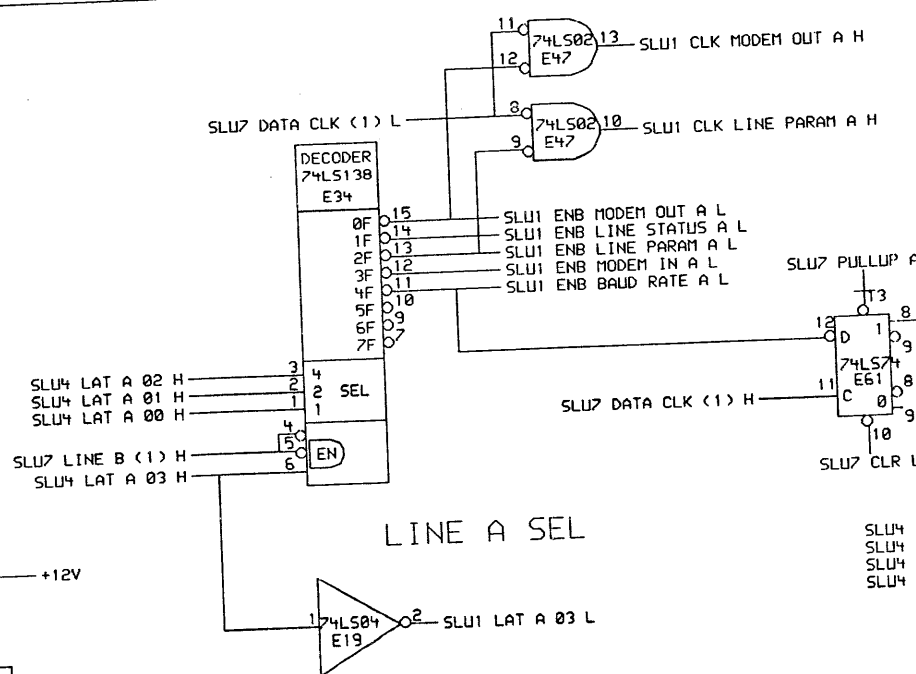
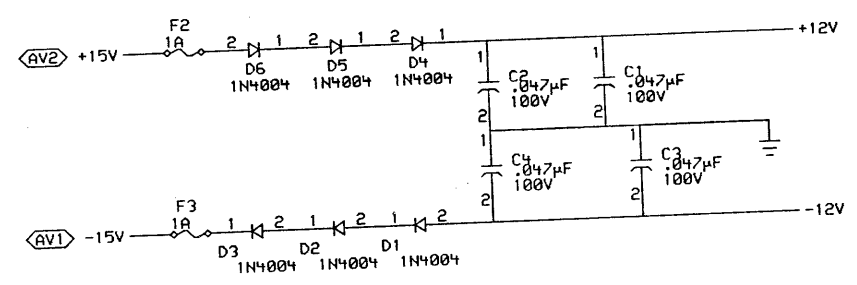
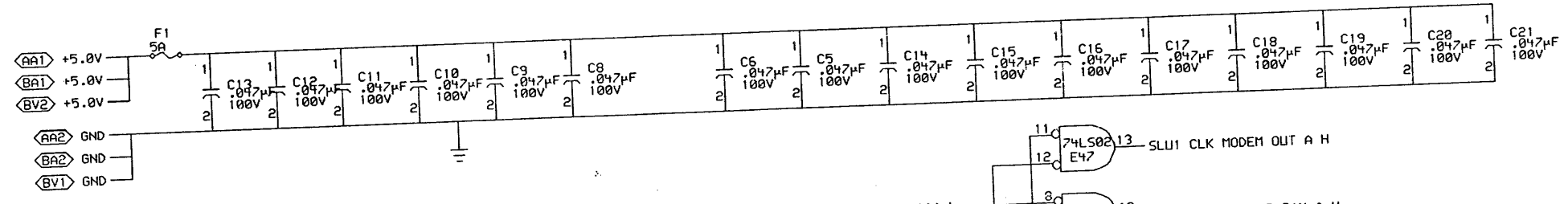
5

4

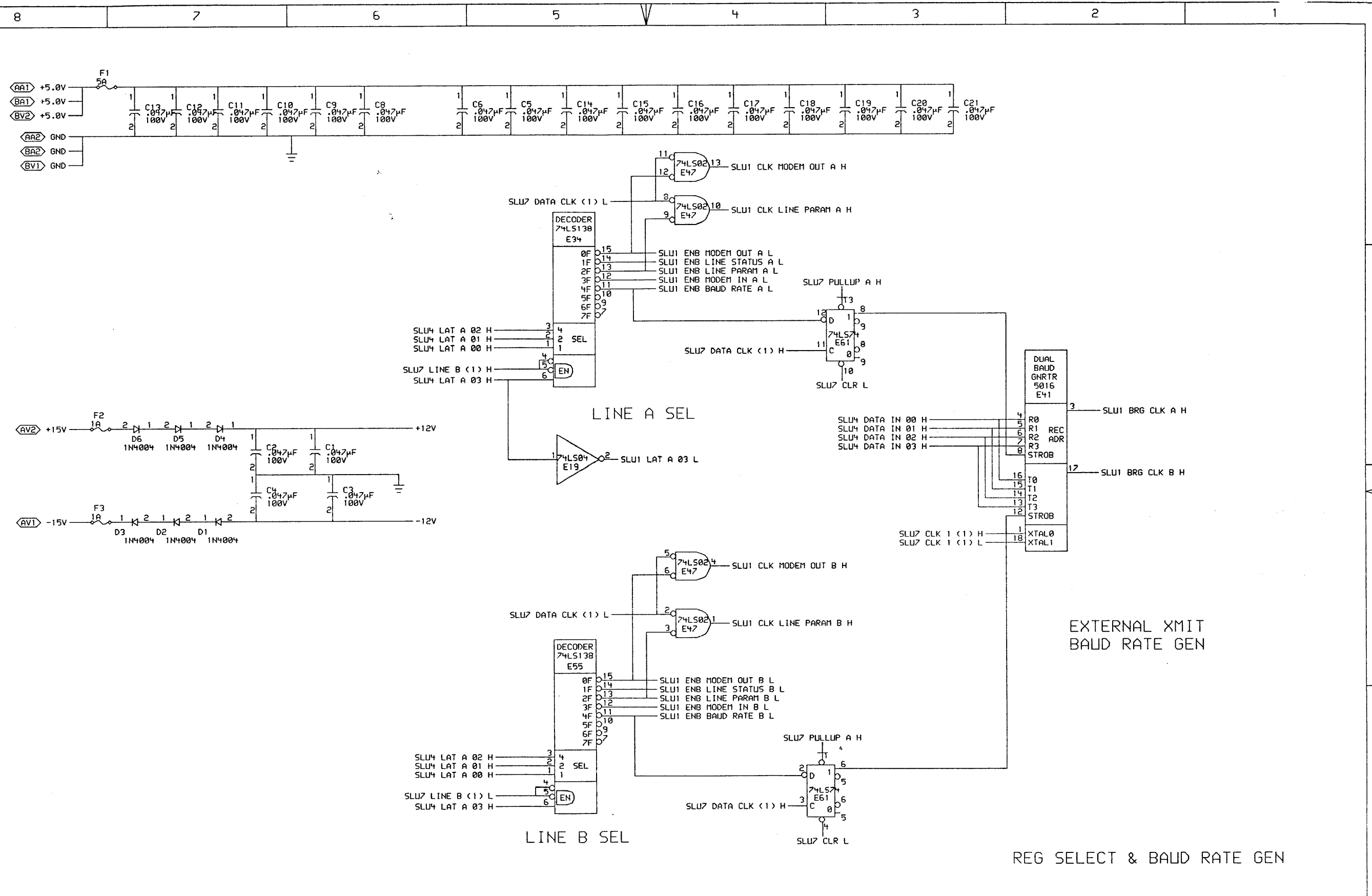
3

2

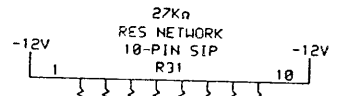
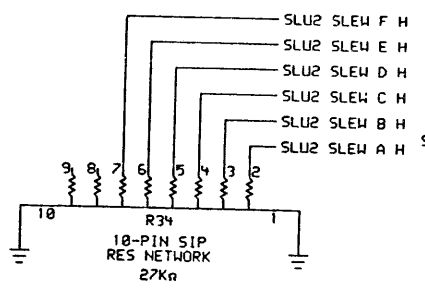
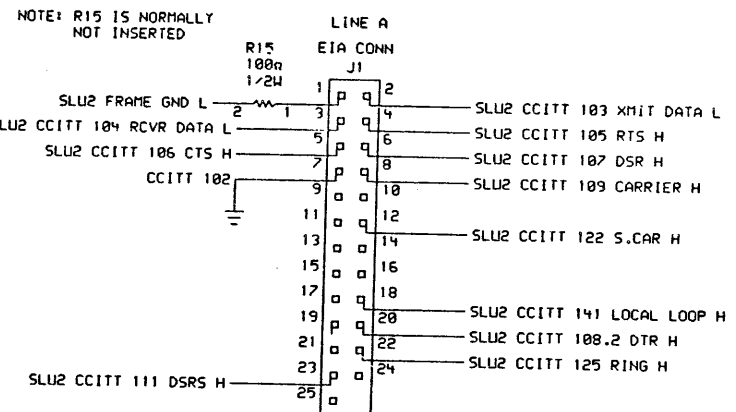
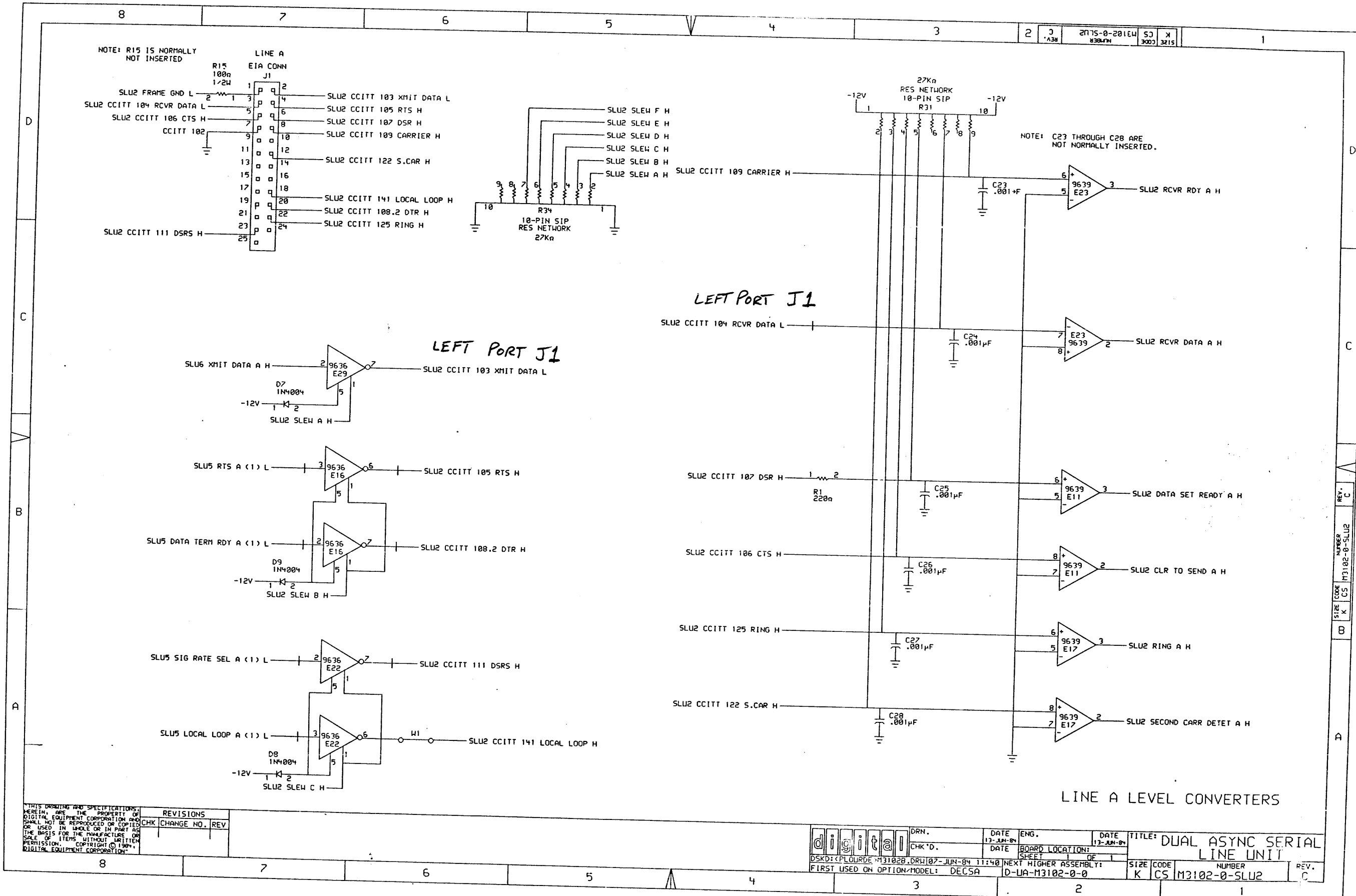
1



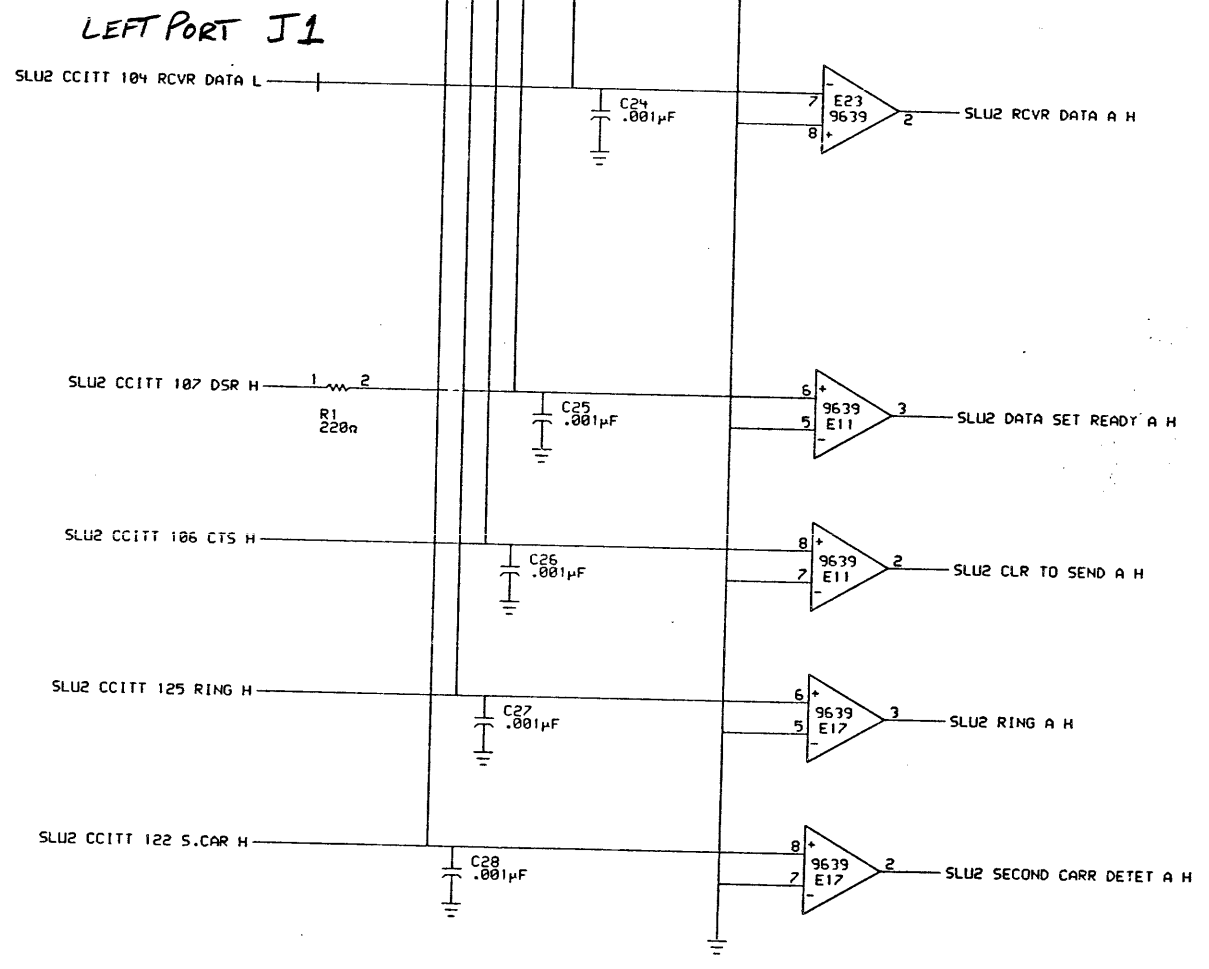
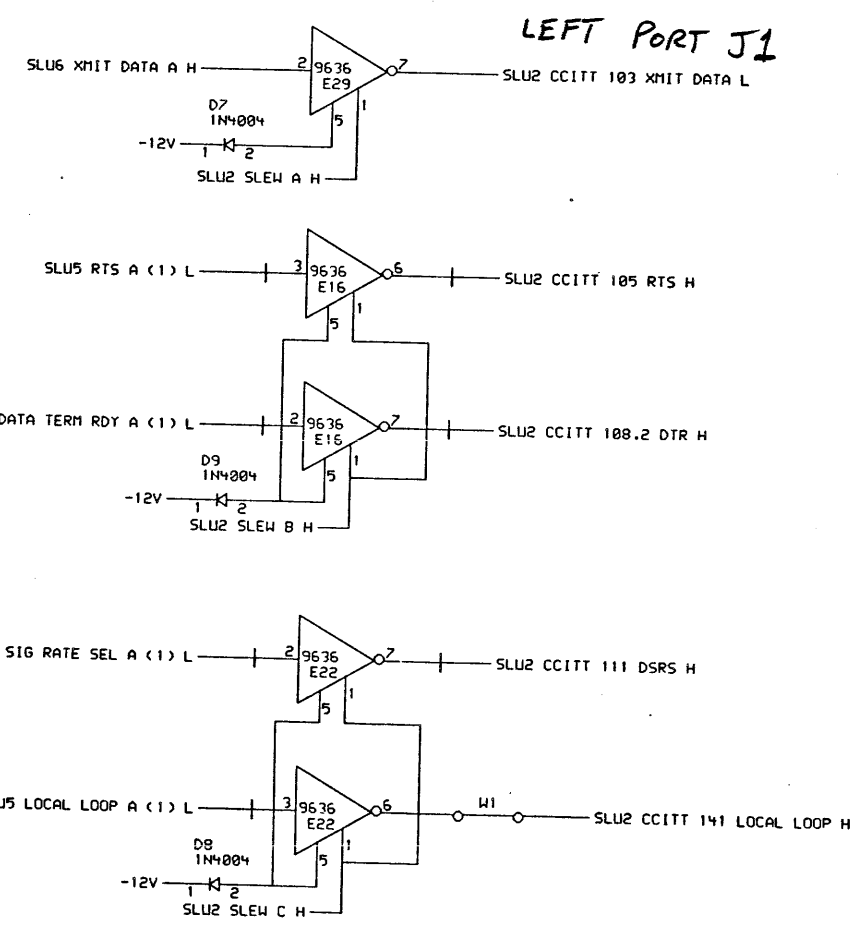
DRN.	DATE	ENG.	DATE	TITLE: DUAL ASYNC SERIAL LINE UNIT
CHK'D.	DATE	BOARD LOCATION:	SHEET 1 OF 1	NUMBER
DSKD: <BUZINSKI>M3102A.DRW		02-NOV-82 09:58	NEXT HIGHER ASSEMBLY:	SIZE CODE
FIRST USED ON OPTION/MODEL: DECSA		D-UA-M3102-0-0		K CS M3102-0-SLU1
				REV. A



DRN.	DATE	ENG.	DATE	TITLE:
CHK'D.	02-NOV-82			DUAL ASYNC SERIAL LINE UNIT
DSKD: <BUZYSKI>M3102A.DRW 02-NOV-82 09:58				NUMBER
FIRST USED ON OPTION/MODEL: DECSA				K CS M3102-0-SLU1
NEXT HIGHER ASSEMBLY: D-UA-M3102-0-0				REV. A



NOTE: C23 THROUGH C28 ARE NOT NORMALLY INSERTED.

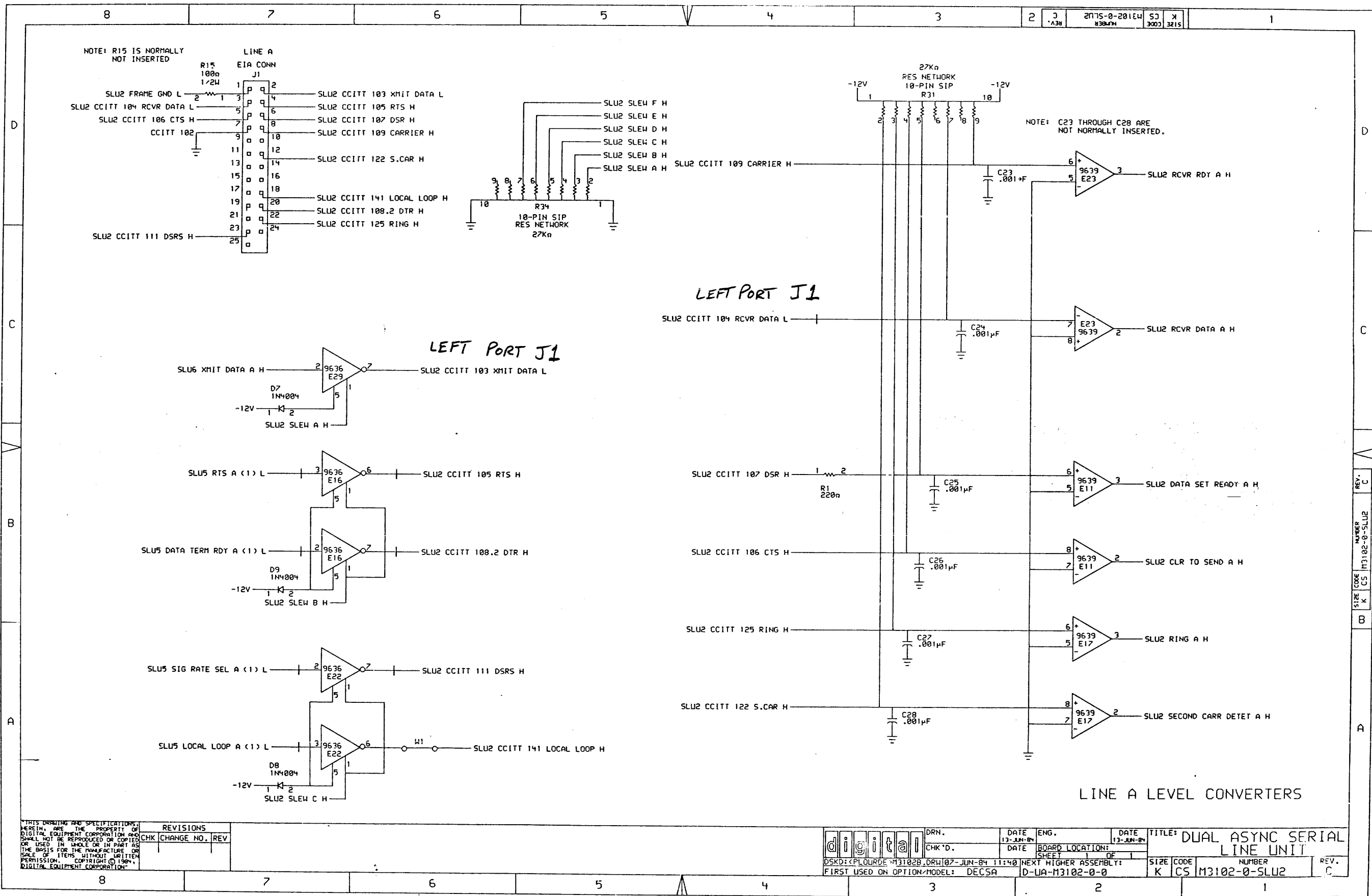


LINE A LEVEL CONVERTERS

THIS DRAWING AND SPECIFICATIONS HEREIN ARE THE PROPERTY OF DIGITAL EQUIPMENT CORPORATION AND SHALL NOT BE REPRODUCED OR COPIED OR USED IN WHOLE OR IN PART AS THE BASIS FOR THE MANUFACTURE OR SALE OF ITEMS WITHOUT WRITTEN PERMISSION. COPYRIGHT © 1984 DIGITAL EQUIPMENT CORPORATION

REV.	CHG	CHANGE NO.	REV

digital	DRN.	DATE	ENG.	DATE	TITLE
	CHK'D.	13-JAN-84		13-JAN-84	DUAL ASYNC SERIAL LINE UNIT
DSKD: PLOURDE M3102B.DRW 107-JUN-84 11:40		DATE	BOARD LOCATION:	SHEET	OF
FIRST USED ON OPTION/MODEL: DECSA			D-UA-M3102-0-0	1	1
SIZE	CODE	NUMBER	REV.		
K	CS	M3102-0-SLU2	C		

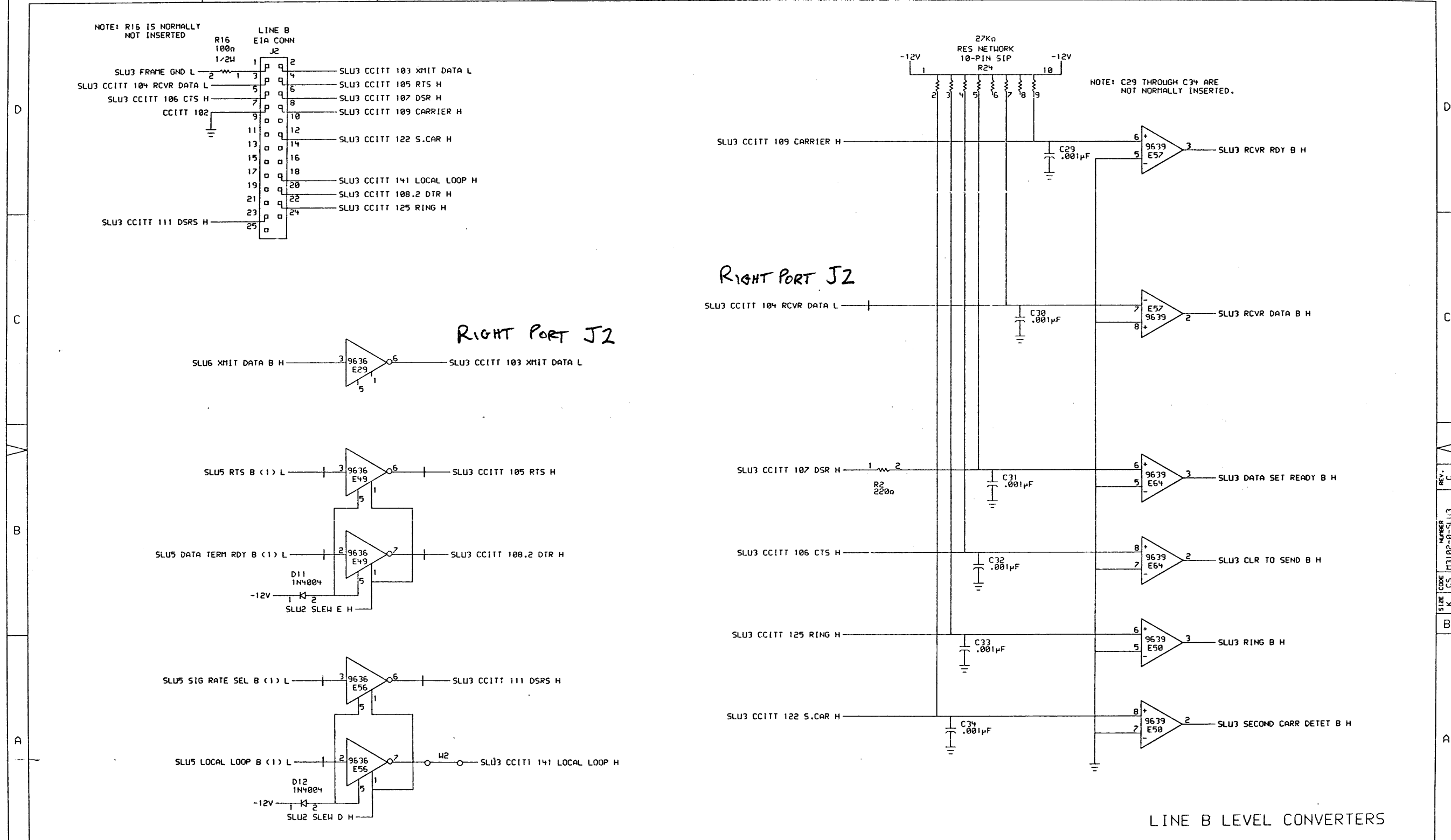


THIS DRAWING AND SPECIFICATIONS HEREIN ARE THE PROPERTY OF DIGITAL EQUIPMENT CORPORATION AND SHALL NOT BE REPRODUCED OR COPIED OR USED IN WHOLE OR IN PART AS THE BASIS FOR THE MANUFACTURE OR SALE OF ITEMS WITHOUT WRITTEN PERMISSION. COPYRIGHT © 1984, DIGITAL EQUIPMENT CORPORATION.

REVISIONS	
CHK	CHANGE NO. REV

digital	DRN.	DATE	ENG.	DATE	TITLE: DUAL ASYNC SERIAL LINE UNIT
	CHK'D.	DATE	BOARD LOCATION:	SHEET 1 OF 1	
OSKD: <PLOURDE> M3102B DRU107-JUN-84 11:40		NEXT HIGHER ASSEMBLY:		SIZE CODE	NUMBER
FIRST USED ON OPTION MODEL: DECSA		D-UA-M3102-0-0		K CS	M3102-0-SLU2
				REV.	C

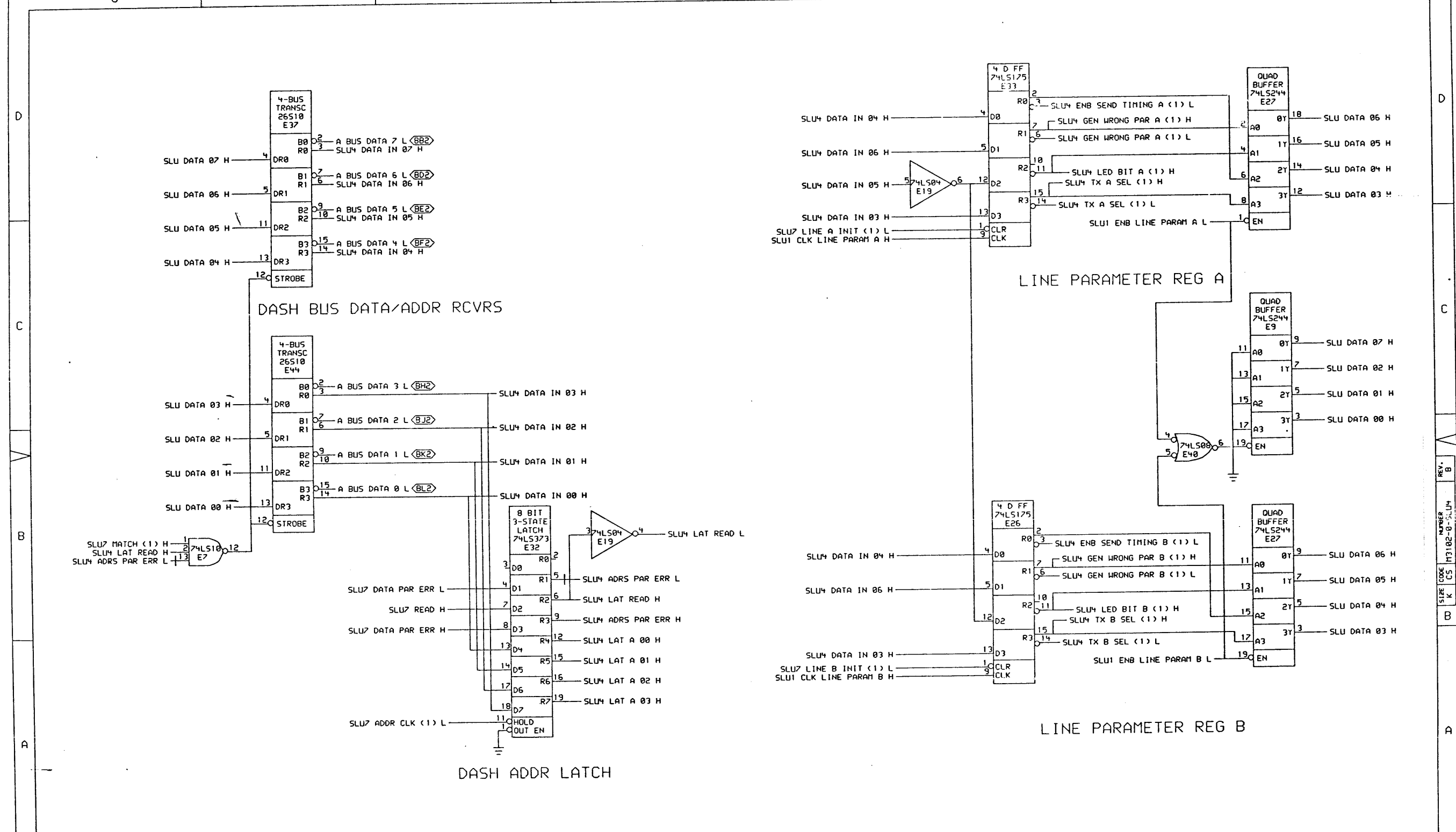
REV. C
NUMBER M3102-0-SLU2
SIZE CODE K CS

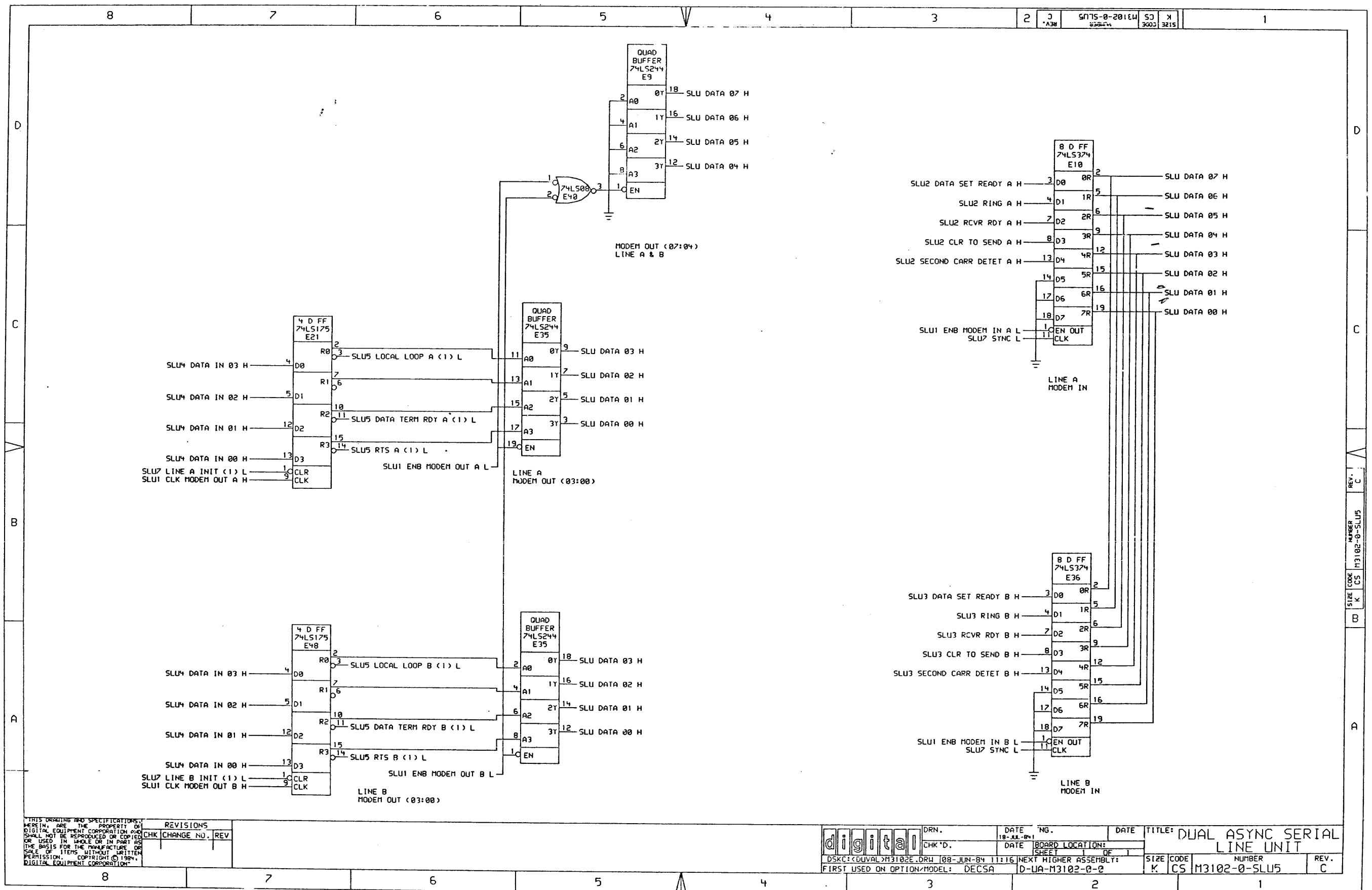


THIS DRAWING AND SPECIFICATIONS ARE THE PROPERTY OF DIGITAL EQUIPMENT CORPORATION AND SHALL NOT BE REPRODUCED OR COPIED OR USED IN WHOLE OR IN PART AS THE BASIS FOR THE MANUFACTURE OR SALE OF ITEMS WITHOUT WRITTEN PERMISSION. COPYRIGHT © 1984, DIGITAL EQUIPMENT CORPORATION.

REV.	CHG.	NO.	REV.

digital	DRN.	DATE	ENG.	DATE	TITLE: DUAL ASYNC SERIAL LINE UNIT
	CHK'D.	13-JUN-84		13-JUN-84	
DSKD: PLOURDE M3102C.DRW102		NEXT HIGHER ASSEMBLY:		SIZE	CODE
FIRST USED ON OPTION/MODEL: DECSA		D-UA-M3102-0-0		K	CS
				NUMBER	REV.
				M3102-0-SLU3	C



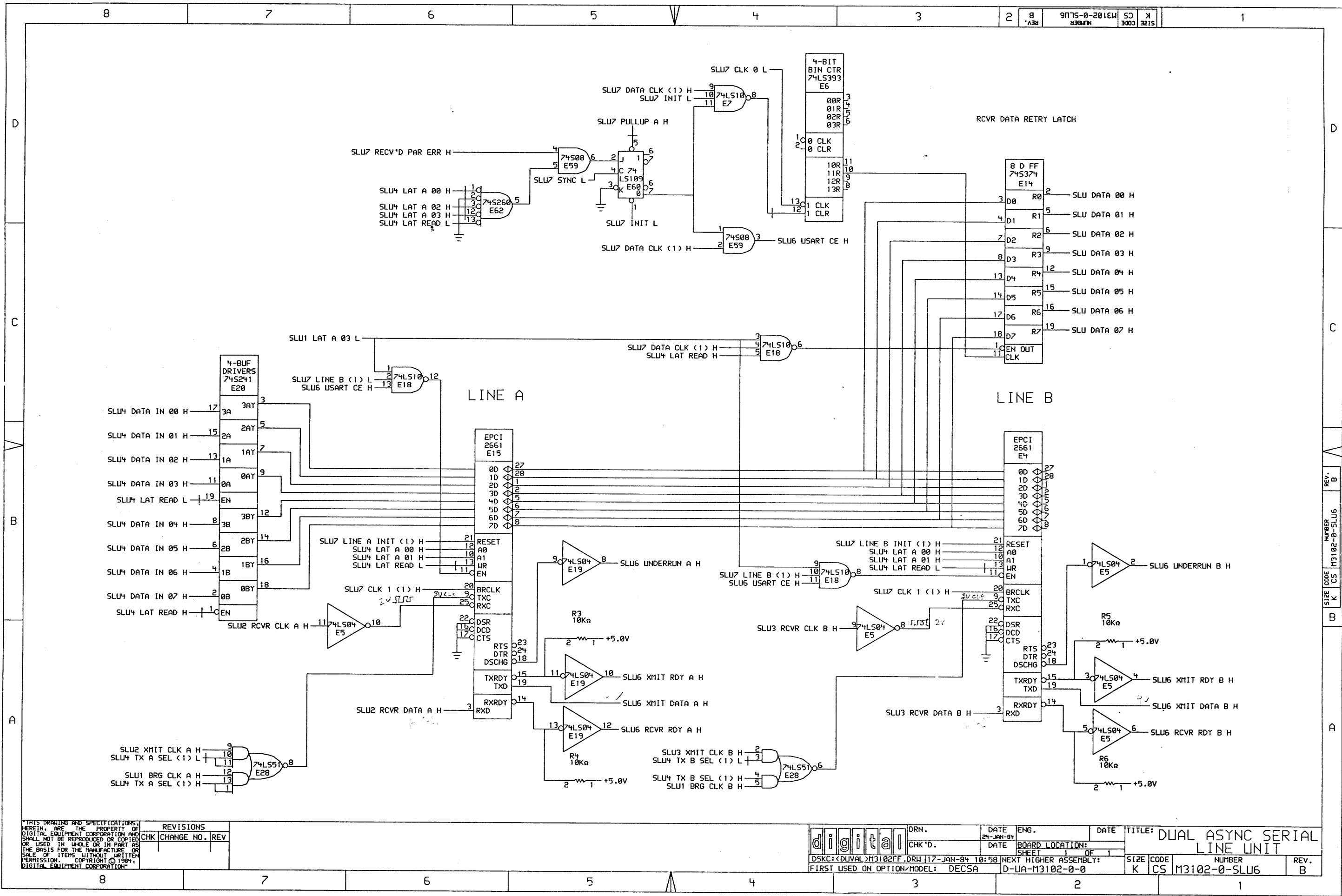


THIS DRAWING AND SPECIFICATIONS, HEREIN, ARE THE PROPERTY OF DIGITAL EQUIPMENT CORPORATION AND SHALL NOT BE REPRODUCED OR COPIED OR USED IN WHOLE OR IN PART OR THE BASIS FOR THE MANUFACTURE OR SALE OF ITEMS WITHOUT WRITTEN PERMISSION. COPYRIGHT © 1984, DIGITAL EQUIPMENT CORPORATION.

REVISIONS	
CHK	CHANGE NO. REV

digital	DRN.	DATE	NG.	DATE	TITLE: DUAL ASYNC SERIAL LINE UNIT
	CHK'D.	DATE	BOARD LOCATION:	SHEET 1 OF 1	
DSK: <DUVAL M3102E.DRW 08-JUN-84 11:16>		NEXT HIGHER ASSEMBLY:		SIZE CODE	NUMBER
FIRST USED ON OPTION/MODEL: DECSA		D-UA-M3102-0-0		K CS	M3102-0-SLU5

REV. C
NUMBER M3102-0-SLU5
SIZE CODE K CS
B
A



THIS DRAWING AND SPECIFICATIONS ARE THE PROPERTY OF DIGITAL EQUIPMENT CORPORATION AND SHALL NOT BE REPRODUCED OR COPIED OR USED IN WHOLE OR IN PART AS THE BASIS FOR THE MANUFACTURE OR SALE OF ITEMS WITHOUT WRITTEN PERMISSION. COPYRIGHT © 1984, DIGITAL EQUIPMENT CORPORATION.

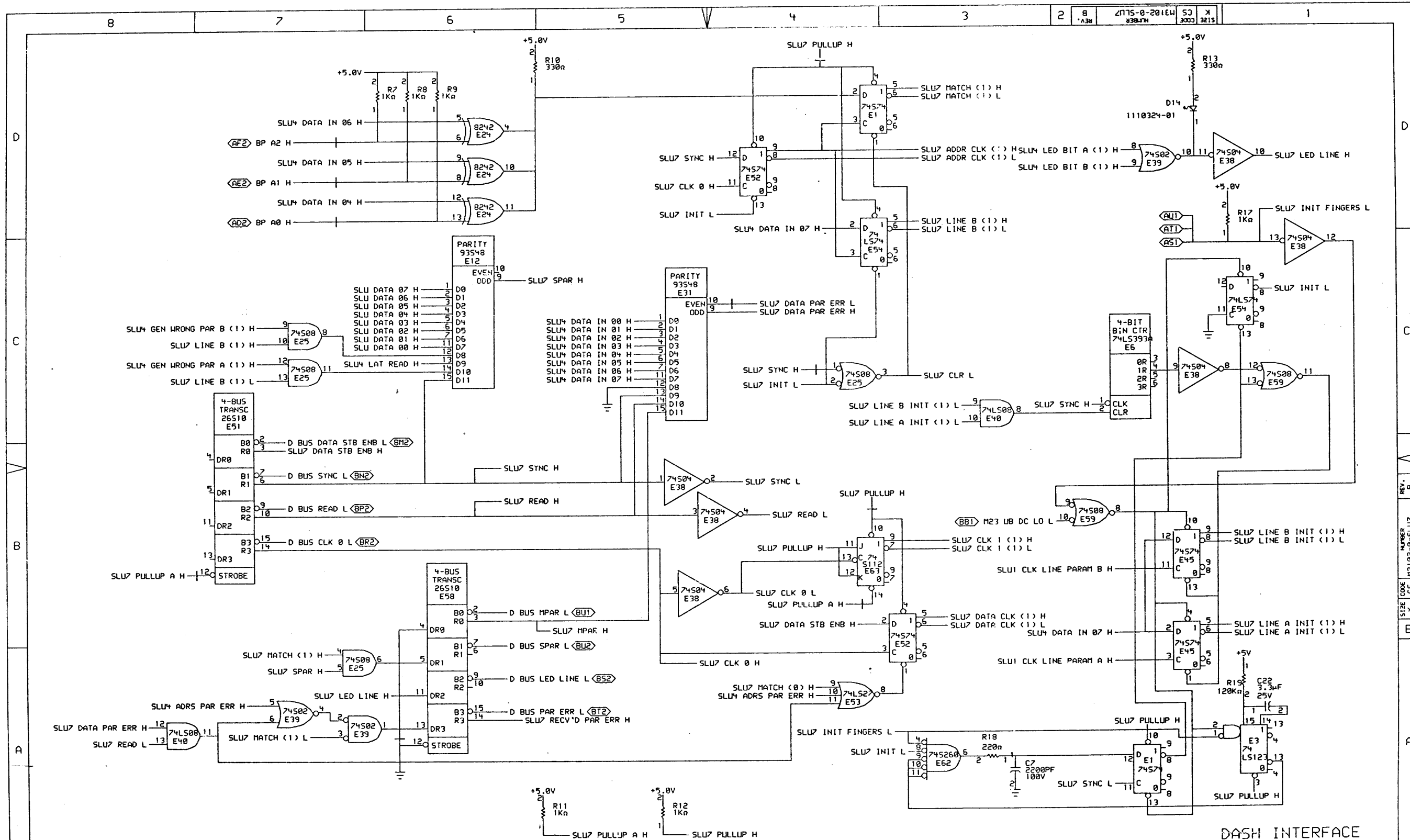
REVISIONS

CHK	CHANGE NO.	REV

digital
DRN.
CHK'D.

DATE	ENG.	DATE	TITLE:
24-JAN-84			DUAL ASYNC SERIAL LINE UNIT
DATE	BOARD LOCATION:	SHEET 1 OF 1	
		NEXT HIGHER ASSEMBLY:	
FIRST USED ON OPTION/MODEL:	DECSA	D-UA-M3102-0-0	

SIZE	CODE	NUMBER	REV.
K	C5	M3102-0-SLU6	B



DASH INTERFACE

THIS DRAWING AND SPECIFICATIONS ARE THE PROPERTY OF DIGITAL EQUIPMENT CORPORATION AND SHALL NOT BE REPRODUCED OR COPIED OR USED IN WHOLE OR IN PART AS THE BASIS FOR THE MANUFACTURE OR SALE OF ITEMS WITHOUT WRITTEN PERMISSION. COPYRIGHT © 1984, DIGITAL EQUIPMENT CORPORATION.

REVISIONS		
CHK	CHANGE NO.	REV

	DRN.	CAMP.	DATE	ENG.	DATE	TITLE: DUAL ASYNC SERIAL LINE UNIT
	CHK'D.					
DSKD: (PLOWRDE)M3102H.DRW/03-APR-84 10:10 NEXT HIGHER ASSEMBLY:			BOARD LOCATION:		SIZE CODE	NUMBER
FIRST USED ON OPTION/MODEL: DECSA			D-UA-M3102-0-0		K CS	M3102-0-SLU7
						REV. B

REV. B NUMBER 113102-0-SLU7 SIZE CODE CS K

8

7

6

5

4

3

2

1

D

C

B

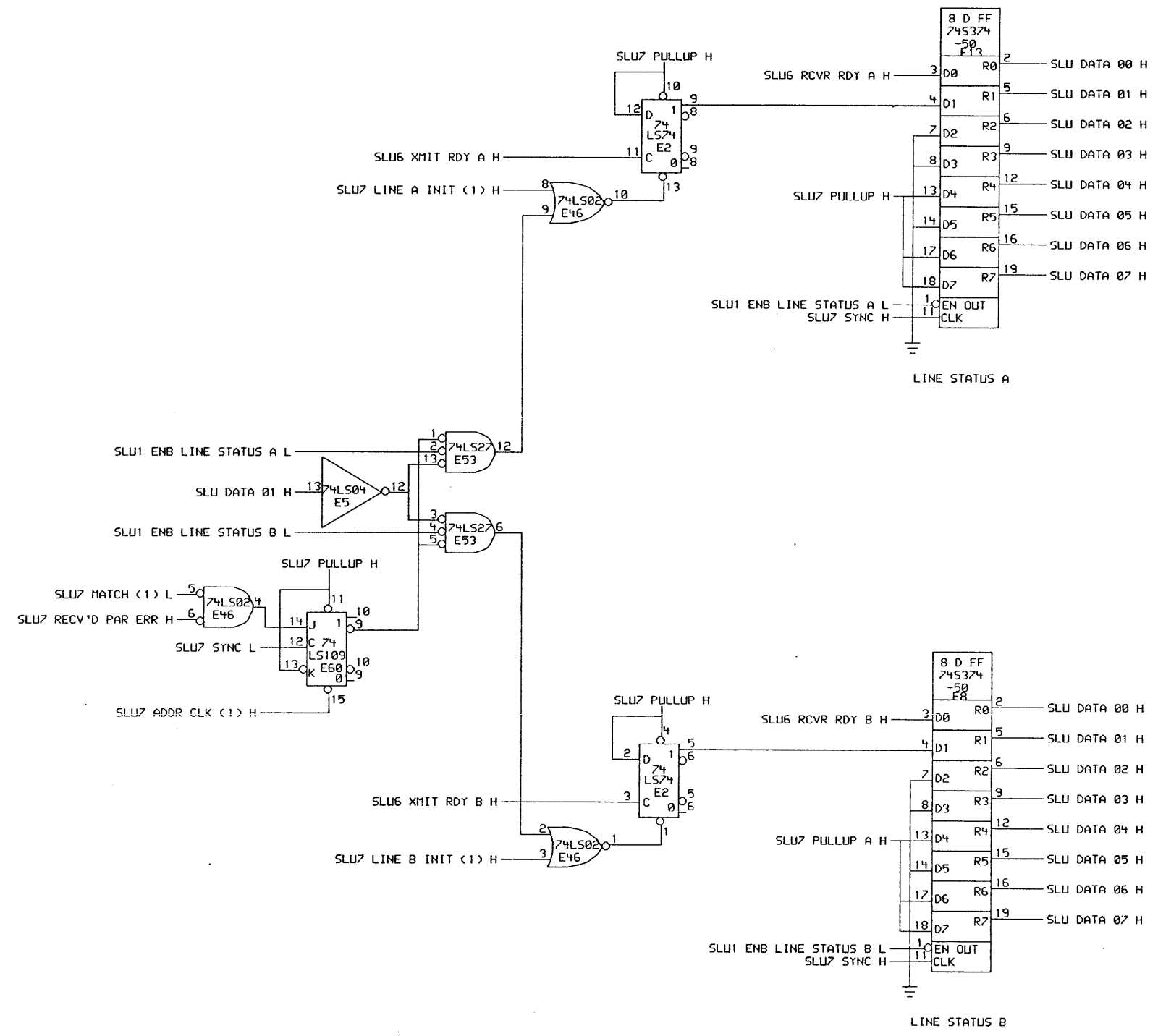
A

D

C

B

A



DRN.	DATE	ENG.	DATE	TITLE: DUAL ASYNC SERIAL LINE UNIT
CHK'D.	DATE	BOARD LOCATION:	SHEET 1 OF 1	NUMBER
DSKD1\BUZYNSKI\M3102J.DRW 02-NOV-82 10:12 NEXT HIGHER ASSEMBLY:				REV. A
FIRST USED ON OPTION/MODEL: DECSA D-LIA-M3102-0-0				SIZE CODE K C5 M3102-0-SLU8

8

7

6

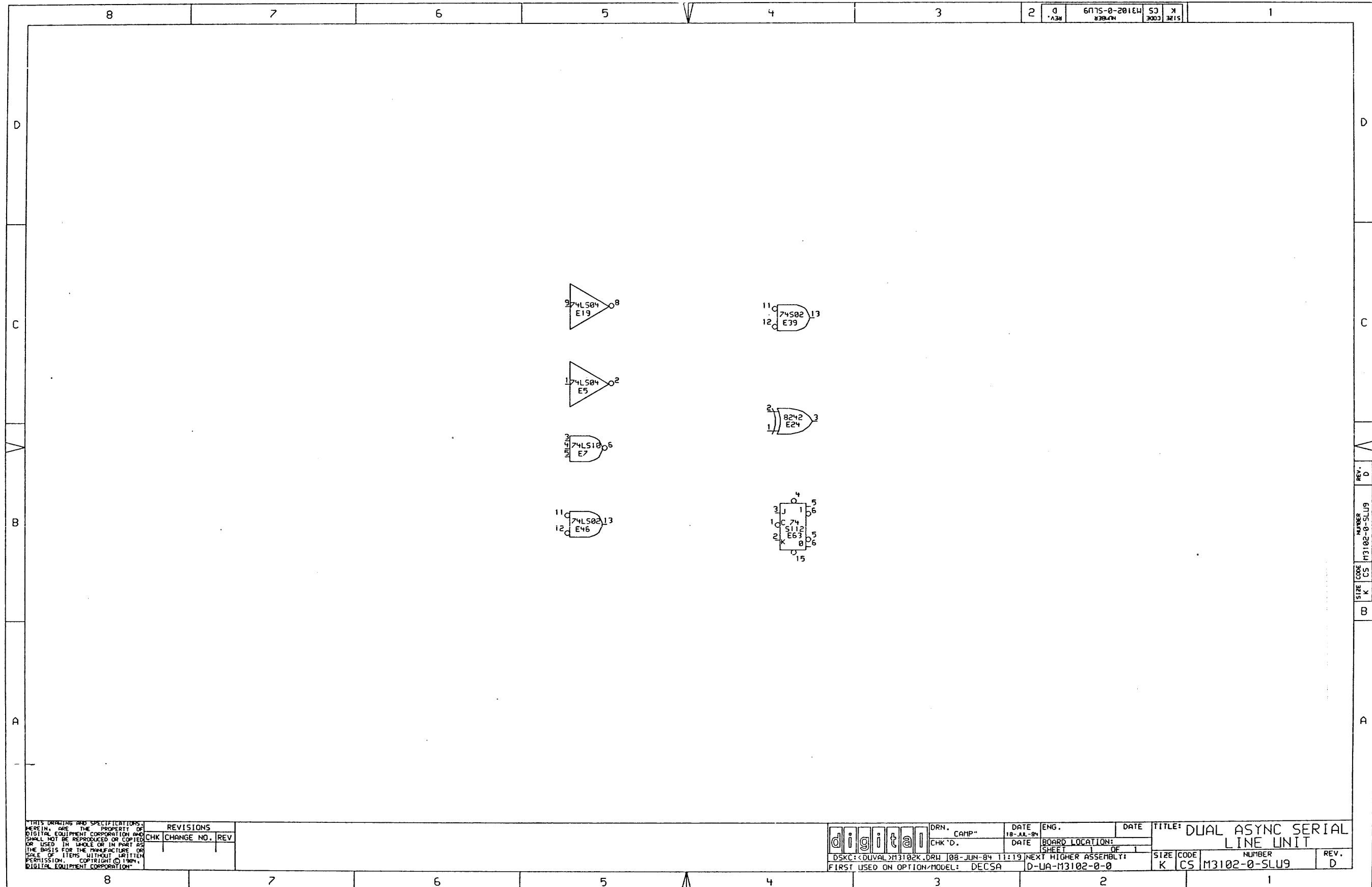
5

4

3

2

1

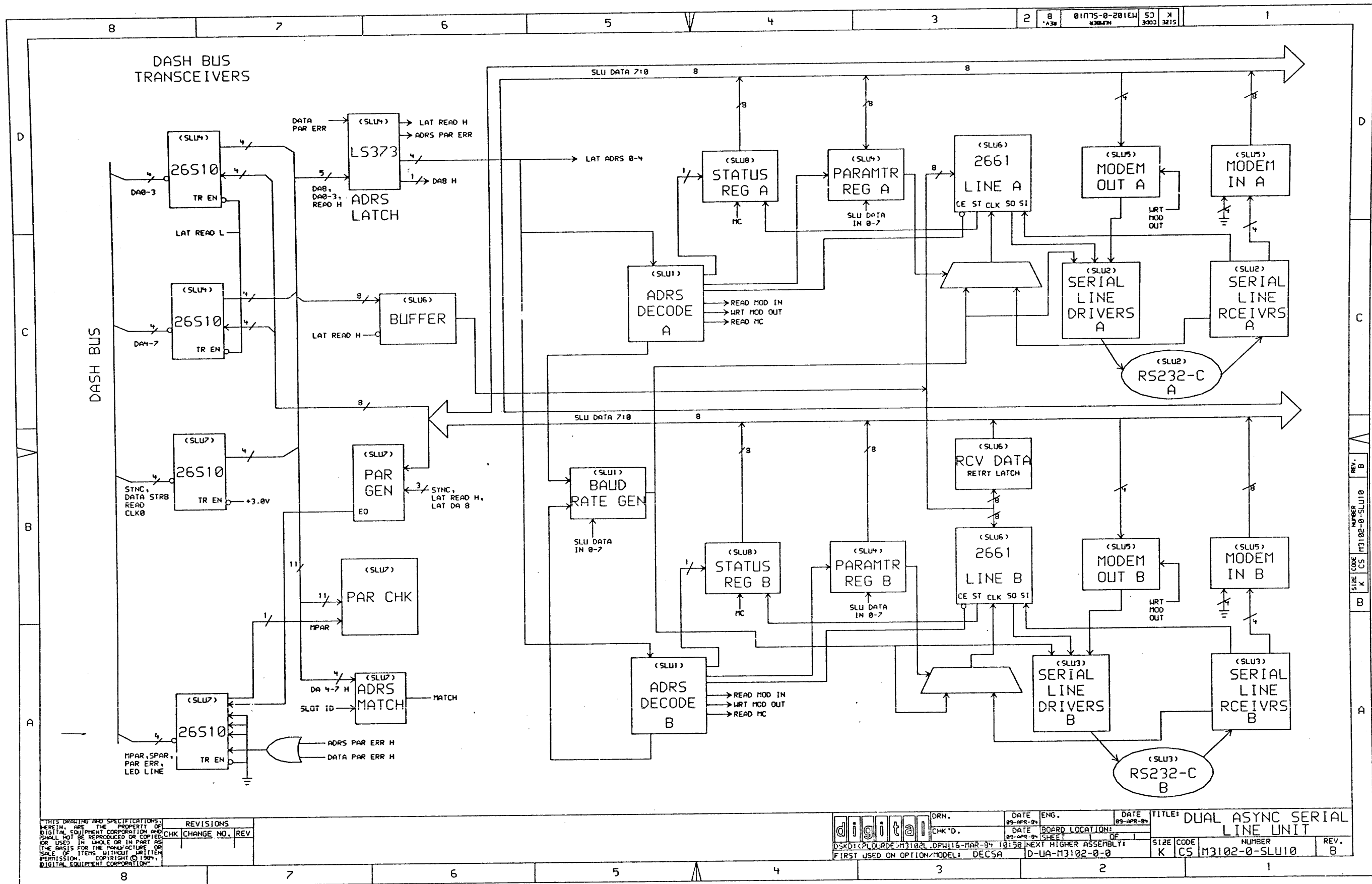


THIS DRAWING AND SPECIFICATIONS HEREIN ARE THE PROPERTY OF DIGITAL EQUIPMENT CORPORATION AND SHALL NOT BE REPRODUCED OR COPIED OR USED IN WHOLE OR IN PART AS THE BASIS FOR THE MANUFACTURE OR SALE OF ITEMS WITHOUT WRITTEN PERMISSION. COPYRIGHT © 1984, DIGITAL EQUIPMENT CORPORATION

REVISIONS	
CHK	CHANGE NO. REV

digital	DRN. CAMP	DATE 18-JUL-84	ENG.	DATE
	CHK'D.	DATE	BOARD LOCATION:	SHEET 1 OF 1
DSKC: <DUVAL>M3102K.DRW 08-JUN-84 11:19		NEXT HIGHER ASSEMBLY:		
FIRST USED ON OPTION/MODEL: DECSA		D-UA-M3102-0-0		

TITLE: DUAL ASYNC SERIAL LINE UNIT			
SIZE CODE	NUMBER	REV.	
K CS	M3102-0-SLU9	D	



THIS DRAWING AND SPECIFICATIONS HEREIN ARE THE PROPERTY OF DIGITAL EQUIPMENT CORPORATION AND SHALL NOT BE REPRODUCED OR COPIED OR USED IN WHOLE OR IN PART AS THE BASIS FOR THE MANUFACTURE OR SALE OF ITEMS WITHOUT WRITTEN PERMISSION. COPYRIGHT © 1984, DIGITAL EQUIPMENT CORPORATION.

REVISIONS	
CHK	CHANGE NO. REV

digital	DRN.	DATE	ENG.	DATE	TITLE:
	CHK'D.	99-APR-84		99-APR-84	DUAL ASYNC SERIAL LINE UNIT
DSKD:CP,OURDE:HT102L DPW116-MAR-84 10:58		NEXT HIGHER ASSEMBLY:		SIZE	CODE
FIRST USED ON OPTION/MODEL: DECSA		D-UA-M3102-0-0		K	CS
				NUMBER	REV.
				M3102-0-SLU10	B

DIGITAL EQUIPMENT CORPORATION PARTS LIST				QUANTITY / VARIATION										NOTES:				
MADE BY A. ROCHA DATE 11 DECEMBER 80		CHECKED DATE <i>Ray Shuda</i>																
ENG DATE <i>Ray Shuda</i>		PROD DATE <i>Ray Shuda</i>																
SECTION		ISSUED SECTION																
ITEM NO.	DRAWING NO.	PART NO.	DESCRIPTION	KDF11-UA														REF DESIGNATION
1.		M7133	CPU MODULE	I														
2.	B-PL-KDF11-UA-4		SHIPPING LIST	REF														

E.C.O. NO.

"THIS DRAWING AND SPECIFICATIONS, HEREIN, ARE THE PROPERTY OF DIGITAL EQUIPMENT CORPORATION AND SHALL NOT BE REPRODUCED OR COPIED OR USED IN WHOLE OR IN PART AS THE BASIS FOR THE MANUFACTURE OR SALE OF ITEMS WITHOUT WRITTEN PERMISSION. COPYRIGHT © 1980 DIGITAL EQUIPMENT CORPORATION"

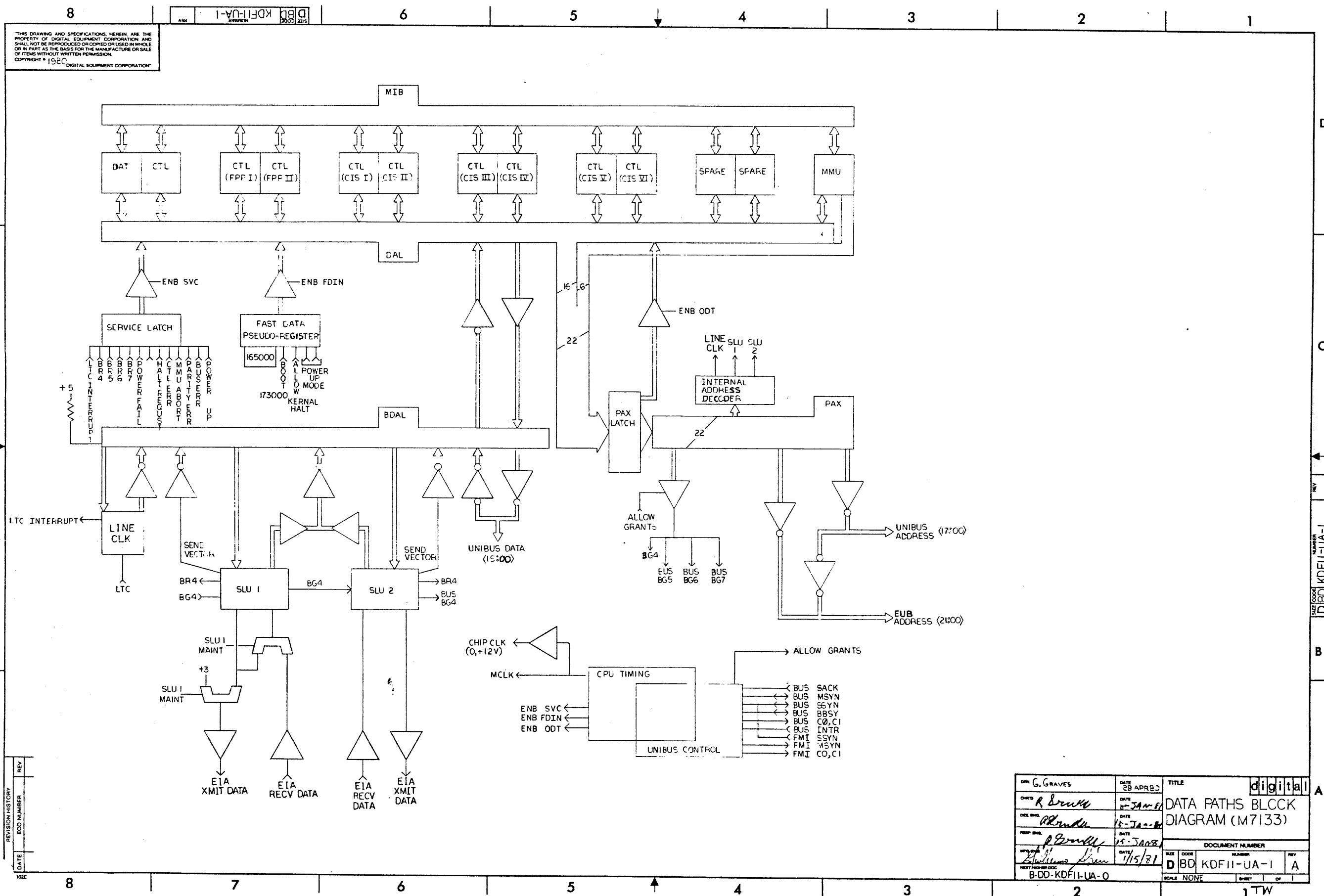
TITLE
PARTS LIST

ASSY NO.
SHEET 1 OF 1

SIZE B
CODE PL
NUMBER KDF11-UA-0
INSERTION PARTS LIST DATA BASE REV

REV. A

TW



REVISION HISTORY

REV.	ECO NUMBER	DATE

DRN G. GRAVES	DATE 28 APR 80	TITLE digital
CHG'D R. BROWN	DATE 15 JAN 81	DATA PATHS BLCK
DESIGN R. BROWN	DATE 15 JAN 81	DIAGRAM (M7133)
REP. ENG. R. BROWN	DATE 15 JAN 81	DOCUMENT NUMBER
TEST ENG. R. BROWN	DATE 1/15/81	SIZE CODE NUMBER REV
B-DD-KDF11-UA-0		D BD KDF11-UA-1 A
	SCALE NONE	SHEET 1 OF 1

THIS DOCUMENT CONTAINS THE TRUTH TABLES AND EQUATIONS FOR THE ADDRESS DECODE PLA (E93 DEC PART# 23055C6-00) AND THE TIMING PLA (E39 DEC PART# 23064C6-00). IT SHOULD BE OF SOME HELP WHEN TRYING TO UNDERSTAND HOW THE ABOVE MENTIONED COMPONENTS INTERACT WITH THE M7133 COMBINATIONAL LOGIC.

REVISION HISTORY			BASIC PART NO: KDF11				
ENGI	ECO NUMBER	IREV	NOTES:	IDRN: RAY GRUDA	DATE: 09-MAR-82	D I G I T A L	
	INITIAL	A		CHK'D: RAY GRUDA	DATE: 09-MAR-82	TITLE PARTS LIST	
				DES.ENG.: RAY GRUDA	DATE: 09-MAR-82	KDF11-UA (1124) PLA INFORMATION	
				RESP.ENG.: RAY GRUDA	DATE: 09-MAR-82	DOCUMENT NUMBER	
				MFG.ENG.: WALT BOWSE	DATE: 09-MAR-82	SIZE: K	CODE: GL
				ASSEMBLY NUMBER: D-UA-M7133-0-0	TOP DOCUMENT NUMBER: B-DD-KDF11-UA-1	NUMBER: KDF11-UA-2	REV: A
						FILE NAME: 24230A.KGL	SHEET 1 OF 11
<p>"THIS DRAWING AND SPECIFICATIONS HEREIN, ARE THE PROPERTY OF DIGITAL EQUIPMENT CORPORATION AND SHALL NOT BE REPRODUCED OR COPIED OR USED IN WHOLE OR IN PART AS THE BASIS FOR THE MANUFACTURE OR SALE OF ITEMS WITHOUT WRITTEN PERMISSION. COPYRIGHT (C) 1982. DIGITAL EQUIPMENT CORPORATION"</p>							

ADDRESS DECODE PLA E93 P/N 23055C6-00 TRUTH TABLES

PAGE 1

NOTE MNEMONIC VALUE (SPACE=DON'T CARE)

```

LREADL 1
C0      1
IOPAGE  1
MAINTL  1
A11     1
A10     1
A9      1
A8      1
A7      1
A6      1
A5      1
A4      1
A3      1
A2      1
A1      1
A0      1
GPR     111111100
KT      11111110
PSW     0 00000000000
SWR     0 00000000000
SR0     0 00000000000
SR1     0 00000000000
SR2     0 00000000000
SR3     0 00000000000
LTC     0 00000000000
RS1     1 01000001100
RB1     0 00000001100
TS1     1 01000001100
TB1     0 00000100000
RS2     1 01000010000
RB2     0 00000010000
TS2     1 01000010000
TB2     0 00000100000
DOUT    00
DIN     0
HBOUT   11
LBOUT   11
FSMAINT 1
    
```

I	D	I	G	I	T	A	L	TITLE	KDF11-UA (1124)	SHEET 2 OF 11	SIZE	CODE	DOCUMENT NUMBER	REV
I	I	I	I	I	I	I	I	PLA INFORMATION			K	GL	KDF11-UA-2	A

DEFINITIONS

```

INVERTIN 0
INVERTOUT 660000000000
INPUTS "LREADL,C0,IOPAGE,MAINTL,A11,A10,A9,A8,A7,A6,A5,A4,A3,A2,A1,A0"
OUTPUTS "INTADDL,INTSSYNL,X,ENBRTL,ENBRDL,DA2,DA1,DA0"
RADIX OCTAL
BIND "0011111111110000"
GPR=037700
END
BIND "0011111111000000"
KT=037600
END
BIND "001011111111110"
PSW=027776 ;"ADDRESS OF THE PROC. STATUS WORD"
SWR=027570 ;"ADDRESS OF THE SWITCH REGISTER"
SR0=027572 ;"MEMORY MANAGEMENT STAT. REG. 0"
SR1=027574 ;"MEMORY MANAGEMENT STAT. REG. 1"
SR2=027576 ;"MEMORY MANAGEMENT STAT. REG. 2"
SR3=022516 ;"MEMORY MANAGEMENT STAT. REG. 3"
LTC=027546 ;"LINE TIME CLOCK ADDRESS"
RS1=027560 ;"RECEIVE CSR 1"
RB1=027562 ;"RECEIVE BUFFER 1"
TS1=027564 ;"TRANSMIT CSR 1"
TB1=027566 ;"TRANSMIT BUFFER 1"
RS2=026500 ;"RECEIVE CSR 2"
RB2=026502 ;"RECEIVE BUFFER 2"
TS2=026504 ;"TRANSMIT CSR 2"
TB2=026506 ;"TRANSMIT BUFFER 2"
END
BIND "1100000000000000"
DOUT=100000 ;"DATA OUT OPERATION"
END
BIND "1000000000000000"
DIN=0 ;"DATA IN OPERATION"
END
BIND "1100000000000001"
HBOUT=140001 ;"HIGH BYTE DATA OUT"
LBOUT=140000 ;"LOW BYTE DATA OUT"
END
BIND "0001000000000000"
FSMAINT=0 ;"MAINTENANCE SELECT"
END
DATAPATHS
OUT=INTADDL,INTSSYNL,X,ENBRTL,ENBRDL,DA2,DA1,DA0
END
    
```

D	I	G	I	T	A	L	TITLE	SHEET 4 OF 11	SIZE	CODE	DOCUMENT NUMBER	REV
							KDF11-UA (1124)				KDF11-UA-2	A
							PLA INFORMATION					

EQUATIONS

OUT\200=GPR+KT+SR0+SR1+SR2+SR3+PSW+TS1+TB1+RB1
 OUT\300=RS1+RB1+TS1+TB1+RS2+RB2+TS2+TB2+SWR.HBOUT+LTC
 OUT\10=RS1.DIN
 OUT\20=RS1.DOUT+RS1.LBOUT
 OUT\11=RB1.DIN
 OUT\21=TB1.DOUT+TB1.LBOUT
 OUT\12=TS1.DIN
 OUT\22=TS1.DOUT+TS1.LBOUT
 OUT\13=LTC.DIN
 OUT\23=LTC.DOUT+LTC.LBOUT
 OUT\14=RS2.DIN
 OUT\24=RS2.DOUT+RS2.LBOUT
 OUT\15=RB2.DIN
 OUT\25=TB2.DOUT+TB2.LBOUT
 OUT\16=TS2.DIN
 OUT\26=TS2.DOUT+TS2.LBOUT
 OUT\327=SWR.DOUT+SWR.LBOUT

 OUT\331=FSMAINT
 END

;"SET INTADD WHEN AN INTERNAL REGISTER ACCESS IS OCCURRING"
 ;"SET INTSSYNL WHEN AN INTERNAL REGISTER ACCESS IS OCCURRING"
 ;"SET ENBRD FOR A DATA IN TO THE RECEIVE CSR 1"
 ;"SET ENBWT ON A DATA OUT OR DATA OUT BYTE FROM RS1"
 ;"SET ENBRD AND DA0 ON A DATA IN TO RB1"
 ;"SET ENBWT AND DA0 ON A DATA OUT OR A DATA OUT BYTE TO TB1"
 ;"SET ENBRD AND DA1 ON A DATA IN TO TS1"
 ;"SET ENBWT AND DA1 ON A DATA OUT OR A DATA OUT BYTE TO TS1"
 ;"SET ENBRD, DA0, AND DA1 IF A DATA IN TO LTC"
 ;"SET ENBWT, DA0, AND DA1 IF A DATA OUT OR A DATA OUT BYTE TO LTC"
 ;"SET ENBRD AND DA2 ON A DATA IN TO RS2"
 ;"SET ENBWT AND DA2 IF A DATA OUT OR A DATA OUT BYTE TO RS2"
 ;"SET ENBRD, DA0, AND DA2 IF A DATA IN TO RB2"
 ;"SET ENBWT, DA0, AND DA2 IF A DATA OUT OR A DATA OUT BYTE TO TB2"
 ;"SET ENBRD, DA1, AND DA2 IF A DATA IN TO TS2"
 ;"SET ENBWT, DA1, AND DA2 IF A DATA OUT OR A DATA OUT BYTE TO TS2"
 ;"SET INTADD, INTSSYN, ENBWT, DA2, DA1, AND DA0 IF A DATA OUT OR A DATA OUT
 TO THE SWITCH REGISTER"
 ;"SET INTADD, INTSSYN, ENBWT, ENBRD, AND DA0 IF MAINTENANCE IS SELECTED"

ID	ISS	IT	AIL	TITLE	SHEET	OF	SIZE	CODE	DOCUMENT NUMBER	REV
				KDF11-UA (1124)	5	11			KDF11-UA-2	A
				PLA INFORMATION						

ANDMATRIX

ORMATRIX

```

AAACCL:MECBP:BPMP      0LPCDE:LCN
IIITTP:CN0UA:UTMS      AA0IU:RHU
00001E:LB SU:S2UM      TUONS:EGL
210 A: KP RS:C_CA      AS OR:ACL
   D: B EE:Y4YI      DE E:DL
   : T Q :C CN      DO Q:OK
   : 4 : T          O: 0
   :
11110 : 0 : 1 ( 0)    : 1
0 01 : 0 : ( 1)      : 1
11001 : 0 :11 ( 2)    : 1
10 01 : 0 : 1 ( 3)    : 1
11011 : 0 :01 ( 4)    : 1
   10 : 11 : 0 ( 5)    : 1
   11 : 10 : 0 ( 6)    : 1
   11 : 1 : 1 ( 7)     : 1
   00 : 10 : 1 ( 8)    : 1
001 : 0 : 1 ( 9)      1 :
100 : 0 : 1 (10)      1 :
1 : 1 : 1 (11)        1 :
   00 : 1 0: (12)     1 :
   : 111 : (13)       1 :
011 : 0 : 1 (14)     :1
001 : 0 : 1 (15)     :1
   1: 11 : (16)       :1
   001: 0:0 (17)     :1
1 1: 1 : 1 (18)     :1
1 1: 1 : 1 (19)     :1
1 1: 1 : 1 (20)     :1
10 0 : 0 :01 1(21)   1:
   1: 1 0:0 01(22)   1:
   011: 1 0:0 11(23) 1:
   : 11 1:0 1(24)    1:
   00 : 0 1 : 1(25)   1:
111 : 0 1 : 1 1(26)   1:
1100 : 0 1 : 1 1(27) 1:
110 0 : 0 1 : 1 1(28) 1:
110 : 0 :01 (29)     1 :
110011: 0 1 :01 (30) 1 :
   : 1 1:0 (31)      1 :
   01 : 1 : 11(32) 1 :
0 01 : 0 : 1(33) 1 :
   :
AAACCL:MECBP:BPMP      0LPCDE:LCN
IIITTP:CN0UA:UTMS      AA0IU:RHU
00001E:LB SU:S2UM      TUONS:EGL
210 A: KP RS:C_CA      AS OR:ACL
   D: B EE:Y4YI      DE E:DL
   : T Q :C CN      DO Q:OK
   : 4 : T          O: 0

```

TITLE										SIZE	CODE	DOCUMENT NUMBER	REV		
D	I	S	I	T	A	L	KDF11-UA (1124)			SHEET	7	OF	11		
PLA INFORMATION										K	GL	KDF11-UA-2	A		

STATISTICS

NUMBER OF INPUTS = 16
 NUMBER OF OUTPUTS = 9
 NUMBER OF TERMS = 34
 "1" INPUT DETECTIONS = 110
 "0" INPUT DETECTIONS = 72
 DON'T CARES = 362
 NUMBER OF TERMS DRIVING MORE THAN ONE OUTPUT = 0

D	I	G	I	T	A	L	TITLE	KDF11-UA (1124)	SHEET 8 OF 11	SIZE	CODE	DOCUMENT NUMBER	REV
							PLA INFORMATION			K	GL	KDF11-UA-2	A

DEFINITIONS

```

INVERTIN 0
INVERTOUT 002000000000
INPUTS "AIO2,AIO1,AIO0,CT0,CT1,LREAD,0,MCLK,ENBPBT4,C0,BUSREQ,PAUSE,BUSCYC,PT2_4,MMUCYC,FS MAINT"
OUTPUTS "0,LA*ADD,PAUSE0,C00,DINO,BUSREQ0,LREAD0,CHGCLK0,NULL"
RADIX OCTAL
BIND "0001100000000000"
COUNT0=000000
COUNT1=010000
COUNT2=004000
COUNT3=014000
END
BIND "1110000100000100"
AWO=000004
ARW=020004
ARO=060004
DOUTB=100004
DOUT=120004
DIN=140004
NOP=160004
END
BIND "1100000100000100"
DATO=100004
END

```

D	I	S	I	T	A	L	TITLE	SHEET 9 OF 11	SIZE	CODE	DOCUMENT NUMBER	REV
							KDF11-UA (1124) PLA INFORMATION		K	GL	KDF11-UA-2	A

TIMING DIAGRAMS AND DEFINITIONS

"MCLK, ENBPPT4, BUSCYC AND FS MAINT INPUT SIGNALS ARE ASSERTED LOW

"PT1= PHASE TIME ONE

"PT2=PHASE TIME TWO (USED FOR AID DECODE)

"PT3=PHASE TIME THREE (USED IN BUS DATA CYCLES, THE OSC CLOCK TURNS OFF , GETS RESTARTED BY SSYN)

"ALSO USED IN ADDRESS AND LOCAL DATA CYCLES.

"PT4=PHASE TIME FOUR (USED ONLY IN A DATA IN CYCLE FOR DATA DESKEW)

"PBT1=PHASE BAR TIME ONE

"PBT2=PHASE BAR TIME TWO

"PBT3=PHASE BAR TIME THREE (RELOCATED ADDRESS STROBED , IF MMU CYCLE)

"PBT4=PHASE BAR TIME FOUR

```
"
"   STANDARD      300NS.   CYCLE
"   PBT2  _____ PBT1 , PBT2 _____ PBT1
"   _____ I PT1 , PT2 I _____ I PT1 , PT2 I _____
```

```
"
"   KT   RELOCATION   CYCLE
"   PBT2  _____ PBT1 , PBT2 , PBT3 , PBT4 _____
"   _____ I PT1 , PT2 , PT3 I _____ I PT1 ,
```

```
"
"   KT   RELOCATION   CYCLE WITH ABORT
"   PBT2  _____ PBT1 , PBT2 , PBT3 , PBT4 _____
"   _____ I PT1 , PT2 , PT3 I _____ I PT1 ,
```

```
"
"   STANDARD ADDRESS CYCLE
"   PBT2  _____ PBT1 , PBT2 _____
"   _____ I PT1 , PT2 , PT3 I _____ I PT1 ,
```

```
"
"   DATA OUT(B) CYCLE
"   OR   LOCAL DOUT(B)
"   PBT2  _____ PBT1 , PBT2 _____ PBT1
"   _____ I PT1 , PT2 , PT3 I _____ I PT1 , PT2 I _____
```

```
"
"   DATA IN CYCLE
"   PBT2  _____ PBT1 , PBT2 _____ PBT1
"   _____ I PT1 , PT2 , PT3 , PT4 I _____ I PT1 , PT2 I _____
```

D	I	G	I	T	A	L	TITLE	SHEET	10	OF	11	SIZE	CODE	DOCUMENT NUMBER	REV
							KDF11-UA (1124)							KDF11-UA-2	A
							PLA INFORMATION								

EQUATIONS

```

CHGCLKO=-MCLK.COUNT1.NOP ;"RESET MCLK ON PT2 IF AIO=NOP
CHGCLKO=-MCLK.COUNT2.-AIO2 ;"RESET MCLK ON PT3 IF AN ADDRESS TYPE INST (AIO2=0)
CHGCLKO=-MCLK.BUSCYC.COUNT2.DIN ;"RESET MCLK ON PT3 IF A LOCAL DIN
CHGCLKO=-MCLK.DATO.COUNT2 ;"RESET MCLK ON PT3 IF A DATO(B)
CHGCLKO=-MCLK.DIN.COUNT3.-BUSCYC ;"RESET MCLK ON PT4 IF A DATA IN
CHGCLKO=MCLK.ENBPBT4.-MMUCYC.COUNT1 ;"SET MCLK ON PBT2 IF NEITHER MMUCYC NOR ENBPBT4 SET
CHGCLKO=MCLK.COUNT3.-MMUCYC.-ENBPBT4 ;"SET MCLK ON PBT4 IF A REGULAR RESET
CHGCLKO=MCLK.COUNT3.MMUCYC ;"SET MCLK ON PBT4 IF A MMU CYCLE
NULL=MCLK.COUNT0.-ENBPBT4.MMUCYC ;"THIS TERM IS FOR AN ENGINEERING FIX ONLY, IT WILL NOT ACTIVATE ANY OUTPUT
C00=ARW ;"SET ON ARW (DATA IN PAUSE)
C00=DOUTB ;"SET ON DOUTB (DATA OUT BYTE)
C00=C0.AIO2.PT2_4 ;"STAY LATCHED DURING PT2_4 IF NOT ADDRESS TYPE INST
C00=C0.COUNT0.-PAUSE ;"STAY LATCHED DURING PT1 IF PAUSE=0
C00=C0.MCLK.ENBPBT4 ;"STAY LATCHED DURING -MCLK UNLESS A CHIP RESET

LREADO=ARO ;"SET ON ARO (ADDRESS READ ONLY)
LREADO=ARW ;"SET ON ARW (ADDRESS READ/WRITE , DATIP)
LREADO=LREAD.MCLK.ENBPBT4 ;"STAY LATCHED WHILE MCLK=0 UNLESS A CHIP RESET
LREADO=LREAD.COUNT0.-PAUSE.-BUSCYC ;"STAY LATCHED DURING PT1 WHILE PAUSE =0 AND BUSCYC=1
LREADO=LREAD.AIO2.PT2_4 ;"*THE NEXT THREE TERMS KEEP LREAD LATCHED-
LREADO=LREAD.AIO1.PT2_4 ;"DURING PT2_4 UNLESS AIO=AWO (ADDRESS WRITE ONLY)
LREADO=LREAD.AIO0.PT2_4

BUSREQ=FS MAINT.DATO.-BUSCYC.-CT1 ;"BUSREQ WILL NOT SET IF IN FS MAINT
BUSREQ=FS MAINT.LREAD.-MMUCYC.MCLK.-BUSCYC.-PAUSE ;"SET BUSREQ ON A DATO(B) IF BUSCYC=1, RESET ON PT3
; "SET BUSREQ AT MCLK(PBT1) AND BUSCYC=1
; "AND PAUSE =0 IF NOT MMUCYC
BUSREQ=FS MAINT.LREAD.MMUCYC.MCLK.COUNT2.-BUSCYC.-PAUSE ;"SET BUSREQ IF DATI AND MMUCYC ON PBT2
; "KEEP IT LATCHED DURING -MCLK WHILE BUSCYC=1 UNLESS A CHIP RESET
BUSREQ=FS MAINT.BUSREQ.MCLK.-BUSCYC.ENBPBT4 ;"KEEP IT LATCHED DURING PT1
; "KEEP IT LATCHED IF AIO=NOP
BUSREQ=FS MAINT.BUSREQ.-MCLK.COUNT0 ;"THESE TWO TERMS KEEP IT LATCHED IF A DATA IN --
; "-TILL PT4. PT4 IS USED AS THE SSYN DESKEW (75 NS)
BUSREQ=FS MAINT.BUSREQ.-MCLK.PT2_4.NOP
BUSREQ=FS MAINT.BUSREQ.DIN.-MCLK.-CT0
BUSREQ=FS MAINT.BUSREQ.DIN.-MCLK.-CT1

DINO=DIN.-BUSCYC.PT2_4.-MCLK ;"SET DIN ON AIO=DIN WHILE IN PT2_4 AND BUSCYC=1

PAUSEO=COUNT2.LREAD.C0.-BUSCYC.DIN ;"SET PAUSE IF A DIN AND PT3 AND BUSCYC AND LREAD AND C0
PAUSEO=PAUSE.-BUSCYC.ENBPBT4 ;"STAY LATCHED WHILE BUSCYC=1 UNLESS A CHIP RESET

LATADD=MCLK.COUNT2.MMUCYC.FS MAINT ;"SET LATADD DURING PBT4
LATADD=-AIO2.COUNT2.-MCLK.FS MAINT ;"SET LATADD ON PT3 WHILE AIO2=0 (ADDRESS CYCLE)

END

```

TITLE									
D	I	I	G	I	I	T	A	L	KDF11-UA (1124)
PLA INFORMATION									
					SHEET 11 OF 11				
SIZEICJDEI DOCUMENT NUMBER IREV									
K GL KDF11-UA-2 A									

DIGITAL EQUIPMENT CORPORATION PARTS LIST

QUANTITY / VARIATION

NOTES:

MADE BY A. ROCHA
DATE 11 DECEMBER 80

CHECKED *R. Sunda*
DATE 1-15-81

SECTION

ENG *R. Sunda*
DATE 1-15-81

PROD *R. Sunda*
DATE 1-15-81

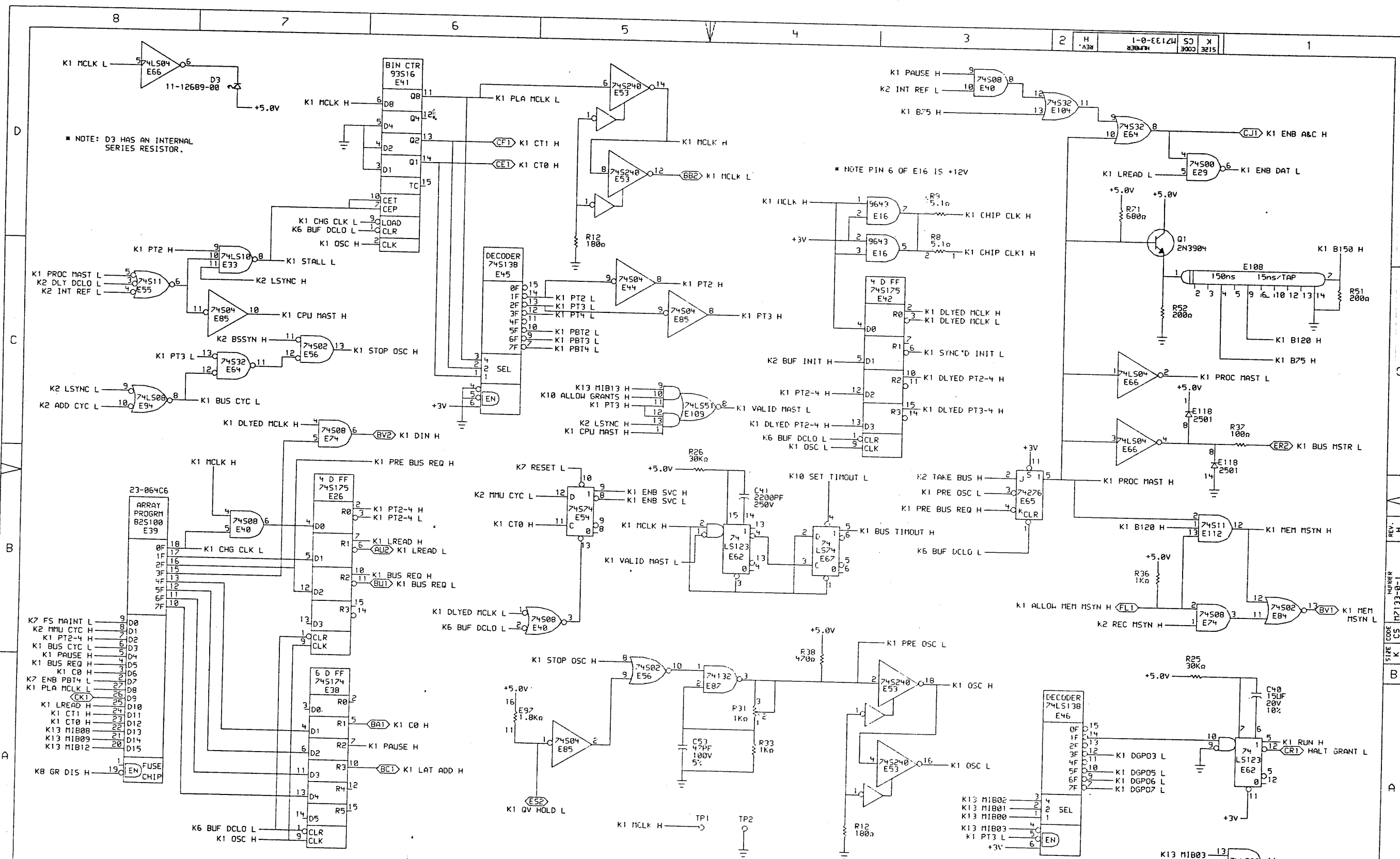
ISSUED SECTION

ITEM NO.	DRAWING NO.	PART NO.	DESCRIPTION	KDF11-UA	QUANTITY / VARIATION										REF DESIGNATION			
1	D-BD-KDF11-UA-1	KDF11-UA-1	BLOCK DIA KDF11	1														
2	D-UA-M7133-0-0	M7133	CPU Module	1														
3	K-GL-KDF11-UA-2	KDF11-UA-2	OPTION.TXT	1														
4		ZJ013	LIBKIT (CPU 11/24)	REF														
5		MP01028	KDF11-UA MAINTENANCE PRINT SET	1														

E.C.O. NO. TW001

"THIS DRAWING AND SPECIFICATIONS, HEREIN, ARE THE PROPERTY OF DIGITAL EQUIPMENT CORPORATION AND SHALL NOT BE REPRODUCED OR COPIED OR USED IN WHOLE OR IN PART AS THE BASIS FOR THE MANUFACTURE OR SALE OF ITEMS WITHOUT WRITTEN PERMISSION. COPYRIGHT © 1980 DIGITAL EQUIPMENT CORPORATION"	TITLE 16 BIT F11 UBUS PROC. (M7133) SHIP LIST	ASSY NO. B-DD-KDF11-UA-0	SIZE B	CODE PL	NUMBER KDF11-UA-4	REV. B
		SHEET 1 OF 1		INSERTION PARTS LIST DATA BASE REV		

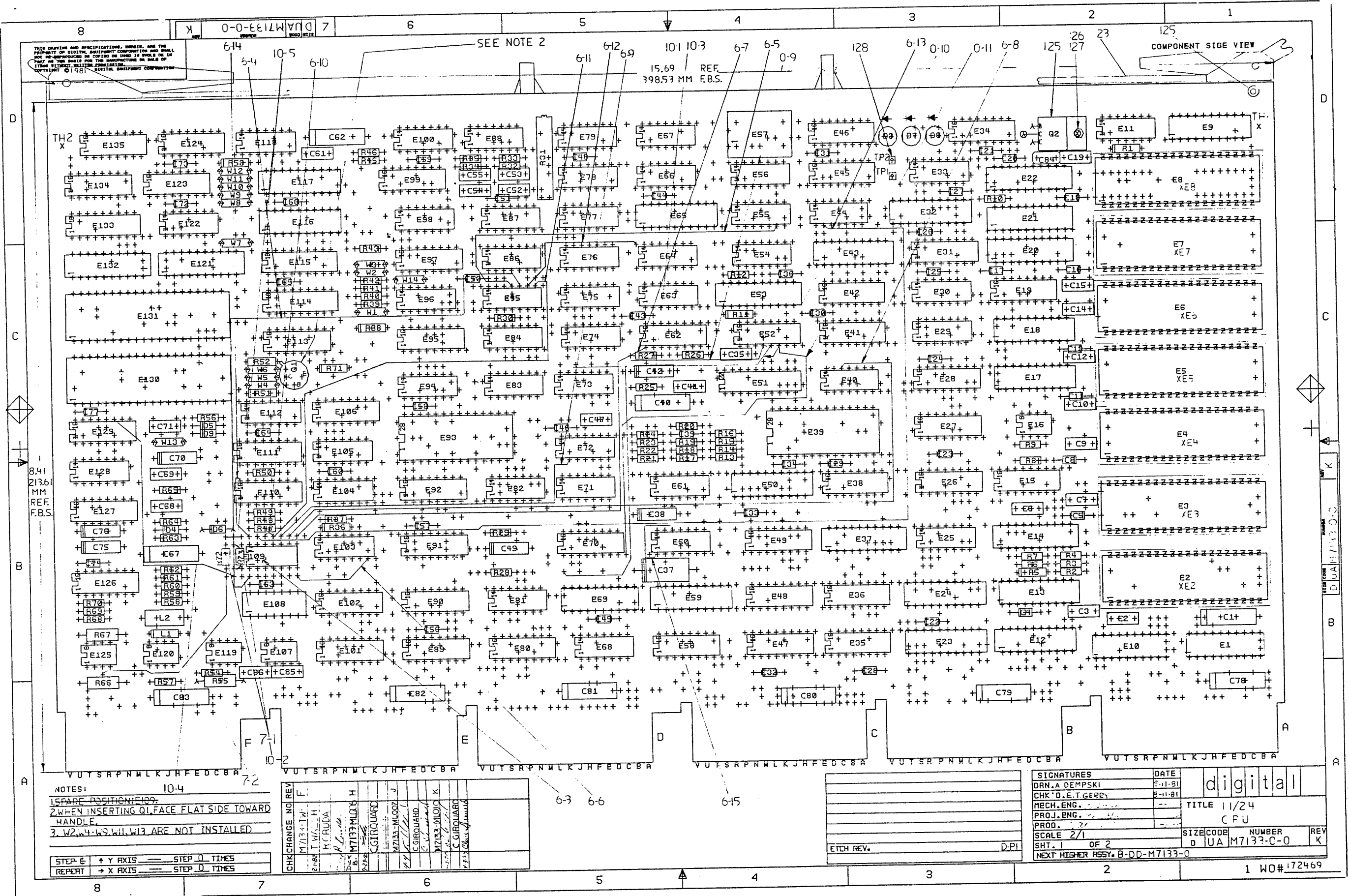
TW



THIS DRAWING AND SPECIFICATIONS ARE THE PROPERTY OF DIGITAL EQUIPMENT CORPORATION AND SHALL NOT BE REPRODUCED OR COPIED OR USED IN WHOLE OR IN PART AS THE BASIS FOR THE MANUFACTURE OR SALE OF ITEMS WITHOUT WRITTEN PERMISSION. COPYRIGHT © 1983 BY DIGITAL EQUIPMENT CORPORATION.

REV.	CHG	CHANGE NO.	REV
1		7133-ML006	H

USRA: CHEBERT 2713301.DRW 05-OCT-83 09:36	DATE: 05-OCT-83	ENG.:	DATE:	TITLE:
FIRST USED ON OPTION/MODEL: 11/24	DATE:	CHK'D.:	BOARD LOCATION:	(K1) CLK, STATE DECODE
	SHEET 1 OF 1			
	NEXT HIGHER ASSEMBLY:		SIZE CODE:	NUMBER
	KDF11-UA		K CS	M7133-0-1
			REV.:	H



NOTES:
 1. SPARE POSITION: E109.
 2. WHEN INSERTING Q1 FACE FLAT SIDE TOWARD HANDLE.
 3. W2, W4, W9, W11, W13 ARE NOT INSTALLED.

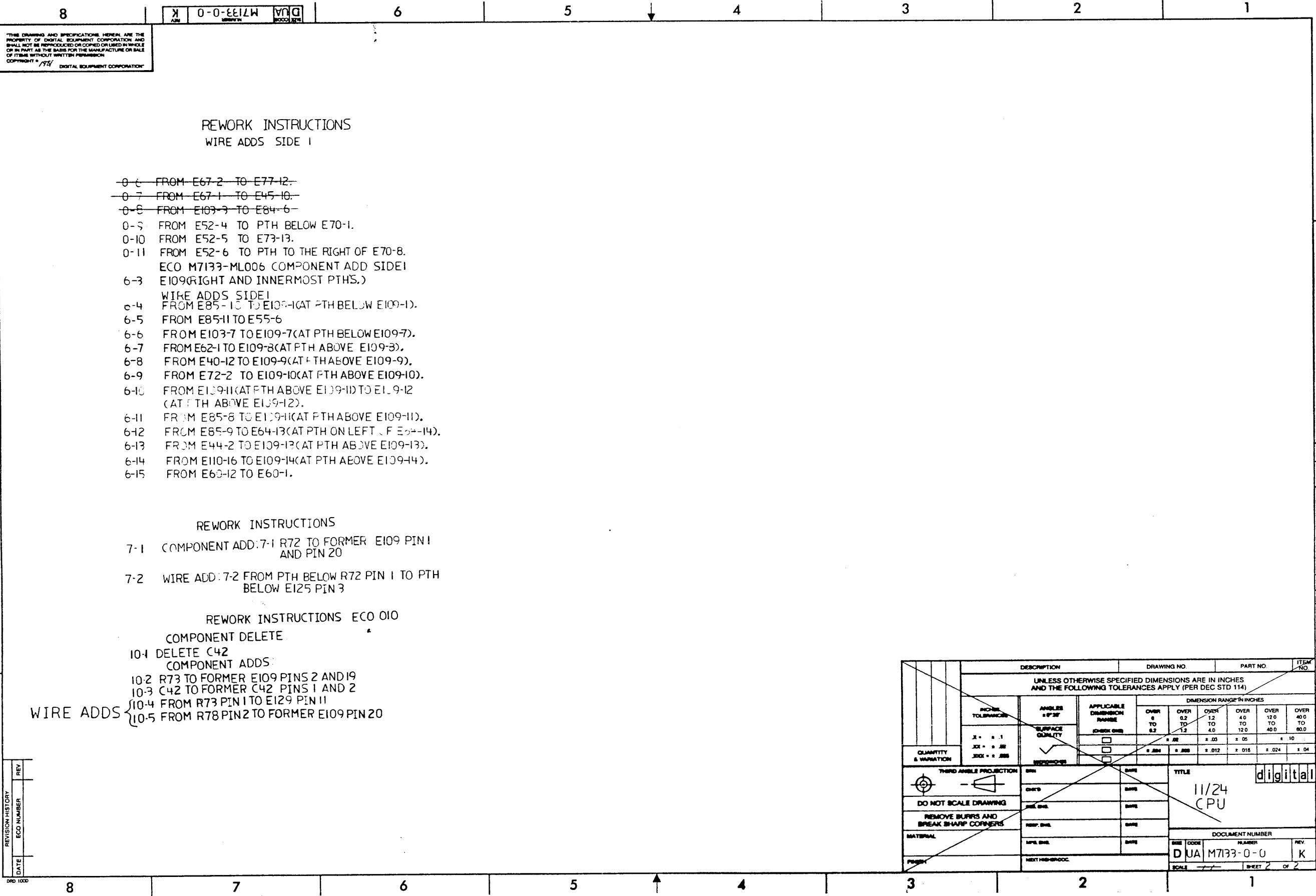
STEP E → Y AXIS — STEP 0 TIMES
 REPEAT → X AXIS — STEP 0 TIMES

CHANGE NO.	REV	DATE	BY	CHKD	APP'D
1	F				
2	H				
3	H				
4	H				
5	H				
6	H				
7	H				
8	H				
9	H				
10	H				

ETCH REV.	DPI
-----------	-----

SIGNATURES	DATE	digital
DRN. A. DEMPSKI	7-11-81	
CHK'D. E. T. GERRY	7-11-81	TITLE 11/24
MECH. ENG.		CFU
PROJ. ENG.		SIZE CODE NUMBER REV
PROD.		d UA M7133-C-0 K
SCALE 2/1		
SHT. 1 OF 2		
NEXT HIGHER ASSY. B-DD-M7133-0		

1 WO# 172469



THIS DRAWING AND SPECIFICATIONS HEREIN ARE THE PROPERTY OF DIGITAL EQUIPMENT CORPORATION AND SHALL NOT BE REPRODUCED OR COPIED OR USED IN WHOLE OR IN PART AS THE BASIS FOR THE MANUFACTURE OR SALE OF ITEMS WITHOUT WRITTEN PERMISSION
 COPYRIGHT © 1974 DIGITAL EQUIPMENT CORPORATION

DJA M7133-0-0

REWORK INSTRUCTIONS
 WIRE ADDS SIDE 1

- ~~0-6 FROM E67-2 TO E77-12.~~
- ~~0-7 FROM E67-1 TO E45-10.~~
- ~~0-8 FROM E103-3 TO E84-6.~~
- 0-9 FROM E52-4 TO PTH BELOW E70-1.
- 0-10 FROM E52-5 TO E73-13.
- 0-11 FROM E52-6 TO PTH TO THE RIGHT OF E70-8.
- ECO M7133-ML006 COMPONENT ADD SIDE 1
- 6-3 E109(RIGHT AND INNERMOST PTHS.)
- WIRE ADDS SIDE 1
- 6-4 FROM E85-10 TO E109-1(AT PTH BELOW E109-1).
- 6-5 FROM E85-11 TO E55-6.
- 6-6 FROM E103-7 TO E109-7(AT PTH BELOW E109-7).
- 6-7 FROM E62-1 TO E109-8(AT PTH ABOVE E109-8).
- 6-8 FROM E40-12 TO E109-9(AT PTH ABOVE E109-9).
- 6-9 FROM E72-2 TO E109-10(AT PTH ABOVE E109-10).
- 6-10 FROM E109-11(AT PTH ABOVE E109-11) TO E109-12 (AT PTH ABOVE E109-12).
- 6-11 FROM E85-8 TO E109-11(AT PTH ABOVE E109-11).
- 6-12 FROM E85-9 TO E64-13(AT PTH ON LEFT OF E64-14).
- 6-13 FROM E44-2 TO E109-13(AT PTH ABOVE E109-13).
- 6-14 FROM E110-16 TO E109-14(AT PTH ABOVE E109-14).
- 6-15 FROM E60-12 TO E60-1.

REWORK INSTRUCTIONS

- 7-1 COMPONENT ADD: 7-1 R72 TO FORMER E109 PIN 1 AND PIN 20
- 7-2 WIRE ADD: 7-2 FROM PTH BELOW R72 PIN 1 TO PTH BELOW E125 PIN 3

REWORK INSTRUCTIONS ECO 010

COMPONENT DELETE:

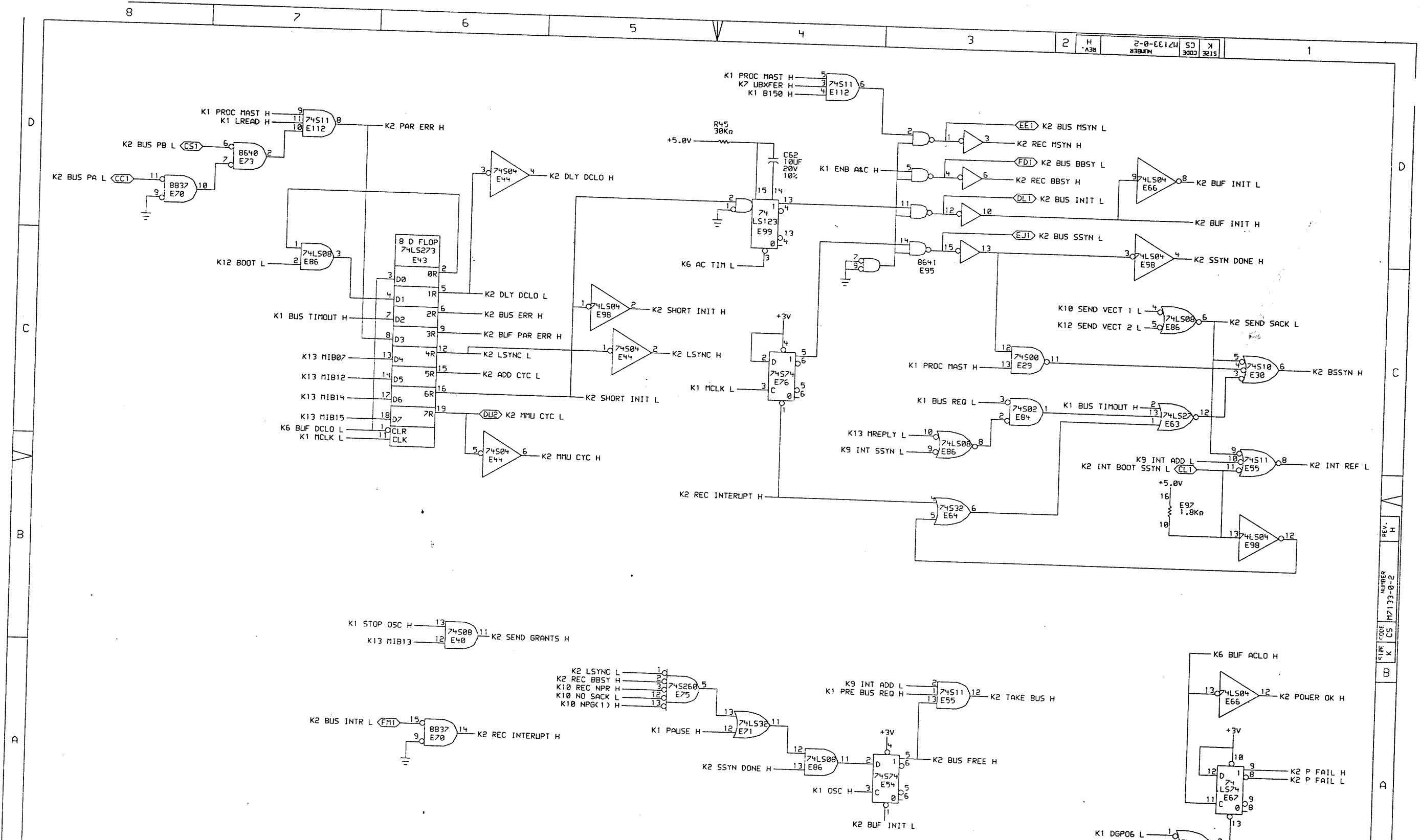
- 10-1 DELETE C42
- COMPONENT ADDS:
- 10-2 R73 TO FORMER E109 PINS 2 AND 19
- 10-3 C42 TO FORMER C42 PINS 1 AND 2
- 10-4 FROM R73 PIN 1 TO E129 PIN 11
- 10-5 FROM R78 PIN 2 TO FORMER E109 PIN 20

WIRE ADDS

REV	
ECO NUMBER	
DATE	

DESCRIPTION	DRAWING NO.	PART NO.	ITEM NO.					
UNLESS OTHERWISE SPECIFIED DIMENSIONS ARE IN INCHES AND THE FOLLOWING TOLERANCES APPLY (PER DEC STD 114)								
INCH TOLERANCES	ANGLES ± 30'	APPLICABLE DIMENSION RANGE	DIMENSION RANGE IN INCHES					
			OVER 0 TO 0.2	OVER 0.2 TO 1.2	OVER 1.2 TO 4.0	OVER 4.0 TO 12.0	OVER 12.0 TO 40.0	OVER 40.0 TO 60.0
± .01	± .05	CHECK ONE	± .004	± .008	± .012	± .016	± .024	± .04
QUANTITY & VARIATION	THIRD ANGLE PROJECTION	DATE	DATE	TITLE	digital			
	DO NOT SCALE DRAWING	DATE	DATE	11/24	CPU			
	REMOVE BURRS AND BREAK SHARP CORNERS	DATE	DATE					
MATERIAL	DATE	DATE	DATE	DOCUMENT NUMBER				
	DATE	DATE	DATE	DJA	M7133-0-0		K	
PREP	NEXT HSB-800C			SCALE	SHEET 2	OF 2		

DJA M7133-0-0



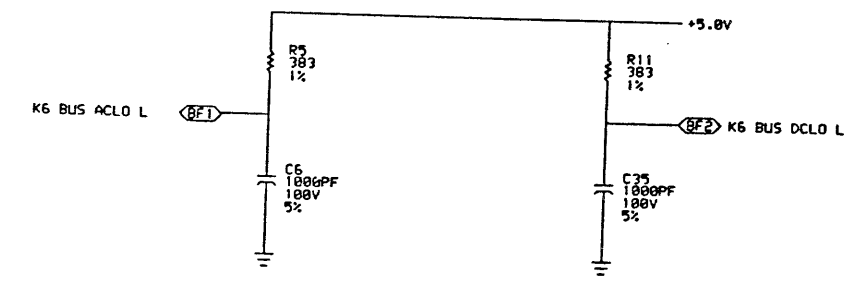
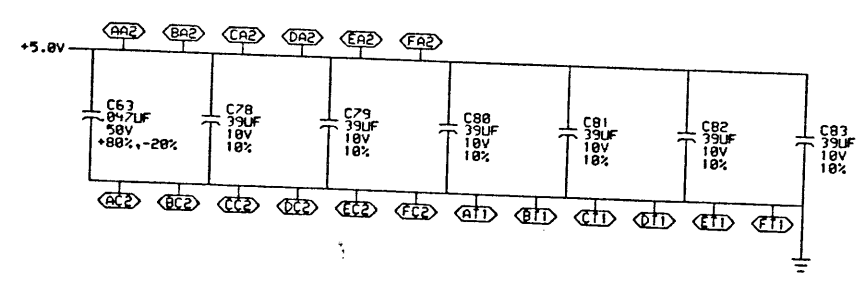
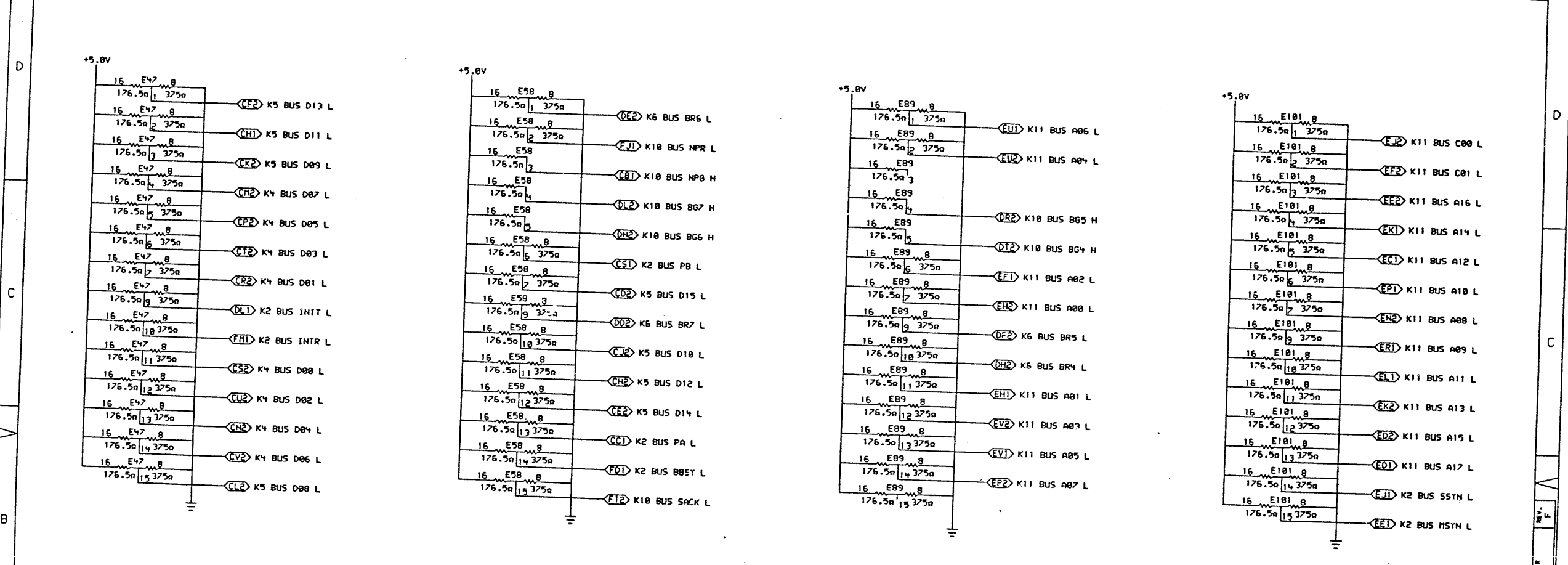
THIS DRAWING AND SPECIFICATIONS HEREIN ARE THE PROPERTY OF DIGITAL EQUIPMENT CORPORATION AND SHALL NOT BE REPRODUCED OR COPIED OR USED IN WHOLE OR IN PART AS THE BASIS FOR THE MANUFACTURE OR SALE OF ITEMS WITHOUT WRITTEN PERMISSION. COPYRIGHT © 1983, DIGITAL EQUIPMENT CORPORATION.

CHK	CHANGE NO.	REV

REVISIONS		
CHK	CHANGE NO.	REV

digital	DATE: 18-JUL-83	ENG.	DATE	TITLE: (K2) BUS CTL
USRA:CHEBERT>713302.DRW	18-JUL-83 10:30	CHK'D.	BOARD LOCATION:	
FIRST USED ON OPTION/MODEL: 11/24	NEXT HIGHER ASSEMBLY: KDF11-UA		SHEET 1 OF 1	
		SIZE CODE: K CS	NUMBER: M7133-0-2	REV. H

REV. H
NUMBER M7133-0-2
SIZE CODE K CS

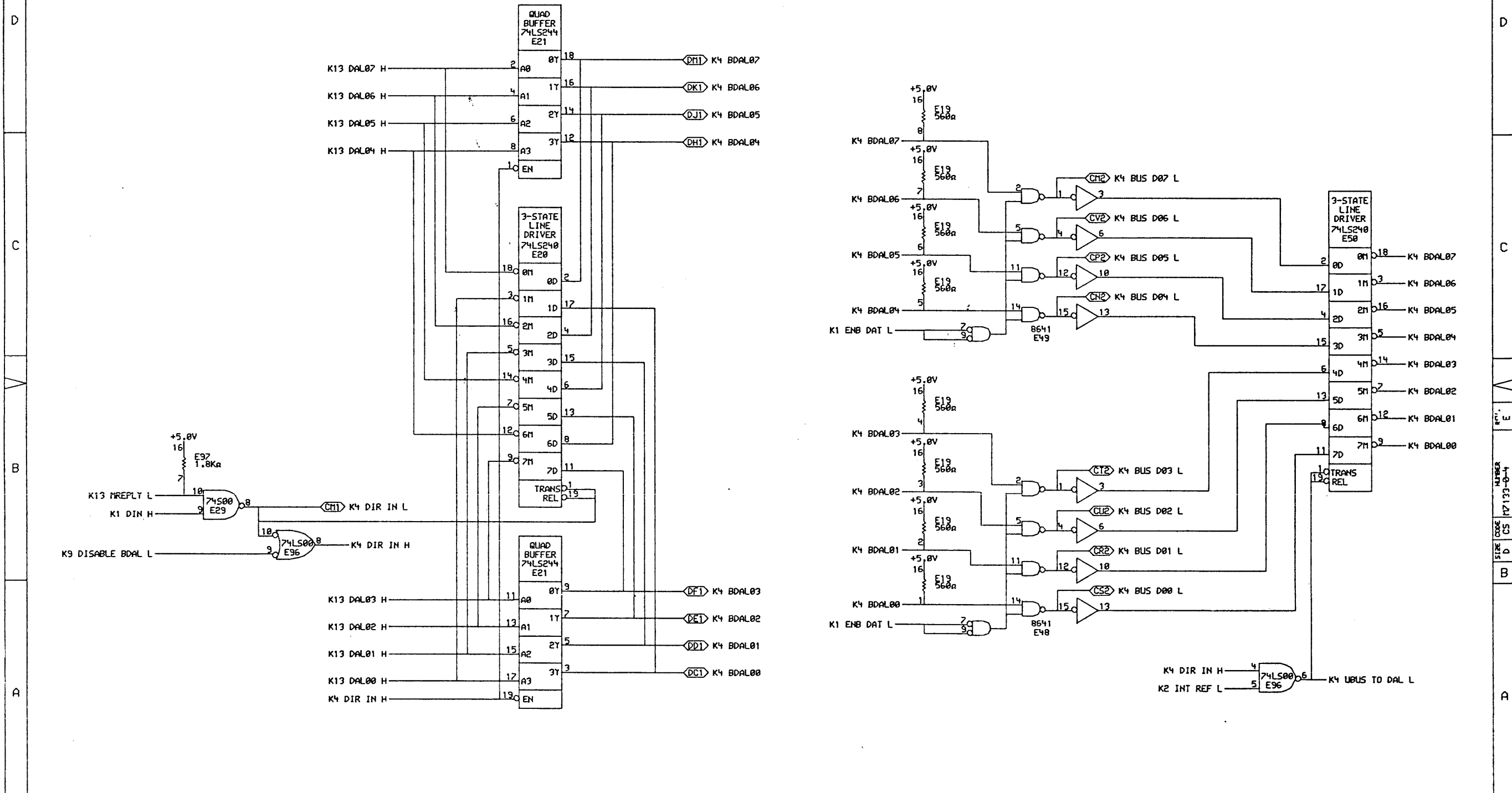


THIS DRAWING AND SPECIFICATIONS ARE THE PROPERTY OF DIGITAL EQUIPMENT CORPORATION AND SHALL NOT BE REPRODUCED OR COPIED FOR USE IN WHOLE OR IN PART OR THE BASIS FOR THE MANUFACTURE OR SALE OF ITEMS WITHOUT WRITTEN PERMISSION. COPYRIGHT © 1984 DIGITAL EQUIPMENT CORPORATION.

REVISIONS	
CHK	CHANGE NO. REV

digital DATE: 12-28-84 DATE: JUN-84 09:11 FIRST USED ON OPTION MODEL: 11/24	ENG. DATE: 12-28-84 BOARD LOCATION: SHEET 1 OF 1 NEXT HIGHER ASSEMBLY: KDF11-UJA	TITLE: (K3) BUS TERM SIZE CODE: K CS M7133-0-3 NUMBER: 1 REV. F
---	--	--

REV. F
 FILE CODE NUMBER
 K CS M7133-0-3
 B A



REVISIONS	CHK CHANGE NO.	REV	CHK CHANGE NO.	REV
1	1	1	1	1
2	2	2	2	2
3	3	3	3	3

CHK CHANGE NO.	REV	CHK CHANGE NO.	REV
1	1	1	1
2	2	2	2
3	3	3	3

digital

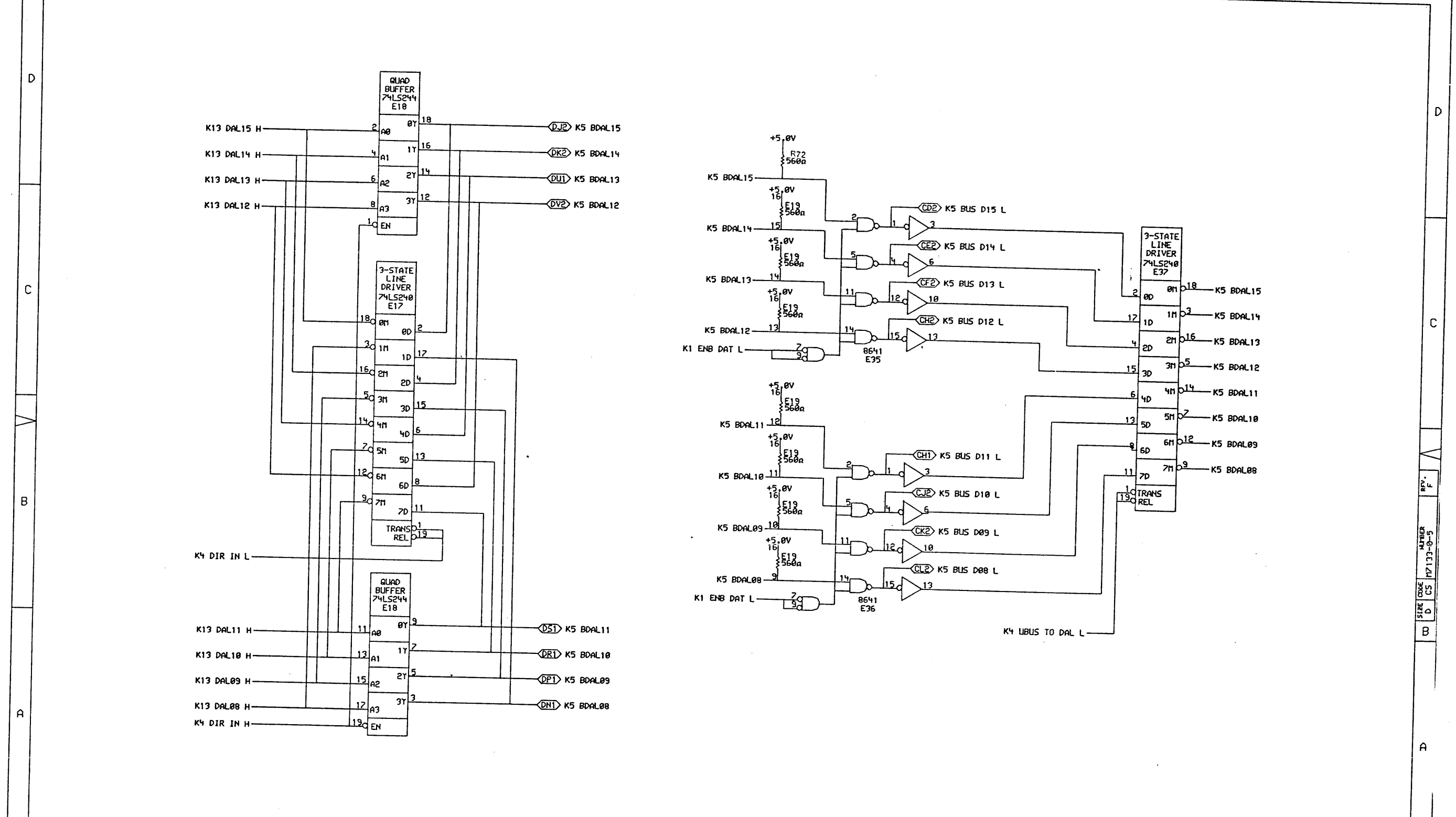
DATE: 10-10-81
 DATE: 12-10-81
 DATE: 11-24-81

ENG: [Signature]
 DATE: [Signature]
 DATE: [Signature]

TITLE: (K4) DAL-BDAL-DBUS

SIZE: D
 CODE: CS
 NUMBER: M7133-0-4
 REV: E

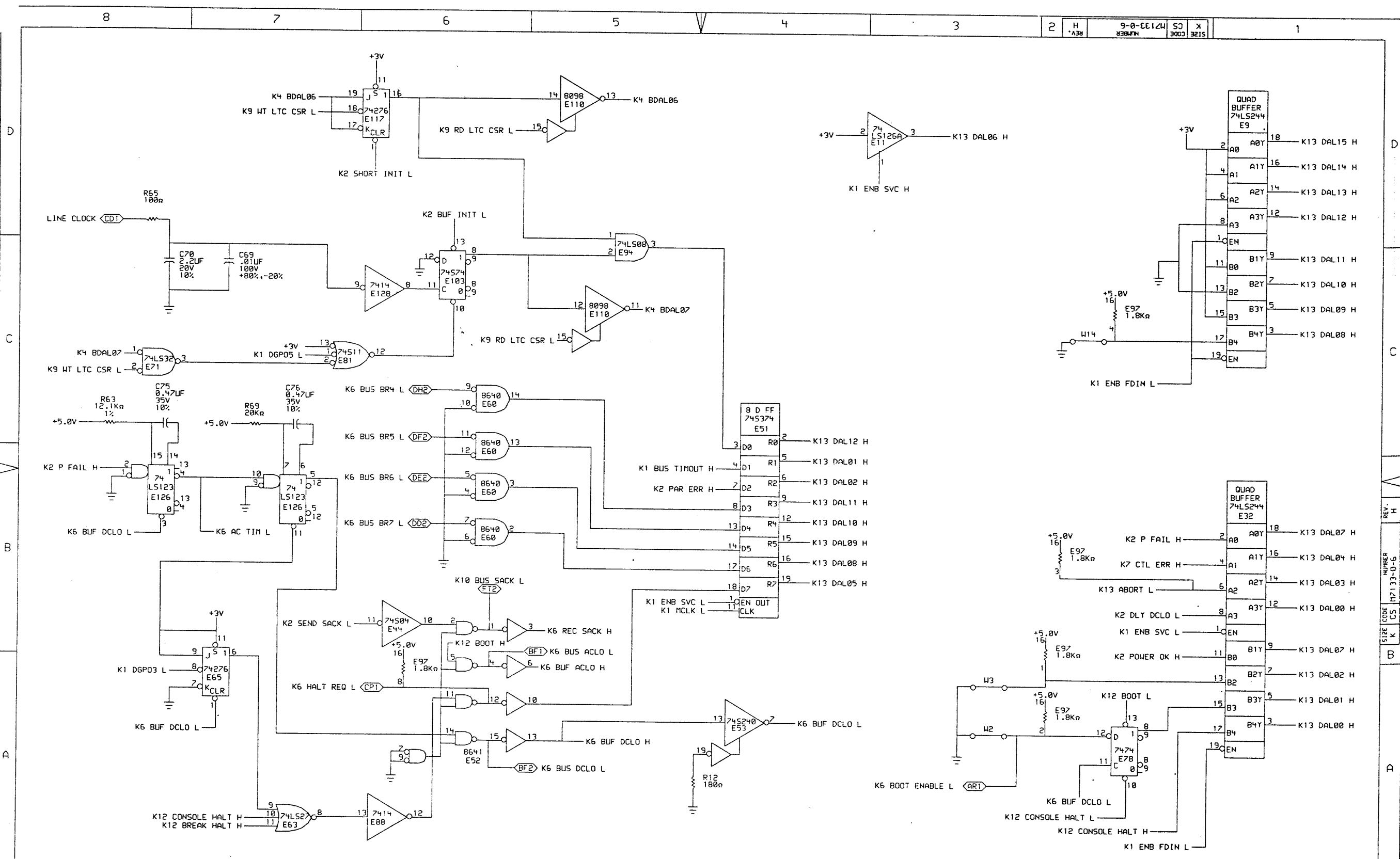
FIRST USED ON OPTION/MODEL: 11/24
 NEXT HIGHER ASSEMBLY: KDF11-UA



REVISIONS			CHK	CHANGE NO.	REV	CHK	CHANGE NO.	REV	CHK	CHANGE NO.	REV
			M7133-TW02	D		M7133-TW03	E		M7133-MLOC7	F	
			R. GRUDA			B. GRUDA			C. GIROUAF		

digital	DATE	ENG	DATE	TITLE
	10-MAR-81	J. J...	10-MAR-81	(K5) DAL-BDAL-DBUS
	DATE	BOARD LOCATION	DATE	
	11/24		11/24	
	FIRST USED ON OPTION/MODEL		NEXT HIGHER ASSEMBLY	
	11/24		KDF11-UA	

SIZE	CODE	NUMBER	REV.
D	CS	M7133-0-5	F



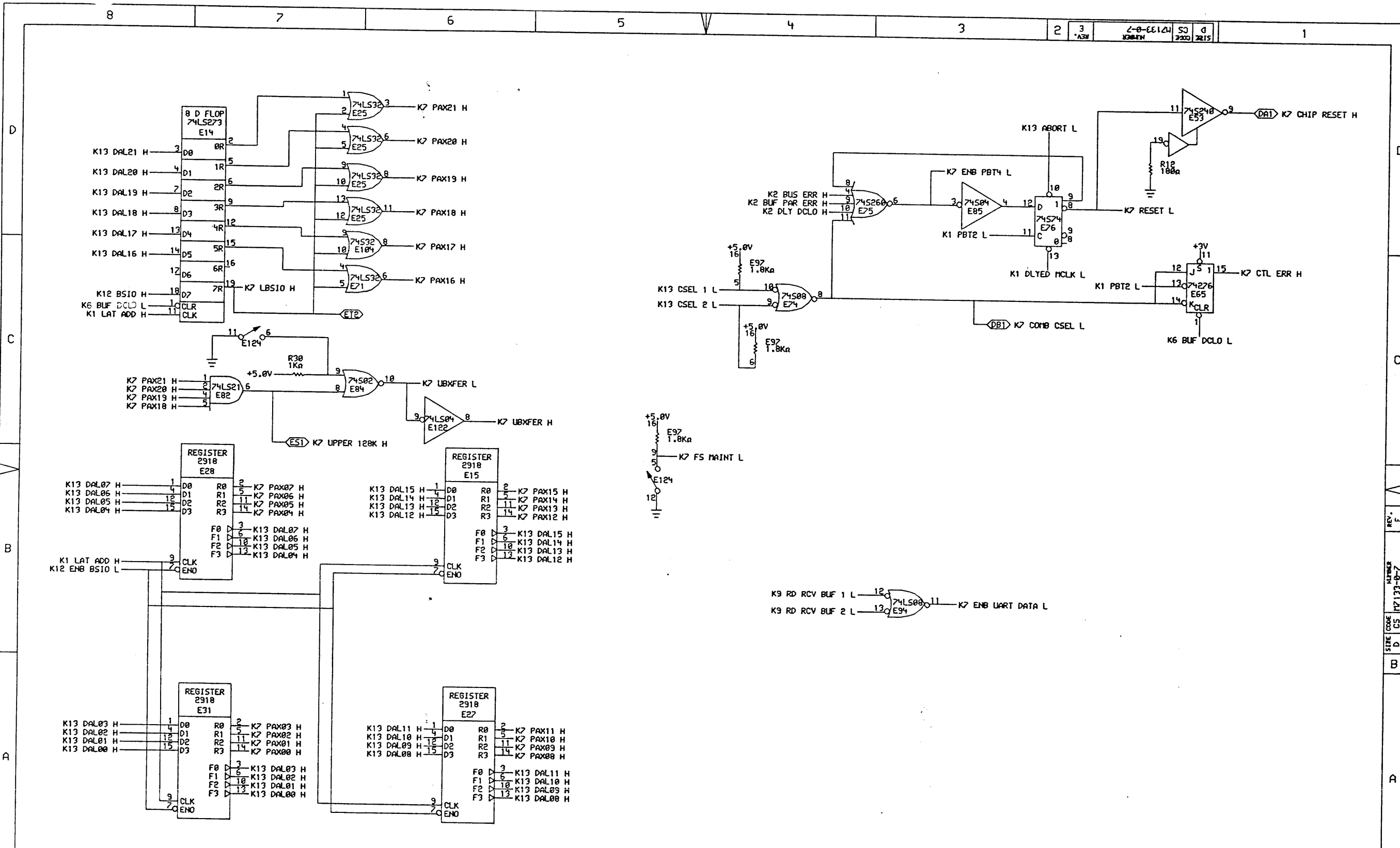
THIS DRAWING AND SPECIFICATIONS HEREIN ARE THE PROPERTY OF DIGITAL EQUIPMENT CORPORATION AND SHALL NOT BE REPRODUCED OR COPIED OR USED IN WHOLE OR IN PART AS THE BASIS FOR THE MANUFACTURE OR SALE OF ITEMS WITHOUT WRITTEN PERMISSION. COPYRIGHT © 1983, DIGITAL EQUIPMENT CORPORATION.

CHK	CHANGE NO.	REV

USRA: <HEBERT> 713306.DRW	18-JUL-83 10:40	NEXT HIGHER ASSEMBLY:	SIZE	CODE	NUMBER	REV.
FIRST USED ON OPTION/MODEL:	11/24	KDF11-UA	K	CS	M7133-0-6	H

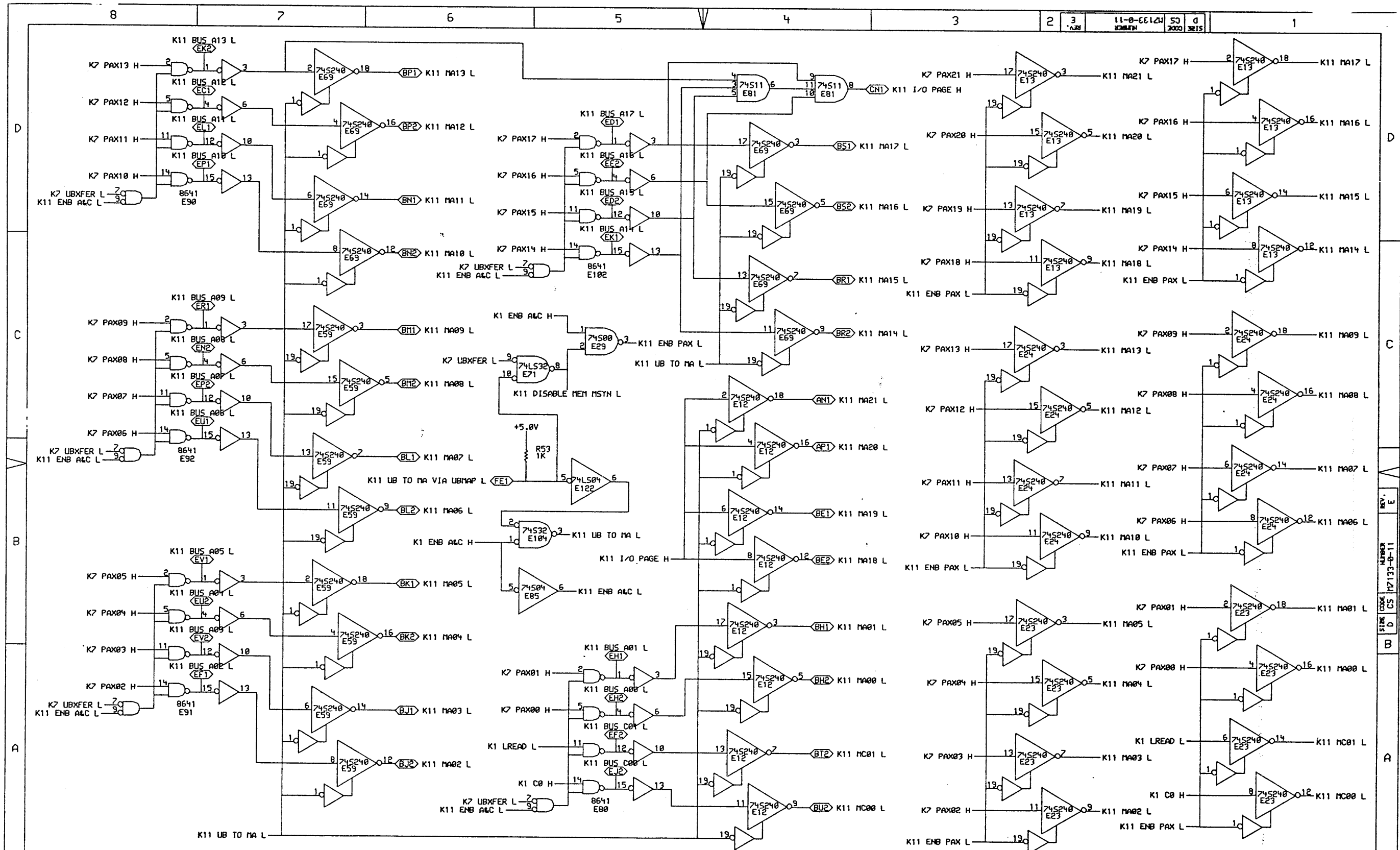
(K6)
FIXED DIN, SVC

REV. H
NUMBER
M7133-0-6
SIZE CODE CS
K



THIS DRAWING AND SPECIFICATIONS ARE THE PROPERTY OF DIGITAL EQUIPMENT CORPORATION AND SHALL NOT BE REPRODUCED OR COPIED OR USED IN WHOLE OR IN PART AS THE BASIS FOR THE MANUFACTURE OR SALE OF ITEMS WITHOUT WRITTEN PERMISSION. COPYRIGHT © 1981 DIGITAL EQUIPMENT CORPORATION.		REVISIONS CHK CHANGE NO. REV M713-TW001 C REVISED AND REUPAHH	CHK CHANGE NO. REV M713-TW002 I R. GRUDA	CHK CHANGE NO. REV M7133-TW003 E R. GRUDA	digital 166-6004-123302 DRW 110-MAR-81 09122 NEXT HIGHER ASSEMBLY FIRST USED ON OPTION MODEL: 11/24	DATE 10-MAR-81 ENG. <i>Ang. Zundl</i> DATE 10-MAR-81 BOARD LOCATION: 110-3001 (SHEET 1 OF 1) KDF11-UA	TITLE: (K7) PAX NUMBER: MZ133-0-7 REV. E	SIZE CODE D CS TU 1
---	--	---	--	---	---	---	--	------------------------

REV. E
 SIZE CODE CS MZ133-0-7
 NUMBER
 TU 1



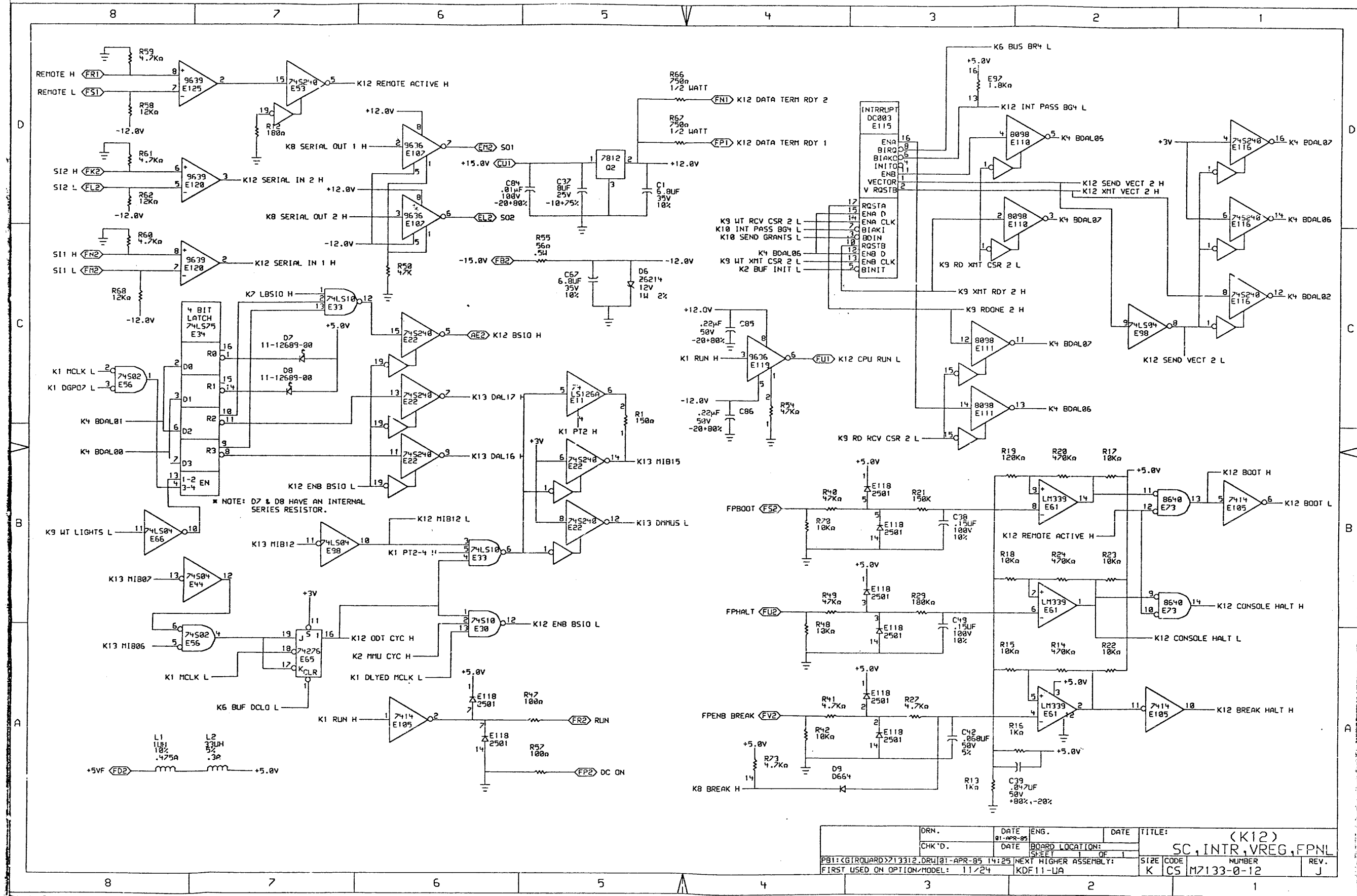
THIS DRAWING AND SPECIFICATIONS ARE THE PROPERTY OF DIGITAL EQUIPMENT CORPORATION AND SHALL NOT BE REPRODUCED OR COPIED OR USED IN WHOLE OR IN PART AS THE BASIS FOR THE MANUFACTURE OR SALE OF ITEMS WITHOUT WRITTEN PERMISSION. COPYRIGHT © 1981 DIGITAL EQUIPMENT CORPORATION

REVISIONS		CHK	CHANGE NO.	REV	CHK	CHANGE NO.	REV	CHK	CHANGE NO.	REV

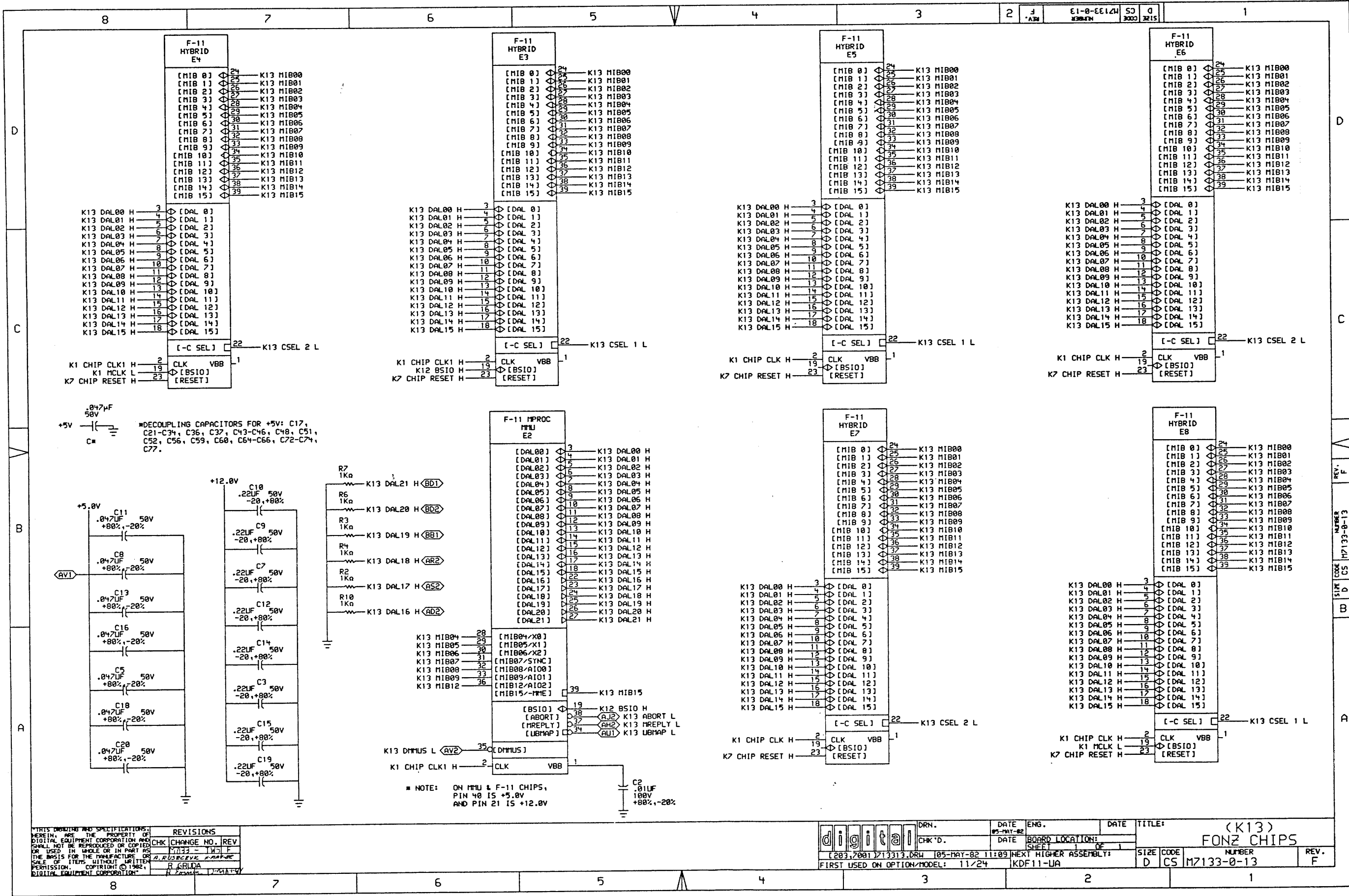
CHK	CHANGE NO.	REV	CHK	CHANGE NO.	REV

	DATE ENG. 11-24-81 DATE BOARD LOCATION 12-01-81 DATE SHEET 12-01-81	DATE TITLE: (K11) ADDR LINES
	FIRST USED ON OPTION MODEL: 11/24	NEXT HIGHER ASSEMBLY: KDF11-1A
SIZE CODE D C5 M7133-0-11	NUMBER REV. E	TW

REV. 3
 NUMBER 11
 CODE M7133-0-11
 SIZE D
 CS



DRN.	DATE	ENG.	DATE	TITLE:	(K12)
CHK'D.	01-APR-85			SC, INTR, VREG, FPNL	
PBI:CGIROUARD>213312.DRW 01-APR-85 14:25				NEXT HIGHER ASSEMBLY:	SIZE
FIRST USED ON OPTION/MODEL: 11/24				KDF11-UA	CODE
					NUMBER
					M7133-0-12
					REV.
					J



REVISIONS

CHK	CHANGE NO.	REV
	1	1

digital	DRN.	DATE	ENG.	DATE	TITLE:			
	CHK'D.	DATE	BOARD LOCATION:	SHEET	OF			
FIRST USED ON OPTION/MODEL: 11/24					SIZE	CODE	NUMBER	REV.
					D	CS	M7133-0-13	F

(K13)
FONZ CHIPS

BAUD RATES

THERE ARE TWO SIMULTANEOUS BAUD RATES AVAILABLE.
 BAUD RATE 1 IS SELECTED USING SWITCHES 5,6,7, & 8 OF E135.
 BAUD RATE 2 IS SELECTED USING SWITCHES 1,2,3, & 4 OF E135.
 BOTH ARE ACCORDING TO THE SWITCH SETTING PATTERN SHOWN BELOW.

		SWITCH E135				
		5	6	7	8	
BAUD RATE 1 (KB BR1)		5	6	7	8	
BAUD RATE 2 (KB BR2)		1	2	3	4	
BAUD RATES:		50	ON	ON	ON	ON
		75	ON	ON	ON	OFF
		110	ON	ON	OFF	ON
		134.5	ON	ON	OFF	OFF
		150	ON	OFF	ON	ON
		200	ON	OFF	ON	OFF
		300	ON	OFF	OFF	ON
		600	ON	OFF	OFF	OFF
		1200	OFF	ON	ON	ON
		1800	OFF	ON	ON	OFF
		2000	OFF	ON	OFF	ON
		2400	OFF	ON	OFF	OFF
		3600	OFF	OFF	ON	ON
		4800	OFF	OFF	ON	OFF
		9600	OFF	OFF	OFF	ON
		19200	OFF	OFF	OFF	OFF

(IF REMOTE ACTIVE H IS ASSERTED, THEN 19200 IS ANY SETTING.)

SLU 1/SLU 2 BAUD RATE SELECTION

SLU 1

		SWITCH E124			
		1	2	3	4
XMIT RATE (KB XMIT CLK 1)					
BAUD RATE 1		OFF	ON	---	---
BAUD RATE 2		ON	OFF	---	---
RCVR RATE (KB RCVR CLK 1)					
BAUD RATE 1		---	---	ON	OFF
BAUD RATE 2		---	---	OFF	ON

SLU 2

		JUMPERS					
		W4	W9	W10	W11	W12	W13
XMIT RATE (KB XMIT CLK 2)							
BAUD RATE 1		---	---	OUT	IN	---	OUT
BAUD RATE 2		---	---	IN	OUT	---	OUT
19.2K BAUD		---	---	OUT	OUT	---	IN
RCVR RATE (KB RCVR CLK 2)							
BAUD RATE 1		OUT	IN	---	---	OUT	---
BAUD RATE 2		OUT	OUT	---	---	IN	---
19.2K BAUD		IN	OUT	---	---	OUT	---

ODD/EVEN PARITY; STOP BITS

	SLU 1		SLU 2	
	W5	W6	W7	W8
ODD PARITY	---	IN	---	IN
EVEN PARITY	---	OUT	---	OUT
PARITY ENABLED	IN	---	IN	---
PARITY DISABLED	OUT	---	OUT	---
	W1			
ONE STOP BIT	IN			
TWO STOP BIT	OUT			

(REMOTE ACTIVE H DEFAULTS TO ONE STOP BIT)

NOTE: IF M9312 IS PRESENT, M9312 S1-2 MUST BE OFF.

CLOCK SETUP PROCEDURE

1. PUT PROBE ON K1 MCLK L AT PIN B82
2. PUT MACHINE IN WAIT LOOP.
3. ADJUST POTENTIOMETER R31 WITH SCREWDRIIVER UNTIL K1 MCLK L HAS A PERIOD OF 300ns.

SWITCH				
E124	5	ON	ENABLE FIELD SERVICE MAINT L	
		OFF	NO FS MAINT	
E124	6	ON	NO EFFECT ON UBXFER	
		OFF	FORCES UBXFER L	

	JUMPERS
POWER UP TO:	W14
165000	IN
173000	OUT
	W3
ALLOW HALTS	IN
KERNEL HALT TRAPS TO 10	OUT
	W2
BOOT ON POWER UP	IN
POWER UP VIA 24	OUT

THIS DRAWING AND SPECIFICATIONS ARE THE PROPERTY OF DIGITAL EQUIPMENT CORPORATION AND SHALL NOT BE REPRODUCED OR COPIED OR USED IN WHOLE OR IN PART FOR THE BASIS FOR THE MANUFACTURE OR SALE OF ITEMS WITHOUT WRITTEN PERMISSION. COPYRIGHT © 1981 DIGITAL EQUIPMENT CORPORATION.		REVISIONS CHK CHANGE NO. REV 117133-TW021 D M7133-TW003 E	CHK CHANGE NO. REV 117133-TW021 D M7133-TW003 E	DATE 12-1982 ENG. Steve Jevick DATE 12-1982 BOARD LOCATION: 1 OF 1 NEXT HIGHER ASSEMBLY: KDF11-UA	TITLE: (K14) SW, JMPR, CLK SETTINGS	SIZE CODE D CS NUMBER M7133-0-14 REV. E
--	--	--	---	---	-------------------------------------	---

D
C
B
A

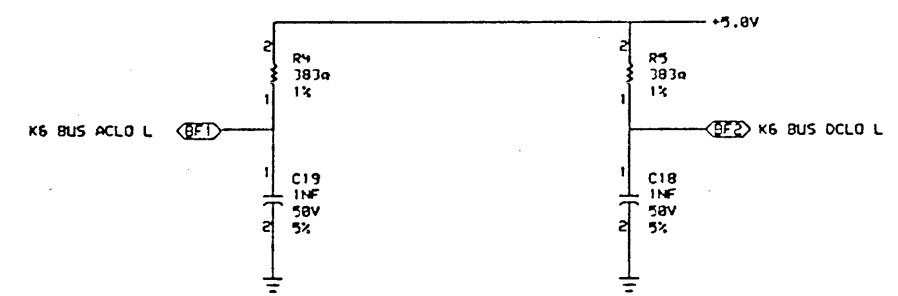
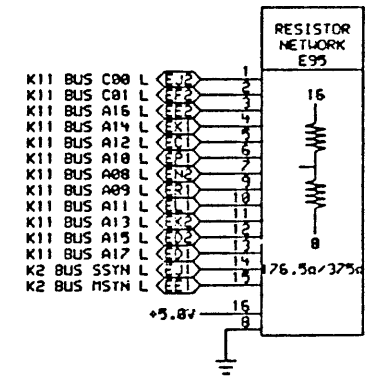
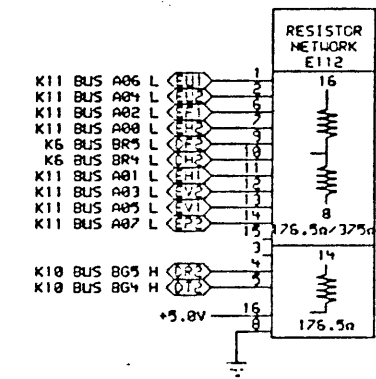
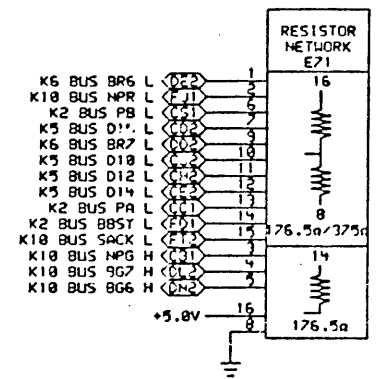
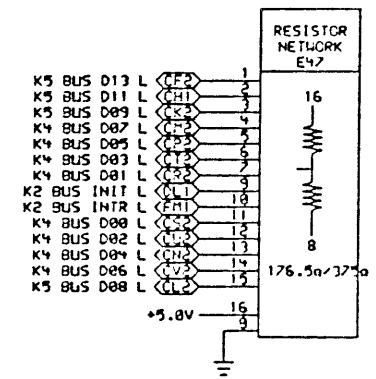
D
C
B
A

D

C

B

A

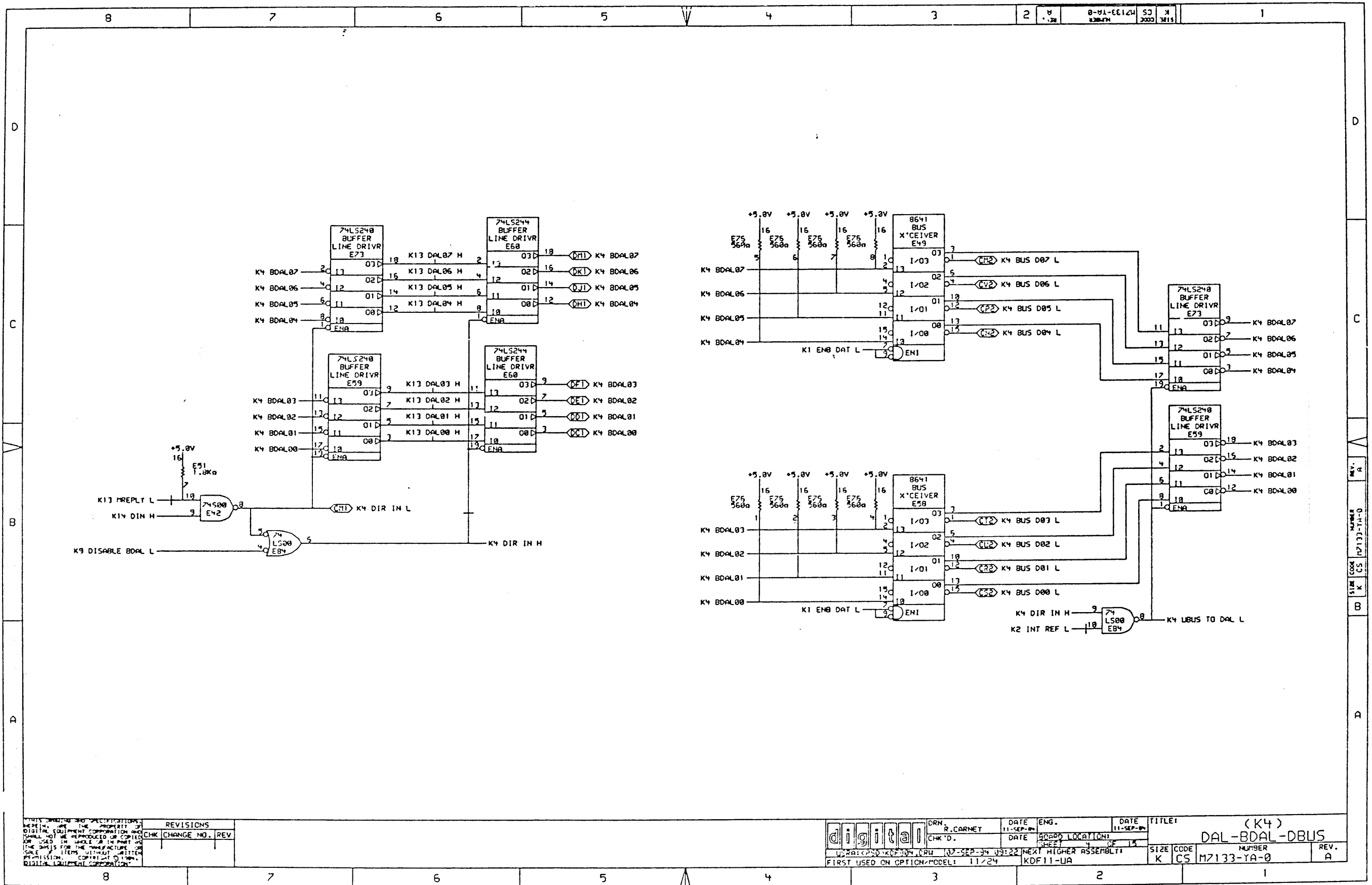


THIS DRAWING AND SPECIFICATIONS HERETHIN ARE THE PROPERTY OF DIGITAL EQUIPMENT CORPORATION AND SHALL NOT BE REPRODUCED OR COPIED OR USED IN WHOLE OR IN PART AS THE BASIS FOR THE MANUFACTURE OR SALE OF ITEMS WITHOUT WRITTEN PERMISSION. COPYRIGHT © 1974 DIGITAL EQUIPMENT CORPORATION.

REVISIONS	
CHK	CHANGE NO. REV

digital	DRN	R. CARNEY	DATE	11-SEP-84	ENG.		DATE	11-SEP-84	TITLE	(K3)
	CHK'D.		DATE				DATE		BUS TERM	
FIRST USED ON OPTION/MODEL:		11/24	NEXT HIGHER ASSEMBLY:		KDF11-UA	SIZE	CODE	NUMBER	REV.	
						K	CS	M7133-TA-0	A	

REV. A
NUMBER M7133-TA-0
SIZE CODE K CS

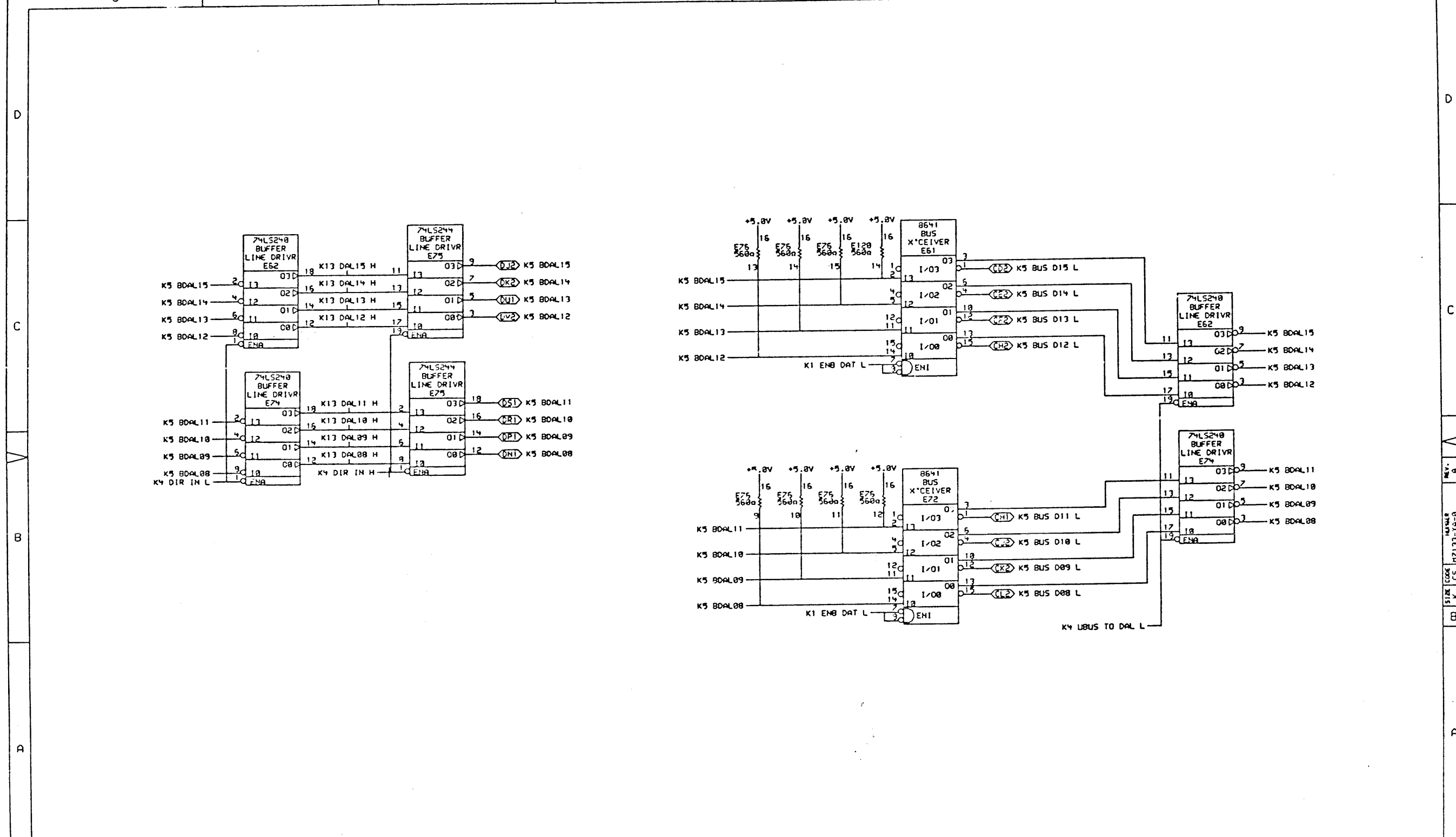


THIS DRAWING AND SPECIFICATIONS
HEREIN ARE THE PROPERTY OF
DIGITAL EQUIPMENT CORPORATION AND
SHALL NOT BE REPRODUCED OR COPIED
FOR USE IN ANY MANNER OR IN PART
THEREOF WITHOUT THE WRITTEN
PERMISSION OF DIGITAL EQUIPMENT
CORPORATION.

REVISIONS		
CHK	CHANGE NO.	REV

	DRN. R. CARNEY	DATE 11-SEP-80	ENG.	DATE 11-SEP-80	TITLE: (K4) DAL-BDAL-DBUS
	CHK'D.	DATE 02-SEP-80	DRN. LOCATION: 4 OF 13	SHEET	NUMBER
UPR: CPSD-KCF-04, DRN (2-SEP-80) 09:22 NEXT HIGHER ASSEMBLY: KDF11-UA					SIZE CODE K C5 M7133-TA-0 FIRST USED ON OPTION MODEL: 11/24

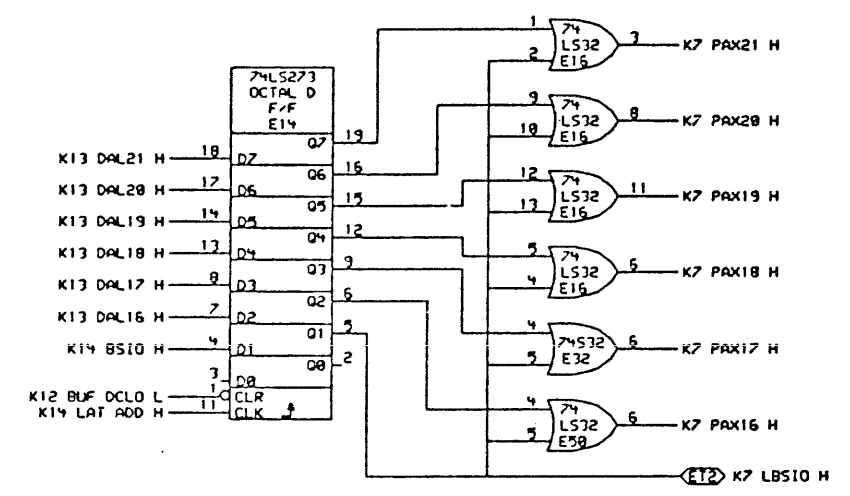
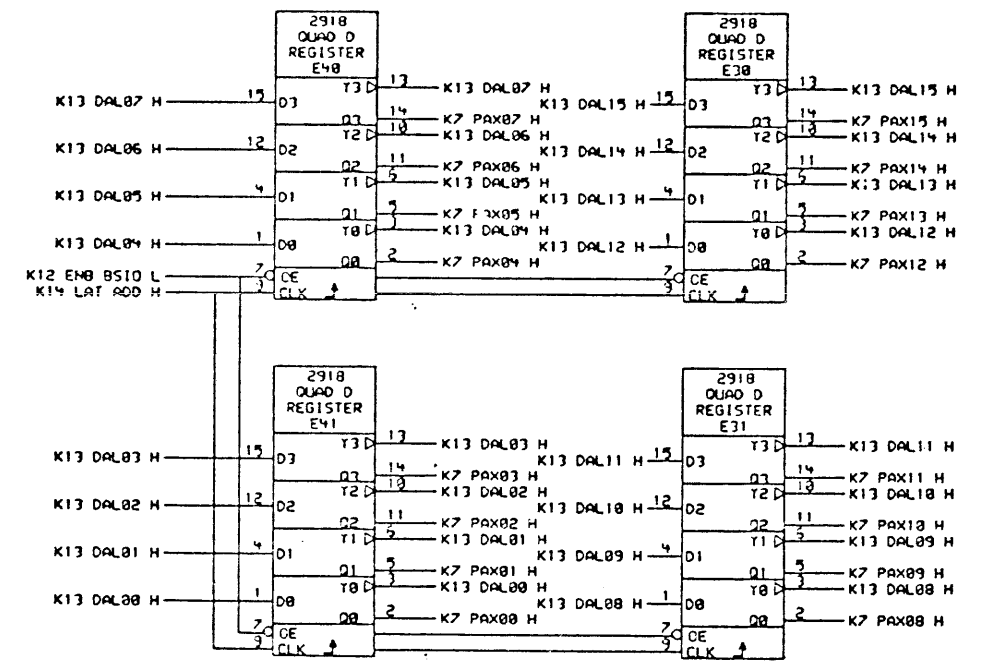
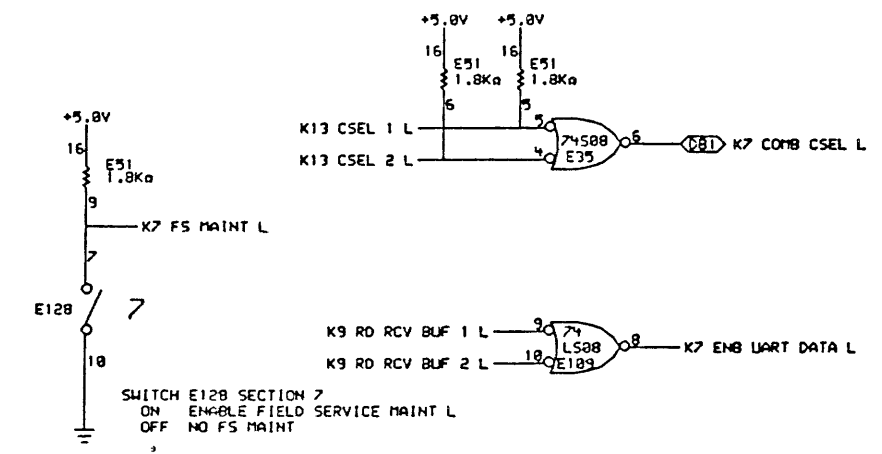
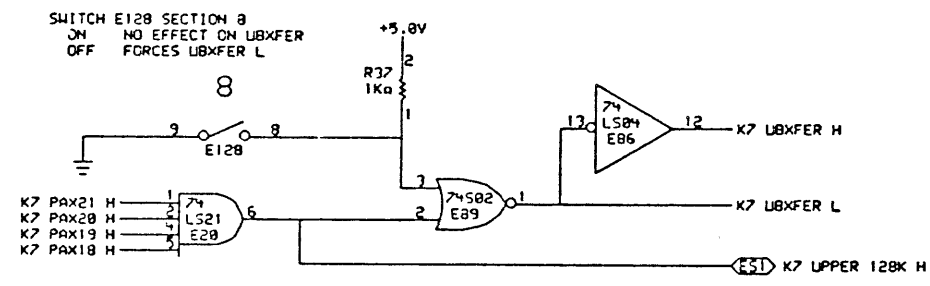
REV. A
M7133-TA-0
CS
K



THIS DRAWING AND SPECIFICATIONS ARE THE PROPERTY OF DIGITAL EQUIPMENT CORPORATION AND SHALL NOT BE REPRODUCED OR COPIED OR USED IN WHOLE OR IN PART ON THE BASIS FOR THE MANUFACTURE OR SALE OF ITEMS WITHOUT WRITTEN PERMISSION. CONTACT DIT/ENR, BOSTON, MASSACHUSETTS.

REVISIONS
CHK CHANGE NO. REV

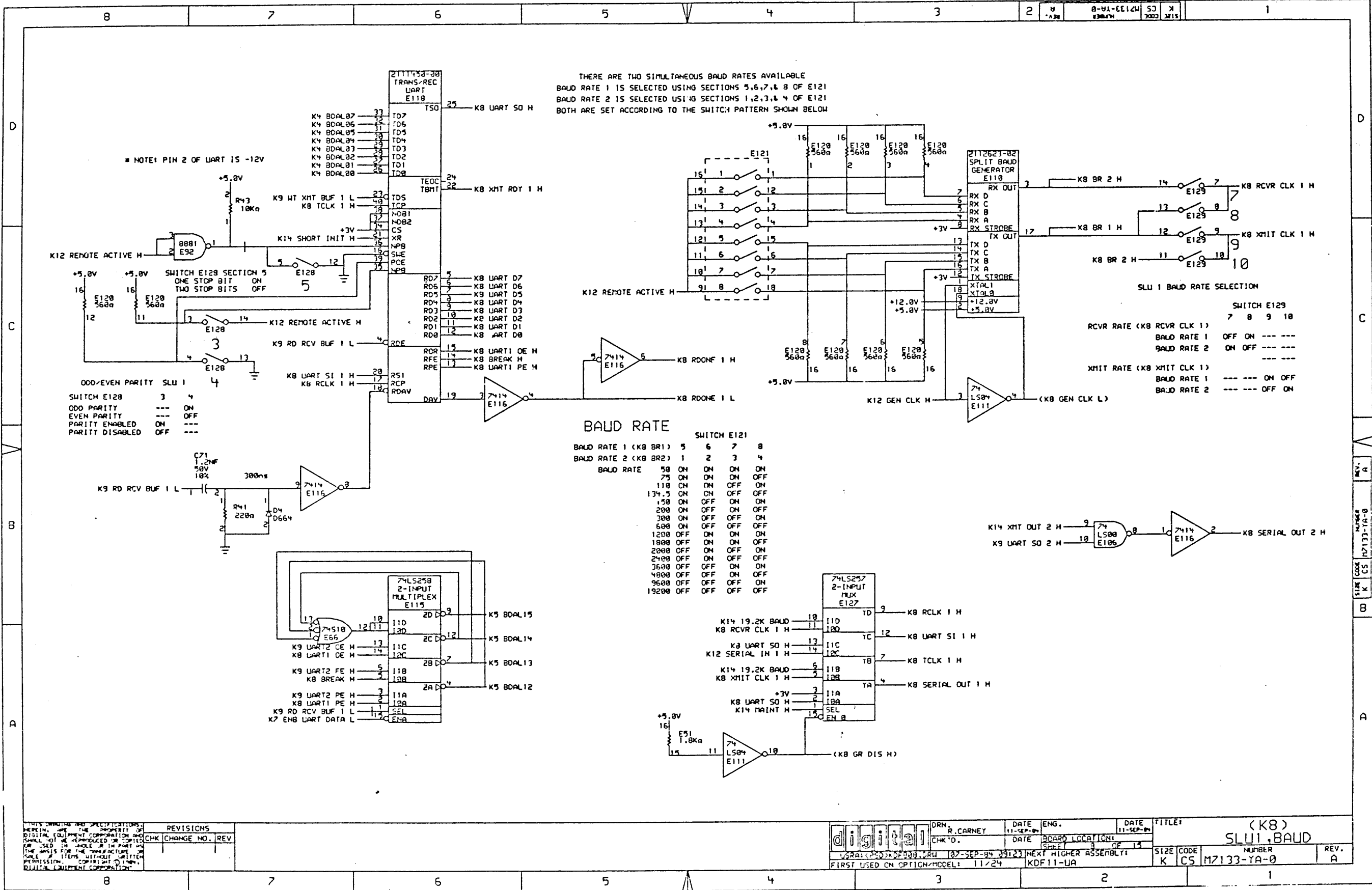
digital	DRN. R. CARNEY	DATE 11-SEP-84	ENG.	DATE 11-SEP-84	TITLE: (K5) DAL-8DAL-DBUS
	CHK'D.	DATE 10-SEP-84	BOARD LOCATION: SHEET 4 OF 15	NEXT HIGHER ASSEMBLY: KOF11-UA	SIZE CODE K CS
FIRST USED ON OPT10N/PCDEL 11/24					NUMBER M7133-TA-0
					REV. A



THIS DRAWING AND SPECIFICATIONS ARE THE PROPERTY OF DIGITAL EQUIPMENT CORPORATION AND SHALL NOT BE REPRODUCED OR COPIED OR USED IN WHOLE OR IN PART OR FOR ANY PURPOSE WITHOUT THE WRITTEN PERMISSION OF DIGITAL EQUIPMENT CORPORATION.

REVISIONS		
CHK	CHANGE NO.	REV

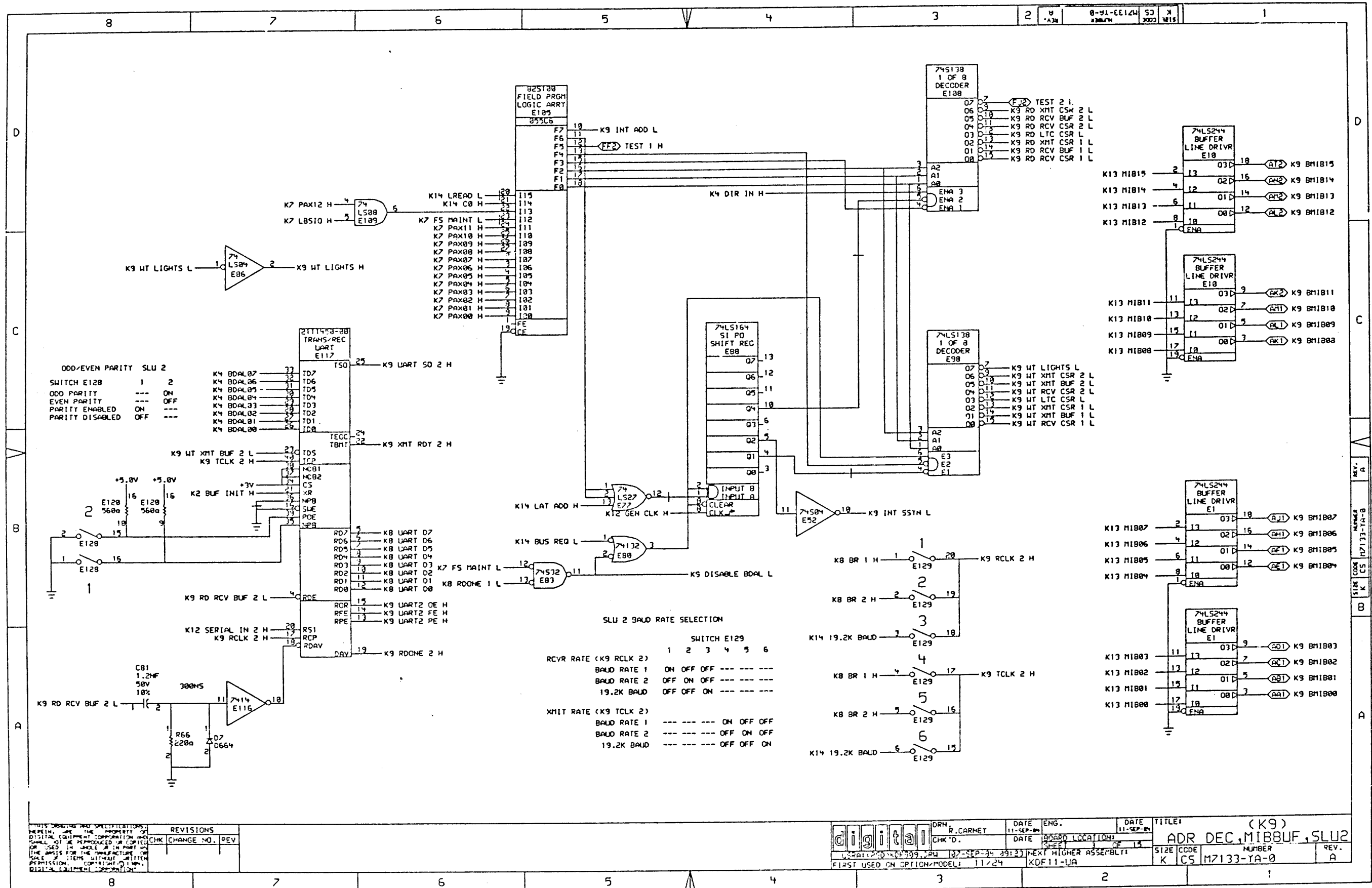
digital	DRN	R. CARNEY	DATE	11-SEP-84	ENG.		DATE	11-SEP-84	TITLE:	(K7)
	CHK'D.		DATE		BOARD LOCATION		DATE		PAX	
FIRST USED ON OPTION/MODEL: 11/24										
SIZE	CODE	NUMBER	REV.							
K	CS	M7133-YA-0	A							



THIS DRAWING AND SPECIFICATIONS
 HEREIN ARE THE PROPERTY OF
 DIGITAL EQUIPMENT CORPORATION AND
 SHALL NOT BE REPRODUCED OR COPIED
 OR USED IN ANY MANNER OR FOR ANY
 PURPOSES WITHOUT THE WRITTEN
 PERMISSION OF DIGITAL EQUIPMENT CORPORATION.

REVISIONS	CHK	CHANGE NO.	REV

digital	DRN.	R. CARNEY	DATE	11-SEP-84	ENG.		DATE	11-SEP-84	TITLE	(K8)
	CHK'D.		DATE		BOARD LOCATION		SHEET	3	OF	15
FIRST USED ON OPTION/MODEL: 11/24										
SIZE	CODE	NUMBER	REV.							
K	CS	M7133-YA-0	A							



ODD/EVEN PARITY SLU 2
 SWITCH E128 1 2
 ODD PARITY --- ON
 EVEN PARITY --- OFF
 PARITY ENABLED ON ---
 PARITY DISABLED OFF ---

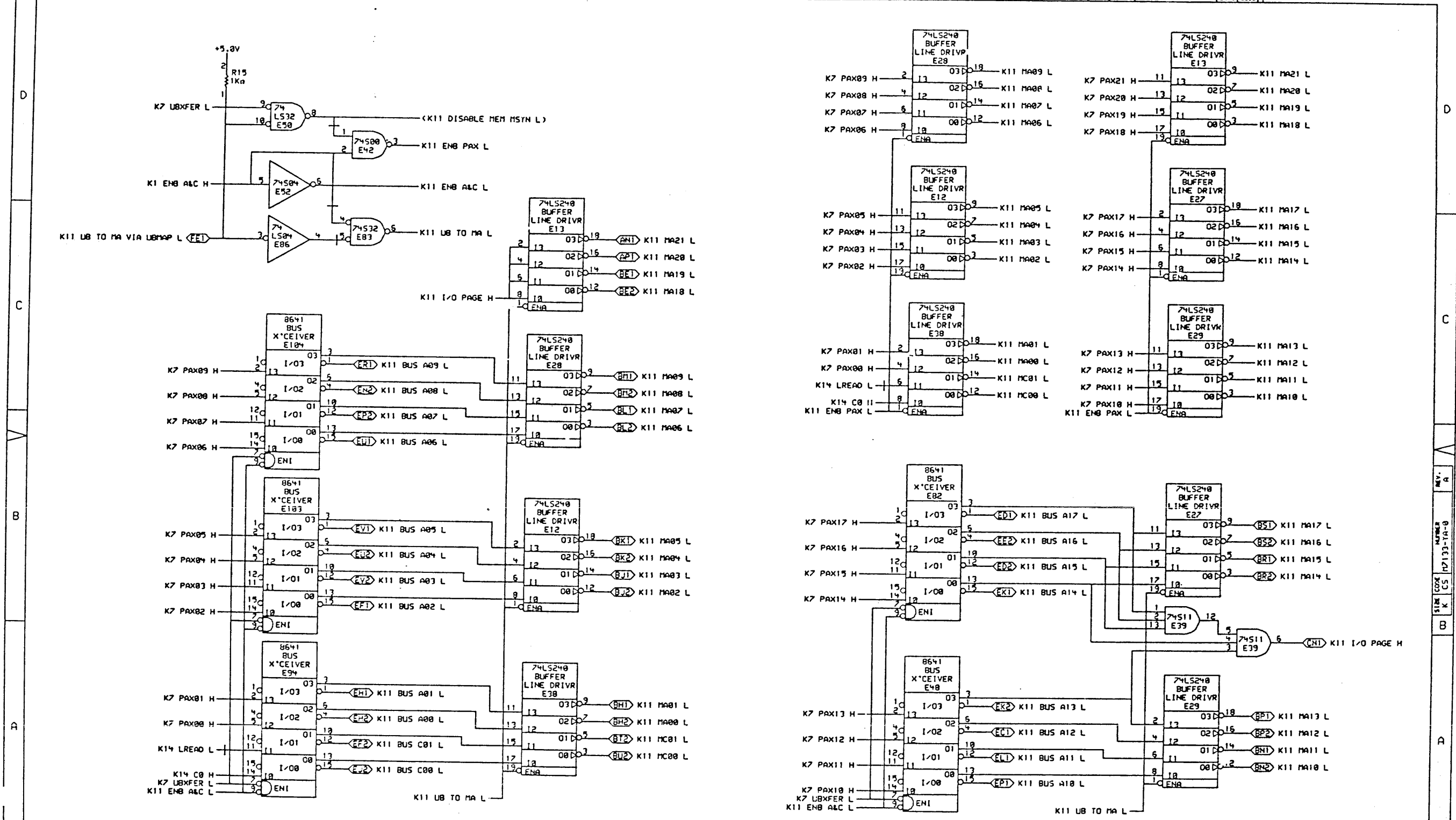
SLU 2 BAUD RATE SELECTION
 SWITCH E129

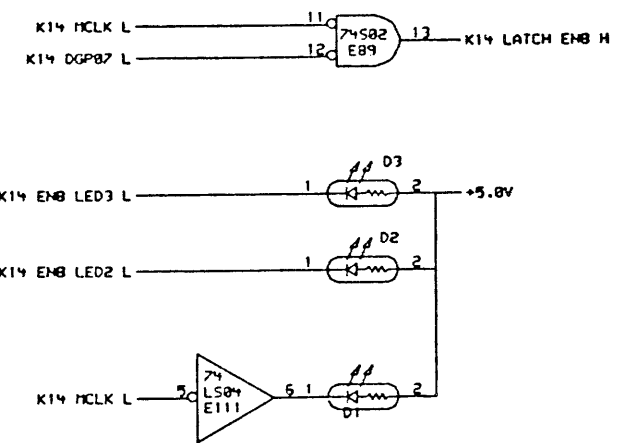
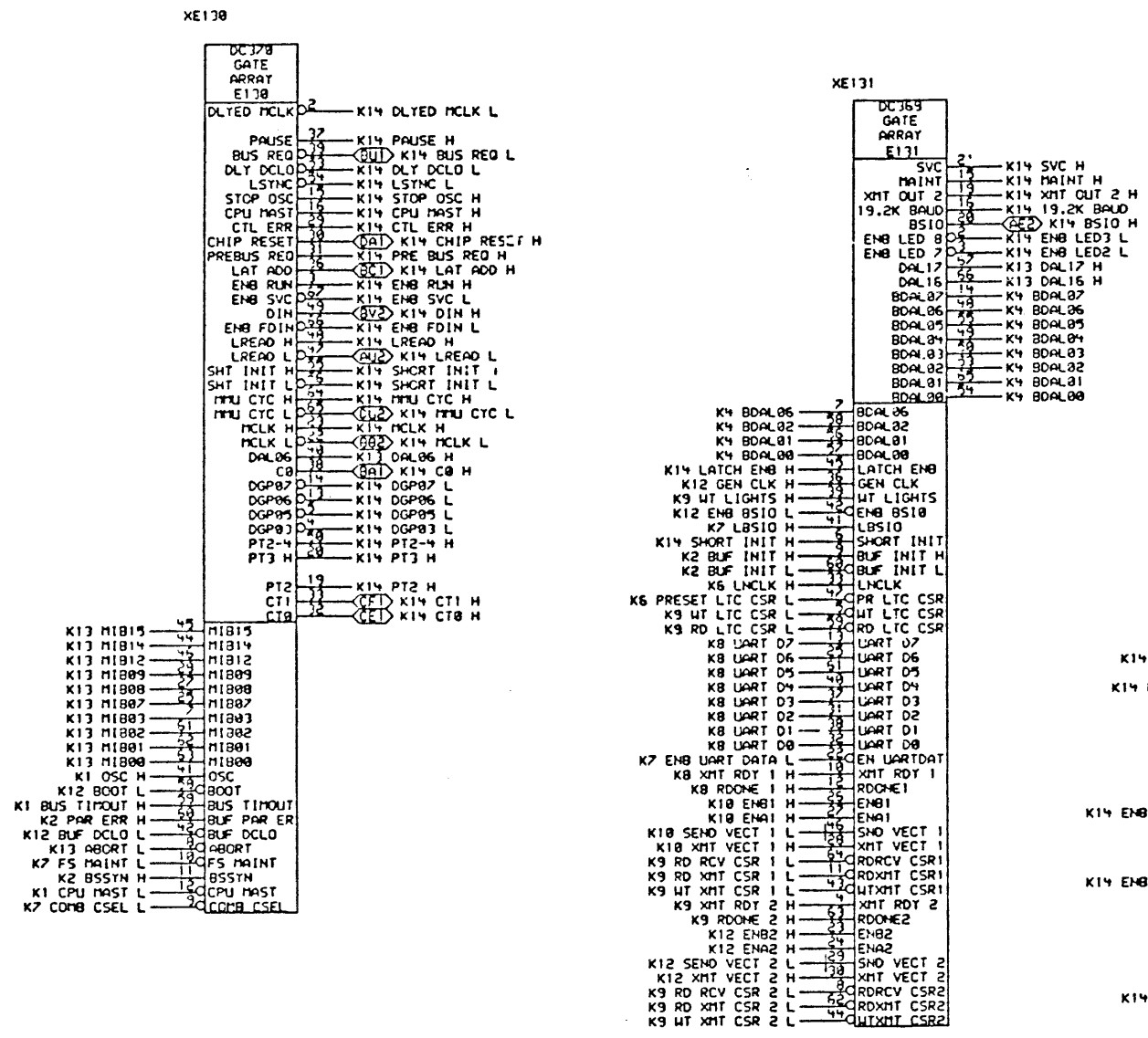
RCVR RATE (K9 RCLK 2)	1	2	3	4	5	6
BAUD RATE 1	ON	OFF	OFF	---	---	---
BAUD RATE 2	OFF	ON	OFF	---	---	---
19.2K BAUD	OFF	OFF	ON	---	---	---
XMIT RATE (K9 TCLK 2)	---	---	---	ON	OFF	OFF
BAUD RATE 1	---	---	---	OFF	ON	OFF
BAUD RATE 2	---	---	---	OFF	ON	OFF
19.2K BAUD	---	---	---	OFF	OFF	ON

THESE CIRCUITS AND SPECIFICATIONS
 HEREIN ARE THE PROPERTY OF
 DIGITAL EQUIPMENT CORPORATION AND
 SHALL BE REPRODUCED OR COPIED
 OR USED IN WHOLE OR IN PART
 WITHOUT THE WRITTEN PERMISSION
 OF DIGITAL EQUIPMENT CORPORATION.

REVISIONS	
CHK	CHANGE NO. REV

digital	DRN. R. CARNET	DATE 11-SEP-84	ENG.	DATE 11-SEP-84	TITLE: (K9) ADR DEC, MIBBUF, SLU2
	CHK'D.	DATE 10-SEP-84	DRN. LOCATION: SHEET 3 OF 15	SIZE CODE K CS	NUMBER M7133-YA-0
FIRST USED ON OPTION/MODEL: 11/24		NEXT HIGHER ASSEMBLY: KDF11-UA		REV. A	

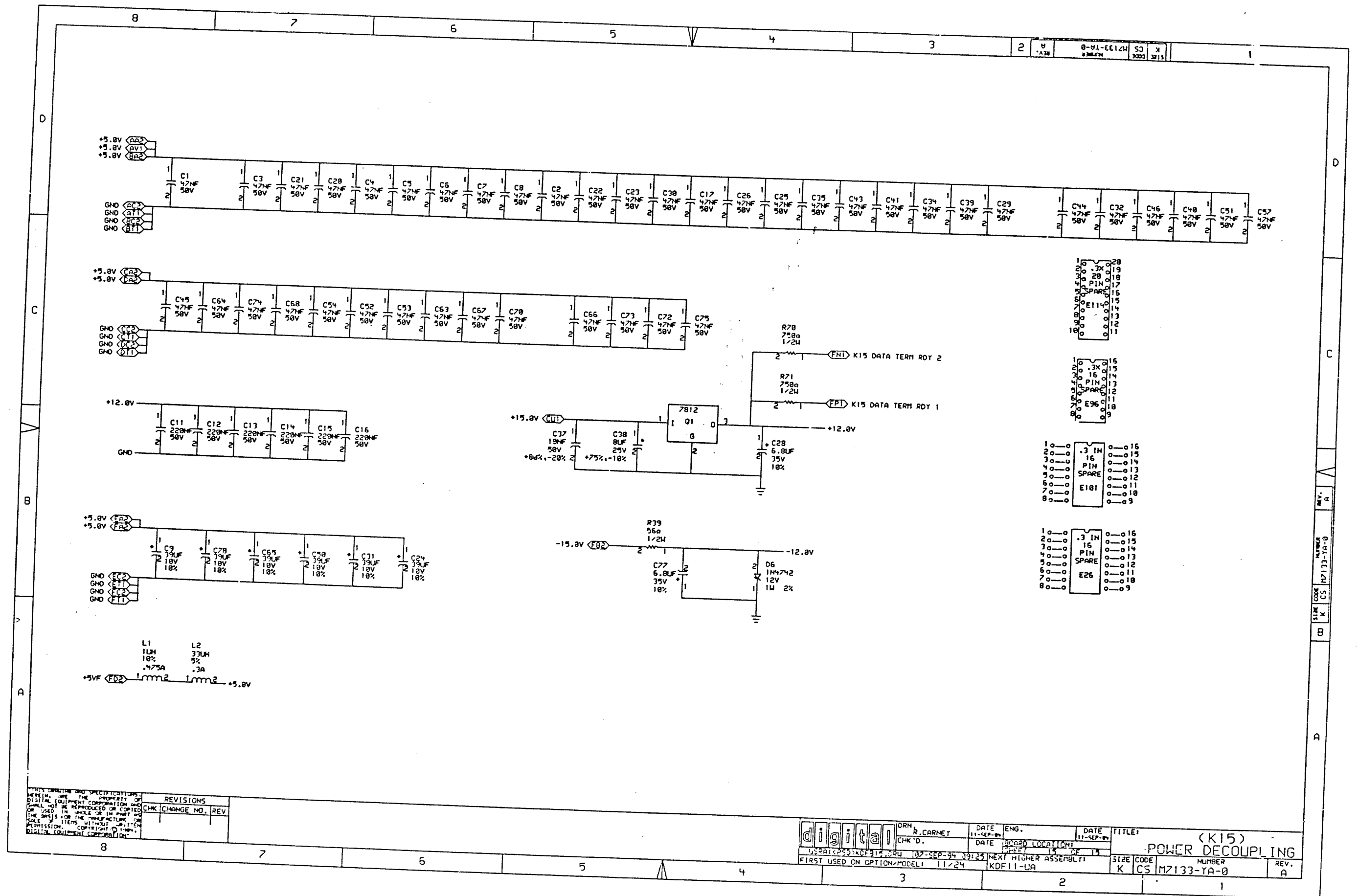




THIS DRAWING AND SPECIFICATIONS HEREIN ARE THE PROPERTY OF DIGITAL EQUIPMENT CORPORATION AND SHALL NOT BE REPRODUCED OR COPIED OR USED IN WHOLE OR IN PART AS THE BASIS FOR THE MANUFACTURE OR SALE OF ITEMS WITHOUT WRITTEN PERMISSION. COMPANY AND "DIGITAL EQUIPMENT CORPORATION"

REVISIONS	
CHK	CHANGE NO. REV

digital	DRN	R. CARNEY	DATE	11-SEP-84	ENG.		DATE	11-SEP-84	TITLE	(K14) GATE ARRAYS
	CHK'D.		DATE	02-SEP-84	11/24	BOARD LOCATION				
FIRST USED ON OPTION MODEL:		11/24	NEXT HIGHER ASSEMBLY:		KDF11-UA		SIZE	CODE	NUMBER	REV.
							K	CS	M7133-YA-0	A



L1 L2
 11uH 33uH
 10% 5%
 .475A .3A
 +5V (F02) — L1m2 — L2m2 — +5.0V

THIS DRAWING AND SPECIFICATIONS
 HEREIN ARE THE PROPERTY OF
 DIGITAL EQUIPMENT CORPORATION AND
 SHALL NOT BE REPRODUCED OR COPIED
 OR USED IN WHOLE OR IN PART OR
 THE SHEETS FOR THE MANUFACTURE OF
 SUCH ITEMS, WITHOUT WRITTEN
 PERMISSION. COPYRIGHT © 1984
 DIGITAL EQUIPMENT CORPORATION

REVISIONS	
CHK	CHANGE NO. REV

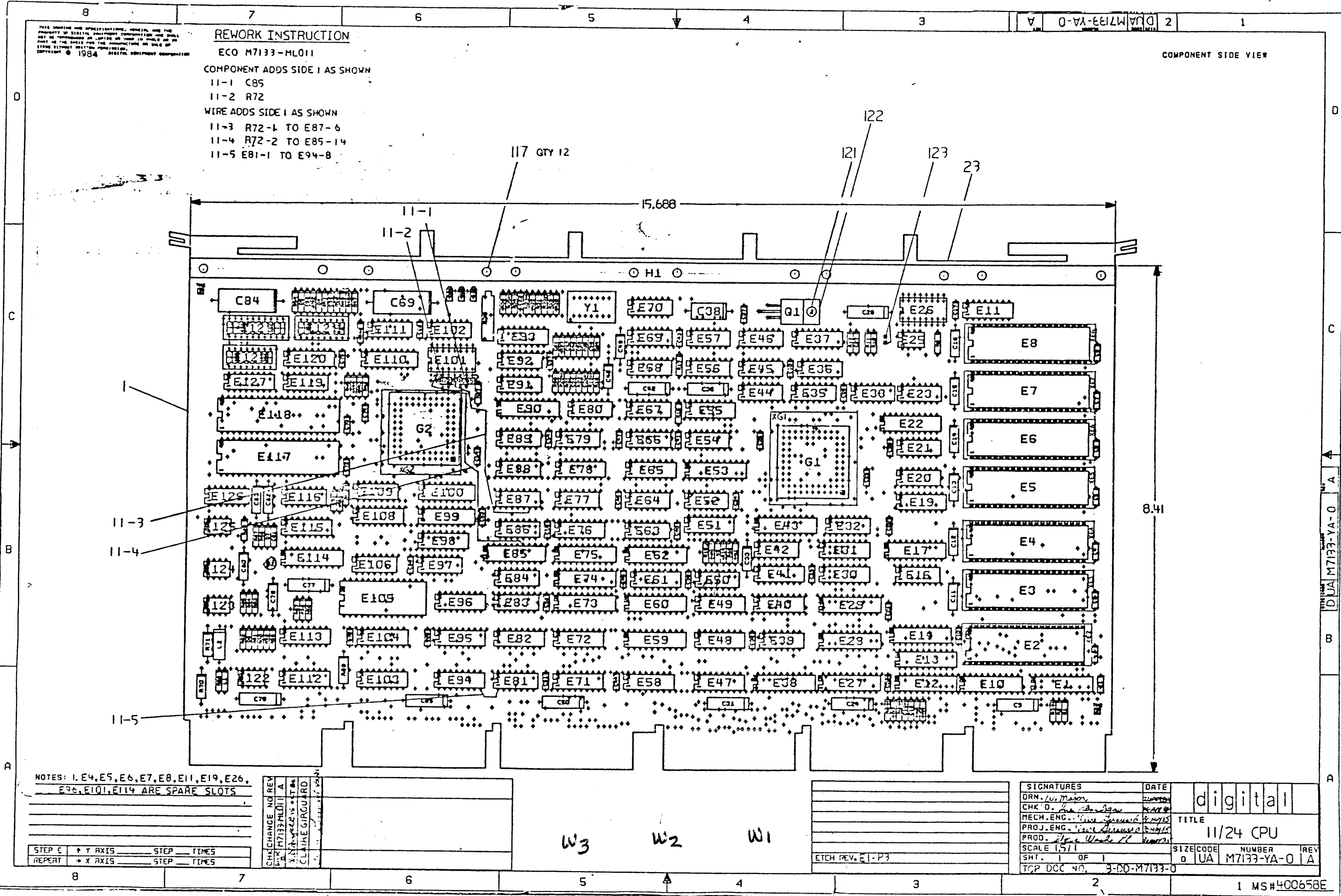
	DRN R. CARNET	DATE 11-SEP-84	ENG.	DATE 11-SEP-84	TITLE: (K15) POWER DECOUPLING
	CHK'D.	DATE 11-SEP-84	BOARD LOCATION: 1A OF 1A		
FIRST USED ON OPTION-MODEL: 11/24		NEXT HIGHER ASSEMBLY: KDF11-UA		SIZE CODE: K CS	NUMBER: M2133-YA-0
				REV.:	A

THIS DRAWING AND SPECIFICATIONS, HEREIN, ARE THE PROPERTY OF DIGITAL EQUIPMENT CORPORATION AND SHALL NOT BE REPRODUCED OR COPIED IN WHOLE OR IN PART OR IN ANY MANNER FOR THE MANUFACTURE OR SALE OF ITEMS WITHOUT WRITTEN PERMISSION.
COPYRIGHT © 1984 DIGITAL EQUIPMENT CORPORATION

REWORK INSTRUCTION

ECO M7133-ML011
 COMPONENT ADDS SIDE 1 AS SHOWN
 11-1 C85
 11-2 R72
 WIRE ADDS SIDE 1 AS SHOWN
 11-3 R72-L TO E87-6
 11-4 R72-2 TO E85-14
 11-5 E81-1 TO E94-8

COMPONENT SIDE VIEW



NOTES: 1. E4, E5, E6, E7, E8, E11, E19, E26, E96, E101, E114 ARE SPARE SLOTS

STEP	Y AXIS	STEP	TIMES
REPEAT	X AXIS	STEP	TIMES

CHANGE NO	REV
1	A
CLAIRE GRAGARD	

ETCH REV. 21-P3

SIGNATURES	DATE
DRN. <i>Lu. Major</i>	<i>2/28/84</i>
CHK. D. <i>Lu. Major</i>	<i>2/28/84</i>
MECH. ENG. <i>Lu. Major</i>	<i>2/28/84</i>
PROJ. ENG. <i>Lu. Major</i>	<i>2/28/84</i>
PROD. <i>Lu. Major</i>	<i>2/28/84</i>
SCALE 1:1	
SHT. 1 OF 1	
TOP DOC NO. 3-00-M7133-0	

digital		
TITLE		
11/24 CPU		
SIZE CODE	NUMBER	REV
0 UA	M7133-YA-0	A

1 MSH400658E

DRAWING NO.	NO. OF SHTS.	PART NO.	DESCRIPTION	REVISIONS												
				A	B	C	D	E	F	G	H	I	J	K	L	M
		M8743-AA	MDECS-AA MEMORY	A	B	C	D	E	F	G	H	I	J	K	L	M
D-UA-M8743-AA-0	2		MDECS-AA MEMORY	A	B	C	D	-	D	-	E	F				
C-UA-M8743-AA-0	2		MDECS-AA MEMORY (SPECIAL REV)	-	-	-	-	C1	-	C2	-	-				
K-CS-M8743-AA-MS01	1		MDECS-AA MEMORY	A	B	B	C	C	C	C	C	C				
K-CS-M8743-AA-MS02	1		MDECS-AA MEMORY	A	A	A	B	B	B	B	B	B				
K-CS-M8743-AA-MS03	1		MDECS-AA MEMORY	A	A	A	A	A	A	A	A	A				
K-CS-M8743-AA-MS04	1		MDECS-AA MEMORY	A	A	A	B	B	B	B	B	B				
K-CS-M8743-AA-MS05	1		MDECS-AA MEMORY	A	A	B	C	B	D	B	D	D				
K-CS-M8743-AA-MS06	1		MDECS-AA MEMORY	A	A	A	A	B	B	B	B	B				
K-CS-M8743-AA-MS07	1		MDECS-AA MEMORY	A	A	A	B	B	B	B	B	B				
K-CS-M8743-AA-MS08	1		MDECS-AA MEMORY	A	A	A	B	C	C	D	D	D				
K-CS-M8743-AA-MS09	1		MDECS-AA MEMORY	A	A	A	A	A	A	A	A	A				
K-CS-M8743-AA-MS10	1		MDECS-AA MEMORY	A	A	A	A	A	A	A	A	A				
K-CS-M8743-AA-MS11	1		MDECS-AA MEMORY	A	A	B	C	C	C	C	C	C				
B-PL-M8743-AA-DBP	4		PARTS LIST (SPECIAL REV)	-	-	-	-	A1	-	A1	-	-				
K-PC-M8743-AA-DBG	-		P.C. DESIGN DATA BASE	A	A	A	B	B	B	B	B	B				
K-PL-M8743-AA-DBP	4		PARTS LIST DATA BASE (Z4446A)	A	A	A	B	-	C	-	D	E				
K-CS-M8743-AA-DBS	-		SCHEMATIC DATA BASE (SUDS)	A	B	C	D	E	F	H	H	H				
		5015117-00	ETCHED CIRCUIT BOARD	C	C	C	D	C	D	C	D	D				
B-DD-5015117-0	1		DRAWING DIRECTORY	-	-	-	A	B	C	D	E	E				

NOTES:

- Revision codes for Drawing K-CS-M8743-AA-MS05 and part 5015117-00 are purposely out of sequence, so that their revision codes correspond to the module revision at the top of the column.
- "-" in revision code means: "This line item does not describe this module revision."

REVISIONS		REV.	A	B	C	D	E	F	G	H	J	K
DATE	CHG NO.	ORIG.	4/82	12/82	4/83	5/83	10/83	1/84	4/84	6/84	3/85	
		SH001										
		SH002										
		SH003										
		SH004										
		SH005										
		SH006										
		SH007										
		SH008										

"THIS DRAWING AND SPECIFICATIONS, HEREIN, ARE THE PROPERTY OF DIGITAL EQUIPMENT CORPORATION AND SHALL NOT BE REPRODUCED OR COPIED OR USED IN WHOLE OR IN PART AS THE BASIS FOR THE MANUFACTURE OR SALE OF ITEMS WITHOUT WRITTEN PERMISSION.

COPYRIGHT© 1982 DIGITAL EQUIPMENT CORPORATION



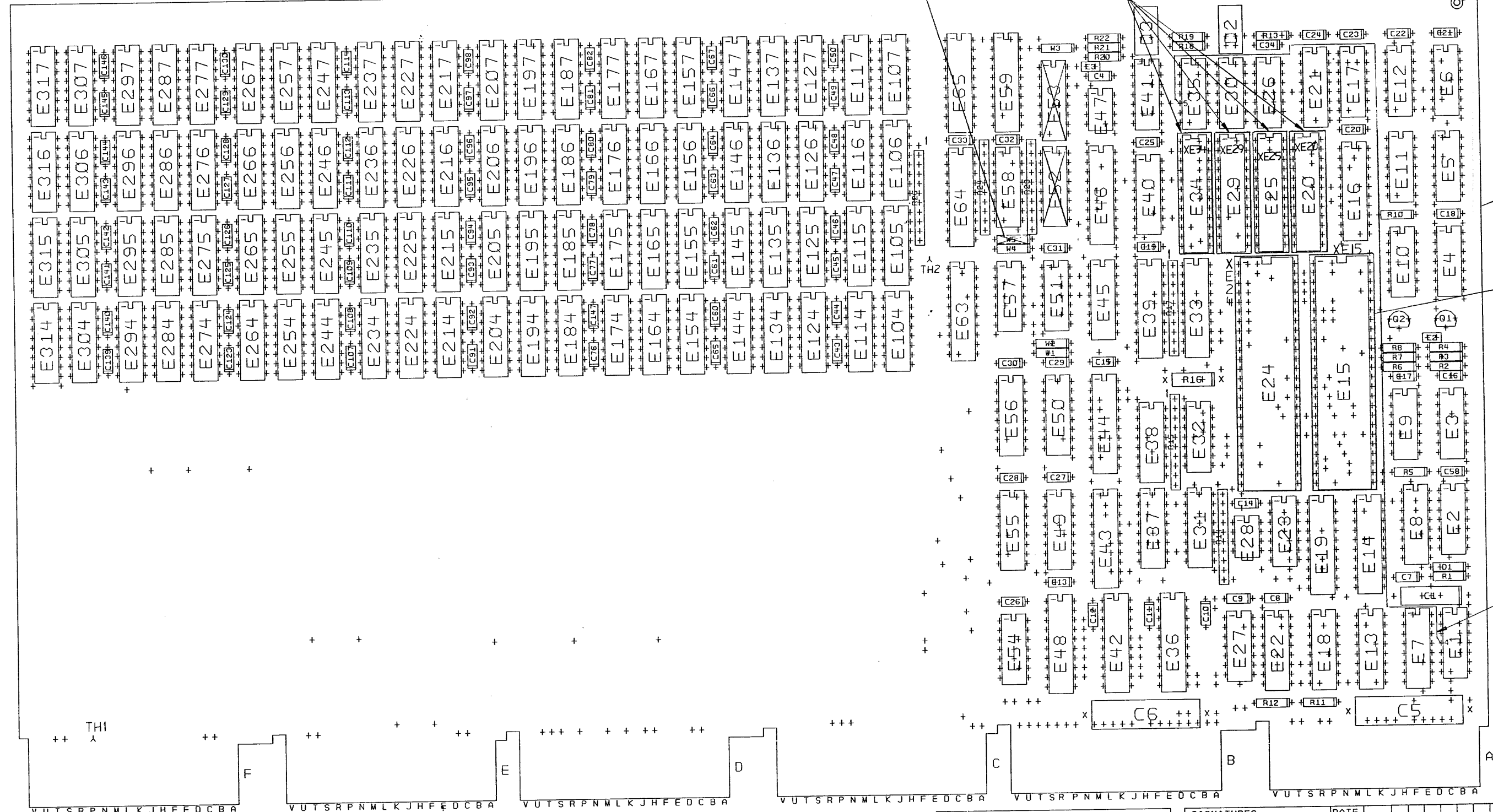
USED ON OPTION/MODEL	DRN. P. Bossman	13 Aug 82
DECSA-A	CHK'D J. Bossman	16 Aug 82
	ENG. J. Bossman	23 Jun 83
	PROD. RA Hill	10 Sep 82

TITLE			
MDECS-AA MEMORY			
SIZE	CODE	NUMBER	REV.
B	DD	M8743-AA	K
SHEET 1 OF 1			

THIS DRAWING AND SPECIFICATIONS, HEREIN, ARE THE PROPERTY OF DIGITAL EQUIPMENT CORPORATION AND SHALL NOT BE REPRODUCED OR COPIED OR USED IN WHOLE OR IN PART AS THE BASIS FOR THE MANUFACTURE OR SALE OF ITEMS WITHOUT WRITTEN PERMISSION.
 COPYRIGHT © 1983 DIGITAL EQUIPMENT CORPORATION

SIZE CODE D UA 2 1
 NUMBER M8743-AA-0 F

COMPONENT SIDE VIEW



NOTES: 1. THIS BOARD MEETS REQUIREMENTS UL RATING.
 2. DO NOT INSTALL CROSSED OUT COMPONENTS.

STEP E	→ Y AXIS	STEP	TIMES
REPEAT	→ X AXIS	STEP	TIMES

CHK	CHANGE NO.	REV
REDRAWN	M8743-AA	D
SHOOT	SH003	E
PK	M8743-AA	F
SHOOT	SH008	F
J. LAVRANCHEK	J. LAVRANCHEK	
L. CHISVIN	L. CHISVIN	

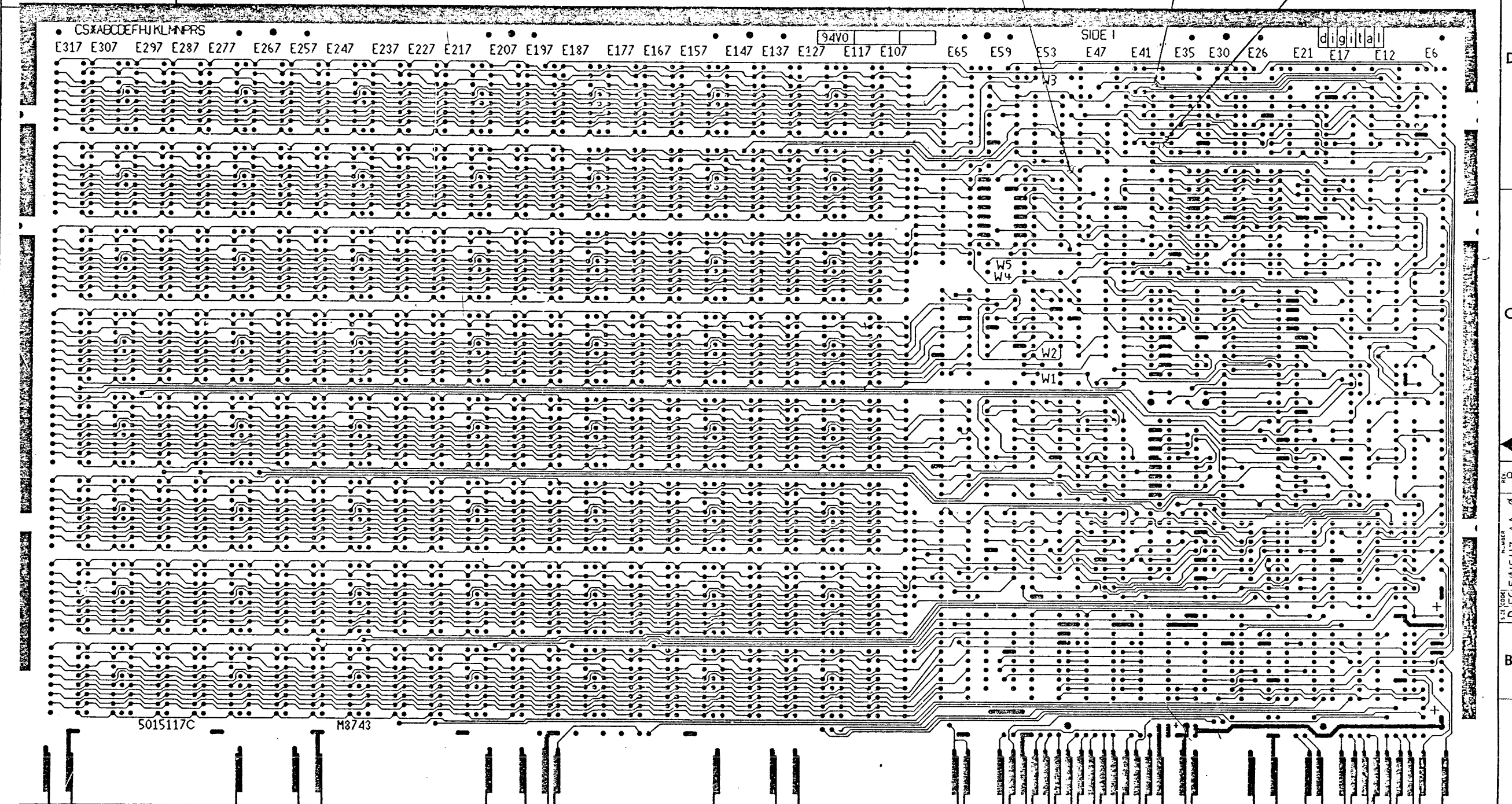
ETCH REV. 01-PI

SIGNATURES		DATE	digital
DRN. L. BARRETT	<i>L. Barrett</i>	21 MAY 83	
CHK. D. [unclear]	<i>D. [unclear]</i>	27-6-83	
MECH. ENG. [unclear]	<i>[unclear]</i>	28-3-83	
PROJ. ENG. [unclear]	<i>[unclear]</i>	28-3-83	TITLE
SCALE 2/1			MDECS AA MEMORY
SHT. 1 OF 2			SIZE CODE
NEXT HIGHER ASSY. B-DD-M8743-AA			D UA
			NUMBER
			M8743-AA-0
			REV
			F

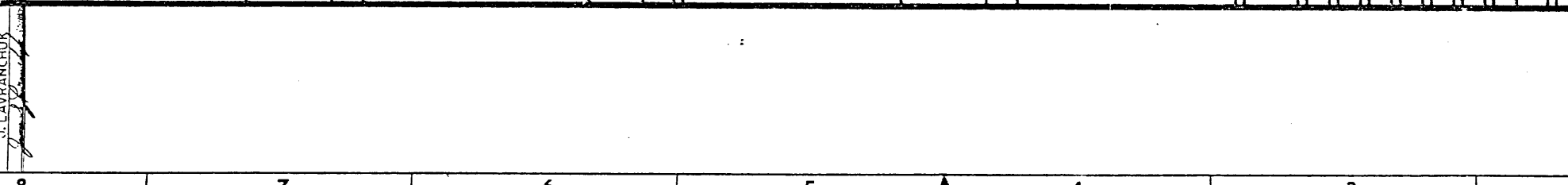
SHO 1 MS#

8 7 6 5 4 3 2 1

THIS DRAWING AND SPECIFICATIONS HEREIN ARE THE PROPERTY OF DIGITAL EQUIPMENT CORPORATION AND SHALL NOT BE REPRODUCED OR COPIED OR USED IN WHOLE OR IN PART AS THE BASIS FOR THE MANUFACTURE OR SALE OF ITEMS WITHOUT WRITTEN PERMISSION. COPYRIGHT © 1972, DIGITAL EQUIPMENT CORPORATION

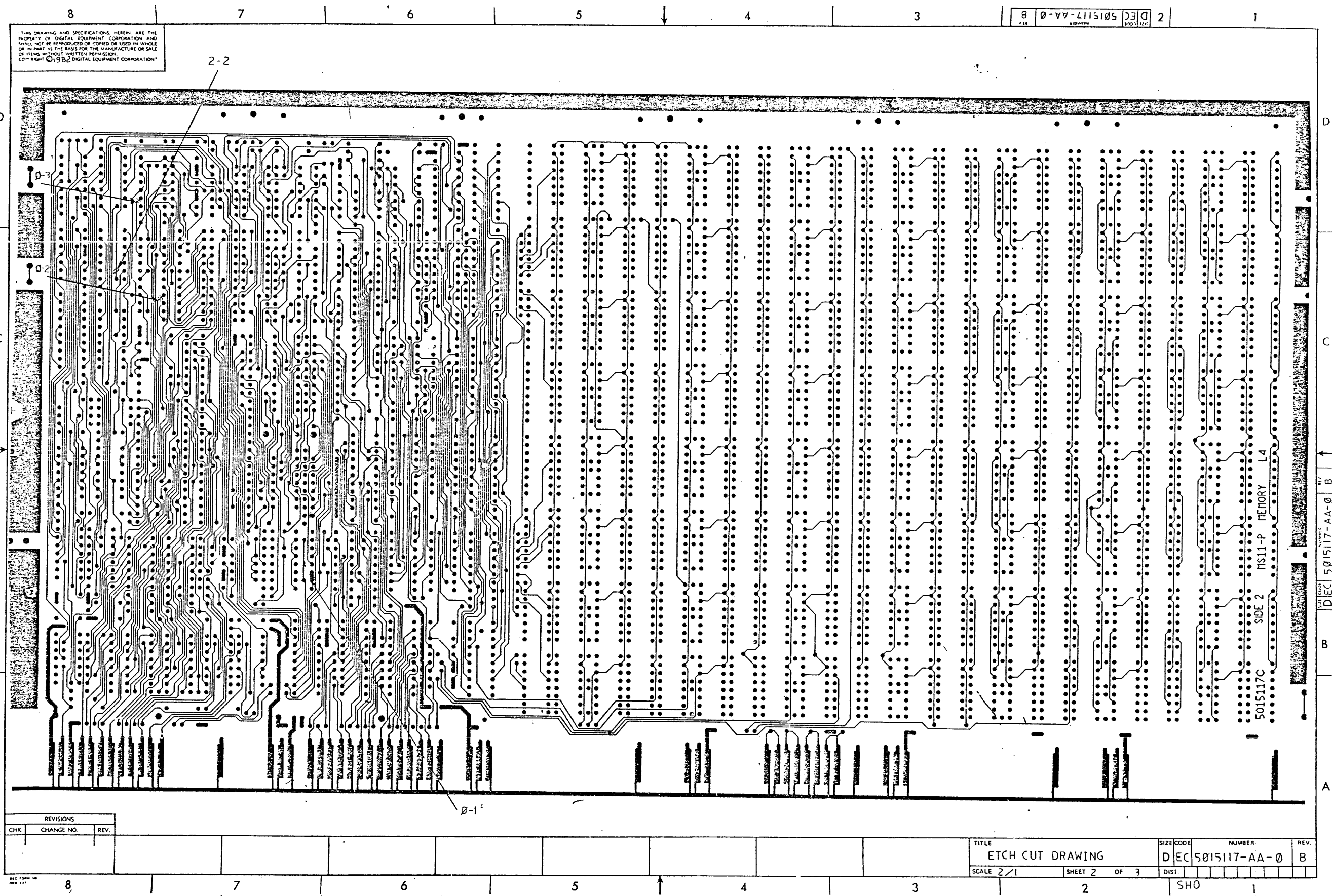


REV.	B
CHANGE NO.	5002
CHK.	J. LAIBACH
DESIGNER	J. LAIBACH



DRN.	J. Laibach	DATE	2/25/72	FIRST USED ON	MDECS-AA	digital
CHK'D	J. Laibach	DATE	4/10/72	TITLE	ETCH CUT DRAWING	
ENG'G	J. Laibach	DATE	5/17/72	NEXT HIGHER ASSY.	B-DD-M8743-AA	
PROJ. ENG.	J. Laibach	DATE	6/17/72	SIZE	CODE	NUMBER
PROD. R.G.	J. Laibach	DATE	6/17/72	SCALE	D	EC 5015117-AA-0
				SHEET	1	OF 3
				DIST.		

8 7 6 5 4 3 2 1



THIS DRAWING AND SPECIFICATIONS HEREIN ARE THE PROPERTY OF DIGITAL EQUIPMENT CORPORATION AND SHALL NOT BE REPRODUCED OR COPIED OR USED IN WHOLE OR IN PART AS THE BASIS FOR THE MANUFACTURE OR SALE OF ITEMS WITHOUT WRITTEN PERMISSION.
 COPYRIGHT © 1982 DIGITAL EQUIPMENT CORPORATION

REV. B
 DIST. 2
 DEC 5015117-AA-0

REVISIONS		
CHK	CHANGE NO.	REV.

TITLE	SIZE CODE	NUMBER	REV.
ETCH CUT DRAWING	D EC	5015117-AA-0	B
SCALE 2/1	SHEET 2	OF 3	DIST
			SHO

5015117C
 SIDE 2
 MS11-P MEMORY L4

"THIS DRAWING AND SPECIFICATIONS, HEREIN, ARE THE PROPERTY OF DIGITAL EQUIPMENT CORPORATION AND SHALL NOT BE REPRODUCED OR COPIED OR USED IN WHOLE OR IN PART AS THE BASIS FOR THE MANUFACTURE OR SALE OF ITEMS WITHOUT WRITTEN PERMISSION. COPYRIGHT © 1997 DIGITAL EQUIPMENT CORPORATION"

DEC 5015117-AA-0 B

D
C
B
A

D
C
B
A

FIRST RELEASE:
ETCH CUTS
SIDE 2
 Ø-1: CUT ETCH AT E37-1Ø & 11.
 Ø-2: CUT ETCH AT E16-8.
 Ø-3: CUT ETCH AT E17-9.
SIDE 1
 Ø-4: CUT ETCH AT E41-9.
 Ø-5: CUT ETCH AT E46-1.

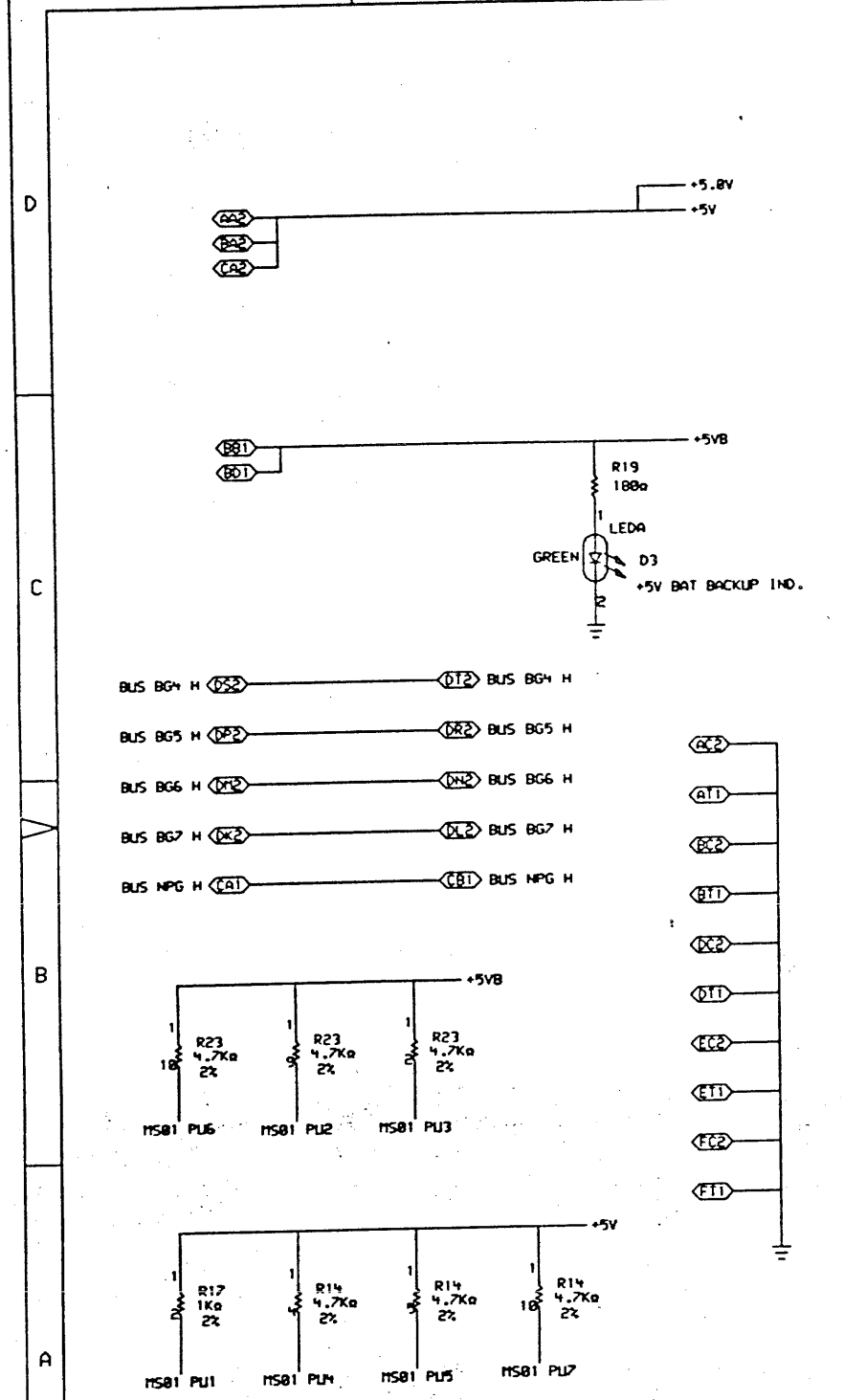
REWORK INSTRUCTIONS:
ETCH CUTS:
SIDE 1
 2-1. CUT ETCH LEADING TO E41-1 NEAR D3.
SIDE 2
 2-2. CUT ETCH AT FEEDTHRU CONNECTED TO E11-8.

REVISIONS		
CHK	CHANGE NO.	REV.

TITLE	ETCH CUT DRAWING	SIZE CODE	DEC	NUMBER	5015117-AA-0	REV.	B
SCALE	---	SHEET	3	OF	3	DIST.	

8 7 6 5 4 3 2 1

DEC 5015117-AA-0 B



POWER DISTRIBUTION

- 8648 E1 8 → +5VB
- 74502 E2 14 → +5VB
- 74LS112 E8 16 → +5VB
- 74532 E26 14 → +5VB
- 74LS24 E38 14 → +5VB
- 74LS00 E35 14 → +5VB
- 74LS158 E45 16 → +5VB
- 74LS373 E46 20 → +5VB
- 555 E47 8 → +5VB
- 74LS153 E49 16 → +5VB
- 74LS153 E50 16 → +5VB
- 74LS393 E51 14 → +5VB
- 74LS153 E52 16 → +5VB
- 74LS112 E53 16 → +5VB
- 8648 E54 8 → +5VB
- 74LS153 E55 16 → +5VB
- 74LS153 E56 16 → +5VB
- 74LS393 E57 14 → +5VB
- 6338 E58 16 → +5VB
- 2965 E59 20 → +5VB
- 2965 E63 20 → +5VB
- 2966 E64 20 → +5VB
- 2965 E65 20 → +5VB

STARTING ADDRESS DECIMAL (K) OCTAL	SWITCH SETTINGS FOR E38			
	PA17	PA16	PA15	PA14
8 00000000				
8 00040000				X
16 00100000			X	
24 00140000			X	X
32 00200000		X		
40 00240000		X		X
48 00300000		X	X	
56 00340000		X	X	X
64 00400000	X			
72 00440000	X			X
80 00500000	X		X	
88 00540000	X		X	X
96 00600000	X	X		
104 00640000	X	X		X
112 00700000	X	X	X	
120 00740000	X	X	X	X

X = OFF (OPEN)

STARTING ADDRESS RANGE DECIMAL (K) OCTAL	SWITCH SETTINGS FOR E38			
	PA21	PA20	PA19	PA18
128-248 01000000-01740000				X
256-376 02000000-02740000			X	
384-504 03000000-03740000			X	X
512-632 04000000-04740000		X		
640-768 05000000-05740000		X		X
768-888 06000000-06740000		X	X	
896-1016 07000000-07740000		X	X	X
1024-1144 08000000-08740000	X			
1152-1272 09000000-09740000	X			X
1280-1400 10000000-10740000	X		X	
1408-1528 11000000-11740000	X		X	X
1536-1656 12000000-12740000	X	X		
1664-1784 13000000-13740000	X	X		X
1792-1912 14000000-14740000	X	X	X	
1920-2040 15000000-15740000	X	X	X	X

TO OBTAIN INCREMENTAL 8K BOUNDARIES WITHIN THE SPECIFIED RANGE, REPEAT SWITCH SETTINGS FROM 0-120K TABLE.
X = OFF (OPEN)

SWITCH CONFIGURATION

NOTES:

1. CHIPS POWER AND GND PINS ARE ALL STANDARD EXCEPT 8648 (+5VB PIN 8, GND PIN 1) AND 4164 (+5VB PIN 8, GND PIN 16). ALL RESISTOR ARE 1/4W 5% EXCEPT AS NOTED ON SCHEMATIC.
2. E52 AND E53 ARE FUTURE OPTION.

CSR STARTING ADDRESS OCTAL	SWITCH SETTINGS FOR E28			
	CSRA3	CSRA2	CSRA1	CSRA0
17772100				
17772102				X
17772104			X	
17772106			X	X
17772110		X		
17772112		X		X
17772114		X	X	
17772116		X	X	X
17772120	X			
17772122	X			X
17772124	X		X	
17772126	X		X	X
17772130	X	X		
17772132	X	X		X
17772134	X	X	X	
17772136	X	X	X	X

X = OFF (OPEN)

THIS DRAWING AND SPECIFICATIONS ARE THE PROPERTY OF DIGITAL EQUIPMENT CORPORATION AND SHALL NOT BE REPRODUCED OR COPIED OR USED IN WHOLE OR IN PART AS THE BASIS FOR THE MANUFACTURE OR SALE OF ITEMS WITHOUT WRITTEN PERMISSION. COPYRIGHT © 1981, DIGITAL EQUIPMENT CORPORATION.

REVISIONS	
CHK	CHANGE NO. REV

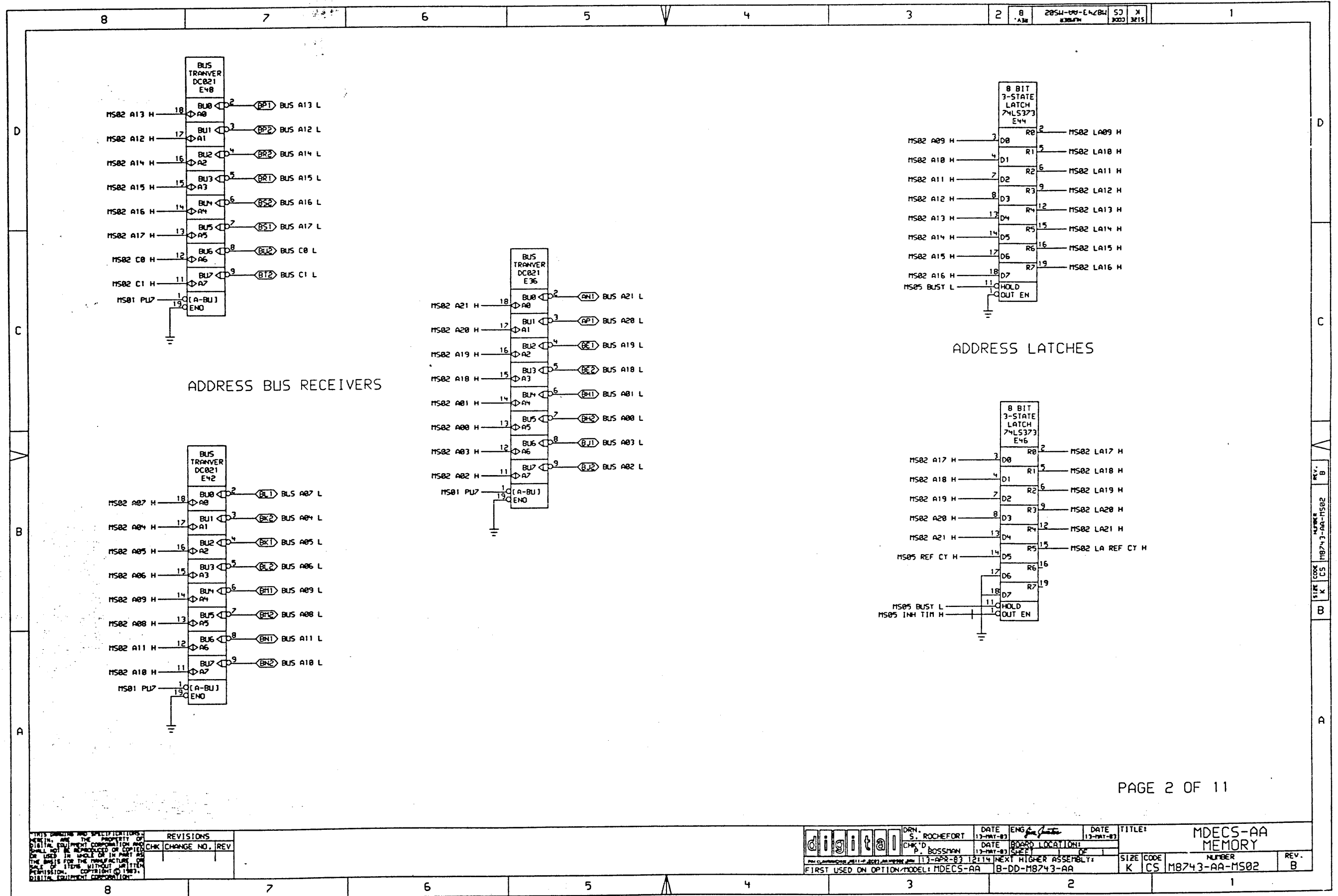
digital DRN. S. ROCHEFORT DATE 13-04-83 ENG. P. BOSSMAN DATE 17-04-83 TITLE: MDECS-AA MEMORY

1054-00-01-004 53 X 3003 3115

1125 NEXT HIGHER ASSEMBLY

FIRST USED ON OPTION MODEL: MDECS-AA B-DD-M8743-AA

SIZE CODE K CS NUMBER M8743-AA-MS01 REV. C

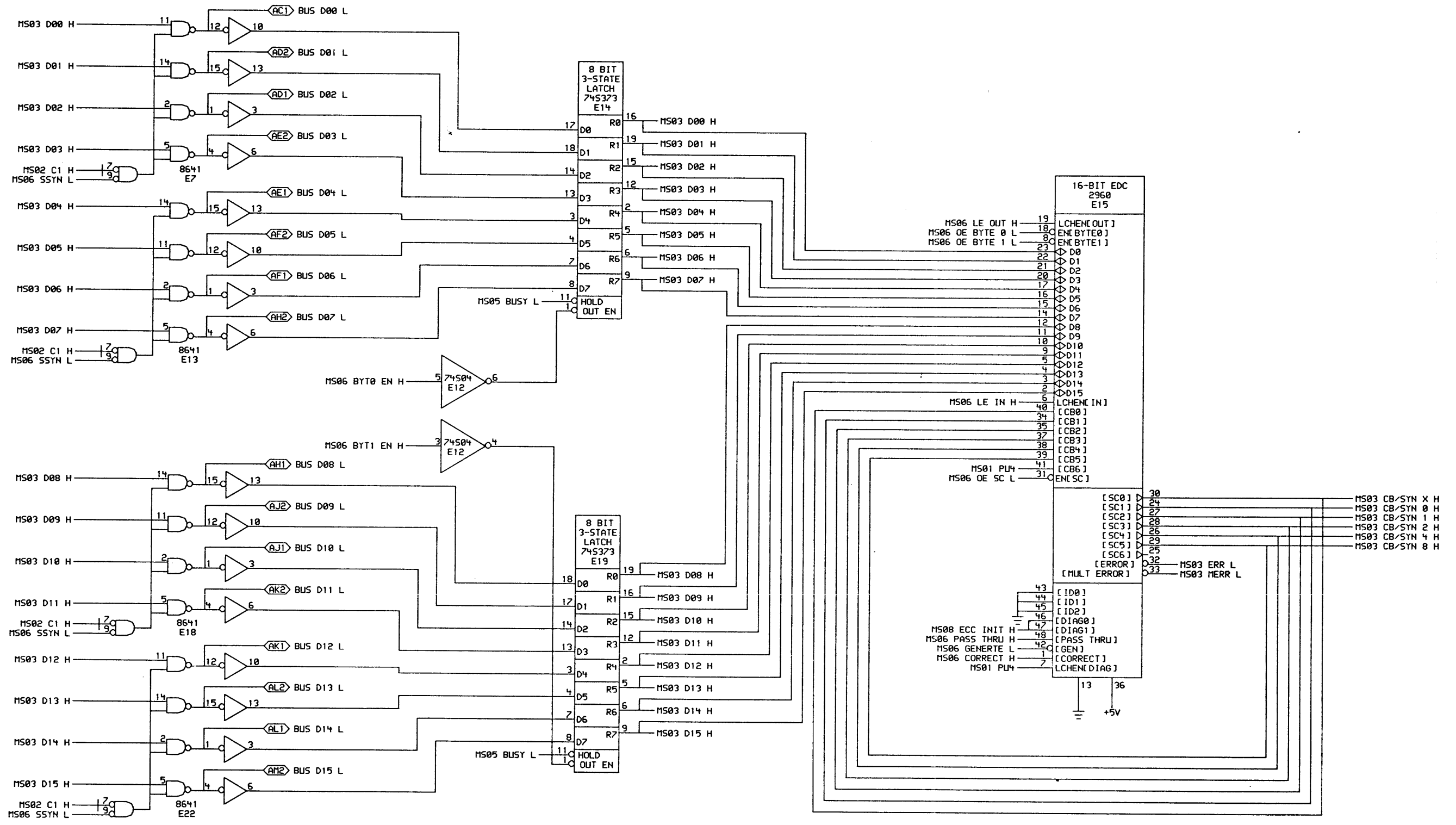


THIS DRAWING AND SPECIFICATIONS ARE THE PROPERTY OF DIGITAL EQUIPMENT CORPORATION AND SHALL NOT BE REPRODUCED OR COPIED OR USED IN WHOLE OR IN PART AS THE BASIS FOR THE MANUFACTURE OF ANY ITEM, WITHOUT WRITTEN PERMISSION. COPYRIGHT © 1983, DIGITAL EQUIPMENT CORPORATION.

REVISIONS	
CHK	CHANGE NO. REV.

digital	DRN. S. ROCHEFORT	DATE 12-19-83	ENG. <i>[Signature]</i>	DATE 12-19-83	TITLE: MDECS-AA MEMORY
	CHK'D P. BOSSMAN	DATE 12-19-83	SHEET 1 OF 1	BOARD LOCATION: B-DD-M8743-AA	SIZE CODE K CS
FIRST USED ON OPTION MODEL: MDECS-AA					NUMBER M8743-AA-MS02
					REV. B

REV. B
NUMBER M8743-AA-MS02
SIZE CODE K CS



DATA BUS TRANSCEIVERS

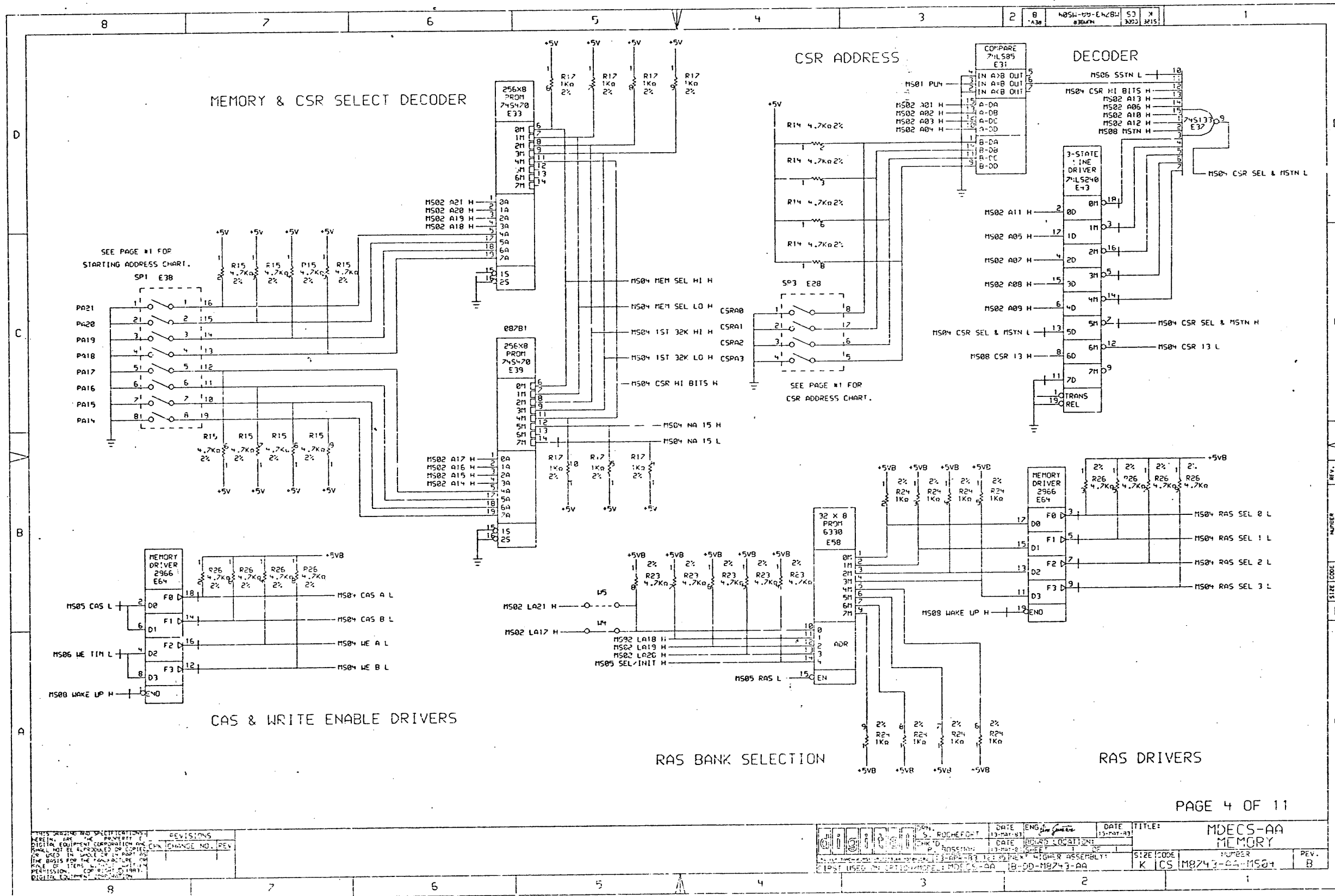
DATA LATCHES

EDC LOGIC

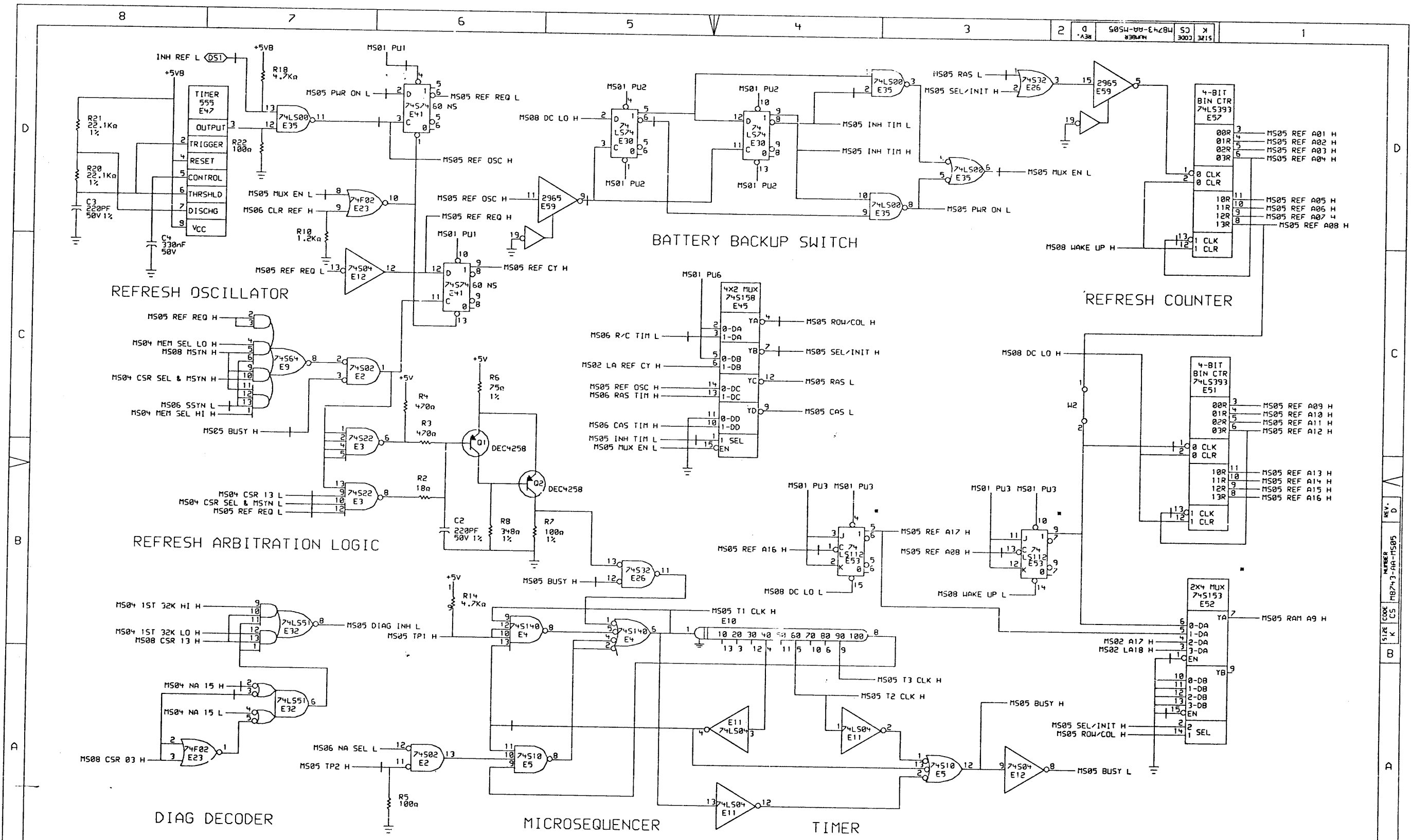
THIS DRAWING AND SPECIFICATIONS HEREIN ARE THE PROPERTY OF DIGITAL EQUIPMENT CORPORATION AND SHALL NOT BE REPRODUCED OR COPIED OR USED IN WHOLE OR IN PART AS THE BASIS FOR THE MANUFACTURE OR SALE OF ITEMS WITHOUT WRITTEN PERMISSION. COPYRIGHT © 1982, DIGITAL EQUIPMENT CORPORATION.

REVISIONS		
CHK	CHANGE NO.	REV

	DATE 29-JUN-82	ENG <i>for Jester</i>	DATE 29-JUN-82	TITLE: MDECS-AA MEMORY
	CHK'D P. BOSSHAN	DATE 29-JUN-82	BOARD LOCATION: SHEET 1 OF 1	NUMBER M8743-AA-MS03
FIRST USED ON OPTION/MODEL: MDECS-AA		NEXT HIGHER ASSEMBLY: B-DD-M8743-AA		REV. A



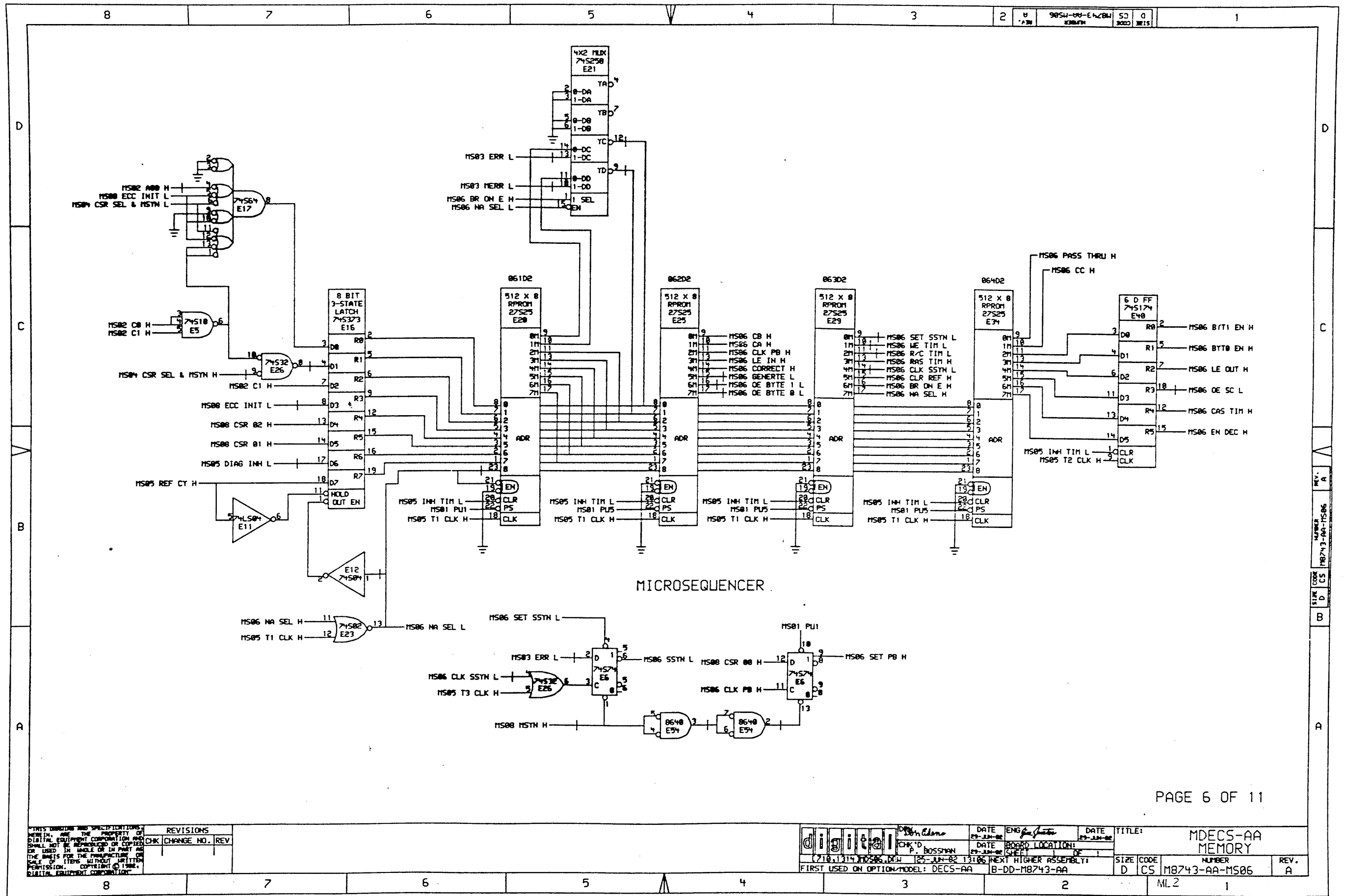
THIS DRAWING AND SPECIFICATIONS ARE THE PROPERTY OF DIGITAL EQUIPMENT CORPORATION AND SHALL NOT BE REPRODUCED OR COPIED IN ANY MANNER WITHOUT THE WRITTEN PERMISSION OF DIGITAL EQUIPMENT CORPORATION.		REVISIONS CHG. CHANGE NO. REV.	DATE: 13-MAR-83 ENG: S. ROCHEFORT TITLE: MDEC5-AA MEMORY
SIZE CODE: K CS NUMBER: M8243-AA-MS04		DATE: 13-MAR-83 BOARD LOCATION:	DATE: 13-MAR-83 TITLE: MDEC5-AA MEMORY
DRAWN BY: S. ROCHEFORT CHECKED BY: ROSEMARY		DATE: 13-MAR-83 BOARD LOCATION:	DATE: 13-MAR-83 TITLE: MDEC5-AA MEMORY
PART USED IN THIS DRAWING: MDEC5-AA		DATE: 13-MAR-83 BOARD LOCATION:	DATE: 13-MAR-83 TITLE: MDEC5-AA MEMORY



THIS DRAWING AND SPECIFICATIONS, HEREIN, ARE THE PROPERTY OF DIGITAL EQUIPMENT CORPORATION AND SHALL NOT BE REPRODUCED OR COPIED OR USED IN WHOLE OR IN PART AS A BASIS FOR THE MANUFACTURE OR SALE OF ITEMS WITHOUT WRITTEN PERMISSION. COPYRIGHT © 1984, DIGITAL EQUIPMENT CORPORATION.

REVISIONS	
CHK	CHANGE NO. REV

digital	DRN. JIM LAVRANCHUK	DATE 28-JAN-84	ENG. JIM LAVRANCHUK	DATE 28-JAN-84	TITLE: MDEC5-AA MEMORY
	CHK'D P. BOSSMAN	DATE 28-JAN-84 12:00	BOARD LOCATION: B-DD-M8743-AA	SHEET 1 OF 1	
FIRST USED ON OPTION/MODEL: MS11-P			NEXT HIGHER ASSEMBLY: B-DD-M8743-AA		
SIZE	CODE	NUMBER	REV.		
K	CS	M8743-AA-MS05	D		

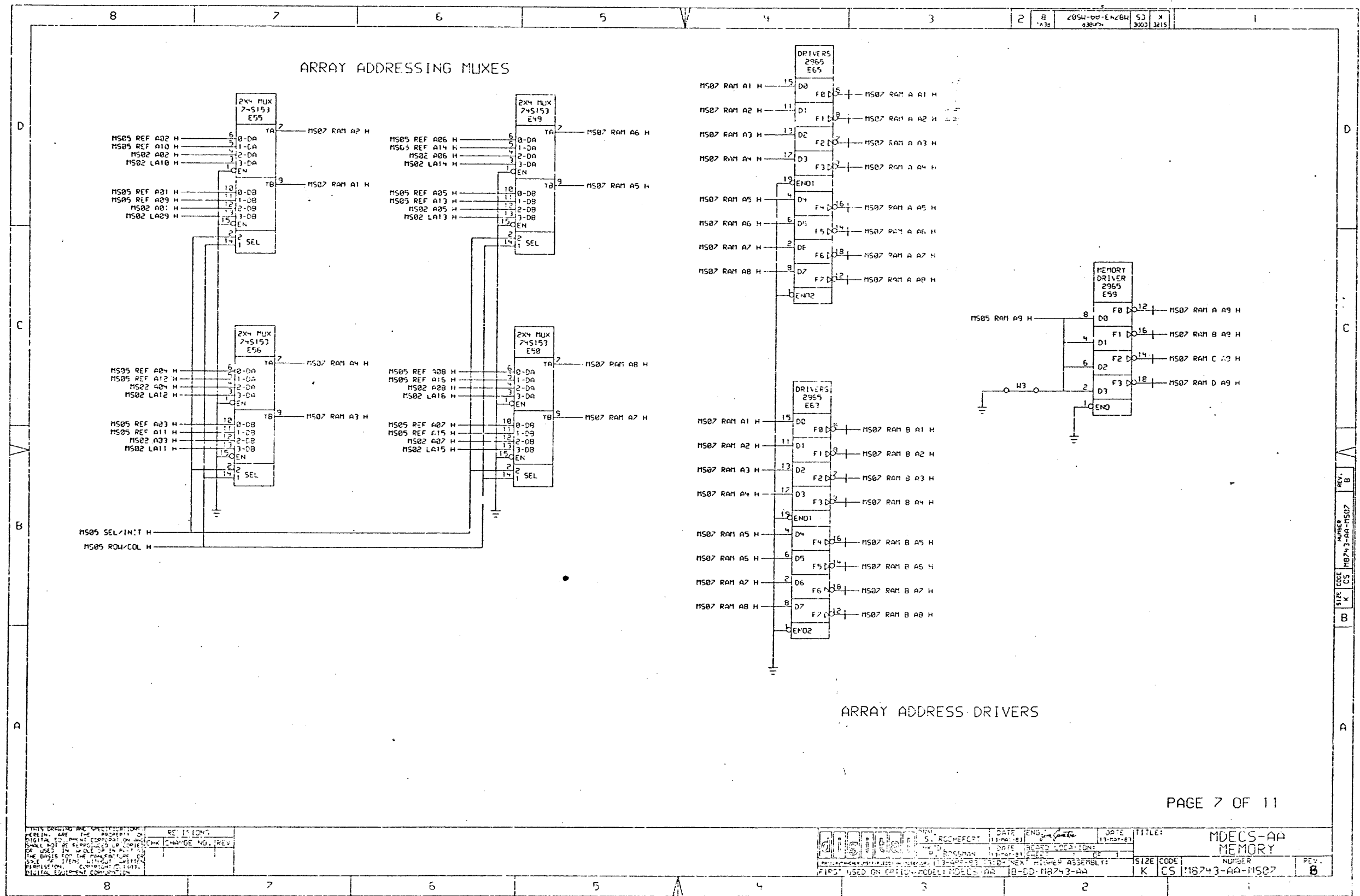


MICROSEQUENCER

THIS DRAWING AND SPECIFICATIONS HEREIN ARE THE PROPERTY OF DIGITAL EQUIPMENT CORPORATION AND SHALL NOT BE REPRODUCED OR COPIED OR USED IN WHOLE OR IN PART AS THE BASIS FOR THE MANUFACTURE OR SALE OF ITEMS WITHOUT WRITTEN PERMISSION. COPYRIGHT © 1988, DIGITAL EQUIPMENT CORPORATION

REVISIONS	
CHK	CHANGE NO. REV

	DATE: 27-28-82 CHK'D: P. BOSSMAN DATE: 27-28-82	ENG: <i>[Signature]</i> DATE: 27-28-82 BOARD LOCATION:	TITLE: MDECS-AA MEMORY
	FIRST USED ON OPTION/MODEL: DECS-AA	NEXT HIGHER ASSEMBLY: B-DD-M8743-AA	SIZE CODE: D CS NUMBER: M8743-AA-MS06

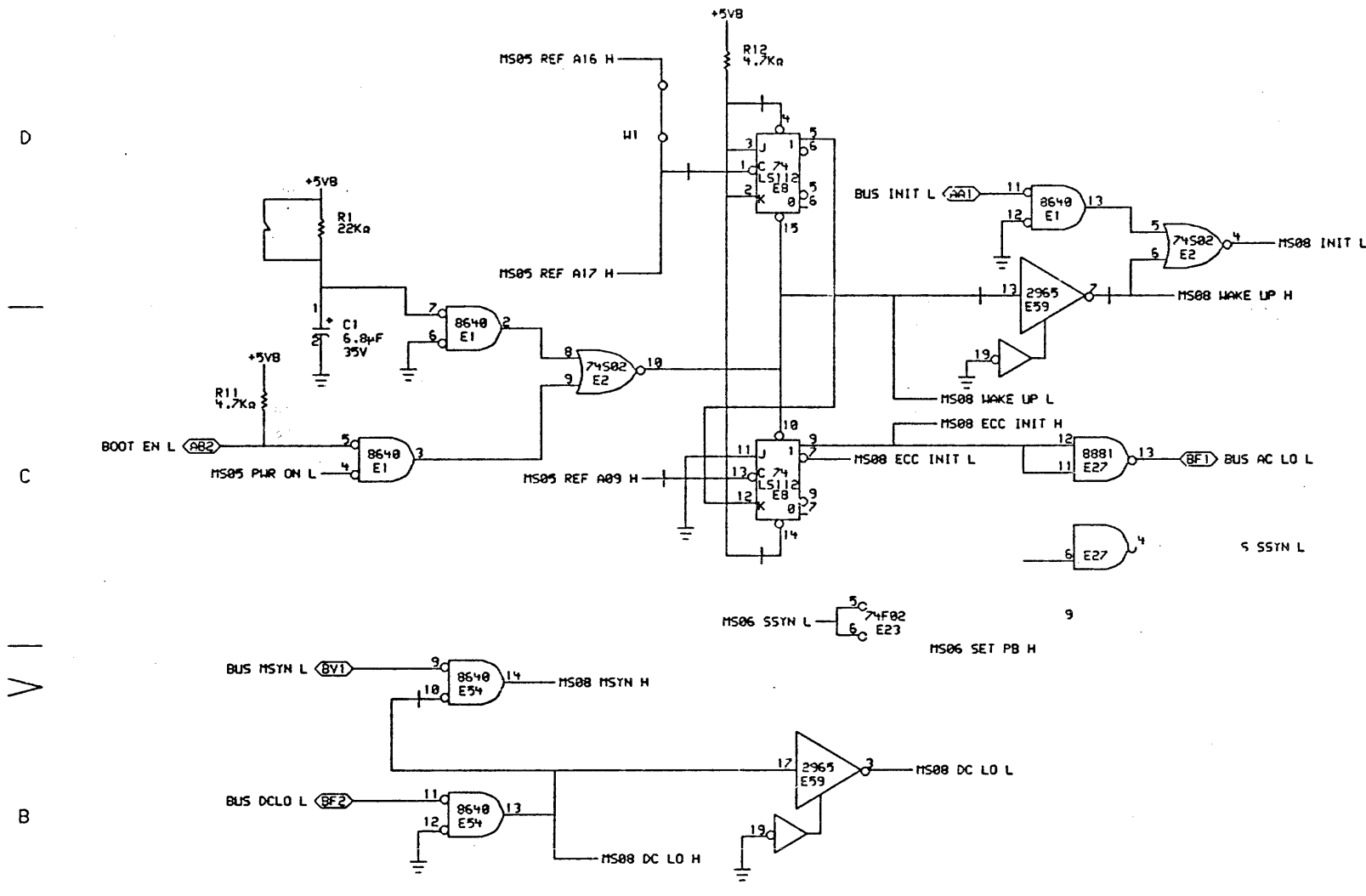


THIS DRAWING AND SPECIFICATION ARE THE PROPERTY OF DIGITAL EQUIPMENT CORPORATION AND SHALL NOT BE REPRODUCED OR COPIED OR USED IN ANY MANNER WITHOUT THE WRITTEN PERMISSION OF DIGITAL EQUIPMENT CORPORATION.

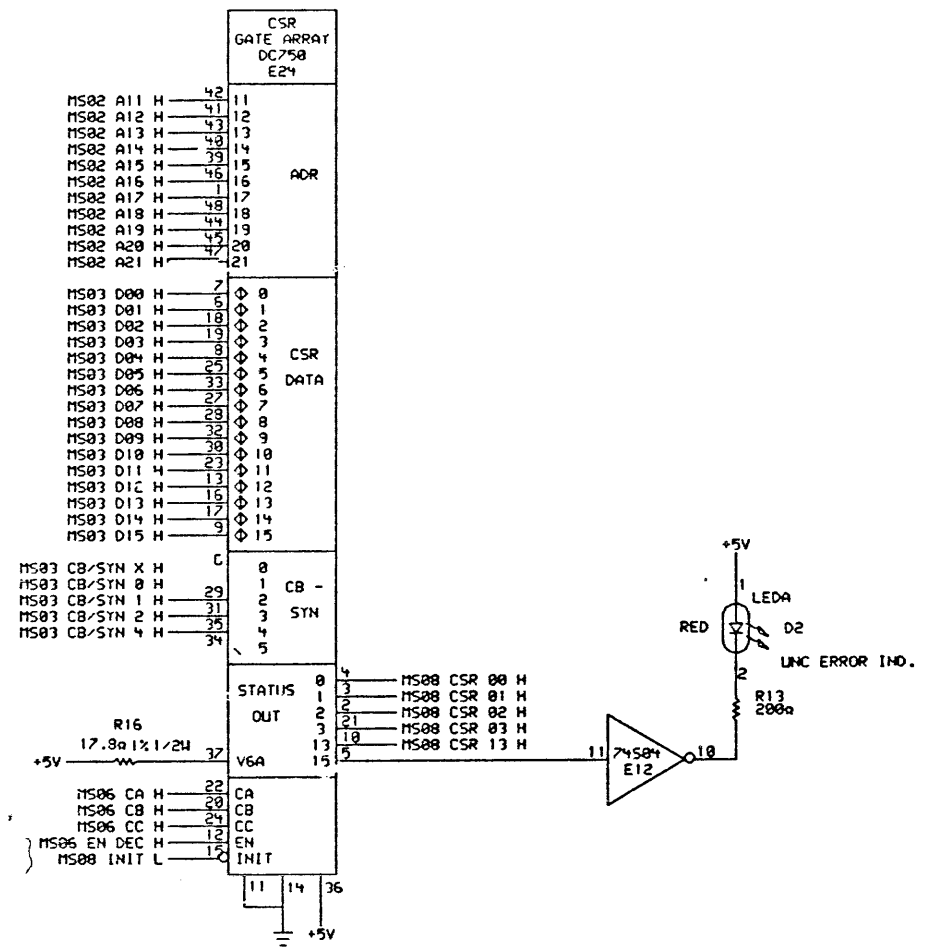
REVISIONS	DATE	BY	CHK	CHANGE NO.	REV.

Digital	S. ROCHEFORT	DATE	ENG.	DATE	TITLE:

SIZE	CODE	NUMBER	REV.
K	CS	118243-AA-MS07	B

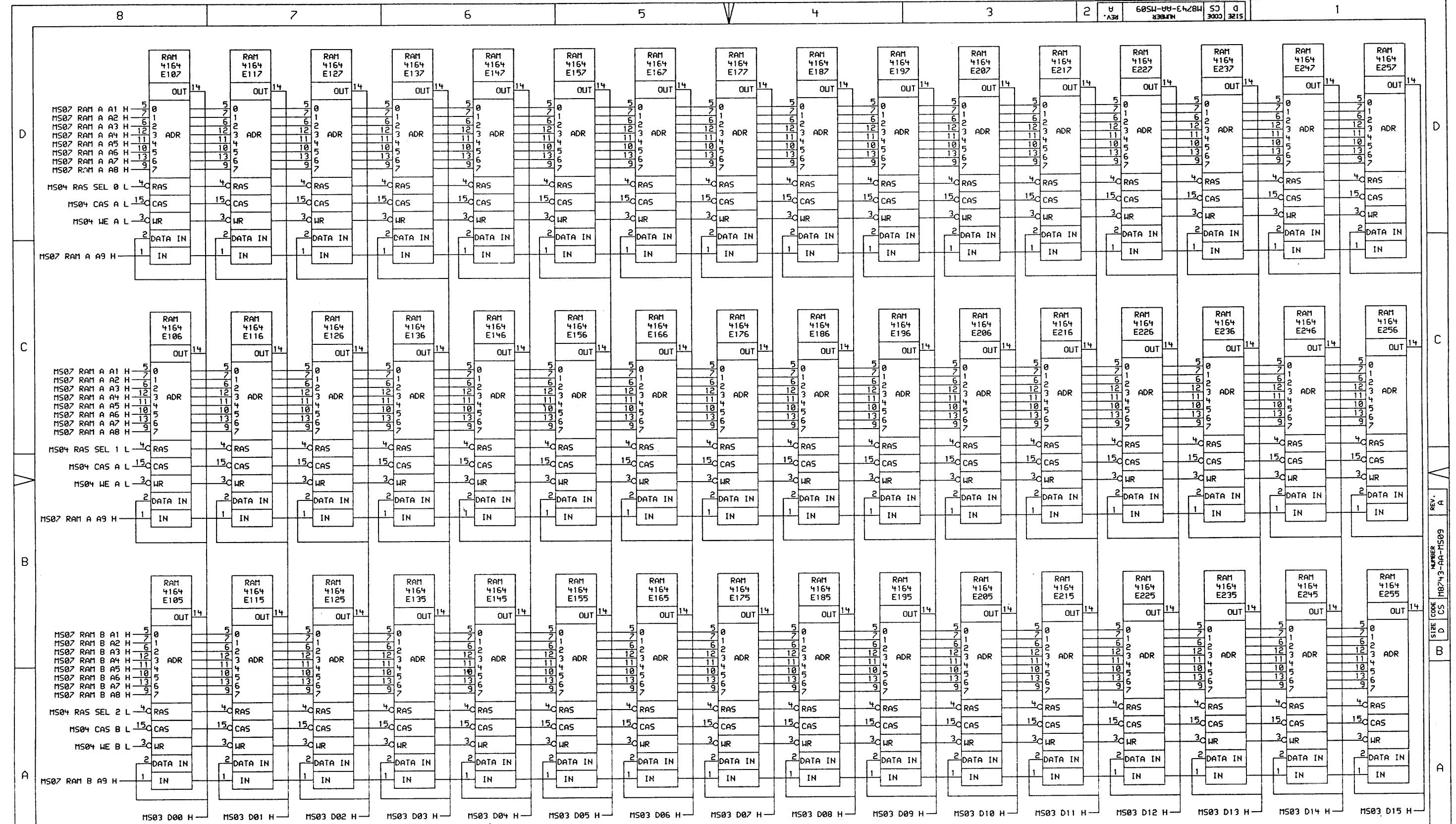


UNIBUS CONTROL LOGIC



CSR LOGIC

SPECIFICATIONS		REVISIONS	
CHK	CHANGE NO.	CHK	REV



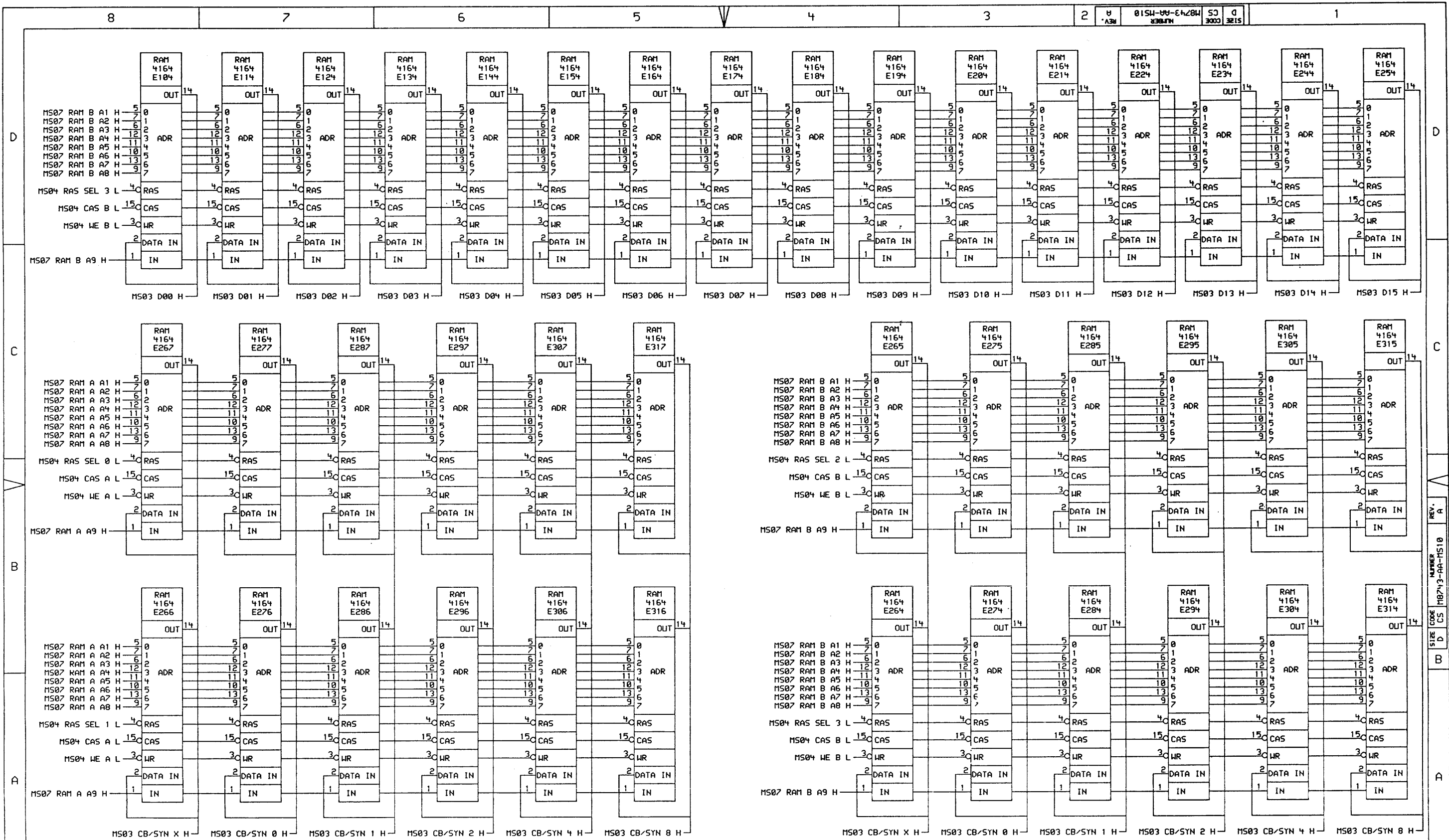
MEMORY ARRAY

THIS DRAWING AND SPECIFICATIONS ARE THE PROPERTY OF DIGITAL EQUIPMENT CORPORATION AND SHALL NOT BE REPRODUCED OR COPIED OR USED IN WHOLE OR IN PART AS THE BASIS FOR THE MANUFACTURE OR SALE OF ITEMS WITHOUT WRITTEN PERMISSION. COPYRIGHT © 1982, DIGITAL EQUIPMENT CORPORATION.

REVISIONS	
CHK	CHANGE NO. REV

	DATE 29-JUN-82 ENG Jm J... DATE 29-JUN-82	TITLE: MDECS-AA MEMORY
	CHK'D P. BOSSMAN DATE 29-JUN-82 SHEET 1 OF 1	BOARD LOCATION:
[710,1314]MDS09.DRW 125-JUN-82 12:43 NEXT HIGHER ASSEMBLY:	FIRST USED ON OPTION/MODEL: MDECS-AA B-DD-M8743-AA	SIZE CODE D CS M8743-AA-MS09 REV. A

REV. A
NUMBER M8743-AA-MS09
CODE CS
SIZE D



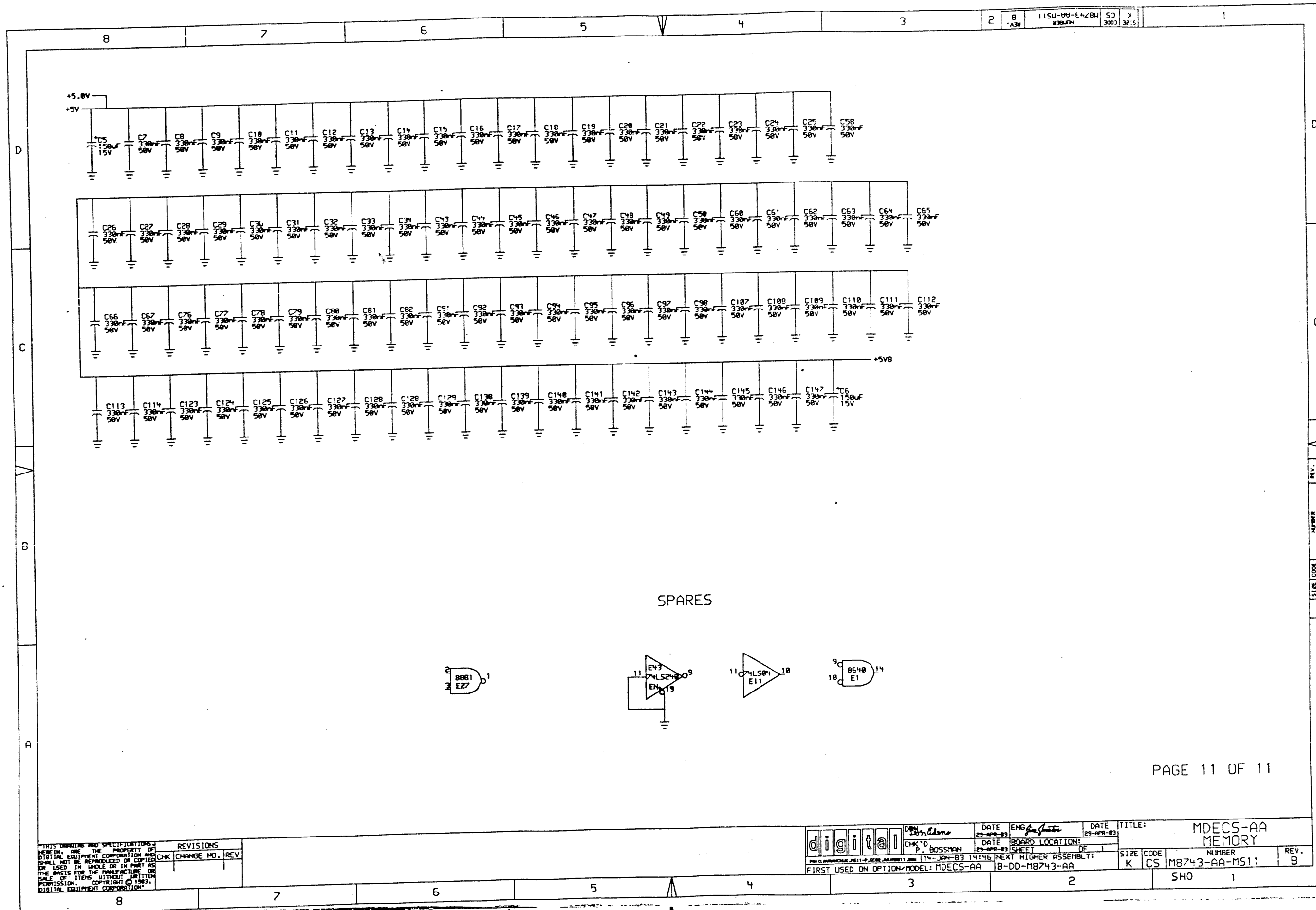
MEMORY ARRAY

THIS DRAWING AND SPECIFICATIONS HEREIN, ARE THE PROPERTY OF DIGITAL EQUIPMENT CORPORATION AND SHALL NOT BE REPRODUCED OR COPIED OR USED IN WHOLE OR IN PART AS THE BASIS FOR THE MANUFACTURE OR SALE OF ITEMS WITHOUT WRITTEN PERMISSION. COPYRIGHT © 1982, DIGITAL EQUIPMENT CORPORATION.

REVISIONS	
CHK	CHANGE NO. [REV]

	DATE 29-JUN-82 ENG. <i>for future</i> DATE 29-JUN-82	TITLE: MDECS-AA MEMORY
	CHK'D BY: BOSSMAN DATE 29-JUN-82 SHEET 1 OF 1	BOARD LOCATION: B-DD-M8743-AA
[210,1314]MDS10.DRW FIRST USED ON OPTION/MODEL: MDECS-AA	NEXT HIGHER ASSEMBLY:	SIZE CODE: D CS NUMBER: M2 REV. A

REV. A
NUMBER M8743-AA-MS10
SIZE CODE CS
D



THIS DRAWING AND SPECIFICATIONS HEREIN ARE THE PROPERTY OF DIGITAL EQUIPMENT CORPORATION AND SHALL NOT BE REPRODUCED OR COPIED OR USED IN WHOLE OR IN PART AS THE BASIS FOR THE MANUFACTURE OR SALE OF ITEMS WITHOUT WRITTEN PERMISSION. COPYRIGHT © 1983, DIGITAL EQUIPMENT CORPORATION.

REVISIONS		
CHK	CHANGE NO.	REV

digital *Don Allen*
 CHK'D P. BOSSMAN
 DATE 29-APR-83
 FIRST USED ON OPTION/MODEL: MDECS-AA

DATE 29-APR-83	ENG <i>for photo</i>	DATE 29-APR-83	TITLE: MDECS-AA MEMORY
DATE 29-APR-83	BOARD LOCATION: 1 OF 1	SHEET 1 OF 1	SIZE CODE K CS
14-JAN-83 14:46	NEXT HIGHER ASSEMBLY: B-DD-M8743-AA	SHO	1

SIZE CODE K CS	NUMBER M8743-AA-MS11	REV. B
----------------	----------------------	--------

REV. B
 NUMBER M8743-AA-MS11
 CODE CS
 SIZE K
 B