

LEGEND

MODEL NO.	VOLTS	Hz	AMPS	WIRES	PHASE
RK711-EA	115	60	1.5	3	
RK711-EB	230	60	2.3	3	
RK711-EC	115	50	5.0	3	1
RK711-ED	230	50	2.5	3	1

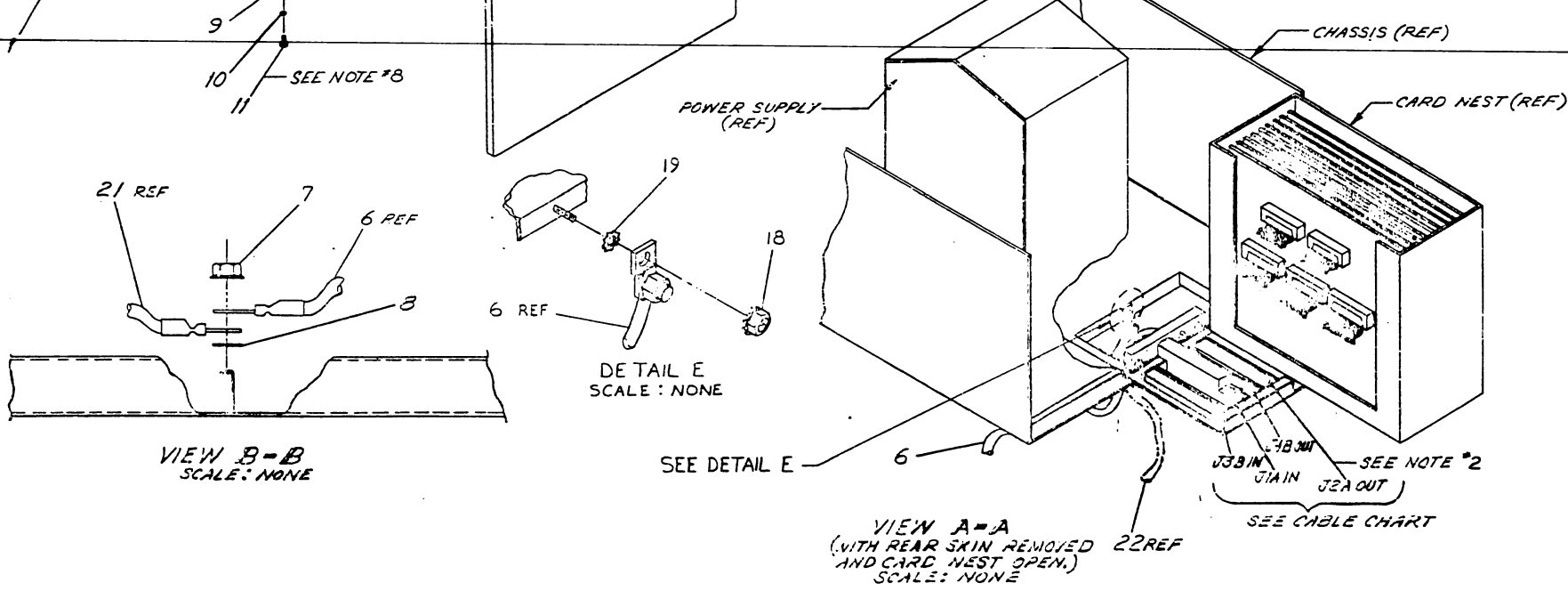
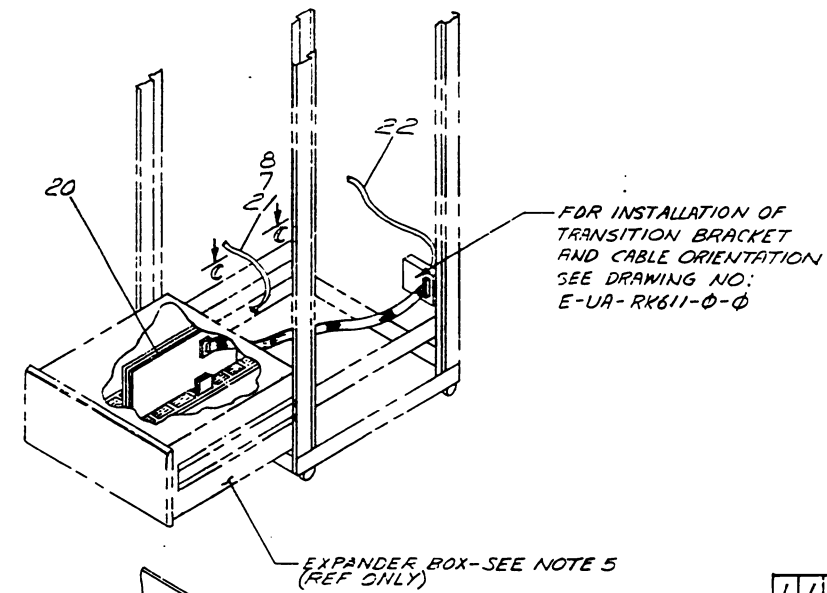
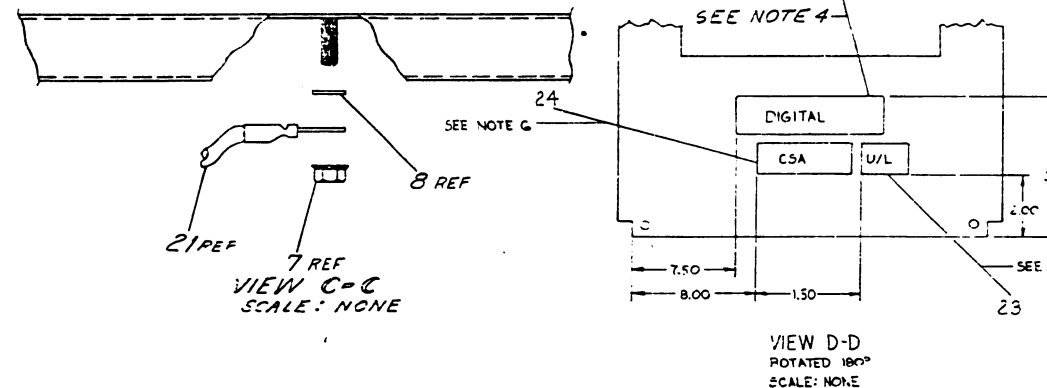
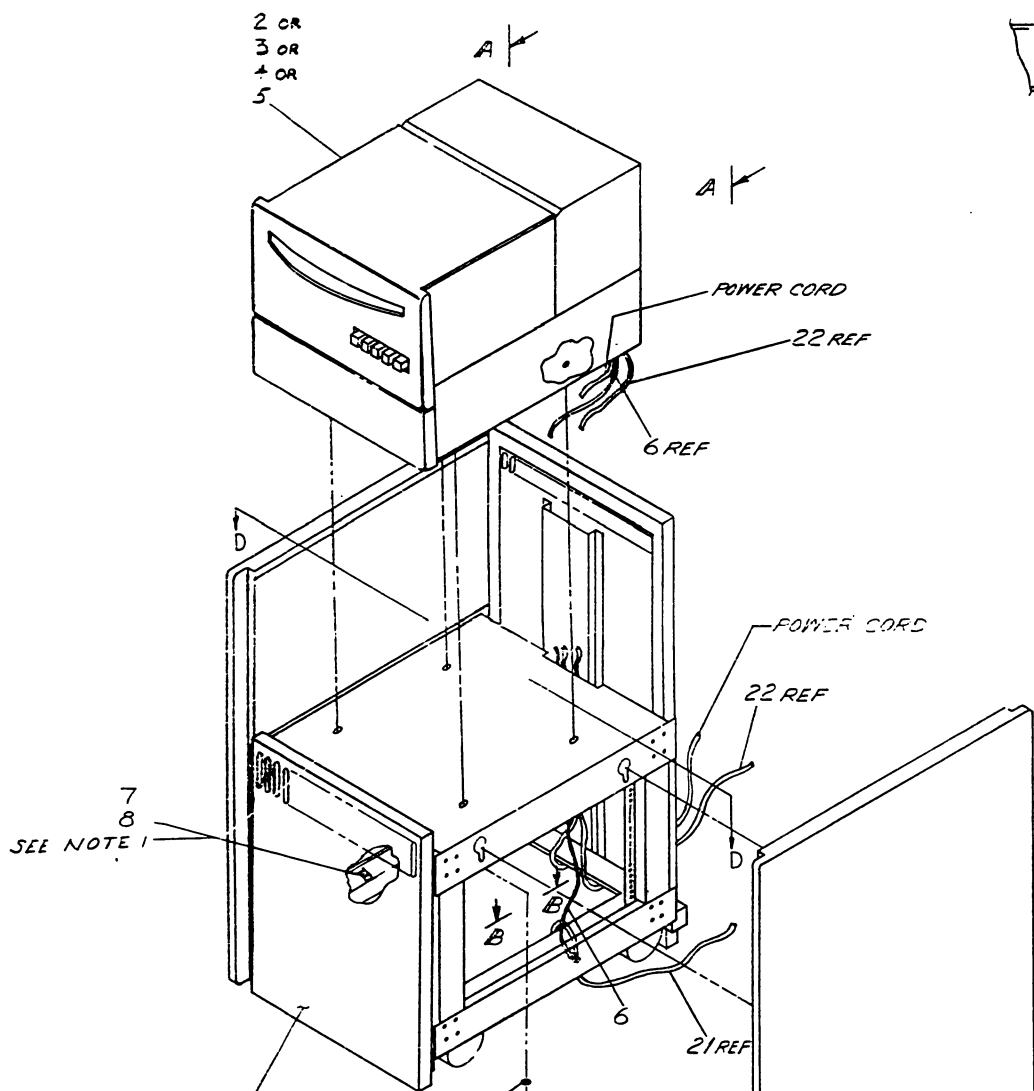
CABLE CHART

ITEM NO.	FROM	TO	REMARKS
22	CONTROLLER	DATA IN	
	DATA OUT	RK07 NEXT DRIVE	RK07 OR SEE NOTE #2

LABEL CHART

OPTION NO.	MODEL NO.	VOLTS	Hz	AMPS	WIRES	PHASE
RK711-EA	RK07-EA	115	60	1.5	3	
RK711-EB	RK07-EB	230	60	2.3	3	
RK711-EC	RK07-EC	115	50	5.0	3	1
RK711-ED	RK07-ED	230	50	2.5	3	1

- NOTES:**
- THIS HARDWARE IS FOR THE PURPOSE OF FASTENING A GROUND STRAP IN A MULTIPLE DRIVE SYSTEM.
 - IF THIS IS THE LAST DRIVE IN A SERIES A TERMINATOR (DEC PART NO 7012293-00) IS INSERTED AT THIS CONNECTION.
 - CARTRIDGE (ITEM #16) IS SHIPPED IN ITS OWN CONTAINER.
 - INFORMATION TO BE TYPED ON I.D. LABEL (ITEM #17) WILL BE OBTAINED FROM THE LABEL CHART. THE SPACE ON THE LABEL FOR SERIAL NO. IS TO BE LEFT BLANK.
 - EXPANDER BOX USED FOR MOUNTING CONTROLLER IS LOCATED IN SEPARATE CAB FROM DRIVE AND CAN BE POSITIONED AT ANY VERTICAL HEIGHT WITHIN THAT CAB.
 - THE UL AND CSA LABELS (ITEMS 23 AND 24) ARE TO BE ATTACHED TO APPROVED UNITS ONLY.
 - THE TOTAL LENGTH OF ALL DRIVE BUS CABLES (ITEM 22) ATTACHED TO THE RK07 CONTROLLER (RK611) MUST NOT EXCEED 100 FT.
 - TORQUE MOUNTING BOLTS (ITEM #11) TO 80 INCH POUNDS.



1	1	1	PACKAGING INSTRUCTIONS A-SP-370076-00	25	
1	1	1	CSA TAG	3613211-00	24
1	1	1	U.L. TAG	7916197-01	23
1	1	1	CABLE, DRIVE BUS (25 FT) E-IA-704229-25	22	
1	1	1	CABLE, GROUND (25 FT) D-IA-704229-25	21	
1	1	1	RK07 CONTROLLER E-UR-RK611-0-0	20	
1	1	1	WASHER, EXT TOOTH LOCK 1/4	3006724-00	19
1	1	1	NUT, KEP 1/4-20	3008203-00	18
1	1	1	I.D. LABEL	3613210-00	17
1	1	1	CARTRIDGE, RK07R	RK07R-DC	16
1	1	1	RELIEF STRAIN	5-MD-791181-00	15
2	2	2	WASHER, FEAT #1	3006668-00	14
2	2	2	WASHER, FEAT #2	3006668-00	13
2	2	2	NUT, HEX #1-18	3009236-00	12
9	9	9	SCREW, HEX HD #20X 1/2	3006293-09	11
1	1	1	WASHER, HELICAL SPS LOCK	3007737-00	10
1	1	1	WASHER, FLAT .281 I.D.	3007732-00	9
3	3	3	WASHER, INT TOOTH LOCK	3006638-00	8
3	3	3	NUT, KEP 1/4-18	3006568-00	7
1	1	1	CABLE, GROUND (3 FT 16)	D-IA-7912827-03	6
1	1	1	DRIVE (RK07) 230V/50Hz E-UR-RK07-AD-0		5
1	1	1	DRIVE (RK07) 115V/50Hz E-UR-RK07-AC-0		4
1	1	1	DRIVE (RK07) 230V/60Hz E-UR-RK07-AB-0		3
1	1	1	DRIVE (RK07) 115V/60Hz E-UR-RK07-AA-0		2
1	1	1	EXPANDER CAB	D-UR-7969-01-0	1

QUANTITY	DESCRIPTION	UNIT	PART NO.	ITEM NO.
1	EXPANDER CAB		D-UR-7969-01-0	1
1	DRIVE (RK07) 115V/50Hz E-UR-RK07-AA-0			2
1	DRIVE (RK07) 230V/60Hz E-UR-RK07-AB-0			3
1	DRIVE (RK07) 115V/50Hz E-UR-RK07-AC-0			4
1	DRIVE (RK07) 230V/50Hz E-UR-RK07-AD-0			5
1	CABLE, GROUND (3 FT 16)		D-IA-7912827-03	6
1	NUT, KEP 1/4-18		3006568-00	7
3	WASHER, INT TOOTH LOCK		3006638-00	8
1	WASHER, FLAT .281 I.D.		3007732-00	9
1	WASHER, HELICAL SPS LOCK		3007737-00	10
9	SCREW, HEX HD #20X 1/2		3006293-09	11
2	NUT, HEX #1-18		3009236-00	12
2	WASHER, FEAT #2		3006668-00	13
2	WASHER, FEAT #1		3006668-00	14
1	RELIEF STRAIN		5-MD-791181-00	15
1	CARTRIDGE, RK07R		RK07R-DC	16
1	I.D. LABEL		3613210-00	17
1	NUT, KEP 1/4-20		3008203-00	18
1	WASHER, EXT TOOTH LOCK 1/4		3006724-00	19
1	RK07 CONTROLLER		E-UR-RK611-0-0	20
1	CABLE, GROUND (25 FT)		D-IA-704229-25	21
1	CABLE, DRIVE BUS (25 FT)		E-IA-704229-25	22
1	U.L. TAG		7916197-01	23
1	CSA TAG		3613211-00	24
1	PACKAGING INSTRUCTIONS A-SP-370076-00			25

VIEW A-A (WITH REAR SKIN REMOVED AND CARD NEST OPEN.) SCALE: NONE

VIEW B-B SCALE: NONE

DETAIL E SCALE: NONE

SEE CABLE CHART

**DIGITAL EQUIPMENT CORPORATION
MAYNARD, MASSACHUSETTS
PARTS LIST**

MADE BY BRIAN NICHOLS	CHECKED A. LIVINGSTON	SECTION 1
DATE 8 AUG 77	DATE 16 NOV 77	
ENG <i>D. Ellis</i>	PROD <i>F. Cloran</i>	ISSUED SECT. 1
DATE 12/20/77	DATE 12/22/77	

QUANTITY VARIATION

ITEM NO.	DWG NO./PART NO.	DESCRIPTION	RK711-EA	RK711-EB	RK711-EC	RK711-ED										
1	E-UA-RK711-EA	SINGLE ACCESS DISK SUBSYSTEM/H969(CAB)	1													
2	E-UA-RK711-EB	SINGLE ACCESS DISK SUBSYSTEM/H969(CAB)		1												
3	E-UA-RK711-EC	SINGLE ACCESS DISK SUBSYSTEM/H969(CAB)			1											
4	E-UA-RK711-ED	SINGLE ACCESS DISK SUBSYSTEM/H969(CAB)				1										
5	MP00576	FIELD MAINTENANCE PRINT SET (RK07-0)	1	1	1	1										
6	EK-RK067-UG	RK06/RK07 DISK DRIVE USER'S MANUAL	1	1	1	1										
7	A-PL-ZJ226-RB	SOFTWARE LIST RK611/RK711 E & F	1	1	1	1										
8	MP00105	FIELD MAINTENANCE PRINT SET (RK611-0)	1	1	1	1										
9	MP00550	FIELD MAINTENANCE PRINT SET (RK711-E)	1	1	1	1										

TITLE SHIPPING LIST RK711-E	ALSY NO. B-ID-RK711-E	DATE A	CODE PL	NUMBER RK711-E-2	REV A	ECO NO. RK711-E 00001
SHEET 1 OF 1		LIST				

