



7200 SERIES DISC MEMORY OPERATION & MAINTENANCE MANUAL

This manual provides all necessary information for understanding and operating the Data Disc 7200 Series Disc Memory System: Models 7203, 7204, 7205, 7206 and 7207.

© 1972 Data Disc, Inc.

RECEIVED
JAN 15 1973
J.S.

NOT FOR SALE. THIS INFORMATION SHALL BE GIVEN ONLY TO INFORMATION INTERNATIONAL CUSTOMER ENGINEERS, AND ONLY FOR TRAINING, FIELD SERVICE, AND MAINTENANCE PURPOSES (JAN 73).

DATA DISC, INC. • 686 West Maude Avenue • Sunnyvale, California 94086 • (408) 732-7330

DATA DISC Part No. 3016000-00

APPENDIX A

DOCUMENTATION STANDARDS

A-1 GENERAL

As a general guide to documentation symbols and abbreviations MIL-STD-806B has been used. The flip-flop symbol has been modified to clarify which slope of the clock input waveform causes the edge-triggered flip-flop to change state. Positive logic statements are the convention.

Integrated circuits (IC's) are designated as IC1, IC2, etc. on the Data and Clock cards where the card layout was not made on a standard format. The other cards in the system have a matrix type format which accepts a maximum of 20 IC's in 4 rows and 5 columns. The columns are lettered A, B, C, D, and E and the rows are numbered 1, 2, 3, 4. The individual IC's on these cards are designated by their column and row location. For example: A1 is the IC located in the ejector corner of the card, and E4 is the IC located at the opposite corner from A1.

Individual gates are designated by the IC location followed by a slash followed by the output pin number of the gate. For example: Gate D3/9 means the gate in the IC in location D3 having its output on pin 9.

Individual flip-flops are designated by the IC location followed by a slash followed by the output pin number used by the Q output of the FF. For example: flip-flop A3/5 means the FF in the IC in location A3 having its Q output on pin 5.

Printed circuit card connectors utilize a non-standard pin designation which is much easier to use than the usual letter and number method. The pins on the component side of the pc card are numbered 1 through 22 with an "X" prefix (X1 through X22). The pins on the non-component side of the pc card are also numbered 1 through 22 but with a dash "-" prefix (-1 through -22). -1 and X1 are on the same end of the board as the ejector is mounted, and -22 and X22 are on the opposite end. Pin locations on either side of the pc card or connector can be easily found just by counting from the ejector side of the card.

Test points along the top edge of the pc card are numbered from left to right when looking at the component side of the card with the ejector in the upper right hand corner. TPO is the left-most test point and is always dc ground.

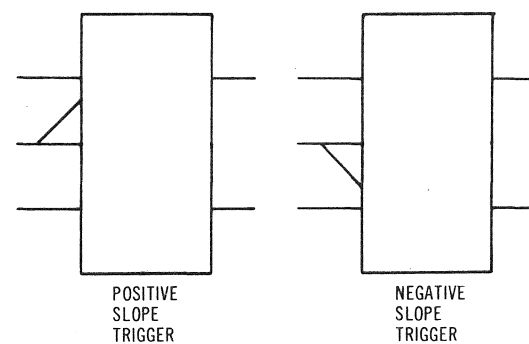


Figure A-1. Flip Flop Logic Symbols

A-2 ABBREVIATIONS

| | | | |
|-----------|-------------------------|---------|-------------------------------|
| ac | Alternating Current | RA | Read Act |
| ADV | Advance | RCE | Read Clock Enable |
| AMPL | Amplifier | RDL | Read Data Lower (Bus) |
| C | Capacitor | RDU | Read Data Upper (Bus) |
| CLK or CK | Clock | RET | Retard |
| CR | Diode | R. H. | Relative Humidity |
| dc | Direct Current | RI | Read Inhibit |
| DR | Data Read | R/W CLK | Read/Write Clock |
| DW | Data Write | SDW | Sector Data Write |
| ED | Encoded Data | SEC | Sector |
| F | Fahrenheit or Frequency | SW | Sector Write or Switch |
| FF or F/F | Flip flop | SZX | Squared Zero-Crossing |
| g | Gravitational Unit | TO | Track Origin |
| GND | Ground | TOD | Track Origin Detected |
| GRD | Ground | TOS | Track Origin Squared |
| HC | Head Change | TP | Test Point |
| HD | Head | TTL | Transistor - Transistor Logic |
| Hz | Hertz | VCO | Voltage Controller Oscillator |
| IC | Integrated Circuit | VG | VCO Gate |
| mA | Milliamperes | WA | Write Act |
| mV | Millivolts | WD | Write Data |
| N/C | No Connection | WE | Write Enable |
| PC | Printed Circuit | WI | Write Inhibit |
| Q | Transistor | WS | Write Sector |
| R | Resistor | ZXOS | Zero Crossing One-Shot |

NOT FOR SALE. THIS INFORMATION SHALL BE GIVEN ONLY TO INFORMATION INTERNATIONAL CUSTOMER ENGINEERS, AND ONLY FOR TRAINING, FIELD SERVICE, AND MAINTENANCE PURPOSES (JAN 73).

SCHEMATICS AND ASSEMBLY DRAWINGS

Note: All production versions are included in this appendix. Refer to the correct drawing for your system. Newer versions may always replace earlier versions.

INDEX

| Dwg. No. | Title | Page |
|--------------|---|------|
| AD-C-11050-H | P. C. Assembly, 7200 Data | 2 |
| SC-C-11050-H | Schematic, 7200 Data | 3 |
| AD-C-11051-H | P. C. Assembly, 7200 Clock | 4 |
| SC-C-11051-H | Schematic, 7200 Clock | 5 |
| AD-C-11054-H | P. C. Assembly, 7200 Multipurpose | 6 |
| SC-D-11054-H | Schematic, 7200 Multipurpose | 7 |
| AD-C-11055-H | P. C. Assembly, 7200 Write | 8 |
| SC-C-11055-H | Schematic, 7200 Write | 9 |
| AD-C-11056-H | P. C. Assembly, 7200 Sector | 10 |
| SC-D-11056-H | Schematic, 7200 Sector | 11 |
| AD-C-11057-G | P. C. Assembly, 7200 Timing | 12 |
| SC-D-11057-G | Schematic, 7200 Timing | 13 |
| AD-C-11058-D | P. C. Assembly, Address & Spares | 14 |
| SC-D-11058-D | Schematic, Address & Spares | 15 |
| AD-C-11059-A | P. C. Assembly, Double Address & Spares | 16 |
| SC-D-11059-A | Schematic, Double Address & Spares | 17 |
| 3011093-00 | P. C. Assembly, Read | 18 |
| 3011095-00 | Schematic, Read | 19 |
| 3011133-00 | Schematic, Power Supply | 21 |
| 3011192-00 | Schematic, Data | 22 |
| 3011194-00 | P. C. Assembly, Data | 23 |

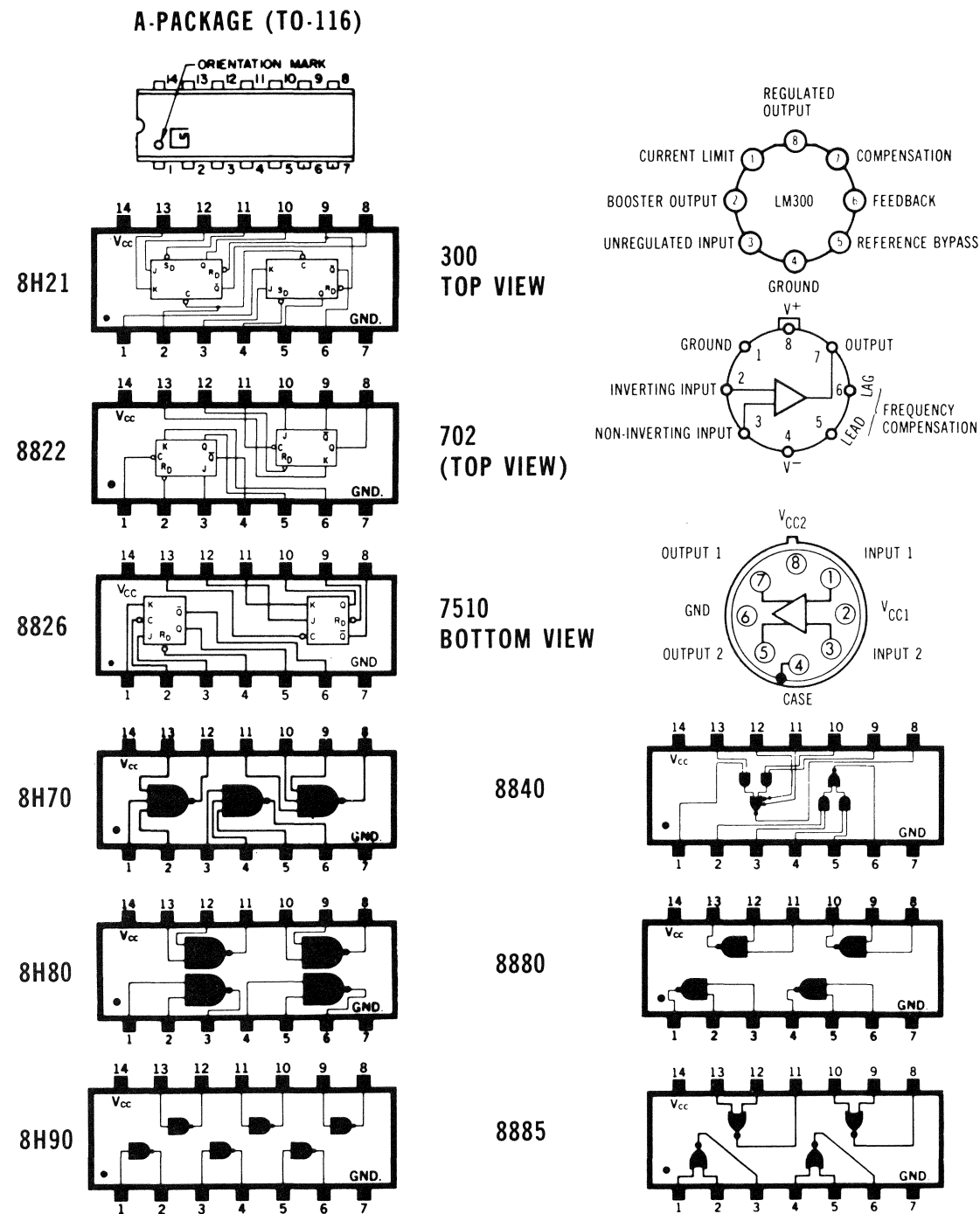
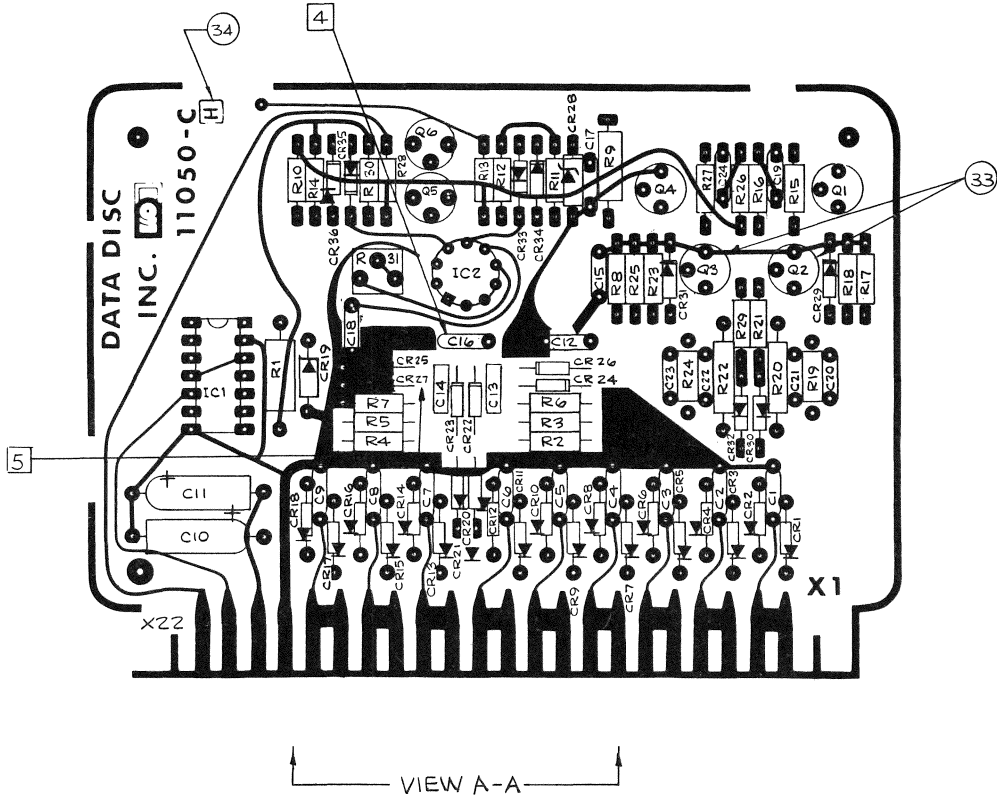
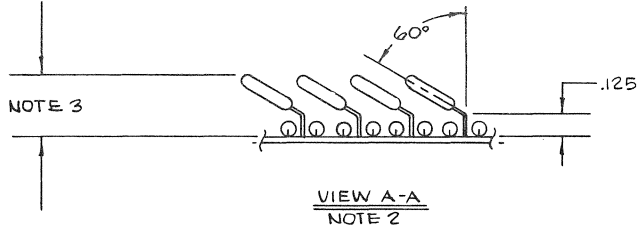


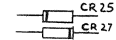
Figure A-3. Integrated Circuit Connection Drawings

NOT FOR SALE. THIS INFORMATION SHALL BE GIVEN ONLY TO INFORMATION INTERNATIONAL CUSTOMER ENGINEERS, AND ONLY FOR TRAINING, FIELD SERVICE, AND MAINTENANCE PURPOSES (JAN 73).

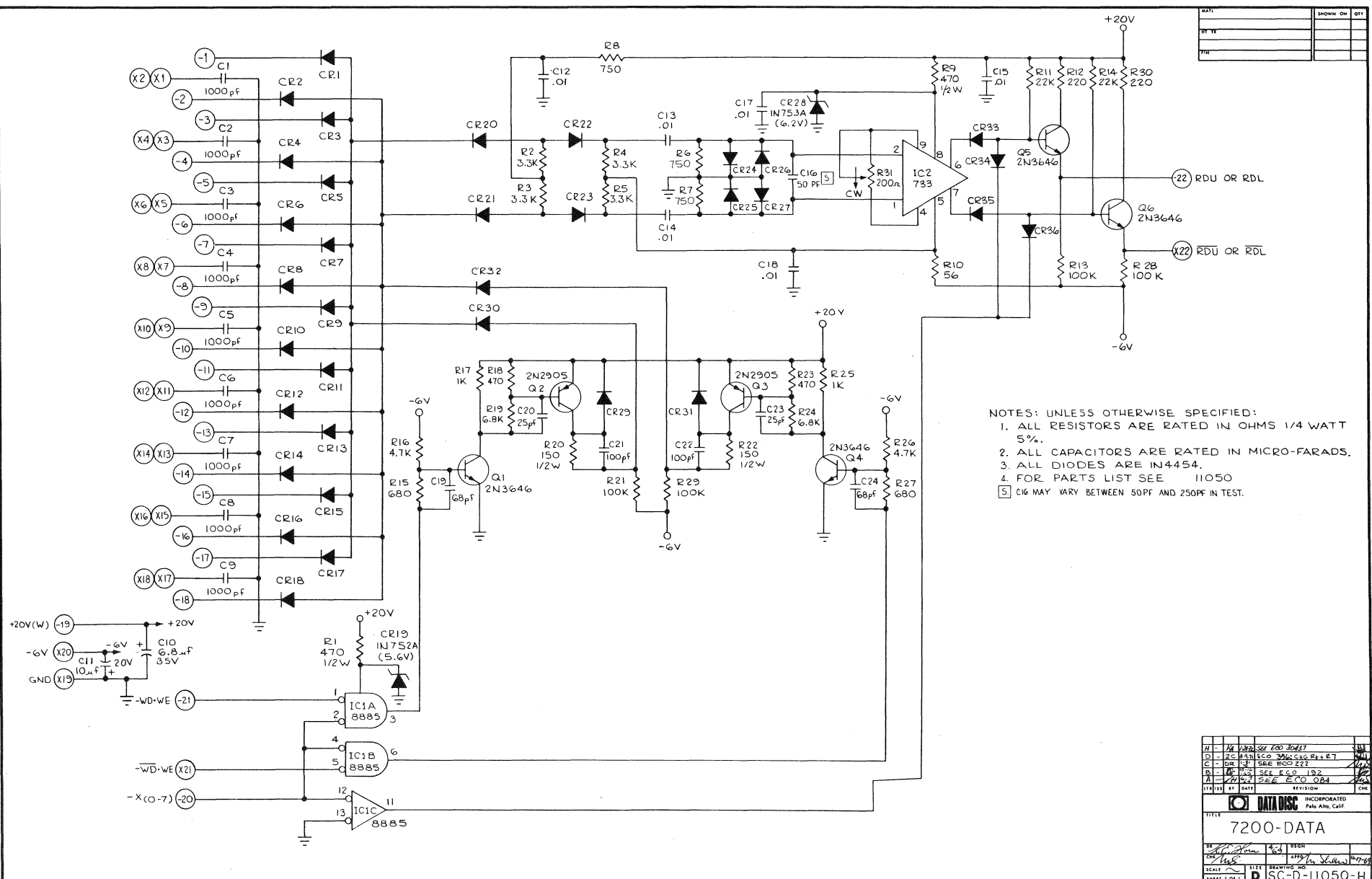
| SHOWN ON | QTY | DATE | SYM | REVISION | RECORD | AUTH | DR | CHK |
|----------|-----|---------|-----|-----------------------|--------|------|----|-----|
| 3011197 | 4 | 2-20-70 | 1 | SEE ECO | | | EM | |
| 3011198 | 4 | 2-24-70 | A | 1-2 SEE ECO 084 | | | EM | |
| | | 2-24-70 | B | SEE ECO 182 | | | Z | |
| | | 2-24-70 | C | SEE ECO 192 | | | HS | HS |
| | | 2-24-70 | D | SEE ECO 213 | | | DR | |
| | | 2-24-70 | E | REDRAWN ECO 222 | | | DR | |
| | | 2-24-70 | F | ECO 374, RNUD DETAILS | | | Z | |
| | | 2-24-70 | G | ECO 391, CHG R6-17 | | | Z | |
| | | 2-24-70 | H | SEE ECO 30437 | | | | |



- NOTES:
- SEE LM 11050-00 FOR COMPONENT VALUES.
 - C1 THRU C9 TO BE PRESENT BEFORE ASSEMBLY.
 - MAXIMUM HEIGHT FOR ALL COMPONENTS, EXCLUDING R31, IS .350
 - C16 MAY VARY BETWEEN 50PF AND 250PF IN TEST.
 - ASSEMBLE CR25 AND CR27 AS SHOWN



| TOLEPANS | DATA DISC | DATE | REV |
|----------|-----------|------|-------------|
| ~ | FRONT | 2/1 | 1 |
| ~ | 7200 DATA | | |
| ~ | 1-22-70 | | AD-C-11050- |



NOT FOR SALE. THIS INFORMATION SHALL BE GIVEN ONLY TO INFORMATION INTERNATIONAL CUSTOMER ENGINEERS, AND ONLY FOR TRAINING, FIELD SERVICE, AND MAINTENANCE PURPOSES (JAN 73).

| REV | DATE | BY | CHK |
|-----|---------|----|-----|
| 1 | 2-20-70 | EM | |
| 2 | 2-24-70 | EM | |
| 3 | 2-24-70 | Z | |
| 4 | 2-24-70 | HS | HS |
| 5 | 2-24-70 | DR | |
| 6 | 2-24-70 | DR | |
| 7 | 2-24-70 | Z | |
| 8 | 2-24-70 | Z | |

DATA DISC INCORPORATED Palo Alto, Calif.

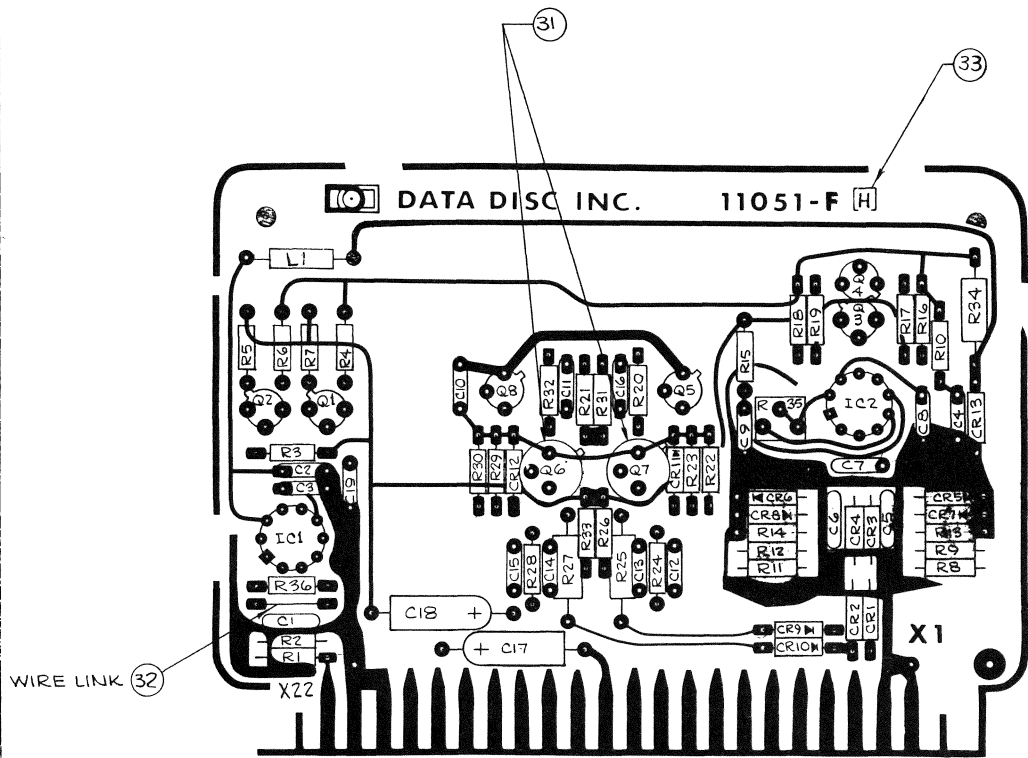
7200-DATA

SCALE: 1:1

SHEET 1 OF 1

SC-D-11050-H

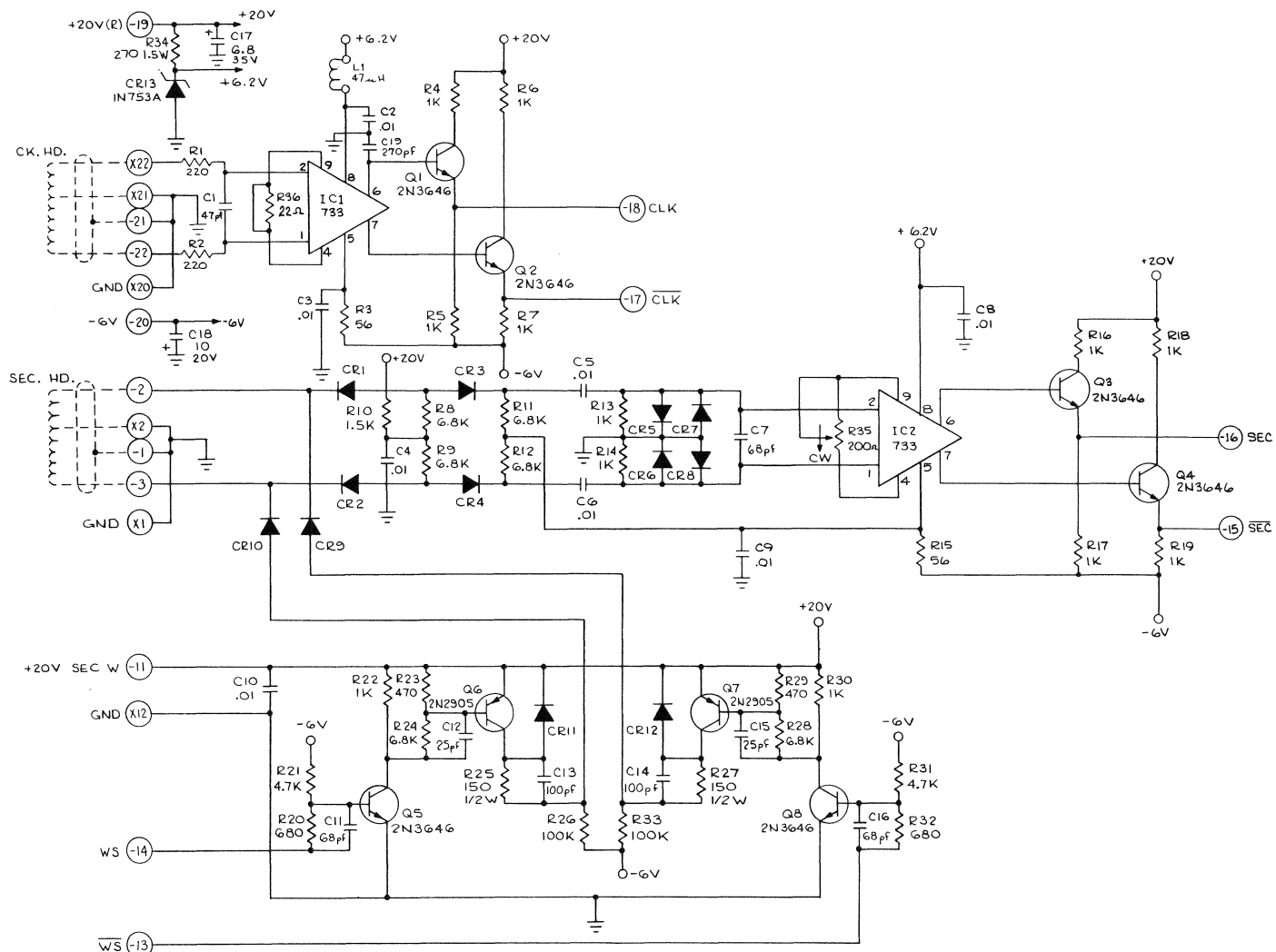
| SHOWN ON | QTY | DATE SW | RECORD | AUTH | DR. | CK. |
|----------|-----|---------|--------|----------------------|-----|-----|
| G1077 | 1 | 2-70 | E | REDRAWN E00234 | | DR |
| | | 4-71 | E | ECO 374; MVD DETAILS | | ZC |
| | | 8-71 | G | ECO 376 | | ZC |
| | | 8/72 | H | SEE ECO 30437 | | 7H |



NOTES:

1. SEE LM 11051 FOR COMPONENT VALUES.
2. MAXIMUM HEIGHT FOR ALL COMPONENTS, EXCLUDING R35, IS .350

| | |
|---------------------|-----|
| DATA DISC INC. | |
| FRONT | 2:1 |
| 7200 CLOCK | |
| 3-70 AD-C-11051-F H | |



- NOTES: UNLESS OTHERWISE SPECIFIED:
1. ALL RESISTORS ARE RATED IN OHMS 1/4 WATT 5%.
 2. ALL CAPACITORS ARE RATED IN MICROFARADS.
 3. ALL DIODES ARE IN4454
 4. FOR PARTS LIST SEE EPL11051.

| REV. | DATE | BY | CHKD. | DESCRIPTION |
|------|------|----------------------|-------|-------------|
| 1 | 3-70 | SEE E00 20437 | | |
| 2 | 4-71 | ECO 374; MVD DETAILS | | |
| 3 | 8-71 | ECO 376 | | |
| 4 | 8/72 | SEE ECO 30437 | | |

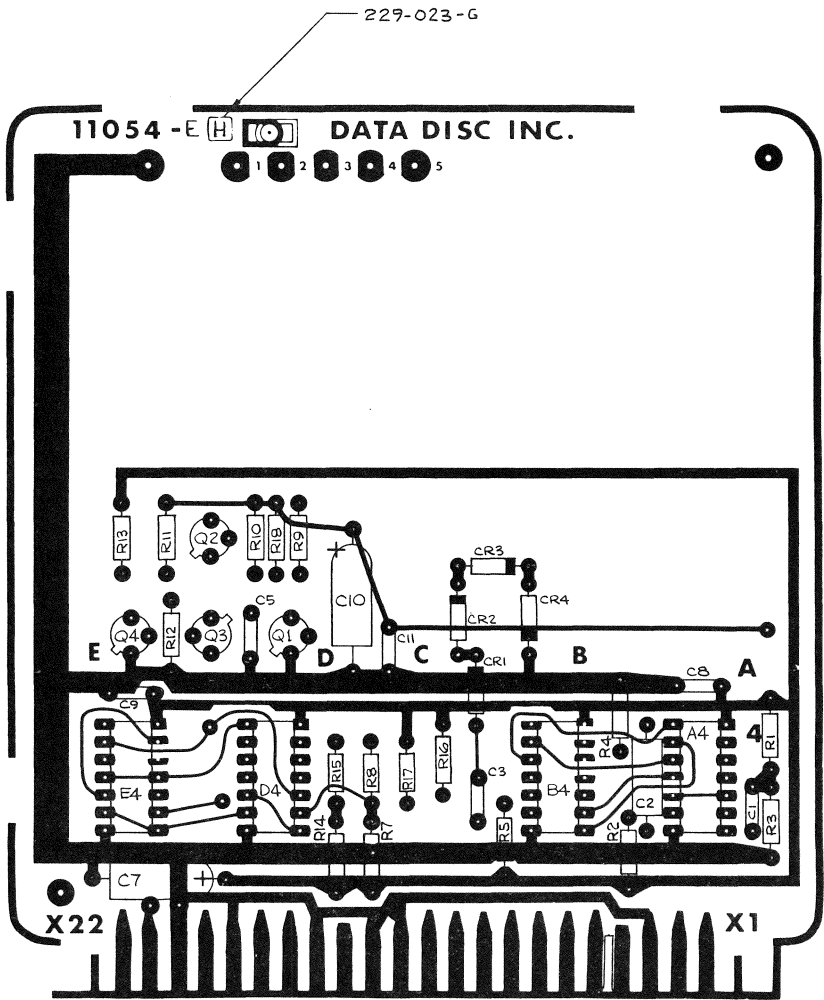
DATA DISC INC. INCORPORATED
Palo Alto, Calif.

7200 CLOCK

SCALE: 1:1 SHEET 1 OF 1

NOT FOR SALE. THIS INFORMATION SHALL BE GIVEN ONLY TO INFORMATION INTERNATIONAL CUSTOMER ENGINEERS, AND ONLY FOR TRAINING, FIELD SERVICE, AND MAINTENANCE PURPOSES (JAN 73).

| SHOWN ON | QTY | DATE | SYM | REVISION | AUTH | DR | CK |
|----------|-----|-------|-----|-----------------|------|----|----|
| G1059 | 1 | 3-15 | I | SEE ECO | M.S. | | |
| | | 4-21 | A | SEE ECO | M.S. | | |
| | | 6-69 | B | SEE ECO | M.S. | | |
| | | 6-69 | C | ECO 088 | M.S. | | |
| | | 12-69 | D | REDR., ECO 211 | M.S. | | |
| | | 11-70 | E | ECO 341, UPDATE | ZC | | |
| | | 5-71 | F | ECO 381, UP LTR | ZC | | |
| | | 6-71 | G | ECO 381 | ZC | | |
| | | 10/72 | H | ECO 30437 | M | | |

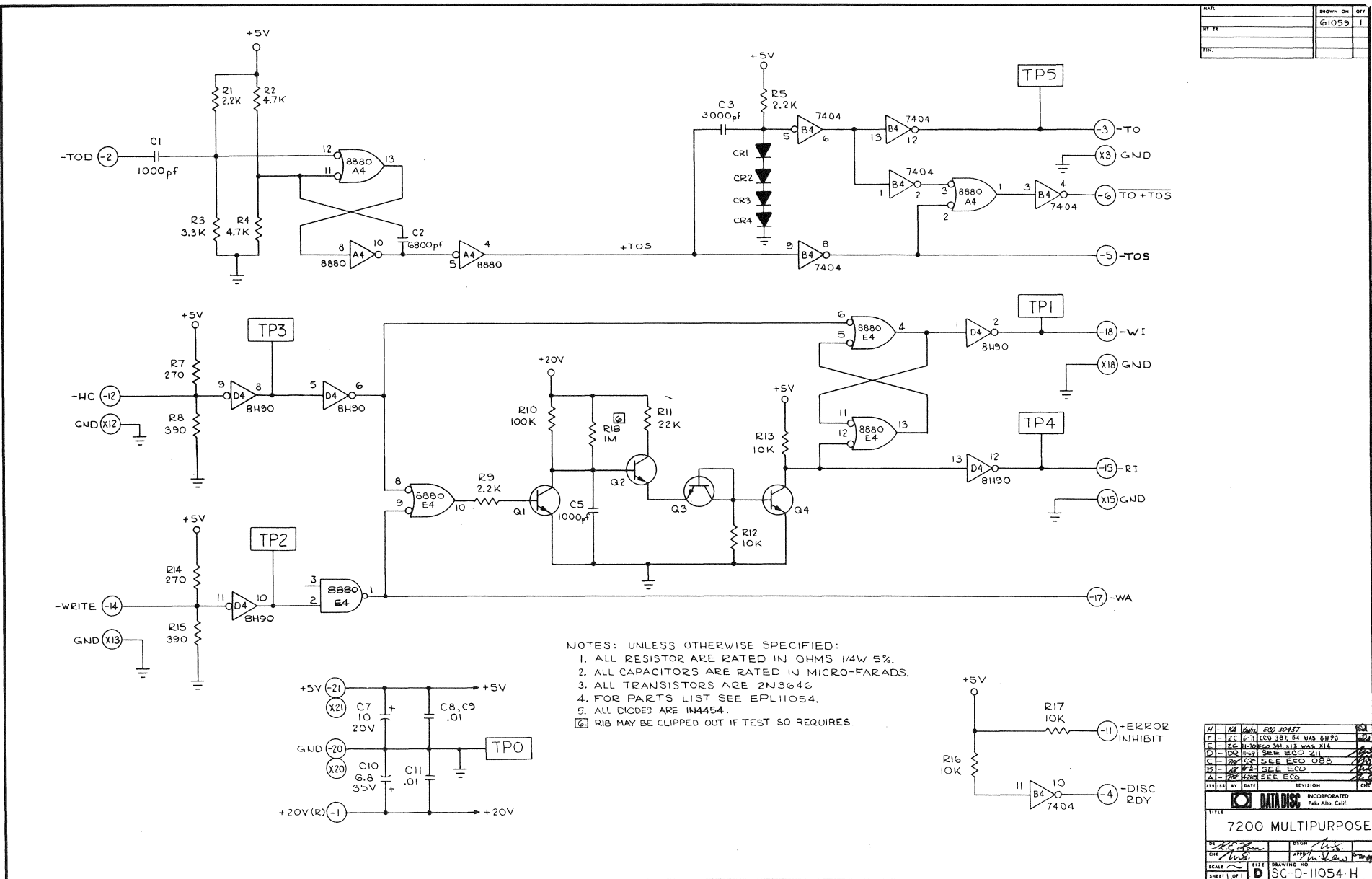


NOTES:
1.) FOR PARTS LIST SEE EPL11054

| TOLERANCES | DATE | DRAWING NUMBER |
|-------------------|---------|----------------|
| (UNLESS AS NOTED) | 12-3-69 | AD-C-11054-H |

| FILE | SCALE | APPROVED BY |
|-------|-------|--------------------|
| FRONT | 2/1 | <i>[Signature]</i> |

| INCORPORATED | DATE | SCALE |
|---|---------|-------|
| DATA DISC INCORPORATED Palo Alto, Calif. | 12-3-69 | 2/1 |



NOTES: UNLESS OTHERWISE SPECIFIED:
1. ALL RESISTOR ARE RATED IN OHMS 1/4W 5%.
2. ALL CAPACITORS ARE RATED IN MICRO-FARADS.
3. ALL TRANSISTORS ARE 2N3646.
4. FOR PARTS LIST SEE EPL11054.
5. ALL DIODES ARE IN4454.
6. R18 MAY BE CLIPPED OUT IF TEST SO REQUIRES.

NOT FOR SALE. THIS INFORMATION SHALL BE GIVEN ONLY TO INFORMATION INTERNATIONAL CUSTOMER ENGINEERS, AND ONLY FOR TRAINING, FIELD SERVICE, AND MAINTENANCE PURPOSES (JAN 73).

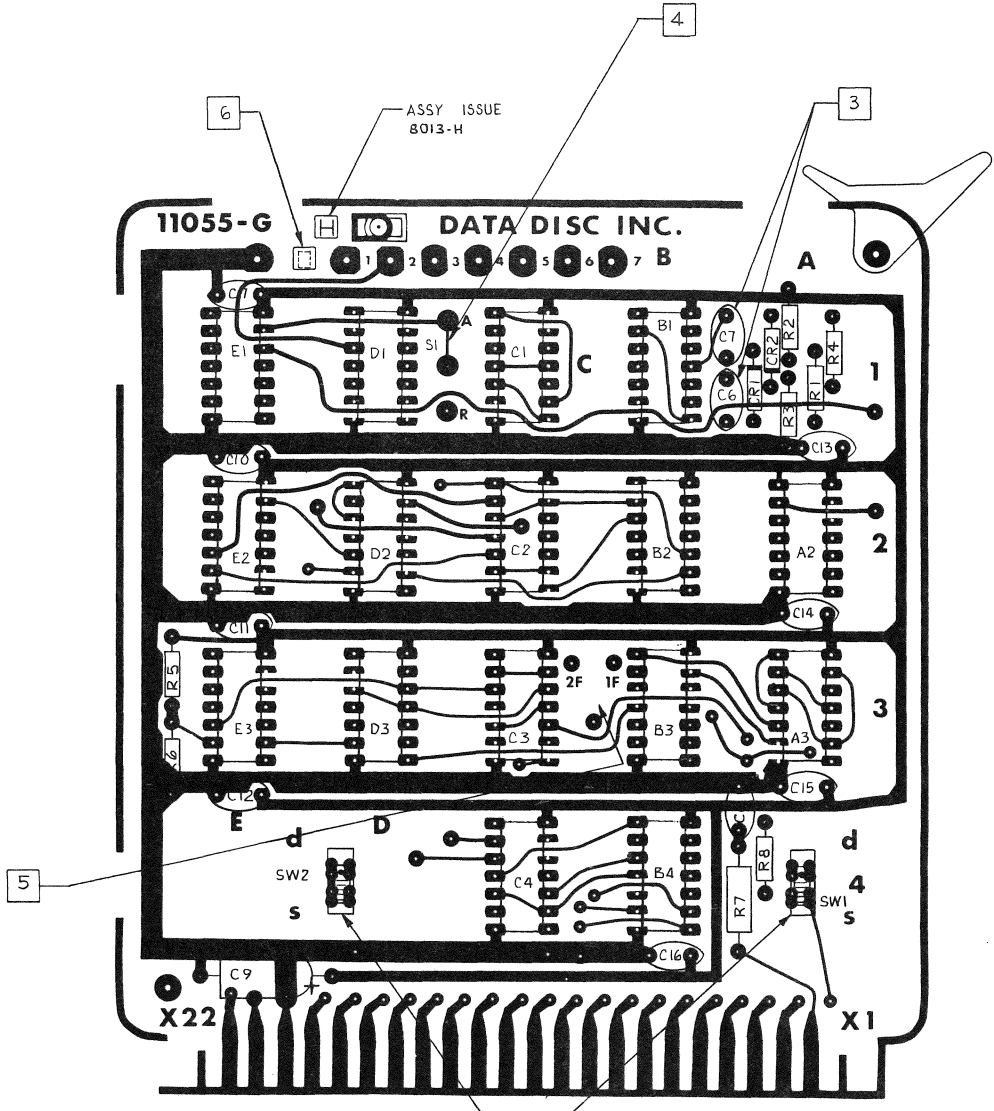
| REV | DATE | BY | CHK |
|-----|---------|-------------|-------------|
| 1 | 12-3-69 | [Signature] | [Signature] |

| FILE | SCALE | APPROVED BY |
|-------|-------|-------------|
| FRONT | 2/1 | [Signature] |

| INCORPORATED | DATE | SCALE |
|---|---------|-------|
| DATA DISC INCORPORATED Palo Alto, Calif. | 12-3-69 | 2/1 |

SC-D-11054-H

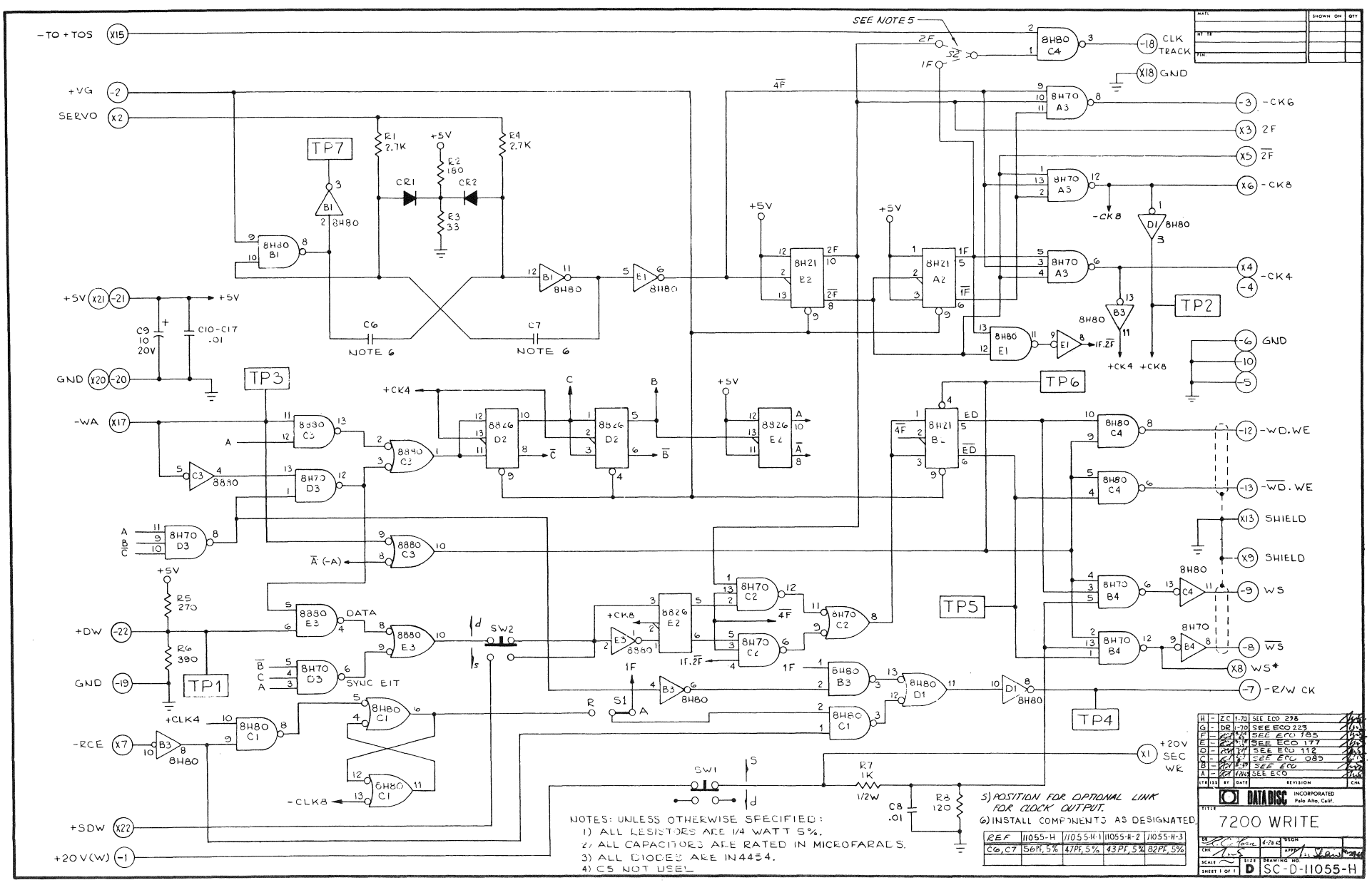
| | | | |
|--|------------------------------|-----------------|------|
| RELEASE LEVEL = ENGR <input type="checkbox"/> LIMITED <input type="checkbox"/> PROD <input type="checkbox"/> | | | |
| REVISIONS | | | |
| LTR | DESCRIPTION | DATE | APPD |
| H | ECO 299 ADDED E1 AND -2 & -3 | 7-11-78 Z.C. | ms |



NOTES:

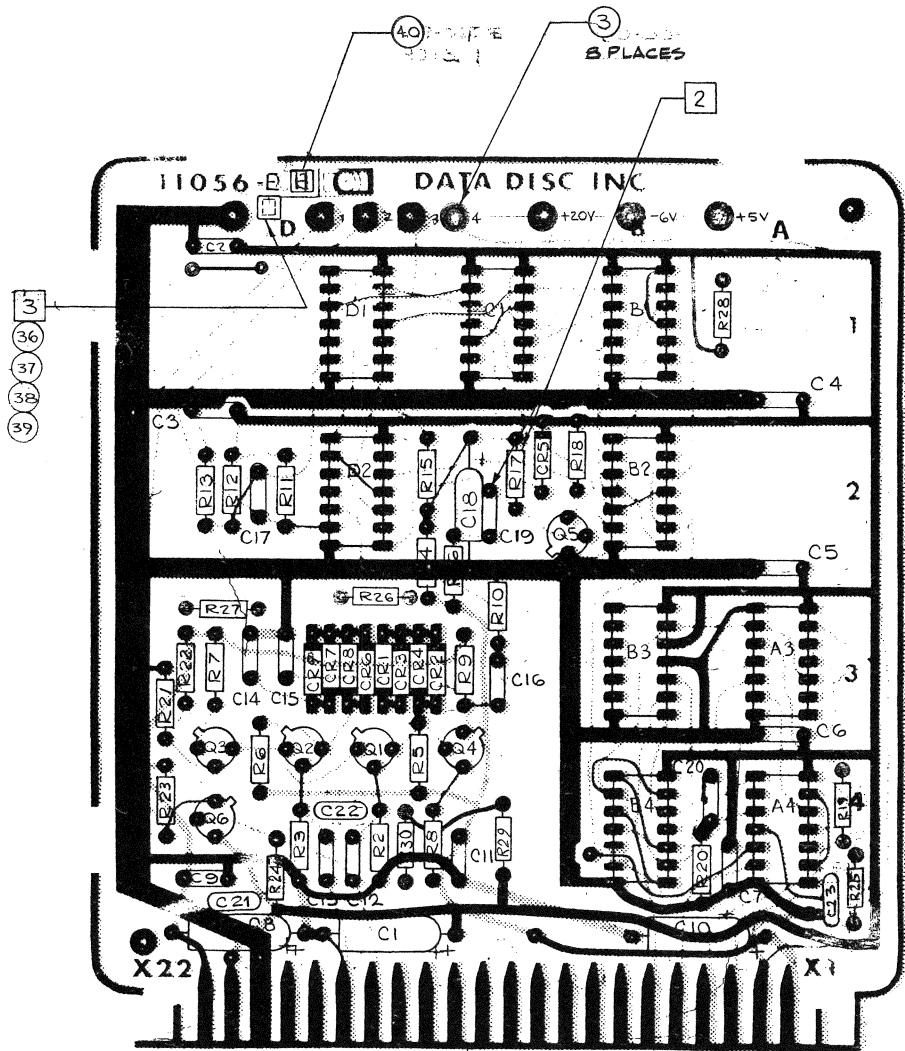
- 1 FOR PARTS LIST SEE EPL 11055 THRU 11055-3.
 - 2 DOT ON SWITCH MUST BE MOUNTED AS SHOWN.
 - 3 INSTALL COMPONENTS AS DESIGNATED:
- | REF | 11055 | 11055-H-1 | 11055-H-2 | 11055-H-3 |
|--------|----------|-----------|-----------|-----------|
| C6, C7 | 56PF, 5% | 47PF, 5% | 43PF, 5% | 82PF, 5% |
- 4 JUMPER (S1) TO BE INSTALLED AS SHOWN.
 - 5 JUMPER TO BE INSTALLED PER CUSTOMER OPTION ONLY.
 - 6 PLACE 1, 2, OR 3 TAG FOR APPROPRIATE DASH NUMBERED BOARD.

| | | | |
|---|--|-----------------------------------|--|
| <p>NOTICE</p> <p>THIS DRAWING SHALL NOT BE REPRODUCED OR USED FOR ANY PURPOSE OTHER THAN THAT FOR WHICH IT WAS ORIGINALLY PREPARED. ANY REPRODUCTION OR USE WITHOUT WRITTEN CONSENT OF DATA DISC, INC. IS PROHIBITED. THIS DRAWING IS THE PROPERTY OF DATA DISC, INC. AND IS LOANED TO YOU BY CONTRACT OR SUB-CONTRACT.</p> | <p>UNLESS NOTED DIMENSIONS ARE IN INCHES & INCLUDE FIN. CHEMICAL OR PLATED</p> <p>DO NOT SCALE DWG</p> | <p>SIGNATURE</p> <p>DATE</p> | <p>INCORPORATED</p> <p>Palo Alto, Calif.</p> |
| | <p>3061059 7200</p> <p>N/A USED ON</p> <p>APPLICATION</p> | <p>CHK</p> <p>ENG</p> <p>APPD</p> | <p>TITLE</p> <p>ASSEMBLY, 7200 WRITE</p> |



NOT FOR SALE. THIS INFORMATION SHALL BE GIVEN ONLY TO INFORMATION INTERNATIONAL CUSTOMER ENGINEERS, AND ONLY FOR TRAINING, FIELD SERVICE, AND MAINTENANCE PURPOSES (JAN 73).

| SHOWN ON | QTY | DATE | BY | REVISION RECORD | AUTH | DR | CK |
|----------|-----|------|----|--------------------------|------|----|----|
| 3001056 | 1 | 2/1 | 1 | PROTOTYPE | WJ | DR | WJ |
| | | 4/15 | A | SEE ECO | WJ | DR | WJ |
| | | 7/2 | B | SEE ECO 079 | WJ | DR | WJ |
| | | 7/5 | C | SEE ECO 113 | WJ | DR | WJ |
| | | 7/6 | D | ECO 223 | WJ | DR | WJ |
| | | 1/10 | E | ECO 302 | WJ | DR | WJ |
| | | 1/10 | F | ECO 341, UPDATE TO 270PF | WJ | DR | WJ |
| | | 4/7 | G | ECO 50740 | WJ | DR | WJ |
| | | 5/21 | G | ECO 531, LITE UPDATE | WJ | DR | WJ |
| | | 8/11 | H | ECO 536, ADDRESS 50 | WJ | DR | WJ |



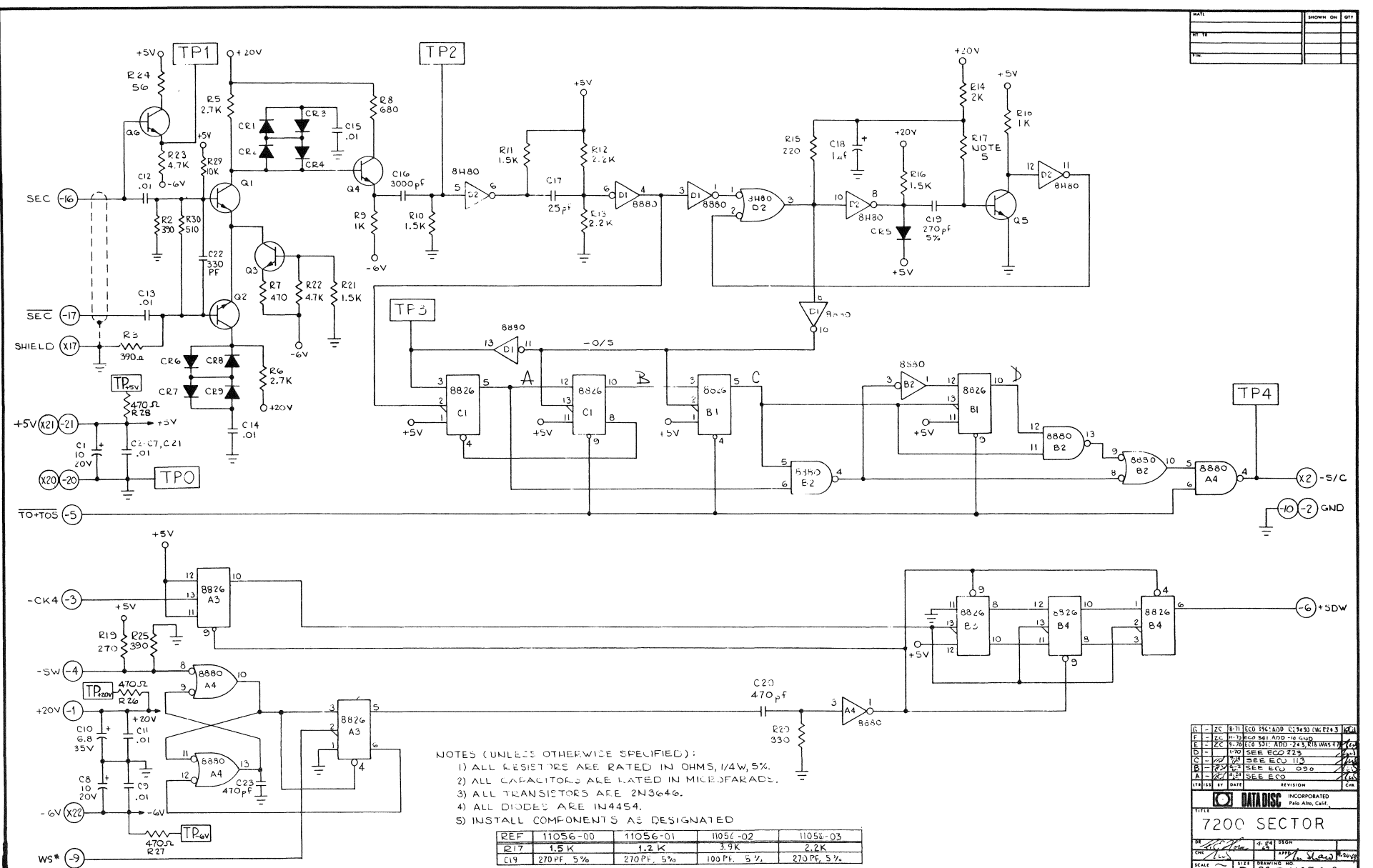
NOTES:

- FOR PARTS LIST SEE LMI1056.
- INSTALL COMPONENTS AS DESIGNATED:

| REF | 11056-00 | 11056-01 | 11056-02 | 11056-03 |
|-----|-----------|-----------|-----------|-----------|
| R17 | 1.5 K | 1.2 K | 3.9 K | 2.2 K |
| C19 | 270PF, 5% | 270PF, 5% | 100PF, 5% | 270PF, 5% |

- PLACE .00, .01, .02, OR .03 TAG FOR APPROPRIATE DASH NUMBERED BOARD.
- USE -00 FOR 7200 B/C, 100 TO 115K BITS
USE -01 FOR 7200 B/C, 110 TO 115K BITS, SEE CMI#56 FOR MODEL 7206-X-56.
- USE -02 FOR 7200H, 133K BITS.
USE -03 FOR 7200L, 70K BITS.

| TOLERANCES UNLESS OTHERWISE SPECIFIED | SCALE | DATE | REVISION |
|---------------------------------------|--------------|---------|----------|
| DECIMAL | FRONT | 2/1 | |
| FRACTIONAL | 7200 SECTOR | | |
| ANGULAR | AD-C-11056-H | 1/27/69 | |



NOTES (UNLESS OTHERWISE SPECIFIED):

- ALL RESISTORS ARE RATED IN OHMS, 1/4W, 5%.
- ALL CAPACITORS ARE RATED IN MICROFARADS.
- ALL TRANSISTORS ARE 2N3646.
- ALL DIODES ARE IN4454.
- INSTALL COMPONENTS AS DESIGNATED

| REF | 11056-00 | 11056-01 | 11056-02 | 11056-03 |
|-----|-----------|-----------|-----------|-----------|
| R17 | 1.5 K | 1.2 K | 3.9 K | 2.2 K |
| C19 | 270PF, 5% | 270PF, 5% | 100PF, 5% | 270PF, 5% |

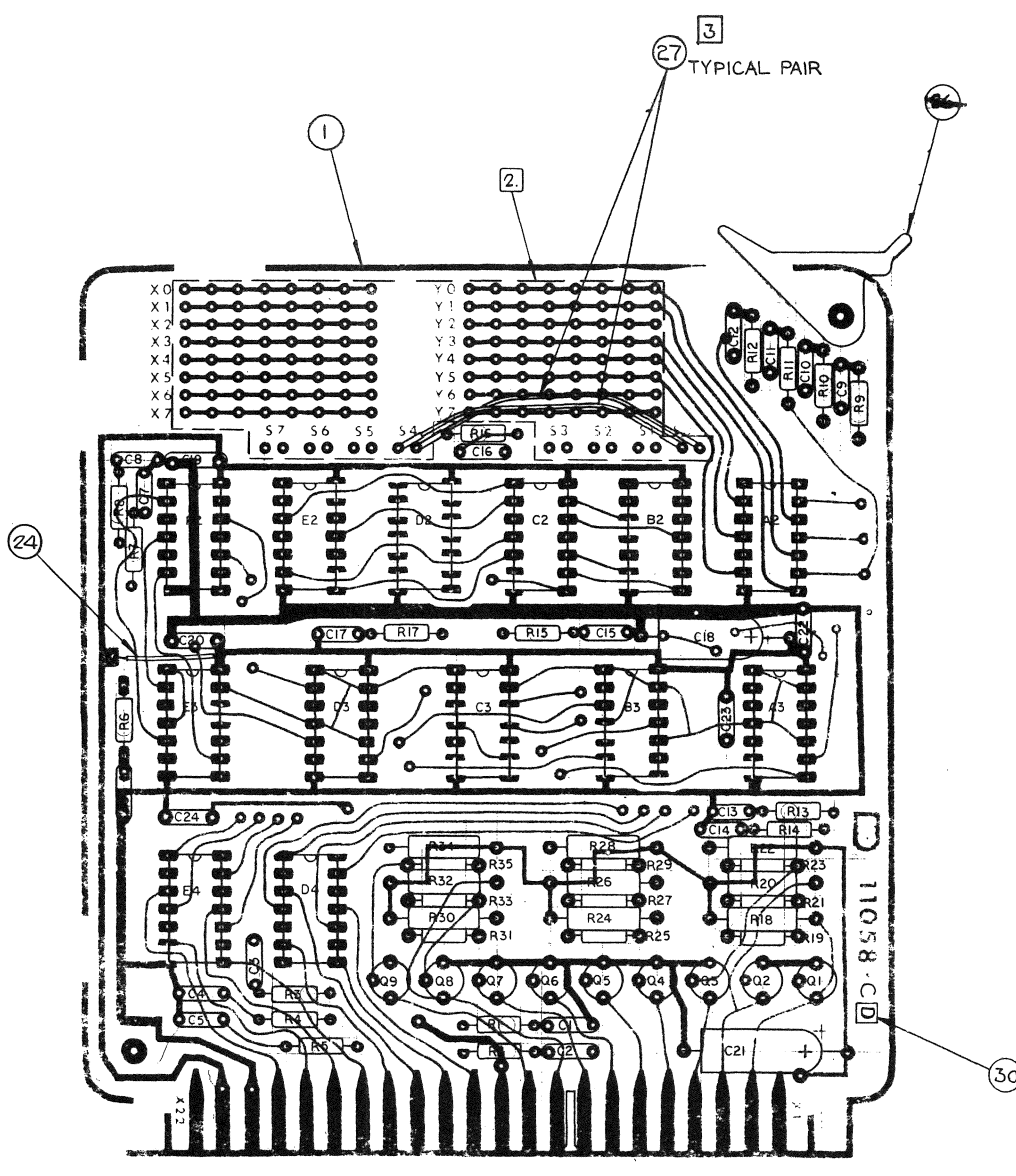
| REV | DATE | BY | CHK | DESCRIPTION |
|-----|------|----|-----|--------------------------|
| 1 | 2/1 | WJ | DR | PROTOTYPE |
| 2 | 4/15 | WJ | DR | SEE ECO |
| 3 | 7/2 | WJ | DR | SEE ECO 079 |
| 4 | 7/5 | WJ | DR | SEE ECO 113 |
| 5 | 7/6 | WJ | DR | ECO 223 |
| 6 | 1/10 | WJ | DR | ECO 302 |
| 7 | 1/10 | WJ | DR | ECO 341, UPDATE TO 270PF |
| 8 | 4/7 | WJ | DR | ECO 50740 |
| 9 | 5/21 | WJ | DR | ECO 531, LITE UPDATE |
| 10 | 8/11 | WJ | DR | ECO 536, ADDRESS 50 |

NOT FOR SALE. THIS INFORMATION SHALL BE GIVEN ONLY TO INFORMATION INTERNATIONAL CUSTOMER ENGINEERS, AND ONLY FOR TRAINING, FIELD SERVICE, AND MAINTENANCE PURPOSES (JAN 73).

| DATE | BY | REVISION RECORD | AUTH | DR | CK |
|---------|----|---|------|----|----|
| 7/50 | B | SEE E.C.O. 195 | | | |
| 1/5 | C | SEE E.C.O. 209 | | | |
| 4/1 | | ECO 30375 CORRECTION TO LEAD QUANTITY | | | |
| 1/6/73 | R | ECO 30434 NOTE 3 ADDED | | | |
| 1/17/73 | D | SEE ECO 30437 | | | |

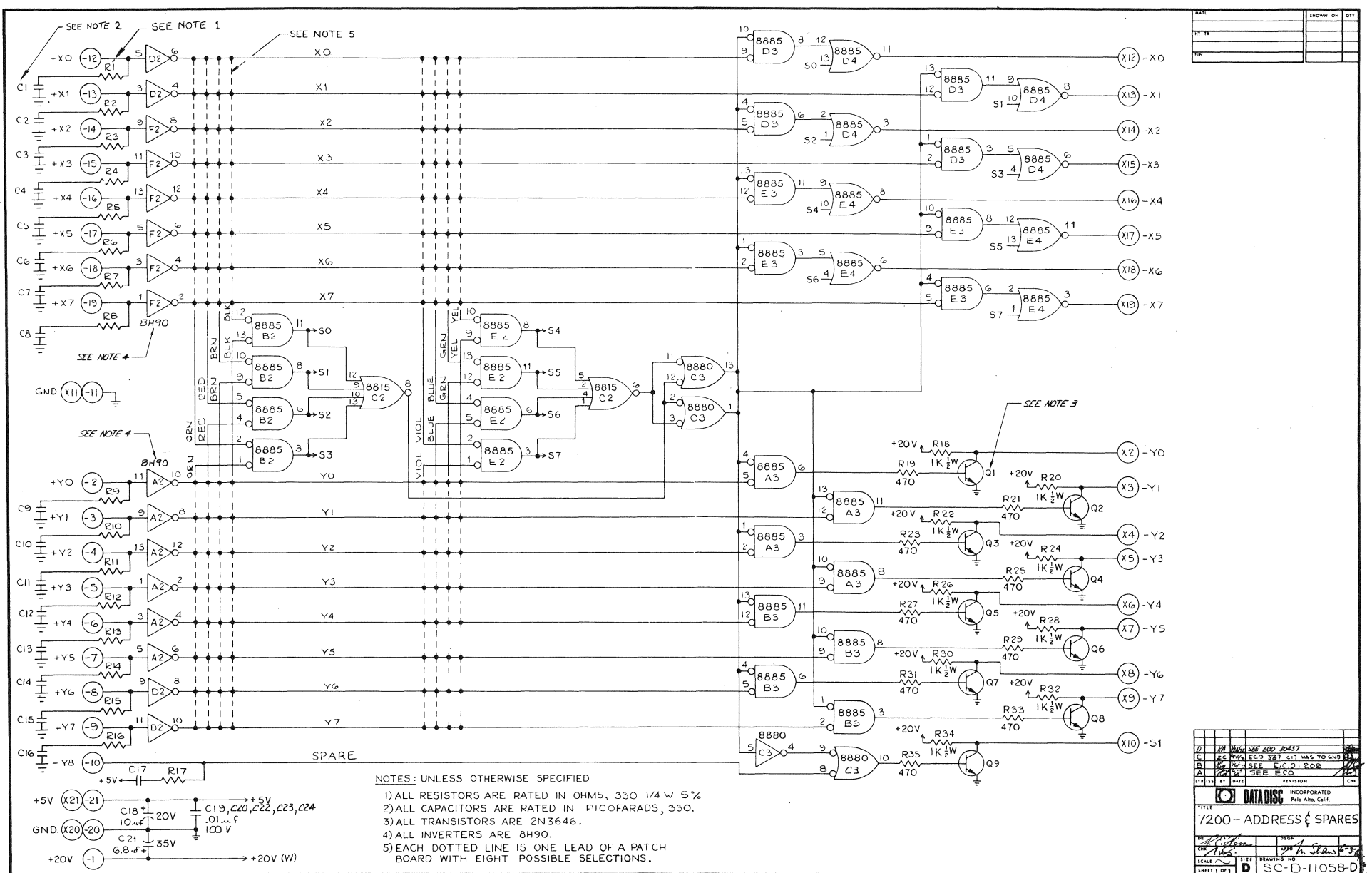
ITEM 27, LEAD POSITIONS (PAIRS)

| | | |
|----|---|----|
| S0 | - | S4 |
| S1 | - | S5 |
| S2 | - | S6 |
| S3 | - | S7 |



- NOTES:
- FOR LIST OF MATERIALS SEE LM-11058
 - MASK AREA SHOWN ON SOLDER SIDE, WITHIN DOTTED LINE BEFORE WAVE SOLDERING.
 - JUMPERS ITEM 27, SHALL NOT BE SOLDERED INTO BOARD.

| | |
|---|--|
| TOLERANCES (UNLESS OTHERWISE SPECIFIED) | DATA DISC INCORPORATED Palo Alto, Calif. |
| DECIMAL | FRONT |
| FRACTIONAL | SCALE 2/1 |
| ANGULAR | DATE 10/16/69 |
| | TITLE ADDRESS & SPARES |
| | DRAWING NUMBER AD-C-11058-D |

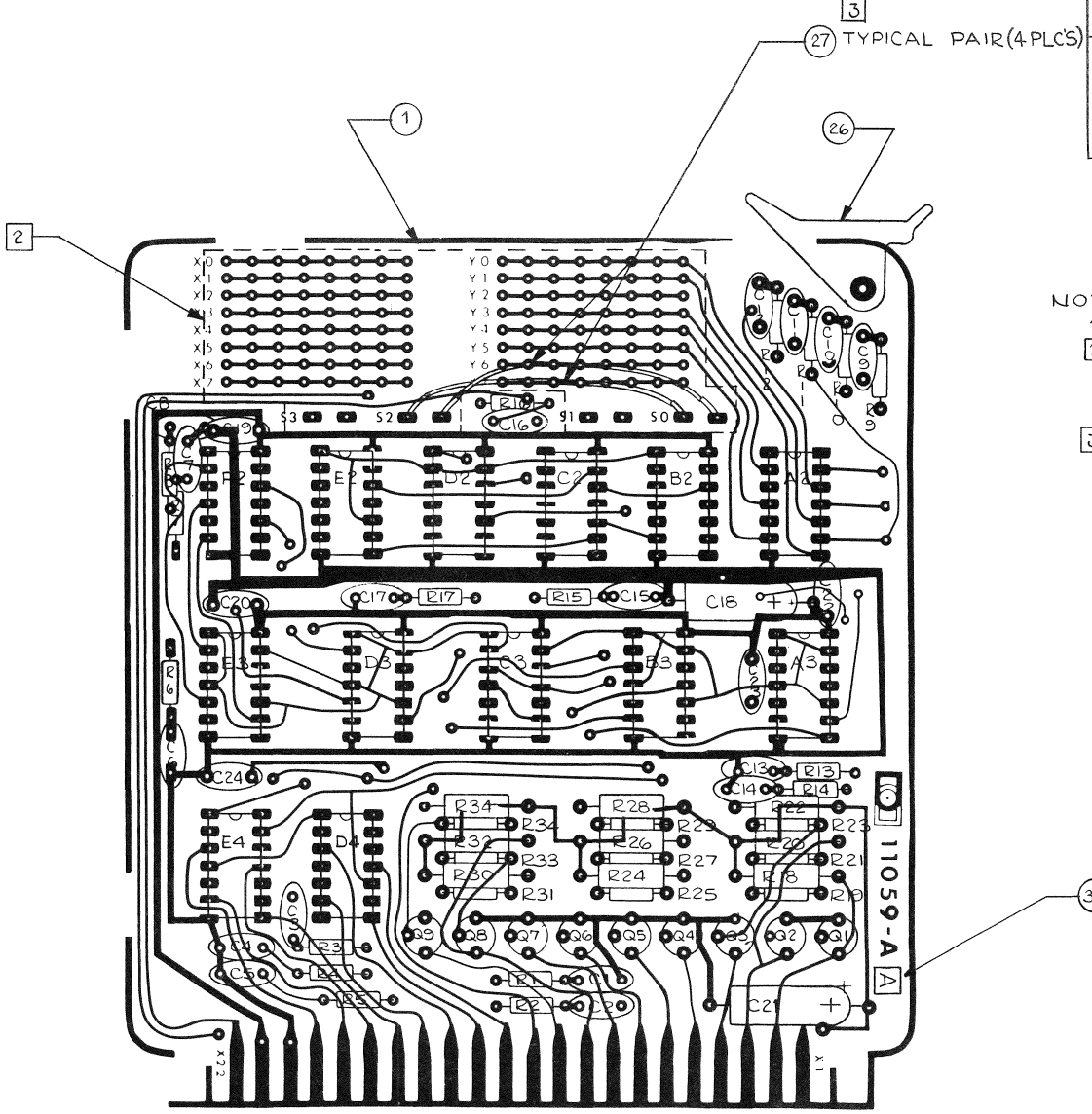


NOT FOR SALE. THIS INFORMATION SHALL BE GIVEN ONLY TO INFORMATION INTERNATIONAL CUSTOMER ENGINEERS, AND ONLY FOR TRAINING, FIELD SERVICE, AND MAINTENANCE PURPOSES (JAN 73).

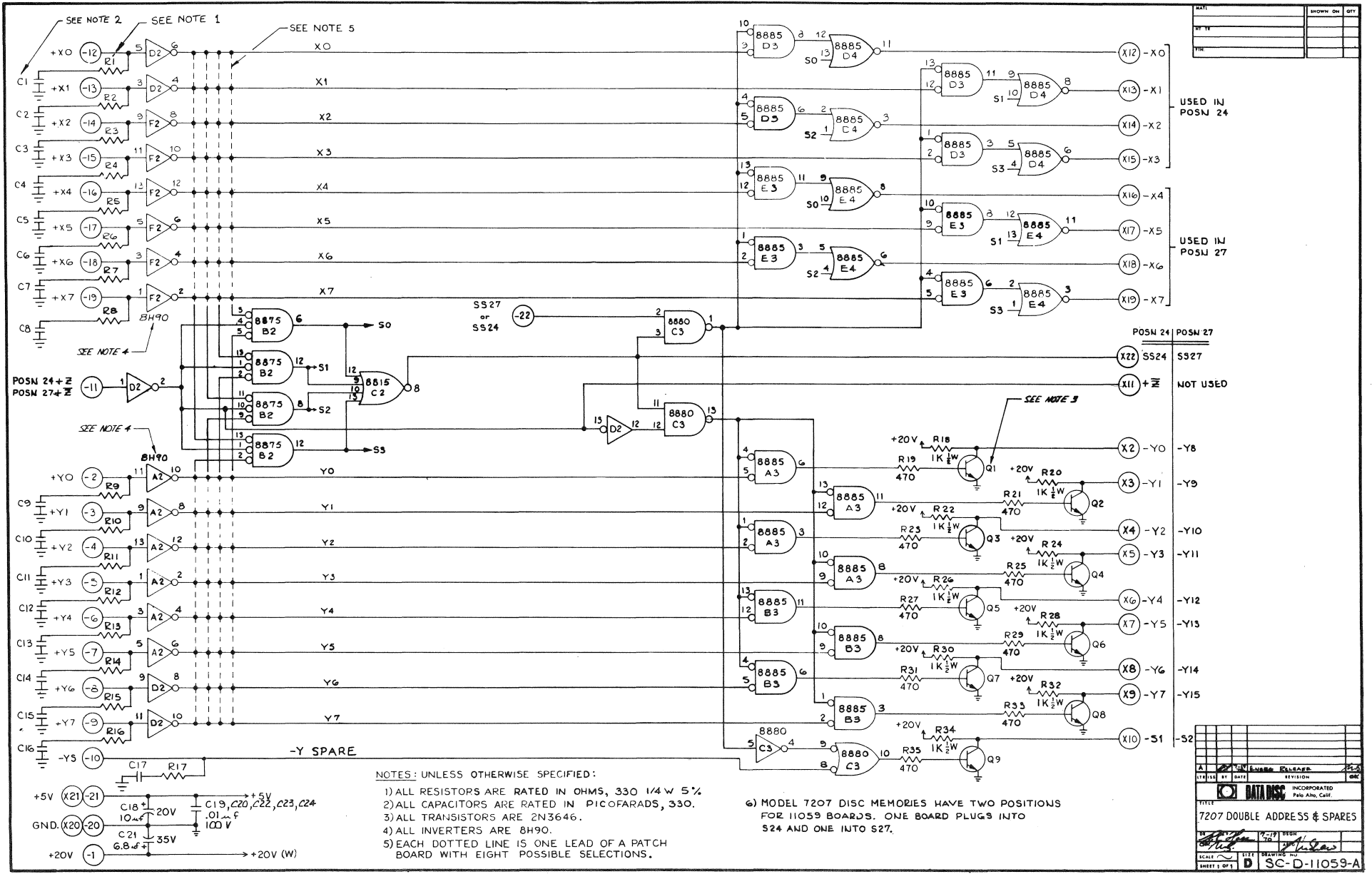
| DATE | BY | REVISION | AUTH | DECK |
|---------|----|-------------------------|------|------|
| 7/5 | A | | | 7 |
| 11/9/72 | R | ECD 304734 NOTE 3 AND 4 | | |

ITEM 27, LEAD POSITIONS, (PAIRS)
S0 - S2
S1 - S3

- NOTES:
- FOR LIST OF MATERIAL SEE LM-11059-A.
 - MASK AREA SHOWN, ON SOLDER SIDE, WITHIN DOTTED LINE BEFORE WAVE SOLDERING.
 - JUMPERS ITEM 27, SHALL NOT BE SOLDERED INTO BOARD.



| | | | |
|--|---------------------------|--------------|------------------|
| | | | DATA DISC |
| | FRONT | 2/1 | <i>R.C. Rose</i> |
| | DOUBLE ADDRESS AND SPARES | | |
| | 7-8-70 | AD-C-11059-A | |

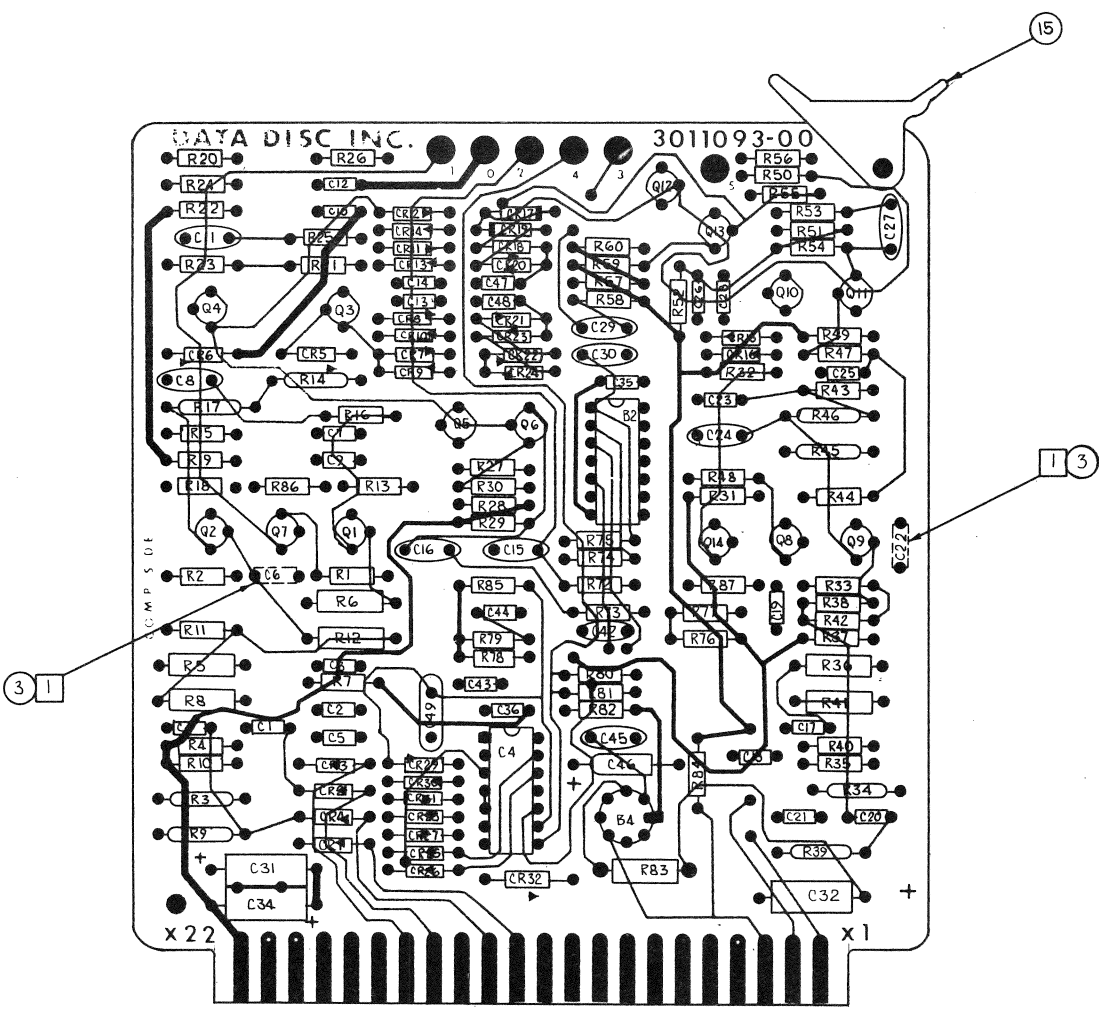


NOT FOR SALE. THIS INFORMATION SHALL BE GIVEN ONLY TO INFORMATION INTERNATIONAL CUSTOMER ENGINEERS, AND ONLY FOR TRAINING, FIELD SERVICE, AND MAINTENANCE PURPOSES (JAN 73).

| | | | | |
|---------|----|-------------------------|------|------|
| DATE | BY | REVISION | AUTH | DECK |
| 7/5 | A | | | 7 |
| 11/9/72 | R | ECD 304734 NOTE 3 AND 4 | | |

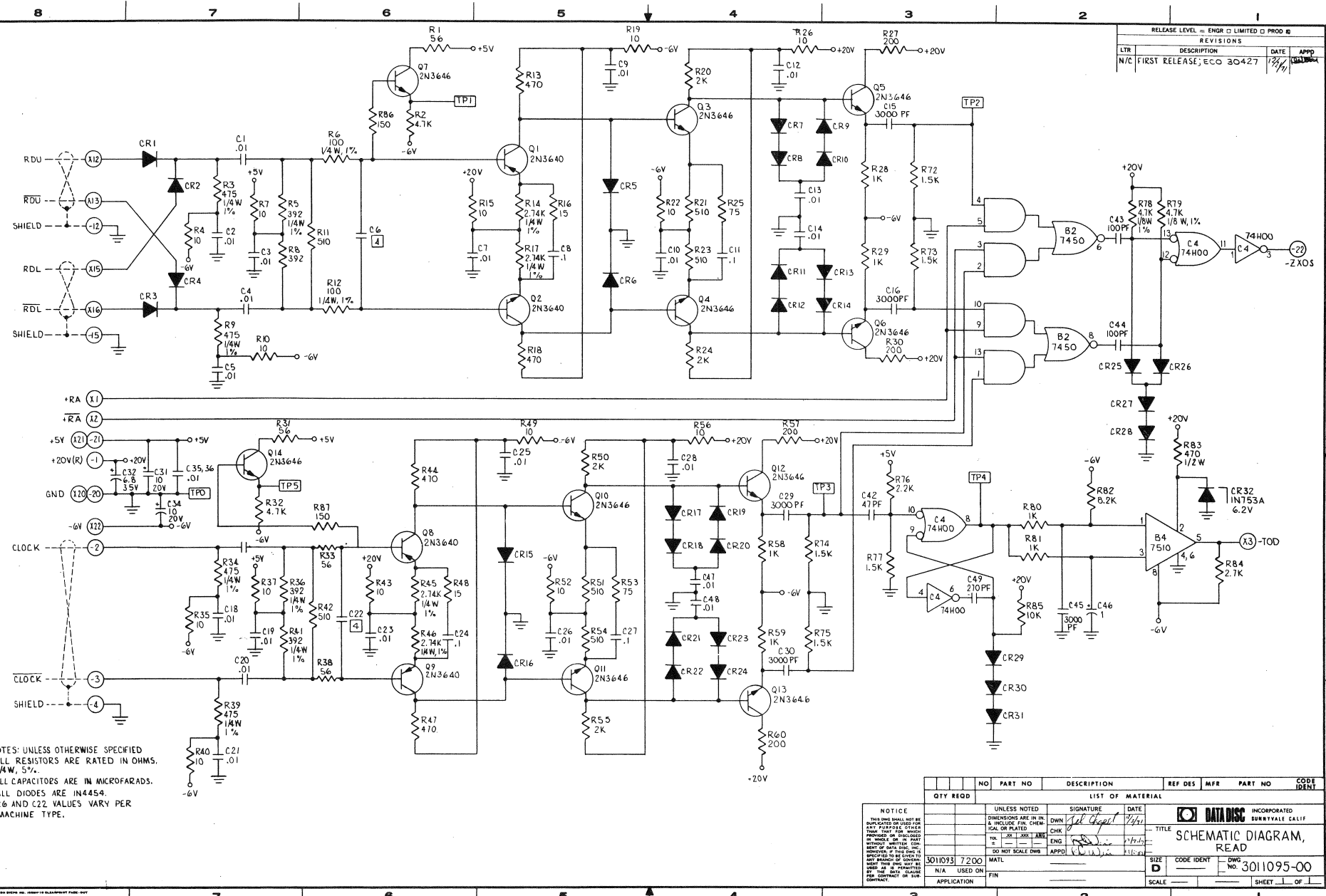
DATA DISC
7207 DOUBLE ADDRESS & SPARES
INCORPORATED Palo Alto, Calif.
SCALE: 1/8" = 1" REV: 1/73
SHEET 1 OF 1 D SC-D-11059-A

| | | | |
|---|---|---------|-------------|
| RELEASE LEVEL = ENGR <input type="checkbox"/> LIMITED <input type="checkbox"/> PROD <input checked="" type="checkbox"/> | | | |
| REVISIONS | | | |
| LTR | DESCRIPTION | DATE | APPD |
| N/C | FIRST RELEASE, ECO 30427 REPLACES AD11053 | 2/17/71 | [Signature] |



NOTES:
 1 VALUES OF C6 AND C22 TO BE DETERMINED IN TEST BY MACHINE TYPE.

| | | | | | | | | | | | | | | | |
|---|--|---|--|------------------|--|--|--|------------------------------------|--|--------|------------|--------------------|-----------|--------------|--|
| NOTICE THIS DRAWING SHALL NOT BE DUPLICATED OR USED FOR ANY PURPOSE OTHER THAN THAT FOR WHICH PROVIDED OR DISCLOSED IN WHOLE OR IN PART WITHOUT WRITTEN CONSENT OF DATA DISC, INC. HOWEVER, IF THIS DRAWING IS SPECIFIED TO BE GIVEN TO ANY BRANCH OF GOVERNMENT THIS DRAWING MAY BE USED AS IS PERMITTED BY THE DATA CLAUSE FOR CONTRACT OR SUB-CONTRACT. | 3041059 7200 | UNLESS NOTED DIMENSIONS ARE IN IN. & INCLUDE FIN. CHEMICAL OR PLATED. | SIGNATURE DWN [Signature] CHK [Signature] ENG [Signature] APPD [Signature] | DATE 12-17-71 | <table border="1"> <tr> <td colspan="2">DATA DISC INCORPORATED Palo Alto, Calif.</td> </tr> <tr> <td colspan="2">TITLE PRINTED WIRING ASSEMBLY READ</td> </tr> <tr> <td>SIZE C</td> <td>CODE IDENT</td> <td>DWG NO. 3011093-00</td> </tr> <tr> <td>SCALE 2/1</td> <td colspan="2">SHEET 1 OF 1</td> </tr> </table> | DATA DISC INCORPORATED Palo Alto, Calif. | | TITLE PRINTED WIRING ASSEMBLY READ | | SIZE C | CODE IDENT | DWG NO. 3011093-00 | SCALE 2/1 | SHEET 1 OF 1 | |
| | DATA DISC INCORPORATED Palo Alto, Calif. | | | | | | | | | | | | | | |
| TITLE PRINTED WIRING ASSEMBLY READ | | | | | | | | | | | | | | | |
| SIZE C | CODE IDENT | DWG NO. 3011093-00 | | | | | | | | | | | | | |
| SCALE 2/1 | SHEET 1 OF 1 | | | | | | | | | | | | | | |
| 3061083 7200 | MATL N/A USED ON FIN | SEE LIST OF MATERIAL | | | | | | | | | | | | | |

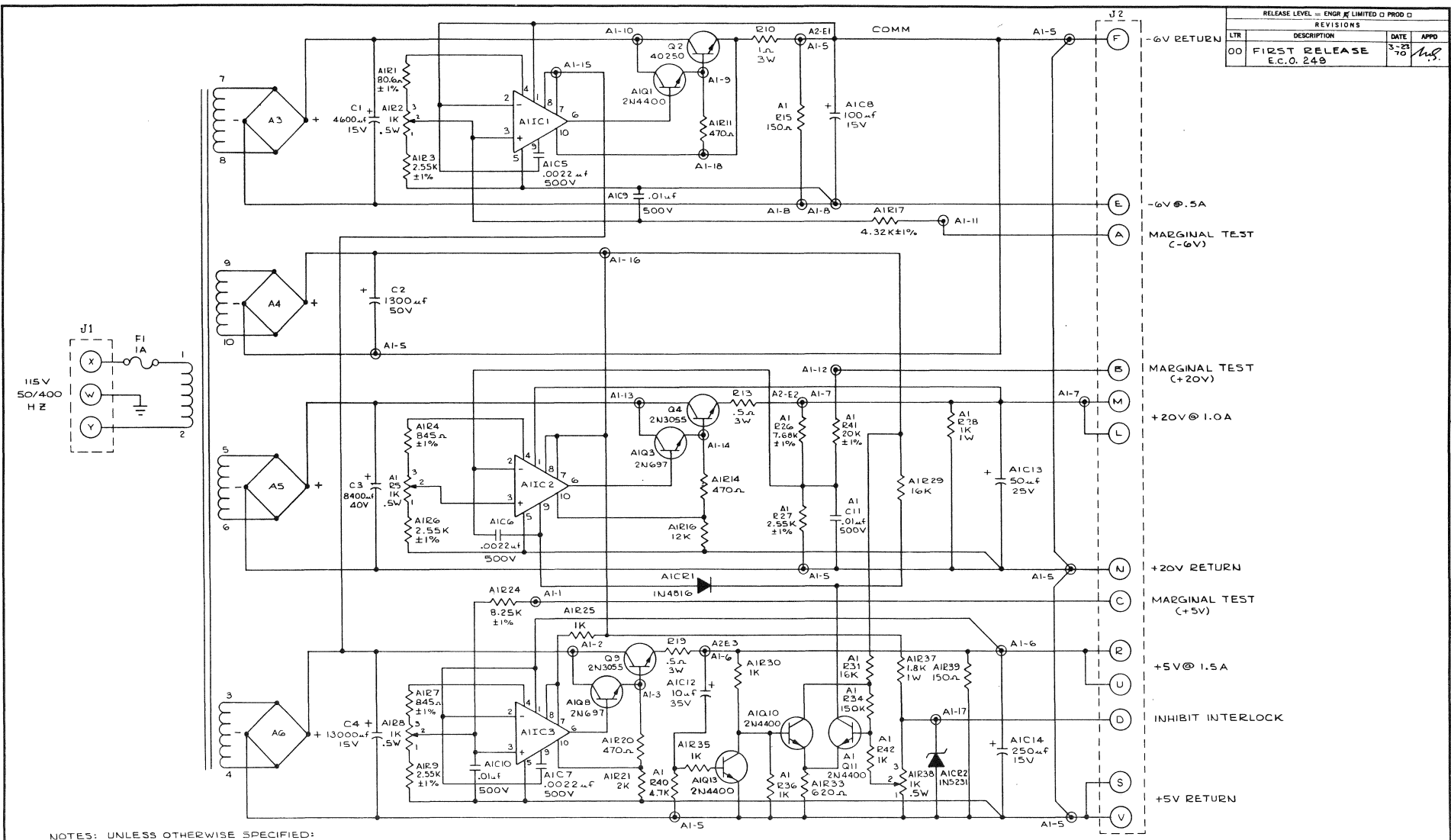


NOTES: UNLESS OTHERWISE SPECIFIED
 1. ALL RESISTORS ARE RATED IN OHMS. 1/4W, 5%
 2. ALL CAPACITORS ARE IN MICROFARADS.
 3. ALL DIODES ARE IN4454.
 4. C6 AND C22 VALUES VARY PER MACHINE TYPE.

| | | | | | | | | | | | | | | | |
|---|---|---|--|-----------------|--|---|--|-------------------------------|--|--------|------------|--------------------|-------|--------------|--|
| NOTICE THIS DRAWING SHALL NOT BE DUPLICATED OR USED FOR ANY PURPOSE OTHER THAN THAT FOR WHICH PROVIDED OR DISCLOSED IN WHOLE OR IN PART WITHOUT WRITTEN CONSENT OF DATA DISC, INC. HOWEVER, IF THIS DRAWING IS SPECIFIED TO BE GIVEN TO ANY BRANCH OF GOVERNMENT THIS DRAWING MAY BE USED AS IS PERMITTED BY THE DATA CLAUSE FOR CONTRACT OR SUB-CONTRACT. | 3011093 7200 | UNLESS NOTED DIMENSIONS ARE IN IN. & INCLUDE FIN. CHEMICAL OR PLATED. | SIGNATURE DWN [Signature] CHK [Signature] ENG [Signature] APPD [Signature] | DATE 2/17/71 | <table border="1"> <tr> <td colspan="2">DATA DISC INCORPORATED BERKELEY, CALIF.</td> </tr> <tr> <td colspan="2">TITLE SCHEMATIC DIAGRAM, READ</td> </tr> <tr> <td>SIZE D</td> <td>CODE IDENT</td> <td>DWG NO. 3011095-00</td> </tr> <tr> <td>SCALE</td> <td colspan="2">SHEET 1 OF 1</td> </tr> </table> | DATA DISC INCORPORATED BERKELEY, CALIF. | | TITLE SCHEMATIC DIAGRAM, READ | | SIZE D | CODE IDENT | DWG NO. 3011095-00 | SCALE | SHEET 1 OF 1 | |
| | DATA DISC INCORPORATED BERKELEY, CALIF. | | | | | | | | | | | | | | |
| TITLE SCHEMATIC DIAGRAM, READ | | | | | | | | | | | | | | | |
| SIZE D | CODE IDENT | DWG NO. 3011095-00 | | | | | | | | | | | | | |
| SCALE | SHEET 1 OF 1 | | | | | | | | | | | | | | |
| N/A USED ON FIN | MATL | SEE LIST OF MATERIAL | | | | | | | | | | | | | |

NOT FOR SALE. THIS INFORMATION SHALL BE GIVEN ONLY TO INFORMATION INTERNATIONAL CUSTOMER ENGINEERS, AND ONLY FOR TRAINING, FIELD SERVICE, AND MAINTENANCE PURPOSES (JAN 73).

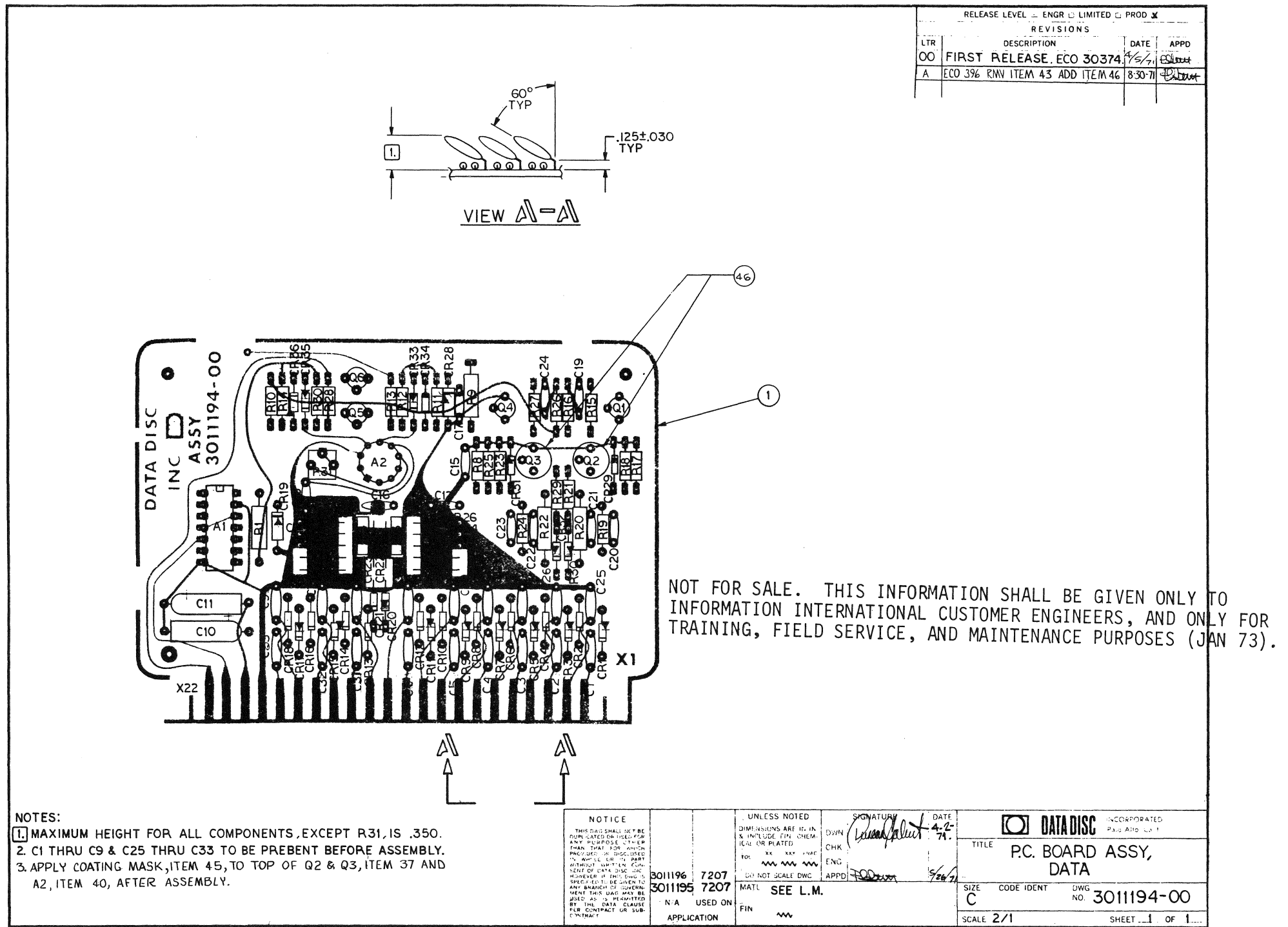
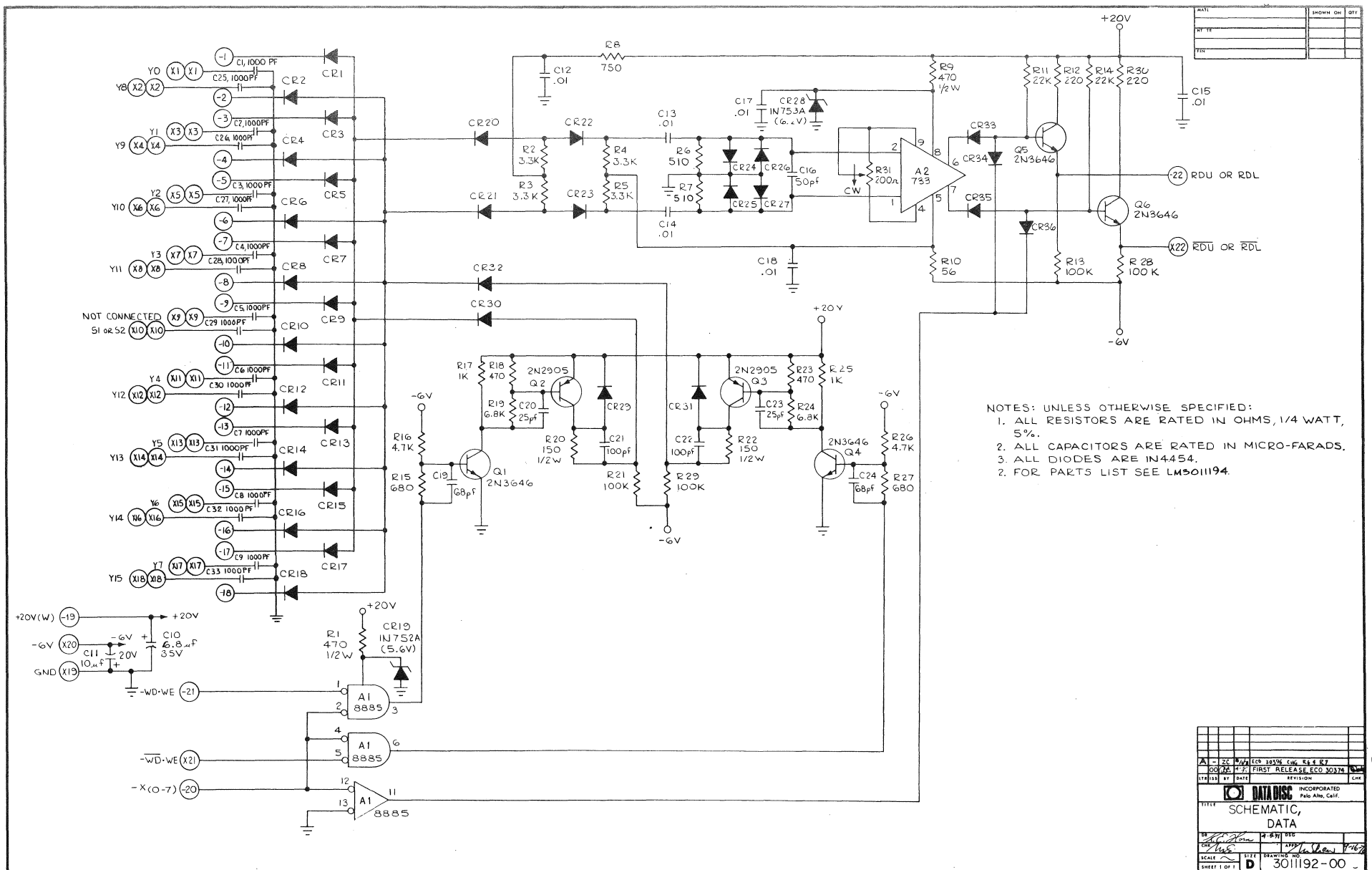
| REVISIONS | | | |
|-----------|-----------------------------|---------|------|
| LTR | DESCRIPTION | DATE | APPD |
| 00 | FIRST RELEASE E.C.O. 249 | 3-27-70 | MS |

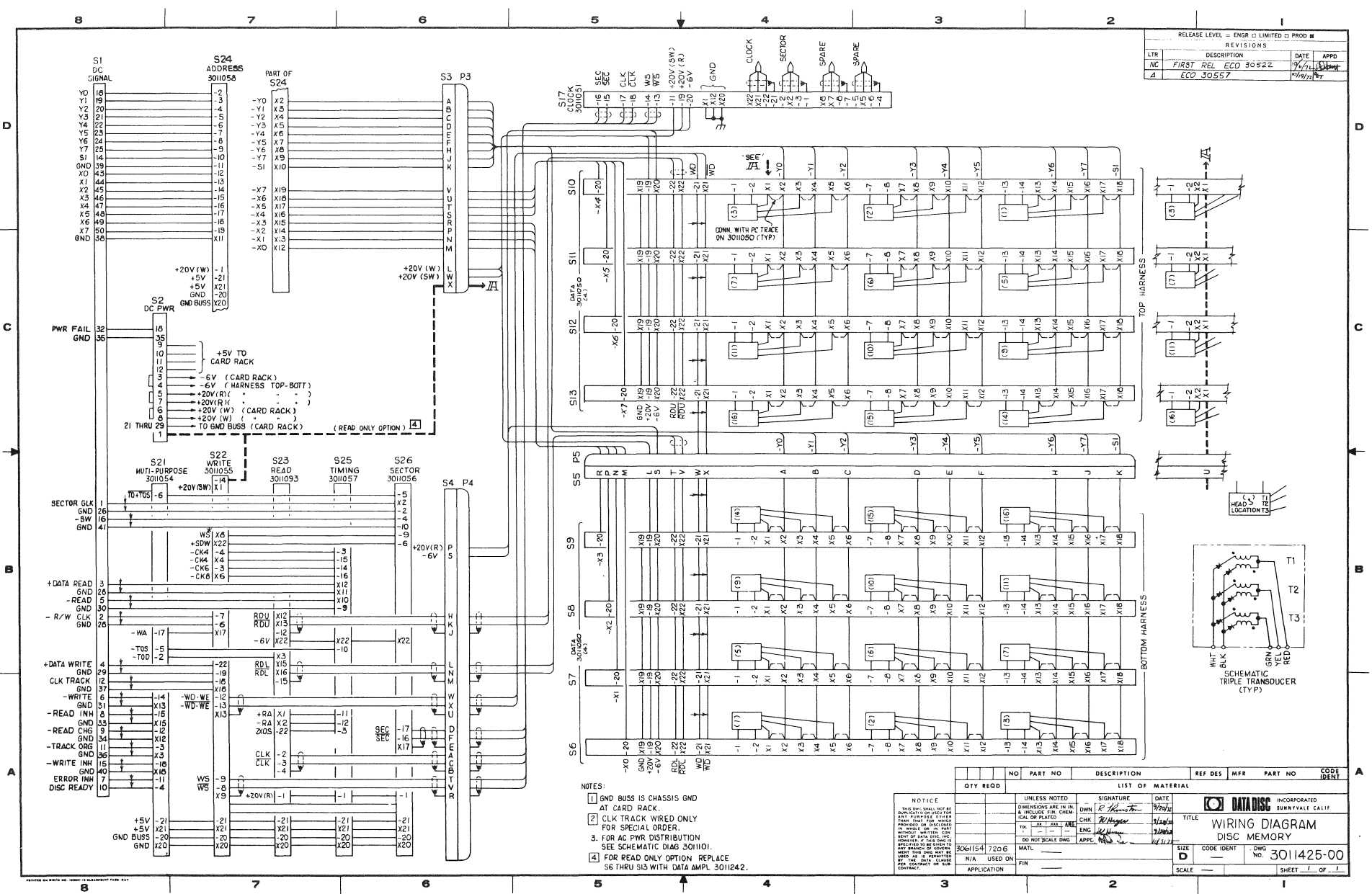


- NOTES: UNLESS OTHERWISE SPECIFIED:
- 1) IC1 THROUGH IC3 ARE UA723C.
 - 2) A1R3 THRU A1R6 ARE VS148.
 - 3) ALL CAPACITORS ARE RATED IN MICROFARADS.
 - 4) ALL RESISTORS ARE RATED IN OHMS, 1/4W 5% CARBON COMPOSITION.
 - 5) ALL RESISTORS WITH ±1% TOL ARE RN65D.

| | | | | | |
|---------------------|-----|---|--|--------------------------------|-------------------|
| BRIDGE CKT | A6 | NOTICE | UNLESS NOTED | SIGNATURE | DATE |
| INTEGRATED CKT | IC3 | THIS DRAWING IS THE PROPERTY OF THE COMPANY AND IS NOT TO BE REPRODUCED OR TRANSMITTED IN ANY FORM OR BY ANY MEANS, ELECTRONIC OR MECHANICAL, INCLUDING PHOTOCOPYING, RECORDING, OR BY ANY INFORMATION STORAGE AND RETRIEVAL SYSTEM, WITHOUT THE WRITTEN PERMISSION OF THE COMPANY. | DIMENSIONS ARE IN INCHES UNLESS OTHERWISE SPECIFIED. | <i>[Signature]</i> | 2-7-70 |
| TRANSISTOR | Q13 | | FINISHES ARE TO INCLUDE FIN. CHEM. OR PLATED | CHK | 1-1-70 |
| RESISTOR | R42 | | DO NOT SCALE DIMS | ENG | 3-27-70 |
| CAPACITOR | C14 | | | APPD | |
| DIODE | CR2 | | | | |
| LAST REF DESIG USED | | APPLICATION | FIN | TITLE | |
| | | | | SCHEMATIC, POWER SUPPLY | |
| | | | | SV @ 1.5A, 20V @ 1A, -6 @ 0.5A | |
| | | | | SIZE | DWG NO. 301133-00 |
| | | | | SCALE | SHEET 1 OF 1 |

NOT FOR SALE. THIS INFORMATION SHALL BE GIVEN ONLY TO INFORMATION INTERNATIONAL CUSTOMER ENGINEERS, AND ONLY FOR TRAINING, FIELD SERVICE, AND MAINTENANCE PURPOSES (JAN 73).





| REVISIONS | | | |
|-----------|---------------------|---------|------|
| LTB | DESCRIPTION | DATE | APPD |
| AC | FIRST REL ECO 30622 | 7/27/73 | W/WH |
| A | ECO 30557 | 7/27/73 | W/WH |

- NOTES:
- GND BUSS IS CHASSIS GND AT CARD RACK.
 - CLK TRACK WIRED ONLY FOR SPECIAL ORDER.
 - FOR AC PWR DISTRIBUTION SEE SCHEMATIC DIAG 301101.
 - FOR READ ONLY OPTION REPLACE S6 THRU S15 WITH DATA AMPL 3011242.

| NOTICE | | UNLESS NOTED | | SIGNATURE | | DATE | |
|---|--|--|--|-----------|--|--------------------|--|
| THIS DRAWING IS THE PROPERTY OF DATA DISC CORPORATION AND IS NOT TO BE REPRODUCED OR TRANSMITTED IN ANY FORM OR BY ANY MEANS, ELECTRONIC OR MECHANICAL, INCLUDING PHOTOCOPYING, RECORDING, OR BY ANY INFORMATION STORAGE AND RETRIEVAL SYSTEM, WITHOUT THE WRITTEN PERMISSION OF DATA DISC CORPORATION. | | DIMENSIONS ARE IN INCHES UNLESS OTHERWISE SPECIFIED. | | DWN | | 9/29/72 | |
| ALL DIMENSIONS ARE TO CENTER UNLESS OTHERWISE SPECIFIED. | | TOLERANCES ARE AS SHOWN. | | CHK | | 12/28/72 | |
| APPROVED BY: [Signature] | | DATE: 12/28/72 | | APPD | | 12/28/72 | |
| 3061154 7206 | | MATERIAL | | SCALE | | SIZE | |
| N/A USED ON | | FIN | | D | | CODE IDENT | |
| APPLICATION | | SCALE | | D | | DWG NO. 3011425-00 | |
| | | | | | | SHEET 1 OF 1 | |

NOT FOR SALE. THIS INFORMATION SHALL BE GIVEN ONLY TO INFORMATION INTERNATIONAL CUSTOMER ENGINEERS, AND ONLY FOR TRAINING, FIELD SERVICE, AND MAINTENANCE PURPOSES (JAN 73).

