

TRIDENT SERIES DISK DRIVES

FIELD PARTS CATALOG

FOR

MODELS T200 AND T300



**TRIDENT SERIES DISK DRIVES  
FIELD PARTS CATALOG  
FOR  
MODELS T200 AND T300**

January 1981



## CONTENTS

Section		Page
1	<b>INTRODUCTION</b>	
	General . . . . .	1-1
	Purpose . . . . .	1-1
	Catalog Usage . . . . .	1-1
	Group Assembly Parts List . . . . .	1-1
	Figure and Item Number . . . . .	1-1
	Part Number . . . . .	1-1
	Description . . . . .	1-1
	Quantity Per Assembly . . . . .	1-2
	Usage Code . . . . .	1-2
	Purchased Parts . . . . .	1-2
	Accessories . . . . .	1-2
2	<b>GROUP ASSEMBLY PARTS LIST</b>	
	General . . . . .	2-1
3	<b>NUMERICAL INDEX</b>	
	Part Number . . . . .	3-1
	Figure and Item Number . . . . .	3-1
	Reference Designator . . . . .	3-1

## ILLUSTRATIONS

Figure		Page
2-1	Disk Drive Unit (Sheet 1 of 4) . . . . .	2-2
2-1	Disk Drive Unit (Sheet 2 of 4) . . . . .	2-4
2-1	Disk Drive Unit (Sheet 3 of 4) . . . . .	2-5
2-1	Disk Drive Unit (Sheet 4 of 4) . . . . .	2-7
2-2	Wired Disk Drive Assembly (Sheet 1 of 7) . . . . .	2-8
2-2	Wired Disk Drive Assembly (Sheet 2 of 7) . . . . .	2-10
2-2	Wired Disk Drive Assembly (Sheet 3 of 7) . . . . .	2-12
2-2	Wired Disk Drive Assembly (Sheet 4 of 7) . . . . .	2-14
2-2	Wired Disk Drive Assembly (Sheet 5 of 7) . . . . .	2-16
2-2	Wired Disk Drive Assembly (Sheet 6 of 7) . . . . .	2-18
2-2	Wired Disk Drive Assembly (Sheet 7 of 7) . . . . .	2-20
2-3	Swing Frame Assembly . . . . .	2-21
2-4	Disk Drive Air Shroud Assembly . . . . .	2-23
2-5	Control Panel Switch and Indicator Assembly . . . . .	2-25
2-6	Servo Head Preamplifier Board Assembly, VP53 . . . . .	2-26
2-7	Disk Drive Carriage and Way Assembly . . . . .	2-28
2-8	Ac Distribution Assembly (Sheet 1 of 2) . . . . .	2-30
2-8	Ac Distribution Assembly (Sheet 2 of 2) . . . . .	2-32
2-9	Cabinet Blower Assembly . . . . .	2-33
2-10	Disk Drive Power Supply Assembly . . . . .	2-34
2-11	Power Supply Board Assembly, VP47 (Sheet 1 of 2) . . . . .	2-35
2-11	Power Supply Board Assembly, VP47 (Sheet 2 of 2) . . . . .	2-36

## ILLUSTRATIONS (Continued)

Figure		Page
2-12	Disk Drive Power Amplifier Assembly . . . . .	2-37
2-13	Power Amplifier Board Assembly, VP58 . . . . .	2-39
2-14	Emergency Retract Board Assembly, VZ46 . . . . .	2-42
2-15	Read/Write Matrix Board Assembly, VR84 . . . . .	2-43
2-16	Read/Write Matrix Board Assembly, VR86 . . . . .	2-46
2-17	Read/Write Matrix Board Assembly, VR85 . . . . .	2-49
2-18	Read/Write Matrix Board Assembly, VR87 . . . . .	2-52
2-19	Module Kit Assemblies . . . . .	2-55
2-20	Servo Control I Board Assembly, GP18 . . . . .	2-57
2-21	Servo Control I Board Assembly, GP17 . . . . .	2-60
2-22	Servo Control II Board Assy, GP15 . . . . .	2-63
2-23	Logic Control I Board Assembly, GL25 . . . . .	2-66
2-24	Logic Control II Board Assembly, GL31 . . . . .	2-68
2-25	Read Limiter/Amdet/RW Protect Board Assembly, GR37 . . . . .	2-70
2-26	Read Limiter/Amdet/RW Protect Board Assembly, GR23 . . . . .	2-73
2-27	Driver/Receiver Board Assembly, GN11 . . . . .	2-76
2-28	Driver/Receiver Board Assembly, GN13 . . . . .	2-77
2-29	Data Separator Board Assembly, GR35 . . . . .	2-79
2-30	Data Separator Board Assembly, GR47 . . . . .	2-81
2-31	Data Separator Board Assembly, GR25 . . . . .	2-83

## TABLES

Table		Page
1-1	Usage Codes . . . . .	1-2

## SECTION 1

### INTRODUCTION

#### GENERAL

This catalog provides an illustrated parts breakdown which describes and illustrates all replaceable parts for the Model T200 and T300 Disk Drive. The catalog is divided into three sections; Introduction, Group Assembly Parts List, and a Numerical Index.

#### PURPOSE

The purpose of this catalog is to provide a listing of all items necessary to support the maintenance and overhaul effort for the Model T200 and T300 Disk Drive. This catalog is intended for use in requisitioning, storing, issuing, and identification of replacement parts. The catalog also serves to illustrate assembly and disassembly relationships.

#### CATALOG USAGE

When the section or major assembly of the equipment in which a part is used is known; the part number may be located in the following manner:

- a. Turn to the LIST OF ILLUSTRATIONS and find the page number for the major assembly or system in which the part is used.
- b. Locate the part and its item number on the illustration.
- c. Find the item in the Group Assembly Parts List to determine part number and description.
- d. If the reference designation symbol is known, refer to the Numerical Index to find part number.

When the part number is known, the section or major assembly of the equipment in which the part is used may be located as follows:

- a. Refer to the Numerical Index and find the part number
- b. Turn to the Group Assembly Parts List and find the first figure and item number indicated in the Numerical Index for that part. If this figure shows the part in a major assembly or system other than the one desired, refer to the other figure numbers listed for the part in the Numerical Index.

- c. Locate the item number in the associated illustration.

#### GROUP ASSEMBLY PARTS LIST

The Group Assembly Parts List consists of a complete breakdown of the Model T200 and T300 Disk Drive into subassemblies and detailed parts. Each assembly is listed in its order of disassembly and is followed immediately by its component parts properly indented to show their relationship to the assembly. Figures 2-1 through 2-31 illustrate the component parts of the disk drive and their physical relationships. Each illustration has been assigned a figure number which relates to its associated Group Assembly Parts List. The item number is shown on the illustration to portray its physical location within the assembly. The Group Assembly Parts List is divided into five columns of information as follows:

- Figure and Item Number
- Part Number
- Description
- Quantity Per Assembly
- Usage Code

#### FIGURE AND ITEM NUMBER

The figure number relates the parts list to its associated illustration. The item number assigned to each part is shown on the illustration to depict physical location.

#### PART NUMBER

The Part Number column lists part numbers of all parts replaceable in the unit. Items without a part number are listed as No Number. The notation xxx, when used with a CDS part number, indicates hardware length determined at installation.

#### DESCRIPTION

Description includes designated and descriptive information necessary to adequately define the items. Entries are indented to indicate relationship to next higher assembly. The subheading Attaching Parts within this column lists those parts used for attaching the immediate preceding item, unless otherwise indicated.

The symbol ---\*--- signifies the end of the attaching parts for the preceding item(s). The symbol NHA refers to the Next Higher Assembly, U/O indicates Used On, NFS indicates Not Furnished Separately, and N/I indicates that the item is Not Illustrated.

**QUANTITY PER ASSEMBLY**

The Quantity Per Assembly column contains the number of parts required for each assembly or subassembly. The letters A/R denote that the selection of a part or parts should be made As Required. REF refers to an assembly or item which is shown completely assembled in a preceding illustration or the item is listed for reference only.

**USAGE CODE**

The Usage Code column lists part variations within different models, assemblies, or subassemblies of the same equipment. In cases where the column is blank, the part listed will apply to all models, assemblies, or subassemblies listed in this publication.

All Field Change Notices (FCN) which affect parts have been incorporated in the Group Assembly Parts List. The FCN numbers are shown in Table 1-1

**TABLE 1-1. USAGE CODES**

Model	Serial No.	Usage Code
T200, 208V, 60Hz, SA	All	A
T200, 208V, 50Hz, SA	All	B
T200, 208V, 60Hz, DA	All	C
T200, 208V, 50Hz, DA	All	D
T300, 208V, 60Hz, SA	All	E
T300, 208V, 50Hz, SA	All	F
T300, 208V, 60Hz, DA	All	G
T300, 208V, 50Hz, DA	All	H

Items designated for more than one configuration are coded for usability. Codes used in this publication are shown in Table 1-1.

**PURCHASED PARTS**

Many parts used in the Model T200 and T300 Disk Drive may be obtained directly from a vendor.

Purchased parts will also be supplied by **C D S** on receipt of an order specifying the part number and description as shown in this catalog. The inclusion of the model designation (such as Model T200) and the figure and item number for each part ordered will ensure positive identification of parts.

**ACCESSORIES**

The following accessories are available for use with the T200/T300 Trident Series Disk Drive.

- 17535-xx1 Panel, Side
- 18327-001 Exerciser Assembly, T2000B
- 18328-xxx Conversion Kit, Frequency
- 16512-xxx Conversion Kit, Single/Dual Access
- 16457-xxx Conversion Kit, Unit/200-300
- 13243-xxx Insert, Bezel, Decorative
- 16988-201 Magnetic Disk Pack, T200
- 16988-301 Magnetic Disk Pack, T300
- 17335-001 Meter Assy, Head Alignment
- 14975-002 Alignment Pack
- 12427-001 Board Assy, Extender
- 17209-001 Pliers Assy, Head Alignment
- 97769-001 Tool, Head Positioning, Initial
- 96803-001 Fixture, Head Holding
- 11521-001 Torque Wrench, Head Mounting
- 91516-001 Torque Wrench
- 99129-001 Wrench Assy, Way Screw
- 14155-001 Tool Assy, Tach Rod
- 99496-001 Tool, Rail Cleaning
- 97722-001 Pin, Safety
- 17585-001 Fixture Alignment, Carriage/Way and Case
- 10474-001 Procedure, Head Cleaning
- 10076-001 Head Support Assembly
- 11861-001 Head Current Adapter Assembly
- 18699-001 Tool, Lid Installation
- 12424-001 Board Assy, Signal Cable Terminator
- 12421-001 Board Assy, Terminator
- 16446-001 Board Assy, Radial Cable Terminator
- 19205-002 Board Assy, Drive
- 13307-002 Tool Kit, Regional
- 13306-002 Tool Kit, Site
- 16711-001 Spares Kit, System, T200 SA
- 16711-002 Spares Kit, System, T300 SA
- 16711-003 Spares Kit, System, T200 DA
- 16711-004 Spares Kit, System, T300 DA
- 90448-060 Screw, Pan Head, 1/4-20 x 1-1/4 Lg
- 90448-065 Screw, Pan Head, 1/4-20 x 2-1/4 Lg
- 90488-008 Washer, Flat, 1/4

## SECTION 2

### GROUP ASSEMBLY PARTS LIST

#### GENERAL

This section provides the illustrations and assembly parts lists for all assemblies used in the disk drive. The assemblies are presented in the order of disassembly from the

assembled disk drive to the lowest-order subassembly. Photographic and line illustrations are used. Items of all assemblies are listed, and significant items are referenced to the illustration. All standard and OEM information is supplied.



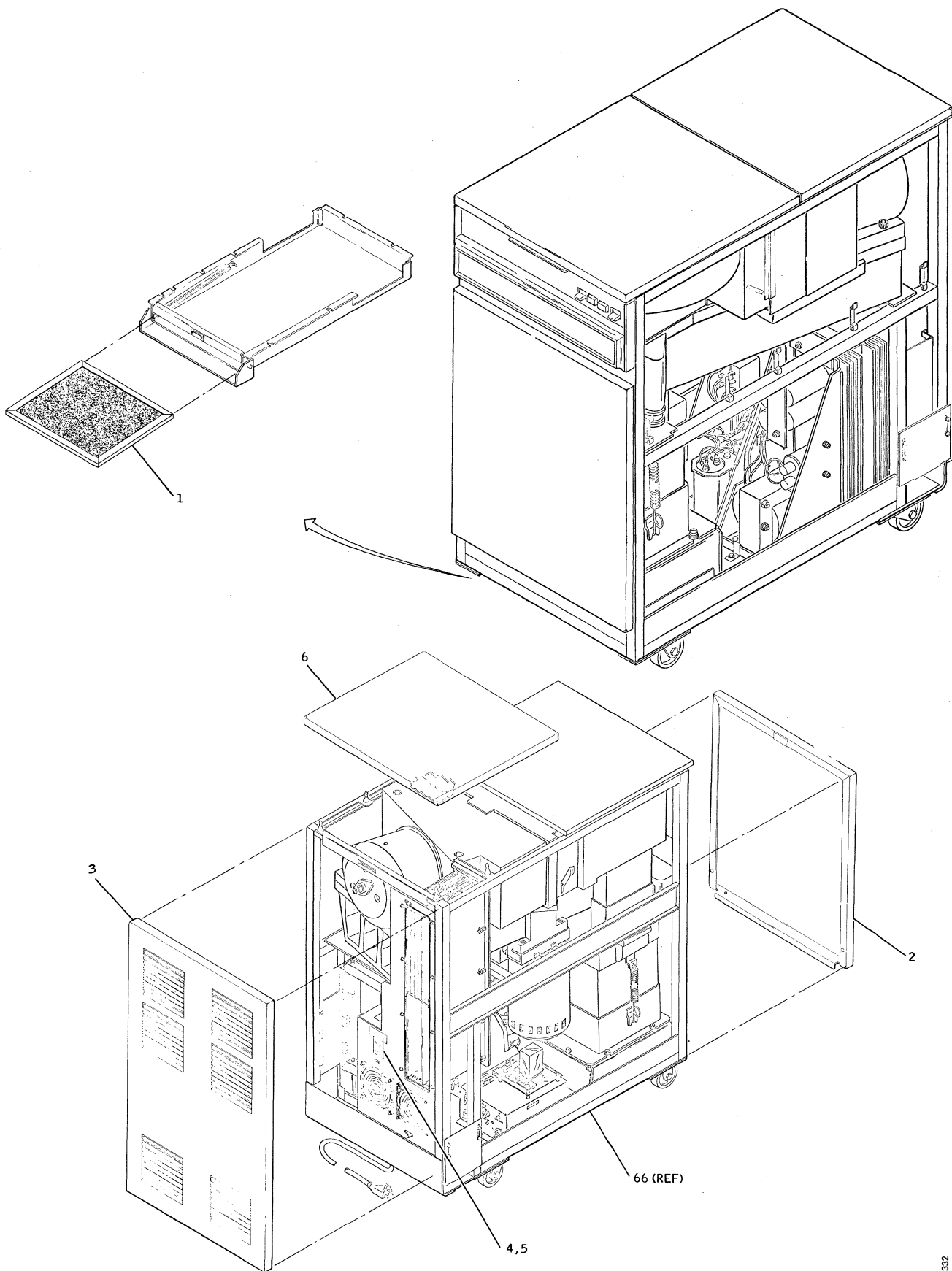
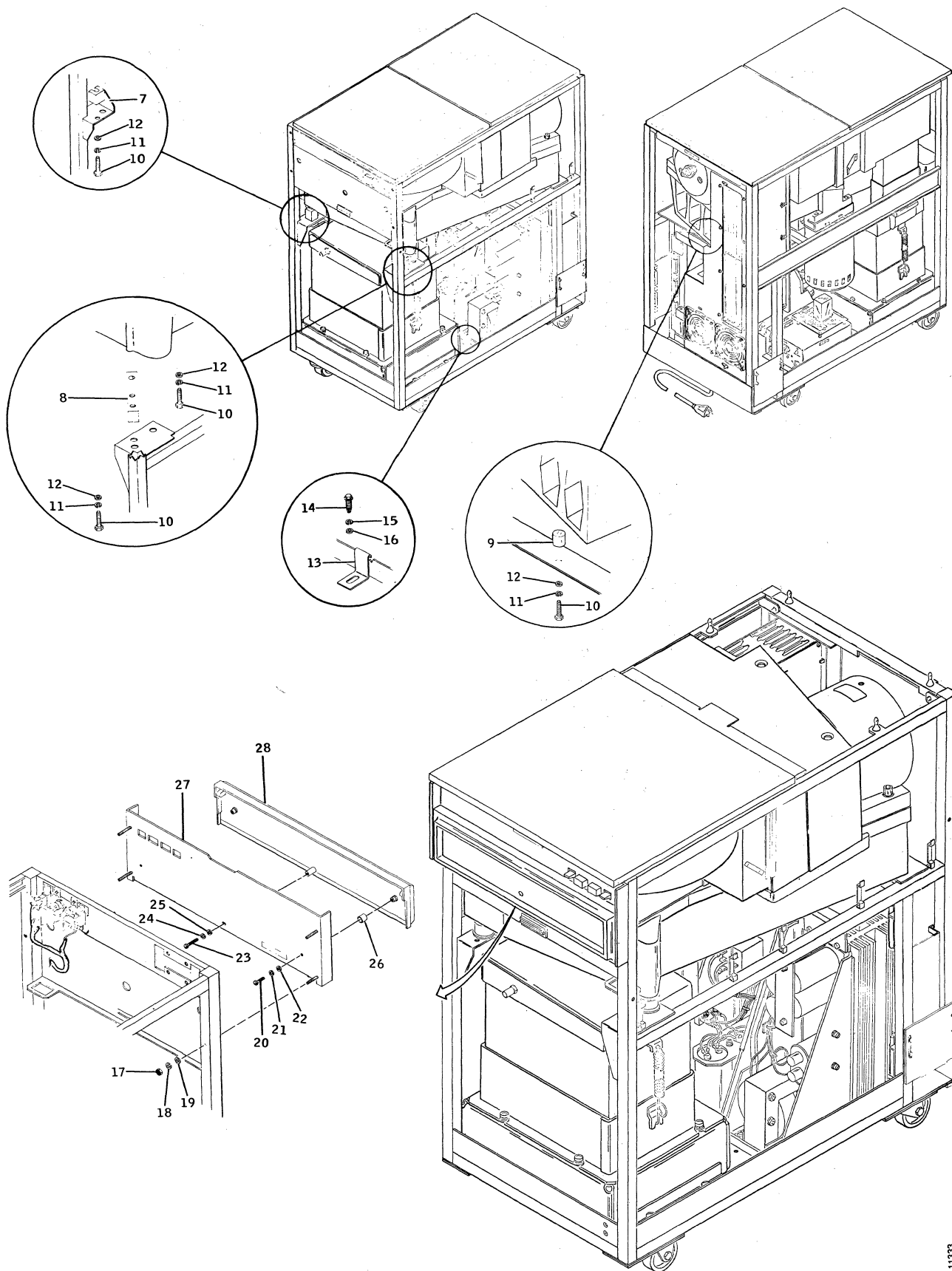


Figure 2-1. Disk Drive Unit (Sheet 1 of 4)

11332

FIGURE ITEM NO.	PART NUMBER	DESCRIPTION	QTY PER ASSY	USAGE CODE
1-	18325-001	Disk Drive Unit, Model T200, Single Access, 60 Hz, 208V	REF	A
	18325-002	Disk Drive Unit, Model T200, Single Access, 50 Hz, 208V	REF	B
	18325-003	Disk Drive Unit, Model T200, Dual Access, 60 Hz, 208V	REF	C
	18325-004	Disk Drive Unit, Model T200, Dual Access, 50 Hz, 208V	REF	D
	16707-001	Disk Drive Unit, Model T300, Single Access, 60 Hz, 208V	REF	E
	16707-002	Disk Drive Unit, Model T300, Single Access, 50 Hz, 208V	REF	F
	16707-003	Disk Drive Unit, Model T300, Dual Access, 60 Hz, 208V	REF	G
	16707-004	Disk Drive Unit, Model T300, Dual Access, 50 Hz, 208V	REF	H
-1	16418-001	. Filter, Air	1	
-2	17533-xx1	. Front Door, Disk Drive	1	
-3	17534-xx1	. Rear Door, Disk Drive	1	
-4	90949-003	. Tape, Packaging	A/R	
-5	16719-001	. Jumper Set, Sector Pin	1	
-6	16421-xx1	. Cover, Top	1	
-7	16521-001	. Block, Shipping, Front Left	1	
-8	16522-001	. Block, Shipping, Front Right	1	
-9	18032-001	. Block, Shipping, Deck Plate	1	
		Attaching Parts		
-10	90483-019	. Screw, Machine, Hex Hd, 1/4-20 x 1.5 Lg.	5	
-11	90489-006	. Lockwasher, Split	5	
-12	90488-008	. Washer, Flat	5	
		--- * ---		
-13	16439-001	. Bracket, Shipping	2	
		Attaching Parts		
-14	92837-306	. Screw, Thread Forming, 10-32 x .38 Lg.	2	
-15	90489-005	. Lockwasher, Split	2	
-16	90488-007	. Washer, Flat	2	
		--- * ---		
-17	90487-006	. Nut, Hexagon, 10-32	4	
-18	90489-005	. Lockwasher, Split	4	
-19	90488-006	. Washer, Flat	4	
-20	90448-026	. Screw, Pan Hd, 6-32 x 1.0 Lg.	2	
-21	90489-003	. Lockwasher, Split	2	
-22	90488-004	. Washer, Flat	2	
-23	90448-044	. Screw, Pan Hd, 10-32 x .50 Lg.	1	
-24	90489-005	. Lockwasher, Split	1	
-25	90488-006	. Washer, Flat	1	
-26	16523-001	. Spacer, Bezel	2	
-27	16685-xx1	. Panel, Control Single Access	1	A,B,E,F
	16643-xx1	. Panel, Control Dual Access	1	C,D,G,H
-28	16225-xx1	. Bezel, Front	1	
-29	16410-151	. Cover, Cable Trough (side)	2	
		Attaching Parts		
-30	92837-206	. Screw, Thread Forming, 8-32 x .38 Lg.	4	
-31	90489-004	. Lockwasher, Split	4	
-32	90488-005	. Washer, Flat	4	
		--- * ---		
-33	90448-046	. Screw, Pan Hd, 10-32 x .62 Lg.	2	
-34	90489-005	. Lockwasher, Split	2	
-35	90448-006	. Washer, Flat	2	
-36	90484-047	. Screw, Flat Hd, 10-32 x .25 Lg.	2	
-37	16411-151	. Cover, Cable Trough, (rear)	1	



11333

Figure 2-1. Disk Drive Unit (Sheet 2 of 4)

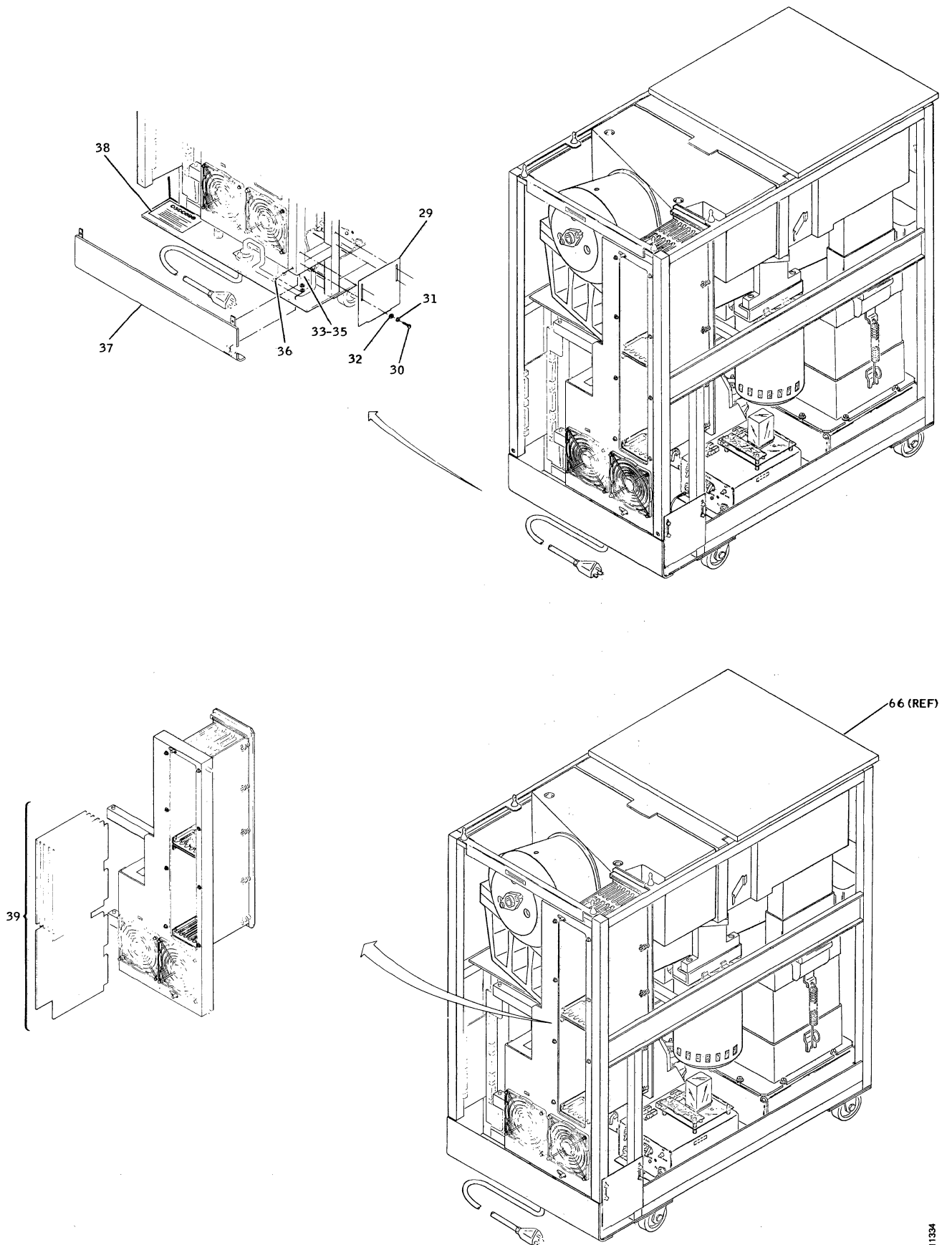


Figure 2-1. Disk Drive Unit (Sheet 3 of 4)

FIGURE ITEM NO.	PART NUMBER	DESCRIPTION	QTY PER ASSY	USAGE CODE
1-38	95657-001	. Plate, Identification	1	
-39	16453-001	. Kit Assy, Module (refer to Figure 2-19 for components)	1	A,B
	16453-002	. Kit Assy, Module (refer to Figure 2-19 for component)	1	C,D
	16454-001	. Kit Assy, Module (refer to Figure 2-19 for components)	1	E,F
	16454-002	. Kit Assy, Module (refer to Figure 2-19 for components)	1	G,H
-40	16718-001	. Shroud, Assy, Linear Motor	1	
		Attaching Parts		
-41	90448-044	. Screw, Pan Hd	2	
-42	90489-005	. Lockwasher, Split	2	
-43	90488-006	. Washer, Flat	2	
		--- * ---		
-44	16398-151	. Cover, Access, (side)	1	
		Attaching Parts		
-45	90448-029	. Screw, Pan Hd, 8-32 x .38 Lg.	1	
-46	90448-018	. Screw, Pan Hd, 6-32 x .38 Lg.	1	
-47	90489-004	. Lockwasher, Split	1	
-48	90489-003	. Lockwasher, Split	1	
-49	90488-005	. Washer, Flat	1	
-50	90488-004	. Washer, Flat	1	
		--- * ---		
-51	18507-001	. Head Assy, Read/Write	5	
-52	18507-002	. Head Assy, Read/Write	4	
-53	18507-003	. Head Assy, Read/Write	5	
-54	18507-004	. Head Assy, Read/Write	5	
-55	13500-001	. Head Assy, Servo	1	
-56	16516-001	. Cover, R/W Matrix, LH	1	
-57	16517-001	. Cover, R/W Matrix, RH	1	
		Attaching Parts (above 2 items)		
-58	90448-009	. Screw, Pan Hd	1	
-59	90489-002	. Lockwasher, Split	1	
-60	90488-003	. Washer, Flat	1	
		--- * ---		
-61	16482-001	. Board Assy, R/W Matrix, LH, VR84 (refer to Figure 2-15 for components)	1	A-D
-62	16485-001	. Board Assy, R/W Matrix, RH, VR85 (refer to Figure 2-17 for components)	1	A-D
	17514-001	. Board Assy, R/W Matrix, LH, VR86 (refer to Figure 2-16 for components)	1	E-H
	17517-001	. Board Assy, R/W Matrix, RH, VR87 (refer to Figure 2-18 for components)	1	E-H
		Attaching Parts (above 2 items)		
-63	90448-018	. Screw, Pan Hd, 6-32 x 3/8 Lg.	4	
-64	90389-003	. Lockwasher, Split	4	
-65	90488-004	. Washer, Flat	4	
		--- * ---		
-66	16708-001	. Disk Drive Assy, Wired (refer to Figure 2-2 for components)	1	A,E
	16708-002	. Disk Drive Assy, Wired (refer to Figure 2-2 for components)	1	B,F
	16708-003	. Disk Drive Assy, Wired (refer to Figure 2-2 for components)	1	C,G
	16708-004	. Disk Drive Assy, Wired (refer to Figure 2-2 for components)	1	D,H

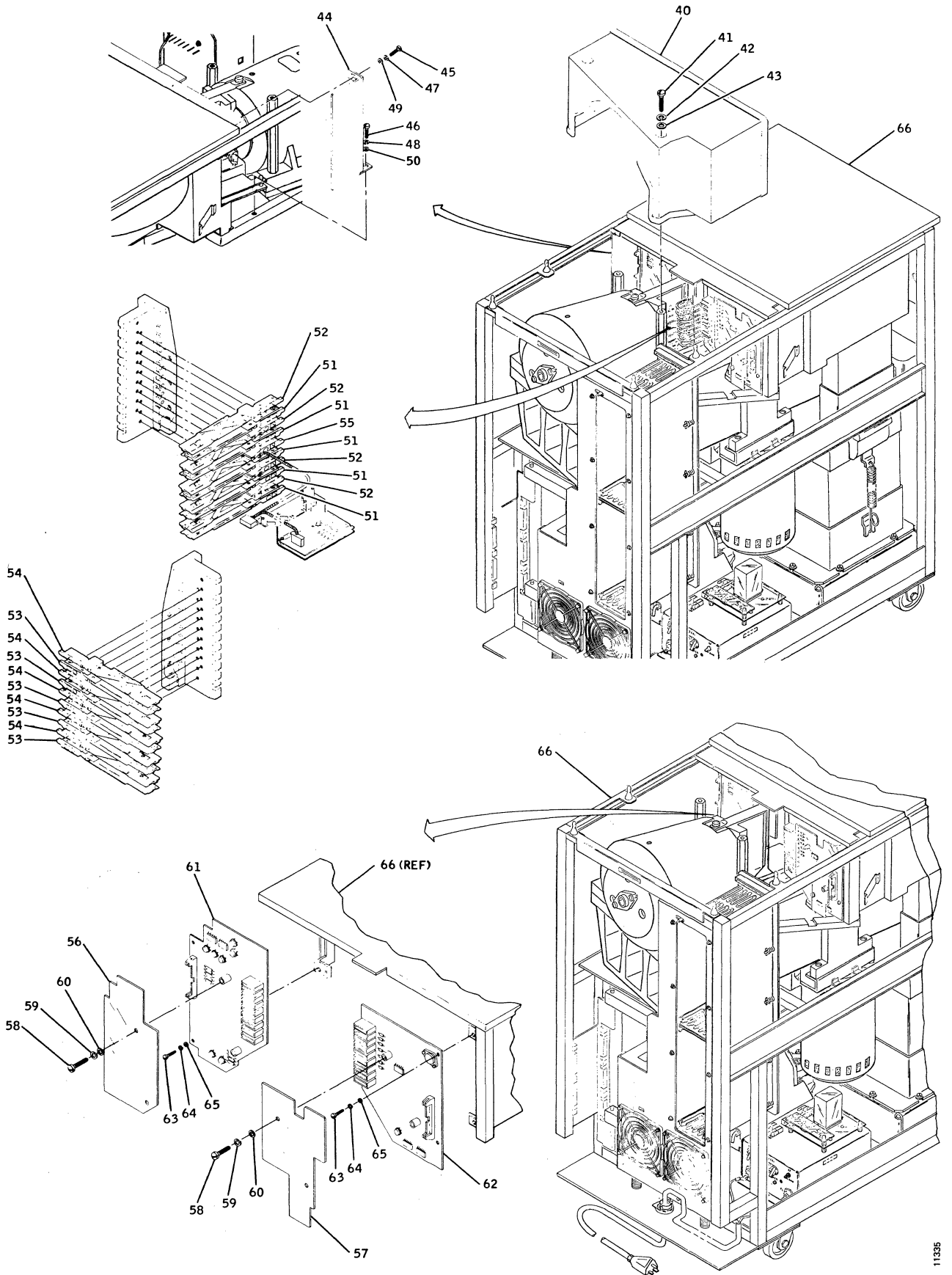


Figure 2-1. Disk Drive Unit (Sheet 4 of 4)

11335

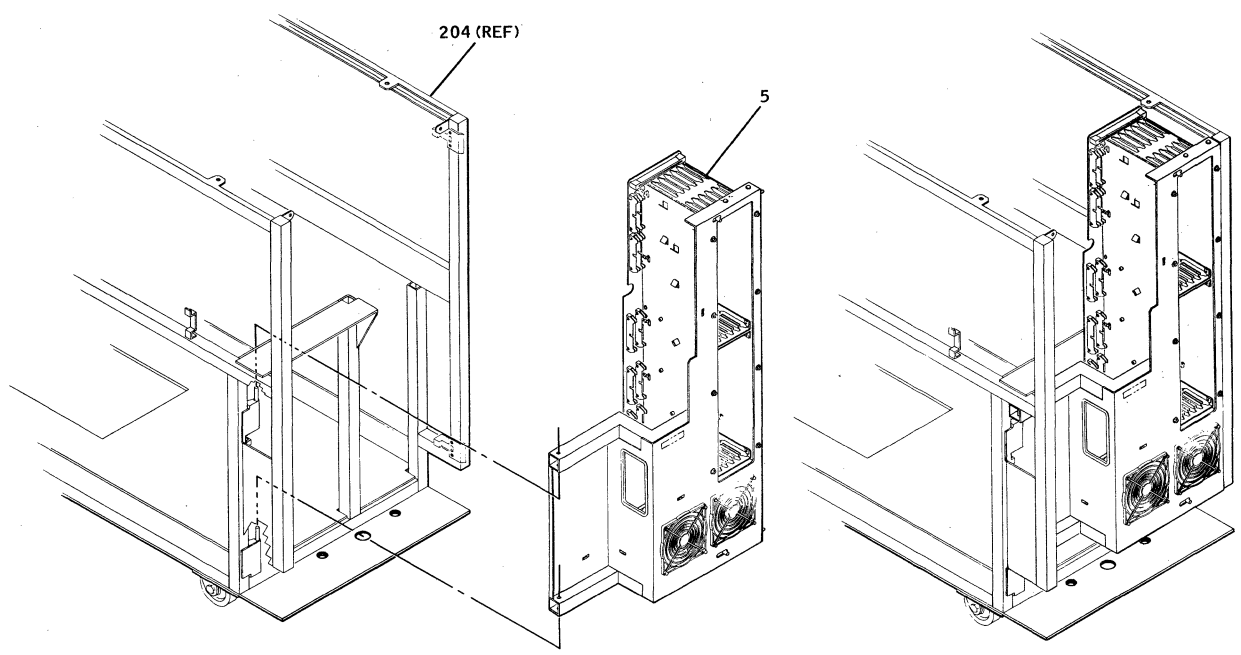
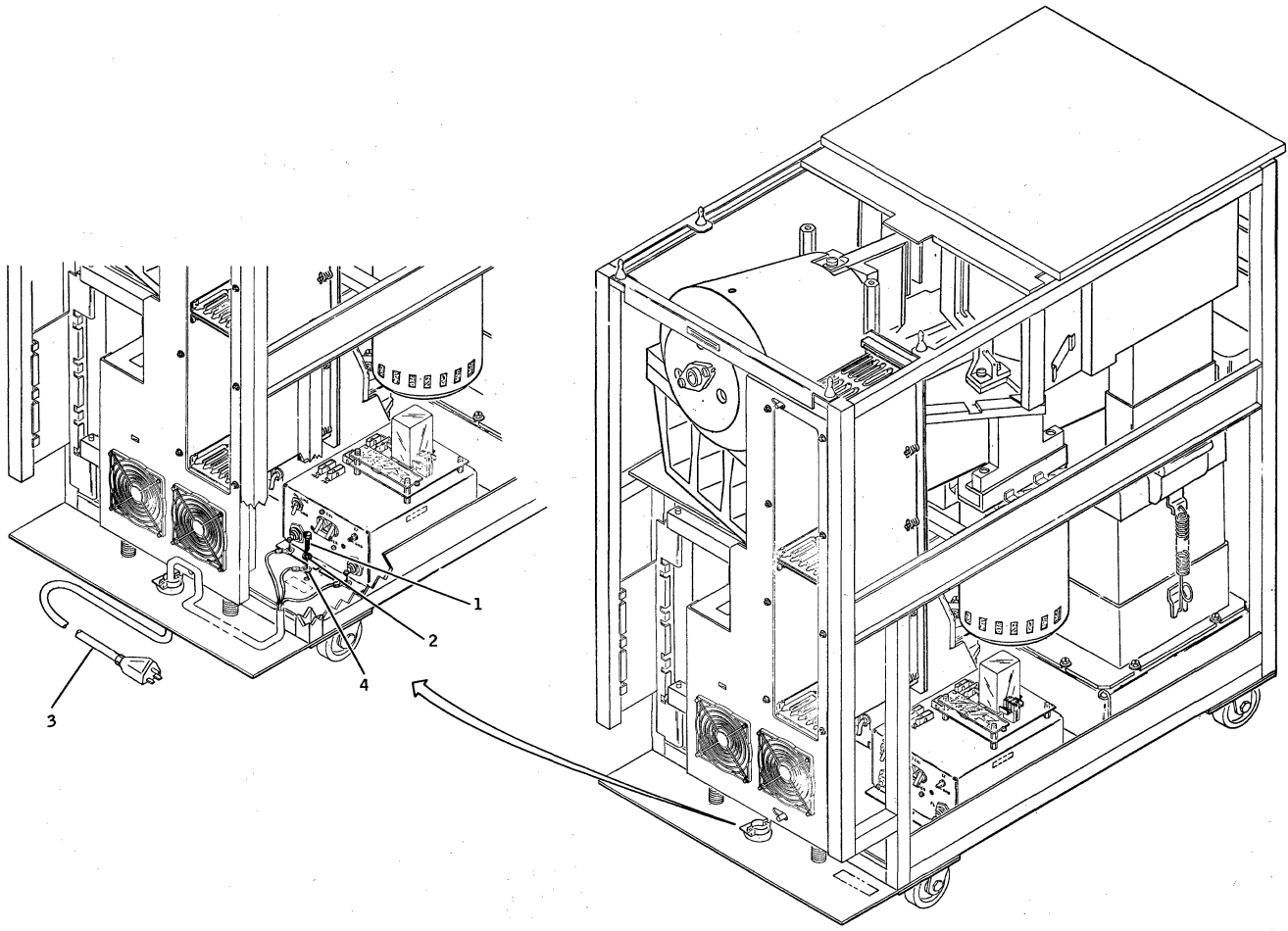


Figure 2-2. Wired Disk Drive Assembly (Sheet 1 of 7)

11336

FIGURE ITEM NO.	PART NUMBER	DESCRIPTION	QTY PER ASSY	USAGE CODE
2-	16708-001	Disk Drive Assy, Wired, Single Access, 60 Hz, 208V (see Figure 2-1 for NHA)	REF	A,E
	16708-002	Disk Drive Assy, Wired, Single Access, 50 Hz, 208V (see Figure 2-1 for NHA)	REF	B,F
	16708-003	Disk Drive Assy, Wired, Dual Access, 60 Hz, 208V (see Figure 2-1 for NHA)	REF	C,G
	16708-004	Disk Drive Assy, Wired, Dual Access, 50 Hz, 208V (see Figure 2-1 for NHA)	REF	D,H
-1	90448-044	. Screw, Pan Hd, 10-32 x .50 Lg.	1	
-2	90489-005	. Lockwasher, Split	1	
-3	16682-001	. Cord Set Assembly	1	
-4	16678-001	. Label, Ac Ground	1	
-5	16706-001	. Frame Assy, Swing (refer to Figure 2-3 for components)	1	
	19339-xxx	. Cable Assy, Interconnect, Flat	REF	
	17740-001	. Harness Assy, R/W Data	REF	
	17739-001	. Harness Assy, Dc Power	REF	
	16503-001	. Cable Assy, Power Supply	REF	
	16710-001	. Harness Assy, Cabinet	REF	
	16500-001	. Harness Assy, Emergency Retract	REF	
-6	17633-001	. Strap, Boot	2	
-7	16434-001	. Boot, Air System	1	
-8	11011-051	. Cover, Access	1	
		Attaching Parts		
-9	90567-010	. Screw, Truss Hd, 6-32 x 3/8 Lg. ---*---	3	
-10	16396-001	. Air Shroud Assy, Disk Drive (refer to Figure 2-4 for components) Attaching Parts	1	
-11	90448-018	. Screw, Pan Hd, 6-32 x .38 Lg.	5	
-12	90489-003	. Lockwasher, Split	5	
-13	90488-004	. Washer, Flat ---*---	5	
-14	16705-001	. Seal, Air Gap	2	
-15	13867-001	. Strip, Rub, Edge Mtg.	A/R	
-16	16504-001	. Control Switch and Indicator Assy, Panel (refer to Figure 2-5 for components)	1	A,B,E,F
	16504-002	. Control Switch and Indicator Assy, Panel (refer to Figure 2-5 for components) Attaching Parts	1	C,D,G,H
-17	90448-018	. Screw, Pan Hd, 6-32 x .38 Lg.	8	
-18	90489-003	. Lockwasher, Split	8	
-19	90488-004	. Washer, Flat ---*---	8	
-20	90999-001	. Nut, U-Clip	8	
-21	17203-003	. Latch, Magnetic	1	
-22	17203-001	. Latch, Magnetic	1	
-23	90487-004	. Nut, Hexagon	2	
-24	90489-003	. Lockwasher, Split	2	
-25	90779-001	. Fastener, Ball Stud	4	
-26	16698-151	. Crossmember, Cabinet	1	



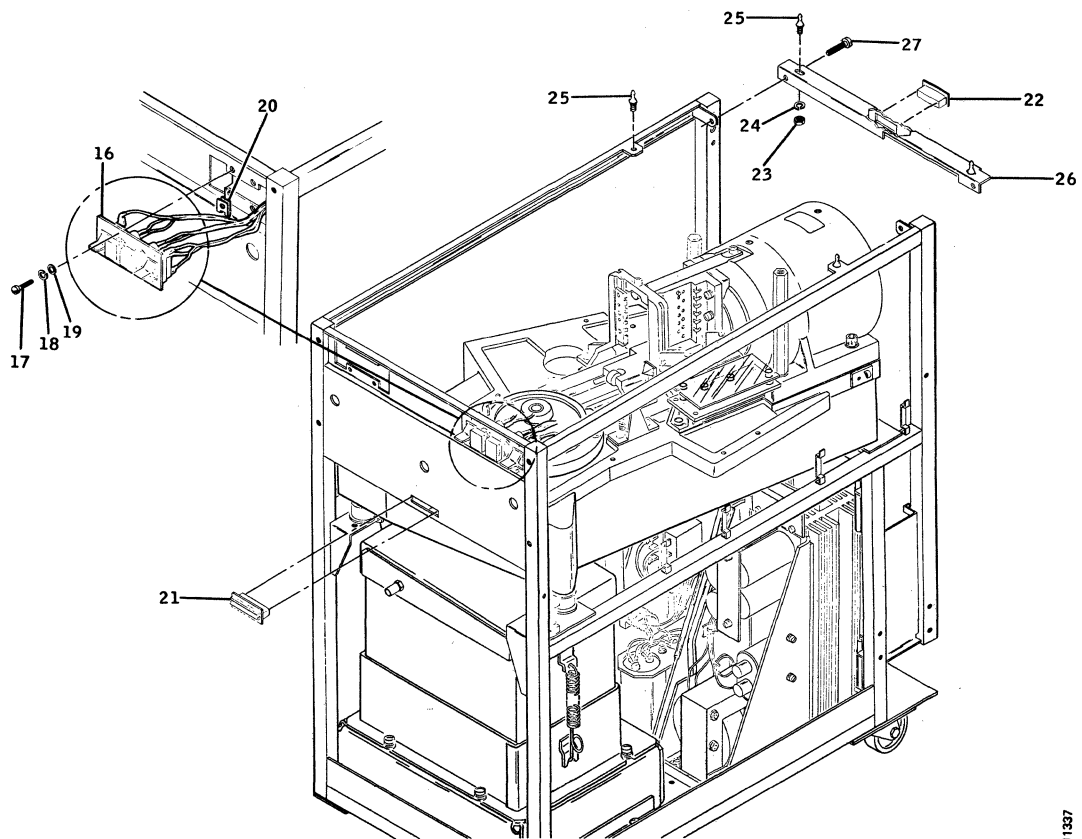
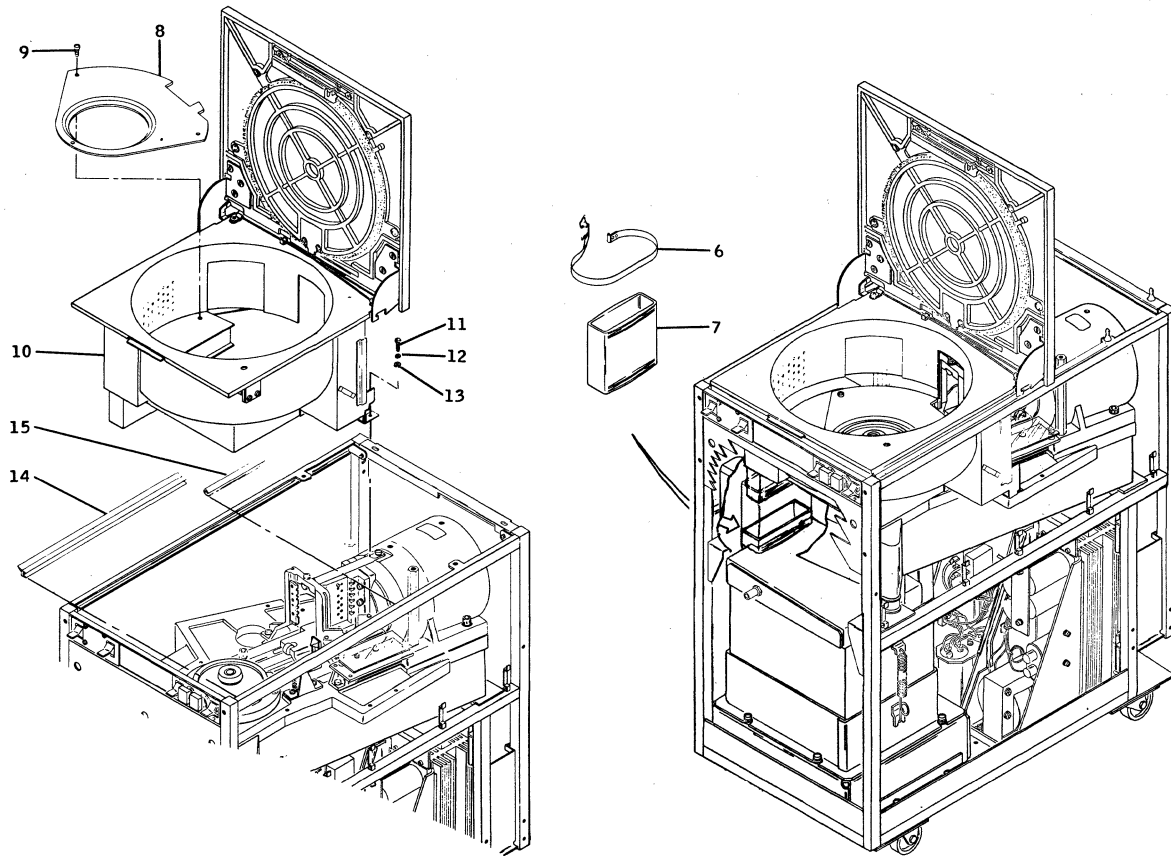


Figure 2-2. Wired Disk Drive Assembly (Sheet 2 of 7)

11337

FIGURE ITEM NO.	PART NUMBER	DESCRIPTION	QTY PER ASSY	USAGE CODE
2-		Attaching Parts		
-27	92837-308	. Screw, Thread Forming, 10-32 x .50 Lg ---*---	4	
-28	16647-001	. Cover, Servo Preamplifier Attaching Parts	1	
-29	90448-009	. Screw, Pan Hd, 4-40 x 3/8 Lg.	2	
-30	90489-002	. Lockwasher, Split	2	
-31	90488-003	. Washer, Flat ---*---	2	
-32	19049-001	. Board Assy, Servo Head Preamplifier VP 53 (refer to Figure 2-6 for components) Attaching Parts	1	
-33	90448-009	. Screw, Pan Hd, 4-40 x 3/8 Lg.	2	
-34	90489-002	. Lockwasher, Split	2	
-35	90488-003	. Washer, Flat ---*---	2	
-36	11393-001	. Switch Bracket Assy, Cabinet Attaching Parts	1	
-37	90448-044	. Screw, Pan Hd, 10-32 x 1/2 Lg.	2	
-38	90489-005	. Lockwasher, Split	2	
-39	90488-006	. Washer, Flat ---*---	2	
-40	90734-001	. . Switch, S5, S6	2	
-41	14022-001	. Lock Assy, Spindle Attaching Parts	1	
-42	90448-044	. Screw, Pan Hd, 10-32 x 1/2 Lg.	2	
-43	90489-005	. Lockwasher, Split	2	
-44	90488-006	. Washer, Flat ---*---	2	
	14025-001	. . Arm, Pivot, Spindle Lock, N/I	1	
	14147-001	. . Actuator, Spindle Lock, N/I	1	
	90748-003	. . Ring, Retaining, N/I	4	
	92781-001	. . Spring, Tension, N/I	1	
-45	90448-029	. Screw, Pan Hd, 8-32 x 3/8 Lg	2	
-46	90489-004	. Lockwasher, Split	2	
-47	13990-001	. Retainer, Connector, LH	1	
-48	14021-001	. Retainer, Connector, RH	1	
-49	90448-020	. Screw, Pan Hd, 6-32 x 1/2 Lg.	1	
-50	90448-024	. Screw, Pan Hd, 6-32 x 3/4 Lg.	2	
-51	90489-003	. Lockwasher, Split	2	
-52	90488-004	. Washer, Flat	2	
-53	97858-001	. Crash Bar	1	
-54	97859-001	. Shim, Crash Bar	A/R	
-55	90448-044	. Screw, Pan Hd, 10-32 x 1/2 Lg.	4	
-56	90489-005	. Lockwasher, Split	4	
-57	90488-006	. Washer, Flat	4	
-58	12005-001	. Cam Tower Assembly	1	
-59	91488-206	. Screw, Socket Hd Cap, 6-32 x 3/8 Lg.	1	
-60	97627-006	. Lockwasher, Split	1	
-61	90048-034	. Washer, Flat	1	
-62	90448-009	. Screw, Pan Hd, 4-40 x 3/8 Lg.	2	

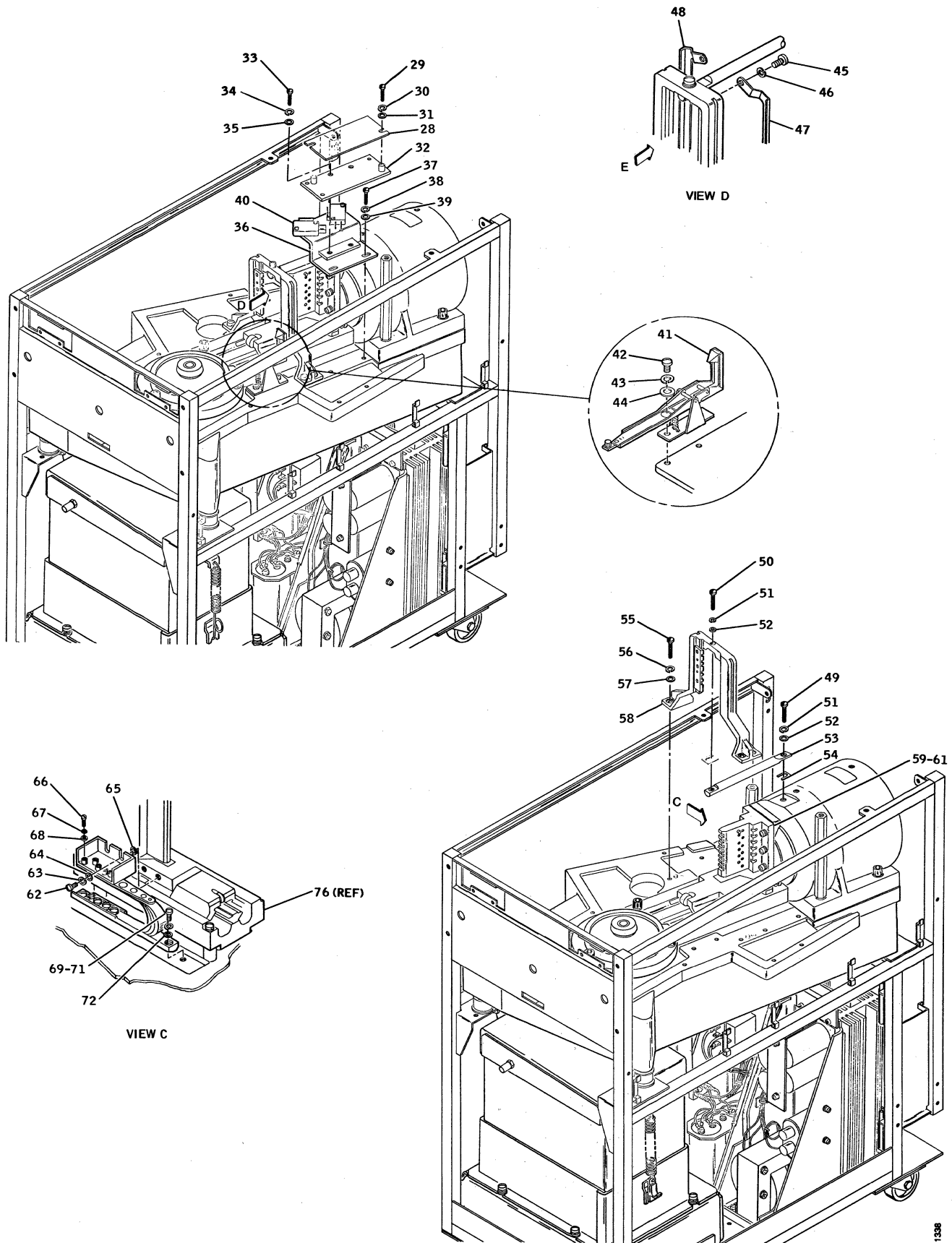


Figure 2-2. Wired Disk Drive Assembly (Sheet 3 of 7)

FIGURE ITEM NO.	PART NUMBER	DESCRIPTION	QTY PER ASSY	USAGE CODE
2-63	90489-002	. Lockwasher, Split	2	
-64	90488-003	. Washer, Flat	2	
-65	90048-033	. Washer, Flat	2	
-66	90448-017	. Screw, Pan Hd, 6-32 x 5/16 Lg.	5	
-67	90489-003	. Lockwasher, Split	5	
-68	90048-038	. Washer, Flat	5	
-69	90448-020	. Screw, Pan Hd, 6-32 x .50 Lg.	2	
-70	90489-003	. Lockwasher, Split	2	
-71	90488-004	. Washer, Flat	2	
-72	99250-001	. Terminal Block Assembly	1	
-73	91488-106	. Screw, Socket Hd Cap, 4-40 x 3/8 Lg.	6	
-74	97627-004	. Lockwasher, Split	6	
-75	90048-033	. Washer, Flat	6	
-76	12182-001	. Carriage and Way Assy, Disk Drive Matched (refer to Figure 2-7 for components) Attaching Parts	1	
-77	90449-033	. Screw, Socket Hd Cap, 10-32 x 1-1/2 Lg.	3	
-78	90489-005	. Lockwasher, Split --- * ---	3	
-79	16400-001	. Standoff, Air Shroud, Linear Motor	2	
-80	90489-008	. Lockwasher, Split	2	
	16535-001	. Cable Assy, Linear Motor Control	REF	
-81	10413-001	. Motor, Linear Attaching Parts	1	
-82	90499-057	. Screw, Socket, Hd Cap, 3/8-16 x 1-1/4 Lg.	2	
-83	90489-008	. Lockwasher, Split --- * ---	2	
	18255-001	. . Bobbin Assy (Infomag - smooth finish)	1	
	18256-001	. . Bobbin Assy (SLI - pebble finish)	1	
-84	90448-020	. Screw, Pan Hd. 6-32 x .50 Lg.	2	
-85	90489-003	. Lockwasher, Split	2	
-86	90488-004	. Washer, Flat	2	
-87	90402-001	. Retainer, LVSYN	1	
-88	91446-010	. Spring, Compression	1	
-89	19014-002	. Tach Rod, N/I	1	
-90	19014-003	. Coil Housing, N/I	1	
-91	90487-007	. Nut, Plain Hex	1	
-92	90489-006	. Lockwasher, Split	1	
-93	90048-007	. Washer, Flat	1	
-94	90487-010	. Nut, Plain Hex	1	
-95	90489-007	. Lockwasher, Split	1	
-96	90488-009	. Washer, Flat	1	
-97	16644-001	. Shim, Shock Mount	A/R	
-98	95139-001	. Guide, Shock Mount	4	
-99	16695-001	. Guard, Brake, Disc (left)	1	
-100	16696-001	. Guard, Brake, Disc (right) Attaching Parts (above 2 items)	1	
-101	90448-050	. Screw, Pan Hd, 10-32 x 1.25 Lg.	4	
-102	90489-005	. Lockwasher, Split	4	
-103	90488-006	. Washer, Flat --- * ---	4	
-104	95304-015	. Belt, Drive, Flat	1	A,E,C,G

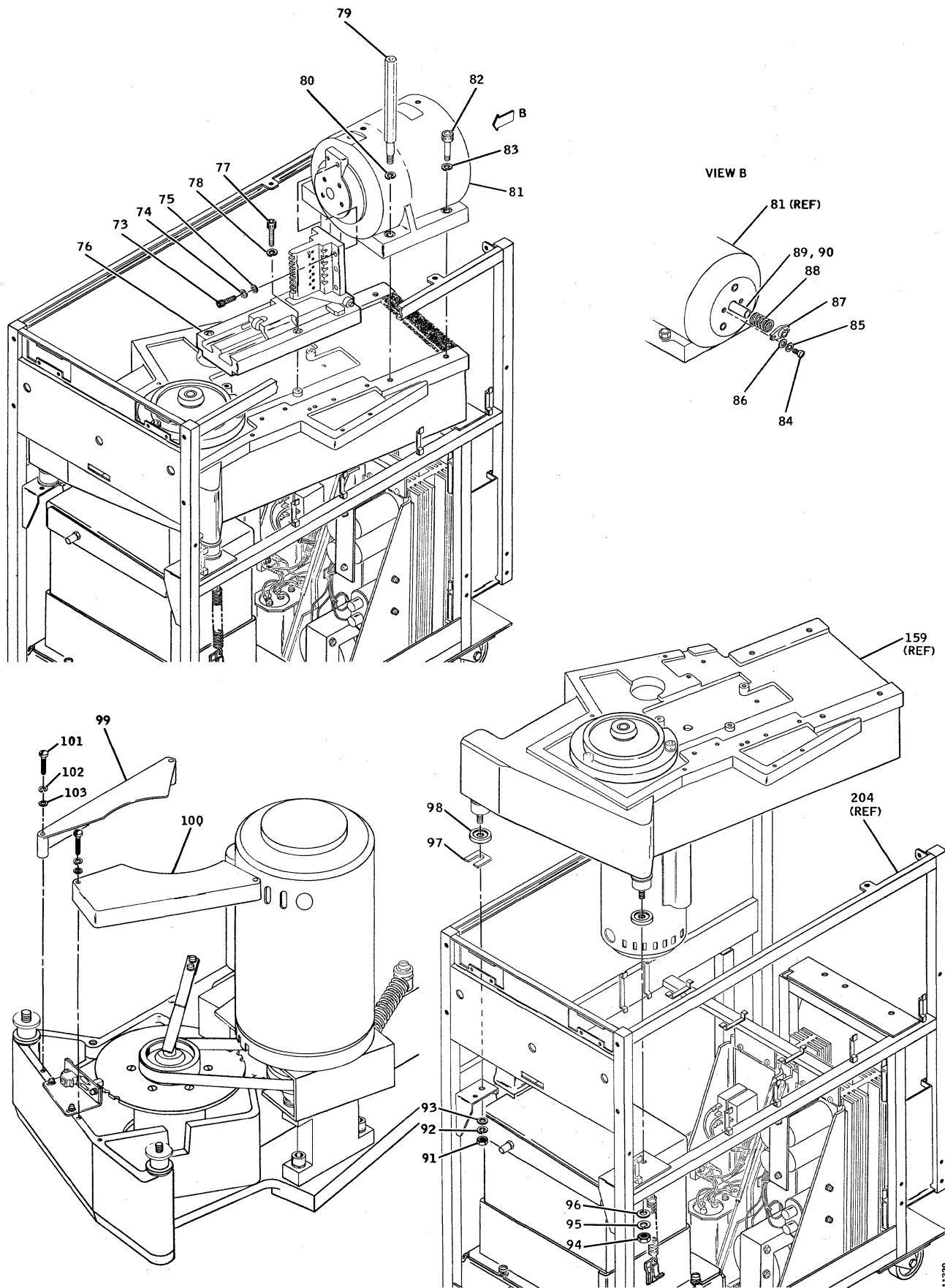


Figure 2-2. Wired Disk Drive Assembly (Sheet 4 of 7)

FIGURE ITEM NO.	PART NUMBER	DESCRIPTION	QTY PER ASSY	USAGE CODE
2-	95304-014	. Belt, Drive, Flat	1	B,F,D,H
-105	98455-001	. Deleted		
	<b>23616-001</b>	. Board Assy, Optical Switch Attaching Parts	1	
-106	90448-008	. Screw, Pan Hd, 4-40 x 5/16 Lg	2	
-107	90489-002	. Lockwasher, Split	2	
-108	90488-003	. Washer, Flat	2	
		---*---		
	96141-006	. . Connector, Electrical, J47, N/I	1	
	<b>23611-001</b>	. . Switch, Optical, S1, N/I	1	
	90376-130	. . Indicator, Molded, L1, N/I	1	
	90356-519	. . Capacitor, Tantalum, 3.3 MF, C1, N/I	1	
-109	12588-001	. Bracket, Optical Switch Mtg. Attaching Parts	1	
-110	90448-018	. Screw, Pan Hd, 6-32 x 3/8 Lg.	2	
-111	90489-003	. Lockwasher, Split	2	
-112	90488-004	. Washer, Flat	2	
		---*---		
-113	17766-001	. Brush Assy, Spindle Attaching Parts	1	
-114	90448-018	. Screw, Pan Hd, 6-32 x 3/8 Lg.	2	
-115	90489-003	. Lockwasher, Split	2	
-116	90488-004	. Washer, Flat	2	
		---*---		
	98410-001	. . Bracket, Spindle Brush, N/I	1	
	98412-001	. . Arm, Spindle Grounding Brush, N/I	1	
-117	90799-008	. Setscrew, Cone Point	1	
-118	91535-001	. Brush, Spindle Ground	1	
-119	16493-001	. Motor Assy, Drive Attaching Parts	1	
-120	90449-052	. Screw, Socket Hd. Cap, 3/8-16 x .75 Lg.	4	
-121	90489-008	. Lockwasher, Split	4	
		---*---		
-122	90482-048	. Setscrew, Cup Point	1	
-123	93141-003	. Pulley, Motor	1	A,E,C,G
	93141-002	. Pulley, Motor	1	B,F,D,H
-124	90448-061	. Screw, Pan Hd, 1/4-20 x 1-1/2 Lg.	1	
-125	90488-008	. Washer, Flat	1	
-126	16660-001	. Insulator, Spring Tension	1	
-127	92781-020	. Spring, Tension	1	
-128	90483-016	. Screw, Hexagon Hd, 1/4-20 x 1.0 Lg.	4	
-129	90489-006	. Lockwasher, Split	2	
-130	90048-007	. Washer, Flat (steel)	4	
-131	16675-001	. Bushing, Motor	2	
-132	90048-067	. Washer, Flat (nylon)	2	
-133	90487-007	. Nut, Plain Hex	1	
-134	90489-006	. Lockwasher, Split	1	
-135	17743-001	. Washer, Flat	1	
-136	17280-001	. Mount, Vibration	1	
-137	17744-001	. Washer, Flat	1	
-138	16657-001	. Pivot, Motor	1	
-139	90048-007	. Washer, Flat (steel)	1	

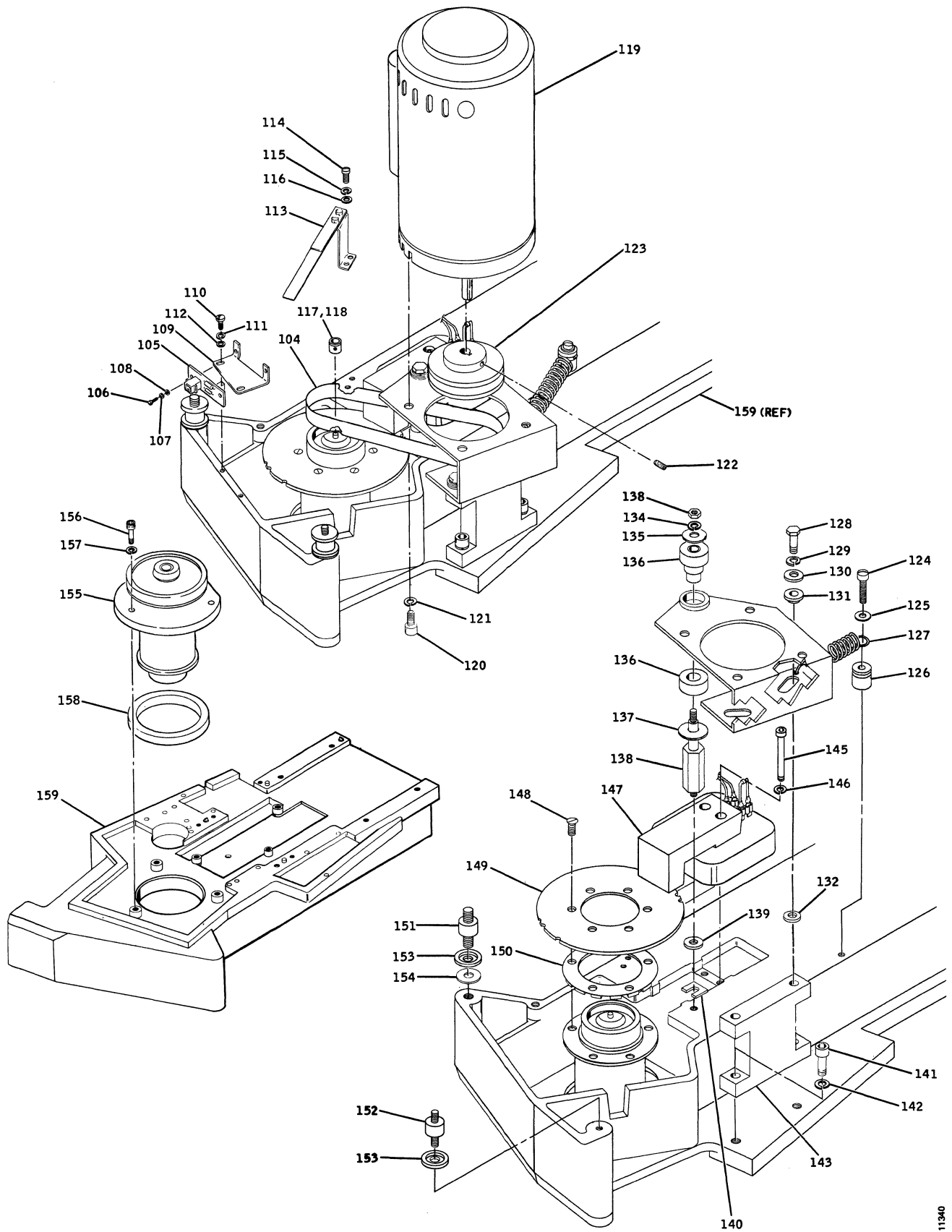


Figure 2-2. Wired Disk Drive Assembly (Sheet 5 of 7)

11340

FIGURE ITEM NO.	PART NUMBER	DESCRIPTION	QTY PER ASSY	USAGE CODE
2-140	16644-001	. Shim, Shock Mount	A/R	
-141	90449-111	. Screw, Socket Hd Cap, 5/16-18 x 1-1/2 Lg.	2	
-142	90489-007	. Lockwasher, Split	2	
-143	16405-001	. Support, Motor	1	
-144	16404-001	. Plate, Motor Mtg.	1	
-145	90449-044	. Screw, Socket Hd Cap, 1/4-20 x 1-3/4 Lg.	2	
-146	90489-006	. Lockwasher, Split	2	
-147	95238-001	. Brake Assy, Spindle	1	
	90449-041	. . Screw, Socket Hd Cap, N/I	2	
	96074-001	. . Arm, Brake, Upper, N/I	1	
	97244-001	. . Arm, Brake, Lower, N/I	1	
	11252-001	. . Pad, Insulating, N/I	1	
	96067-001	. . Coil Assy, Brake, N/I	1	
	99139-001	. . Diode Assy, Brake, N/I	1	
	95511-001	. . . Diode, NFS	1	
-148	90484-025	. Screw, Flat Hd, 6-32 x 3/8 Lg.	6	
-149	96639-001	. Disk Brake	1	
-150	96636-001	. Stop, Spindle	1	
-151	16357-001	. Shock Mount, Base Plate	1	
-152	16358-001	. Shock Mount, Base Plate	3	
-153	95139-001	. Guide, Shock Mount	4	
-154	16713-001	. Washer, Flat	4	
-155	12189-001	. Spindle Assembly Attaching Parts	1	
-156	90449-100	. Screw, Socket Hd Cap, 5/16-18 x 1.0 Lg.	3	
-157	90489-007	. Lockwasher, Split --- * ---	3	
-158	11832-001	. Gasket, Spindle	1	
-159	16515-001	. Base Plate, Disk Drive	1	
-160	17441-001	. Cover, Ac Distribution Attaching Parts	1	
-161	90448-020	. Screw, Pan Hd, 6-32 x .50 Lg	2	
-162	90489-003	. Lockwasher, Split	2	
-163	90488-004	. Washer, Flat --- * ---	2	
-164	16679-001	. Ac Distribution Assembly (refer to Figure 2-8 for components) Attaching Parts	1	
-165	92837-206	. Screw, Thread Forming, 8-32 x 3/8 Lg.	1	
-166	90489-004	. Lockwasher, Split	1	
-167	90488-005	. Washer, Flat --- * ---	1	
-168	16676-001	. Spring, Hold Down	2	
-169	16415-151	. Plenum, Outlet	1	
-170	13112-005	. Cap, Plastic	1	
-171	93718-001	. Nut, Hexagon	1	
-172	93705-001	. Coupling, Air, Male	1	
-173	16417-001	. Filter, Absolute	1	
-174	16422-001	. Gasket, Blower	1	
-175	16444-001	. Blower Assy, Cabinet (refer to Figure 2-9 for components)	1	A,E,C,G
	16444-002	. Blower Assy, Cabinet (refer to Figure 2-9 for components)	1	B,F,D,H



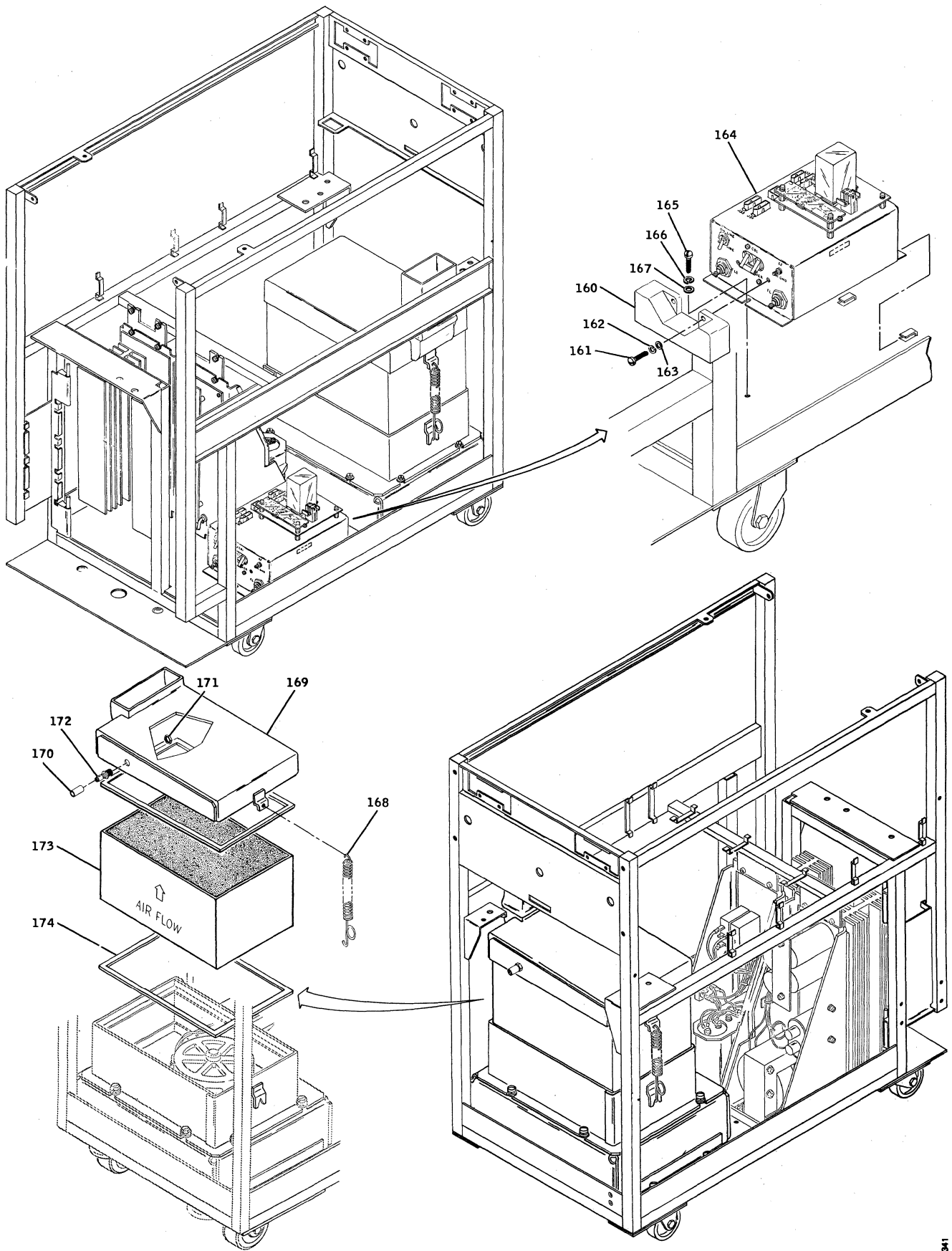


Figure 2-2. Wired Disk Drive Assembly (Sheet 6 of 7)

11341

FIGURE ITEM NO.	PART NUMBER	DESCRIPTION	QTY PER ASSY	USAGE CODE
2-		Attaching Parts		
-176	92837-206	. Screw, Thread Forming, 8-32 x 3/8 Lg.	4	
-177	90489-004	. Lockwasher, Split	4	
-178	90488-005	. Washer, Flat	4	
-179	16360-001	. Power Supply Assy, Disk Drive (refer to Figure 2-10 for components)	1	A,E,C,G
	16360-002	. Power Supply Assy, Disk Drive (refer to Figure 2-10 for components)	1	B,F,D,H
		Attaching Parts		
-180	90448-031	. Screw, Pan Hd, 8-32 x 1/2 Lg.	8	
-181	90489-004	. Lockwasher, Split	8	
-182	90488-005	. Washer, Flat	8	
		---*---		
-183	16438-001	. Bracket, Mounting	2	
-184	16440-001	. Plate, Mounting	2	
		Attaching Parts (above 2 items)		
-185	92837-206	. Screw, Thread Forming, 6-32 x 3/8 Lg.	2	
-186	90489-004	. Lockwasher, Split	2	
-187	90488-006	. Washer, Flat	2	
-188	92837-308	. Screw, Thread Forming	2	
-189	90448-031	. Screw, Pan Hd.	2	
-190	90489-005	. Lockwasher, Split	2	
-191	90489-004	. Lockwasher, Split	2	
-192	90488-006	. Washer, Flat	2	
-193	90488-005	. Washer, Flat	2	
		---*---		
-194	16366-001	. Power Amplifier Assy, Disk Drive (refer to Figure 2-12 for components)	1	
-195	16435-001	. Muffler Assy	1	
		Attaching Parts		
-196	92837-206	. Screw, Thread Forming, 8-32 x 3/8 Lg.	6	
-197	90489-004	. Lockwasher, Split	6	
-198	90488-005	. Washer, Flat	6	
		---*---		
	16445-001	. . Liner, Muffler, N/I	1	
	16445-002	. . Liner, Muffler, N/I	1	
	16427-151	. . Door, Muffler, N/I	1	
		Attaching Parts		
	90486-001	. . Screw, Shoulder, N/I	1	
	90487-003	. . Nut, Hexagon, N/I	1	
		---*---		
	17203-002	. . Catch, Magnetic, N/I	1	
	16426-151	. . Muffler, Air System, N/I	1	
-199	99404-001	. Cap, Snap-On, Leveler	4	
-200	99406-003	. Leveler	4	
-201	92455-050	. Clamp, Cable Entrance	1	
-202	16715-001	. Plate, Striker	2	
		Attaching Parts		
-203	90484-025	. Screw, Flat Hd, 6-32 x .38 Lg.	2	
		---*---		
-204	16704-151	. Frame, Basic	1	

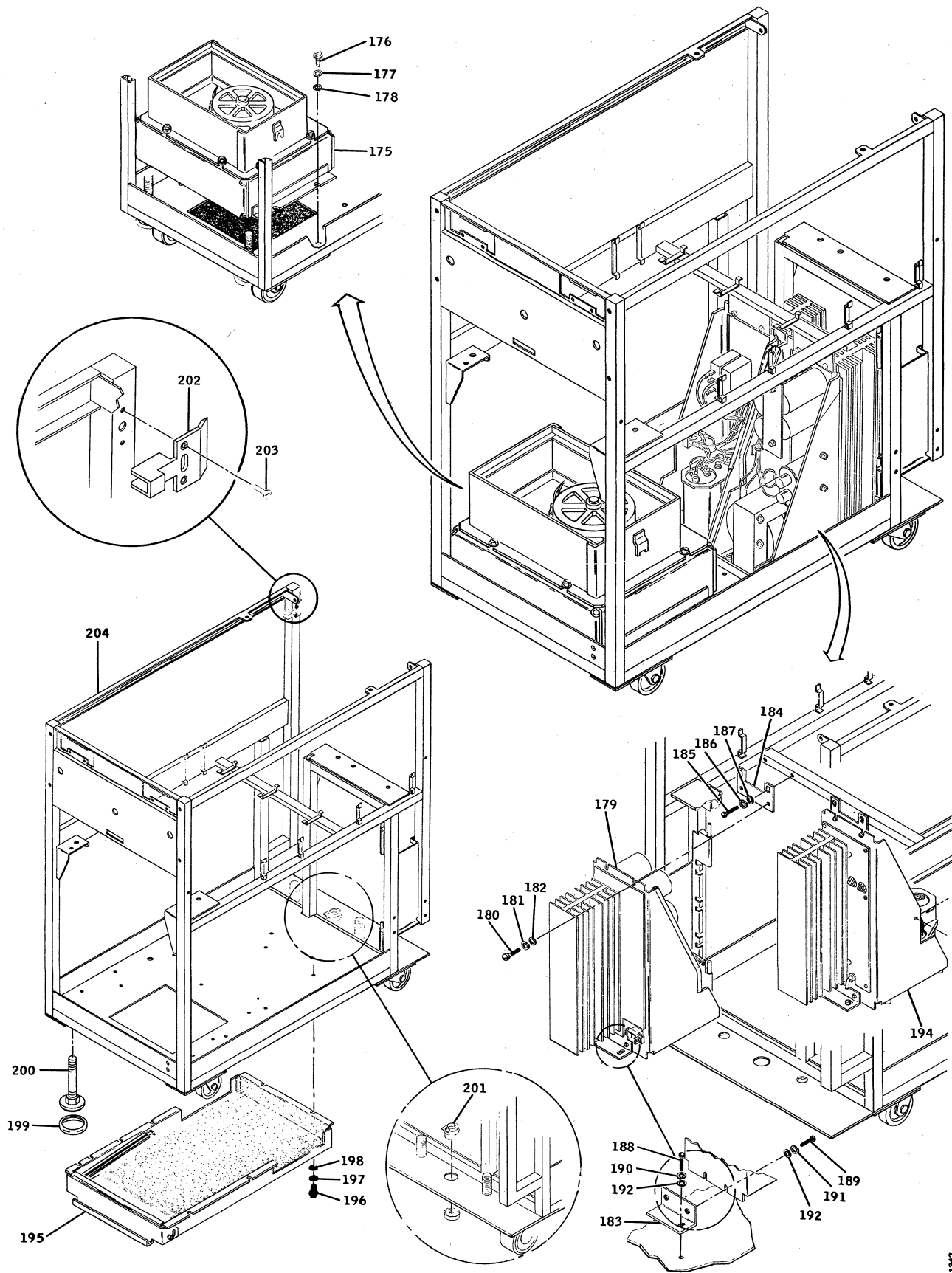


Figure 2-2. Wired Disk Drive Assembly (Sheet 7 of 7)

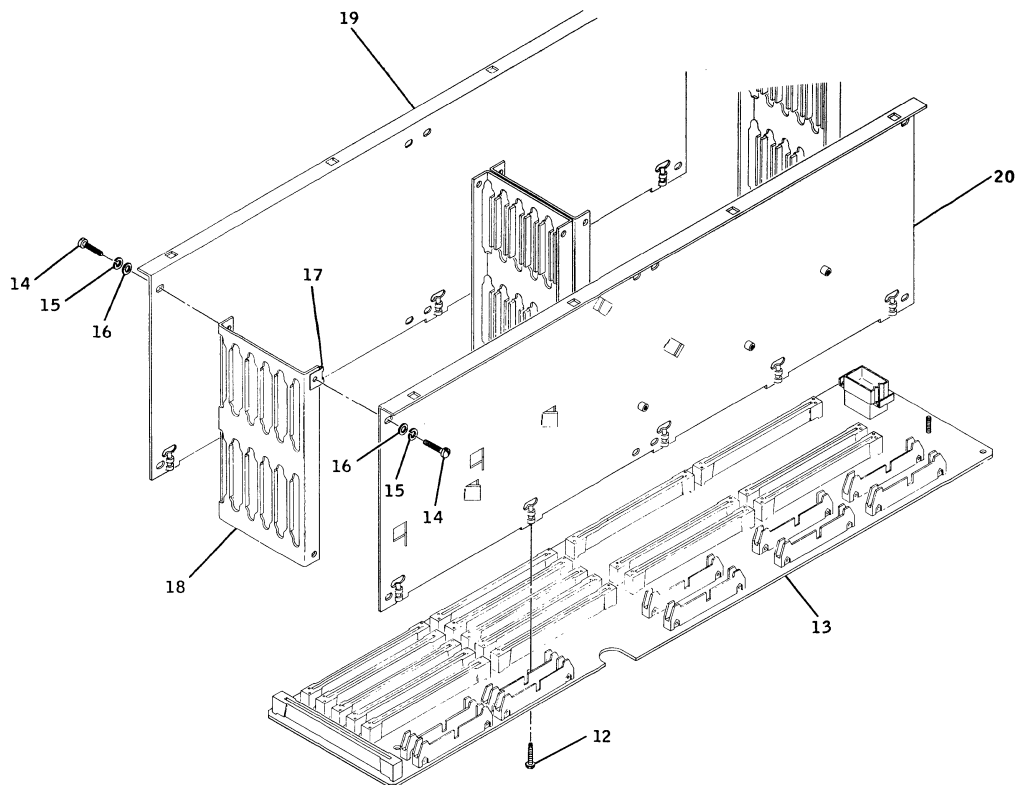
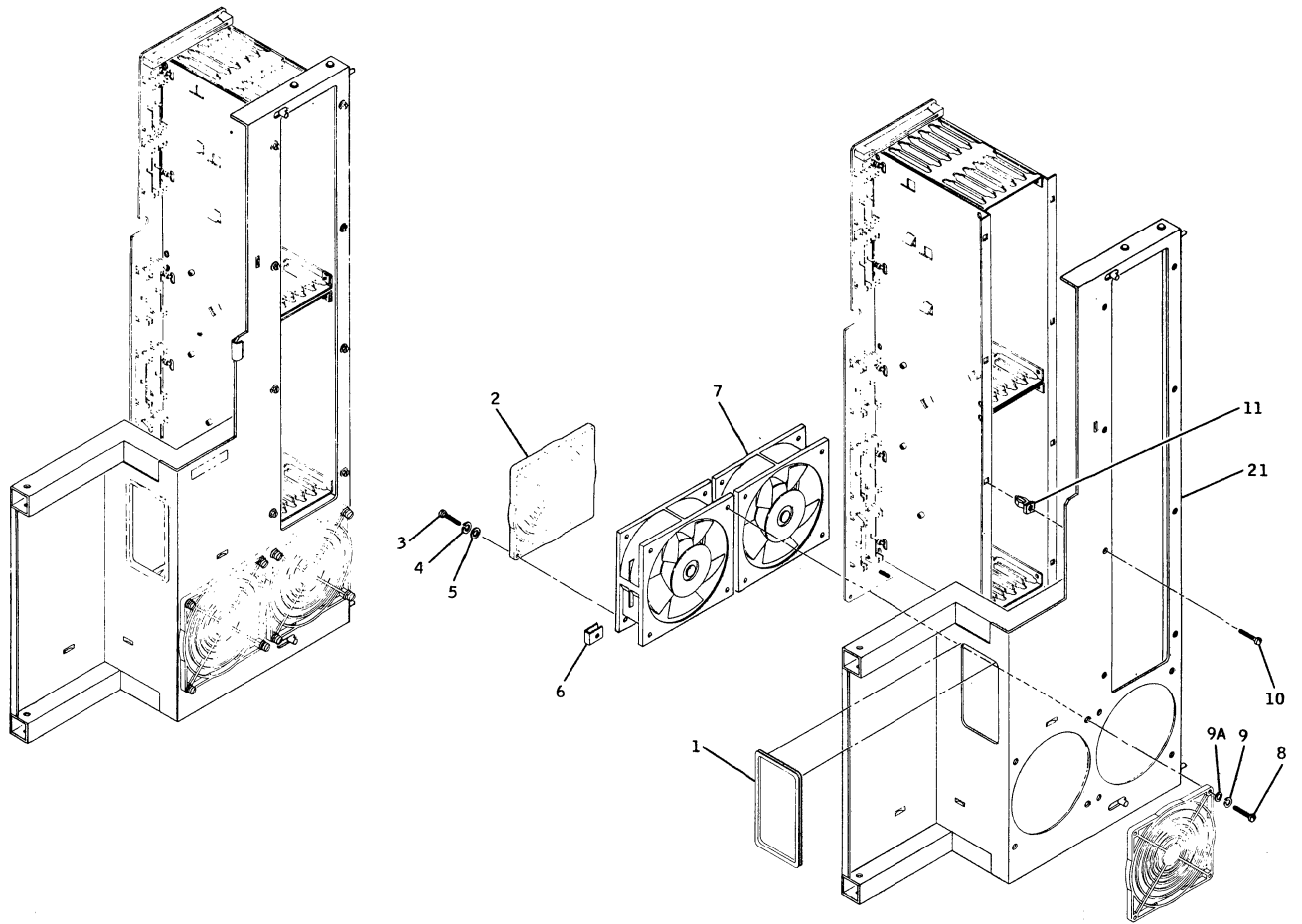


Figure 2-3. Swing Frame Assembly

FIGURE ITEM NO.	PART NUMBER	DESCRIPTION	QTY PER ASSY	USAGE CODE
3-	16706-001	Frame Assy, Swing (see Figure 2-2 for NHA)	REF	
-1	19335-002	. Grommet Strip, V Channel	A/R	
-2	19344-001	. Guard, Blower, Plastic	4	
		Attaching Parts		
-3	90448-024	. Screw, Pan Hd, 6-32 x 3/4 Lg.	16	
-4	90489-003	. Lockwasher, Split	16	
-5	90488-004	. Washer, Flat	16	
		--- * ---		
-6	14408-001	. Clip, U Type	16	
-7	91593-001	. Blower, Tubeaxial, 230Vac	2	
		Attaching Parts		
-8	90448-024	. Screw, Pan Hd, 6-32 x 3/4 Lg.	8	
-9	90489-003	. Lockwasher, Split	8	
-9A	90488-004	. Washer, Flat	8	
		--- * ---		
-10	90689-080	. Screw, Self-Threading	8	
-11	17634-001	. Nut, Expansion, Snap-In	8	
-12	90689-083	. Screw, Self-Threading	10	
-13	16490-001	. Board Assy, Connector Panel	1	
-14	90448-024	. Screw, Pan Hd, 6-32 x 3/4 Lg.	16	
-15	90489-003	. Lockwasher, Split	16	
-16	90488-004	. Washer, Flat	16	
-17	90999-001	. Clip, U Type	16	
-18	16437-001	. Guide, Card	4	
-19	16699-001	. Panel, Card Cage, Left Side	1	
-20	16700-001	. Panel, Card Cage, Right Side	1	
-21	16702-001	. Frame, Swing	1	

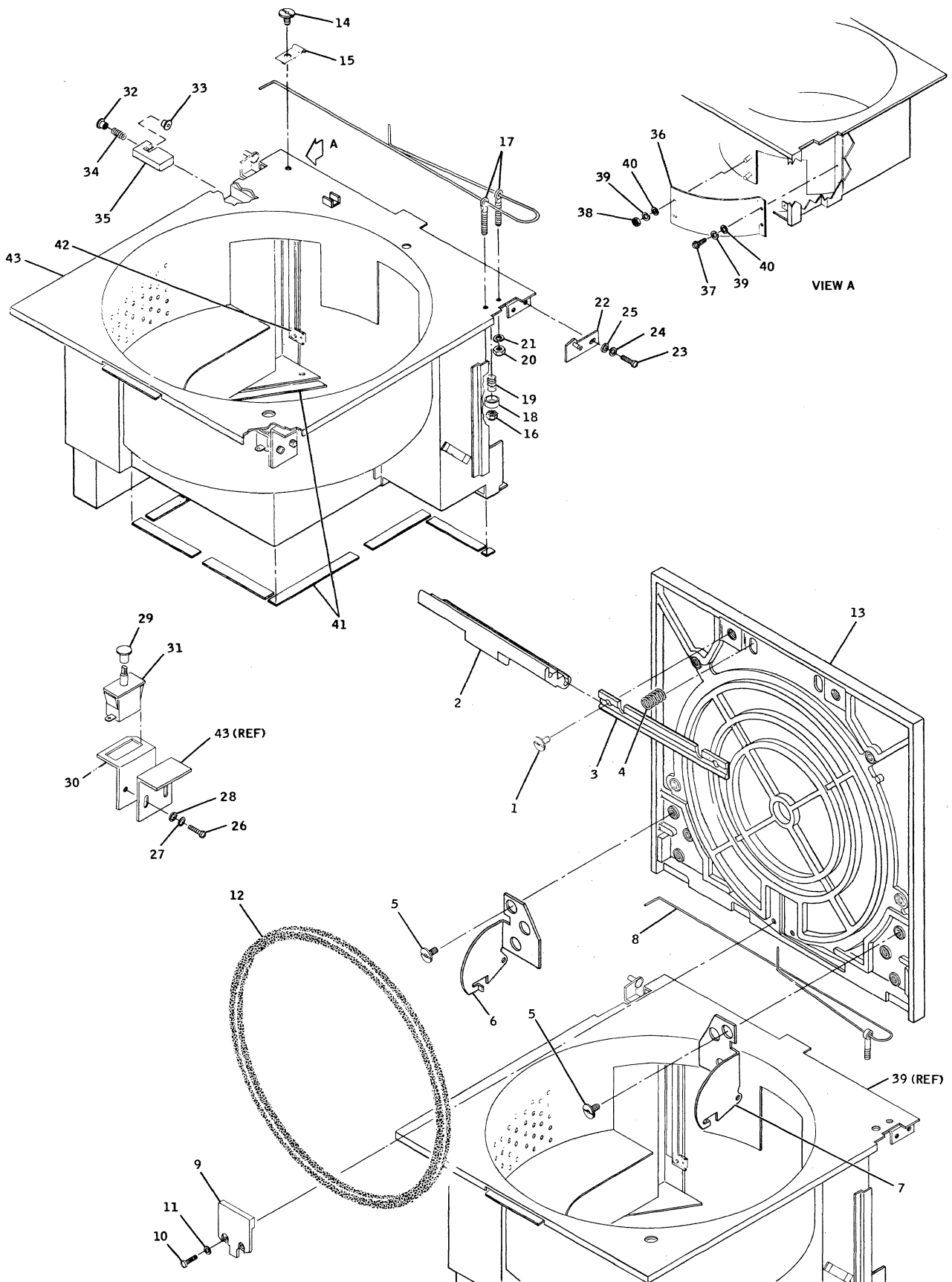


Figure 2-4. Disk Drive Air Shroud Assembly

FIGURE ITEM NO.	PART NUMBER	DESCRIPTION	QTY PER ASSY	USAGE CODE
4-	16396-001	Air Shroud Assy, Disk Drive (see Figure 2-12 for NHA)	REF	
-1	13356-001	. Screw, Lid Open, "O" size	2	
-2	13364-001	. Latch, Pivot	1	
-3	13366-001	. Axle, Latch	1	
-4	91446-021	. Spring, Compression	2	
-5	13356-001	. Screw, Lid Open, "O" size	6	
-6	13361-001	. Bracket, Hinge Stop	1	
-7	13361-002	. Bracket, Hinge Stop	1	
-8	13351-001	. Spring, Tension, Lid Open	1	
-9	13454-001	. Retainer, Gasket	1	
		Attaching Parts		
-10	90448-041	. Screw, Pan Hd, 10-32 x 5/16 Lg.	2	
-11	90048-041	. Washer, Flat	2	
		--- * ---		
-12	13380-001	. Gasket, Air System	1	
-13	12367-021	. Lid, Air System	1	
-14	13356-001	. Screw, Lid Open, "O" size	1	
-15	13460-051	. Retainer, Tension Spring	1	
-16	90137-002	. Nut, Self-Locking	1	
-17	13357-001	. Keeper, Spring, Lid Open	2	
-18	13358-001	. Cup, Spring	1	
-19	91446-003	. Spring, Compression	1	
-20	90487-006	. Nut, Plain Hex	1	
-21	90489-005	. Lockwasher, Split	1	
-22	13375-001	. Bracket, Hinge	1	
		Attaching Parts		
-23	90448-019	. Screw, Pan Hd, 6-32 x 7/16 Lg.	2	
-24	90489-003	. Lockwasher, Split	2	
-25	90488-004	. Washer, Flat	2	
		--- * ---		
-26	90448-017	. Screw, Pan Hd, 6-32 x 5/16 Lg.	2	
-27	90489-003	. Lockwasher, Split	2	
-28	90488-004	. Washer, Flat	2	
-29	13408-001	. Plunger, Switch, Cup, Lid Open	1	
-30	16449-001	. Bracket, Lid Switch	1	
-31	14906-001	. Switch, Pushbutton, SPDT	1	
-32	13354-001	. Pad, Brake	1	
-33	13354-002	. Pad, Brake	1	
-34	91446-014	. Spring, Compression	1	
-35	16653-001	. Housing, Brake Pad	1	
-36	16683-051	. Cover, Shroud Opening	1	
		Attaching Parts		
-37	92837-106	. Screw, Thread Forming, 6-32 x 3/8 Lg.	2	
-38	90487-006	. Nut, Hexagon	2	
-39	90489-003	. Lockwasher, Split	4	
-40	90488-004	. Washer, Flat	4	
		--- * ---		
-41	90548-025	. Tape, Foam	A/R	
-42	90999-001	. Nut, U Clip	4	
-43	16397-051	. Shroud, Air, Disk Pack	1	

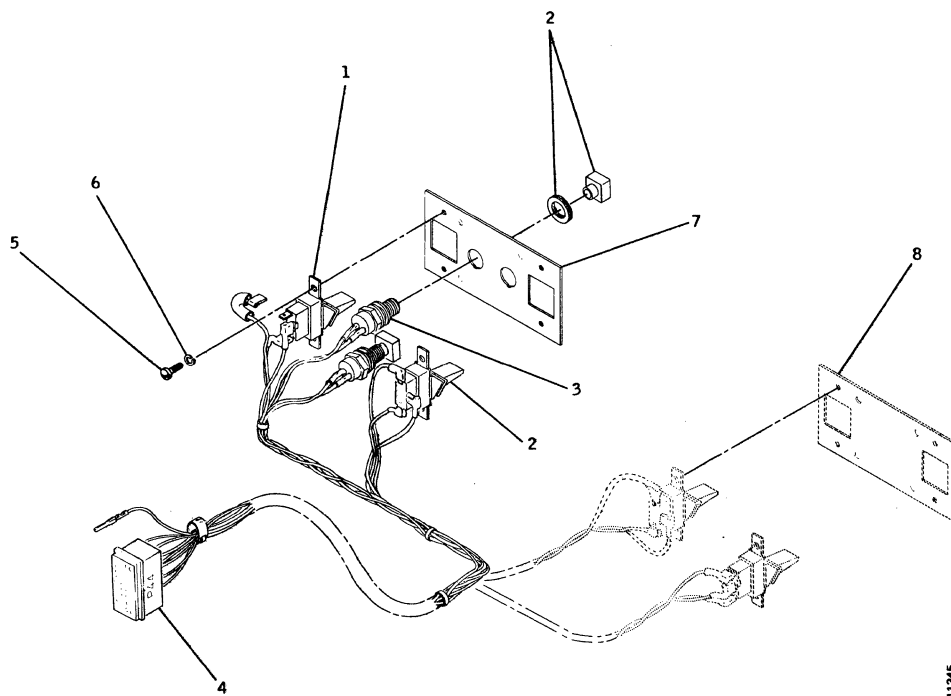


Figure 2-5. Control Panel Switch and Indicator Assembly

FIGURE ITEM NO.	PART NUMBER	DESCRIPTION	QTY PER ASSY	USAGE CODE
5-	16504-001	Control Switch and Indicator Assy, Panel (see Figure 2-2 for NHA)	REF	A,B,E,F
	16504-002	Control Switch and Indicator Assy, Panel (see Figure 2-2 for NHA)	REF	C,D,G,H
-1	96997-002	. Switch, Lever, SPDT, S1, S4 (1 U/O A,B,E,F, 2 U/O C,D,G,H)*	*	
-2	96997-003	. Switch, Lever, SPDT, S2, S3 (1 U/O A,B,E,F, 2 U/O C,D,G,H)*	*	
-3	17374-001	. Indicator, Light, DS1, DS2	2	
-4	91345-036	. Connector, Plug P44	1	
-5	90448-016	. Screw, Pan Hd, 6-32 x .25 Lg.	4	
-6	90489-002	. Lockwasher, Split	4	
-7	16686-001	. Bracket, Switch and Indicator Mtg.	1	A,B,E,F
-8	16690-001	. Bracket, Switch and Indicator Mtg.	1	C,D,G,H



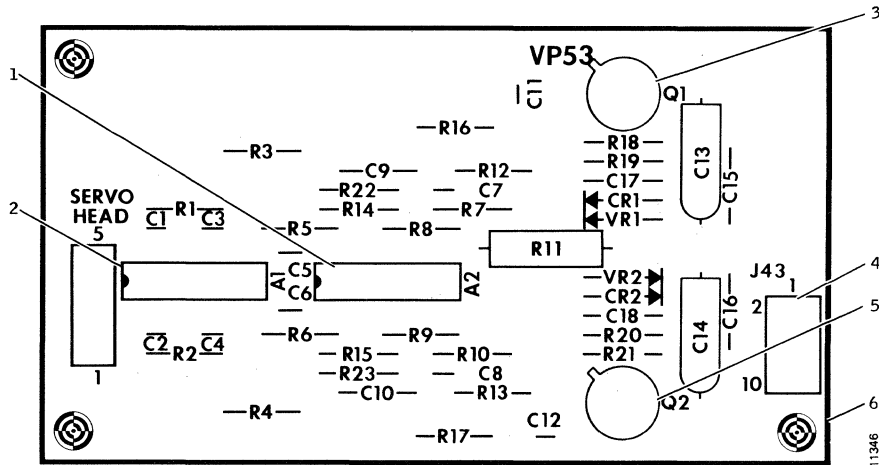
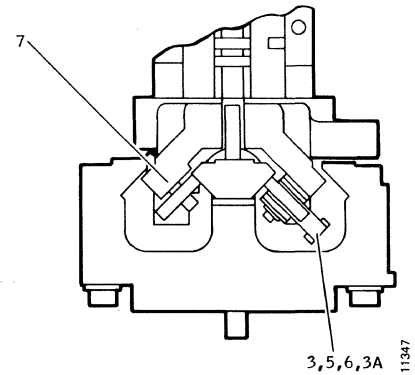
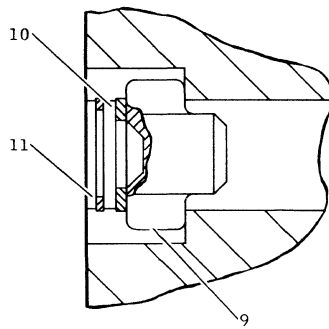
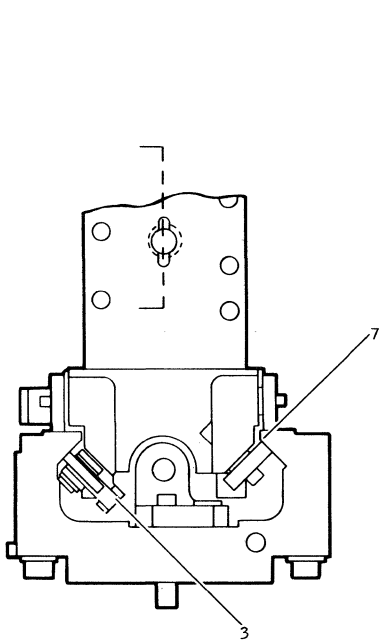
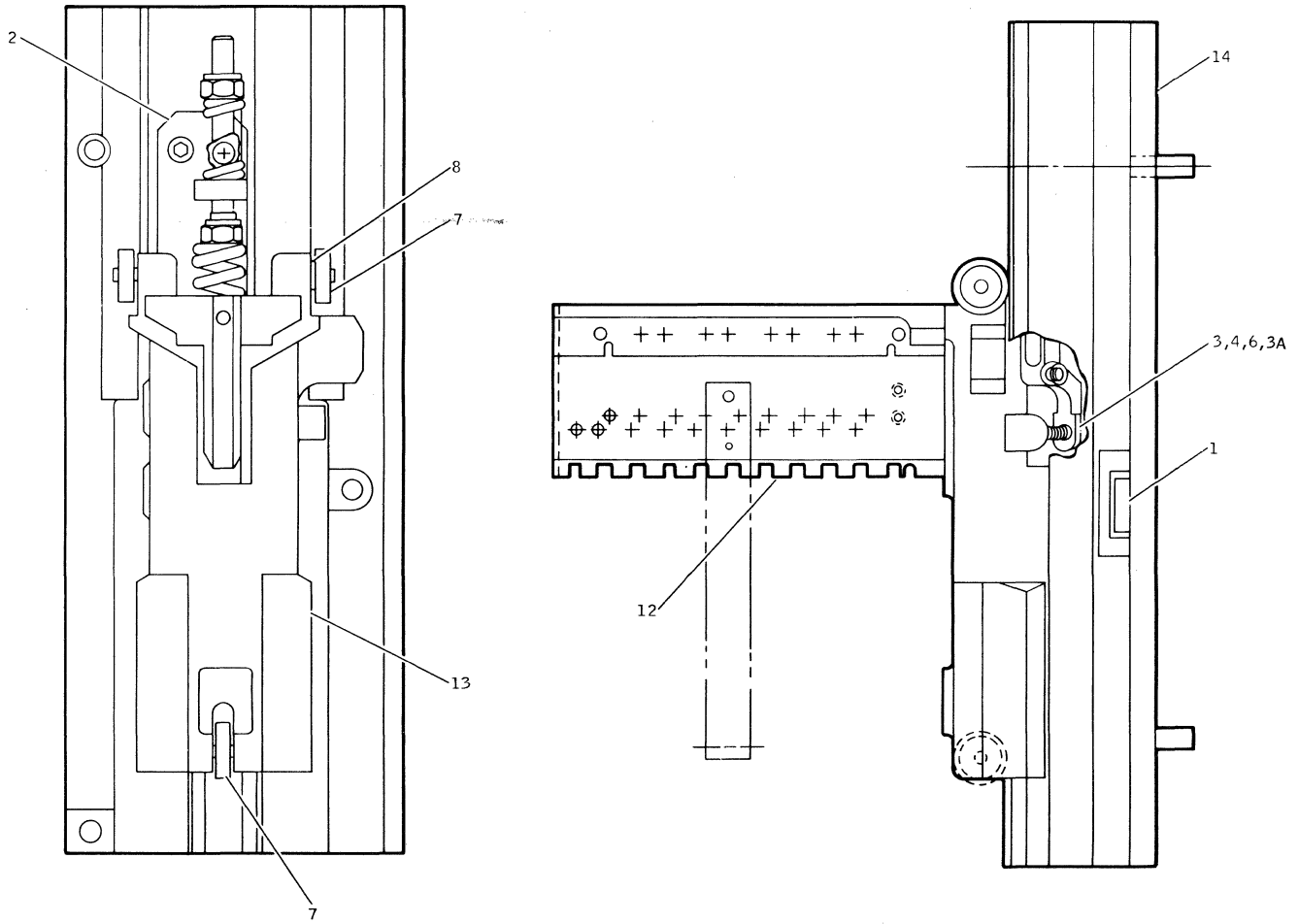


Figure 2-6. Servo Head Preamplifier Board Assembly, VP53

FIGURE ITEM NO.	PART NUMBER	DESCRIPTION	QTY PER ASSY	USAGE CODE
6-	19040-001	Board Assy, Servo Head Preamplifier, VP53 (see Figure 2-2 for NHA)	REF	
-1	12402-001	. Transistor Array, Quad, Core, DR, A2	1	
-2	10207-001	. Amplifier, Linear, Diff. Video, A1	1	
-3	96385-001	. Transistor, NPN, Q1	1	
-4	12061-010	. Connector, Electrical, J43	1	
-5	90330-001	. Transistor, General Purpose, PNP, Q2	1	
	90356-519	. Capacitor, Tantalum, 3.3 MF, 50v, C13, 14	2	
	95379-347	. Capacitor, Ceramic, .047 MF, 50v, C9, 10, 15-18	6	
	98175-347	. Capacitor, Ceramic, .047 MF, 10%, 50v, C3, 4	2	
	98175-047	. Capacitor, Ceramic, 47 MF, 10%, 200v, C7, 8	2	
	98175-147	. Capacitor, Ceramic, 470 pF, 10%, 200v, C1, 2	2	
	98175-410	. Capacitor, Ceramic, 0.1 MF, 10%, 200v, C5, 6, 11, 12	4	
	10357-001	. Diode, Low Capacitance, CR1, 2	2	
	90346-062	. Diode, Zener, 400 MW, 6.2v, VR1, 2	2	
	90364-102	. Resistor, 1K, 5%, 1/4W, R5, 6	2	
	90364-561	. Resistor, 560 ohm, 5%, 1/4W, R14, 15, 22, 23	4	
	90364-471	. Resistor, 470 ohm, 5%, 1/4W, R19, 20	2	
	90364-560	. Resistor, 56 ohm, 5%, 1/4W, R18, 21	2	
	90364-100	. Resistor, 10 ohm, 5%, 1/4W, R3, 4, 12, 13	4	

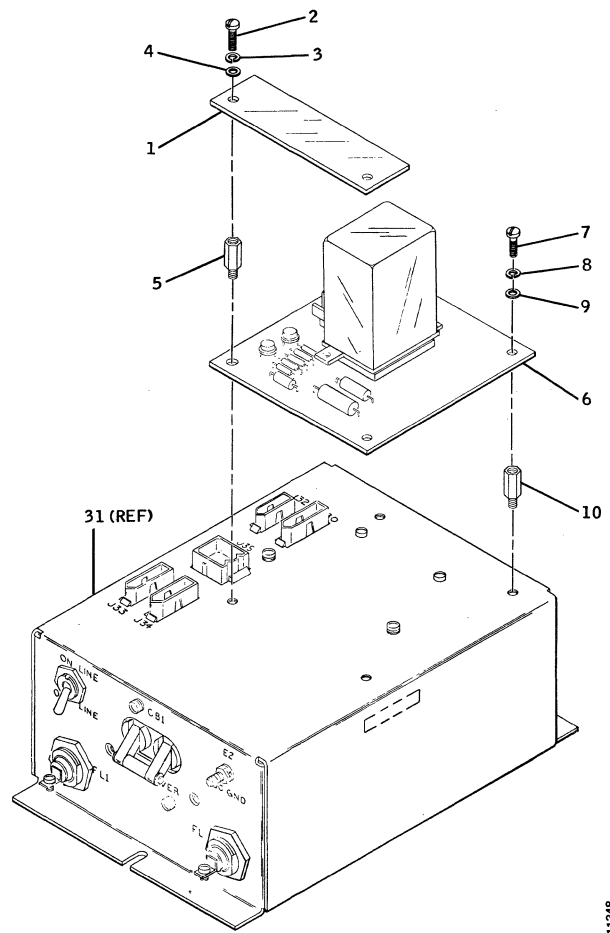
FIGURE ITEM NO.	PART NUMBER	DESCRIPTION	QTY PER ASSY	USAGE CODE
6-	90367-340	. Resistor, 511 ohm, 1%, 1/8W, R7, 10	2	
	90367-116	. Resistor, 110 ohm, 1%, 1/8W, R8, 9	2	
	90367-102	. Resistor, 100 ohm, 1%, 1/8W, R1, 2	2	
	90367-423	. Resistor, 90.9 ohm, 1%, 1/8W, R16, 17	2	
	90365-821	. Resistor, 820 ohm, 5%, 1W, R11	1	
-6	19041-001	. Board, Servo Hd, Preamplifier	1	



3,5,6,3A  
11347

Figure 2-7. Disk Drive Carriage and Way Assembly

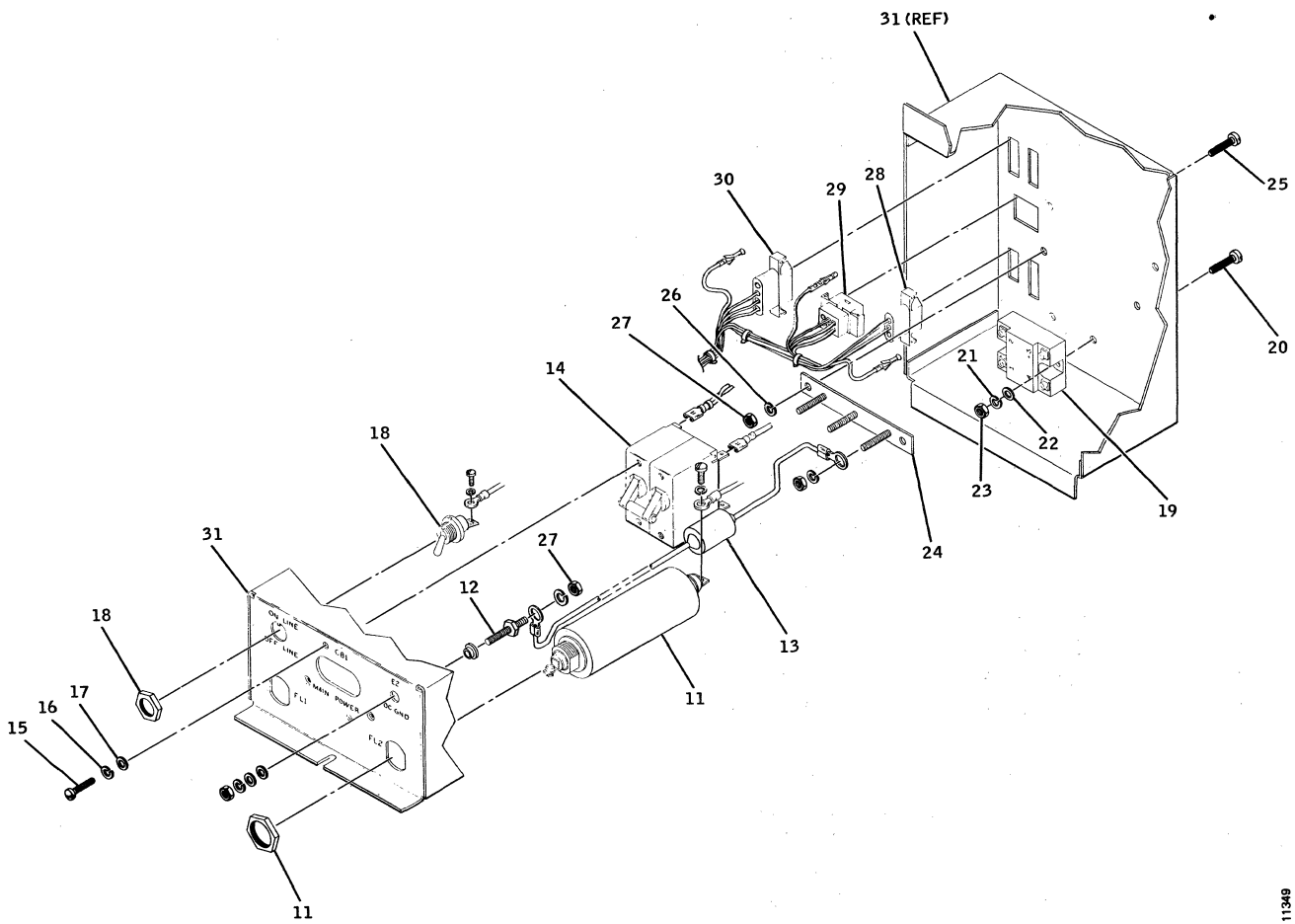
FIGURE ITEM NO.	PART NUMBER	DESCRIPTION	QTY PER ASSY	USAGE CODE
7-	12182-001	Carriage and Way Assy, Disk Drive, Matched (see Figure 2-2 for NHA)	REF	
-1	96616-001	. Leveler, Carriage and Way	1	
-2	96555-001	. Stop Assy, Carriage	1	
		Attaching Parts		
	91488-406	. Screw, Socket Hd Cap, 10-32 x 3/8 Lg., N/I --- * ---	2	
	96624-001	. . Spring, Stop, Carriage, N/I	1	
	90137-008	. . Nut, Self-Locking, N/I	1	
	96557-001	. . Washer, Stop, Carriage, N/I	1	
	96558-001	. . Bolt, Stop, Carriage, N/I	1	
	96556-001	. . Bracket, Stop, Carriage, N/I	1	
	99444-001	. . Spring, Final Stop	1	
-3	93719-002	. Ring, Retaining	2	
-3A	94580-001	. Washer, Spring, Curved	A/R	
-4	96839-001	. Spring, Preload, Rear	1	
-5	96838-001	. Spring, Preload, Front	1	
-6	97018-001	. Bearing Assy, Preload	2	
	90047-013	. . Bearing, N/I	1	
	96983-002	. . Pin, Bearing, N/I	1	
	96620-001	. . Lever, Bearing, Preload, N/I	1	
-7	90047-013	. Bearing	4	
-8	96972-001	. Washer, Carriage	4	
-9	90555-002	. Ring, Retaining	1	
-10	13939-001	. Washer, LVSYN Mtg.	1	
-11	97616-001	. Nut, VT Rod	1	
-12	96563-001	. Tower, Head Mtg.	1	
-13	96590-001	. Carriage, NFS	1	
-14	18483-001	. Way, Carriage, NFS	1	



11348

Figure 2-8. Ac Distribution Assembly (Sheet 1 of 2)

FIGURE ITEM NO.	PART NUMBER	DESCRIPTION	QTY PER ASSY	USAGE CODE
8-	16679-001	Ac Distribution Assembly (see Figure 2-2 for NHA)	REF	
-1	16694-001	. Cover, Emergency Retract Board Attaching Parts	1	
-2	90448-017	. Screw, Pan Hd, 6-32 x 5/16 Lg.	2	
-3	90489-003	. Lockwasher, Split	2	
-4	90488-004	. Washer, Flat --- * ---	2	
-5	96946-108	. Spacer, Hexagon	2	
-6	13794-001	. Board Assy, Emergency Retract (refer to Figure 2-14 for components) Attaching Parts	1	
-7	90448-017	. Screw, Pan Hd, 6-32 x 5/16 Lg.	4	
-8	90489-003	. Lockwasher, Split	4	
-9	90488-004	. Washer, Flat --- * ---	4	
-10	96946-104	. Spacer, Hexagon	4	
-11	10660-001	. Filter, Radio Interference, FL1, 2	2	
-12	93272-001	. Terminal, Feed-Thru, E2	1	
-13	99916-410	. Capacitor, Mylar, 0.1 MF, 440V, C1	1	
-14	16999-015	. Circuit Breaker, Magnetic, 2 Pole, CB1 Attaching Parts	1	
-15	90448-016	. Screw, Pan Hd, 6-32 x 1/4 Lg.	2	
-16	90489-003	. Lockwasher, Split	2	
-17	90488-004	. Washer, Flat --- * ---	2	
-18	17198-001	. Switch, Shorting, S1	1	
-19	18867-004	. Relay, Solid State, K1 Attaching Parts	1	
-20	90448-031	. Screw, Pan Hd, 8-32 x 1/2 Lg.	2	
-21	90489-004	. Lockwasher, Split	2	
-22	90488-005	. Washer, Flat	2	
-23	90487-005	. Nut, Hexagon --- * ---	2	
-24	13971-001	. Bar, Grounding Attaching Parts	1	
-25	90448-020	. Screw, Pan Hd, 6-32 x 1/2 Lg.	2	
-26	90489-003	. Lockwasher, Split	2	
-27	90487-004	. Nut, Hexagon --- * ---	2	
-28	90606-003	. Connector, Receptacle, J32	1	
-29	90605-006	. Connector, Plug, J35	1	
-30	90606-004	. Connector, Receptacle, J30, 33, 34	3	
-31	17440-001	. Chassis, Ac Distribution	1	



11349

Figure 2-8. Ac Distribution Assembly (Sheet 2 of 2)

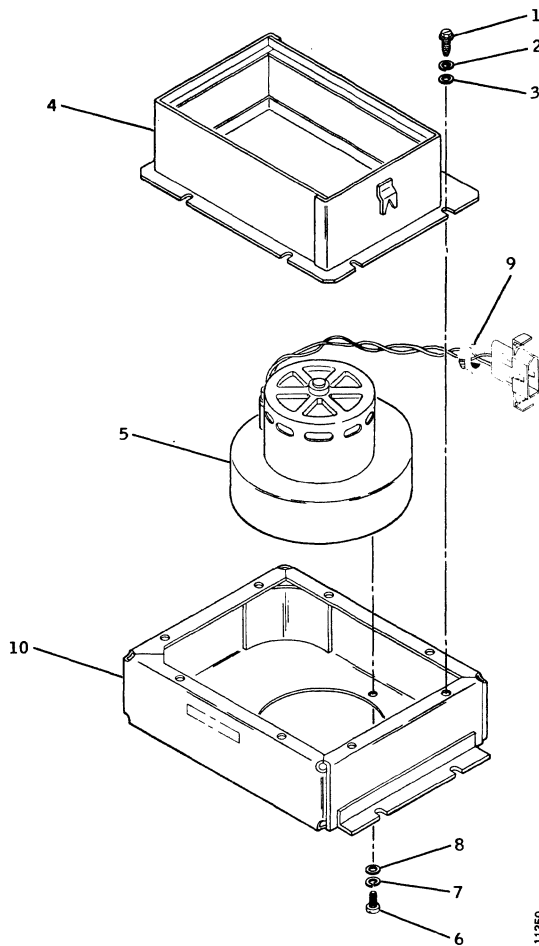


Figure 2-9. Cabinet Blower Assembly

FIGURE ITEM NO.	PART NUMBER	DESCRIPTION	QTY PER ASSY	USAGE CODE
9-	16444-001	Blower Assy, Cabinet (see Figure 2-2 for NHA)	REF	A,E,C,G
	16444-002	Blower Assy, Cabinet (see Figure 2-2 for NHA)	REF	B,F,D,H
-1	92837-206	. Screw, Thread Forming, 8-32 x 3/8 Lg.	8	
-2	90489-004	. Lockwasher, Split	8	
-3	90488-005	. Washer, Flat	8	
-4	16416-151	. Cover, Blower	1	
-5	16351-001	. Blower, 60 Hz	1	A,E,C,G
	16351-002	. Blower, 50 Hz	1	B,F,D,H
		Attaching Parts		
-6	90448-029	. Screw, Pan Hd, 8-32 x 3/8 Lg.	3	
-7	90489-004	. Lockwasher, Split	3	
-8	90488-005	. Washer, Flat	3	
		--- * ---		
-9	17466-001	. Grommet, Round, Nylon Split	1	
-10	16423-151	. Housing, Blower	1	



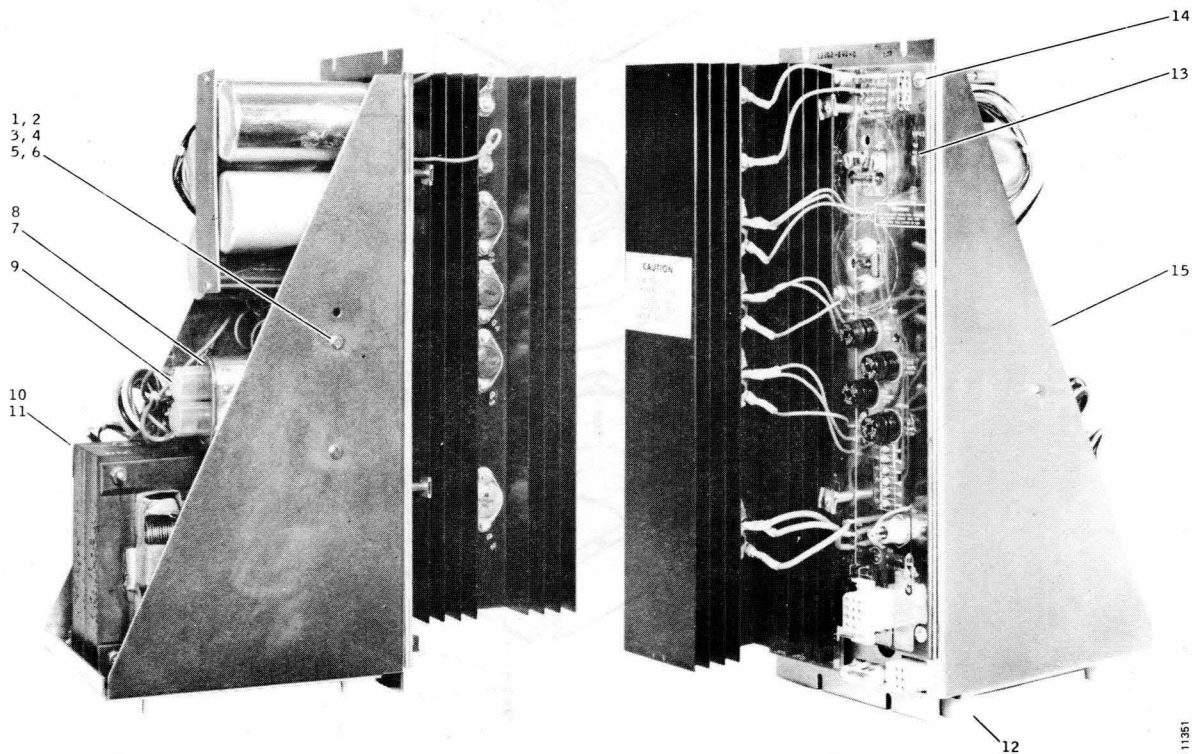


Figure 2-10. Disk Drive Power Supply Assembly

FIGURE ITEM NO.	PART NUMBER	DESCRIPTION	QTY PER ASSY	USAGE CODE
10-	16360-001	Power Supply Assy, Disk Drive, 60 Hz (see Figure 2-2 for NHA)	REF	A,E,C,G
	16360-002	Power Supply Assy, Disk Drive, 50 Hz (see Figure 2-2 for NHA)	REF	B,F,D,H
-1	90448-031	. Screw, Pan Hd, 8-32 x 0.50 Lg.	2	
-2	90487-005	. Nut, Plain Hex	2	
-3	90488-005	. Washer, Flat	2	
-4	90489-004	. Lockwasher, Split	2	
-5	92808-001	. Bracket, Capacitor Mtg.	1	A,E,C,G
-6	91971-017	. Clamp, Capacitor Mtg.	1	B,F,D,H
-7	90357-311	. Capacitor, C5	1	A,E,C,G
-8	90357-312	. Capacitor, C5	1	B,F,D,H
-9	90775-001	. Cap, Capacitor	2	A,E,C,G
-10	13111-060	. Transformer, Power, 60 Hz, T1	1	A,E,C,G
-11	13111-050	. Transformer, Power, 50 Hz, T1	1	B,F,D,H
		Attaching Parts		
	90448-056	. Screw, Pan Hd, 1/4-20 x 0.62 Lg.	4	
	90488-008	. Washer, Flat	4	
	90489-006	. Lockwasher, Split	4	
	90487-007	. Nut, Plain Hex	4	
		---*---		
-12	13936-001	. Foot, Chassis	4	
-13	14823-001	. Board Assy, Power Supply, VP47 (refer to Figure 2-11 for components)	1	
-14	14259-002	. Fastener, Receptacle, Stud, 1/4-Turn	6	
-15	16361-001	. Chassis, Power Supply	1	

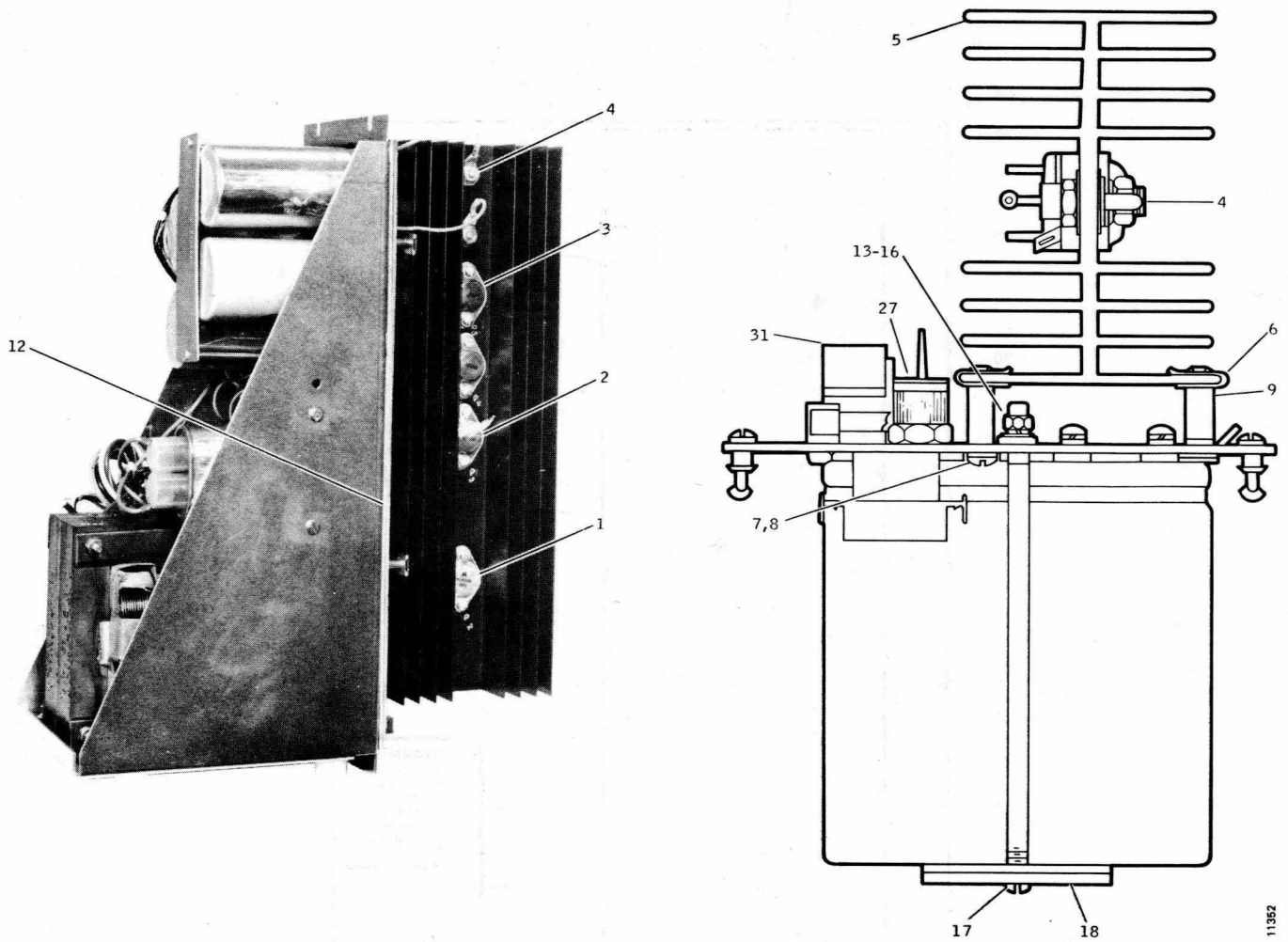


Figure 2-11. Power Supply Board Assembly, VP47 (Sheet 1 of 2)

FIGURE ITEM NO.	PART NUMBER	DESCRIPTION	QTY PER ASSY	USAGE CODE
11-	14823-001	Board Assy, Power Supply, VP47 (see Figure 2-10 for NHA) ,	REF	
-1	14127-001	. Transistor, NPN, 15 Amp, Q2	1	
-2	95534-001	. Transistor, NPN, 5 Amp, Q3, Q4	2	
-3	95535-001	. Transistor, PNP, 5 Amp, Q5	1	
-4	14065-001	. Diode, 16 Amp, CR1, CR2	2	
	14280-001	. Label, Caution, N/I	1	
-5	13926-001	. Heat Sink	1	
		Attaching Parts		
-6	90999-001	. Nut, U-Clip	4	
-7	90448-026	. Screw, Pan Hd, 6-32 x 1 Lg.	4	
-8	90488-004	. Washer, Flat	4	
		--- * ---		
-9	96083-003	. Standoff, Round	4	
-10	90437-002	. Fuse, Normal Blow, 2 Amp, F7-F9	3	
-11	90437-010	. Fuse, Normal Blow, 10 Amp, F6	1	
-12	17144-001	. Fuse Clip, Copper	8	
-13	90487-004	. Nut, Hexagon	2	
-14	90488-004	. Washer, Flat	2	
-15	90489-003	. Lockwasher, Split	2	
-16	90048-029	. Washer, Nylon	2	
-17	90488-104	. Screw, Pan Hd, 6-32 x 5 Lg.	2	
-18	14346-001	. Retainer, Capacitor	1	
-19	91810-157	. Capacitor, 52K MF, C1	1	

11352

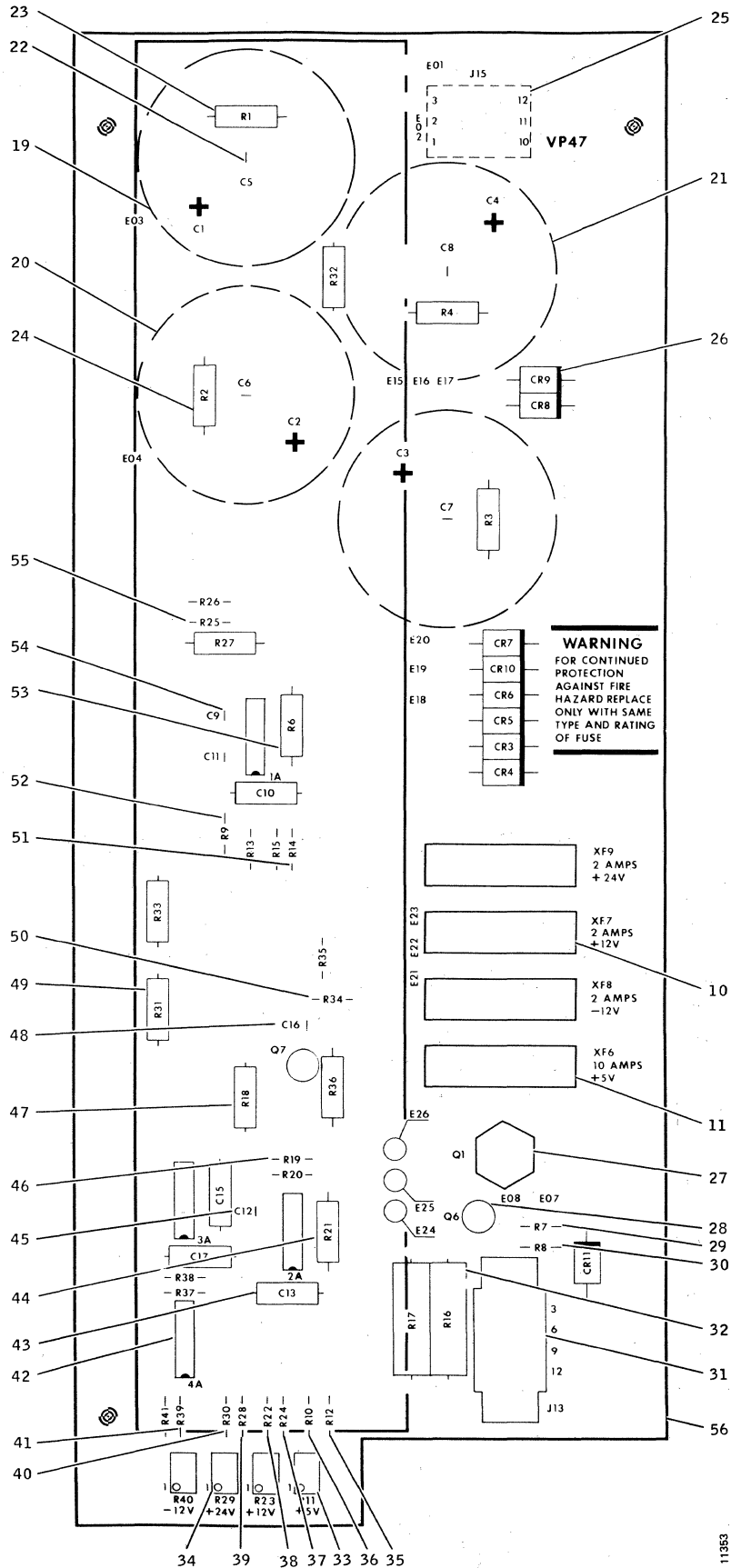


Figure 2-11. Power Supply Board Assembly, VP47 (Sheet 2 of 2)

FIGURE ITEM NO.	PART NUMBER	DESCRIPTION	QTY PER ASSY	USAGE CODE
11-20	91810-304	. Capacitor, 27K MF, C2, C3	2	
-21	91810-505	. Capacitor, 15K MF, C4	1	
-22	98175-310	. Capacitor, 10K pF, C5-8	4	
-23	90366-158	. Resistor, 150 ohm, 5%, 3W, R1	1	
-24	90366-382	. Resistor, 680 ohm, 5%, 3W, R2-R4	3	
-25	90605-012	. Connector, Male, Molex, J15	1	
-26	95511-001	. Diode, CR3-CR11	9	
-27	94250-001	. Thyristor, SCR, Q1	1	
-28	90327-001	. Transistor, PNP, 5 Amp, Q6, Q7	2	
-29	90364-510	. Resistor, 51 ohm, 5%, 1/4W, R7	1	
-30	90364-101	. Resistor, 100 ohm, 5%, 1/4W, R8	1	
-31	90606-012	. Connector, Female, Molex, J13	1	
-32	95427-003	. Resistor, 0.06 ohm, 5%, 5W, R16, R17	2	
-33	13215-210	. Resistor, Variable, 1K, 1/2W, R11, R23	2	
-34	13215-150	. Resistor, Variable, 500 ohm, 1/2W, R29, R40	2	
-35	90367-215	. Resistor, 2.15K, 1%, 1/8W, R12	1	
-36	90367-368	. Resistor, 619 ohm, 1%, 1/8W, R10, R15, R20, R26, R35	5	
-37	90367-264	. Resistor, 3.01K, 1%, 1/8W, R24, R37, R38, R41	4	
-38	90367-201	. Resistor, 1.96K, 1%, 1/8W, R22	1	
-39	90367-306	. Resistor, 4.02K, 1%, 1/8W, R28	1	
-40	90367-166	. Resistor, 1.54K, 1%, 1/8W, R30	1	
-41	90367-131	. Resistor, 1.21K, 1%, 1/8W, R39	1	
-42	90324-001	. Regulator, Voltage, Linear, 1A-4A	4	
-43	90354-511	. Capacitor, 510 pF, C10, C13, C15, C17	4	
-44	95427-008	. Resistor, 0.2 ohm, 5%, 3W, R21, R27, R36	3	
-45	98175-247	. Capacitor, 4700 pF, C11, C12	2	
-46	90367-195	. Resistor, 18.7K, 1%, 1/8W, R19	1	
-47	90365-152	. Resistor, 1.5K, 5%, 1W, R18, R33	2	
-48	98175-168	. Capacitor, 680 pF, C16	1	
-49	90365-752	. Resistor, 7.5K, 5%, 1W, R31, R32	2	
-50	90367-181	. Resistor, 16.9K, 1%, 1/8W, R34	1	
-51	90367-111	. Resistor, 10.5K, 1%, 1/8W, R14	1	
-52	90364-103	. Resistor, 1K, 5%, 1/4W, R9, R13	2	
-53	90366-249	. Resistor, 270 ohm, 5%, 3W, R6	1	
-54	98175-410	. Capacitor, 0.1 MF, C9	1	
-55	90367-279	. Resistor, 33.2K, 1%, 1/8W, R25	1	
-56	<b>14824-001</b>	. Board, Power Supply	1	

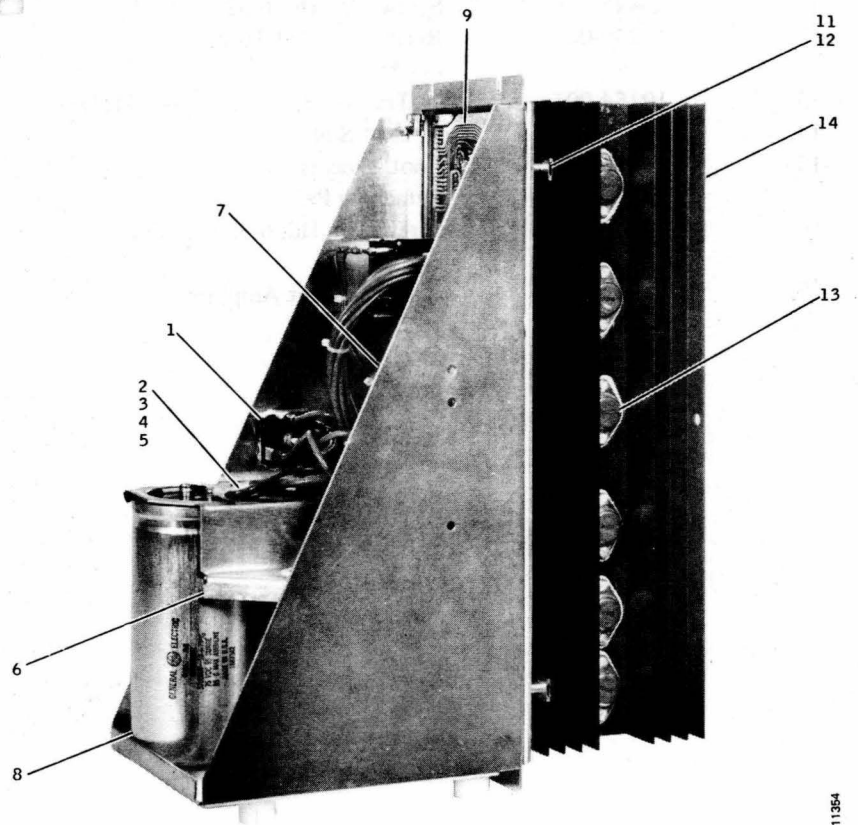
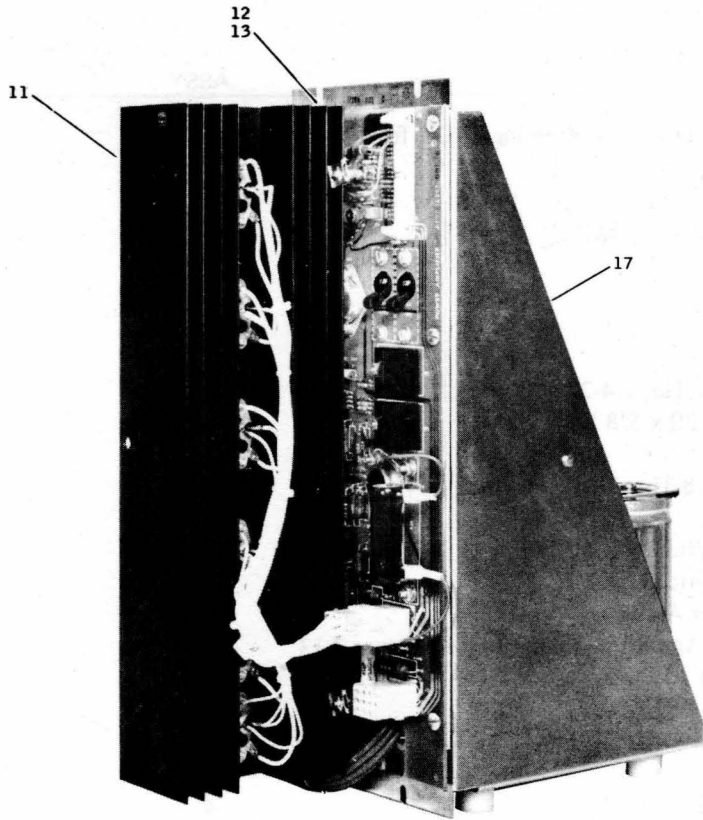


Figure 2-12. Disk Drive Power Amplifier Assembly

FIGURE ITEM NO.	PART NUMBER	DESCRIPTION	QTY PER ASSY	USAGE CODE
12-	16366-001	Power Amplifier Assy, Disk Drive (see Figure 2-2 for NHA)	REF	
-1	92653-001	. Diode, Bridge, CR4	1	
		Attaching Parts		
	90448-025	. Screw, Pan Hd, 6-32 x 7/8 Lg.	1	
	90488-004	. Washer, Flat	1	
	90489-003	. Lockwasher, Split	1	
	90487-004	. Nut, Plain Hex	1	
		----*----		
-2	90448-068	. Screw, Machine, Pan Hd, 1/4-20 x 4.75 Lg.	1	
-3	90448-056	. Screw, Pan Hd, 1/4-20 x 5/8 Lg.	1	
-4	90489-006	. Lockwasher, Split	2	
-5	99554-001	. Spacer, Hexagon, 5/8 Threaded	1	
-6	12605-001	. Retainer, Capacitor	1	
-7	91810-304	. Capacitor, Electrolytic, 27 K MF, C6	1	
-8	91810-758	. Capacitor, Electrolytic, 37 K MF, C4, C5	2	
	11930-001	. Harness Assy, Power Amplifier	REF	
-9	16529-001	. Board Assy, Power Amplifier, VP58 (refer to Figure 2-13 for components)	1	
-10	90690-002	. Grommet, Strip	A/R	
	16367-001	. Heat Sink Assy, Power Amplifier	1	
		Attaching Parts		
-11	90448-026	. Screw, Pan Hd, 6-32 x 1.00 Lg.	4	
-12	14259-002	. Receptacle, 1/4 Turn	6	
		----*----		
-13	19154-001	. Transistor, Power, NPN, Q1, Q8	8	
-14	16368-001	. Heat Sink	1	
-15	13936-001	. Foot, Chassis	4	
		Attaching Parts		
-16	90448-018	. Screw, Pan Hd, 6-32 x 0.33 Lg.	4	
		----*----		
-17	16361-001	. Chassis, Power Amplifier	1	

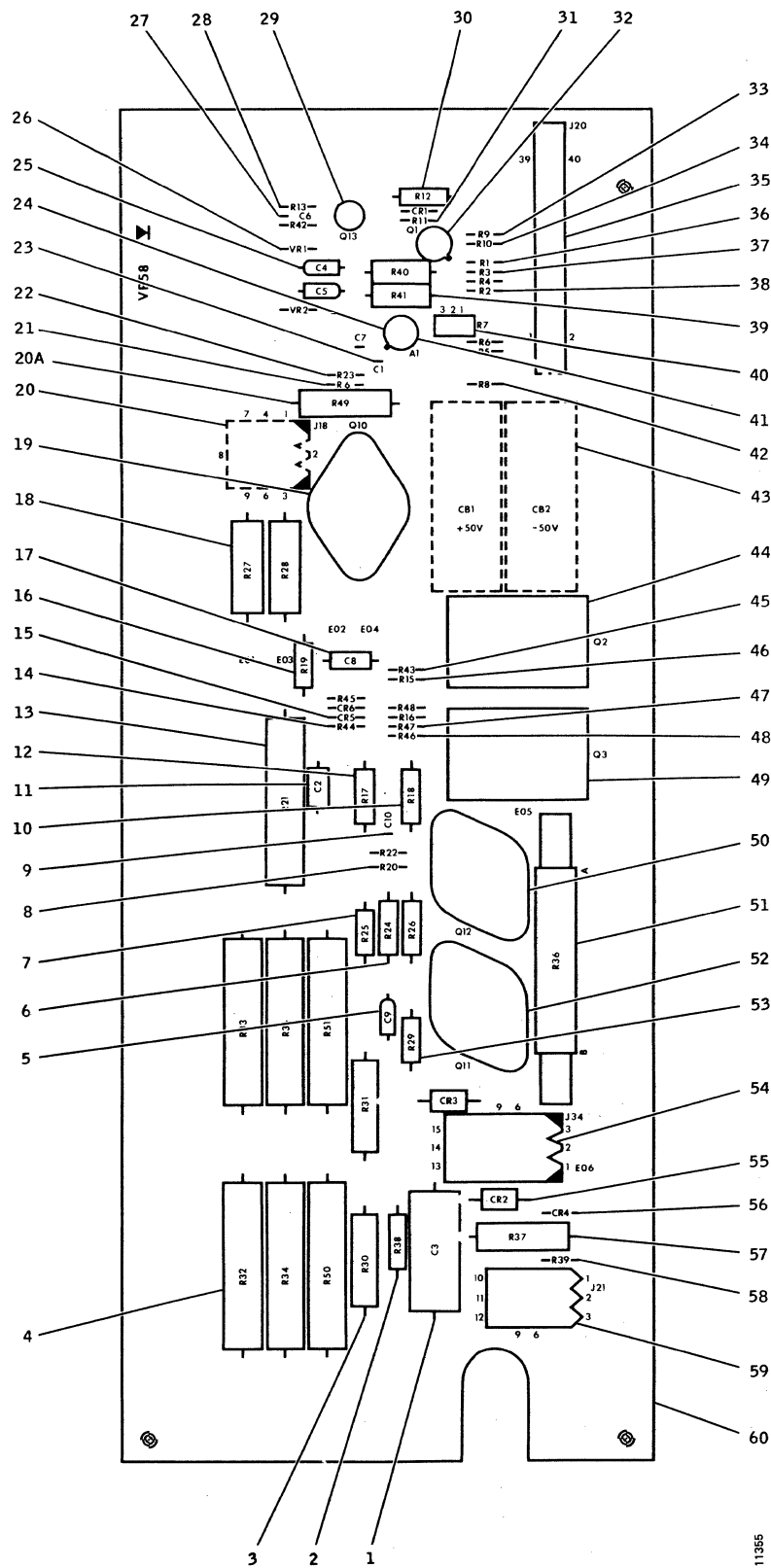


Figure 2-13. Power Amplifier Board Assembly, VP58

FIGURE ITEM NO.	PART NUMBER	DESCRIPTION	QTY PER ASSY	USAGE CODE
13-	16529-001	Board Assy, Power Amplifier, VP58 (see Figure 2-12 for NHA)	REF	
-1	90355-474	. Capacitor, Mylar, 0.47 MF, 10%, 100v, C3	1	
-2	90366-213	. Resistor, 22 ohm, 5%, 3W, R38	1	
-3	90371-007	. Resistor, 4.7 ohm, 5%, 5W, R30, R31	2	
-4	95427-007	. Resistor, 0.22 ohm, 5%, low, R32-R35, 50, 51	6	
-5	90366-352	. Resistor, 5.6 ohm, 5%, 3W, R24, R26	2	
-6	90365-240	. Resistor, 24 ohm, 5%, 1W, R25	1	
-7	90356-509	. Capacitor, Tantalum, 0.47 MF, 50v, C9	1	
-8	90364-221	. Resistor, 220 ohm, 5%, 1/4W, R20	1	
-9	98175-247	. Capacitor, Ceramic, 0.0047 MF, 100v, C10	1	
-10	90366-103	. Resistor, 1K, 5%, 3W, R18	1	
-11	90355-332	. Capacitor, Mylar, 0.0033 MF, 10%, 100v, C2	1	
-12	90366-187	. Resistor, 1.8K, 5%, 3W, R17	1	
-13	94039-151	. Resistor, 510 ohm, 5%, 10W, R21	1	
-14	90364-473	. Resistor, 47K, 5%, 1/4W, R44, R45	2	
-15	90342-001	. Diode, General-Purpose, CR5, CR6	2	
-16	90365-750	. Resistor, 75 ohm, 5%, 1W, R19	1	
-17	90355-102	. Capacitor, Mylar, 0.001 MF, 10%, 100v, C8	1	
-18	90371-210	. Resistor, 1K, 5%, 5W, R27, R28	2	
-19	14127-001	. Transistor, Power, NPN, 16 Amp, Q10	1	
-20	90605-009	. Connector, Plug, J18	1	
-20A	90371-082	. Resistor, Wirewound, 82 ohm, 5%, 5W, R49	1	
-21	90367-341	. Resistor, 5.11K, 1%, 1/8W, R6	1	
-22	90367-280	. Resistor, 332K, 1%, 1/8W, R23	1	
-23	98175-056	. Capacitor, Ceramic, 56 pF, 10%, 200v, C1	1	
-24	98175-022	. Capacitor, Ceramic, 22 pF, 10%, 200v, C7	2	
-25	90356-513	. Capacitor, Tantalum, 1.0 MF, 10%, 50v, C4, C5	2	
-26	90346-120	. Diode, Zener, 400 mW, 12v, VR1, VR2	2	
-27	98175-068	. Capacitor, Ceramic, 68 pF, 10%, 200v, C6	1	
-28	90364-202	. Resistor, 2K, 5%, 1/4W, R13, R22	2	
-29	94209-001	. Transistor, FET, N-Channel, Q13	1	
-30	90365-101	. Resistor, 100 ohm, 5%, 1W, R12	1	
-31	90364-302	. Resistor, 3K, 5%, 1/4W, R11	1	
-32	93407-001	. Transistor, Power, NPN, Q1	1	
-33	90364-102	. Resistor, 1K, 5%, 1/4W, R9	1	
-34	90364-681	. Resistor, 680 ohm, 5%, 1/4W, R10	1	
-35	95361-140	. Connector, Electrical, J20	1	
-36	90367-299	. Resistor, 3.83K, 1%, 1/8W, R1, R2, R5	3	
-37	90364-104	. Resistor, 100K, 5%, 1/4W, R42	1	
-38	90367-251	. Resistor, 27.4K, 1%, 1/8W, R3, R4	2	
-39	90366-250	. Resistor, 2.7K, 5%, 3W, R40, R21	2	
-40	13215-310	. Resistor, Variable, 10K, 20%, 1/2W, R7	1	
-41	92138-001	. Amplifier, Linear, Operational, A1	1	
-42	90367-369	. Resistor, 6.19K, 1%, 1/8W, R8	1	
-43	91977-015	. Circuit Breaker, 1 Pole, 50 vdc, CB1, CB2	2	
-44	95956-001	. Transistor, Power, NPN, 80v, 25W, Q2	1	
-45	90364-243	. Resistor, 24K, 5%, 1/4W, R43	1	
-46	90364-470	. Resistor, 47 ohm, 5%, 1/4W, R15, R16	2	
-47	90367-376	. Resistor, 6.49K, 1%, 1/8W, R47	1	
-48	90367-187	. Resistor, 1.78K, 1%, 1/8W, R46, R48	2	
-49	95955-001	. Transistor, Power, PNP, 80v, 25W, Q3	1	



FIGURE ITEM NO.	PART NUMBER	DESCRIPTION	QTY PER ASSY	USAGE CODE
13-50	19154-001	. Transistor, Power, NPN, 140v, 150W, Q12	1	
-51	91965-180	. Resistor, 180 ohm, 10%, 25W, R36	1	
-52	19155-001	. Transistor, Power, PNP, 140v, 150W, Q11	1	
-53	90366-101	. Resistor, 10 ohm, 5%, 3W, R29	1	
-54	90605-015	. Connector, Plug, J34	1	
-55	95511-001	. Diode, Rectifier, 3 Amp, 200v, CR2, CR3	2	
-56	90344-001	. Diode, Rectifier, 1 Amp, 50v, CR1, CR4	2	
-57	90371-112	. Resistor, 120 ohm, 5%, 5W, R37	1	
-58	90364-103	. Resistor, 10K, 5%, 1/4W, R39	1	
-59	90606-012	. Connector, Receptacle, J21	1	
-60	16530-001	. Board, Power Amplifier	1	

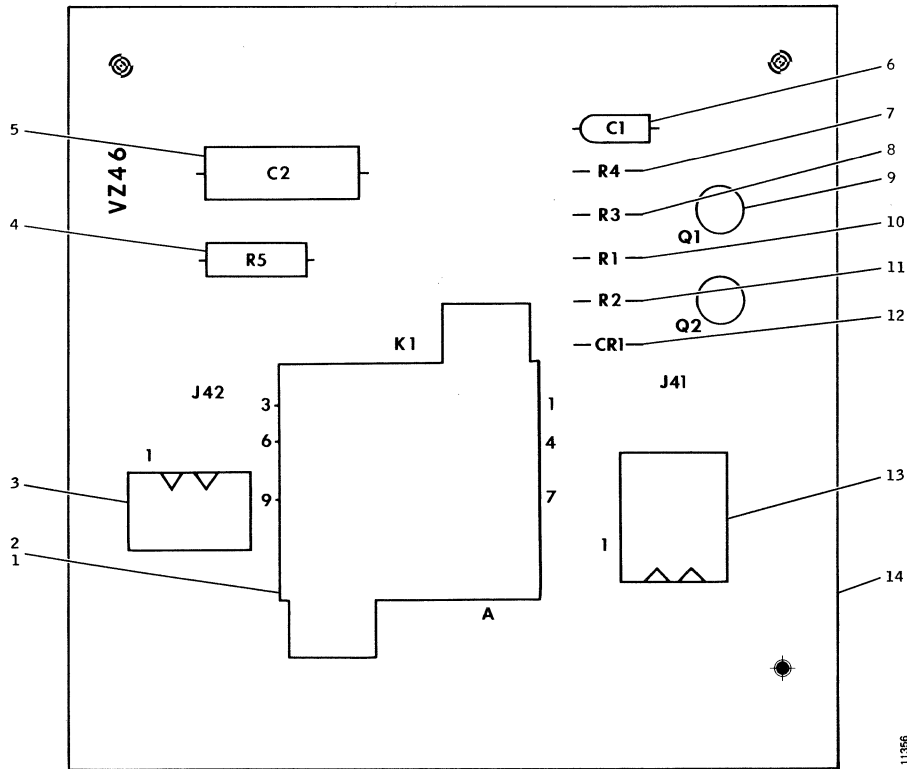


Figure 2-14. Emergency Retract Board Assembly, VZ46

FIGURE ITEM NO.	PART NUMBER	DESCRIPTION	QTY PER ASSY	USAGE CODE
14-	13794-001	Board Assy, Emergency Retract, VZ46 (see Figure 2-8 for NHA)	REF	
-1	90381-001	. Relay, General-Purpose, 3PDT, K1	1	
-2	90410-002	. Socket, Relay	1	
-3	90606-006	. Connector, Electrical, J42	1	
-4	90365-750	. Resistor, 75 ohm, 5%, 1W, R5	1	
-5	90355-104	. Capacitor, 0.1 MF, 100v, C2	1	
-6	90356-513	. Capacitor, Tantalum, 1 MF, 50v, C1	1	
-7	90364-202	. Resistor, 2K, 5%, 1/4W, R4	1	
-8	90364-511	. Resistor, 510 ohm, 5%, 1/4W, R3	1	
-9	90326-001	. Transistor, NPN, Q1, Q2	2	
-10	90364-512	. Resistor, 5.1K, 5%, 1/4W, R1	1	
-11	90364-103	. Resistor, 10K, 5%, 1/4W, R2	1	
-12	90344-001	. Diode, Rectifier, 1 Amp, 50v, CR1	1	
-13	90605-009	. Connector, Electrical, J41	1	
-14	13795-001	. Board, Emergency Retract		

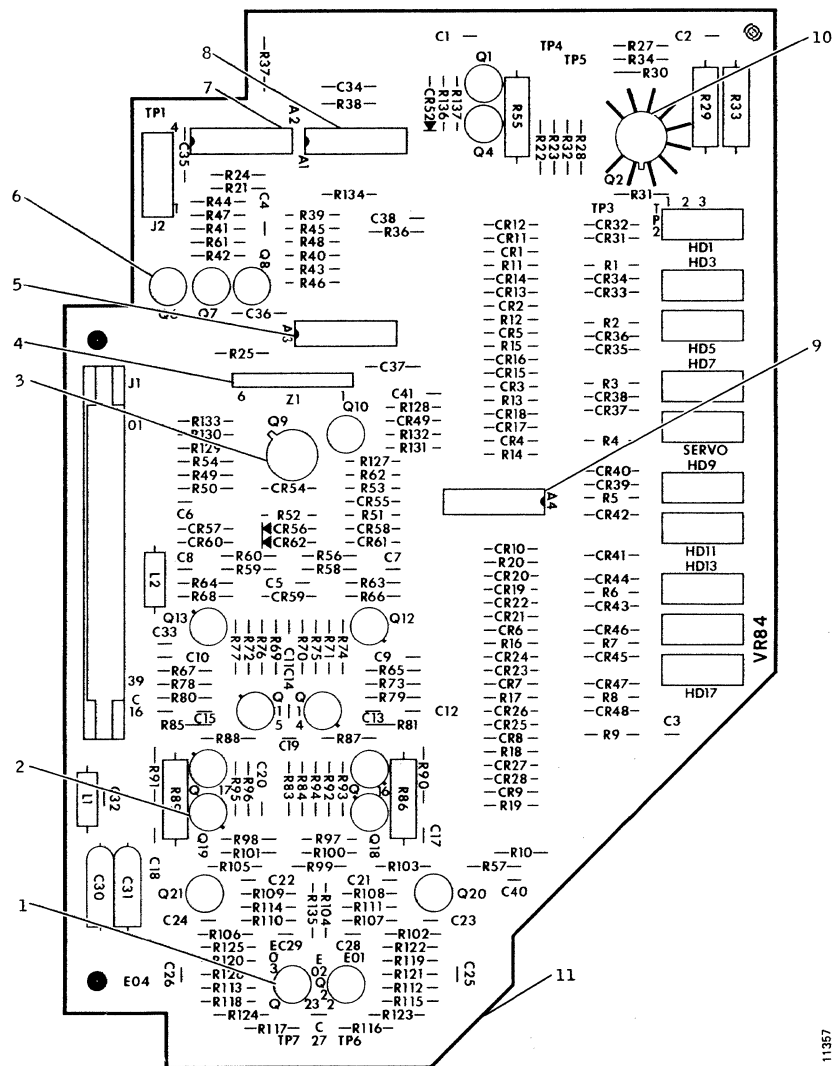


Figure 2-15. Read/Write Matrix Board Assembly, VR84

FIGURE ITEM NO.	PART NUMBER	DESCRIPTION	QTY PER ASSY	USAGE CODE
15-	16482-001	Board Assy, Read/Write Matrix, LH, VR84 (see Figure 2-1 for NHA)	REF	A-D
-1	90326-003	. Transistor, Low Level, NPN, Q1, 4, 20-23	6	
-2	13847-001	. Transistor, RF, Low Noise, NPN Q12-19	8	
-3	90330-001	. Transistor, General Purpose, PNP, Q9	1	
-4	97225-003	. Resistor Network, 1K, 5%, 1/4W, Z1	1	
-5	97607-001	. Gate, Non-Invert, Hex, 1-Input, TTL, A3	1	
-6	90327-003	. Transistor, Low Level, PNP, Q6-8, 10	4	
-7	96389-001	. Flip-Flop, Dual D, SBD, TTL, A2	1	
-8	96155-001	. Gate, Nand, Quad, 2-Input, TTL, A1	1	
-9	12205-001	. Decode, 4-10 Line, TTL, A4	1	
-10	19175-001	. Transistor, Dual, PNP, Q2	1	
	10357-001	. Diode, Low Capacitance, CR1-28, CR31-49, CR52, CR54-62	57	
	90965-330	. Inductor, Molded, 33 MH, L1, 2	2	
	98175-222	. Capacitor, Ceramic, .0022 MF, 10%, 100v, C41	1	
	90356-519	. Capacitor, Tantalum, 3.3 MF, 10%, 50v, C30, 31	2	
	95379-347	. Capacitor, Ceramic, .047 MF, 50V, C34-37	4	
	98175-210	. Capacitor, Ceramic, .001 MF, 10%, 200v, C1	1	
	98175-208	. Capacitor, Ceramic, .0068 MF, 10%, 100v, C7, 8	2	
	98175-310	. Capacitor, Ceramic, .01 MF, 10%, 100v, C2, 3, 4, 38, 40	5	
	98175-322	. Capacitor, Ceramic, .022 MF, 10%, 50v, C13, 15	2	
	98175-347	. Capacitor, Ceramic, .047 MF, 10%, C5, 32, 33	3	
	98175-410	. Capacitor, Ceramic, .1 MF, 10%, 50v, C6, 9-12, 14, C16-18, 20-26, 28, 29	18	
	10781-433	. Capacitor, Ceramic, .33 MF, 10%, 50v, C19, 27	2	
	90364-470	. Resistor, 47 ohm, 5%, 1/4W, R57, 62, 74, 77, 81 85, 97, R98, 103, 105, 111, 114	12	
	90364-121	. Resistor, 120 ohm, 5%, 1/4W, R121, 126	2	
	90364-151	. Resistor, 150 ohm, 5%, 1/4W, R90, 91	2	
	90364-271	. Resistor, 270 ohm, 5%, 1/4W, R10, 36	2	
	90364-300	. Resistor, 30 ohm, 5%, 1/4W, R30	1	
	90364-102	. Resistor, 1K, 5%, 1/4W, R24, 25	2	
	90364-152	. Resistor, 1.5K, 5%, 1/4W, R65, 67	2	
	90364-202	. Resistor, 2K, 5%, 1/4W, R39, 42, 45	3	
	90364-100	. Resistor, 10 ohm, 5%, 1/4W, R61	1	
	90364-270	. Resistor, 27 ohm, 5%, 1/4W, R60	1	
	90364-361	. Resistor, 360 ohm, 5%, 1/4W, R104, 135	2	
	90364-181	. Resistor, 180 ohm, 5%, 1/4W, R38	1	
	90364-512	. Resistor, 5.1K, 5%, 1/4W, R48	1	
	90364-103	. Resistor, 10K, 5%, 1/4W, R1-9, 11-20, 40, 43, 46, 53	23	
	90367-340	. Resistor, 511 ohm, 1%, 1/8W, R100, 101	2	
	90367-151	. Resistor, 140 ohm, 1%, 1/8W, R21	1	
	90367-234	. Resistor, 24.9 ohm, 1%, 1/8W, R93, 95	2	
	90367-395	. Resistor, 75 ohm, 1%, 1/8W, R136, 137	2	
	90367-298	. Resistor, 383 ohm, 1%, 1/8W, R31	1	
	90367-150	. Resistor, 14 ohm, 1%, 1/8W, R131	1	
	90367-220	. Resistor, 22.6 ohm, 1%, 1/8W, R87, 88	2	
	90367-269	. Resistor, 31.6 ohm, 1%, 1/8W, R116, 117	2	
	90367-429	. Resistor, 95.3 ohm, 1%, 1/8W, R123, 124	2	
	90367-123	. Resistor, 115 ohm, 1%, 1/8W, R63, 64	2	

FIGURE ITEM NO.	PART NUMBER	DESCRIPTION	QTY PER ASSY	USAGE CODE
15-	90367-339	. Resistor, 51.1 ohm, 1%, 1/8W, R27, 34	2	
	90367-207	. Resistor, 205 ohm, 1%, 1/8W, R83, 84	2	
	90367-396	. Resistor, 750 ohm, 1%, 1/8W, R132	1	
	90367-263	. Resistor, 301 ohm, 1%, 1/8W, R134	1	
	90367-410	. Resistor, 825 ohm, 1%, 1/8W, R75	1	
	90367-333	. Resistor, 487 ohm, 1%, 1/8W, R76	1	
	90367-103	. Resistor, 1K, 1%, 1/8W, R37, 92, 96	3	
	90367-124	. Resistor, 1.15K, 1%, 1/8W, R128	1	
	90367-117	. Resistor, 1.10K, 1%, 1/8W, R47	1	
	90367-138	. Resistor, 1.27K, 1%, 1/8W, R70	1	
	90367-152	. Resistor, 1.40K, 1%, 1/8W, R122, 125	2	
	90367-264	. Resistor, 3.01K, 1%, 1/8W, R71, 72, 73, 78	4	
	90367-173	. Resistor, 1.62K, 1%, 1/8W, R94	1	
	90367-187	. Resistor, 1.78K, 1%, 1/8W, R108, 109	2	
	90367-292	. Resistor, 3.65K, 1%, 1/8W, R127	1	
	90367-299	. Resistor, 3.83K, 1%, 1/8W, R54, 129	2	
	90367-250	. Resistor, 2.74K, 1%, 1/8W, R49, 50, 133	3	
	90367-215	. Resistor, 2.15K, 1%, 1/8W, R99, 44	2	
	90367-306	. Resistor, 4.92K, 1%, 1/8W, R112, 113, 115, 118-120	6	
	90367-341	. Resistor, 5.11K, 1%, 1/8W, R120, 106	2	
	90367-285	. Resistor, 3.48K, 1%, 1/8W, R79, 80	2	
	90367-383	. Resistor, 6.81K, 1%, 1/8W, R107, 110	2	
	90367-404	. Resistor, 7.87K, 1%, 1/8W, R22, 23	2	
	90367-243	. Resistor, 2.61K, 1%, 1/8W, R130	1	
	90367-230	. Resistor, 23.7K, 1%, 1/8W, R58, 59	2	
	90367-279	. Resistor, 33.2K, 1%, 1/8W, R66, 68	2	
	90367-188	. Resistor, 17.8K, 1%, 1/8W, R56	1	
	90367-237	. Resistor, 24.9K, 1%, 1/8W, R28, 32	2	
	90367-320	. Resistor, 4.42K, 1%, 1/8W, R41	1	
	90367-362	. Resistor, 5.90K, 1%, 1/8W, R51, 52	2	
	90367-201	. Resistor, 1.96K, 1%, 1/8W, R69	1	
	95952-033	. Resistor, 205 ohm, 1%, 1W, R29	1	
	95952-021	. Resistor, 2.74K, 1%, 1W, R86, 89	2	
	95952-030	. Resistor, 511 ohm, 1%, 1W, R33	1	
	95952-020	. Resistor, 1.21K, 1%, 1W, R55	1	
	95361-040	. Connector, PCB Mtg, J1	1	
	96591-001	. Pin, Connector	44	
-11	16483-001	. Board, Read/Write Matrix	1	

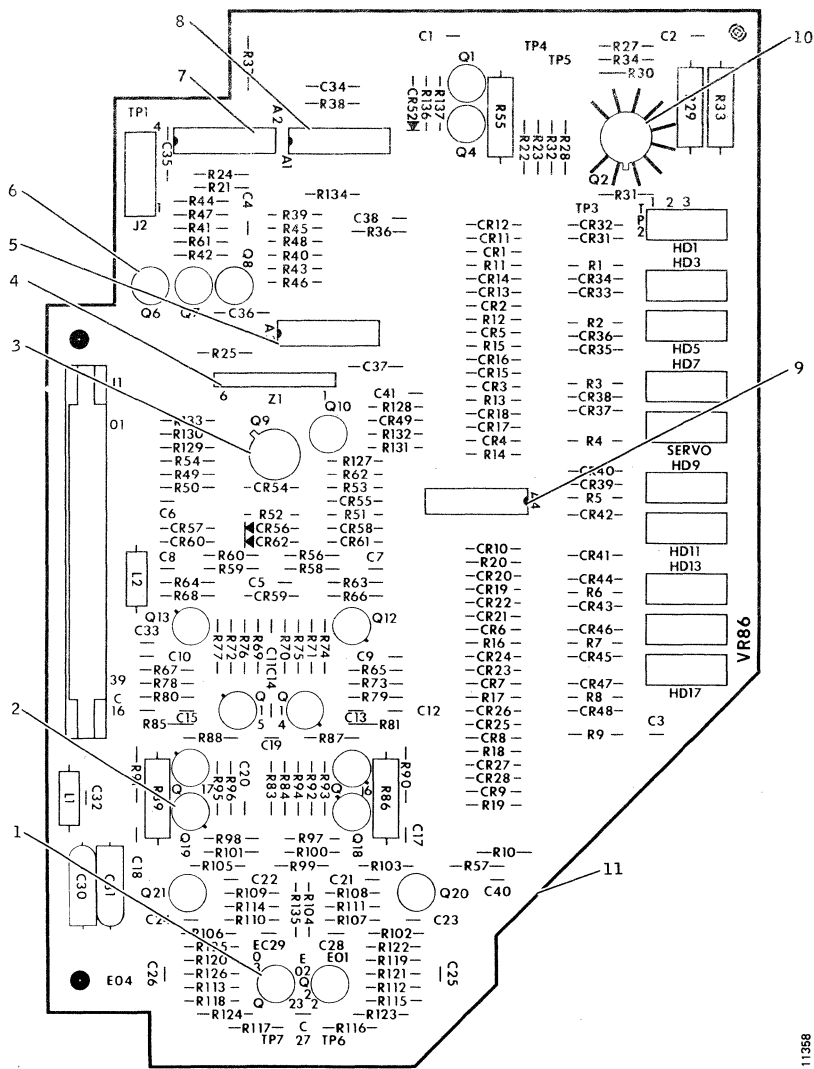


Figure 2-16. Read/Write Matrix Board Assembly, VR86

FIGURE ITEM NO.	PART NUMBER	DESCRIPTION	QTY PER ASSY	USAGE CODE
16-	17514-001	Board Assy, Read/Write Matrix, LH, VR86 (see Figure 2-1 for NHA)	REF	E-H
	90326-003	. Transistor, Low Level, NPN, Q1, 4, 20-23	6	
-2	13847-001	. Transistor, RF, Low Noise, NPN Q12-19	8	
-3	90330-001	. Transistor, General Purpose, PNP, Q9	1	
-4	97225-003	. Resistor Network, 1K, 5%, 1/4W, Z1	1	
-5	97607-001	. Gate, Non-Invert, Hex, 1-Input, TTL, A3	1	
-6	90327-003	. Transistor, Low Level, PNP, Q6-8, 10	4	
-7	96389-001	. Flip-Flop, Dual D, SBD, TTL, A2	1	
-8	96155-001	. Gate, Nand, Quad, 2-Input, TTL, A1	1	
-9	12205-001	. Decode, 4-10 Line, TTL, A4	1	
-10	19175-001	. Transistor, Dual, PNP, Q2	1	
	10357-001	. Diode, Low Capacitance, CR1-28, 31-49, 52, 54-62	55	
	90965-330	. Inductor, Molded, 33 MH, L1, 2	2	
	98175-222	. Capacitor, Ceramic, .0022 MF, 10%, 100v, C41	1	
	90356-519	. Capacitor, Tantalum, 3.3 MF, 10%, 50v, C30, 31	2	
	95379-347	. Capacitor, Ceramic, .047 MF, 50v, C34-37	4	
	98175-210	. Capacitor, Ceramic, .001 MF, 10%, 200v, C1	1	
	98175-247	. Capacitor, Ceramic, .0047 MF, 100v, C7, 8	2	
	98175-310	. Capacitor, Ceramic, .01 MF, 10%, 100v, C2, 3, 4, 38, 40	5	
	98175-315	. Capacitor, Ceramic, .015 MF, 10%, 50v, C13, 15	2	
	98175-347	. Capacitor, Ceramic, .047 MF, 10%, C5, 32, 33	3	
	98175-410	. Capacitor, Ceramic, .1 MF, 10%, 50v, C6, 9-12, 14, 16-18, C20-26, 28, 29	18	
	10781-433	. Capacitor, Ceramic, .33 MF, 10%, 50v, C19, 27	2	
	90364-470	. Resistor, 47 ohm, 5%, 1/4W, R57, 62, 74, 77, 81, 85, 97 R98, 103, 105, 111, 114	12	
	90364-121	. Resistor, 120 ohm, 5%, 1/4W, R121, 126	2	
	90364-151	. Resistor, 150 ohm, 5%, 1/4W, R90, 91	2	
	90364-271	. Resistor, 270 ohm, 5%, 1/4W, R10, 36	2	
	90364-300	. Resistor, 30 ohm, 5%, 1/4W, R30	1	
	90364-102	. Resistor, 1K, 5%, 1/4W, R24, 25	2	
	90364-152	. Resistor, 1.5K, 5%, 1/4W, R65, 67	2	
	90364-202	. Resistor, 2K, 5%, 1/4W, R39, 42, 45	3	
	90364-100	. Resistor, 10 ohm, 5%, 1/4W, R61	1	
	90364-270	. Resistor, 27 ohm, 5%, 1/4W, R60	1	
	90364-361	. Resistor, 360 ohm, 5%, 1/4W, R104, 135	2	
	90364-181	. Resistor, 180 ohm, 5%, 1/4W, R38	1	
	90364-512	. Resistor, 5.1K, 5%, 1/4W, R48	1	
	90364-103	. Resistor, 10K, 5%, 1/4W, R1-9, 11-20, 40, 43, 46, 53	23	
	90367-340	. Resistor, 511 ohm, 1%, 1/8W, R100, 101	2	
	90367-151	. Resistor, 140 ohm, 1%, 1/8W, R21	1	
	90367-234	. Resistor, 24.9 ohm, 1%, 1/8W, R9, 95	2	
	90367-395	. Resistor, 75 ohm, 1%, 1/8W, R136, 137	2	
	90367-298	. Resistor, 383 ohm, 1%, 1/8W, R31	1	
	90367-150	. Resistor, 14 ohm, 1%, 1/8W, R131	1	
	90367-220	. Resistor, 22.6 ohm, 1%, 1/8W, R87, 88	2	
	90367-269	. Resistor, 31.6 ohm, 1%, 1/8W, R116, 117	2	
	90367-429	. Resistor, 95.3 ohm, 1%, 1/8W, R123, 124	2	

FIGURE ITEM NO.	PART NUMBER	DESCRIPTION	QTY PER ASSY	USAGE CODE	
16-	90367-123	. Resistor, 115 ohm, 1%, 1/8W, R63, 64	2		
	90367-339	. Resistor, 51.1 ohm, 1%, 1/8W, R27, 34	2		
	90367-207	. Resistor, 205 ohm, 1%, 1/8W, R83, 84	2		
	90367-396	. Resistor, 750 ohm, 1%, 1/8W, R132	1		
	90367-263	. Resistor, 301 ohm, 1%, 1/8W, R134	1		
	90367-410	. Resistor, 825 ohm, 1%, 1/8W, R75	1		
	90367-333	. Resistor, 487 ohm, 1%, 1/8W, R76	1		
	90367-103	. Resistor, 1K, 1%, 1/8W, R37, 92, 96	3		
	90367-117	. Resistor, 1.10K, 1%, 1/8W, R47	1		
	90367-201	. Resistor, 1.96K, 1%, 1/8W, R69	1		
	90367-138	. Resistor, 1.27K, 1%, 1/8W, R70	1		
	90367-152	. Resistor, 1.40K, 1%, 1/8W, R122, 125	2		
	90367-320	. Resistor, 4.42K, 1%, 1/8W, R41	1		
	90367-264	. Resistor, 3.01K, 1%, 1/8W, R71, 72, 73, 78	4		
	90367-173	. Resistor, 1.62K, 1%, 1/8W, R94	1		
	90367-187	. Resistor, 1.78K, 1%, 1/8W, R108, 109	2		
	90367-292	. Resistor, 3.65K, 1%, 1/8W, R127	1		
	90367-299	. Resistor, 3.83K, 1%, 1/8W, R54, 129	2		
	90367-250	. Resistor, 2.74K, 1%, 1/8W, R49, 50, 133	3		
	90367-215	. Resistor, 2.15K, 1%, 1/8W, R99, 44	2		
	90367-306	. Resistor, 4.02K, 1%, 1/8W, R112, 113, 115, 118-120	6		
	90367-341	. Resistor, 5.11K, 1%, 1/8W, R102, 106	2		
	90367-285	. Resistor, 3.48K, 1%, 1/8W, R79, 80	2		
	90367-383	. Resistor, 6.81K, 1%, 1/8W, R107, 110	2		
	90367-404	. Resistor, 7.87K, 1%, 1/8W, R22, 23	2		
	90367-243	. Resistor, 2.61K, 1%, 1/8W, R130	1		
	90367-230	. Resistor, 23.7K, 1%, 1/8W, R58, 59	2		
	90367-279	. Resistor, 33.2K, 1%, 1/8W, R66, 68	2		
	90367-188	. Resistor, 17.8K, 1%, 1/8W, R56	1		
	90367-237	. Resistor, 24.9K, 1%, 1/8W, R28, 32	2		
	90367-362	. Resistor, 5.90K, 1%, 1/8W, R15, 52	2		
	95952-033	. Resistor, 205 ohm, 1%, 1W, R29	1		
	95952-021	. Resistor, 2.74K, 1%, 1W, R86, 89	2		
	95952-030	. Resistor, 511 ohm, 1%, 1W, R33	1		
	95952-020	. Resistor, 1.21K, 1%, 1W, R55	1		
	95361-040	. Connector, PCB Mtg, J1	1		
	96591-001	. Pin, Connector	44		
	-11	17515-001	. Board, Read/Write Matrix	1	



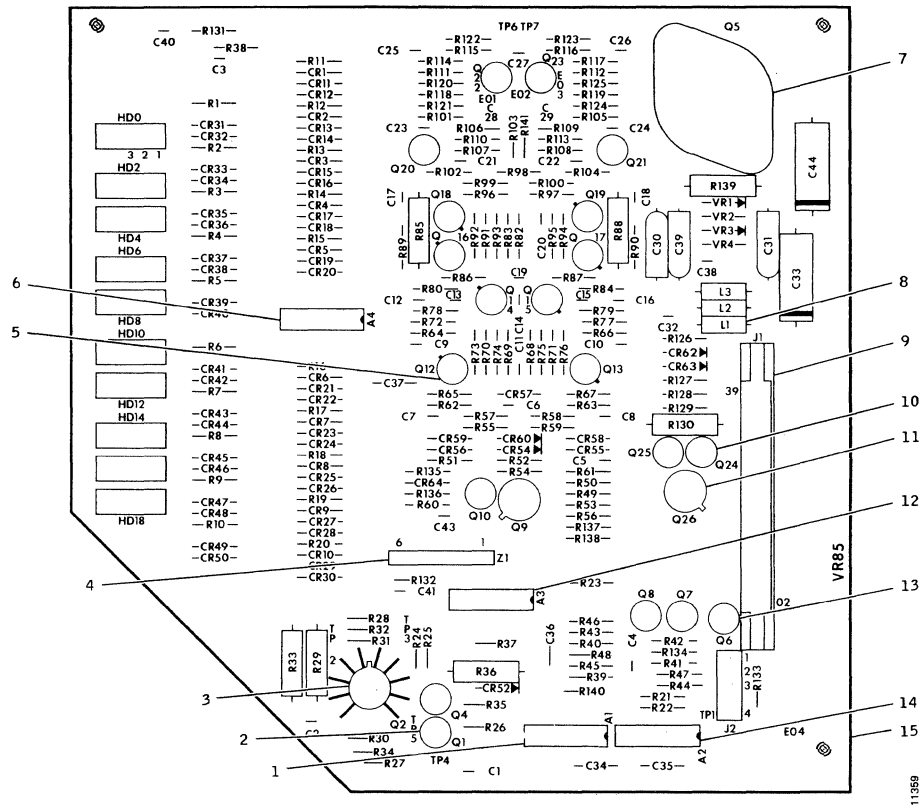


Figure 2-17. Read/Write Matrix Board Assembly, VR85

FIGURE ITEM NO.	PART NUMBER	DESCRIPTION	QTY PER ASSY	USAGE CODE
17-	16485-001	Board Assy, Read/Write Matrix, RH, VR85 (see Figure 2-1 for NHA)	REF	A-D
-1	96155-001	. Gate, Nand, Quad, SBD, TTL, A1	1	
-2	90326-003	. Transistor, NPN, Q1, 4, 20-23	6	
-3	19175-001	. Transistor, Dual, PNP, Q2	1	
-4	97225-003	. Resistor Network, 1K, 5%, 1/4W, Z1	1	
-5	13847-001	. Transistor, NPN, Q12-19	8	
-6	12205-001	. Decoder, 4-10 Line, TTL, A4	1	
-7	19150-001	. Transistor, PNP, Q5	1	
-8	90965-330	. Inductor, Molded, L1-3	3	
-9	95361-040	. Connector, PC Board, J1	1	
-10	90328-002	. Transistor, NPN, Q24, 25	2	
-11	90330-001	. Transistor, PNP, Q9, 26	2	
-12	97607-001	. Gate, Non-Invert, Hex, TTL, A3	1	
-13	90327-003	. Transistor, PNP, Q6-8, 10	4	
-14	96389-001	. Flip-Flop, Dual D, SBD, TTL, A2	1	
	90346-062	. Diode, Zener, 6.2v, VR1-4	4	
	10357-001	. Diode, Low Capacitance, CR1-50, 52, 54-60, 62, 63, 64	61	
	90355-473	. Capacitor, Mylar, .047 MF, 10%, 100v, C33, 44	2	
	90356-701	. Capacitor, Tantalum, 3.3 MF, 10%, 75v, C31	1	
	90356-519	. Capacitor, Tantalum, 3.3 MF, 10%, 50v, C30, 39	2	

FIGURE ITEM NO.	PART NUMBER	DESCRIPTION	QTY PER ASSY	USAGE CODE
17-	95379-347	. Capacitor, Ceramic, .047 MF, 50v, C34-37	4	
	98175-210	. Capacitor, Ceramic, .001 MF, 10%, 200v, C1	1	
	98175-222	. Capacitor, Ceramic, .0022 MF, 10%, 100v, C43	1	
	98175-310	. Capacitor, Ceramic, .01 MF, 10%, 100v, C2-4, 40, 41	5	
	98175-322	. Capacitor, Ceramic, .022 MF, 10%, 50v, C13, 15	2	
	98175-347	. Capacitor, Ceramic, .047 MF, 10%, 50v, C6, 32, 38	3	
	98175-410	. Capacitor, Ceramic, .1 MF, 10%, 50v, C5, 9-12, 14, 16-18, C20-26, 28, 29	18	
	10781-433	. Capacitor, Ceramic, .33 MF, 10%, 50v, C19, 27	2	
	98175-268	. Capacitor, Ceramic, .0068 MF, 10%, 100v, C7, 8	2	
	90364-270	. Resistor, 27 ohm, 5%, 1/4W, R59	1	
	90364-330	. Resistor, 33 ohm, 5%, 1/4W, R30	1	
	90364-470	. Resistor, 47 ohm, 5%, 1/4W, R38, 61, 73, 76, 80, 84, 96, 97, R102, 104, 110, 113	12	
	90364-100	. Resistor, 100 ohm, 5%, 1/4W, R134	1	
	90364-121	. Resistor, 120 ohm, 5%, 1/4W, R120, 125	2	
	90364-151	. Resistor, 150 ohm, 5%, 1/4W, R89, 90	2	
	90364-181	. Resistor, 180 ohm, 5%, 1/4W, R37	1	
	90364-271	. Resistor, 270 ohm, 5%, 1/4W, R131, 132	2	
	90364-361	. Resistor, 360 ohm, 5%, 1/4W, R103, 141	2	
	90364-102	. Resistor, 1K, 5%, 1/4W, R22, 23, 127	3	
	90364-152	. Resistor, 1.5K, 5%, 1/4W, R64, 66	2	
	90364-202	. Resistor, 5%, 1/4W, R39, 42, 45	3	
	90364-512	. Resistor, 5.1K, 5%, 1/4W, R48, 129	2	
	90364-682	. Resistor, 6.8K, 5%, 1/4W, R128	1	
	90364-103	. Resistor, 10K, 5%, 1/4W, R1-20, 40, 43, 46, 126	24	
	90367-150	. Resistor, 14 ohm, 1%, 1/8W, R135	1	
	90367-220	. Resistor, 22.6 ohm, 1%, 1/8W, R86, 87	2	
	90367-234	. Resistor, 24.9 ohm, 1%, 1/8W, R92, 94	2	
	90367-269	. Resistor, 31.6 ohm, 1%, 1/8W, R115, 116	2	
	90367-339	. Resistor, 51.1 ohm, 1%, 1/8W, R27, 34	2	
	90367-395	. Resistor, 75 ohm, 1%, 1/8W, R26, 35	2	
	90367-429	. Resistor, 95.3 ohm, 1%, 1/8W, R122, 123	2	
	90367-151	. Resistor, 140 ohm, 1%, 1/8W, R21	1	
	90367-123	. Resistor, 115 ohm, 1%, 1/8W, R62, 63	2	
	90367-263	. Resistor, 301 ohm, 1%, 1/8W, R140	1	
	90367-207	. Resistor, 205 ohm, 1%, 1/8W, R82, 83	2	
	90367-340	. Resistor, 511 ohm, 1%, 1/8W, R99, 100	2	
	90367-298	. Resistor, 383 ohm, 1%, 1/8W, R31	1	
	90367-396	. Resistor, 750 ohm, 1%, 1/8W, R136	1	
	90367-410	. Resistor, 825 ohm, 1%, 1/8W, R74	1	
	90367-333	. Resistor, 487 ohm, 1%, 1/8W, R75	1	
	90367-103	. Resistor, 1K, 1%, 1/8W, R91, 95, 133	3	
	90367-124	. Resistor, 1.15K, 1%, 1/8W, R60	1	
	90367-138	. Resistor, 1.27K, 1%, 1/8W, R69	1	
	90367-152	. Resistor, 1.40K, 1%, 1/8W, R121, 124	2	
	90367-264	. Resistor, 3.01K, 1%, 1/8W, R70-72, 77	4	
	90367-173	. Resistor, 1.62K, 1%, 1/8W, R93	1	
	90367-187	. Resistor, 1.78K, 1%, 1/8W, R107, 108	2	
	90367-201	. Resistor, 1.96K, 1%, 1/8W, R68	1	

FIGURE ITEM NO.	PART NUMBER	DESCRIPTION	QTY PER ASSY	USAGE CODE
17-	90367-215	. Resistor, 2.15K, 1%, 1/8W, R98, 44	2	
	90367-243	. Resistor, 2.61K, 1%, 1/8W, R137	1	
	90367-250	. Resistor, 2.74K, 1%, 1/8W, R49, 50, 138	3	
	90367-285	. Resistor, 3.48K, 1%, 1/8W, R78, 79	2	
	90367-292	. Resistor, 3.65K, 1%, 1/8W, R54	1	
	90367-299	. Resistor, 3.83K, 1%, 1/8W, R33, 56	2	
	90367-306	. Resistor, 4.02K, 1%, 1/8W, R111, 114, 117-119	6	
	90367-341	. Resistor, 5.11K, 1%, 1/8W, R101, 105	2	
	90367-362	. Resistor, 5.90K, 1%, 1/8W, R51, 52	2	
	90367-383	. Resistor, 6.81K, 1%, 1/8W, R106, 109	2	
	90367-404	. Resistor, 7.87K, 1%, 1/8W, R24, 25	2	
	90367-117	. Resistor, 1.10K, 1%, 1/8W, R47		
	90367-188	. Resistor, 17.8K, 1%, 1/8W, R55	1	
	90367-230	. Resistor, 23.7K, 1%, 1/8W, R57, 58	2	
	90367-237	. Resistor, 24.9K, 1%, 1/8W, R28, 32	2	
	90367-279	. Resistor, 33.2K, 1%, 1/8W, R65, 67	2	
	90367-320	. Resistor, 4.42K, 1%, 1/8W, R41	1	
	90365-302	. Resistor, 3K, 5%, 1W, R130	1	
	95952-033	. Resistor, 205 ohm, 1%, 1W, R29	1	
	95952-030	. Resistor, 511 ohm, 1%, 1W, R33	1	
	95952-020	. Resistor, 1.21K, 1%, 1W, R36	1	
	95952-021	. Resistor, 2.74K, 1%, 1W, R85, 88	2	
	90366-410	. Resistor, 820 ohm, 5%, 3W, R139	1	
	96591-001	. Pin, Connector	44	
-15	16486-001	. Board, Read/Write Matrix	1	

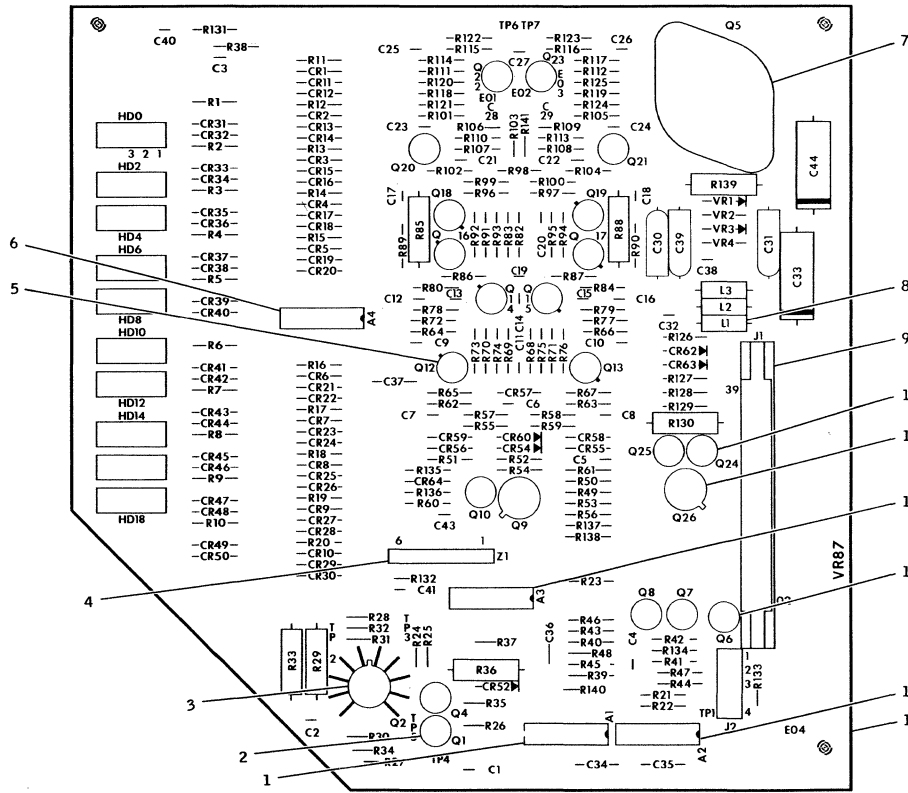


Figure 2-18. Read/Write Matrix Board Assembly, VR87

FIGURE ITEM NO.	PART NUMBER	DESCRIPTION	QTY PER ASSY	USAGE CODE
18-	17517-001	Board Assy, Read/Write Matrix, RH, VR87 (see Figure 2-1 for NHA)	REF	E-H
-1	96155-001	. Gate, Nand, Quad, SBD, TTL, A1	1	
-2	90326-003	. Transistor, NPN, Q1, 4, 20-23	6	
-3	19175-001	. Transistor, Dual, PNP, Q2	1	
-4	97225-003	. Resistor Network, 1K, 5%, 1/4W, Z1	1	
-5	13847-001	. Transistor, NPN, Q12-19	8	
-6	12205-001	. Decoder, 4-10 Line, TTL, A4	1	
-7	19150-001	. Transistor, PNP, Q5	1	
-8	90965-330	. Inductor, Molded, L1-3	3	
-9	95361-040	. Connector, PC Board, J1	1	
-10	90328-002	. Transistor, NPN, Q24, 25	2	
-11	90330-001	. Transistor, PNP, Q9, 26	2	
-12	97607-001	. Gate, Non-Invert, Hex, TTL, A3	1	
-13	90327-003	. Transistor, PNP, Q6-8, 10	4	
-14	96389-001	. Flip-Flop, Dual D, SBD, TTL, A2	1	
	17202-062	. Diode, Zener, 6.2v, VR1-4	4	
	10357-001	. Diode, Low Capacitance, CR1-50, 52, 54-60, 62, 63, 64	61	
	90355-473	. Capacitor, Mylar, .047 MF, 10%, 100v, C33, 44	2	
	90356-701	. Capacitor, Tantalum, 3.3 MF, 10%, 75v, C31	1	
	90356-519	. Capacitor, Tantalum, 3.3 MF, 10%, 50v, C30, 39	2	
	95379-347	. Capacitor, Ceramic, .047 MF, 50v, C34-37	4	

FIGURE ITEM NO.	PART NUMBER	DESCRIPTION	QTY PER ASSY	USAGE CODE
18-	98175-210	. Capacitor, Ceramic, .001 MF, 10%, 200v, C1	1	
	98175-222	. Capacitor, Ceramic, .0022 MF, 10%, 100v, C43	1	
	98175-310	. Capacitor, Ceramic, .01 MF, 10%, 100v, C2-4, 40, 41	5	
	98175-315	. Capacitor, Ceramic, .015 MF, 10%, 50v, C13, 15	2	
	98175-347	. Capacitor, Ceramic, .047 MF, 10%, 50v, C6, 32, 38	3	
	98175-410	. Capacitor, Ceramic, .1 MF, 10%, 50v, C5, 9-12, 14, 16-18, C20-26, 28, 29	18	
	10781-433	. Capacitor, Ceramic, .33 MF, 10%, 50v, C19, 27	2	
	98175-247	. Capacitor, Ceramic, .0047 MF, 10%, 100v, C7, 8	2	
	90364-270	. Resistor, 27 ohm, 5%, 1/4W, R59	1	
	90364-330	. Resistor, 33 ohm, 5%, 1/4W, R30	1	
	90364-470	. Resistor, 47 ohm, 5%, 1/4W, R38, 61, 73, 76, 80, 84, 96, R97, 102, 104, 110, 113	12	
	90364-100	. Resistor, 100 ohm, 5%, 1/4W, R134	1	
	90364-121	. Resistor, 120 ohm, 5%, 1/4W, R120, 125	2	
	90364-151	. Resistor, 150 ohm, 5%, 1/4W, R89, 90	2	
	90364-181	. Resistor, 180 ohm, 5%, 1/4W, R37	1	
	90364-271	. Resistor, 270 ohm, 5%, 1/4W, R131, 132	2	
	90364-361	. Resistor, 360 ohm, 5%, 1/4W, R103, 141	2	
	90364-102	. Resistor, 1K, 5%, 1/4W, R22, 23, 127	3	
	90364-152	. Resistor, 1.5K, 5%, 1/4W, R64, 66	2	
	90364-202	. Resistor, 5%, 1/4W, R39, 42, 45	3	
	90364-512	. Resistor, 5.1K, 5%, 1/4W, R48, 129	2	
	90364-682	. Resistor, 6.8K, 5%, 1/4W, R128	1	
	90364-103	. Resistor, 10K, 5%, 1/4W, R1-20, 40, 43, 46, 126	24	
	90367-150	. Resistor, 14 ohm, 1%, 1/8W, R135	1	
	90367-220	. Resistor, 22.6 ohm, 1%, 1/8W, R86, 87	2	
	90367-234	. Resistor, 24.9 ohm, 1%, 1/8W, R92, 94	2	
	90367-269	. Resistor, 31.6 ohm, 1%, 1/8W, R115, 116	2	
	90367-339	. Resistor, 51.1 ohm, 1%, 1/8W, R27, 34	2	
	90367-395	. Resistor, 75 ohm, 1%, 1/8W, R26, 35	2	
	90367-429	. Resistor, 95.3 ohm, 1%, 1/8W, R122	2	
	90367-151	. Resistor, 140 ohm, 1%, 1/8W, R21	1	
	90367-123	. Resistor, 115 ohm, 1%, 1/8W, R62, 63	2	
	90367-263	. Resistor, 301 ohm, 1%, 1/8W, R140	1	
	90367-207	. Resistor, 205 ohm, 1%, 1/8W, R82, 83	2	
	90367-340	. Resistor, 511 ohm, 1%, 1/8W, R99, 100	2	
	90367-298	. Resistor, 383 ohm, 1%, 1/8W, R31	1	
	90367-396	. Resistor, 750 ohm, 1%, 1/8W, R136	1	
	90367-410	. Resistor, 825 ohm, 1%, 1/8W, R74	1	
	90357-333	. Resistor, 487 ohm, 1%, 1/8W, R75	1	
	90367-103	. Resistor, 1K, 1%, 1/8W, R91, 95, 133	3	
	90367-124	. Resistor, 1.15K, 1%, 1/8W, R60	1	
	90367-138	. Resistor, 1.27K, 1%, 1/8W, R69	1	
	90367-152	. Resistor, 1.40K, 1%, 1/8W, R121, 124	2	
	90367-264	. Resistor, 3.01K, 1%, 1/8W, R70-72, 77	4	
	90367-173	. Resistor, 1.62K, 1%, 1/8W, R93	1	
	90367-187	. Resistor, 1.78K, 1%, 1/8W, R107, 108	2	
	90367-201	. Resistor, 1.96K, 1%, 1/8W, R68	1	
90367-215	. Resistor, 2.15K, 1%, 1/8W, R98, 44	2		
90367-243	. Resistor, 2.61K, 1%, 1/8W, R137	1		

FIGURE ITEM NO.	PART NUMBER	DESCRIPTION	QTY PER ASSY	USAGE CODE
18-	90367-250	. Resistor, 2.74K, 1%, 1/8W, R49, 50, 138	3	
	90367-117	. Resistor, 1.10K, 1%, 1/8W, R47	1	
	90367-320	. Resistor, 4.42K, 1%, 1/8W, R41	1	
	90367-285	. Resistor, 3.48K, 1%, 1/8W, R78, 79	2	
	90367-292	. Resistor, 3.65K, 1%, 1/8W, R54	1	
	90367-299	. Resistor, 3.83K, 1%, 1/8W, R33, 56	2	
	90367-306	. Resistor, 4.02K, 1%, 1/8W, R111, 114, 117-119	6	
	90367-341	. Resistor, 5.11K, 1%, 1/8W, R101, 105	2	
	90367-362	. Resistor, 5.90K, 1%, 1/8W, R51, 52	2	
	90367-383	. Resistor, 6.81K, 1%, 1/8W, R106, 109	2	
	90367-404	. Resistor, 7.87K, 1%, 1/8W, R24, 25	2	
	90367-188	. Resistor, 17.8K, 1%, 1/8W, R55	1	
	90367-230	. Resistor, 23.7K, 1%, 1/8W, R57, 58	2	
	90367-237	. Resistor, 24.9K, 1%, 1/8W, R28, 32	2	
	90367-279	. Resistor, 33.2K, 1%, 1/8W, R65, 67	2	
	90365-302	. Resistor, 3K, 5%, 1W, R130	1	
	95952-033	. Resistor, 205 ohm, 1%, 1W, R29	1	
	95952-030	. Resistor, 511 ohm, 1%, 1W, R33	1	
	95952-020	. Resistor, 1.21K, 1%, 1W, R36	1	
	95952-021	. Resistor, 2.74K, 1%, 1W, R85, 88	2	
	90366-410	. Resistor, 820 ohm, 5%, 3W, R139	1	
	96591-001	. Pin, Connector	44	
	-15	17518-001	. Board, Read/Write Matrix	1

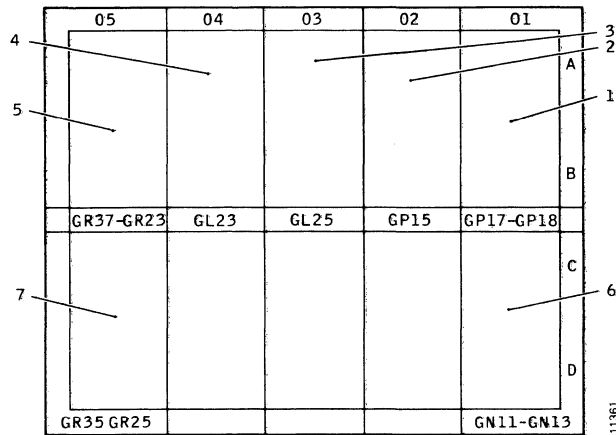


Figure 2-19. Module Kit Assemblies

FIGURE ITEM NO.	PART NUMBER	DESCRIPTION	QTY PER ASSY	USAGE CODE
19-	16453-001	Module Kit Assy, Model 200, Single Access (see Figure 2-1 for NHA)	REF	A, B
	16453-002	Module Kit Assy, Model 200, Dual Access (see Figure 2-1 for NHA)	REF	C, D
	16454-001	Module Kit Assy, Model 300, Single Access (see Figure 2-1 for NHA)	REF	E, F
	16454-002	Module Kit Assy, Model 300, Dual Access (see Figure 2-1 for NHA)	REF	G, H
-1	16467-001	. Board Assy, Servo Control I, GP18 (refer to Figure 2-20 for components)	1	A-D
	16470-001	. Board Assy, Servo Control I, GP17 (refer to Figure 2-21 for components)	1	E-H
-2	16461-001	. Board Assy, Servo Control II, GP15 (refer to Figure 2-22 for components)	1	
-3	16407-001	. Board Assy, Logic Control I, GL25 (refer to Figure 2-23 for components)	1	
-4	16687-001	. Board Assy, Logic Control II, GL31 (refer to Figure 2-24 for components)	1	
-5	17686-001	. Board Assy, Read Limiter, Amtlet/RW Protect, GR37 (refer to Figure 2-25 for components)	1	A-D
	16458-001	. Board Assy, Read Limiter/Amdet/RW Protect, GR23 (refer to Figure 2-26 for components)	1	E-H

FIGURE ITEM NO.	PART NUMBER	DESCRIPTION	QTY PER ASSY	USAGE CODE
19-6	16378-001	Board Assy, Driver/Receiver, GN11 (refer to Figure 2-27 for components)	1	A,B,E,F
	16464-001	Board Assy, Driver/Receiver, GN13 (refer to Figure 2-28 for components)	1	C,D,G,H
7	16670-001	Board Assy, Data Separator, GR35 (refer to Figure 2-28 for components)	1	A,B
	19329-001	Board Assy, Data Separator, GR47 (refer to Figure 2-30 for components)	1	C,D
	16627-001	Board Assy, Data Separator, GR25 (refer to Figure 2-31 for components)	1	E-H



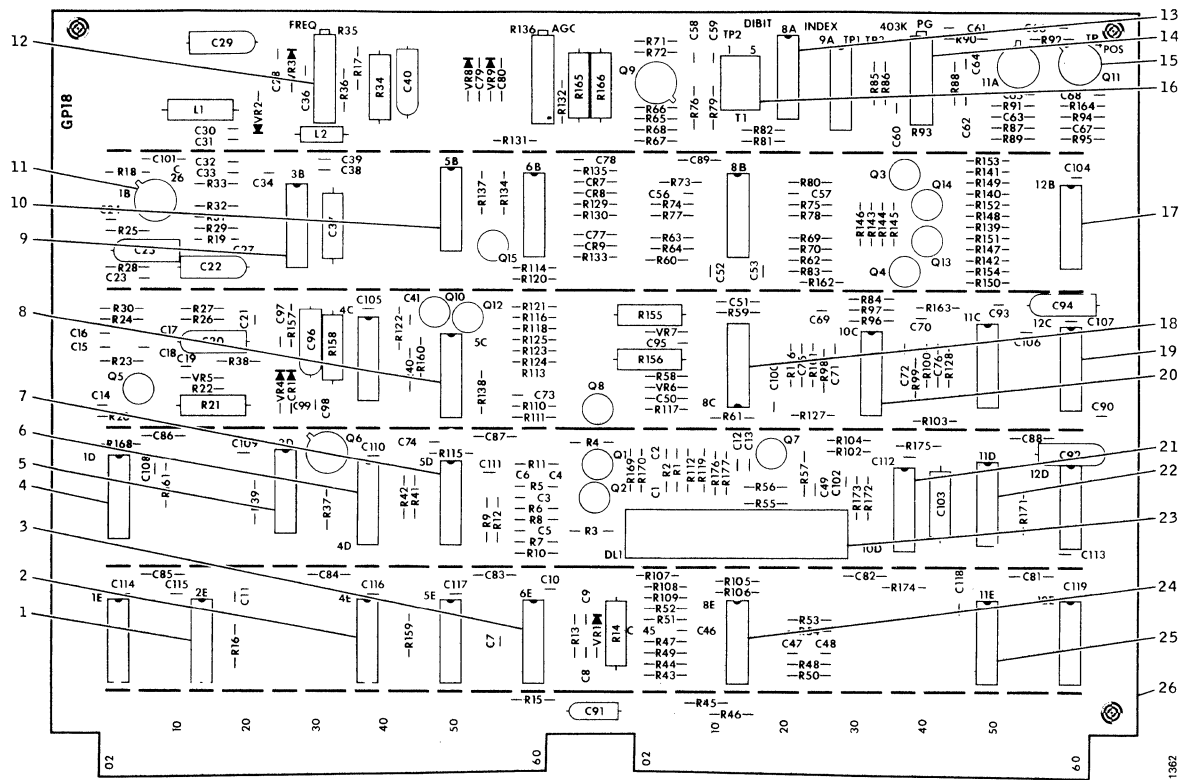


Figure 2-20. Servo Control I Board Assembly, GP18

FIGURE ITEM NO.	PART NUMBER	DESCRIPTION	QTY PER ASSY	USAGE CODE
20-	16467-001	Board Assy, Servo Control I, GP18 (see Figure 2-19 for NHA)	REF	A-D
-1	96155-001	. Gate, Nand, Quad, 2-Input, SBD, TTL, 2E	1	
-2	95549-001	. Counter, Binary, Pre-Settable, TTL, 4E, 5E	2	
-3	96758-001	. Amplifier, Linear, Dual, Diff, 6E, 6B	2	
-4	13231-001	. Flip-Flop, Dual J-K, TTL, 1D, 4C	2	
-5	19176-001	. Driver, Line, Dual, 3D	1	
-6	96389-001	. Flip-Flop, Dual D, SBD, 4D	1	
-7	19156-001	. Gate, Nand, Quad, 2-Input, TTL, 5D	1	
-8	92127-001	. Gate, Nand, Hex, 1-Input, 5C, 11C, 1E	3	
-9	19089-001	. Oscillator, Dual, Voltage Controlled, TTL, 3B	1	
-10	19097-001	. Switch, Analog, Linear, Quad N-FET, 5B, 9A	2	
-11	12404-001	. Amplifier, Linear, Operational, Test Slew, 1B	1	
-12	92244-220	. Resistor, Variable, 2K, R35, 136	2	
-13	10402-001	. Transistor Array, General Purpose, NPN, 8A	1	
-14	92244-150	. Resistor, Variable, 500 ohm, R93	1	
-15	13240-001	. Amplifier, Linear, Operational, Low Offset, 11A	1	
-16	90375-001	. Transformer, Pulse, T1	1	
-17	97607-001	. Gate, Non-Inverting, Hex, TTL, 12B	1	
-18	10207-001	. Amplifier, Linear, Diff, Video, 8C	1	
-19	95545-001	. Gate, And, -Or-Invert, Dual, TTL, 12C	1	
-20	12403-001	. Amplifier, Linear, Operational, Quad, 10C	1	

FIGURE ITEM NO.	PART NUMBER	DESCRIPTION	QTY PER ASSY	USAGE CODE
20-21	94526-001	. Multivibrator, Dual, 1 Shot, TTL, 10D	1	
-22	92136-001	. Flip-Flop, Dual D, TTL, 11D, 12D, 12E	3	
-23	18950-001	. Delay Line, DL1	1	
-24	12402-001	. Transistor Array, Quad, NPN, 8E, 8B	2	
-25	92130-001	. Gate, Nand, Dual, 4-Input, TTL, 11E	1	
	90326-001	. Transistor, Low Level, NPN, Q1, 2	2	
	90328-002	. Transistor, Switching, NPN, Q5, 10, 15	3	
	90330-001	. Transistor, General Purpose, PNP, Q6	1	
	19096-001	. Transistor, Field Effect, N-CH, Q7	1	
	90327-001	. Transistor, Low Level, PNP, Q3, 4, 8, 12, 13, 14	6	
	96385-001	. Transistor, Switching, NPN, Q9, 11	2	
	90346-062	. Diode, Zener, 6.2V, VR1, 6, 7	3	
	90346-051	. Diode, Zener, 5.1V, VR2.4	2	
	90346-056	. Diode, Zener, 5.6V, VR3, 5, 8, 9	4	
	90343-001	. Diode, Low Capacitance, CR1	1	
	90376-056	. Inductor, Molded, 56 MH, L2	1	
	90964-150	. Inductor, Molded, 1500 MH, L1	1	
	90356-206	. Capacitor, Tantalum, 10 MF, 10%, 20V, C20, 22, 25, 29 C40, 92, 94	7	
	90356-519	. Capacitor, Tantalum, 3.3 MF, 10%, 50v, C96	1	
	90356-102	. Capacitor, Tantalum, 4.7 MF, 10%, 10v, C91	1	
	10781-510	. Capacitor, Ceramic, 1.0 MF, C15-18	4	
	98175-410	. Capacitor, Ceramic, .1 MF, 10%, 50v, C1-9, 12, 3, 19, 21, C24, 26-28, 36, 39, 45, 48, 49, 52, 53, 58, 59, 73, 90, C93, 95,	30	
	98175-347	. Capacitor, Ceramic, .047 MF, 10%, 50v, C56, 67, 78, 97, C98, 99, 104-119	22	
	98175-147	. Capacitor, Ceramic, 470 pF, 10%, 200v, C10, 64	2	
	98175-110	. Capacitor, Ceramic, 100 pF, 10%, 200v, C14, 46, 47	3	
	98175-010	. Capacitor, Ceramic, 10 pF, 10%, 200v, C66, 102	2	
	98175-310	. Capacitor, Ceramic, .01 MF, 10%, 100v, C38, 41	2	
	98175-127	. Capacitor, Ceramic, 270 pF, 10%, 200v, C30	1	
	98175-115	. Capacitor, Ceramic, 150 pF, 10%, 200v, C31, 11, 62	3	
	98175-210	. Capacitor, Ceramic, .001 MF, 10%, 200v, C32, 69, 79, 71, 72	5	
	98175-168	. Capacitor, Ceramic, 680 pF, 10%, 200v, C33, 74	2	
	98175-227	. Capacitor, Ceramic, .0027 MF, 10%, 100v, C34	1	
	98175-315	. Capacitor, Ceramic, .015 MF, 10%, 50v, C23	1	
	98175-015	. Capacitor, Ceramic, 15 pF, 10%, 200v, C61	1	
	98175-156	. Capacitor, Ceramic, 560 pF, 10%, 200v, C60, 68	2	
	98175-333	. Capacitor, Ceramic, .033 MF, 10%, 50v, C100	1	
	90354-511	. Capacitor, Mica, 510 pF, 5%, 500v, C103	1	
	90354-180	. Capacitor, Mica, 18 pF, 5%, 500v, C37	1	
	95379-347	. Capacitor, Ceramic, .047 MF, 50v, C50, 51, 63, 65, 67 C75-77, 79-89, 101	20	
	90365-391	. Resistor, 390 ohm, 5%, 1W, R165, 166	2	
	90365-181	. Resistor, 180 ohm, 5%, 1W, R14, 21, 155, 156	4	
	90365-221	. Resistor, 220 ohm, 5%, 1W, R34	1	
	90365-470	. Resistor, 47 ohm, 5%, 1W, R158	1	
	90364-102	. Resistor, 1K, 5%, 1/4W, R20, 36-42, 57, 60, 62, 74, 75, R77, 78, 94, 125, 138, 140, 141, 412, 159, 160, 161, R171, 172, 174	28	

FIGURE ITEM NO.	PART NUMBER	DESCRIPTION	QTY PER ASSY	USAGE CODE
20-	90364-100	. Resistor, 10 ohm, 5%, 1/4W, R12, 13, 58, 59, 89, 91, 126 R28, 133, 135	10	
	90364-202	. Resistor, 2K, 5%, 1/4W, R1, 2, 121, 124, 143-146	8	
	90364-751	. Resistor, 750 ohm, 5%, 1/4W, R3, 4	2	
	90364-101	. Resistor, 100 ohm, 5%, 1/4W, R5	1	
	90364-201	. Resistor, 200 ohm, 5%, 1/4W, R16	1	
	90364-912	. Resistor, 9.1K, 5%, 1/4W, R173	1	
	90364-511	. Resistor, 510 ohm, 5%, 1/4W, R22, 43, 44, 169, 170	5	
	90364-470	. Resistor, 47 ohm, 5%, 1/4W, R73, 80, 95, 18, 19	5	
	90364-243	. Resistor, 24K, 5%, 1/4W, R175	1	
	90364-123	. Resistor, 12K, 5%, 1/4W, R87	1	
	90364-393	. Resistor, 39K, 5%, 1/4W, R98, 99	2	
	90364-103	. Resistor, 10K, 5%, 1/4W, R32, 120, 137	3	
	90364-821	. Resistor, 820 ohm, 5%, 1/4W, R107, 108, 109	3	
	90364-181	. Resistor, 180 ohm, 5%, 1/4W, R123, 147-150	5	
	90364-331	. Resistor, 330 ohm, 5%, 1/4W, R151-154	4	
	90364-153	. Resistor, 15K, 5%, 1/4W, R127	1	
	90364-431	. Resistor, 430 ohm, 5%, 1/4W, R157	1	
	90367-207	. Resistor, 205 ohm, 1%, 1/8W, R6, 7, 115	3	
	90367-132	. Resistor, 12.1K, 1%, 1/8W, R9, 11	2	
	90367-111	. Resistor, 10.5K, 1%, 1/8W, R23, 29	2	
	90367-416	. Resistor, 86.6K, 1%, 1/8W, R24	1	
	90367-133	. Resistor, 121K, 1%, 1/8W, R25, 31	2	
	90367-340	. Resistor, 511 ohm, 1%, 1/8W, R26, 27, 30 51, 53	5	
	90367-354	. Resistor, 562 ohm, 1%, 1/8W, R28	1	
	90367-426	. Resistor, 90.9K, 1%, 1/8W, R132	1	
	90367-208	. Resistor, 2.05K, 1%, 1/8W, R40	1	
	90367-158	. Resistor, 147 ohm, 1%, 1/8W, R117	1	
	90367-123	. Resistor, 115 ohm, 1%, 1/8W, R45, 46	2	
	90367-103	. Resistor, 1K, 1%, 1/8W, R52, 54-56, 67, 68 110, 111 113, 131	10	
	90367-187	. Resistor, 1.78K, 1%, 1/8W, R61	1	
	90367-144	. Resistor, 133 ohm, 1%, 1/8W, R65, 66	2	
	90367-102	. Resistor, 100 ohm, 1%, 1/8W, R8, 10, 76, 79, 112, 119	6	
	90367-305	. Resistor, 402 ohm, 1%, 1/8W, R81, 82, 118	3	
	90367-139	. Resistor, 12.7K, 1%, 1/8W, R85, 86	2	
	90367-264	. Resistor, 3.01K, 1%, 1/8W, R92	1	
	90367-234	. Resistor, 24.9 ohm, 1%, 1/8W, R105, 106	2	
	90367-166	. Resistor, 1.54K, 1%, 1/8W, R114, 130	2	
	90367-209	. Resistor, 20.5K, 1%, 1/8W, R176, 177	2	
	90367-138	. Resistor, 1.27K, 1%, 1/8W, R162, 163	2	
	90367-312	. Resistor, 422 ohm, 1%, 1/8W, R122, 138	2	
	90367-104	. Resistor, 10K, 1%, 1/8W, R15, 100-103, 164	6	
	90367-382	. Resistor, 681 ohm, 1%, 1/8W, R47-50	4	
	90367-230	. Resistor, 23.7K, 1%, 1/8W, R134	1	
	90367-222	. Resistor, 2.26K, 1%, 1/8W, R63, 64, 69, 79	4	
	90367-300	. Resistor, 38.3K, 1%, 1/8W, R96, 97	2	
	90367-202	. Resistor, 19.6K, 1%, 1/8W, R104, 83, 84	3	
	90367-285	. Resistor, 3.48K, 1%, 1/8W, R129	1	
	90367-368	. Resistor, 610 ohm, 1%, 1/8W, R71, 72, 17	3	
	90367-237	. Resistor, 24.9K, 1%, 1/8W, R88	1	
	90367-417	. Resistor, 866 ohm, 1%, 1/8W, R33	1	
	16468-001	. Board, Servo Control I	1	

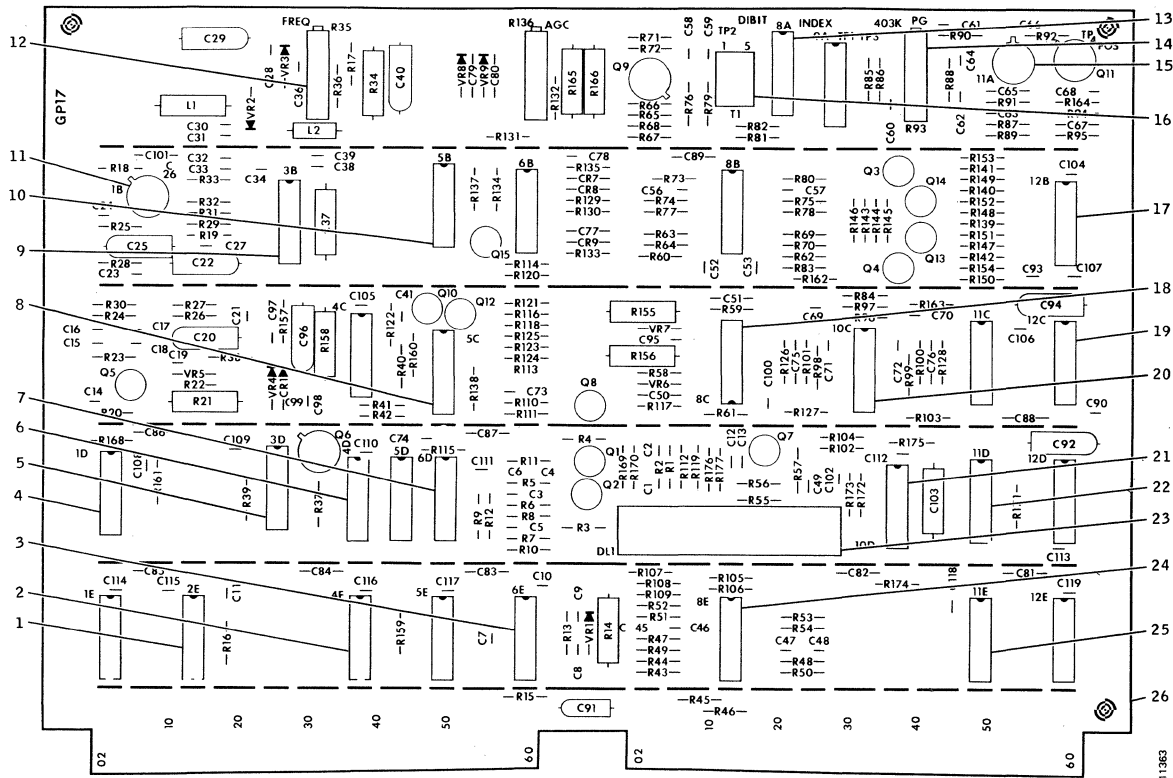


Figure 2-21. Servo Control I Board Assembly, GP17

FIGURE ITEM NO.	PART NUMBER	DESCRIPTION	QTY PER ASSY	USAGE CODE
21-	16470-001	Board Assy, Servo Control I, GP17 (see Figure 2-19 for NHA)	REF	E-H
-1	96155-001	. Gate, Nand, Quad, 2-Input, SBD, TTL, 2E	1	
-2	95549-001	. Counter, Binary, Pre-Settable, TTL, 4E, 5E	2	
-3	96758-001	. Amplifier, Linear, Dual, Diff, 6E, 6B	2	
-4	13231-001	. Flip-Flop, Dual, J-K, TTL, 1D, 4C	2	
-5	19176-001	. Driver, Line, Dual, High Current, 3D	1	
-6	96389-001	. Flip-Flop, Dual D, SBD, 4D, 5D	2	
-7	19156-001	. Gate, Nand, Quad, 2-Input, TTL, 6D	1	
-8	92127-001	. Gate, Nand, Hex, 1-Input, 5C, 11C, 1E	3	
-9	19089-001	. Oscillator, Dual, Voltage Controlled, TTL, 3B	1	
-10	19097-001	. Switch, Analog, Linear, Quad, N-FET, 5B, 9A	2	
-11	12404-001	. Amplifier, Linear, Operational, Fast Slew, 1B	1	
-12	92244-220	. Resistor, Variable, 2K, R35, 136	2	
-13	10402-001	. Transistor Array, General Purpose, NPN, 8A	1	
-14	92244-150	. Resistor, Variable, 500 ohm, R93	1	
-15	13240-001	. Amplifier, Linear, Operational, Low Offset, 11A	1	
-16	90375-001	. Transformer, Pulse, T1	1	
-17	97607-001	. Gate, Non-Inverting, Hex, TTL, 12B	1	
-18	10207-001	. Amplifier, Linear, Diff, Video, 8C	1	
-19	95545-001	. Gate, And, -Or-Invert, Dual, TTL, 12C	1	
-20	12403-001	. Amplifier, Linear, Operational, Quad, 10C	1	
-21	94526-001	. Multivibrator, Dual, 1 Shot, TTL, 10D	1	

FIGURE ITEM NO.	PART NUMBER	DESCRIPTION	QTY PER ASSY	USAGE CODE
21-22	92136-001	. Flip-Flop, Dual D, TTL, 11D, 12D, 12E	3	
-23	18950-001	. Delay Line, DL1	1	
-24	12402-001	. Transistor Array, Quad, NPN, 8E, 8B	2	
-25	92130-001	. Gate, Nand, Dual, 4-Input, TTL, 11E	1	
	90326-001	. Transistor, Low Level, NPN, Q1, 2	2	
	90328-002	. Transistor, Switching, NPN, Q5, 10, 15	3	
	90330-001	. Transistor, General Purpose, PNP, Q6	1	
	19096-001	. Transistor, Field Effect, N-CH, Q7	1	
	90327-001	. Transistor, Low Level, PNP, Q3, 4, 8, 12, 13, 14	6	
-21	96385-001	. Transistor, Switching, NPN, Q9, 11	2	
	90346-002	. Diode, Zener, 6.2V, VR1, 6, 7	3	
	90346-051	. Diode, Zener, 5.1V, VR2, 4	2	
	90346-056	. Diode, Zener, 5.6v, VR3, 5, 8, 9	4	
	90343-001	. Diode, Low Capacitance, CR1	1	
	90376-056	. Inductor, Molded, 56 MH, L2	1	
	90964-150	. Inductor, Molded, 1500 MH, L1	1	
	90356-206	. Capacitor, Tantalum, 10 MF, 10%, 20V, C20, 22, 25, 29, C40, 92, 94	7	
	90356-519	. Capacitor, Tantalum, 3.3 MF, 10%, 50V, C96	1	
	90356-102	. Capacitor, Tantalum, 4.7 MF, 10%, 10v, C91	1	
	10781-510	. Capacitor, Ceramic, 1.0 MF, C15-18	4	
	98175-410	. Capacitor, Ceramic, .1 MF, 10%, 50v, C1-9, 12, 13, 19, 21, C24, 26-28, 36, 39, 45, 48, 49, 52, 53, 58, 59, 73, 90, C93, 95	30	
	98175-347	. Capacitor, Ceramic, .047 MF, 10%, 50v, C56, 67, 78, 97, C98, 99	6	
	98175-147	. Capacitor, Ceramic, 470 pF, 10%, 200v, C10, 64	2	
	98175-110	. Capacitor, Ceramic, 100 pF, 10%, 200v, C14, 46, 47	3	
	98175-010	. Capacitor, Ceramic, 10 pF, 10%, 200v, C66, 102	2	
	98175-310	. Capacitor, Ceramic, .01 MF, 10%, 100v, C38, 41, 23	3	
	98175-127	. Capacitor, Ceramic, 270 pF, 10%, 200v, C30	1	
	98175-115	. Capacitor, Ceramic, 150 pF, 10%, 200v, C31, 11, 62	3	
	98175-210	. Capacitor, Ceramic, .001 MF, 10%, 200v, C32, 69, 70, C71, 72	5	
	98175-168	. Capacitor, Ceramic, 680 pF, 10%, 200v, C33, 74	2	
	98175-227	. Capacitor, Ceramic, .0027 MF, 10%, 100v, C34	1	
	98175-015	. Capacitor, Ceramic, 15 pF, 10%, 200v, C61	1	
	98175-156	. Capacitor, Ceramic, 560 pF, 10%, 200v, C60, 68	2	
	98175-333	. Capacitor, Ceramic, .033 MF, 10%, 50v, C100	1	
	90354-511	. Capacitor, Mica, 510 pF, 5%, 500v, C103	1	
	90354-180	. Capacitor, Mica, 18 pF, 5%, 500v, C37	1	
	95379-347	. Capacitor, Ceramic, .047 MF, 50v, C50, 51, 63, 65, 67, 75, C77, 79-89, 101	20	
	90365-391	. Resistor, 390 ohm, 5%, 1W, R165, 166	2	
	90365-181	. Resistor, 180 ohm, 5%, 1W, R14, 21, 155, 156	4	
	90365-221	. Resistor, 220 ohm, 5%, 1W, R34	1	
	90365-470	. Resistor, 47 ohm, 5%, 1W, R158	1	
	90364-102	. Resistor, 1K, 5%, 1/4W, R20, 36, 37-40, 57, 60, 62, 74, 75, R77, 78, 94, 125, 139, 140, 141, 142, 159, 160, 161, R171, 172, 174	26	
	90364-100	. Resistor, 10 ohm, 5%, 1/4W, R12, 13, 58, 59, 89, 91, 126, R128, 133, 135	10	

FIGURE ITEM NO.	PART NUMBER	DESCRIPTION	QTY PER ASSY	USAGE CODE
21-	90364-202	. Resistor, 2K, 5%, 1/4W, R1, 2, 121, 124, 143-146	8	
	90364-751	. Resistor, 5%, 1/4W, R3, 4	2	
	90364-101	. Resistor, 100 ohm, 5%, 1/4W, R5	1	
	90364-201	. Resistor, 200 ohm, 5%, 1/4W, R16	1	
	90364-912	. Resistor, 9.1K, 5%, 1/4W, R173	1	
	90364-511	. Resistor, 510 ohm, 5%, 1/4W, R22, 43, 44, 169, 170	5	
	90364-470	. Resistor, 47 ohm, 5%, 1/4W, R73, 80, 95, 18, 19	5	
	90364-243	. Resistor, 24K, 5%, 1/4W, R175	1	
	90364-123	. Resistor, 12K, 5%, 1/4W, R87	1	
	90364-393	. Resistor, 39K, 5%, 1/4W, R98, 99	2	
	90364-103	. Resistor, 10K, 5%, 1/4W, R32, 120, 137	3	
	90364-821	. Resistor, 802 ohm, 5%, 1/4W, R107, 108, 109	3	
	90364-181	. Resistor, 180 ohm, 5%, 1/4W, R123, 147-150	5	
	90364-331	. Resistor, 330 ohm, 5%, 1/4W, R151-154	4	
	90364-153	. Resistor, 15K, 5%, 1/4W, R127	1	
	90364-431	. Resistor, 430 ohm, 5%, 1/4W, R157	1	
	90367-207	. Resistor, 205 ohm, 1%, 1/8W, R6, 7, 115	3	
	90357-132	. Resistor, 12.1K, 1%, 1/8W, R9, 11	2	
	90367-111	. Resistor, 10.5K, 1%, 1/8W, R23, 29	2	
	90367-416	. Resistor, 86.6K, 1%, 1/8W, R24	1	
	90367-133	. Resistor, 121K, 1%, 1/8W, R25, 31	2	
	90367-340	. Resistor, 511 ohm, 1%, 1/8W, R26, 27, 30, 51, 53	5	
	90367-354	. Resistor, 562 ohm, 1%, 1/8W, R28	1	
	90367-426	. Resistor, 90.9K, 1%, 1/8W, R132	1	
	90367-208	. Resistor, 2.05K, 1%, 1/8W, R90	1	
	90367-158	. Resistor, 147 ohm, 1%, 1/8W, R117	1	
	90367-123	. Resistor, 115 ohm, 1%, 1/8W, R45, 46	2	
	90367-103	. Resistor, 1K, 1%, 1/8W, R52, 54-56, 67, 68, 110, 111, 113, 131	10	
	90367-187	. Resistor, 1.78K, 1%, 1/8W, R61	1	
	90367-144	. Resistor, 133 ohm, 1%, 1/8W, R65, 66	2	
	90367-102	. Resistor, 100 ohm, 1%, 1/8W, R8, 10, 76, 69, 112, 119	6	
	90367-305	. Resistor, 402 ohm, 1%, 1/8W, R81, 82, 118	3	
	90367-139	. Resistor, 12.7K, 1%, 1/8W, R85, 86	2	
	90367-264	. Resistor, 3.01K, 1%, 1/8W, R92	1	
	90367-234	. Resistor, 24.9 ohm, 1%, 1/8W, R105, 106	2	
	90367-166	. Resistor, 1.54K, 1%, 1/8W, R114, 130	2	
	90367-209	. Resistor, 20.5K, 1%, 1/8W, R176, 177	2	
	90367-138	. Resistor, 1.27I, 1%, 1/8W, R162, 163	2	
	90367-312	. Resistor, 422 ohm, 1%, 1/8W, R122, 138	2	
	90367-104	. Resistor, 10K, 1%, 1/8W, R15, 100-103, 164	6	
	90367-382	. Resistor, 681 ohm, 1%, 1/8W, R47-50	4	
	90367-230	. Resistor, 23.7K, 1%, 1/8W, R134	1	
	90367-222	. Resistor, 2.26K, 1%, 1/8W, R63, 64, 69, 70	4	
	90367-300	. Resistor, 38.3K, 1%, 1/8W, R96, 97	2	
	90367-202	. Resistor, 19.6K, 1%, 1/8W, R104, 83, 84	3	
	90367-395	. Resistor, 75 ohm, 1%, 1/8W, R116	1	
	90367-285	. Resistor, 3.48K, 1%, 1/8W, R129	1	
	90367-368	. Resistor, 619 ohm, 1%, 1/8W, R71, 72, 17	3	
	90367-237	. Resistor, 24.9K, 1%, 1/8W, R88	1	
	90367-417	. Resistor, 866 ohm, 1%, 1/8W, R33	1	
-26	16471-001	. Board, Servo Control I	1	

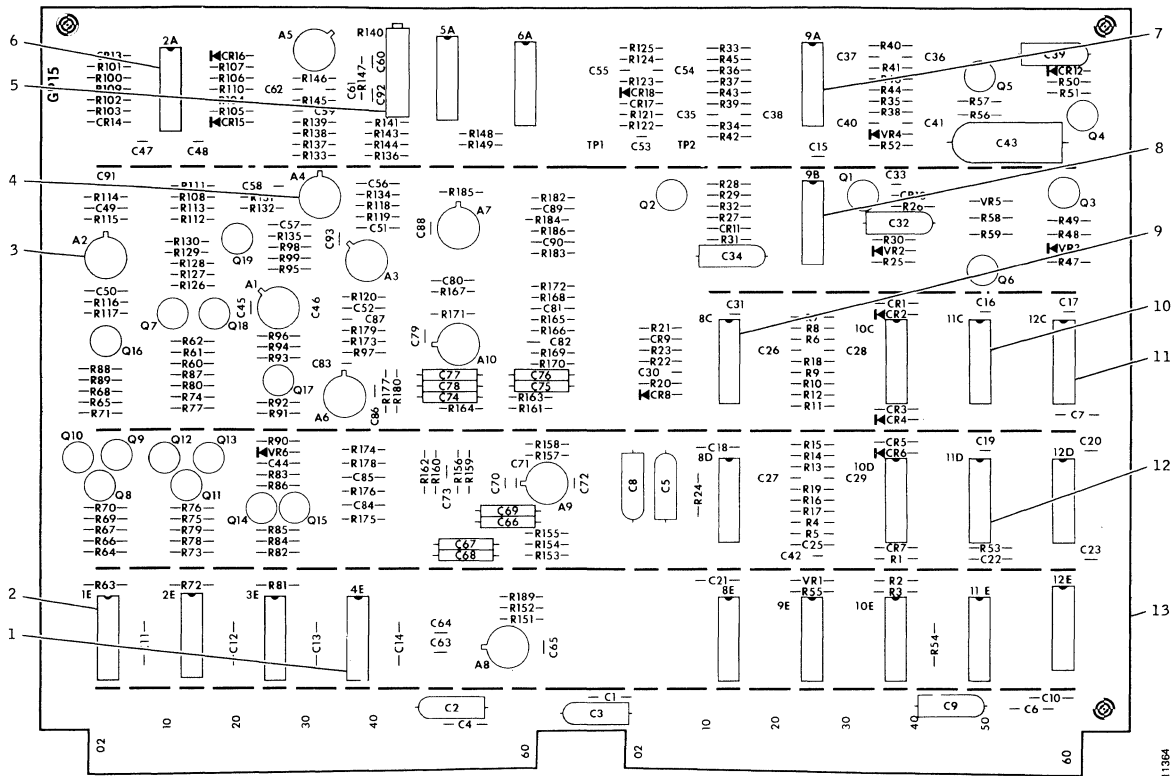


Figure 2-22. Servo Control II Board Assy, GP15

FIGURE ITEM NO.	PART NUMBER	DESCRIPTION	QTY PER ASSY	USAGE CODE
22-	16461-001	Board Assy, Servo Control II, GP15 (see Figure 2-19 for NHA)	REF	
-1	90314-001	. Gate, Nand, Hex, 1-Input, DTL, 4E, 8E, 12E	3	
-2	90312-001	. Gate, Nand, Triple, 3-Input, DTL, 1E, 3E, 10E	4	
-3	92140-001	. Amplifier, Linear, Operational, A1, A2	2	
-4	13240-001	. Amplifier, Linear, Low offset, A3-A10	8	
-5	14048-001	. Switch, Analog, Linear, Dual, J-FET, 5A, 6A	2	
-6	12403-001	. Amplifier, Linear, Operational, Quad, 2A, 10C, 10D	3	
-7	96758-001	. Amplifier, Linear, Diff Comp, Dual, 9A	1	
-8	90313-001	. Gate, Nand, Dual, 4-Input, DTL, 8B, 8D	2	
-9	12282-001	. Amplifier, Linear, Comp, Quad, 8C	1	
-10	95546-001	. Gate, Ex-Or-, Quad, 2-Input, TTL, 11C	1	
-11	92136-001	. Flip-Flop, Dual D, TTL, 12C, 12D	2	
-12	90311-001	. Gate, Nand, Quad, 2-Input, DTL, 11D, 9E, 11E	3	
	90326-001	. Transistor, Low Level, NPN, Q1, 5, 6, 17	4	
	90327-001	. Transistor, Low Level, PNP, Q3, 4, 7-16, 18	13	
	94209-001	. Transistor, Field Effect, N-CH, Q2, 19	2	
	90342-001	. Diode, General Purpose, CR1-10	10	
	90343-001	. Diode, Low Capacitance, CR11	1	
	90344-001	. Diode, Rectifier, 1 amp, 50V, CR12	1	
	98445-001	. Diode, Multi-Junction, 400 MW, CR17, 18	2	
	10357-001	. Diode, Low Capacitance, CR13-16	4	

FIGURE ITEM NO.	PART NUMBER	DESCRIPTION	QTY PER ASSY	USAGE CODE
22-	90346-033	. Diode, Zener, 3.3v, VR3	1	
	90346-047	. Diode, Zener, 4.7v, VR6	1	
	90346-051	. Diode, Zener, 5.1v, VR2	1	
	90346-056	. Diode, Zener, 5.6v, VR1	1	
	90346-062	. Diode, Zener, 6.2v, VR4	1	
	90346-120	. Diode, Zener, 12v, VR5	1	
	90356-519	. Capacitor, Tantalum, 3.3 MF, 10%, 50v, C34	1	
	90356-521	. Capacitor, Tantalum, 4.7 MF, 10%, 50v, C2, 9	2	
	90356-352	. Capacitor, Tantalum, 6.8 MF, 10%, 35v, C32, 39	2	
	90356-206	. Capacitor, Tantalum, 10 MF, 10%, 20v, C3, 5, 8	3	
	90356-355	. Capacitor, Tantalum, 33 MF, 10%, 35v, C43	1	
	95379-347	. Capacitor, Ceramic, .047 MF, 50v, C1, 4, 6, 7, 10-14, 18, 21, 22, 25, 44, 49-52, 56, 57, 80, 81, 84, 85, 89, 90	26	
	98175-110	. Capacitor, Ceramic, 100 pF, 10%, 200v, C58, 60, 63, 70, 79, 86, 88, 93	8	
	98175-141	. Capacitor, Ceramic, 470 pF, 200v, 10%, C83	1	
	98175-156	. Capacitor, Ceramic, 560 pF, 200v, 10%, C53	1	
	98175-222	. Capacitor, Ceramic, 2200 pF, 100v, 10%, C92	1	
	98175-247	. Capacitor, Ceramic, 4700 pF, 100v, C54	1	
	98175-268	. Capacitor, Ceramic, 6800 pF, 100v, 10%, C55, 73, 82, 91	4	
	98175-347	. Capacitor, Ceramic, .047 MF, 50v, 10%, C15-17, 19, 20, C23, 28-31, 35-38, 40, 41, 45-48, 61, 62, 64, 65, 71, 72	26	
	98175-368	. Capacitor, Ceramic, .068 MF, 10%, 50v, C59	1	
	98175-310	. Capacitor, Ceramic, .01 MF, 10%, 50v, C26, 27, 42, 87	4	
	10781-433	. Capacitor, Ceramic, .33 MF, 10%, 50v, C33	1	
	13952-001	. Capacitor, Polycarb, .022 MF, 2%, 100v, C66-69, 74-78	9	
	90364-100	. Resistor, 10 ohm, 5%, 1/4W, R18, 19, 22, 39-42, 95, 96, R109, 110, 115, 116, 119, 120, 134, 135, 145, 146, R151, 152, 157, 158, 167, 168, 175, 176, 182, 183	29	
	90364-510	. Resistor, 51 ohm, 5%, 1/4W, R54	1	
	90364-201	. Resistor, 200 ohm, 5%, 1/4W, R52, 59	2	
	90364-331	. Resistor, 330 ohm, 5%, 1/4W, R90-92	3	
	90364-471	. Resistor, 470 ohm, 5%, 1/4W, R32	1	
	90364-511	. Resistor, 510 ohm, 5%, 1/4W, R47	1	
	90364-102	. Resistor, 1K, 5%, 1/4W, R21, 24, 53, 57, 126	5	
	90364-272	. Resistor, 2.7K, 5%, 1/4W, R1-3	3	
	90364-302	. Resistor, 3K, 5%, 1/4W, R23, 81, 84, 85, 127	6	
	90364-472	. Resistor, 4.7K, 5%, 1/4W, R55	1	
	90364-512	. Resistor, 5.1K, 5%, 1/4W, R20, 27, 48, 58, 78, 79	6	
	90364-103	. Resistor, 10K, 5%, 1/4W, R28-30, 75, 76, 97, 117, 136, R144, 162, 172, 178, 185, 186, 189	15	
	90364-203	. Resistor, 20K, 5%, 1/4W, R49, 60, 61, 63, 64, 66, 67, 69, R70, 72, 73, 128, 129	13	
	90364-513	. Resistor, 51K, 5%, 1/4W, R25	1	
	90364-104	. Resistor, 100K, 5%, 1/4W, R26, 30	2	
	90364-204	. Resistor, 200K, 5%, 1/4W, R56	1	
	90364-304	. Resistor, 300K, 5%, 1/4W, R50	1	
	90364-684	. Resistor, 680K, 5%, 1/4W, R13, 51, 122	3	
	90364-241	. Resistor, 240 ohm, 5%, 1/4W, R33, 34	2	
	90367-263	. Resistor, 301 ohm, 1%, 1/8W, R37	1	



FIGURE ITEM NO.	PART NUMBER	DESCRIPTION	QTY PER ASSY	USAGE CODE
22-	90367-270	. Resistor, 316 ohm, 1%, 1/8W, R35	1	
	90367-368	. Resistor, 610 ohm, 1%, 1/8W, R13	1	
	90367-430	. Resistor, 953 ohm, 1%, 1/8W, R16	1	
	90367-103	. Resistor, 1K, 1%, 1/8W, R8, 12, 45, 46, 113, 123	6	
	90367-110	. Resistor, 1.05K, 1%, 1/8W, R14	1	
	90367-117	. Resistor, 1.10K, 1%, 1/8W, R9	1	
	90367-138	. Resistor, 1.27K, 1%, 1/8W, R184	1	
	90367-145	. Resistor, 1.33K, 1%, 1/8W, R170	1	
	90367-159	. Resistor, 1.47K, 1%, 1/8W, R160	1	
	90367-166	. Resistor, 1.54K, 1%, 1/8W, R112	1	
	90367-173	. Resistor, 1.62K, 1%, 1/8W, R139	1	
	90367-180	. Resistor, 1.69K, 1%, 1/8W, R11	1	
	90367-194	. Resistor, 1.87K, 1%, 1/8W, R38	1	
	90367-222	. Resistor, 2.26K, 1%, 1/8W, R43, 44	2	
	90367-243	. Resistor, 2.61K, 1%, 1/8W, R161, 163-165	4	
	90367-257	. Resistor, 2.87K, 1%, 1/8W, R153, 154	2	
	90367-264	. Resistor, 3.01K, 1%, 1/8W, R155	1	
	90367-278	. Resistor, 3.32K, 1%, 1/8W, R36, 111	2	
	90367-306	. Resistor, 4.02K, 1%, 1/8W, R4, 86	2	
	90367-320	. Resistor, 4.42K, 1%, 1/8W, R7, 169	2	
	90367-341	. Resistor, 5.11K, 1%, 1/8W, R108, 166	2	
	90367-369	. Resistor, 6.19K, 1%, 1/8W, R138, 179	2	
	90367-390	. Resistor, 7.15K, 1%, 1/8W, R124	1	
	90367-411	. Resistor, 8.25K, 1%, 1/8W, R83	1	
	90367-418	. Resistor, 8.66K, 1%, 1/8W, R159, 174	2	
	90367-425	. Resistor, 9.09K, 1%, 1/8W, R15, 93, 94	3	
	90367-104	. Resistor, 10K, 1%, 1/8W, R5, 10, 17, 98, 99, 118, 131, 133, 173, 141, 148, 156, 171, 180	15	
	90367-132	. Resistor, 12.1K, 1%, 1/8W, R104	1	
	90367-146	. Resistor, 13.3K, 1%, 1/8W, R6	1	
	90367-153	. Resistor, 14K, 1%, 1/8W, R101, 106	2	
	90367-167	. Resistor, 15.4K, 1%, 1/8W, R147	1	
	90367-174	. Resistor, 16.2K, 1%, 1/8W, R80, 100, 102	3	
	90367-181	. Resistor, 16.9K, 1%, 1/8W, R103	1	
	90367-209	. Resistor, 20.5K, 1%, 1/8W, R87, 88	2	
	90367-230	. Resistor, 23.7K, 1%, 1/8W, R114	1	
	90367-244	. Resistor, 26.1K, 1%, 1/8W, R143	1	
	90367-272	. Resistor, 31.6K, 1%, 1/8W, R77	1	
	90367-286	. Resistor, 34.8K, 1%, 1/8W, R173, 177	2	
	90367-300	. Resistor, 38.3K, 1%, 1/8W, R125	1	
	90367-328	. Resistor, 46.4K, 1%, 1/8W, R107	1	
	90367-349	. Resistor, 53.6K, 1%, 1/8W, R105	1	
	90367-377	. Resistor, 64.9K, 1%, 1/8W, R74	1	
	90367-384	. Resistor, 68.1K, 1%, 1/8W, R149	1	
	90367-105	. Resistor, 100K, 1%, 1/8W, R121	1	
	90367-140	. Resistor, 127K, 1%, 1/8W, R71	1	
	90367-217	. Resistor, 215K, 1%, 1/8W, R68	1	
	90367-301	. Resistor, 383K, 1%, 1/8W, R65	1	
	90367-335	. Resistor, 48.7K, 1%, 1/8W, R62	1	
	90367-315	. Resistor, 422K, 1%, 1/8W, R89	1	
	92244-320	. Resistor, Variable, 20K, 20%, 3/4W, R140	1	
-13	16462-001	. Board, Servo Control II	1	

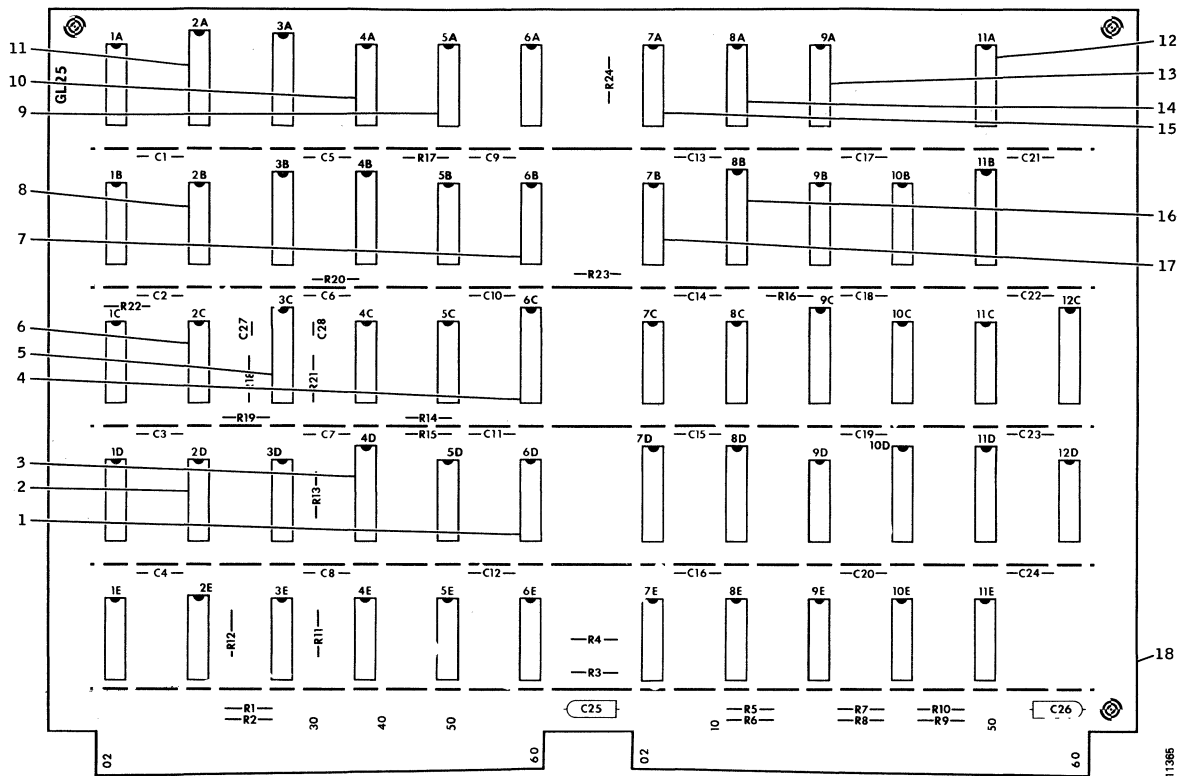


Figure 2-23. Logic Control I Board Assembly, GL25

FIGURE ITEM NO.	PART NUMBER	DESCRIPTION	QTY PER ASSY	USAGE CODE
23-	16407-001	Board Assy, Logic Control I, GL25 (see Figure 2-19 for NHA)	REF	
-1	95546-001	. Gate, Exclusive-OR, 2-Input, TTL, 6D, 9D, 12D	3	
-2	92136-001	. Flip-Flop, Dual D, TTL, 2D, 3D, 1C	3	
-3	90317-001	. Adder, Dual, TTL, 4D, 7D, 8D, 10D, 11D	5	
-4	99184-001	. Counter, Binary, Preset, TTL, 6C, 9C, 12C	3	
-5	94526-001	. Multivibrator, Dual, One-Shot, TTL, 3C	1	
-6	92127-001	. Gate, Nand, Hex-1-Input, TTL, 2C, 5C, 8C, 11C, 3E, 9E	6	
-7	92128-001	. Gate, Nand, Quad, 2-Input, TTL, 6B, 1E, 1D, 4E, 7E, 8E, 10E, 11E	9	
-8	10411-210	. Resistor Network, 1K, 2%, 2B	1	
-9	19149-001	. Gate, And, Quad, 2-Input, TTL, 5A, 6A	2	
-10	92129-001	. Gate, Nand, Triple, 3-Input, TTL, 4A, 5B, 2E	3	
-11	98604-001	. Counter, Binary, Preset, TTL, 2A, 3A, 3B	3	
-12	92130-001	. Gate, Nand, Dual, 4-Input, TTL, 11A, 6E	2	
-13	90312-001	. Gate, Nand, Triple, 3-Input, TTL, 9A	1	
-14	90311-001	. Gate, Nand, Quad, 2-Input, DTL, 8A	1	
-15	90314-001	. Gate, Nand, Hex, 1-Input, DTL, 7A, 9B, 5D	3	
-16	95549-001	. Multiplexer, Quad, 2-Input, TTL, 8B, 4B, 11B	3	
-17	95549-001	. Counter, Binary, Presettable, TTL, 7B, 10B, 7C, 10C, 4C	5	
	95379-347	. Capacitor, Ceramic, .047 MF, 50V, C1-24	24	
	90356-102	. Capacitor, Tantalum, 4.7 MF, 10V, C25, 26	2	

FIGURE ITEM NO.	PART NUMBER	DESCRIPTION	QTY PER ASSY	USAGE CODE
23-	98175-110	. Capacitor, Ceramic, 100 pF, 200v, C27, 28	2	
	90364-102	. Resistor, 1K, 5%, 1/4W, R1-16, 19, 20, 22, 23	20	
	90364-752	. Resistor, 7.5K, 5%, 1/4W, R18, R21	2	
-18	16408-001	. Board, Logic Control I	1	

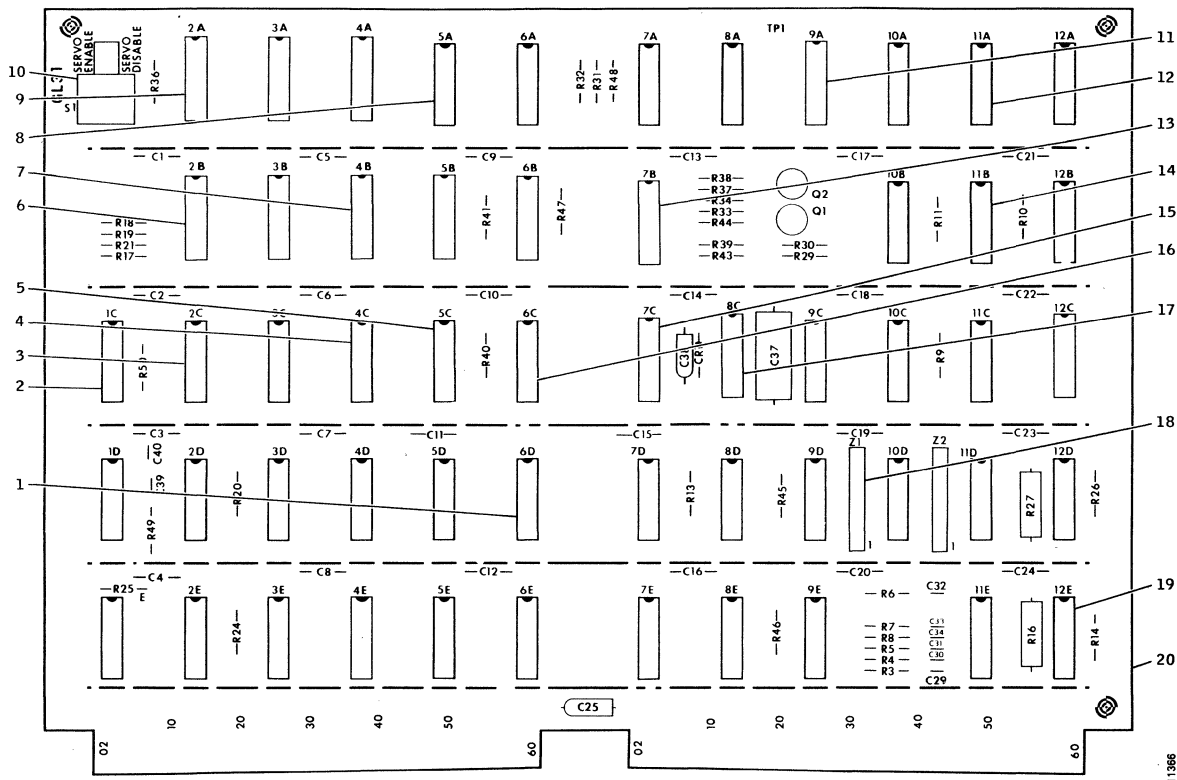


Figure 2-24. Logic Control II Board Assembly, GL31

FIGURE ITEM NO.	PART NUMBER	DESCRIPTION	QTY PER ASSY	USAGE CODE
24-	16687-001	Board Assy, Logic Control II, GL31 (see Figure 2-19 for NHA)	REF	
-1	95547-001	. Flip-Flop, Dual J-K, TTL, 6D, 5E	2	
-2	92128-001	. Gate, Nand, Quad, 2-Input, TTL, 1C, 3C, 4D, 5D, 7D, 2E	6	
-3	92131-001	. Gate, Nand, Single, 8-Input, TTL, 2C	1	
-4	92129-001	. Gate, Nand, Triple, 3-Input, TTL, 4C, 3D, 7E	3	
-5	92127-001	. Gate, Nand, Hex, 1-Input, TTL, 5C, 2D, 6E	3	
-6	92133-001	. Latch, Quad, TTL, 2B, 3B	2	
-7	98604-001	. Counter, Binary, Presettable, TTL, 4B-6B, 12C	4	
-8	95549-001	. Counter, Binary, Preset, TTL, 5A-8A	4	
-9	95544-001	. Multiplexer, Quad, 2-Input, TTL, 2A-4A	3	
-10	13685-001	. Switch, Toggle, SPDT, S1	1	
-11	90311-001	. Gate, Nand, Quad, 2-Input, DTL, 10A, 12A, 9D-11D, 9E, 11E	7	
-12	90312-001	. Gate, Nand, Triple, 3-Input, DTL, 11A, 9A, 3E, 4E	4	
-13	90314-001	. Gate, Nand, Hex, 1-Input, DTL, 7B, 10B, 10C, 12D	4	
-14	92136-001	. Flip-Flop, Dual D, TTL, 11B, 12B, 8D, 1E, 8E	5	
-15	95545-001	. Gate, And-OR-Invert, 2-Input, TTL, 7C	1	
-16	92130-001	. Gate, Nand, Dual, 4-Input, TTL, 6C, 9C, 11C	3	
-17	94526-001	. Multivibrator, Dual, 1-Shot, TTL, 8C, 1D	2	
-18	97225-005	. Resistor, Network, Single, 4.7K, Z1, Z2	2	

FIGURE ITEM NO.	PART NUMBER	DESCRIPTION	QTY PER ASSY	USAGE CODE
24-19	12402-001	. Transistor Array, NPN, 12E	1	
	90326-001	. Transistor, Low Level, NPN, Q2	1	
	90327-001	. Transistor, Low Level, PNP, Q1	1	
	90342-001	. Diode, General Purpose, CR1	1	
	98175-147	. Capacitor, Ceramic, 470 pF, C40	1	
	98175-268	. Capacitor, Ceramic, .0068 MF, C39	1	
	90355-333	. Capacitor, Mylar, .033 MF, 100v, C37	1	
	90356-204	. Capacitor, Tantalum, 2.2 MF, C38	1	
	90356-102	. Capacitor, Tantalum, 4.7 MF, C25	1	
	95379-347	. Capacitor, Ceramic, .047 MF, C1-24	24	
	98175-310	. Capacitor, Ceramic, .01 MF, C29-34	6	
	90364-510	. Resistor, 51 ohm, 5%, 1/4W, R3-8	6	
	90364-101	. Resistor, 100 ohm, 5%, 1/4W, R44	1	
	90364-102	. Resistor, 1K ohm, 5%, 1/4W, R9-14, 17-21, 24-26, 31, 32, R36, 40, 41, 45-47	22	
	90364-202	. Resistor, 2K, 5%, 1/4W, R34	1	
	90364-272	. Resistor, 2.7K, 5%, 1/4W, R29	1	
	90364-302	. Resistor, 3K, 5%, 1/4W, R33	1	
	90364-103	. Resistor, 10K, 5%, 1/4W, R30, 37	2	
	90364-562	. Resistor, 5.6K, 5%, 1/4W, R38	1	
	90367-206	. Resistor, 20.5K, 1%, 1/8W, R49, 50	2	
90367-167	. Resistor, 15.4K, 1%, 1/8W, R43	1		
90367-293	. Resistor, 36.5K, 1%, 1/8W, R38	1		
90365-202	. Resistor, 2K, 5%, 1W, R16, 27	2		
-20	16688-001	. Board, Logic Control II	1	

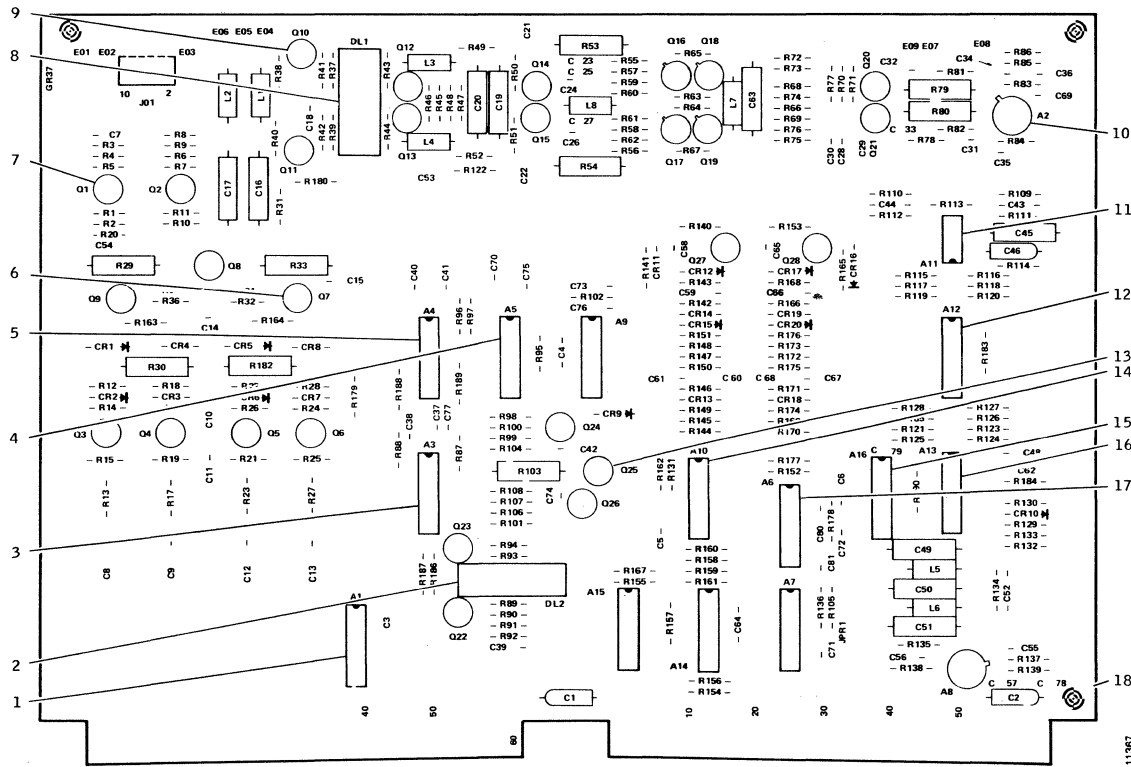


Figure 2-25. Read Limiter/Amdet/RW Protect Board Assembly, GR37

FIGURE ITEM NO.	PART NUMBER	DESCRIPTION	QTY PER ASSY	USAGE CODE
25-	17686-001	Board Assy, Read Limiter/Amdet/RW Protect, GR37 (see Figure 2-19 for NHA)	REF	A-D
-1	97607-001	. Gate, Non-Invert, Hex, TTL, A1, A9	2	
-2	13134-003	. Delay Line, 500 ohm, 40 NS, DL2	1	
-3	96155-001	. Gate, Nand, Quad, SBD, TTL, A3, A7	2	
-4	96389-001	. Flip-Flop, Dual D, TTL, A5	1	
-5	96977-001	. Gate, Nand, Quad, SBD, TTL, A4	1	
-6	13847-001	. Transistor, NPN, Q7, 9, 16-19	6	
-7	90326-003	. Transistor, NPN, Q1-6, 8, 20, 21, 23	10	
-8	15640-003	. Delay Line, 100 ohm, 77.4 NS, DL1	1	
-9	90327-003	. Transistor, PNP, Q10-15, 22, 24, 27, 28	10	
-10	99326-001	. Amplifier, Linear, Comp, Hi-Speed TTL, A2, A8	2	
-11	19157-001	. Amplifier, Linear, Diff. Video, All	1	
-12	19159-001	. Transistor Array, General Purpose, PNP, A12, A14	2	
-13	19177-001	. Transistor, NPN, Q25, 26	2	
-14	12282-001	. Amplifier, Linear, Comp, Quad, TTL, A10	1	
-15	18773-001	. Gate, OR-Quad, 2-Input, TTL, A16	1	
-16	19158-001	. Transistor Array, General Purpose, NPN, A13, A15	2	
-17	14521-001	. Gate, Exclusive, OR, Quad, SBD, TTL, A6	1	
	90965-056	. Inductor, Molded, 5.6 MH, L1, 2	2	
	17765-136	. Inductor, Molded, 360 MH, L5, 6	2	

FIGURE ITEM NO.	PART NUMBER	DESCRIPTION	QTY PER ASSY	USAGE CODE
25-	90965-100	. Inductor, Molded, 10 MH, L3, 4	2	
	10357-001	. Diode, Low Capacitance, CR1-20	20	
	90354-680	. Capacitor, Mica, 68 pF, 5%, 500v, C19, 20	2	
	90354-151	. Capacitor, Mica, 150 pF, 5%, 500v, C16, 17	2	
	90354-111	. Capacitor, Mica, 110 pF, 5%, 500v, C49, 51	2	
	90354-361	. Capacitor, Mica, 360 pF, 5%, 500v, C50	1	
	90354-821	. Capacitor, Mica, 820 pF, 5%, 100v, C45	1	
	90356-102	. Capacitor, Tantalum, 4.7 MF, 10%, 10v, C1, 2	2	
	90356-513	. Capacitor, Tantalum, 1 MF, 10%, 50v, C46	1	
	95379-347	. Capacitor, Ceramic, .047 MF, 50v, C4, 43, 44, 47, 52, 64	6	
	98175-022	. Capacitor, Ceramic, 22 pF, 10%, 200v, C60, 61, 67, 68	4	
	98175-127	. Capacitor, Ceramic, 270 pF, 10%, 200v, C37, 38, 40, 41	4	
	98175-247	. Capacitor, Ceramic, .0047 MF, 10%, 100v, C58, 65	2	
	98175-327	. Capacitor, Ceramic, .027 MF, 10%, 50v, C42	1	
	98175-410	. Capacitor, Ceramic, 1 MF, 10%, 50v, C5, 6, 10, 11, 14, 15, 18, 3, 21-26, 28-36, 39, 53-57, 59, 62, 66, 69-81	45	
	10781-433	. Capacitor, Ceramic, .33 MF, 10%, 50v, C7-9, 12, 13, 27, 48	7	
	90364-100	. Resistor, 10 ohm, 5%, 1/4W, R179	1	
	90364-120	. Resistor, 12 ohm, 5%, 1/4W, R104	1	
	90364-200	. Resistor, 20 ohm, 5%, 1/4W, R78	1	
	90364-270	. Resistor, 27 ohm, 5%, 1/4W, R83, 84, 86, 114, 137-139, 128, 129	9	
	90364-330	. Resistor, 33 ohm, 5%, 1/4W, R50, 51, 55, 56	4	
	90364-273	. Resistor, 27K, 5%, 1/4W, R183	1	
	90364-220	. Resistor, 22 ohm, 5%, 1/4W, R77	1	
	90364-470	. Resistor, 47 ohm, 5%, 1/4W, R49, 41, 42, 52, 59, 62, 68-72, 75, 87, 88, 92, 119-121, 123, 131, 163, 164	22	
	90364-510	. Resistor, 51 ohm, 5%, 1/4W, R8	1	
	90364-680	. Resistor, 68 ohm, 5%, 1/4W, R31	1	
	90364-101	. Resistor, 100 ohm, 5%, 1/4W, R96, 97	2	
	90364-102	. Resistor, 1K, 5%, 1/4W, R85, 95, 102, 105, 136, 152, 162, 177, 178	9	
	90364-821	. Resistor, 820 ohm, 5%, 1/4W, R184, 185	2	
	90364-332	. Resistor, 3.3K, 5%, 1/4W, R186-189	4	
	90364-392	. Resistor, 3.9K, 5%, 1/4W, R125	1	
	90364-103	. Resistor, 10K, 5%, 1/4W, R14, 24, 143, 168	4	
	90364-124	. Resistor, 120K, 5%, 1/4W, R124	1	
	90367-228	. Resistor, 237 ohm, 1%, 1/8W, R34, 35, 98	3	
	90367-332	. Resistor, 48.7 ohm, 1%, 1/8W, R60, 61	2	
	90367-185	. Resistor, 17.8 ohm, 1%, 1/8W, R65, 67	2	
	90367-429	. Resistor, 95.3 ohm, 1%, 1/8W, R43, 44	2	
	90367-227	. Resistor, 23.7 ohm, 1%, 1/8W, R20	1	
	90367-395	. Resistor, 75 ohm, 1%, 1/8W, R3, 9	2	
	90367-297	. Resistor, 38.3 ohm, 1%, 1/8W, R5, 7	2	
	90367-423	. Resistor, 90.9 ohm, 1%, 1/8W, R13, 17, 23, 27	4	
	90367-339	. Resistor, 51.1 ohm, 1%, 1/8W, R101, 106	2	
	90367-102	. Resistor, 100 ohm, 1%, 1/8W, R111, 112, 140, 153	4	
	90367-207	. Resistor, 205 ohm, 1%, 1/8W, R107	1	
	90367-214	. Resistor, 215 ohm, 1%, 1/8W, R16, 26	2	
90367-221	. Resistor, 226 ohm, 1%, 1/8W, R100, 32, 36	3		

FIGURE ITEM NO.	PART NUMBER	DESCRIPTION	QTY PER ASSY	USAGE CODE
25-	90367-249	. Resistor, 274 ohm, 1%, 1/8W, R89	1	
	90357-389	. Resistor, 715 ohm, 1%, 1/8W, R167	1	
	90367-298	. Resistor, 383 ohm, 1%, 1/8W, R81, 82, 99	3	
	90367-333	. Resistor, 487 ohm, 1%, 1/8W, R4, 6, 94	3	
	90367-368	. Resistor, 619 ohm, 1%, 1/8W, R91	1	
	90367-201	. Resistor, 1.96K, 1%, 1/8W, R158	1	
	90367-396	. Resistor, 750 ohm, 1%, 1/8W, R66	1	
	90367-319	. Resistor, 442 ohm, 1%, 1/8W, R12, 18, 22, 28, 97, 48	6	
	90367-103	. Resistor, 1K, 1%, 1/8W, R15, 19, 21, 25, 63, 64, 93, 145, 155, 157, 170	11	
	90367-152	. Resistor, 1.40K, 1%, 1/8W, R109, 110	2	
	90367-341	. Resistor, 5.11K, 1%, 1/8W, R142, 166	2	
	90367-208	. Resistor, 2.05K, 1%, 1/8W, R37, 39, 180	3	
	90367-215	. Resistor, 2.15K, 1%, 1/8W, R74	1	
	90367-250	. Resistor, 2.74K, 1%, 1/8W, R1, 11	2	
	90367-257	. Resistor, 2.87K, 1%, 1/8W, R90	1	
	90367-278	. Resistor, 3.32K, 1%, 1/8W, R154, 156	2	
	90367-117	. Resistor, 1.10K, 1%, 1/8W, R132, 135	2	
	90367-166	. Resistor, 1.54K, 1%, 1/8W, R134	1	
	90367-348	. Resistor, 5.36K, 1%, 1/8W, R2, 10	2	
	90367-165	. Resistor, 154 ohm, 1%, 1/8W, R38, 40	2	
	90367-229	. Resistor, 2.37K, 1%, 1/8W, R159	1	
	90367-327	. Resistor, 4.64K, 1%, 1/8W, R160	1	
	90367-270	. Resistor, 316 ohm, 1%, 1/8W, R45, 46	2	
	90367-104	. Resistor, 10K, 1%, 1/8W, R126, 127, 130, 144, 169, 190	6	
	90367-286	. Resistor, 34.8K, 1%, 1/8W, R150, 175	2	
	90367-160	. Resistor, 14.7K, 1%, 1/8W, R147, 172	2	
	90367-230	. Resistor, 23.7K, 1%, 1/8W, R151, 176	2	
	90367-300	. Resistor, 38.3K, 1%, 1/8W, R148, 173	2	
	90367-307	. Resistor, 40.2K, 1%, 1/8W, R149, 174	2	
	90367-305	. Resistor, 402 ohm, 1%, 1/8W, R113	1	
	90367-340	. Resistor, 511 ohm, 1%, 1/8W, R73, 76, 115-118, 161	7	
	90367-347	. Resistor, 536 ohm, 1%, 1/8W, R108	1	
	90367-404	. Resistor, 7.87K, 1%, 1/8W, R133, 141, 165	3	
	90367-321	. Resistor, 44.2K, 1%, 1/8W, R146, 171	2	
	90367-159	. Resistor, 147K, 1%, 1/8W, R57, 58	2	
	90367-186	. Resistor, 178 ohm, 1%, 1/8W, R122	1	
	95952-028	. Resistor, 154 ohm, 1%, 1W, R29	1	
	95952-024	. Resistor, 287 ohm, 1%, 1W, R30, 182	2	
	95952-027	. Resistor, 178 ohm, 1%, 1W, R103	1	
	95952-015	. Resistor, 610 ohm, 1%, 1W, R33	1	
	95952-020	. Resistor, 1.21K, 1%, 1W, R79, 80	2	
	95952-017	. Resistor, 4.64K, 1%, 1W, R53, 54	2	
	12061-010	. Connector, PC Board, J01	1	
-18	17687-001	. Board, Read Limiter/Amdet/RW Protect	1	



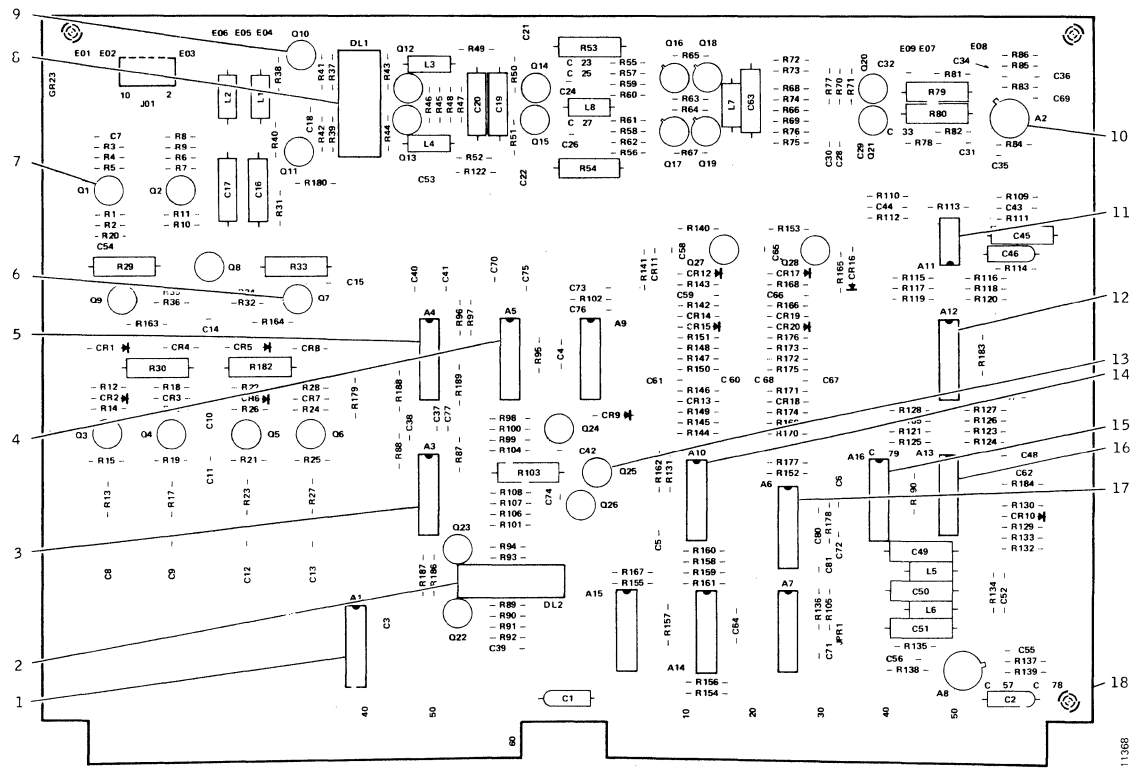


Figure 2-26. Read Limiter/Amdet/RW Protect Board Assembly, GR23

FIGURE ITEM NO.	PART NUMBER	DESCRIPTION	QTY PER ASSY	USAGE CODE
26-	16458-001	Board Assy, Read Limiter/Amdet/RW Protect, GR23 (see Figure 2-19 for NHA)	REF	E-H
-1	97607-001	. Gate, Non-Invert, Hex, TTL, A1, A9	2	
-2	13134-003	. Delay Line, 500 ohm, 40 NS, DL2	1	
-3	96155-001	. Gate, Nand, Quad, SBD, TTL, A3, A7	2	
-4	96389-001	. Flip-Flop, Dual D, TTL, A5	1	
-5	96977-001	. Gate, Nand, Quad, SBD, TTL, A4	1	
-6	13847-001	. Transistor, NPN, Q7, 9, 16-19	6	
-7	90326-001	. Transistor, NPN, Q1-6, 8, 20, 21, 23	10	
-8	15640-002	. Delay Line, 100 ohm, 51.6 NS, DL1	1	
-9	90327-001	. Transistor, PNP, Q10-15, 22, 24, 27, 28	10	
-10	99326-001	. Amplifier, Linear, Comp, Hi-Speed TTL, A2, A8	2	
-11	19157-001	. Amplifier, Linear, Diff. Video, A11	1	
-12	19159-001	. Transistor Array, General Purpose, PNP, A12, A14	2	
-13	19177-001	. Transistor, NPN, Q25, 26	2	
-14	12282-001	. Amplifier, Linear, Comp, Quad, TTL, A10	1	
-15	18773-001	. Gate, OR-Quad, 2-Input, TTL, A16	1	
-16	19158-001	. Transistor Array, General Purpose, NPN, A13, A15	2	
-17	14521-001	. Gate, Exclusive, OR, Quad, SBD, TTL, A6	1	
	90965-015	. Inductor, Molded, 1.5 MH, L1, 2	2	
	90376-240	. Inductor, Molded, 240 MH, L5, 6	2	
	90965-120	. Inducator, Molded, 12 MH, L3, 4	2	

FIGURE ITEM NO.	PART NUMBER	DESCRIPTION	QTY PER ASSY	USAGE CODE
26-	10357-001	. Diode, Low Capacitance, CR1-20	20	
	90354-150	. Capacitor, Mica, 15 pF, 5%, 500v, C19, 20	2	
	90354-151	. Capacitor, Mica, 150 pF, 5%, 500v, C16, 17	2	
	90354-750	. Capacitor, Mica, 75 pF, 5%, 500v, C49, 51	2	
	90354-241	. Capacitor, Mica, 240 pF, 5%, 500v, C50	1	
	90354-821	. Capacitor, Mica, 820 pF, 5%, 100v, C45	1	
	90356-102	. Capacitor, Tantalum, 4.7 MF, 10%, 10v, C1, 2	2	
	90356-513	. Capacitor, Tantalum, 1 MF, 10%, 50v, C46	1	
	95379-347	. Capacitor, Ceramic, .047 MF, 50v, C4, 43, 44, 47, 52, 64	6	
	98175-022	. Capacitor, Ceramic, 22 pF, 10%, 200v, C60, 61, 67, 68	4	
	98175-127	. Capacitor, Ceramic, 270 pF, 10%, 200v, C37, 38, 40, 41	4	
	98175-247	. Capacitor, Ceramic, .0047 MF, 10%, 100v, C58, 65	2	
	98175-327	. Capacitor, Ceramic, .027 MF, 10%, 50v, C42	1	
	98175-410	. Capacitor, Ceramic, 1 MF, 10%, 50v, C5, 6, 10, 11, 14, 15, 18, 3, 21-26, 28-36, 39, 53-57, 59, 62, 66, 69-81	45	
	10781-433	. Capacitor, Ceramic, .33 MF, 10%, 50v, C7-9, 12, 13, 27, 48	7	
	90364-100	. Resistor, 10 ohm, 5%, 1/4W, R179	1	
	90364-120	. Resistor, 12 ohm, 5%, 1/4W, R104	1	
	90364-200	. Resistor, 20 ohm, 5%, 1/4W, R78	1	
	90364-270	. Resistor, 27 ohm, 5%, 1/4W, R83, 84, 86, 114, 137-139, 128, 129	9	
	90364-330	. Resistor, 33 ohm, 5%, 1/4W, R50, 51, 55, 56	4	
	90364-273	. Resistor, 27K, 5%, 1/4W, R183	1	
	90364-220	. Resistor, 22 ohm, 5%, 1/4W, R77	1	
	90364-470	. Resistor, 47 ohm, 5%, 1/4W, R49, 41, 42, 52, 59, 62, 68-72, 75, 87, 88, 92, 119-121, 123, 131, 163, 164	22	
	90364-510	. Resistor, 51 ohm, 5%, 1/4W, R8	1	
	90364-680	. Resistor, 68 ohm, 5%, 1/4W, R31	1	
	90364-101	. Resistor, 100 ohm, 5%, 1/4W, R96, 97	2	
	90364-102	. Resistor, 1K, 5%, 1/4W, R85, 95, 102, 105, 136, 152, 162, 177, 178	9	
	90364-821	. Resistor, 820 ohm, 5%, 1/4W, R184, 185	2	
	90364-332	. Resistor, 3.3K, 5%, 1/4W, R186-189	4	
	90364-392	. Resistor, 3.9K, 5%, 1/4W, R125	1	
	90364-103	. Resistor, 10K, 5%, 1/4W, R14, 24, 143, 168	4	
	90364-124	. Resistor, 120K, 5%, 1/4W, R124	1	
	90367-228	. Resistor, 237 ohm, 1%, 1/8W, R32, 34-36	4	
	90367-429	. Resistor, 95.3 ohm, 1%, 1/8W, R43, 44, 60, 61	4	
	90367-185	. Resistor, 17.8 ohm, 1%, 1/8W, R65, 67	2	
	90367-227	. Resistor, 23.7 ohm, 1%, 1/8W, R20	1	
	90367-395	. Resistor, 75 ohm, 1%, 1/8W, R3, 9	2	
	90367-297	. Resistor, 38.3 ohm, 1%, 1/8W, R5, 7	2	
	90367-423	. Resistor, 90.9 ohm, 1%, 1/8W, R13, 17, 23, 27	4	
	90367-339	. Resistor, 51.1 ohm, 1%, 1/8W, R101, 106	2	
	90367-102	. Resistor, 100 ohm, 1%, 1/8W, R111, 112, 140, 153	4	
	90367-207	. Resistor, 205 ohm, 1%, 1/8W, R107	1	
	90367-214	. Resistor, 215 ohm, 1%, 1/8W, R16, 26	2	
	90367-221	. Resistor, 226 ohm, 1%, 1/8W, R100	1	
	90367-249	. Resistor, 274 ohm, 1%, 1/8W, R89	1	
	90367-389	. Resistor, 715 ohm, 1%, 1/8W, R167	1	

FIGURE ITEM NO.	PART NUMBER	DESCRIPTION	QTY PER ASSY	USAGE CODE
26-	90367-284	. Resistor, 348 ohm, 1%, 1/8W, R45, 46	2	
	90367-298	. Resistor, 383 ohm, 1%, 1/8W, R81, 82, 99	3	
	90367-333	. Resistor, 487 ohm, 1%, 1/8W, R4, 6, 94	3	
	90367-368	. Resistor, 619 ohm, 1%, 1/8W, R91	1	
	90367-201	. Resistor, 1.96K, 1%, 1/8W, R158	1	
	90367-396	. Resistor, 750 ohm, 1%, 1/8W, R66	1	
	90367-319	. Resistor, 442 ohm, 1%, 1/8W, R12, 18, 22, 28	4	
	90367-228	. Resistor, 237 ohm, 1%, 1/8W, R98	1	
	90367-103	. Resistor, 1K, 1%, 1/8W, R15, 19, 21, 25, 63, 64, 93, 145, 155, 157, 170	11	
	90367-152	. Resistor, 1.40K, 1%, 1/8W, R109, 110	2	
	90367-341	. Resistor, 5.11K, 1%, 1/8W, R142, 166	2	
	90367-208	. Resistor, 2.05K, 1%, 1/8W, R37, 39, 47, 48, 180	5	
	90367-215	. Resistor, 2.15K, 1%, 1/8W, R74	1	
	90367-250	. Resistor, 2.74K, 1%, 1/8W, R1, 11	2	
	90367-257	. Resistor, 2.87K, 1%, 1/8W, R90	1	
	90367-278	. Resistor, 3.32K, 1%, 1/8W, R154, 156	2	
	90367-117	. Resistor, 1.10K, 1%, 1/8W, R132, 135	2	
	90367-166	. Resistor, 1.54K, 1%, 1/8W, R134	1	
	90367-348	. Resistor, 5.36K, 1%, 1/8W, R2, 10	2	
	90367-290	. Resistor, 36.5 ohm, 1%, 1/8W, R38, 40	2	
	90367-229	. Resistor, 2.37K, 1%, 1/8W, R159	1	
	90367-327	. Resistor, 4.64K, 1%, 1/8W, R160	1	
	90367-104	. Resistor, 10K, 1%, 1/8W, R126, 127, 130, 144, 169, 190	6	
	90367-286	. Resistor, 34.8K, 1%, 1/8W, R140, 175	2	
	90367-160	. Resistor, 14.7K, 1%, 1/8W, R147, 172	2	
	90367-230	. Resistor, 23.7K, 1%, 1/8W, R151, 176	2	
	90367-300	. Resistor, 38.3K, 1%, 1/8W, R148, 173	2	
	90367-307	. Resistor, 40.2K, 1%, 1/8W, R149, 174	2	
	90367-305	. Resistor, 402 ohm, 1%, 1/8W, R113	1	
	90367-340	. Resistor, 511 ohm, 1%, 1/8W, R73, 76, 115-118, 161	7	
	90367-347	. Resistor, 536 ohm, 1%, 1/8W, R108	1	
	90367-404	. Resistor, 7.87K, 1%, 1/8W, R133, 141, 165	3	
	90367-321	. Resistor, 44.2K, 1%, 1/8W, R146, 171	2	
	90367-159	. Resistor, 147K, 1%, 1/8W, R57, 58	2	
	90367-130	. Resistor, 121 ohm, 1%, 1/8W, R122	1	
	95952-031	. Resistor, 187 ohm, 1%, 1W, R29	1	
	95952-024	. Resistor, 287 ohm, 1%, 1W, R30, 182	2	
	95952-027	. Resistor, 178 ohm, 1%, 1W, R103	1	
	95952-015	. Resistor, 610 ohm, 1%, 1W, R33	1	
	95952-020	. Resistor, 1.21K, 1%, 1W, R79, 80	2	
	95952-017	. Resistor, 4.64K, 1%, 1W, R53, 54	2	
-18	12061-010	. Connector, PC Board, J01	1	
	16459-001	. Board, Read Limiter/Amdet/RW Protect	1	

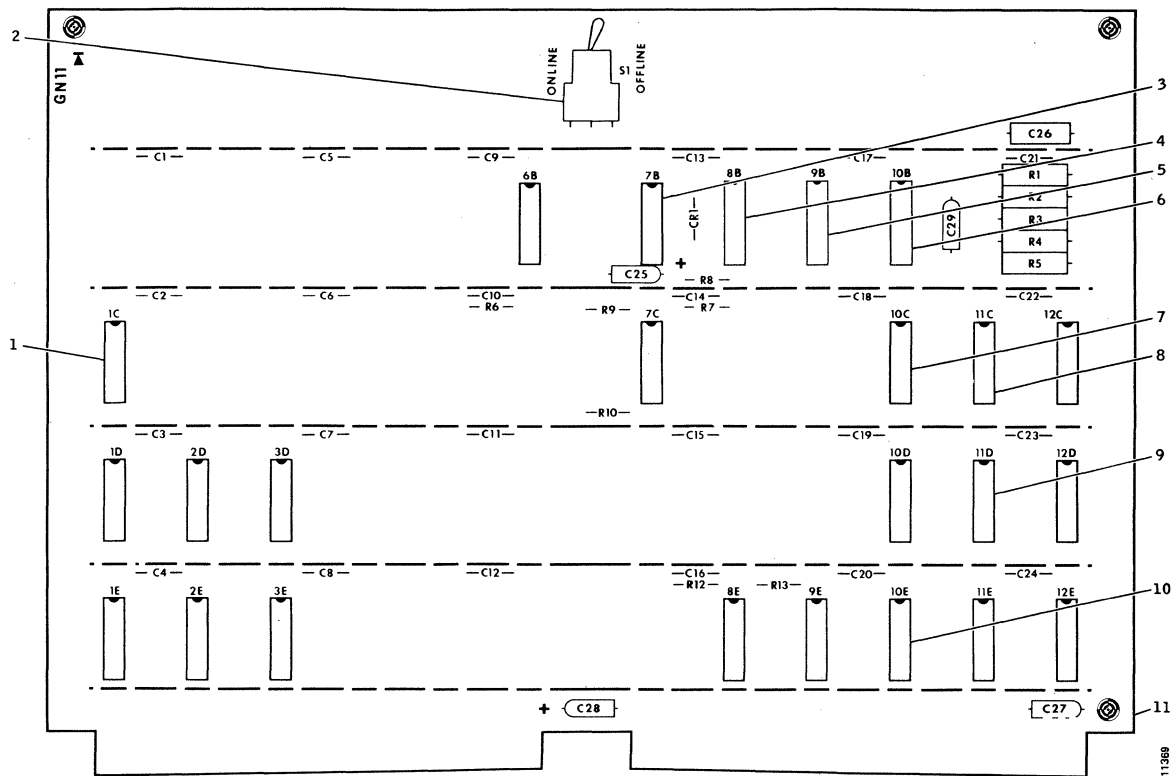


Figure 2-27. Driver/Receiver Board Assembly, GN11

FIGURE ITEM NO.	PART NUMBER	DESCRIPTION	QTY PER ASSY	USAGE CODE
27-	16378-001	Board Assy, Driver/Receiver, GN11 (see Figure 2-19 for NHA)	REF	A,B,E,F
-1	19165-001	. Gate, Nand, Hex, 1-Input, TTL, 1C, 6B, 1D, 1E	4	
-2	13685-001	. Switch, Toggle, SPDT, S1	1	
-3	92130-001	. Gate, Nand, Dual, 4-Input, TTL, 7B, 8E	2	
-4	92127-001	. Gate, Nand, Hex, 1-Input, TTL, 8B	1	
-5	90311-001	. Gate, Nand, Quad, 2-Input, DTL, 9B, 7C	2	
-6	92128-001	. Gate, Nand, Quad, 2-Input, TTL, 10B, 2D, 3D, 10D, 2E, 3E, 10E	7	
-7	12402-001	. Transistor Array, NPN, 10C, 12C, 12D, 12E	4	
-8	10411-133	. Resistor Network, 330 ohm, 2%, 1/8W, 11C	1	
-9	19100-001	. Gate, Nand, Hex, 1-Input, TTL, TTL, 11D, 11E	2	
-10	91236-001	. Flip-Flop, Dual D, TTL, 9E	1	
	98445-001	. Diode, Multi-Junction, 400 MW, CR1	1	
	90355-152	. Capacitor, Mylar, .0015 MF, 10%, 100v, C26	1	
	95379-347	. Capacitor, Ceramic, .047 MF, 50v, C1-24	24	
	90356-102	. Capacitor, Tantalum, 4.7 MF, 10%, 10v, C27-29	3	
	90364-101	. Resistor, 100 ohm, 5%, 1/4W, R7	1	
	90364-511	. Resistor, 510 ohm, 5%, 1/4W, R8	1	
	90364-102	. Resistor, 1K, 5%, 1/4W, R6, 9, 10, 12, 13	5	
	90365-101	. Resistor, 100 ohm, 5%, 1W, R1-5	5	
-11	16379-001	. Board, Driver/Receiver	1	

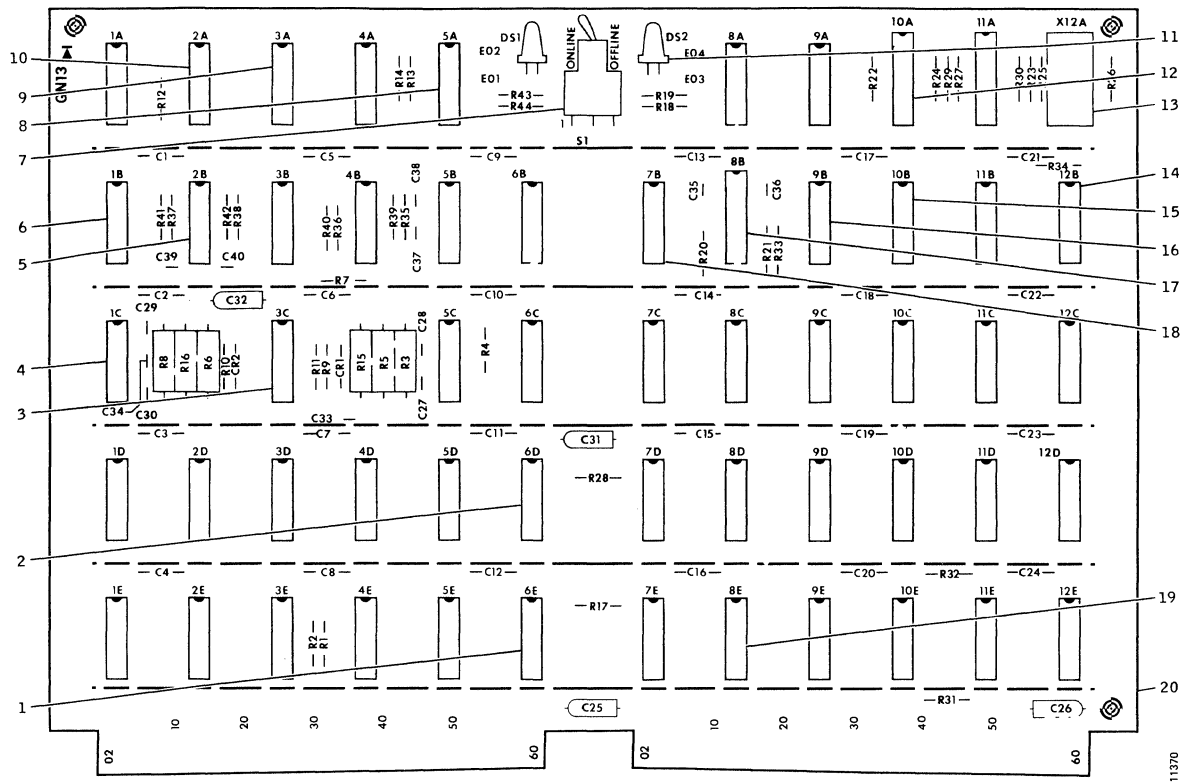


Figure 2-28. Driver/Receiver Board Assembly, GN13

FIGURE ITEM NO.	PART NUMBER	DESCRIPTION	QTY PER ASSY	USAGE CODE
28-	16464-001	Board Assy, Driver/Receiver, GN13 (see Figure 2-19 for NHA)	REF	C,D,G,H
-1	13602-001	. Gate, Nand, Quad, 2-Input, TTL, 6E	1	
-2	92136-001	. Flip-Flop, Dual D, TTL, 6D, 7D	2	
-3	95545-001	. Gate, And, or Invert, Dual, TTL, 3C, 2D-4D, 2E-4E	7	
-4	19165-001	. Gate, Nand, Hex, 1-Input, TTL, 1C, 5C, 1D, 5D, 1E, 5E, 1A	7	
-5	90311-001	. Gate, Nand, Quad, 2-Input, DTL, 2B-4B, 7C	4	
-6	92130-001	. Gate, Nand, Dual, 4-Input, TTL, 1B, 5B, 8C, 8D, 7E	5	
-7	13685-001	. Switch, Toggle, SPDT, S1	1	
-8	92127-001	. Gate, Nand, Hex, 1-Input, TTL, 5A, 9A	2	
-9	90312-001	. Gate, Nand, Triple, 3-Input, DTL, 3A	1	
-10	92128-001	. Gate, Nand, Quad, 2-Input, TTL, 2A, 4A, 8A, 6B	4	
-11	96408-003	. Lamp, Solid State, Red, DS1, 2	2	
-12	98604-001	. Counter, Binary, Preset, TTL, 10A, 11A	2	
-13	97273-001	. Socket, 16 Pin, IC, X12A	1	
-14	19149-001	. Gate, And, Quad, 2-Input, TTL, 12B, 6C, 10C, 11C, 10D, 11D, 10E, 11E	8	
-15	10411-133	. Resistor Network, 330 ohm, 1/8W, 10B, 11B	2	
-16	12402-001	. Transistor Array, NPN, 9B, 9C, 12C, 9D, 12D, 9E, 12E	7	
-17	94526-001	. Multivibrator, Dual, 1-Shot, TTL, 8B	1	
-18	18773-001	. Gate, OR, Quad, 2-Input, TTL, 7B	1	
-19	92129-001	. Gate, Nand, Triple, 3-Input, TTL, 8E	1	
	90356-102	. Capacitor, Tantalum, 4.7 MF, 10v, C25, C26, C31, C32	4	

FIGURE ITEM NO.	PART NUMBER	DESCRIPTION	QTY PER ASSY	USAGE CODE
28-	95379-347	. Capacitor, Ceramic, .047 MF, C1-24	24	
	98175-110	. Capacitor, Ceramic, 100 pF, 200v, C35, 36	2	
	98175-310	. Capacitor, Ceramic, .01 MF, 100v, C37-40	4	
	98175-182	. Capacitor, Ceramic, 820 pF, C28, 30	2	
	98445-001	. Diode, Multi-Junction, 400 MW, CR 1, 2	2	
	90364-101	. Resistor, 100 ohm, 5%, 1/4W, R9, 10	2	
	90364-102	. Resistor, 1K, 5%, 1/4W, R1, 2, 4, 7, 13, 14, 17-19, 22-32	20	
	90364-103	. Resistor, 10K, 5%, 1/4W, R20, 21	2	
	90364-181	. Resistor, 180 ohm, 5%, 1/4W, R43, 44	2	
	90364-331	. Resistor, 330 ohm, 5%, 1/4W, R33, 34	2	
	90364-472	. Resistor, 4.7K, 5%, 1/4W, R39-42	4	
	90364-510	. Resistor, 51 ohm, 5%, 1/4W, R35-38	4	
	90364-511	. Resistor, 510 ohm, 5%, 1/4W, R11, 12	2	
	90365-101	. Resistor, 100 ohm, 5%, 1W, R3, 5, 6, 8, 15, 16	6	
-20	16465-001	. Board, Driver/Receiver	1	

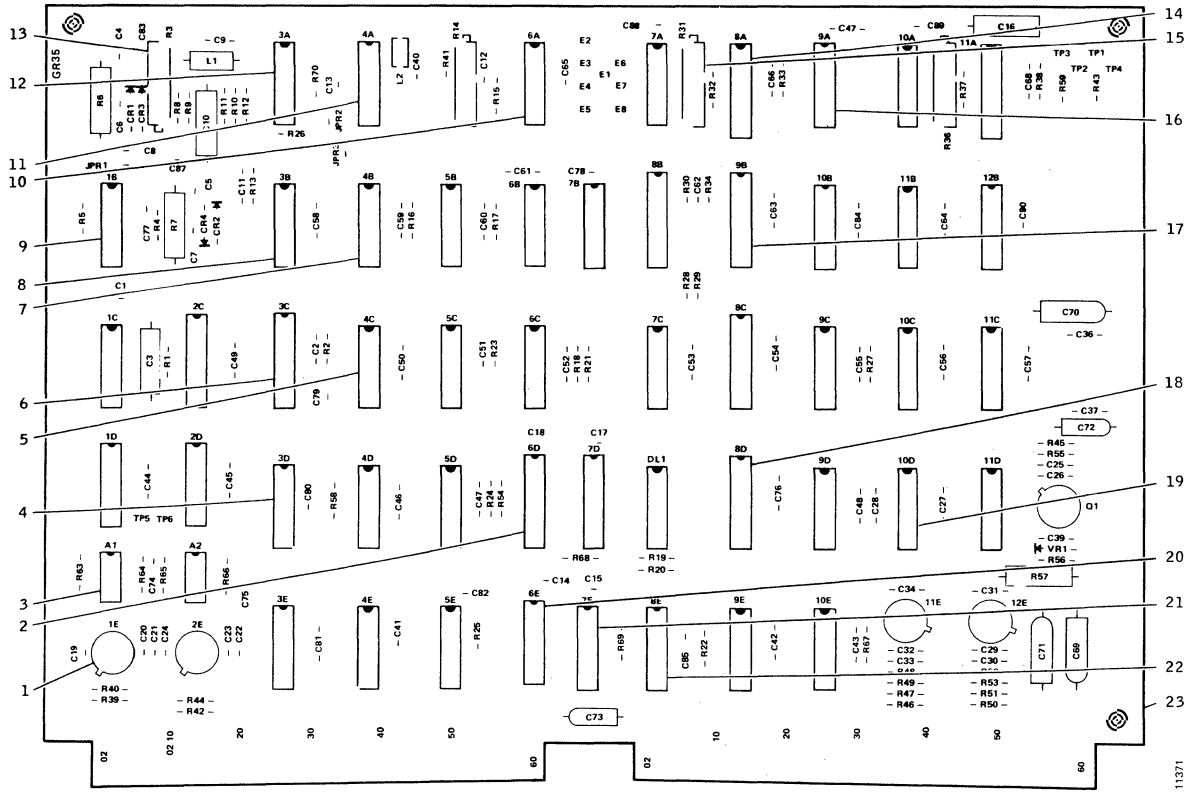


Figure 2-29. Data Separator Board Assembly, GR35

FIGURE ITEM NO.	PART NUMBER	DESCRIPTION	QTY PER ASSY	USAGE CODE
29-	16670-001	Board Assy, Data Separator, GR25 (see Figure 2-19 for NHA)	REF	A,B
-1	99326-001	. Amplifier, Linear, Diff, Comp, 1E, 2E, 10E, 11E	4	
-2	19126-001	. Counter, Binary, Up-Down, TTL, 6D, 7D	2	
-3	19130-001	. Device, Dual Peripheral, And, TTL, A1, A2	2	
-4	92136-001	. Flip-Flop, Dual D, TTL, 3D	1	
-5	96728-001	. Gate, Nand, Triple, 3-Input, TTL, 4C, 9C, 4D, 7E, 12B	5	
-6	13231-001	. Flip-Flop, Dual, J-K, TTL, 3C	1	
-7	96389-001	. Flip-Flop, Dual D, TTL, 4B-7B, 6C, 10C, 5D, 5E	8	
-8	96155-001	. Gate, Nand, Quad, 2-Input, TTL, 10B, 3B, 11B, 5C, 1D, 2D, 9D, 3E, 10E	9	
-9	96977-001	. Gate, Nand, Quad, 2-Input, TTL, 1B	1	
-10	96156-001	. Gate, Nand, Hex, 1-Input, TTL, 6A, 7A, 10A, 1C, 7C, 11C, 4E	7	
-11	19089-001	. Oscillator, Dual, Voltage Controller, TTL, 4A	1	
-12	10402-001	. Transistor Array, General Purpose, NPN, 3A	1	
-13	92244-250	. Resistor, Variable, 5K, R3, 14, 36	3	
-14	19179-001	. Multivibrator, Dual, 1-Shot, TTL, 8A, 11A	3	
-15	92244-310	. Resistor, Variable, 10K, R31	1	
-16	14521-001	. Gate, Quad, EXCL-OR, SBD, TTL, 9A	1	
-17	19174-001	. Counter, Binary, SBD, Sync, TTL, 9B, 8C	2	
-18	19181-001	. Multiplexer, 8-Input, SBD, TTL, 8D	1	

FIGURE ITEM NO.	PART NUMBER	DESCRIPTION	QTY PER ASSY	USAGE CODE
29-19	97427-001	. Driver, Dual, Line, 10D, 11D	2	
-20	98604-001	. Counter, Binary, Up/Down, 6E	1	
-21	12206-001	. Gate, Nand, Dual, 4-Input, TTL, 7E	1	
-22	96390-001	. Gate, Nand, Dual, Line Driver, TTL, 9E	1	
	90330-001	. Transistor, General Purpose, Q1	1	
	90965-033	. Inductor Molded, 33 MH, L1	1	
	17725-022	. Inductor, Torroid, 22 MH, L2	1	
	17605-002	. Delay Line, DL1	1	
	90346-056	. Diode, Zener, 5.6v, VR1	1	
	10357-001	. Diode for Capacitance, CR1-4	4	
	90344-001	. Diode, Rectifier, CR5, 6	2	
	90354-100	. Capacitor, Mica, 10 pF, 5%, 500v, C3, 16	2	
	90354-821	. Capacitor, Mica, 820 pF, 5%, 500v, C10	1	
	90356-519	. Capacitor, Tantalum, 3.3 MF, 10%, 50v, C69-71	3	
	90356-102	. Capacitor, Tantalum, 4.7 MF, 10%, 10v, C72, 73	2	
	10374-020	. Capacitor, Ceramic, 20 pF, 10%, 100v, C13	1	
	95379-347	. Capacitor, Ceramic, 047 MF, 50v, C2, 9, 11, 25-68, 76, 80, C81, 84, 90	52	
	98175-210	. Capacitor, Ceramic, .001 MF, 10%, 200v, C87	1	
	90354-050	. Capacitor, Mica, 5 pF, 5%, 500v, C100	1	
	98175-168	. Capacitor, Ceramic, 680 pF, 10%, 100v, C14	1	
	98175-233	. Capacitor, Ceramic, 3300 pF, 10%, 100v, C15	1	
	10781-510	. Capacitor, Ceramic, .01 MF, 10%, 50v, C8	1	
	98175-410	. Capacitor, Ceramic, .1 MF, 10%, 50v, C1-4, 7, 12, 14, 15, 17-24, 74, 75, 77-79, 82, 83, 85, 88, 89, 101	27	
	98175-210	. Capacitor, Ceramic, .001 MF, 10%, 200v, C87	1	
	90354-050	. Capacitor, Mica, 5pF, 5%, 500v, C100	1	
	90367-381	. Resistor, 68.1 ohm, 1%, 1/8W, R9	1	
	90367-348	. Resistor, 5.36K, 1%, 1/8W, R11	1	
	90364-511	. Resistor, 510 ohm, 5%, 1/4W, R63, 64-66	4	
	90367-102	. Resistor, 100 ohm, 1%, 1/8W, R46-53	8	
	90364-101	. Resistor, 100 ohm, 5%, 1/4W, R43, 59	2	
	90366-157	. Resistor, 15 ohm, 5%, 3W, R35	1	
	90367-339	. Resistor, 51.1 ohm, 1%, 1/8W, R39, 40, 42, 44	4	
	90367-139	. Resistor, 12.7K, 1%, 1/8W, R10	1	
	90367-291	. Resistor, 365 ohm, 1%, 1/8W, R19	1	
	90367-326	. Resistor, 464 ohm, 1%, 1/8W, R20	1	
	90367-298	. Resistor, 383 ohm, 1%, 1/8W, R8	1	
	90365-122	. Resistor, 1.2K, 5%, 1W, R6	1	
	90364-272	. Resistor, 2.7K, 5%, 1W, R7	1	
	90367-425	. Resistor, 9.09K, 1%, 1/8W, R12	1	
	90364-301	. Resistor, 300 ohm, 5%, 1/4W, R56	1	
	90367-383	. Resistor, 6.81K, 1%, 1/8W, R13	1	
	90364-102	. Resistor, 1K, 5%, 1/4W, R1, 2, 5, 15-18, R21-25, 27-30, R33, 34, 38, 45, 54, 55, 58, 67-70	27	
	90367-396	. Resistor, 750 ohm, 1%, 1/8W, R26	1	
	90364-152	. Resistor, 1.5K, 5%, 1/4W, R4, 32, 37	3	
	90364-512	. Resistor, 5.1K, 5%, 1/4W, R41	1	
	90365-330	. Resistor, 33 ohm, 5%, 1W, R57	1	
-23	16628-001	. Board, Data Separator		



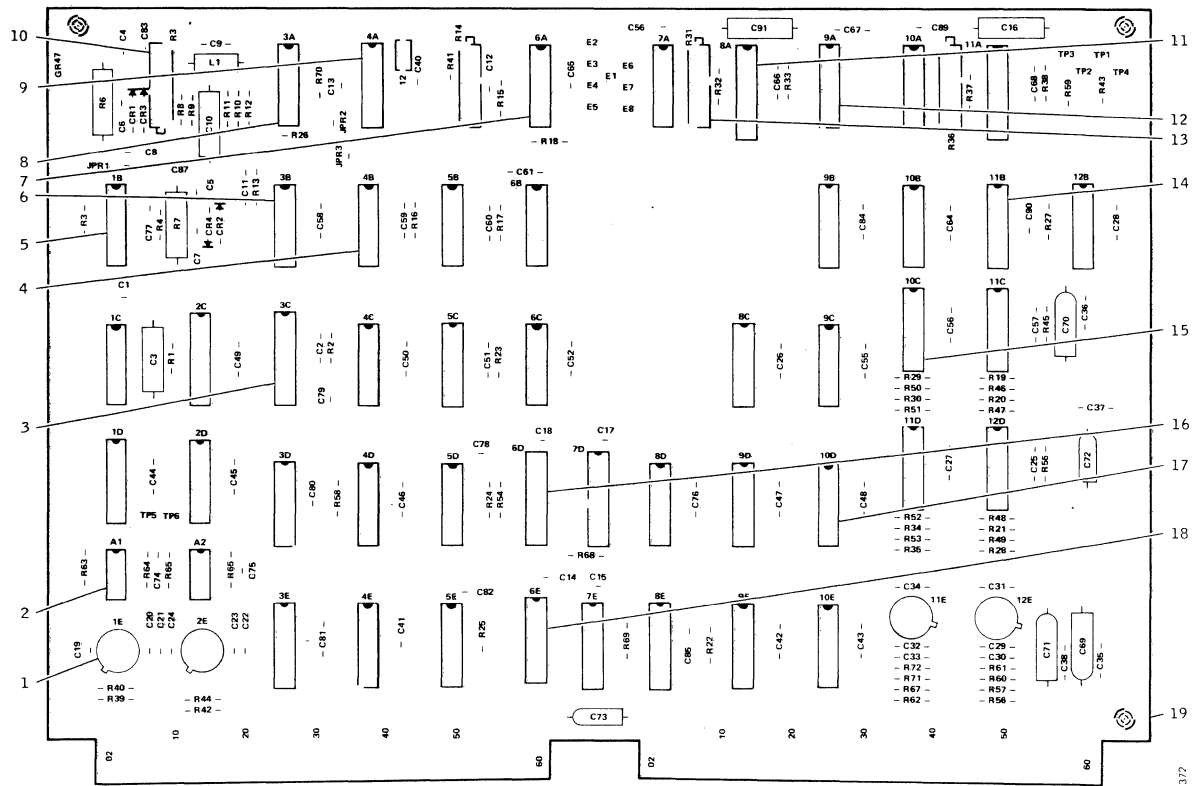


Figure 2-30. Data Separator Board Assembly, GR47

FIGURE ITEM NO.	PART NUMBER	DESCRIPTION	QTY PER ASSY	USAGE CODE
30-	19329-001	Board Assy, Data Separator, GR47 (see Figure 2-19 for NHA)	REF	C,D
-1	99326-001	. Amplifier, Linear, Diff. Comp, 1E, 2E, 11E, 12E	4	
-2	19130-001	. Driver, AND, Dual Peripheral, TTL, A1, A2	2	
-3	13231-001	. Flip-Flop, Dual J-K, TTL, 3C	1	
-4	96389-001	. Flip-Flop, Dual D, SBD, TTL, 4B-6B, 12B, 6C, 3D, 5D, 5E	8	
-5	96977-001	. Gate, Nand, Quad, 2-Input, SBD, TTL, 1B	1	
-6	96155-001	. Gate, Nand, Quad, 2-Input, SBD, TTL, 3B, 9B, 10B, 9C, 1D, 2D, 9D, 3E, 10E	9	
-7	96156-001	. Gate, Nand, Hex, 1-Input, TTL, 6A, 7A, 10A, 1C, 5C, 4E	6	
-8	10402-001	. Transistor Array, General Purpose, NPN, 3A	1	
-9	19089-001	. Oscillator, Dual, Voltage Controlled, TTL, 4A	1	
-10	92244-250	. Resistor, Variable, 5K, R3, 14, 36	3	
-11	19179-001	. Multivibrator, Dual, SBD, TTL, 8A, 11A, 2C	3	
-12	14521-001	. Gate, EXCL-OR, Quad, SBD, TTL, 9A	1	
-13	92244-310	. Resistor, Variable, 10K, R31	1	
-14	96728-001	. Gate, Nand, Triple, 3-Input, TTL, 11B, 4C, 8C, 4D, 8D, 8E	6	
-15	96390-001	. Gate, Nand, Line Driver, Dual, TTL, 10C, 11C, 11D, 12D, 9E	5	
-16	19126-001	. Counter, Binary, Up-Down, TTL, 6D, 7D	2	
-17	12206-001	. Gate, Nand, Dual, 4-Input, SBD, TTL, 10D, 7E	2	
-18	98604-001	. Counter, Binary, Up-Down, TTL, 6E	1	

FIGURE ITEM NO.	PART NUMBER	DESCRIPTION	QTY PER ASSY	USAGE CODE
30-	90965-033	. Inductor, Molded, 3.3 MH, L1	1	
	17725-022	. Inductor, Molded, 22 MH, L2	1	
	10357-001	. Diode, Low Cap, CR1-4	4	
	90356-102	. Capacitor, Tantalum, 4.7 MF, 10%, 10v, C72, 73	2	
	90356-519	. Capacitor, Tantalum, 3.3 MF, 10%, 50v, C69-71	3	
	90354-100	. Capacitor, Mica, 10 pF, 10%, 500v, C3, 16	2	
	90354-821	. Capacitor, Mica, 820 pF, 10%, 100v, C10	1	
	90354-050	. Capacitor, Mica, 5 pF, 10%, 500v, C91	1	
	10374-020	. Capacitor, Ceramic, 20 pF, 10%, 100v, C13	1	
	95379-347	. Capacitor, Ceramic, .047 MF, 50v, C2, 9, 11, 25-38, 40-52, C55-61, 64-68, 76, 80, 81, 84, 90	47	
	10781-510	. Capacitor, Ceramic, 1 MF, 10%, 50v, C8	1	
	98175-210	. Capacitor, Ceramic, .001 MF, 10%, 200v, C87	1	
	98175-410	. Capacitor, Ceramic, .1 MF, 10%, 50v, C1, 4-7, 12, 14, 15 C17-24, 74, 75, 77-79, 82, 83, 85, 88, 89	26	
	90365-122	. Resistor, 1.2K, 5%, 1W, R6	1	
	90365-272	. Resistor, 2.7K, 5%, 1W, R7	1	
	90364-101	. Resistor, 100 ohm, 5%, 1/4W, R43, 59	2	
	90364-152	. Resistor, 1.5K, 5%, 1/4W, R4, 32, 37	3	
	90367-139	. Resistor, 12.7K, 1%, 1/8W, R10	1	
	90367-348	. Resistor, 5.36K, 1%, 1/8W, R11	1	
	90367-425	. Resistor, 9.09K, 1%, 1/8W, R12	1	
	90367-512	. Resistor, 5.1K, 1%, 1/8W, R41	1	
	90364-511	. Resistor, 510 ohm, 5%, 1/4W, R63-66	4	
	90364-102	. Resistor, 1K, 5%, 1/4W, R1, 2, 5, 15-18, 22-25, 27, 33, 38, R45, 54, 55, 58, 68-70	21	
	90367-383	. Resistor, 6.81K, 1%, 1/8W, R13	1	
	90367-381	. Resistor, 68.1 ohm, 1%, 1/8W, R9	1	
	90367-423	. Resistor, 90.9 ohm, 1%, 1/8W, R56, 57, 60-62, 67, 71, 72	8	
	90367-298	. Resistor, 383 ohm, 1%, 1/8W, R8	1	
	90367-339	. Resistor, 51.1 ohm, 1%, 1/8W, R39, 40 42, 44	4	
	90364-201	. Resistor, 200 ohm, 5%, 1/4W, R46-53	8	
	90367-396	. Resistor, 750 ohm, 1%, 1/8W, R26	1	
-19	19330-001	. Board, Data Separator	1	

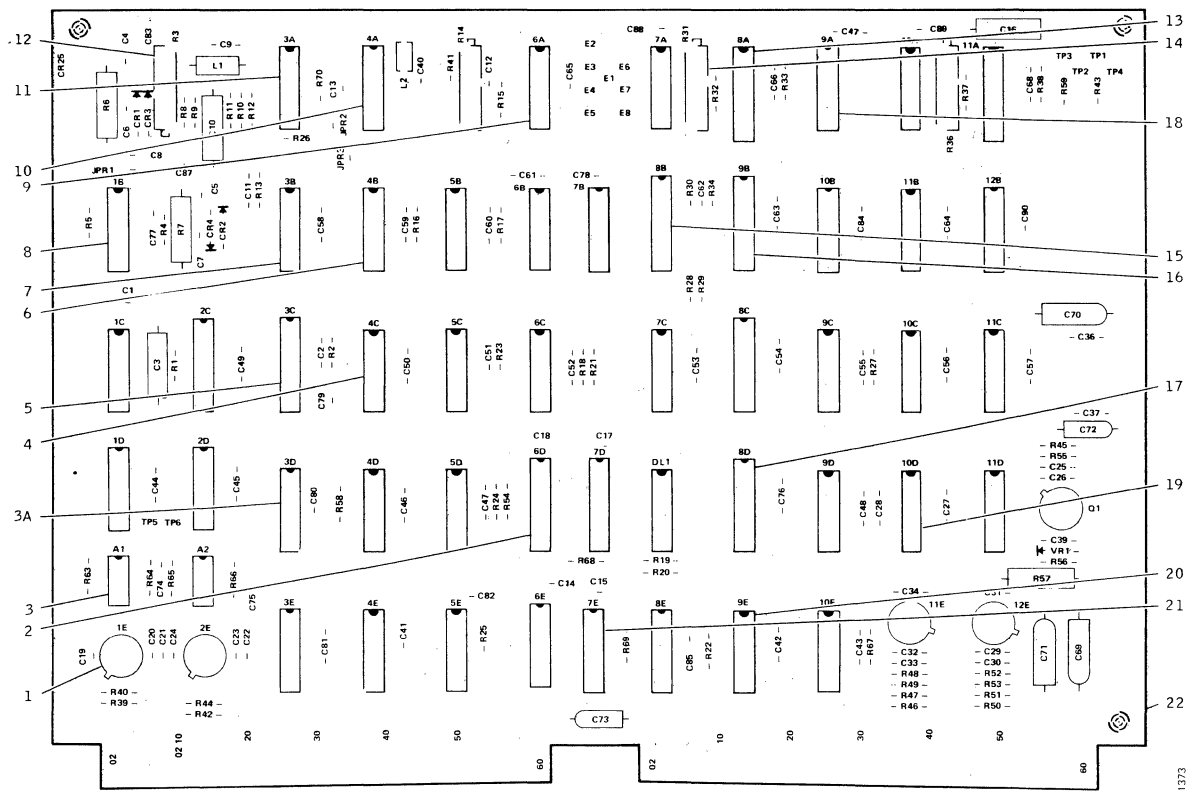


Figure 2-31. Data Separator Board Assembly, GR25

FIGURE ITEM NO.	PART NUMBER	DESCRIPTION	QTY PER ASSY	USAGE CODE
31-	16627-001	Board Assy, Data Separator, GR25 (see Figure 2-19 for NHA)	REF	E,F,G,H
-1	99326-001	. Amplifier, Linear, Diff, Comp, 1E, 2E, 10E, 11E	4	
-2	19126-001	. Counter, Binary, Up-Down, TTL, 6D, 7D	2	
-3	19130-001	. Drive, Dual Peripheral, And, TTL, A1, A2	2	
-3A	92136-001	. Flip-Flop, Dual D Type, TTL, 3D	1	
-4	96728-001	. Gate, Nand, Triple, 3-Input, TTL, 4C, 9C, 4D, 8E, 12B	5	
-5	13231-001	. Flip-Flop, Dual, J-K, TTL, 3C	1	
-6	96389-001	. Flip-Flop, Dual D, TTL, 4B-7B, 6C, 10C, 5D, 5E	8	
-7	96156-001	. Gate, Nand, Hex, 1-Input, TTL, 6A, 7A, 10A, 1C, 7C, 1K, 4E	7	
-8	96977-001	. Gate, Nand, Quad, 2-Input, TTL, 1B	1	
-9	96155-001	. Gate, Nand, Quad, 2-Input, TTL, 3B, 10B, 11B, 5C, 1D, 2D, 9D, 3E, 10E	9	
-10	19089-001	. Oscillator, Dual, Voltage Controller, TTL, 4A	1	
-11	10402-001	. Transistor Array, General Purpose, NPN, 3A	1	
-12	92244-250	. Resistor, Variable, 5K, R3, 14, 36	3	
-13	19179-001	. Multivibrator, Dual, 1-Shot, TTL, 8A, 11A, 26	3	
-14	92274-310	. Resistor, Variable, 10K, R31	1	
-15	17738-002	. Functional Microprogram, 8B	1	
-16	19174-001	. Counter, Binary, SBD, Sync, TTL, 9B, 8C	2	
-17	19181-001	. Multiplexer, 8-Input, SBD, TTL, 8D	1	
-18	14521-001	. Gate, Excl-OR, Quad, TTL, 9A	1	

FIGURE ITEM NO.	PART NUMBER	DESCRIPTION	QTY PER ASSY	USAGE CODE
31-19	97427-001	. Driver, Dual, Bal Line, 10D, 11D	2	
-20	96390-001	. Gate, Nand, Dual, Line Driver, TTL, 9E	1	
-21	12206-001	. Gate, Nand, Dual, 4-Input, TTL, 7E	1	
	90330-001	. Transistor, General Purpose, Q1	1	
	90965-033	. Inductor, Molded, 3.3 MH, L1	1	
	17605-002	. Delay Line, DL1	1	
	17725-022	. Inductor, Torroid, 22 MH, L2	1	
	90364-056	. Diode, Zener, 5.6v, VR1	1	
	01357-001	. Diode, Low Capacitance, CR1-4	4	
	90344-001	. Diode, Rectifier, CR5, 6	2	
	90354-100	. Capacitor, Mica, 10 pF, 10%, 500v, C3, 16	2	
	10374-015	. Capacitor, Ceramic, 15 pF, 100v, C13	1	
	90356-519	. Capacitor, Tantalum, 3.3 MF, 10%, 50v, C69-71	3	
	90354-821	. Capacitor, Mica, 820 pF, 10%, 500v, C10	2	
	90356-102	. Capacitor, Tantalum, 4.7 MF, 10%, 10v, C72, 73	2	
	95379-347	. Capacitor, Ceramic, 047 MF, 50v, C2, 9, 11, 25-68, 76, 80, 81, 84, 90	2	
	98175-210	. Capacitor, Ceramic, .001 MF, 10%, 200v, C87	1	
	10781-510	. Capacitor, Ceramic, .01 MF, 10%, 50v, C8	1	
	98175-410	. Capacitor, Ceramic, .1 MF, 10%, 50v, C1-7, 12, 17-24, 74, 75, 77-79, 82, 83, 85, 88, 89, 14, 15, 91	27	
	90367-301	. Resistor, 68.1 ohm, 1%, 1/8W, R9	1	
	90367-139	. Resistor, 12.7K, 1%, 1/8W, R10	1	
	90367-348	. Resistor, 5.36K, 1%, 1/8W, R11	1	
	90364-511	. Resistor, 510 ohm, 5%, 1/4W, R63, 64-66	4	
	90367-102	. Resistor, 100 ohm, 1%, 1/8W, R46-53	8	
	90367-339	. Resistor, 51.1 ohm, 1%, 1/8W, R39, 40, 42, 44	4	
	90366-157	. Resistor, 15 ohm, 5%, 3W, R35	1	
	90367-291	. Resistor, 365 ohm, 1%, 1/8W, R19	1	
	90367-326	. Resistor, 464 ohm, 1%, 1/8W, R20	1	
	90367-298	. Resistor, 383 ohm, 1%, 1/8W, R8	1	
	90367-396	. Resistor, 750 ohm, 1%, 1/8W, R26	1	
	90367-381	. Resistor, 68.1 ohm, 1%, 1/8W, R9	1	
	90367-139	. Resistor, 12.7K, 1%, 1/8W, R10	1	
	90367-348	. Resistor, 5.36K, 1%, 1/8W, R11	1	
	90364-301	. Resistor, 300 ohm, 5%, 1/4W, R56	1	
	90364-101	. Resistor, 100 ohm, 5%, 1/4W, R43, 59	2	
	90364-102	. Resistor, 1K, 5%, 1/4W, R1, 2, 5, 15-18, 21-25, 27, 30, 33, R38, 45, 54, 55, 58, 67-70	27	
	90364-152	. Resistor, 1.5K, 5%, 1/4W, R4, 32, 37	3	
	90367-425	. Resistor, 9.09K, 1%, 1/8W, R12	1	
	90367-383	. Resistor, 6.81K, 1%, 1/8W, R13	1	
	90364-512	. Resistor, 5.1K, 5%, 1/4W, R41	1	
	90365-330	. Resistor, 33 ohm, 5%, 1W, R57	1	
	90365-272	. Resistor, 2.7K, 5%, 1W, R7	1	
	90365-122	. Resistor, 1.2K, 5%, 1W, R6	1	
-22	16628-001	. Board, Data Separator	1	

## SECTION 3

### NUMERICAL INDEX

The Numerical Index contains a list of all parts listed in the Group Assembly Parts List. The Numerical Index is divided into three columns of information as follows:

- Part Number
- Figure and Item Number
- Reference Designator

#### **PART NUMBER**

Part numbers listed in this column are numerically listed.

#### **FIGURE AND ITEM NUMBER**

The Figure and Item Number column is used as an aid in finding the location of the part in the Group Assembly Parts List.

#### **REFERENCE DESIGNATOR**

The Reference Designator column indicates the electrical symbol of parts. This symbol enables the user to locate, by symbol, the figure and item, and part number of any electrical item.

PARTS CATALOG INDEX  
MODEL NO. T200

PART NUMBER	FIGURE/ITEM NO.	DESIGNATOR
01357-001	31-	CR1-4
10207-001	6-2	A1
10207-001	20-18	8C
10207-001	21-18	8C
10357-001	6-	CR1,2
10357-001	15-	CR1-28, CR31 4-62 49, CR52, CR5
10357-001	16-	CR1-28, 31-4 9, 52, 54-62
10357-001	17-	CR1-50, 52, 5 4-60, 62, 63, 64
10357-001	18-	CR1-50, 52, 54-60, 62, 63, 64
10357-001	22-	CR13-16
10357-001	25-	CR1-20
10357-001	26-	CR1-20
10357-001	29-	CR1-4
10357-001	30-	CR1-4
10374-015	31-	C13
10374-020	29-	C13
10374-020	30-	C13
10402-001	20-13	8A
10402-001	21-13	8A
10402-001	29-12	3A
10402-001	30-3	3A
10402-001	31-11	3A
10411-133	27-3	11C
10411-133	28-15	10B, 11B
10411-210	23-8	2B
10413-001	2-31	
10660-001	8-11	FL1,2
10781-433	15-	C19, 27
10781-433	15-	C19, 27
10781-433	17-	C19, 27
10781-433	18-	C19, 27
10781-433	22-	C33
10781-433	25-	C7-9, 12, 13, 27, 48
10781-433	26-	C7-9, 12, 13, 27, 48
10781-510	20-	C15-18
10781-510	21-	C15-16
10781-510	29-	C8
10781-510	30-	C8
10781-510	31-	C8

PARTS CATALOG INDEX  
MODEL NO. T200

PART NUMBER	FIGURE/ITEM NO.	DESIGNATOR
11011-051	2-8	
11252-001	2-	
11393-001	2-36	
11832-001	2-158	
11930-001	12-	
12005-001	2-58	
12061-010	6-4	J43
12061-010	25-	J01
12061-010	26-	J01
12182-001	2-76	
12182-001	7-	
12189-001	2-155	
12205-001	15-9	A4
12205-001	16-9	A4
12205-001	17-6	A4
12205-001	18-6	A4
12206-001	29-21	7E
12206-001	30-17	10D, 7E
12206-001	31-21	7E
12282-001	22-9	8C
12282-001	25-14	A10
12282-001	26-14	A10
12367-021	4-13	
12402-001	5-1	A2
12402-001	20-24	8E, 8B
12402-001	21-24	8E, 8B
12402-001	24-19	12E
12402-001	27-7	10C, 12C, 12D
		12E
12402-001	28-16	12E
		9B, 9C, 12C,
		9D, 12D, 9E,
12403-001	20-20	10C
12403-001	21-20	10C
12403-001	22-6	2A, 10C, 10D
12404-001	20-11	1B
12404-001	21-11	1B
12588-001	2-109	
12605-001	12-5	
13111-050	10-11	T1
13111-060	10-10	T1
13112-005	2-170	
13134-003	25-2	DL2
13134-003	26-2	DL2
13215-150	11-34	R29, R40
13215-210	11-33	R11, R23
13215-310	13-40	R7
13231-001	20-4	1D, 4C
13231-001	21-4	1D, 4C

PARTS CATALOG INDEX  
MODEL NO. T200

PART NUMBER	FIGURE/ITEM NO.	DESIGNATOR
13231-001	29-5	3C
13231-001	30-3	3C
13231-001	31-5	3C
13240-001	20-15	11A
13240-001	21-15	11A
13240-001	22-4	A3-A10
13351-001	4-3	
13354-001	4-32	
13354-002	4-33	
13356-001	4-1	
13356-001	4-14	
13356-001	4-5	
13357-001	4-17	
13358-001	4-18	
13361-001	4-5	
13361-002	4-7	
13364-001	4-2	
13366-001	4-3	
13375-001	4-22	
13380-001	4-12	
13408-001	4-29	
13454-001	4-9	
13460-051	4-15	
13500-001	1-55	
13602-001	26-1	6E
13685-001	24-10	S1
13685-001	27-2	S1
13685-001	23-7	S1
13794-001	8-6	
13794-001	14-	VZ46
13795-001	14-14	
13847-001	15-2	Q12-19
13847-001	16-2	Q12-19
13847-001	17-3	Q12-19
13847-001	18-5	Q12-19
13847-001	25-6	Q7,9,16-19
13847-001	26-6	Q7,9,16-19
13867-001	2-15	
13912-001	11-56	
13926-001	11-5	
13936-001	10-12	
13936-001	12-15	
13939-001	7-10	
13952-001	22-	C66-69, 74-78
13971-001	8-24	
13990-001	2-47	
14021-001	2-48	
14022-001	2-41	



PARTS CATALOG INDEX  
MODEL NO. T200

PART NUMBER	FIGURE/ITEM NO.	DESIGNATOR
14025-001	2-	
14048-001	22-5	5A,6A
14065-001	11-4	CR1, CR2
14127-001	11-1	Q2
14127-001	13-19	Q10
14147-001	2-	
14259-002	10-14	
14259-002	12-12	
14280-001	11-	
14346-001	11-18	
14408-001	3-6	
14521-001	25-17	A6
14521-001	26-17	A6
14521-001	29-16	9A
14521-001	30-12	9A
14521-001	31-16	9A
14823-001	10-13	VP47
14823-001	11-	VP47
14906-001	4-31	
15640-002	26-3	DL1
15640-003	25-8	DL1
16225-XX1	1-28	
16351-001	9-5	
16351-002	9-	
16357-001	2-151	
16358-001	2-152	
16360-001	2-179	
16360-001	10-	
16360-002	2-	
16360-002	10-	
16361-001	10-15	
16361-001	12-17	
16366-001	2-194	
16366-001	12-	
16367-001	12-	
16368-001	12-14	
16378-001	19-6	GN11
16378-001	27-	GN11
16379-001	27-11	
16396-001	2-10	
16396-001	4-	
16397-001	4-3	
16398-101	1-44	
16400-001	2-79	
16404-001	2-144	
16405-001	2-143	
16407-001	19-3	GL25
16407-001	23-	GL25
16408-001	23-18	

PARTS CATALOG INDEX  
 MODEL NO. T200

PART NUMBER	FIGURE/ITEM NO.	DESIGNATOR
16410-151	1-29	
16411-151	1-37	
16415-151	2-169	
16416-151	9-4	
16417-001	2-173	
16418-001	1-1	
16421-XX1	1-6	
16422-001	2-174	
16423-151	9-10	
16426-151	2-	
16427-151	2-	
16434-001	2-7	
16435-001	2-195	
16438-001	2-183	
16439-001	1-13	
16440-001	2-184	
16444-001	2-175	
16444-001	9-	
16444-002	2-	
16444-002	9-	
16445-001	2-	
16445-002	2-	
16449-001	4-30	
16453-001	1-39	
16453-001	19-	
16453-002	1-	
16453-002	19-	
16454-001	1-	
16454-001	19-	
16454-002	1-	
16454-002	19-	
16458-001	19-	GR23
16458-001	26-	GR23
16459-001	26-	
16461-001	19-2	GP15
16461-001	22-	GP15
16462-001	22-	
16464-001	19-	GN13
16464-001	28-	GN13
16465-001	28-20	
16467-001	19-1	GP13
16467-001	20-	GP18
16468-001	20-25	
16470-001	19-	GP17
16470-001	21-	GP17
16471-001	21-26	
16482-001	1-51	VR84
16482-001	15-	VR84
16483-001	15-11	

PARTS CATALOG INDEX  
MODEL NO. T200

PART NUMBER	FIGURE/ITEM NO.	DESIGNATOR
16485-001	1-52	VR85
16485-001	17-	VR85
16486-001	17-15	
16490-001	3-13	
16493-001	2-119	
16500-001	2-	
16503-001	2-	
16504-001	2-16	
16504-001	5-	
16504-002	2-	
16504-002	5-	
16515-001	2-159	
16516-001	1-56	
16517-001	1-57	
16521-001	1-7	
16522-001	1-3	
16523-001	1-26	
16529-001	12-9	VP58
16529-001	13-	VP53
16530-001	13-60	
16535-001	2-	
16537-001	3-18	
16627-001	19-	GR25
16627-001	31-	GR25
16628-001	29-23	
16628-001	31-22	
16643-XX1	1-	
16644-001	2-140	
16644-001	2-97	
16647-001	2-28	
16653-001	4-35	
16657-001	2-138	
16660-001	2-126	
16670-001	19-7	GR35
16670-001	29-	GR25
16675-001	2-131	
16676-001	2-166	
16678-001	2-4	
16679-001	2-164	
16679-001	8-	
16682-001	2-3	
16683-001	4-36	
16685-XX1	1-27	
16686-001	5-7	
16687-001	19-4	GL31
16687-001	24-	GL31
16688-001	24-20	
16690-001	5-8	
16694-001	8-1	

PARTS CATALOG INDEX  
MODEL NO. T200

PART NUMBER	FIGURE/ITEM NO.	DESIGNATOR
16695-001	2-99	
16696-001	2-100	
16698-151	2-26	
16699-001	3-19	
16700-001	3-20	
16702-001	3-21	
16704-151	2-204	
16705-001	2-14	
16706-001	2-5	
16706-001	3-	
16707-001	1-	
16707-002	1-	
16707-003	1-	
16707-004	1-	
16708-001	1-56	
16708-001	2-	
16708-002	1-	
16708-002	2-	
16708-003	1-	
16708-003	2-	
16708-004	1-	
16708-004	2-	
16710-001	2-	
16713-001	2-154	
16715-001	2-202	
16718-001	1-40	
16719-001	1-5	
16999-015	8-14	CB1
17144-001	11-12	
17198-001	8-18	S1
17202-062	18-	VR1-4
17203-001	2-22	
17203-002	2-	
17203-003	2-21	
17230-001	2-136	
17374-001	5-3	DS1, DS2
17440-001	8-31	
17441-001	2-160	
17466-001	9-9	
17514-001	1-	VR66
17514-001	16-	VR66
17515-001	16-11	
17517-001	1-	VR67
17517-001	16-	VR67
17518-001	13-15	
17533-XX1	1-2	
17534-XX1	1-3	
17605-002	29-	DL1
17605-002	31-	DL1

PARTS CATALOG INDEX  
MODEL NO. T200

PART NUMBER	FIGURE/ITEM NO.	DESIGNATOR
17633-001	2-6	
17634-001	3-11	
17686-001	19-5	GR37
17586-001	25-	GR37
17687-001	25-18	
17725-022	29-	L2
17725-022	30-	L2
17725-022	31-	L2
17738-002	31-15	88
17739-001	2-	
17740-001	2-	
17743-001	2-135	
17744-001	2-137	
17765-136	25-	L5,6
17766-001	2-113	
18032-001	1-9	
18325-001	1-	
18325-002	1-	
16325-003	1-	
16325-004	1-	
18433-001	7-14	
18507-001	1-51	
18507-002	1-52	
18507-003	1-53	
18507-004	1-54	
18773-001	25-15	A16
18773-001	26-15	A16
18773-001	28-18	7B
18867-004	8-19	K1
18950-001	20-23	DL1
18950-001	21-23	DL1
19014-002	2-89	
19014-003	2-90	
19040-001	6-	VP53
19041-001	6-6	
19049-001	2-32	VP53
19059-001	20-9	3B
19039-001	21-9	3B
19039-001	29-11	4A
19059-001	30-9	4A
19039-001	31-10	4A
19096-001	20-	Q7
19096-001	21-	Q7
19097-001	20-10	5B, 9A
19097-001	21-10	5B, 9A
19100-001	27-9	110, 11E
19126-001	29-2	6D, 7D
19126-001	30-16	6D, 7D
19126-001	31-2	6D, 7D

PARTS CATALOG INDEX  
MODEL NO. T200

PART NUMBER	FIGURE/ITEM NO.	DESIGNATOR
19130-001	29-3	A1,A2
19130-001	30-2	A1,A2
19130-001	31-3	A1,A2
19149-001	23-3	5A,6A
19149-001	28-14	10E,11E 11C,10D,11D 12B,6C,10C, Q5
19150-001	17-7	Q5
19150-001	18-7	Q5
19154-001	12-13	Q1,Q8
19154-001	13-50	Q12
19155-001	13-52	Q11
19156-001	20-7	5D
19156-001	21-7	6D
19157-001	25-11	ALL
19157-001	26-11	A11
19159-001	25-16	A13,A15
19158-001	26-16	A13,A15
19159-001	25-12	A12,A14
19159-001	26-12	A12,A14
19165-001	27-1	1C,6B,1D,1E
19165-001	28-4	1C,5C,1D, 5D,1E,5E,1A
19174-001	29-17	9B,8C
19174-001	31-16	9B,8C
19175-001	15-10	Q2
19175-001	16-10	Q2
19175-001	17-3	Q2
19175-001	18-3	Q2
19176-001	20-5	3D
19176-001	21-5	3D
19177-001	25-13	Q25,26
19177-001	26-13	Q25,26
19179-001	29-14	8A,11A
19179-001	30-11	8A,11A,2C
19179-001	31-13	8A,11A,26
19181-001	29-18	8D
19181-001	31-17	8D
19329-001	19-	GR47
19329-001	30-	GR47
19330-001	30-19	
19335-002	3-1	
19339-XXX	2-	
19344-001	3-2	
27627-006	2-50	
90047-013	7-	
90047-013	7-7	
90048-007	2-130	
90048-007	2-139	

PARTS CATALOG INDEX  
MODEL NO. T200

PART NUMBER	FIGURE/ITEM NO.	DESIGNATOR
90048-007	2-93	
90048-029	11-16	
90048-033	2-65	
90048-033	2-75	
90048-034	2-61	
90048-038	2-68	
90048-041	4-11	
90048-067	2-132	
90137-002	4-16	
90137-008	7-	
90311-001	22-12	11D, 9E, 11E
90311-001	23-14	8A
90311-001	24-11	10A, 12A, 11E 9D-11D, 9E, 9B, 7C 2B-4B, 7C 1E, 3E, 1CE 9A 11A, 9A, 3E, 4E 3A 8B, 9D 4E, 8E, 12E 7A, 9B, 5D 10C, 12C 7B, 10B, 10D, 11C 4D, 7D, 8D, 1A-4A Q1, Q2 Q1, 2 Q1, 2 Q1, 5, 6, 17 Q2 Q1-6, 8, 20, 21, 23 Q1, 4, 20-23 Q1, 4, 20-23 Q1, 4, 20-23 Q1, 4, 20-23 Q1-6, 8, 20, 21, 23 Q5, Q7 Q3, 4, 5, 12, 13, 14 Q3, 4, 6, 12, 13, 14 Q3, 4, 7-16,
90311-001	27-5	
90311-001	28-5	
90312-001	22-2	
90312-001	23-13	
90312-001	24-12	
90312-001	26-9	
90313-001	22-8	
90314-001	22-1	
90314-001	23-15	
90314-001	24-13	
90317-001	23-3	
90324-001	11-42	
90326-001	14-9	
90326-001	20-	
90326-001	21-	
90326-001	22-	
90326-001	24-	
90326-001	26-7	
90326-003	15-1	
90326-003	15-	
90326-003	17-2	
90326-003	13-2	
90326-003	25-7	
90327-001	11-28	
90327-001	20-	
90327-001	21-	
90327-001	22-	

PARTS CATALOG INDEX  
MODEL NO. T200

PART NUMBER	FIGURE/ITEM NO.	DESIGNATOR
		18
90327-001	24-	Q1
90327-001	26-9	Q10-15, 22, 24, 27, 28
90327-003	15-6	Q6-8, 10
90327-003	16-6	Q6-8, 10
90327-003	17-13	Q6-8, 10
90327-003	18-13	Q6-8, 10
90327-003	25-9	Q10-15, 22, 24, 27, 28
90328-002	17-10	Q24, 25
90328-002	18-10	Q24, 25
90328-002	20-	Q5, 10, 15
90328-002	21-	Q5, 10, 15
90330-001	6-5	Q2
90330-001	15-3	Q9
90330-001	16-3	Q9
90330-001	17-11	Q9, 26
90330-001	18-11	Q9, 26
90330-001	20-	Q6
90330-001	21-	Q6
90330-001	29-	Q1
90330-001	31-	Q1
90342-001	13-15	CR5, CR6
90342-001	22-	CR1-10
90342-001	24-	CR1
90343-001	20-	CR1
90343-001	21-	CR1
90343-001	22-	CR11
90344-001	13-56	CR1, CR4
90344-001	14-12	CR1
90344-001	22-	CR12
90344-001	29-	CR5, 6
90344-001	31-	CR5, 6
90346-002	21-	VR1, 6, 7
90346-033	22-	VR3
90346-047	22-	VR6
90346-051	20-	VR2, 4
90346-051	21-	VR2, 4
90346-051	22-	VR2
90346-056	20-	VR3, 5, 8, 9
90346-056	21-	VR3, 5, 8, 9
90346-056	22-	VR1
90346-056	29-	VR1
90346-062	17-	VR1-4
90346-062	20-	VR1, 6, 7
90346-062	22-	VR4
90346-120	13-26	VR1, VR2
90346-120	22-	VR5



PARTS CATALOG INDEX  
MODEL NO. T200

PART NUMBER	FIGURE/ITEM NO.	DESIGNATOR
90354-050	29-	C100
		C100
90354-050	30-	C91
90354-100	29-	C3,16
90354-100	30-	C3,16
90354-100	31-	C3,16
90354-111	25-	C49,51
90354-150	26-	C19,20
90354-151	25-	C16,17
90354-151	26-	C16,17
90354-180	20-	C37
90354-180	21-	C37
90354-241	26-	C50
90354-361	25-	C50
90354-511	11-43	C10,C13,C15
		C17
90354-511	20-	C103
90354-511	21-	C103
90354-680	25-	C19,20
90354-750	26-	C49,51
90354-821	25-	C45
90354-821	26-	C45
90354-821	29-	C10
90354-821	30-	C10
90354-821	31-	C10
90355-102	13-17	C8
90355-104	14-5	C2
90355-152	27-	C26
90355-332	13-11	C2
90355-333	24-	C37
90355-473	17-	C33,44
90355-473	18-	C33,44
90355-474	13-1	C3
90356-102	20-	C91
90356-102	21-	C91
90356-102	23-	C25,26
90356-102	24-	C25
90356-102	25-	C1,2
90356-102	25-	C1,2
90356-102	27-	C27-29
90356-102	25-	C25,C26,C31
		C32
90356-102	29-	C72,73
90356-102	30-	C72,73
90356-102	31-	C72,73
90356-204	24-	C38
90356-206	20-	C20,22,25,
		29,C40,92,
		94

PARTS CATALOG INDEX  
MODEL NO. T200

PART NUMBER	FIGURE/ITEM NO.	DESIGNATOR
90356-206	21-	C20, 22, 25, 29, C40, 92, 94
90356-206	22-	C3, 5, 8
90356-352	22-	C32, 39
90356-355	22-	C43
90356-509	13-7	C9
90356-513	13-25	C4, C5
90356-513	14-6	C1
90356-513	25-	C46
90356-513	26-	C46
90356-519	2-	C1
90356-519	6-	C13, 14
90356-519	15-	C30, 31
90356-519	16-	C30, 31
90356-519	17-	C30, 39
90356-519	18-	C30, 39
90356-519	20-	C96
90356-519	21-	C96
90356-519	22-	C34
90356-519	29-	C69-71
90356-519	30-	C69-71
90356-519	31-	C69-71
90356-521	22-	C2, 9
90356-701	17-	C31
90356-701	18-	C31
90357-132	21-	R9, 11
90357-311	10-7	C5
90357-312	10-8	C5
90357-333	18-	R75
90357-389	25-	R167
90364-056	31-	VR1
90364-100	6-	R3, 4, 12, 13
90364-100	15-	R61
90364-100	16-	R61
90364-100	17-	R134
90364-100	18-	R134
90364-100	20-	R12, 13, 58, 126 R28, 133, 135 59, 89, 91,
90364-100	21-	R12, 13, 58, 126, R128, 133, 135 59, 89, 91,
90364-100	22-	R18, 19, 22, 110, 115, 116, 119, 120, 134,

PARTS CATALOG INDEX  
 MODEL NO. T200

PART NUMBER	FIGURE/ITEM NO.	DESIGNATOR
		135,145,
		146,R151,
		152,157,
		158,167,
		168,175,
		176,162,
		183
		39-42,95,
		96,R109,
90364-100	25-	R179
90364-100	26-	R179
90364-101	11-30	R8
90364-101	20-	R5
90364-101	21-	R5
90364-101	24-	R44
90364-101	25-	R96,97
90364-101	26-	R96,97
90364-101	27-	R7
90364-101	23-	R9,10
90364-101	29-	R43,59
90364-101	30-	R43,59
90364-101	31-	R43,59
90364-102	6-	R5,6
		VR1,2
90364-102	13-33	R9
90364-102	15-	R24,25
90364-102	16-	R24,25
90364-102	17-	R22,23,127
90364-102	18-	R22,23,127
90364-102	20-	R20,36-42,
		138,140,
		141,412,
		159,160,
		161,R171,
		172,17*
		57,60,62,
		74,75,R77,
		78,94,125,
90364-102	21-	R171,172,
		R20,36,
		R77,78,94,
		125,139,
		142,159,
		140,141,
		160,161,
		174
		37-40,57,60
		62,74,75,
90364-102	22-	R21,24,53,

PARTS CATALOG INDEX  
MODEL NO. T200

PART NUMBER	FIGURE/ITEM NO.	DESIGNATOR
		57,126
90364-102	23-	R1-16,19,20 22,23
90364-102	24-	R36,40,41, R9-14,17-21 24-26,31,32 45-47
90364-102	25-	R85,95,102, 105,136,152 162,177,178
90364-102	26-	R85,95,102, 105,136,152 162,177,178
90364-102	27-	R6,9,10,12, 13
90364-102	28-	R1,2,4,7,13 14,17-19, 22-32
90364-102	29-	R1,2,5, R21-25, 15-18, 27-30,R33, 34,38,45,54 55,58,67-70
90364-102	30-	R1,2,5, R45,54,55, 15-18,22-25 27,33,38, 58,68-70
90364-102	31-	R1,2,5, R38,45,54, 15-18,21-25 27,30,33, 55,58,67-70
90364-103	11-52	R9,R13
90364-103	13-58	R39
90364-103	14-11	R2
90364-103	15-	R1-9,11-20, 40,43,46,53
90364-103	16-	R1-9,11-20, 40,43,46,53
90364-103	17-	,46,126 R1-20,40,43
90364-103	18-	R1-20,40, 43,46,126
90364-103	20-	R32,120, 137
90364-103	21-	R32,120,137
90364-103	22-	R28-30,75,

PARTS CATALOG INDEX  
MODEL NJ. T200

PART NUMBER	FIGURE/ITEM NO.	DESIGNATOR
		136, R144,
		162, 172,
		176, 185,
		136, 169
		76, 97, 117,
90364-103	24-	R30, 37
90364-103	25-	R14, 24,
		143, 168
90364-103	26-	R14, 24, 143,
		168
90364-103	28-	R20, 21
90364-104	13-37	R42
90364-104	22-	R26, 30
90364-120	25-	R104
90364-120	26-	R104
90364-121	15-	R121, 126
90364-121	16-	R121, 126
90364-121	17-	R120, 125
90364-121	18-	R120, 125
90364-123	20-	R67
90364-123	21-	R87
90364-124	25-	R124
90364-124	26-	R124
90364-151	15-	R90, 91
90364-151	16-	R90, 91
90364-151	17-	R89, 90
90364-151	18-	R89, 90
90364-152	15-	R65, 67
90364-152	16-	R65, 67
90364-152	17-	R64, 66
90364-152	18-	R64, 66
90364-152	29-	R4, 32, 37
90364-152	30-	R4, 32, 37
90364-152	31-	R4, 32, 37
90364-153	20-	R127
90364-153	21-	R127
90364-181	15-	R38
90364-181	16-	R38
90364-181	17-	R37
90364-181	18-	R37
90364-181	20-	R123,
		147-150
90364-181	21-	R123,
		147-150
90364-181	23-	R43, 44
90364-200	25-	R76
90364-200	26-	R73
90364-201	20-	R16
90364-201	21-	R16

PARTS CATALOG INDEX  
MODEL NO. T20C

PART NUMBER	FIGURE/ITEM NO.	DESIGNATOR
90364-201	22-	R52, 59
90364-201	30-	R46-53
90364-202	13-28	R13, R22
90364-202	14-7	R4
90364-202	15-	R39, 42, 45
90364-202	16-	R39, 42, 45
90364-202	17-	R39, 42, 45
90364-202	19-	R39, 42, 45
90364-202	20-	R1, 2, 121, 124, 143-146
90364-202	21-	R1, 2, 121, 124, 143-146
90364-202	24-	R34
90364-203	22-	R49, 60, 61, 63, 64, 66, 67, 69, R70, 72, 73, 128, 129
90364-204	22-	R56
90364-220	25-	R77
90364-220	26-	R77
90364-221	13-B	R20
90364-241	22-	R33, 34
90364-243	13-45	R43
90364-243	20-	R175
90364-243	21-	R175
90364-270	15-	R60
90364-270	16-	R60
90364-270	17-	R59
90364-270	18-	R59
90364-270	25-	R83, 84, 86, 114, 137-139 128, 129
90364-270	26-	R83, 84, 86, 114, 137-139 128, 129
90364-271	15-	R10, 36
90364-271	16-	R10, 36
90364-271	17-	R131, 132
90364-271	18-	R131, 132
90364-272	22-	R1-3
90364-272	24-	R29
90364-272	29-	R7
90364-273	25-	R183
90364-273	26-	R183
90364-300	15-	R30
90364-300	16-	R30
90364-301	29-	R56
90364-301	31-	R56

PARTS CATALOG INDEX  
MODEL NO. T200

PART NUMBER	FIGURE/ITEM NO.	DESIGNATOR
90364-302	13-31	R11
90364-302	22-	R23,81,84 85,127
90364-302	24-	R33
90364-304	22-	R50
90364-330	17-	R30
90364-330	18-	R30
90364-330	25-	R50,51,55, 56
90364-330	26-	R50,51,55, 56
90364-331	20-	R151-154
90364-331	21-	R151-154
90364-331	22-	R90-92
90364-331	28-	R33,34
90364-332	23-	R186-189
90364-332	26-	R186-189
90364-361	15-	R104,135
90364-361	16-	R104,135
90364-361	17-	R103,141
90364-361	18-	R103,141
90364-392	25-	R125
90364-392	26-	R125
90364-393	20-	R98,99
90364-393	21-	R98,99
90364-431	20-	R157
90364-431	21-	R157
90364-470	13-46	R15,R16
90364-470	15-	,111,114 R57,62,74,7 R98,103,105 7,81,85,97, R57,62,74,7 111,114 7,81,85,97R 98,103,105, R38,61,73,7 110,113 6,80,84,96, 97,R102,104
90364-470	16-	R38,61,73, 102,104, 110,113 76,80,84, 96,R97,
90364-470	17-	R73,80,95, 18,19
90364-470	18-	R73,60,95, 18,19
90364-470	20-	R73,60,95, 18,19
90364-470	21-	R73,60,95, 18,19

PARTS CATALOG INDEX  
MODEL NO. T200

PART NUMBER	FIGURE/ITEM NO.	DESIGNATOR
90364-470	25-	R49,41,42, 119-121,123 131,163,164 52,59,62, 68-72,75,87 88,92,
90364-470	26-	R49,41,42, 119-121,123 131,163,164 52,59,62, 68-72,75,87 88,92,
90364-471	6-	R19,20
90364-471	22-	R32
90364-472	22-	R55
90364-472	28-	R39-42
90364-473	13-14	R44,R45
90364-510	11-29	R7
90364-510	22-	R54
90364-510	24-	R3-8
90364-510	25-	R8
90364-510	26-	R8
90364-510	28-	R35-38
90364-511	14-3	R3
90364-511	20-	R22,43,44, 169,170
90364-511	21-	R22,43,44, 169,170
90364-511	22-	R47
90364-511	27-	R8
90364-511	28-	R11,12
90364-511	29-	R63,64-66
90364-511	30-	R63-66
90364-511	31-	R63,64-66
90364-512	14-10	R1
90364-512	15-	R48
90364-512	16-	R48
90364-512	17-	R48,129
90364-512	18-	R48,129
90364-512	22-	R20,27,48, 58,78,79
90364-512	29-	R41
90364-512	31-	R41
90364-513	22-	R25
90364-560	6-	R18,21
90364-561	6-	R14,15,22,2
90364-562	24-	R36
90364-680	25-	R31
90364-680	26-	R31



PARTS CATALOG INDEX  
MODEL NO. T200

PART NUMBER	FIGURE/ITEM NO.	DESIGNATOR
90364-681	13-34	R10
90364-682	17-	R128
90364-682	18-	R128
90364-684	22-	R13,51,122
90364-751	20-	R3,4
90364-751	21-	R3,4
90364-752	23-	R16,R21
90364-821	20-	R107,108, 109
90364-821	21-	R107,108, 109
90364-821	25-	R184,185
90364-821	26-	R184,185
90364-912	20-	R173
90364-912	21-	R173
90365-101	13-30	R12
90365-101	27-	R1-5
90365-101	28-	R3,5,6,8, 15,16
90365-122	29-	R6
90365-122	30-	R6
90365-122	31-	R6
90365-152	11-7	R18,R33
90365-181	20-	R14,21, 155,156
90365-161	21-	R14,21,155, 156
90365-202	24-	R16,27
90365-221	20-	R34
90365-221	21-	R34
90365-240	13-5	R25
90365-272	30-	R7
90365-272	31-	R7
90365-302	17-	R130
90365-302	18-	R130
90365-330	29-	R57
90365-330	31-	R57
90365-391	20-	R165,166
90365-391	21-	R165,166
90365-470	20-	R158
90365-470	21-	R158
90365-750	13-16	R19
90365-750	14-4	R5
90365-752	11-9	R31,R32
90365-821	6-	R11
90366-101	13-53	R29
90366-103	13-10	R18
90366-157	29-	R35
90366-157	31-	R35

PARTS CATALOG INDEX  
MODEL NO. T200

PART NUMBER	FIGURE/ITEM NO.	DESIGNATOR
90366-158	11-23	R1
90366-167	13-12	R17
90366-213	13-2	R38
90366-249	11-53	R6
90366-250	13-39	R40, R21
90366-352	13-5	R24, R26
90366-382	11-24	R2-R4
90366-410	17-	R139
90366-410	18-	R139
90367-102	6-	R1,2
90367-102	20-	R8,10,76, 79,112,119
90367-102	21-	R8,10,76,69 112,119
90367-102	25-	R111,112, 140,153
90367-102	26-	R111,112, 140,153
90367-102	29-	R46-53
90367-102	31-	R46-53
90367-103	15-	R37,92,96
90367-103	16-	R37,92,96
90367-103	17-	R91,95,133
90367-103	18-	R91,95,133
90367-103	20-	R52,54-56, 111,113,131 67,68,110,
90367-103	21-	R52,54-56, 111,113,131 67,68,110,
90367-103	22-	R8,12,45,46 113,123
90367-103	25-	R15,19,21, 157,170 25,63,64, 93,145,155,
90367-103	26-	R15,19,21, 157,170 25,63,64, 93,145,155,
90367-104	20-	R15, 100-103, 164
90367-104	21-	R15,100-103 164
90367-104	22-	R5,10,17,98 133,173,141 148,156,171 180

PARTS CATALOG INDEX  
MODEL NO. T200

PART NUMBER	FIGURE/ITEM NO.	DESIGNATOR
90367-104	25-	99,118,131, R126,127, 130,144,169 190
90367-104	26-	R126,127, 130,144, 169,190
90367-105	22-	R121
90367-110	22-	R14
90367-111	11-51	R14
90367-111	20-	R23,29
90367-111	21-	R23,29
90367-116	6-	R8,9
90367-117	15-	R47
90367-117	16-	R47
90367-117	17-	R47
90367-117	13-	R47
90367-117	22-	R9
90367-117	25-	R132,135
90367-117	26-	R132,135
90367-123	15-	R63,64
90367-123	16-	R63,64
90367-123	17-	R62,63
90367-123	18-	R62,63
90367-123	20-	R45,46
90367-123	21-	R45,46
90367-124	15-	R128
90367-124	17-	R60
90367-124	13-	R60
90367-130	26-	R122
90367-131	11-41	R39
90367-132	20-	R9,11
90367-132	22-	R104
90367-133	20-	R25,31
90367-133	21-	R25,31
90367-138	15-	R70
90367-138	16-	R70
90367-138	17-	R69
90367-138	15-	R69
90367-138	20-	R162,163
90367-138	21-	R162,163
90367-138	22-	R184
90367-139	20-	R85,86
90367-139	21-	R85,86
90367-139	29-	R10
90367-139	30-	R10
90367-139	31-	R10
		R10
90367-140	22-	R71

PARTS CATALOG INDEX  
 MODEL NO. T200

PART NUMBER	FIGURE/ITEM NO.	DESIGNATOR
90367-144	20-	R65,66
90367-144	21-	R65,66
90367-145	22-	R170
90367-146	22-	R6
90367-150	15-	R131
90367-150	16-	R131
90367-150	17-	R135
90367-150	18-	R135
90367-151	15-	R21
90367-151	16-	R21
90367-151	17-	R21
90367-151	18-	R21
90367-152	15-	R122,125
90367-152	16-	R122,125
90367-152	17-	R121,124
90367-152	18-	R121,124
90367-152	25-	R109,110
90367-152	26-	R109,110
90367-153	22-	R101,106
90367-158	20-	R117
90367-158	21-	R117
90367-159	22-	R160
90367-159	25-	R57,58
90367-159	26-	R57,58
90367-160	25-	R147,172
90367-160	26-	R147,172
90367-165	25-	R38,40
90367-166	11-40	R30
90367-166	20-	R114,130
90367-166	21-	R114,130
90367-166	22-	R112
90367-166	25-	R134
90367-166	26-	R134
90367-167	22-	R147
90367-167	24-	R43
90367-173	15-	R94
90367-173	16-	R94
90367-173	17-	R93
90367-173	18-	R93
90367-173	22-	R139
90367-174	22-	R80,100,102
90367-180	22-	R11
90367-181	11-50	R34
90367-181	22-	R103
90367-185	25-	R65,67
90367-185	26-	R65,67
90367-186	25-	R122
90367-187	13-43	R46,R46
90367-187	15-	R103,109

PARTS CATALOG INDEX  
MODEL NO. T200

PART NUMBER	FIGURE/ITEM NO.	DESIGNATOR
90367-187	16-	R108,109
90367-187	17-	R107,108
90367-187	18-	R107,108
90367-187	20-	R61
90367-187	21-	R61
90367-188	15-	R56
90367-188	16-	R56
90367-188	17-	R55
90367-188	19-	R55
90367-194	22-	R38
90367-195	11-46	R19
90367-201	11-38	R22
90367-201	15-	R69
90367-201	16-	R69
90367-201	17-	R68
90367-201	18-	R68
90367-201	25-	R158
90367-201	26-	R153
90367-202	20-	R104,83,84
90367-202	21-	R104,83,84
90367-206	24-	R49,50
90367-207	15-	R83,84
90367-207	16-	R83,84
90367-207	17-	R82,83
90367-207	18-	R82,83
90367-207	20-	R6,7,115
90367-207	21-	R6,7,115
90367-207	25-	R107
90367-207	25-	R107
90367-208	20-	R40
90367-208	21-	R90
90367-208	25-	R37,39,180
90367-208	25-	R37,39,47, 48,180
90367-209	20-	R176,177
90367-209	21-	R176,177
90367-209	22-	R87,88
90367-214	25-	R16,26
90367-214	26-	R16,26
90367-215	11-35	R12
90367-215	15-	R99,44
90367-215	16-	R99,44
90367-215	17-	R98,44
90367-215	18-	R98,44
90367-215	25-	R74
90367-215	26-	R74
90367-217	22-	R68
90367-220	15-	R87,88
90367-220	16-	R87,88

PARTS CATALOG INDEX  
MODEL NO. T200

PART NUMBER	FIGURE/ITEM NO.	DESIGNATOR
90367-220	17-	R86,87
90367-220	18-	R86,87
90367-221	25-	R100,32,36
90367-221	26-	R100
90367-222	20-	R63,64,69, 79
90367-222	21-	R63,64,69, 70
90367-222	22-	R43,44
90367-227	25-	R20
90367-227	26-	R20
90367-228	25-	R34,35,98
90367-228	26-	R32,34-36 R98
90367-229	25-	R159
90367-229	26-	R159
90367-230	15-	R58,59
90367-230	16-	R58,59
90367-230	17-	R57,58
90367-230	18-	R57,58
90367-230	20-	R134
90367-230	21-	R134
90367-230	22-	R114
90367-230	25-	R151,176
90367-230	26-	R151,176
90367-234	15-	R93,95
90367-234	16-	R9,95
90367-234	17-	R92,94
90367-234	18-	R92,94
90367-234	20-	R105,106
90367-234	21-	R105,106
90367-237	15-	R28,32
90367-237	16-	R28,32
90367-237	17-	R28,32
90367-237	18-	R28,32
90367-237	20-	R88
90367-237	21-	R88
90367-243	15-	R130
90367-243	16-	R130
90367-243	17-	R137
90367-243	18-	R137
90367-243	22-	R161,163-16
90367-244	22-	R143
90367-249	25-	R89
90367-249	26-	R89
90367-250	15-	R49,50,133
90367-250	16-	R49,50,133
90367-250	17-	R49,50,138
90367-250	18-	R49,50,138

PARTS CATALOG INDEX  
MODEL NO. T200

PART NUMBE	FIGURE/ITEM NO.	DESIGNATOR
90367-250	25-	R1,11
90367-250	26-	R1,11
90367-251	13-38	R3,R4
90367-257	22-	R153,154
90367-257	25-	R90
90367-257	26-	R90
90367-263	15-	R134
90367-263	16-	R134
90367-263	17-	R140
90367-263	18-	R140
90367-263	22-	R37
90367-264	11-37	R24,R37,R38
		R41
90367-264	15-	R71,72,73,7
		8
90367-264	16-	R71,72,73,7
		8
90367-264	17-	R70-72,77
90367-264	18-	R70-72,77
90367-264	20-	R92
90367-264	21-	R92
90367-264	22-	R155
90367-269	15-	R116,117
90367-269	16-	R116,117
90367-269	17-	R115,116
90367-269	18-	R115,116
90367-270	22-	R35
90367-270	25-	R45,46
90367-272	22-	R77
90367-278	22-	R36,111
90367-278	25-	R154,156
90367-278	26-	R154,156
90367-279	11-55	R25
90367-279	15-	R66,68
90367-279	16-	R66,68
90367-279	17-	R65,67
90367-279	18-	R65,67
90367-280	13-22	R23
90367-284	26-	R45,46
90367-285	15-	R79,80
90367-285	16-	R79,80
90367-285	17-	R78,79
90367-285	18-	R78,79
90367-285	20-	R129
90367-285	21-	R129
90367-286	22-	R173,177
90367-286	25-	R150,175
90367-286	26-	R140,175
90367-290	26-	R38,40

PARTS CATALOG INDEX  
MODEL NO. T200

PART NUMBER	FIGURE/ITEM NO.	DESIGNATOR
90367-291	29-	R19
90367-291	31-	R19
90367-292	15-	R127
90367-292	16-	R127
90367-292	17-	R54
90367-292	18-	R54
90367-293	24-	R38
90367-297	25-	R5,7
90367-297	26-	R5,7
90367-298	15-	R31
90367-298	16-	R31
90367-298	17-	R31
90367-298	18-	R31
90367-298	25-	R81,82,99
90367-298	26-	R81,82,99
90367-298	29-	R8
90367-298	30-	R8
90367-298	31-	R8
90367-299	13-36	R1,R2,R5
90367-299	15-	R54,129
90367-299	16-	R54,129
90367-299	17-	R33,56
90367-299	18-	R33,56
90367-300	20-	R96,97
90367-300	21-	R96,97
90367-300	22-	R125
90367-300	25-	R148,173
90367-300	26-	R148,173
90367-301	22-	R65
90367-301	31-	R9
90367-305	20-	R81,82,118
90367-305	21-	R81,82,118
90367-305	25-	R113
90367-305	26-	R113
90367-306	11-39	R28
90367-306	15-	R112,113,11 5,118-120
90367-306	16-	R112,113,11 5,118-120
90367-306	17-	R111,114,11 7-119
90367-306	18-	R111,114, 117-119
90367-306	22-	R4,86
90367-307	25-	R149,174
90367-307	26-	R149,174
90367-312	20-	R122,138
90367-312	21-	R122,138
90367-315	22-	R89



PARTS CATALOG INDEX  
MODEL NO. T200

PART NUMBER	FIGURE/ITEM NO.	DESIGNATOR
90367-319	25-	R12, 18, 22, 28, 97, 48
90367-319	26-	R12, 18, 22, 28
90367-320	15-	R41
90367-320	16-	R41
90367-320	17-	R41
90367-320	18-	R41
90367-320	22-	R7, 169
90367-321	25-	R146, 171
90367-321	26-	R146, 171
90367-326	29-	R20
90367-326	31-	R20
90367-327	25-	R160
90367-327	26-	R160
90367-328	22-	R107
90367-332	25-	R60, 61
90367-333	15-	R76
90367-333	16-	R76
90367-333	17-	R75
90367-333	25-	R4, 6, 94
90367-333	26-	R4, 6, 94
90367-335	22-	R62
90367-339	15-	R27, 34
90367-339	16-	R27, 34
90367-339	17-	R27, 34
90367-339	18-	R27, 34
90367-339	25-	R101, 106
90367-339	26-	R101, 106
90367-339	29-	R39, 40, 42, 44
90367-339	30-	R39, 40, 42, 44
90367-339	31-	R39, 40, 42, 44
90367-340	6-	R7, 10
90367-340	15-	R100, 101
90367-340	16-	R100, 101
90367-340	17-	R99, 100
90367-340	18-	R99, 100
90367-340	20-	R26, 27, 30, 51, 53
90367-340	21-	R26, 27, 30, 51, 53
90367-340	25-	R73, 76, 115-118, 161
90367-340	26-	R73, 76, 115-118, 161
90367-341	13-21	R6

PARTS CATALOG INDEX  
MODEL NO. T200

PART NUMBER	FIGURE/ITEM NO.	DESIGNATOR
90367-341	15-	R120,106
90367-341	16-	R102,106
90367-341	17-	R101,105
90367-341	18-	R101,105
90367-341	22-	R108,166
90367-341	25-	R142,166
90367-341	26-	R142,166
90367-347	25-	R108
90367-347	26-	R108
90367-348	25-	R2,10
90367-348	26-	R2,10
90367-348	29-	R11
90367-348	30-	R11
90367-348	31-	R11
		R11
90367-349	22-	R105
90367-354	20-	R28
90367-354	21-	R28
90367-362	15-	R51,52
90367-362	16-	R15,52
90367-362	17-	R51,52
90367-362	18-	R51,52
90367-368	11-36	R10,R15,R20
		R26,R35
90367-368	20-	R71,72,17
90367-368	21-	R71,72,17
90367-368	22-	R13
90367-368	25-	R91
90367-368	26-	R91
90367-369	13-42	R6
90367-369	22-	R138,179
90367-376	13-47	R47
90367-377	22-	R74
90367-381	29-	R9
90367-381	30-	R9
90367-381	31-	R9
90367-382	20-	R47-50
90367-382	21-	R47-50
90367-383	15-	R107,110
90367-383	16-	R107,110
90367-383	17-	R106,109
90367-383	18-	R106,109
90367-383	29-	R13
90367-383	30-	R13
90367-383	31-	R13
90367-384	22-	R149
90367-389	26-	R167
90367-390	22-	R124
90367-395	15-	R136,137

PARTS CATALOG INDEX  
MODEL NO. T200

PART NUMBER	FIGURE/ITEM NO.	DESIGNATOR
90367-395	16-	R135,137
90367-395	17-	R26,35
90367-395	18-	R26,35
90367-395	21-	R116
90367-395	25-	R3,9
90367-395	26-	R3,9
90367-396	15-	R132
90367-396	16-	R132
90367-396	17-	R136
90367-396	18-	R136
90367-396	25-	R66
90367-396	26-	R66
90367-396	29-	R26
90367-396	30-	R26
90367-396	31-	R26
90367-404	15-	R22,23
90367-404	16-	R22,23
90367-404	17-	R24,25
90367-404	18-	R24,25
90367-404	25-	R133,141, 165
90367-404	26-	R133,141, 165
90367-410	15-	R75
90367-410	16-	R75
90367-410	17-	R74
90367-410	18-	R74
90367-411	22-	R83
90367-416	20-	R24
90367-416	21-	R24
90367-417	20-	R33
90367-417	21-	R33
90367-418	22-	R159,174
90367-423	6-	R16,17
90367-423	25-	R13,17, 23,27
90367-423	26-	R13,17,23, 27
90367-423	30-	R56,57, 60-62,67,71 72
90367-425	22-	R15,93,94
90367-425	29-	R12
90367-425	30-	R12
90367-425	31-	R12
90367-426	20-	R132
90367-426	21-	R132
90367-429	15-	R123,124
90367-429	16-	R123,124

PARTS CATALOG INDEX  
MODEL NO. T200

PART NUMBER	FIGURE/ITEM NO.	DESIGNATOR
90367-429	17-	R122,123
90367-429	18-	R122
90367-429	25-	R43,44
90367-429	26-	R43,44,60, 61
90367-430	22-	R16
90367-512	30-	R41
90371-007	13-3	R30,R31
90371-082	13-20A	R49
90371-112	13-57	R37
90371-210	13-18	R27,R28
90375-001	20-16	T1
90375-001	21-16	T1
90376-056	20-	L2
90376-056	21-	L2
90376-130	2-	L1
90376-240	26-	L5,6
90381-001	14-1	K1
90389-003	1-54	
90402-001	2-87	
90410-002	14-2	
90437-002	11-10	F7-F9
90437-010	11-11	F6
90448-006	1-35	
90448-008	2-106	
90448-009	1-58	
90448-009	2-29	
90448-009	2-33	
90448-009	2-52	
90448-016	5-5	
90448-016	8-15	
90448-017	2-56	
90448-017	4-26	
90448-017	8-2	
90448-017	8-7	
90448-018	1-46	
90448-018	1-53	
90448-018	2-11	
90448-018	2-110	
90448-018	2-114	
90448-018	2-17	
90448-018	12-16	
90448-019	4-23	
90448-020	2-161	
90448-020	2-49	
90448-020	2-69	
90448-020	2-84	
90448-020	8-25	
90448-024	2-50	

PARTS CATALOG INDEX  
 MODEL NO. T200

PART NUMBER	FIGURE/ITEM NO.	DESIGNATOR
90448-024	3-14	
90448-024	3-3	
90448-024	3-3	
90448-025	12-	
90448-026	1-20	
90448-026	11-7	
90448-026	12-11	
90448-029	1-45	
90448-029	2-45	
90448-029	9-6	
90448-031	2-180	
90448-031	2-189	
90448-031	8-20	
90448-031	10-1	
90448-041	4-10	
90448-044	1-23	
90448-044	1-41	
90448-044	2-1	
90448-044	2-37	
90448-044	2-42	
90448-044	2-55	
90448-046	1-33	
90448-050	2-101	
90448-056	10-	
90448-056	12-3	
90448-061	2-124	
90448-068	12-2	
90449-033	2-77	
90449-041	2-	
90449-044	2-145	
90449-052	2-120	
90449-100	2-156	
90449-111	2-141	
90432-048	2-122	
90433-016	2-128	
90433-019	1-10	
90434-025	2-148	
90434-025	2-203	
90434-047	1-36	
90436-001	2-	
90437-003	2-	
90437-004	2-23	
90437-004	3-27	
90437-004	11-13	
90437-004	12-	
90437-005	8-23	
90437-005	10-2	
90437-006	1-17	
90437-006	4-20	

PARTS CATALOG INDEX  
 MODEL NO. T200

PART NUMBER	FIGURE/ITEM NO.	DESIGNATOR
90487-006	4-38	
90487-007	2-133	
90487-007	2-91	
90487-007	10-	
90487-010	2-94	
90488-003	1-60	
90488-003	2-108	
90488-003	2-31	
90488-003	2-35	
90488-003	2-64	
90488-004	1-22	
90488-004	1-50	
90488-004	1-65	
90488-004	2-112	
90488-004	2-116	
90488-004	2-13	
90488-004	2-163	
90488-004	2-19	
90488-004	2-52	
90488-004	2-71	
90488-004	2-96	
90488-004	3-16	
90488-004	3-5	
90488-004	3-9A	
90488-004	4-25	
90488-004	4-28	
90488-004	4-40	
90488-004	8-17	
90488-004	8-4	
90488-004	8-9	
90488-004	11-14	
90488-004	11-9	
90488-004	12-	
90488-005	1-32	
90488-005	1-49	
90488-005	2-167	
90488-005	2-178	
90488-005	2-182	
90488-005	2-193	
90488-005	2-198	
90488-005	8-22	
90488-005	9-3	
90488-005	9-8	
90488-005	10-3	
90488-006	1-19	
90488-006	1-25	
90488-006	1-43	
90488-006	2-103	
90488-006	2-187	

PARTS CATALOG INDEX  
 MODEL NO. T200

PART NUMBER	FIGURE/ITEM NO.	DESIGNATOR
90488-006	2-192	
90488-006	2-39	
90488-006	2-44	
90488-006	2-37	
90488-007	1-16	
90488-008	1-12	
90488-008	2-125	
90488-008	10-	
90488-009	2-96	
90488-104	11-17	
90489-002	1-59	
90489-002	2-107	
90489-002	2-30	
90489-002	2-34	
90489-002	2-63	
90489-002	5-5	
90489-003	1-21	
90489-003	1-48	
90489-003	2-111	
90489-003	2-115	
90489-003	2-12	
90489-003	2-162	
90489-003	2-18	
90489-003	2-24	
90489-003	2-51	
90489-003	2-57	
90489-003	2-70	
90489-003	2-85	
90489-003	3-15	
90489-003	3-4	
90489-003	3-9	
90489-003	4-24	
90489-003	4-27	
90489-003	4-39	
90489-003	8-16	
90489-003	8-26	
90489-003	8-3	
90489-003	8-5	
90489-003	11-15	
90489-003	12-	
90489-004	1-31	
90489-004	1-47	
90489-004	2-166	
90489-004	2-177	
90489-004	2-181	
90489-004	2-191	
90489-004	2-197	
90489-004	2-45	
90489-004	8-21	

PARTS CATALOG INDEX  
MODEL NO. T200

PART NUMBER	FIGURE/ITEM NO.	DESIGNATOR
90489-004	9-2	
90489-004	9-7	
90489-004	10-4	
90489-005	1-15	
90489-005	1-18	
90489-005	1-24	
90489-005	1-34	
90489-005	1-42	
90489-005	2-102	
90489-005	2-190	
90489-005	2-2	
90489-005	2-38	
90489-005	2-43	
90489-005	2-56	
90489-005	2-78	
90489-005	4-21	
90489-006	1-11	
90489-006	2-129	
90489-006	2-134	
90489-006	2-146	
90489-006	2-92	
90489-006	10-	
90489-006	12-4	
90489-007	2-142	
90489-007	2-157	
90489-007	2-95	
90489-008	2-121	
90489-008	2-30	
90489-008	2-33	
90499-057	2-32	
90548-025	4-41	
90555-002	7-9	
90567-010	2-9	
90605-006	8-29	J35
90605-009	13-20	J18
90605-009	14-13	J41
90605-012	11-25	J15
90605-015	13-54	J34
90606-003	8-28	J32
90606-004	8-30	J30, 33, 34
90606-006	14-3	J42
90606-012	11-31	J13
90606-012	13-59	J21
90689-080	3-10	
90689-083	3-12	
90690-002	12-10	
90734-001	2-40	S5, S6
90748-003	2-	
90775-001	10-9	



PARTS CATALOG INDEX  
MODEL NO. T200

PART NUMBER	FIGURE/ITEM NO.	DESIGNATOR
90779-001	2-25	
90799-008	2-117	
90949-003	1-4	
90964-150	20-	L1
90964-150	21-	L1
90965-015	26-	L1,2
90965-033	29-	L1
90965-033	30-	L1
90965-033	31-	L1
90965-056	25-	L1,2
90965-100	25-	L3,4
90965-120	26-	L3,4
90965-330	15-	L1,2
90965-330	16-	L1,2
90965-330	17-3	L1-3
90965-330	18-8	L1-3
90999-001	2-20	
90999-001	3-17	
90999-001	4-42	
90999-001	11-6	
91236-001	27-10	9E
91345-036	5-4	P44
91446-003	4-19	
91446-010	2-88	
91446-014	4-34	
91446-021	4-4	
91488-106	2-73	
91488-206	2-59	
91488-406	7-	
91535-001	2-118	
91593-001	3-7	
91810-157	11-19	C1
91810-304	11-20	C2,C3
91810-304	12-7	C6
91810-505	11-21	C4
91810-758	12-3	C4,C5
91965-180	13-51	R36
91971-017	10-6	
91977-015	13-43	CB1,CB2
92127-001	20-3	5C,11C,1E
92127-001	21-3	5C,11C,1E
92127-001	23-6	11C,3E,9E
		2C,5C,8C,
92127-001	24-5	5C,2D,6E
92127-001	27-4	3B
92127-001	28-3	5A,9A
92128-001	23-7	11E
		6B,1E,1D,4E
		7E,8E,10E,

PARTS CATALOG INDEX  
MODEL NO. T200

PART NUMBER	FIGURE/ITEM NO.	DESIGNATOR
921 28-001	24-2	1C,3C,4D, 5D,7D,2E
921 28-001	27-5	10B,2D,3D, 10E 10D,2E,3E,
921 28-001	28-10	2A,4A,8A,6B
921 29-001	23-10	4A,5B,2E
921 29-001	24-4	4C,3D,7E
921 29-001	28-19	8E
921 30-001	20-25	11E
921 30-001	21-25	11E
921 30-001	23-12	11A,6E
921 30-001	24-16	6C,9C,11C
921 30-001	27-3	7B,8E
921 30-001	28-6	1B,5B,8C,8D 7E
921 31-001	24-3	2C
921 33-001	24-6	2B,3B
921 36-001	20-22	11D,12D, 12E
921 36-001	21-22	11D,12D,12E
921 36-001	22-11	12C,12D
921 36-001	23-2	2D,3D,1C
921 36-001	24-14	1E,8E 11B,12B,8D,
921 36-001	28-2	6D,7D
921 36-001	29-4	3D
921 36-001	31-3A	3D
921 38-001	13-41	A1
921 40-001	22-3	A1,A2
922 44-150	20-14	R93
922 44-150	21-14	R93
922 44-220	20-12	R35,136
922 44-220	21-12	R35,136
922 44-250	29-13	R3,14,36
922 44-250	30-10	R3,14,36
922 44-250	31-12	R3,14,36
922 44-310	29-15	R31
922 44-310	30-13	R31
922 44-320	22-	R140
922 74-310	31-14	R31
924 55-050	2-201	
926 53-001	12-1	CR4
927 81-001	2-	
927 81-020	2-127	
928 08-001	10-3	
928 37-106	4-37	
928 37-206	1-30	
928 37-206	2-165	

PARTS CATALOG INDEX  
MODEL NO. T200

PART NUMBER	FIGURE/ITEM NO.	DESIGNATOR
92837-206	2-176	
92837-206	2-185	
92837-206	2-196	
92837-206	9-1	
92837-306	1-14	
92837-308	2-188	
92837-308	2-27	
93141-002	2-	
93141-003	2-123	
93272-001	8-12	
93407-001	13-32	Q1
93705-001	2-172	
93718-001	2-171	
93719-002	7-3	
94039-151	13-13	R21
94209-001	13-29	Q13
94209-001	22-	Q2,19
94250-001	11-27	Q1
94526-001	20-21	10D
94526-001	21-21	10D
94526-001	23-5	3C
94526-001	24-17	8C,1D
94526-001	28-17	8B
94580-001	7-3A	
95139-001	2-153	
95139-001	2-98	
95238-001	2-147	
95304-014	2-	
95304-015	2-104	
95361-040	15-	J1
95361-040	16-	J1
95361-040	17-9	J1
95361-040	18-9	J1
95361-140	13-35	J20
95379-347	6-	C9,10,15-18
95379-347	15-	C34-37
95379-347	16-	C34-37
95379-347	17-	C34-37
95379-347	18-	C34-37
95379-347	20-	C50,51,63, C75-77, 65,67 79-89,101
95379-347	21-	C50,51,63, C77,79-89, 101 65,67,75,
95379-347	22-	C1,4,6,7, 10-14,18,21

PARTS CATALOG INDEX  
MODEL NO. T200

PART NUMBER	FIGURE/ITEM NO.	DESIGNATOR
		22,25,44, 49-52,56,57 80,81,84,85 89,90
95379-347	23-	C1-24
95379-347	24-	C1-24
95379-347	25-	C4,43,44,47 52,64
95379-347	26-	C4,43,44, 47,52,64
95379-347	27-	C1-24
95379-347	28-	C1-24
95379-347	29-	C2,9,11, C81,84,90
		25-68,76,80
95379-347	30-	C2,9,11, C55-61, 25-38,40-52 64-68,76,80 81,84,90
95379-347	31-	C2,9,11, 25-68,76,80 81,84,90
95427-003	11-32	R16,R17
95427-007	13-*	R32-R35,50, 51
95427-008	11-44	R21,R27,R36
95511-001	2-	
95511-001	11-26	CR3-CR11
95511-001	13-55	CR2,CR3
95534-001	11-2	Q3,Q4
95535-001	11-3	Q5
95544-001	24-9	2A-4A
95545-001	20-19	12C
95545-001	21-19	12C
95545-001	24-15	7C
95545-001	28-3	2E-4E 3C,2D-4D,
95546-001	22-10	11C
95546-001	23-1	60,9D,12D
95547-001	24-1	6D,5E
95549-001	20-2	4E,5E
95549-001	21-2	4E,5E
95549-001	23-16	8B,4B,11B
95549-001	23-17	10C,4C 7B,10B,7C,
95549-001	24-8	5A-8A
95657-001	1-38	
95952-015	25-	R33

PARTS CATALOG INDEX  
MODEL NO. T200

PART NUMBER	FIGURE/ITEM NO.	DESIGNATOR
95952-015	26-	R33
95952-017	25-	R53,54
95952-017	26-	R53,54
95952-020	15-	R55
95952-020	16-	R55
95952-020	17-	R36
95952-020	18-	R36
95952-020	25-	R79,80
95952-020	26-	R79,80
95952-021	15-	R86,89
95952-021	16-	R86,89
95952-021	17-	R85,88
95952-021	18-	R85,88
95952-024	25-	R30,182
95952-024	26-	R30,182
95952-027	25-	R103
95952-027	26-	R103
95952-028	25-	R29
95952-030	15-	R33
95952-030	16-	R33
95952-030	17-	R33
95952-030	18-	R33
95952-031	25-	R29
95952-033	15-	R29
95952-033	16-	R29
95952-033	17-	R29
95952-033	18-	R29
95955-001	13-49	Q3
95956-001	13-44	Q2
96067-001	2-	
96074-001	2-	
96083-003	11-9	
96141-006	2-	J47
96155-001	15-5	A1
96155-001	16-5	A1
96155-001	17-1	A1
96153-001	18-1	A1
96155-001	20-1	2E
96155-001	21-1	2E
96155-001	25-3	A3,A7
96155-001	26-3	A3,A7
96155-001	29-3	10B,3B,11B, 5C,1D,2D, 9D,3E,10E
96155-001	30-6	3B,9B,10B, 3E,10E
96155-001	31-9	9C,1D,2D,9D 3B,10B,11B, 3E,10E

PARTS CATALOG INDEX  
MODEL NO. T200

PART NUMBER	FIGURE/ITEM NO.	DESIGNATOR
96156-001	29-10	5C, 1D, 2D, 9D 1C, 7C, 11C, 4E 6A, 7A, 10A,
96156-001	30-7	1C, 5C, 4E 6A, 7A, 10A,
96156-001	31-7	1C, 7C, 1K, 4E 6A, 7A, 10A,
96385-001	6-3	Q1
96385-001	20-	Q9, 11
96385-001	21-21	Q9, 11
96389-001	15-7	A2
96389-001	16-7	A2
96389-001	17-14	A2
96389-001	18-14	A2
96389-001	20-5	4D
96389-001	21-6	4D, 5D
96389-001	25-4	A5
96389-001	26-4	A5
96389-001	29-7	10C, 5D, 5E 4B-7B, 6C,
96389-001	30-4	4B-6B, 12B, 6C, 3D, 5D, 5E
96389-001	31-6	10C, 5D, 5E 4B-7B, 6C,
96390-001	29-22	9E
96390-001	30-15	10C, 11C, 11D 12D, 9E
96390-001	31-20	9E
96408-003	28-11	DS1, 2
96555-001	7-2	
96556-001	7-	
96557-001	7-	
96558-001	7-	
96563-001	7-12	
96590-001	7-13	
96591-001	15-	
96591-001	16-	
96591-001	17-	
96591-001	18-	
96616-001	7-1	
96620-001	7-	
96624-001	7-	
96636-001	2-150	
96639-001	2-149	
96725-001	2-	S1
96728-001	29-5	12B 4C, 3C, 4D, 7E
96728-001	30-14	11B, 4C, 8C,

PARTS CATALOG INDEX  
MODEL NO. T200

PART NUMBER	FIGURE/ITEM NO.	DESIGNATOR
96728-001	31-4	4D, 8D, 8E 12B
96758-001	20-3	4C, 9C, 4D, 8E
96758-001	21-3	6E, 6B
96758-001	22-7	6E, 6B
96838-001	7-5	9A
96839-001	7-4	
96946-104	8-10	
96946-108	6-5	
96972-001	7-3	
96977-001	25-5	A4
96977-001	26-5	A4
96977-001	29-9	1B
96977-001	30-5	1B
96977-001	31-8	1B
96983-002	7-	
96997-002	5-1	S1, S4
96997-003	5-2	S2, S3
97018-001	7-6	
97225-003	15-4	Z1
97225-003	16-4	Z1
97225-003	17-4	Z1
97225-003	18-4	Z1
97225-005	24-18	Z1, Z2
97244-001	2-	
97273-001	28-13	X12A
97427-001	29-19	10D, 11D
97427-001	31-19	10D, 11D
97607-001	15-5	A3
97607-001	16-5	A3
97607-001	17-12	A3
97607-001	18-12	A3
97607-001	20-17	12B
97607-001	21-17	12B
97607-001	25-1	A1, A9
97607-001	26-1	A1, A9
97616-001	7-11	
97627-004	2-74	
97858-001	2-53	
97859-001	2-54	
98175-010	20-	C66, 102
98175-010	21-	C66, 102
98175-015	20-	C61
98175-015	21-	C61
98175-022	13-24	C7
98175-022	25-	C60, 61, 67, 68
98175-022	26-	C60, 61,

PARTS CATALOG INDEX  
MODEL NO. T200

PART NUMBER	FIGURE/ITEM NO.	DESIGNATOR
		67,68
98175-047	6-	C7,8
98175-056	13-23	C1
98175-068	13-27	C6
98175-110	20-	C14,46,47
98175-110	21-	C14,46,47
98175-110	22-	C58,60,63, 70,79,86,88 93
98175-110	23-	C27,28
98175-110	28-	C35,36
98175-115	20-	C31,11,62
98175-115	21-	C31,11,62
98175-127	20-	C30
98175-127	21-	C30
98175-127	25-	C37,38,40, 41
98175-127	26-	C37,38, 40,41
98175-141	22-	C83
98175-147	6-	C1,2
98175-147	20-	C10,64
98175-147	21-	C10,64
98175-147	24-	C40
98175-156	20-	C60,68
98175-156	21-	C60,68
98175-156	22-	C53
98175-168	11-48	C16
98175-168	20-	C33,74
98175-168	21-	C33,74
98175-168	29-	C14
98175-162	28-	C28,30
98175-208	15-	C7,8
98175-210	15-	C1
98175-210	16-	C1
98175-210	17-	C1
98175-210	18-	C1
98175-210	20-	C32,69,79, 71,72
98175-210	21-	C32,69,70 C71,72
98175-210	29-	C87 C87
98175-210	30-	C87
98175-210	31-	C87
98175-222	15-	C41
98175-222	16-	C41
98175-222	17-	C43
98175-222	18-	C43



PARTS CATALOG INDEX  
MODEL NO. T200

PART NUMBER	FIGURE/ITEM NO.	DESIGNATOR
98175-222	22-	C92
98175-227	20-	C34
98175-227	21-	C34
98175-233	29-	C15
98175-247	11-45	C11, C12
98175-247	13-9	C10
98175-247	16-	C7,8
98175-247	16-	C7,8
98175-247	22-	C54
98175-247	25-	C58,65
98175-247	26-	C58,65
98175-268	17-	C7,8
98175-268	22-	C55,73,82, 91
98175-268	24-	C39
98175-310	11-22	C5-8
98175-310	15-	C2,3,4,38,4 0
98175-310	16-	C2,3,4,38,4 0
98175-310	17-	C2-4,40,41
98175-310	19-	C2-4,40,41
98175-310	20-	C38,41
98175-310	21-	C38,41,23
98175-310	22-	C26,27,42, 87
98175-310	24-	C29-34
98175-310	28-	C37-40
98175-315	16-	C13,15
98175-315	18-	C13,15
98175-315	20-	C23
98175-322	15-	C13,15
98175-322	17-	C13,15
98175-327	25-	C42
98175-327	26-	C42
98175-333	20-	C100
98175-333	21-	C100
98175-347	6-	C3,4
98175-347	15-	C5,32,33
98175-347	16-	C5,32,33
98175-347	17-	C6,32,38
98175-347	18-	C6,32,38
98175-347	20-	C56,67,78, 104-119 97,C98,99,
98175-347	21-	C56,67,78, 97,C98,99
98175-347	22-	C15-17,19, 20,C23,

PARTS CATALOG INDEX  
MODEL NO. T20C

PART NUMBER	FIGURE/ITEM NO.	DESIGNATOR
		26-31, 35-38 40, 41, 45-48 61, 62, 64, 65 71, 72
98175-368	22-	C59
98175-410	6-	C5, 6, 11, 12
98175-410	11-54	C9
98175-410	15-	C16-18, 20-2 C6, 9-12, 14 6, 28, 29
98175-410	16-	C6, 9-12, 14, 16-18, C20-2 6, 28, 29
98175-410	17-	C5, 9-12, 14, 16-18, C20-2 6, 28, 29
98175-410	18-	C20-26, 28, C5, 9-12, 14, 16-18, 29
98175-410	20-	C1-9, 12, 3, 19, 21, C24, 26-28, 36, 39, 45, 48, 49, 52, 53, 58, 59, 73, 90, C93, 95,
98175-410	21-	C1-9, 12, 13, 19, 21, C24, 26-28, 36, 39 45, 48, 49, 52 53, 58, 59, 73 90, C93, 95
98175-410	25-	C5, 6, 10, 11, 14, 15, 18, 3, 21-26, 28-36 39, 53-57, 59 62, 66, 69-81
98175-410	26-	C5, 6, 10, 11, 14, 15, 18, 3, 21-26, 28-36 39, 53-57, 59, 62, 66, 69-81
98175-410	29-	C1-4, 7, 12, 14, 15, 17-24 74, 75, 77-79 82, 83, 85, 88 89, 101

PARTS CATALOG INDEX  
MODEL NO. T200

PART NUMBER	FIGURE/ITEM NO.	DESIGNATOR
98175-410	30-	C17-24,74, C1,4-7,12, 14,15 75,77-79,82 83,85,88,89
98175-410	31-	C1-7,12, 15,91 17-24,74,75 77-79,82,83 85,88,89,14
98410-001	2-	
98412-001	2-	
98445-001	22-	CR17,18
98445-001	27-	CR1
98445-001	28-	CR1,2
98455-001	2-105	
98604-001	23-11	2A,3A,3B
98604-001	24-7	4B-6B,12C
98604-001	23-12	10A,11A
98604-001	29-20	6E
98604-001	30-16	6E
99139-001	2-	
99184-001	23-4	6C,9C,12C
99250-001	2-72	
99326-001	25-10	A2,A8
99326-001	26-10	A2,A8
99326-001	29-1	1E,2E,10E, 11E
99326-001	30-1	1E,2E,11E, 12E
99326-001	31-1	1E,2E,10E, 11E
99404-001	2-199	
99406-003	2-200	
99444-001	7-	
99554-001	12-5	
99916-410	2-13	C1

**READER'S COMMENT FORM**

Date: \_\_\_\_\_

Title of Publication: \_\_\_\_\_

Part Number of Publication: \_\_\_\_\_

Your comments help us produce better publications. Please use this post-paid form to submit corrections or suggestions. Include specific page references if appropriate.

Check here and include your name and address if you want copies of this form for future use.

Space is available on the other side of this page for additional comments.

Thank you for your cooperation.

Staple

Fold

Fold

NO POSTAGE  
NECESSARY  
IF MAILED  
IN THE  
UNITED STATES

**BUSINESS REPLY MAIL**

FIRST CLASS

PERMIT NO. 19

ANAHEIM, CA

Postage Will Be Paid By Addressee

**Century Data Systems**

P.O. Box 3056

Anaheim, CA 92803

**Attention: Technical Publications**

Fold

Fold

Additional Comments:



# Century Data Systems

A Xerox Company

## U.S. Sales Offices

13773 N. Central Expressway, Suite 1314  
Dallas, TX 75243  
Phone 214/699-1682

5629 FM 1969W, Suite 312  
Houston, TX 77069  
Phone 713/893-6123

5 Main Street  
Cold Spring Harbor, NY 11724  
Phone 516/367-4101  
TWX 516-367-4292

3375 Scott Blvd., Suite 440  
Santa Clara, CA 95051  
Phone 408/727-2833

2925 Cardinal Drive, Suite E  
P.O. Box 3867  
Vero Beach, FL 32960  
Phone 305/567-5700  
TWX 910-591-1154

6425 So. Pennsylvania  
Lansing, MI 48910  
Phone 517/393-8088

69 Hickory Drive  
Waltham, MA 02154  
Phone 617/890-1670

571 N. Poplar, Suite H  
Orange, CA 92668  
Phone 714/978-0800

2020 Algonquin Road, Suite 307  
Schaumburg, IL 60193  
Phone 312/397-1007

10 Mechanic Steet, Suite C  
Red Bank, NJ 07701  
Phone 201/741-1407

## International Sales Offices

Haingasse 13-15  
6380 Bad Homburg VDH  
West Germany

Cory House, 7th Floor  
The Ring  
Bracknell, Berks U.K. RG12 1ER  
England

Century Data Systems, Inc.  
1270 North Kraemer, Anaheim, California 92806  
P.O. Box 3056, Anaheim, California 92803  
For information Phone (714) 632-7500  
Telex 655437